

**444J UTILITY LOADER
(S.N. -611274)**



JOHN DEERE

PARTS CATALOG

**444J UTILITY LOADER
(S.N. -611274)**

PC9338 (Apr-07) English

Worldwide Construction and Forestry Division

Worldwide Edition
Litho In U.S.A. (Revised)
COPYRIGHT © 2007
DEERE & COMPANY
Moline, Illinois
All rights reserved

INTRODUCTION AND CUSTOMER INFORMATION

T194006A -UN-13NOV03



*LEFT SIDE VIEW OF JOHN DEERE 444J LOADER
(MANUFACTURED 2004-2007)*

TO THE CUSTOMER

THE PART NUMBERS IN THIS PARTS CATALOG WERE CORRECT AT THE TIME YOUR CATALOG WAS PUBLISHED. IT IS OUR POLICY TO CONSTANTLY IMPROVE OUR MACHINES, AND THEREFORE, PART NUMBERS MAY CHANGE. WHEN ORDERING PARTS, VERIFY PART NUMBERS THROUGH YOUR DEALER.

(SPECIFICATIONS AND DESIGN SUBJECT TO CHANGE WITHOUT NOTICE)

SERIAL NUMBER LOCATION

EACH 444J LOADER HAS SIX SERIAL NUMBER PLATES: ONE FOR THE PRODUCT IDENTIFICATION NUMBER, ONE FOR THE TRANSMISSION, ONE FOR THE HYDRAULIC PUMP, ONE FOR THE ENGINE SERIAL NUMBER, ONE FOR EACH AXLE, AND ONE FOR THE CONTROL VALVE.

THE PRODUCT IDENTIFICATION NUMBER PLATE IS LOCATED ON THE LEFT SIDE OF THE ENGINE FRAME NEAR THE TRANSMISSION OIL FILL.

THE TRANSMISSION SERIAL NUMBER PLATE IS LOCATED ON THE LOWER RIGHT REAR OF THE TRANSMISSION CASE.

THE HYDRAULIC PUMP SERIAL NUMBER PLATE IS LOCATED ON THE LOWER LEFT OF THE HYDRAULIC PUMP.

THE ENGINE SERIAL NUMBER PLATE IS LOCATED ON THE LEFT SIDE OF THE ENGINE NEAR THE WATER SEPERATOR.

THE AXLE SERIAL NUMBER PLATES ARE LOCATED ON THE INPUT SIDE OF EACH DIFFERENTIAL CASE.

THE CONTROL VALVE SERIAL NUMBER PLATE IS LOCATED ON THE REAR CENTER OF THE CONTROL VALVE.

LEFT, RIGHT, FRONT, AND REAR OF THE LOADER ARE REFERENCED BY FACING THE DIRECTION OF LOADER FORWARD TRAVEL.

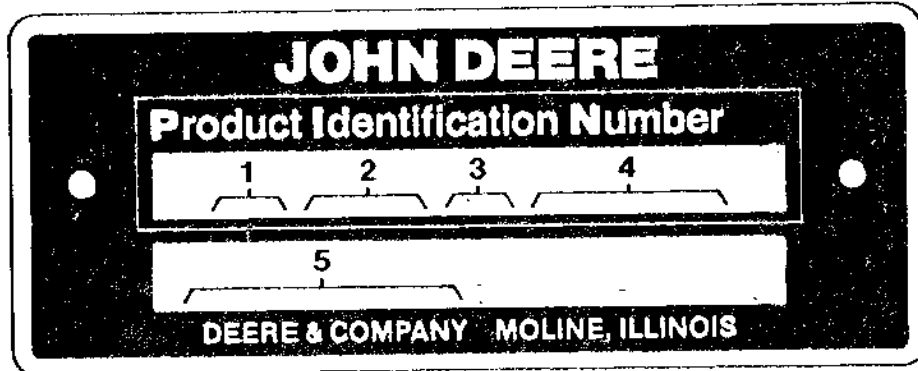
WHENEVER SERIAL NUMBERS ARE REQUIRED ON WARRANTY CLAIMS OR CORRESPONDENCE PERTAINING TO THIS PRODUCT, IT IS EXTREMELY IMPORTANT THAT ALL CHARACTERS BE FURNISHED. THIS POINT CANNOT BE EMPHASIZED ENOUGH.

000I-3

444J UTILITY LOADER (S.N. -611274)

PRODUCT IDENTIFICATION NUMBER PLATE

TP16004 -UN-01JAN94



TP16004

1. DESIGNATES LOADER MANUFACTURER
2. DESIGNATES LOADER MODEL
3. DESIGNATES LOADER CONFIGURATION

4. DESIGNATES LOADER SERIAL NUMBER
5. DESIGNATES UNIT TYPE

DW - JOHN DEERE DAVENPORT WORKS
444J
Z WITH ZBAR
H WITH HIGH LIFT
T WITH TOOL CARRIER
XXXXXX
LOADER

ENGINE SERIAL NUMBER PLATE

T134833 -UN-23OCT00



T134833

FIRST LINE

DEFINES

PE - JOHN DEERE TORREON

DESIGNATES ENGINE MANUFACTURER.

4

DESIGNATES NUMBER OF CYLINDERS.

4.5

DESIGNATES LITER DISPLACEMENT.

H - TURBOCHARGED DIESEL WITH INTERCOOLER

DESIGNATES TYPE OF AIR INTAKE SYSTEM

XXXXXX

DESIGNATES ENGINE SERIAL NUMBER.

SECOND LINE

APPLICATION

PE4045HDW52

444J LOADER

SERIAL NUMBER LISTING INFORMATION

SERIAL NUMBER INFORMATION IS LISTED TO SHOW ON WHICH MACHINES EACH PART CAN BE USED; FOR EXAMPLE:

-	THE PART CAN BE USED ON ALL MACHINES.
XXXXXX	THE PART CAN BE USED ON ALL MACHINES BEGINNING WITH THE SERIAL NUMBER LISTED.
-XXXXXX	THE PART CAN BE USED ON ALL MACHINES UP TO AND INCLUDING THE SERIAL NUMBER LISTED.
XXXXXX-XXXXXX	THE PART CAN BE USED ON ALL MACHINES BETWEEN AND INCLUDING THE SERIAL NUMBERS LISTED.

WHEN XXXXXX'S ARE LISTED IN PLACE OF A SERIAL NUMBER, A SERIAL NUMBER CHANGE WAS MADE BUT THE EXACT SERIAL NUMBER WAS NOT AVAILABLE WHEN THE CATALOG WAS PRODUCED.

DIRECTION ARROW

ARROWS ARE USED WITH ILLUSTRATIONS TO INDICATE THE FRONT OF THE UNIT. "RIGHT-HAND" AND "LEFT-HAND" SIDES ARE DETERMINED BY FACING IN THE DIRECTION OF MACHINE FORWARD TRAVEL.

BOX-ENCLOSED ILLUSTRATIONS

A KEY NUMBER, SHOWN IN THE PARTS LIST, IS ASSIGNED TO A BOX ENCLOSING ALL PARTS SOLD AS A SERVICE ASSEMBLY.

COMPLETE GOODS LISTINGS

COMPLETE GOODS ARE LISTED IN BOLD FACE TYPE. ORDER SEPARATELY. DO NOT INCLUDE ON REPLACEMENT PARTS ORDER.

SI UNITS OF MEASURE

METRIC DIMENSIONS ARE GIVEN, WHERE APPLICABLE, THROUGHOUT THIS PARTS CATALOG.

REMARKS AND ABBREVIATIONS

THE FOLLOWING REMARKS AND ABBREVIATIONS MAY APPEAR THROUGHOUT THE PARTS CATALOG. REFER TO THE FOLLOWING CHART FOR TRANSLATIONS TO LANGUAGES OTHER THAN ENGLISH

REMARKS AND ABBREVIATIONS

TX1007193 -UN-04MAY06

PHRASE	ENGLISH	FRANCAIS	DEUTSCH	ITALIANO	ESPAÑOL	SVENSKA
ALSO ORDER, ORD W/	Also order	Commander aussi	Ebenso bestellen	Ordinare anche	Pedir también	Beställ även
AMP	Ampere	Ampère	Ampere	Ampere	Amperio	Ampere
APPL, APPL ONLY	This application only	Uniquement pour cette utilisation	Nur für diese Anwendung	Solo per questa applicazione	Solo para este propósito	Endast för denna användning
AR	As required	Selon le besoin	Nach Bedarf	Secondo necessità	Según necesidad	Vid behov
ASSY	Complete assembly	Ensemble complet	Kompl.-Zusammenbau	Gruppo completo	Montaje completo	Komplett montering
CA, CONVENIENCE ASSY	Convenience assembly	Ensemble convenance	Komfort-Zusammenbau	Montaggio pratico	Montaje de conveniencia	Lämplig montering
CCW	Counter-clockwise	Sens anti-horaire	Gegen Uhrzeigersinn	Senso antiorario	A la izquierda	Moturs
COMPLETE	Complete	Complet	Vollständig	Completo	Completo	Fullständig
COMPLETE GOODS	Complete goods	Compléter marchandises	Vollst. Waren	Merci complete	Mercancías completas	Kompleta varor
CTL CUT TO LENGTH	Cut to length	Couper à la longueur	Auf Länge zurechtschneiden	Tagliare alla lunghezza	Corte a la longitud	Skära till längd
CW	Clockwise	Sens horaire	Im Uhrzeigersinn	In senso orario	A la derecha	Medurs
FOR	For	Pour	Für	Per	Para	För
FRONT	Front	Avant	Vorn	Anteriore	Frente	Fram
GAS	Gasoline	Essence	Benzin	Benzina	Gasolina	Bensin
HP	Horsepower	Puissance en cv	Leistung	Potenza	Potencia	Hästkraft
HFWD	Hydraulic Front-wheel Drive	Traction Avant Hydraulique	Hydraulischer Vorderradantrieb	Trazione Anteriore Idraulica	Traccion Delantera Hidraulica	Hydraulisk Framhjulsdrift
HS, HEAD MARKED	High strength, head marked	Haute résistance, tête marquée	Hochfest, vorn gekennzeichnet	Contrassegnato in testa, ad alta resistenza	Alta fuerza, marca en cabeza	Hög styrka, huvudmärkt
ID	Inside diameter	Diamètre intérieur	Innendurchmesser	Diametro interno	Diá. interior	Innerdiameter
INCH	Inch	Pouce	In.	Pollice	Pulg.	Tum
INCL KEYS	Includes keys...	Comprend les positions...	Einschließlich Schlüssel...	Include le chiavette...	Incluye posiciones...	Inklusive nycklar...
INCL, INCLUDES	Includes...	Comprend...	Enthält...	Include...	Incluye...	Inkluderar...
INCLUDES PARTS/ ITEMS MARKED	Includes parts/items marked...	Comprend les pièces/articles marqués...	Enthält gekennzeichnete Teile/Pos. ...	Include i pezzi e gli elementi contrassegnati...	Incluye piezas marcadas...	Inkluderar markerade delar/artiklar...
INNER	Inner	Intérieur	Innerer	Interno	Interno	Inre, invändig
KIT	Kit	Kit	Kit	Kit	Juego	Sats
L	Number of links	Nombre de maillons	Anzahl der Glieder	Numero di maglie	Nº de eslabones	Antal länkar
LGTH	Length	Longueur	Länge	Lunghezza	Longitud	Längd
LGP	Low Ground Pressure	Faible Pression Au Sol	Niederer Bodendruck	Bassa Pressione Sul Suelo	Baja Presion Sobre El Suelo	Laagt Marktryck
LH	Left-hand	Gauche	Links	Sinistra	Izquierda	Vänster
LT	Long Track	Chenille Longue	Mit Langem Laufwerk	Cingolo Lungo	Cadena Largo	Laangt Larvband
LOW, LOWER	Lower	Inférieur	Unterer	Inferiore	Inferior	Nedre
MAKE FROM, MF MARKED	Make from Marked	Faireavec Marqué	Herstellen von Markiert	Fabbricare da Contrassegnato	Hacer de Marcado	Tillverka av Märkt

TX1007193

REMARKS AND ABBREVIATIONS

TX1007195

-UN-04MAY06

PHRASE	ENGLISH	FRANCAIS	DEUTSCH	ITALIANO	ESPAÑOL	SVENSKA
MATCHED SET	Matched set	Ensemble assorti	Passender Satz	Set abbinato	Sistema emparejado	Anpassad sats
MFWD	Mechanical Front-Wheel Drive	Pont Avant	Allradantrieb	Ruota Motrice Meccanica Anteriore	Traccion Delantera Mecanica	Mekanisk Framhjulsdrift
NA, NOT USED THIS APPL	Not used this application	Ne sert pas pour cette application	In dieser Anwendung nicht benutzt	Non usato in questa applicazione	No se usa en esta aplicación	Ej använd i detta sammanhang
NLA	No longer available	Epuisé	Nicht mehr lieferbar	Non più disponibile	Descontinuado	Ej längre tillgänglig
NSEP	Not supplied separately	Non livré séparément	Nicht einzeln lieferbar	Non fornito separatamente	No se suministra por separado	Kan ej erhållas separat
OD	Outside diameter	Diamètre extérieur	Außendurchmesser	Diametro esterno	Diá. exterior	Ytterdiameter
OPTIONAL	Optional	En option	Wahlweise	Opzionale	Opcional	Valfri
OR	Or	Ou	Oder	Oppure	O	Eller
ORD, ORDER	Order	Commander	Bestellen	Ordinare	Pídase	Order
OS	Oversize	Sur-dimension	Übergröße	Maggiorato	Sobretamaño	Överdimension
OUTER	Outer	Externe	Äußerer	Esterno	Externo	Yttre, utvändig
PKG, PACKG	Package, Packet of	Emballage, paquet de	Verpackung, verpackt mit	In confezione da	Paquete de	I sats; paket
PTO	Power Take Off	Prise De Force	Zapfwelle	Presa Di Forza	Toma De Fuerza	Kraftuttag
RATIO	Ratio	Rapport	Übersetzungs-verhältnis	Rapporto	Índice	Förhållande
REAR	Rear	Arrière	Hinten	Posteriore	Trasero	Bak; bakre
REMAN	Remanufactured	Echange Standard	Generalveberholt	Refatto	Refabricador por	Renoverad
REPL	Replaces	Remplace	Ersetzt	Sostituisce	Sustituye	Ersätter
RH	Right-hand	Droit	Rechts	Destra	Derecha	Höger
SN	Serial number	Numéro de série	Seriennummer	Numero di serie	Nº de serie	Seriennummer
STD	Standard	Standard	Standard	Standard	Normal	Standard
SUB	Replaced by	Remplacé par	Ersetzt durch	Sostituito da	Sustituido por	Ersatt med
SUB COMPONENTS	Substitute components (of the kit or assy)	Substituer les composants (du kit ou de l'ensemble)	Komponenten ersetzen (des Kits oder der Baugruppe)	Sostituire i componenti (del kito del gruppo)	Sustituir los componentes	Ersätta komponenterna (i satsen eller monteringen)
SUB FOR	Substitutes for	Remplace	Ersatz für	Sostituisce	Sustitución para	Ersätter
TEETH, Z	Number of gear teeth	Nombre de dents d'engrenages	Zahl der Zahnradzähne	Numero di denti dell'ingranaggio	Nº de dientes de engranaje	Antal redskapständer
TK	Thickness	Épaisseur	Stärke	Spessore	Espesor	Tjocklek
UP, UPPER	Upper	Supérieur	Oberer	Superiore	Superior	Övre
US	Undersize	Sous-dimension	Untergröße	Minorato	Subtamaño	Underdimension
USE WITH	Use with	À utiliser avec	Verwenden mit	Usare con	Usar con	Använd med
USE UNTIL EXHAUSTED	Use until exhausted	Utilisation jusqu'à épuisé	Verwenden, bis erschöpft	Usare fino all'esaurimento	Usar hasta agotar	Använda till uttömd
W/	With	Avec	Mit	Con	Con	Med; inklusive
W/O	Without	Sans	Ohne	Senza	Sin	Utan; exklusive
WHOLE GOODS	Whole goods	Marchandises entières	Vollständige Waren	Merci intere	Mercancías enteras	Hela varor
XLT	Extra Long Track	Chenille Extra Longue	Mit Extra Langem Laufwerk	Cingolo Extra Lungo	Cadena Extra Larga	Extra Laangt Larvband
VEC	Vehicle Electronic Controller	Controlleur Electronique Du Vehicule	Elektronisches Steuergeraet Des Fahrzeugs	Unità Di Comando Elettronica Del Veicolo	Unidad de Control Electronico del Vehiculo	Elektronisk Fordonsstyrenhet
VLC	Vehicle Load Center	Coffret De Repartition Du Vehicule	Verteilerstation Des Fahrzeugs	Centro Di Carico Del Veicolo	Centro De Cargas Del Vehiculo	Fordonets Elcentral

TX1007195

ALPHABETICAL INDEX

PAGE

PAGE

A

A/C AND HEATER BLOWER SWITCH.....	1674-11
A/C AND HEATER BLOWER WIRING HARNESS.....	1674-11
A/C AND HEATER THERMOSTAT SWITCH.....	1830-4
A/C BLOWER MOTOR AND SWITCH.....	1830-4
A/C BRACKET.....	1830-12
A/C COMPRESSOR.....	1830-12
A/C CONDENSER.....	1830-14
A/C DELETE COVER.....	1830-10
A/C DUCTS.....	1830-11
ABSORPTION, SOUND.....	1913-6
ACCESS PANEL.....	1810-2
ACCESS PLATFORM AND STEPS.....	1822-2
ACCUMULATOR.....	2160-9A
ACCUMULATOR, BRAKE.....	1060-6
ACCUMULATOR, BRAKE.....	1060-7A
ACCUMULATOR, RIDE CONTROL (S.N. -594432).....	3160-92
ACCUMULATOR, RIDE CONTROL (S.N. 594433-).....	3160-94
ACTUATOR.....	0210-38
ACTUATOR, RETURN-TO-DIG (FOR USE WITH TOOL CARRIER).....	3166-6
ACTUATOR, RETURN-TO-DIG (NOT FOR USE WITH TOOL CARRIER).....	3166-2
ADAPTER, ENGINE OIL COOLER.....	0419-2
ADAPTER, OIL PRESSURE SENSOR.....	1674-14
ADAPTER, THIRD FUNCTION CONNECTION (FOR USE WITH TC).....	3160-68
ADDITION OF AUXILIARY JOYSTICK TO JOYSTICK CONTROLL KIT.....	3160-88
ADDITION OF AUXILIARY JOYSTICK TO TOOL CARRIER JOYSTICK CONTROLLER KIT.....	3160-88
ADDITION OF AUXILIARY TO JOYSTICK CONTROLLER KIT.....	3160-84
ADDITION OF AUXILIARY TO TOOL CARRIER JOYSTICK CONTROLLER KIT.....	3160-84
ADDITION OF AUXILIARY TO TOOL CARRIER TWO LEVER CONTROLLER KIT.....	3160-76
ADDITION OF AUXILIARY TO TWO LEVER CONTROLLER KIT.....	3160-76
AIR CLEANER.....	0520-2
AIR CLEANER FILTER.....	0520-2
AIR CLEANER HOSE.....	0520-2
AIR CLEANER SENSOR.....	0520-2
AIR COOLER, CHARGE.....	0510-2
AIR COOLER, CHARGE.....	0510-4
AIR COOLER, CHARGE.....	0510-5A
AIR COOLER, CHARGE.....	0510-6
AIR FILTER RESTRICTION INDICATOR SENSOR.....	0520-2
AIR HEATER, ENGINE.....	0505-4
AIR INTAKE, ENGINE.....	0414-2
AIR PRECLEANER KIT.....	0520-4
ALARM AND CAB MONITOR.....	1674-10
ALARM, BACKUP.....	1810-36
ALTERNATOR (55 AMP).....	1672-2
ALTERNATOR (80 AMP).....	1672-6
ALTERNATOR BRACKET, UPPER.....	0423-2
ALTERNATOR CAPACITOR (55 AMP).....	1672-2
ALTERNATOR CAPACITOR (80 AMP).....	1672-6
ALTERNATOR DRIVE BELT (55 AMP).....	1672-2
ALTERNATOR DRIVE BELT (80 AMP).....	1672-6
ALTERNATOR MOUNTING BRACKETS (55 AMP).....	1672-2
ALTERNATOR MOUNTING BRACKETS (80 AMP).....	1672-6
ALTERNATOR REAR COVER (55 AMP).....	1672-4
ALTERNATOR REAR COVER (80 AMP).....	1672-8

ANTENNA, RADIO (SER. NO. -590067).....	2001-6
ANTENNA, RADIO (SERIAL NO.600741-).....	2001-7C
ANTENNA, RADIO (SER.NO. 590068-600740).....	2001-7A
ANTI-SKID MAT, COUNTERWEIGHT.....	1749-2
ARM REST.....	1821-2
ARM REST, RIGHT.....	1821-6
ARM, ROCKER.....	0402-3
ARM, WIPER (FRONT).....	1810-26
ARTICULATION PINS.....	1740-2
ARTICULATION PINS.....	1740-3A
ASH TRAY.....	1810-41
ASSEMBLY, U-JOINT.....	3160-82
ATTACHMENT COUPLER (HI-VIS LINKAGE) (POWERLLEL).....	3104-10
ATTACHMENT COUPLER CYLINDER (POWERLLEL LINKAGE).....	3104-8
ATTACHMENT COUPLER CYLINDER (Z-BAR LINKAGE).....	3104-6
ATTACHMENT COUPLER HYDRAULIC CYLINDER (POWERLLEL AND Z-BAR LINKAGE).....	3104-14
ATTACHMENT COUPLER HYDRAULIC CYLINDER (POWERLLEL AND Z-BAR LINKAGE).....	3104-16
ATTACHMENT COUPLER, TOOL CARRIER.....	3104-2
ATTACHMENT COUPLER, Z-BAR LINKAGE.....	3104-6
ATTACHMENT HI-VIS COUPLER HYDRAULIC CYLINDER (POWERLLEL AND Z-BAR LINKAGE).....	3104-18
ATTACHMENT LINKAGE, COUPLER, HI-VIS (Z-BAR).....	3104-12
AUXILIARY CONTROLLER DETENT KIT.....	3160-78
AUXILIARY HYDRAULICS, FOURTH FUNCTION (FOR USE WITH POWERLLEL LINKAGE).....	3160-62
AUXILIARY HYDRAULICS, FOURTH FUNCTION (FOR USE WITH TC).....	3160-70
AUXILIARY HYDRAULICS, FOURTH FUNCTION (Z-BAR LINKAGE) (S.N. -594432).....	3160-54
AUXILIARY HYDRAULICS, FOURTH FUNCTION (Z-BAR LINKAGE) (S.N. 594433-).....	3160-56
AUXILIARY HYDRAULICS, THIRD FUNCTION (FOR USE WITH POWERLLEL LINKAGE).....	3160-62
AUXILIARY HYDRAULICS, THIRD FUNCTION (FOR USE WITH TC).....	3160-68
AUXILIARY HYDRAULICS, THIRD FUNCTION (POWERLELL LINKAGE) (BOOM TO COUPLER).....	3163-6
AUXILIARY HYDRAULICS, THIRD FUNCTION (Z-BAR LINKAGE) (S.N. -594432).....	3160-52
AUXILIARY HYDRAULICS, THIRD FUNCTION (Z-BAR LINKAGE) (S.N. 594433-).....	3160-56
AUXILIARY HYDRAULICS, THIRD FUNCTION (Z- BAR LINKAGE) (BOOM TO COUPLER).....	3163-4
AUXILIARY JOYSTICK PILOT CONTROLLER COMPONENTS.....	3160-90
AUXILIARY JOYSTICK PILOT CONTROLLER REPAIR KIT.....	3160-90
AUXILIARY SINGLE LEVER CONTROLLER COMPONENTS.....	3160-78
AUXILIARY SINGLE LEVER CONTROLLER REPAIR KIT.....	3160-78
AUXILIARY VALVE SECTION LOADER CONTROL VALVE (S.N. -594432).....	3160-38
AUXILIARY VALVE SECTION LOADER CONTROL VALVE (S.N. 594433-).....	3160-40
AUXILIARY VALVE SECTION COMPONENTS LOADER CONTROL VALVE (S.N. -594432).....	3160-38

0001-9

444J UTILITY LOADER (S.N. -611274)

ALPHABETICAL INDEX - CONTINUED

	PAGE		PAGE
AUXILIARY VALVE SECTION COMPONENTS		BATTERY (950 CCA)	1671-2
LOADER CONTROL VALVE (S.N. 594433-).....	3160-40	BATTERY CABLES	1671-2
AXLE ASSEMBLY, FRONT	0210-30	BATTERY COVERS	1913-4
AXLE ASSEMBLY, REAR	0210-32	BATTERY DISCONNECT	1671-2
AXLE BREATHER EXTENSION KIT	0260-18	BATTERY DISCONNECT SWITCH	1671-2
AXLE CENTER SERVICE KITS	0210-24	BEARING	0210-34
AXLE COOLER, HOSES AND FITTINGS		BEARING	0210-36
(FACTORY INSTALLED AXLE COOLER)	0260-8	BEARING, DRIVELINE/PARKING BRAKE	1060-12
AXLE COOLER, HOSES AND FITTINGS		BEARING, DRIVELINE/PARKING BRAKE	1060-14
(FACTORY INSTALLED AXLE COOLER)	0260-9A	BEARINGS	0210-44
AXLE DISCONNECT	0260-14	BEARINGS, CONNECTING ROD	0403-2
AXLE DISCONNECT LINE	0260-16	BEARINGS, CRANKSHAFT	0401-2
AXLE DISCONNECT VALVE COMPONENTS	3160-97	BEARINGS, TRANSMISSION INPUT SHAFT	0350-6
AXLE DRIVE SHAFTS	0325-2	BELT TENSIONER (55 AMP)	1672-2
AXLE DRIVE SHAFTS	0325-4	BELT TENSIONER (80 AMP)	1672-6
AXLE HOUSING	0210-42	BELT TENSIONER, ENGINE	0429-2
AXLE HOUSING, FRONT	0210-18	BELT, ALTERNATOR DRIVE (55 AMP)	1672-2
AXLE HOUSING, REAR	0210-20	BELT, ALTERNATOR DRIVE (80 AMP)	1672-6
AXLE INPUT DISCONNECT	0260-14	BELT, HARSH ENVIRONMENT ALTERNATOR.....	1672-10
AXLE INPUT YOKE	0210-3	BLADE, WIPER.....	1810-28
AXLE MOUNTING BOLTS AND SUPPORT, REAR	0242-2	BLADE, WIPER	
AXLE MOUNTING BOLTS AND SUPPORT, REAR	0242-3A	(FRONT)	1810-26
AXLE OIL CIRCULATION HOSES	0260-10	BLOCK HEATER	0505-6
AXLE OIL CIRCULATION PUMP AND MOTOR	0260-6	BLOCK, AXLE STOP (EIGHT DEGREE).....	0242-4
AXLE OIL COOLER		BLOCK, AXLE STOP (EIGHT DEGREE).....	0242-5A
(FACTORY INSTALLED AXLE COOLER)	0260-8	BLOCK, AXLE STOP (TEN DEGREE)	0242-6
AXLE OIL COOLER		BLOCK, CYLINDER.....	0404-2
(FACTORY INSTALLED AXLE COOLER)	0260-9A	BLOCK, SHORT.....	0450-2
AXLE OIL COOLER HYDRAULIC HOSES		BLOWER MOTOR AND SWITCH, HEATER.....	1830-8
(FACTORY INSTALLED AXLE COOLER)	0260-8	BLOWER MOTOR AND SWITCH, HEATER AND A/C	1830-4
AXLE OIL COOLER HYDRAULIC HOSES		BLOWER SWITCH, A/C AND HEATER.....	1674-11
(FACTORY INSTALLED AXLE COOLER)	0260-9A	BOOM CYLINDER	
AXLE SHAFT, FRONT	0210-18	(FOR USE WITH POWERLLEL LINKAGE).....	3165-18
AXLE SHAFT, REAR	0210-20	BOOM CYLINDER	
AXLE STOP BLOCK (EIGHT DEGREE)	0242-4	(FOR USE WITH TC)	3165-12
AXLE STOP BLOCK (EIGHT DEGREE)	0242-5A	BOOM CYLINDER	
AXLE STOP BLOCK (TEN DEGREE)	0242-6	(Z-BAR LINKAGE)(S.N. -595722)	3165-4
AXLE-SHAFT	0210-42	BOOM CYLINDER	
AXLE-SHAFT	0210-48	(Z-BAR LINKAGE)(S.N. 595723-)	3165-6
AXLE, FRONT.....	0210-2	BOOM CYLINDER BORE SEAL KIT	
AXLE, REAR.....	0210-2	(Z-BAR LINKAGE)(S.N. 595723-)	3165-6
		BOOM CYLINDER HYDRAULIC FITTINGS	3165-2
		BOOM CYLINDER HYDRAULICS (FOR USE WITH	
		POWERLLEL LINKAGE)	3160-60
		BOOM CYLINDER HYDRAULICS (S.N. -594432)	
		(FOR USE WITH Z-BAR LINKAGE).....	3160-48
		BOOM CYLINDER HYDRAULICS (S.N. 594433-)	
		(FOR USE WITH Z-BAR LINKAGE).....	3160-50
		BOOM CYLINDER HYDRAULICS TO LOADER CONTR	
		OL VALVE (FOR USE WITH TC)	3160-66
		BOOM CYLINDER LOCK	3140-24
		BOOM CYLINDER PIN, LOADER FRAME	
		(POWERLLEL LINKAGE).....	3140-6
		BOOM CYLINDER PIN, LOADER FRAME	
		(POWERLLEL LINKAGE).....	3140-7A
		BOOM CYLINDER PIN, LOADER FRAME	
		(TOOL CARRIER)	3140-4
		BOOM CYLINDER PIN, LOADER FRAME	
		(Z-BAR LINKAGE)	3140-2
		BOOM CYLINDER PIN, LOADER FRAME	
		(Z-BAR LINKAGE).....	3140-3A
		BOOM CYLINDER PINS AND FITTINGS.....	3165-2
		BOOM CYLINDER PINS AND FITTINGS,	
		POWERLLEL LINKAGE	3165-16
		BOOM CYLINDER PINS AND FITTINGS,	
		TOOL CARRIER.....	3165-10

B

BACK PLATE, CAB	1810-18
BACKREST CUSHION	1821-2
BACKUP ALARM	1810-36
BAFFLE SOUND, ABSORBER.....	1913-6
BALANCER SHAFT, ENGINE	0415-2
BAR, FRAME LOCK	1913-2
BARREL ASSEMBLY, COUPLER CYLINDER	
(POWERLLEL AND Z-BAR LINKAGE)	3104-14
BARREL ASSEMBLY, COUPLER CYLINDER	
(POWERLLEL AND Z-BAR LINKAGE)	3104-16
BARREL ASSEMBLY, HI-VIS COUPLER CYLINDER	
(POWERLLEL AND Z-BAR LINKAGE)	3104-18
BARREL, BOOM CYLINDER	
(FOR USE WITH POWERLLEL LINKAGE)	3165-18
BARREL, BOOM CYLINDER	
(FOR USE WITH TC)	3165-12
BARREL, TILT CYLINDER	
(FOR USE WITH TC)	3165-14
BASE SEAT	1810-18
BASE, OIL FILTER, ENGINE.....	0407-5
BASE, SEAT	1810-20
BATTERY (625 CCA)	1671-2

000I-10

444J UTILITY LOADER (S.N. -611274)

ALPHABETICAL INDEX - CONTINUED

	PAGE		PAGE
BOOM CYLINDER ROD (Z-BAR LINKAGE)(S.N. -595722)	3165-4	BOTTOM GUARD, TRANSMISSION	1746-4
BOOM CYLINDER ROD (Z-BAR LINKAGE)(S.N. 595723-)	3165-6	BOTTOM GUARD, TRANSMISSION	1746-5A
BOOM CYLINDER ROD SEAL KIT (Z-BAR LINKAGE)(S.N. -595722)	3165-4	BRACK DISK	0210-46
BOOM CYLINDER ROD SEAL KIT (Z-BAR LINKAGE)(S.N. 595723-)	3165-6	BRACK PISTON	0210-46
BOOM KICKOUT SENSOR (FOR USE WITH TOOL CARRIER)	3166-8	BRACKET EXTENSIONS, FRONT FENDER (TOOL CARRIER)	1927-10
BOOM KICKOUT/RETURN TO CARRY (FOR USE WITH TOOL CARRIER)	3166-8	BRACKET, A/C	1830-12
BOOM KICKOUT/RETURN TO CARRY, LOADER (POWERLLEL LINKAGE)	3166-12	BRACKET, BRAKE PEDAL	1060-2
BOOM KICKOUT/RETURN TO CARRY, LOADER (Z-BAR LINKAGE)	3166-4	BRACKET, BRAKE PEDAL	1060-3A
BOOM LINKAGE, LOADER	3140-16	BRACKET, FIRE EXTINGUISHER	1810-18
BOOM LINKAGE, POWERLLEL	3140-20	BRACKET, FIRE EXTINGUISHER	1810-20
BOOM LINKAGE, TOOL CARRIER	3140-18	BRACKET, LICENSE PLATE	1673-8
BOOM PIVOT PIN (POWERLLEL LINKAGE)	3140-6	BRACKET, MUFFLER	0530-2
BOOM PIVOT PIN (POWERLLEL LINKAGE)	3140-7A	BRACKET, STEERING VALVE	1810-50
BOOM PIVOT PIN (Z-BAR LINKAGE)	3140-2	BRACKET, UPPER ALTERNATOR	0423-2
BOOM PIVOT PIN (Z-BAR LINKAGE)	3140-3A	BRACKETS, ENGINE MOUNTING	0540-2
BOOM PIVOT PIN (TOOL CARRIER)	3140-4	BRACKETS, SEAT	1821-2
BOOM SECTION VALVE LOADER CONTROL VALVE (S.N. -594432)	3160-34	BRACKETS, TRANSMISSION MOUNTING	0342-2
BOOM SECTION VALVE LOADER CONTROL VALVE (S.N. 594433-)	3160-36	BRACKETS, TRANSMISSION MOUNTING	0342-3A
BOOM TO COUPLER PIN DISCONNECT HOSES (POWERLLEL LINKAGE)	3160-124	BRACKETS, WIPER MOUNTING	1810-30
BOOM TO COUPLER PIN DISCONNECT HOSES (Z-BAR LINKAGE)	3160-116	BRAKE ACCUMULATOR	1060-6
BOOM TO COUPLER THIRD FUNCTION HYDRAULIC HOSES (Z-BAR LINKAGE)	3163-4	BRAKE ACCUMULATOR	1060-7A
BOOM TO COUPLER THIRD FUNCTION HYDRAULIC HOSES (POWERLLEL LINKAGE)	3163-6	BRAKE CLUTCH	0210-46
BOOM, LOADER	3140-8	BRAKE HOUSING	0210-44
BOOM, POWERLLEL LINKAGE	3140-12	BRAKE LINES	1060-10
BOOM, TOOL CARRIER	3140-10	BRAKE LINES	1060-11A
BOOT	3160-82	BRAKE PEDAL	1060-2
BOOT, TWO LEVER PILOT CONTROLLER	3160-74	BRAKE PEDAL	1060-3A
BORE KIT, BOOM CYLINDER (FOR USE WITH POWERLLEL LINKAGE)	3165-18	BRAKE PEDAL BRACKET	1060-2
BORE KIT, BOOM CYLINDER (FOR USE WITH TC)	3165-12	BRAKE PEDAL BRACKET	1060-3A
BORE KIT, BUCKET CYLINDER	3165-8	BRAKE PIPE	0210-50
BORE KIT, BUCKET CYLINDER	3165-20	BRAKE PIPE	0210-52
BORE KIT, BUCKET CYLINDER (Z-BAR LINKAGE)(S.N. -595722)	3165-4	BRAKE PLATE	0210-46
BORE KIT, TILT CYLINDER (FOR USE WITH TC)	3165-14	BRAKE RETAINER	0210-46
BORE SEAL KIT, BOOM CYLINDER (Z-BAR LINKAGE)(S.N. 595723-)	3165-6	BRAKE SYSTEM, DUAL	0210-26
BORE SEAL KIT, COUPLER CYLINDER (POWERLLEL AND Z-BAR LINKAGE)	3104-14	BRAKE VALVE	1060-2
BORE SEAL KIT, COUPLER CYLINDER (POWERLLEL AND Z-BAR LINKAGE)	3104-16	BRAKE VALVE	1060-3A
BORE SEAL KIT, HI-VIS COUPLER CYLINDER (POWERLLEL AND Z-BAR LINKAGE)	3104-18	BRAKE VALVE FITTINGS	1060-2
BOTTOM GAURD, ABSORBER	1913-6	BRAKE VALVE FITTINGS	1060-3A
BOTTOM GUARD, FRONT	1746-4	BRAKE VALVE HYDRAULICS	1060-10
BOTTOM GUARD, FRONT	1746-5A	BRAKE VALVE HYDRAULICS	1060-11A
BOTTOM GUARD, FUEL TANK	1746-2	BRAKE VALVE SWITCH	1060-2
		BRAKE VALVE SWITCH	1060-3A
		BRAKE, PARKING	1060-12
		BRAKE, PARKING	1060-14
		BRAKELINE	0210-50
		BRAKELINE	0210-52
		BREATHER, FRONT AXLE	0210-30
		BREATHER, REAR AXLE	0210-32
		BUCKET CONVERSION PIVOT PLATE (HI-VIS LINKAGE)	3104-22
		BUCKET CONVERSION PIVOT PLATE (POWERLLEL LINKAGE)	3104-20
		BUCKET CUTTING EDGE	3102-2
		BUCKET CUTTING EDGE	3102-10
		BUCKET CUTTING EDGE (ATTACHMENT COUPLER)	3102-4
		BUCKET CYLINDER	3165-8
		BUCKET CYLINDER	3165-20
		BUCKET CYLINDER BORE KIT	3165-8
		BUCKET CYLINDER BORE KIT	3165-20
		BUCKET CYLINDER BORE KIT (Z-BAR LINKAGE)(S.N. -595722)	3165-4
		BUCKET CYLINDER HYDRAULIC FITTINGS	3165-2
		BUCKET CYLINDER HYDRAULICS TO LOADER CONTROL VALVE (POWERLLEL LINKAGE)	3160-60
		BUCKET CYLINDER HYDRAULICS TO LOADER CONTROL VALVE(FOR USE WITH TC)	3160-66

ALPHABETICAL INDEX - CONTINUED

	PAGE		PAGE
BUCKET CYLINDER HYDRAULICS(S.N. -594432) (FOR USE WITH Z-BAR LINKAGE).....	3160-48	CAB WIRING HARNESS.....	1674-6
BUCKET CYLINDER HYDRAULICS(S.N. 594433-) (FOR USE WITH Z-BAR LINKAGE).....	3160-50	CAB WIRING HARNESS.....	1674-7A
BUCKET CYLINDER PIN, LOADER FRAME (POWERLLEL LINKAGE).....	3140-6	CABLE, HEATER CONTROL.....	1830-2
BUCKET CYLINDER PIN, LOADER FRAME (POWERLLEL LINKAGE).....	3140-7A	CABLE, HEATER CONTROL.....	1830-6
BUCKET CYLINDER PIN, LOADER FRAME (Z-BAR LINKAGE).....	3140-2	CABLE, HI-VIS COUPLER HYDRAULIC HOSES	3163-2
BUCKET CYLINDER PIN, LOADER FRAME (Z-BAR LINKAGE).....	3140-3A	CABLES, BATTERY	1671-2
BUCKET CYLINDER PINS AND FITTINGS	3165-2	CAMSHAFT	0402-1
BUCKET CYLINDER ROD	3165-8	CAMSHAFT FOLLOWERS.....	0402-3
BUCKET CYLINDER ROD	3165-20	CANOPY	1810-16
BUCKET CYLINDER ROD SEAL KIT.....	3165-8	CANOPY FLOOR.....	1810-20
BUCKET CYLINDER ROD SEAL KIT.....	3165-20	CANOPY FLOOR MAT	1810-46
BUCKET EDGE	3102-10	CANOPY FRAME	1810-16
BUCKET EDGE (JAGZ).....	3102-12	CANOPY HEADLINER	1810-16
BUCKET LINKAGE	3140-16	CANOPY LABELS AND DECALS	1322-10
BUCKET LINKAGE (POWERLLEL LINKAGE).....	3140-20	CANOPY MONITOR CONSOLE.....	1810-10
BUCKET SECTION VALVE LOADER CONTROL VALVE (S.N. -594432).....	3160-30	CANOPY MONITOR HOUSING	1810-10
BUCKET SECTION VALVE LOADER CONTROL VALVE (S.N. 594433-).....	3160-32	CANOPY PEDESTAL.....	1810-12
BUCKET TEETH, LOADER	3102-8	CANOPY REAR WINDOW	1810-16
BUCKET VALVE SECTION LOADER CONTROL VALVE (S.N. -594432).....	3160-30	CANOPY ROOF, PLASTIC	1810-34
BUCKET VALVE SECTION LOADER CONTROL VALVE (S.N. 594433-).....	3160-32	CANOPY ROPS.....	1810-16
BUCKET, LOADER (ATTACHMENT COUPLER).....	3102-4	CAP, ENGINE OIL FILLER.....	0407-1
BUCKET, LOADER (HI-VIS COUPLER).....	3102-6	CAP, MAIN BEARING	0404-2
BUCKETS, LOADER	3102-2	CAP, RADIATOR	0510-2
BUMPER, BUTTON	1910-4	CAP, RADIATOR	0510-4
BUSHING, HI-VIS LINKAGE ATTACHMENT COUPLER (POWERLLEL).....	3104-10	CAP, RADIATOR	0510-5A
BUSHING, HI-VIS LINKAGE ATTACHMENT COUPLER (Z-BAR).....	3104-12	CAP, RADIATOR	0510-6
BUSHING, LOADER BOOM.....	3140-8	CAP, WINDOW WASHER	1810-24
BUSHINGS, POWERLLEL LINKAGE BOOM	3140-12	CAP,FUEL TANK	0560-2
BUTTON BUMPER	1910-4	CAP,HYDRAULIC OIL RESERVOIR FILLER	2160-6
BYPASS VALVE LINES, TRANSMISSION	0360-4	CAP,HYDRAULIC OIL RESERVOIR FILLER	2160-7A
BYPASS VALVE, ENGINE OIL.....	0404-2	CAPACITOR, ALTERNATOR (55 AMP)	1672-2
BYPASS VALVE, OIL FILTER	0407-5	CAPACITOR, ALTERNATOR (80 AMP)	1672-6
C			
CAB.....	1810-2	CARRIER, FINAL DRIVE PLANET PINION	0210-22
CAB BACK PLATE	1810-18	CARRIER, PLANET PINION 1000 SERIES	0210-23
CAB CONTROL UNIT HOUSING	1674-6	CASE, FRONT DIFFERENTIAL (WITH DIFFERENTIAL LOCK).....	0210-6
CAB DOOR.....	1810-6	CASE, FRONT DIFFERENTIAL (WITH STANDARD DIFFERENTIAL)	0210-10
CAB DOOR HOLD OPEN LATCH	1810-2	CASE, REAR DIFFERENTIAL (WITH DIFFERENTIAL LOCK).....	0210-8
CAB FLOOR	1810-18	CASE, REAR DIFFERENTIAL (WITH STANDARD DIFFERENTIAL)	0210-12
CAB FLOOR MAT	1810-46	CASSETTE PLAYER (SER. NO. -590067)	2001-6
CAB FRAME	1810-2	CASSETTE PLAYER (SERIAL NO.600741-).....	2001-7C
CAB GLASS.....	1810-4	CASSETTE PLAYER (SER.NO. 590068-600740)	2001-7A
CAB LABELS AND DECALS	1322-4	CD PLAYER (SER. NO. -590067).....	2001-6
CAB LEFT SIDE CONSOLE COVER	1810-42	CD PLAYER (SER.NO. 590068-600740).....	2001-7A
CAB MONITOR AND ALARM.....	1674-10	CD PLAYER (SERIAL NO.600741-).....	2001-7C
CAB MONITOR CONSOLE	1810-8	CHARGE AIR COOLER.....	0510-2
CAB MONITOR HOUSING	1810-8	CHARGE AIR COOLER.....	0510-4
CAB MOUNTS	1810-22	CHARGE AIR COOLER.....	0510-5A
CAB PEDESTAL	1810-12	CHARGE AIR COOLER.....	0510-6
CAB ROOF, PLASTIC	1810-34	CIRCULATION PUMP AND MOTOR, AXLE OIL	0260-6
CAB SHIELDS	1810-32	CLAMP, HI LIFT BOOM TO COUPLER, THIRD FUNCTION HYD HOSES (Z-BAR LINKAGE)	3163-4
		CLAMP, HI-VIS COUPLER HYDRAULIC HOSES	3163-2
		CLANGE-COVER.....	0210-44
		CLEANER, AIR	0520-2
		CLOSE MOUNTED STEPS	1822-4
		CLUTCH.....	0210-38
		CLUTCH ASSEMBLY (FIRST GEAR).....	0350-30
		CLUTCH ASSEMBLY (HIGH RANGE).....	0350-36
		CLUTCH ASSEMBLY (SECOND GEAR).....	0350-32
		CLUTCH ASSEMBLY (THIRD GEAR)	0350-34
		CLUTCH ASSEMBLY DRIVESHAFT (FIRST GEAR).....	0350-30

ALPHABETICAL INDEX - CONTINUED

	PAGE		PAGE
CLUTCH ASSEMBLY DRIVESHAFT (HIGH RANGE).....	0350-36	CONTROL VALVE, LOADER (3-SPOOL)	
CLUTCH ASSEMBLY DRIVESHAFT (SECOND GEAR).....	0350-32	(S.N. -594432)	3160-8
CLUTCH ASSEMBLY DRIVESHAFT (THIRD GEAR)	0350-34	CONTROL VALVE, LOADER (3-SPOOL)	
CLUTCH ASSEMBLY DRUM (FIRST GEAR).....	0350-30	(S.N. 594433-).....	3160-10
CLUTCH ASSEMBLY DRUM (HIGH RANGE).....	0350-36	CONTROL VALVE, LOADER (3-SPOOL)	
CLUTCH ASSEMBLY DRUM (SECOND GEAR).....	0350-32	TOOL CARRIER.....	3160-12
CLUTCH ASSEMBLY DRUM (THIRD GEAR)	0350-34	CONTROL VALVE, LOADER (4-SPOOL)	
CLUTCH ASSEMBLY, FORWARD.....	0350-26	(S.N. -594432)	3160-14
CLUTCH ASSEMBLY, REVERSE.....	0350-28	CONTROL VALVE, LOADER (4-SPOOL)	
CLUTCH, STARTING MOTOR.....	0422-2	(S.N. 594433-).....	3160-16
COAT HOOK.....	1810-40	CONTROL VALVE, LOADER (4-SPOOL)	
COLD WEATHER STARTING AID.....	0505-2	TOOL CARRIER.....	3160-18
COLD WEATHER STARTING AID SWITCH.....	0505-2	CONTROL VALVE, RIDE	
COLUMN, LOWER STEERING.....	1810-50	(S.N. -594432).....	3160-92
COLUMN, STEERING.....	1810-48	CONTROL VALVE, RIDE	
COMPARTMENT, LOAD CENTER.....	1674-6	(S.N. 594433-).....	3160-94
COMPARTMENT, LOAD CENTER.....	1674-7A	CONTROL VALVE, TRANSMISSION	0350-18
COMPONENTS, AUXILIARY JOYSTICK PILOT		CONTROL, TEMPERATURE.....	1830-2
CONTROLLER.....	3160-90	CONTROL, TEMPERATURE.....	1830-6
COMPONENTS, AUXILIARY VALVE SECTION		CONTROL, RADIO REMOTE	
LOADER CONTROL VALVE (S.N. -594432).....	3160-38	(SER. NO. -590067)	2001-6
COMPONENTS, AUXILIARY VALVE SECTION		CONTROL, RADIO REMOTE	
LOADER CONTROL VALVE (S.N. 594433-).....	3160-40	(SER.NO. 590068-600740)	2001-7A
COMPONENTS, HVAC MODULE.....	1830-4	CONTROL, RADIO REMOTE	
COMPONENTS, SINGLE AND DUAL AUXILIARY		(SERIAL NO.600741-).....	2001-7C
CONTROLLER.....	3160-78	CONTROLLER, AUXILIARY JOYSTICK PILOT.....	3160-90
COMPONENTS, VALVE, PIN AND AXLE DISCON.....	3160-97	CONTROLLER, JOYSTICK PILOT.....	3160-82
COMPONENTS, HYDRAULIC OIL PRESSURE		CONTROLLER, TWO LEVER PILOT.....	3160-74
REGULATOR VALVE.....	2160-10	CONVERSION BUCKET PIVOT PLATE	
COMPRESSOR, A/C.....	1830-12	(HI-VIS LINKAGE).....	3104-22
CONDENSER, A/C.....	1830-14	CONVERSION BUCKET PIVOT PLATE	
CONDITIONER, ENGINE COOLANT.....	1369-4	(POWERLLEL LINKAGE).....	3104-20
CONNECTING ROD.....	0403-2	CONVERSION KIT, JOYSTICK FNR.....	3160-86
CONNECTING ROD BEARINGS.....	0403-2	CONVERTER (10 AMP)	
CONSOLE CAB.....	1810-54	(24 VOLT TO 12 VOLT).....	1674-13
CONSOLE COVER, CAB LEFT SIDE.....	1810-42	CONVERTER (5 AMP)	
CONSOLE, CAB MONITOR.....	1810-8	(24 VOLT TO 12 VOLT).....	1674-12
CONSOLE, CANOPY MONITOR.....	1810-10	CONVERTER AND POWER PLUG (10 AMP)	
CONSOLE, CUPHOLDER.....	1810-54	(24 VOLT TO 12 VOLT).....	1674-13
CONTOLLER, AUXILIARY SINGLE LEVER.....	3160-78	CONVERTER AND POWER PLUG (5 AMP)	
CONTROL UNIT HOUSING, CAB.....	1674-6	(24 VOLT TO 12 VOLT).....	1674-12
CONTROL UNIT, ENGINE.....	1674-6	CONVERTER PRESSURE RELIEF VALVE.....	0350-22
CONTROL UNIT, TRANSMISSION.....	1674-6	CONVERTER, TORQUE.....	0350-4
CONTROL UNIT, TRANSMISSION.....	1674-7A	COOLANT CONDITIONER, ENGINE.....	1369-4
CONTROL VALVE LOAD SENSE HYDRAULIC HOSE		COOLANT HEATER, ENGINE.....	0505-6
(FOR USE WITH TC).....	3160-66	COOLANT RECOVERY TANK.....	0510-2
CONTROL VALVE MANIFOLD, TRANSMISSION.....	0350-16	COOLANT RECOVERY TANK.....	0510-4
CONTROL VALVE STUD ASSEMBLY, LOADER		COOLANT RECOVERY TANK.....	0510-5A
(2-SPOOL) (S.N. 594433-).....	3160-4	COOLANT RECOVERY TANK.....	0510-6
CONTROL VALVE STUD ASSEMBLY, LOADER		COOLANT TEMPERATURE SENSOR.....	1674-14
(3-SPOOL) (S.N. 594433-).....	3160-10	COOLER, AXLE	
CONTROL VALVE STUD ASSEMBLY, LOADER		(FACTORY INSTALLED AXLE COOLER)	0260-8
(4-SPOOL) (S.N. 594433-).....	3160-16	COOLER, AXLE	
CONTROL VALVE TIE BOLTS, LOADER		(FACTORY INSTALLED AXLE COOLER)	0260-9A
(2-SPOOL) (S.N. 594433-).....	3160-4	COOLER, CHARGE AIR.....	0510-2
CONTROL VALVE TIE BOLTS, LOADER		COOLER, CHARGE AIR.....	0510-4
(3-SPOOL) (S.N. 594433-).....	3160-10	COOLER, CHARGE AIR.....	0510-5A
CONTROL VALVE TIE BOLTS, LOADER		COOLER, CHARGE AIR.....	0510-6
(4-SPOOL) (S.N. 594433-).....	3160-16	COOLER, ENGINE OIL.....	0419-2
CONTROL VALVE, COVER, ABSORBER.....	1913-6	COOLER, HYDRAULIC OIL.....	0510-2
CONTROL VALVE, LOADER (2-SPOOL)		COOLER, HYDRAULIC OIL.....	0510-4
(S.N. -594432).....	3160-2	COOLER, HYDRAULIC OIL.....	0510-5A
CONTROL VALVE, LOADER (2-SPOOL)		COOLER, HYDRAULIC OIL.....	0510-6
(S.N. 594433-).....	3160-4	COOLER, TRANSMISSION OIL.....	0510-2
CONTROL VALVE, LOADER (2-SPOOL)		COOLER, TRANSMISSION OIL.....	0510-4
TOOL CARRIER.....	3160-6	COOLER, TRANSMISSION OIL.....	0510-5A
		COOLER, TRANSMISSION OIL.....	0510-6

ALPHABETICAL INDEX - CONTINUED

	PAGE		PAGE
COOLING SYSTEM ACCESS PANELS	1910-6	CYLINDER, BOOM	
COUNTERWEIGHT, LINKAGE COUPLER	1520-2	(FOR USE WITH POWERLLEL LINKAGE)	3165-18
COUNTERWEIGHT, LINKAGE COUPLER	1520-3A	CYLINDER, BOOM	
COUNTERWEIGHT, MAIN	1749-2	(FOR USE WITH TC)	3165-12
COUPLER HYDRAULIC CYLINDER, ATTACHMENT		CYLINDER, BOOM	
(POWERLLEL AND Z-BAR LINKAGE)	3104-14	(Z-BAR LINKAGE)(S.N. -595722)	3165-4
COUPLER HYDRAULIC CYLINDER, ATTACHMENT		CYLINDER, BOOM	
(POWERLLEL AND Z-BAR LINKAGE)	3104-16	(Z-BAR LINKAGE)(S.N. 595723-)	3165-6
COUPLER, ATTACHMENT		CYLINDER, BUCKET	3165-8
(Z-BAR LINKAGE)	3104-6	CYLINDER, BUCKET	3165-20
COUPLER, POWERLLEL LINKAGE	3104-8	CYLINDER, HI-VIS LINKAGE ATTACHMENT	
COUPLER, TOOL CARRIER ATTACHMENT	3104-2	COUPLER (POWERLLEL)	3104-10
COVER, A/C DELETE	1830-10	CYLINDER, HI-VIS LINKAGE ATTACHMENT	
COVER, CAB LEFT SIDE CONSOLE	1810-42	COUPLER (Z-BAR)	3104-12
COVER, CONSOLE SWITCH	1810-54	CYLINDER, POWERLLEL LINKAGE COUPLER	3104-8
COVER, DRIVE DAMPER	0350-38	CYLINDER, STEERING	0960-10
COVER, FRESH AIR HOUSING	1810-44	CYLINDER, TILT	
COVER, GEARBOX HOUSING	0350-8	(FOR USE WITH TC)	3165-14
COVER, HI-VIS LINKAGE ATTACHMENT COUPLER		CYLINDER, TOOL CARRIER ATTACHMENT	
(POWERLLEL)	3104-10	COUPLER	3104-4
COVER, HI-VIS LINKAGE ATTACHMENT COUPLER		CYLINDER, Z-BAR ATTACHMENT COUPLER	3104-6
(Z-BAR)	3104-12		
COVER, REAR, ALTERNATOR (55 AMP)	1672-4		
COVER, REAR, ALTERNATOR (80 AMP)	1672-8	D	
COVER, ROCKER ARM	0409-1	DAMPER, DRIVE AND COVER	0350-38
COVER, STEERING COLUMN	1810-52	DASH MODULE WIRING WITH JOYSTICK	1674-9
COVER, THERMOSTAT	0418-2	DECALS AND LABELS (CANOPY)	1322-10
COVER, TIMING GEAR	0417-2	DECALS AND LABELS (FRENCH)	1322-6
COVER, TORQUE CONVERTER	0350-4	DECALS AND LABELS (SPANISH)	1322-8
COVER, TRANSMISSION	0350-13	DECALS AND LABELS, CAB	1322-4
COVER, TRANSMISSION	0350-13A	DECALS AND TRADEMARKS (ENGLISH)	1322-2
COVER, TRANSMISSION HOUSING	0350-8	DETENT KIT, AUXILIARY CONTROLLER	3160-78
COVER, VANDAL	1810-20	DIFFERENTIAL BEARING	0210-38
COVERS, BATTERY	1913-4	DIFFERENTIAL BEARING	0210-40
CRANKSHAFT AND BEARINGS	0401-2	DIFFERENTIAL CASE, FRONT	
CRANKSHAFT LOWER IDLER GEAR	0417-2	(WITH DIFFERENTIAL LOCK)	0210-6
CRANKSHAFT PULLEY	0429-1	DIFFERENTIAL CASE, FRONT	
CRANKSHAFT UPPER IDLER GEAR	0402-2	(WITH STANDARD DIFFERENTIAL)	0210-10
CROSS SHAFT	0210-38	DIFFERENTIAL CASE, REAR	
CROSS SHAFT	0210-40	(WITH DIFFERENTIAL LOCK)	0210-8
CUPHOLDER CONSOLE	1810-54	DIFFERENTIAL CASE, REAR	
CUSHION, BACKREST	1821-2	(WITH STANDARD DIFFERENTIAL)	0210-12
CUSHION, SEAT	1821-2	DIFFERENTIAL DRIVE SHAFTS	0325-2
CUSHIONS, STEERING, ENGINE FRAME	1740-4	DIFFERENTIAL DRIVE SHAFTS	0325-4
CUTTING EDGE	3102-10	DIFFERENTIAL LOCK LINE, FRONT	0260-2
CUTTING EDGE (JAGZ)	3102-12	DIFFERENTIAL LOCK LINE, FRONT	0260-3A
CUTTING EDGE, LOADER BUCKET	3102-2	DIFFERENTIAL LOCK LINES, FRONT AND REAR	0260-4
CUTTING EDGE, LOADER BUCKET	3102-10	DIFFERENTIAL LOCK LINES, FRONT AND REAR	0260-5A
CUTTING EDGE, BUCKET	3102-2	DIFFERENTIAL LOCK SWITCH	0260-19
CUTTING EDGE, BUCKET (ATTACHMENT COUPLER)	3102-4	DIFFERENTIAL PINION	0210-38
CYLINDER BLOCK	0404-2	DIFFERENTIAL PINION	0210-40
CYLINDER HEAD	0409-2	DIFFERENTIAL SUPPORTS AND LUBE LINES	0242-2
CYLINDER HEAD GASKET	0409-2	DIFFERENTIAL SUPPORTS AND LUBE LINES	0242-3A
CYLINDER LINER	0403-2	DIFFERENTIAL, HYDRAULIC ACTUATED	0210-14
CYLINDER LOCK, BOOM	3140-24	DIFFERENTIAL, STANDARD	0210-16
CYLINDER-FITTING ROCK GUARD	1746-6	DIODES, VEC	1674-16
CYLINDER, ATTACHMENT COUPLER		DIPSTICK	0210-50
(POWERLLEL AND Z-BAR LINKAGE)	3104-14	DIPSTICK	0210-52
CYLINDER, ATTACHMENT COUPLER		DIPSTICK, ENGINE OIL	0407-3
(POWERLLEL AND Z-BAR LINKAGE)	3104-16	DISCONNECT VALVE COMPONENTS, PIN AND AXLE	3160-97
CYLINDER, ATTACHMENT COUPLER		DISCONNECT VALVE, AXLE AND PIN	
(POWERLLEL LINKAGE)	3104-8	(S.N. 594433-)	3160-108
CYLINDER, ATTACHMENT COUPLER		DISCONNECT, AXLE INPUT	0260-14
(Z-BAR LINKAGE)	3104-6	DISCONNECT, BATTERY	1671-2
CYLINDER, ATTACHMENT HI-VIS COUPLER		DOMELIGHT AND HEADLINER	1810-14
(POWERLLEL AND Z-BAR LINKAGE)	3104-18	DOMELIGHT SWITCH, DOOR ACTIVATED	1673-5

ALPHABETICAL INDEX - CONTINUED

	PAGE		PAGE
DOOR	1810-6	ENGINE COOLANT TEMPERATURE AND OIL	
DOOR ACTIVATED DOMELIGHT SWITCH	1673-5	PRESSURE SENSORS	1674-14
DOOR GLASS	1810-6	ENGINE COOLANT TEMPERATURE SENSOR	1674-14
DOOR LATCH, BATTERY COVERS	1913-4	ENGINE FAN	0510-7A
DOOR, ACCESS	1810-2	ENGINE FAN DRIVE HYDRAULIC MOTOR	0510-8
DOOR, BATTERY COVERS	1913-4	ENGINE FAN DRIVE HYDRAULIC MOTOR	0510-9A
DOOR, ENGINE SERVICE	1910-4	ENGINE FAN DRIVE HYDRAULIC PUMP	0510-8
DRAIN KIT, ENVIRONMENTAL	1369-2	ENGINE FAN DRIVE HYDRAULIC PUMP	0510-9A
DRAIN KIT, ENVIRONMENTAL	1369-3A	ENGINE FRAME	1740-2
DRAIN PLUG, TRANSMISSION	0350-8	ENGINE FRAME	1740-3A
DRAIN VALVE, ENGINE OIL	0407-2	ENGINE FRAME PIN	1740-2
DRIP RAIL	1810-17A	ENGINE FRAME PIN	1740-3A
DRIVE BELT TENSIONER	0429-2	ENGINE FRAME STEERING CUSHIONS	1740-4
DRIVE DAMPER AND COVER	0350-38	ENGINE FRAME WIRING HARNESS	1674-2
DRIVE HI-BEAM LAMP		ENGINE FRAME WIRING HARNESS	1674-3A
(SN -603831)	1673-2	ENGINE FRAME WIRING HARNESS	
DRIVE HI-BEAM LAMP		(FOR USE WITH POWERLLEL LINKAGE)	1674-3C
(SN 603832-)	1673-3A	ENGINE FRAME WIRING HARNESS	
DRIVE SHAFTS, AXLE DIFFERENTIALS	0325-2	(FOR USE WITH POWERLLEL LINKAGE)	1674-4
DRIVE SHAFTS, AXLE DIFFERENTIALS	0325-4	ENGINE FRONT PLATE	0402-2
DRIVE SHAFTS, TRANSMISSION	0325-2	ENGINE GASKET SET, OVERHAUL/TUNE-UP -	
DRIVE SHAFTS, TRANSMISSION	0325-4	5510N	0452-2
DRIVELINE BEARING/PARKING BRAKE	1060-12	ENGINE MOUNTING BRACKETS	0540-2
DRIVELINE BEARING/PARKING BRAKE	1060-14	ENGINE OIL BYPASS VALVE	0404-2
DRIVESHAFT, CLUTCH ASSEMBLY (FIRST GEAR)	0350-30	ENGINE OIL COOLER	0419-2
DRIVESHAFT, CLUTCH ASSEMBLY (HIGH RANGE)	0350-36	ENGINE OIL DIPSTICK	0407-3
DRIVESHAFT, CLUTCH ASSEMBLY (THIRD GEAR)	0350-34	ENGINE OIL FILLER	0407-1
DRIVESHAFT, CLUTCH ASSEMBLY, SECOND GEAR	0350-32	ENGINE OIL FILTER & HEADER	0407-5
DRIVESHAFT, FORWARD CLUTCH ASSEMBLY	0350-26	ENGINE OIL PAN	0407-2
DRIVESHAFT, REVERSE CLUTCH ASSEMBLY	0350-28	ENGINE OIL PRESSURE REGULATING VALVE	0404-2
DRUM, CLUTCH ASSEMBLY (FIRST GEAR)	0350-30	ENGINE OIL PRESSURE SENSOR	1674-14
DRUM, CLUTCH ASSEMBLY (HIGH RANGE)	0350-36	ENGINE OIL PUMP	0407-4
DRUM, CLUTCH ASSEMBLY (SECOND GEAR)	0350-32	ENGINE OIL PUMP INTAKE	0407-4
DRUM, CLUTCH ASSEMBLY (THIRD GEAR)	0350-34	ENGINE OVERHAUL KIT (750J)	0450-4
DRUM, FORWARD CLUTCH ASSEMBLY	0350-26	ENGINE PISTON	0403-2
DRUM, REVERSE CLUTCH ASSEMBLY	0350-28	ENGINE SHORT BLOCK	0450-2
DUAL BRAKE SYSTEM	0210-26	ENGINE SIDE SHIELD LATCH	1910-4
DUAL JOYSTICK PILOT CONTROLLER AND		ENGINE SIDE SHIELD PLATE	1910-4
HYDRAULIC HOSES	3160-88	ENGINE SIDE SHIELDS	1910-4
DUCT, FRESH AIR	1830-2	ENGINE SPEED CONTROL PEDAL	0515-2
DUCT, FRESH AIR	1830-6	ENGINE SPEED CONTROL SENSOR	0515-2
DUCTS, HEATER AND A/C	1830-11	ENGINE SPEED SENSOR	0578-2
		ENGINE SPEED SENSOR WHEEL	0401-2
		ENGINE VENTILATING SYSTEM	0408-2
E		ENVIRONMENTAL DRAIN KIT	1369-2
EDGE, BUCKET (JAGZ)	3102-12	ENVIRONMENTAL DRAIN KIT	1369-3A
EDGE, BUCKET CUTTING	3102-10	ETHER STARTING AID	0505-2
EDGE, CUTTING (JAGZ)	3102-12	EXHAUST MANIFOLD	0410-2
ELECTRIC FIFTH FUNCTION	3160-28	EXHAUST PIPE	0530-2
ELECTRICAL CENTER, VEHICLE	1674-16	EXHAUST VALVE	0409-2
ELEMENT, A/C FILTER	1830-2	EXTENSION KIT, AXLE BREATHER	0260-18
ELEMENT, ENGINE OIL FILTER	0407-5	EXTENSION KIT, PARKING BRAKE	0260-18
ELEMENT, FINAL FUEL FILTER	0420-2	EXTENSIONS, BRACKET, FRONT FENDER	
ELEMENT, TRANSMISSION OIL FILTER	0350-2	(TOOL CARRIER)	1927-10
EMBLEM, SLOW MOVING VEHICLE	1810-37	EXTERNAL OIL LINES, TRANSMISSION	0360-4
EMBLEM, SMV	1810-37	EXTINGUISHER, FIRE	1810-20
ENGINE AIR HEATER	0505-4	EXTINGUISHER, FIRE	1810-18
ENGINE AIR HEATER FUSE HOLDER	0505-4		
ENGINE AIR HEATER RELAY	0505-4	F	
ENGINE AIR HEATER WIRE HARNESS	0505-4	FAN DOOR	0510-7A
ENGINE AIR PLENUM	1910-4	FAN DRIVE HYDRAULIC HOSES	0510-8
ENGINE BALANCER SHAFT	0415-2	FAN DRIVE HYDRAULIC HOSES	0510-9A
ENGINE BLOCK	0404-2	FAN DRIVE HYDRAULIC PUMP	0510-8
ENGINE COMPARTMENT STEP	1822-6	FAN DRIVE HYDRAULIC PUMP	0510-9A
ENGINE CONTROL UNIT	1674-6	FAN DRIVE MOTOR	0510-8
ENGINE COOLANT HEATER	0505-6		

ALPHABETICAL INDEX - CONTINUED

	PAGE		PAGE
FAN DRIVE MOTOR	0510-9A	FITTINGS, POWERLLEL LINKAGE	
FAN DRIVE, REVERSE, HYDRAULIC PUMP	0510-10	BOOM CYLINDER	3165-16
FAN DRIVE, REVERSE, HYDRAULIC PUMP	0510-11A	FITTINGS, POWERLLEL LINKAGE	
FAN DRIVE, REVERSE, MOTOR	0510-10	TILT CYLINDER	3165-16
FAN DRIVE, REVERSE, MOTOR	0510-11A	FITTINGS, PRESSURE REGULATOR VALVE	2160-8
FAN GUARD	0510-7A	FITTINGS, PRESSURE REGULATOR VALVE	2160-9A
FAN GUARD LATCH	0510-7A	FITTINGS, STEERING COMPENSATOR VALVE	
FAN HOUSING	0510-7A	(SERIAL NO. 601560 -)	0960-3A
FAN HUB	0510-7A	FITTINGS, STEERING CYLINDER	0960-8
FAN PEDESTAL	0510-7A	FITTINGS, STEERING VALVE	
FAN SHROUD	0510-7A	(SERIAL NO. 601560 -)	0960-2
FAN, ENGINE	0510-7A	FITTINGS, TOOL CARRIER BOOM CYLINDER	3165-10
FENDER BRACKET EXTENSIONS		FITTINGS, TOOL CARRIER TILT CYLINDER	3165-10
(TOOL CARRIER)	1927-10	FITTINGS, TRANSMISSION	0350-2
FENDERS, FRONT	1927-2	FITTINGS, TWO LEVER PILOT CONTROLLER	3160-72
FENDERS, FRONT		FITTINGS, TWO LEVER PILOT CONTROLLER	
FULL COVERAGE	1927-6	WITH AUXILIARY	3160-76
FENDERS, REAR	1927-4	FLOOR MAT,CAB	1810-46
FENDERS, REAR		FLOOR MAT,CANOPY	1810-46
FULL COVERAGE	1927-8	FLOOR, CAB	1810-18
FENDERS, REAR (W/LATCH)		FLOOR, CANOPY	1810-20
FULL COVERAGE	1927-9A	FLUID, STARTING AID	0505-2
FIELD	3160-87	FLYWHEEL	0433-1
FIELD KIT	3160-87	FLYWHEEL HOUSING	0433-2
FIELD KIT, PIN DISCONNECT		FNR CONVERSION KIT	3160-86
(Z-BAR LINKAGE)(S.N. -594432)	3160-112	FNR CONVERSION KIT	3160-87
FIELD KIT, PIN DISCONNECT		FOLLOWERS, CAMSHAFT	0402-3
(Z-BAR LINKAGE)(S.N. 594433-)	3160-114	FORKS, GUARD	3103-6
FIFTH FUNCTION VALVE SECTION		FORKS, PALLET	3103-2
(SER. NO. - 594432)	3160-46	FORKS, PALLET (HI-VIS)	3103-4
FIFTH FUNCTION VALVE SECTION		FORWARD CLUTCH ASSEMBLY	0350-26
(SER. NO. 594433 -)	3160-47A	FORWARD CLUTCH ASSEMBLY DRIVESHAFT	0350-26
FIFTH FUNTION KIT	3160-28	FORWARD CLUTCH ASSEMBLY DRUM	0350-26
FILL TUBE, TRANSMISSION	0360-2	FOUR PINION HYDRAULIC DIFFERENTIAL	0210-14
FILLER NECK, ENGINE OIL	0407-1	FOUR SPOOL CONTROL VALVE	
FILTER ELEMENT, TRANSMISSION OIL	0350-2	(S.N. -594432)	3160-14
FILTER HEAD, TRANSMISSION OIL	0350-2	FOUR SPOOL CONTROL VALVE, LOADER	
FILTER RESTRICTION SWITCH, TRANSMISSION		(S.N. 594433-)	3160-16
OIL	0350-16	FOUR SPOOL CONTROL VALVE, LOADER	
FILTER, ENGINE OIL	0407-5	TOOL CARRIER	3160-18
FILTER, FRESH AIR	1830-2	FOUR SPOOL LOADER CONTROL VALVE	
FILTER, FRESH AIR	1830-6	(S.N. -594432)	3160-14
FILTER, FUEL	0420-2	FOUR SPOOL LOADER CONTROL VALVE	
FILTER, FUEL, PRIMARY	0560-2	(S.N. 594433-)	3160-16
FILTER, HVAC RECIRCULATION	1830-4	FOUR SPOOL LOADER CONTROL VALVE,	
FILTER, HVAC RECIRCULATION	1830-8	TOOL CARRIER	3160-18
FILTER, HYDRAULIC OIL	2160-6	FOUR SPOOL TOOL CARRIER CONTROL VALVE	3160-18
FILTER, HYDRAULIC OIL	2160-7A	FOUR SPOOL VALVE, LOADER CONTROL	
FILTER, PRIMARY FUEL	0560-2	(S.N. 594433-)	3160-16
FILTER, TRANSMISSION OIL	0350-2	FOUR SPOOL VALVE, LOADER CONTROL	
FILTER,AIR CLEANER	0520-2	TOOL CARRIER	3160-18
FILTER,FINAL FUEL	0420-2	FOURTH FUNCTION AUXILIARY HYDRAULICS	
FINAL DRIVE SHAFT	0210-22	(FOR USE WITH POWERLLEL LINKAGE)	3160-62
FINAL DRIVE SHAFT 1000 SERIES	0210-23	FOURTH FUNCTION AUXILIARY HYDRAULICS	
FINAL FUEL FILTER	0420-2	(FOR USE WITH TC)	3160-70
FIRE EXTINGUISHER AND BRACKET	1810-18	FOURTH FUNCTION AUXILIARY HYDRAULICS	
FIRE EXTINGUISHER AND BRACKET	1810-20	(Z-BAR LINKAGE) (S.N. -594432)	3160-54
FIRST GEAR CLUTCH ASSEMBLY	0350-30	FOURTH FUNCTION AUXILIARY HYDRAULICS	
FITTINGS, DUAL JOYSTICK PILOT CONTROLLER	3160-88	(Z-BAR LINKAGE) (S.N. 594433-)	3160-56
FITTINGS, HEATER	1830-16	FRAME LOCK BAR	1913-2
FITTINGS, HI-VIS COUPLER HYDRAULIC HOSES	3163-2	FRAME, CAB	1810-2
FITTINGS, HYDRAULIC, BOOM CYLINDER	3165-2	FRAME, CANOPY	1810-16
FITTINGS, HYDRAULIC, BUCKET CYLINDER	3165-2	FRAME, ENGINE	1740-2
FITTINGS, JOYSTICK PILOT CONTROLLER	3160-80	FRAME, ENGINE	1740-3A
FITTINGS, JOYSTICK PILOT CONTROLLER WITH		FRAME, GUARD	3103-6
AUXILIARY	3160-84	FRAME, LOADER	
		(POWERLLEL LINKAGE)	3140-6

ALPHABETICAL INDEX - CONTINUED

	PAGE		PAGE
FRAME, LOADER (POWERLLEL LINKAGE).....	3140-7A	FRONT LIGHT (SN -603831).....	1673-2
FRAME, LOADER (Z-BAR LINKAGE).....	3140-2	FRONT LIGHT (SN 603832-).....	1673-3A
FRAME, LOADER (Z-BAR LINKAGE).....	3140-3A	FRONT PLATE, ENGINE.....	0402-2
FRAME, PALLET FORK.....	3103-2	FRONT SEAL.....	0417-2
FRAME, PALLET FORK (HI-VIS).....	3103-4	FRONT TURN AND MARKER LIGHT (SN -603831).....	1673-2
FRAME, TOOL CARRIER.....	3140-4	FRONT TURN AND MARKER LIGHT (SN 603832-).....	1673-3A
FRENCH LABELS AND DECALS.....	1322-6	FRONT WINDSHIELD WIPER.....	1810-26
FRESH AIR DUCT.....	1830-2	FUEL FILTER HEATER KIT.....	0420-4
FRESH AIR DUCT.....	1830-6	FUEL FILTER, FINAL, AND LINES.....	0420-2
FRESH AIR FILTER.....	1830-2	FUEL FILTER, PRIMARY.....	0560-2
FRESH AIR FILTER.....	1830-6	FUEL HOSES.....	0560-2
FRESH AIR FILTER ELEMENT.....	1830-2	FUEL INJECTION LINES.....	0413-2
FRESH AIR FILTER ELEMENT.....	1830-6	FUEL INJECTION PUMP.....	0413-2
FRESH AIR HOUSING COVER.....	1810-44	FUEL INJECTOR REPAIR KIT.....	0413-2
FRONT AND REAR CAB MOUNTS.....	1810-22	FUEL TANK.....	0560-2
FRONT AND REAR WINDOW WASHER.....	1810-24	FUEL TANK BOTTOM GUARD.....	1746-2
FRONT AND REAR WORK LAMP.....	1673-4	FUEL TANK CAP.....	0560-2
FRONT AXLE.....	0210-2	FUEL TANK FILLER HOSE.....	0560-2
FRONT AXLE ASSEMBLY.....	0210-30	FUEL TANK SENDER.....	0560-2
FRONT AXLE ASSEMBLY BREATHER.....	0210-30	FUEL TRANSFER PUMP.....	0421-1
FRONT AXLE CAPSCREWS (POWERLLEL LINKAGE).....	3140-6	FUSE HOLDER, ENGINE AIR HEATER.....	0505-4
FRONT AXLE CAPSCREWS (POWERLLEL LINKAGE).....	3140-7A	FUSES, VEC.....	1674-16
FRONT AXLE CAPSCREWS (TOOL CARRIER).....	3140-4		
FRONT AXLE CAPSCREWS (Z-BAR LINKAGE).....	3140-2	G	
FRONT AXLE CAPSCREWS (Z-BAR LINKAGE).....	3140-3A	GASKET SET, OVERHAUL/TUNE-UP - 5510N.....	0452-2
FRONT AXLE DISCONNECT.....	0260-14	GASKET, CYLINDER HEAD.....	0409-2
FRONT AXLE HOUSING.....	0210-18	GASKET, EXHAUST MANIFOLD.....	0410-2
FRONT AXLE MOUNTING (POWERLLEL LINKAGE).....	3140-6	GASKET, OIL FILTER HOUSING.....	0407-5
FRONT AXLE MOUNTING (POWERLLEL LINKAGE).....	3140-7A	GASKET, TRANSMISSION.....	0350-13
FRONT AXLE MOUNTING (Z-BAR LINKAGE).....	3140-2	GASKET, TURBOCHARGER.....	0416-2
FRONT AXLE MOUNTING (Z-BAR LINKAGE).....	3140-3A	GEAR SET.....	0210-34
FRONT AXLE SHAFT.....	0210-18	GEAR SET.....	0210-36
FRONT BOTTOM GUARD.....	1746-4	GEAR SHIFT SYSTEM.....	0350-16
FRONT BOTTOM GUARD.....	1746-5A	GEAR, CAMSHAFT.....	0402-1
FRONT CONSOLE WIRING HARNESS.....	1674-8	GEAR, CRANKSHAFT.....	0401-2
FRONT CONSOLE WIRING HARNESS.....	1674-9	GEAR, CRANKSHAFT LOWER IDLER.....	0417-2
FRONT DASH MODULE WIRING.....	1674-8	GEAR, CRANKSHAFT UPPER IDLER.....	0402-2
FRONT DIFFERENTIAL CASE.....	0210-34	GEAR, ENGINE BALANCER SHAFT.....	0415-2
FRONT DIFFERENTIAL CASE (WITH DIFFERENTIAL LOCK).....	0210-6	GEAR, ENGINE OIL PUMP.....	0407-4
FRONT DIFFERENTIAL CASE (WITH STANDARD DIFFERENTIAL).....	0210-10	GEAR, FINAL DRIVE PLANET PINION.....	0210-22
FRONT DIFFERENTIAL HOUSING (WITH DIFFERENTIAL LOCK).....	0210-6	GEAR, FUEL INJECTION PUMP.....	0413-2
FRONT DIFFERENTIAL HOUSING (WITH STANDARD DIFFERENTIAL).....	0210-10	GEAR, TRANSMISSION INPUT.....	0350-6
FRONT DIFFERENTIAL LOCK LINE.....	0260-2	GEARBOX HOUSING.....	0350-8
FRONT DIFFERENTIAL LOCK LINE.....	0260-3A	GEARBOX HOUSING COVER.....	0350-8
FRONT DIFFERENTIAL LOCK LINE.....	0260-4	GEARBOX HOUSING OUTPUT SHAFT AND YOKE.....	0350-20
FRONT DIFFERENTIAL LOCK LINE.....	0260-5A	GLASS.....	1810-4
FRONT FENDER BRACKET EXTENSIONS (TOOL CARRIER).....	1927-10	GUARD FORKS.....	3103-6
FRONT FENDERS.....	1927-2	GUARD, BOTTOM, FUEL TANK.....	1746-2
FRONT FENDERS.....	1927-2	GUARD, FAN.....	0510-7A
FRONT FENDERS FULL COVERAGE.....	1927-6	GUARD, FRONT BOTTOM.....	1746-4
		GUARD, FRONT BOTTOM.....	1746-5A
		GUARD, LOADER BUCKET.....	3102-2
		GUARD, REAR FULL COVERAGE FENDER.....	1927-9A
		GUARD, ROCK, CYLINDER-FITTING.....	1746-6
		GUARD, TRANSMISSION BOTTOM.....	1746-4
		GUARD, TRANSMISSION BOTTOM.....	1746-5A
		GUARDS, TRANSMISSION.....	1913-3
		GUIDE ASSEMBLY.....	3160-82

ALPHABETICAL INDEX - CONTINUED

	PAGE		PAGE
H			
HALF-SHAFT	0210-42	HORN SWITCH	1810-48
HALF-SHAFT	0210-48	HOSE, A/C	1830-12
HANDLE, PILOT CONTROLLER	3160-82	HOSE, BRAKE ACCUMULATOR	1060-6
HANDLE, REAR PLASTIC	1910-6	HOSE, BRAKE ACCUMULATOR	1060-7A
HANDLE, TWO LEVER PILOT CONTROLLER	3160-74	HOSE, ENGINE VENTILATING	0408-2
HANDLE, REAR FULL COVERAGE FENDER	1927-9A	HOSE, FRONT DIFFERENTIAL LOCK	0260-2
HARNES, MAIN WIRING	1674-2	HOSE, FRONT DIFFERENTIAL LOCK	0260-3A
HARNES, MAIN WIRING	1674-3A	HOSE, FUEL TANK FILLER	0560-2
HARNES, MAIN WIRING (FOR USE WITH POWERLLEL LINKAGE)	1674-3C	HOSE, HYDRAULIC (CONTROL VALVE LOAD SENSE) (FOR USE WITH TC)	3160-66
HARNES, MAIN WIRING (FOR USE WITH POWERLLEL LINKAGE)	1674-4	HOSE, HYDRAULIC (CONTROL VALVE TO BOOM CYLINDER) (FOR USE WITH TC)	3160-66
HARNES, RETURN TO DIG	1674-15	HOSE, HYDRAULIC (CONTROL VALVE TO BOOM CYLINDER) (POWERLLEL LINKAGE)	3160-60
HARSH ENVIRONMENT ALTERNATOR (100 AMP)	1672-10	HOSE, HYDRAULIC (CONTROL VALVE TO BUCKET CYLINDER) (POWERLLEL LINKAGE)	3160-60
HARSH ENVIRONMENT ALTERNATOR BELT (100 AMP)	1672-10	HOSE, HYDRAULIC, THIRD FUNCTION (Z- BAR LINKAGE) (BOOM TO COUPLER)	3163-4
HEAD, CYLINDER	0409-2	HOSE, HYDRAULIC, THIRD FUNCTION (Z- BAR LINKAGE) (HI LIFT BOOM TO COUPLER)	3163-4
HEADER, ENGINE OIL FILTER	0407-5	HOSE, RADIATOR	0510-2
HEADER, PRIMARY FUEL FILTER	0560-2	HOSE, RADIATOR	0510-4
HEADLINER AND DOMELIGHT	1810-14	HOSE, RADIATOR	0510-5A
HEADLINER, CANOPY	1810-16	HOSE, RADIATOR	0510-6
HEADREST	1821-2	HOSE, AIR CLEANER	0520-2
HEATER AND A/C BLOWER SWITCH	1674-11	HOSE, HYDRAULIC (CONTROL VALVE TO BUCKET CYLINDER) (FOR USE WITH TC)	3160-66
HEATER AND A/C BLOWER WIRING HARNESS	1674-11	HOSE, STEERING CYLINDER HYDRAULIC	0960-6
HEATER BLOWER MOTOR AND SWITCH	1830-4	HOSE, STEERING CYLINDER HYDRAULIC	0960-7A
HEATER BLOWER MOTOR AND SWITCH	1830-8	HOSES AND FITTINGS, AXLE CIRCULATION	0260-10
HEATER CONTROL CABLE	1830-2	HOSES AND FITTINGS, AXLE COOLING	0260-10
HEATER CONTROL CABLE	1830-6	HOSES, DUAL JOYSTICK PILOT CONTROLLER	3160-88
HEATER DUCTS	1830-11	HOSES, ENVIRONMENTAL DRAIN	1369-2
HEATER FITTINGS	1830-16	HOSES, ENVIRONMENTAL DRAIN	1369-3A
HEATER HOSES	1830-16	HOSES, FRONT AND REAR DIFFERENTIAL LOCK	0260-4
HEATER KIT, FUEL FILTER	0420-4	HOSES, FRONT AND REAR DIFFERENTIAL LOCK	0260-5A
HEATER THERMOSTAT SWITCH	1830-8	HOSES, FUEL	0560-2
HEATER, ENGINE AIR	0505-4	HOSES, HEATER	1830-16
HEATER, ENGINE COOLANT	0505-6	HOSES, HI-VIS COUPLER HYDRAULIC HOSES	3163-2
HEATING AND A/C LOUVERS	1810-8	HOSES, HYDRAULIC FAN DRIVE	0510-8
HEATING AND AIR CONDITIONING OUTLET DUCT	1830-11	HOSES, HYDRAULIC FAN DRIVE	0510-9A
HI-VIS COUPLER BUCKET	3102-6	HOSES, HYDRAULIC PIN DISCONNECT AND AXLE DISONNECT VALVE (S.N. -594432)	3160-104
HI-VIS COUPLER HYDRAULIC CYLINDER, ATTAC HMENT (POWERLLEL AND Z-BAR LINKAGE)	3104-18	HOSES, HYDRAULIC PIN DISCONNECT AND AXLE DISONNECT VALVE (S.N. 594433-)	3160-108
HI-VIS LINKAGE ATTACHMENT COUPLER (POWERLLEL)	3104-10	HOSES, HYDRAULIC, FOURTH FUNCTION (Z-BAR LINKAGE) (S.N. -594432)	3160-54
HI-VIS LINKAGE ATTACHMENT COUPLER (Z-BAR)	3104-12	HOSES, HYDRAULIC, FOURTH FUNCTION (Z-BAR LINKAGE) (S.N. 594433-)	3160-56
HI-VIS LINKAGE CONVERSION BUCKET PIVOT PLATE	3104-22	HOSES, HYDRAULIC, FOURTH FUNCTION AUXILIARY HYDRAULICS (FOR USE WITH TC)	3160-70
HI-VIS LINKAGE COUPLER (POWERLLEL)	3104-10	HOSES, HYDRAULIC, PIN DISCONNECT (FOR USE WITH POWERLLEL LINKAGE)	3160-122
HI-VIS LINKAGE COUPLER (Z-BAR)	3104-12	HOSES, HYDRAULIC, PIN DISCONNECT (FOR USE WITH TC)	3160-110
HIGH LIFT LOADER BOOM	3140-8	HOSES, HYDRAULIC, PIN DISCONNECT (Z-BAR LINKAGE) (S.N. -594432)	3160-112
HIGH LIFT LOADER BOOM LINKAGE	3140-16	HOSES, HYDRAULIC, PIN DISCONNECT (Z-BAR LINKAGE) (S.N. 594433-)	3160-114
HIGH LIFT TWO SPOOL LOADER CONTROL VALVE (S.N. -594432)	3160-2	HOSES, HYDRAULIC, THIRD FUNCTION (FOR USE WITH TC)	3160-68
HIGH LIFT TWO SPOOL LOADER CONTROL VALVE (S.N. 594433-)	3160-4	HOSES, HYDRAULIC, THIRD FUNCTION (POWERLLEL LINKAGE) (BOOM TO COUPLER)	3163-6
HIGH RANGE CLUTCH ASSEMBLY	0350-36	HOSES, HYDRAULIC, THIRD FUNCTION (Z-BAR LINKAGE) (S.N. -594432)	3160-52
HINGE, REAR FULL COVERAGE FENDER	1927-9A	HOSES, HYDRAULIC, THIRD FUNCTION (Z-BAR LINKAGE) (S.N. 594433-)	3160-56
HITCH ASSEMBLY	1520-2		
HITCH ASSEMBLY	1520-3A		
HITCH ASSEMBLY WITH 8" PROTECTION BUMPER	1520-2		
HITCH ASSEMBLY WITH 8" PROTECTION BUMPER	1520-3A		
HOOD	1910-2		
HOOD, ABSORBER	1913-6		
HOOK, COAT	1810-40		
HOOKS, LIFT	1330-2		
HORN	1810-35		

ALPHABETICAL INDEX - CONTINUED

	PAGE		PAGE
HOSES, JOYSTICK PILOT CONTROLLER	3160-80	HYDRAULIC HOSES, AXLE COOLER	
HOSES, JOYSTICK PILOT CONTROLLER WITH		(FACTORY INSTALLED AXLE COOLER)	0260-9A
AUXILIARY	3160-84	HYDRAULIC HOSES, FAN DRIVE	0510-8
HOSES, LUBRICATION, STEERING CYLINDER	0960-8	HYDRAULIC HOSES, FAN DRIVE	0510-9A
HOSES, MAIN HYDRAULIC	2160-12	HYDRAULIC HOSES, HI-VIS COUPLER	3163-2
HOSES, MAIN HYDRAULIC	2160-14	HYDRAULIC HOSES, MAIN	2160-12
HOSES, PIN DISCONNECT HYDRAULIC		HYDRAULIC HOSES, MAIN	2160-14
(BOOM TO COUPLER)(POWERLLEL LINKAGE)	3160-124	HYDRAULIC HOSES, PIN DISCONNECT	
HOSES, PIN DISCONNECT HYDRAULIC		(BOOM TO COUPLER)(POWERLLEL LINKAGE)	3160-124
(BOOM TO COUPLER)(Z-BAR LINKAGE)	3160-116	HYDRAULIC HOSES, PIN DISCONNECT	
HOSES, RIDE CONTROL		(BOOM TO COUPLER)(Z-BAR LINKAGE)	3160-116
(S.N. -594432)	3160-92	HYDRAULIC HOSES, REVERSE FAN DRIVE	0510-10
HOSES, RIDE CONTROL		HYDRAULIC HOSES, REVERSE FAN DRIVE	0510-11A
(S.N. 594433-)	3160-94	HYDRAULIC HOSES, RIDE CONTROL	
HOSES, TURBOCHARGER	0416-2	(S.N. -594432)	3160-92
HOSES, TWO LEVER PILOT CONTROLLER	3160-72	HYDRAULIC HOSES, RIDE CONTROL	
HOSES, TWO LEVER PILOT CONTROLLER		(S.N. 594433-)	3160-94
WITH AUXILIARY	3160-76	HYDRAULIC HOSES, THIRD FUNCTION BOOM TO	
HOSES, BOOM AND BUCKET CYLINDER HYDRAULIC		COUPLER (POWERLLEL LINKAGE)	3163-6
(Z-BAR LINKAGE) (S.N. -594432)	3160-48	HYDRAULIC HOSES, THIRD FUNCTION BOOM TO	
HOSES, BOOM AND BUCKET CYLINDER HYDRAULIC		COUPLER, (Z-BAR LINKAGE)	3163-4
(Z-BAR LINKAGE) (S.N. 594433-)	3160-50	HYDRAULIC LINES, MAIN	2160-12
HOUSING	0210-48	HYDRAULIC LINES, MAIN	2160-14
HOUSING, CAB CONTROL UNIT	1674-6	HYDRAULIC LINES, PARK BRAKE	
HOUSING, CAB MONITOR	1810-8	SOLENOID VALVE	1060-8
HOUSING, CANOPY MONITOR	1810-10	HYDRAULIC OIL COOLER	0510-2
HOUSING, ENGINE OIL PUMP	0407-4	HYDRAULIC OIL COOLER	0510-4
HOUSING, FAN	0510-7A	HYDRAULIC OIL COOLER	0510-5A
HOUSING, FLYWHEEL	0433-2	HYDRAULIC OIL COOLER	0510-6
HOUSING, FRONT AXLE	0210-18	HYDRAULIC OIL FILTER	2160-6
HOUSING, FRONT AXLE DISCONNECT	0260-14	HYDRAULIC OIL FILTER	2160-7A
HOUSING, FRONT DIFFERENTIAL		HYDRAULIC OIL LEVEL GAUGE	2160-6
(WITH DIFFERENTIAL LOCK)	0210-6	HYDRAULIC OIL LEVEL GAUGE	2160-7A
HOUSING, FRONT DIFFERENTIAL		HYDRAULIC OIL PRESSURE REGULATOR VALVE	2160-10
(WITH STANDARD DIFFERENTIAL)	0210-10	HYDRAULIC OIL RESERVOIR	2160-6
HOUSING, GEARBOX	0350-8	HYDRAULIC OIL RESERVOIR	2160-7A
HOUSING, HVAC	1830-4	HYDRAULIC OIL RESERVOIR FILLER CAP	2160-6
HOUSING, HVAC	1830-8	HYDRAULIC OIL RESERVOIR FILLER CAP	2160-7A
HOUSING, REAR AXLE	0210-20	HYDRAULIC OIL TEMPERATURE SENSOR	2160-6
HOUSING, REAR DIFFERENTIAL		HYDRAULIC OIL TEMPERATURE SENSOR	2160-7A
(WITH DIFFERENTIAL LOCK)	0210-8	HYDRAULIC PUMP, STEERING	2160-2
HOUSING, REAR DIFFERENTIAL		HYDRAULIC PUMP, FAN DRIVE	0510-8
(WITH STANDARD DIFFERENTIAL)	0210-12	HYDRAULIC PUMP, FAN DRIVE	0510-9A
HOUSING, TORQUE CONVERTER	0350-4	HYDRAULIC PUMP, LOADER	2160-2
HOUSING, TRANSMISSION	0350-8	HYDRAULIC PUMP, LOADER AND STEERING	2160-2
HUB, ENGINE FAN	0510-7A	HYDRAULIC PUMP, REVERSE FAN DRIVE	0510-10
HVAC HOUSING	1830-4	HYDRAULIC PUMP, REVERSE FAN DRIVE	0510-11A
HVAC HOUSING	1830-8	HYDRAULICS, BOOM CYLINDER (FOR USE WITH	
HVAC MODULE COMPONENTS	1830-4	POWERLLEL LINKAGE)	3160-60
HVAC RECIRCULATION FILTER	1830-4	HYDRAULICS, BOOM CYLINDER (S.N. -594432)	
HVAC RECIRCULATION FILTER	1830-8	(FOR USE WITH Z-BAR LINKAGE)	3160-48
HVAC WIRING	1674-11	HYDRAULICS, BOOM CYLINDER (S.N. 594433-)	
HYDRAULIC ACTUATED DIFFERENTIAL	0210-14	(FOR USE WITH Z-BAR LINKAGE)	3160-50
HYDRAULIC CYLINDER, ATTACHMENT COUPLER		HYDRAULICS, BRAKE VALVE	1060-10
(POWERLLEL AND Z-BAR LINKAGE)	3104-14	HYDRAULICS, BRAKE VALVE	1060-11A
HYDRAULIC CYLINDER, ATTACHMENT COUPLER		HYDRAULICS, BUCKET CYLINDER TO LOADER	
(POWERLLEL AND Z-BAR LINKAGE)	3104-16	CONTROL VALVE(FOR USE WITH TC)	3160-66
HYDRAULIC CYLINDER, ATTACHMENT HI-VIS		HYDRAULICS, FOURTH FUNCTION	
COUPLER (POWERLLEL AND Z-BAR LINKAGE)	3104-18	(Z-BAR LINKAGE) (S.N. -594432)	3160-54
HYDRAULIC CYLINDER, HI-VIS LINKAGE		HYDRAULICS, THIRD FUNCTION	
ATTACHMENT COUPLER (POWERLLEL)	3104-10	(Z-BAR LINKAGE) (S.N. -594432)	3160-52
HYDRAULIC CYLINDER, HI-VIS LINKAGE		HYDRAULICS, BUCKET CYLINDER(S.N. -594432)	
ATTACHMENT COUPLER (Z-BAR)	3104-12	(FOR USE WITH Z-BAR LINKAGE)	3160-48
HYDRAULIC DIFFERENTIAL, FOUR PINION	0210-14	HYDRAULICS, BUCKET CYLINDER(S.N. 594433-)	
HYDRAULIC HOSES, AXLE COOLER		(FOR USE WITH Z-BAR LINKAGE)	3160-50
(FACTORY INSTALLED AXLE COOLER)	0260-8		

ALPHABETICAL INDEX - CONTINUED

	PAGE		PAGE
I			
IDLER GEAR, LOWER (ENGINE)	0417-2	KIT, AUXILIARY SINGLE LEVER CONTROLLER REPAIR	3160-78
IDLER GEAR, UPPER (ENGINE)	0402-2	KIT, AXLE BREATHER	0260-18
IGNITION SWITCH	1674-6	KIT, BOOM CYLINDER BORE (FOR USE WITH POWERLLEL LINKAGE)	3165-18
INJECTION PUMP ACCESS COVER	0417-2	KIT, BOOM CYLINDER BORE (FOR USE WITH TC)	3165-12
INJECTORS, REMANUFACTURED	0413-2	KIT, BOOM CYLINDER BORE (FOR USE WITH TC)	3165-14
INLET SECTION VALVE WITH RELIEF VALVE LOADER CONTROL VALVE (S.N. -594432)	3160-20	KIT, BOOM CYLINDER BORE SEAL KIT (Z-BAR LINKAGE)(S.N. 595723-)	3165-6
INLET SECTION VALVE WITH RELIEF VALVE LOADER CONTROL VALVE (S.N. 594433-)	3160-22	KIT, BOOM CYLINDER ROD SEAL (FOR USE WITH POWERLLEL LINKAGE)	3165-18
INLET, WATER PUMP	0417-5	KIT, BOOM CYLINDER ROD SEAL (FOR USE WITH TC)	3165-12
INPUT GEAR, TRANSMISSION	0350-6	KIT, BOOM CYLINDER ROD SEAL (FOR USE WITH TC)	3165-14
INPUT SHAFT, TORQUE CONVERTER	0350-4	KIT, BOOM CYLINDER ROD SEAL (Z-BAR LINKAGE)(S.N. -595722)	3165-4
INPUT SHAFT, TRANSMISSION	0350-6	KIT, BOOM CYLINDER ROD SEAL (Z-BAR LINKAGE)(S.N. 595723-)	3165-6
INPUT YOKE	0210-3	KIT, BOOM TO COUPLER, THIRD FUNCTION HYD HOSES (Z-BAR LINKAGE)	3163-4
INPUT YOKE	0210-34	KIT, BUCKET CYLINDER BORE	3165-8
INPUT YOKE	0210-36	KIT, BUCKET CYLINDER BORE	3165-20
INPUT YOKE, TORQUE CONVERTER SHAFT	0350-4	(Z-BAR LINKAGE)(S.N. -595722)	3165-4
INSERT, ENGINE VALVE SEAT	0409-2	KIT, BUCKET CYLINDER ROD SEAL	3165-8
INSIDE REAR VIEW MIRROR	1810-39A	KIT, BUCKET CYLINDER ROD SEAL	3165-20
INTAKE VALVE	0409-2	(Z-BAR LINKAGE)(S.N. 594433 -)	3160-47A
INTAKE, AIR (ENGINE)	0414-2	KIT, FIFTH VALVE SECTION (SER. NO. - 594432)	3160-46
INTAKE, ENGINE OIL PUMP	0407-4	KIT, FITTING, QUICK-DISCONNECT (FOR USE WITH POWERLLEL LINKAGE)	3160-62
J			
JAGZ CUTTING EDGE	3102-12	KIT, FUEL FILTER SEAL	0420-2
JAGZ LOADER BUCKET CUTTING EDGE	3102-12	KIT, FUEL INJECTOR REPAIR	0413-2
JOYSTICK FNR CONVERSION KIT	3160-86	KIT, HI LIFT BOOM TO COUPLER, THIRD FUNCTION HYD HOSES (Z-BAR LINKAGE)	3163-4
JOYSTICK FNR CONVERSION KIT	3160-87	KIT, JOYSTICK TO TWO LEVER CONVERSION	3160-72
JOYSTICK LABEL	3160-87	KIT, JOYSTICK WITH AUX. TO TWO LEVER WITH AUX. CONVERSION	3160-76
JOYSTICK PILOT CONTROLLER	3160-80	KIT, OUTLET VALVE SECTION LOADER CONTROL VALVE (S.N. -594432)	3160-42
JOYSTICK PILOT CONTROLLER	3160-82	KIT, OUTLET VALVE SECTION LOADER CONTROL VALVE (S.N. 594433-)	3160-44
JOYSTICK PILOT CONTROLLER WITH AUXILIARY	3160-84	KIT, PARKING BRAKE BREATHER	0260-18
JOYSTICK TO TWO LEVER CONVERSION KIT	3160-72	KIT, PIN DISCONNECT (Z-BAR LINKAGE)(S.N. -594432)	3160-112
JOYSTICK WITH AUX. TO TWO LEVER WITH AUX. CONVERSION KIT	3160-76	KIT, PIN DISCONNECT (Z-BAR LINKAGE)(S.N. 594433-)	3160-114
K			
KEY, IGNITION	1674-6	KIT, REAR PLATFORM	1927-4
KICKDOWN SWITCH, TWO LEVER PILOT CONTROLLER	3160-74	KIT, REVERSE FAN DRIVE	0510-10
KICKOUT, BOOM (FOR USE WITH TOOL CARRIER)	3166-8	KIT, REVERSE FAN DRIVE	0510-11A
KICKOUT,LOADER BOOM (POWERLLEL LINKAGE)	3166-12	KIT, SECONDARY STEERING	0930-4
KICKOUT,LOADER BOOM (Z-BAR LINKAGE)	3166-4	KIT, STEERING COMPENSATOR VALVE SEAL (SERIAL NO. 601560 -)	0960-3A
KIT, ADDITION OF AUXILIARY JOYSTICK TO JOYSTICK CONTROLLER	3160-88	KIT, STEERING CYLINDER BORE SEAL	0960-10
KIT, ADDITION OF AUXILIARY JOYSTICK TO TOOL CARRIER JOYSTICK CONTROLLER	3160-88	KIT, STEERING CYLINDER ROD SEAL	0960-10
KIT, ADDITION OF AUXILIARY TO JOYSTICK CONTROLLER	3160-84		
KIT, ADDITION OF AUXILIARY TO TOOL CARRIER JOYSTICK CONTROLLER	3160-84		
KIT, ADDITION OF AUXILIARY TO TOOL CARRIER TWO LEVER CONTROLLER	3160-76		
KIT, ADDITION OF AUXILIARY TO TWO LEVER CONTROLLER	3160-76		
KIT, AUXILIARY JOYSTICK PILOT CONTROLLER REPAIR	3160-90		

ALPHABETICAL INDEX - CONTINUED

	PAGE		PAGE
KIT, STEERING VALVE SEAL (SERIAL NO. 601560 -).....	0960-2	LINES, BRAKE.....	1060-10
KIT, TWO LEVER TO JOYSTICK CONVERSION	3160-80	LINES, BRAKE.....	1060-11A
KIT, TWO LEVER WITH AUX. TO JOYSTICK WITH AUX. CONVERSION.....	3160-84	LINES, FINAL FUEL FILTER	0420-2
KIT, WATER PUMP REPAIR	0417-2	LINES, FOURTH FUNCTION HYDRAULIC (Z-BAR LINKAGE) (S.N. -594432)	3160-54
KIT, WHEEL SPACER.....	0110-2B	LINES, FRONT AND REAR DIFFERENTIAL LOCK.....	0260-4
KIT, WHEEL SPACER.....	0110-4	LINES, FRONT AND REAR DIFFERENTIAL LOCK.....	0260-5A
KIT, WHEEL SPACER.....	0110-6	LINES, FUEL INJECTION.....	0413-2
KIT, WHEEL SPACER.....	0110-8	LINES, HYDRAULIC, PIN DISCONNECT (BOOM TO COUPLER)(POWERLLEL LINKAGE)	3160-124
KITS, AXLE CENTER SERVICE.....	0210-24	LINES, HYDRAULIC, PIN DISCONNECT (BOOM TO COUPLER)(Z-BAR LINKAGE)	3160-116
KITS, HI-VIS COUPLER HYDRAULIC HOSES.....	3163-2	LINES, HYDRAULIC, PIN DISCONNECT (FOR USE WITH POWERLLEL LINKAGE).....	3160-122
L			
LABEL AND DECALS (CANOPY)	1322-10	LINES, HYDRAULIC, PIN DISCONNECT (FOR USE WITH TC)	3160-110
LABELS AND DECALS (FRENCH)	1322-6	LINES, HYDRAULIC, PIN DISCONNECT (Z-BAR LINKAGE)(S.N. -594432)	3160-112
LABELS AND DECALS (SPANISH).....	1322-8	LINES, HYDRAULIC, PIN DISCONNECT (Z-BAR LINKAGE)(S.N. 594433-)	3160-114
LABELS AND DECALS, CAB	1322-4	LINES, JOYSTICK PILOT CONTROLLER.....	3160-80
LABELS AND TRADEMARKS (ENGLISH).....	1322-2	LINES, JOYSTICK PILOT CONTROLLER WITH AUXILARY	3160-84
LAMP, HI-BEAM, DRIVE (SN -603831).....	1673-2	LINES, MAIN HYDRAULIC	2160-12
LAMP, HI-BEAM, DRIVE (SN 603832-).....	1673-3A	LINES, MAIN HYDRAULIC	2160-14
LAMP, LICENSE PLATE.....	1673-8	LINES, THIRD FUNCTION HYDRAULIC (Z-BAR LINKAGE) (S.N. -594432)	3160-52
LAMP, STOP	1673-6	LINES, TRANSMISSION EXTERNAL OIL.....	0360-4
LAMP, TAIL.....	1673-6	LINES, TRANSMISSION INTERNAL OIL.....	0350-14
LAMP, TURN.....	1673-6	LINES, TURBOCHARGER OIL.....	0416-2
LATCH, BATTERY COVERS DOOR.....	1913-4	LINES, TWO LEVER PILOT CONTROLLER WITH AUXILARY	3160-76
LATCH, DOOR.....	1810-6	LINKAGE COUPLER COUNTERWEIGHT	1520-2
LATCH, ENGINE SIDE SHIELD	1910-4	LINKAGE COUPLER COUNTERWEIGHT	1520-3A
LATCH, FAN GUARD.....	0510-7A	LINKAGE COUPLER, HI-VIS (POWERLLEL)	3104-10
LATCH, HOOD.....	1910-2	LINKAGE COUPLER, HI-VIS (Z-BAR).....	3104-12
LATCH, REAR FULL COVERAGE FENDER.....	1927-9A	LINKAGE COUPLER, POWERLLEL LINKAGE	3104-8
LATCH,CAB DOOR HOLD-OPEN	1810-2	LINKAGE, BUCKET	3140-16
LEVER.....	0210-38	LINKAGE, BUCKET (POWERLLEL LINKAGE).....	3140-20
LICENSE PLATE BRACKET AND LIGHT.....	1673-8	LINKAGE, LOADER BOOM.....	3140-16
LICENSE PLATE LAMP.....	1673-8	LINKAGE, POWERLLEL.....	3140-20
LICENSE PLATE LIGHT	1673-8	LINKAGE, STEERING COLUMN.....	1810-48
LICENSE PLATE LIGHT	1674-2	LINKAGE, TOOL CARRIER BOOM.....	3140-18
LICENSE PLATE LIGHT	1674-3A	LOAD CENTER COMPARTMENT	1674-6
LICENSE PLATE LIGHT (FOR USE WITH POWERLLEL LINKAGE)	1674-3C	LOAD CENTER COMPARTMENT	1674-7A
LICENSE PLATE LIGHT (FOR USE WITH POWERLLEL LINKAGE)	1674-4	LOAD CENTER WIRING HARNESS.....	1674-6
LIFT HOOKS.....	1330-2	LOAD CENTER WIRING HARNESS.....	1674-7A
LIFT STRAPS, ENGINE.....	0404-4	LOAD SENSE RELIEF VALVE LOADER CONTROL VALVE (S.N. -594432).....	3160-42
LIGHT, FRONT (SN -603831).....	1673-2	LOADER ATTACHMENT COUPLER (Z-BAR LINKAGE).....	3104-6
LIGHT, FRONT (SN 603832-).....	1673-3A	LOADER ATTACHMENT COUPLER BUCKET	3102-4
LIGHT, LICENSE PLATE.....	1673-8	LOADER BOOM	3140-8
LIGHT, STOP	1673-6	LOADER BOOM BUSHING	3140-8
LIGHT, TURN	1673-6	LOADER BOOM KICKOUT SENSOR (POWERLLEL LINKAGE).....	3166-12
LIGHT, TURN AND MARKER (SN -603831).....	1673-2	LOADER BOOM KICKOUT SENSOR (Z-BAR LINKAGE).....	3166-4
LIGHT, TURN AND MARKER (SN 603832-).....	1673-3A	LOADER BOOM KICKOUT/RETURN TO CARRY (POWERLLEL LINKAGE).....	3166-12
LINE, AXLE DISCONNECT	0260-16	LOADER BOOM KICKOUT/RETURN TO CARRY (Z-BAR LINKAGE).....	3166-4
LINE, FRONT DIFFERENTIAL LOCK	0260-2	LOADER BOOM LINKAGE.....	3140-16
LINE, FRONT DIFFERENTIAL LOCK	0260-3A	LOADER BOOM LINKAGE (POWERLLEL LINKAGE).....	3140-20
LINE, HYDRAULIC, (CONTROL VALVE TO BUCKET CYLINDER) (FOR USE WITH TC).....	3160-66		
LINE, HYDRAULIC, (CONTROL VALVE TO BOOM CYLINDER) (FOR USE WITH TC).....	3160-66		
LINER, CYLINDER	0403-2		

ALPHABETICAL INDEX - CONTINUED

	PAGE		PAGE
LOADER BOOM LINKAGE, HIGH LIFT	3140-16	LOADER FRAME BUCKET CYLINDER PIN	
LOADER BOOM PIN	3140-8	(POWERLLEL LINKAGE).....	3140-7A
LOADER BOOM POWERLLEL LINKAGE	3140-20	LOADER FRAME BUCKET CYLINDER PIN	
LOADER BOOM, HIGH LIFT	3140-8	(Z-BAR LINKAGE).....	3140-2
LOADER BUCKET (ATTACHMENT COUPLER)	3102-4	LOADER FRAME BUCKET CYLINDER PIN	
LOADER BUCKET (HI-VIS COUPLER)	3102-6	(Z-BAR LINKAGE).....	3140-3A
LOADER BUCKET CUTTING EDGE	3102-2	LOADER FRAME WIRING HARNESS	1674-2
LOADER BUCKET CUTTING EDGE	3102-10	LOADER FRAME WIRING HARNESS	1674-3A
LOADER BUCKET CUTTING EDGE (JAGZ)	3102-12	LOADER FRAME WIRING HARNESS	
LOADER BUCKET GUARD	3102-2	(FOR USE WITH POWERLLEL LINKAGE).....	1674-3C
LOADER BUCKET PINS	3102-2	LOADER FRAME WIRING HARNESS	
LOADER BUCKET TEETH	3102-8	(FOR USE WITH POWERLLEL LINKAGE).....	1674-4
LOADER BUCKETS	3102-2	LOADER LINKAGE	3140-16
LOADER CONTROL VALVE (2-SPOOL)		LOADER LINKAGE	
(S.N. -594432).....	3160-2	(POWERLLEL LINKAGE).....	3140-20
LOADER CONTROL VALVE (2-SPOOL)		LOADER SHANKS	3102-8
(S.N. 594433-).....	3160-4	LOCK BAR, FRAME	1913-2
LOADER CONTROL VALVE (2-SPOOL)		LOCK LINE, FRONT DIFFERENTIAL.....	0260-2
TOOL CARRIER.....	3160-6	LOCK LINE, FRONT DIFFERENTIAL.....	0260-3A
LOADER CONTROL VALVE (3-SPOOL)		LOCK LINES, FRONT AND REAR DIFFERENTIAL.....	0260-4
(S.N. -594432).....	3160-8	LOCK LINES, FRONT AND REAR DIFFERENTIAL.....	0260-5A
LOADER CONTROL VALVE (3-SPOOL)		LOCK MECHANISM, GUARD FORK	3103-6
(S.N. 594433-).....	3160-10	LOCK MECHANISM, PALLET FORK (HI-VIS)	3103-4
LOADER CONTROL VALVE (3-SPOOL)		LOCK, BOOM CYLINDER	3140-24
TOOL CARRIER.....	3160-12	LOUVERS, HEATING AND A/C	1810-8
LOADER CONTROL VALVE (4-SPOOL)		LOUVERS, VENTILATION	1810-8
(S.N. -594432).....	3160-14	LOWER STEERING COLUMN	1810-50
LOADER CONTROL VALVE (4-SPOOL)		LUBRICATION LINES, DIFFERENTIAL SUPPORTS	0242-2
(S.N. 594433-).....	3160-16	LUBRICATION LINES, DIFFERENTIAL SUPPORTS	0242-3A
LOADER CONTROL VALVE (4-SPOOL)			
TOOL CARRIER.....	3160-18	M	
LOADER CONTROL VALVE STUD ASSEMBLY		MAIN BEARING CAP.....	0404-2
(S.N. -594432).....	3160-20	MAIN BEARINGS.....	0401-2
LOADER CONTROL VALVE STUD ASSEMBLY		MAIN COUNTERWEIGHT	1749-2
(2-SPOOL) (S.N. 594433-).....	3160-4	MAIN HYDRAULIC HOSES	2160-12
LOADER CONTROL VALVE STUD ASSEMBLY		MAIN HYDRAULIC HOSES	2160-14
(3-SPOOL) (S.N. 594433-).....	3160-10	MAIN HYDRAULIC LINES	2160-12
LOADER CONTROL VALVE STUD ASSEMBLY		MAIN HYDRAULIC LINES	2160-14
(4-SPOOL) (S.N. 594433-).....	3160-16	MAIN WIRING HARNESS	1674-2
LOADER CONTROL VALVE TIE BOLTS		MAIN WIRING HARNESS	1674-3A
(2-SPOOL) (S.N. 594433-).....	3160-4	MAIN WIRING HARNESS	
LOADER CONTROL VALVE TIE BOLTS		(FOR USE WITH POWERLLEL LINKAGE).....	1674-3C
(3-SPOOL) (S.N. 594433-).....	3160-10	MAIN WIRING HARNESS	
LOADER CONTROL VALVE TIE BOLTS		(FOR USE WITH POWERLLEL LINKAGE).....	1674-4
(4-SPOOL) (S.N. 594433-).....	3160-16	MANIFOLD, AIR INTAKE	0414-2
LOADER CONTROL VALVE TO BOOM CYLINDER		MANIFOLD, EXHAUST	0410-2
HYDRAULICS (POWERLLEL LINKAGE).....	3160-60	MANIFOLD, TRANSMISSION CONTROL VALVE	0350-16
LOADER CONTROL VALVE TO BUCKET CYLINDER		MAT, ANTI-SKID, COUNTERWEIGHT	1749-2
HYDRAULICS(FOR USE WITH TC).....	3160-66	MINIMUM PRESSURE VALVE, TRANSMISSION	0350-22
LOADER FRAME		MIRROR, OUTSIDE.....	1810-38
(POWERLLEL LINKAGE).....	3140-6	MIRROR, REAR VIEW, INSIDE.....	1810-39A
LOADER FRAME		MODULE, HVAC	1830-4
(POWERLLEL LINKAGE).....	3140-7A	MODULE, HVAC	1830-8
LOADER FRAME		MONITOR CONSOLE, CAB	1810-8
(Z-BAR LINKAGE).....	3140-2	MONITOR CONSOLE, CANOPY	1810-10
LOADER FRAME		MONITOR HOUSING, CANOPY	1810-10
(Z-BAR LINKAGE).....	3140-3A	MOTOR AND SWITCH, HEATER	1830-8
LOADER FRAME BOOM CYLINDER PIN		MOTOR AND SWITCH, HEATER AND A/C BLOWER	1830-4
(POWERLLEL LINKAGE).....	3140-6	MOTOR, AXLE CIRCULATION	0260-6
LOADER FRAME BOOM CYLINDER PIN		MOTOR, REVERSE FAN DRIVE	0510-10
(POWERLLEL LINKAGE).....	3140-7A	MOTOR, REVERSE FAN DRIVE	0510-11A
LOADER FRAME BOOM CYLINDER PIN		MOTOR, STARTING	0422-2
(Z-BAR LINKAGE).....	3140-2	MOTOR, FAN DRIVE	0510-8
LOADER FRAME BOOM CYLINDER PIN		MOTOR, FAN DRIVE	0510-9A
(Z-BAR LINKAGE).....	3140-3A	MOUNT, FAN DRIVE MOTOR	0510-7A
LOADER FRAME BUCKET CYLINDER PIN			
(POWERLLEL LINKAGE).....	3140-6		

ALPHABETICAL INDEX - CONTINUED

	PAGE		PAGE
MOUNTING BOLTS AND SUPPORT, REAR AXLE	0242-2	OIL PUMP, ENGINE	0407-4
MOUNTING BOLTS AND SUPPORT, REAR AXLE	0242-3A	OIL PUMP, TRANSMISSION	0350-12
MOUNTING BRACKETS, ALTERNATOR (55 AMP)	1672-2	OIL SEAL KIT, FRONT	0417-4
MOUNTING BRACKETS, ALTERNATOR (80 AMP)	1672-6	ONE-PIECE WHEEL RIM (25 X 14)	
MOUNTING BRACKETS, ENGINE	0540-2	(ONE PIECE)	0110-2
MOUNTING BRACKETS, HARSH ENVIRONMENT		OPERATOR STATION FRONT PEDESTAL	1810-12
ALTERNATOR	1672-10	ORIFICE, PISTON COOLING	0404-2
MOUNTING BRACKETS, TRANSMISSION	0342-2	OSCILLATING DIFFERENTIAL SUPPORT	0242-2
MOUNTING BRACKETS, TRANSMISSION	0342-3A	OSCILLATING DIFFERENTIAL SUPPORT	0242-3A
MOUNTING CAPSCREWS, FRONT AXLE		OUTLET SECTION	
(TOOL CARRIER)	3140-4	LOADER CONTROL VALVE (S.N. -594432)	3160-42
MOUNTING, FRONT AXLE		OUTLET SECTION	
(POWERLLEL LINKAGE)	3140-6	LOADER CONTROL VALVE (S.N. 594433-)	3160-44
MOUNTING, FRONT AXLE		OUTLET SECTION COMPONENTS	
(POWERLLEL LINKAGE)	3140-7A	LOADER CONTROL VALVE (S.N. -594432)	3160-42
MOUNTING, FRONT AXLE		OUTLET SECTION COMPONENTS	
(Z-BAR LINKAGE)	3140-2	LOADER CONTROL VALVE (S.N. 594433-)	3160-44
MOUNTING, FRONT AXLE		OUTLET SECTION SEAL KIT	
(Z-BAR LINKAGE)	3140-3A	LOADER CONTROL VALVE (S.N. -594432)	3160-42
MOUNTS, CAB	1810-22	OUTLET SECTION SEAL KIT	
MOUNTS, ENGINE	0540-2	LOADER CONTROL VALVE (S.N. 594433-)	3160-44
MOUNTS, TRANSMISSION	0342-2	OUTPUT SEAL	0210-44
MOUNTS, TRANSMISSION	0342-3A	OUTSIDE MIRROR	1810-38
MUFFLER	0530-2	OVERHAUL GASKET SET - 5510N	0452-2
MUFFLER BRACKET	0530-2	OVERHAUL KIT, ENGINE (750J)	0450-4
 N 		 P 	
NOZZLE, FUEL INJECTION	0413-2	PALLET FORK ASSEMBLY	3103-2
NOZZLE, FUEL INJECTOR REPAIR KIT	0413-2	PALLET FORK FRAME	3103-2
 O 		PALLET FORKS	3103-2
O'RINGS, HI-VIS COUPLER HYDRAULIC HOSES	3163-2	PALLET FORKS (HI-VIS)	3103-4
OIL COOLER, AXLE		PAN, ENGINE OIL	0407-2
(FACTORY INSTALLED AXLE COOLER)	0260-8	PARK BRAKE	1060-12
OIL COOLER, AXLE		PARK BRAKE	1060-14
(FACTORY INSTALLED AXLE COOLER)	0260-9A	PARK BRAKE PRESSURE RELIEF SWITCH	1060-5A
OIL COOLER, ENGINE	0419-2	PARK BRAKE SOLENOID VALVE	1060-4
OIL COOLER, HYDRAULIC	0510-2	PARK BRAKE SOLENOID VALVE	1060-5A
OIL COOLER, HYDRAULIC	0510-4	PARK BRAKE SOLENOID VALVE HYDRAULIC	
OIL COOLER, HYDRAULIC	0510-5A	LINES	1060-8
OIL COOLER, HYDRAULIC	0510-6	PARKING BRAKE BREATHER EXTENSION KIT	0260-18
OIL COOLER, TRANSMISSION	0510-2	PARKING BRAKE SWITCH	1674-8
OIL COOLER, TRANSMISSION	0510-4	PARKING BRAKE SWITCH	1674-9
OIL COOLER, TRANSMISSION	0510-5A	PARKING BRAKE/DRIVELINE BEARING	1060-12
OIL COOLER, TRANSMISSION	0510-6	PARKING BRAKE/DRIVELINE BEARING	1060-14
OIL DIPSTICK, ENGINE	0407-3	PEDAL, BRAKE	1060-2
OIL DRAIN VALVE, ENGINE	0407-2	PEDAL, BRAKE	1060-3A
OIL FILL, TRANSMISSION	0360-2	PEDAL, ENGINE SPEED CONTROL	0515-2
OIL FILLER, ENGINE	0407-1	PEDESTAL, CAB	1810-12
OIL FILTER & BASE, ENGINE	0407-5	PEDESTAL, CANOPY	1810-12
OIL FILTER BYPASS VALVE	0407-5	PEDESTAL, FAN	0510-7A
OIL FILTER ELEMENT, TRANSMISSION	0350-2	PEDESTAL, OPERATOR STATION FRONT	1810-12
OIL FILTER HEAD, TRANSMISSION	0350-2	PILOT CONTROLLER HANDLE	3160-82
OIL FILTER RESTRICTION INDICATOR SWITCH,		PILOT CONTROLLER WITH AUXILIARY, JOYSTICK	3160-84
TRANSMISSION	0350-16	PILOT CONTROLLER, DUAL JOYSTICK	3160-88
OIL FILTER, TRANSMISSION	0350-2	PILOT CONTROLLER, JOYSTICK	3160-80
OIL LINES, TRANSMISSION EXTERNAL	0360-4	PILOT CONTROLLER, TWO LEVER	3160-72
OIL LINES, TRANSMISSION INTERNAL	0350-14	PILOT CONTROLLER, TWO LEVER	
OIL LINES, TRANSMISSION THERMAL BYPASS		WITH AUXILIARY	3160-76
VALVE	0360-4	PILOT LINES, JOYSTICK PILOT CONTROLLER	3160-80
OIL PAN, ENGINE	0407-2	PILOT LINES, JOYSTICK PILOT CONTROLLER	
OIL PRESSURE REGULATING VALVE, ENGINE	0404-2	WITH AUXILIARY	3160-84
OIL PRESSURE SENSOR	1674-14	PILOT LINES, TWO LEVER PILOT CONTROLLER	3160-72
		PILOT LINES, TWO LEVER PILOT CONTROLLER	
		WITH AUXILIARY	3160-76

ALPHABETICAL INDEX - CONTINUED

	PAGE		PAGE
PIN AND AXLE DISCONNECT VALVE AND HYDRAULIC HOSES (S.N. -594432).....	3160-104	PINION.....	0210-36
PIN AND AXLE DISCONNECT VALVE AND HYDRAULIC HOSES (S.N. 594433-).....	3160-108	PINION CARRIER, FINAL DRIVE PLANET	0210-22
PIN AND AXLE DISCONNECT VALVE COMPONENTS.....	3160-97	PINS, ARTICULATION	1740-2
PIN DISCONNECT HYDRAULIC HOSES (BOOM TO COUPLER)(POWERLLEL LINKAGE)	3160-124	PINS, ARTICULATION	1740-3A
PIN DISCONNECT HYDRAULIC HOSES (BOOM TO COUPLER)(Z-BAR LINKAGE)	3160-116	PINS, BUCKET AND BOOM CYLINDERS	3165-2
PIN DISCONNECT HYDRAULIC LINES (FOR USE WITH POWERLLEL LINKAGE)	3160-122	PINS, LOADER BUCKET.....	3102-2
PIN DISCONNECT HYDRAULIC LINES (FOR USE WITH TC).....	3160-110	PINS, POWERLLEL LINKAGE BOOM CYLINDER	3165-16
PIN DISCONNECT HYDRAULIC LINES (Z-BAR LINKAGE)(S.N. -594432)	3160-112	PINS, POWERLLEL LINKAGE TILT CYLINDER	3165-16
PIN DISCONNECT HYDRAULIC LINES (Z-BAR LINKAGE)(S.N. 594433-)	3160-114	PINS, STEERING CYLINDERS	1740-2
PIN DISCONNECT KIT (FOR POWERLLEL LINKAGE)	3160-122	PINS, STEERING CYLINDERS	1740-3A
PIN DISCONNECT VALVE COMPONENTS.....	3160-97	PINS, TOOL CARRIER BOOM CYLINDER.....	3165-10
PIN, BOOM CYLINDER, LOADER FRAME (TOOL CARRIER)	3140-4	PINS, TOOL CARRIER TILT CYLINDER.....	3165-10
PIN, BOOM PIVOT (POWERLLEL LINKAGE).....	3140-6	PIPE, EXHAUST	0530-2
PIN, BOOM PIVOT (POWERLLEL LINKAGE).....	3140-7A	PISTON COOLING ORIFICE.....	0404-2
PIN, BOOM PIVOT (Z-BAR LINKAGE).....	3140-2	PISTON RINGS.....	0403-2
PIN, BOOM PIVOT (Z-BAR LINKAGE).....	3140-3A	PISTON, ENGINE	0403-2
PIN, BOOM PIVOT (TOOL CARRIER)	3140-4	PIVOT PIN, BOOM (POWERLLEL LINKAGE).....	3140-6
PIN, HI-VIS LINKAGE ATTACHMENT COUPLER (POWERLLEL).....	3104-10	PIVOT PIN, BOOM (POWERLLEL LINKAGE).....	3140-7A
PIN, HI-VIS LINKAGE ATTACHMENT COUPLER (Z-BAR)	3104-12	PIVOT PIN, BOOM (Z-BAR LINKAGE).....	3140-2
PIN, HITCH	1520-2	PIVOT PIN, BOOM (Z-BAR LINKAGE).....	3140-3A
PIN, HITCH	1520-3A	PIVOT PIN, BOOM (TOOL CARRIER)	3140-4
PIN, LOADER BOOM	3140-8	PIVOT PIN, LOADER FRAME (POWERLLEL LINKAGE).....	3140-6
PIN, LOADER FRAME BOOM CYLINDER (POWERLLEL LINKAGE).....	3140-6	PIVOT PIN, LOADER FRAME (POWERLLEL LINKAGE).....	3140-7A
PIN, LOADER FRAME BOOM CYLINDER (POWERLLEL LINKAGE).....	3140-7A	PIVOT PIN, LOADER FRAME (Z-BAR LINKAGE).....	3140-2
PIN, LOADER FRAME BOOM CYLINDER (Z-BAR LINKAGE).....	3140-2	PIVOT PIN, LOADER FRAME (Z-BAR LINKAGE).....	3140-3A
PIN, LOADER FRAME BOOM CYLINDER (Z-BAR LINKAGE).....	3140-3A	PIVOT PIN, TOOL CARRIER FRAME	3140-4
PIN, LOADER FRAME BUCKET CYLINDER (POWERLLEL LINKAGE).....	3140-6	PIVOT PLATE, HI-VIS LINKAGE BUCKET CONVERSION	3104-22
PIN, LOADER FRAME BUCKET CYLINDER (POWERLLEL LINKAGE).....	3140-7A	PIVOT PLATE, POWERLLEL LINKAGE BUCKET CONVERSION.....	3104-20
PIN, LOADER FRAME BUCKET CYLINDER (Z-BAR LINKAGE).....	3140-2	PLANET PINION CARRIER.....	0210-44
PIN, LOADER FRAME BUCKET CYLINDER (Z-BAR LINKAGE).....	3140-3A	PLANET PINION CARRIER 1000 SERIES	0210-23
PIN, STEERING CYLINDER (TOOL CARRIER)	3140-4	PLANET PINION CARRIER, FINAL DRIVE	0210-22
PIN, TOOL CARRIER FRAME PIVOT	3140-4	PLANET PINION GEAR, FINAL DRIVE	0210-22
PIN,ENGINE FRAME.....	1740-2	PLANETARY FINAL DRIVE	0210-22
PIN,ENGINE FRAME.....	1740-3A	PLASTIC HANDLE, REAR.....	1910-6
PIN,STEERING CYLINDER (POWERLLEL LINKAGE).....	3140-6	PLATE, CONVERSION BUCKET PIVOT (HI-VIS LINKAGE).....	3104-22
PIN,STEERING CYLINDER (POWERLLEL LINKAGE).....	3140-7A	PLATE, CONVERSION BUCKET PIVOT (POWERLLEL LINKAGE).....	3104-20
PIN,STEERING CYLINDER (Z-BAR LINKAGE).....	3140-2	PLATE, DUAL JOYSTICK PILOT CONTROLLER.....	3160-88
PIN,STEERING CYLINDER (Z-BAR LINKAGE).....	3140-3A	PLATE, ENGINE FRONT	0402-2
PINION.....	0210-34	PLATE, ENGINE SIDE SHIELD	1910-4
		PLATE, JOYSTICK PILOT CONTROLLER	3160-80
		PLATE, JOYSTICK PILOT CONTROLLER WITH AUXILIARY	3160-84
		PLATE, TWO LEVER PILOT CONTROLLER	3160-72
		PLATE, TWO LEVER PILOT CONTROLLER WITH AUXILIARY	3160-76
		PLATFORM, ACCESS	1822-2
		PLATFORM, REAR	1927-4
		PLENUM, ENGINE AIR	1910-4
		PLUG, TRANSMISSION DRAIN.....	0350-8
		PLUMBING, AXLE COOLING.....	0260-10
		PLUMBING, AXLE DISCONNECT	0260-16
		PLUMBING, RIDE CONTROL (S.N. -594432)	3160-92
		PLUMBING, RIDE CONTROL (S.N. 594433-)	3160-94

ALPHABETICAL INDEX - CONTINUED

	PAGE		PAGE
POTENTIOMETER, RETURN-TO-DIG (FOR USE WITH POWERLLEL LINKAGE).....	3166-10	RADIATOR CAP.....	0510-5A
POWER PLUG AND CONVERTER (10 AMP) (24 VOLT TO 12 VOLT).....	1674-13	RADIATOR CAP.....	0510-6
POWER PLUG AND CONVERTER (5 AMP) (24 VOLT TO 12 VOLT).....	1674-12	RADIATOR HOSE.....	0510-2
POWER TAKE-OFF.....	0350-24	RADIATOR HOSE.....	0510-4
POWER TAKE-OFF SHAFT.....	0350-24	RADIATOR HOSE.....	0510-5A
POWERLLEL LINKAGE.....	3140-20	RADIATOR HOSE.....	0510-6
POWERLLEL LINKAGE BOOM.....	3140-12	RADIO (SER. NO. -590067).....	2001-6
POWERLLEL LINKAGE BOOM CYLINDER PINS AND FITTINGS.....	3165-16	RADIO (SER.NO. 590068-600740).....	2001-7A
POWERLLEL LINKAGE CONVERSION BUCKET PIVOT PLATE.....	3104-20	RADIO (SERIAL NO.600741-).....	2001-7C
POWERLLEL LINKAGE COUPLER.....	3104-8	RADIO ANTENNA (SER. NO. -590067).....	2001-6
POWERLLEL LINKAGE CYLINDER PINS AND FITTINGS.....	3165-16	RADIO ANTENNA (SER.NO. 590068-600740).....	2001-7A
PRECLEANER, AIR, KIT.....	0520-4	RADIO ANTENNA (SERIAL NO.600741-).....	2001-7C
PRESSURE REDUCING VALVE, COMPONENTS.....	2160-10	RADIO REMOTE CONTROL (SER. NO. -590067).....	2001-6
PRESSURE REGULATOR VALVE FITTINGS.....	2160-8	RADIO REMOTE CONTROL (SER.NO. 590068-600740).....	2001-7A
PRESSURE REGULATOR VALVE FITTINGS.....	2160-9A	RADIO REMOTE CONTROL (SERIAL NO.600741-).....	2001-7C
PRESSURE REGULATOR VALVE, HYDRAULIC OIL.....	2160-10	RADIO SPEAKER (SER. NO. -590067).....	2001-6
PRESSURE RELIEF VALVE, TORQUE CONVERTER.....	0350-22	RADIO SPEAKER (SERIAL NO.600741-).....	2001-7C
PRESSURE VALVE, TRANSMISSION.....	0350-22	RADIO SPEAKER (SER.NO. 590068-600740).....	2001-7A
PRIMARY FUEL FILTER.....	0560-2	RAIL, DRIP.....	1810-17A
PRV FITTINGS.....	2160-8	REAR AXLE.....	0210-2
PRV FITTINGS.....	2160-9A	REAR AXLE ASSEMBLY.....	0210-32
PRV VALVE COMPONENTS.....	2160-10	REAR AXLE ASSEMBLYBREATHER.....	0210-32
PULLEY AND CLUTCH KIT, A/C.....	1830-12	REAR AXLE HOUSING.....	0210-20
PULLEY, CRANKSHAFT.....	0429-1	REAR AXLE MOUNTING BOLTS AND SUPPORT.....	0242-2
PULLEY, TENSIONER.....	0429-2	REAR AXLE MOUNTING BOLTS AND SUPPORT.....	0242-3A
PULLEY, WATER PUMP.....	0417-5	REAR AXLE SHAFT.....	0210-20
PUMP AND MOTOR, AXLE OIL CIRCULATION.....	0260-6	REAR COVER, ALTERNATOR (55 AMP).....	1672-4
PUMP, AXLE OIL CIRCULATION.....	0260-6	REAR COVER, ALTERNATOR (80 AMP).....	1672-8
PUMP, ENGINE OIL.....	0407-4	REAR DIFFERENTIAL CASE.....	0210-36
PUMP, FUEL INJECTION.....	0413-2	REAR DIFFERENTIAL CASE (WITH DIFFERENTIAL LOCK).....	0210-8
PUMP, FUEL TRANSFER.....	0421-1	REAR DIFFERENTIAL CASE (WITH STANDARD DIFFERENTIAL).....	0210-12
PUMP, HYDRAULIC, FAN DRIVE.....	0510-8	REAR DIFFERENTIAL HOUSING (WITH DIFFERENTIAL LOCK).....	0210-8
PUMP, HYDRAULIC, FAN DRIVE.....	0510-9A	REAR DIFFERENTIAL HOUSING (WITH STANDARD DIFFERENTIAL).....	0210-12
PUMP, HYDRAULIC, LOADER.....	2160-2	REAR DIFFERENTIAL LOCK LINE.....	0260-4
PUMP, HYDRAULIC, REVERSE FAN DRIVE.....	0510-10	REAR DIFFERENTIAL LOCK LINE.....	0260-5A
PUMP, HYDRAULIC, REVERSE FAN DRIVE.....	0510-11A	REAR FENDERS.....	1927-4
PUMP, HYDRAULIC, STEERING.....	2160-2	REAR FENDERS FULL COVERAGE.....	1927-8
PUMP, TRANSMISSION OIL.....	0350-12	REAR FENDERS (W/LATCH) FULL COVERAGE.....	1927-9A
PUMP, WATER.....	0417-2	REAR FRAME WIRING HARNESS.....	1674-2
PUMP, WINDOW WASHER.....	1810-24	REAR FRAME WIRING HARNESS.....	1674-3A
PUMP,SECONDARY STEERING.....	0930-2	REAR FRAME WIRING HARNESS (FOR USE WITH POWERLLEL LINKAGE).....	1674-3C
PUMP,SECONDARY STEERING.....	0930-4	REAR FRAME WIRING HARNESS (FOR USE WITH POWERLLEL LINKAGE).....	1674-4
PUSH PIN ASSEMBLY.....	3160-82	REAR PLASTIC HANDLE.....	1910-6
PUSH ROD, FUEL TRANSFER PUMP.....	0421-1	REAR PLATFORM.....	1927-4
PUSH ROD, ROCKER ARM.....	0402-3	REAR SEAL, ENGINE.....	0401-2
		REAR STEP.....	1822-6
		REAR WINDOW RETAINERS.....	1810-16
		REAR WINDOW, CANOPY.....	1810-16
		REAR WINDSHIELD WIPER.....	1810-28
		RECIEVER-DRIER.....	1830-14
		RECIRCULATION FILTER, HVAC.....	1830-4
		RECIRCULATION FILTER, HVAC.....	1830-8
		REDUCING VALVE, COMPONENTS.....	2160-10
		REGULATING VALVE.....	3160-82

Q

QUICK-DISCONNECT FITTING KIT (FOR USE WITH POWERLLEL LINKAGE).....	3160-62
--------------------------------------------------------------------	---------

R

RADIATOR.....	0510-2
RADIATOR.....	0510-4
RADIATOR.....	0510-5A
RADIATOR.....	0510-6
RADIATOR CAP.....	0510-2
RADIATOR CAP.....	0510-4

ALPHABETICAL INDEX - CONTINUED

	PAGE		PAGE
REGULATOR, VOLTAGE (55 AMP)	1672-2	ROD SEAL KIT, BOOM CYLINDER (FOR USE WITH TC)	3165-12
REGULATOR, VOLTAGE (80 AMP)	1672-6	ROD SEAL KIT, BOOM CYLINDER (FOR USE WITH TC)	3165-14
RELAY, ENGINE AIR HEATER	0505-4	ROD SEAL KIT, BOOM CYLINDER (Z-BAR LINKAGE)(S.N. -595722)	3165-4
RELAYS, VEC	1674-16	ROD SEAL KIT, BOOM CYLINDER (Z-BAR LINKAGE)(S.N. 595723-)	3165-6
RELIEF VALVE, LOAD SENSE LOADER CONTROL VALVE (S.N. -594432)	3160-42	ROD SEAL KIT, BUCKET CYLINDER	3165-8
RELIEF VALVE, REVERSE FAN DRIVE	0510-12	ROD SEAL KIT, BUCKET CYLINDER	3165-20
RELIEF VALVE, TORQUE CONVERTER PRESSURE	0350-22	ROD SEAL KIT, COUPLER CYLINDER (POWERLLEL AND Z-BAR LINKAGE)	3104-14
RELIEF VALVE, VALVE INLET SECTION LOADER CONTROL VALVE (S.N. -594432)	3160-20	ROD SEAL KIT, COUPLER CYLINDER (POWERLLEL AND Z-BAR LINKAGE)	3104-16
RELIEF VALVE, VALVE INLET SECTION LOADER CONTROL VALVE (S.N. 594433-)	3160-22	ROD SEAL KIT, HI-VIS COUPLER CYLINDER (POWERLLEL AND Z-BAR LINKAGE)	3104-18
REMANUFACTURED FUEL INJECTORS	0413-2	ROD, BOOM CYLINDER (FOR USE WITH POWERLLEL LINKAGE)	3165-18
RESERVOIR, HYDRAULIC OIL	2160-6	ROD, BOOM CYLINDER (FOR USE WITH TC)	3165-12
RESERVOIR, HYDRAULIC OIL	2160-7A	ROD, BOOM CYLINDER (Z-BAR LINKAGE)(S.N. -595722)	3165-4
REST, RIGHT ARM	1821-6	ROD, BOOM CYLINDER (Z-BAR LINKAGE)(S.N. 595723-)	3165-6
RESTRICTION INDICATOR SENSOR, AIR FILTER	0520-2	ROD, BUCKET CYLINDER	3165-8
RESTRICTION INDICATOR SWITCH, TRANSMISSION OIL FILTER	0350-16	ROD, BUCKET CYLINDER	3165-20
RESTRICTION SWITCH, HYDRAULIC RETURN	2160-6	ROD, CONNECTING	0403-2
RESTRICTION SWITCH, HYDRAULIC RETURN	2160-7A	ROD, PUSH	0402-3
RETAINERS, REAR WINDOW	1810-16	ROD, TILT CYLINDER (FOR USE WITH TC)	3165-14
RETURN TO CARRY SENSOR (FOR USE WITH TOOL CARRIER)	3166-8	ROOF PLASTIC	1810-34
RETURN TO CARRY SENSOR, LOADER (POWERLLEL LINKAGE)	3166-12	ROPS	1810-2
RETURN TO CARRY SENSOR, LOADER (Z-BAR LINKAGE)	3166-4	ROPS, CANOPY	1810-16
RETURN TO DIG HARNESS	1674-15	ROTATOR, ENGINE VALVE	0409-2
RETURN-TO-DIG ACTUATOR (FOR USE WITH TOOL CARRIER)	3166-6		
RETURN-TO-DIG ACTUATOR (NOT FOR USE WITH TOOL CARRIER)	3166-2	S	
RETURN-TO-DIG POTENTIOMETER (FOR USE WITH POWERLLEL LINKAGE)	3166-10	SEAL KIT, ATTACHMENT COUPLER CYLINDER (POWERLLEL AND Z-BAR LINKAGE)	3104-14
RETURN-TO-DIG SENSOR (FOR USE WITH POWERLLEL LINKAGE)	3166-10	SEAL KIT, ATTACHMENT COUPLER CYLINDER (POWERLLEL AND Z-BAR LINKAGE)	3104-16
RETURN-TO-DIG SENSOR (FOR USE WITH TOOL CARRIER)	3166-6	SEAL KIT, ATTACHMENT HI-VIS COUPLER CYLINDER (POWERLLEL AND Z-BAR LINKAGE)	3104-18
RETURN-TO-DIG SENSOR (NOT FOR USE WITH TOOL CARRIER)	3166-2	SEAL KIT, FAN DRIVE PUMP	0510-8
REVERSE CLUTCH ASSEMBLY	0350-28	SEAL KIT, FAN DRIVE PUMP	0510-9A
REVERSE CLUTCH ASSEMBLY DRIVESHAFT	0350-28	SEAL KIT, OUTLET VALVE SECTION LOADER CONTROL VALVE (S.N. -594432)	3160-42
REVERSE CLUTCH ASSEMBLY DRUM	0350-28	SEAL KIT, OUTLET VALVE SECTION LOADER CONTROL VALVE (S.N. 594433-)	3160-44
REVERSE FAN DRIVE HYDRAULIC HOSES	0510-10	SEAL KIT, OVERHAUL/TUNE-UP - 5510N	0452-2
REVERSE FAN DRIVE HYDRAULIC HOSES	0510-11A	SEAL, CRANKSHAFT	0401-2
REVERSE FAN DRIVE KIT	0510-10	SEAL, FRONT ENGINE	0417-2
REVERSE FAN DRIVE KIT	0510-11A	SEAL, ISOLATOR	1913-6
REVERSE FAN DRIVE RELIEF VALVE	0510-12	SEAL, REAR	0401-2
REVERSE FAN DRIVE SOLENOID VALVE	0510-12	SEAL, SOUND ABSORBER	1913-6
RIDE CONTROL AND HYDRAULIC HOSES (S.N. -594432)	3160-92	SEALED SWITCH MODULE	1674-6
RIDE CONTROL AND HYDRAULIC HOSES (S.N. 594433-)	3160-94	SEALS, HI-VIS COUPLER HYDRAULIC HOSES	3163-2
RIDE CONTROL SOLENOID VALVE	3160-96	SEAT BASE	1810-18
RIDE CONTROL VALVE	3160-96	SEAT BASE	1810-20
RIM ASSEMBLY, WHEEL (THREE PIECE) (25 X 14) (25 X 17)	0110-3	SEAT BRACKETS	1821-2
RIM, WHEEL (25 X 14) (ONE PIECE)	0110-2	SEAT CUSHION	1821-2
RINGS, PISTON	0403-2	SEAT DECK	1810-18
ROCK GUARD, CYLINDER-FITTING	1746-6	SEAT DECK	1810-20
ROCKER ARM COVER	0409-1	SEAT SUSPENSION	1821-2
ROCKER ARM SHAFT	0402-3	SEAT SUSPENSION (AIR SUSPENSION)	1821-4
ROCKER ARMS	0402-3		
ROD SEAL KIT, BOOM CYLINDER (FOR USE WITH POWERLLEL LINKAGE)	3165-18		

ALPHABETICAL INDEX - CONTINUED

	PAGE		PAGE
SEAT, RIGHT ARM REST	1821-6	SERVICE DOOR, ENGINE	1910-4
SEAT, SUSPENSION		SERVICE KITS, AXLE CENTER	0210-24
(AIR SUSPENSION)	1821-4	SHAFT AND SPIRAL BEVEL GEAR, FRONT 1000	
SECOND GEAR CLUTCH ASSEMBLY	0350-32	SERIES	0210-4
SECONDARY STEERING	0930-2	SHAFT AND SPIRAL BEVEL GEAR, REAR 1000 S	
SECONDARY STEERING	0930-4	ERIES	0210-5
SECONDARY STEERING PUMP	0930-2	SHAFT AXLE DIFFERENTIALS	0325-2
SECONDARY STEERING PUMP	0930-4	SHAFT AXLE DIFFERENTIALS	0325-4
SECONDARY STEERING SWITCH	0930-2	SHAFT YOKE, TRANSMISSION OUTPUT	0350-20
SECONDARY STEERING SWITCH	0930-4	SHAFT, ENGINE BALANCER	0415-2
SECONDARY STEERING WIRE HARNESS	0930-2	SHAFT, FINAL DRIVE	0210-22
SECONDARY STEERING WIRE HARNESS	0930-4	SHAFT, FINAL DRIVE 1000 SERIES	0210-23
SECTION, AUXILIARY		SHAFT, FRONT AXLE	0210-18
LOADER CONTROL VALVE (S.N. -594432)	3160-38	SHAFT, POWER TAKE-OFF	0350-24
SECTION, AUXILIARY		SHAFT, REAR AXLE	0210-20
LOADER CONTROL VALVE (S.N. 594433-)	3160-40	SHAFT, ROCKER ARM	0402-3
SECTION, VALVE, BOOM		SHAFT, TORQUE CONVERTER	0350-4
LOADER CONTROL VALVE (S.N. -594432)	3160-34	SHAFT, TRANSMISSION DRIVE	0325-2
SECTION, VALVE, BOOM		SHAFT, TRANSMISSION DRIVE	0325-4
LOADER CONTROL VALVE (S.N. 594433-)	3160-36	SHAFT, TRANSMISSION INPUT	0350-6
SECTION, VALVE, BUCKET		SHAFT, TRANSMISSION OUTPUT	0350-20
LOADER CONTROL VALVE (S.N. -594432)	3160-30	SHANKS, LOADER	3102-8
SECTION, VALVE, BUCKET		SHIELDS, CAB	1810-32
LOADER CONTROL VALVE (S.N. 594433-)	3160-32	SHIELDS, TRANSMISSION	1913-3
SECTION, VALVE, FIFTH		SHIFTER ASSEMBLY	1674-8
(SER. NO. - 594432)	3160-46	SHIFTER ASSEMBLY TO JOYSTICK FNR	
SECTION, VALVE, FIFTH		CONVERSION KIT	3160-86
(SER. NO. 594433 -)	3160-47A	SHORT BLOCK, ENGINE	0450-2
SECTION, VALVE, INLET, WITH RELIEF VALVE		SHROUD, FAN	0510-7A
LOADER CONTROL VALVE (S.N. -594432)	3160-20	SIDE COUNTERWEIGHT	1749-2
SECTION, VALVE, INLET, WITH RELIEF VALVE		SIDE GEAR	0210-38
LOADER CONTROL VALVE (S.N. 594433-)	3160-22	SIDE GEAR	0210-40
SEDIMENT BOWL, FUEL FILTER	0420-2	SIDE SHIELD STRIKER BAR	1910-6
SENDER, FUEL TANK	0560-2	SIDE SHIELDS, COOLING	1910-6
SENSOR, AIR FILTER RESTRICTION INDICATOR	0520-2	SIDE SHIELDS, ENGINE	1910-4
SENSOR, AIR TEMPERATURE	0578-2	SIGHT GAUGE, TRANSMISSION	0360-2
SENSOR, BOOM KICKOUT (FOR USE WITH TOOL		SINGLE AND DUAL AUXILIARY CONTROLLER	
CARRIER)	3166-8	COMPONENTS	3160-78
SENSOR, ENGINE COOLANT TEMPERATURE	1674-14	SLOW MOVING VEHICLE EMBLEM	1810-37
SENSOR, ENGINE HEAD TEMPERATURE	0578-2	SMV EMBLEM	1810-37
SENSOR, ENGINE OIL PRESSURE	1674-14	SOLENOID ASSEMBLY	3160-82
SENSOR, ENGINE SPEED	0578-2	SOLENOID VALVE, PARK BRAKE	1060-4
SENSOR, ENGINE WATER TEMPERATURE	0578-2	SOLENOID VALVE, PARK BRAKE	1060-5A
SENSOR, LOADER BOOM KICKOUT		SOLENOID VALVE, REVERSE FAN DRIVE	0510-12
(POWERLLEL LINKAGE)	3166-12	SOLENOID VALVE, RIDE CONTROL	3160-96
SENSOR, LOADER BOOM KICKOUT		SOLENOID, STARTING MOTOR	0422-2
(Z-BAR LINKAGE)	3166-4	SOLENOID, TWO LEVER PILOT CONTROLLER	3160-74
SENSOR, RETURN TO CARRY (FOR USE WITH		SOUND ABSORPTION	1913-6
TOOL CARRIER)	3166-8	SPACER, WHEEL	0110-2B
SENSOR, RETURN TO CARRY, LOADER		SPACER, WHEEL	0110-4
(POWERLLEL LINKAGE)	3166-12	SPACER, WHEEL	0110-6
SENSOR, RETURN TO CARRY, LOADER		SPACER, WHEEL	0110-8
(Z-BAR LINKAGE)	3166-4	SPACERS, HI-VIS LINKAGE ATTACHMENT	
SENSOR, RETURN-TO-DIG (FOR USE WITH		COUPLER (POWERLLEL)	3104-10
POWERLLEL LINKAGE)	3166-10	SPACERS, HI-VIS LINKAGE ATTACHMENT	
SENSOR, RETURN-TO-DIG (FOR USE WITH		COUPLER (Z-BAR)	3104-12
TOOL CARRIER)	3166-6	SPANISH LABELS AND DECALS	1322-8
SENSOR, RETURN-TO-DIG (NOT FOR USE WITH		SPEAKER, RADIO	
TOOL CARRIER)	3166-2	(SER. NO. -590067)	2001-6
SENSOR, TACHOMETER DRIVE	0578-2	SPEAKER, RADIO	
SENSOR, TRANSMISSION SPEED	0350-10	(SERIAL NO.600741-)	2001-7C
SENSOR, TRANSMISSION TEMPERATURE	0350-18	SPEAKER, RADIO (SER.NO. 590068-600740)	2001-7A
SENSOR, ENGINE SPEED CONTROL	0515-2	SPEED SENSOR, TRANSMISSION	0350-10
SENSOR, HYDRAULIC OIL TEMPERATURE	2160-6	SPIDER GEAR	0210-38
SENSOR, HYDRAULIC OIL TEMPERATURE	2160-7A	SPIDER GEAR	0210-40
SEPERATOR PLATE	0210-46	SPIRAL BEVEL GEAR AND SHAFT, FRONT 1000	
SERVICE DOOR, ABSORBER	1913-6	SERIES	0210-4

ALPHABETICAL INDEX - CONTINUED

	PAGE		PAGE
SPIRAL BEVEL GEAR AND SHAFT, REAR 1000 S ERIES.....	0210-5	STUD ASSEMBLY, LOADER CONTROL VALVE (S.N. -594432)	3160-20
SPLIT WHEEL RIM ASSEMBLY (THREE PIECE) (25 X 14) (25 X 17).....	0110-3	STUD ASSEMBLY, LOADER CONTROL VALVE (2-SPOOL) (S.N. 594433-).....	3160-4
SPIRAL BEVEL.....	0210-34	STUD ASSEMBLY, LOADER CONTROL VALVE (3-SPOOL) (S.N. 594433-).....	3160-10
SPIRAL BEVEL.....	0210-36	STUD ASSEMBLY, LOADER CONTROL VALVE (4-SPOOL) (S.N. 594433-).....	3160-16
SPRING, ENGINE VALVE.....	0409-2	SUN VISOR	1810-47
STANDARD DIFFERENTIAL.....	0210-16	SUN-GEAR	0210-44
STARTING AID, COLD WEATHER.....	0505-2	SUPPORT AND MOUNTING BOLTS, REAR AXLE	0242-2
STARTER IGNITION SWITCH (CAB).....	1674-6	SUPPORT AND MOUNTING BOLTS, REAR AXLE	0242-3A
STARTING AID FLUID.....	0505-2	SUPPORTS, REAR DIFFERENTIAL	0242-2
STARTING AID, ETHER.....	0505-2	SUPPORTS, REAR DIFFERENTIAL	0242-3A
STARTING MOTOR.....	0422-2	SURGE TANK	0510-2
STATOR KIT, A/C.....	1830-12	SURGE TANK.....	0510-4
STEERING COLUMN.....	1810-48	SURGE TANK.....	0510-5A
STEERING COLUMN CLAMP AND COVER.....	1674-9	SURGE TANK.....	0510-6
STEERING COLUMN COVER.....	1810-52	SUSPENSION SEAT (AIR SUSPENSION).....	1821-4
STEERING COLUMN LINKAGE.....	1810-48	SUSPENSION, SEAT.....	1821-2
STEERING COLUMN, LOWER.....	1810-50	SWITCH COVER CONSOLE.....	1810-54
STEERING COMPENSATOR VALVE (SERIAL NO. 601560 -).....	0960-3A	SWITCH INTERFACE, CONTROL PANEL.....	1674-6
STEERING COMPENSATOR VALVE FITTINGS (SERIAL NO. 601560 -).....	0960-3A	SWITCH PARKING BRAKE.....	1674-8
STEERING COMPENSATOR VALVE SEAL KIT (SERIAL NO. 601560 -).....	0960-3A	SWITCH WIPER.....	1810-30
STEERING CUSHIONS.....	1740-4	SWITCH, A/C AND HEATER BLOWER.....	1674-11
STEERING CYLINDER.....	0960-10	SWITCH, A/C AND HEATER THERMOSTAT.....	1830-4
STEERING CYLINDER BORE KIT.....	0960-10	SWITCH, BATTERY DISCONNECT.....	1671-2
STEERING CYLINDER FITTINGS.....	0960-8	SWITCH, BRAKE VALVE.....	1060-2
STEERING CYLINDER HYDRAULIC HOSE.....	0960-6	SWITCH, BRAKE VALVE.....	1060-3A
STEERING CYLINDER HYDRAULIC HOSE.....	0960-7A	SWITCH, COLD WEATHER STARTING AID.....	0505-2
STEERING CYLINDER PIN (POWERLLEL LINKAGE).....	3140-6	SWITCH, DIFFERENTIAL LOCK.....	0260-19
STEERING CYLINDER PIN (POWERLLEL LINKAGE).....	3140-7A	SWITCH, DOMELIGHT, DOOR ACTIVATED.....	1673-5
STEERING CYLINDER PIN (Z-BAR LINKAGE).....	3140-2	SWITCH, HEATER AND A/C BLOWER MOTOR.....	1830-4
STEERING CYLINDER PIN (Z-BAR LINKAGE).....	3140-3A	SWITCH, HEATER BLOWER MOTOR.....	1830-8
STEERING CYLINDER PIN (TOOL CARRIER).....	3140-4	SWITCH, HEATER THERMOSTAT.....	1830-8
STEERING CYLINDER PINS.....	1740-2	SWITCH, HORN.....	1810-48
STEERING CYLINDER PINS.....	1740-3A	SWITCH, IGNITION.....	1674-6
STEERING CYLINDER ROD SEAL KIT.....	0960-10	SWITCH, KICKDOWN, TWO LEVER PILOT CONTROLLER.....	3160-74
STEERING HOSES.....	0960-6	SWITCH, PARKING BRAKE.....	1674-9
STEERING HOSES.....	0960-7A	SWITCH, SECONDARY STEERING.....	0930-2
STEERING VALVE (SERIAL NO. 601560 -).....	0960-2	SWITCH, SECONDARY STEERING.....	0930-4
STEERING VALVE BRACKET.....	1810-50	SWITCH, TRANSMISSION OIL FILTER RESTRICTION INDICATOR.....	0350-16
STEERING VALVE FITTINGS (SERIAL NO. 601560 -).....	0960-2		
STEERING VALVE SEAL KIT (SERIAL NO. 601560 -).....	0960-2	T	
STEERING WHEEL.....	1810-48	TACHOMETER DRIVE SENSOR.....	0578-2
STEERING, SECONDARY.....	0930-2	TANK, COOLANT RECOVERY.....	0510-2
STEERING, SECONDARY.....	0930-4	TANK, COOLANT RECOVERY.....	0510-4
STEP, ENGINE COMPARTMENT.....	1822-6	TANK, COOLANT RECOVERY.....	0510-5A
STEP, REAR.....	1822-6	TANK, COOLANT RECOVERY.....	0510-6
STEPS.....	1822-2	TANK, WINDOW WASHER.....	1810-24
STEPS,CLOSE MOUNTED.....	1822-4	TANK,FUEL.....	0560-2
STOP BLOCK, AXLE (EIGHT DEGREE).....	0242-4	TEETH, LOADER BUCKET.....	3102-8
STOP BLOCK, AXLE (EIGHT DEGREE).....	0242-5A	TEMPERATURE CONTROL.....	1830-2
STOP BLOCK, AXLE (TEN DEGREE).....	0242-6	TEMPERATURE CONTROL.....	1830-6
STOP LAMP.....	1673-6	TEMPERATURE SENSOR, ENGINE HEAD.....	0578-2
STOP LIGHT.....	1673-6	TEMPERATURE SENSOR, HYDRAULIC OIL.....	2160-6
STRAP, ENGINE LIFT.....	0404-4	TEMPERATURE SENSOR, HYDRAULIC OIL.....	2160-7A
STRIKER BAR, SIDE SHIELD.....	1910-6	TEMPERATURE SENSOR, TRANSMISSION.....	0350-18
		TENSIONER PULLEY.....	0429-2
		TENSIONER, BELT (55 AMP).....	1672-2
		TENSIONER, BELT (80 AMP).....	1672-6
		TENSIONER, DRIVE BELT.....	0429-2

ALPHABETICAL INDEX - CONTINUED

	<i>PAGE</i>		<i>PAGE</i>
THERMAL BYPASS VALVE LINES, TRANSMISSION	0360-4	TOOL CARRIER BOOM CYLINDER PINS AND FITTINGS	3165-10
THERMAL BYPASS VALVE, TRANSMISSION	0360-4	TOOL CARRIER BOOM LINKAGE	3140-18
THERMOSTAT	0418-2	TOOL CARRIER FOUR SPOOL CONTROL VALVE	3160-18
THERMOSTAT COVER	0418-2	TOOL CARRIER FRAME	3140-4
THERMOSTAT COVER TUBE	0418-2	TOOL CARRIER FRAME PIVOT PIN	3140-4
THERMOSTAT, A/C AND HEATER SWITCH	1830-4	TOOL CARRIER LINKAGE	3140-18
THERMOSTAT, HEATER SWITCH	1830-8	TOOL CARRIER THREE SPOOL CONTROL VALVE	3160-12
THIRD FUNCTION AUXILIARY HYDRAULICS (FOR USE WITH POWERLLEL LINKAGE)	3160-62	TOOL CARRIER TILT CYLINDER PINS AND FITTINGS	3165-10
THIRD FUNCTION AUXILIARY HYDRAULICS (FOR USE WITH TC)	3160-68	TOOL CARRIER TWO SPOOL CONTROL VALVE	3160-6
THIRD FUNCTION AUXILIARY HYDRAULICS (POWERLLEL LINKAGE) (BOOM TO COUPLER)	3163-6	TORQUE CONVERTER	0350-4
THIRD FUNCTION AUXILIARY HYDRAULICS (Z-BAR LINKAGE) (S.N. -594432)	3160-52	TORQUE CONVERTER COVER	0350-4
THIRD FUNCTION AUXILIARY HYDRAULICS (Z-BAR LINKAGE) (S.N. 594433-)	3160-56	TORQUE CONVERTER DRIVE SHAFT	0350-4
THIRD FUNCTION AUXILIARY HYDRAULICS (Z-BAR LINKAGE) (BOOM TO COUPLER)	3163-4	TORQUE CONVERTER HOUSING	0350-4
THIRD FUNCTION BOOM TO COUPLER PLUMBING (Z-BAR LINKAGE)	3163-4	TORSIONAL DRIVE DAMPER AND COVER	0350-38
THIRD FUNCTION BOOM TO COUPLER PLUMBING (POWERLLEL LINKAGE)	3163-6	TRADEMARKS AND LABELS (ENGLISH)	1322-2
THIRD GEAR CLUTCH ASSEMBLY	0350-34	TRANS. COVER, LEFT, ABSORBER	1913-6
THREE SPOOL CONTROL VALVE, LOADER (S.N. -594432)	3160-8	TRANS. COVER, RIGHT, ABSORBER	1913-6
THREE SPOOL CONTROL VALVE, LOADER (S.N. 594433-)	3160-10	TRANSFER PUMP, FUEL	0421-1
THREE SPOOL CONTROL VALVE, LOADER TOOL CARRIER	3160-12	TRANSMISSION	0350-2
THREE SPOOL LOADER CONTROL VALVE (S.N. -594432)	3160-8	TRANSMISSION BOTTOM GUARD	1746-4
THREE SPOOL LOADER CONTROL VALVE (S.N. 594433-)	3160-10	TRANSMISSION BOTTOM GUARD	1746-5A
THREE SPOOL LOADER CONTROL VALVE, TOOL CARRIER	3160-12	TRANSMISSION CONTROL UNIT	1674-6
THREE SPOOL TOOL CARRIER CONTROL VALVE	3160-12	TRANSMISSION CONTROL UNIT	1674-7A
THREE SPOOL VALVE, LOADER CONTROL (S.N. -594432)	3160-8	TRANSMISSION CONTROL VALVE	0350-18
THREE SPOOL VALVE, LOADER CONTROL (S.N. 594433-)	3160-10	TRANSMISSION CONTROL VALVE MANIFOLD	0350-16
THREE SPOOL VALVE, LOADER CONTROL TOOL CARRIER	3160-12	TRANSMISSION COVER	0350-13
THRUST WASHER	0210-38	TRANSMISSION COVER	0350-13A
THRUST WASHER	0210-40	TRANSMISSION DRAIN PLUG	0350-8
TIE BOLTS, LOADER CONTROL VALVE (2-SPOOL) (S.N. 594433-)	3160-4	TRANSMISSION DRIVE SHAFTS	0325-2
TIE BOLTS, LOADER CONTROL VALVE (3-SPOOL) (S.N. 594433-)	3160-10	TRANSMISSION DRIVE SHAFTS	0325-4
TIE BOLTS, LOADER CONTROL VALVE (4-SPOOL) (S.N. 594433-)	3160-16	TRANSMISSION EXTERNAL OIL LINES	0360-4
TILT CYLINDER (FOR USE WITH TC)	3165-14	TRANSMISSION FITTINGS	0350-2
TILT CYLINDER PINS AND FITTINGS, POWERLLEL LINKAGE	3165-16	TRANSMISSION GASKET	0350-13
TILT CYLINDER PINS AND FITTINGS, TOOL CARRIER	3165-10	TRANSMISSION GUARDS	1913-3
TIMING GEAR COVER	0417-2	TRANSMISSION HOUSING	0350-8
TIMING GEAR COVER SERVICE KIT	0417-4	TRANSMISSION INPUT GEAR	0350-6
TIRE VALVE STEM (THREE PIECE) (25 X 14) (25 X 17)	0110-3	TRANSMISSION INPUT SHAFT	0350-14
TIRE VALVE STEM (25 X 14) (ONE PIECE)	0110-2	TRANSMISSION INTERNAL OIL LINES	0350-14
TOOL CARRIER ATTACHMENT COUPLER	3104-2	TRANSMISSION LINES, THERMAL BYPASS VALVE	0360-4
TOOL CARRIER ATTACHMENT COUPLER CYLINDER	3104-4	TRANSMISSION MINIMUM PRESSURE VALVE	0350-22
TOOL CARRIER BOOM	3140-10	TRANSMISSION MOUNTING BRACKETS	0342-2
		TRANSMISSION MOUNTING BRACKETS	0342-3A
		TRANSMISSION OIL COOLER	0510-2
		TRANSMISSION OIL COOLER	0510-4
		TRANSMISSION OIL COOLER	0510-5A
		TRANSMISSION OIL COOLER	0510-6
		TRANSMISSION OIL FILL	0360-2
		TRANSMISSION OIL FILTER	0350-2
		TRANSMISSION OIL FILTER ELEMENT	0350-2
		TRANSMISSION OIL FILTER HEAD	0350-2
		TRANSMISSION OIL FILTER RESTRICTION INDICATOR SWITCH	0350-16
		TRANSMISSION OIL LINES, INTERNAL	0350-14
		TRANSMISSION OIL PUMP	0350-12
		TRANSMISSION OUTPUT SHAFT AND YOKE	0350-20
		TRANSMISSION SHIELDS	1913-3
		TRANSMISSION SIGHT GAUGE	0360-2
		TRANSMISSION SPEED SENSOR	0350-10
		TRANSMISSION TEMPERATURE SENSOR	0350-18
		TRANSMISSION THERMAL BYPASS VALVE	0360-4
		TRANSMISSION WIRING HARNESS	1674-2
		TRANSMISSION WIRING HARNESS	1674-3A
		TRANSMISSION WIRING HARNESS (FOR USE WITH POWERLLEL LINKAGE)	1674-3C

ALPHABETICAL INDEX - CONTINUED

	PAGE		PAGE
TRANSMISSION WIRING HARNESS (FOR USE WITH POWERLLEL LINKAGE)	1674-4	VALVE STEM, TIRE (25 X 14) (ONE PIECE).....	0110-2
TRAY, ASH.....	1810-41	VALVE, AUXILIARY LOADER CONTROL VALVE (S.N. -594432).....	3160-38
TUBE, THERMOSTAT COVER.....	0418-2	VALVE, AUXILIARY LOADER CONTROL VALVE (S.N. 594433-).....	3160-40
TUBE, TRANSMISSION OIL FILL.....	0360-2	VALVE, BOOM SECTION LOADER CONTROL VALVE (S.N. -594432).....	3160-34
TUNE-UP GASKET SET - 5510N.....	0452-2	VALVE, BOOM SECTION LOADER CONTROL VALVE (S.N. 594433-).....	3160-36
TURBOCHARGER AND OIL LINES.....	0416-2	VALVE, BRAKE	1060-2
TURN AND MARKER LIGHT (SN -603831).....	1673-2	VALVE, BRAKE, HYDRAULICS	1060-3A
TURN AND MARKER LIGHT (SN 603832-).....	1673-3A	VALVE, BRAKE, HYDRAULICS	1060-10
TURN LAMP	1673-6	VALVE, BRACKET SECTION LOADER CONTROL VALVE (S.N. -594432).....	3160-30
TURN LIGHT	1673-6	VALVE, BRACKET SECTION LOADER CONTROL VALVE (S.N. 594433-).....	3160-32
TWO LEVER PILOT CONTROLLER	3160-72	VALVE, ENGINE OIL BYPASS.....	0404-2
TWO LEVER PILOT CONTROLLER	3160-74	VALVE, ENGINE OIL DRAIN.....	0407-2
TWO LEVER PILOT CONTROLLER BOOT	3160-74	VALVE, ENGINE OIL PRESSURE REGULATING	0404-2
TWO LEVER PILOT CONTROLLER COMPONENTS	3160-74	VALVE, EXHAUST	0409-2
TWO LEVER PILOT CONTROLLER SOLENOID.....	3160-74	VALVE, FIFTH FUNCTION (SER. NO. - 594432).....	3160-46
TWO LEVER PILOT CONTROLLER WITH AUXILIARY	3160-76	VALVE, FIFTH FUNCTION (SER. NO. 594433 -)	3160-47A
TWO LEVER TO JOYSTICK CONVERSION KIT	3160-80	VALVE, INLET SECTION WITH RELIEF VALVE LOADER CONTROL VALVE (S.N. -594432).....	3160-20
TWO LEVER WITH AUX. TO JOYSTICK WITH AUX. CONVERSION KIT	3160-84	VALVE, INLET SECTION WITH RELIEF VALVE LOADER CONTROL VALVE (S.N. 594433-).....	3160-22
TWO SPOOL CONTROL VALVE, LOADER (S.N. -594432).....	3160-2	VALVE, INTAKE.....	0409-2
TWO SPOOL CONTROL VALVE, LOADER (S.N. 594433-).....	3160-4	VALVE, LOADER CONTROL (2-SPOOL) (S.N. -594432).....	3160-2
TWO SPOOL CONTROL VALVE, LOADER TOOL CARRIER.....	3160-6	VALVE, LOADER CONTROL (2-SPOOL) (S.N. 594433-).....	3160-4
TWO SPOOL LOADER CONTROL VALVE (S.N. -594432).....	3160-2	VALVE, LOADER CONTROL (2-SPOOL) TOOL CARRIER.....	3160-6
TWO SPOOL LOADER CONTROL VALVE (S.N. 594433-).....	3160-4	VALVE, LOADER CONTROL (3-SPOOL) (S.N. -594432)	3160-8
TWO SPOOL LOADER CONTROL VALVE, TOOL CARRIER.....	3160-6	VALVE, LOADER CONTROL (3-SPOOL) (S.N. 594433-).....	3160-10
TWO SPOOL TOOL CARRIER CONTROL VALVE	3160-6	VALVE, LOADER CONTROL (3-SPOOL) TOOL CARRIER.....	3160-12
TWO SPOOL VALVE, LOADER CONTROL (S.N. -594432).....	3160-2	VALVE, LOADER CONTROL (4-SPOOL) (S.N. -594432)	3160-14
TWO SPOOL VALVE, LOADER CONTROL (S.N. 594433-).....	3160-4	VALVE, LOADER CONTROL (4-SPOOL) (S.N. 594433-).....	3160-16
TWO SPOOL VALVE, LOADER CONTROL TOOL CARRIER.....	3160-6	VALVE, LOADER CONTROL (4-SPOOL) TOOL CARRIER.....	3160-18
U			
U-JOINT ASSEMBLY	3160-82	VALVE, OIL FILTER BYPASS.....	0407-5
UPPER ALTERNATOR BRACKET.....	0423-2	VALVE, PIN AND AXLE DISCONNECT.....	3160-97
UPPER DOOR, ABSORBER.....	1913-6	VALVE, PIN AND AXLE DISCONNECT (S.N. 594433-).....	3160-108
V			
VALVE COMPONENTS, AUXILIARY SECTION LOADER CONTROL VALVE (S.N. -594432).....	3160-38	VALVE, PRESSURE REGULATOR FITTINGS	2160-8
VALVE COMPONENTS, AUXILIARY SECTION LOADER CONTROL VALVE (S.N. 594433-).....	3160-40	VALVE, PRESSURE REGULATOR FITTINGS	2160-9A
VALVE COMPONENTS, PIN DISCONNECT.....	3160-97	VALVE, REGULATING	3160-82
VALVE COMPONENTS,PIN AND AXLE DISCONNECT	3160-97	VALVE, REVERSE FAN DRIVE, RELIEF.....	0510-12
VALVE COVER, ENGINE.....	0409-1	VALVE, REVERSE FAN DRIVE, SOLENOID.....	0510-12
VALVE LINES, TRANSMISSION THERMAL BYPASS	0360-4	VALVE, RIDE CONTROL	3160-96
VALVE MANIFOLD, TRANSMISSION CONTROL.....	0350-16	VALVE, SOLENOID, PARK BRAKE	1060-4
VALVE SECTION, BUCKET LOADER CONTROL VALVE (S.N. -594432).....	3160-30	VALVE, SOLENOID, PARK BRAKE	1060-5A
VALVE SECTION, BUCKET LOADER CONTROL VALVE (S.N. 594433-).....	3160-32	VALVE, STEERING (SERIAL NO. 601560 -).....	0960-2
VALVE STEM, TIRE (THREE PIECE) (25 X 14) (25 X 17).....	0110-3	VALVE, STEERING COMPENSATOR (SERIAL NO. 601560 -).....	0960-3A
		VALVE, STEERING COMPENSATOR, KIT (SERIAL NO. 601560 -).....	0960-3A

ALPHABETICAL INDEX - CONTINUED

	PAGE		PAGE
VALVE, STEERING, BRACKET	1810-50	WIRING HARNESS, ENGINE FRAME	
VALVE, STEERING, KIT		(FOR USE WITH POWERLLEL LINKAGE).....	1674-4
(SERIAL NO. 601560 -).....	0960-2	WIRING HARNESS, FRONT CONSOLE.....	1674-8
VALVE, TORQUE CONVERTER PRESSURE RELIEF	0350-22	WIRING HARNESS, FRONT CONSOLE.....	1674-9
VALVE, TRANSMISSION CONTROL	0350-18	WIRING HARNESS, LOAD CENTER	1674-6
VALVE, TRANSMISSION MINIMUM PRESSURE.....	0350-22	WIRING HARNESS, LOAD CENTER	1674-7A
VALVE, TRANSMISSION THERMAL BYPASS.....	0360-4	WIRING HARNESS, LOADER FRAME	1674-2
VALVES, ENVIRONMENTAL DRAIN	1369-2	WIRING HARNESS, LOADER FRAME	1674-3A
VALVES, ENVIRONMENTAL DRAIN	1369-3A	WIRING HARNESS, LOADER FRAME	
VANDAL COVER	1810-20	(FOR USE WITH POWERLLEL LINKAGE).....	1674-3C
VEHICLE ELECTRICAL CENTER.....	1674-16	WIRING HARNESS, LOADER FRAME	
VENTILATING SYSTEM, ENGINE	0408-2	(FOR USE WITH POWERLLEL LINKAGE).....	1674-4
VENTILATION, LOUVERS.....	1810-8	WIRING HARNESS, MAIN.....	1674-2
VISOR, SUN	1810-47	WIRING HARNESS, MAIN.....	1674-3A
VOLTAGE REGULATOR (55 AMP)	1672-2	WIRING HARNESS, MAIN	
VOLTAGE REGULATOR (80 AMP)	1672-6	(FOR USE WITH POWERLLEL LINKAGE).....	1674-3C
		WIRING HARNESS, MAIN	
		(FOR USE WITH POWERLLEL LINKAGE).....	1674-4
		WIRING HARNESS, REAR FRAME	1674-2
W		WIRING HARNESS, REAR FRAME	1674-3A
WATER PUMP	0417-2	WIRING HARNESS, REAR FRAME	
WATER PUMP INLET	0417-5	(FOR USE WITH POWERLLEL LINKAGE).....	1674-3C
WATER PUMP INSERT KIT.....	0417-4	WIRING HARNESS, REAR FRAME	
WATER PUMP PULLEY	0417-5	(FOR USE WITH POWERLLEL LINKAGE).....	1674-4
WATER TEMPERATURE SENSOR.....	0578-2	WIRING HARNESS, TRANSMISSION	1674-2
WEIGHT, ENGINE BALANCER SHAFT	0415-2	WIRING HARNESS, TRANSMISSION	1674-3A
WHEEL RIM (25 X 14)		WIRING HARNESS, TRANSMISSION	
(ONE PIECE)	0110-2	(FOR USE WITH POWERLLEL LINKAGE).....	1674-3C
WHEEL RIM ASSEMBLY (THREE PIECE)		WIRING HARNESS, TRANSMISSION	
(25 X 14) (25 X 17).....	0110-3	(FOR USE WITH POWERLLEL LINKAGE).....	1674-4
WHEEL SPACER	0110-2B	WIRING, A/C AND HEATER BLOWER.....	1674-11
WHEEL SPACER	0110-4	WIRING, FRONT DASH MODULE	1674-8
WHEEL SPACER	0110-6	WIRING, HVAC	1674-11
WHEEL SPACER	0110-8	WORK LAMP, FRONT AND REAR	1673-4
WHEEL, ENGINE SPEED SENSOR	0401-2	WRIST ARM REST, RIGHT	1821-6
WHEEL, STEERING	1810-48		
WINDOW WASHER CAP	1810-24	Y	
WINDOW WASHER PUMP	1810-24	YOKE, INPUT.....	0210-3
WINDOW WASHER TANK.....	1810-24	YOKE, TORQUE CONVERTER INPUT SHAFT	0350-4
WINDOW WASHER, FRONT AND REAR.....	1810-24	YOKE, TRANSMISSION OUTPUT SHAFT.....	0350-20
WINDOW, CANOPY REAR	1810-16		
WINDOWS	1810-4	Z	
WINDSHIELD WIPER		Z-BAR LINKAGE ATTACHMENT COUPLER.....	3104-6
(FRONT).....	1810-26		
WINDSHIELD WIPER, REAR.....	1810-28		
WIPER ARM			
(FRONT).....	1810-26		
WIPER BLADE	1810-28		
WIPER BLADE			
(FRONT).....	1810-26		
WIPER MOUNTING BRACKETS	1810-30		
WIPER SWITCH	1810-30		
WIRE HARNESS, ENGINE AIR HEATER	0505-4		
WIRE HARNESS,SECONDARY STEERING	0930-2		
WIRE HARNESS,SECONDARY STEERING	0930-4		
WIRING HARNESS, CAB	1674-6		
WIRING HARNESS, CAB	1674-7A		
WIRING HARNESS, ENGINE.....	1674-2		
WIRING HARNESS, ENGINE.....	1674-3A		
WIRING HARNESS, ENGINE			
(FOR USE WITH POWERLLEL LINKAGE)	1674-3C		
WIRING HARNESS, ENGINE			
(FOR USE WITH POWERLLEL LINKAGE)	1674-4		
WIRING HARNESS, ENGINE FRAME	1674-2		
WIRING HARNESS, ENGINE FRAME	1674-3A		
WIRING HARNESS, ENGINE FRAME			
(FOR USE WITH POWERLLEL LINKAGE)	1674-3C		

0110-1

WHEELS 01

POWERED WHEELS AND FASTENINGS 0110

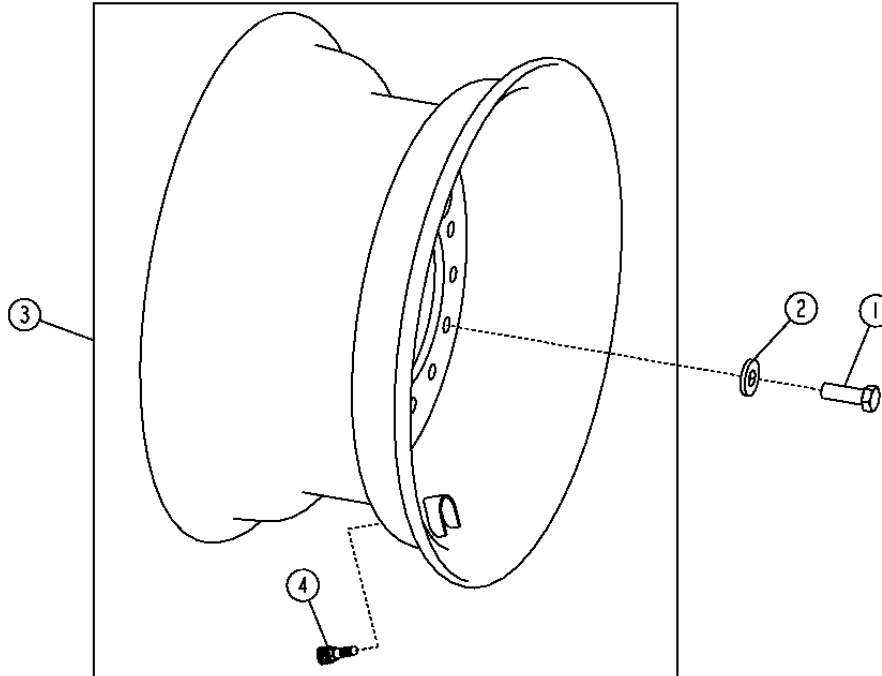
MEMORANDA
MEMORANDA
MEMORANDA

0110-2

WHEELS 01

POWERED WHEELS AND FASTENINGS 0110
 WHEEL RIM ASSEMBLY (ONE PIECE) (25 X 14) (SN -604689)
 JANTE DE ROUE (MONOBLOC) (25 X 14) (SN -604689)
 CONJUNTO DE ARO DE RUEDA (UNA PIEZA) (25 X 14) (SN -604689)

T193565 -UN-18AUG03



T193565

KEY	PART NO.	PART NAME	QTY.	SERIAL NO.	REMARKS
1	19M8224	CAP SCREW	14		M20 X 60
2	T151797	WASHER	14		
3	AT304412	RIM AND WHEEL CENTER	1		(635MM X 356MM) (17.5 INCH WIDE TIRE)
4	AT25226	TIRE VALVE STEM	1		

0110-2A

WHEELS 01

POWERED WHEELS AND FASTENINGS 0110

MEMORANDA
MEMORANDA
MEMORANDA

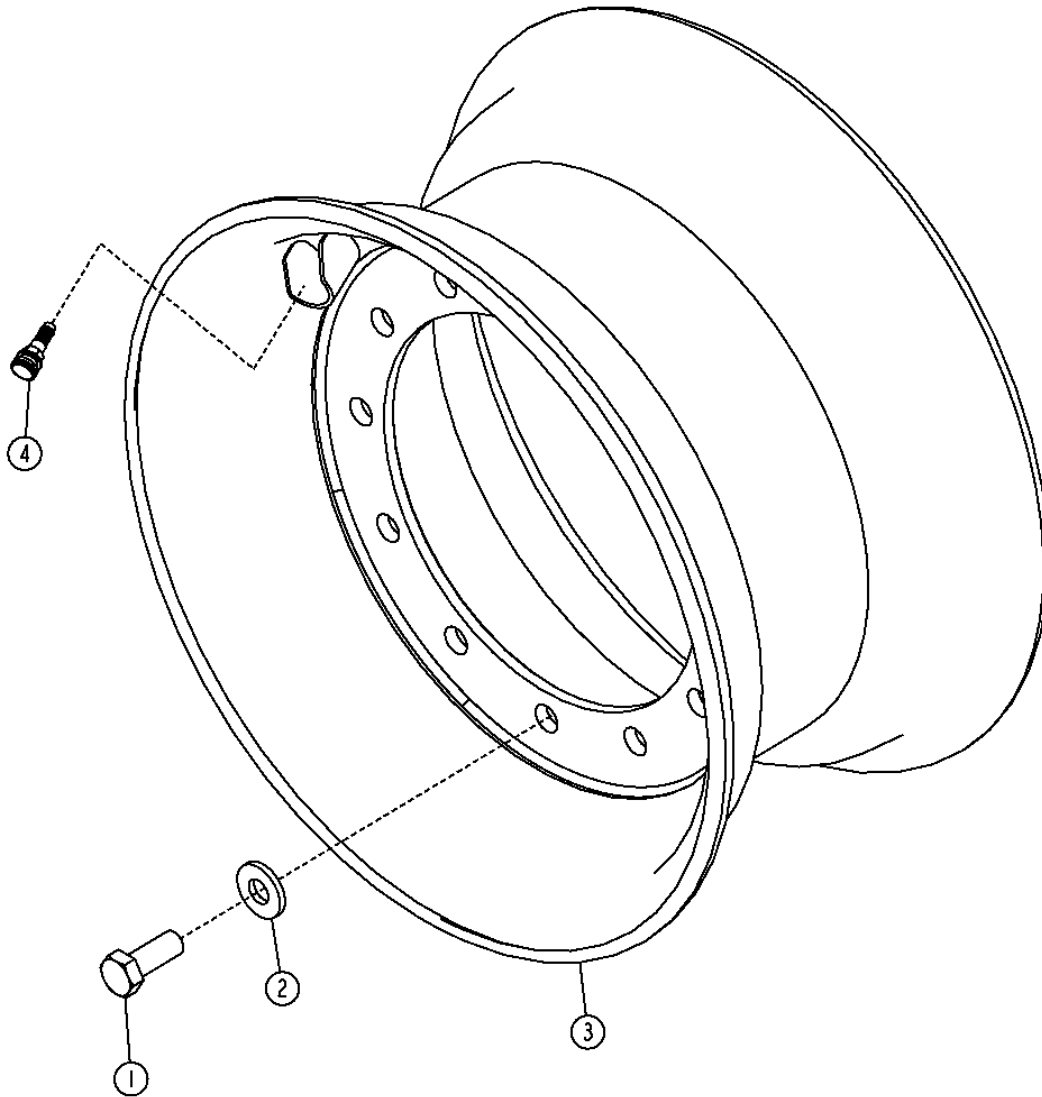
0110-2B

WHEELS 01

POWERED WHEELS AND FASTENINGS 0110
WHEEL RIM ASSEMBLY (ONE PIECE) (17.5 X 25) (SN 604690-)
JANTE DE ROUE (MONOBLOC) (17.5 X 25) (SN 604690-)
CONJUNTO DE ARO DE RUEDA (UNA PIEZA) (17.5 X 25) (SN 604690-)

TX1003280

-UN-01FEB06



TX1003280

0110-2C

WHEELS 01

POWERED WHEELS AND FASTENINGS 0110
WHEEL RIM ASSEMBLY (ONE PIECE) (17.5 X 25) (SN 604690-)
JANTE DE ROUE (MONOBLOC) (17.5 X 25) (SN 604690-)
CONJUNTO DE ARO DE RUEDA (UNA PIEZA) (17.5 X 25) (SN 604690-)

KEY	PART NO.	PART NAME	QTY.	SERIAL NO.	REMARKS
1	19M9379	SCREW	48		M22 X 55
2	A11667	WASHER	48		23.012 X 50.800 X 6 MM
3	AT315346	RIM AND WHEEL CENTER	4		635 MM
4	AT25226	TIRE VALVE STEM	1		

0110-2D

WHEELS 01

POWERED WHEELS AND FASTENINGS 0110

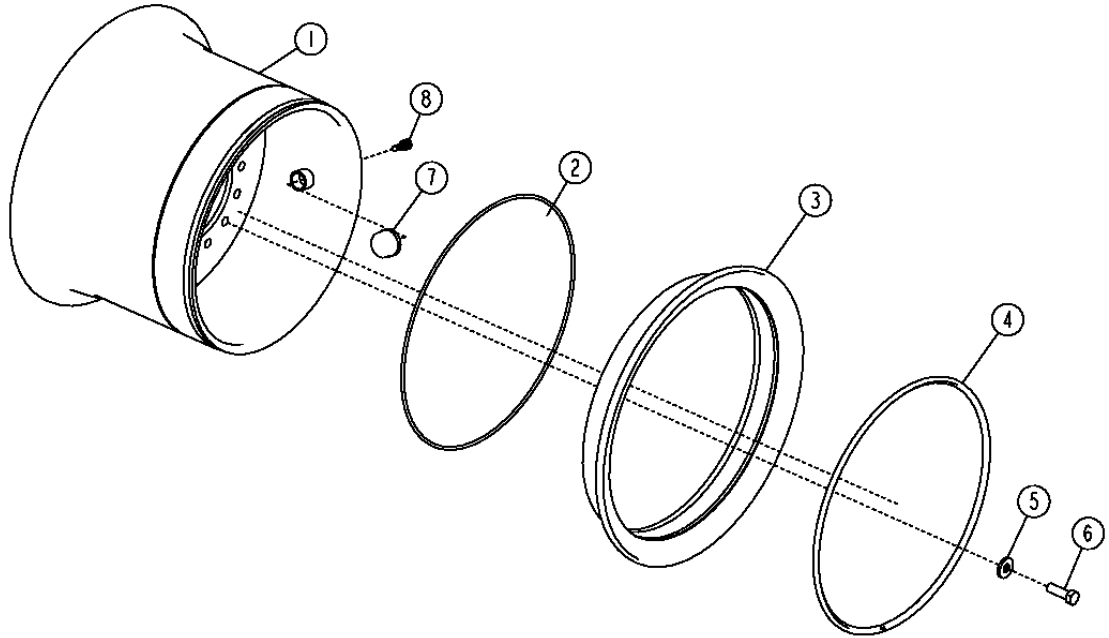
MEMORANDA
MEMORANDA
MEMORANDA

0110-3

WHEELS 01

POWERED WHEELS AND FASTENINGS 0110
 WHEEL RIM ASSEMBLY (THREE PIECE) (25 X 14) (25 X 17) (SN -604689)
 JANTE DE ROUE (TROIS PIECES) (25 X 14) (25 X 17) (SN -604689)
 CONJUNTO DE ARO DE RUEDA (TRES PIEZAS) (25 X 14) (25 X 17) (SN -604689)

T193567 -UN-18AUG03



T193567

KEY	PART NO.	PART NAME	QTY.	SERIAL NO.	REMARKS
1	AT304415	RIM AND WHEEL CENTER	1		(635 MM X 356 MM) (25 X 14 RIM) (17.5 INCH WIDE TIRE)
	AT304418	WHEEL	1	-595865	(635 MM X 432 MM) (25 X 17 RIM) (20.5 INCH WIDE TIRE)
	AT317299	WHEEL	1	595866-	(635 MM X 432 MM) (25 X 17 RIM) (20.5 INCH WIDE TIRE)
2	T59933	O-RING	1		23-1/4" X 0.260"
3	T27193	WHEEL RING	1		(635 MM X 356 MM) (25 X 14 RIM) (17.5 INCH WIDE TIRE)
	T27532	WHEEL RING	1	-595865	(635 MM X 432 MM) (25 X 17 RIM) (20.5 INCH WIDE TIRE)
	T212453	WHEEL RING	1	595866-	(635 MM X 432 MM) (25 X 17 RIM) (20.5 INCH WIDE TIRE)
4	T27194	WHEEL RING	1	-595865	
	T212452	WHEEL RING	1	595866-	
5	T151797	WASHER	14		
6	19M8224	CAP SCREW	14		M20 X 60
7	15H710	FITTING	1		1-1/2"
8	AT25226	TIRE VALVE STEM	1		

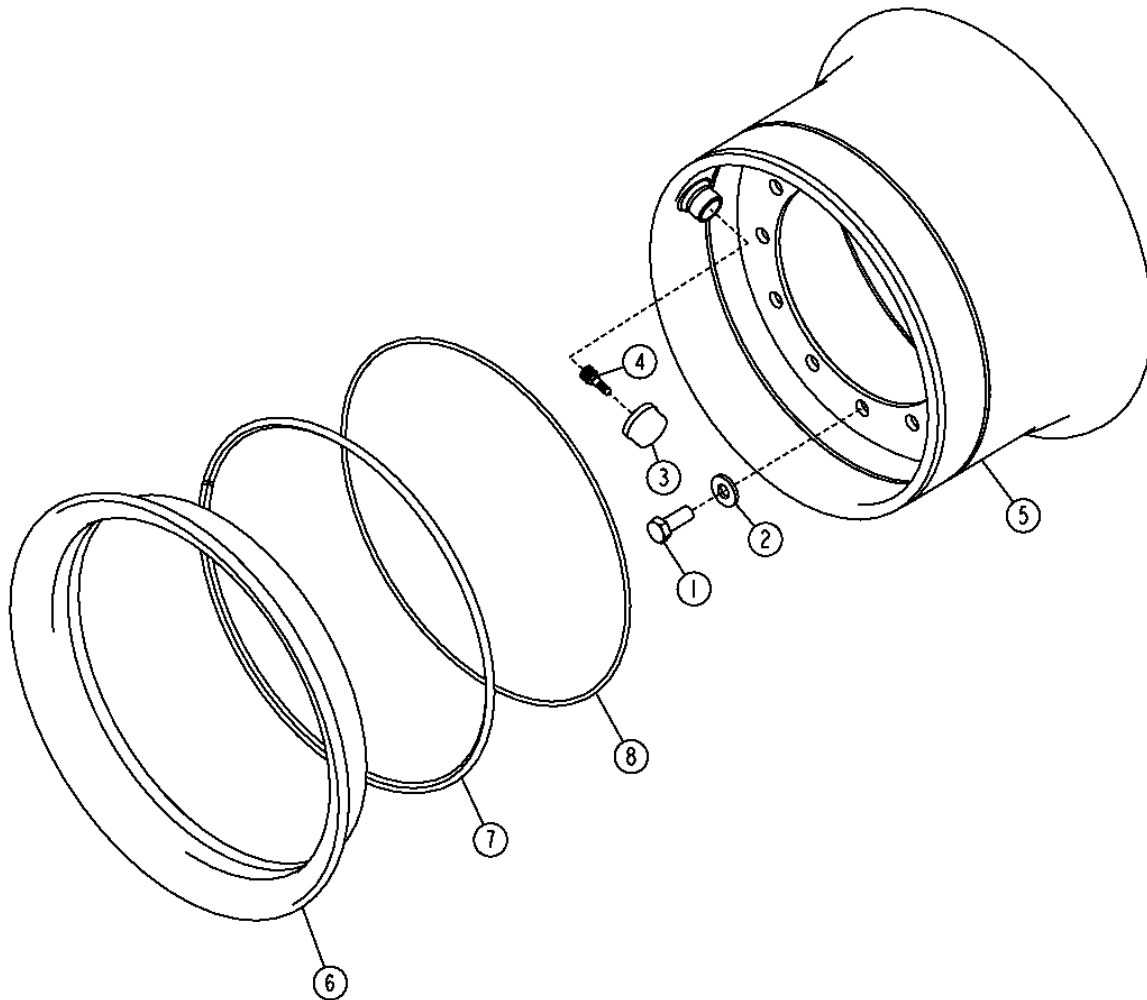
0110-4

WHEELS 01

POWERED WHEELS AND FASTENINGS 0110
WHEEL RIM ASSEMBLY (THREE PIECE) (17.5 X 25) (SN 604690-)
JANTE DE ROUE (TROIS PIECES) (17.5 X 25) (SN 604690-)
CONJUNTO DE ARO DE RUEDA (TRES PIEZAS) (17.5 X 25) (SN 604690-)

TX1003281

-UN-06FEB06



TX1003281

0110-5

WHEELS 01

POWERED WHEELS AND FASTENINGS 0110
WHEEL RIM ASSEMBLY (THREE PIECE) (17.5 X 25) (SN 604690-)
JANTE DE ROUE (TROIS PIECES) (17.5 X 25) (SN 604690-)
CONJUNTO DE ARO DE RUEDA (TRES PIEZAS) (17.5 X 25) (SN 604690-)

KEY	PART NO.	PART NAME	QTY.	SERIAL NO.	REMARKS
1	19M9379	SCREW	48		M22 X 55
2	A11667	WASHER	48		23.012 X 50.800 X 6 MM
3	15H710	FITTING	1		38.100 MM
4	AT25226	TIRE VALVE STEM	1		
5	AT315355	RIM AND WHEEL CENTER	1		635 MM
6	T211557	WHEEL RING	1		
7	T212452	WHEEL RING	1		
8	T59933	O-RING	1		590.550 X 6.604 MM

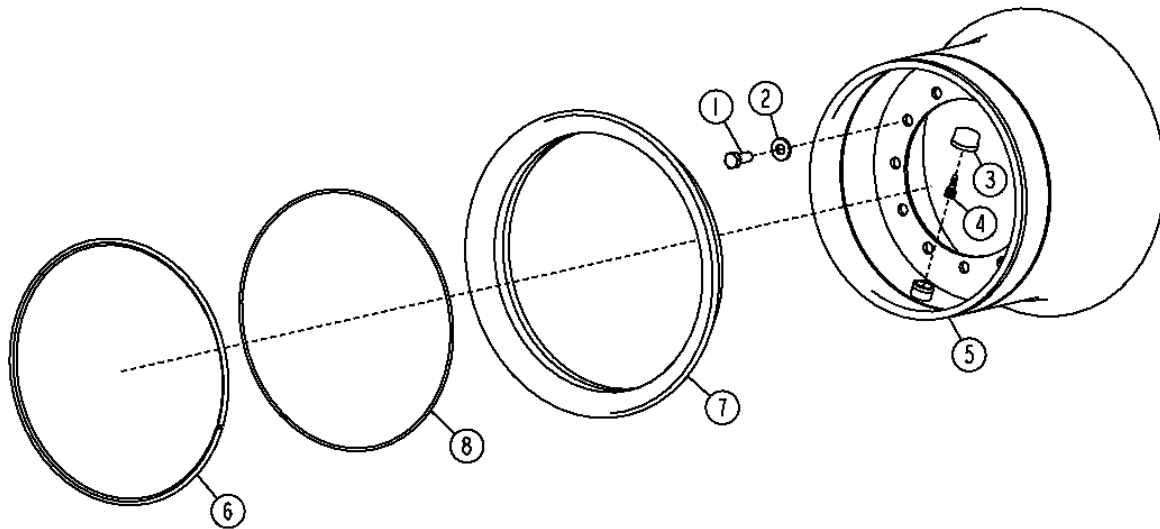
0110-6

WHEELS 01

POWERED WHEELS AND FASTENINGS 0110
WHEEL RIM ASSEMBLY (THREE PIECE) (20.5 X 25) (SN 604690-)
JANTE DE ROUE (TROIS PIECES) (20.5 X 25) (SN 604690-)
CONJUNTO DE ARO DE RUEDA (TRES PIEZAS) (20.5 X 25) (SN 604690-)

TX1003282

-UN-03FEB06



TX1003282

0110-7

WHEELS 01

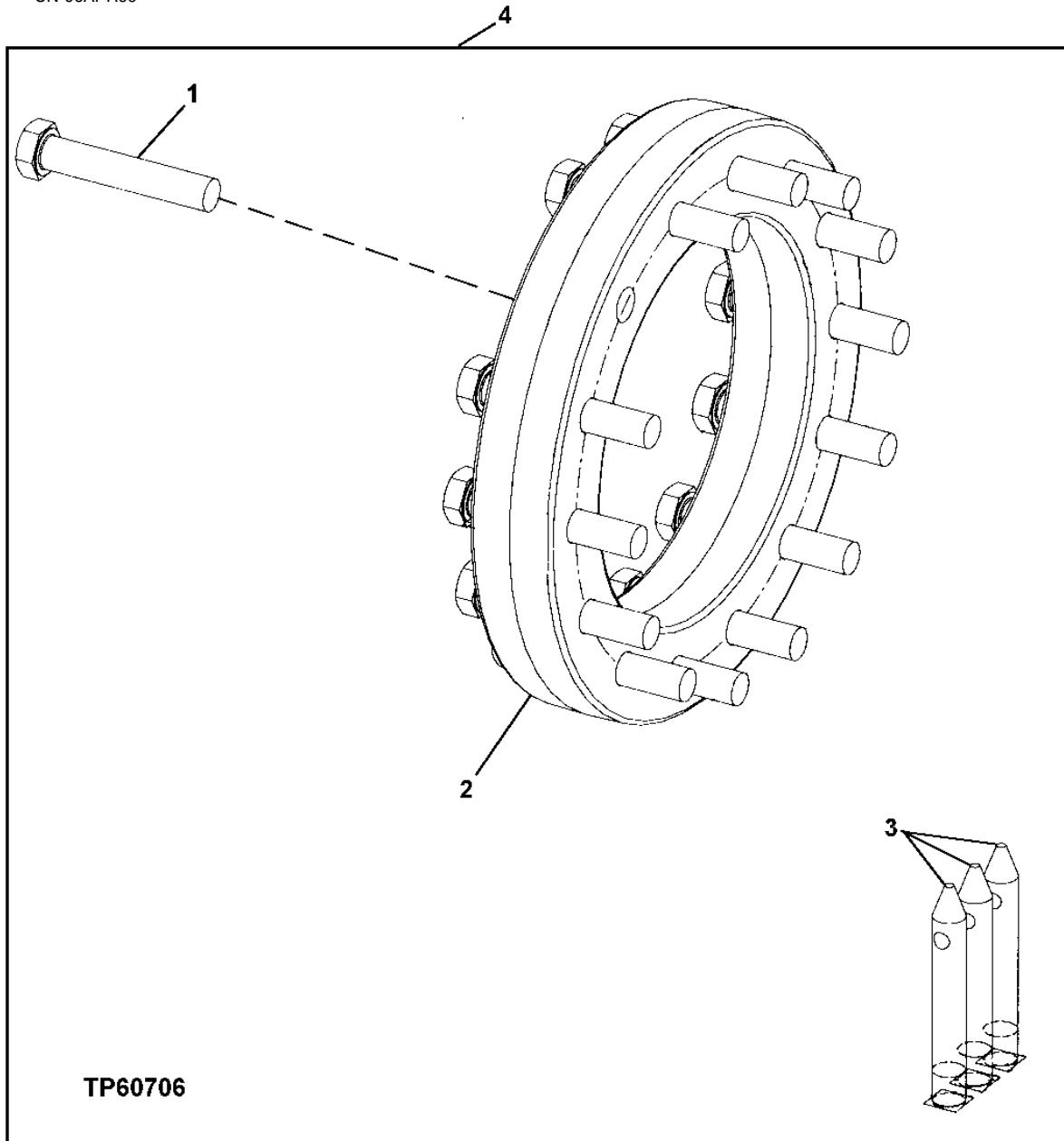
POWERED WHEELS AND FASTENINGS 0110
WHEEL RIM ASSEMBLY (THREE PIECE) (20.5 X 25) (SN 604690-)
JANTE DE ROUE (TROIS PIECES) (20.5 X 25) (SN 604690-)
CONJUNTO DE ARO DE RUEDA (TRES PIEZAS) (20.5 X 25) (SN 604690-)

KEY	PART NO.	PART NAME	QTY.	SERIAL NO.	REMARKS
1	19M9379	SCREW	48		M22 X 55
2	A11667	WASHER	48		23.012 X 50.800 X 6 MM
3	15H710	FITTING	1		38.100 MM
4	AT25226	TIRE VALVE STEM	1		
5	AT315360	WHEEL	1		635 MM
6	T212452	WHEEL RING	1		
7	T212453	WHEEL RING	1		
8	T59933	O-RING	1		590.550 X 6.604 MM

0110-8

WHEEL SPACER ECARTEUR DE ROUE ESPACIADOR DE LA RUEDA

TP60706 -UN-06APR99



0110-9

WHEELS 01

POWERED WHEELS AND FASTENINGS 0110

**WHEEL SPACER
ECARTEUR DE ROUE
ESPACIADOR DE LA RUEDA**

KEY	PART NO.	PART NAME	QTY.	SERIAL NO.	REMARKS
1	19M7969	CAP SCREW	56		M20 X 110
2	T66862	SPACER	4		
3	T176455	STUD	3		
4	KIT	1		WHEEL SPACER (WHOLEGOODS) (AT220872 NLA) (SUB COMPONENTS)

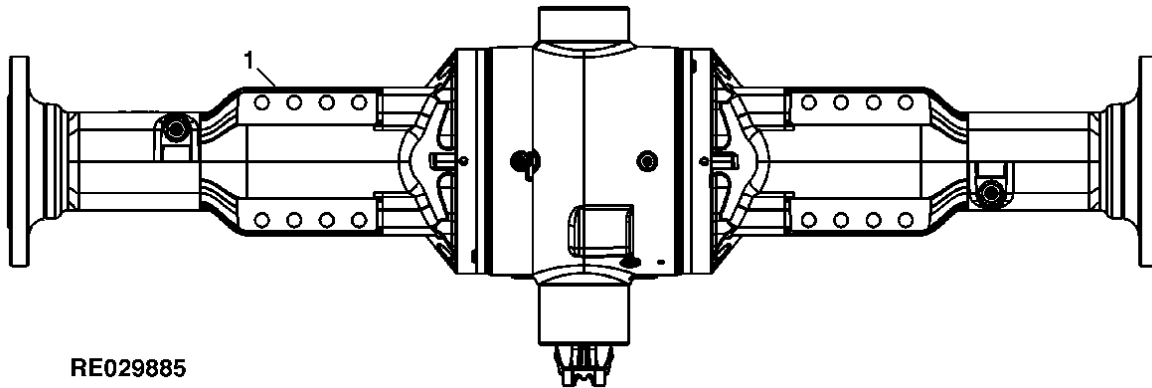
0210-2

AXLES, DIFFERENTIALS AND SUSPENSION SYSTEMS 02

DIFFERENTIAL OR BEVEL DRIVE 0210

AXLES (SN -604689)
 ESSIEUX (SN -604689)
 EJES (SN -604689)

RE029885 -UN-14AUG98



RE029885

KEY	PART NO.	PART NAME	QTY.	SERIAL NO.	REMARKS
1	RE164379	AXLE WITH DIFFERENTIAL	1		(HYD. DIFF-LOCK) (FRONT) (CONVENIENCE ASSEMBLY)
	RE164382	AXLE WITH DIFFERENTIAL	1		(HYD. DIFF-LOCK) (REAR) (CONVENIENCE ASSEMBLY)
	AXLE WITH DIFFERENTIAL	1		(RE164378 NLA) (STANDARD DIFF.) (FRONT) (CONVENIENCE ASSEMBLY)
	RE164381	AXLE WITH DIFFERENTIAL	1		(STANDARD DIFF.) (REAR) (CONVENIENCE ASSEMBLY)

0210-3

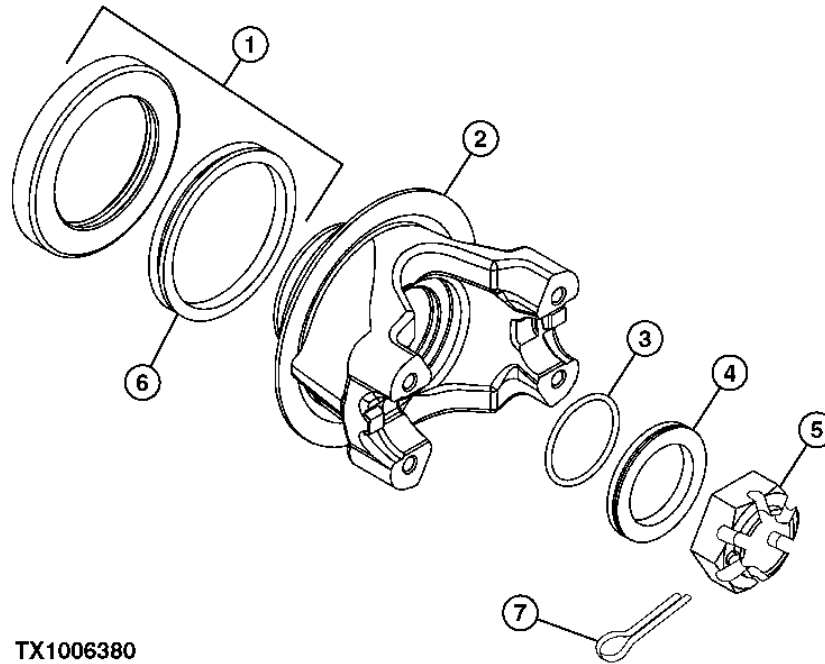
AXLES, DIFFERENTIALS AND SUSPENSION SYSTEMS 02

DIFFERENTIAL OR BEVEL DRIVE 0210

INPUT YOKE (RE67134) (SN -604489)
 CHAPE D'ENTREE (RE67134) (SN -604489)
 HORQUILLA DE ENTRADA (RE67134) (SN -604489)

TX1006380

-UN-24APR06



TX1006380

KEY	PART NO.	PART NAME	QTY.	SERIAL NO.	REMARKS
1	RE45312	SEAL KIT	1		
	AT314206	SEAL	1		(FOR HARSH ENVIRONMENT)
2	RE66980	YOKE	1		
3	U10289	O-RING	1		
4	R48733	WASHER	AR		1.600" X 2-1/4" X 1/4" (6.35 MM)
	R48734	WASHER	AR		1.600" X 2-1/4" X 0.248" (6.299 MM)
	R48735	WASHER	AR		1.600" X 2-1/4" X 0.245" (6.223 MM)
5	R48776	NUT	1		(SUB FOR R137063 OR R151933)
6	R89581	SEAL	1		
7	11M7032	COTTER PIN	1		5 X 50 MM

0210-4

AXLES, DIFFERENTIALS AND SUSPENSION SYSTEMS 02

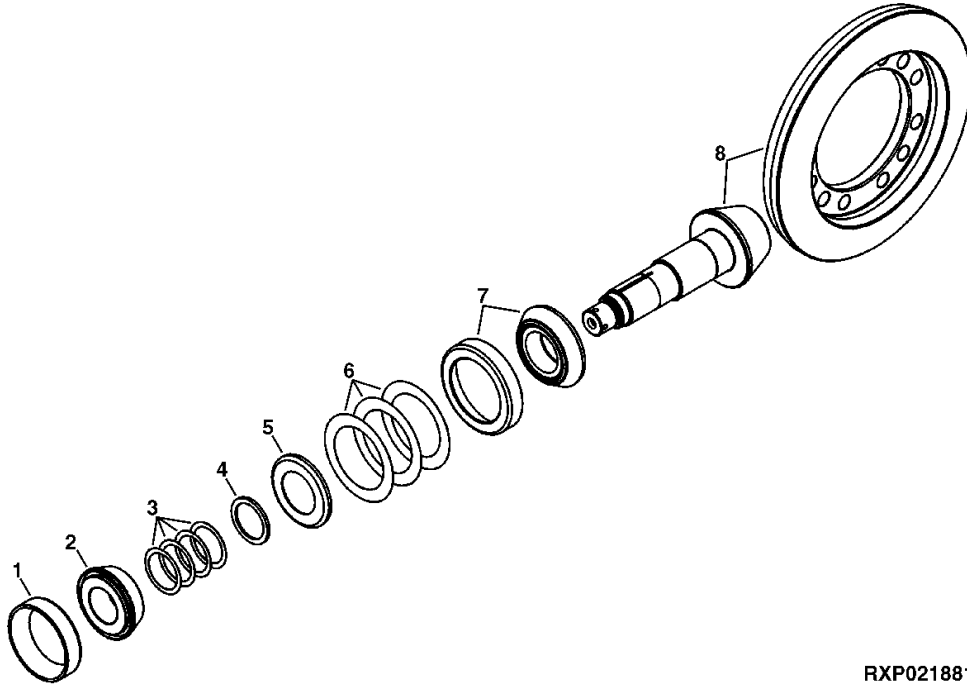
DIFFERENTIAL OR BEVEL DRIVE 0210

FRONT SPIRAL BEVEL INPUT PINION AND RING GEAR SET (SN -604489) (RE67132)

PIGNON D'ENTREE CONIQUE HELICOIDAL AVANT ET TRAIN DE COURONNES (SN -604489)(RE67132)

JUEGO CORONA DENTADA Y PINON CONICO ENTRADA DIENTES HELICOIDALES DELANTERO (SN -604489) (RE67132)

RXP021881 -UN-08JAN97



RXP021881

KEY	PART NO.	PART NAME	QTY.	SERIAL NO.	REMARKS
1	JD8240	BEARING CUP	1		
2	JD8974	BEARING CONE	1		
3	R45197	SHIM	2		0.178 MM (0.007 INCHES)
	R45198	SHIM	2		0.254 MM (0.010 INCHES)
	R45199	SHIM	3		0.305 MM (0.012 INCHES)
	R45200	SHIM	2		0.381 MM (0.015 INCHES)
4	R135535	SPACER	1		(USE IF AVAILABLE) (SUB R163333)
	R163333	SPACER	1		
5	R131896	SLEEVE	1	-573566	
	R163180	SLEEVE	1	573567-	
6	R134404	SHIM	2	-573566	0.076 MM (0.003 INCHES)
	R163181	SHIM	3	573567-	0.076 MM (0.003 INCHES)
	R134405	SHIM	2	-573566	0.127 MM (0.005 INCHES)
	R163182	SHIM	3	573567-	0.127 MM (0.005 INCHES)
	R134406	SHIM	2	-573566	0.254 MM (0.010 INCHES)
	R163183	SHIM	3	573567-	0.254 MM (0.010 INCHES)
7	RE63575	TAPERED ROLLER BEARING	1	-573566	
	RE163170	BEARING	1	573567-	
8	RE65217	BEVEL GEAR DRIVE	1	-573566	LH ASSY, (MARKED R129674 AND R129675)
	RE163554	BEVEL GEAR DRIVE	1	573567-	LH ASSY, (MARKED R163556 AND R129675)

0210-5

AXLES, DIFFERENTIALS AND SUSPENSION SYSTEMS 02

DIFFERENTIAL OR BEVEL DRIVE 0210

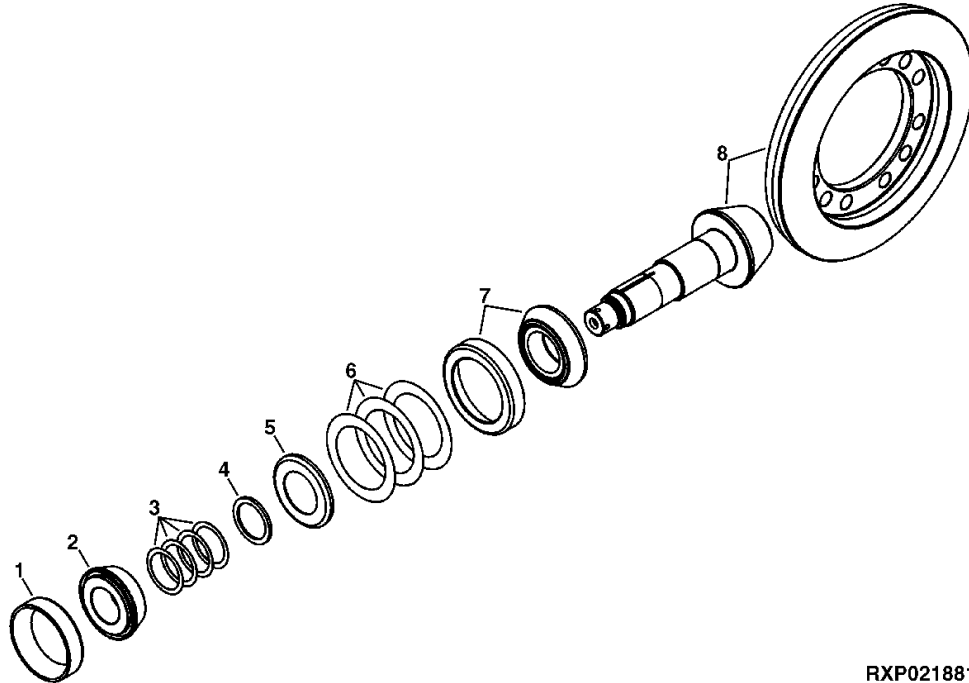
REAR SPIRAL BEVEL INPUT PINION AND RING GEAR SET (SN -604489) (RE67133)

JEU DE COURONNES ET DE PIGNONS D'ENTREE CONIQUES HELICOIDAUX ARRIERE (SN -604489) (RE67133)

JUEGO DE CORONA DENTADA Y PINON DE ENTRADA DE DIENTES HELICOIDALES TRASEROS(SN -604489) (RE67133)

RXP021881

-UN-08JAN97



RXP021881

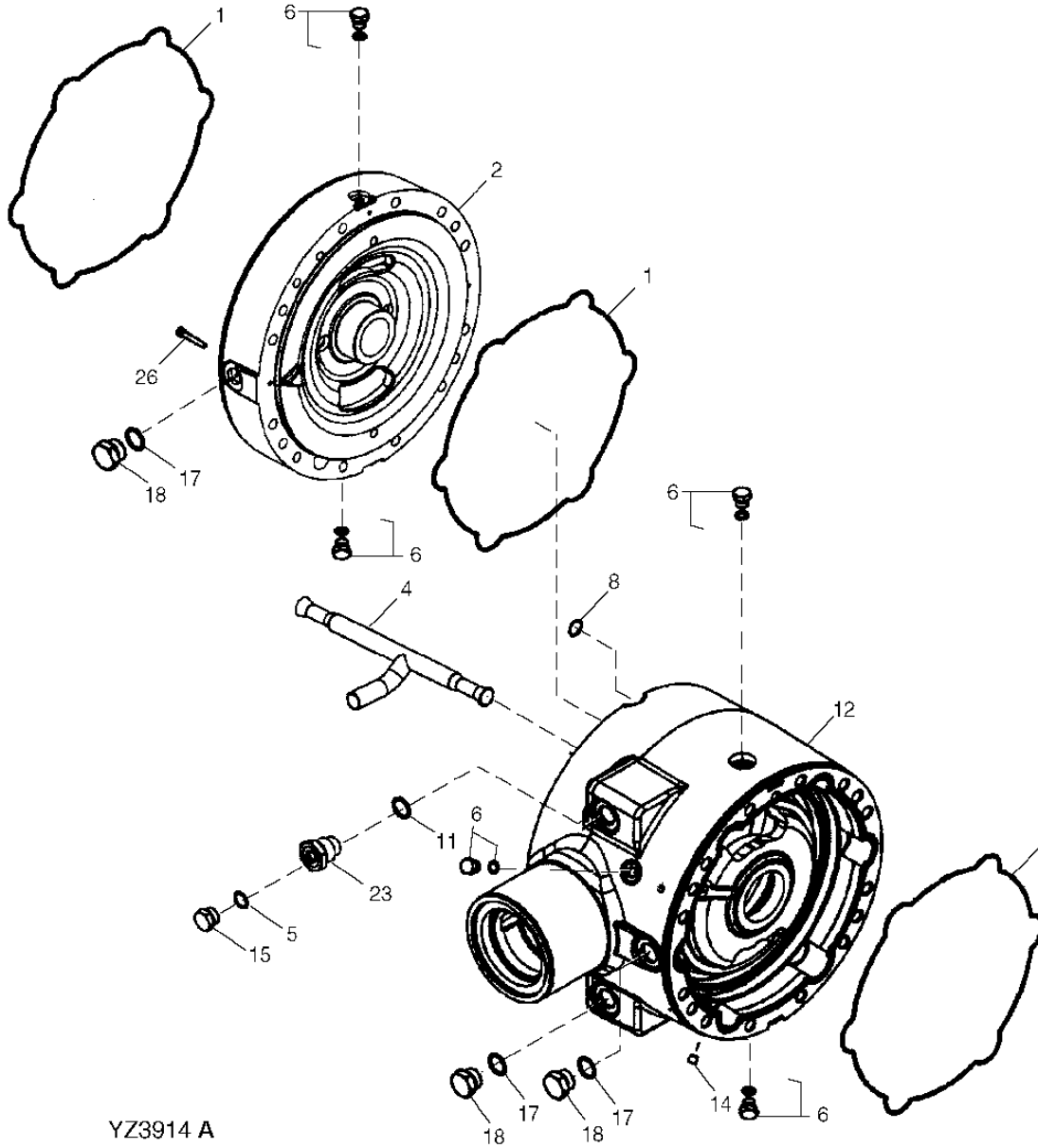
KEY	PART NO.	PART NAME	QTY.	SERIAL NO.	REMARKS
1	JD8240	BEARING CUP	1		
2	JD8974	BEARING CONE	1		
3	R45197	SHIM	2		0.178 MM (0.007 INCHES)
	R45198	SHIM	2		0.254 MM (0.010 INCHES)
	R45199	SHIM	3		0.305 MM (0.012 INCHES)
	R45200	SHIM	2		0.381 MM (0.015 INCHES)
4	R135535	SPACER	1		(USE IF AVAILABLE) (SUB R163333)
	R163333	SPACER	1		
5	R131896	SLEEVE	1	-573566	
	R163180	SLEEVE	1	573567-	
6	R134404	SHIM	2	-573566	0.076 MM (0.003 INCHES)
	R163181	SHIM	3	573567-	0.076 MM (0.003 INCHES)
	R134405	SHIM	2	-573566	0.127 MM (0.005 INCHES)
	R163182	SHIM	3	573567-	0.127 MM (0.005 INCHES)
	R134406	SHIM	2	-573566	0.254 MM (0.010 INCHES)
	R163183	SHIM	3	573567-	0.254 MM (0.010 INCHES)
7	RE63575	TAPERED ROLLER BEARING	1	-573566	(USE WITH RE65216)
	RE163170	ROLLER BEARING	1	573567-	(USE WITH RE163555)
8	RE65216	BEVEL GEAR DRIVE	1	-573566	RH ASSY, (MARKED R129672 AND R129673) (USE WITH RE63575)
	RE163555	BEVEL GEAR DRIVE	1	573567-	RH ASSY, (MARKED R129672 AND R163557) (USE WITH RE163170)

0210-6

AXLES, DIFFERENTIALS AND SUSPENSION SYSTEMS 02

DIFFERENTIAL OR BEVEL DRIVE 0210
FRONT DIFFERENTIAL CASE (WITH DIFFERENTIAL LOCK) (SN -604489) (RE66658)
BOITE DE DIFFERENTIEL AVANT (AVEC BLOCAGE DE DIFFERENTIEL) (SN -604489) (RE66658)
CAJA DEL DIFERENCIAL DELANTERO (CON TRABA DEL DIFERENCIAL) (SN -604489) (RE66658)

YZ3914A -UN-16JUL04



0210-7

AXLES, DIFFERENTIALS AND SUSPENSION SYSTEMS 02

DIFFERENTIAL OR BEVEL DRIVE 0210

FRONT DIFFERENTIAL CASE (WITH DIFFERENTIAL LOCK) (SN -604489)
BOITE DE DIFFERENTIEL AVANT (AVEC BLOCAGE DE DIFFERENTIEL) (SN -604489)
CAJA DEL DIFERENCIAL DELANTERO (CON TRABA DEL DIFERENCIAL) (SN -604489)

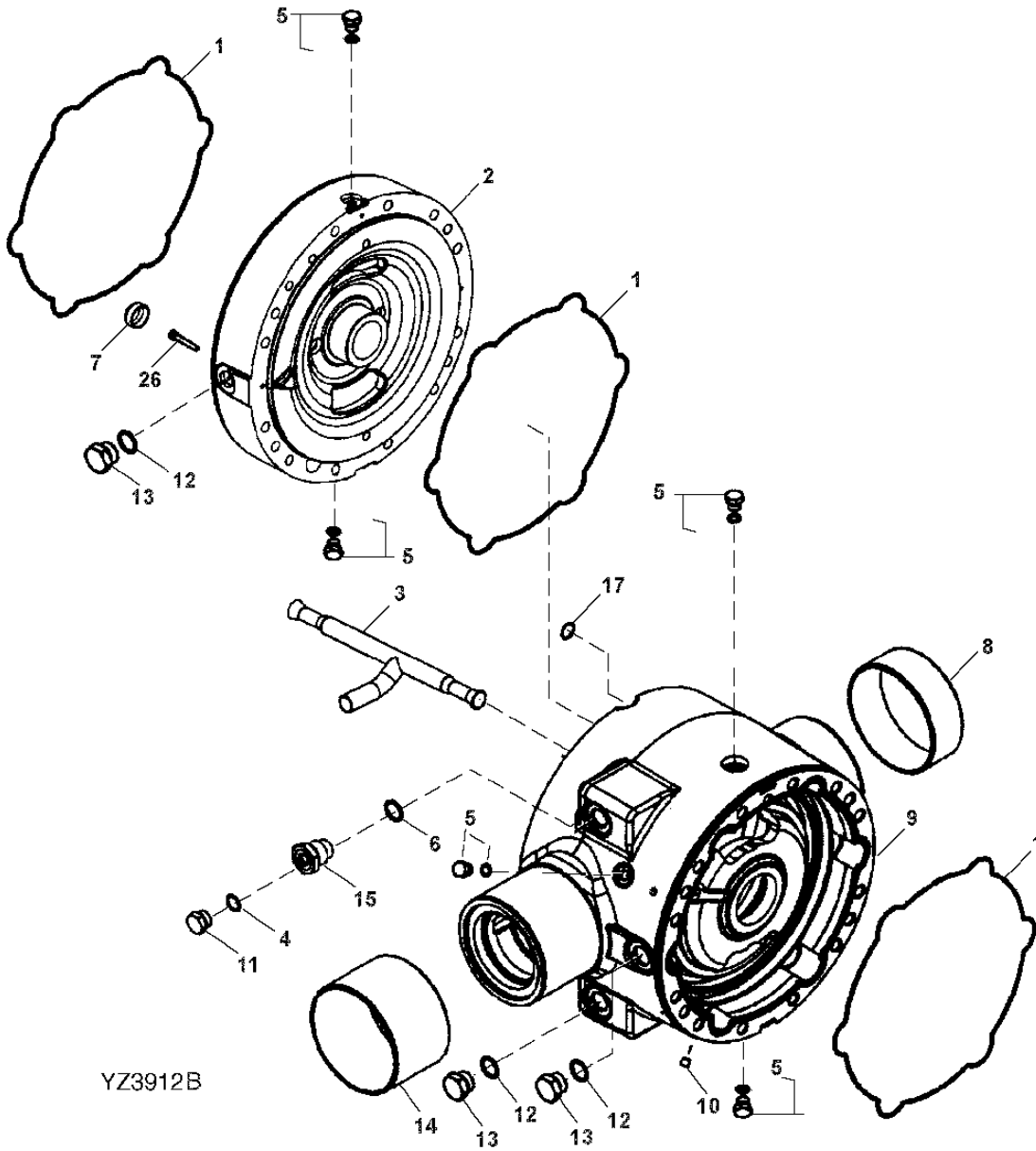
KEY	PART NO.	PART NAME	QTY.	SERIAL NO.	REMARKS
1	R131797	O-RING	3		
2	R129888	COVER	1		
4	R159661	TEE FITTING	1		
5	R26286	O-RING	1		
6	RE46684	FITTING PLUG	5		
8	T44604	O-RING	1		
11	F3171R	O-RING	1		
12	RE164129	CASE	1		(MARKED R163505) (INCLUDES (2) 400R AND 405R)
14	15H558	PIPE PLUG	1		
15	R27094	DRAIN PLUG	1		
17	F3171	O-RING	3		
18	R27175	DRAIN PLUG	1		(SUB FOR R116801)
23	R160699	BUSHING	1		
26	19M8513	SCREW	2		

0210-8

AXLES, DIFFERENTIALS AND SUSPENSION SYSTEMS 02

DIFFERENTIAL OR BEVEL DRIVE 0210
REAR DIFFERENTIAL CASE (WITH DIFFERENTIAL LOCK) (SN -604489) (RE66659)
BOITE DE DIFFERENTIEL ARRIERE (AVEC BLOCAGE DE DIFFERENTIEL) (SN -604489) (RE66659)
CAJA DEL DIFERENCIAL TRASERO (CON TRABA DEL DIFERENCIAL) (SN -604489) (RE66659)

YZ3912B -UN-07FEB06



0210-9

AXLES, DIFFERENTIALS AND SUSPENSION SYSTEMS 02

DIFFERENTIAL OR BEVEL DRIVE 0210

REAR DIFFERENTIAL CASE (WITH DIFFERENTIAL LOCK) (SN -604489)
BOITE DE DIFFERENTIEL ARRIERE (AVEC BLOCAGE DE DIFFERENTIEL) (SN -604489)
CAJA DEL DIFERENCIAL TRASERO (CON TRABA DEL DIFERENCIAL) (SN -604489)

KEY	PART NO.	PART NAME	QTY.	SERIAL NO.	REMARKS
1	R131797	O-RING	3		
2	R129888	COVER	1		
3	R159661	TEE FITTING	1		
4	R26286	O-RING	1		
5	RE46684	FITTING PLUG	5		
6	F3171R	O-RING	1		
7	R160155	PLUG	6		
8	R132113	SLEEVE	1		
9	RE164128	CASE	1		(MARKED RE164128) (INCLUDES R132113, R160831, (2) 400R AND 405R) (WITH BALLS AND SLEEVES)
10	15H558	PIPE PLUG	1		
11	R27094	DRAIN PLUG	1		
12	F3171R	O-RING	3		
13	R27175	DRAIN PLUG	1		(SUB FOR R116801)
14	R160831	SLEEVE	1		(SUB FOR R132114)
15	R160699	BUSHING	1		
16	19M8513	SCREW	2		
17	T44604	O-RING	1		

0210-10

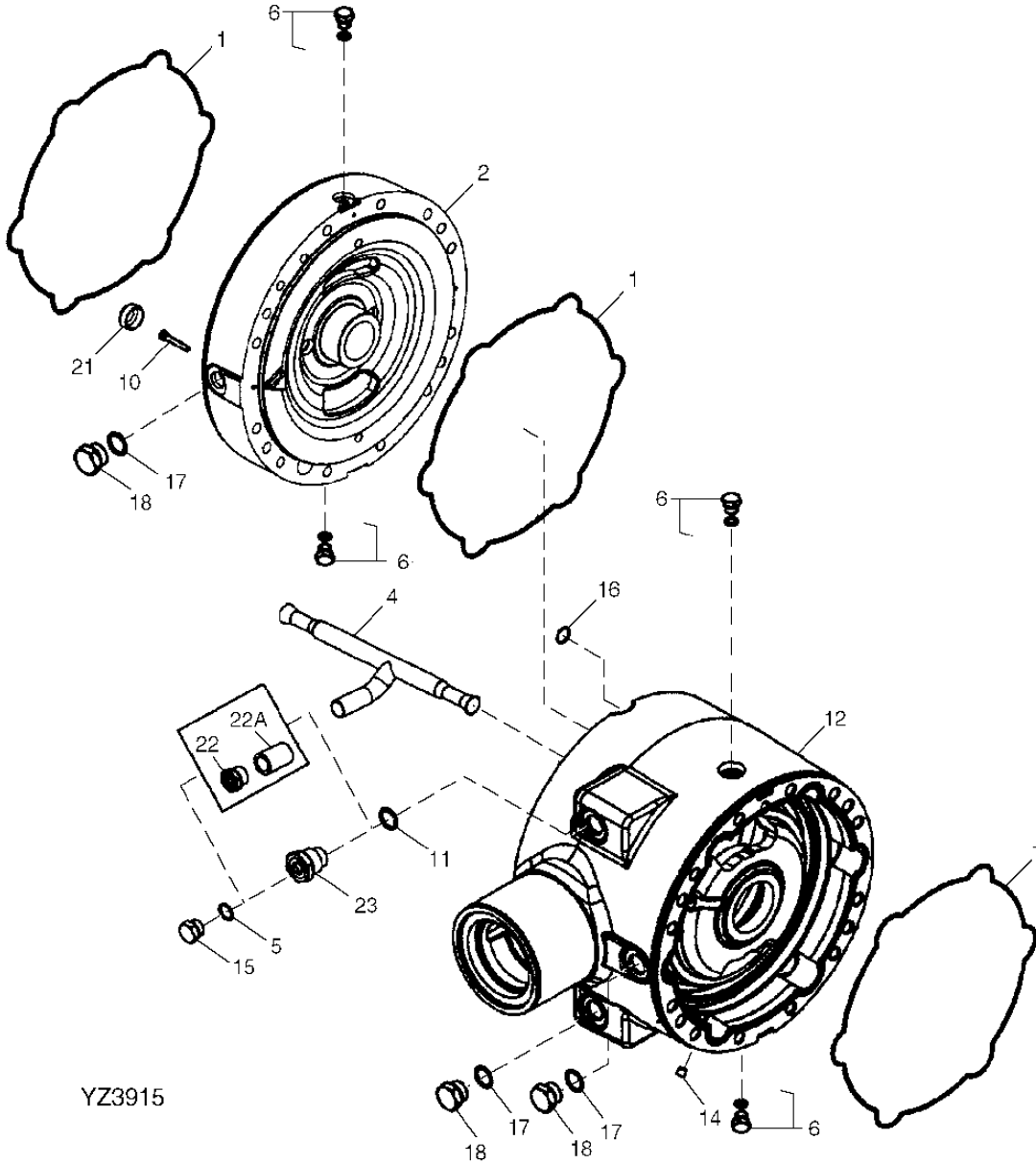
AXLES, DIFFERENTIALS AND SUSPENSION SYSTEMS 02

DIFFERENTIAL OR BEVEL DRIVE 0210

FRONT DIFFERENTIAL CASE (WITH STD DIFFERENTIAL) (SN -604489) (RE66660) (FOR RE164378 NLA)
BOITE DE DIFFERENTIEL AVANT (AVEC DIFFERENTIEL STD) (SN -604489) (RE66660) (FOR RE164378 NLA)
CAJA DEL DIFERENCIAL DELANTERO (CON DIFERENCIAL STD) (SN -604489) (RE66660) (FOR RE164378 NLA)

YZ3915

-UN-22JAN03



YZ3915

0210-11

AXLES, DIFFERENTIALS AND SUSPENSION SYSTEMS 02

DIFFERENTIAL OR BEVEL DRIVE 0210

FRONT DIFFERENTIAL CASE (WITH STD DIFFERENTIAL) (SN -604489) (RE66660)(FOR RE164378 NLA)
BOÎTE DE DIFFERENTIEL AVANT (AVEC DIFFERENTIEL STD) (SN -604489)(RE66660) (FOR RE164378 NLA)
CAJA DEL DIFERENCIAL DELANTERO (CON DIFERENCIAL STD) (SN -604489) (RE66660)(FOR RE164378 NLA)

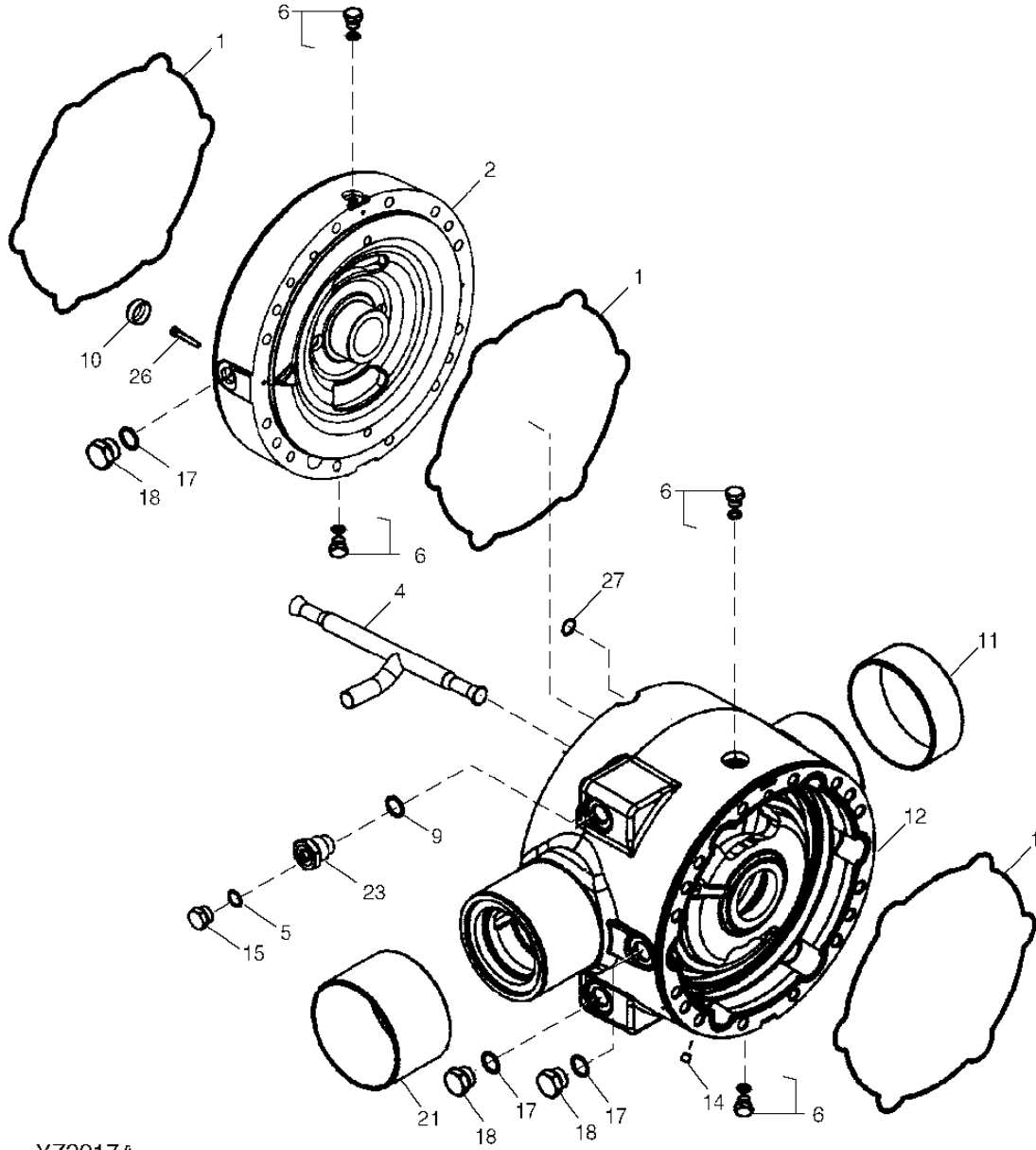
KEY	PART NO.	PART NAME	QTY.	SERIAL NO.	REMARKS
1	R131797	O-RING	3		
2	R129888	COVER	1		
4	R159661	TEE FITTING	1		
5	R26286	O-RING	1		
6	RE46684	FITTING PLUG	4		
10	19M8513	SCREW	2		
11	F3171R	O-RING	1		
12	R163507	CASE	1		
14	15H558	PIPE PLUG	1		
15	R27094	DRAIN PLUG	1		
16	T44604	O-RING	1		
17	F3171R	O-RING	3		
18	R116801	PIPE PLUG	3		
21	R160155	PLUG	6		
22	R160154	ADAPTER FITTING	1		(SUB R160699)
22A	R159759	SLEEVE	1		(SUB R160699)
23	R160699	BUSHING	1		

0210-12

AXLES, DIFFERENTIALS AND SUSPENSION SYSTEMS 02

DIFFERENTIAL OR BEVEL DRIVE 0210
REAR DIFFERENTIAL CASE (WITH STD DIFFERENTIAL) (SN -604489) (RE66661)
BOITE DE DIFFERENTIEL ARRIERE (AVEC DIFFERENTIEL STD) (SN -604489) (RE66661)
CAJA DEL DIFERENCIAL TRASERO (CON DIFERENCIAL STD) (SN -604489) (RE66661)

YZ3917A -UN-30SEP04



YZ3917A

0210-13

AXLES, DIFFERENTIALS AND SUSPENSION SYSTEMS 02

DIFFERENTIAL OR BEVEL DRIVE 0210

REAR DIFFERENTIAL CASE (WITH STD DIFFERENTIAL) (SN -604489) (RE66661)
BOITE DE DIFFERENTIEL ARRIERE (AVEC DIFFERENTIEL STD) (SN -604489) (RE66661)
CAJA DEL DIFERENCIAL TRASERO (CON DIFERENCIAL STD) (SN -604489) (RE66661)

KEY	PART NO.	PART NAME	QTY.	SERIAL NO.	REMARKS
1	R131797	O-RING	3		
2	R129888	COVER	1		
4	R159661	TEE FITTING	1		
5	R26286	O-RING	1		
6	RE46684	FITTING PLUG	4		
9	F3171R	O-RING	1		
10	R160155	PLUG	6		
11	R132113	SLEEVE	1		
12	RE164130	CASE	1		(WITH SLEEVES) (MARKED R163506) (INCLUDES R132113 AND R160831)
14	15H558	PIPE PLUG	1		
15	R27094	DRAIN PLUG	1		
17	F3171	O-RING	3		
18	R27175	DRAIN PLUG	1		(SUB FOR R116801)
21	R160831	SLEEVE	1		
23	R160699	BUSHING	1		BUSHING
26	19M8513	SCREW	2		
27	T44604	O-RING	1		

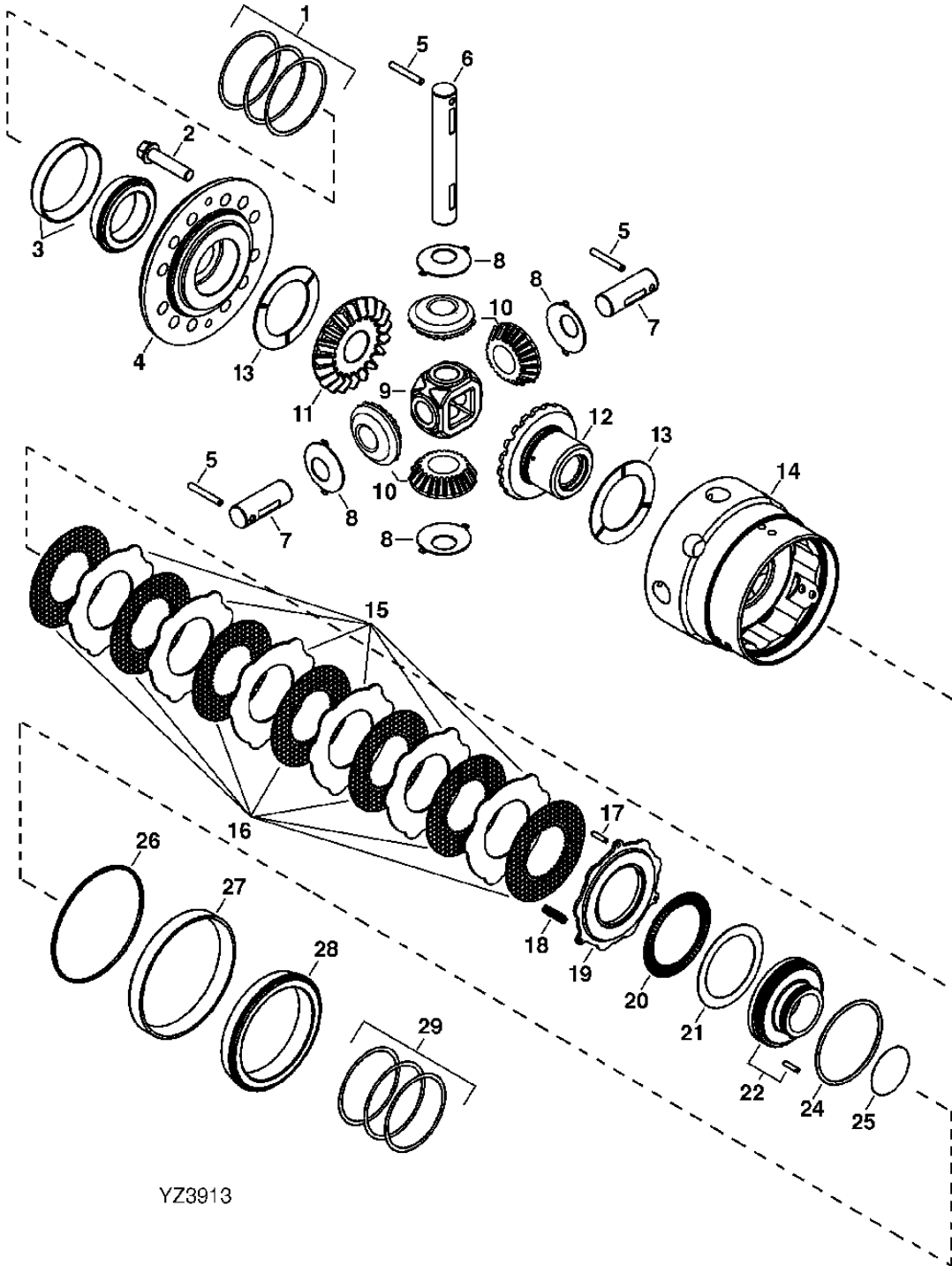
0210-14

AXLES, DIFFERENTIALS AND SUSPENSION SYSTEMS 02

DIFFERENTIAL OR BEVEL DRIVE 0210
FOUR PINION HYDRAULIC ACTUATED DIFFERENTIAL (SN -604689) (RE66657)
DIFFERENTIAL HYDRAULIQUE QUATRE PIGNONS (SN -604689) (RE66657)
DIFERENCIAL ACCIONADO HIDRAULICAMENTE POR CUATRO PINONES (SN -604689) (RE66657)

YZ3913

-UN-23JAN03



YZ3913

THIS PARTS LISTING IS CONTINUED

0210-15

AXLES, DIFFERENTIALS AND SUSPENSION SYSTEMS 02

DIFFERENTIAL OR BEVEL DRIVE 0210

FOUR PINION HYDRAULIC ACTUATED DIFFERENTIAL (SN -604689) (RE66657)
DIFFERENTIEL HYDRAULIQUE QUATRE PIGNONS (SN -604689) (RE66657)
DIFERENCIAL ACCIONADO HIDRAULICAMENTE POR CUATRO PINONES (SN -604689) (RE66657)

KEY	PART NO.	PART NAME	QTY.	SERIAL NO.	REMARKS
1	T34354	SHIM	3		0.051 MM
	T34355	SHIM	3		0.127 MM
	T34356	SHIM	4		0.254 MM
2	R134183	CAP SCREW	12		
3	RE70080	TAPERED ROLLER BEARING	1		
4	R130000	COVER	1		
5	R57254	NEEDLE ROLLER	3		
6	R130059	PINION SHAFT	1		
7	R131172	PINION SHAFT	2		
8	R67811	THRUST WASHER	4		
9	R131270	HUB	2		
10	R134713	PINION	4		
11	R130001	BEVEL GEAR	1		
12	R130002	BEVEL GEAR	1		
13	R99466	THRUST WASHER	2		
14	R129999	HOUSING	1		
15	R131169	CLUTCH PLATE	6		
16	RE66539	DISK	7		
17	34H297	SPRING PIN	3		
18	R135529	SPRING	3		
19	R131170	CLUTCH PLATE	1		
20	RE68627	NEEDLE BEARING	1		
21	R132519	THRUST WASHER	1		
22	R129998	PISTON	1		(SUB FOR RE166219)
	R109082	NEEDLE ROLLER	1		
24	R131269	O-RING	1		
25	R131268	O-RING	1		
26	R132617	SPACER	1		
27	R132619	BEARING CUP	1		
28	R132620	BEARING CONE	1		
29	R131719	SHIM	2		
	R131720	SHIM	2		
	R131721	SHIM	3		

THIS PARTS LISTING IS CONTINUED

0210-16

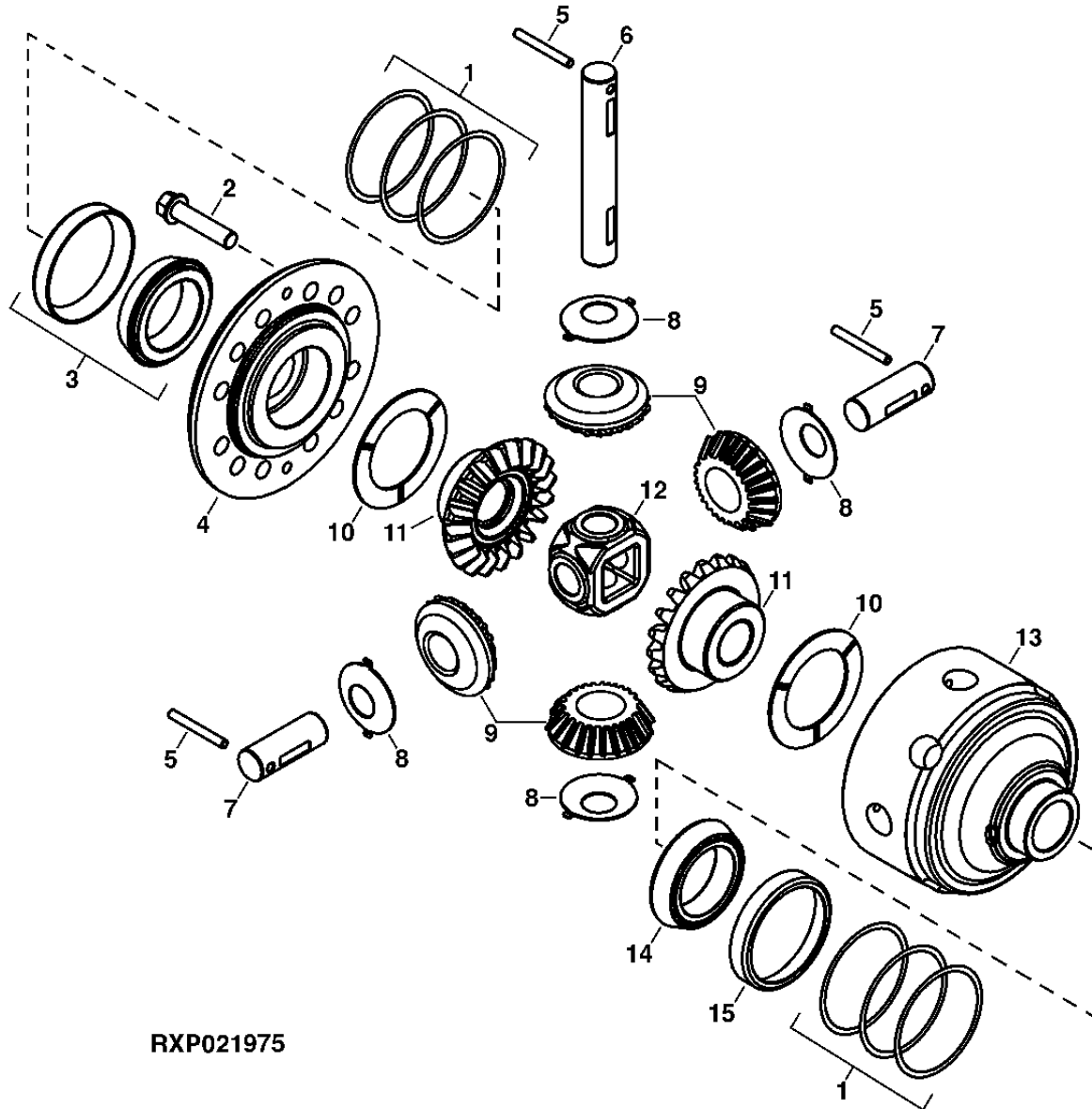
AXLES, DIFFERENTIALS AND SUSPENSION SYSTEMS 02

DIFFERENTIAL OR BEVEL DRIVE 0210

STANDARD DIFFERENTIAL (SN -604689) (RE66655)
DIFFERENTIEL STANDARD (SN -604689) (RE66655)
DIFERENCIAL ESTANDAR (SN -604689) (RE66655)

RXP021975

-UN-10APR97



RXP021975

THIS PARTS LISTING IS CONTINUED

0210-17

AXLES, DIFFERENTIALS AND SUSPENSION SYSTEMS 02

DIFFERENTIAL OR BEVEL DRIVE 0210

STANDARD DIFFERENTIAL (SN -604689) (RE66655)
DIFFERENTIEL STANDARD (SN -604689) (RE66655)
DIFERENCIAL ESTANDAR (SN -604689) (RE66655)

KEY	PART NO.	PART NAME	QTY.	SERIAL NO.	REMARKS
1	T34534	CORNER	6		
	T34355	SHIM	6		
	T34356	SHIM	7		
2	R134183	CAP SCREW	12		
3	RE70080	TAPERED ROLLER BEARING	1		
4	R132194	COVER	1		
5	R62129	NEEDLE ROLLER	3		
6	R130059	PINION SHAFT	1		
7	R131172	PINION SHAFT	2		
8	R67811	THRUST WASHER	4		
9	R134713	PINION	4		
10	R99466	THRUST WASHER	2		
11	R132195	BEVEL GEAR	2		
12	R131270	HUB	1		
13	R132193	HOUSING	1		
14	R120461	BEARING CONE	1		(SUB FOR JD8164)
15	JD8210	BEARING CUP	1		

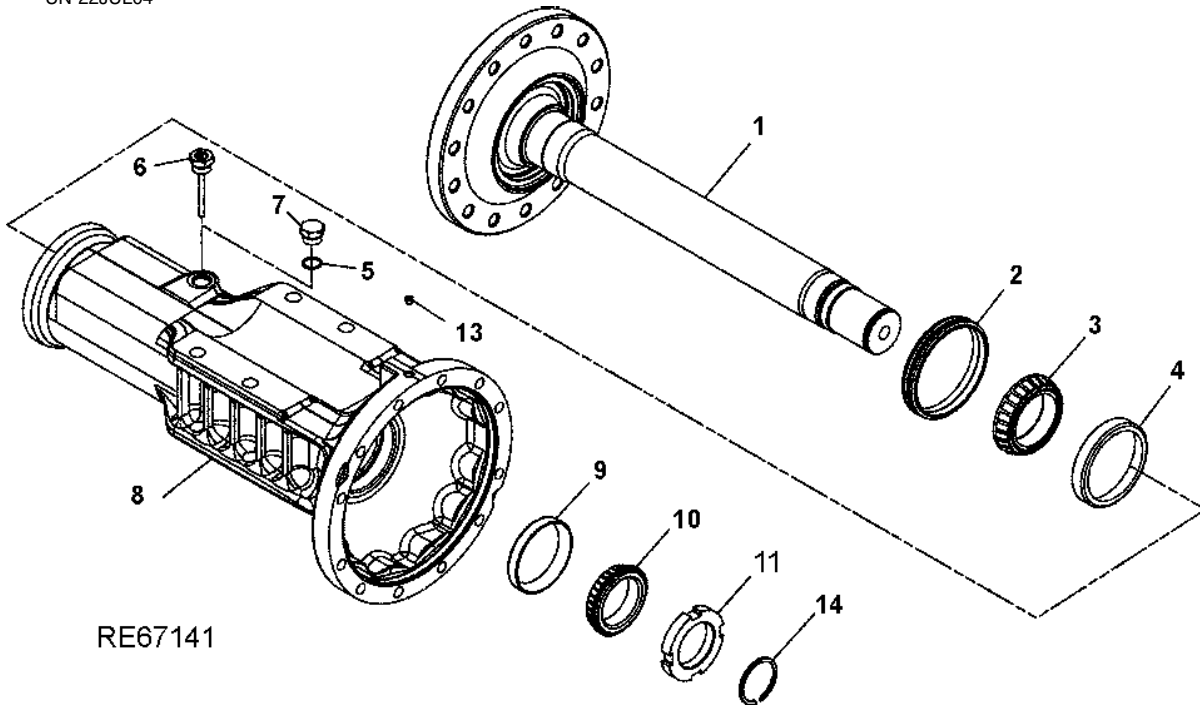
0210-18

AXLES, DIFFERENTIALS AND SUSPENSION SYSTEMS 02

DIFFERENTIAL OR BEVEL DRIVE 0210

FRONT AXLE HOUSING AND SHAFT (SN -604689) (RE67141)
CARTER ET ARBRE D'ESSIEU DE PONT AVANT (SN -604689) (RE67141)
EJE Y CAJA DEL PUENTE DELANTERO (SN -604689) (RE67141)

RE67141 -UN-22JUL04



RE67141

THIS PARTS LISTING IS CONTINUED

0210-19

AXLES, DIFFERENTIALS AND SUSPENSION SYSTEMS 02

DIFFERENTIAL OR BEVEL DRIVE 0210

FRONT AXLE HOUSING AND SHAFT (SN -604689) (RE67141)
CARTER ET ARBRE D'ESSIEU DE PONT AVANT (SN -604689) (RE67141)
EJE Y CAJA DEL PUENTE DELANTERO (SN -604689) (RE67141)

KEY	PART NO.	PART NAME	QTY.	SERIAL NO.	REMARKS
1	YZ120482	HALF AXLE	2		(SUB FOR R151390)
2	YZ121201	SEAL	2		(SUB FOR YZ120452) (FACE SEAL)
3	JD8191	BEARING CONE	2		
4	JD8214	BEARING CUP	2		
5	F3171R	O-RING	1		
6	RE160140	DIPSTICK	1		
7	R27175	DRAIN PLUG	1		(SUB FOR R116801)
8	R132623	HOUSING	2		
9	JD8259	BEARING CUP	2		
10	JD8954	BEARING CONE	2		
11	R129889	NUT	1		
13	15H558	PIPE PLUG	1		
14	R26246	SNAP RING	2		

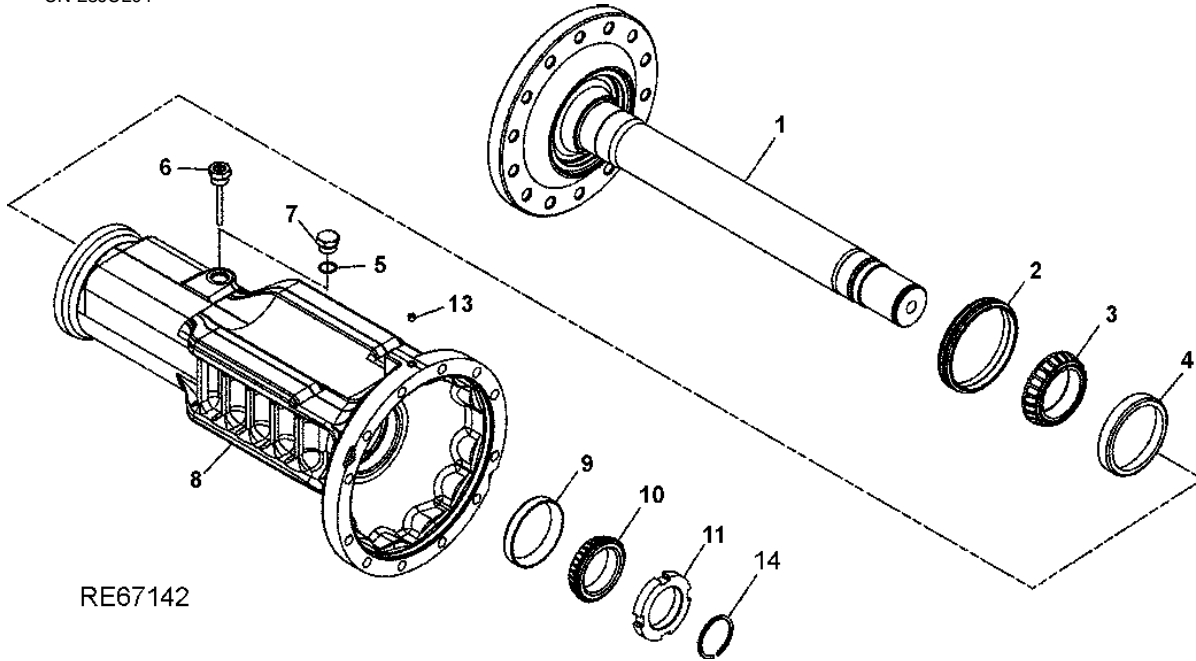
0210-20

AXLES, DIFFERENTIALS AND SUSPENSION SYSTEMS 02

DIFFERENTIAL OR BEVEL DRIVE 0210

REAR AXLE HOUSING AND SHAFT (SN -604689) (RE67142)
CARTER ET ARBRE D'ESSIEU DE PONT ARRIERE (SN -604689) (RE67142)
EJE Y CAJA DEL PUENTE TRASERO (SN -604689) (RE67142)

RE67142 -UN-23JUL04



RE67142

0210-21

AXLES, DIFFERENTIALS AND SUSPENSION SYSTEMS 02

DIFFERENTIAL OR BEVEL DRIVE 0210

REAR AXLE HOUSING AND SHAFT (SN -604689) (RE67142)
CARTER ET ARBRE D'ESSIEU DE PONT ARRIERE (SN -604689) (RE67142)
EJE Y CAJA DEL PUENTE TRASERO (SN -604689) (RE67142)

KEY	PART NO.	PART NAME	QTY.	SERIAL NO.	REMARKS
1	YZ120482	HALF AXLE	2		(SUB FOR R151390)
2	YZ121201	SEAL	2		(SUB FOR YZ120452) (FACE SEAL)
3	JD8191	BEARING CONE	2		
4	JD8214	BEARING CUP	2		
5	F3171R	O-RING	1		
6	RE160140	DIPSTICK	1		
7	R27175	DRAIN PLUG	1		(SUB FOR R116801)
8	R133309	HOUSING	2		
9	JD8259	BEARING CUP	2		
10	JD8954	BEARING CONE	2		
11	R129889	NUT	2		
13	15H558	PIPE PLUG	1		
14	R26246	SNAP RING	2		

0210-22

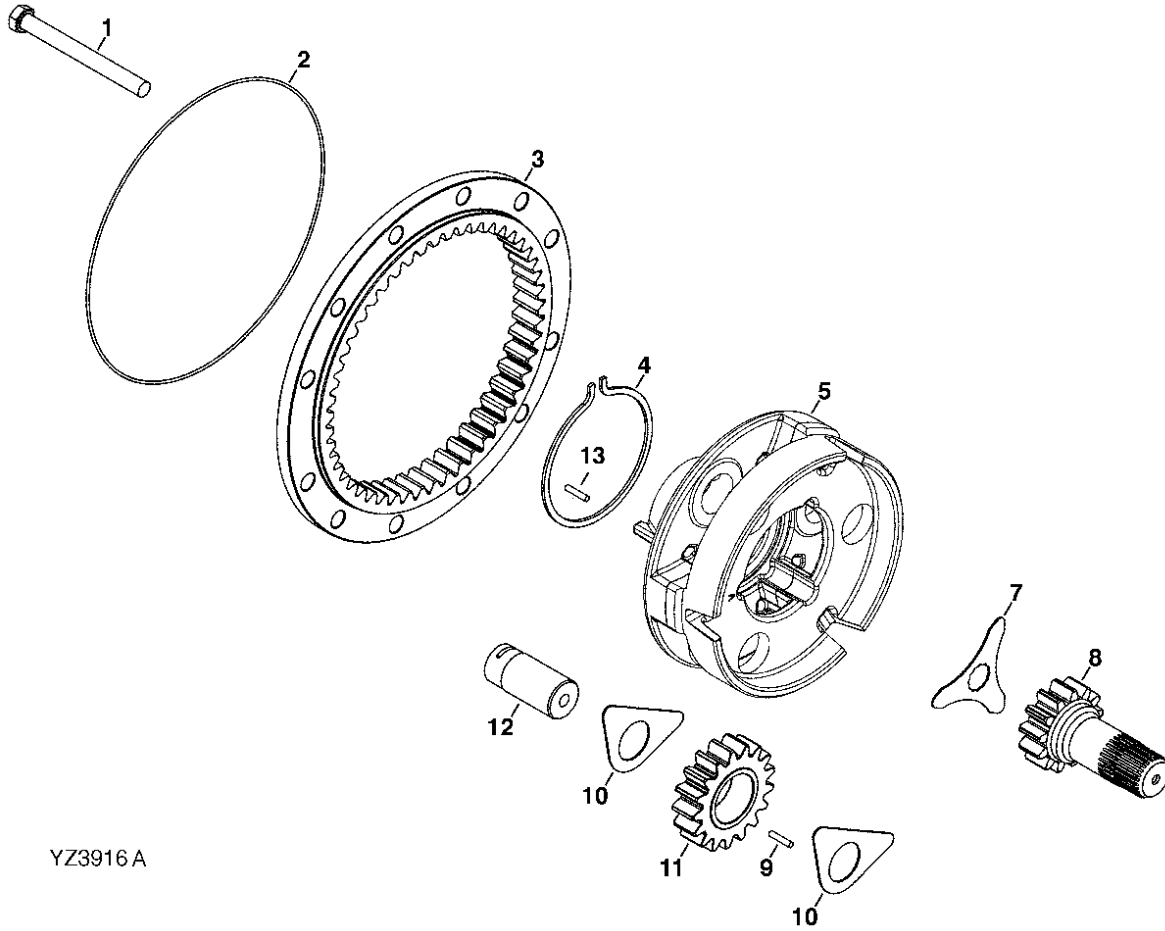
AXLES, DIFFERENTIALS AND SUSPENSION SYSTEMS 02

DIFFERENTIAL OR BEVEL DRIVE 0210

PLANETARY FINAL DRIVE (SN -604689) (RE66662)
REDUCTION FINALE A PLANETAIRE (SN -604689) (RE66662)
MANDO FINAL PLANETARIO (SN -604689) (RE66662)

YZ3916A

-UN-03AUG04



YZ3916A

0210-23

AXLES, DIFFERENTIALS AND SUSPENSION SYSTEMS 02

DIFFERENTIAL OR BEVEL DRIVE 0210

**PLANETARY FINAL DRIVE (SN -604689)
REDUCTION FINALE A PLANETAIRE (SN -604689)
MANDO FINAL PLANETARIO (SN -604689)**

KEY	PART NO.	PART NAME	QTY.	SERIAL NO.	REMARKS
1	19M8019	CAP SCREW	12		M16 X 160, (COVER SIDE)
	19M7720	CAP SCREW	12		M16 X 80, (OPPOSITE SIDE)
2	T39741	RING	2		
3	R129666	GEAR	2		
4	R38066	SNAP RING	2		
5	R151576	PLANET PINION CARRIER	2		(SUB R134334) (ALSO ORDER YZ120909)
7	R93172	LOCK PLATE	2		
8	R129664	PINION SHAFT	2		
9	R133259	SPRING LOCKING PIN	156		
10	R129776	THRUST WASHER	12		
11	R129665	PLANET PINION	6		
12	R129777	PINION SHAFT	6		
13	YZ120909	SPRING PIN	2		(SUB FOR 34H348)

THIS PARTS LISTING IS CONTINUED

0210-24

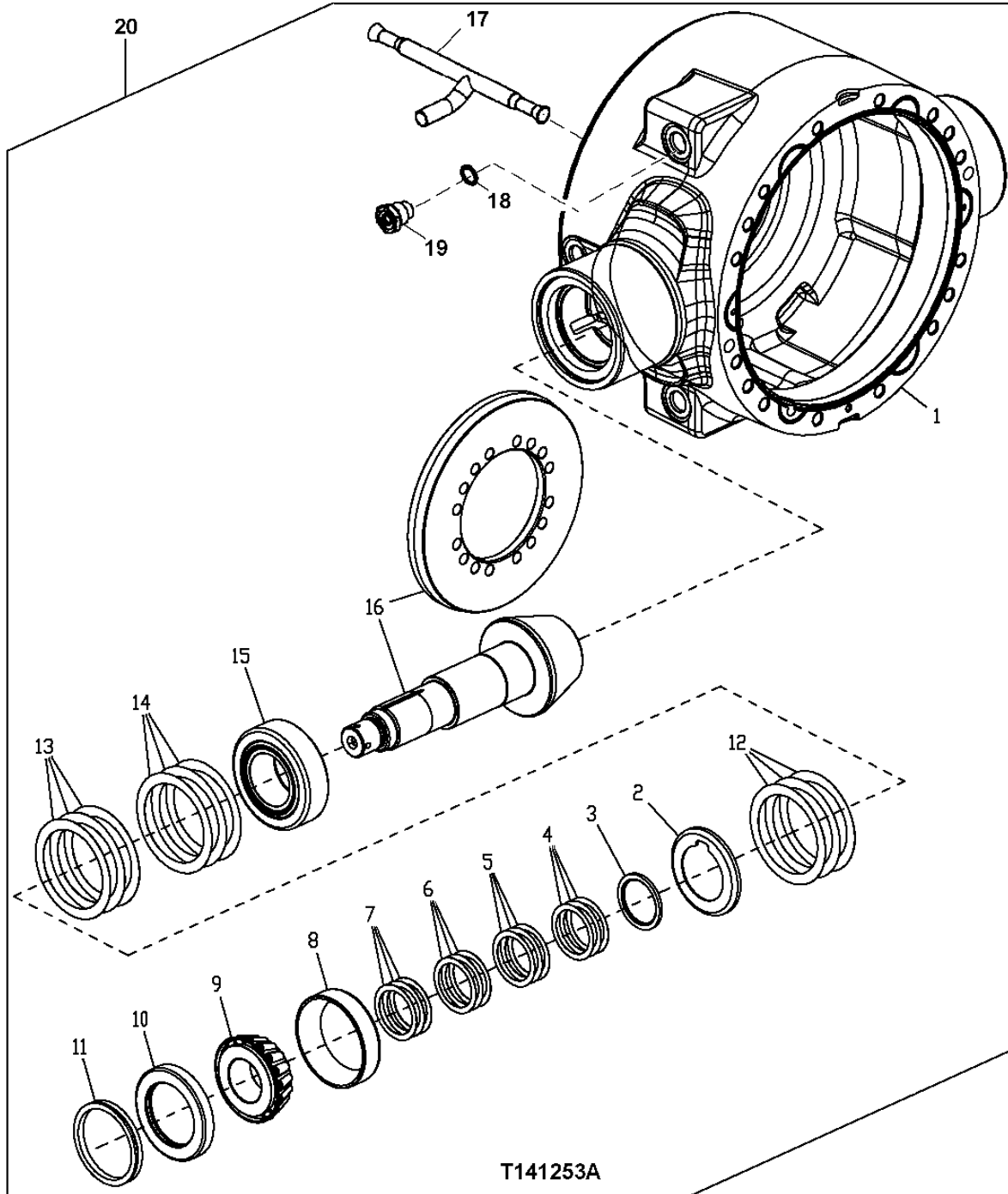
AXLES, DIFFERENTIALS AND SUSPENSION SYSTEMS 02

DIFFERENTIAL OR BEVEL DRIVE 0210

AXLE CENTER SERVICE KITS (SN -604689)
KITS D'ENTRETIEN DE CENTRE D'ESSIEU (SN -604689)
JUEGOS DE SERVICIO CENTRAL DE PUENTE (SN -604689)

T141253A

-UN-17JUL03



0210-25

AXLES, DIFFERENTIALS AND SUSPENSION SYSTEMS 02

DIFFERENTIAL OR BEVEL DRIVE 0210

**AXLE CENTER SERVICE KITS (SN -604689)
KITS D'ENTRETIEN DE CENTRE D'ESSIEU (SN -604689)
JUEGOS DE SERVICIO CENTRAL DE PUENTE (SN -604689)**

KEY	PART NO.	PART NAME	QTY.	SERIAL NO.	REMARKS
1	RE164128	CASE	1		DIFF. LOCK (REAR)
	RE164129	CASE	1		DIFF. LOCK (FRONT)
	RE164130	CASE	1		STD (REAR)
	R163507	CASE	1		STD (FRONT)
2	R163180	SHIELD	1		
3	R163333	SPACER	1		
4	R45197	SHIM	3		0.178 MM (0.007 INCHES)
5	R45198	SHIM	3		0.254 MM (0.010 INCHES)
6	R45199	SHIM	3		0.305 MM (0.012 INCHES)
7	R45200	SHIM	3		0.381 MM (0.015 INCHES)
8	JD8240	BEARING CUP	1		
9	JD8974	BEARING CONE	1		
10	RE45312	SEAL KIT	1		
	AT314206	SEAL	1		(FOR HARSH ENVIRONMENT)
11	R89581	SEAL	1		
12	R163182	SHIM	3		0.127 MM (0.005 INCHES)
13	R163183	SHIM	3		0.254 MM (0.010 INCHES)
14	R163181	SHIM	3		0.076 MM (0.003 INCHES)
15	RE163170	BEARING	1		
16	RE163555	BEVEL GEAR DRIVE	1		(REAR)
	RE163554	BEVEL GEAR DRIVE	1		(FRONT)
17	R159661	TEE FITTING	1		
18	F3171R	O-RING	1		
19	R160699	BUSHING	1		
20	RE164441	CASE	1		DIFF. LOCK (REAR)
	RE164442	CASE	1		DIFF. LOCK (FRONT)
	RE164443	CASE	1		STD (REAR)
	RE164444	CASE	1		STD (FRONT)

0210-26

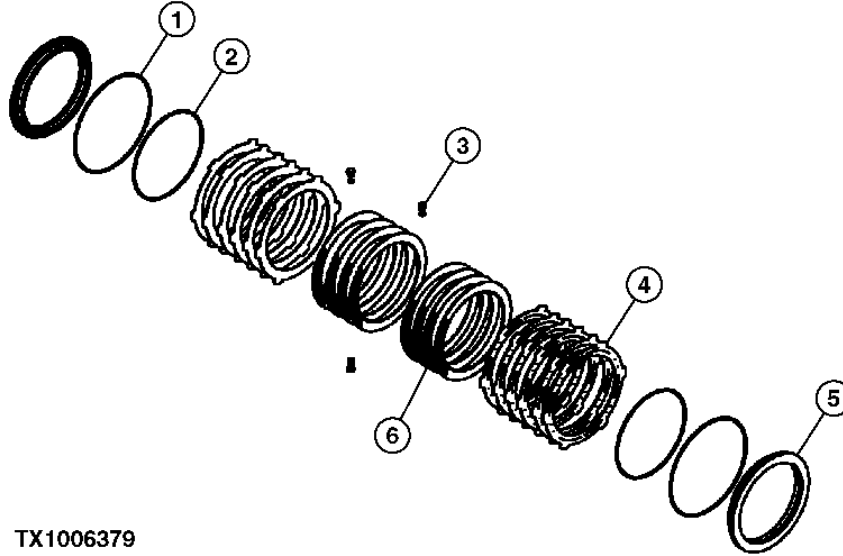
AXLES, DIFFERENTIALS AND SUSPENSION SYSTEMS 02

DIFFERENTIAL OR BEVEL DRIVE 0210

DUAL BRAKE SYSTEM (SN -604689) (RE66654)
 FREIN A DOUBLE CIRCUIT (SN -604689) (RE66654)
 SISTEMA DE FRENOS DOBLE (SN -604689) (RE66654)

TX1006379

-UN-24APR06



TX1006379

KEY	PART NO.	PART NAME	QTY.	AXLE SERIAL NO.	REMARKS
1	R157151	SEAL	2		
2	R157152	SEAL	2		
3	R131741	PISTON	2		
4	RE159197	DISK WITH INNER SPLINE	8		
5	R161861	PLATE	12		

0210-27

AXLES, DIFFERENTIALS AND SUSPENSION SYSTEMS 02

DIFFERENTIAL OR BEVEL DRIVE 0210

MEMORANDA
MEMORANDA
MEMORANDA

0210-30

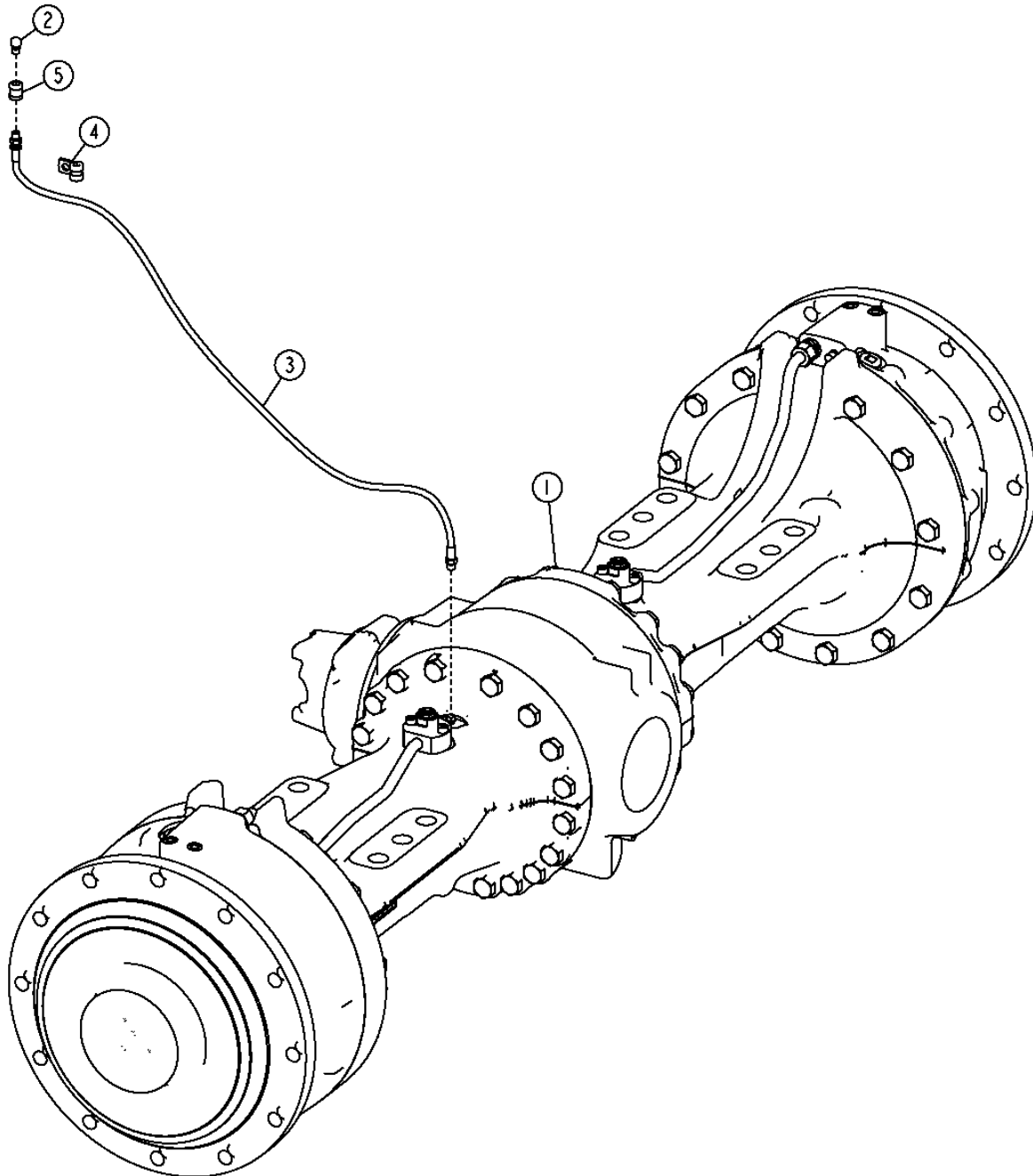
AXLES, DIFFERENTIALS AND SUSPENSION SYSTEMS 02

DIFFERENTIAL OR BEVEL DRIVE 0210

FRONT AXLE (SN 604690-)
ESSIEU AVANT (SN 604690-)
EJE DELANTERO (SN 604690-)

TX1004237

-UN-23MAR06



TX1004237

THIS PARTS LISTING IS CONTINUED

0210-31

AXLES, DIFFERENTIALS AND SUSPENSION SYSTEMS 02

DIFFERENTIAL OR BEVEL DRIVE 0210

FRONT AXLE (SN 604690-)
ESSIEU AVANT (SN 604690-)
EJE DELANTERO (SN 604690-)

KEY	PART NO.	PART NAME	QTY.	SERIAL NO.	REMARKS
1	AT314705	FRONT AXLE	1		(STD) (REMAN)
2	AL32877	VENT	1		
3	AT207022	HYDRAULIC HOSE	1		
4	T78974	CLAMP	1		
5	15H84	COUPLING	1		

0210-32

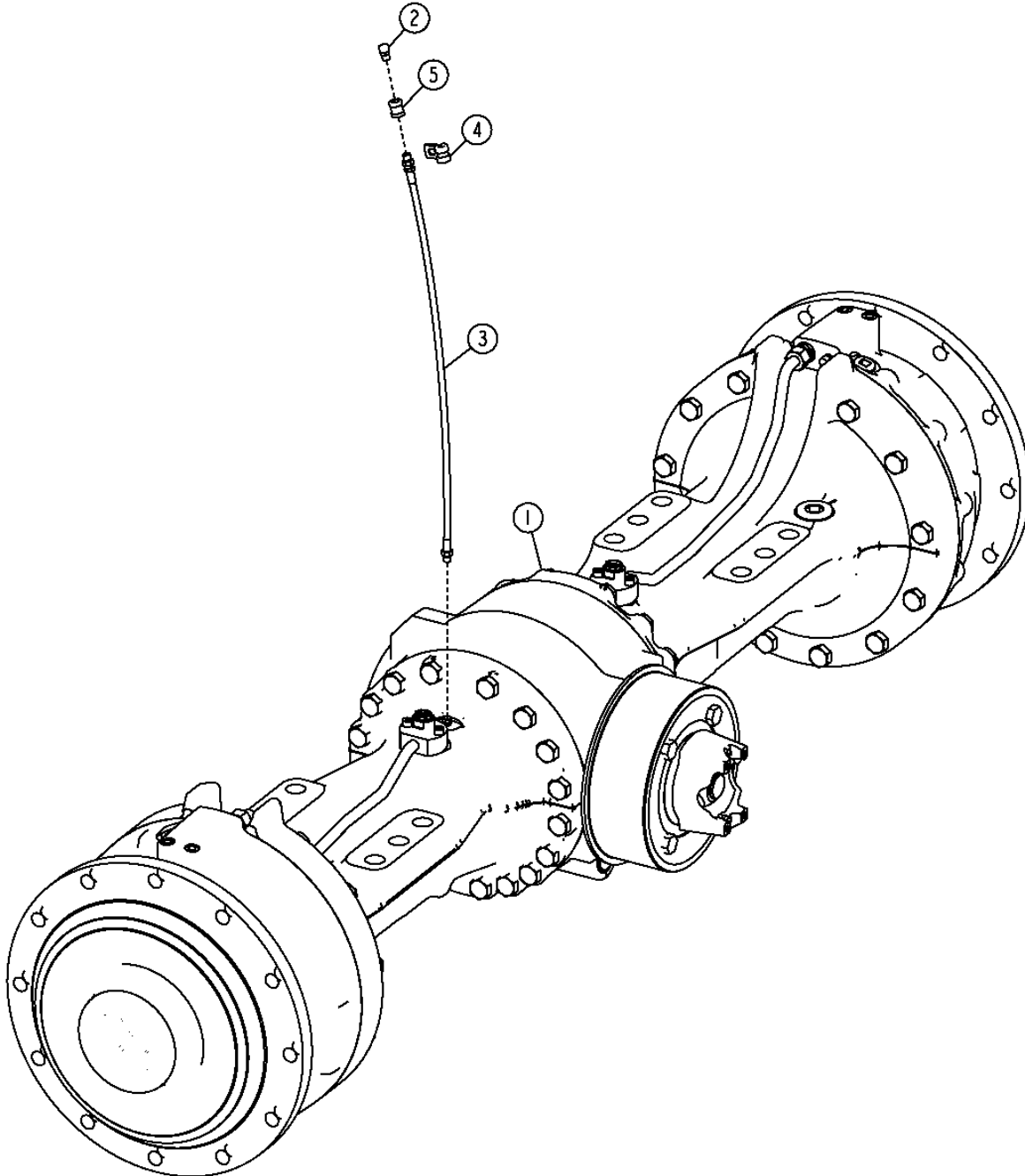
AXLES, DIFFERENTIALS AND SUSPENSION SYSTEMS 02

DIFFERENTIAL OR BEVEL DRIVE 0210

REAR AXLE (SN 604690-)
ESSIEU ARRIERE (SN 604690-)
EJE TRASERO (SN 604690-)

TX1004236

-UN-23MAR06



TX1004236

0210-33

AXLES, DIFFERENTIALS AND SUSPENSION SYSTEMS 02

DIFFERENTIAL OR BEVEL DRIVE 0210

REAR AXLE (SN 604690-)
ESSIEU ARRIERE (SN 604690-)
EJE TRASERO (SN 604690-)

KEY	PART NO.	PART NAME	QTY.	SERIAL NO.	REMARKS
1	AT314708	REAR AXLE	1		(STD)
	AT314710	REAR AXLE	1		(HYD.)
2	AL32877	VENT	1		
3	AT207022	HYDRAULIC HOSE	1		1/8" X 900 MM X 1/8"
4	T78974	CLAMP	1		
5	15H84	COUPLING	1		3.175 MM

0210-34

AXLES, DIFFERENTIALS AND SUSPENSION SYSTEMS 02

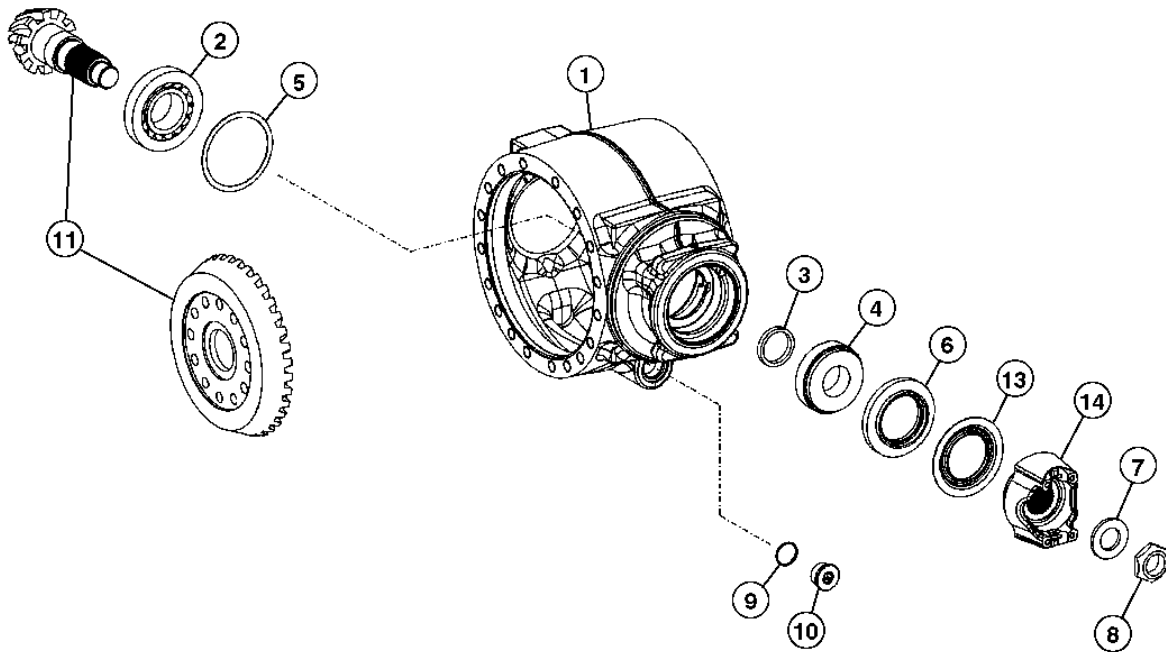
DIFFERENTIAL OR BEVEL DRIVE 0210

FRONT AXLE INPUT HOUSING, YOKE AND SPIRAL BEVEL GEAR SET (SN 604690-)

CARTER D'ENTREE D'ESSIEU DE PONT AVANT, CHAPE ET TRAIN PIGNONS CONIQUES HELICOIDaux (SN 604690-)

CAJA ENTRADA EJE DELANTERO, JUEGO ENGRANAJES CONICOS DIENTES HELICOIDALES Y HORQUILLA (SN 604690-)

TX1004812 -UN-24MAR06



TX1004812

0210-35

AXLES, DIFFERENTIALS AND SUSPENSION SYSTEMS 02

DIFFERENTIAL OR BEVEL DRIVE 0210

FRONT AXLE INPUT HOUSING, YOKE AND SPIRAL BEVEL GEAR SET (SN 604690-)

CARTER D'ENTREE D'ESSIEU DE PONT AVANT, CHAPE ET TRAIN PIGNONS CONIQUES HELICOIDALUX (SN 604690-)

CAJA ENTRADA EJE DELANTERO, JUEGO ENGRANAJES CONICOS DIENTES HELICOIDALES YHORQUILLA (SN 604690-)

KEY	PART NO.	PART NAME	QTY.	SERIAL NO.	REMARKS
1	T219314	HOUSING	1		
2	AT184277	CYLINDRICAL ROLLER BEARING	1		
3	AT253073	SPACER	1		(8.3 INCHES)
	AT253072	SPACER	1		(8.4 INCHES)
	AT253071	SPACER	1		(8.5 INCHES)
	AT253070	SPACER	1		(8.6 INCHES)
	AT253069	SPACER	1		(8.7 INCHES)
	AT253067	SPACER	1		(8.8 INCHES)
	AT253076	SPACER	1		(8.9 INCHES)
	TTZF160210	SPACER	1		(9.1 INCHES)
	TTZF160211	SPACER	1		(9.2 INCHES)
	TTZF160212	SPACER	1		(9.3 INCHES)
	TTZF160213	SPACER	1		(9.4 INCHES)
4	AT184279	CYLINDRICAL ROLLER BEARING	1		
5	T164847	SHIM	1		(0.7 INCHES)
	T164848	SHIM	1		(0.8 INCHES)
	T164849	SHIM	1		(0.9 INCHES)
	T164850	SHIM	1		(1.0 INCHES)
	T164860	SHIM	1		(1.1 INCHES)
	T164851	SHIM	1		(1.2 INCHES)
	T164852	SHIM	1		(1.3 INCHES)
	T164853	SHIM	1		(1.4 INCHES)
	T164854	SHIM	1		(1.5 INCHES)
	T164855	SHIM	1		(1.6 INCHES)
	T164856	SHIM	1		(1.7 INCHES)
	T164857	SHIM	1		(1.8 INCHES)
	T164858	SHIM	1		(1.9 INCHES)
	T164859	SHIM	1		(2.0 INCHES)
6	AT259765	SEAL	1		
7	T164872	WASHER	1		
8	T164873	NUT	1		
9	Z77164	O-RING	1		(SUB FOR AT321403)
10	AT327281	PLUG	1		
11	AT329870	BEVEL GEAR DRIVE	1		
13	AT253115	DUST SHIELD	1		
14	T219319	FLANGE	1		

0210-36

AXLES, DIFFERENTIALS AND SUSPENSION SYSTEMS 02

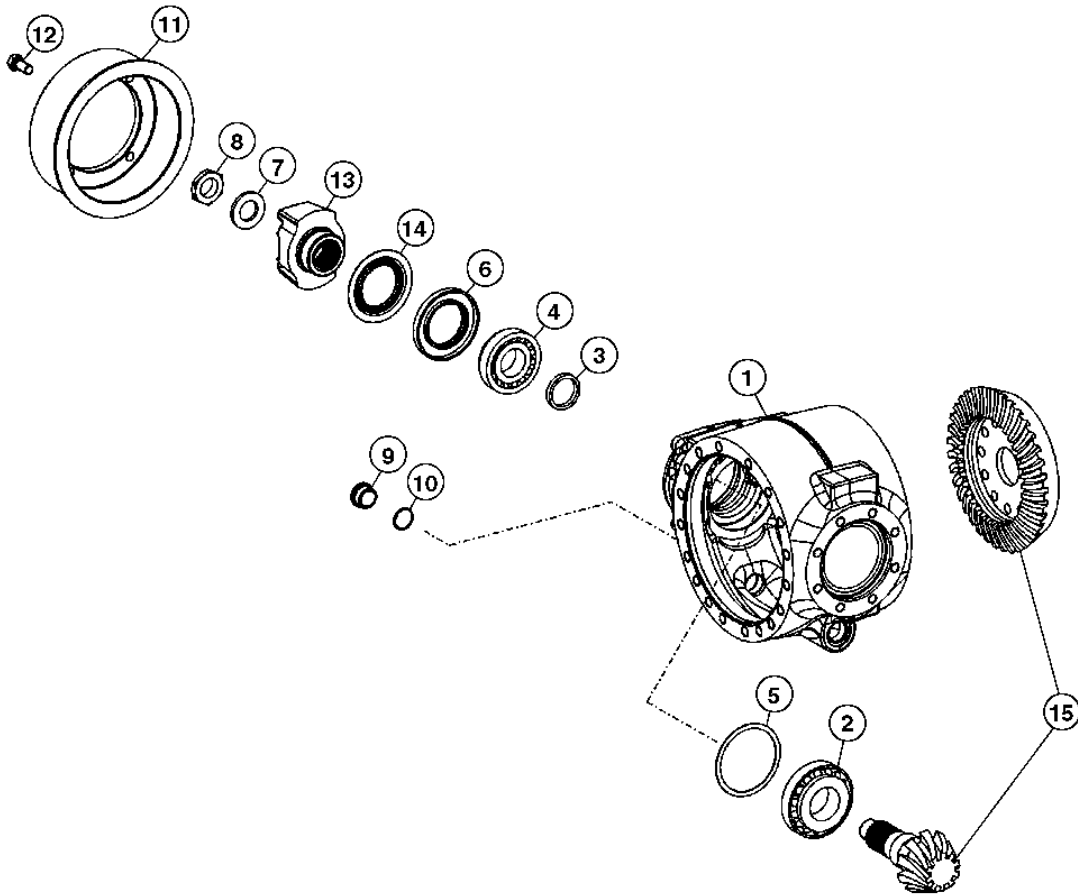
DIFFERENTIAL OR BEVEL DRIVE 0210

REAR AXLE INPUT HOUSING, YOKE AND SPIRAL BEVEL GEAR SET (SN 604690-)

CARTER D'ENTREE D'ESSIEU DE PONT ARRIERE, CHAPE ET TRAIN PIGNONS CONIQUES HELICOIDALUX (SN 604690-)

CAJA ENTRADA EJE TRASERO, JUEGO ENGRANAJES CONICOS DIENTES HELICOIDALES Y HORQUILLA (SN 604690-)

TX1002896 -UN-07FEB06



TX1002896

0210-37

AXLES, DIFFERENTIALS AND SUSPENSION SYSTEMS 02

DIFFERENTIAL OR BEVEL DRIVE 0210

REAR AXLE INPUT HOUSING, YOKE AND SPIRAL BEVEL GEAR SET (SN 604690-)
CARTER D'ENTREE D'ESSIEU DE PONT ARRIERE, CHAPE ET TRAIN PIGNONS CONIQUES HELICOIDaux (SN 604690-)
CAJA ENTRADA EJE TRASERO, JUEGO ENGRANAJES CONICOS DIENTES HELICOIDALES Y HORQUILLA (SN 604690-)

KEY	PART NO.	PART NAME	QTY.	SERIAL NO.	REMARKS
1	T223049	HOUSING	1		
2	AT184277	CYLINDRICAL ROLLER BEARING	1		
3	AT253067	SPACER	1		(8.8 INCHES)
	AT253069	SPACER	1		(8.7 INCHES)
	AT253070	SPACER	1		(8.6 INCHES)
	AT253071	SPACER	1		(8.5 INCHES)
	AT253072	SPACER	1		(8.4 INCHES)
	AT253073	SPACER	1		(8.3 INCHES)
	AT253076	SPACER	1		(8.9 INCHES)
	TTZF160210	SPACER	1		(9.1 INCHES)
	TTZF160211	SPACER	1		(9.2 INCHES)
	TTZF160212	SPACER	1		(9.3 INCHES)
	TTZF160213	SPACER	1		(9.4 INCHES)
4	AT184279	CYLINDRICAL ROLLER BEARING	1		
5	T164847	SHIM	1		(0.7 INCHES)
	T164848	SHIM	1		(0.8 INCHES)
	T164849	SHIM	1		(0.9 INCHES)
	T164850	SHIM	1		(1.0 INCHES)
	T164851	SHIM	1		(1.2 INCHES)
	T164852	SHIM	1		(1.3 INCHES)
	T164853	SHIM	1		(1.4 INCHES)
	T164854	SHIM	1		(1.5 INCHES)
	T164855	SHIM	1		(1.6 INCHES)
	T164856	SHIM	1		(1.7 INCHES)
	T164857	SHIM	1		(1.8 INCHES)
	T164858	SHIM	1		(1.9 INCHES)
	T164859	SHIM	1		(2.0 INCHES)
	T164860	SHIM	1		(1.1 INCHES)
6	AT259765	SEAL	1		
7	T164872	WASHER	1		
8	T164873	NUT	1		
9	AT327281	PLUG	1		
10	Z77164	O-RING	1		(SUB FOR AT321403)
11	AT329921	BEVEL GEAR DRIVE	1		
12	19M8035	CAP SCREW	1		
13	T219319	FLANGE	1		
14	AT253115	DUST SHIELD	1		
15	AT329870	BEVEL GEAR DRIVE	1		

0210-38

AXLES, DIFFERENTIALS AND SUSPENSION SYSTEMS 02

DIFFERENTIAL OR BEVEL DRIVE 0210

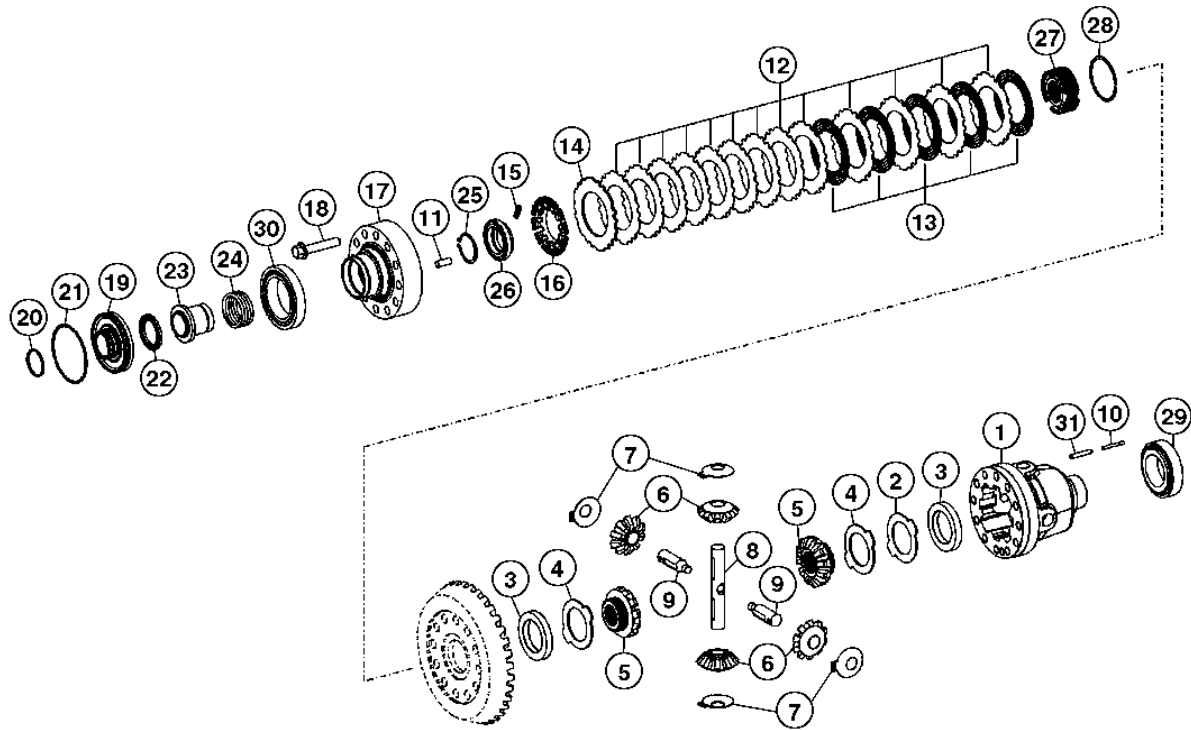
HYDRAULIC ACTUATED DIFFERENTIAL CARRIER ASSEMBLY (SN 604690-)

CARTER DE DIFFERENTIEL HYDRAULIQUE (SN 604690-)

CONJUNTO SUPERIOR DEL DIFERENCIAL ACCIONADO HIDRAULICAMENTE (SN 604690-)

TX1002888

-UN-23FEB06



TX1002888

THIS PARTS LISTING IS CONTINUED

0210-39

AXLES, DIFFERENTIALS AND SUSPENSION SYSTEMS 02

DIFFERENTIAL OR BEVEL DRIVE 0210
HYDRAULIC ACTUATED DIFFERENTIAL CARRIER ASSEMBLY (SN 604690-)
CARTER DE DIFFERENTIEL HYDRAULIQUE (SN 604690-)
CONJUNTO SUPERIOR DEL DIFERENCIAL ACCIONADO HIDRAULICAMENTE (SN 604690-)

KEY	PART NO.	PART NAME	QTY.	SERIAL NO.	REMARKS
1	T219322	HOUSING	1		
2	T219323	CLUTCH PLATE	1		
3	T219325	SPACER	2		
4	T219330	CLUTCH PLATE	2		
5	T219333	PINION	2		
6	T219334	BEVEL GEAR	4		
7	T219340	THRUST WASHER	4		
8	T219343	PINION SHAFT	1		
9	T219344	PINION SHAFT	2		
10	34M7044	SPRING PIN	2		6 X 50 MM, (SUB FOR AT259571, THIS APPLICATION)
11	T219345	PIN	6		
12	T219346	DISK WITH OUTER SPLINE	11		(1.2 INCHES)
	T219358	DISK WITH OUTER SPLINE	11		(1.3 INCHES)
	T219360	DISK WITH OUTER SPLINE	11		(1.4 INCHES)
13	AT184334	DISK WITH INNER SPLINE	7		
14	T219363	DISK WITH OUTER SPLINE	1		
15	T164938	LEVER	12		
16	T164970	RETAINER	1		
17	T219364	COVER	1		
18	T219365	SELF-LOCKING SCREW	12		
19	T219366	PISTON	1		
20	T116867	O-RING	1		
21	AT321454	O-RING	1		
22	AT184309	NEEDLE BEARING	1		
23	T219367	ACTUATOR	1		
24	T164980	COMPRESSION SPRING	1		
25	T159519	SNAP RING	1		
26	T219371	ACTUATOR	1		
27	T219373	HUB	1		
28	AT258957	SNAP RING	1		
29	AT327285	TAPERED ROLLER BEARING	1		
30	AT184284	TAPERED ROLLER BEARING	1		
31	34M7049	SPRING PIN	1		8 X 50 MM

0210-40

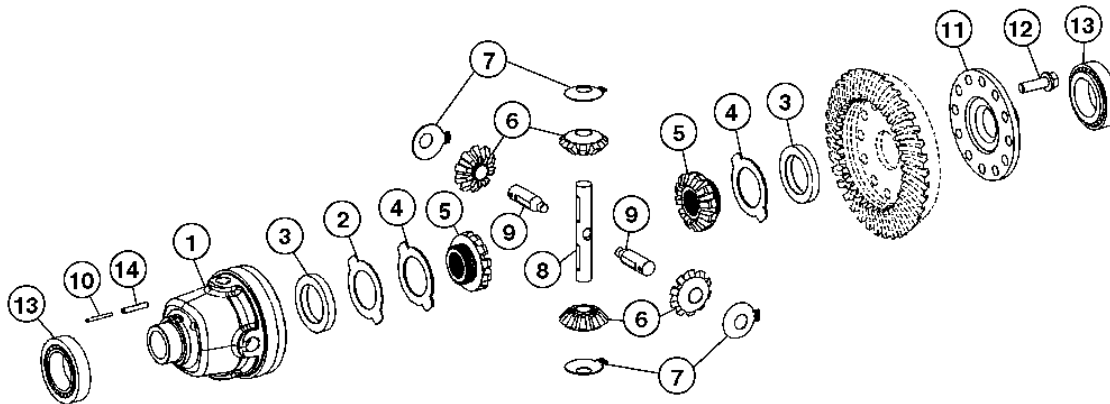
AXLES, DIFFERENTIALS AND SUSPENSION SYSTEMS 02

DIFFERENTIAL OR BEVEL DRIVE 0210

STANDARD DIFFERENTIAL CARRIER ASSEMBLY (SN 604690-)
CARTER DE DIFFERENTIAL STANDARD (SN 604690-)
CONJUNTO DE PORTADOR DIFERENCIAL ESTANDAR (SN 604690-)

TX1002895

-UN-07FEB06



TX1002895

0210-41

AXLES, DIFFERENTIALS AND SUSPENSION SYSTEMS 02

DIFFERENTIAL OR BEVEL DRIVE 0210

**STANDARD DIFFERENTIAL CARRIER ASSEMBLY (SN 604690-)
CARTER DE DIFFERENTIEL STANDARD (SN 604690-)
CONJUNTO DE PORTADOR DIFERENCIAL ESTANDAR (SN 604690-)**

KEY	PART NO.	PART NAME	QTY.	SERIAL NO.	REMARKS
1	T219322	HOUSING	1		
2	T219323	CLUTCH PLATE	1		
3	T219325	SPACER	2		
4	T219330	CLUTCH PLATE	2		
5	T219333	PINION	2		
6	T219334	BEVEL GEAR	4		
7	T219340	THRUST WASHER	4		
8	T219343	PINION SHAFT	1		
9	T219344	PINION SHAFT	2		
10	34M7044	SPRING PIN	2		6 X 50 MM, (SUB FOR AT259571, THIS APPLICATION)
11	T219467	COVER	1		
12	AT255575	BOLT	12		
13	AT327285	TAPERED ROLLER BEARING	2		
14	34M7049	SPRING PIN	1		8 X 50 MM

0210-42

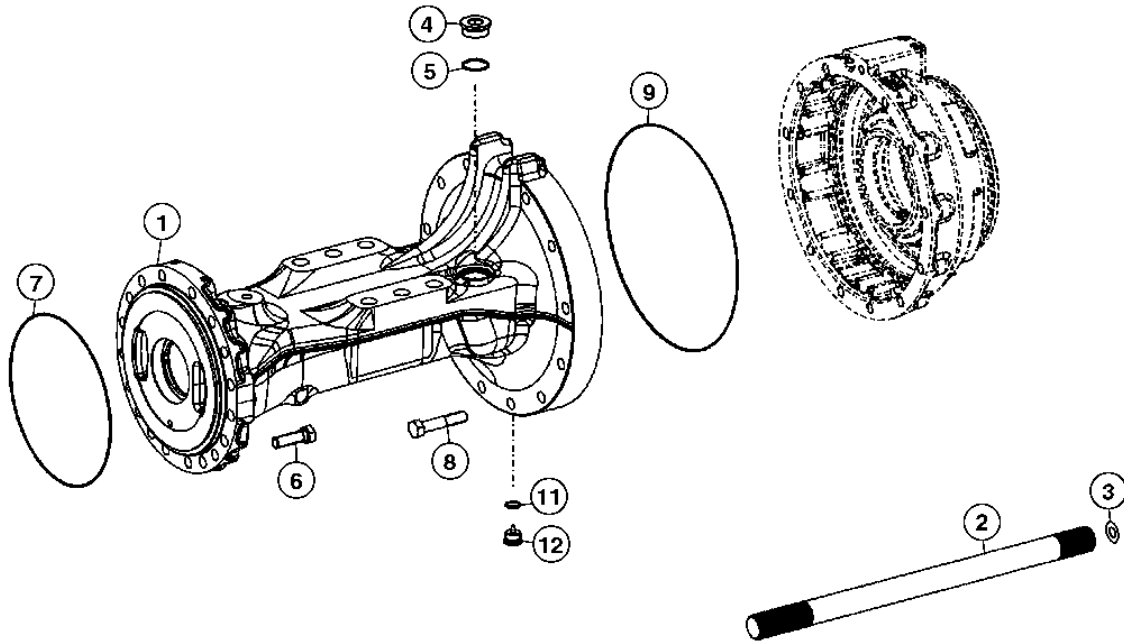
AXLES, DIFFERENTIALS AND SUSPENSION SYSTEMS 02

DIFFERENTIAL OR BEVEL DRIVE 0210

AXLE HOUSING (SN 604690-)
CARTER D'ESSIEU (SN 604690-)
CAJA DEL EJE (SN 604690-)

TX1002889

-UN-07FEB06



TX1002889

0210-43

AXLES, DIFFERENTIALS AND SUSPENSION SYSTEMS 02

DIFFERENTIAL OR BEVEL DRIVE 0210

AXLE HOUSING (SN 604690-)
CARTER D'ESSIEU (SN 604690-)
CAJA DEL EJE (SN 604690-)

KEY	PART NO.	PART NAME	QTY.	SERIAL NO.	REMARKS
1	T219378	HOUSING	1		
2	T219379	HALF AXLE	1		
3	T219380	THRUST WASHER	1		(0.2 INCHES)
	T219381	THRUST WASHER	1		(0.4 INCHES)
	T219382	THRUST WASHER	1		(1.0 INCHES)
	T219383	THRUST WASHER	1		(1.5 INCHES)
4	15M7030	PIPE PLUG	1		
5	Z77164	O-RING	1		(SUB FOR AT321403)
6	CQ27992	MASTER TRACK BOLT	18		
7	T159362	O-RING	1		
8	T219471	CAP SCREW	12		
9	F436044	O-RING	1		
11	T197836	O-RING	1		
12	R79496	FITTING PLUG	1		

0210-44

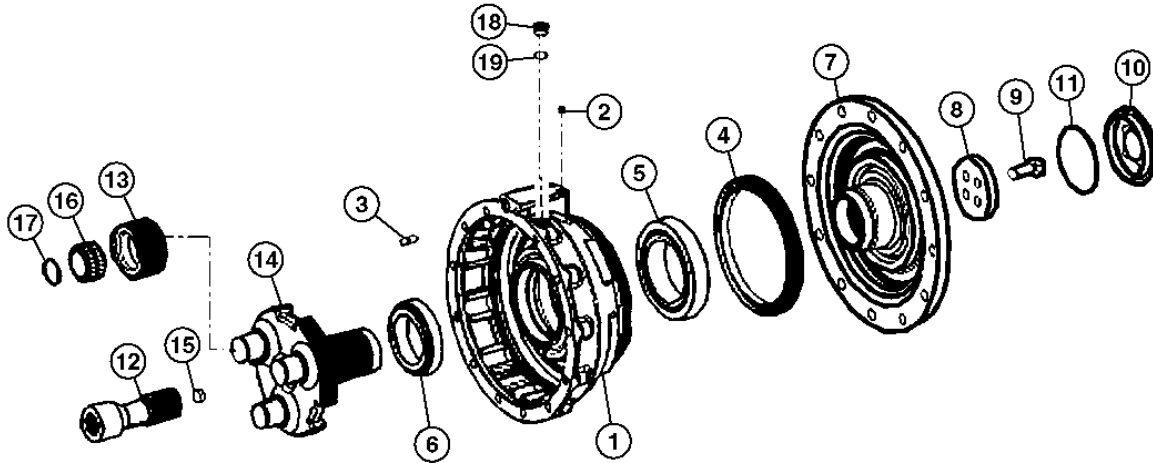
AXLES, DIFFERENTIALS AND SUSPENSION SYSTEMS 02

DIFFERENTIAL OR BEVEL DRIVE 0210

PLANETARY FINAL DRIVE (SN 604690-)
REDUCTION FINALE A PLANETAIRE (SN 604690-)
MANDO FINAL PLANETARIO (SN 604690-)

TX1002890

-UN-10MAY06



TX1002890

0210-45

AXLES, DIFFERENTIALS AND SUSPENSION SYSTEMS 02

DIFFERENTIAL OR BEVEL DRIVE 0210

PLANETARY FINAL DRIVE (SN 604690-)
REDUCTION FINALE A PLANETAIRE (SN 604690-)
MANDO FINAL PLANETARIO (SN 604690-)

KEY	PART NO.	PART NAME	QTY.	SERIAL NO.	REMARKS
1	T219432	HOUSING	1		
2	T182775	PLUG	2		
3	F436022	VENT	1		(SUB FOR AT321411)
	CAP	1		(AT321412 NSEP)
4	AT327389	SEALING RING	1		
5	F437196	TAPERED ROLLER BEARING	1		
6	AT327338	TAPERED ROLLER BEARING	1		
7	T219438	SPINDLE	1		
8	T222891	PLATE	1		
9	T222893	SELF-LOCKING SCREW	4		
10	F436124	COVER	1		
11	T174529	O-RING	1		
12	T219442	SUN GEAR	1		
13	T219443	PLANET PINION	3		
14	T219444	PLANET PINION CARRIER	1		
15	R79132	PIN	1		
16	AT327392	CYLINDRICAL ROLLER BEARING	3		
17	T219445	SNAP RING	3		
18	F436023	PLUG	1		
19	T197836	O-RING	1		

0210-46

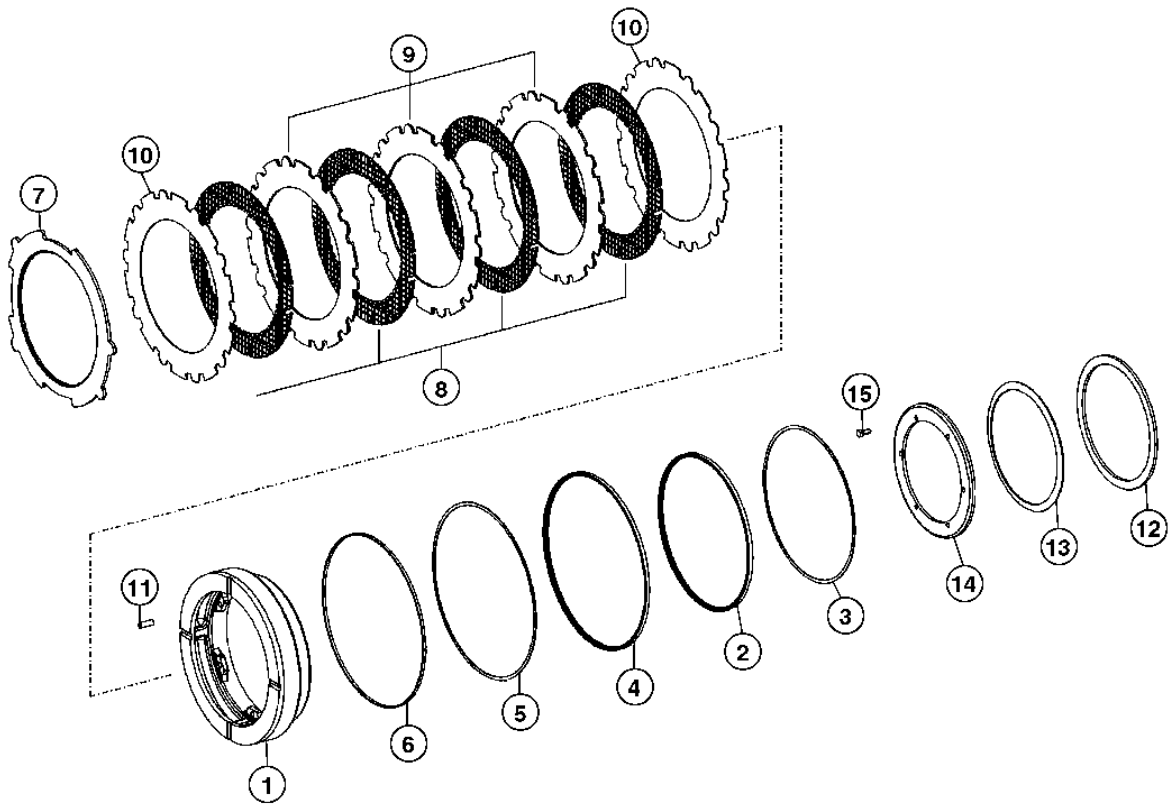
AXLES, DIFFERENTIALS AND SUSPENSION SYSTEMS 02

DIFFERENTIAL OR BEVEL DRIVE 0210

SERVICE BRAKE ASSEMBLY (SN 604690-)
FREIN DE SERVICE (SN 604690-)
CONJUNTO DE FRENOS DE SERVICIO (SN 604690-)

TX1002891

-UN-07FEB06



TX1002891

0210-47

AXLES, DIFFERENTIALS AND SUSPENSION SYSTEMS 02

DIFFERENTIAL OR BEVEL DRIVE 0210

**SERVICE BRAKE ASSEMBLY (SN 604690-)
FREIN DE SERVICE (SN 604690-)
CONJUNTO DE FRENOS DE SERVICIO (SN 604690-)**

KEY	PART NO.	PART NAME	QTY.	SERIAL NO.	REMARKS
1	T219446	PISTON	1		
2	T219447	SEAL	1		
3	F437183	RING	1		
4	T222983	O-RING	1		
5	F437184	RING	1		
6	F437154	RING	1		
7	T219449	CLUTCH PLATE	4		
8	AT327393	DISK WITH INNER SPLINE	3		
9	F437220	CLUTCH DISK	2		
10	F437223	CLUTCH DISK	2		
11	T219452	PIN	6		
12	T219453	WASHER	1		
13	T219462	DISK SPRING	1		
14	T219463	COVER	1		
15	19M7881	SCREW	6		M8 X 20. (SUB FOR T219464)

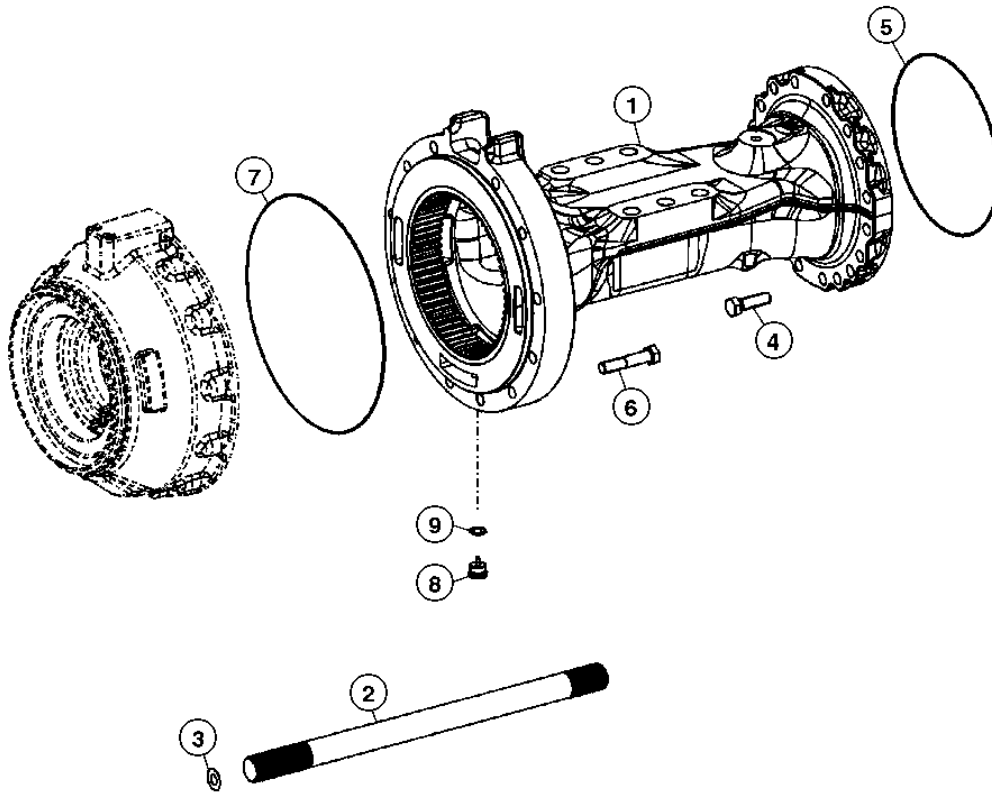
0210-48

AXLES, DIFFERENTIALS AND SUSPENSION SYSTEMS 02

DIFFERENTIAL OR BEVEL DRIVE 0210
AXLE HOUSING HYDRAULIC LOCKING DIFFERENTIAL (SN 604690-)
DIFFERENTIEL A BLOCAGE HYDRAULIQUE DE CARTER D'ESSIEU (SN 604690-)
DIFERENCIAL DE BLOQUEO HIDRAULICO DE LA CAJA DEL PUENTE (SN 604690-)

TX1002893

-UN-07FEB06



TX1002893

0210-49

AXLES, DIFFERENTIALS AND SUSPENSION SYSTEMS 02

DIFFERENTIAL OR BEVEL DRIVE 0210

**AXLE HOUSING HYDRAULIC LOCKING DIFFERENTIAL (SN 604690-)
DIFFERENTIEL A BLOCAGE HYDRAULIQUE DE CARTER D'ESSIEU (SN 604690-)
DIFERENCIAL DE BLOQUEO HIDRAULICO DE LA CAJA DEL PUENTE (SN 604690-)**

KEY	PART NO.	PART NAME	QTY.	SERIAL NO.	REMARKS
1	T219465	HOUSING	1		
2	T219379	HALF AXLE	1		
3	T219380	THRUST WASHER	1		(0.2 INCHES)
	T219381	THRUST WASHER	1		(0.4 INCHES)
	T219382	THRUST WASHER	1		(1.0 INCHES)
	T219383	THRUST WASHER	1		(1.5 INCHES)
4	CQ27992	MASTER TRACK BOLT	18		
5	T159362	O-RING	1		
6	T219471	CAP SCREW	12		
7	F436044	O-RING	1		
8	R79496	FITTING PLUG	1		
9	T197836	O-RING	1		

0210-50

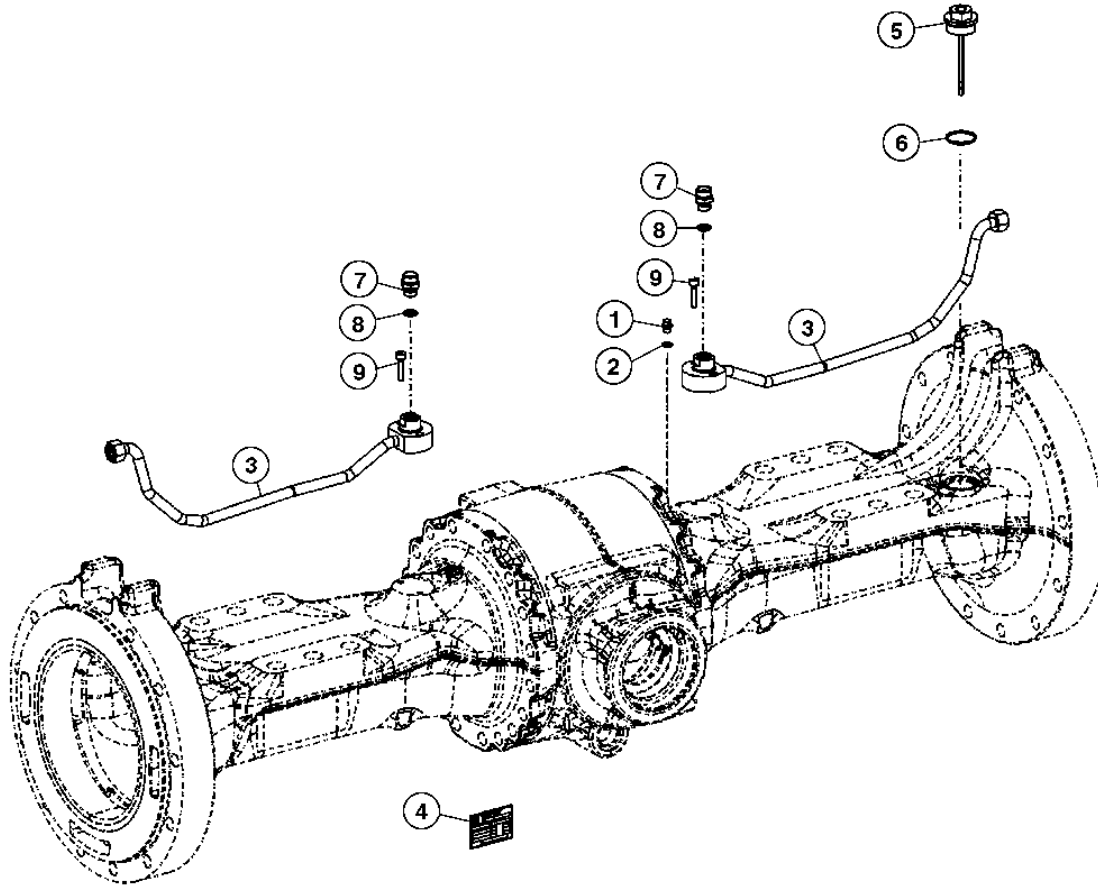
AXLES, DIFFERENTIALS AND SUSPENSION SYSTEMS 02

DIFFERENTIAL OR BEVEL DRIVE 0210

AXLE BRAKE TUBE ASSEMBLY (SN 604690-)
ENSEMBLE DE TUBE DE FREIN D'ESSIEU (SN 604690-)
CONJUNTO DEL TUBO DEL FRENO DE EJE (SN 604690-)

TX1002894

-UN-07FEB06



TX1002894

0210-51

AXLES, DIFFERENTIALS AND SUSPENSION SYSTEMS 02

DIFFERENTIAL OR BEVEL DRIVE 0210

AXLE BRAKE TUBE ASSEMBLY (SN 604690-)
ENSEMBLE DE TUBE DE FREIN D'ESSIEU (SN 604690-)
CONJUNTO DEL TUBO DEL FRENO DE EJE (SN 604690-)

KEY	PART NO.	PART NAME	QTY.	SERIAL NO.	REMARKS
1	15M2714	DRAIN PLUG	1		(SUB FOR T219472)
2	51M7014	SEALING RING	1		(SUB FOR T219473)
3	AT330028	BRAKE LINE	1		
4	PLATE	1		
5	AT327399	DIPSTICK	1		
6	AT321462	O-RING	1		
7	19M8274	SCREW	1		M8 X 35
8	AT332564	O-RING	1		
9	AT332563	SOCKET	1		

0210-52

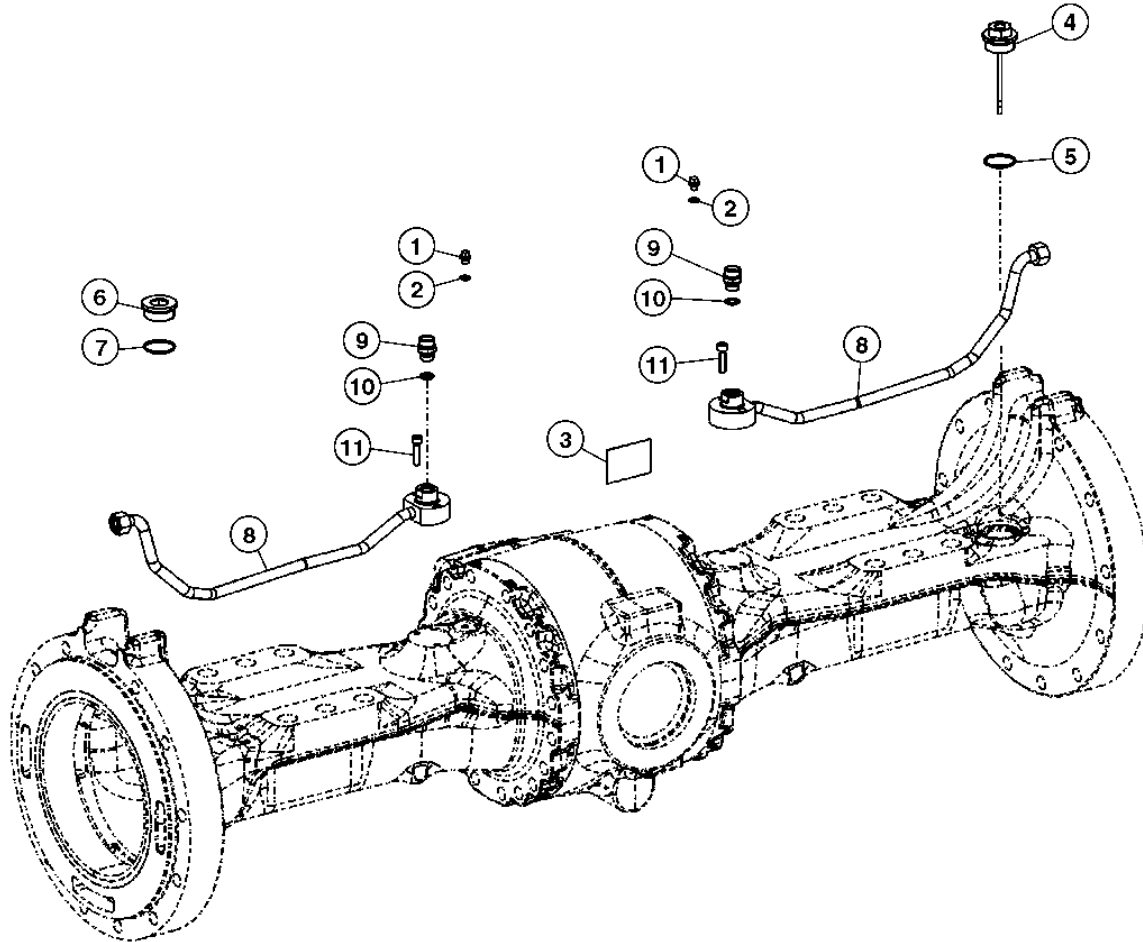
AXLES, DIFFERENTIALS AND SUSPENSION SYSTEMS 02

DIFFERENTIAL OR BEVEL DRIVE 0210

REAR AXLE BRAKE TUBE ASSEMBLY (SN 604690-)
ENSEMBLE DE TUBE DE FREIN D'ESSIEU ARRIERE (SN 604690-)
CONJUNTO DEL TUBO DEL FRENO DE EJE TRASERO (SN 604690-)

TX1002897

-UN-07FEB06



TX1002897

0210-53

AXLES, DIFFERENTIALS AND SUSPENSION SYSTEMS 02

DIFFERENTIAL OR BEVEL DRIVE 0210

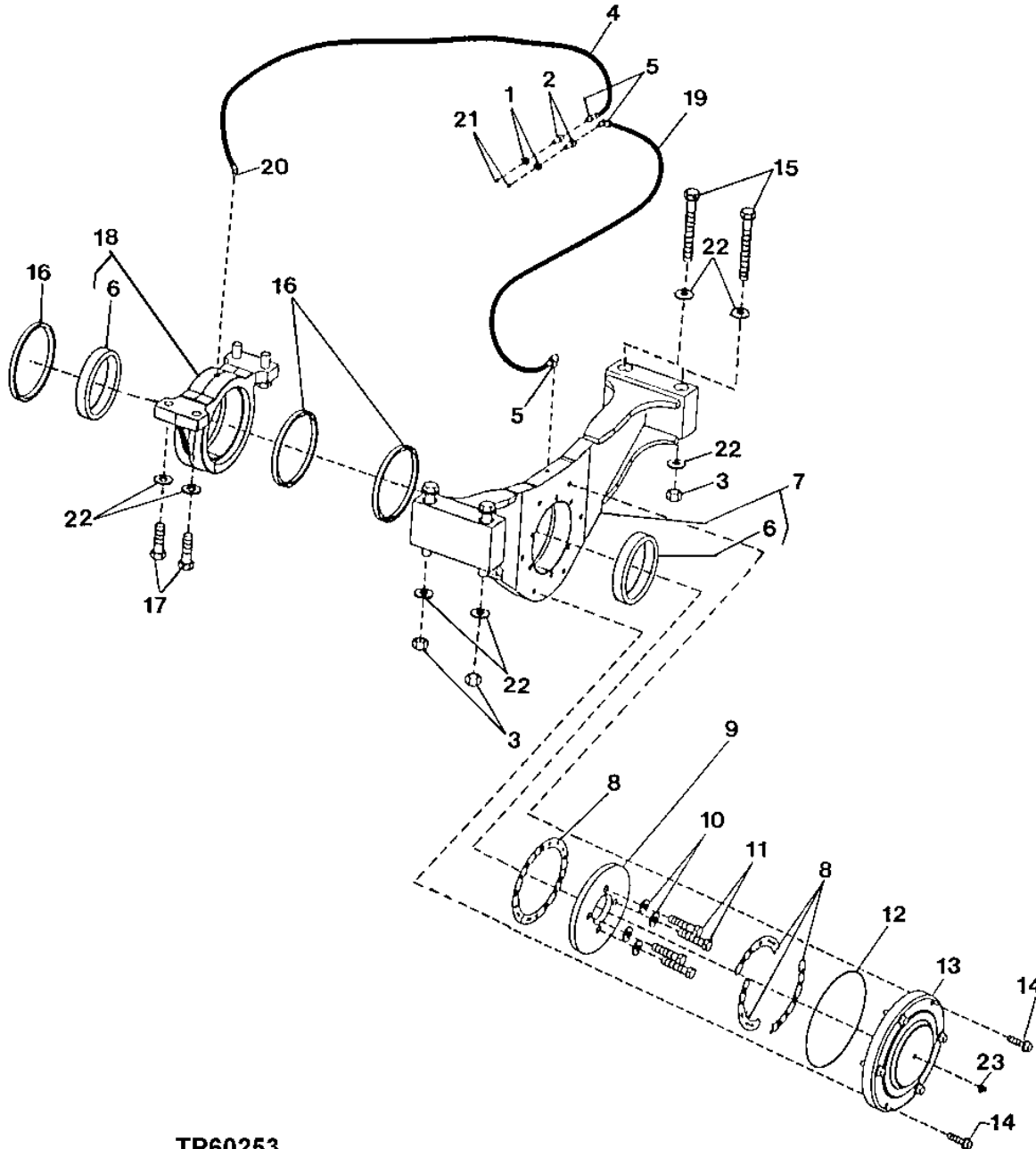
**REAR AXLE BRAKE TUBE ASSEMBLY (SN 604690-)
ENSEMBLE DE TUBE DE FREIN D'ESSIEU ARRIERE (SN 604690-)
CONJUNTO DEL TUBO DEL FRENO DE EJE TRASERO (SN 604690-)**

KEY	PART NO.	PART NAME	QTY.	SERIAL NO.	REMARKS
1	15M2714	DRAIN PLUG	2		(SUB FOR T219472)
2	51M7014	SEALING RING	2		(SUB FOR T219473)
3	PLATE	1		
4	AT327399	DIPSTICK	1		
5	AT321462	O-RING	1		
6	T197853	DRAIN PLUG	1		
7	AT321462	O-RING	1		
8	AT330028	BRAKE LINE	1		
9	AT332563	SOCKET	1		
10	AT332564	O-RING	1		
11	19M8274	SCREW	1		M8 X 35

0242-2

REAR AXLE MOUNTING (SN -604689)
MONTAGE DE L'ESSIEU ARRIERE (SN -604689)
MONTAJE DEL EJE TRASERO (SN -604689)

TP60253 -UN-18MAR98



TP60253

THIS PARTS LISTING IS CONTINUED

0242-3

AXLES, DIFFERENTIALS AND SUSPENSION SYSTEMS 02

AXLE MOUNTING PARTS 0242

REAR AXLE MOUNTING (SN -604689)
MONTAGE DE L'ESSIEU ARRIERE (SN -604689)
MONTAJE DEL EJE TRASERO (SN -604689)

KEY	PART NO.	PART NAME	QTY.	SERIAL NO.	REMARKS
1	E12379	NUT	2		3.175 MM
2	R36311	FITTING	2		
3	14M7277	NUT	4		M20
4	AT207022	HYDRAULIC HOSE	1		
5	T56112	ELBOW FITTING	3		
6	T167837	BUSHING	2		
7	AT221583	REAR AXLE SUPPORT	1		
8	T167924	THRUST BEARING	6		
9	T157055	DISK	1		
10	24M7241	WASHER	4		17 X 34 X 4 MM
11	19M7719	CAP SCREW	4		M16 X 70
12	T169329	O-RING	1		
13	T157056	COVER	1		
14	19M7813	SCREW	6		M12 X 45
15	19M8503	CAP SCREW	4		M20 X 160
16	AT206794	SEAL	3		
17	19M8639	CAP SCREW	4		M20 X 70, (SUB FOR 19M8638)
18	AT210606	REAR AXLE SUPPORT	1		
19	AT207023	HYDRAULIC HOSE	1		
20	M45937	ELBOW FITTING	1		
21	JD7797	LUBRICATION FITTING	2		(SUB FOR JD7842, THIS APPLICATION)
22	24M7242	WASHER	12		21.400 X 42 X 5 MM
23	JD7781	LUBRICATION FITTING	1		

0242-3A

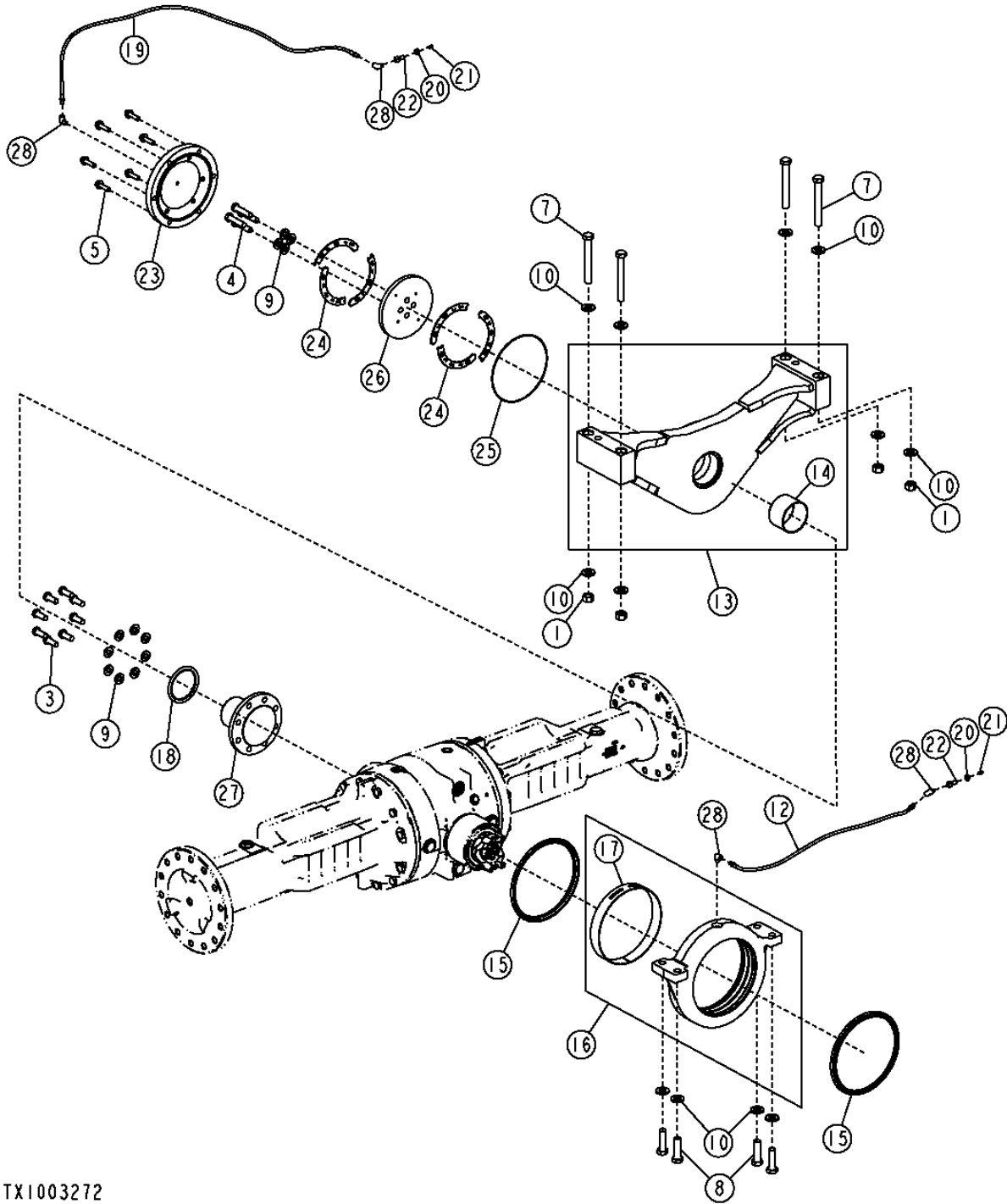
AXLES, DIFFERENTIALS AND SUSPENSION SYSTEMS 02

AXLE MOUNTING PARTS 0242

REAR AXLE MOUNTING (SN 604690-)
MONTAGE DE L'ESSIEU ARRIERE (SN 604690-)
MONTAJE DEL EJE TRASERO (SN 604690-)

TX1003272

-UN-02FEB06



TX1003272

THIS PARTS LISTING IS CONTINUED

0242-3B

AXLES, DIFFERENTIALS AND SUSPENSION SYSTEMS 02

AXLE MOUNTING PARTS 0242

REAR AXLE MOUNTING (SN 604690-)
MONTAGE DE L'ESSIEU ARRIERE (SN 604690-)
MONTAJE DEL EJE TRASERO (SN 604690-)

KEY	PART NO.	PART NAME	QTY.	SERIAL NO.	REMARKS
1	14M7277	NUT	4	M20	
3	19M7488	CAP SCREW	8	M16 X 40	
4	19M7719	CAP SCREW	4	M16 X 70	
5	19M7813	SCREW	6	M12 X 45	
7	19M8503	CAP SCREW	4	M20 X 160	
8	19M8639	CAP SCREW	4	M20 X 70	
9	24M7241	WASHER	12	17 X 34 X 4 MM	
10	24M7242	WASHER	12	21.400 X 42 X 5 MM	
12	AT207022	HYDRAULIC HOSE	1	1/8" X 900 MM X 1/8"	
13	AT314290	REAR AXLE SUPPORT	1		
14	T212855	BUSHING	1		
15	AT320421	SEAL	2		
16	AT323885	BEARING WITH HOUSING	1		
17	T211608	BUSHING	1		
18	AT49859	SEAL	1		
19	AT53541	HYDRAULIC HOSE	1	1/8" X 1 490 MM X 1/8"	
20	E12379	NUT	2	3.175 MM	
21	JD7797	LUBRICATION FITTING	2		
22	R36311	FITTING	2		
23	T157056	COVER	1		
24	T167924	THRUST BEARING	6		
25	T169329	O-RING	1	228.270 X 2.620 MM	
26	T208791	DISK	1		
27	T211662	TRUNNION	1		
28	T56112	ELBOW FITTING	4	3.175 MM	

0242-4

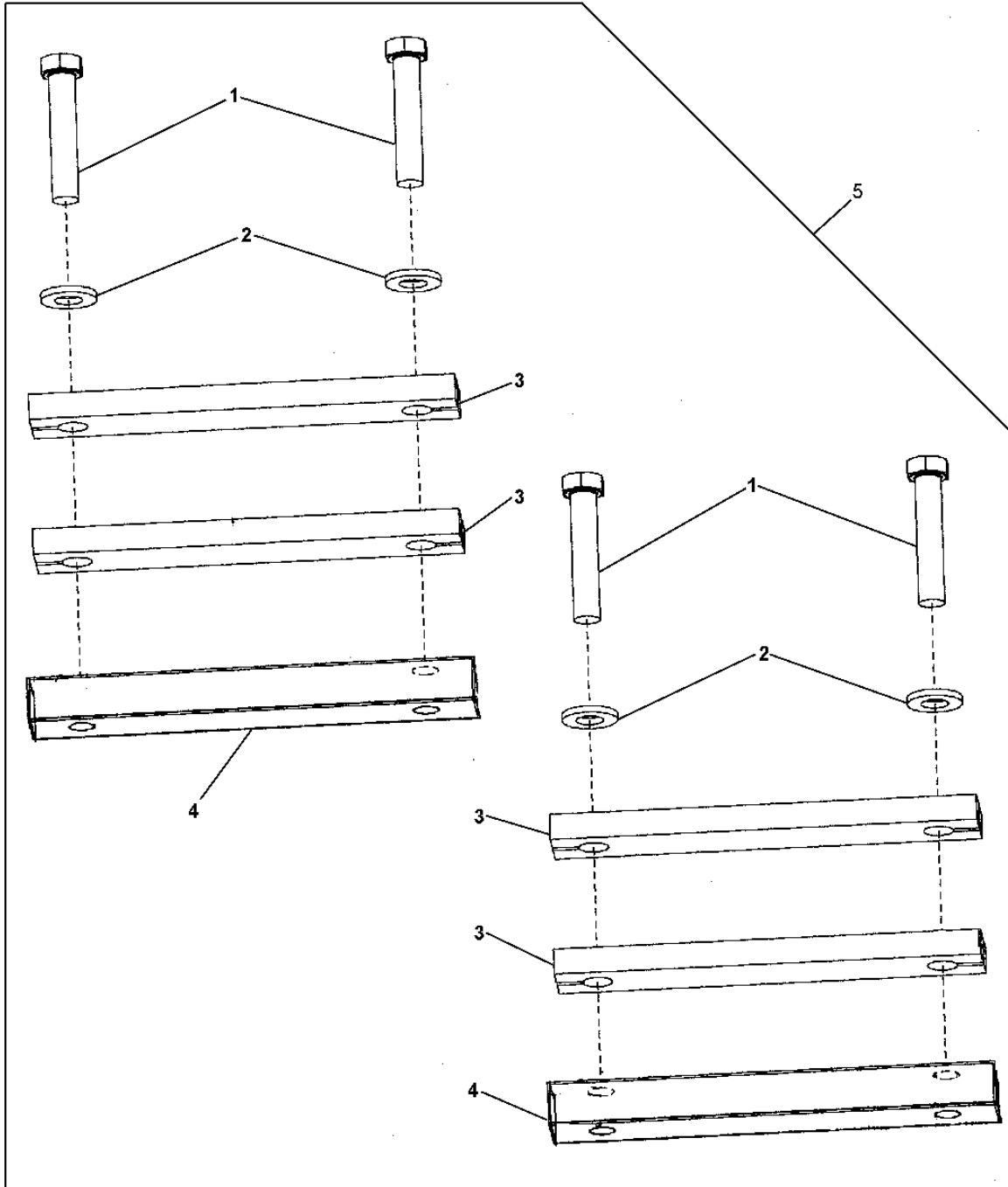
AXLES, DIFFERENTIALS AND SUSPENSION SYSTEMS 02

AXLE MOUNTING PARTS 0242

AXLE STOP (8 DEGREE) (SN -604689)
BUTEE D'ESSIEU (8 DEGRES) (SN -604689)
TOPE DEL EJE (8 GRADOS) (SN -604689)

T195144

-UN-24OCT03



T195144

THIS PARTS LISTING IS CONTINUED

0242-5

AXLES, DIFFERENTIALS AND SUSPENSION SYSTEMS 02

AXLE MOUNTING PARTS 0242

AXLE STOP (8 DEGREE) (SN -604689)
BUTEE D'ESSIEU (8 DEGRES) (SN -604689)
TOPE DEL EJE (8 GRADOS) (SN -604689)

KEY	PART NO.	PART NAME	QTY.	SERIAL NO.	REMARKS
1	19M7720	CAP SCREW	4		M16 X 80
2	24M7241	WASHER	4		17 X 34 X 4 MM
3	T167862	STRAP	4		(OSCILLATION STOP)
4	T157315	STRAP	2		(TAPPED)
5	AT307595	KIT	1		AXLE STOP (WHOLEGOODS)

0242-5A

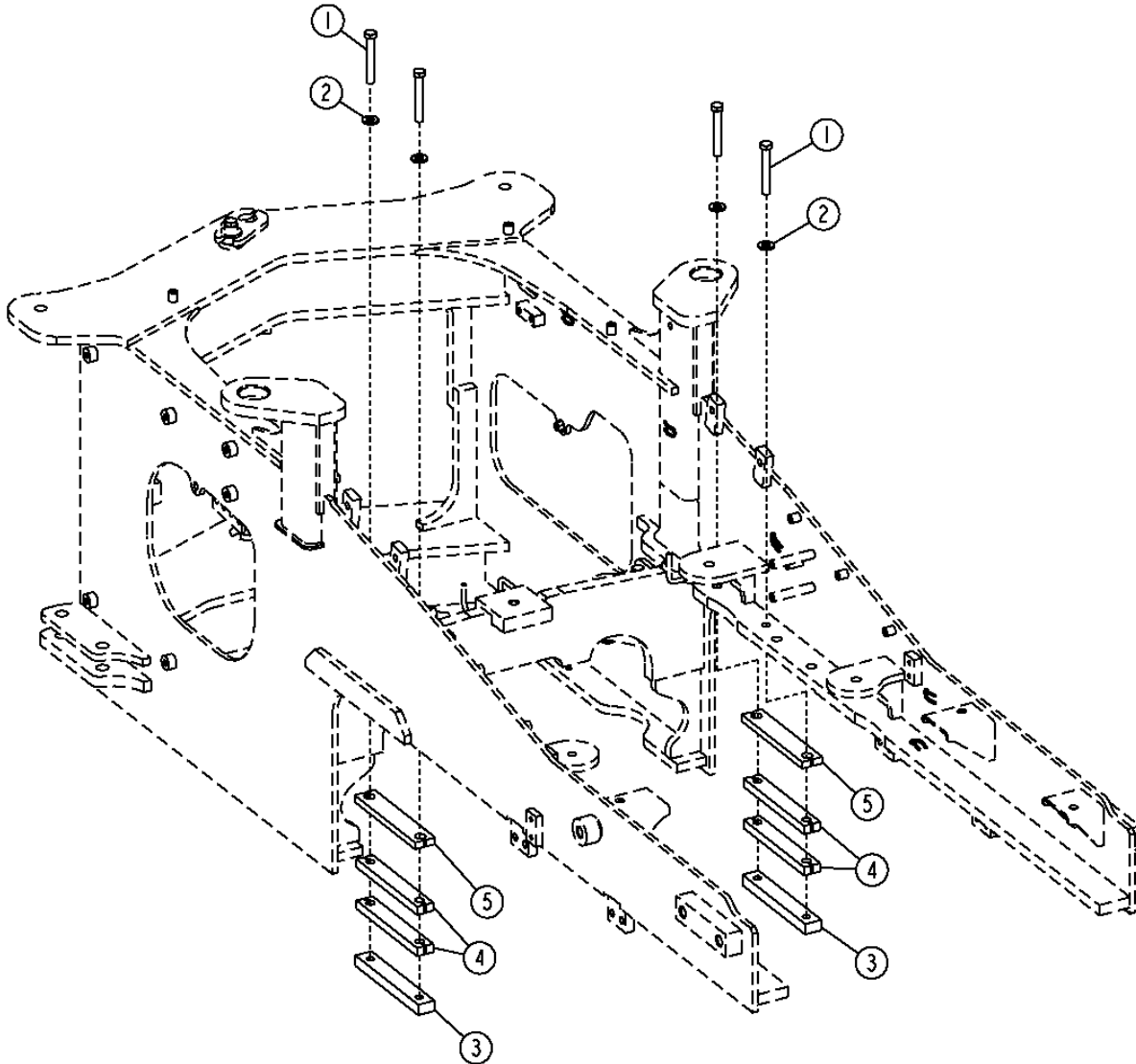
AXLES, DIFFERENTIALS AND SUSPENSION SYSTEMS 02

AXLE MOUNTING PARTS 0242

AXLE STOP (8 DEGREE) (SN 604690-)
BUTEE D'ESSIEU (8 DEGRES) (SN -604689)
TOPE DEL EJE (8 GRADOS) (SN -604689)

TX1003710

-UN-10FEB06



TX1003710

THIS PARTS LISTING IS CONTINUED

0242-5B

AXLES, DIFFERENTIALS AND SUSPENSION SYSTEMS 02

AXLE MOUNTING PARTS 0242

AXLE STOP (8 DEGREE) (SN 604690-)
BUTEE D'ESSIEU (8 DEGRES) (SN -604689)
TOPE DEL EJE (8 GRADOS) (SN -604689)

KEY	PART NO.	PART NAME	QTY.	SERIAL NO.	REMARKS
1	19M7884	CAP SCREW	4		M16 X 110
2	24M7241	WASHER	4		17 X 34 X 4 MM
3	T157315	STRAP	2		
4	T168247	STRAP	4		
5	T223785	STRAP	2		

0242-6

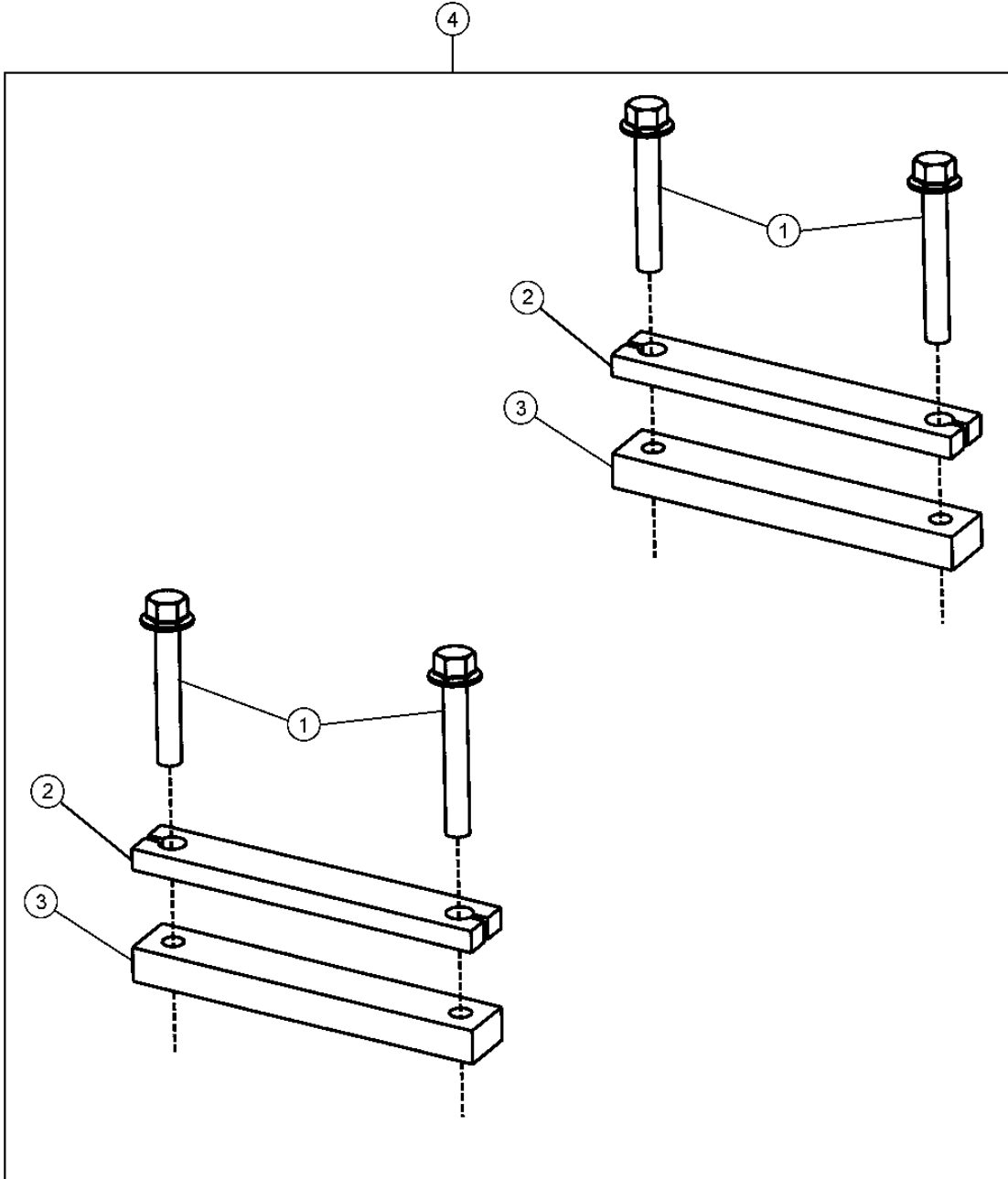
AXLES, DIFFERENTIALS AND SUSPENSION SYSTEMS 02

AXLE MOUNTING PARTS 0242

AXLE STOP (10 DEGREE)
BUTEE D'ESSIEU (10 DEGRES)
TOPE DEL EJE (10 GRADOS)

T192385

-UN-20JUN03



T192385

0242-7

AXLES, DIFFERENTIALS AND SUSPENSION SYSTEMS 02

AXLE MOUNTING PARTS 0242

**AXLE STOP (10 DEGREE)
BUTEE D'ESSIEU (10 DEGRES)
TOPE DEL EJE (10 GRADOS)**

KEY	PART NO.	PART NAME	QTY.	SERIAL NO.	REMARKS
1	19M7825	SCREW	4		M16 X 65
2	T167862	STRAP	2		
3	T157315	STRAP	2		
4	AT203239	KIT	1		AXLE STOP (WHOLEGOODS)

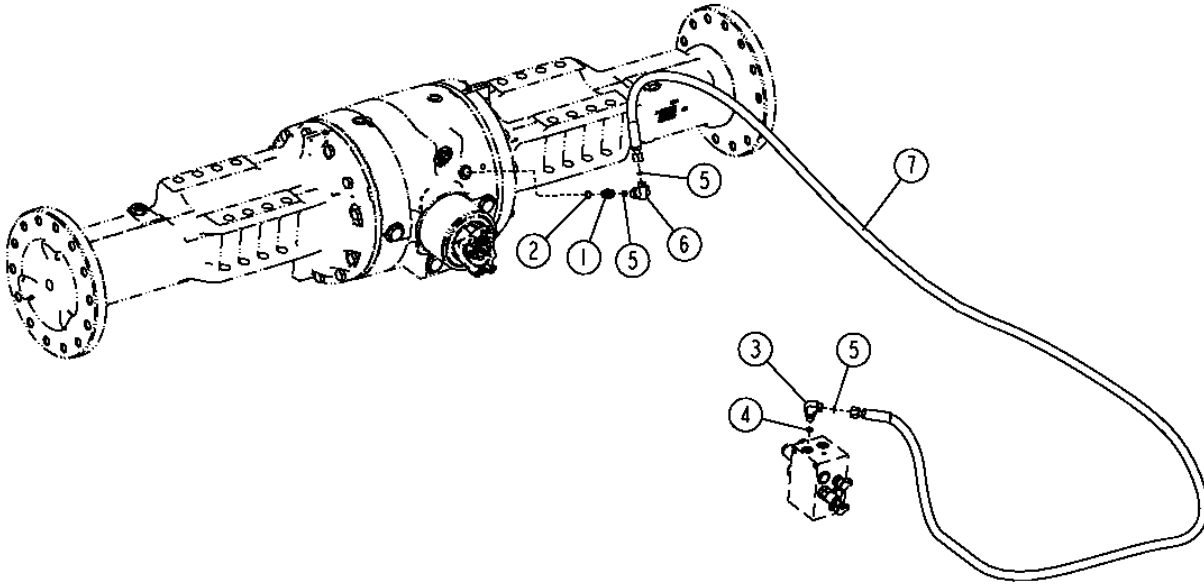
0260-2

AXLES, DIFFERENTIALS AND SUSPENSION SYSTEMS 02

AXLES, DIFFERENTIAL AND SUSPENSION SYSTEM HYDRAULICS 0260
FRONT DIFFERENTIAL LOCK LINE (SN -604689)
CONDUITE DE BLOCAGE DE DIFFERENTIEL AVANT (SN -604689)
LINEA DE BLOQUEO DEL DIFERENCIAL DELANTERO (SN -604689)

T193425

-UN-09SEP03



T193425

THIS PARTS LISTING IS CONTINUED

0260-3

AXLES, DIFFERENTIALS AND SUSPENSION SYSTEMS 02

AXLES, DIFFERENTIAL AND SUSPENSION SYSTEM HYDRAULICS 0260

FRONT DIFFERENTIAL LOCK LINE (SN -604689)
CONDUITE DE BLOCAGE DE DIFFERENTIEL AVANT (SN -604689)
LINEA DE BLOQUEO DEL DIFERENCIAL DELANTERO (SN -604689)

KEY	PART NO.	PART NAME	QTY.	SERIAL NO.	REMARKS
1	38H5002	ADAPTER FITTING	1		
2	51M7041	O-RING	1		
3	38H1004	ELBOW FITTING	1		
4	R26448	O-RING	1		
5	T77613	O-RING	3		
6	38H1094	ELBOW FITTING	1		
7	AT304143	HYDRAULIC HOSE - FABRICATE	1		

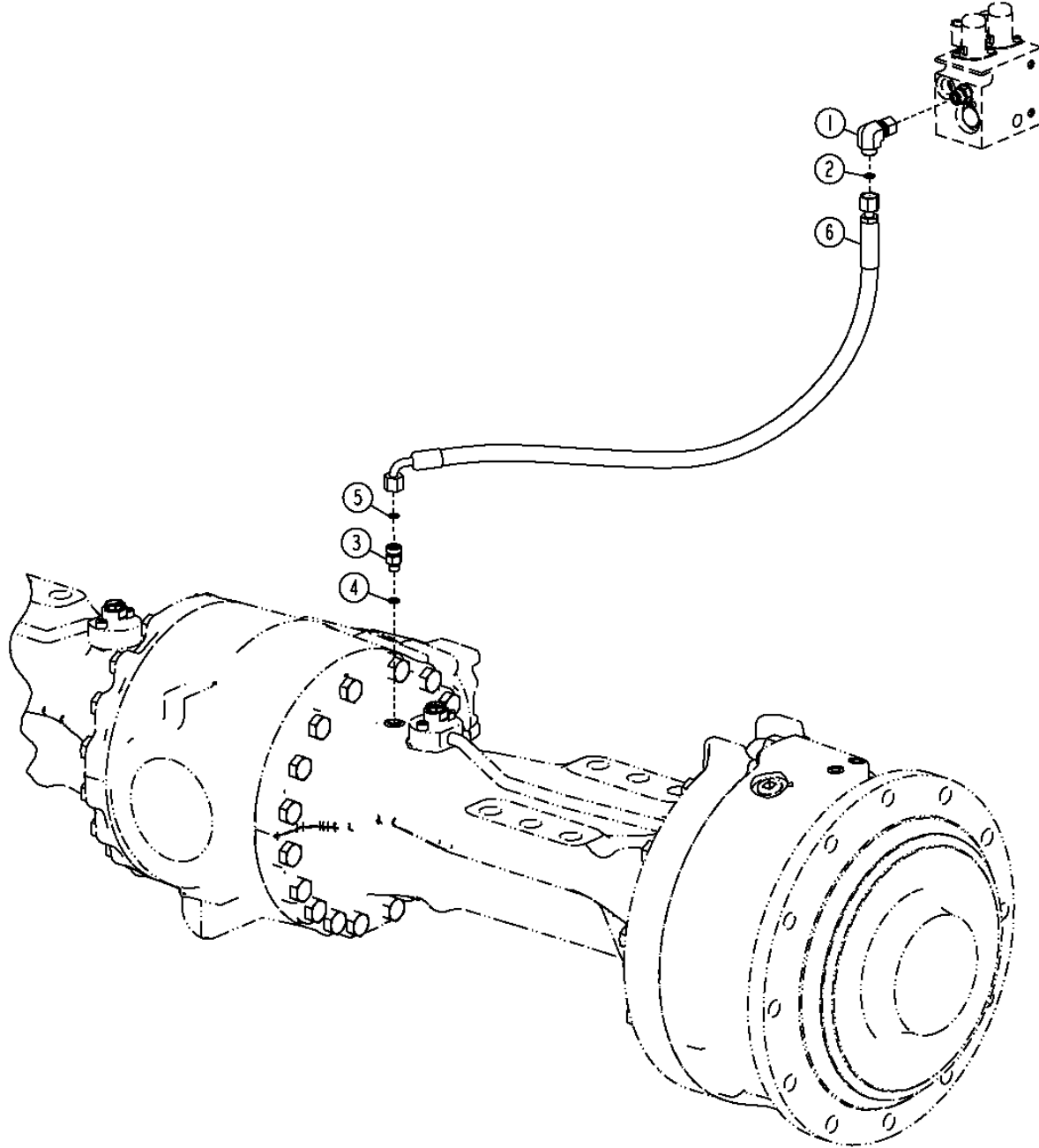
0260-3A

AXLES, DIFFERENTIALS AND SUSPENSION SYSTEMS 02

AXLES, DIFFERENTIAL AND SUSPENSION SYSTEM HYDRAULICS 0260
FRONT DIFFERENTIAL LOCK LINE (S.N. 604690-)
CONDUITE DE BLOCAGE DE DIFFERENTIEL AVANT (S.N. 604690-)
LINEA DE BLOQUEO DEL DIFERENCIAL DELANTERO (S.N. 604690-)

TX1005237

-UN-24MAR06



TX1005237

0260-3B

AXLES, DIFFERENTIALS AND SUSPENSION SYSTEMS 02

AXLES, DIFFERENTIAL AND SUSPENSION SYSTEM HYDRAULICS 0260

FRONT DIFFERENTIAL LOCK LINE (S.N. 604690-)
CONDUITE DE BLOCAGE DE DIFFERENTIEL AVANT (S.N. 604690-)
LINEA DE BLOQUEO DEL DIFERENCIAL DELANTERO (S.N. 604690-)

KEY	PART NO.	PART NAME	QTY.	SERIAL NO.	REMARKS
1	38H1094	ELBOW FITTING	1		
2	T77613	O-RING	1		
3	38H5022	ELBOW FITTING	1		(SUB FOR 38H5008)
4	51M7040	O-RING	1		
5	T77613	O-RING	1		
6	AT334074	HYDRAULIC HOSE - FABRICATE	1		(SUB FOR AT320188)

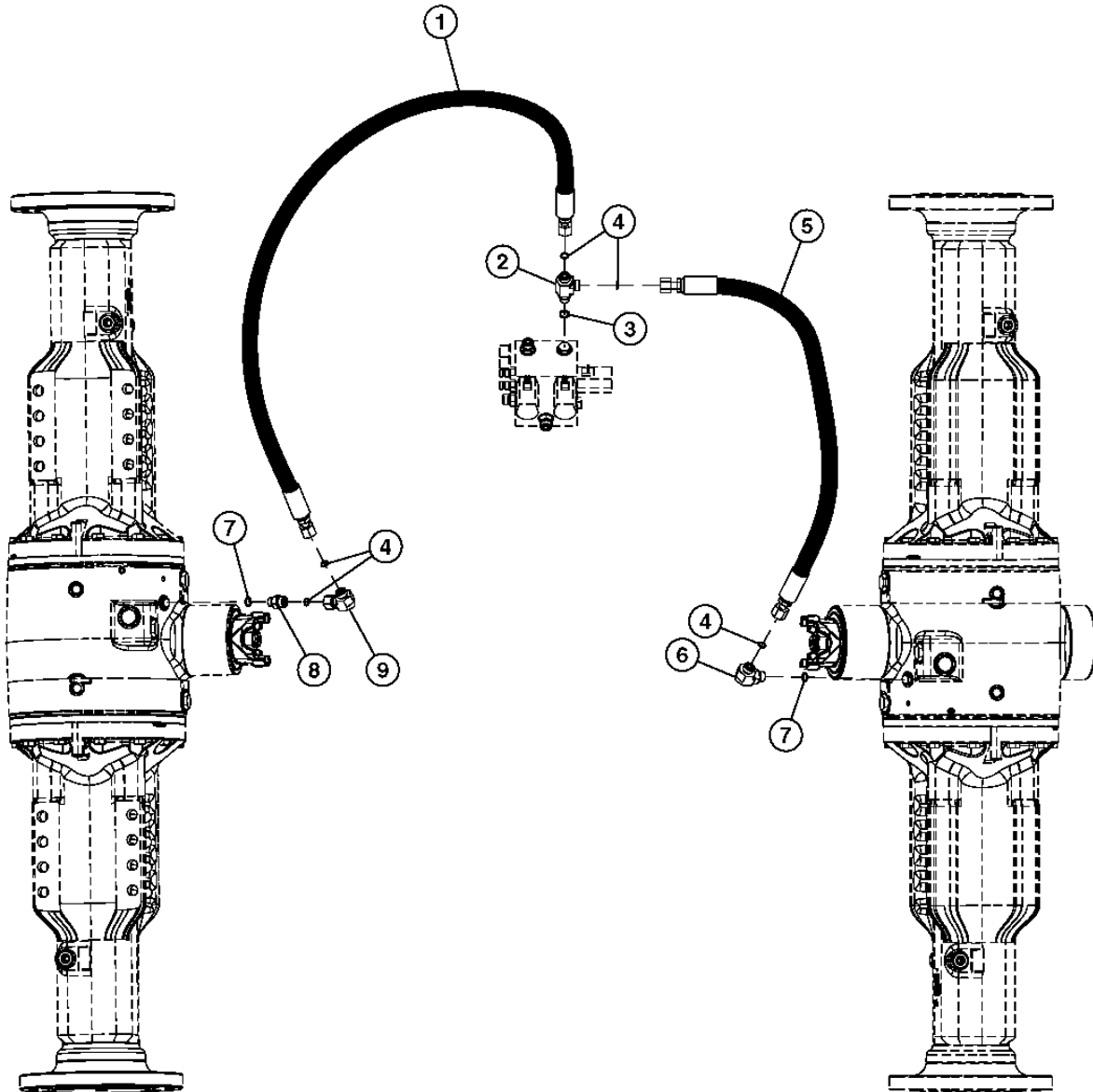
0260-4

AXLES, DIFFERENTIALS AND SUSPENSION SYSTEMS 02

AXLES, DIFFERENTIAL AND SUSPENSION SYSTEM HYDRAULICS 0260
FRONT AND REAR DIFFERENTIAL LOCK LINES (S.N. -604689)
CONDUITES DE BLOCAGE DE DIFFERENTIEL AVANT ET ARRIERE (S.N. -604689)
LINEAS DE BLOQUEO DEL DIFERENCIAL TRASERO Y DELANTERO (S.N. -604689)

TX1006378

-UN-24APR06



TX1006378

THIS PARTS LISTING IS CONTINUED

0260-5

AXLES, DIFFERENTIALS AND SUSPENSION SYSTEMS 02

AXLES, DIFFERENTIAL AND SUSPENSION SYSTEM HYDRAULICS 0260
FRONT AND REAR DIFFERENTIAL LOCK LINES (S.N. -604689)
CONDUITES DE BLOCAGE DE DIFFERENTIEL AVANT ET ARRIERE (S.N. -604689)
LINEAS DE BLOQUEO DEL DIFERENCIAL TRASERO Y DELANTERO (S.N. -604689)

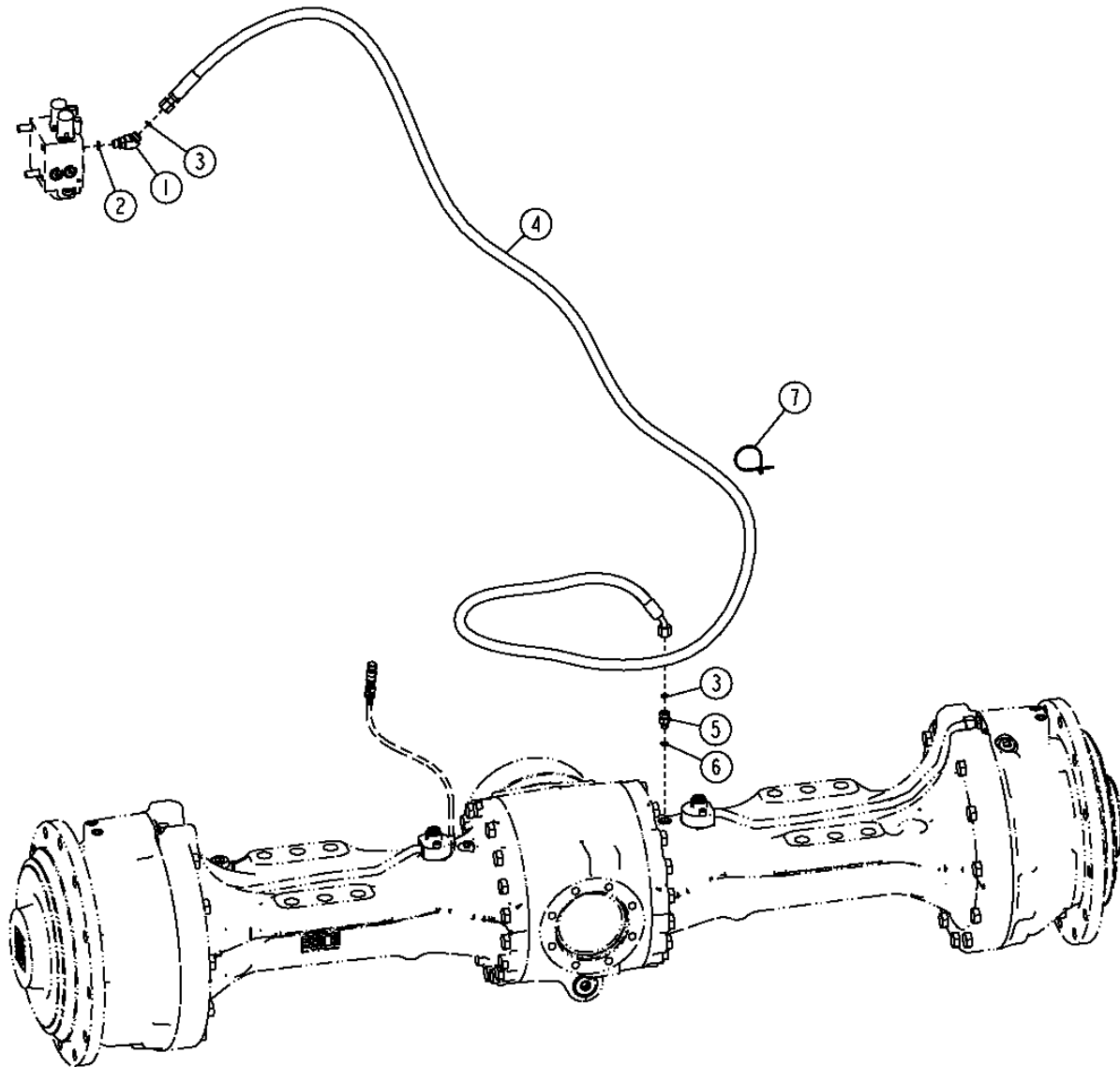
KEY	PART NO.	PART NAME	QTY.	SERIAL NO.	REMARKS
1	AT304143	HYDRAULIC HOSE - FABRICATE	1		
2	38H1023	TEE FITTING	1		
3	R26448	O-RING	1		
4	T77613	O-RING	5		
5	AT222163	HYDRAULIC HOSE - FABRICATE	1		(SUB FOR AT304263 OR AT305561)
6	38H5016	ELBOW FITTING	1		
7	51M7041	O-RING	2		
8	38H5002	ADAPTER FITTING	1		
9	38H1094	ELBOW FITTING	1		

0260-5A

AXLES, DIFFERENTIALS AND SUSPENSION SYSTEMS 02

AXLES, DIFFERENTIAL AND SUSPENSION SYSTEM HYDRAULICS 0260
REAR DIFFERENTIAL LOCK LINES (S.N. 604690-)
CONDUITES VERROUILLAGE DIFFERENTIEL AVANT (S.N. 604690-)
LINEAS DE TRABA DEL DIFERENCIAL TRASERA (S.N. 604690-)

TX1003286 -UN-03FEB06



TX1003286

0260-5B

AXLES, DIFFERENTIALS AND SUSPENSION SYSTEMS 02

AXLES, DIFFERENTIAL AND SUSPENSION SYSTEM HYDRAULICS 0260

REAR DIFFERENTIAL LOCK LINES (S.N. 604690-)
CONDUITES VERROUILLAGE DIFFERENTIEL AVANT (S.N. 604690-)
LINEAS DE BLOQUEO DEL DIFERENCIAL TRASERO (S.N. 604690-)

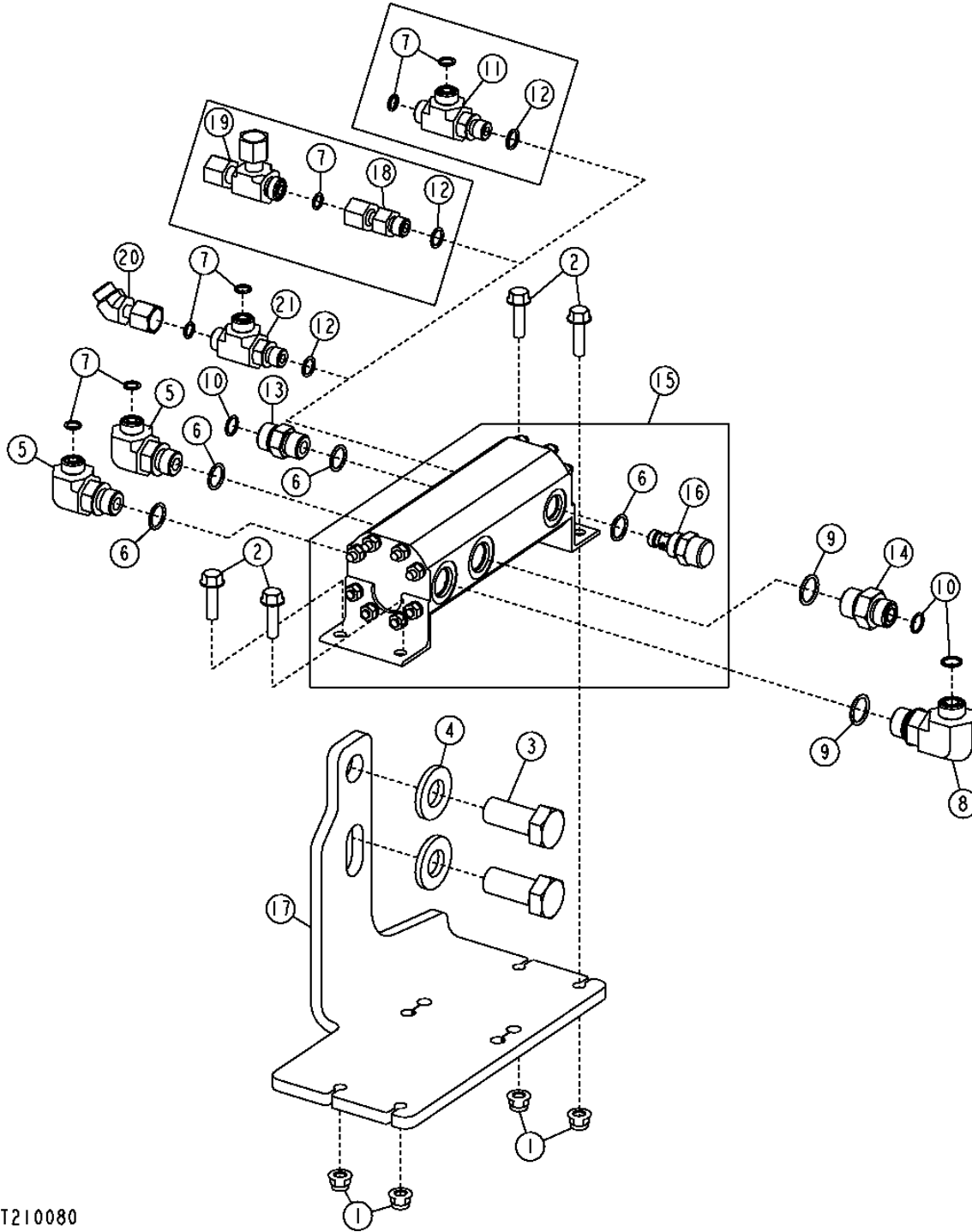
KEY	PART NO.	PART NAME	QTY.	SERIAL NO.	REMARKS
1	38H1045	ELBOW FITTING	1		
2	R26448	O-RING	1		
3	T77613	O-RING	2		
4	AT315755	HYDRAULIC HOSE - FABRICATE	1		
5	38H5008	ADAPTER FITTING	1		
6	51M7040	O-RING	1		
7	R44302	TIE BAND	1		

0260-6

AXLES, DIFFERENTIALS AND SUSPENSION SYSTEMS 02

AXLES, DIFFERENTIAL AND SUSPENSION SYSTEM HYDRAULICS 0260 AXLE OIL CIRCULATION PUMP AND MOTOR POMPE ET MOTEUR DE CIRCULATION D'HUILE D'ESSIEU MOTOR Y BOMBA DE CIRCULACION DE ACEITE DEL EJE

T210080 -UN-14APR05



T210080

THIS PARTS LISTING IS CONTINUED

0260-7

AXLES, DIFFERENTIALS AND SUSPENSION SYSTEMS 02

AXLES, DIFFERENTIAL AND SUSPENSION SYSTEM HYDRAULICS 0260
AXLE OIL CIRCULATION PUMP AND MOTOR
POMPE ET MOTEUR DE CIRCULATION D'HUILE D'ESSIEU
MOTOR Y BOMBA DE CIRCULACION DE ACEITE DEL EJE

KEY	PART NO.	PART NAME	QTY.	SERIAL NO.	REMARKS
1	14M7396	LOCK NUT	4		M8
2	19M7868	SCREW	4		M8 X 30
3	19M7950	CAP SCREW	2		M20 X 45
4	24M7242	WASHER	2		21.400 X 42 X 5 MM
5	38H1010	ELBOW FITTING	2		
6	R26375	O-RING	4		
7	T77613	O-RING	4		
8	38H1012	ELBOW FITTING	1		
9	R26906	O-RING	2		
10	T77857	O-RING	3		
11	38H1023	TEE FITTING	1	-594432	
12	R26448	O-RING	1		
13	38H1161	ADAPTER FITTING	1		
14	38H1174	ADAPTER FITTING	1		
15	AT220832	PUMP	1		
16	AT223728	VALVE	1		
	AT223805	SEAL KIT	1		
17	T197061	BRACKET	1		
18	38H1067	ADAPTER FITTING	1	594433-596166	
19	AT219792	TEE FITTING	1	594433-596166	
20	62H1052	ELBOW FITTING	1	596167-	
21	38H1023	TEE FITTING	1	596167-	

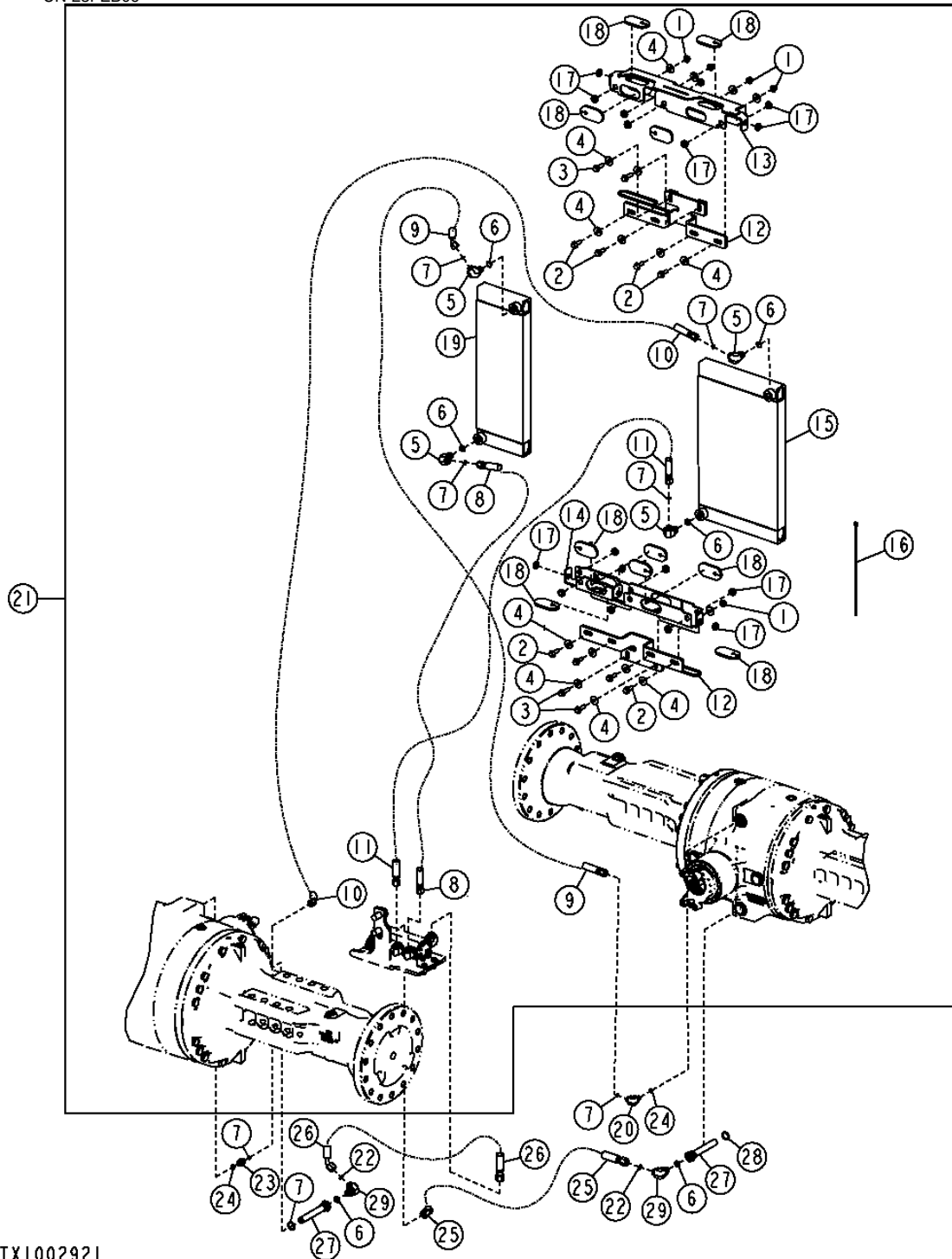
0260-8

AXLES, DIFFERENTIALS AND SUSPENSION SYSTEMS 02

AXLES, DIFFERENTIAL AND SUSPENSION SYSTEM HYDRAULICS 0260
AXLE CIRCULATION HOSES WITH FACTORY INSTALLED AXLE COOLERS (S.N. -604689)
FLEXIBLES DE CIRCULATION D'ESSIEU AVEC REFRIGERISSEURS D'ESSIEU INSTALLES EN USINE (S.N. -604689)
MANGUERAS CIRCULACION PUENTE CON ENFRIADORES PUENTE INSTALADOS EN LA FABRICA (S.N. -604689)

TX1002921

-UN-23FEB06



TX1002921

THIS PARTS LISTING IS CONTINUED

0260-9

AXLES, DIFFERENTIALS AND SUSPENSION SYSTEMS 02

AXLES, DIFFERENTIAL AND SUSPENSION SYSTEM HYDRAULICS 0260
AXLE CIRCULATION HOSES WITH FACTORY INSTALLED AXLE COOLERS (S.N. -064689)
FLEXIBLES DE CIRCULATION D'ESSIEU AVEC REFROIDISSEURS D'ESSIEU INSTALLES EN USINE (S.N. -604689)
MANGUERAS CIRCULACION PUENTE CON ENFRIADORES PUENTE INSTALADOS EN LA FABRICA (S.N. -604689)

KEY	PART NO.	PART NAME	QTY.	SERIAL NO.	REMARKS
1	14M7296	FLANGE NUT	8		M10
2	19M7786	SCREW	8		M10 X 30
3	19M7835	SCREW	4		M10 X 35
4	24M7296	WASHER	20		10.500 X 30 X 2.500 MM
5	38H1010	ELBOW FITTING	4		
6	R26375	O-RING	6		
7	T77613	O-RING	6		
8	AT228857	HYDRAULIC HOSE - FABRICATE	1		11/16" X 163-1/2" X 11/16"
9	AT228858	HYDRAULIC HOSE - FABRICATE	1		11/16" X 122" X 11/16"
10	AT228859	HYDRAULIC HOSE - FABRICATE	1		11/16" X 228-1/4" X 11/16"
11	AT228860	HYDRAULIC HOSE - FABRICATE	1		11/16" X 157-1/2" X 11/16"
12	AT305165	BRACKET	2		
13	AT306489	BRACKET	1		
14	AT306496	BRACKET	1		
15	AT228457	OIL COOLER	1		
	AT307617	OIL COOLER	1		(HARSH ENVIRONMENT)
16	H77698	TIE BAND	4		
17	T162238	GROMMET	22		
18	T201546	GROMMET	12		
19	AT228457	OIL COOLER	1		
	AT307617	OIL COOLER	1		(HARSH ENVIRONMENT)
20	38H1430	ELBOW FITTING	1		
21	AT228284	FIELD INSTALLATION KIT	2		
22	T77857	O-RING	2		
23	38H1170	ADAPTER FITTING	1		
24	R26286	O-RING	2		
25	AT220733	HYDRAULIC HOSE - FABRICATE	1		1" X 22" X 1-3/16"
26	AT220729	HYDRAULIC HOSE - FABRICATE	1		13/16" X 120" X 1-3/16"
27	AT220925	OIL FILTER	2		
28	U12547	O-RING	2		
29	38H1005	ELBOW FITTING	2		

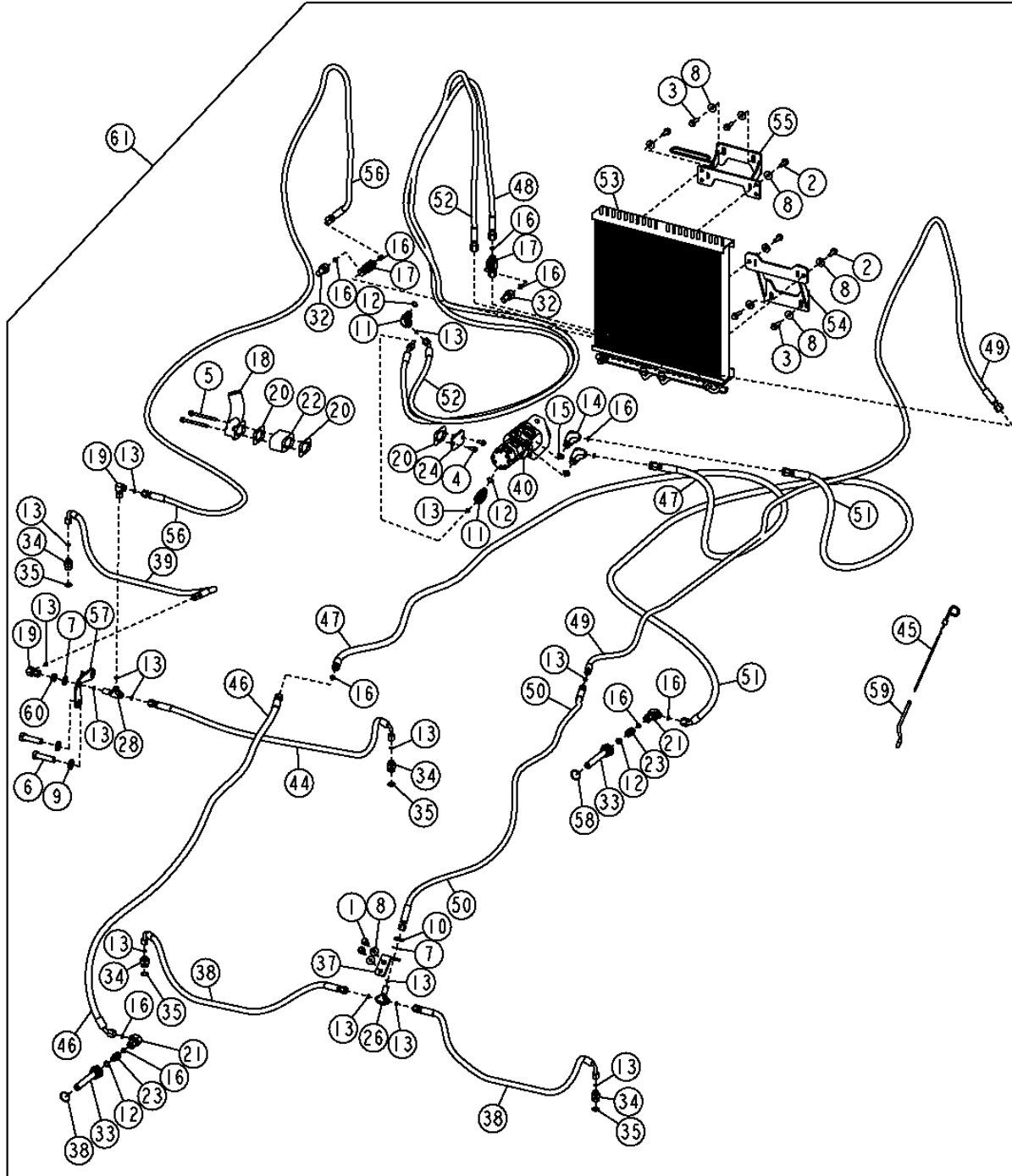
0260-9A

AXLES, DIFFERENTIALS AND SUSPENSION SYSTEMS 02

AXLES, DIFFERENTIAL AND SUSPENSION SYSTEM HYDRAULICS 0260
AXLE CIRCULATION HOSES WITH FACTORY INSTALLED AXLE COOLERS (S.N. 604690-)
FLEXIBLES DE CIRCULATION D'ESSIEU AVEC REFRIGERISSEURS D'ESSIEU INSTALLES EN USINE (S.N. 604690-)
MANGUERAS CIRCULACION PUENTE CON ENFRIADORES PUENTE INSTALADOS EN LA FABRICA (S.N. 604690-)

TX1008870

-UN-14JUN06



TX1008870

THIS PARTS LISTING IS CONTINUED

0260-9B

AXLES, DIFFERENTIALS AND SUSPENSION SYSTEMS 02

AXLES, DIFFERENTIAL AND SUSPENSION SYSTEM HYDRAULICS 0260
AXLE CIRCULATION HOSES WITH FACTORY INSTALLED AXLE COOLERS (S.N. 604690-)
FLEXIBLES DE CIRCULATION D'ESSIEU AVEC REFROIDISSEURS D'ESSIEU INSTALLES EN USINE (S.N. 604690-)
MANGUERAS CIRCULACION PUENTE CON ENFRIADORES PUENTE INSTALADOS EN LA FABRICA (S.N. 604690-)

KEY	PART NO.	PART NAME	QTY.	SERIAL NO.	REMARKS
1	19M7785	SCREW	2		M10 X 25
2	19M7786	SCREW	4		M10 X 30
3	19M7835	SCREW	12		M10 X 35
4	19M7866	SCREW	2		M8 X 20
5	19M7873	SCREW	2		M8 X 110
6	19M8857	CAP SCREW	2		M18 X 70
7	24H1391	WASHER	2		19.837 X 33.325 X 1.524 MM, (USE WITH POWERLLEL™ LINKAGE)
	24M7239	WASHER	1		10.700 X 21 X 2.500 MM, (USE WITH Z-BAR LINKAGE)
8	24M7296	WASHER	10		10.500 X 30 X 2.500 MM
9	24M7361	WASHER	2		19 X 34 X 3 MM
10	38H5091	NUT	1		17.463 MM
11	ADAPTER FITTING	1	-611902	(SUB FOR 38H1010) (ORDER (2) 38H1568)
	38H1568	ELBOW FITTING	2	611903-	
12	R26375	O-RING	3		16.358 X 2.210 MM
13	T77613	O-RING	2		9.246 X 1.778 MM
14	ADAPTER FITTING	1	-611902	(SUB FOR 38H1012) (ORDER (2) 38H1583)
	38H1583	ADAPTER FITTING	2	611903-	
15	R26906	O-RING	2		19.177 X 2.464 MM
16	T77857	O-RING	6		12.421 X 1.778 MM
17	38H1031	TEE FITTING	1		
18	R123558	FILLER NECK	1		
19	38H1094	ELBOW FITTING	1		
20	R136495	GASKET	1		
21	38H1095	ELBOW FITTING	1		
22	R136514	SPACER	1		
23	38H1161	ADAPTER FITTING	1		
24	R116296	COVER	1		
26	38H1291	TEE FITTING	1		
28	38H1503	TEE FITTING	1		
32	AT312932	FITTING	2		
33	AT318157	OIL FILTER	2		
34	T213505	FITTING	1		
35	R82198	O-RING	1		21 X 2 MM, (SUB FOR T215197)
37	AT318300	PLATE	1		
38	AT318377	HYDRAULIC HOSE - FABRICATE	2		11/16" X 1 000 MM X 11/16"
39	AT318569	HYDRAULIC HOSE - FABRICATE	1		11/16" X 950 MM X 11/16"
40	OIL PUMP	1	-611902	(AT318940 NLA) (ORDER AT338291) (ALSO ORDER (2) 38H1583, (2) R26906, (2) T77857 AND (2) 38H1568, (2) R26375, (2) T77613)
	AT338291	OIL PUMP	1	611903-	(ALSO ORDER (2) 38H1583, (2) R26906, (2) T77857 AND (2) 38H1568, (2) R26375, (2) T77613)
	R134465	GASKET	1		
44	AT320846	HYDRAULIC HOSE - FABRICATE	1		11/16" X 1 150 MM X 11/16"
45	AT329269	DIPSTICK	1		
46	AT332605	HYDRAULIC HOSE - FABRICATE	1		
47	AT332606	HYDRAULIC HOSE - FABRICATE	1		
48	AT334639	HYDRAULIC HOSE - FABRICATE	1		11/16" X 3 950 MM X 13/16", (SUB FOR AT333458)
49	AT332602	HYDRAULIC HOSE - FABRICATE	1		
50	AT332601	HYDRAULIC HOSE - FABRICATE	1		11/16" X 2 175 MM X 11/16"
51	AT330267	HYDRAULIC HOSE - FABRICATE	1		13/16" X 3 700 MM X 13/16"
52	AT333459	HYDRAULIC HOSE - FABRICATE	1		11/16" X 3 950 MM X 13/16"
53	AT330592	OIL COOLER	1		
54	AT330606	BRACKET	1		
55	AT330678	BRACKET	1		
56	AT334170	HYDRAULIC HOSE - FABRICATE	1		11/16" X 4 000 MM X 13/16", (SUB FOR AT330753)
57	T214468	PLATE	1		
58	L156164	O-RING	2		33 X 2.200 MM, (SUB FOR T215423)
59	T222510	DIPSTICK TUBE	1		
60	T81029	NUT	1		17.475 MM
61	AT332622	FIELD INSTALLATION KIT	1		

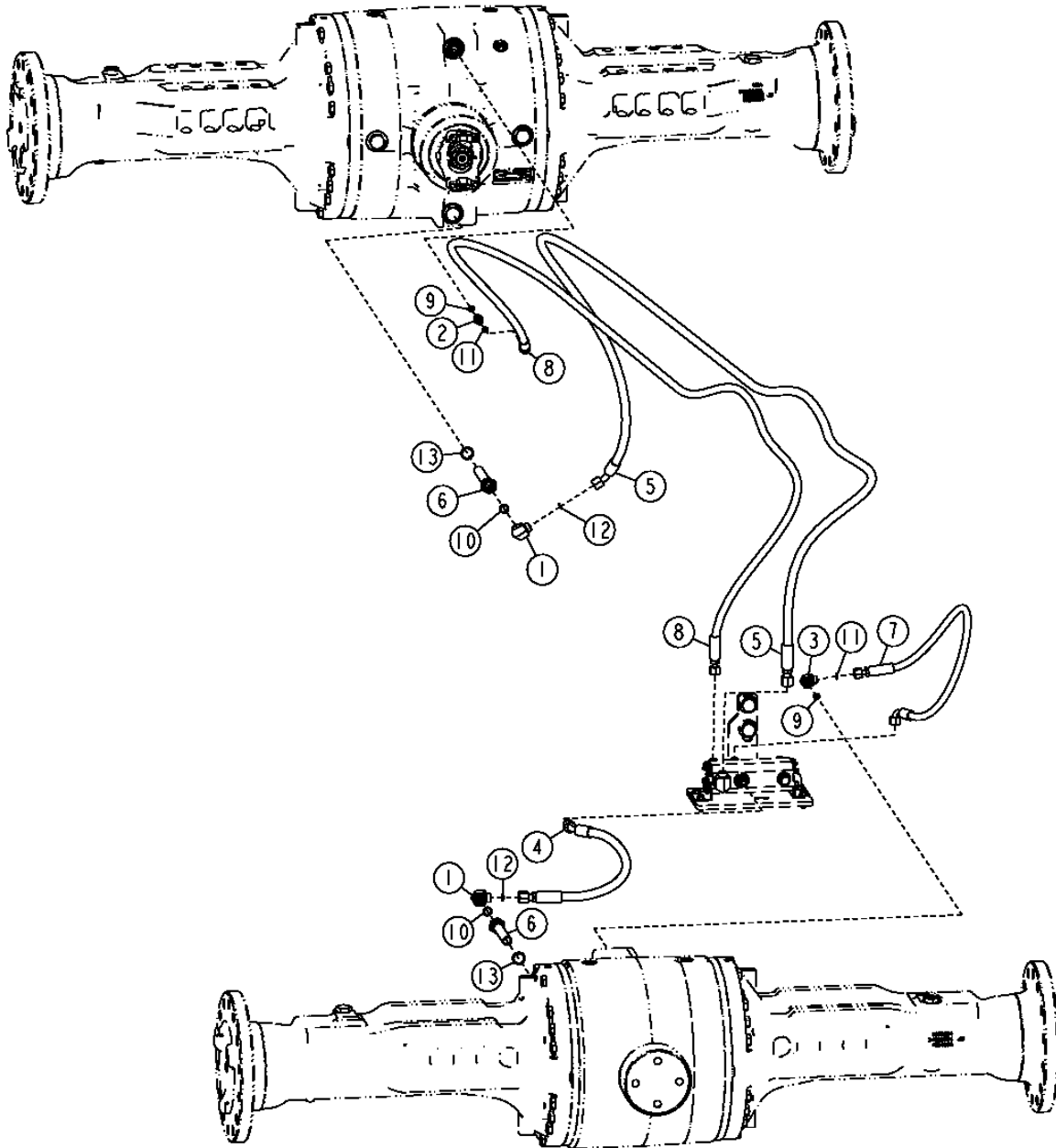
0260-10

AXLES, DIFFERENTIALS AND SUSPENSION SYSTEMS 02

AXLES, DIFFERENTIAL AND SUSPENSION SYSTEM HYDRAULICS 0260
AXLE OIL CIRCULATION HOSES
FLEXIBLES DE CIRUCLATION D'HUILE D'ESSIEU
MANGUERAS DE CIRCULACION DE ACEITE DEL PUENTE

T196091

-UN-11NOV03



T196091

0260-11

AXLES, DIFFERENTIALS AND SUSPENSION SYSTEMS 02

AXLES, DIFFERENTIAL AND SUSPENSION SYSTEM HYDRAULICS 0260

AXLE OIL CIRCULATION HOSES

FLEXIBLES DE CIRUCLATION D'HUILE D'ESSIEU

MANGUERAS DE CIRCULACION DE ACEITE DEL PUENTE

KEY	PART NO.	PART NAME	QTY.	SERIAL NO.	REMARKS
1	38H1005	ELBOW FITTING	2		
2	38H1170	ADAPTER FITTING	1		
3	38H1430	ELBOW FITTING	1		
4	AT220733	HYDRAULIC HOSE - FABRICATE	1		
5	AT220729	HYDRAULIC HOSE - FABRICATE	1		
6	AT220925	OIL FILTER	2		
7	AT227603	HYDRAULIC HOSE - FABRICATE	1		
8	AT227604	HYDRAULIC HOSE - FABRICATE	1		
9	R26286	O-RING	2		
10	R26375	O-RING	2		
11	T77613	O-RING	2		
12	T77857	O-RING	2		
13	U12547	O-RING	2		

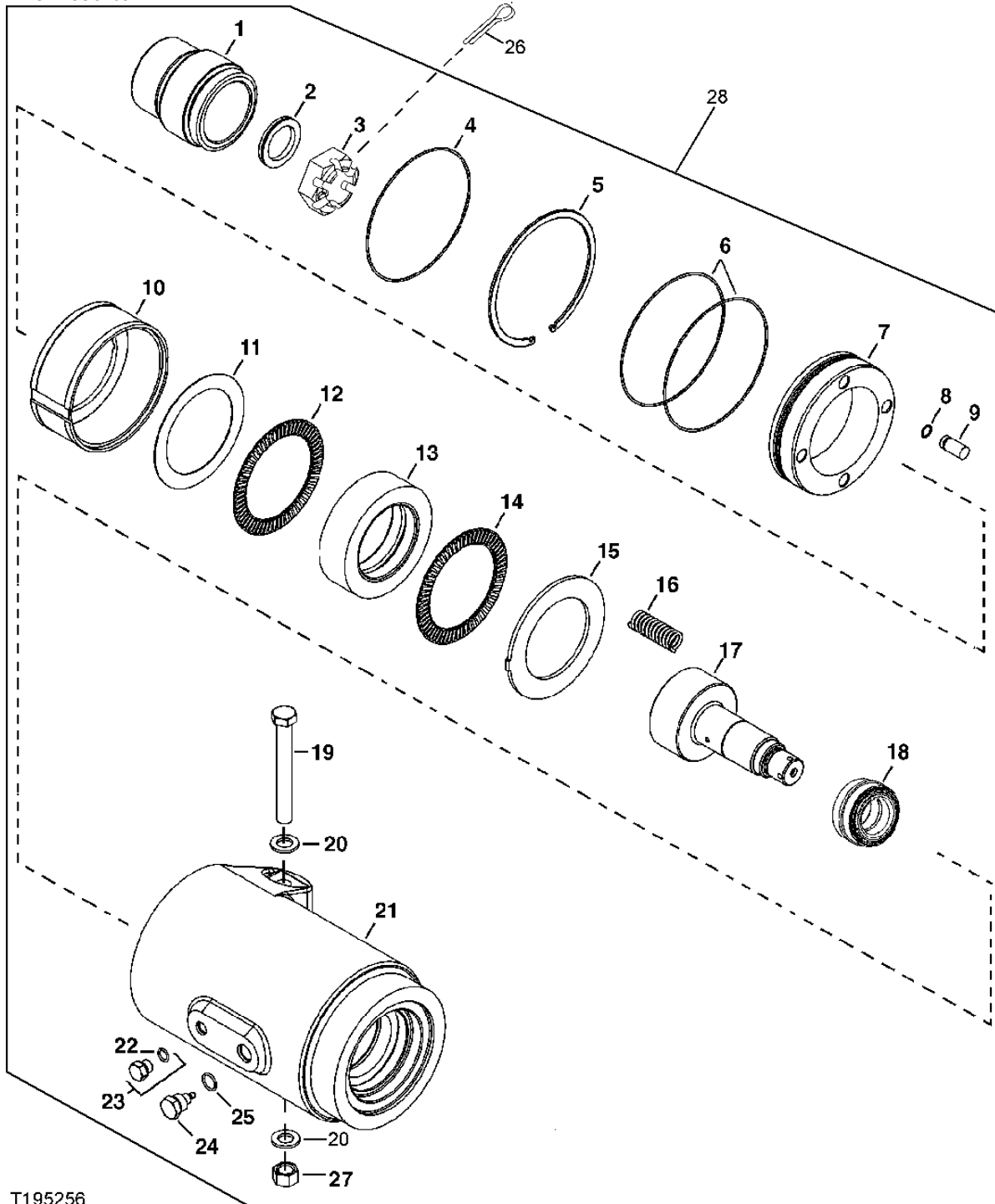
0260-14

AXLES, DIFFERENTIALS AND SUSPENSION SYSTEMS 02

AXLES, DIFFERENTIAL AND SUSPENSION SYSTEM HYDRAULICS 0260 FRONT AXLE DISCONNECT DECONNEXION D'ESSIEU DE PONT AVANT DESCONEXION DEL PUENTE DELANTERO

T195256

-UN-13OCT03



T195256

THIS PARTS LISTING IS CONTINUED

0260-15

AXLES, DIFFERENTIALS AND SUSPENSION SYSTEMS 02

AXLES, DIFFERENTIAL AND SUSPENSION SYSTEM HYDRAULICS 0260
FRONT AXLE DISCONNECT
DECONNEXION D'ESSIEU DE PONT AVANT
DESCONEXION DEL PUENTE DELANTERO

KEY	PART NO.	PART NAME	QTY.	AXLE SERIAL NO.	REMARKS
1	R134673	YOKE	1		
2	R48734	WASHER	1		
3	R151933	NUT	1		
4	T56238	O-RING	1		
5	R135298	RING	1		
6	R136314	O-RING	2		
7	R134674	SLEEVE	1		
8	R135118	SEAL	4		
9	R135805	PIN	4		
10	R134675	PISTON	1		
11	R132520	THRUST WASHER	1		
12	RE68725	NEEDLE BEARING	1		
13	R134677	SHIFT COLLAR	1		
14	RE68725	NEEDLE BEARING	1		
15	R134676	PLATE	1		
16	R38185	SPRING	4		
17	R134672	UNIVERSAL DRIVESHAFT	1		
18	AU42978	TAPERED ROLLER BEARING	1		
19	19M7732	CAP SCREW	1		M16 X 130
20	24M7338	WASHER	2		17 X 30 X 3 MM
21	R134671	HOUSING	1		
22	51M7041	O-RING	1		
23	RE46684	FITTING PLUG	1		
24	R36943	FITTING	1		
25	R26375	O-RING	1		
26	11M7032	COTTER PIN	1		
27	14M7276	NUT	1		M16
28	RE67138	AXLE	1		

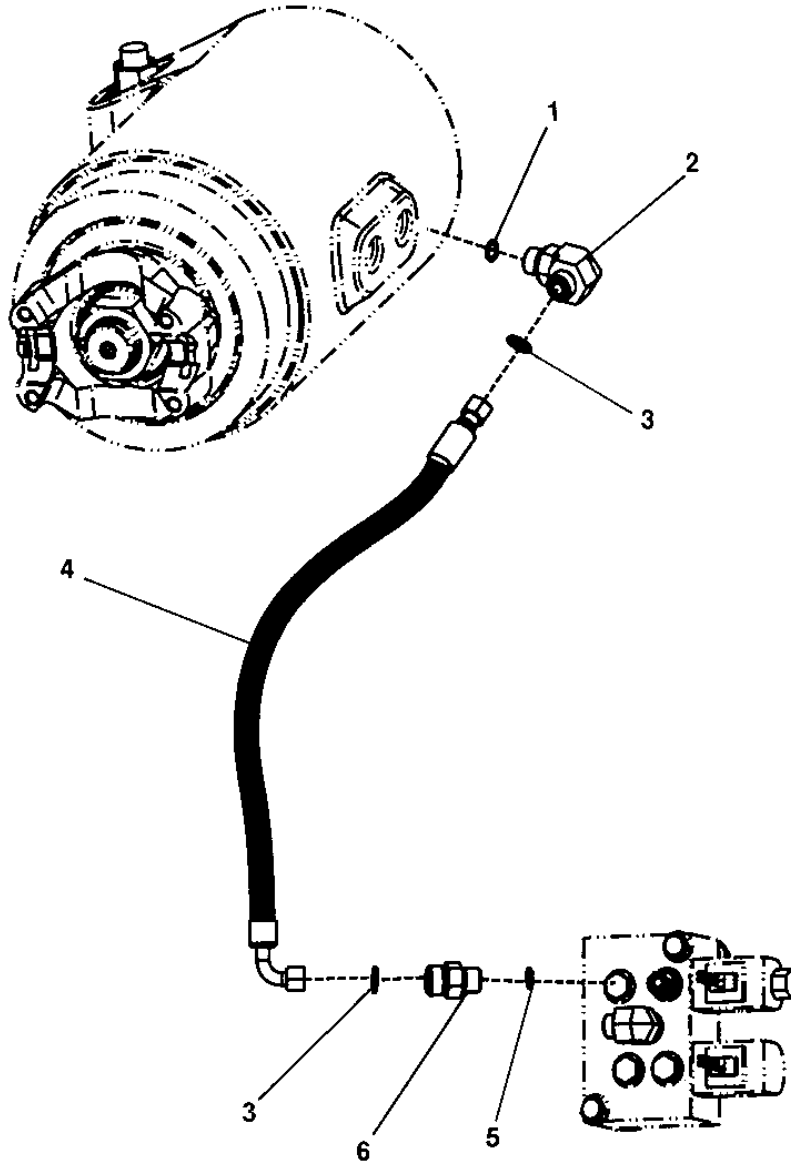
0260-16

AXLES, DIFFERENTIALS AND SUSPENSION SYSTEMS 02

AXLES, DIFFERENTIAL AND SUSPENSION SYSTEM HYDRAULICS 0260
AXLE DISCONNECT PLUMBING
TUYAUTERIE DECONNEXION ESSIEU
TUBERIA DE DESCONEXION DE PUENTE

T202198

-UN-11AUG04



T202198

0260-17

AXLES, DIFFERENTIALS AND SUSPENSION SYSTEMS 02

AXLES, DIFFERENTIAL AND SUSPENSION SYSTEM HYDRAULICS 0260

AXLE DISCONNECT PLUMBING
TUYAUTERIE DECONNEXION ESSIEU
TUBERIA DE DESCONEXION DE PUENTE

KEY	PART NO.	PART NAME	QTY.	SERIAL NO.	REMARKS
1	51M7041	O-RING	1		
2	38H5016	ELBOW FITTING	1		
3	T77613	O-RING	2		
4	AT167553	HYDRAULIC HOSE - FABRICATE	1		
5	R26448	O-RING	1		
6	38H1160	ADAPTER FITTING	1		

0260-18

AXLES, DIFFERENTIALS AND SUSPENSION SYSTEMS 02

AXLES, DIFFERENTIAL AND SUSPENSION SYSTEM HYDRAULICS 0260

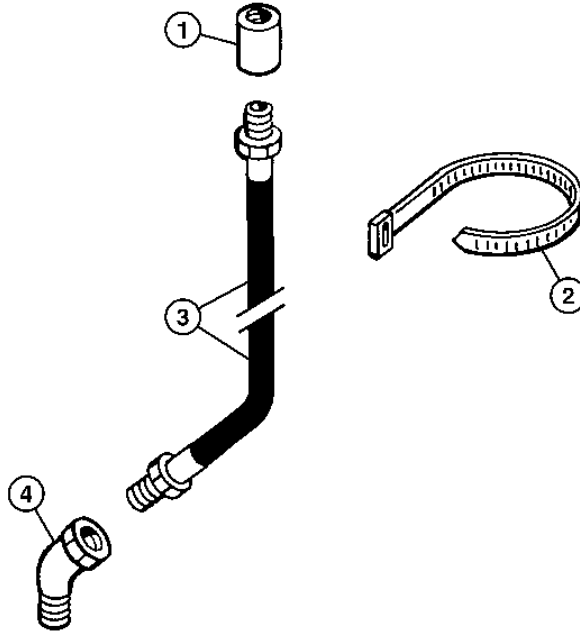
AXLE AND PARKING BRAKE BREATHER EXTENSION KIT

KIT D'EXTENSION DE RENIFLARD DE FREIN D'ESSIEU ET DE STATIONNEMENT

JUEGO DE EXTENSION DE RESPIRADERO DEL FRENO DE ESTACIONAMIENTO Y EJE

TX1006275

-UN-27APR06



TX1006275

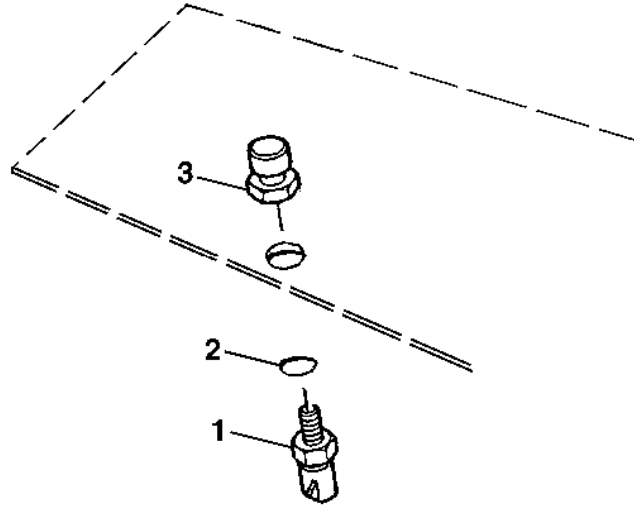
KEY	PART NO.	PART NAME	QTY.	SERIAL NO.	REMARKS
1	15H84	COUPLING	3		
2	H77698	TIE BAND	9		3.175 MM
3	AT207023	HYDRAULIC HOSE	3		
4	M45937	ELBOW FITTING	3		

0260-19

AXLES, DIFFERENTIALS AND SUSPENSION SYSTEMS 02

AXLES, DIFFERENTIAL AND SUSPENSION SYSTEM HYDRAULICS 0260 DIFFERENTIAL LOCK SWITCH INTERRUPTEUR DE BLOCAGE DU DIFFERENTIEL INTERRUPTOR DE TRABA DEL DIFERENCIAL

TP48545 -UN-07NOV96



TP48545

KEY	PART NO.	PART NAME	QTY.	SERIAL NO.	REMARKS
1	RE46534	SWITCH	1		
2	51M7042	O-RING	1		13.300 X 2.200 MM
3	RE43637	ACTUATOR	1		

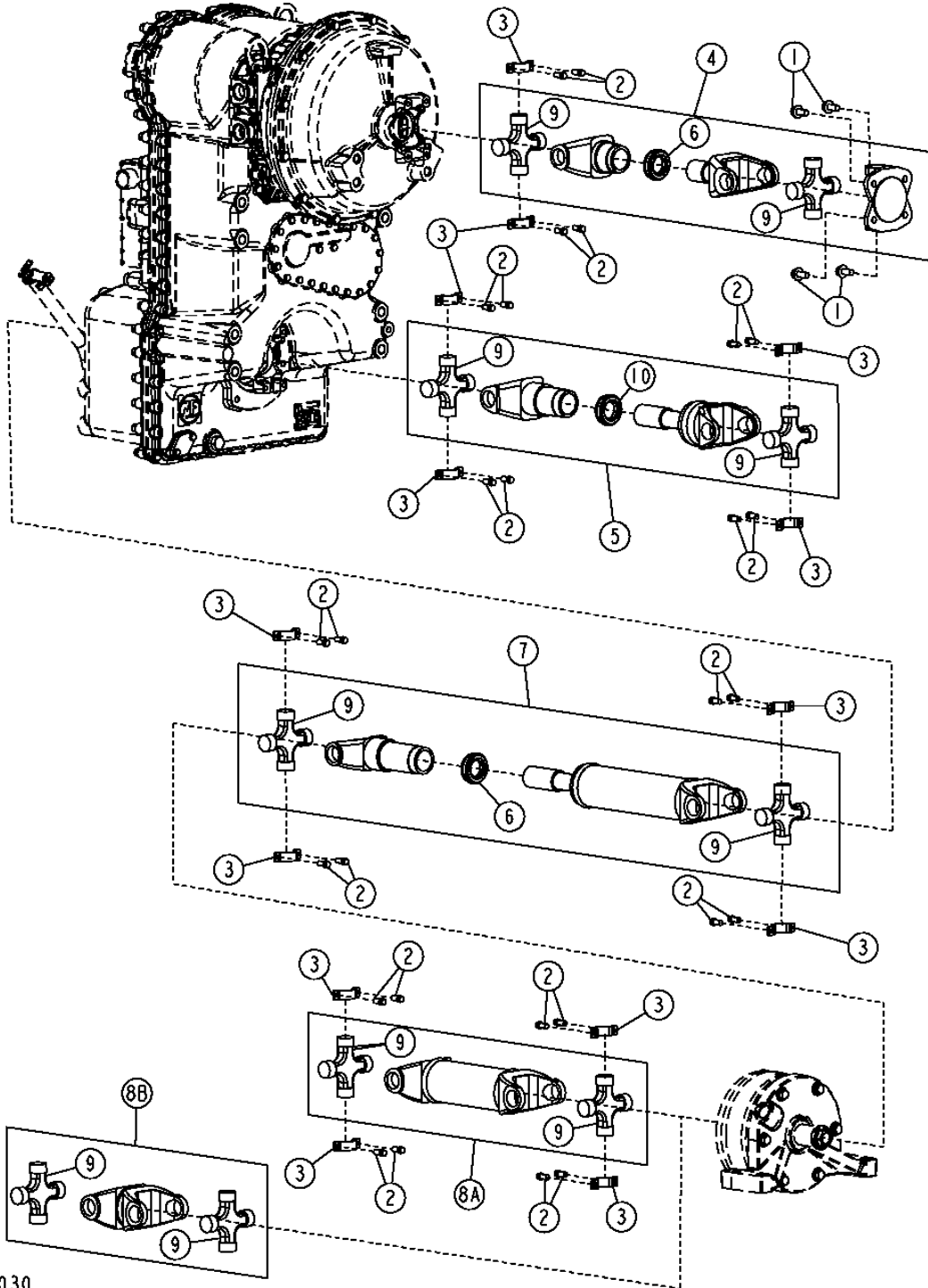
0325-2

TRANSMISSION 03

DRIVE SHAFTS (S.N. -604689)
ARBRES ENTRAINEMENT (S.N. -604689)
EJES IMPULSORES (S.N. -604689)

INPUT DRIVE SHAFTS AND U-JOINTS 0325

T196030 -UN-01NOV03



T196030

THIS PARTS LISTING IS CONTINUED

0325-3

TRANSMISSION 03

INPUT DRIVE SHAFTS AND U-JOINTS 0325

DRIVE SHAFTS (S.N. -604689)
ARBRES ENTRAINEMENT (S.N. -604689)
EJES IMPULSORES (S.N. -604689)

KEY	PART NO.	PART NAME	QTY.	SERIAL NO.	REMARKS
1	19M7789	SCREW	4		M12 X 30
2	T113128	SCREW	28		
3	T203450	HALF CLAMP	14		
4	AT209661	DRIVE SHAFT	1		(ENGINE TO TRANSMISSION)
5	AT208403	UNIVERSAL DRIVESHAFT	1		(TRANSMISSION TO REAR AXLE)
6	AT210101	CAP	2		
7	AT224190	UNIVERSAL DRIVESHAFT	1		(TRANSMISSION TO PARKING BRAKE)
8A	AT224189	UNIVERSAL DRIVESHAFT	1		(PARKING BRAKE TO FRONT AXLE) (WITHOUT FRONT AXLE DISCONNECT)
8B	AT210066	DRIVE SHAFT	1		(PARKING BRAKE TO FRONT AXLE) (WITH FRONT AXLE DISCONNECT)
9	AT206861	UNIVERSAL JOINT	8		
10	AT210100	CAP	1		

0325-4

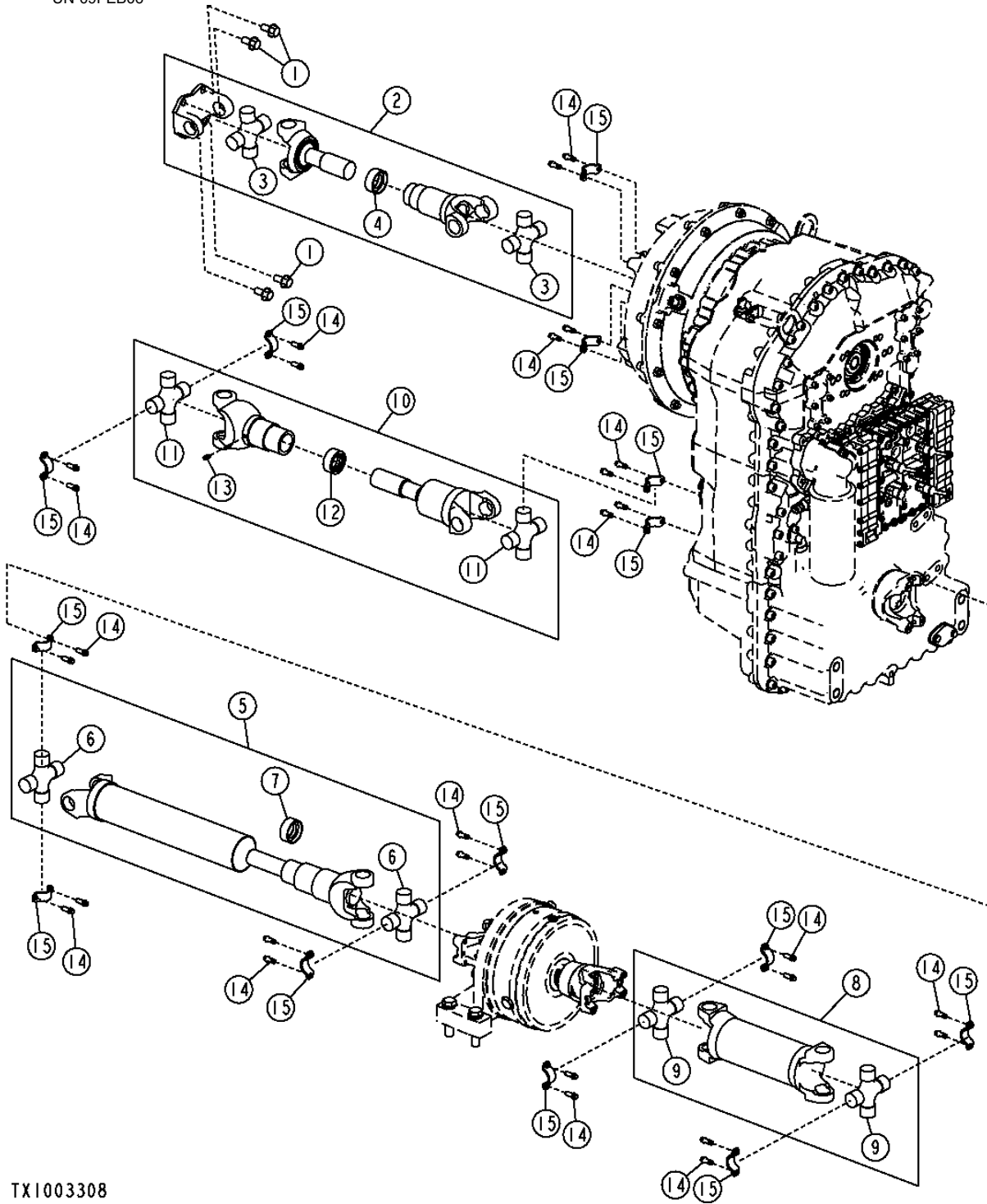
TRANSMISSION 03

INPUT DRIVE SHAFTS AND U-JOINTS 0325

DRIVE SHAFTS (S.N. 604690-)
ARBRES ENTRAINEMENT (S.N. 604690-)
EJES IMPULSORES (S.N. 604690-)

TX1003308

-UN-09FEB06



TX1003308

THIS PARTS LISTING IS CONTINUED

0325-5

TRANSMISSION 03

INPUT DRIVE SHAFTS AND U-JOINTS 0325

DRIVE SHAFTS (S.N. 604690-)
ARBRES ENTRAINEMENT (S.N. 604690-)
EJES IMPULSORES (S.N. 604690-)

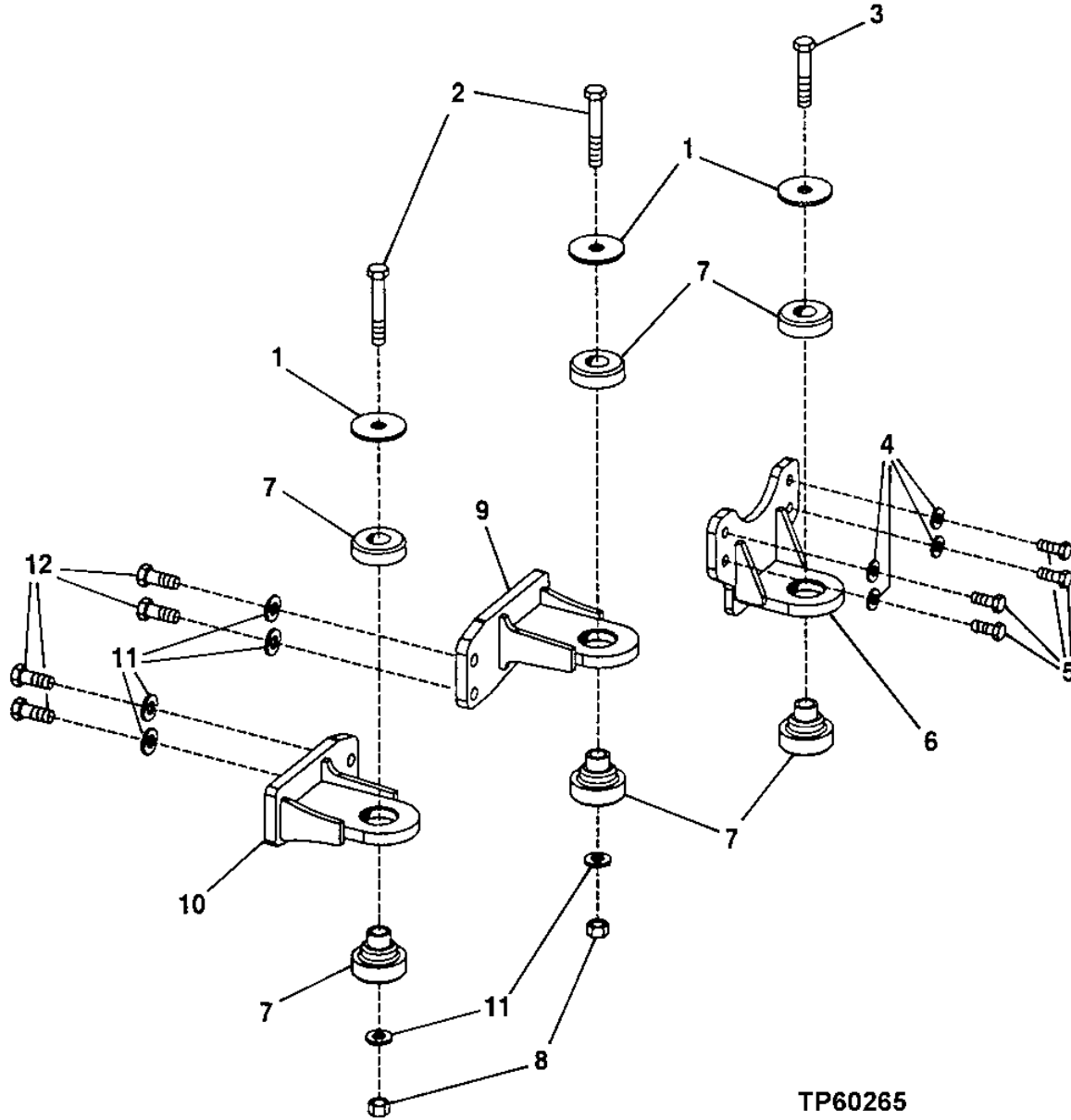
KEY	PART NO.	PART NAME	QTY.	SERIAL NO.	REMARKS
1	19M7788	SCREW	4		M12 X 25
2	AT209661	DRIVE SHAFT	1		
3	AT206861	UNIVERSAL JOINT	2		
4	AT210101	CAP	1		
5	AT224190	UNIVERSAL DRIVESHAFT	1		
6	AT206861	UNIVERSAL JOINT	2		
7	AT210101	CAP	1		
8	AT316360	UNIVERSAL DRIVESHAFT	1		
9	AT206861	UNIVERSAL JOINT	2		
10	AT316361	UNIVERSAL DRIVESHAFT	1		
11	AT206861	UNIVERSAL JOINT	2		
12	AT210100	CAP	1		
13	JD7797	LUBRICATION FITTING	1		
14	T113128	SCREW	28		5/16" X 3/4"
15	T203450	HALF CLAMP	14		

0342-2

TRANSMISSION 03

TRANSMISSION MOUNTING PARTS 0342
TRANSMISSION MOUNTING BRACKETS (S.N. -604689)
SUPPORTS DE MONTAGE DE TRANSMISSION (S.N. -604689)
ESCUADRAS DE MONTAJE DE TRANSMISION (S.N. -604689)

TP60265 -UN-26MAR98



TP60265

0342-3

TRANSMISSION 03

TRANSMISSION MOUNTING PARTS 0342

TRANSMISSION MOUNTING BRACKETS (S.N. -604689)
SUPPORTS DE MONTAGE DE TRANSMISSION (S.N. -604689)
ESCUADRAS DE MONTAJE DE TRANSMISION (S.N. -604689)

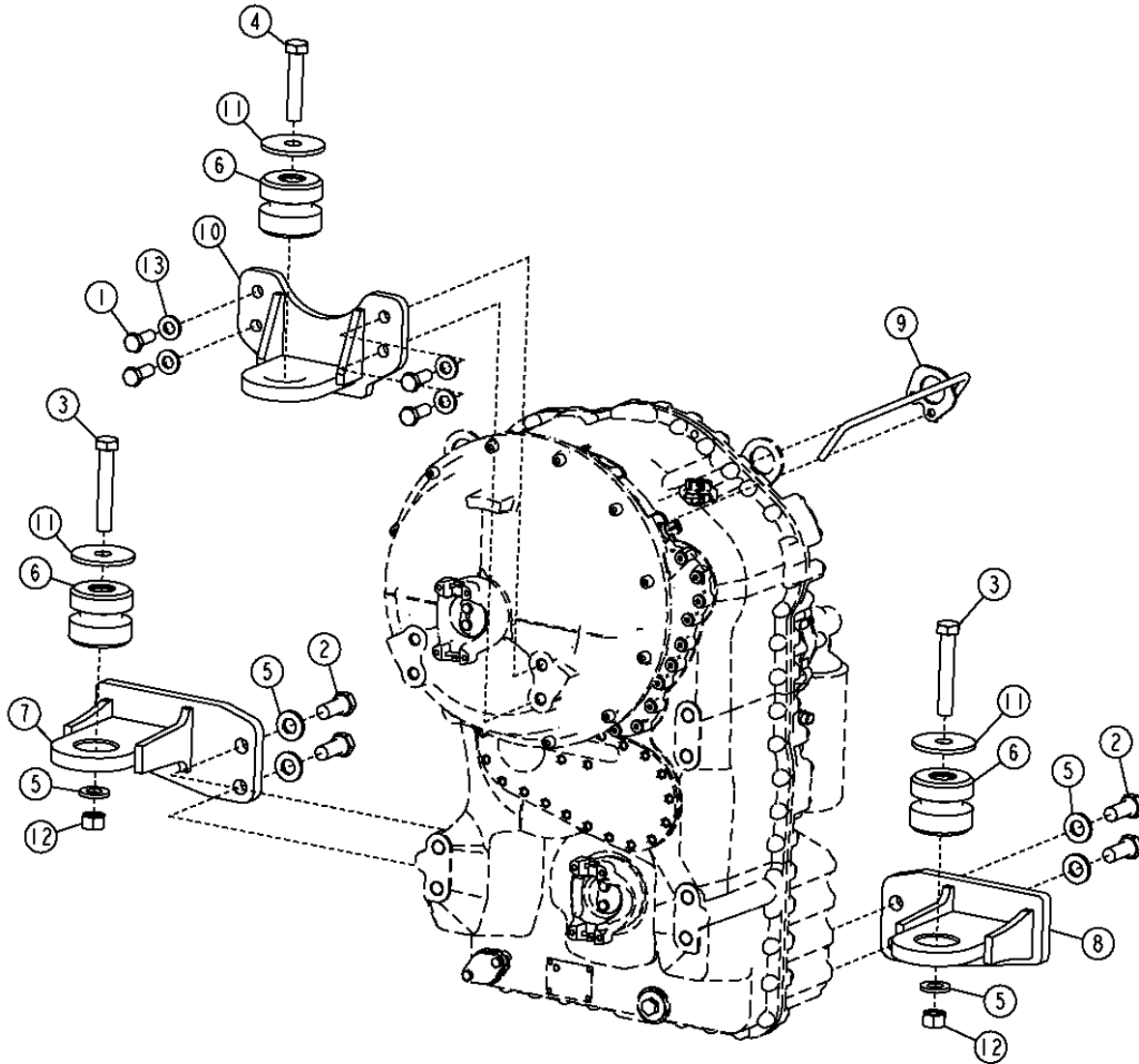
KEY	PART NO.	PART NAME	QTY.	SERIAL NO.	REMARKS
1	T42977	WASHER	3		23.012 X 88.900 X 6 MM
2	19M7883	SCREW	2		M20 X 120
3	19M7963	CAP SCREW	1		M20 X 100
4	24M7241	WASHER	4		17 X 34 X 4 MM
5	19M7488	CAP SCREW	4		M16 X 40
6	AT209221	SUPPORT	1		
7	AT165288	ISOLATOR	3		
8	14M7277	NUT	2		M20
9	AT209997	SUPPORT	1		
10	AT209996	SUPPORT	1		
11	24M7242	WASHER	6		21.400 X 42 X 5 MM
12	19M7487	CAP SCREW	4		M20 X 50. (SUB FOR 19M7597)

0342-3A

TRANSMISSION 03

TRANSMISSION MOUNTING PARTS 0342
TRANSMISSION MOUNTING BRACKETS (S.N. 604690-)
SUPPORTS DE MONTAGE DE TRANSMISSION (S.N. 604690-)
ESCUADRAS DE MONTAJE DE TRANSMISION (S.N. 604690-)

TX1003336 -UN-17FEB06



TX1003336

0342-3B

TRANSMISSION 03

TRANSMISSION MOUNTING PARTS 0342

TRANSMISSION MOUNTING BRACKETS (S.N. 604690-)
SUPPORTS DE MONTAGE DE TRANSMISSION (S.N. 604690-)
ESCUADRAS DE MONTAJE DE TRANSMISION (S.N. 604690-)

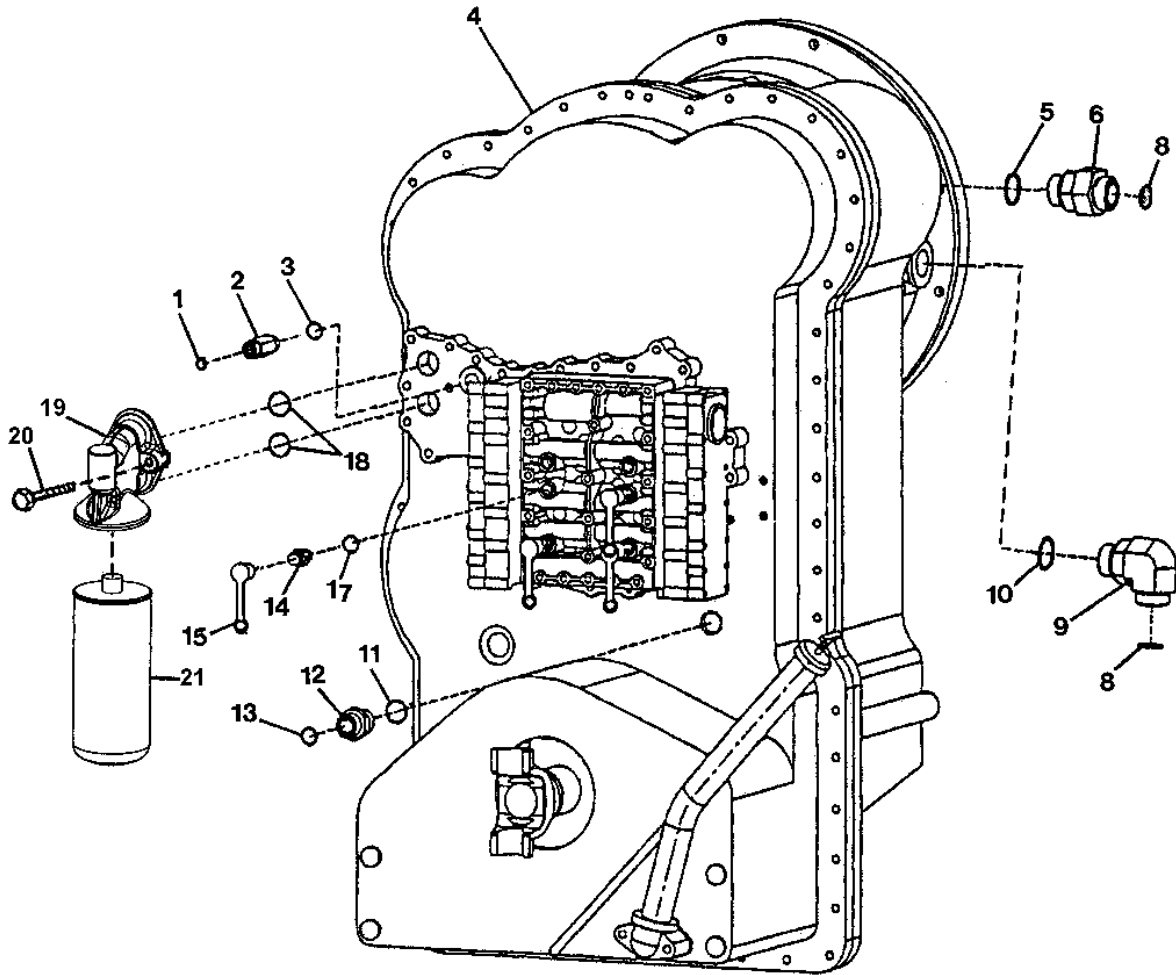
KEY	PART NO.	PART NAME	QTY.	SERIAL NO.	REMARKS
1	19M7488	CAP SCREW	4		M16 X 40
2	19M7487	CAP SCREW	4		M20 X 50, (SUB FOR (4) 19M7597)
3	19M7883	SCREW	2		M20 X 120
4	19M7963	CAP SCREW	1		M20 X 100
5	24M7242	WASHER	6		21.400 X 42 X 5 MM
6	AT165288	ISOLATOR	3		
7	AT209996	SUPPORT	1		
8	AT209997	SUPPORT	1		
9	AT222049	GUIDE	1		
10	AT317945	SUPPORT	1		
11	T42977	WASHER	3		23.012 X 88.900 X 6 MM
12	14M7277	NUT	2		M20
13	24M7241	WASHER	4		17 X 34 X 4 MM

0350-2

TRANSMISSION 03

GEARS, SHAFTS, BEARINGS AND POWER SHIFT CLUTCHES 0350
TRANSMISSION
TRANSMISSION
TRANSMISSION

T192819 -UN-10JUL03



T192819

THIS PARTS LISTING IS CONTINUED

0350-3

TRANSMISSION 03

GEARS, SHAFTS, BEARINGS AND POWER SHIFT CLUTCHES 0350
TRANSMISSION
TRANSMISSION
TRANSMISSION

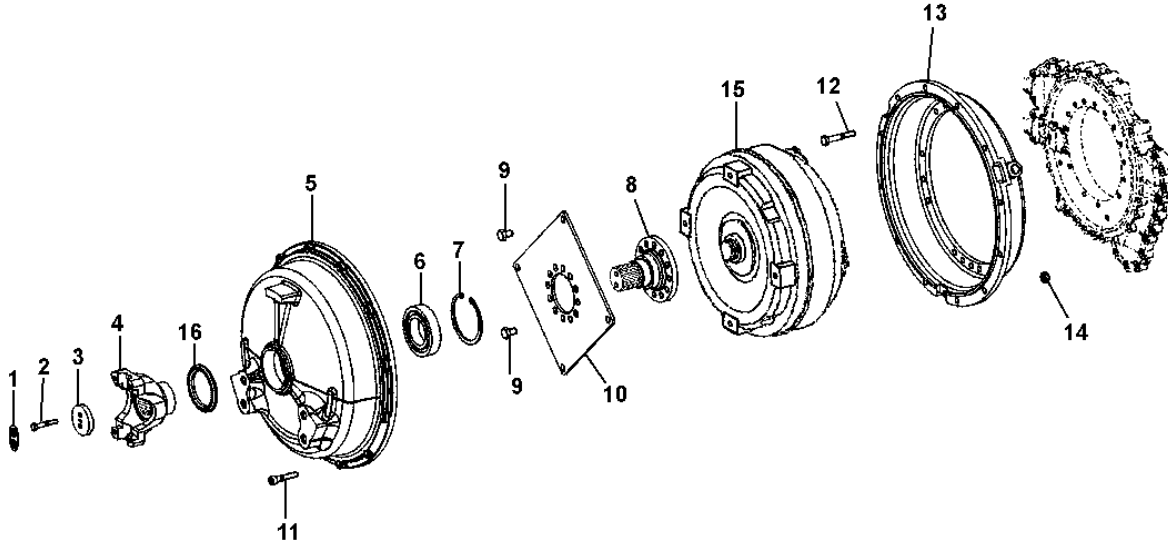
KEY	PART NO.	PART NAME	QTY.	TRANSMISSION SERIAL NO.	REMARKS
1	T77613	O-RING	1		
2	38H5178	ADAPTER FITTING	1		
3	51M7042	O-RING	1		13.300 X 2.200 MM
4	AT305659	TRANSMISSION	1		(REMAN) (SUB FOR AT227780)
5	R29936	O-RING	1		
6	38H1164	ADAPTER FITTING	1		
8	T76938	O-RING	2		
9	38H1037	ELBOW FITTING	1		
10	51M7048	O-RING	1		
11	T24210	O-RING	1		
12	T172732	ADAPTER FITTING	1		
13	T77932	O-RING	1		
14	AT202955	DIAGNOSTIC COUPLING	4		(INCLUDES 51M7039)
15	R77175	COVER	4		
17	51M7039	O-RING	4		8.100 X 1.600 MM
18	T172318	O-RING	2		
19	T177997	FILTER HEAD	1		
20	T173819	CAP SCREW	2		
21	AT336140	OIL FILTER	1		(SUB FOR AT222005)

0350-4

TRANSMISSION 03

GEARS, SHAFTS, BEARINGS AND POWER SHIFT CLUTCHES 0350
TORQUE CONVERTER
CONVERTISSEUR DE COUPLE
CONVERTIDOR DE PAR

T192713 -UN-11JUL03



T192713

THIS PARTS LISTING IS CONTINUED

0350-5

TRANSMISSION 03

GEARS, SHAFTS, BEARINGS AND POWER SHIFT CLUTCHES 0350
TORQUE CONVERTER
CONVERTISSEUR DE COUPLE
CONVERTIDOR DE PAR

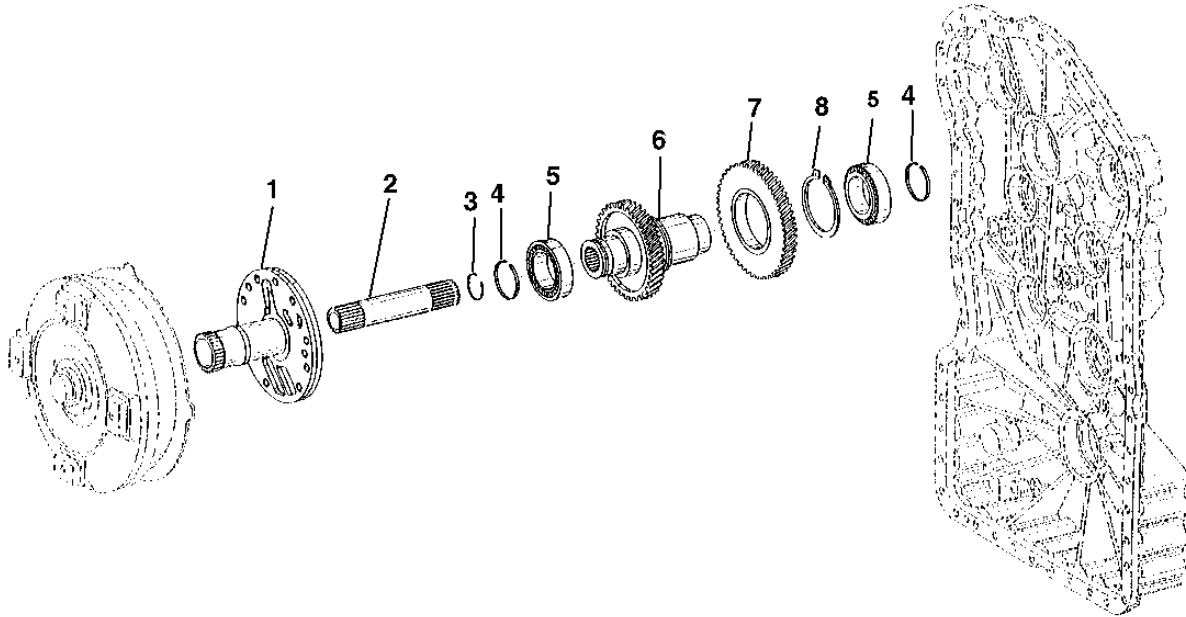
KEY	PART NO.	PART NAME	QTY.	TRANSMISSION SERIAL NO.	REMARKS
1	T116613	WASHER	1		
2	19M8397	CAP SCREW	2		M8 X 50
3	T116516	SPACER	1		
4	T179944	UNIVERSAL JOINT YOKE	1		
5	T195240	HOUSING	1		
6	T195242	BALL BEARING	1		
7	T195243	SNAP RING	1		
8	T195241	UNIVERSAL DRIVESHAFT	1		
9	19M8017	CAP SCREW	16		M12 X 20
10	T172812	DIAPHRAGM	1		
11	19M7179	CAP SCREW	12		M10 X 50
12	19M7742	CAP SCREW	18		M10 X 65
13	T179276	HOUSING	1		
14	14M7274	NUT	12		M10
15	AT228318	TORQUE CONVERTER	1		(REMAN) (SUB FOR AT228317)
16	T196792	SCREEN	1		

0350-6

TRANSMISSION 03

GEARS, SHAFTS, BEARINGS AND POWER SHIFT CLUTCHES 0350
TRANSMISSION INPUT SHAFT
ARBRE D'ENTREE DE TRANSMISSION
EJE DE ENTRADA DE LA TRANSMISION

T192712 -UN-11JUL03



T192712

THIS PARTS LISTING IS CONTINUED

0350-7

TRANSMISSION 03

GEARS, SHAFTS, BEARINGS AND POWER SHIFT CLUTCHES 0350
TRANSMISSION INPUT SHAFT
ARBRE D'ENTREE DE TRANSMISSION
EJE DE ENTRADA DE LA TRANSMISION

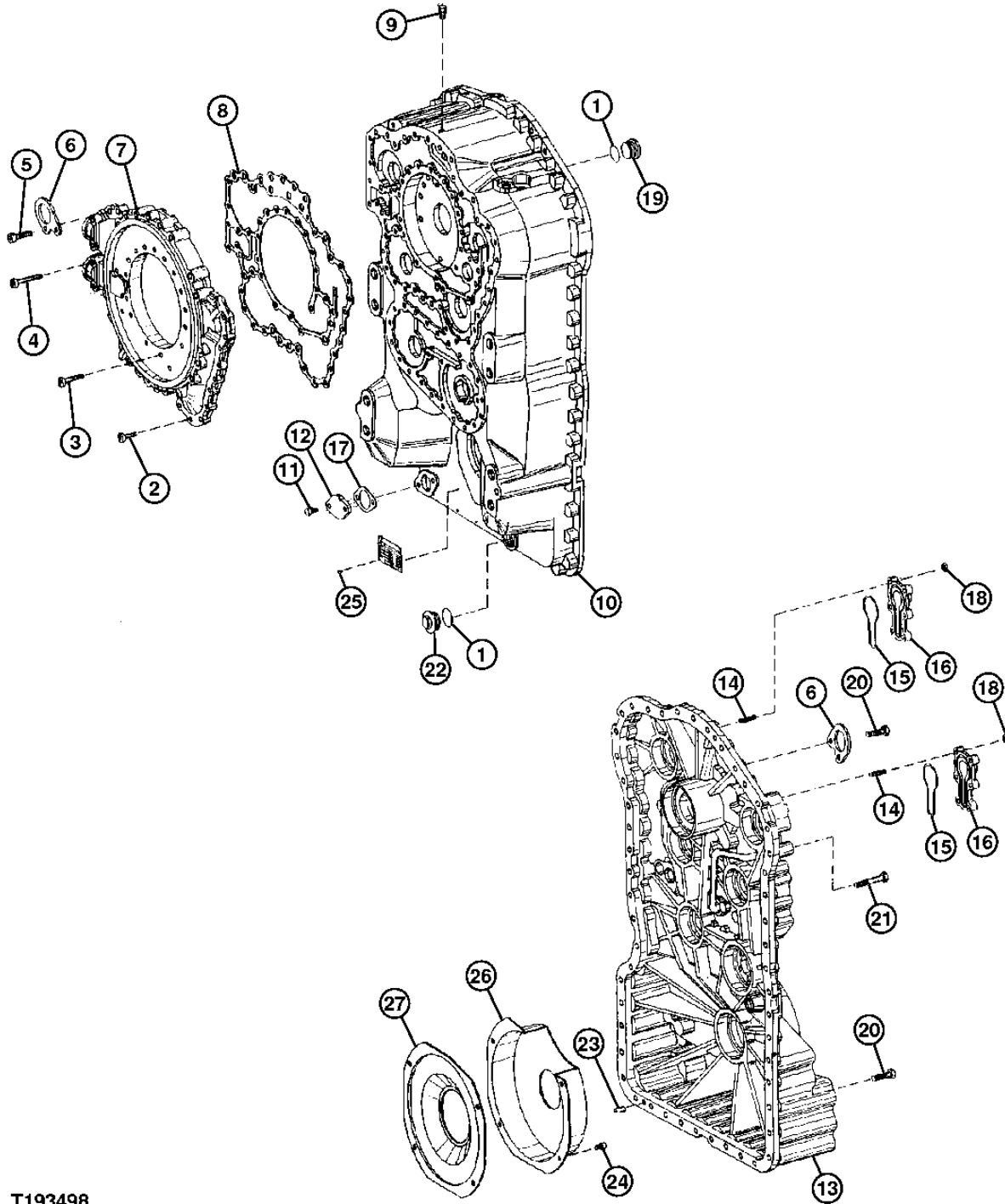
KEY	PART NO.	PART NAME	QTY.	TRANSMISSION SERIAL NO.	REMARKS
1	T195207	UNIVERSAL DRIVESHAFT	1		
2	T171114	PINION SHAFT	1		
3	T171178	SNAP RING	1		
4	T181535	PISTON RING	2		
5	T171126	BEARING	2		IMPORTANT-HIGH TOLERANCE BEARING REQUIRED IN THIS LOCATION. USE ONLY JOHN DEERE PARTS SOURCED BEARINGS.
6	T172796	UNIVERSAL DRIVESHAFT	1		
7	T171115	GEAR	1		
8	40M7220	SNAP RING	1		

0350-8

TRANSMISSION 03

GEARS, SHAFTS, BEARINGS AND POWER SHIFT CLUTCHES 0350 TRANSMISSION HOUSING CARTER DE TRANSMISSION CAJA DE LA TRANSMISION

T193498 -UN-21AUG03



T193498

THIS PARTS LISTING IS CONTINUED

0350-9

TRANSMISSION 03

GEARS, SHAFTS, BEARINGS AND POWER SHIFT CLUTCHES 0350
TRANSMISSION HOUSING
CARTER DE TRANSMISSION
CAJA DE LA TRANSMISION

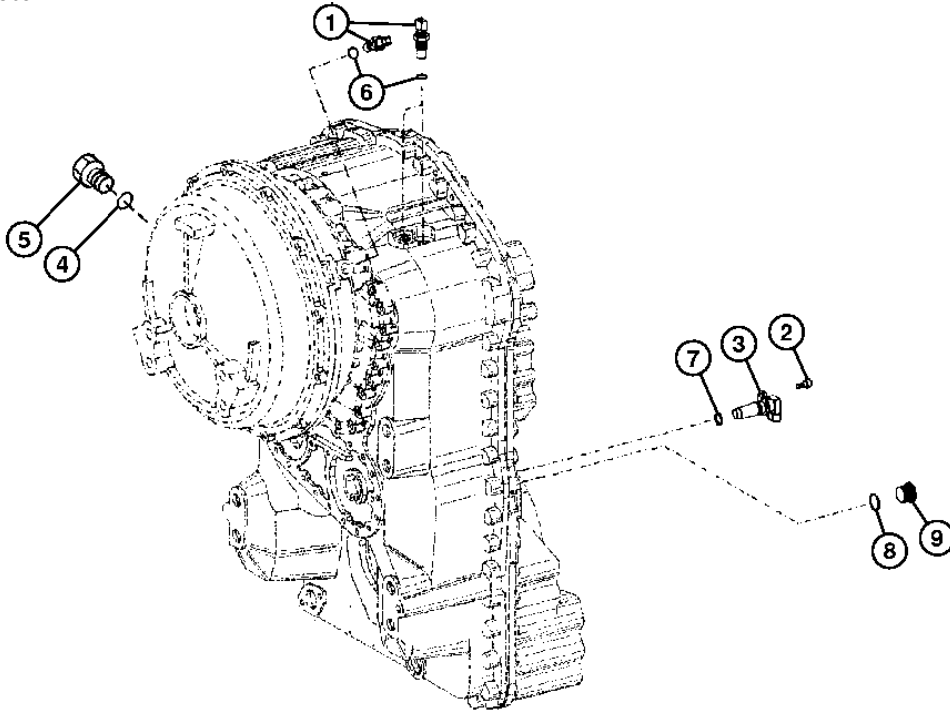
KEY	PART NO.	PART NAME	QTY.	TRANSMISSION SERIAL NO.	REMARKS
1	T174107	O-RING	2		
2	T161208	CAP SCREW	15		
3	19M2972	CAP SCREW	21		M8 X 45
4	T173819	CAP SCREW	4		
5	19M8338	SCREW	2		M10 X 40
6	T171112	PLATE	2		
7	T173063	MANIFOLD	1		
8	T172795	GASKET	1		
9	T116918	BREATHER	1		
10	T197458	TRANSMISSION CASE	1		
11	19M7284	CAP SCREW	2		M8 X 18
12	T144370	PLATE	1		
13	T179673	HOUSING	1		
14	T180884	STUD	12		
15	T174238	O-RING	2		
16	T171111	COVER	2		
17	T116604	GASKET	1		
18	14M7298	FLANGE NUT	12		M8
19	T173216	PLUG	1		
20	19M8338	SCREW	44		M10 X 40
21	19M8340	SCREW	7		M10 X 65
22	T172094	DRAIN PLUG	1		
23	T179691	PIN	2		
24	19M7964	CAP SCREW	4		M8 X 12
25	25M7021	GROOVE PIN	4		3 X 5 MM
26	T171958	COVER	1		
27	T171957	COVER	1		

0350-10

TRANSMISSION 03

GEARS, SHAFTS, BEARINGS AND POWER SHIFT CLUTCHES 0350
TRANSMISSION SPEED SENSOR
CAPTEUR DE VITESSE DE TRANSMISSION
SENSOR DE VELOCIDAD DE LA TRANSMISION

T193503 -UN-18AUG03



T193503

0350-11

TRANSMISSION 03

GEARS, SHAFTS, BEARINGS AND POWER SHIFT CLUTCHES 0350
TRANSMISSION SPEED SENSOR
CAPTEUR DE VITESSE DE TRANSMISSION
SENSOR DE VELOCIDAD DE LA TRANSMISION

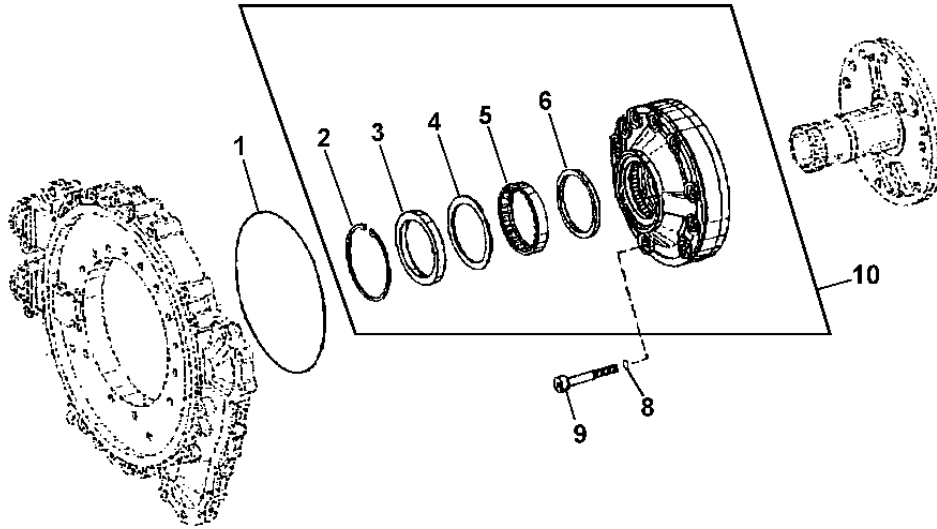
KEY	PART NO.	PART NAME	QTY.	TRANSMISSION SERIAL NO.	REMARKS
1	AT210773	SENSOR	3		
2	19M7932	CAP SCREW	1		M8 X 16
3	T179510	SENSOR	1		
4	T176796	O-RING	1		
5	T175750	PLUG	1		
6	R104558	O-RING	3		
7	R73599	O-RING	1		
8	T174236	O-RING	1		
9	T173217	FITTING PLUG	1		

0350-12

TRANSMISSION 03

GEARS, SHAFTS, BEARINGS AND POWER SHIFT CLUTCHES 0350
TRANSMISSION OIL PUMP
POMPE A HUILE DE BOITE
BOMBA DE ACEITE DE LA TRANSMISION

T193485 -UN-14AUG03



T193485

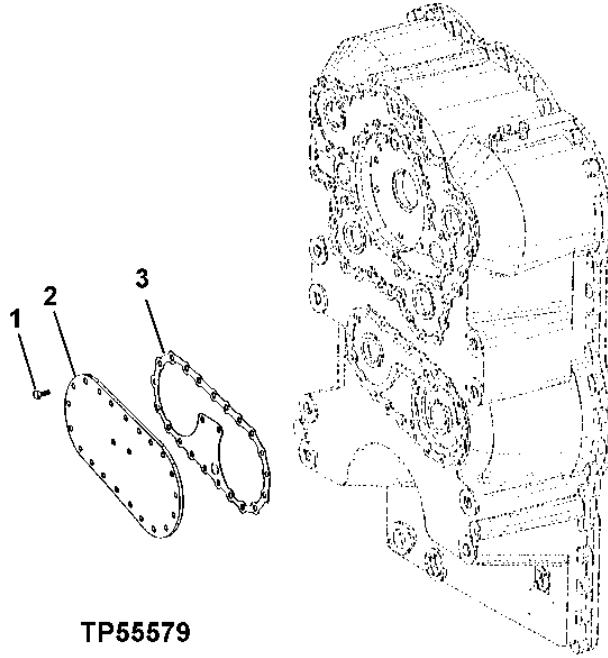
KEY	PART NO.	PART NAME	QTY.	TRANSMISSION SERIAL NO.	REMARKS
1	L40273	O-RING	1		
2	T173400	SNAP RING	1		
3	T173399	SEAL	1		
4	T173397	THRUST WASHER	1		
5	T173398	BEARING	1		
6	T173396	RING	1		
8	T174239	O-RING	10		
9	T207759	BOLT	10		
10	AT334451	FLOW CONTROL HYD. VALVE	1		(SUB FOR AT223279)

0350-13

TRANSMISSION 03

GEARS, SHAFTS, BEARINGS AND POWER SHIFT CLUTCHES 0350
TRANSMISSION COVER AND GASKET (S.N. -604689)
COUVERCLE ET JONT DE TRANSMISSION (S.N. -604689)
EMPAQUETADURA Y CUBIERTA DE LA TRANSMISION (S.N. -604689)

TP55579 -UN-14JUL97



KEY	PART NO.	PART NAME	QTY.	TRANSMISSION SERIAL NO.	REMARKS
1	19M7284	CAP SCREW	23		M8 X 18
2	T172814	COVER	1		
3	T181474	GASKET	1		

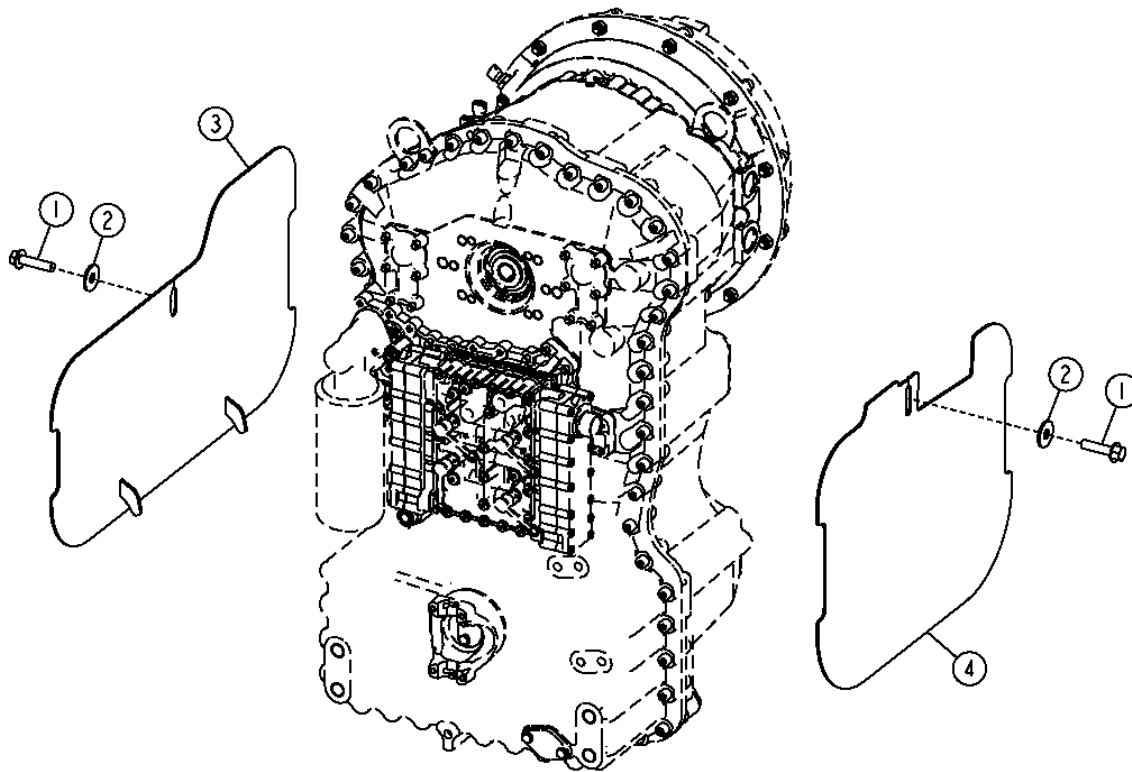
0350-13A

TRANSMISSION 03

GEARS, SHAFTS, BEARINGS AND POWER SHIFT CLUTCHES 0350
TRANSMISSION COVER (S.N. 604690-)
COUVERCLE DE TRANSMISSION (S.N. 604690-)
CUBIERTA DE LA TRANSMISION (S.N. 604690-)

TX1004046

-UN-23FEB06



TX1004046

THIS PARTS LISTING IS CONTINUED

0350-13B

TRANSMISSION 03

GEARS, SHAFTS, BEARINGS AND POWER SHIFT CLUTCHES 0350
TRANSMISSION COVER (S.N. 604690-)
COUVERCLE DE TRANSMISSION (S.N. 604690-)
CUBIERTA DE LA TRANSMISION (S.N. 604690-)

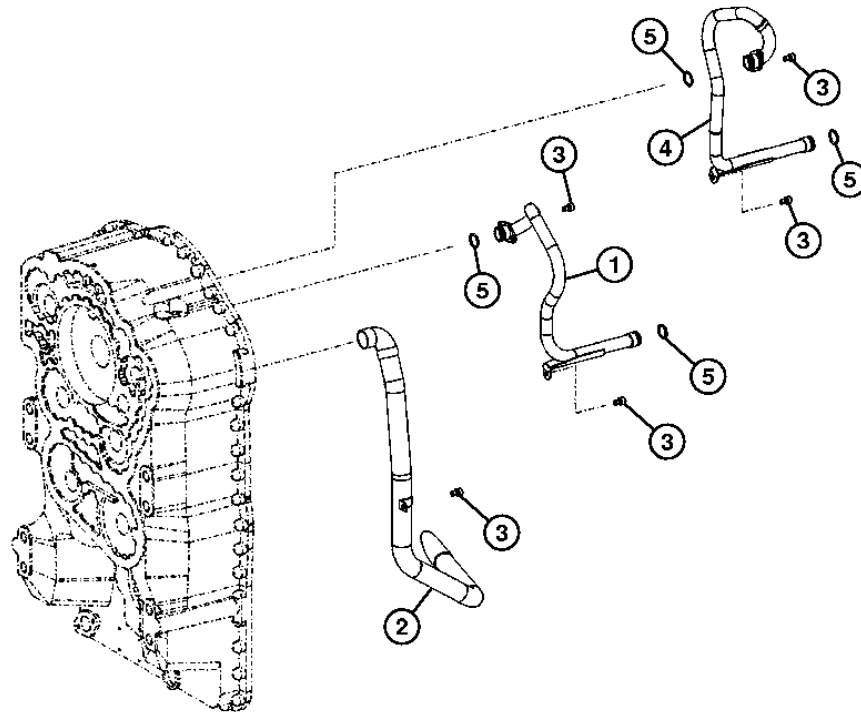
KEY	PART NO.	PART NAME	QTY.	TRANSMISSION SERIAL NO.	REMARKS
1	19M7814	SCREW	2		M12 X 50
2	24M7180	WASHER	2		13 X 37 X 3 MM
3	AT227073	COVER	1		
4	AT323687	COVER	1		

0350-14

TRANSMISSION 03

GEARS, SHAFTS, BEARINGS AND POWER SHIFT CLUTCHES 0350
TRANSMISSION INTERNAL OIL LINES
CONDUITES D'HUILE INTERNES DE TRANSMISSION
LINEAS INTERNAS DE ACEITE DE LA TRANSMISSION

T193492 -UN-21AUG03



T193492

THIS PARTS LISTING IS CONTINUED

0350-15

TRANSMISSION 03

GEARS, SHAFTS, BEARINGS AND POWER SHIFT CLUTCHES 0350
TRANSMISSION INTERNAL OIL LINES
CONDUITES D'HUILE INTERNES DE TRANSMISSION
LINEAS INTERNAS DE ACEITE DE LA TRANSMISION

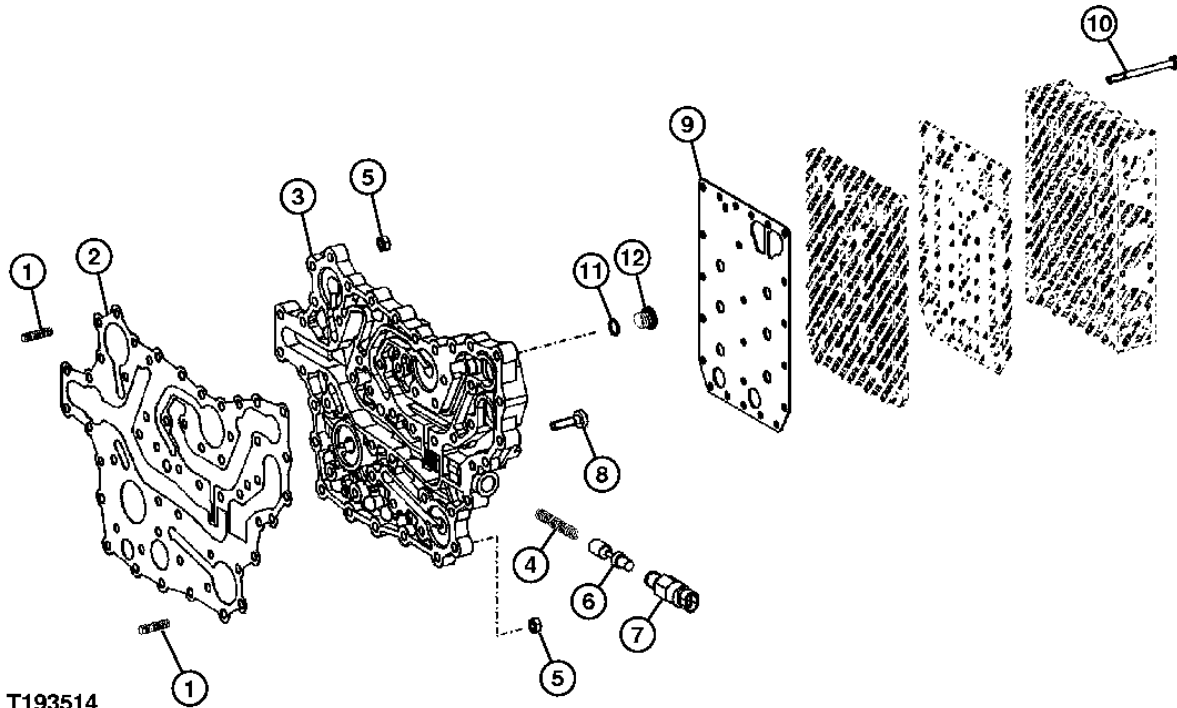
KEY	PART NO.	PART NAME	QTY.	TRANSMISSION SERIAL NO.	REMARKS
1	T197459	LINE	1		
2	T172791	TUBE	1		
3	19M7964	CAP SCREW	7		M8 X 12
4	T197460	LINE	1		
5	T174234	O-RING	4		

0350-16

TRANSMISSION 03

GEARS, SHAFTS, BEARINGS AND POWER SHIFT CLUTCHES 0350
TRANSMISSION CONTROL VALVE MANIFOLD
COLLECTEUR DE DISTRIBUTEUR DE TRANSMISSION
COLECTOR DE LA VALVULA DE CONTROL DE TRANSMISION

T193514 -UN-21AUG03



0350-17

TRANSMISSION 03

GEARS, SHAFTS, BEARINGS AND POWER SHIFT CLUTCHES 0350
TRANSMISSION CONTROL VALVE MANIFOLD
COLLECTEUR DE DISTRIBUTEUR DE TRANSMISSION
COLECTOR DE LA VALVULA DE CONTROL DE TRANSMISION

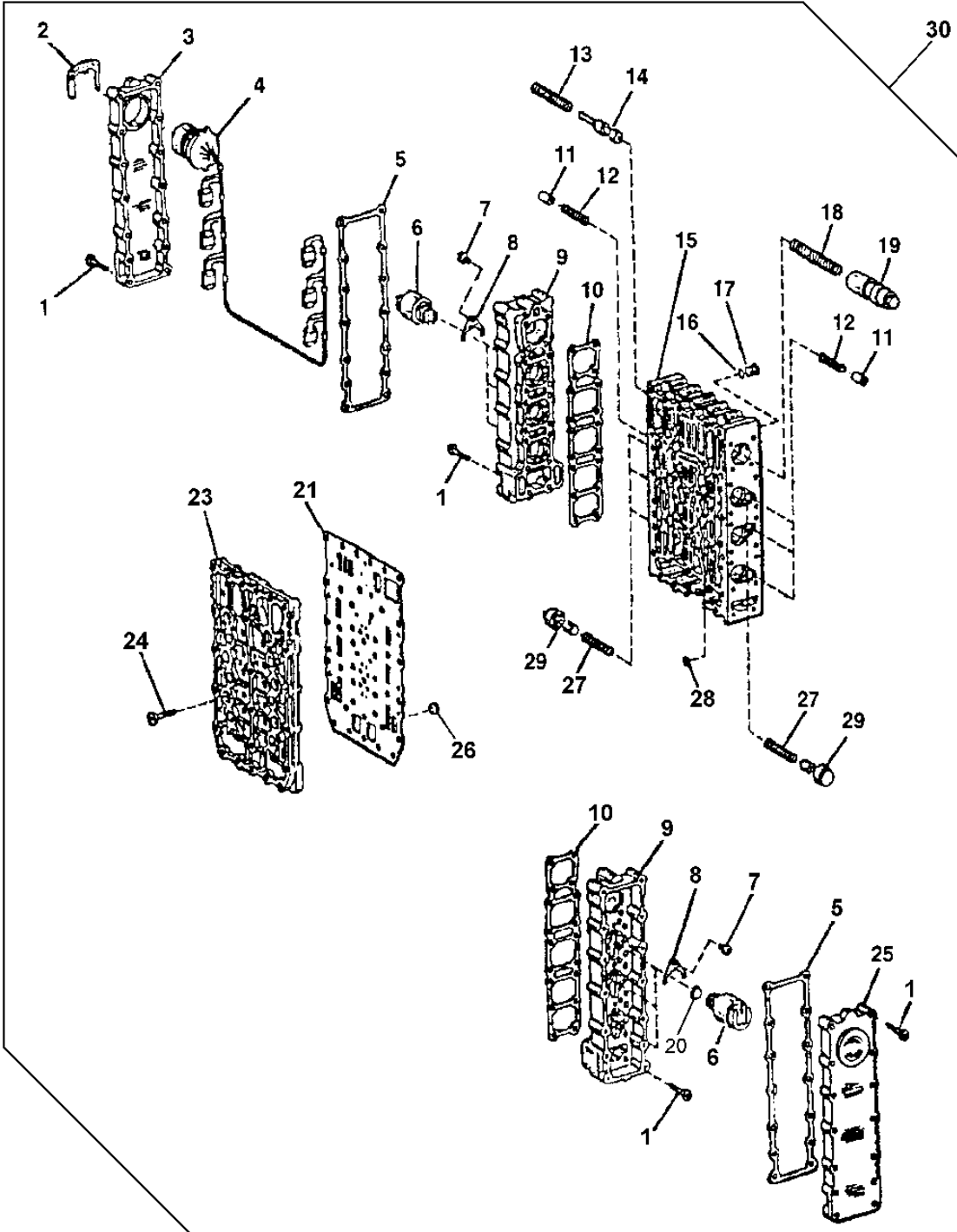
KEY	PART NO.	PART NAME	QTY.	TRANSMISSION SERIAL NO.	REMARKS
1	T180884	STUD	14		
2	T203554	GASKET	1		
3	T203555	PLATE	1		
4	T177979	SPRING	1		
5	14M7298	FLANGE NUT	14		M8
6	T203742	VALVE SPOOL	1		
7	T173873	PRESSURE SWITCH	1		(TRANSMISSION OIL FILTER RESTRICTION INDICATOR)
8	T161208	CAP SCREW	37		
9	T174393	PLATE	1		(SUB FOR T195274) (ALSO ORDER T173870 AND T174394)
10	T173123	CAP SCREW	23		(SUB FOR T195055)
11	T74552	O-RING	1		
12	T122803	FITTING PLUG	1		

0350-18

TRANSMISSION 03

GEARS, SHAFTS, BEARINGS AND POWER SHIFT CLUTCHES 0350 TRANSMISSION CONTROL VALVE ENTRE SOUPEPE DE FREIN ET DISTRIBUTEUR DE TRANSMISSION VALVULA DE FRENO A VALVULA DE CONTROL DE TRANSMISION

T192815 -UN-28JUL03



T192815

THIS PARTS LISTING IS CONTINUED

0350-19

TRANSMISSION 03

GEARS, SHAFTS, BEARINGS AND POWER SHIFT CLUTCHES 0350
TRANSMISSION CONTROL VALVE
ENTRE SOUPAPE DE FREIN ET DISTRIBUTEUR DE TRANSMISSION
VALVULA DE FRENO A VALVULA DE CONTROL DE TRANSMISION

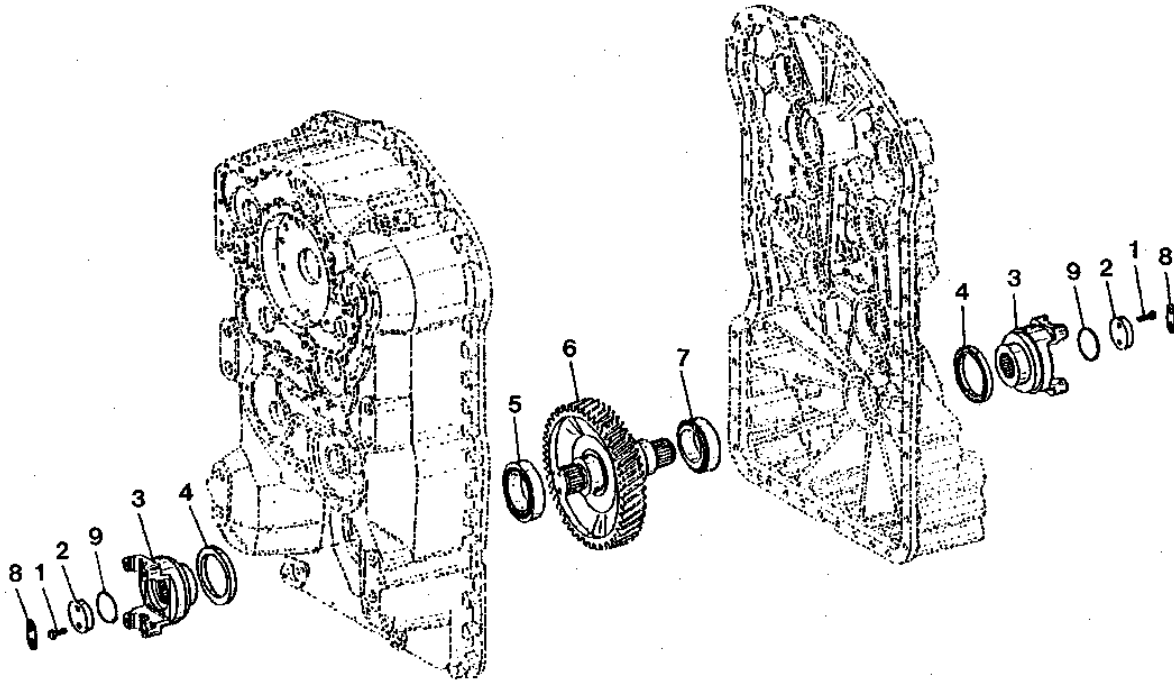
KEY	PART NO.	PART NAME	QTY.	TRANSMISSION SERIAL NO.	REMARKS
1	T173131	CAP SCREW	64		
2	T161207	CLAMP	1		
3	T173138	COVER	1		
4	T179721	WIRING HARNESS	1		(INCLUDES TRANSMISSION TEMPERATURE SENSOR)
5	T182254	GASKET	2		
6	T169607	SOLENOID VALVE	6		
7	19M7600	SCREW	6		M5 X 12, (SUB FOR T159602)
8	T144486	PLATE	6		
9	T177221	HOUSING	2		
10	T182196	GASKET	2		
11	T169766	PIN FASTENER	6		
12	T169712	COMPRESSION SPRING	6		
13	T173126	COMPRESSION SPRING	1		
14	T173125	PISTON	1		
15	T177219	FLOW CONTROL HYD. VALVE	1		
16	T116416	O-RING	8		
17	T175862	PLUG	8		
18	T173128	COMPRESSION SPRING	1		
19	T205369	PISTON	1		
20	T170196	O-RING	6		
21	T179532	PLATE	1		(SUB FOR T195052) (ALSO ORDER T179531 AND T179533)
23	T203767	PLATE	1		
24	T195275	CAP SCREW	18		
25	T173139	COVER	1		
26	T174396	SCREEN	6		
27	T169711	COMPRESSION SPRING	6		
28	T169707	ORIFICE	6		
29	T173511	PISTON	6		
30	AT220039	HYD ACTUATED CONTROL VALVE	1		

0350-20

TRANSMISSION 03

GEARS, SHAFTS, BEARINGS AND POWER SHIFT CLUTCHES 0350
TRANSMISSION OUTPUT SHAFT
ARBRE DE SORTIE DE TRANSMISSION
EJE DE SALIDA DE LA TRANSMISION

TP62705 -UN-23NOV99



TP62705

0350-21

TRANSMISSION 03

GEARS, SHAFTS, BEARINGS AND POWER SHIFT CLUTCHES 0350
TRANSMISSION OUTPUT SHAFT
ARBRE DE SORTIE DE TRANSMISSION
EJE DE SALIDA DE LA TRANSMISION

KEY	PART NO.	PART NAME	QTY.	TRANSMISSION SERIAL NO.	REMARKS
1	19M7407	CAP SCREW	4		M8 X 25
2	T116460	SPACER	2		
3	T172350	YOKE WITH SHAFT	2		
4	T141386	SEAL	2		
5	T171126	BEARING	1		IMPORTANT-HIGH TOLERANCE BEARING REQUIRED IN THIS LOCATION. DO NOT SUBSTITUTE STANDARD BEARING.
6	T171181	PINION SHAFT	1		
7	T171126	BEARING	1		IMPORTANT-HIGH TOLERANCE BEARING REQUIRED IN THIS LOCATION. DO NOT SUBSTITUTE STANDARD BEARING.
8	T116481	WASHER	2		TAB
9	T123707	O-RING	2		

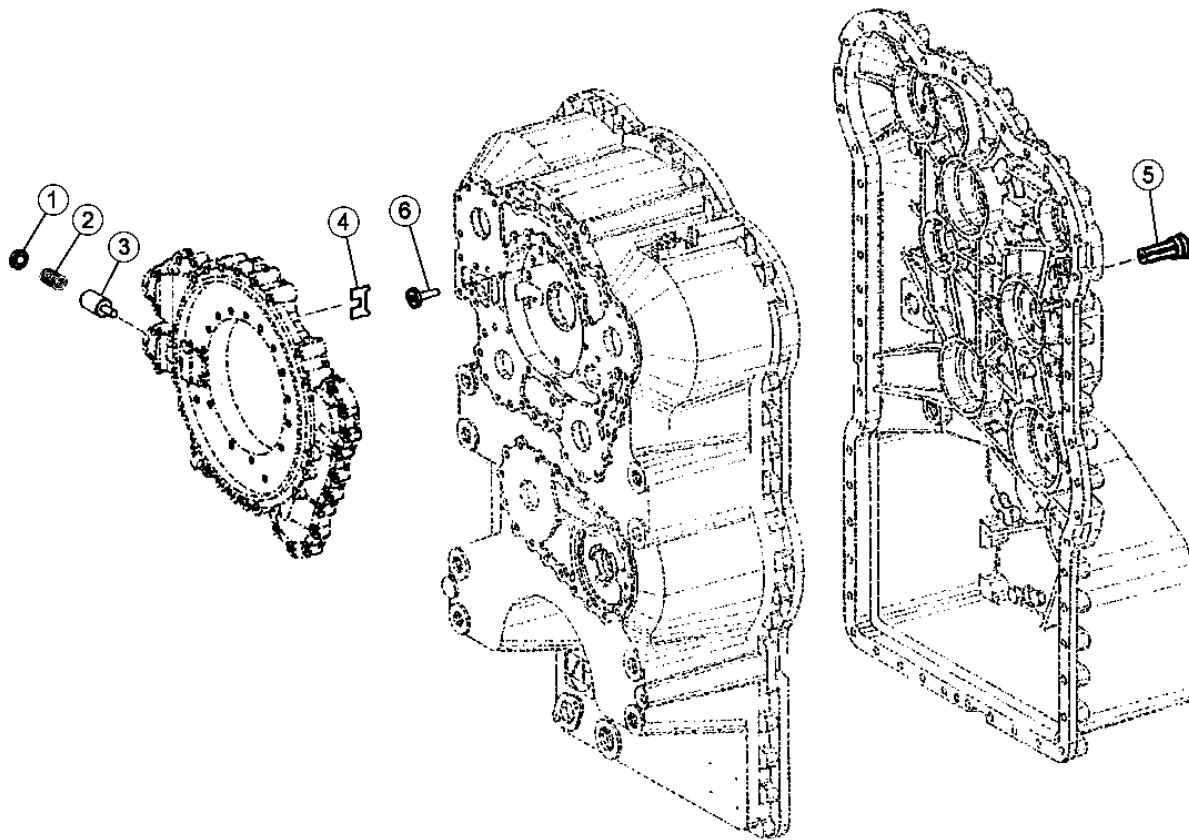
0350-22

TRANSMISSION 03

GEARS, SHAFTS, BEARINGS AND POWER SHIFT CLUTCHES 0350
CLAPET DE DECHARGE DE CONVERTISSEUR DE COUPLE ET SOUPEAPE DE PRESSION MINIMALE DE TRANSMISSION
VALVULA ALIVIO PRESION DEL CONVERTIDOR DE PAR Y VALVULA DE PRESION MINIMA DE LA TRANSMISION

T155456

-UN-03JUN02



T155456

0350-23

TRANSMISSION 03

GEARS, SHAFTS, BEARINGS AND POWER SHIFT CLUTCHES 0350
TORQUE CONVERTER PRESSURE RELIEF VALVE AND TRANSMISSION MINIMUM PRESSURE VALVE
CLAPET DE DECHARGE DE CONVERTISSEUR DE COUPLE ET SOUPAPE DE PRESSION MINIMALE DE TRANSMISSION
VALVULA ALIVIO PRESION DEL CONVERTIDOR DE PAR Y VALVULA DE PRESION MINIMA DE LA TRANSMISION

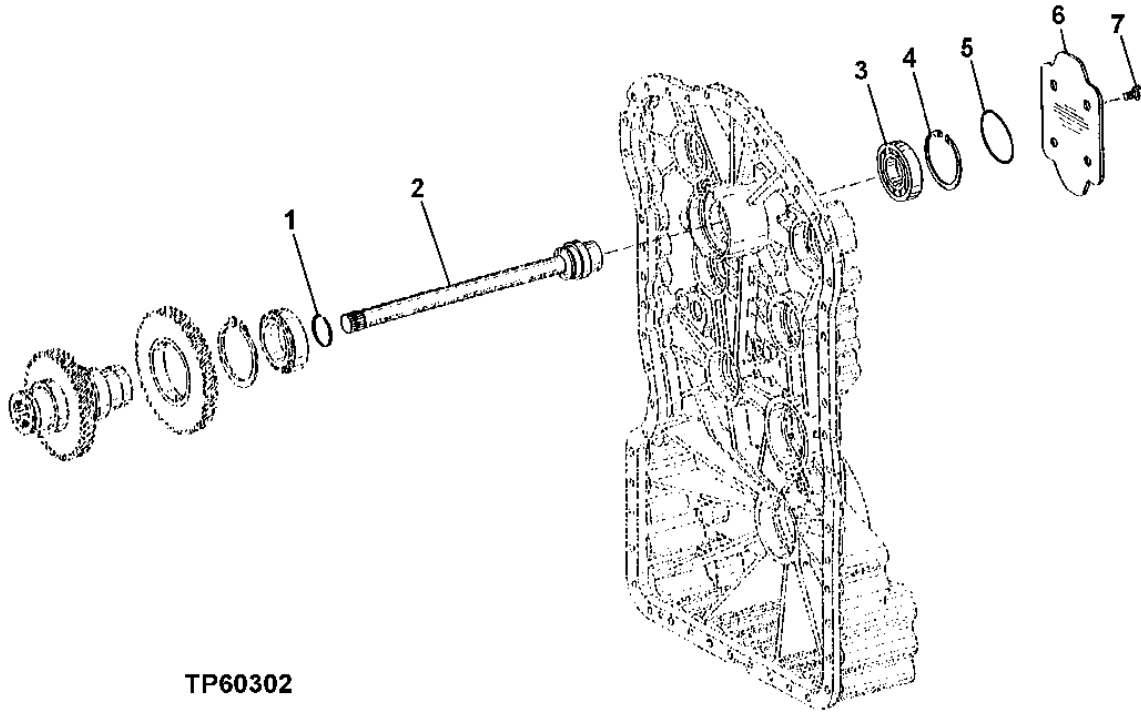
KEY	PART NO.	PART NAME	QTY.	TRANSMISSION SERIAL NO.	REMARKS
1	T173145	PLATE	1		
2	T176528	COMPRESSION SPRING	1		
3	T176527	PISTON	1		
4	T173146	WASHER	1		
5	T176526	FLOW CONTROL HYD. VALVE	1		
6	T195270	PRESSURE RELIEF VALVE	1		

0350-24

TRANSMISSION 03

GEARS, SHAFTS, BEARINGS AND POWER SHIFT CLUTCHES 0350
POWER TAKEOFF
PRISE DE FORCE
TOMA DE FUERZA

TP60302 -UN-08APR98



TP60302

0350-25

TRANSMISSION 03

GEARS, SHAFTS, BEARINGS AND POWER SHIFT CLUTCHES 0350
POWER TAKEOFF
PRISE DE FORCE
TOMA DE FUERZA

KEY	PART NO.	PART NAME	QTY.	TRANSMISSION SERIAL NO.	REMARKS
1	T172118	PISTON RING	1		
2	T172815	UNIVERSAL DRIVESHAFT	1		
3	T171140	BALL BEARING	1		
4	40M1872	SNAP RING	1		
5	T169035	RING	1		
6	PLATE	1		(T175711 NO LONGER USED)
7	CAP SCREW	4		(T174407 NO LONGER USED)

0350-27

TRANSMISSION 03

GEARS, SHAFTS, BEARINGS AND POWER SHIFT CLUTCHES 0350
FORWARD CLUTCH ASSEMBLY
EMBAYAGE DE MARCHE AVANT
CONJUNTO DE EMBRAGUE DE AVANCE

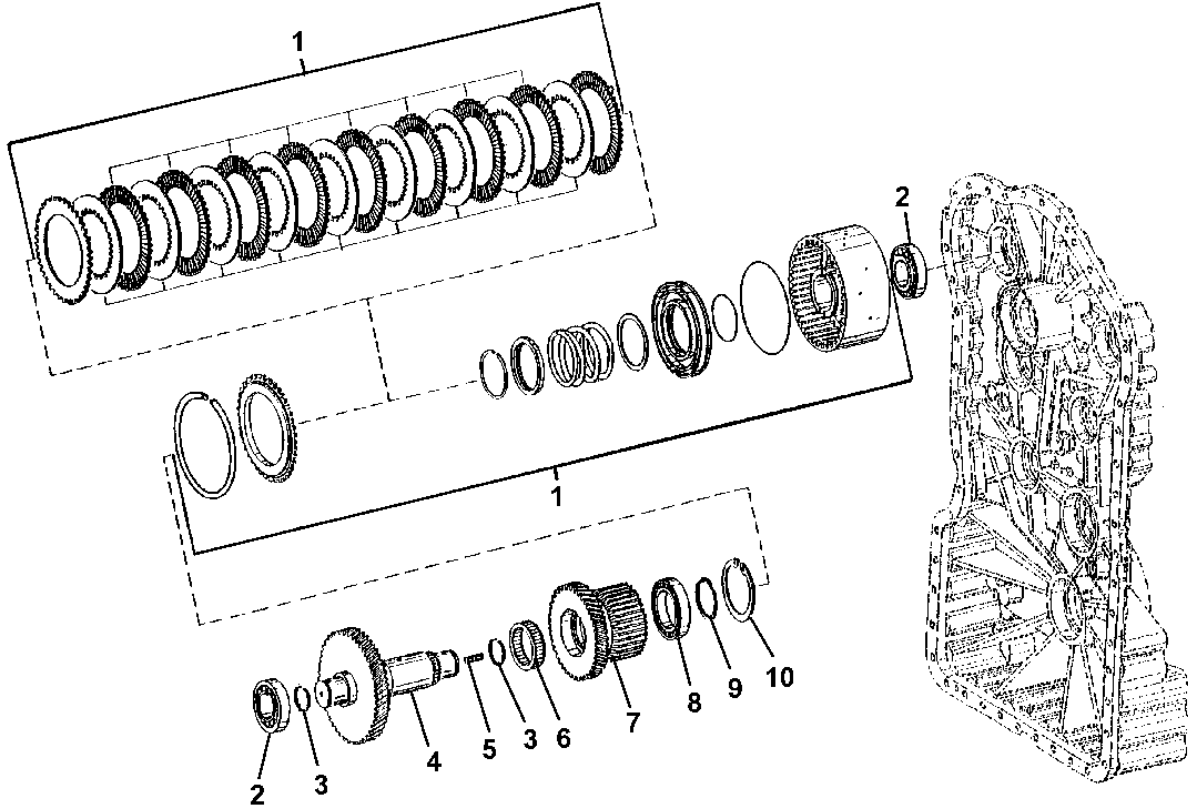
KEY	PART NO.	PART NAME	QTY.	TRANSMISSION SERIAL NO.	REMARKS
1	AT223241	CLUTCH	1		
2	T171156	BEARING	2		IMPORTANT-HIGH TOLERANCE BEARING REQUIRED IN THIS LOCATION. DO NOT SUBSTITUTE STANDARD BEARING.
3	T172115	PISTON RING	2		
4	T171217	PINION SHAFT	1		
5	T171153	STUD	1		
6	T172302	NEEDLE BEARING	1		
7	T172817	GEAR	1		
8	T197553	BALL BEARING	1		
9	T159519	SNAP RING	1		
10	40M7060	SNAP RING	1		

0350-28

TRANSMISSION 03

GEARS, SHAFTS, BEARINGS AND POWER SHIFT CLUTCHES 0350
REVERSE CLUTCH ASSEMBLY
INTERRUPTEUR DE RETOUR EN POSITION DE CREUSEMENT
INTERRUPTOR DE RETORNO A EXCAVACION

TP62881 -UN-23AUG00



TP62881

0350-29

TRANSMISSION 03

GEARS, SHAFTS, BEARINGS AND POWER SHIFT CLUTCHES 0350
REVERSE CLUTCH ASSEMBLY
INTERRUPTEUR DE RETOUR EN POSITION DE CREUSEMENT
INTERRUPTOR DE RETORNO A EXCAVACION

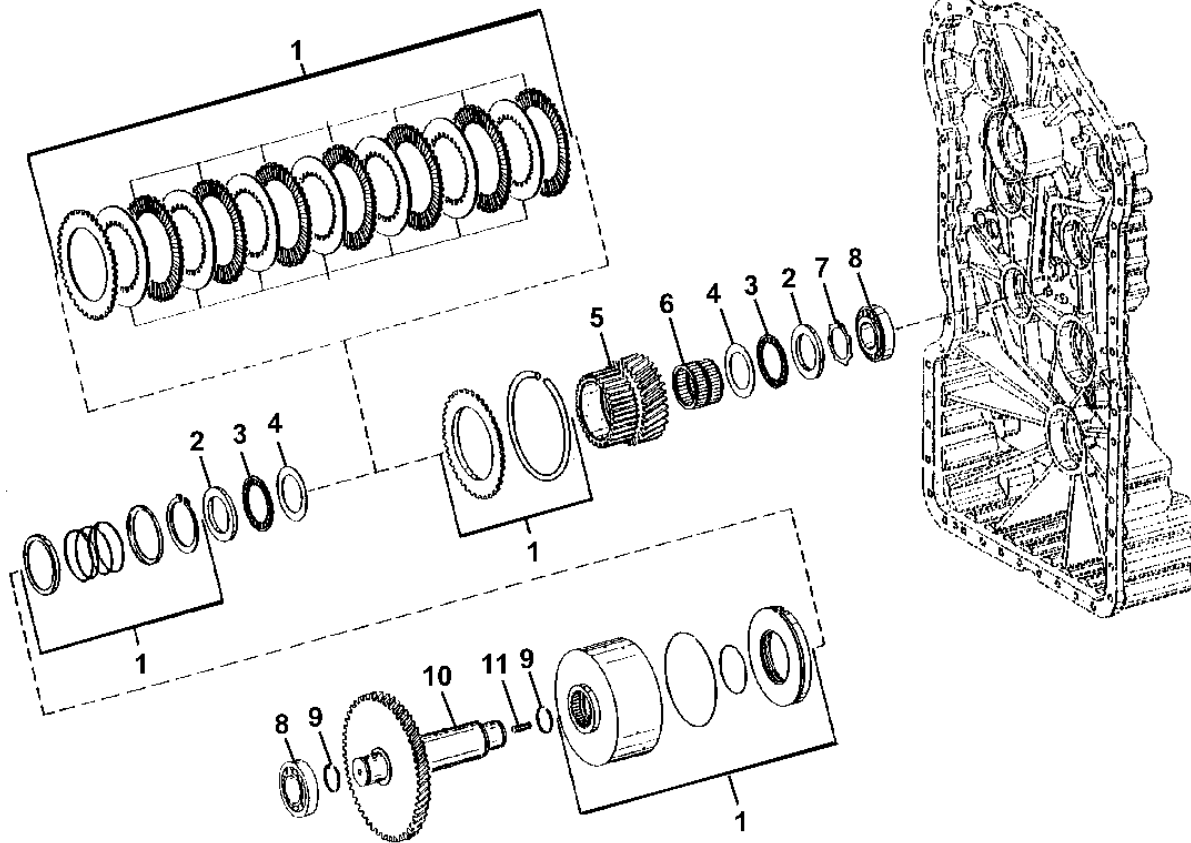
KEY	PART NO.	PART NAME	QTY.	TRANSMISSION SERIAL NO.	REMARKS
1	AT223241	CLUTCH	1		
2	T171156	BEARING	2		IMPORTANT-HIGH TOLERANCE BEARING REQUIRED IN THIS LOCATION. DO NOT SUBSTITUTE STANDARD BEARING.
3	T172115	PISTON RING	2		
4	T171224	PINION SHAFT	1		
5	T171153	STUD	1		
6	T172302	NEEDLE BEARING	1		
7	T172817	GEAR	1		
8	T197553	BALL BEARING	1		
9	T159519	SNAP RING	1		
10	40M7060	SNAP RING	1		

0350-30

TRANSMISSION 03

GEARS, SHAFTS, BEARINGS AND POWER SHIFT CLUTCHES 0350 FIRST GEAR CLUTCH ASSEMBLY EMBAYAGE DE PREMIERE VITESSE CONJUNTO DE EMBRAGUE DE PRIMERA MARCHA

TP62874 -UN-23AUG00



TP62874

0350-31

TRANSMISSION 03

GEARS, SHAFTS, BEARINGS AND POWER SHIFT CLUTCHES 0350
FIRST GEAR CLUTCH ASSEMBLY
EMBAYAGE DE PREMIERE VITESSE
CONJUNTO DE EMBRAGUE DE PRIMERA MARCHA

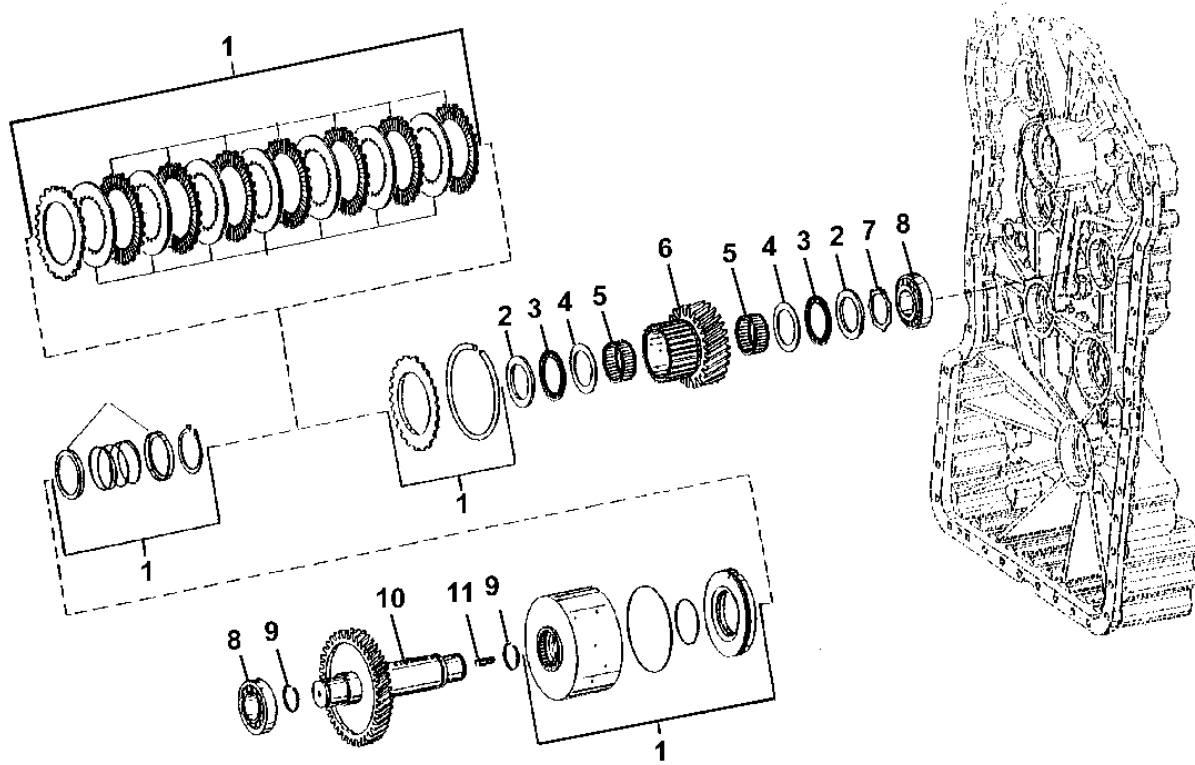
KEY	PART NO.	PART NAME	QTY.	TRANSMISSION SERIAL NO.	REMARKS
1	AT223238	CLUTCH	1		
2	T172104	DISK	2		
3	T172129	THRUST BEARING	2		
4	T172130	THRUST WASHER	2		
5	T195260	GEAR	1		(SUB FOR T172132)
6	T179594	NEEDLE BEARING	1		
7	T173036	SNAP RING	1		
8	T171156	BEARING	2		IMPORTANT-HIGH TOLERANCE BEARING REQUIRED IN THIS LOCATION. DO NOT SUBSTITUTE STANDARD BEARING.
9	T172115	PISTON RING	2		
10	T172816	UNIVERSAL DRIVESHAFT	1		
11	T171153	STUD	1		

0350-32

TRANSMISSION 03

GEARS, SHAFTS, BEARINGS AND POWER SHIFT CLUTCHES 0350 SECOND GEAR CLUTCH ASSEMBLY EMBAYAGE DE SECONDE VITESSE CONJUNTO DE EMBRAGUE DE SEGUNDA MARCHA

TP62875 -UN-23AUG00



TP62875

THIS PARTS LISTING IS CONTINUED

0350-33

TRANSMISSION 03

GEARS, SHAFTS, BEARINGS AND POWER SHIFT CLUTCHES 0350
SECOND GEAR CLUTCH ASSEMBLY
EMBAYAGE DE SECONDE VITESSE
CONJUNTO DE EMBRAGUE DE SEGUNDA MARCHA

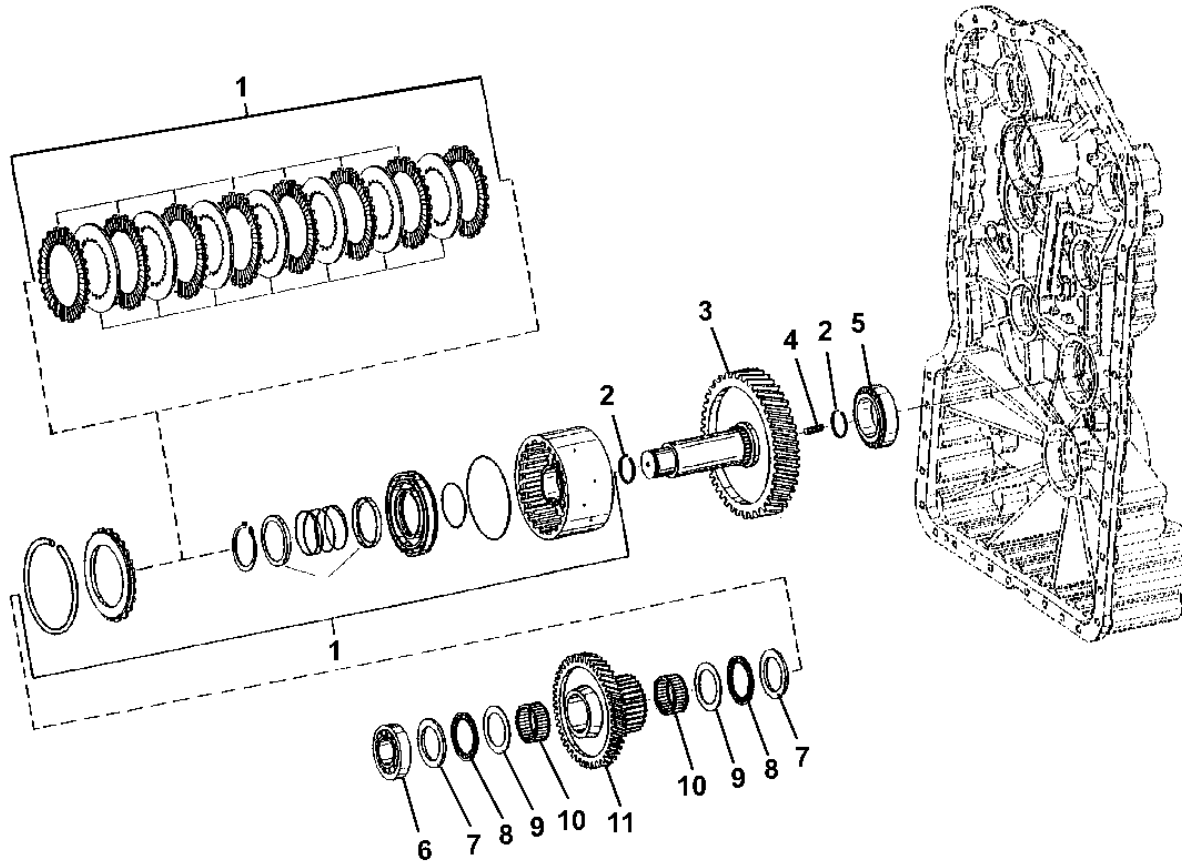
KEY	PART NO.	PART NAME	QTY.	TRANSMISSION SERIAL NO.	REMARKS
1	AT223239	CLUTCH	1		
2	T172136	DISK	2		
3	AT179498	NEEDLE BEARING	2		
4	T172138	THRUST WASHER	2		
5	T172139	NEEDLE BEARING	2		
6	T180459	GEAR	1		(SUB FOR T179669)
7	T173038	SNAP RING	1		
8	T171156	BEARING	2		IMPORTANT-HIGH TOLERANCE BEARING REQUIRED IN THIS LOCATION. DO NOT SUBSTITUTE STANDARD BEARING.
9	T172115	PISTON RING	2		
10	T171206	UNIVERSAL DRIVESHAFT	1		
11	T171153	STUD	1		

0350-34

TRANSMISSION 03

GEARS, SHAFTS, BEARINGS AND POWER SHIFT CLUTCHES 0350 THIRD GEAR CLUTCH ASSEMBLY EMBAYAGE DE TROISIEME VITESSE CONJUNTO DE EMBRAGUE DE TERCERA MARCHA

TP62876 -UN-23AUG00



TP62876

0350-35

TRANSMISSION 03

GEARS, SHAFTS, BEARINGS AND POWER SHIFT CLUTCHES 0350
THIRD GEAR CLUTCH ASSEMBLY
EMBAYAGE DE TROISIEME VITESSE
CONJUNTO DE EMBRAGUE DE TERCERA MARCHA

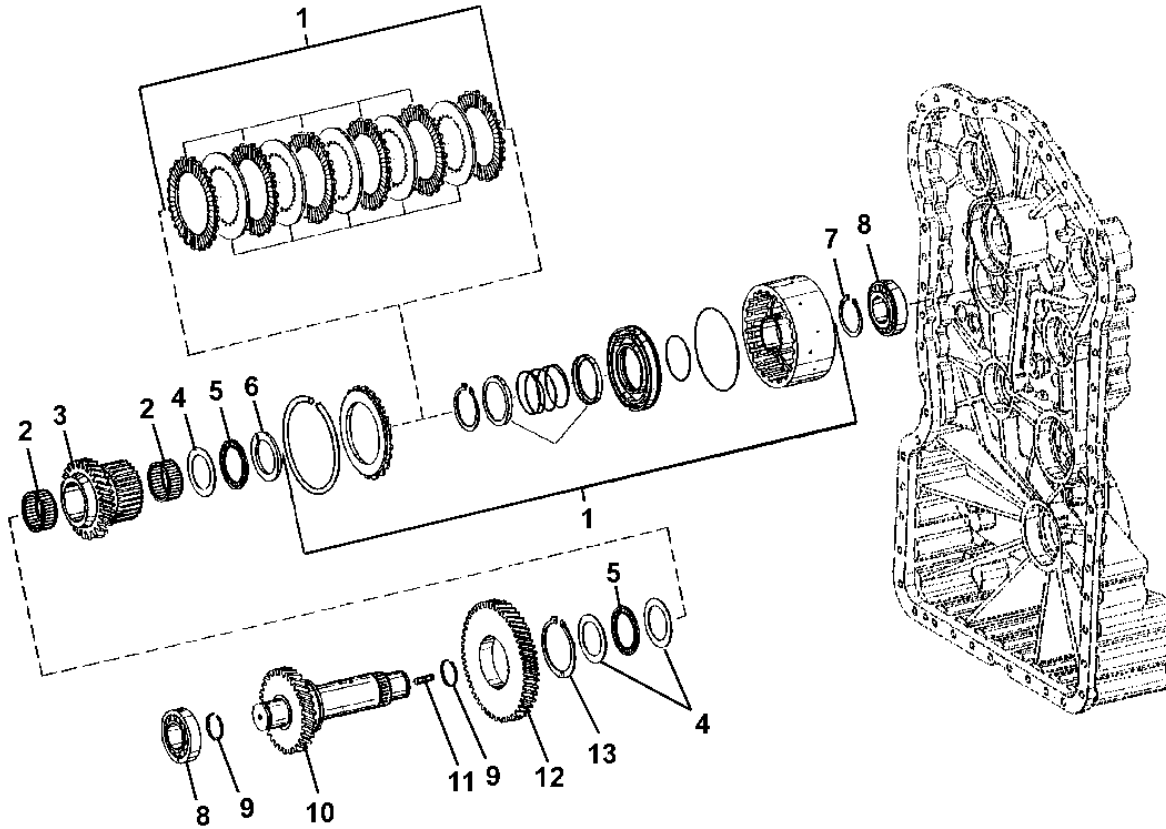
KEY	PART NO.	PART NAME	QTY.	TRANSMISSION SERIAL NO.	REMARKS
1	AT223239	CLUTCH	1		
2	T172115	PISTON RING	2		
3	T171212	PINION SHAFT	1		
4	T171153	STUD	1		
5	T171126	BEARING	1		IMPORTANT-HIGH TOLERANCE BEARING REQUIRED IN THIS LOCATION. DO NOT SUBSTITUTE STANDARD BEARING.
6	T171156	BEARING	1		IMPORTANT-HIGH TOLERANCE BEARING REQUIRED IN THIS LOCATION. DO NOT SUBSTITUTE STANDARD BEARING.
7	T172136	DISK	2		
8	AT179498	NEEDLE BEARING	2		
9	T172138	THRUST WASHER	2		
10	T172139	NEEDLE BEARING	2		
11	T172275	GEAR	1		

0350-36

TRANSMISSION 03

GEARS, SHAFTS, BEARINGS AND POWER SHIFT CLUTCHES 0350
HIGH RANGE CLUTCH ASSEMBLY
EMBAYAGE GAMME HAUTE
CONJUNTO DE EMBRAGUE DE GAMA ALTA

TP62879 -UN-23AUG00



TP62879

0350-37

TRANSMISSION 03

GEARS, SHAFTS, BEARINGS AND POWER SHIFT CLUTCHES 0350
HIGH RANGE CLUTCH ASSEMBLY
EMBRAYAGE GAMME HAUTE
CONJUNTO DE EMBRAGUE DE GAMA ALTA

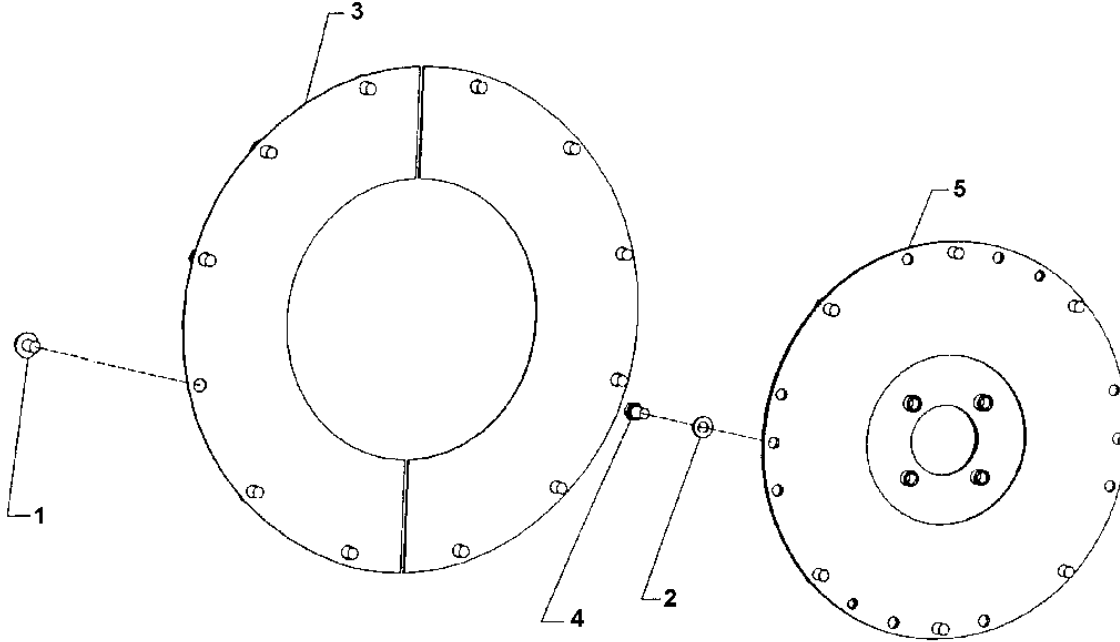
KEY	PART NO.	PART NAME	QTY.	TRANSMISSION SERIAL NO.	REMARKS
1	AT331638	CLUTCH	1		(SUB FOR AT223240)
2	T172139	NEEDLE BEARING	2		
3	T172276	IDLER	1		
4	T172138	THRUST WASHER	3		
5	AT179498	NEEDLE BEARING	2		
6	T172136	DISK	1		
7	L110729	SNAP RING	1		
8	T171156	BEARING	2		IMPORTANT-HIGH TOLERANCE BEARING REQUIRED IN THIS LOCATION. DO NOT SUBSTITUTE STANDARD BEARING.
9	T172115	PISTON RING	2		
10	T171213	PINION SHAFT	1		
11	T171153	STUD	1		
12	T171216	GEAR	1		
13	40M7150	SNAP RING	1		

0350-38

TRANSMISSION 03

GEARS, SHAFTS, BEARINGS AND POWER SHIFT CLUTCHES 0350
DRIVE DAMPER AND COVER
AMORTISSEUR ET COUVERCLE D'ENTRAINEMENT
CUBIERTA Y AMORTIGUADOR DE LINEA DE MANDO

TP62719 -UN-05JAN00



TP62719

0350-39

TRANSMISSION 03

GEARS, SHAFTS, BEARINGS AND POWER SHIFT CLUTCHES 0350
DRIVE DAMPER AND COVER
AMORTISSEUR ET COUVERCLE D'ENTRAINEMENT
CUBIERTA Y AMORTIGUADOR DE LINEA DE MANDO

KEY	PART NO.	PART NAME	QTY.	SERIAL NO.	REMARKS
1	19M7784	SCREW	12		M10 X 20, (SUB FOR 19M7783)
2	24H1864	WASHER	8		13/32" X 3/4" X 7/64"
3	T101731	COVER	2		
4	19H1648	CAP SCREW	8		9.525 X 19.050 MM
5	AT308993	TORSIONAL DAMPER	1		(SUB FOR AT206784)

0360-2

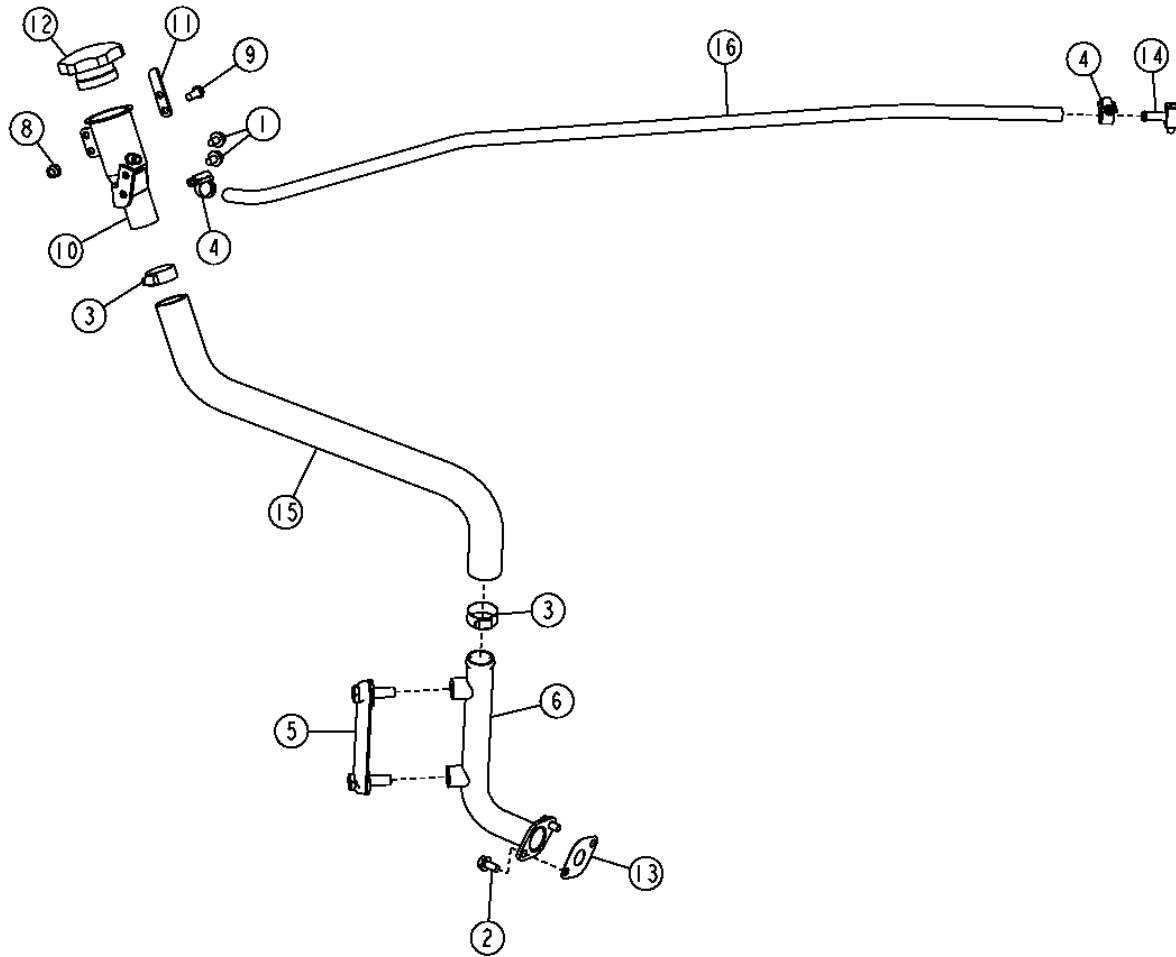
TRANSMISSION 03

TRANSMISSION HYDRAULICS 0360

TRANSMISSION OIL FILL REPLISSAGE D'HUILE DE TRANSMISSION LLENADO DE ACEITE DE LA TRANSMISION

T193211

-UN-21JUL03



T193211

THIS PARTS LISTING IS CONTINUED

0360-3

TRANSMISSION 03

TRANSMISSION HYDRAULICS 0360

**TRANSMISSION OIL FILL
REPLISSAGE D'HUILE DE TRANSMISSION
LLENADO DE ACEITE DE LA TRANSMISION**

KEY	PART NO.	PART NAME	QTY.	SERIAL NO.	REMARKS
1	19M7864	SCREW	2		
2	19M7865	SCREW	2	-XXXXXX	M8 X 16
	19M7867	SCREW	2	XXXXXX-	M8 X 25
3	AR21839	CLAMP	2		
4	AR21836	CLAMP	2		
5	AT227279	LEVEL GAUGE	1		
6	TUBE	1	-XXXXXX	(ORDER AT324881, R105415 AND (2) 19M7867) (AT315021 OR AT227651 NLA)
	AT324881	TUBE	1	XXXXXX-	
8	14M7426	LOCK NUT	1		
9	19M7162	CAP SCREW	1		
10	AT227248	FILLER NECK	1		
11	T196464	STRAP	1		
12	RE500250	FILLER CAP	1		
13	T116604	GASKET	1	-XXXXXX	
	R105415	O-RING	1	XXXXXX-	NOT ILLUSTRATED CORRECTLY
14	T196587	TEE FITTING	1		
15	T201143	HOSE	1		
16	M87571	BULK HOSE	1		

0360-4

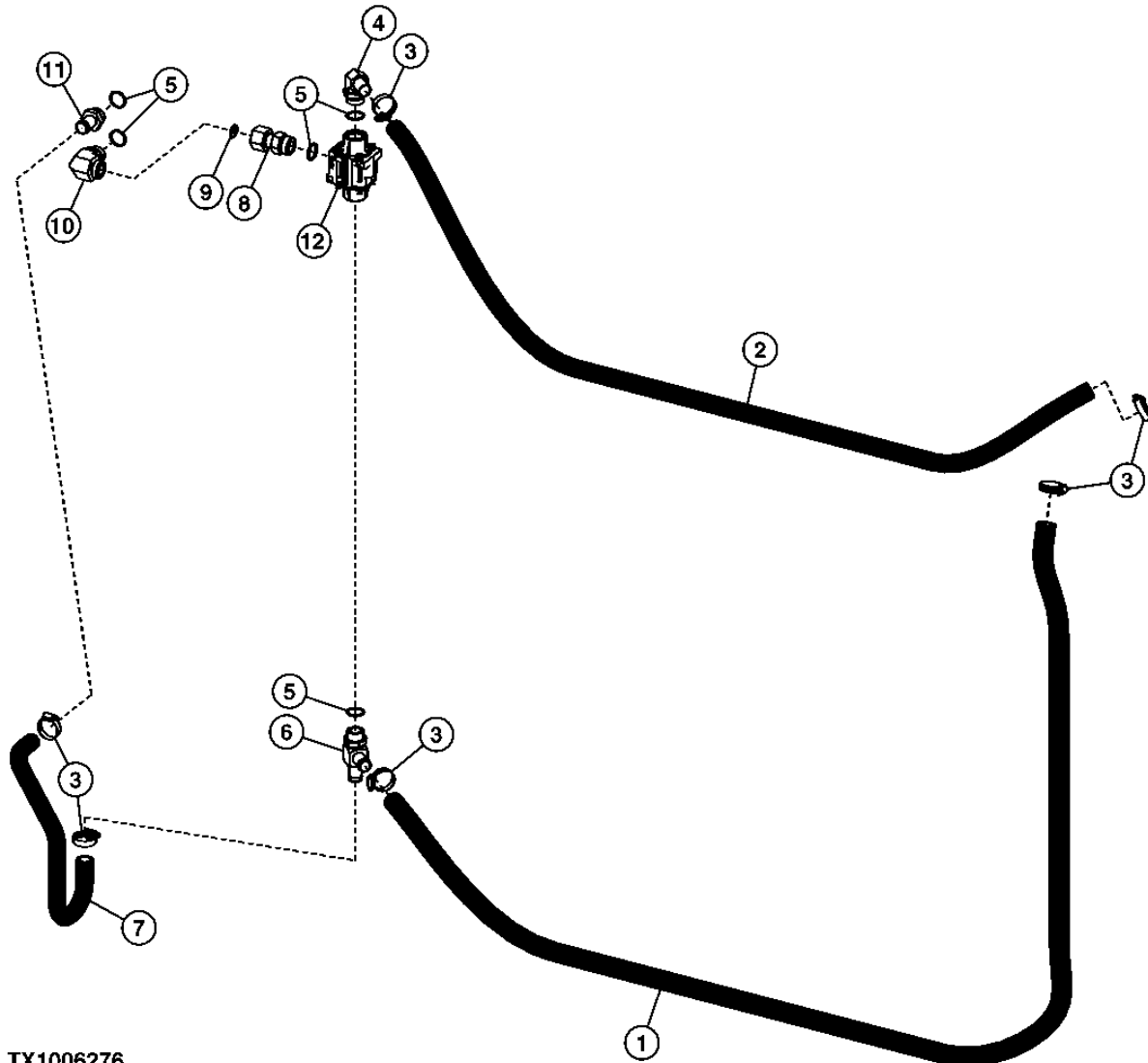
TRANSMISSION 03

TRANSMISSION HYDRAULICS 0360

TRANSMISSION OIL LINES AND THERMAL BYPASS VALVE
CONDUITES D'HUILE DE TRANSMISSION ET VANNE DE DERIVATION THERMIQUE
LINEAS DE ACEITE DE LA TRANSMISION Y VALVULA DERIVADORA TERMICA

TX1006276

-UN-27APR06



TX1006276

THIS PARTS LISTING IS CONTINUED

0360-5

TRANSMISSION 03

TRANSMISSION HYDRAULICS 0360

TRANSMISSION OIL LINES AND THERMAL BYPASS VALVE
CONDUITES D'HUILE DE TRANSMISSION ET VANNE DE DERIVATION THERMIQUE
LINEAS DE ACEITE DE LA TRANSMISION Y VALVULA DERIVADORA TERMICA

KEY	PART NO.	PART NAME	QTY.	SERIAL NO.	REMARKS
1	T197128	HYDRAULIC HOSE - FABRICATE	1		
2	T197129	HYDRAULIC HOSE - FABRICATE	1		
3	AR21839	CLAMP	6		
4	AH75162	FITTING	1		
5	R29936	O-RING	5		
6	AT223584	FITTING	1		
7	T180529	HOSE	1		
8	38H1071	ADAPTER FITTING	1		
9	T76938	O-RING	1		
10	38H1037	ELBOW FITTING	1		
11	T29747	HOSE FITTING	1		
12	AT325611	CONTROL VALVE	1		(SUB FOR AT225189, AT129526)

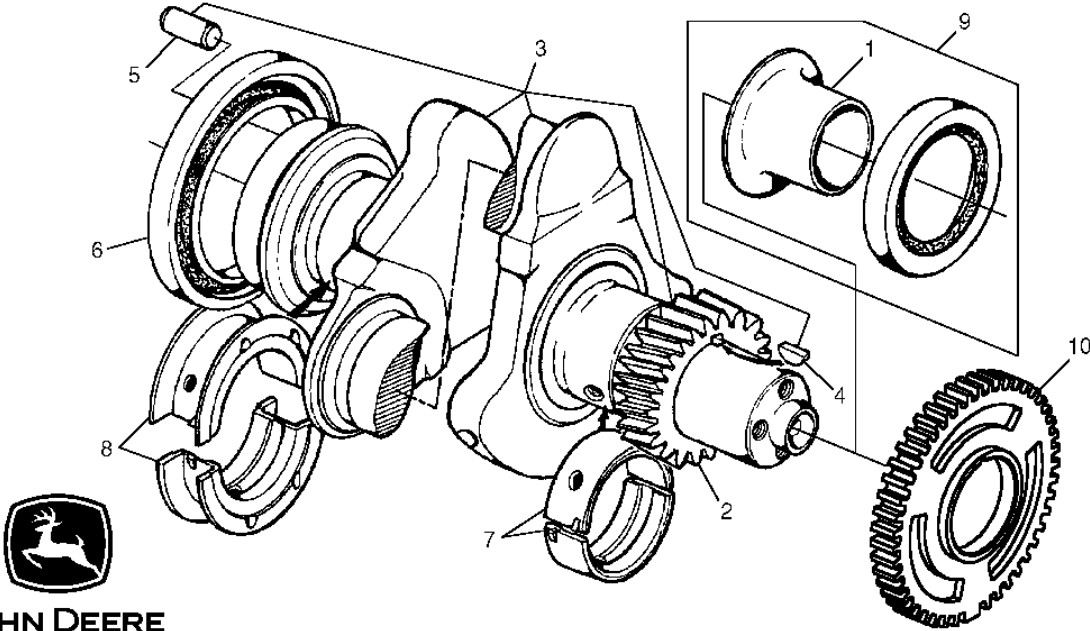
0401-2

ENGINE 04

CRANKSHAFT AND MAIN BEARINGS 0401

CRANKSHAFT AND BEARINGS
VILEBREQUIN ET ROULEMENTS
CIGUENAL Y COJINETES

RGP9614 -UN-07MAY03



JOHN DEERE
RGP9614

KEY	PART NO.	PART NAME	QTY.	ENGINE SERIAL NO.	REMARKS
1	RE59811	SLEEVE	1		
2	R120631	GEAR	1	Z=30	
3	RE504638	CRANKSHAFT	1	(MARKED R113596)	
4	R505609	SHAFT KEY	1		
5	R48685	DOWEL PIN	1		
6	RE44574	SEAL	1	REAR	
7	RE65165	BEARING KIT	6	STD. (KIT R123561 AND R123562)	
	RE65911	BEARING	AR	0.254 MM (.010") UNDERSIZE, (KIT R130576 AND R130577)	
8	RE65168	BEARING KIT	1	STD. (KIT R123563 AND R123564)	
	RE65912	THRUST BEARING	AR	0.254 MM (.010") UNDERSIZE, (KIT R130574 AND R130575)	
9	RE516340	KIT	1	FRONT, (MARKED RE52346 OR RE505515) (SUB FOR RE59810)	
10	R501489	WHEEL SPEED SENSOR	1	TIMING	

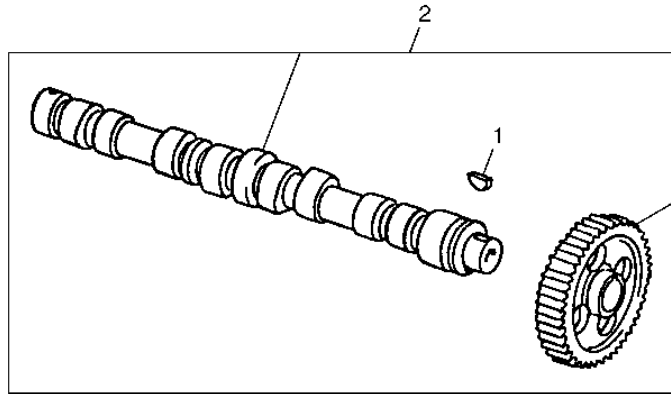
0402-1

ENGINE 04

CAMSHAFT AND VALVE ACTUATING MEANS 0402

CAMSHAFT
ARBRE A CAMES
ARBOL DE LEVAS

RGP10129 -UN-11NOV03



JOHN DEERE
RGP10129

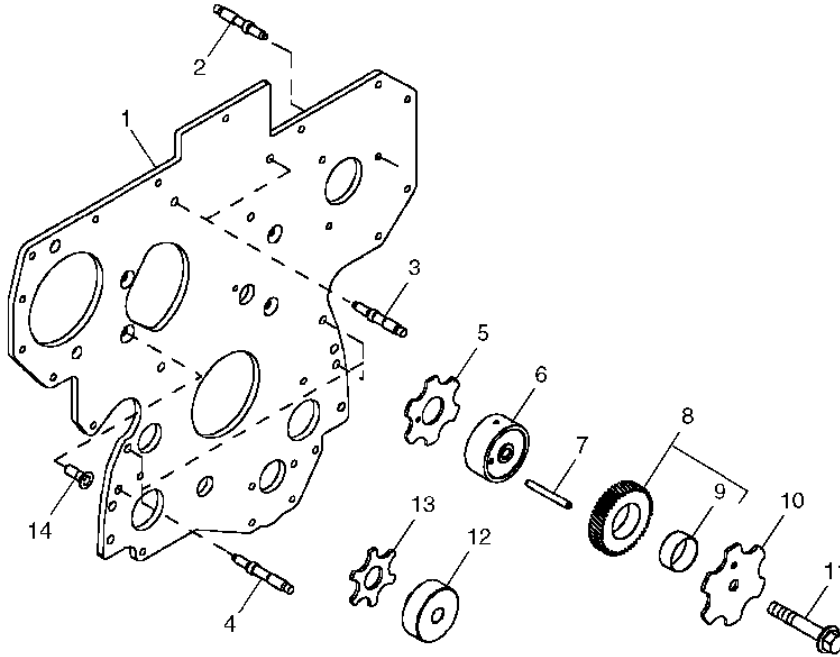
KEY	PART NO.	PART NAME	QTY.	ENGINE SERIAL NO.	REMARKS
1	R133303	SHAFT KEY	1		
2	RE507595	CAMSHAFT	1		(MARKED R504534)

0402-2

ENGINE 04

CAMSHAFT AND VALVE ACTUATING MEANS 0402
 FRONT PLATE AND CRANKSHAFT IDLER GEARS
 PLAQUE AVANT ET PIGNONS FOUS DE VILEBREQUIN
 ENGRANAJES INTERMEDIOS DE CIGUENAL Y PLACA DELANTERA

RG9955 -UN-20AUG03



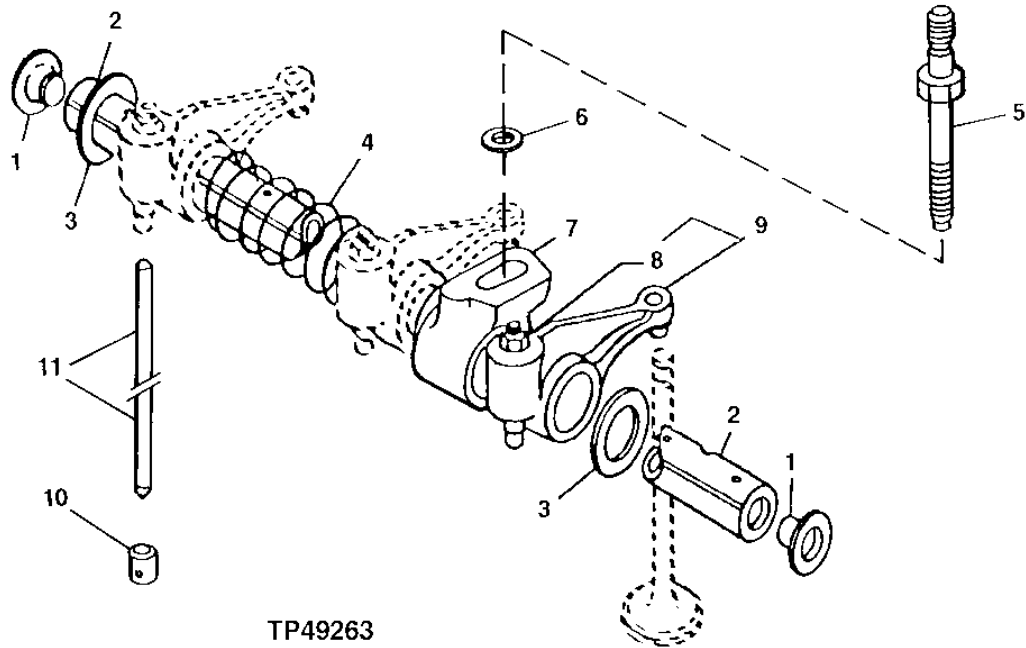
KEY	PART NO.	PART NAME	QTY.	ENGINE SERIAL NO.	REMARKS
1	R134526	PLATE	1		
2	R116386	STUD	3		
3	R134518	STUD	2		
4	R123584	STUD	4		
5	R123174	THRUST WASHER	1		
6	R120641	SHAFT	1		UPPER, (USE WITH 34H288)
7	34H288	SPRING PIN	1		3/16" X 1-3/4"
8	RE508932	GEAR	1		UPPER IDLER, (MARKED R505121)
9	BUSHING	1		(ORDER RE508932)
10	R131206	THRUST WASHER	1		
11	19M8997	SCREW	1		M10 X 65
12	R114194	SHAFT	1		LOWER
13	R101225	THRUST WASHER	1		
14	R136475	SCREW	4		

0402-3

ENGINE 04

CAMSHAFT AND VALVE ACTUATING MEANS 0402
ROCKER ARM SHAFT, PUSH RODS AND ROCKER ARMS
ARBRE DE CULBUTEUR, TIGES DE CULBUTEUR ET CULBUTEURS
EJE DE BALANCINES, VARILLAS DE EMPUJE Y BALANCINES

TP49263 -UN-20JUN95



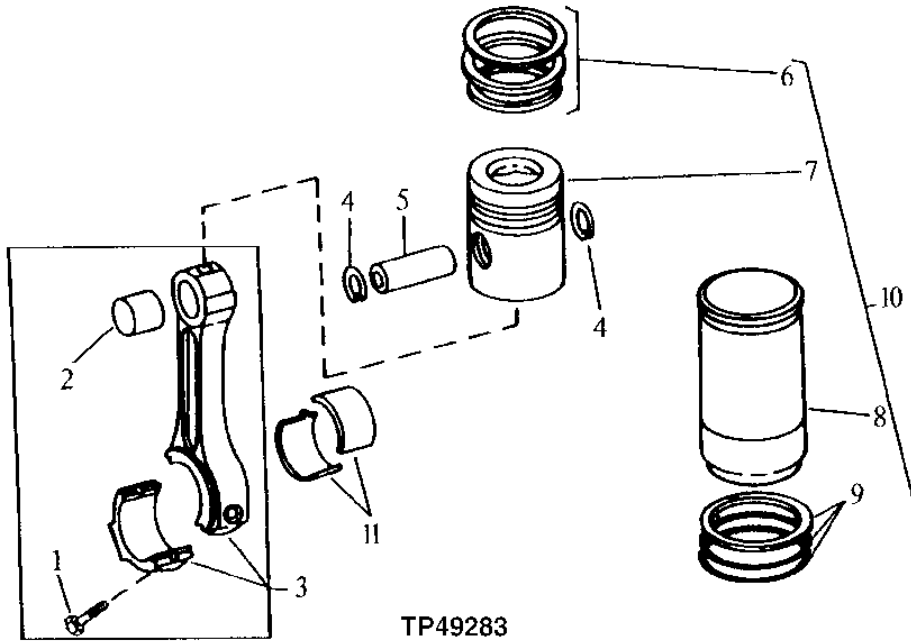
KEY	PART NO.	PART NAME	QTY.	ENGINE SERIAL NO.	REMARKS
1	R54565	PLUG	2		
2	R123513	ROCKER ARM SHAFT	1		
3	T20316	WASHER	2		
4	T20314	SPRING	3		
5	R123271	STUD	4		
6	24M7346	WASHER	4		11 X 20 X 2 MM
7	R123161	SUPPORT	4		
8	14M7148	NUT	1		M10
9	RE508317	ROCKER ARM	8		
10	R123565	CAM FOLLOWER	8		
11	R107731	PUSH ROD	8		

0403-2

ENGINE 04

CONNECTING RODS AND PISTONS 0403
 PISTON, CYLINDER LINER, CONNECTING ROD AND BEARINGS
 PISTON, CHEMISE DE CYLINDRE, BIELLE ET ROULEMENTS
 EMBOLO, CAMISA DE CILINDRO, BIELA Y COJINETES

TP49283 -UN-17JUL95



KEY	PART NO.	PART NAME	QTY.	ENGINE SERIAL NO.	REMARKS
1	R501124	SCREW	8		
2	R114082	BUSHING	4		
3	RE500608	CONNECTING ROD	4		(MARKED R500335)
	SE501094	CONNECTING ROD	4		(REMANUFACTURED FOR RE500608) (CALL 1-888-697-3626)
4	R54114	SNAP RING	8		
5	R123177	PISTON PIN	4		
6	RE507852	PISTON RING KIT	4		
7	PISTON	4		(ORDER RE507850 OR RE507920)
8	CYLINDER LINER	4		(ORDER RE507850 OR RE507920)
9	AR65507	O-RING KIT	4		CYLINDER LINER
10	RE507850	PISTON-LINER KIT	4		(PISTON MARKED RE509540 OR RE507609)
11	RE65908	BEARING	4		STANDARD
	RE65909	BEARING	4		0.254 MM (.010") UNDERSIZE

0403-3

ENGINE 04

CONNECTING RODS AND PISTONS 0403

MEMORANDA
MEMORANDA
MEMORANDA

0404-2

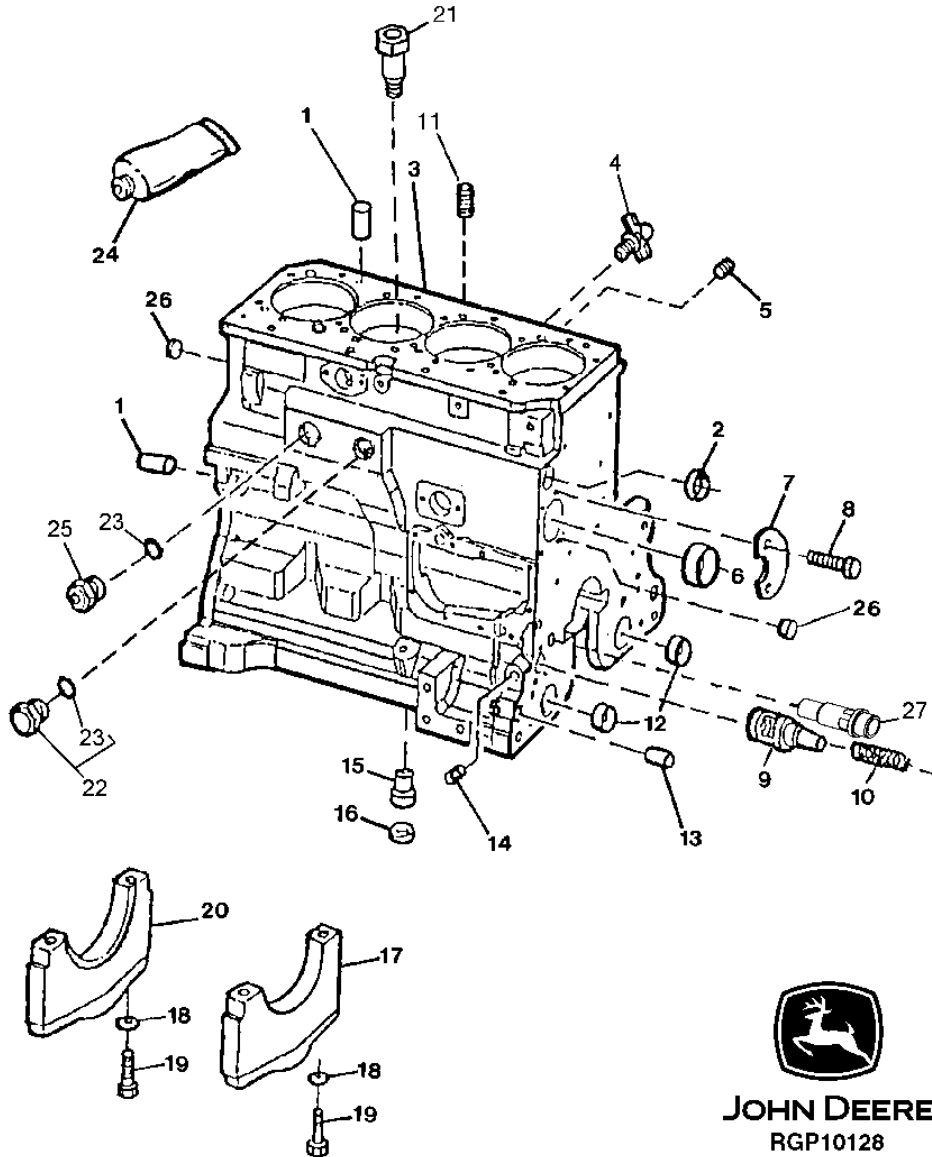
ENGINE 04

CYLINDER BLOCK 0404

CYLINDER BLOCK AND MAIN BEARING CAP
BLOC-CYLINDRES ET CHAPEAU DE PALIER
BLOQUE DE CILINDROS Y TAPA DE COJINETE DE BANCADA

RGP10128

-UN-11NOV03



0404-3

ENGINE 04

CYLINDER BLOCK 0404

**CYLINDER BLOCK AND MAIN BEARING CAP
BLOC-CYLINDRES ET CHAPEAU DE PALIER
BLOQUE DE CILINDROS Y TAPA DE COJINETE DE BANCADA**

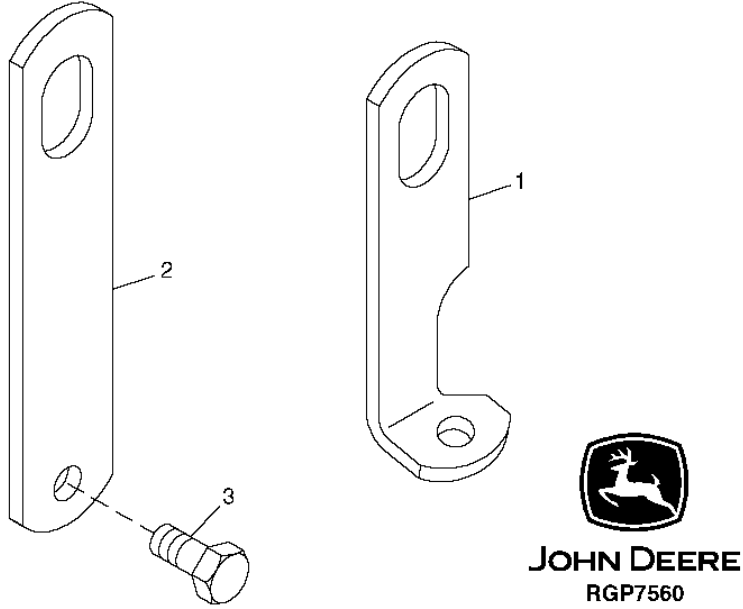
KEY	PART NO.	PART NAME	QTY.	ENGINE SERIAL NO.	REMARKS
1	R48685	DOWEL PIN	4		
2	R116466	PLUG	1		
3	CYLINDER BLOCK	1		(ORDER RE520023)
4	AT13740	DRAIN VALVE	1		
5	R104592	PIPE PLUG	5		
6	R119874	BUSHING	1		CAMSHAFT
7	R132518	PLATE	1		
8	19M8999	SCREW	2		M8 X 25
9	R121043	VALVE	1		ENGINE OIL BYPASS
10	R111137	SPRING	1		
11	RE57836	PIPE PLUG	AR		1/2", (SUB FOR 15H624)
12	R115299	BUSHING	6		BALANCER SHAFT
13	R26650	DOWEL PIN	2		
14	15H623	PIPE PLUG	1		3/8"
15	R115390	BUSHING	1		
16	R75892	O-RING	1		
17	R114241	BEARING CAP	4		
18	T20168	WASHER	10		
19	T23474	CAP SCREW	10		
20	R132186	BEARING CAP	1		
21	R131182	ORIFICE	4		
22	RE508185	FITTING	1		
23	U13639	O-RING	2		
24	PM38655	SEALANT	1		(TUBE OF LIQUID GASKET) (SUB FOR TY6304)
25	R123616	PLUG	1		
26	T18891	PLUG	2		
27	RE505501	BLEED VALVE	1		OIL PRESSURE REGULATING

0404-4

ENGINE 04
CYLINDER BLOCK 0404

LIFT STRAPS
ECLISSES D'APAREIL DE LEVAGE
TIRAS DE ELEVADOR

RGP7560 -UN-26JUN01



KEY	PART NO.	PART NAME	QTY.	ENGINE SERIAL NO.	REMARKS
1	STRAP	1		(R502175 NLA) (FRONT)
2	R502329	STRAP	1		(REAR)
3	19M7788	SCREW	2		M12 X 25

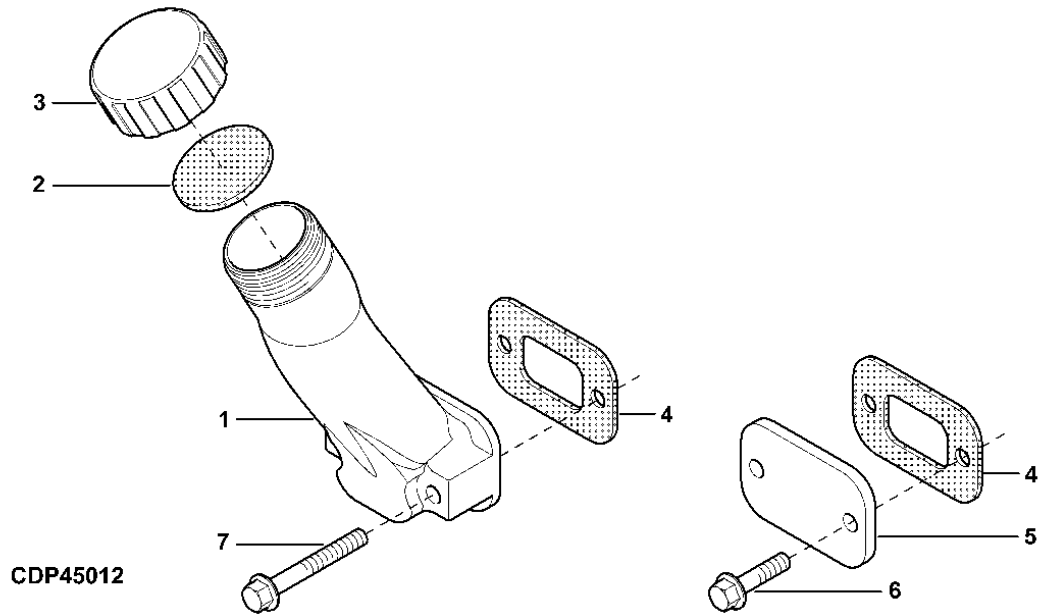
0407-1

ENGINE 04

OILING SYSTEM 0407

OIL FILLER NECK (RH SIDE) AND COVER (LH SIDE)
GOULOT REMPLISSAGE HUILE DROIT ET COUVERCLE GAUCHE
CUELLO DE LLENADO DE ACEITE (DER) Y CUBIERTA (IZQ)

CDP45012 -UN-16OCT01



CDP45012

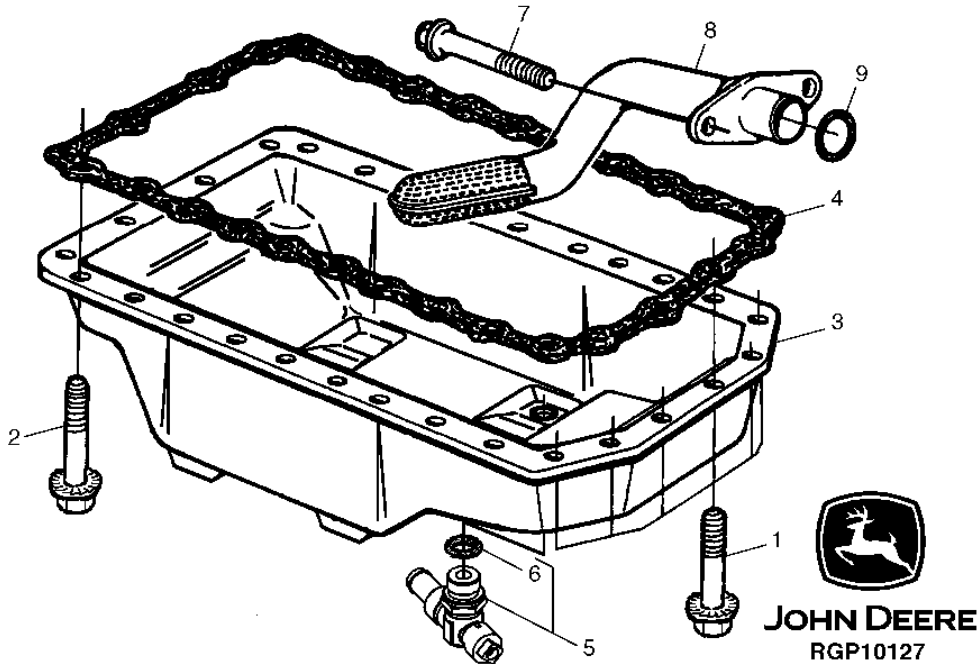
KEY	PART NO.	PART NAME	QTY.	ENGINE SERIAL NO.	REMARKS
1	R123558	FILLER NECK	1		RH
2	R80135	GASKET	1		
3	R80136	FILLER CAP	1		
4	R136495	GASKET	2		
5	R116296	COVER	1		LH
6	RE67238	SCREW	2		M8 X 20
7	RE67240	SCREW	2		M8 X 50

0407-2

ENGINE 04
OILING SYSTEM 0407

RGP10127 -UN-11NOV03

OIL PAN CARTER D'HUILE CARTER DE ACEITE



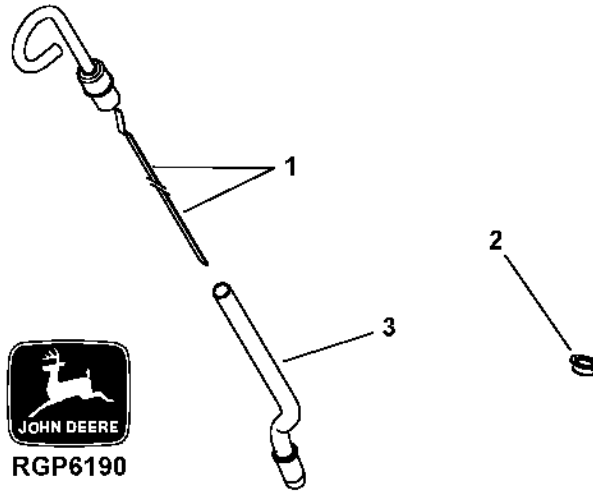
KEY	PART NO.	PART NAME	QTY.	ENGINE SERIAL NO.	REMARKS
1	19M7866	SCREW	6		
2	19M8163	BOLT	22		M8 X 20, (SUB FOR 19M8062) M8 X 16
3	RE505899	OIL PAN	1		
4	R522030	GASKET	1		(SUB FOR R123352)
5	RE507950	DRAIN VALVE	1		
6	51M7045	O-RING	1		
7	19M8986	SCREW	2		M8 X 100
8	RE57619	OIL PUMP INTAKE	1		
9	R61871	O-RING	1		

0407-3

ENGINE 04
OILING SYSTEM 0407

RGP6190 -UN-17MAR00

DIPSTICK
JAUGE DE NIVEAU
VARILLA DE MEDICION



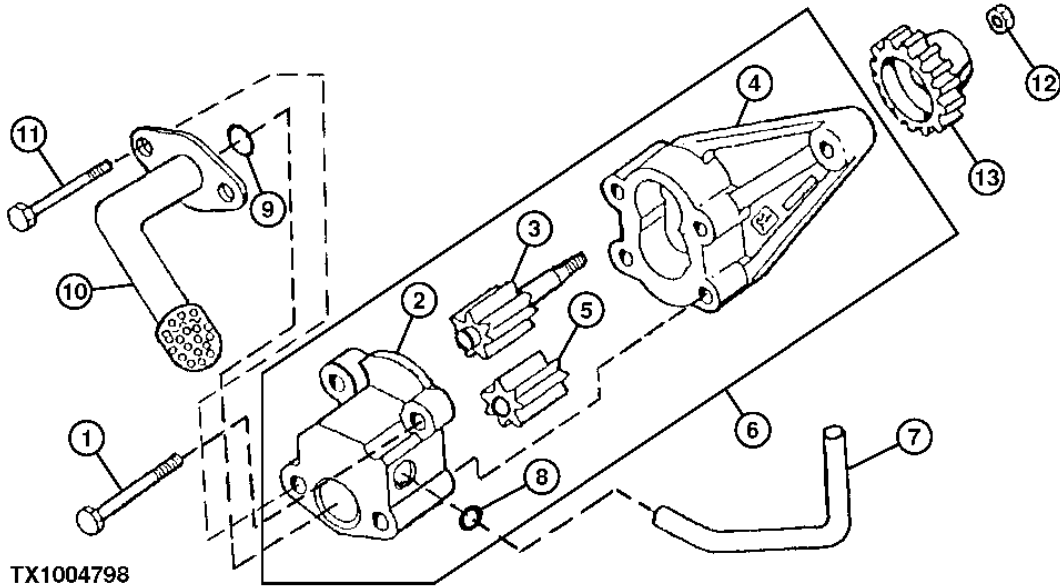
KEY	PART NO.	PART NAME	QTY.	ENGINE SERIAL NO.	REMARKS
1	RE69243	DIPSTICK	1		
2	R502725	PLUG	1		
3	R502604	DIPSTICK TUBE	1		

0407-4

ENGINE 04
OILING SYSTEM 0407

**ENGINE OIL PUMP
POMPE A HUILE MOTEUR
BOMBA DE ACEITE DEL MOTOR**

TX1004798 -UN-22MAR06



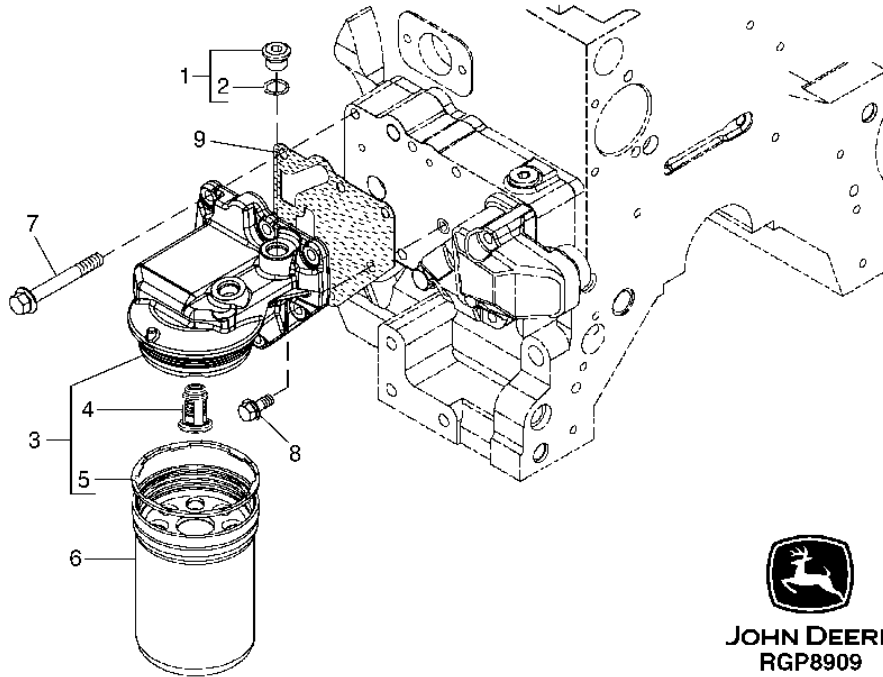
KEY	PART NO.	PART NAME	QTY.	ENGINE SERIAL NO.	REMARKS
1	19M8987	SCREW	2		M8 X 65
2	COVER	1		(ORDER RE504914)
3	GEAR	1		(ORDER RE504914)
4	HOUSING	1		(ORDER RE504914)
5	GEAR	1		(ORDER RE504914)
6	RE504914	OIL PUMP	1		(MARKED R502687)
7	R121376	TUBE	1		
8	R97185	O-RING	1		
9	R61871	O-RING	1		
10	RE57619	OIL PUMP INTAKE	1		
11	19M8986	SCREW	2		M8 X 100
12	14M7066	NUT	1		M12
13	R120638	GEAR	1		Z=30

0407-5

ENGINE 04
OILING SYSTEM 0407

RGP8909 -UN-24OCT02

OIL FILTER FILTRE A HUILE FILTRO DE ACEITE



KEY	PART NO.	PART NAME	QTY.	ENGINE SERIAL NO.	REMARKS
1	RE52242	DRAIN PLUG	2		M16 X 1.5
2	51M7042	O-RING	1		13.300 X 2.200 MM
3	RE504562	FILTER HEAD	1		(MARKED R502338)
4	RE504543	VALVE	1		
5	R502513	SEAL	1		
6	RE504836	OIL FILTER	1		(ALSO ORDER R502513)
7	19M7802	SCREW	5		M8 X 65
8	RE67238	SCREW	1		M22 X 1.5
9	R501484	GASKET	1		

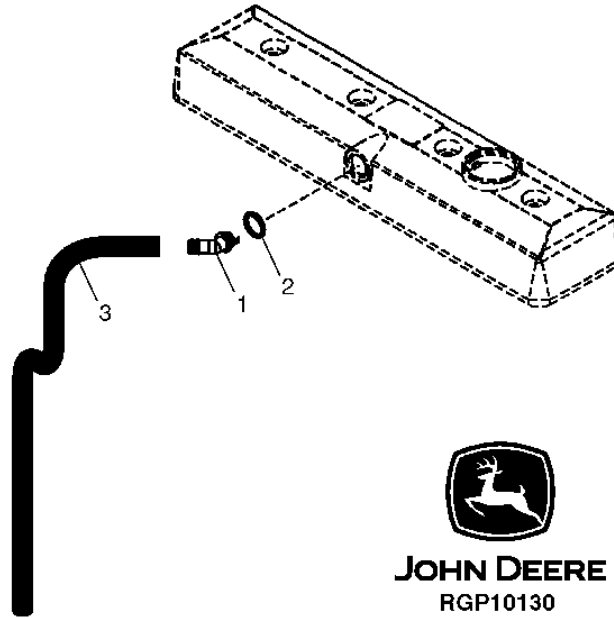
0408-2

ENGINE 04

VENTILATING SYSTEM 0408

ENGINE VENTILATING SYSTEM SYSTEME DE VENTILATION DU MOTEUR SISTEMA DE VENTILACION DEL MOTOR

RGP10130 -UN-11NOV03



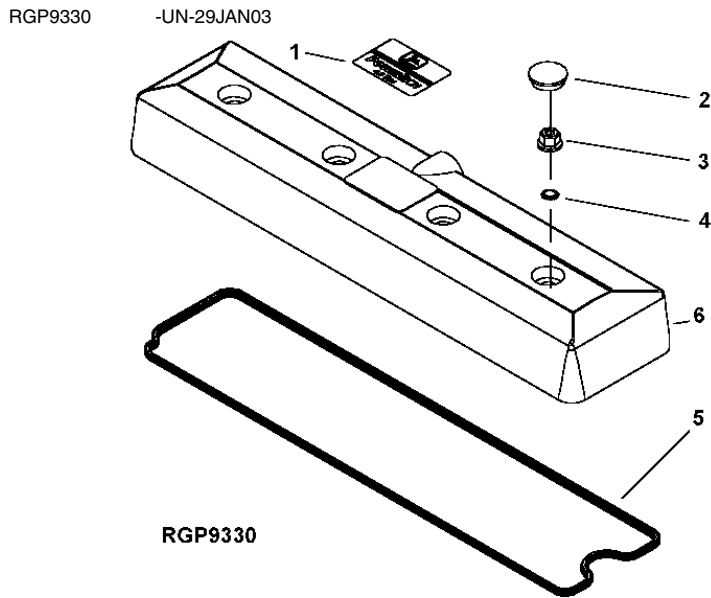
KEY	PART NO.	PART NAME	QTY.	ENGINE SERIAL NO.	REMARKS
1	R123586	ELBOW FITTING	1		
2	R72328	O-RING	1		
3	TY22505	HOSE	AR		1100 MM (43.3") (CUT TO LENGTH)

0409-1

ENGINE 04

CYLINDER HEAD AND VALVES 0409

ROCKER ARM COVER COUVERCLE DE CULBUTEURS TAPA DE BALANCINES



KEY	PART NO.	PART NAME	QTY.	ENGINE SERIAL NO.	REMARKS
1	R116324	MEDALLION	1		
2	H23125	PLUG	4		
3	R123574	NUT	4		
4	R123575	O-RING	4		
5	R123542	GASKET	1		
	RE520539	GASKET KIT	1		OPTIONAL HIGH TEMPERATURE
6	RE502969	VALVE COVER	1		

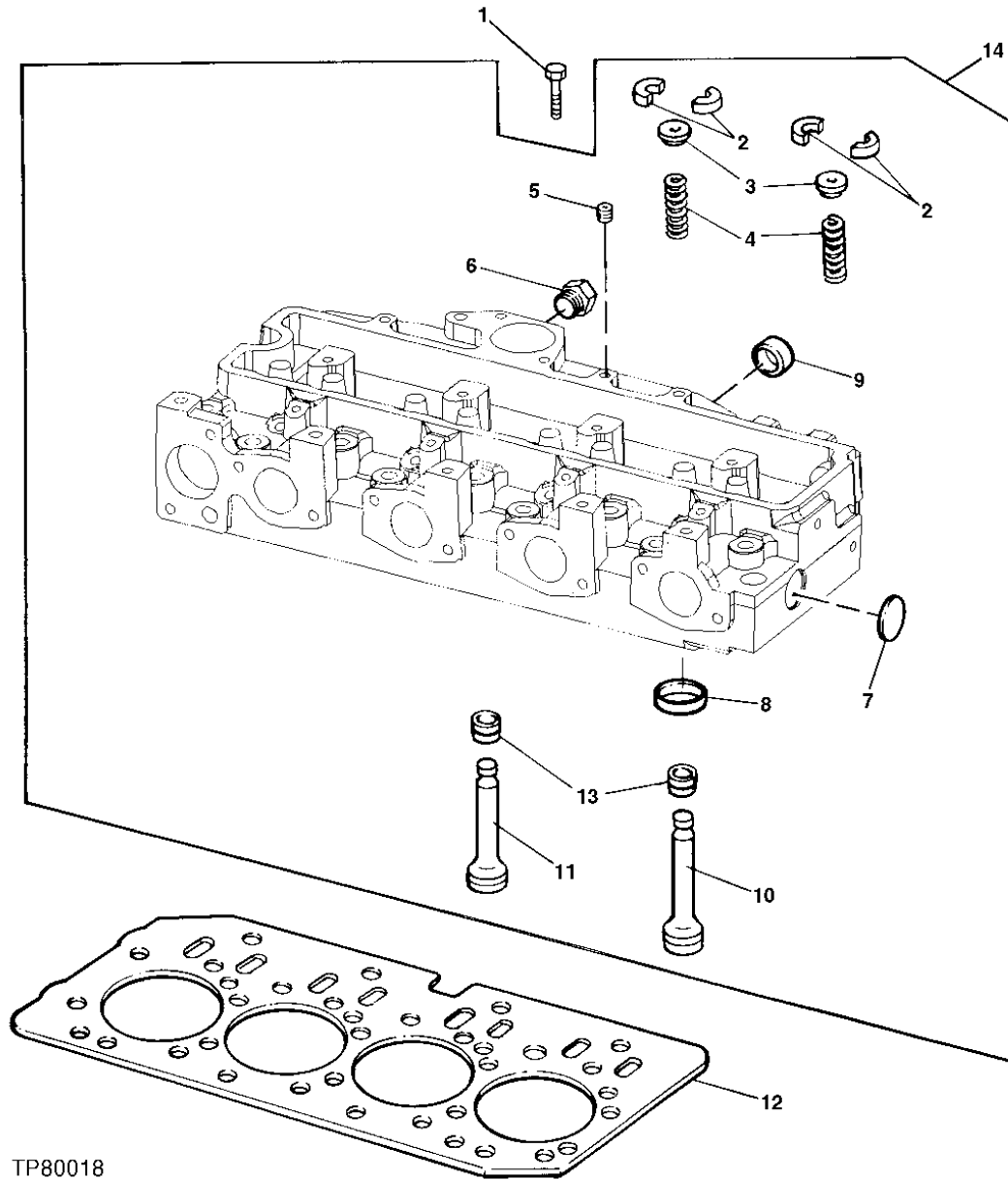
0409-2

ENGINE 04

CYLINDER HEAD AND VALVES 0409

CYLINDER HEAD, HEAD GASKET AND VALVES
CULASSE, JOINT DE CULASSE ET SOUPAPES
CULATA, EMPAQUETADURA DE CULATA Y VALVULAS

TP80018 -UN-22OCT98



TP80018

0409-3

ENGINE 04

CYLINDER HEAD AND VALVES 0409

CYLINDER HEAD, HEAD GASKET AND VALVES
CULASSE, JOINT DE CULASSE ET SOUPAPES
CULATA, EMPAQUETADURA DE CULATA Y VALVULAS

KEY	PART NO.	PART NAME	QTY.	ENGINE SERIAL NO.	REMARKS
1	R85363	CAP SCREW	18		
2	R91889	RETAINER	16		
3	RE60005	ROTATOR	8		
4	R26125	SPRING	8		
5	R104592	PIPE PLUG	1		
6	T58477	FITTING	1		
	R26906	O-RING	1		
7	CD16284	PLUG	1		
8	R98063	VALVE SEAT INSERT	4		STANDARD SIZE INTAKE
	R98335	VALVE SEAT INSERT	4		OVERSIZE INTAKE
	R85687	VALVE SEAT INSERT	4		STANDARD SIZE EXHAUST
	R93910	VALVE SEAT INSERT	4		OVERSIZE EXHAUST
9	R43409	PLUG	2		
10	R90692	EXHAUST VALVE	4		
11	R98062	INTAKE VALVE	4		
12	R116515	ENGINE CYLINDER HEAD GASKET	1		
13	RE31617	SEAL	8		
14	RE57234	CYLINDER HEAD	1		(MARKED R121402)

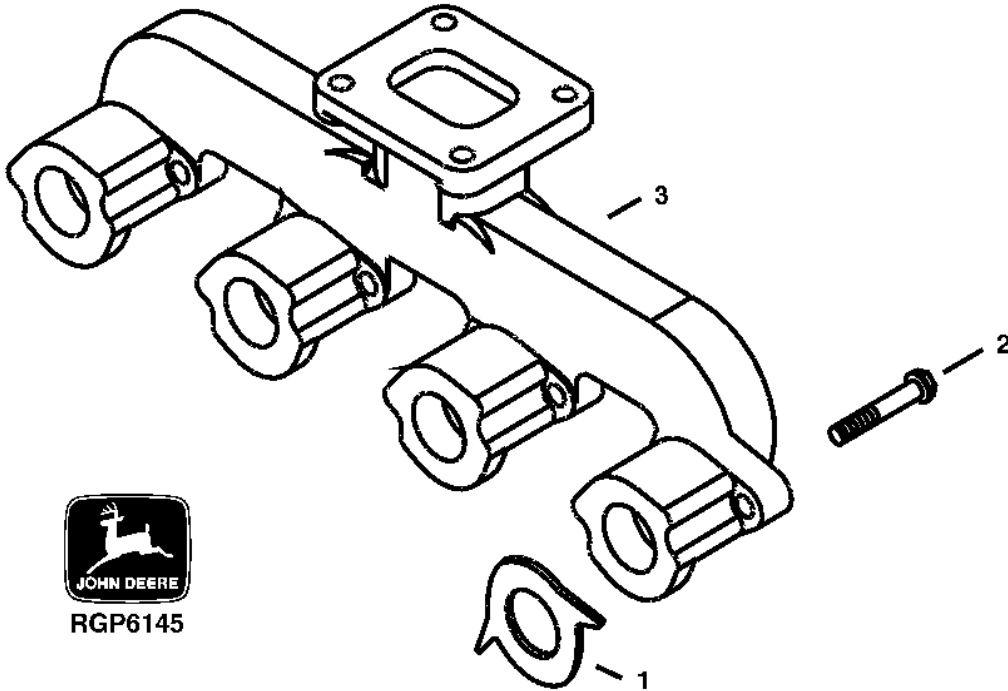
0410-2

ENGINE 04

EXHAUST MANIFOLD 0410

EXHAUST MANIFOLD
COLLECTEUR D'ÉCHAPPEMENT
COLECTOR DE ESCAPE

RGP6145 -UN-20MAR00



KEY	PART NO.	PART NAME	QTY.	ENGINE SERIAL NO.	REMARKS
1	R90658	GASKET	4		
2	19M7810	SCREW	8	M10 X 80	
3	R132260	EXHAUST MANIFOLD	1		

0410-3

ENGINE 04

EXHAUST MANIFOLD 0410

MEMORANDA
MEMORANDA
MEMORANDA

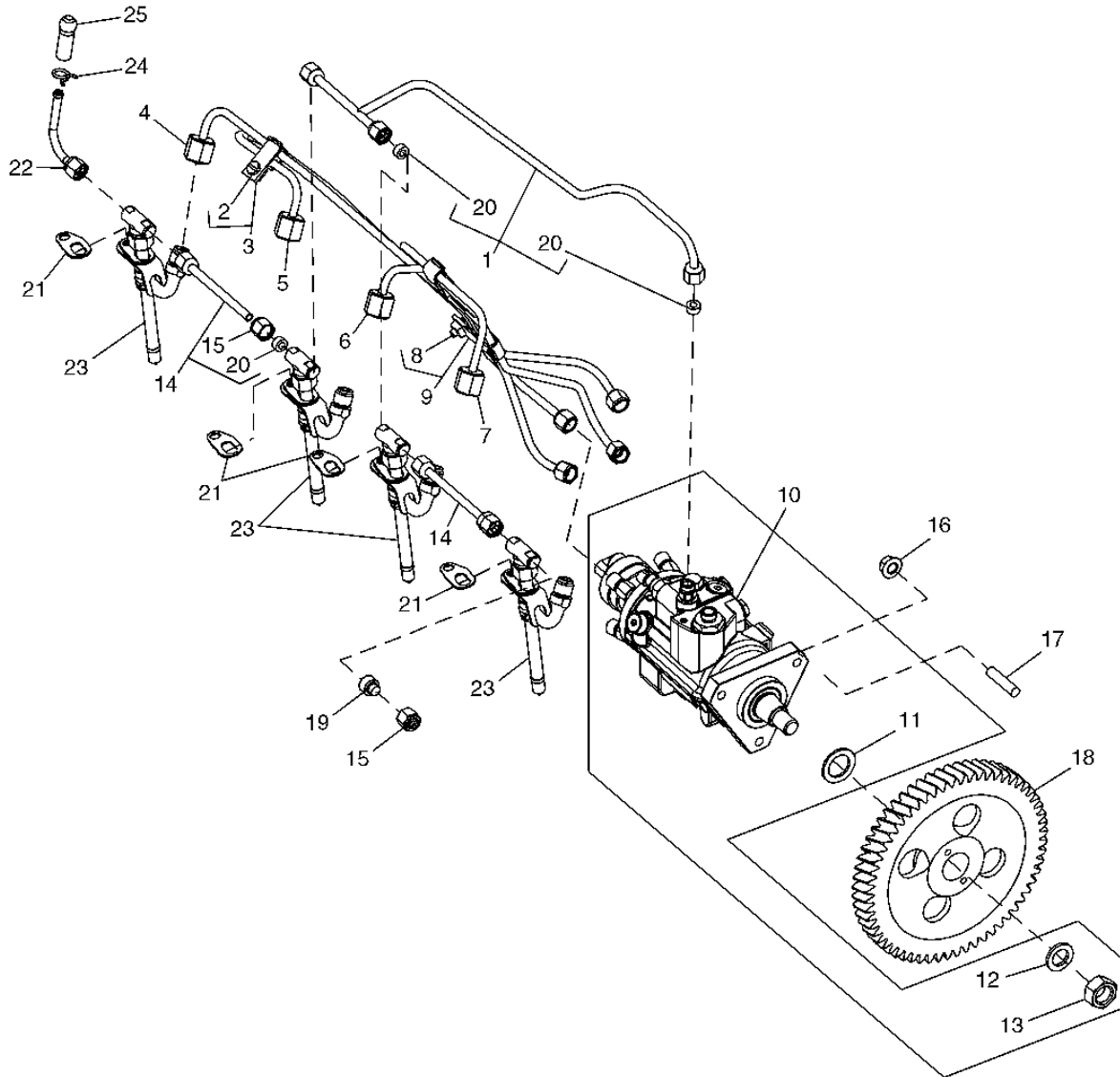
0413-2

ENGINE 04

FUEL INJECTION SYSTEM 0413

FUEL INJECTION SYSTEM CIRCUIT D'INJECTION DE CARBURANT SISTEMA DE INYECCION DE COMBUSTIBLE

RGP10125 -UN-11NOV03



JOHN DEERE

RGP10125

THIS PARTS LISTING IS CONTINUED

0413-3

ENGINE 04

FUEL INJECTION SYSTEM 0413

**FUEL INJECTION SYSTEM
CIRCUIT D'INJECTION DE CARBURANT
SISTEMA DE INYECCION DE COMBUSTIBLE**

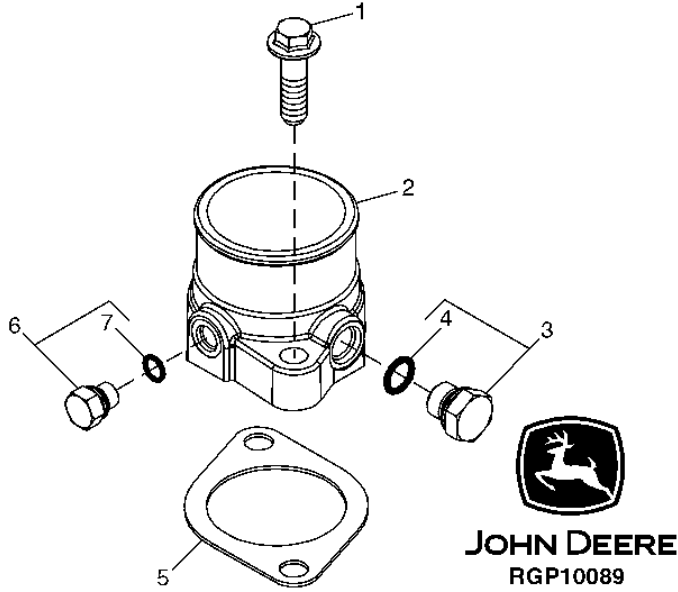
KEY	PART NO.	PART NAME	QTY.	ENGINE SERIAL NO.	REMARKS
1	RE507598	FUEL LINE	1		LEAK-OFF
2	19M7923	CAP SCREW	2		M6 X 12
3	RE19797	CLAMP	2		
4	RE507649	FUEL LINE	1		NO.4
5	RE507648	FUEL LINE	1		NO.3
6	RE507647	FUEL LINE	1		NO.2
7	RE507646	FUEL LINE	1		NO.1
8	19M7923	CAP SCREW	1		M6 X 12
9	RE19799	CLAMP	1		
10	RE518086	FUEL INJECTION PUMP	1		
	RE521822	KIT	1		TEMP SENSOR
	RE521823	KIT	1		PRESS REG & FUEL INLET
	RE521824	KIT	1		TIMING PIN HOLE
	RE521825	KIT	1		TRNS PUMP SCREW & VENT
	RE522109	KIT	1		SOLENOID CONNECTOR ASSY
	SE501234	FUEL INJECTION PUMP	1		(REMANUFACTURED FOR RE518086)
11	R502076	O-RING	1		
12	R132874	WASHER	1		
13	R91360	NUT	1		
14	RE68748	TUBE	2		
15	R123593	TUBE NUT	6		
16	14M7298	FLANGE NUT	3		M8
17	R116386	STUD	3		
18	R505472	GEAR	1		
19	AR85519	PLUG	1		
20	R51936	SEALING WASHER	7		
21	RE508716	CLAMP	4		
22	AR104650	FUEL LINE	1		
23	RE507766	INJECTION NOZZLE	4		
	SE500830	INJECTION NOZZLE	1		REMANUFACTURED (PKG OF 4)
	SE501103	NOZZLE	AR		REMANUFACTURED (PKG OF 1)
	RE531116	KIT	1		
24	T13254	CLAMP	1		
25	K1011176	SLEEVE	1		

0414-2

ENGINE 04
INTAKE MANIFOLD 0414

RGP10089 -UN-28AUG03

AIR INLET
ARRIVEE D'AIR
ENTRADA DE AIRE



KEY	PART NO.	PART NAME	QTY.	ENGINE SERIAL NO.	REMARKS
1	R500394	SCREW	2		
2	R504694	INTAKE MANIFOLD	1		
3	RE60071	FITTING	1		
4	51M7039	O-RING	1		
5	R81275	GASKET	1		
6	RE46684	FITTING PLUG	NA		
7	51M7041	O-RING	1		

0414-3

ENGINE 04

INTAKE MANIFOLD 0414

MEMORANDA
MEMORANDA
MEMORANDA

0415-2

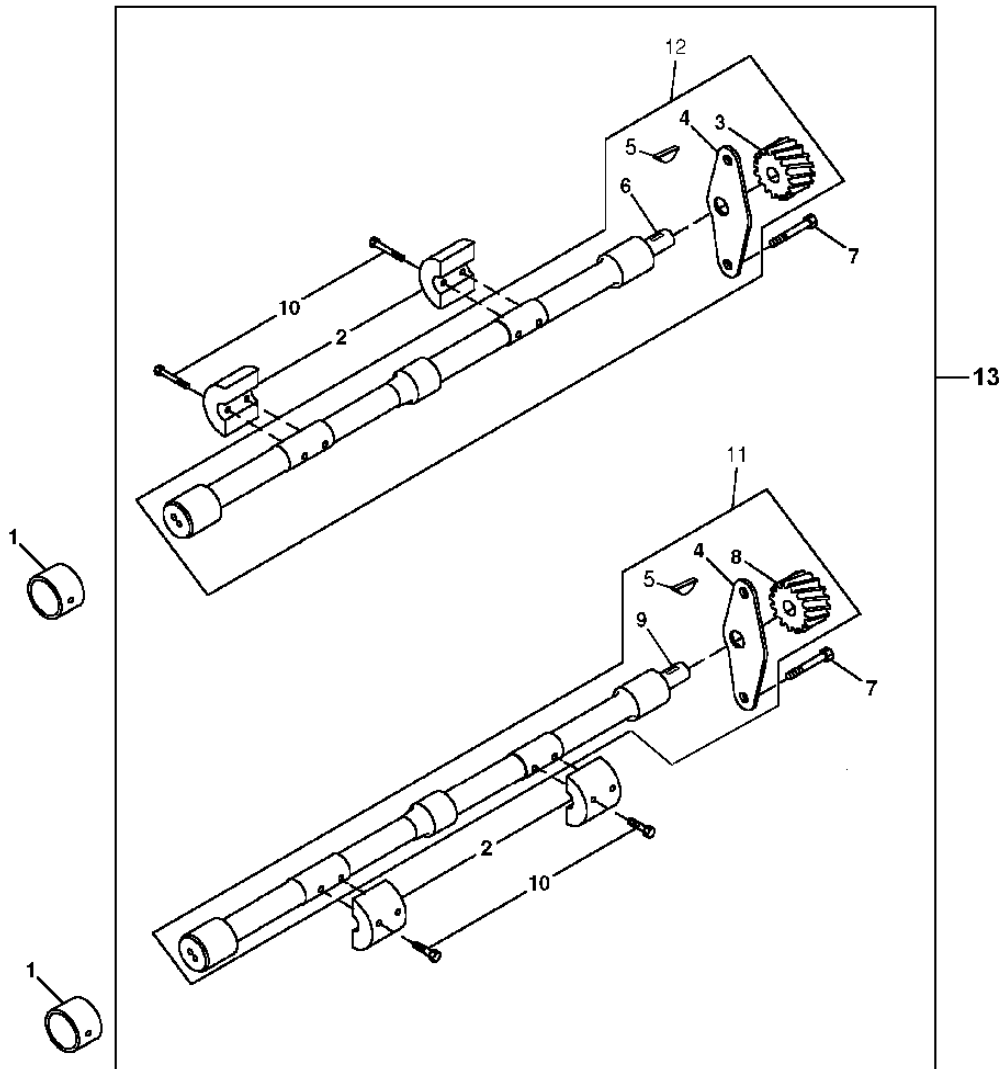
ENGINE 04

ENGINE BALANCER 0415

ENGINE BALANCER SHAFT ARBRE DE BALANCIER DE MOTEUR EJE DEL EQUILIBRADOR DEL MOTOR

T153911

-UN-11APR02



T153911

THIS PARTS LISTING IS CONTINUED

0415-2

444J UTILITY LOADER (S.N. -611274) PC9338 (23-AUG-06) PN=202

0415-3

ENGINE 04

ENGINE BALANCER 0415

**ENGINE BALANCER SHAFT
ARBRE DE BALANCIER DE MOTEUR
EJE DEL EQUILIBRADOR DEL MOTOR**

KEY	PART NO.	PART NAME	QTY.	ENGINE SERIAL NO.	REMARKS
1	R115299	BUSHING	6		
2	R500650	WEIGHT	4		HEAVY DUTY
3	GEAR	1		Z=15, (ORDER RE500449)
4	PLATE	2		(ORDER RE500448 OR RE500449)
5	R133303	SHAFT KEY	2		
6	BALANCER SHAFT	1		LH, (MARKED R500266) (ORDER RE500449)
7	19M8998	SCREW	4		M8 X 12
8	GEAR	1		Z=15, (ORDER RE500448)
9	BALANCER SHAFT	1		RH, (MARKED R500668) (ORDER RE500448)
10	19M8882	SCREW	8		M8 X 40
11	RE500448	BALANCER SHAFT	1		RH
12	RE500449	BALANCER SHAFT	1		LH
13	RE504742	GATHERING NUMBER	1		

0416-2

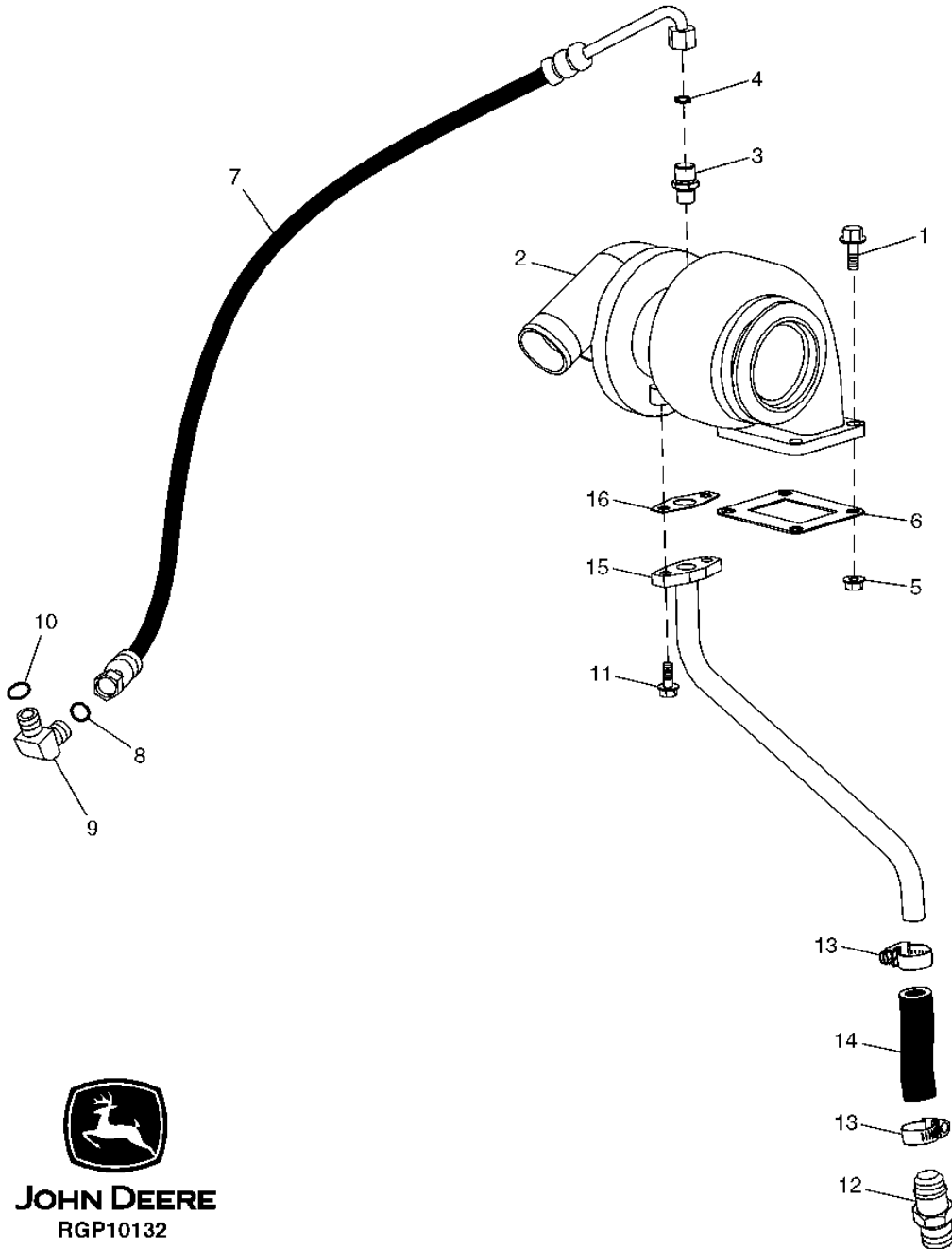
ENGINE 04

TURBOCHARGER 0416

TURBOCHARGER AND OIL LINES TURBOCOMPRESSEUR ET CONDUITES D'HUILE TURBOALIMENTADOR Y LINEAS DE ACEITE

RGP10132

-UN-12NOV03



JOHN DEERE
RGP10132

THIS PARTS LISTING IS CONTINUED

0416-3

ENGINE 04

TURBOCHARGER 0416

TURBOCHARGER AND OIL LINES
TURBOCOMPRESSEUR ET CONDUITES D'HUILE
TURBOALIMENTADOR Y LINEAS DE ACEITE

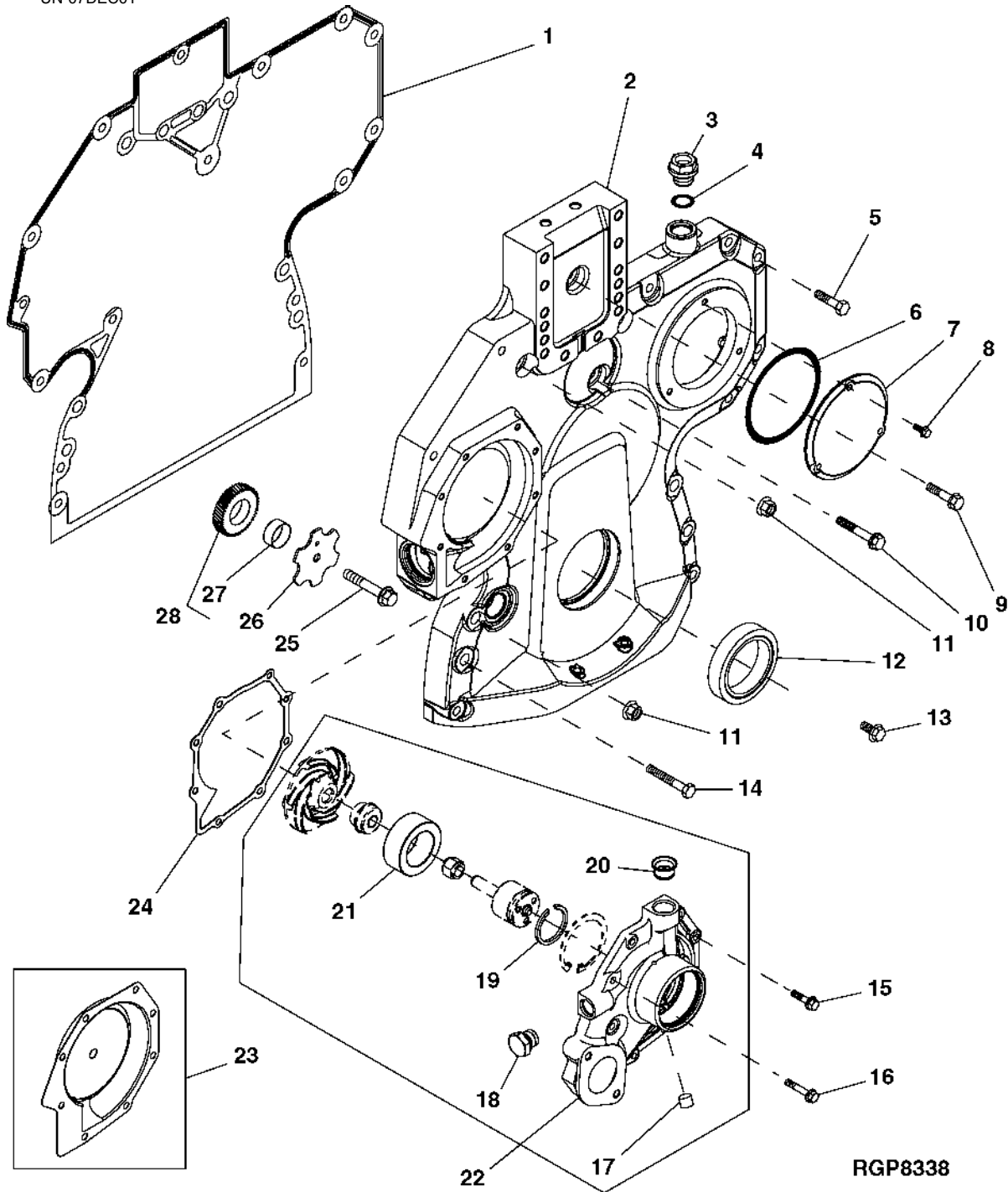
KEY	PART NO.	PART NAME	QTY.	ENGINE SERIAL NO.	REMARKS
1	19M8162	SCREW	4		
2	RE515977	TURBOCHARGER	1		M10 X 40
3	M87733	ADAPTER FITTING	1		(MARKED RE517786)
4	R63548	O-RING	1		
5	14M7296	FLANGE NUT	4		M10
6	R92097	GASKET	1		
7	RE503211	HYDRAULIC HOSE	1		
8	51M7042	O-RING	1		
9	38H5035	ELBOW FITTING	1		
10	T77613	O-RING	1		
11	19M7862	SCREW	2		M6 X 20
12	RE54885	HOSE FITTING	1		
13	RE65978	CLAMP	2		
14	R120013	HOSE	1		(CUT TO LENGTH)
15	RE509570	OIL LINE	1		
16	R503891	GASKET	1		

0417-2

ENGINE 04
WATER PUMP 0417

TIMING GEAR COVER AND WATER PUMP CARTER DE DISTRIBUTION ET POMPE A EAU CUBIERTA DE ENGRANAJES DE DISTRIBUCION Y BOMBA DE AGUA

RGP8338 -UN-07DEC01



0417-3

ENGINE 04

WATER PUMP 0417

**TIMING GEAR COVER AND WATER PUMP
CARTER DE DISTRIBUTION ET POMPE A EAU
CUBIERTA DE ENGRANAJES DE DISTRIBUCION Y BOMBA DE AGUA**

KEY	PART NO.	PART NAME	QTY.	ENGINE SERIAL NO.	REMARKS
1	R136515	GASKET	1	-XXXXXX	(USE WITH R504724)
	R520131	GASKET	1	XXXXXX-	(USE WITH R520129)
2	R504724	COVER	1	-XXXXXX	(SUB RE515978, R520129 AND R520131) (USE WITH R136515)
	R520129	COVER	1	XXXXXX-	(USE WITH R520131)
3	RE517370	FITTING	1		
4	51M7044	O-RING	1		
5	19M8317	SCREW	10		M8 X 40
6	R121424	O-RING	1		
7	R121411	COVER	1		
8	19M7775	SCREW	3		M6 X 16
9	19M8291	SCREW	1		M8 X 35
10	RE67239	SCREW	1		M8 X 45
11	14M7296	FLANGE NUT	6		M10
12	RE516340	KIT	1		(MARKED RE52346 OR RE505515) (SUB FOR RE59810)
13	19M7801	SCREW	1		M8 X 60
14	19M7979	SCREW	2		M8 X 55
15	19M7863	SCREW	5		M6 X 25
16	19M7796	SCREW	3		M6 X 30
17	R100369	FILTER	2		
18	RE46685	FITTING PLUG	2		(INCLUDES 51M7043)
	51M7043	O-RING	2		
19	A364R	SNAP RING	1		
20	R123226	GASKET	1		
21	BALL BEARING	1		(ORDER RE71240)
22	RE505981	WATER PUMP	1		(MARKED R503509)
	RE71240	KIT	1		WATER PUMP REPAIR
23	RE508566	INSERT	1		
24	R123417	GASKET	1		
25	19M8966	SCREW	1		M10 X 50
26	R131283	THRUST WASHER	1		
27	R114193	BUSHING	1		
28	RE56369	GEAR	1		
..	RE506380	COVER	1		(A)

(A) CONTAINS WATER PUMP, TIMING GEAR COVER, SEALS AND HARDWARE

(A) CONTIENT POMPE A EAU, CARTER DE DISTRIBUTION, JOINTS ET BOULONNERIE

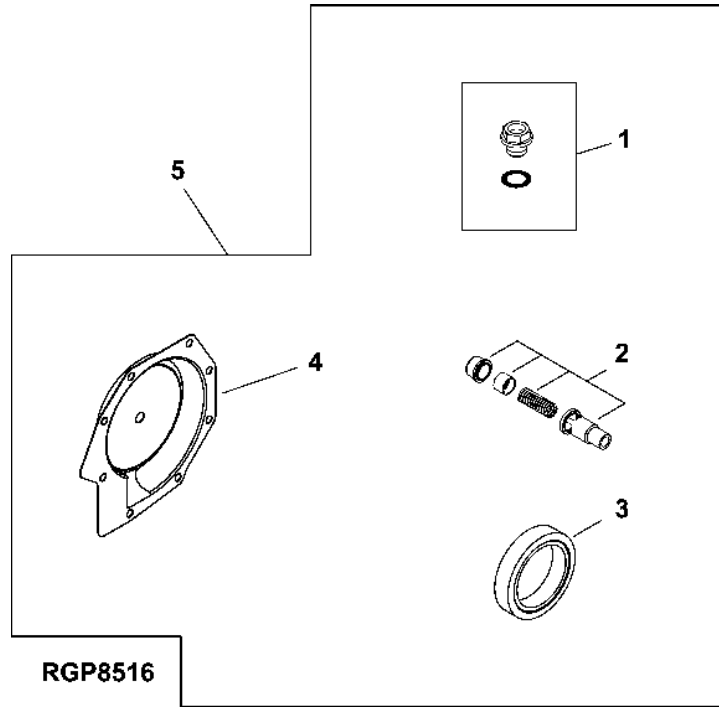
(A) CONTIENE BOMBA DE AGUA, CUBIERTA ENGRANAJE DISTRIBUCION, SELLOS Y TORNILLERIA

0417-4

ENGINE 04
WATER PUMP 0417

TIMING GEAR COVER SERVICE KIT
KIT ENTRETIEN CARTER DE DISTRIBUTION
JUEGO DE SERVICIO DE CUBIERTA DE ENGRANAJES DE DISTRIBUCION

RGP8516 -UN-23JAN02



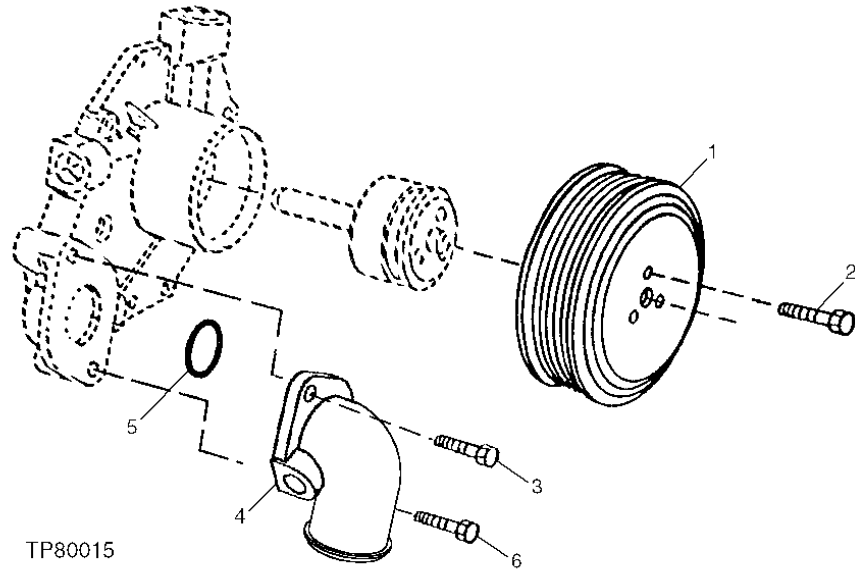
KEY	PART NO.	PART NAME	QTY.	ENGINE SERIAL NO.	REMARKS
1	RE517370	FITTING	1		
2	RE505501	BLEED VALVE	1		
3	RE516340	KIT	1		(MARKED RE52346 OR RE505515) (SUB FOR RE59810)
4	RE508566	INSERT	1		
5	RE515978	KIT	1		

0417-5

ENGINE 04
WATER PUMP 0417

WATER PUMP INLET AND PULLEY
ENTREE DE POMPE A EAU ET POULIE
ENTRADA DE BOMBA DE AGUA Y POLEA

TP80015 -UN-19OCT98



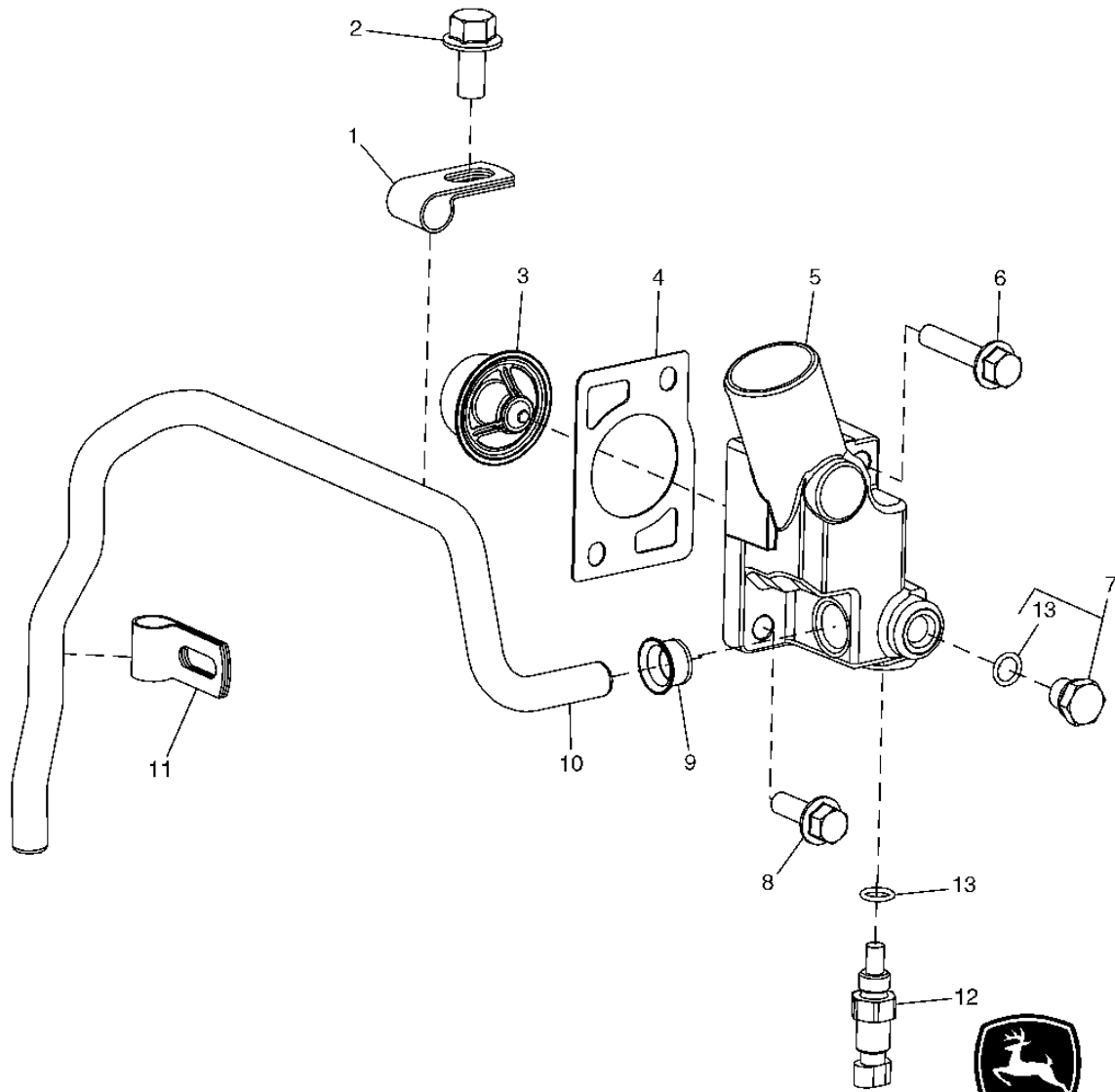
KEY	PART NO.	PART NAME	QTY.	ENGINE SERIAL NO.	REMARKS
1	R121038	PULLEY	1		
2	19M7774	SCREW	3	M6 X 12	
3	19M7867	SCREW	1	M8 X 25	
4	R121635	ELBOW FITTING	1		
5	R89944	O-RING	1		
6	19M7802	SCREW	1	M8 X 65	

0418-2

ENGINE 04

THERMOSTATS, HOUSINGS AND WATER PIPING 0418 THERMOSTAT AND THERMOSTAT COVER THERMOSTAT ET COUVERCLE DE THERMOSTAT TERMOSTATO Y CUBIERTA DEL TERMOSTATO

RGP9956 -UN-28AUG03



JOHN DEERE
RGP9956

0418-3

ENGINE 04

THERMOSTATS, HOUSINGS AND WATER PIPING 0418
THERMOSTAT AND THERMOSTAT COVER
THERMOSTAT ET COUVERCLE DE THERMOSTAT
TERMOSTATO Y CUBIERTA DEL TERMOSTATO

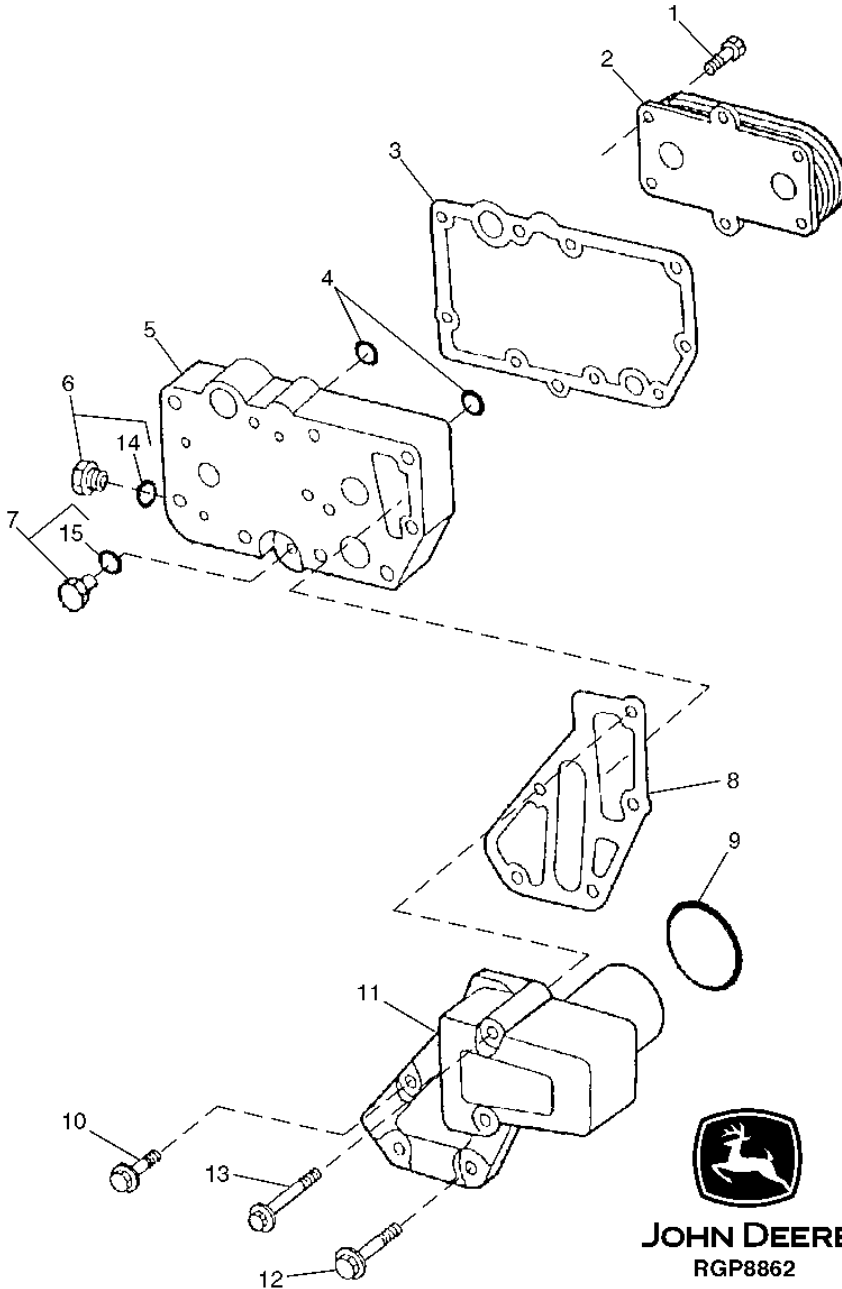
KEY	PART NO.	PART NAME	QTY.	ENGINE SERIAL NO.	REMARKS
1	R123323	CLAMP	1		
2	19M7788	SCREW	1		M12 X 25
3	RE522076	THERMOSTAT	1		
4	R502814	GASKET	1		
5	R131016	COVER	1		
6	19M8292	SCREW	1		M10 X 50
7	RE46684	FITTING PLUG	1		
8	19M7786	SCREW	1		M10 X 30
9	R123226	GASKET	1		
10	R501144	TUBE	1		
11	R123324	CLAMP	1		
12	RE52722	COOLANT TEMPERATURE SENSOR	1		
13	51M7041	O-RING	2		

0419-2

ENGINE 04
OIL COOLER 0419

ENGINE OIL COOLER AND ADAPTER
REFROIDISSEUR D'HUILE MOTEUR ET ADAPTEUR
ENFRIADOR DE ACEITE DEL MOTOR Y ADAPTADOR

RGP8862 -UN-15JUL02



0419-3

ENGINE 04
OIL COOLER 0419

ENGINE OIL COOLER AND ADAPTER
REFROIDISSEUR D'HUILE MOTEUR ET ADAPTEUR
ENFRIADOR DE ACEITE DEL MOTOR Y ADAPTADOR

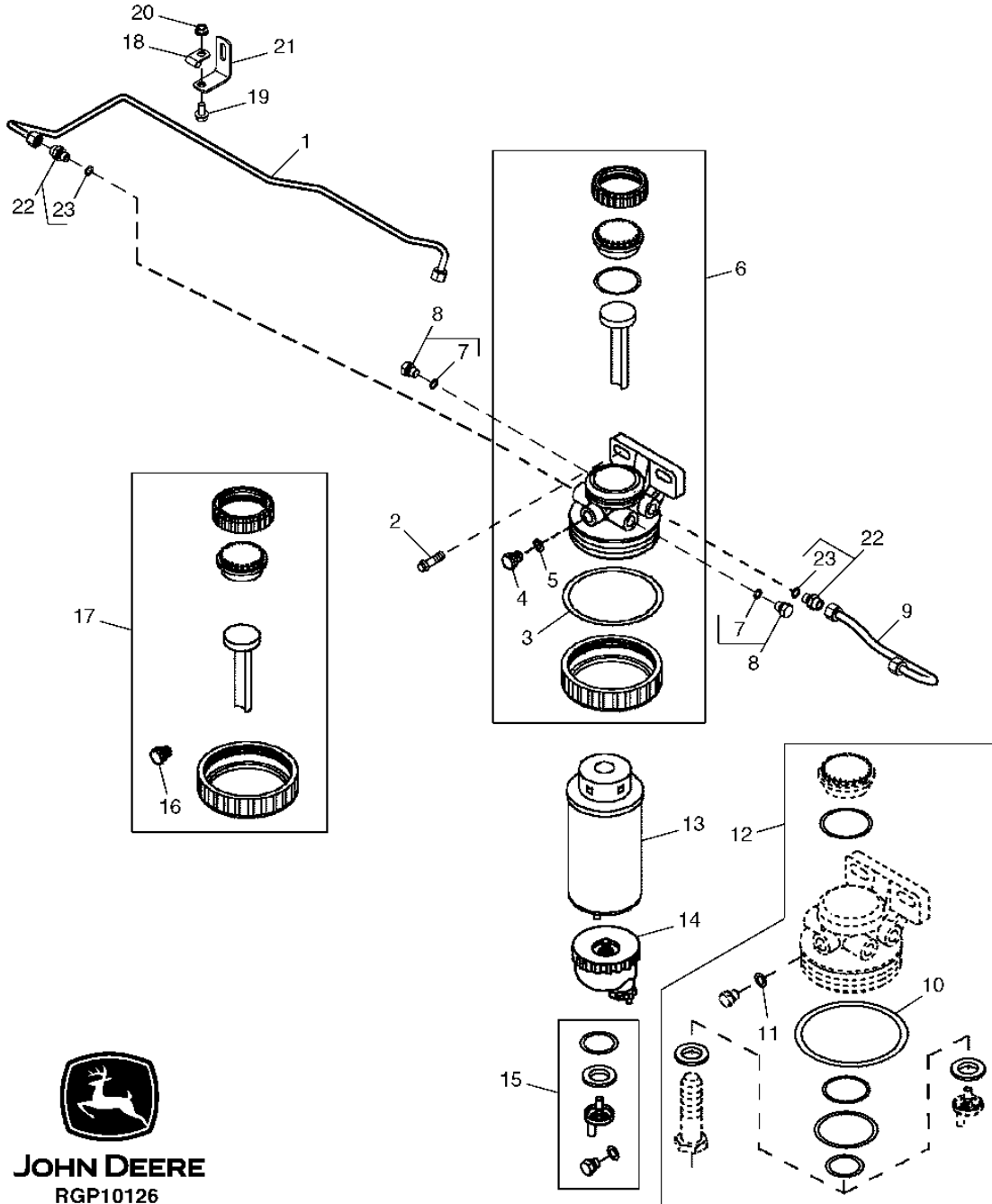
KEY	PART NO.	PART NAME	QTY.	ENGINE SERIAL NO.	REMARKS
1	RE67231	SCREW	6		M6 X 16, (WITH PRE-APPLIED SEALANT)
2	RE56690	OIL COOLER	1		(7 PLATE)
	RE522821	OIL COOLER	1		(INCLUDES RE56690, (6) RE67231, R123471 AND (2) T122075)
3	R123501	GASKET	1		
4	T122075	O-RING	2		
5	R123471	HOUSING	1		
6	RE46685	FITTING PLUG	1		
7	RE46686	FITTING PLUG	1		
8	R501428	GASKET	1		
9	R504734	O-RING	1		
10	19M7802	SCREW	2		M8 X 65
11	R502811	ADAPTER FITTING	1		
12	19M7970	SCREW	2		M8 X 100
13	RE67238	SCREW	1		M8 X 20, (WITH PRE-APPLIED SEALANT)
14	51M7043	O-RING	1		
15	51M7040	O-RING	1		
..	RE522820	OIL COOLER	1		COMPLETE SERVICE UNIT

0420-2

ENGINE 04
FUEL FILTER 0420

FINAL FUEL FILTER AND LINES FILTRE A CARBURANT FINAL ET CONDUITES FILTRO FINAL DE COMBUSTIBLE Y LINEAS

RGP10126 -UN-11NOV03



0420-3

ENGINE 04

FUEL FILTER 0420

**FINAL FUEL FILTER AND LINES
FILTRE A CARBURANT FINAL ET CONDUITES
FILTRO FINAL DE COMBUSTIBLE Y LINEAS**

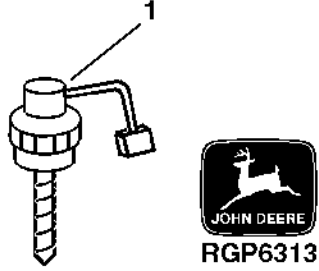
KEY	PART NO.	PART NAME	QTY.	ENGINE SERIAL NO.	REMARKS
1	RE507597	FUEL LINE	1		
2	19M7784	SCREW	2		M10 X 20
3	R113565	O-RING	1		
4	R113563	DRAIN PLUG	1		
5	R113562	O-RING	1		
6	RE509794	FILTER HEAD	1		
7	51M7040	O-RING	1		9.300 X 2.200 MM
8	RE46686	FITTING PLUG	2		M12 X 1.5
9	RE60037	FUEL LINE	1		
10	R113565	O-RING	1		
11	R113562	O-RING	1		
12	RE516553	SEAL KIT	1		SEAL
	RE516512	O-RING KIT	1		O-RING WITHOUT HAND PRIMER (PKG 10)
13	RE509031	FILTER ELEMENT	1	-XXXXXX	FINAL 4.3" (109.2 MM) (SUB RE509032, THIS APPLICATION)
	RE509032	FILTER ELEMENT	1	XXXXXX-	FINAL 6.0" (152.4 MM) (SUB FOR RE509031, THIS APPLICATION) (ALSO ORDER R113565)
14	RE51650	SEDIMENT BOWL	1		
15	RE60854	DRAIN VALVE	1		VALVE
16	R113563	DRAIN PLUG	1		
17	RE526834	SEAL KIT	1		(SUB FOR RE51649)
18	T14050	CLAMP	1		
19	19M7865	SCREW	1		M8 X 16
20	14M7298	FLANGE NUT	1		M8
21	R116116	BRACKET	1		
22	RE60029	ADAPTER FITTING	2		M12X1.5 X 9/16"-24UNF
23	51M7040	O-RING	1		9.300 X 2.200 MM

0420-4

ENGINE 04
FUEL FILTER 0420

FUEL FILTER HEATER KIT
KIT CHAUFFAGE FILTRE A CARBURANT
JUEGO DE CALEFACTOR DEL FILTRO DE COMBUSTIBLE

RGP6313 -UN-15MAY00



KEY	PART NO.	PART NAME	QTY.	SERIAL NO.	REMARKS
1	RE504134	KIT	1		(24 VOLT TOP LOAD HEATER)

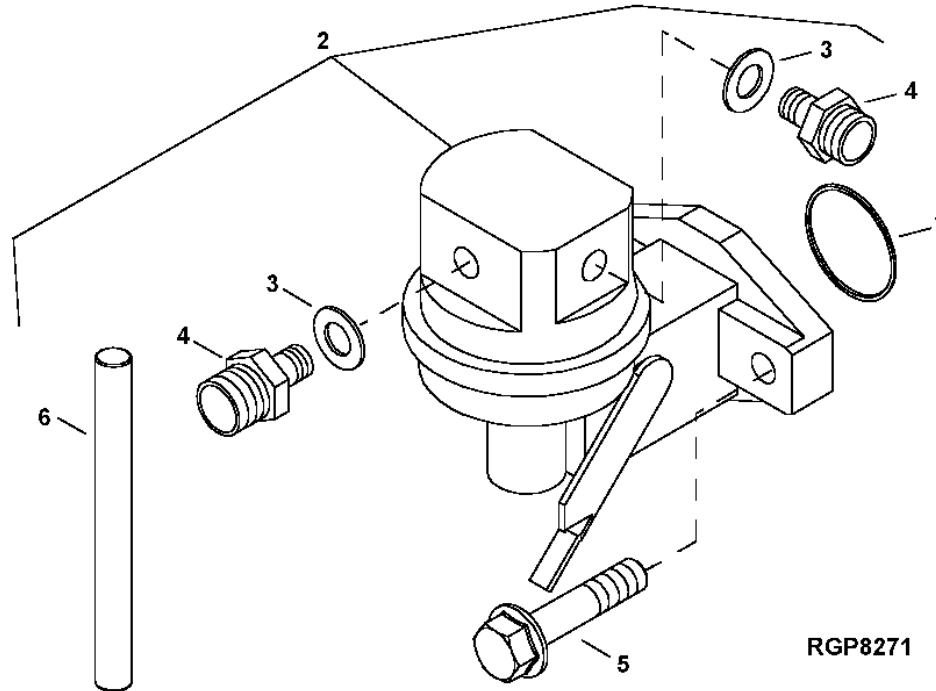
0421-1

ENGINE 04

FUEL TRANSFER PUMP 0421

**FUEL TRANSFER PUMP
POMPE DE TRANSFERT DE CARBURANT
BOMBA DE TRANSFERENCIA DE COMBUSTIBLE**

RGP8271 -UN-05NOV01



KEY	PART NO.	PART NAME	QTY.	ENGINE SERIAL NO.	REMARKS
1	R123273	O-RING	1		
2	RE66153	FUEL PUMP	1		
3	R500271	O-RING	2		
4	R500270	FITTING	2		
5	RE504233	CAP SCREW	2		
6	R133405	PIN	1		

0422-2

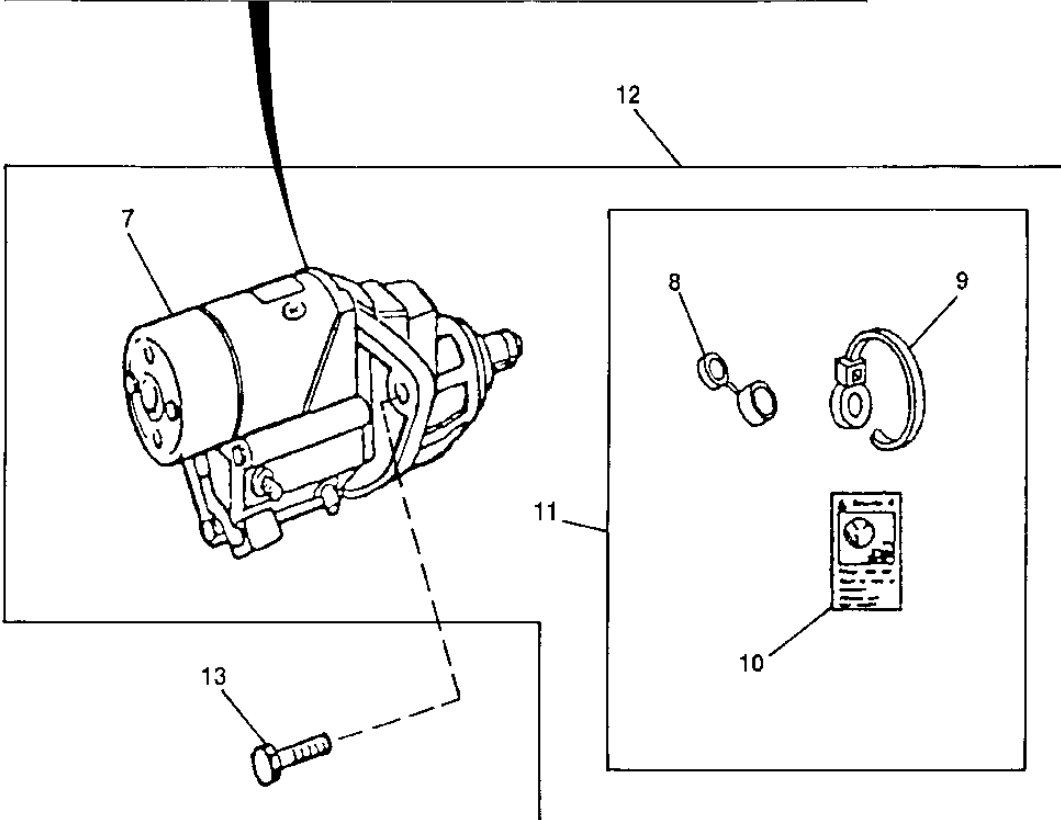
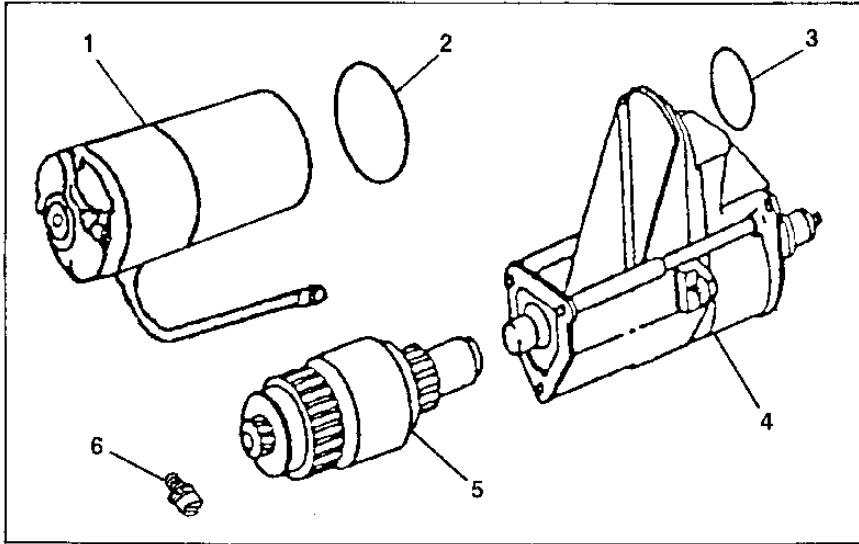
ENGINE 04

STARTING MOTOR AND FASTENINGS 0422

STARTER MOTOR
DEMARREUR
ARRANCADOR

TP50833

-UN-15APR99



TP50833

0422-3

ENGINE 04

STARTING MOTOR AND FASTENINGS 0422

**STARTER MOTOR
DEMARREUR
ARRANCADOR**

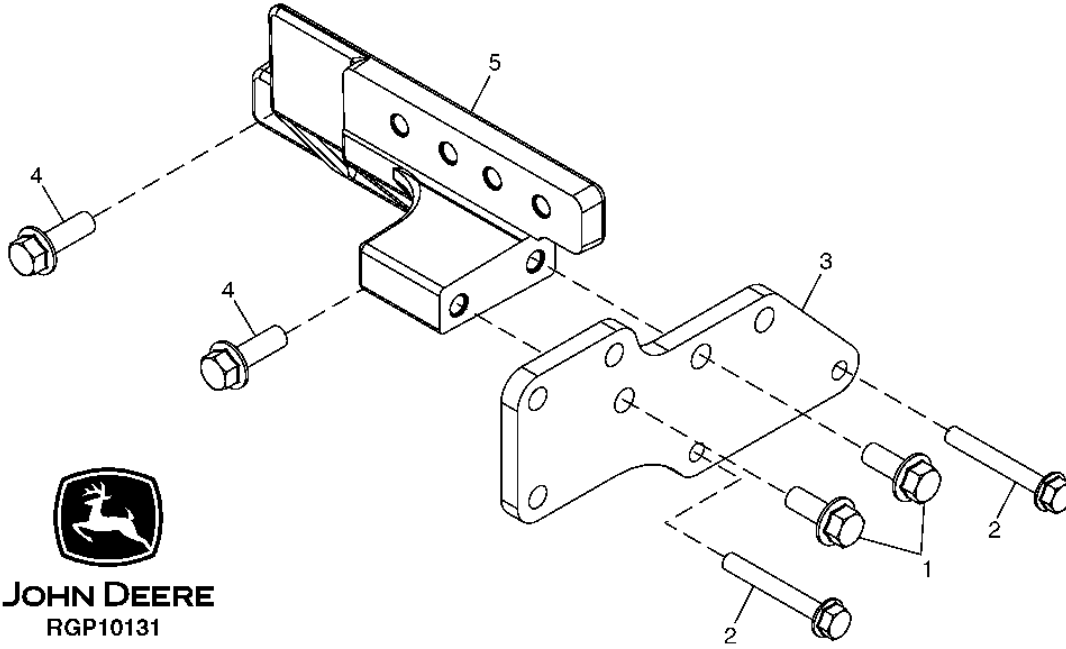
KEY	PART NO.	PART NAME	QTY.	ENGINE SERIAL NO.	REMARKS
1	MOTOR	1		(ORDER RE501150)
2	R135509	SEAL	1		
3	R135510	O-RING	1		
4	RE70678	SWITCH	1		
5	RE70682	CLUTCH	1		
6	RE71256	SCREW WITH WASHER	1		M5 X .8
7	STARTER MOTOR	1		(MARKED RE501060) (ORDER RE501150)
8	COVER	1		(ORDER RE70756)
9	R96703	TIE BAND	1		
10	T146102	LABEL	1		
11	RE70756	KIT	1		
12	RE501150	STARTER MOTOR KIT	1		(INCLUDES R136052, 14M7299 AND 24M7047)
13	19M7786	SCREW	3		M10 X 30

0423-2

ENGINE 04

ALTERNATOR AND GENERATOR MOUNTING 0423
UPPER ALTERNATOR BRACKET
SUPPORT SUPERIEUR ALTERNATEUR
ESCUADRA SUPERIOR DEL ALTERNADOR

RGP10131 -UN-12NOV03



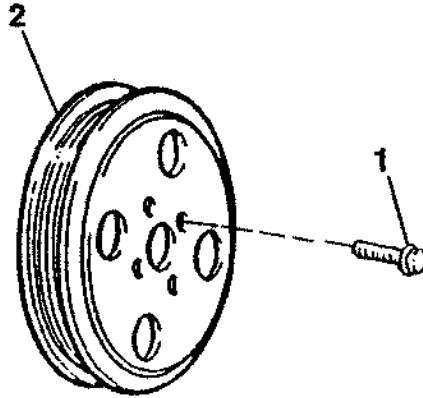
KEY	PART NO.	PART NAME	QTY.	ENGINE SERIAL NO.	REMARKS
1	19M7801	SCREW	2		M8 X 60
2	19M7785	SCREW	2		M10 X 25
3	R132913	SUPPORT	1		
4	19M7786	SCREW	2		M10 X 30
5	T179469	SUPPORT	1		

0429-1

ENGINE 04
FAN DRIVE 0429

CRANKSHAFT PULLEY
POULIE DE VILEBREQUIN
POLEA DEL CIGUENAL

TP62091 -UN-07JUN99



TP62091

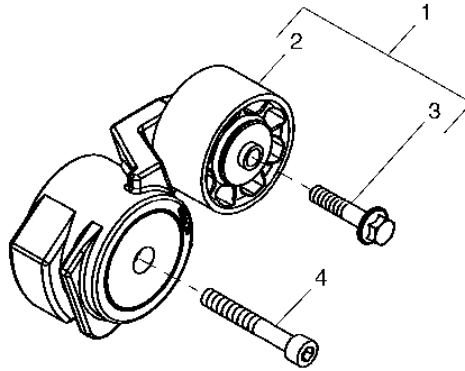
KEY	PART NO.	PART NAME	QTY.	ENGINE SERIAL NO.	REMARKS
1	R121897	BOLT	4		
2	R500196	PULLEY	1		

0429-2

ENGINE 04
FAN DRIVE 0429

**AUTOMATIC BELT TENSIONER
TENDEUR COURROIE AUTOMATIQUE
TENSOR DE CORREA AUTOMATICO**

RGP10123 -UN-06NOV03



JOHN DEERE
RGP10123

KEY	PART NO.	PART NAME	QTY.	ENGINE SERIAL NO.	REMARKS
1	RE70536	PULLEY	1		
2	RE505264	PULLEY	1		
3	R503813	BOLT	1		LH THREAD
4	19M8131	SCREW	1		M10 X 70

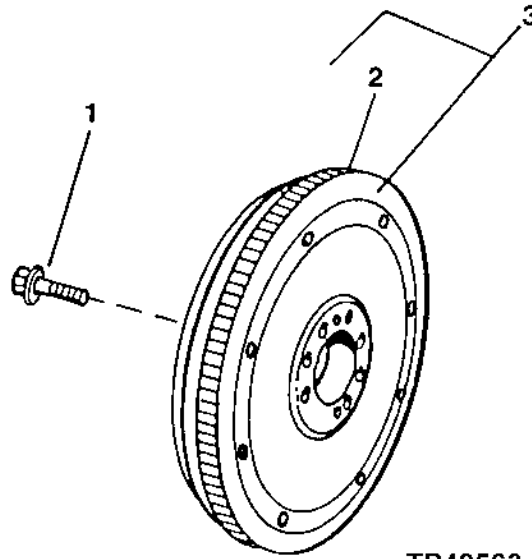
0433-1

ENGINE 04

FLYWHEEL, HOUSING AND FASTENINGS 0433

FLYWHEEL
VOLANT-MOTEUR
VOLANTE

TP49563 -UN-17FEB97



KEY	PART NO.	PART NAME	QTY.	ENGINE SERIAL NO.	REMARKS
1	R135918	BOLT	4		
2	R28811	RING GEAR	1		
3	RE500398	FLYWHEEL	1		(MARKED R500219)

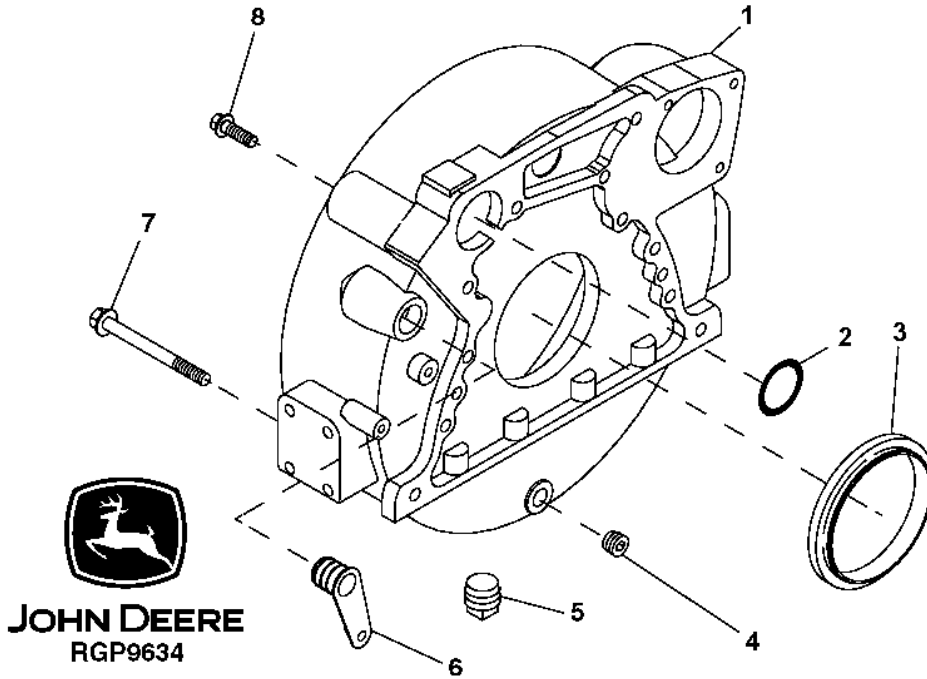
0433-2

ENGINE 04

FLYWHEEL, HOUSING AND FASTENINGS 0433

FLYWHEEL HOUSING
CARTER DE VOLANT-MOTEUR
CAJA DEL VOLANTE

RGP9634 -UN-15JUL03



KEY	PART NO.	PART NAME	QTY.	ENGINE SERIAL NO.	REMARKS
1	R503450	HOUSING	1		(ALSO ORDER R61467)
2	R61467	O-RING	1		
3	RE44574	SEAL	1		
4	RE57836	PIPE PLUG	1		1/2", (SUB FOR 15H624)
5	15H562	PIPE PLUG	1		1"
6	R131769	PLUG	1		
7	19M8306	SCREW	4		M12 X 50
8	R135918	BOLT	8		

0433-3

ENGINE 04

FLYWHEEL, HOUSING AND FASTENINGS 0433

MEMORANDA
MEMORANDA
MEMORANDA

0450-2

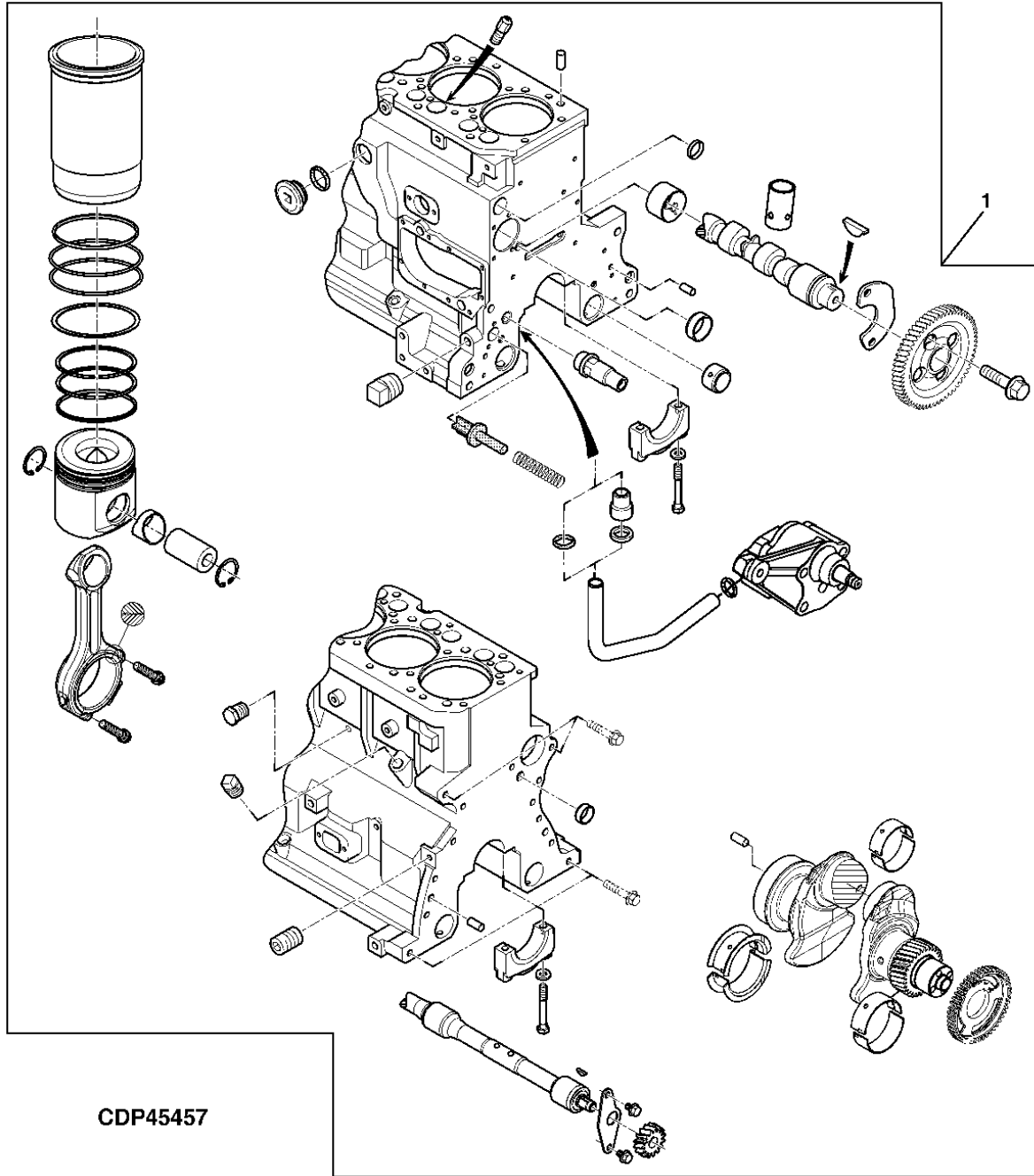
ENGINE 04

SHORT BLOCK ASSEMBLY BLOC COURT BLOQUE CORTO

SERVICE CYLINDER BLOCK ASSEMBLIES 0450

CDP45457

-UN-07JAN03



CDP45457

THIS PARTS LISTING IS CONTINUED

0450-3

ENGINE 04

SERVICE CYLINDER BLOCK ASSEMBLIES 0450

SHORT BLOCK ASSEMBLY
BLOC COURT
BLOQUE CORTO

<i>KEY</i>	<i>PART NO.</i>	<i>PART NAME</i>	<i>QTY.</i>	<i>ENGINE SERIAL NO.</i>	<i>REMARKS</i>
1	RE520023	SHORT BLOCK ASSEMBLY	1		(PISTON MARKED RE509540 OR RE507609)
..	SE501072	COMPLETE BLOCK ASSEMBLY	1		(REMANUFACTURED)

0450-4

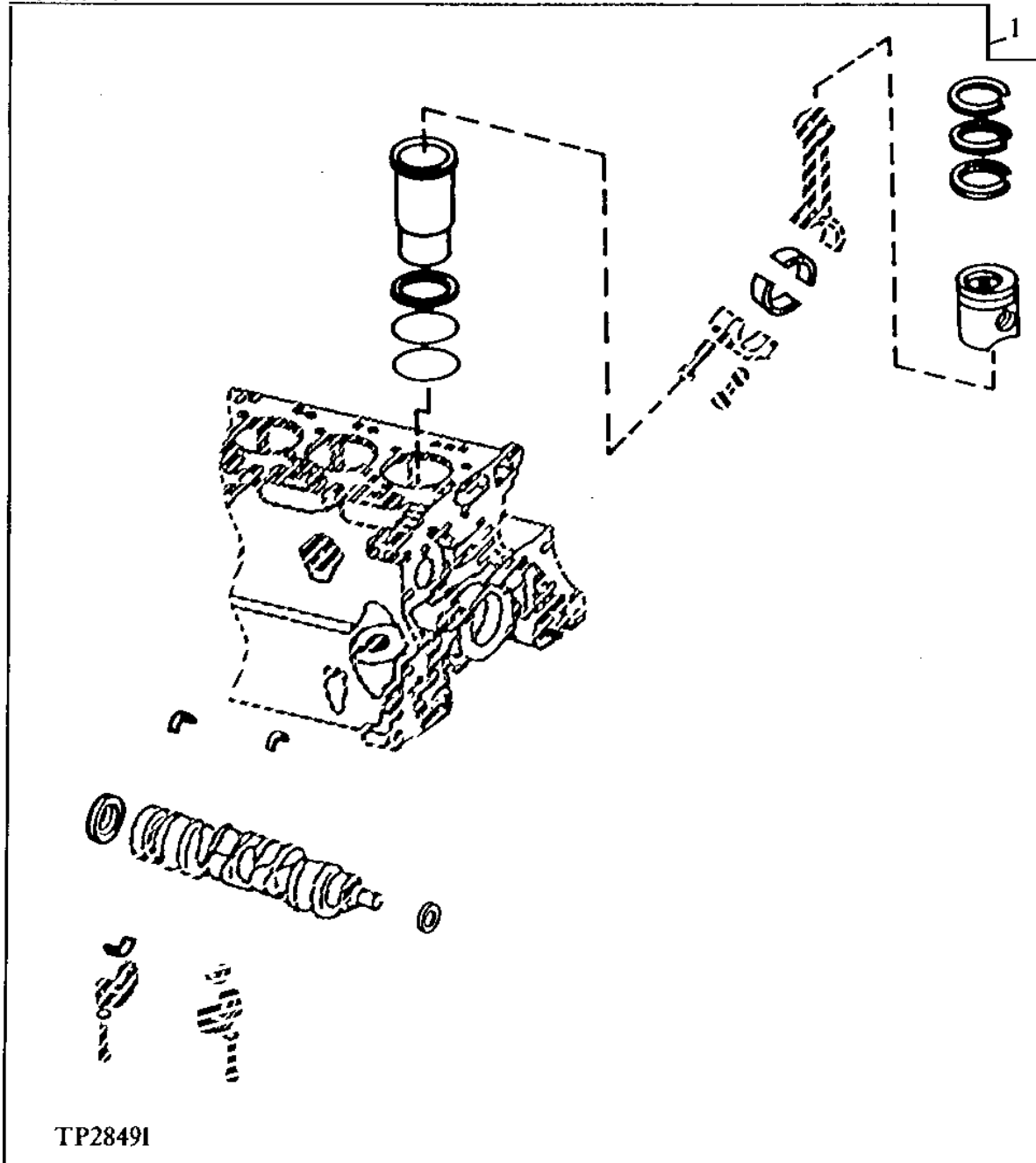
ENGINE 04

SERVICE CYLINDER BLOCK ASSEMBLIES 0450

OVERHAUL KIT
JEU DE REMISE EN ETAT
JUEGO DE RECONSTRUCCION

TP28491

-UN-01JAN94



TP28491

THIS PARTS LISTING IS CONTINUED

0450-5

ENGINE 04

SERVICE CYLINDER BLOCK ASSEMBLIES 0450

**OVERHAUL KIT
JEU DE REMISE EN ETAT
JUEGO DE RECONSTRUCCION**

<i>KEY</i>	<i>PART NO.</i>	<i>PART NAME</i>	<i>QTY.</i>	<i>ENGINE SERIAL NO.</i>	<i>REMARKS</i>
1	RE526971	ENGINE OVERHAUL KIT	1		(PISTON MARKED RE509540 OR RE507609)

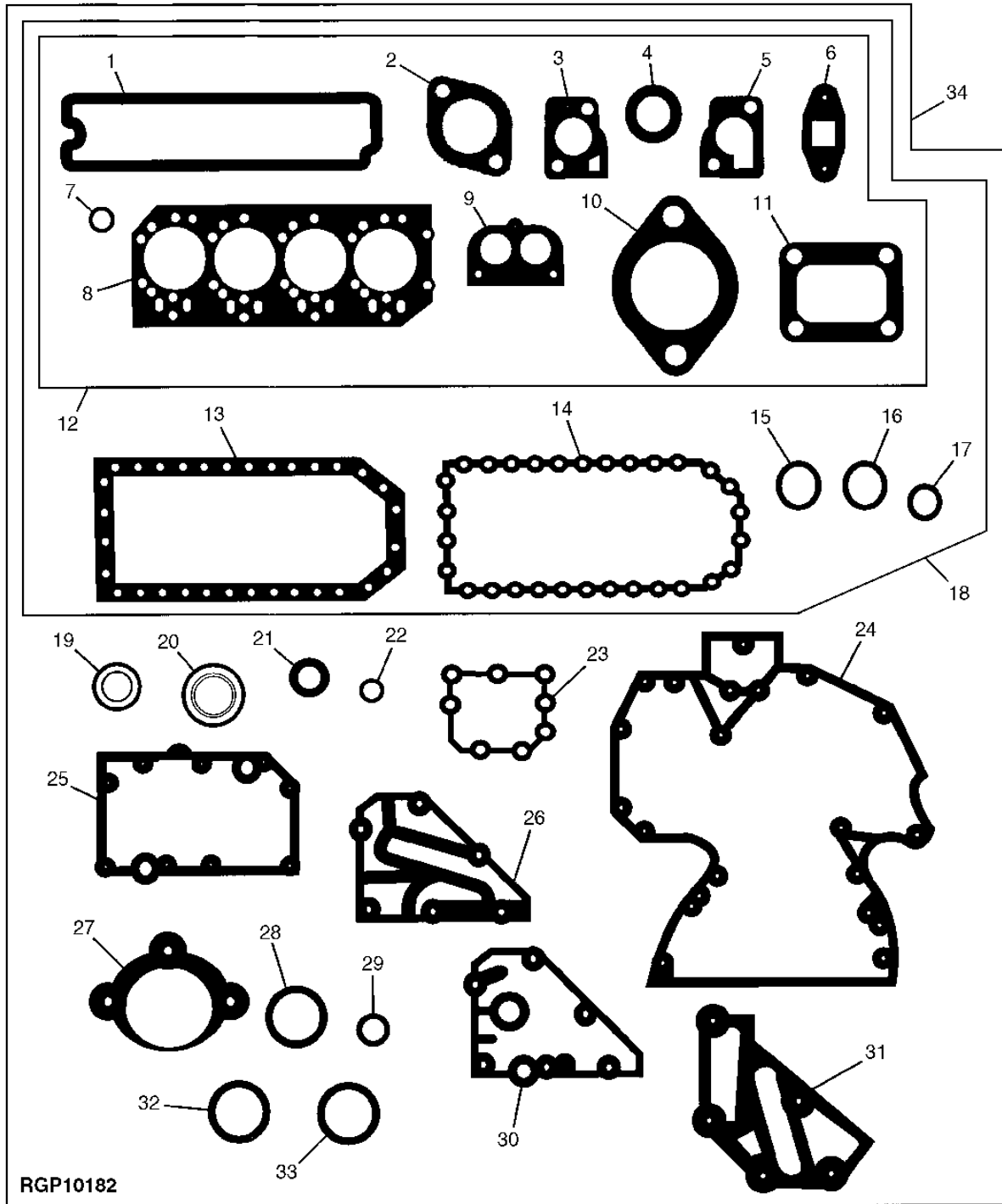
0452-2

ENGINE 04

GASKET REPLACEMENT KITS 0452

ENGINE GASKET SETS
JEU DE JOINT DU MOTEUR
JUEGO DE JUNTA DEL MOTOR

RGP10182 -UN-05MAR04



RGP10182

THIS PARTS LISTING IS CONTINUED

0452-3

ENGINE 04

GASKET REPLACEMENT KITS 0452

**ENGINE GASKET SETS
JEU DE JOINT DU MOTEUR
JUEGO DE EMPAQUETADURA DEL MOTOR**

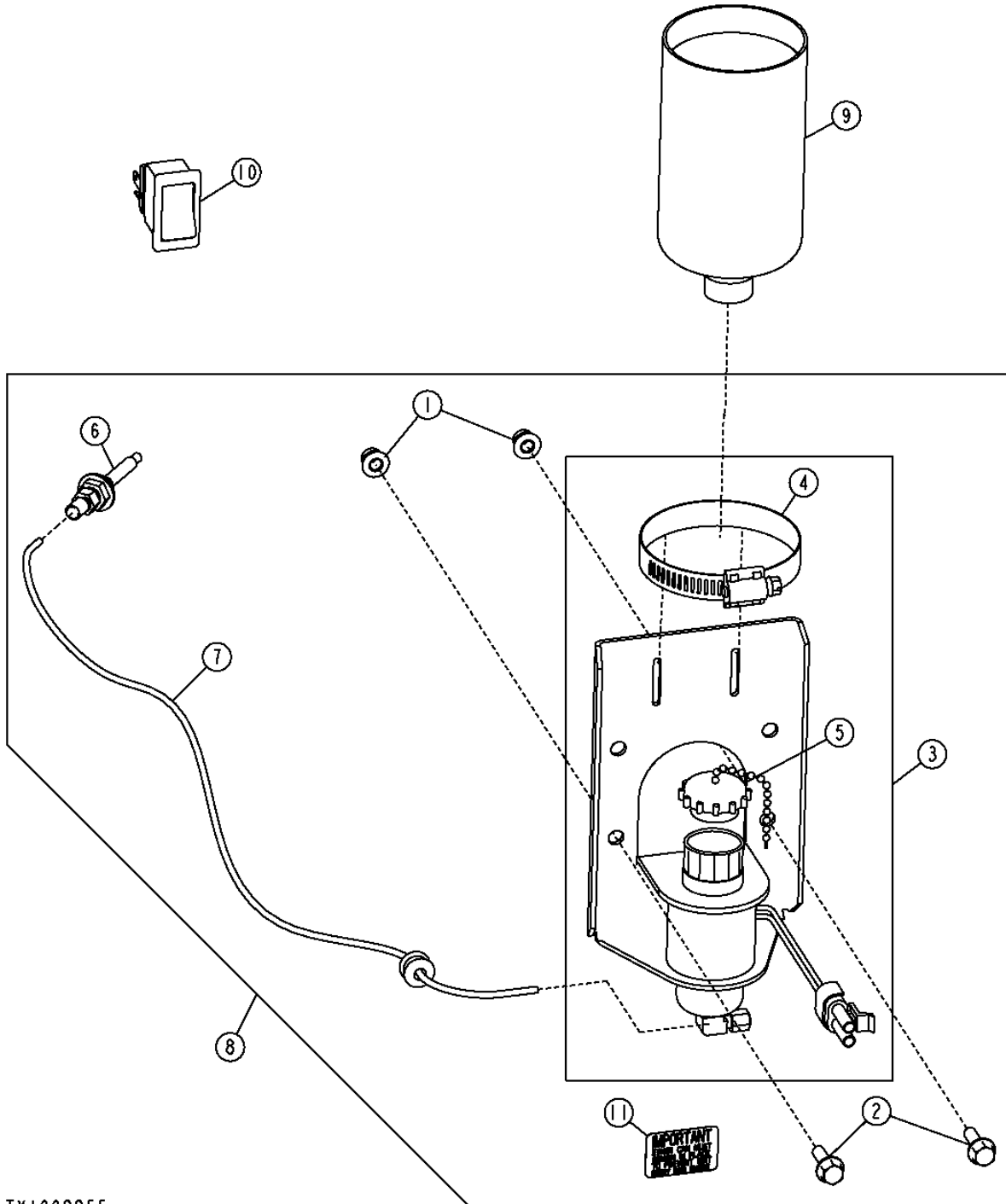
KEY	PART NO.	PART NAME	QTY.	ENGINE SERIAL NO.	REMARKS
1	R123542	GASKET	1		
	RE520539	GASKET KIT	1		HIGH TEMPERATURE (OPTIONAL)
2	R521439	GASKET	4		(SUB FOR R90658)
3	R502814	GASKET	1		(SUB FOR R135896)
4	R123226	GASKET	2		
5	R123345	GASKET	1		
6	R123570	GASKET	1		
7	R123575	O-RING	4		
8	R116515	ENGINE CYLINDER HEAD GASKET	1		
9	R501373	GASKET	1		(SUB FOR R54638)
10	R81275	GASKET	1		
11	R92097	GASKET	1		(ORDER R90737) APPL
12	RE526670	GASKET KIT	1		CYLINDER HEAD REMOVAL, (SUB FOR RE66082)
13	R123353	GASKET	1		
14	R123352	GASKET	1		NLA, (ORDER R522030)
15	R75892	O-RING	1		
16	R97185	O-RING	1		
17	R61871	O-RING	1		
18	RE526671	GASKET KIT	1		IN CHASSIS OVERHAUL, (ALSO ORDER DD15664) (SUB FOR RE66084)
19	A4827R	WASHER	1		
20	RE44574	SEAL	1		
21	RE516340	KIT	1		(SUB FOR RE59810)
22	R123273	O-RING	1		
23	R123417	GASKET	1		
24	R136516	GASKET	1		
	R136515	GASKET	1		APPL
25	R123501	GASKET	1		
26	R502864	GASKET	1		(SUB FOR R123504)
27	R53108	GASKET	1		
28	R72328	O-RING	4		
29	R89944	O-RING	1		
30	R123525	GASKET	1		
31	R501428	GASKET	1		(SUB FOR R123502)
32	R61105	O-RING	2		
33	T122075	O-RING	2		
34	RE527042	GASKET KIT	1		COMPLETE MAJOR OVERHAUL, (ALSO ORDER DD15664) (SUB FOR RE66086 AND RE501455)

0505-2

ENGINE AUXILIARY SYSTEM 05
COLD WEATHER STARTING AIDS 0505

ETHER STARTING AID
AIDE AU DEMARRAGE ETHER
FLUIDO AUXILIAR DE ARRANQUE

TX1008855 -UN-14JUN06



TX1008855

THIS PARTS LISTING IS CONTINUED

0505-3

ENGINE AUXILIARY SYSTEM 05
COLD WEATHER STARTING AIDS 0505

**ETHER STARTING AID
AIDE AU DEMARRAGE ETHER
FLUIDO AUXILIAR DE ARRANQUE**

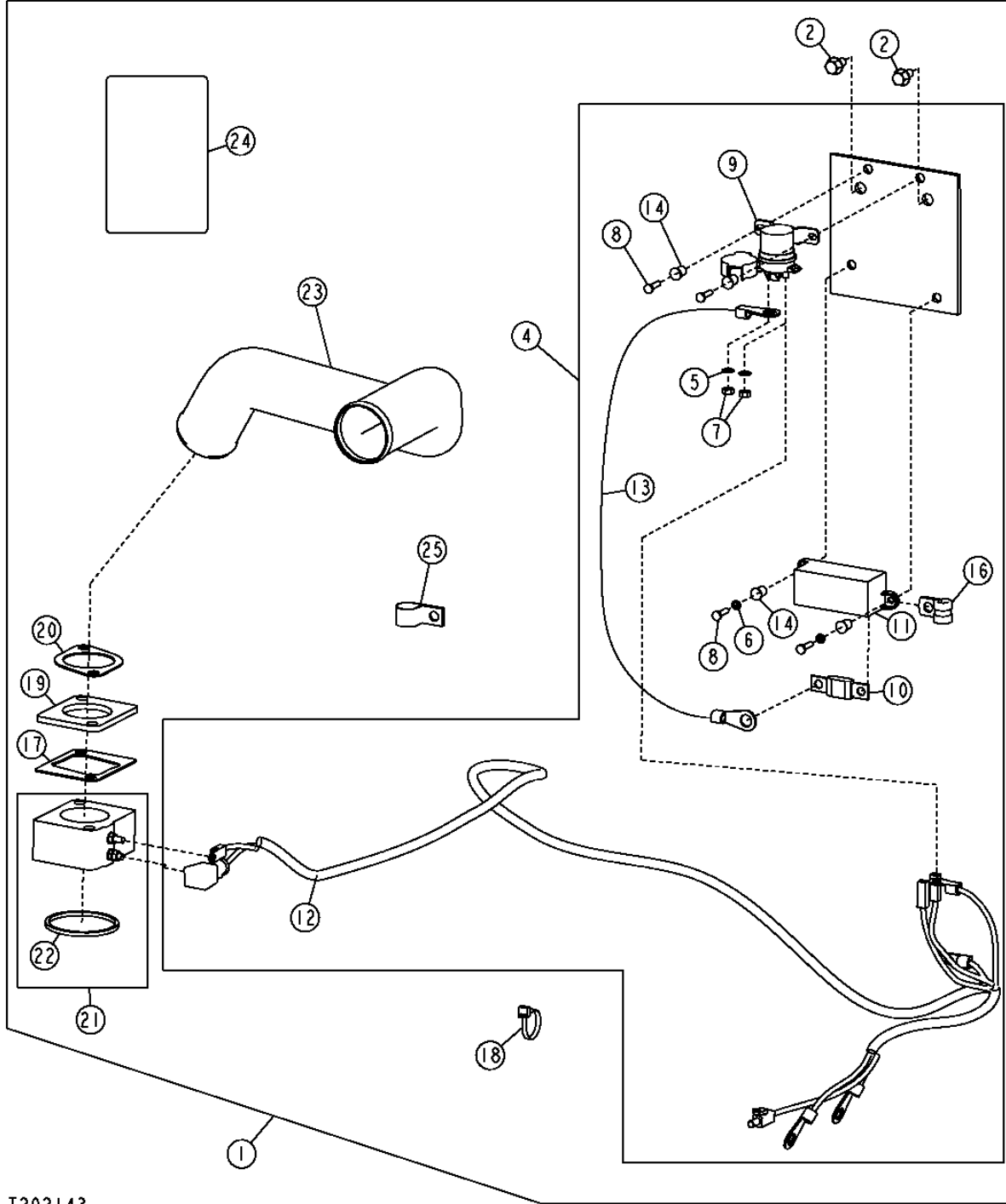
KEY	PART NO.	PART NAME	QTY.	SERIAL NO.	REMARKS
1	14M7397	LOCK NUT	2		
2	19M7862	SCREW	2		M6
3	AT170759	SOLENOID	1		M6 X 20
4	AR21999	HOSE CLAMP	1		
5	AT171539	CAP (HAT)	1		
6	AT183222	NOZZLE	1		
7	T78593	TUBE	1		
	R27583	GROMMET	1		
8	AT227576	FIELD INSTALLATION KIT	1		(ETHER START AID)
9	AT171162	STARTING FLUID	1		
10	AT202842	TOGGLE/ROCKER SWITCH	1		
11	T42170	LABEL	1		

0505-4

ENGINE AUXILIARY SYSTEM 05
COLD WEATHER STARTING AIDS 0505

ENGINE AIR HEATER CHAUFFAGE D'AIR DU MOTEUR CALEFACTOR DE AIRE DEL MOTOR

T202143 -UN-10AUG04



T202143

THIS PARTS LISTING IS CONTINUED

0505-5

ENGINE AUXILIARY SYSTEM 05
COLD WEATHER STARTING AIDS 0505

ENGINE AIR HEATER CHAUFFAGE D'AIR DU MOTEUR CALEFACTOR DE AIRE DEL MOTOR

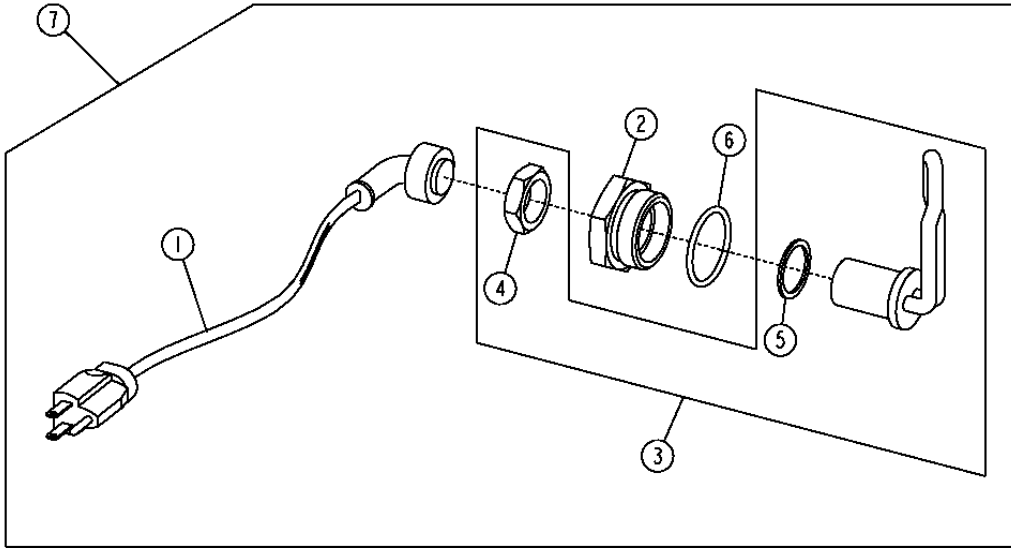
KEY	PART NO.	PART NAME	QTY.	SERIAL NO.	REMARKS
1	AT307701	KIT	1		(WHOLEGOODS) (ENGINE AIR HEATER)
2	19M7865	SCREW	2		M8 X 16
3	19M8977	SCREW	2		M10 X 85
4	AT302845	WIRING HARNESS	1		
5	12H297	LOCK WASHER	2		
6	12M7064	LOCK WASHER	2		
7	14M7272	NUT	2		M6
8	21M7022	SCREW	4		M5 X 20
9	AT145341	RELAY	1		
10	AT203566	FUSE	1		
11	AT206818	FUSE HOLDER	1		
12	AT302829	WIRING HARNESS	1		
13	AT304334	WIRING HARNESS	1		
14	T103238	NUT	4		
16	T75276	CLAMP	1		
17	R133893	GASKET	1		
18	R44302	TIE BAND	2		
19	R504507	PLATE	1		
20	R81275	GASKET	1		
21	RE502669	HEATER	1		
22	R501459	O-RING	1		
23	T196750	TUBE	1		
24	T208085	SAFETY SIGN	1		(ENGINE AIR HEATER START / STOP) (SUB FOR T196474)
25	T78787	CLAMP	AR		

0505-6

ENGINE AUXILIARY SYSTEM 05
COLD WEATHER STARTING AIDS 0505

**ENGINE COOLANT HEATER
CHAUFFE-BLOC MOTEUR
CALEFACTOR DE REFRIGERANTE DE MOTOR**

T194389 -UN-05SEP03



T194389

KEY	PART NO.	PART NAME	QTY.	ENGINE SERIAL NO.	REMARKS
1	AR50411	WIRING LEAD	1		
2	R54123	ADAPTER FITTING	1		
3	RE524676	HEATING ELEMENT	1		(SUB FOR RE504122)
4	NUT	1		
5	R47693	GASKET	1		
6	U13639	O-RING	1		1.475" X 0.118"
7	RE227949	COOLANT HEATER	1		(WHOLEGOODS) (SUB FOR AR62492)

0505-7

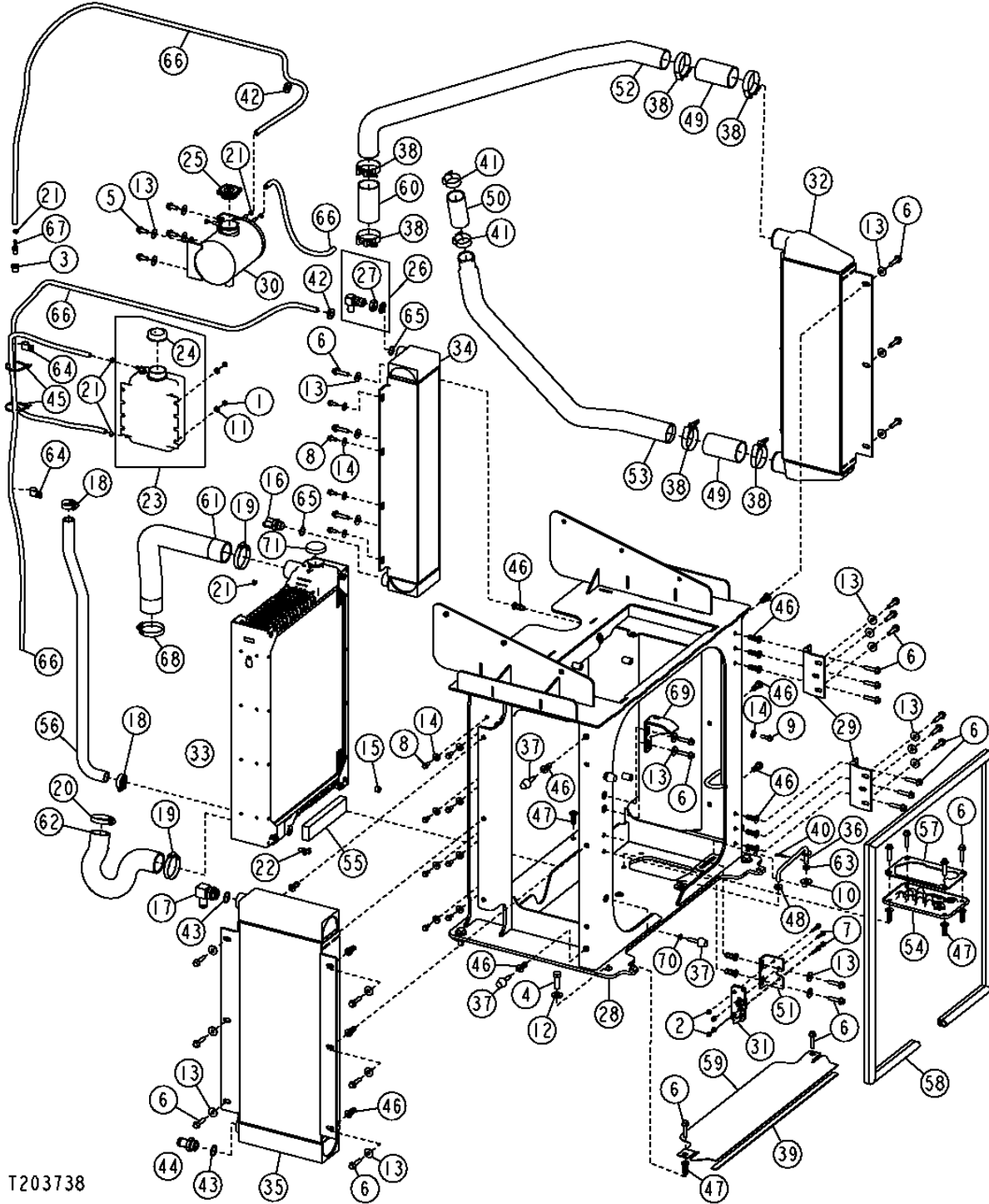
ENGINE AUXILIARY SYSTEM 05
COLD WEATHER STARTING AIDS 0505

MEMORANDA
MEMORANDA
MEMORANDA

0510-2

COOLING SYSTEM (S.N. -604689)
CIRCUIT DE REFOIDISSEMENT (SN -604689)
SISTEMA DE ENFRIAMIENTO (SN -604689)

T203738 -UN-07OCT04



T203738

THIS PARTS LISTING IS CONTINUED

0510-3

ENGINE AUXILIARY SYSTEM 05
ENGINE COOLING SYSTEMS 0510

COOLING SYSTEM (S.N. -604689)
CIRCUIT DE REFROIDISSEMENT (SN -604689)
SISTEMA DE ENFRIAMIENTO (SN -604689)

KEY	PART NO.	PART NAME	QTY.	SERIAL NO.	REMARKS
1	14M7303	FLANGE NUT	4		M6
2	14M7397	LOCK NUT	4		M6
3	15H625	PIPE BUSHING	1		1/4"
4	19M7489	CAP SCREW	4		M16 X 45
5	19M7785	SCREW	4		M10 X 25
6	19M7805	SCREW	37		M10 X 45
7	19M7833	SCREW	4		M6 X 35
8	19M7866	SCREW	12		M8 X 20
9	19M7868	SCREW	2		M8 X 30
10	24H1330	WASHER	1		11.913 X 34.925 X 2.769 MM
11	24M7139	WASHER	4		6.400 X 18 X 1.600 MM
12	24M7241	WASHER	4		17 X 34 X 4 MM
13	24M7296	WASHER	29		10.500 X 30 X 2.500 MM
14	24M7298	WASHER	13		8.400 X 25 X 2 MM
15	28H862	SPACER	2		0.423" X 0.675" X 7/16"
16	AH75159	FITTING	1		
17	AH75162	FITTING	1		
18	AR21839	CLAMP	2		
19	AH170895	CLAMP	2		(SUB FOR AR21999)
20	RE56098	CLAMP	2		(SUB FOR RE52034)
21	TY22462	CLAMP	7		(SUB FOR AR48236)
22	AT13740	DRAIN VALVE	1		
23	AT166459	TANK	1		
24	AT106413	CAP	1		
25	RE24391	FILLER CAP	1		(SUB FOR RE167464)
26	AT21574	FITTING	1		
27	R27390	NUT	1		
28	AT324668	FRAME	1		(SUB FOR AT226128)
29	AT226573	HINGE	2		
30	AT228224	TANK	1		
31	AT307911	LATCH	1		
32	AT304250	AIR COOLER	1		(CHARGE AIR COOLER)
	AT307613	HEAT SINK	1		(HARSH ENVIRONMENT) (CHARGE AIR COOLER)
33	AT226131	RADIATOR	1		
	AT307605	RADIATOR	1		(HARSH ENVIRONMENT)
34	AT226130	OIL COOLER	1		(HYDRAULIC)
	AT307607	OIL COOLER	1		(HARSH ENVIRONMENT) (HYDRAULIC OIL)
35	AT226276	OIL COOLER	1		(TRANSMISSION)
	AT307606	OIL COOLER	1		(HARSH ENVIRONMENT) (TRANSMISSION OIL)

THIS PARTS LISTING IS CONTINUED

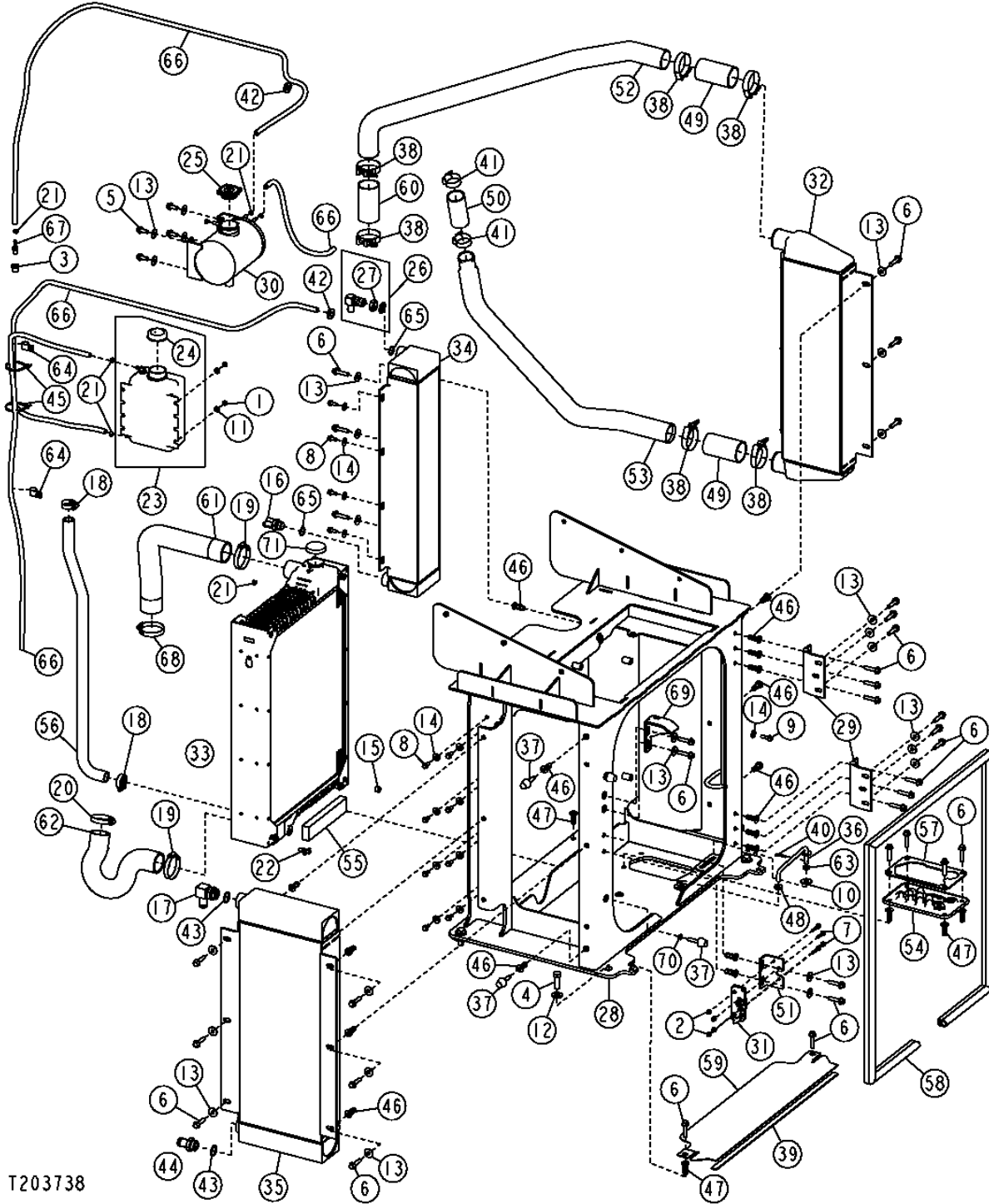
0510-4

ENGINE AUXILIARY SYSTEM 05
ENGINE COOLING SYSTEMS 0510

COOLING SYSTEM (S.N. -604689)(CONTINUED)
CIRCUIT DE REFRROIDISSEMENT (SN -604689) (SUITE)
SISTEMA DE ENFRIAMIENTO (SN -604689) (CONTINUACION)

T203738

-UN-07OCT04



T203738

THIS PARTS LISTING IS CONTINUED

0510-5

ENGINE AUXILIARY SYSTEM 05
ENGINE COOLING SYSTEMS 0510

COOLING SYSTEM (S.N. -604689) (CONTINUED)
CIRCUIT DE REFROIDISSEMENT (SN -604689) (SUITE)
SISTEMA DE ENFRIAMIENTO (SN -604689) (CONTINUACION)

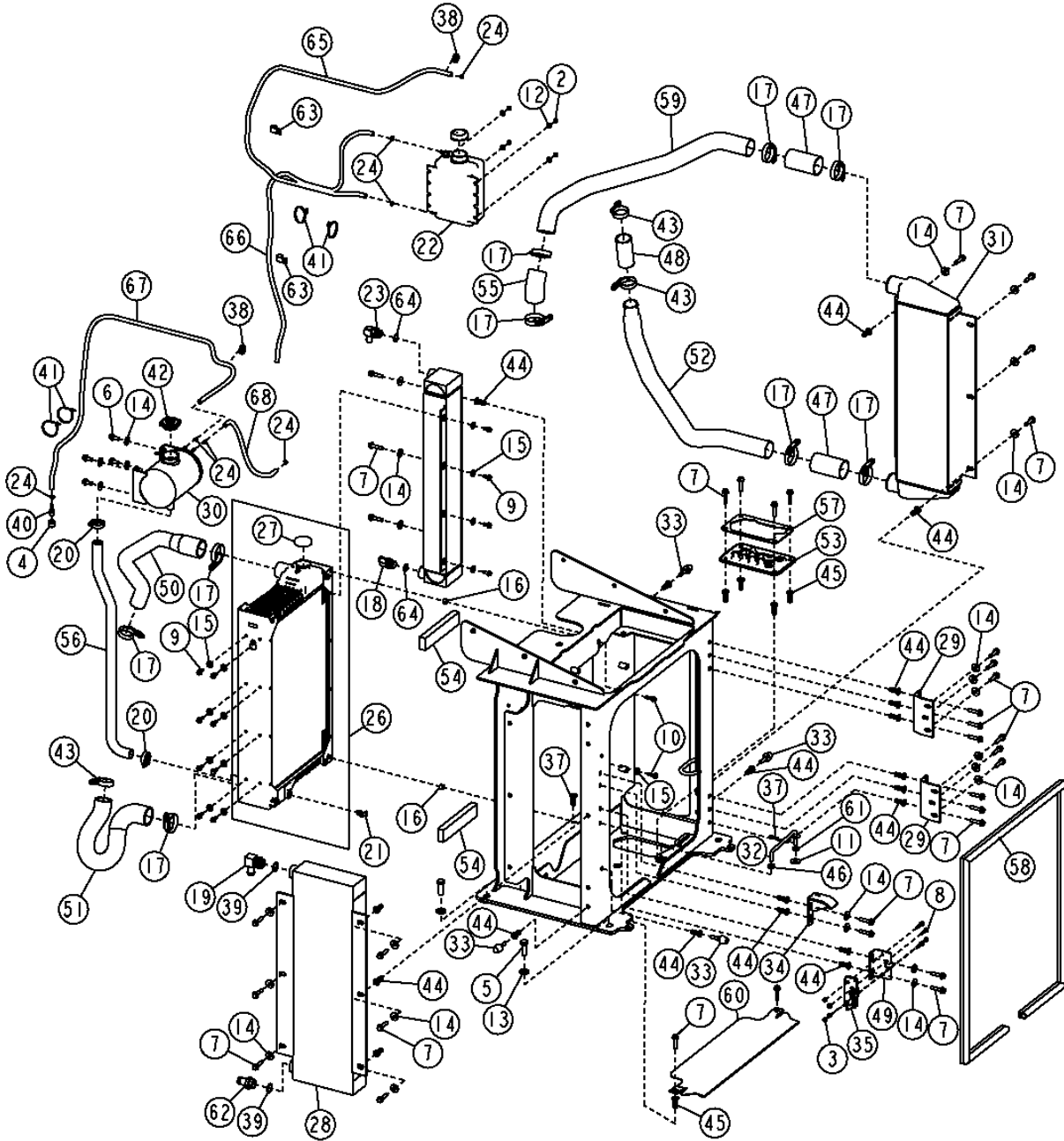
KEY	PART NO.	PART NAME	QTY.	SERIAL NO.	REMARKS
36	AT305673	ROD	1		
37	AT306690	BUMPER	6		
38	AH170895	CLAMP	6		(SUB FOR AT37693)
39	T66419	ISOLATOR	1		(CUT TO LENGTH) 27 INCHES (685.8 MM)
40	J16931	PIN	1		
41	R110531	CLAMP	2		
42	RE56098	CLAMP	2		(SUB FOR R110531)
43	R29936	O-RING	2		
44	T29747	HOSE FITTING	1		
45	R44302	TIE BAND	3		
46	T148410	NUT	31		
47	T148411	NUT	10		
48	T162238	GROMMET	1		
49	T181778	HOSE	2		
50	T181953	HOSE	1		
51	T182554	BRACKET	1		
52	T202957	TUBE	1		
53	T197298	TUBE	1		
54	T197427	GROMMET	1		
55	T197574	ISOLATOR	2		
56	T200475	RADIATOR HOSE	1		
57	T201589	SEALING RING	1		
58	T202637	ISOLATOR	1		
59	T203130	SHIELD	1		
60	T198039	HOSE	1		
61	T196067	RADIATOR HOSE	1		(UPPER)
62	T196068	RADIATOR HOSE	1		(LOWER)
63	T27260	WASHER	1		
64	T74416	CLAMP	2		
65	U12547	O-RING	2		
66	BULK HOSE	4		(CUT TO LENGTH) (MAKE FROM TY22324)
67	R43583	FITTING	1		
69	T226561	PLATE	1		(SUB FOR AT307806)
70	14M7152	NUT	6		
71	AT182802	FILLER CAP	1		

0510-5A

ENGINE AUXILIARY SYSTEM 05
ENGINE COOLING SYSTEMS 0510

COOLING SYSTEM (S.N. 604690-)
CIRCUIT DE REFOIDISSEMENT (SN 604690-)
SISTEMA DE ENFRIAMIENTO (SN 604690-)

TX1004896 -UN-22MAR06



TX1004896

THIS PARTS LISTING IS CONTINUED

0510-5B

ENGINE AUXILIARY SYSTEM 05
ENGINE COOLING SYSTEMS 0510

COOLING SYSTEM (S.N. 604690-)
CIRCUIT DE REFROIDISSEMENT (SN 604690-)
SISTEMA DE ENFRIAMIENTO (SN 604690-)

KEY	PART NO.	PART NAME	QTY.	SERIAL NO.	REMARKS
1	14M7152	NUT	6		M10
2	14M7303	FLANGE NUT	4		M6
3	14M7397	LOCK NUT	4		M6
4	15H625	PIPE BUSHING	1		6.350 MM
5	19M7489	CAP SCREW	4		M16 X 45
6	19M7785	SCREW	4		M10 X 25
7	19M7805	SCREW	37		M10 X 45
8	19M7833	SCREW	4		M6 X 35
9	19M7866	SCREW	12		M8 X 20
10	19M7868	SCREW	2		M8 X 30
11	24H1330	WASHER	1		11.913 X 34.925 X 2.769 MM
12	24M7139	WASHER	4		6.400 X 18 X 1.600 MM
13	24M7241	WASHER	4		17 X 34 X 4 MM
14	24M7296	WASHER	29		10.500 X 30 X 2.500 MM
15	24M7298	WASHER	13		8.400 X 25 X 2 MM
16	28H862	SPACER	2		10.744 X 17.145 X 11.125 MM
17	AH170895	CLAMP	8		
18	AH75159	FITTING	1		
19	AH75162	FITTING	1		
20	AR21839	CLAMP	2		
21	AT13740	DRAIN VALVE	1		
22	AT166459	TANK	1		
23	AT21574	FITTING	1		
24	AR48236	CLAMP	7		
25	AT226130	OIL COOLER	1		
26	AT226131	RADIATOR	1		
27	AT182802	FILLER CAP	1		
28	AT226276	OIL COOLER	1		
29	AT226573	HINGE	2		
30	AT228224	TANK	1		
31	AT304250	AIR COOLER	1		
32	AT305673	ROD	1		
33	AT306690	BUMPER	6		
34	T226561	PLATE	1		(SUB FOR AT307806)
35	AT307911	LATCH	1		

444J UTILITY LOADER (S.N. -611274) PC9338 (05-OCT-06) THIS PARTS LISTING IS CONTINUED

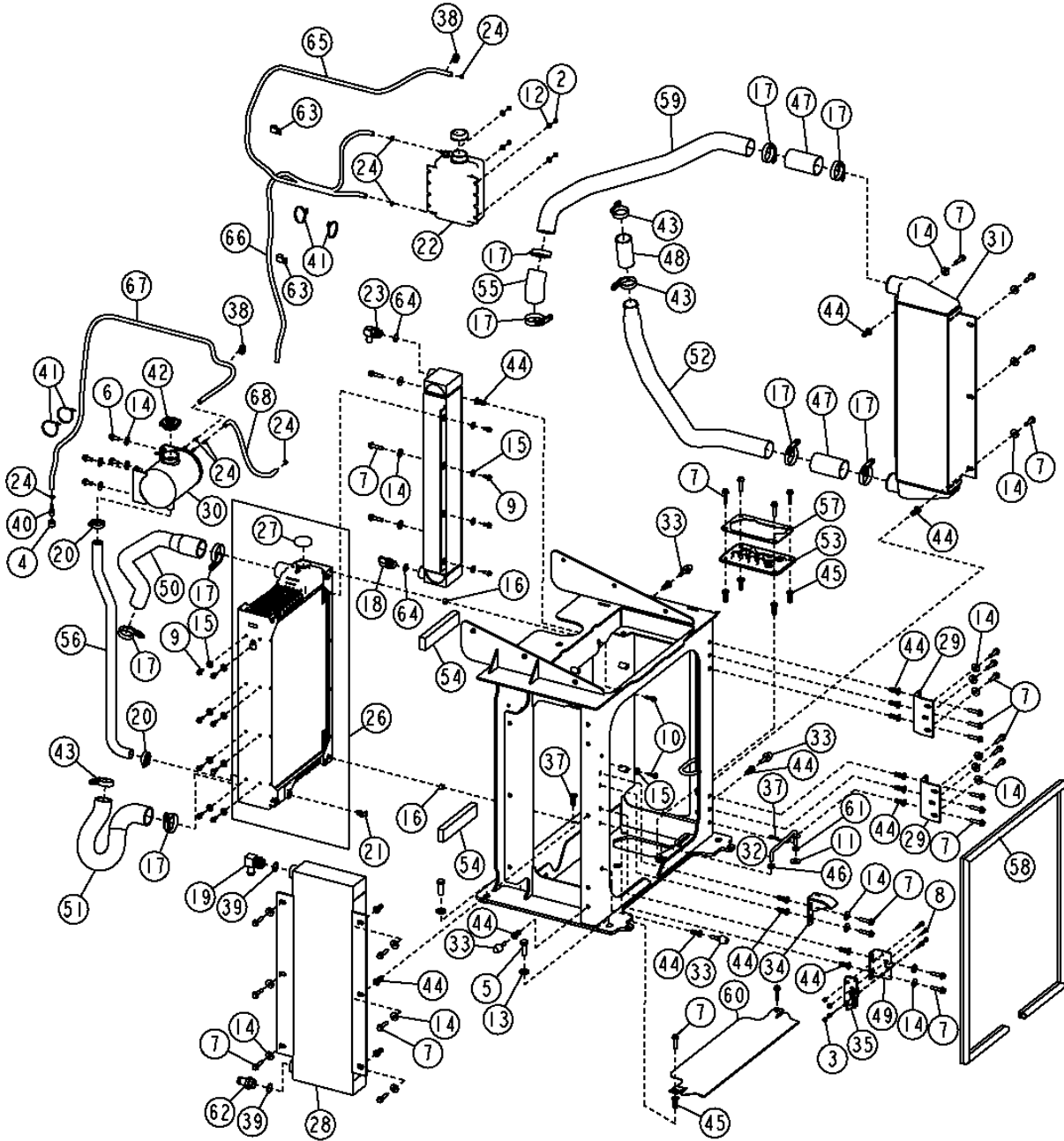
0510-5B
PN=243

0510-6

ENGINE AUXILIARY SYSTEM 05
ENGINE COOLING SYSTEMS 0510

COOLING SYSTEM (S.N. 604690-) (CONTINUED)
CIRCUIT DE REFRIGERISSEMENT (SN 604690-) (SUITE)
SISTEMA DE ENFRIAMIENTO (SN 604690-) (CONTINUACION)

TX1004896 -UN-22MAR06



TX1004896

THIS PARTS LISTING IS CONTINUED

0510-7

ENGINE AUXILIARY SYSTEM 05
ENGINE COOLING SYSTEMS 0510

COOLING SYSTEM (S.N. 604690-) (CONTINUED)
CIRCUIT DE REFROIDISSEMENT (SN 604690-) (SUITE)
SISTEMA DE ENFRIAMIENTO (SN 604690-) (CONTINUACION)

KEY	PART NO.	PART NAME	QTY.	SERIAL NO.	REMARKS
37	J16931	PIN	1		
38	R115350	GROMMET	2		
39	R29936	O-RING	2		29.743 X 2.946 MM
40	R43583	FITTING	1		
41	R44302	TIE BAND	3		
42	RE24391	FILLER CAP	1		
43	RE56098	CLAMP	4		
44	T148410	NUT	31		M10
45	T148411	NUT	10		M10
46	T162238	GROMMET	1		
47	T181778	HOSE	2		
48	T181953	HOSE	1		
49	T182554	BRACKET	1		
50	T196067	RADIATOR HOSE	1		
51	T196068	RADIATOR HOSE	1		
52	T197298	TUBE	1		
53	T197427	GROMMET	1		
54	T197574	ISOLATOR	2		250 MM
55	T198039	HOSE	1		
56	T200475	RADIATOR HOSE	1		
57	T201589	SEALING RING	1		
58	T202637	ISOLATOR	1		
59	T202957	TUBE	1		
60	T203130	SHIELD	1		
61	T27260	WASHER	1		10.922 X 21.336 X 4.572 MM
62	T29747	HOSE FITTING	1		
63	T74416	CLAMP	2		
64	U12547	O-RING	2		23.470 X 2.946 MM
65	TY22324	BULK HOSE	1		(CUT TO LENGTH) 5.9 FT. (1.80 M)
66	TY22324	BULK HOSE	1		(CUT TO LENGTH) 3.4 FT. (1.04 M)
67	TY22324	BULK HOSE	1		(CUT TO LENGTH) 6.7 FT. (2.04 M)
68	TY22324	BULK HOSE	1		(CUT TO LENGTH) 24 INCHES (609.6 MM)

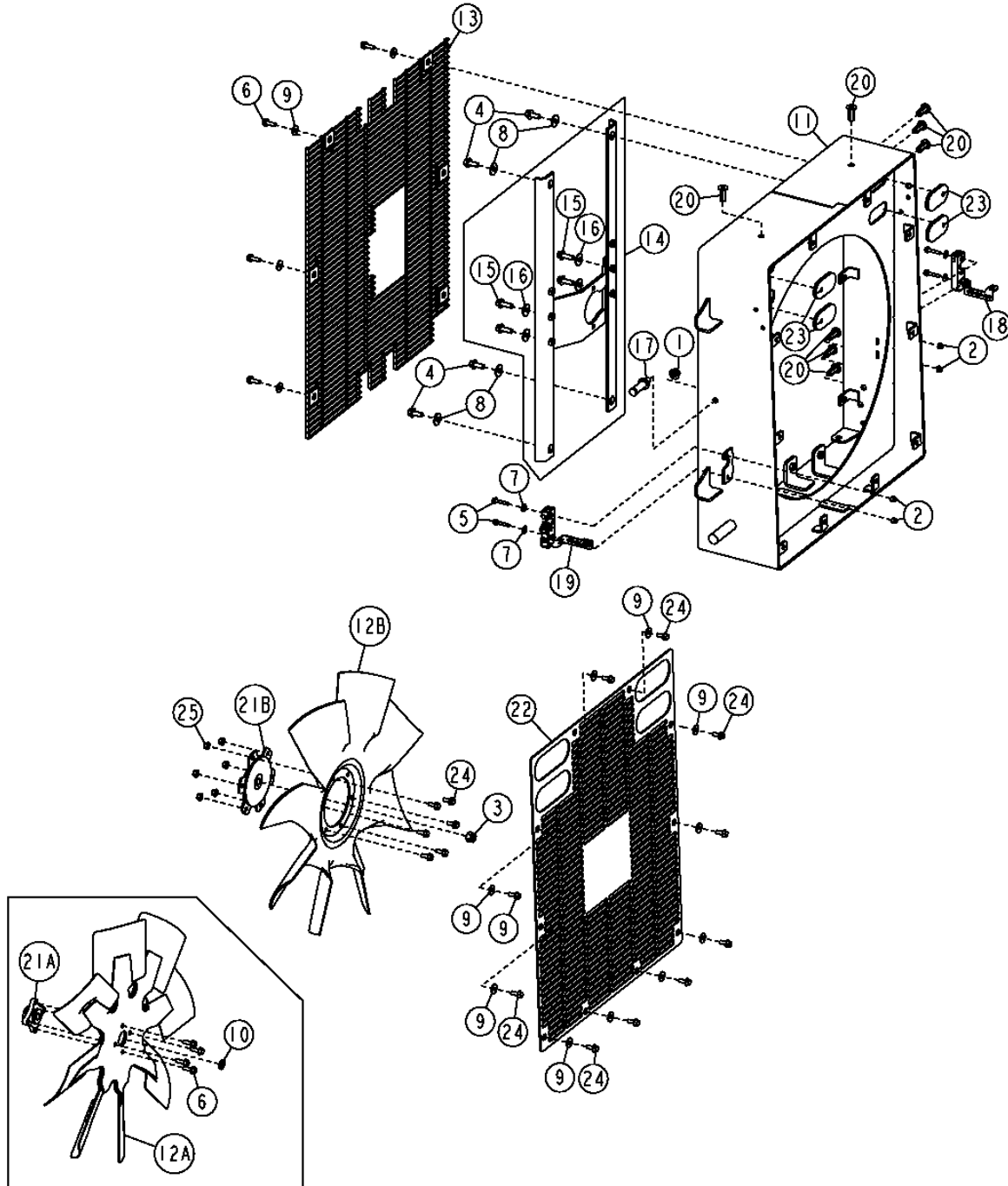
THIS PARTS LISTING IS CONTINUED

0510-7A

ENGINE AUXILIARY SYSTEM 05
ENGINE COOLING SYSTEMS 0510

DOOR WITH FAN AND FAN GUARD PORTIERE AVEC VENTILATEUR ET PROTECTION VENTILATEUR PUERTA CON VENTILADOR Y PROTECTOR DEL VENTILADOR

T210121 -UN-14APR05



T210121

0510-7B

ENGINE AUXILIARY SYSTEM 05
ENGINE COOLING SYSTEMS 0510

DOOR WITH FAN AND FAN GUARD
PORTIERE AVEC VENTILATEUR ET PROTECTION VENTILATEUR
PUERTA CON VENTILADOR Y PROTECTOR DEL VENTILADOR

KEY	PART NO.	PART NAME	QTY.	SERIAL NO.	REMARKS
1	14M7299	FLANGE NUT	1		M12
2	14M7397	LOCK NUT	4		M6
3	14M7540	LOCK NUT	1		M14
4	19M7785	SCREW	4		M10 X 25
5	19M7833	SCREW	4		M6 X 35
6	19M7867	SCREW	10	-595680	M8 X 25
	19M7867	SCREW	6	595681-	
7	24M7139	WASHER	4		6.400 X 18 X 1.600 MM
8	24M7296	WASHER	4		10.500 X 30 X 2.500 MM
9	24M7298	WASHER	16		8.400 X 25 X 2 MM
10	24M7427	WASHER	1	-595680	15 X 24 X 2.500 MM
11	AT226168	FRAME	1		
12A	AT226170	FAN	1	-595680	
12B	AT311287	FAN	1	595681-	
13	AT227579	GUARD	1		
14	AT228206	FRAME	1	-595680	
	AT313598	FRAME	1	595681-	
15	19M7786	SCREW	4		M10 X 30
16	24M7296	WASHER	4		10.500 X 30 X 2.500 MM
17	AT301711	STRIKER	1		
18	AT306930	LATCH	1		
19	AT306931	LATCH	1		
20	T148409	NUT	8		
21A	T182462	HUB	1	-595680	
21B	AT210712	HUB	1	595681-	
22	T195424	GUARD	1		
23	T201546	GROMMET	4		
24	19M7866	SCREW	10	-595680	M8 X 20
	19M7866	SCREW	16	595681-	
25	14M7298	FLANGE NUT	6	595681-	

0510-8

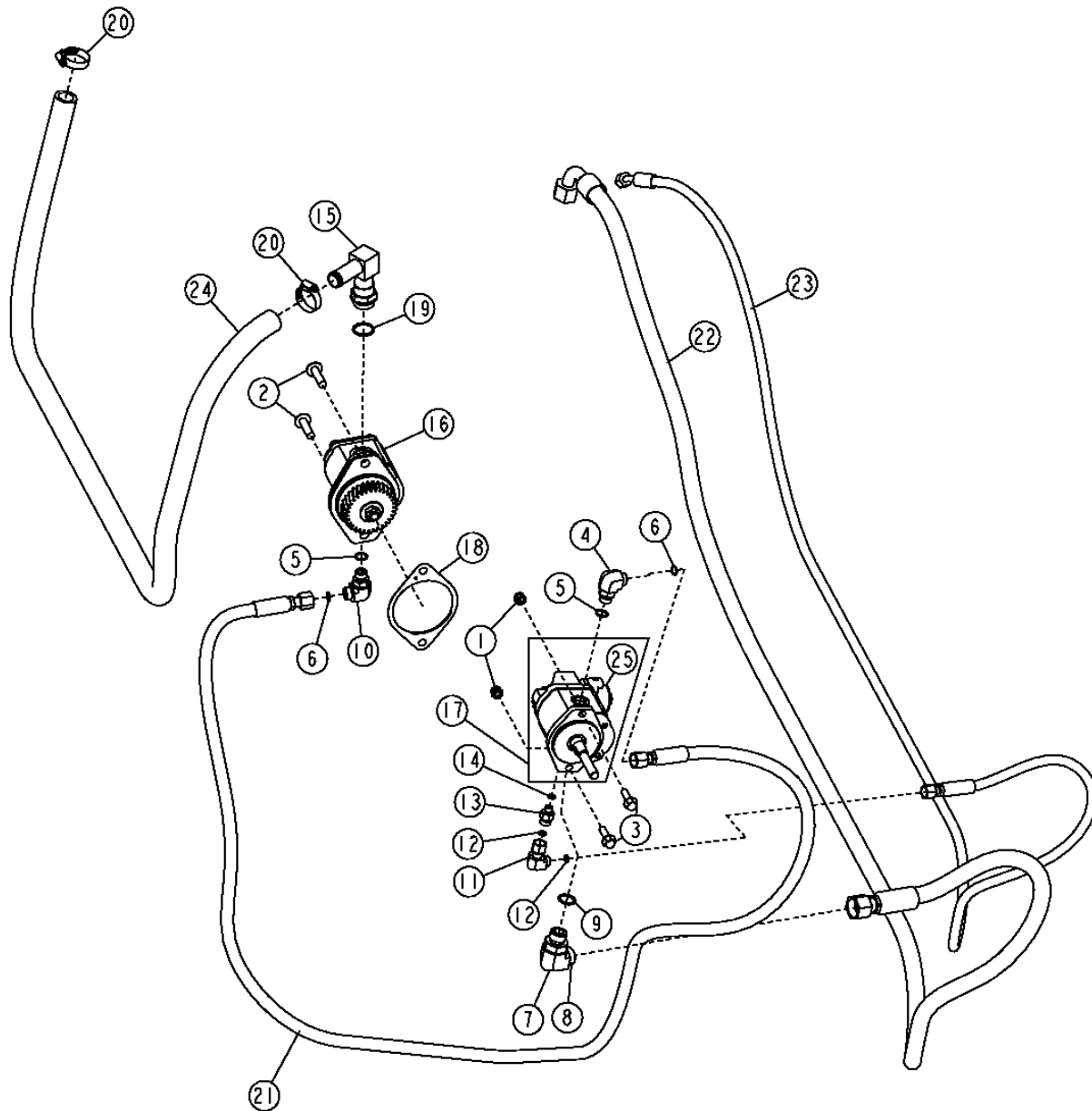
ENGINE AUXILIARY SYSTEM 05

ENGINE COOLING SYSTEMS 0510

FAN DRIVE HYDRAULIC PUMP, MOTOR AND HOSES (S.N. -604689)
POMPE, MOTEUR ET FLEXIBLES HYDRAULIQUES COMMANDE VENTILATEUR (SN -604689)
BOMBA HIDRAULICA DE MANDO DEL VENTILADOR, MOTOR Y MANGUERAS (SN -604689)

T200309

-UN-26MAY04



T200309

THIS PARTS LISTING IS CONTINUED

0510-8

444J UTILITY LOADER (S.N. -611274) PC9338 (23-AUG-06)
PN=248

0510-9

ENGINE AUXILIARY SYSTEM 05

ENGINE COOLING SYSTEMS 0510

FAN DRIVE HYDRAULIC PUMP, MOTOR AND HOSES (S.N. -604689)
POMPE, MOTEUR ET FLEXIBLES HYDRAULIQUES COMMANDE VENTILATEUR (SN -604689)
BOMBA HIDRAULICA DE MANDO DEL VENTILADOR, MOTOR Y MANGUERAS (SN -604689)

KEY	PART NO.	PART NAME	QTY.	SERIAL NO.	REMARKS
1	14M7517	LOCK NUT	2		M10
2	19M7813	SCREW	2		M12 X 45
3	19M7835	SCREW	2		M10 X 35
4	38H1005	ELBOW FITTING	1		
5	R26375	O-RING	2		
6	T77857	O-RING	2		
7	38H1007	ELBOW FITTING	1		
8	T77858	O-RING	1		
9	U12547	O-RING	1		
10	38H1005	ELBOW FITTING	1		
11	38H1094	ELBOW FITTING	1		
12	T77613	O-RING	2		
13	38H1160	ADAPTER FITTING	1		
14	R28782	O-RING	1		
15	AH96708	ELBOW FITTING	1		
16	AT227016	HYDRAULIC PUMP	1		
	AT224424	SEAL KIT	1		
17	AT227017	HYDRAULIC MOTOR	1		
	AT224864	SEAL KIT	1		(NOT ILLUSTRATED)
18	R522690	GASKET	1		(SUB FOR R134465)
19	R29936	O-RING	1		
20	AR21839	CLAMP	2		
21	AT310542	HYDRAULIC HOSE - FABRICATE	1		
22	AT314987	HYDRAULIC HOSE - FABRICATE	1		(SUB FOR AT228100)
23	AT334187	HYDRAULIC HOSE - FABRICATE	1		(SUB FOR AT228101 AND AT314988)
24	T208097	HYDRAULIC HOSE - FABRICATE	1		(SUB FOR T197048)
25	AT227507	PRESSURE RELIEF VALVE	1		

0510-9A

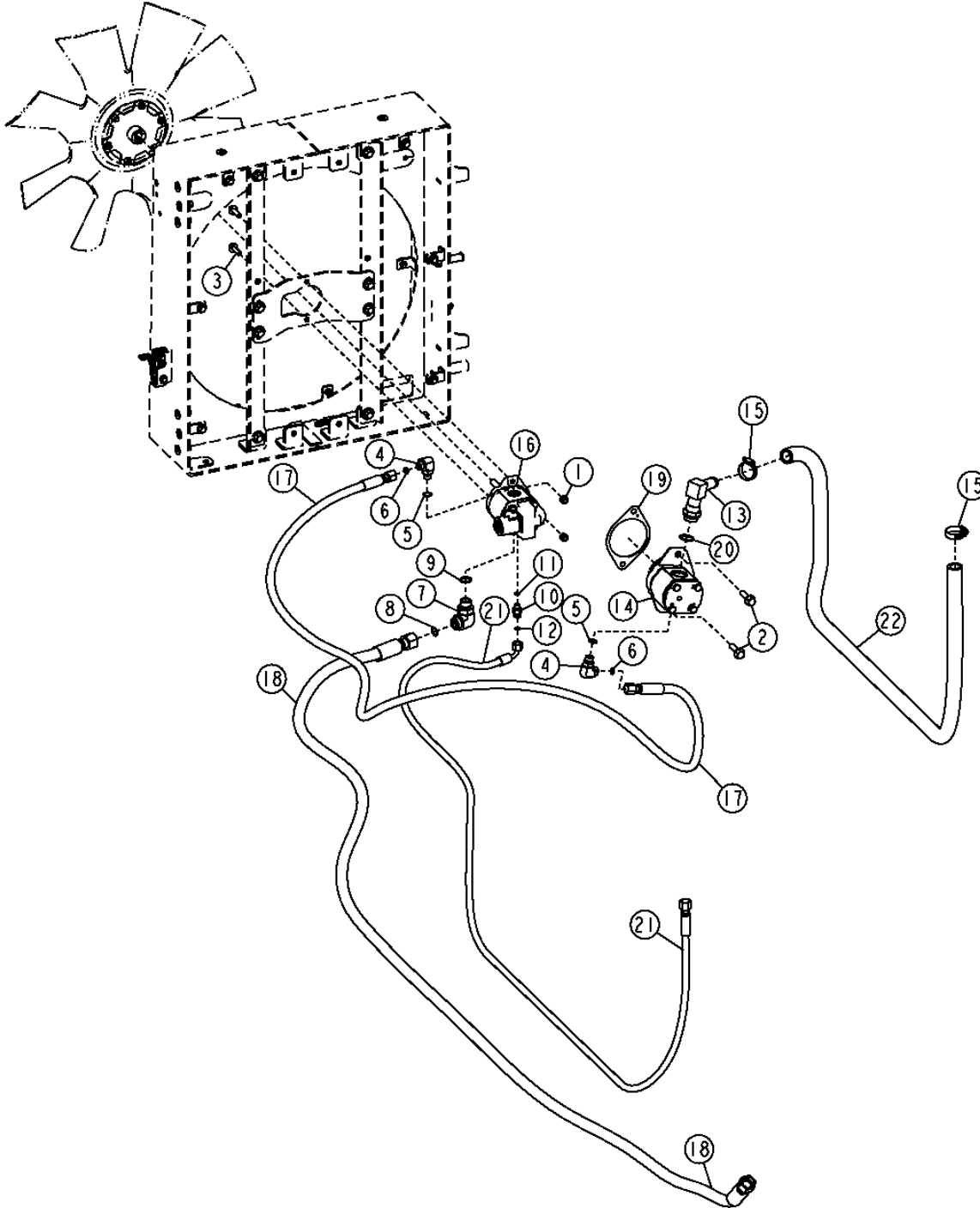
ENGINE AUXILIARY SYSTEM 05

ENGINE COOLING SYSTEMS 0510

FAN DRIVE HYDRAULIC PUMP, MOTOR AND HOSES (S.N. 604690-)
POMPE, MOTEUR ET FLEXIBLES HYDRAULIQUES COMMANDE VENTILATEUR (SN 604690-)
BOMBA HIDRAULICA DE MANDO DEL VENTILADOR, MOTOR Y MANGUERAS (SN 604690-)

TX1003818

-UN-21FEB06



TX1003818

THIS PARTS LISTING IS CONTINUED

0510-9A

444J UTILITY LOADER (S.N. -611274) PC9338 (23-AUG-06) PN=250

0510-9B

ENGINE AUXILIARY SYSTEM 05

ENGINE COOLING SYSTEMS 0510

FAN DRIVE HYDRAULIC PUMP, MOTOR AND HOSES (S.N. 604690-)
POMPE, MOTEUR ET FLEXIBLES HYDRAULIQUES COMMANDE VENTILATEUR (SN 604690-)
BOMBA HIDRAULICA DE MANDO DEL VENTILADOR, MOTOR Y MANGUERAS (SN 604690-)

KEY	PART NO.	PART NAME	QTY.	SERIAL NO.	REMARKS
1	14M7517	LOCK NUT	2		M10
2	19M7813	SCREW	2		M12 X 45
3	19M7835	SCREW	2		M10 X 35
4	38H1005	ELBOW FITTING	2		
5	R26375	O-RING	2		16.358 X 2.210 MM
6	T77857	O-RING	2		12.421 X 1.778 MM
7	38H1007	ELBOW FITTING	1		
8	T77858	O-RING	1		18.771 X 1.778 MM
9	U12547	O-RING	1		23.470 X 2.946 MM
10	38H1094	ELBOW FITTING	1		(SUB FOR 38H1160)
11	R28782	O-RING	1		8.915 X 1.829 MM
12	T77613	O-RING	1		9.246 X 1.778 MM
13	AH96708	ELBOW FITTING	1		
14	AT227016	HYDRAULIC PUMP	1		
15	AR21839	CLAMP	2		
16	AT227017	HYDRAULIC MOTOR	1		
17	AT310542	HYDRAULIC HOSE - FABRICATE	1		13/16" X 2 700 MM X 13/16"
18	AT314987	HYDRAULIC HOSE - FABRICATE	1		13/16" X 3 275 MM X 13/16"
19	R134465	GASKET	1		
20	R29936	O-RING	1		29.743 X 2.946 MM
21	AT334187	HYDRAULIC HOSE - FABRICATE	1		11/16" X 2 775 MM X 13/16", (SUB FOR AT319046)
22	T208097	HYDRAULIC HOSE - FABRICATE	1		

0510-10

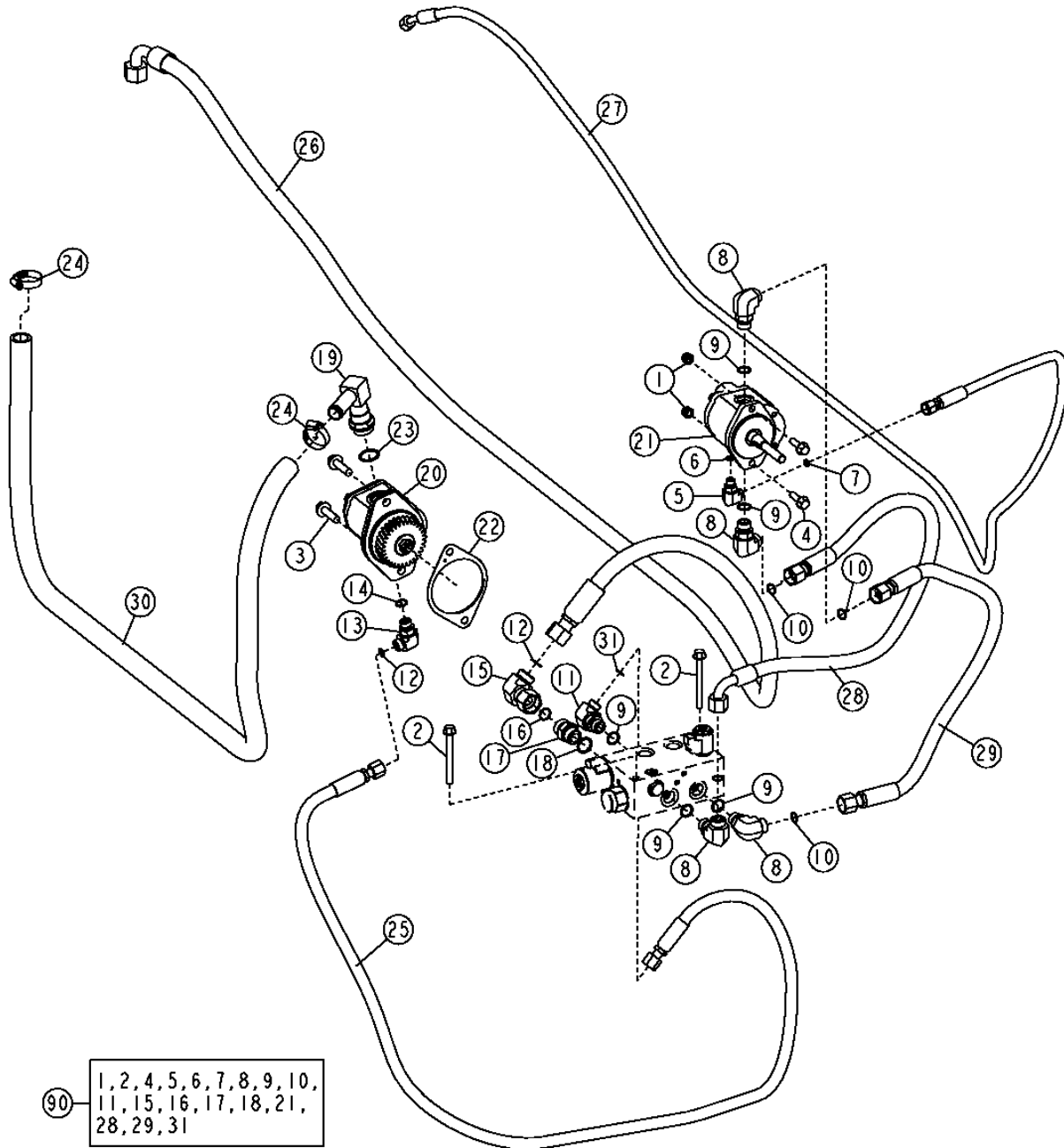
ENGINE AUXILIARY SYSTEM 05

ENGINE COOLING SYSTEMS 0510

REVERSE FAN DRIVE HYDRAULIC PUMP, MOTOR AND HOSES (S.N. -604689)
POMPE, MOTEUR ET FLEXIBLES HYDRAULIQUES COMMANDE INVERSION SENS VENTILATEUR (SN -604689)
BOMBA HIDRAULICA DE MANDO DE RETROCESO DEL VENTILADOR, MOTOR Y MANGUERAS (SN -604689)

T197913

-UN-24FEB04



T197913

THIS PARTS LISTING IS CONTINUED

0510-11

ENGINE AUXILIARY SYSTEM 05

ENGINE COOLING SYSTEMS 0510

REVERSE FAN DRIVE HYDRAULIC PUMP, MOTOR AND HOSES (S.N. -604689)
POMPE, MOTEUR ET FLEXIBLES HYDRAULIQUES COMMANDE INVERSION SENS VENTILATEUR (SN -604689)
BOMBA HIDRAULICA DE MANDO DE RETROCESO DEL VENTILADOR, MOTOR Y MANGUERAS (SN -604689)

KEY	PART NO.	PART NAME	QTY.	SERIAL NO.	REMARKS
1	14M7517	LOCK NUT	2		M10
2	19M7812	SCREW	2		M10 X 100
3	19M7813	SCREW	2		M12 X 45
4	19M7835	SCREW	2		M10 X 35
5	38H1004	ELBOW FITTING	1		
6	R26448	O-RING	1		11.887 X 1.981 MM
7	T77613	O-RING	1		9.246 X 1.778 MM
8	38H1006	ELBOW FITTING	4		
9	R26906	O-RING	5		19.177 X 2.464 MM
10	T77613	O-RING	4		9.246 X 1.778 MM
11	38H1012	ELBOW FITTING	1		
12	T77857	O-RING	2		
13	38H1005	ELBOW FITTING	1		
14	R26375	O-RING	1		
15	38H1097	ELBOW FITTING	1		
16	T77858	O-RING	1		
17	38H1163	ADAPTER FITTING	1		
18	U12547	O-RING	1		
19	AH96708	ELBOW FITTING	1		
20	AT227016	HYDRAULIC PUMP	1		
	AT224424	SEAL KIT	1		
21	AT227024	HYDRAULIC MOTOR	1		
	AT317353	SEAL KIT	1		
22	R134465	GASKET	1		
23	R29936	O-RING	1		
24	AR21839	CLAMP	1		
25	AT310542	HYDRAULIC HOSE - FABRICATE	1		
26	AT314987	HYDRAULIC HOSE - FABRICATE	1		(SUB FOR AT228100)
27	AT334187	HYDRAULIC HOSE - FABRICATE	1		(SUB FOR AT228101 AND AT314988)
28	AT228112	HYDRAULIC HOSE - FABRICATE	1		
29	AT304406	HYDRAULIC HOSE - FABRICATE	1		
30	T208097	HOSE	1		(SUB FOR T197048)
31	T77857	O-RING	1		
90	AT332604	FIELD INSTALLATION KIT	1		(WHOLE GOODS)(REVERSE FAN DRIVE) (INCLUDES REVERSE FAN DRIVE SOLENOID VALVE, COMPONENTS LISTED ON SEPARATE PAGE) (SUB FOR AT228137)

0510-11A

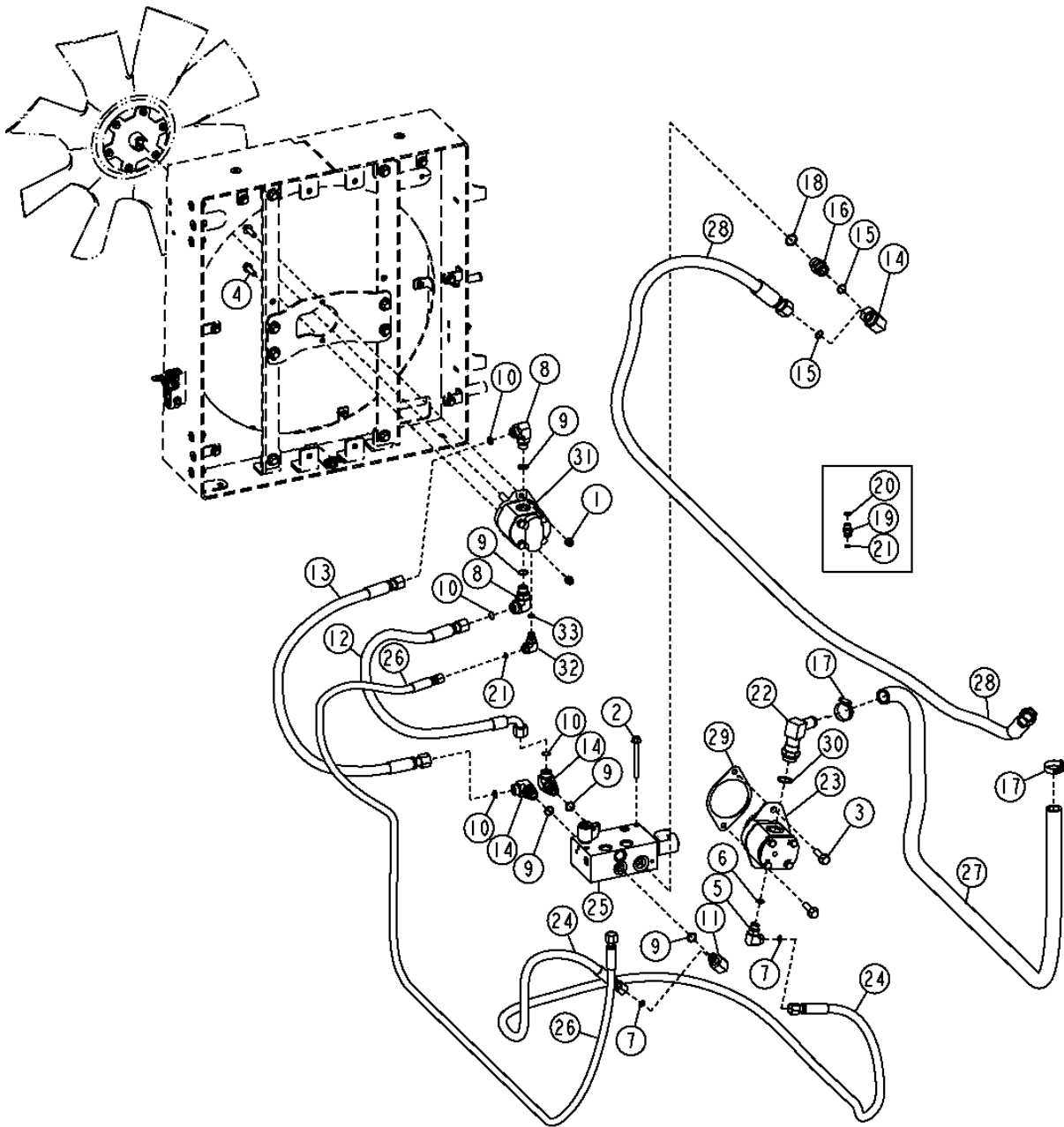
ENGINE AUXILIARY SYSTEM 05

ENGINE COOLING SYSTEMS 0510

REVERSE FAN DRIVE HYDRAULIC PUMP, MOTOR AND HOSES (S.N. 604690-)
POMPE, MOTEUR ET FLEXIBLES HYDRAULIQUES COMMANDE INVERSION SENS VENTILATEUR(SN 604690-)
BOMBA HIDRAULICA DE MANDO DE RETROCESO DEL VENTILADOR, MOTOR Y MANGUERAS (SN 604690-)

TX1017772

-UN-



TX1017772

0510-11B

ENGINE AUXILIARY SYSTEM 05

ENGINE COOLING SYSTEMS 0510

REVERSE FAN DRIVE HYDRAULIC PUMP, MOTOR AND HOSES (S.N. 604690-)
 POMPE, MOTEUR ET FLEXIBLES HYDRAULIQUES COMMANDE INVERSION SENS VENTILATEUR(SN 604690-)
 BOMBA HIDRAULICA DE MANDO DE RETROCESO DEL VENTILADOR, MOTOR Y MANGUERAS (SN 604690-)

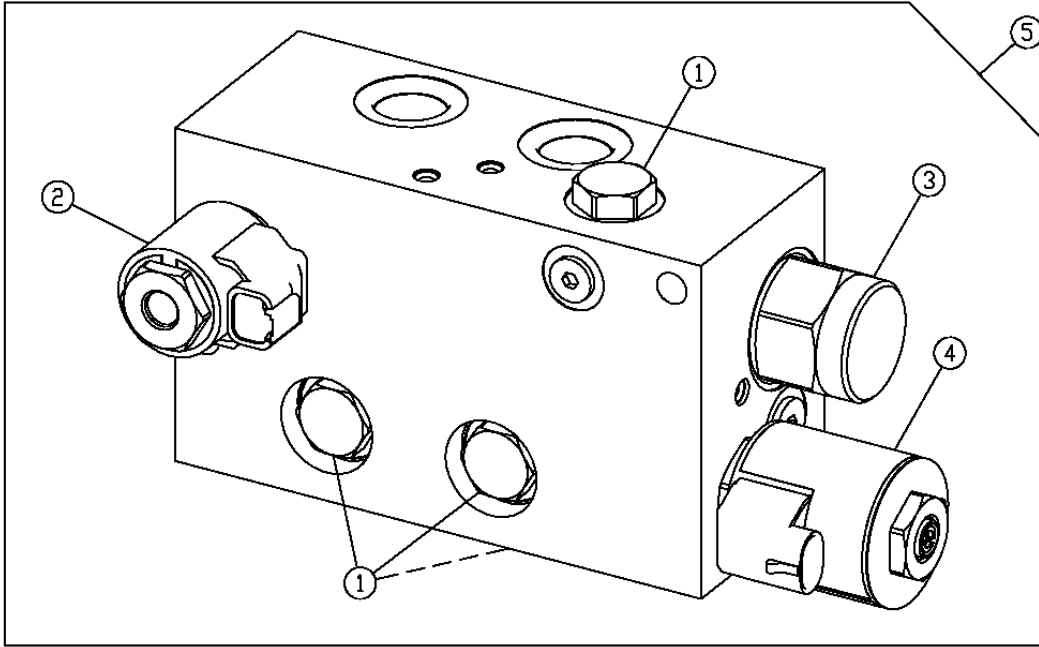
KEY	PART NO.	PART NAME	QTY.	SERIAL NO.	REMARKS
1	14M7517	LOCK NUT	2		M10
2	19M7812	SCREW	2		M10 X 100
3	19M7813	SCREW	2		M12 X 45
4	19M7835	SCREW	2		M10 X 35
5	38H1005	ELBOW FITTING	1		
6	R26375	O-RING	1		16.358 X 2.210 MM
7	T77932	O-RING	2		15.596 X 1.778 MM
8	38H1006	ELBOW FITTING	4		
9	R26906	O-RING	5		19.177 X 2.464 MM
10	T77932	O-RING	4		15.596 X 1.778 MM
11	38H1012	ELBOW FITTING	1		
12	AT228112	HYDRAULIC HOSE - FABRICATE	1		1" X 1 050 MM X 1"
13	AT304406	HYDRAULIC HOSE - FABRICATE	1		1" X 1 050 MM X 1"
14	38H1097	ELBOW FITTING	1		
15	T77858	O-RING	2		18.771 X 1.778 MM
16	38H1163	ADAPTER FITTING	1		
17	AR21839	CLAMP	2		
18	U12547	O-RING	1		23.470 X 2.946 MM
19	38H1160	ADAPTER FITTING	1	-608219	
20	R28782	O-RING	1	-608219	8.915 X 1.829 MM
21	T77613	O-RING	1		9.246 X 1.778 MM
22	AH96708	ELBOW FITTING	1		
23	AT227016	HYDRAULIC PUMP	1		
24	AT310542	HYDRAULIC HOSE - FABRICATE	1		13/16" X 2 700 MM X 13/16"
25	AT227021	SOLENOID VALVE	1		
26	HYDRAULIC HOSE - FABRICATE	1	-608219	(SUB AT334187, R26448 AND 38H1004) (AT319046 NLA)
	AT334187	HYDRAULIC HOSE - FABRICATE	1	608220-	
27	T208097	HYDRAULIC HOSE - FABRICATE	1		
28	AT314987	HYDRAULIC HOSE - FABRICATE	1		13/16" X 3 275 MM X 13/16"
29	R134465	GASKET	1		
30	R29936	O-RING	1		29.743 X 2.946 MM
31	AT227024	HYDRAULIC MOTOR	1		
32	38H1004	ELBOW FITTING	1	608220-	
33	R26448	O-RING	1	608220-	

0510-12

ENGINE AUXILIARY SYSTEM 05
ENGINE COOLING SYSTEMS 0510

REVERSE FAN DRIVE SOLENOID VALVE
ELECTROVANNE DE COMMANDE D'INVERSION DE SENS DU VENTILATEUR
VALVULA DE SOLENOIDE DE MANDO DE RETROCESO DEL VENTILADOR

T157977 -UN-29JUL02



T157977					
KEY	PART NO.	PART NAME	QTY.	SERIAL NO.	REMARKS
1	AT224570	CHECK VALVE	4		
	AT224862	SEAL KIT	1		
2	AT224866	SOLENOID VALVE	1		
	AT224706	SEAL KIT	1		
	AT224865	SOLENOID VALVE COIL	1		
	T181306	NUT	1		
3	AT226109	SOLENOID HYDRAULIC VALVE	1		
	AT226110	SEAL KIT	1		
4	AT227507	PRESSURE RELIEF VALVE	1		
5	AT227021	SOLENOID VALVE	1		

0510-13

ENGINE AUXILIARY SYSTEM 05
ENGINE COOLING SYSTEMS 0510

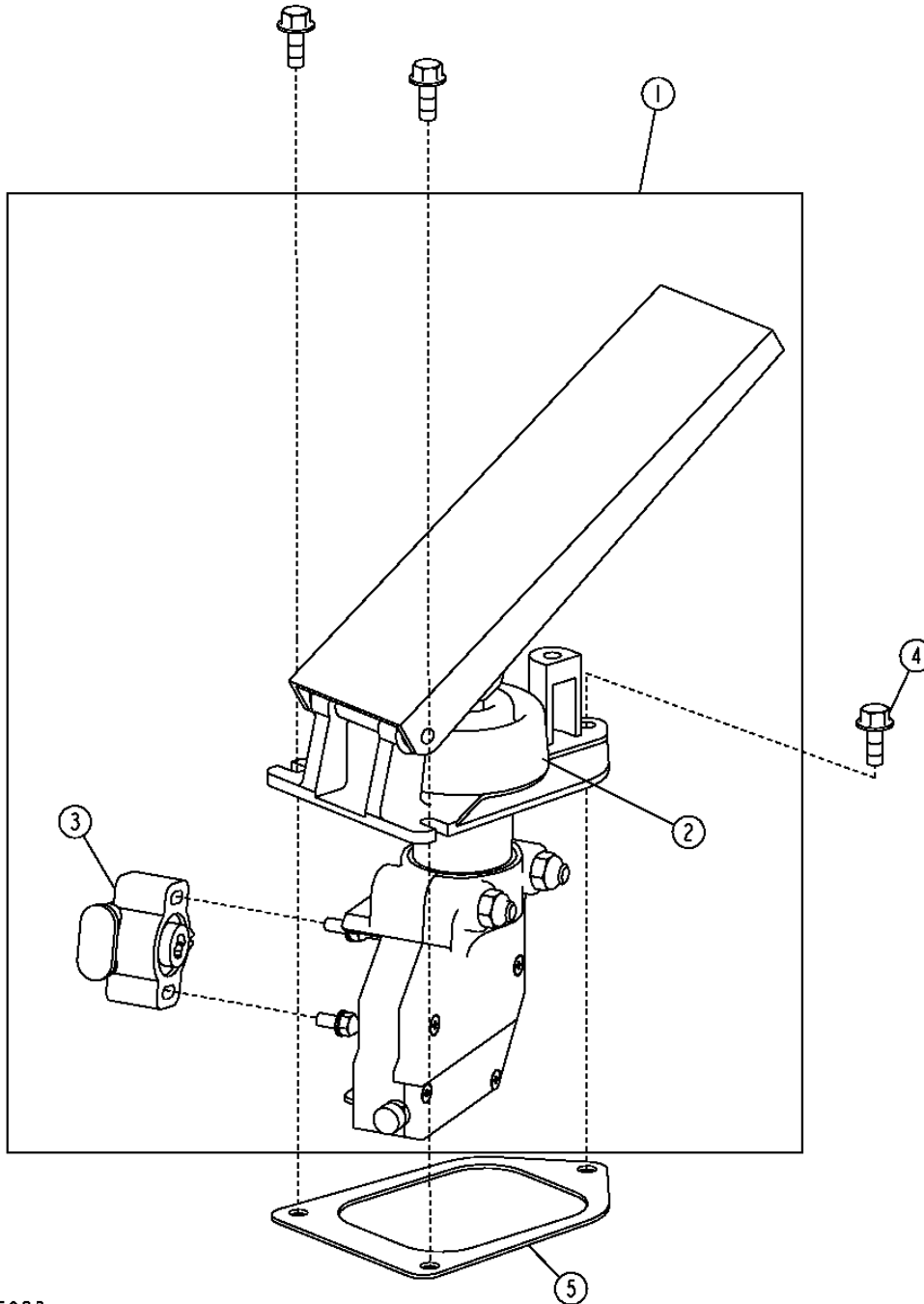
MEMORANDA
MEMORANDA
MEMORANDA

0515-2

ENGINE AUXILIARY SYSTEM 05
ENGINE SPEED CONTROLS 0515

ENGINE SPEED CONTROL PEDAL PEDALE COMMANDE REGIME MOTEUR PEDAL DE CONTROL DE VELOCIDAD DEL MOTOR

T195683 -UN-23OCT03



T195683

THIS PARTS LISTING IS CONTINUED

0515-3

ENGINE AUXILIARY SYSTEM 05
ENGINE SPEED CONTROLS 0515

**ENGINE SPEED CONTROL PEDAL
PEDALE COMMANDE REGIME MOTEUR
PEDAL DE CONTROL DE VELOCIDAD DEL MOTOR**

KEY	PART NO.	PART NAME	QTY.	SERIAL NO.	REMARKS
1	AT323306	ACCELERATOR	1		(SUB FOR AT306702)
2	T174634	BOOT	1		
3	AT323307	SENSOR	1		(SUB FOR AT306703)
4	M113243	SCREW	3		
5	T172927	GASKET	1		

0520-2

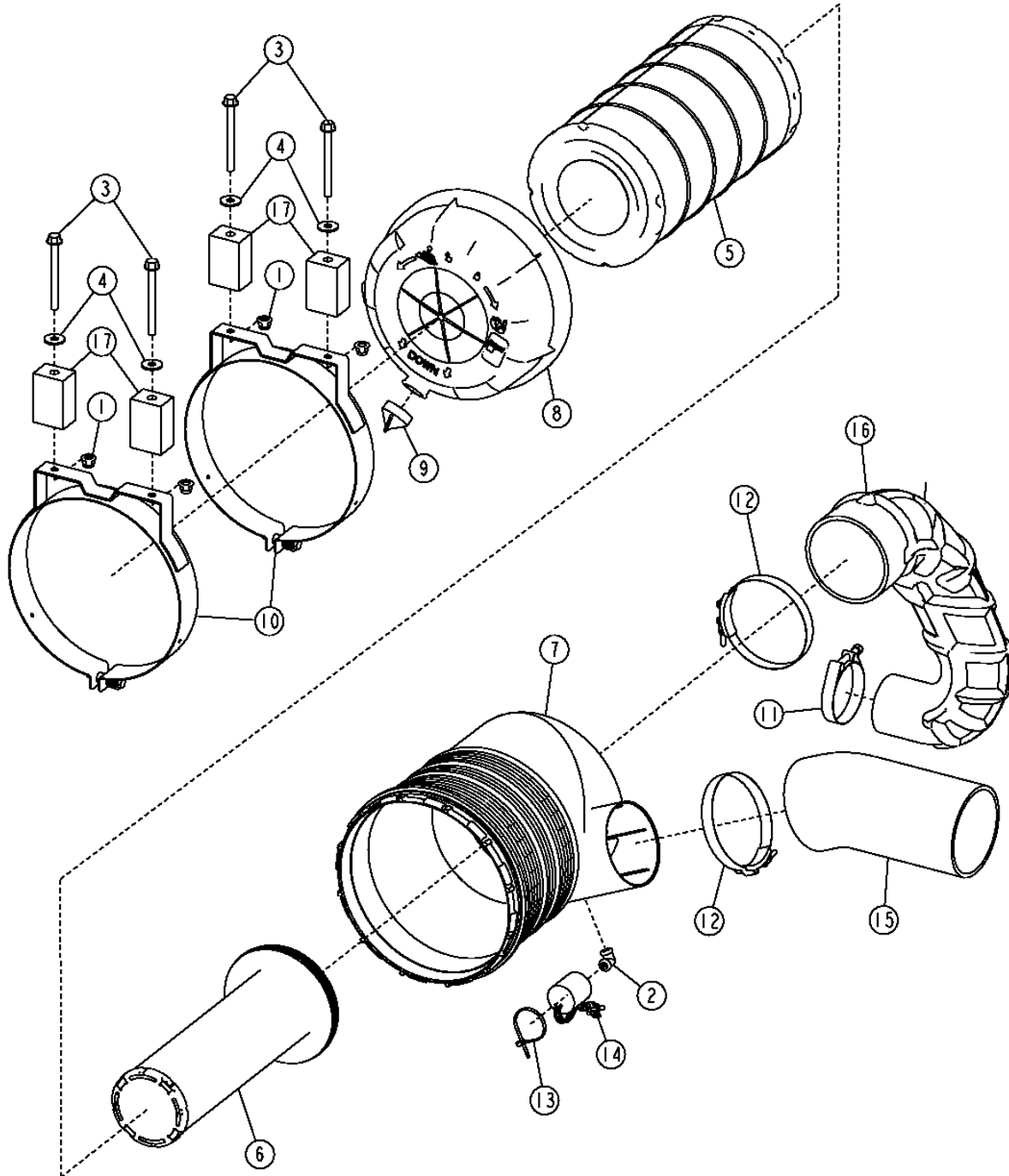
ENGINE AUXILIARY SYSTEM 05

INTAKE SYSTEM 0520

AIR CLEANER, AIR CLEANER FILTERS AND AIR CLEANER HOSE FILTRE A AIR, FLEXIBLES DE FILTRE A AIR ET ELEMENTS DE FILTRE A AIR FILTRO DE AIRE, MANGUERAS Y ELEMENTOS DEL FILTRO DE AIRE

T193504

-UN-19AUG03



T193504

THIS PARTS LISTING IS CONTINUED

0520-3

ENGINE AUXILIARY SYSTEM 05

INTAKE SYSTEM 0520

AIR CLEANER, AIR CLEANER FILTERS AND AIR CLEANER HOSE
FILTRE A AIR, FLEXIBLES DE FILTRE A AIR ET ELEMENTS DE FILTRE A AIR
FILTRO DE AIRE, MANGUERAS Y ELEMENTOS DEL FILTRO DE AIRE

KEY	PART NO.	PART NAME	QTY.	SERIAL NO.	REMARKS
1	14M7400	LOCK NUT	4		
2	T219672	ELBOW FITTING	1		1/8", (SUB FOR 15H95)
3	19M7805	SCREW	4		M10 X 45
4	24M7296	WASHER	4		10.500 X 30 X 2.500 MM
5	AT300487	FILTER ELEMENT	1		
6	AT314583	FILTER ELEMENT	1		(SUB FOR AT300488)
7	HOUSING	1	-593740	(SUB AT314356) (SUB FOR AT300493)
	HOUSING	1	593741-604689	(SUB AT329958) (SUB FOR AT314356)
	AT329958	HOUSING	1	604690-	
8	COVER	1	-593740	(SUB T210777) (SUB FOR T200278)
	COVER	1	593741-604689	(SUB T223372) (SUB FOR T210777)
	T223372	COVER	1	604690-	
9	M89679	EJECTOR	1		(SUB FOR T200280)
10	AT300489	CLAMP	2		
11	AT37476	HOSE CLAMP	1		
12	AT53439	HOSE CLAMP	2		
13	R44302	TIE BAND	1		
14	RE68255	SENSOR	1		(AMBIENT)
15	T200282	HOSE	1		
16	T200284	HOSE	1		
17	T200287	SPACER	4		

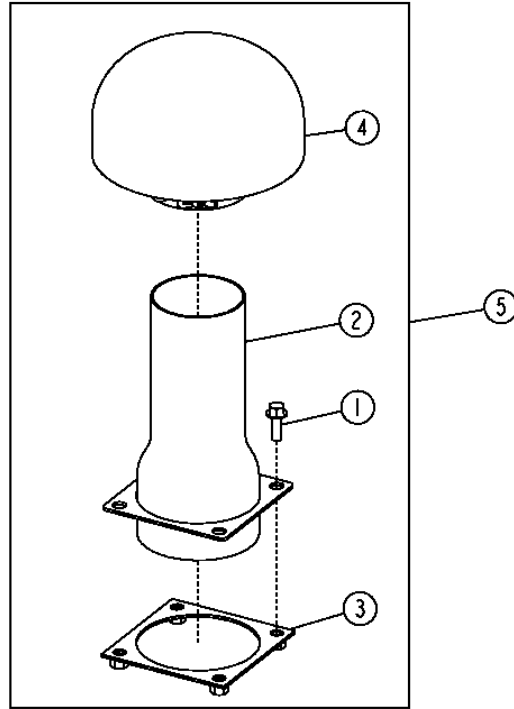
0520-4

ENGINE AUXILIARY SYSTEM 05

INTAKE SYSTEM 0520

AIR PRECLEANER KIT JEU DE PREFILTRO DE AIRE JUEGO DEL PREFILTRO DE AIRE

T193530 -UN-18AUG03



T193530

THIS PARTS LISTING IS CONTINUED

0520-5

ENGINE AUXILIARY SYSTEM 05

INTAKE SYSTEM 0520

**AIR PRECLEANER KIT
JEU DE PREFILTRO DE AIRE
JUEGO DEL PREFILTRO DE AIRE**

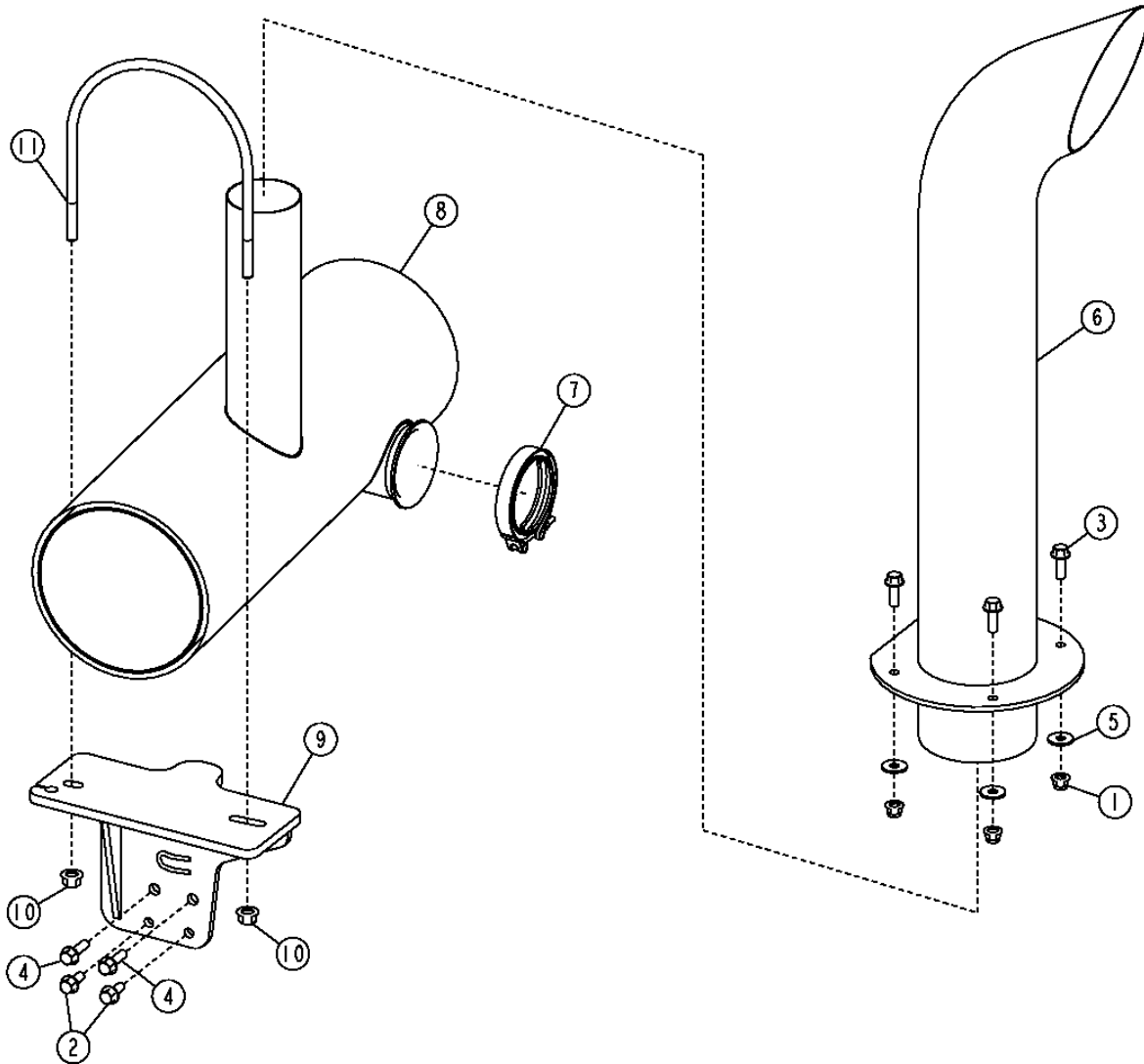
KEY	PART NO.	PART NAME	QTY.	SERIAL NO.	REMARKS
1	19M7786	SCREW	4		M10 X 30
2	AT227816	PIPE	1		
3	AT227835	PLATE	1		
4	TY24861	PRECLEANER	1		
5	AT306688	KIT	1		(AIR PRECLEANER)

0530-2

ENGINE AUXILIARY SYSTEM 05
EXTERNAL EXHAUST SYSTEM 0530

MUFFLER AND EXHAUST PIPE SILENCIEUX ET TUYAU D'ÉCHAPPEMENT SILENCIADOR Y TUBO DE ESCAPE

T193507 -UN-19AUG03



T193507

THIS PARTS LISTING IS CONTINUED

0530-3

ENGINE AUXILIARY SYSTEM 05
EXTERNAL EXHAUST SYSTEM 0530

**MUFFLER AND EXHAUST PIPE
SILENCIEUX ET TUYAU D'ÉCHAPPEMENT
SILENCIADOR Y TUBO DE ESCAPE**

KEY	PART NO.	PART NAME	QTY.	SERIAL NO.	REMARKS
1	14M7400	LOCK NUT	4		M10
2	19M7785	SCREW	2		M10 X 25
3	19M7786	SCREW	4		M10 X 30
4	19M7835	SCREW	2		M10 X 35
5	24M7296	WASHER	4		10.500 X 30 X 2.500 MM
6	AT320673	EXHAUST PIPE	1	-597825	(BLACK)
	AT320673	EXHAUST PIPE	1	597826-	
	AT220440	EXHAUST PIPE	1	-598909	(CHROME)
	AT320674	EXHAUST PIPE	1	598910-	
7	AT222597	CLAMP	1		(SUB FOR RE166242)
8	AT307928	MUFFLER	1		(SUB FOR AT227532)
9	AT228882	BRACKET	1		
10	E80242	LOCK NUT	2		
11	T201869	U-BOLT	1		

0540-2

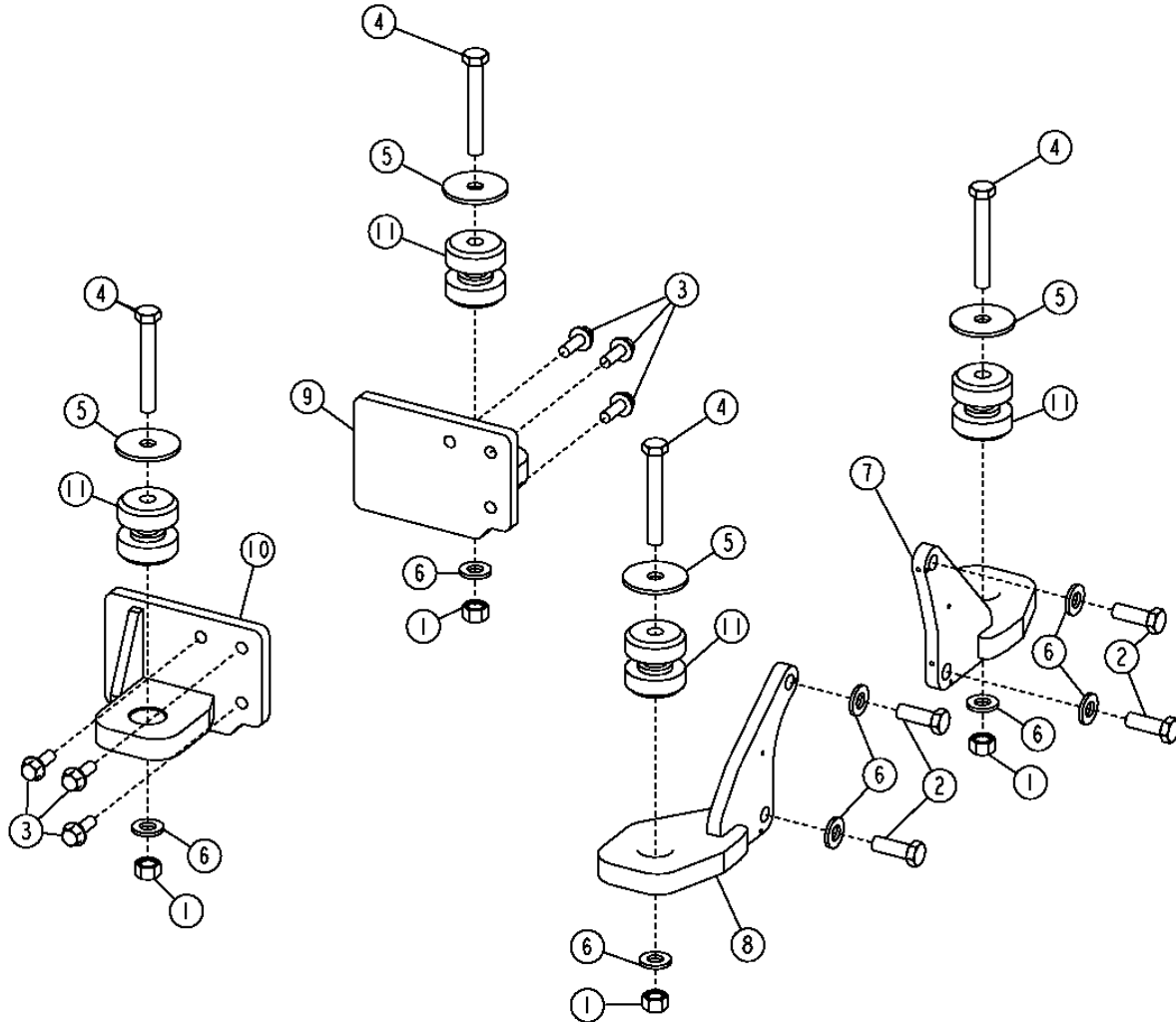
ENGINE AUXILIARY SYSTEM 05

ENGINE MOUNTING 0540

ENGINE MOUNTING BRACKETS SUPPORTS DE MONTAGE DU MOTEUR ESCUADRAS DE MONTAJE DEL MOTOR

T193506

-UN-19AUG03



T193506

THIS PARTS LISTING IS CONTINUED

0540-2

444J UTILITY LOADER (S.N. -611274) PC9338 (23-AUG-06)
PN=266

0540-3

ENGINE AUXILIARY SYSTEM 05

ENGINE MOUNTING 0540

**ENGINE MOUNTING BRACKETS
SUPPORTS DE MONTAGE DU MOTEUR
ESCUADRAS DE MONTAJE DEL MOTOR**

KEY	PART NO.	PART NAME	QTY.	SERIAL NO.	REMARKS
1	14M7296	FLANGE NUT	4		M10
2	19M7489	CAP SCREW	4		M16 X 45
3	19M7790	SCREW	6		M12 X 35
4	19M7884	CAP SCREW	4		M16 X 110
5	24H1852	WASHER	4		21/32" X 2-3/4" X 0.180"
6	24M7241	WASHER	8		17 X 34 X 4 MM
7	AT227703	SUPPORT	1		
8	AT227706	SUPPORT	1		
9	AT227707	SUPPORT	1		
10	AT227708	SUPPORT	1		
11	AT227709	ISOLATOR	4		

0560-2

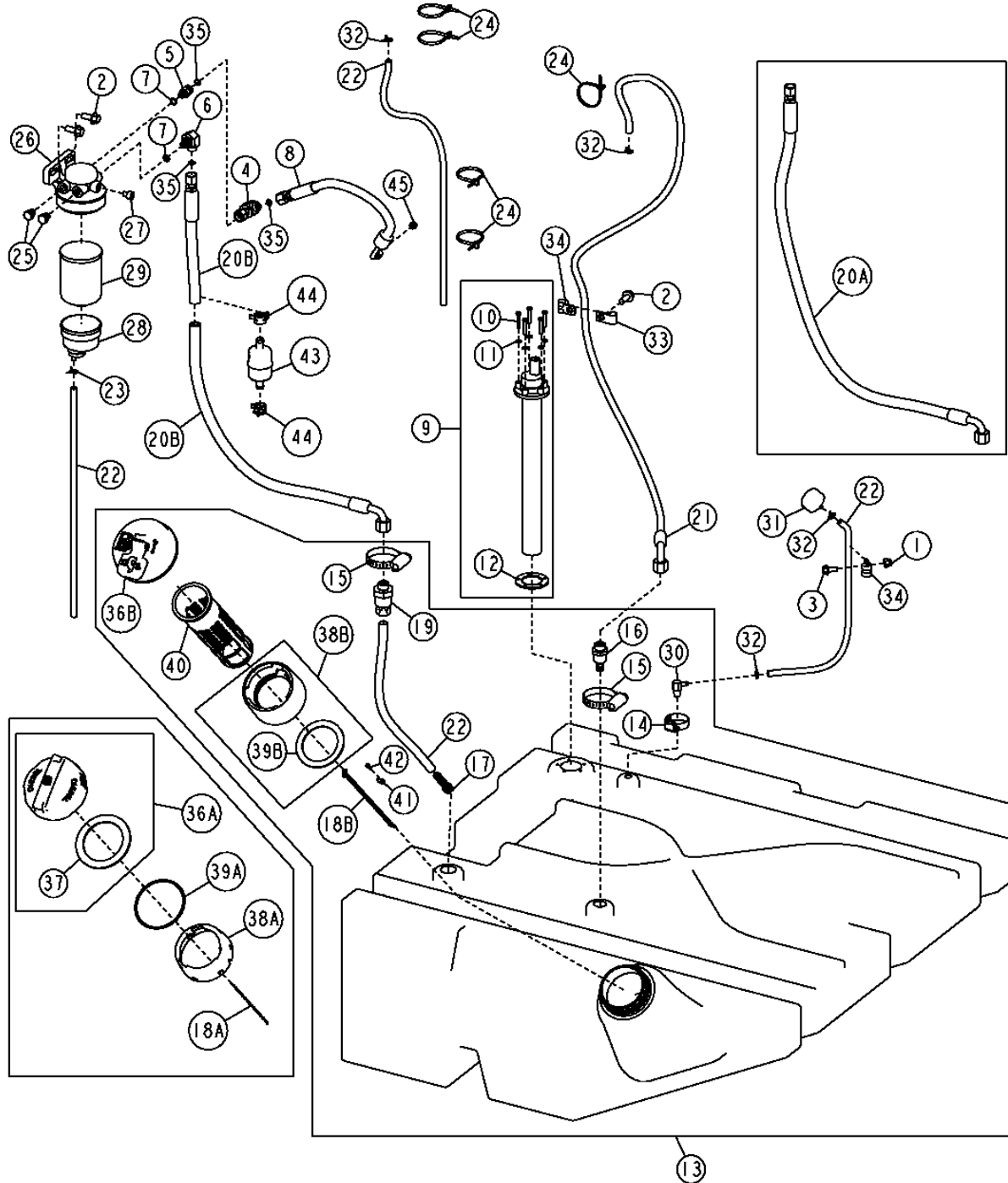
ENGINE AUXILIARY SYSTEM 05

EXTERNAL FUEL SUPPLY SYSTEMS 0560

FUEL TANK, PRIMARY FUEL FILTER, AND HOSES RESERVOIR CARBURANT, FILTRE CARBURANT PRIMAIRE ET FLEXIBLES TANQUE DE COMBUSTIBLE, FILTRO DE COMBUSTIBLE PRIMARIO Y MANGUERAS

T215707

-UN-10OCT05



T215707

THIS PARTS LISTING IS CONTINUED

0560-3

ENGINE AUXILIARY SYSTEM 05

EXTERNAL FUEL SUPPLY SYSTEMS 0560

**FUEL TANK, PRIMARY FUEL FILTER, AND HOSES
RESERVOIR CARBURANT, FILTRE CARBURANT PRIMAIRE ET FLEXIBLES
TANQUE DE COMBUSTIBLE, FILTRO DE COMBUSTIBLE PRIMARIO Y MANGUERAS**

KEY	PART NO.	PART NAME	QTY.	SERIAL NO.	REMARKS
1	14M7396	LOCK NUT	1		M8
2	19M7785	SCREW	3		M10 X 25
3	19M7866	SCREW	1		M8 X 20
4	38H1094	ELBOW FITTING	1		
5	38H5008	ADAPTER FITTING	1		
6	38H5022	ELBOW FITTING	1		
7	51M7040	O-RING	2		
8	AT312325	HYDRAULIC HOSE - FABRICATE	1		(SUB FOR AT219835)
	R74012	SEALING WASHER	1		7.140 X 12.300 X 6.400 MM, (SEAL FOR PRIMARY FUEL FILTER END)
9	AT226394	FUEL SENDER	1		
10	19M7317	SCREW	5		M5 X 30
11	24M7027	WASHER	5		5.300 X 10 X 1 MM
12	T196733	GASKET	1		
13	FUEL TANK	1	-594411	(SUB AT316141)
	AT316141	FUEL TANK	1	594412-	
14	AR21839	CLAMP	1		
15	TY22470	CLAMP	2		(SUB FOR AR21840)
16	R193666	FITTING	1		
17	R194311	COMPRESSION SPRING	1		
18A	RE158953	CHAIN LINK	1	-594411	
18B	AH159448	LINK CHAIN	1	594412-	
19	RE194040	FITTING	1		
20A	HOSE	1	-598948	(ORDER AT323719, AT223493 AND (2) R184863) (AT227817 NLA)
20B	AT323719	HOSE	1	598949-	
21	AT227821	HYDRAULIC HOSE - FABRICATE	1		
22	BULK HOSE	1		(CUT TO LENGTH) (MAKE FROM T79477)
23	PT9412	HOSE CLAMP	1		
24	R44302	TIE BAND	2		
25	RE46686	FITTING PLUG	2		
26	RE508847	FILTER HEAD	1		
27	RE51649	SEAL KIT	1		
28	RE51650	SEDIMENT BOWL	1		
29	RE517180	FUEL FILTER	1		
30	RE179976	CHECK VALVE	1		
31	RE52504	BREATHER	1		
32	T13254	CLAMP	4		
33	T75197	CLAMP	1		
34	T75276	CLAMP	2		
35	T77613	O-RING	3		
36A	RE224279	FILLER CAP	1	-594411	
36B	RE234193	FILLER CAP	1	594412-	(SUB FOR AH165080)
37	R224278	GASKET	1		
38A	R116933	FUNNEL	1	-594411	
38B	AH165079	ADAPTER FITTING	1	594412-	
39A	R120233	O-RING	1	-594411	
39B	H172014	GASKET	1	594412-	
40	AH162914	STRAINER	1	594412-	
41	H174831	ANCHOR	1	594412-	
42	T164203	SCREW	1	594412-	
43	AT223493	FUEL FILTER	1		
44	R184863	HOSE CLAMP	2		
45	R74012	SEALING WASHER	1		7.140 X 12.300 X 6.400 MM
..	RE516512	O-RING KIT	1		(FUEL FILTER HEADER CAP)(WITHOUT HAND PRIMER)(CONTAINS 10 O-RINGS)
..	RE516553	SEAL KIT	1		(FUEL FILTER SEAL KIT)

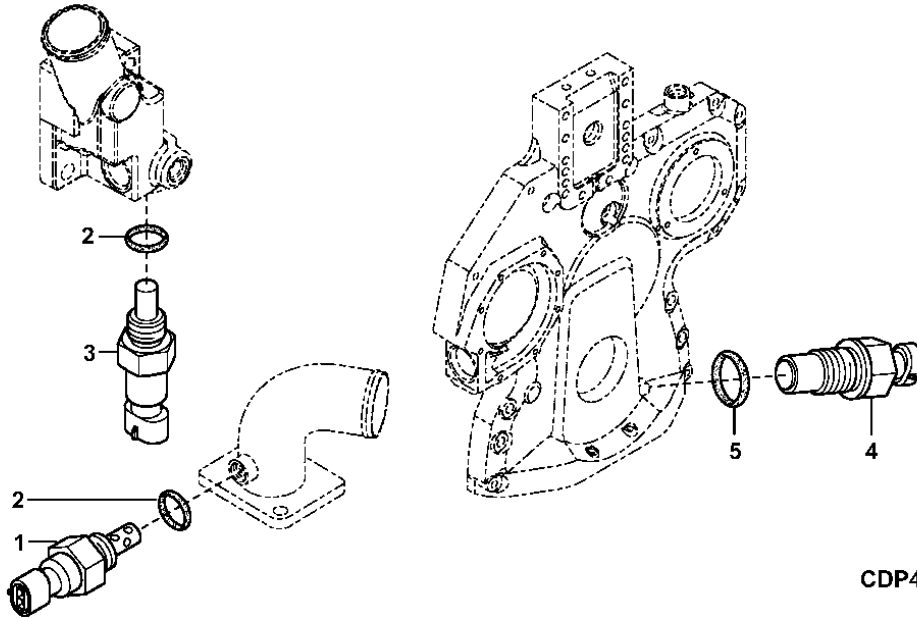
0578-2

ENGINE AUXILIARY SYSTEM 05

SENSORS 0578

ENGINE SENSORS CAPTEURS DU MOTEUR SENSORES DEL MOTOR

CDP45110 -UN-18DEC01



CDP45110

KEY	PART NO.	PART NAME	QTY.	ENGINE SERIAL NO.	REMARKS
1	RE61812	SENSOR	1		AIR TEMPERATURE, (ALSO ORDER 51M7041)
2	51M7041	O-RING	2		
3	RE52722	COOLANT TEMPERATURE SENSOR	1		WATER TEMPERATURE, (ALSO ORDER 51M7041)
4	RE519144	SENSOR	1		(ALSO ORDER 51M7044) (CRANKSHAFT POSITION SENSOR)
5	51M7044	O-RING	1		

0578-3

ENGINE AUXILIARY SYSTEM 05

SENSORS 0578

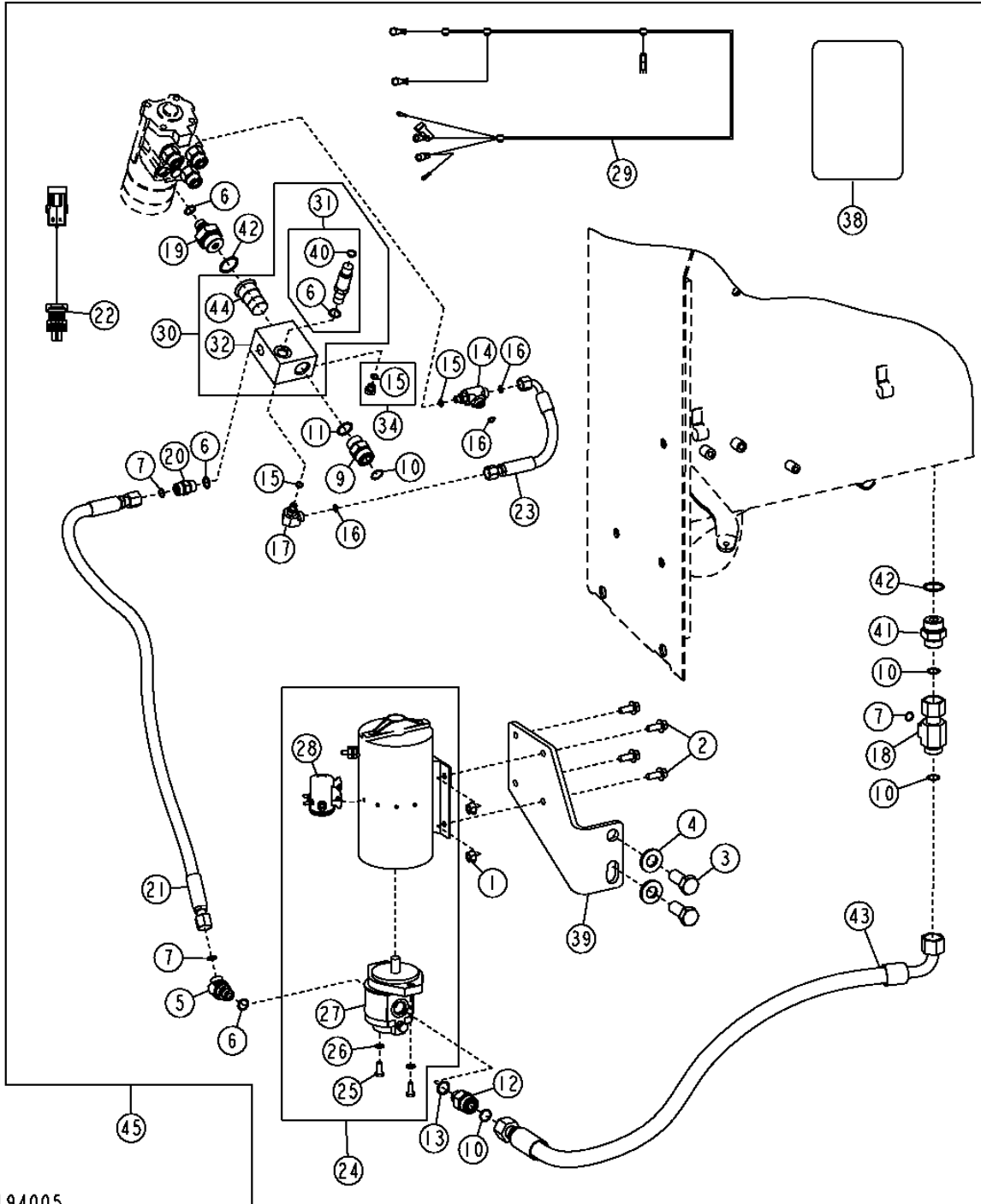
MEMORANDA
MEMORANDA
MEMORANDA

0930-2

STEERING SYSTEM 09
EMERGENCY STEERING 0930

SECONDARY STEERING (S.N. -604689)
DIRECTION AUXILIAIRE (SN -604689)
DIRECCION AUXILIAR (SN -604689)

T194005 -UN-25SEP03



T194005

THIS PARTS LISTING IS CONTINUED

0930-3

STEERING SYSTEM 09
EMERGENCY STEERING 0930

SECONDARY STEERING (S.N. -604689)
DIRECTION AUXILIAIRE (SN -604689)
DIRECCION AUXILIAR (SN -604689)

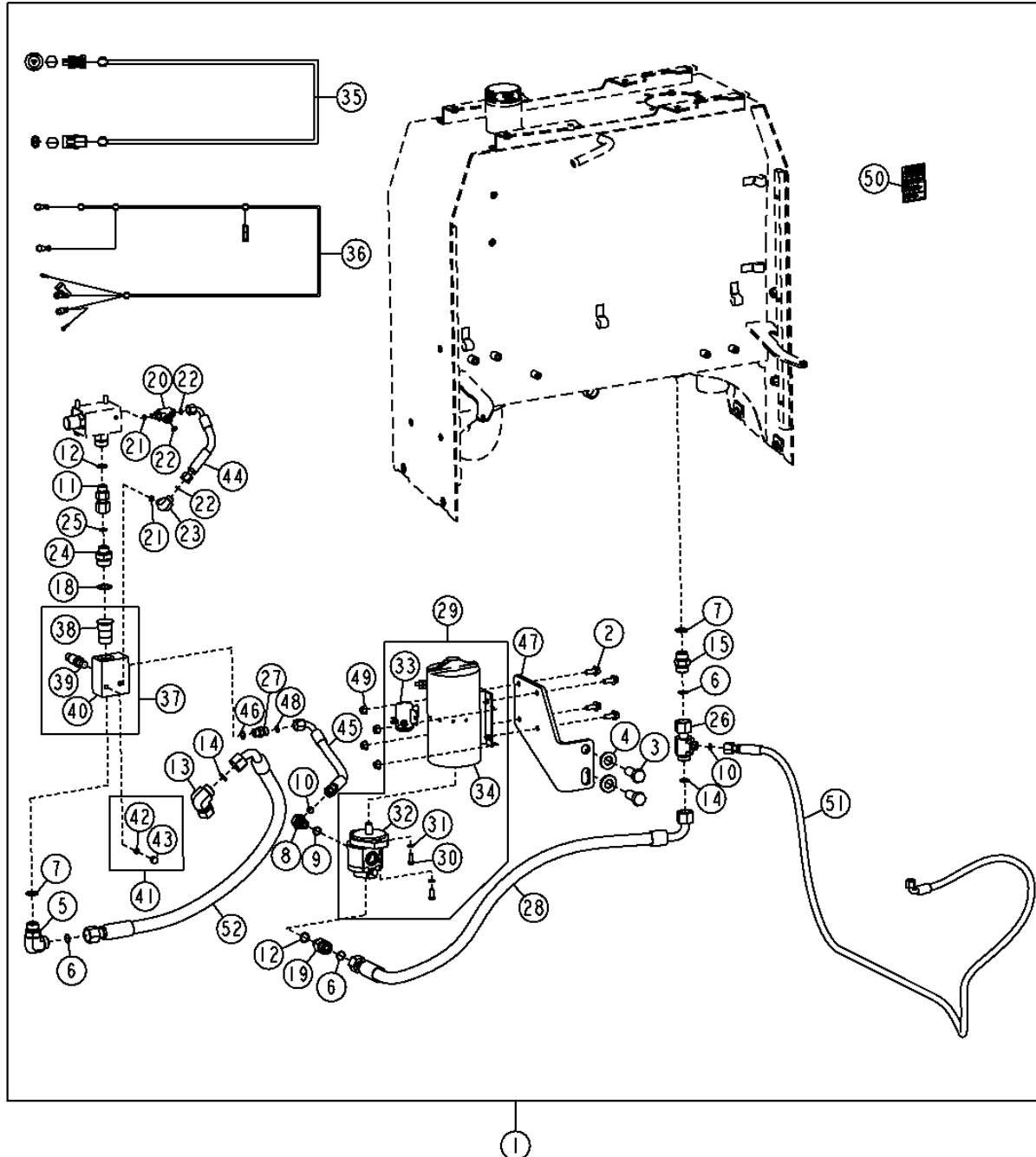
KEY	PART NO.	PART NAME	QTY.	SERIAL NO.	REMARKS
1	14M7296	FLANGE NUT	4		M10
2	19M7785	SCREW	4		M10 X 25
3	19M7950	CAP SCREW	2		M20 X 45
4	24M7242	WASHER	2		21.400 X 42 X 5 MM
5	38H1046	ELBOW FITTING	1		
6	R26375	O-RING	4		
7	T77857	O-RING	3		
9	38H1163	ADAPTER FITTING	1		
10	T77858	O-RING	4		
11	U12547	O-RING	1		
12	38H1193	ADAPTER FITTING	1		
13	R26906	O-RING	1		
14	38H1434	TEE FITTING	1		
15	R28782	O-RING	3		
16	T77613	O-RING	3		
17	38H1435	ELBOW FITTING	1		45 DEGREE
18	38H1532	TEE FITTING	1		
19	AT116114	ADAPTER FITTING	1		
20	AT141527	CHECK VALVE	1		
21	AT175781	HYDRAULIC HOSE - FABRICATE	1		
22	AT203492	WIRING HARNESS	1		
23	AT208725	HYDRAULIC HOSE - FABRICATE	1		
24	AT209537	PUMP	1		
25	19H1900	CAP SCREW	2		5/16" X 3/4"
26	24M7095	WASHER	2		0.331" X 0.591" X 0.063"
27	AT210092	PUMP	1		
28	AT210093	SOLENOID	1		
29	AT210155	WIRING HARNESS	1		
30	AT210207	SWITCH	1		
31	AT210399	SWITCH	1		
32	T173324	JUNCTION BLOCK	1		
34	AT223648	FITTING	1		
38	T146443	SAFETY SIGN	1		
39	T173579	BRACKET	1		
40	R26448	O-RING	1		
41	38H1194	ADAPTER FITTING	1		
42	R29936	O-RING	2		
43	AT203180	HYDRAULIC HOSE - FABRICATE	1		
44	AT116373	CHECK VALVE	1		
45	AT306464	KIT	1		(SECONDARY STEERING)

0930-4

STEERING SYSTEM 09
EMERGENCY STEERING 0930

SECONDARY STEERING (S.N. 604690-)
DIRECTION AUXILIAIRE (S.N. 604690-)
DIRECCION AUXILIAR (S.N. 604690-)

TX1013158 -UN-27OCT06



TX1013158

THIS PARTS LISTING IS CONTINUED

0930-5

STEERING SYSTEM 09

EMERGENCY STEERING 0930

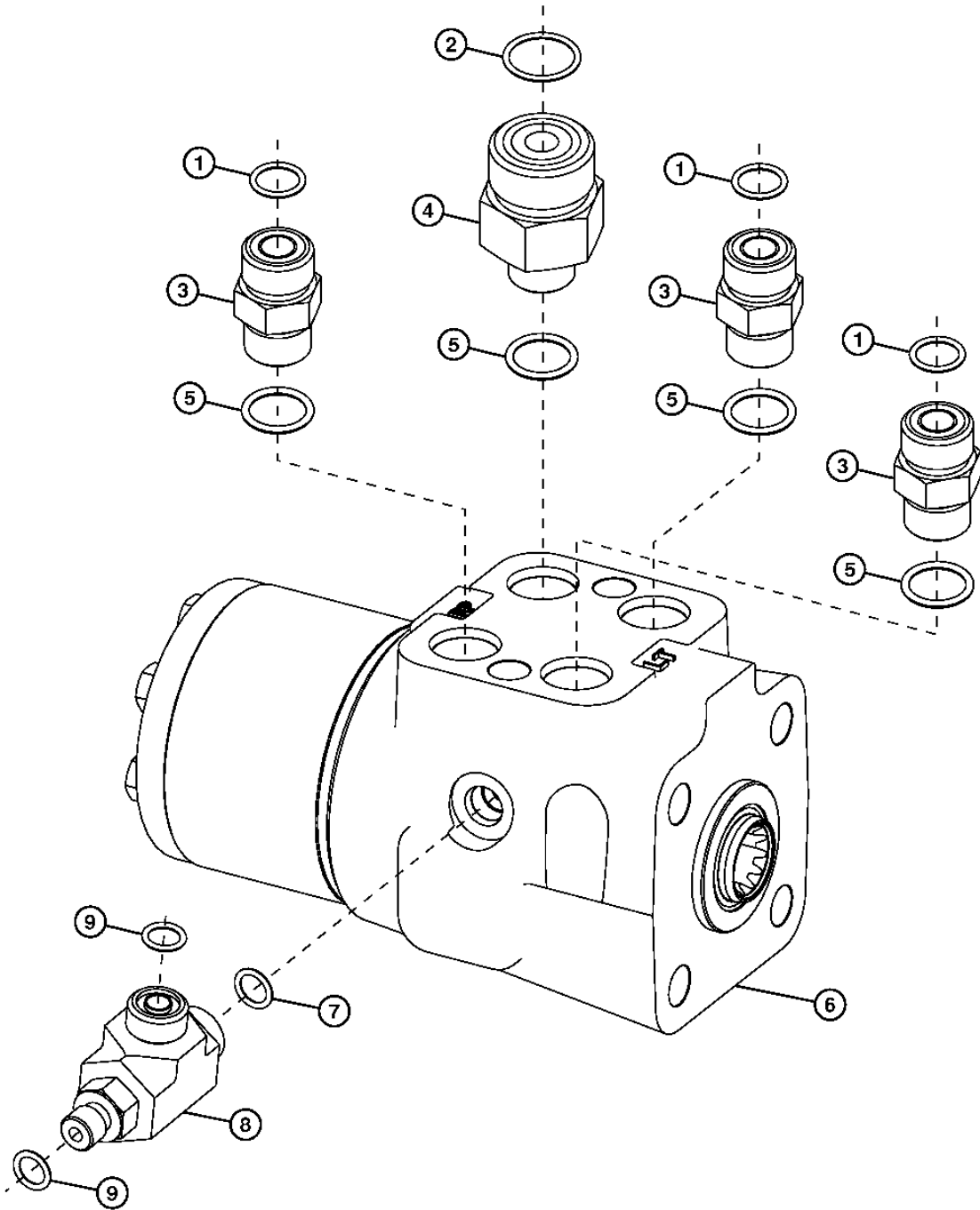
SECONDARY STEERING (S.N. 604690-)
 DIRECTION AUXILIAIRE (S.N. 604690-)
 DIRECCION AUXILIAR (S.N. 604690-)

KEY	PART NO.	PART NAME	QTY.	SERIAL NO.	REMARKS
1	AT331091	FIELD INSTALLATION KIT	1		
2	19M7785	SCREW	4		M10 X 25
3	19M7950	CAP SCREW	2		M20 X 45
4	24M7242	WASHER	2		21.400 X 42 X 5 MM
5	38H1007	ELBOW FITTING	1		
6	T77858	O-RING	1		18.771 X 1.778 MM
7	U12547	O-RING	1		23.470 X 2.946 MM
8	38H1046	ELBOW FITTING	1		
9	R26375	O-RING	1		16.358 X 2.210 MM
10	T77857	O-RING	1		12.421 X 1.778 MM
11	38H1069	FITTING	1		
12	R26906	O-RING	1		19.177 X 2.464 MM
13	38H1097	ELBOW FITTING	1		
14	T77858	O-RING	1		18.771 X 1.778 MM
15	38H1163	ADAPTER FITTING	1		
19	38H1193	ADAPTER FITTING	1		
20	38H1434	TEE FITTING	1		
21	R28782	O-RING	1		8.915 X 1.829 MM
22	T77613	O-RING	2		9.246 X 1.778 MM
23	38H1435	ELBOW FITTING	2		
24	38H1447	ADAPTER FITTING	1		
25	T77932	O-RING	1		15.596 X 1.778 MM
26	38H1532	TEE FITTING	1		
27	AT141527	CHECK VALVE	1		
28	AT203180	HYDRAULIC HOSE - FABRICATE	1		
29	AT209537	PUMP	1		
30	19H1900	CAP SCREW	2		
31	24M7095	WASHER	2		
32	AT210092	PUMP	1		
33	AT210093	SOLENOID	1		
34	AT210094	MOTOR	1		
35	AT210056	WIRING HARNESS	1		
36	AT210155	WIRING HARNESS	1		
37	AT210207	SWITCH	1		
38	AT116373	CHECK VALVE	1		
39	AT210399	SWITCH	1		
40	T173324	JUNCTION BLOCK	1		
41	AT223648	FITTING	1		
42	R28782	O-RING	1		
43	R51031	FITTING	1		
44	AT330041	HYDRAULIC HOSE - FABRICATE	1		
45	AT330697	HYDRAULIC HOSE - FABRICATE	1		
46	R26375	O-RING	1		
47	T173579	BRACKET	1		
48	T77857	O-RING	1		
49	14M7296	FLANGE NUT	4		
50	T146443	SAFETY SIGN	1		
51	AT319046	HYDRAULIC HOSE - FABRICATE	1		
52	AT226808	HYDRAULIC HOSE - FABRICATE	1		

0960-2

POWER STEERING HYDRAULIC SYSTEM 0960
STEERING VALVE AND FITTINGS (SERIAL NO. 601560 -)
VERIN ET RACCORDS DE DIRECTION (SN 601560-)
ADAPTADORES Y VALVULA DE LA DIRECCION (SN 601560-)

TX1002545 -UN-18JAN06



TX1002545

0960-3

STEERING SYSTEM 09

POWER STEERING HYDRAULIC SYSTEM 0960

STEERING VALVE AND FITTINGS (SN 601560-)
VERIN ET RACCORDS DE DIRECTION (SN 601560-)
ADAPTADORES Y VALVULA DE LA DIRECCION (SN 601560-)

KEY	PART NO.	PART NAME	QTY.	SERIAL NO.	REMARKS
1	T77857	O-RING	3		
2	T77858	O-RING	1		
3	38H1161	ADAPTER FITTING	3		
4	38H1178	ADAPTER FITTING	1		
5	R26375	O-RING	4		
6	AT309159	FLOW CONTROL HYD. VALVE	1	-601558	
	AT320570	FLOW CONTROL HYD. VALVE	1	601559-604689	
	AT323287	VALVE	1	604690-	(STEERING) (SUB FOR AT323285)
7	R28782	O-RING	1		
8	38H1434	TEE FITTING	1		
9	T77613	O-RING	2		
..	AT316249	SEAL KIT	1		(STEERING VALVE SEAL KIT) (NOT ILLUSTRATED)

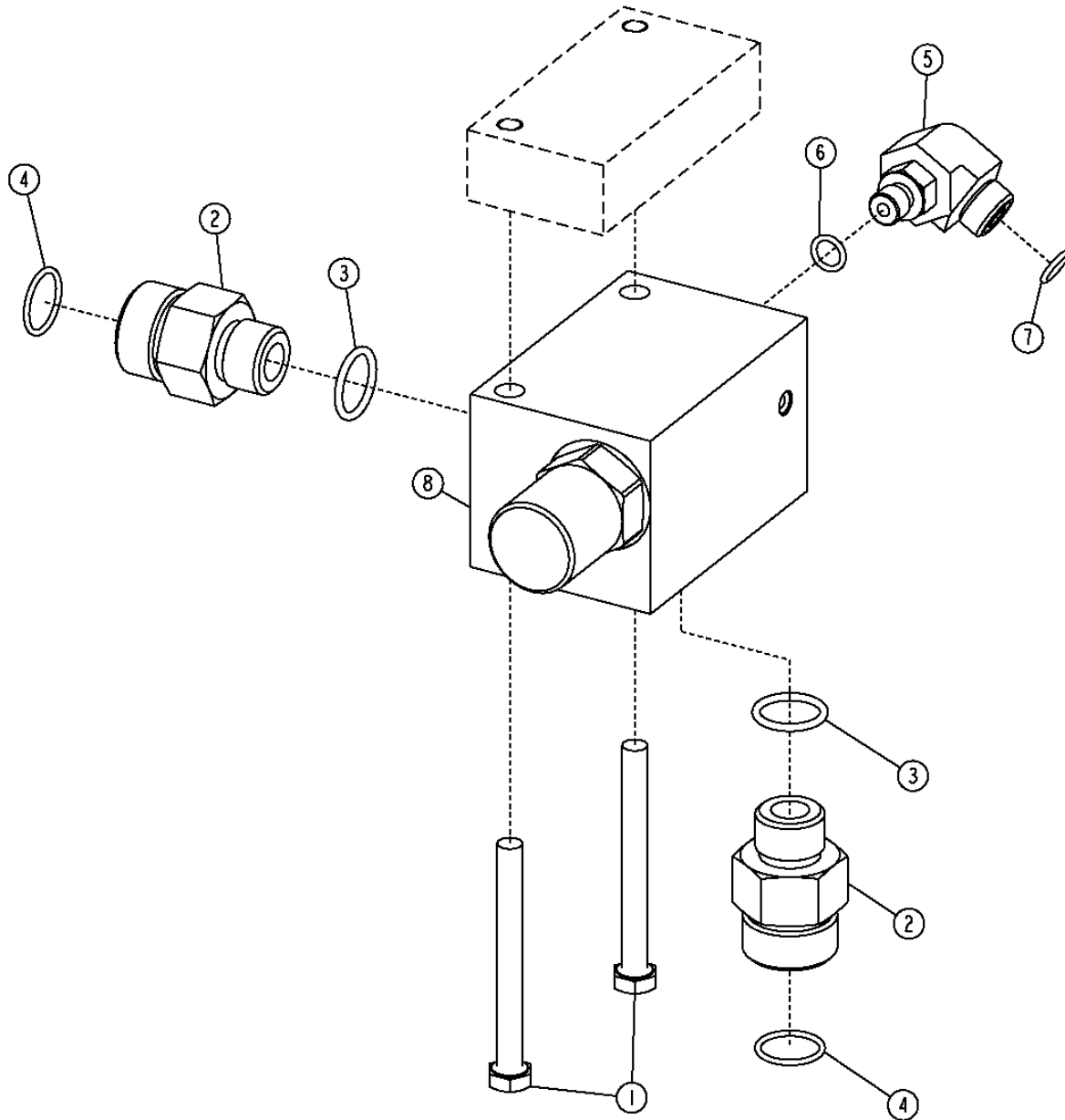
0960-3A

STEERING SYSTEM 09

POWER STEERING HYDRAULIC SYSTEM 0960

STEERING COMPENSATOR VALVE (S.N. 604690-)
SOUPAPE DE COMPENSATION DE DIRECTION (S.N. 604690-)
VALVULA DEL COMPENSADOR DE LA DIRECCION (S.N. 604690-)

TX1008272 -UN-05JUN06



TX1008272

THIS PARTS LISTING IS CONTINUED

0960-3B

STEERING SYSTEM 09

POWER STEERING HYDRAULIC SYSTEM 0960
STEERING COMPENSATOR VALVE (S.N. 604690-)
SOUPAPE DE COMPENSATION DE DIRECTION (S.N. 604690-)
VALVULA DEL COMPENSADOR DE LA DIRECCION (S.N. 604690-)

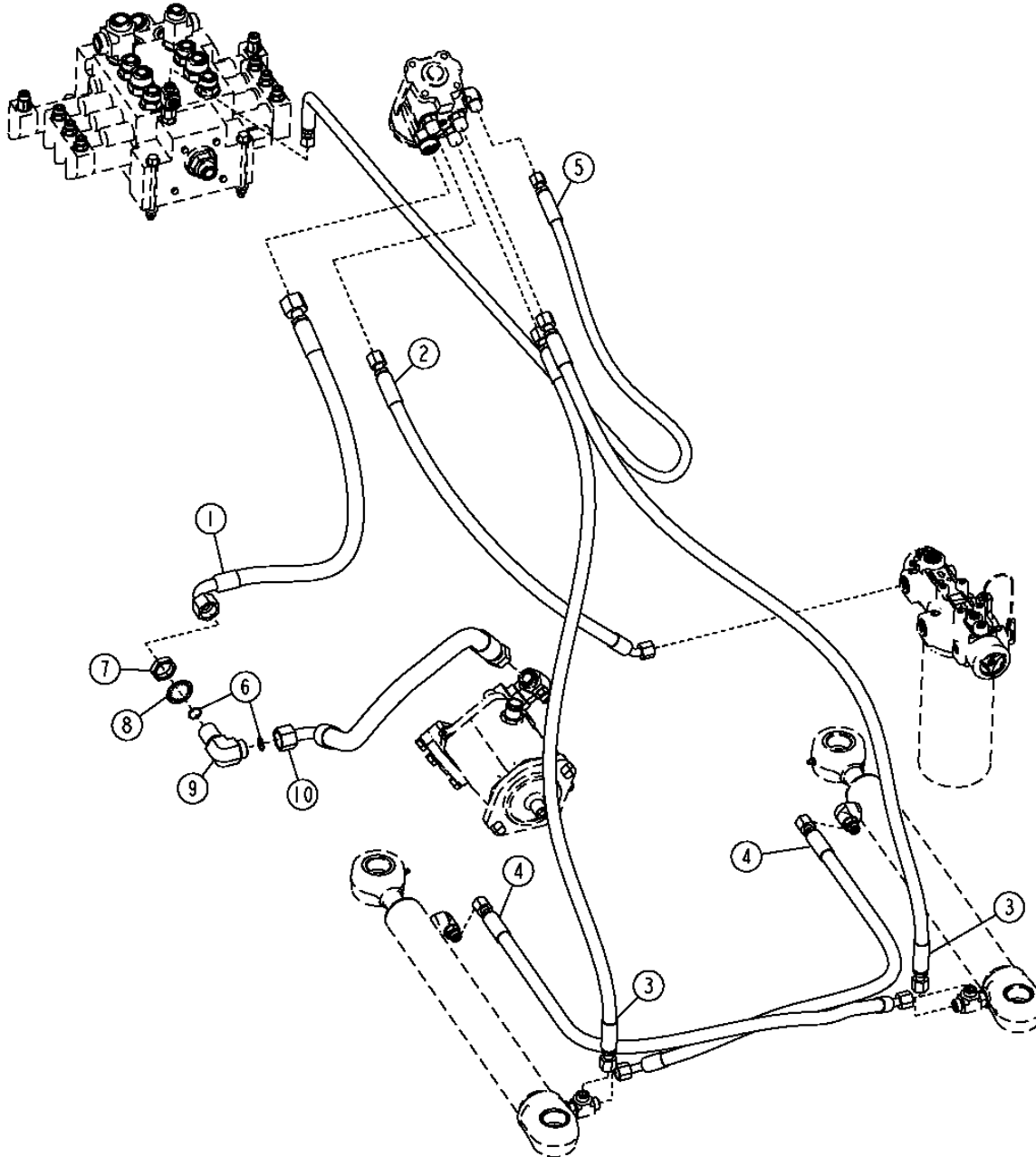
KEY	PART NO.	PART NAME	QTY.	SERIAL NO.	REMARKS
1	19M8039	SCREW	2		M8 X 80, (SUB FOR 19M8504)
2	38H1193	ADAPTER FITTING	2		
3	R26906	O-RING	2		19.177 X 2.464 MM
4	T77858	O-RING	2		18.771 X 1.778 MM
5	38H1435	ELBOW FITTING	1		
6	R28782	O-RING	1		8.915 X 1.829 MM
7	T77613	O-RING	1		9.246 X 1.778 MM
8	AT323286	VALVE	1		
	AT323845	SEAL KIT	1		

0960-6

STEERING SYSTEM 09

POWER STEERING HYDRAULIC SYSTEM 0960
STEERING CYLINDER HYDRAULIC HOSES (S.N. -604689)
FLEXIBLES HYDRAULIQUES DE VERIN DE DIRECTION (S.N. -604689)
MANGUERAS HIDRAULICAS DE CILINDROS DE LA DIRECCION (S.N. -604689)

T194388 -UN-27AUG03



T194388

0960-7

STEERING SYSTEM 09

POWER STEERING HYDRAULIC SYSTEM 0960
STEERING CYLINDER HYDRAULIC HOSES (S.N. -604689)
FLEXIBLES HYDRAULIQUES DE VERIN DE DIRECTION (S.N. -604689)
MANGUERAS HIDRAULICAS DE CILINDROS DE LA DIRECCION (S.N. -604689)

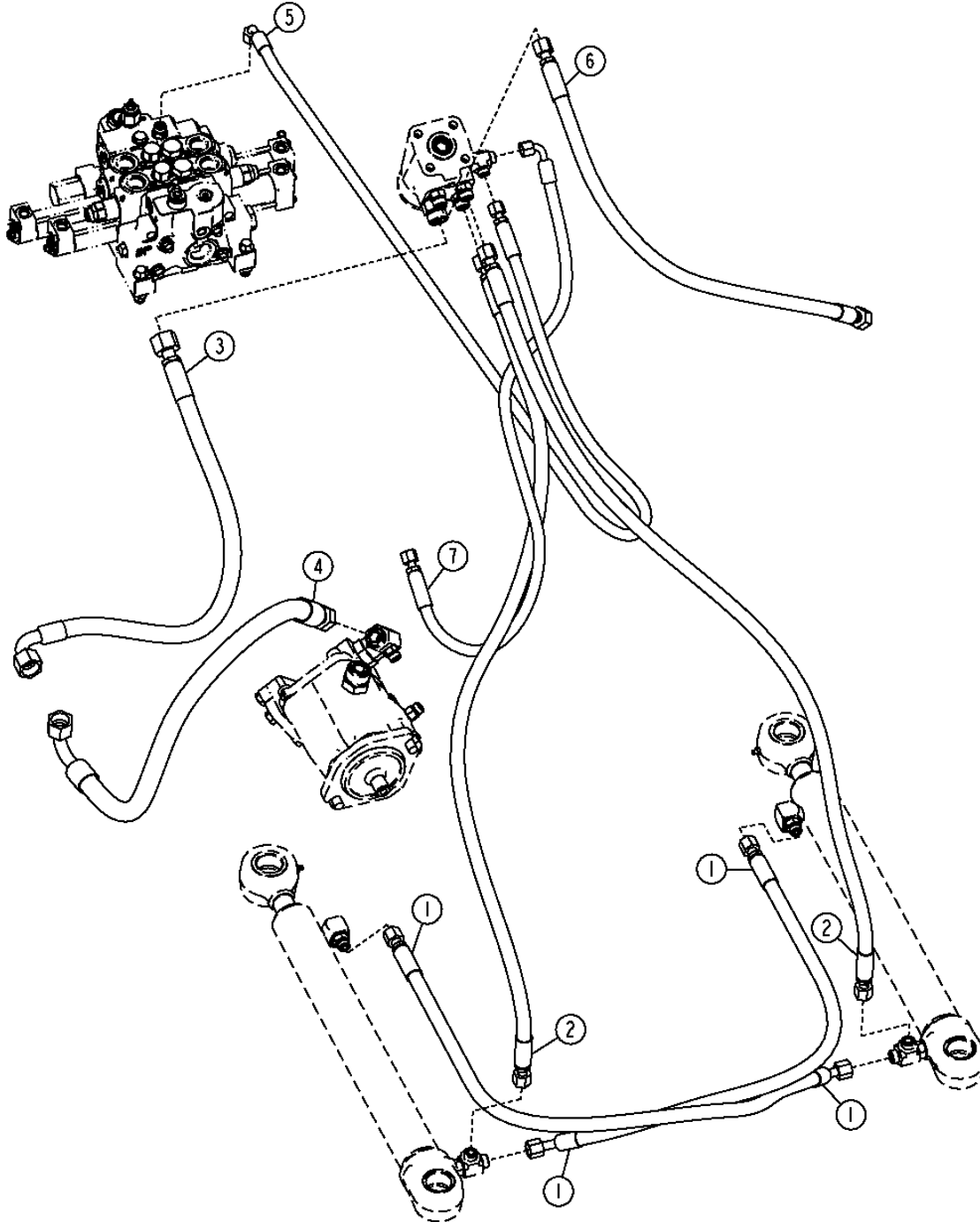
KEY	PART NO.	PART NAME	QTY.	SERIAL NO.	REMARKS
1	AT225275	HYDRAULIC HOSE - FABRICATE	1		1-3/16" X 875 MM (34-1/2") X 1-3/16"
2	AT303273	HYDRAULIC HOSE - FABRICATE	1		
3	AT222561	HYDRAULIC HOSE - FABRICATE	2		
4	AT334083	HYDRAULIC HOSE - FABRICATE	2		11/16" X 1 240 MM (48-3/4") X 13/16", (SUB FOR AT207072)
5	AT170234	HYDRAULIC HOSE - FABRICATE	1	-594432	11/16" X 2 819 MM (111") X 11/16"
	AT314734	HYDRAULIC HOSE - FABRICATE	1	594433-	
6	T77858	O-RING	2		
7	T78707	NUT	1		30.175 MM
8	T174275	LOCK WASHER	1		
9	38H1324	ELBOW FITTING	1		
10	AT226808	HYDRAULIC HOSE - FABRICATE	1		

0960-7A

STEERING SYSTEM 09

POWER STEERING HYDRAULIC SYSTEM 0960
STEERING CYLINDER HYDRAULIC HOSES (S.N. 604690-)
FLEXIBLES HYDRAULIQUES DE VERIN DE DIRECTION (S.N. 604690-)
MANGUERAS HIDRAULICAS DE CILINDROS DE LA DIRECCION (S.N. 604690-)

TX1003814 -UN-21FEB06



TX1003814

0960-7B

STEERING SYSTEM 09

POWER STEERING HYDRAULIC SYSTEM 0960

STEERING CYLINDER HYDRAULIC HOSES (S.N. 604690-)
FLEXIBLES HYDRAULIQUES DE VERIN DE DIRECTION (S.N. 604690-)
MANGUERAS HIDRAULICAS DE CILINDROS DE LA DIRECCION (S.N. 604690-)

KEY	PART NO.	PART NAME	QTY.	SERIAL NO.	REMARKS
1	AT334083	HYDRAULIC HOSE - FABRICATE	2		11/16" X 1 240 MM X 13/16", (SUB FOR AT207072)
2	AT222561	HYDRAULIC HOSE - FABRICATE	2		13/16" X 1 500 MM X 13/16"
3	AT225275	HYDRAULIC HOSE - FABRICATE	1		1-3/16" X 875 MM X 1-3/16"
4	AT226808	HYDRAULIC HOSE - FABRICATE	1		1-3/16" X 851 MM X 1-3/16"
5	AT314734	HYDRAULIC HOSE - FABRICATE	1		9/16" X 2 000 MM X 9/16"
6	AT319053	HYDRAULIC HOSE - FABRICATE	1		13/16" X 925 MM X 1"
7	AT325889	HYDRAULIC HOSE - FABRICATE	1		11/16" X 1 082 MM X 11/16"

0960-8

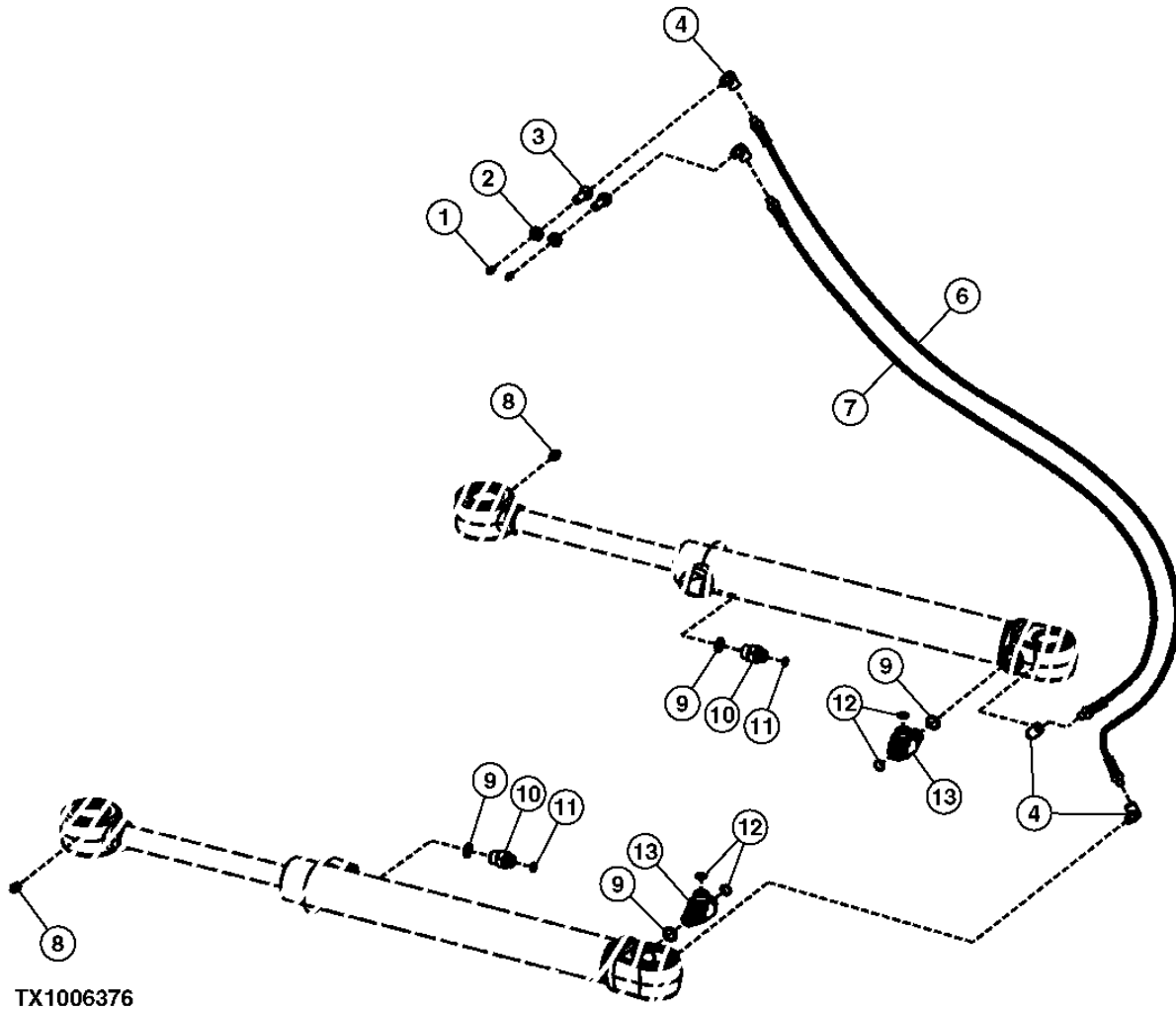
STEERING SYSTEM 09

POWER STEERING HYDRAULIC SYSTEM 0960

STEERING CYLINDER FITTINGS AND LUBRICATION HOSES
RACCORDS ET FLEXIBLES DE GRAISSAGE DU VERIN DE DIRECTION
ADAPTADORES DEL CILINDRO DE LA DIRECCION Y MANGUERAS DE LUBRICACION

TX1006376

-UN-24APR06



0960-9

STEERING SYSTEM 09

POWER STEERING HYDRAULIC SYSTEM 0960

**STEERING CYLINDER FITTINGS AND LUBRICATION HOSES
RACCORDS ET FLEXIBLES DE GRAISSAGE DU VERIN DE DIRECTION
ADAPTADORES DEL CILINDRO DE LA DIRECCION Y MANGUERAS DE LUBRICACION**

KEY	PART NO.	PART NAME	QTY.	SERIAL NO.	REMARKS
1	JD7797	LUBRICATION FITTING	2		(SUB FOR JD7842, THIS APPLICATION)
2	E12379	NUT	2		
3	R36311	FITTING	2		
4	T56112	ELBOW FITTING	4		
5	H77698	TIE BAND	1		
6	AT207022	HYDRAULIC HOSE	1		
7	AT207023	HYDRAULIC HOSE	1		
8	JD7759	LUBRICATION FITTING	2		
9	R26375	O-RING	4		
10	38H1171	ADAPTER FITTING	2		
11	T77613	O-RING	2		
12	T77857	O-RING	4		
13	38H1024	TEE FITTING	2		

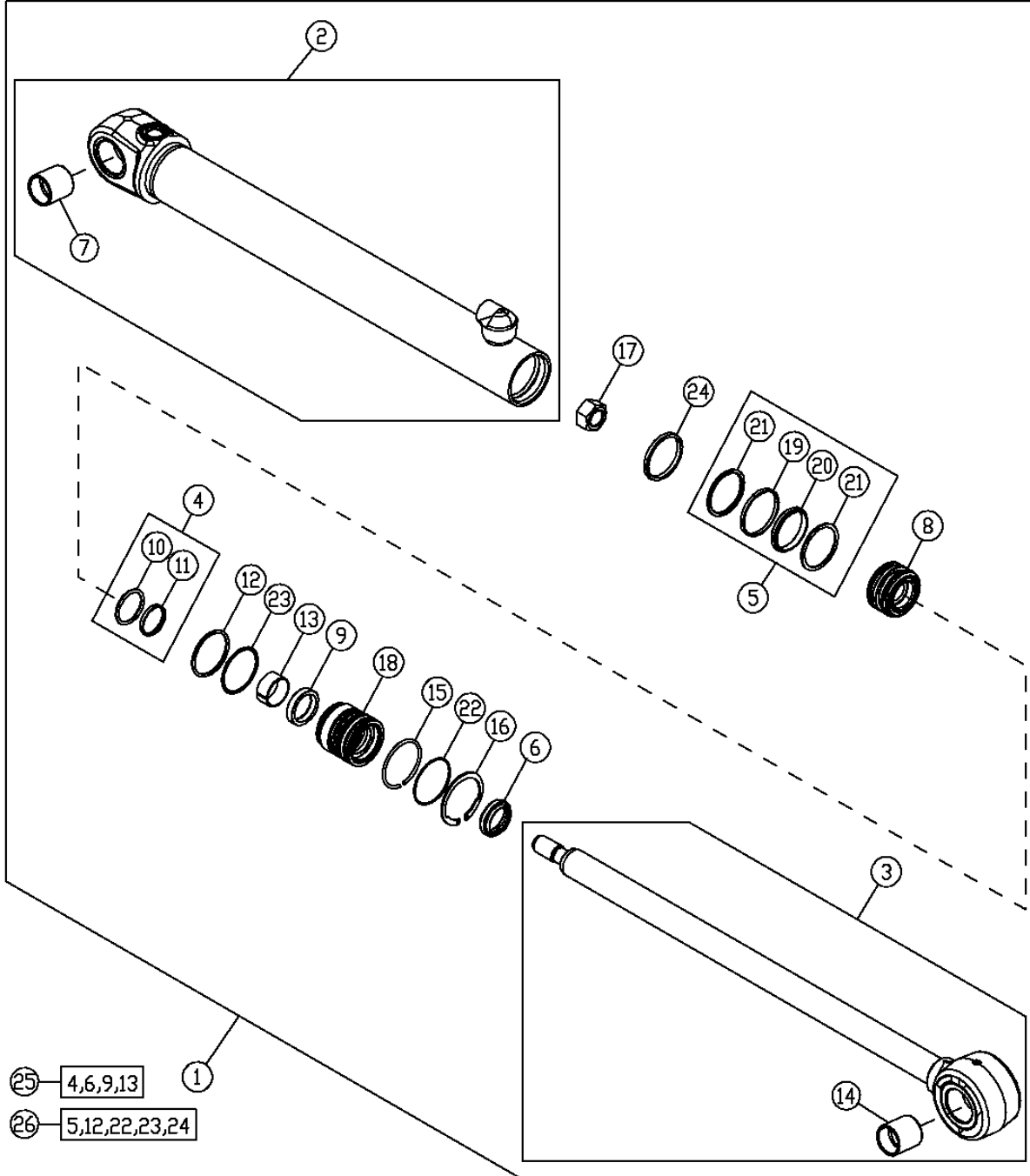
0960-10

STEERING SYSTEM 09

POWER STEERING HYDRAULIC SYSTEM 0960

STEERING CYLINDER VERIN DE DIRECCION CILINDRO DE LA DIRECCION

T194750 -UN-10NOV03



T194750

0960-11

STEERING SYSTEM 09

POWER STEERING HYDRAULIC SYSTEM 0960

STEERING CYLINDER VERIN DE DIRECTION CILINDRO DE LA DIRECCION

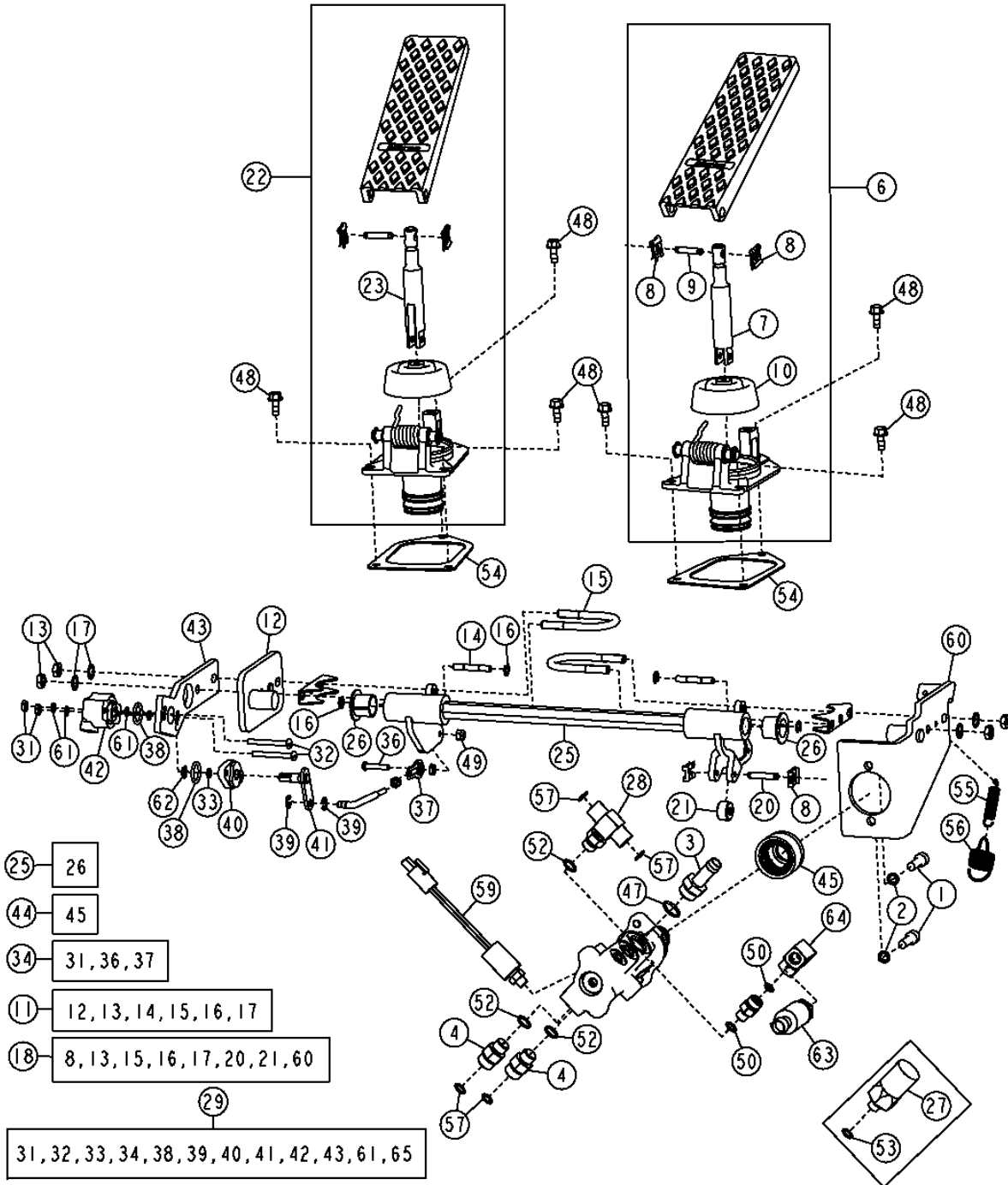
KEY	PART NO.	PART NAME	QTY.	SERIAL NO.	REMARKS
1	AH205056	HYDRAULIC CYLINDER	1		(SUB FOR AH216366 AND AH160119)
2	AH216367	HYDRAULIC CYLINDER BARREL	1		(SUB FOR AH147737)
3	AH147739	HYDRAULIC CYLINDER ROD	1		
4	AH147976	SEAL	1		
5	AH148358	SEAL	1		
6	AH150452	SEAL	1		
7	H143405	BUSHING	1		
8	H154126	PISTON	1		
9	H154514	SEAL	1		
10	SEAL	1		(SUB AH147976)
11	SEAL	1		(SUB AH147976)
12	H155964	O-RING	1		
13	H156058	WEAR RING	1		
14	H158192	BUSHING	1		
15	H164204	SNAP RING	1		
16	H164205	SNAP RING	1		
17	H170535	NUT	1		
18	H171332	HYDR. CYLINDER ROD GUIDE	1		
19	SEAL	1		(SUB AH148358)
20	SEAL	1		(SUB AH148358)
21	SEAL	2		(SUB AH148358)
22	M44162	O-RING	1		
23	R78393	BACK-UP RING	1		
24	R87881	WEAR RING	1		
25	AH161589	HYDRAULIC CYLINDER KIT	1		(ROD SEAL KIT)
26	AH161591	HYDRAULIC CYLINDER KIT	1		(BORE KIT)

1060-2

BRAKE VALVE, PEDALS AND LINKAGE (S.N. -604689)
SOUPAPE, PEDALES ET TRINGLERIE DE FREIN (S.N. -604689)
VALVULA DE FRENOS, PEDALES Y VARILLAJE (S.N. -604689)

TX1006037

-UN-21APR06



TX1006037

THIS PARTS LISTING IS CONTINUED

1060-3

SERVICE BRAKES 10

SERVICE BRAKE HYDRAULICS 1060

BRAKE VALVE, PEDALS AND LINKAGE (S.N. -604689)
SOUPAPE, PEDALES ET TRINGLERIE DE FREIN (S.N. -604689)
VALVULA DE FRENOS, PEDALES Y VARILLAJE (S.N. -604689)

KEY	PART NO.	PART NAME	QTY.	SERIAL NO.	REMARKS
1	19M7657	SCREW	2		
2	24M7313	WASHER	2		
3	T38282	HOSE FITTING	1		
4	AT181313	CHECK VALVE	2		
6	AT203457	PEDAL	1		(RIGHT)
7	AT208088	PUSH ROD	1		
8	T157212	CLIP	6		
9	T157258	PIN	2		
10	T174634	BOOT	2		
11	AT208085	KIT	1		(LEFT PEDAL BRACKET)
12	AT314267	SUPPORT	1		(SUB FOR AT208167)
13	R53317	LOCK NUT	4		
14	T157211	PIN	2		
15	T157220	CLAMP	2		
16	T170180	SNAP RING	4		
17	T170181	LOCK WASHER	4		
18	AT208086	HOSE KIT	1		(RIGHT PEDAL BRACKET)
20	T157257	PIN	1		
21	T175236	ROLLER	1		
22	AT208087	PEDAL	1		(LEFT)
23	AT208163	PUSH ROD	1		
25	AT208089	ROCKER ARM	1		
26	T157223	BEARING	2		
27	AT206721	SWITCH	1	-600914	(STD)
	AT222371	SWITCH	1	-600914	(HARSH ENVIRONMENT)
28	AT207529	CHECK VALVE	1		
29	AT210291	CLUTCH KIT	1		(CLUTCH CUTOFF)
31	14H631	NUT	2		4.826 MM
32	21H1390	SCREW	2		
33	A4365R	O-RING	1		6.071 X 1.778 MM
34	AT210877	LINKAGE	1		
35	14H631	NUT	1		4.826 MM
36	21H985	SCREW	1		
37	AH108055	LINK END	1		
38	P48347	O-RING	2		
39	R72654	SNAP RING	2		
40	R86457	SUPPORT	1		
41	RE24468	SHAFT	1		
42	RE261356	SENSOR	1		(SUB FOR RE35704 OR RE69297)
43	T172274	SUPPORT	1		
44	AT331208	FLOW CONTROL HYD. VALVE	1		(SUB FOR AT210229)
45	AT207948	SEAL KIT	1		
46	AT207947	SEAL	1		
47	R26375	O-RING	1		
48	M113243	SCREW	6		
49	N203905	LOCK NUT	1		
50	R26287	O-RING	1		
51	R26375	O-RING	1		
52	R26448	O-RING	3		
53	R28782	O-RING	1	-600914	
54	T172927	GASKET	2		
55	T176108	SPRING	1		
56	T176111	SPRING	1		
57	T77613	O-RING	4		
59	AT223535	PRESSURE SWITCH	1		(STD)
	AT222372	SWITCH	1		(HARSH ENVIRONMENT)
60	AT314266	SUPPORT	1		(SUB FOR AT208166)
61	12M7060	WASHER	4		5.300 MM, (SUB FOR 12H295)
62	R72653	SNAP RING	1		
63	38H1159	ADAPTER FITTING	1	600915-	
64	AT322982	TRANSDUCER	1	600915-	
65	AT326970	FITTING	1	600915-	

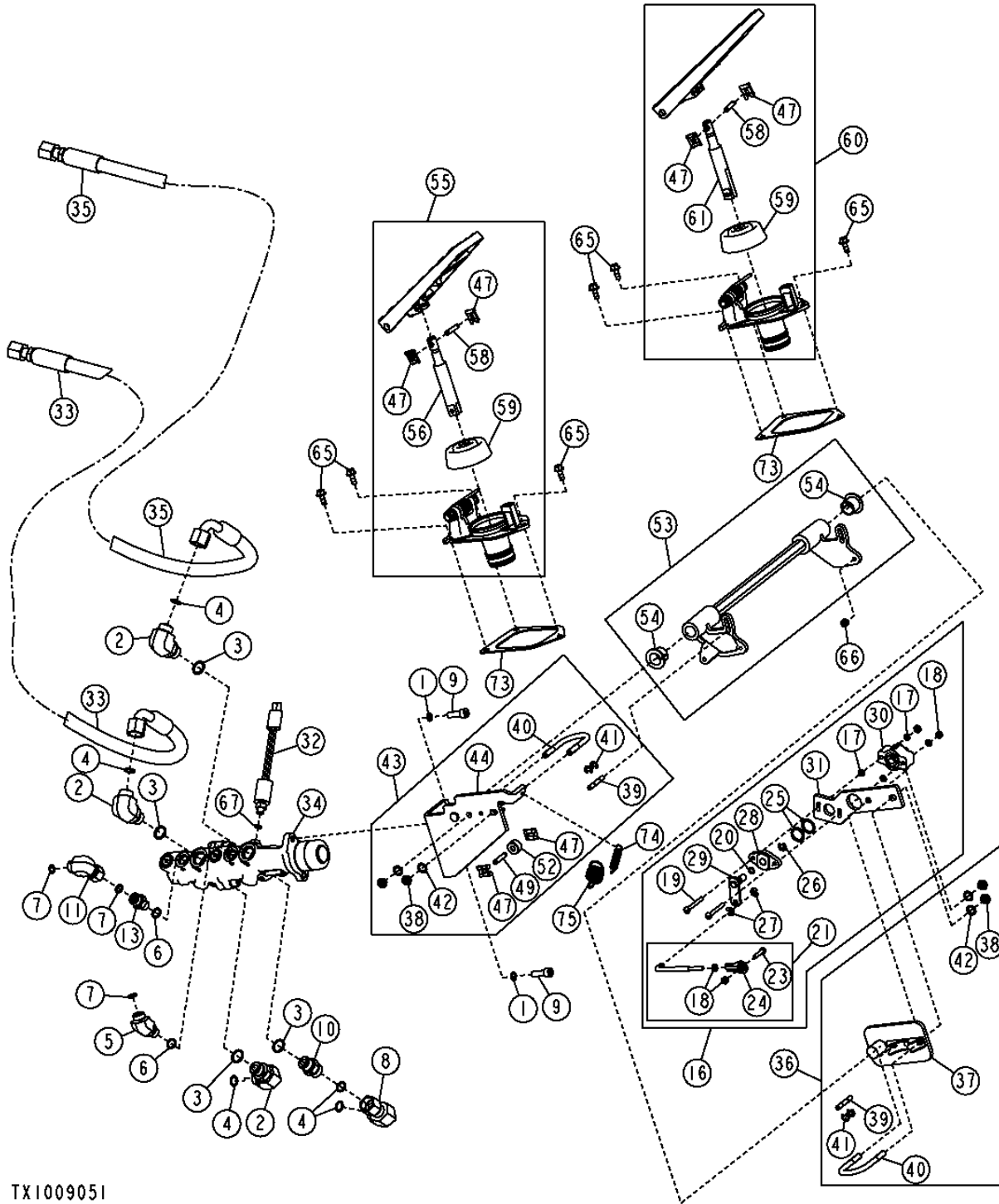
1060-3A

BRAKE VALVE, PEDALS AND LINKAGE (S.N. 604690-)
SOUPAPE, PEDALES ET TRINGLERIE DE FREIN (S.N. 604690-)
VALVULA DE FRENOS, PEDALES Y VARILLAJE (S.N. 604690-)

SERVICE BRAKE HYDRAULICS 1060

TX1009051

-UN-14JUN06



TX1009051

THIS PARTS LISTING IS CONTINUED

1060-3B

SERVICE BRAKES 10

SERVICE BRAKE HYDRAULICS 1060

BRAKE VALVE, PEDALS AND LINKAGE (S.N. 604690-)
SOUPAPE, PEDALES ET TRINGLERIE DE FREIN (S.N. 604690-)
VALVULA DE FRENOS, PEDALES Y VARILLAJE (S.N. 604690-)

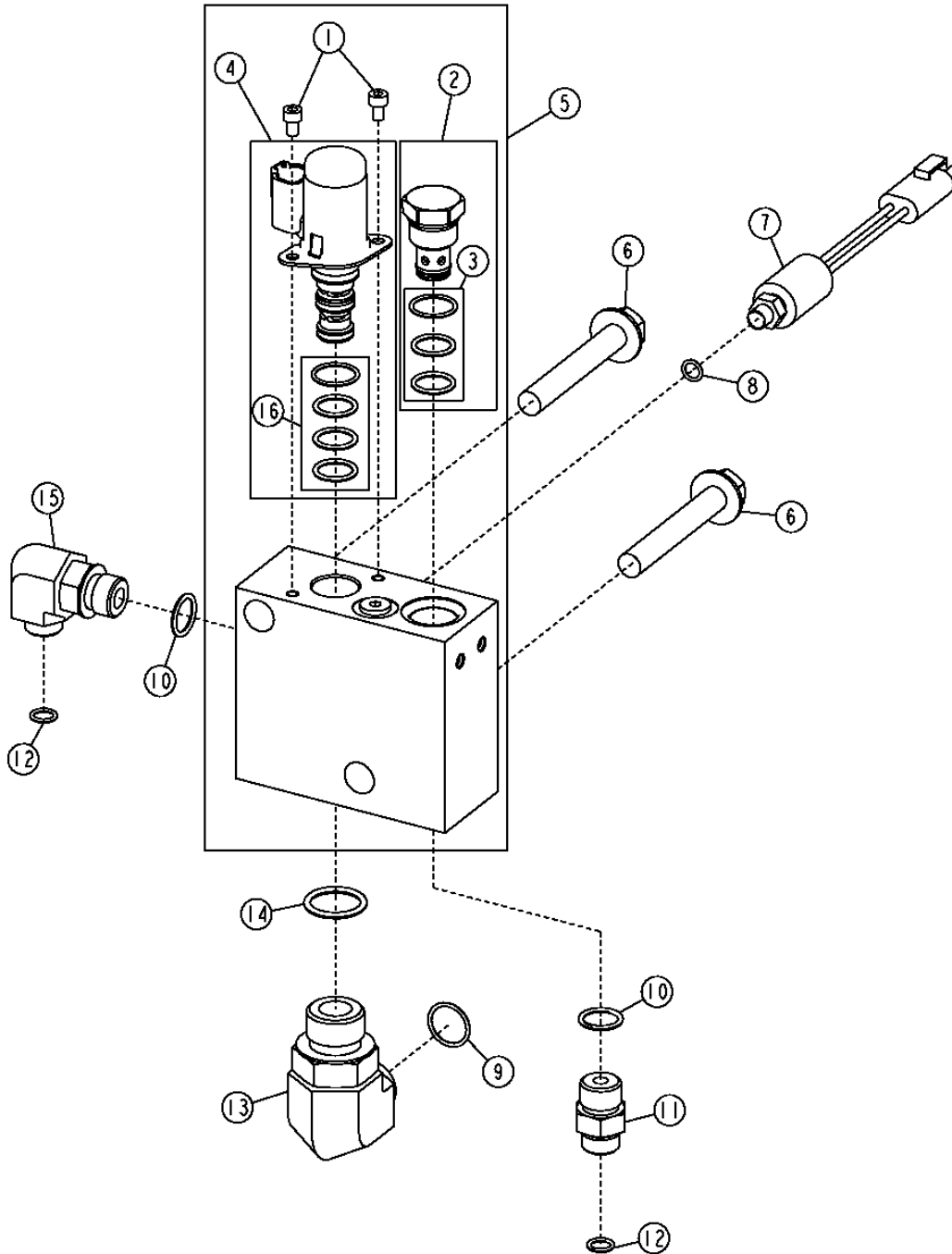
KEY	PART NO.	PART NAME	QTY.	SERIAL NO.	REMARKS
1	24M7313	WASHER	2		8.100 X 12 X 1.200 MM
2	38H1005	ELBOW FITTING	2		
3	R26375	O-RING	4		16.358 X 2.210 MM
4	T77857	O-RING	4		12.421 X 1.778 MM
5	38H1045	ELBOW FITTING	1		
6	R26448	O-RING	4		11.887 X 1.981 MM
7	T77613	O-RING	3		9.246 X 1.778 MM
8	38H1095	ELBOW FITTING	1		(SUB FOR 38H1046)
9	19M7657	SCREW	2		M8 X 25
10	38H1161	ADAPTER FITTING	1		
11	38H1094	ELBOW FITTING	1		
13	38H1160	ADAPTER FITTING	1		
16	AT210291	CLUTCH KIT	1		
17	12H295	LOCK WASHER	4		4.826 MM
18	14H631	NUT	4		4.826 MM
19	21H1390	SCREW	2		4.826 X 44.450 MM
20	A4365R	O-RING	1		6.071 X 1.778 MM
21	AT210877	LINKAGE	1		
23	21H985	SCREW	1		4.826 X 25.400 MM
24	AH108055	LINK END	1		
25	P48347	O-RING	2		17.120 X 2.616 MM
26	R72653	SNAP RING	1		
27	R72654	SNAP RING	4		
28	R86457	SUPPORT	1		
29	RE24468	SHAFT	1		
30	RE261356	SENSOR	1		(SUB FOR RE35704 OR RE69297)
31	T172274	SUPPORT	1		
32	AT223535	PRESSURE SWITCH	1		
33	AT317986	HYDRAULIC HOSE - FABRICATE	1		13/16" X 1 397 MM X 13/16"
34	AT318087	FLOW CONTROL HYD. VALVE	1		
35	AT320794	HYDRAULIC HOSE - FABRICATE	1		13/16" X 1 524 MM X 13/16"
36	AT208085	KIT	1		
37	AT314267	SUPPORT	1		
38	R53317	LOCK NUT	4		7.925 MM
39	T157211	PIN	2		
40	T157220	CLAMP	2		
41	T170180	SNAP RING	4		
42	T170181	LOCK WASHER	4		
43	AT208086	HOSE KIT	1		
44	AT314266	SUPPORT	1		
47	T157212	CLIP	6		
49	T157257	PIN	1		
52	T157236	HOSE	1		
53	AT208089	ROCKER ARM	1		
54	T157223	BEARING	2		
55	AT323790	PEDAL	1		
56	AT208088	PUSH ROD	1		
58	T157258	PIN	2		
59	T174634	BOOT	2		
60	AT323792	PEDAL	1		
61	AT208163	PUSH ROD	1		
65	M113243	SCREW	6		M6 X 16
66	N203905	LOCK NUT	1		4.826 MM
67	R26287	O-RING	2		7.645 X 1.626 MM
69	R27218	FITTING PLUG	2		
70	R28782	O-RING	2		8.915 X 1.829 MM
71	R51031	FITTING	2		
73	T172927	GASKET	2		
74	T176108	SPRING	1		
75	T176111	SPRING	1		

1060-4

PARK BRAKE SOLENOID VALVE (S.N. -604689)
ELECTROVANNE DE FREIN DE STATIONNEMENT (S.N. -604689)
VALVULA DE SOLENOIDE DE FRENO DE ESTACIONAMIENTO (S.N. -604689)

T196520

-UN-26NOV03



T196520

THIS PARTS LISTING IS CONTINUED

1060-5

SERVICE BRAKES 10

SERVICE BRAKE HYDRAULICS 1060

PARK BRAKE SOLENOID VALVE (S.N. -604689)
ELECTROVANNE DE FREIN DE STATIONNEMENT (S.N. -604689)
VALVULA DE SOLENOIDE DE FRENO DE ESTACIONAMIENTO (S.N. -604689)

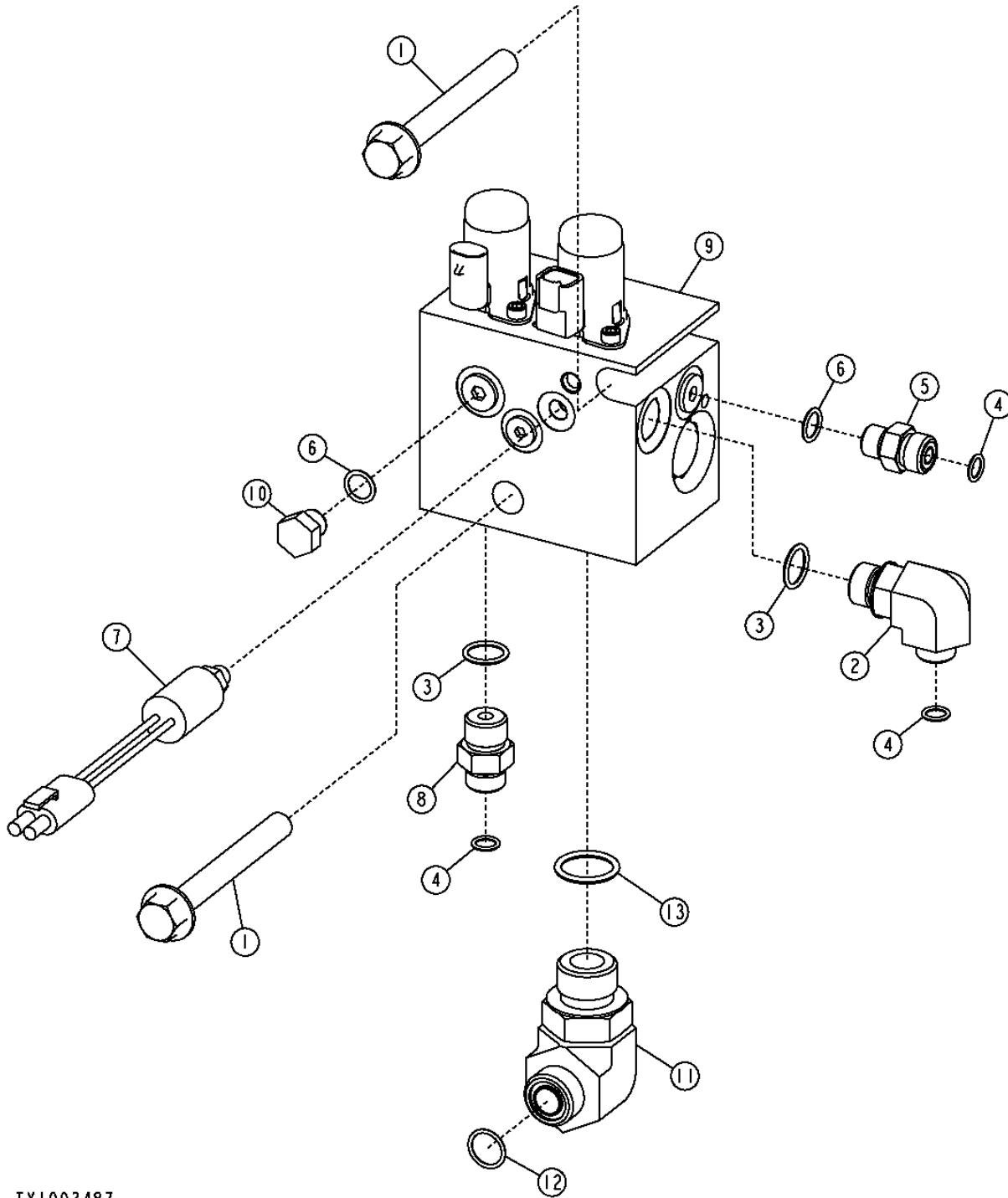
KEY	PART NO.	PART NAME	QTY.	SERIAL NO.	REMARKS
1	19M9150	SCREW	2		
2	AT224863	CHECK VALVE	1		
3	AT224864	SEAL KIT	1		
4	AT224576	SOLENOID VALVE	1		
5	AT224497	FLOW CONTROL HYD. VALVE	1		
6	19M7818	SCREW	2		
7	AT223538	PRESSURE SWITCH	1		(STD)
	AT222367	SWITCH	1		(HARSH ENVIRONMENT)
8	R26287	O-RING	1		
9	T77858	O-RING	1		
10	R26375	O-RING	2		
11	38H1171	ADAPTER FITTING	1		
12	T77613	O-RING	2		
13	38H1404	ELBOW FITTING	1		
14	U12547	O-RING	1		
15	38H1010	ELBOW FITTING	1		
16	AT224873	SEAL KIT	1		

1060-5A

PARK BRAKE SOLENOID VALVE (S.N. 604690-)
ELECTROVANNE DE FREIN DE STATIONNEMENT (S.N. 604690-)
VALVULA DE SOLENOIDE DE FRENO DE ESTACIONAMIENTO (S.N. 604690-)

TX1003487

-UN-09FEB06



TX1003487

1060-5B

SERVICE BRAKES 10

SERVICE BRAKE HYDRAULICS 1060

PARK BRAKE SOLENOID VALVE (S.N. 604690-)
ELECTROVANNE DE FREIN DE STATIONNEMENT (S.N. 604690-)
VALVULA DE SOLENOIDE DE FRENO DE ESTACIONAMIENTO (S.N. 604690-)

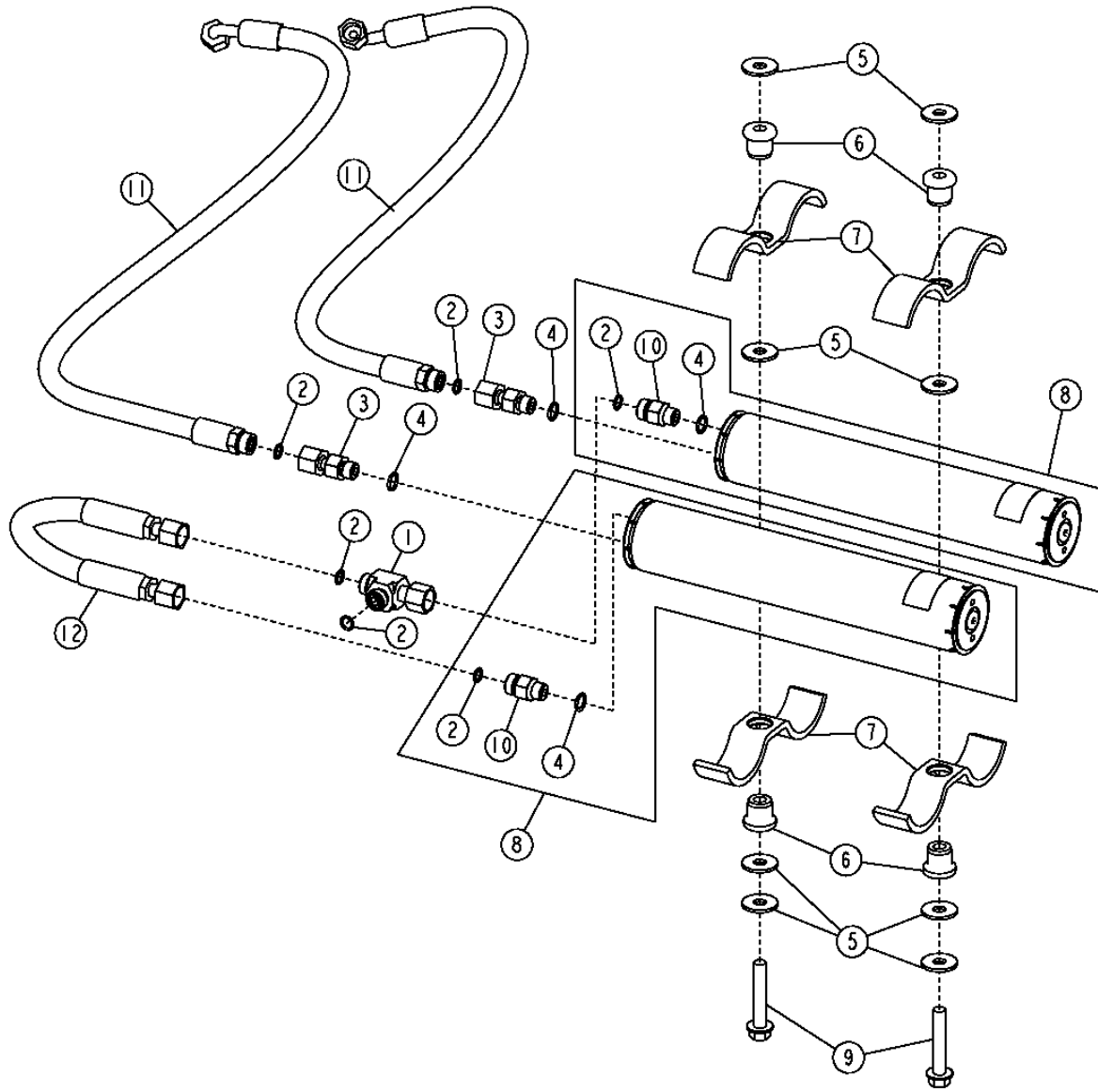
KEY	PART NO.	PART NAME	QTY.	SERIAL NO.	REMARKS
1	19M7820	SCREW	2		M12 X 100
2	38H1010	ELBOW FITTING	1		
3	R26375	O-RING	2		16.358 X 2.210 MM
4	T77613	O-RING	3		9.246 X 1.778 MM
5	38H1160	ADAPTER FITTING	1		
6	R26448	O-RING	2		11.887 X 1.981 MM
7	AT223538	PRESSURE SWITCH	1		
8	38H1171	ADAPTER FITTING	1		
9	AT315072	VALVE	1		
10	R27218	FITTING PLUG	1		
11	38H1404	ELBOW FITTING	1		
12	T77932	O-RING	1		15.596 X 1.778 MM
13	U12547	O-RING	1		23.470 X 2.946 MM

1060-6

BRAKE ACCUMULATOR (S.N. -604689)
ACCUMULATEUR DE FREIN (S.N. -604689)
ACUMULADOR DE FRENO (S.N. -604689)

T194621

-UN-23SEP03



T194621

THIS PARTS LISTING IS CONTINUED

1060-7

SERVICE BRAKES 10

SERVICE BRAKE HYDRAULICS 1060

BRAKE ACCUMULATOR (S.N. -604689)
ACCUMULATEUR DE FREIN (S.N. -604689)
ACUMULADOR DE FRENO (S.N. -604689)

KEY	PART NO.	PART NAME	QTY.	SERIAL NO.	REMARKS
1	38H1030	TEE FITTING	1		
2	T77613	O-RING	6		
3	38H1067	ADAPTER FITTING	2		
4	R26448	O-RING	4		
5	24M7296	WASHER	8		10.500 X 30 X 2.500 MM
6	AT116162	ISOLATOR	4		
7	T168393	CLAMP	4		
8	AT224430	HYDRAULIC ACCUMULATOR	2		
9	19M7807	SCREW	2		M10 X 60
10	AT225573	CHECK VALVE	2		
11	AT222414	HYDRAULIC HOSE - FABRICATE	2		
12	AT223768	HYDRAULIC HOSE - FABRICATE	1		

1060-7B

SERVICE BRAKES 10

SERVICE BRAKE HYDRAULICS 1060

BRAKE ACCUMULATOR (S.N. 604690-)
ACCUMULATEUR DE FREIN (S.N. 604690-)
ACUMULADOR DE FRENO (S.N. 604690-)

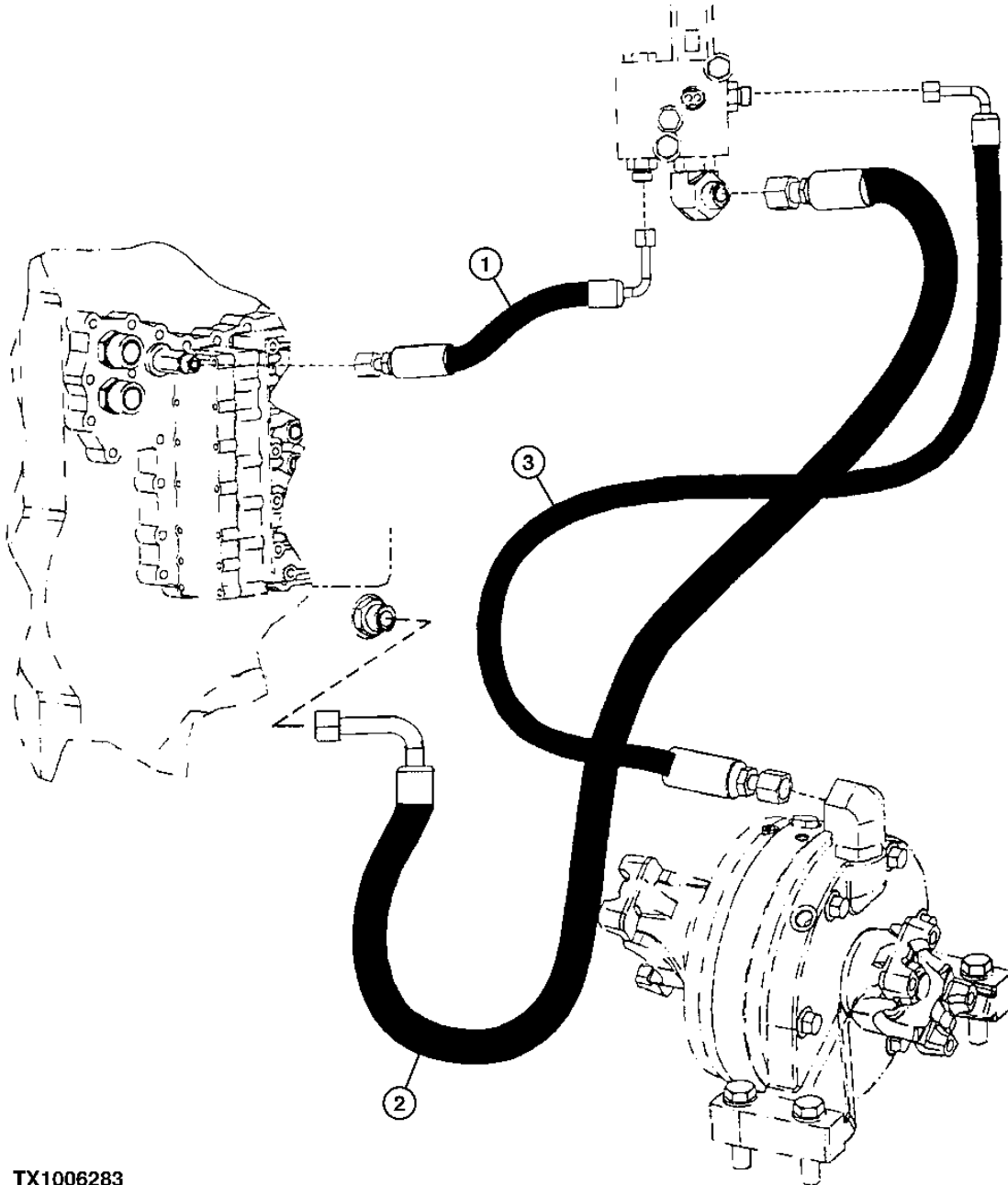
KEY	PART NO.	PART NAME	QTY.	SERIAL NO.	REMARKS
1	19M7807	SCREW	2		M10 X 60
2	24M7296	WASHER	8		10.500 X 30 X 2.500 MM
3	38H1030	TEE FITTING	1		
4	T77613	O-RING	2		9.246 X 1.778 MM
5	38H1067	ADAPTER FITTING	2		
6	R26448	O-RING	2		11.887 X 1.981 MM
7	AT116162	ISOLATOR	4		
8	AT325450	KIT	1		
9	AT325538	HYDRAULIC ACCUMULATOR	1		
10	AT196760	KIT	1		
11	AT225573	CHECK VALVE	1		
12	T180944	LABEL	1		
13	AT320361	HYDRAULIC HOSE - FABRICATE	1		11/16" X 457 MM X 11/16"
14	AT320362	HYDRAULIC HOSE - FABRICATE	1		11/16" X 1 194 MM X 11/16"
15	AT320642	HYDRAULIC HOSE - FABRICATE	1		11/16" X 1 295 MM X 11/16"
16	AT322982	TRANSDUCER	2		
17	R28782	O-RING	1		8.915 X 1.829 MM
18	T214838	HALF CLAMP	2		
19	T214839	HALF CLAMP	2		

1060-8

PARK BRAKE SOLENOID VALVE HYDRAULIC LINES
CONDUITES HYDRAULIQUES DE L'ELECTROVANNE DU FREIN DE STATIONNEMENT
LINEAS HIDRAULICAS DE LA VALVULA DE SOLENOIDE DEL FRENO DE ESTACIONAMIENTO

TX1006283

-UN-27APR06



TX1006283

THIS PARTS LISTING IS CONTINUED

1060-9

SERVICE BRAKES 10

SERVICE BRAKE HYDRAULICS 1060

PARK BRAKE SOLENOID VALVE HYDRAULIC LINES
CONDUITES HYDRAULIQUES DE L'ELECTROVANNE DU FREIN DE STATIONNEMENT
LINEAS HIDRAULICAS DE LA VALVULA DE SOLENOIDE DEL FRENO DE ESTACIONAMIENTO

<i>KEY</i>	<i>PART NO.</i>	<i>PART NAME</i>	<i>QTY.</i>	<i>SERIAL NO.</i>	<i>REMARKS</i>
1	AT209907	HYDRAULIC HOSE - FABRICATE	1		
2	AT208015	HYDRAULIC HOSE - FABRICATE	1		
3	AT167553	HYDRAULIC HOSE - FABRICATE	1		

1060-10

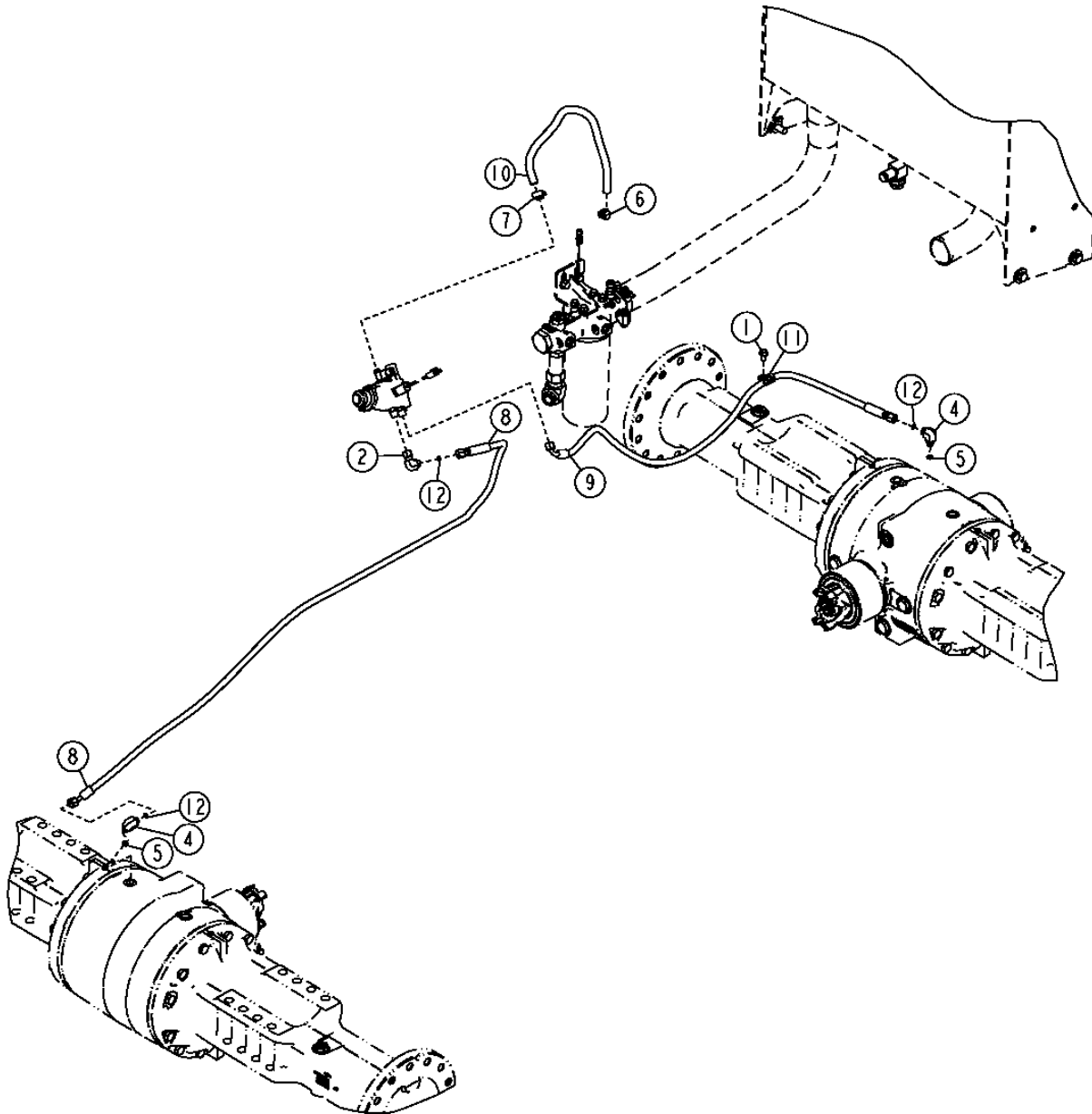
SERVICE BRAKES 10

SERVICE BRAKE HYDRAULICS 1060

BRAKE VALVE HYDRAULICS (S.N. -604689)
CIRCUIT HYDRAULIQUE SOUPAPE FREIN (S.N. -604689)
SISTEMA HIDRAULICO DE LA VALVULA DE FRENOS (S.N. -604689)

T203905

-UN-06OCT04



T203905

THIS PARTS LISTING IS CONTINUED

1060-11

SERVICE BRAKES 10

SERVICE BRAKE HYDRAULICS 1060

BRAKE VALVE HYDRAULICS (S.N. -604689)
CIRCUIT HYDRAULIQUE SOUPAPE FREIN (S.N. -604689)
SISTEMA HIDRAULICO DE LA VALVULA DE FRENOS (S.N. -604689)

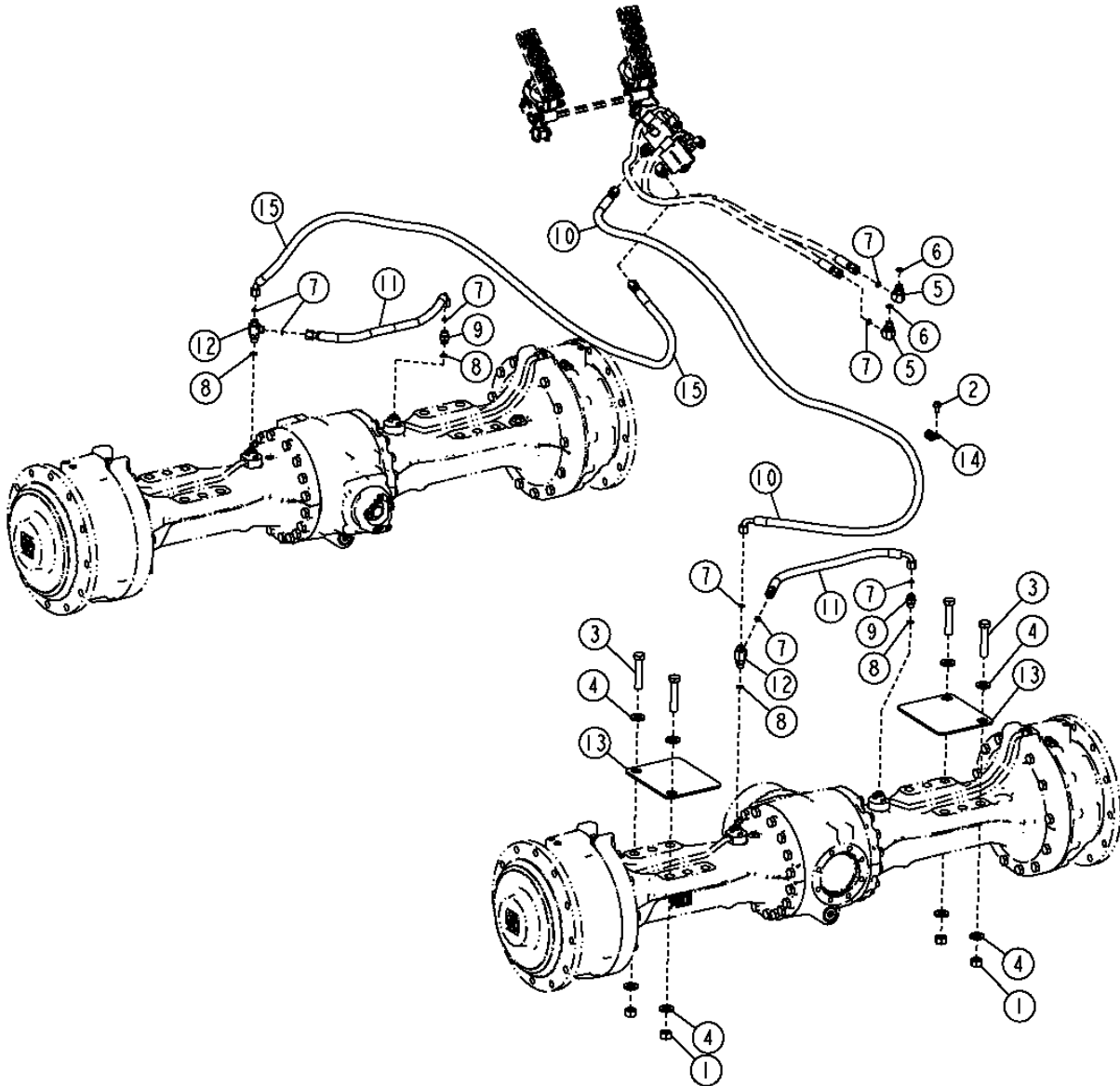
KEY	PART NO.	PART NAME	QTY.	SERIAL NO.	REMARKS
1	19M7784	SCREW	1		
2	38H1094	ELBOW FITTING	1		
4	38H5016	ELBOW FITTING	2		
5	51M7041	O-RING	2		
6	AR21836	CLAMP	1		
7	AR21837	CLAMP	1		
8	AT223949	HYDRAULIC HOSE - FABRICATE	1		
9	AT79576	HYDRAULIC HOSE - FABRICATE	1		
10	T168383	HYDRAULIC HOSE - FABRICATE	1		
11	T76252	CLAMP	1		
12	T77613	O-RING	3		

1060-11A

BRAKE VALVE HYDRAULICS (S.N. 604690-)
CIRCUIT HYDRAULIQUE SOUPAPE FREIN (S.N. 604690-)
SISTEMA HIDRAULICO DE LA VALVULA DE FRENOS (S.N. 604690-)

TX1002923

-UN-25JAN06



TX1002923

1060-11B

SERVICE BRAKES 10

SERVICE BRAKE HYDRAULICS 1060

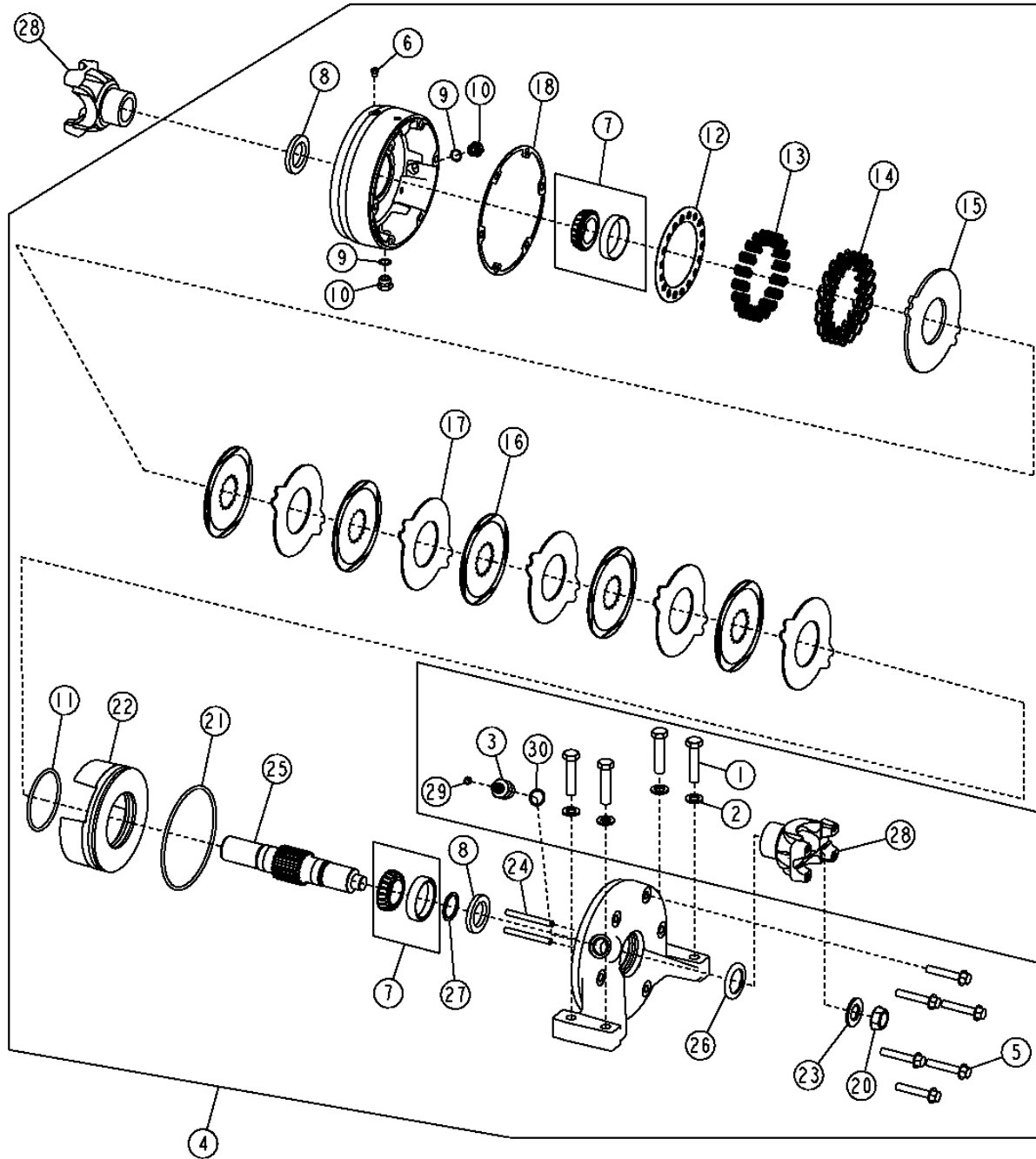
BRAKE VALVE HYDRAULICS (S.N. 604690-)
CIRCUIT HYDRAULIQUE SOUPAPE FREIN (S.N. 604690-)
SISTEMA HIDRAULICO DE LA VALVULA DE FRENOS (S.N. 604690-)

KEY	PART NO.	PART NAME	QTY.	SERIAL NO.	REMARKS
1	14M7277	NUT	4		M20
2	19M7784	SCREW	1		M10 X 20
3	19M7963	CAP SCREW	4		M20 X 100
4	24M7242	WASHER	8		21.400 X 42 X 5 MM
5	38H1010	ELBOW FITTING	2		(SUB FOR (2) 38H1005)
6	R26375	O-RING	2		16.358 X 2.210 MM
7	T77857	O-RING	7		12.421 X 1.778 MM
8	51M7043	O-RING	4		15.300 X 2.200 MM
9	38H5003	ADAPTER FITTING	2		
10	AT329702	HYDRAULIC HOSE - FABRICATE	1		13/16" X 2 400 MM X 13/16"
11	AT329703	HYDRAULIC HOSE - FABRICATE	2		13/16" X 600 MM X 13/16"
12	38H5029	TEE FITTING	2		
13	T214396	PLATE	2		
14	T76252	CLAMP	1		
15	AT343463	HYDRAULIC HOSE - FABRICATE	1		11/16" X 2 300 MM X 13/16", (AT329701 NLA)

1060-12

DRIVELINE BEARING AND PARKING BRAKE (S.N. -604689)
PALIER LIGNE ET FREIN STATIONNEMENT COMMANDE (S.N. -604689)
COJINETE DE LINEA DE MANDO Y FRENO DE ESTACIONAMIENTO (S.N. -604689)

T192676 -UN-



T192676

THIS PARTS LISTING IS CONTINUED

1060-13

SERVICE BRAKES 10

SERVICE BRAKE HYDRAULICS 1060

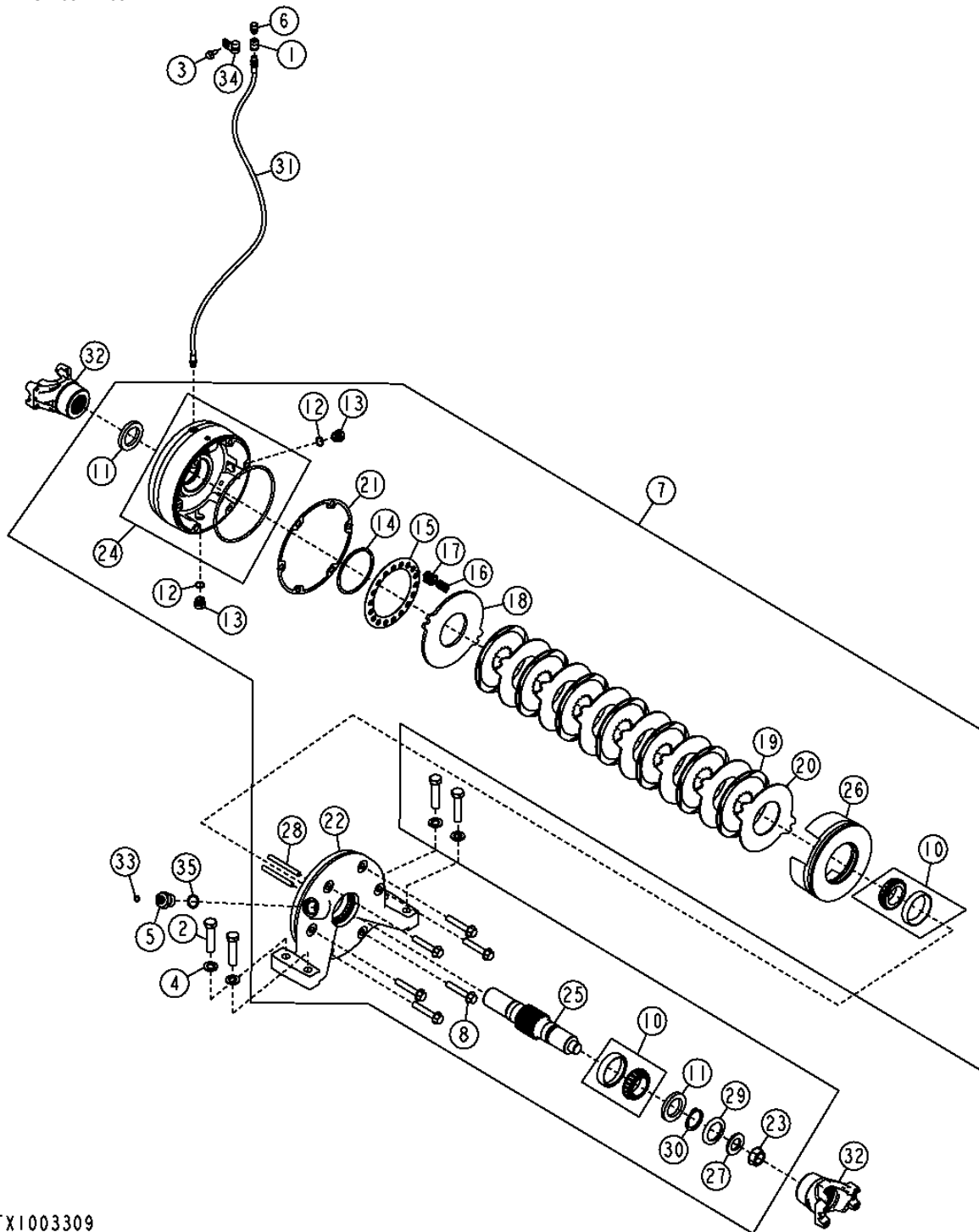
DRIVELINE BEARING AND PARKING BRAKE (S.N. -604689)
PALIER LIGNE ET FREIN STATIONNEMENT COMMANDE (S.N. -604689)
COJINETE DE LINEA DE MANDO Y FRENO DE ESTACIONAMIENTO (S.N. -604689)

KEY	PART NO.	PART NAME	QTY.	SERIAL NO.	REMARKS
1	19M7719	CAP SCREW	4		
2	24M7338	WASHER	4		LIP
3	38H1338	ADAPTER FITTING	1		FACE
4	AT203534	BRAKE	1		
5	19M7817	SCREW	6		
6	AT208411	PRESSURE RELIEF VALVE	1		
7	AT209496	BEARING	2		
8	AT225727	SEAL	2		
9	R26375	O-RING	2		
10	R39112	FITTING	2		
11	R74657	O-RING	1		
12	T169103	RETAINER	1		
13	T169104	COMPRESSION SPRING	18		
14	T169105	COMPRESSION SPRING	18		
15	T169107	BRAKE DISK	1		
16	T169108	BRAKE DISK	5		
17	T169109	BRAKE DISK	5		
18	T169110	GASKET	1		
20	T169113	NUT	1		
21	T169116	O-RING	1		
22	T169112	PISTON	1		
23	T172856	WASHER	1		
24	T169102	PIN	2		ASSY
25	T169106	SHAFT	1		
26	T173593	WASHER	1		
27	U12167	SNAP RING	1		
28	T172767	YOKE WITH SHAFT	2		
29	T77613	O-RING	1		
30	U12547	O-RING	1		
31	11M7025	COTTER PIN	1		4 X 63 MM

1060-14

DRIVELINE BEARING AND PARKING BRAKE (S.N. 604690-)
PALIER LIGNE ET FREIN STATIONNEMENT COMMANDE (S.N. 604690-)
COJINETE DE LINEA DE MANDO Y FRENO DE ESTACIONAMIENTO (S.N. 604690-)

TX1003309 -UN-06FEB06



TX1003309

THIS PARTS LISTING IS CONTINUED

1060-15

SERVICE BRAKES 10

SERVICE BRAKE HYDRAULICS 1060

DRIVELINE BEARING AND PARKING BRAKE (S.N. 604690-)
PALIER LIGNE ET FREIN STATIONNEMENT COMMANDE (S.N. 604690-)
COJINETE DE LINEA DE MANDO Y FRENO DE ESTACIONAMIENTO (S.N. 604690-)

KEY	PART NO.	PART NAME	QTY.	SERIAL NO.	REMARKS
1	15H84	COUPLING	1		3.175 MM
2	19M7719	CAP SCREW	4		M16 X 70
3	19M7865	SCREW	1		M8 X 16
4	24M7338	WASHER	4		17 X 30 X 3 MM
5	38H1338	ADAPTER FITTING	1		
6	AL32877	VENT	1		
7	AT203533	BRAKE	1		
8	19M7817	SCREW	6		M12 X 70
10	AT209496	BEARING	2		
11	AT225727	SEAL	2		
12	R26375	O-RING	2		16.358 X 2.210 MM
13	R39112	FITTING	2		
14	R74657	O-RING	1		100.965 X 5.334 MM
15	T169103	RETAINER	1		
16	T169104	COMPRESSION SPRING	18		
17	T169105	COMPRESSION SPRING	18		
18	T169107	BRAKE DISK	1		
19	T169108	BRAKE DISK	7		
20	T169109	BRAKE DISK	7		
21	T169110	GASKET	1		
22	T169111	PLATE	1		
23	T169113	NUT	1		
24	T169116	O-RING	1		177.165 X 5.207 MM
25	T226802	UNIVERSAL DRIVESHAFT	1		(SUB FOR T169281)
26	T169290	PISTON	1		
27	T172856	WASHER	1		29.337 X 51.562 X 4.496 MM
28	T173230	PIN	2		
29	T173593	WASHER	1		
30	U12167	SNAP RING	1		
31	AT207022	HYDRAULIC HOSE	1		1/8" X 900 MM X 1/8"
32	T225467	UNIVERSAL JOINT YOKE	2		(SUB FOR T213549)
33	T77613	O-RING	1		9.246 X 1.778 MM
34	T78974	CLAMP	1		
35	U12547	O-RING	1		23.470 X 2.946 MM

1322-2

DECALS AND TRADEMARKS (ENGLISH) AUTOCOLLANTS ET MARQUES COMMERCIALES (ANGLAIS) CALCOMANIAS Y MARCAS REGISTRADAS (INGLES)

T204746

-UN-23NOV04

1

2

3 HYDRAULIC OIL ONLY

4 **⚠ DANGER**
To avoid injury, always lower lift arms before dismounting or riding.

5 **⚠ WARNING**
Crushing injury may result in high area if machine is lifted.
Make sure people are clear of machine before starting engine or moving steering wheel.
When lifting air intake, perform service near center of machine or transporting on a truck.

6

7 EVERY 10 HOURS SERVICE DUST CUP
Check for proper operation before and after each use.
Replace before 100 hours use. Use clean oil.
Check for proper operation before and after each use.
Replace before 100 hours use. Use clean oil.
DO NOT USE OIL.
SERVICE PRIMARY FILTER ELEMENT
Check for proper operation before and after each use.
Replace before 100 hours use. Use clean oil.
REPLACE SAFETY FILTER ELEMENT
Check for proper operation before and after each use.
Replace before 100 hours use. Use clean oil.

8 **⚠ WARNING**
Block wheels to prevent machine movement before disengaging park brake for lowering.

9 This product was built at the John Deere Development Works, a facility with an ISO 9001 Registered Quality System

CERTIFICATE # 000990

10 **⚠ WARNING**
Check for proper operation before and after each use.
Replace before 100 hours use. Use clean oil.

11 **IMPORTANT**
Check transmission oil level with Park Brake "ON".
Transmission Oil Level
Capacity: 10 QZ (0.300 L)

12 **PERIODIC MAINTENANCE**
CHECKLIST FOR OPERATOR'S MANUAL FOR 444J UTILITY LOADER

13 **444J**

14 **DO NOT** operate this machine with park brake overfilled.
Fill oil to bottom of the check plug on the side of the park brake.
Drain excess oil down before replacing plug.
Capacity: 10 QZ (0.300 L)

15 **DO NOT** operate this machine with park brake overfilled.
Fill oil to bottom of the check plug on the side of the park brake.
Drain excess oil down before replacing plug.
Capacity: 10 QZ (0.300 L)

16 HIGH
FULL
ADD
HOT

17 **DEERE**

18 HOT

19

20

21 **IMPORTANT**
Torque nut to 81 ± -16 N-m [60 ± -12 ft-lb].
Overtightening may cause motor failure.

22 **DEERE**

23 **IMPORTANT**
Open side door before opening cooling fan door.

24 LOCKED
ON/OFF

25 **COVER INSTALLATION AND REMOVAL**
REMOVAL
1. Hold lock tab away from air cleaner body.
2. Compress cover towards air cleaner body.
3. Turn cover counter-clockwise with compression until unlock arrows align.
4. Remove cover.
INSTALLATION
1. Align unlock arrows on cover and air cleaner body.
2. Compress cover towards air cleaner body.
3. Turn cover clockwise with compression until lock arrows align.
4. Cover is properly installed.
*Lubricant can be applied to the inner surface of the cover to ease rotation.
T203383

26 **DEERE**

27 **DEERE**

28 **DEERE**

29 **DEERE**

30 **Fill coolant at surge tank.**

T204746

1322-3

MISCELLANEOUS VEHICLE 13
DECALS AND TRADEMARKS 1322


TRADEMARKS AND LABELS (ENGLISH)
AUTOCOLLANTS ET MARQUES COMMERCIALES (ANGLAIS)
CALCOMANIAS Y MARCAS REGISTRADAS (INGLES)

KEY	PART NO.	PART NAME	QTY.	SERIAL NO.	REMARKS
1	H21259	MAT	3		(ANTI-SKID)
2	JD5902	REFLECTOR	2		(RED)
3	T218566	LABEL	1		(SUB FOR T101942) (HYDRAULIC OIL LEVEL)
4	T146175	SAFETY SIGN	1		(DANGER - CRUSHING BOOM)
5	T146436	SAFETY SIGN	2		(WARNING - CRUSHING ARTICULATION)
6	JD5749	LABEL	1		(LEAPING DEER)
7	T146605	LABEL	1		(AIR CLEANER)
8	T159028	LABEL	1		(WARNING - PARK BRAKE)
9	T175744	LABEL	1		(ISO CERTIFICATION)
10	T182191	LABEL	2		(WARNING - BOOM LOCK)
11	T200055	LABEL	1		(TRANSMISSION OIL CHECK)
12	T225025	LABEL	1		(SUB FOR T201074) (PERIODIC MAINTENANCE)
13	T200010	LABEL	2		
15	T207741	LABEL	1		(SUB FOR T195710) (IMPORTANT - PARK BRAKE OVERFILL)
16	T197300	LABEL	1		(HYDRAULIC RESERVOIR SIGHT GAUGE)
17	T203748	LABEL	2		BLACK, BLANK
18	T200058	LABEL	1		(TRANSMISSION SIGHT GAUGE)
19	JD5906	REFLECTOR	2		(AMBER)
20	T153680	LABEL	2		(TIE DOWN)
21	T175135	LABEL	1		(WARNING - FAN HUB)
22	T203694	LABEL	2		(DEERE)
23	T205211	LABEL	1		(IMPORTANT)
24	LABEL	1		(SUB FOR T208362) (AIR CLEANER)
25	LABEL	1		(SUB FOR T208363) (AIR CLEANER)
26	T225397	LABEL	1		(SUB FOR T217412) (AXLE OIL LEVEL) (NOT ILLUSTRATED) (BLANK)
30	T208695	LABEL	1		(FILL COOLANT AT SURGE TANK)

CAB LABELS AND DECALS ETIQUETTES ET AUTOCOLLANTS CABINE ETIQUETAS Y CALCOMANIAS DE LA CABINA


T194856 -UN-15OCT03

1

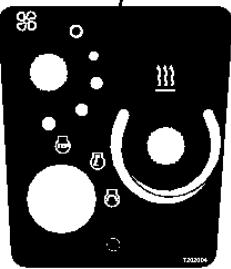


OPERATOR'S
MANUAL


2



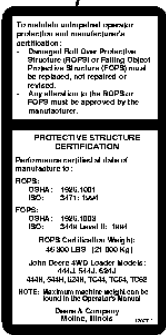
3




4




5




6




7




8




9




10



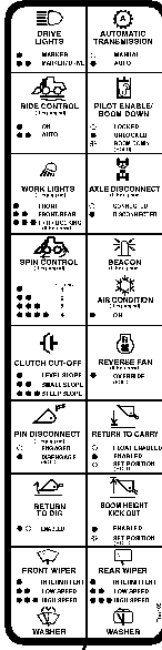
11



12



13



T194856

1322-5

MISCELLANEOUS VEHICLE 13
DECALS AND TRADEMARKS 1322

CAB LABELS AND DECALS
ETIQUETTES ET AUTOCOLLANTS CABINE
ETIQUETAS Y CALCOMANIAS DE LA CABINA

KEY	PART NO.	PART NAME	QTY.	SERIAL NO.	REMARKS
1	T148083	LABEL	1		(OPERATOR'S MANUAL)
2	T146097	LABEL	1		(WARNING - SEAT BELT)
3	T202884	LABEL	1		(KEY START/HVAC PANEL)
4	T171228	LABEL	1		(PARK BRAKE SWITCH)
5	T200712	LABEL	1		(ROPS /FOPS CERTIFICATION)
6	T174298	LABEL	2	-598673	(WARNING - BRAKE ACCUMULATOR)
	T215155	LABEL	2	598674-	(WARNING - ACCUMULATOR)
7	H138955	LABEL	2		(SAFETY)
8	T171223	LABEL	1		(DOOR RELEASE) (LH)
9	T174735	LABEL	1		(DOOR RELEASE) (RH)
10	T215208	LABEL	1		(SUB FOR T182183) (JOHN DEERE)
11	JD5822	LABEL	2		(LEAPING DEER)
12	T182795	SAFETY SIGN	1		(CAUTION - ENGINE START/STOP)
13	T197186	LABEL	1		(CONSOLE FUNCTION IDENTIFICATION)

1322-7

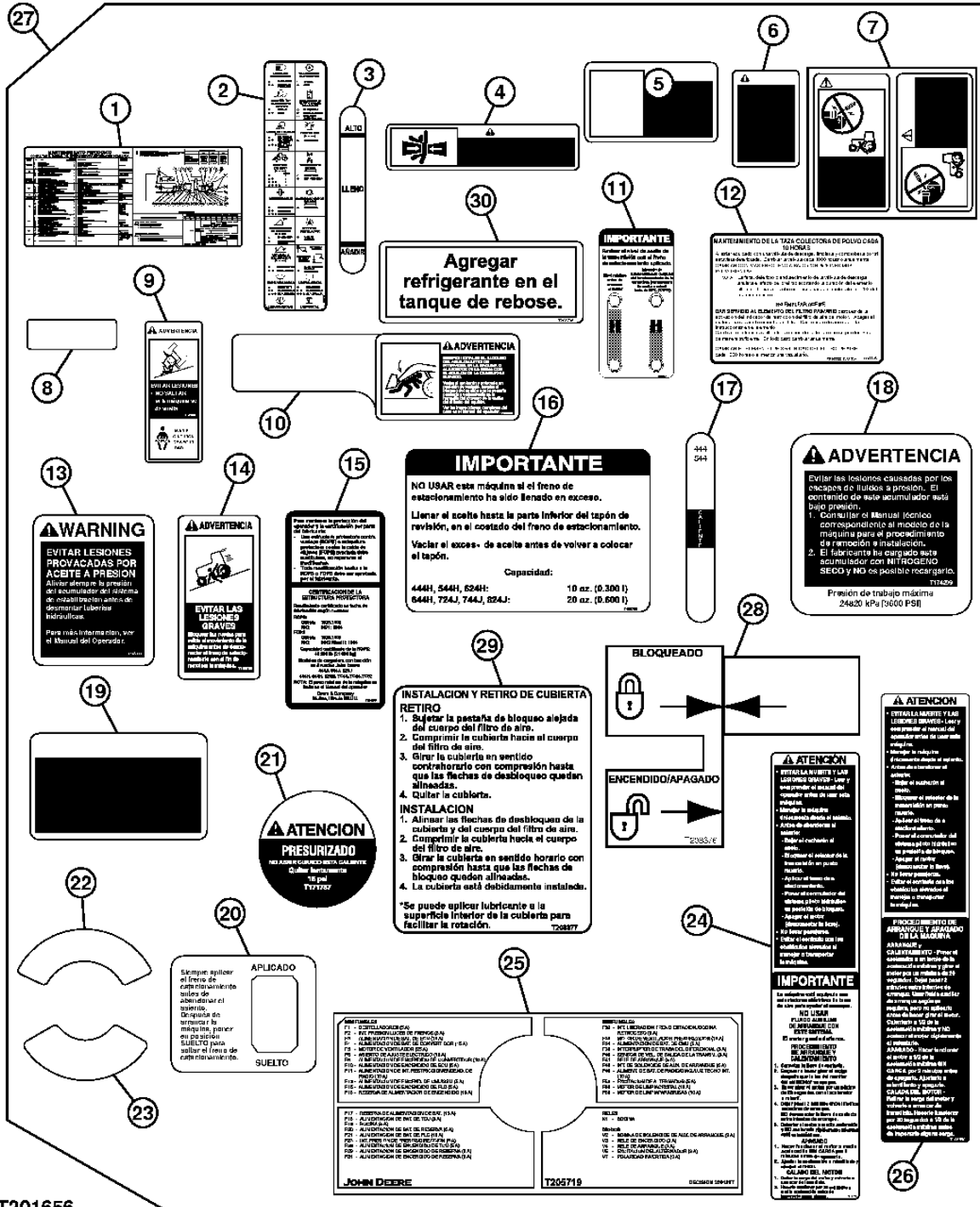
MISCELLANEOUS VEHICLE 13
DECALS AND TRADEMARKS 1322

**DECALS AND LABELS (FRENCH)
AUTOCOLLANTS (FRANCAIS)
CALCOMANIAS (FRANCES)**

KEY	PART NO.	PART NAME	QTY.	SERIAL NO.	REMARKS
1	T225026	LABEL	1		(SUB FOR T201076) (PERIODIC MAINTENANCE)
2	T200791	LABEL	1		(CONSOLE FUNCTION IDENTIFICATION)
3	T197323	LABEL	1		(HYDRAULIC RESERVOIR SIGHT GAUGE)
4	T146496	SAFETY SIGN	2		(WARNING - CRUSHING ARTICULATION)
5	T146178	SAFETY SIGN	1		(DANGER - CRUSHING BOOM)
6	T146494	SAFETY SIGN	1		(CAUTION - SECONDARY STEERING)
7	T146104	SAFETY SIGN	1		(DANGER - BYPASS START)
8	T218568	LABEL	1		(SUB FOR T102618) (HYDRAULIC OIL LEVEL)
9	T146099	SAFETY SIGN	1		(WARNING - SEAT BELT)
10	T195857	LABEL	2		(WARNING - BOOM LOCK)
11	T200056	LABEL	1		(TRANSMISSION OIL CHECK)
12	T146607	LABEL	1		(AIR CLEANER)
13	T146908	SAFETY SIGN	2		(WARNING - ACCUMULATOR)
14	T160762	LABEL	1		(WARNING - PARK BRAKE)
15	T200786	LABEL	1		(ROPS /FOPS CERTIFICATION)
16	T207750	LABEL	1		(SUB FOR T195759) (IMPORTANT - PARK BRAKE OVERFILL)
17	T200059	LABEL	1		(TRANSMISSION SIGHT GAUGE)
18	T174300	LABEL	2		(WARNING - BRAKE ACCUMULATOR)
19	T146495	SAFETY SIGN	2		(CAUTION - BATTERIES)
20	T171750	LABEL	1		(PARK BRAKE SWITCH)
21	T171756	LABEL	1		(CAUTION (PRESSURIZED) (RADIATOR CAP))
22	T63224	LABEL	1		(BATTERY DISCONNECT)
23	CD12569	LABEL	1		(OIL FILTER ELEMENT)
24	T208087	SAFETY SIGN	1		(SUB FOR T196476) (CAUTION (ENGINE START/STOP))
25	T205718	LABEL	1		(VEC)
26	T195558	LABEL	1		(CAUTION (ENGINE START/STOP))
27	LABEL KIT	1		(AT301050 NLA) (IMPORTANT: ALSO ORDER TRANSLATED OPERATOR'S MANUAL)
28	T208374	LABEL	1		(AIR CLEANER)
29	T208375	LABEL	1		(AIR CLEANER)
30	T208794	LABEL	1		(FILL COOLANT AT SURGE TANK)

DECALS AND LABELS (SPANISH)
AUTOCOLLANTS (ESPAGNOL)
CALCOMANIAS (ESPAÑOL)

T201656 -UN-14JUL04



T201656

1322-9

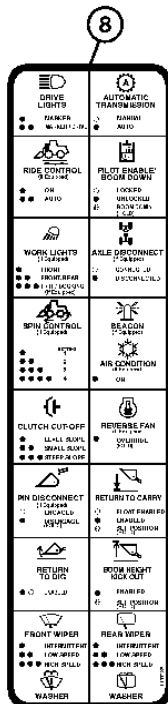
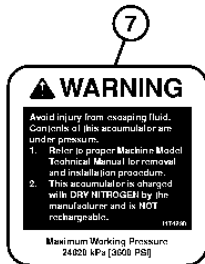
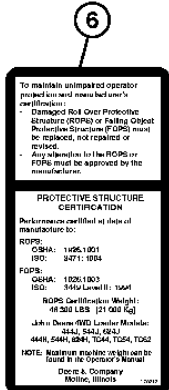
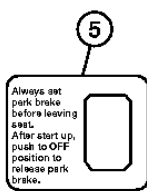
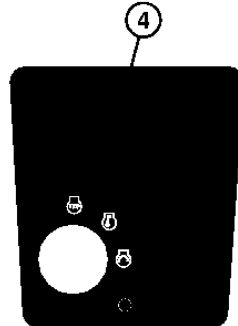
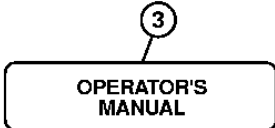
MISCELLANEOUS VEHICLE 13
DECALS AND TRADEMARKS 1322

DECALS AND LABELS (SPANISH)
AUTOCOLLANTS (ESPAGNOL)
CALCOMANIAS (ESPANOL)

KEY	PART NO.	PART NAME	QTY.	SERIAL NO.	REMARKS
1	T225027	LABEL	1		(SUB FOR T201075) (PERIODIC MAINTENANCE)
2	T200818	LABEL	1		(CONSOLE FUNCTION IDENTIFICATION)
3	T197324	LABEL	1		(HYDRAULIC RESERVOIR SIGHT GAUGE)
4	T146504	SAFETY SIGN	1		(WARNING - CRUSHING ARTICULATION)
5	T146180	SAFETY SIGN	1		(DANGER - CRUSHING BOOM)
6	T146502	SAFETY SIGN	1		(CAUTION - SECONDARY STEERING)
7	T146106	SAFETY SIGN	1		(DANGER - BYPASS START)
8	T218567	LABEL	1		(SUB FOR T102620) (HYDRAULIC OIL LEVEL)
9	T146098	SAFETY SIGN	1		(WARNING - SEAT BELT)
10	T195858	LABEL	1		(WARNING - BOOM LOCK)
11	T200057	LABEL	1		(TRANSMISSION OIL CHECK)
12	T146606	LABEL	1		(AIR CLEANER)
13	T146911	LABEL	1		(WARNING - ACCUMULATOR)
14	T160769	SAFETY SIGN	1		(WARNING - PARK BRAKE)
15	T200814	LABEL	1		(ROPS /FOPS CERTIFICATION)
16	T207751	LABEL	1		(SUB FOR T195760) (IMPORTANT - PARK BRAKE OVERFILL)
17	T200060	LABEL	1		(TRANSMISSION SIGHT GAUGE)
18	T174299	LABEL	1		(WARNING - BRAKE ACCUMULATOR)
19	T146503	SAFETY SIGN	2		(CAUTION - BATTERIES)
20	T171751	LABEL	1		(PARK BRAKE SWITCH)
21	T171757	LABEL	1		(CAUTION (PRESSURIZED) (RADIATOR CAP))
22	T63225	LABEL	1		(BATTERY DISCONNECT)
23	T64217	LABEL	1		(OIL FILTER ELEMENT)
24	T208086	SAFETY SIGN	1		(SUB FOR T196475) (CAUTION (ENGINE START/STOP))
25	T205719	LABEL	1		(VEC)
26	T195559	LABEL	1		(CAUTION (ENGINE START/STOP))
27	LABEL KIT	1		(AT301092 NLA) (IMPORTANT: ALSO ORDER TRANSLATED OPERATOR'S MANUAL)
28	T208376	LABEL	1		(AIR CLEANER)
29	T208377	LABEL	1		(AIR CLEANER)
30	T208795	LABEL	1		(FILL COOLANT AT SURGE TANK)

CANOPY LABELS AND DECALS ETIQUETTES ET AUTOCOLLANTS EVENT ETIQUETAS Y CALCOMANIAS DEL DOSEL

T194879 -UN-15OCT03



T194879

1322-11

MISCELLANEOUS VEHICLE 13
DECALS AND TRADEMARKS 1322

**CANOPY LABELS AND DECALS
ETIQUETTES ET AUTOCOLLANTS EVENT
ETIQUETAS Y CALCOMANIAS DEL DOSEL**

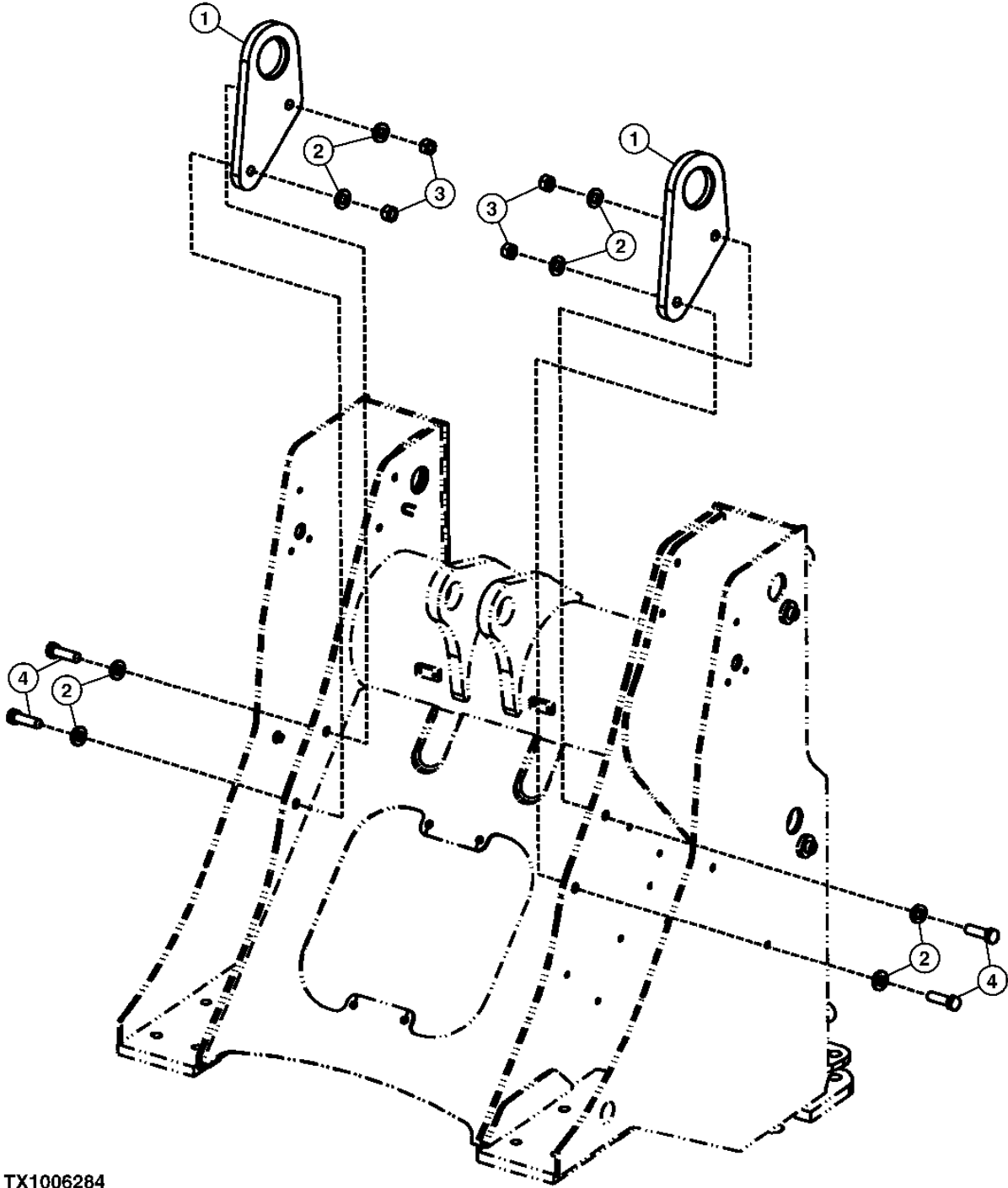
KEY	PART NO.	PART NAME	QTY.	SERIAL NO.	REMARKS
1	JD5822	LABEL	2		(LEAPING DEER)
2	T146097	LABEL	1		(WARNING - SEAT BELT)
3	T148083	LABEL	1		(OPERATOR'S MANUAL)
4	T203671	LABEL	1		(KEY START)
5	T171228	LABEL	1		(PARK BRAKE SWITCH)
6	T200712	LABEL	1		(ROPS /FOPS CERTIFICATION)
7	T215155	LABEL	2		(SUB FOR T174298) (WARNING - ACCUMULATOR)
8	T197186	LABEL	1		(CONSOLE FUNCTION IDENTIFICATION)
9	T182795	SAFETY SIGN	1		(CAUTION - ENGINE START/STOP)

1330-2

MISCELLANEOUS VEHICLE 13
SHIPPING AND PACKAGING 1330

LIFT HOOKS CROCHETS RELEVAGE GANCHOS DE LEVANTE

TX1006284 -UN-27APR06



TX1006284

THIS PARTS LISTING IS CONTINUED

1330-3

MISCELLANEOUS VEHICLE 13
SHIPPING AND PACKAGING 1330

LIFT HOOKS
CROCHETS RELEVAGE
GANCHOS DE LEVANTE

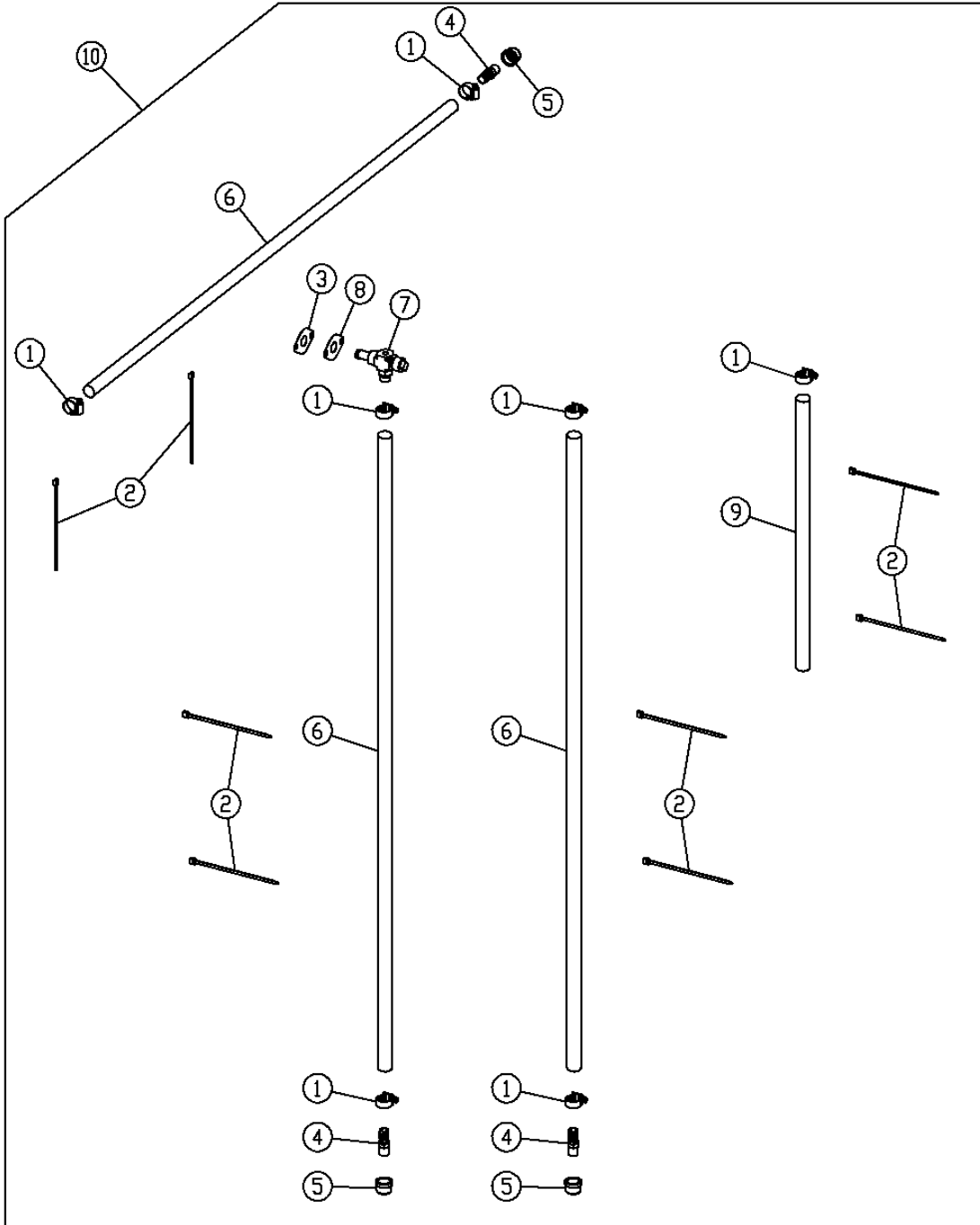
KEY	PART NO.	PART NAME	QTY.	SERIAL NO.	REMARKS
1	T156995	PLATE	2		
2	24M7242	WASHER	8		21.400 X 42 X 5 MM
3	14M7277	NUT	4		M20
4	19M8639	CAP SCREW	4		M20 X 70
5	T173591	BUMPER	2		(NOT ILLUSTRATED) (TO PROTECT ENGINE PANEL FROM HOOK)

1369-2

MISCELLANEOUS VEHICLE 13

GREASES, OIL, FUELS AND COOLANTS 1369
ENVIRONMENTAL DRAIN KIT (S.N. -604689)
ENSEMBLE DE VIDANGE ECOLOGIQUE (S.N. -604689)
CONJUNTO DE VACIADO AMBIENTAL (S.N. -604689)

T202090 -UN-10AUG04



T202090

THIS PARTS LISTING IS CONTINUED

1369-3

MISCELLANEOUS VEHICLE 13

GREASES, OIL, FUELS AND COOLANTS 1369

ENVIRONMENTAL DRAIN KIT (S.N. -604689)
ENSEMBLE DE VIDANGE ECOLOGIQUE (S.N. -604689)
CONJUNTO DE VACIADO AMBIENTAL (S.N. -604689)

KEY	PART NO.	PART NAME	QTY.	SERIAL NO.	REMARKS
1	AR21837	CLAMP	7		
2	R44302	TIE BAND	8		
3	T116604	GASKET	1		
4	H23196	FITTING	3		
5	15H3	FITTING	3		
6	BULK HOSE	1		(MAKE FROM T60811) (CUT TO LENGTH)
7	RE507950	DRAIN VALVE	1		
8	T216182	ADAPTER FITTING	1		(ALSO ORDER T116604) (SUB FOR T196749)
9	BULK HOSE	1		(MAKE FROM M87571) (CUT TO LENGTH)
10	AT210490	KIT	1		(WHOLEGOODS)

1369-3A

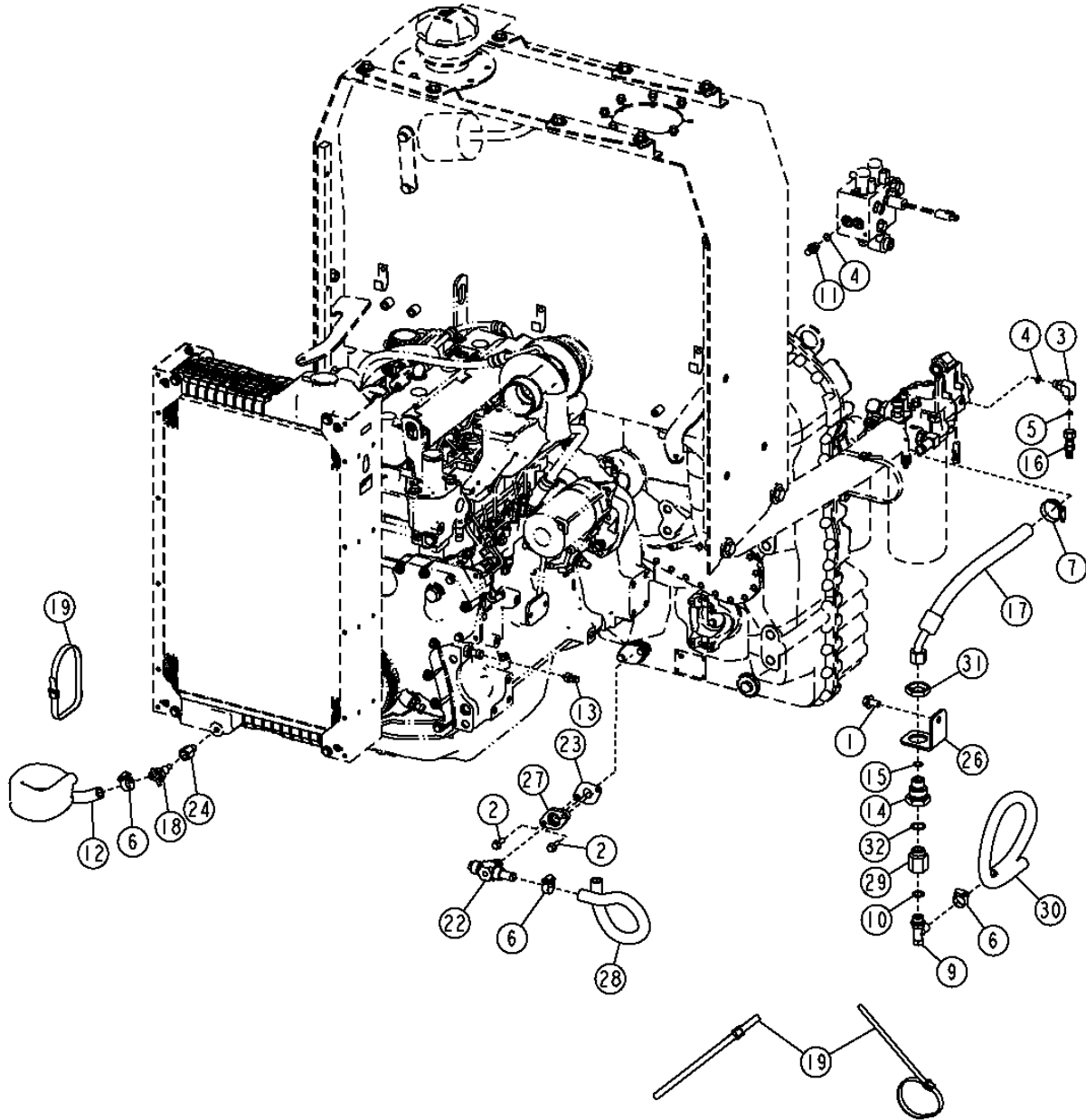
MISCELLANEOUS VEHICLE 13

GREASES, OIL, FUELS AND COOLANTS 1369

ENVIRONMENTAL DRAIN (S.N. 604690-)
ENSEMBLE DE VINDANGE ECOLOGIQUE (S.N. 604690-)
CONJUNTO DE VACIADO AMBIENTAL (S.N. 604690-)

TX1004866

-UN-17MAR06



TX1004866

THIS PARTS LISTING IS CONTINUED

1369-3B

MISCELLANEOUS VEHICLE 13

GREASES, OIL, FUELS AND COOLANTS 1369

ENVIRONMENTAL DRAIN (S.N. 604690-)
ENSEMBLE DE VINDANGE ECOLOGIQUE (S.N. 604690-)
CONJUNTO DE VACIADO AMBIENTAL (S.N. 604690-)

KEY	PART NO.	PART NAME	QTY.	SERIAL NO.	REMARKS
1	19M7787	SCREW	1		M12 X 20
2	19M7867	SCREW	2		M8 X 25
3	38H1004	ELBOW FITTING	1		
4	R26448	O-RING	3		11.887 X 1.981 MM
5	T77613	O-RING	1		9.246 X 1.778 MM
6	AR21837	CLAMP	3		
7	AR21839	CLAMP	1		
9	AT152180	DRAIN VALVE	1		
10	R26906	O-RING	1		19.177 X 2.464 MM
11	AT306111	FITTING	1		
12	T60811	BULK HOSE	1		(CUT TO LENGTH, 4.8 FT)
13	AT306133	FITTING	1		
14	T210470	FITTING	1		
15	T77932	O-RING	1		15.596 X 1.778 MM
16	AT320593	FITTING	1		
17	AT324443	HYDRAULIC HOSE - FABRICATE	1		(CTL)
18	AT35831	DRAIN VALVE	1		
19	N189220	TIE BAND	3		
21	R27218	FITTING PLUG	1		
22	RE507950	DRAIN VALVE	1		
23	T116604	GASKET	1		
24	T15385	ADAPTER FITTING	1		9.525 MM
25	T203776	PLUG	1		
26	T214661	ANGLE	1		
27	T216182	ADAPTER FITTING	1		(ALSO ORDER T116604)
28	T29384	HOSE	1		
29	T33309	FITTING	1		
30	T64688	HOSE	1		
31	T78715	NUT	1		36.525 MM
32	U12547	O-RING	1		23.470 X 2.946 MM

1369-4

MISCELLANEOUS VEHICLE 13

GREASES, OIL, FUELS AND COOLANTS 1369

ENGINE COOLANT CONDITIONER
CONDITIONNEUR DE LIQUIDE DE REFROIDISSEMENT DU MOTEUR
CONDICIONADOR DEL REFRIGERANTE DEL MOTOR

RGP9624 -UN-26JUN03



JOHN DEERE
 RGP9624

KEY	PART NO.	PART NAME	QTY.	ENGINE SERIAL NO.	REMARKS
1	TY16004	ENGINE COOLANT CONDITIONER	1		16 OZ.
2	TY16005	ENGINE COOLANT CONDITIONER	1		0.5 GAL.

1369-5

MISCELLANEOUS VEHICLE 13

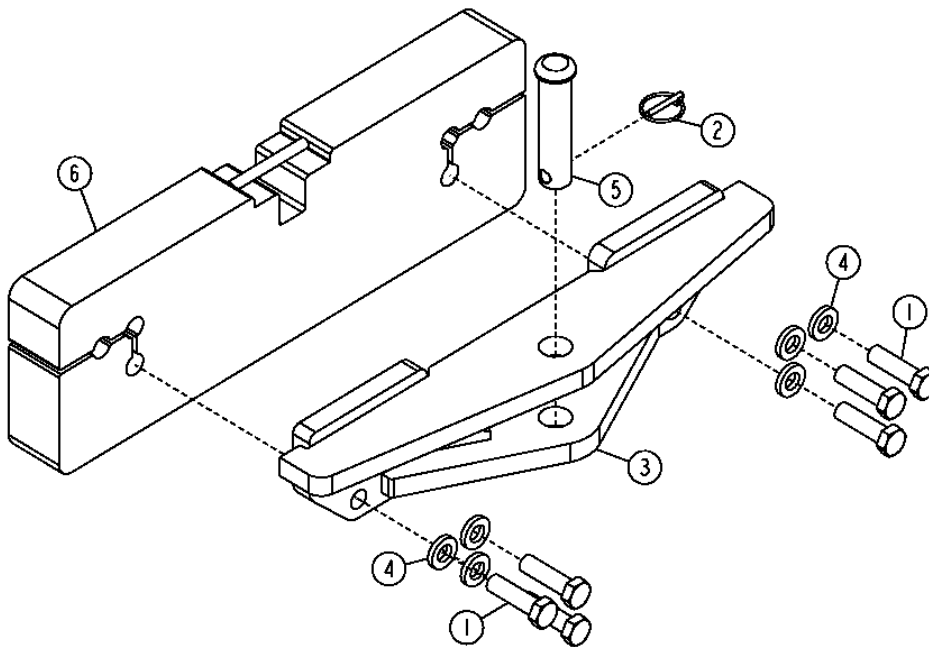
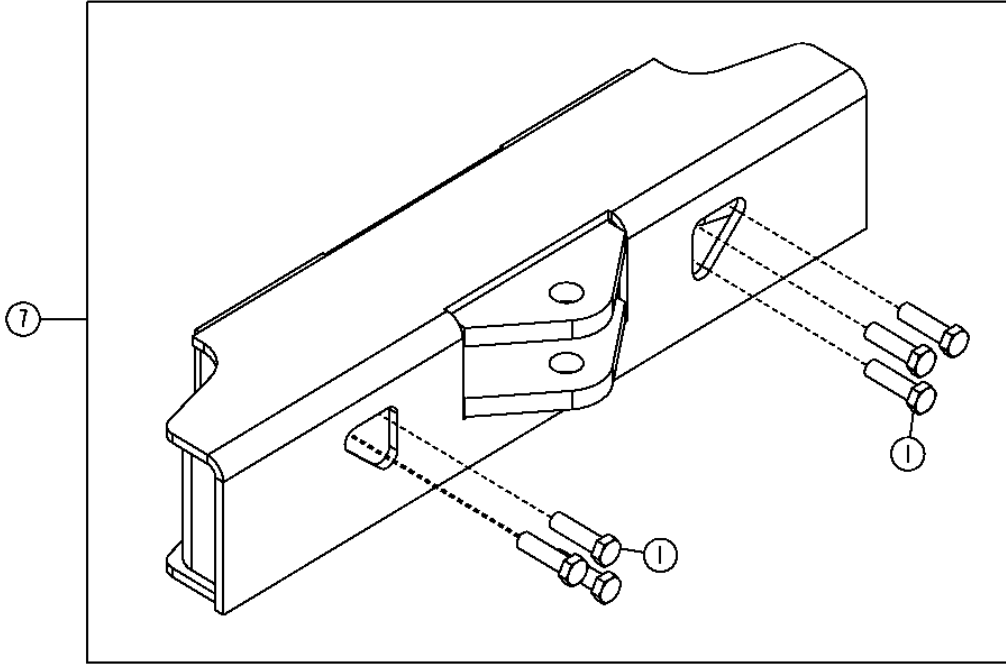
GREASES, OIL, FUELS AND COOLANTS 1369

MEMORANDA
MEMORANDA
MEMORANDA

1520-2

HITCH ASSEMBLY (S.N. -604689)
ATTELAGE (S.N. -604689)
CONJUNTO DE ENGANCHE (S.N. -604689)

T203507 -UN-29SEP04



T203507

THIS PARTS LISTING IS CONTINUED

1520-3

EQUIPMENT ATTACHING 15

HITCHES;& HITCH;PINS 1520

HITCH ASSEMBLY (S.N. -604689)
ATTELAGE (S.N. -604689)
CONJUNTO DE ENGANCHE (S.N. -604689)

KEY	PART NO.	PART NAME	QTY.	SERIAL NO.	REMARKS
1	19M8639	CAP SCREW	6		M20 X 70
	19M7921	CAP SCREW	6		M20 X 150, (USE WITH 3" COUNTERWEIGHT)
2	AA21292	QUICK LOCK PIN	1		
3	AT227738	DRAWBAR	1		
4	24M7242	WASHER	6		21.400 X 42 X 5 MM
5	T23914	PIN	1		
6	AT315002	COUNTERWEIGHT	1		(3")
7	AT317731	DRAWBAR	1		(WHOLEGOODS) (FOR USE WITH Z-BAR) (HITCH WITH 8" REAR PROTECTION BUMPER)
.....		DRAWBAR	1		(NLA) (SUB FOR AT317789) (WHOLEGOODS) (FOR USE WITH POWERLLEL™ LINKAGE) (HITCH WITH 8" REAR PROTECTION BUMPER)

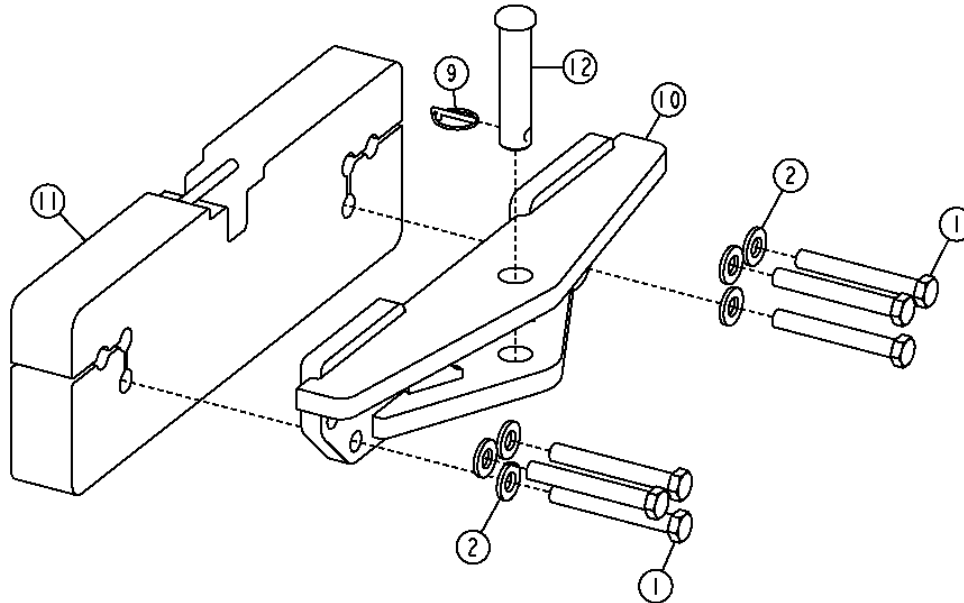
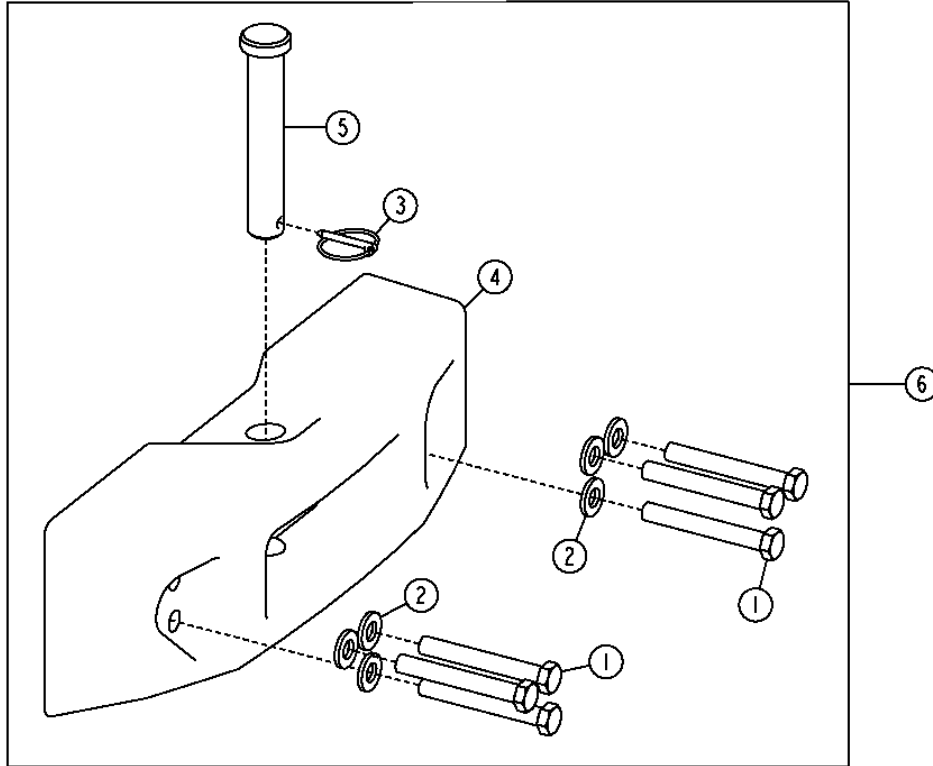
1520-3A

EQUIPMENT ATTACHING 15
HITCHES & HITCH PINS 1520

HITCH ASSEMBLY (S.N. 604690-)
ATTELAGE (S.N. 604690-)
CONJUNTO DE ENGANCHE (S.N. 604690-)

TX1003965

-UN-21FEB06



TX1003965

THIS PARTS LISTING IS CONTINUED

1520-3B

EQUIPMENT ATTACHING 15

HITCHES;& HITCH;PINS 1520

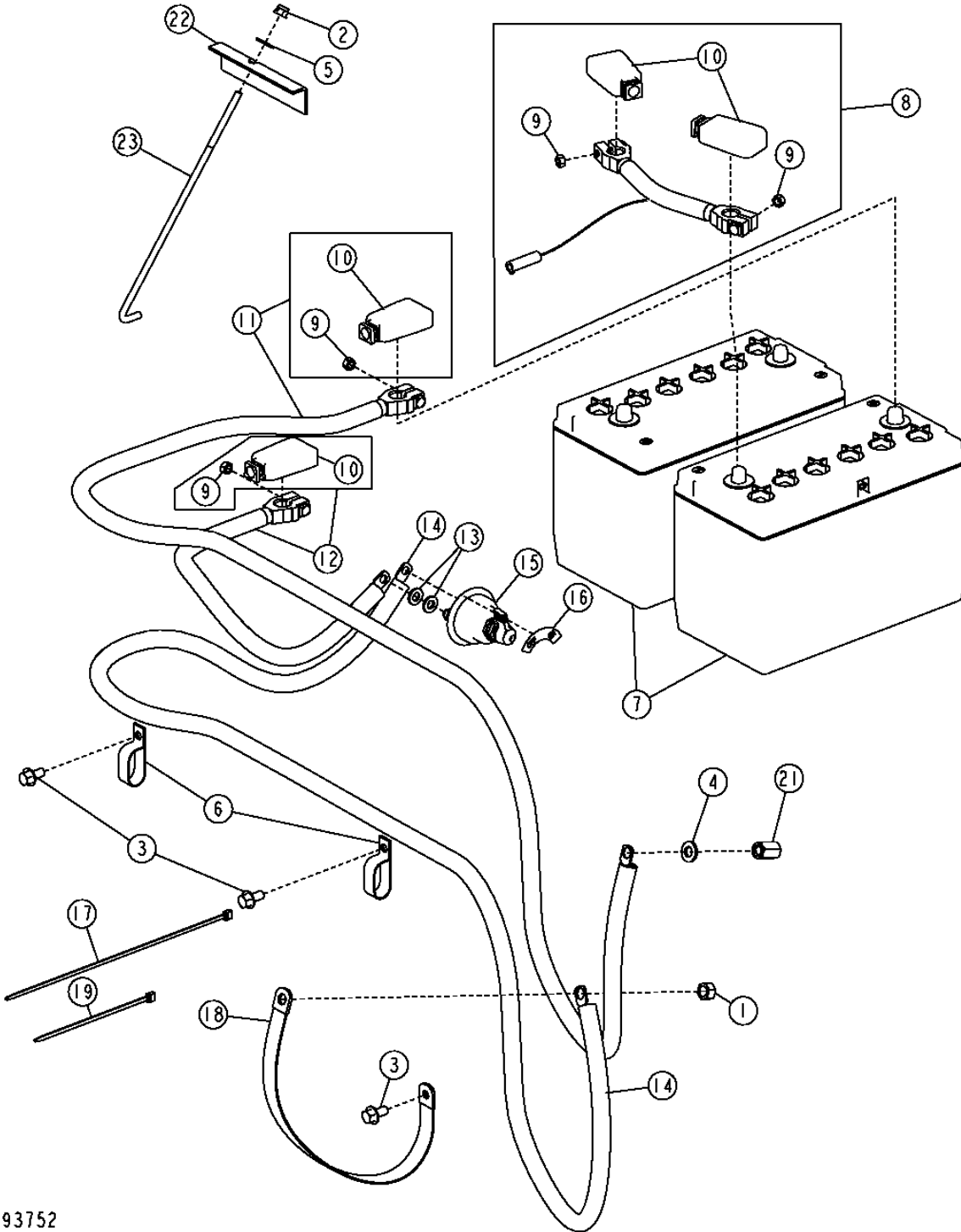
HITCH ASSEMBLY (S.N. 604690-)
ATTELAGE (S.N. 604690-)
CONJUNTO DE ENGANCHE (S.N. 604690-)

KEY	PART NO.	PART NAME	QTY.	SERIAL NO.	REMARKS
1	19M7921	CAP SCREW	12		M20 X 150
2	24M7242	WASHER	12		21.400 X 42 X 5 MM
3	AR83396	QUICK LOCK PIN	1		
4	T215611	HITCH	1		
5	T224369	PIN FASTENER	1		38.100 X 225.200 MM
6	AT324507	FIELD INSTALLATION KIT	1		(WHOLEGOODS)
9	AA21292	QUICK LOCK PIN	1		
10	AT227738	DRAWBAR	1		
11	AT315002	COUNTERWEIGHT	1		
12	T23914	PIN	1		34.798 X 148.844 MM

1671-2

BATTERIES, BATTERY CABLES, AND BATTERY CLAMPS
BATTERIES, SUPPORT AND CABLES 1671
BATTERIES, FILS DE BATTERIE ET COSSES DE BATTERIE
BATERIAS, CABLES DE LA BATERIA Y ABRAZADERAS DE LA BATERIA

T193752 -UN-31OCT03



T193752

THIS PARTS LISTING IS CONTINUED

1671-3

VEHICULE ELECTRICAL SYSTEMS 16

BATTERIES, SUPPORT AND CABLES 1671

BATTERIES, BATTERY CABLES, AND BATTERY CLAMPS
BATTERIES, FILS DE BATTERIE ET COSSES DE BATTERIE
BATERIAS, CABLES DE LA BATERIA Y ABRAZADERAS DE LA BATERIA

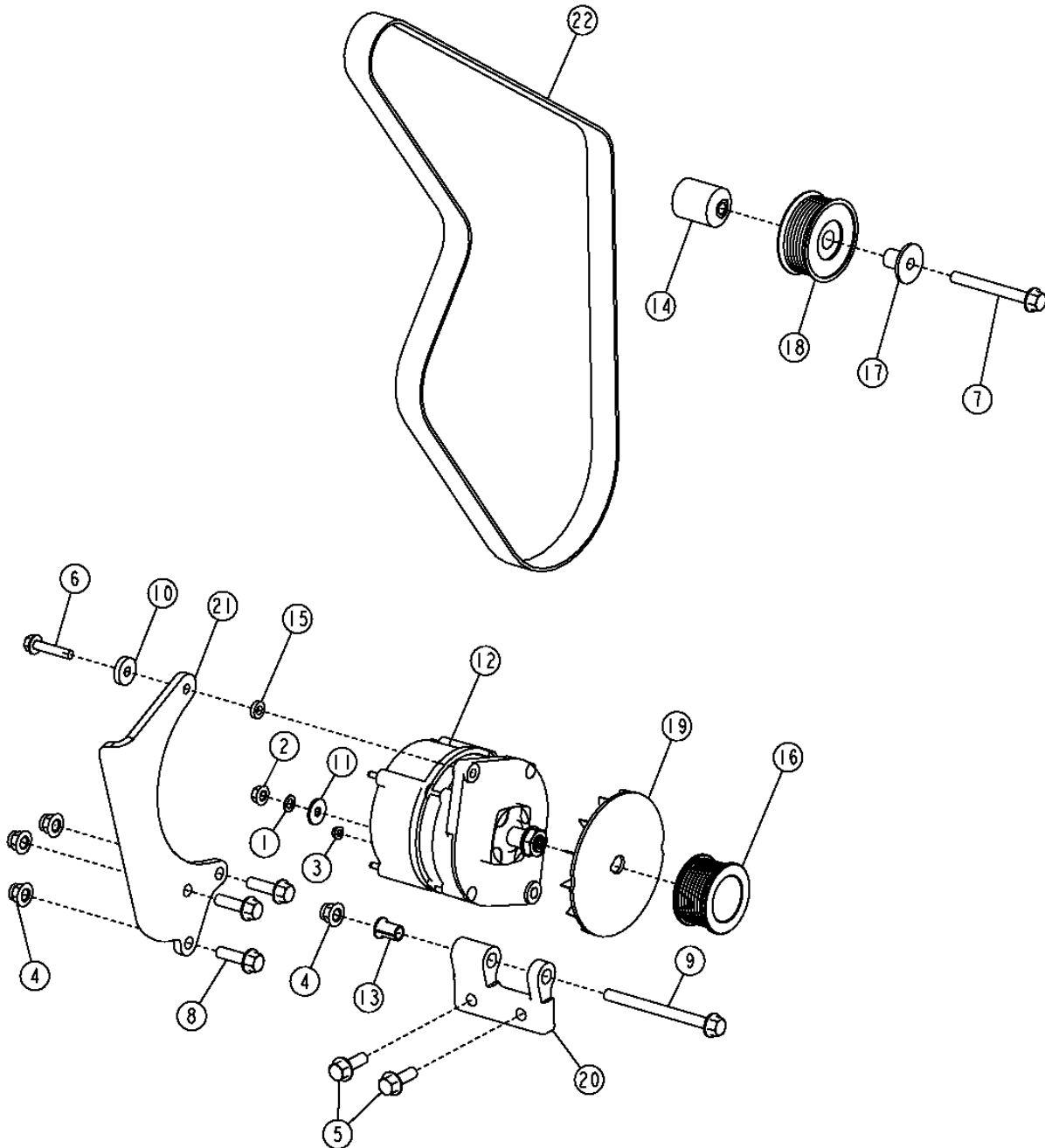
KEY	PART NO.	PART NAME	QTY.	SERIAL NO.	REMARKS
1	14H1040	NUT	1		1/2"
2	14M7396	LOCK NUT	1		M8
3	19M7784	SCREW	3		M10 X 20
4	24M7240	WASHER	1		13 X 25 X 3 MM
5	24M7298	WASHER	1		8.400 X 25 X 2 MM
6	AH77869	CLIP	2		
7	TY21741	DRY CHARGED BATTERY	2		(625 CCA)
	TY6128	DRY CHARGED BATTERY	2		(950 CCA)
8	AT228312	BATTERY CABLE	1		
9	14H785	NUT	4		5/16"
10	T107117	COVER	1		
11	AT228313	BATTERY CABLE	1		
12	AT228407	BATTERY CABLE	1		
13	24M7239	WASHER	2		10.700 X 21 X 2.500 MM
14	AT228311	BATTERY CABLE	1		
15	AT41188	SWITCH	1		
16	T42199	LABEL	1		
17	H77698	TIE BAND	3		
18	R36545	GROUND CABLE	1		
19	R44302	TIE BAND	1		
20	T134104	COVER	1		(NOT ILLUSTRATED)
21	T174530	NUT	1		
22	T197467	ANGLE	1		
23	T79471	HOOK BOLT	1		

1672-2

ALTERNATOR, REGULATOR AND CHARGING SYSTEM WIRING 1672
ALTERNATEUR, SUPPORT MONTAGE, COURROIE ET TENDEUR DE COURROIE (55 AMP)
ALTERNADOR, ESCUADRA DE MONTAJE, CORREA Y TENSOR DE CORREA (55 AMP)

T193929

-UN-04SEP03



T193929

THIS PARTS LISTING IS CONTINUED

1672-3

VEHICULE ELECTRICAL SYSTEMS 16

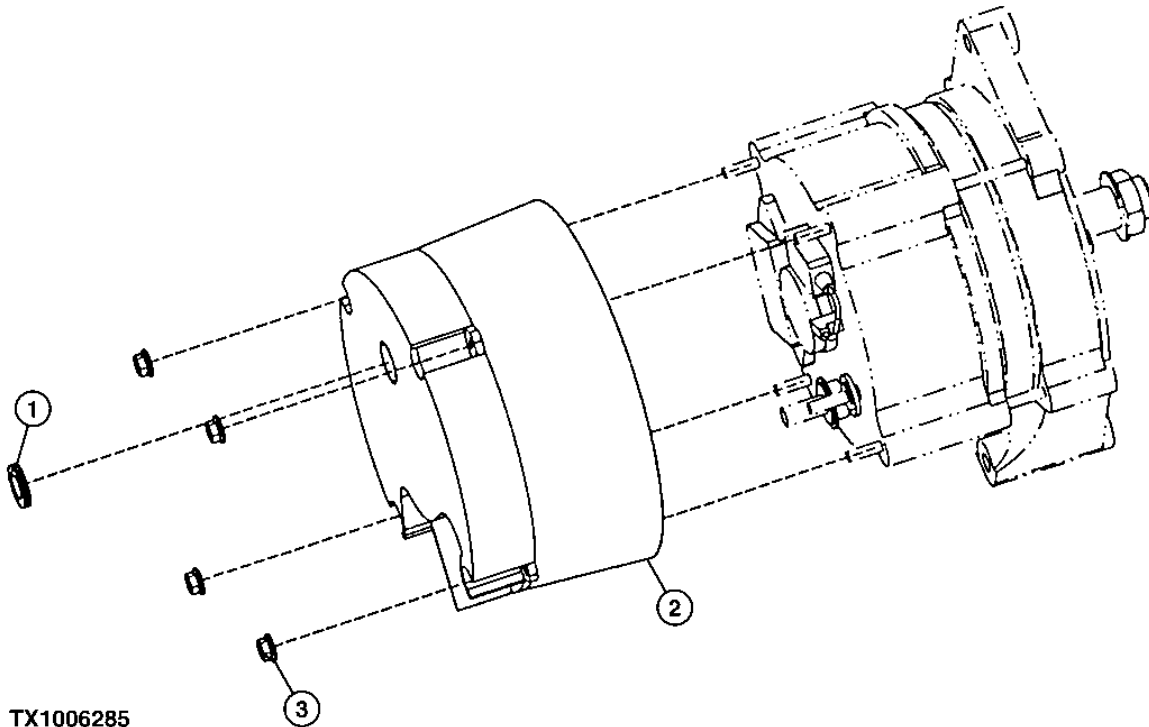
ALTERNATOR, REGULATOR AND CHARGING SYSTEM WIRING 1672
 ALTERNATOR, MOUNTING BRACKETS, BELT AND BELT TENSIONER (55 AMP)
 ALTERNATEUR, SUPPORT MONTAGE, COURROIE ET TENDEUR DE COURROIE (55 AMP)
 ALTERNADOR, ESCUADRA DE MONTAJE, CORREA Y TENSOR DE CORREA (55 AMP)

KEY	PART NO.	PART NAME	QTY.	SERIAL NO.	REMARKS
1	12M7032	LOCK WASHER	1		8.400 MM
2	14M7298	FLANGE NUT	1		M8
3	14M7375	FLANGE NUT	1		M5
4	14M7400	LOCK NUT	4		M10
5	19M7786	SCREW	2		M10 X 30
6	19M7798	SCREW	1		M8 X 40
7	19M7811	SCREW	1		M10 X 90
8	19M7835	SCREW	3		M10 X 35
9	19M7944	SCREW	1		M10 X 120
10	24H1621	WASHER	1		11/32" X 1" X 0.220"
11	24M7207	WASHER	1		8.400 X 24 X 2 MM
12	TY26045	ALTERNATOR	1		(REMAN) (55 AMP) (INCLUDES AT163156 AND H144095) (SUB FOR AT228217 AND TY6798)
	AT163156	REGULATOR	1		
	H144095	CAPACITOR	1		
	SE501362	ALTERNATOR	1		(REMANUFACTURED FOR TY26045)
13	R100377	BUSHING	1		
14	R133643	SPACER	1		
15	R48808	WASHER	1		
16	R501486	PULLEY	1		
17	R502079	SLEEVE	1		
18	AT211041	IDLER	1		(W/O AC)
	RE505264	PULLEY	1		(W/ AC)
19	T158584	FAN	1		
20	T179468	BRACKET	1		
21	T195239	STRAP	1		
22	T197521	V-BELT	1		(W/O AC)
	T197520	V-BELT	1		(W/ AC)

1672-4

ALTERNATOR, REGULATOR AND CHARGING SYSTEM WIRING 1672
ALTERNATOR REAR COVER (55 AMP)
COUVERCLE ARRIERE ALTERNATEUR (55 AMP)
CUBIERTA TRASERA DEL ALTERNADOR (55 AMP)

TX1006285 -UN-27APR06



TX1006285

1672-5

VEHICULE ELECTRICAL SYSTEMS 16

ALTERNATOR, REGULATOR AND CHARGING SYSTEM WIRING 1672
ALTERNATOR REAR COVER (55 AMP)
COUVERCLE ARRIERE ALTERNATEUR (55 AMP)
CUBIERTA TRASERA DEL ALTERNADOR (55 AMP)

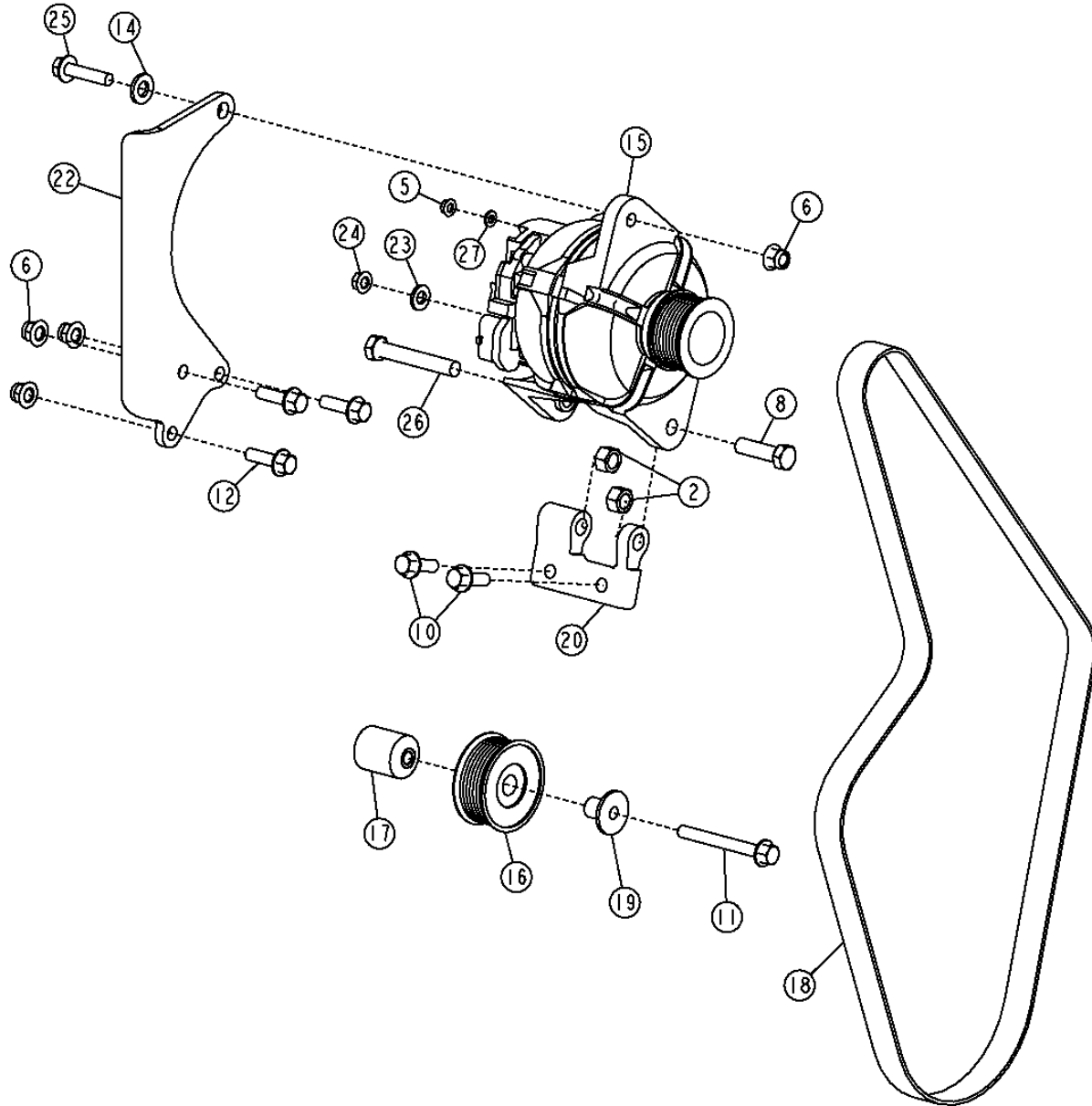
KEY	PART NO.	PART NAME	QTY.	SERIAL NO.	REMARKS
1	R27180	GROMMET	1		
2	AH138291	SCREEN	1		(SUB FOR AT207952)
3	14M7375	FLANGE NUT	4		M5

1672-6

ALTERNATOR, REGULATOR AND CHARGING SYSTEM WIRING 1672
ALTERNATEUR, SUPPORTS MONTAGE, COURROIE ET TENDEUR DE COURROIE (80 AMP)
ALTERNADOR, ESCUADRAS DE MONTAJE, CORREA Y TENSOR DE CORREA (80 AMP)

TX1004660

-UN-14MAR06



TX1004660

THIS PARTS LISTING IS CONTINUED

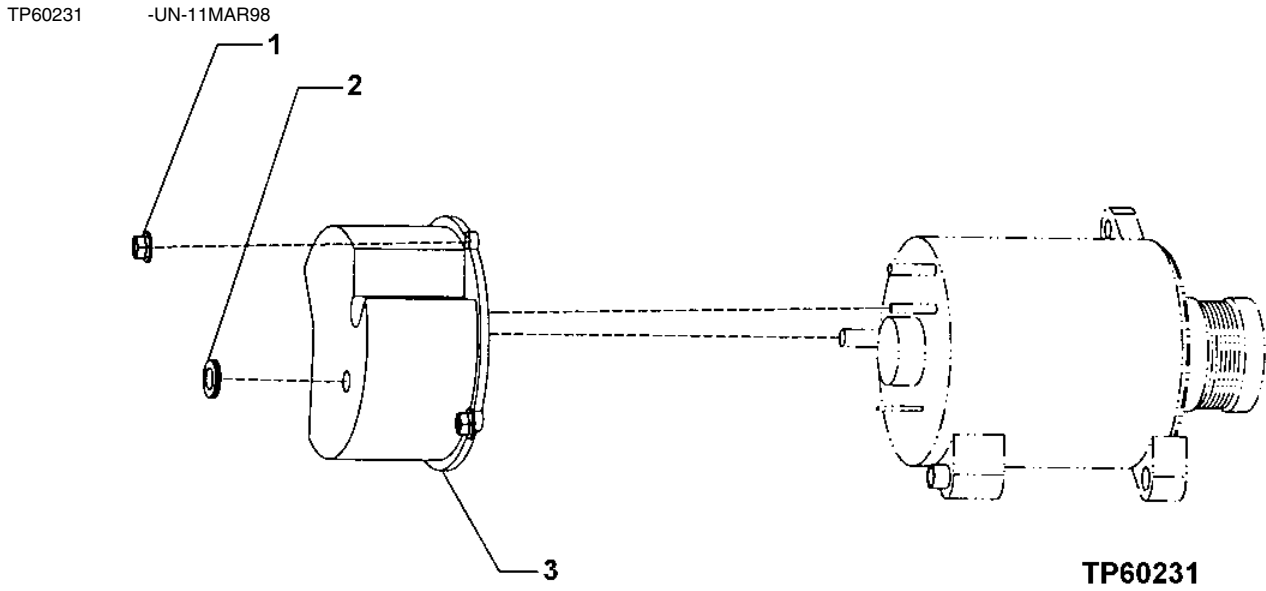
1672-7

ALTERNATOR, REGULATOR AND CHARGING SYSTEM WIRING 1672
ALTERNATOR, MOUNTING BRACKETS, BELT AND BELT TENSIONER (80 AMP)
ALTERNATEUR, SUPPORTS MONTAGE, COURROIE ET TENDEUR DE COURROIE (80 AMP)
ALTERNADOR, ESCUADRAS DE MONTAJE, CORREA Y TENSOR DE CORREA (80 AMP)

KEY	PART NO.	PART NAME	QTY.	SERIAL NO.	REMARKS
1	12H325	LOCK WASHER	1		7/16"
2	14H1040	NUT	2	-XXXXXX	1/2"
	14H1040	NUT	1	XXXXXX-	1/2"
	14M7401	LOCK NUT	1	XXXXXX-	M12
3	14H849	NUT	1		7/16"
4	14M7100	NUT	1		M4
5	14M7303	FLANGE NUT	1		M6
6	14M7400	LOCK NUT	3		M10
7	19H1820	CAP SCREW	1		1/2" X 3"
8	19H2473	CAP SCREW	1		1/2" X 1-3/4"
9	19H3385	CAP SCREW	1		1/2" X 1-1/8"
10	19M7786	SCREW	2		M10 X 30
11	19M7811	SCREW	1		M10 X 90
12	19M7835	SCREW	3		M10 X 35
13	24M7146	WASHER	2		4.300 X 12 X 1 MM
14	24M7240	WASHER	1		13 X 25 X 3 MM
15	TY25955	ALTERNATOR	1	-600154	(REMAN) (SUB FOR AT208541 OR TY6794)
	AT303320	ALTERNATOR	1	600155-	
	SE501346	ALTERNATOR	1		(REMANUFACTURED FOR TY25953)
	SE501438	STARTER MOTOR	1		(REMANUFACTURED FPR TY25955)
16	AT211041	IDLER	1		(W/O AC)
	RE505264	PULLEY	1		(W/ AC)
17	R133643	SPACER	1		
18	R500384	V-BELT	1		(W/O AC)
	T195188	V-BELT	1		(W/ AC)
19	R502079	SLEEVE	1		
20	T179468	BRACKET	1		
21	T181325	PULLEY	1		
22	T195244	STRAP	1		
23	24M7239	WASHER	1	600155-	
24	14M7298	FLANGE NUT	3	600155-	
25	19M7805	SCREW	9	600155-	
26	19H3520	CAP SCREW	1	600155-XXXXXX	
	19M8122	CAP SCREW	1	XXXXXX-	M12 X 85
27	24M7239	WASHER	1		

1672-8

ALTERNATOR, REGULATOR AND CHARGING SYSTEM WIRING 1672
ALTERNATOR REAR COVER (80 AMP)
COUVERCLE ARRIERE ALTERNATEUR (80 AMP)
CUBIERTA TRASERA DEL ALTERNADOR (80 AMP)



1672-9

VEHICULE ELECTRICAL SYSTEMS 16

ALTERNATOR, REGULATOR AND CHARGING SYSTEM WIRING 1672
ALTERNATOR REAR COVER (80 AMP)
COUVERCLE ARRIERE ALTERNATEUR (80 AMP)
CUBIERTA TRASERA DEL ALTERNADOR (80 AMP)

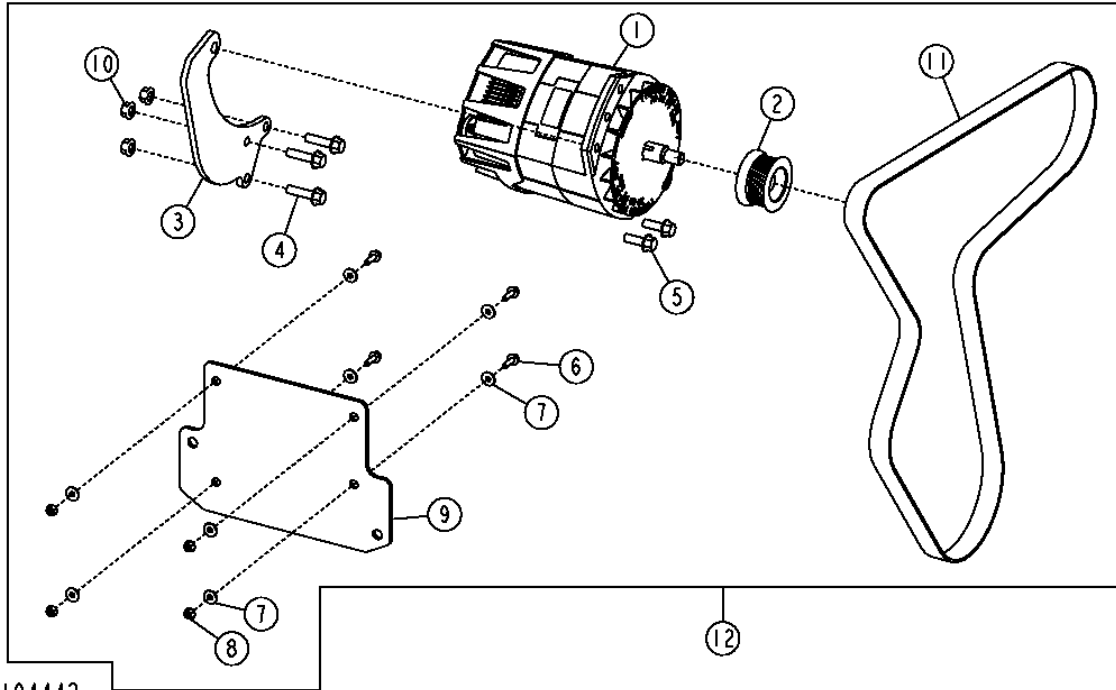
KEY	PART NO.	PART NAME	QTY.	SERIAL NO.	REMARKS
1	14M7375	FLANGE NUT	4		M5
2	R27180	GROMMET	1		
3	AT160704	SCREEN	1		

1672-10

ALTERNATOR, REGULATOR AND CHARGING SYSTEM WIRING 1672
HARSH ENVIRONMENT ALTERNATOR, MOUNTING BRACKETS AND BELT (100 AMP)
SUPPORTS ET COURROIE MONTAGE ALTERNATEUR ENVIRONNEMENT DIFFICILE (100 AMP)
ALTERNADOR DE AMBIENTE CORROSIVO, ESCUADRAS DE MONTAJE Y CORREA (100 AMP)

T194442

-UN-02SEP03



T194442

THIS PARTS LISTING IS CONTINUED

1672-11

VEHICULE ELECTRICAL SYSTEMS 16

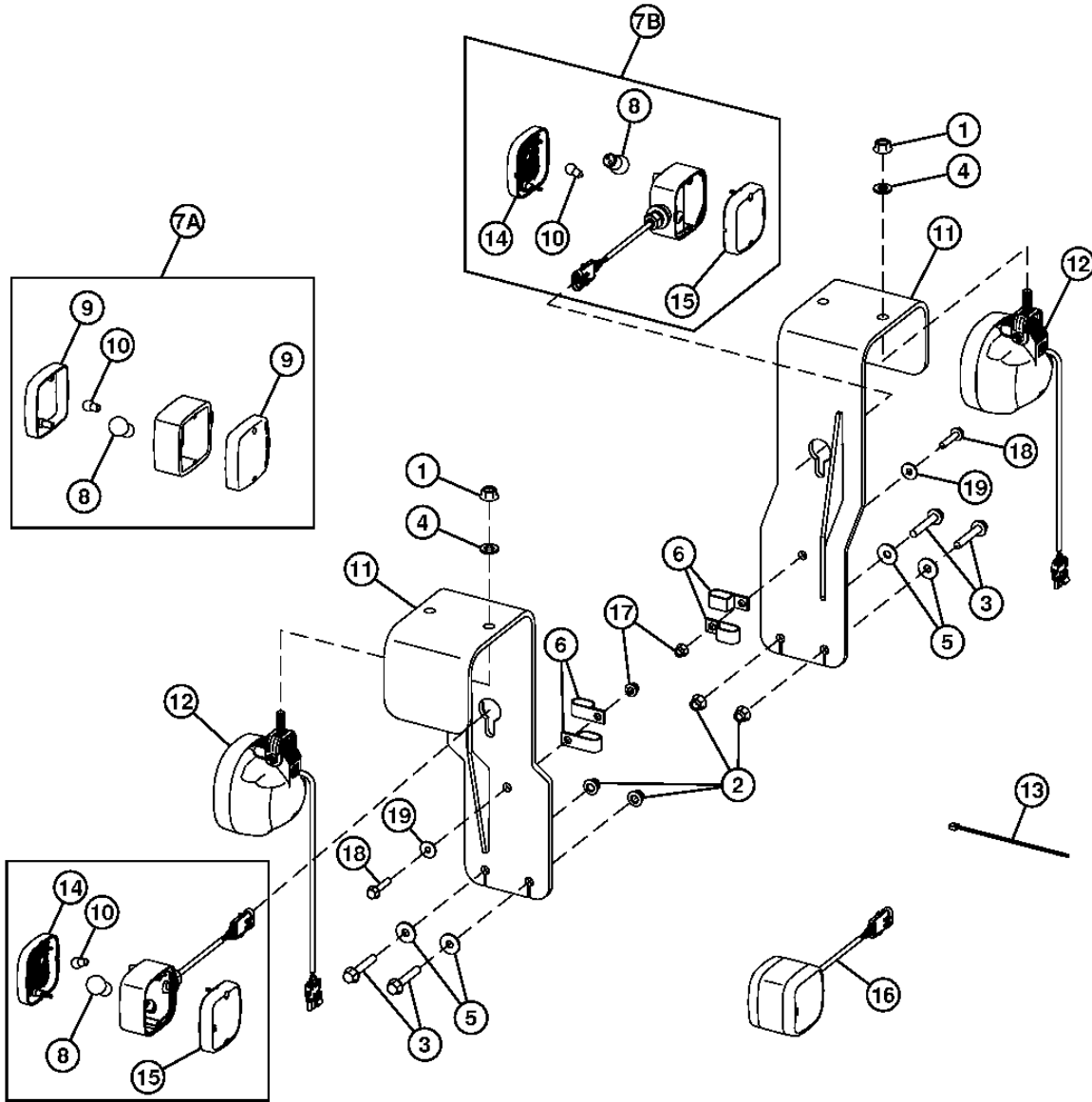
ALTERNATOR, REGULATOR AND CHARGING SYSTEM WIRING 1672
HARSH ENVIRONMENT ALTERNATOR, MOUNTING BRACKETS AND BELT (100 AMP)
SUPPORTS ET COURROIE MONTAGE ALTERNATEUR ENVIRONNEMENT DIFFICILE (100 AMP)
ALTERNADOR DE AMBIENTE CORROSIVO, ESCUADRAS DE MONTAJE Y CORREA (100 AMP)

KEY	PART NO.	PART NAME	QTY.	SERIAL NO.	REMARKS
1	AT226924	ALTERNATOR	1		
2	R128859	PULLEY	1		
3	T205944	STRAP	1		
4	19M7804	SCREW	3		M10 X 40
5	19M7786	SCREW	2		M10 X 30
6	19M7862	SCREW	4		M6 X 20
7	24M7139	WASHER	8		6.400 X 18 X 1.600 MM (0.252" X 0.709" X 0.063")
8	14M7303	FLANGE NUT	4		M6
9	T195893	PLATE	1		
10	14M7296	FLANGE NUT	3		M10
11	T186776	V-BELT	1		(W/O A/C)
	T208891	V-BELT	1		(W/ AC)
12	AT307483	ALTERNATOR	1		(HARSH ENVIRONMENT) (W/O A/C)
	AT307484	ALTERNATOR	1		(HARSH ENVIRONMENT) (W/ AC)

1673-2

FRONT LIGHTS AND BRACKETS (SN -603831)
FEUX ET SUPPORTS AVANT (SN -603831)
ESCUADRAS Y LUCES DELANTERAS (SN -603831)

T217156 -UN-25JAN06



T217156

THIS PARTS LISTING IS CONTINUED

1673-3

VEHICULE ELECTRICAL SYSTEMS 16

VEHICLE LIGHTING SYSTEM 1673

FRONT LIGHTS AND BRACKETS (SN -603831)
 FEUX ET SUPPORTS AVANT (SN -603831)
 ESCUADRAS Y LUCES DELANTERAS (SN -603831)

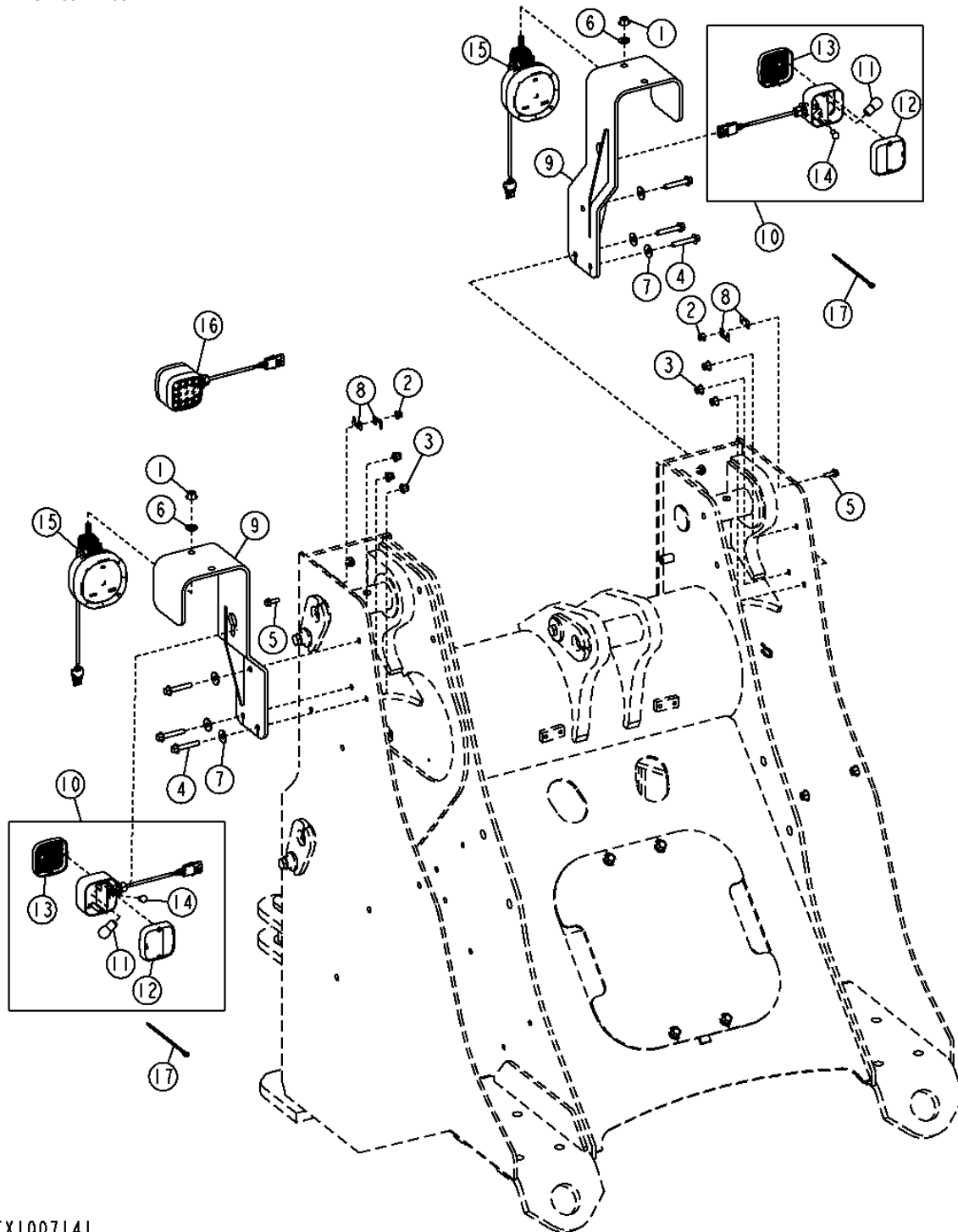
KEY	PART NO.	PART NAME	QTY.	SERIAL NO.	REMARKS
1	14M7299	FLANGE NUT	2		M12
2	14M7400	LOCK NUT	AR	-XXXXXX	M10
3	19M7807	SCREW	AR	-XXXXXX	M10 X 60
	19M7804	SCREW	4	XXXXXX-	
4	24M7240	WASHER	2		13 X 25 X 3 MM
5	24M7296	WASHER	AR	-XXXXXX	10.500 X 30 X 2.500 MM
6	AH97280	CLIP	4		
7A	LAMP	2	-597322	(SUB AT309550) (AT206878 NLA) (INCANDESCENT)
	AT222365	TURN SIGNAL LAMP	2		(HARSH ENVIRONMENT)
7B	AT309550	LAMP	2	597323-	(INCANDESCENT)
8	AT210333	BULB	1		
9	LENS	2	-597322	(SUB AT309550) (T176372 NLA)
10	U44537	BULB	1		
11	AT210246	SUPPORT	2		
12	AT324484	SIDE LIGHT	2		(STD) (AT227260 NLA)
	AT135758	BULB	2		
	AT225086	LAMP	2		(HARSH ENVIRONMENT)
13	R44302	TIE BAND	5		
14	T208364	LENS	1	597323-	
15	T208365	LENS	1	597323-	
16	AT307090	LAMP	1		(LED)
17	14M7396	LOCK NUT	2	597323-	M8
18	19M7798	SCREW	2	597323-	M8 X 40
19	24M7298	WASHER	2	597323-	8.400 X 25 X 2 MM

1673-3A

FRONT LIGHTS AND BRACKETS (SN 603832-)
FEUX ET SUPPORTS AVANT (SN 603832-)
ESCUADRAS Y LUCES DELANTERAS (SN 603831-)

TX1007141

-UN-03MAY06



TX1007141

THIS PARTS LISTING IS CONTINUED

1673-3B

VEHICULE ELECTRICAL SYSTEMS 16

VEHICLE LIGHTING SYSTEM 1673

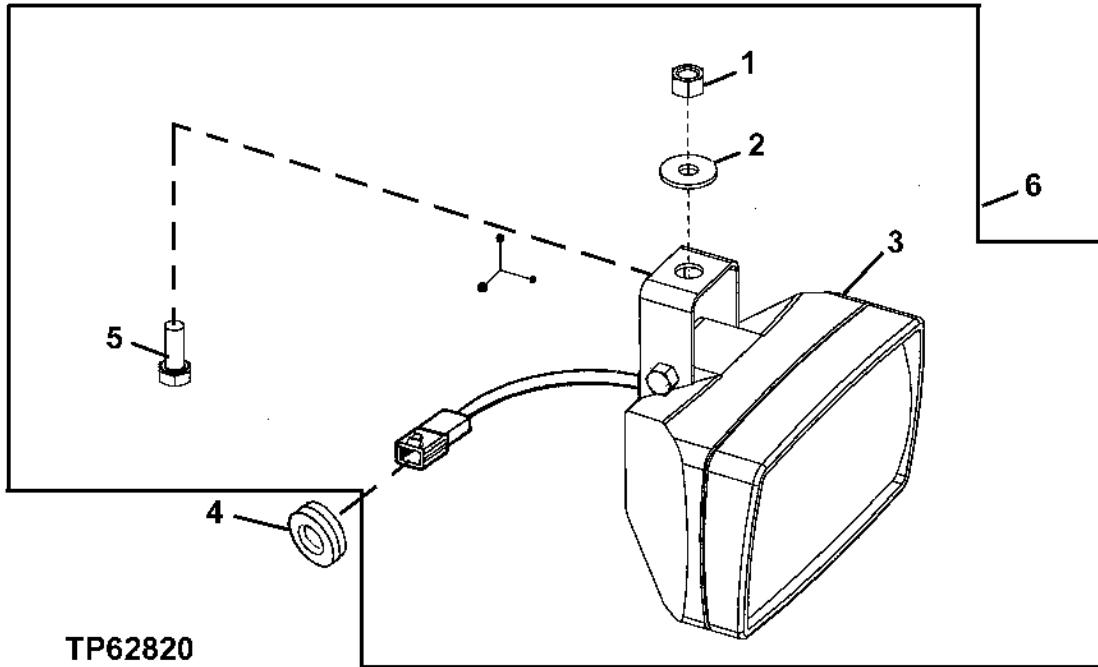
FRONT LIGHTS AND BRACKETS (SN 603832-)
FEUX ET SUPPORTS AVANT (SN 603832-)
ESCUADRAS Y LUCES DELANTERAS (SN 603832-)

KEY	PART NO.	PART NAME	QTY.	SERIAL NO.	REMARKS
1	14M7299	FLANGE NUT	2		M12
2	14M7396	LOCK NUT	2		M8
3	14M7400	LOCK NUT	6		M10
4	19M7807	SCREW	6		M10 X 60
5	19M7867	SCREW	2		M8 X 25
6	24M7240	WASHER	2		13 X 25 X 3 MM
7	24M7296	WASHER	6		10.500 X 30 X 2.500 MM
8	57M8736	ELEC. CONNECTOR ACCESSORY	4		(57M8998 NLA)
9	AT210246	SUPPORT	2		
10	AT309550	LAMP	2		(TURN SIGNAL)
11	AT210333	BULB	1		
12	T208364	LENS	1		
13	T208365	LENS	1		
14	U44537	BULB	1		
15	AT324484	SIDE LIGHT	2		
	AT135758	BULB	1		
16	AT307090	LAMP	1		(LED TURN SIGNAL)
17	R44302	TIE BAND	2		

1673-4

**FRONT AND REAR WORK LAMP
PROJECTEUR TRAVAIL AVANT ET ARRIERE
LUZ DE TRABAJO TRASERA Y DELANTERA**

TP62820 -UN-08JUN00



TP62820

KEY	PART NO.	PART NAME	QTY.	SERIAL NO.	REMARKS
1	14M7166	LOCK NUT	1		M8
2	24M7207	WASHER	1		8.400 X 24 X 2 MM
3	LAMP	1		(SUB AT208435)
	AT135758	BULB	1		(NOT ILLUSTRATED)
4	H81678	GROMMET	1		
5	19M7139	CAP SCREW	1		M8 X 20
6	AT208435	LAMP	1	-600971	(STD)
	AT305931	FLOODLAMP	1	600972-	(STD)
	AT226338	FLOODLAMP	1		(HARSH ENVIRONMENT)

1673-5

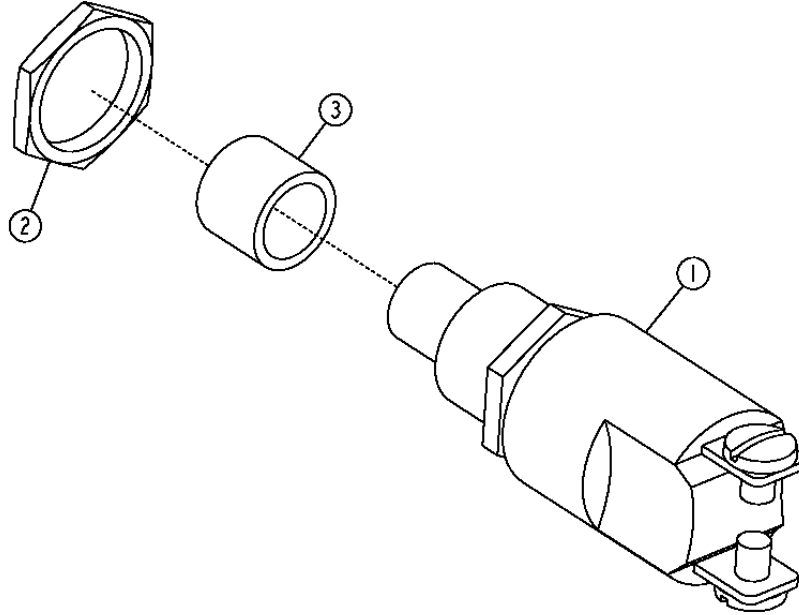
VEHICULE ELECTRICAL SYSTEMS 16

VEHICLE LIGHTING SYSTEM 1673

DOOR-ACTIVATED DOMELIGHT SWITCH NTERRUPTEUR PLAFONNIER ACTIVE PAR OUVERTURE PORTE INTERRUPTOR DE LA LUZ DE TECHO ACTIVADO CON LA PUERTA

T192974

-UN-13AUG03



T192974

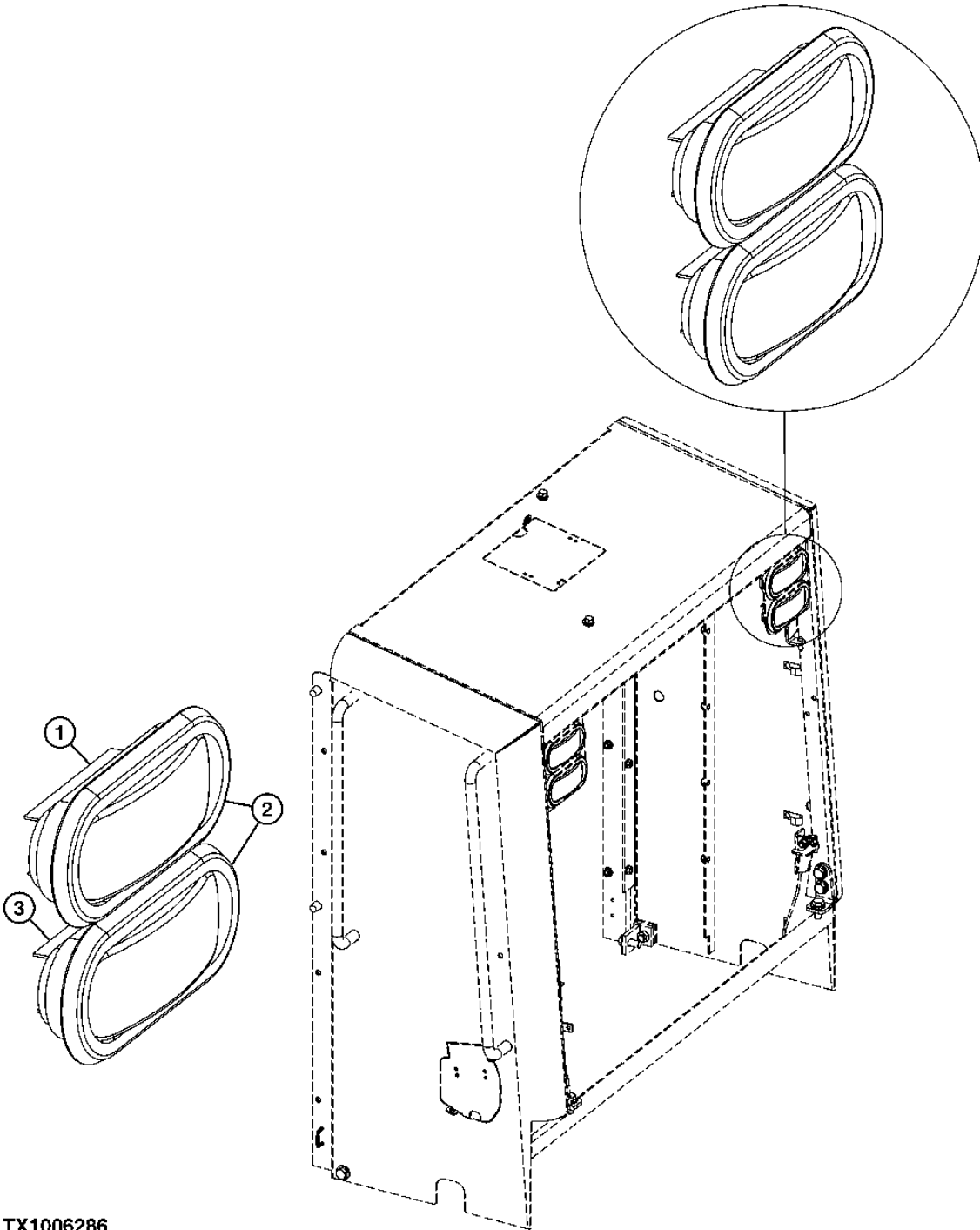
KEY	PART NO.	PART NAME	QTY.	SERIAL NO.	REMARKS
1	RE51234	PUSH SWITCH	1		(CAB ONLY)
2	R44097	NUT	1		
3	T182914	CAP	1		(DOME SWITCH)

1673-6

STOP, TURN AND TAIL LIGHTS
FEUX DE STOP, CLIGNOTANTS ET FEUX ARRIERE
LUZ DE PARE, VIRAJE Y COLA

TX1006286

-UN-27APR06



TX1006286

THIS PARTS LISTING IS CONTINUED

1673-7

VEHICULE ELECTRICAL SYSTEMS 16

VEHICLE LIGHTING SYSTEM 1673

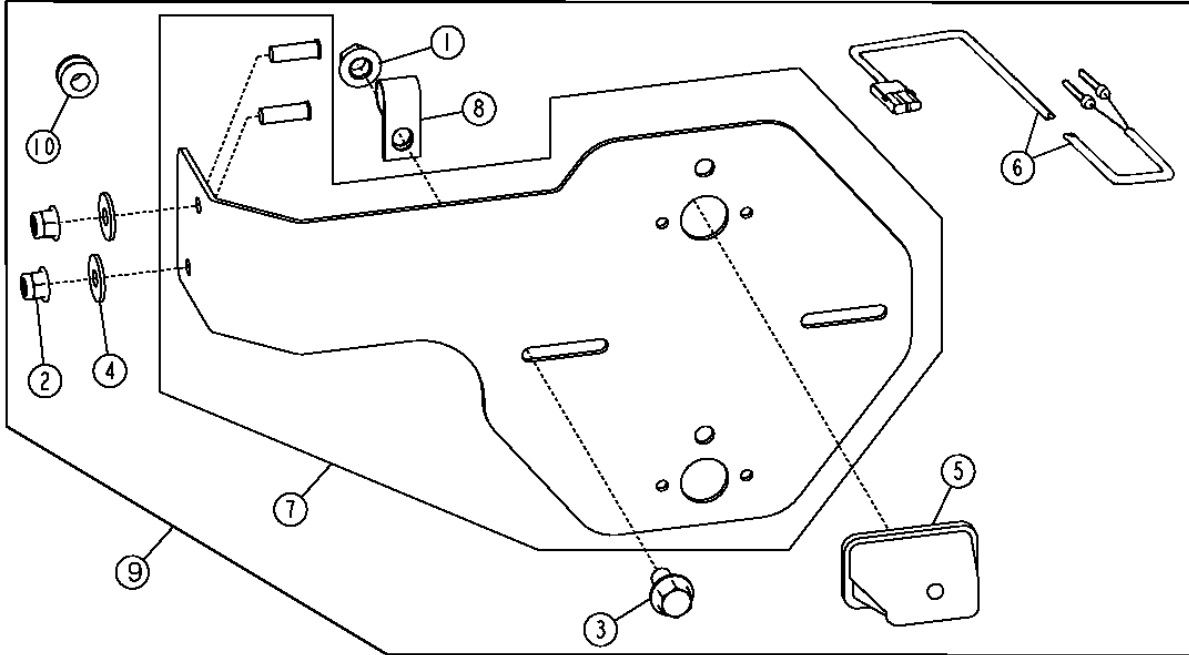
STOP, TURN AND TAIL LIGHTS
FEUX DE STOP, CLIGNOTANTS ET FEUX ARRIERE
LUZ DE PARE, VIRAJE Y COLA

KEY	PART NO.	PART NAME	QTY.	SERIAL NO.	REMARKS
1	T178947	TURN SIGNAL LAMP	2		STD (AMBER)
	T180074	TURN SIGNAL LAMP	2		HEAVY-DUTY (AMBER)
2	T178948	RETAINER	4		
3	T178946	TAIL LAMP	2		STD (RED)
	T180075	TAIL LAMP	2		HEAVY-DUTY (RED)
4	AT223807	WIRING HARNESS	2		LED JUMPER (USE WITH HEAVY DUTY) (NOT ILLUSTRATED)

1673-8

LICENSE PLATE BRACKET AND LIGHT
SUPPORT ET ECLAIRAGE PLAQUE MINERALOGIQUE
ESUADRA Y LUZ DE MATRICULA

T193972 -UN-13NOV03



T193972

THIS PARTS LISTING IS CONTINUED

1673-9

VEHICULE ELECTRICAL SYSTEMS 16

VEHICLE LIGHTING SYSTEM 1673

**LICENSE PLATE BRACKET AND LIGHT
SUPPORT ET ECLAIRAGE PLAQUE MINERALOGIQUE
ESCUADRA Y LUZ DE MATRICULA**

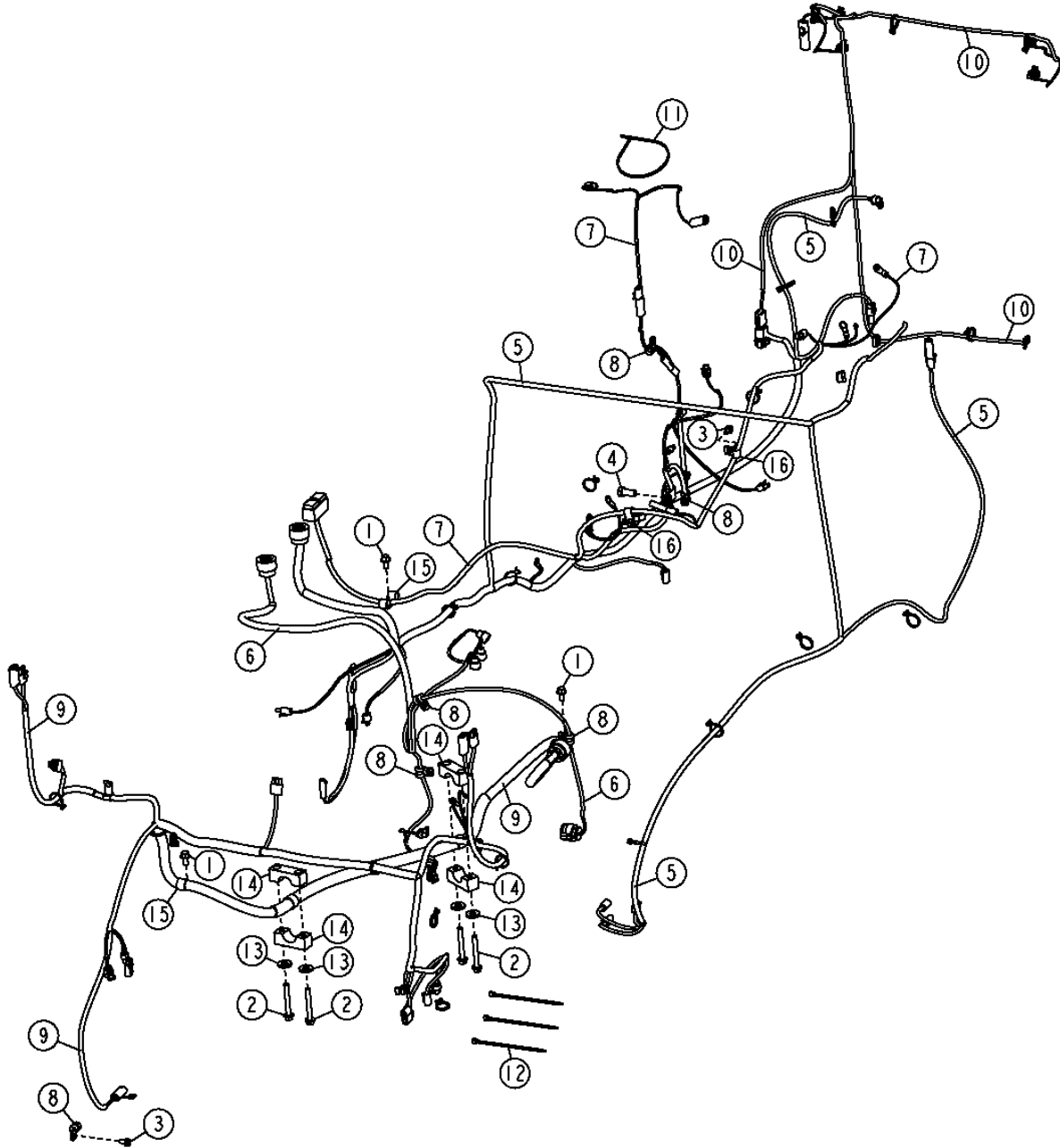
KEY	PART NO.	PART NAME	QTY.	SERIAL NO.	REMARKS
1	14M7296	FLANGE NUT	1		M10
2	14M7396	LOCK NUT	2		M8
3	19M7784	SCREW	1		M10 X 20
4	24M7298	WASHER	2		8.400 X 25 X 2 MM
5	AT202789	LAMP	1		(INCLUDES AT173354)
	AT173354	BULB	1		(NOT ILLUSTRATED)
6	AT203137	WIRING HARNESS	1		
7	AT301914	BRACKET	1		
8	T75197	CLAMP	1		
9	AT228289	KIT	1		
10	T70154	GROMMET	1		

1674-2

VEHICULE ELECTRICAL SYSTEMS 16
WIRING HARNESS AND SWITCHES 1674

MAIN WIRING HARNESS (S.N. -604689)
FAISCEAU CABLAGE PRINCIPAL (S.N. -604689)
ARNES DE ALAMBRADO PRINCIPAL (S.N. -604689)

TX1021961 -UN-



TX1021961

THIS PARTS LISTING IS CONTINUED

1674-3

VEHICULE ELECTRICAL SYSTEMS 16

WIRING HARNESS AND SWITCHES 1674

MAIN WIRING HARNESS (S.N. -604689)
 FAISCEAU CABLAGE PRINCIPAL (S.N. -604689)
 ARNES DE ALAMBRADO PRINCIPAL (S.N. -604689)

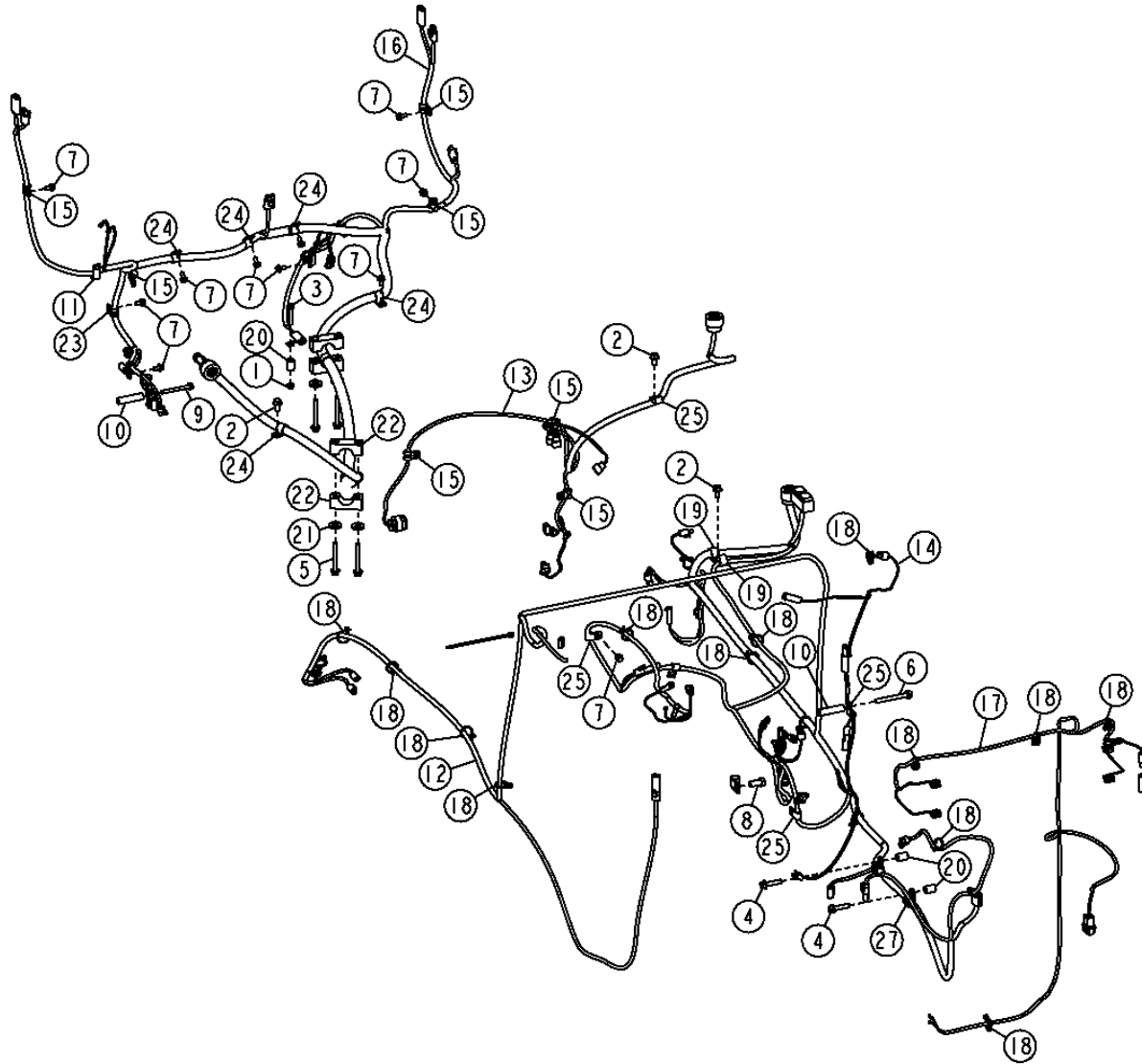
KEY	PART NO.	PART NAME	QTY.	SERIAL NO.	REMARKS
1	19M7784	SCREW	3		M10 X 20
2	19M7810	SCREW	4		M10 X 80
3	19M7865	SCREW	2		M8 X 16
4	19M7877	CAP SCREW	1		M14 X 30
5	AT227139	WIRING HARNESS	1		(ENGINE FRAME HARNESS)
	AT306736	WIRING HARNESS	1		(ENGINE FRAME HARNESS) (HARSH ENVIRONMENT)
6	AT301026	WIRING HARNESS	1		(TRANSMISSION HARNESS)
	AT308672	WIRING HARNESS	1		(TRANSMISSION HARNESS) (HARSH ENVIRONMENT)
7	AT315406	WIRING HARNESS	1		(SUB FOR AT227137) (ENGINE HARNESS)
	AT315412	WIRING HARNESS	1		(SUB FOR AT308671) (ENGINE HARNESS) (HARSH ENVIRONMENT)
8	T75276	CLAMP	6		
9	AT227138	WIRING HARNESS	1	-600916	(LOADER FRAME HARNESS)
	AT320922	WIRING HARNESS	1	600917-	(LOADER FRAME HARNESS)
	AT307221	WIRING HARNESS	1		(LOADER FRAME HARNESS FOR TOOL CARRIER)
	AT306641	WIRING HARNESS	1		(LOADER FRAME HARNESS) (HARSH ENVIRONMENT)
10	AT322892	WIRING HARNESS	1		(SUB FOR AT228167) (REAR FRAME HARNESS)
	AT307333	WIRING HARNESS	1		(REAR FRAME HARNESS) (HARSH ENVIRONMENT)
11	H77698	TIE BAND	1		
12	R44302	TIE BAND	23		
13	T29342	WASHER	4		13.487 X 31.750 X 4.572 MM
14	T67995	CLAMP	4		
15	T74416	CLAMP	4		
16	T75197	CLAMP	2		

1674-3A

VEHICULE ELECTRICAL SYSTEMS 16
WIRING HARNESS AND SWITCHES 1674

MAIN WIRING HARNESS (S.N. 604690-)
FAISCEAU CABLAGE PRINCIPAL (S.N. 604690-)
ARNES DE ALAMBRADO PRINCIPAL (S.N. 604690-)

TX1021669 -UN-



TX1021669

THIS PARTS LISTING IS CONTINUED

1674-3B

VEHICULE ELECTRICAL SYSTEMS 16
WIRING HARNESS AND SWITCHES 1674

MAIN WIRING HARNESS (S.N. 604690-)
FAISCEAU CABLAGE PRINCIPAL (S.N. 604690-)
ARNES DE ALAMBRADO PRINCIPAL (S.N. 604690-)

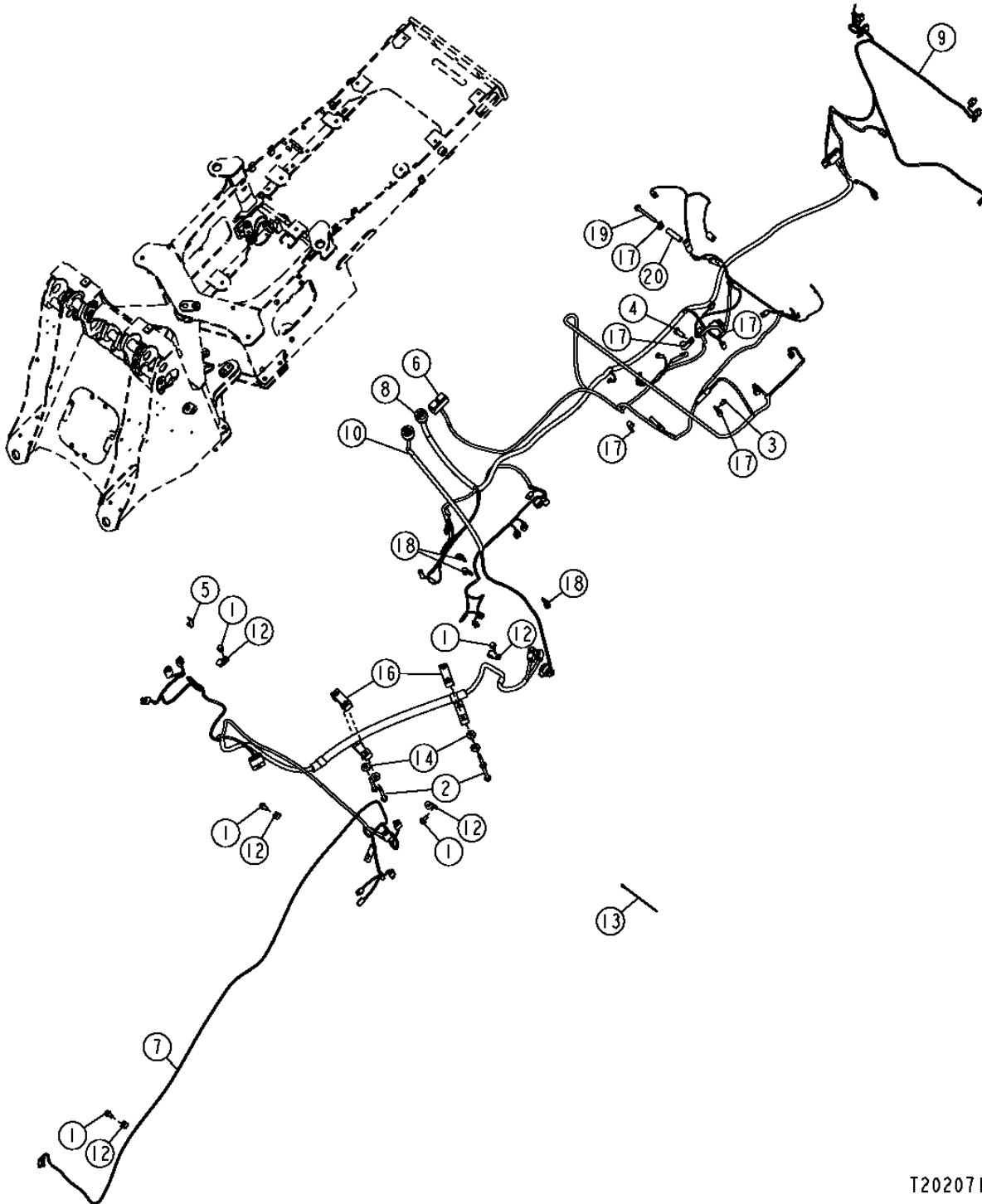
KEY	PART NO.	PART NAME	QTY.	SERIAL NO.	REMARKS
1	14M7298	FLANGE NUT	1		M8
2	19M7784	SCREW	3		M10 X 20
3	19M7800	SCREW	1		M8 X 50
4	19M7805	SCREW	2		M10 X 45
5	19M7810	SCREW	4		M10 X 80
6	19M7811	SCREW	1		M10 X 90
7	19M7865	SCREW	12		M8 X 16
8	19M7877	CAP SCREW	1		M14 X 30
9	19M8039	SCREW	1		M8 X 80
10	28H3399	SPACER	2		12.522 X 17.145 X 69.850 MM
11	AH89557	CLIP	1		
12	AT227139	WIRING HARNESS	1		(ENGINE FRAME HARNESS)
	AT306736	WIRING HARNESS	1		(ENGINE FRAME HARNESS) (HARSH ENVIRONMENT)
13	AT301026	WIRING HARNESS	1		(TRANSMISSION HARNESS)
	AT308672	WIRING HARNESS	1		(TRANSMISSION HARNESS) (HARSH ENVIRONMENT)
14	AT315406	WIRING HARNESS	1		(SUB FOR AT227137) (ENGINE HARNESS)
	AT315412	WIRING HARNESS	1		(SUB FOR AT308671) (ENGINE HARNESS) (HARSH ENVIRONMENT)
15	T75276	CLAMP	8		
16	AT320922	WIRING HARNESS	1		(LOADER FRAME HARNESS)
	AT306641	WIRING HARNESS	1		(LOADER FRAME HARNESS) (HARSH ENVIRONMENT)
17	AT322892	WIRING HARNESS	1		(REAR FRAME HARNESS)
	AT307333	WIRING HARNESS	1		(REAR FRAME HARNESS) (HARSH ENVIRONMENT)
18	R44302	TIE BAND	27		
19	T102934	CLAMP	2		
20	T147891	BUSHING	3		
21	T29342	WASHER	4		13.487 X 31.750 X 4.572 MM
22	T67995	CLAMP	4		
23	T74412	CLAMP	3		
24	T74416	CLAMP	5		
25	T75197	CLAMP	5		
27	T76252	CLAMP	2		

1674-3C

MAIN WIRING HARNESS (FOR USE WITH POWERLLEL™ LINKAGE) (S.N.-604689)
FAISCEAU PRINCIPAL DE FILS (UTILISE AVEC UTILISER AVEC TRINGLERIE POWERLLEL™) (S.N.-604689)
ARNES DE CABLEADO PRINCIPAL (USA CON VARILLAJE POWERLLEL™) (S.N.-604689)

T202071

-UN-17AUG04



T202071

1674-3D

VEHICULE ELECTRICAL SYSTEMS 16

WIRING HARNESS AND SWITCHES 1674

MAIN WIRING HARNESS (FOR USE WITH POWERLLEL™ LINKAGE) (S.N.-604689)
FAISCEAU PRINCIPAL DE FILS (UTILISE AVEC UTILISER AVEC TRINGLERIE POWERLLEL™) (S.N.-604689)
ARNES DE CABLEADO PRINCIPAL (USA CON VARILLAJE POWERLLEL™) (S.N.-604689)

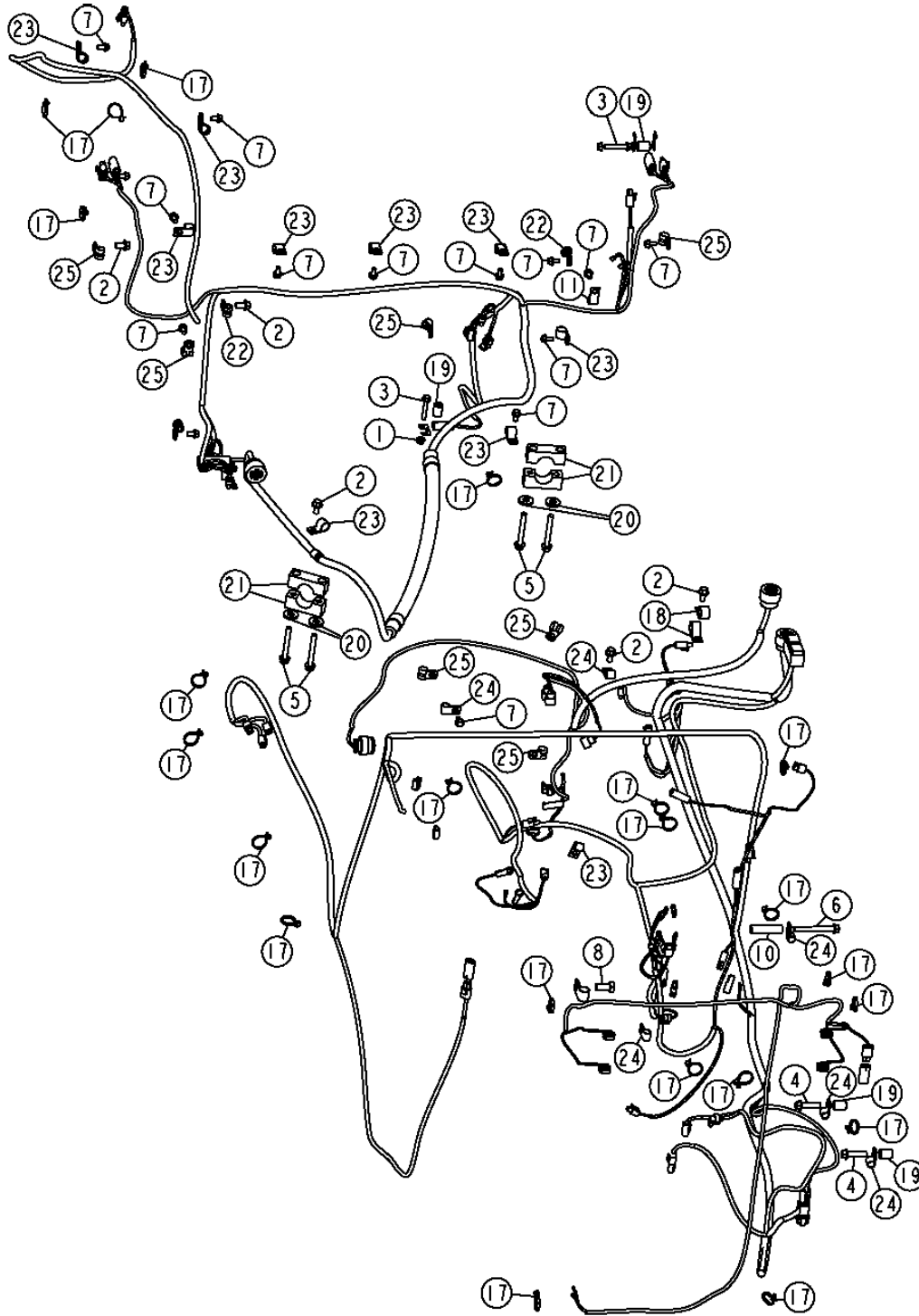
KEY	PART NO.	PART NAME	QTY.	SERIAL NO.	REMARKS
1	19M7784	SCREW	5		M10 X 20
2	19M7810	SCREW	4		M10 X 80
3	19M7865	SCREW	1		M8 X 16
4	19M7877	CAP SCREW	1		M14 X 30
5	AH89557	CLIP	1		
6	AT227137	WIRING HARNESS	1		(ENGINE HARNESS)
7	AT302089	WIRING HARNESS	1	-600916	(LOADER FRAME HARNESS)
	AT318329	WIRING HARNESS	1	600917-	(LOADER FRAME HARNESS)
8	AT227139	WIRING HARNESS	1		(ENGINE FRAME HARNESS)
9	AT322892	WIRING HARNESS	1		(SUB FOR AT228167) (REAR FRAME HARNESS)
10	AT301026	WIRING HARNESS	1		(TRANSMISSION HARNESS)
12	T74416	CLAMP	7		(SUB FOR N191985. THIS APPLICATION)
13	R44302	TIE BAND	26		
14	T29342	WASHER	4		13.487 X 31.750 X 4.572 MM
16	T67995	CLAMP	4		
17	T75197	CLAMP	4		
18	T75276	CLAMP	3		
19	19M7811	SCREW	1		M10 X 90
20	28H3399	SPACER	1		12.522 X 17.145 X 69.850 MM

1674-4

MAIN WIRING HARNESS (FOR USE WITH POWERLLEL™ LINKAGE) (S.N.604690-)
FAISCEAU PRINCIPAL DE FILS (UTILISE AVEC UTILISER AVEC TRINGLERIE POWERLLEL™) (S.N.604690-)
ARNES DE CABLEADO PRINCIPAL (USA CON VARILLAJE POWERLLEL™) (S.N.604690-)

TX1004810

-UN-



TX1004810

THIS PARTS LISTING IS CONTINUED

1674-5

VEHICULE ELECTRICAL SYSTEMS 16

WIRING HARNESS AND SWITCHES 1674

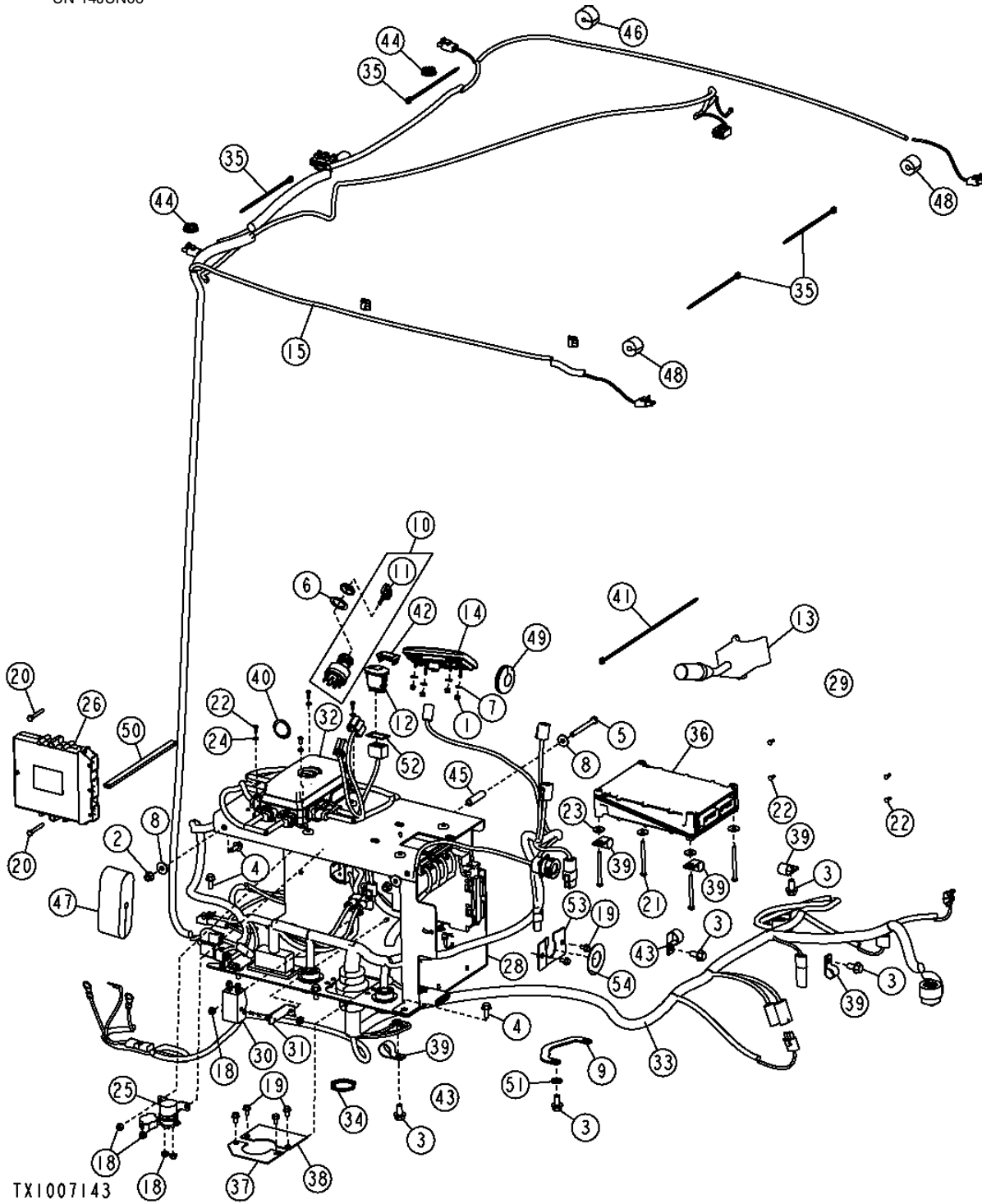
MAIN WIRING HARNESS (FOR USE WITH POWERLLEL™ LINKAGE) (S.N.604690-)
 FAISCEAU PRINCIPAL DE FILS (UTILISE AVEC UTILISER AVEC TRINGLERIE POWERLLEL™) (S.N.604690-)
 ARNES DE CABLEADO PRINCIPAL (USA CON VARILLAJE POWERLLEL™) (S.N.604690-)

KEY	PART NO.	PART NAME	QTY.	SERIAL NO.	REMARKS
1	14M7298	FLANGE NUT	3		M8
2	19M7784	SCREW	5		M10 X 20
3	19M7800	SCREW	3		M8 X 50
4	19M7805	SCREW	2		M10 X 45
5	19M7810	SCREW	4		M10 X 80
6	19M7811	SCREW	1		M10 X 90
7	19M7865	SCREW	15		M8 X 16
8	19M7877	CAP SCREW	1		M14 X 30
9	19M8039	SCREW	1		M8 X 80
10	28H3399	SPACER	5		
11	AH89557	CLIP	1		
12	AT227139	WIRING HARNESS	1		(ENGINE FRAME HARNESS)
13	AT301026	WIRING HARNESS	1		(TRANSMISSION HARNESS)
14	AT315406	WIRING HARNESS	1		(ENGINE HARNESS)
15	AT318329	WIRING HARNESS	1		(LOADER FRAME HARNESS)
16	AT322892	WIRING HARNESS	1		(REAR FRAME HARNESS)
17	R44302	TIE BAND	29		
18	T102934	CLAMP	2		
19	T147891	BUSHING	5		
20	T29342	WASHER	4		13.487 X 31.750 X 4.572 MM
21	T67995	CLAMP	4		
22	T74412	CLAMP	3		
23	T74416	CLAMP	9		
24	T75197	CLAMP	7		
25	T75276	CLAMP	7		

1674-6

CAB WIRING HARNESS (S.N. -604689)
FAISCEAU DE CABINE (S.N. -604689)
ARNES DE CABINA (S.N. -604689)

TX1007143 -UN-14JUN06



TX1007143

THIS PARTS LISTING IS CONTINUED

1674-7

VEHICULE ELECTRICAL SYSTEMS 16
WIRING HARNESS AND SWITCHES 1674

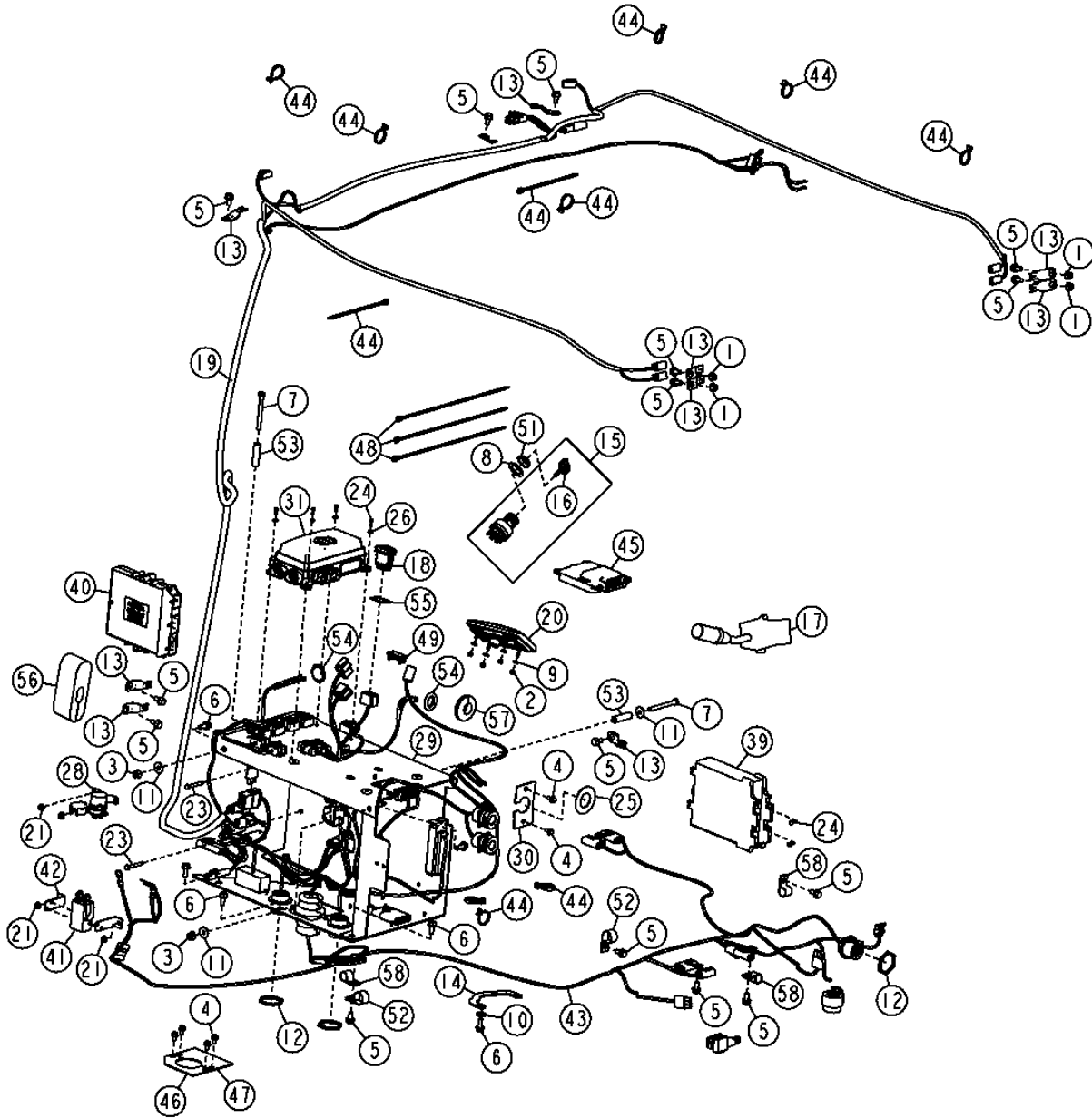
CAB WIRING HARNESS (S.N. -604689)
FAISCEAU DE CABINE (S.N. -604689)
ARNES DE CABINA (S.N. -604689)

KEY	PART NO.	PART NAME	QTY.	SERIAL NO.	REMARKS
1	14M7360	LOCK NUT	4		M5
2	14M7396	LOCK NUT	2		M8
3	19M7784	SCREW	5		M10 X 20
4	19M7866	SCREW	6		M8 X 20
5	19M8504	CAP SCREW	1		M8 X 80
6	24H1441	WASHER	1		1-1/64" X 1-1/2" X 0.048"
7	24M7054	WASHER	4		6.400 X 12 X 1.600 MM
8	24M7298	WASHER	3		8.400 X 25 X 2 MM
9	AP22660	GROUND CABLE	1		215.900 MM
10	AT195301	SWITCH	1		
11	AT195302	KEY	1		
12	AT202786	SWITCH	1	-593630	(FOUR WAY FLASHER SWITCH (ROCKER))
	AT304026	SWITCH	1	593631-	(FOUR WAY FLASHER SWITCH (ROCKER))
13	AT210334	SWITCH	1		
14	AT312110	PUSH SWITCH	1		(SUB FOR AT310056)
15	AT300676	WIRING HARNESS	1		(CAB ROOF)
	AT308673	WIRING HARNESS	1		(CAB ROOF) (HARSH ENVIRONMENT)
18	14M7303	FLANGE NUT	4		M6
19	19M7774	SCREW	4		M6 X 12
20	19M8538	CAP SCREW	2		M6 X 45
21	21M7250	SCREW	4		M4 X 12
22	21M7250	SCREW	6		M4 X 12
23	24M7100	WASHER	4		6.600 X 22 X 2 MM
25	AT145341	RELAY	1		
26	AT314374	VEHICLE CONTROLLER	1		(FLC CONTROLLER) (SUB FOR AT311902, AT226495)
27	R44342	NUT	1		
28	T196129	BRACKET	1		
	T207717	BRACKET	1		(HARSH ENVIRONMENT)
29	AT336601	TRANSMISSION CONTROLLER	1		(SUB FOR AT311905, AT300098 AND AT316303)
30	AT300537	RELAY	1		
31	T200363	ANGLE	2		
33	AT302954	WIRING HARNESS	1	-593630	(LOAD CENTER)
	AT314322	WIRING HARNESS	1	593631-597641	(LOAD CENTER)
	AT314322	WIRING HARNESS	1	597642-	(ALSO ORDER AT301498 AND 24H1500) (LOAD CENTER)
	AT310020	WIRING HARNESS	1		(HARSH ENVIRONMENT)
34	57M8035	NUT	2		
35	R44302	TIE BAND	5		
36	RE532629	ENGINE CONTROLLER	1		(SUB FOR RE519775 AND RE522529)
37	T181604	PLATE	1		
38	T181605	PLATE	1		
39	T74416	CLAMP	3		
40	T206624	PLUG	2		(SUB FOR GX20510, THIS APPLICATION)
41	H77698	TIE BAND	3		
42	M115279	PLUG	1		
43	T102934	CLAMP	2		
44	T152230	PLUG	2		
45	T167775	BUSHING	1		
46	T182861	ISOLATOR	1		
47	T182862	PLUG	1		
48	T182871	ISOLATOR	2		
49	T46876	GROMMET	1		
50	SEALING TRIM	1		(MAKE FROM T180533) (CUT TO 9.76 INCH)
51	24M7239	WASHER	1		
52	T211678	SEAL	1	593631-	
53	AT301498	PLATE	1		
54	24H1500	WASHER	1		

1674-7A

CAB WIRING HARNESS (S.N. 604690-)
FAISCEAU DE CABINE (S.N. 604690-)
ARNES DE CABINA (S.N. 604690-)

TX1004897 -UN-24MAR06



TX1004897

THIS PARTS LISTING IS CONTINUED

1674-7B

VEHICULE ELECTRICAL SYSTEMS 16
WIRING HARNESS AND SWITCHES 1674

CAB WIRING HARNESS (S.N. 604690-)
FAISCEAU DE CABINE (S.N. 604690-)
ARNES DE CABINA (S.N. 604690-)

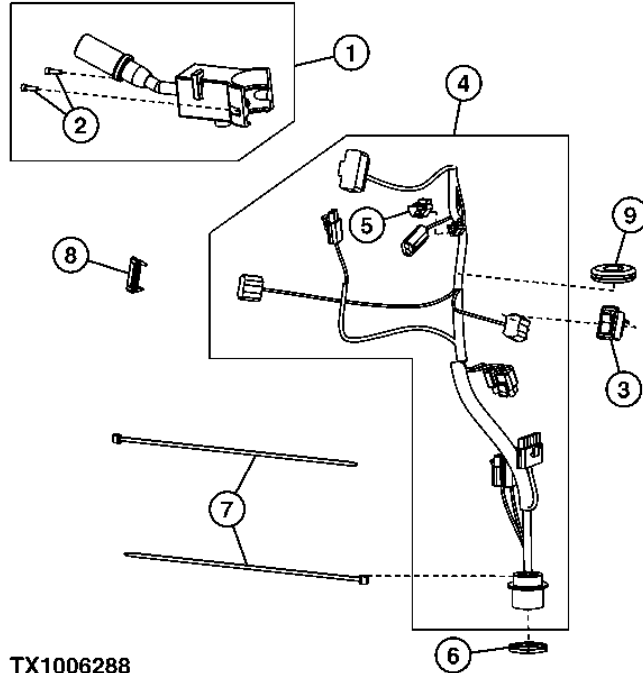
KEY	PART NO.	PART NAME	QTY.	SERIAL NO.	REMARKS
1	14M7298	FLANGE NUT	4		M8
2	14M7360	LOCK NUT	4		M5
3	14M7396	LOCK NUT	2		M8
4	19M7774	SCREW	6		M6 X 12
5	19M7865	SCREW	15		M8 X 16
6	19M7866	SCREW	7		M8 X 20
7	19M8504	CAP SCREW	2		M8 X 80
8	24H1441	WASHER	1		25.806 X 38.100 X 1.219 MM
9	24M7054	WASHER	4		6.400 X 12 X 1.600 MM
10	24M7239	WASHER	1		10.700 X 21 X 2.500 MM
11	24M7298	WASHER	1		8.400 X 25 X 2 MM
12	57M8035	NUT	3		
13	57M8736	ELEC. CONNECTOR ACCESSORY	1		
14	AP22660	GROUND CABLE	1		215.900 MM
15	AT195301	SWITCH	1		
16	AT195302	KEY	1		
17	AT210334	SWITCH	1		
18	AT304026	SWITCH	1		
19	AT311938	WIRING HARNESS	1		
20	AT320724	PUSH SWITCH	1		
21	14M7303	FLANGE NUT	6		M6
23	19M8538	CAP SCREW	2		M6 X 45
24	21M7250	SCREW	1		M4 X 12
25	24H1500	WASHER	1		32.537 X 63.500 X 1.524 MM
26	24M7027	WASHER	4		5.300 X 10 X 1 MM
28	AT145341	RELAY	1		
29	AT227263	HOUSING	1		
30	AT301498	PLATE	1		
31	AT311903	VEHICLE CONTROLLER	1		
39	AT336601	TRANSMISSION CONTROLLER	1		(SUB FOR AT311905)
40	AT314374	VEHICLE CONTROLLER	1		
41	AT317063	RELAY	1		
42	T200363	ANGLE	2		
43	AT329973	WIRING HARNESS	1		
44	R44302	TIE BAND	10		
45	RE532629	ENGINE CONTROLLER	1		(SUB FOR RE522529)
46	T181604	PLATE	1		
47	T181605	PLATE	1		
48	H77698	TIE BAND	3		
49	M115279	PLUG	1		
51	R44342	NUT	1		25.400 MM
52	T102934	CLAMP	2		
53	T167775	BUSHING	2		9.220 X 13.700 X 50.500 MM
54	T206624	PLUG	2		
55	T211678	SEAL	1		
56	T224069	PLUG	1		
57	T46876	GROMMET	1		
58	T74416	CLAMP	3		

1674-8

FRONT DASH MODULE WIRING AND SHIFTER ASSEMBLY
CABLAGE MODULE TABLEAU BORD AVANT ET LEVIER VITESSES
CONJUNTO DE ALAMBRADO DEL MODULO DEL TABLERO DELANTERO Y CONJUNTO DE CAMBIOS

TX1006288

-UN-27APR06



TX1006288

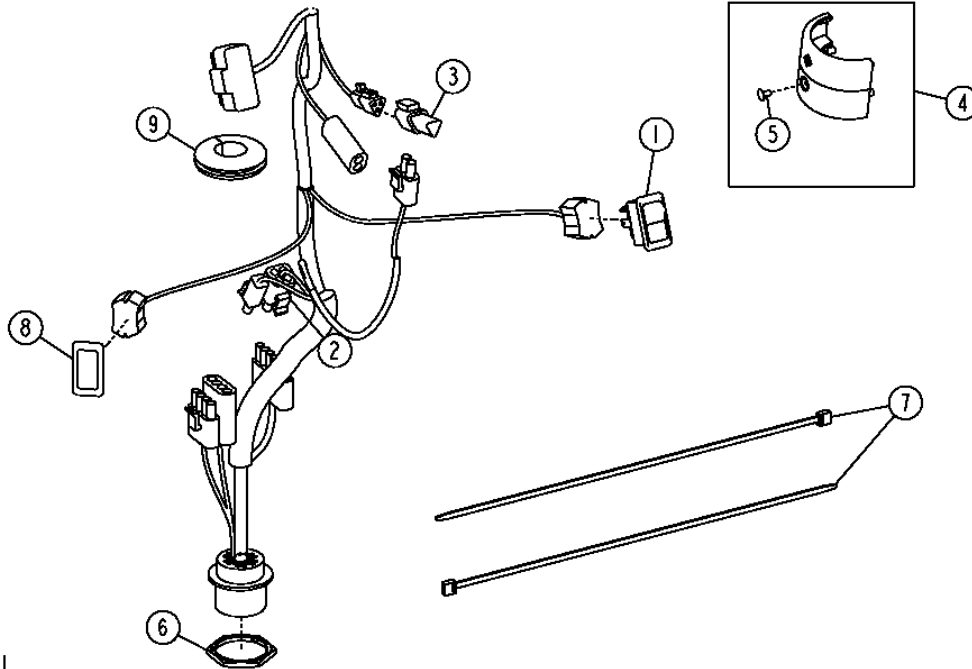
KEY	PART NO.	PART NAME	QTY.	SERIAL NO.	REMARKS
1	AT176801	SWITCH	1		(ALSO ORDER (2) 19M8581)
2	19M8581	SCREW	2		M5 X 20, (SUB FOR 19M8146)
3	AT208630	SWITCH	1		
4	AT227134	WIRING HARNESS	1		
5	57M8131	ELEC. CONNECTOR TERMINAL	1		
6	57M8035	NUT	1		(SUB FOR E73240)
7	H77698	TIE BAND	2		
8	M115279	PLUG	1		
9	T46876	GROMMET	1		

1674-9

DASH MODULE WIRING WITH JOYSTICK GEAR SELECTION
CABLAGE MODULE TABLEAU BORD AVEC SELECTION VITESSE MANCHE A BALAI
ALAMBRADO DEL MODULO DE TABLERO CON SELECCION DE ENGRANAJES DE LA PALANCA DE CONTROL

T212821

-UN-15AUG05



T212821

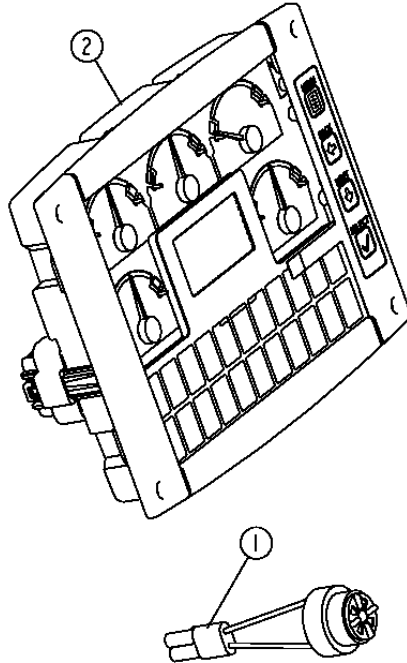
KEY	PART NO.	PART NAME	QTY.	SERIAL NO.	REMARKS
1	AT208630	SWITCH	1		(PARK BRAKE)
2	AT227134	WIRING HARNESS	1		(FRONT CONSOLE)
3	57M8131	ELEC. CONNECTOR TERMINAL	1		
4	AT300921	KIT	1		(STEERING COLUMN CLAMP & COVER)
5	21M7258	SCREW	1		M4 X 8
6	57M8035	NUT	1		(SUB FOR E73240)
7	H77698	TIE BAND	2		
8	M115279	PLUG	1		
9	T46876	GROMMET	1		

1674-10

VEHICULE ELECTRICAL SYSTEMS 16
WIRING HARNESS AND SWITCHES 1674

CAB MONITOR AND ALARM MONINTEUR ET ALARME CABINE MONITOR Y ALARMA DE LA CABINA

T193991 -UN-21AUG03



T193991

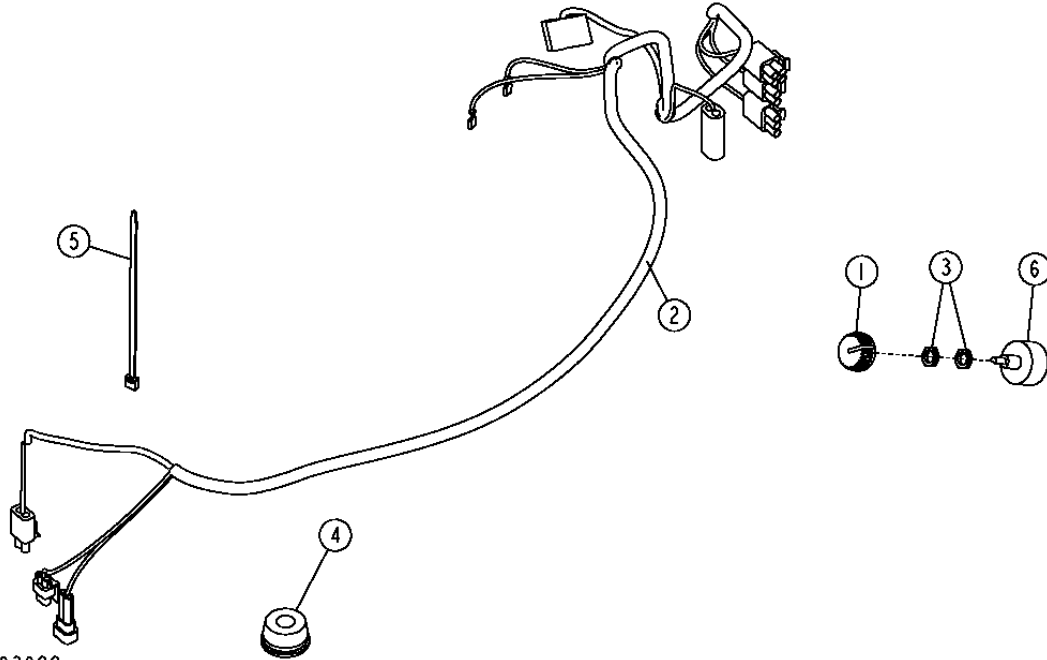
KEY	PART NO.	PART NAME	QTY.	SERIAL NO.	REMARKS
1	AT160480	ALARM SYSTEM	1		
2	AT312178	MONITOR	1		(SUB FOR AT313501, AT226944)

1674-11

VEHICULE ELECTRICAL SYSTEMS 16
WIRING HARNESS AND SWITCHES 1674

HVAC WIRING
CABLAGE CHAUFFAGE, VENTILATION ET CLIMATISATION
ALAMBRADO DE CLIMATIZACION

T193988 -UN-18AUG03



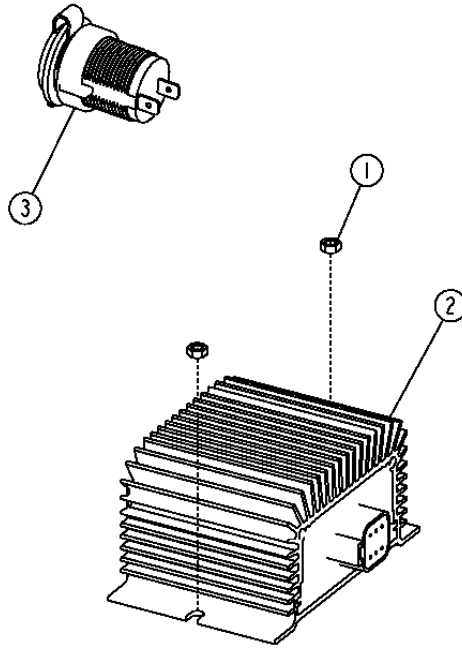
T193988

KEY	PART NO.	PART NAME	QTY.	SERIAL NO.	REMARKS
1	AL76568	KNOB	1		
2	AT202934	WIRING HARNESS	1		
3	R44165	LOCK NUT	2		
4	T182870	ISOLATOR	1		(SUB FOR N119177)
5	R44302	TIE BAND	1		
6	RE43497	SWITCH	1		

1674-12

CONVERTER (5 AMP) (24 VOLT TO 12 VOLT)
 CONVERTISSEUR (5 AMP) (24 VOLT A 12 VOLTS)
 CONVERTIDOR (5 AMP) (24 V A 12 V)

T193986 -UN-22AUG03



T193986

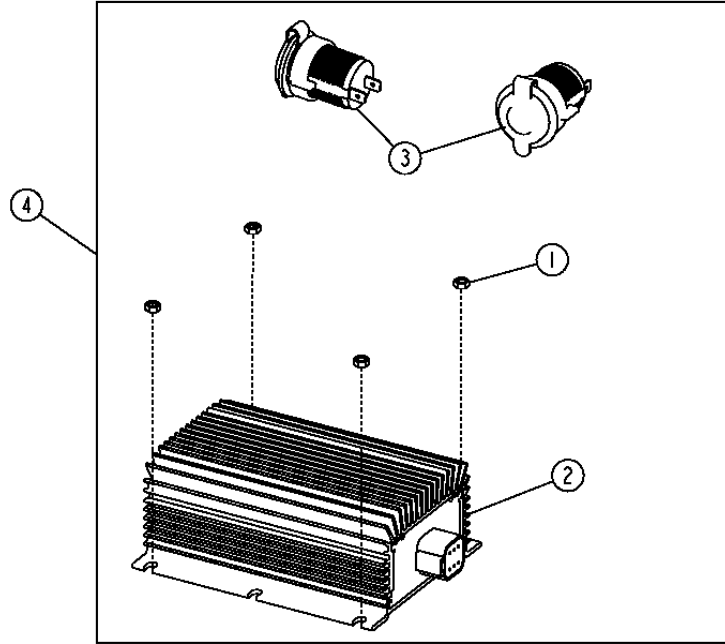
KEY	PART NO.	PART NAME	QTY.	SERIAL NO.	REMARKS
1	14M7100	NUT	2	M4	
2	AT224893	CONVERTER	1		
3	GY20126	SOCKET OUTLET	1		

1674-13

VEHICULE ELECTRICAL SYSTEMS 16
WIRING HARNESS AND SWITCHES 1674

CONVERTER (10 AMP) (24 VOLT TO 12 VOLT)
CONVERTISSEUR (10 AMP) (24 VOLT A 12 VOLTS)
CONVERTIDOR (10 AMP) (24 V A 12 V)

T193985 -UN-22AUG03



T193985

KEY	PART NO.	PART NAME	QTY.	SERIAL NO.	REMARKS
1	14M7100	NUT	4		M4
2	AT224894	CONVERTER	1		
3	GY20126	SOCKET OUTLET	2		POWER PLUG
4	AT306828	KIT	1		(WHOLEGOODS)

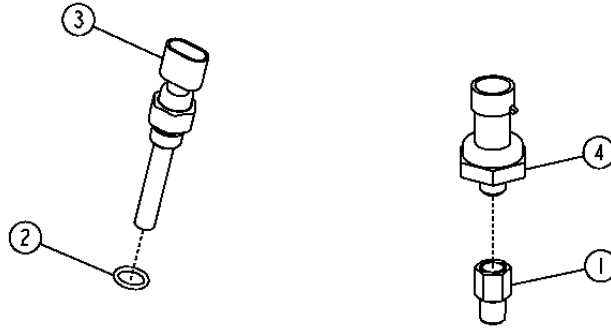
1674-14

VEHICULE ELECTRICAL SYSTEMS 16

WIRING HARNESS AND SWITCHES 1674

ENGINE COOLANT TEMPERATURE AND OIL PRESSURE SENSORS
CAPTEURS TEMPERATURE LIQUIDE REFROIDISSEMENT ET PRESSION HUILE MOTEUR
SENSORES DE PRESION DE ACEITE Y TEMPERATURA DEL REFRIGERANTE DEL MOTOR

T194523 -UN-04SEP03



T194523

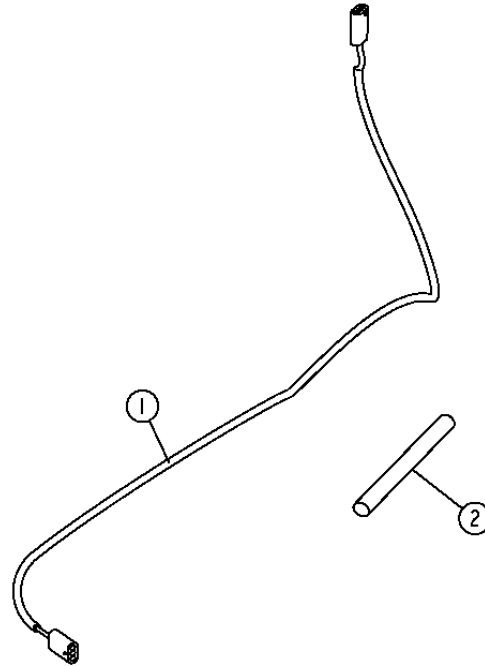
KEY	PART NO.	PART NAME	QTY.	SERIAL NO.	REMARKS
1	P40098	ADAPTER FITTING	1		
2	R26286	O-RING	1		
3	RE151433	COOLANT TEMPERATURE SENSOR	1		
4	RE167207	PRESSURE SENSOR	1		(OIL PRESSURE SENSOR)

1674-15

VEHICULE ELECTRICAL SYSTEMS 16
WIRING HARNESS AND SWITCHES 1674

RETURN TO DIG HARNESS
FAISCEAU DE RETOUR EN POSITION DE CREUSEMENT
ARNES DE RETORNO PARA EXCAVAR

T200874 -UN-10JUN04



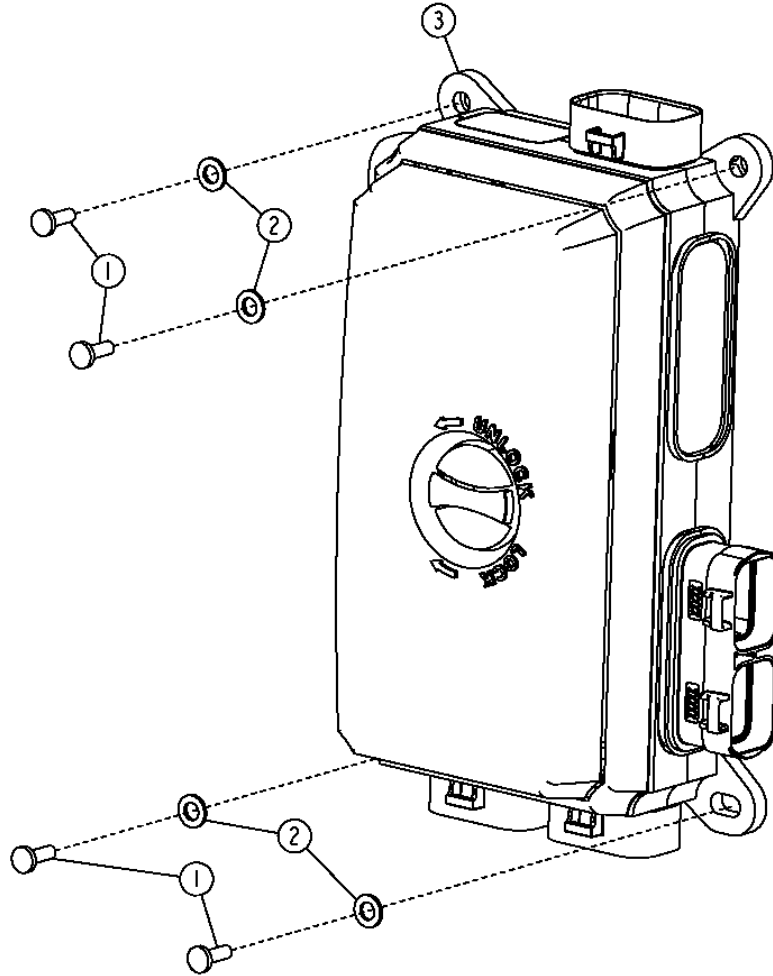
T200874

KEY	PART NO.	PART NAME	QTY.	SERIAL NO.	REMARKS
1	AT202827	WIRING HARNESS	1		
	AT221628	WIRING HARNESS	1		(HARSH ENVIRONMENT)
	AT208024	STAND-OFF	1		(USE WITH TOOL CARRIER)
	AT303807	WIRING HARNESS	1		(USE WITH TOOL CARRIER)
2	BULK HOSE	1		(CUT TO LENGTH) (MAKE FROM T148181)

1674-16

VEHICLE ELECTRICAL CENTER (VEC)
CENTRE ELECTRIQUE DU VEHICULE (VEC)
CENTRO ELECTRICO DEL VEHICULO (VEC)

T209740 -UN-01APR05



T209740

1674-17

VEHICULE ELECTRICAL SYSTEMS 16
WIRING HARNESS AND SWITCHES 1674

**VEHICLE ELECTRICAL CENTER (VEC)
CENTRE ELECTRIQUE DU VEHICULE (VEC)
CENTRO ELECTRICO DEL VEHICULO (VEC)**

KEY	PART NO.	PART NAME	QTY.	SERIAL NO.	REMARKS
1	21M7250	SCREW	4		M4 X 12
2	24M7087	WASHER	4		5.500 X 10 X 1 MM
3	VEHICLE CONTROLLER	1	-600914	(AT301777 NLA) (INCLUDES ALL FUSES, DIODES, AND RELAYS)
	AT311903	VEHICLE CONTROLLER	1	600915-	(INCLUDES ALL FUSES, DIODES, AND RELAYS)
4	57M7688	FUSE	18		(NOT ILLUSTRATED) (5 AMP)
5	57M7689	FUSE	10		(NOT ILLUSTRATED) (10AMP)
6	57M7690	FUSE	3		(NOT ILLUSTRATED) (15AMP)
7	57M8623	FUSE	1		(NOT ILLUSTRATED) (25AMP)
8	57M8640	DIODE	5		(NOT ILLUSTRATED)
9	AT305389	RELAY	1		(NOT ILLUSTRATED) (24 VOLT)

1740-2

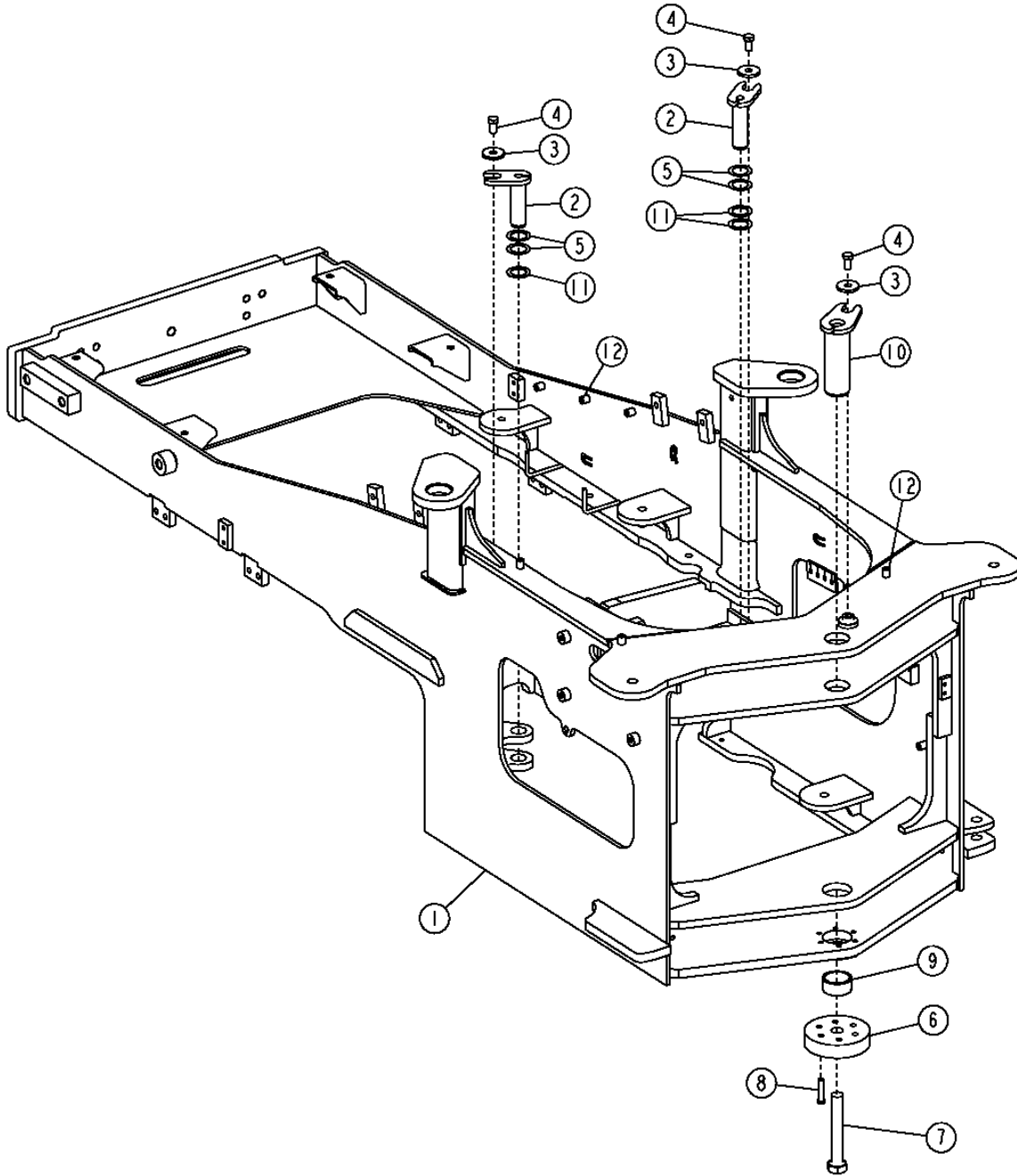
FRAME, CHASSIS OR SUPPORTING STRUCTURE 17

FRAME INSTALLATION 1740

ENGINE FRAME (S.N. -604689)
CHASSIS DE MOTEUR (S.N. -604689)
BASTIDOR DEL MOTOR (S.N. -604689)

T212660

-UN-15AUG05



T212660

THIS PARTS LISTING IS CONTINUED

1740-3

FRAME, CHASSIS OR SUPPORTING STRUCTURE 17

FRAME INSTALLATION 1740

ENGINE FRAME (S.N. -604689)
CHASSIS DE MOTEUR (S.N. -604689)
BASTIDOR DEL MOTOR (S.N. -604689)

KEY	PART NO.	PART NAME	QTY.	SERIAL NO.	REMARKS
1	AT226406	FRAME	1		(CONVENIENCE ASSY)
2	AT133204	PIN FASTENER	2		
3	T176064	BUSHING	3		(SUB FOR T146246)
4	19M7488	CAP SCREW	3		M16 X 40, (SUB FOR 19M8029)
5	24H1556	WASHER	4		1-41/64" X 2-3/8" X 0.048"
6	T182446	COVER	1		
7	19M9190	CAP SCREW	1		M30 X 200
8	19M7363	CAP SCREW	6		M12 X 60
9	T182265	BUSHING	1		
10	AT206751	PIN	1		
11	24H1558	WASHER	3		1-41/64" X 2-3/8" X 0.075"
12	T72414	BUSHING	13		

1740-3A

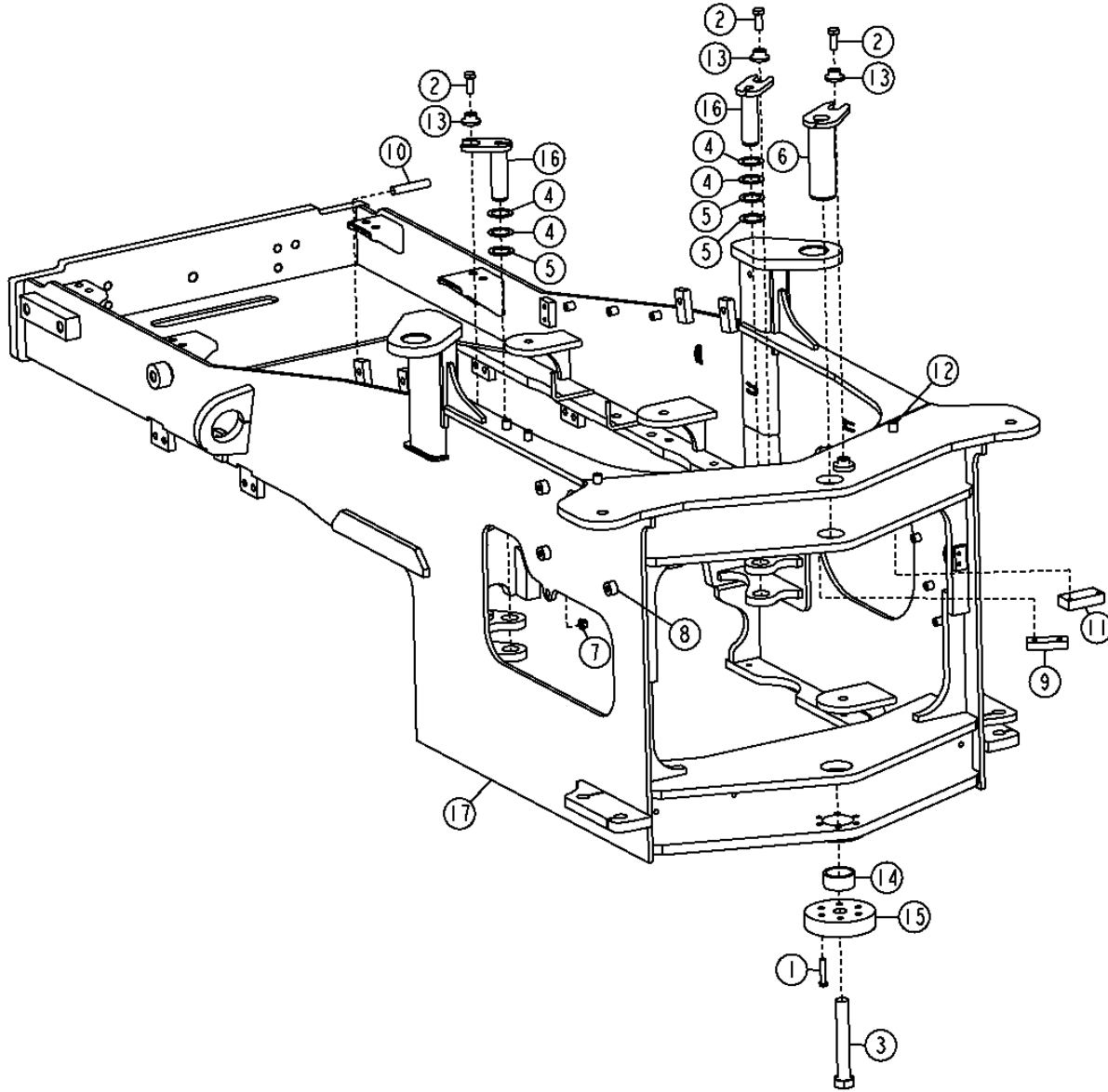
FRAME, CHASSIS OR SUPPORTING STRUCTURE 17

FRAME INSTALLATION 1740

ENGINE FRAME (S.N. 604690-)
CHASSIS DE MOTEUR (S.N. 604690-)
BASTIDOR DEL MOTOR (S.N. 604690-)

TX1013514

-UN-25OCT06



TX1013514

THIS PARTS LISTING IS CONTINUED

1740-3B

FRAME, CHASSIS OR SUPPORTING STRUCTURE 17

FRAME INSTALLATION 1740

ENGINE FRAME (S.N. 604690-)
CHASSIS DE MOTEUR (S.N. 604690-)
BASTIDOR DEL MOTOR (S.N. 604690-)

KEY	PART NO.	PART NAME	QTY.	SERIAL NO.	REMARKS
1	19M7363	CAP SCREW	6		M12 X 60
2	19M7488	CAP SCREW	3		M16 X 40
3	19M9190	CAP SCREW	1		M30 X 200
4	24H1556	WASHER	4		41.681 X 60.325 X 1.219 MM
5	24H1558	WASHER	3		41.681 X 60.325 X 1.905 MM
6	AT206751	PIN	1		
7	14M7443	FLANGE NUT	2		M12
8	T125546	BUSHING	11		
9	T133290	STRAP	1		
10	T195605	BOSS	2		
11	T203047	STRAP	2		
12	T72414	BUSHING	14		
13	T176064	BUSHING	3		16.300 X 28.600 X 21.900 MM
14	T182265	BUSHING	1		63.623 X 74.160 X 34.500 MM
15	T182446	COVER	1		
16	AT203570	PIN	2		
17	AT315414	FRAME	1		(CONVENIENCE ASSY)

1740-4

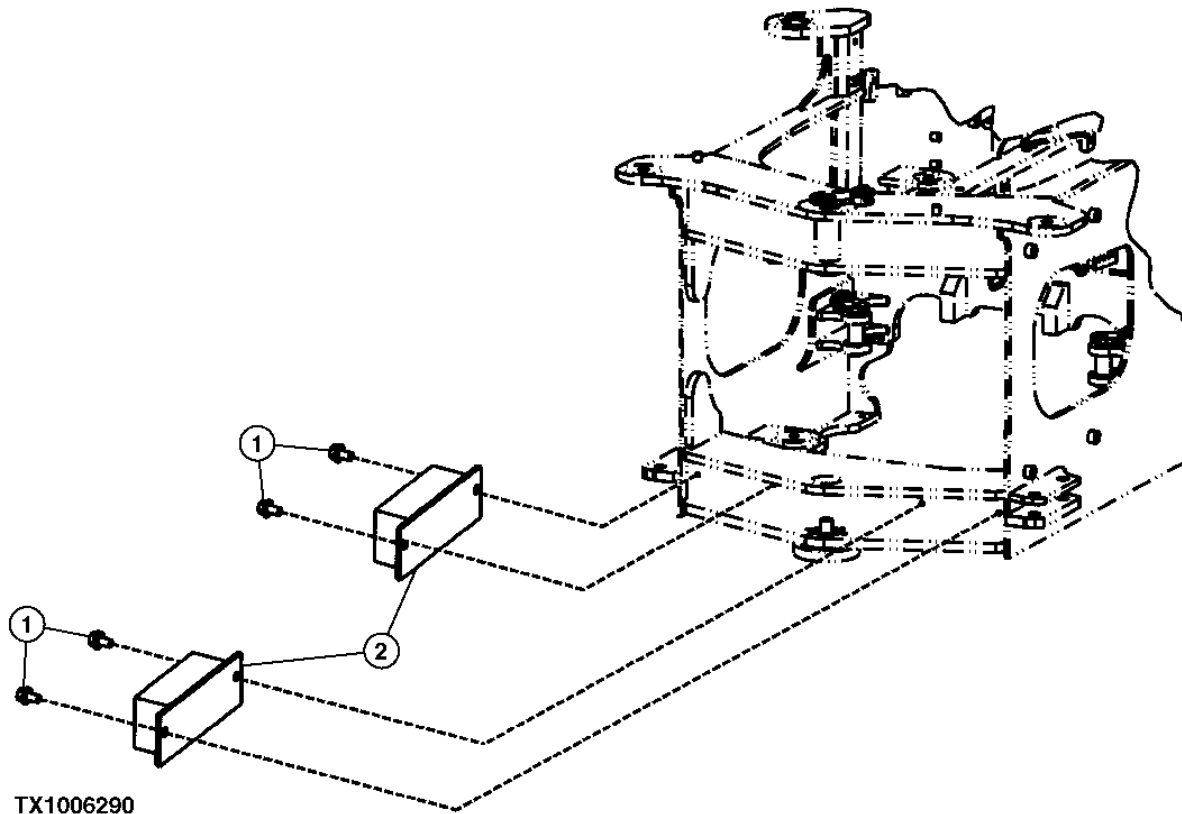
FRAME, CHASSIS OR SUPPORTING STRUCTURE 17

FRAME INSTALLATION 1740

ENGINE FRAME STEERING CUSHIONS
COUSSINS DIRECTION BATI MOTEUR
AMORTIGUADORES DE LA DIRECCION DEL BASTIDOR DEL MOTOR

TX1006290

-UN-24APR06



TX1006290

THIS PARTS LISTING IS CONTINUED

1740-5

FRAME, CHASSIS OR SUPPORTING STRUCTURE 17

FRAME INSTALLATION 1740

**ENGINE FRAME STEERING CUSHIONS
COUSSINS DIRECTION BATI MOTEUR
AMORTIGUADORES DE LA DIRECCION DEL BASTIDOR DEL MOTOR**

KEY	PART NO.	PART NAME	QTY.	SERIAL NO.	REMARKS
1	19M7788	SCREW	4		M12 X 25
2	AT143577	BUMPER	2		

1746-2

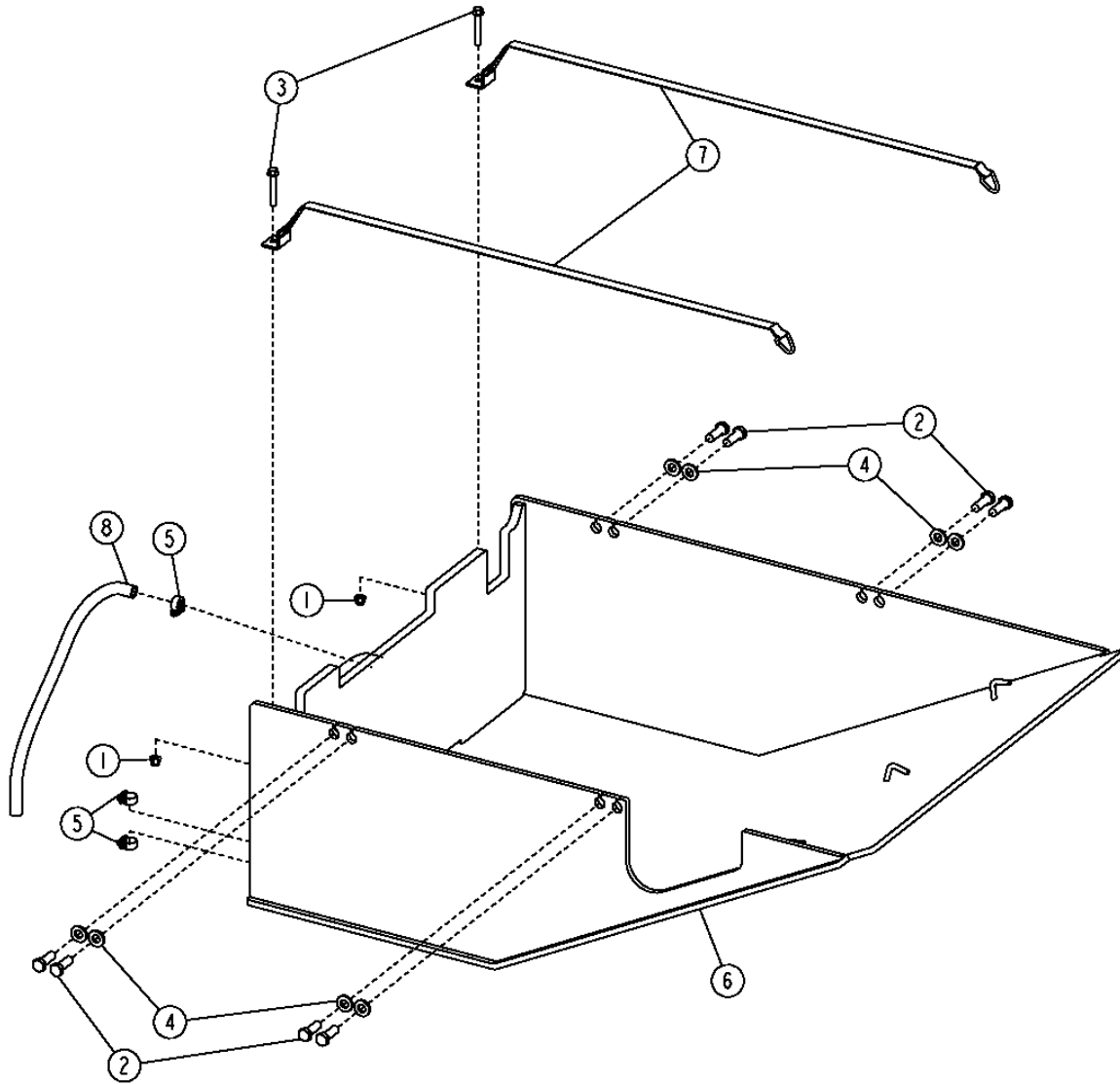
FRAME, CHASSIS OR SUPPORTING STRUCTURE 17

FRAME BOTTOM GUARDS 1746

FUEL TANK BOTTOM GUARD PROTECTION INFERIEURE RESERVOIR CARBURANT PROTECTUER DEL TANQUE DE COMBUSTIBLE INFERIOR

T193526

-UN-27AUG03



T193526

THIS PARTS LISTING IS CONTINUED

1746-3

FRAME, CHASSIS OR SUPPORTING STRUCTURE 17

FRAME BOTTOM GUARDS 1746

**FUEL TANK BOTTOM GUARD
PROTECTION INFERIEURE RESERVOIR CARBURANT
PROTECTOR DEL TANQUE DE COMBUSTIBLE INFERIOR**

KEY	PART NO.	PART NAME	QTY.	SERIAL NO.	REMARKS
1	14M7400	LOCK NUT	2		M10
2	19M7489	CAP SCREW	8		M16 X 45
3	19M8114	SCREW	2		M10 X 70
4	24M7241	WASHER	8		17 X 34 X 4 MM
5	AR21837	CLAMP	3		
6	GUARD	1	-596681	(SUB AT318373 AND AT318494) (AT226894 NLA)
	AT318494	GUARD	1	596682-	
7	STRAP	2	-596681	(SUB AT318373 AND AT318494) (AT226895 NLA)
	AT318373	STRAP	2	596682-	
8	BULK HOSE	1		(MAKE FROM T60811) (CUT TO LENGTH, 3.5 FT)

1746-4

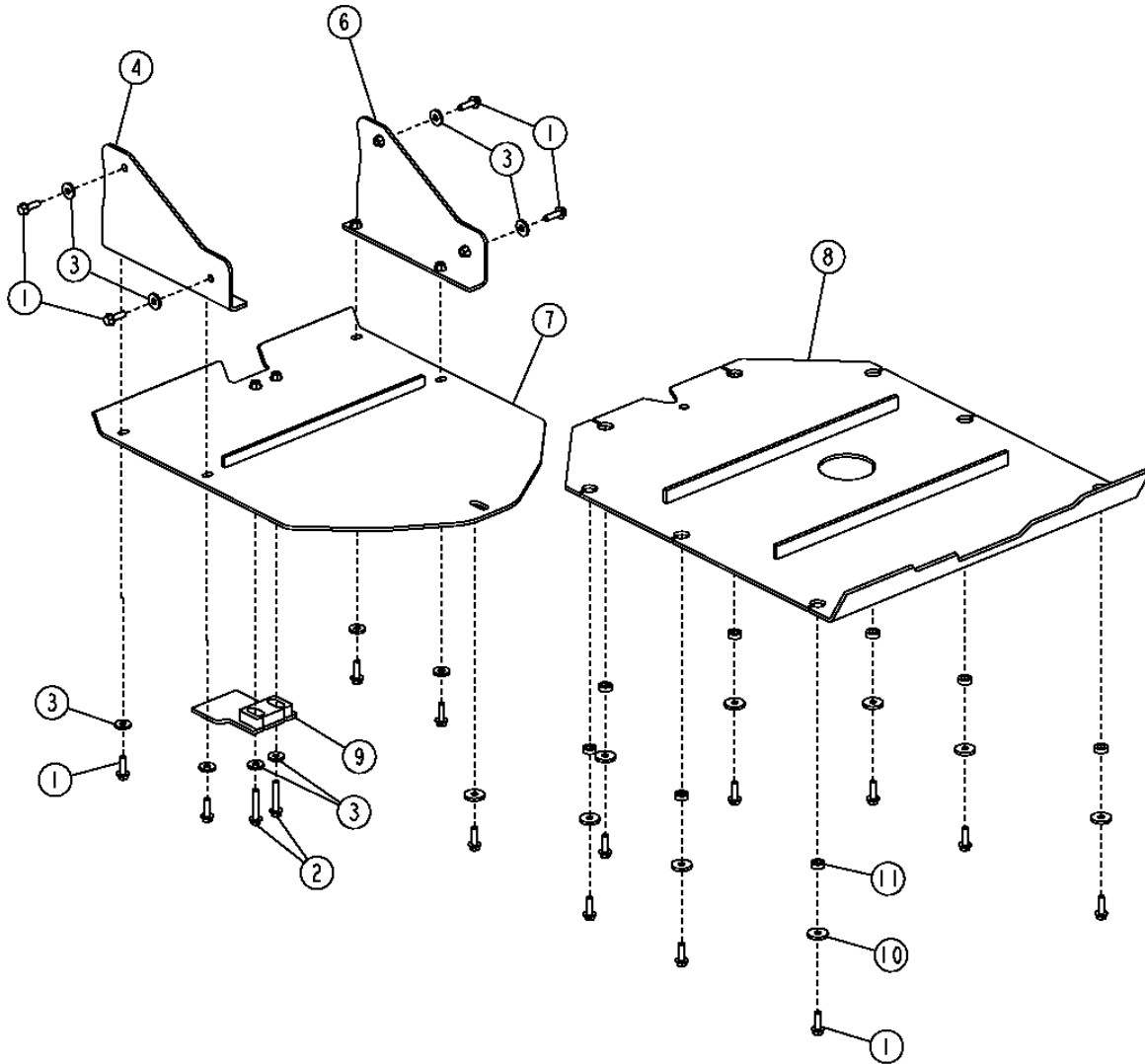
FRAME, CHASSIS OR SUPPORTING STRUCTURE 17

FRAME BOTTOM GUARDS 1746

TRANSMISSION BOTTOM GUARD AND FRONT BOTTOM GUARD (S.N. -604689)
PROTECTION INFERIEURE DE TRANSMISSION ET PROTECTION INFERIEURE AVANT (S.N. -604689)
PROTECTOR INFERIOR DE LA TRANSMISION Y PROTECTOR INFERIOR DELANTERO (S.N. -604689)

T196906

-UN-18DEC03



T196906

THIS PARTS LISTING IS CONTINUED

1746-5

FRAME, CHASSIS OR SUPPORTING STRUCTURE 17

FRAME BOTTOM GUARDS 1746

TRANSMISSION BOTTOM GUARD AND FRONT BOTTOM GUARD (S.N. -604689)
PROTECTION INFERIEURE DE TRANSMISSION ET PROTECTION INFERIEURE AVANT (S.N. -604689)
PROTECTOR INFERIOR DE LA TRANSMISION Y PROTECTOR INFERIOR DELANTERO (S.N. -604689)

KEY	PART NO.	PART NAME	QTY.	SERIAL NO.	REMARKS
1	19M7791	BOLT	17		M12 X 40
2	19M7791	BOLT	2		M12 X 40
3	24M7226	WASHER	10		13 X 35 X 5 MM
4	AT207432	SUPPORT	1		(LH)
5	14M7443	FLANGE NUT	10		M12
6	AT207433	SUPPORT	1		(RH)
7	AT206895	GUARD	1		(FRONT)
8	AT206894	GUARD	1		(TRANSMISSION)
9	T177256	GUARD	1		(EXTENSION)
10	T20217	WASHER	9		12.954 X 43.942 X 6.350 MM
11	T197569	BUSHING	8		

1746-5A

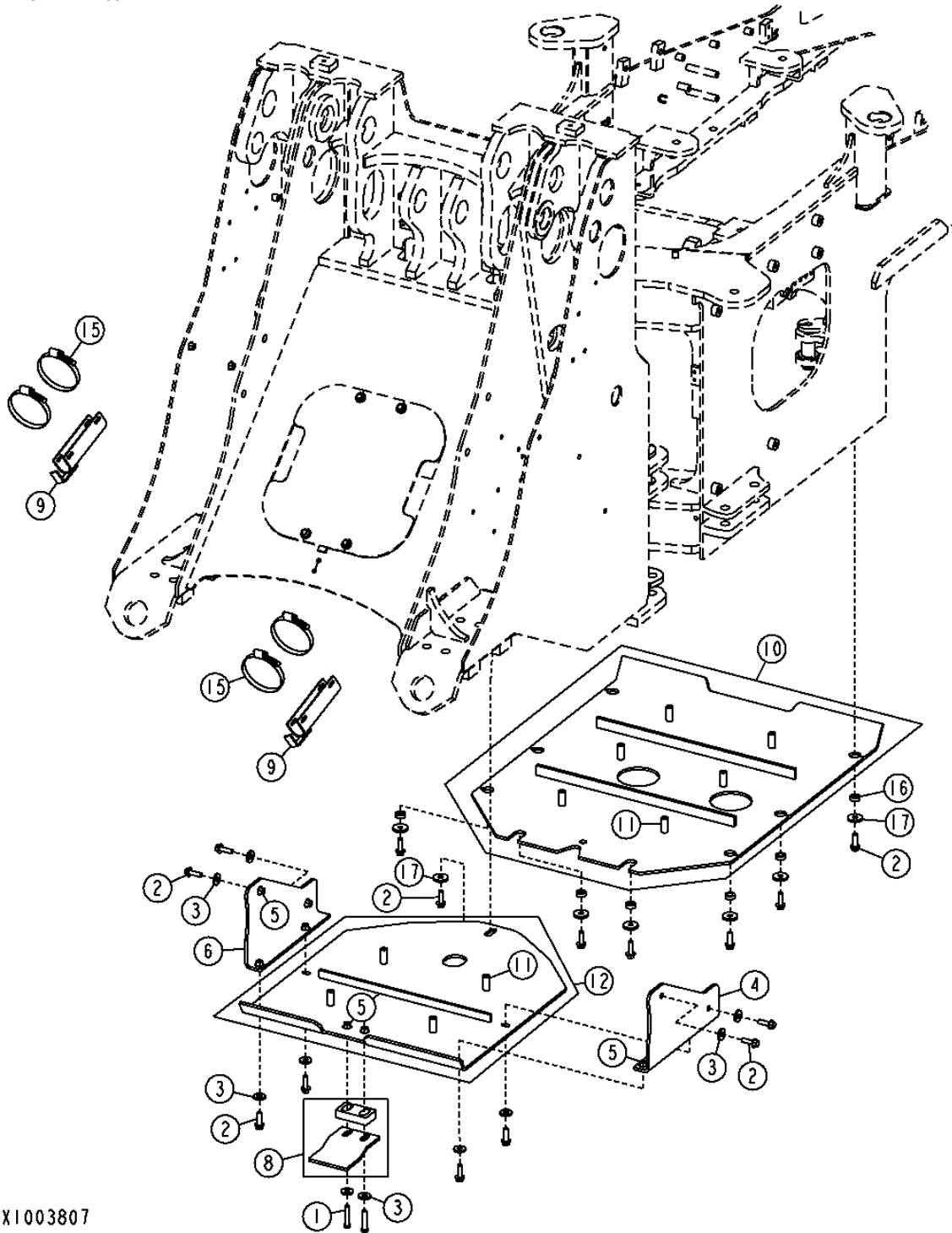
FRAME, CHASSIS OR SUPPORTING STRUCTURE 17

FRAME BOTTOM GUARDS 1746

TRANSMISSION BOTTOM GUARD AND FRONT BOTTOM GUARD (S.N. 604690-)
PROTECTION INFERIEURE DE TRANSMISSION ET PROTECTION INFERIEURE AVANT (S.N. 604690-)
PROTECTOR INFERIOR DE LA TRANSMISSION Y PROTECTOR INFERIOR DELANTERO (S.N. 604690-)

TX1003807

-UN-21FEB06



TX1003807

THIS PARTS LISTING IS CONTINUED

1746-5B

FRAME, CHASSIS OR SUPPORTING STRUCTURE 17

FRAME BOTTOM GUARDS 1746

TRANSMISSION BOTTOM GUARD AND FRONT BOTTOM GUARD (S.N. 604690-)
PROTECTION INFERIEURE DE TRANSMISSION ET PROTECTION INFERIEURE AVANT (S.N. 604690-)
PROTECTOR INFERIOR DE LA TRANSMISION Y PROTECTOR INFERIOR DELANTERO (S.N. 604690-)

KEY	PART NO.	PART NAME	QTY.	SERIAL NO.	REMARKS
1	19M7817	SCREW	2		M12 X 70, (SUB FOR 19M7363, THIS APPLICATION)
2	19M7791	BOLT	17		M12 X 40
3	24M7180	WASHER	10		13 X 37 X 3 MM, (SUB FOR 24M7226, THIS APPLICATION)
4	AT207432	SUPPORT	1		
5	14M7443	FLANGE NUT	10		M12
6	AT207433	SUPPORT	1		
8	AT221332	GUARD	1		
9	AT222011	COVER	2		(FOR Z-BAR ONLY)
10	AT317099	GUARD	1		
11	BUSHING	10		(SUB FOR T157318)
12	AT317132	GUARD	1		
15	RE40281	CLAMP	4		
16	T197569	BUSHING	8		16.300 X 28.500 X 10.300 MM
17	H140469	LOCK WASHER	9		12.954 X 43.942 X 6.350 MM

1746-6

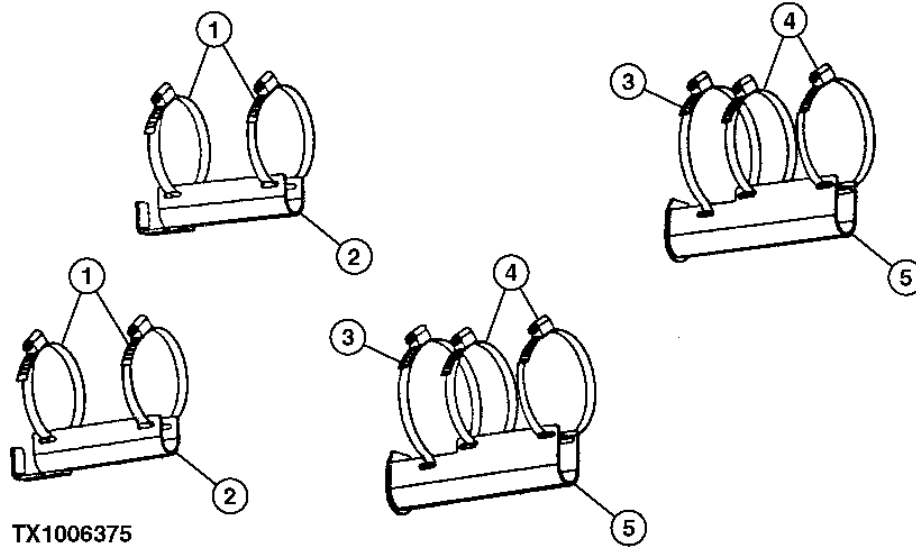
FRAME, CHASSIS OR SUPPORTING STRUCTURE 17

FRAME BOTTOM GUARDS 1746

**CYLINDER-FITTING ROCK GUARDS
PARE-PIERRES RACCORD CYLINDRE
PROTECTORES CONTRA ROCAS ADAPTADOR, CILINDRO**

TX1006375

-UN-24APR06



KEY	PART NO.	PART NAME	QTY.	SERIAL NO.	REMARKS
1	RE40281	CLAMP	4		
2	AT222011	COVER	2		(FOR Z-BAR ONLY)
3	TY22494	HOSE CLAMP	2		TOOL CARRIER
4	AR85327	CLAMP	4		TOOL CARRIER
5	AT222012	COVER	2		TOOL CARRIER

1746-7

FRAME, CHASSIS OR SUPPORTING STRUCTURE 17

FRAME BOTTOM GUARDS 1746

MEMORANDA
MEMORANDA
MEMORANDA

1749-2

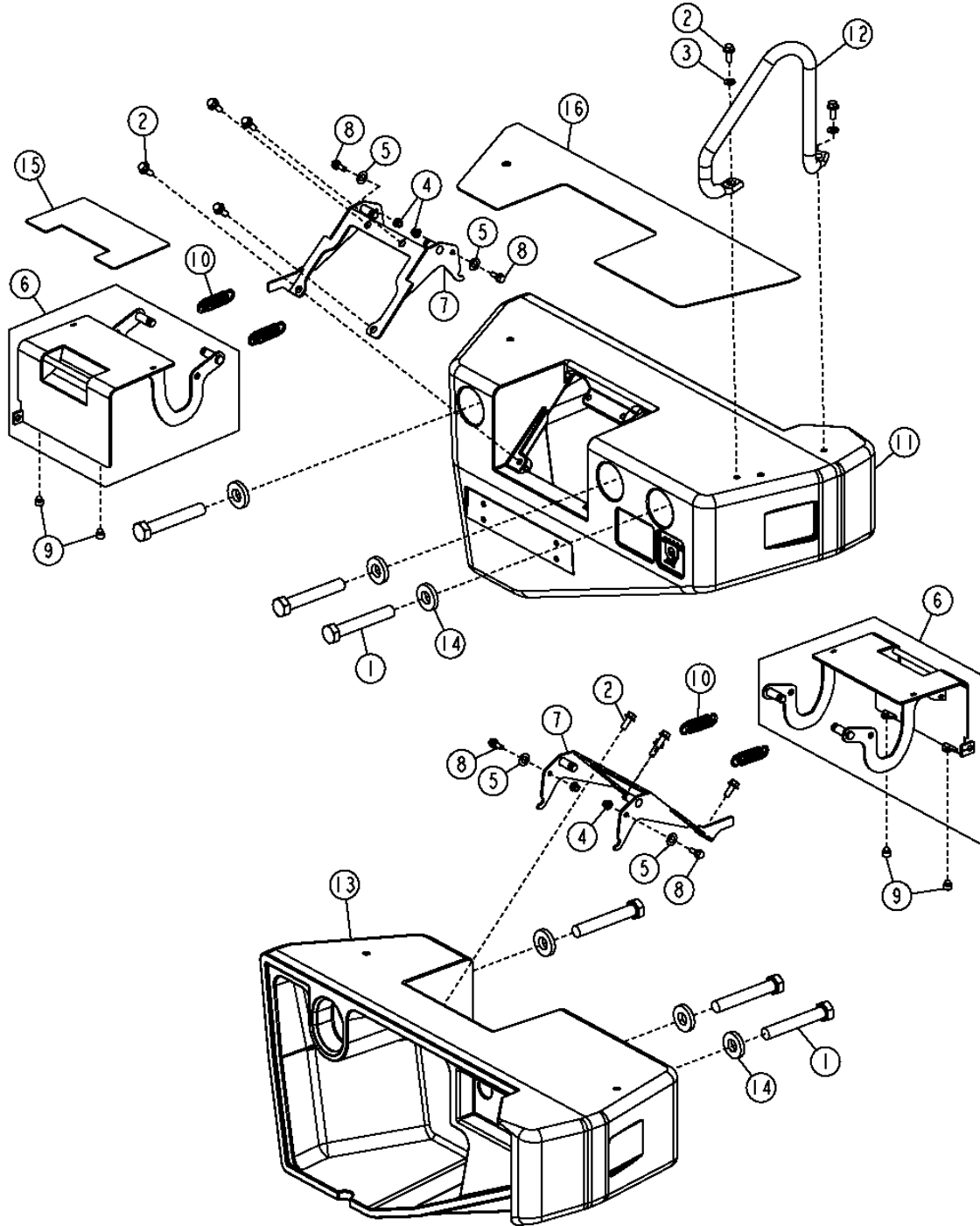
FRAME, CHASSIS OR SUPPORTING STRUCTURE 17

CHASSIS WEIGHTS 1749

MAIN COUNTERWEIGHT CONTREPOIDS PRINCIPAL CONTRAPESO PRICIPAL

TX1014643

-UN-



TX1014643

THIS PARTS LISTING IS CONTINUED

1749-3

FRAME, CHASSIS OR SUPPORTING STRUCTURE 17

CHASSIS WEIGHTS 1749

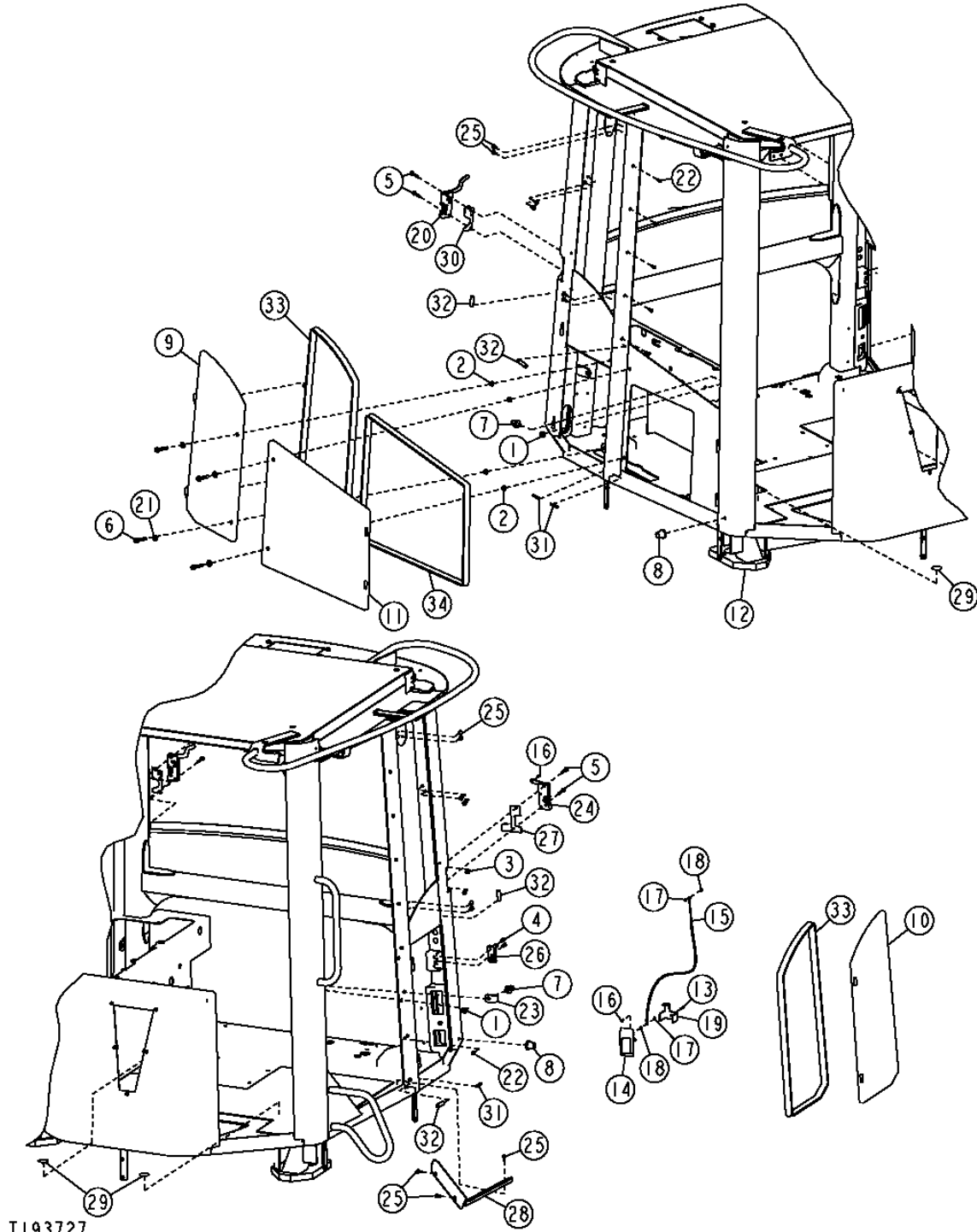
**MAIN COUNTERWEIGHT
CONTREPOIDS PRINCIPAL
CONTRAPESO PRINCIPAL**

KEY	PART NO.	PART NAME	QTY.	SERIAL NO.	REMARKS
1	19M7781	CAP SCREW	6		M24 X 150
2	19M7785	SCREW	6		M10 X 25
3	24M7239	WASHER	6		10.700 X 21 X 2.500 MM
4	14M7396	LOCK NUT	2		M8
5	24H1849	WASHER	2		17/32" X 1" X 0.036"
6	AT228414	DOOR	1		
7	AT228426	COVER	1		
8	H169568	SCREW	2		
9	T175361	GROMMET	2		
10	T203290	EXTENSION SPRING	2		
11	T195982	COUNTERWEIGHT	1		
12	T197440	HANDLE	1		
13	T204109	COUNTERWEIGHT	1		
14	T152076	WASHER	6		
15	T198179	MAT	1		
16	T198178	MAT	1		

1810-2

CAB CABINE CABINA

T193727 -UN-16OCT03



T193727

THIS PARTS LISTING IS CONTINUED

1810-3

OPERATOR'S STATION 18
OPERATOR ENCLOSURE 1810

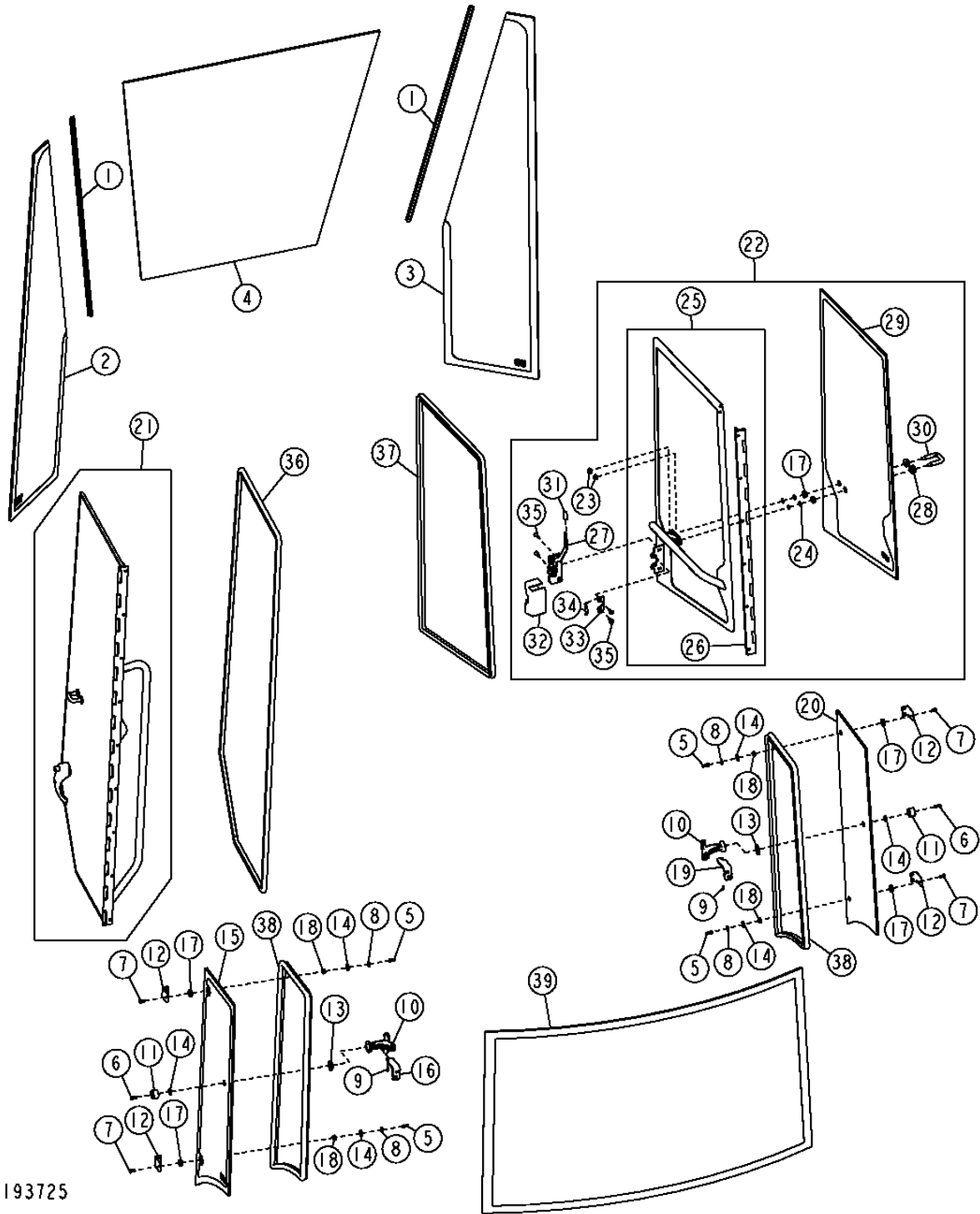
**CAB
CABINE
CABINA**

KEY	PART NO.	PART NAME	QTY.	SERIAL NO.	REMARKS
1	14H813	NUT	2		7/16"
2	14M7298	FLANGE NUT	4		M8
3	14M7397	LOCK NUT	4		M6
4	19H1948	CAP SCREW	2		1/4" X 3/4"
5	19M7797	SCREW	4		M6 X 40
6	19M8318	SCREW	4		M8 X 45
7	AR91896	STRIKER	2		
8	AT211296	BUMPER	2		
9	AT224989	DOOR	1		
10	AT224990	DOOR	1		
11	AT224991	DOOR	1		
12	AT332126	ROPS	1		(AT315446 NLA) (SUB FOR AT226372)
13	19H3370	CAP SCREW	1		0.190" X 5/8"
14	AT227544	LATCH	1		
15	AT227545	PUSH PULL CABLE	1		
16	T178113	CLIP	2	-600445	(SUB L985T AND 11M7093, THIS APPLICATION)
	11M7093	COTTER PIN	2	600446-	
17	T178112	PIN FASTENER	2	-600445	(SUB L985T AND 11M7093, THIS APPLICATION)
	L985T	PIN FASTENER	2	600446-	
18	T178114	SPACER	2		
19	T196309	BRACKET	1		
20	AT315290	LATCH	1		(AT303411 NLA)
21	H110232	WASHER	4		0.406" X 0.890" X 0.059"
22	M114063	SCREW	15		M6 X 16
23	T135583	GUARD	1		
24	AT310702	LATCH	1		(T167504 NLA)
25	TCU14336	SCREW	15		
26	T167658	LATCH	1		
27	T177505	BRACKET	1		
28	T180930	RETAINER	1		
29	T186793	LABEL	3		
30	T201708	PLATE	1		
31	T203614	ISOLATOR	3		
32	T203615	ISOLATOR	4		
33	ISOLATOR	1		(MAKE FROM AT305130) (CUT TO LENGTH, 75.5 IN.(1918 MM))
34	AT305130	ISOLATOR	1		

1810-4

CAB GLASS GLACE CABINE VIDRIO DE LA CABINA

T193725 -UN-30SEP03



T193725

1810-5

OPERATOR'S STATION 18
OPERATOR ENCLOSURE 1810

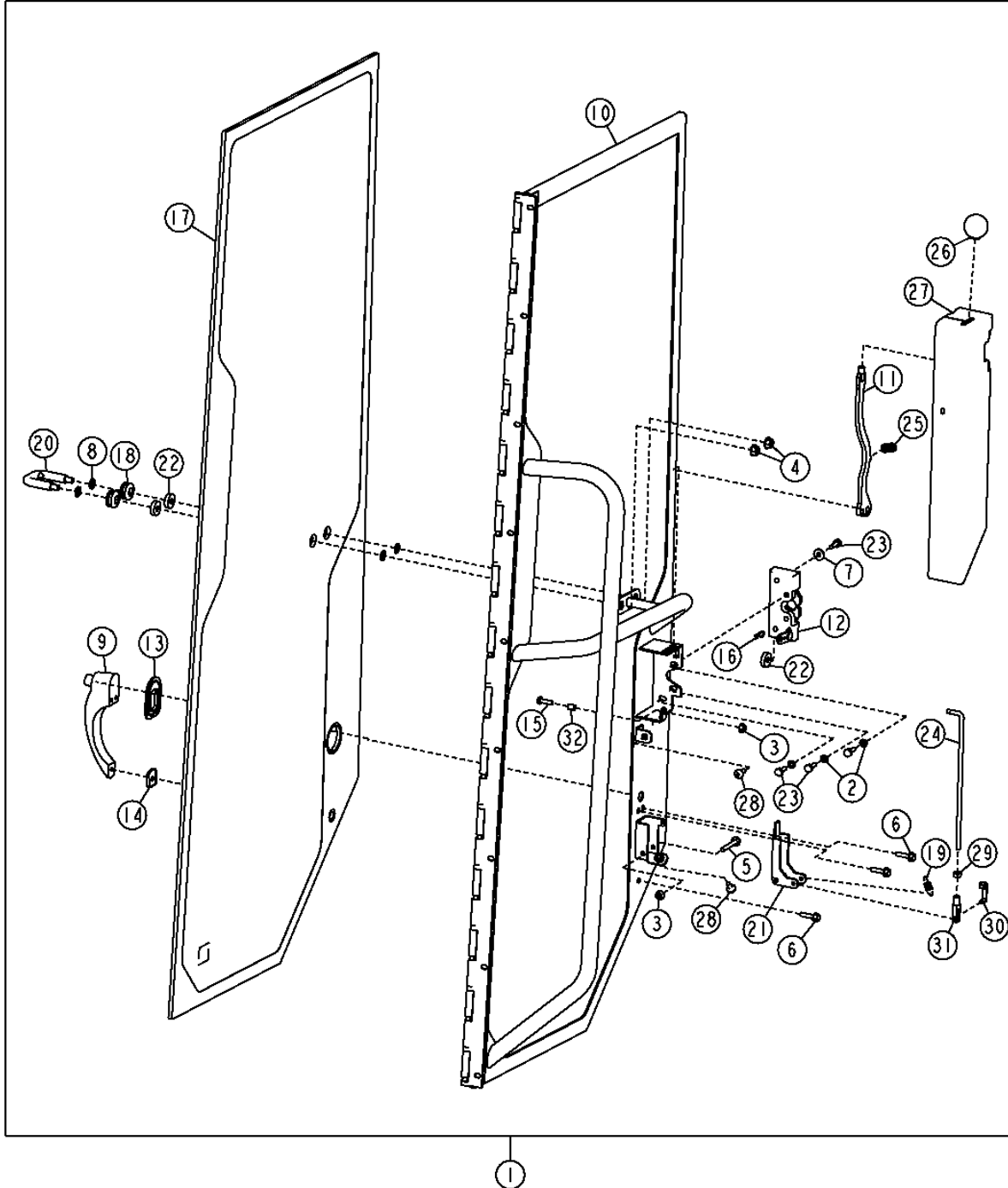
**CAB GLASS
GLACE CABINE
VIDRIO DE LA CABINA**

KEY	PART NO.	PART NAME	QTY.	SERIAL NO.	REMARKS
1	T182903	SEAL	2		
2	T182927	WINDOWPANE	1		
3	T182928	WINDOWPANE	1		
4	T196237	WINDSHIELD	1		
5	14M7376	LOCK NUT	4	M6	
6	19M7768	SCREW	2	M6 X 16	
7	19M8648	SCREW	4	M6 X 16	
8	24M7251	WASHER	4	6.400 X 18 X 1.600 MM	
9	34H275	SPRING PIN	2	3/16" X 1/2"	
10	AT226000	LATCH	2		
11	T184135	BUMPER	2		(SUB FOR T101090)
12	T167594	ANGLE	4		
	T167593	SCREW	8		(NOT ILLUSTRATED) (HINGE TO CAB FRAME)
13	T167659	WASHER	2		
14	T167683	WASHER	6		
15	T178221	WINDOWPANE	1		
16	T230640	BRACKET	1		(SUB FOR T178534)
17	T182899	WASHER	6		
18	T182902	BUSHING	4		
19	T230639	BRACKET	1		(SUB FOR T177827)
20	T178220	WINDOWPANE	1		
21	AT224994	DOOR	1		
22	AT226151	WINDOW	1		
23	14M7424	FLANGE NUT	2	M8	
24	24M7362	WASHER	2	8.400 X 16 X 1.600 MM	
25	AT226152	DOOR	1		
26	T167505	HINGE	1		
27	AT226176	LATCH	1		
28	T167514	GROMMET	2		
29	T167527	WINDOWPANE	1		
30	T167546	STRIKER	1		
31	T167630	GRIP	1		
32	T182695	COVER	1		
33	T197455	BRACKET	1		
34	T197456	EXTENSION SPRING	1		
35	TCU14336	SCREW	4	M6 X 16	
36	AT305126	ISOLATOR	1		
37	ISOLATOR	1		(MAKE FROM AT305126) (CUT TO 120 IN.(3048 MM))
38	ISOLATOR	1		(MAKE FROM AT305126) (CUT TO 86 IN.(2184 MM))
39	T167519	WINDOW	1		

1810-6

CAB DOOR PORTE DE CABINE PUERTA DE CABINA

TX1021618 -UN-



TX1021618

THIS PARTS LISTING IS CONTINUED

1810-7

OPERATOR'S STATION 18
OPERATOR ENCLOSURE 1810

**CAB DOOR
PORTE DE CABINE
PUERTA DE CABINA**

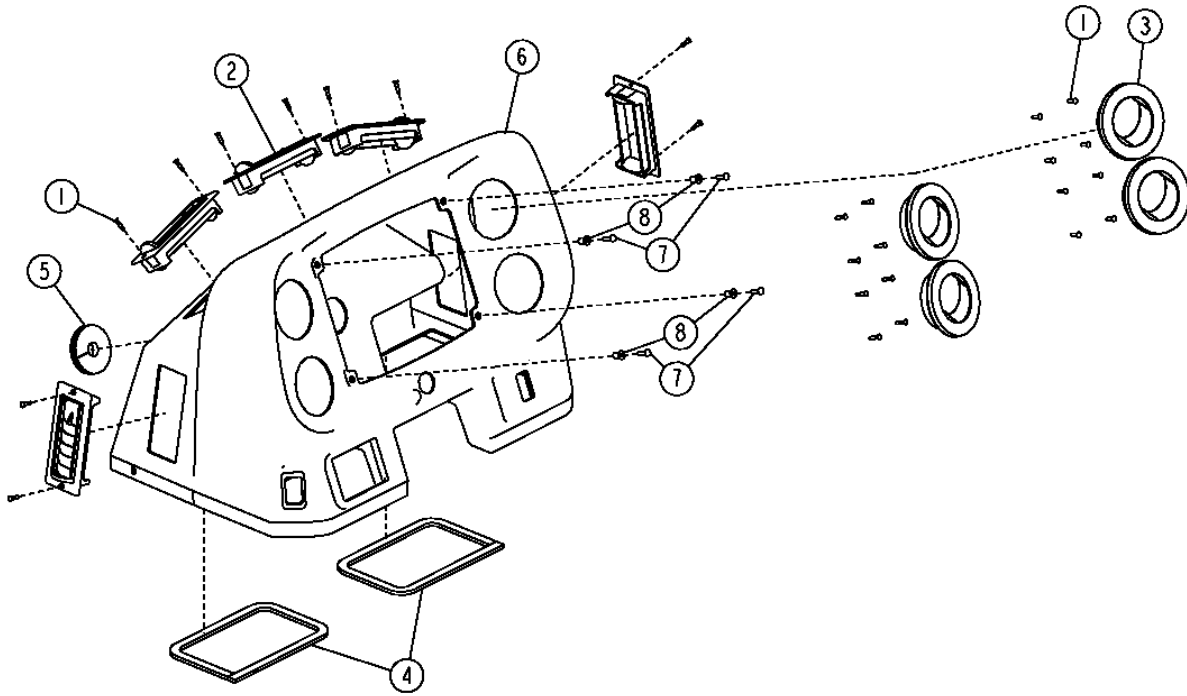
KEY	PART NO.	PART NAME	QTY.	SERIAL NO.	REMARKS
1	AT224994	DOOR	1		
2	12M7006	LOCK WASHER	3		6 MM
3	14M7303	FLANGE NUT	2		M6
4	14M7424	FLANGE NUT	2		M8
5	19M7834	SCREW	1		M6 X 45
6	19M7863	SCREW	3		M6 X 25
7	24M7251	WASHER	1		6.400 X 18 X 1.600 MM
8	24M7362	WASHER	2		8.400 X 16 X 1.600 MM
9	AH121227	HANDLE	1		
10	AT224995	DOOR	1		
11	AT303493	CONTROL LEVER	1		
12	AT83105	LATCH	1		
13	H126081	BEZEL	1		
14	H126082	BEZEL	1		
15	19M7077	CAP SCREW	1		M6 X 20
16	H132922	COTTER PIN	2	-XXXXXX	
	H132922	COTTER PIN	1	XXXXXX-	
17	T167508	WINDOWPANE	1		
18	T167514	GROMMET	2		
19	T229977	SPRING	1		(SUB FOR T167530)
20	T167546	STRIKER	1		
21	T228106	ARM	1		(SUB FOR T167618)
22	T182899	WASHER	3		
23	T182963	SCREW	4		
24	T228104	PIN FASTENER	1		(SUB FOR T182967)
25	H95874	SPRING	1		
26	T182969	KNOB	1		
27	T182972	COVER	1		
28	TCU14336	SCREW	2		
29	14H786	NUT	1		6.350 MM
30	T160020	PIN	1		
31	T213444	CLEVIS	1		
32	T213560	BUSHING	1		

1810-8

OPERATOR'S STATION 18
OPERATOR ENCLOSURE 1810

CAB MONITOR CONSOLE CONSOLE MONITEUR CABINE CONSOLA DE MONITOR DE CABINA

T193669 -UN-24OCT03



T193669

1810-9

OPERATOR'S STATION 18
OPERATOR ENCLOSURE 1810

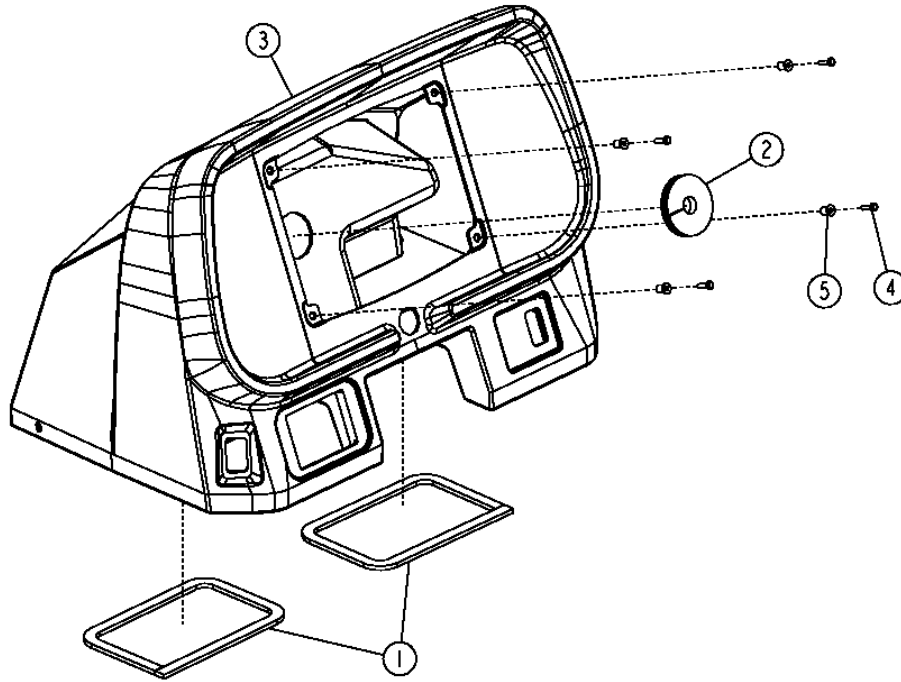
**CAB MONITOR CONSOLE
CONSOLE MONITEUR CABINE
CONSOLA DE MONITOR DE CABINA**

KEY	PART NO.	PART NAME	QTY.	SERIAL NO.	REMARKS
1	37M7333	SCREW	26		
2	AT227668	LOUVER	5		
3	AT227669	LOUVER	4		
4	SEAL	1		(MAKE FROM H81330) (CTL)
5	R117845	GROMMET	1		
6	T196471	CONSOLE	1		
7	T82791	SCREW	4		
8	T82792	NUT	4		

1810-10

CANOPY MONITOR CONSOLE
CONSOLE MONITEUR EVENT
CONSOLA DEL MONITOR DEL DOSEL

T193739 -UN-19AUG03



T193739

1810-11

OPERATOR'S STATION 18
OPERATOR ENCLOSURE 1810

**CANOPY MONITOR CONSOLE
CONSOLE MONITEUR EVENT
CONSOLA DEL MONITOR DEL DOSEL**

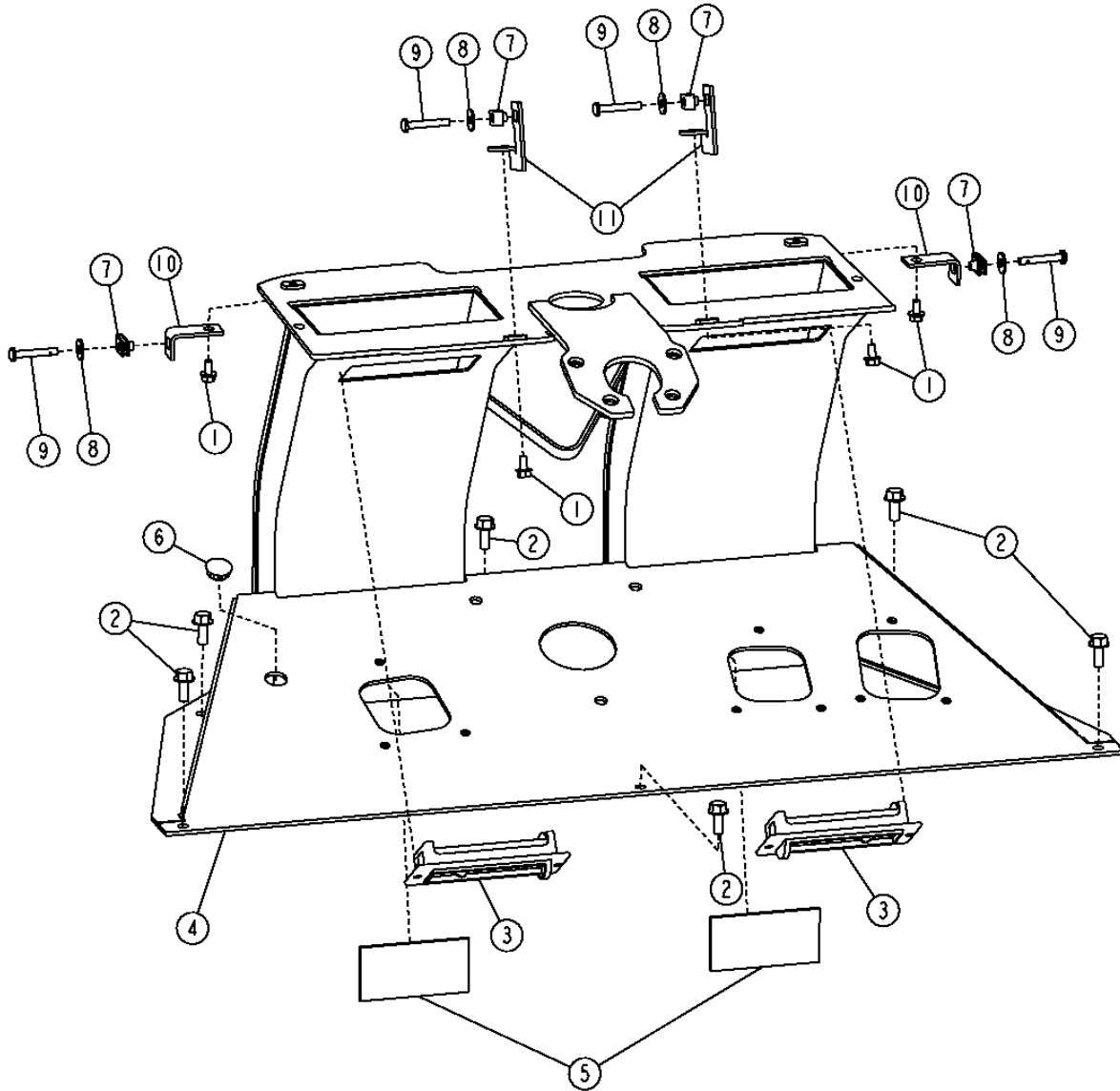
KEY	PART NO.	PART NAME	QTY.	SERIAL NO.	REMARKS
1	SEAL	2		(MAKE FROM H81330) (CTL)
2	R117845	GROMMET	1		
3	T196621	CONSOLE	1		
4	T82791	SCREW	4		
5	T82792	NUT	4		

1810-12

OPERATOR'S STATION 18
OPERATOR ENCLOSURE 1810

OPERATOR STATION FRONT PEDESTAL SOCLE AVANT DE POSTE DE CONDUITE PEDESTAL DELANTERO DEL PUESTO DEL OPERADOR

T193670 -UN-20AUG03



T193670

THIS PARTS LISTING IS CONTINUED

1810-13

OPERATOR'S STATION 18
OPERATOR ENCLOSURE 1810

OPERATOR STATION FRONT PEDESTAL
SOCLE AVANT DE POSTE DE CONDUITE
PEDESTAL DELANTERO DEL PUESTO DEL OPERADOR

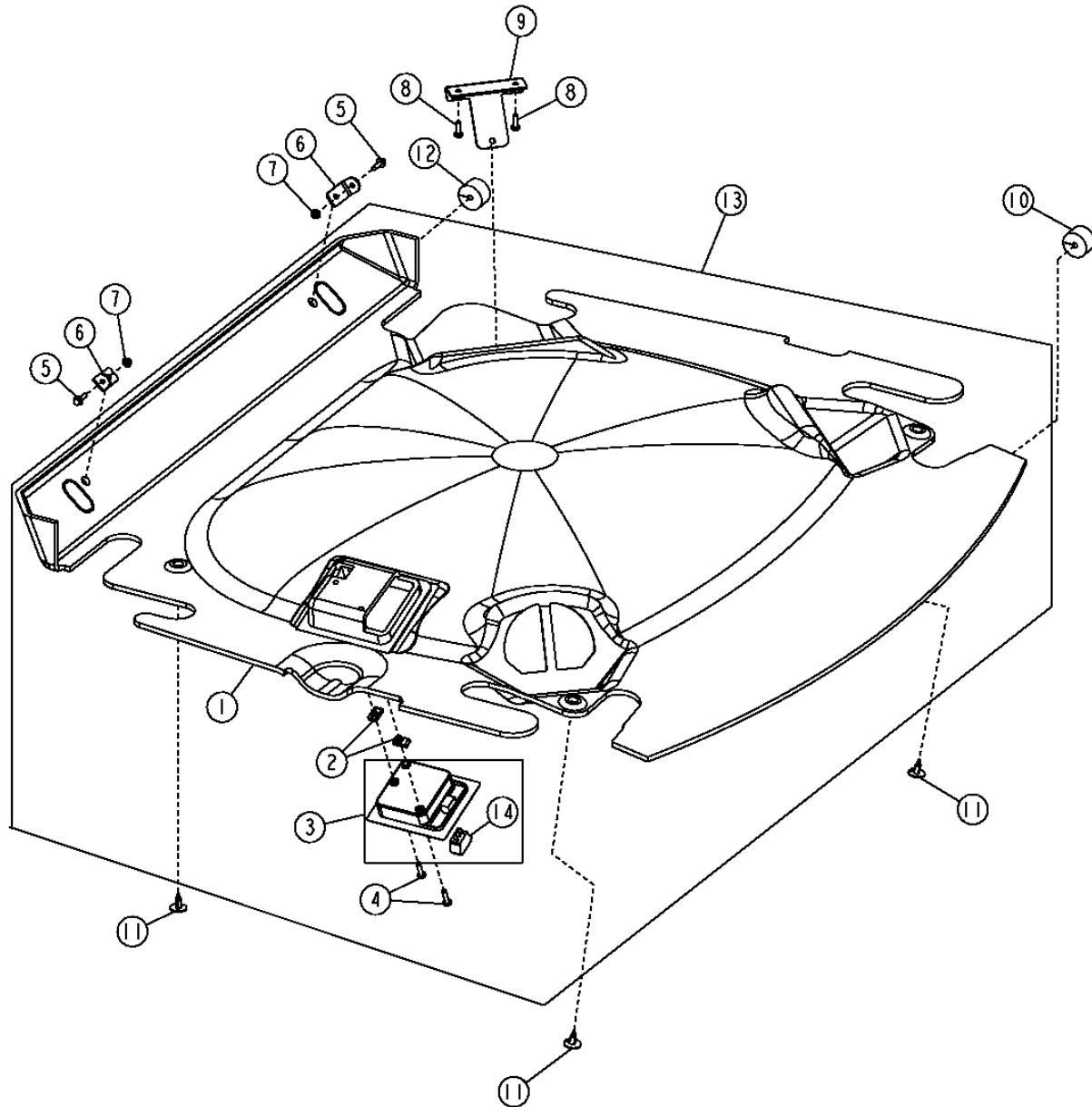
KEY	PART NO.	PART NAME	QTY.	SERIAL NO.	REMARKS
1	19M7774	SCREW	4		M6 X 12
2	19M7866	SCREW	6		M8 X 20
3	AT227668	LOUVER	2		
4	AT227965	PEDESTAL	1		
5	T66418	ISOLATOR	1		
6	H34597	PLUG	1		
7	M84972	NUT	4		
8	24H1821	WASHER	4		
9	T134874	SELF-LOCKING SCREW	4		(SUB FOR 21M7403)
10	T196711	ANGLE	2		(BACK)
11	T196712	BRACKET	2		(FRONT)

1810-14

OPERATOR'S STATION 18
OPERATOR ENCLOSURE 1810

HEADLINER AND DOMELIGHT REVEITEMENT DE TOIT ET PLAFONNIER LUZ DE TECHO Y FORRO

T193652 -UN-08SEP03



T193652

1810-15

OPERATOR'S STATION 18
OPERATOR ENCLOSURE 1810

HEADLINER AND DOMELIGHT
REVEITEMENT DE TOIT ET PLAFONNIER
LUZ DE TECHO Y FORRO

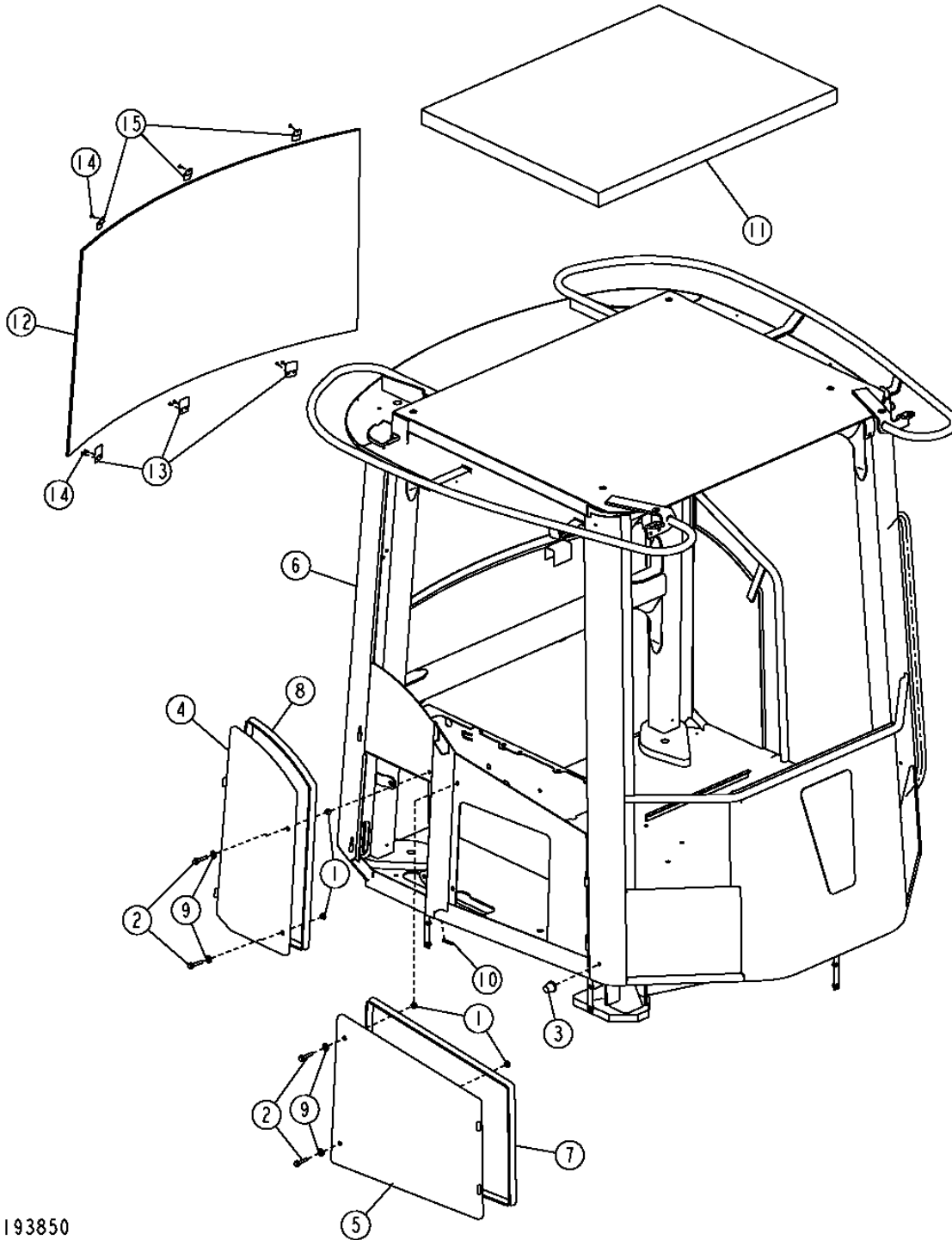
KEY	PART NO.	PART NAME	QTY.	SERIAL NO.	REMARKS
1	T181908	HEADLINER	1		(W/O RADIO)
	T181520	HEADLINER	1		(W/ RADIO)
2	M84972	NUT	2		
3	AT224923	LAMP	1		INCLUDES BULB AND LENS
	AT173355	BULB	1		
4	T134895	SELF-LOCKING SCREW	2		(SUB FOR 21M7310)
5	19M7862	SCREW	2		M6 X 20
6	T181050	ANGLE	2		
7	14M7303	FLANGE NUT	2		M6
8	19H1948	CAP SCREW	2		1/4" X 3/4"
9	T180418	STRAP	1		(W/O RADIO)
10	T182870	ISOLATOR	1		(W/O RADIO) (SUB FOR T182861)
	T182870	ISOLATOR	1		(W/ RADIO)
11	T184892	RETAINER	4		
12	T182870	ISOLATOR	1		(W/O RADIO) (SUB FOR T182861)
	T65643	GROMMET	1		(W/ RADIO) (SUB FOR T182871, THIS APPLICATION)
13	AT224234	HEADLINER	1		(W/O RADIO)
	AT224233	HEADLINER	1		(W/ RADIO)
14	RE48838	TOGGLE/ROCKER SWITCH	1		

1810-16

OPERATOR'S STATION 18
OPERATOR ENCLOSURE 1810

CANOPY, REAR WINDOW, AND HEADLINER
AUVENT, GLACE ARRIERE ET REVETEMENT DE TOIT
DOSEL, FORRO Y VENTANA TRASERA

T193850 -UN-09SEP03



T193850

THIS PARTS LISTING IS CONTINUED

1810-17

OPERATOR'S STATION 18
OPERATOR ENCLOSURE 1810

**CANOPY, REAR WINDOW, AND HEADLINER
AUVENT, GLACE ARRIERE ET REVETEMENT DE TOIT
DOSEL, FORRO Y VENTANA TRASERA**

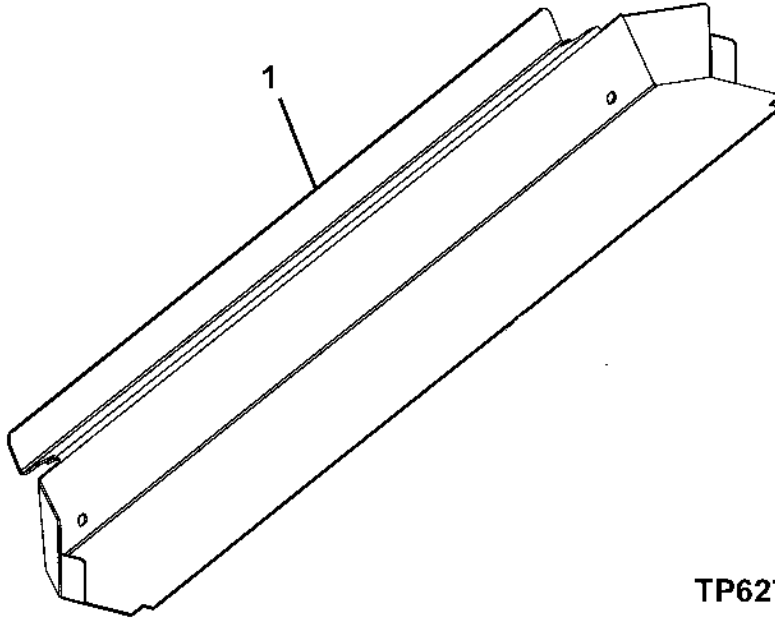
KEY	PART NO.	PART NAME	QTY.	SERIAL NO.	REMARKS
1	14M7298	FLANGE NUT	4		M8
2	19M8318	SCREW	4		M8 X 45
3	AT211296	BUMPER	1		
4	AT224989	DOOR	1		
5	AT224991	DOOR	1		
6	AT332127	ROPS	1		(AT226377 NLA)
7	AT305130	ISOLATOR	1		
8	ISOLATOR	1		(MAKE FROM AT305130) (CUT TO LENGTH) (75.5 IN.(1918MM))
9	H110232	WASHER	4		0.406" X 0.890" X 0.059"
10	T203614	ISOLATOR	2		(1/4" CORD) (CUT TO LENGTH) (1 9/16 IN. (40 MM))
11	T180921	HEADLINER	1		
12	T167519	WINDOW	1		
13	T182952	RETAINER	3		
14	AT44188	RIVET	9		
15	T182925	RETAINER	3		

1810-17A

OPERATOR'S STATION 18
OPERATOR ENCLOSURE 1810

DRIP RAIL
GOUTTIERE
RIEL DE VACIADO

TP62704 -UN-23NOV99



TP62704

KEY	PART NO.	PART NAME	QTY.	SERIAL NO.	REMARKS
1	AT325643	RAIL	1		(SUB FOR AT224933)

1810-17B

OPERATOR'S STATION 18
OPERATOR ENCLOSURE 1810

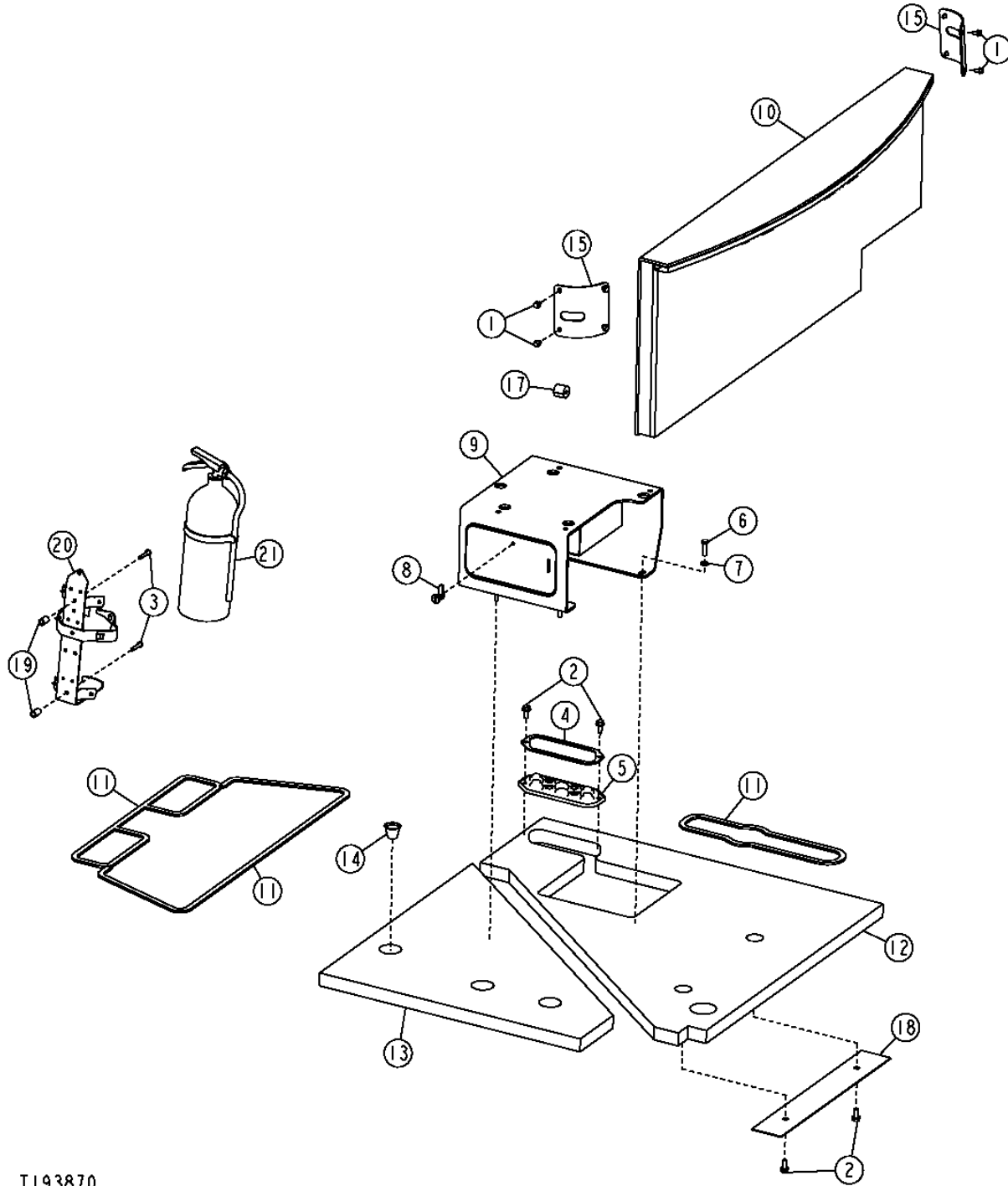
MEMORANDA
MEMORANDA
MEMORANDA

1810-18

OPERATOR'S STATION 18
OPERATOR ENCLOSURE 1810

CAB TRIM, SEAT BASE AND FIRE EXTINGUISHER
GARNITURE CABINE, BASE SIEGE ET EXTINCTEUR
PIEZAS DE ADORNO DE LA CABINA, BASE DEL ASIENTO Y EXTINGUIDOR DE INCENDIOS

T193870 -UN-22SEP03



T193870

THIS PARTS LISTING IS CONTINUED

1810-19

OPERATOR'S STATION 18
OPERATOR ENCLOSURE 1810

**CAB TRIM, SEAT BASE AND FIRE EXTINGUISHER
GARNITURE CABINE, BASE SIEGE ET EXTINCTEUR
PIEZAS DE ADORNO DE LA CABINA, BASE DEL ASIENOT Y EXTINGUIDOR DE INCENDIOS**

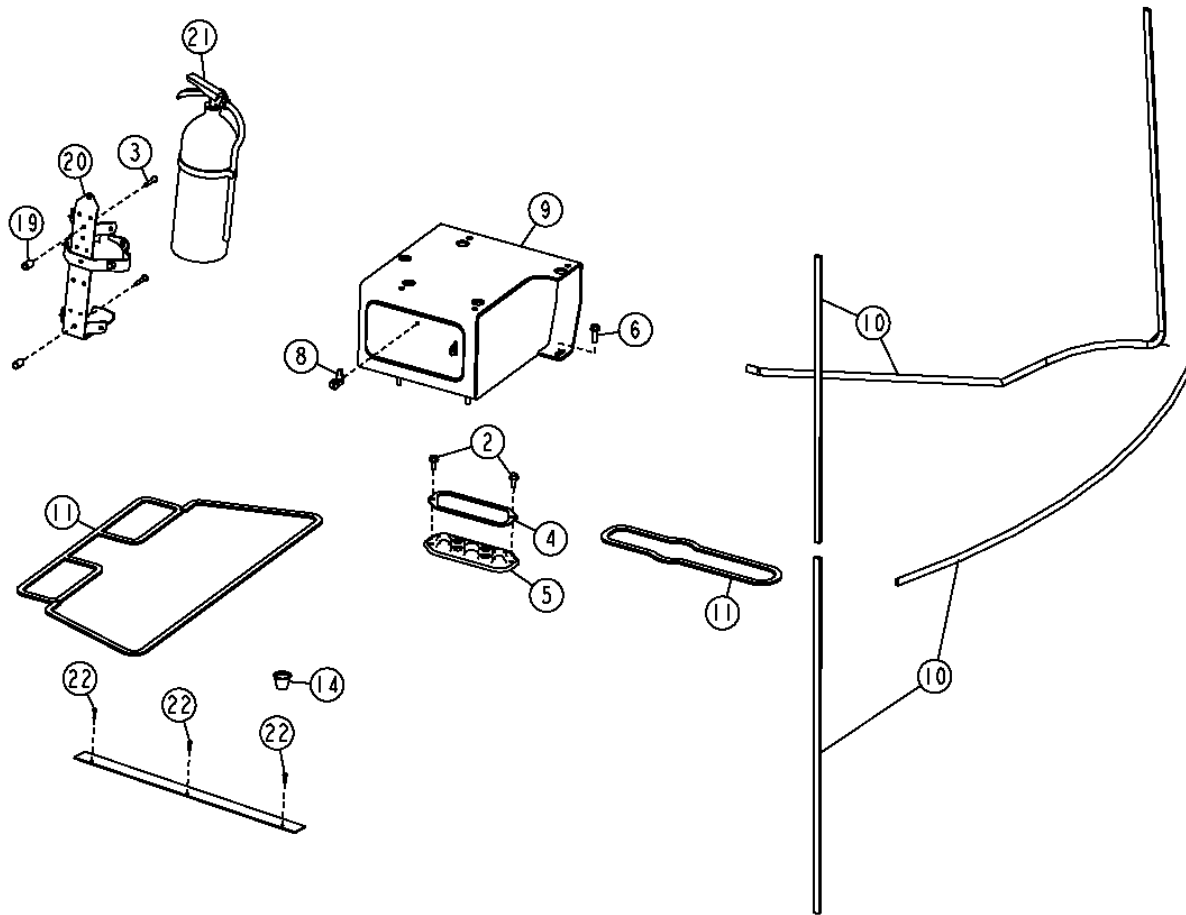
KEY	PART NO.	PART NAME	QTY.	SERIAL NO.	REMARKS
1	19M7774	SCREW	8		M6 X 12
2	19M7866	SCREW	4		M8 X 20
3	21M7247	SCREW	2		M6 X 35
4	T172991	PLATE	1		
5	T172992	GROMMET	1		
6	19M7868	SCREW	5		M8 X 30. (SUB FOR 19M7513)
7	24M7238	WASHER	5		8.700 X 17 X 2 MM
8	AT151931	LATCH	1		
9	AT224235	FLOOR	1		
10	AT225706	PAD	1		
11	SEAL	12		(MAKE FROM H81330) (CTL)
12	T167770	ISOLATOR	1		
13	T209094	ISOLATOR	1		(SUB FOR T167771)
14	T180408	PLUG	1		
15	T205472	COVER	2		
17	T182860	ISOLATOR	1		
18	T182906	PLATE	1		
19	28H3423	BUSHING	2		0.364" X 0.540" X 7/8"
20	AT189390	BRACKET	1		
21	AT189487	FIRE EXTINGUISHER	1		

1810-20

OPERATOR'S STATION 18
OPERATOR ENCLOSURE 1810

CANOPY TRIM, SEAT BASE AND FIRE EXTINGUISHER
GARNITURE AUVENT, BASE SIEGE ET EXTINCTEUR
ADORNO DEL DOSEL, BASE DEL ASIENTO Y EXTINGUIDOR DE INCENDIOS

TX1008150 -UN-24MAY06



TX1008150

1810-21

OPERATOR'S STATION 18
OPERATOR ENCLOSURE 1810

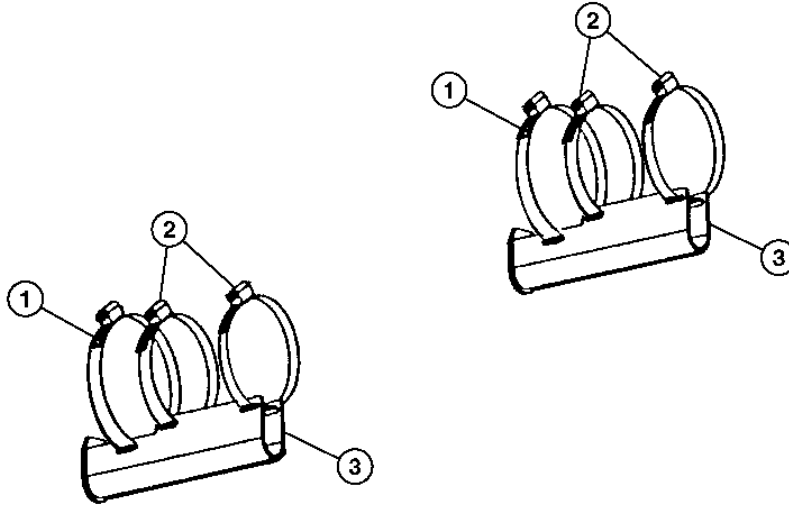
**CANOPY TRIM, SEAT BASE AND FIRE EXTINGUISHER
GARNITURE AUVENT, BASE SIEGE ET EXTINCTEUR
ADORNO DEL DOSEL, BASE DEL ASIENTO Y EXTINGUIDOR DE INCENDIOS**

KEY	PART NO.	PART NAME	QTY.	SERIAL NO.	REMARKS
2	19M7866	SCREW	2		M8 X 20
3	21M7247	SCREW	2		M6 X 35
4	T172991	PLATE	1		
5	T172992	GROMMET	1		
6	19M7868	SCREW	5		M8 X 30, (SUB FOR 19M7513)
8	AT151931	LATCH	1		
9	AT224237	FLOOR	1		
10	T180533	SEALING TRIM	1		
11	SEAL	12		(MAKE FROM H81330) (CTL)
14	T180408	PLUG	1		
19	28H3423	BUSHING	2		0.364" X 0.540" X 7/8"
20	AT189390	BRACKET	1		
21	AT189487	FIRE EXTINGUISHER	1		
22	T182888	SCREW	3		

1810-22

FRONT AND REAR CAB MOUNTS
MONTAGES CABINE AVANT ET ARRIERE
SOPORTES DE LA CABINA TRASERO Y DELANTERO

TX1006293 -UN-24APR06



TX1006293

1810-23

OPERATOR'S STATION 18
OPERATOR ENCLOSURE 1810

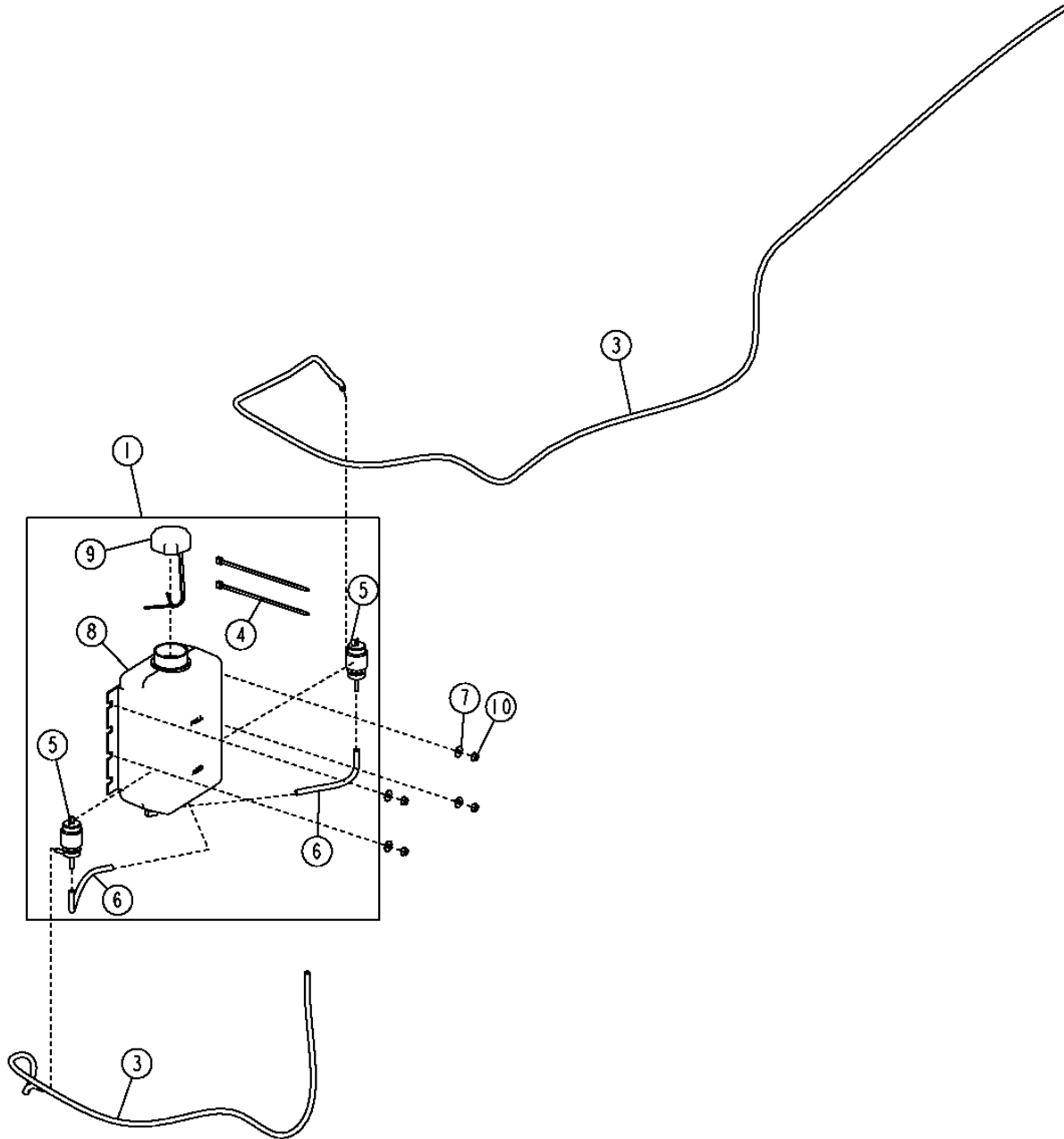
**FRONT AND REAR CAB MOUNTS
MONTAGES CABINE AVANT ET ARRIERE
SOPORTES DE LA CABINA TRASERO Y DELANTERO**

KEY	PART NO.	PART NAME	QTY.	SERIAL NO.	REMARKS
1	14M7278	NUT	2		M24
2	24M7243	WASHER	6		25.400 X 50 X 6 MM
3	T153535	WASHER	4		
4	AT170005	ISOLATOR	4		
5	19M7781	CAP SCREW	2		M24 X 150
6	19M7903	CAP SCREW	2		M24 X 120

1810-24

WINDOW WASHER AND HOSES LAVEUR DE GLACE ET FLEXIBLES MANGUERAS Y LAVAPARABRISAS

T193102 -UN-22AUG03



T193102

1810-25

OPERATOR'S STATION 18
OPERATOR ENCLOSURE 1810

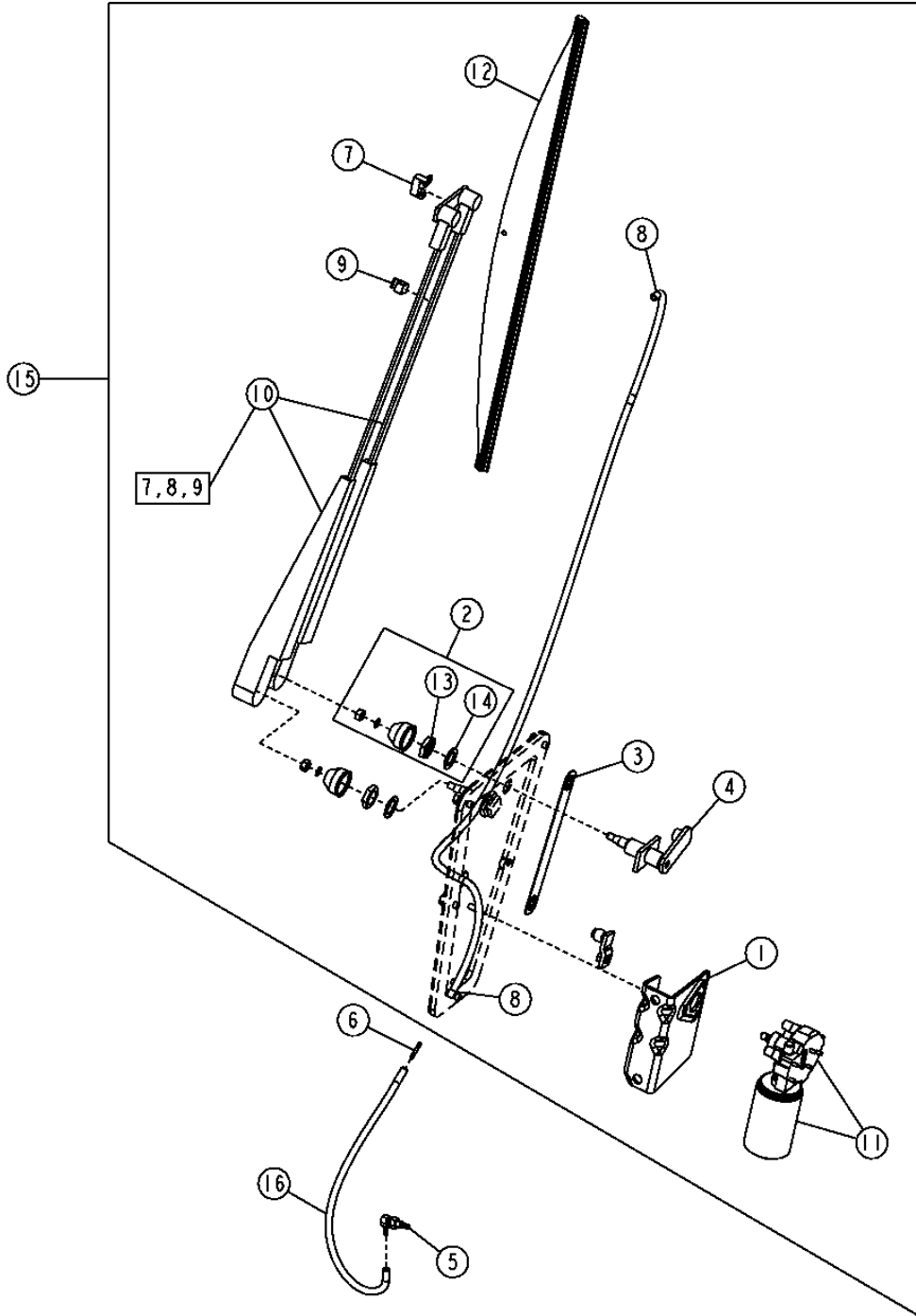
**WINDOW WASHER AND HOSES
LAVEUR DE GLACE ET FLEXIBLES
MANGUERAS Y LAVAPARABRISAS**

KEY	PART NO.	PART NAME	QTY.	SERIAL NO.	REMARKS
1	AT209947	TANK	1		
3	HOSE	AR		(CUT TO LENGTH) (MAKE FROM R120653)
4	R44302	TIE BAND	2		
5	AT106365	PUMP	2		
6	HOSE	AR		(CUT TO LENGTH) (MAKE FROM R120653) (SUB FOR R54445 AND R104595)
7	24M7139	WASHER	4		6.400 X 18 X 1.600 MM, TO BOSSES ON ACCESS DOOR
8	T147618	TANK	1		
9	AT173193	CAP	1		
10	14M7303	FLANGE NUT	4		

1810-26

FRONT WINDSHIELD WIPER ESSUIE-GLACES AVANT LIMPIAPARABRISAS FRONTAL

T188479 -UN-25MAR03



T188479

1810-27

OPERATOR'S STATION 18
OPERATOR ENCLOSURE 1810

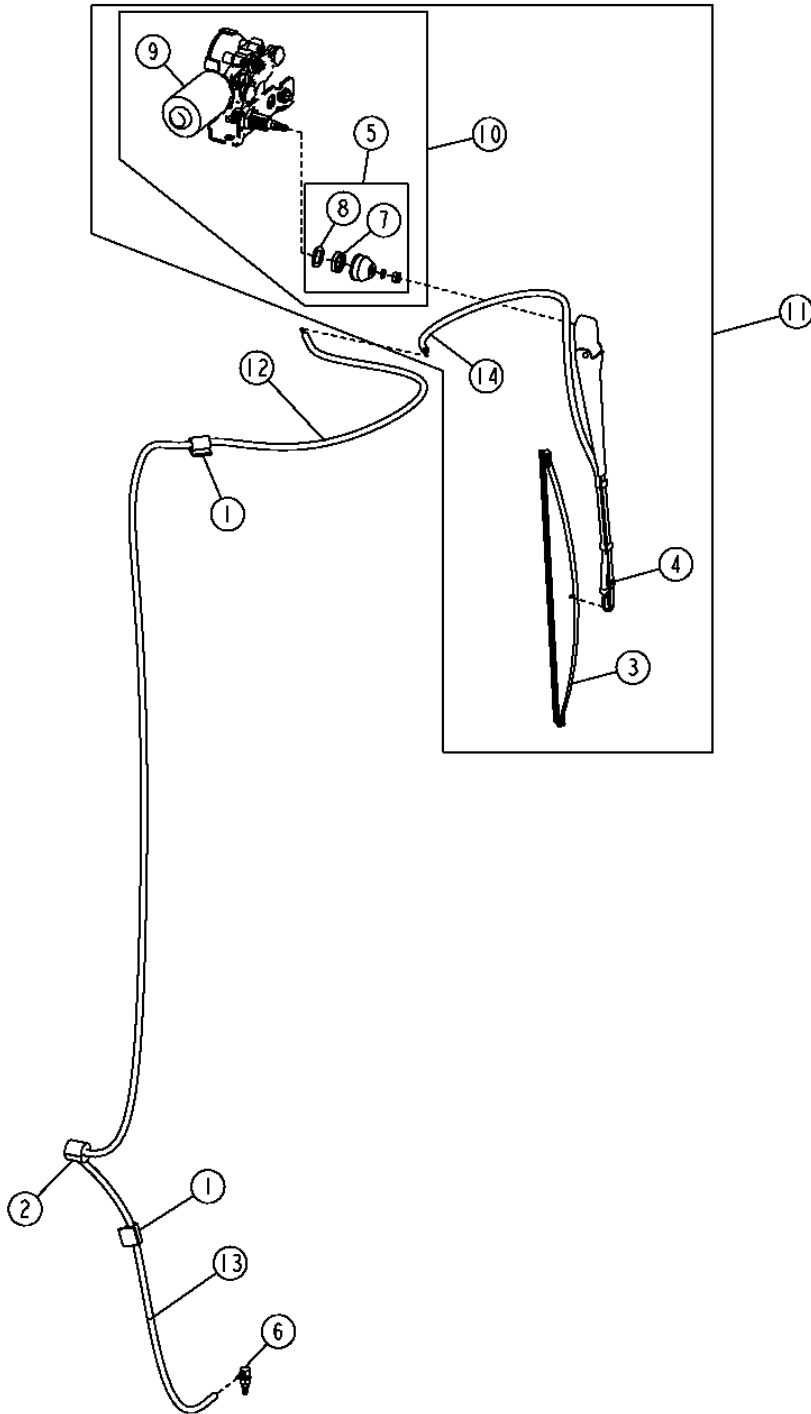
**FRONT WINDSHIELD WIPER
ESSUIE-GLACES AVANT
LIMPIAPARABRISAS FRONTAL**

KEY	PART NO.	PART NAME	QTY.	SERIAL NO.	REMARKS
1	RE16879	BRACKET	1		
2	RE40049	KIT	2		
3	T172652	LINK	1		
4	T202343	PIVOT	1		
5	AT116970	ELBOW FITTING	1		
6	T182919	FITTING	1		
7	AT137920	WINDSHIELD WASHER	1		
8	R54445	HOSE	1		
9	AT137921	CLIP	1		
10	AT209909	WIPER ARM	1		
11	AT324687	WIPER MOTOR	1	-604818	(ALSO ORDER (2) 19M7774) (SUB FOR AT209908)
	AT324687	WIPER MOTOR	1	604819-	
12	AT324681	WIPER BLADE	1		(SUB FOR AT138215)
13	AT138180	NUT	2		
14	R63667	WASHER	2		
15	AT202726	WINDSHIELD WIPER	1		
16	HYDRAULIC HOSE - FABRICATE	1		(MAKE FROM R120653) (CUT TO LENGTH, 15 IN.)

1810-28

REAR WINDSHIELD WIPER ESSUIE-GLACE ARRIERE LIMPIADOR DE PARABRISAS TRASERO

T193133 -UN-18NOV03



T193133

THIS PARTS LISTING IS CONTINUED

1810-29

OPERATOR'S STATION 18
OPERATOR ENCLOSURE 1810

**REAR WINDSHIELD WIPER
ESSUIE-GLACE ARRIERE
LIMPIADOR DE PARABRISAS TRASERO**

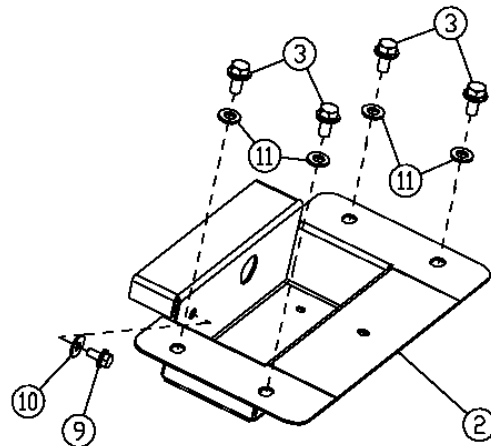
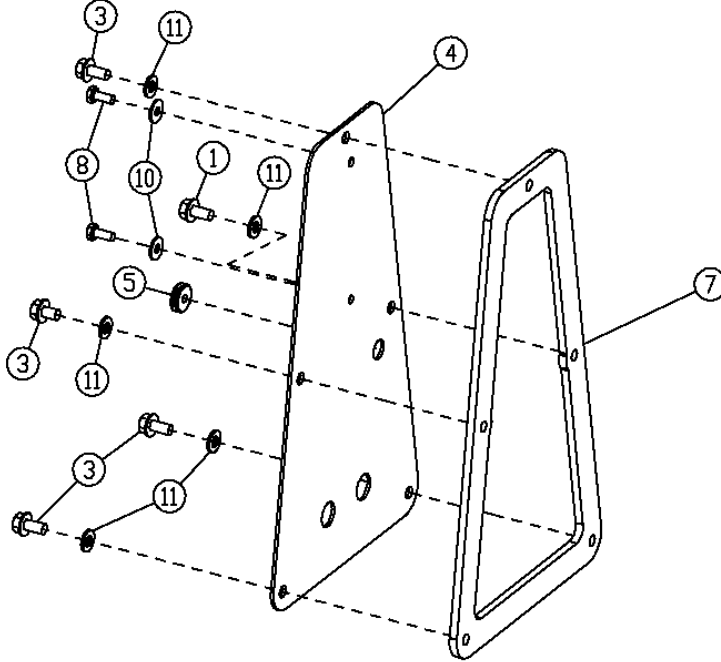
KEY	PART NO.	PART NAME	QTY.	SERIAL NO.	REMARKS
1	T182909	CLIP	2		
2	T182860	ISOLATOR	1		
3	AL153660	WIPER BLADE	1		(SUB FOR AT209912) (INCLUDES HOSE R120653)
4	AT209910	WIPER ARM	1	-867756	
	AT304633	WIPER ARM	1	867757-	
5	RE40049	KIT	1		(HARDWARE KIT)
6	AT116970	ELBOW FITTING	1		
7	AT138180	NUT	1		
8	R63667	WASHER	1		
9	AT324687	WIPER MOTOR	1	-604818	(ALSO ORDER (2) 19M7774) (SUB FOR AT209908)
	AT324687	WIPER MOTOR	1	604819-	
10	AT224217	WIPER MOTOR	1	-867756	
	AT324849	WIPER MOTOR	1	867757-	
11	MOTOR	1		(AT202784 NLA) (FURNISH COMPONENTS)
12	T182919	FITTING	1		
13	HYDRAULIC HOSE - FABRICATE	1		(MAKE FROM R120653) (CUT TO LENGTH 96 IN.)
14	R54445	HOSE	1		

1810-30

OPERATOR'S STATION 18
OPERATOR ENCLOSURE 1810

WIPER MOUNTING BRACKETS SUPPORTS MONTAGE ESSUIE-GLACE ESCUADRAS DE MONTAJE DEL LIMPIAPARABRISAS

T193134 -UN-01AUG03



T193134

1810-31

OPERATOR'S STATION 18
OPERATOR ENCLOSURE 1810

**WIPER MOUNTING BRACKETS
SUPPORTS MONTAGE ESSUIE-GLACE
ESCUADRAS DE MONTAJE DEL LIMPIAPARABRISAS**

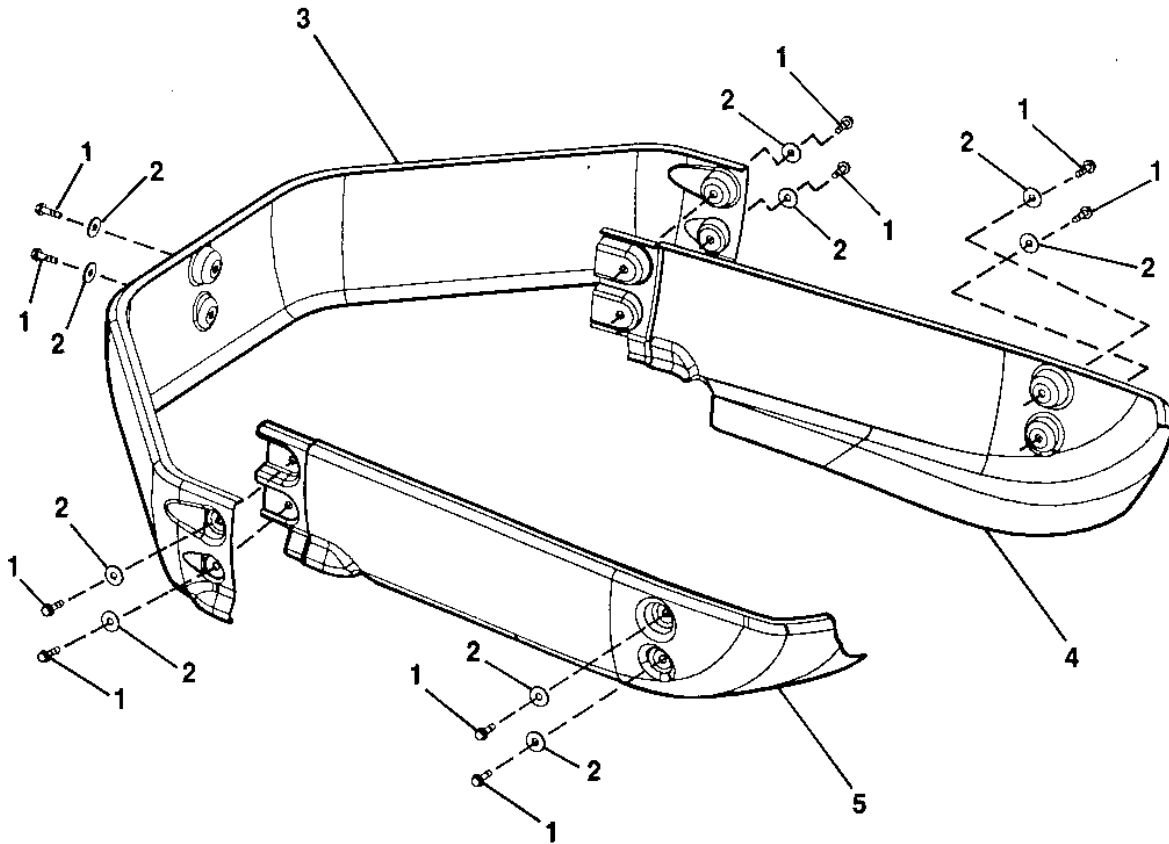
KEY	PART NO.	PART NAME	QTY.	SERIAL NO.	REMARKS
1	19M7865	SCREW	1		M8 X 16
2	T181412	TRAY	1		REAR WIPER MOUNTING BRACKET
3	19M7865	SCREW	8		M8 X 16
4	T181413	PLATE	1		
5	T182874	GROMMET	1		
7	T167754	SEAL	1		
8	19M7775	SCREW	2		(SUB FOR 19H3138, THIS APPLICATION)
9	19M7774	SCREW	1		M6 X 12
10	24M7139	WASHER	3		6.400 X 18 X 1.600 MM
11	24M7238	WASHER	9		

1810-32

OPERATOR'S STATION 18
OPERATOR ENCLOSURE 1810

CAB SHIELDS PROTECTIONS CABINE ESCUDOS DE LA CABINA

TP60306 -UN-08APR98



TP60306

1810-33

OPERATOR'S STATION 18
OPERATOR ENCLOSURE 1810

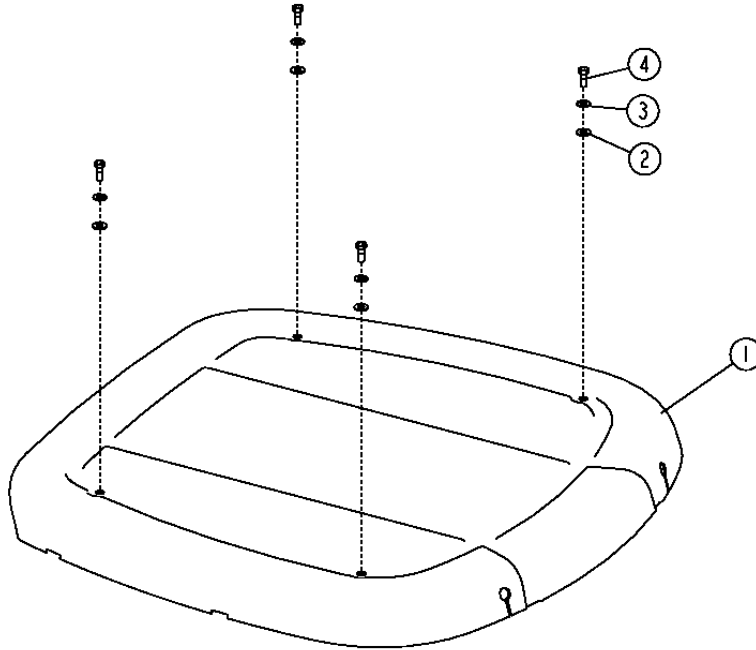
**CAB SHIELDS
PROTECTIONS CABINE
ESCUDOS DE LA CABINA**

KEY	PART NO.	PART NAME	QTY.	SERIAL NO.	REMARKS
1	19M7868	SCREW	10		
2	24M7296	WASHER	10		10.500 X 30 X 2.500 MM
3	T175015	SHIELD	10		
4	T174886	SHIELD	1		(RH) (GRAY)
5	T174887	SHIELD	1		(LH) (GRAY)

1810-34

T193660 -UN-19AUG03

ROOF
TOIT
TECHO



T193660

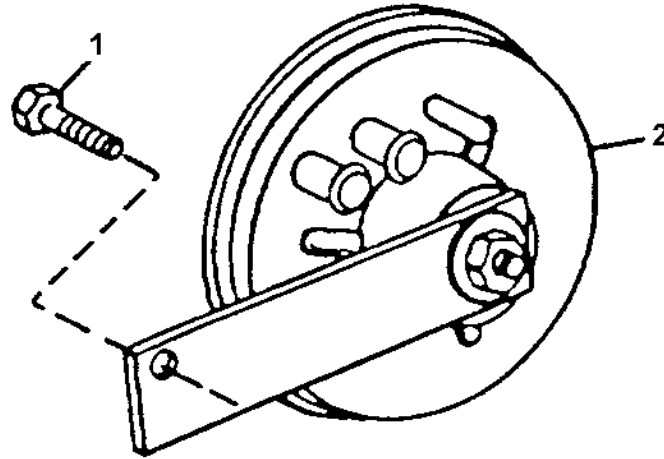
KEY	PART NO.	PART NAME	QTY.	SERIAL NO.	REMARKS
1	AT226578 AT227013	ROOF ROOF	1 1		(PAINTABLE)
2	T167659	WASHER	4		
3	24H1368	WASHER	4		
4	T182920	CAP SCREW	4		

1810-35

OPERATOR'S STATION 18
OPERATOR ENCLOSURE 1810

HORN
KLAXON
BOCINA

TP60387 -UN-13MAY98



TP60387

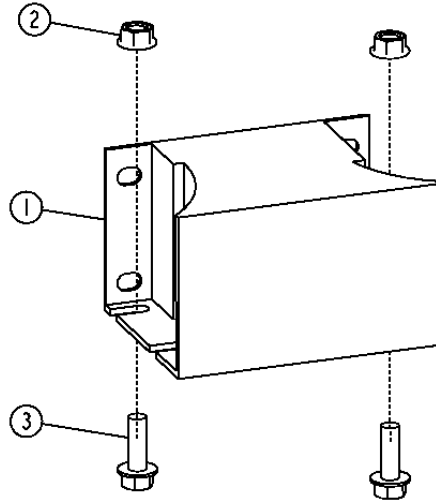
KEY	PART NO.	PART NAME	QTY.	SERIAL NO.	REMARKS
1	19M7864	SCREW	1	-XXXXXX	M8 X 12
	19M7864	SCREW	1	XXXXXX-	
2	AT226282	HORN	1		LOW NOTE

1810-36

OPERATOR'S STATION 18
OPERATOR ENCLOSURE 1810

BACKUP ALARM AVERTISSEUR SONORE DE MARCHÉ ARRIERE BOCINA DE RETROCESO

T193992 -UN-18AUG03



T193992

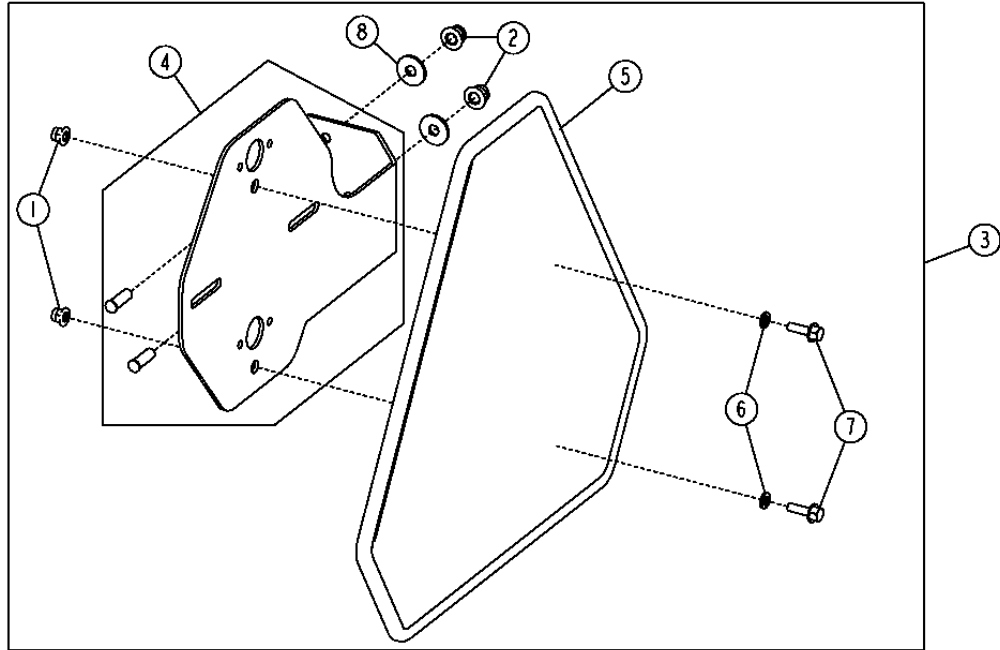
KEY	PART NO.	PART NAME	QTY.	SERIAL NO.	REMARKS
1	AT120461	TRAVEL WARNING ALARM	1		
2	14M7298	FLANGE NUT	2	M8	
3	19M7867	SCREW	2	M8 X 25	

1810-37

OPERATOR'S STATION 18
OPERATOR ENCLOSURE 1810

SLOW MOVING VEHICLE EMBLEM SIGNAL DE VEHICULE LENT ETIQUETA DE VEHICULO DE MOVIMIENTO LENTO

T194002 -UN-20AUG03



T194002

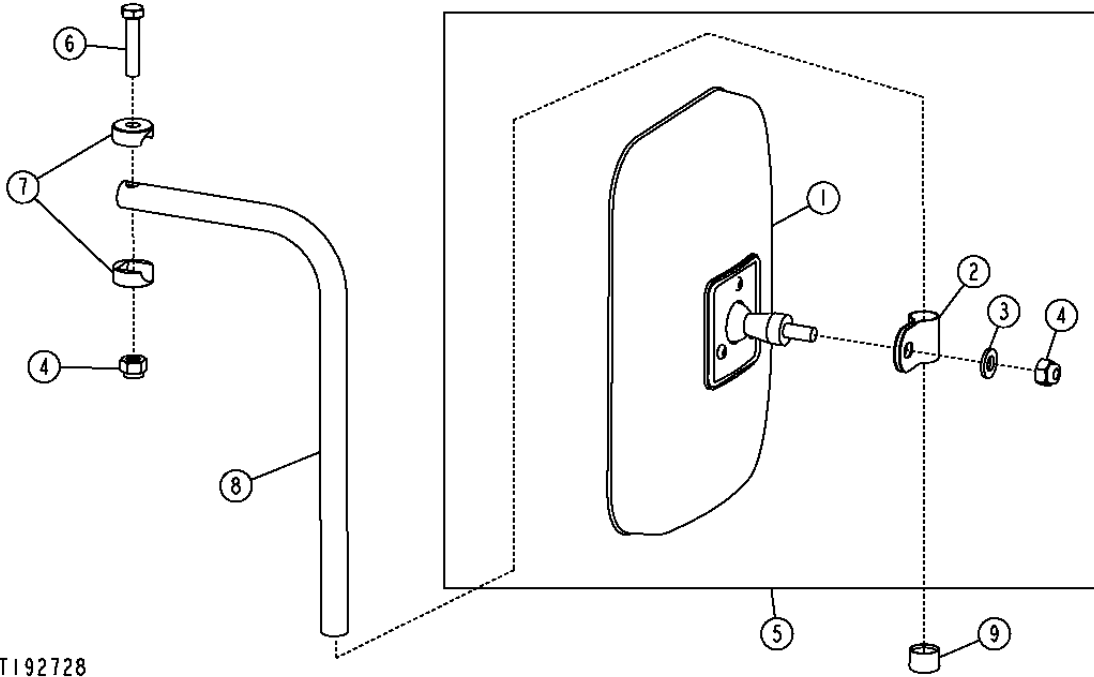
KEY	PART NO.	PART NAME	QTY.	SERIAL NO.	REMARKS
1	14M7397	LOCK NUT	2		M6
2	14M7396	LOCK NUT	2		M8
3	AT301913	KIT	1		(WHOLEGOODS)
4	AT301914	BRACKET	1		
5	JD5929	SMV EMBLEM	1		
6	24M7088	WASHER	2		6.600 X 12 X 1.600 MM
7	19M7862	SCREW	2		M6 X 20
8	24M7298	WASHER	2		8.400 X 25 X 2 MM

1810-38

OPERATOR'S STATION 18
OPERATOR ENCLOSURE 1810

OUTSIDE MIRROR FOR CAB OR CANOPY
RETROVISEUR EXTERIEUR POUR CABINE ET AUVENT
ESPEJO RETROVISOR EXTERIOR PARA CABINA O DOSEL

T192728 -UN-18AUG03



T192728

KEY	PART NO.	PART NAME	QTY.	SERIAL NO.	REMARKS
1	AT157226	REAR VIEW MIRROR	1		
2	T119564	CLAMP	1		
3	24M7239	WASHER	1		10.700 X 21 X 2.500 MM
4	T11234	LOCK NUT	2		
5	AT103919	REAR VIEW MIRROR	1		
6	19H2791	CAP SCREW	1		3/8" X 1-3/4"
7	T115030	HALF CLAMP	2		
8	T115031	RIB	1		
9	T128437	CAP	1		

1810-39

OPERATOR'S STATION 18
OPERATOR ENCLOSURE 1810

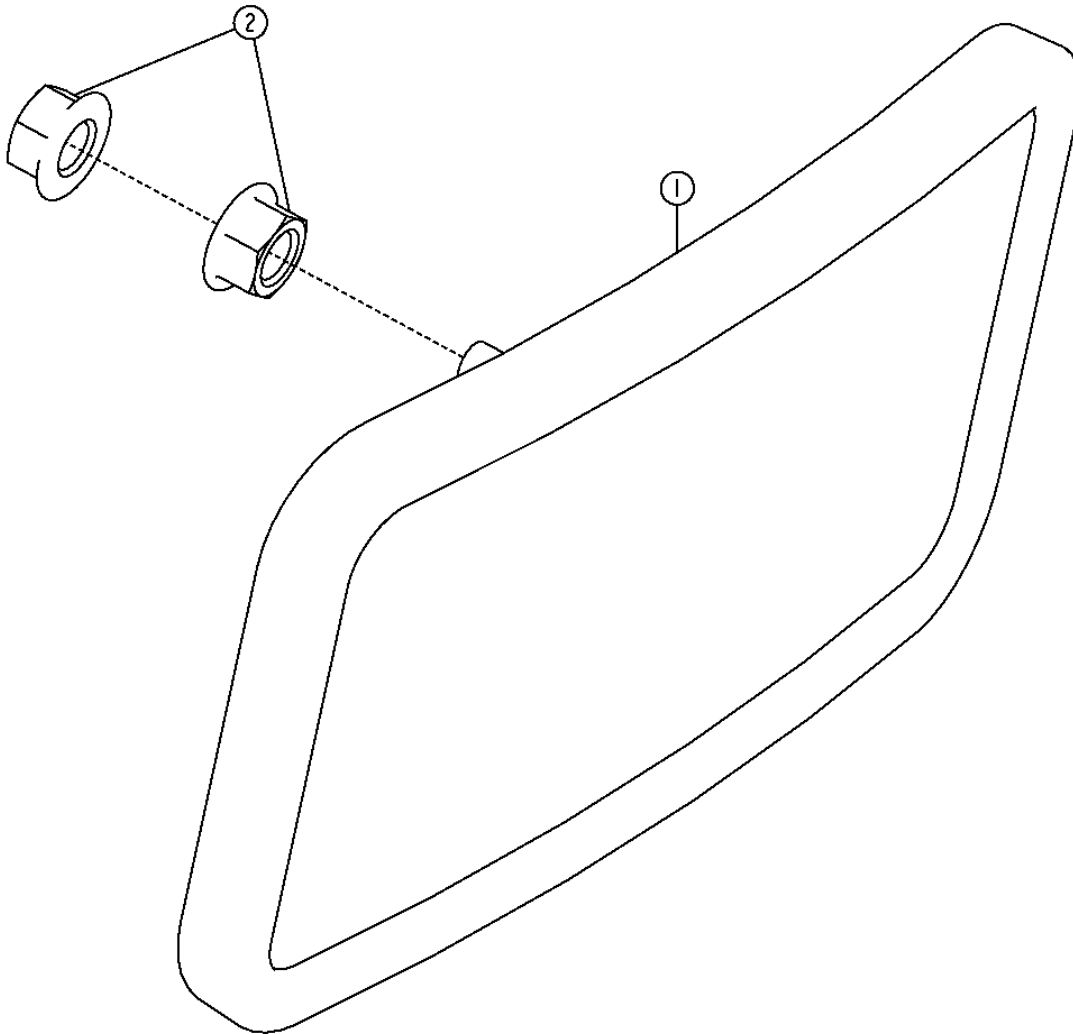
MEMORANDA
MEMORANDA
MEMORANDA

1810-39A

OPERATOR'S STATION 18
OPERATOR ENCLOSURE 1810

INSIDE REAR VIEW MIRROR
INTERIEUR RETROVISEUR ARRIERE
ESPEJO RETROVISOR INTERIOR

TX1006817 -UN-27APR06



TX1006817

1810-39B

OPERATOR'S STATION 18
OPERATOR ENCLOSURE 1810

**INSIDE REAR VIEW MIRROR
INTERIEUR RETROVISEUR ARRIERE
ESPEJO RETORVISOR INTERIOR**

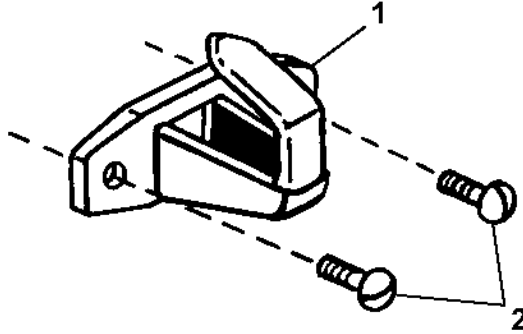
KEY	PART NO.	PART NAME	QTY.	SERIAL NO.	REMARKS
1	AT196427	REAR VIEW MIRROR	1		
2	14M7298	FLANGE NUT	2	M8	

1810-40

OPERATOR'S STATION 18
OPERATOR ENCLOSURE 1810

COAT HOOK
PATERE
GANCHO PARA ABRIGO

TP60658 -UN-08MAR99



TP60658

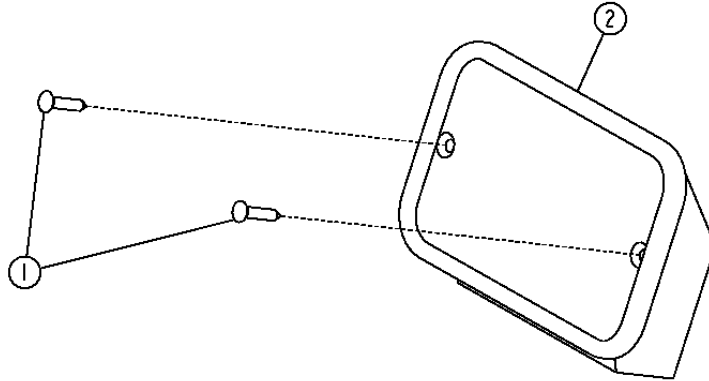
KEY	PART NO.	PART NAME	QTY.	SERIAL NO.	REMARKS
1	L102023	HOOK	1		
2	21M7305	SCREW	2	M6 X 12	

1810-41

OPERATOR'S STATION 18
OPERATOR ENCLOSURE 1810

ASHTRAY CENDRIER CENICERO

T193027 -UN-06AUG03



T193027

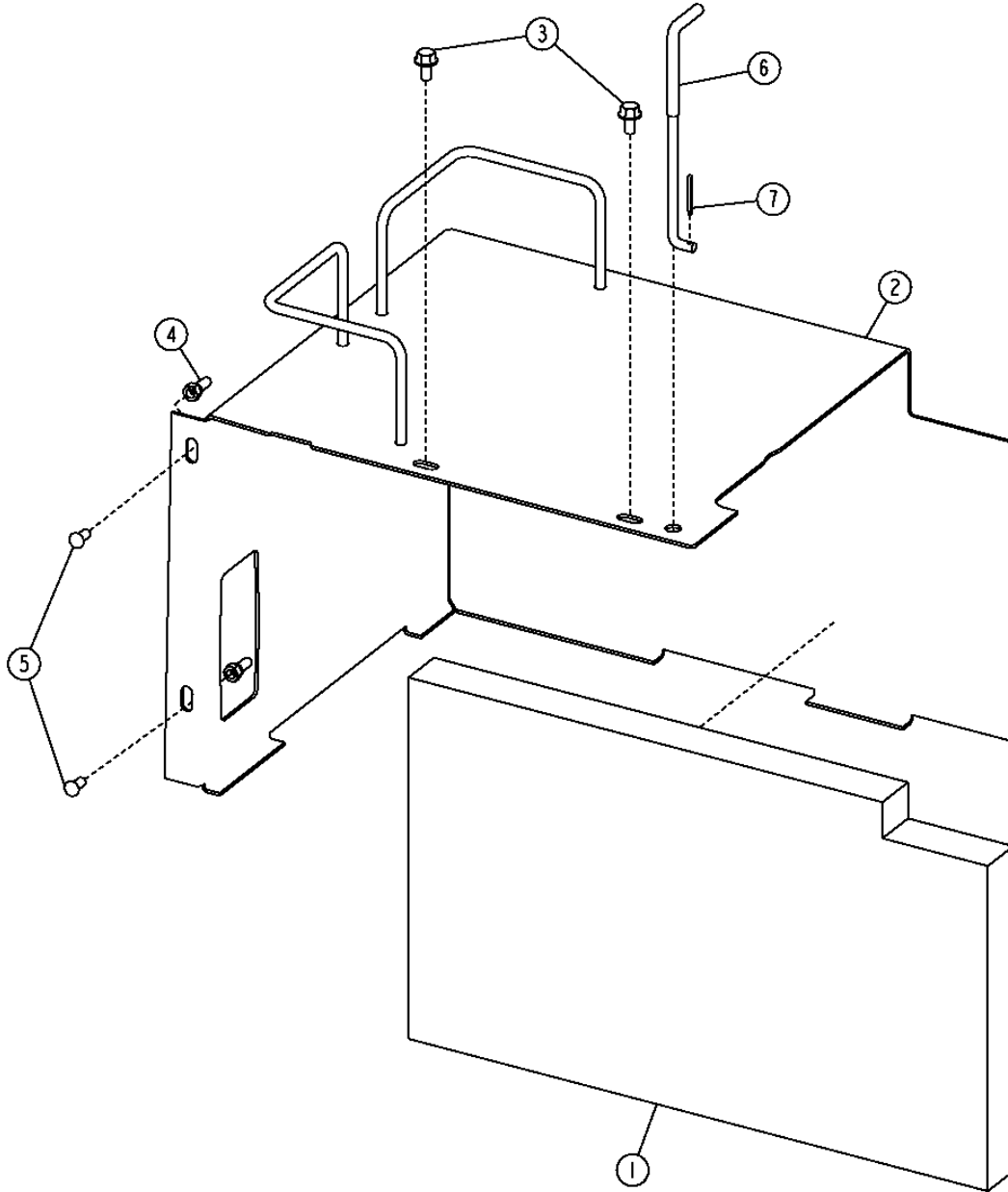
KEY	PART NO.	PART NAME	QTY.	SERIAL NO.	REMARKS
1	37M7333	SCREW	2		
2	AT59892	ASHTRAY	1		

1810-42

OPERATOR'S STATION 18
OPERATOR ENCLOSURE 1810

CAB LEFT SIDE CONSOLE COVER
COUVERCLE CONSOLE GAUCHE CABINE
CUBIERTA DE CONSOLA DE LADO IZQUIERDO DE CABINA

T192999 -UN-20AUG03



T192999

1810-43

OPERATOR'S STATION 18
OPERATOR ENCLOSURE 1810

**CAB LEFT SIDE CONSOLE COVER
COUVERCLE CONSOLE GAUCHE CABINE
CUBIERTA DE CONSOLA DE LADO IZQUIERDO DE CABINA**

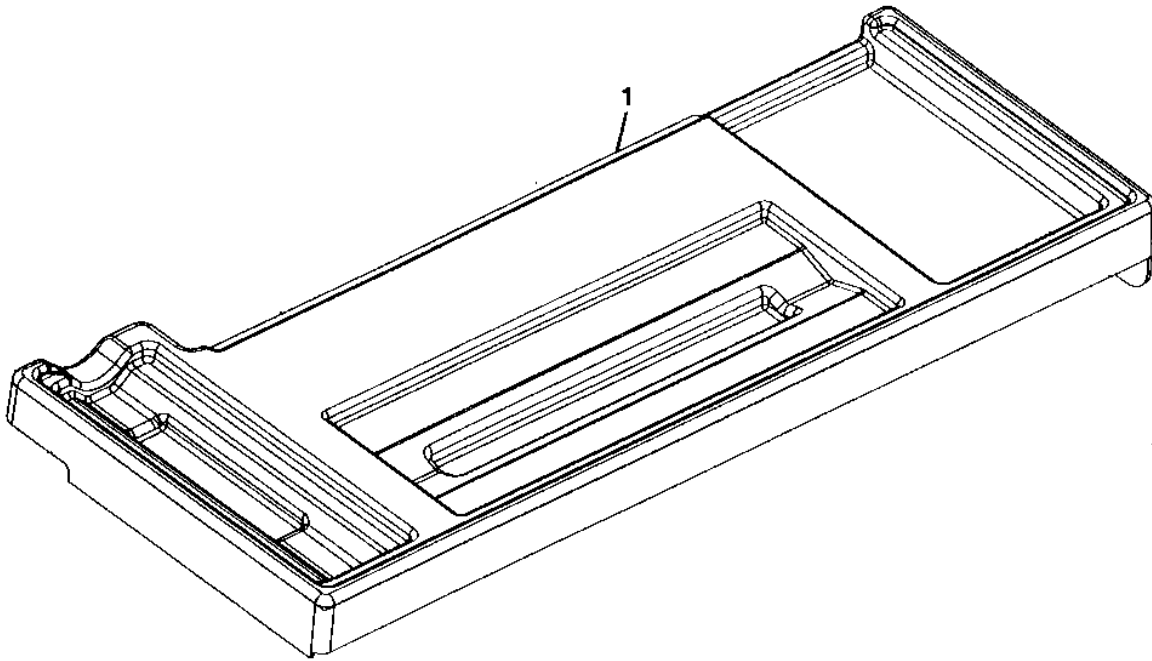
KEY	PART NO.	PART NAME	QTY.	SERIAL NO.	REMARKS
1	T171849	ISOLATOR	1		
2	AT227549	COVER	1		
3	19M7774	SCREW	2		M6 X 12
4	14M7376	LOCK NUT	2		M6
5	T167593	SCREW	2		
6	T167764	ROD	1		
7	11M7081	COTTER PIN	1		2.500 X 20 MM

1810-44

OPERATOR'S STATION 18
OPERATOR ENCLOSURE 1810

FRESH AIR HOUSING COVER
COUVERCLE BATI FILTRE AIR FRAIS
CUBIERTA DE CAJA DE AIRE FRESCO

TP60556 -UN-01DEC98



TP60556

THIS PARTS LISTING IS CONTINUED

1810-45

OPERATOR'S STATION 18
OPERATOR ENCLOSURE 1810

FRESH AIR HOUSING COVER
COUVERCLE BATI FILTRE AIR FRAIS
CUBIERTA DE CAJA DE AIRE FRESCO

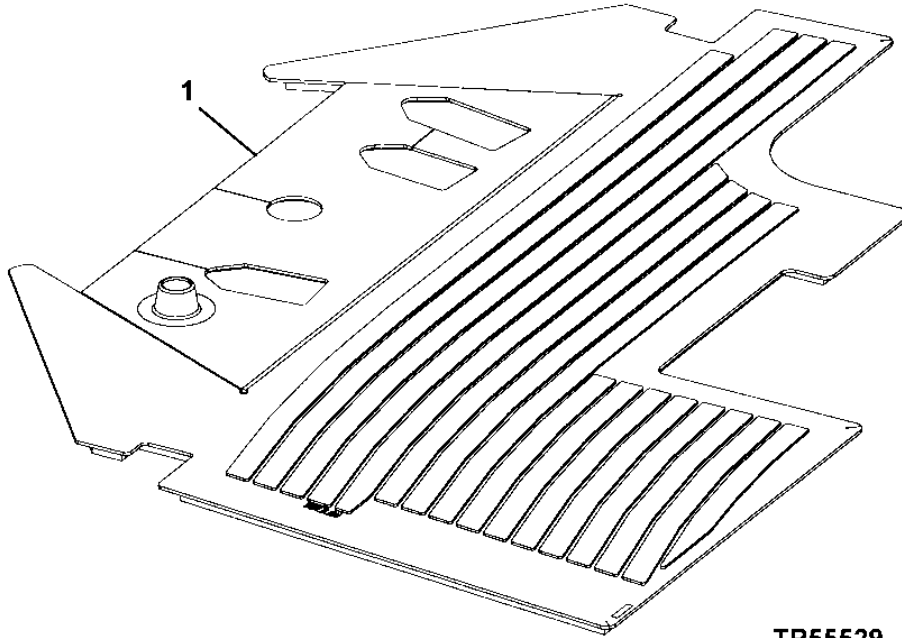
KEY	PART NO.	PART NAME	QTY.	SERIAL NO.	REMARKS
1	AT222402	COVER	1		

1810-46

OPERATOR'S STATION 18
OPERATOR ENCLOSURE 1810

CAB AND CANOPY FLOOR MAT
CABINE ET TAPIS PLANCHER AUVENT
FELPUDO DE CABINA Y DOSEL

TP55529 -UN-13MAY97



TP55529

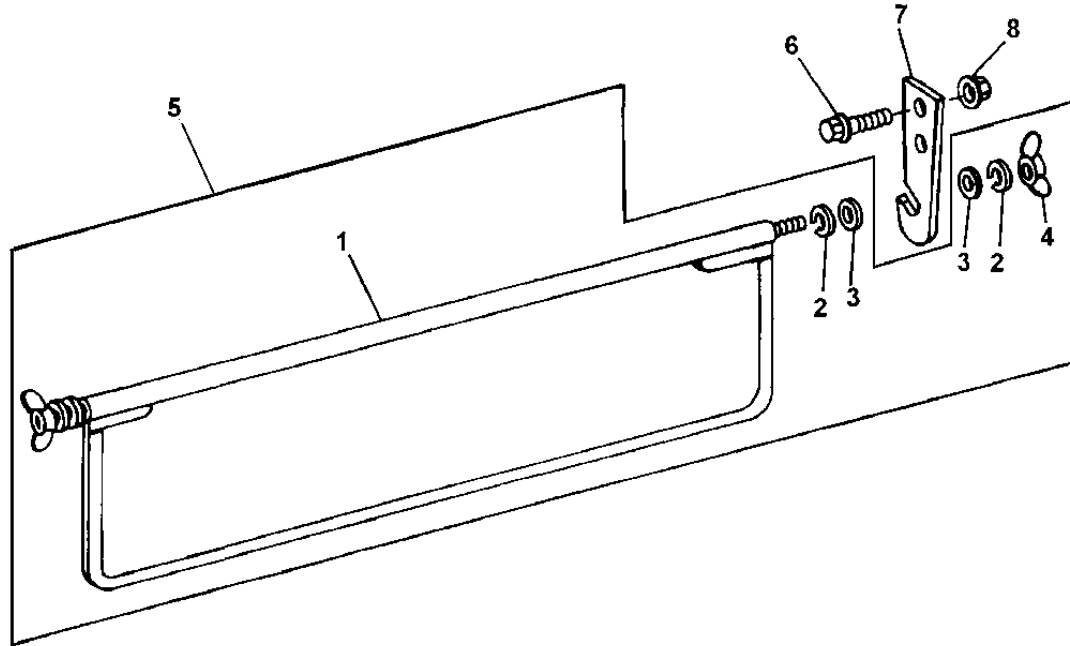
KEY	PART NO.	PART NAME	QTY.	SERIAL NO.	REMARKS
1	AT207144	MAT	1		

1810-47

OPERATOR'S STATION 18
OPERATOR ENCLOSURE 1810

SUN VISOR PARE-SOLEIL PARASOL

T141042 -UN-09APR01



T141042

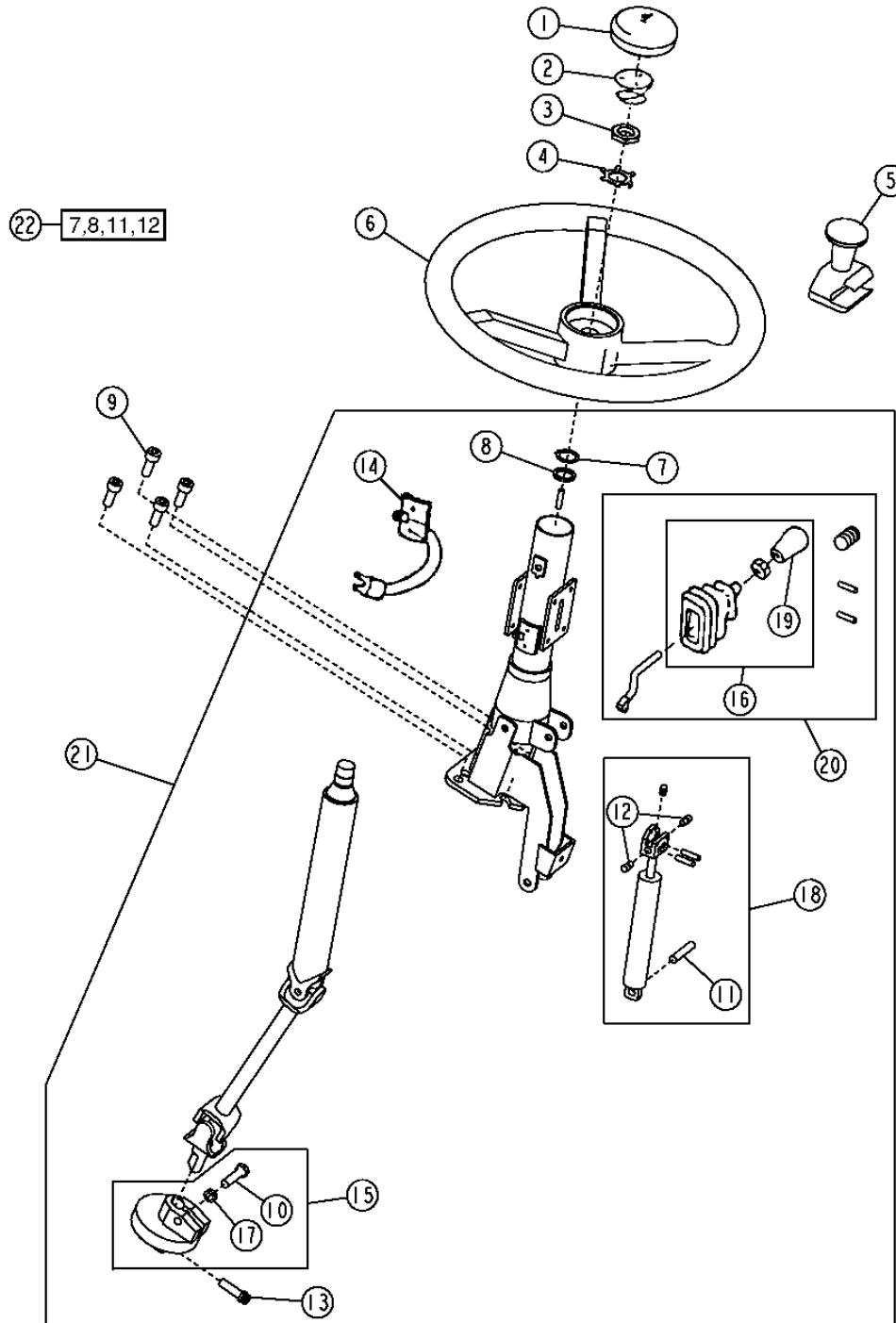
KEY	PART NO.	PART NAME	QTY.	SERIAL NO.	REMARKS
1	SUN VISOR	1		(SUB AT336621)
2	24H1285	WASHER	4		17/64" X 7/16" X 0.065"
3	N218377	WASHER	4		
4	M47887	WING NUT	2		6.350 MM
5	AT336621	SUN VISOR	1		(SUB FOR AT217448)
6	19M7862	SCREW	2		M6 X 20
7	T181797	BRACKET	2		
8	14M7303	FLANGE NUT	2		M6

1810-48

OPERATOR'S STATION 18
OPERATOR ENCLOSURE 1810

STEERING WHEEL, COLUMN AND LINKAGE VOLANT, COLONNE ET TRINGLERIE VOLANTE, COLUMNA Y VARILLAJE

T195299 -UN-21OCT03



T195299

THIS PARTS LISTING IS CONTINUED

1810-49

OPERATOR'S STATION 18
OPERATOR ENCLOSURE 1810

**STEERING WHEEL, COLUMN AND LINKAGE
VOLANT, COLONNE ET TRINGLERIE
VOLANTE, COLUMNA Y VARILLAJE**

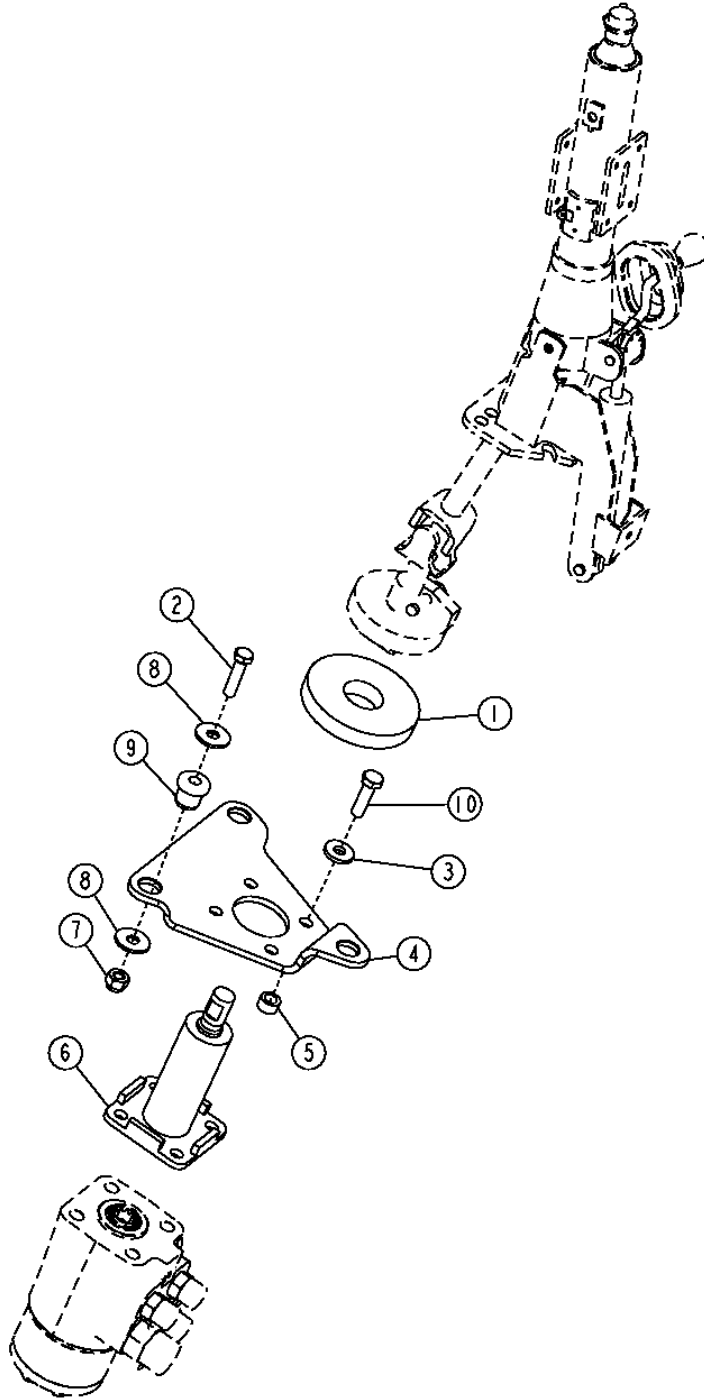
KEY	PART NO.	PART NAME	QTY.	SERIAL NO.	REMARKS
1	T154131	COVER	1		
2	AT222153	SWITCH	1		
3	T13630	NUT	1		
4	T17148	LOCK WASHER	1		
5	AT169849	KNOB	1		
6	AT139694	STEERING WHEEL	1		
7	SNAP RING	1		
8	SEALING WASHER	1		
9	19M8328	SCREW	4		M10 X 25
10	19H2544	CAP SCREW	1		
11	DOWEL PIN	1		
12	SCREW	2		
13	T39049	SCREW	1		
14	AT162719	BRUSH SET	1		
15	AT220226	KIT	1		ISOLATOR
16	AT191487	KIT	1		KNOB
17	WASHER	1		
18	AT160662	KIT	1		GAS CYLINDER ASSEMBLY
19	AT220223	KIT	1		KNOB
20	AT220224	KIT	1		TILT LEVER
21	AT300524	STEERING COLUMN	1		
22	RE56109	KIT	1		STEERING COLUMN

1810-50

OPERATOR'S STATION 18
OPERATOR ENCLOSURE 1810

LOWER STEERING COLUMN COLONNE DIRECTION INFERIEURE COLUMNA INFERIOR DE LA DIRECCION

T212760 -UN-19JUL05



T212760

1810-51

OPERATOR'S STATION 18
OPERATOR ENCLOSURE 1810

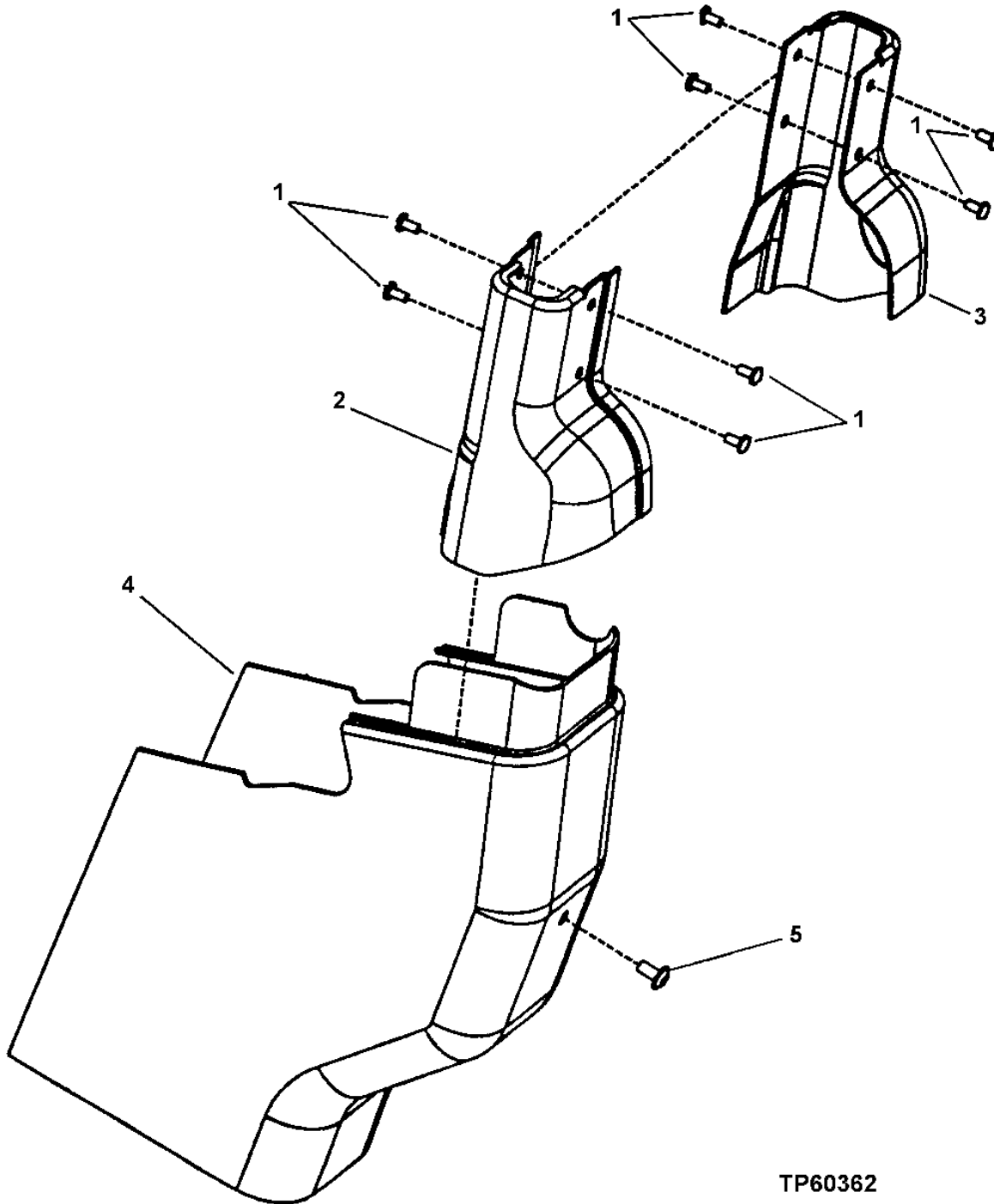
**LOWER STEERING COLUMN
COLONNE DIRECTION INFERIEURE
COLUMNA INFERIOR DE LA DIRECCION**

KEY	PART NO.	PART NAME	QTY.	SERIAL NO.	REMARKS
1	T131980	ISOLATOR	1		
2	19H2633	CAP SCREW	3		
3	24H1308	WASHER	4		13/32" X 1" X 0.134"
4	T168276	BRACKET	1		TO CAB FLOOR
5	28H860	WASHER	4		0.423" X 0.675" X 3/8"
6	AT156896	STEERING COLUMN	1		LOWER
7	14M7400	LOCK NUT	3		M10
8	24M7296	WASHER	6		10.500 X 30 X 2.500 MM
9	AT116162	ISOLATOR	3		
10	19M7550	CAP SCREW	4		

1810-52

STEERING COLUMN COVERS
COUVERCLE DE COLONNE DE DIRECTION
CUBIERTA DE LA COLUMNA DE DIRECCION

TP60362 -UN-27APR98



TP60362

1810-53

OPERATOR'S STATION 18
OPERATOR ENCLOSURE 1810

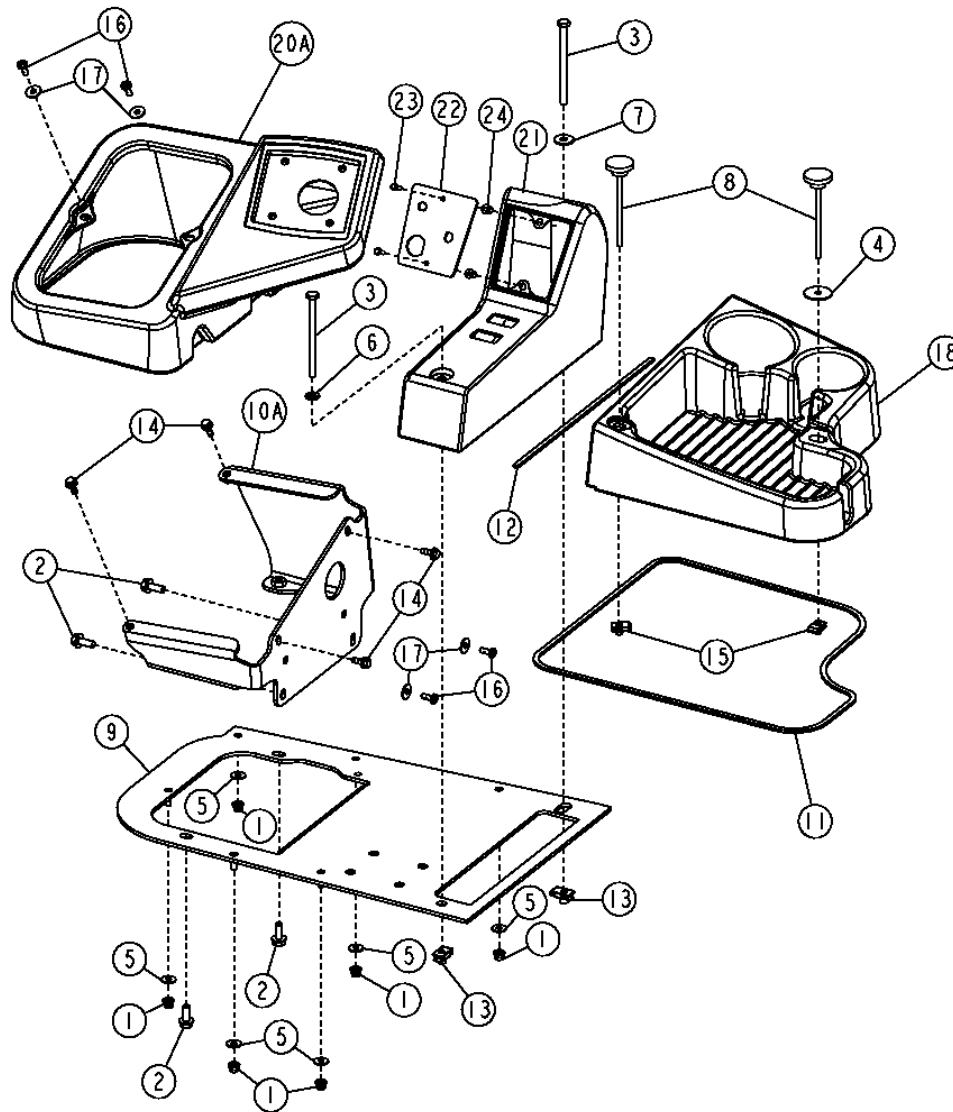
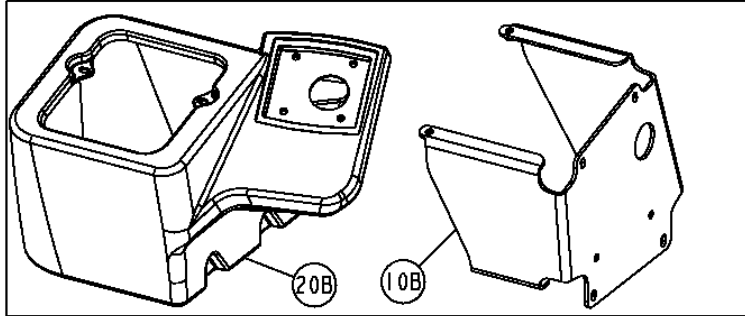
**STEERING COLUMN COVERS
COUVERCLE DE COLONNE DE DIRECTION
CUBIERTA DE LA COLUMNA DE DIRECCION**

KEY	PART NO.	PART NAME	QTY.	SERIAL NO.	REMARKS
1	21M7305	SCREW	8		M6 X 12
2	T173100	COVER	1		UPPER
	T211353	COVER	1		(FOR USE WITH JOYSTICK MOUNTED FNR)
3	T173099	COVER	1		UPPER
4	T156784	COVER	1		LOWER
5	19M8675	SCREW	1		M8 X 16

1810-54

RIGHT HAND CAB CONSOLE CONSOLE CABINE DROITE CONSOLA DE LA CABINA DEL LADO DERECHO

T216042 -UN-25OCT05



T216042

THIS PARTS LISTING IS CONTINUED

1810-55

OPERATOR'S STATION 18
OPERATOR ENCLOSURE 1810

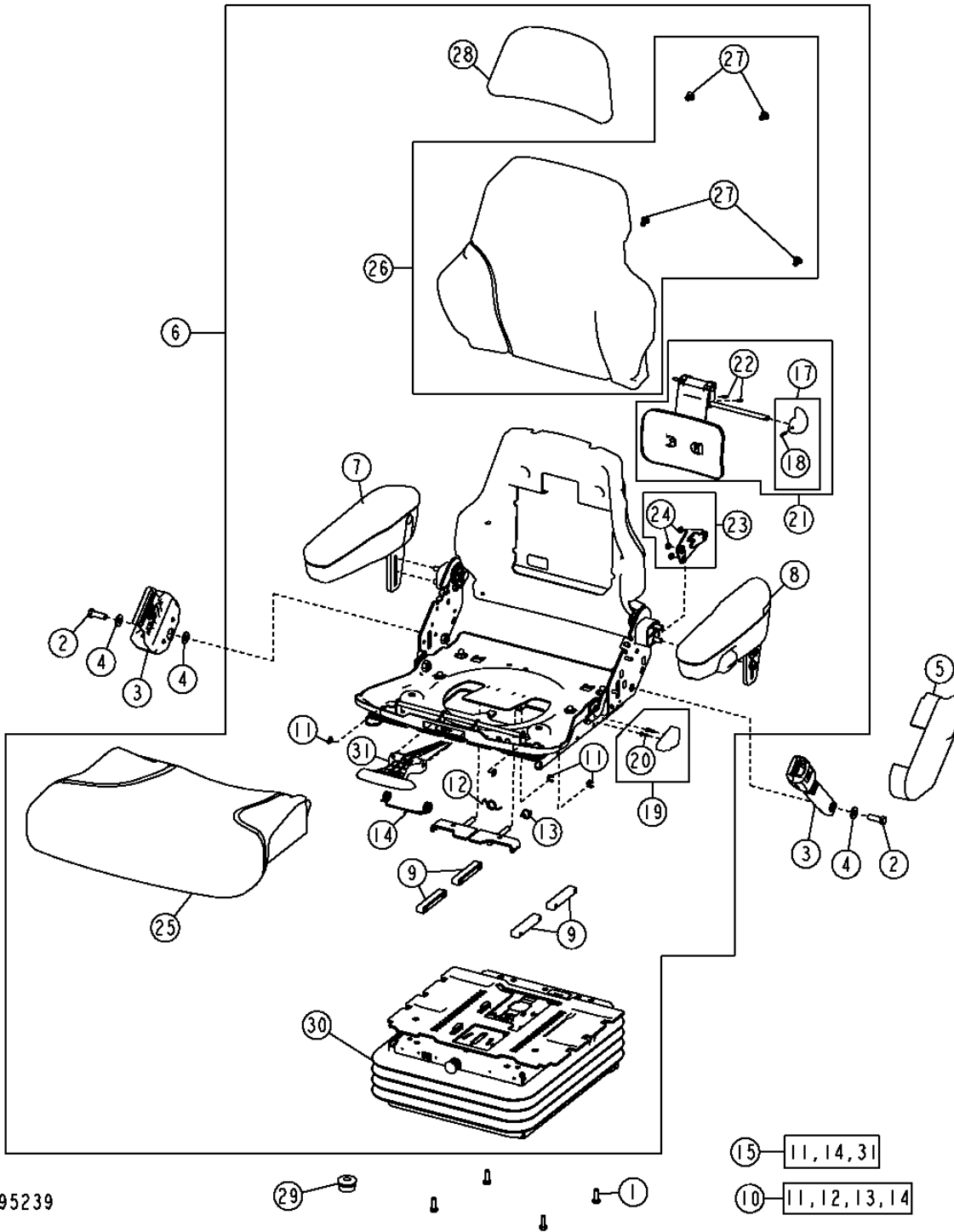
RIGHT HAND CAB CONSOLE
CONSOLE CABINE DROITE
CONSOLA DE LA CABINA DEL LADO DERECHO

KEY	PART NO.	PART NAME	QTY.	SERIAL NO.	REMARKS
1	14M7165	LOCK NUT	6		M6
2	19M7866	SCREW	4		M8 X 20
3	19M7997	CAP SCREW	2		M8 X 110
4	24H1695	WASHER	1		9/32" X 1-3/8" X 0.065"
5	24M7139	WASHER	6		6.400 X 18 X 1.600 MM
6	24M7238	WASHER	1		8.700 X 17 X 2 MM
7	24M7298	WASHER	1		8.400 X 25 X 2 MM
8	AT226334	KNOB	2		
9	AT310413	PLATE	1		(SUB FOR AT228253)
10A	AT310414	BRACKET	1		(SHORT) (SUB FOR AT300441)
10B	AT310412	BRACKET	1		(TALL) (SUB FOR AT227794)
11	T180533	SEALING TRIM	1		
12	ISOLATOR	1		(MAKE FROM T207925) (CUT TO LENGTH, 4.25 FT.)
13	H156360	NUT	2		
14	M113243	SCREW	4		
15	M84972	NUT	2		
16	T133674	SELF-LOCKING SCREW	4		(SUB FOR 21M7292)
17	24H1821	WASHER	4		
18	T182612	COVER	1		
20A	T200267	COVER	1		(SHORT)
20B	T196622	COVER	1		(TALL)
21	T202883	CONSOLE	1		
22	T203128	PLATE	1		
23	T82791	SCREW	2		
24	T82792	NUT	2		

1821-2

SEAT AND SEAT SUSPENSION
SIEGE ET SUSPENSION DE SIEGE
ASIENTO Y SUSPENSION DEL ASIENTO

T195239 -UN-21OCT03



T195239

1821-3

OPERATOR'S STATION 18
SEAT AND SEAT BELTS 1821

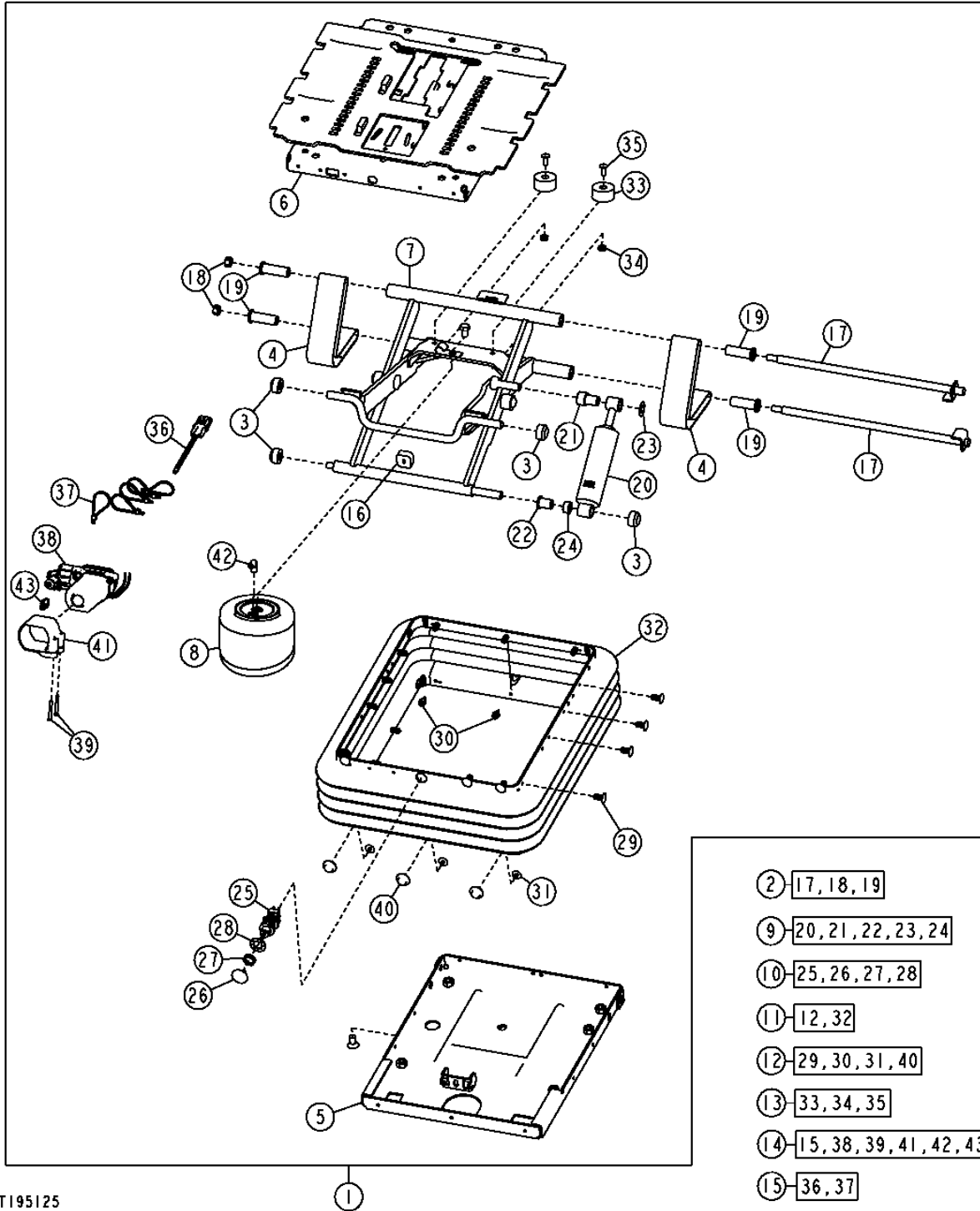
**SEAT AND SEAT SUSPENSION
SIEGE ET SUSPENSION DE SIEGE
ASIENTO Y SUSPENSION DEL ASIENTO**

KEY	PART NO.	PART NAME	QTY.	SERIAL NO.	REMARKS
1	19M7866	SCREW	4		
2	19H3569	CAP SCREW	2		
3	AT308199	SEAT BELT	1		
4	T105740	WASHER	4		
5	T163962	COVER	1		
6	AT307474	SEAT	1	-592825	GRAY VINYL
	AT311919	SEAT	1	592826-	GRAY VINYL
	AT224248	SEAT	1	-592825	GRAY CLOTH
	AT310435	SEAT	1	592826-	GRAY CLOTH
7	AT195441	ARMREST KIT	1		(R.H.)
	AT315715	PAD	1		
8	AT195442	ARMREST KIT	1		(L.H.)
	AT315761	PAD	1		
9	AT209020	KIT	1		SLIDE PUCK KIT
10	AT209021	KIT	1		SLIDE SPRING KIT
11	R72655	SNAP RING	4		
12	T163334	SPRING	1		
13	T163335	SPRING	1		
14	T163336	TORSION SPRING	1		
15	AT209022	HOSE KIT	1		SLIDE CONTROL KIT
17	AT209024	KIT	1		LUMBAR KNOB KIT
18	34H262	SPRING PIN	1		
19	AT209025	KIT	1		RECLINER KNOB KIT
20	37H121	SCREW	1		
21	AT209026	KIT	1		LUMBAR SERVICE KIT
22	34H387	SPRING PIN	2		
23	AT209225	KIT	1		RECLINER SERVICE KIT (INCLUDES RECLINER KNOB KIT AND TORSION SPRING)
24	M453T	LOCK NUT	3		
25	AT221015	SEAT	1		GRAY VINYL
	AT308795	CUSHION	1		(SUB FOR AT221019) GRAY CLOTH
26	AT221016	PAD	1		GRAY VINYL
	AT308796	CUSHION	1		(SUB FOR AT221020) GRAY CLOTH
27	T171686	CLIP	4		
28	AT221017	CUSHION	1		GRAY VINYL
	AT308797	CUSHION	1		(SUB FOR AT221021) GRAY CLOTH
29	T182870	ISOLATOR	1		(SUB FOR N119177)
30	AT208531	SEAT SUSPENSION	1	-592825	
	AT311918	SEAT SUSPENSION	1	592826-	
31	CONTROL	1		

1821-4

SEAT SUSPENSION
SUSPENSION DE SIEGE
SUSPENSION DEL ASIENTO

T195125 -UN-25SEP03



T195125

1821-5

OPERATOR'S STATION 18
SEAT AND SEAT BELTS 1821

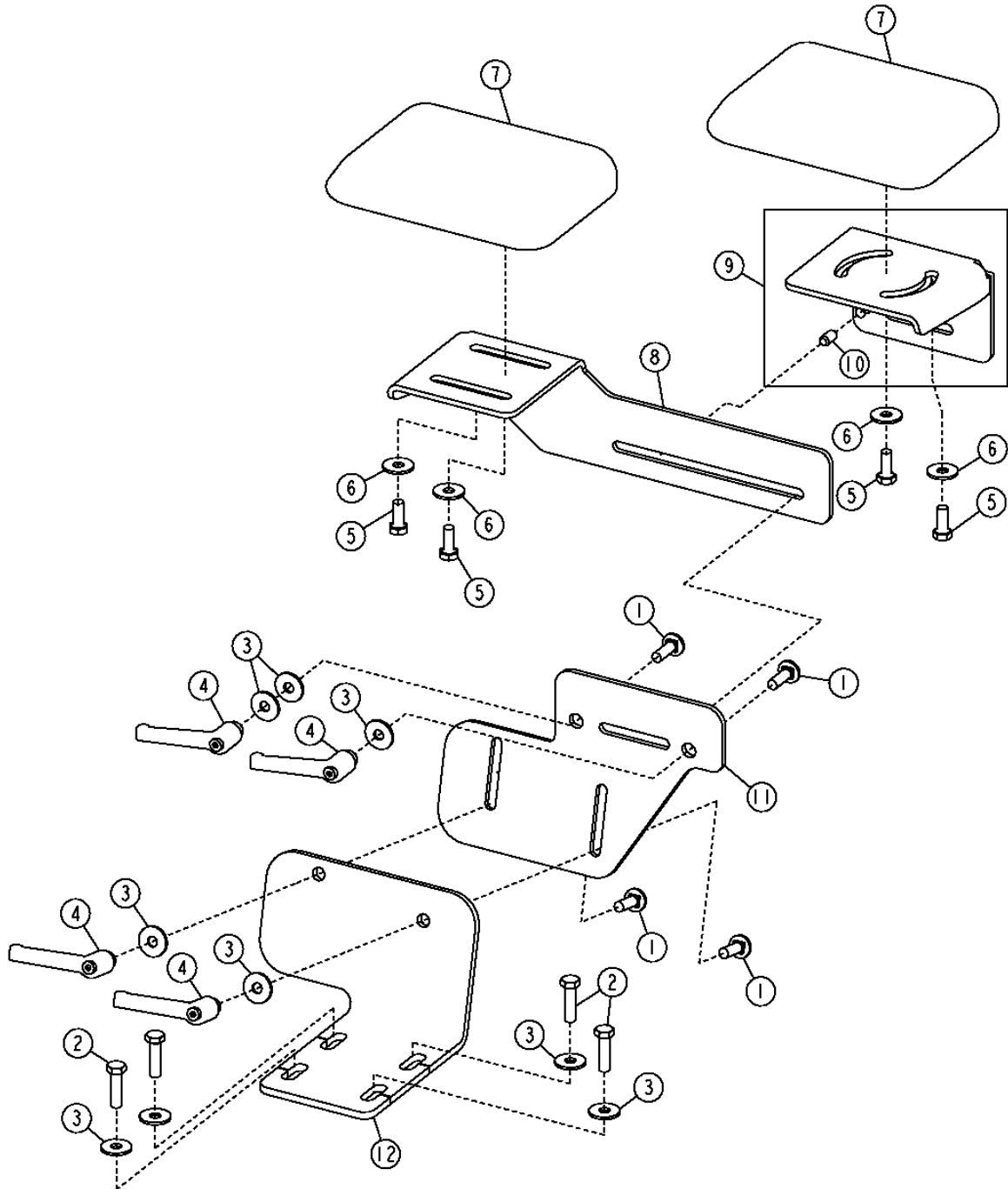
SEAT SUSPENSION SUSPENSION DE SIEGE SUSPENSION DEL ASIENTO

KEY	PART NO.	PART NAME	QTY.	SERIAL NO.	REMARKS
1	AT208531	SEAT SUSPENSION	1	-592825	
	AT311918	SEAT SUSPENSION	1	592826-	
2	AT173313	SHAFT	1		
3	AT173314	SEAT BEARING ROLLER KIT	1		
4	AT173315	KIT	1		TETHER BELT SERVICE KIT
5	AT208483	HOUSING	1		
6	AT208484	HOUSING	1	-592825	
	AT313399	HOUSING	1	592826-	
7	AT208485	ARM	1		
8	AT208486	ABSORBER	1		(AIR BLADDER SPRING)
9	AT208487	KIT	1		SUSPENSION SHOCK SERVICE KIT
10	AT208490	SELECTIVE CONTROL VALVE	1		
11	AT208491	KIT	1		(INCLUDES AT173321) BOOT SERVICE KIT
12	AT173321	SEAT SUSPENSION BOOT KIT	1		
13	AT209469	KIT	1		BUMPER SERVICE KIT
14	AT226676	COMPRESSOR	1		
15	AT208488	WIRING HARNESS	1		
16	T55224	BUMPER	1		
17	SHAFT	2		(SUB AT173313)
18	LOCK NUT	2		(SUB AT173313)
19	BUSHING	4		(SUB AT173313)
20	SHOCK ABSORBER	1		(SUB AT208487)
21	BEARING	1		(SUB AT208487)
22	ECCENTRIC LOCKING COLLAR	1		(SUB AT208487)
23	PUSH NUT	1		(SUB AT208487)
24	SPACER	1		(SUB AT208487)
25	HYD ACTUATED CONTROL VALVE	1		(SUB AT208490)
26	KNOB	1		(SUB AT208490)
27	NUT	1		(SUB AT208490)
28	LOCK WASHER	1		(SUB AT208490)
29	CLIP	23		(SUB AT173321)
30	RIVET	3		(SUB AT173321)
31	RIVET	3		(SUB AT173321)
32	BOOT	1		(SUB AT208491)
33	BUMPER	2		(SUB AT209469)
34	LOCK NUT	2		(SUB AT209469)
35	SCREW	2		(SUB AT209469)
36	WIRING HARNESS	1		(SUB AT208488)
37	TIE BAND	4		(SUB AT208488)
38	COMPRESSOR	1		(SUB AT226676)
39	SPRING PIN	2		(SUB AT226676)
40	RIVET	6		(SUB AT173321)
41	CLAMP	1		(SUB AT226676)
42	PIPE ELBOW	1		(SUB AT226676)
43	TAB CONNECTOR BODY	1		(SUB AT226676)

1821-6

RIGHT ARM REST ACCOUDOIR DROIT APOYABRAZOS DERECHO

T212897 -UN-26JUL05



T212897

THIS PARTS LISTING IS CONTINUED

1821-7

OPERATOR'S STATION 18
SEAT AND SEAT BELTS 1821

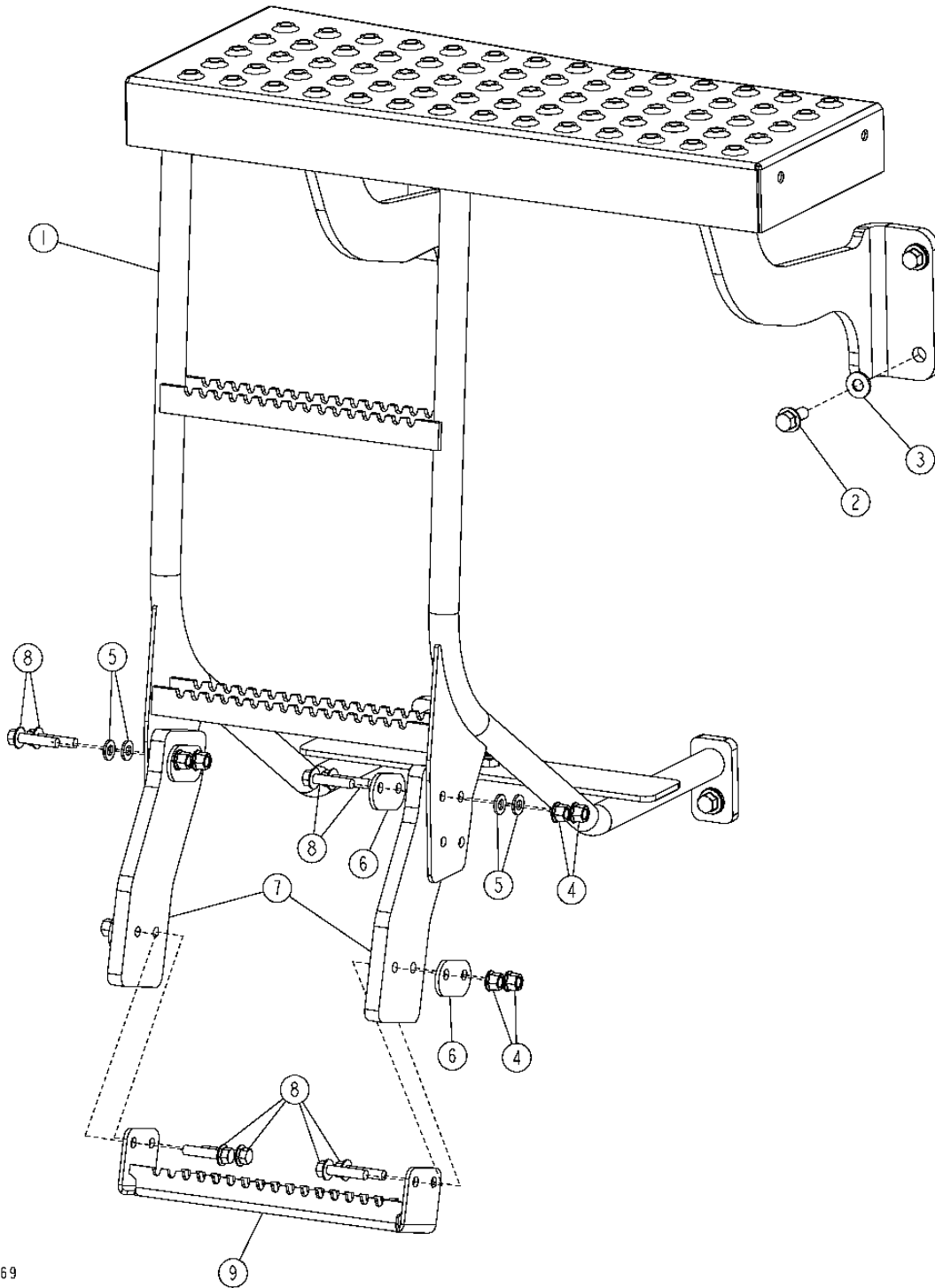
**RIGHT ARM REST
ACCOUDOIR DROIT
APOYABRAZOS DERECHO**

KEY	PART NO.	PART NAME	QTY.	SERIAL NO.	REMARKS
1	03M7185	BOLT	4		M8 X 25
2	19M7868	SCREW	4		M8 X 30, (SUB FOR 19M7513)
3	24M7298	WASHER	9		8.400 X 25 X 2 MM
4	AT227063	LEVER	4		
5	19M7866	SCREW	4		M8 X 20, (SUB FOR 19M7881)
6	24M7298	WASHER	4		8.400 X 25 X 2 MM
7	AT327621	CUSHION	2		(SUB FOR AT171679)
8	T200161	SUPPORT	1		
9	AT300115	BRACKET	1		
10	44M7027	PIN	1		
11	T209601	SUPPORT	1		(SINGLE LEVER CONTROLLER)
	T200158	SUPPORT	1		(TWO LEVER CONTROLLER)
12	T209602	SUPPORT	1		(SINGLE LEVER CONTROLLER)
	T200159	SUPPORT	1		(TWO LEVER CONTROLLER)

1822-2

ACCESS PLATFORM AND STEPS
PLATE-FORME ACCES ET MARCHES
PLATAFORMA DE ACCESO Y PELDANOS

T151369 -UN-14FEB02



T151369

THIS PARTS LISTING IS CONTINUED

1822-3

OPERATOR'S STATION 18
STEPS AND HANDHOLDS 1822

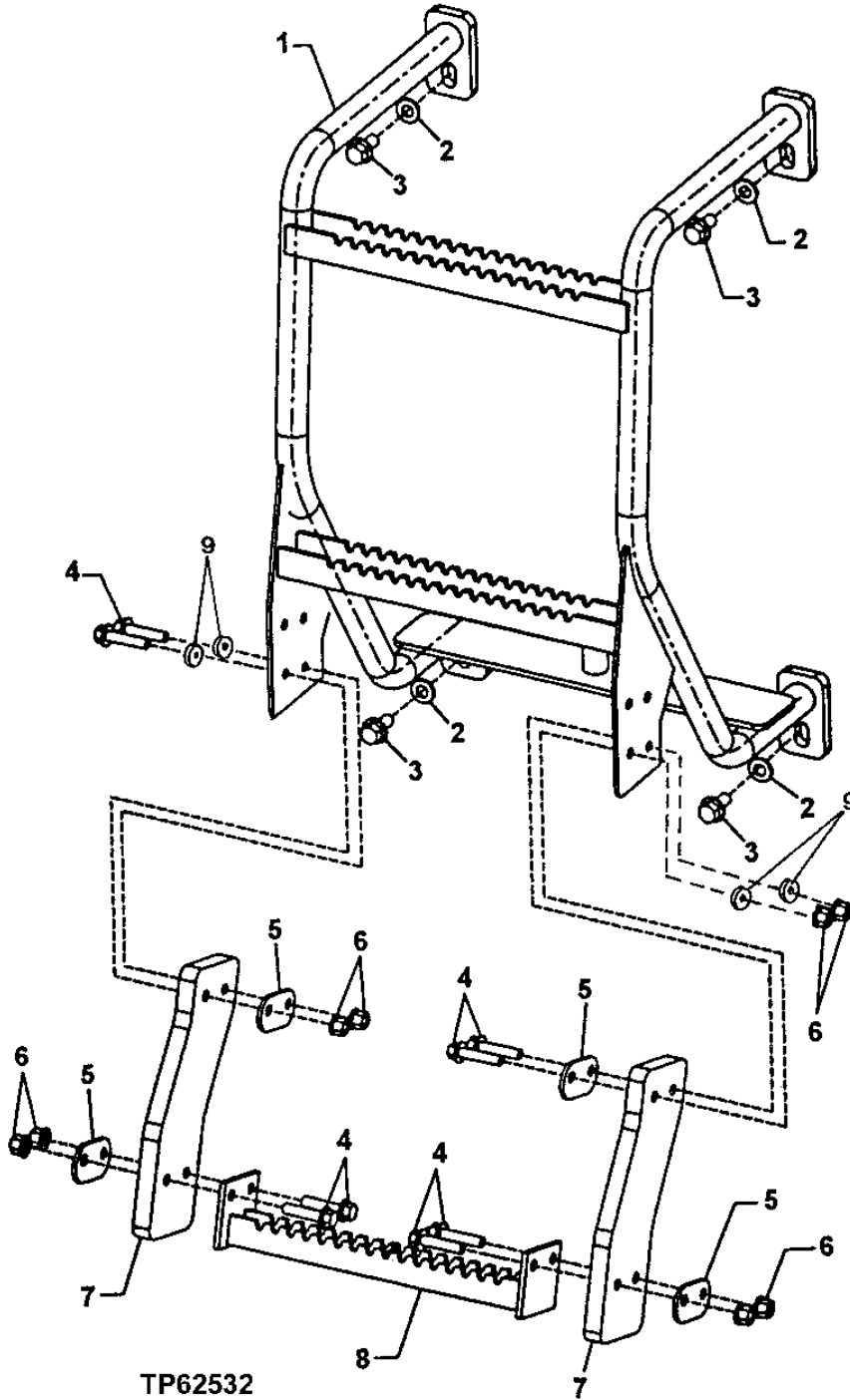
ACCESS PLATFORM AND STEPS
PLATE-FORME ACCES ET MARCHES
PLATAFORMA DE ACCESO Y PELDANOS

KEY	PART NO.	PART NAME	QTY.	SERIAL NO.	REMARKS
1	AT223989	PLATFORM	1	-598479	
	AT323672	PLATFORM	1	598480-	
2	19M7789	SCREW	5		M12 X 30
3	T178063	WASHER	5		
4	14M7400	LOCK NUT	8		
5	24M7239	WASHER	4		
6	T173779	STRAP	4		
7	T177503	STRAP	2		
8	19M7805	SCREW	8		
9	T176870	STEP	1		

1822-4

CLOSE MOUNTED STEPS
MARCHES RAPPROCHEES
PELDANOS DE MONTAJE ESTRECHO

TP62532 -UN-04MAY99



1822-5

OPERATOR'S STATION 18
STEPS AND HANDHOLDS 1822

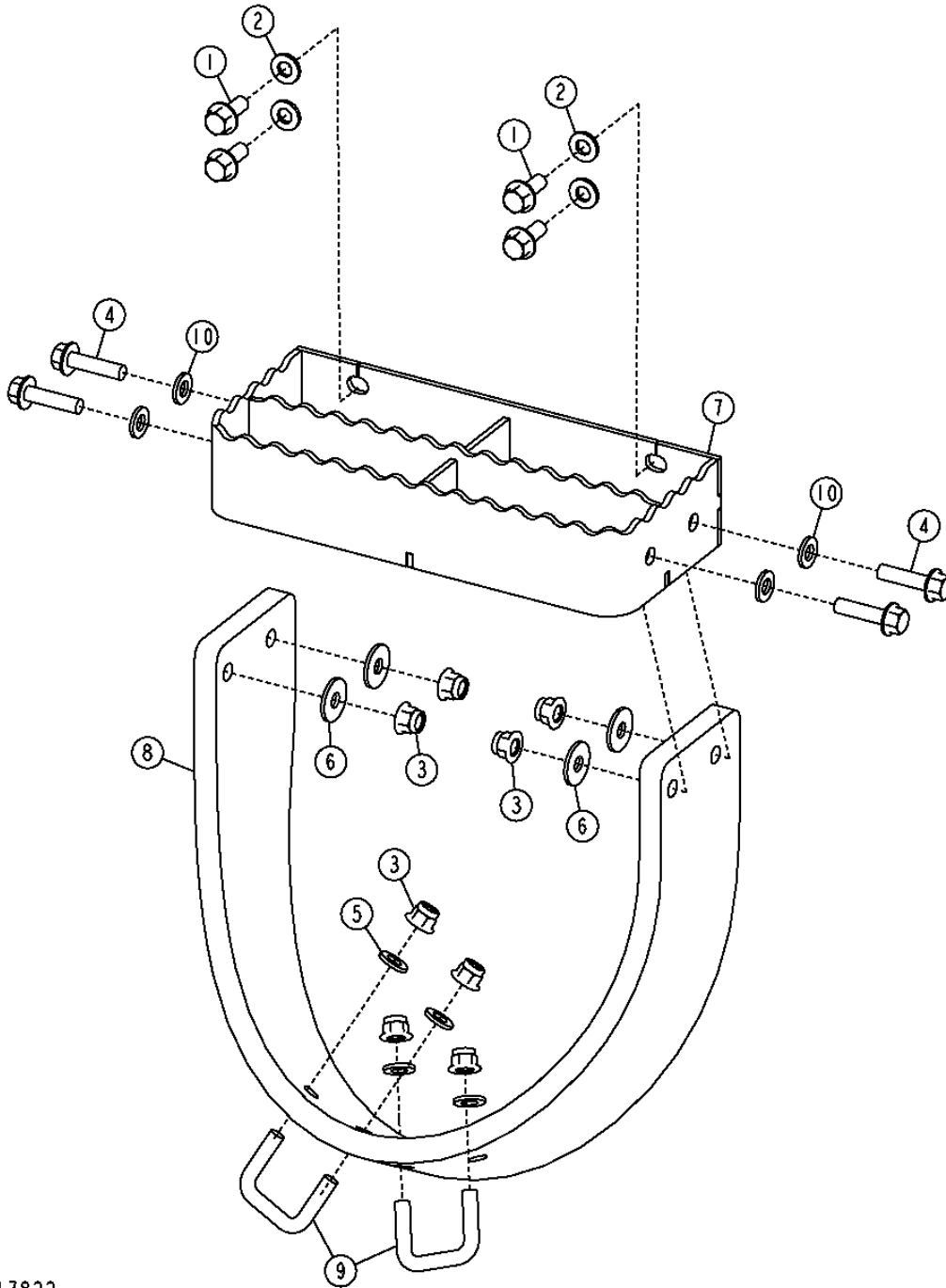
**CLOSE MOUNTED STEPS
MARCHES RAPPROCHEES
PELDANOS DE MONTAJE ESTRECHO**

KEY	PART NO.	PART NAME	QTY.	SERIAL NO.	REMARKS
1	AT209698	STEP	1		
2	T178063	WASHER	4		
3	19M7789	SCREW	4		M12 X 30
4	19M7805	SCREW	8		M10 X 45
5	T173779	STRAP	4		
6	14M7400	LOCK NUT	8		M10
7	T177503	STRAP	2		
8	T176870	STEP	1		
9	24M7239	WASHER	4		10.700 X 21 X 2.500 MM

1822-6

ENGINE COMPARTMENT STEP MARCHE DE COMPARTIMENT MOTEUR PELDANO DEL COMPARTIMIENTO DEL MOTOR

TX1017822 -UN-



TX1017822

THIS PARTS LISTING IS CONTINUED

1822-7

OPERATOR'S STATION 18
STEPS AND HANDHOLDS 1822

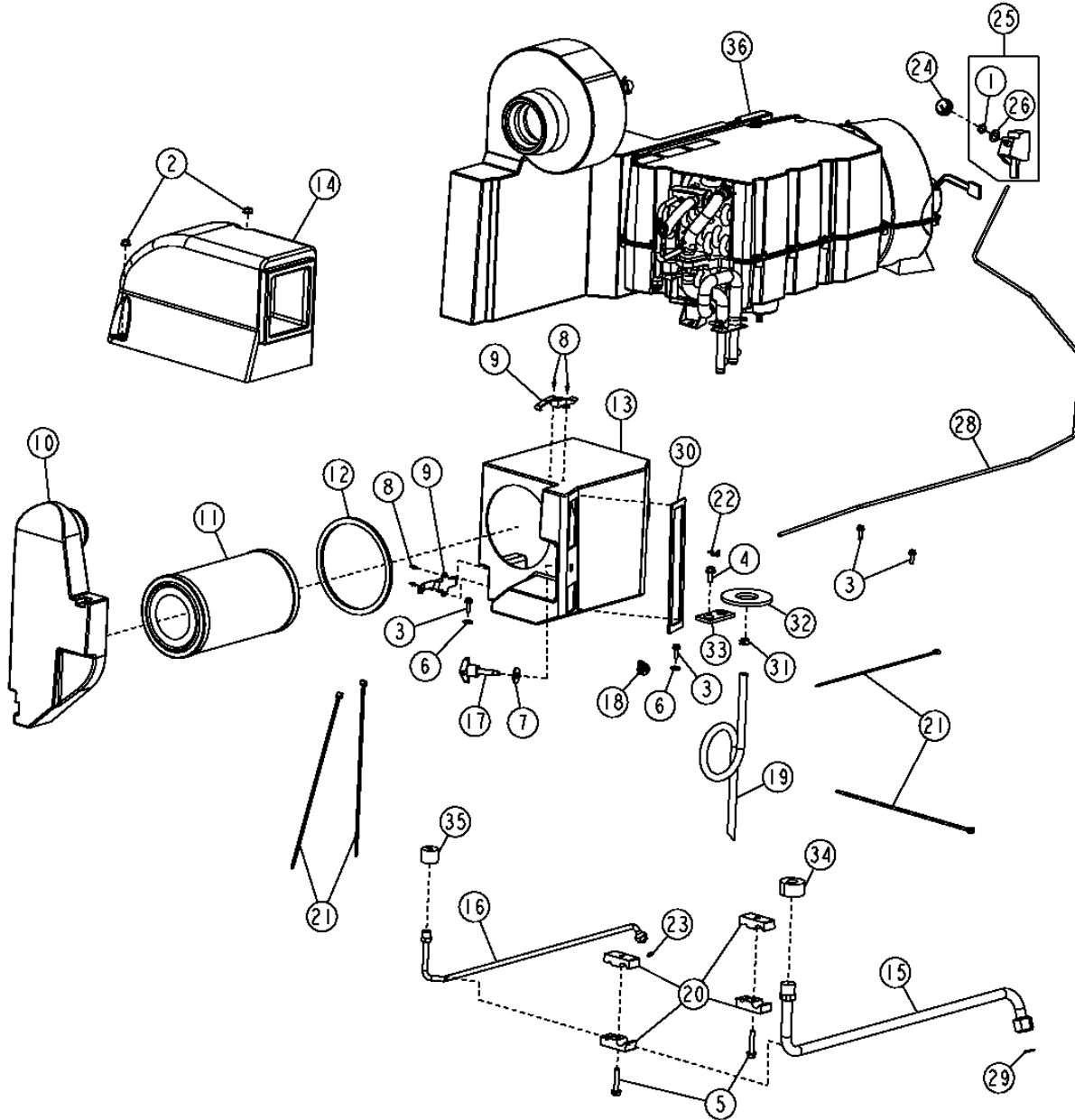
**ENGINE COMPARTMENT STEP
MARCHE DE COMPARTIMENT MOTEUR
PELDANO DEL COMPARTIMIENTO DEL MOTOR**

KEY	PART NO.	PART NAME	QTY.	SERIAL NO.	REMARKS
1	19M7785	SCREW	4		M10 X 25
2	24M7239	WASHER	4	-XXXXXX	10.700 X 21 X 2.500 MM
3	14M7400	LOCK NUT	8		M10
4	19M7806	SCREW	4	-XXXXXX	M10 X 50
	19M7804	SCREW	4	XXXXXX-	M10 X 40
5	24M7239	WASHER	4		10.700 X 21 X 2.500 MM
6	24M7296	WASHER	4		10.500 X 30 X 2.500 MM
7	AT228809	STEP	1		
8	T217427	STRAP	1		(SUB FOR T197442)
9	W29909	U-BOLT	2		
10	24M7239	WASHER	2	-XXXXXX	

1830-2

HVAC MODULE MODULE CHAUFFAGE, VENTILATION ET CLIMATISATION MODULO DE CLIMATIZACION

T193582 -UN-21AUG03



T193582

THIS PARTS LISTING IS CONTINUED

1830-3

OPERATOR'S STATION 18

HEATING AND AIR CONDITIONING 1830

HVAC MODULE
 MODULE CHAUFFAGE, VENTILATION ET CLIMATISATION
 MODULO DE CLIMATIZACION

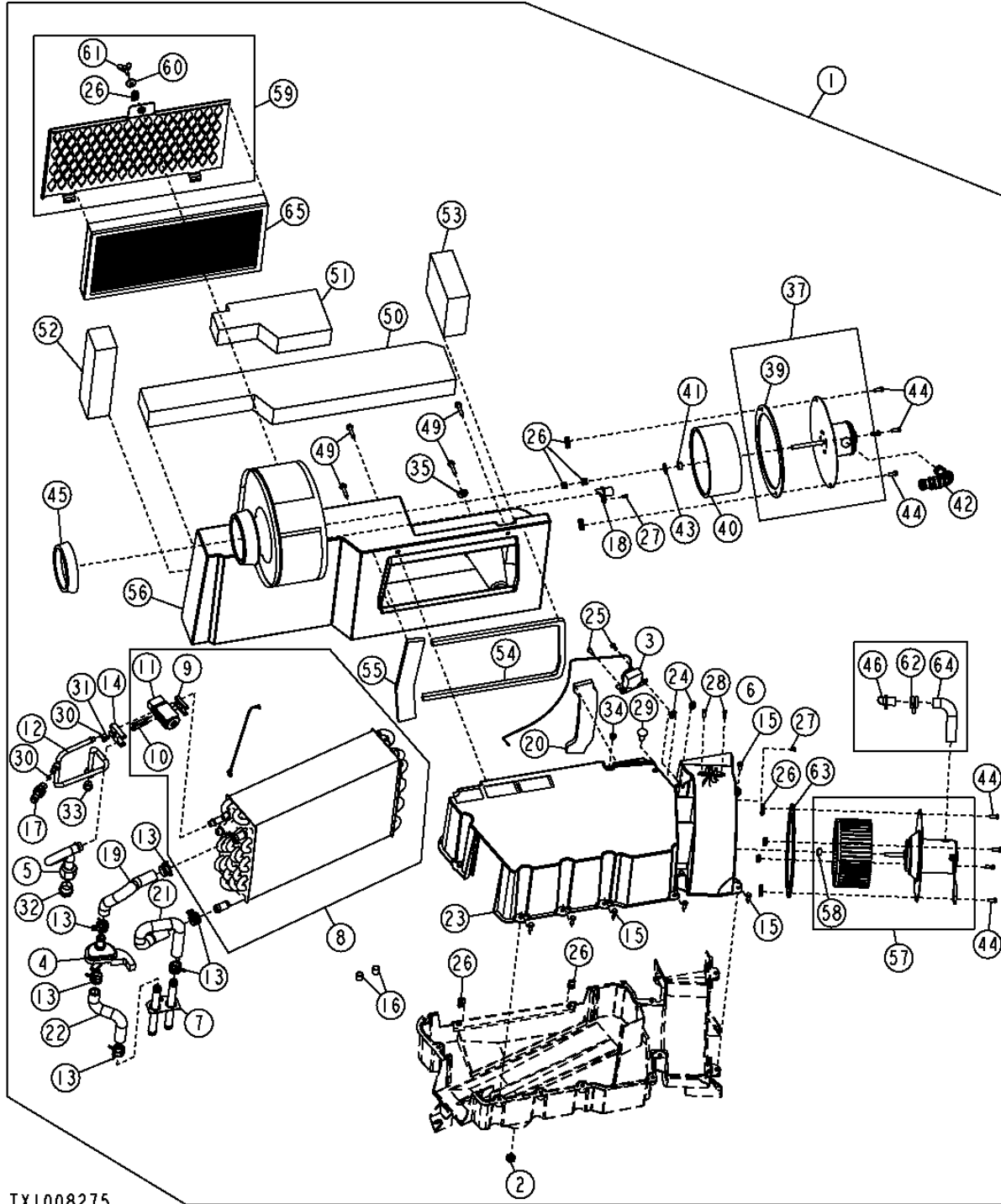
KEY	PART NO.	PART NAME	QTY.	SERIAL NO.	REMARKS
1	R203687	NUT	1		
2	14M7298	FLANGE NUT	2	M8	
3	19M7862	SCREW	4	M6 X 20	
4	19M7866	SCREW	3	M8 X 20	
5	19M8318	SCREW	2	M8 X 45	
6	24M7139	WASHER	2	6.400 X 18 X 1.600 MM	
7	24M7296	WASHER	1	10.500 X 30 X 2.500 MM	
8	H86981	RIVET	4		
9	R121465	LATCH	2		
10	T167945	AIR DUCT	1		
11	T168220	AIR FILTER	1		
	AT321942	ACTIVATED CARBON AIR FILTER	1		(ODOR REDUCING ACTIVATED CARBON FILTER)
12	T170053	SEAL	1		
13	T171459	AIR DUCT	1		
14	AT209668	AIR DUCT	1		
15	AT210561	LINE	1		(SUB FOR AT306912 AND AT310782)
16	AT306913	TUBE	1		
17	AT220953	KNOB	1		
18	AT226249	JUMPER	1		
19	Z59685	HOSE	1		(SUB FOR B14604) 114.3MM (4.5')
20	H114865	CLAMP	4		
21	H77698	TIE BAND	4		
22	L57881	CLIP	1		
23	R10093	O-RING	1		
24	AL76568	KNOB	1		
25	RE46742	CONTROL	1		
26	12H292	LOCK WASHER	1	1/2"	
27	14H934	NUT	1	7/16"	
28	RE58614	PUSH PULL CABLE	1		
29	T143169	O-RING	1		
30	T167676	SEAL	1		
31	T174427	CLAMP	1		
32	T182852	SEALING WASHER	1		
33	T182858	GASKET	1		
34	T182870	ISOLATOR	1		
35	T182871	ISOLATOR	1		
36	T182906	PLATE	1		

1830-4

HVAC MODULE COMPONENTS COMPOSANTS MODULE CHAUFFAGE, VENTILATION ET CLIMATISATION COMPONENTES DEL MODULO DE CLIMATIZACION

TX1008275

-UN-14JUN06



TX1008275

THIS PARTS LISTING IS CONTINUED

1830-5

OPERATOR'S STATION 18

HEATING AND AIR CONDITIONING 1830

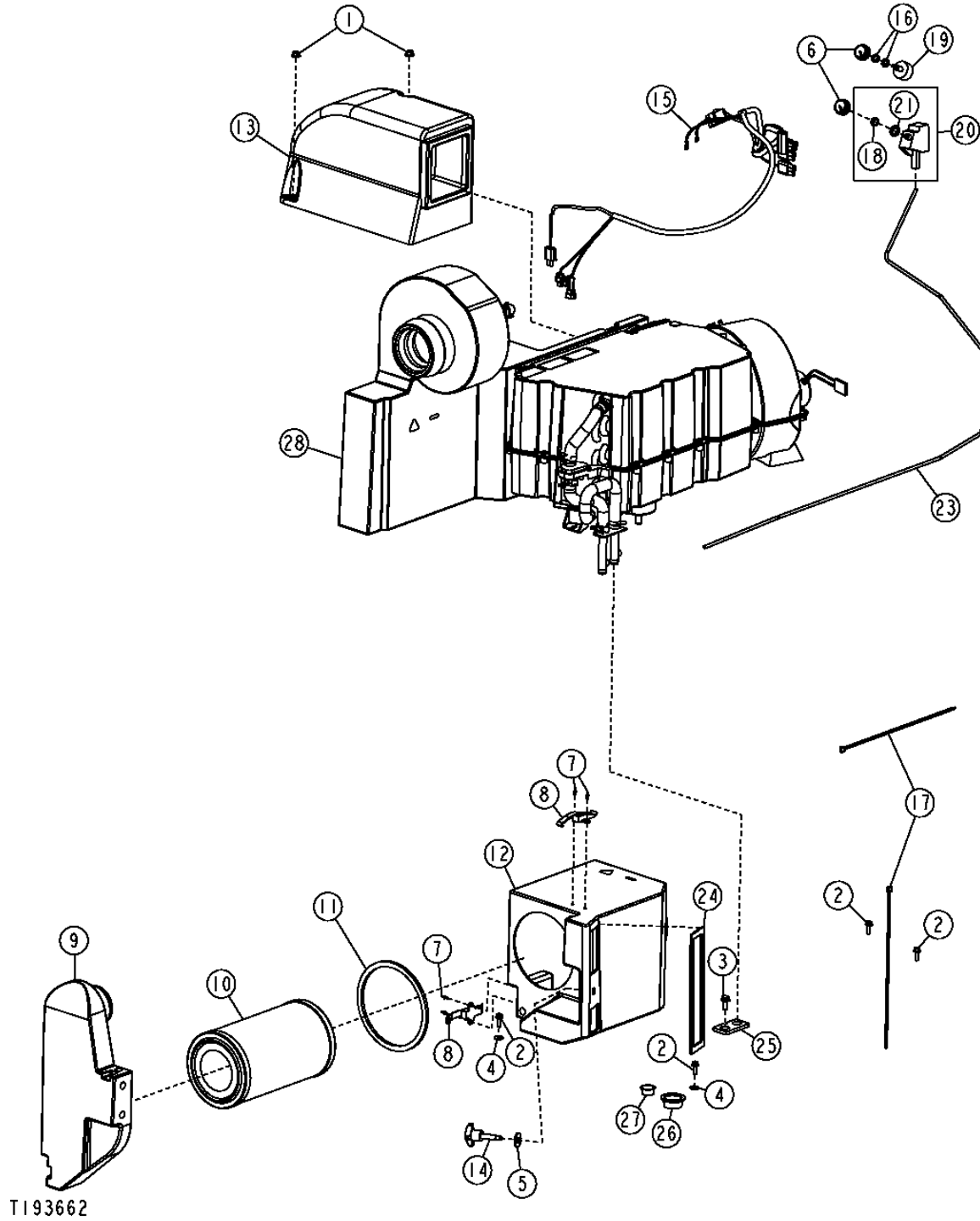
HVAC MODULE COMPONENTS
COMPOSANTS MODULE CHAUFFAGE, VENTILATION ET CLIMATISATION
COMPONENTES DEL MODULO DE CLIMATIZACION

KEY	PART NO.	PART NAME	QTY.	SERIAL NO.	REMARKS
1	AT329722	MODULE	1		(SUB FOR AT223531)
2	14H934	NUT	1		
3	RE198074	TEMPERATURE SWITCH	1		(SUB FOR AH144020)
4	AT193500	HAND OPERATED VALVE	1		
5	AT210086	STRUCTURAL TUBING	1		
6	RESISTOR	1		(AT307197 NLA) (SUB AT318987)
7	AT219778	HOSE	1		
8	AT329723	HEAT EXCHANGER	1		(SUB FOR AT225899)
9	L77943	PLATE	1		
10	PT11778	BOLT	2		(SUB FOR M67176)
11	RE174764	VALVE	1		
12	AT226309	TUBE	1		
13	R117721	CLAMP	6		
14	R125223	PLATE	1		
15	R129110	SCREW	12		
16	R50770	CAP	2		
17	RE157329	SWITCH	1		
18	RE36133	TUBE	1		
19	T170133	HOSE	1		
20	T59937	ISOLATOR	1		
21	T172933	HOSE	1		
22	T172934	HOSE	1		
23	T174109	HOUSING	1		
24	T178115	CLEVIS	2		
25	T178116	CAP SCREW	2		
26	T178117	CLEVIS	13		
27	T178118	CAP SCREW	1		
28	T178119	CAP SCREW	2		
29	T178120	RIVET	1		
30	T178123	O-RING	2		
31	T178124	SCREW	1		
32	T178125	PLUG	1		
33	T178126	PLUG	1		
34	T178971	GROMMET	1		
35	24H1122	WASHER	1		
37	AT225451	BLOWER MOTOR	1		
38	R117721	CLAMP	1		
39	R121664	SEAL	1		
40	R121666	IMPELLER	1		
41	R97332	CLIP	1		
42	R97336	HOSE	1	-592249	
	T165169	HOSE	1	592250-	
43	T178127	PUSH NUT	1		
44	T178251	CAP SCREW	8		
45	R119171	SEAL	1		
46	RE36133	TUBE	1	-592249	
49	T178130	BOLT	4		
50	T178131	ISOLATOR	1		
51	T178132	ISOLATOR	1		
52	T178133	ISOLATOR	1		
53	T178134	ISOLATOR	1		
54	T178135	ISOLATOR	1		
55	T178136	ISOLATOR	1		
56	T180929	AIR PLENUM	1		
57	KIT	1	-592249	(SUB AT313282) BLOWER SERVICE KIT (AT224930 NLA)
	AT313282	KIT	1	592250-	
58	R97332	CLIP	1		
59	AT305405	COVER	1		
60	24M7100	WASHER	1		
61	T181524	WING SCREW	1		
62	R117721	CLAMP	1	-592249	
63	R121664	SEAL	1		
64	R97336	HOSE	1	-592249	
65	T156471	AIR FILTER	1		
67	R33259	O-RING	1		

1830-6

HVAC MODULE (HEATER ONLY)
MODULE CHAUFFAGE, VENTILATION ET CLIMATISATION (CHAUFFAGE SEULEMENT)
MODULO DE CLIMATIZACION (SOLO CALEFACTOR)

T193662 -UN-09SEP03



THIS PARTS LISTING IS CONTINUED

1830-7

OPERATOR'S STATION 18

HEATING AND AIR CONDITIONING 1830

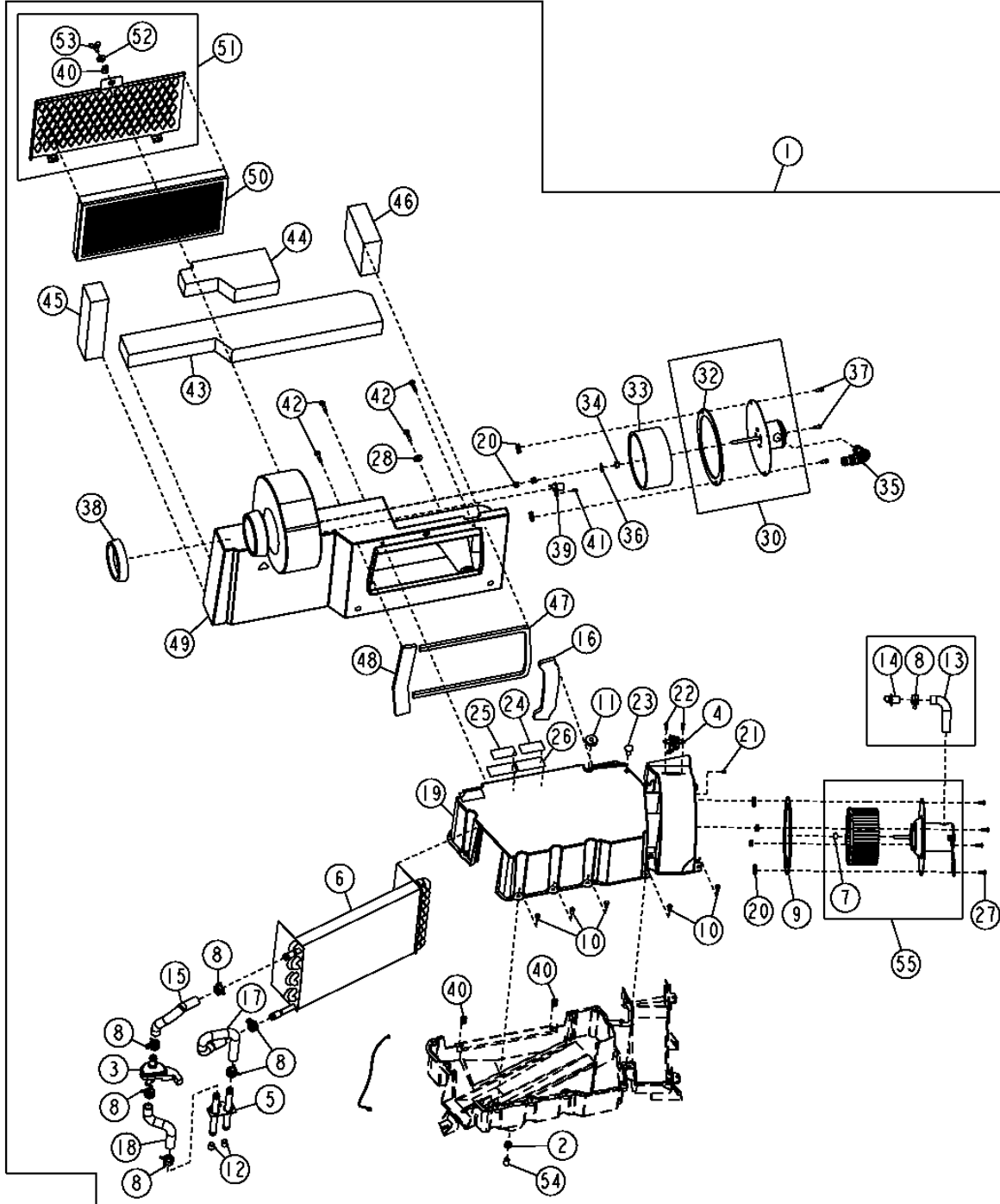
HVAC MODULE (HEATER ONLY)
MODULE CHAUFFAGE, VENTILATION ET CLIMATISATION (CHAUFFAGE SEULEMENT)
MÓDULO DE CLIMATIZACION (SOLO CALEFACTOR)

KEY	PART NO.	PART NAME	QTY.	SERIAL NO.	REMARKS
1	14M7298	FLANGE NUT	2		M8
2	19M7862	SCREW	4		M6 X 20
3	19M7866	SCREW	1		M8 X 20
4	24M7139	WASHER	2		6.400 X 18 X 1.600 MM
5	24M7296	WASHER	1		10.500 X 30 X 2.500 MM
6	AL76568	KNOB	2		
7	H86981	RIVET	4		
8	R121465	LATCH	2		
9	T167945	AIR DUCT	1		
10	T168220	AIR FILTER	1		
	AT321942	ACTIVATED CARBON AIR FILTER	1		(ODOR REDUCING ACTIVATED CARBON FILTER)
11	T170053	SEAL	1		
12	T171459	AIR DUCT	1		
13	AT209668	AIR DUCT	1		
14	AT220953	KNOB	1		
15	AT202934	WIRING HARNESS	1		
16	R44165	LOCK NUT	2		
17	H77698	TIE BAND	1		
18	R203687	NUT	1		
19	RE43497	SWITCH	1		
20	RE46742	CONTROL	1		
21	12H292	LOCK WASHER	1		1/2"
22	14H934	NUT	1		7/16"
23	RE58614	PUSH PULL CABLE	1		
24	T167676	SEAL	1		
25	T182858	GASKET	1		
26	T182876	PLUG	1		
27	T182877	PLUG	1		

1830-8

HVAC MODULE COMPONENTS (HEATER ONLY)
COMPOSANTS MODULE CHAUFFAGE, VENTILATION ET CLIMATISATION (CHAUFFAGE SEULEMENT)
COMPONENTES DEL MÓDULO DE CLIMATIZACION (SOLO CALEFACTOR)

T212762 -UN-25JUL05



T212762

THIS PARTS LISTING IS CONTINUED

1830-9

OPERATOR'S STATION 18

HEATING AND AIR CONDITIONING 1830

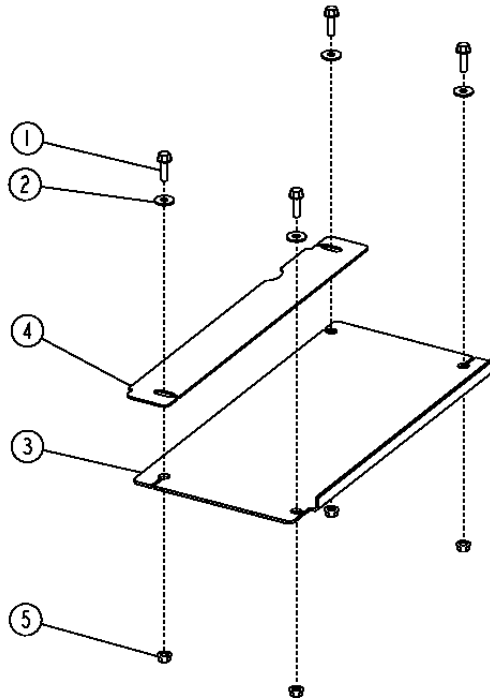
HVAC MODULE COMPONENTS (HEATER ONLY)
COMPOSANTS MODULE CHAUFFAGE, VENTILATION ET CLIMATISATION (CHAUFFAGE SEULEMENT)
COMPONENTES DEL MÓDULO DE CLIMATIZACION (SOLO CALEFACTOR)

KEY	PART NO.	PART NAME	QTY.	SERIAL NO.	REMARKS
1	AT329720	HEATER	1		(SUB FOR AT221452)
2	14H934	NUT	1	-603835	7/16"
3	AT193500	HAND OPERATED VALVE	1		
4	RESISTOR	1		(AT307197 NLA) (SUB AT318987)
5	AT219778	HOSE	1		
6	AT329721	HEATER	1		(SUB FOR AT222210)
7	R97332	CLIP	1		
8	R117721	CLAMP	7	-592249	
	R117721	CLAMP	6	592250-	
9	R121664	SEAL	1		
10	R129110	SCREW	12		
11	R41440	GROMMET	1		
12	R50770	CAP	2		
13	R97336	HOSE	1	-592249	
14	RE36133	TUBE	1	-592249	
15	T170133	HOSE	1		
16	T59937	ISOLATOR	1		
17	T172933	HOSE	1		
18	T172934	HOSE	1		
19	T174109	HOUSING	1		
20	T178117	CLEVIS	8		
21	T178118	CAP SCREW	1		
22	T178119	CAP SCREW	2		
23	T178120	RIVET	1		
24	T178248	LABEL	1		
25	T178249	LABEL	1		
26	T178250	LABEL	2		
27	T178251	CAP SCREW	4		
28	24H1122	WASHER	1		3/8" X 7/8" X 0.083"
30	AT225451	BLOWER MOTOR	1		
31	R117721	CLAMP	1	-592249	
32	R121664	SEAL	1		
33	R121666	IMPELLER	1		
34	R97332	CLIP	1		
35	R97336	HOSE	1	-592249	
	T165169	HOSE	1	592250-	
36	T178127	PUSH NUT	1		
37	T178251	CAP SCREW	1		
38	R119171	SEAL	1		
39	RE36133	TUBE	1		
40	T178117	CLEVIS	5		
41	T178118	CAP SCREW	1		
42	T178130	BOLT	4		
43	T178131	ISOLATOR	1		
44	T178132	ISOLATOR	1		
45	T178133	ISOLATOR	1		
46	T178134	ISOLATOR	1		
47	T178135	ISOLATOR	1		
48	T178136	ISOLATOR	1		
49	T180929	AIR PLENUM	1		
50	T156471	AIR FILTER	1		
51	AT305405	COVER	1		
52	24M7100	WASHER	1		
53	T181524	WING SCREW	1		
54	T178252	CAP	1	-603836	
55	KIT	1	-592249	(SUB AT313282) BLOWER SERVICE KIT (AT224930 NLA)
	AT313282	KIT	1	592250-	

1830-10

**AIR CONDITIONING DELETE COVER
SUPPRIMER COUVERCLE CLIMATISEUR
CUBIERTA ELIMINACION DE ACONDICIONADOR DE AIRE**

T197232 -UN-07JAN04



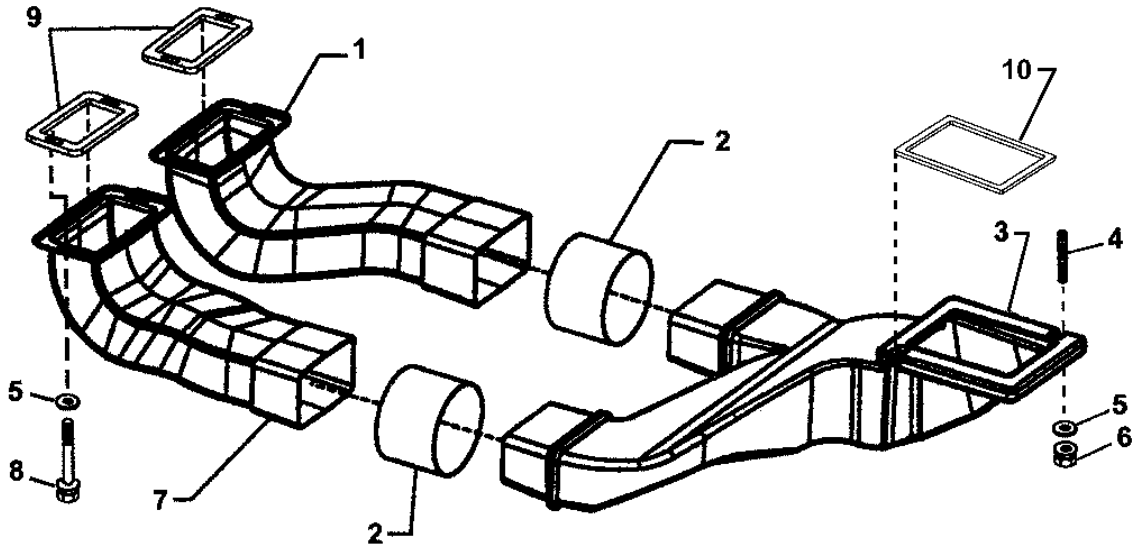
T197232

KEY	PART NO.	PART NAME	QTY.	SERIAL NO.	REMARKS
1	19M7786	SCREW	4		M10 X 30
2	24M7296	WASHER	4		10.500 X 30 X 2.500 MM
3	T196698	COVER	1		
4	T200820	COVER	1		
5	14M7296	FLANGE NUT	4		M10

1830-11

HEATING AND AIR CONDITIONING OUTLET DUCTS
 CONDUITS SORTIE CHAUFFAGE ET CLIMATISATION
 REGISTROS DE SALIDA DEL CALEFACTOR Y ACONDICIONADOR DE AIRE

TP62831 -UN-29JUN00



TP62831

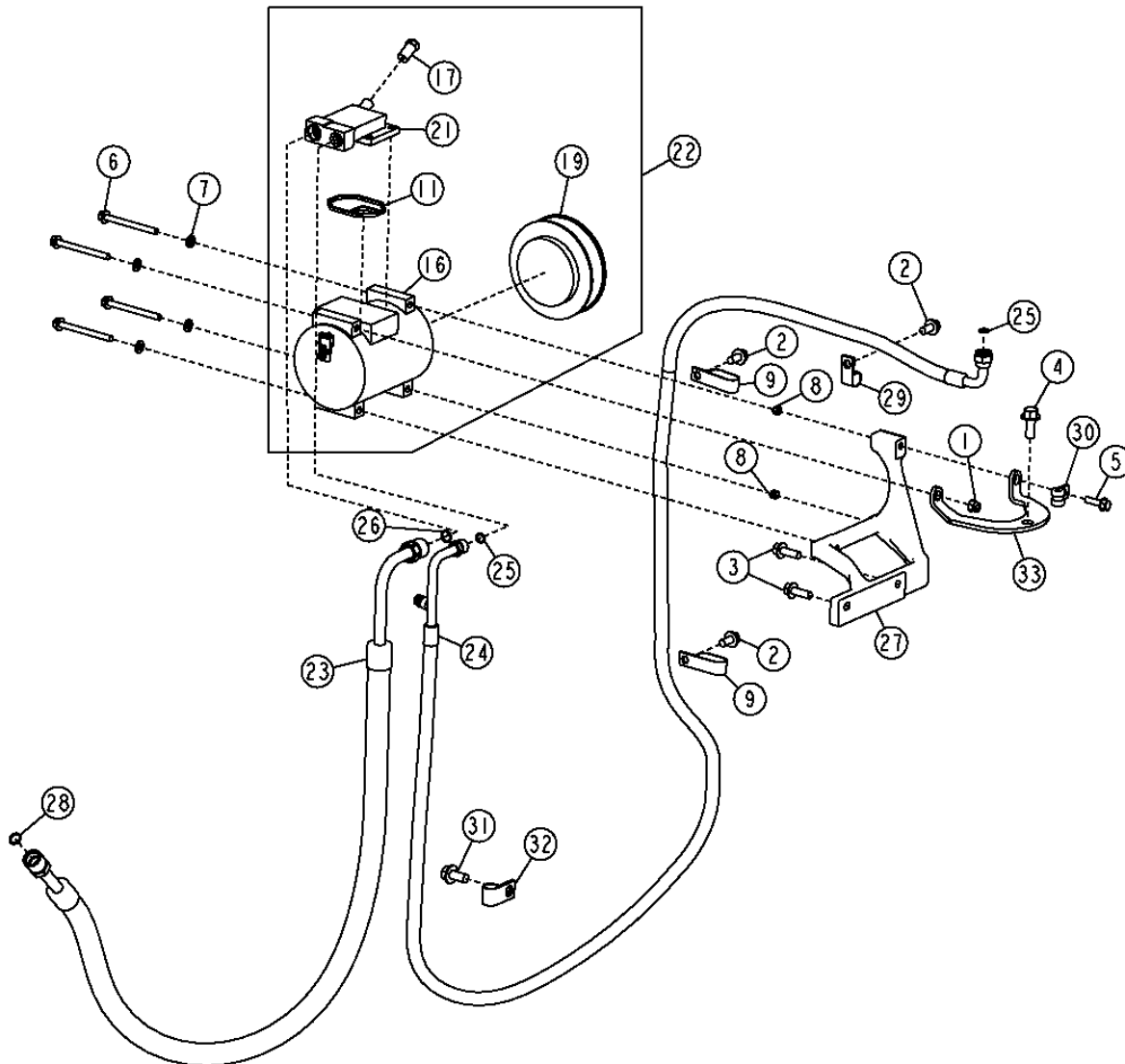
KEY	PART NO.	PART NAME	QTY.	SERIAL NO.	REMARKS
1	T173768	AIR DUCT	1		RH
2	T171082	SEAL	2		
3	T207669	AIR DUCT	1		(SUB FOR T175855)
4	T167759	STUD	2		
5	24M7298	WASHER	6		8.400 X 25 X 2 MM
6	14M7298	FLANGE NUT	2		M8
7	T156256	AIR DUCT	1		LH
8	19M7800	SCREW	4		M8 X 50
9	T182872	SEAL	2		
10	SEAL	1		(MAKE FROM H81330) (SUB FOR T167679) (CTL)

1830-12

AIR CONDITIONING COMPRESSOR COMPRESSEUR DE CLIMATISATION COMPRESOR DEL ACONDICIONADOR DE AIRE

TX1002413

-UN-12JAN06



TX1002413

THIS PARTS LISTING IS CONTINUED

1830-13

OPERATOR'S STATION 18

HEATING AND AIR CONDITIONING 1830

**AIR CONDITIONING COMPRESSOR
COMPRESSEUR DE CLIMATISATION
COMPRESOR DEL ACONDICIONADOR DE AIRE**

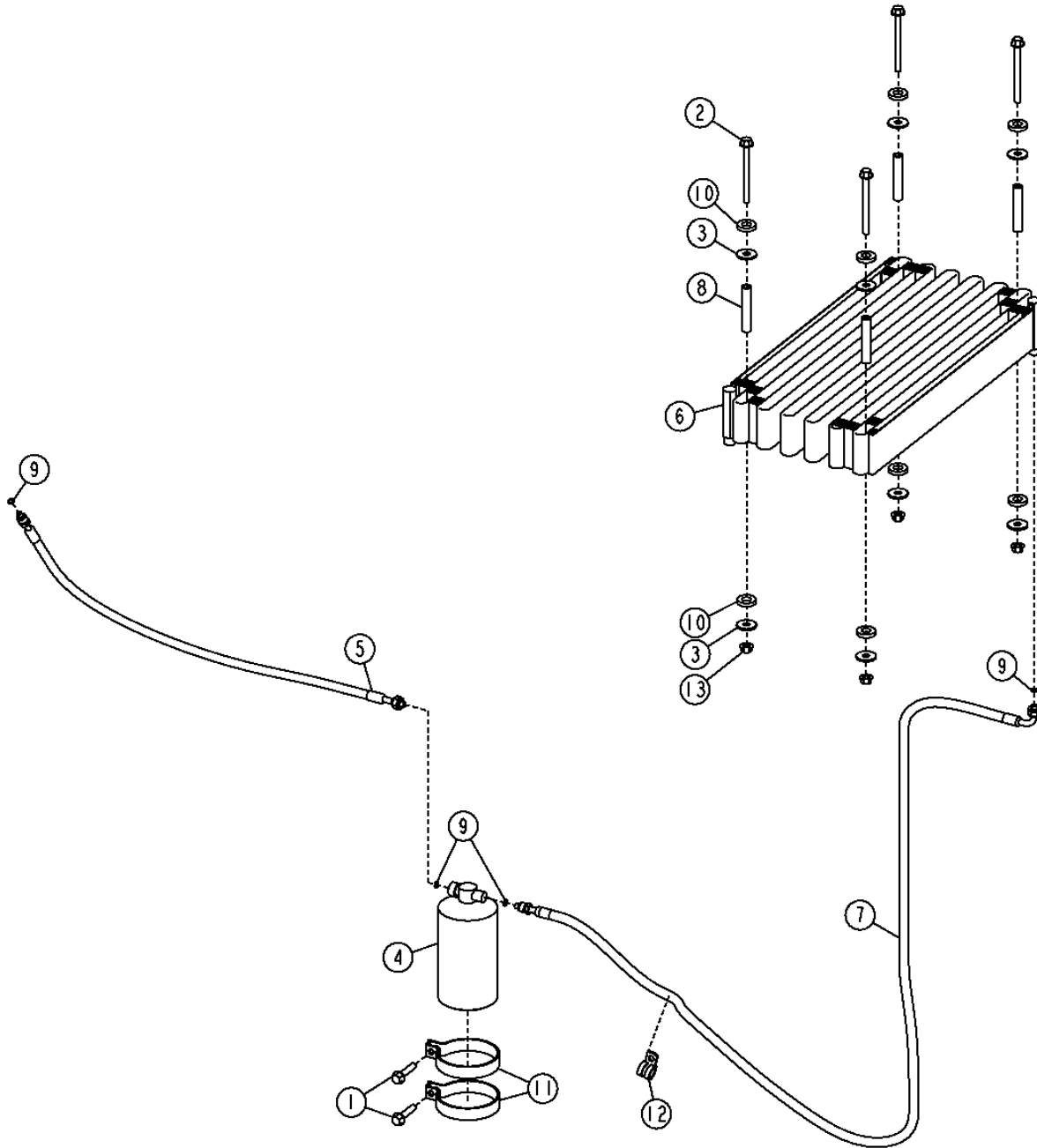
KEY	PART NO.	PART NAME	QTY.	SERIAL NO.	REMARKS
1	14M7396	LOCK NUT	1		M8
2	19M7784	SCREW	3		M10 X 20
3	19M7786	SCREW	2		M10 X 30
4	19M7789	SCREW	1		M12 X 30
5	19M7868	SCREW	1		M8 X 30
6	19M7913	SCREW	4		M8 X 90
7	24M7238	WASHER	4		8.700 X 17 X 2 MM
8	34M7189	SPRING PIN	2		11 X 8 MM
9	R56171	CLIP	2		(SUB FOR AH97280)
11	R115742	SEAL	1		
16	RE52454	COMPRESSOR	1		
17	RE52506	FLOW CONTROL HYD. VALVE	1		
19	RE52508	KIT	1		(INCLUDES AT163872 AND R115743)
21	RE55423	MANIFOLD	1		
22	AT226273	COMPRESSOR	1		
	R78057	ELEC. CONNECTOR TERMINAL	2		(NOT ILLUSTRATED) (CONTACT SLEEVE)
	R78059	ELEC. CONNECTOR SEAL	2		(NOT ILLUSTRATED) (WIRE)
	RE12363	ELECTRICAL CONNECTOR ASSY	1		(NOT ILLUSTRATED) (TWO-WAY TOWER CONNECTOR)
	RE52507	KIT	1		(NOT ILLUSTRATED) (PULLEY AND CLUTCH)
	RE52509	SEAL KIT	1		(NOT ILLUSTRATED) (SHAFT SEAL)
23	AT227754	REFRIGERANT HOSE	1		
24	AT227755	REFRIGERANT HOSE	1		
25	R113050	O-RING	1		
26	R33259	O-RING	2		
27	R504192	BRACKET	1		
28	R113050	O-RING	1		(SUB FOR T143169)
29	T74416	CLAMP	1		(SUB FOR T76252)
30	T78974	CLAMP	1		
31	T64784	CLIP	1		
32	19M7788	SCREW	1		M12 X 25
33	R504191	BRACKET	1		

1830-14

AIR CONDITIONING CONDENSER CONDENSEUR DE CLIMATISATION CONDENSADOR DE ACONDICIONADOR DE AIRE

TX1002412

-UN-12JAN06



TX1002412

THIS PARTS LISTING IS CONTINUED

1830-15

OPERATOR'S STATION 18

HEATING AND AIR CONDITIONING 1830

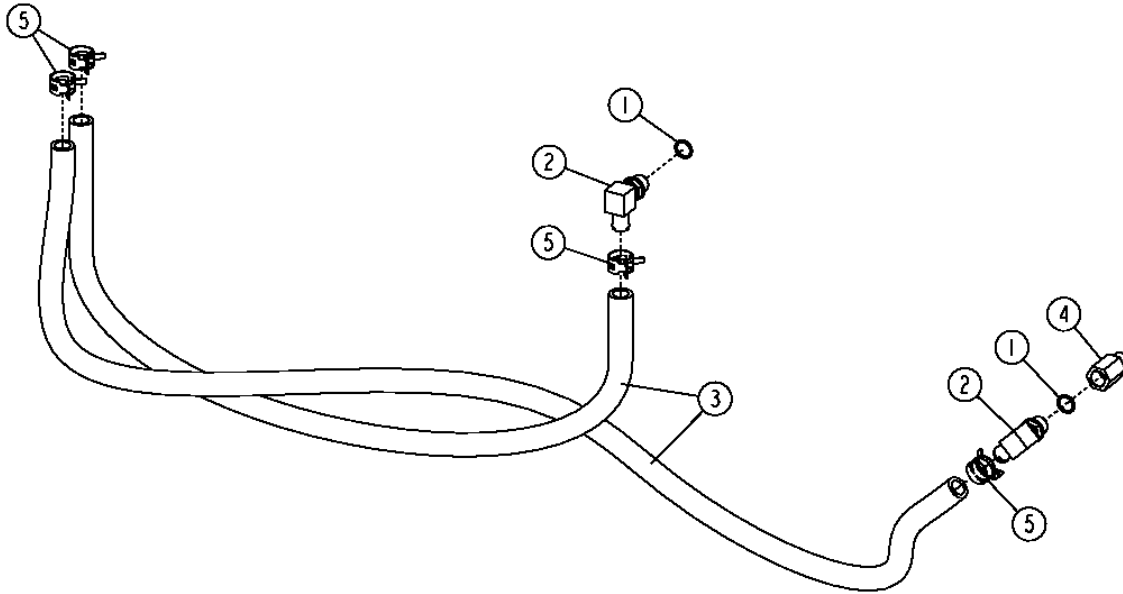
**AIR CONDITIONING CONDENSER
CONDENSEUR DE CLIMATISATION
CONDENSADOR DE ACONDICIONADOR DE AIRE**

KEY	PART NO.	PART NAME	QTY.	SERIAL NO.	REMARKS
1	19M7806	SCREW	2		M10 X 50
2	19M7836	SCREW	4		M10 X 110
3	24M7101	WASHER	8		11 X 34 X 3 MM
4	AT162848	RECEIVER-DRYER	1		
5	AT208776	HOSE	1		
6	AT228240	VAPOR CONDENSER	1		
	AT307612	HEAT EXCHANGER	1		(HARSH ENVIRONMENT)
7	AT280631	REFRIGERANT HOSE	1		
8	N117290	SPACER	4		
9	R10093	O-RING	4		
10	T158424	WASHER	8		
11	T190513	CLAMP	2		
12	T76252	CLAMP	1		
13	14M7296	FLANGE NUT	4		M10

1830-16

HEATER HOSES AND FITTINGS FLEXIBLES ET RACCORDS CHAUFFAGE MANGUERAS Y ADAPTADORES DEL CALEFACTOR

T196750 -UN-18DEC03



T196750

1830-17

OPERATOR'S STATION 18

HEATING AND AIR CONDITIONING 1830

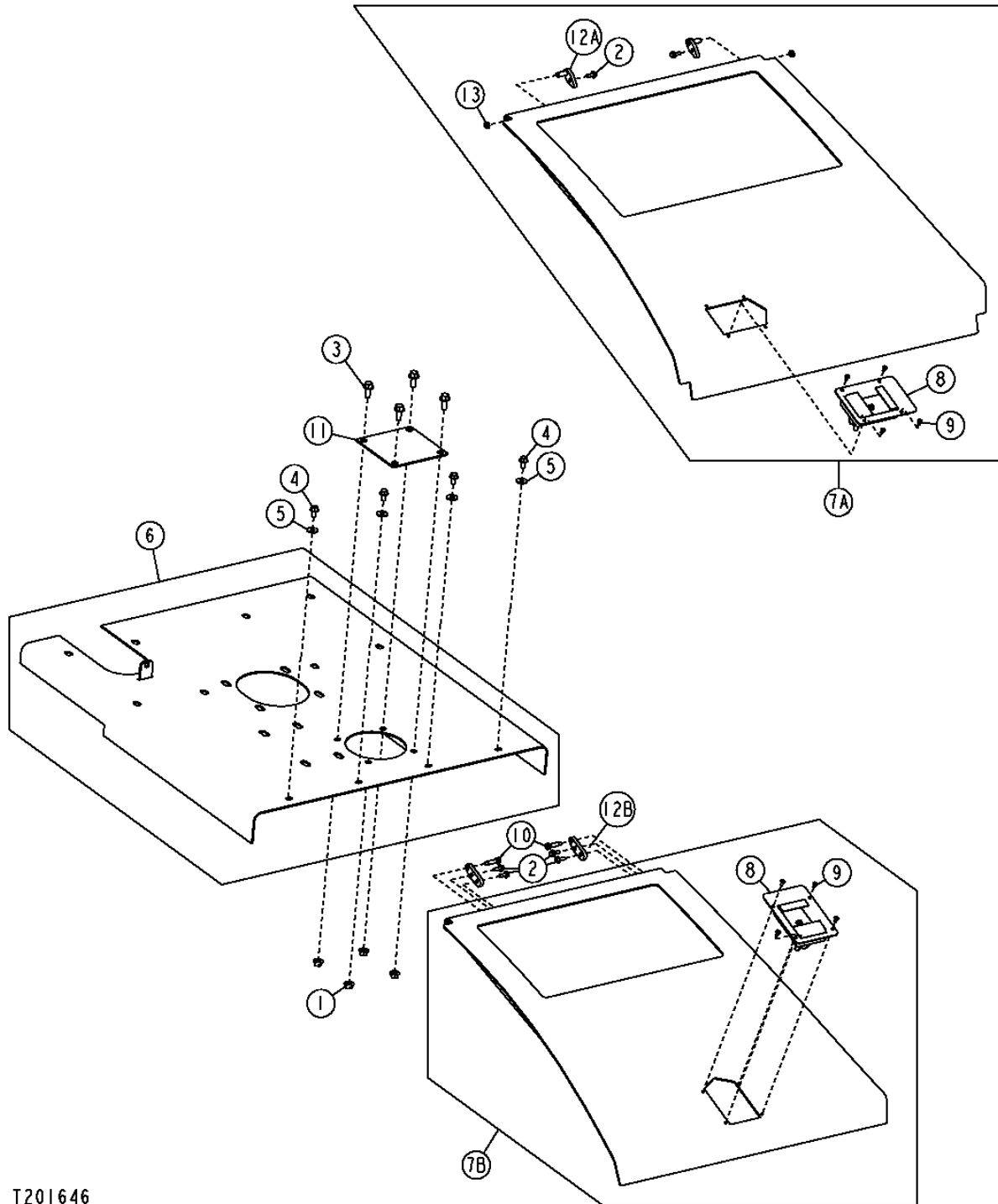
**HEATER HOSES AND FITTINGS
FLEXIBLES ET RACCORDS CHAUFFAGE
MANGUERAS Y ADAPTADORES DEL CALEFACTOR**

KEY	PART NO.	PART NAME	QTY.	SERIAL NO.	REMARKS
1	51M7043	O-RING	2		15.300 X 2.200 MM
2	AT174697	ELBOW FITTING	2		
3	BULK HOSE	1		(MAKE FROM TY22328) (CTL)
4	RE520229	ADAPTER FITTING	1		(SUB FOR RE68908)
5	T184924	HOSE CLAMP	4		

1910-2

T201646 -UN-02AUG04

HOOD
CAPOT
CAPO



T201646

THIS PARTS LISTING IS CONTINUED

1910-3

SHEET METAL AND STYLING 19
HOOD OR ENGINE ENCLOSURE 1910

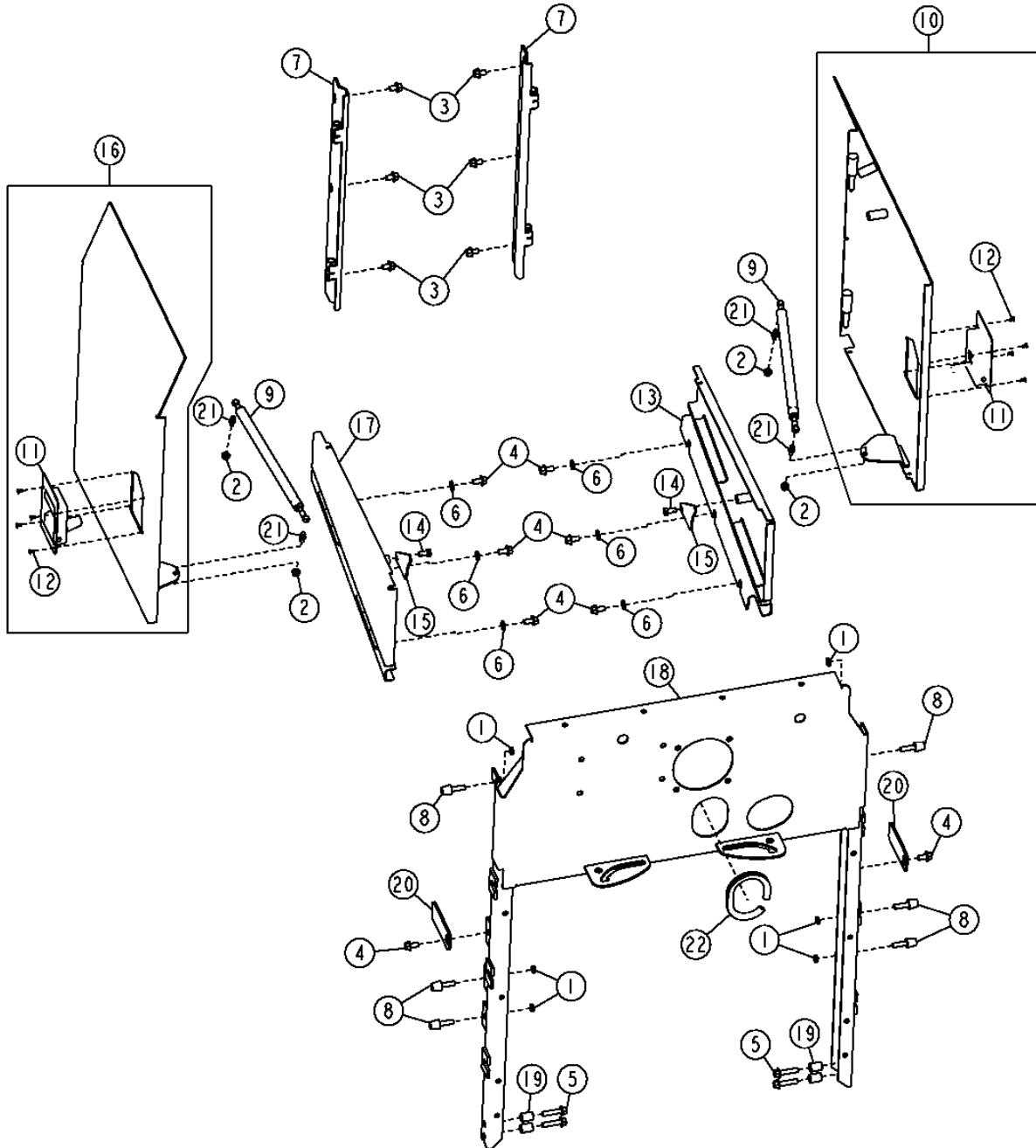
HOOD
CAPOT
CAPO

KEY	PART NO.	PART NAME	QTY.	SERIAL NO.	REMARKS
1	14M7296	FLANGE NUT	4		M10
2	19M7775	SCREW	2	-XXXXXX	M6 X 16
	19M7775	SCREW	4	XXXXXX-	M6 X 16
3	19M7785	SCREW	4		M10 X 25
4	19M7865	SCREW	4		M8 X 16
5	24M7298	WASHER	4		8.400 X 25 X 2 MM. (SUB FOR (4) 24M7207)
6	AT327515	HOOD	1		(SUB FOR AT226841)
7A	HOOD	1	-XXXXXX	(SUB AT310761) (ALSO ORDER AT310759, AT310760, T208352, T208039 AND T208317) (AT228843 NLA)
7B	AT310761	HOOD	1	XXXXXX-	
8	AT221696	LATCH	1		
9	H85233	RIVET	4		
10	R187539	SCREW	2		
11	T198109	REINFORCEMENT	1		
12A	AT304375	PIN	2	-XXXXXX	
12B	T208317	PLATE	2	XXXXXX-	
13	M148224	WASHER	2		

1910-4

ENGINE SIDE SHIELDS PANNEAUX LATERAUX DE MOTEUR ESCUDOS LATERALES DEL MOTOR

T202405 -UN-23AUG04



T202405

THIS PARTS LISTING IS CONTINUED

1910-5

SHEET METAL AND STYLING 19
HOOD OR ENGINE ENCLOSURE 1910

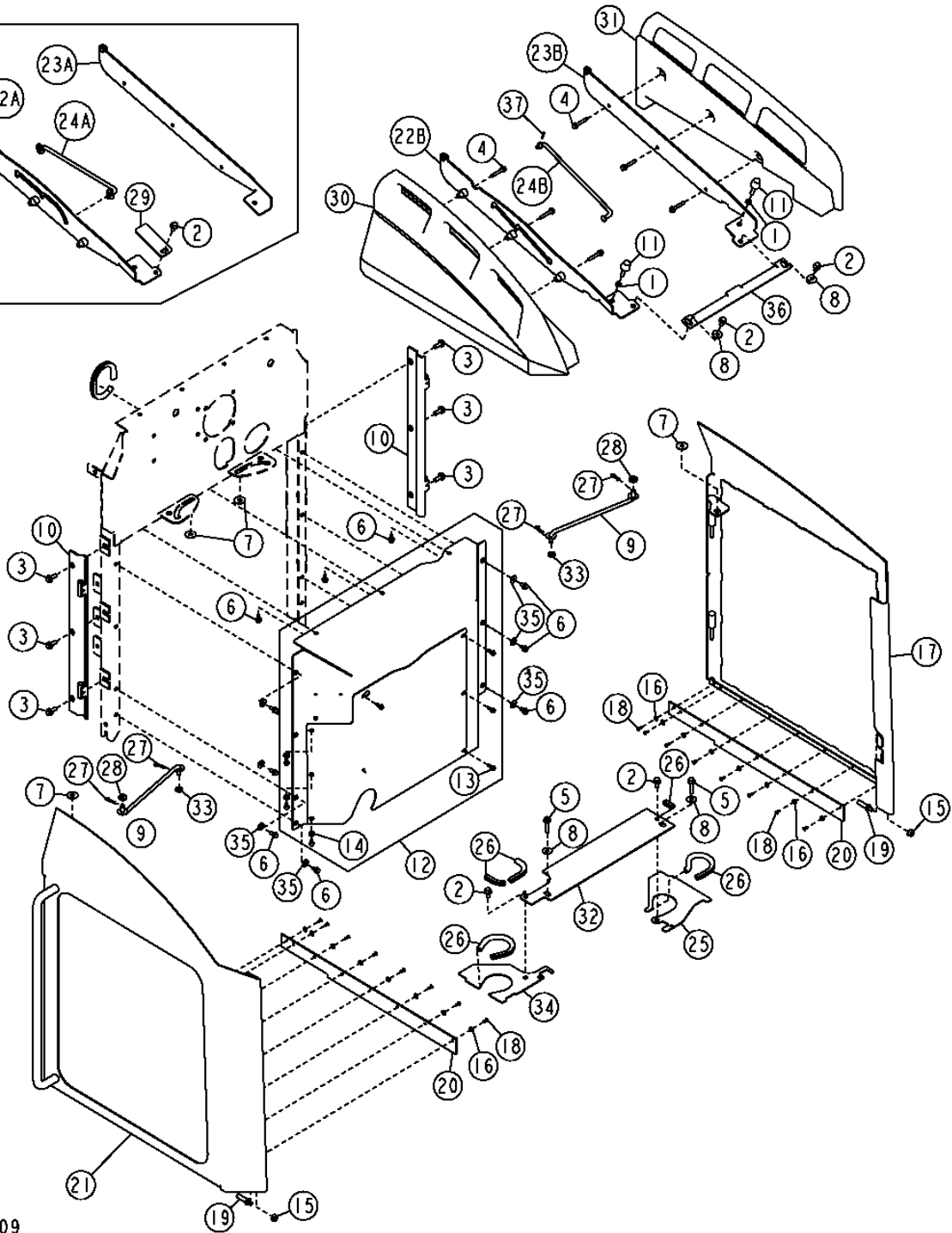
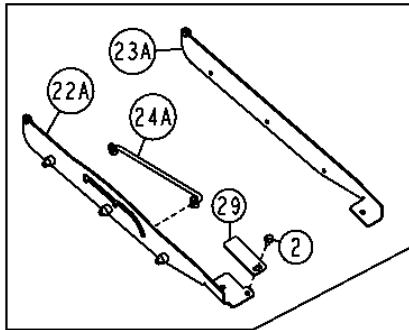
ENGINE SIDE SHIELDS
PANNEAUX LATERAUX DE MOTEUR
ESCUDOS LATERALES DEL MOTOR

KEY	PART NO.	PART NAME	QTY.	SERIAL NO.	REMARKS
1	14M7152	NUT	6		M10
2	14M7298	FLANGE NUT	4		M8
3	19M7784	SCREW	6		M10 X 20. (SUB FOR 19M7783)
4	19M7784	SCREW	8		M10 X 20
5	19M7805	SCREW	4		M10 X 45
6	24M7239	WASHER	6		10.700 X 21 X 2.500 MM
7	AT208159	HINGE	2		
8	AT219974	BUMPER	6		
9	AT226229	CYLINDER	2		
	T182758	CLIP	4		(NOT ILLUSTRATED) (DOOR CYLINDER)
10	AT327533	DOOR	1		(SUB FOR AT228433)
11	AT221696	LATCH	2		(SUB FOR AT280208)
12	H85233	RIVET	8		
13	AT327489	DOOR	1		(SUB FOR AT228549)
14	T105891	CAP SCREW	2		
15	T168119	PLATE	2		
16	AT327534	DOOR	1		(SUB FOR AT228436)
17	AT327490	DOOR	1		(SUB FOR AT228550)
18	AT320326	ISOLATOR	1		(SUB FOR AT228834)
19	T147891	BUSHING	4		
20	T168135	STRAP	2		
21	T177909	BALL STUD	4		
22	MOLDING	1		(MAKE FROM T61861) (BULK MATERIAL) (CTL)

1910-6

REAR SIDE PANELS PANNEAUX LATERAUX ARRIERE PANELES LATERALES TRASEROS

T205109 -UN-11JAN05



T205109

THIS PARTS LISTING IS CONTINUED

1910-7

SHEET METAL AND STYLING 19
HOOD OR ENGINE ENCLOSURE 1910

REAR SIDE PANELS
PANNEAUX LATERAUX ARRIERE
PANELES LATERALES TRASEROS

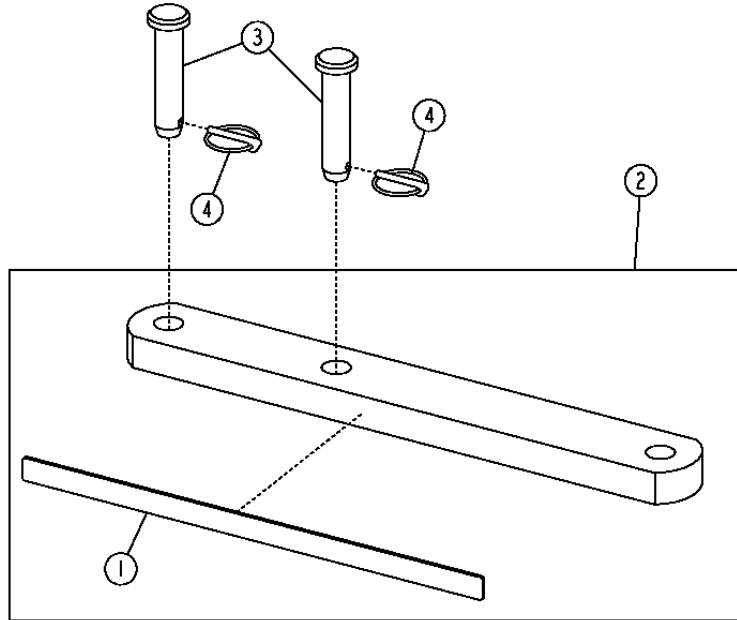
KEY	PART NO.	PART NAME	QTY.	SERIAL NO.	REMARKS
1	14M7152	NUT	2		M10
2	19M7784	SCREW	4		M10 X 20
3	19M7785	SCREW	6		M10 X 25
4	19M7800	SCREW	6		M8 X 50
5	19M7805	SCREW	2		M10 X 45
6	19M7865	SCREW	10		M8 X 16
7	24H1330	WASHER	4		15/32" X 1-3/8" X 7/64"
8	24M7296	WASHER	4		10.500 X 30 X 2.500 MM
9	AT312053	ROD	2		(SUB FOR AT179840)
10	AT208159	HINGE	2		
11	AT306690	BUMPER	2		
12	AT320322	ISOLATOR	1		(SUB FOR AT226150)
13	19M7862	SCREW	7		M6 X 20
14	24M7139	WASHER	3		
15	14M7296	FLANGE NUT	2		M10
16	24M7138	WASHER	NA		
17	AT327519	DOOR	1		(SUB FOR AT228416)
18	M68628	RIVET	16		
19	T201880	STUD	2		
20	T204624	FLAP	2		
21	AT327518	DOOR	1		(SUB FOR AT228408)
22A	AT228158	BRACKET	1	-XXXXXX	
22B	AT310759	BRACKET	1	XXXXXX-	(USE WITH AT310761)
23A	AT228405	BRACKET	1	-XXXXXX	
23B	AT310760	BRACKET	1	XXXXXX-	(USE WITH AT310761)
24A	AT228748	ROD	1	-XXXXXX	
24B	T208352	ROD	1	XXXXXX-	(USE WITH AT310761)
25	AT303636	ISOLATOR	1		
26	BULK HOSE	1		(MAKE FROM T58056) (CTL) 762MM (2.5')
27	J16931	PIN	4		
28	T162238	GROMMET	2		
29	T168135	STRAP	3	-XXXXXX	
	T168135	STRAP	2	XXXXXX-	
30	T197100	HANDLE	1		
31	T197575	HANDLE	1		
32	T202067	PLATE	1		
33	T27260	WASHER	2		
34	AT303014	ISOLATOR	1		
35	24M7298	WASHER	7		8.400 X 25 X 2 MM
36	T208039	BRACKET	1	XXXXXX-	(USE WITH AT310761)
37	11M7059	COTTER PIN	1		

1913-2

SHEET METAL AND STYLING 19
MISCELLANEOUS SHIELDS 1913

**FRAME LOCKING BAR
BARRE VERROUILLAGE BATI
BARRA DE BLOQUEO DEL CHASIS**

T193217 -UN-06AUG03



T193217

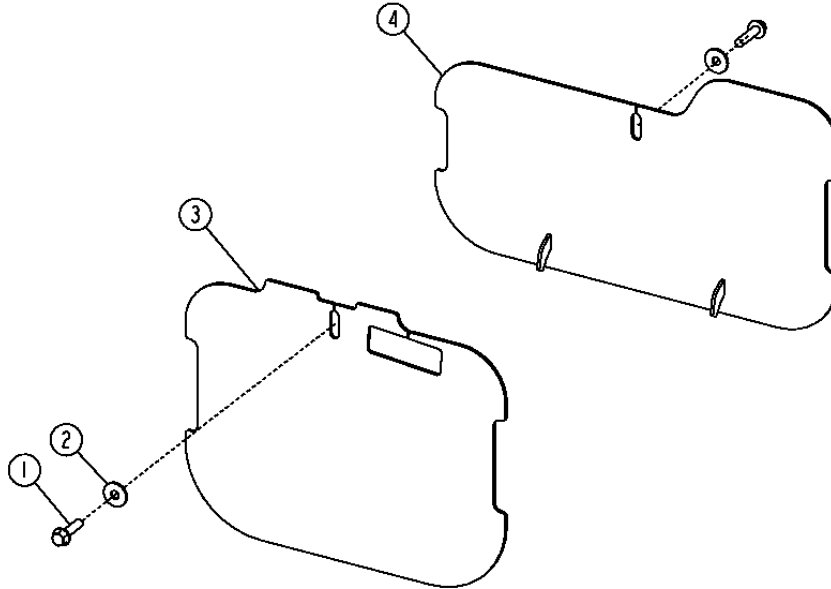
KEY	PART NO.	PART NAME	QTY.	SERIAL NO.	REMARKS
1	T182192	SAFETY SIGN	2		
2	AT226155	BAR	1		
3	R53296	PIN FASTENER	2		
4	AA21292	QUICK LOCK PIN	2		

1913-3

SHEET METAL AND STYLING 19
MISCELLANEOUS SHIELDS 1913

TRANSMISSION SHIELDS PROTECTIONS DE TRANSMISSION ESCUDOS DE LA TRANSMISION

T193759 -UN-31OCT03



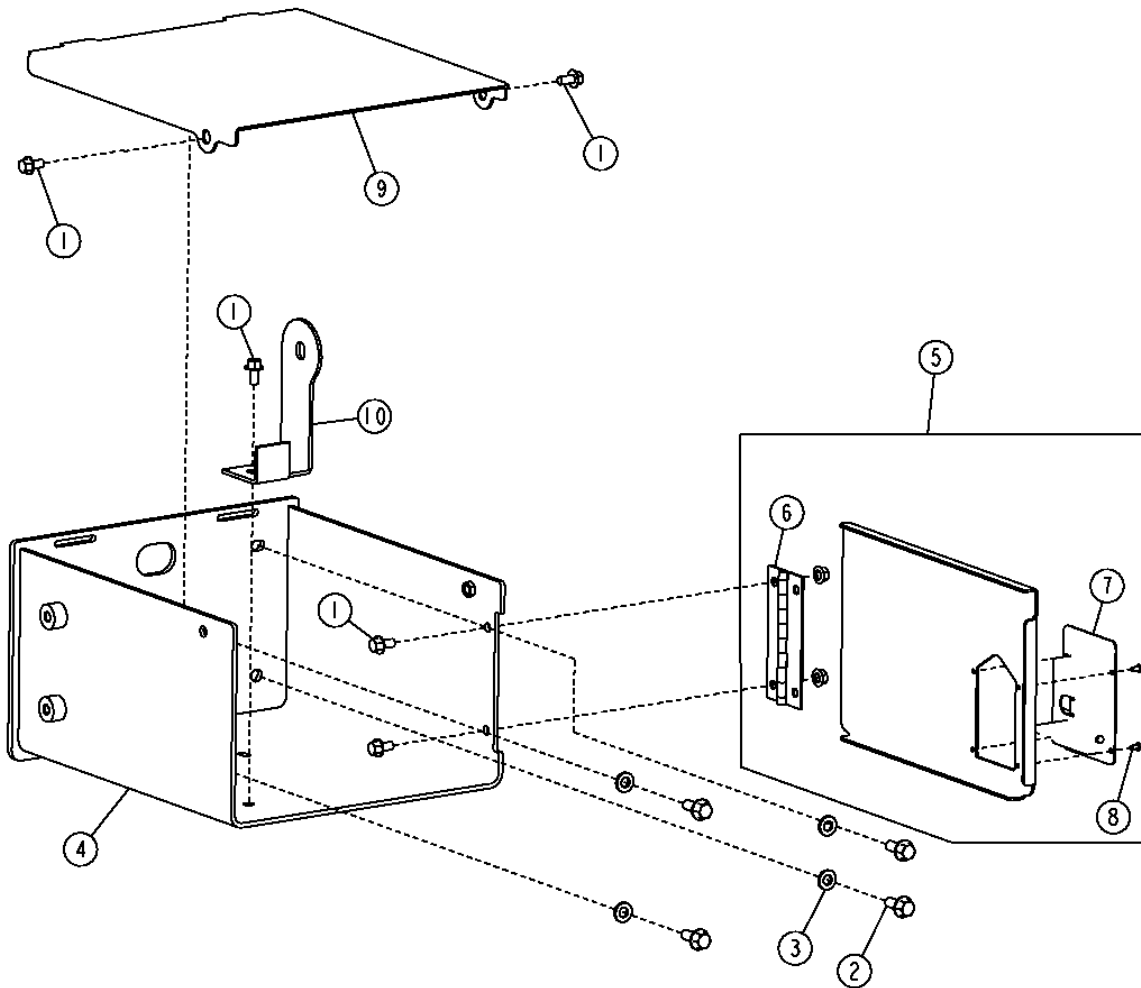
T193759

KEY	PART NO.	PART NAME	QTY.	SERIAL NO.	REMARKS
1	19M7791	BOLT	2	-XXXXXX	M12 X 40, (SUB FOR (2) 19M7814)
	19M7814	SCREW	2	XXXXXX-	M12 X 50
2	24M7180	WASHER	2		13 X 37 X 3 MM
3	COVER	1	-XXXXXX	LH, (ORDER AT323687) (AT300081 NLA)
	AT323687	COVER	1	XXXXXX-	LH
4	AT227073	COVER	1		RH

1913-4

BATTERY COVERS
COUVERCLES DE BATTERIES
CUBIERTAS DE LA BATERIA

T196507 -UN-20NOV03



T196507

THIS PARTS LISTING IS CONTINUED

1913-5

SHEET METAL AND STYLING 19

MISCELLANEOUS SHIELDS 1913

**BATTERY COVERS
COUVERCLES DE BATTERIES
CUBIERTAS DE LA BATERIA**

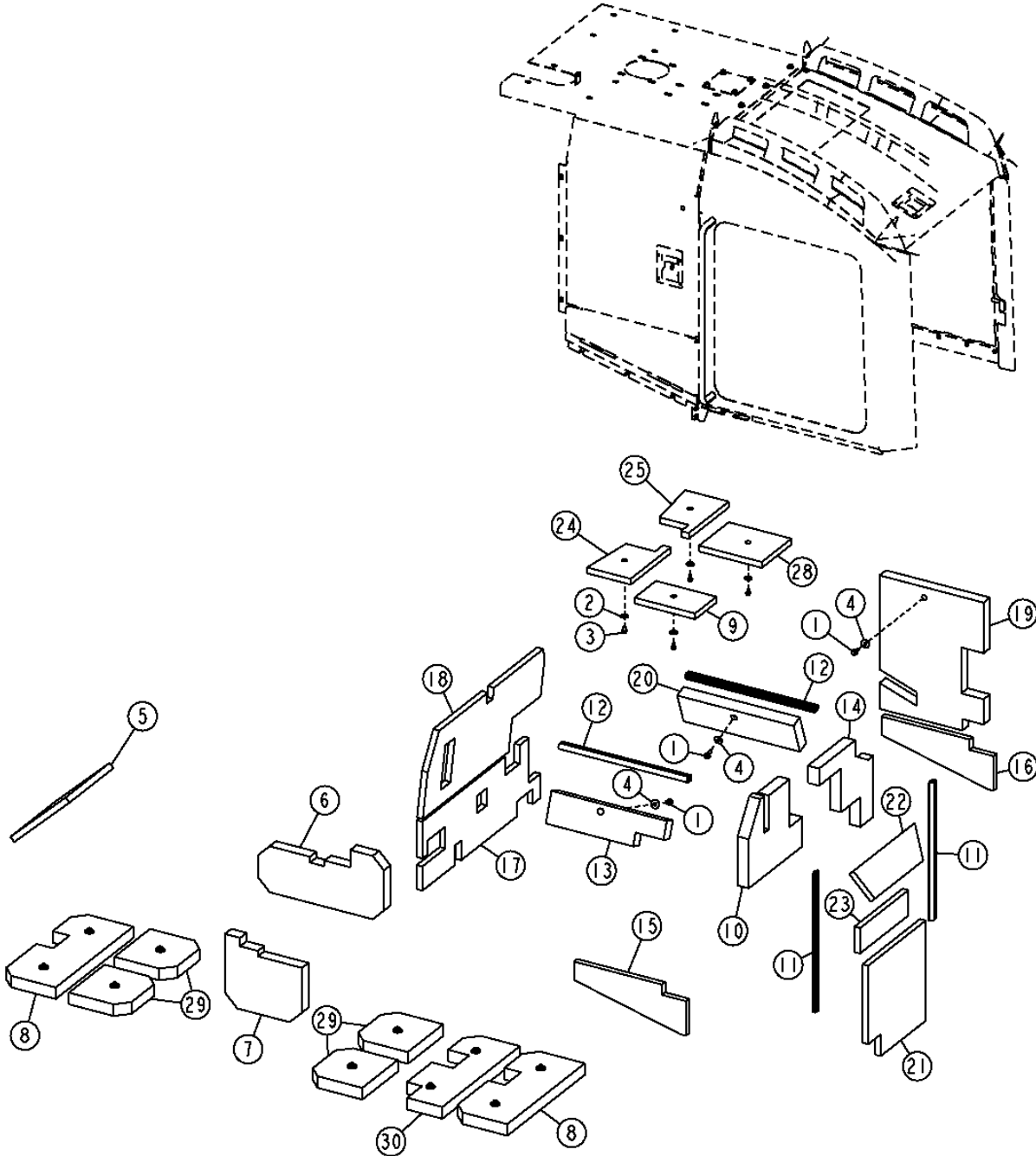
KEY	PART NO.	PART NAME	QTY.	SERIAL NO.	REMARKS
1	19M7784	SCREW	5		M10 X 20
2	19M7788	SCREW	4		M12 X 25
3	24M7240	WASHER	4		13 X 25 X 3 MM
4	AT226791	BATTERY BOX	1		
5	AT327535	DOOR	1		(SUB FOR AT228623)
6	AT162114	HINGE	1		
7	AT221696	LATCH	1		(SUB FOR AT280208)
8	H85233	RIVET	4		
9	T195708	COVER	1		
10	T197667	BRACKET	1		

1913-6

SHEET METAL AND STYLING 19
MISCELLANEOUS SHIELDS 1913

SOUND ABSORPTION
ABSORPTION ACOUSTIQUE
ABSORCION DE SONIDO

TX1007425 -UN-09MAY06



TX1007425

1913-7

SHEET METAL AND STYLING 19

MISCELLANEOUS SHIELDS 1913

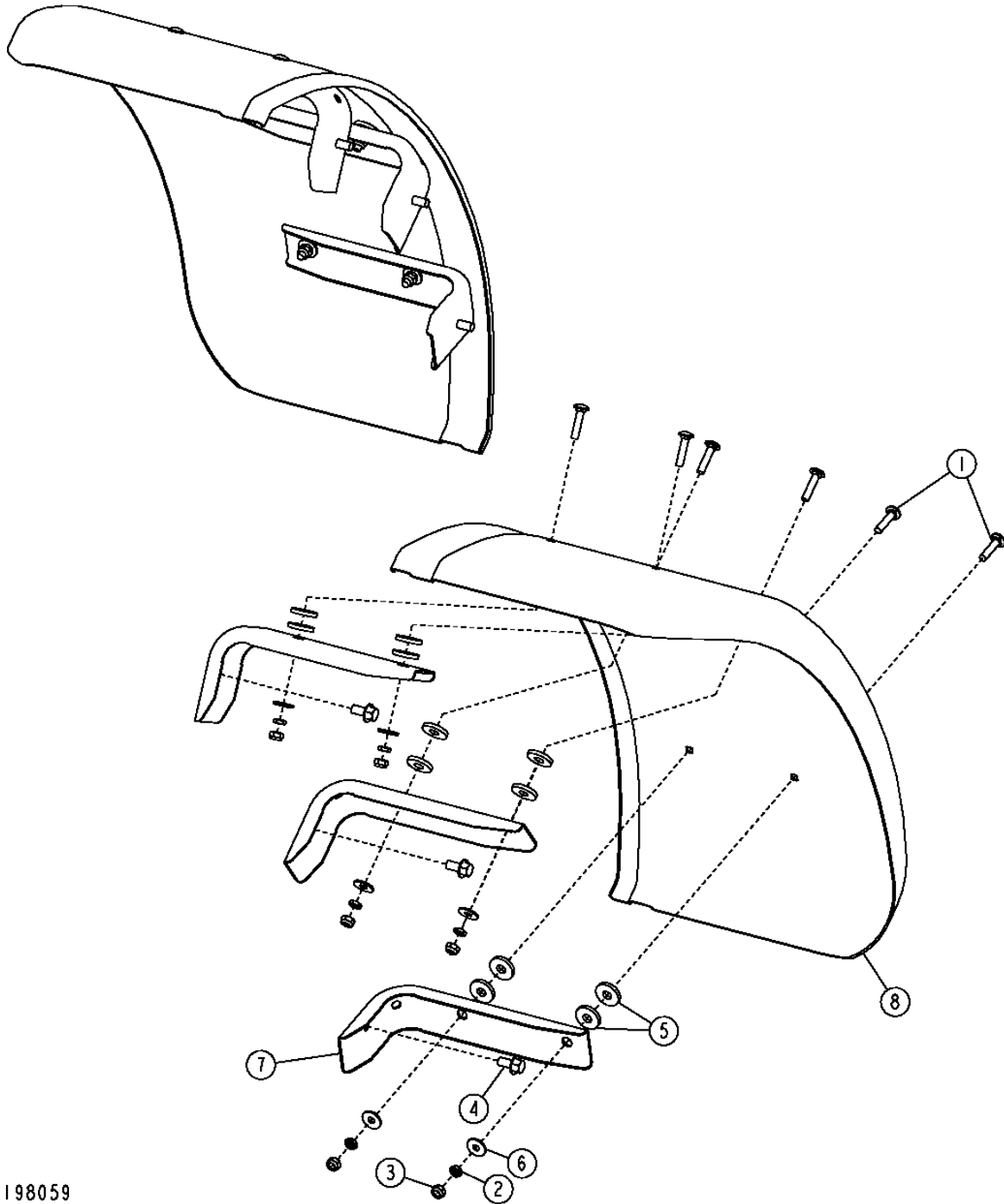
**SOUND ABSORPTION
ABSORPTION ACOUSTIQUE
ABSORCION DE SONIDO**

KEY	PART NO.	PART NAME	QTY.	SERIAL NO.	REMARKS
1	19M7785	SCREW	13		M10 X 25
2	24M7024	WASHER	4		9 X 28 X 3 MM
3	19M7865	SCREW	4		M8 X 16
4	24M7101	WASHER	13		11 X 34 X 3 MM
5	T206155	ISOLATOR	1		(CONTROL VALVE COVER)
6	T206157	ISOLATOR	1		(RIGHT TRANS. COVER)
7	T206158	ISOLATOR	1		(LEFT TRANS. COVER)
8	T206159	ISOLATOR	5	-604689	(BOTTOM GUARD)
	T206159	ISOLATOR	2	604690-	
9	T206164	ISOLATOR	1		(HOOD)
10	T206301	ISOLATOR	1		
11	T206368	ISOLATOR	2		
12	T206590	ISOLATOR	2		(ISOLATOR)
13	T206596	ISOLATOR	1		(UPPER DOOR)
14	T206623	ISOLATOR	1		
15	T206632	ISOLATOR	1		(LEFT SERVICE DOOR)
16	T206633	ISOLATOR	1		(RIGHT SERVICE DOOR)
17	T210379	ISOLATOR	1		
18	T210380	ISOLATOR	1		
19	T210387	ISOLATOR	1		(RIGHT DOOR)
20	T210393	ISOLATOR	1		(RIGHT DOOR)
21	T210398	ISOLATOR	1		
22	T210399	ISOLATOR	1		
23	T210400	ISOLATOR	1		
24	T210424	ISOLATOR	1		(HOOD)
25	T210425	ISOLATOR	1		(HOOD)
28	T210426	ISOLATOR	1		
29	T217507	ISOLATOR	4	604690-	
30	T217198	ISOLATOR	1	604690-	

1927-2

FRONT FENDERS AILES AVANT GUARDABARROS DELANTERO

T198059 -UN-09MAR04



T198059

THIS PARTS LISTING IS CONTINUED

1927-3

SHEET METAL AND STYLING 19

FENDERS 1927

**FRONT FENDERS
AILES AVANT
GUARDABARROS DELANTERO**

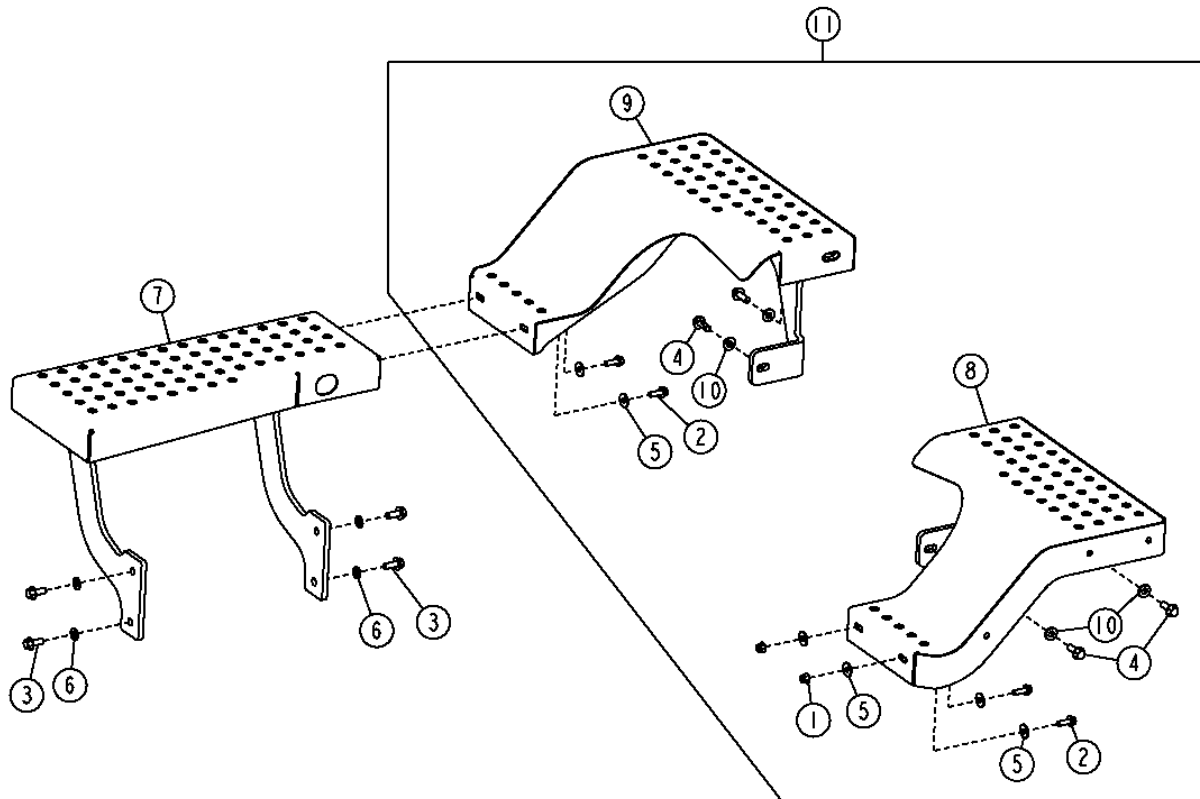
KEY	PART NO.	PART NAME	QTY.	SERIAL NO.	REMARKS
1	03M7195	BOLT	12		M10 X 45
2	14M7152	NUT	12		M10
3	14M7167	LOCK NUT	12		M10
4	19M7788	SCREW	6		M12 X 25
5	T22381	WASHER	24		
6	24M7296	WASHER	12		10.500 X 30 X 2.500 MM
7	T178368	SUPPORT	6		
8	T205471	FENDER	2		

1927-4

RIGHT AND LEFT REAR PLATFORMS
PLATE-FORMES ARRIERE DROITE ET GAUCHE
PLATAFORMAS TRASERA IZQUIERDA Y DERECHA

TX1017454

-UN-17JAN07



TX1017454

THIS PARTS LISTING IS CONTINUED

1927-5

SHEET METAL AND STYLING 19

FENDERS 1927

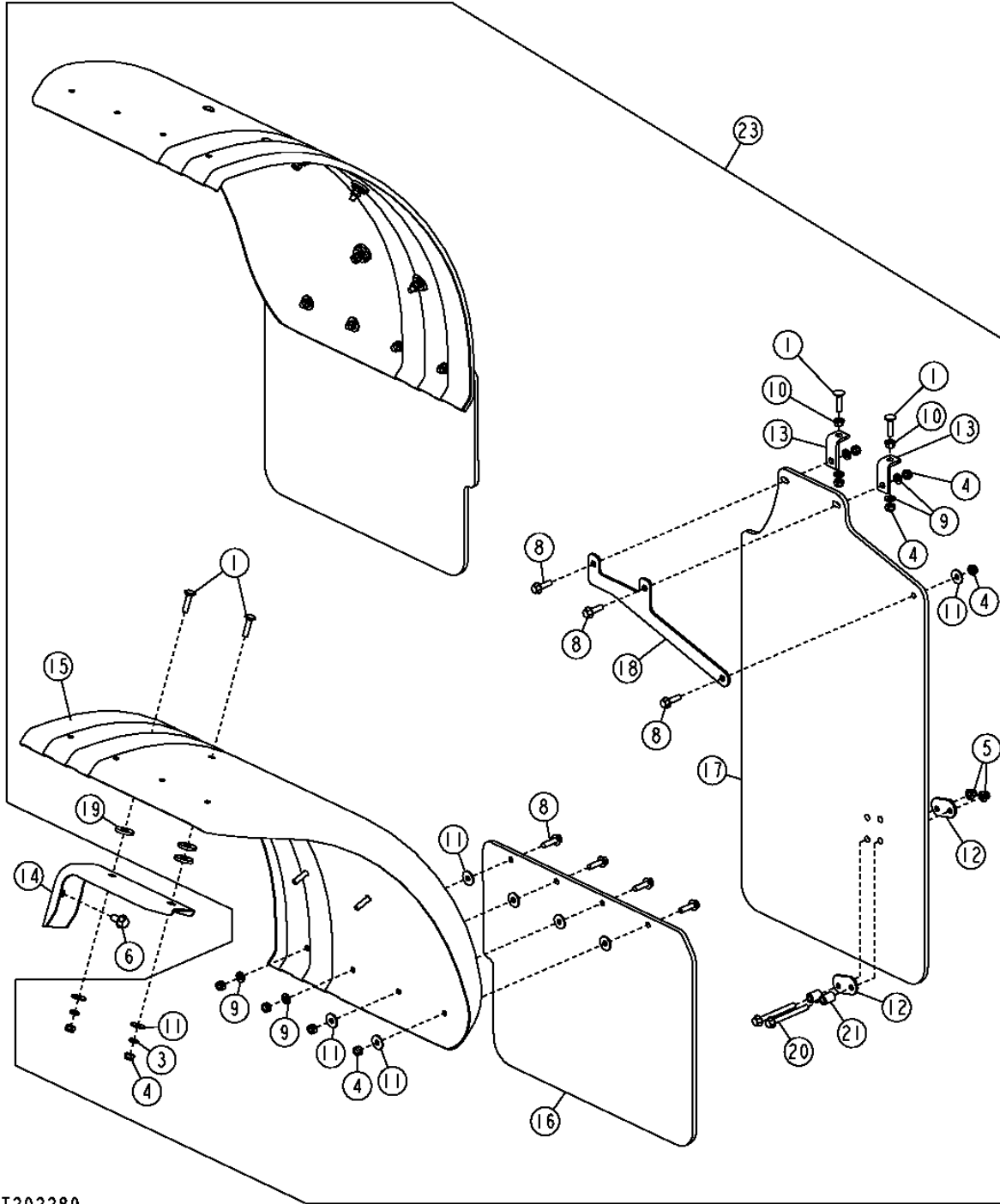
RIGHT AND LEFT REAR PLATFORMS
PLATE-FORMES ARRIERE DROITE ET GAUCHE
PLATAFORMAS TRASERA IZQUIERDA Y DERECHA

KEY	PART NO.	PART NAME	QTY.	SERIAL NO.	REMARKS
1	14M7400	LOCK NUT	4		M10
2	19M7786	SCREW	4		M10 X 30
3	19M7789	SCREW	4		M12 X 30
4	19M7790	SCREW	4		M12 X 35
5	24M7180	WASHER	8		13 X 37 X 3 MM
6	24M7240	WASHER	4		13 X 25 X 3 MM
7	AT327499	PLATFORM	1		(SUB FOR AT226789)
8	AT327502	FENDER	1		(SUB FOR AT306454 OR AT225159)
9	AT327503	FENDER	1		(SUB FOR AT306455 OR AT225160)
10	T178063	WASHER	4		
11	AT303755	FENDER	1		MATCHED SET

1927-6

FULL COVERAGE FRONT FENDERS AILES AVANT PLEINE COUVERTURE GUARDABARROS DELANTEROS DE COBERTURA TOTAL

T202289 -UN-19AUG04



T202289

THIS PARTS LISTING IS CONTINUED

1927-7

SHEET METAL AND STYLING 19

FENDERS 1927

**FULL COVERAGE FRONT FENDERS
AILES AVANT PLEINE COUVERTURE
GUARDABARROS DELANTEROS DE COBERTURA TOTAL**

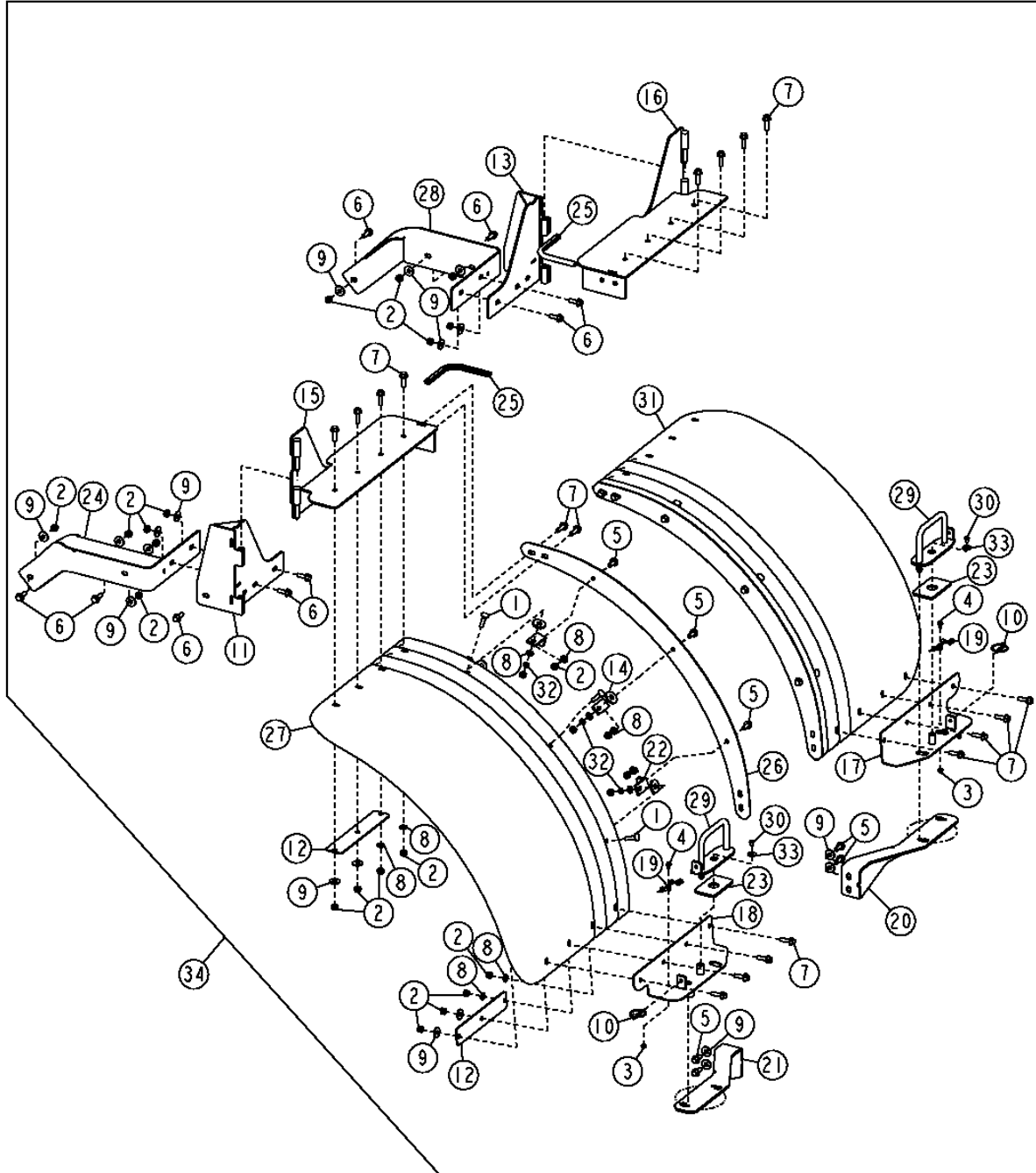
KEY	PART NO.	PART NAME	QTY.	SERIAL NO.	REMARKS
1	03M7195	BOLT	14		M10 X 45
3	14M7152	NUT	12		M10
4	14M7400	LOCK NUT	25		M10. (SUB FOR 14M7167, THIS APPLICATION)
5	14M7400	LOCK NUT	2		M10
6	19M7788	SCREW	6		M12 X 25
8	19M7835	SCREW	11		M10 X 35
9	24M7239	WASHER	8		10.700 X 21 X 2.500 MM
10	14M7296	FLANGE NUT	2		M10
11	24M7296	WASHER	25		10.500 X 30 X 2.500 MM
12	T173779	STRAP	2		
13	T176357	ANGLE	2		
14	T178368	SUPPORT	6		
15	T205533	FENDER	2		
16	T205534	SPLASH GUARDS	2		
17	T204701	SPLASH GUARDS	1		
18	T204744	PLATE	1		
19	T22381	WASHER	18		
20	19M7812	SCREW	2		M10 X 100
21	T147891	BUSHING	2		
23	AT311824	KIT	1		(WHOLE GOODS) (FIELD KIT)

1927-8

FULL COVERAGE REAR FENDERS (W/O LATCH)
AILES ARRIERE PLEINE COUVERTURE (W/O VERROUILLAGE)
GUARDABARROS TRASEROS DE COBERTURA TOTAL (W/O PESTILLO)

T198846

-UN-29APR04



T198846

THIS PARTS LISTING IS CONTINUED

1927-9

SHEET METAL AND STYLING 19

FENDERS 1927

**FULL COVERAGE REAR FENDERS (W/O LATCH)
AILES ARRIERE PLEINE COUVERTURE (W/O VERROUILLAGE)
GUARDABARROS TRASEROS DE COBERTURA TOTAL (W/O PESTILLO)**

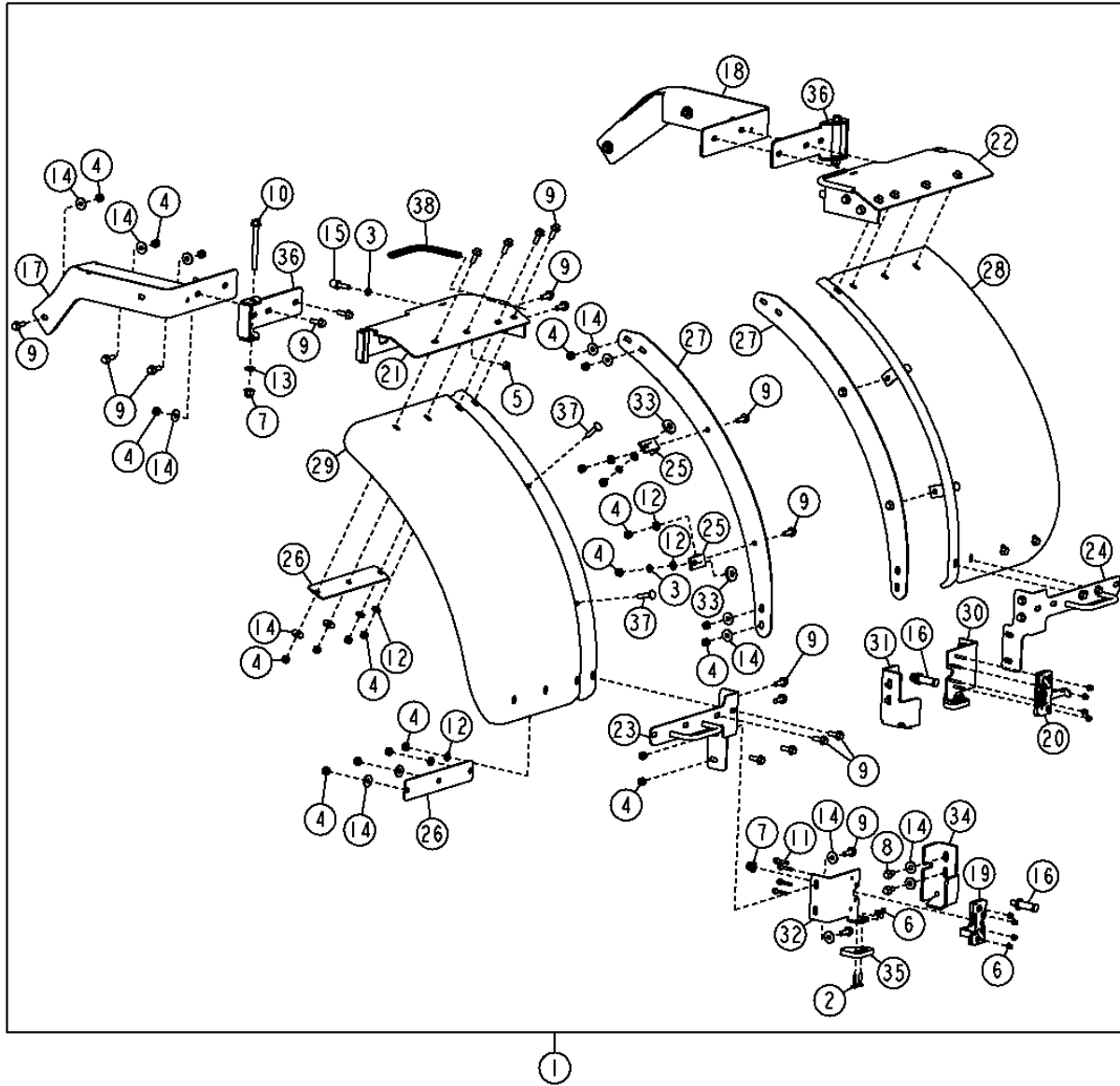
KEY	PART NO.	PART NAME	QTY.	SERIAL NO.	REMARKS
1	03M7195	BOLT	4		M10 X 45
2	14M7167	LOCK NUT	40		M10
3	14M7303	FLANGE NUT	2		M6
4	19M7774	SCREW	2		M6 X 12
5	19M7785	SCREW	8		M10 X 25
6	19M7786	SCREW	12		M10 X 30
7	19M7835	SCREW	20		M10 X 35
8	24M7239	WASHER	16		10.700 X 21 X 2.500 MM
9	24M7296	WASHER	28		10.500 X 30 X 2.500 MM
10	AA21292	QUICK LOCK PIN	2		
11	AT301819	HINGE	1		
12	T204644	PLATE	4		
13	AT301820	HINGE	1		
14	T22381	WASHER	4		
15	AT307171	HINGE	1		
16	AT307172	HINGE	1		
17	AT307173	BRACKET	1		
18	AT307174	BRACKET	1		
19	AT305830	CABLE	2		
20	AT306099	SUPPORT	1		
21	AT306227	SUPPORT	1		
22	T176357	ANGLE	4		
23	T207650	PAD	2		
24	AT309249	BRACKET	1		
25	ISOLATOR	1		(MAKE FROM T58056) (BULK MATERIAL) (CTL)
26	T205537	PLATE	2		
27	T206024	FENDER	1		
28	AT309530	BRACKET	1		
29	AT308784	HANDLE	2		
30	R131664	CAP SCREW	2		
31	T205542	FENDER	1		
32	14M7152	NUT	4		M10
33	24M7298	WASHER	2		8.400 X 25 X 2 MM
34	FIELD INSTALLATION KIT	1		(WHOLE GOODS) (SUB AT312132) FULL COVERAGE REAR FENDERS

1927-9A

FULL COVERAGE REAR FENDERS (W/LATCH)
GUARDABARROS TRASEROS DE COBERTURA TOTAL (W/VERROUILLAGE)
AILES ARRIERE PLEINE COUVERTURE (W/PESTILLO)

TX1017443

-UN-17JAN07



TX1017443

THIS PARTS LISTING IS CONTINUED

1927-9B

SHEET METAL AND STYLING 19

FENDERS 1927

**FULL COVERAGE REAR FENDERS (W/LATCH)
 GUARDABARROS TRASEROS DE COBERTURA TOTAL (W/VERROUILLAGE)
 AILES ARRIERE PLEINE COUVERTURE (W/PESTILLO)**

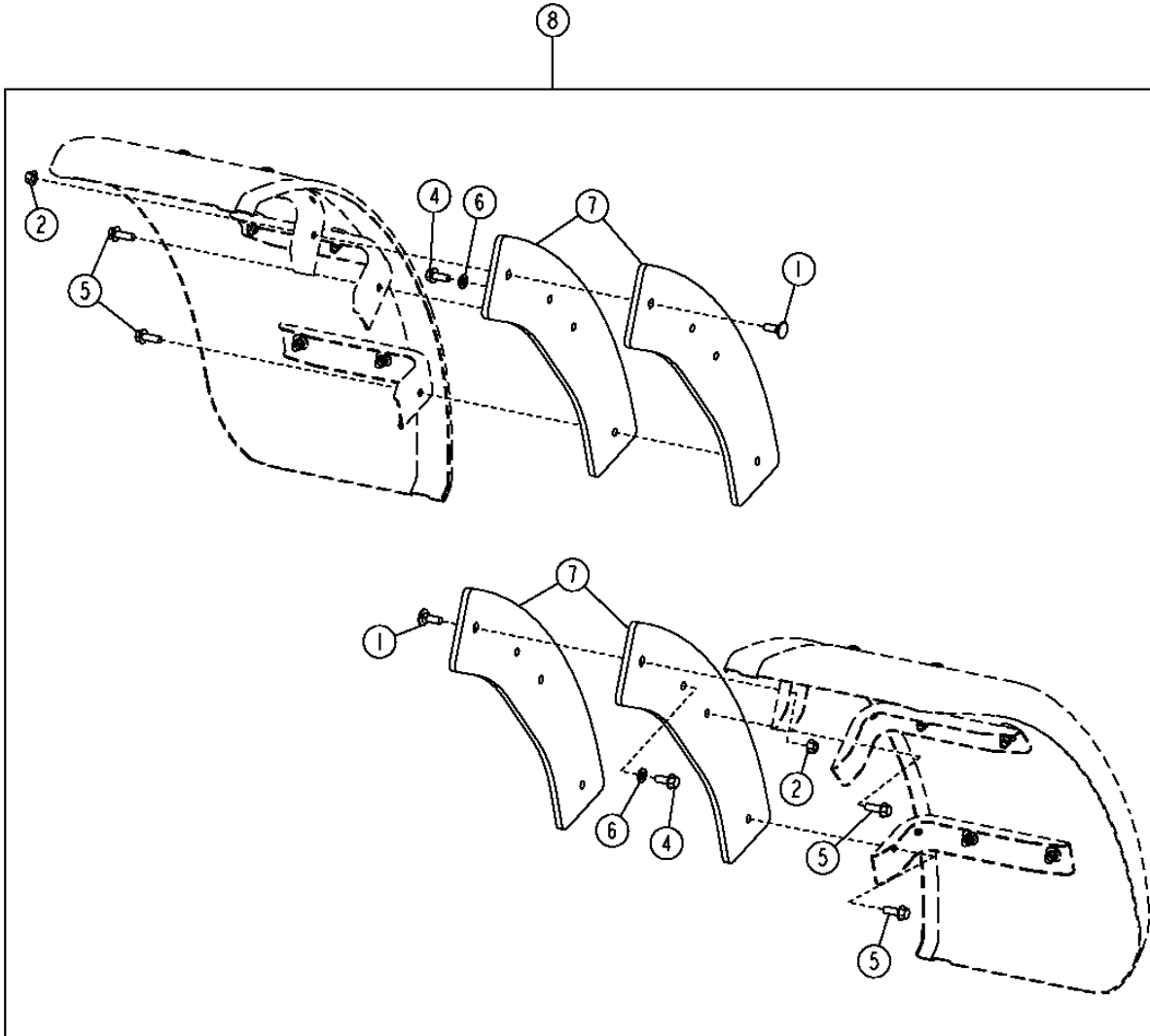
KEY	PART NO.	PART NAME	QTY.	SERIAL NO.	REMARKS
1	AT312132	FIELD INSTALLATION KIT	1		(WHOLEGOODS) FULL COVERAGE REAR FENDER
2	03M7290	BOLT	4		M6 X 30
3	14M7152	NUT	6		M10
4	14M7167	LOCK NUT	46		M10
5	14M7274	NUT	2		M10
6	14M7397	LOCK NUT	12		M6
7	14M7401	LOCK NUT	4		M12
8	19M7784	SCREW	4		M10 X 20
9	19M7786	SCREW	42		M10 X 30
10	19M7821	SCREW	2		M12 X 120
11	19M7833	SCREW	8		M6 X 35
12	24M7239	WASHER	16		10.700 X 21 X 2.500 MM
13	24M7240	WASHER	2		13 X 25 X 3 MM
14	24M7296	WASHER	34		10.500 X 30 X 2.500 MM
15	AT219974	BUMPER	2		
16	AT301711	STRIKER	2		
17	AT309249	BRACKET	1		
18	AT309530	BRACKET	1		
19	AT322382	LATCH	1		
20	AT322383	LATCH	1		
21	AT330331	HINGE	1		
22	AT330332	HINGE	1		
23	AT330473	BRACKET	1		
24	AT330474	BRACKET	1		
25	T176357	ANGLE	4		
26	T204644	PLATE	4		
27	T205537	PLATE	2		
28	T205542	FENDER	1		
29	T206024	FENDER	1		
30	T221130	BRACKET	1		
31	T221186	BRACKET	1		
32	T223717	BRACKET	1		
33	T22381	WASHER	4		
34	T224462	BRACKET	1		
35	T224498	PAD	2		
36	T224529	BRACKET	2		
37	03M7195	BOLT	4		
38	GUARD	2		(CTL, 1'(.3M)) (MAKE FROM T58056)

1927-10

FENDER BRACKET EXTENSIONS (TOOL CARRIER)
EXTENSIONS SUPPORT AILE (PORTE-OUTILS)
EXTENSIONES DE ESCUADRA DEL GUARDABARROS (PORTAHERRAMIENTAS)

T202125

-UN-10AUG04



T202125

1927-11

SHEET METAL AND STYLING 19

FENDERS 1927

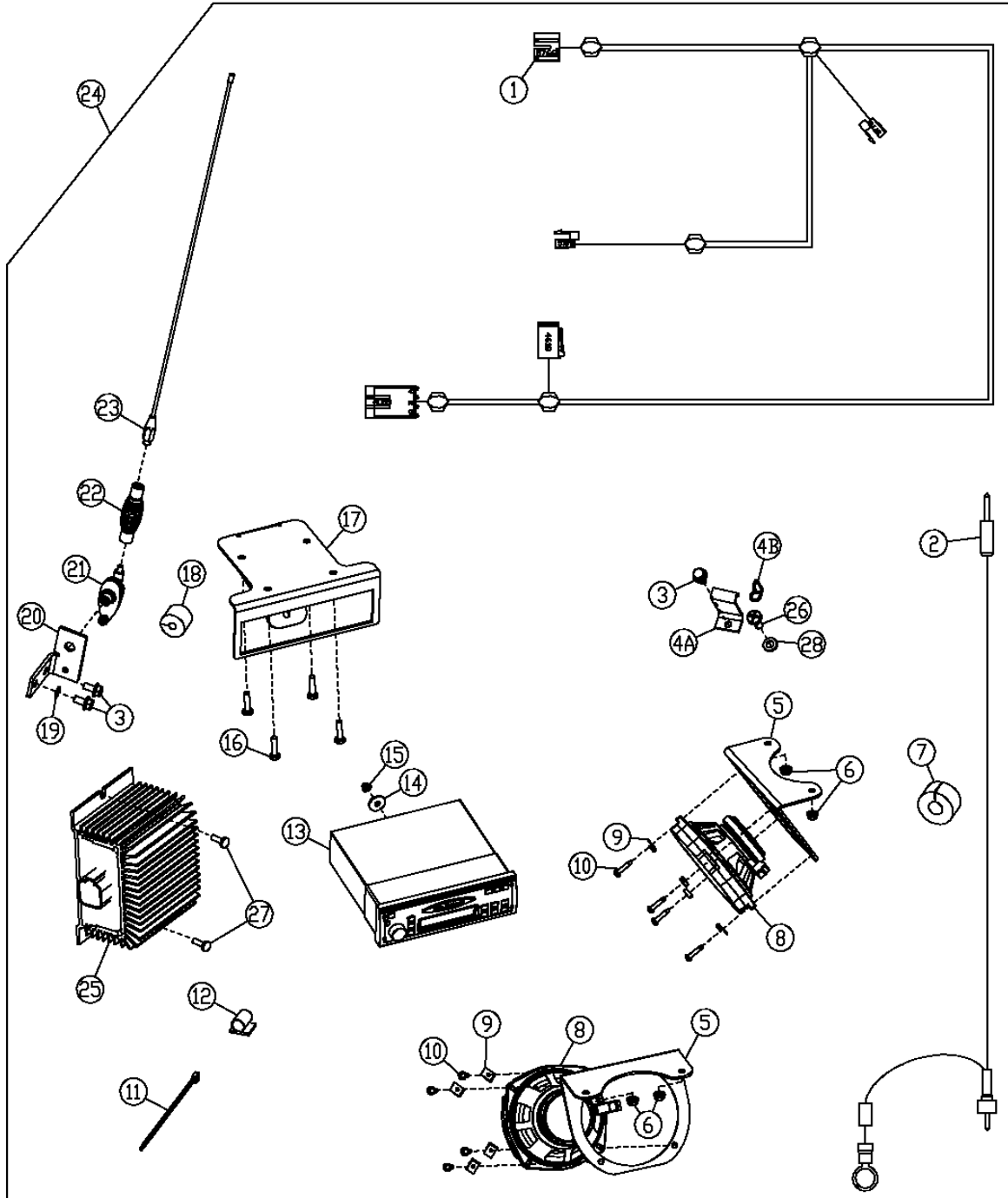
**FENDER BRACKET EXTENSIONS (TOOL CARRIER)
EXTENSIONS SUPPORT AILE (PORTE-OUTILS)
EXTENSIONES DE ESCUADRA DEL GUARDABARROS (PORTAHERRAMIENTAS)**

KEY	PART NO.	PART NAME	QTY.	SERIAL NO.	REMARKS
1	03M7083	BOLT	2		M12 X 35
2	14M7299	FLANGE NUT	2		M12
4	19M7789	SCREW	2		M12 X 30
5	19M7790	SCREW	4		M12 X 35
6	24M7240	WASHER	2		13 X 25 X 3 MM
7	T206642	PLATE	2		
8	BRACKET	1		(AT310495 NLA) (FURNISH COMPONENTS)

2001-6

RADIO, RADIO SPEAKERS AND ANTENNA (S.N. -590067)
RADIO, HAUTS-PARLEURS ET ANTENNE (S.N. -590067)
RADIO, ALTAVOCES DEL RADIO Y ANTENA (S.N. -590067)

T192643 -UN-01JUL03



T192643

2001-7

SAFETY, CONVENIENCE AND MISCELLANEOUS 20

RADIO 2001

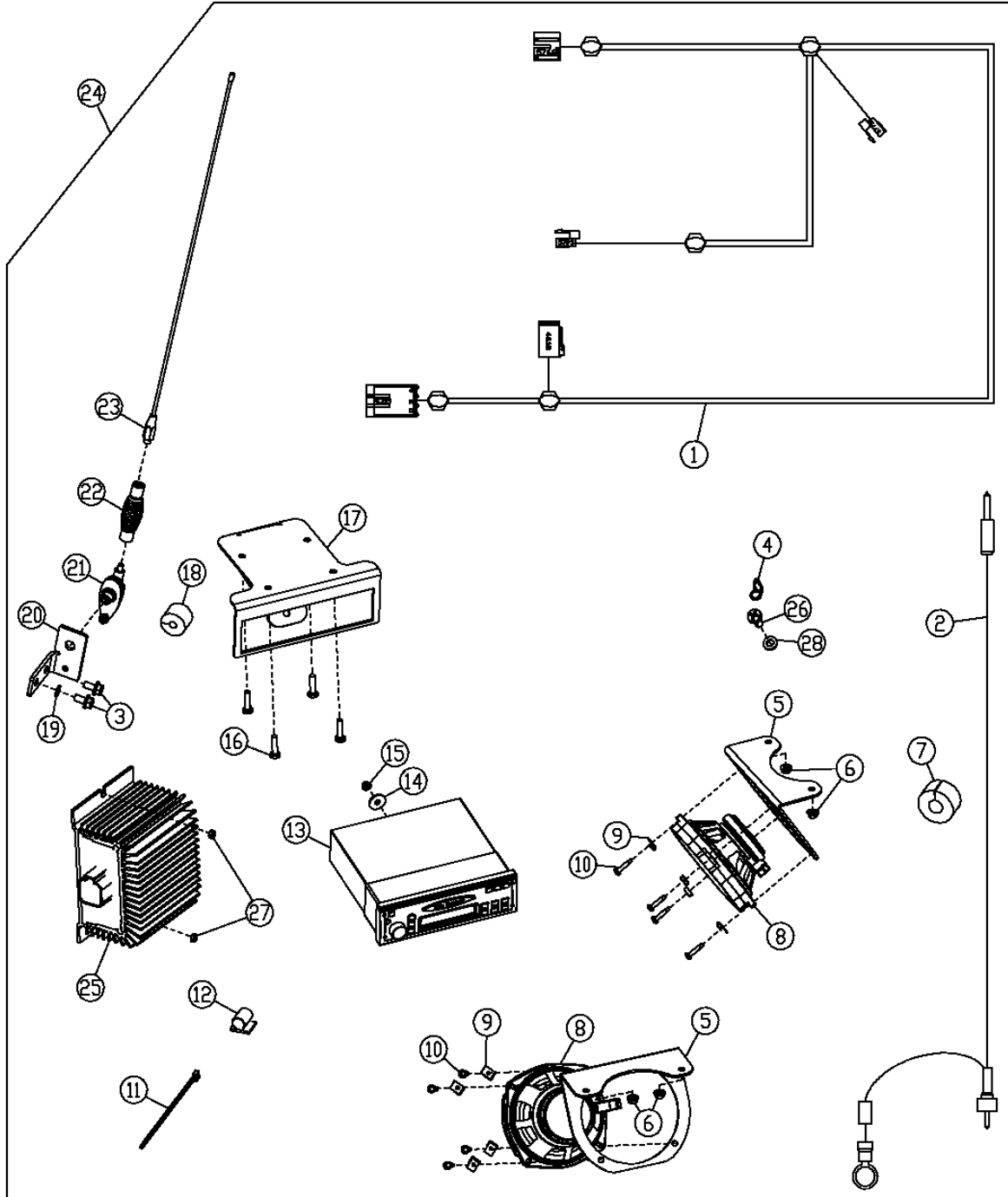
**RADIO, RADIO SPEAKERS AND ANTENNA (S.N. -590067)
 RADIO, HAUTS-PARLEURS ET ANTENNE (S.N. -590067)
 RADIO, ALTAVOCES DEL RADIO Y ANTENA (S.N. -590067)**

KEY	PART NO.	PART NAME	QTY.	SERIAL NO.	REMARKS
1	AT223870	RADIO SPEAKER WRG HARNESS	1		
2	AT223897	CABLE	1		
3	19M7865	SCREW	3		M8 X 16
4A	T180573	BRACKET	1		(USE WITH 19M7865)
4B	R126033	HOOK	1		(USE WITH T133674 AND 24M7054)
5	T180338	BRACKET	2		
6	14M7303	FLANGE NUT	4		M6
7	T182870	ISOLATOR	1		
8	AT188759	SPEAKER	2		
9	R53528	NUT	8		
10	T182888	SCREW	8		(SUB FOR 37M7070)
11	R44302	TIE BAND	1		
12	T182909	CLIP	3		
13	AT192957	RADIO	1		WITH CASSETTE, (SUB RE190140)
	RE190139	RADIO	1		(SUB FOR AT192956)
	RE190140	RADIO	1		WITH CASSETTE, (SUB FOR AT192957)
	RADIO	1		WITH COMPACT DISC, (SUB RE227953) (SUB FOR AT192958) (RE190141 NLA)
14	24M7100	WASHER	1		6.600 X 22 X 2 MM
15	14M7375	FLANGE NUT	1		M5
16	19H1948	CAP SCREW	4		6.350 X 19.050 MM
17	T180420	BRACKET	1		
18	T182871	ISOLATOR	1		
19	12M7032	LOCK WASHER	1		8.400 MM
20	T180487	BRACKET	1		
21	RE168454	BASE	1		ANTENNA
22	RE61651	SPRING	1		
23	AR104516	ANTENNA	1		
24	AT306829	KIT	1		WHOLE GOODS
	AT306830	KIT	1		WHOLE GOODS WITH CASSETTE
	AT306831	KIT	1		WHOLE GOODS WITH COMPACT DISC
25	AT224893	CONVERTER	1		
26	T133674	SELF-LOCKING SCREW	1		(SUB FOR 21M7292)
27	21M7250	SCREW	2		
28	24M7054	WASHER	1		
29	R76695	NUT	1		(NOT ILLUSTRATED)

2001-7A

RADIO, RADIO SPEAKERS AND ANTENNA (S.N. 590068-600740)
RADIO, HAUTS-PARLEURS ET ANTENNE (S.N. 590068-600740)
RADIO, ALTAVOCES DEL RADIO Y ANTENA (S.N. 590068-600740)

T193559 -UN-14AUG03



T193559

2001-7B

SAFETY, CONVENIENCE AND MISCELLANEOUS 20

RADIO 2001

RADIO, RADIO SPEAKERS AND ANTENNA (S.N. 590068-600740)
RADIO, HAUTS-PARLEURS ET ANTENNE (S.N. 590068-600740)
RADIO, ALTAVOCES DEL RADIO Y ANTENA (S.N. 590068-600740)

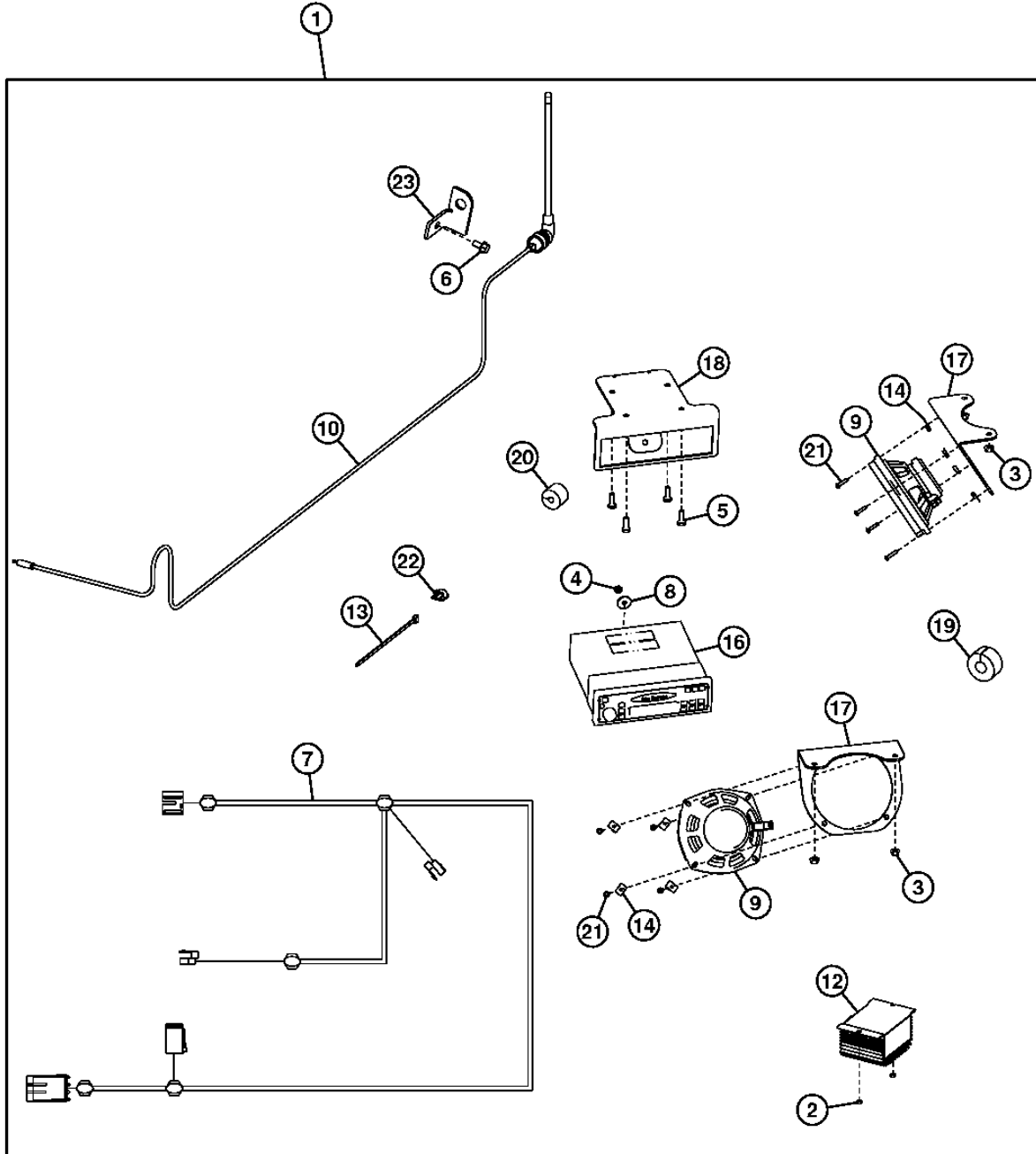
KEY	PART NO.	PART NAME	QTY.	SERIAL NO.	REMARKS
1	AT223870	RADIO SPEAKER WRG HARNESS	1		
2	AT223897	CABLE	1		
3	19M7865	SCREW	2		M8 X 16
4	R126033	HOOK	1		
5	T180338	BRACKET	2		
6	14M7303	FLANGE NUT	4		M6
7	T182870	ISOLATOR	1		
8	AT188759	SPEAKER	2		
9	R53528	NUT	8		
10	37M7070	SCREW	8		
11	R44302	TIE BAND	1		
12	CLIP	3		
13	RE190139	RADIO	1		
	RE190140	RADIO	1		WITH CASSETTE
	RADIO	1		WITH COMPACT DISC, (SUB RE227953) (RE190141 NLA)
14	24M7100	WASHER	1		6.600 X 22 X 2 MM
15	14M7375	FLANGE NUT	1		
16	19H1948	CAP SCREW	4		6.350 X 19.050 MM
17	T180420	BRACKET	1		
18	T182871	ISOLATOR	1		
19	12M7032	LOCK WASHER	1		8.400 MM
20	T180487	BRACKET	1		
21	RE168454	BASE	1		ANTENNA
22	RE61651	SPRING	1		
23	AR104516	ANTENNA	1		
24	AT306829	KIT	1		WHOLE GOODS WITH WEATHERBAND
	AT306830	KIT	1		WHOLE GOODS WITH CASSETTE
	AT306831	KIT	1		WHOLE GOODS WITH COMPACT DISC
25	AT224893	CONVERTER	1		
26	T133674	SELF-LOCKING SCREW	1		(SUB FOR 21M7292)
27	14M7100	NUT	2		
28	24M7054	WASHER	1		

2001-7C

RADIO, RADIO SPEAKERS AND ANTENNA (S.N. 600741-)
RADIO, HAUTS-PARLEURS ET ANTENNE (S.N. 600741-)
RADIO, ALTAVOCES DEL RADIO Y ANTENA (S.N. 600741-)

T213273

-UN-31AUG05



T213273

2001-7D

SAFETY, CONVENIENCE AND MISCELLANEOUS 20

RADIO 2001

RADIO, RADIO SPEAKERS AND ANTENNA (S.N. 600741-)
RADIO, HAUTS-PARLEURS ET ANTENNE (S.N. 600741-)
RADIO, ALTAVOCES DEL RADIO Y ANTENA (S.N. 600741-)

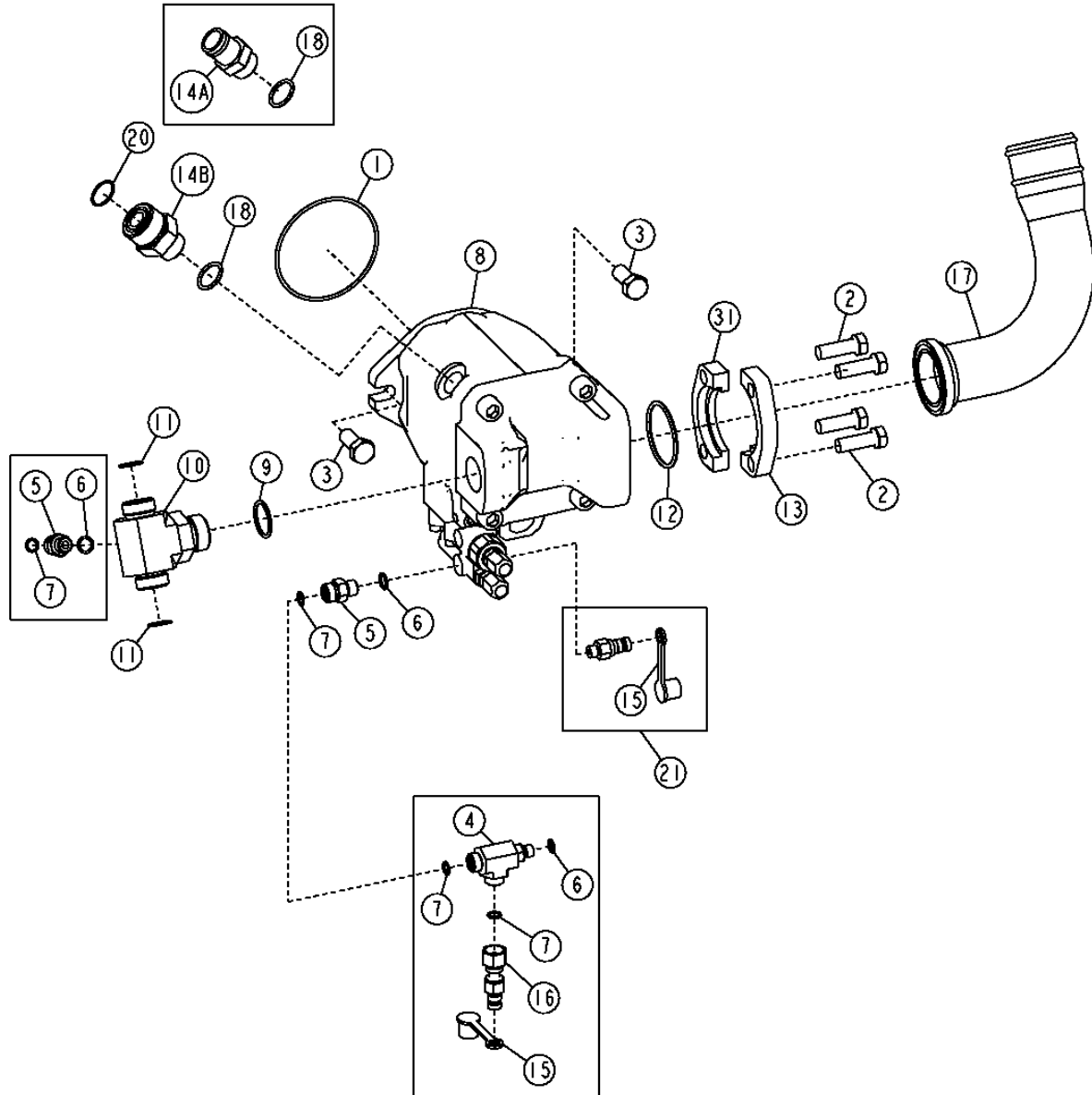
KEY	PART NO.	PART NAME	QTY.	SERIAL NO.	REMARKS
1	AT306829	FIELD INSTALLATION KIT	1		AM/FM/WB, (WHOLE GOODS)
	AT306830	FIELD INSTALLATION KIT	1		AM/FM/WB W/CASSETTE, (WHOLE GOODS)
	AT306831	FIELD INSTALLATION KIT	1		AM/FM W/CD, (WHOLE GOODS)
2	14M7100	NUT	2		M4
3	14M7303	FLANGE NUT	4		M6
4	14M7375	FLANGE NUT	1		M5
5	19H1948	CAP SCREW	4		1/4" X 3/4"
6	19M7865	SCREW	1		M8 X 16
7	AT223870	RADIO SPEAKER WRG HARNESS	1		
8	24M7100	WASHER	1		6.600 X 22 X 2 MM
9	AT188759	SPEAKER	2		
10	AT199388	ANTENNA	1		
12	AT224893	CONVERTER	1		
13	R44302	TIE BAND	1		
14	R53528	NUT	8		
16	RE190139	RADIO	1		AM/FM/WB
	RE190140	RADIO	1		AM/FM/WB W/CASSETTE
	RE227953	RADIO	1		AM/FM W/CD
17	T180338	BRACKET	2		
18	T180420	BRACKET	1		
19	T182870	ISOLATOR	1		
20	T182871	ISOLATOR	1		
21	T182888	SCREW	8		
22	T182909	CLIP	6		
23	T204635	BRACKET	1		

2160-2

HYDRAULIC PUMP POMPE HYDRAULIQUE BOMBA HIDRAULICA

T209835

-UN-01APR05



T209835

2160-3

VEHICLE MAIN HYDRAULIC SYSTEM 21

VEHICLE HYDRAULICS 2160

HYDRAULIC PUMP POMPE HYDRAULIQUE BOMBA HIDRAULICA

KEY	PART NO.	PART NAME	QTY.	SERIAL NO.	REMARKS
1	R500318	O-RING	1		(SUB FOR F37030242)
2	19H2993	CAP SCREW	4		1/2" X 1-1/2"
3	19M7877	CAP SCREW	2		M14 X 30
4	38H1434	TEE FITTING	1	-598233	
5	38H1309	ADAPTER FITTING	1	598234-	
6	R26448	O-RING	2		
7	T77613	O-RING	5		
8	AT227702	HYDRAULIC PUMP	1		
	AT302143	SEAL KIT	1		
	T201525	SEAL	1		(SEAL RING FOR ADJUSTMENT CARTRIDGES)
	AT302144	SPOOL VALVE	1		(PUMP CONTROL)
	AT306219	SEAL KIT	1		(PUMP CONTROL VALVE)
	T201521	GASKET	1		(CONTROL VALVE SEAL PLATE)
9	R29936	O-RING	1		
10	T202174	TEE FITTING	1	-594432	
	38H1055	TEE FITTING	1	594433-	
11	T77858	O-RING	2		
12	F1870R	O-RING	1		
13	R37023	FLANGE FITTING	2		
14A	R44852	FITTING	1	-598233	
14B	38H1179	ADAPTER FITTING	1	598234-	
15	R77175	COVER	1		
16	RE60701	DIAGNOSTIC COUPLING	1	-598233	
17	T197059	TUBE	1		
18	U12547	O-RING	1		
20	T76938	O-RING	1	598234-	
21	AT180119	FITTING	1	598234-	(INCLUDES R28782)

2160-7

VEHICLE MAIN HYDRAULIC SYSTEM 21

VEHICLE HYDRAULICS 2160

**HYDRAULIC OIL RESERVOIR (SN -604689)
RESERVOIR HUILE HYDRAULIQUE (SN -604689)
DEPOSITO DE ACEITE HIDRAULICO (SN -604689)**

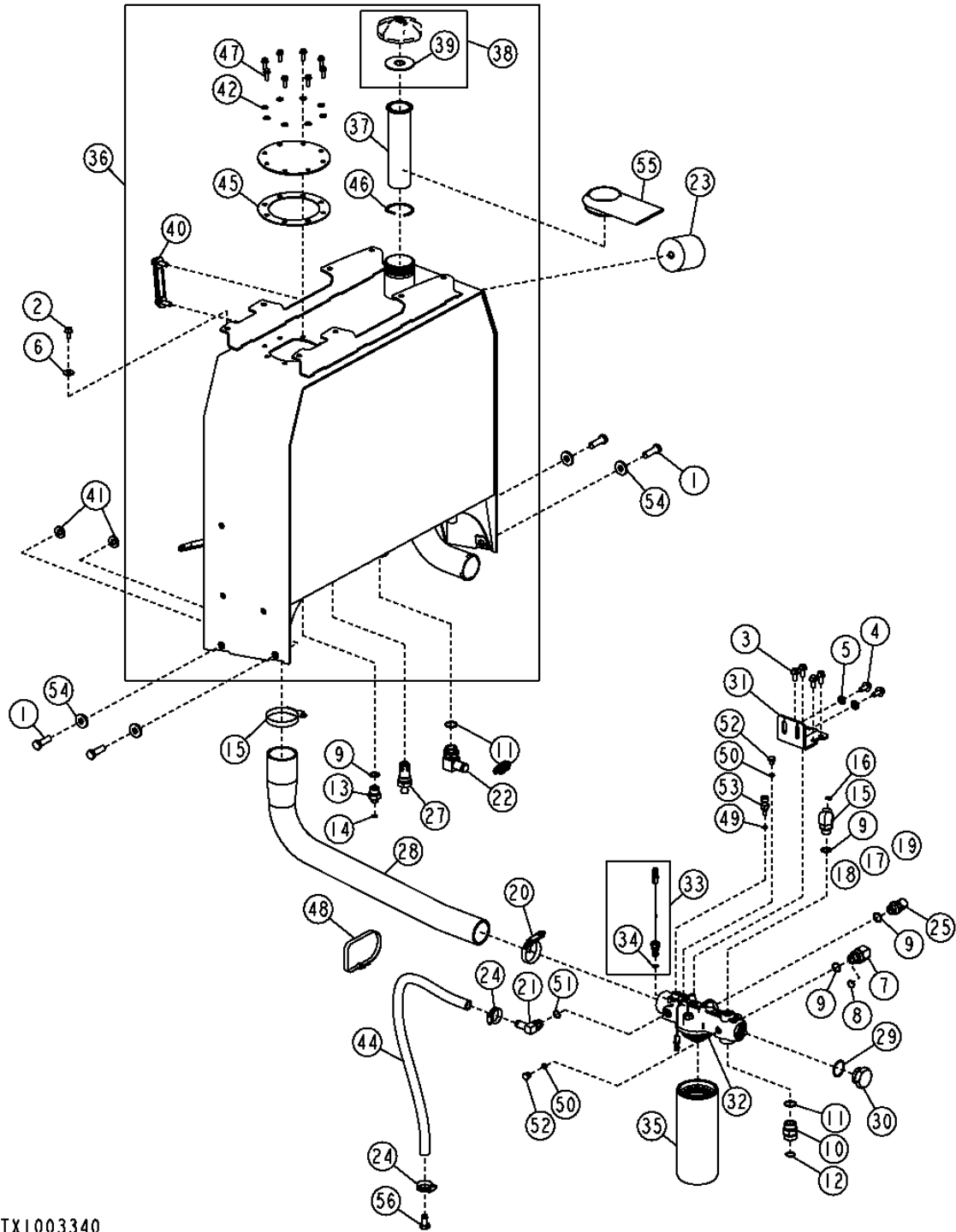
KEY	PART NO.	PART NAME	QTY.	SERIAL NO.	REMARKS
1	19M7409	CAP SCREW	4		M16 X 50
2	19M7784	SCREW	8		M10 X 20
3	19M7785	SCREW	4		M10 X 25
4	19M7788	SCREW	2		M12 X 25
5	24M7240	WASHER	2		13 X 25 X 3 MM
6	24M7241	WASHER	2		17 X 34 X 4 MM
7	24M7296	WASHER	8		10.500 X 30 X 2.500 MM
8	38H1098	ELBOW FITTING	1	-594432	
9	T76938	O-RING	2	-594432	
	T76938	O-RING	1	594433-	
10	38H1007	ELBOW FITTING	1		
11	T77858	O-RING	1		
12	U12547	O-RING	4		
13	38H1175	ADAPTER FITTING	1		
14	T77857	O-RING	1		
15A	38H1216	ADAPTER FITTING	1	-594432	
15B	38H1164	ADAPTER FITTING	1	594433-	
16	R29936	O-RING	2		
17	AH64349	HOSE FITTING	1		
18	AH75162	FITTING	1		
19	AM39653	OIL FILTER	1		
20	AR21839	CLAMP	2		
21	AT21574	FITTING	1		
22	R27390	NUT	1		
23	AH170895	CLAMP	1		(SUB FOR AH170895)
24	AT221897	CHECK VALVE	1		
25	AT223658	HOSE	1		
26	R26773	O-RING	1		
27	T181201	FITTING	1		
28	AT224797	FILTER HEAD	1		
29	AT307045	PRESSURE SWITCH	1		(SUB FOR AT280924)
30	R26375	O-RING	1		
31	P46051	O-RING	1		
32	AT310905	OIL FILTER	1		(SUB FOR AT228474)
33	M72389	ADAPTER FITTING	1		
34	R26448	O-RING	3		
35	AT224266	TEE FITTING	1		
36	24H1136	WASHER	8		11/32" X 11/16" X 0.065"
37	AT161638	STRAINER	1		
38	AT177950	FILLER CAP	1		
39	H148166	WASHER	1		
40	AT227279	LEVEL GAUGE	1		
41	AT227491	HYDRAULIC RESERVOIR	1		
42	CLAMP	5		
43	AT227644	HOUSING	1		
44	R27175	DRAIN PLUG	1		
45	T103461	SEALING WASHER	1		
46	T205033	GASKET	1		
47	T39155	SNAP RING	1		
48	T81403	SCREW	8		
49	AT228747	BRACKET	1		
50	RE52702	CLAMP	1		(SUB FOR RE52702)
51	BULK HOSE	1		(MAKE FROM T148181) (CTL) 975.36MM (3.2')
52	N189220	TIE BAND	1		
53	R26286	O-RING	1		
54	R26906	O-RING	1		
55	R27218	FITTING PLUG	1		
56	RE38310	SENSOR	1		
57	T119912	WASHER	4		
58	T196312	BOOT	1		
59	T203776	PLUG	1		
60	T77613	O-RING	3		

2160-7A

HYDRAULIC OIL RESERVOIR (S.N. 604690-)
RESERVOIR HUILE HYDRAULIQUE (S.N. 604690-)
DEPOSITO DE ACEITE HIDRAULICO (S.N. 604690-)

TX1003340

-UN-24FEB06



TX1003340

THIS PARTS LISTING IS CONTINUED

2160-7B

VEHICLE MAIN HYDRAULIC SYSTEM 21

VEHICLE HYDRAULICS 2160

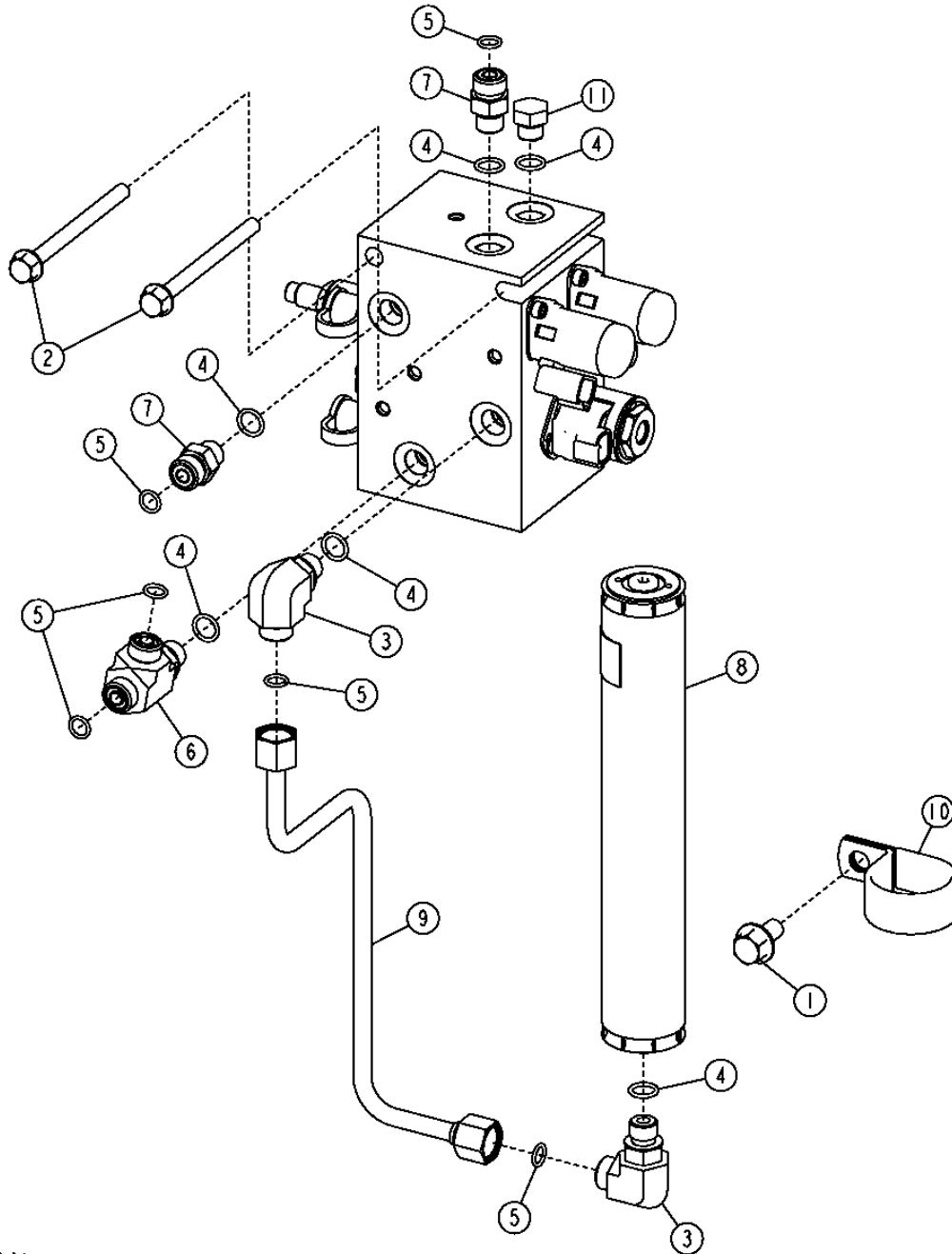
HYDRAULIC OIL RESERVOIR (S.N. 604690-)
RESERVOIR HUILE HYDRAULIQUE (S.N. 604690-)
DEPOSITO DE ACEITE HIDRAULICO (S.N. 604690-)

KEY	PART NO.	PART NAME	QTY.	SERIAL NO.	REMARKS
1	19M7409	CAP SCREW	4		M16 X 50
2	19M7784	SCREW	8		M10 X 20
3	19M7785	SCREW	4		M10 X 25
4	19M7788	SCREW	2		M12 X 25
5	24M7240	WASHER	2		13 X 25 X 3 MM
6	24M7296	WASHER	8		10.500 X 30 X 2.500 MM
7	38H1007	ELBOW FITTING	1		
8	T77858	O-RING	1		18.771 X 1.778 MM
9	U12547	O-RING	4		23.470 X 2.946 MM
10	38H1164	ADAPTER FITTING	1		
11	R29936	O-RING	2		29.743 X 2.946 MM
12	T76938	O-RING	1		23.520 X 1.778 MM
13	38H1175	ADAPTER FITTING	1		
14	T77857	O-RING	1		12.421 X 1.778 MM
15	38H1577	ELBOW FITTING	1		
16	T77932	O-RING	1		15.596 X 1.778 MM
17	38H1591	TEE FITTING	1		
18	R26448	O-RING	1		11.887 X 1.981 MM
19	T77613	O-RING	2		9.246 X 1.778 MM
20	AH170895	CLAMP	1		
21	AH64349	HOSE FITTING	1		
22	AH75162	FITTING	1		
23	AM39653	OIL FILTER	1		
24	AR21839	CLAMP	2		
25	AT21574	FITTING	1		
27	AT221897	CHECK VALVE	1		
28	AT223658	HOSE	1		
29	R26773	O-RING	1		43.688 X 2.997 MM
30	T181201	FITTING	1		
31	AT228747	BRACKET	1		
32	AT224797	FILTER HEAD	1		
33	AT307045	PRESSURE SWITCH	1		
34	P46051	O-RING	1		10.770 X 2.616 MM
35	AT310905	OIL FILTER	1		
36	AT329811	HYDRAULIC RESERVOIR	1		
37	AT161638	STRAINER	1		
38	AT177950	FILLER CAP	1		
39	H148166	WASHER	1		29 X 85 X 3.175 MM
40	AT227279	LEVEL GAUGE	1		
41	24M7241	WASHER	2		17 X 34 X 4 MM
42	24H1136	WASHER	8		8.738 X 17.475 X 1.651 MM
44	BULK HOSE	1		(MAKE FROM X831-12) (CTL)
45	T106595	GASKET	1		
46	T39155	SNAP RING	1		
47	T81403	SCREW	8		M8 X 25
48	N189220	TIE BAND	1		
49	R26286	O-RING	1		10.516 X 1.829 MM
50	R26448	O-RING	2		11.887 X 1.981 MM
51	R26906	O-RING	1		19.177 X 2.464 MM
52	R27218	FITTING PLUG	2		
53	RE38310	SENSOR	1		
54	T119912	WASHER	4		16.660 X 41.148 X 6 MM
55	T196312	BOOT	1		
56	T203776	PLUG	1		

2160-8

PRESSURE REGULATOR VALVE FITTINGS (S.N. -604689)
RACCORDS REGULATEUR PRESSION (S.N. -604689)
ADAPTADORES DE LA VALVULA REGULADORA DE PRESION (S.N. -604689)

T195341 -UN-



T195341

THIS PARTS LISTING IS CONTINUED

2160-9

VEHICLE MAIN HYDRAULIC SYSTEM 21

VEHICLE HYDRAULICS 2160

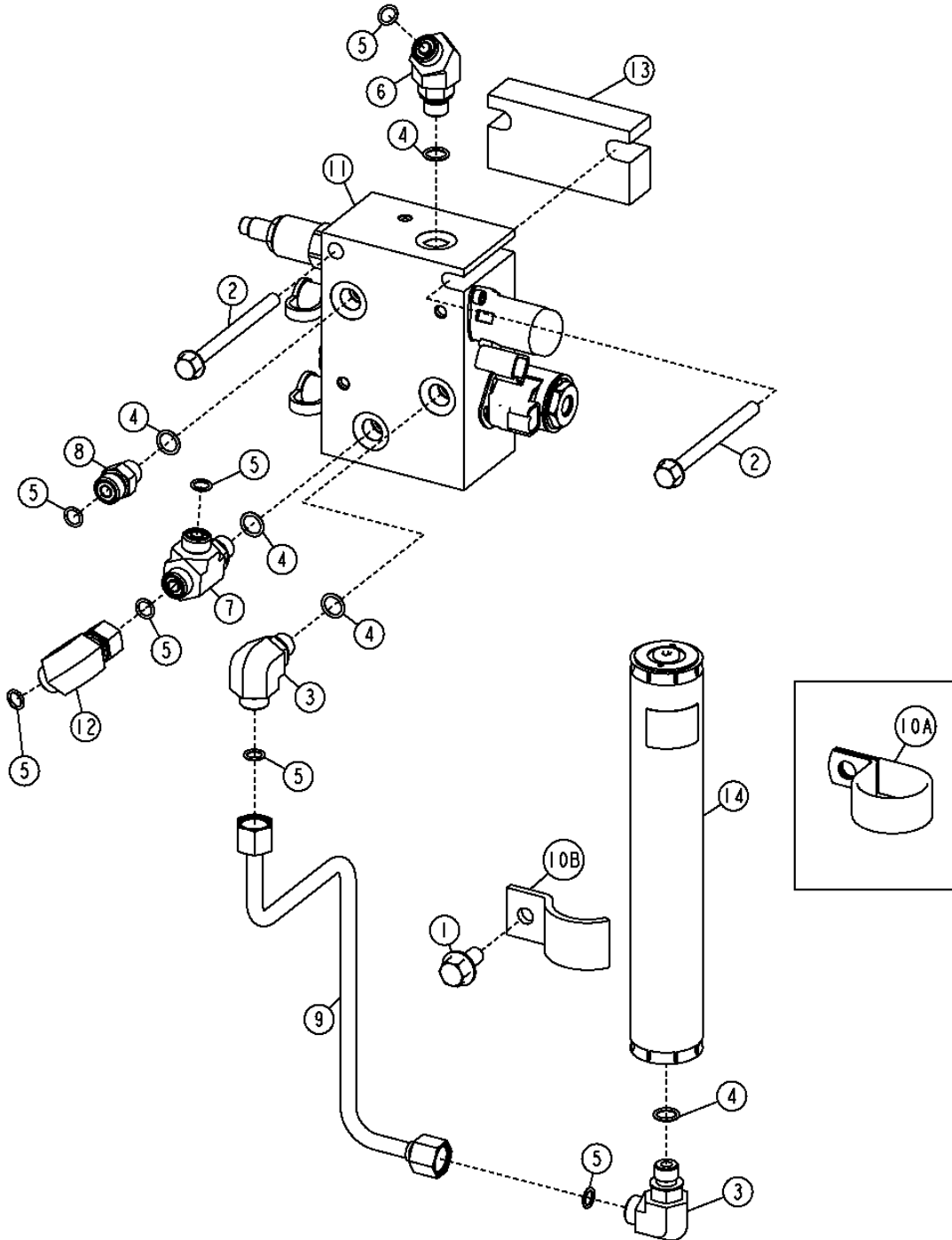
PRESSURE REGULATOR VALVE FITTINGS (S.N. -604689)
RACCORDS REGULATEUR PRESSION (S.N. -604689)
ADAPTADORES DE LA VALVULA REGULADORA DE PRESION (S.N. -604689)

KEY	PART NO.	PART NAME	QTY.	SERIAL NO.	REMARKS
1	19M7804	SCREW	1		M10 X 40
2	19M8039	SCREW	2		M8 X 80
3	38H1004	ELBOW FITTING	2		
4	R26448	O-RING	6		
5	T77613	O-RING	7		
6	38H1023	TEE FITTING	1		
7	38H1160	ADAPTER FITTING	2		
8	AT225574	HYDRAULIC ACCUMULATOR	1		
9	AT304225	OIL LINE	1		
10	N205415	CLAMP	2		
11	R27218	FITTING PLUG	1		

2160-9A

PRESSURE REGULATOR VALVE FITTINGS (S.N. 604690-)
RACCORDS REGULATEUR PRESSION (S.N. 604690-)
ADAPTADORES DE LA VALVULA REGULADORA DE PRESION (S.N. 604690-)

TX1017762 -UN-



TX1017762

2160-9B

VEHICLE MAIN HYDRAULIC SYSTEM 21

VEHICLE HYDRAULICS 2160

PRESSURE REGULATOR VALVE FITTINGS (S.N. 604690-)
RACCORDS REGULATEUR PRESSION (S.N. 604690-)
ADAPTADORES DE LA VALVULA REGULADORA DE PRESION (S.N. 604690-)

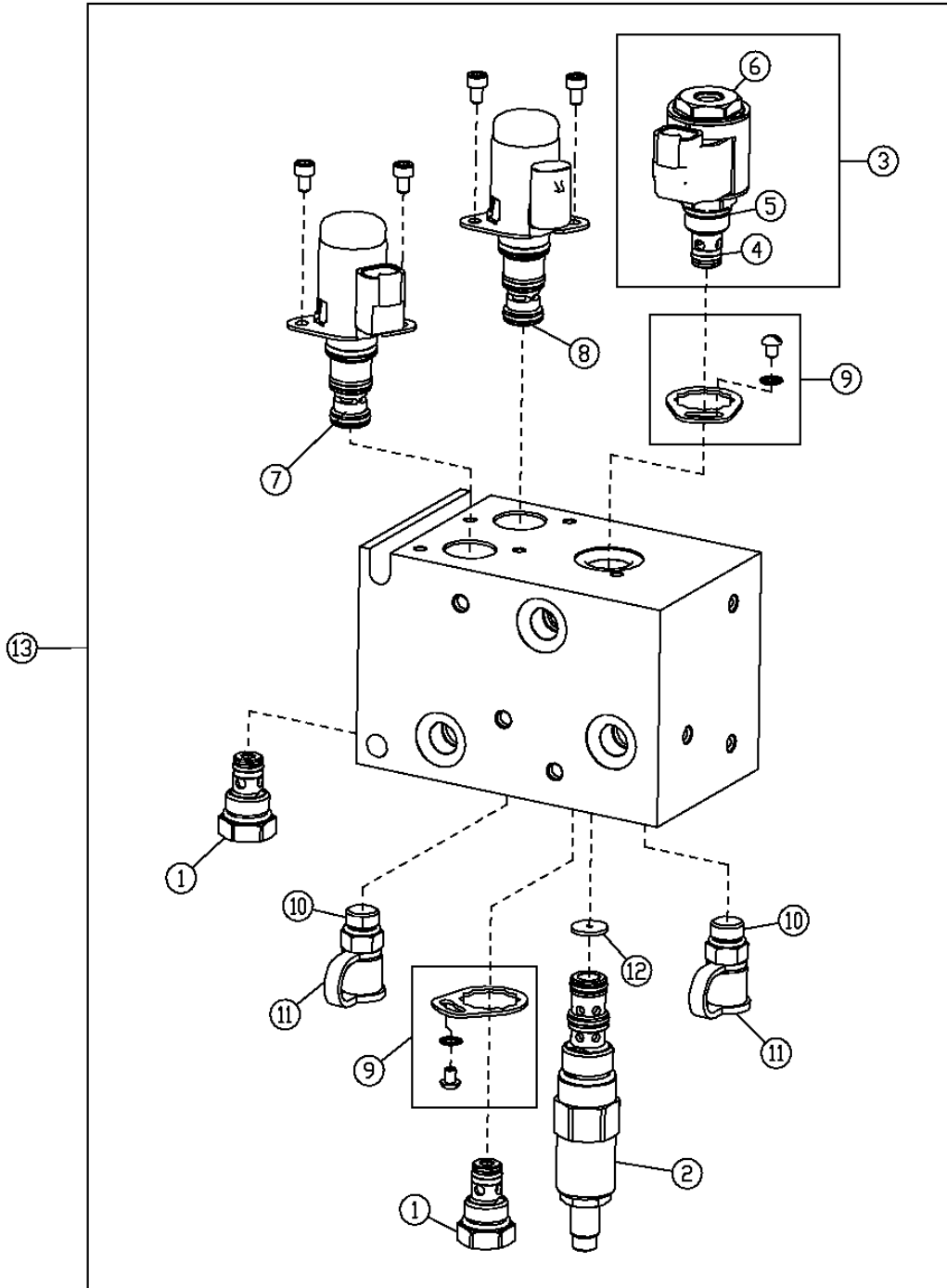
KEY	PART NO.	PART NAME	QTY.	SERIAL NO.	REMARKS
1	19M7804	SCREW	1	-608219	M10 X 40
	19M7784	SCREW	1	608220-	M10 X 20
2	19M8039	SCREW	2	-608219	M8 X 80
	19M7970	SCREW	2	608220-	M8 X 100
3	38H1004	ELBOW FITTING	2		
4	R26448	O-RING	5		
5	T77613	O-RING	7		
6	38H1045	ELBOW FITTING	1		
7	38H1023	TEE FITTING	2		
8	38H1160	ADAPTER FITTING	1		
9	AT304225	OIL LINE	1	-608219	
	AT334387	OIL LINE	1	608220-	
10A	N205415	CLAMP	1	-608219	
10B	R68904	CLAMP	1	608220-	
11	AT315118	VALVE	1		
12	38H1094	ELBOW FITTING	1	608220-	
13	T225868	STRAP	1	608220-	
14	AT225574	HYDRAULIC ACCUMULATOR	1		

2160-10

PRESSURE REGULATOR VALVE COMPONENTS COMPOSANTS DU REGULATEUR DE PRESSION COMPONENTES DE LA VALVULA REGULADORA DE PRESION

T196513

-UN-20NOV03



T196513

2160-11

VEHICLE MAIN HYDRAULIC SYSTEM 21

VEHICLE HYDRAULICS 2160

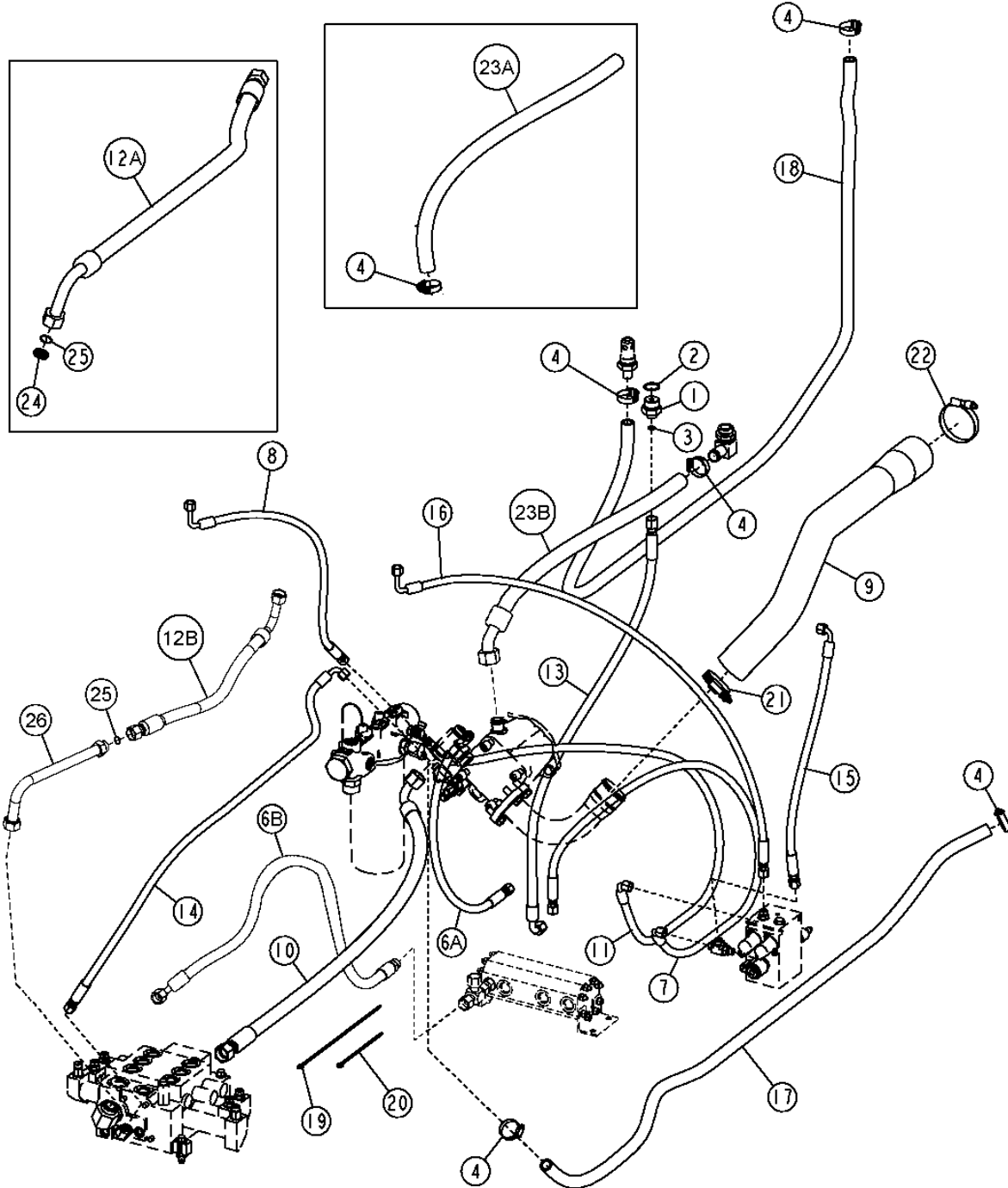
**PRESSURE REGULATOR VALVE COMPONENTS
COMPOSANTS DU REGULATEUR DE PRESSION
COMPONENTES DE LA VALVULA REGULADORA DE PRESION**

KEY	PART NO.	PART NAME	QTY.	SERIAL NO.	REMARKS
1	AT224570	CHECK VALVE	2		
	AT224862	SEAL KIT	1		
2	AT313708	OIL PRESSURE REG. VALVE	1		(SUB FOR AT307314)
	AT196943	SEAL KIT	1		
3	AT309494	SOLENOID VALVE	1		
4	AT307315	SOLENOID VALVE	1		
5	AT333811	SOLENOID VALVE COIL	1		
6	T225291	NUT	1		
7	AT307302	FLOW CONTROL HYD. VALVE	1		(PILOT)
	AT224873	SEAL KIT	1		
8	AT307301	FLOW CONTROL HYD. VALVE	1		(DIFFERENTIAL)
	AT224873	SEAL KIT	1		
9	AT307304	KIT	2		
10	AH125760	HYD. QUICK-CONNECT COUPLER	2		
11	R77175	COVER	2		
12	T205670	ORIFICE	1		
13	AT325316	HYD ACTUATED CONTROL VALVE	1		(SUB FOR AT228138)

2160-12

MAIN HYDRAULIC LINES (SN -604689)
CONDUITES HYDRAULIQUES PRINCIPALES (SN -604689)
LINEAS HIDRAULICAS PRINCIPALES (SN -604689)

T209842 -UN-30MAR05



T209842

THIS PARTS LISTING IS CONTINUED

2160-13

VEHICLE MAIN HYDRAULIC SYSTEM 21

VEHICLE HYDRAULICS 2160

**MAIN HYDRAULIC LINES (SN -604689)
CONDUITES HYDRAULIQUES PRINCIPALES (SN -604689)
LINEAS HIDRAULICAS PRINCIPALES (SN -604689)**

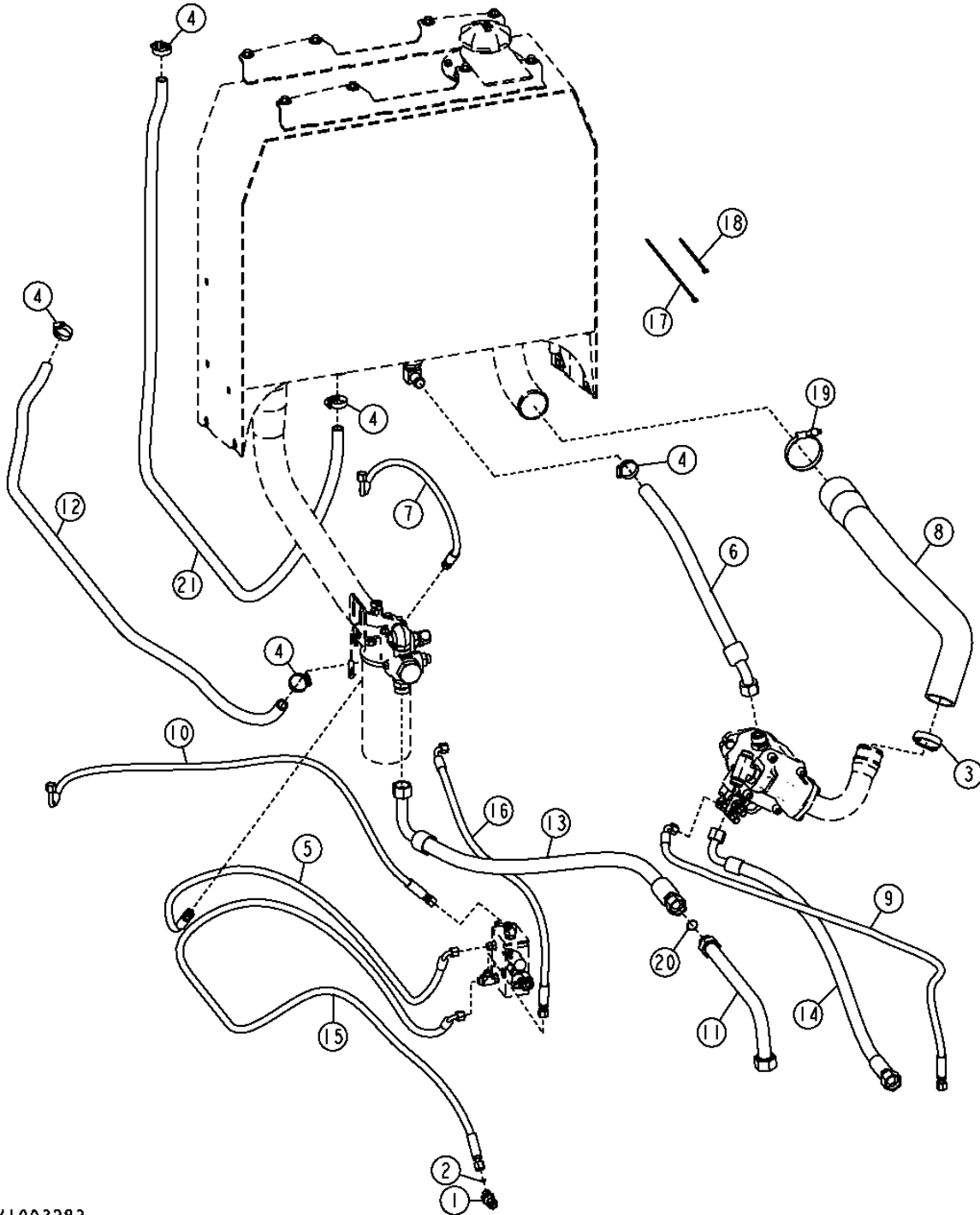
KEY	PART NO.	PART NAME	QTY.	SERIAL NO.	REMARKS
1	38H1176	ADAPTER FITTING	1		
2	R29936	O-RING	1		
3	T77857	O-RING	1		
4	AR21839	CLAMP	4	-598233	
	AR21839	CLAMP	3	598234-	
5	AR21839	CLAMP	2		
6A	AT210667	HYDRAULIC HOSE - FABRICATE	1	-594432	
6B	AT314847	HYDRAULIC HOSE - FABRICATE	1	594433-596166	
	AT318345	HYDRAULIC HOSE - FABRICATE	1	596167-	
7	AT222163	HYDRAULIC HOSE - FABRICATE	1	-594432	
	AT314844	HYDRAULIC HOSE - FABRICATE	1	594433-596166	
	AT222163	HYDRAULIC HOSE - FABRICATE	1	596167-	
8	AT226614	HYDRAULIC HOSE - FABRICATE	1		
9	AT228155	HOSE	1		
10	AT310754	HYDRAULIC HOSE - FABRICATE	1	-594432	(SUB FOR AT303128)
	AT314638	HYDRAULIC HOSE - FABRICATE	1	594433-	
11	AT158098	HYDRAULIC HOSE - FABRICATE	1		(SUB FOR AT304125)
12A	AT304128	HYDRAULIC HOSE - FABRICATE	1	-594432	
12B	AT308119	HYDRAULIC HOSE - FABRICATE	1	594433-	
13	AT223815	HYDRAULIC HOSE - FABRICATE	1		
14	AT304346	HYDRAULIC HOSE - FABRICATE	1		
15	AT310561	HYDRAULIC HOSE - FABRICATE	1		(SUB FOR AT304897)
16	AT304899	HYDRAULIC HOSE - FABRICATE	1		
17	BULK HOSE	1		(MAKE FROM T148181) CTL
18	BULK HOSE	1		(MAKE FROM T148181) CTL
19	H77698	TIE BAND	8		
20	R44302	TIE BAND	2		
21	AH170895	CLAMP	1		
22	RE52702	CLAMP	1		
23A	T182114	HYDRAULIC HOSE - FABRICATE	1	-598233	
23B	AT223173	HYDRAULIC HOSE - FABRICATE	1	598234-	
24	T201843	ORIFICE	1	-594433	
25	T76938	O-RING	1		
26	AT307934	OIL LINE	1	594433-	

2160-14

MAIN HYDRAULIC LINES (S.N. 604690-)
CONDUITES HYDRAULIQUES PRINCIPALES (S.N. 604690-)
LINEAS HIDRAULICAS PRINCIPALES (S.N. 604690-)

TX1003283

-UN-04FEB06



TX1003283

THIS PARTS LISTING IS CONTINUED

2160-15

VEHICLE MAIN HYDRAULIC SYSTEM 21

VEHICLE HYDRAULICS 2160

MAIN HYDRAULIC LINES (SN 604690-)
CONDUITES HYDRAULIQUES PRINCIPALES (SN 604690-)
LINEAS HIDRAULICAS PRINCIPALES (SN 604690-)

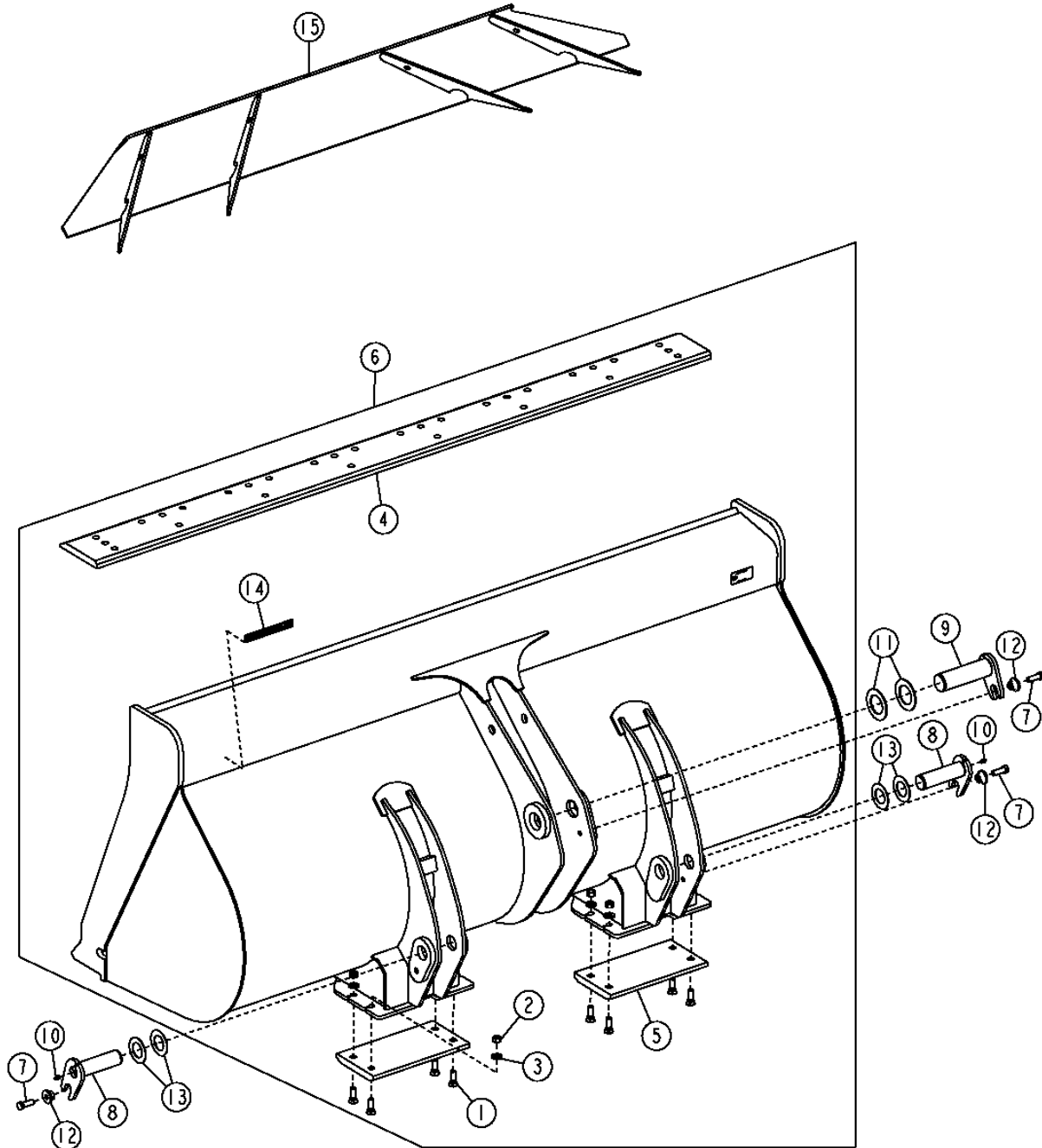
KEY	PART NO.	PART NAME	QTY.	SERIAL NO.	REMARKS
1	38H1621	ADAPTER FITTING	1		
2	T77613	O-RING	1		
3	AH170895	CLAMP	1		
4	AR21839	CLAMP	5		
5	AT158098	HYDRAULIC HOSE - FABRICATE	1		
6	AT223173	HYDRAULIC HOSE - FABRICATE	1		
7	AT226614	HYDRAULIC HOSE - FABRICATE	1		
8	AT228155	HOSE	1		
9	AT304346	HYDRAULIC HOSE - FABRICATE	1		
10	AT304899	HYDRAULIC HOSE - FABRICATE	1		
11	AT307934	OIL LINE	1		
12	BULK HOSE	1		(MAKE FROM X831-12) (CTL)
13	AT308119	HYDRAULIC HOSE - FABRICATE	1		
14	AT314638	HYDRAULIC HOSE - FABRICATE	1		
15	HYDRAULIC HOSE - FABRICATE	1		(SUB AT334302, 38H1094 AND T77613) (AT315145 NLA)
16	AT310561	HYDRAULIC HOSE - FABRICATE	1		(SUB FOR AT320750)
17	H77698	TIE BAND	8		
18	R44302	TIE BAND	2		
19	RE52702	CLAMP	1		
20	T76938	O-RING	1		
21	BULK HOSE	1		(MAKE FROM X831-12) (CTL)

3102-2

LOADER 31

BUCKET (INCLUDING TEETH) 3102
LOADER BUCKET, CUTTING EDGE, SPILLGUARD AND BUCKET PINS
BENNE DE CHARGEUR, TRANCHANT, PROTECTION CONTRE DEVERSEMENT ET AXES BENNE
CUCHARON DE CARGADORA, BORDE CORTANTE, PROTECTOR CONTRA SALPICADURAS Y PASADORES CUCHARON

T201455 -UN-07JUL04



T201455

3102-3

LOADER 31

BUCKET (INCLUDING TEETH) 3102

LOADER BUCKET, CUTTING EDGE, SPILLGUARD AND BUCKET PINS
BENNE DE CHARGEUR, TRANCHANT, PROTECTION CONTRE DEVERSEMENT ET AXES BENNE
CUCHARON DE CARGADORA, BORDE CORTANTE, PROTECTOR CONTRA SALPICADURAS Y PASADORES CUCHARON

KEY	PART NO.	PART NAME	QTY.	SERIAL NO.	REMARKS
1	10H1040	BOLT	8		5/8" X 2"
2	14H1039	NUT	8		5/8"
3	24M7241	WASHER	8		17 X 34 X 4 MM
4	T157282	CUTTING EDGE	1		
	T169142	CUTTING EDGE	1		(FOR USE WITH JAGZ™ CUTTING EDGES)
5	T156599	SHOE	2		
6	LOADER BUCKET	1		(AT301993 NLA) (CONVENIENCE ASSY) (2.0 YD Z-BAR LINKAGE BUCKET) 2550MM (100.39") CUTTING EDGE WIDTH
	AT301994	LOADER BUCKET	1		(CONVENIENCE ASSY) (2.5 YD Z-BAR LINKAGE BUCKET) 2550MM (100.39") CUTTING EDGE WIDTH
	LOADER BUCKET	1		(AT301988 NLA) (CONVENIENCE ASSY) (2.5 YD Z-BAR LINKAGE BUCKET W/JAGZ™) 2550MM (100.39") CUTTING EDGE WIDTH
	LOADER BUCKET	1		(AT301989 NLA) (CONVENIENCE ASSY) (2.0 YD POWERLLEL™ LINKAGE BUCKET) 2550MM (100.36") CUTTING EDGE WIDTH
	AT301990	LOADER BUCKET	1		(CONVENIENCE ASSY) (2.5 YD POWERLLEL™ LINKAGE BUCKET) 2550MM (100.39") CUTTING EDGE WIDTH
	LOADER BUCKET	1		(AT314664 NLA) (CONVENIENCE ASSY) (2.5 YD POWERLLEL™ LINKAGE BUCKET W/JAGZ™) 2550MM (100.39") CUTTING EDGE WIDTH
7	19M7489	CAP SCREW	3		M16 X 45
8	AT308023	PIN FASTENER	2		
9	AT308030	PIN	1		(FOR USE WITH Z-BAR LINKAGE)
	AT308028	PIN FASTENER	1		(FOR USE WITH POWERLLEL™ LINKAGE)
10	JD7759	LUBRICATION FITTING	2		
11	T102171	WASHER	2		(FOR USE WITH Z-BAR LINKAGE)
	24H1240	WASHER	2		(FOR USE WITH POWERLLEL™ LINKAGE)
12	T176064	BUSHING	3		
13	T63795	WASHER	4		
14	T213143	LABEL	1		(SUB FOR KV22121) "WORKSITE PRO™"
15	AT203247	PLATE	1		(FIELD INSTALLATION KIT) (SPILLGUARD)

3102-4

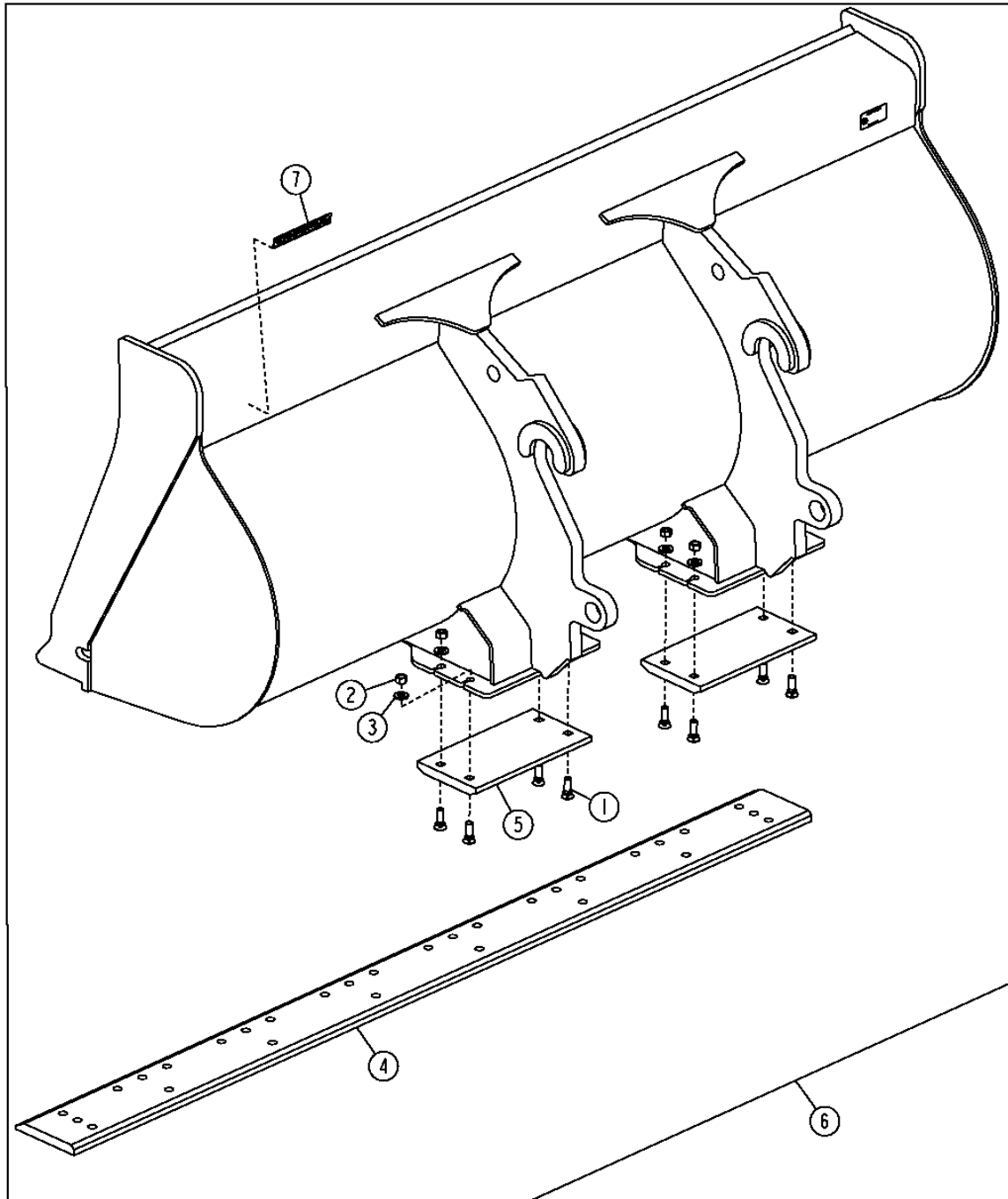
LOADER 31

BUCKET (INCLUDING TEETH) 3102

LOADER ATTACHMENT COUPLER BUCKET
BENNE ACCOUPLEMENT ACCESSOIRE CHARGEUR
CUCHARON DEL ACOPLADOR DE SUJECION DE LA CARGADORA

T201457

-UN-07JUL04



T201457

THIS PARTS LISTING IS CONTINUED

3102-5

LOADER 31

BUCKET (INCLUDING TEETH) 3102

LOADER ATTACHMENT COUPLER BUCKET
BENNE ACCOUPLEMENT ACCESSOIRE CHARGEUR
CUCHARON DEL ACOPLADOR DE SUJECION DE LA CARGADORA

KEY	PART NO.	PART NAME	QTY.	SERIAL NO.	REMARKS
1	09H1587	BOLT	8		5/8" X 2"
2	14H1039	NUT	8		5/8"
3	24M7241	WASHER	8		17 X 34 X 4 MM
4	T157282	CUTTING EDGE	1		
5	T156599	SHOE	2		
6	AT301991	LOADER BUCKET	1		(CONVENIENCE ASSY) (2.0 YARD BUCKET) 2550MM (100.39") CUTTING EDGE WIDTH
	AT301992	LOADER BUCKET	1		(CONVENIENCE ASSY) (2.5 YARD BUCKET) 2550MM (100.39") CUTTING EDGE WIDTH
7	T213143	LABEL	1		(SUB FOR KV22121) "WORKSITE PRO™"

3102-6

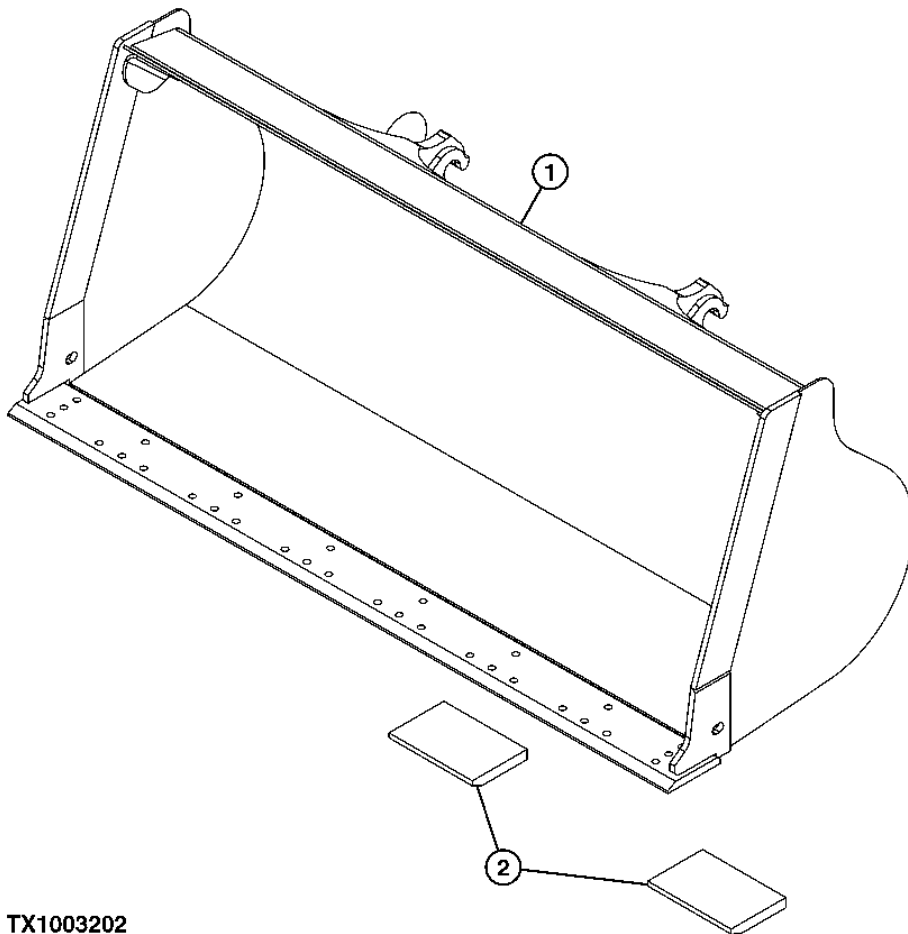
LOADER 31

BUCKET (INCLUDING TEETH) 3102

HI-VIS COUPLER BUCKET
BENNE COUPLEUR HI-VIS
CUCHARON DEL ACOPLADOR DE HI-VIS

TX1003202

-UN-31JAN06



TX1003202

3102-7

LOADER 31

BUCKET (INCLUDING TEETH) 3102

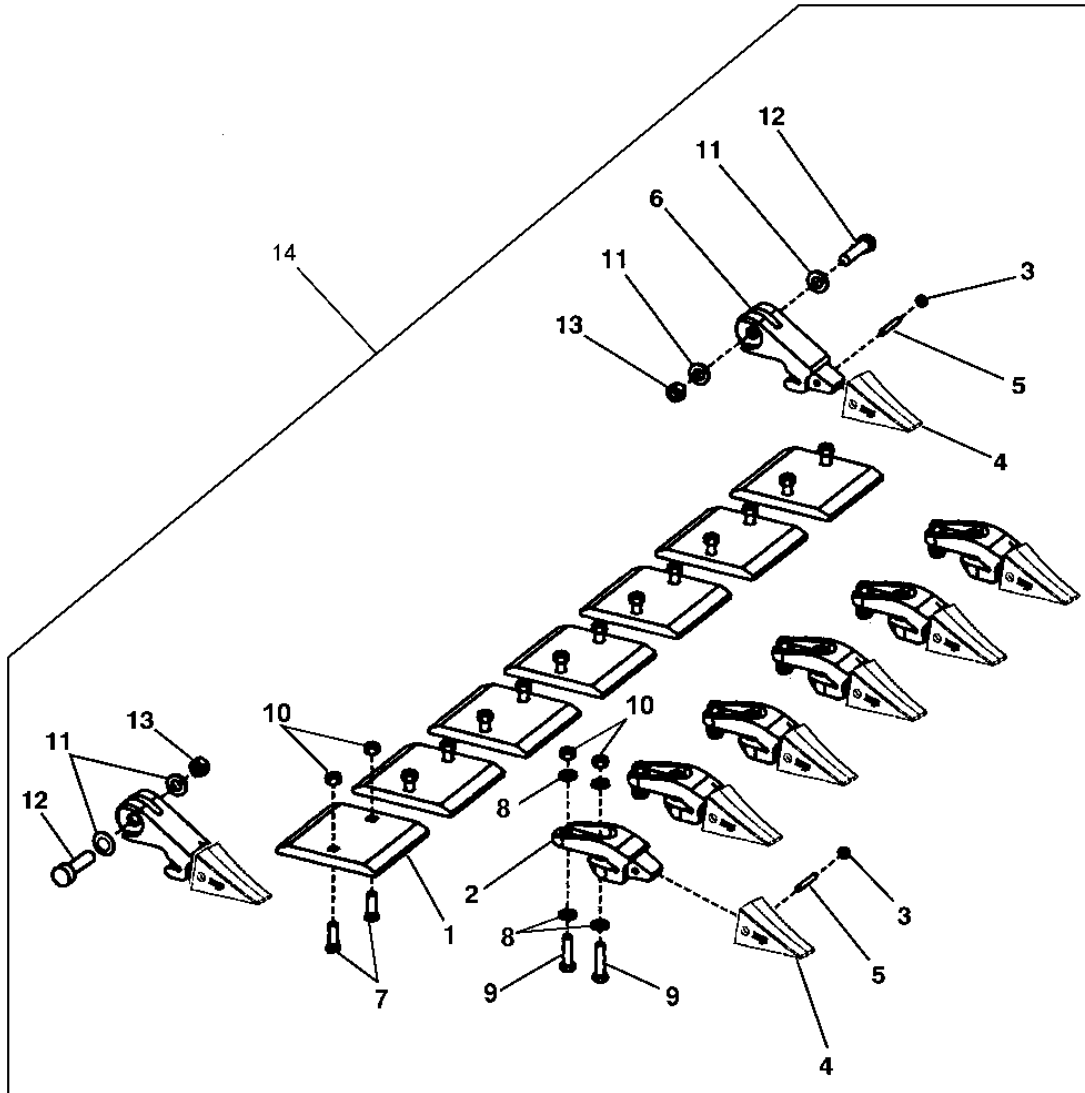
HI-VIS COUPLER BUCKET
BENNE COUPLEUR HI-VIS
CUCHARON DEL ACOPLADOR DE HI-VIS

KEY	PART NO.	PART NAME	QTY.	SERIAL NO.	REMARKS
1	AT326790	LOADER BUCKET	1		(2.5 YARD BUCKET) (CONVENIENCE ASSY)
	AT326791	LOADER BUCKET	1		(2.0 YARD BUCKET) (CONVENIENCE ASSY)
2	T217625	SKID PLATE	2		

3102-8

LOADER BUCKET TEETH AND SHANKS
DENTS ET PORT-DENTS DE BENNE DE CHARGEUR
DIENTES Y VASTAGOS DEL CUCHARON DE LA CARGADORA

T192445 -UN-30JUN03



T192445

THIS PARTS LISTING IS CONTINUED

3102-9

LOADER 31

BUCKET (INCLUDING TEETH) 3102

LOADER BUCKET TEETH AND SHANKS
DENTS ET PORT-DENTS DE BENNE DE CHARGEUR
DIENTES Y VASTAGOS DEL CUCHARON DE LA CARGADORA

KEY	PART NO.	PART NAME	QTY.	SERIAL NO.	REMARKS
1	T157306	CUTTING EDGE	7		
2	T25CA	BUCKET TOOTH ADAPTER	6		
3	T3G9609	WASHER	8		
4	TF1U3252L	TOOTH	8		(25 SERIES FANGGS™ LOADER)
5	T9J2258	PIN FASTENER	8		
6	T25EA	BUCKET TOOTH ADAPTER	2		
7	T146934	BOLT	14		
8	24M7242	WASHER	24		
9	19H3167	CAP SCREW	12		3/4" X 3-1/4"
10	14H1058	NUT	26		3/4"
11	24M7243	WASHER	4		25.400 X 50 X 6 MM
12	19M7889	CAP SCREW	2		M24 X 80
13	14M7278	NUT	2		M24
14	AT208834	CUTTING EDGE	1		

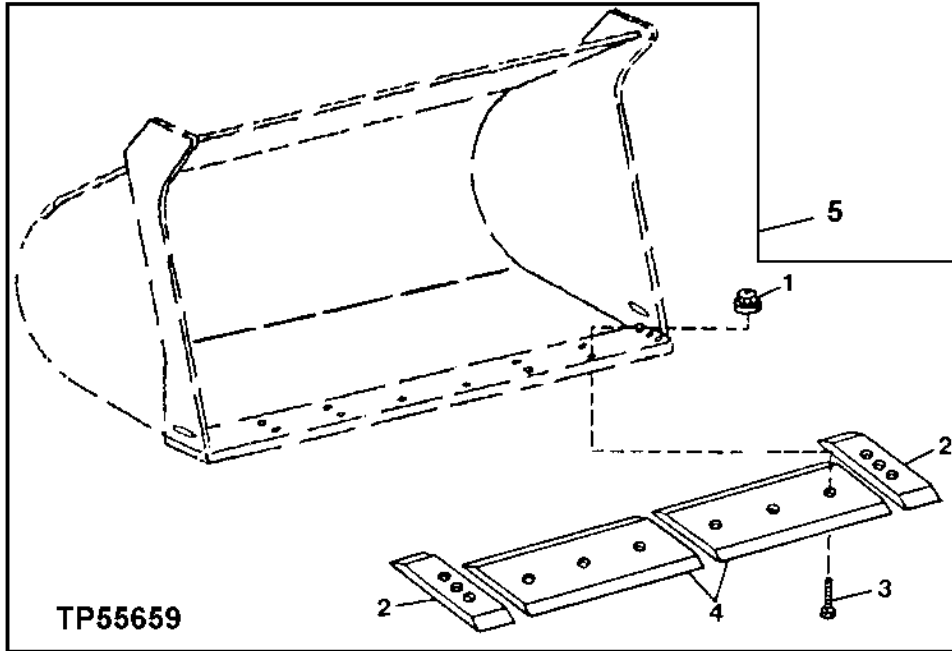
3102-10

LOADER 31

BUCKET (INCLUDING TEETH) 3102

AUXILIARY CUTTING EDGE
 TRANCHANT AUXILIAIRE
 BORDE CORTANTE AUXILIAR

TP55659 -UN-15SEP97



KEY	PART NO.	PART NAME	QTY.	SERIAL NO.	REMARKS
1	14H1058	NUT	12		3/4"
2	T146672	CUTTING EDGE	2		
3	T146934	BOLT	12		
4	T157311	CUTTING EDGE	2		
5	AT208833	CUTTING EDGE	1		(WHOLE GOODS)

3102-11

LOADER 31

BUCKET (INCLUDING TEETH) 3102

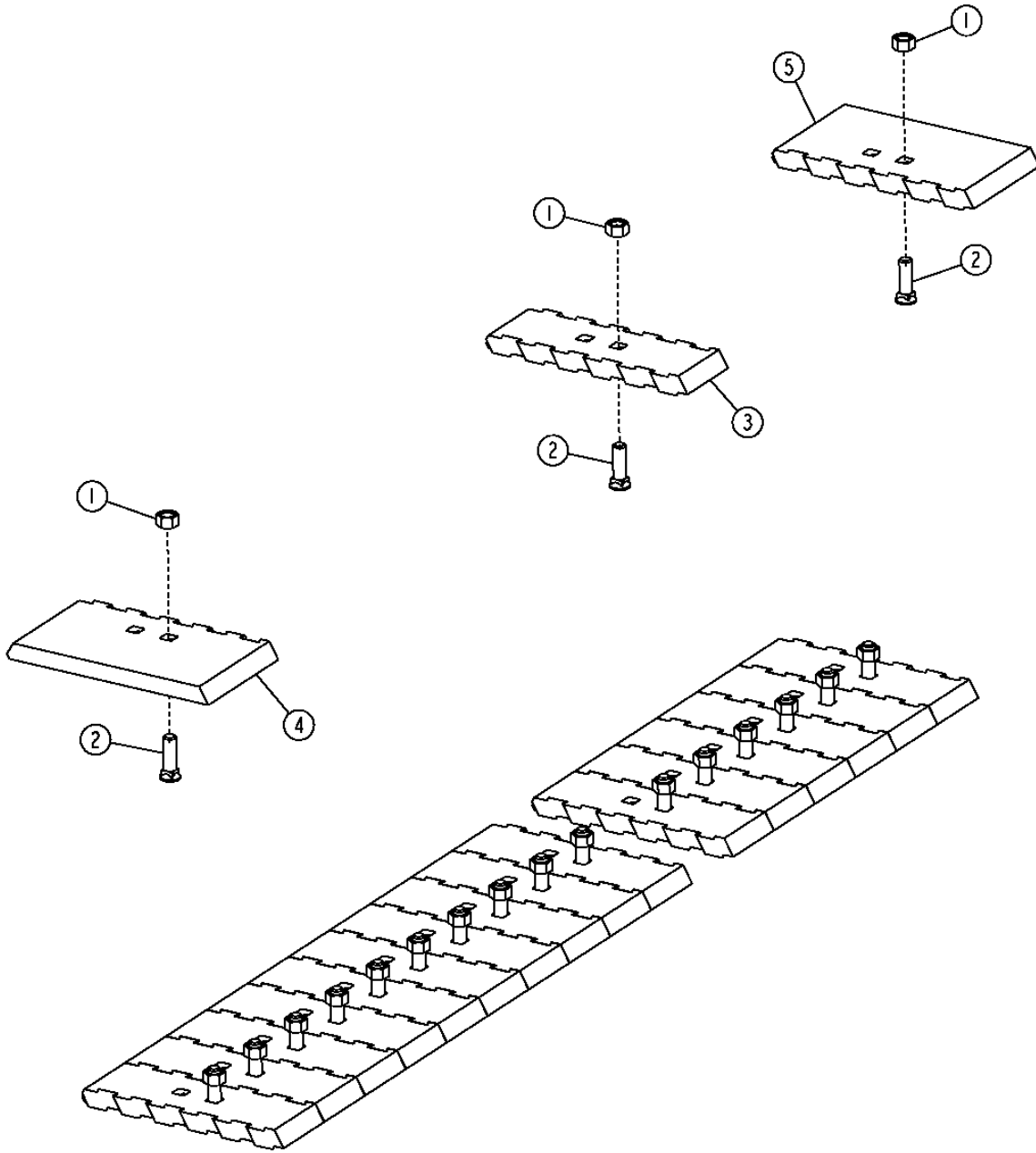
MEMORANDA
MEMORANDA
MEMORANDA

3102-12

JAGZ™ LOADER BUCKET CUTTING EDGES
TRANCHANTS BENNE CHARGEUR JAGZ™
BORDES CORTANTES DE CUCHARON DE CARGADORA JAGZ™

T189247

-UN-04APR03



T189247

THIS PARTS LISTING IS CONTINUED

3102-13

LOADER 31

BUCKET (INCLUDING TEETH) 3102

JAGZ™ LOADER BUCKET CUTTING EDGES
TRANCHANTS BENNE CHARGEUR JAGZ™
BORDES CORTANTES DE CUCHARON DE CARGADORA JAGZ™

KEY	PART NO.	PART NAME	QTY.	SERIAL NO.	REMARKS
1	14H1048	NUT	16		
2	T146933	BOLT	16		
3	T825110	CUTTING EDGE	14		CENTER
4	T825115	CUTTING EDGE	1		RH
5	T825116	CUTTING EDGE	1		LH

3103-2

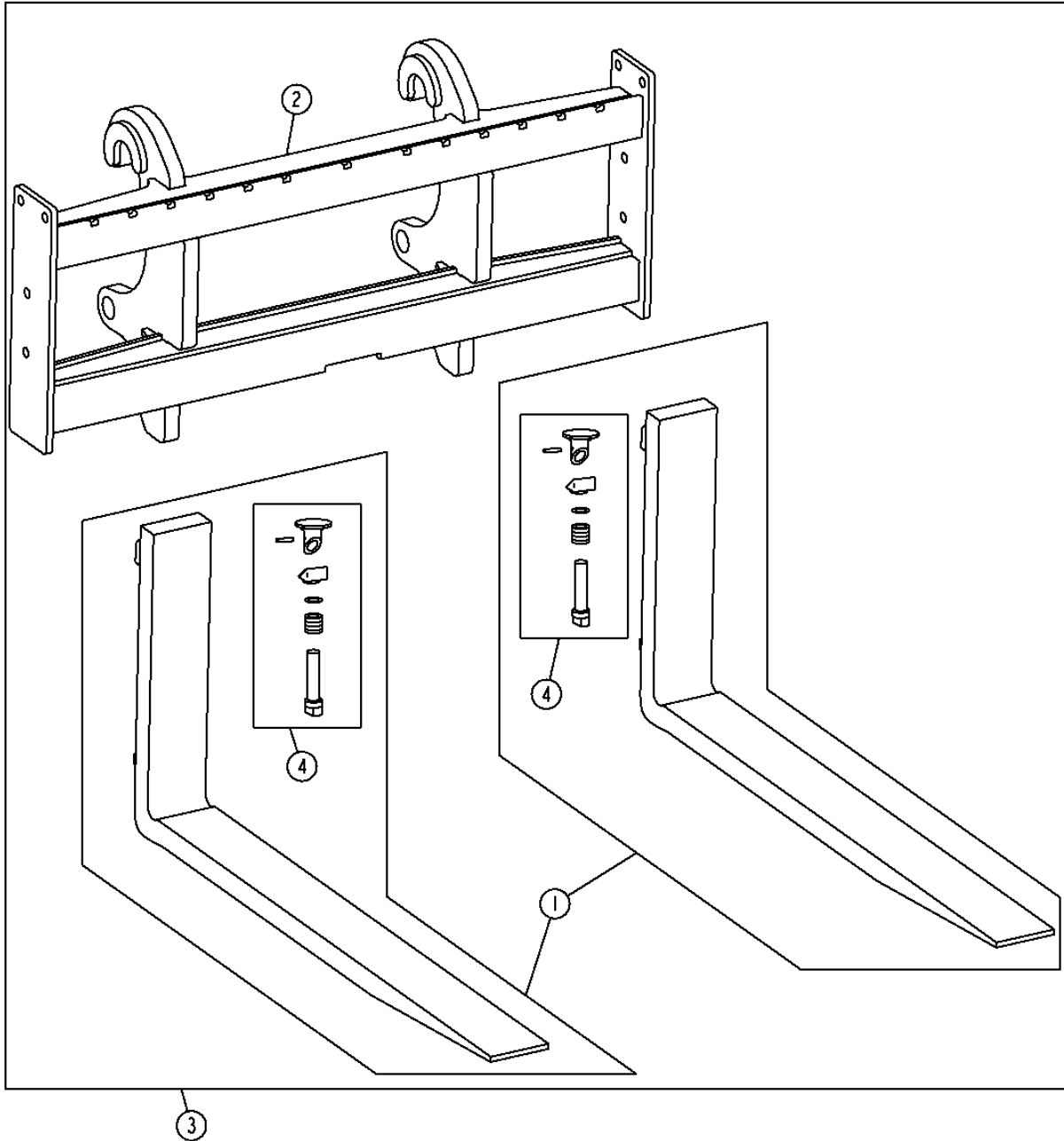
LOADER 31

FORKS 3103

PALLET FORKS FOURCHES A PALETTES HORQUILLAS PARA TARIMAS

TX1007110

-UN-01MAY06



TX1007110

3103-3

LOADER 31

FORKS 3103

**PALLET FORKS
FOURCHES A PALETES
HORQUILLAS PARA TARIMAS**

KEY	PART NO.	PART NAME	QTY.	SERIAL NO.	REMARKS
1	AT308065	FORK	2		(CA) 1219.2MM (48")
	AT308066	FORK	2		(CA) 1524MM (60")
2	AT310060	FRAME	1		(CONVENIENCE ASSEMBLY)
3	AT300238	FORK	1		(WHOLE GOODS, 1219.2MM (48"))
	AT300237	FORK	1		(WHOLE GOODS) 1524MM (60")
4	AT332401	KIT	2		(USE WITH CASCADE FORKS)
	AT332401	KIT	2		(USE WITH NON CASCADE FORKS)

3103-4

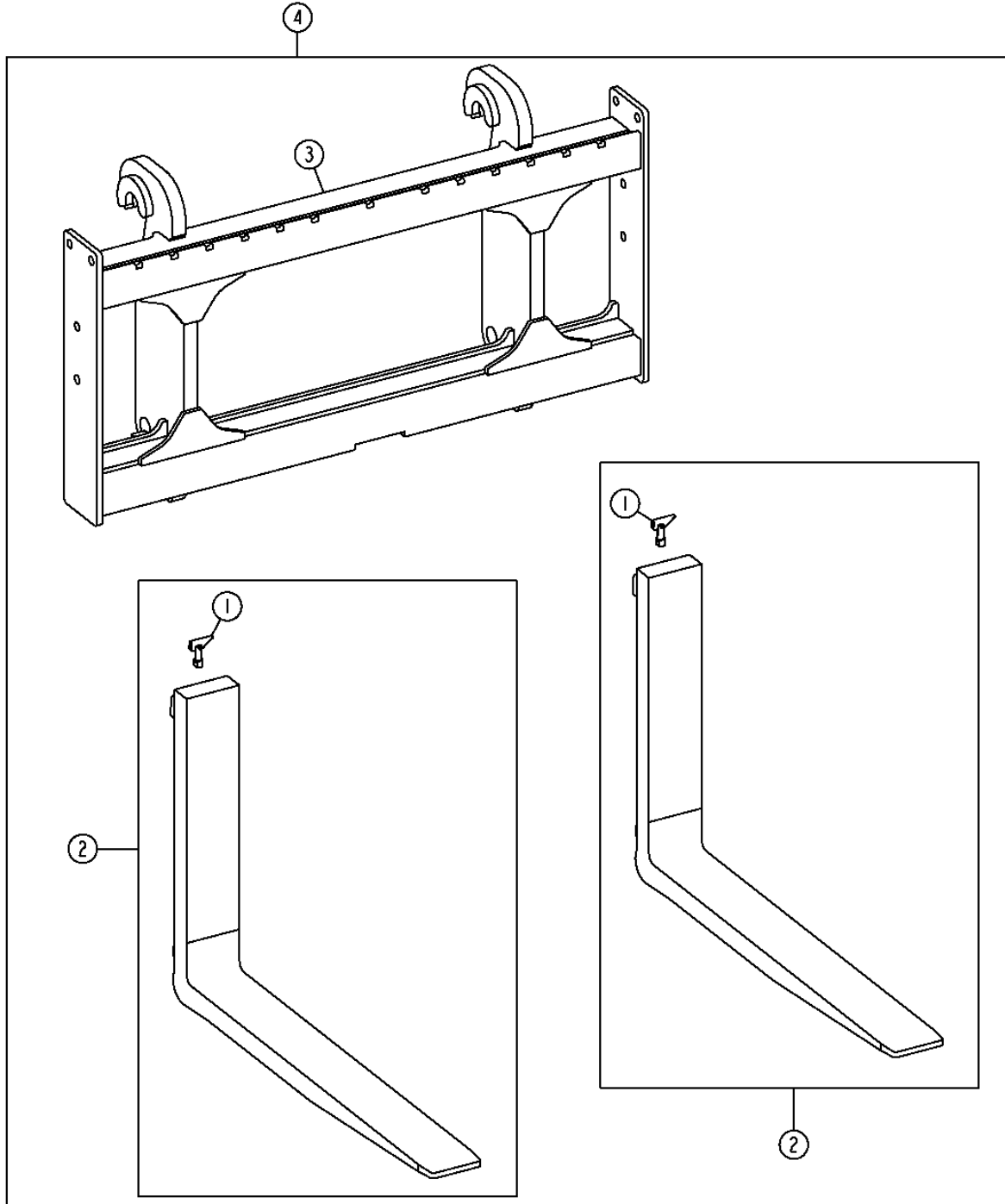
LOADER 31

FORKS 3103

HI-VIS PALLET FORKS
FOURCHE A PALETES HI-VIS
HORQUILLAS PARA TARIMAS DE HI-VIS

TX1017227

-UN-08JAN07



TX1017227

THIS PARTS LISTING IS CONTINUED

3103-5

LOADER 31

FORKS 3103

HI-VIS PALLET FORKS
FOURCHE A PALETTES HI-VIS
HORQUILLAS PARA TARIMAS DE HI-VIS

KEY	PART NO.	PART NAME	QTY.	SERIAL NO.	REMARKS
1	AT308067	LOCK	2		
2	AT326640	TINE	2		(CONVENIENCE ASSY) 1219.2MM (48")
	AT326190	TINE	2		(CONVENIENCE ASSY) 1524MM (60")
3	AT326184	FRAME	1		(CONVENIENCE ASSY) 1524MM (60")
	AT326203	FRAME	1		(CONVENIENCE ASSY) 2286MM (90")
4	AT326792	FRAME	1		1524MM (60") FRAME WITH 1524MM (60") TINES (CONVENIENCE ASSY)
	AT326793	FRAME	1		1524MM (60") FRAME WITH 1219.2MM (48") TINES (CA)
	AT326794	FRAME	1		2286MM (90") FRAME WITH 1524MM (60") TINES (CA)
	AT326795	FRAME	1		2286MM (90") FRAME WITH 1219.2MM (48") TINES (CA)

3103-6

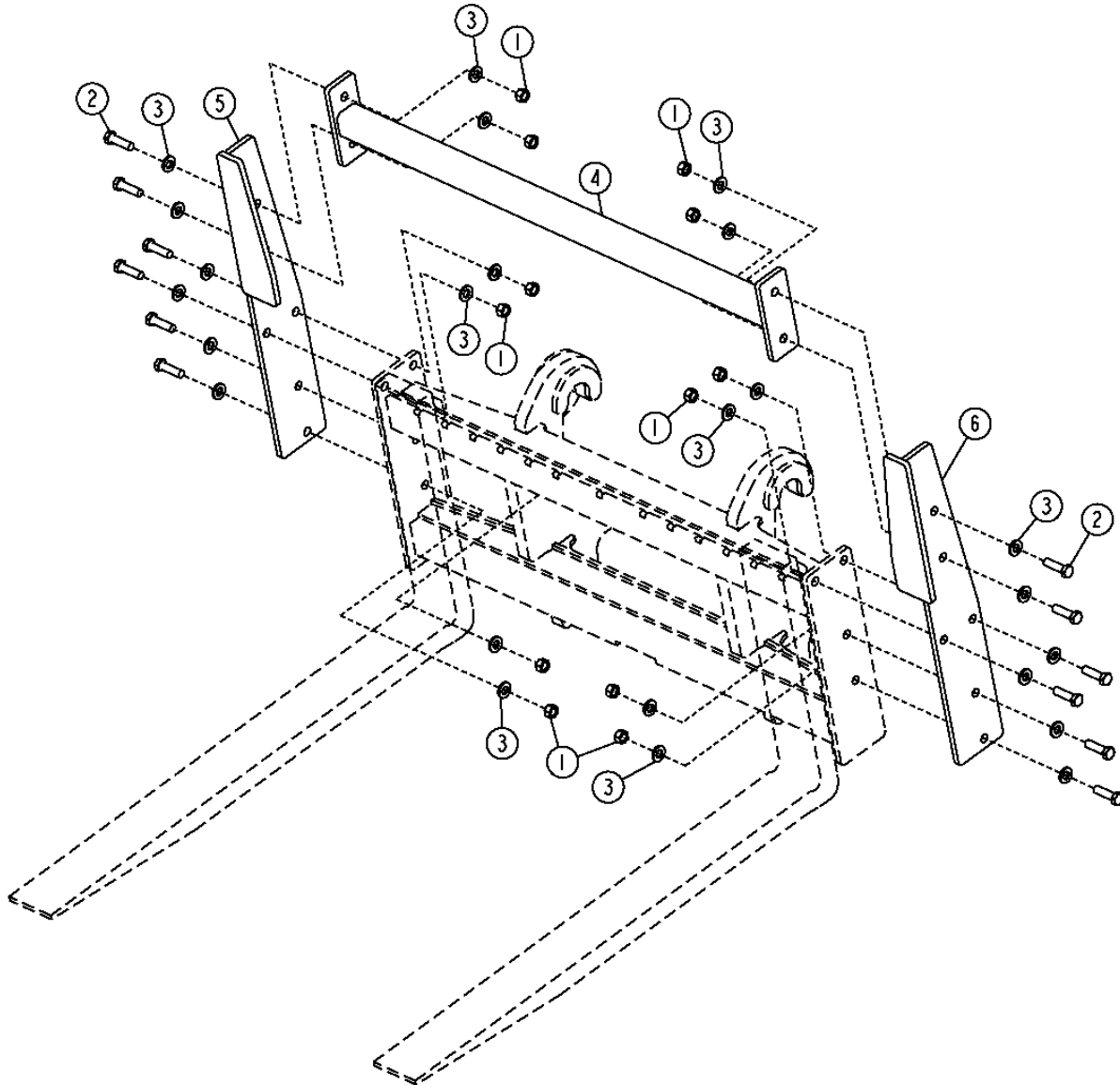
LOADER 31

FORKS 3103

FORK FRAME GUARD GARDE DE BÂTI FOURCHE PROTECTOR DEL BASTIDOR DE HORQUILLA

TX1006179

-UN-11APR06



TX1006179

3103-7

LOADER 31

FORKS 3103

**FORK FRAME GUARD
GARDE DE BATI FOURCHE
PROTECTOR DEL BASTIDOR DE HORQUILLA**

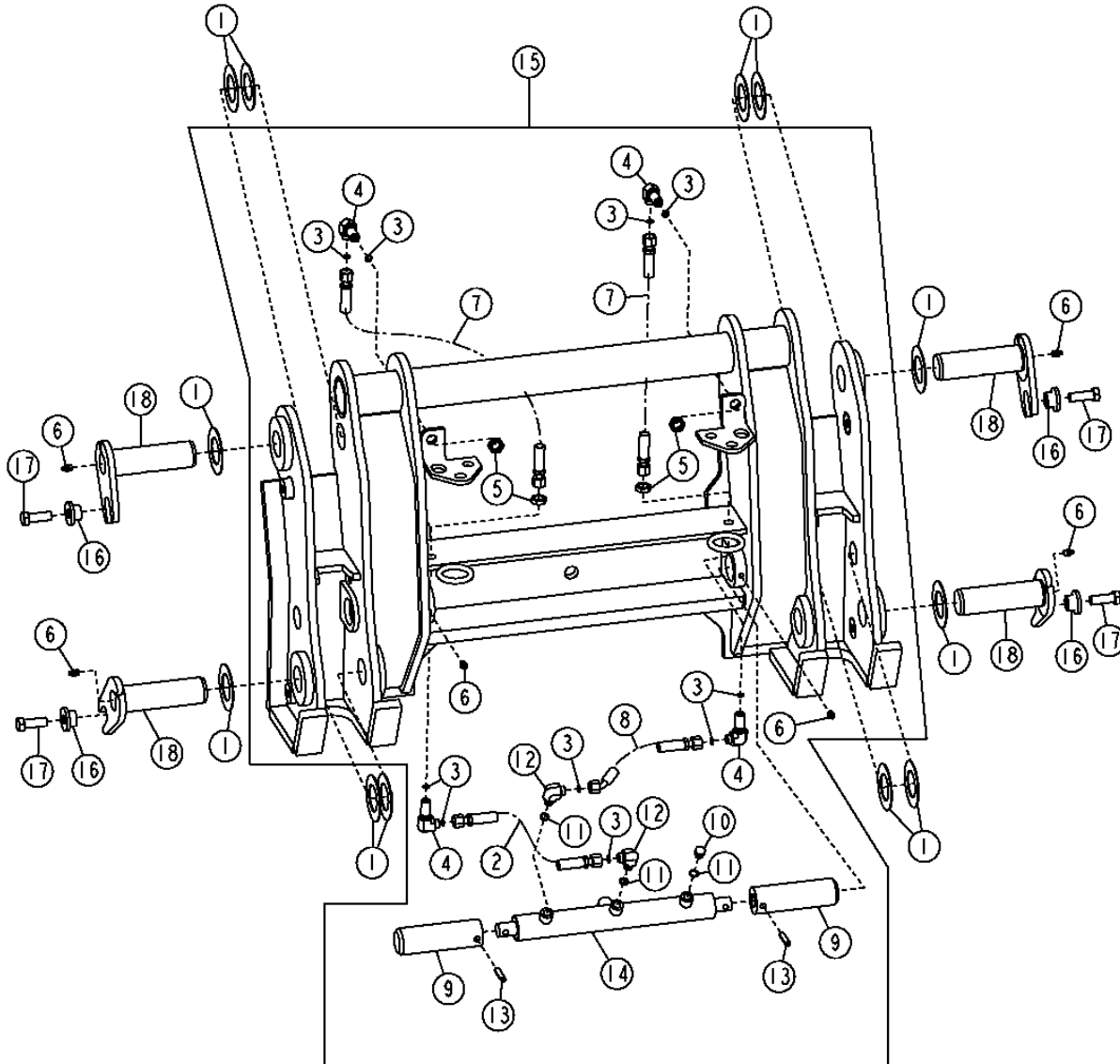
KEY	PART NO.	PART NAME	QTY.	SERIAL NO.	REMARKS
1	14M7277	NUT	12		M20
2	19M8639	CAP SCREW	12		M20 X 70
3	24M7242	WASHER	24		21.400 X 42 X 5 MM
4	AT323120	BRACKET	1		(60 INCH ASSY)
	AT323337	BRACKET	1		(90 INCH ASSY)
5	AT323318	PLATE	1		
6	AT323319	PLATE	1		

3104-2

TOOL CARRIER ATTACHMENT COUPLER COUPLEUR ACCESSOIRES PORTE-OUTILS ACOPLADOR DE SUJECION DEL PORTAHERRAMIENTAS

T194434

-UN-31OCT03



T194434

THIS PARTS LISTING IS CONTINUED

3104-3

LOADER 31

ATTACHMENT COUPLER 3104

**TOOL CARRIER ATTACHMENT COUPLER
COUPLEUR ACCESSOIRES PORTE-OUTILS
ACOPLADOR DE SUJECION DEL PORTAHERRAMIENTAS**

KEY	PART NO.	PART NAME	QTY.	SERIAL NO.	REMARKS
1	T63795	WASHER	16		
2	AT220059	HYDRAULIC HOSE - FABRICATE	1		
3	T77613	O-RING	10		
4	38H1393	ELBOW FITTING	4		90°
5	T81029	NUT	4		
6	JD7759	LUBRICATION FITTING	6		
7	AT220060	HYDRAULIC HOSE - FABRICATE	2		LH AND RH
8	AT220058	HYDRAULIC HOSE - FABRICATE	1		LH
9	T171552	PIN	2		
10	R27218	FITTING PLUG	1		
11	R26448	O-RING	3		
12	38H1004	ELBOW FITTING	2		90°
13	34H353	SPRING PIN	2		3/8" X 1-3/4"
14	AT209163	CYLINDER	1		(COMPONENTS LISTED ON SEPARATE PAGE)
15	AT209161	QUICK COUPLER	1		
16	T176064	BUSHING	4		
17	19M7489	CAP SCREW	4		M16 X 45
18	AT203559	PIN	4		

3104-4

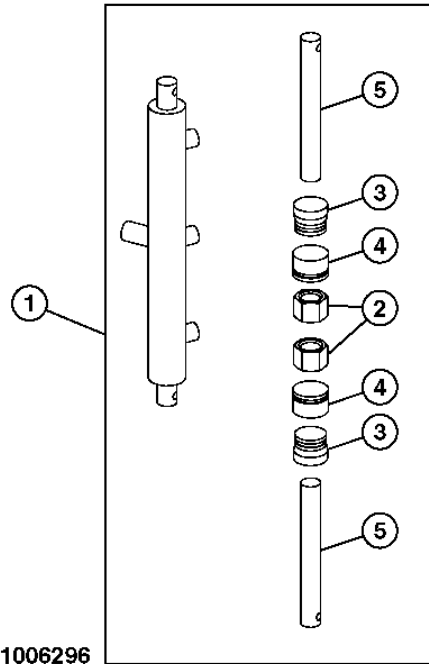
LOADER 31

ATTACHMENT COUPLER 3104

TOOL CARRIER ATTACHMENT COUPLER HYDRAULIC CYLINDER
 VERIN HYDRAULIQUE COUPLEUR ACCESSOIRE PORTE-OUTILS
 CILINDRO HIDRAULICO DEL ACOPLADOR DE SUJECION DEL PORTAHERRAMIENTAS

TX1006296

-UN-24APR06



TX1006296

KEY	PART NO.	PART NAME	QTY.	SERIAL NO.	REMARKS
1	AT209163	CYLINDER	1		
2	T175222	NUT	2		
3	T175223	HYDR. CYLINDER ROD GUIDE	2		
4	T175224	PISTON REPLACEMENT KIT	2		
5	T175225	ROD	2		

3104-5

LOADER 31

ATTACHMENT COUPLER 3104

MEMORANDA
MEMORANDA
MEMORANDA

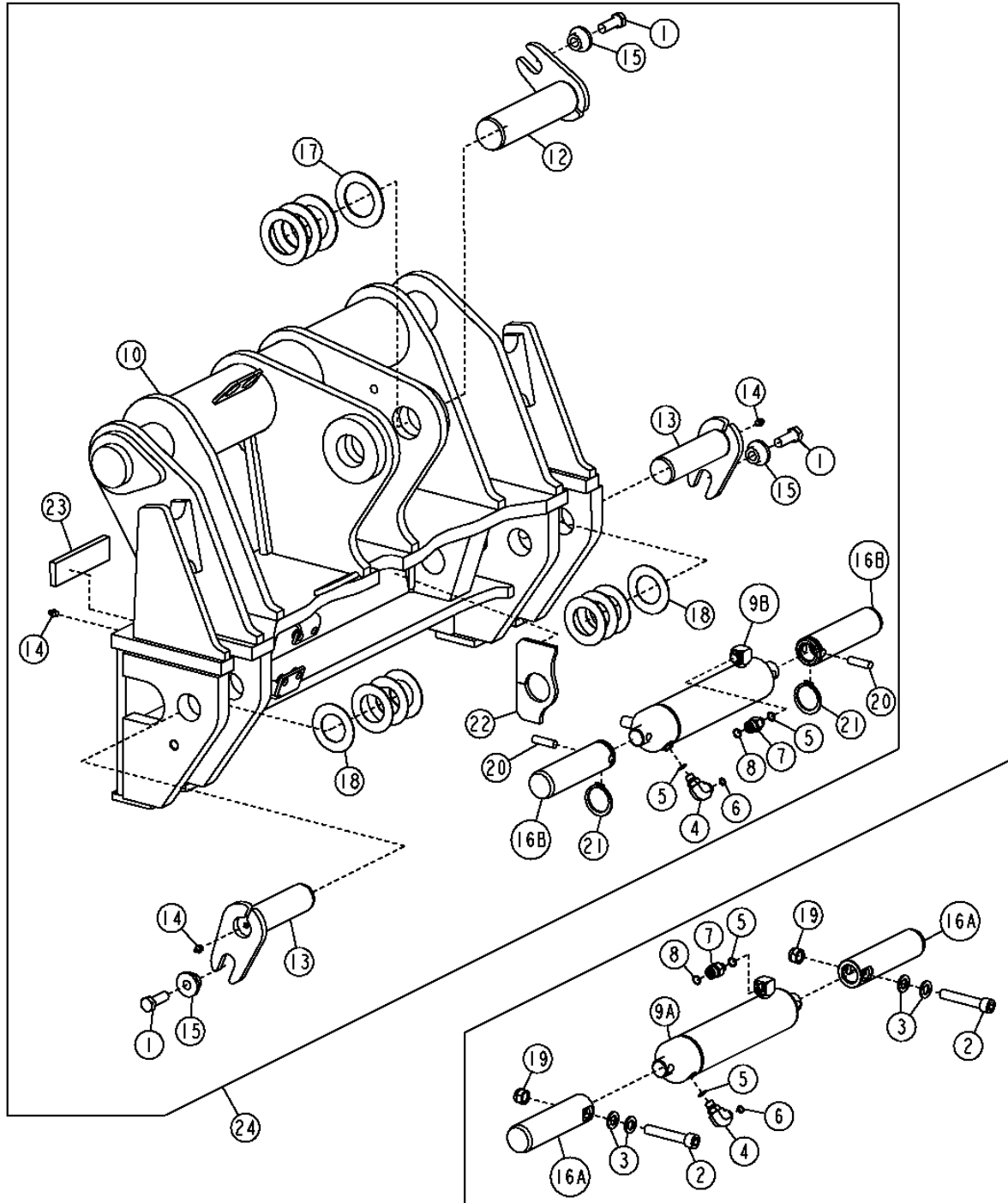
3104-6

LOADER 31

ATTACHMENT COUPLER 3104

Z-BAR LINKAGE ATTACHMENT COUPLER COUPLEUR ACCESSOIRE TRINGLERIE CINEMATIQUE EN Z ACOPADOR DE SUJECION DE VARILLAJE DE BARRA EN Z

T207815 -UN-11MAR05



T207815

THIS PARTS LISTING IS CONTINUED

3104-7

LOADER 31

ATTACHMENT COUPLER 3104

**Z-BAR LINKAGE ATTACHMENT COUPLER
COUPLEUR ACCESSOIRE TRINGLERIE CINEMATIQUE EN Z
ACOPLADOR DE SUJECION DE VARILLAJE DE BARRA EN Z**

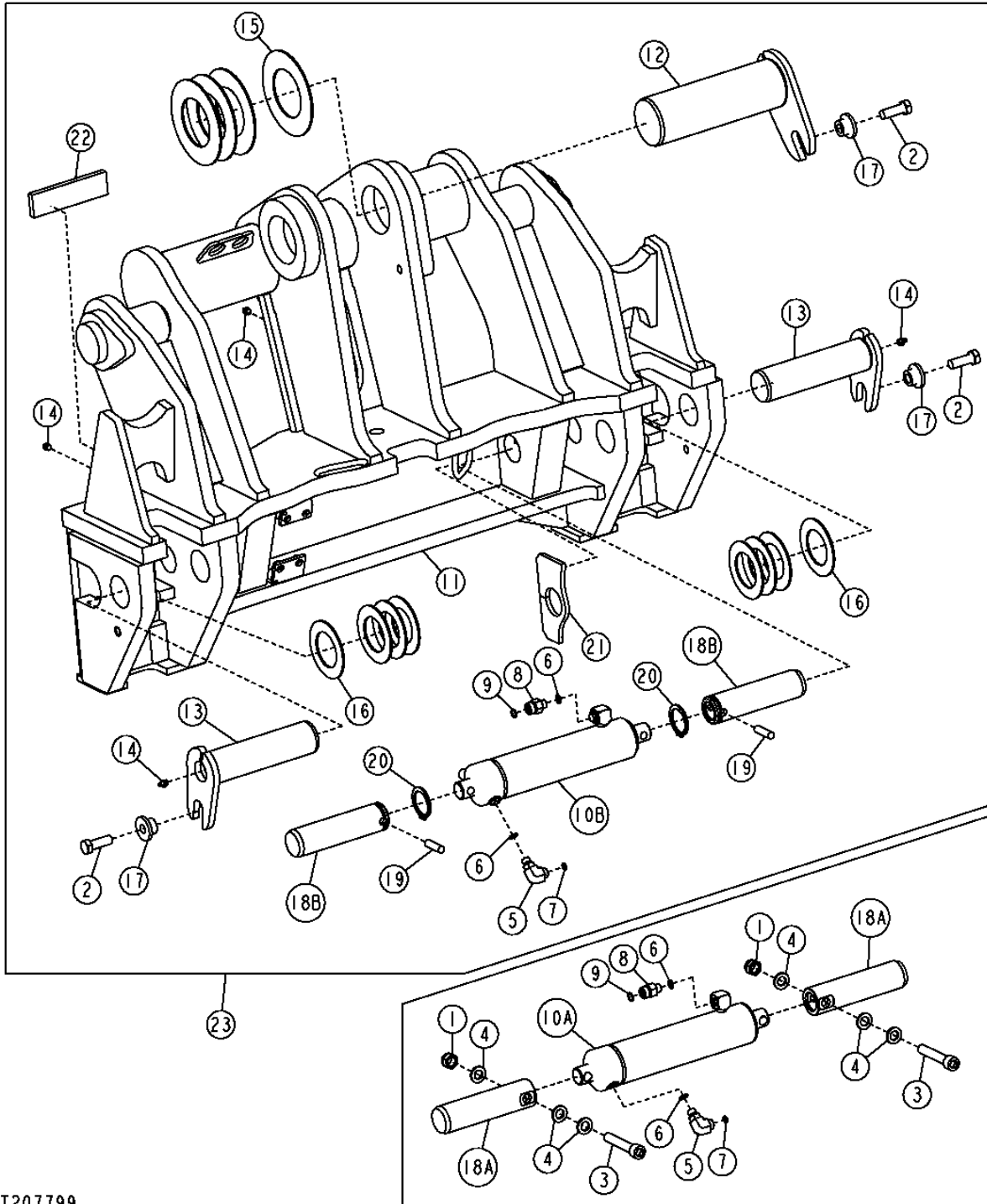
KEY	PART NO.	PART NAME	QTY.	SERIAL NO.	REMARKS
1	19M7489	CAP SCREW	3		M16 X 45
2	19M8342	SCREW	2		M16 X 90
3	24M7338	WASHER	6		17 X 30 X 3 MM
4	38H1004	ELBOW FITTING	1		
5	R26448	O-RING	2		
6	T77613	O-RING	1		
7	38H1173	ADAPTER FITTING	1		
8	T77857	O-RING	1		
9A	AH212349	HYDRAULIC CYLINDER	1		COMPONENTS LISTED ON ANOTHER PAGE
9B	AH217541	HYDRAULIC CYLINDER	1		COMPONENTS LISTED ON ANOTHER PAGE
10	QUICK COUPLER	1		(ORDER AT311386) (AT300956 NLA)
	QUICK COUPLER	1	-609732	(AT317966 NLA) (SUB AT336444) (USE WITH AH217541)
	AT336444	QUICK COUPLER	1	609733-	(CA) (ALSO ORDER (2) T227405, AH223400, (2) T61226, (2) H89151, (4) 19M8011, (4) 24M7240, (2) 38H1160, T227409) (ALSO ORDER AT336884 OR AT336885) (AT336884 WITH STANDARD LIFT) (AT336885 WIHT HIGH LIFT)
12	AT308022	PIN	1		
13	AT308023	PIN FASTENER	2		
14	JD7759	LUBRICATION FITTING	4		
15	T176064	BUSHING	3		
16A	T209423	PIN FASTENER	2		(SUB FOR T200758)
16B	T213442	PIN FASTENER	2		
17	T102171	WASHER	4		(SUB FOR T54474)
18	T63795	WASHER	8		
19	14M7328	LOCK NUT	2		M16
20	H89151	DOWEL PIN	2		
21	T61226	SNAP RING	2		
22	T214141	PLATE	1		
23	T213441	PLATE	1		
24	AT311386	QUICK COUPLER	1		(WHOLE GOODS) (Z-BAR FIELD KIT)

3104-8

POWERLLEL™ LINKAGE ATTACHMENT COUPLER
COUPLEUR ACCESSOIRE TRINGLERIE POWERLLEL™
ACOPLADOR DE SUJECION DE VARILLAJE POWERLLEL™

T207799

-UN-11MAR05



T207799

THIS PARTS LISTING IS CONTINUED

3104-9

LOADER 31

ATTACHMENT COUPLER 3104

**POWERLLEL™ LINKAGE ATTACHMENT COUPLER
COUPLEUR ACCESSOIRE TRINGLERIE POWERLLEL™
ACOPLADOR DE SUJECION DE VARILLAJE POWERLLEL™**

KEY	PART NO.	PART NAME	QTY.	SERIAL NO.	REMARKS
1	14M7328	LOCK NUT	2		M16
2	19M7489	CAP SCREW	3		M16 X 45
3	19M8342	SCREW	2		M16 X 90
4	24M7338	WASHER	6		17 X 30 X 3 MM
5	38H1004	ELBOW FITTING	1		
6	R26448	O-RING	2		
7	T77613	O-RING	1		
8	38H1173	ADAPTER FITTING	1		
9	T77857	O-RING	1		
10A	AH212349	HYDRAULIC CYLINDER	1		COMPONENTS LISTED ON ANOTHER PAGE
10B	AH217541	HYDRAULIC CYLINDER	1		COMPONENTS LISTED ON ANOTHER PAGE
11	QUICK COUPLER	1		(ORDER AT320676) (AT300807 NLA)
	QUICK COUPLER	1	-609734	(AT317964 NLA) (SUB AT336442) (USE WITH AH217541)
	AT336442	QUICK COUPLER	1	609735-	(CA) (ALSO ORDER (2) T227405, AH223400, (2) T61226, (2) H89151, (4) 19M8011, (4) 24M7240, (2) 38H1160, T227409 AND AT336884)
12	AT300809	PIN FASTENER	1		
13	AT308023	PIN FASTENER	2		
14	JD7759	LUBRICATION FITTING	4		
15	24H1240	WASHER	4		76.987 X 114.300 X 2.667 MM
16	T63795	WASHER	8		51.587 X 88.900 X 1.524 MM
17	T176064	BUSHING	3		
18A	T209423	PIN FASTENER	2		
18B	T213442	PIN FASTENER	2		
19	H89151	DOWEL PIN	2		
20	T61226	SNAP RING	2		
21	T214141	PLATE	1		
22	T213441	PLATE	1		
23	AT320676	QUICK COUPLER	1		WHOLE GOODS

3104-10

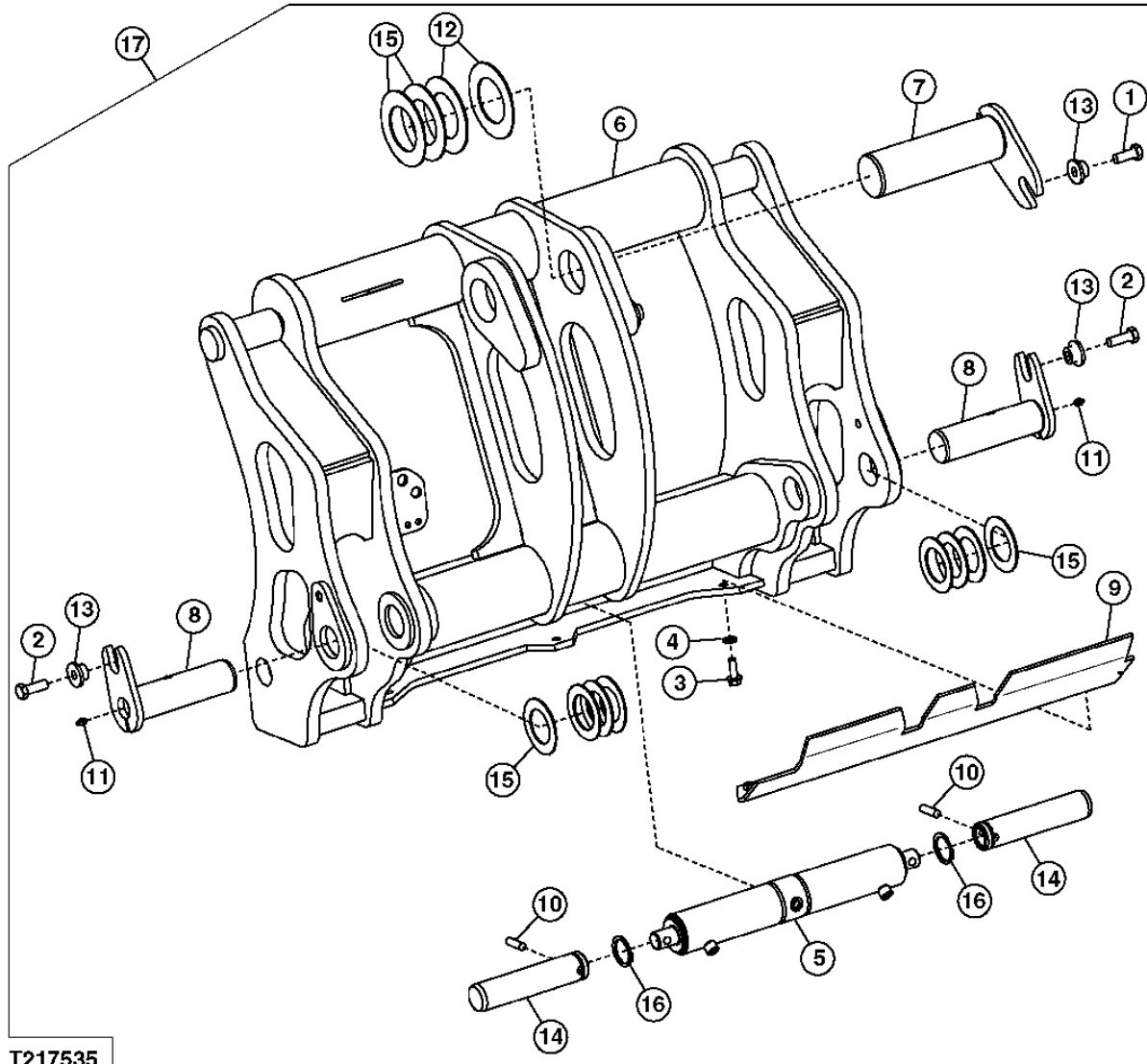
LOADER 31

ATTACHMENT COUPLER 3104

HI-VIS COUPLER POWERLLEL™ LINKAGE ATTACHMENT
ACCESSOIRE TRINGLERIE POWERLLEL™ COUPLEUR HI-VIS
SUJECION DE VARILLAJE POWERLLEL™ DEL ACOPLADOR DE ALTA VISCOSIDAD

T217535

-UN-23JAN06



T217535

THIS PARTS LISTING IS CONTINUED

3104-10

444J UTILITY LOADER (S.N. -611274) PC9338 (23-AUG-06) PN=550

3104-11

LOADER 31

ATTACHMENT COUPLER 3104

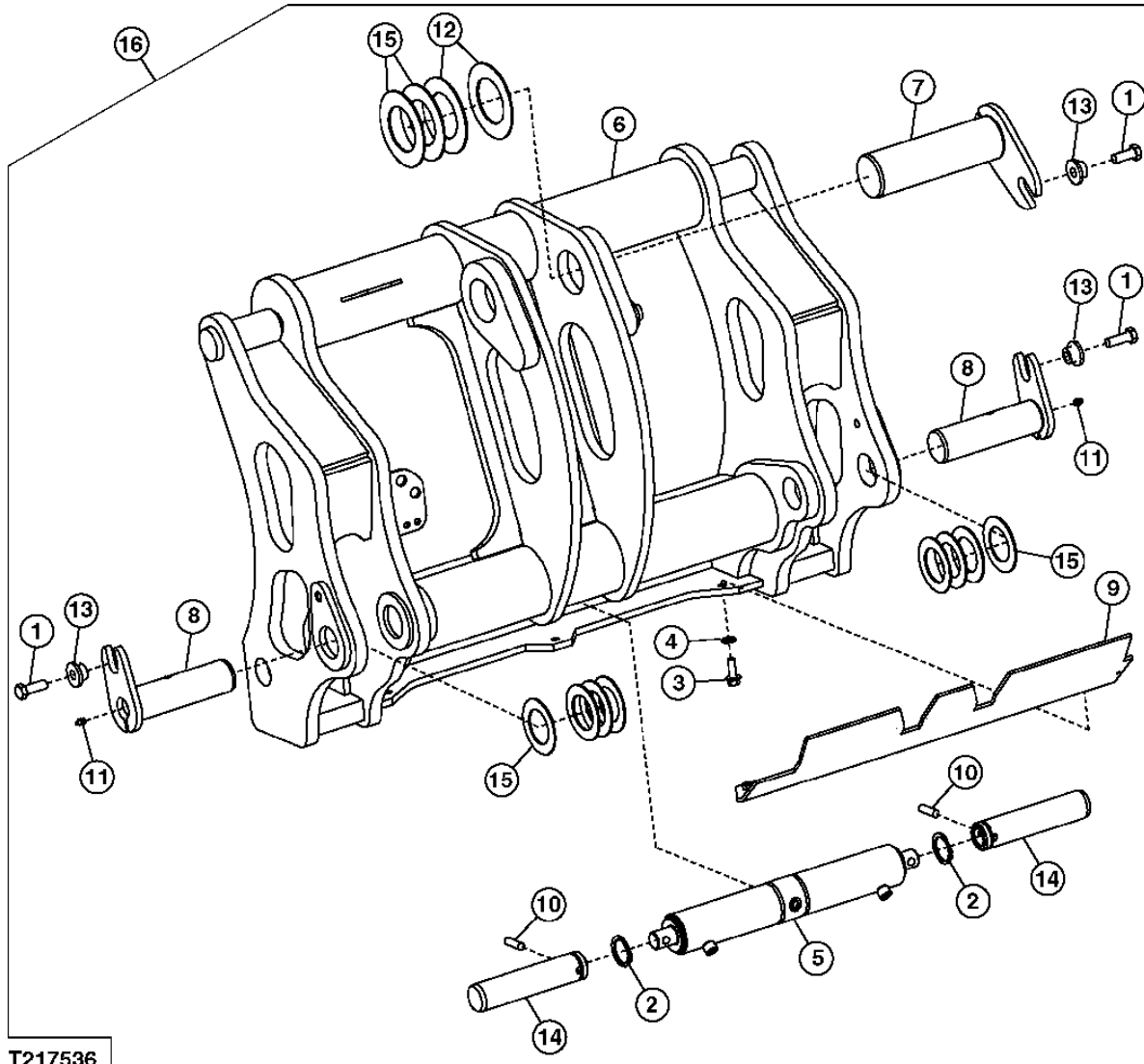
HI-VIS COUPLER POWERLLEL™ LINKAGE ATTACHMENT
ACCESSOIRE TRINGLERIE POWERLLEL™ COUPLEUR HI-VIS
SUJECION DE VARILLAJE POWERLLEL™ DEL ACOPLADOR DE ALTA VISCOSIDAD

KEY	PART NO.	PART NAME	QTY.	SERIAL NO.	REMARKS
1	19M7488	CAP SCREW	1		M16 X 40
2	19M7489	CAP SCREW	2		M16 X 45
3	19M7790	SCREW	3		M12 X 35
4	24M7240	WASHER	3		13 X 25 X 3 MM
5	AH222122	HYDRAULIC CYLINDER	1		
6	AT320227	QUICK COUPLER	1		
7	AT324087	PIN FASTENER	1		
8	AT320228	PIN FASTENER	1		
9	AT324184	COVER	1		
10	H89151	DOWEL PIN	2		
11	JD7759	LUBRICATION FITTING	2		
12	24H1240	WASHER	2		3-1/32" X 4-1/2" X 0.105"
13	T176064	BUSHING	3		
14	T214207	PIN FASTENER	2		
15	T63795	WASHER	10		
16	T61226	SNAP RING	2		
17	AT326782	KIT	1		(WHOLE GOODS)

3104-12

HI-VIS COUPLER Z-BAR LINKAGE ATTACHMENT
ACCESSOIRE TRINGLERIE CINEMATIQUE EN Z COUPLEUR HI-VIS
SUJECION DEL VARILLAJE DE BARRA EN Z DEL ACOPLADOR DE HI-VIS

T217536 -UN-23JAN06



3104-13

LOADER 31

ATTACHMENT COUPLER 3104

HI-VIS COUPLER Z-BAR LINKAGE ATTACHMENT
ACCESSOIRE TRINGLERIE CINEMATIQUE EN Z COUPLEUR HI-VIS
SUJECION DEL VARILLAJE DE BARRA EN Z DEL ACOPLADOR DE HI-VIS

KEY	PART NO.	PART NAME	QTY.	SERIAL NO.	REMARKS
1	19M7489	CAP SCREW	3		M16 X 45
2	T61226	SNAP RING	2		
3	19M7790	SCREW	3		M12 X 35
4	24M7240	WASHER	3		13 X 25 X 3 MM
5	AH222122	HYDRAULIC CYLINDER	1		
6	AT322725	QUICK COUPLER	1		
7	AT320228	PIN FASTENER	1		
8	AT320228	PIN FASTENER	1		
9	AT324271	COVER	1		
10	H89151	DOWEL PIN	2		
11	JD7759	LUBRICATION FITTING	2		
12	T102171	WASHER	2		(SUB FOR T54474)
13	T176064	BUSHING	3		
14	T214207	PIN FASTENER	2		
15	T63795	WASHER	10		
16	AT326783	KIT	1		(WHOLE GOODS)

3104-14

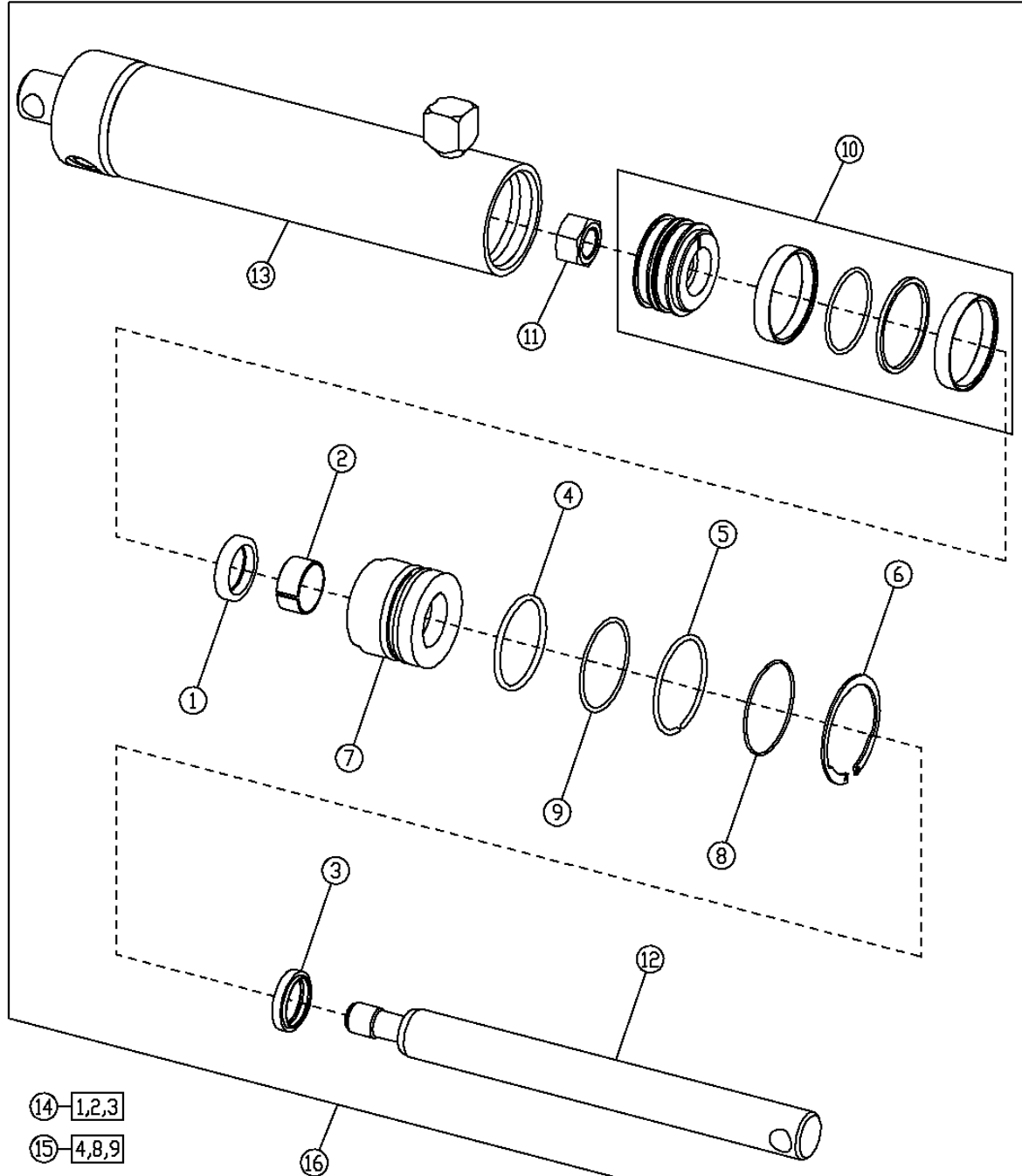
LOADER 31

ATTACHMENT COUPLER 3104

ATTACHMENT COUPLER HYDRAULIC CYLINDER (BOLT-ON PINS)
VERIN HYDRAULIQUE ACCOUPLEMENT ACCESSOIRE (AXES BOULONNES)
CILINDRO HIDRAULICO DEL ACOPLADOR DE SUJECION (PASADORES EMPERNADOS)

T202516

-UN-31AUG04



T202516

THIS PARTS LISTING IS CONTINUED

3104-15

LOADER 31

ATTACHMENT COUPLER 3104

ATTACHMENT COUPLER HYDRAULIC CYLINDER (BOLT-ON PINS)
VERIN HYDRAULIQUE ACCOUPLEMENT ACCESSOIRE (AXES BOULONNES)
CILINDRO HIDRAULICO DEL ACOPLADOR DE SUJECION (PASADORES EMPERNADOS)

KEY	PART NO.	PART NAME	QTY.	SERIAL NO.	REMARKS
1	H154514	SEAL	1		
2	H156058	WEAR RING	1		
3	H156586	SEAL	1		
4	R93633	O-RING	1		
5	H164982	SNAP RING	1		
6	H165169	SNAP RING	1		
7	H171334	HYDR. CYLINDER ROD GUIDE	1		
8	N260556	O-RING	1		
9	U13461	BACK-UP RING	1		
10	AH142159	PISTON	1		
11	H170535	NUT	1		
12	H206836	ROD	1		
13	AH212350	HYDRAULIC CYLINDER BARREL	1		
14	AH148823	KIT	1		(ROD SEAL)
15	AH212088	HYDRAULIC CYLINDER KIT	1		(BORE SEAL)
16	AH212349	HYDRAULIC CYLINDER	1		

3104-16

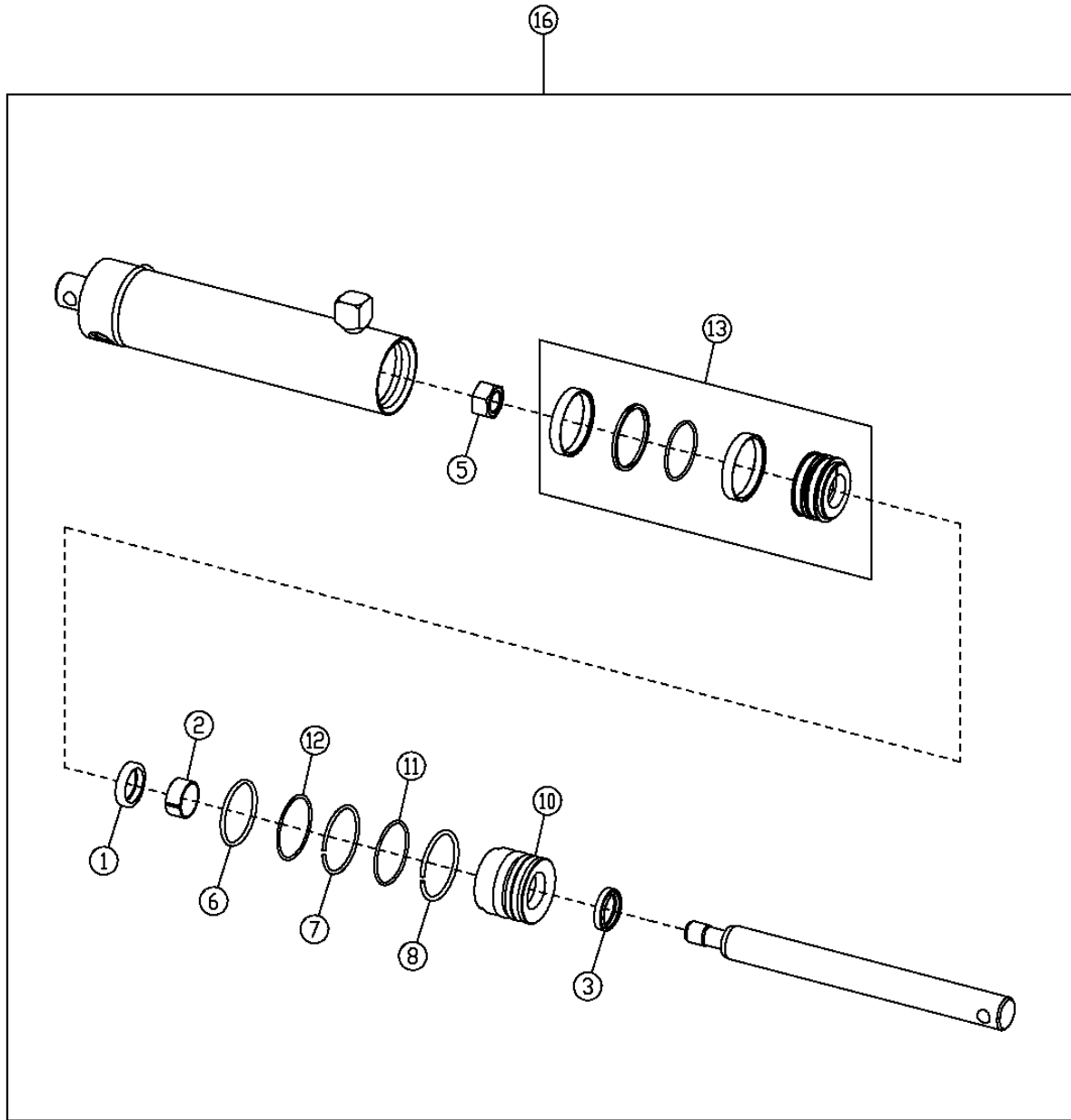
LOADER 31

ATTACHMENT COUPLER 3104

ATTACHMENT COUPLER HYDRAULIC CYLINDER (CLIP-ON PINS)
VERIN HYDRAULIQUE ACCOUPLEMENT ACCESSOIRE (AXES VERROUILLABLES)
CILINDRO HIDRAULICO DEL ACOPLADOR DE SUJECION (PASADORES CON PRESILLA)

T207802

-UN-21FEB05



14 11,12

15 1,2,3

T207802

3104-17

LOADER 31

ATTACHMENT COUPLER 3104

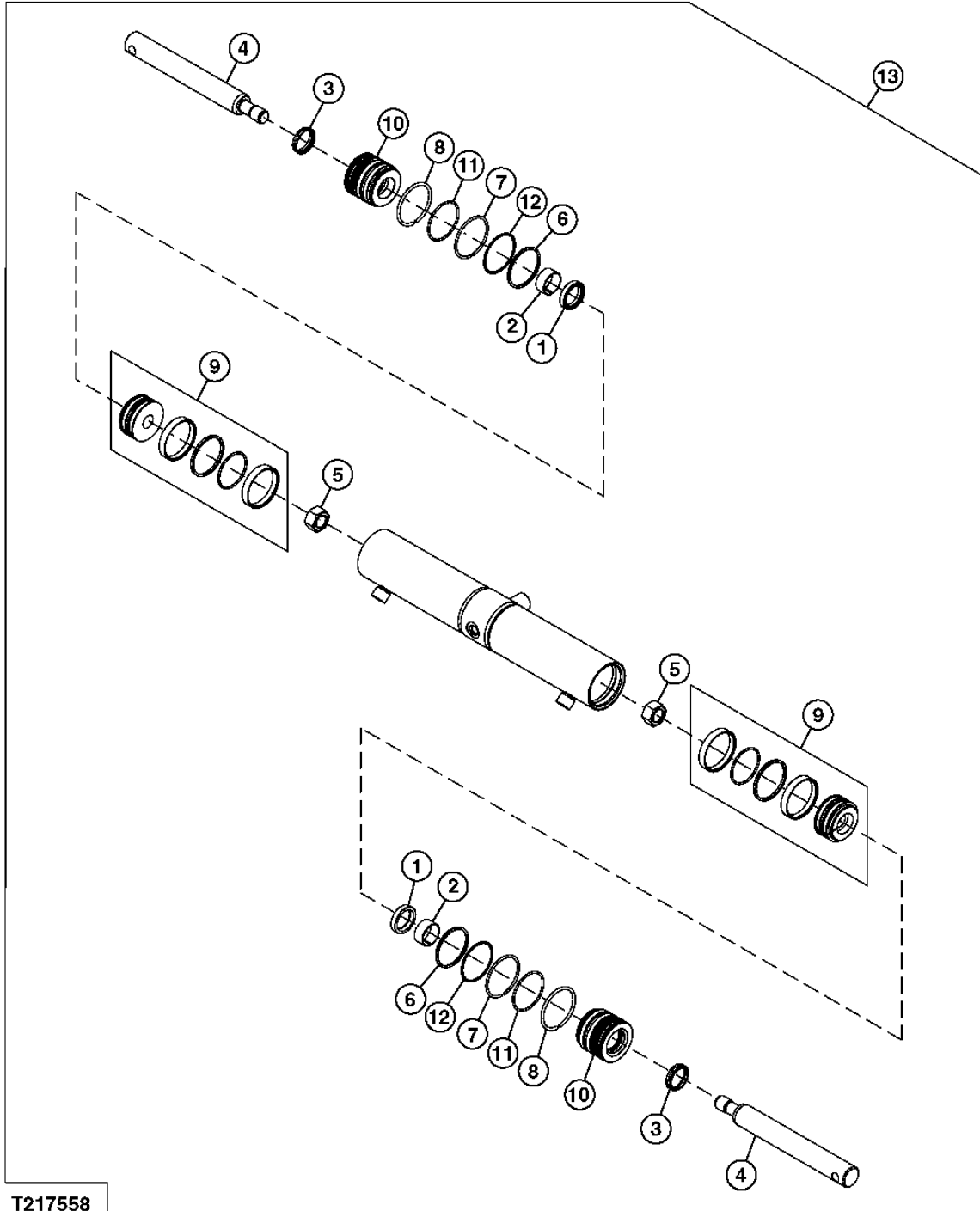
ATTACHMENT COUPLER HYDRAULIC CYLINDER (CLIP-ON PINS)
VERIN HYDRAULIQUE ACCOUPLEMENT ACCESSOIRE (AXES VERROUILLABLES)
CILINDRO HIDRAULICO DEL ACOPLADOR DE SUJECION (PASADORES CON PRESILLA)

KEY	PART NO.	PART NAME	QTY.	SERIAL NO.	REMARKS
1	H154514	SEAL	1		
2	H156058	WEAR RING	1		
3	H156586	SEAL	1		
5	H170535	NUT	1		
6	R93633	O-RING	1		
7	H164982	SNAP RING	1		
8	H211156	SNAP RING	1		
10	H210874	HYDR. CYLINDER ROD GUIDE	1		
11	H63262	O-RING	1		
12	U13461	BACK-UP RING	1		
13	AH142159	PISTON	1		
14	AH212088	HYDRAULIC CYLINDER KIT	1		(BORE SEAL)
15	AH148823	KIT	1		(ROD SEAL)
16	AH217541	HYDRAULIC CYLINDER	1		

3104-18

ATTACHMENT HI-VIS COUPLER HYDRAULIC CYLINDER
VERIN HYDRAULIQUE ACCOUPLEMENT ACCESSOIRE HI-VIS
SUJECION DEL CILINDRO HIDRAULICO DEL ACOPLADOR DE HI-VIS

T217558 -UN-30JAN06



T217558

3104-19

LOADER 31

ATTACHMENT COUPLER 3104

**ATTACHMENT HI-VIS COUPLER HYDRAULIC CYLINDER
VERIN HYDRAULIQUE ACCOUPLEMENT ACCESSOIRE HI-VIS
SUJECION DEL CILINDRO HIDRAULICO DEL ACOPLADOR DE HI-VIS**

KEY	PART NO.	PART NAME	QTY.	SERIAL NO.	REMARKS
1	H154514	SEAL	2		
2	H156058	WEAR RING	2		
3	H156586	SEAL	2		
4	H219217	ROD	2		
5	H170535	NUT	2		
6	R93633	O-RING	2		
7	H164982	SNAP RING	2		
8	H211156	SNAP RING	2		
9	AH142159	PISTON	2		
10	H210874	HYDR. CYLINDER ROD GUIDE	2		
11	H63262	O-RING	2		
12	U13461	BACK-UP RING	2		
13	AH222122	HYDRAULIC CYLINDER	1		

3104-20

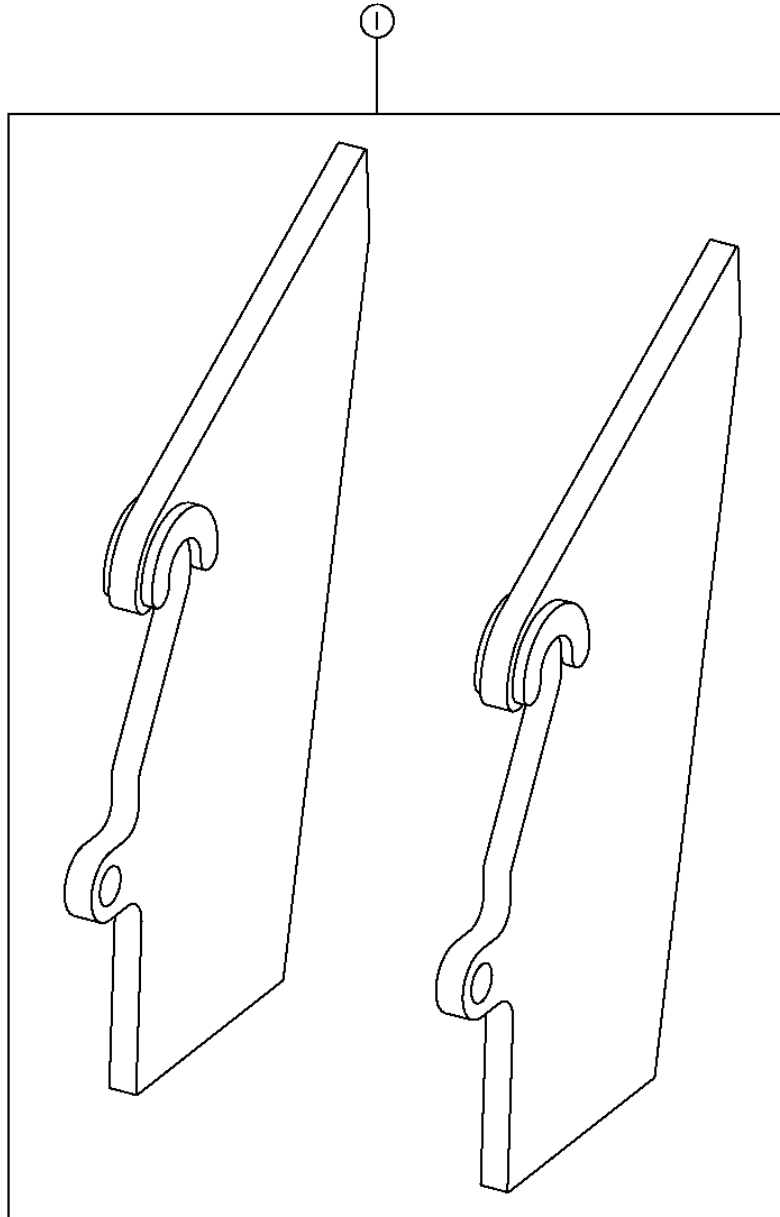
LOADER 31

ATTACHMENT COUPLER 3104

CONVERSION BUCKET PIVOT PLATE
PLAQUE PIVOT BENNE CONVERSION
PLACA DE PIVOTE DEL CUCHARON DE CONVERSION

T202690

-UN-01SEP04



T202690

3104-21

LOADER 31

ATTACHMENT COUPLER 3104

CONVERSION BUCKET PIVOT PLATE
PLAQUE PIVOT BENNE CONVERSION
PLACA DE PIVOTE DEL CUCHARON DE CONVERSION

KEY	PART NO.	PART NAME	QTY.	SERIAL NO.	REMARKS
1	AT315871	PLATE	1		(WHOLE GOODS)

3104-22

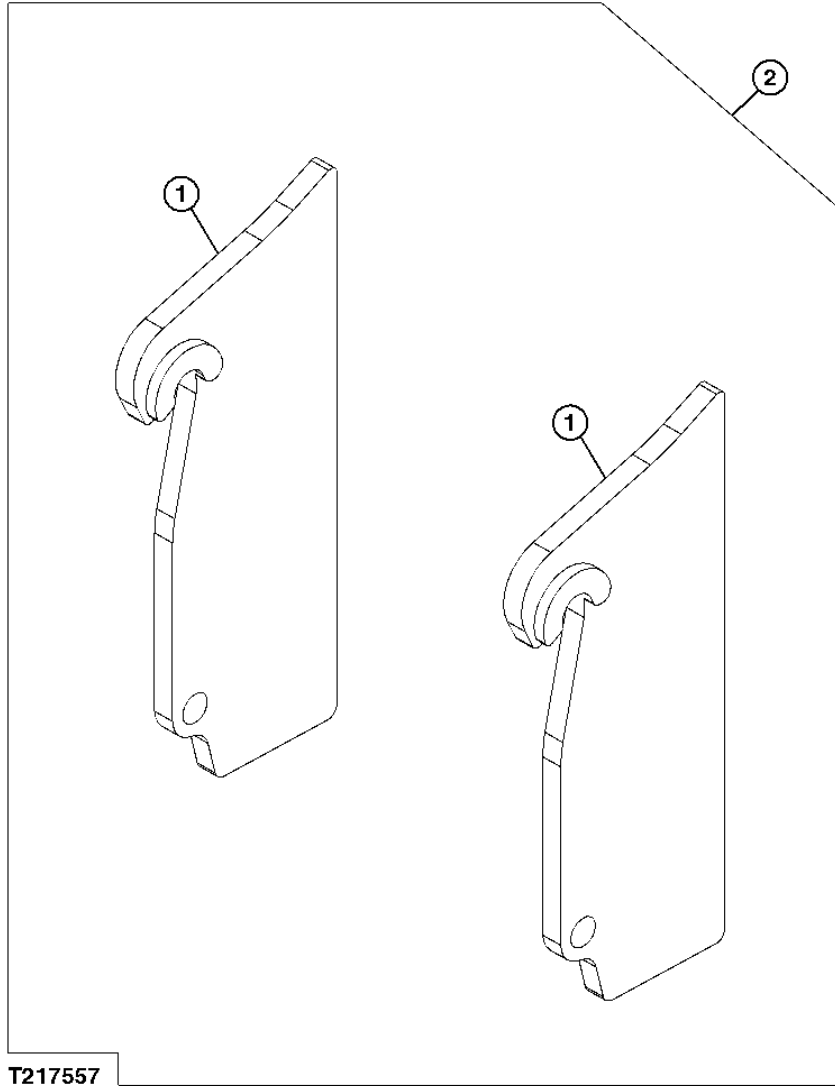
LOADER 31

ATTACHMENT COUPLER 3104

HI-VIS PIVOT COUPLER BLANKS
FLANS COUPLEUR PIVOT HI-VIS
BANCOS DEL ACOPLADOR DE PIVOTE DE HI-VIS

T217557

-UN-24JAN06



T217557

3104-23

LOADER 31

ATTACHMENT COUPLER 3104

**HI-VIS PIVOT COUPLER BLANKS
FLANS COUPLEUR PIVOT HI-VIS
BANCOS DEL ACOPLADOR DE PIVOTE DE HI-VIS**

KEY	PART NO.	PART NAME	QTY.	SERIAL NO.	REMARKS
1	AT329819	FRAME	2		(WHOLE GOODS)
2	AT330639	PLATE	1		(WHOLE GOODS)

3140-2

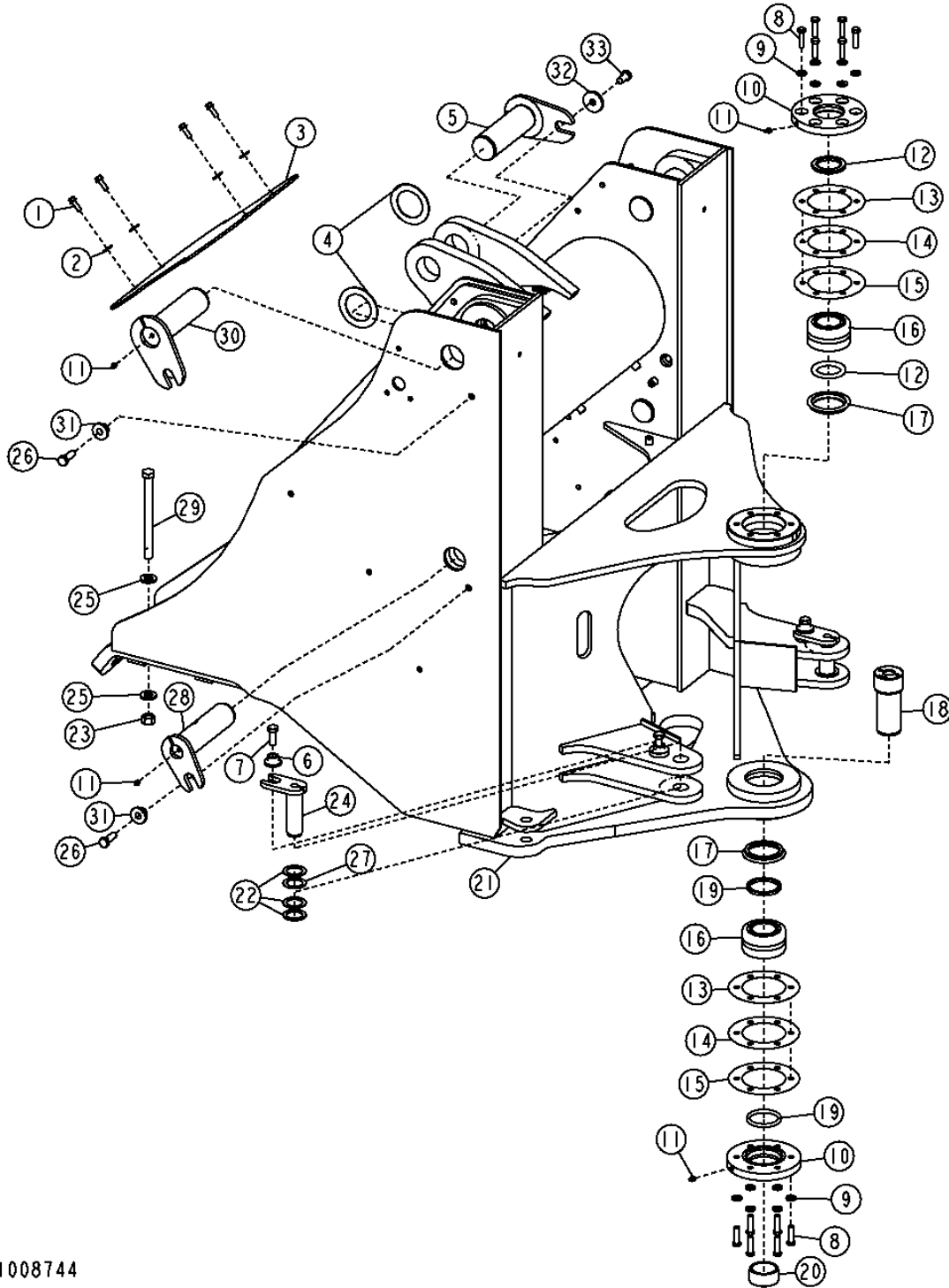
LOADER 31

FRAMES 3140

LOADER FRAME (S.N. -604689)
BATI DE CHARGEUR (S.N. -604689)
BASTIDOR DE CARGADORA (S.N. -604689)

TX1008744

-UN-16JUN06



TX1008744

THIS PARTS LISTING IS CONTINUED

3140-3

LOADER 31

FRAMES 3140

**LOADER FRAME (S.N. -604689)
BATI DE CHARGEUR (S.N. -604689)
BASTIDOR DE CARGADORA (S.N. -604689)**

KEY	PART NO.	PART NAME	QTY.	SERIAL NO.	REMARKS
1	19M7786	SCREW	4		M10 X 30
2	24M7296	WASHER	4		10.500 X 30 X 2.500 MM
3	T157234	COVER	1		
4	T102171	WASHER	3		
5	AT207505	PIN	1		(BUCKET CYLINDER)
6	T176064	BUSHING	3		(SUB FOR T146246)
7	19M7488	CAP SCREW	3		M16 X 40, (SUB FOR 19M8029)
8	19M7496	CAP SCREW	12		M12 X 45
9	24M7240	WASHER	12		13 X 25 X 3 MM
10	T200888	COVER	2		
11	JD7759	LUBRICATION FITTING	6		
12	T157029	SEAL	2		
13	T130057	SHIM	4		0.508MM(0.020")
14	T130058	SHIM	2		0.254MM(0.010")
15	T130059	SHIM	2		0.127MM(0.005")
16	AT203483	BEARING	2		
17	T157030	SPACER	2		
18	T182571	PIN	1		
19	T60752	SEAL	2		
20	T182265	BUSHING	1		
21	AT203418	FRAME	1		(CA)
22	24H1558	WASHER	6		1-41/64" X 2-3/8" X 0.075"
23	14M7277	NUT	8		M20, (FRONT AXLE TO FRAME)
24	AT203570	PIN	2		(STEERING CYLINDER)
25	24M7242	WASHER	16		21.400 X 42 X 5 MM, (FRONT AXLE TO FRAME)
26	19M8029	CAP SCREW	4		M16 X 30
27	24H1556	WASHER	2		1-41/64" X 2-3/8" X 0.048"
28	AT203523	PIN	2		(BOOM CYLINDER)
29	19M7779	CAP SCREW	8		M20 X 240, (FRONT AXLE TO FRAME)
30	AT318926	PIN	2		(SUB FOR AT203567) (BOOM PIVOT)
31	T146246	WASHER	4		
32	T146246	WASHER	1		
33	19M8029	CAP SCREW	1		M16 X 30

3140-3A

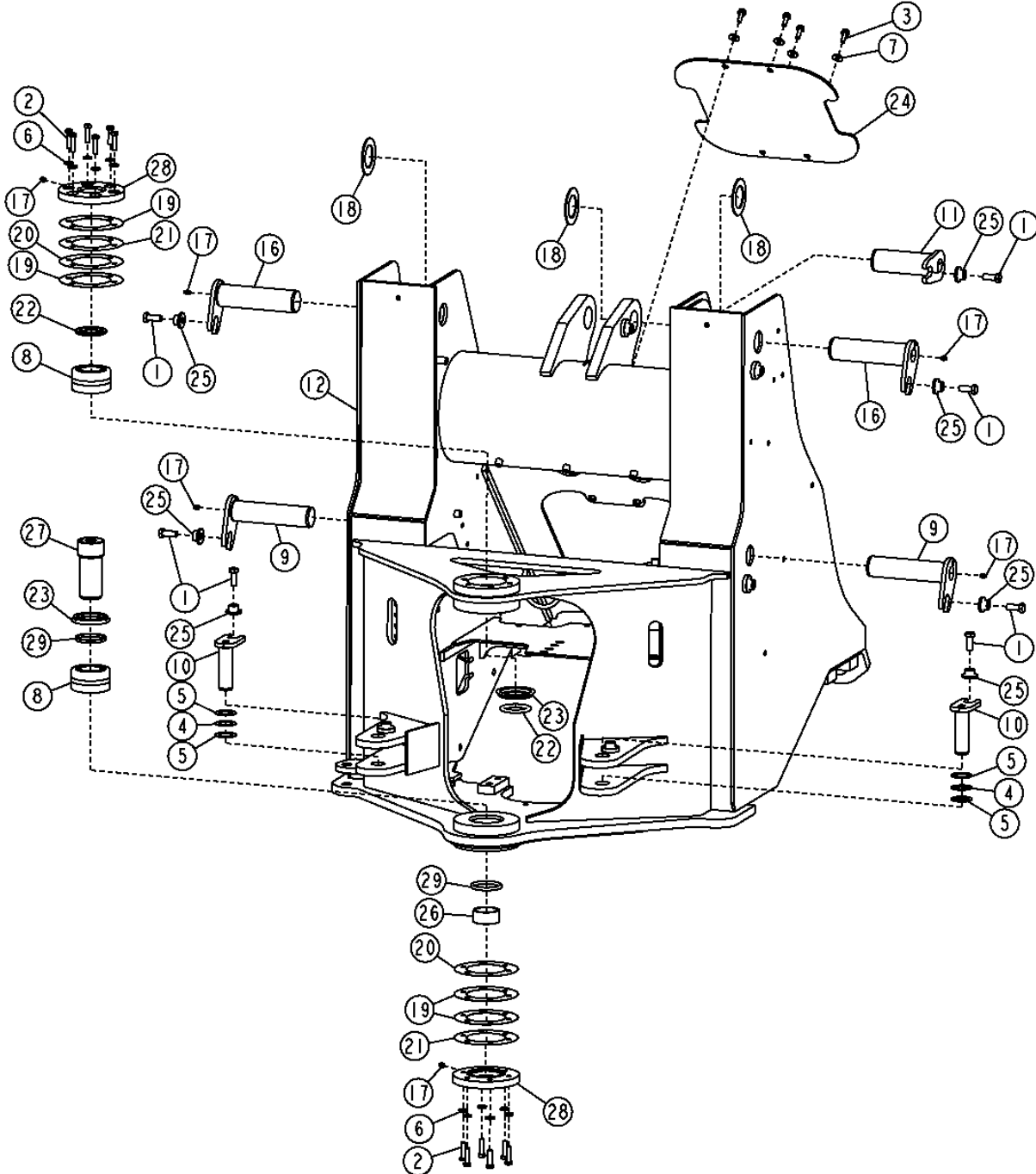
LOADER 31

FRAMES 3140

LOADER FRAME (S.N. 604690-)
BÂTI DE CHARGEUR (S.N. 604690-)
BASTIDOR DE CARGADORA (S.N. 604690-)

TX1003810

-UN-17FEB06



TX1003810

THIS PARTS LISTING IS CONTINUED

3140-3B

LOADER 31

FRAMES 3140

LOADER FRAME (S.N. 604690-)
BATI DE CHARGEUR (S.N. 604690-)
BASTIDOR DE CARGADORA (S.N. 604690-)

KEY	PART NO.	PART NAME	QTY.	SERIAL NO.	REMARKS
1	19M7488	CAP SCREW	7		M16 X 40
2	19M7496	CAP SCREW	12		M12 X 45
3	19M7786	SCREW	4		M10 X 30
4	24H1556	WASHER	2		41.681 X 60.325 X 1.219 MM
5	24H1558	WASHER	4		41.681 X 60.325 X 1.905 MM
6	24M7240	WASHER	12		13 X 25 X 3 MM
7	24M7296	WASHER	4		10.500 X 30 X 2.500 MM
8	AT203483	BEARING	2		
9	AT203523	PIN	2		
10	AT203570	PIN	2		
11	AT207505	PIN	1		
12	AT318280	FRAME	1		(CA)
16	AT318926	PIN FASTENER	2		
17	JD7759	LUBRICATION FITTING	6		
18	T102171	WASHER	3		66.500 X 108 X 3 MM
19	T130057	SHIM	4		0.508 MM
20	T130059	SHIM	2		0.127 MM
21	T130059	SHIM	2		0.127 MM
22	T157029	SEAL	2		
23	T157030	SPACER	2		
24	T157234	COVER	1		
25	T176064	BUSHING	7		16.300 X 28.600 X 21.900 MM
26	T182265	BUSHING	1		63.623 X 74.160 X 34.500 MM
27	T182571	PIN	1		
28	T200888	COVER	2		
29	T60752	SEAL	2		

3140-4

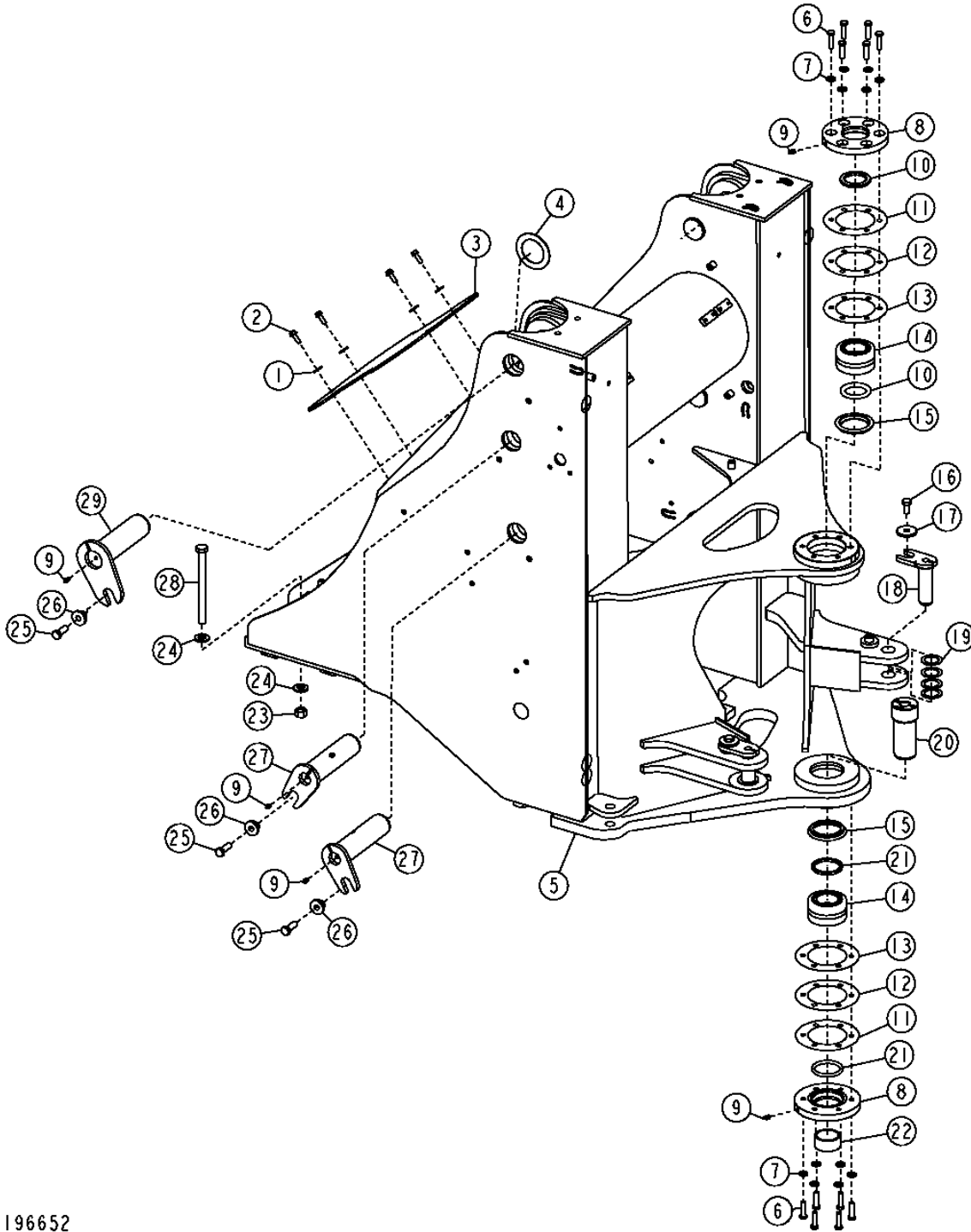
LOADER 31

FRAMES 3140

TOOL CARRIER FRAME BÂTI PORTE OUTILS BASTIDOR DEL PORTAHERRAMIENTAS

T196652

-UN-26NOV03



T196652

THIS PARTS LISTING IS CONTINUED

3140-5

LOADER 31

FRAMES 3140

TOOL CARRIER FRAME
BATI PORTE OUTILS
BASTIDOR DEL PORTAHERRAMIENTAS

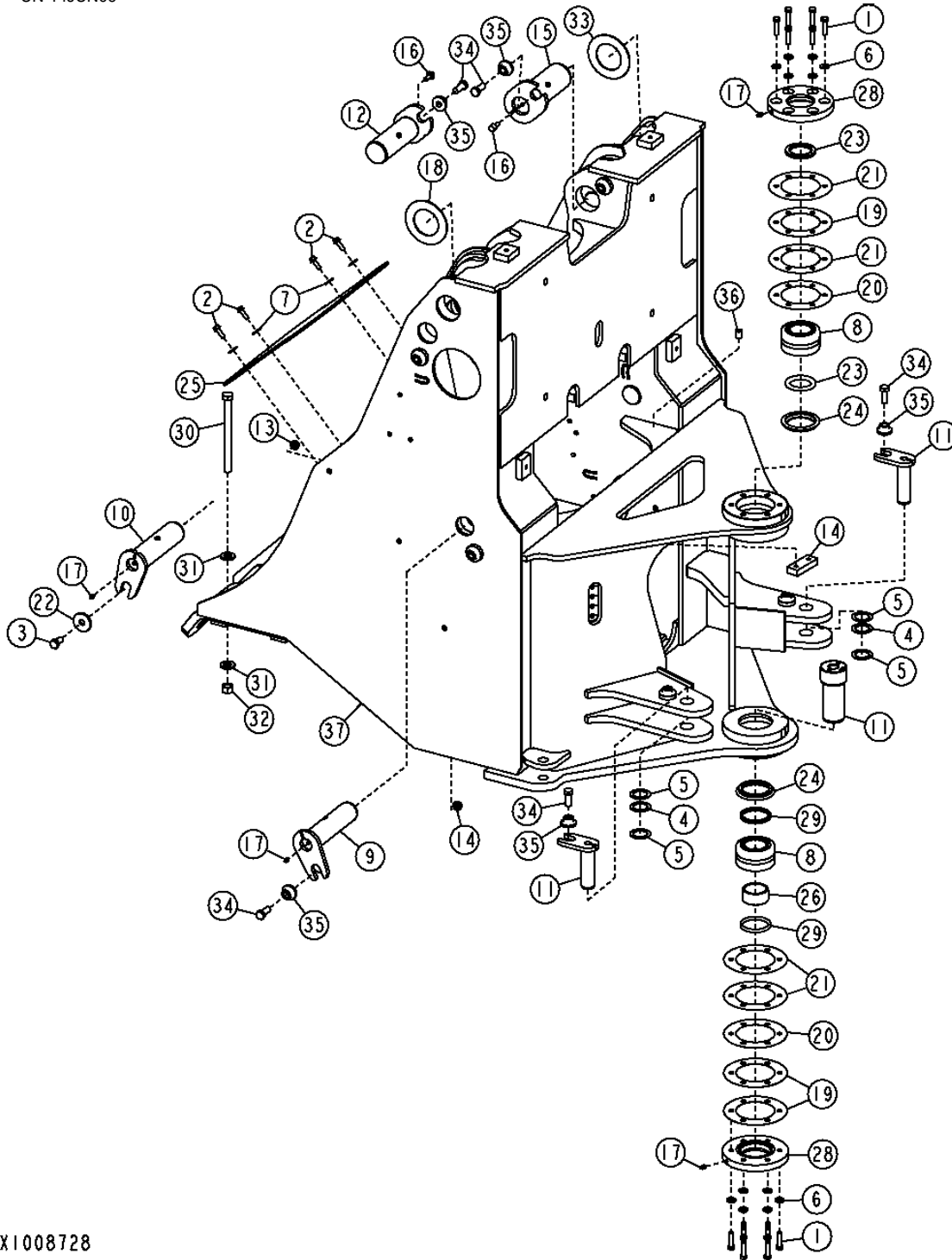
KEY	PART NO.	PART NAME	QTY.	SERIAL NO.	REMARKS
1	24M7296	WASHER	4		10.500 X 30 X 2.500 MM
2	19M7786	SCREW	4		M10 X 30
3	T157234	COVER	1		
4	T102171	WASHER	2		
5	FRAME	1		(AT207200 NLA)
6	19M7496	CAP SCREW	12		M12 X 45
7	24M7240	WASHER	12		13 X 25 X 3 MM
8	T200888	COVER	2		
9	JD7759	LUBRICATION FITTING	8		
10	T157029	SEAL	2		0.127MM(0.005")
11	T130059	SHIM	2		0.127MM(0.005")
12	T130058	SHIM	2		0.254MM(0.010")
13	T130057	SHIM	4		0.508MM(0.020")
14	AT203483	BEARING	2		
15	T157030	SPACER	2		
16	19M8029	CAP SCREW	2		M16 X 30
17	T146246	WASHER	2		
18	AT203570	PIN	2		(STEERING CYLINDER)
19	24H1558	WASHER	4		1-41/64" X 2-3/8" X 0.075"
	24H1556	WASHER	2		1-41/64" X 2-3/8" X 0.048"
20	T182571	PIN	1		
21	T60752	SEAL	2		
22	T182265	BUSHING	1		
23	14M7277	NUT	8		M20
24	24M7242	WASHER	16		21.400 X 42 X 5 MM
25	19M8029	CAP SCREW	6		M16 X 30
26	T146246	WASHER	6		
27	AT203523	PIN	4		
28	19M7779	CAP SCREW	8		M20 X 240
29	AT318926	PIN	2		(SUB FOR AT203567) (BOOM PIVOT)

3140-6

LOADER 31
FRAMES 3140

POWERLLEL™ LINKAGE FRAME (S.N. -604689)
BATI TRINGLERIE POWERLLEL™ (S.N. -604689)
BASTIDOR DE VARILLAJE POWERLLEL™ (S.N. -604689)

TX1008728 -UN-14JUN06



TX1008728

THIS PARTS LISTING IS CONTINUED

3140-7

LOADER 31

FRAMES 3140

**POWERLLEL™ LINKAGE FRAME (S.N. -604689)
BATI TRINGLERIE POWERLLEL™ (S.N. -604689)
BASTIDOR DE VARILLAJE POWERLLEL™ (S.N. -604689)**

KEY	PART NO.	PART NAME	QTY.	SERIAL NO.	REMARKS
1	19M7496	CAP SCREW	12		M12 X 45
2	19M7786	SCREW	4		M10 X 30
3	19M8029	CAP SCREW	3		M16 X 30
4	24H1556	WASHER	2		1-41/64" X 2-3/8" X 0.048"
5	24H1558	WASHER	4		1-41/64" X 2-3/8" X 0.075"
6	24M7240	WASHER	12		13 X 25 X 3 MM
7	24M7296	WASHER	4		10.500 X 30 X 2.500 MM
8	AT203483	BEARING	2		
9	AT203523	PIN	2		(BOOM CYLINDER PIN)
10	AT318926	PIN	2		(SUB FOR AT203567) (BOOM PIVOT PIN)
11	AT203570	PIN	2		(STEERING CYLINDER PIN)
12	AT227600	PIN	1		(BUCKET CYLINDER PIN)
13	14M7443	FLANGE NUT	8		M12
14	T133290	STRAP	1		
15	AT307716	PIN	2		(LEVELING LINK PIVOT PIN)
16	E53801	ELBOW FITTING	3		3.175 MM (1/8")
17	JD7759	LUBRICATION FITTING	6		
18	T102171	WASHER	2		66.500 X 108 X 3 MM
19	T130057	SHIM	4		0.020"
20	T130058	SHIM	2		0.010"
21	T130059	SHIM	4		0.005"
22	T146246	WASHER	3		17 X 57.100 X 6.500 MM
23	T157029	SEAL	2		
24	T157030	SPACER	2		
25	T157234	COVER	1		
26	T182265	BUSHING	1		
27	T182571	PIN	1		
28	T200888	COVER	2		
29	T60752	SEAL	2		
30	19M7779	CAP SCREW	8		M20 X 240
31	24M7242	WASHER	16		21.400 X 42 X 5 MM
32	14M7277	NUT	8		M20
33	T171734	WASHER	2		
34	19M7488	CAP SCREW	6		M16 X 40
35	T176064	BUSHING	6		16.300 X 28.600 X 21.900 MM
36	T72414	BUSHING	2		
37	AT305217	FRAME	1		(WHOLE GOODS)

3140-7A

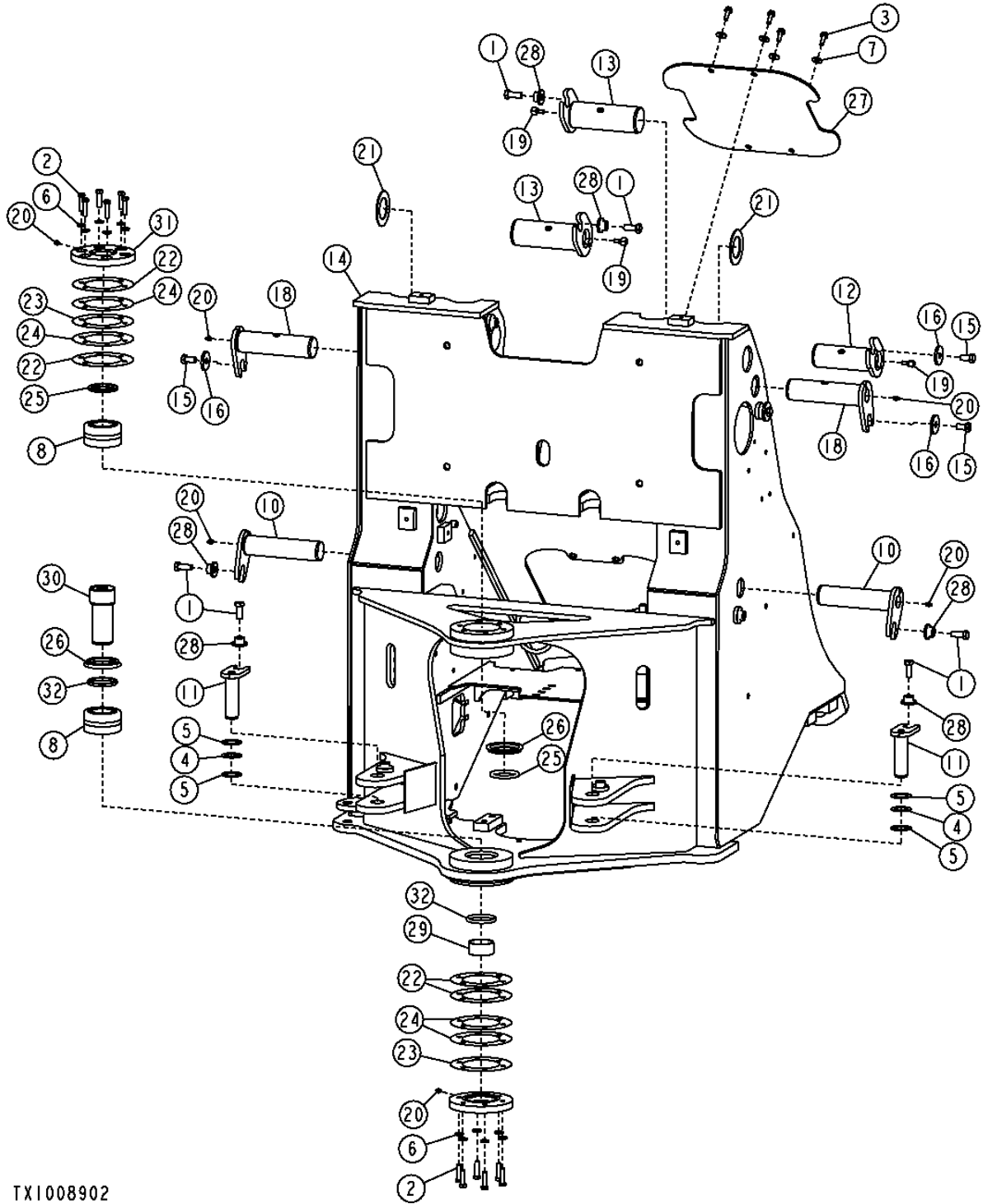
LOADER 31

FRAMES 3140

POWERLLEL™ LINKAGE FRAME (S.N. 604690-)
BATI TRINGLERIE POWERLLEL™ (S.N. 604690-)
BASTIDOR DE VARILLAJE POWERLLEL™ (S.N. 604690-)

TX1008902

-UN-14JUN06



TX1008902

THIS PARTS LISTING IS CONTINUED

3140-7B

LOADER 31

FRAMES 3140

**POWERLLEL™ LINKAGE FRAME (S.N. 604690-)
 BATI TRINGLERIE POWERLLEL™ (S.N. 604690-)
 BASTIDOR DE VARILLAJE POWERLLEL™ (S.N. 604690-)**

KEY	PART NO.	PART NAME	QTY.	SERIAL NO.	REMARKS
1	19M7488	CAP SCREW	6		M16 X 40
2	19M7496	CAP SCREW	12		M12 X 45
3	19M7786	SCREW	4		M10 X 30
4	24H1556	WASHER	2		41.681 X 60.325 X 1.219 MM
5	24H1558	WASHER	4		41.681 X 60.325 X 1.905 MM
6	24M7240	WASHER	12		13 X 25 X 3 MM
7	24M7296	WASHER	4		10.500 X 30 X 2.500 MM
8	AT203483	BEARING	2		
10	AT203523	PIN	2		
11	AT203570	PIN	2		
12	AT227600	PIN	1		
13	AT307716	PIN	2		
14	AT318491	FRAME	1		
15	19M8029	CAP SCREW	3		
16	T146246	WASHER	3		17 X 57.100 X 6.500 MM
18	AT318926	PIN FASTENER	2		
19	E53801	ELBOW FITTING	3		3.175 MM
20	JD7759	LUBRICATION FITTING	6		
21	T102717	KNOB	2		
22	T130057	SHIM	4		0.508 MM
23	T130058	SHIM	2		0.254 MM
24	T130059	SHIM	4		0.127 MM
25	T157029	SEAL	2		
26	T157030	SPACER	2		
27	T157234	COVER	1		
28	T176064	BUSHING	6		16.300 X 28.600 X 21.900 MM
29	T182265	BUSHING	1		63.623 X 74.160 X 34.500 MM
30	T182265	BUSHING	1		63.623 X 74.160 X 34.500 MM
31	T200888	COVER	2		
32	T60752	SEAL	2		

3140-8

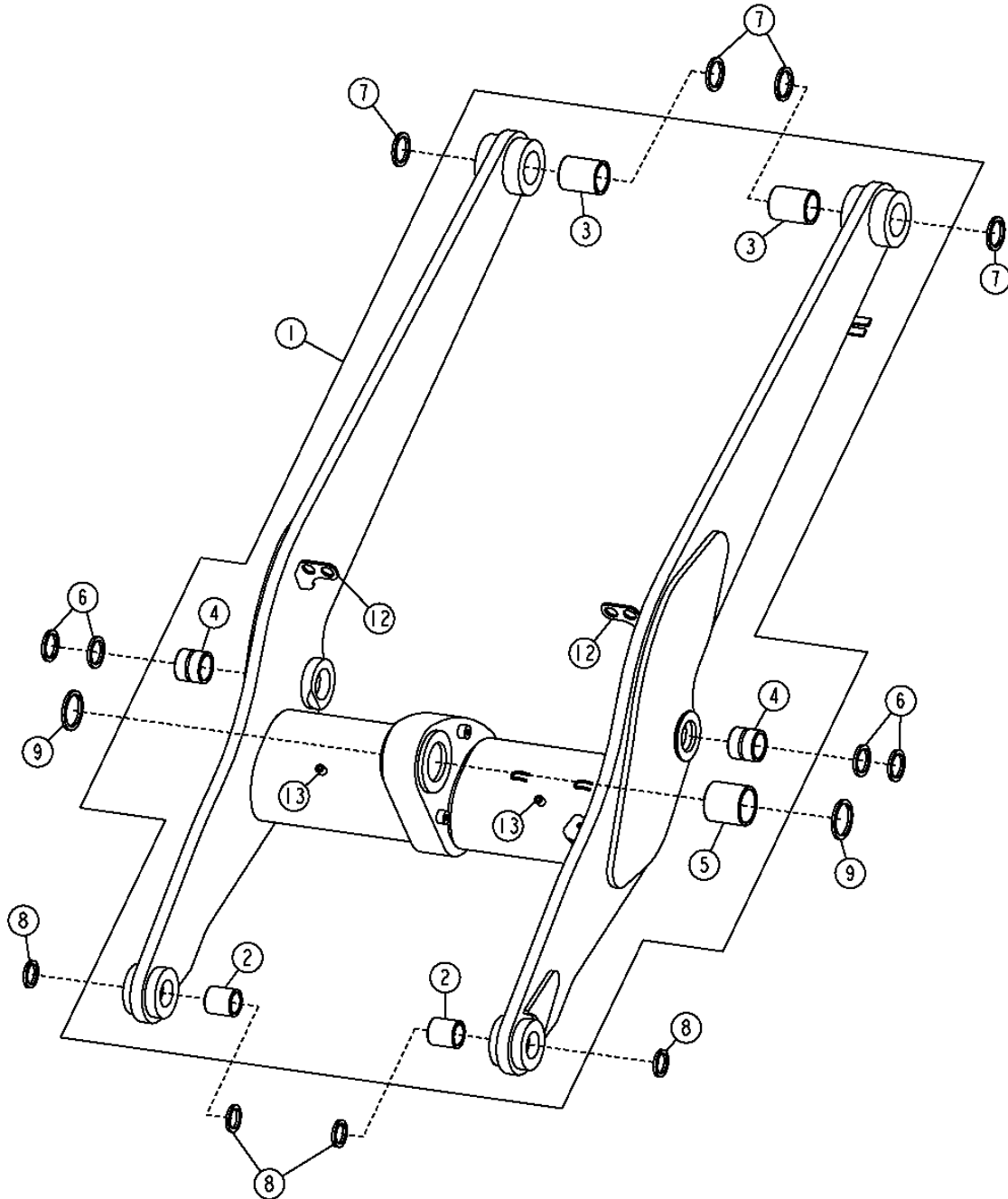
LOADER 31

FRAMES 3140

LOADER BOOM FLECHE CHARGEUR AGUILON DE LA CARGADORA

TX1006462

-UN-21APR06



TX1006462

THIS PARTS LISTING IS CONTINUED

3140-9

LOADER 31

FRAMES 3140

**LOADER BOOM
FLECHE CHARGEUR
AGUILON DE LA CARGADORA**

KEY	PART NO.	PART NAME	QTY.	SERIAL NO.	REMARKS
1	T171734	WASHER	AR		
2	AT207507	PIN	1		
3	T176064	BUSHING	1		(SUB FOR T146246)
4	19M7488	CAP SCREW	1		M16 X 40, (SUB FOR 19M8029)
5	T102136	SEAL	4		
6	AT308992	LOADER BOOM	1		(INCLUDES (2) T157248, (2) T157250 AND (2) T157251) (CA)
	AT309021	LOADER BOOM	1		(INCLUDES (2) T157248, (2) T157250 AND (2) T157251) (CA) (HIGH LIFT)
	T210796	LABEL	2		(SUB FOR (2) T179464) (NOT ILLUSTRATED) (HIGH LIFT)
7	T102135	SEAL	4		
8	T102205	SEAL	4		
9	T157248	BUSHING	2		
10	T157250	BUSHING	2		
11	T157251	BUSHING	2		
12	T210447	PLATE	1	602852-	
13	T72414	BUSHING	1	602852-	

3140-10

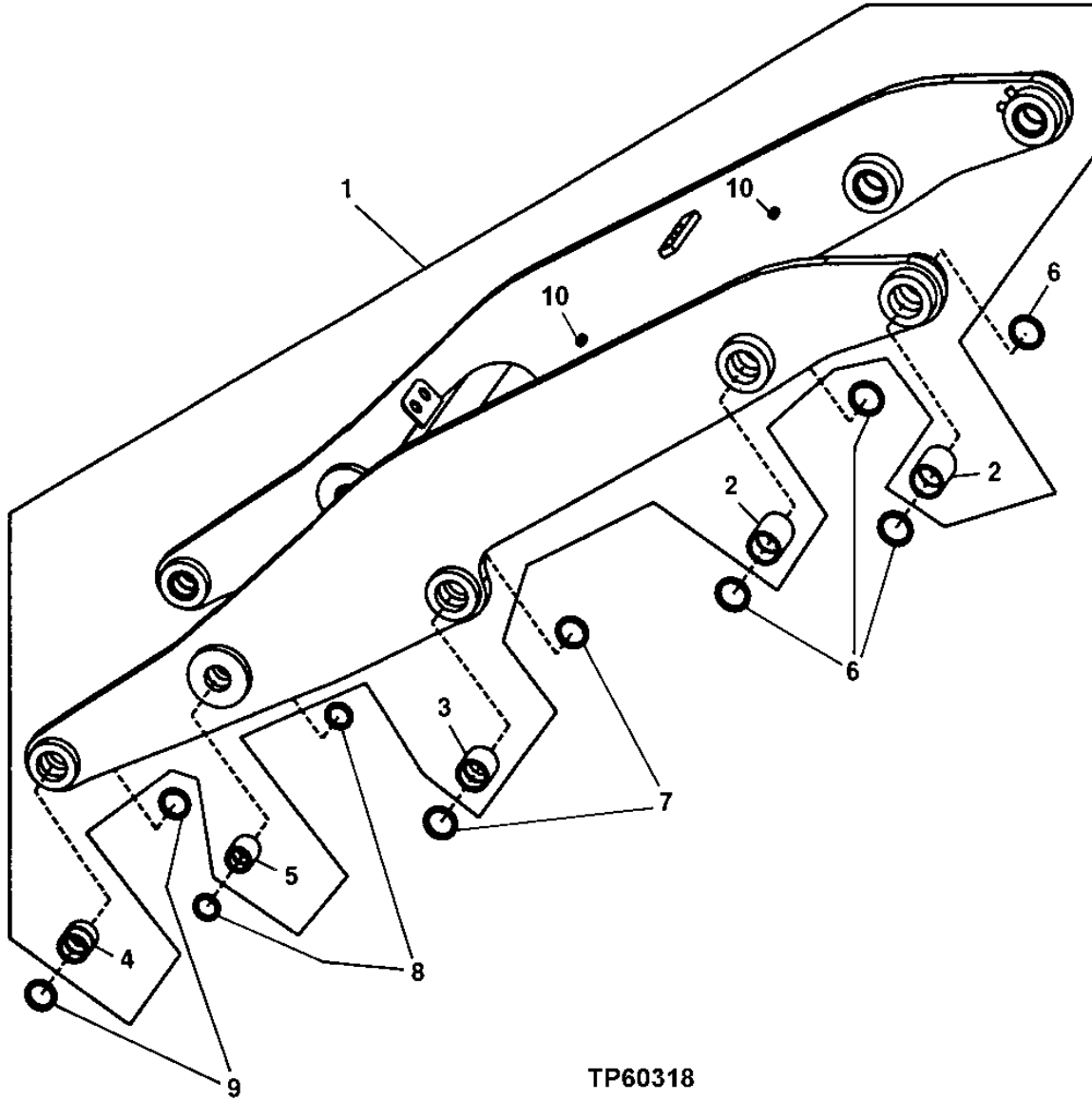
LOADER 31

FRAMES 3140

TOOL CARRIER BOOM FLECHE PORTE OUTILS AGUILON DEL PORTAHERRAMIENTAS

TP60318

-UN-04APR98



TP60318

3140-11

LOADER 31

FRAMES 3140

**TOOL CARRIER BOOM
FLECHE PORTE OUTILS
AGUILON DEL PORTAHERRAMIENTAS**

KEY	PART NO.	PART NAME	QTY.	SERIAL NO.	REMARKS
1	AT308392	LOADER BOOM	1		(CA)(TOOL CARRIER BOOM) (SUB FOR AT206817)
2	T157251	BUSHING	4		
3	T157250	BUSHING	2		
4	T157248	BUSHING	2		
5	T157248	BUSHING	2		
6	T102136	SEAL	8		
7	T102135	SEAL	4		
8	T102205	SEAL	4		
9	T102205	SEAL	4		
10	T72414	BUSHING	6		

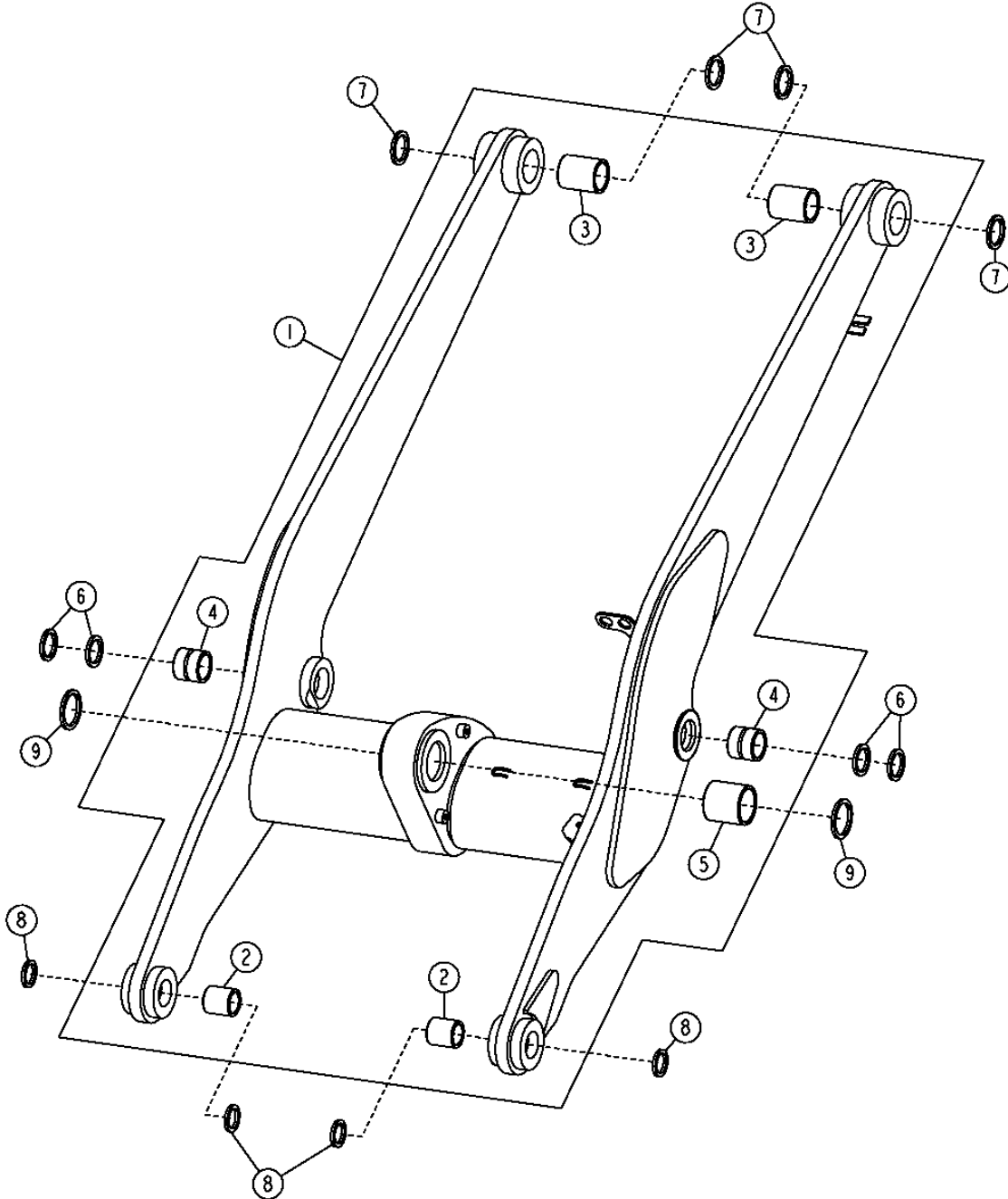
3140-12

LOADER 31

FRAMES 3140

POWERLLEL™ LINKAGE BOOM
FLECHE TRINGLERIE POWERLLEL™
AGUILON DE VARILLAJE POWERLLEL™

T201789 -UN-22JUL04



T201789

THIS PARTS LISTING IS CONTINUED

3140-13

LOADER 31

FRAMES 3140

**POWERLLEL™ LINKAGE BOOM
FLECHE TRINGLERIE POWERLLEL™
AGUILON DE VARILLAJE POWERLLEL™**

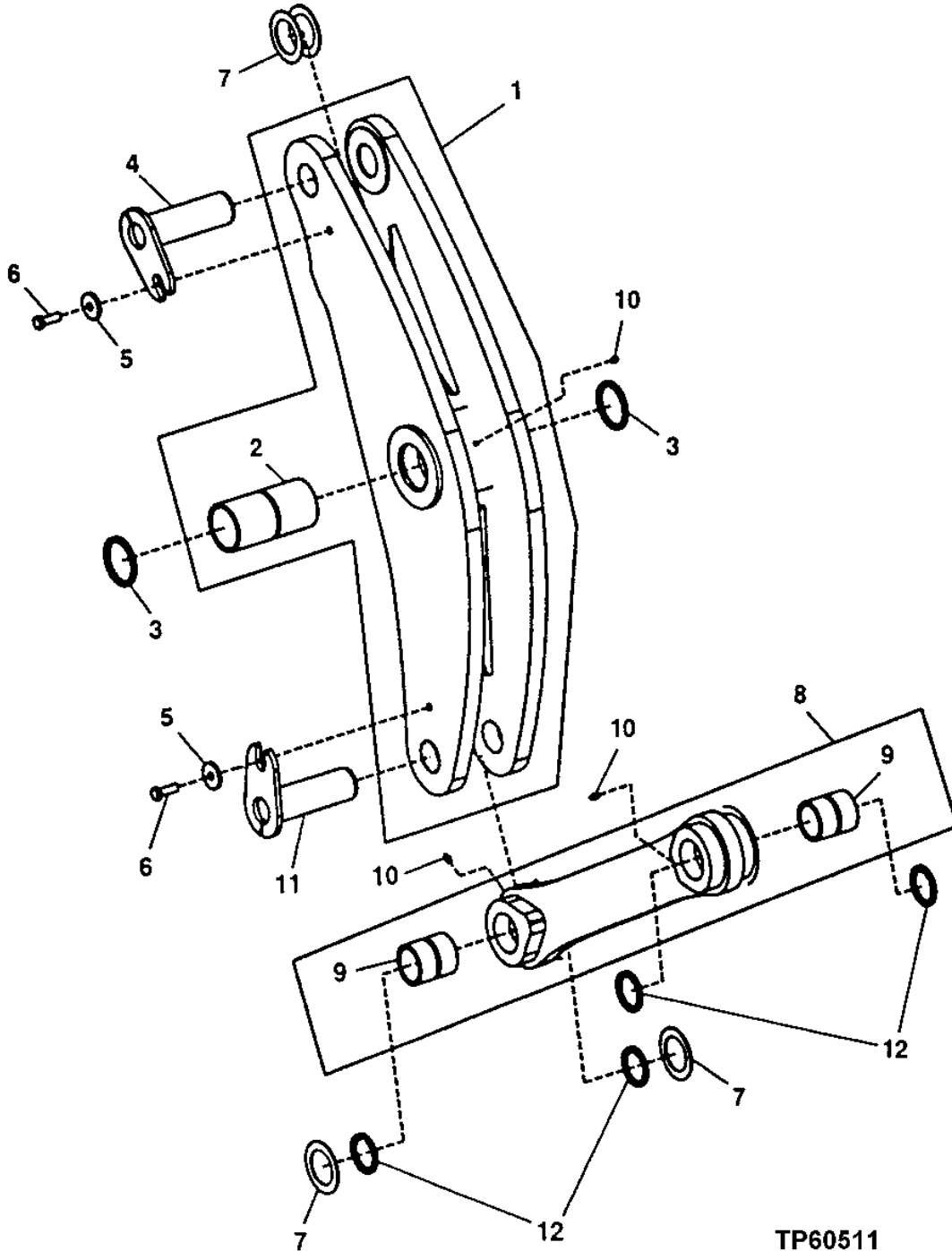
KEY	PART NO.	PART NAME	QTY.	SERIAL NO.	REMARKS
1	AT300884	LOADER BOOM	1		(CA)
2	T157248	BUSHING	2		
3	T157251	BUSHING	2		
4	T205219	BUSHING	2		
5	T211839	BUSHING	1		
6	T102135	SEAL	4		
7	T102136	SEAL	4		
8	T102205	SEAL	4		
9	T102137	SEAL	2		

3140-16

LOADER 31
FRAMES 3140

LOADER LINKAGE TRINGLERIE CHARGEUR VARILLAJE DE LA CARGADORA

TP60511 -UN-24SEP98



TP60511

3140-17

LOADER 31

FRAMES 3140

LOADER LINKAGE
TRINGLERIE CHARGEUR
VARILLAJE DE LA CARGADORA

KEY	PART NO.	PART NAME	QTY.	SERIAL NO.	REMARKS
1	AT307533	BELLCRANK	1		
2	T168641	BUSHING	1		
3	T102137	SEAL	2		
4	AT207504	PIN	1		
5	T176064	BUSHING	2		
6	19M7489	CAP SCREW	2		M16 X 45
7	T102171	WASHER	4		
8	AT307532	LINK	1		
	AT311742	LINK	1		(SUB FOR AT307516) (HIGH LIFT)
9	T157077	BUSHING	2		
10	JD7759	LUBRICATION FITTING	3		
11	AT207505	PIN	1		
12	T102135	SEAL	4		

3140-18

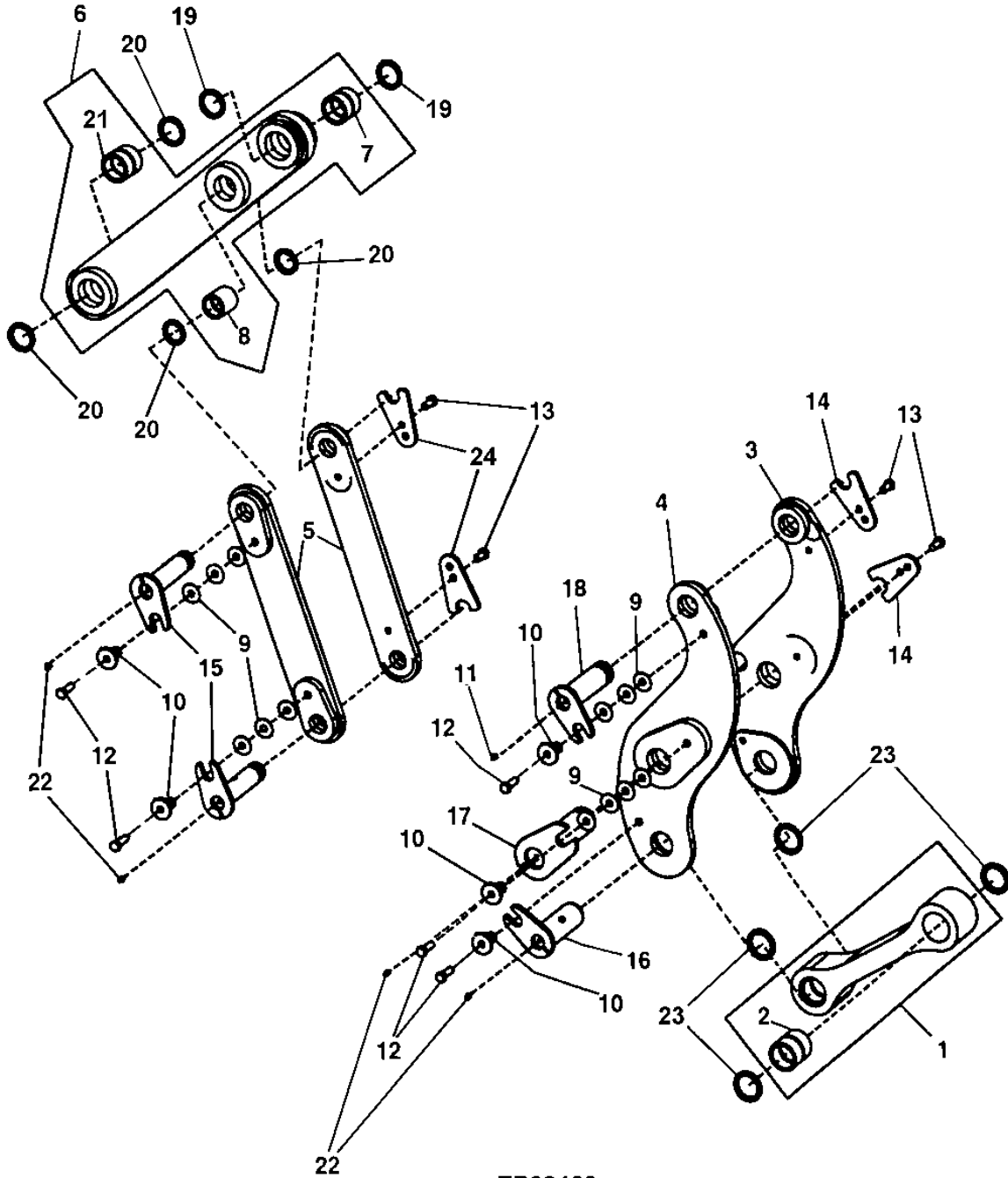
LOADER 31

FRAMES 3140

TOOL CARRIER LINKAGE TRINGLERIE PORTE OUTILS VARILLAJE DEL PORTAHERRAMIENTAS

TP60429

-UN-30JUN98



TP60429

3140-19

LOADER 31

FRAMES 3140

TOOL CARRIER LINKAGE
TRINGLERIE PORTE OUTILS
VARILLAJE DEL PORTAHERRAMIENTAS

KEY	PART NO.	PART NAME	QTY.	SERIAL NO.	REMARKS
1	AT307504	LINK	2		
2	T157250	BUSHING	4		
3	AT307506	BELLCRANK	2		
4	AT307505	BELLCRANK	2		
5	AT307507	LINK	4		
6	AT307508	LINK	2		
7	T157250	BUSHING	2		
8	T157248	BUSHING	2		
9	24H1626	WASHER	14		21/32" X 2" X 0.060"
10	T176064	BUSHING	10		
11	JD7759	LUBRICATION FITTING	2		
12	19M7489	CAP SCREW	10		M16 X 45
13	19M8029	CAP SCREW	8		M16 X 30
14	T119549	RETAINER	8		
15	AT206828	PIN	4		
16	AT206825	PIN	2		
17	AT209476	PIN	2		
18	AT203562	PIN	2		
19	T102135	SEAL	4		
20	T102205	SEAL	8		
21	T157248	BUSHING	2		
22	JD7759	LUBRICATION FITTING	8		
23	T102135	SEAL	8		
24	T119549	RETAINER	4		(SUB FOR T175863)

3140-20

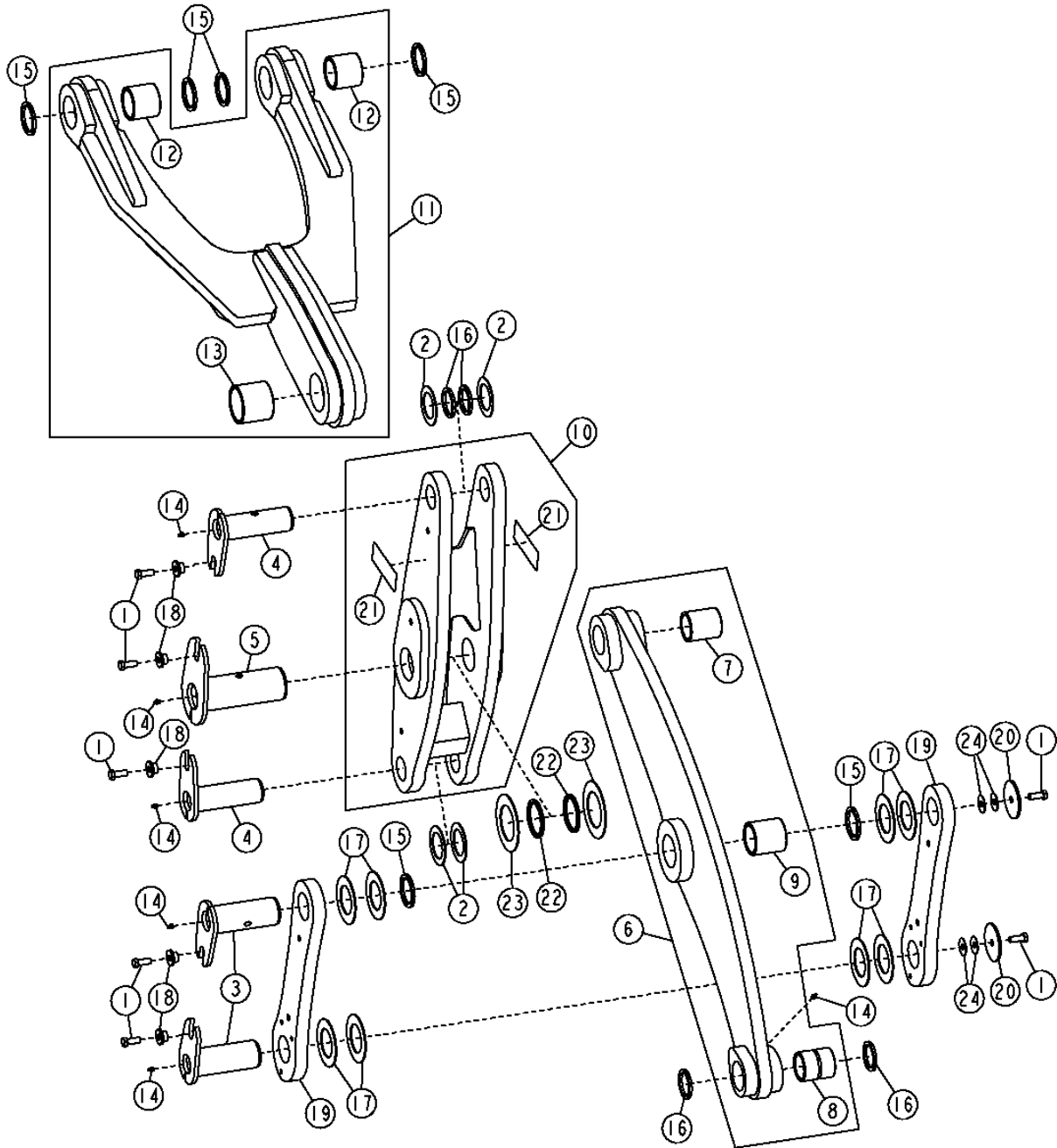
LOADER 31

FRAMES 3140

POWERLLEL™ LINKAGE
TRINGLERIE POWERLLEL™
VARILLAJE POWERLLEL™

T208983

-UN-25FEB05



T208983

THIS PARTS LISTING IS CONTINUED

3140-21

LOADER 31

FRAMES 3140

POWERLLEL™ LINKAGE
TRINGLERIE POWERLLEL™
VARILLAJE POWERLLEL™

KEY	PART NO.	PART NAME	QTY.	SERIAL NO.	REMARKS
1	19M7488	CAP SCREW	7		M16 X 40
2	24H1240	WASHER	4		3-1/32" X 4-1/2" X 0.105"
3	AT227765	PIN	2		
4	AT227767	PIN FASTENER	2		
5	AT227768	PIN	1		
6	AT300890	LINK	1		
7	T200581	BUSHING	1		
8	T205483	BUSHING	1		
9	T211839	BUSHING	1		
10	AT317060	BELLCRANK	1	(CA)	
11	AT304831	LINK	1		
12	T203452	BUSHING	2		
13	T203453	BUSHING	1		
14	JD7759	LUBRICATION FITTING	6		
15	T102137	SEAL	6		
16	T102206	SEAL	4		
17	T171734	WASHER	8		3.327" X 5.512" X 0.128"
18	T176064	BUSHING	5		
19	T200254	PLATE	2		
20	T206578	PLATE	2		
21	T211390	SAFETY SIGN	2		
22	T211836	SEAL	2		
23	T54188	THRUST WASHER	2		
24	24H1626	WASHER	4		21/32" X 2" X 0.060"

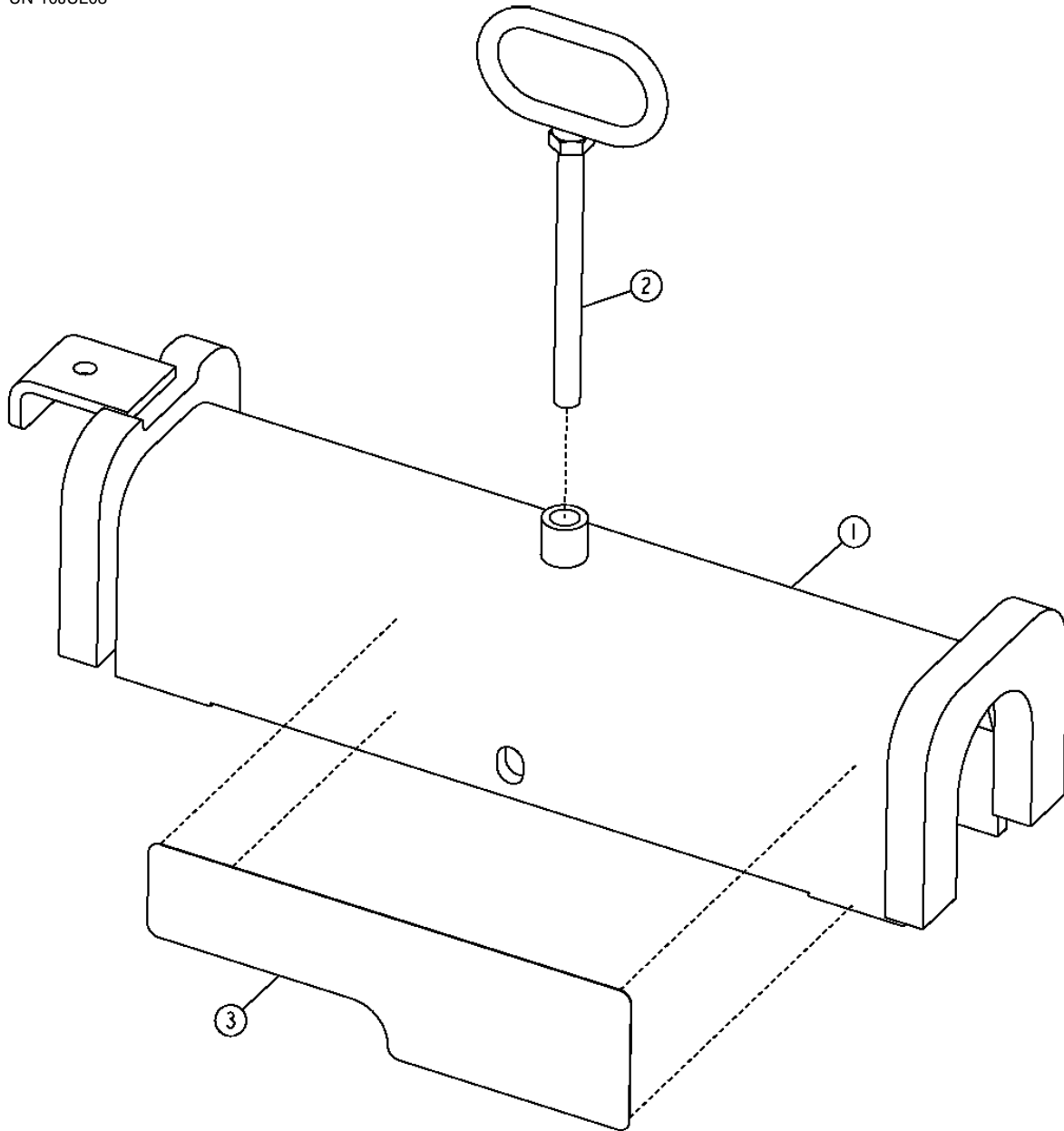
3140-24

LOADER 31

FRAMES 3140

BOOM CYLINDER LOCK VERROUILLAGE DE VERIN DE FLECHE BLOQUEO DEL CILINDRO DEL AGUILON

T192743 -UN-10JUL03



T192743

3140-25

LOADER 31

FRAMES 3140

**BOOM CYLINDER LOCK
VERROUILLAGE DE VERIN DE FLECHE
BLOQUEO DEL CILINDRO DEL AGUILON**

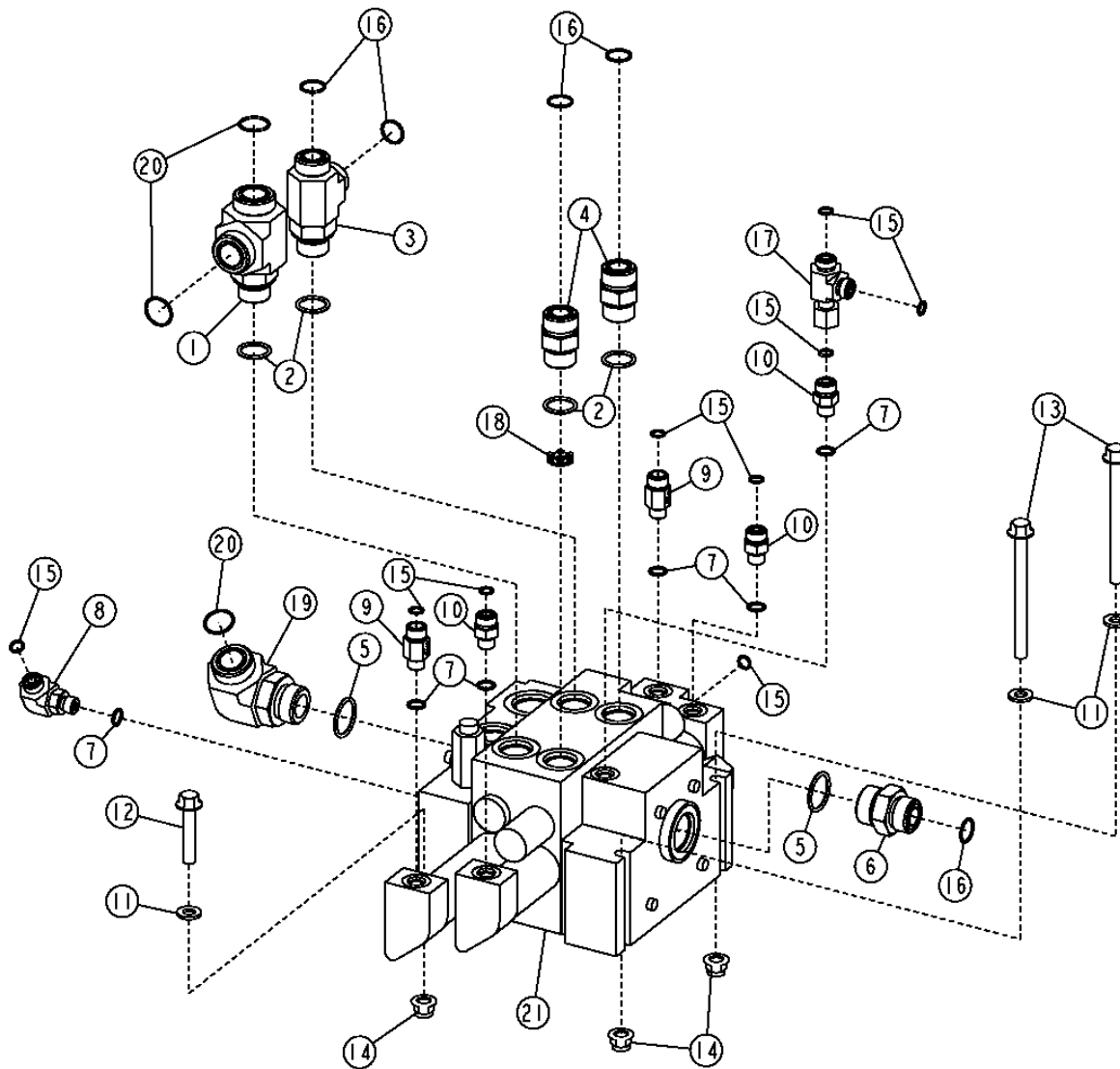
<i>KEY</i>	<i>PART NO.</i>	<i>PART NAME</i>	<i>QTY.</i>	<i>SERIAL NO.</i>	<i>REMARKS</i>
1	AT225826	LOCK	1		
2	AT207287	HANDLE	1		
3	T182191	LABEL	2		

3160-2

TWO SPOOL LOADER CONTROL VALVE (S.N. -594432)
DISTRIBUTEUR CHARGEUR DEUX TIROIRS (S.N. -594432)
VALVULA DE CONTROL DE LA CARGADORA DE DOS CARRETES (S.N. -594432)

T194439

-UN-02SEP03



T194439

THIS PARTS LISTING IS CONTINUED

3160-3

LOADER 31

LOADER HYDRAULICS 3160

**TWO SPOOL LOADER CONTROL VALVE (S.N. -594432)
DISTRIBUTEUR CHARGEUR DEUX TIROIRS (S.N. -594432)
VALVULA DE CONTROL DE LA CARGADORA DE DOS CARRETES (S.N. -594432)**

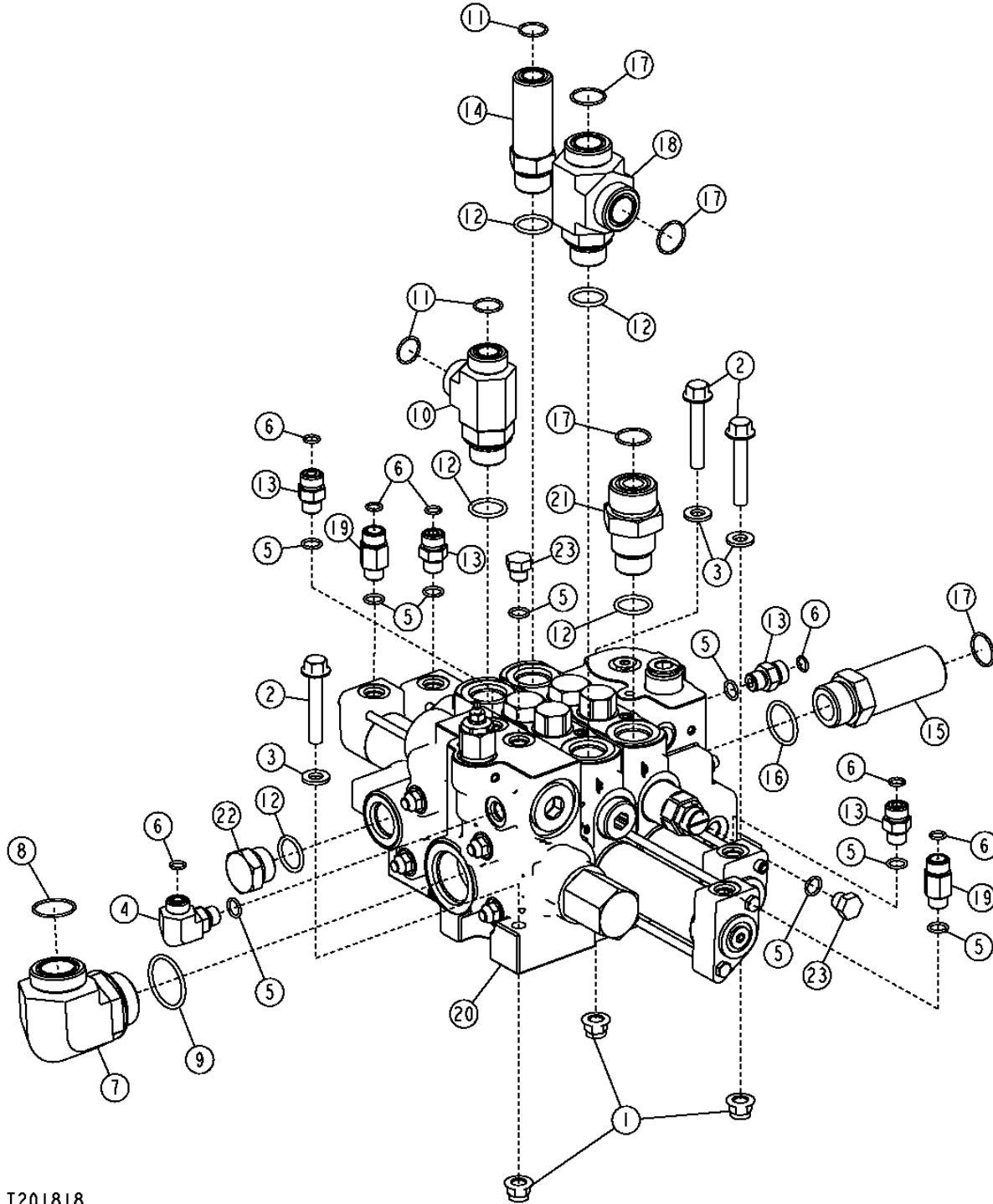
KEY	PART NO.	PART NAME	QTY.	SERIAL NO.	REMARKS
1	38H1572	TEE FITTING	1		
2	U12547	O-RING	4		
3	38H1026	TEE FITTING	1		
4	38H1163	ADAPTER FITTING	2		
5	R29936	O-RING	2		
6	38H1194	ADAPTER FITTING	1		
7	R26448	O-RING	6		
8	38H1004	ELBOW FITTING	1		
9	AT220096	CHECK VALVE	2		
10	38H1160	ADAPTER FITTING	3		
11	24M7239	WASHER	3		10.700 X 21 X 2.500 MM
12	19M8528	SCREW	1		M10 X 55
13	19M7944	SCREW	2		M10 X 120
14	14M7400	LOCK NUT	3		M10
15	T77613	O-RING	9		
16	T77858	O-RING	5		
17	38H1030	TEE FITTING	1		
18	T176944	ORIFICE	1		
19	38H1037	ELBOW FITTING	1		
20	T76938	O-RING	3		
21	AT225784	SPOOL VALVE	1		
	AT225790	SPOOL VALVE	1		(FOR HIGH LIFT MODELS ONLY)

3160-4

TWO SPOOL LOADER CONTROL VALVE (S.N. 594433-)
DISTRIBUTEUR CHARGEUR DEUX TIROIRS (S.N. 594433-)
VALVULA DE CONTROL DE LA CARGADORA DE DOS CARRETES (S.N. 594433-)

T201818

-UN-09AUG04



T201818

THIS PARTS LISTING IS CONTINUED

3160-5

LOADER 31

LOADER HYDRAULICS 3160

**TWO SPOOL LOADER CONTROL VALVE (S.N. 594433-)
DISTRIBUTEUR CHARGEUR DEUX TIROIRS (S.N. 594433-)
VALVULA DE CONTROL DE LA CARGADORA DE DOS CARRETES (S.N. 594433-)**

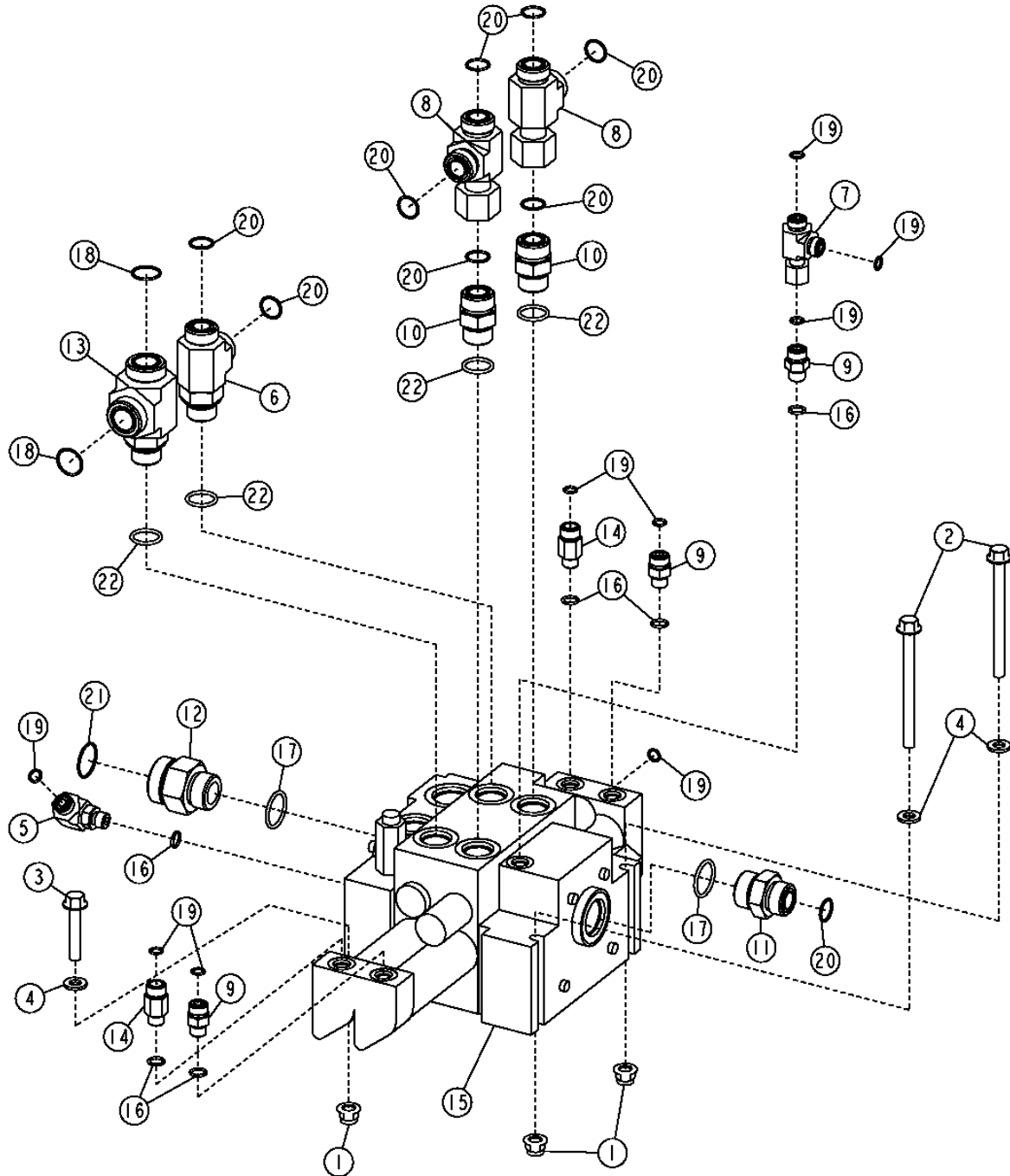
KEY	PART NO.	PART NAME	QTY.	SERIAL NO.	REMARKS
1	14M7400	LOCK NUT	3		M10
2	19M7807	SCREW	3		M10 X 60
3	24M7239	WASHER	3		10.700 X 21 X 2.500 MM
4	38H1004	ELBOW FITTING	1		
5	R26448	O-RING	6		0.468" X 5/64"
6	T77613	O-RING	4		0.364" X 0.070"
7	38H1004	ELBOW FITTING	1		
8	T78612	O-RING	1		1.176" X 0.070"
9	U13639	O-RING	1		1.475" X 0.118"
10	38H1026	TEE FITTING	1		
11	T77858	O-RING	3		0.739" X 0.070"
12	U12547	O-RING	5		
13	38H1160	ADAPTER FITTING	1		
14	38H1215	ADAPTER FITTING	1		
15	38H1216	ADAPTER FITTING	1		
16	R29936	O-RING	1		1.171" X 0.116"
17	T76938	O-RING	4		0.926" X 0.070"
18	38H1572	TEE FITTING	1		
19	AT220096	CHECK VALVE	2		
20	AT308386	HYD ACTUATED CONTROL VALVE	1		
	AT316046	HYD ACTUATED CONTROL VALVE	1		(FOR HIGH LIFT MODELS ONLY)
21	T210479	FITTING	1		
22	R27175	DRAIN PLUG	4		
23	R27218	FITTING PLUG	2		
..	AT314048	ROD	1		(TWO SPOOL STUD ASSEMBLY) (NOT ILLUSTRATED)

3160-6

TWO SPOOL TOOL CARRIER CONTROL VALVE DISTRIBUTEUR PORTE OUTILS DEUX TIROIRS VALVULA DE CONTROL DEL PORTAHERRAMIENTAS DE DOS CARRETES

T194440

-UN-02SEP03



T194440

THIS PARTS LISTING IS CONTINUED

3160-7

LOADER 31

LOADER HYDRAULICS 3160

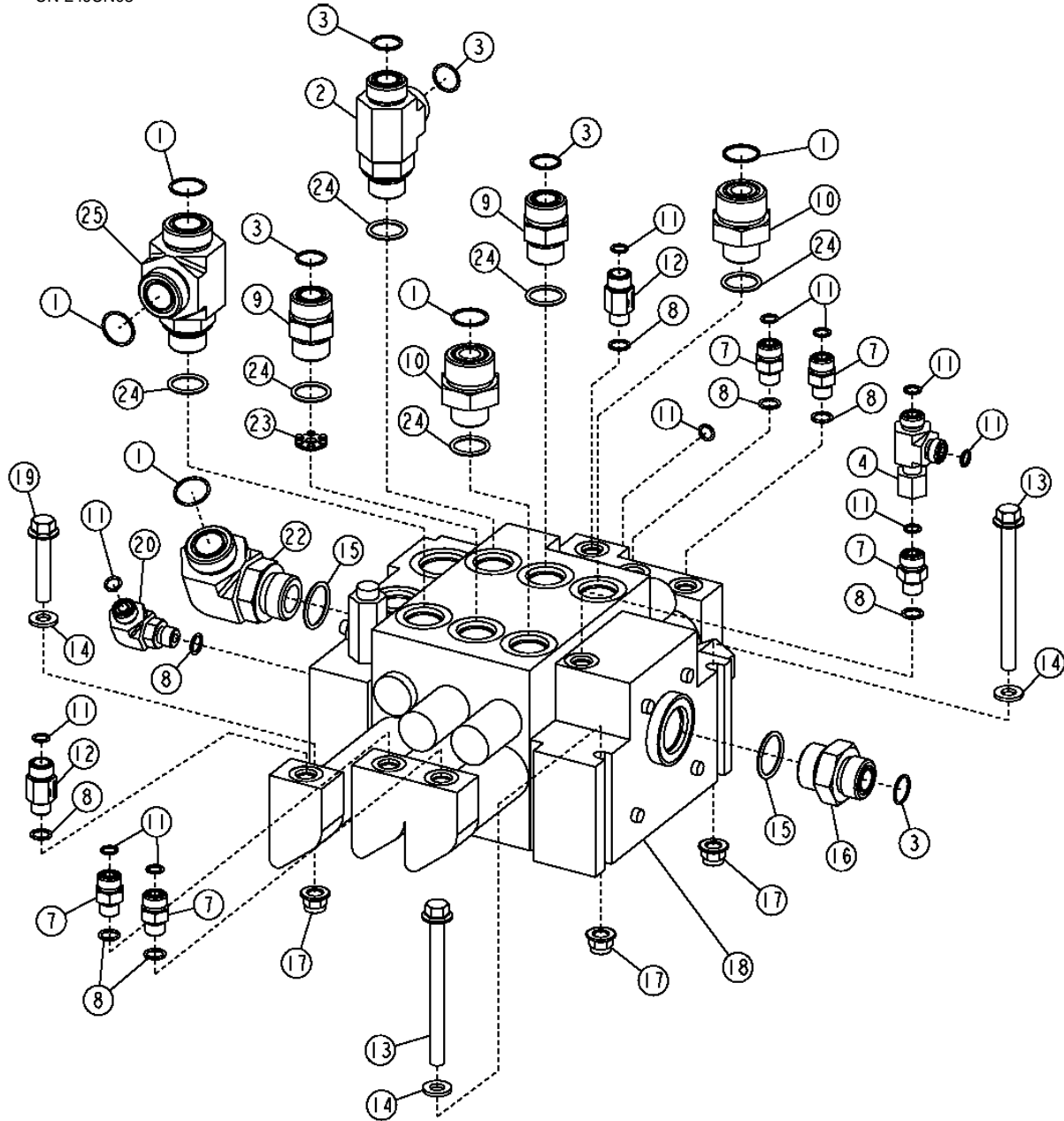
**TWO SPOOL TOOL CARRIER CONTROL VALVE
DISTRIBUTEUR PORTE OUTILS DEUX TIROIRS
VALVULA DE CONTROL DEL PORTAHERRAMIENTAS DE DOS CARRETES**

KEY	PART NO.	PART NAME	QTY.	SERIAL NO.	REMARKS
1	14M7400	LOCK NUT	3		M10
2	19M7944	SCREW	2		M10 X 120
3	19M8528	SCREW	1		M10 X 55
4	24M7239	WASHER	3		10.700 X 21 X 2.500 MM
5	38H1004	ELBOW FITTING	1		
6	38H1026	TEE FITTING	1		
7	38H1030	TEE FITTING	1		
8	38H1033	TEE FITTING	2		
9	38H1160	ADAPTER FITTING	3		
10	38H1163	ADAPTER FITTING	2		
11	38H1194	ADAPTER FITTING	1		
12	38H1196	ADAPTER FITTING	1		
13	38H1572	TEE FITTING	1		
14	AT220096	CHECK VALVE	2		
15	AT225787	SPOOL VALVE	1		
16	R26448	O-RING	6		
17	R29936	O-RING	2		
18	T76938	O-RING	2		
19	T77613	O-RING	9		
20	T77858	O-RING	9		
21	T78612	O-RING	1		
22	U12547	O-RING	4		

3160-8

THREE SPOOL LOADER CONTROL VALVE (S.N. -594432)
DISTRIBUTEUR CHARGEUR TROIS TIROIRS (S.N. -594432)
VALVULA DE CONTROL DE LA CARGADORA DE TRES CARRETES (S.N. -594432)

T191335 -UN-24JUN03



T191335

THIS PARTS LISTING IS CONTINUED

3160-9

LOADER 31

LOADER HYDRAULICS 3160

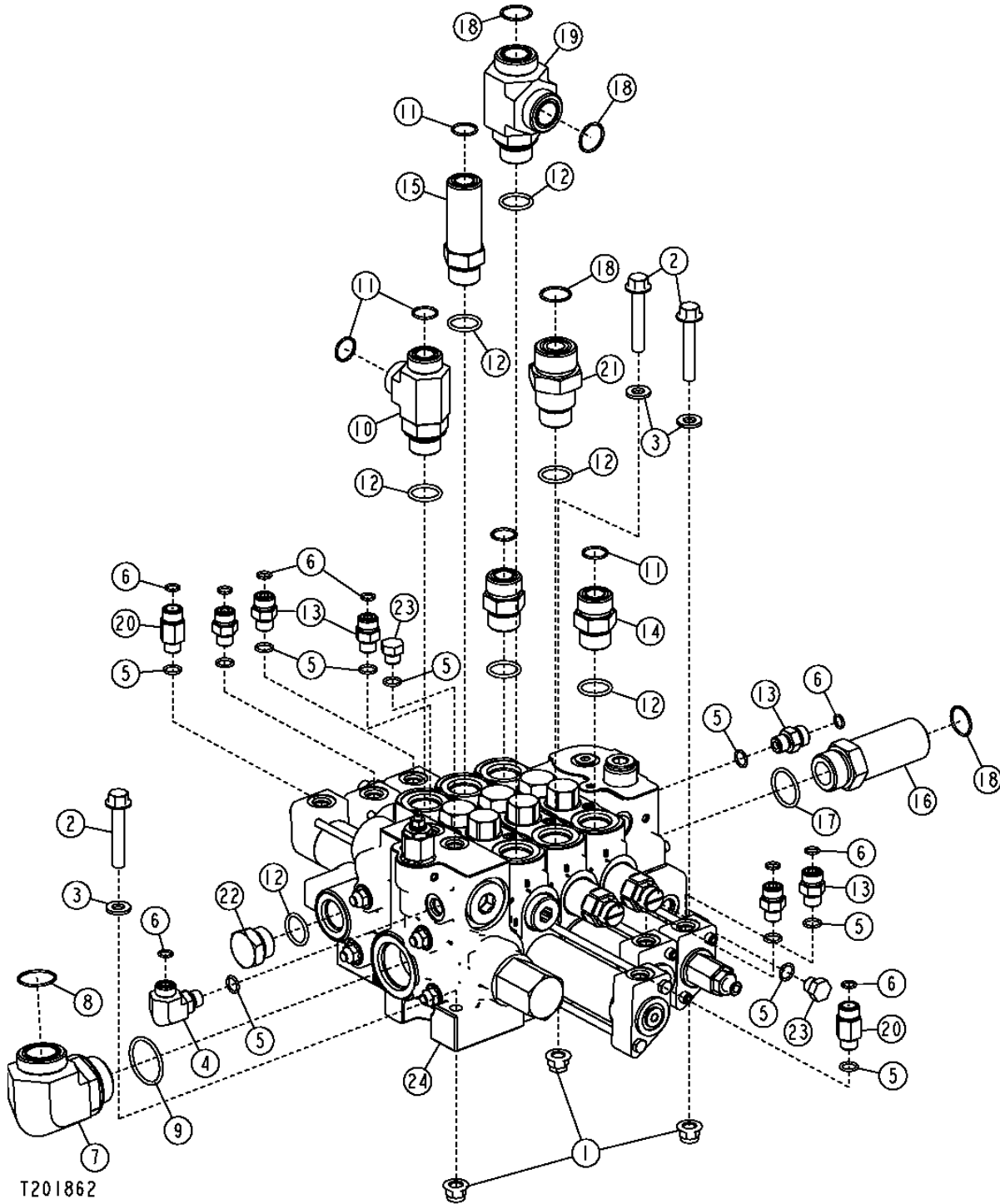
THREE SPOOL LOADER CONTROL VALVE (S.N. -594432)
DISTRIBUTEUR CHARGEUR TROIS TIROIRS (S.N. -594432)
VALVULA DE CONTROL DE LA CARGADORA DE TRES CARRETES (S.N. -594432)

KEY	PART NO.	PART NAME	QTY.	SERIAL NO.	REMARKS
1	T76938	O-RING	5		
2	38H1026	TEE FITTING	1		
3	T77858	O-RING	5		
4	38H1030	TEE FITTING	1		
7	38H1160	ADAPTER FITTING	5		
8	R26448	O-RING	8		
9	38H1163	ADAPTER FITTING	2		
10	38H1179	ADAPTER FITTING	2		
11	T77613	O-RING	11		
12	AT220096	CHECK VALVE	2		
13	19M7944	SCREW	2		M10 X 120
14	24M7239	WASHER	3		10.700 X 21 X 2.500 MM
15	R29936	O-RING	2		
16	38H1194	ADAPTER FITTING	1		
17	14M7400	LOCK NUT	3		M10
18	AT225785	SPOOL VALVE	1		
	AT225791	SPOOL VALVE	1		(FOR HIGH LIFT MODELS ONLY)
19	19M8528	SCREW	1		M10 X 55
20	38H1004	ELBOW FITTING	1		
22	38H1037	ELBOW FITTING	1		
23	T176944	ORIFICE	1		
24	U12547	O-RING	6		
25	38H1572	TEE FITTING	1		

3160-10

THREE SPOOL LOADER CONTROL VALVE (S.N. 594433-)
DISTRIBUTEUR CHARGEUR TROIS TIROIRS (S.N. 594433-)
VALVULA DE CONTROL DE LA CARGADORA DE TRES CARRETES (S.N. 594433-)

T201862 -UN-11AUG04



T201862

3160-11

LOADER 31

LOADER HYDRAULICS 3160

THREE SPOOL LOADER CONTROL VALVE (S.N. 594433-)
DISTRIBUTEUR CHARGEUR TROIS TIROIRS (S.N. 594433-)
VALVULA DE CONTROL DE LA CARGADORA DE TRES CARRETES (S.N. 594433-)

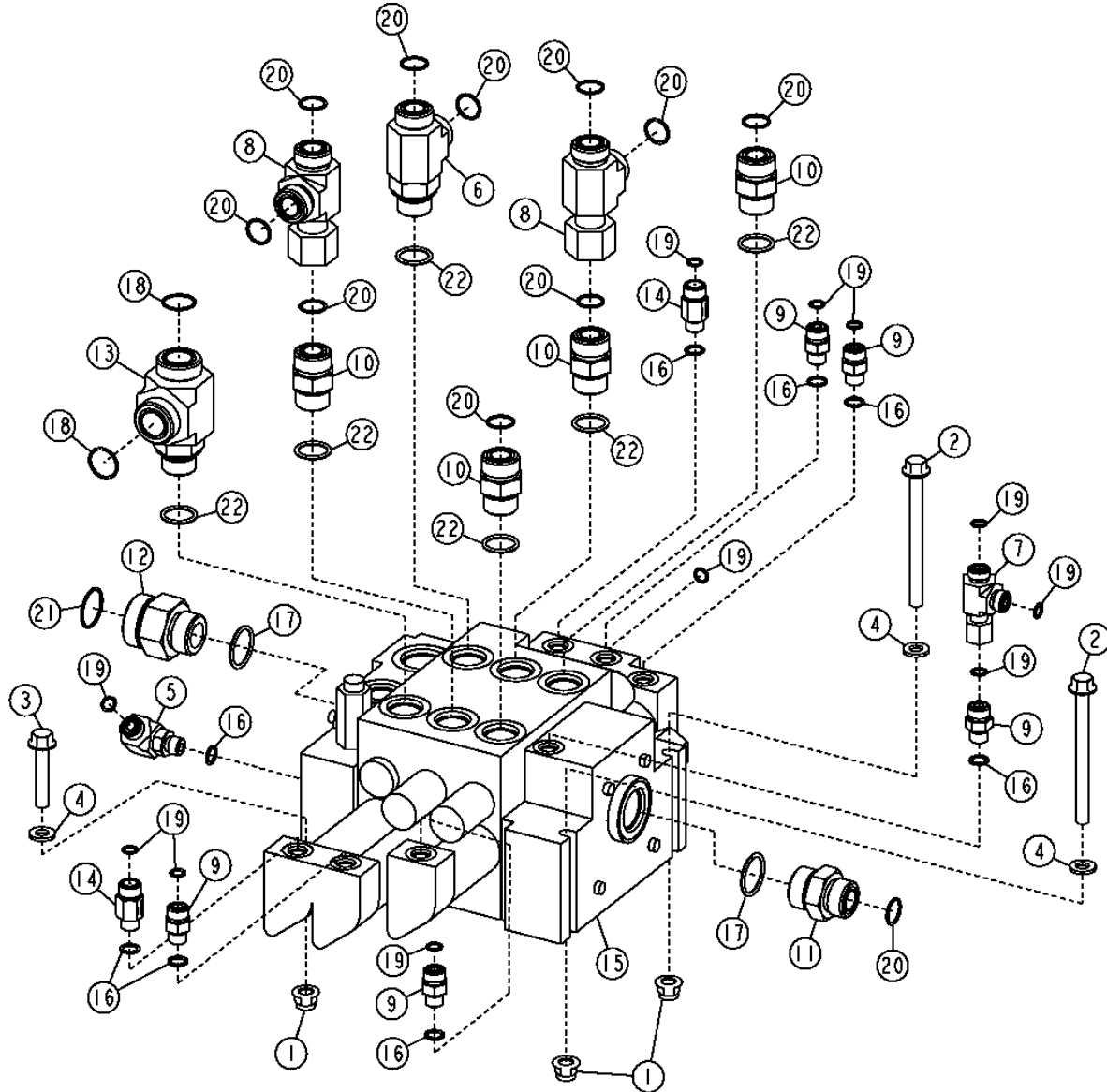
KEY	PART NO.	PART NAME	QTY.	SERIAL NO.	REMARKS
1	14M7400	LOCK NUT	3		M10
2	19M7807	SCREW	3		M10 X 60
3	24M7239	WASHER	3		10.700 X 21 X 2.500 MM
4	38H1004	ELBOW FITTING	1		
5	R26448	O-RING	6		0.468" X 5/64"
6	T77613	O-RING	4		
7	38H1008	ELBOW FITTING	1		
8	T78612	O-RING	1		
9	U13639	O-RING	1		
10	38H1026	TEE FITTING	1		
11	T77858	O-RING	3		
12	U12547	O-RING	6		
13	38H1160	ADAPTER FITTING	1		
14	38H1163	ADAPTER FITTING	1		
15	38H1215	ADAPTER FITTING	1		
16	38H1216	ADAPTER FITTING	1		
17	R29936	O-RING	1		
18	T76938	O-RING	4		
19	38H1572	TEE FITTING	1		
20	AT220096	CHECK VALVE	2		
21	T210479	FITTING	1		
22	R27175	DRAIN PLUG	1		
23	R27218	FITTING PLUG	2		
24	AT308388	HYD ACTUATED CONTROL VALVE	1		
..	AT316047	HYD ACTUATED CONTROL VALVE	1		(FOR HIGH LIFT MODELS ONLY)
	AT105438	ROD	1		(THREE SPOOL STUD ASSEMBLY) (NOT ILLUSTRATED)

3160-12

THREE SPOOL TOOL CARRIER CONTROL VALVE DISTRIBUTEUR PORTE-OUTILS TROIS TIROIRS VALVULA DE CONTROL DEL PORTAHERRAMIENTAS DE TRES CARRETES

T194453

-UN-03SEP03



T194453

THIS PARTS LISTING IS CONTINUED

3160-13

LOADER 31

LOADER HYDRAULICS 3160

THREE SPOOL TOOL CARRIER CONTROL VALVE
DISTRIBUTEUR PORTE OUTILS TROIS TIROIRS
VALVULA DE CONTROL DEL PORTAHERRAMIENTAS DE TRES CARRETES

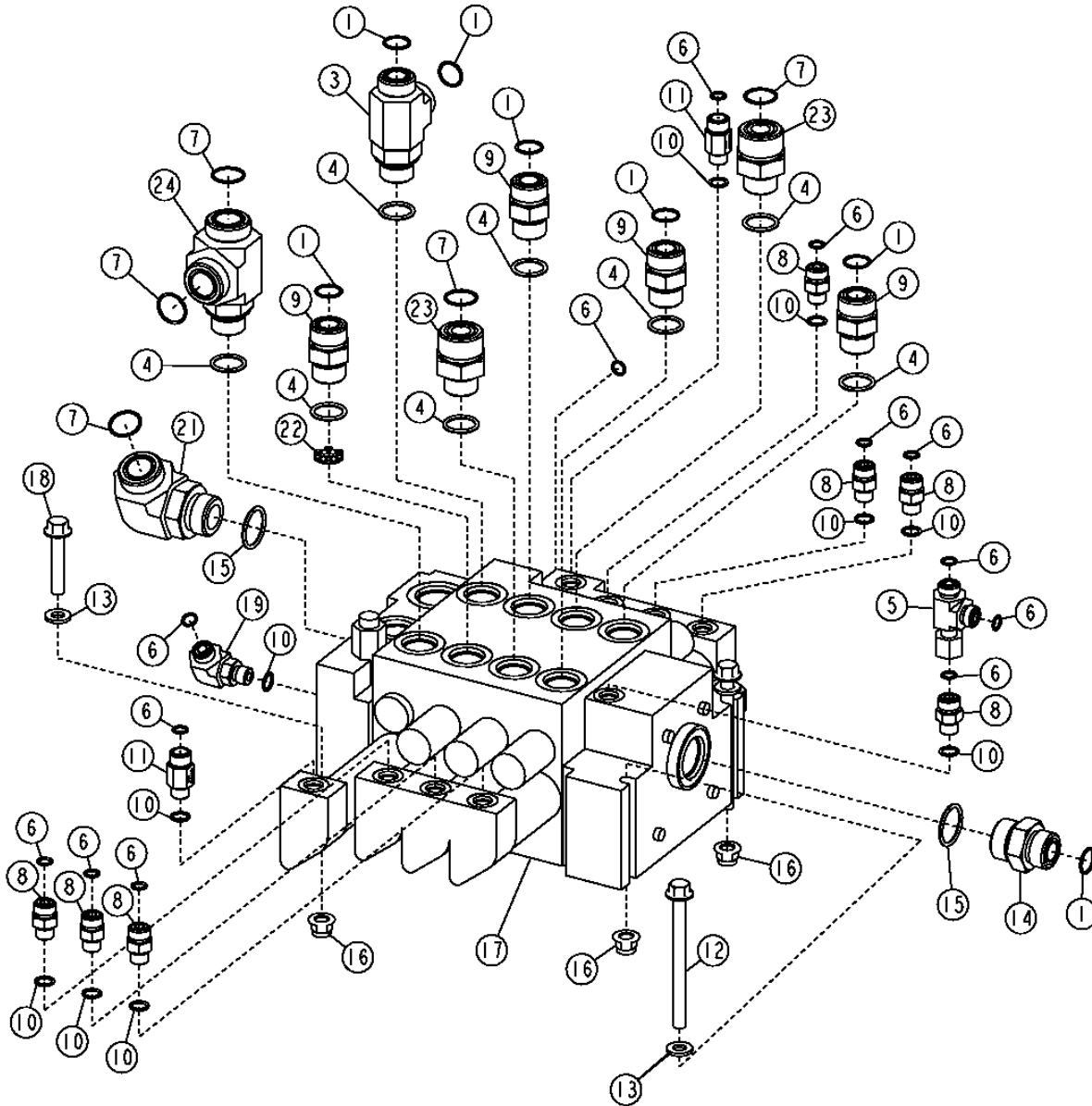
KEY	PART NO.	PART NAME	QTY.	SERIAL NO.	REMARKS
1	14M7400	LOCK NUT	3		M10
2	19M7944	SCREW	2		M10 X 120
3	19M8528	SCREW	1		M10 X 55
4	24M7239	WASHER	3		10.700 X 21 X 2.500 MM
5	38H1004	ELBOW FITTING	1		
6	38H1026	TEE FITTING	1		
7	38H1030	TEE FITTING	1		
8	38H1033	TEE FITTING	2		
9	38H1160	ADAPTER FITTING	5		
10	38H1163	ADAPTER FITTING	4		
11	38H1194	ADAPTER FITTING	1		
12	38H1196	ADAPTER FITTING	1		
13	38H1572	TEE FITTING	1		
14	AT220096	CHECK VALVE	2		
15	AT225788	HYD ACTUATED CONTROL VALVE	1		
16	R26448	O-RING	8		
17	R29936	O-RING	2		
18	T76938	O-RING	2		
19	T77613	O-RING	11		
20	T77858	O-RING	11		
21	T78612	O-RING	1		
22	U12547	O-RING	6		

3160-14

FOUR SPOOL LOADER CONTROL VALVE (S.N. -594332)
DISTRIBUTEUR CHARGEUR QUATRE TIROIRS (S.N. -594332)
VALVULA DE CONTROL DE LA CARGADORA DE CUATRO CARRETES (S.N. -594332)

T194464

-UN-02SEP03



T194464

THIS PARTS LISTING IS CONTINUED

3160-15

LOADER 31

LOADER HYDRAULICS 3160

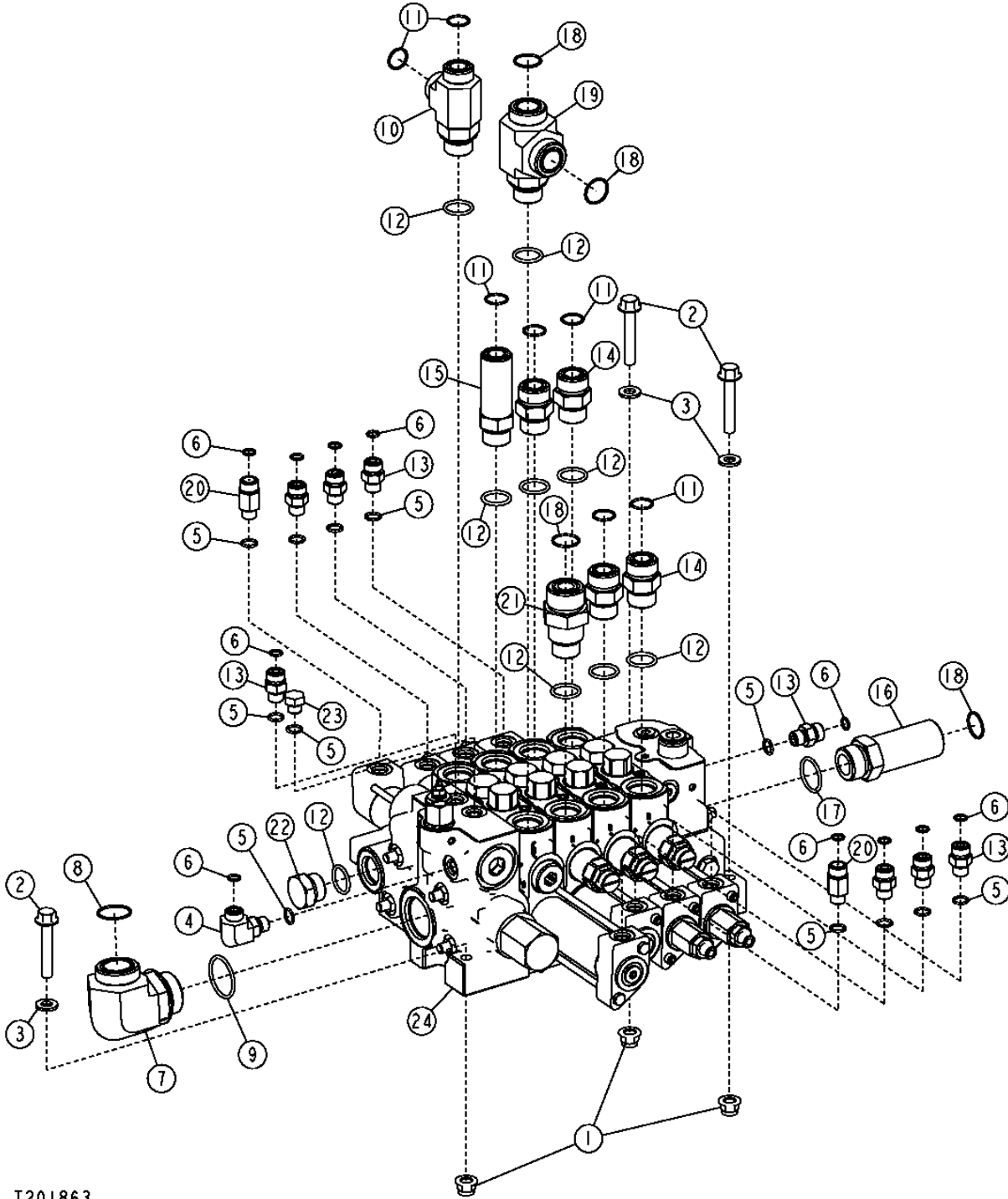
FOUR SPOOL LOADER CONTROL VALVE (S.N. -594332)
DISTRIBUTEUR CHARGEUR QUATRE TIROIRS (S.N. -594332)
VALVULA DE CONTROL DE LA CARGADORA DE CUATRO CARRETES (S.N. -594332)

KEY	PART NO.	PART NAME	QTY.	SERIAL NO.	REMARKS
1	T77858	O-RING	7		
3	38H1026	TEE FITTING	1		
4	U12547	O-RING	8		
5	38H1030	TEE FITTING	1		
6	T77613	O-RING	13		
7	T76938	O-RING	5		
8	38H1160	ADAPTER FITTING	7		
9	38H1163	ADAPTER FITTING	4		
10	R26448	O-RING	10		
11	AT220096	CHECK VALVE	2		
12	19M7944	SCREW	2		M10 X 120
13	24M7239	WASHER	3		10.700 X 21 X 2.500 MM
14	38H1194	ADAPTER FITTING	1		
15	R29936	O-RING	2		
16	14M7400	LOCK NUT	3		M10
17	AT225786	SPOOL VALVE	1		
18	19M8528	SCREW	1		M10 X 55
19	38H1004	ELBOW FITTING	1		
21	38H1037	ELBOW FITTING	1		
22	T176944	ORIFICE	1		
23	38H1179	ADAPTER FITTING	2		
24	38H1572	TEE FITTING	1		

3160-16

FOUR SPOOL LOADER CONTROL VALVE (S.N. 594333-)
DISTRIBUTEUR CHARGEUR QUATRE TIROIRS (S.N. 594333-)
VALVULA DE CONTROL DE LA CARGADORA DE CUATRO CARRETES (S.N. 594333-)

T201863 -UN-09AUG04



T201863

THIS PARTS LISTING IS CONTINUED

3160-17

LOADER 31

LOADER HYDRAULICS 3160

FOUR SPOOL LOADER CONTROL VALVE (S.N. 594333-)
DISTRIBUTEUR CHARGEUR QUATRE TIROIRS (S.N. 594333-)
VALVULA DE CONTROL DE LA CARGADORA DE CUATRO CARRETES (S.N. 594333-)

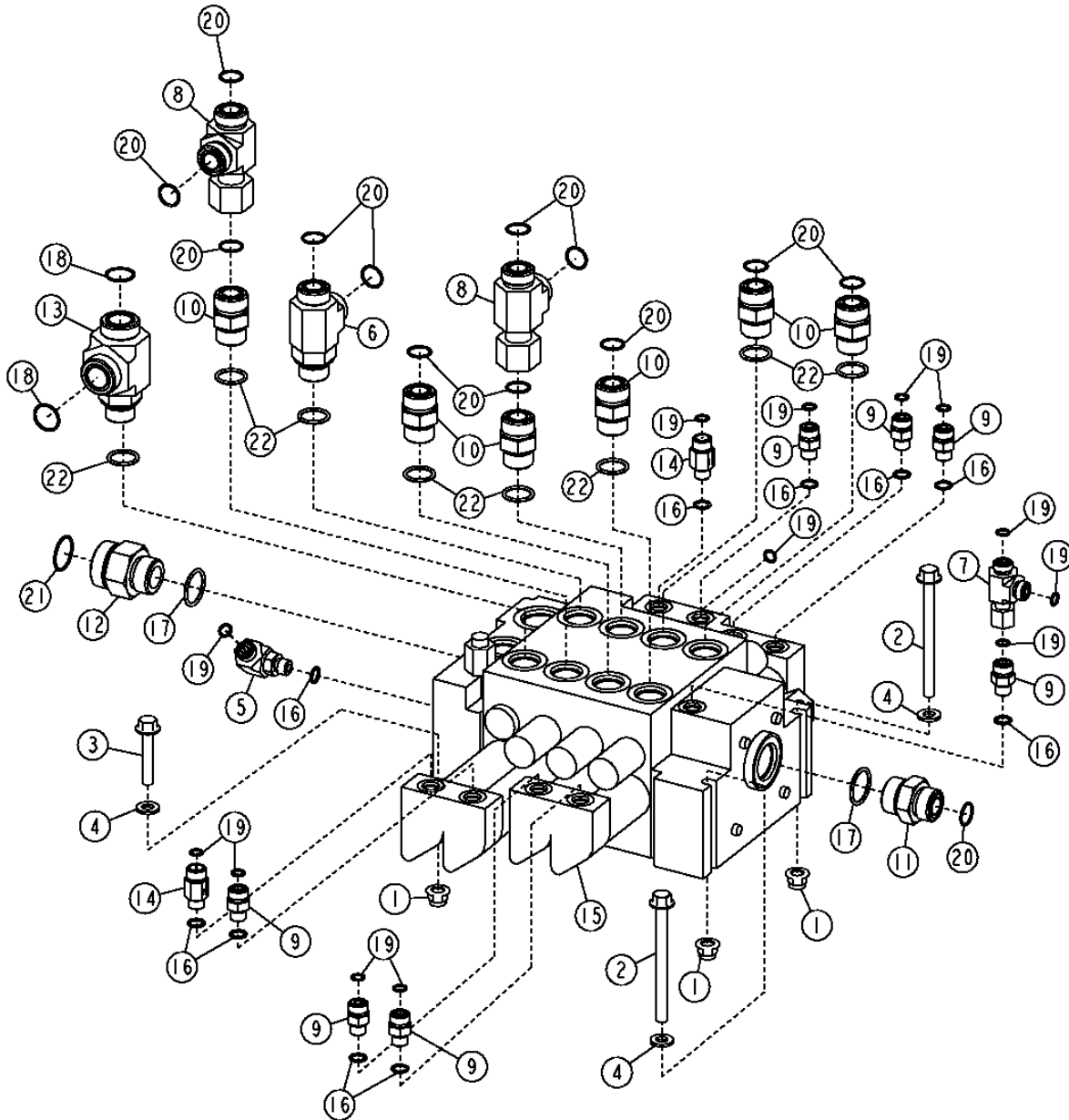
KEY	PART NO.	PART NAME	QTY.	SERIAL NO.	REMARKS
1	14M7400	LOCK NUT	3		M10
2	19M7807	SCREW	3		M10 X 60
3	24M7239	WASHER	3		10.700 X 21 X 2.500 MM
4	38H1004	ELBOW FITTING	1		
5	R26448	O-RING	6		0.468" X 5/64"
6	T77613	O-RING	4		0.364" X 0.070"
7	38H1008	ELBOW FITTING	1		
8	T78612	O-RING	1		1.176" X 0.070"
9	U13639	O-RING	1		1.475" X 0.118"
10	38H1026	TEE FITTING	1		
11	T77858	O-RING	4		
12	U12547	O-RING	6		
13	38H1160	ADAPTER FITTING	1		
14	38H1163	ADAPTER FITTING	1		
15	38H1215	ADAPTER FITTING	1		
16	38H1216	ADAPTER FITTING	1		
17	R29936	O-RING	1		
18	T76938	O-RING	3		
19	38H1572	TEE FITTING	1		
20	AT220096	CHECK VALVE	2		
21	T210479	FITTING	1		
22	R27175	DRAIN PLUG	1		
23	R27218	FITTING PLUG	1		
24	AT308389	HYD ACTUATED CONTROL VALVE	1		
..	AT314026	ROD	1		(FOUR SPOOL STUD ASSEMBLY) (NOT ILLUSTRATED)

3160-18

FOUR SPOOL TOOL CARRIER CONTROL VALVE DISTRIBUTEUR CHARGEUR QUATRE TIROIRS VALVULA DE CONTROL DE LA CARGADORA DE CUATRO CARRETES

T194465

-UN-04SEP03



T194465

THIS PARTS LISTING IS CONTINUED

3160-19

LOADER 31

LOADER HYDRAULICS 3160

FOUR SPOOL TOOL CARRIER CONTROL VALVE
DISTRIBUTEUR CHARGEUR QUATRE TIROIRS
VALVULA DE CONTROL DE LA CARGADORA DE CUATRO CARRETES

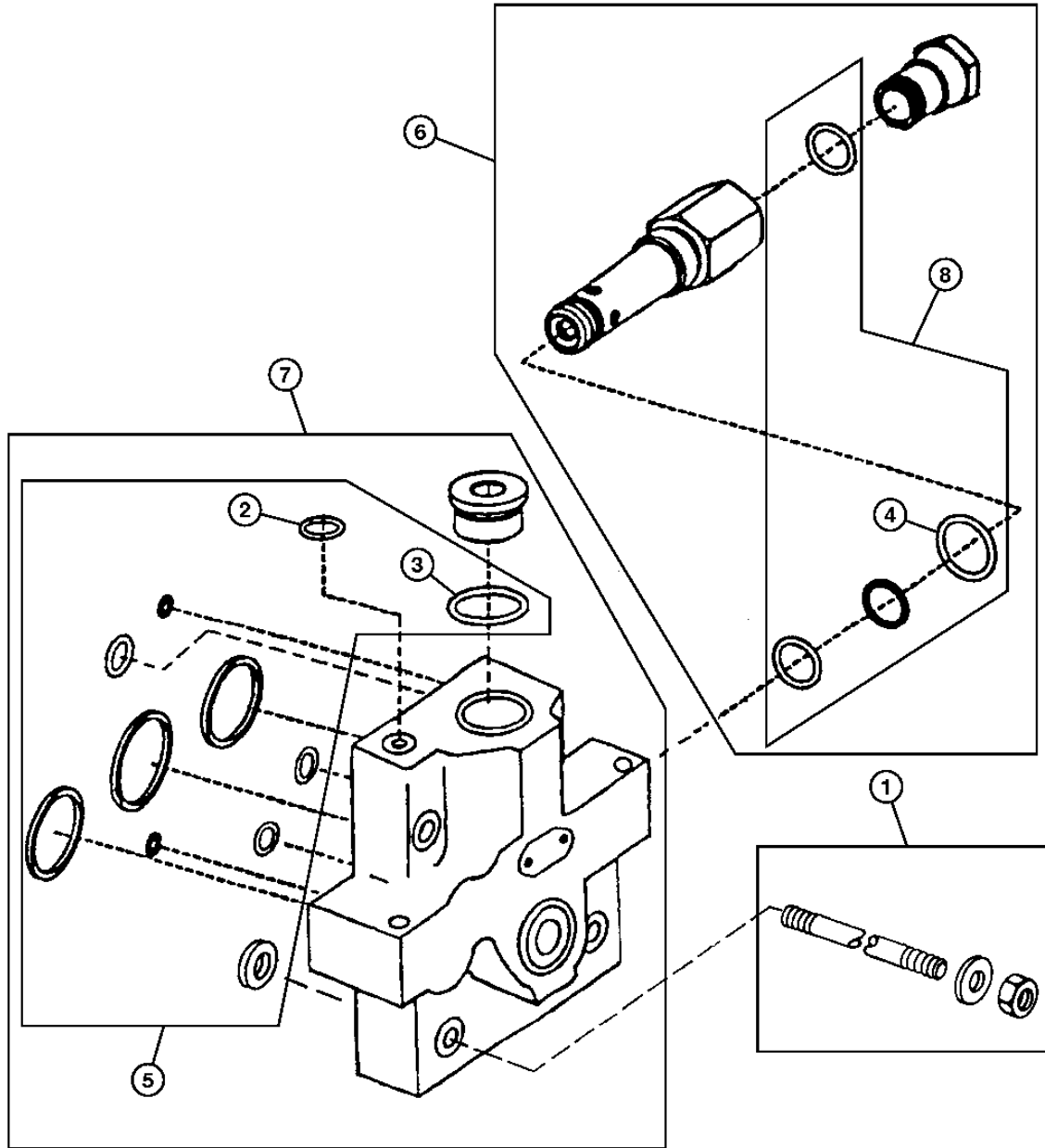
KEY	PART NO.	PART NAME	QTY.	SERIAL NO.	REMARKS
1	14M7400	LOCK NUT	3		M10
2	19M7944	SCREW	2		M10 X 120
3	19M8528	SCREW	1		M10 X 55
4	24M7239	WASHER	3		10.700 X 21 X 2.500 MM
5	38H1004	ELBOW FITTING	1		
6	38H1026	TEE FITTING	1		
7	38H1030	TEE FITTING	1		
8	38H1033	TEE FITTING	2		
9	38H1160	ADAPTER FITTING	7		
10	38H1163	ADAPTER FITTING	6		
11	38H1194	ADAPTER FITTING	1		
12	38H1196	ADAPTER FITTING	1		
13	38H1572	TEE FITTING	1		
14	AT220096	CHECK VALVE	2		
15	AT225789	SPOOL VALVE	1		
16	R26448	O-RING	10		
17	R29936	O-RING	2		
18	T76938	O-RING	2		
19	T77613	O-RING	13		
20	T77858	O-RING	13		
21	T78612	O-RING	1		
22	U12547	O-RING	8		

3160-20

INLET VALVE SECTION WITH RELIEF VALVE (S.N. -594432)
SECTION DISTRIBUTEUR ENTREE AVEC CLAPET DECHARGE (S.N. -594432)
SECCION DE VALVULA DE ENTRADA CON VALVULA DE ALIVIO (S.N. -594432)

T195338

-UN-21OCT03



T195338

THIS PARTS LISTING IS CONTINUED

3160-21

LOADER 31

LOADER HYDRAULICS 3160

INLET VALVE SECTION WITH RELIEF VALVE (S.N. -594432)
SECTION DISTRIBUTEUR ENTREE AVEC CLAPET DECHARGE (S.N. -594432)
SECCION DE VALVULA DE ENTRADA CON VALVULA DE ALIVIO (S.N. -594432)

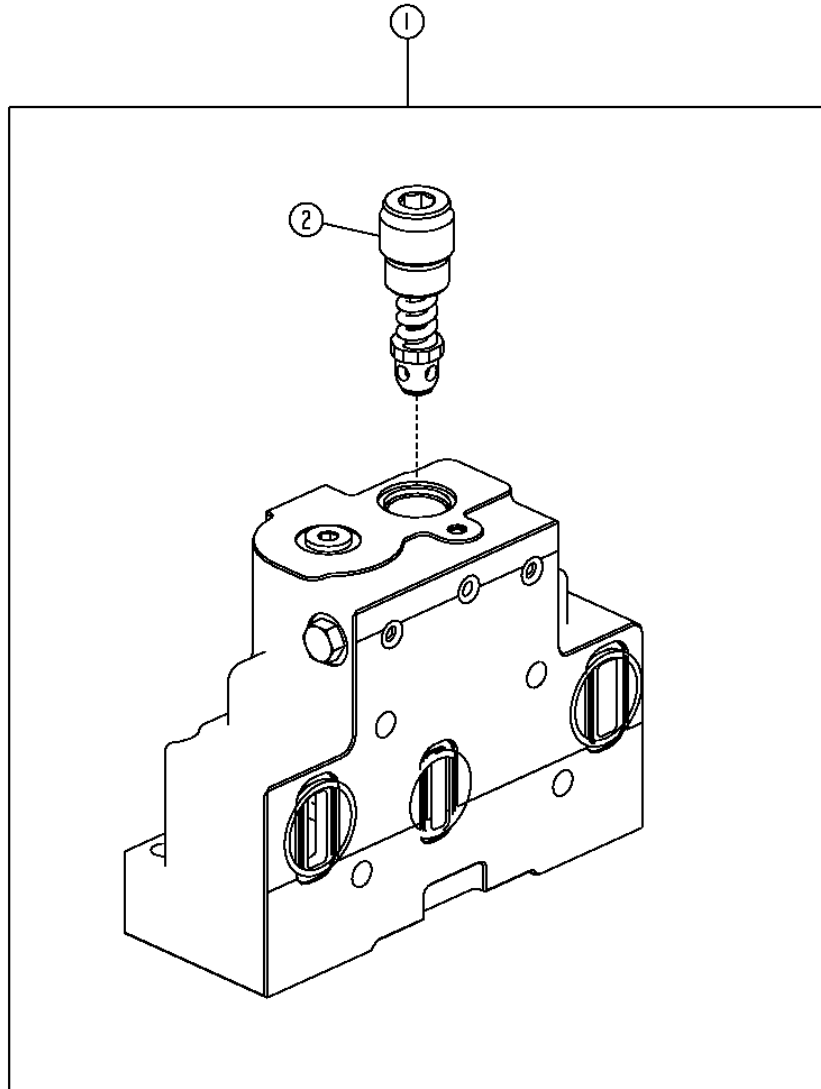
KEY	PART NO.	PART NAME	QTY.	SERIAL NO.	REMARKS
1	T161584	ROD	4		(TWO SPOOL VALVE)
	AT209751	ROD	4		(THREE SPOOL VALVE)
	AT105438	ROD	4		(SUB FOR AT209749) (FOUR SPOOL VALVE)
2	R26448	O-RING	1		
3	R29936	O-RING	1		
4	U12547	O-RING	1		
5	AT179936	SEAL KIT	1		(INLET SECTION SEAL KIT)
6	AT209811	PRESSURE RELIEF VALVE	1		
7	AT209823	MANIFOLD	1		INLET SECTION
8	AT169157	SEAL KIT	1		(INCLUDES U12547) MAIN RELIEF VALVE SEAL KIT

3160-22

INLET VALVE SECTION WITH RELIEF VALVE (S.N. 594333-)
SECTION DISTRIBUTEUR ENTREE AVEC CLAPET DECHARGE (S.N. 594333-)
SECCION DE VALVULA DE ENTRADA CON VALVULA DE ALIVIO (S.N. 594333-)

T202329

-UN-26AUG04



T202329

THIS PARTS LISTING IS CONTINUED

3160-23

LOADER 31

LOADER HYDRAULICS 3160

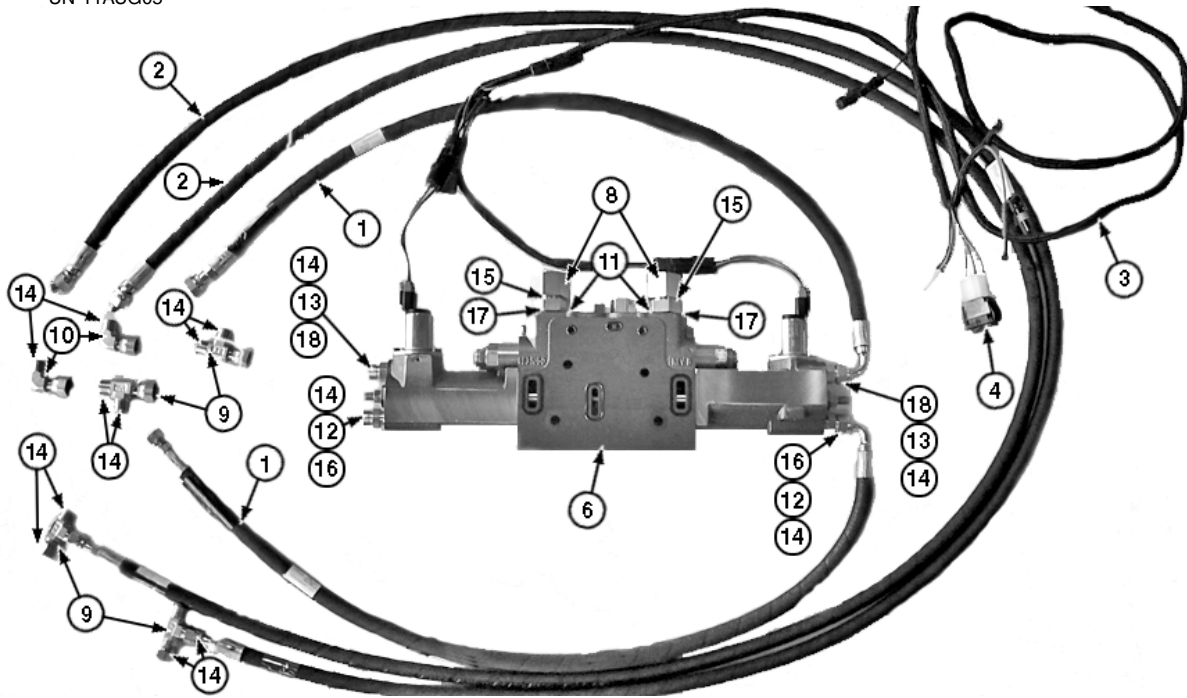
INLET VALVE SECTION WITH RELIEF VALVE (S.N. 594333-)
SECTION DISTRIBUTEUR ENTREE AVEC CLAPET DECHARGE (S.N. 594333-)
SECCION DE VALVULA DE ENTRADA CON VALVULA DE ALIVIO (S.N. 594333-)

KEY	PART NO.	PART NAME	QTY.	SERIAL NO.	REMARKS
1	AT314008	VALVE	1		
	AT314017	SEAL KIT	1		(INLET SECTION AND INTERFACE SEAL KIT)
2	AT314015	PRESSURE RELIEF VALVE	1		
3	AT314016	ORIFICE	1		(NOT ILLUSTRATED)

3160-28

ELECTRIC FIFTH FUNCTION CINQUIEME FONCTION ELECTRIQUE QUINTA FUNCION ELECTRICA

T213117A -UN-11AUG05



3160-29

LOADER 31

LOADER HYDRAULICS 3160

ELECTRIC FIFTH FUNCTION
CINQUIEME FONCTION ELECTRIQUE
QUINTA FUNCION ELECTRICA

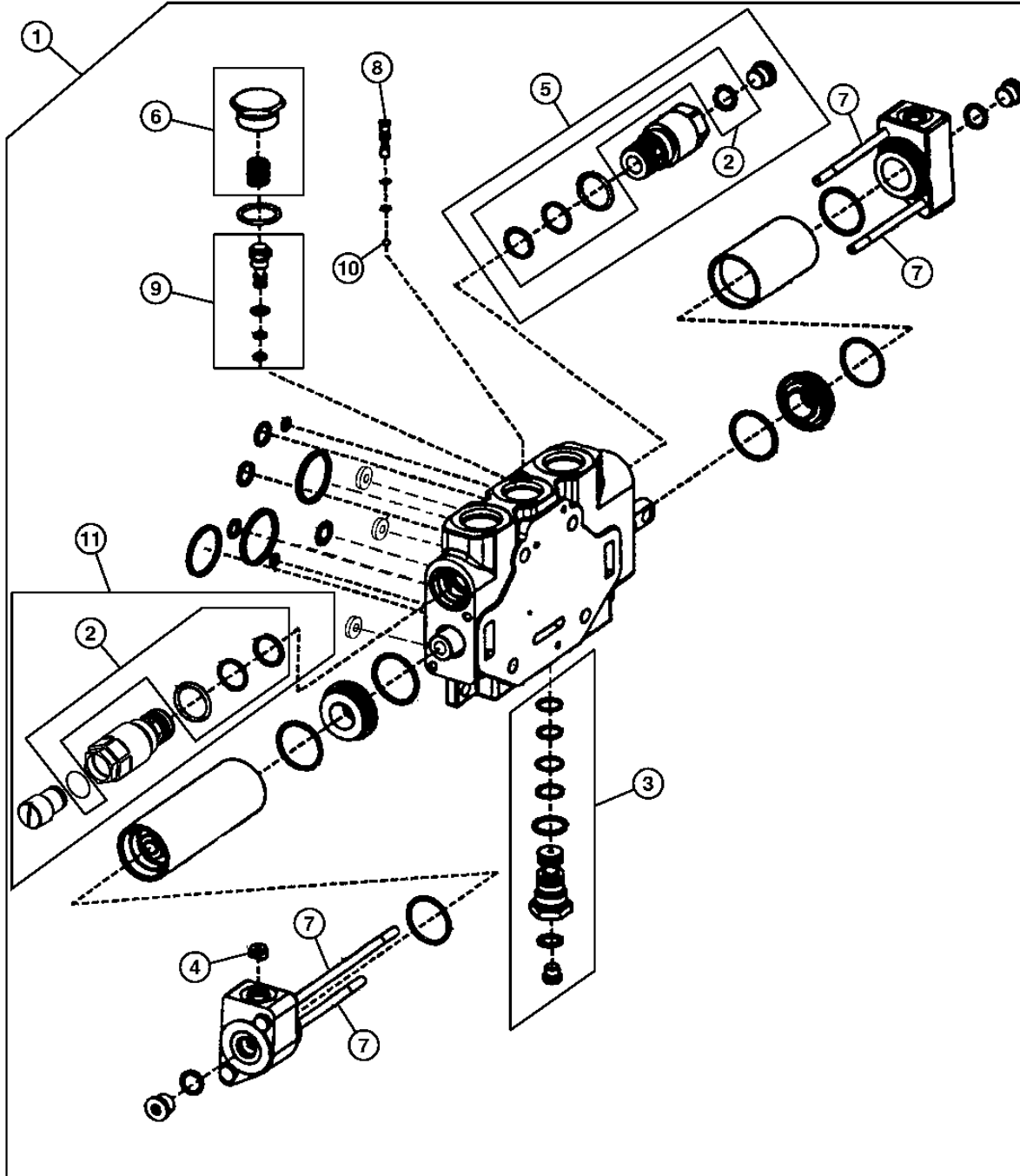
KEY	PART NO.	PART NAME	QTY.	SERIAL NO.	REMARKS
1	AT166149	HYDRAULIC HOSE - FABRICATE	2		
2	AT207096	HYDRAULIC HOSE - FABRICATE	2		
3	AT211219	WIRING HARNESS	1		
4	AT219757	TOGGLE/ROCKER SWITCH	1		
	AT220526	SWITCH	1		
5	AT314013	SEAL KIT	1		(NOT ILLUSTRATED)
6	AT316315	SOLENOID VALVE	1		
7	AT318915	HYDRAULIC HOSE - FABRICATE	1		(NOT ILLUSTRATED)
8	38H1418	FITTING	2		
9	38H1030	TEE FITTING	4		
10	38H1094	ELBOW FITTING	2		
11	38H1163	ADAPTER FITTING	2		
12	38H1309	ADAPTER FITTING	2		
13	38H1160	ADAPTER FITTING	2		
14	T77613	O-RING	14		
15	T77858	O-RING	2		
16	R26448	O-RING	2		
17	U12547	O-RING	2		
18	R28782	O-RING	2		

3160-30

BUCKET VALVE SECTION (S.N. -594432)
SECTION VERIN BENNE (S.N. -594432)
SECCION DE LA VALVULA DEL CUCHARON (S.N. -594432)

T194574

-UN-16OCT03



T194574

THIS PARTS LISTING IS CONTINUED

3160-31

LOADER 31

LOADER HYDRAULICS 3160

BUCKET VALVE SECTION (S.N. -594432)
SECTION VERIN BENNE (S.N. -594432)
SECCION DE LA VALVULA DEL CUCHARON (S.N. -594432)

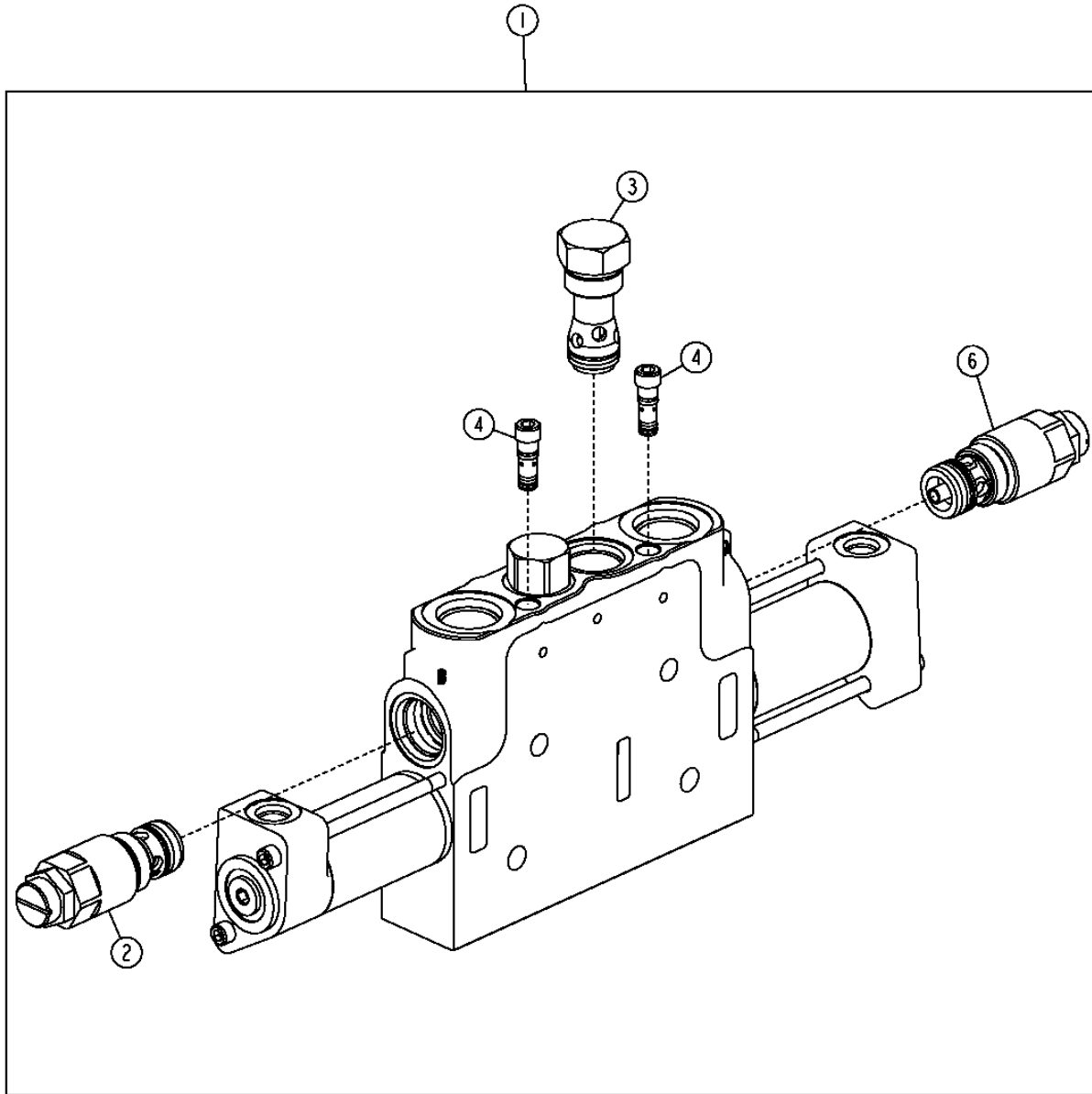
KEY	PART NO.	PART NAME	QTY.	SERIAL NO.	REMARKS
1	AT221094	SPOOL VALVE	1		
	AT222964	SPOOL VALVE	1		(FOR USE WITH TOOL CARRIER ONLY)
	AT179941	SEAL KIT	1		(WORK SECTION SEAL KIT)
	AT211574	SEAL KIT	1		(INTERFACE SEAL KIT)
2	AT209748	SEAL KIT	2		(RELIEF VALVE SEAL KIT)
3	AT209758	CHECK VALVE	1		
4	T169955	ORIFICE	1		
5	AT209750	PRESSURE RELIEF VALVE	1		
6	AT220830	HOSE KIT	1		(SPRING AND PLUG KIT)
7	19H3724	SCREW	4		
8	T172562	CHECK VALVE	1		
9	AT220828	COMPENSATOR	1		
10	A4742R	BALL	1		
11	AT211547	PRESSURE RELIEF VALVE	1		(FOR USE WITH TOOL CARRIER ONLY)(SUB AT209750 FOR NON TOOL CARRIER VALVE)

3160-32

BUCKET VALVE SECTION (S.N. 594433-)
SECTION VERIN BENNE (S.N. 594433-)
SECCION DE LA VALVULA DEL CUCHARON (S.N. 594433-)

T202330

-UN-26AUG04



T202330

THIS PARTS LISTING IS CONTINUED

3160-33

LOADER 31

LOADER HYDRAULICS 3160

BUCKET VALVE SECTION (S.N. 594433-)
SECTION VERIN BENNE (S.N. 594433-)
SECCION DE LA VALVULA DEL CUCHARON (S.N. 594433-)

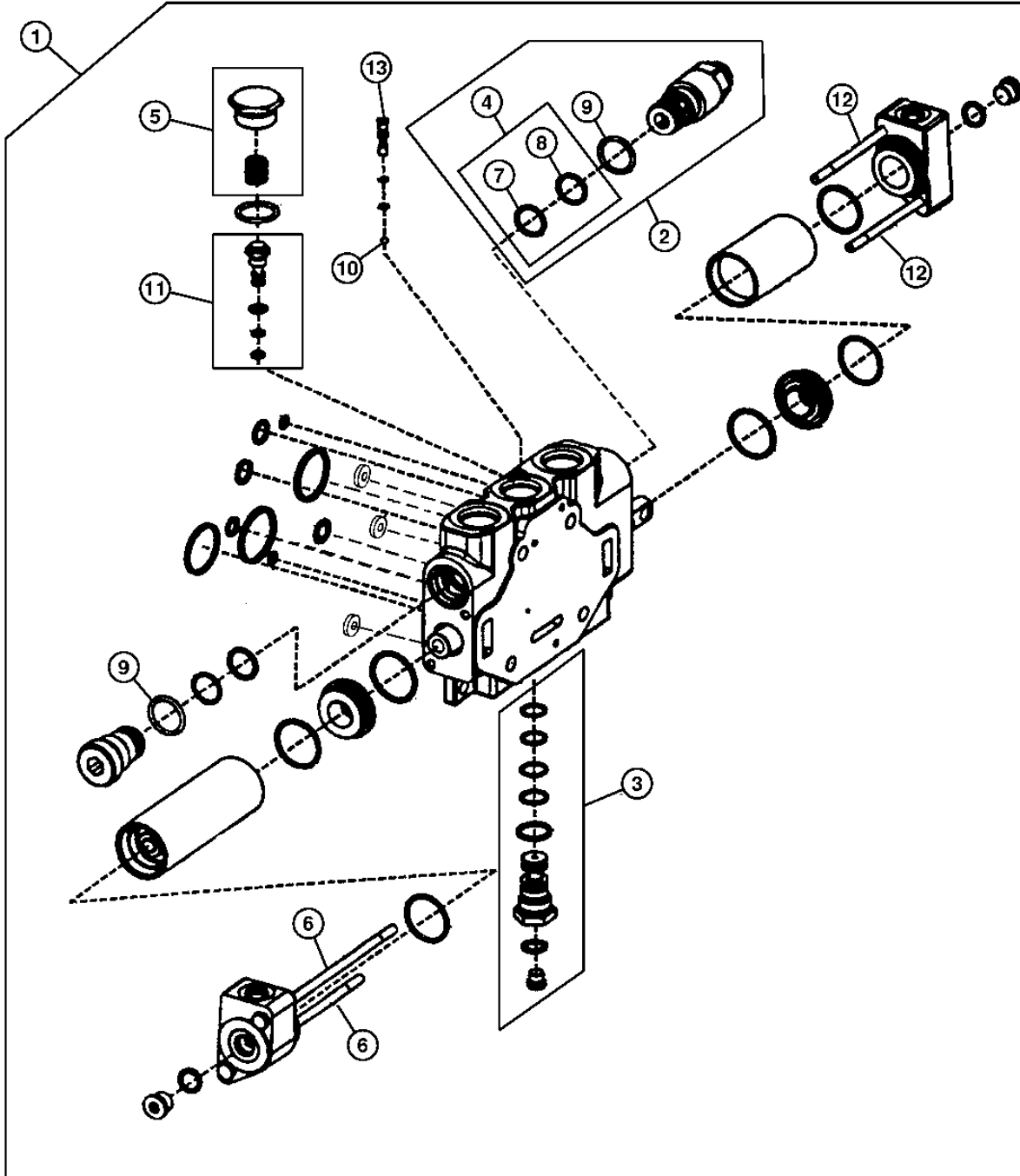
KEY	PART NO.	PART NAME	QTY.	SERIAL NO.	REMARKS
1	AT314009	VALVE	1		
	AT314013	SEAL KIT	1		(WORK SECTION AND INTERFACE SEAL KIT)
2	AT314010	BALL COCK VALVE	1		
3	AT314011	VALVE	1		
4	AT314012	VALVE	2		
6	AT315331	PRESSURE RELIEF VALVE	1		
..	AT314014	HYDRAULIC CYLINDER CAP	1		(PILOT END CAP SEAL KIT)

3160-34

BOOM VALVE SECTION (S.N. -594432)
SECTION VERIN FLECHE (S.N. -594432)
SECCION DE LA VALVULA DEL AGUILON (S.N. -594432)

T195459

-UN-13OCT03



T195459

THIS PARTS LISTING IS CONTINUED

3160-35

LOADER 31

LOADER HYDRAULICS 3160

BOOM VALVE SECTION (S.N. -594432)
SECTION VERIN FLECHE (S.N. -594432)
SECCION DE LA VALVULA DEL AGUILON (S.N. -594432)

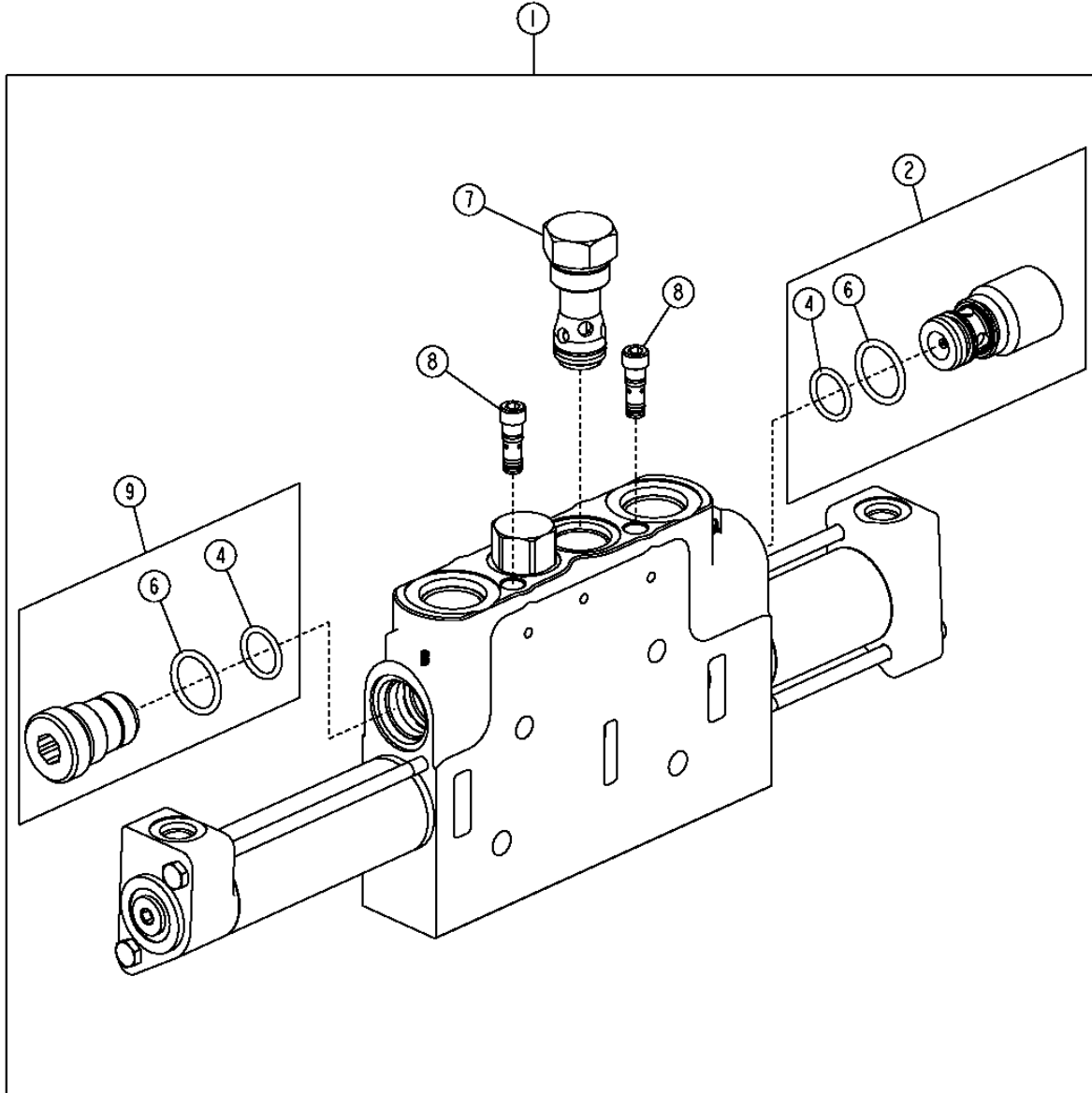
KEY	PART NO.	PART NAME	QTY.	SERIAL NO.	REMARKS
1	AT224135	SPOOL VALVE	1		
	AT179941	SEAL KIT	1		(WORK SECTION SEAL KIT)
	AT211574	SEAL KIT	1		(INTERFACE SEAL KIT)
2	AT221506	HYD ACTUATED CONTROL VALVE	1		
3	AT209758	CHECK VALVE	1		
4	AT170991	O-RING KIT	1		(RELIEF EXTERNAL SEAL KIT)
	U12547	O-RING	1		(INCLUDED IN AT170991 KIT)
5	AT220830	HOSE KIT	1		(SPRING AND PLUG KIT)
6	CAP SCREW	2		(SUB 19H3724)
7	AT124574	O-RING	1		
8	T154187	BACK-UP RING	1		
9	U12547	O-RING	2		
10	A4742R	BALL	1		
11	AT220826	COMPENSATOR	1		
12	T171072	CAP SCREW	2		(SUB FOR 19H3724)
13	T172562	CHECK VALVE	1		

3160-36

BOOM VALVE SECTION (S.N. 594433-)
SECTION VERIN FLECHE (S.N. 594433-)
SECCION DE LA VALVULA DEL AGUILON (S.N. 594433-)

T202331

-UN-26AUG04



T202331

THIS PARTS LISTING IS CONTINUED

3160-37

LOADER 31

LOADER HYDRAULICS 3160

BOOM VALVE SECTION (S.N. 594433-)
SECTION VERIN FLECHE (S.N. 594433-)
SECCION DE LA VALVULA DEL AGUILON (S.N. 594433-)

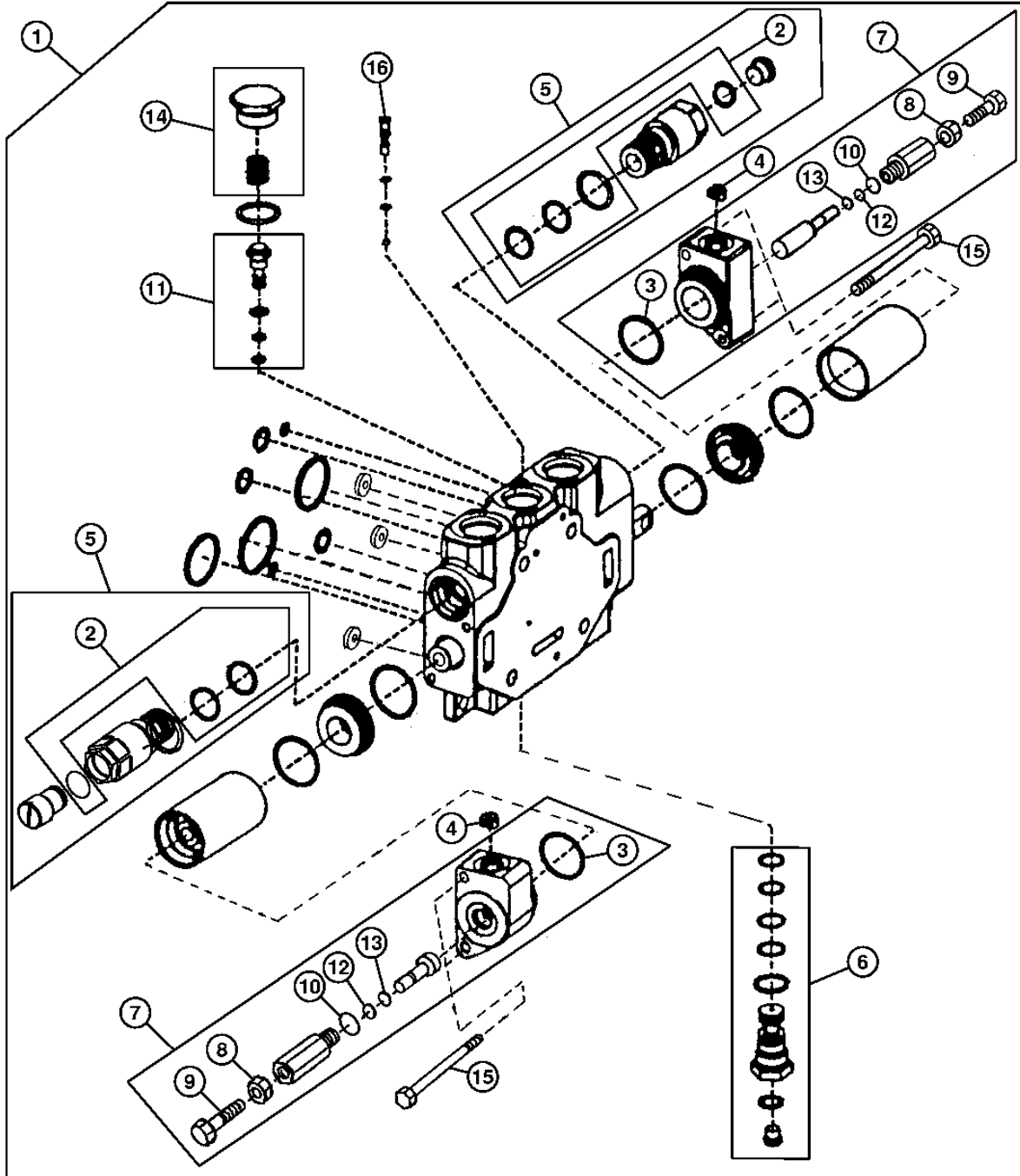
KEY	PART NO.	PART NAME	QTY.	SERIAL NO.	REMARKS
1	AT314018	VALVE	1		
	AT314013	SEAL KIT	1		(WORK SECTION AND INTERFACE SEAL KIT)
2	AT104051	POPPET	1		
	AT103440	KIT	1		(ANTI-CAVITY VALVE SEAL KIT)
4	AT124574	O-RING	1		
6	U12547	O-RING	2		
7	AT314011	VALVE	1		
8	AT314012	VALVE	1		
9	AT314019	VALVE	2		
..	AT314020	HYDRAULIC CYLINDER CAP	1		(PILOT END CAP SEAL KIT)

3160-38

AUXILIARY VALVE SECTION (S.N. -594432)
SECTION DISTRIBUTEUR AUXILIAIRE (S.N. -594432)
SECCION DE VALVULA AUXILIAR (S.N. -594432)

T195465

-UN-16OCT03



T195465

THIS PARTS LISTING IS CONTINUED

3160-39

LOADER 31

LOADER HYDRAULICS 3160

AUXILIARY VALVE SECTION (S.N. -594432)
SECTION DISTRIBUTEUR AUXILIAIRE (S.N. -594432)
SECCION DE VALVULA AUXILIAR (S.N. -594432)

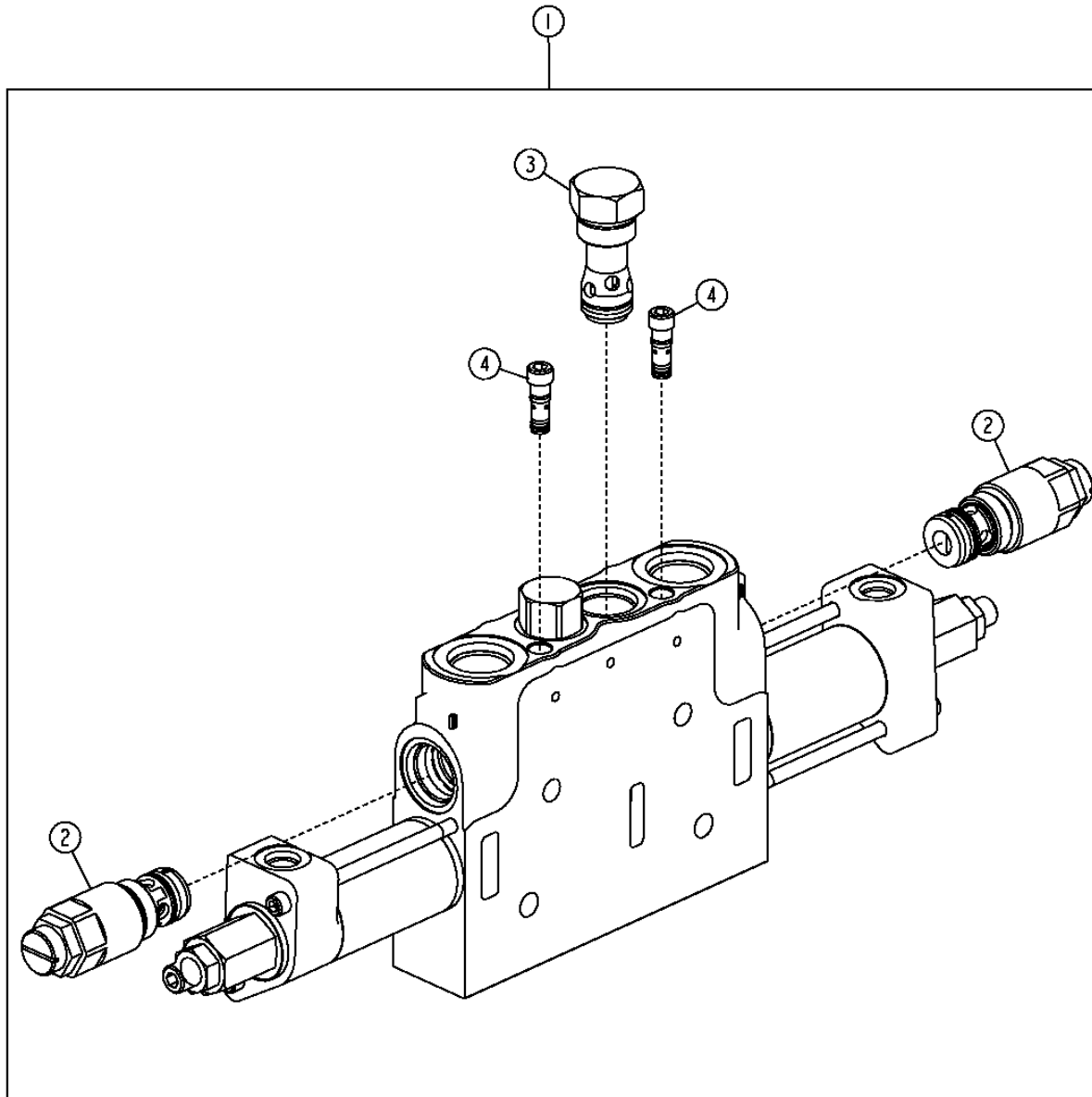
KEY	PART NO.	PART NAME	QTY.	SERIAL NO.	REMARKS
1	AT220173	HYD ACTUATED CONTROL VALVE	1		
	AT179941	SEAL KIT	1		(WORK SECTION SEAL KIT)
2	AT209748	SEAL KIT	2		(RELIEF VALVE SEAL KIT)
3	H84318	O-RING	2		
4	T169955	ORIFICE	2		
5	AT209750	PRESSURE RELIEF VALVE	2		
6	AT209758	CHECK VALVE	1		
7	AT220035	HOSE KIT	1		
8	14H856	NUT	2		1/2"
9	22H1022	SET SCREW	2		1/2" X 1-1/2"
10	R26906	O-RING	2		
11	AT220826	COMPENSATOR	1		
12	R61463	BACK-UP RING	2		
13	T77814	O-RING	2		
14	AT220830	HOSE KIT	1		
15	19H3724	SCREW	8		
16	T172562	CHECK VALVE	1		

3160-40

AUXILIARY VALVE SECTION (S.N. 594433-)
SECTION DISTRIBUTEUR AUXILIAIRE (S.N. 594433-)
SECCION DE VALVULA AUXILIAR (S.N. 594433-)

T202332

-UN-26AUG04



T202332

THIS PARTS LISTING IS CONTINUED

3160-41

LOADER 31

LOADER HYDRAULICS 3160

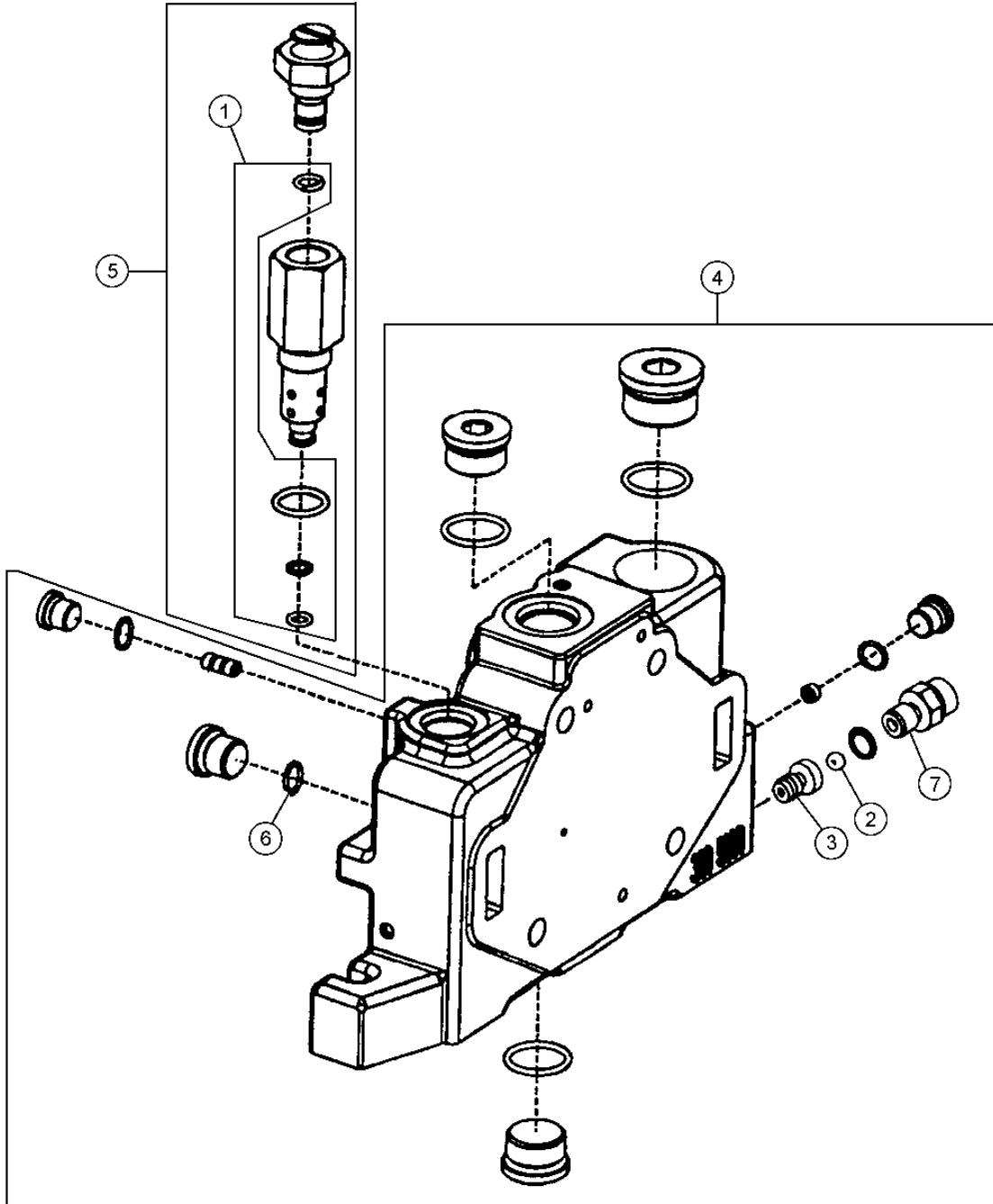
AUXILIARY VALVE SECTION (S.N. 594433-)
SECTION DISTRIBUTEUR AUXILIAIRE (S.N. 594433-)
SECCION DE VALVULA AUXILIAR (S.N. 594433-)

KEY	PART NO.	PART NAME	QTY.	SERIAL NO.	REMARKS
1	AT314046	VALVE	1		
	AT314013	SEAL KIT	1		(WORK SECTION AND INTERFACE SEAL KIT)
2	AT209750	PRESSURE RELIEF VALVE	2		
	AT209748	SEAL KIT	2		(RELIEF VALVE SEAL KIT)
3	AT314011	VALVE	1		
4	AT314012	VALVE	2		
..	AT314021	HYDRAULIC CYLINDER CAP	1		(PILOT CONTROL END CAP SEAL KIT) (NOT ILLUSTRATED)

3160-42

OUTLET VALVE SECTION (S.N. -594432)
SECTION SOUPAPE SORTIE (S.N. -594432)
SECCION DE VALVULA DE SALIDA (S.N. -594432)

T195466 -UN-13OCT03



T195466

3160-43

LOADER 31

LOADER HYDRAULICS 3160

OUTLET VALVE SECTION (S.N. -594432)
SECTION SOUPAPE SORTIE (S.N. -594432)
SECCION DE VALVULA DE SALIDA (S.N. -594432)

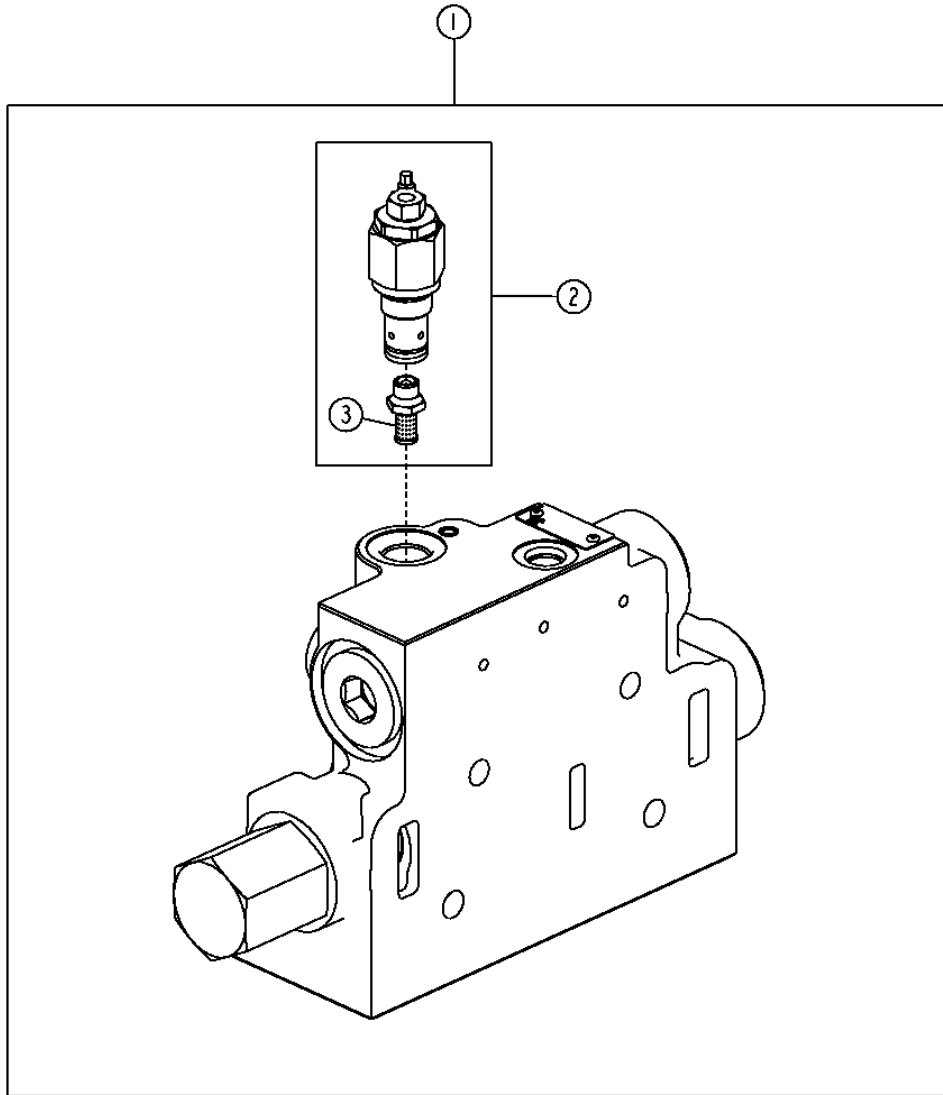
KEY	PART NO.	PART NAME	QTY.	SERIAL NO.	REMARKS
1	AT179935	SEAL KIT	1		(LOAD SENSE RELIEF VALVE SEAL KIT)
2	JD38714	BALL	1		
3	T172579	CHECK VALVE	1		
4	AT225798	ORIFICE	1		(OUTLET SECTION)
	AT179934	SEAL KIT	1		(OUTLET SECTION SEAL KIT)
5	AT225800	FLOW CONTROL HYD. VALVE	1		(LOAD SENSE RELIEF VALVE)
6	R26448	O-RING	1		
7	T172712	FITTING	1		

3160-44

OUTLET VALVE SECTION (S.N. 594433-)
SECTION SOUPAPE SORTIE (S.N. 594433-)
SECCION DE VALVULA DE SALIDA (S.N. 594433-)

T202333

-UN-26AUG04



T202333

3160-45

LOADER 31

LOADER HYDRAULICS 3160

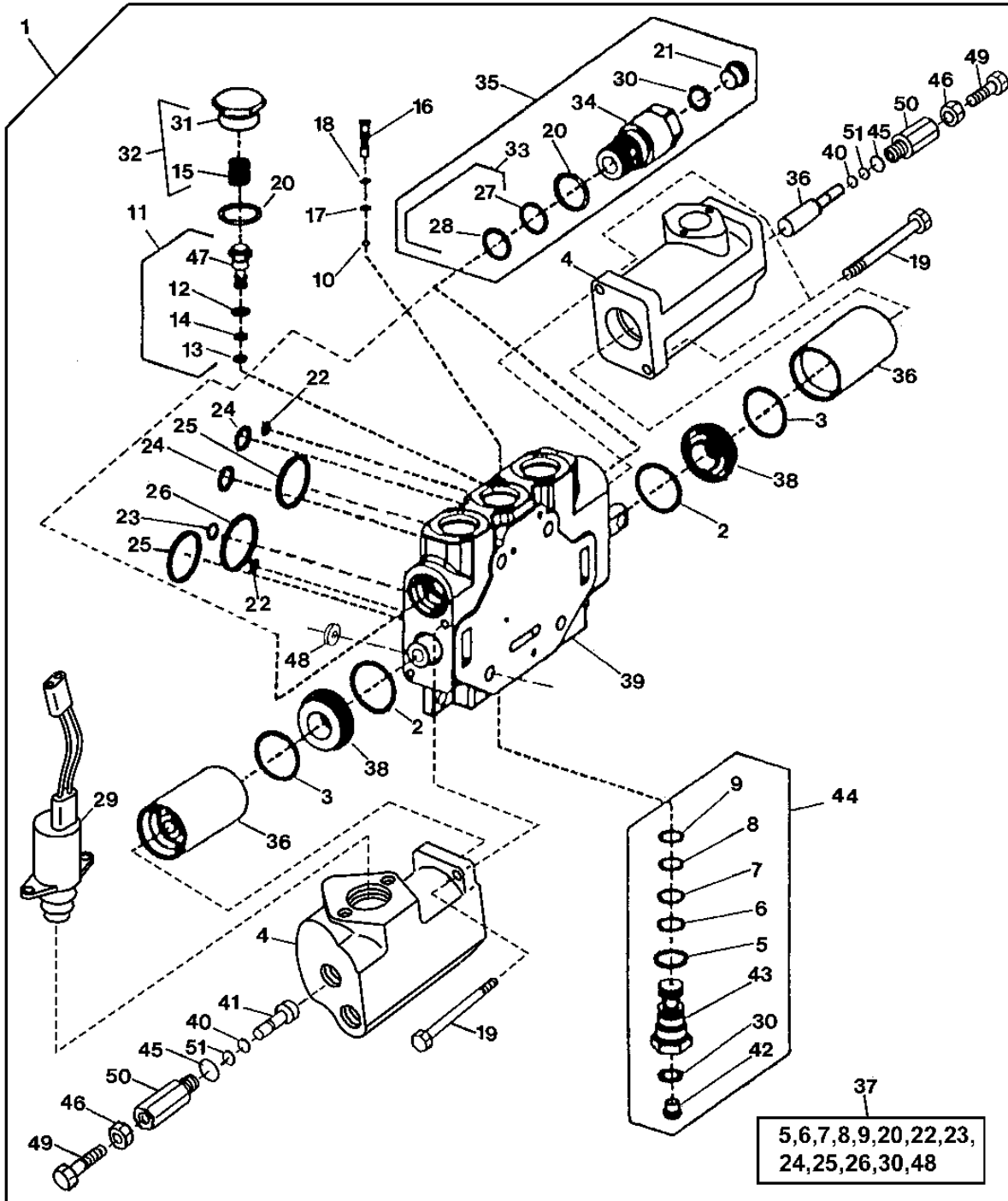
OUTLET VALVE SECTION (S.N. 594433-)
SECTION SOUPAPE SORTIE (S.N. 594433-)
SECCION DE VALVULA DE SALIDA (S.N. 594433-)

KEY	PART NO.	PART NAME	QTY.	SERIAL NO.	REMARKS
1	AT314022	FLOW CONTROL HYD. VALVE	1		
	AT314057	SEAL KIT	1		(OUTLET SECTION AND INTERFACE SEAL KIT)
2	AT332694	PRESSURE RELIEF VALVE	1		(SUB FOR AT314023)
3	AT314025	SCREEN	1		

3160-46

FIFTH FUNCTION VALVE SECTION (SER. NO. - 594432)
 SECTION SOUPAPE CINQUIEME FONCTION (SER. NO. - 594432)
 SECCION DE VALVULA DE QUINTA FUNCION (SER. NO. - 594432)

TP62889 -UN-31AUG00



TP62889

3160-47

LOADER 31

LOADER HYDRAULICS 3160

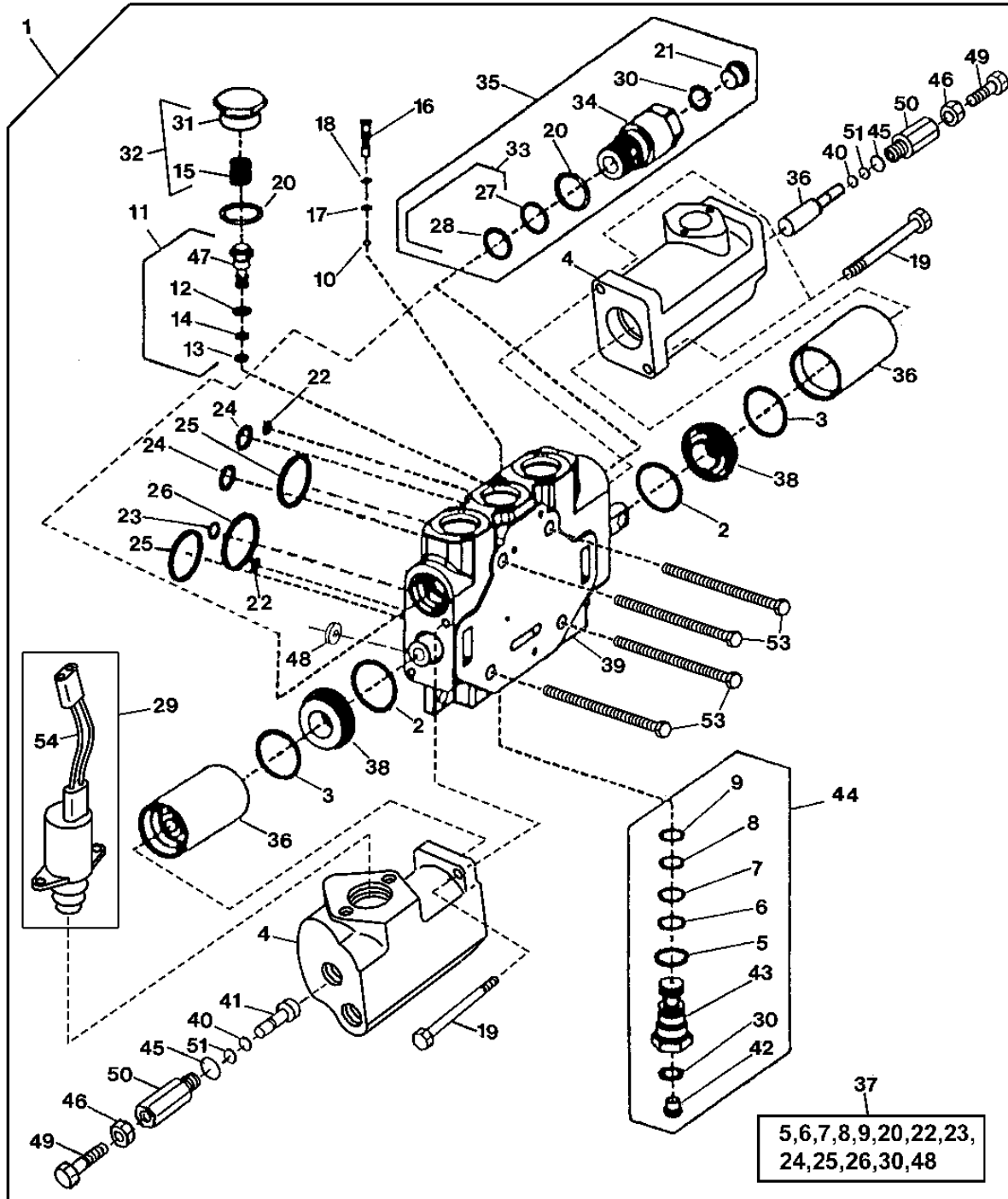
FIFTH FUNCTION VALVE SECTION (SER. NO. - 594432)
 SECTION SOUPAPE CINQUIEME FONCTION (SER. NO. - 594432)
 SECCION DE VALVULA DE QUINTA FUNCION (SER. NO. - 594432)

KEY	PART NO.	PART NAME	QTY.	SERIAL NO.	REMARKS
1	AT307771	FLOW CONTROL HYD. VALVE	1		(WHOLE GOODS) (FIFTH SECTION) (CONTAINS ALL COMPONENTS NECESSARY TO ADD FIFTH AUXILIARY FUNCTION)
2	M4125T	O-RING	2		
3	H84318	O-RING	2		
4	CAP	2		(END)
5	O-RING	1		
6	BACK-UP RING	1		
7	O-RING	1		
8	O-RING	1		
9	BACK-UP RING	1		
10	A4742R	BALL	1		
11	AT220827	COMPENSATOR	1		
12	O-RING	1		
13	O-RING	1		
14	BACK-UP RING	1		
15	SPRING	1		
16	T172562	CHECK VALVE	1		
17	O-RING	1		
18	BACK-UP RING	1		
19	19H3724	SCREW	4		1/4" X 4-1/2"
20	U12547	O-RING	2		
21	PLUG	1		
22	U40962	O-RING	2		
23	O-RING	1		
24	AT216573	O-RING	2		
25	T103465	SEAL	2		
26	AT216571	O-RING	1		
27	BACK-UP RING	2		(SUB AT209750)
28	AT124574	O-RING	2		
29	AT224850	SOLENOID	2		(INCLUDES WIRING HARNESS, AT326581)
30	R26287	O-RING	2		
31	PLUG	1		
32	AT220831	HOSE KIT	1		
33	AT170991	O-RING KIT	2		
	U12547	O-RING	1		(INCLUDED IN AT170991 KIT)
34	VALVE	1		
35	AT209750	PRESSURE RELIEF VALVE	2		
36	PLUNGER	2		
	BUSHING	2		
37	AT179941	SEAL KIT	AR		(SEAL FOR ONE SECTION JOINT)
38	STRUCTURAL TUBING	2		
39	HOUSING	1		(SUB AT316315) (AT219753 NLA)
40	T77814	O-RING	2		
41	PLUNGER	2		
42	PLUG	1		(SUB AT210686)
43	SPOOL	1		(SUB AT210686)
44	AT210686	CHECK VALVE	1		
45	R26906	O-RING	2		
46	14H856	NUT	2		1/2"
47	COMPENSATOR	4		
48	SHIM	1		(ONE SHIM ON EACH TIE-BOLT)
49	22H1022	SET SCREW	2		
50	RELIEF VALVE	2		(SUB AT220035)
51	R61463	BACK-UP RING	2		
53	AT325146	STUD	4		(TIE BOLT)
54	MFWD SOLENOID WRG HARNESS	2	-594432	(SUB AT326581) (AT300858 NLA)
	AT326581	MFWD SOLENOID WRG HARNESS	2	594433-	

3160-47A

FIFTH FUNCTION VALVE SECTION (SER. NO. 594433 -)
 SECTION SOUPAPE CINQUIEME FONCTION (SER. NO. 594433 -)
 SECCION DE VALVULA DE QUINTA FUNCION (SER. NO. 594433 -)

T212663 -UN-11JUL05



T212663

3160-47B

LOADER 31

LOADER HYDRAULICS 3160

FIFTH FUNCTION VALVE SECTION (SER. NO. 594433 -)
 SECTION SOUPAPE CINQUIEME FONCTION (SER. NO. 594433 -)
 SECCION DE VALVULA DE QUINTA FUNCION (SER. NO. 594433 -)

KEY	PART NO.	PART NAME	QTY.	SERIAL NO.	REMARKS
1	AT307771	FLOW CONTROL HYD. VALVE	1		(WHOLE GOODS) (FIFTH SECTION) (CONTAINS ALL COMPONENTS NECESSARY TO ADD FIFTH AUXILIARY FUNCTION)
2	M4125T	O-RING	2		
3	H84318	O-RING	2		
4	CAP	2		(END)
5	O-RING	1		
6	BACK-UP RING	1		
7	O-RING	1		
8	O-RING	1		
9	BACK-UP RING	1		
10	A4742R	BALL	1		
11	AT220827	COMPENSATOR	1		
12	O-RING	1		
13	O-RING	1		
14	BACK-UP RING	1		
15	SPRING	1		
16	T172562	CHECK VALVE	1		
17	O-RING	1		
18	BACK-UP RING	1		
19	19H3724	SCREW	4		1/4" X 4-1/2"
20	U12547	O-RING	2		
21	PLUG	1		
22	U40962	O-RING	2		
23	O-RING	1		
24	AT216573	O-RING	2		
25	T103465	SEAL	2		
26	AT216571	O-RING	1		
27	BACK-UP RING	2		(SUB AT209750)
28	AT124574	O-RING	2		
29	AT224850	SOLENOID	2		(INCLUDES WIRING HARNESS, AT326581)
30	R26287	O-RING	2		
31	PLUG	1		
32	AT220831	HOSE KIT	1		
33	AT170991	O-RING KIT	2		
	U12547	O-RING	1		(INCLUDED IN AT170991 KIT)
34	VALVE	1		
35	AT209750	PRESSURE RELIEF VALVE	2		
36	PLUNGER	2		
	BUSHING	2		
37	AT179941	SEAL KIT	AR		(SEAL FOR ONE SECTION JOINT)
38	STRUCTURAL TUBING	2		
39	AT316315	SOLENOID VALVE	1		
40	T77814	O-RING	2		
41	PLUNGER	2		
42	PLUG	1		(SUB FOR AT210686)
43	SPOOL	1		(SUB FOR AT210686)
44	AT210686	CHECK VALVE	1		
45	R26906	O-RING	2		
46	14H856	NUT	2		1/2"
47	COMPENSATOR	4		
48	SHIM	1		(ONE SHIM ON EACH TIE-BOLT)
49	22H1022	SET SCREW	2		
50	RELIEF VALVE	2		(SUB AT220035)
51	R61463	BACK-UP RING	2		
53	AT325146	STUD	4		(TIE BOLT)
54	AT326581	MFWD SOLENOID WRG HARNESS	2		

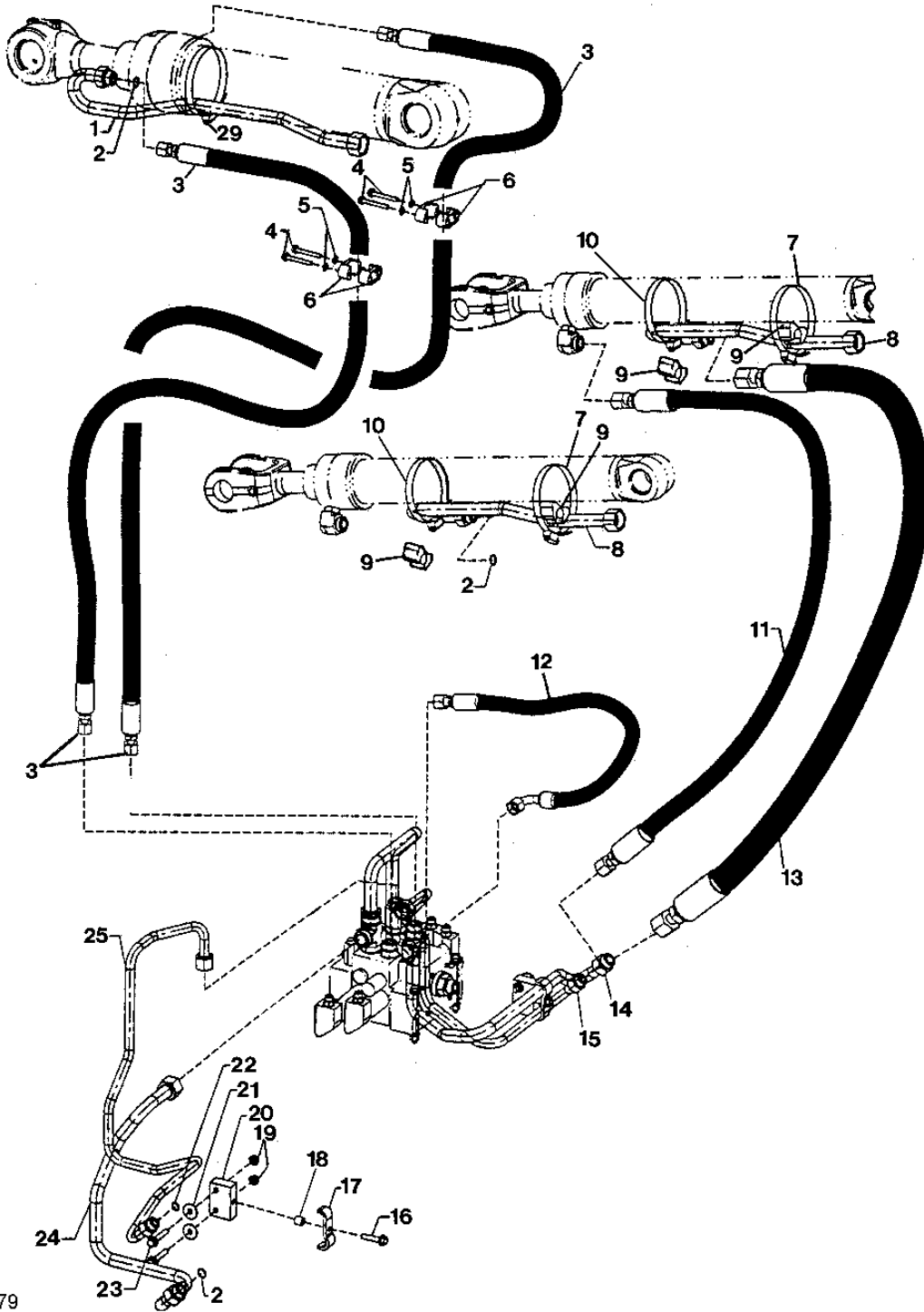
3160-48

LOADER 31

LOADER HYDRAULICS 3160

BOOM AND BUCKET CYLINDER HYDRAULICS (WITH Z-BAR LINKAGE) (SN -594432)
CIRCUIT HYDRAULIQUE VERIN FLECHE ET BENNE (AVEC TRINGLERIE CINEMATIQUE EN Z) (SN -594432)
SISTEMA HIDRAULICO DEL CILINDRO DEL CUCHARON Y AGUILON (CON VARILLAJE DE BARRA EN Z) (SN -594432)

T194779 -UN-24OCT03



T194779

3160-49

LOADER 31

LOADER HYDRAULICS 3160

BOOM AND BUCKET CYLINDER HYDRAULICS (WITH Z-BAR LINKAGE) (SN -594432)
CIRCUIT HYDRAULIQUE VERIN FLECHE ET BENNE (AVEC TRINGLERIE CINEMATIQUE EN Z) (SN -594432)
SISTEMA HIDRAULICO DEL CILINDRO DEL CUCHARON Y AGUILON (CON VARILLAJE DE BARRA EN Z) (SN -594432)

KEY	PART NO.	PART NAME	QTY.	SERIAL NO.	REMARKS
1	AT224157	OIL LINE	1		
2	T77858	O-RING	5		
3	AT228194	HYDRAULIC HOSE - FABRICATE	2		
4	19M7801	SCREW	4		M8 X 60
5	24M7238	WASHER	4		8.700 X 17 X 2 MM
6	T147188	CLAMP	4		
7	RE40281	CLAMP	2		
8	AT206698	OIL LINE	2		
9	T105773	GUIDE	4		
10	RE40281	CLAMP	2		
11	AT209524	HYDRAULIC HOSE - FABRICATE	2		
12	AT167553	HYDRAULIC HOSE - FABRICATE	1		
13	AT228195	HYDRAULIC HOSE - FABRICATE	2		
14	AT210688	OIL LINE	1		
15	AT210690	OIL LINE	1		
16	19M7805	SCREW	2		M10 X 45
17	T167921	CLAMP	2		
18	28H3381	SPACER	2		
19	14M7296	FLANGE NUT	4		M10
20	AT224665	BRACKET	2		
21	24M7296	WASHER	4		(SUB FOR T148712)
22	T77932	O-RING	2		
23	19M7835	SCREW	4		
24	AT210689	OIL LINE	1		
25	AT210691	OIL LINE	1		
29	AR85327	CLAMP	1		

3160-50

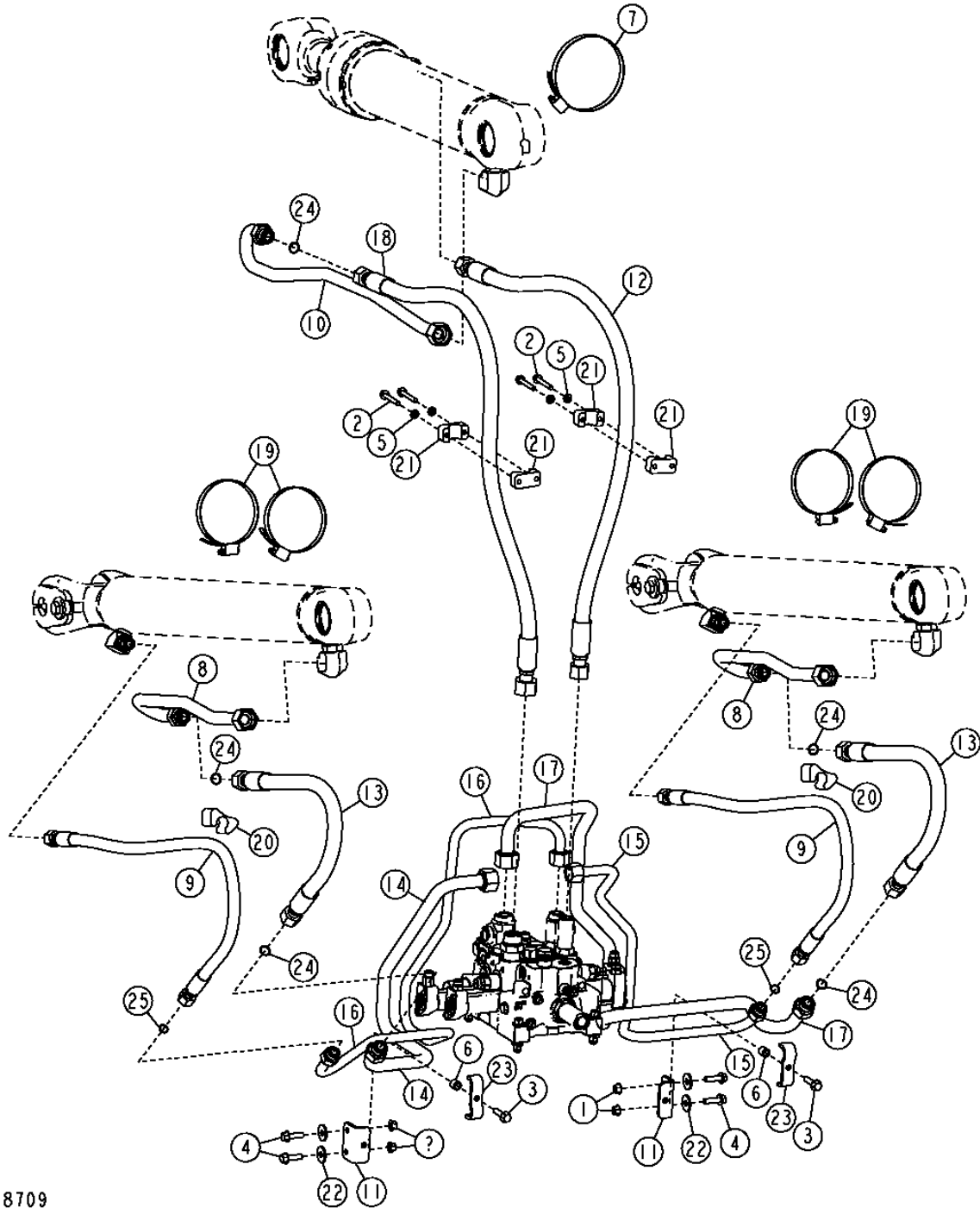
LOADER 31

LOADER HYDRAULICS 3160

BOOM AND BUCKET CYLINDER HYDRAULICS (WITH Z-BAR LINKAGE) (SN 594433-)
CIRCUIT HYDRAULIQUE VERIN FLECHE ET BENNE (AVEC TRINGLERIE CINEMATIQUE EN Z) (SN 594433-)
SISTEMA HIDRAULICO DEL CILINDRO DEL CUCHARON Y AGUILON (CON VARILLAJE DE BARRA EN Z) (SN 594433-)

T208709

-UN-25FEB05



T208709

THIS PARTS LISTING IS CONTINUED

3160-51

LOADER 31

LOADER HYDRAULICS 3160

**BOOM AND BUCKET CYLINDER HYDRAULICS (WITH Z-BAR LINKAGE) (SN 594433-)
 CIRCUIT HYDRAULIQUE VERIN FLECHE ET BENNE (AVEC TRINGLERIE CINEMATIQUE EN Z) (SN 594433-)
 SISTEMA HIDRAULICO DEL CILINDRO DEL CUCHARON Y AGUILON (CON VARILLAJE DE BARRA EN Z) (SN 594433-)**

KEY	PART NO.	PART NAME	QTY.	SERIAL NO.	REMARKS
1	14M7296	FLANGE NUT	4		M10
2	19M7801	SCREW	4	-XXXXXX	M8 X 60
	19M7979	SCREW	4	XXXXXX-	M8 X 55
3	19M7805	SCREW	2		M10 X 45
4	19M7835	SCREW	4		M10 X 35
5	24M7238	WASHER	4	-XXXXXX	8.700 X 17 X 2 MM
6	28H3381	SPACER	2		
7	TY22493	HOSE CLAMP	1		
8	AT206698	OIL LINE	2		
9	AT209524	HYDRAULIC HOSE - FABRICATE	2		
10	AT224157	OIL LINE	1		
11	AT224665	BRACKET	2		
12	AT228194	HYDRAULIC HOSE - FABRICATE	1		
13	AT228195	HYDRAULIC HOSE - FABRICATE	2		
14	AT305111	OIL LINE	1		
15	AT305112	OIL LINE	1		
16	AT305113	OIL LINE	1		
17	AT305114	OIL LINE	1		
18	AT314944	HYDRAULIC HOSE - FABRICATE	1		
19	RE40281	CLAMP	4		
20	T105773	GUIDE	2		
21	T147188	CLAMP	4		
22	24M7296	WASHER	4		(SUB FOR T148712)
23	T167921	CLAMP	2		
24	T77858	O-RING	5		
25	T77932	O-RING	2		

3160-52

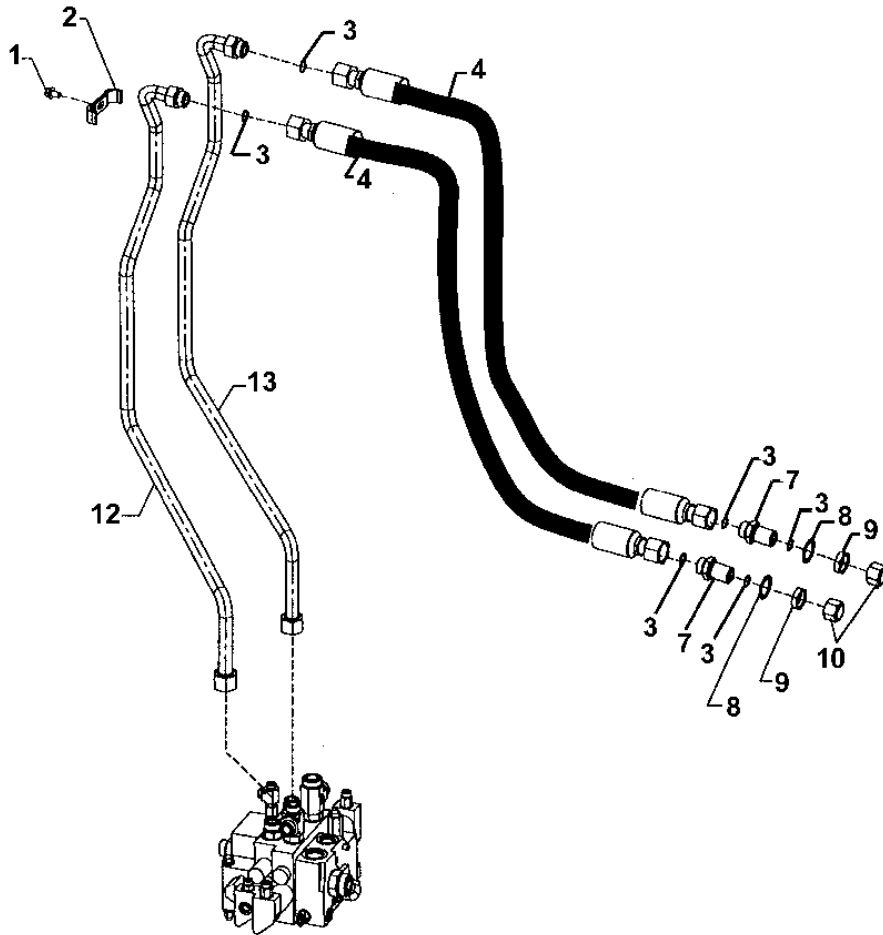
LOADER 31

LOADER HYDRAULICS 3160

THIRD FUNCTION AUXILIARY HYDRAULICS (WITH Z-BAR LINKAGE) (SN -594432)
CIRCUIT HYDRAULIQUE AUXILIAIRE TROISIEME FONCTION (AVEC TRINGLERIE CINEMATIQUE EN Z) (SN -594432)
SISTEMA HIDRAULICO AUXILIAR DE TERCERA FUNCION (CON VARILLAJE DE BARRA EN Z) (SN -594432)

T194789

-UN-24OCT03



T194789

3160-53

LOADER 31

LOADER HYDRAULICS 3160

THIRD FUNCTION AUXILIARY HYDRAULICS (WITH Z-BAR LINKAGE) (SN -594432)
CIRCUIT HYDRAULIQUE AUXILIAIRE TROISIEME FONCTION (AVEC TRINGLERIE CINEMATIQUE EN Z) (SN -594432)
SISTEMA HIDRAULICO AUXILIAR DE TERCERA FUNCION (CON VARILLAJE DE BARRA EN Z) (SN -594432)

KEY	PART NO.	PART NAME	QTY.	SERIAL NO.	REMARKS
1	19M7784	SCREW	1		M10 X 20, (SUB FOR 19M7783)
2	T167979	CLAMP	1		
3	T77858	O-RING	6		
4	AT191285	HYDRAULIC HOSE - FABRICATE	2		1-3/16" X 1 295 MM (51") X 1-3/16"
7	38H1276	ADAPTER FITTING	2		
8	T174275	LOCK WASHER	2		
9	T78707	NUT	2		
10	38H1418	FITTING	2		
12	AT211364	OIL LINE	1		
13	AT211363	OIL LINE	1		

3160-54

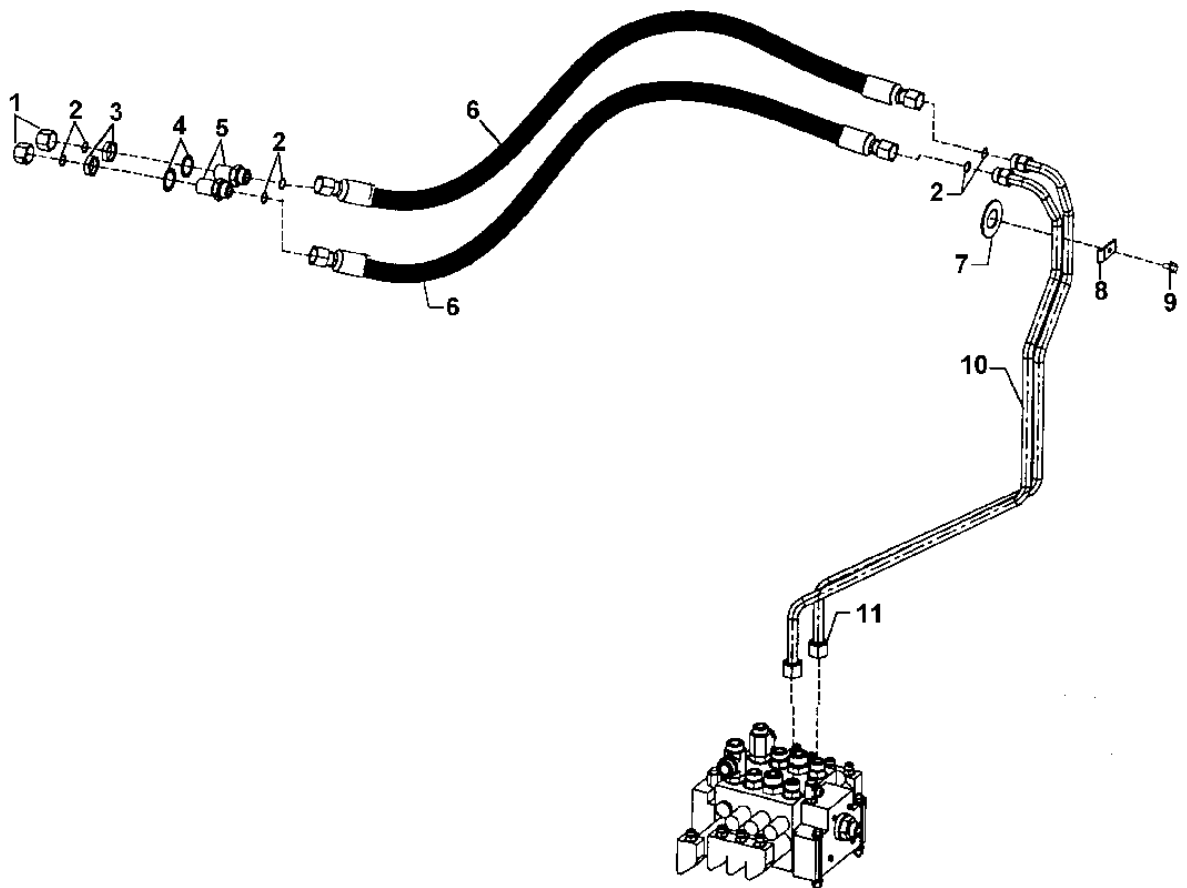
LOADER 31

LOADER HYDRAULICS 3160

FOURTH FUNCTION AUXILIARY HYDRAULICS (WITH Z-BAR LINKAGE) (SN -594432)
CIRCUIT HYDRAULIQUE AUXILIAIRE 4EME FONCTION (AVEC TRINGLERIE CINEMATIQUE EN Z) (SN -594432)
SISTEMA HIDRAULICO AUXILIAR DE CUARTA FUNCION (CON VARILLAJE DE BARRA EN Z) (SN -594432)

T194791

-UN-24OCT03



T194791

THIS PARTS LISTING IS CONTINUED

3160-55

LOADER 31

LOADER HYDRAULICS 3160

FOURTH FUNCTION AUXILIARY HYDRAULICS (WITH Z-BAR LINKAGE) (SN -594432)
CIRCUIT HYDRAULIQUE AUXILIAIRE 4EME FONCTION (AVEC TRINGLERIE CINEMATIQUE EN Z) (SN -594432)
SISTEMA HIDRAULICO AUXILIAR DE CUARTA FUNCION (CON VARILLAJE DE BARRA EN Z) (SN -594432)

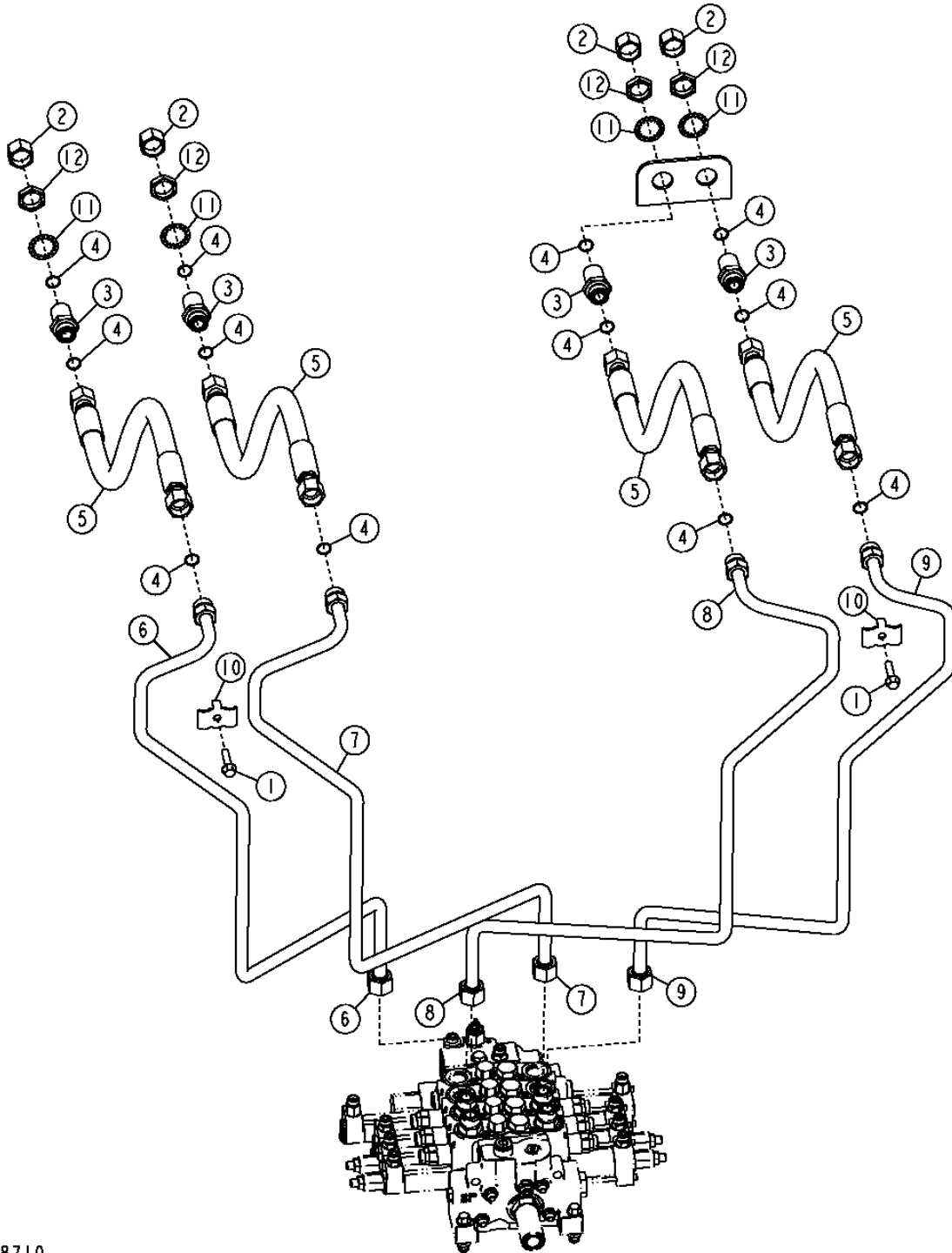
KEY	PART NO.	PART NAME	QTY.	SERIAL NO.	REMARKS
1	38H1418	FITTING	4		
2	T77858	O-RING	17		
3	T78707	NUT	4		
4	T174275	LOCK WASHER	4		
5	38H1276	ADAPTER FITTING	4		
6	AT191285	HYDRAULIC HOSE - FABRICATE	4		(SUB FOR AT166041)
7	24H1545	WASHER	1		1-9/16" X 3" X 0.149"
8	T176474	CLAMP	1		
9	19M7784	SCREW	2		M10 X 20. (SUB FOR 19M7783)
10	AT211365	OIL LINE	1		
11	AT211366	OIL LINE	1		

3160-56

THIRD AND FOURTH FUNCTION AUXILIARY HYDRAULICS (WITH Z-BAR LINKAGE) (SN 594433-)
CIRCUIT HYD. AUXILIAIRE DE 3EME ET 4EME FONCTION (W/TRINGLERIE CINEMATIQUE EN Z (SN 594433-)
SISTEMA HIDR. AUX. DE TERCERA Y CUARTA FUNCION (W/VARILLAJE DE BARRA EN Z) (SN 594433-)

T208710

-UN-25FEB05



T208710

THIS PARTS LISTING IS CONTINUED

3160-57

LOADER 31

LOADER HYDRAULICS 3160

THIRD AND FOURTH FUNCTION AUXILIARY HYDRAULICS (WITH Z-BAR LINKAGE) (SN 594433-)
CIRCUIT HYDR. AUXILIAIRE DE 3EME ET 4EME FONCTION (W/TRINGLERIE CINEMATIQUE EN Z) (SN 594433-)
SISTEMA HIDR. AUX. DE TERCERA Y CUARTA FUNCION (W/VARILLAJE DE BARRA EN Z) (SN 594433-)

KEY	PART NO.	PART NAME	QTY.	SERIAL NO.	REMARKS
1	19M7805	SCREW	2		M10 X 45
2	38H1418	FITTING	4		
3	38H1276	ADAPTER FITTING	4		
4	T77858	O-RING	12		
5	AT191285	HYDRAULIC HOSE - FABRICATE	4		
6	AT315134	OIL LINE	1		
7	AT315135	OIL LINE	1		
8	AT315136	OIL LINE	1		
9	AT315137	OIL LINE	1		
10	T160549	CLAMP	2		
11	T174275	LOCK WASHER	4		
12	T78707	NUT	4		

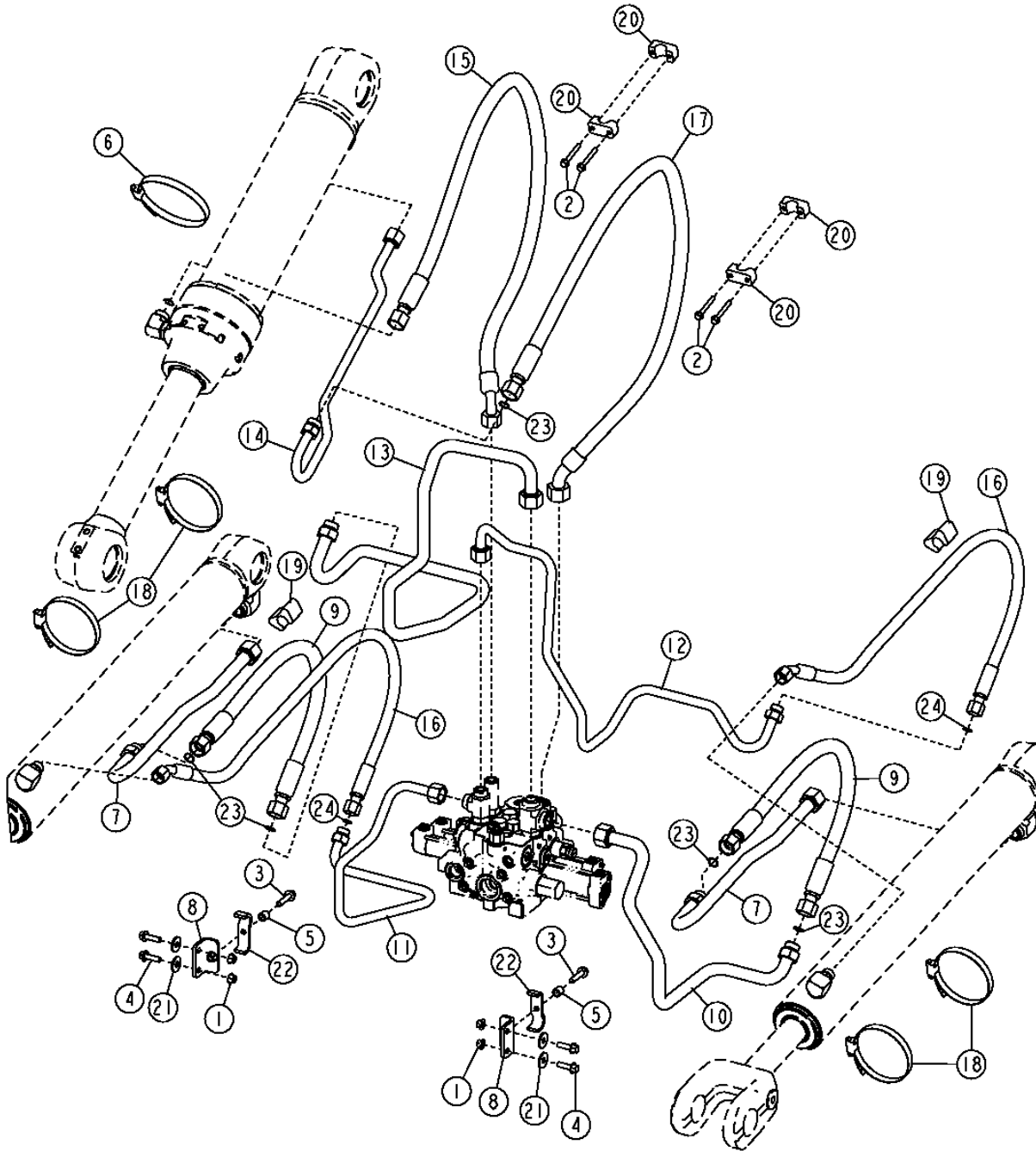
3160-60

LOADER 31

LOADER HYDRAULICS 3160

CONTROL VALVE TO BOOM AND BUCKET CYLINDER HYDRAULICS (WITH POWERLLEL™ LINKAGE)
CIRCUIT HYDRAULIQUE DISTRIBUTEUR A VERIN FLECHE ET BENNE (AVEC TRINGLERIE POWERLLEL™)
VALVULA DE CONTROL A AGUILON Y SISTEMA HIDR. DEL CILINDRO DE CUCHARON (CON VARILLAJE POWERLLEL™)

T202089 -UN-10AUG04



T202089

THIS PARTS LISTING IS CONTINUED

3160-61

LOADER 31

LOADER HYDRAULICS 3160

CONTROL VALVE TO BOOM AND BUCKET CYLINDER HYDRAULICS (WITH POWERLLEL™ LINKAGE)
 CIRCUIT HYDRAULIQUE DISTRIBUTEUR A VERIN FLECHE ET BENNE (AVEC TRINGLERIE POWERLLEL™)
 VALVULA DE CONTROL A AGUILON Y SISTEMA HIDR. DEL CILINDRO DE CUCHARON (CON VARILLAJE POWERLLEL™)

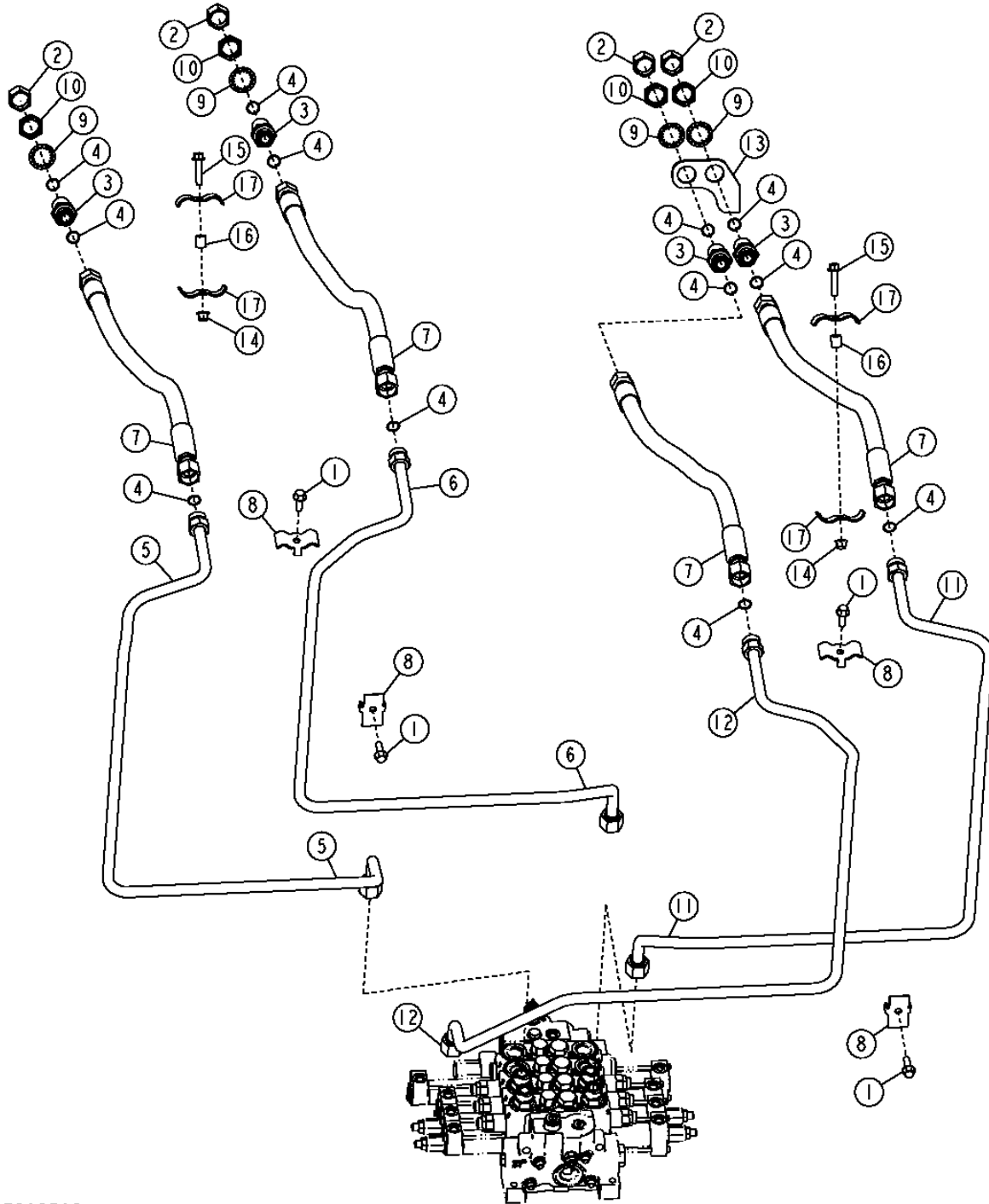
KEY	PART NO.	PART NAME	QTY.	SERIAL NO.	REMARKS
1	14M7296	FLANGE NUT	4		M10
2	19M7801	SCREW	4		M8 X 60
3	19M7805	SCREW	2		M10 X 45
4	19M7835	SCREW	4		M10 X 35
5	28H3381	SPACER	2		0.493" X 0.675" X 5/8"
6	TY22493	HOSE CLAMP	1		
7	AT206698	OIL LINE	2		
8	AT224665	BRACKET	2		
9	AT228195	HYDRAULIC HOSE - FABRICATE	2		
10	AT305111	OIL LINE	1		
11	AT305112	OIL LINE	1		
12	AT305113	OIL LINE	1		
13	AT305114	OIL LINE	1		
14	AT305329	OIL LINE	1		
15	AT314043	HYDRAULIC HOSE - FABRICATE	1		13/16" X 61-1/4" X 13/16"
16	AT314674	HYDRAULIC HOSE - FABRICATE	2		1" X 56-1/2" X 1"
17	AT314676	HYDRAULIC HOSE - FABRICATE	1		13/16" X 62-1/2" X 1"
18	RE40281	CLAMP	4		
19	T105773	GUIDE	2		
20	T147188	CLAMP	4		
21	24M7296	WASHER	4		0.413" X 1.181" X 0.098", (SUB FOR T148712)
22	T167921	CLAMP	2		
23	T77858	O-RING	5		
24	T77932	O-RING	2		

3160-62

THIRD AND FOURTH FUNCTION AUXILIARY HYDRAULICS (WITH POWERLLEL™ LINKAGE) CIRCUIT HYDRAULIQUE AUXILIAIRE DE 3EME ET 4EME FONCTION (AVEC TRINGLERIE POWERLLEL™) SISTEMA HIDRAULICO AUXILIAR DE TERCERA Y CUARTA FUNCION (CON VARILLAJE POWERLLEL™)

T208703

-UN-25FEB05



T208703

THIS PARTS LISTING IS CONTINUED

3160-63

LOADER 31

LOADER HYDRAULICS 3160

**THIRD AND FOURTH FUNCTION AUXILIARY HYDRAULICS (WITH POWERLLEL™ LINKAGE)
CIRCUIT HYDRAULIQUE AUXILIAIRE DE 3EME ET 4EME FONCTION (AVEC TRINGLERIE POWERLLEL™)
SISTEMA HIDRAULICO AUXILIAR DE TERCERA Y CUARTA FUNCION (CON VARILLAJE POWERLLEL™)**

KEY	PART NO.	PART NAME	QTY.	SERIAL NO.	REMARKS
1	19M7786	SCREW	4		M10 X 30
2	38H1418	FITTING	4		
3	38H1276	ADAPTER FITTING	4		
4	T77858	O-RING	12		
5	OIL LINE	1	-598386	(SUB AT322527 AND AT322541) (ALSO ORDER AT323713) (AT306392 NLA)
	AT322527	OIL LINE	1	598387-	
6	OIL LINE	1	-598386	(SUB AT322527 AND AT322541) (ALSO ORDER AT323713) (AT306453 NLA)
	AT322541	OIL LINE	1	598387-	
7	AT313424	HYDRAULIC HOSE - FABRICATE	4		
8	T215434	CLAMP	4		(SUB FOR KV22609)
9	T174275	LOCK WASHER	4		
10	T78707	NUT	4		
11	OIL LINE	1	-598386	(SUB AT322559 AND AT322567) (ALSO ORDER AT323713) (AT314578 NLA)
	AT322559	OIL LINE	1	598387-	
12	OIL LINE	1	-598386	(SUB AT322559 AND AT322567) (ALSO ORDER AT323713) (AT314579 NLA)
	AT322567	OIL LINE	1	598387-	
13	T210447	PLATE	1		
14	14M7400	LOCK NUT	2		
15	19M7805	SCREW	2		
16	28H3383	BUSHING	2		
17	U46753	HOSE CLAMP	4		
..	AT323713	KIT	1		(WHOLEGOODS) (NOT ILLUSTRATED)

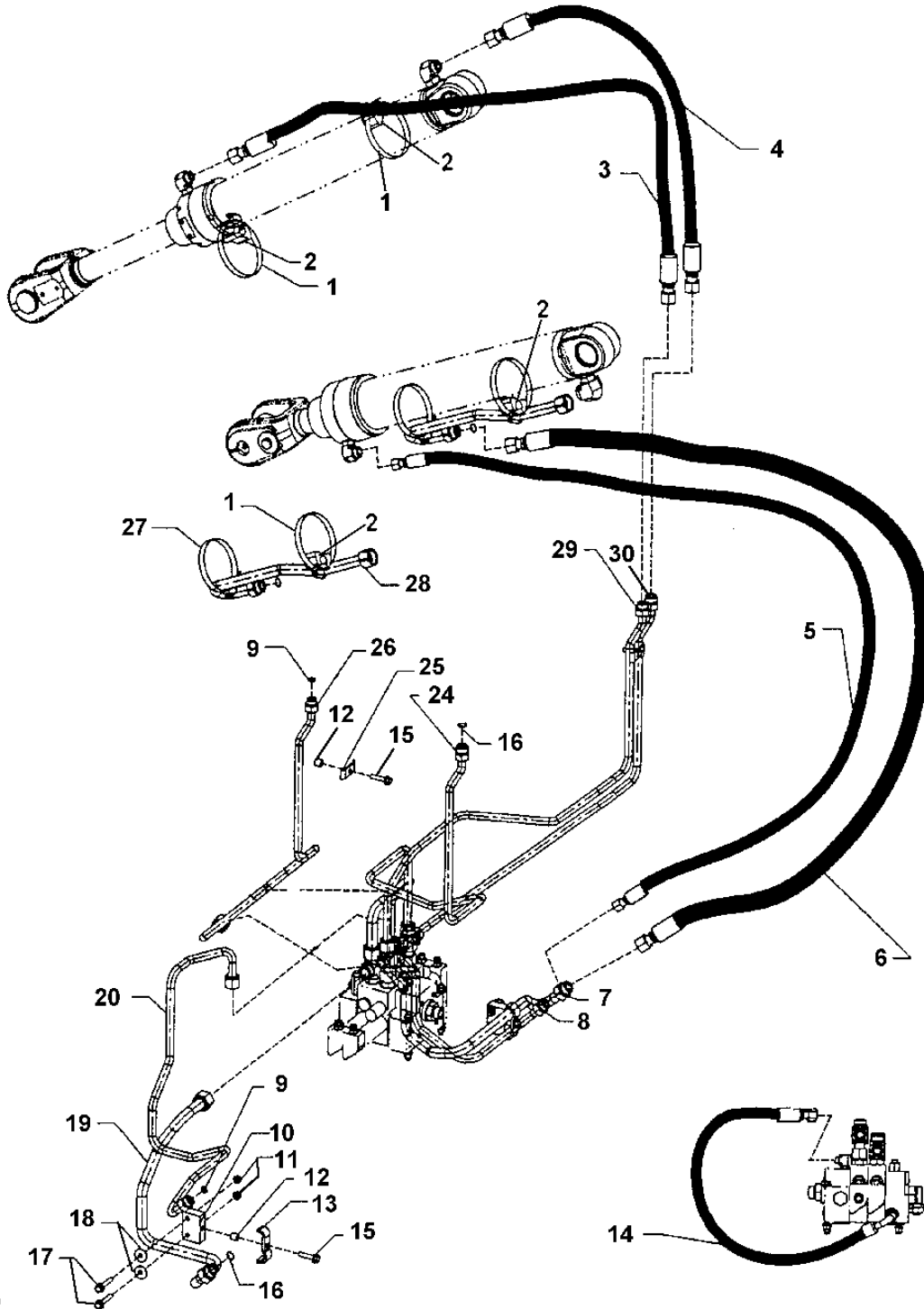
3160-66

LOADER 31

LOADER HYDRAULICS 3160

CONTROL VALVE TO BUCKET AND BOOM CYLINDER HYDRAULICS (WITH TOOL CARRIER)
CIRCUIT HYDRAULIQUE DISTRIBUTEUR A VERIN BENNE ET FLECHE (AVEC PORTE-OUTILS)
VALVULA DE CONTROL A CUCHARON Y SISTEMA HIDRAULICO DEL CILINDRO DE AGUILON (CON PORTAHERRAMIENTAS)

T194770 -UN-24OCT03



T194770

THIS PARTS LISTING IS CONTINUED

3160-67

LOADER 31

LOADER HYDRAULICS 3160

CONTROL VALVE TO BUCKET AND BOOM CYLINDER HYDRAULICS (WITH TOOL CARRIER)
CIRCUIT HYDRAULIQUE DISTRIBUTEUR A VERIN BENNE ET FLECHE (AVEC PORTE-OUTILS)
VALVULA DE CONTROL A CUCHARON Y SISTEMA HIDRAULICO DEL CILINDRO DE AGUILON (CON PORTAHERRAMIENTAS)

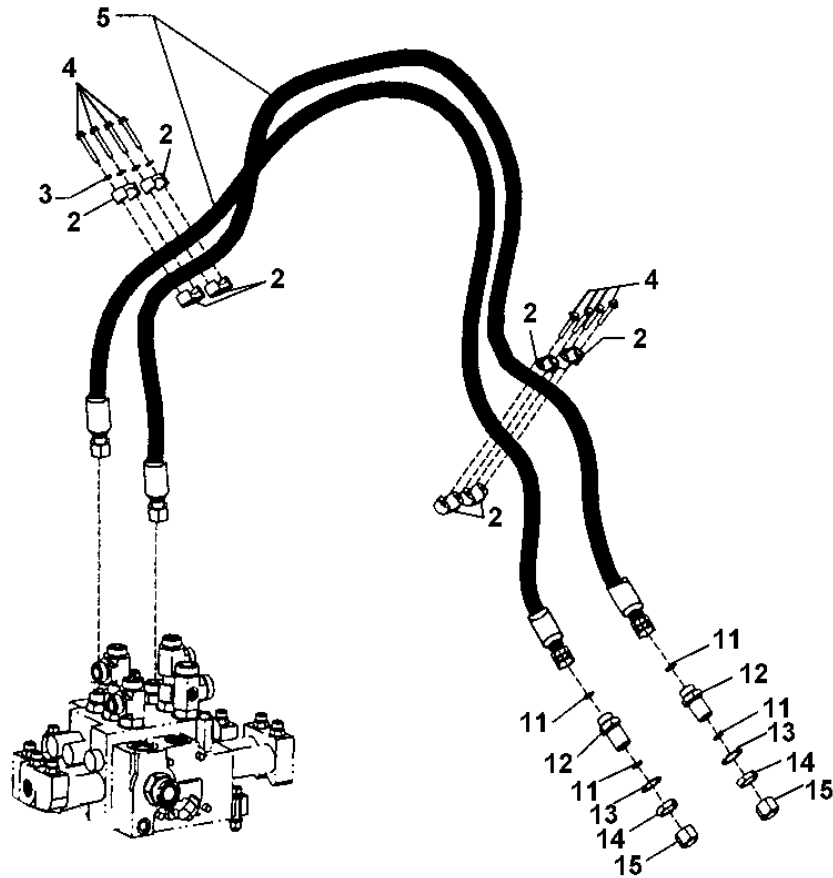
KEY	PART NO.	PART NAME	QTY.	SERIAL NO.	REMARKS
1	AR85327	CLAMP	4		
2	T105773	GUIDE	4		
3	AT227537	HYDRAULIC HOSE - FABRICATE	2		
4	AT227536	HYDRAULIC HOSE - FABRICATE	2		
5	AT306597	HYDRAULIC HOSE - FABRICATE	2		
6	AT227534	HYDRAULIC HOSE - FABRICATE	2		
7	AT210688	OIL LINE	1		
8	AT210690	OIL LINE	1		
9	T77932	O-RING	4		
10	AT224665	BRACKET	2		
11	14M7296	FLANGE NUT	4		M10
12	28H3381	SPACER	4		0.493" X 0.675" X 5/8"
13	T167921	CLAMP	2		
14	AT167553	HYDRAULIC HOSE - FABRICATE	1		
15	19M7805	SCREW	4		M10 X 45
16	T77858	O-RING	6		
17	19M7835	SCREW	4		
18	24M7296	WASHER	4		(SUB FOR T148712)
19	AT210689	OIL LINE	1		
20	AT210691	OIL LINE	1		
24	AT220900	OIL LINE	1		
25	T176474	CLAMP	2		
26	AT219925	OIL LINE	1		
27	AR85327	CLAMP	2		
28	AT206698	OIL LINE	2		
29	AT220901	OIL LINE	1		
30	AT225575	OIL LINE	1		

3160-68

THIRD FUNCTION AUXILIARY HYDRAULICS (WITH TOOL CARRIER)
CIRCUIT HYDRAULIQUE AUXILIAIRE TROISIEME FONCTION (AVEC PORTE-OUTILS)
SISTEMA HIDRAULICO AUXILIAR DE TERCERA FUNCION (CON PORTAHERRAMIENTAS)

T194781

-UN-24OCT03



T194781

THIS PARTS LISTING IS CONTINUED

3160-69

LOADER 31

LOADER HYDRAULICS 3160

THIRD FUNCTION AUXILIARY HYDRAULICS (WITH TOOL CARRIER)
CIRCUIT HYDRAULIQUE AUXILIAIRE TROISIEME FONCTION (AVEC PORTE-OUTILS)
SISTEMA HIDRAULICO AUXILIAR DE TERCERA FUNCION (CON PORTAHERRAMIENTAS)

KEY	PART NO.	PART NAME	QTY.	SERIAL NO.	REMARKS
2	T147188	CLAMP	8		
3	24M7238	WASHER	4		8.700 X 17 X 2 MM
4	19M7801	SCREW	8		M8 X 60
5	AT182270	HYDRAULIC HOSE - FABRICATE	2		
11	T77858	O-RING	6		
12	38H1276	ADAPTER FITTING	2		
13	T174275	LOCK WASHER	2		
14	T78707	NUT	2		
15	38H1418	FITTING	2		

3160-70

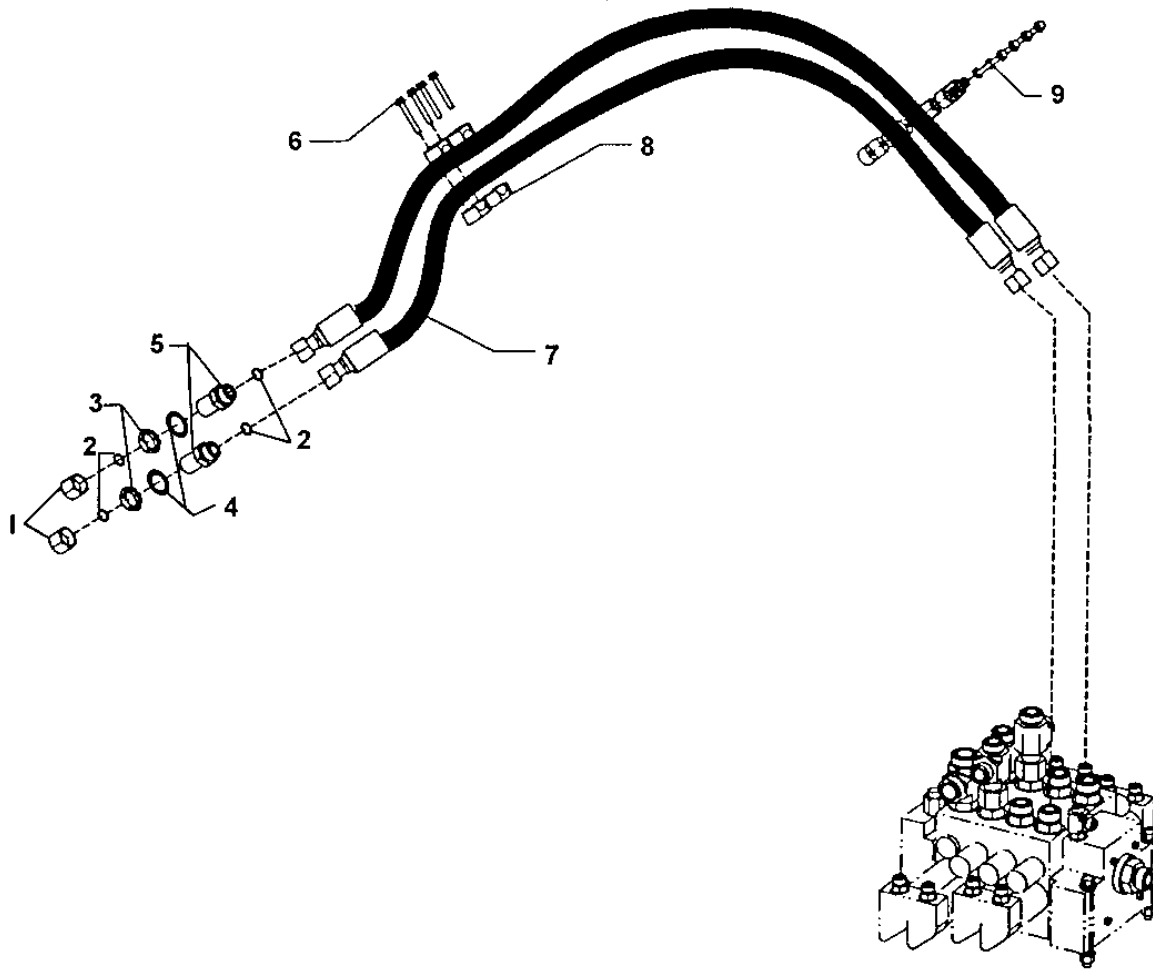
LOADER 31

LOADER HYDRAULICS 3160

FOURTH FUNCTION AUXILIARY HYDRAULICS (WITH TOOL CARRIER)
CIRCUIT HYDRAULIQUE AUXILIAIRE 4EME FONCTION (AVEC PORTE-OUTILS)
SISTEMA HIDRAULICO AUXILIAR DE CUARTA FUNCION (CON PORTAHERRAMIENTAS)

T194790

-UN-24OCT03



T194790

THIS PARTS LISTING IS CONTINUED

3160-70

444J UTILITY LOADER (S.N. -611274) PC9338 (23-AUG-06) PN=650

3160-71

LOADER 31

LOADER HYDRAULICS 3160

FOURTH FUNCTION AUXILIARY HYDRAULICS (WITH TOOL CARRIER)
CIRCUIT HYDRAULIQUE AUXILIAIRE 4EME FONCTION (AVEC PORTE-OUTILS)
SISTEMA HIDRAULICO AUXILIAR DE CUARTA FUNCION (CON PORTAHERRAMIENTAS)

KEY	PART NO.	PART NAME	QTY.	SERIAL NO.	REMARKS
1	38H1418	FITTING	4		
2	T77858	O-RING	14		
3	T78707	NUT	4		
4	T174275	LOCK WASHER	4		
5	38H1276	ADAPTER FITTING	4		
6	19M7801	SCREW	16		M8 X 60
7	AT182270	HYDRAULIC HOSE - FABRICATE	4		
8	T147188	CLAMP	16		
9	24M7238	WASHER	8		8.700 X 17 X 2 MM

3160-72

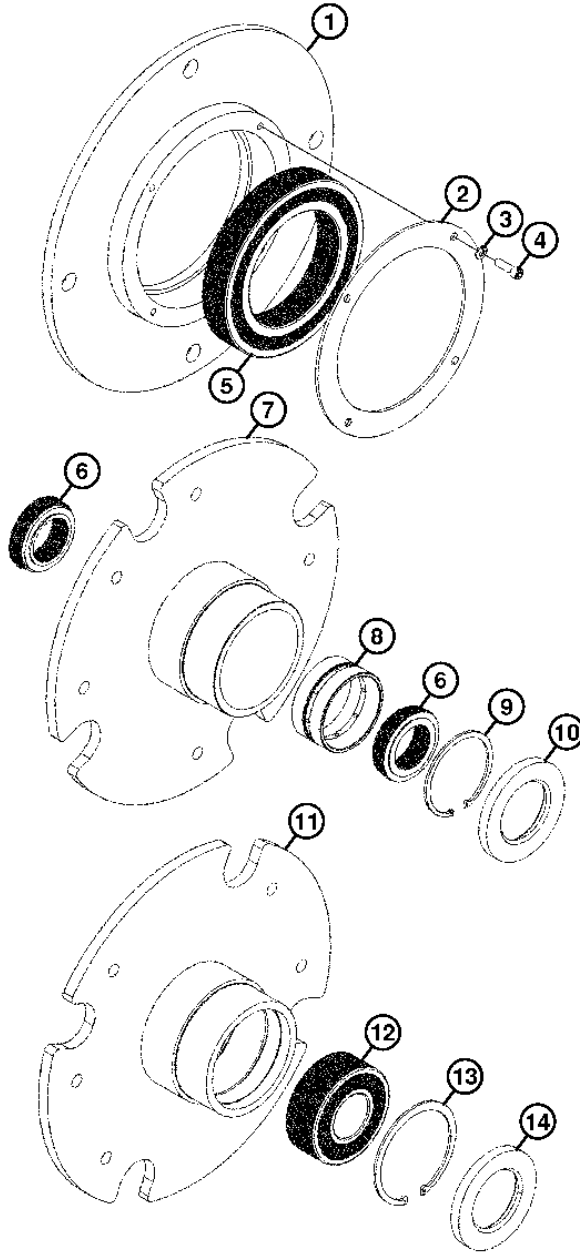
LOADER 31

LOADER HYDRAULICS 3160

TWO LEVER PILOT CONTROLLER CONTROLEUR PILOTE DEUX LEVIERS CONTROLADOR PILOTO DE DOS PALANCAS

TX1017447

-UN-19JAN07



TX1017447

3160-73

LOADER 31

LOADER HYDRAULICS 3160

**TWO LEVER PILOT CONTROLLER
CONTROLEUR PILOTE DEUX LEVIERS
CONTROLADOR PILOTO DE DOS PALANCAS**

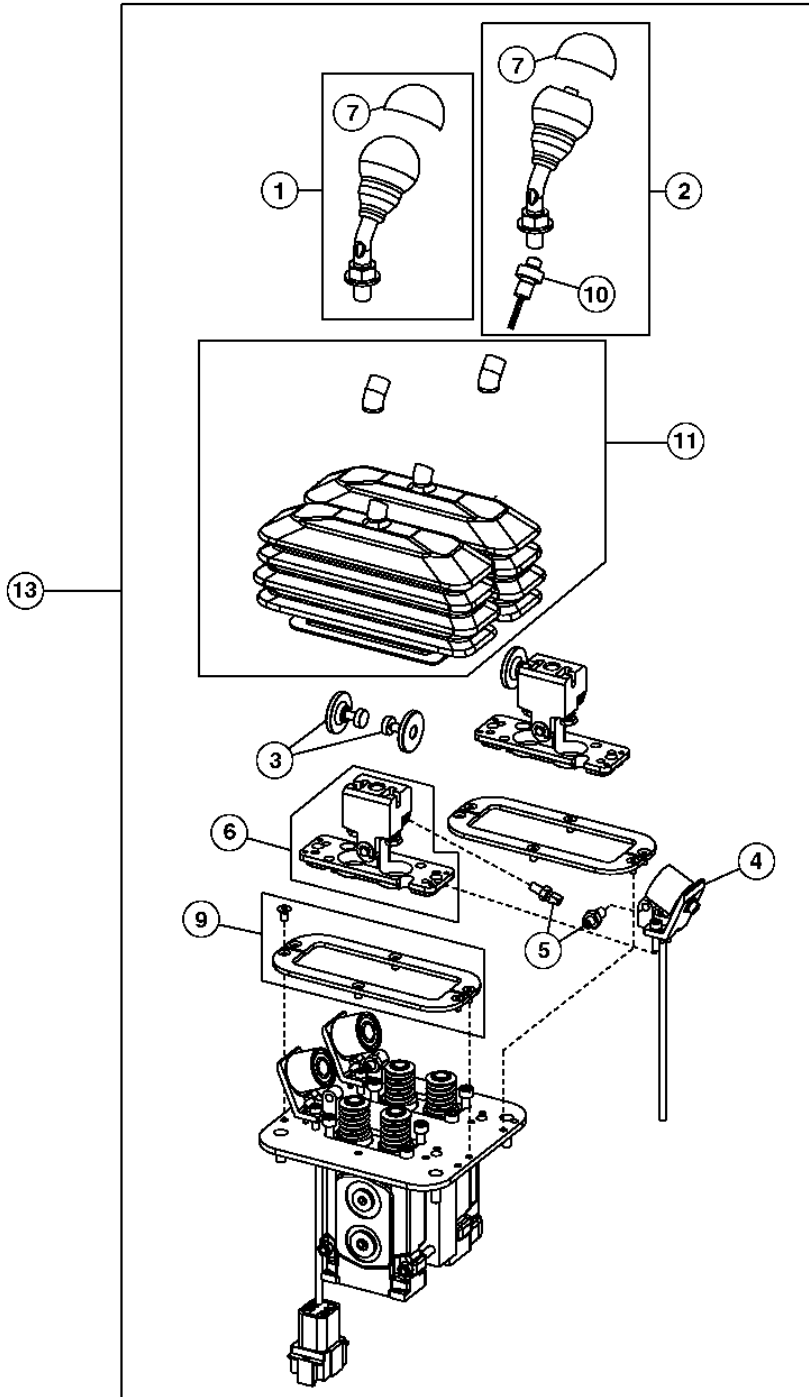
KEY	PART NO.	PART NAME	QTY.	SERIAL NO.	REMARKS
1	14M7397	LOCK NUT	4		M6
2	38H1160	ADAPTER FITTING	2		
3	R26448	O-RING	2		
4	T77613	O-RING	2		
5	63H1001	FITTING	4		
6	R26448	O-RING	4		
7	AT225425	HYDR./PILOT CONTROL VALVE	1		(COMPONENTS ON SEPERATE PAGE)
8	AT226454	HYDRAULIC HOSE - FABRICATE	2		
9	T77613	O-RING	2		
10	AT300936	PLATE	1		
11	T200729	LABEL	1		(FINGERTIP CONTROLS)
12	T81029	NUT	2		
13	14M7400	LOCK NUT	2		M10
14	19M7784	SCREW	2		M10 X 20
15	19M7806	SCREW	2		M10 X 50
16	24M7239	WASHER	2		10.700 X 21 X 2.500 MM
17	TY22493	HOSE CLAMP	1		(SUB FOR AR89602)
18	AT226615	HYDRAULIC HOSE - FABRICATE	4		
19	H77698	TIE BAND	6		
20	N189220	TIE BAND	4		
21	T154342	RETAINER	1		
22	T157443	ANGLE	1		
50	AT305687	MOUNTING PARTS	1		(WHOLE GOODS) (JOYSTICK TO TWO LEVER CONVERSION KIT)

3160-74

TWO LEVER PILOT CONTROLLER COMPONENTS COMPOSANTS DE CONTROLEUR PILOTE DEUX LEVIERS COMPONENTES DEL CONTROLADOR PILOTO DE DOS PALANCAS

TX1003910

-UN-23FEB06



TX1003910

3160-75

LOADER 31

LOADER HYDRAULICS 3160

**TWO LEVER PILOT CONTROLLER COMPONENTS
COMPOSANTS DE CONTROLEUR PILOTE DEUX LEVIERS
COMPONENTES DEL CONTROLADOR PILOTO DE DOS PALANCAS**

KEY	PART NO.	PART NAME	QTY.	SERIAL NO.	REMARKS
1	AT227925	LEVER	1		
2	AT227926	LEVER	1		(FOR USE WITH KICKDOWN SWITCH)
3	AT227928	ARMATURE	2		
4	AT227927	SOLENOID	2		
5	AT227929	HYDR./PILOT CONTROL VALVE	4		
6	AT227930	PLATE	2		
7	AT318123	BOOT	2		(KNOB BOOT)
9	AT227933	PLATE	2		
10	AT226119	SWITCH	1		(KICKDOWN)
11	AT303619	KIT	1		(BOOT ASSEMBLY)
13	AT225425	HYDR./PILOT CONTROL VALVE	1		

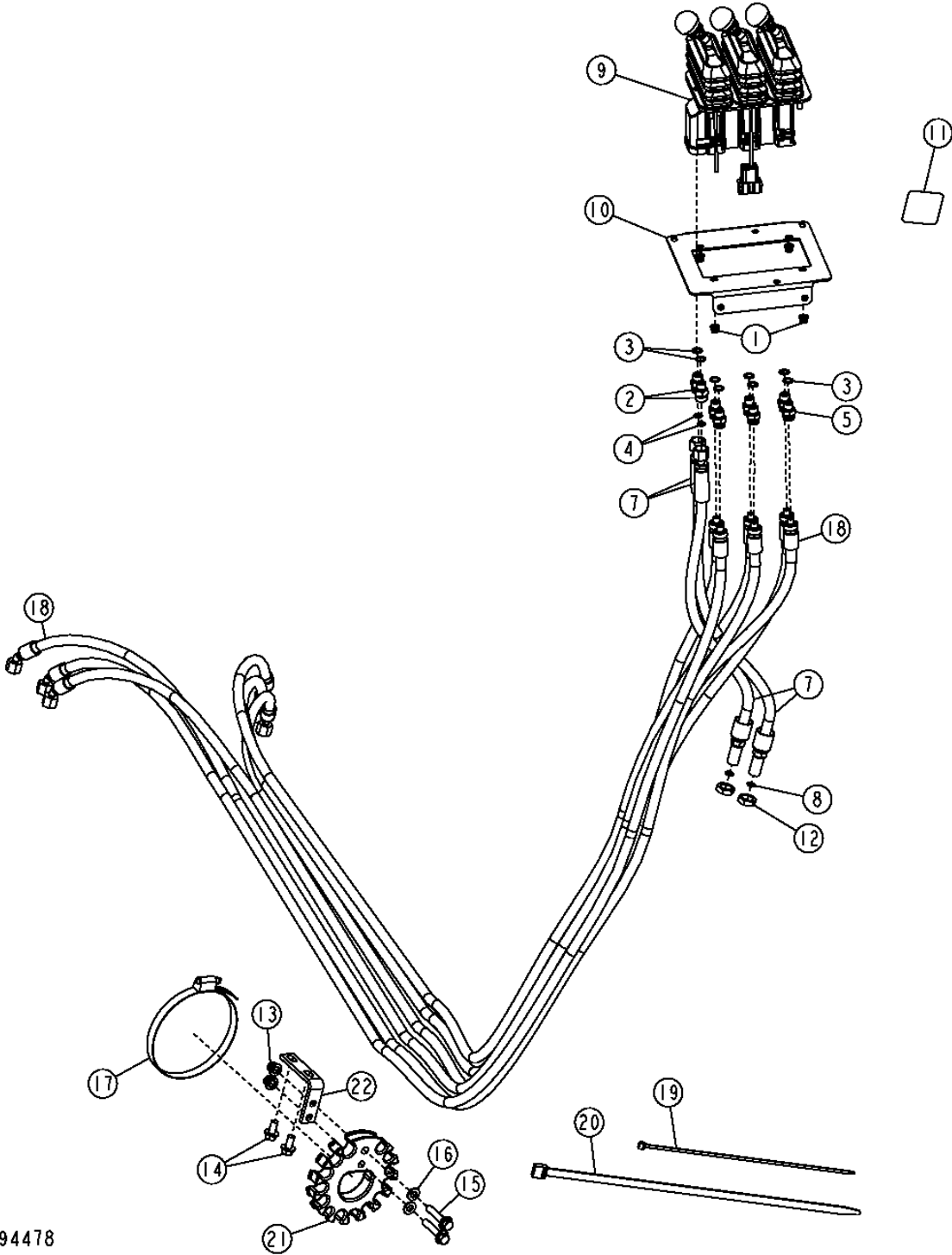
3160-76

LOADER 31

LOADER HYDRAULICS 3160

TWO LEVER PILOT CONTROLLER WITH AUXILIARY CONTROLEUR PILOTE DEUX LEVIERS AVEC AUXILIAIRE CONTROLADOR PILOTO DE DOS PALANCAS CON MANDO AUXILIAR

T194478 -UN-16SEP03



T194478

THIS PARTS LISTING IS CONTINUED

3160-77

LOADER 31

LOADER HYDRAULICS 3160

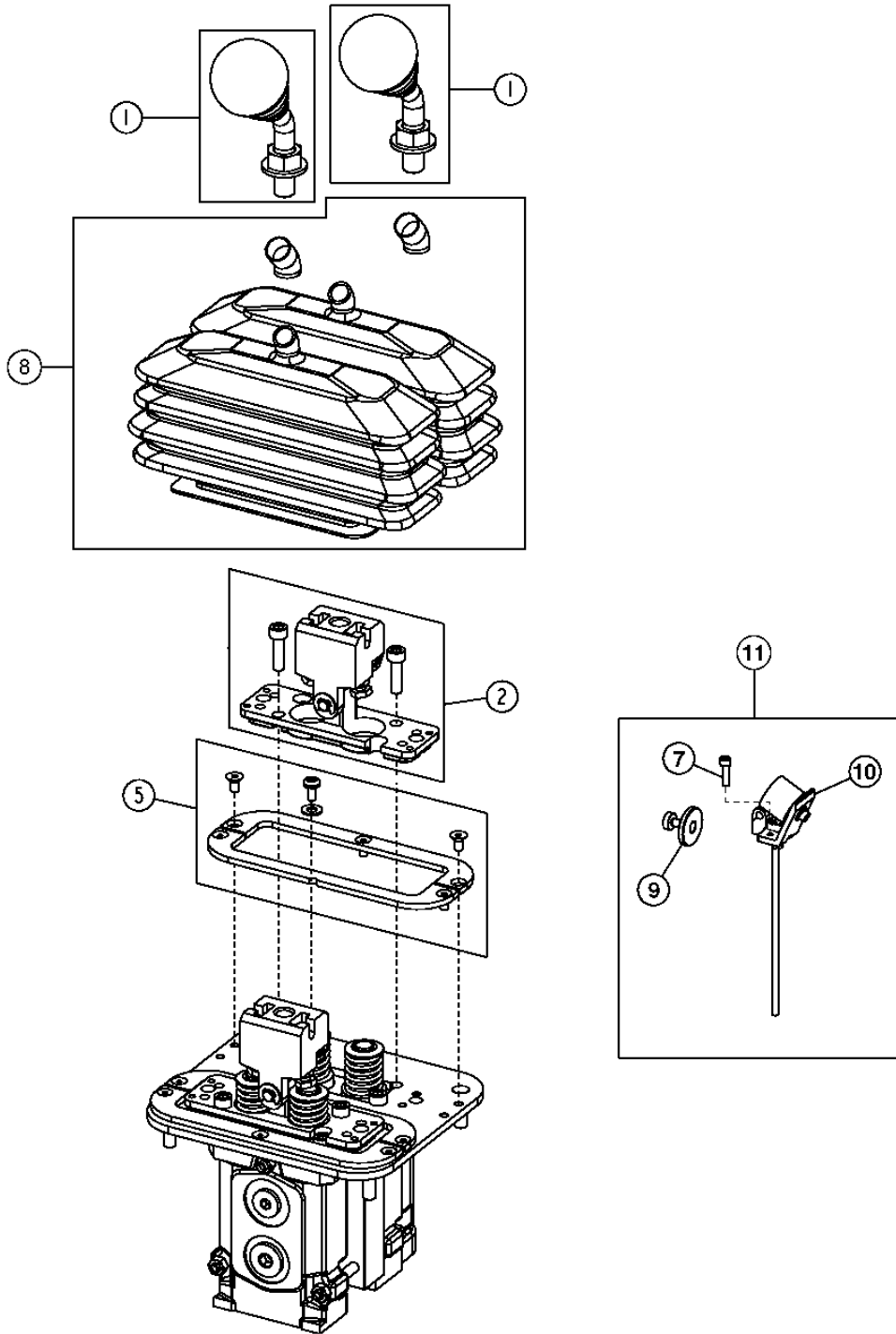
**TWO LEVER PILOT CONTROLLER WITH AUXILIARY
 CONTROLEUR PILOTE DEUX LEVIERS AVEC AUXILIAIRE
 CONTROLADOR PILOTO DE DOS PALANCAS CON MANDO AUXILIAR**

KEY	PART NO.	PART NAME	QTY.	SERIAL NO.	REMARKS
1	14M7397	LOCK NUT	4		M6
2	38H1160	ADAPTER FITTING	2		
3	R26448	O-RING	8		
4	T77613	O-RING	2		
5	63H1001	FITTING	6		
7	AT226454	HYDRAULIC HOSE - FABRICATE	1		
8	T77613	O-RING	2		
9	AT300154	HYDR./PILOT CONTROL VALVE	1		(COMPONENTS ON SEPERATE PAGE)
10	AT300156	PLATE	1		
11	T200729	LABEL	1		(FINGERTIP CONTROLS)
12	T81029	NUT	2		
13	14M7400	LOCK NUT	2		M10
14	19M7784	SCREW	2		M10 X 20
15	19M7806	SCREW	2		M10 X 50
16	24M7239	WASHER	2		10.700 X 21 X 2.500 MM
17	TY22493	HOSE CLAMP	1		(SUB FOR AR89602)
18	AT226615	HYDRAULIC HOSE - FABRICATE	6		
19	H77698	TIE BAND	6		
20	N189220	TIE BAND	4		
21	T154342	RETAINER	1		
22	T157443	ANGLE	1		
..	AT305692	FIELD INSTALLATION KIT	1		(WHOLE GOODS) (JOYSTICK WITH AUX. TO TWO LEVER WITH AUX. CONVERSION KIT)
..	AT307584	CONTROL LEVER	1		(WHOLE GOODS) (ADDITION OF AUXILIARY TO TOOL CARRIER TWO LEVER CONTROLLER KIT)
..	AT307436	CONTROL LEVER	1	-594432	(WHOLE GOODS) (ADDITION OF AUXILIARY TO TWO LEVER CONTROLLER KIT)
..	AT316537	CONTROL LEVER	1	594433-	(WHOLE GOODS) (ADDITION OF AUXILIARY TO TWO LEVER CONTROLLER KIT)
..	AT314815	CONTROL LEVER	1	594433-	(WHOLE GOODS) (ADDITION OF AUXILIARY TO POWERLLEL LINKAGE TWO LEVER CONTROLLER KIT)

3160-78

SINGLE AND DUAL AUXILIARY CONTROLLER COMPONENTS COMPOSANTS CONTROLEUR AUXILIAIRE SIMPLE ET DOUBLE COMPONENTES DE UNIDAD DE CONTROL AUXILIAR SIMPLE Y DOBLE

T212876 -UN-19JUL05



T212876

3160-79

LOADER 31

LOADER HYDRAULICS 3160

**SINGLE AND DUAL AUXILIARY CONTROLLER COMPONENTS
COMPOSANTS CONTROLEUR AUXILIAIRE SIMPLE ET DOUBLE
COMPONENTES DE UNIDAD DE CONTROL AUXILIAR SIMPLE Y DOBLE**

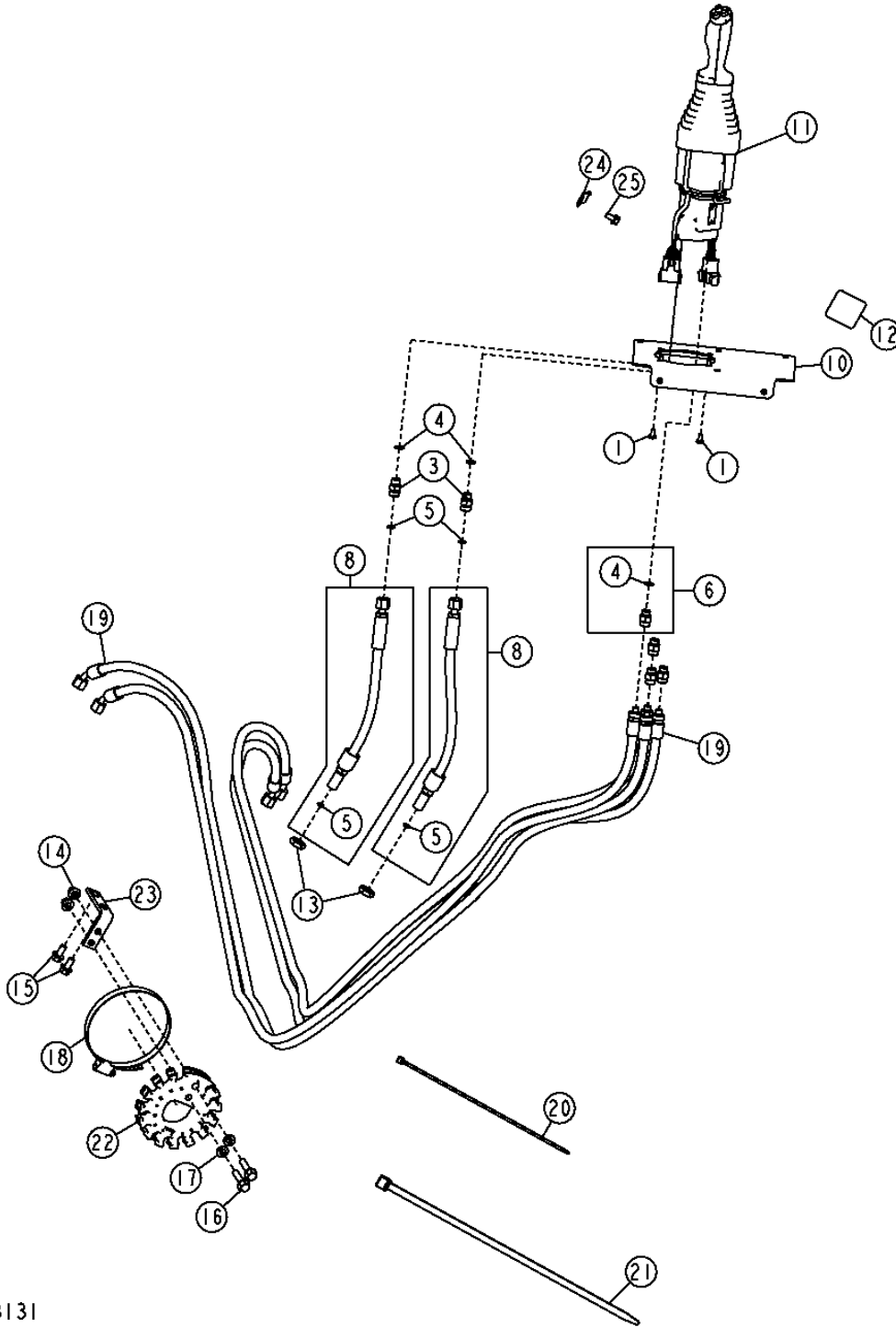
KEY	PART NO.	PART NAME	QTY.	SERIAL NO.	REMARKS
1	AT227925	LEVER	1		(WITHOUT SWITCH)
	AT227926	LEVER	1		(WITH SWITCH)
2	AT227930	PLATE	1		
3	AT226119	SWITCH	1		(KICKDOWN) (NOT ILLUSTRATED)
5	AT227933	PLATE	1		
7	AT325612	BOLT	2		
8	AT303619	KIT	1		BOOT ASSEMBLY
9	AT227928	ARMATURE	1		
10	AT227927	SOLENOID	1		
11	KIT	1		AUXILIARY CONTROLLER DETENT KIT (AT227957 NLA) (FURNISH AT305603)
..	AT305603	FIELD INSTALLATION KIT	1		(ADD DETENTS TO AUXILIARY KIT) (INCLUDES AT227927, AT227928, (2) AT325612)

3160-80

JOYSTICK PILOT CONTROLLER CONTROLEUR PILOTE MANCHE A BALAI UNIDAD DE CONTROL PILOTO DE PALANCA

TX1008131

-UN-19MAY06



TX1008131

THIS PARTS LISTING IS CONTINUED

3160-81

LOADER 31

LOADER HYDRAULICS 3160

**JOYSTICK PILOT CONTROLLER
CONTROLEUR PILOTE MANCHE A BALAI
UNIDAD DE CONTROL PILOTO DE PALANCA**

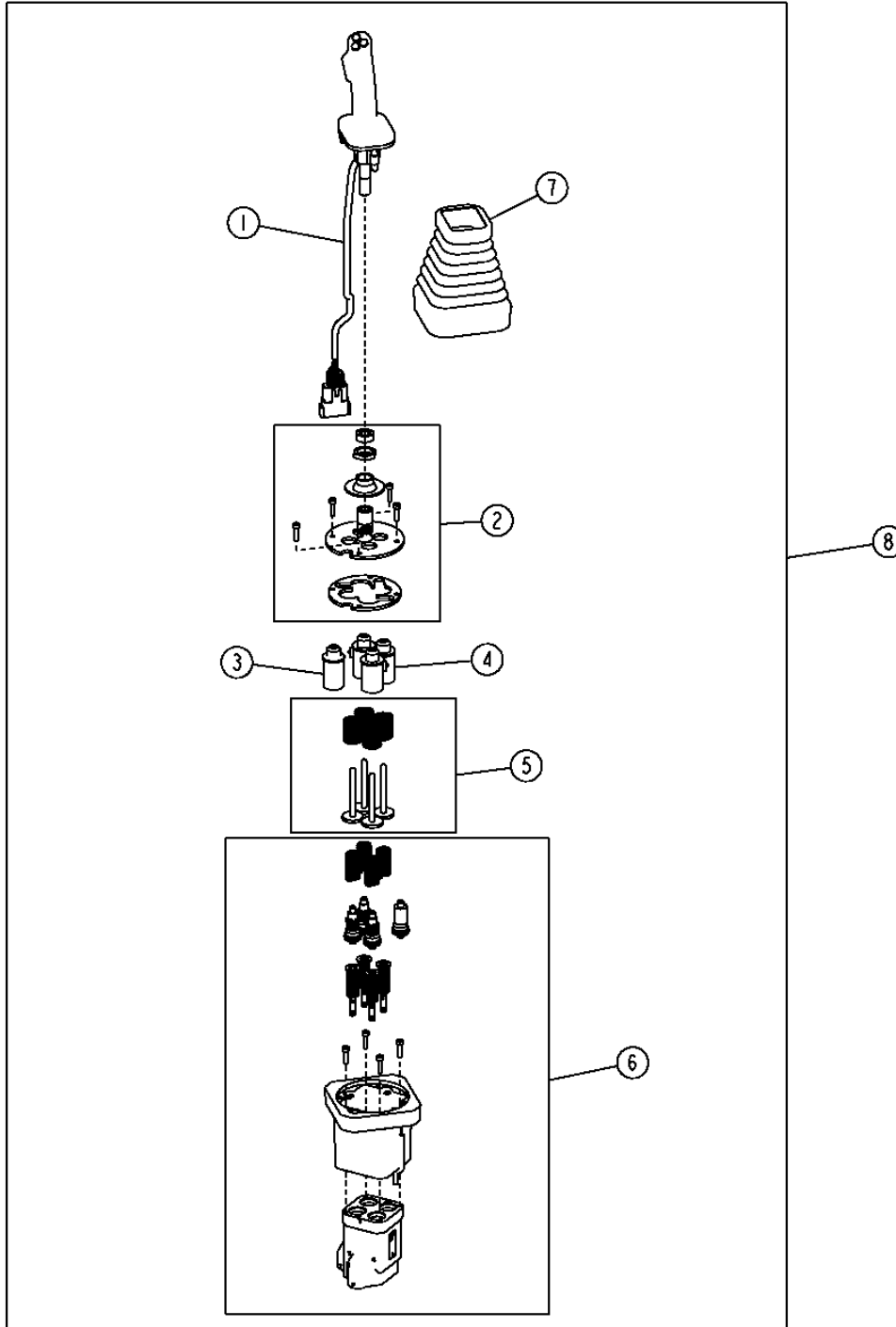
KEY	PART NO.	PART NAME	QTY.	SERIAL NO.	REMARKS
1	21M7285	SCREW	4		M6 X 12
3	38H1160	ADAPTER FITTING	2		
4	R26448	O-RING	6		
5	T77613	O-RING	4		
6	63H1001	FITTING	4		
8	AT228703	HYDRAULIC HOSE - FABRICATE	2		
10	AT300662	PLATE	1		
11	AT315847	HYDR./PILOT CONTROL VALVE	1		(SUB FOR AT301458) (W/O FNR)
	AT315846	HYDR./PILOT CONTROL VALVE	1		(SUB FOR AT300664) (W/ FNR)
	AT309843	WIRING HARNESS	1	-600915	(KICKDOWN HARNESS FOR CONTROLLER WITHOUT FNR) (NOT ILLUSTRATED)
12	T203670	LABEL	1		(W/O FNR)
	T197182	LABEL	1		(W/ FNR)
13	T81029	NUT	2		
14	14M7400	LOCK NUT	2		M10
15	19M7784	SCREW	2		M10 X 20
16	19M7806	SCREW	2		M10 X 50
17	24M7239	WASHER	2		10.700 X 21 X 2.500 MM
18	TY22493	HOSE CLAMP	1		(SUB FOR AR89602)
19	AT226615	HYDRAULIC HOSE - FABRICATE	4		
20	H77698	TIE BAND	6		
21	N189220	TIE BAND	4		
22	T154342	RETAINER	1		
23	T157443	ANGLE	1		
24	57M8736	ELEC. CONNECTOR ACCESSORY	1		
25	19M7865	SCREW	1		M8 X 16
..	AT305690	FIELD INSTALLATION KIT	1		(TWO LEVER TO JOYSTICK CONVERSION KIT) (W/ FNR)
..	FIELD INSTALLATION KIT	1		(AT311817 NLA) (TWO LEVER TO JOYSTICK CONVERSION KIT) (W/O FNR)

3160-82

JOYSTICK PILOT CONTROLLER COMPONENTS COMPOSANTS CONTROLEUR PILOTE MANCHE A BALAI COMPONENTES DE UNIDAD DE CONTROL PILOTO DE PALANCA

T196147

-UN-13NOV03



T196147

3160-83

LOADER 31

LOADER HYDRAULICS 3160

JOYSTICK PILOT CONTROLLER COMPONENTS
COMPOSANTS CONTROLEUR PILOTE MANCHE A BALAI
COMPONENTES DE UNIDAD DE CONTROL PILOTO DE PALANCA

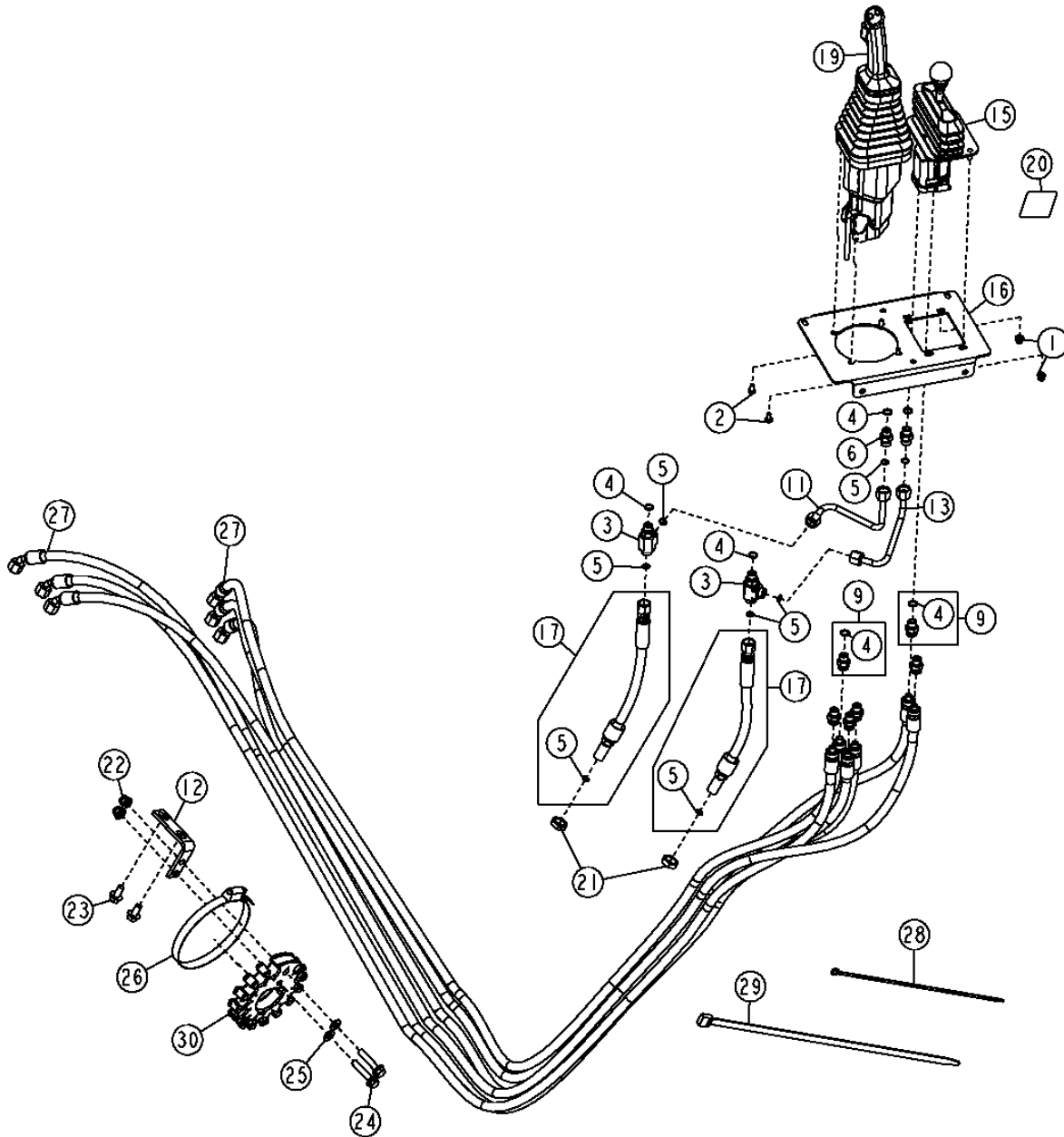
KEY	PART NO.	PART NAME	QTY.	SERIAL NO.	REMARKS
1	AT315458	HANDLE	1		(SUB FOR AT302032) (W/O FNR)
	AT315459	HANDLE	1		(SUB FOR AT302031) (W/ FNR)
2	AT307636	UNIVERSAL JOINT	1		
3	AT307638	GUIDE	1		
4	AT307637	SOLENOID	3		(THREE USES - ORDER AS REQUIRED)
5	AT307640	PIN	1		
6	AT307641	OIL PRESSURE REG. VALVE	1		
7	T205941	BOOT	1		
8	AT315847	HYDR./PILOT CONTROL VALVE	1		(SUB FOR AT301458) (W/O FNR)
	AT315846	HYDR./PILOT CONTROL VALVE	1		(SUB FOR AT300664) (W/ FNR)
9	AT309843	WIRING HARNESS	1	-600915	(KICKDOWN HARNESS FOR CONTROLLER WITHOUT FNR) (NOT ILLUSTRATED)

3160-84

JOYSTICK PILOT CONTROLLER WITH AUXILIARY
CONTROLEUR PILOTE MANCHE BALAI AVEC AUXILIAIRE
UNIDAD DE CONTROL PILOTO DE LA PALANCA CON MANDO AUXILIAR

T194486

-UN-22SEP03



T194486

THIS PARTS LISTING IS CONTINUED

3160-85

LOADER 31

LOADER HYDRAULICS 3160

**JOYSTICK PILOT CONTROLLER WITH AUXILIARY
 CONTROLEUR PILOTE MANCHE BALAI AVEC AUXILIAIRE
 UNIDAD DE CONTROL PILOTO DE LA PALANCA CON MANDO AUXILIAR**

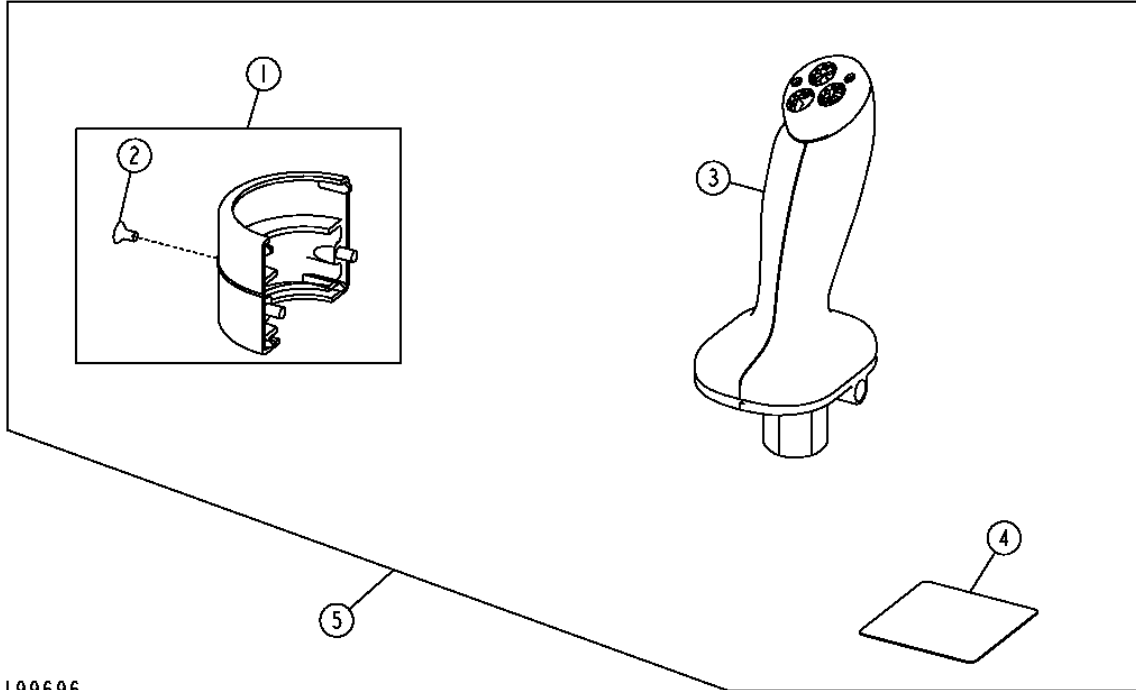
KEY	PART NO.	PART NAME	QTY.	SERIAL NO.	REMARKS
1	14M7397	LOCK NUT	4		M6
2	21M7285	SCREW	4		M6 X 12
3	38H1023	TEE FITTING	2		
4	R26448	O-RING	10		
5	T77613	O-RING	8		
6	38H1160	ADAPTER FITTING	2		
9	63H1001	FITTING	6		
11	AT226132	OIL LINE	1		
12	T157443	ANGLE	1		
13	AT226133	OIL LINE	1		
15	AT228250	HYDR./PILOT CONTROL VALVE	1		
16	AT228261	PLATE	1		
17	AT228703	HYDRAULIC HOSE - FABRICATE	2		
19	AT315847	HYDR./PILOT CONTROL VALVE	1		(SUB FOR AT301458) (W/O FNR)
	AT315846	HYDR./PILOT CONTROL VALVE	1		(SUB FOR AT300664) (W/ FNR)
20	T203670	LABEL	1		(W/O FNR)
	T197182	LABEL	1		(W/ FNR)
21	T81029	NUT	2		
22	14M7400	LOCK NUT	2		M10
23	19M7784	SCREW	2		M10 X 20
24	19M7806	SCREW	2		M10 X 50
25	24M7239	WASHER	2		10.700 X 21 X 2.500 MM
26	TY22493	HOSE CLAMP	1		(SUB FOR AR89602)
27	AT226615	HYDRAULIC HOSE - FABRICATE	6		
28	H77698	TIE BAND	6		
29	N189220	TIE BAND	4		
30	T154342	RETAINER	1		
31	AT309843	WIRING HARNESS	1	-600915	(KICKDOWN HARNESS FOR CONTROLLER WITHOUT FNR) (NOT ILLUSTRATED)
..	AT305693	FIELD INSTALLATION KIT	1		(WHOLE GOODS) (TWO LEVER WITH AUX. TO JOYSTICK WITH AUX. CONVERSION KIT WITH FNR)
..	FIELD INSTALLATION KIT	1		(WHOLE GOODS) (AT311818 NLA) (TWO LEVER WITH AUX. TO JOYSTICK WITH AUX. CONVERSION KIT WITH OUT FNR)
..	AT307006	CONTROL LEVER	1	-594432	(WHOLE GOODS) (ADDITION OF AUXILIARY TO JOYSTICK CONTROLLER KIT)
..	AT316507	CONTROL LEVER	1	594433-	(WHOLE GOODS) (ADDITION OF AUXILIARY TO JOYSTICK CONTROLLER KIT)
..	AT314620	CONTROL LEVER	1	594433-	(WHOLE GOODS) (ADDITION OF AUXILIARY TO POWERLLEL LINKAGE JOYSTICK CONTROLLER KIT)
..	AT307655	CONTROL LEVER	1		(WHOLE GOODS) (ADDITION OF AUXILIARY TO TOOL CARRIER JOYSTICK CONTROLLER KIT)

3160-86

JOYSTICK FNR CONVERSION KIT
KIT CONVERSION SENS MARCHÉ MANCHE A BALAI
JUEGO DE CONVERSION DEL SELECTOR DE SENTIDO DE MARCHA DE PALANCA

T199696

-UN-05MAY04



T199696

3160-87

LOADER 31

LOADER HYDRAULICS 3160

**JOYSTICK FNR CONVERSION KIT
KIT CONVERSION SENS MARCHE MANCHE A BALAI
JUEGO DE CONVERSION DEL SELECTOR DE SENTIDO DE MARCHA DE PALANCA**

KEY	PART NO.	PART NAME	QTY.	SERIAL NO.	REMARKS
1	AT300921	CLAMP	1		
2	21M7258	SCREW	1		
3	AT315459	HANDLE	1		(SUB FOR AT302031)
4	T197182	LABEL	1		
5	AT313087	FIELD INSTALLATION KIT	1		

3160-88

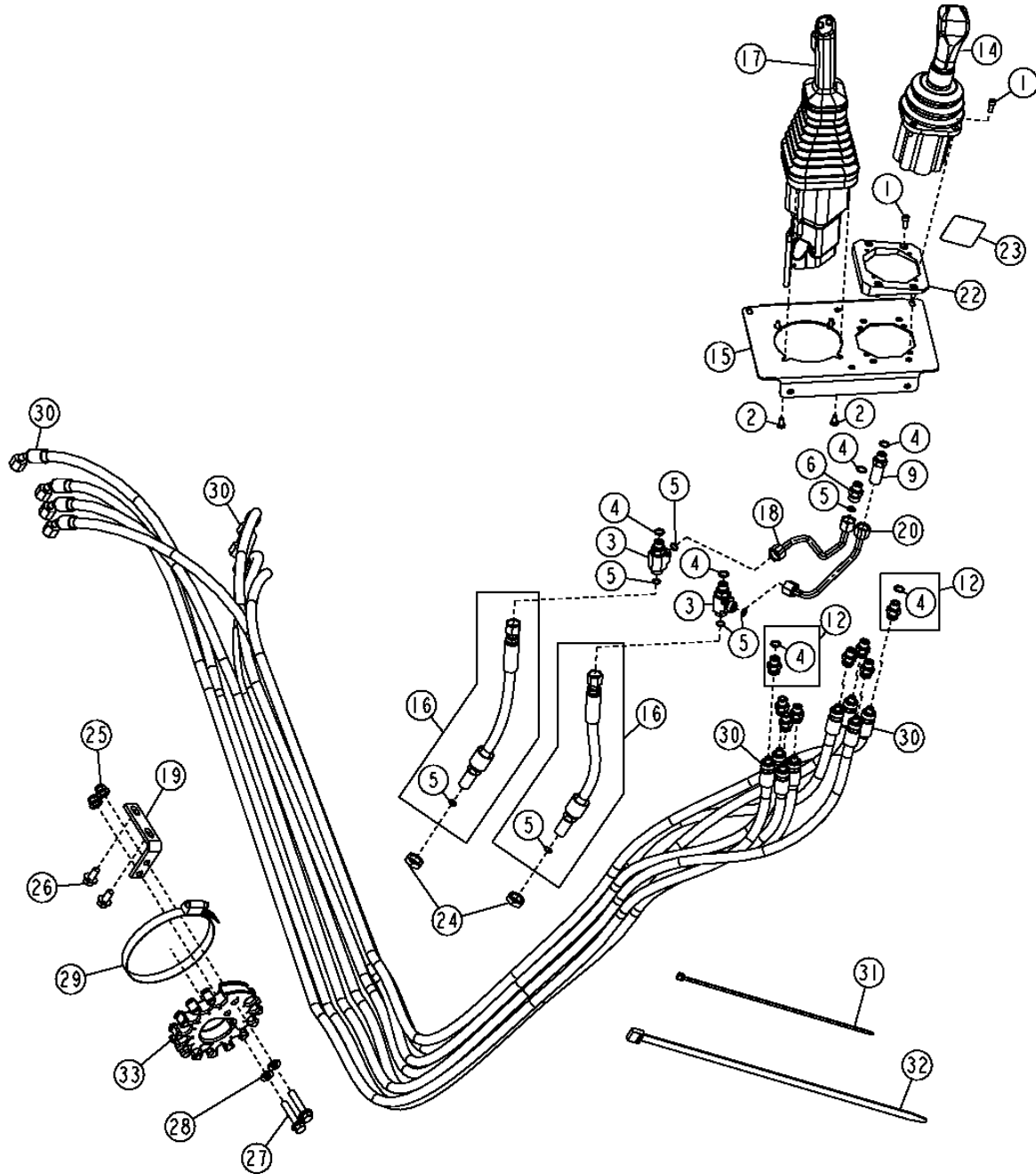
LOADER 31

LOADER HYDRAULICS 3160

DUAL JOYSTICK PILOT CONTROLLER CONTROLEUR PILOTE MANCHE A BALAI DOUBLE UNIDAD DE CONTROL PILOTO CON PALANCA DOBLE

T194488

-UN-19SEP03



T194488

THIS PARTS LISTING IS CONTINUED

3160-89

LOADER 31

LOADER HYDRAULICS 3160

**DUAL JOYSTICK PILOT CONTROLLER
CONTROLEUR PILOTE MANCHE A BALAI DOUBLE
UNIDAD DE CONTROL PILOTO CON PALANCA DOBLE**

KEY	PART NO.	PART NAME	QTY.	SERIAL NO.	REMARKS
1	19M8553	SCREW	8		M6 X 16
2	21M7285	SCREW	4		M6 X 12
3	38H1023	TEE FITTING	2		
4	R26448	O-RING	12		
5	T77613	O-RING	8		
6	38H1160	ADAPTER FITTING	1		
9	38H1212	ADAPTER FITTING	1		
12	63H1001	FITTING	8		
14	AT208760	ELECTRONIC CONTROL UNIT	1		(COMPONENTS ON SEPERATE PAGE)
15	AT228260	PLATE	1		
16	AT228703	HYDRAULIC HOSE - FABRICATE	2		
17	AT315847	HYDR./PILOT CONTROL VALVE	1		(SUB FOR AT301458) (W/O FNR) (COMPONENTS ON SEPERATE PAGE)
	AT315846	HYDR./PILOT CONTROL VALVE	1		(SUB FOR AT300664) (W/ FNR) (COMPONENTS ON SEPERATE PAGE)
18	AT304880	OIL LINE	1		
19	T157443	ANGLE	1		
20	AT304881	OIL LINE	1		
22	T201887	SPACER	1		
23	T203670	LABEL	1		(W/O FNR)
	T197182	LABEL	1		(W/ FNR)
24	T81029	NUT	2		
25	14M7400	LOCK NUT	2		M10
26	19M7784	SCREW	2		M10 X 20
27	19M7806	SCREW	2		M10 X 50
28	24M7239	WASHER	2		10.700 X 21 X 2.500 MM
29	TY22493	HOSE CLAMP	1		(SUB FOR AR89602)
30	AT226615	HYDRAULIC HOSE - FABRICATE	8		
31	H77698	TIE BAND	6		
32	N189220	TIE BAND	4		
33	T154342	RETAINER	1		
34	AT309843	WIRING HARNESS	1	-600915	(KICKDOWN HARNESS FOR CONTROLLER WITHOUT FNR) (NOT ILLUSTRATED)
..	AT307449	CONTROL LEVER	1	-594432	(WHOLE GOODS) (ADDITION OF AUXILIARY JOYSTICK TO JOYSTICK CONTROLLER KIT)
..	AT316518	CONTROL LEVER	1	594433-	(WHOLE GOODS) (ADDITION OF AUXILIARY JOYSTICK TO JOYSTICK CONTROLLER KIT)
..	AT314763	CONTROL LEVER	1	594433-	(WHOLE GOODS) (ADDITION OF AUXILIARY JOYSTICK TO POWERLLEL LINKAGE JOYSTICK CONTROLLER KIT)
..	AT307620	CONTROL LEVER	1		(WHOLE GOODS) (ADDITION OF AUXILIARY JOYSTICK TO TOOL CARRIER JOYSTICK CONTROLLER KIT)

3160-90

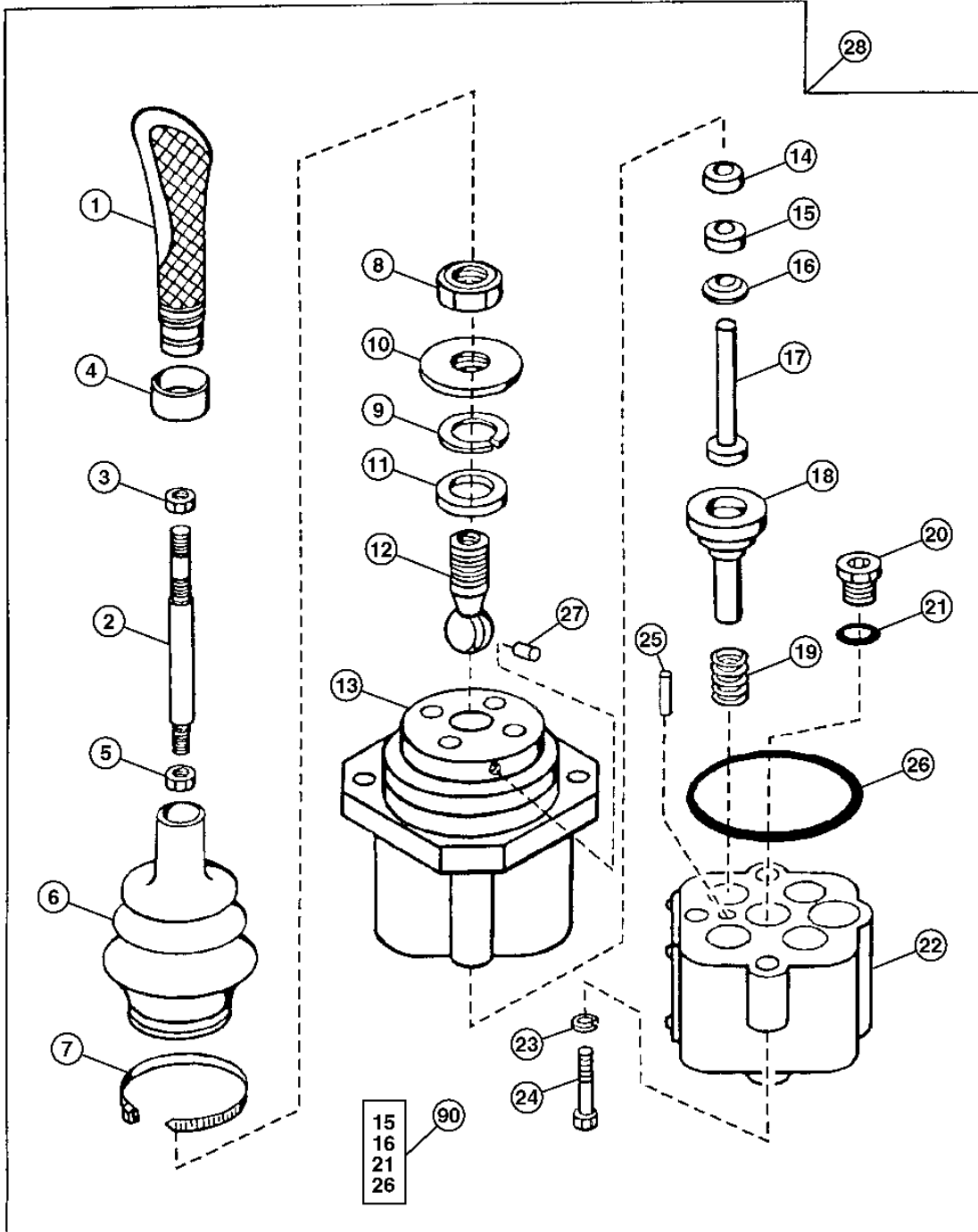
LOADER 31

LOADER HYDRAULICS 3160

AUXILIARY JOYSTICK PILOT CONTROLLER COMPONENTS COMPOSANTS CONTROLEUR PILOTE MANCHE BALAI AUXILIAIRE COMPONENTES DE LA UNIDAD DE CONTROL PILOTO DE LA PALANCA AUXILIAR

TX1006297

-UN-24APR06



TX1006297

THIS PARTS LISTING IS CONTINUED

3160-91

LOADER 31

LOADER HYDRAULICS 3160

AUXILIARY JOYSTICK PILOT CONTROLLER COMPONENTS
COMPOSANTS CONTROLEUR PILOTE MANCHE BALAI AUXILIAIRE
COMPONENTES DE LA UNIDAD DE CONTROL PILOTO DE LA PALANCA AUXILIAR

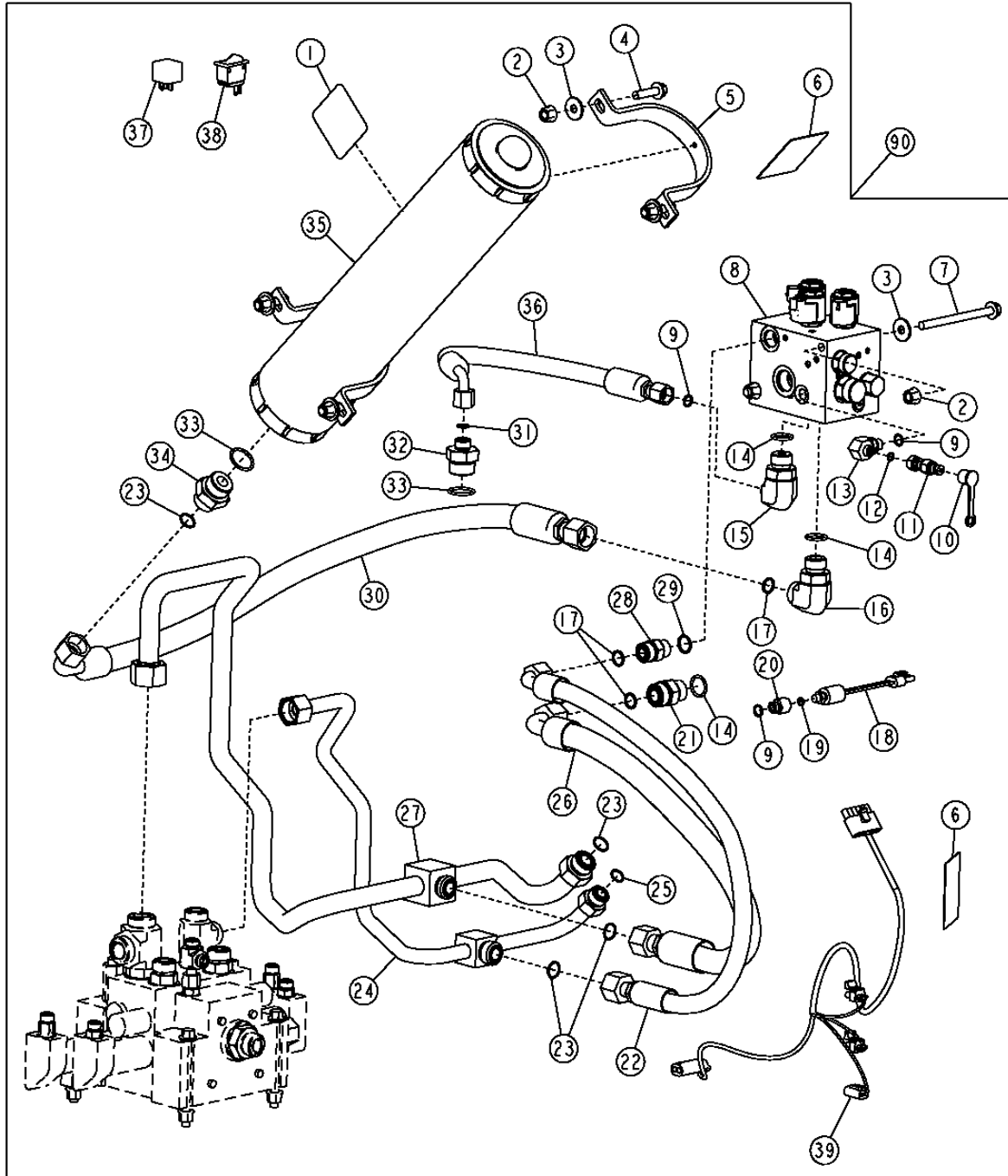
KEY	PART NO.	PART NAME	QTY.	SERIAL NO.	REMARKS
1	AT172629	GRIP	1		(ALSO ORDER H77698 AND AT208911)
2	AT210145	LEVER	1		
3	T170269	NUT	1		
4	AT208911	RETAINER	1		
5	T172986	NUT	1		
6	T172988	BOOT	1		
7	H77698	TIE BAND	1		
8	T172985	NUT	1		
9	T172987	SNAP RING	1		
10	PLATE	1		(AT119017 NLA)
11	RETAINER	1		(AT119378 NLA)
12	BALL	1		(AT119018 NLA)
13	HOUSING	1		UPPER, (SUB AT208760)
14	T131617	RING	4		
15	RETAINER	4		(SUB AT210247)
16	SEAL	4		(SUB AT210247)
17	T102958	PLUNGER	4		
18	SPOOL	4		(SUB AT208760)
19	T131624	SPRING	4		
20	AT49216	FITTING PLUG	1		
21	R26448	O-RING	1		
22	HOUSING	1		LOWER, (SUB AT208760)
23	12M7133	LOCK WASHER	4		6 MM
24	19M7966	SCREW	4		M6 X 25
25	T102961	DOWEL PIN	1		
26	SEAL	1		(SUB AT210247)
27	T102963	PIN FASTENER	1		ANTI-ROTATION
28	AT208760	ELECTRONIC CONTROL UNIT	1		
90	AT210247	SEAL KIT	1		

3160-92

RIDE CONTROL AND HYDRAULIC HOSES (S.N. -594432)
COMMANDE DE SUSPENSION ET FLEXIBLES HYDRAULIQUES (S.N. -594432)
CONTROL DE SUSPENSION Y MANGUERAS HIDRAULICAS (S.N. -594432)

T157361

-UN-17JUL02



T157361

THIS PARTS LISTING IS CONTINUED

3160-93

LOADER 31

LOADER HYDRAULICS 3160

**RIDE CONTROL AND HYDRAULIC HOSES (S.N. -594432)
 COMMANDE DE SUSPENSION ET FLEXIBLES HYDRAULIQUES (S.N. -594432)
 CONTROL DE SUSPENSION Y MANGUERAS HIDRAULICAS (S.N. -594432)**

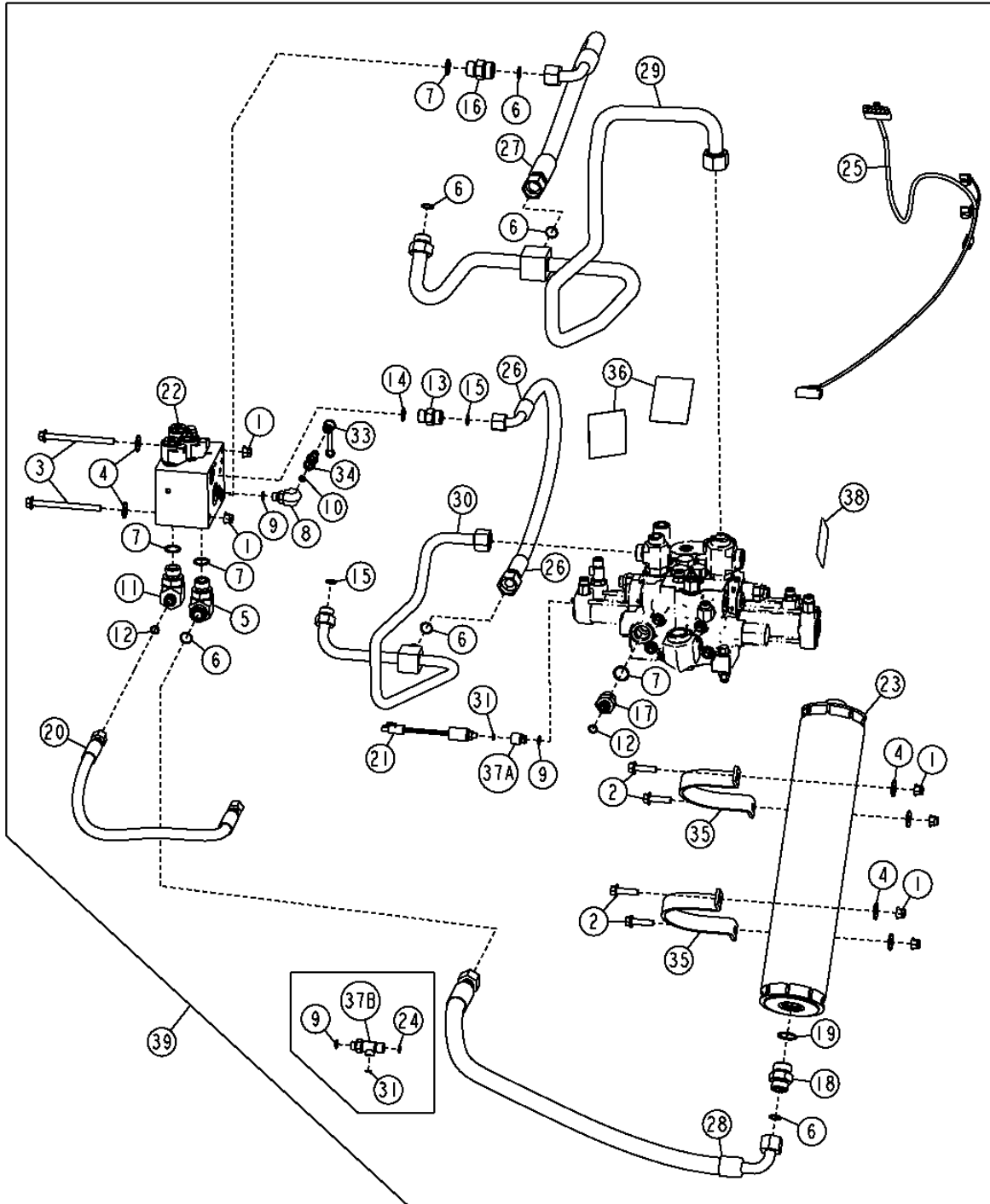
KEY	PART NO.	PART NAME	QTY.	SERIAL NO.	REMARKS
1	T180944	LABEL	1		(ACCUMULATOR)
2	14M7400	LOCK NUT	6		
3	24M7296	WASHER	6		
4	19M7804	SCREW	4		
5	T146490	CLAMP	2		
6	T146792	SAFETY SIGN	2		(RIDE CONTROL WARNING)
7	19M7898	SCREW	2		
8	AT332291	HYD ACTUATED CONTROL VALVE	1		(RIDE CONTROL VALVE) (SUB FOR AT224301)
9	R26448	O-RING	3		
10	R77175	COVER	5		
11	RE60700	DIAGNOSTIC COUPLING	1		
12	T77814	O-RING	1		
13	38H1009	ELBOW FITTING	1		
14	U12547	O-RING	3		
15	38H1013	ELBOW FITTING	1		
16	38H1007	ELBOW FITTING	1		
17	R26375	O-RING	3		
18	AT223535	PRESSURE SWITCH	1		(PRESSURE) (STANDARD)
	AT222372	SWITCH	1		(PRESSURE) (HARSH ENVIRONMENT)
19	R26287	O-RING	1		
20	T158047	ADAPTER FITTING	2		
21	38H1163	ADAPTER FITTING	1		
22	AT225445	HYDRAULIC HOSE - FABRICATE	1		
23	T77858	O-RING	4		
24	AT210714	OIL LINE	1		
25	T77932	O-RING	1		
26	AT226808	HYDRAULIC HOSE - FABRICATE	1		
27	AT210713	OIL LINE	1		
28	38H1162	ADAPTER FITTING	1		
29	R26906	O-RING	5		
30	AT228189	HYDRAULIC HOSE - FABRICATE	1		
31	T77857	O-RING	1		
32	38H1176	ADAPTER FITTING	1		
33	R29936	O-RING	2		
34	38H1194	ADAPTER FITTING	1		
35	AT227717	HYDRAULIC ACCUMULATOR	1		(ALSO ORDER T180944) (PRECHARGE TO 285 PSI)
	AT196760	KIT	1		(GAS VALVE REPAIR)
36	AT207010	HYDRAULIC HOSE - FABRICATE	1		
37	AT162863	RELAY	1		
38	AT220517	SWITCH	1		(RIDE CONTROL, 24V W/LIGHT)
39	AT224600	WIRING HARNESS	1	-600916	(RIDE CONTROL HARNESS)
	WIRING HARNESS	1	600917-	(RIDE CONTROL HARNESS) (NO LONGER REQUIRED)
	AT225011	WIRING HARNESS	1		(RIDE CONTROL HARNESS) (HARSH ENVIRONMENT)
90	AT220432	KIT	1		(WHOLEGOODS) (RIDE CONTROL)

3160-94

RIDE CONTROL AND HYDRAULIC HOSES (S.N. 594433-)
COMMANDE DE SUSPENSION ET FLEXIBLES HYDRAULIQUES (S.N. 594433-)
CONTROL DE SUSPENSION Y MANGUERAS HIDRAULICAS (S.N. 594433-)

TX1009704

-UN-12JUL06



TX1009704

THIS PARTS LISTING IS CONTINUED

3160-95

LOADER 31

LOADER HYDRAULICS 3160

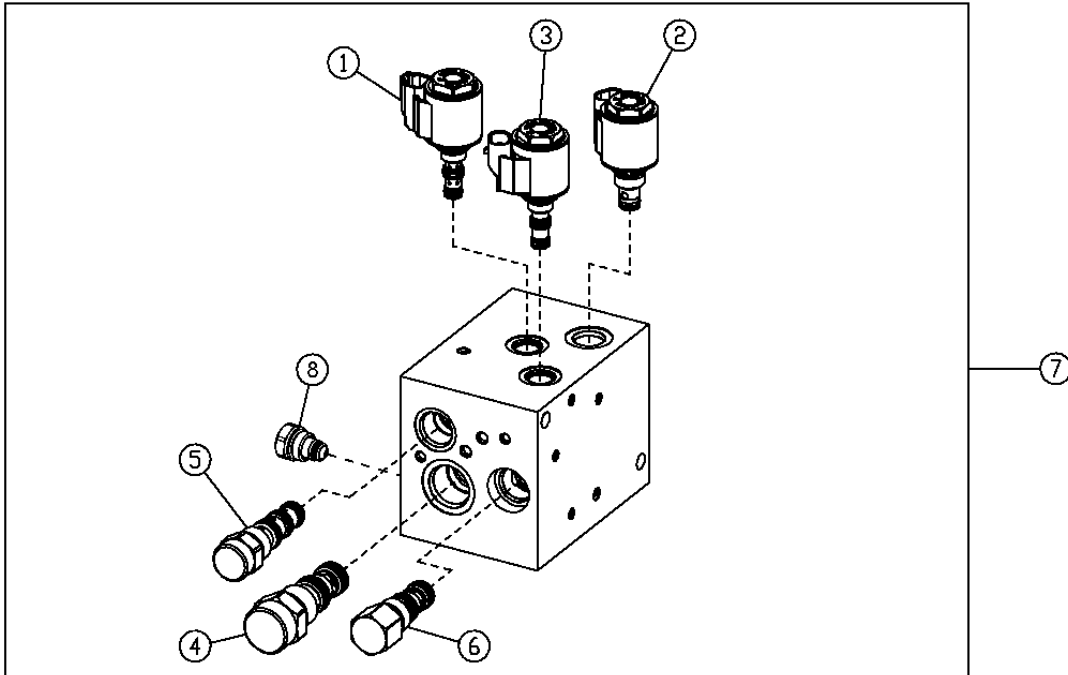
**RIDE CONTROL AND HYDRAULIC HOSES (S.N. 594433-)
COMMANDE DE SUSPENSION ET FLEXIBLES HYDRAULIQUES (S.N. 594433-)
CONTROL DE SUSPENSION Y MANGUERAS HIDRAULICAS (S.N. 594433-)**

KEY	PART NO.	PART NAME	QTY.	SERIAL NO.	REMARKS
1	14M7400	LOCK NUT	6		M10
2	19M7804	SCREW	4		M10 X 40
3	19M7898	SCREW	2		M10 X 130
4	24M7296	WASHER	6		10.500 X 30 X 2.500 MM
5	38H1007	ELBOW FITTING	1		
6	T77858	O-RING	6		
7	U12547	O-RING	5		
8	38H1009	ELBOW FITTING	1		
9	R26448	O-RING	2		
10	T77814	O-RING	1		
11	38H1013	ELBOW FITTING	1		
12	T77857	O-RING	2		
13	38H1162	ADAPTER FITTING	1		
14	R26906	O-RING	1		
15	T77932	O-RING	2		
16	38H1163	ADAPTER FITTING	1		
17	38H1175	ADAPTER FITTING	1		
18	38H1194	ADAPTER FITTING	1		
19	R29936	O-RING	1		
20	AT207010	HYDRAULIC HOSE - FABRICATE	1		13/16" X 711 MM X 13/16"
21	AT223535	PRESSURE SWITCH	1		
22	AT332291	HYD ACTUATED CONTROL VALVE	1		(RIDE CONTROL VALVE) (SUB FOR AT224301)
23	AT224493	HYDRAULIC ACCUMULATOR	1		
	AT196760	KIT	1		(ACCUMULATOR REPAIR KIT)
24	T77613	O-RING	1		
25	AT224600	WIRING HARNESS	1	-600916	(RIDE CONTROL HARNESS)
	WIRING HARNESS	1	600917-	(RIDE CONTROL HARNESS) (NO LONGER REQUIRED)
26	AT225445	HYDRAULIC HOSE - FABRICATE	1		1-3/16" X 965 MM X 1"
27	AT226808	HYDRAULIC HOSE - FABRICATE	1		1-3/16" X 851 MM X 1-3/16"
28	AT228189	HYDRAULIC HOSE - FABRICATE	1		
29	AT301093	OIL LINE	1		
30	AT307661	OIL LINE	1		
31	R26287	O-RING	1		
33	R77175	COVER	1		
34	RE60700	DIAGNOSTIC COUPLING	1		
35	T146490	CLAMP	2		
36	T146792	SAFETY SIGN	2		
37A	T158047	ADAPTER FITTING	1		
37B	AT206815	TEE FITTING	1		(FOR MACHINES WITH HIGH LIFT)
38	T180944	LABEL	1		
39	AT314598	MOUNTING PARTS	1		

3160-96

RIDE CONTROL VALVE
VANNE DE COMMANDE DE SUSPENSION
VALVULA DE CONTROL DE SUSPENSION

T195623 -UN-22OCT03



T195623

KEY	PART NO.	PART NAME	QTY.	SERIAL NO.	REMARKS
1	AT224866	SOLENOID VALVE	1		
	AT224706	SEAL KIT	1		
	AT224865	SOLENOID VALVE COIL	1		
	T181306	NUT	1		
2	AT224573	SOLENOID VALVE	1		
	AT224574	SOLENOID VALVE COIL	1		
	AT224862	SEAL KIT	1		
	T181306	NUT	1		
3	AT224705	FLOW CONTROL HYD. VALVE	1		
	AT224574	SOLENOID VALVE COIL	1		
	AT224706	SEAL KIT	1		
	T181306	NUT	1		
4	AT224867	FLOW CONTROL HYD. VALVE	1		
	AT224868	SEAL KIT	1		
5	AT225082	FLOW CONTROL HYD. VALVE	1		
	F433299	SEAL KIT	1		
6	AT225084	FLOW CONTROL HYD. VALVE	1		
	AT225085	SEAL KIT	1		
	AT316532	KIT	1		(LOCKDOWN KIT)
7	AT332291	HYD ACTUATED CONTROL VALVE	1		(RIDE CONTROL VALVE) (SUB FOR AT224301)
8	AN207183	CHECK VALVE	2		
	AN207184	SEAL KIT	1		

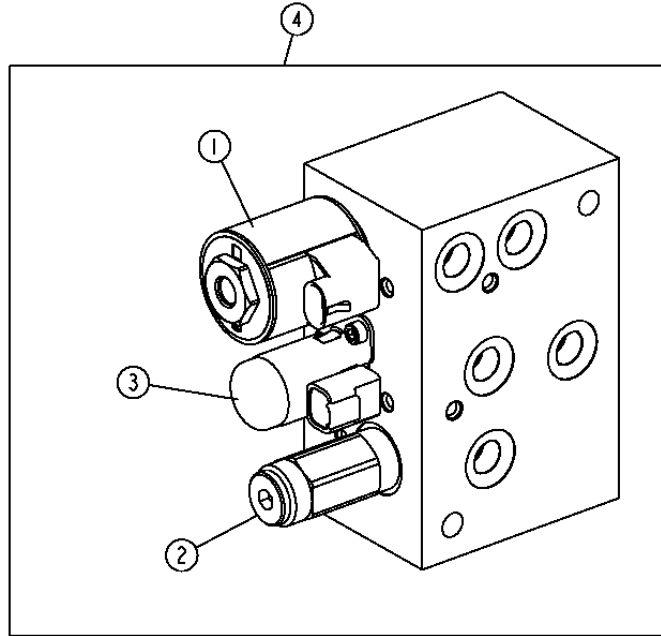
3160-97

LOADER 31

LOADER HYDRAULICS 3160

PIN AND AXLE DISCONNECT VALVE COMPONENTS
COMPOSANTS SOUPAPE RACCORD RAPIDE AXE ET ESSIEU
PASADOR Y COMPONENTES DE LA VALVULA DE DESCONEXION DEL EJE

T197201 -UN-07JAN04



T197201

KEY	PART NO.	PART NAME	QTY.	SERIAL NO.	REMARKS
1	AT224703	SOLENOID VALVE COIL	1		
	AT226266	SOLENOID VALVE	1		
	AT225083	SEAL KIT	1		SOLENOID VALVE SEAL KIT
2	AT226265	HYDRAULIC PRESSURE VALVE	1		
	AT225085	SEAL KIT	1		PRESSURE REDUCING VALVE SEAL KIT
3	AT303799	VALVE	1		AXLE DISCONNECT CARTRIDGE
	AT224873	SEAL KIT	1		(AXLE DISCONNECT CARTRIDGE VALVE)
4	AT225529	HYD ACTUATED CONTROL VALVE	1		PIN AND AXLE DISCONNECT VALVE
	AT225530	HYD ACTUATED CONTROL VALVE	1		PIN DISCONNECT VALVE

3160-104

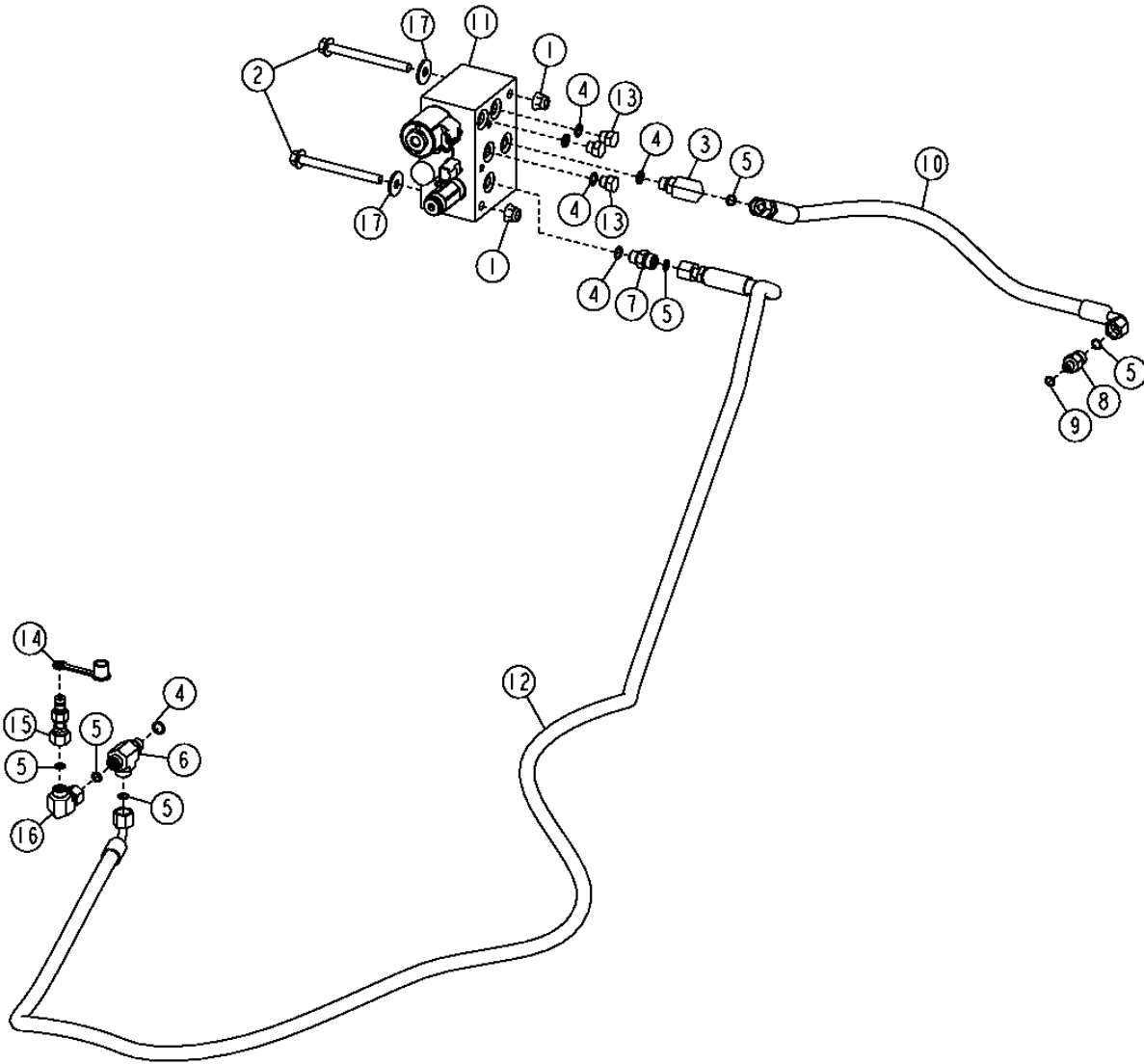
LOADER 31

LOADER HYDRAULICS 3160

PIN AND AXLE DISCONNECT VALVE AND HYDRAULIC HOSES (S.N. -594432)
FLEXIBLES HYDRAULIQUES ET SOUPE RAPIDE AXE ET ESSIEU (S.N. -594432)
PASADOR, VALVULA DE DESCONEXION DEL EJE Y MANGUERAS HIDRAULICAS (S.N. -594432)

T198286

-UN-23MAR04



T198286

3160-105

LOADER 31

LOADER HYDRAULICS 3160

PIN AND AXLE DISCONNECT VALVE AND HYDRAULIC HOSES (S.N. -594432)
FLEXIBLES HYDRAULIQUES ET SOUPE RACCORD RAPIDE AXE ET ESSIEU (S.N. -594432)
PASADOR, VALVULA DE DESCONEXION DEL EJE Y MANGUERAS HIDRAULICAS (S.N. -594432)

KEY	PART NO.	PART NAME	QTY.	SERIAL NO.	REMARKS
1	14M7400	LOCK NUT	2		M10
2	19M7836	SCREW	2		M10 X 110
3	38H1004	ELBOW FITTING	1		
4	R26448	O-RING	6		
5	T77613	O-RING	6		
6	38H1023	TEE FITTING	1		
7	38H1160	ADAPTER FITTING	1		
8	38H1309	ADAPTER FITTING	1		
9	R28782	O-RING	1		
10	AT167553	HYDRAULIC HOSE - FABRICATE	1		
11	AT225529	HYD ACTUATED CONTROL VALVE	1		(COMPONENTS LISTED ON ANOTHER PAGE)
12	AT305171	HYDRAULIC HOSE - FABRICATE	1		
13	R27218	FITTING PLUG	3		
14	R77175	COVER	1		
15	RE60701	DIAGNOSTIC COUPLING	1		
16	38H1094	ELBOW FITTING	1		
17	24M7296	WASHER	2		10.500 X 30 X 2.500 MM

3160-108

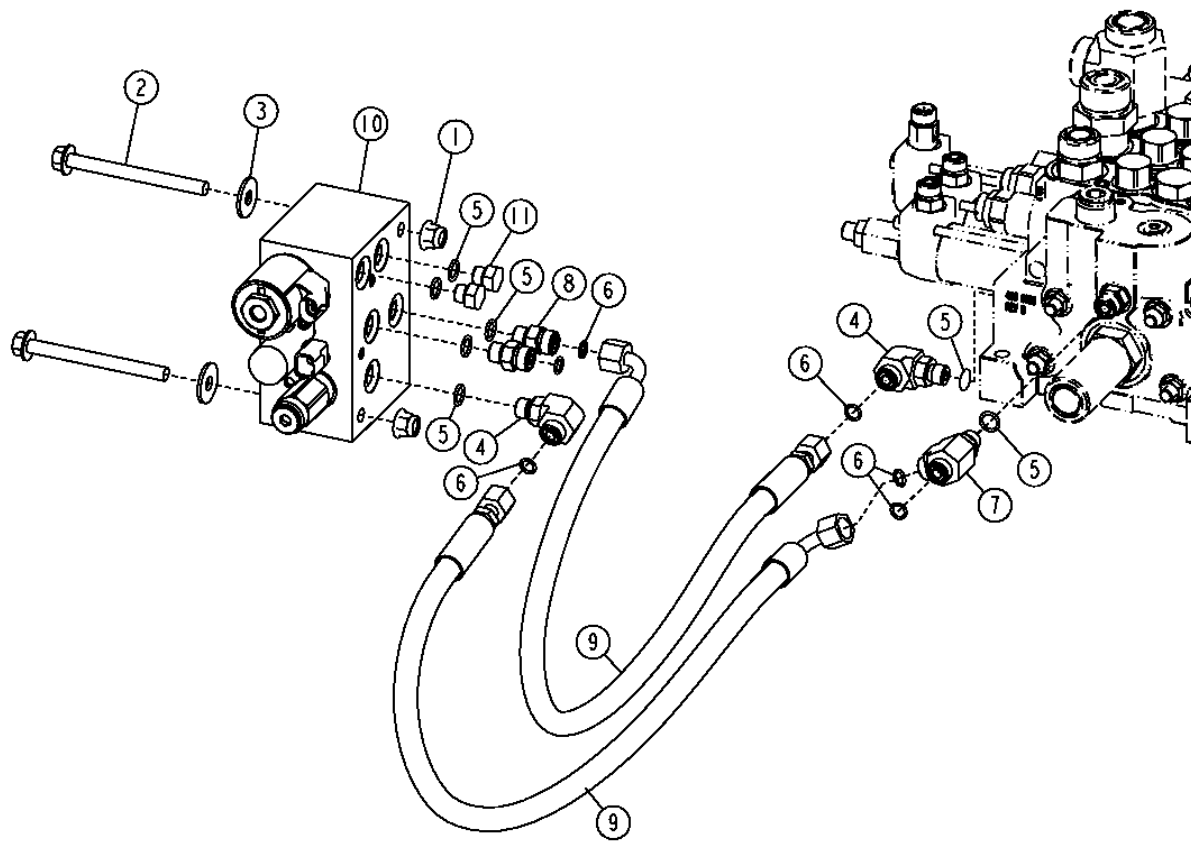
LOADER 31

LOADER HYDRAULICS 3160

PIN AND AXLE DISCONNECT VALVE AND HYDRAULIC HOSES (S.N. 594433-)
FLEXIBLES HYDRAULIQUES ET SOUPAPE RACCORD RAPIDE AXE ET ESSIEU (S.N. 594433-)
PASADOR, VALVULA DE DESCONEJION DEL EJE Y MANGUERAS HIDRAULICAS (S.N. 594433-)

T202068

-UN-12AUG04



T202068

THIS PARTS LISTING IS CONTINUED

3160-109

LOADER 31

LOADER HYDRAULICS 3160

PIN AND AXLE DISCONNECT VALVE AND HYDRAULIC HOSES (S.N. 594433-)
FLEXIBLES HYDRAULIQUES ET SOUPE RACCORD RAPIDE AXE ET ESSIEU (S.N. 594433-)
PASADOR, VALVULA DE DESCONEJION DEL EJE Y MANGUERAS HIDRAULICAS (S.N. 594433-)

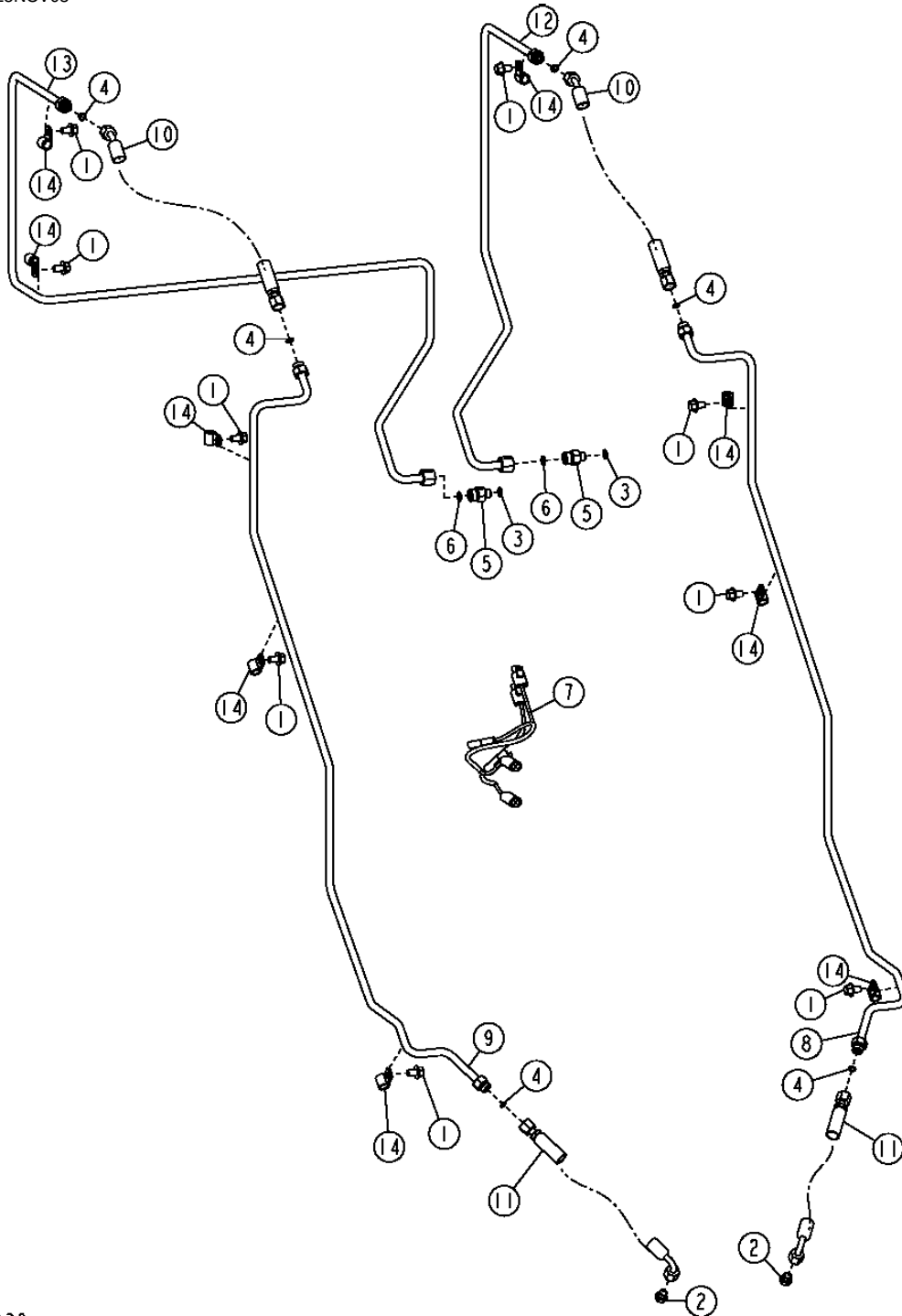
KEY	PART NO.	PART NAME	QTY.	SERIAL NO.	REMARKS
1	14M7400	LOCK NUT	2		M10
2	19M7836	SCREW	2		M10 X 110
3	24M7296	WASHER	2		10.500 X 30 X 2.500 MM
4	38H1004	ELBOW FITTING	2		
5	R26448	O-RING	9		
6	T77613	O-RING	7		
7	38H1023	TEE FITTING	1		
8	38H1160	ADAPTER FITTING	3		
9	AT167553	HYDRAULIC HOSE - FABRICATE	2		11/16" X 630 MM X 11/16"
10	AT225529	HYD ACTUATED CONTROL VALVE	1		(COMPONENTS LISTED ON ANOTHER PAGE)
11	R27218	FITTING PLUG	3		

3160-110

PIN DISCONNECT HYDRAULIC LINES (FOR USE WITH TOOL CARRIER)
CONDUITES HYDRAULIQUES RACCORD RAPIDE AXE (A UTILISER AVEC PORTE-OUTILS)
LINEAS HIDRAULICAS DE DESCONEXION DEL PASADOR (USAR CON PORTAHERRAMIENTAS)

T196636

-UN-25NOV03



T196636

THIS PARTS LISTING IS CONTINUED

3160-111

LOADER 31

LOADER HYDRAULICS 3160

PIN DISCONNECT HYDRAULIC LINES (FOR USE WITH TOOL CARRIER)
CONDUITES HYDRAULIQUES RACCORD RAPIDE AXE (A UTILISER AVEC PORTE-OUTILS)
LINEAS HIDRAULICAS DE DESCONEXION DEL PASADOR (USAR CON PORTAHERRAMIENTAS)

KEY	PART NO.	PART NAME	QTY.	SERIAL NO.	REMARKS
1	19M7784	SCREW	9		M10 X 20, (SUB FOR 19M7783)
2	R27218	FITTING PLUG	2		
3	R26448	O-RING	2		
4	T77613	O-RING	6		
5	38H1173	ADAPTER FITTING	2		
6	T77857	O-RING	2		
7	AT202824	WIRING HARNESS	1		
8	AT207969	OIL LINE	1		
9	AT207970	OIL LINE	1		
10	AT209692	HYDRAULIC HOSE - FABRICATE	2		
11	AT210666	HYDRAULIC HOSE - FABRICATE	2		
12	AT306900	OIL LINE	1		
13	AT306905	OIL LINE	1		
14	H75541	CLAMP	9		

3160-112

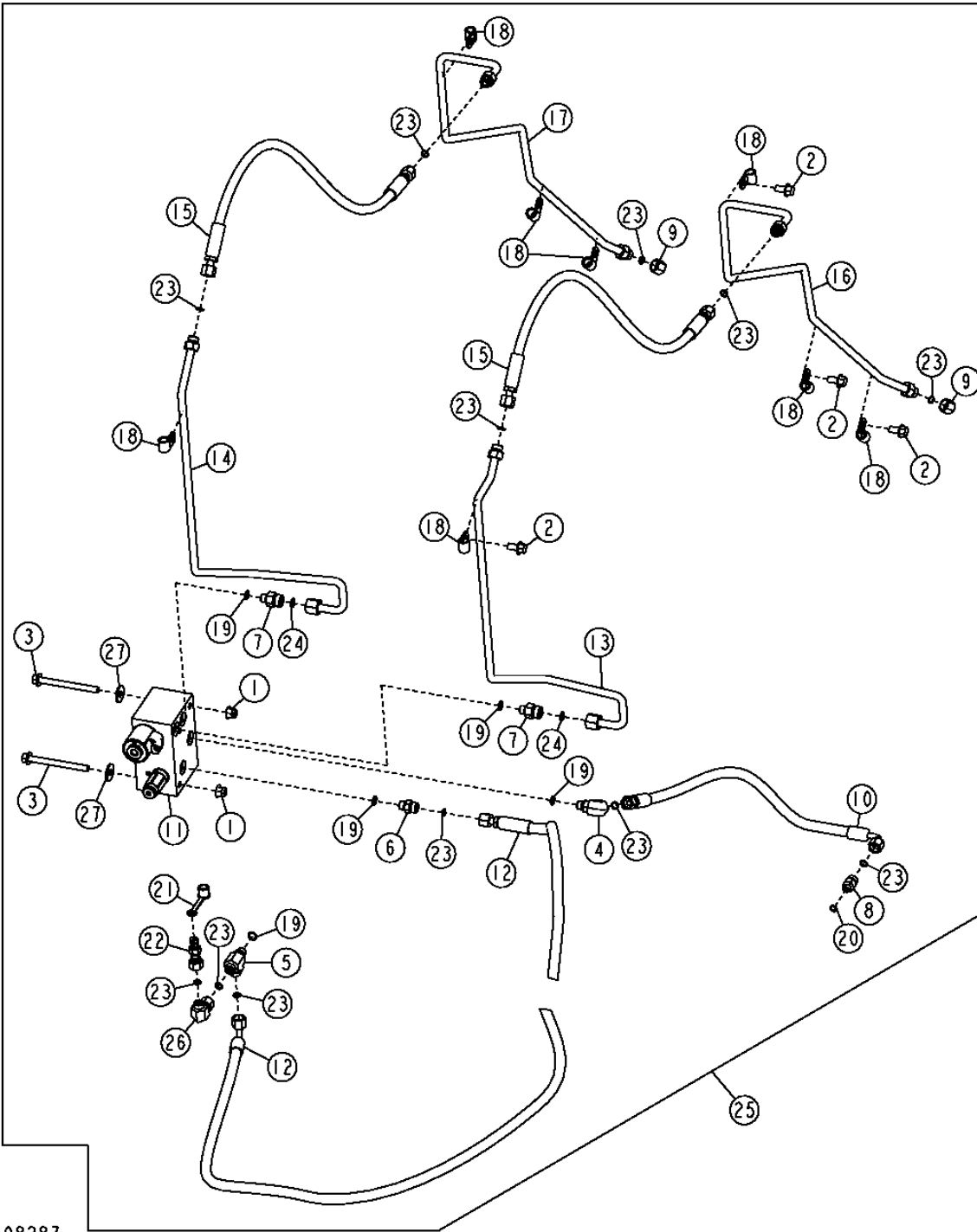
LOADER 31

LOADER HYDRAULICS 3160

PIN DISCONNECT HYDRAULIC LINES (FOR USE WITH Z-BAR LINKAGE)(S.N. -594432)
CONDUITES HYDRAULIQUES RACCORD RAPIDE AXE(A UTILISER AVEC TRINGLERIE CINEMATIQUE EN Z)(S.N.-59442)
LINEAS HIDRAULICAS DE DESCONEXION DEL PASADOR (PARA USO CON VARILLAJE DE BARRA EN Z (S.N. -594432)

T198287

-UN-23MAR04



T198287

3160-113

LOADER 31

LOADER HYDRAULICS 3160

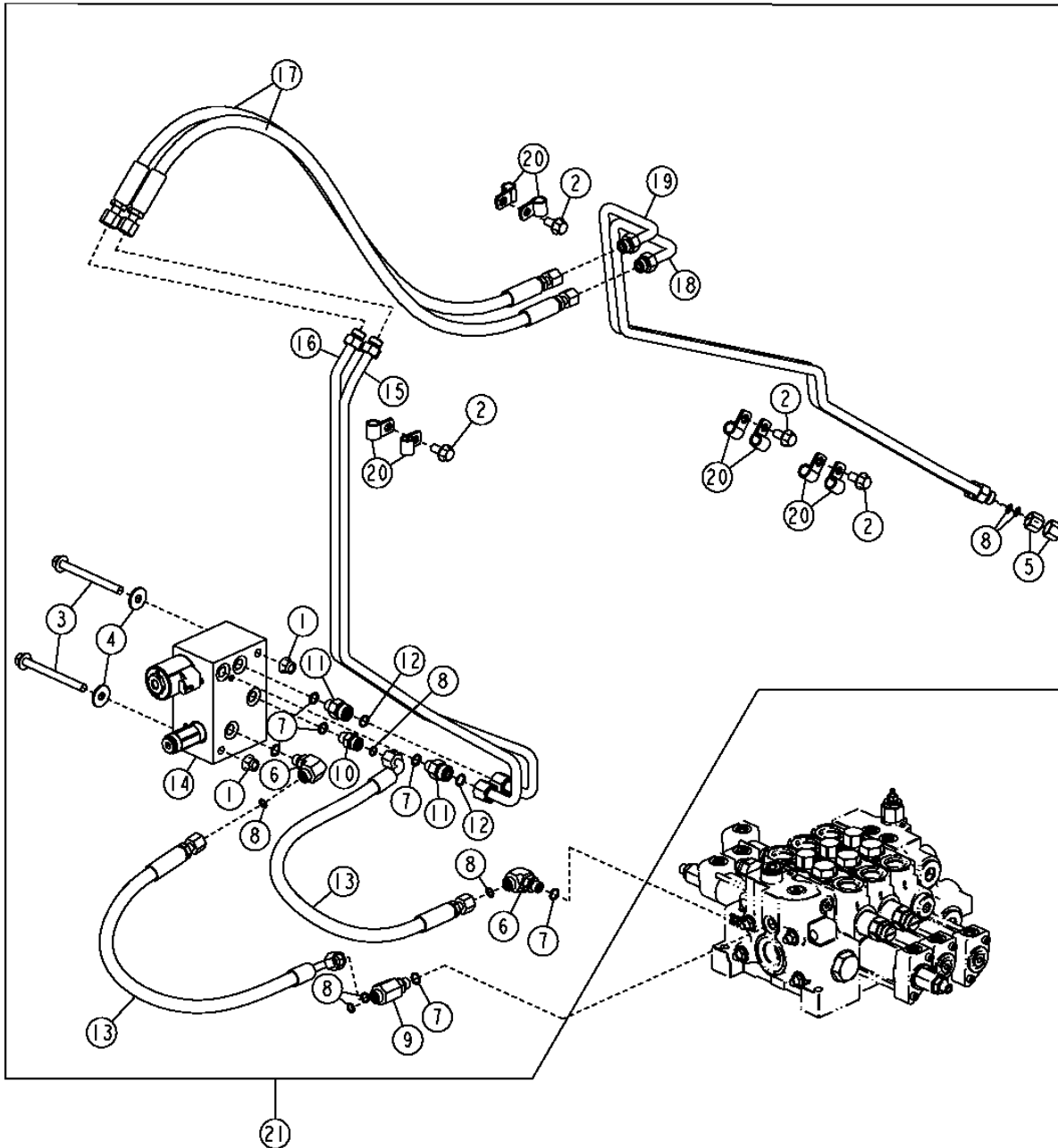
PIN DISCONNECT HYDRAULIC LINES (FOR USE WITH Z-BAR LINKAGE)(S.N. -594432)
 CONDUITES HYDRAULIQUES RACCORD RAPIDE AXE(A UTILISER AVEC TRINGLERIE CINEMATIQUE EN Z)(S.N.-59442)
 LINEAS HIDRAULICAS DE DESCONEXION DEL PASADOR (PARA USO CON VARILLAJE DE BARRA EN Z (S.N. -594432)

KEY	PART NO.	PART NAME	QTY.	SERIAL NO.	REMARKS
1	14M7400	LOCK NUT	2	M10	
2	19M7784	SCREW	4	M10 X 20	
3	19M7836	SCREW	2	M10 X 110	
	24M7296	WASHER	2	10.500 X 30 X 2.500 MM	
4	38H1004	ELBOW FITTING	1		
5	38H1023	TEE FITTING	1		
6	38H1160	ADAPTER FITTING	1		
7	38H1173	ADAPTER FITTING	2		
8	38H1309	ADAPTER FITTING	1		
9	38H1415	FITTING	2		
10	AT167553	HYDRAULIC HOSE - FABRICATE	1		
11	AT225530	HYD ACTUATED CONTROL VALVE	1		(COMPONENTS LISTED ON ANOTHER PAGE)
12	AT305171	HYDRAULIC HOSE - FABRICATE	1		
13	AT304269	OIL LINE	1		
14	AT304298	OIL LINE	1		
15	AT301930	HYDRAULIC HOSE - FABRICATE	2		(SUB FOR AT305900)
16	AT308780	OIL LINE	1		
17	AT308781	OIL LINE	1		
18	H75541	CLAMP	8		
19	R26448	O-RING	5		
20	R28782	O-RING	1		
21	R77175	COVER	1		
22	RE60701	DIAGNOSTIC COUPLING	1		
23	T77613	O-RING	12		
24	T77857	O-RING	2		
25	AT307809	MOUNTING PARTS	1		
26	38H1094	ELBOW FITTING	1		
27	24M7296	WASHER	2	10.500 X 30 X 2.500 MM	

3160-114

PIN DISCONNECT HYDRAULIC LINES (FOR USE WITH Z-BAR LINKAGE)(S.N 594433-)
CONDUITES HYDRAULIQUE RACCORD RAPIDE AXE(A UTILISER AVEC TRINGLERIE CINEMATIQUE EN Z)(S.N.594433-)
LINEAS HIDRAULICAS DE DESCONEXION DEL PASADOR (PARA USO CON VARILLAJE DE BARRA EN Z)(S.N 594433-)

T209416 -UN-16MAR05



T209416

3160-115

LOADER 31

LOADER HYDRAULICS 3160

PIN DISCONNECT HYDRAULIC LINES (FOR USE WITH Z-BAR LINKAGE)(S.N 594433-)
CONDUITES HYDRAULIQUE RACCORD RAPIDE AXE(A UTILISER AVEC TRINGLERIE CINEMATIQUE EN Z)(S.N 594433-)
LINEAS HIDRAULICAS DE DESCONEXION DEL PASADOR(PARA USO CON VARILLAJE DE BARRA EN Z)(S.N 594433-)

KEY	PART NO.	PART NAME	QTY.	SERIAL NO.	REMARKS
1	14M7400	LOCK NUT	2		M10
2	19M7784	SCREW	4		M10 X 20
3	19M7836	SCREW	2		M10 X 110
4	24M7296	WASHER	2		10.500 X 30 X 2.500 MM
5	38H1415	FITTING	2		
6	38H1004	ELBOW FITTING	2		
7	R26448	O-RING	6		
8	T77613	O-RING	11		
9	38H1023	TEE FITTING	1		
10	38H1160	ADAPTER FITTING	1		
11	38H1173	ADAPTER FITTING	2		
12	T77857	O-RING	2		
13	AT167553	HYDRAULIC HOSE - FABRICATE	2		
14	AT225530	HYD ACTUATED CONTROL VALVE	1		(COMPONENTS LISTED ON ANOTHER PAGE)
15	AT304269	OIL LINE	1		
16	AT304298	OIL LINE	1		
17	AT301930	HYDRAULIC HOSE - FABRICATE	2		(SUB FOR AT305900)
18	AT308780	OIL LINE	1		
19	AT308781	OIL LINE	1		
20	H75541	CLAMP	8		
21	AT316769	MOUNTING PARTS	1		

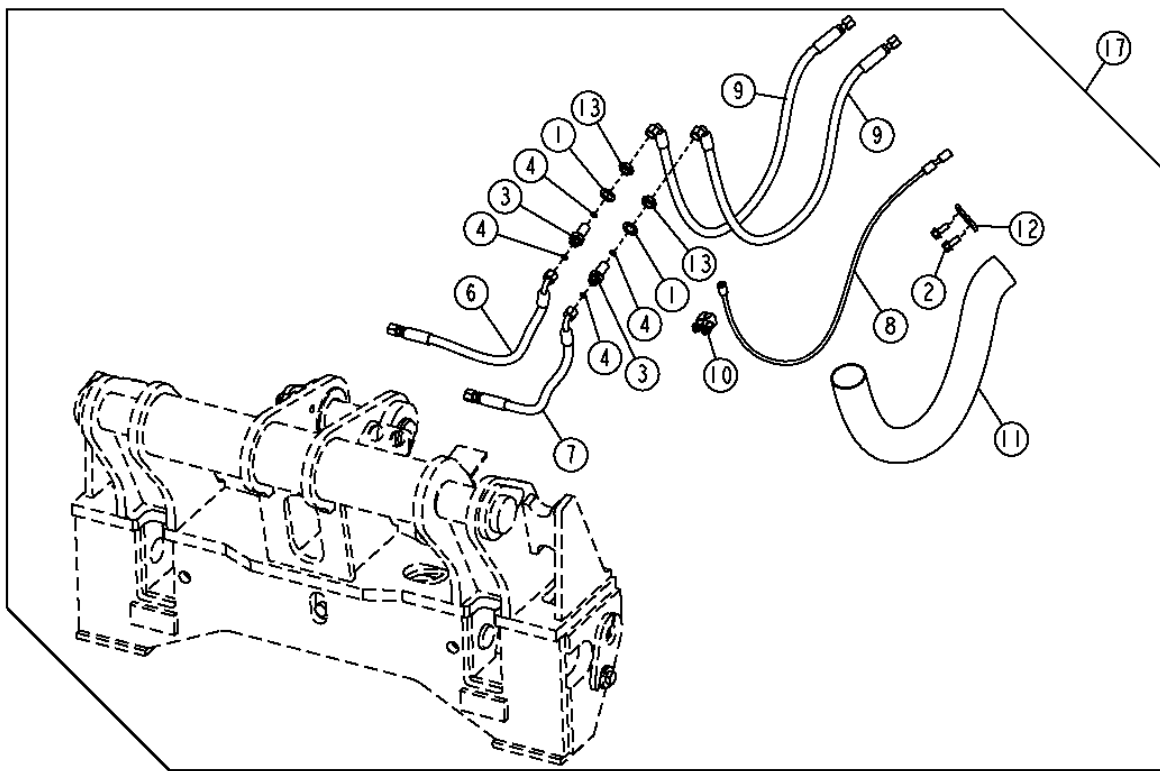
3160-116

LOADER 31

LOADER HYDRAULICS 3160

BOOM TO COUPLER PIN DISCONNECT HYDRAULIC HOSES (WITH Z-BAR LINKAGE)
FLEXIBLES HYDR. DECONNEXION FLECHE A AXE ACCOUPLEMENT (AVEC TRINGLERIE CINEMATIQUE EN Z)
AGUILON A MANGUERAS HIDR. DE DESCONEXION DEL PASADOR DEL ACOPLADOR (CON VARILLAJE DE BARRA EN Z)

TX1015098 -UN-



TX1015098

3160-117

LOADER 31

LOADER HYDRAULICS 3160

**BOOM TO COUPLER PIN DISCONNECT HYDRAULIC HOSES (WITH Z-BAR LINKAGE)
 FLEXIBLES HYD. DECONNEXION FLECHE A AXE ACCOUPLEMENT (AVEC TRINGLERIE CINEMATIQUE EN Z)
 AGUILON A MANGUERAS HIDR. DE DESCONEXION DEL PASADOR DEL ACOPLADOR (CON VARILLAJE DE BARRA EN Z)**

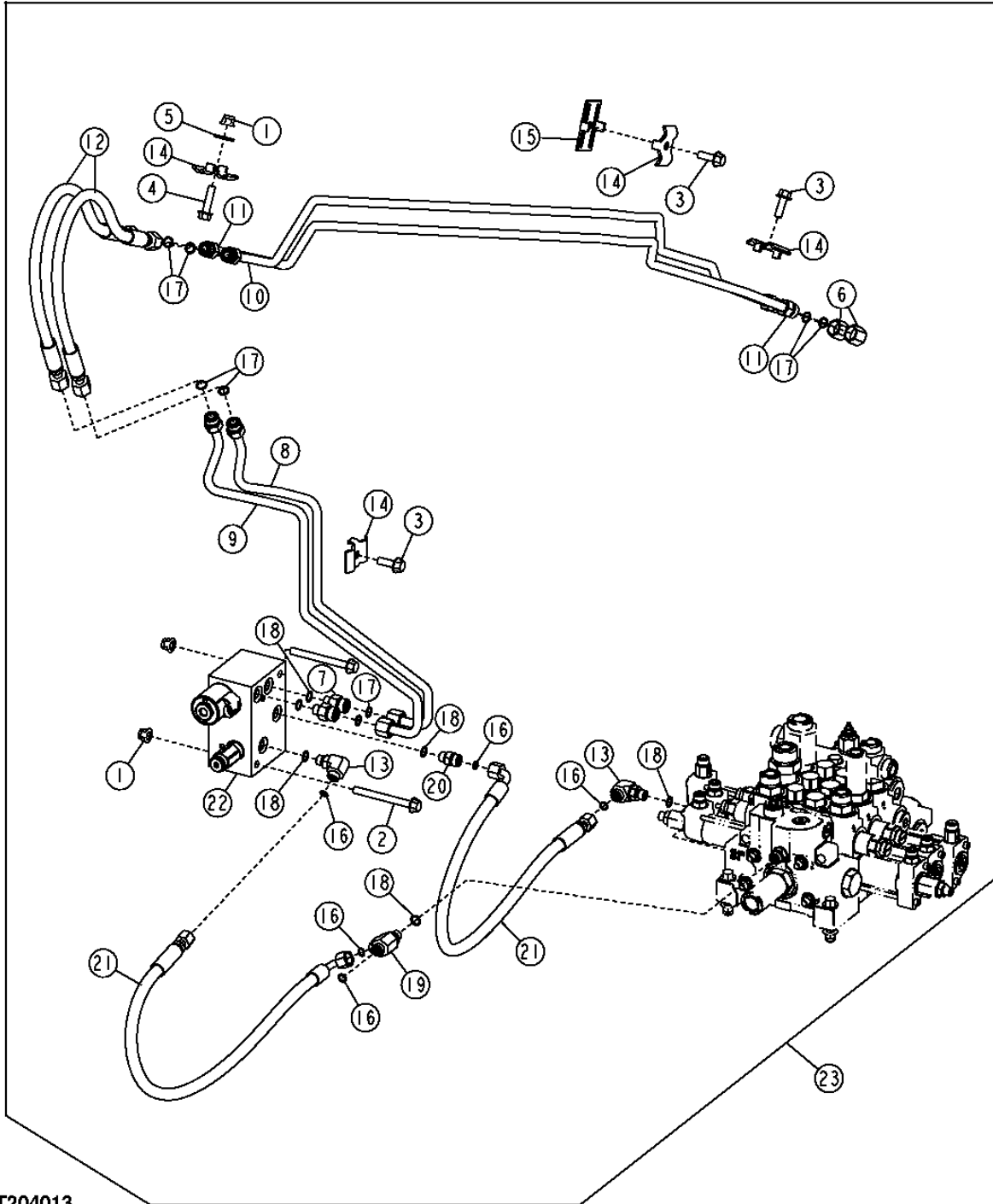
KEY	PART NO.	PART NAME	QTY.	SERIAL NO.	REMARKS
1	12H327	LOCK WASHER	2		3/4"
2	19M7785	SCREW	2		M10 X 25
3	38H1285	UNION FITTING	1		
4	T77613	O-RING	2		9.246 X 1.778 MM
6	AT305903	HYDRAULIC HOSE - FABRICATE	1	-609732	11/16" X 27" X 11/16"
	AT336825	HYDRAULIC HOSE - FABRICATE	1	609733-	11/16" X 18" X 11/16"
7	AT305905	HYDRAULIC HOSE - FABRICATE	1	-609732	11/16" X 33" X 11/16"
	AT336826	HYDRAULIC HOSE - FABRICATE	1	609733-	11/16" X 20-1/4" X 11/16"
8	AT305978	CABLE	1	-609732	
	AT336880	CABLE	1	609733-	
	AT309430	CABLE	1	-610446	(HIGH LIFT)
	AT336881	CABLE	1	610447-	(HIGH LIFT)
9	AT311469	HYDRAULIC HOSE - FABRICATE	2	-609732	(SUB FOR AT305902)
	AT336883	HYDRAULIC HOSE - FABRICATE	2	609733-	
	AT311468	HYDRAULIC HOSE - FABRICATE	2	-609732	11/16" X 43" X 11/16", (SUB FOR (2) AT305900) (HIGH LIFT)
	AT336882	HYDRAULIC HOSE - FABRICATE	2	609733-	11/16" X 50-1/2" X 11/16", (HIGH LIFT)
10	AT62123	CLAMP	1		
11	HOSE GUARD	AR		(FURNISH PARKER PG-188) (CUT TO 30 INCHES)
	HOSE GUARD	AR		(HIGH LIFT) (FURNISH PARKER PG-188) (CUT TO 45 INCHES)
12	T204315	PLATE	1		
13	T81029	NUT	2		11/16"
17	AT317574	FIELD INSTALLATION KIT	1	-609732	(WHOLEGOODS)
	AT336884	FIELD INSTALLATION KIT	1	609733-	(WHOLEGOODS)
	AT317589	FIELD INSTALLATION KIT	1	-610446	(HIGH LIFT) (WHOLEGOODS)
	AT336885	FIELD INSTALLATION KIT	1	610447-	(HIGH LIFT) (WHOLEGOODS)

3160-122

PIN DISCONNECT HYDRAULIC LINES (FOR USE WITH POWERLLEL™ LINKAGE)
CONDUITES HYDRAULIQUES RACCORD RAPIDE AXE (A UTILISER AVEC TRINGLERIE POWERLLEL™)
LINEAS HIDRAULICAS DE DESCONEXION DEL PASADOR (PARA USO CON VARILLAJE POWERLLEL™)

T204013

-UN-15OCT04



T204013

3160-123

LOADER 31

LOADER HYDRAULICS 3160

PIN DISCONNECT HYDRAULIC LINES (FOR USE WITH POWERLLEL™LINKAGE)
CONDUITES HYDRAULIQUES RACCORD RAPIDE AXE (A UTILISER AVEC TRINGLERIE POWERLLEL™)
LINEAS HIDRAULICAS DE DESCONEXION DEL PASADOR (PARA USO CON VARILLAJE POWERLLEL™)

KEY	PART NO.	PART NAME	QTY.	SERIAL NO.	REMARKS
1	14M7400	LOCK NUT	3		M10
2	19M7812	SCREW	2		M10 X 100, (NOT ILLUSTRATED)
3	19M7786	SCREW	3		M10 X 30
4	19M7804	SCREW	1		M10 X 40
5	24M7296	WASHER	1		10.500 X 30 X 2.500 MM
6	38H1416	FITTING	2	-609734	
	38H1415	FITTING	2	609735-	
7	38H1173	ADAPTER FITTING	2		
8	AT306654	OIL LINE	1	-609734	
	AT336721	OIL LINE	1	609735-	
9	AT306677	OIL LINE	1	-609734	
	AT336722	OIL LINE	1	609735-	
10	AT315829	OIL LINE	1	-609734	
	AT336725	OIL LINE	1	609735-	
11	AT315830	OIL LINE	1	-609734	
	AT336726	OIL LINE	1	609735-	
12	AT316021	HYDRAULIC HOSE - FABRICATE	2	-609734	
	AT168163	HYDRAULIC HOSE - FABRICATE	2	609735-	
13	38H1004	ELBOW FITTING	2		(NOT ILLUSTRATED)
14	T159950	CLAMP	4		
15	T159956	CLAMP	1		
16	T77613	O-RING	5	-609734	(NOT ILLUSTRATED)
	T77613	O-RING	11	609735-	
17	T77857	O-RING	8	-609734	
	T77857	O-RING	2	609735-	
18	R26448	O-RING	3		
19	38H1023	TEE FITTING	1		
20	38H1160	ADAPTER FITTING	1		
21	AT167553	HYDRAULIC HOSE - FABRICATE	2		
22	AT225530	HYD ACTUATED CONTROL VALVE	1		(COMPONENTS LISTED ON SEPARATE PAGE)
23	AT314617	KIT	1	-609734	(WHOLEGOODS) (PIN DISCONNECT)
	AT337313	KIT	1	609735-	(WHOLEGOODS) (PIN DISCONNECT)

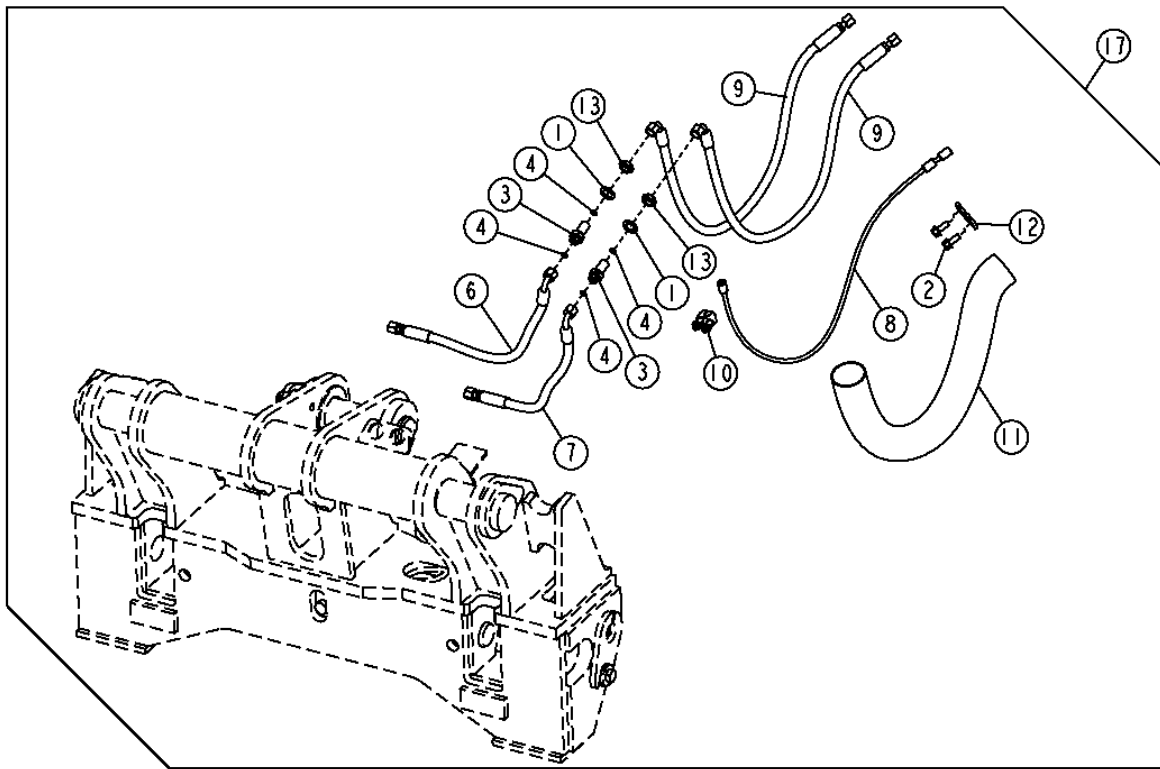
3160-124

LOADER 31

LOADER HYDRAULICS 3160

BOOM TO COUPLER PIN DISCONNECT HYDRAULIC HOSES (WITH POWERLLEL™ LINKAGE)
FLEXIBLES HYDRAULIQUES DECONNEXION FLECHE A AXE ACCOUPLEMENT (AVEC TRINGLERIE POWERLLEL™)
AGUILON A MANGUERAS HIDRAULICAS DE DESCONEXION DEL PASADOR DEL ACOPLADOR (CON VARILLAJE POWERLLEL)

TX1015098 -UN-



TX1015098

3160-125

LOADER 31

LOADER HYDRAULICS 3160

BOOM TO COUPLER PIN DISCONNECT HYDRAULIC HOSES (WITH POWERLLEL™ LINKAGE)
FLEXIBLES HYDRAULIQUES DECONNEXION FLECHE A AXE ACCOUPLEMENT (AVEC TRINGLERIE POWERLLEL™)
AGUILON A MANGUERAS HIDRAULICAS DE DESCONECION DEL PASADOR DEL ACOPLADOR (CON VARILLAJE POWERLLEL)

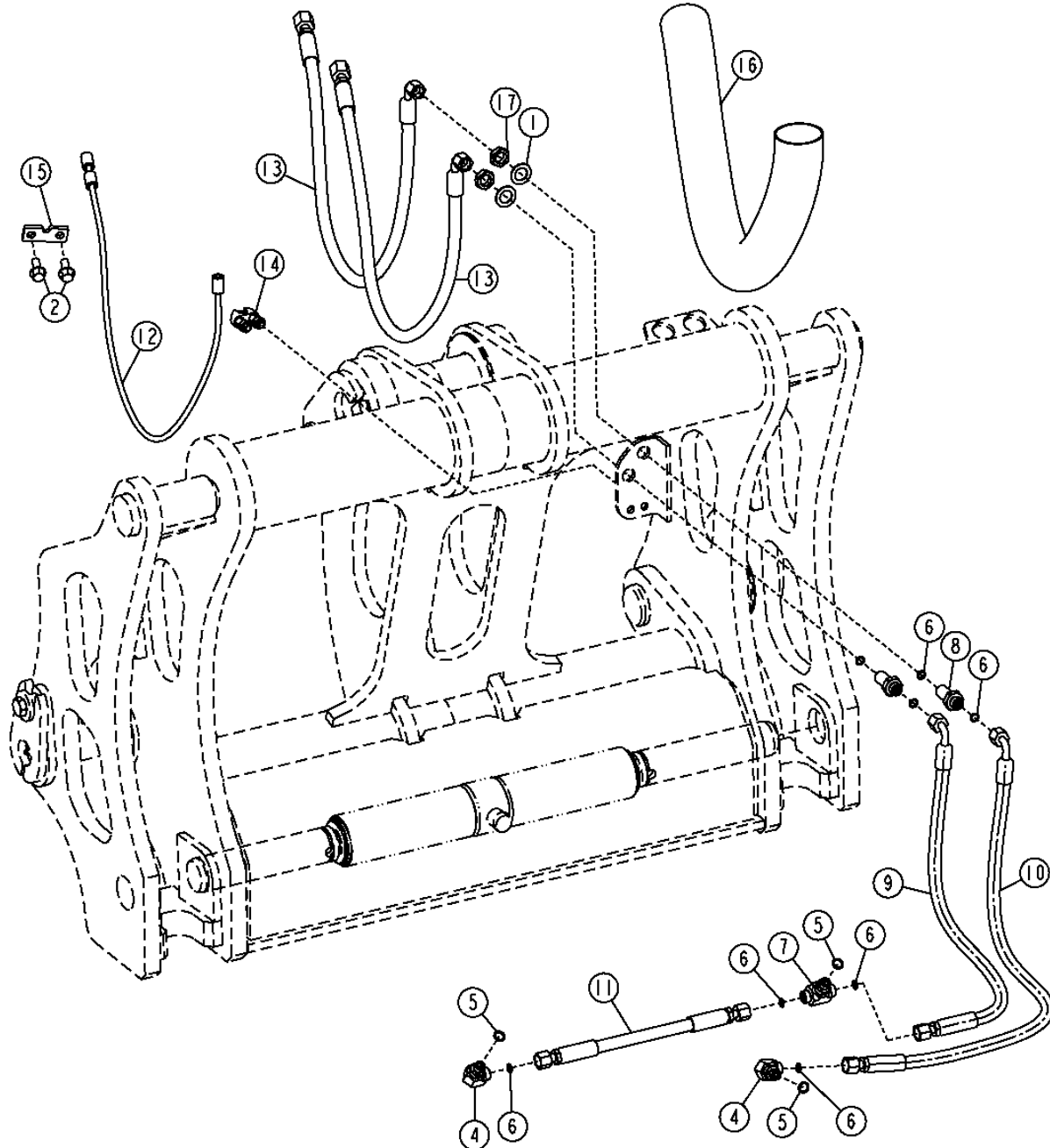
KEY	PART NO.	PART NAME	QTY.	SERIAL NO.	REMARKS
1	12H327	LOCK WASHER	2		3/4"
2	19M7785	SCREW	2		M10 X 25
3	38H1285	UNION FITTING	2		
4	T77613	O-RING	2		9.246 X 1.778 MM (0.364" X 0.070")
6	AT305903	HYDRAULIC HOSE - FABRICATE	1	-609734	
	AT336825	HYDRAULIC HOSE - FABRICATE	1	609735-	
7	AT305905	HYDRAULIC HOSE - FABRICATE	1	-609734	11/16" X 838 MM (33") X 11/16"
	AT336826	HYDRAULIC HOSE - FABRICATE	1	609735-	11/16" X 515 MM (20-1/4") X 11/16"
8	AT305978	CABLE	1	-609734	
	AT336880	CABLE	1	609735-	
9	AT311469	HYDRAULIC HOSE - FABRICATE	1	-609734	9/16" X 787 MM (31") X 9/16"
	AT336883	HYDRAULIC HOSE - FABRICATE	1	609735-	
10	AT62123	CLAMP	1		
11	HOSE GUARD	AR		(FURNISH PARKER PG-188) (CUT TO 30 INCHES)
	HOSE GUARD	AR		(HIGH LIFT) (FURNISH PARKER PG-188) (CUT TO 45 INCHES)
12	T204315	PLATE	2		
13	T81029	NUT	2		17.475 MM
17	AT317589	KIT	1	-609734	(WHOLEGOODS)
	AT336884	FIELD INSTALLATION KIT	1	609735-	(WHOLEGOODS)

3163-2

HI-VIS COUPLER HYDRAULIC HOSES FLEXIBLES HYDRAULIQUES COUPLEUR HI-VIS MANGUERAS HIDRAULICAS DEL ACOPLADOR DE HI-VIS

TX1001427

-UN-24FEB06



TX1001427

THIS PARTS LISTING IS CONTINUED

3163-3

LOADER 31

LINES, HOSES & FITTINGS 3163

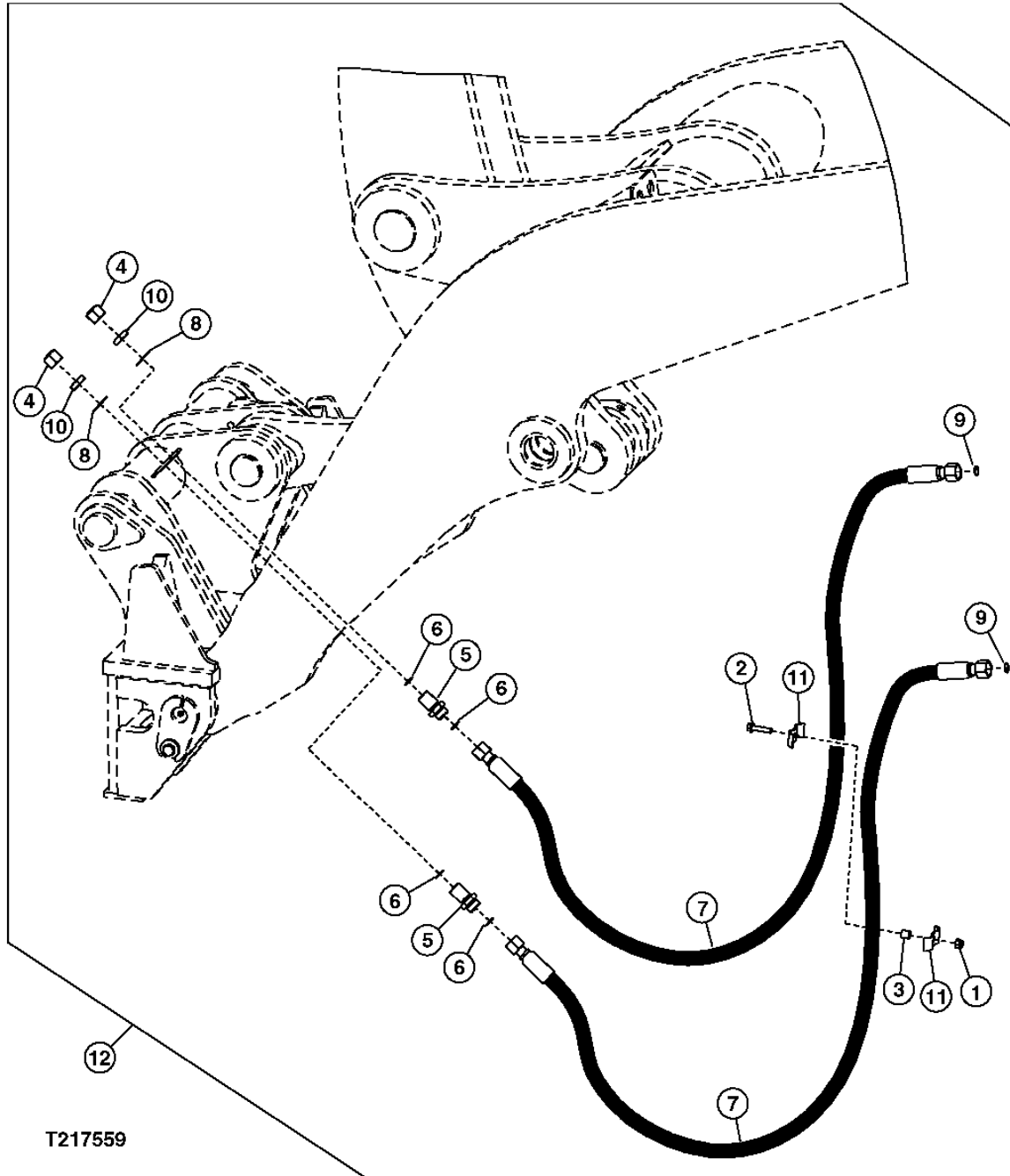
**HI-VIS COUPLER HYDRAULIC HOSES
FLEXIBLES HYDRAULIQUES COUPLEUR HI-VIS
MANGUERAS HIDRAULICAS DEL ACOPLADOR DE HI-VIS**

KEY	PART NO.	PART NAME	QTY.	SERIAL NO.	REMARKS
1	12H327	LOCK WASHER	2		3/4"
2	19M7785	SCREW	2		M10 X 25
4	38H1004	ELBOW FITTING	2		
5	R26448	O-RING	3		
6	T77613	O-RING	8		
7	38H1016	TEE FITTING	1		
8	38H1285	UNION FITTING	2		
9	AT323756	HYDRAULIC HOSE - FABRICATE	1		(SUB FOR AT324647)
10	AT323757	HYDRAULIC HOSE - FABRICATE	1		(SUB FOR AT324648)
11	AT323817	HYDRAULIC HOSE - FABRICATE	1		
12	AT324137	CABLE	1		(USE WITH AT330153 OR AT330154)
	AT325194	CABLE	1		(USE WITH AT330155)
13	AT327951	HYDRAULIC HOSE - FABRICATE	2		(USE WITH AT330153)
	AT324641	HYDRAULIC HOSE - FABRICATE	2		(USE WITH AT330154)
	AT325201	HYDRAULIC HOSE - FABRICATE	2		(USE WITH AT330155)
14	AT62123	CLAMP	1		
15	T204315	PLATE	1		
16	HOSE GUARD	1		(T217100 NLA) (FURNISH PARKER PG-188) CUT TO 950.MM (37.4") (USE WITH AT330153 OR AT330154)
	HOSE GUARD	1		(T217474 NLA) (FURNISH PARKER PG-188) CUT TO 1168.4MM (46.0") (USE WITH AT330155)
..	AT330153	KIT	1		(WHOLEGOODS) USE WITH POWERLLEL™ LINKAGE, (ALSO ORDER T223487)
..	AT330154	KIT	1		(WHOLEGOODS) USE WITH Z-BAR LINKAGE, (ALSO ORDER T223487)
..	AT330155	KIT	1		(WHOLEGOODS) USE WITH HIGH LIFT Z-BAR LINKAGE, (ALSO ORDER T223487)

3163-4

THIRD FUNCTION BOOM TO COUPLER PLUMBING (FOR USE WITH Z-BAR LINKAGE)
TUYAUTERIE FLECHE TROISIEME FONCTION A COUPLEUR (A UTILISER AVEC TRINGLERIE CINEMATIQUE EN Z)
AGUILON DE TERCERA FUNCION A LA TUBERIA DEL ACOPLADOR (PARA USO CON VARILLAJE DE BARRA EN Z)

T217559 -UN-30JAN06



THIS PARTS LISTING IS CONTINUED

3163-5

LOADER 31

LINES, HOSES & FITTINGS 3163

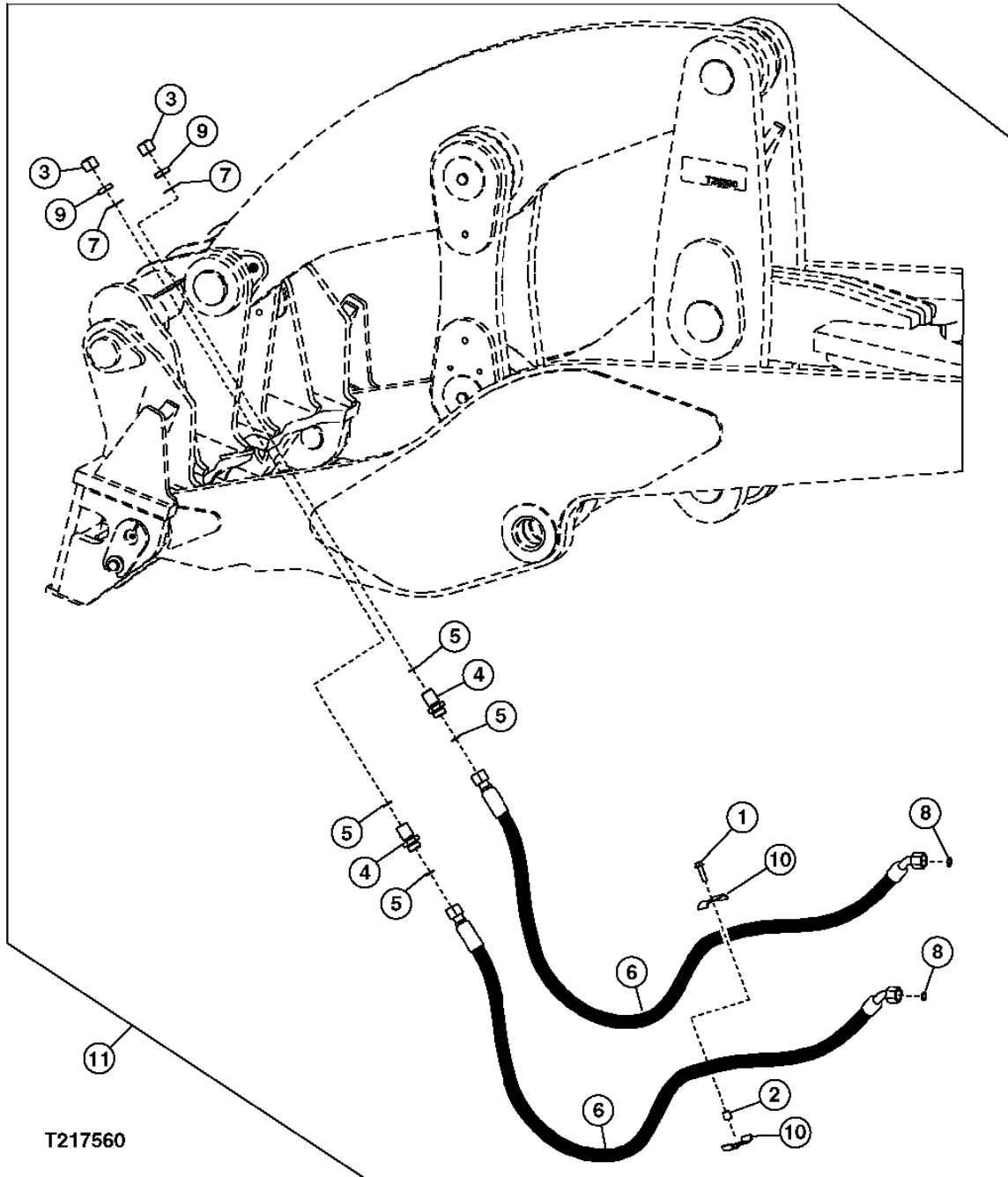
THIRD FUNCTION BOOM TO HI-VIS COUPLER PLUMBING (FOR USE WITH Z-BAR LINKAGE)
TUYAUTERIE FLECHE TROISIEME FONCTION A COUPLEUR (A UTILISER AVEC TRINGLERIE CINEMATIQUE EN Z)
AGUILON DE TERCERA FUNCION A LA TUBERIA DEL ACOPLADOR (PARA USO CON VARILLAJE DE BARRA EN Z)

KEY	PART NO.	PART NAME	QTY.	SERIAL NO.	REMARKS
1	14M7400	LOCK NUT	1		M10, (FOR HIGH LIFT MODELS ONLY)
2	19M7805	SCREW	1		M10 X 45, (FOR HIGH LIFT MODELS ONLY)
3	28H3383	BUSHING	1		
4	38H1418	FITTING	2		
5	38H1276	ADAPTER FITTING	2		
6	T77858	O-RING	4		
7	AT317507	HYDRAULIC HOSE - FABRICATE	2		
	AT321386	HYDRAULIC HOSE - FABRICATE	2		(FOR HIGH LIFT MODELS ONLY)
8	T174275	LOCK WASHER	2		
9	T77858	O-RING	2		
10	T78707	NUT	2		
11	U46753	HOSE CLAMP	2		(FOR HIGH LIFT MODELS ONLY)
12	AT322222	MOUNTING PARTS	1		(WHOLEGOODS)
	AT322225	MOUNTING PARTS	1		(FOR HIGH LIFT MODELS ONLY) (WHOLEGOODS)

3163-6

LINES, HOSES & FITTINGS 3163
THIRD FUNCTION BOOM TO COUPLER PLUMBING (FOR USE WITH POWERLLEL™ LINKAGE)
TUYAUTERIE FLECHE TROISIEME FONCTION A COUPLEUR (A UTILISER AVEC TRINGLERIE POWERLLEL™)
AGUILON DE TERCERA FUNCION A LA TUBERIA DEL ACOPLADOR (PARA USO CON VARILLAJE POWERLLEL™)

T217560 -UN-30JAN06



T217560

THIS PARTS LISTING IS CONTINUED

3163-7

LOADER 31

THIRD FUNCTION BOOM TO COUPLER PLUMBING (FOR USE WITH POWERLLEL™ LINKAGE)
TUYAUTERIE FLECHE TROISIEME FONCTION A COUPLEUR(A UTILISER AVEC TRINGLERIE POWERLLEL™)
AGUILON DE TERCERA FUNCION A LA TUBERIA DEL ACOPLADOR(PARA USO CON VARILLAJE POWERLLEL™)

LINES, HOSES & FITTINGS 3163

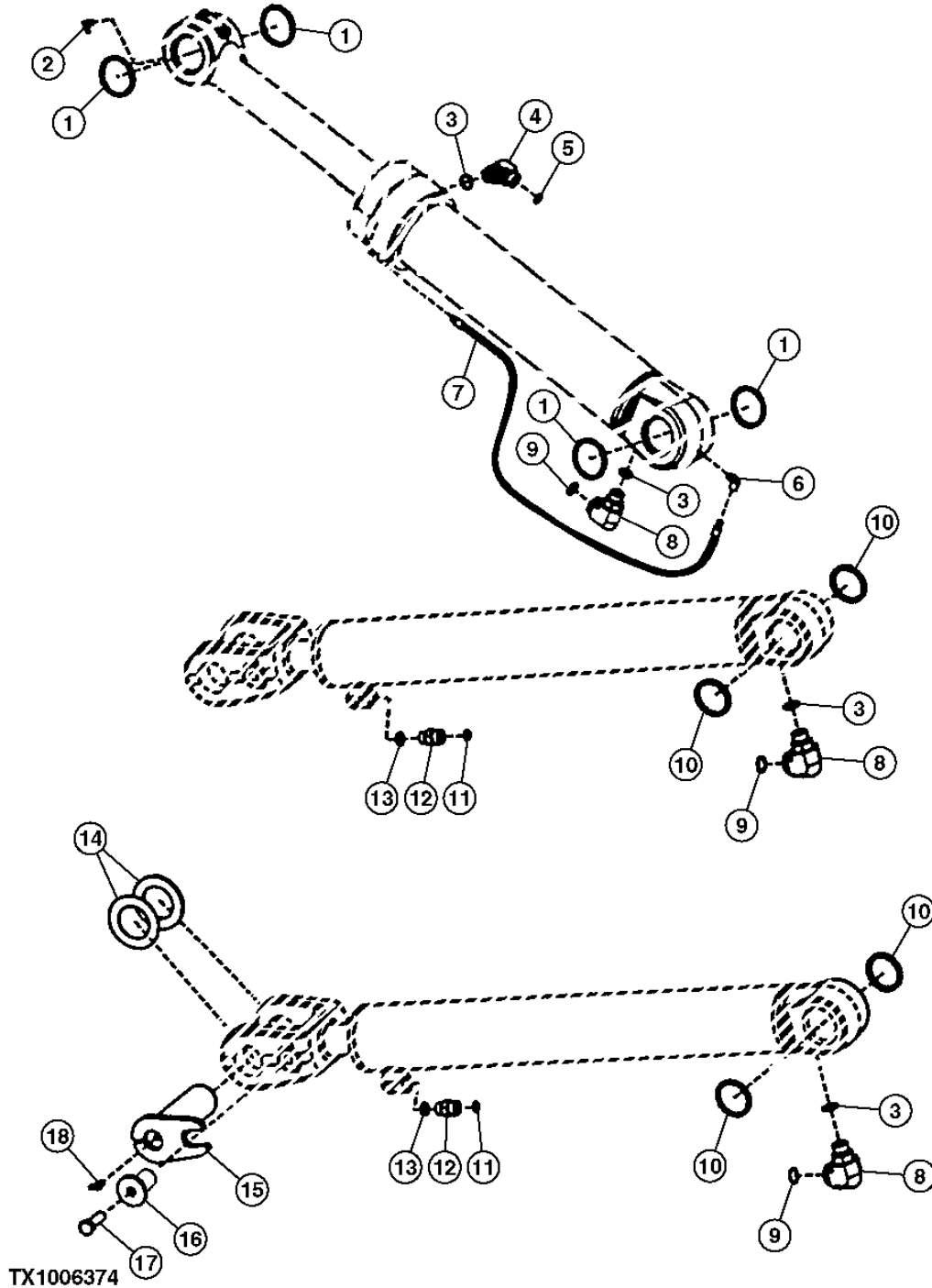
KEY	PART NO.	PART NAME	QTY.	SERIAL NO.	REMARKS
1	19M7804	SCREW	1		M10 X 40
2	28H3383	BUSHING	1		
3	38H1418	FITTING	2		
4	38H1276	ADAPTER FITTING	2		
5	T77858	O-RING	4		
6	AT317487	HYDRAULIC HOSE - FABRICATE	2		
7	T174275	LOCK WASHER	2		
8	T77858	O-RING	2		
9	T78707	NUT	2		
10	U46753	HOSE CLAMP	2		
11	AT322228	MOUNTING PARTS	1		(WHOLEGOODS)

3165-2

LOADER BUCKET AND BOOM CYLINDER PINS AND FITTINGS
AXES ET RACCORDS DE VERIN DE BENNE ET DE FLECHE DE CHARGEUR
CUCHARON DE CARGADORA Y PASADORES DEL CILINDRO DEL AGUILON Y ADAPTADORES

TX1006374

-UN-24APR06



TX1006374

3165-3

LOADER 31

HYDRAULIC CYLINDERS 3165

**LOADER BUCKET AND BOOM CYLINDER PINS AND FITTINGS
AXES ET RACCORDS DE VERIN DE BENNE ET DE FLECHE DE CHARGEUR
CUCHARON DE CARGADORA Y PASADORES DEL CILINDRO DEL AGUILON Y ADAPTADORES**

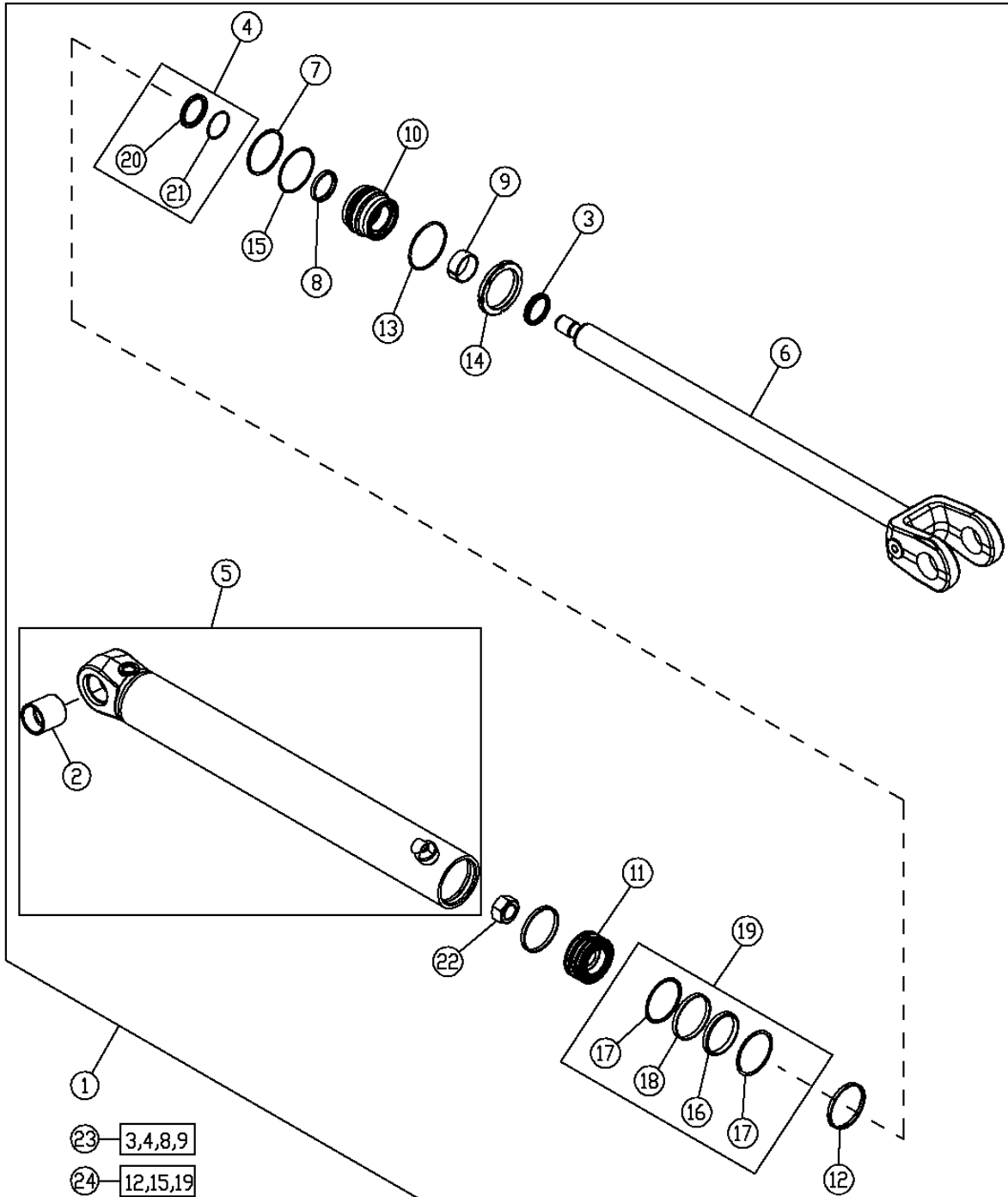
KEY	PART NO.	PART NAME	QTY.	SERIAL NO.	REMARKS
1	T157276	SEAL	4		
2	JD7781	LUBRICATION FITTING	1		
3	U12547	O-RING	4		
4	38H1007	ELBOW FITTING	1		
5	T77858	O-RING	1		
6	T56112	ELBOW FITTING	1		
7	AT103107	HYDRAULIC HOSE	1		
	R44302	TIE BAND	4		(NOT ILLUSTRATED)
8	38H1305	ELBOW FITTING	3		
9	T76938	O-RING	3		
10	T157275	SEAL	4		
11	T77932	O-RING	2		
12	38H1162	ADAPTER FITTING	2		
13	R26906	O-RING	2		
14	T102171	WASHER	AR		2.618" X 4.252" X 0.118"
15	AT203562	PIN	2		
16	T176064	BUSHING	2		
17	19M7489	CAP SCREW	2		M16 X 45
18	JD7763	LUBRICATION FITTING	2		

3165-4

Z-BAR LINKAGE BOOM CYLINDER (S.N. -595722)
 VERIN DE FLECHE A TRINGLERIE CINEMATIQUE EN Z (S.N. -595722)
 CILINDRO DEL AGUILON DE VARILLAJE DE BARRA EN Z (S.N. -595722)

T195151

-UN-11NOV03



T195151

THIS PARTS LISTING IS CONTINUED

3165-5

LOADER 31

HYDRAULIC CYLINDERS 3165

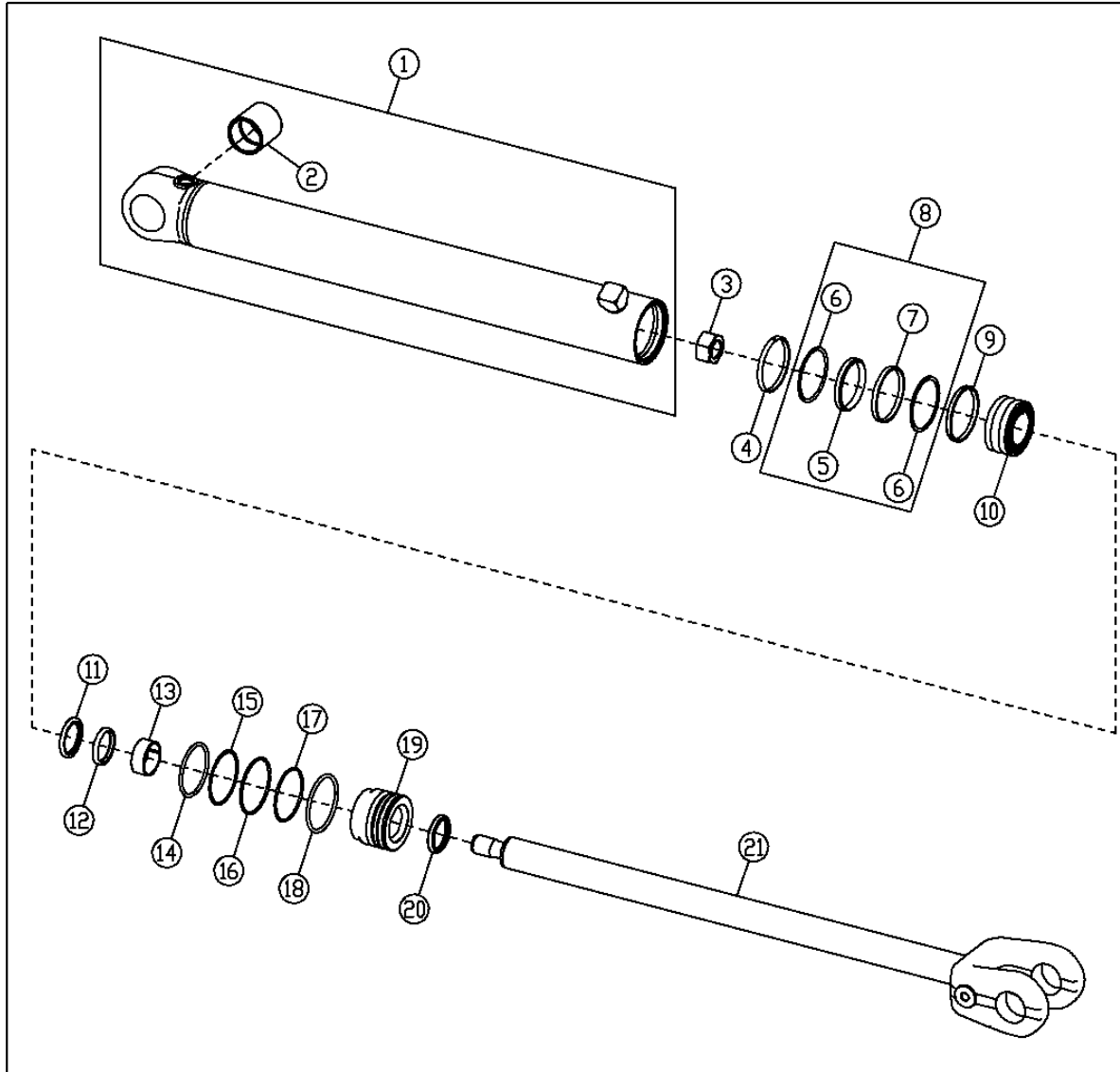
Z-BAR LINKAGE BOOM CYLINDER (S.N. -595722)
VERIN DE FLECHE A TRINGLERIE CINEMATIQUE EN Z (S.N. -595722)
CILINDRO DEL AGUILON DE VARILLAJE DE BARRA EN Z (S.N. -595722)

KEY	PART NO.	PART NAME	QTY.	SERIAL NO.	REMARKS
1	AH163627	HYDRAULIC CYLINDER	1		
2	H155147	BUSHING	1		
3	AH146558	SEAL	1		
4	AH146562	SEAL	1		
5	AH153712	HYDRAULIC CYLINDER BARREL	1		
6	AH153713	HYDRAULIC CYLINDER ROD	1		
7	F950R	O-RING	1		
8	H152204	SEAL	1		
9	H152795	WEAR RING	1		
10	H157427	HYDR. CYLINDER ROD GUIDE	1		
11	H169743	PISTON	1		
12	H170136	WEAR RING	1		
13	R81787	RING	1		
14	R81793	NUT	1		
15	R81862	BACK-UP RING	1		
16	SEAL	1		(SUB RE20343)
17	SEAL	1		(SUB RE20343)
18	SEAL	1		(SUB RE20343)
19	RE20343	SEAL	1		
20	SEAL	2		
21	SEAL	1		(SUB AH146562)
22	H170540	LOCK NUT	1		
23	AH149814	HYDRAULIC CYLINDER KIT	1		(ROD SEAL KIT)
24	AH212101	HYDRAULIC CYLINDER KIT	1		(BORE KIT)

3165-6

Z-BAR LINKAGE BOOM CYLINDER (S.N. 595723-)
VERIN DE FLECHE A TRINGLERIE CINEMATIQUE EN Z (S.N. 595723-)
CILINDRO DEL AGUILON DE VARILLAJE DE BARRA EN Z (S.N. 595723-)

T209476 -UN-15MAR05



23 11,12,13,20

24 8,15,17

T209476

3165-7

LOADER 31

HYDRAULIC CYLINDERS 3165

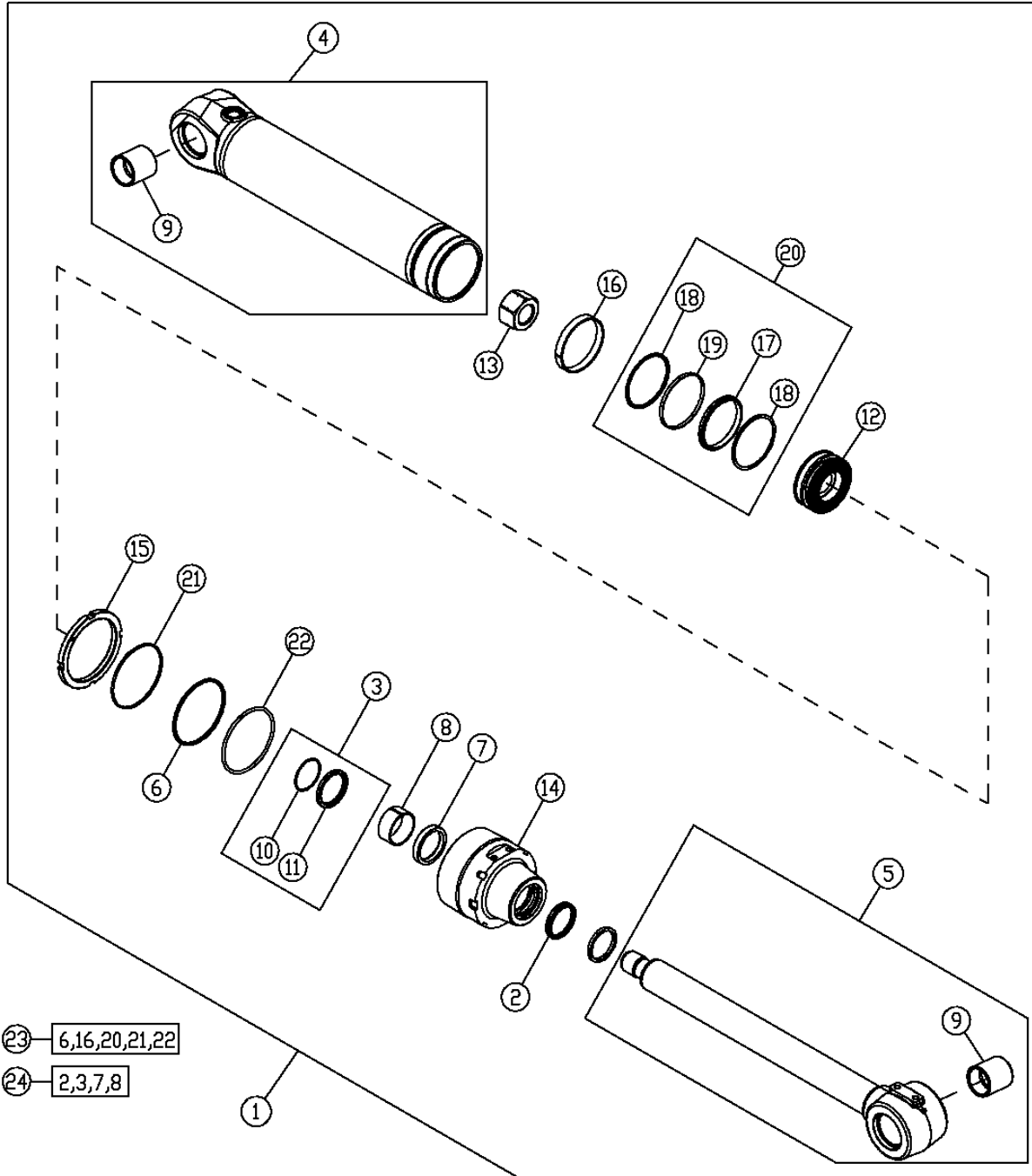
Z-BAR LINKAGE BOOM CYLINDER (S.N. 595723-)
VERIN DE FLECHE A TRINGLERIE CINEMATIQUE EN Z (S.N. 595723-)
CILINDRO DEL AGUILON DE VARILLAJE DE BARRA EN Z (S.N. 595723-)

KEY	PART NO.	PART NAME	QTY.	SERIAL NO.	REMARKS
1	AH216285	HYDRAULIC CYLINDER BARREL	1		
2	H155147	BUSHING	1		
3	H170540	LOCK NUT	1		
4	H170136	WEAR RING	1		
5	SEAL	1		(SUB RE20343)
6	BACK-UP RING	1		(SUB RE20343)
7	SEAL	1		(SUB RE20343)
8	RE20343	SEAL	1		
9	H208704	SCRAPER RING	1		
10	H208706	PISTON	1		
11	AH146562	SEAL	1		
12	H152204	SEAL	1		
13	H152795	WEAR RING	1		
14	F950R	O-RING	1		
15	R81862	BACK-UP RING	1		
16	H180094	SNAP RING	1		
17	O-RING	1		(SUB AH212101)
18	H180080	SNAP RING	1		
19	H210826	HYDR. CYLINDER ROD GUIDE	1		
20	AH146558	SEAL	1		
21	AH153713	HYDRAULIC CYLINDER ROD	1		
22	AH216284	HYDRAULIC CYLINDER	1		
23	AH149814	HYDRAULIC CYLINDER KIT	1		(ROD SEAL KIT)
24	AH212101	HYDRAULIC CYLINDER KIT	1		(BORE KIT)

3165-8

BUCKET CYLINDER CYLINDRE DE GODET CILINDRO DE CUCHARON

T195152 -UN-17NOV03



T195152

THIS PARTS LISTING IS CONTINUED

3165-9

LOADER 31

HYDRAULIC CYLINDERS 3165

**BUCKET CYLINDER
CYLINDRE DE GODET
CILINDRO DE CUCHARON**

KEY	PART NO.	PART NAME	QTY.	SERIAL NO.	REMARKS
1	AH174752	HYDRAULIC CYLINDER	1		
2	AH146559	SEAL	1		
3	AH146563	SEAL	1		
4	AH168575	HYDRAULIC CYLINDER BARREL	1		
5	AH168577	HYDRAULIC CYLINDER ROD	1		
6	H151891	BACK-UP RING	1		
7	H152205	SEAL	1		
8	H152796	WEAR RING	1		
9	H155143	BUSHING	1		
10	SEAL	1		(SUB AH146563)
11	SEAL	1		(SUB AH146563)
12	H170371	PISTON	1		
13	H170372	NUT	1		
14	H179999	HYDR. CYLINDER ROD GUIDE	1		
15	H180432	NUT	1		
16	R82095	WEAR RING	1		
17	SEAL	1		(SUB RE20809)
18	SEAL	1		(SUB RE20809)
19	SEAL	1		(SUB RE20809)
20	RE20809	SEAL	2		
21	T12275	O-RING	1		
22	T38485	O-RING	1		
23	AH212103	HYDRAULIC CYLINDER KIT	1		(BORE KIT)
24	AH149815	HYDRAULIC CYLINDER KIT	1		(ROD SEAL KIT)

3165-10

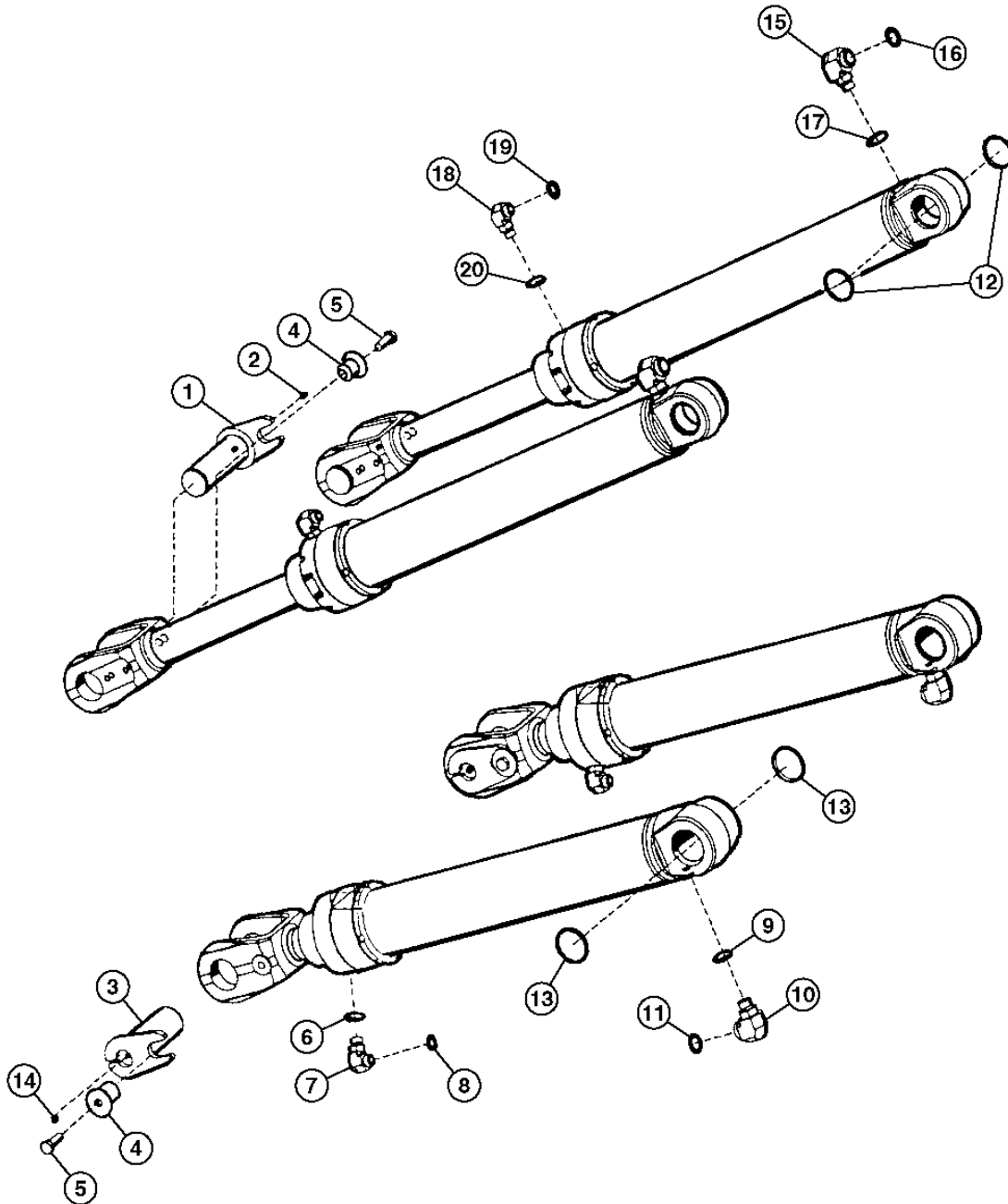
LOADER 31

HYDRAULIC CYLINDERS 3165

TOOL CARRIER BOOM AND TILT CYLINDER PINS AND FITTINGS
FLECHE PORTE-OUTILS ET AXES ET RACCORDS VERIN INCLINAISON
AGUILON DEL PORTAHERRAMIENTAS, ADAPTADORES Y PASADORES DEL CILINDRO DE INCLINACION

TX1006299

-UN-24APR06



TX1006299

THIS PARTS LISTING IS CONTINUED

3165-11

LOADER 31

HYDRAULIC CYLINDERS 3165

TOOL CARRIER BOOM AND TILT CYLINDER PINS AND FITTINGS
FLECHE PORTE-OUTILS ET AXES ET RACCORDS VERIN INCLINAISON
AGUILON DEL PORTAHERRAMIENTAS, ADAPTADORES Y PASADORES DEL CILINDRO DE INCLINACION

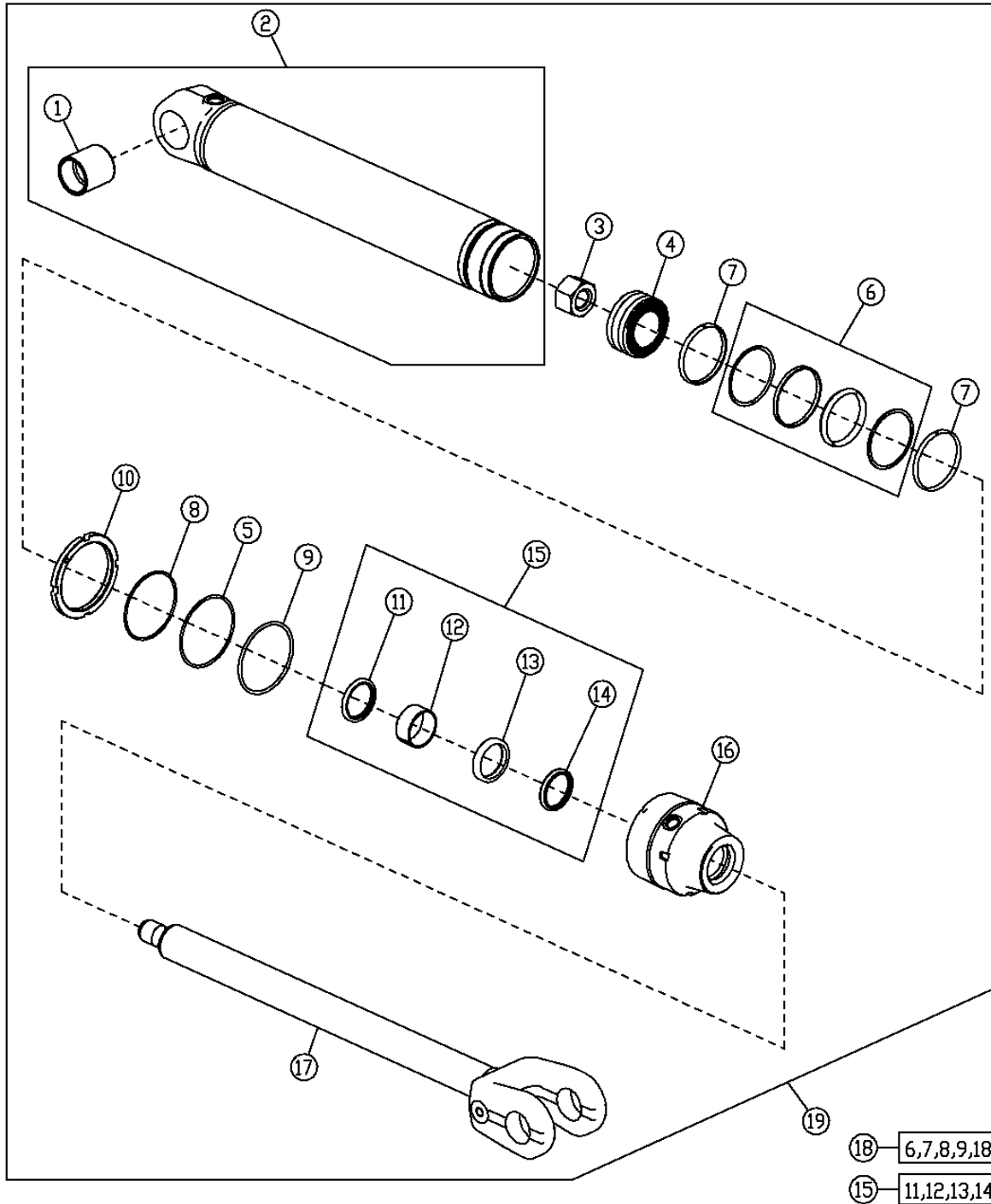
KEY	PART NO.	PART NAME	QTY.	SERIAL NO.	REMARKS
1	AT203562	PIN	2		
2	JD7759	LUBRICATION FITTING	2		
3	AT203562	PIN	2		
4	T176064	BUSHING	4		
5	19M7489	CAP SCREW	4		M16 X 45
6	R26906	O-RING	2		
7	38H1006	ELBOW FITTING	2		
8	T77932	O-RING	2		
9	U12547	O-RING	2		
10	38H1305	ELBOW FITTING	2		
11	T76938	O-RING	2		
12	T157275	SEAL	4		
13	T157275	SEAL	4		
14	JD7763	LUBRICATION FITTING	2		
15	38H1007	ELBOW FITTING	2		
16	T77858	O-RING	2		
17	U12547	O-RING	2		
18	38H1006	ELBOW FITTING	2		
19	T77932	O-RING	2		
20	R26906	O-RING	2		

3165-12

**TOOL CARRIER BOOM CYLINDER
VERIN FLECHE PORTE-OUTILS
CILINDRO DEL AGUILON DEL PORTAHERRAMIENTAS**

T195788

-UN-20NOV03



T195788

3165-13

LOADER 31

HYDRAULIC CYLINDERS 3165

TOOL CARRIER BOOM CYLINDER
VERIN FLECHE PORTE-OUTILS
CILINDRO DEL AGUILON DEL PORTAHERRAMIENTAS

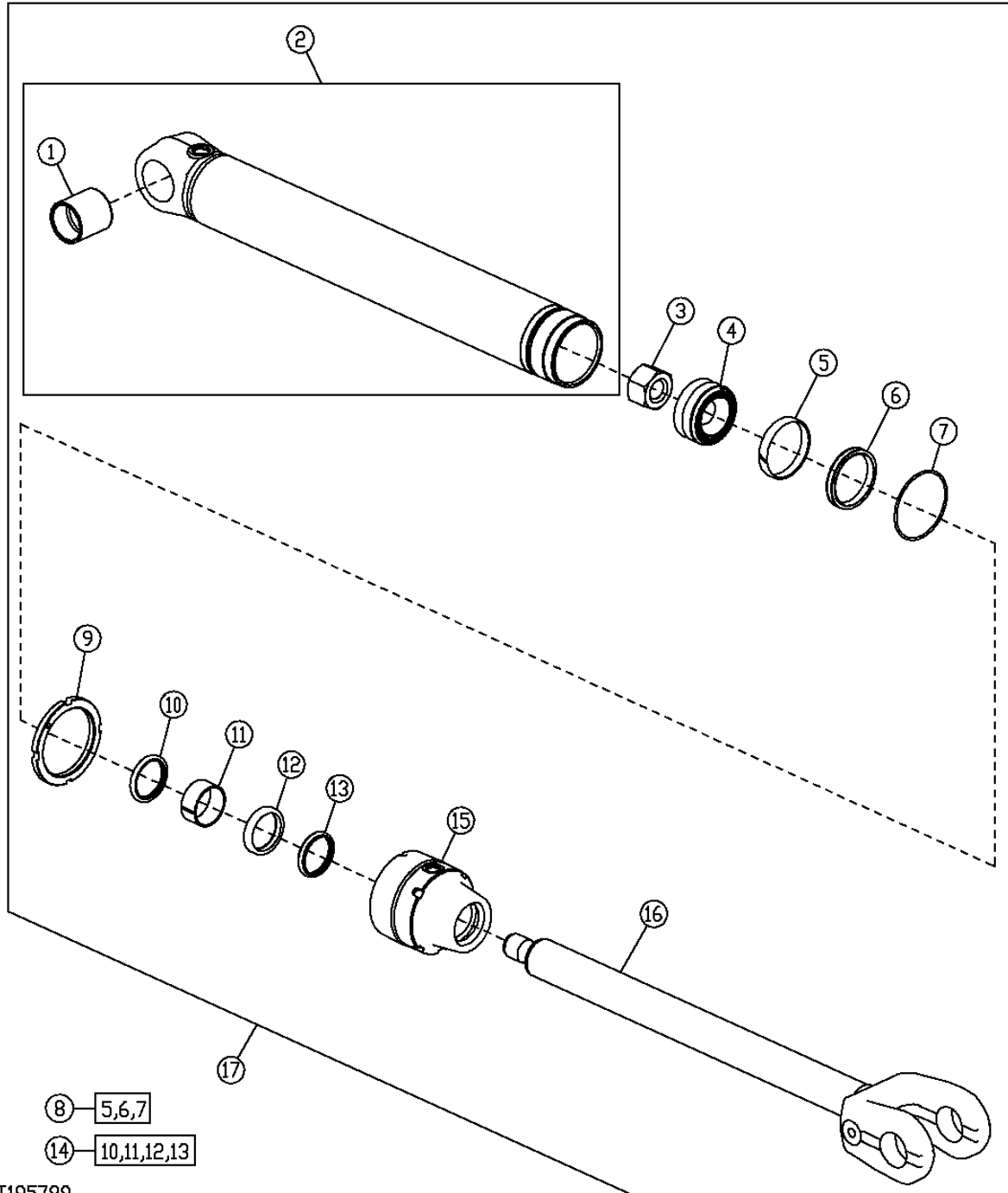
KEY	PART NO.	PART NAME	QTY.	SERIAL NO.	REMARKS
1	H155147	BUSHING	1		
2	AH149482	HYDRAULIC CYLINDER BARREL	1		
3	H155561	NUT	1		
4	H169744	PISTON	1		
5	H155540	BACK-UP RING	1		
6	AH138082	SEAL	1		
7	H170137	WEAR RING	2		
8	C11884	O-RING	1		
9	T41356	O-RING	1		
10	H180431	NUT	1		
11	AH146563	SEAL	1		
12	H152796	WEAR RING	1		
13	H152205	SEAL	1		
14	AH146559	SEAL	1		
15	AH149815	HYDRAULIC CYLINDER KIT	1		
16	H156929	HYDR. CYLINDER ROD GUIDE	1		
17	AH154107	ROD	1		
18	AH163670	HYDRAULIC CYLINDER KIT	1		
19	AH163628	HYDRAULIC CYLINDER	1		

3165-14

TOOL CARRIER TILT CYLINDER VERIN INCLINAISON PORTE-OUTILS CILINDRO DEL INCLINACION DEL PORTAHERRAMIENTAS

T195789

-UN-20NOV03



T195789

THIS PARTS LISTING IS CONTINUED

3165-15

LOADER 31

HYDRAULIC CYLINDERS 3165

TOOL CARRIER TILT CYLINDER
VERIN INCLINAISON PORTE-OUTILS
CILINDRO DEL INCLINACION DEL PORTAHERRAMIENTAS

KEY	PART NO.	PART NAME	QTY.	SERIAL NO.	REMARKS
1	H155147	BUSHING	1		(BK)
2	AH152721	HYDRAULIC CYLINDER BARREL	1		
3	H155561	NUT	1		
4	H157037	PISTON	1		
5	R81775	WEAR RING	1		
6	RE20343	SEAL	1		
7	U43360	O-RING	1		
8	AH149844	KIT	1		(BORE KIT, 100 BORE)
9	H180430	NUT	1		
10	AH146563	SEAL	1		
11	H152796	WEAR RING	1		
12	H152205	SEAL	1		
13	AH146559	SEAL	1		
14	AH149815	HYDRAULIC CYLINDER KIT	1		
15	H173650	HYDR. CYLINDER ROD GUIDE	1		
16	AH152720	ROD	1		
17	AH152715	HYDRAULIC CYLINDER	1		

3165-16

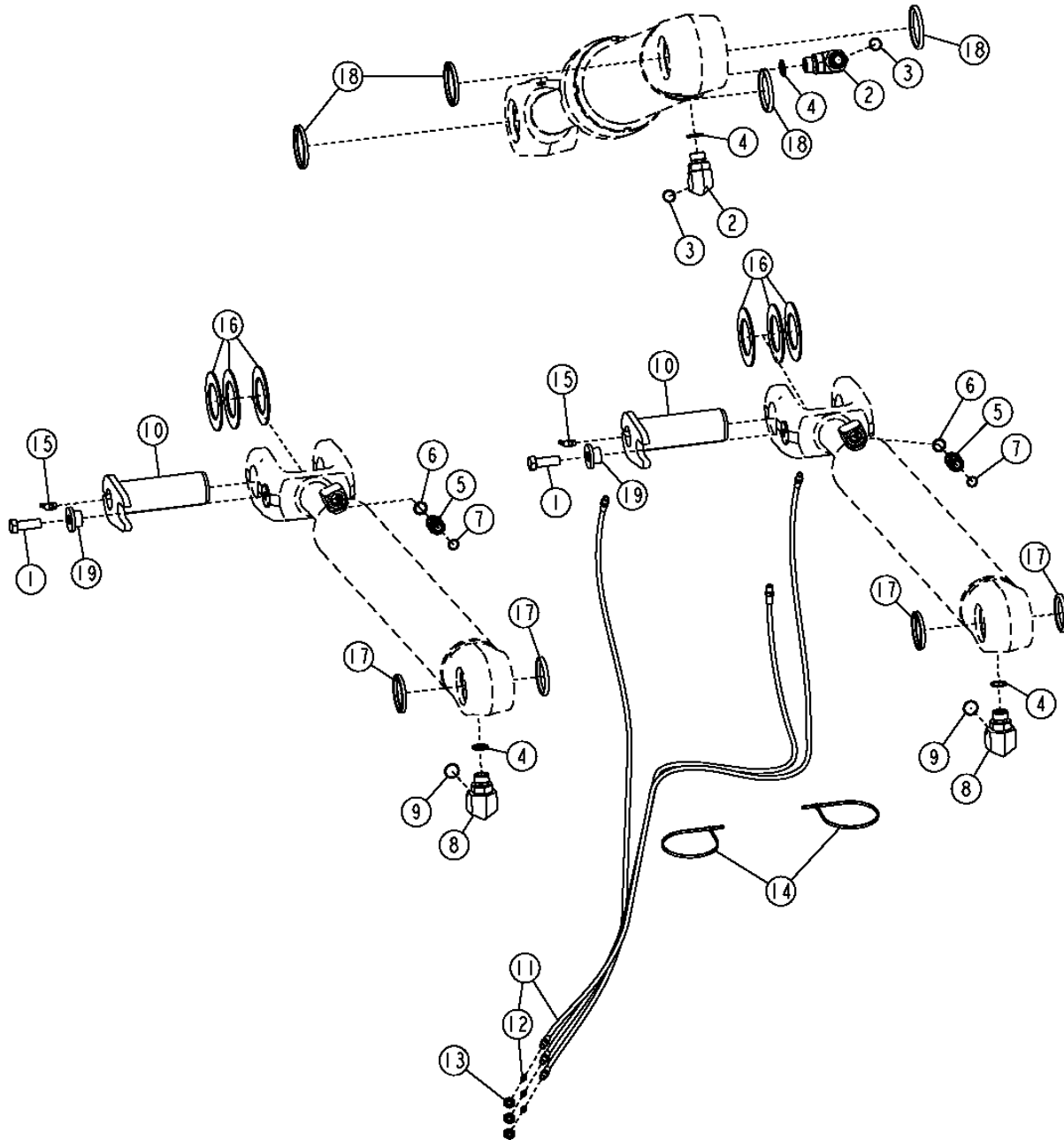
LOADER 31

HYDRAULIC CYLINDERS 3165

POWERLLEL™ LINKAGE BOOM AND TILT CYLINDER PINS AND FITTINGS
AXES ET RACCORDS VERIN INCLINAISON ET FLECHE TRINGLERIE POWERLLEL™
AGUILON DE VARILLAGE POWERLLEL™, ADAPTADORES Y PASADORES DEL CILINDRO DE INCLINACION

T202187

-UN-19AUG04



T202187

THIS PARTS LISTING IS CONTINUED

3165-17

LOADER 31

HYDRAULIC CYLINDERS 3165

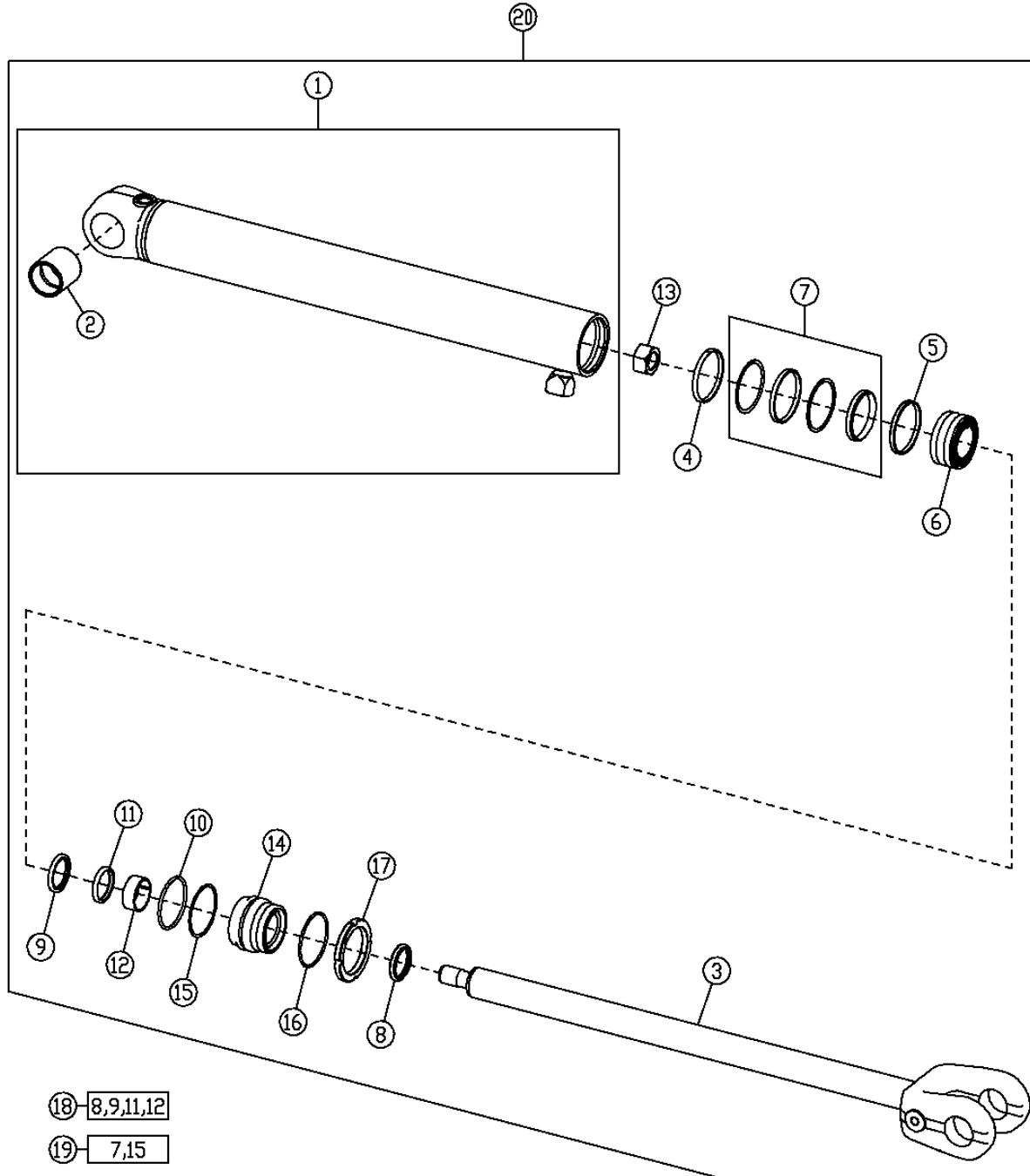
POWERLLEL™ LINKAGE BOOM AND TILT CYLINDER PINS AND FITTINGS
AXES ET RACCORDS VERIN INCLINAISON ET FLECHE TRINGLERIE POWERLLEL™
AGUILON DE VARILLAJE POWERLLEL™, ADAPTADORES Y PASADORES DEL CILINDRO DE INCLINACION

KEY	PART NO.	PART NAME	QTY.	SERIAL NO.	REMARKS
1	19M7489	CAP SCREW	2		M16 X 45
2	38H1007	ELBOW FITTING	2		
3	T77858	O-RING	2		
4	U12547	O-RING	4		
5	38H1162	ADAPTER FITTING	2		
6	R26906	O-RING	2		
7	T77932	O-RING	2		
8	38H1305	ELBOW FITTING	2		
9	T76938	O-RING	2		
10	AT203562	PIN	2		
11	AT307996	HYDRAULIC HOSE	3		
12	JD7797	LUBRICATION FITTING	1		
13	E12379	NUT	3		3.175 MM (1/8")
14	H77698	TIE BAND	2		
15	JD7763	LUBRICATION FITTING	2		45° X 22.606 MM LONG (0.890" LONG)
16	T102171	WASHER	6		66.500 X 108 X 3 MM
17	T157275	SEAL	4		
18	T157277	SEAL	4		
19	T176064	BUSHING	2		

3165-18

POWERLLEL™ LINKAGE BOOM CYLINDER
VERIN FLECHE TRINGLERIE POWERLLEL™
CILINDRO DEL AGUILON DE VARILLAJE POWERLLEL™

T202792 -UN-04OCT04



T202792

3165-19

LOADER 31

HYDRAULIC CYLINDERS 3165

POWERLLEL™ LINKAGE BOOM CYLINDER
VERIN FLECHE TRINGLERIE POWERLLEL TMÜ
CILINDRO DEL AGUILON DE VARILLAJE POWERLLEL TMÜ

KEY	PART NO.	PART NAME	QTY.	SERIAL NO.	REMARKS
1	AH217008	HYDRAULIC CYLINDER BARREL	1		
2	H155147	BUSHING	1		
3	AH153713	HYDRAULIC CYLINDER ROD	1		
4	H170136	WEAR RING	1		
5	H208704	SCRAPER RING	1		
6	H208706	PISTON	1		
7	RE20343	SEAL	1		
8	AH146558	SEAL	1		
9	AH146562	SEAL	1		
10	F950R	O-RING	1		
11	H152204	SEAL	1		
12	H152795	WEAR RING	1		
13	H170540	LOCK NUT	1		
14	H157427	HYDR. CYLINDER ROD GUIDE	1		
15	R81862	BACK-UP RING	1		
16	R81787	RING	1		
17	R81793	NUT	1		
18	AH149814	HYDRAULIC CYLINDER KIT	1		(ROD SEAL KIT)
19	AH212101	HYDRAULIC CYLINDER KIT	1		(BORE SEAL KIT)
20	AH209498	HYDRAULIC CYLINDER	1		(SUB FOR AH217007)

3165-20

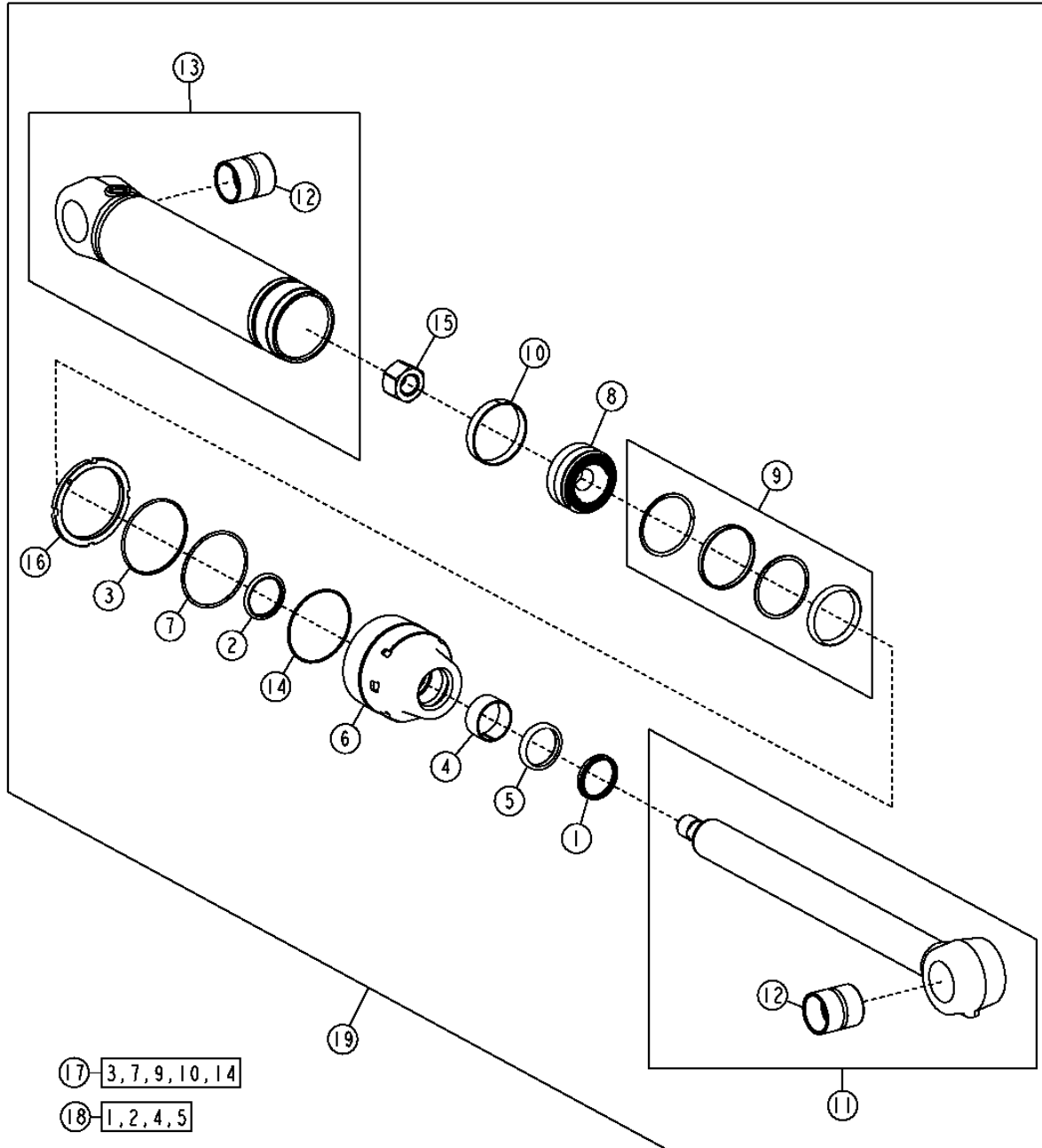
LOADER 31

HYDRAULIC CYLINDERS 3165

POWERLLEL™ LINKAGE BUCKET CYLINDER VERIN FLECHE TRINGLERIE POWERLLEL™ CILINDRO DEL AGUILON DE VARILLAJE POWERLLEL™

T202190

-UN-24AUG04



T202190

THIS PARTS LISTING IS CONTINUED

3165-21

LOADER 31

HYDRAULIC CYLINDERS 3165

POWERLLEL™ LINKAGE BUCKET CYLINDER
VERIN FLECHE TRINGLERIE POWERLLEL™
CILINDRO DEL AGUILON DE VARILLAJE POWERLLEL™

KEY	PART NO.	PART NAME	QTY.	SERIAL NO.	REMARKS
1	AH153596	SEAL	1		
2	AH153597	SEAL	1		
3	H151890	BACK-UP RING	1		
4	H159071	WEAR RING	1		
5	H159072	SEAL	1		
6	H173651	HYDR. CYLINDER ROD GUIDE	1		
7	R72032	O-RING	1		
8	H159074	PISTON	1		
9	RE30162	SEAL	1		
10	R90653	WEAR RING	1		
11	AH214832	ROD	1		
12	H151537	BUSHING	1		
13	AH215465	HYDRAULIC CYLINDER BARREL	1		
14	E52687	O-RING	1		
15	H151894	NUT	1		
16	H180324	NUT	1		
17	AH149848	KIT	1		(BORE SEAL KIT)
18	AH154570	HYDRAULIC CYLINDER KIT	1		(ROD SEAL KIT)
19	AH208164	HYDRAULIC CYLINDER	1		

3166-2

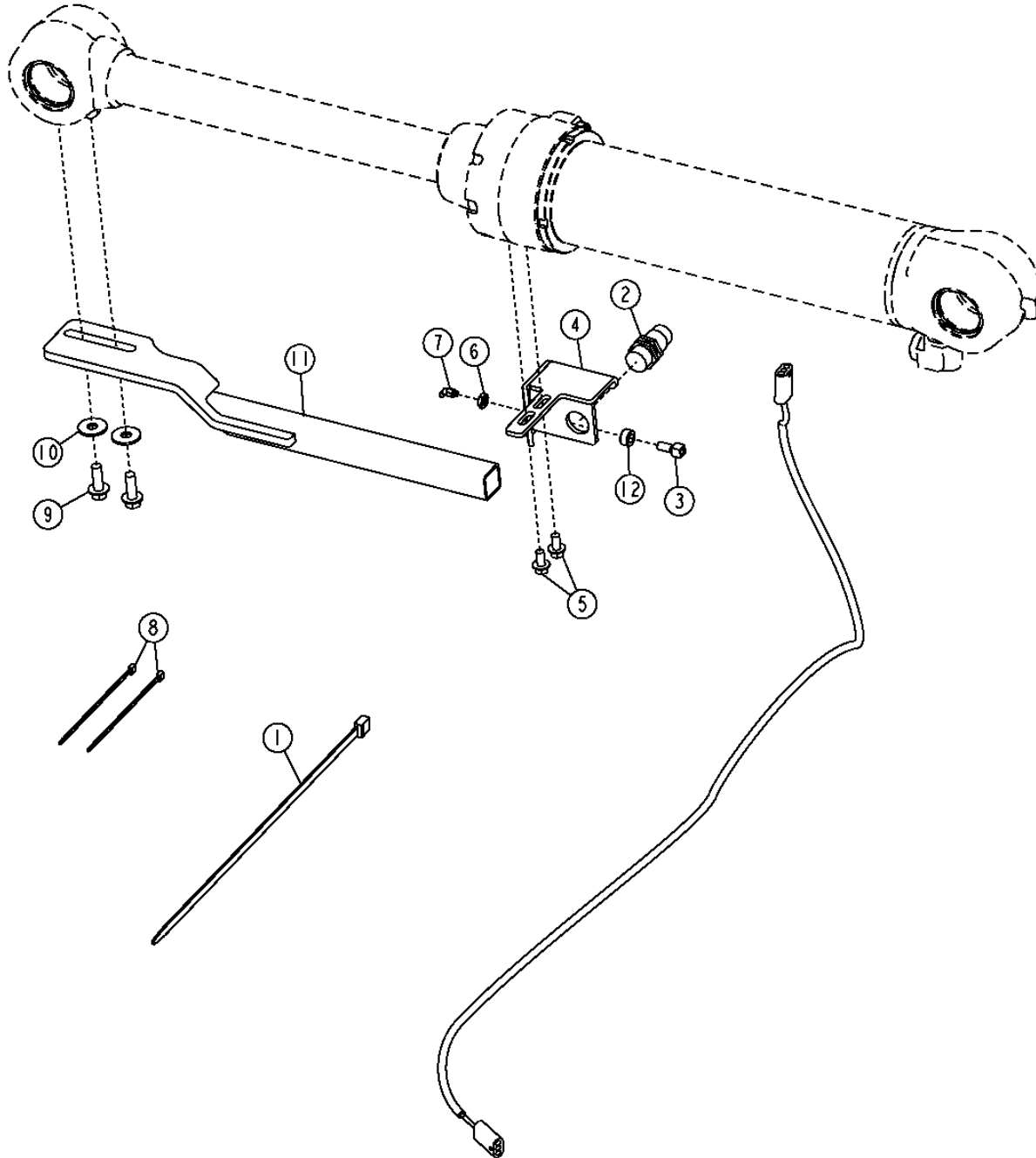
LOADER 31

AUTOMATIC CONTROL FUNCTION 3166

RETURN-TO-DIG ACTUATOR AND SENSOR (NOT FOR USE WITH TOOL CARRIER)
ACTIONNEUR ET CAPTEUR DE RETOUR EN POSITON DE CREUSEMENT (NE PAS UTILISER AVEC PORTE-OUTILS)
ACCIONADOR DE RETORNO PARA EXCAVAR Y SENSOR (NO PARA USO CON PORTAHERRAMIENTAS)

T215108

-UN-28SEP05



T215108

THIS PARTS LISTING IS CONTINUED

3166-3

LOADER 31

AUTOMATIC CONTROL FUNCTION 3166

RETURN-TO-DIG ACTUATOR AND SENSOR (NOT FOR USE WITH TOOL CARRIER)
ACTIONNEUR ET CAPTEUR DE RETOUR EN POSITON DE CREUSEMENT (NE PAS UTILISER AVEC PORTE-OUTILS)
ACCIONADOR DE RETORNO PARA EXCAVAR Y SENSOR (NO PARA USO CON PORTAHERRAMIENTAS)

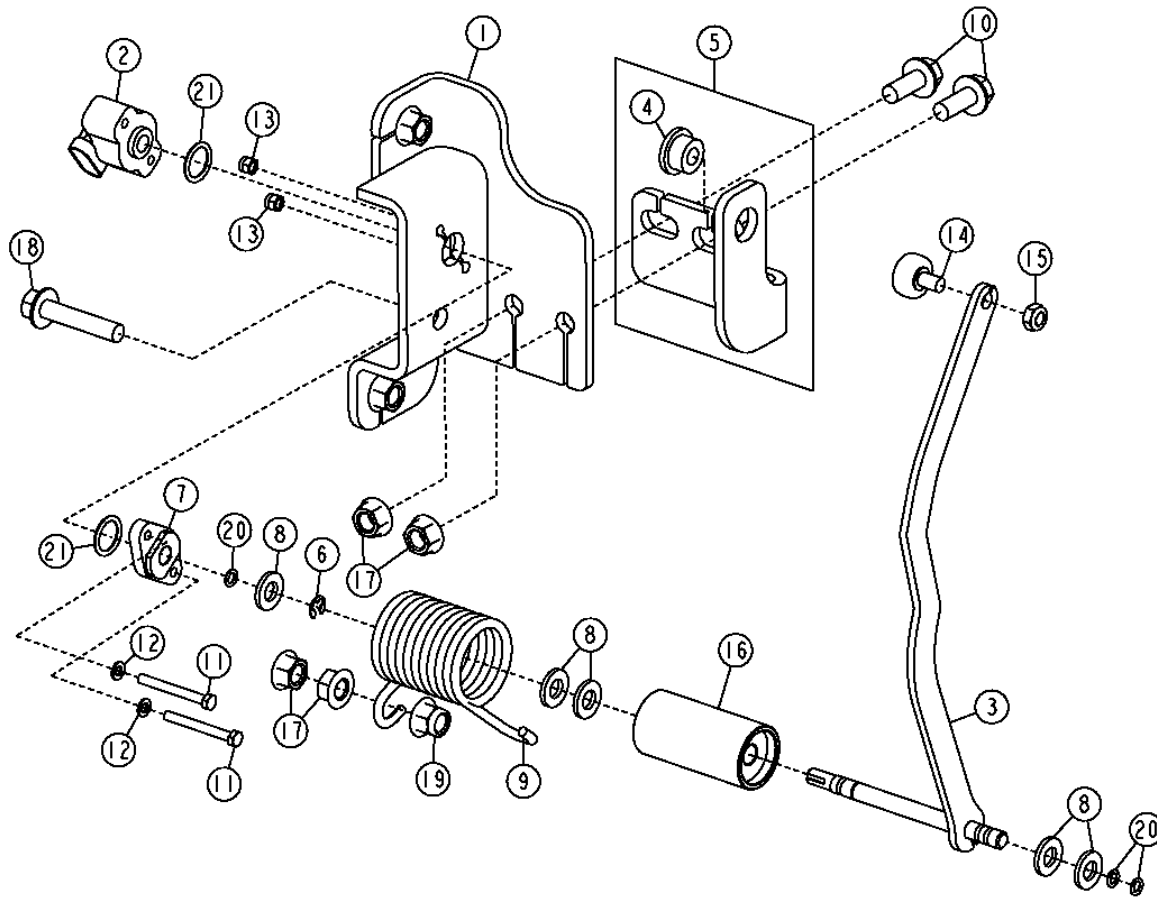
KEY	PART NO.	PART NAME	QTY.	SERIAL NO.	REMARKS
1	N189220	TIE BAND	1		
2	AT203130	SENSOR	1		(STANDARD)
	AT222366	SWITCH	1		(HARSH ENVIRONMENT)
3	R36311	FITTING	1		
4	AT220865	BRACKET	1		
5	19M7784	SCREW	2		M10 X 20
6	E12379	NUT	1		3.175 MM (1/8")
7	JD7788	LUBRICATION FITTING	1		45° X 20.574 MM LONG (0.810" LONG)
8	R44302	TIE BAND	4		
9	19M7790	SCREW	2		M12 X 35
10	24M7180	WASHER	2		13 X 37 X 3 MM (0.512" X 1.457" X 0.118")
11	AT224536	ACTUATOR	1		
12	T13976	BUSHING	1		

3166-4

LOADER 31

AUTOMATIC CONTROL FUNCTION 3166
LOADER BOOM KICK OUT/ RETURN TO CARRY SENSOR
DESENGAGEMENT DE RELEVAGE ET CAPTEUR DE FLECHE DE CHARGEUR
SENSOR Y DESENGANCHE DEL AGUILON DE CARGADORA

T195071 -UN-05NOV03



T195071

THIS PARTS LISTING IS CONTINUED

3166-5

LOADER 31

AUTOMATIC CONTROL FUNCTION 3166

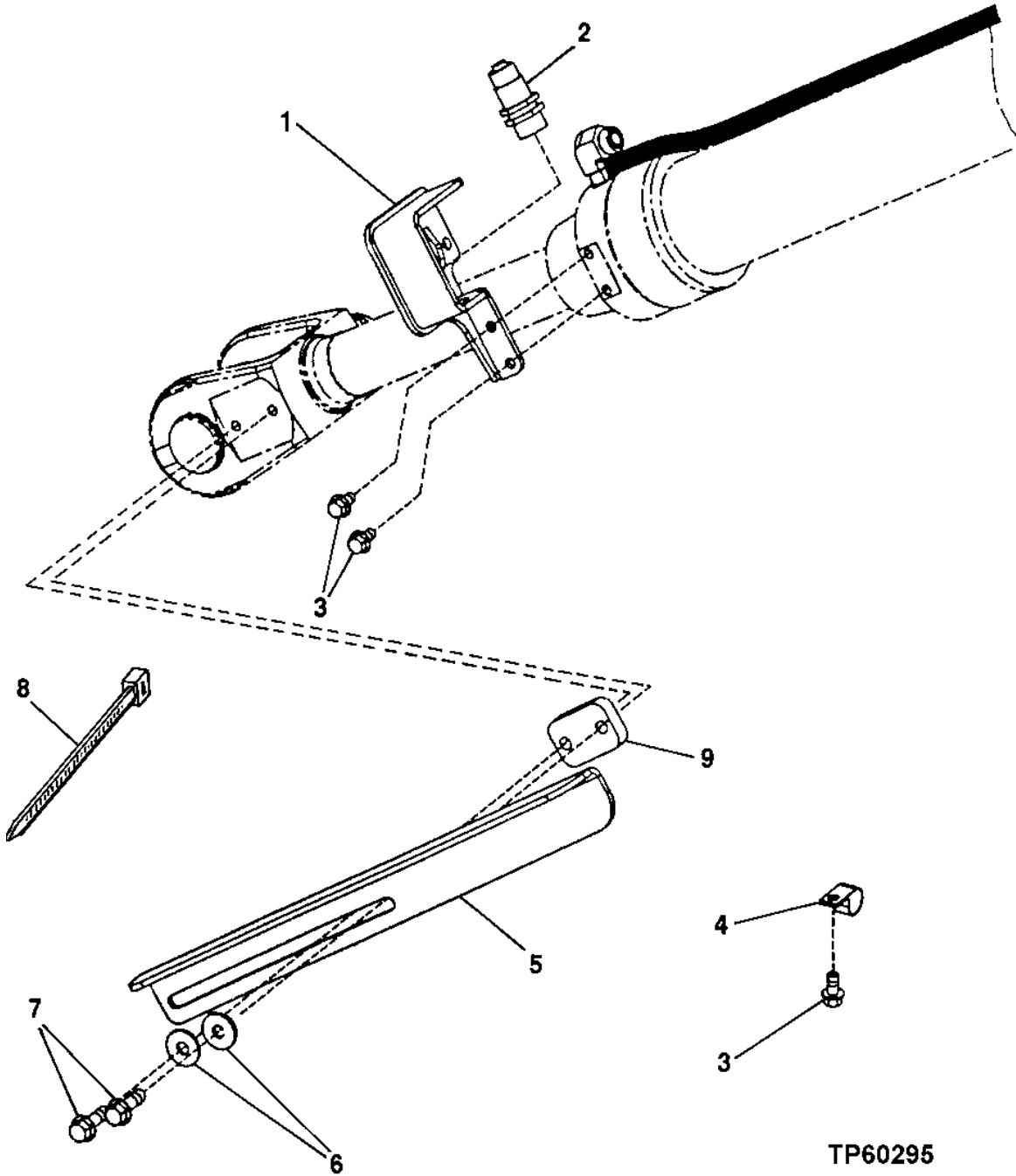
**LOADER BOOM KICK OUT/ RETURN TO CARRY SENSOR
DESENGAGEMENT DE RELEVAGE ET CAPTEUR DE FLECHE DE CHARGEUR
SENSOR Y DESENGANCHE DEL AGUILON DE CARGADORA**

KEY	PART NO.	PART NAME	QTY.	SERIAL NO.	REMARKS
1	AT227530	BRACKET	1		
2	RE261354	SENSOR	1		
3	AT332233	ACTUATOR	1		(SUB FOR AT227531)
4	T82861	BUSHING	1		
5	AT226542	BRACKET	1		
6	R72653	SNAP RING	1		
7	R86457	SUPPORT	1		
8	24M7239	WASHER	5		10.700 X 21 X 2.500 MM (0.421" X 0.827" X 0.098")
9	T195210	TORSION SPRING	1		
10	19M7785	SCREW	2		M10 X 25
11	19M8834	CAP SCREW	2		M5 X 45
12	24M7027	WASHER	2		5.300 X 10 X 1 MM (0.209" X 0.394" X 0.039")
13	14M7360	LOCK NUT	2		M5
14	AT45678	CAM FOLLOWER	1		
15	R11151	LOCK NUT	1		7.925 MM (5/16")
16	T197144	BUSHING	1		
17	14M7296	FLANGE NUT	4		M10
18	19M7806	SCREW	1		M10 X 50
19	14M7400	LOCK NUT	1		M10
20	A4365R	O-RING	3		6.071 X 1.778 MM (0.239" X 0.070")
21	P48347	O-RING	2		17.120 X 2.616 MM (0.674" X 0.103") (NOT ILLUSTRATED)

3166-6

RETURN-TO-DIG ACTUATOR AND SENSOR (FOR USE WITH TOOL CARRIER)
ACTIONNEUR ET CAPTEUR DE RETOUR EN POSITON DE CREUSEMENT (A UTILISER AVEC PORTE OUTILS)
ACCIONADOR DE RETORNO PARA EXCAVAR Y SENSOR (USAR CON PORTAHERRAMIENTAS)

TP60295 -UN-02APR98



3166-7

LOADER 31

AUTOMATIC CONTROL FUNCTION 3166

RETURN-TO-DIG ACTUATOR AND SENSOR (FOR USE WITH TOOL CARRIER)
ACTIONNEUR ET CAPTEUR DE RETOUR EN POSITON DE CREUSEMENT (A UTILISER AVEC PORTE OUTILS)
ACCIONADOR DE RETORNO PARA EXCAVAR Y SENSOR (USAR CON PORTAHERRAMIENTAS)

KEY	PART NO.	PART NAME	QTY.	SERIAL NO.	REMARKS
1	AT207784	BRACKET	1		
2	AT209868	SENSOR	1		(STANDARD)
	AT227909	SWITCH	1		(HARSH ENVIRONMENT)
3	19M7784	SCREW	3		M10 X 20
4	T102934	CLAMP	1		
5	T173744	ACTUATOR	1		
6	24M7180	WASHER	2		13 X 37 X 3 MM (0.512" X 1.457" X 0.118")
7	19M7791	BOLT	2		M12 X 40
8	R44302	TIE BAND	1		
9	T169507	STRAP	1		

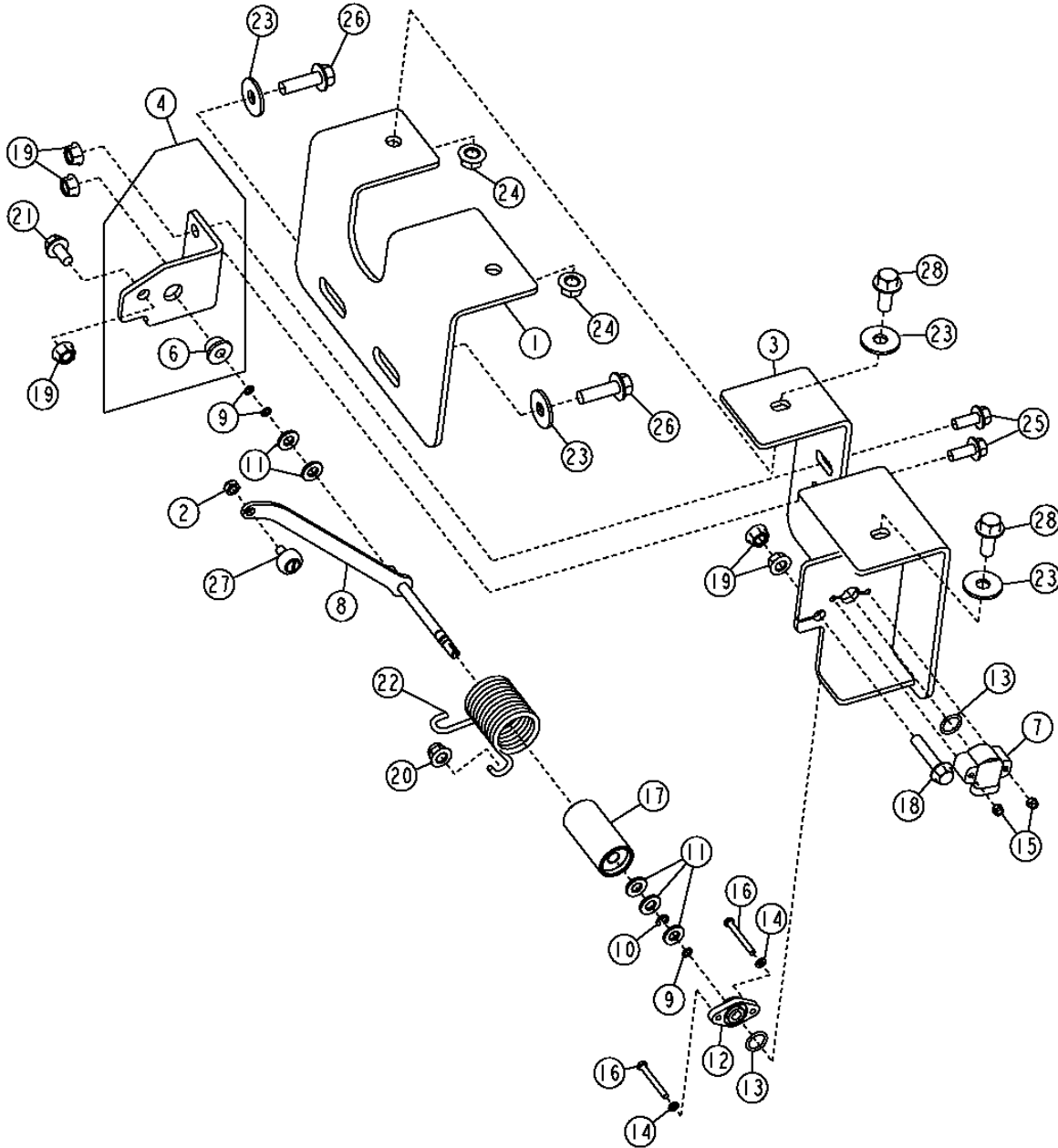
3166-8

LOADER 31

AUTOMATIC CONTROL FUNCTION 3166

LOADER BOOM KICKOUT/ RETURN TO CARRY SENSOR (WITH TOOL CARRIER)
CAPTEUR DESENGAGEMENT / RETOUR EN POSITION TRANSPORT FLECHE CHARGEUR (AVEC PORTE-OUTILS)
SENSOR DE DESENGANCHE DE ALTURA DEL AGUILON DE CARG./RET. A POS. DE ACARERO (CON PORTAHERRAMIENTAS)

T197491 -UN-29JAN04



T197491

THIS PARTS LISTING IS CONTINUED

3166-9

LOADER 31

AUTOMATIC CONTROL FUNCTION 3166

LOADER BOOM KICKOUT/ RETURN TO CARRY SENSOR (WITH TOOL CARRIER)
CAPTEUR DESENGAGEMENT/RETOUR EN POSITION TRANSPORT FLECHE CHARGEUR (AVEC PORTE-OUTILS)
SENSOR DE DESENGANCHE DE ALTURA DEL AGUILON DE CARG./RET. A POS. DE ACARERO(CON PORTAHERRAMIENTAS)

KEY	PART NO.	PART NAME	QTY.	SERIAL NO.	REMARKS
1	T202813	BRACKET	1		
2	R11151	LOCK NUT	1		
3	AT304620	BRACKET	1		
4	AT304860	BRACKET	1		
6	T82861	BUSHING	1		
7	RE261354	SENSOR	1		(SUB FOR RE56165)
8	AT226301	ACTUATOR	1		(NOT ILLUSTRATED)
9	A4365R	O-RING	3		6.071 X 1.778 MM (0.239" X 0.070")
10	R72653	SNAP RING	1		
11	24M7239	WASHER	5		10.700 X 21 X 2.500 MM (0.421" X 0.827" X 0.098")
12	R86457	SUPPORT	1		
13	P48347	O-RING	2		17.120 X 2.616 MM (0.674" X 0.103") (NOT ILLUSTRATED)
14	24M7027	WASHER	2		5.300 X 10 X 1 MM (0.209" X 0.394" X 0.039")
15	14M7360	LOCK NUT	2		M5
16	19M8834	CAP SCREW	2		M5 X 45
17	T197144	BUSHING	1		
18	19M7806	SCREW	1		M10 X 50
19	14M7296	FLANGE NUT	5		M10
20	14M7400	LOCK NUT	1		M10
21	19M7784	SCREW	1		M10 X 20
22	T195210	TORSION SPRING	1		
23	19M7789	SCREW	2		M12 X 30
24	14M7299	FLANGE NUT	2		M12
25	19M7785	SCREW	2		M10 X 25
26	19M7791	BOLT	2		M12 X 40
27	AT45678	CAM FOLLOWER	1		
28	19M7789	SCREW	1		M12 X 30

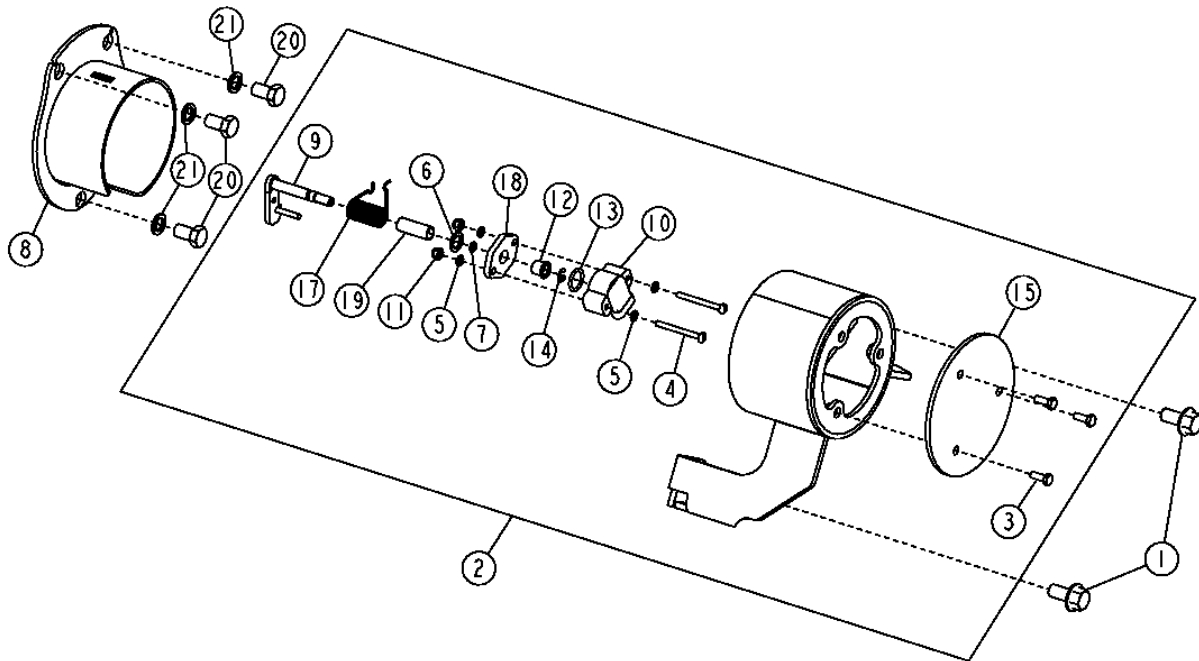
3166-10

LOADER 31

AUTOMATIC CONTROL FUNCTION 3166

RETURN-TO-DIG ACTUATOR AND SENSOR (FOR USE WITH POWERLLEL™ LINKAGE)
ACTIONNEUR ET CAPTEUR DE RETOUR EN POSITION DE CREUSEMENT (A UTILISER AVEC TRINGLERIE POWERLLEL™)
ACCIONADOR DE RETORNO PARA EXCAVAR Y SENSOR (PARA USO CON VARILLAJE POWERLLEL™)

T205055 -UN-12JAN05



T205055

3166-11

LOADER 31

AUTOMATIC CONTROL FUNCTION 3166

RETURN-TO-DIG ACTUATOR AND SENSOR (FOR USE WITH POWERLLEL™LINKAGE)
ACTIONNEUR ET CAPTEUR DE RETOUR EN POSITON DE CREUSEMENT(A UTILISER AVEC TRINGLERIE POWERLLEL™)
ACCIONADOR DE RETORNO PARA EXCAVAR Y SENSOR (PARA USO CON VARILLAJE POWERLLEL™)

KEY	PART NO.	PART NAME	QTY.	SERIAL NO.	REMARKS
1	19M7788	SCREW	2		M12 X 25
2	AT312983	BRACKET	1		(STANDARD)
3	19M7560	CAP SCREW	3		M6 X 16
4	21H1383	SCREW	2		0.190" X 2"
5	24M7027	WASHER	4		5.300 X 10 X 1 MM
6	24M7386	WASHER	1		13 X 19 X 1.500 MM
7	A4365R	O-RING	1		
8	AT312989	BRACKET	1		
9	AT312996	ARM	1		
10	AT313037	POTENTIOMETER	1		
11	M135542	LOCK NUT	2		
12	M88102	BUSHING	1		
13	P48347	O-RING	1		
14	R72653	SNAP RING	1		
15	T210258	PLATE	1		
17	T211396	TORSION SPRING	1		
18	T211404	PLATE	1		
19	T211405	SPACER	1		
20	19M8017	CAP SCREW	2		M12 X 20
21	24M7240	WASHER	2		13 X 25 X 3 MM

3166-12

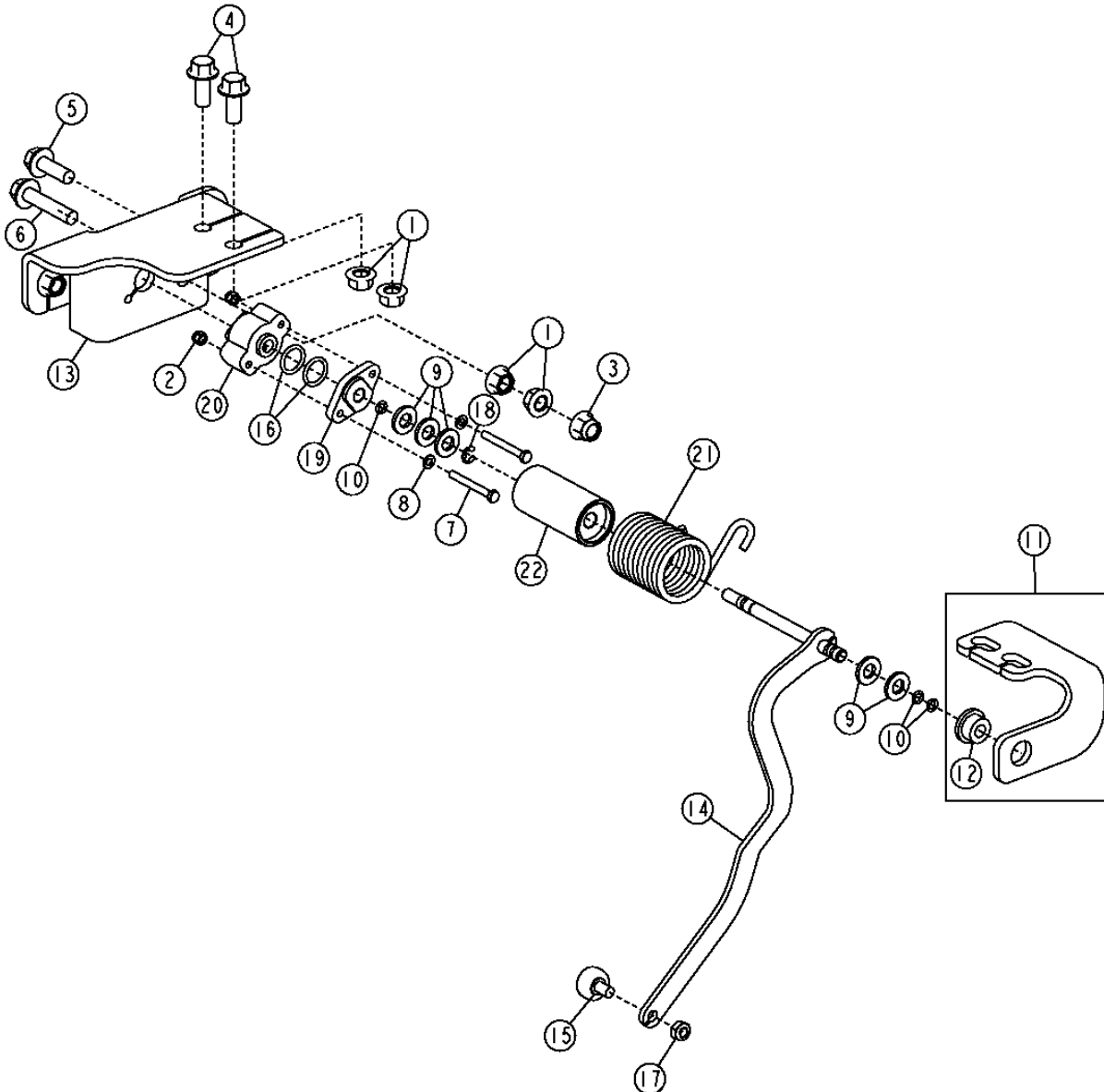
LOADER 31

AUTOMATIC CONTROL FUNCTION 3166

LOADER BOOM KICKOUT/ RETURN TO CARRY SENSOR (WITH POWERLLEL™ LINKAGE)
DESENGAGEMENT DE RELEVAGE ET CAPTEUR DE FLECHE DE CHARGEUR (AVEC TRINGLERIE POWERLLEL™)
SENSOR Y DESENGANCHE DEL AGUILON DE CARGADORA (CON VARILLAJE POWERLLEL™)

T202048

-UN-10AUG04



T202048

THIS PARTS LISTING IS CONTINUED

3166-13

LOADER 31

AUTOMATIC CONTROL FUNCTION 3166

LOADER BOOM KICKOUT/ RETURN TO CARRY SENSOR (WITH POWERLLEL™ LINKAGE)
DESENGAGEMENT DE RELEVAGE ET CAPTEUR DE FLECHE DE CHARGEUR (AVEC TRINGLERIE POWERLLEL™)
SENSOR Y DESENGANCHE DEL AGUILON DE CARGADORA (CON VARILLAJE POWERLLEL™)

KEY	PART NO.	PART NAME	QTY.	SERIAL NO.	REMARKS
1	14M7296	FLANGE NUT	4		M10
2	14M7360	LOCK NUT	2		M5
3	14M7400	LOCK NUT	1		M10
4	19M7785	SCREW	2		M10 X 25
5	19M7786	SCREW	1		M10 X 30
6	19M7806	SCREW	1		M10 X 50
7	19M8834	CAP SCREW	2		M5 X 45
8	24M7027	WASHER	2		5.300 X 10 X 1 MM
9	24M7239	WASHER	5		10.700 X 21 X 2.500 MM
10	A4365R	O-RING	3		6.071 X 1.778 MM
11	AT226542	BRACKET	1		
12	T82861	BUSHING	1		
13	AT227530	BRACKET	1		
14	AT307950	ACTUATOR	1		
15	AT45678	CAM FOLLOWER	1		
16	P48347	O-RING	2		
17	R11151	LOCK NUT	1		
18	R72653	SNAP RING	1		
19	R86457	SUPPORT	1		
20	RE261354	SENSOR	1		(SUB FOR RE56165)
21	T195210	TORSION SPRING	1		
22	T197144	BUSHING	1		

3166-14

LOADER 31

AUTOMATIC CONTROL FUNCTION 3166

MEMORANDA
MEMORANDA
MEMORANDA

00II-1

444J UTILITY LOADER (S.N. -611274)

NUMERICAL INDEX

PART NO.	KEY	PAGE	PART NO.	KEY	PAGE	PART NO.	KEY	PAGE
AA21292	2	1520-3	AH163628	19	3165-13	AL32877	2	0210-33
AA21292	9	1520-3B	AH163670	18	3165-13	AL32877	6	1060-15
AA21292	4	1913-2	AH165079	38B	0560-3	AL76568	1	1674-11
AA21292	10	1927-9	AH165080	36B	0560-3	AL76568	24	1830-3
AH108055	37	1060-3	AH168575	4	3165-9	AL76568	6	1830-7
AH108055	24	1060-3B	AH168577	5	3165-9	AM39653	19	2160-7
AH121227	9	1810-7	AH170895	19	0510-3	AM39653	23	2160-7B
AH125760	10	2160-11	AH170895	38	0510-5	AN207183	8	3160-96
AH138082	6	3165-13	AH170895	17	0510-5B	AN207184	8	3160-96
AH138291	2	1672-5	AH170895	23	2160-7	AP22660	9	1674-7
AH142159	10	3104-15	AH170895	20	2160-7B	AP22660	14	1674-7B
AH142159	13	3104-17	AH170895	21	2160-13	AR104516	23	2001-7
AH142159	9	3104-19	AH170895	3	2160-15	AR104516	23	2001-7B
AH144020	3	1830-5	AH174752	1	3165-9	AR104650	22	0413-3
AH146558	3	3165-5	AH205056	1	0960-11	AR21836	4	0360-3
AH146558	20	3165-7	AH208164	19	3165-21	AR21836	6	1060-11
AH146558	8	3165-19	AH209498	20	3165-19	AR21837	7	1060-11
AH146559	2	3165-9	AH212088	15	3104-15	AR21837	1	1369-3
AH146559	14	3165-13	AH212088	14	3104-17	AR21837	6	1369-3B
AH146559	13	3165-15	AH212101	24	3165-5	AR21837	5	1746-3
AH146562	4	3165-5	AH212101	17	3165-7	AR21839	3	0360-3
AH146562	21	3165-5	AH212101	24	3165-7	AR21839	3	0360-5
AH146562	11	3165-7	AH212101	19	3165-19	AR21839	18	0510-3
AH146562	9	3165-19	AH212103	23	3165-9	AR21839	20	0510-5B
AH146563	3	3165-9	AH212349	9A	3104-7	AR21839	20	0510-9
AH146563	10	3165-9	AH212349	10A	3104-9	AR21839	15	0510-9B
AH146563	11	3165-9	AH212349	16	3104-15	AR21839	24	0510-11
AH146563	11	3165-13	AH212350	13	3104-15	AR21839	17	0510-11B
AH146563	10	3165-15	AH214832	11	3165-21	AR21839	14	0560-3
AH147737	2	0960-11	AH215465	13	3165-21	AR21839	7	1369-3B
AH147739	3	0960-11	AH216284	22	3165-7	AR21839	20	2160-7
AH147976	4	0960-11	AH216285	1	3165-7	AR21839	24	2160-7B
AH147976	10	0960-11	AH216366	1	0960-11	AR21839	4	2160-13
AH147976	11	0960-11	AH216367	2	0960-11	AR21839	5	2160-13
AH148358	5	0960-11	AH217007	20	3165-19	AR21839	4	2160-15
AH148358	19	0960-11	AH217008	1	3165-19	AR21840	15	0560-3
AH148358	20	0960-11	AH217541	9B	3104-7	AR21999	4	0505-3
AH148358	21	0960-11	AH217541	10	3104-7	AR21999	19	0510-3
AH148823	14	3104-15	AH217541	10B	3104-9	AR48236	21	0510-3
AH148823	15	3104-17	AH217541	11	3104-9	AR48236	24	0510-5B
AH149482	2	3165-13	AH217541	16	3104-17	AR50411	1	0505-6
AH149814	23	3165-5	AH222122	5	3104-11	AR62492	7	0505-6
AH149814	23	3165-7	AH222122	5	3104-13	AR65507	9	0403-2
AH149814	18	3165-19	AH222122	13	3104-19	AR83396	3	1520-3B
AH149815	24	3165-9	AH223400	10	3104-7	AR85327	4	1746-6
AH149815	15	3165-13	AH223400	11	3104-9	AR85327	29	3160-49
AH149815	14	3165-15	AH64349	17	2160-7	AR85327	1	3160-67
AH149844	8	3165-15	AH64349	21	2160-7B	AR85327	27	3160-67
AH149848	17	3165-21	AH75159	16	0510-3	AR85519	19	0413-3
AH150452	6	0960-11	AH75159	18	0510-5B	AR89602	17	3160-73
AH152715	17	3165-15	AH75162	4	0360-5	AR89602	17	3160-77
AH152720	16	3165-15	AH75162	17	0510-3	AR89602	18	3160-81
AH152721	2	3165-15	AH75162	19	0510-5B	AR89602	26	3160-85
AH153596	1	3165-21	AH75162	18	2160-7	AR89602	29	3160-89
AH153597	2	3165-21	AH75162	22	2160-7B	AR91896	7	1810-3
AH153712	5	3165-5	AH77869	6	1671-3	AT103107	7	3165-3
AH153713	6	3165-5	AH89557	11	1674-3B	AT103440	2	3160-37
AH153713	21	3165-7	AH89557	5	1674-3D	AT103919	5	1810-38
AH153713	3	3165-19	AH89557	11	1674-5	AT104051	2	3160-37
AH154107	17	3165-13	AH96708	15	0510-9	AT105438	..	3160-11
AH154570	18	3165-21	AH96708	13	0510-9B	AT105438	1	3160-21
AH159448	18B	0560-3	AH96708	19	0510-11	AT106365	5	1810-25
AH160119	1	0960-11	AH96708	22	0510-11B	AT106413	24	0510-3
AH161589	25	0960-11	AH97280	6	1673-3	AT116114	19	0930-3
AH161591	26	0960-11	AH97280	9	1830-13	AT116162	6	1060-7
AH162914	40	0560-3	AL153660	3	1810-29	AT116162	7	1060-7B
AH163627	1	3165-5	AL32877	2	0210-31	AT116162	9	1810-51

00II-2

444J UTILITY LOADER (S.N. -611274)

NUMERICAL INDEX - CONTINUED

PART NO.	KEY	PAGE	PART NO.	KEY	PAGE	PART NO.	KEY	PAGE
AT116373	44	0930-3	AT169849	5	1810-49	AT191487	16	1810-49
AT116373	38	0930-5	AT170005	4	1810-23	AT192956	13	2001-7
AT116970	5	1810-27	AT170234	5	0960-7	AT192957	13	2001-7
AT116970	6	1810-29	AT170759	3	0505-3	AT192958	13	2001-7
AT119017	10	3160-91	AT170991	4	3160-35	AT193500	4	1830-5
AT119018	12	3160-91	AT170991	33	3160-47	AT193500	3	1830-9
AT119378	11	3160-91	AT170991	33	3160-47B	AT195301	10	1674-7
AT120461	1	1810-36	AT171162	9	0505-3	AT195301	15	1674-7B
AT124574	7	3160-35	AT171539	5	0505-3	AT195302	11	1674-7
AT124574	4	3160-37	AT171679	7	1821-7	AT195302	16	1674-7B
AT124574	28	3160-47	AT172629	1	3160-91	AT195441	7	1821-3
AT124574	28	3160-47B	AT173193	9	1810-25	AT195442	8	1821-3
AT129526	12	0360-5	AT173313	2	1821-5	AT196427	1	1810-39B
AT133204	2	1740-3	AT173313	17	1821-5	AT196760	10	1060-7B
AT135758	12	1673-3	AT173313	18	1821-5	AT196760	35	3160-93
AT135758	15	1673-3B	AT173313	19	1821-5	AT196760	23	3160-95
AT135758	3	1673-4	AT173314	3	1821-5	AT196943	2	2160-11
AT13740	4	0404-3	AT173315	4	1821-5	AT199388	10	2001-7D
AT13740	22	0510-3	AT173321	11	1821-5	AT202726	15	1810-27
AT13740	21	0510-5B	AT173321	12	1821-5	AT202784	11	1810-29
AT137920	7	1810-27	AT173321	29	1821-5	AT202786	12	1674-7
AT137921	9	1810-27	AT173321	30	1821-5	AT202789	5	1673-9
AT138180	13	1810-27	AT173321	31	1821-5	AT202824	7	3160-111
AT138180	7	1810-29	AT173321	40	1821-5	AT202827	1	1674-15
AT138215	12	1810-27	AT173354	5	1673-9	AT202842	10	0505-3
AT139694	6	1810-49	AT173355	3	1810-15	AT202934	2	1674-11
AT141527	20	0930-3	AT174697	2	1830-17	AT202934	15	1830-7
AT141527	27	0930-5	AT175781	21	0930-3	AT202955	14	0350-3
AT143577	2	1740-5	AT176801	1	1674-8	AT203130	2	3166-3
AT145341	9	0505-5	AT177950	38	2160-7	AT203137	6	1673-9
AT145341	25	1674-7	AT177950	38	2160-7B	AT203180	43	0930-3
AT145341	28	1674-7B	AT179498	3	0350-33	AT203180	28	0930-5
AT151931	8	1810-19	AT179498	8	0350-35	AT203239	4	0242-7
AT151931	8	1810-21	AT179498	5	0350-37	AT203247	15	3102-3
AT152180	9	1369-3B	AT179840	9	1910-7	AT203418	21	3140-3
AT156896	6	1810-51	AT179934	4	3160-43	AT203457	6	1060-3
AT157226	1	1810-38	AT179935	1	3160-43	AT203483	16	3140-3
AT158098	11	2160-13	AT179936	5	3160-21	AT203483	8	3140-3B
AT158098	5	2160-15	AT179941	1	3160-31	AT203483	14	3140-5
AT160480	1	1674-10	AT179941	1	3160-35	AT203483	8	3140-7
AT160662	18	1810-49	AT179941	1	3160-39	AT203483	8	3140-7B
AT160704	3	1672-9	AT179941	37	3160-47	AT203492	22	0930-3
AT161638	37	2160-7	AT179941	37	3160-47B	AT203523	28	3140-3
AT161638	37	2160-7B	AT180119	21	2160-3	AT203523	9	3140-3B
AT162114	6	1913-5	AT181313	4	1060-3	AT203523	27	3140-5
AT162719	14	1810-49	AT182270	5	3160-69	AT203523	9	3140-7
AT162848	4	1830-15	AT182270	7	3160-71	AT203523	10	3140-7B
AT162863	37	3160-93	AT182802	71	0510-5	AT203533	7	1060-15
AT163156	12	1672-3	AT182802	27	0510-5B	AT203534	4	1060-13
AT163872	19	1830-13	AT183222	6	0505-3	AT203559	18	3104-3
AT165288	7	0342-3	AT184277	2	0210-35	AT203562	18	3140-19
AT165288	6	0342-3B	AT184277	2	0210-37	AT203562	15	3165-3
AT166041	6	3160-55	AT184279	4	0210-35	AT203562	1	3165-11
AT166149	1	3160-29	AT184279	4	0210-37	AT203562	3	3165-11
AT166459	23	0510-3	AT184284	30	0210-39	AT203562	10	3165-17
AT166459	22	0510-5B	AT184309	22	0210-39	AT203566	10	0505-5
AT167553	4	0260-17	AT184334	13	0210-39	AT203567	30	3140-3
AT167553	3	1060-9	AT188759	8	2001-7	AT203567	29	3140-5
AT167553	12	3160-49	AT188759	8	2001-7B	AT203567	10	3140-7
AT167553	14	3160-67	AT188759	9	2001-7D	AT203570	16	1740-3B
AT167553	10	3160-105	AT189390	20	1810-19	AT203570	24	3140-3
AT167553	9	3160-109	AT189390	20	1810-21	AT203570	10	3140-3B
AT167553	10	3160-113	AT189487	21	1810-19	AT203570	18	3140-5
AT167553	13	3160-115	AT189487	21	1810-21	AT203570	11	3140-7
AT167553	21	3160-123	AT191285	4	3160-53	AT203570	11	3140-7B
AT168163	12	3160-123	AT191285	6	3160-55	AT206698	8	3160-49
AT169157	8	3160-21	AT191285	5	3160-57	AT206698	8	3160-51

00II-3

444J UTILITY LOADER (S.N. -611274)

NUMERICAL INDEX - CONTINUED

PART NO.	KEY	PAGE	PART NO.	KEY	PAGE	PART NO.	KEY	PAGE
AT206698	7	3160-61	AT208163	61	1060-3B	AT209668	14	1830-3
AT206698	28	3160-67	AT208166	60	1060-3	AT209668	13	1830-7
AT206721	27	1060-3	AT208167	12	1060-3	AT209692	10	3160-111
AT206751	10	1740-3	AT208403	5	0325-3	AT209698	1	1822-5
AT206751	6	1740-3B	AT208411	6	1060-13	AT209748	2	3160-31
AT206784	5	0350-39	AT208435	3	1673-4	AT209748	2	3160-39
AT206794	16	0242-3	AT208435	6	1673-4	AT209748	2	3160-41
AT206815	37B	3160-95	AT208483	5	1821-5	AT209749	1	3160-21
AT206817	1	3140-11	AT208484	6	1821-5	AT209750	5	3160-31
AT206818	11	0505-5	AT208485	7	1821-5	AT209750	5	3160-39
AT206825	16	3140-19	AT208486	8	1821-5	AT209750	2	3160-41
AT206828	15	3140-19	AT208487	9	1821-5	AT209750	27	3160-47
AT206861	9	0325-3	AT208487	20	1821-5	AT209750	35	3160-47
AT206861	3	0325-5	AT208487	21	1821-5	AT209750	27	3160-47B
AT206861	6	0325-5	AT208487	22	1821-5	AT209750	35	3160-47B
AT206861	9	0325-5	AT208487	23	1821-5	AT209751	1	3160-21
AT206861	11	0325-5	AT208487	24	1821-5	AT209758	3	3160-31
AT206878	7A	1673-3	AT208488	15	1821-5	AT209758	3	3160-35
AT206894	8	1746-5	AT208488	36	1821-5	AT209758	6	3160-39
AT206895	7	1746-5	AT208488	37	1821-5	AT209811	6	3160-21
AT207010	36	3160-93	AT208490	10	1821-5	AT209823	7	3160-21
AT207010	20	3160-95	AT208490	25	1821-5	AT209868	2	3166-7
AT207022	3	0210-31	AT208490	26	1821-5	AT209907	1	1060-9
AT207022	3	0210-33	AT208490	27	1821-5	AT209908	11	1810-27
AT207022	4	0242-3	AT208490	28	1821-5	AT209908	9	1810-29
AT207022	12	0242-3B	AT208491	11	1821-5	AT209909	10	1810-27
AT207022	6	0960-9	AT208491	32	1821-5	AT209910	4	1810-29
AT207022	31	1060-15	AT208491	30	1821-3	AT209912	3	1810-29
AT207023	19	0242-3	AT208531	1	1821-5	AT209947	1	1810-25
AT207023	3	0260-18	AT208541	15	1672-7	AT209996	10	0342-3
AT207023	7	0960-9	AT208630	3	1674-8	AT209996	7	0342-3B
AT207072	4	0960-7	AT208630	1	1674-9	AT209997	9	0342-3
AT207072	1	0960-7B	AT208725	23	0930-3	AT209997	8	0342-3B
AT207096	2	3160-29	AT208760	14	3160-89	AT210056	35	0930-5
AT207144	1	1810-46	AT208760	13	3160-91	AT210066	8B	0325-3
AT207200	5	3140-5	AT208760	18	3160-91	AT210086	5	1830-5
AT207287	2	3140-25	AT208760	22	3160-91	AT210092	27	0930-3
AT207432	4	1746-5	AT208760	28	3160-91	AT210092	32	0930-5
AT207432	4	1746-5B	AT208776	5	1830-15	AT210093	28	0930-3
AT207433	6	1746-5	AT208833	5	3102-10	AT210093	33	0930-5
AT207433	6	1746-5B	AT208834	14	3102-9	AT210094	34	0930-5
AT207504	4	3140-17	AT208911	1	3160-91	AT210100	10	0325-3
AT207505	5	3140-3	AT208911	4	3160-91	AT210100	12	0325-5
AT207505	11	3140-3B	AT209020	9	1821-3	AT210101	6	0325-3
AT207505	11	3140-17	AT209021	10	1821-3	AT210101	4	0325-5
AT207507	2	3140-9	AT209022	15	1821-3	AT210101	7	0325-5
AT207529	28	1060-3	AT209024	17	1821-3	AT210145	2	3160-91
AT207784	1	3166-7	AT209025	19	1821-3	AT210155	29	0930-3
AT207947	46	1060-3	AT209026	21	1821-3	AT210155	36	0930-5
AT207948	45	1060-3	AT209161	15	3104-3	AT210207	30	0930-3
AT207952	2	1672-5	AT209163	14	3104-3	AT210207	37	0930-5
AT207969	8	3160-111	AT209163	1	3104-4	AT210229	44	1060-3
AT207970	9	3160-111	AT209221	6	0342-3	AT210246	11	1673-3
AT208015	2	1060-9	AT209225	23	1821-3	AT210246	9	1673-3B
AT208024	1	1674-15	AT209469	13	1821-5	AT210247	15	3160-91
AT208085	11	1060-3	AT209469	33	1821-5	AT210247	16	3160-91
AT208085	36	1060-3B	AT209469	34	1821-5	AT210247	26	3160-91
AT208086	18	1060-3	AT209469	35	1821-5	AT210247	90	3160-91
AT208086	43	1060-3B	AT209476	17	3140-19	AT210291	29	1060-3
AT208087	22	1060-3	AT209496	7	1060-13	AT210291	16	1060-3B
AT208088	7	1060-3	AT209496	10	1060-15	AT210333	8	1673-3
AT208088	56	1060-3B	AT209524	11	3160-49	AT210333	11	1673-3B
AT208089	25	1060-3	AT209524	9	3160-51	AT210334	13	1674-7
AT208089	53	1060-3B	AT209537	24	0930-3	AT210334	17	1674-7B
AT208159	7	1910-5	AT209537	29	0930-5	AT210399	31	0930-3
AT208159	10	1910-7	AT209661	4	0325-3	AT210399	39	0930-5
AT208163	23	1060-3	AT209661	2	0325-5	AT210490	10	1369-3

00II-4

444J UTILITY LOADER (S.N. -611274)

NUMERICAL INDEX - CONTINUED

PART NO.	KEY	PAGE	PART NO.	KEY	PAGE	PART NO.	KEY	PAGE
AT210561	15	1830-3	AT220096	11	3160-15	AT222561	3	0960-7
AT210606	18	0242-3	AT220096	20	3160-17	AT222561	2	0960-7B
AT210666	11	3160-111	AT220096	14	3160-19	AT222597	7	0530-3
AT210667	6A	2160-13	AT220173	1	3160-39	AT222964	1	3160-31
AT210686	42	3160-47	AT220223	19	1810-49	AT223173	23B	2160-13
AT210686	43	3160-47	AT220224	20	1810-49	AT223173	6	2160-15
AT210686	44	3160-47	AT220226	15	1810-49	AT223238	1	0350-31
AT210686	42	3160-47B	AT220432	90	3160-93	AT223239	1	0350-33
AT210686	43	3160-47B	AT220440	6	0530-3	AT223239	1	0350-35
AT210686	44	3160-47B	AT220517	38	3160-93	AT223240	1	0350-37
AT210688	14	3160-49	AT220526	4	3160-29	AT223241	1	0350-27
AT210688	7	3160-67	AT220729	26	0260-9	AT223241	1	0350-29
AT210689	24	3160-49	AT220729	5	0260-11	AT223279	10	0350-12
AT210689	19	3160-67	AT220733	25	0260-9	AT223493	20A	0560-3
AT210690	15	3160-49	AT220733	4	0260-11	AT223493	43	0560-3
AT210690	8	3160-67	AT220826	11	3160-35	AT223531	1	1830-5
AT210691	25	3160-49	AT220826	11	3160-39	AT223535	59	1060-3
AT210691	20	3160-67	AT220827	11	3160-47	AT223535	32	1060-3B
AT210712	21B	0510-7B	AT220827	11	3160-47B	AT223535	18	3160-93
AT210713	27	3160-93	AT220828	9	3160-31	AT223535	21	3160-95
AT210714	24	3160-93	AT220830	6	3160-31	AT223538	7	1060-5
AT210773	1	0350-11	AT220830	5	3160-35	AT223538	7	1060-5B
AT210877	34	1060-3	AT220830	14	3160-39	AT223584	6	0360-5
AT210877	21	1060-3B	AT220831	32	3160-47	AT223648	34	0930-3
AT211041	18	1672-3	AT220831	32	3160-47B	AT223648	41	0930-5
AT211041	16	1672-7	AT220832	15	0260-7	AT223658	25	2160-7
AT211219	3	3160-29	AT220865	4	3166-3	AT223658	28	2160-7B
AT211296	8	1810-3	AT220900	24	3160-67	AT223728	16	0260-7
AT211296	3	1810-17	AT220901	29	3160-67	AT223768	12	1060-7
AT211363	13	3160-53	AT220925	27	0260-9	AT223805	16	0260-7
AT211364	12	3160-53	AT220925	6	0260-11	AT223807	4	1673-7
AT211365	10	3160-55	AT220953	17	1830-3	AT223815	13	2160-13
AT211366	11	3160-55	AT220953	14	1830-7	AT223870	1	2001-7
AT211547	11	3160-31	AT221015	25	1821-3	AT223870	1	2001-7B
AT211574	1	3160-31	AT221016	26	1821-3	AT223870	7	2001-7D
AT211574	1	3160-35	AT221017	28	1821-3	AT223897	2	2001-7
AT211574	26	0510-3	AT221019	25	1821-3	AT223897	2	2001-7B
AT21574	23	0510-5B	AT221020	26	1821-3	AT223949	8	1060-11
AT21574	21	2160-7	AT221021	28	1821-3	AT223989	1	1822-3
AT21574	25	2160-7B	AT221094	1	3160-31	AT224135	1	3160-35
AT216571	26	3160-47	AT221332	8	1746-5B	AT224157	1	3160-49
AT216571	26	3160-47B	AT221452	1	1830-9	AT224157	10	3160-51
AT216573	24	3160-47	AT221506	2	3160-35	AT224189	8A	0325-3
AT216573	24	3160-47B	AT221583	7	0242-3	AT224190	7	0325-3
AT217448	5	1810-47	AT221628	1	1674-15	AT224190	5	0325-5
AT219753	39	3160-47	AT221696	8	1910-3	AT224217	10	1810-29
AT219757	4	3160-29	AT221696	11	1910-5	AT224233	13	1810-15
AT219778	7	1830-5	AT221696	7	1913-5	AT224234	13	1810-15
AT219778	5	1830-9	AT221897	24	2160-7	AT224235	9	1810-19
AT219792	19	0260-7	AT221897	27	2160-7B	AT224237	9	1810-21
AT219835	8	0560-3	AT222005	21	0350-3	AT224248	6	1821-3
AT219925	26	3160-67	AT222011	9	1746-5B	AT224266	35	2160-7
AT219974	8	1910-5	AT222011	2	1746-6	AT224301	8	3160-93
AT219974	15	1927-9B	AT222012	5	1746-6	AT224301	22	3160-95
AT220035	7	3160-39	AT222049	9	0342-3B	AT224301	7	3160-96
AT220035	50	3160-47	AT222153	2	1810-49	AT224424	16	0510-9
AT220035	50	3160-47B	AT222163	5	0260-5	AT224424	20	0510-11
AT220039	30	0350-19	AT222163	7	2160-13	AT224430	8	1060-7
AT220058	8	3104-3	AT222210	6	1830-9	AT224493	23	3160-95
AT220059	2	3104-3	AT222365	7A	1673-3	AT224497	5	1060-5
AT220060	7	3104-3	AT222366	2	3166-3	AT224536	11	3166-3
AT220096	9	3160-3	AT222367	7	1060-5	AT224570	1	0510-12
AT220096	19	3160-5	AT222371	27	1060-3	AT224570	1	2160-11
AT220096	14	3160-7	AT222372	59	1060-3	AT224573	2	3160-96
AT220096	12	3160-9	AT222372	18	3160-93	AT224574	2	3160-96
AT220096	20	3160-11	AT222402	1	1810-45	AT224574	3	3160-96
AT220096	14	3160-13	AT222414	11	1060-7	AT224576	4	1060-5

00II-5

444J UTILITY LOADER (S.N. -611274)

NUMERICAL INDEX - CONTINUED

PART NO.	KEY	PAGE	PART NO.	KEY	PAGE	PART NO.	KEY	PAGE
AT224600	39	3160-93	AT225529	11	3160-105	AT226578	1	1810-34
AT224600	25	3160-95	AT225529	10	3160-109	AT226614	8	2160-13
AT224665	20	3160-49	AT225530	4	3160-97	AT226614	7	2160-15
AT224665	11	3160-51	AT225530	11	3160-113	AT226615	18	3160-73
AT224665	8	3160-61	AT225530	14	3160-115	AT226615	18	3160-77
AT224665	10	3160-67	AT225530	22	3160-123	AT226615	19	3160-81
AT224703	1	3160-97	AT225573	10	1060-7	AT226615	27	3160-85
AT224705	3	3160-96	AT225573	11	1060-7B	AT226615	30	3160-89
AT224706	2	0510-12	AT225574	8	2160-9	AT226676	14	1821-5
AT224706	1	3160-96	AT225574	14	2160-9B	AT226676	38	1821-5
AT224706	3	3160-96	AT225575	30	3160-67	AT226676	39	1821-5
AT224797	28	2160-7	AT225706	10	1810-19	AT226676	41	1821-5
AT224797	32	2160-7B	AT225727	8	1060-13	AT226676	42	1821-5
AT224850	29	3160-47	AT225727	11	1060-15	AT226676	43	1821-5
AT224850	29	3160-47B	AT225784	21	3160-3	AT226789	7	1927-5
AT224862	1	0510-12	AT225785	18	3160-9	AT226791	4	1913-5
AT224862	1	2160-11	AT225786	17	3160-15	AT226808	52	0930-5
AT224862	2	3160-96	AT225787	15	3160-7	AT226808	10	0960-7
AT224863	2	1060-5	AT225788	15	3160-13	AT226808	4	0960-7B
AT224864	17	0510-9	AT225789	15	3160-19	AT226808	26	3160-93
AT224864	3	1060-5	AT225790	21	3160-3	AT226808	27	3160-95
AT224865	2	0510-12	AT225791	18	3160-9	AT226841	6	1910-3
AT224865	1	3160-96	AT225798	4	3160-43	AT226894	6	1746-3
AT224866	2	0510-12	AT225800	5	3160-43	AT226895	7	1746-3
AT224866	1	3160-96	AT225826	1	3140-25	AT226924	1	1672-11
AT224867	4	3160-96	AT225899	8	1830-5	AT226944	2	1674-10
AT224868	4	3160-96	AT226000	10	1810-5	AT227013	1	1810-34
AT224873	16	1060-5	AT226109	3	0510-12	AT227016	16	0510-9
AT224873	7	2160-11	AT226110	3	0510-12	AT227016	14	0510-9B
AT224873	8	2160-11	AT226119	10	3160-75	AT227016	20	0510-11
AT224873	3	3160-97	AT226119	3	3160-79	AT227016	23	0510-11B
AT224893	2	1674-12	AT226128	28	0510-3	AT227017	17	0510-9
AT224893	25	2001-7	AT226130	34	0510-3	AT227017	16	0510-9B
AT224893	25	2001-7B	AT226130	25	0510-5B	AT227021	25	0510-11B
AT224893	12	2001-7D	AT226131	33	0510-3	AT227021	5	0510-12
AT224894	2	1674-13	AT226131	26	0510-5B	AT227024	21	0510-11
AT224923	3	1810-15	AT226132	11	3160-85	AT227024	31	0510-11B
AT224930	57	1830-5	AT226133	13	3160-85	AT227063	4	1821-7
AT224930	55	1830-9	AT226150	12	1910-7	AT227073	3	0350-13B
AT224933	1	1810-17A	AT226151	22	1810-5	AT227073	4	1913-3
AT224989	9	1810-3	AT226152	25	1810-5	AT227134	4	1674-8
AT224989	4	1810-17	AT226155	2	1913-2	AT227134	2	1674-9
AT224990	10	1810-3	AT226168	11	0510-7B	AT227137	7	1674-3
AT224991	11	1810-3	AT226170	12A	0510-7B	AT227137	14	1674-3B
AT224991	5	1810-17	AT226176	27	1810-5	AT227137	6	1674-3D
AT224994	21	1810-5	AT226229	9	1910-5	AT227138	9	1674-3
AT224994	1	1810-7	AT226249	18	1830-3	AT227139	5	1674-3
AT224995	10	1810-7	AT226265	2	3160-97	AT227139	12	1674-3B
AT225011	39	3160-93	AT226266	1	3160-97	AT227139	8	1674-3D
AT225082	5	3160-96	AT226273	22	1830-13	AT227139	12	1674-5
AT225083	1	3160-97	AT226276	35	0510-3	AT227248	10	0360-3
AT225084	6	3160-96	AT226276	28	0510-5B	AT227260	12	1673-3
AT225085	6	3160-96	AT226282	2	1810-35	AT227263	29	1674-7B
AT225085	2	3160-97	AT226301	8	3166-9	AT227279	5	0360-3
AT225086	12	1673-3	AT226309	12	1830-5	AT227279	40	2160-7
AT225159	8	1927-5	AT226334	8	1810-55	AT227279	40	2160-7B
AT225160	9	1927-5	AT226338	6	1673-4	AT227491	41	2160-7
AT225189	12	0360-5	AT226372	12	1810-3	AT227507	25	0510-9
AT225275	1	0960-7	AT226394	9	0560-3	AT227507	4	0510-12
AT225275	3	0960-7B	AT226406	1	1740-3	AT227530	1	3166-5
AT225425	7	3160-73	AT226454	8	3160-73	AT227530	13	3166-13
AT225425	13	3160-75	AT226454	7	3160-77	AT227531	3	3166-5
AT225445	22	3160-93	AT226495	26	1674-7	AT227532	8	0530-3
AT225445	26	3160-95	AT226542	5	3166-5	AT227534	6	3160-67
AT225451	37	1830-5	AT226542	11	3166-13	AT227536	4	3160-67
AT225451	30	1830-9	AT226573	29	0510-3	AT227537	3	3160-67
AT225529	4	3160-97	AT226573	29	0510-5B	AT227544	14	1810-3

00II-6

444J UTILITY LOADER (S.N. -611274)

NUMERICAL INDEX - CONTINUED

PART NO.	KEY	PAGE	PART NO.	KEY	PAGE	PART NO.	KEY	PAGE
AT227545	15	1810-3	AT228194	12	3160-51	AT253115	13	0210-35
AT227549	2	1810-43	AT228195	13	3160-49	AT253115	14	0210-37
AT227576	8	0505-3	AT228195	13	3160-51	AT255575	12	0210-41
AT227579	13	0510-7B	AT228195	9	3160-61	AT258957	28	0210-39
AT227600	12	3140-7	AT228206	14	0510-7B	AT259571	10	0210-39
AT227600	12	3140-7B	AT228217	12	1672-3	AT259571	10	0210-41
AT227603	7	0260-11	AT228224	30	0510-3	AT259765	6	0210-35
AT227604	8	0260-11	AT228224	30	0510-5B	AT259765	6	0210-37
AT227644	43	2160-7	AT228240	6	1830-15	AT280208	11	1910-5
AT227651	6	0360-3	AT228250	15	3160-85	AT280208	7	1913-5
AT227668	2	1810-9	AT228253	9	1810-55	AT280631	7	1830-15
AT227668	3	1810-13	AT228260	15	3160-89	AT280924	29	2160-7
AT227669	3	1810-9	AT228261	16	3160-85	AT300081	3	1913-3
AT227702	8	2160-3	AT228284	21	0260-9	AT300098	29	1674-7
AT227703	7	0540-3	AT228289	9	1673-9	AT300115	9	1821-7
AT227706	8	0540-3	AT228311	14	1671-3	AT300154	9	3160-77
AT227707	9	0540-3	AT228312	8	1671-3	AT300156	10	3160-77
AT227708	10	0540-3	AT228313	11	1671-3	AT300237	3	3103-3
AT227709	11	0540-3	AT228317	15	0350-5	AT300238	3	3103-3
AT227717	35	3160-93	AT228318	15	0350-5	AT300441	10A	1810-55
AT227738	3	1520-3	AT228405	23A	1910-7	AT300487	5	0520-3
AT227738	10	1520-3B	AT228407	12	1671-3	AT300488	6	0520-3
AT227754	23	1830-13	AT228408	21	1910-7	AT300489	10	0520-3
AT227755	24	1830-13	AT228414	6	1749-3	AT300493	7	0520-3
AT227765	3	3140-21	AT228416	17	1910-7	AT300524	21	1810-49
AT227767	4	3140-21	AT228426	7	1749-3	AT300537	30	1674-7
AT227768	5	3140-21	AT228433	10	1910-5	AT300662	10	3160-81
AT227780	4	0350-3	AT228436	16	1910-5	AT300664	11	3160-81
AT227794	10B	1810-55	AT228457	15	0260-9	AT300664	8	3160-83
AT227816	2	0520-5	AT228457	19	0260-9	AT300664	19	3160-85
AT227817	20A	0560-3	AT228474	32	2160-7	AT300664	17	3160-89
AT227821	21	0560-3	AT228549	13	1910-5	AT300676	15	1674-7
AT227835	3	0520-5	AT228550	17	1910-5	AT300807	11	3104-9
AT227909	2	3166-7	AT228623	5	1913-5	AT300809	12	3104-9
AT227925	1	3160-75	AT228703	8	3160-81	AT300858	54	3160-47
AT227925	1	3160-79	AT228703	17	3160-85	AT300884	1	3140-13
AT227926	2	3160-75	AT228703	16	3160-89	AT300890	6	3140-21
AT227926	1	3160-79	AT228747	49	2160-7	AT300921	4	1674-9
AT227927	4	3160-75	AT228747	31	2160-7B	AT300921	1	3160-87
AT227927	10	3160-79	AT228748	24A	1910-7	AT300936	10	3160-73
AT227927	..	3160-79	AT228809	7	1822-7	AT300956	7	3104-7
AT227928	3	3160-75	AT228834	18	1910-5	AT301026	6	1674-3
AT227928	9	3160-79	AT228843	7A	1910-3	AT301026	13	1674-3B
AT227928	..	3160-79	AT228857	8	0260-9	AT301026	10	1674-3D
AT227929	5	3160-75	AT228858	9	0260-9	AT301026	13	1674-5
AT227930	6	3160-75	AT228859	10	0260-9	AT301050	27	1322-7
AT227930	2	3160-79	AT228860	11	0260-9	AT301092	27	1322-9
AT227933	9	3160-75	AT228882	9	0530-3	AT301093	29	3160-95
AT227933	5	3160-79	AT25226	4	0110-2	AT301458	11	3160-81
AT227957	11	3160-79	AT25226	4	0110-2C	AT301458	8	3160-83
AT227965	4	1810-13	AT25226	8	0110-3	AT301458	19	3160-85
AT228100	22	0510-9	AT25226	4	0110-5	AT301458	17	3160-89
AT228100	26	0510-11	AT25226	4	0110-7	AT301498	33	1674-7
AT228101	23	0510-9	AT253067	3	0210-35	AT301498	53	1674-7
AT228101	27	0510-11	AT253067	3	0210-37	AT301498	30	1674-7B
AT228112	28	0510-11	AT253069	3	0210-35	AT301711	17	0510-7B
AT228112	12	0510-11B	AT253069	3	0210-37	AT301711	16	1927-9B
AT228137	90	0510-11	AT253070	3	0210-35	AT301819	11	1927-9
AT228138	13	2160-11	AT253070	3	0210-37	AT301820	13	1927-9
AT228155	9	2160-13	AT253071	3	0210-35	AT301913	3	1810-37
AT228155	8	2160-15	AT253071	3	0210-37	AT301914	7	1673-9
AT228158	22A	1910-7	AT253072	3	0210-35	AT301914	4	1810-37
AT228167	10	1674-3	AT253072	3	0210-37	AT301930	15	3160-113
AT228167	9	1674-3D	AT253073	3	0210-35	AT301930	17	3160-115
AT228189	30	3160-93	AT253073	3	0210-37	AT301988	6	3102-3
AT228189	28	3160-95	AT253076	3	0210-35	AT301989	6	3102-3
AT228194	3	3160-49	AT253076	3	0210-37	AT301990	6	3102-3

00II-7

444J UTILITY LOADER (S.N. -611274)

NUMERICAL INDEX - CONTINUED

PART NO.	KEY	PAGE	PART NO.	KEY	PAGE	PART NO.	KEY	PAGE
AT301991	6	3102-5	AT305126	37	1810-5	AT306830	1	2001-7D
AT301992	6	3102-5	AT305126	38	1810-5	AT306831	24	2001-7
AT301993	6	3102-3	AT305130	33	1810-3	AT306831	24	2001-7B
AT301994	6	3102-3	AT305130	34	1810-3	AT306831	1	2001-7D
AT302031	1	3160-83	AT305130	7	1810-17	AT306900	12	3160-111
AT302031	3	3160-87	AT305130	8	1810-17	AT306905	13	3160-111
AT302032	1	3160-83	AT305165	12	0260-9	AT306912	15	1830-3
AT302089	7	1674-3D	AT305171	12	3160-105	AT306913	16	1830-3
AT302143	8	2160-3	AT305171	12	3160-113	AT306930	18	0510-7B
AT302144	8	2160-3	AT305217	37	3140-7	AT306931	19	0510-7B
AT302829	12	0505-5	AT305329	14	3160-61	AT307006	..	3160-85
AT302845	4	0505-5	AT305389	9	1674-17	AT307045	29	2160-7
AT302954	33	1674-7	AT305405	59	1830-5	AT307045	33	2160-7B
AT303014	34	1910-7	AT305405	51	1830-9	AT307090	16	1673-3
AT303128	10	2160-13	AT305561	5	0260-5	AT307090	16	1673-3B
AT303273	2	0960-7	AT305603	11	3160-79	AT307171	15	1927-9
AT303320	15	1672-7	AT305603	..	3160-79	AT307172	16	1927-9
AT303411	20	1810-3	AT305659	4	0350-3	AT307173	17	1927-9
AT303493	11	1810-7	AT305673	36	0510-5	AT307174	18	1927-9
AT303619	11	3160-75	AT305673	32	0510-5B	AT307197	6	1830-5
AT303619	8	3160-79	AT305687	50	3160-73	AT307197	4	1830-9
AT303636	25	1910-7	AT305690	..	3160-81	AT307221	9	1674-3
AT303755	11	1927-5	AT305692	..	3160-77	AT307301	8	2160-11
AT303799	3	3160-97	AT305693	..	3160-85	AT307302	7	2160-11
AT303807	1	1674-15	AT305830	19	1927-9	AT307304	9	2160-11
AT304026	12	1674-7	AT305900	15	3160-113	AT307314	2	2160-11
AT304026	18	1674-7B	AT305900	17	3160-115	AT307315	4	2160-11
AT304125	11	2160-13	AT305900	9	3160-117	AT307333	10	1674-3
AT304128	12A	2160-13	AT305902	9	3160-117	AT307333	17	1674-3B
AT304143	7	0260-3	AT305903	6	3160-117	AT307436	..	3160-77
AT304143	1	0260-5	AT305903	6	3160-125	AT307449	..	3160-89
AT304225	9	2160-9	AT305905	7	3160-117	AT307474	6	1821-3
AT304225	9	2160-9B	AT305905	7	3160-125	AT307483	12	1672-11
AT304250	32	0510-3	AT305931	6	1673-4	AT307484	12	1672-11
AT304250	31	0510-5B	AT305978	8	3160-117	AT307504	1	3140-19
AT304263	5	0260-5	AT305978	8	3160-125	AT307505	4	3140-19
AT304269	13	3160-113	AT306099	20	1927-9	AT307506	3	3140-19
AT304269	15	3160-115	AT306111	11	1369-3B	AT307507	5	3140-19
AT304298	14	3160-113	AT306133	13	1369-3B	AT307508	6	3140-19
AT304298	16	3160-115	AT306219	8	2160-3	AT307516	8	3140-17
AT304334	13	0505-5	AT306227	21	1927-9	AT307532	8	3140-17
AT304346	14	2160-13	AT306392	5	3160-63	AT307533	1	3140-17
AT304346	9	2160-15	AT306453	6	3160-63	AT307584	..	3160-77
AT304375	12A	1910-3	AT306454	8	1927-5	AT307595	5	0242-5
AT304406	29	0510-11	AT306455	9	1927-5	AT307605	33	0510-3
AT304406	13	0510-11B	AT306464	45	0930-3	AT307606	35	0510-3
AT304412	3	0110-2	AT306489	13	0260-9	AT307607	34	0510-3
AT304415	1	0110-3	AT306496	14	0260-9	AT307612	6	1830-15
AT304418	1	0110-3	AT306597	5	3160-67	AT307613	32	0510-3
AT304620	3	3166-9	AT306641	9	1674-3	AT307617	15	0260-9
AT304633	4	1810-29	AT306641	16	1674-3B	AT307617	19	0260-9
AT304831	11	3140-21	AT306654	8	3160-123	AT307620	..	3160-89
AT304860	4	3166-9	AT306677	9	3160-123	AT307636	2	3160-83
AT304880	18	3160-89	AT306688	5	0520-5	AT307637	4	3160-83
AT304881	20	3160-89	AT306690	37	0510-5	AT307638	3	3160-83
AT304897	15	2160-13	AT306690	33	0510-5B	AT307640	5	3160-83
AT304899	16	2160-13	AT306690	11	1910-7	AT307641	6	3160-83
AT304899	10	2160-15	AT306702	1	0515-3	AT307655	..	3160-85
AT305111	14	3160-51	AT306703	3	0515-3	AT307661	30	3160-95
AT305111	10	3160-61	AT306736	5	1674-3	AT307701	1	0505-5
AT305112	15	3160-51	AT306736	12	1674-3B	AT307716	15	3140-7
AT305112	11	3160-61	AT306828	4	1674-13	AT307716	13	3140-7B
AT305113	16	3160-51	AT306829	24	2001-7	AT307771	1	3160-47
AT305113	12	3160-61	AT306829	24	2001-7B	AT307771	1	3160-47B
AT305114	17	3160-51	AT306829	1	2001-7D	AT307806	69	0510-5
AT305114	13	3160-61	AT306830	24	2001-7	AT307806	34	0510-5B
AT305126	36	1810-5	AT306830	24	2001-7B	AT307809	25	3160-113

00II-8

444J UTILITY LOADER (S.N. -611274)

NUMERICAL INDEX - CONTINUED

PART NO.	KEY	PAGE	PART NO.	KEY	PAGE	PART NO.	KEY	PAGE
AT307911	31	0510-3	AT310561	16	2160-15	AT314014	..	3160-33
AT307911	35	0510-5B	AT310702	24	1810-3	AT314015	2	3160-23
AT307928	8	0530-3	AT310754	10	2160-13	AT314016	3	3160-23
AT307934	26	2160-13	AT310759	7A	1910-3	AT314017	1	3160-23
AT307934	11	2160-15	AT310759	22B	1910-7	AT314018	1	3160-37
AT307950	14	3166-13	AT310760	7A	1910-3	AT314019	9	3160-37
AT307996	11	3165-17	AT310760	23B	1910-7	AT314020	..	3160-37
AT308022	12	3104-7	AT310761	7A	1910-3	AT314021	..	3160-41
AT308023	8	3102-3	AT310761	7B	1910-3	AT314022	1	3160-45
AT308023	13	3104-7	AT310761	22B	1910-7	AT314023	2	3160-45
AT308023	13	3104-9	AT310761	23B	1910-7	AT314025	3	3160-45
AT308028	9	3102-3	AT310761	24B	1910-7	AT314026	..	3160-17
AT308030	9	3102-3	AT310761	36	1910-7	AT314043	15	3160-61
AT308065	1	3103-3	AT310782	15	1830-3	AT314046	1	3160-41
AT308066	1	3103-3	AT310905	32	2160-7	AT314048	..	3160-5
AT308067	1	3103-5	AT310905	35	2160-7B	AT314057	1	3160-45
AT308119	12B	2160-13	AT311287	12B	0510-7B	AT314206	1	0210-3
AT308119	13	2160-15	AT311386	10	3104-7	AT314206	10	0210-25
AT308199	3	1821-3	AT311386	24	3104-7	AT314266	60	1060-3
AT308386	20	3160-5	AT311468	9	3160-117	AT314266	44	1060-3B
AT308388	24	3160-11	AT311469	9	3160-117	AT314267	12	1060-3
AT308389	24	3160-17	AT311469	9	3160-125	AT314267	37	1060-3B
AT308392	1	3140-11	AT311742	8	3140-17	AT314290	13	0242-3B
AT308671	7	1674-3	AT311817	..	3160-81	AT314322	33	1674-7
AT308671	14	1674-3B	AT311818	..	3160-85	AT314356	7	0520-3
AT308672	6	1674-3	AT311824	23	1927-7	AT314374	26	1674-7
AT308672	13	1674-3B	AT311902	26	1674-7	AT314374	40	1674-7B
AT308673	15	1674-7	AT311903	31	1674-7B	AT314578	11	3160-63
AT308780	16	3160-113	AT311903	3	1674-17	AT314579	12	3160-63
AT308780	18	3160-115	AT311905	29	1674-7	AT314583	6	0520-3
AT308781	17	3160-113	AT311905	39	1674-7B	AT314598	39	3160-95
AT308781	19	3160-115	AT311918	30	1821-3	AT314617	23	3160-123
AT308784	29	1927-9	AT311918	1	1821-5	AT314620	..	3160-85
AT308795	25	1821-3	AT311919	6	1821-3	AT314638	10	2160-13
AT308796	26	1821-3	AT311938	19	1674-7B	AT314638	14	2160-15
AT308797	28	1821-3	AT312053	9	1910-7	AT314664	6	3102-3
AT308992	6	3140-9	AT312110	14	1674-7	AT314674	16	3160-61
AT308993	5	0350-39	AT312132	34	1927-9	AT314676	17	3160-61
AT309021	6	3140-9	AT312132	1	1927-9B	AT314705	1	0210-31
AT309159	6	0960-3	AT312178	2	1674-10	AT314708	1	0210-33
AT309249	24	1927-9	AT312325	8	0560-3	AT314710	1	0210-33
AT309249	17	1927-9B	AT312932	32	0260-9B	AT314734	5	0960-7
AT309430	8	3160-117	AT312983	2	3166-11	AT314734	5	0960-7B
AT309494	3	2160-11	AT312989	8	3166-11	AT314763	..	3160-89
AT309530	28	1927-9	AT312996	9	3166-11	AT314815	..	3160-77
AT309530	18	1927-9B	AT313037	10	3166-11	AT314844	7	2160-13
AT309550	7A	1673-3	AT313087	5	3160-87	AT314847	6B	2160-13
AT309550	7B	1673-3	AT313282	57	1830-5	AT314944	18	3160-51
AT309550	9	1673-3	AT313282	55	1830-9	AT314987	22	0510-9
AT309550	10	1673-3B	AT313399	6	1821-5	AT314987	18	0510-9B
AT309843	11	3160-81	AT313424	7	3160-63	AT314987	26	0510-11
AT309843	9	3160-83	AT313501	2	1674-10	AT314987	28	0510-11B
AT309843	31	3160-85	AT313598	14	0510-7B	AT314988	23	0510-9
AT309843	34	3160-89	AT313708	2	2160-11	AT314988	27	0510-11
AT310020	33	1674-7	AT314008	1	3160-23	AT315002	6	1520-3
AT310056	14	1674-7	AT314009	1	3160-33	AT315002	11	1520-3B
AT310060	2	3103-3	AT314010	2	3160-33	AT315021	6	0360-3
AT310412	10B	1810-55	AT314011	3	3160-33	AT315072	9	1060-5B
AT310413	9	1810-55	AT314011	7	3160-37	AT315118	11	2160-9B
AT310414	10A	1810-55	AT314011	3	3160-41	AT315134	6	3160-57
AT310435	6	1821-3	AT314012	4	3160-33	AT315135	7	3160-57
AT310495	8	1927-11	AT314012	8	3160-37	AT315136	8	3160-57
AT310542	21	0510-9	AT314012	4	3160-41	AT315137	9	3160-57
AT310542	17	0510-9B	AT314013	5	3160-29	AT315145	15	2160-15
AT310542	25	0510-11	AT314013	1	3160-33	AT315290	20	1810-3
AT310542	24	0510-11B	AT314013	1	3160-37	AT315331	6	3160-33
AT310561	15	2160-13	AT314013	1	3160-41	AT315346	3	0110-2C

00II-9

444J UTILITY LOADER (S.N. -611274)

NUMERICAL INDEX - CONTINUED

PART NO.	KEY	PAGE	PART NO.	KEY	PAGE	PART NO.	KEY	PAGE
AT315355	5	0110-5	AT318491	14	3140-7B	AT322892	9	1674-3D
AT315360	5	0110-7	AT318494	6	1746-3	AT322892	16	1674-5
AT315406	7	1674-3	AT318494	7	1746-3	AT322982	64	1060-3
AT315406	14	1674-3B	AT318569	39	0260-9B	AT322982	16	1060-7B
AT315406	14	1674-5	AT318915	7	3160-29	AT323120	4	3103-7
AT315412	7	1674-3	AT318926	30	3140-3	AT323285	6	0960-3
AT315412	14	1674-3B	AT318926	16	3140-3B	AT323286	8	0960-3B
AT315414	17	1740-3B	AT318926	29	3140-5	AT323287	6	0960-3
AT315458	1	3160-83	AT318926	10	3140-7	AT323306	1	0515-3
AT315459	1	3160-83	AT318926	18	3140-7B	AT323307	3	0515-3
AT315459	3	3160-87	AT318987	6	1830-5	AT323318	5	3103-7
AT315715	7	1821-3	AT318987	4	1830-9	AT323319	6	3103-7
AT315755	4	0260-5B	AT319046	21	0510-9B	AT323337	4	3103-7
AT315761	8	1821-3	AT319046	26	0510-11B	AT323672	1	1822-3
AT315829	10	3160-123	AT319046	51	0930-5	AT323687	4	0350-13B
AT315830	11	3160-123	AT319053	6	0960-7B	AT323687	3	1913-3
AT315846	11	3160-81	AT320188	6	0260-3B	AT323713	5	3160-63
AT315846	8	3160-83	AT320227	6	3104-11	AT323713	6	3160-63
AT315846	19	3160-85	AT320228	8	3104-11	AT323713	11	3160-63
AT315846	17	3160-89	AT320228	7	3104-13	AT323713	12	3160-63
AT315847	11	3160-81	AT320228	8	3104-13	AT323713	..	3160-63
AT315847	8	3160-83	AT320322	12	1910-7	AT323719	20A	0560-3
AT315847	19	3160-85	AT320326	18	1910-5	AT323719	20B	0560-3
AT315847	17	3160-89	AT320361	13	1060-7B	AT323756	9	3163-3
AT315871	1	3104-21	AT320362	14	1060-7B	AT323757	10	3163-3
AT316021	12	3160-123	AT320421	15	0242-3B	AT323790	55	1060-3B
AT316046	20	3160-5	AT320570	6	0960-3	AT323792	60	1060-3B
AT316047	24	3160-11	AT320593	16	1369-3B	AT323817	11	3163-3
AT316141	13	0560-3	AT320642	15	1060-7B	AT323845	8	0960-3B
AT316249	..	0960-3	AT320673	6	0530-3	AT323885	16	0242-3B
AT316303	29	1674-7	AT320674	6	0530-3	AT324087	7	3104-11
AT316315	6	3160-29	AT320676	11	3104-9	AT324137	12	3163-3
AT316315	39	3160-47	AT320676	23	3104-9	AT324184	9	3104-11
AT316315	39	3160-47B	AT320724	20	1674-7B	AT324271	9	3104-13
AT316360	8	0325-5	AT320750	16	2160-15	AT324443	17	1369-3B
AT316361	10	0325-5	AT320794	35	1060-3B	AT324484	12	1673-3
AT316507	..	3160-85	AT320846	44	0260-9B	AT324484	15	1673-3B
AT316518	..	3160-89	AT320922	9	1674-3	AT324507	6	1520-3B
AT316532	6	3160-96	AT320922	16	1674-3B	AT324641	13	3163-3
AT316537	..	3160-77	AT321386	7	3163-5	AT324647	9	3163-3
AT316769	21	3160-115	AT321403	9	0210-35	AT324648	10	3163-3
AT317060	10	3140-21	AT321403	10	0210-37	AT324668	28	0510-3
AT317063	41	1674-7B	AT321403	5	0210-43	AT324681	12	1810-27
AT317099	10	1746-5B	AT321411	3	0210-45	AT324687	11	1810-27
AT317132	12	1746-5B	AT321412	3	0210-45	AT324687	9	1810-29
AT317299	1	0110-3	AT321454	21	0210-39	AT324849	10	1810-29
AT317353	21	0510-11	AT321462	6	0210-51	AT324881	6	0360-3
AT317487	6	3163-7	AT321462	5	0210-53	AT325146	53	3160-47
AT317507	7	3163-5	AT321462	7	0210-53	AT325146	53	3160-47B
AT317574	17	3160-117	AT321942	11	1830-3	AT325194	12	3163-3
AT317589	17	3160-117	AT321942	10	1830-7	AT325201	13	3163-3
AT317589	17	3160-125	AT322222	12	3163-5	AT325316	13	2160-11
AT317731	7	1520-3	AT322225	12	3163-5	AT325450	8	1060-7B
AT317789	7	1520-3	AT322228	11	3163-7	AT325538	9	1060-7B
AT317945	10	0342-3B	AT322382	19	1927-9B	AT325611	12	0360-5
AT317986	33	1060-3B	AT322383	20	1927-9B	AT325612	7	3160-79
AT318087	34	1060-3B	AT322527	5	3160-63	AT325612	..	3160-79
AT318123	7	3160-75	AT322527	6	3160-63	AT325643	1	1810-17A
AT318157	33	0260-9B	AT322541	5	3160-63	AT325889	7	0960-7B
AT318280	12	3140-3B	AT322541	6	3160-63	AT326184	3	3103-5
AT318300	37	0260-9B	AT322559	11	3160-63	AT326190	2	3103-5
AT318329	7	1674-3D	AT322559	12	3160-63	AT326203	3	3103-5
AT318329	15	1674-5	AT322567	11	3160-63	AT326581	29	3160-47
AT318345	6B	2160-13	AT322567	12	3160-63	AT326581	54	3160-47
AT318373	6	1746-3	AT322725	6	3104-13	AT326581	29	3160-47B
AT318373	7	1746-3	AT322892	10	1674-3	AT326581	54	3160-47B
AT318377	38	0260-9B	AT322892	17	1674-3B	AT326640	2	3103-5

00II-10

444J UTILITY LOADER (S.N. -611274)

NUMERICAL INDEX - CONTINUED

PART NO.	KEY	PAGE	PART NO.	KEY	PAGE	PART NO.	KEY	PAGE
AT326782	17	3104-11	AT330606	54	0260-9B	AT336885	17	3160-117
AT326783	16	3104-13	AT330639	2	3104-23	AT337313	23	3160-123
AT326790	1	3102-7	AT330678	55	0260-9B	AT338291	40	0260-9B
AT326791	1	3102-7	AT330697	45	0930-5	AT343463	15	1060-11B
AT326792	4	3103-5	AT330753	56	0260-9B	AT35831	18	1369-3B
AT326793	4	3103-5	AT331091	1	0930-5	AT37476	11	0520-3
AT326794	4	3103-5	AT331208	44	1060-3	AT37693	38	0510-5
AT326795	4	3103-5	AT331638	1	0350-37	AT41188	15	1671-3
AT326970	65	1060-3	AT332126	12	1810-3	AT44188	14	1810-17
AT327281	10	0210-35	AT332127	6	1810-17	AT45678	14	3166-5
AT327281	9	0210-37	AT332233	3	3166-5	AT45678	27	3166-9
AT327285	29	0210-39	AT332291	8	3160-93	AT45678	15	3166-13
AT327285	13	0210-41	AT332291	22	3160-95	AT49216	20	3160-91
AT327338	6	0210-45	AT332291	7	3160-96	AT49859	18	0242-3B
AT327389	4	0210-45	AT332401	4	3103-3	AT53439	12	0520-3
AT327392	16	0210-45	AT332563	9	0210-51	AT53541	19	0242-3B
AT327393	8	0210-47	AT332563	9	0210-53	AT59892	2	1810-41
AT327399	5	0210-51	AT332564	8	0210-51	AT62123	10	3160-117
AT327399	4	0210-53	AT332564	10	0210-53	AT62123	10	3160-125
AT327489	13	1910-5	AT332601	50	0260-9B	AT62123	14	3163-3
AT327490	17	1910-5	AT332602	49	0260-9B	AT79576	9	1060-11
AT327499	7	1927-5	AT332604	90	0510-11	AT83105	12	1810-7
AT327502	8	1927-5	AT332605	46	0260-9B	AU42978	18	0260-15
AT327503	9	1927-5	AT332606	47	0260-9B	A11667	2	0110-2C
AT327515	6	1910-3	AT332622	61	0260-9B	A11667	2	0110-5
AT327518	21	1910-7	AT332694	2	3160-45	A11667	2	0110-7
AT327519	17	1910-7	AT333458	48	0260-9B	A364R	19	0417-3
AT327533	10	1910-5	AT333459	52	0260-9B	A4365R	33	1060-3
AT327534	16	1910-5	AT333811	5	2160-11	A4365R	20	1060-3B
AT327535	5	1913-5	AT334074	6	0260-3B	A4365R	20	3166-5
AT327621	7	1821-7	AT334083	4	0960-7	A4365R	9	3166-9
AT327951	13	3163-3	AT334083	1	0960-7B	A4365R	7	3166-11
AT329269	45	0260-9B	AT334170	56	0260-9B	A4365R	10	3166-13
AT329702	10	1060-11B	AT334187	23	0510-9	A4742R	10	3160-31
AT329703	11	1060-11B	AT334187	21	0510-9B	A4742R	10	3160-35
AT329720	1	1830-9	AT334187	27	0510-11	A4742R	10	3160-47
AT329721	6	1830-9	AT334187	26	0510-11B	A4742R	10	3160-47B
AT329722	1	1830-5	AT334302	15	2160-15	A4827R	19	0452-3
AT329723	8	1830-5	AT334387	9	2160-9B	B14604	19	1830-3
AT329811	36	2160-7B	AT334451	10	0350-12	CD12569	23	1322-7
AT329819	1	3104-23	AT334639	48	0260-9B	CD16284	7	0409-3
AT329870	11	0210-35	AT336140	21	0350-3	CQ27992	6	0210-43
AT329870	15	0210-37	AT336442	11	3104-9	CQ27992	4	0210-49
AT329921	11	0210-37	AT336444	10	3104-7	C11884	8	3165-13
AT329958	7	0520-3	AT336601	29	1674-7	DD15664	18	0452-3
AT329973	43	1674-7B	AT336601	39	1674-7B	DD15664	34	0452-3
AT330028	3	0210-51	AT336621	1	1810-47	E12379	1	0242-3
AT330028	8	0210-53	AT336621	5	1810-47	E12379	20	0242-3B
AT330041	44	0930-5	AT336721	8	3160-123	E12379	2	0960-9
AT330153	12	3163-3	AT336722	9	3160-123	E12379	13	3165-17
AT330153	13	3163-3	AT336725	10	3160-123	E12379	6	3166-3
AT330153	16	3163-3	AT336726	11	3160-123	E52687	14	3165-21
AT330153	..	3163-3	AT336825	6	3160-117	E53801	16	3140-7
AT330154	12	3163-3	AT336825	6	3160-125	E53801	19	3140-7B
AT330154	13	3163-3	AT336826	7	3160-117	E73240	6	1674-8
AT330154	16	3163-3	AT336826	7	3160-125	E73240	6	1674-9
AT330154	..	3163-3	AT336880	8	3160-117	E80242	10	0530-3
AT330155	12	3163-3	AT336880	8	3160-125	F1870R	12	2160-3
AT330155	13	3163-3	AT336881	8	3160-117	F3171	17	0210-7
AT330155	16	3163-3	AT336882	9	3160-117	F3171	17	0210-13
AT330155	..	3163-3	AT336883	9	3160-117	F3171R	11	0210-7
AT330267	51	0260-9B	AT336883	9	3160-125	F3171R	6	0210-9
AT330331	21	1927-9B	AT336884	10	3104-7	F3171R	12	0210-9
AT330332	22	1927-9B	AT336884	11	3104-9	F3171R	11	0210-11
AT330473	23	1927-9B	AT336884	17	3160-117	F3171R	17	0210-11
AT330474	24	1927-9B	AT336884	17	3160-125	F3171R	9	0210-13
AT330592	53	0260-9B	AT336885	10	3104-7	F3171R	5	0210-19

00II-11

444J UTILITY LOADER (S.N. -611274)

NUMERICAL INDEX - CONTINUED

PART NO.	KEY	PAGE	PART NO.	KEY	PAGE	PART NO.	KEY	PAGE
F3171R	5	0210-21	H156058	2	3104-19	H75541	20	3160-115
F3171R	18	0210-25	H156360	13	1810-55	H77698	16	0260-9
F37030242	1	2160-3	H156586	3	3104-15	H77698	2	0260-18
F433299	5	3160-96	H156586	3	3104-17	H77698	5	0960-9
F436022	3	0210-45	H156586	3	3104-19	H77698	17	1671-3
F436023	18	0210-45	H156929	16	3165-13	H77698	11	1674-3
F436044	9	0210-43	H157037	4	3165-15	H77698	41	1674-7
F436044	7	0210-49	H157427	10	3165-5	H77698	48	1674-7B
F436124	10	0210-45	H157427	14	3165-19	H77698	7	1674-8
F437154	6	0210-47	H158192	14	0960-11	H77698	7	1674-9
F437183	3	0210-47	H159071	4	3165-21	H77698	21	1830-3
F437184	5	0210-47	H159072	5	3165-21	H77698	17	1830-7
F437196	5	0210-45	H159074	8	3165-21	H77698	19	2160-13
F437220	9	0210-47	H164204	15	0960-11	H77698	17	2160-15
F437223	10	0210-47	H164205	16	0960-11	H77698	19	3160-73
F950R	7	3165-5	H164982	5	3104-15	H77698	19	3160-77
F950R	14	3165-7	H164982	7	3104-17	H77698	20	3160-81
F950R	10	3165-19	H164982	7	3104-19	H77698	28	3160-85
GX20510	40	1674-7	H165169	6	3104-15	H77698	31	3160-89
GY20126	3	1674-12	H169568	8	1749-3	H77698	1	3160-91
GY20126	3	1674-13	H169743	11	3165-5	H77698	7	3160-91
H110232	21	1810-3	H169744	4	3165-13	H77698	14	3165-17
H110232	9	1810-17	H170136	12	3165-5	H81330	4	1810-9
H114865	20	1830-3	H170136	4	3165-7	H81330	1	1810-11
H126081	13	1810-7	H170136	4	3165-19	H81330	11	1810-19
H126082	14	1810-7	H170137	7	3165-13	H81330	11	1810-21
H132922	16	1810-7	H170371	12	3165-9	H81330	10	1830-11
H138955	7	1322-5	H170372	13	3165-9	H81678	4	1673-4
H140469	17	1746-5B	H170535	17	0960-11	H84318	3	3160-39
H143405	7	0960-11	H170535	11	3104-15	H84318	3	3160-47
H144095	12	1672-3	H170535	5	3104-17	H84318	3	3160-47B
H148166	39	2160-7	H170535	5	3104-19	H85233	9	1910-3
H148166	39	2160-7B	H170540	22	3165-5	H85233	12	1910-5
H151537	12	3165-21	H170540	3	3165-7	H85233	8	1913-5
H151890	3	3165-21	H170540	13	3165-19	H86981	8	1830-3
H151891	6	3165-9	H171332	18	0960-11	H86981	7	1830-7
H151894	15	3165-21	H171334	7	3104-15	H89151	10	3104-7
H152204	8	3165-5	H172014	39B	0560-3	H89151	20	3104-7
H152204	12	3165-7	H173650	15	3165-15	H89151	11	3104-9
H152204	11	3165-19	H173651	6	3165-21	H89151	19	3104-9
H152205	7	3165-9	H174831	41	0560-3	H89151	10	3104-11
H152205	13	3165-13	H179999	14	3165-9	H89151	10	3104-13
H152205	12	3165-15	H180080	18	3165-7	H95874	25	1810-7
H152795	9	3165-5	H180094	16	3165-7	JD38714	2	3160-43
H152795	13	3165-7	H180324	16	3165-21	JD5749	6	1322-3
H152795	12	3165-19	H180430	9	3165-15	JD5822	11	1322-5
H152796	8	3165-9	H180431	10	3165-13	JD5822	1	1322-11
H152796	12	3165-13	H180432	15	3165-9	JD5902	2	1322-3
H152796	11	3165-15	H206836	12	3104-15	JD5906	19	1322-3
H154126	8	0960-11	H208704	9	3165-7	JD5929	5	1810-37
H154514	9	0960-11	H208704	5	3165-19	JD7759	8	0960-9
H154514	1	3104-15	H208706	10	3165-7	JD7759	10	3102-3
H154514	1	3104-17	H208706	6	3165-19	JD7759	6	3104-3
H154514	1	3104-19	H210826	19	3165-7	JD7759	14	3104-7
H155143	9	3165-9	H210874	10	3104-17	JD7759	14	3104-9
H155147	2	3165-5	H210874	10	3104-19	JD7759	11	3104-11
H155147	2	3165-7	H211156	8	3104-17	JD7759	11	3104-13
H155147	1	3165-13	H211156	8	3104-19	JD7759	11	3140-3
H155147	1	3165-15	H21259	1	1322-3	JD7759	17	3140-3B
H155147	2	3165-19	H219217	4	3104-19	JD7759	9	3140-5
H155540	5	3165-13	H23125	2	0409-1	JD7759	17	3140-7
H155561	3	3165-13	H23196	4	1369-3	JD7759	20	3140-7B
H155561	3	3165-15	H34597	6	1810-13	JD7759	10	3140-17
H155964	12	0960-11	H63262	11	3104-17	JD7759	11	3140-19
H156058	13	0960-11	H63262	11	3104-19	JD7759	22	3140-19
H156058	2	3104-15	H75541	14	3160-111	JD7759	14	3140-21
H156058	2	3104-17	H75541	18	3160-113	JD7759	2	3165-11

00II-12

444J UTILITY LOADER (S.N. -611274)

NUMERICAL INDEX - CONTINUED

PART NO.	KEY	PAGE	PART NO.	KEY	PAGE	PART NO.	KEY	PAGE
JD7763	18	3165-3	M84972	15	1810-55	RE164444	20	0210-25
JD7763	14	3165-11	M87571	16	0360-3	RE166219	22	0210-15
JD7763	15	3165-17	M87571	9	1369-3	RE166242	7	0530-3
JD7781	23	0242-3	M87733	3	0416-3	RE167207	4	1674-14
JD7781	2	3165-3	M88102	12	3166-11	RE167464	25	0510-3
JD7788	7	3166-3	M89679	9	0520-3	RE168454	21	2001-7
JD7797	21	0242-3	N117290	8	1830-15	RE168454	21	2001-7B
JD7797	21	0242-3B	N119177	4	1674-11	RE16879	1	1810-27
JD7797	13	0325-5	N119177	29	1821-3	RE174764	11	1830-5
JD7797	1	0960-9	N189220	19	1369-3B	RE179976	30	0560-3
JD7797	12	3165-17	N189220	52	2160-7	RE190139	13	2001-7
JD7842	21	0242-3	N189220	48	2160-7B	RE190139	13	2001-7B
JD7842	1	0960-9	N189220	20	3160-73	RE190139	16	2001-7D
JD8164	14	0210-17	N189220	20	3160-77	RE190140	13	2001-7
JD8191	3	0210-19	N189220	21	3160-81	RE190140	13	2001-7B
JD8191	3	0210-21	N189220	29	3160-85	RE190140	16	2001-7D
JD8210	15	0210-17	N189220	32	3160-89	RE190141	13	2001-7
JD8214	4	0210-19	N189220	1	3166-3	RE190141	13	2001-7B
JD8214	4	0210-21	N191985	12	1674-3D	RE194040	19	0560-3
JD8240	1	0210-4	N203905	49	1060-3	RE19797	3	0413-3
JD8240	1	0210-5	N203905	66	1060-3B	RE19799	9	0413-3
JD8240	8	0210-25	N205415	10	2160-9	RE198074	3	1830-5
JD8259	9	0210-19	N205415	10A	2160-9B	RE20343	16	3165-5
JD8259	9	0210-21	N218377	3	1810-47	RE20343	17	3165-5
JD8954	10	0210-19	N260556	8	3104-15	RE20343	18	3165-5
JD8954	10	0210-21	PG-188	16	3163-3	RE20343	19	3165-5
JD8974	2	0210-4	PM38655	24	0404-3	RE20343	5	3165-7
JD8974	2	0210-5	PT11778	10	1830-5	RE20343	6	3165-7
JD8974	9	0210-25	PT9412	23	0560-3	RE20343	7	3165-7
J16931	40	0510-5	P40098	1	1674-14	RE20343	8	3165-7
J16931	37	0510-7	P46051	31	2160-7	RE20343	6	3165-15
J16931	27	1910-7	P46051	34	2160-7B	RE20343	7	3165-19
KV22121	14	3102-3	P48347	38	1060-3	RE20809	17	3165-9
KV22121	7	3102-5	P48347	25	1060-3B	RE20809	18	3165-9
KV22609	8	3160-63	P48347	21	3166-5	RE20809	19	3165-9
K1011176	25	0413-3	P48347	13	3166-9	RE20809	20	3165-9
L102023	1	1810-40	P48347	13	3166-11	RE224279	36A	0560-3
L110729	7	0350-37	P48347	16	3166-13	RE227949	7	0505-6
L156164	58	0260-9B	RE12363	22	1830-13	RE227953	13	2001-7
L40273	1	0350-12	RE151433	3	1674-14	RE227953	13	2001-7B
L57881	22	1830-3	RE157329	17	1830-5	RE227953	16	2001-7D
L77943	9	1830-5	RE158953	18A	0560-3	RE234193	36B	0560-3
L985T	16	1810-3	RE159197	4	0210-26	RE24391	25	0510-3
L985T	17	1810-3	RE160140	6	0210-19	RE24391	42	0510-7
M113243	4	0515-3	RE160140	6	0210-21	RE24468	41	1060-3
M113243	48	1060-3	RE163170	7	0210-4	RE24468	29	1060-3B
M113243	65	1060-3B	RE163170	7	0210-5	RE261354	2	3166-5
M113243	14	1810-55	RE163170	8	0210-5	RE261354	7	3166-9
M114063	22	1810-3	RE163170	15	0210-25	RE261354	20	3166-13
M115279	42	1674-7	RE163554	8	0210-4	RE261356	42	1060-3
M115279	49	1674-7B	RE163554	16	0210-25	RE261356	30	1060-3B
M115279	8	1674-8	RE163555	7	0210-5	RE30162	9	3165-21
M115279	8	1674-9	RE163555	8	0210-5	RE31617	13	0409-3
M135542	11	3166-11	RE163555	16	0210-25	RE35704	42	1060-3
M148224	13	1910-3	RE164128	9	0210-9	RE35704	30	1060-3B
M4125T	2	3160-47	RE164128	1	0210-25	RE36133	18	1830-5
M4125T	2	3160-47B	RE164129	12	0210-7	RE36133	46	1830-5
M44162	22	0960-11	RE164129	1	0210-25	RE36133	14	1830-9
M453T	24	1821-3	RE164130	12	0210-13	RE36133	39	1830-9
M45937	20	0242-3	RE164130	1	0210-25	RE38310	56	2160-7
M45937	4	0260-18	RE164378	1	0210-2	RE38310	53	2160-7B
M47887	4	1810-47	RE164379	1	0210-2	RE40049	2	1810-27
M67176	10	1830-5	RE164381	1	0210-2	RE40049	5	1810-29
M68628	18	1910-7	RE164382	1	0210-2	RE40281	15	1746-5B
M72389	33	2160-7	RE164441	20	0210-25	RE40281	1	1746-6
M84972	7	1810-13	RE164442	20	0210-25	RE40281	7	3160-49
M84972	2	1810-15	RE164443	20	0210-25	RE40281	10	3160-49

00II-13

444J UTILITY LOADER (S.N. -611274)

NUMERICAL INDEX - CONTINUED

PART NO.	KEY	PAGE	PART NO.	KEY	PAGE	PART NO.	KEY	PAGE
RE40281	19	3160-51	RE505981	22	0417-3	RE522076	3	0418-3
RE40281	18	3160-61	RE506380	..	0417-3	RE522109	10	0413-3
RE43497	6	1674-11	RE507595	2	0402-1	RE522242	1	0407-5
RE43497	19	1830-7	RE507597	1	0420-3	RE522529	36	1674-7
RE43637	3	0260-19	RE507598	1	0413-3	RE522529	45	1674-7B
RE44574	6	0401-2	RE507646	7	0413-3	RE522820	..	0419-3
RE44574	3	0433-2	RE507647	6	0413-3	RE522821	2	0419-3
RE44574	20	0452-3	RE507648	5	0413-3	RE52346	9	0401-2
RE45312	1	0210-3	RE507649	4	0413-3	RE52346	12	0417-3
RE45312	10	0210-25	RE507766	23	0413-3	RE52346	3	0417-4
RE46534	1	0260-19	RE507850	7	0403-2	RE52454	16	1830-13
RE46684	6	0210-7	RE507850	8	0403-2	RE524676	3	0505-6
RE46684	5	0210-9	RE507850	10	0403-2	RE52504	31	0560-3
RE46684	6	0210-11	RE507852	6	0403-2	RE52506	17	1830-13
RE46684	6	0210-13	RE507920	7	0403-2	RE52507	22	1830-13
RE46684	23	0260-15	RE507920	8	0403-2	RE52508	19	1830-13
RE46684	6	0414-2	RE507950	5	0407-2	RE52509	22	1830-13
RE46684	7	0418-3	RE507950	7	1369-3	RE526670	12	0452-3
RE46685	18	0417-3	RE507950	22	1369-3B	RE526671	18	0452-3
RE46685	6	0419-3	RE508185	22	0404-3	RE526834	17	0420-3
RE46686	7	0419-3	RE508317	9	0402-3	RE526971	1	0450-5
RE46686	8	0420-3	RE508566	23	0417-3	RE52702	50	2160-7
RE46686	25	0560-3	RE508566	4	0417-4	RE52702	22	2160-13
RE46742	25	1830-3	RE508716	21	0413-3	RE52702	19	2160-15
RE46742	20	1830-7	RE508847	26	0560-3	RE527042	34	0452-3
RE48838	14	1810-15	RE508932	8	0402-2	RE52722	12	0418-3
RE500250	12	0360-3	RE508932	9	0402-2	RE52722	3	0578-2
RE500398	3	0433-1	RE509031	13	0420-3	RE531116	23	0413-3
RE500448	4	0415-3	RE509032	13	0420-3	RE532629	36	1674-7
RE500448	8	0415-3	RE509540	10	0403-2	RE532629	45	1674-7B
RE500448	9	0415-3	RE509540	1	0450-3	RE54885	12	0416-3
RE500448	11	0415-3	RE509540	1	0450-5	RE55423	21	1830-13
RE500449	3	0415-3	RE509570	15	0416-3	RE56098	20	0510-3
RE500449	4	0415-3	RE509794	6	0420-3	RE56098	42	0510-5
RE500449	6	0415-3	RE51234	1	1673-5	RE56098	43	0510-7
RE500449	12	0415-3	RE515977	2	0416-3	RE56109	22	1810-49
RE500608	3	0403-2	RE515978	2	0417-3	RE56165	7	3166-9
RE501060	7	0422-3	RE515978	5	0417-4	RE56165	20	3166-13
RE501150	1	0422-3	RE516340	9	0401-2	RE56369	28	0417-3
RE501150	7	0422-3	RE516340	12	0417-3	RE56690	2	0419-3
RE501150	12	0422-3	RE516340	3	0417-4	RE57234	14	0409-3
RE501455	34	0452-3	RE516340	21	0452-3	RE57619	8	0407-2
RE502669	21	0505-5	RE51649	17	0420-3	RE57619	10	0407-4
RE502969	6	0409-1	RE51649	27	0560-3	RE57836	11	0404-3
RE503211	7	0416-3	RE51650	14	0420-3	RE57836	4	0433-2
RE504122	3	0505-6	RE51650	28	0560-3	RE58614	28	1830-3
RE504134	1	0420-4	RE516512	12	0420-3	RE58614	23	1830-7
RE504233	5	0421-1	RE516512	..	0560-3	RE59810	9	0401-2
RE504543	4	0407-5	RE516553	12	0420-3	RE59810	12	0417-3
RE504562	3	0407-5	RE516553	..	0560-3	RE59810	3	0417-4
RE504638	3	0401-2	RE517180	29	0560-3	RE59810	21	0452-3
RE504742	13	0415-3	RE517370	3	0417-3	RE59811	1	0401-2
RE504836	6	0407-5	RE517370	1	0417-4	RE60005	3	0409-3
RE504914	2	0407-4	RE517786	2	0416-3	RE60029	22	0420-3
RE504914	3	0407-4	RE518086	10	0413-3	RE60037	9	0420-3
RE504914	4	0407-4	RE519144	4	0578-2	RE60071	3	0414-2
RE504914	5	0407-4	RE519775	36	1674-7	RE60700	11	3160-93
RE504914	6	0407-4	RE520023	3	0404-3	RE60700	34	3160-95
RE505264	2	0429-2	RE520023	1	0450-3	RE60701	16	2160-3
RE505264	18	1672-3	RE520229	4	1830-17	RE60701	15	3160-105
RE505264	16	1672-7	RE52034	20	0510-3	RE60701	22	3160-113
RE505501	27	0404-3	RE520539	5	0409-1	RE60854	15	0420-3
RE505501	2	0417-4	RE520539	1	0452-3	RE61651	22	2001-7
RE505515	9	0401-2	RE521822	10	0413-3	RE61651	22	2001-7B
RE505515	12	0417-3	RE521823	10	0413-3	RE61812	1	0578-2
RE505515	3	0417-4	RE521824	10	0413-3	RE63575	7	0210-4
RE505899	3	0407-2	RE521825	10	0413-3	RE63575	7	0210-5

00II-14

444J UTILITY LOADER (S.N. -611274)

NUMERICAL INDEX - CONTINUED

PART NO.	KEY	PAGE	PART NO.	KEY	PAGE	PART NO.	KEY	PAGE
RE63575	8	0210-5	R113563	4	0420-3	R121666	33	1830-9
RE65165	7	0401-2	R113563	16	0420-3	R121897	1	0429-1
RE65168	8	0401-2	R113565	3	0420-3	R123161	7	0402-3
RE65216	7	0210-5	R113565	10	0420-3	R123174	5	0402-2
RE65216	8	0210-5	R113565	13	0420-3	R123177	5	0403-2
RE65217	8	0210-4	R113596	3	0401-2	R123226	20	0417-3
RE65908	11	0403-2	R114082	2	0403-2	R123226	9	0418-3
RE65909	11	0403-2	R114193	27	0417-3	R123226	4	0452-3
RE65911	7	0401-2	R114194	12	0402-2	R123271	5	0402-3
RE65912	8	0401-2	R114241	17	0404-3	R123273	1	0421-1
RE65978	13	0416-3	R115299	12	0404-3	R123273	22	0452-3
RE66082	12	0452-3	R115299	1	0415-3	R123323	1	0418-3
RE66084	18	0452-3	R115350	38	0510-7	R123324	11	0418-3
RE66086	34	0452-3	R115390	15	0404-3	R123345	5	0452-3
RE66153	2	0421-1	R115742	11	1830-13	R123352	4	0407-2
RE66539	16	0210-15	R115743	19	1830-13	R123352	14	0452-3
RE66980	2	0210-3	R116116	21	0420-3	R123353	13	0452-3
RE67138	28	0260-15	R116296	24	0260-9B	R123417	24	0417-3
RE67231	1	0419-3	R116296	5	0407-1	R123417	23	0452-3
RE67231	2	0419-3	R116324	1	0409-1	R123471	2	0419-3
RE67238	6	0407-1	R116386	2	0402-2	R123471	5	0419-3
RE67238	8	0407-5	R116386	17	0413-3	R123501	3	0419-3
RE67238	13	0419-3	R116466	2	0404-3	R123501	25	0452-3
RE67239	10	0417-3	R116515	12	0409-3	R123502	31	0452-3
RE67240	7	0407-1	R116515	8	0452-3	R123504	26	0452-3
RE68255	14	0520-3	R116801	18	0210-7	R123513	2	0402-3
RE68627	20	0210-15	R116801	13	0210-9	R123525	30	0452-3
RE68725	12	0260-15	R116801	18	0210-11	R123542	5	0409-1
RE68725	14	0260-15	R116801	18	0210-13	R123542	1	0452-3
RE68748	14	0413-3	R116801	7	0210-19	R123558	18	0260-9B
RE68908	4	1830-17	R116801	7	0210-21	R123558	1	0407-1
RE69243	1	0407-3	R116933	38A	0560-3	R123561	7	0401-2
RE69297	42	1060-3	R117721	13	1830-5	R123562	7	0401-2
RE69297	30	1060-3B	R117721	38	1830-5	R123563	8	0401-2
RE70080	3	0210-15	R117721	62	1830-5	R123564	8	0401-2
RE70080	3	0210-17	R117721	8	1830-9	R123565	10	0402-3
RE70536	1	0429-2	R117721	31	1830-9	R123570	6	0452-3
RE70678	4	0422-3	R117845	5	1810-9	R123574	3	0409-1
RE70682	5	0422-3	R117845	2	1810-11	R123575	4	0409-1
RE70756	8	0422-3	R119171	45	1830-5	R123575	7	0452-3
RE70756	11	0422-3	R119171	38	1830-9	R123584	4	0402-2
RE71240	21	0417-3	R119874	6	0404-3	R123586	1	0408-2
RE71240	22	0417-3	R120013	14	0416-3	R123593	15	0413-3
RE71256	6	0422-3	R120233	39A	0560-3	R123616	25	0404-3
R100369	17	0417-3	R120461	14	0210-17	R125223	14	1830-5
R100377	13	1672-3	R120631	2	0401-2	R126033	4B	2001-7
R10093	23	1830-3	R120638	13	0407-4	R126033	4	2001-7B
R10093	9	1830-15	R120641	6	0402-2	R128859	2	1672-11
R101225	13	0402-2	R120653	3	1810-25	R129110	15	1830-5
R104558	6	0350-11	R120653	6	1810-25	R129110	10	1830-9
R104592	5	0404-3	R120653	16	1810-27	R129664	8	0210-23
R104592	5	0409-3	R120653	3	1810-29	R129665	11	0210-23
R104595	6	1810-25	R120653	13	1810-29	R129666	3	0210-23
R105415	6	0360-3	R121038	1	0417-5	R129672	8	0210-5
R105415	13	0360-3	R121043	9	0404-3	R129673	8	0210-5
R107731	11	0402-3	R121376	7	0407-4	R129674	8	0210-4
R109082	22	0210-15	R121402	14	0409-3	R129675	8	0210-4
R110531	41	0510-5	R121411	7	0417-3	R129776	10	0210-23
R110531	42	0510-5	R121424	6	0417-3	R129777	12	0210-23
R111137	10	0404-3	R121465	9	1830-3	R129888	2	0210-7
R11151	15	3166-5	R121465	8	1830-7	R129888	2	0210-9
R11151	2	3166-9	R121635	4	0417-5	R129888	2	0210-11
R11151	17	3166-13	R121664	39	1830-5	R129888	2	0210-13
R113050	25	1830-13	R121664	63	1830-5	R129889	11	0210-19
R113050	28	1830-13	R121664	9	1830-9	R129889	11	0210-21
R113562	5	0420-3	R121664	32	1830-9	R129998	22	0210-15
R113562	11	0420-3	R121666	40	1830-5	R129999	14	0210-15

00II-15

444J UTILITY LOADER (S.N. -611274)

NUMERICAL INDEX - CONTINUED

PART NO.	KEY	PAGE	PART NO.	KEY	PAGE	PART NO.	KEY	PAGE
R130000	4	0210-15	R134406	6	0210-4	R160831	21	0210-13
R130001	11	0210-15	R134406	6	0210-5	R161861	5	0210-26
R130002	12	0210-15	R134465	40	0260-9B	R163180	5	0210-4
R130059	6	0210-15	R134465	18	0510-9	R163180	5	0210-5
R130059	6	0210-17	R134465	19	0510-9B	R163180	2	0210-25
R130574	8	0401-2	R134465	22	0510-11	R163181	6	0210-4
R130575	8	0401-2	R134465	29	0510-11B	R163181	6	0210-5
R130576	7	0401-2	R134518	3	0402-2	R163181	14	0210-25
R130577	7	0401-2	R134526	1	0402-2	R163182	6	0210-4
R131016	5	0418-3	R134671	21	0260-15	R163182	6	0210-5
R131169	15	0210-15	R134672	17	0260-15	R163182	12	0210-25
R131170	19	0210-15	R134673	1	0260-15	R163183	6	0210-4
R131172	7	0210-15	R134674	7	0260-15	R163183	6	0210-5
R131172	7	0210-17	R134675	10	0260-15	R163183	13	0210-25
R131182	21	0404-3	R134676	15	0260-15	R163333	4	0210-4
R131206	10	0402-2	R134677	13	0260-15	R163333	4	0210-5
R131268	25	0210-15	R134713	10	0210-15	R163333	3	0210-25
R131269	24	0210-15	R134713	9	0210-17	R163505	12	0210-7
R131270	9	0210-15	R135118	8	0260-15	R163506	12	0210-13
R131270	12	0210-17	R135298	5	0260-15	R163507	12	0210-11
R131283	26	0417-3	R135509	2	0422-3	R163507	1	0210-25
R131664	30	1927-9	R135510	3	0422-3	R163556	8	0210-4
R131719	29	0210-15	R135529	18	0210-15	R163557	8	0210-5
R131720	29	0210-15	R135535	4	0210-4	R184863	20A	0560-3
R131721	29	0210-15	R135535	4	0210-5	R184863	44	0560-3
R131741	3	0210-26	R135805	9	0260-15	R187539	10	1910-3
R131769	6	0433-2	R135896	3	0452-3	R193666	16	0560-3
R131797	1	0210-7	R135918	1	0433-1	R194311	17	0560-3
R131797	1	0210-9	R135918	8	0433-2	R203687	1	1830-3
R131797	1	0210-11	R136052	12	0422-3	R203687	18	1830-7
R131797	1	0210-13	R136314	6	0260-15	R224278	37	0560-3
R131896	5	0210-4	R136475	14	0402-2	R26125	4	0409-3
R131896	5	0210-5	R136495	20	0260-9B	R26246	14	0210-19
R132113	8	0210-9	R136495	4	0407-1	R26246	14	0210-21
R132113	9	0210-9	R136514	22	0260-9B	R26286	5	0210-7
R132113	11	0210-13	R136515	1	0417-3	R26286	4	0210-9
R132113	12	0210-13	R136515	2	0417-3	R26286	5	0210-11
R132114	14	0210-9	R136515	24	0452-3	R26286	5	0210-13
R132186	20	0404-3	R136516	24	0452-3	R26286	24	0260-9
R132193	13	0210-17	R137063	5	0210-3	R26286	9	0260-11
R132194	4	0210-17	R151390	1	0210-19	R26286	2	1674-14
R132195	11	0210-17	R151390	1	0210-21	R26286	53	2160-7
R132260	3	0410-2	R151576	5	0210-23	R26286	49	2160-7B
R132518	7	0404-3	R151933	5	0210-3	R26287	50	1060-3
R132519	21	0210-15	R151933	3	0260-15	R26287	67	1060-3B
R132520	11	0260-15	R157151	1	0210-26	R26287	8	1060-5
R132617	26	0210-15	R157152	2	0210-26	R26287	30	3160-47
R132619	27	0210-15	R159661	4	0210-7	R26287	30	3160-47B
R132620	28	0210-15	R159661	3	0210-9	R26287	19	3160-93
R132623	8	0210-19	R159661	4	0210-11	R26287	31	3160-95
R132874	12	0413-3	R159661	4	0210-13	R26375	6	0260-7
R132913	3	0423-2	R159661	17	0210-25	R26375	6	0260-9
R133259	9	0210-23	R159759	22A	0210-11	R26375	12	0260-9B
R133303	1	0402-1	R160154	22	0210-11	R26375	40	0260-9B
R133303	5	0415-3	R160155	7	0210-9	R26375	10	0260-11
R133309	8	0210-21	R160155	21	0210-11	R26375	25	0260-15
R133405	6	0421-1	R160155	10	0210-13	R26375	5	0510-9
R133643	14	1672-3	R160699	23	0210-7	R26375	5	0510-9B
R133643	17	1672-7	R160699	15	0210-9	R26375	14	0510-11
R133893	17	0505-5	R160699	22	0210-11	R26375	6	0510-11B
R134183	2	0210-15	R160699	22A	0210-11	R26375	6	0930-3
R134183	2	0210-17	R160699	23	0210-11	R26375	9	0930-5
R134334	5	0210-23	R160699	23	0210-13	R26375	46	0930-5
R134404	6	0210-4	R160699	19	0210-25	R26375	5	0960-3
R134404	6	0210-5	R160831	9	0210-9	R26375	9	0960-9
R134405	6	0210-4	R160831	14	0210-9	R26375	47	1060-3
R134405	6	0210-5	R160831	12	0210-13	R26375	51	1060-3

00II-16

444J UTILITY LOADER (S.N. -611274)

NUMERICAL INDEX - CONTINUED

PART NO.	KEY	PAGE	PART NO.	KEY	PAGE	PART NO.	KEY	PAGE
R26375	3	1060-3B	R26906	9	0510-11	R29936	39	0510-7
R26375	10	1060-5	R26906	9	0510-11B	R29936	19	0510-9
R26375	3	1060-5B	R26906	13	0930-3	R29936	20	0510-9B
R26375	6	1060-11B	R26906	12	0930-5	R29936	23	0510-11
R26375	9	1060-13	R26906	3	0960-3B	R29936	30	0510-11B
R26375	12	1060-15	R26906	10	1369-3B	R29936	42	0930-3
R26375	30	2160-7	R26906	54	2160-7	R29936	9	2160-3
R26375	17	3160-93	R26906	51	2160-7B	R29936	16	2160-7
R26448	4	0260-3	R26906	10	3160-39	R29936	11	2160-7B
R26448	3	0260-5	R26906	45	3160-47	R29936	2	2160-13
R26448	2	0260-5B	R26906	45	3160-47B	R29936	5	3160-3
R26448	12	0260-7	R26906	29	3160-93	R29936	16	3160-5
R26448	5	0260-17	R26906	14	3160-95	R29936	17	3160-7
R26448	6	0510-11	R26906	13	3165-3	R29936	15	3160-9
R26448	26	0510-11B	R26906	6	3165-11	R29936	17	3160-11
R26448	33	0510-11B	R26906	20	3165-11	R29936	17	3160-13
R26448	40	0930-3	R26906	6	3165-17	R29936	15	3160-15
R26448	52	1060-3	R27094	15	0210-7	R29936	17	3160-17
R26448	6	1060-3B	R27094	11	0210-9	R29936	17	3160-19
R26448	6	1060-5B	R27094	15	0210-11	R29936	3	3160-21
R26448	4	1060-7	R27094	15	0210-13	R29936	33	3160-93
R26448	6	1060-7B	R27175	18	0210-7	R29936	19	3160-95
R26448	4	1369-3B	R27175	13	0210-9	R33259	67	1830-5
R26448	6	2160-3	R27175	18	0210-13	R33259	26	1830-13
R26448	34	2160-7	R27175	7	0210-19	R36311	2	0242-3
R26448	18	2160-7B	R27175	7	0210-21	R36311	22	0242-3B
R26448	50	2160-7B	R27175	44	2160-7	R36311	3	0960-9
R26448	4	2160-9	R27175	22	3160-5	R36311	3	3166-3
R26448	4	2160-9B	R27175	22	3160-11	R36545	18	1671-3
R26448	11	3104-3	R27175	22	3160-17	R36943	24	0260-15
R26448	5	3104-7	R27180	1	1672-5	R37023	13	2160-3
R26448	6	3104-9	R27180	2	1672-9	R38066	4	0210-23
R26448	7	3160-3	R27218	69	1060-3B	R38185	16	0260-15
R26448	5	3160-5	R27218	10	1060-5B	R39112	10	1060-13
R26448	16	3160-7	R27218	21	1369-3B	R39112	13	1060-15
R26448	8	3160-9	R27218	55	2160-7	R41440	11	1830-9
R26448	5	3160-11	R27218	52	2160-7B	R43409	9	0409-3
R26448	16	3160-13	R27218	11	2160-9	R43583	67	0510-5
R26448	10	3160-15	R27218	10	3104-3	R43583	40	0510-7
R26448	5	3160-17	R27218	23	3160-5	R44097	2	1673-5
R26448	16	3160-19	R27218	23	3160-11	R44165	3	1674-11
R26448	2	3160-21	R27218	23	3160-17	R44165	16	1830-7
R26448	16	3160-29	R27218	13	3160-105	R44302	7	0260-5B
R26448	6	3160-43	R27218	11	3160-109	R44302	18	0505-5
R26448	3	3160-73	R27218	2	3160-111	R44302	45	0510-5
R26448	6	3160-73	R27390	27	0510-3	R44302	41	0510-7
R26448	3	3160-77	R27390	22	2160-7	R44302	13	0520-3
R26448	4	3160-81	R27583	7	0505-3	R44302	24	0560-3
R26448	4	3160-85	R28782	14	0510-9	R44302	2	1369-3
R26448	4	3160-89	R28782	11	0510-9B	R44302	19	1671-3
R26448	21	3160-91	R28782	20	0510-11B	R44302	13	1673-3
R26448	9	3160-93	R28782	15	0930-3	R44302	17	1673-3B
R26448	9	3160-95	R28782	21	0930-5	R44302	12	1674-3
R26448	4	3160-105	R28782	42	0930-5	R44302	18	1674-3B
R26448	5	3160-109	R28782	7	0960-3	R44302	13	1674-3D
R26448	3	3160-111	R28782	6	0960-3B	R44302	17	1674-5
R26448	19	3160-113	R28782	53	1060-3	R44302	35	1674-7
R26448	7	3160-115	R28782	70	1060-3B	R44302	44	1674-7B
R26448	18	3160-123	R28782	17	1060-7B	R44302	5	1674-11
R26448	5	3163-3	R28782	21	2160-3	R44302	4	1810-25
R26650	13	0404-3	R28782	18	3160-29	R44302	11	2001-7
R26773	26	2160-7	R28782	9	3160-105	R44302	11	2001-7B
R26773	29	2160-7B	R28782	20	3160-113	R44302	13	2001-7D
R26906	9	0260-7	R28811	2	0433-1	R44302	20	2160-13
R26906	15	0260-9B	R29936	5	0350-3	R44302	18	2160-15
R26906	40	0260-9B	R29936	5	0360-5	R44302	7	3165-3
R26906	6	0409-3	R29936	43	0510-5	R44302	8	3166-3

00II-17

444J UTILITY LOADER (S.N. -611274)

NUMERICAL INDEX - CONTINUED

PART NO.	KEY	PAGE	PART NO.	KEY	PAGE	PART NO.	KEY	PAGE
R44302	8	3166-7	R504534	2	0402-1	R74012	45	0560-3
R44342	27	1674-7	R504694	2	0414-2	R74657	11	1060-13
R44342	51	1674-7B	R504724	1	0417-3	R74657	14	1060-15
R44852	14A	2160-3	R504724	2	0417-3	R75892	16	0404-3
R45197	3	0210-4	R504734	9	0419-3	R75892	15	0452-3
R45197	3	0210-5	R505121	8	0402-2	R76695	29	2001-7
R45197	4	0210-25	R505472	18	0413-3	R77175	15	0350-3
R45198	3	0210-4	R505609	4	0401-2	R77175	15	2160-3
R45198	3	0210-5	R50770	16	1830-5	R77175	11	2160-11
R45198	5	0210-25	R50770	12	1830-9	R77175	10	3160-93
R45199	3	0210-4	R51031	43	0930-5	R77175	33	3160-95
R45199	3	0210-5	R51031	71	1060-3B	R77175	14	3160-105
R45199	6	0210-25	R51936	20	0413-3	R77175	21	3160-113
R45200	3	0210-4	R520129	1	0417-3	R78057	22	1830-13
R45200	3	0210-5	R520129	2	0417-3	R78059	22	1830-13
R45200	7	0210-25	R520131	1	0417-3	R78393	23	0960-11
R47693	5	0505-6	R520131	2	0417-3	R79132	15	0210-45
R48685	5	0401-2	R521439	2	0452-3	R79496	12	0210-43
R48685	1	0404-3	R522030	4	0407-2	R79496	8	0210-49
R48733	4	0210-3	R522030	14	0452-3	R80135	2	0407-1
R48734	4	0210-3	R522690	18	0510-9	R80136	3	0407-1
R48734	2	0260-15	R53108	27	0452-3	R81275	5	0414-2
R48735	4	0210-3	R53296	3	1913-2	R81275	10	0452-3
R48776	5	0210-3	R53317	13	1060-3	R81275	20	0505-5
R48808	15	1672-3	R53317	38	1060-3B	R81775	5	3165-15
R500196	2	0429-1	R53528	9	2001-7	R81787	13	3165-5
R500219	3	0433-1	R53528	9	2001-7B	R81787	16	3165-19
R500266	6	0415-3	R53528	14	2001-7D	R81793	14	3165-5
R500270	4	0421-1	R54114	4	0403-2	R81793	17	3165-19
R500271	3	0421-1	R54123	2	0505-6	R81862	15	3165-5
R500318	1	2160-3	R54445	6	1810-25	R81862	15	3165-7
R500335	3	0403-2	R54445	8	1810-27	R81862	15	3165-19
R500384	18	1672-7	R54445	14	1810-29	R82095	16	3165-9
R500394	1	0414-2	R54565	1	0402-3	R82198	35	0260-9B
R500650	2	0415-3	R54638	9	0452-3	R85363	1	0409-3
R500668	9	0415-3	R56171	9	1830-13	R85687	8	0409-3
R501124	1	0403-2	R57254	5	0210-15	R86457	40	1060-3
R501144	10	0418-3	R61105	32	0452-3	R86457	28	1060-3B
R501373	9	0452-3	R61463	12	3160-39	R86457	7	3166-5
R501428	8	0419-3	R61463	51	3160-47	R86457	12	3166-9
R501428	31	0452-3	R61463	51	3160-47B	R86457	19	3166-13
R501459	22	0505-5	R61467	1	0433-2	R87881	24	0960-11
R501484	9	0407-5	R61467	2	0433-2	R89581	6	0210-3
R501486	16	1672-3	R61871	9	0407-2	R89581	11	0210-25
R501489	10	0401-2	R61871	9	0407-4	R89944	5	0417-5
R502076	11	0413-3	R61871	17	0452-3	R89944	29	0452-3
R502079	17	1672-3	R62129	5	0210-17	R90653	10	3165-21
R502079	19	1672-7	R63548	4	0416-3	R90658	1	0410-2
R502175	1	0404-4	R63667	14	1810-27	R90658	2	0452-3
R502329	2	0404-4	R63667	8	1810-29	R90692	10	0409-3
R502338	3	0407-5	R67811	8	0210-15	R90737	11	0452-3
R502513	5	0407-5	R67811	8	0210-17	R91360	13	0413-3
R502513	6	0407-5	R68904	10B	2160-9B	R91889	2	0409-3
R502604	3	0407-3	R72032	7	3165-21	R92097	6	0416-3
R502687	6	0407-4	R72328	2	0408-2	R92097	11	0452-3
R502725	2	0407-3	R72328	28	0452-3	R93172	7	0210-23
R502811	11	0419-3	R72653	62	1060-3	R93633	4	3104-15
R502814	4	0418-3	R72653	26	1060-3B	R93633	6	3104-17
R502814	3	0452-3	R72653	6	3166-5	R93633	6	3104-19
R502864	26	0452-3	R72653	10	3166-9	R93910	8	0409-3
R503450	1	0433-2	R72653	14	3166-11	R96703	9	0422-3
R503509	22	0417-3	R72653	18	3166-13	R97185	8	0407-4
R503813	3	0429-2	R72654	39	1060-3	R97185	16	0452-3
R503891	16	0416-3	R72654	27	1060-3B	R97332	41	1830-5
R504191	33	1830-13	R72655	11	1821-3	R97332	58	1830-5
R504192	27	1830-13	R73599	7	0350-11	R97332	7	1830-9
R504507	19	0505-5	R74012	8	0560-3	R97332	34	1830-9

00II-18

444J UTILITY LOADER (S.N. -611274)

NUMERICAL INDEX - CONTINUED

PART NO.	KEY	PAGE	PART NO.	KEY	PAGE	PART NO.	KEY	PAGE
R97336	42	1830-5	T102136	7	3140-13	T122075	4	0419-3
R97336	64	1830-5	T102137	9	3140-13	T122075	33	0452-3
R97336	13	1830-9	T102137	3	3140-17	T12275	21	3165-9
R97336	35	1830-9	T102137	15	3140-21	T122803	12	0350-17
R98062	11	0409-3	T102171	11	3102-3	T123707	9	0350-21
R98063	8	0409-3	T102171	17	3104-7	T125546	8	1740-3B
R98335	8	0409-3	T102171	12	3104-13	T128437	9	1810-38
R99466	13	0210-15	T102171	4	3140-3	T130057	13	3140-3
R99466	10	0210-17	T102171	18	3140-3B	T130057	19	3140-3B
SE500830	23	0413-3	T102171	4	3140-5	T130057	13	3140-5
SE501072	..	0450-3	T102171	18	3140-7	T130057	19	3140-7
SE501094	3	0403-2	T102171	7	3140-17	T130057	22	3140-7B
SE501103	23	0413-3	T102171	14	3165-3	T130058	14	3140-3
SE501234	10	0413-3	T102171	16	3165-17	T130058	12	3140-5
SE501346	15	1672-7	T102205	8	3140-9	T130058	20	3140-7
SE501362	12	1672-3	T102205	8	3140-11	T130058	23	3140-7B
SE501438	15	1672-7	T102205	9	3140-11	T130059	15	3140-3
TCU14336	25	1810-3	T102205	8	3140-13	T130059	20	3140-3B
TCU14336	35	1810-5	T102205	20	3140-19	T130059	21	3140-3B
TCU14336	28	1810-7	T102206	16	3140-21	T130059	11	3140-5
TF1U3252L	4	3102-9	T102618	8	1322-7	T130059	21	3140-7
TTZF160210	3	0210-35	T102620	8	1322-9	T130059	24	3140-7B
TTZF160210	3	0210-37	T102717	21	3140-7B	T131617	14	3160-91
TTZF160211	3	0210-35	T102934	19	1674-3B	T131624	19	3160-91
TTZF160211	3	0210-37	T102934	18	1674-5	T131980	1	1810-51
TTZF160212	3	0210-35	T102934	43	1674-7	T13254	24	0413-3
TTZF160212	3	0210-37	T102934	52	1674-7B	T13254	32	0560-3
TTZF160213	3	0210-35	T102934	4	3166-7	T133290	9	1740-3B
TTZF160213	3	0210-37	T102958	17	3160-91	T133290	14	3140-7
TY16004	1	1369-4	T102961	25	3160-91	T133674	16	1810-55
TY16005	2	1369-4	T102963	27	3160-91	T133674	4B	2001-7
TY21741	7	1671-3	T103238	14	0505-5	T133674	26	2001-7
TY22324	66	0510-5	T103461	45	2160-7	T133674	26	2001-7B
TY22324	65	0510-7	T103465	25	3160-47	T134104	20	1671-3
TY22324	66	0510-7	T103465	25	3160-47B	T134874	9	1810-13
TY22324	67	0510-7	T105740	4	1821-3	T134895	4	1810-15
TY22324	68	0510-7	T105773	9	3160-49	T135583	23	1810-3
TY22328	3	1830-17	T105773	20	3160-51	T13630	3	1810-49
TY22462	21	0510-3	T105773	19	3160-61	T13976	12	3166-3
TY22470	15	0560-3	T105773	2	3160-67	T14050	18	0420-3
TY22493	7	3160-51	T105891	14	1910-5	T141386	4	0350-21
TY22493	6	3160-61	T106595	45	2160-7B	T143169	29	1830-3
TY22493	17	3160-73	T107117	10	1671-3	T143169	28	1830-13
TY22493	17	3160-77	T11234	4	1810-38	T144370	12	0350-9
TY22493	18	3160-81	T113128	2	0325-3	T144486	8	0350-19
TY22493	26	3160-85	T113128	14	0325-5	T146097	2	1322-5
TY22493	29	3160-89	T115030	7	1810-38	T146097	2	1322-11
TY22494	3	1746-6	T115031	8	1810-38	T146098	9	1322-9
TY22505	3	0408-2	T116416	16	0350-19	T146099	9	1322-7
TY24861	4	0520-5	T116460	2	0350-21	T146102	10	0422-3
TY25955	15	1672-7	T116481	8	0350-21	T146104	7	1322-7
TY26045	12	1672-3	T116516	3	0350-5	T146106	7	1322-9
TY6128	7	1671-3	T116604	17	0350-9	T146175	4	1322-3
TY6304	24	0404-3	T116604	13	0360-3	T146178	5	1322-7
TY6794	15	1672-7	T116604	3	1369-3	T146180	5	1322-9
TY6798	12	1672-3	T116604	8	1369-3	T146246	3	1740-3
T101090	11	1810-5	T116604	23	1369-3B	T146246	6	3140-3
T101731	3	0350-39	T116604	27	1369-3B	T146246	31	3140-3
T101942	3	1322-3	T116613	1	0350-5	T146246	32	3140-3
T102135	7	3140-9	T116867	20	0210-39	T146246	17	3140-5
T102135	7	3140-11	T116918	9	0350-9	T146246	26	3140-5
T102135	6	3140-13	T119549	14	3140-19	T146246	22	3140-7
T102135	12	3140-17	T119549	24	3140-19	T146246	16	3140-7B
T102135	19	3140-19	T119564	2	1810-38	T146246	3	3140-9
T102135	23	3140-19	T119912	57	2160-7	T146436	5	1322-3
T102136	5	3140-9	T119912	54	2160-7B	T146443	38	0930-3
T102136	6	3140-11	T122075	2	0419-3	T146443	50	0930-5

00II-19

444J UTILITY LOADER (S.N. -611274)

NUMERICAL INDEX - CONTINUED

PART NO.	KEY	PAGE	PART NO.	KEY	PAGE	PART NO.	KEY	PAGE
T146490	5	3160-93	T157029	10	3140-5	T158424	10	1830-15
T146490	35	3160-95	T157029	23	3140-7	T158584	19	1672-3
T146494	6	1322-7	T157029	25	3140-7B	T159028	8	1322-3
T146495	19	1322-7	T157030	17	3140-3	T159362	7	0210-43
T146496	4	1322-7	T157030	23	3140-3B	T159362	5	0210-49
T146502	6	1322-9	T157030	15	3140-5	T159519	25	0210-39
T146503	19	1322-9	T157030	24	3140-7	T159519	9	0350-27
T146504	4	1322-9	T157030	26	3140-7B	T159519	9	0350-29
T146605	7	1322-3	T157055	9	0242-3	T159602	7	0350-19
T146606	12	1322-9	T157056	13	0242-3	T159950	14	3160-123
T146607	12	1322-7	T157056	23	0242-3B	T159956	15	3160-123
T146672	2	3102-10	T157077	9	3140-17	T160020	30	1810-7
T146792	6	3160-93	T157211	14	1060-3	T160549	10	3160-57
T146792	36	3160-95	T157211	39	1060-3B	T160762	14	1322-7
T146908	13	1322-7	T157212	8	1060-3	T160769	14	1322-9
T146911	13	1322-9	T157212	47	1060-3B	T161207	2	0350-19
T146933	2	3102-13	T157220	15	1060-3	T161208	2	0350-9
T146934	7	3102-9	T157220	40	1060-3B	T161208	8	0350-17
T146934	3	3102-10	T157223	26	1060-3	T161584	1	3160-21
T147188	6	3160-49	T157223	54	1060-3B	T162238	17	0260-9
T147188	21	3160-51	T157234	3	3140-3	T162238	48	0510-5
T147188	20	3160-61	T157234	24	3140-3B	T162238	46	0510-7
T147188	2	3160-69	T157234	3	3140-5	T162238	28	1910-7
T147188	8	3160-71	T157234	25	3140-7	T163334	12	1821-3
T147618	8	1810-25	T157234	27	3140-7B	T163335	13	1821-3
T147891	20	1674-3B	T157236	52	1060-3B	T163336	14	1821-3
T147891	19	1674-5	T157248	6	3140-9	T163962	5	1821-3
T147891	19	1910-5	T157248	9	3140-9	T164203	42	0560-3
T147891	21	1927-7	T157248	4	3140-11	T164847	5	0210-35
T148083	1	1322-5	T157248	5	3140-11	T164847	5	0210-37
T148083	3	1322-11	T157248	2	3140-13	T164848	5	0210-35
T148181	2	1674-15	T157248	8	3140-19	T164848	5	0210-37
T148181	51	2160-7	T157248	21	3140-19	T164849	5	0210-35
T148181	17	2160-13	T157250	6	3140-9	T164849	5	0210-37
T148181	18	2160-13	T157250	10	3140-9	T164850	5	0210-35
T148409	20	0510-7B	T157250	3	3140-11	T164850	5	0210-37
T148410	46	0510-5	T157250	2	3140-19	T164851	5	0210-35
T148410	44	0510-7	T157250	7	3140-19	T164851	5	0210-37
T148411	47	0510-5	T157251	6	3140-9	T164852	5	0210-35
T148411	45	0510-7	T157251	11	3140-9	T164852	5	0210-37
T148712	21	3160-49	T157251	2	3140-11	T164853	5	0210-35
T148712	22	3160-51	T157251	3	3140-13	T164853	5	0210-37
T148712	21	3160-61	T157257	20	1060-3	T164854	5	0210-35
T148712	18	3160-67	T157257	49	1060-3B	T164854	5	0210-37
T151797	2	0110-2	T157258	9	1060-3	T164855	5	0210-35
T151797	5	0110-3	T157258	58	1060-3B	T164855	5	0210-37
T152076	14	1749-3	T157275	10	3165-3	T164856	5	0210-35
T152230	44	1674-7	T157275	12	3165-11	T164856	5	0210-37
T153535	3	1810-23	T157275	13	3165-11	T164857	5	0210-35
T153680	20	1322-3	T157275	17	3165-17	T164857	5	0210-37
T15385	24	1369-3B	T157276	1	3165-3	T164858	5	0210-35
T154131	1	1810-49	T157277	18	3165-17	T164858	5	0210-37
T154187	8	3160-35	T157282	4	3102-3	T164859	5	0210-35
T154342	21	3160-73	T157282	4	3102-5	T164859	5	0210-37
T154342	21	3160-77	T157306	1	3102-9	T164860	5	0210-35
T154342	22	3160-81	T157311	4	3102-10	T164860	5	0210-37
T154342	30	3160-85	T157315	4	0242-5	T164872	7	0210-35
T154342	33	3160-89	T157315	3	0242-5B	T164872	7	0210-37
T156256	7	1830-11	T157315	3	0242-7	T164873	8	0210-35
T156471	65	1830-5	T157318	11	1746-5B	T164873	8	0210-37
T156471	50	1830-9	T157443	22	3160-73	T164938	15	0210-39
T156599	5	3102-3	T157443	22	3160-77	T164970	16	0210-39
T156599	5	3102-5	T157443	23	3160-81	T164980	24	0210-39
T156784	4	1810-53	T157443	12	3160-85	T165169	42	1830-5
T156995	1	1330-3	T157443	19	3160-89	T165169	35	1830-9
T157029	12	3140-3	T158047	20	3160-93	T167504	24	1810-3
T157029	22	3140-3B	T158047	37A	3160-95	T167505	26	1810-5

00II-20

444J UTILITY LOADER (S.N. -611274)

NUMERICAL INDEX - CONTINUED

PART NO.	KEY	PAGE	PART NO.	KEY	PAGE	PART NO.	KEY	PAGE
T167508	17	1810-7	T169111	22	1060-15	T171686	27	1821-3
T167514	28	1810-5	T169112	22	1060-13	T171734	33	3140-7
T167514	18	1810-7	T169113	20	1060-13	T171734	1	3140-9
T167519	39	1810-5	T169113	23	1060-15	T171734	17	3140-21
T167519	12	1810-17	T169116	21	1060-13	T171750	20	1322-7
T167527	29	1810-5	T169116	24	1060-15	T171751	20	1322-9
T167530	19	1810-7	T169142	4	3102-3	T171756	21	1322-7
T167546	30	1810-5	T169281	25	1060-15	T171757	21	1322-9
T167546	20	1810-7	T169290	26	1060-15	T171849	1	1810-43
T167593	12	1810-5	T169329	12	0242-3	T171957	27	0350-9
T167593	5	1810-43	T169329	25	0242-3B	T171958	26	0350-9
T167594	12	1810-5	T169507	9	3166-7	T172094	22	0350-9
T167618	21	1810-7	T169607	6	0350-19	T172104	2	0350-31
T167630	31	1810-5	T169707	28	0350-19	T172115	3	0350-27
T167658	26	1810-3	T169711	27	0350-19	T172115	3	0350-29
T167659	13	1810-5	T169712	12	0350-19	T172115	9	0350-31
T167659	2	1810-34	T169766	11	0350-19	T172115	9	0350-33
T167676	30	1830-3	T169955	4	3160-31	T172115	2	0350-35
T167676	24	1830-7	T169955	4	3160-39	T172115	9	0350-37
T167679	10	1830-11	T170053	12	1830-3	T172118	1	0350-25
T167683	14	1810-5	T170053	11	1830-7	T172129	3	0350-31
T167754	7	1810-31	T170133	19	1830-5	T172130	4	0350-31
T167759	4	1830-11	T170133	15	1830-9	T172132	5	0350-31
T167764	6	1810-43	T170180	16	1060-3	T172136	2	0350-33
T167770	12	1810-19	T170180	41	1060-3B	T172136	7	0350-35
T167771	13	1810-19	T170181	17	1060-3	T172136	6	0350-37
T167775	45	1674-7	T170181	42	1060-3B	T172138	4	0350-33
T167775	53	1674-7B	T170196	20	0350-19	T172138	9	0350-35
T167837	6	0242-3	T170269	3	3160-91	T172138	4	0350-37
T167862	3	0242-5	T171072	12	3160-35	T172139	5	0350-33
T167862	2	0242-7	T171082	2	1830-11	T172139	10	0350-35
T167921	17	3160-49	T171111	16	0350-9	T172139	2	0350-37
T167921	23	3160-51	T171112	6	0350-9	T172274	43	1060-3
T167921	22	3160-61	T171114	2	0350-7	T172274	31	1060-3B
T167921	13	3160-67	T171115	7	0350-7	T172275	11	0350-35
T167924	8	0242-3	T171126	5	0350-7	T172276	3	0350-37
T167924	24	0242-3B	T171126	5	0350-21	T172302	6	0350-27
T167945	10	1830-3	T171126	7	0350-21	T172302	6	0350-29
T167945	9	1830-7	T171126	5	0350-35	T172318	18	0350-3
T167979	2	3160-53	T171140	3	0350-25	T172350	3	0350-21
T168119	15	1910-5	T171153	5	0350-27	T172562	8	3160-31
T168135	20	1910-5	T171153	5	0350-29	T172562	13	3160-35
T168135	29	1910-7	T171153	11	0350-31	T172562	16	3160-39
T168220	11	1830-3	T171153	11	0350-33	T172562	16	3160-47
T168220	10	1830-7	T171153	4	0350-35	T172562	16	3160-47B
T168247	4	0242-5B	T171153	11	0350-37	T172579	3	3160-43
T168276	4	1810-51	T171156	2	0350-27	T172652	3	1810-27
T168383	10	1060-11	T171156	2	0350-29	T172712	7	3160-43
T168393	7	1060-7	T171156	8	0350-31	T172732	12	0350-3
T168641	2	3140-17	T171156	8	0350-33	T172767	28	1060-13
T169035	5	0350-25	T171156	6	0350-35	T172791	2	0350-15
T169102	24	1060-13	T171156	8	0350-37	T172795	8	0350-9
T169103	12	1060-13	T171178	3	0350-7	T172796	6	0350-7
T169103	15	1060-15	T171181	6	0350-21	T172812	10	0350-5
T169104	13	1060-13	T171206	10	0350-33	T172814	2	0350-13
T169104	16	1060-15	T171212	3	0350-35	T172815	2	0350-25
T169105	14	1060-13	T171213	10	0350-37	T172816	10	0350-31
T169105	17	1060-15	T171216	12	0350-37	T172817	7	0350-27
T169106	25	1060-13	T171217	4	0350-27	T172817	7	0350-29
T169107	15	1060-13	T171223	8	1322-5	T172856	23	1060-13
T169107	18	1060-15	T171224	4	0350-29	T172856	27	1060-15
T169108	16	1060-13	T171228	4	1322-5	T172927	5	0515-3
T169108	19	1060-15	T171228	5	1322-11	T172927	54	1060-3
T169109	17	1060-13	T171459	13	1830-3	T172927	73	1060-3B
T169109	20	1060-15	T171459	12	1830-7	T172933	21	1830-5
T169110	18	1060-13	T17148	4	1810-49	T172933	17	1830-9
T169110	21	1060-15	T171552	9	3104-3	T172934	22	1830-5

00II-21

444J UTILITY LOADER (S.N. -611274)

NUMERICAL INDEX - CONTINUED

PART NO.	KEY	PAGE	PART NO.	KEY	PAGE	PART NO.	KEY	PAGE
T172934	18	1830-9	T174300	18	1322-7	T177219	15	0350-19
T172985	8	3160-91	T174393	9	0350-17	T177221	9	0350-19
T172986	5	3160-91	T174394	9	0350-17	T177256	9	1746-5
T172987	9	3160-91	T174396	26	0350-19	T177503	7	1822-3
T172988	6	3160-91	T174407	7	0350-25	T177503	7	1822-5
T172991	4	1810-19	T174427	31	1830-3	T177505	27	1810-3
T172991	4	1810-21	T174529	11	0210-45	T177827	19	1810-5
T172992	5	1810-19	T174530	21	1671-3	T177909	21	1910-5
T172992	5	1810-21	T174634	2	0515-3	T177979	4	0350-17
T173036	7	0350-31	T174634	10	1060-3	T177997	19	0350-3
T173038	7	0350-33	T174634	59	1060-3B	T178063	3	1822-3
T173063	7	0350-9	T174735	9	1322-5	T178063	2	1822-5
T173099	3	1810-53	T174886	4	1810-33	T178063	10	1927-5
T173100	2	1810-53	T174887	5	1810-33	T178112	17	1810-3
T173123	10	0350-17	T175015	3	1810-33	T178113	16	1810-3
T173125	14	0350-19	T175135	21	1322-3	T178114	18	1810-3
T173126	13	0350-19	T175222	2	3104-4	T178115	24	1830-5
T173128	18	0350-19	T175223	3	3104-4	T178116	25	1830-5
T173131	1	0350-19	T175224	4	3104-4	T178117	26	1830-5
T173138	3	0350-19	T175225	5	3104-4	T178117	20	1830-9
T173139	25	0350-19	T175236	21	1060-3	T178117	40	1830-9
T173145	1	0350-23	T175361	9	1749-3	T178118	27	1830-5
T173146	4	0350-23	T175711	6	0350-25	T178118	21	1830-9
T173216	19	0350-9	T175744	9	1322-3	T178118	41	1830-9
T173217	9	0350-11	T175750	5	0350-11	T178119	28	1830-5
T173230	28	1060-15	T175855	3	1830-11	T178119	22	1830-9
T173324	32	0930-3	T175862	17	0350-19	T178120	29	1830-5
T173324	40	0930-5	T175863	24	3140-19	T178120	23	1830-9
T173396	6	0350-12	T176064	3	1740-3	T178123	30	1830-5
T173397	4	0350-12	T176064	13	1740-3B	T178124	31	1830-5
T173398	5	0350-12	T176064	12	3102-3	T178125	32	1830-5
T173399	3	0350-12	T176064	16	3104-3	T178126	33	1830-5
T173400	2	0350-12	T176064	15	3104-7	T178127	43	1830-5
T173511	29	0350-19	T176064	17	3104-9	T178127	36	1830-9
T173579	39	0930-3	T176064	13	3104-11	T178130	49	1830-5
T173579	47	0930-5	T176064	13	3104-13	T178130	42	1830-9
T173591	5	1330-3	T176064	6	3140-3	T178131	50	1830-5
T173593	26	1060-13	T176064	25	3140-3B	T178131	43	1830-9
T173593	29	1060-15	T176064	35	3140-7	T178132	51	1830-5
T173744	5	3166-7	T176064	28	3140-7B	T178132	44	1830-9
T173768	1	1830-11	T176064	3	3140-9	T178133	52	1830-5
T173779	6	1822-3	T176064	5	3140-17	T178133	45	1830-9
T173779	5	1822-5	T176064	10	3140-19	T178134	53	1830-5
T173779	12	1927-7	T176064	18	3140-21	T178134	46	1830-9
T173819	20	0350-3	T176064	16	3165-3	T178135	54	1830-5
T173819	4	0350-9	T176064	4	3165-11	T178135	47	1830-9
T173870	9	0350-17	T176064	19	3165-17	T178136	55	1830-5
T173873	7	0350-17	T176108	55	1060-3	T178136	48	1830-9
T174107	1	0350-9	T176108	74	1060-3B	T178220	20	1810-5
T174109	23	1830-5	T176111	56	1060-3	T178221	15	1810-5
T174109	19	1830-9	T176111	75	1060-3B	T178248	24	1830-9
T174234	5	0350-15	T176357	13	1927-7	T178249	25	1830-9
T174236	8	0350-11	T176357	22	1927-9	T178250	26	1830-9
T174238	15	0350-9	T176357	25	1927-9B	T178251	44	1830-5
T174239	8	0350-12	T176372	9	1673-3	T178251	27	1830-9
T174275	8	0960-7	T176455	3	0110-9	T178251	37	1830-9
T174275	8	3160-53	T176474	8	3160-55	T178252	54	1830-9
T174275	4	3160-55	T176474	25	3160-67	T178368	7	1927-3
T174275	11	3160-57	T176526	5	0350-23	T178368	14	1927-7
T174275	9	3160-63	T176527	3	0350-23	T178534	16	1810-5
T174275	13	3160-69	T176528	2	0350-23	T178946	3	1673-7
T174275	4	3160-71	T176796	4	0350-11	T178947	1	1673-7
T174275	8	3163-5	T176870	9	1822-3	T178948	2	1673-7
T174275	7	3163-7	T176870	8	1822-5	T178971	34	1830-5
T174298	6	1322-5	T176944	18	3160-3	T179276	13	0350-5
T174298	7	1322-11	T176944	23	3160-9	T179464	6	3140-9
T174299	18	1322-9	T176944	22	3160-15	T179468	20	1672-3

00II-22

444J UTILITY LOADER (S.N. -611274)

NUMERICAL INDEX - CONTINUED

PART NO.	KEY	PAGE	PART NO.	KEY	PAGE	PART NO.	KEY	PAGE
T179468	20	1672-7	T182183	10	1322-5	T182909	22	2001-7D
T179469	5	0423-2	T182191	10	1322-3	T182914	3	1673-5
T179510	3	0350-11	T182191	3	3140-25	T182919	6	1810-27
T179531	21	0350-19	T182192	1	1913-2	T182919	12	1810-29
T179532	21	0350-19	T182196	10	0350-19	T182920	4	1810-34
T179533	21	0350-19	T182254	5	0350-19	T182925	15	1810-17
T179594	6	0350-31	T182265	9	1740-3	T182927	2	1810-5
T179669	6	0350-33	T182265	14	1740-3B	T182928	3	1810-5
T179673	13	0350-9	T182265	20	3140-3	T182952	13	1810-17
T179691	23	0350-9	T182265	26	3140-3B	T182963	23	1810-7
T179721	4	0350-19	T182265	22	3140-5	T182967	24	1810-7
T179944	4	0350-5	T182265	26	3140-7	T182969	26	1810-7
T180074	1	1673-7	T182265	29	3140-7B	T182972	27	1810-7
T180075	3	1673-7	T182265	30	3140-7B	T184135	11	1810-5
T180338	5	2001-7	T182446	6	1740-3	T184892	11	1810-15
T180338	5	2001-7B	T182446	15	1740-3B	T184924	5	1830-17
T180338	17	2001-7D	T182462	21A	0510-7B	T186776	11	1672-11
T180408	14	1810-19	T182554	51	0510-5	T186793	29	1810-3
T180408	14	1810-21	T182554	49	0510-7	T18891	26	0404-3
T180418	9	1810-15	T182571	18	3140-3	T190513	11	1830-15
T180420	17	2001-7	T182571	27	3140-3B	T195052	21	0350-19
T180420	17	2001-7B	T182571	20	3140-5	T195055	10	0350-17
T180420	18	2001-7D	T182571	27	3140-7	T195188	18	1672-7
T180459	6	0350-33	T182612	18	1810-55	T195207	1	0350-7
T180487	20	2001-7	T182695	32	1810-5	T195210	9	3166-5
T180487	20	2001-7B	T182758	9	1910-5	T195210	22	3166-9
T180529	7	0360-5	T182775	2	0210-45	T195210	21	3166-13
T180533	50	1674-7	T182795	12	1322-5	T195239	21	1672-3
T180533	10	1810-21	T182795	9	1322-11	T195240	5	0350-5
T180533	11	1810-55	T182852	32	1830-3	T195241	8	0350-5
T180573	4A	2001-7	T182858	33	1830-3	T195242	6	0350-5
T180884	14	0350-9	T182858	25	1830-7	T195243	7	0350-5
T180884	1	0350-17	T182860	17	1810-19	T195244	22	1672-7
T180921	11	1810-17	T182860	2	1810-29	T195260	5	0350-31
T180929	56	1830-5	T182861	46	1674-7	T195270	6	0350-23
T180929	49	1830-9	T182861	10	1810-15	T195274	9	0350-17
T180930	28	1810-3	T182861	12	1810-15	T195275	24	0350-19
T180944	12	1060-7B	T182862	47	1674-7	T195424	22	0510-7B
T180944	1	3160-93	T182870	4	1674-11	T195558	26	1322-7
T180944	35	3160-93	T182870	10	1810-15	T195559	26	1322-9
T180944	38	3160-95	T182870	12	1810-15	T195605	10	1740-3B
T181050	6	1810-15	T182870	29	1821-3	T195708	9	1913-5
T181201	27	2160-7	T182870	34	1830-3	T195710	15	1322-3
T181201	30	2160-7B	T182870	7	2001-7	T195759	16	1322-7
T181306	2	0510-12	T182870	7	2001-7B	T195760	16	1322-9
T181306	1	3160-96	T182870	19	2001-7D	T195857	10	1322-7
T181306	2	3160-96	T182871	48	1674-7	T195858	10	1322-9
T181306	3	3160-96	T182871	12	1810-15	T195893	9	1672-11
T181325	21	1672-7	T182871	35	1830-3	T195982	11	1749-3
T181412	2	1810-31	T182871	18	2001-7	T196067	61	0510-5
T181413	4	1810-31	T182871	18	2001-7B	T196067	50	0510-7
T181474	3	0350-13	T182871	20	2001-7D	T196068	62	0510-5
T181520	1	1810-15	T182872	9	1830-11	T196068	51	0510-7
T181524	61	1830-5	T182874	5	1810-31	T196129	28	1674-7
T181524	53	1830-9	T182876	26	1830-7	T196237	4	1810-5
T181535	4	0350-7	T182877	27	1830-7	T196309	19	1810-3
T181604	37	1674-7	T182888	22	1810-21	T196312	58	2160-7
T181604	46	1674-7B	T182888	10	2001-7	T196312	55	2160-7B
T181605	38	1674-7	T182888	21	2001-7D	T196464	11	0360-3
T181605	47	1674-7B	T182899	17	1810-5	T196471	6	1810-9
T181778	49	0510-5	T182899	22	1810-7	T196474	24	0505-5
T181778	47	0510-7	T182902	18	1810-5	T196475	24	1322-9
T181797	7	1810-47	T182903	1	1810-5	T196476	24	1322-7
T181908	1	1810-15	T182906	18	1810-19	T196587	14	0360-3
T181953	50	0510-5	T182906	36	1830-3	T196621	3	1810-11
T181953	48	0510-7	T182909	1	1810-29	T196622	20B	1810-55
T182114	23A	2160-13	T182909	12	2001-7	T196698	3	1830-10

00II-23

444J UTILITY LOADER (S.N. -611274)

NUMERICAL INDEX - CONTINUED

PART NO.	KEY	PAGE	PART NO.	KEY	PAGE	PART NO.	KEY	PAGE
T196711	10	1810-13	T200267	20A	1810-55	T203614	10	1810-17
T196712	11	1810-13	T200278	8	0520-3	T203615	32	1810-3
T196733	12	0560-3	T200280	9	0520-3	T203670	12	3160-81
T196749	8	1369-3	T200282	15	0520-3	T203670	20	3160-85
T196750	23	0505-5	T200284	16	0520-3	T203670	23	3160-89
T196792	16	0350-5	T200287	17	0520-3	T203671	4	1322-11
T197048	24	0510-9	T200363	31	1674-7	T203694	22	1322-3
T197048	30	0510-11	T200363	42	1674-7B	T203742	6	0350-17
T197059	17	2160-3	T200475	56	0510-5	T203748	17	1322-3
T197061	17	0260-7	T200475	56	0510-7	T203767	23	0350-19
T197100	30	1910-7	T200581	7	3140-21	T203776	25	1369-3B
T197128	1	0360-5	T200712	5	1322-5	T203776	59	2160-7
T197129	2	0360-5	T200712	6	1322-11	T203776	56	2160-7B
T197144	16	3166-5	T200729	11	3160-73	T204109	13	1749-3
T197144	17	3166-9	T200729	11	3160-77	T204315	12	3160-117
T197144	22	3166-13	T200758	16A	3104-7	T204315	12	3160-125
T197182	12	3160-81	T200786	15	1322-7	T204315	15	3163-3
T197182	20	3160-85	T200791	2	1322-7	T204624	20	1910-7
T197182	4	3160-87	T200814	15	1322-9	T204635	23	2001-7D
T197182	23	3160-89	T200818	2	1322-9	T204644	12	1927-9
T197186	13	1322-5	T200820	4	1830-10	T204644	26	1927-9B
T197186	8	1322-11	T200888	10	3140-3	T204701	17	1927-7
T197298	53	0510-5	T200888	28	3140-3B	T204744	18	1927-7
T197298	52	0510-7	T200888	8	3140-5	T205033	46	2160-7
T197300	16	1322-3	T200888	28	3140-7	T205211	23	1322-3
T197323	3	1322-7	T200888	31	3140-7B	T205219	4	3140-13
T197324	3	1322-9	T201074	12	1322-3	T205369	19	0350-19
T197427	54	0510-5	T201075	1	1322-9	T205471	8	1927-3
T197427	53	0510-7	T201076	1	1322-7	T205472	15	1810-19
T197440	12	1749-3	T201143	15	0360-3	T205483	8	3140-21
T197442	8	1822-7	T201521	8	2160-3	T205533	15	1927-7
T197455	33	1810-5	T201525	8	2160-3	T205534	16	1927-7
T197456	34	1810-5	T201546	18	0260-9	T205537	26	1927-9
T197458	10	0350-9	T201546	23	0510-7B	T205537	27	1927-9B
T197459	1	0350-15	T201589	57	0510-5	T205542	31	1927-9
T197460	4	0350-15	T201589	57	0510-7	T205542	28	1927-9B
T197467	22	1671-3	T20168	18	0404-3	T205670	12	2160-11
T197520	22	1672-3	T201708	30	1810-3	T205718	25	1322-7
T197521	22	1672-3	T201843	24	2160-13	T205719	25	1322-9
T197553	8	0350-27	T201869	11	0530-3	T205941	7	3160-83
T197553	8	0350-29	T201880	19	1910-7	T205944	3	1672-11
T197569	11	1746-5	T201887	22	3160-89	T206024	27	1927-9
T197569	16	1746-5B	T202067	32	1910-7	T206024	29	1927-9B
T197574	55	0510-5	T20217	10	1746-5	T206155	5	1913-7
T197574	54	0510-7	T202174	10	2160-3	T206157	6	1913-7
T197575	31	1910-7	T202343	4	1810-27	T206158	7	1913-7
T197667	10	1913-5	T202637	58	0510-5	T206159	8	1913-7
T197836	11	0210-43	T202637	58	0510-7	T206164	9	1913-7
T197836	19	0210-45	T202813	1	3166-9	T206301	10	1913-7
T197836	9	0210-49	T202883	21	1810-55	T206368	11	1913-7
T197853	6	0210-53	T202884	3	1322-5	T206578	20	3140-21
T198039	60	0510-5	T202957	52	0510-5	T206590	12	1913-7
T198039	55	0510-7	T202957	59	0510-7	T206596	13	1913-7
T198109	11	1910-3	T203047	11	1740-3B	T206623	14	1913-7
T198178	16	1749-3	T203128	22	1810-55	T206624	40	1674-7
T198179	15	1749-3	T203130	59	0510-5	T206624	54	1674-7B
T200010	13	1322-3	T203130	60	0510-7	T206632	15	1913-7
T200055	11	1322-3	T20314	4	0402-3	T206633	16	1913-7
T200056	11	1322-7	T20316	3	0402-3	T206642	7	1927-11
T200057	11	1322-9	T203290	10	1749-3	T207650	23	1927-9
T200058	18	1322-3	T203450	3	0325-3	T207669	3	1830-11
T200059	17	1322-7	T203450	15	0325-5	T207717	28	1674-7
T200060	17	1322-9	T203452	12	3140-21	T207741	15	1322-3
T200158	11	1821-7	T203453	13	3140-21	T207750	16	1322-7
T200159	12	1821-7	T203554	2	0350-17	T207751	16	1322-9
T200161	8	1821-7	T203555	3	0350-17	T207759	9	0350-12
T200254	19	3140-21	T203614	31	1810-3	T207925	12	1810-55

00II-24

444J UTILITY LOADER (S.N. -611274)

NUMERICAL INDEX - CONTINUED

PART NO.	KEY	PAGE	PART NO.	KEY	PAGE	PART NO.	KEY	PAGE
T208039	7A	1910-3	T212452	6	0110-7	T219363	14	0210-39
T208039	36	1910-7	T212453	3	0110-3	T219364	17	0210-39
T208085	24	0505-5	T212453	7	0110-7	T219365	18	0210-39
T208086	24	1322-9	T212855	14	0242-3B	T219366	19	0210-39
T208087	24	1322-7	T213143	14	3102-3	T219367	23	0210-39
T208097	24	0510-9	T213143	7	3102-5	T219371	26	0210-39
T208097	22	0510-9B	T213441	23	3104-7	T219373	27	0210-39
T208097	30	0510-11	T213441	22	3104-9	T219378	1	0210-43
T208097	27	0510-11B	T213442	16B	3104-7	T219379	2	0210-43
T208317	7A	1910-3	T213442	18B	3104-9	T219379	2	0210-49
T208317	12B	1910-3	T213444	31	1810-7	T219380	3	0210-43
T208352	7A	1910-3	T213505	34	0260-9B	T219380	3	0210-49
T208352	24B	1910-7	T213549	32	1060-15	T219381	3	0210-43
T208362	24	1322-3	T213560	32	1810-7	T219381	3	0210-49
T208363	25	1322-3	T214141	22	3104-7	T219382	3	0210-43
T208364	14	1673-3	T214141	21	3104-9	T219382	3	0210-49
T208364	12	1673-3B	T214207	14	3104-11	T219383	3	0210-43
T208365	15	1673-3	T214207	14	3104-13	T219383	3	0210-49
T208365	13	1673-3B	T214396	13	1060-11B	T219432	1	0210-45
T208374	28	1322-7	T214468	57	0260-9B	T219438	7	0210-45
T208375	29	1322-7	T214661	26	1369-3B	T219442	12	0210-45
T208376	28	1322-9	T214838	18	1060-7B	T219443	13	0210-45
T208377	29	1322-9	T214839	19	1060-7B	T219444	14	0210-45
T208695	30	1322-3	T215155	6	1322-5	T219445	17	0210-45
T208791	26	0242-3B	T215155	7	1322-11	T219446	1	0210-47
T208794	30	1322-7	T215197	35	0260-9B	T219447	2	0210-47
T208795	30	1322-9	T215208	10	1322-5	T219449	7	0210-47
T208891	11	1672-11	T215423	58	0260-9B	T219452	11	0210-47
T209094	13	1810-19	T215434	8	3160-63	T219453	12	0210-47
T209423	16A	3104-7	T215611	4	1520-3B	T219462	13	0210-47
T209423	18A	3104-9	T216182	8	1369-3	T219463	14	0210-47
T209601	11	1821-7	T216182	27	1369-3B	T219464	15	0210-47
T209602	12	1821-7	T217100	16	3163-3	T219465	1	0210-49
T210258	15	3166-11	T217198	30	1913-7	T219467	11	0210-41
T210379	17	1913-7	T217412	26	1322-3	T219471	8	0210-43
T210380	18	1913-7	T217427	8	1822-7	T219471	6	0210-49
T210387	19	1913-7	T217474	16	3163-3	T219472	1	0210-51
T210393	20	1913-7	T217507	29	1913-7	T219472	1	0210-53
T210398	21	1913-7	T217625	2	3102-7	T219473	2	0210-51
T210399	22	1913-7	T218566	3	1322-3	T219473	2	0210-53
T210400	23	1913-7	T218567	8	1322-9	T219672	2	0520-3
T210424	24	1913-7	T218568	8	1322-7	T221130	30	1927-9B
T210425	25	1913-7	T219314	1	0210-35	T221186	31	1927-9B
T210426	28	1913-7	T219319	14	0210-35	T222510	59	0260-9B
T210447	12	3140-9	T219322	13	0210-37	T222891	8	0210-45
T210447	13	3160-63	T219322	1	0210-39	T222893	9	0210-45
T210470	14	1369-3B	T219322	1	0210-41	T222983	4	0210-47
T210479	21	3160-5	T219323	2	0210-39	T223049	1	0210-37
T210479	21	3160-11	T219323	2	0210-41	T223372	8	0520-3
T210479	21	3160-17	T219325	3	0210-39	T223487	..	3163-3
T210777	8	0520-3	T219325	3	0210-41	T223717	32	1927-9B
T210796	6	3140-9	T219330	4	0210-39	T223785	5	0242-5B
T211353	2	1810-53	T219330	4	0210-41	T22381	5	1927-3
T211390	21	3140-21	T219333	5	0210-39	T22381	19	1927-7
T211396	17	3166-11	T219333	5	0210-41	T22381	14	1927-9
T211404	18	3166-11	T219334	6	0210-39	T22381	33	1927-9B
T211405	19	3166-11	T219334	6	0210-41	T224069	56	1674-7B
T211557	6	0110-5	T219340	7	0210-39	T224369	5	1520-3B
T211608	17	0242-3B	T219340	7	0210-41	T224462	34	1927-9B
T211662	27	0242-3B	T219343	8	0210-39	T224498	35	1927-9B
T211678	52	1674-7	T219343	8	0210-41	T224529	36	1927-9B
T211678	55	1674-7B	T219344	9	0210-39	T225025	12	1322-3
T211836	22	3140-21	T219344	9	0210-41	T225026	1	1322-7
T211839	5	3140-13	T219345	11	0210-39	T225027	1	1322-9
T211839	9	3140-21	T219346	12	0210-39	T225291	6	2160-11
T212452	4	0110-3	T219358	12	0210-39	T225397	26	1322-3
T212452	7	0110-5	T219360	12	0210-39	T225467	32	1060-15

00II-25

444J UTILITY LOADER (S.N. -611274)

NUMERICAL INDEX - CONTINUED

PART NO.	KEY	PAGE	PART NO.	KEY	PAGE	PART NO.	KEY	PAGE
T225868	13	2160-9B	T56112	6	3165-3	T75197	17	1674-3D
T226561	69	0510-5	T56238	4	0260-15	T75197	24	1674-5
T226561	34	0510-5B	T58056	26	1910-7	T75276	16	0505-5
T226802	25	1060-15	T58056	25	1927-9	T75276	34	0560-3
T227405	10	3104-7	T58056	38	1927-9B	T75276	8	1674-3
T227405	11	3104-9	T58477	6	0409-3	T75276	15	1674-3B
T227409	10	3104-7	T59933	2	0110-3	T75276	18	1674-3D
T227409	11	3104-9	T59933	8	0110-5	T75276	25	1674-5
T228104	24	1810-7	T59933	8	0110-7	T76252	11	1060-11
T228106	21	1810-7	T59937	20	1830-5	T76252	14	1060-11B
T229977	19	1810-7	T59937	16	1830-9	T76252	27	1674-3B
T230639	19	1810-5	T60752	19	3140-3	T76252	29	1830-13
T230640	16	1810-5	T60752	29	3140-3B	T76252	12	1830-15
T23474	19	0404-3	T60752	21	3140-5	T76938	8	0350-3
T23914	5	1520-3	T60752	29	3140-7	T76938	9	0360-5
T23914	12	1520-3B	T60752	32	3140-7B	T76938	20	2160-3
T24210	11	0350-3	T60811	6	1369-3	T76938	9	2160-7
T25CA	2	3102-9	T60811	12	1369-3B	T76938	12	2160-7B
T25EA	6	3102-9	T60811	8	1746-3	T76938	25	2160-13
T27193	3	0110-3	T61226	10	3104-7	T76938	20	2160-15
T27194	4	0110-3	T61226	21	3104-7	T76938	20	3160-3
T27260	63	0510-5	T61226	11	3104-9	T76938	17	3160-5
T27260	61	0510-7	T61226	20	3104-9	T76938	18	3160-7
T27260	33	1910-7	T61226	16	3104-11	T76938	1	3160-9
T27532	3	0110-3	T61226	2	3104-13	T76938	18	3160-11
T29342	13	1674-3	T61861	22	1910-5	T76938	18	3160-13
T29342	21	1674-3B	T63224	22	1322-7	T76938	7	3160-15
T29342	14	1674-3D	T63225	22	1322-9	T76938	18	3160-17
T29342	20	1674-5	T63795	13	3102-3	T76938	18	3160-19
T29384	28	1369-3B	T63795	1	3104-3	T76938	9	3165-3
T29747	11	0360-5	T63795	18	3104-7	T76938	11	3165-11
T29747	44	0510-5	T63795	16	3104-9	T76938	9	3165-17
T29747	62	0510-7	T63795	15	3104-11	T77613	5	0260-3
T3G9609	3	3102-9	T63795	15	3104-13	T77613	2	0260-3B
T33309	29	1369-3B	T64217	23	1322-9	T77613	5	0260-3B
T34354	1	0210-15	T64688	30	1369-3B	T77613	4	0260-5
T34355	1	0210-15	T64784	31	1830-13	T77613	3	0260-5B
T34355	1	0210-17	T65643	12	1810-15	T77613	7	0260-7
T34356	1	0210-15	T66418	5	1810-13	T77613	7	0260-9
T34356	1	0210-17	T66419	39	0510-5	T77613	13	0260-9B
T34534	1	0210-17	T66862	2	0110-9	T77613	40	0260-9B
T38282	3	1060-3	T67995	14	1674-3	T77613	11	0260-11
T38485	22	3165-9	T67995	22	1674-3B	T77613	3	0260-17
T39049	13	1810-49	T67995	16	1674-3D	T77613	1	0350-3
T39155	47	2160-7	T67995	21	1674-5	T77613	10	0416-3
T39155	46	2160-7B	T70154	10	1673-9	T77613	12	0510-9
T39741	2	0210-23	T72414	12	1740-3	T77613	12	0510-9B
T41356	9	3165-13	T72414	12	1740-3B	T77613	7	0510-11
T42170	11	0505-3	T72414	36	3140-7	T77613	10	0510-11
T42199	16	1671-3	T72414	13	3140-9	T77613	21	0510-11B
T42977	1	0342-3	T72414	10	3140-11	T77613	35	0560-3
T42977	11	0342-3B	T74412	23	1674-3B	T77613	16	0930-3
T44604	8	0210-7	T74412	22	1674-5	T77613	22	0930-5
T44604	17	0210-9	T74416	64	0510-5	T77613	9	0960-3
T44604	16	0210-11	T74416	63	0510-7	T77613	7	0960-3B
T44604	27	0210-13	T74416	15	1674-3	T77613	11	0960-9
T46876	49	1674-7	T74416	24	1674-3B	T77613	57	1060-3
T46876	57	1674-7B	T74416	12	1674-3D	T77613	7	1060-3B
T46876	9	1674-8	T74416	23	1674-5	T77613	12	1060-5
T46876	9	1674-9	T74416	39	1674-7	T77613	4	1060-5B
T54188	23	3140-21	T74416	58	1674-7B	T77613	2	1060-7
T54474	17	3104-7	T74416	29	1830-13	T77613	4	1060-7B
T54474	12	3104-13	T74552	11	0350-17	T77613	12	1060-11
T55224	16	1821-5	T75197	33	0560-3	T77613	29	1060-13
T56112	5	0242-3	T75197	8	1673-9	T77613	33	1060-15
T56112	28	0242-3B	T75197	16	1674-3	T77613	5	1369-3B
T56112	4	0960-9	T75197	25	1674-3B	T77613	7	2160-3

00II-26

444J UTILITY LOADER (S.N. -611274)

NUMERICAL INDEX - CONTINUED

PART NO.	KEY	PAGE	PART NO.	KEY	PAGE	PART NO.	KEY	PAGE
T77613	60	2160-7	T77857	17	3160-123	T78612	21	3160-19
T77613	19	2160-7B	T77858	8	0510-9	T78707	7	0960-7
T77613	5	2160-9	T77858	8	0510-9B	T78707	9	3160-53
T77613	5	2160-9B	T77858	16	0510-11	T78707	3	3160-55
T77613	2	2160-15	T77858	15	0510-11B	T78707	12	3160-57
T77613	15	2160-15	T77858	10	0930-3	T78707	10	3160-63
T77613	3	3104-3	T77858	6	0930-5	T78707	14	3160-69
T77613	6	3104-7	T77858	14	0930-5	T78707	3	3160-71
T77613	7	3104-9	T77858	2	0960-3	T78707	10	3163-5
T77613	15	3160-3	T77858	4	0960-3B	T78707	9	3163-7
T77613	6	3160-5	T77858	6	0960-7	T78715	31	1369-3B
T77613	19	3160-7	T77858	9	1060-5	T78787	25	0505-5
T77613	11	3160-9	T77858	11	2160-3	T78974	4	0210-31
T77613	6	3160-11	T77858	11	2160-7	T78974	4	0210-33
T77613	19	3160-13	T77858	8	2160-7B	T78974	34	1060-15
T77613	6	3160-15	T77858	16	3160-3	T78974	30	1830-13
T77613	6	3160-17	T77858	11	3160-5	T79471	23	1671-3
T77613	19	3160-19	T77858	20	3160-7	T79477	22	0560-3
T77613	14	3160-29	T77858	3	3160-9	T81029	60	0260-9B
T77613	4	3160-73	T77858	11	3160-11	T81029	5	3104-3
T77613	9	3160-73	T77858	20	3160-13	T81029	12	3160-73
T77613	4	3160-77	T77858	1	3160-15	T81029	12	3160-77
T77613	8	3160-77	T77858	11	3160-17	T81029	13	3160-81
T77613	5	3160-81	T77858	20	3160-19	T81029	21	3160-85
T77613	5	3160-85	T77858	15	3160-29	T81029	24	3160-89
T77613	5	3160-89	T77858	2	3160-49	T81029	13	3160-117
T77613	24	3160-95	T77858	24	3160-51	T81029	13	3160-125
T77613	5	3160-105	T77858	3	3160-53	T81403	48	2160-7
T77613	6	3160-109	T77858	2	3160-55	T81403	47	2160-7B
T77613	4	3160-111	T77858	4	3160-57	T825110	3	3102-13
T77613	23	3160-113	T77858	23	3160-61	T825115	4	3102-13
T77613	8	3160-115	T77858	4	3160-63	T825116	5	3102-13
T77613	4	3160-117	T77858	16	3160-67	T82791	7	1810-9
T77613	16	3160-123	T77858	11	3160-69	T82791	4	1810-11
T77613	4	3160-125	T77858	2	3160-71	T82791	23	1810-55
T77613	6	3163-3	T77858	23	3160-93	T82792	8	1810-9
T77814	13	3160-39	T77858	6	3160-95	T82792	5	1810-11
T77814	40	3160-47	T77858	6	3163-5	T82792	24	1810-55
T77814	40	3160-47B	T77858	9	3163-5	T82861	4	3166-5
T77814	12	3160-93	T77858	5	3163-7	T82861	6	3166-9
T77814	10	3160-95	T77858	8	3163-7	T82861	12	3166-13
T77857	10	0260-7	T77858	5	3165-3	T9J2258	5	3102-9
T77857	22	0260-9	T77858	16	3165-11	U10289	3	0210-3
T77857	16	0260-9B	T77858	3	3165-17	U12167	27	1060-13
T77857	40	0260-9B	T77932	13	0350-3	U12167	30	1060-15
T77857	12	0260-11	T77932	7	0510-11B	U12547	28	0260-9
T77857	6	0510-9	T77932	10	0510-11B	U12547	13	0260-11
T77857	6	0510-9B	T77932	25	0930-5	U12547	65	0510-5
T77857	12	0510-11	T77932	12	1060-5B	U12547	64	0510-7
T77857	31	0510-11	T77932	15	1369-3B	U12547	9	0510-9
T77857	7	0930-3	T77932	16	2160-7B	U12547	9	0510-9B
T77857	10	0930-5	T77932	22	3160-49	U12547	18	0510-11
T77857	48	0930-5	T77932	25	3160-51	U12547	18	0510-11B
T77857	1	0960-3	T77932	24	3160-61	U12547	11	0930-3
T77857	12	0960-9	T77932	9	3160-67	U12547	7	0930-5
T77857	4	1060-3B	T77932	25	3160-93	U12547	14	1060-5
T77857	7	1060-11B	T77932	15	3160-95	U12547	13	1060-5B
T77857	14	2160-7	T77932	11	3165-3	U12547	30	1060-13
T77857	14	2160-7B	T77932	8	3165-11	U12547	35	1060-15
T77857	3	2160-13	T77932	19	3165-11	U12547	32	1369-3B
T77857	8	3104-7	T77932	7	3165-17	U12547	18	2160-3
T77857	9	3104-9	T78593	7	0505-3	U12547	12	2160-7
T77857	31	3160-93	T78612	8	3160-5	U12547	9	2160-7B
T77857	12	3160-95	T78612	21	3160-7	U12547	2	3160-3
T77857	6	3160-111	T78612	8	3160-11	U12547	12	3160-5
T77857	24	3160-113	T78612	21	3160-13	U12547	22	3160-7
T77857	12	3160-115	T78612	8	3160-17	U12547	24	3160-9

00II-27

444J UTILITY LOADER (S.N. -611274)

NUMERICAL INDEX - CONTINUED

PART NO.	KEY	PAGE	PART NO.	KEY	PAGE	PART NO.	KEY	PAGE
U12547	12	3160-11						
U12547	22	3160-13						
U12547	4	3160-15						
U12547	12	3160-17						
U12547	22	3160-19						
U12547	4	3160-21						
U12547	8	3160-21						
U12547	17	3160-29						
U12547	4	3160-35						
U12547	9	3160-35						
U12547	6	3160-37						
U12547	20	3160-47						
U12547	33	3160-47						
U12547	20	3160-47B						
U12547	33	3160-47B						
U12547	14	3160-93						
U12547	7	3160-95						
U12547	3	3165-3						
U12547	9	3165-11						
U12547	17	3165-11						
U12547	4	3165-17						
U13461	9	3104-15						
U13461	12	3104-17						
U13461	12	3104-19						
U13639	23	0404-3						
U13639	6	0505-6						
U13639	9	3160-5						
U13639	9	3160-11						
U13639	9	3160-17						
U40962	22	3160-47						
U40962	22	3160-47B						
U43360	7	3165-15						
U44537	10	1673-3						
U44537	14	1673-3B						
U46753	17	3160-63						
U46753	11	3163-5						
U46753	10	3163-7						
W29909	9	1822-7						
X831-12	44	2160-7B						
X831-12	12	2160-15						
X831-12	21	2160-15						
YZ120452	2	0210-19						
YZ120452	2	0210-21						
YZ120482	1	0210-19						
YZ120482	1	0210-21						
YZ120909	5	0210-23						
YZ120909	13	0210-23						
YZ121201	2	0210-19						
YZ121201	2	0210-21						
Z59685	19	1830-3						
Z77164	9	0210-35						
Z77164	10	0210-37						
Z77164	5	0210-43						
400R	12	0210-7						
400R	9	0210-9						
405R	12	0210-7						
405R	9	0210-9						