

844J LOADER



JOHN DEERE

PARTS CATALOG

844J LOADER

PC9391 (Mar-07) English

Worldwide Construction and Forestry Division

Worldwide Edition
Litho in U.S.A. (Revised)
COPYRIGHT © 2007
DEERE & COMPANY
Moline, Illinois
All rights reserved

INTRODUCTION AND CUSTOMER INFORMATION

T212939A

-UN-20JUL05



*LEFT SIDE VIEW OF JOHN DEERE 844J LOADER
(MANUFACTURED 2005-)*

TO THE CUSTOMER

THE PART NUMBERS IN THIS PARTS CATALOG WERE CORRECT AT THE TIME YOUR CATALOG WAS PUBLISHED. IT IS OUR POLICY TO CONSTANTLY IMPROVE OUR MACHINES, AND, THEREFORE, PART NUMBERS MAY CHANGE. WHEN ORDERING PARTS, VERIFY PART NUMBERS THROUGH YOUR DEALER.

(SPECIFICATIONS AND DESIGN SUBJECT TO CHANGE WITHOUT NOTICE)

SERIAL NUMBER LOCATION

EACH 844J LOADER MAY HAVE SIX SERIAL NUMBER PLATES: ONE FOR THE PRODUCT IDENTIFICATION NUMBER, ONE FOR THE TRANSMISSION, ONE FOR THE HYDRAULIC PUMP, ONE FOR THE ENGINE SERIAL NUMBER PLATE AND ONE FOR THE CAB.

THE PRODUCT IDENTIFICATION NUMBER PLATE IS LOCATED ON THE LEFT SIDE OF THE ENGINE FRAME NEAR THE HYDRAULIC OIL RESERVOIR.

THE TRANSMISSION SERIAL NUMBER PLATE IS LOCATED ON THE LOWER RIGHT-HAND SIDE OF THE REAR OF THE TRANSMISSION CASE.

THE HYDRAULIC PUMP SERIAL NUMBER PLATE IS LOCATED ON THE HYDRAULIC PUMP.

THE ENGINE SERIAL NUMBER PLATE IS LOCATED ON THE RIGHT SIDE OF THE ENGINE NEAR THE STARTER.

THE CAB SERIAL NUMBER IS LOCATED UNDER THE FLOORMAT INSIDE THE DOOR OF THE CAB.

THE AXLE SERIAL NUMBER PLATE IS LOCATED ON THE INPUT SIDE OF THE DIFFERENTIAL CASE.

LEFT SIDE AND RIGHT SIDE, FRONT AND REAR OF THE LOADER ARE VIEWED BY FACING IN THE DIRECTION OF LOADER FORWARD TRAVEL.

WHENEVER SERIAL NUMBERS ARE REQUIRED ON WARRANTY CLAIMS OR CORRESPONDENCE PERTAINING TO THIS PRODUCT, IT IS EXTREMELY IMPORTANT THAT ALL CHARACTERS BE FURNISHED. THIS POINT CANNOT BE OVEREMPHASIZED.

PRODUCT IDENTIFICATION NUMBER

T213706 -UN-19AUG05



T213706

1. DESIGNATES LOADER MANUFACTURER
2. DESIGNATES LOADER MODEL
3. DESIGNATES LOADER CONFIGURATION
4. DESIGNATES LOADER SERIAL NUMBER
5. DESIGNATES UNIT TYPE

DW - JOHN DEERE DAVENPORT WORKS
844J
X STANDARD LOADER
ANYTHING ELSE IS DIFFERENT FROM STANDARD
123456
LOADER

ENGINE SERIAL NUMBER PLATE

RGP3513 -UN-01JAN94



RGP3513

FIRST LINE (ENGINE SERIAL NUMBER)

RG - JOHN DEERE WATERLOO ENGINE WORKS

6

125 (12.5 LITERS)

H - TURBOCHARGED DIESEL WITH AIR-TO-AIR INTERCOOLER

XXXXXX (SIX DIGITS)

SECOND LINE (ENGINE MODEL NUMBER)

6125HDW03

DW - JOHN DEERE DAVENPORT WORKS
03 (TWO DIGITS)

DEFINES

MANUFACTURER

NUMBER OF CYLINDERS

TOTAL DISPLACEMENT

TYPE OF ASPIRATION

ENGINE SERIAL NUMBER

DEFINES

844J LOADER

USER FACTORY
SPECIFIC APPLICATION

SERIAL NUMBER LISTING INFORMATION

SERIAL NUMBER INFORMATION IS LISTED TO SHOW ON WHICH MACHINES EACH PART CAN BE USED; FOR EXAMPLE:

- THE PART CAN BE USED ON ALL MACHINES.
- 000000- THE PART CAN BE USED ON ALL MACHINES BEGINNING WITH THE SERIAL NUMBER LISTED.
- 000000 THE PART CAN BE USED ON ALL MACHINES UP TO AND INCLUDING THE SERIAL NUMBER LISTED.
- 000000-000000 THE PART CAN BE USED ON ALL MACHINES BETWEEN AND INCLUDING THE SERIAL NUMBERS LISTED.

WHEN XXXXXX'S ARE LISTED IN PLACE OF A SERIAL NUMBER, A SERIAL NUMBER CHANGE WAS MADE BUT THE EXACT SERIAL NUMBER WAS NOT AVAILABLE WHEN THE CATALOG WAS PRODUCED.

DIRECTION ARROW

ARROWS ARE USED WITH ILLUSTRATIONS TO INDICATE THE FRONT OF THE UNIT. "RIGHT-HAND" AND "LEFT-HAND" SIDES ARE DETERMINED BY FACING IN THE DIRECTION OF MACHINE FORWARD TRAVEL.

EXCEPTION: FOR ALL BACKHOE PARTS, "RIGHT-HAND" AND "LEFT-HAND" SIDES, "FRONT" AND "REAR" ARE DETERMINED WHEN SEATED FOR BACKHOE OPERATION.

BOX-ENCLOSED ILLUSTRATIONS

A KEY NUMBER, SHOWN IN THE PARTS LIST, IS ASSIGNED TO A BOX ENCLOSING ALL PARTS SOLD AS A SERVICE ASSEMBLY.

COMPLETE GOODS LISTINGS

COMPLETE GOODS ARE LISTED IN BOLD FACE TYPE. ORDER SEPARATELY. DO NOT INCLUDE ON REPLACEMENT PARTS ORDER.

SI UNITS OF MEASURE

METRIC DIMENSIONS ARE GIVEN, WHERE APPLICABLE, THROUGHOUT THIS PARTS CATALOG.

BUCKET TEETH

ADDITIONAL BUCKET REPLACEMENT PARTS CAN BE FOUND IN THE BUCKET COMPONENTS CATALOG.
PC 9555 BUCKET TEETH

REMARKS AND ABBREVIATIONS

THE FOLLOWING REMARKS AND ABBREVIATIONS MAY APPEAR THROUGHOUT THE PART CATALOG. REFER TO THE BELOW CHART FOR TRANSLATIONS TO LANGUAGES OTHER THAN ENGLISH.

REMARKS AND ABBREVIATIONS

TX1007193 -UN-04MAY06

PHRASE	ENGLISH	FRANCAIS	DEUTSCH	ITALIANO	ESPAÑOL	SVENSKA
ALSO ORDER, ORD W/	Also order	Commander aussi	Ebenso bestellen	Ordinare anche	Pedir también	Beställ även
AMP	Ampere	Ampère	Ampere	Ampere	Amperio	Ampere
APPL, APPL ONLY	This application only	Uniquement pour cette utilisation	Nur für diese Anwendung	Solo per questa applicazione	Solo para este propósito	Endast för denna användning
AR	As required	Selon le besoin	Nach Bedarf	Secondo necessità	Según necesidad	Vid behov
ASSY	Complete assembly	Ensemble complet	Kompl.-Zusammenbau	Gruppo completo	Montaje completo	Komplett montering
CA, CONVENIENCE ASSY	Convenience assembly	Ensemble convenance	Komfort-Zusammenbau	Montaggio pratico	Montaje de conveniencia	Lämplig montering
CCW	Counter-clockwise	Sens anti-horaire	Gegen Uhrzeigersinn	Senso antiorario	A la izquierda	Moturs
COMPLETE	Complete	Complet	Vollständig	Completo	Completo	Fullständig
COMPLETE GOODS	Complete goods	Compléter marchandises	Vollst. Waren	Merci complete	Mercancías completas	Kompleta varor
CTL CUT TO LENGTH	Cut to length	Couper à la longueur	Auf Länge zurechtschneiden	Tagliare alla lunghezza	Corte a la longitud	Skära till längd
CW	Clockwise	Sens horaire	Im Uhrzeigersinn	In senso orario	A la derecha	Medurs
FOR	For	Pour	Für	Per	Para	För
FRONT	Front	Avant	Vorn	Anteriore	Frente	Fram
GAS	Gasoline	Essence	Benzin	Benzina	Gasolina	Bensin
HP	Horsepower	Puissance en cv	Leistung	Potenza	Potencia	Hästkraft
HFWD	Hydraulic Front-wheel Drive	Traction Avant Hydraulique	Hydraulischer Vorderradantrieb	Trazione Anteriore Idraulica	Tracción Delantera Hidraulica	Hydraulisk Framhjulsdrift
HS, HEAD MARKED	High strength, head marked	Haute résistance, tête marquée	Hochfest, vorn gekennzeichnet	Contrassegnato in testa, ad alta resistenza	Alta fuerza, marca en cabeza	Hög styrka, huvudmärkt
ID	Inside diameter	Diamètre intérieur	Innendurchmesser	Diametro interno	Diá. interior	Innerdiameter
INCH	Inch	Pouce	In.	Pollice	Pulg.	Tum
INCL KEYS	Includes keys...	Comprend les positions...	Einschließlich Schlüssel...	Include le chiavette...	Incluye posiciones...	Inklusive nycklar...
INCL, INCLUDES	Includes...	Comprend...	Enthält...	Include...	Incluye...	Inkluderar...
INCLUDES PARTS/ ITEMS MARKED	Includes parts/items marked...	Comprend les pièces/articles marqués...	Enthält gekennzeichnete Teile/Pos. ...	Include i pezzi e gli elementi contrassegnati...	Incluye piezas marcadas...	Inkluderar markerade delar/artiklar...
INNER	Inner	Intérieur	Innerer	Interno	Interno	Inre, invändig
KIT	Kit	Kit	Kit	Kit	Juego	Sats
L	Number of links	Nombre de maillons	Anzahl der Glieder	Numero di maglie	Nº de eslabones	Antal länkar
LGTH	Length	Longueur	Länge	Lunghezza	Longitud	Längd
LGP	Low Ground Pressure	Faible Pression Au Sol	Niederer Bodendruck	Bassa Pressione Sul Suelo	Baja Presion Sobre El Suelo	Laagt Marktryck
LH	Left-hand	Gauche	Links	Sinistra	Izquierda	Vänster
LT	Long Track	Chenille Longue	Mit Langem Laufwerk	Cingolo Lungo	Cadena Largo	Laangt Larvband
LOW, LOWER	Lower	Inférieur	Unterer	Inferiore	Inferior	Nedre
MAKE FROM, MF MARKED	Make from Marked	Faireavec Marqué	Herstellen von Markiert	Fabbricare da Contrassegnato	Hacer de Marcado	Tillverka av Märkt

TX1007193

REMARKS AND ABBREVIATIONS

TX1007195

-UN-04MAY06

PHRASE	ENGLISH	FRANCAIS	DEUTSCH	ITALIANO	ESPAÑOL	SVENSKA
MATCHED SET	Matched set	Ensemble assorti	Passender Satz	Set abbinato	Sistema emparejado	Anpassad sats
MFWD	Mechanical Front-Wheel Drive	Pont Avant	Allradantrieb	Ruota Motrice Meccanica Anteriore	Traccion Delantera Mecanica	Mekanisk Framhjulsdrift
NA, NOT USED THIS APPL	Not used this application	Ne sert pas pour cette application	In dieser Anwendung nicht benutzt	Non usato in questa applicazione	No se usa en esta aplicación	Ej använd i detta sammanhang
NLA	No longer available	Epuisé	Nicht mehr lieferbar	Non più disponibile	Descontinuado	Ej längre tillgänglig
NSEP	Not supplied separately	Non livré séparément	Nicht einzeln lieferbar	Non fornito separatamente	No se suministra por separado	Kan ej erhållas separat
OD	Outside diameter	Diamètre extérieur	Außendurchmesser	Diametro esterno	Diá. exterior	Ytterdiameter
OPTIONAL	Optional	En option	Wahlweise	Opzionale	Opcional	Valfri
OR	Or	Ou	Oder	Oppure	O	Eller
ORD, ORDER	Order	Commander	Bestellen	Ordinare	Pídase	Order
OS	Oversize	Sur-dimension	Übergröße	Maggiorato	Sobretamaño	Överdimension
OUTER	Outer	Externe	Äußerer	Esterno	Externo	Yttre, utvändig
PKG, PACKG	Package, Packet of	Emballage, paquet de	Verpackung, verpackt mit	In confezione da	Paquete de	I sats; paket
PTO	Power Take Off	Prise De Force	Zapfwelle	Presa Di Forza	Toma De Fuerza	Kraftuttag
RATIO	Ratio	Rapport	Übersetzungs-verhältnis	Rapporto	Índice	Förhållande
REAR	Rear	Arrière	Hinten	Posteriore	Trasero	Bak; bakre
REMAN	Remanufactured	Echange Standard	Generalveberholt	Refatto	Refabricador por	Renoverad
REPL	Replaces	Remplace	Ersetzt	Sostituisce	Sustituye	Ersätter
RH	Right-hand	Droit	Rechts	Destra	Derecha	Höger
SN	Serial number	Numéro de série	Seriennummer	Numero di serie	Nº de serie	Seriennummer
STD	Standard	Standard	Standard	Standard	Normal	Standard
SUB	Replaced by	Remplacé par	Ersetzt durch	Sostituito da	Sustituido por	Ersatt med
SUB COMPONENTS	Substitute components (of the kit or assy)	Substituer les composants (du kit ou de l'ensemble)	Komponenten ersetzen (des Kits oder der Baugruppe)	Sostituire i componenti (del kito del gruppo)	Sustituir los componentes	Ersätta komponenterna (i satsen eller monteringen)
SUB FOR	Substitutes for	Remplace	Ersatz für	Sostituisce	Sustitución para	Ersätter
TEETH, Z	Number of gear teeth	Nombre de dents d'engrenages	Zahl der Zahnradzähne	Numero di denti dell'ingranaggio	Nº de dientes de engranaje	Antal redskapständer
TK	Thickness	Épaisseur	Stärke	Spessore	Espesor	Tjocklek
UP, UPPER	Upper	Supérieur	Oberer	Superiore	Superior	Övre
US	Undersize	Sous-dimension	Untergröße	Minorato	Subtamaño	Underdimension
USE WITH	Use with	À utiliser avec	Verwenden mit	Usare con	Usar con	Använd med
USE UNTIL EXHAUSTED	Use until exhausted	Utilisation jusqu'à épuisé	Verwenden, bis erschöpft	Usare fino all'esaurimento	Usar hasta agotar	Använda till uttömd
W/	With	Avec	Mit	Con	Con	Med; inklusive
W/O	Without	Sans	Ohne	Senza	Sin	Utan; exklusive
WHOLE GOODS	Whole goods	Marchandises entières	Vollständige Waren	Merci intere	Mercancías enteras	Hela varor
XLT	Extra Long Track	Chenille Extra Longue	Mit Extra Langem Laufwerk	Cingolo Extra Lungo	Cadena Extra Larga	Extra Laangt Larvband
VEC	Vehicle Electronic Controller	Controlleur Electronique Du Vehicule	Elektronisches Steuergeraet Des Fahrzeugs	Unità Di Comando Elettronica Del Veicolo	Unidad de Control Electronico del Vehiculo	Elektronisk Fordonsstyrenhet
VLC	Vehicle Load Center	Coffret De Repartition Du Vehicule	Verteilerstation Des Fahrzeugs	Centro Di Carico Del Veicolo	Centro De Cargas Del Vehiculo	Fordonets Elcentral

TX1007195

ALPHABETICAL INDEX

PAGE

PAGE

A

A/C AND HEATER BLOWER SWITCH.....	1674-9
A/C AND HEATER BLOWER WIRING HARNESS.....	1674-9
A/C AND HEATER THERMOSTAT SWITCH.....	1830-14
A/C BLOWER MOTOR AND SWITCH.....	1830-14
A/C COMPRESSOR.....	1830-10
A/C COMPRESSOR BRACKET.....	1830-10
A/C COMPRESSOR HOSES.....	1830-10
A/C CONDENSER BRACKET HINGES.....	1830-8
A/C CONDENSER BRACKET LATCH.....	1830-8
A/C CONDENSER, DRYER, AND BRACKETS.....	1830-8
ABSORPTION, SOUND.....	1913-2
ACCESS PANEL.....	1810-22
ACCESS PLATFORMS, HANDRAILS.....	1822-4
ACCUMULATOR HOSE, RIDE CONTROL.....	3160-14
ACCUMULATOR LABEL.....	1320-2
ACCUMULATOR LABEL (FRENCH).....	1320-6
ACCUMULATOR LABEL (SPANISH).....	1320-8
ACCUMULATOR WARNING LABEL.....	1320-4
ACCUMULATOR, BRAKE.....	1064-2
ACCUMULATOR, HYDRAULIC SYSTEM.....	3160-22
ACCUMULATORS, RIDE CONTROL.....	3160-14
ACTUATOR, BUCKET RETURN TO DIG.....	3166-4
ADAPTER, AUXILIARY DRIVE.....	0402-4
ADAPTER, ENGINE OIL FILTER.....	0419-2
AIR CLEANER.....	0520-4
AIR CLEANER FILTER.....	0520-4
AIR CLEANER HOSE.....	0520-4
AIR CLEANER HOUSING.....	0520-4
AIR CLEANER LABEL.....	1320-4
AIR CLEANER LABEL (FRENCH).....	1320-6
AIR CLEANER LABEL (SPANISH).....	1320-8
AIR CLEANER TUBE.....	0520-4
AIR CONDITIONING AND HEATING DUCTS.....	1830-4
AIR FILTER ELEMENT.....	0520-4
AIR HEATER, ENGINE.....	0505-6
AIR INLET.....	0414-2
AIR PRECLEANER.....	0520-2
AIR PRECLEANER HOSE.....	0520-2
AIR PRECLEANER TUBE.....	0520-2
AIR SUSPENSION COMPONENTS, SEAT.....	1821-8
AIR TEMPERATURE SENSOR.....	0414-2
ALARM AND CAB MONITOR.....	1674-8
ALARM, HORN.....	2004-4
ALARM, BACK-UP.....	2004-2
ALTERNATOR (80 AMP).....	1672-2
ALTERNATOR BRACKET.....	1672-2
ANTENNA, RADIO.....	2001-2
ARM REST, JOYSTICK STEERING.....	1821-4
ARM REST, JOYSTICK STEERING (COMPONENTS).....	1821-6
ARM REST, RIGHT.....	1810-18
ARM REST, SEAT.....	1821-2
ARM, ENGINE ROCKER.....	0402-6
ARM, WIPER (FRONT).....	1810-12
ARTICULATION DRIVESHAFT.....	0325-2
ARTICULATION HYDRAULIC PUMP DRIVE TRANSMISSION.....	0350-24
ARTICULATION LOCK LABEL.....	1320-4
ARTICULATION STOPS.....	1741-2
ARTICULATION WARNING LABEL.....	1320-4
ASH TRAY.....	1810-32
AUXILIARY CONTROLLER DETENT KIT.....	3162-6
AUXILIARY CUTTING EDGE, BUCKET (7.25 & 7.75 YARD).....	3102-6
AUXILIARY DRIVE.....	0402-4

AUXILIARY LEVER CONTROLLER COMPONENTS.....	3162-6
AUXILIARY LEVER CONTROLLER REPAIR KIT.....	3162-6
AUXILIARY OIL TUBE, 844J SPECIFIC.....	0402-3A
AUXILIARY SECTION SINGLE LEVER CONTROLLER AND HYDRAULICS KIT.....	3162-18
AUXILIARY SECTION TWO LEVER CONTROLLER AND HYDRAULICS KIT.....	3162-20
AUXILIARY SECTION VALVE.....	3160-10
AXLE ASSEMBLY, FRONT.....	0201-2
AXLE ASSEMBLY, REAR.....	0201-4
AXLE BEARINGS, FRONT.....	0210-12
AXLE BEARINGS, REAR.....	0210-16
AXLE BEVEL GEAR, LIMITED SLIP DIFFERENTIAL.....	0210-10
AXLE BEVEL GEAR, STANDARD DIFFERENTIAL.....	0210-8
AXLE CLUTCH PLATES, LIMITED SLIP DIFFERENTIAL.....	0210-10
AXLE CLUTCH PLATES, STANDARD DIFFERENTIAL.....	0210-8
AXLE DIFFERENTIAL CARRIER, LIMITED SLIP.....	0210-10
AXLE DIFFERENTIAL CARRIER, STANDARD.....	0210-8
AXLE DIFFERENTIAL HOUSING COVER, FRONT.....	0210-12
AXLE DIFFERENTIAL HOUSING COVER, REAR.....	0210-16
AXLE DIFFERENTIAL HOUSING, LIMITED SLIP.....	0210-10
AXLE DIFFERENTIAL HOUSING, STANDARD.....	0210-8
AXLE DRIVE GEAR, FRONT.....	0210-12
AXLE DRIVE GEAR, REAR.....	0210-16
AXLE DRIVESHAFT.....	0325-2
AXLE HOUSING, FRONT.....	0210-6
AXLE HOUSING, REAR.....	0210-14
AXLE HUB CLUTCH DISC, FRONT.....	0210-4
AXLE HUB CLUTCH DISC, REAR.....	0210-4
AXLE MOUNT, REAR.....	0242-4
AXLE OIL COOLING RECIRCULATION LINES FRONT.....	0511-6
AXLE OIL COOLING RECIRCULATION LINES REAR.....	0511-8
AXLE PLATE, REAR.....	0511-8
AXLE PLUG, FRONT.....	0210-6
AXLE PLUG, REAR.....	0210-14
AXLE STOP BLOCK (EIGHT DEGREE).....	0242-2
AXLE, FRONT.....	0210-6
AXLE, REAR.....	0210-14

B

BACK-UP ALARM.....	2004-2
BACKREST CUSHION.....	1821-2
BAFFLE SOUND, ABSORPTION.....	1913-2
BAND, WHEEL.....	0110-2
BASE, SEAT.....	1810-30
BASE, SECONDARY FUEL FILTER.....	0420-4
BATTERY BOX.....	1671-4
BATTERY CABLE.....	1671-2
BATTERY CLAMP.....	1671-2
BATTERY HOLD DOWN.....	1671-2
BATTERY INSTALLATION.....	1671-2
BEARING CAP, ENGINE MAIN AND THRUST.....	0404-2
BEARING, AUXILIARY DRIVE.....	0402-4
BEARING, DRIVELINE/PARKING BRAKE.....	1115-2
BEARING, DRIVELINE/PARKING BRAKE (COMPONENTS).....	1115-4

ALPHABETICAL INDEX - CONTINUED

PAGE	PAGE
BEARING, ENGINE CONNECTING ROD.....0403-2	BRACKET, LICENSE PLATE.....1314-2
BEARING, ENGINE MAIN.....0401-3	BRACKET, MUFFLER.....0530-2
BEARING, ENGINE THRUST.....0401-3	BRACKET, REAR WORK LIGHT.....1673-4
BEARING, REAR AXLE MOUNT THRUST.....0242-4	BRACKET, SINGLE LEVER CONTROLLER
BEARING, WATER PUMP.....0417-2	MOUNTING.....3162-8
BEARINGS, FRONT AXLE.....0210-12	BRACKET, SINGLE LEVER CONTROLLER W/AUX.....3162-8
BEARINGS, REAR AXLE.....0210-16	BRACKET, STEERING VALVE.....0962-4
BELLCRANK, BUCKET LINKAGE.....3145-2	BRACKET, SUN VISOR.....1810-33
BELLCRANK, BUCKET LINKAGE.....3145-4	BRACKET, TWO LEVER CONTROLLER.....3162-10
BELLCRANK, BUCKET LINKAGE.....3145-6	BRACKET, TWO LEVER CONTROLLER W/AUX.....3162-10
BELT, ALTERNATOR.....1672-2	BRACKETS, ENGINE MOUNTING.....0540-2
BEVEL GEAR, LIMITED SLIP AXLE	BRACKETS, ENGINE SIDE SHIELD.....1911-6
DIFFERENTIAL.....0210-10	BRACKETS, JOYSTICK STEERING SEAT.....1821-4
BEVEL GEAR, STANDARD AXLE DIFFERENTIAL.....0210-8	BRACKETS, MOUNTING, TRANSMISSION.....0342-2
BLADE, WIPER.....1810-8	BRACKETS, RADIATOR HOUSING.....0510-4
BLADE, WIPER	BRACKETS, SEAT.....1821-2
(FRONT).....1810-12	BRACKETS, WIPER MOUNTING.....1810-10
BLOCK (EIGHT DEGREE), AXLE STOP.....0242-2	BRACKETS, JOYSTICK STEERING SEAT ARM REST.....1821-6
BLOCK HEATER, ENGINE.....0505-2	BRAKE ACCUMULATOR.....1064-2
BLOCK, ENGINE SHORT.....0450-2	BRAKE PEDAL.....1062-2
BLOWER MOTOR AND SWITCH, HEATER AND A/C.....1830-14	BRAKE PEDAL BRACKET.....1062-2
BLOWER SWITCH, A/C AND HEATER.....1674-9	BRAKE SWITCH LABEL, PARK.....1320-2
BOLT-ON CUTTING EDGE	BRAKE VALVE.....1062-2
(7.25 & 7.75 YARD).....3102-6	BRAKE VALVE FITTINGS.....1062-2
BOLT-ON SPILLGUARD (7.25 & 7.75 CU YARD).....3102-8	BRAKE VALVE HYDRAULIC HOSES.....1062-4
BOOM AND CYLINDER ROD PINS.....3165-12	BRAKE VALVE SWITCH.....1062-2
BOOM CYLINDER BARREL.....3165-2	BRAKE, AXLE WHEEL HEAD ASSEMBLY.....0210-4
BOOM CYLINDER BARREL.....3165-3A	BRAKE, PARKING.....1115-2
BOOM CYLINDER BUSHINGS.....3165-12	BRAKE, PARKING
BOOM CYLINDER PIN.....3141-2	(COMPONENTS).....1115-4
BOOM CYLINDER PIN.....3141-4	BREATHER HOSE, CRANKCASE.....0408-2
BOOM CYLINDER PIN.....3141-6	BREATHER, FRONT AXLE.....0201-2
BOOM CYLINDER ROD.....3165-2	BREATHER, FUEL FAST FILL.....0560-4
BOOM CYLINDER ROD.....3165-3A	BREATHER, REAR AXLE.....0201-4
BOOM CYLINDER ROD GUIDE.....3165-2	BRIDGE, CYLINDER HEAD VALVE (CROSSBAR).....0402-6
BOOM CYLINDER ROD GUIDE.....3165-3A	BRUSH, STARTER MOTOR CARBON.....0422-2
BOOM HYDRAULIC CYLINDER LINES.....3163-4	BUCKET.....3102-5A
BOOM KICKOUT/RETURN TO CARRY, LOADER.....3166-2	BUCKET (7.25 CU YARD).....3102-2
BOOM LOCK LABEL (FRENCH).....1320-6	BUCKET (7.25 CU YARD)(W/WEAR PLATES).....3102-18
BOOM LOCK LABEL (SPANISH).....1320-8	BUCKET (7.75 CU YARD).....3102-4
BOOM SECTION VALVE.....3160-8	BUCKET AUXILIARY CUTTING EDGE
BOOM, LOADER.....3140-2	(7.25 & 7.75 YARD).....3102-6
BOOM, LOADER.....3140-4	BUCKET CYLINDER BARREL.....3165-4
BOOM, LOADER.....3140-6	BUCKET CYLINDER BARREL.....3165-5A
BOOT, SINGLE LEVER CONTROLLER.....3162-2	BUCKET CYLINDER PIN.....3141-2
BOOT, TWO LEVER PILOT CONTROLLER.....3162-4	BUCKET CYLINDER PIN.....3141-4
BOTTLE, RADIATOR RECOVERY.....0510-2	BUCKET CYLINDER PIN.....3141-6
BOTTOM GAURD, SOUND ABSORPTION.....1913-2	BUCKET CYLINDER ROD.....3165-4
BOTTOM GUARDS.....1746-4	BUCKET CYLINDER ROD.....3165-5A
BOWL, PRIMARY FUEL FILTER SEDIMENT.....0420-2	BUCKET CYLINDER ROD GUIDE.....3165-4
BOX, BATTERY.....1671-4	BUCKET CYLINDER ROD GUIDE.....3165-5A
BRACKET, A/C COMPRESSOR.....1830-10	BUCKET HYDRAULIC CYLINDER LINES.....3163-4
BRACKET, ALTERNATOR.....1672-2	BUCKET LINKAGE.....3145-2
BRACKET, AXLE OIL COOLING RECIRCULATION	BUCKET LINKAGE.....3145-4
LINES (FRONT).....0511-6	BUCKET LINKAGE.....3145-6
BRACKET, AXLE OIL COOLING RECIRCULATION	BUCKET LINKAGE RETURN TO DIG.....3166-4
LINES (REAR).....0511-8	BUCKET PINS.....3102-10
BRACKET, BRAKE PEDAL.....1062-2	BUCKET PINS.....3102-11A
BRACKET, CAB WORK LIGHT.....1673-2	BUCKET PINS.....3102-11C
BRACKET, ENGINE OIL DIPSTICK TUBE.....0407-3	BUCKET ROCK KICKER KIT.....3102-24
BRACKET, ENGINE OIL DIPSTICK TUBE.....0419-2	BUCKET SECTION VALVE.....3160-6
BRACKET, FIRE EXTINGUISHER.....2003-2	BUCKET SPILLGAURD (7.25 & 7.75 CU YARD).....3102-8
BRACKET, FRONT WORK LIGHT.....1673-6	BUCKET WEAR PLATES (7.25 YARD).....3102-18
BRACKET, FUEL FILTER.....0420-4	BUCKET WEAR PLATES (7.75 YARD).....3102-20
BRACKET, FUEL LINE.....0420-4	BUCKET, ROCK (6.0 CUBIC YARD).....3102-22
BRACKET, FUEL TRANSFER PUMP.....0421-2	BULB, DOMELIGHT.....1810-2
BRACKET, HYDRAULIC SYSTEM MANIFOLD.....3160-22	BULB, LICENSE PLATE BRACKET LIGHT.....1314-2

ALPHABETICAL INDEX - CONTINUED

	PAGE		PAGE
BUMPER, ENGINE FRAME	1741-2	CLAMP, BATTERY	1671-2
BUSHING, CAMSHAFT	0409-2	CLAMP, FUEL LINE	0420-4
BUSHINGS, BOOM CYLINDER	3165-12	CLAMP, ROCKER ARM SHAFT	0402-6
BUSHINGS, LOADER BOOM	3140-2	CLEANER, AIR	0520-4
BUSHINGS, LOADER BOOM	3140-4	CLUTCH ASSEMBLY	
BUSHINGS, LOADER BOOM	3140-6	HIGH RANGE FORWARD	0350-40
BUSHINGS, LOADER FRAME	3141-2	CLUTCH ASSEMBLY (LOW RANGE FORWARD)	0350-32
BUSHINGS, LOADER FRAME	3141-4	CLUTCH ASSEMBLY (LOW RANGE FORWARD)	0350-34
BUSHINGS, LOADER FRAME	3141-6	CLUTCH ASSEMBLY (REVERSE AND K2)	0350-36
BUSHINGS, STEERING CYLINDER	0960-2	CLUTCH ASSEMBLY (REVERSE AND K2)	
BUSHINGS, STEERING CYLINDER	0960-3A	(CONTINUED)	0350-38
BUTTON SWITCH, DOME LIGHT	1674-2	CLUTCH DISC, FRONT AXLE HUB	0210-4
BY-PASS LABEL (FRENCH)	1320-6	CLUTCH DISC, REAR AXLE HUB	0210-4
BY-PASS LABEL (SPANISH)	1320-8	CLUTCH PLATES, LIMITED SLIP AXLE	
BYPASS VALVE, ENGINE OIL	0419-2	DIFFERENTIAL	0210-10
		CLUTCH PLATES, STANDARD AXLE	
		DIFFERENTIAL	0210-8
C		CLUTCH, STARTER MOTOR	0422-2
CAB	1810-22	COAT HOOK	1810-36
CAB CONTROL UNIT HOUSING	1674-12	COAT HOOK	1810-37
CAB DECK SEAL	1810-30	COLD WEATHER STARTING AID	0505-4
CAB DECK TRIM	1810-30	COLUMN, LOWER STEERING	0962-4
CAB DOOR	1810-24	COLUMN, STEERING	0962-2
CAB DOOR HOLD OPEN LATCH	1810-22	COMPARTMENT, LOAD CENTER	1674-12
CAB FLOOR MAT	1810-5	COMPONENTS, HVAC MODULE	1830-14
CAB FRAME	1810-22	COMPONENTS, SINGLE LEVER PILOT	
CAB GLASS	1810-26	CONTROLLER	3162-2
CAB ISOLATOR	1810-6	COMPONENTS, STEERING VALVE	0962-10
CAB LABELS AND DECALS	1320-2	COMPRESSOR, A/C	1830-10
CAB LEFT SIDE CONSOLE COVER	1810-20	CONDENSER BRACKETS, AIR CONDITIONING	1830-8
CAB LIGHTS	1673-2	CONDENSER, AIR CONDITIONING	1830-8
CAB MONITOR AND ALARM	1674-8	CONDITIONER, COOLANT	1369-1
CAB MONITOR HOUSING	1830-2	CONNECTING ROD, ENGINE	0403-2
CAB MOUNTS		CONSOLE CAB	1810-14
(FRONT AND REAR)	1810-6	CONSOLE COVER, CAB LEFT SIDE	1810-20
CAB PEDESTAL	1810-38	CONSOLE, CAB MONITOR	1830-2
CAB REAR COVER	1810-16	CONSOLE, CUPHOLDER	1810-14
CAB ROOF, PLASTIC	1810-4	CONSOLE, RIGHT SIDE	1810-14
CAB SHIELDS	1810-28	CONTROL INDICATOR LABEL	1320-2
CAB SWITCH, WIPER	1810-10	CONTROL UNIT HOUSING, CAB	1674-12
CAB WIRING HARNESS	1674-12	CONTROL UNIT, ELECTRONIC (ECU) (ENGINE)	0413-2
CABLE, BATTERY	1671-2	CONTROL UNIT, ENGINE	1674-12
CABLE, HEATER CONTROL	1830-12	CONTROL UNIT, TRANSMISSION	1674-12
CABLE, RADIO ANTENNA	2001-2	CONTROL VALVE HYDRAULIC LINES	3163-4
CAMSHAFT	0402-1	CONTROL VALVE HYDRAULIC LINES, PUMP	3163-6
CANOPY PEDESTAL	1810-38	CONTROL VALVE SECTION, AUXILIARY	3160-10
CANOPY ROOF, PLASTIC	1810-4	CONTROL VALVE SECTION, BOOM	3160-8
CAP, DOME LIGHT SWITCH	1674-2	CONTROL VALVE SECTION, BUCKET	3160-6
CAP, ENGINE MAIN AND THRUST BEARING	0404-2	CONTROL VALVE TO HYDRAULIC PUMP	
CAP, ENGINE OIL FILL	0402-2	HYDRAULIC LINES	3163-4
CAP, ENGINE OIL FILL		CONTROL VALVE, COVER, SOUND ABSORPTION	1913-2
844J AUXILIARY OIL TUBE	0402-3A	CONTROL VALVE, JOYSTICK STEERING	0962-14
CAP, FUEL TANK	0560-2	CONTROL VALVE, LOADER (2 OR 3-SPOOL)	3160-2
CAP, FUEL TANK (FAST FILL)	0560-4	CONTROL VALVE, TRANSMISSION	0350-26
CAP, PRIMARY FUEL FILTER	0420-2	CONTROL, TEMPERATURE	1830-12
CAP, WINDOW WASHER TANK	1810-40	CONTROL, RADIO REMOTE	2001-2
CASE, TRANSMISSION	0350-10	CONTROLLER AND HYDRAULICS AUXILIARY	
CAUTION LABEL (FRENCH)	1320-6	SECTION KIT, SINGLE LEVER	3162-18
CAUTION LABEL (SPANISH)	1320-8	CONTROLLER AND HYDRAULICS AUXILIARY	
CAUTION SECONDARY STEERING LABEL		SECTION KIT, TWO LEVER	3162-20
(FRENCH)	1320-6	CONTROLLER COMPONENTS, SINGLE LEVER	3162-2
CAUTION SECONDARY STEERING LABEL		CONTROLLER PILOT LINES, TWO LEVER	3162-14
(SPANISH)	1320-8	CONTROLLER PILOT LINES, TWO LEVER W/AUX	3162-14
CAUTION/ELECTRICAL ASSIST LABEL		CONTROLLER PILOT LINES, SINGLE LEVER	3162-12
(SPANISH)	1320-8	CONTROLLER PILOT LINES, SINGLE LEVER W/AX	3162-12
CAUTION/ELECTRICAL ASSIST LABEL (FRENCH)	1320-6	CONTROLLER SEAT ARM REST, JOYSTICK	1821-6
		CONTROLLER SEAT, JOYSTICK STEERING	1821-4

ALPHABETICAL INDEX - CONTINUED

	PAGE		PAGE
CONTROLLER, AUXILIARY LEVER	3162-6	CUTTING EDGE (BOLT-ON)	
CONTROLLER, SINGLE LEVER (COMPONENTS)	3162-2	(7.25 & 7.75 YARD)	3102-6
CONTROLLER, SINGLE LEVER ADAPTERS	3162-8	CUTTING EDGE (WELD ON)(7.25 YARD BUCKET)	3102-2
CONTROLLER, SINGLE LEVER W/AUX ADAPTERS	3162-8	CUTTING EDGE (WELD ON)(7.75 YARD BUCKET)	3102-4
CONTROLLER, THREE LEVER	3162-10	CUTTING EDGE, JAGZ	3102-14
CONTROLLER, TWO LEVER PILOT	3162-4	CUTTING EDGE, SEGMENTS WITH TEETH	3102-12
CONTROLLER, TWO LEVER W/AUX	3162-10	CYLINDER BARREL, BOOM	3165-2
CONVERTER (10 AMP)		CYLINDER BARREL, BOOM	3165-3A
(24 VOLT TO 12 VOLT)	1674-6	CYLINDER BARREL, BUCKET	3165-4
CONVERTER (5 AMP)		CYLINDER BARREL, BUCKET	3165-5A
(24 VOLT TO 12 VOLT)	1674-7	CYLINDER BARREL, STEERING	0960-4
CONVERTER AND POWER PLUG (10 AMP)		CYLINDER BARREL, STEERING	0960-5A
(24 VOLT TO 12 VOLT)	1674-6	CYLINDER BUSHINGS, BOOM	3165-12
CONVERTER AND POWER PLUG (5 AMP)		CYLINDER BUSHINGS, STEERING	0960-2
(24 VOLT TO 12 VOLT)	1674-7	CYLINDER BUSHINGS, STEERING	0960-3A
CONVERTER HOUSING	0350-8	CYLINDER BUSHINGS, STEERING	0960-3A
CONVERTER HOUSING DRIVE PLATES	0350-4	CYLINDER GLOW PLUGS	0505-6
COOLANT CONDITIONER	1369-1	CYLINDER GREASE LINES, BOOM	3165-6
COOLANT HEATER	0505-2	CYLINDER GREASE LINES, BOOM	3165-8
COOLER LINES, TRANSMISSION OIL	0360-2	CYLINDER GREASE LINES, BOOM	3165-10
COOLER, ENGINE OIL	0419-2	CYLINDER GREASE LINES, STEERING	0960-2
COOLING FAN HYDRAULIC MOTOR	3168-2	CYLINDER GREASE LINES, STEERING	0960-3A
COOLING FAN HYDRAULIC PUMP	3160-26	CYLINDER HEAD	0409-2
COOLING FAN MOTOR HYDRAULIC LINES	3163-2	CYLINDER PIN, BOOM	3141-2
COOLING RECIRCULATION OIL LINES		CYLINDER PIN, BOOM	3141-4
FRONT AXLE	0511-6	CYLINDER PIN, BOOM	3141-6
COOLING RECIRCULATION OIL LINES		CYLINDER PIN, BUCKET	3141-2
REAR AXLE	0511-8	CYLINDER PIN, BUCKET	3141-4
COOLING SYSTEM HOUSING	0510-4	CYLINDER PIN, BUCKET	3141-6
COOLING SYSTEM RADIATORS	0510-2	CYLINDER PIN, ENGINE FRAME STEERING	1741-2
CORNER SPILL, BUCKET GUARD		CYLINDER PIN, LOADER FRAME STEERING	3141-2
(7.25 & 7.75 YARD)	3102-6	CYLINDER PIN, LOADER FRAME STEERING	3141-4
COUNTERWEIGHT	1749-2	CYLINDER PIN, LOADER FRAME STEERING	3141-6
COUPLING, BUCKET LINKAGE	3145-2	CYLINDER ROD BOOM PINS	3165-12
COUPLING, BUCKET LINKAGE	3145-4	CYLINDER ROD GUIDE, BOOM	3165-2
COUPLING, BUCKET LINKAGE	3145-6	CYLINDER ROD GUIDE, BOOM	3165-3A
COUPLING, FUEL SYSTEM DIAGNOSTICS	0420-2	CYLINDER ROD GUIDE, BUCKET	3165-4
COUPLING, FUEL TRANSFER PUMP DRIVE	0402-1	CYLINDER ROD GUIDE, BUCKET	3165-5A
COVER, AUXILIARY DRIVE	0402-4	CYLINDER ROD GUIDE, STEERING	0960-4
COVER, CAB LEFT SIDE CONSOLE	1810-20	CYLINDER ROD GUIDE, STEERING	0960-5A
COVER, CAB REAR	1810-16	CYLINDER ROD, BOOM	3165-2
COVER, CONSOLE SWITCH	1810-14	CYLINDER ROD, BOOM	3165-3A
COVER, DRIVE DAMPER	0351-2	CYLINDER ROD, BUCKET	3165-4
COVER, ENGINE SIDE	1911-2	CYLINDER ROD, BUCKET	3165-5A
COVER, ENGINE SIDE	1911-4	CYLINDER ROD, STEERING	0960-4
COVER, FRESH AIR HOUSING	1810-16	CYLINDER ROD, STEERING	0960-5A
COVER, FRONT AXLE DIFFERENTIAL HOUSING	0210-12	CYLINDER, HYDRAULIC BOOM	3165-2
COVER, REAR AXLE DIFFERENTIAL HOUSING	0210-16	CYLINDER, HYDRAULIC BOOM	3165-3A
COVER, ROCKER ARM	0409-4	CYLINDER, HYDRAULIC BUCKET	3165-4
COVER, SECONDARY STEERING PUMP DRIVE	0350-20	CYLINDER, HYDRAULIC BUCKET	3165-5A
COVER, STARTER MOTOR SOLENOID	0422-1	CYLINDER, HYDRAULIC STEERING	0960-4
COVER, STEERING COLUMN	0962-6	CYLINDER, HYDRAULIC STEERING	0960-5A
COVER, THERMOSTAT HOUSING	0418-2		
COVER, TIMING GEAR	0402-2	D	
COVER, TRANSMISSION AND HYDRAULICS	1913-4	DAMPER, CRANKSHAFT TORSIONAL	0429-1
COVER, TRANSMISSION ENGINE CONNECT	0350-6	DAMPER, DRIVE AND COVER	0351-2
COVER, TRANSMISSION FILLER NECK	0350-30	DANGER LABEL (FRENCH)	1320-6
COVER, VALVE	0409-4	DANGER LABEL (SPANISH)	1320-8
COVERS, CONVERTER HOUSING	0350-4	DECAL (FRENCH), OIL FILTER ELEMENT	1320-6
CRANKCASE BREATHER HOSE	0408-2	DECAL (FRENCH), TRANSMISSION OIL LEVEL	1320-6
CRANKSHAFT	0401-2	DECAL (SPANISH), OIL FILTER ELEMENT	1320-8
CRANKSHAFT PULLEY	1672-2	DECAL (SPANISH), TRANSMISSION OIL LEVEL	1320-8
CRANKSHAFT ROTATING TOOL PLUG	0433-2	DECAL KIT, 844J FRENCH LABELS	1320-6
CUPHOLDER CONSOLE	1810-14	DECAL KIT, 844J SPANISH LABELS	1320-8
CUSHION, BACKREST	1821-2	DECAL, BYPASS START	0422-1
CUSHION, SEAT	1821-2	DECAL, FUEL FILTER REPLACEMENT	0420-2
CUTTING EDGE	3102-5A		

ALPHABETICAL INDEX - CONTINUED

	PAGE		PAGE
DECAL, FUEL PRIMING	0420-4	EMBLEM, SMV	1810-34
DECALS AND LABELS, CAB	1320-2	EMERGENCY STEERING PUMP	0350-46
DECK SEAL, CAB	1810-30	ENGINE AIR HEATER	0505-6
DEFLECTOR, ROCKER ARM COVER	0409-4	ENGINE BLOCK HEATER	0505-2
DETENT KIT, AUXILIARY CONTROLLER	3162-6	ENGINE CONNECT ASSEMBLY, TRANSMISSION	0350-6
DIAGNOSTIC COUPLING, FUEL SYSTEM	0420-2	ENGINE CONTROL UNIT	1674-12
DIFFERENTIAL HOUSING, LIMITED SLIP AXLE	0210-10	ENGINE DRIVESHAFT	0325-2
DIFFERENTIAL HOUSING, STANDARD AXLE	0210-8	ENGINE FAN HYDRAULIC MOTOR	3168-2
DIPSTICK, ENGINE OIL	0407-3	ENGINE FAN HYDRAULIC PUMP	3160-26
DISK, AXLE WHEEL HEAD ASSEMBLY BRAKE	0210-4	ENGINE FAN MOTOR LOAD SENSING VALVE	3168-4
DOMELIGHT SWITCH	1674-2	ENGINE FAN MOTOR REVERSING VALVE	3162-22
DOMELIGHT SWITCH CAP	1674-2	ENGINE FAN MOTOR REVERSING VALVE COMPONENTS	3162-24
DOMELIGHT HOUSING AND LIGHT BULB	1810-2	ENGINE FAN MOTOR STANDARD VALVE	3162-22
DOOR	1810-24	ENGINE FAN MOTOR STANDARD VALVE COMPONENTS	3162-26
DOOR GLASS	1810-24	ENGINE FRAME	1741-2
DOOR RELEASE LABEL	1320-2	ENGINE FRAME COVER, SIDE	1913-4
DOOR RELEASE LABEL, RIGHT SIDE	1320-2	ENGINE FRAME RADIATOR HOUSING	0510-4
DOOR, ACCESS	1810-22	ENGINE FRAME STOP	1741-2
DOOR, COUNTERWEIGHT	1749-2	ENGINE FRAME WIRING HARNESS	1674-10
DOOR, REAR FAN	0511-2	ENGINE GASKET KITS	0452-2
DOWEL, REAR AXLE SUPPORT	0242-4	ENGINE MOUNTING BRACKETS	0540-2
DRAIN VALVE, ENGINE COOLANT	0418-2	ENGINE OVERHAUL KIT	0451-2
DRAIN VALVE, ENGINE COOLANT	0419-2	ENGINE RADIATOR	0510-2
DRIVE DAMPER AND COVER	0351-2	ENGINE SHORT BLOCK	0450-2
DRIVE GEAR, FRONT AXLE	0210-12	ENGINE SIDE COVER	1911-2
DRIVE GEAR, REAR AXLE	0210-16	ENGINE SIDE COVER	1911-4
DRIVE PLATES, CONVERTER HOUSING	0350-4	ENGINE SIDE SHIELD BRACKETS	1911-6
DRIVE SHAFT, TRANSMISSION AND HYDRAULIC PUMP (ONE)	0350-22	ENGINE SIDE SHIELD LATCH	1911-4
DRIVE SHAFT, TRANSMISSION AND HYDRAULIC PUMP (THREE)	0350-24	ENGINE SIDE SHIELD PLATE	1911-4
DRIVE SHAFT, TRANSMISSION AND HYDRAULIC PUMP (TWO)	0350-16	ENGINE SIDE SHIELDS	1911-4
DRIVE SHAFTS	0325-2	ENGINE SPEED CONTROL PEDAL	0515-2
DRIVE, AUXILIARY	0402-4	ENGINE SPEED CONTROL SENSOR	0515-2
DRIVELINE BEARING/PARKING BRAKE	1115-2	ENGINE START LABEL	1320-2
DRIVELINE BEARING/PARKING BRAKE (COMPONENTS)	1115-4	ENGINE START/STOP LABEL (FRENCH)	1320-6
DRYER, AIR CONDITIONING	1830-8	ENGINE START/STOP LABEL (SPANISH)	1320-8
DUCT, FRESH AIR	1830-12	ENGINE WIRING HARNESS	1674-10
DUCTS, HEATING AND AIR CONDITIONING	1830-4	ENGINE, COMPLETE (REMANUFACTURED)	0450-2
DUMP LINKAGE, BUCKET	3145-2	ETHER STARTING KIT	0505-4
DUMP LINKAGE, BUCKET	3145-4	EXHAUST MANIFOLD	0410-1
DUMP LINKAGE, BUCKET	3145-6	EXHAUST PIPE, BLACK	0530-2
		EXHAUST PIPE, CHROME	0530-2
		EXHAUST VALVE	0409-2
		EXTERNAL OIL LINES, TRANSMISSION OIL COOLER	0360-2
		EXTINGUISHER, FIRE	2003-2
E		F	
EDGE, CUTTING	3102-5A	FAN AND FAN GUARD	0511-4
EDGE, CUTTING (BOLT-ON) (7.25 & 7.75 YARD)	3102-6	FAN CONTROL LABEL, HVAC	1320-2
EDGE, CUTTING (WELD ON) (7.75 CU YARD BUCKET)	3102-4	FAN DOOR	0511-2
EDGE, CUTTING (WELLD ON) (7.25 CU YARD BUCKET)	3102-2	FAN DRIVE VALVE, REVERSING	3162-22
EDGE, JAGZ CUTTING	3102-14	FAN DRIVE VALVE, REVERSING COMPONENTS	3162-24
EDGE, SEGMENTS WITH TEETH CUTTING	3102-12	FAN DRIVE VALVE, STANDARD	3162-22
ELECTROHYDRAULIC VALVE, STEERING	0962-14	FAN DRIVE VALVE, STANDARD COMPONENTS	3162-26
ELECTRONIC CONTROL UNIT (ECU) (ENGINE)	0413-2	FAN GUARD AND FAN, HYDRAULIC COOLING	0511-4
ELECTRONIC UNIT INJECTOR (EUI) (ENGINE)	0413-2	FAN GUARD, HYDRAULIC COOLING	0511-4
ELEMENT, A/C FILTER	1830-12	FAN MOTOR	3168-2
ELEMENT, AIR FILTER	0520-4	FAN MOTOR HYDRAULIC LINES	3163-2
ELEMENT, FUEL AIR FILTER (FAST FILL)	0560-4	FAN MOTOR LOAD SENSING VALVE	3168-4
ELEMENT, HYDRAULIC FILTER	3164-2	FAN MOTOR PUMP	3160-26
ELEMENT, SECONDARY FUEL FILTER	0420-4	FAST FILL KIT, FUEL TANK	0560-4
EMBLEM, SLOW MOVING VEHICLE	1810-34		

ALPHABETICAL INDEX - CONTINUED

	PAGE		PAGE
FENDER SUPPORTS.....	1927-4	FUEL FILTER, SECONDARY.....	0420-4
FENDER, FRONT.....	1927-2	FUEL HOSES.....	0560-2
FENDERS, FULL COVERAGE (FRONT).....	1927-6	FUEL HOSES, FAST FILL.....	0560-4
FENDERS, FULL COVERAGE (REAR).....	1927-8	FUEL PRIMER PUMP.....	0420-4
FENDERS, REAR.....	1927-4	FUEL TANK.....	0560-2
FILL TUBE AND CAP, ENGINE OIL.....	0402-2	FUEL TANK CAP.....	0560-2
FILL TUBE AND CAP, ENGINE OIL 844J AUXILIARY OIL TUBE.....	0402-3A	FUEL TANK CAP (FAST FILL).....	0560-4
FILLER NECK COVER, TRANSMISSION.....	0350-30	FUEL TANK FILLER HOSE.....	0560-2
FILTER, AIR CLEANER.....	0520-4	FUEL TANK FILLER HOSE (FAST FILL).....	0560-4
FILTER, ENGINE OIL.....	0419-2	FUEL TANK SENDER.....	0560-2
FILTER, FRESH AIR.....	1830-12	FUEL TANK, FAST FILL ASSEMBLY.....	0560-4
FILTER, FUEL FAST FILL.....	0560-4	FUEL TRANSFER PUMP.....	0421-2
FILTER, HVAC RECIRCULATION.....	1830-14	FULL COVERAGE FENDERS, FRONT.....	1927-6
FILTER, HYDRAULIC.....	3164-2	FULL COVERAGE FENDERS, REAR.....	1927-8
FILTER, PRIMARY FUEL.....	0420-2	FUSE BOX, GLOW PLUGS.....	0505-6
FILTER, SECONDARY FUEL.....	0420-4		
FILTER, TRANSMISSION.....	0360-4	G	
FILTER, TRANSMISSION (SCREEN).....	0350-48	GASKET KITS, ENGINE.....	0452-2
FILTER, WATER PUMP.....	0417-2	GAUGE, TRANSMISSION OIL.....	0360-2
FIRE EXTINGUISHER.....	2003-2	GEAR, AUXILIARY DRIVE.....	0402-4
FIRE EXTINGUISHER BRACKET.....	2003-2	GEAR, CAMSHAFT.....	0402-1
FITTING, ENGINE VENTILATING SYSTEM.....	0409-4	GEAR, CRANKSHAFT.....	0401-2
FITTINGS, ENGINE CYLINDER BLOCK.....	0404-2	GEAR, ENGINE IDLER.....	0402-2
FITTINGS, HEATER HOSE.....	1830-6	GEAR, ENGINE OIL PUMP.....	0407-2
FITTINGS, HYDRAULIC RESERVOIR.....	3164-2	GEAR, FLYWHEEL RING.....	0433-2
FITTINGS, TRANSMISSION.....	0350-2	GEAR, FRONT AXLE DRIVE.....	0210-12
FLOOD LAMP, CAB.....	1673-2	GEAR, LIMITED SLIP AXLE DIFFERENTIAL BEVEL.....	0210-10
FLOOD LAMP, FRONT.....	1673-6	GEAR, OUTPUT SHAFT.....	0350-44
FLOOD LAMP, REAR.....	1673-4	GEAR, REAR AXLE DRIVE.....	0210-16
FLOOR MAT, CAB.....	1810-5	GEAR, STANDARD AXLE DIFFERENTIAL BEVEL.....	0210-8
FLOOR, HVAC AIR DUCTS.....	1830-4	GLASS.....	1810-26
FLYWHEEL AND HOUSING.....	0433-2	GLOW PLUGS.....	0505-6
FNR SWITCH CONTROLLER.....	3162-2	GLOW PLUGS WIRING HARNESS.....	0505-6
FORWARD-LOW RANGE CLUTCH ASSEMBLY.....	0350-32	GREASE ZERK LABEL.....	1320-4
FORWARD-LOW RANGE CLUTCH ASSEMBLY.....	0350-34	GREASE ZERK LABEL (FRENCH).....	1320-6
FRAME COVER, TRANSMISSION AND HYDRUALICS.....	1913-4	GREASE ZERK LABEL (SPANISH).....	1320-8
FRAME SIDE COVER, ENGINE.....	1913-4	GRILLE.....	0511-2
FRAME, CAB.....	1810-22	GROUND STRAP.....	1671-2
FRAME, ENGINE.....	1741-2	GUARD, BUCKET SPILL (7.25 & 7.75 YARD).....	3102-6
FRAME, FAN DOOR.....	0511-2	GUARD, HYDRAULIC COOLING FAN.....	0511-4
FRAME, LOADER.....	3141-2	GUARDS, BOTTOM.....	1746-4
FRAME, LOADER.....	3141-4	GUIDE, CYLINDER HEAD VALVE.....	0409-2
FRAME, LOADER.....	3141-6		
FRAME, RADIATOR.....	0510-4	H	
FRENCH LABELS.....	1320-6	HANDLE, SINGLE LEVER CONTROLLER.....	3162-2
FRESH AIR DUCT.....	1830-12	HANDLE, TWO LEVER PILOT CONTROLLER.....	3162-4
FRESH AIR FILTER.....	1830-12	HANDRAILS.....	1822-4
FRESH AIR FILTER ELEMENT.....	1830-12	HARNESS, FUEL PRIMER PUMP WIRING.....	0420-4
FRESH AIR HOUSING COVER.....	1810-16	HARNESS, JOYSTICK CONTROLLED STEERING WIRING.....	0974-2
FRONT AND REAR WINDOW WASHER.....	1810-40	HARNESS, PIN DISCONNECT WIRING.....	3160-18
FRONT AXLE ASSEMBLY.....	0201-2	HARNESS, RIDE CONTROL WIRING.....	3160-14
FRONT AXLE ASSEMBLY BREATHER.....	0201-2	HARNESS, SECONDARY STEERING.....	0930-2
FRONT AXLE CAP SCREWS.....	3141-2	HARNESS, SECONDARY STEERING.....	0930-4
FRONT AXLE CAP SCREWS.....	3141-4	HARNESS, WIRING, EUI (ENGINE).....	0413-2
FRONT AXLE CAP SCREWS.....	3141-6	HARSH ENVIORNMENT SECONDARY STEERING SWITCH.....	0930-2
FRONT AXLE HUB ASSEMBLY.....	0210-2	HARSH ENVIORNMENT SECONDARY STEERING SWITCH.....	0930-4
FRONT AXLE HUB ASSEMBLY (CONTINUED).....	0210-4	HEAD, CYLINDER.....	0409-2
FRONT CONSOLE WIRING HARNESS.....	1674-4		
FRONT DASH MODULE WIRING.....	1674-4		
FRONT DRIVESHAFT.....	0325-2		
FRONT SEAL, ENGINE.....	0429-1		
FRONT WINDSHIELD WIPER.....	1810-12		
FRONT WORK LIGHTS.....	1673-6		
FUEL FAST FILL ASSEMBLY.....	0560-4		
FUEL FILTER, PRIMARY.....	0420-2		

ALPHABETICAL INDEX - CONTINUED

	<i>PAGE</i>		<i>PAGE</i>
HEADER, SECONDARY FUEL FILTER	0420-4	HOUSING COVER, REAR AXLE DIFFERENTIAL	0210-16
HEADLINER, DOMELIGHT, DOMELIGHT BULBAND	1810-2	HOUSING, AIR CLEANER	0520-4
HEADREST	1821-2	HOUSING, AUXILIARY DRIVE	0402-4
HEATER AND A/C BLOWER SWITCH	1674-9	HOUSING, CAB CONTROL UNIT	1674-12
HEATER AND A/C BLOWER WIRING HARNESS	1674-9	HOUSING, CAB MONITOR	1830-2
HEATER BLOWER MOTOR AND SWITCH	1830-14	HOUSING, CONVERTER	0350-8
HEATER CONTROL CABLE	1830-12	HOUSING, ENGINE OIL COOLER	0419-2
HEATER HOSES AND FITTINGS	1830-6	HOUSING, ENGINE OIL FILTER	0419-2
HEATER, ENGINE AIR	0505-6	HOUSING, ENGINE REAR SEAL	0433-1
HEATER, ENGINE BLOCK	0505-2	HOUSING, FLYWHEEL	0433-2
HEATING AND A/C LOUVERS	1830-2	HOUSING, FRONT AXLE	0210-6
HEATING AND AIR CONDITIONING DUCTS	1830-4	HOUSING, FUEL FAST FILL FILTER	0560-4
HIGH RANGE FORWARD AND K3, CLUTCH ASSEMBLY	0350-40	HOUSING, HVAC	1830-14
HINGES, A/C CONDENSER BRACKET	1830-8	HOUSING, LIMITED SLIP DRIVE DIFFERENTIAL	0210-10
HITCH ASSEMBLY	1520-2	HOUSING, PRIMARY FUEL FILTER	0420-2
HOLDER, STARTER MOTOR CARBON BRUSH	0422-2	HOUSING, RADIATOR	0510-4
HOOD	1911-8	HOUSING, REAR AXLE	0210-14
HOOD, SOUND ABSORPTION	1913-2	HOUSING, STANDARD DRIVE DIFFERENTIAL	0210-8
HOOK, COAT	1810-36	HOUSING, THERMOSTAT	0418-2
HOOK, COAT	1810-37	HOUSING, TRANSMISSION	0350-10
HORN	2004-4	HUB ASSEMBLY, FRONT AXLE	0210-2
HORN SWITCH	0962-2	HUB ASSEMBLY, FRONT AXLE (CONTINUED)	0210-4
HOSE, AUXILIARY FUNCTION KIT SINGLE LEVER CONTROLLER	3162-18	HUB ASSEMBLY, REAR AXLE	0210-2
HOSE, AUXILIARY FUNCTION KIT TWO LEVER CONTROLLER	3162-20	HUB ASSEMBLY, REAR AXLE (CONTINUED)	0210-4
HOSE, CRANKCASE BREATHER	0408-2	HUB CLUTCH DISC, FRONT AXLE	0210-4
HOSE, ENGINE OIL COOLER	0419-2	HUB CLUTCH DISC, REAR AXLE	0210-4
HOSE, FUEL TANK FILLER	0560-2	HUB, FRONT AXLE	0210-2
HOSE, FUEL TANK FILLER (FAST FILL)	0560-4	HUB, REAR AXLE	0210-2
HOSE, PIN DISCONNECT	3160-18	HVAC DUCTS	1830-4
HOSE, RADIATOR	0510-2	HVAC FAN CONTROL LABEL	1320-2
HOSE, THERMOSTAT HOUSING BYPASS	0418-2	HVAC HOUSING	1830-14
HOSE, WATER PUMP	0417-2	HVAC MODULE COMPONENTS	1830-14
HOSE, AIR CLEANER	0520-4	HVAC RECIRCULATION FILTER	1830-14
HOSE, AIR PRECLEANER	0520-2	HVAC SYSTEM, HEATER HOSES	1830-6
HOSE, HYDRAULIC MANIFOLD TO CONTROL VALVE	3163-4	HVAC WIRING	1674-9
HOSE, HYDRAULIC MANIFOLD TO PUMP	3163-6	HYDRAULIC BUCKET CYLINDER	3165-4
HOSES, A/C COMPRESSOR	1830-10	HYDRAULIC BUCKET CYLINDER	3165-5A
HOSES, AIR CONDITIONER CONDENSER	1830-8	HYDRAULIC CYLINDER BUSHINGS, BOOM	3165-12
HOSES, AIR CONDITIONER DRYER	1830-8	HYDRAULIC CYLINDER BUSHINGS, STEERING	0960-2
HOSES, BOOM HYDRAULIC CYLINDER	3163-4	HYDRAULIC CYLINDER BUSHINGS, STEERING	0960-3A
HOSES, BUCKET CYLINDER HYDRAULIC	3163-4	HYDRAULIC CYLINDER LINES, BOOM	3163-4
HOSES, CONTROL VALVE HYDRAULIC	3163-4	HYDRAULIC CYLINDER LINES, BUCKET	3163-4
HOSES, FAST FILL FUEL	0560-4	HYDRAULIC HOSES, BRAKE VALVE	1062-4
HOSES, FRONT AXLE OIL COOLING RECIRCULATION	0511-6	HYDRAULIC HOSES, PARKING BRAKE	1100-2
HOSES, FUEL	0560-2	HYDRAULIC HOSES, RIDE CONTROL	3160-14
HOSES, HEATER	1830-6	HYDRAULIC LINES PUMP, CONTROL VALVE	3163-6
HOSES, HYDRAULIC PUMP TO CONTROL VALVE	3163-4	HYDRAULIC LINES, CONTROL VALVE	3163-4
HOSES, HYDRAULIC PUMP TO RESERVOIR	3163-6	HYDRAULIC LINES, PIN DISCONNECT	3160-18
HOSES, JOYSTICK STEERING	0962-12	HYDRAULIC MOTOR LOAD SENSING VALVE, FAN	3168-4
HOSES, PARKING BRAKE HYDRAULIC	1100-2	HYDRAULIC MOTOR REVERSING VALVE, FAN	3162-22
HOSES, REAR AXLE OIL COOLING RECIRCULATION	0511-8	HYDRAULIC MOTOR REVERSING VALVE, FAN COMPONENTS	3162-24
HOSES, STEERING CYLINDER HYDRAULIC	0963-2	HYDRAULIC MOTOR STANDARD VALVE, FAN	3162-22
HOSES, TRANSMISSION FILTER	0360-4	HYDRAULIC MOTOR STANDARD VALVE, FAN COMPONENTS	3162-26
HOSES, TWO LEVER CONTROLLER PILOT	3162-14	HYDRAULIC MOTOR, FAN	3168-2
HOSES, TWO LEVER CONTROLLER W/AUX PILOT	3162-14	HYDRAULIC OIL LABEL	1320-4
HOSES, WINDOW WASHER	1810-40	HYDRAULIC OIL LABEL (FRENCH)	1320-6
HOSES, WINDOW WASHER TANK	1810-40	HYDRAULIC OIL LABEL (SPANISH)	1320-8
HOSES, SINGLE LEVER CONTROLLER PILOT	3162-12	HYDRAULIC PUMP DRIVE, TRANSMISSION (ONE)	0350-22
HOSES, SINGLE LEVER CONTROLLER PILOT W/AX	3162-12	HYDRAULIC PUMP DRIVE, TRANSMISSION (THREE)	0350-24
HOT SURFACE LABEL	1320-4	HYDRAULIC PUMP DRIVE, TRANSMISSION (TWO)	0350-16
HOUSING COVER, FRONT AXLE DIFFERENTIAL	0210-12		

ALPHABETICAL INDEX - CONTINUED

	PAGE		PAGE
HYDRAULIC PUMP TO CONTROL VALVE, HOSES	3163-4		
HYDRAULIC PUMP TO RESERVOIR, HOSES	3163-6		
HYDRAULIC PUMP, FAN MOTOR DRIVE	3160-26		
HYDRAULIC PUMP, LOADER	3160-20		
HYDRAULIC PUMP, STEERING	3160-20		
HYDRAULIC RESERVOIR	3164-2		
HYDRAULIC RESERVOIR SIGHT GAUGE LABEL	1320-4		
HYDRAULIC RESERVOIR SIGHT GAUGE LABEL (FRENCH)	1320-6		
HYDRAULIC RESERVOIR SIGHT GAUGE LABEL (SPANISH)	1320-8		
HYDRAULIC RESERVOIR WITH FITTINGS	3164-2		
HYDRAULIC RETURN MANIFOLD	3163-6		
HYDRAULIC STEERING CYLINDER	0960-4		
HYDRAULIC STEERING CYLINDER	0960-5A		
HYDRAULIC SYSTEM ACCUMULATOR	3160-22		
HYDRAULIC SYSTEM MANIFOLD	3160-22		
HYDRAULIC SYSTEM MANIFOLD COMPONENTS	3160-24		
HYDRAULIC SYSTEM RADIATORS	0510-2		
HYDRAULIC, BOOM CYLINDER	3165-2		
HYDRAULIC, BOOM CYLINDER	3165-3A		
HYDRAULICS AND AUXILIARY SECTION SINGLE LEVER CONTROLLER KIT	3162-18		
HYDRAULICS AND AUXILIARY SECTION TWO LEVER CONTROLLER KIT	3162-20		
HYDRAULICS COVER, SIDE ENGINE FRAME	1913-4		
HYDRUALIC LINES, FAN MOTOR	3163-2		
I			
IDLER PULLEY, ALTERNATOR BELT	1672-2		
IGNITION KIT, STARTING AID	0505-4		
IGNITION LABEL, STARTER	1320-2		
IGNITION SWITCH	1674-12		
IMPELLER, WATER PUMP	0417-2		
INJECTOR, ELECTRONIC UNIT (EUI) (ENGINE)	0413-2		
INLET SECTION VALVE WITH RELIEF VALVE	3160-4		
INLET, AIR	0414-2		
INPUT SHAFT, HOUSING AND BEARING COVER	0350-8		
INSERT, CYLINDER HEAD VALVE SEAT	0409-2		
INSIDE REAR VIEW MIRROR	2002-2		
INSULATION, ENGINE SOUND ABSORPTION	1913-2		
INTAKE VALVE	0409-2		
INTAKE, ENGINE OIL PUMP	0407-4		
ISOLATOR, CAB	1810-6		
ISOLATORS, RADIATOR HOUSING	0510-4		
J			
J-DUCT, HEATING AND AIR CONDITIONING	1830-4		
JAGZ CUTTING EDGE	3102-14		
JET, PISTON COOLING	0404-2		
JOINT, TRANSMISSION ENGINE CONNECT	0350-6		
JOYSTICK STEERING	0962-12		
JOYSTICK STEERING CONTROL VALVE	0962-14		
JOYSTICK STEERING HOSES	0962-12		
JOYSTICK STEERING KIT	0962-12		
JOYSTICK STEERING MANIFOLD	0962-12		
JOYSTICK STEERING PILOT CONTROLLER	0974-2		
JOYSTICK STEERING PLUMBING	0962-12		
JOYSTICK STEERING SEAT	1821-4		
JOYSTICK STEERING SEAT ARM REST	1821-6		
JOYSTICK STEERING WIRING HARNESS	0974-2		
K			
KEY PIN, BUCKET LINKAGE	3145-2		
KEY PIN, BUCKET LINKAGE	3145-4		
KEY PIN, BUCKET LINKAGE	3145-6		
KEY, IGNITION	1674-12		
KICKDOWN SWITCH, TWO LEVER PILOT CONTROLLER	3162-4		
KICKOUT, LOADER BOOM	3166-2		
KIT (7.25 CU YARD BUCKET)	3102-2		
KIT (7.25 CU YARD BUCKET)(W/WEAR PLATES)	3102-18		
KIT (7.75 CU YARD BUCKET)	3102-4		
KIT, AUXILIARY SECTION SINGLE LEVER CONTROLLER HYDRAULICS	3162-18		
KIT, AUXILIARY SECTION TWO LEVER CONTROLLER HYDRAULICS	3162-20		
KIT, BUCKET ROCK KICKER	3102-24		
KIT, BUCKET WEAR PLATES, 7.25 YARD	3102-18		
KIT, BUCKET WEAR PLATES, 7.75 YARD	3102-20		
KIT, CAMSHAFT	0402-1		
KIT, ENGINE CYLINDER LINER O-RING	0403-2		
KIT, ENGINE GASKET	0452-2		
KIT, ENGINE OVERHAUL	0451-2		
KIT, ENGINE PISTON AND CYLINDER LINER	0403-2		
KIT, ENGINE PISTON RING	0403-2		
KIT, ETHER STARTING	0505-4		
KIT, FUEL FAST FILL	0560-4		
KIT, FUEL FILTERS AND PRIMING PUMP	0420-4		
KIT, FULL COVERAGE FENDERS (FRONT)	1927-6		
KIT, FULL COVERAGE FENDERS (REAR)	1927-8		
KIT, JOYSTICK STEERING	0962-12		
KIT, PIN DISCONNECT	3160-18		
KIT, QUICK SERVICE	1370-2		
KIT, ROCK BUCKET (6.0 CUBIC YARD)	3102-22		
KIT, ROCK BUCKET WEAR PLATES	3102-16		
KIT, SINGLE LEVER TO TWO LEVER	3162-14		
KIT, SINGLE LEVER WITH AUXILIARY TO THREE LEVER	3162-14		
KIT, STARTER MOTOR	0422-1		
KIT, STARTER MOTOR BRUSH HARDWARE	0422-2		
KIT, THREE LEVER TO SINGLE LEVER WITH AUXILIARY	3162-12		
KIT, TWO LEVER TO SINGLE LEVER	3162-12		
KIT, WATER PUMP SEAL	0417-2		
KIT, AUXILIARY LEVER CONTROLLER REPAIR	3162-6		
K2 AND REVERSE GEAR CLUTCHES	0350-36		
K2 AND REVERSE GEAR CLUTCHES (CONTINUED)	0350-38		
L			
LABEL (FRENCH), ACCUMULATOR	1320-6		
LABEL (FRENCH), AIR CLEANER	1320-6		
LABEL (FRENCH), BOOM LOCK	1320-6		
LABEL (FRENCH), BY-PASS	1320-6		
LABEL (FRENCH), CAUTION	1320-6		
LABEL (FRENCH), CAUTION SECONDARY STEERING	1320-6		
LABEL (FRENCH), CAUTION/ELECTRICAL ASSIST	1320-6		
LABEL (FRENCH), DANGER	1320-6		
LABEL (FRENCH), ENGINE START/STOP	1320-6		
LABEL (FRENCH), GREASE ZERK	1320-6		
LABEL (FRENCH), HYDRAULIC OIL	1320-6		

ALPHABETICAL INDEX - CONTINUED

	PAGE		PAGE
LABEL (FRENCH), HYDRAULIC RESERVOIR SIGHT GAUGE.....	1320-6	LAMP, CAB FLOOD.....	1673-2
LABEL (FRENCH), PARK BRAKE SWITCH.....	1320-6	LAMP, FRONT FLOOD.....	1673-6
LABEL (FRENCH), PARK BRAKE WARNING.....	1320-6	LAMP, REAR FLOOD.....	1673-4
LABEL (FRENCH), PARKING BRAKE OVERFILL.....	1320-6	LAMP, STOP.....	1673-8
LABEL (FRENCH), RADIATOR CAP.....	1320-6	LAMP, TAIL.....	1673-8
LABEL (FRENCH), ROPS.....	1320-6	LAMP, TURN.....	1673-8
LABEL (FRENCH), SWITCH PAD.....	1320-6	LATCH.....	1671-4
LABEL (FRENCH), TRANSMISSION OIL CHECK AND CHANGE.....	1320-6	LATCH, A/C CONDENSER BRACKET.....	1830-8
LABEL (FRENCH), WARNING.....	1320-6	LATCH, COUNTERWEIGHT.....	1749-2
LABEL (FRENCH), WARNING SEAT BELT.....	1320-6	LATCH, DOOR.....	1810-24
LABEL (SPANISH), ACCUMULATOR.....	1320-8	LATCH, ENGINE SIDE SHIELD.....	1911-4
LABEL (SPANISH), AIR CLEANER.....	1320-8	LATCH, VENTED SIDE PANEL.....	1911-2
LABEL (SPANISH), BOOM LOCK.....	1320-8	LATCH,CAB DOOR HOLD-OPEN.....	1810-22
LABEL (SPANISH), BY-PASS.....	1320-8	LAYSHAFT.....	0350-10
LABEL (SPANISH), CAUTION.....	1320-8	LEAPING DEER TRADEMARK LABEL.....	1320-4
LABEL (SPANISH), CAUTION SECONDARY STEERING.....	1320-8	LEFT SIDE CONSOLE COVER (CAB).....	1810-20
LABEL (SPANISH), CAUTION/ELECTRICAL ASSIST.....	1320-8	LEVER CONTROLLER PILOT LINES, SINGLE.....	3162-12
LABEL (SPANISH), DANGER.....	1320-8	LEVER CONTROLLER PILOT LINES, TWO.....	3162-14
LABEL (SPANISH), ENGINE START/STOP.....	1320-8	LEVER CONTROLLER PILOT LINES, TWO W/AUX.....	3162-14
LABEL (SPANISH), GREASE ZERK.....	1320-8	LEVER CONTROLLER PILOT LINES,SINGLE W/AX.....	3162-12
LABEL (SPANISH), HYDRAULIC OIL.....	1320-8	LICENSE PLATE BRACKET.....	1314-2
LABEL (SPANISH), HYDRAULIC RESERVOIR RIGHT GAUGE.....	1320-8	LICENSE PLATE BRACKET LIGHT.....	1314-2
LABEL (SPANISH), PARK BRAKE SWITCH.....	1320-8	LIFT STRAP, ENGINE.....	0432-2
LABEL (SPANISH), PARK BRAKE WARNING.....	1320-8	LIGHT, LICENSE PLATE BRACKET.....	1314-2
LABEL (SPANISH), PARKING BRAKE OVERFILL.....	1320-8	LIGHT, STOP.....	1673-8
LABEL (SPANISH), RADIATOR CAP.....	1320-8	LIGHT, TURN.....	1673-8
LABEL (SPANISH), ROPS.....	1320-8	LIGHTS, CAB.....	1673-2
LABEL (SPANISH), SWITCH PAD.....	1320-8	LIGHTS, FRONT WORK.....	1673-6
LABEL (SPANISH), TRANSMISSION OIL CHECK AND CHANGE.....	1320-8	LIGHTS, REAR WORK.....	1673-4
LABEL (SPANISH), WARNING.....	1320-8	LINE, AUXILIARY FUNCTION KIT SINGLE LEVER CONTROLLER.....	3162-18
LABEL (SPANISH), WARNING SEAT BELT.....	1320-8	LINE, AUXILIARY FUNCTION KIT TWO LEVER CONTROLLER.....	3162-20
LABEL, ACCUMULATOR.....	1320-2	LINE, DIRECT COOLING RETURN (ENGINE).....	0418-2
LABEL, ACCUMULATOR WARNING.....	1320-4	LINE, RIDE CONTROL OIL.....	3160-14
LABEL, AIR CLEANER.....	1320-4	LINE, SINGLE LEVER CONTROLLER TO AUXILIARY CONTROLLER.....	3162-8
LABEL, ARTICULATION LOCK.....	1320-4	LINE, TURBOCHARGER OIL.....	0416-1
LABEL, ARTICULATION WARNING.....	1320-4	LINE, HYDRAULIC MANIFOLD TO CONTROL VALVE.....	3163-4
LABEL, BYPASS START.....	0422-1	LINE, HYDRAULIC MANIFOLD TO PUMP.....	3163-6
LABEL, CONTROL INDICATOR.....	1320-2	LINER, ENGINE CYLINDER.....	0403-2
LABEL, DANGER.....	1320-4	LINES AND FITTINGS, FUEL FILTER.....	0420-4
LABEL, DOOR RELEASE.....	1320-2	LINES, BOOM CYLINDER GREASE.....	3165-6
LABEL, DOOR RELEASE, RIGHT SIDE.....	1320-2	LINES, BOOM CYLINDER GREASE.....	3165-8
LABEL, ENGINE START.....	1320-2	LINES, BOOM CYLINDER GREASE.....	3165-10
LABEL, FUEL FILTER REPLACEMENT.....	0420-2	LINES, BOOM HYDRAULIC CYLINDER.....	3163-4
LABEL, FUEL PRIMING.....	0420-4	LINES, BUCKET CYLINDER HYDRUALIC.....	3163-4
LABEL, GREASE ZERK.....	1320-4	LINES, CONTROL VALVE HYDRAULIC.....	3163-4
LABEL, HOT SURFACE.....	1320-4	LINES, FAN MOTOR HYDRAULIC.....	3163-2
LABEL, HYDRAULIC OIL.....	1320-4	LINES, FRONT AXLE OIL COOLING RECIRCULATION.....	0511-6
LABEL, HYDRAULIC RESERVOIR SIGHT GAUGE.....	1320-4	LINES, HYDRAULIC PUMP.....	3163-6
LABEL, LEAPING DEER TRADEMARK.....	1320-4	LINES, HYDRAULIC PUMP TO CONTROL VALVE.....	3163-4
LABEL, OPERATOR CONTROL INDICATOR.....	1320-2	LINES, HYDRAULIC PUMP TO RESERVOIR.....	3163-6
LABEL, OPERATOR'S MANUAL.....	1320-2	LINES, HYDRAULIC, PIN DISCONNECT.....	3160-18
LABEL, PARK BRAKE.....	1320-4	LINES, REAR AXLE OIL COOLING RECIRCULATION.....	0511-8
LABEL, PARK BRAKE SWITCH.....	1320-2	LINES, STEERING CYLINDER GREASE.....	0960-2
LABEL, ROPS.....	1320-2	LINES, STEERING CYLINDER GREASE.....	0960-3A
LABEL, SAFETY.....	1320-2	LINES, TRANSMISSION FILTER.....	0360-4
LABEL, SEAT BELT.....	1320-2	LINES, TRANSMISSION OIL COOLER.....	0360-2
LABELS.....	1320-4	LINKAGE, BUCKET.....	3145-2
LABELS AND DECALS, CAB.....	1320-2	LINKAGE, BUCKET.....	3145-4
LABELS AND TRIM.....	1320-4	LINKAGE, BUCKET.....	3145-6
LABELS, FRENCH.....	1320-6	LINKAGE, STEERING COLUMN.....	0962-2
LABELS, SPANISH.....	1320-8	LOAD CENTER COMPARTMENT.....	1674-12
		LOAD CENTER WIRING HARNESS.....	1674-12

ALPHABETICAL INDEX - CONTINUED

	PAGE		PAGE
LOAD LINKAGE, BUCKET	3145-2	MOUNTS, CAB	
LOAD LINKAGE, BUCKET	3145-4	(FRONT AND REAR)	1810-6
LOAD LINKAGE, BUCKET	3145-6	MUFFLER	0530-2
LOAD SENSING VALVE, FAN	3168-4	MUFFLER BRACKET	0530-2
LOADER BOOM	3140-2		
LOADER BOOM	3140-4	N	
LOADER BOOM	3140-6	NEUTRAL SAFETY SWITCH	0350-26
LOADER BOOM KICKOUT SENSOR	3166-2		
LOADER BOOM KICKOUT/RETURN TO CARRY	3166-2	O	
LOADER BUCKET PINS	3102-10	OIL COOLER, ENGINE	0419-2
LOADER BUCKET PINS	3102-11A	OIL COOLING RECIRCULATION LINES	
LOADER BUCKET PINS	3102-11C	FRONT AXLE	0511-6
LOADER CONTROL VALVE (2 OR 3-SPOOL)	3160-2	OIL COOLING RECIRCULATION LINES	
LOADER FRAME	3141-2	REAR AXLE	0511-8
LOADER FRAME	3141-4	OIL DIPSTICK, ENGINE	0407-3
LOADER FRAME	3141-6	OIL FILL TUBE AND CAP, ENGINE	0402-2
LOADER FRAME BUSHINGS	3141-2	OIL FILL TUBE AND CAP, ENGINE	
LOADER FRAME BUSHINGS	3141-4	844J AUXILIARY OIL TUBE	0402-3A
LOADER FRAME BUSHINGS	3141-6	OIL FILTER ELEMENT DECAL (FRENCH)	1320-6
LOADER FRAME WIRING HARNESS	1674-10	OIL FILTER ELEMENT DECAL (SPANISH)	1320-8
LOADER HYDRAULIC PUMP	3160-20	OIL FILTER, ENGINE	0419-2
LOUVERS, HEATING AND A/C	1830-2	OIL LINE, TURBOCHARGER	0416-1
LOW RANGE CLUTCH ASSEMBLY, FORWARD	0350-32	OIL LINES, TRANSMISSION	0350-14
LOW RANGE CLUTCH ASSEMBLY, FORWARD	0350-34	OIL LINES, TRANSMISSION (CONTROL VALVE)	
LOWER STEERING COLUMN	0962-4	(SER. NO. 586280-)	0350-12
LUBRICATION LINES, BOOM CYLINDER	0960-2	OIL LINES, TRANSMISSION OIL COOLER	0360-2
LUBRICATION LINES, BOOM CYLINDER	0960-3A	OIL PAN	0407-4
LUBRICATION LINES, BOOM CYLINDER	3165-6	OIL PUMP INTAKE, ENGINE	0407-4
LUBRICATION LINES, BOOM CYLINDER	3165-8	OIL PUMP, ENGINE	0407-2
LUBRICATION LINES, BOOM CYLINDER	3165-10	OIL PUMP, TRANSMISSION	0350-18
		OPERATOR CONTROL INDICATOR LABEL	1320-2
M		OPERATOR STATION FRONT PEDESTAL	1810-38
MAGNETIC PICK-UP, CAMSHAFT/CRANKSHAFT	0578-2	OPERATOR'S MANUAL LABEL	1320-2
MAIN WIRING HARNESS	1674-10	ORBITAL VALVE, STEERING	0962-8
MANIFOLD ABSOLUTE PRESSURE SENSOR		OSCILLATION STOP	0242-2
(M.A.P.)	0414-2	OUTLET SECTION	3160-12
MANIFOLD ACCUMULATOR, HYDRAULIC	3160-22	OUTPUT SHAFT	0350-44
MANIFOLD COMPONENTS, HYDRAULIC SYSTEM	3160-24	OUTSIDE MIRROR	2002-4
MANIFOLD, EXHAUST	0410-1	OVERHAUL KIT, ENGINE	0451-2
MANIFOLD, HYDRAULIC FILTER	3164-2		
MANIFOLD, HYDRAULIC RETURN	3163-6	P	
MANIFOLD, HYDRAULIC SYSTEM	3160-22	PAN, OIL	0407-4
MANIFOLD, JOYSTICK STEERING	0962-12	PANEL BATTERY BOX	1671-4
MANIFOLD, TRANSMISSION FILTER	0360-4	PARK BRAKE LABEL	1320-4
MANIFOLD, TRANSMISSION CONTROL VALVE	0350-28	PARK BRAKE SOLENOID VALVE	1100-2
MEDALLION (ENGINE)	0409-4	PARK BRAKE SWITCH LABEL	1320-2
MIRROR, OUTSIDE	2002-4	PARK BRAKE SWITCH LABEL (FRENCH)	1320-6
MIRROR, REAR VIEW, INSIDE	2002-2	PARK BRAKE SWITCH LABEL (SPANISH)	1320-8
MODULE, HVAC	1830-14	PARK BRAKE WARNING LABEL (FRENCH)	1320-6
MONITOR CONSOLE, CAB	1830-2	PARK BRAKE WARNING LABEL (SPANISH)	1320-8
MOTOR AND SWITCH, HEATER AND A/C BLOWER	1830-14	PARKING BRAKE HYDRAULIC HOSES	1100-2
MOTOR HYDRAULIC LINES, FAN	3163-2	PARKING BRAKE OVERFILL LABEL (FRENCH)	1320-6
MOTOR LOAD SENSING VALVE, FAN	3168-4	PARKING BRAKE OVERFILL LABEL (SPANISH)	1320-8
MOTOR PUMP, FAN	3160-26	PARKING BRAKE/DRIVELINE BEARING	1115-2
MOTOR REVERSING DRIVE VALVE, FAN	3162-22	PARKING BRAKE/DRIVELINE BEARING	
MOTOR REVERSING DRIVE VALVE, FAN		(COMPONENTS)	1115-4
COMPONENTS	3162-24	PEDAL, BRAKE	1062-2
MOTOR STANDARD DRIVE VALVE, FAN	3162-22	PEDAL, ENGINE SPEED CONTROL	0515-2
MOTOR STANDARD DRIVE VALVE, FAN		PEDESTAL, CAB	1810-38
COMPONENTS	3162-26	PEDESTAL, CANOPY	1810-38
MOTOR, FAN	3168-2	PEDESTAL, OPERATOR STATION FRONT	1810-38
MOTOR, STARTER	0422-1		
MOUNT, REAR AXLE	0242-4		
MOUNTING BRACKETS, ENGINE	0540-2		
MOUNTING BRACKETS, TRANSMISSION	0342-2		

ALPHABETICAL INDEX - CONTINUED

	PAGE		PAGE
PICK-UP, MAGNETIC (CAMSHAFT/CRANKSHAFT).....	0578-2	POWER PLUG AND CONVERTER (5 AMP)	
PILOT CONTROL VALVE, SINGLE LEVER	3162-2	(24 VOLT TO 12 VOLT).....	1674-7
PILOT LINES, SINGLE LEVER CONTROLLER.....	3162-12	POWER TAKE-OFF, TRANSMISSION (ONE)	0350-22
PILOT LINES, TWO LEVER CONTROLLER.....	3162-14	POWER TAKE-OFF, TRANSMISSION (THREE).....	0350-24
PILOT LINES, TWO LEVER CONTROLLER W/AUX	3162-14	POWER TAKE-OFF, TRANSMISSION (TWO).....	0350-16
PILOT LINES,SINGLE LEVER CONTROLLER W/AX	3162-12	PRECLEANER,AIR.....	0520-2
PILOT VALVE CONTROLLER STEERING		PRESSURE REGULATING VALVE, ENGINE OIL.....	0419-2
WIRING HARNESS, JOYSTICK	0974-2	PRESSURE SENSOR, ENGINE OIL.....	0419-2
PILOT VALVE CONTROLLER, JOYSTICK		PRESSURE SENSOR, MANIFOLD ABSOLUTE	
STEERING.....	0974-2	(M.A.P.).....	0414-2
PIN DISCONNECT HOSE	3160-18	PRIMARY AIR FILTER ELEMENT	0520-4
PIN DISCONNECT KIT.....	3160-18	PRIMER, HAND (PRIMARY FUEL FILTER)	0420-2
PIN DISCONNECT LINES.....	3160-18	PRIORITY VALVE	2162-4
PIN DISCONNECT SWITCH.....	3160-18	PRIORITY VALVE FITTINGS.....	2162-2
PIN DISCONNECT VALVE	3160-18	PULLEY AND CLUTCH KIT, A/C.....	1830-10
PIN DISCONNECT VALVE COMPONENTS.....	3160-16	PULLEY, ALTERNATOR.....	1672-2
PIN DISCONNECT WIRING HARNESS	3160-18	PULLEY, CRANKSHAFT.....	1672-2
PIN, BOOM CYLINDER.....	3141-2	PUMP DRIVE, SECONDARY STEERING.....	0350-20
PIN, BOOM CYLINDER.....	3141-4	PUMP DRIVE, TRANSMISSION HYDRUALIC	
PIN, BOOM CYLINDER.....	3141-6	(ONE).....	0350-22
PIN, BUCKET CYLINDER.....	3141-2	PUMP DRIVE, TRANSMISSION HYDRUALIC	
PIN, BUCKET CYLINDER.....	3141-4	(THREE).....	0350-24
PIN, BUCKET CYLINDER.....	3141-6	PUMP DRIVE, TRANSMISSION HYDRUALIC	
PIN, BUCKET LINKAGE.....	3145-2	(TWO).....	0350-16
PIN, BUCKET LINKAGE.....	3145-4	PUMP MANIFOLD COMPONENTS, HYDRAULIC.....	3160-24
PIN, BUCKET LINKAGE.....	3145-6	PUMP MANIFOLD, HYDRAULIC.....	3160-22
PIN, ENGINE FRAME STEERING	1741-2	PUMP TO CONTROL VALVE HYDRAULIC LINES.....	3163-4
PIN, ENGINE PISTON	0403-2	PUMP TO CONTROL VALVE HYDRAULIC LINES.....	3163-6
PIN, HITCH.....	1520-2	PUMP, ENGINE OIL.....	0407-2
PIN, STEERING CYLINDER	3141-2	PUMP, FAN MOTOR DRIVE	3160-26
PIN, STEERING CYLINDER	3141-4	PUMP, FUEL PRIMER.....	0420-4
PIN, STEERING CYLINDER	3141-6	PUMP, FUEL TRANSFER.....	0421-2
PINS, BOOM AND CYLINDER ROD.....	3165-12	PUMP, LOADER HYDRAULIC.....	3160-20
PINS, LOADER BUCKET	3102-10	PUMP, SECONDARY STEERING.....	0930-2
PINS, LOADER BUCKET	3102-11A	PUMP, SECONDARY STEERING.....	0930-4
PINS, LOADER BUCKET	3102-11C	PUMP, STEERING HYDRAULIC.....	3160-20
PIPE, EXHAUST, BLACK.....	0530-2	PUMP, WATER.....	0417-2
PIPE, EXHAUST, CHROME.....	0530-2	PUMP, WINDOW WASHER	1810-40
PISTON COOLING JET	0404-2	PUMP,TRANSMISSION OIL.....	0350-18
PISTON, ENGINE.....	0403-2	PUSH ROD, ENGINE.....	0402-6
PLANETARY GEAR, AXLE WHEEL HEAD ASSEMBLY	0210-2		
PLATE, AXLE WHEEL HEAD ASSEMBLY BRAKE	0210-4	Q	
PLATE, ENGINE FRONT.....	0402-2	QUICK SERVICE KIT.....	1370-2
PLATE, ENGINE IDLER GEAR	0402-2		
PLATE, ENGINE SIDE SHIELD.....	1911-4	R	
PLATE, FENDER	1927-2	RADIATOR CAP LABEL (FRENCH).....	1320-6
PLATE, REAR AXLE.....	0511-8	RADIATOR CAP LABEL (SPANISH).....	1320-8
PLATE, SINGLE LEVER CONTROLLER.....	3162-8	RADIATOR HOUSING	0510-4
PLATE, SINGLE LEVER CONTROLLER WITH		RADIATOR RECOVERY BOTTLE, ENGINE.....	0510-2
AUXILIARY CONTROLLER	3162-8	RADIATORS.....	0510-2
PLATE, TRANSMISSION ENGINE CONNECT	0350-6	RADIO.....	2001-2
PLATE, TWO LEVER CONTROLLER	3162-10	RADIO ANTENNA.....	2001-2
PLATE, TWO LEVER CONTROLLER W/AUX.....	3162-10	RADIO SPEAKER.....	2001-2
PLATES, BOTTOM SKID	1746-4	REAR AXLE ASSEMBLY	0201-4
PLATES, BUCKET SKID.....	3102-5A	REAR AXLE ASSEMBLYBREATHER.....	0201-4
PLATES, CONVERTER HOUSING	0350-4	REAR AXLE HUB ASSEMBLY.....	0210-2
PLATES, 7.25 CU YARD BUCKET SKID	3102-2	REAR AXLE HUB ASSEMBLY	
PLATES, 7.75 CU YARD BUCKET SKID	3102-4	(CONTINUED).....	0210-4
PLATFORM AND STEPS	1822-2	REAR COUNTERWEIGHT	1749-2
PLUG, CRANKSHAFT ROTATING TOOL.....	0433-2	REAR DRIVESHAFT	0325-2
PLUG, FRONT AXLE.....	0210-6	REAR FAN DOOR.....	0511-2
PLUG, REAR AXLE.....	0210-14	REAR FENDERS.....	1927-4
PLUGS, GLOW	0505-6	REAR FRAME WIRING HARNESS.....	1674-10
PLUMBING, JOYSTICK STEERING.....	0962-12		
POWER PLUG AND CONVERTER (10 AMP)			
(24 VOLT TO 12 VOLT)	1674-6		

ALPHABETICAL INDEX - CONTINUED

	PAGE		PAGE
REAR SEAL, ENGINE	0433-1	SEAL, SOUND ABSORPTION	1913-2
REAR SERVICE STEPS	1822-6	SEAL, WATER PUMP	0417-2
REAR WINDSHIELD WIPER	1810-8	SEALED SWITCH MODULE	1674-12
REAR WORK LIGHTS	1673-4	SEALS, LOADER BOOM	3140-2
RECIRCULATION FILTER, HVAC	1830-14	SEALS, LOADER BOOM	3140-4
RECOVERY BOTTLE, RADIATOR	0510-2	SEALS, LOADER BOOM	3140-6
RELAY, GLOW PLUGS	0505-6	SEAT BASE	1810-30
RELIEF VALVE FOR INLET SECTION VALVE	3160-4	SEAT BELT LABEL	1320-2
RELIEF VALVE, AUXILIARY SECTION	3160-10	SEAT BRACKETS	1821-2
RELIEF VALVE, BOOM SECTION	3160-8	SEAT BRACKETS, JOYSTICK STEERING	1821-4
RELIEF VALVE, BUCKET SECTION	3160-6	SEAT BRACKETS, JOYSTICK STEERING ARM REST	1821-6
RELIEF VALVE, ENGINE OIL	0419-2	SEAT CUSHION	1821-2
REMANUFACTURED TRANSMISSION	0350-2	SEAT SUSPENSION	
RESERVOIR, HYDRAULIC	3164-2	(AIR SUSPENSION)	1821-8
REST, RIGHT ARM	1810-18	SEAT, RIGHT ARM REST	1810-18
RETAINER, CYLINDER HEAD VALVE	0409-2	SECONDARY AIR FILTER ELEMENT	0520-4
RETURN MANIFOLD, HYDRAULIC	3163-6	SECONDARY STEERING	0930-2
RETURN TO CARRY SENSOR, LOADER	3166-2	SECONDARY STEERING	0930-4
RETURN TO DIG POSITION SENSOR ARM	3166-4	SECONDARY STEERING SWITCH, HARSH	
RETURN TO DIG, BUCKET LINKAGE	3166-4	ENVIRONMENT	0930-2
REVERSE AND K2 GEAR CLUTCHES	0350-36	SECONDARY STEERING SWITCH, HARSH	
REVERSE AND K2 GEAR CLUTCHES		ENVIRONMENT	0930-4
(CONTINUED)	0350-38	SECTION KIT, SINGLE LEVER CONTROLLER	
RIDE CONTROL	3160-14	AND HYDRAULICS AUXILIARY	3162-18
RIDE CONTROL ACCUMULATOR HOSE	3160-14	SECTION KIT, TWO LEVER CONTROLLER	
RIDE CONTROL ACCUMULATORS	3160-14	AND HYDRAULICS AUXILIARY	3162-20
RIDE CONTROL ACCUMULATORS SERVICE KIT	3160-14	SECTION, VALVE, INLET, WITH RELIEF VALVE	3160-4
RIDE CONTROL HYDRAULIC HOSES	3160-14	SEDIMENT BOWL, PRIMARY FUEL FILTER	0420-2
RIDE CONTROL OIL LINE	3160-14	SEGMENTS WITH TEETH CUTTING EDGE	3102-12
RIDE CONTROL SOLENOID VALVE	3160-15A	SENDER, FUEL TANK	0560-2
RIDE CONTROL SWITCH	3160-14	SENSOR WHEEL, ENGINE SPEED	0401-2
RIDE CONTROL VALVE	3160-15A	SENSOR, AIR TEMPERATURE	0414-2
RIDE CONTROL VALVE COMPONENTS	3160-15A	SENSOR, COOLANT TEMPERATURE	0418-2
RIDE CONTROL WIRING HARNESS	3160-14	SENSOR, ENGINE OIL PRESSURE	0419-2
RIGHT SIDE CONSOLE	1810-14	SENSOR, FUEL PRESSURE	0420-2
RIGHT SIDE DOOR RELEASE LABEL	1320-2	SENSOR, FUEL TEMPERATURE	0420-2
RIM	0110-2	SENSOR, LOADER BOOM KICKOUT	3166-2
RIM BOLT, WHEEL	0210-4	SENSOR, MAGNETIC PICK-UP (CAMSHAFT)	0578-2
RING GEAR, FLYWHEEL	0433-2	SENSOR, MAGNETIC PICK-UP (CRANKSHAFT)	0578-2
RING, ENGINE PISTON	0403-2	SENSOR, MANIFOLD ABSOLUTE PRESSURE	
RING, EXHAUST MANIFOLD SEALING	0410-1	(M.A.P.)	0414-2
RING, WHEEL	0110-2	SENSOR, RETURN TO CARRY, LOADER	3166-2
ROCK BUCKET (6.0 CUBIC YARD)	3102-22	SENSOR, SPEED, TRANSMISSION	0350-46
ROCK BUCKET WEAR PLATES KIT	3102-16	SENSOR, TRANSMISSION TEMPERATURE	0350-26
ROCK KICKER KIT, BUCKET	3102-24	SENSOR, TRANSMISSION TEMPERATURE	0350-50
ROCKER ARM COVER	0409-4	SENSOR, WATER IN FUEL	0420-2
ROCKER ARMS AND SHAFT	0402-6	SENSOR, ENGINE SPEED CONTROL	0515-2
ROD, ENGINE CONNECTING	0403-2	SERVICE DOOR, SOUND ABSORPTION	1913-2
ROD, ENGINE PUSH	0402-6	SERVICE KIT, RIDE CONTROL ACCUMULATORS	3160-14
ROOF PLASTIC	1810-4	SERVICE LINES, BOOM CYLINDER GREASE	3165-6
ROPS	1810-22	SERVICE LINES, BOOM CYLINDER GREASE	3165-8
ROPS LABEL	1320-2	SERVICE LINES, BOOM CYLINDER GREASE	3165-10
ROPS LABEL (FRENCH)	1320-6	SERVICE LINES, STEERING CYLINDER GREASE	0960-2
ROPS LABEL (SPANISH)	1320-8	SERVICE LINES, STEERING CYLINDER GREASE	0960-3A
ROTATOR, CYLINDER HEAD VALVE	0409-2	SERVICE STEPS	1822-6
		SHAFT, OUTPUT	0350-44
		SHAFT, ROCKER ARM	0402-6
		SHAFT, TRANSMISSION ENGINE CONNECT	0350-6
		SHAFT, WATER PUMP	0417-2
		SHAFTS, DRIVE	0325-2
		SHIELD, STARTER MOTOR SOLENOID	0422-1
		SHIELDS, CAB	1810-28
		SHIFTER ASSEMBLY	1674-4
		SHIM, ENGINE CYLINDER LINER	0403-2
		SHIMS, OUTPUT SHAFT	0350-44
		SHORT BLOCK, ENGINE	0450-2
		SIDE PANELING, VENTED	1911-2
S			
SAFETY LABEL	1320-2		
SCREEN, SUCTION, TRANSMISSION	0350-48		
SEAL CAB DECK	1810-30		
SEAL KIT, STEERING VALVE	0962-10		
SEAL, CYLINDER HEAD VALVE	0409-2		
SEAL, ENGINE FRONT	0429-1		
SEAL, ENGINE REAR	0433-1		
SEAL, ISOLATOR	1913-2		

ALPHABETICAL INDEX - CONTINUED

Table with two columns: Item description and Page number. Includes items like SIDE SHIELDS, ENGINE (1911-4), STEERING PUMP DRIVE, SECONDARY (0350-20), and TANK, FUEL (0560-2). Section T starts at the bottom.

ALPHABETICAL INDEX - CONTINUED

	PAGE		PAGE
TEMPERATURE CONTROL.....	1830-12	TUBE, FRONT AXLE SUCTION.....	0210-6
TEMPERATURE SENSOR, AIR.....	0414-2	TUBE, REAR AXLE SUCTION.....	0210-14
TEMPERATURE SENSOR, COOLANT.....	0418-2	TUBE, THERMOSTAT HOUSING.....	0418-2
TEMPERATURE SENSOR, TRANSMISSION.....	0350-26	TURBORCHARGER.....	0416-1
TEMPERATURE SENSOR, TRANSMISSION.....	0350-50	TURN LAMP.....	1673-8
THERMISTOR, TRANSMISSION.....	0350-50	TURN LIGHT.....	1673-8
THERMOSTAT, A/C AND HEATER SWITCH.....	1830-14	TWO LEVER PILOT CONTROLLER BOOT.....	3162-4
THERMOSTATS AND HOUSING.....	0418-2	TWO LEVER PILOT CONTROLLER COMPONENTS.....	3162-4
THREE SPOOL LOADER CONTROL VALVE.....	3160-2	TWO LEVER PILOT CONTROLLER SOLENOID.....	3162-4
THRUST BEARINGS AND WASHERS, ENGINE.....	0401-3	TWO SPOOL LOADER CONTROL VALVE.....	3160-2
TIMING GEAR COVER.....	0402-2		
TORSIONAL DAMPER, CRANKSHAFT.....	0429-1	U	
TORSIONAL DRIVE DAMPER AND COVER.....	0351-2	UNIVERSAL JOINT, TRANSMISSION	
TRANS. COVER, LEFT, SOUND ABSORPTION.....	1913-2	ENGINE CONNECT.....	0350-6
TRANS. COVER, RIGHT, SOUND ABSORPTION.....	1913-2	UPPER DOOR, SOUND ABSORPTION.....	1913-2
TRANSMISSION.....	0350-2		
TRANSMISSION AND HYDRULIC PUMP		V	
DRIVE SHAFT (ONE).....	0350-22	VALVE BRIDGE, CYLINDER HEAD (CROSSBAR).....	0402-6
TRANSMISSION AND HYDRULIC PUMP		VALVE COMPONENTS, RIDE CONTROL.....	3160-15A
DRIVE SHAFT (THREE).....	0350-24	VALVE COVER.....	0409-4
TRANSMISSION AND HYDRULIC PUMP		VALVE COVER HOSE.....	0408-2
DRIVE SHAFT (TWO).....	0350-16	VALVE FITTINGS, PRIORITY.....	2162-2
TRANSMISSION CONTROL UNIT.....	1674-12	VALVE HYDRAULIC LINES, CONTROL.....	3163-4
TRANSMISSION CONTROL VALVE.....	0350-26	VALVE PUMP HYDRAULIC LINES, CONTROL.....	3163-6
TRANSMISSION CONTROL VALVE MANIFOLD.....	0350-28	VALVE STEM, WHEEL.....	0110-2
TRANSMISSION DRIVE, SECONDARY STEERING.....	0350-20	VALVE, AUXILIARY SECTION.....	3160-10
TRANSMISSION ENGINE CONNECT ASSEMBLY.....	0350-6	VALVE, BOOM SECTION.....	3160-8
TRANSMISSION EXTERNAL FITTINGS.....	0350-2	VALVE, BRAKE.....	1062-2
TRANSMISSION EXTERNAL OIL LINES		VALVE, BUCKET SECTION.....	3160-6
OIL COOLER.....	0360-2	VALVE, CONTROL, TRANSMISSION.....	0350-26
TRANSMISSION FILLER NECK COVER.....	0350-30	VALVE, ENGINE COOLANT DRAIN.....	0418-2
TRANSMISSION FILTER.....	0360-4	VALVE, ENGINE COOLANT DRAIN.....	0419-2
TRANSMISSION HOUSING.....	0350-10	VALVE, ENGINE OIL BYPASS.....	0419-2
TRANSMISSION MOUNTING BRACKETS.....	0342-2	VALVE, ENGINE OIL PRESSURE REGULATING.....	0419-2
TRANSMISSION OIL CHECK AND CHANGE LABEL		VALVE, ENGINE OIL RELIEF.....	0419-2
(FRENCH).....	1320-6	VALVE, EXHAUST.....	0409-2
TRANSMISSION OIL CHECK AND CHANGE LABEL		VALVE, FAN MOTOR (REVERSING).....	3162-22
(SPANISH).....	1320-8	VALVE, FAN MOTOR (REVERSING)	
TRANSMISSION OIL COOLER LINES.....	0360-2	COMPONENTS.....	3162-24
TRANSMISSION OIL FILL COVER.....	0350-46	VALVE, FAN MOTOR (STANDARD).....	3162-22
TRANSMISSION OIL FILTER (SCREEN).....	0350-48	VALVE, FAN MOTOR (STANDARD)	
TRANSMISSION OIL LEVEL DECAL (FRENCH).....	1320-6	COMPONENTS.....	3162-26
TRANSMISSION OIL LEVEL DECAL (SPANISH).....	1320-8	VALVE, INLET SECTION WITH RELIEF VALVE.....	3160-4
TRANSMISSION OIL LINES.....	0350-14	VALVE, INTAKE.....	0409-2
TRANSMISSION OIL LINES (CONTROL VALVE)		VALVE, JOYSTICK STEERING CONTROL.....	0962-14
(SER. NO. 586280-).....	0350-12	VALVE, LOADER CONTROL (2 OR 3-SPOOL).....	3160-2
TRANSMISSION OIL PUMP.....	0350-18	VALVE, ORBITAL STEERING.....	0962-8
TRANSMISSION OIL SIGHT GAUGE.....	0360-2	VALVE, PIN DISCONNECT.....	3160-18
TRANSMISSION SPEED SENSOR.....	0350-46	VALVE, PIN DISCONNECT (COMPONENTS).....	3160-16
TRANSMISSION SUCTION SCREEN.....	0350-48	VALVE, PRIMARY FUEL FILTER.....	0420-2
TRANSMISSION TEMPERATURE SENSOR.....	0350-26	VALVE, PRIORITY.....	2162-4
TRANSMISSION TEMPERATURE SENSOR.....	0350-50	VALVE, RIDE CONTROL.....	3160-15A
TRANSMISSION TO FRONT DIFFERENTIAL DRIVE		VALVE, SECONDARY FUEL FILTER.....	0420-4
SHAFTS.....	0325-2	VALVE, SOLENOID, PARK BRAKE.....	1100-2
TRANSMISSION WIRING HARNESS.....	1674-10	VALVE, STEERING, BRACKET.....	0962-4
TRANSMISSION, FRAME COVER.....	1913-4	VENTED SIDE PANEL LATCH.....	1911-2
TRANSMISSION, REMANUFACTURED.....	0350-2	VENTED SIDE PANELING.....	1911-2
TRAY, ASH.....	1810-32	VISOR, SUN.....	1810-33
TRIM AND LABELS.....	1320-4		
TRIM, CAB DECK.....	1810-30	W	
TRUNION, REAR AXLE.....	0242-4	WARNING ALARM, BACK-UP.....	2004-2
TUBE, AIR CLEANER.....	0520-4		
TUBE, AIR PRECLEANER.....	0520-2		
TUBE, ENGINE OIL DIPSTICK.....	0407-3		
TUBE, ENGINE OIL FILL.....	0402-2		
TUBE, ENGINE OIL FILL			
844J AUXILIARY OIL TUBE.....	0402-3A		

ALPHABETICAL INDEX - CONTINUED

PAGE

PAGE

WARNING ALARM, HORN.....	2004-4
WARNING LABEL (FRENCH).....	1320-6
WARNING LABEL (SPANISH).....	1320-8
WARNING SEAT BELT LABEL (FRENCH).....	1320-6
WARNING SEAT BELT LABEL (SPANISH).....	1320-8
WASHER, ENGINE THRUST.....	0401-3
WATER PUMP.....	0417-2
WEAR PLATES KIT, ROCK BUCKET.....	3102-16
WEAR PLATES KIT, 7.25 YARD BUCKET.....	3102-18
WEAR PLATES KIT, 7.75 YARD BUCKET.....	3102-20
WEDGE, ROCK KICKER.....	3102-24
WHEEL.....	0110-2
WHEEL BOLT.....	0210-4
WHEEL NUT.....	0110-2
WHEEL, ENGINE SPEED SENSOR.....	0401-2
WHEEL, STEERING.....	0962-2
WINDOW WASHER PUMP.....	1810-40
WINDOW WASHER TANK.....	1810-40
WINDOW WASHER TANK CAP.....	1810-40
WINDOW WASHER, FRONT AND REAR.....	1810-40
WINDOWS.....	1810-26
WINDSHIELD WIPER (FRONT).....	1810-12
WINDSHIELD WIPER, REAR.....	1810-8
WIPER ARM (FRONT).....	1810-12
WIPER BLADE.....	1810-8
WIPER BLADE (FRONT).....	1810-12
WIPER CAB SWITCH.....	1810-10
WIPER MOUNTING BRACKETS.....	1810-10
WIRING HARNESS.....	1674-10
WIRING HARNESS, CAB.....	1674-12
WIRING HARNESS, ENGINE.....	1674-10
WIRING HARNESS, ENGINE FRAME.....	1674-10
WIRING HARNESS, EUI (ENGINE).....	0413-2
WIRING HARNESS, FRONT CONSOLE.....	1674-4
WIRING HARNESS, FUEL PRIMER PUMP.....	0420-4
WIRING HARNESS, GLOW PLUGS.....	0505-6
WIRING HARNESS, JOYSTICK CONTROLLER.....	0974-2
WIRING HARNESS, LOAD CENTER.....	1674-12
WIRING HARNESS, LOADER FRAME.....	1674-10
WIRING HARNESS, PIN DISCONNECT.....	3160-18
WIRING HARNESS, RADIO.....	2001-2
WIRING HARNESS, REAR FRAME.....	1674-10
WIRING HARNESS, RIDE CONTROL.....	3160-14
WIRING HARNESS, TRANSMISSION.....	1674-10
WIRING, A/C AND HEATER BLOWER.....	1674-9
WIRING, HVAC.....	1674-9
WORK LIGHT BRACKET, CAB.....	1673-2
WORK LIGHT BRACKET, FRONT.....	1673-6
WORK LIGHT BRACKET, REAR.....	1673-4
WORK LIGHTS, CAB.....	1673-2
WORK LIGHTS, FRONT.....	1673-6
WORK LIGHTS, REAR.....	1673-4
WRIST ARM REST, RIGHT.....	1810-18

Y

Y-DUCT, HEATING AND AIR CONDITIONING.....	1830-4
YOKE, TRANSMISSION ENGINE CONNECT.....	0350-6

0110-1

844J LOADER

POWERED WHEELS AND FASTENINGS 0110

MEMORANDA
MEMORANDA
MEMORANDA

0110-2

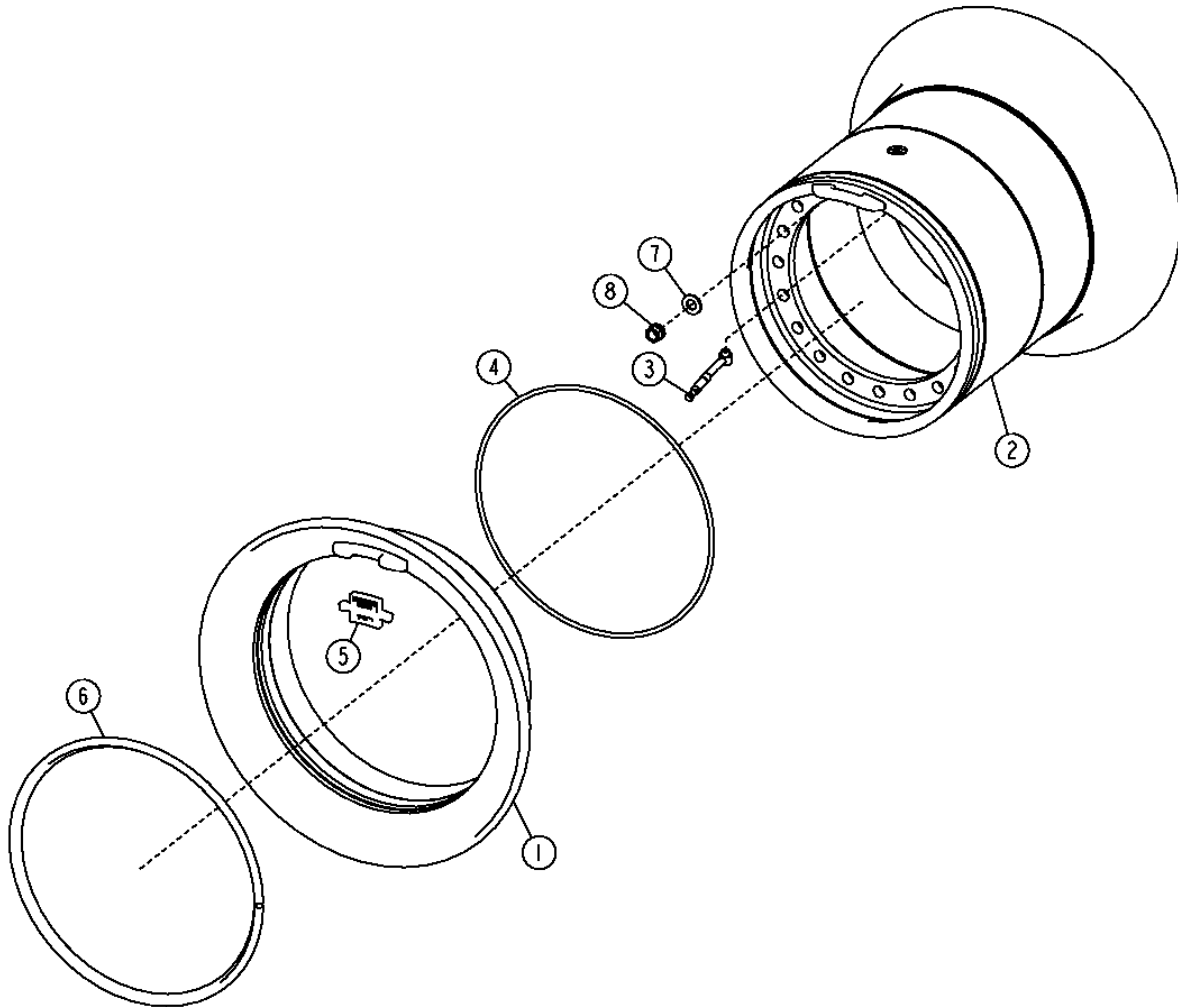
844J LOADER

POWERED WHEELS AND FASTENINGS 0110

WHEEL
ROUES
RUEDAS

T212266

-UN-05JUL05



T212266

0110-3

844J LOADER

POWERED WHEELS AND FASTENINGS 0110

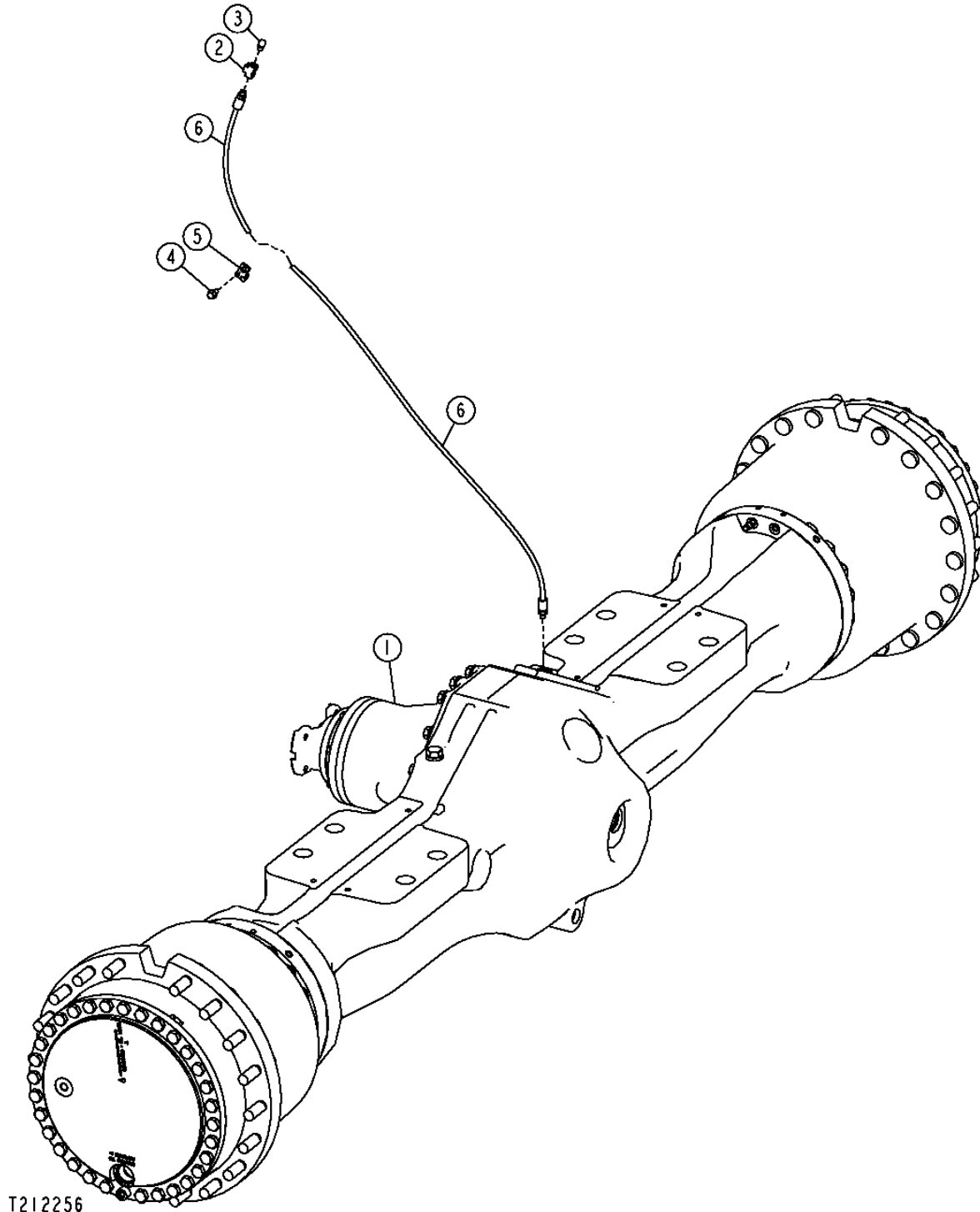
WHEEL
ROUES
RUEDAS

KEY	PART NO.	PART NAME	QTY.	SERIAL NO.	REMARKS
1	AT312800	WHEEL RING	1		
2	AT312833	WHEEL	1		
3	AT324166	TIRE VALVE STEM	1		
4	R29480	O-RING	1		
5	T210127	DRIVER	1		
6	T210133	WHEEL RING	1		
7	T19572	WASHER	19		
8	T213295	NUT	19		

0201-2

FRONT AXLE
TRAIN AVANT
EJE DELANTERO

T212256 -UN-06JUL05



T212256

0201-3

AXLES AND SUSPENSION SYSTEMS 2
DRIVE AXLE HOUSING AND SUPPORT 0201

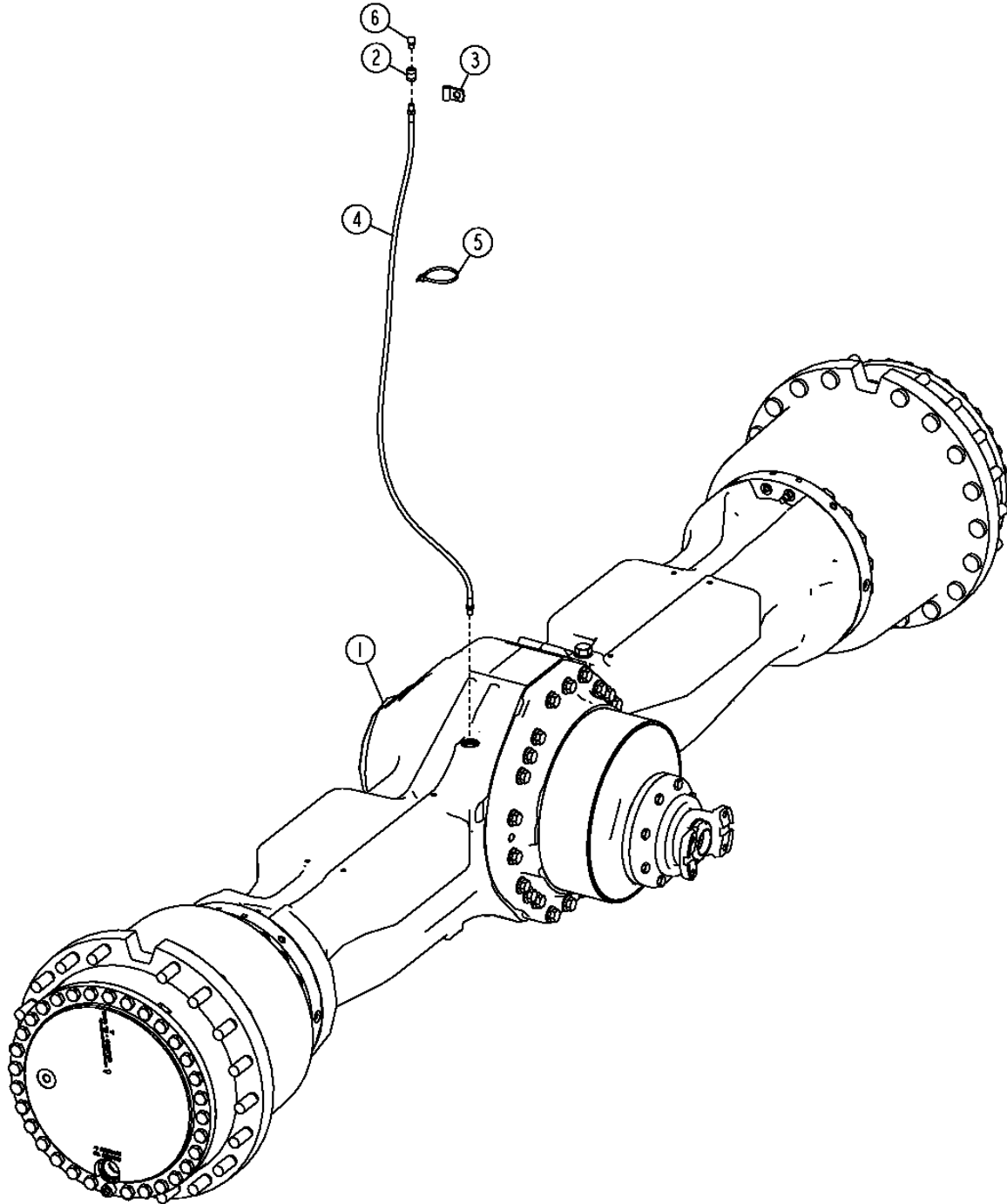
**FRONT AXLE
TRAIN AVANT
EJE DELANTERO**

KEY	PART NO.	PART NAME	QTY.	SERIAL NO.	REMARKS
1	AT304584	FRONT AXLE	1		(STD) (REMAN)
	AT304582	FRONT AXLE	1		(LS) (REMAN)
2	15H84	COUPLING	1		(SUB FOR N194168)
3	RE62981	PRESSURE RELIEF VALVE	1		
4	19M7865	SCREW	1		M8 X 16
5	T78974	CLAMP	2		
6	AT64886	HYDRAULIC HOSE	1		

0201-4

REAR AXLE
ESSIEU AVANT
EJE TRASERO

T212258 -UN-06JUL05



T212258

0201-5

AXLES AND SUSPENSION SYSTEMS 2
DRIVE AXLE HOUSING AND SUPPORT 0201

REAR AXLE
ESSIEU AVANT
EJE TRASERO

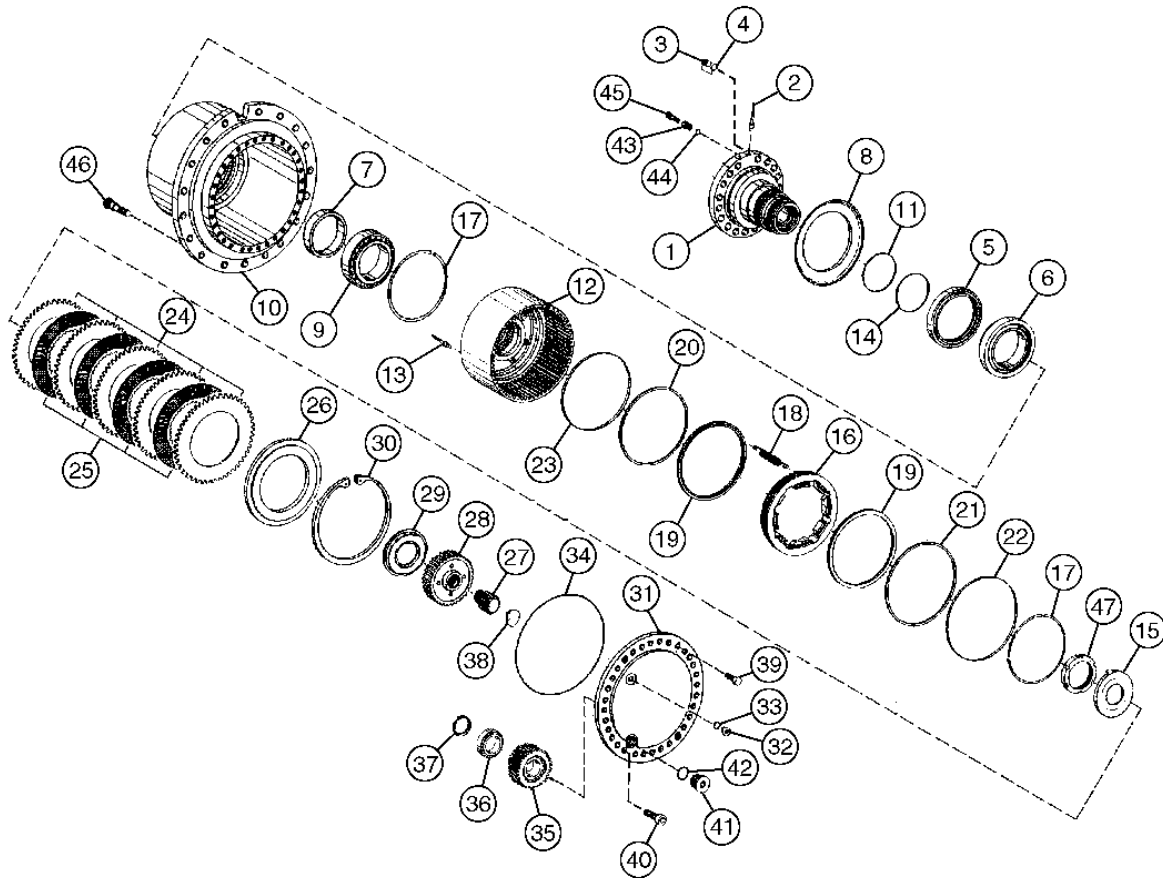
KEY	PART NO.	PART NAME	QTY.	SERIAL NO.	REMARKS
1	AT304585	REAR AXLE	1		(STD) (REMAN)
	AT304583	REAR AXLE	1		(LS) (REMAN)
2	15H84	COUPLING	1		
3	AH76883	CLIP	1		
4	AT207023	HYDRAULIC HOSE	1		
5	R44302	TIE BAND	1		
6	RE62981	PRESSURE RELIEF VALVE	1		

0210-2

AXLE WHEEL HEAD ASSEMBLY ENGRENAGES REDUCTEURS ENGRANAJES DE MANDO FINAL

T212259

-UN-26AUG05



T212259

0210-3

AXLES AND SUSPENSION SYSTEMS 2

DIFFERENTIAL OR BEVEL DRIVE 0210

AXLE WHEEL HEAD ASSEMBLY ENGRENAGES REDUCTEURS ENGRANAJES DE MANDO FINAL

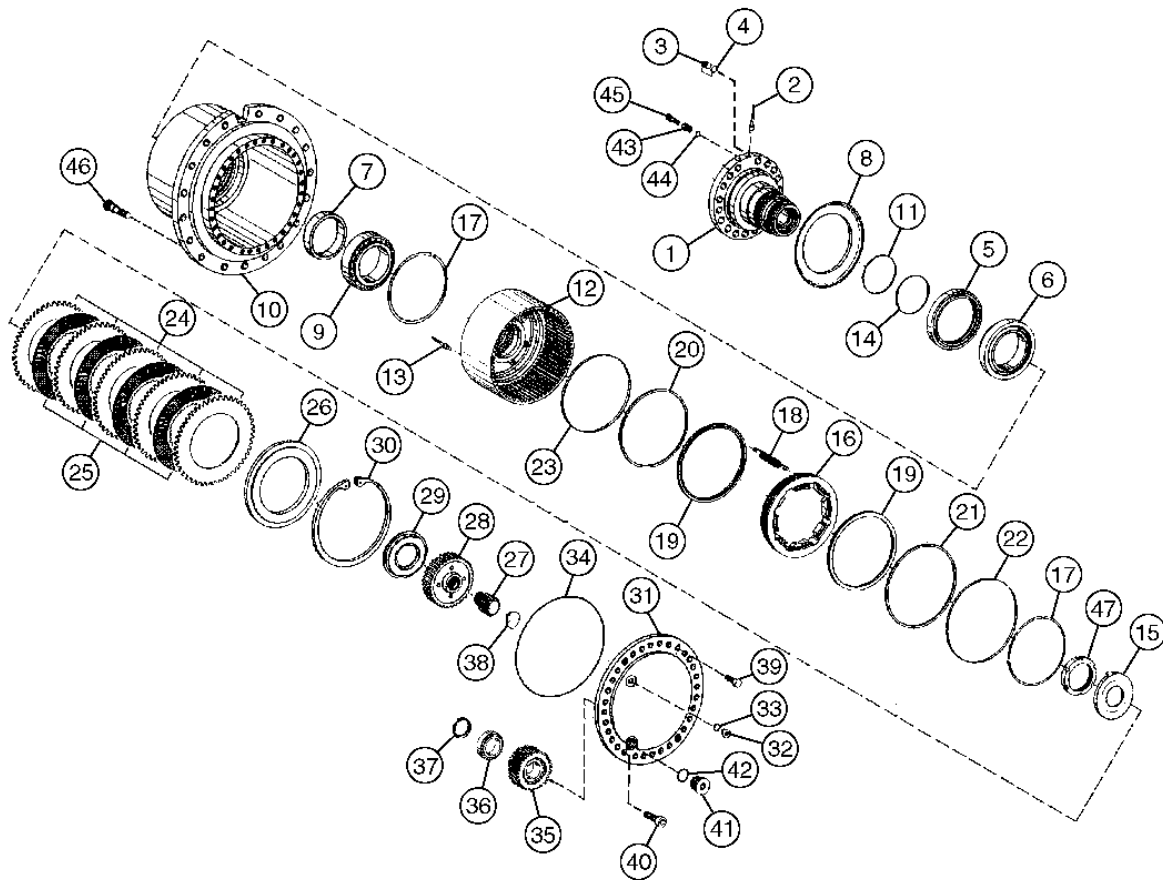
KEY	PART NO.	PART NAME	QTY.	SERIAL NO.	REMARKS
1	T216009	HUB SET	1		
	T216010	HUB SET	1		
2	T215988	PLUG	5		
3	T122803	FITTING PLUG	1		
4	Z29864	O-RING	1		
5	T197951	SEAL	1		
6	T197972	TAPERED ROLLER BEARING	1		
7	T216011	SPACER	1		(M 20)
	T216015	SPACER	1		(M 19.6)
	T216016	SPACER	1		(M 19.5)
	T197936	SPACER	1		(M 20.1)
	T197937	SPACER	1		(M 20.2)
	T197938	SPACER	1		(M 20.3)
	T197939	SPACER	1		(M 20.4)
	T197940	SPACER	1		(M 20.5)
	T197941	SPACER	1		(M 20.6)
	T197943	SPACER	1		(M 20.8)
	T197945	SPACER	1		(M 21)
8	T216022	CAP	1		
9	T197970	BEARING	1		
10	T216023	HOUSING	1		
11	T197839	O-RING	1		
12	T223246	GEAR	1		(SUB FOR T216024)
13	T216025	PLUG	2		
14	T197840	O-RING	1		
15	T216026	LOCK PLATE	1		
16	T216027	PISTON	1		
17	T216028	SNAP RING	2		
18	T197949	EXTENSION SPRING	8		

0210-4

AXLE WHEEL HEAD ASSEMBLY (CONTINUED) ENGRENAGES REDUCTEURS ENGRANAJES DE MANDO FINAL

T212259

-UN-26AUG05



T212259

0210-5

AXLES AND SUSPENSION SYSTEMS 2

DIFFERENTIAL OR BEVEL DRIVE 0210

AXLE WHEEL HEAD ASSEMBLY (CONTINUED)
ENGRENAGES REDUCTEURS
ENGRANAJES DE MANDO FINAL

KEY	PART NO.	PART NAME	QTY.	SERIAL NO.	REMARKS
19	T197950	SEAL	2		
20	T197952	BACK-UP RING	1		
21	T197953	BACK-UP RING	1		
22	T197818	GUIDE	1		
23	T197817	GUIDE	1		
24	T217757	PLATE	5		(M 4.5) (AT322993 NOT USED THIS APPL)
	T217758	PLATE	5		(M 5.0) (AT322996 NOT USED THIS APPL)
	T217760	PLATE	5		(M 5.5) (AT322997 NOT USED THIS APPL)
	T216195	PLATE	5		(M 4.8)
25	AT325657	CLUTCH DISK	4		
26	T216039	SHIM	1		
27	T216040	PINION SHAFT	1		Z = 17
28	T216041	HUB	1		
29	T215984	RING	1		
30	T197833	SNAP RING	1		
31	T216042	PLANET PINION CARRIER	1		
32	T122803	FITTING PLUG	1		M16 X 1.5
33	Z29864	O-RING	1		
34	T197838	O-RING	1		
35	T216043	PLANET PINION	4		Z = 35
36	T216044	CYLINDRICAL ROLLER BEARING	4		
37	40M7120	SNAP RING	4		(T197832 NOT USED THIS APPL)
38	T197932	THRUST WASHER	1		(M 6.5)
	T197931	THRUST WASHER	1		(M 6.2)
	T197930	THRUST WASHER	1		(M 5.9)
	T197933	THRUST WASHER	1		(M 5.0)
	T197934	THRUST WASHER	1		(M 5.3)
	T197935	THRUST WASHER	1		(M 5.6)
39	T197846	CAP SCREW	31		M16 X 50
40	T197850	CAP SCREW	1		M16 X 50
41	AT192227	FITTING	1		M42 X 1.5 (R73581 NOT USED THIS APPL)
42	R82199	O-RING	1		
43	T197861	CAP SCREW	1		
44	T164704	O-RING	1		
45	AT228812	BLEED VALVE	1		
46	AT321665	STUD	19		M22 X 1.5
47	T228151	NUT	1		

0210-6

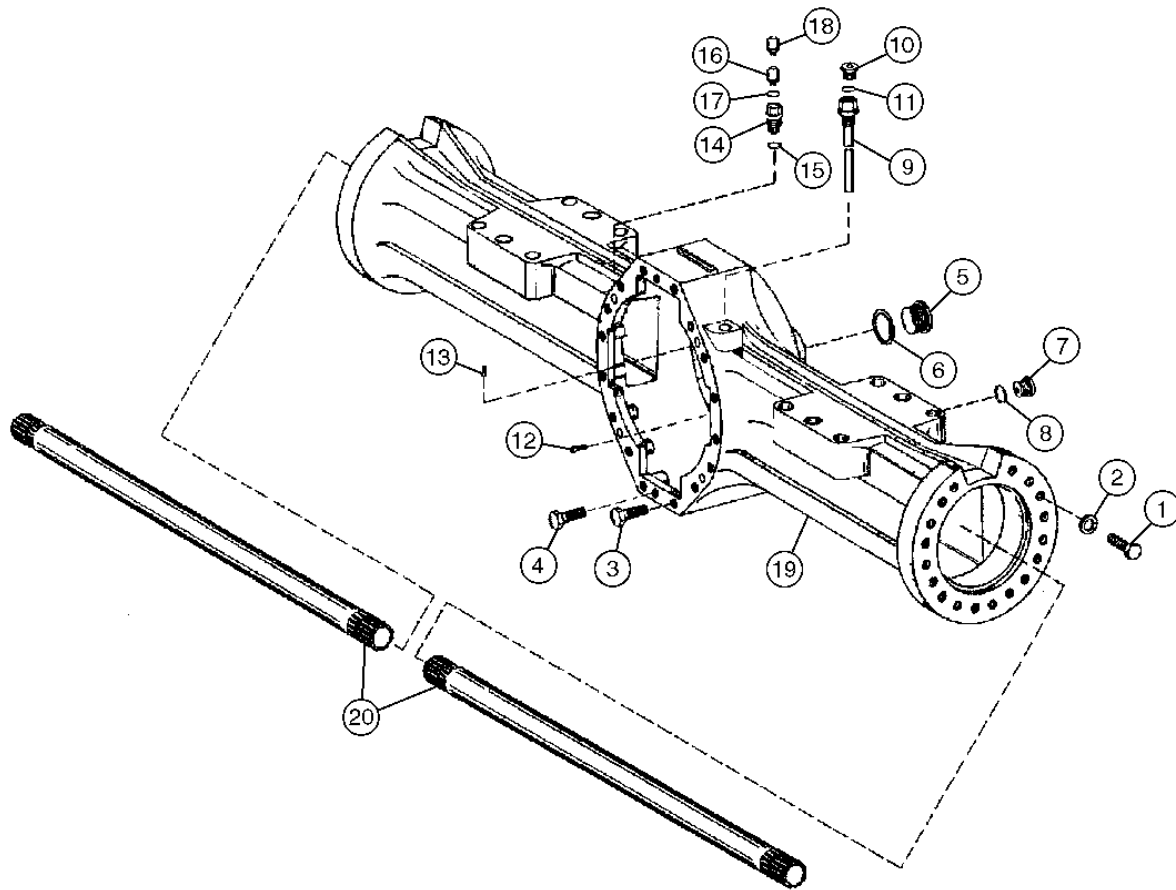
AXLES AND SUSPENSION SYSTEMS 2

DIFFERENTIAL OR BEVEL DRIVE 0210

FRONT AXLE HOUSING ASSEMBLY ARBRE ET TROMPETTE D'ESSIEU AVANT CAJA Y ARBOL DEL EJE DELANTERO

T212260

-UN-16JUN05



T212260

0210-7

AXLES AND SUSPENSION SYSTEMS 2

DIFFERENTIAL OR BEVEL DRIVE 0210

**FRONT AXLE HOUSING ASSEMBLY
ARBRE ET TROMPETTE D'ESSIEU AVANT
CAJA Y ARBOL DEL EJE DELANTERO**

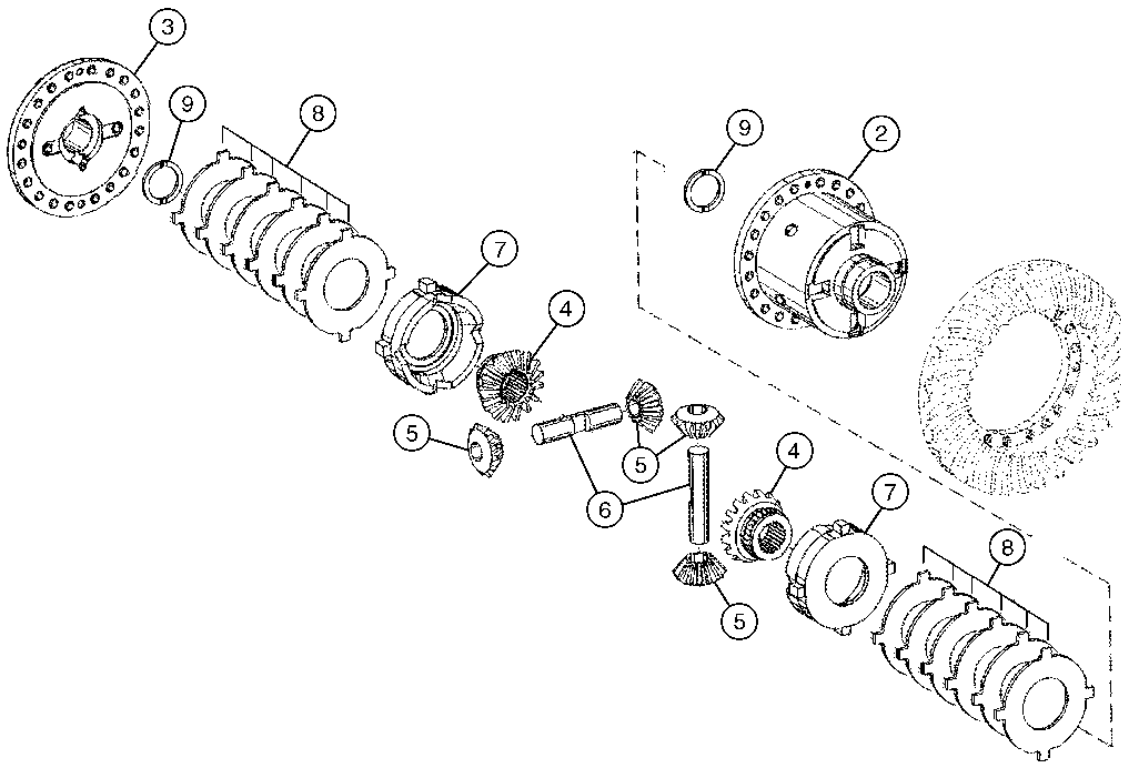
KEY	PART NO.	PART NAME	QTY.	SERIAL NO.	REMARKS
1	T197830	CAP SCREW	36		M24 X 80
2	T197928	WASHER	36		25X40X4
3	T197965	CAP SCREW	14		M16 X 50
4	T197966	CAP SCREW	4		M16 X 55
5	T197853	DRAIN PLUG	1		M42 X 1.5
6	R82199	O-RING	1		
7	R79496	FITTING PLUG	1		M24 X 1.5
8	T197836	O-RING	1		
9	T215989	LINE	1		
10	15M7045	DRAIN PLUG	1		
11	AT260901	O-RING	1		
12	T197847	CAP SCREW	2		M8 X 12
13	T197854	CAP SCREW	2		M6 X 10
14	T197979	FITTING	1		
15	T197836	O-RING	1		
16	T168796	PLUG	1		
17	51M7014	SEALING RING	1		(SUB FOR TTZF140070)
18	AL32877	VENT	1		
19	T215992	HOUSING	1		
20	T215993	SHAFT	2		

0210-8

STANDARD DIFFERENTIAL CARRIER ASSEMBLY PIGNONS DU DIFFERENTIEL TRABA DEL DIFERENCIAL

T212261

-UN-22AUG05



T212261

0210-9

AXLES AND SUSPENSION SYSTEMS 2

DIFFERENTIAL OR BEVEL DRIVE 0210

**STANDARD DIFFERENTIAL CARRIER ASSEMBLY
PIGNONS DU DIFFERENTIEL
TRABA DEL DIFERENCIAL**

KEY	PART NO.	PART NAME	QTY.	SERIAL NO.	REMARKS
2	T215980	HOUSING	1		
3	T215981	HOUSING	1	(A)	
4	T215982	BEVEL GEAR	2		
5	T198025	BEVEL GEAR	4	Z=9	
6	T197985	SHAFT	2		
7	T215983	HOUSING	2		
8	T197981	PLATE	12	(M 4)	
	T197983	PLATE	12	(M 3.9)	
	T197984	PLATE	12	(M 4.1)	
	T216128	PLATE	12	(M 3.7)	
9	T215985	THRUST WASHER	2		

(A) COVER
(A) COUVERCLE
(A) TAPADERA

0210-10

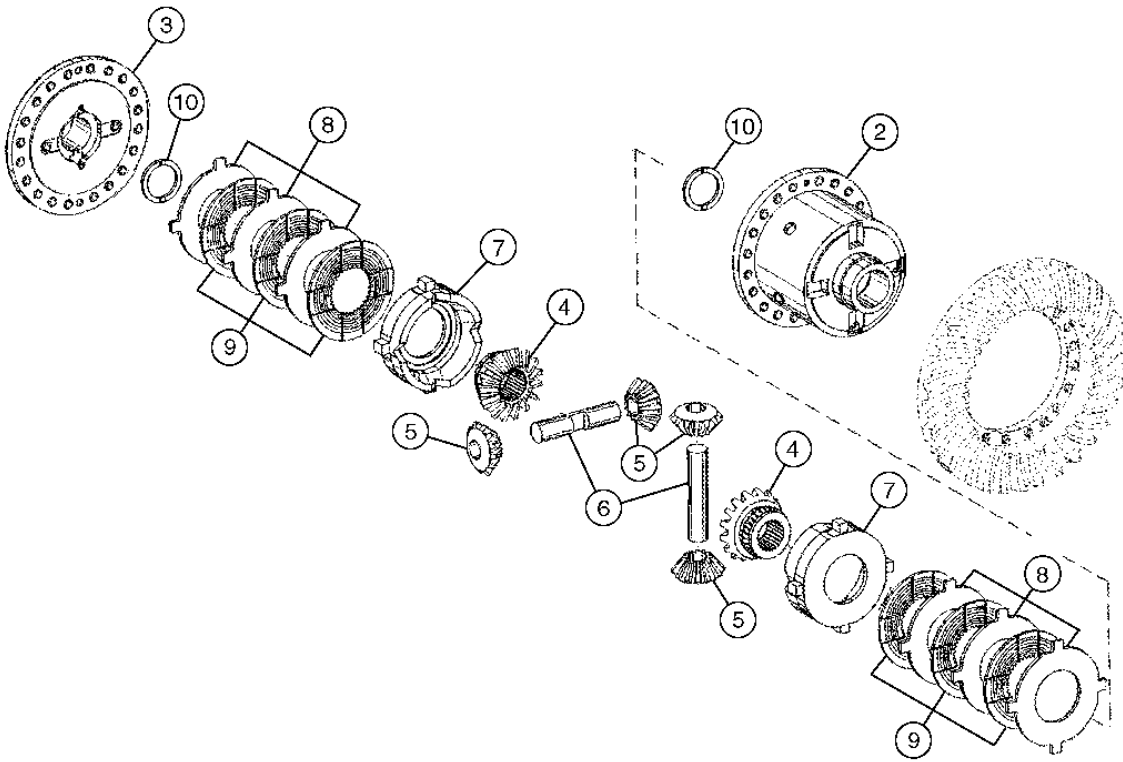
AXLES AND SUSPENSION SYSTEMS 2

DIFFERENTIAL OR BEVEL DRIVE 0210

LIMITED SLIP DIFFERENTIAL CARRIER ASSEMBLY
VERROU ET PIGNONS DU DIFFERENTIEL
ENGRANAJES Y TRABA DEL DIFERENCIAL

T212263

-UN-22AUG05



T212263

0210-11

AXLES AND SUSPENSION SYSTEMS 2

DIFFERENTIAL OR BEVEL DRIVE 0210

**LIMITED SLIP DIFFERENTIAL CARRIER ASSEMBLY
VERROU ET PIGNONS DU DIFFERENTIEL
ENGRANAJES Y TRABA DEL DIFERENCIAL**

KEY	PART NO.	PART NAME	QTY.	SERIAL NO.	REMARKS
2	T215980	HOUSING	1		
3	T215981	HOUSING	1	(A)	
4	T215982	BEVEL GEAR	2		
5	T198025	BEVEL GEAR	4		
6	T197985	SHAFT	2		
7	T215983	HOUSING	2		
8	T197981	PLATE	6	(M 4)	
	T197983	PLATE	6	(M 3.9)	
	T197984	PLATE	6	(M 4.1)	
	T216128	PLATE	6		
9	T197986	CLUTCH DISK	6		
10	T215985	THRUST WASHER	2		

(A) COVER

(A) COUVERCLE

(A) TAPADERA

0210-12

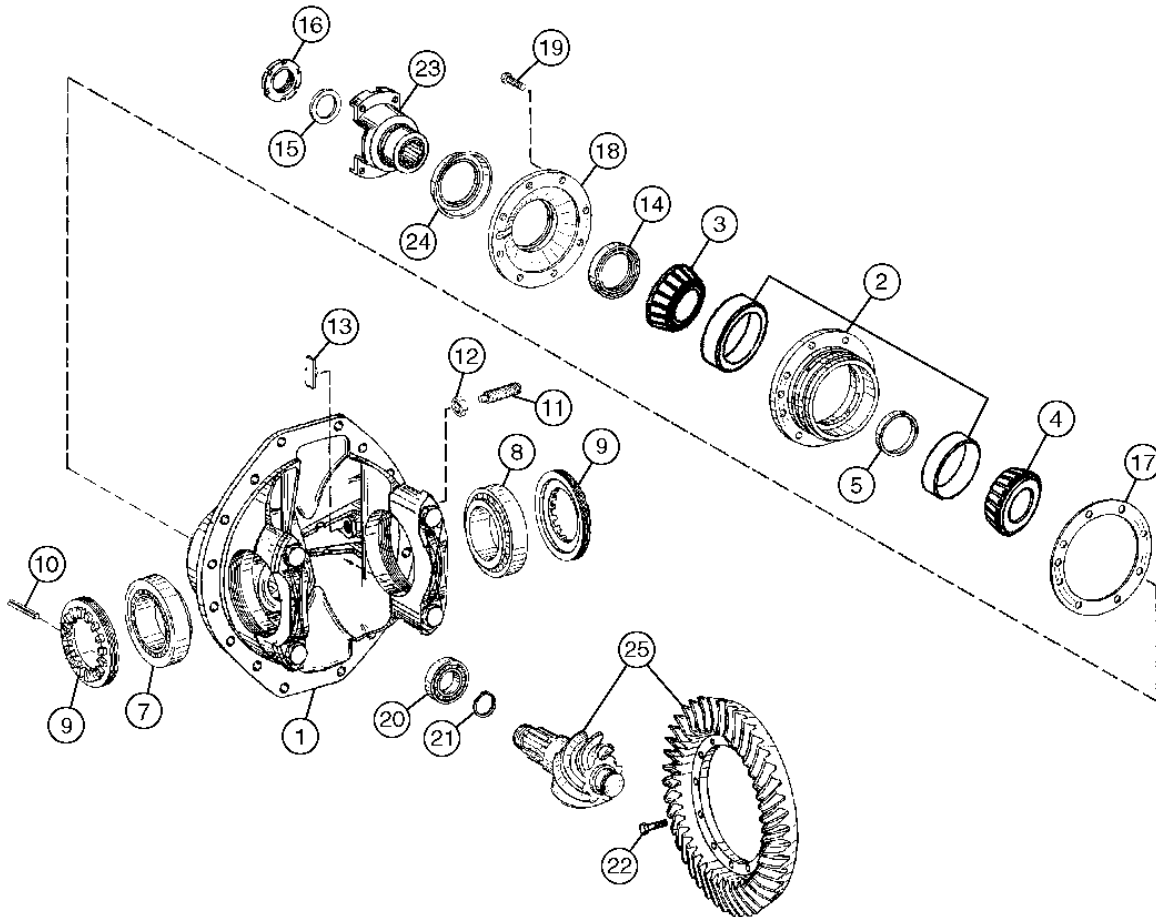
AXLES AND SUSPENSION SYSTEMS 2

DIFFERENTIAL OR BEVEL DRIVE 0210

FRONT AXLE DIFFERENTIAL INSERT ASSEMBLY ARBRES ET CARTERS D'ESSIEU AVANT ALOJAMIENTOS Y YRBOLES DEL EJE DELANTERO

T212262

-UN-26AUG05



T212262

0210-13

AXLES AND SUSPENSION SYSTEMS 2

DIFFERENTIAL OR BEVEL DRIVE 0210

**FRONT AXLE DIFFERENTIAL INSERT ASSEMBLY
ARBRES ET CARTERS D'ESSIEU AVANT
ALOJAMIENTOS Y YRBOLES DEL EJE DELANTERO**

KEY	PART NO.	PART NAME	QTY.	SERIAL NO.	REMARKS
1	AT322968	HOUSING	1		
2	T215958	BEARING HOUSING W/O BEARING	1		ASSY
3	T197955	BEARING CONE	1		
4	T215959	BEARING CONE	1		
5	T198009	SPACER	1		(M 14.4)
	T198008	SPACER	1		(M 14.3)
	T198007	SPACER	1		(M 14.2)
	T198006	SPACER	1		(M 14.1)
	T198005	SPACER	1		(M 14)
	T197993	SPACER	1		(M 13.8)
	T197998	SPACER	1		(M 13.6)
	T197999	SPACER	1		(M 13.5)
	T198000	SPACER	1		(M 13.4)
	T198001	SPACER	1		(M 13.3)
	T198002	SPACER	1		(M 13.2)
	T198003	SPACER	1		(M 13.1)
7	T215961	TAPERED ROLLER BEARING	1		
8	T215962	TAPERED ROLLER BEARING	1		
9	T215963	NUT	2		
10	34M5477	SPRING PIN	2		10 X 55 MM
11	T197992	SCREW	1		
12	T197856	NUT	1		M22 X 1.5
13	T197991	BEARING	1		
14	AT195588	SEAL	1		
15	T215965	WASHER	1		
16	AT258624	NUT	1		
17	T159492	SHIM	1		(M 1)
	T159493	SHIM	1		(M 0.5)
	T159494	SHIM	1		(M 0.3)
	T159495	SHIM	1		(M 0.1)
	T159496	SHIM	1		(M 0.15)
	T159497	SHIM	1		(M 0.2)
	SHIM	1		(T215966 NO LONGER AVAILABLE)
	SHIM	1		(T215970 NO LONGER AVAILABLE)
	SHIM	1		(T215971 NO LONGER AVAILABLE)
	SHIM	1		(T215973 NO LONGER AVAILABLE)
18	T215977	COVER	1		
19	19M7376	CAP SCREW	1		M8 X 22
20	T197957	CYLINDRICAL ROLLER BEARING	1		
21	40M7058	SNAP RING	1		
22	T215960	SELF-LOCKING SCREW	24		M16X1.5X60
23	T215978	UNIVERSAL JOINT YOKE	1		
24	T215979	CAP	1		
25	T215986	BEVEL GEAR DRIVE	1		ASSY

0210-14

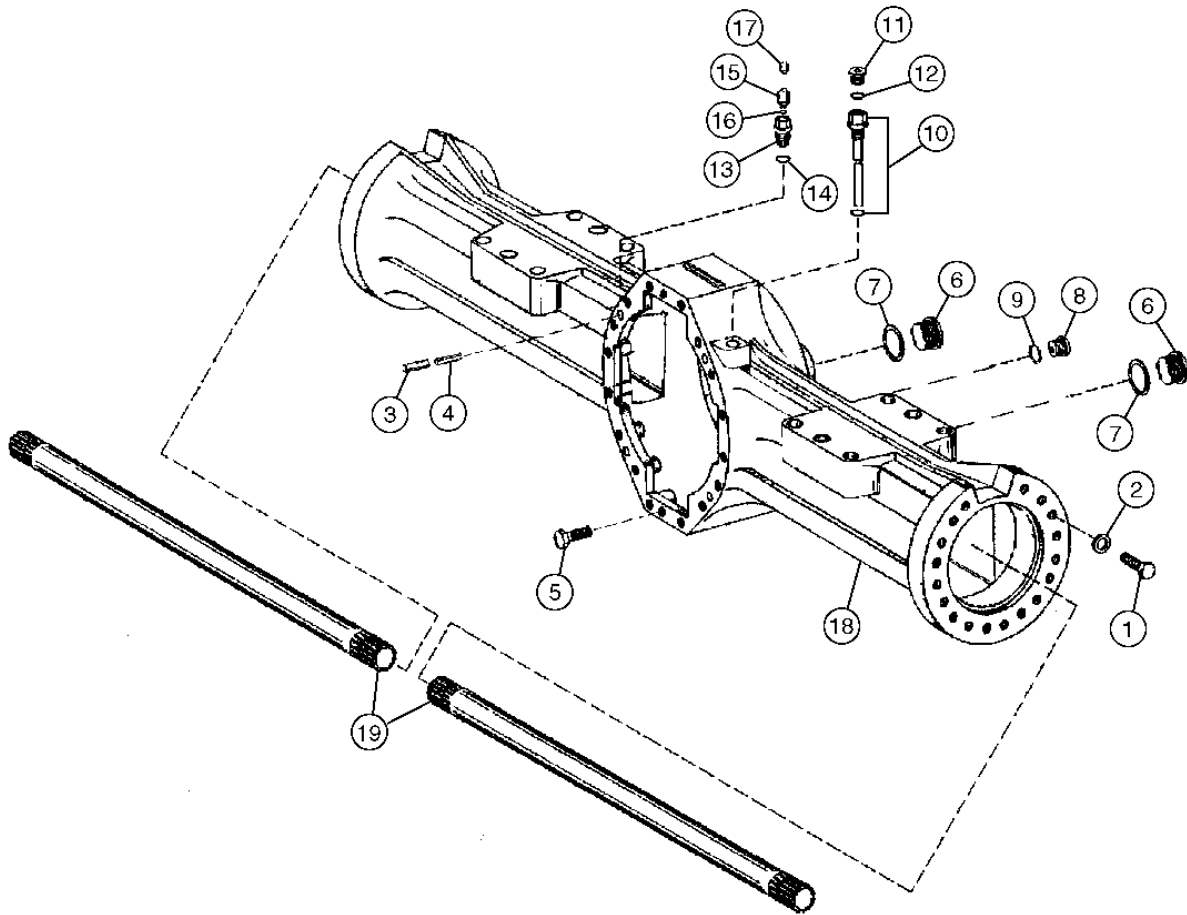
AXLES AND SUSPENSION SYSTEMS 2

DIFFERENTIAL OR BEVEL DRIVE 0210

REAR AXLE HOUSING ASSEMBLY ARBRE D'ENTRAINEMENT ET CARTER ARRIERE EJE DE MANDO TRASERA Y CAJA

T212264

-UN-21JUN05



T212264

0210-15

AXLES AND SUSPENSION SYSTEMS 2

DIFFERENTIAL OR BEVEL DRIVE 0210

REAR AXLE HOUSING ASSEMBLY
ARBRE D'ENTRAINEMENT ET CARTER ARRIERE
EJE DE MANDO TRASERA Y CAJA

KEY	PART NO.	PART NAME	QTY.	SERIAL NO.	REMARKS
1	T197830	CAP SCREW	36		
2	T197928	WASHER	36		
3	T159358	SPRING PIN	2		(M 16X40)
4	T159359	SPRING PIN	2		(M 10X40)
5	T217676	CAP SCREW	20		M16 X 75
6	AT321746	PLUG	2		
7	R82199	O-RING	2		
8	R79496	FITTING PLUG	1		
9	R82198	O-RING	1		
10	T215989	LINE	1		
11	15M7045	DRAIN PLUG	1		
12	AT260901	O-RING	2		
13	T197979	FITTING	2		
14	R82198	O-RING	1		
15	T168796	PLUG	1		
16	51M7014	SEALING RING	1		(SUB FOR TTZF140070)
17	AL32877	VENT	1		
18	T216197	HOUSING	1		
19	T215993	SHAFT	2		

0210-16

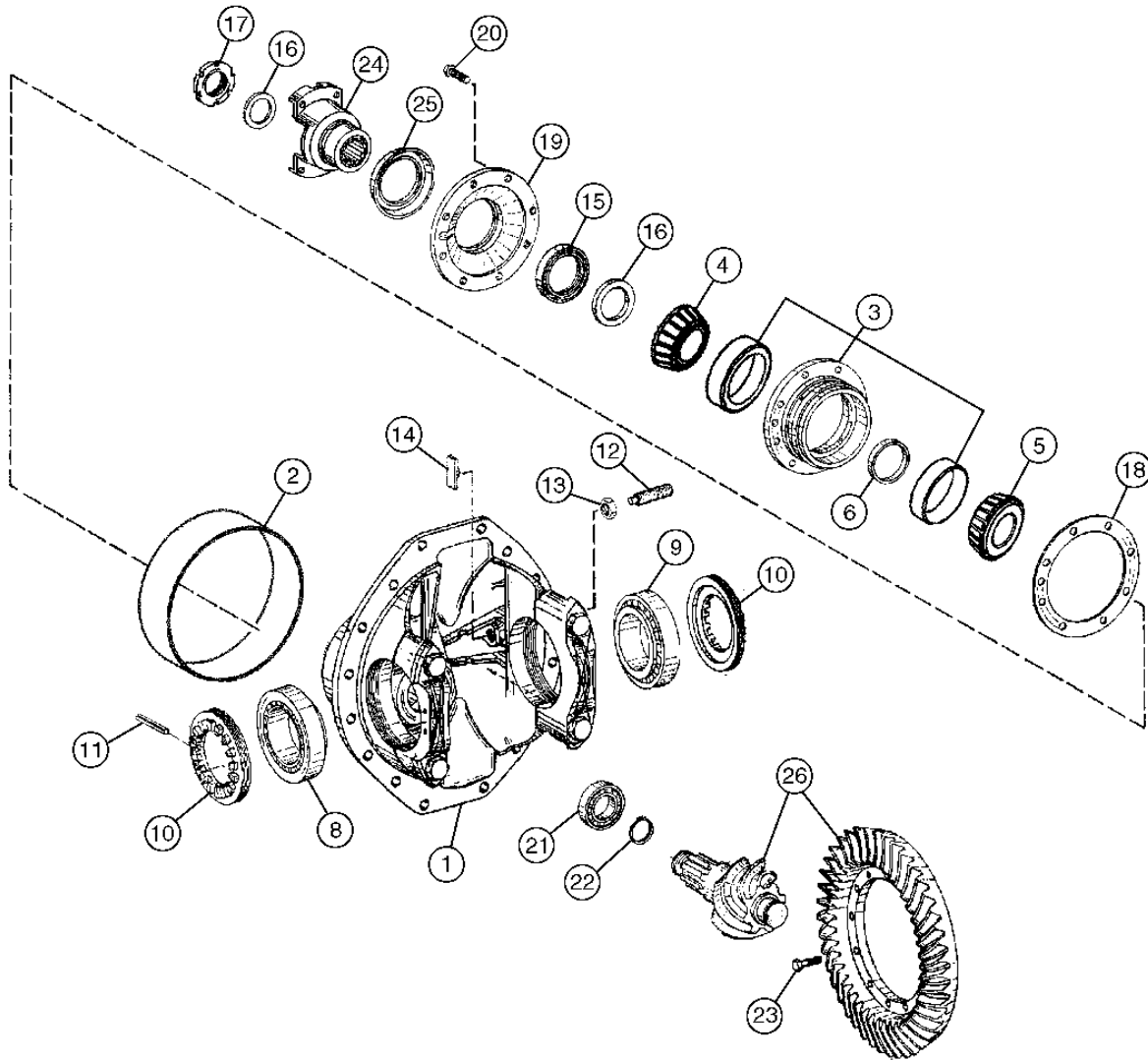
AXLES AND SUSPENSION SYSTEMS 2

DIFFERENTIAL OR BEVEL DRIVE 0210

REAR AXLE DIFFERENTIAL INSERT ASSEMBLY ARBRES ET CARTERS DESSIEU ARRIERE ALOJAMIENTOS Y YRBOLES DEL EJE TRASERO

T212265

-UN-26AUG05



T212265

0210-17

AXLES AND SUSPENSION SYSTEMS 2

DIFFERENTIAL OR BEVEL DRIVE 0210

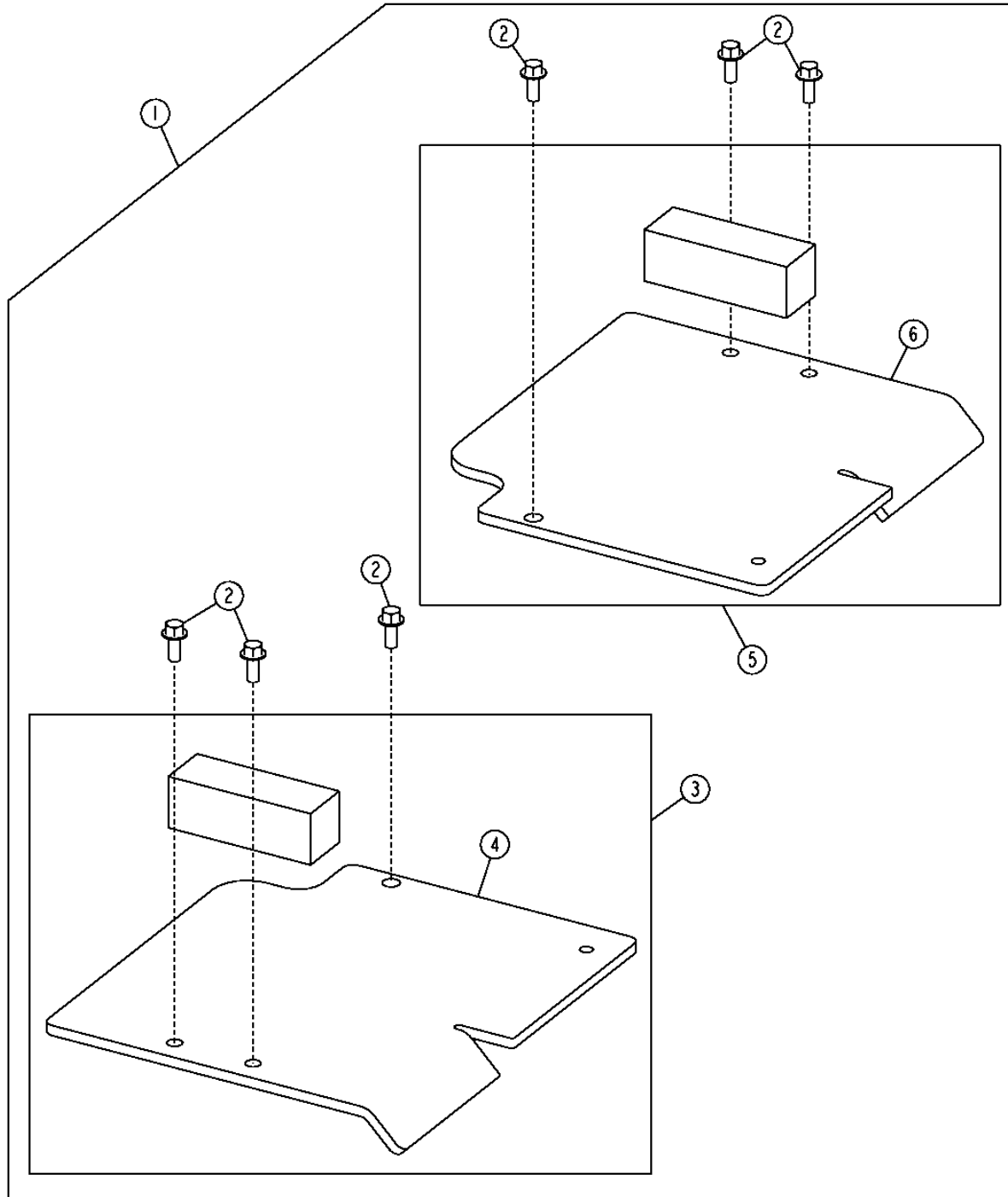
**REAR AXLE DIFFERENTIAL INSERT ASSEMBLY
ARBRES ET CARTERS DESSIEU ARRIERE
ALOJAMIENTOS Y YRBOLES DEL EJE TRASERO**

KEY	PART NO.	PART NAME	QTY.	SERIAL NO.	REMARKS
1	AT323066	HOUSING	1		
2	T229900	SLEEVE	1		(SUB FOR T197860)
3	T215958	BEARING HOUSING W/O BEARING	1		ASSY
4	T197955	BEARING CONE	1		
5	T215959	BEARING CONE	1		(M 14.4)
6	T198009	SPACER	1		(M 14.4)
	T198008	SPACER	1		(M 14.3)
	T198007	SPACER	1		(M 14.2)
	T198006	SPACER	1		(M 14.1)
	T198005	SPACER	1		(M 14)
	T197993	SPACER	1		(M 13.8)
	T197998	SPACER	1		(M 13.6)
	T197999	SPACER	1		(M 13.5)
	T198000	SPACER	1		(M 13.4)
	T198001	SPACER	1		(M 13.3)
	T198002	SPACER	1		(M 13.2)
	T198003	SPACER	1		(M 13.1)
8	T215961	TAPERED ROLLER BEARING	1		
9	T215962	TAPERED ROLLER BEARING	1		
10	T215963	NUT	2		
11	34M5477	SPRING PIN	2		
12	T197992	SCREW	1		
13	T197856	NUT	1		
14	T197991	BEARING	1		
15	AT195588	SEAL	1		
16	T215965	WASHER	1		
17	AT258624	NUT	1		
18	T159492	SHIM	1		(M 1)
	T159493	SHIM	1		(M 0.5)
	T159494	SHIM	1		(M 0.3)
	T159495	SHIM	1		(M 0.1)
	T159496	SHIM	1		(M 0.15)
	T159497	SHIM	1		(M 0.2)
	SHIM	1		(M 0.6) (T215966 NO LONGER AVAILABLE)
	SHIM	1		(M 0.7) (T215970 NO LONGER AVAILABLE)
	SHIM	1		(M 0.8) (T215971 NO LONGER AVAILABLE)
	SHIM	1		(M 0.9) (T215973 NO LONGER AVAILABLE)
19	T215977	COVER	1		
20	19M7376	CAP SCREW	8		M8 X 22
21	T197957	CYLINDRICAL ROLLER BEARING	1		
22	40M7058	SNAP RING	1		
23	T215960	SELF-LOCKING SCREW	24		
24	T215978	UNIVERSAL JOINT YOKE	1		
25	T215979	CAP	1		
26	T216109	BEVEL GEAR DRIVE	1		ASSY

0242-2

AXLE STOP (8 DEGREE)
BUTEE D'ESSIEU (8 DEGRES)
TOPE DEL EJE (8 GRADOS)

T212523 -UN-24AUG05



T212523

0242-3

AXLES AND SUSPENSION SYSTEMS 2

AXLE MOUNTING PARTS 0242

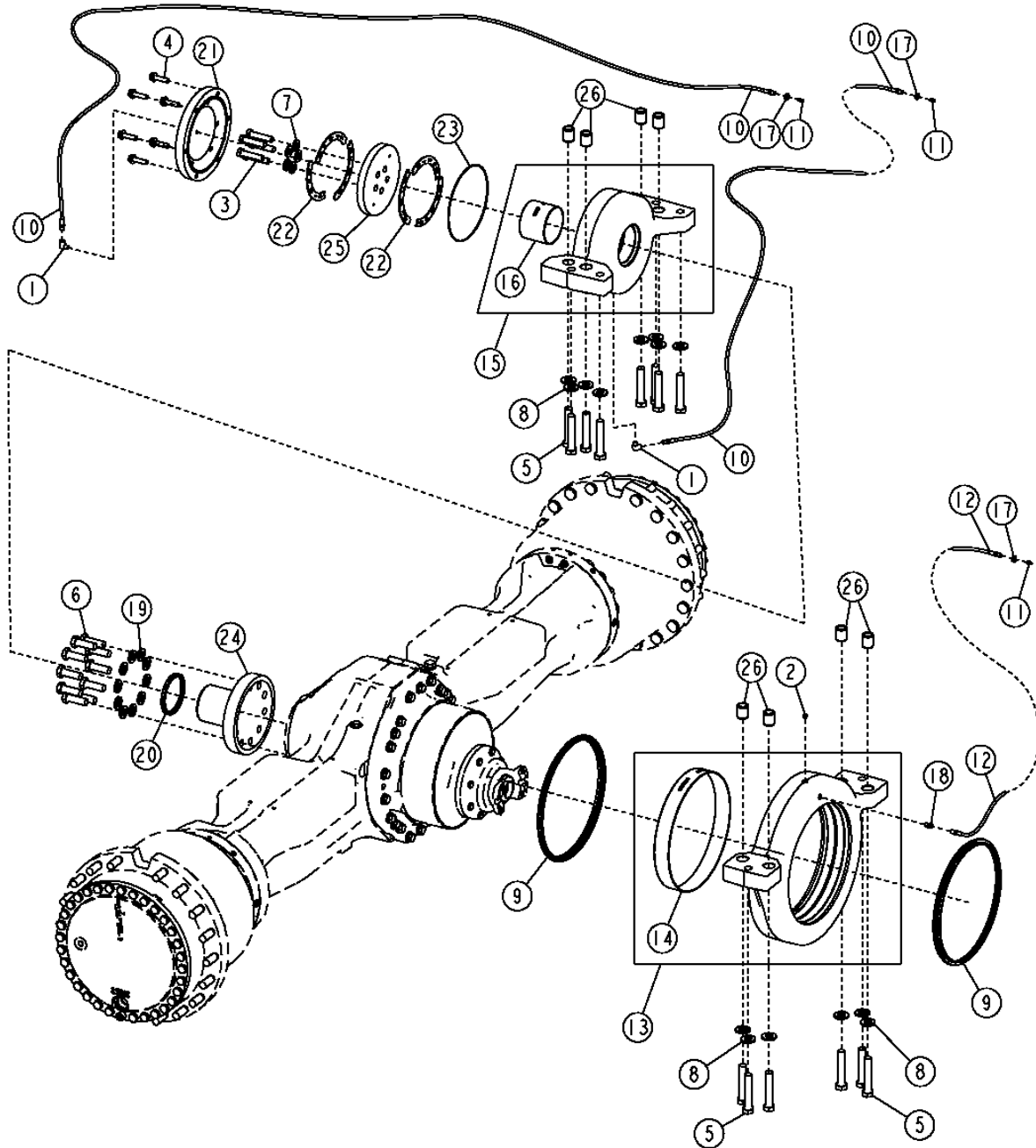
AXLE STOP (8 DEGREE)
BUTÉE D'ESSIEU (8 DEGRES)
TOPE DEL EJE (8 GRADOS)

KEY	PART NO.	PART NAME	QTY.	SERIAL NO.	REMARKS
1	STOP	1		(AT311075 NO LONGER AVAILABLE FOR SERVICE)
2	19M7785	SCREW	6		M10 X 25
3	AT312039	STOP	1		LH
4	T216791	PLATE	1		LH
5	AT312852	STOP	1		RH
6	T217275	PLATE	1		RH

0242-4

REAR AXLE MOUNT SUPPORT D'ESSIEU ARRIERE ENGANCHE DE EJE TRASERO

T212524 -UN-08JUL05



T212524

THIS PARTS LISTING IS CONTINUED

0242-5

AXLES AND SUSPENSION SYSTEMS 2

AXLE MOUNTING PARTS 0242

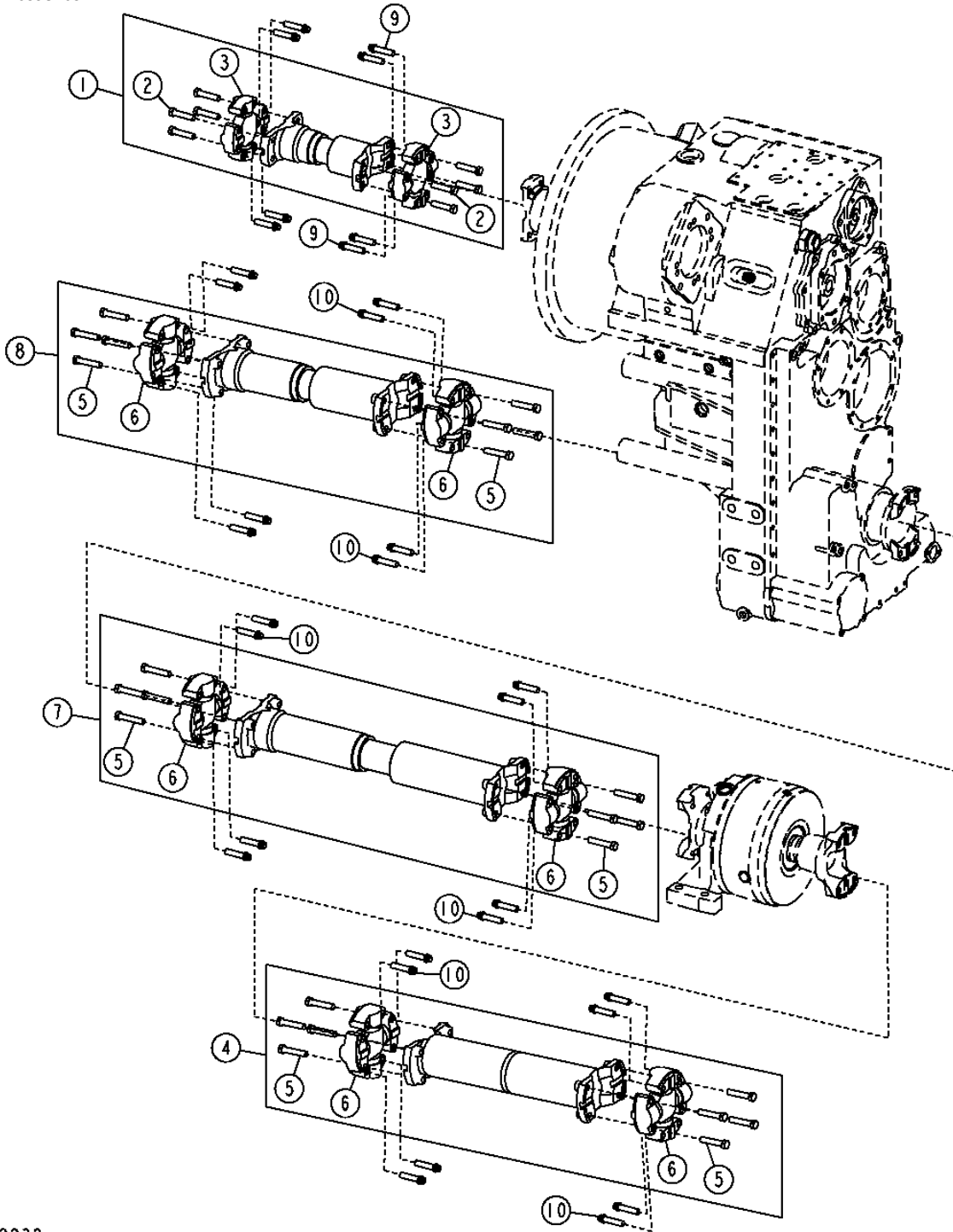
REAR AXLE MOUNT SUPPORT D'ESSIEU ARRIERE ENGANCHE DE EJE TRASERO

KEY	PART NO.	PART NAME	QTY.	SERIAL NO.	REMARKS
1	T56112	ELBOW FITTING	2		
2	15H558	PIPE PLUG	1	1/8"	
3	19M7719	CAP SCREW	5	M16 X 70	
4	19M7813	SCREW	6	M12 X 45	
5	19M7969	CAP SCREW	14	M20 X 110	
6	19M8224	CAP SCREW	10	M20 X 60	
7	24M7241	WASHER	5	17 X 34 X 4 MM	
8	24M7242	WASHER	14	21.400 X 42 X 5 MM	
9	AT309459	SEAL	2		
10	AT313927	HYDRAULIC HOSE	2	1/8" X 3 165 MM X 1/8"	
11	JD7797	LUBRICATION FITTING	3		
12	AT313932	HYDRAULIC HOSE	1	1/8" X 2 050 MM X 1/8"	
13	AT323886	FRONT AXLE SUPPORT	1		
14	T207772	BEARING	1		
15	AT323887	REAR AXLE SUPPORT	1		
16	T207465	BEARING	1		
17	E12379	NUT	3		
18	P40098	ADAPTER FITTING	1		
19	R94361	WASHER	10		
20	T102140	SEAL	1		
21	T157056	COVER	1		
22	T167924	THRUST BEARING	6		
23	T169329	O-RING	1		
24	T207222	TRUNNION	1		
25	T207223	PLATE	1		
26	T208789	BUSHING	8		

0325-2

INPUT DRIVE SHAFTS AND U-JOINTS 0325 ARBRES D'ENTRAINEMENT DE LA TRANSMISSION AU DIFFERENTIEL AVANT EJES IMPULSORES ENTRE TRANSMISION Y DIFERENCIAL DELANTERO

T212232 -UN-05JUL05



T212232

THIS PARTS LISTING IS CONTINUED

0325-3

TRANSMISSION 3

INPUT DRIVE SHAFTS AND U-JOINTS 0325
TRANSMISSION TO FRONT DIFFERENTIAL DRIVE SHAFTS
ARBRES D'ENTRAINEMENT DE LA TRANSMISSION AU DIFFERENTIEL AVANT
EJES IMPULSORES ENTRE TRANSMISION Y DIFERENCIAL DELANTERO

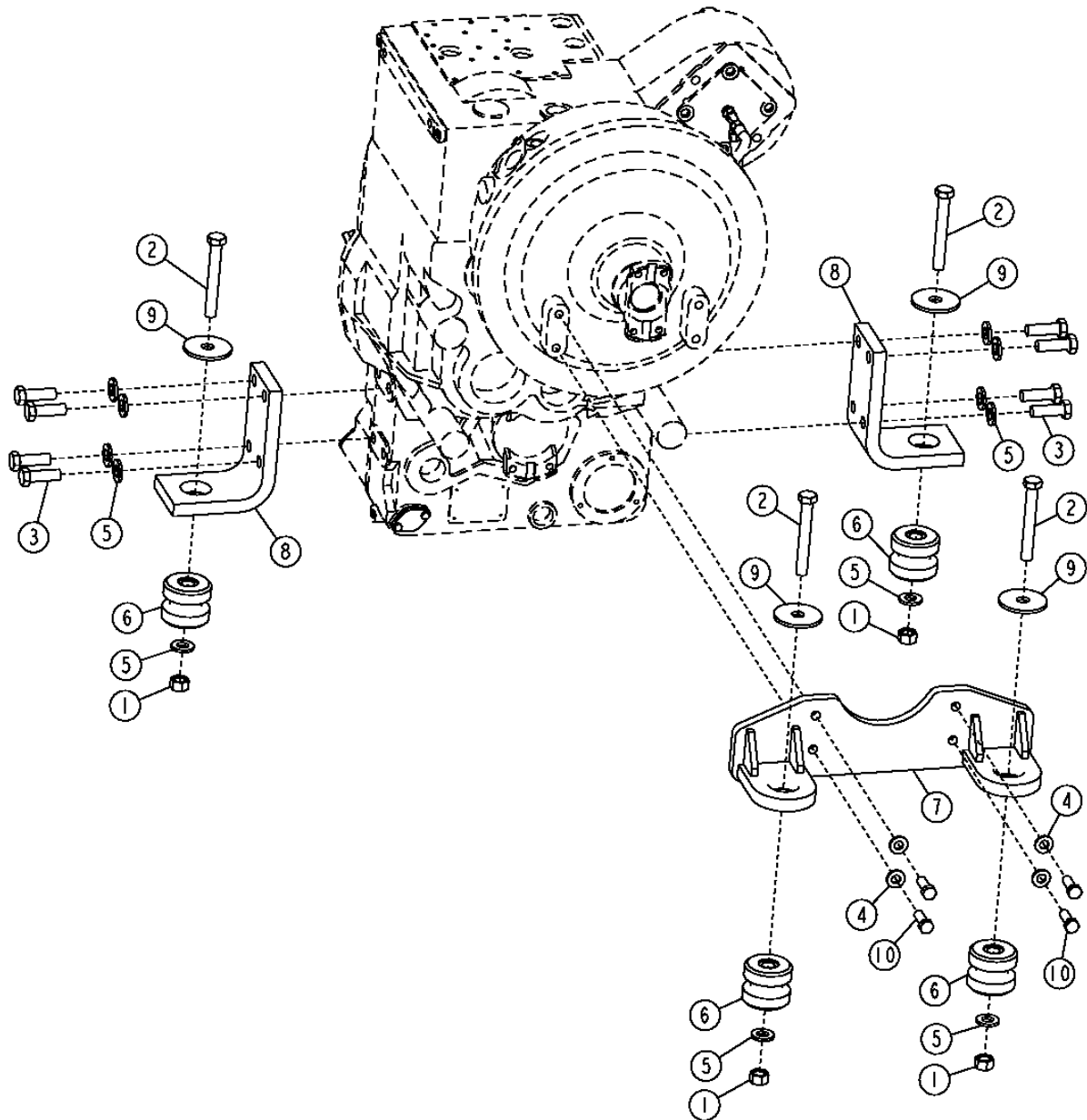
KEY	PART NO.	PART NAME	QTY.	SERIAL NO.	REMARKS
1	AT310023	UNIVERSAL DRIVESHAFT	1		(ENGINE) (MOTEUR) (MOTOR)
2	19H3752	CAP SCREW	8		1/2" X 2-1/8"
3	TT207990	UNIVERSAL JOINT CROSS	2		
4	AT310024	UNIVERSAL DRIVESHAFT	1		(FRONT)
5	19H3836	CAP SCREW	24		1/2" X 2-1/2"
6	TT206765	UNIVERSAL JOINT	6		
7	AT310025	UNIVERSAL DRIVESHAFT	1		(ARTICULATION) (ARTICULATION) (ARTICULACION)
8	AT310026	UNIVERSAL DRIVESHAFT	1		(REAR)
9	R100357	SCREW	8		
10	R114105	SCREW	24		

0342-2

TRANSMISSION MOUNTING BRACKETS SUPPORT DE BOITE DE VITESSES SOPORTE DE TRANSMISION

TRANSMISSION MOUNTING PARTS 0342

T211935 -UN-28JUN05



T211935

0342-3

TRANSMISSION 3

TRANSMISSION MOUNTING PARTS 0342

**TRANSMISSION MOUNTING BRACKETS
SUPPORT DE BOITE DE VITESSES
SOPORTE DE TRANSMISION**

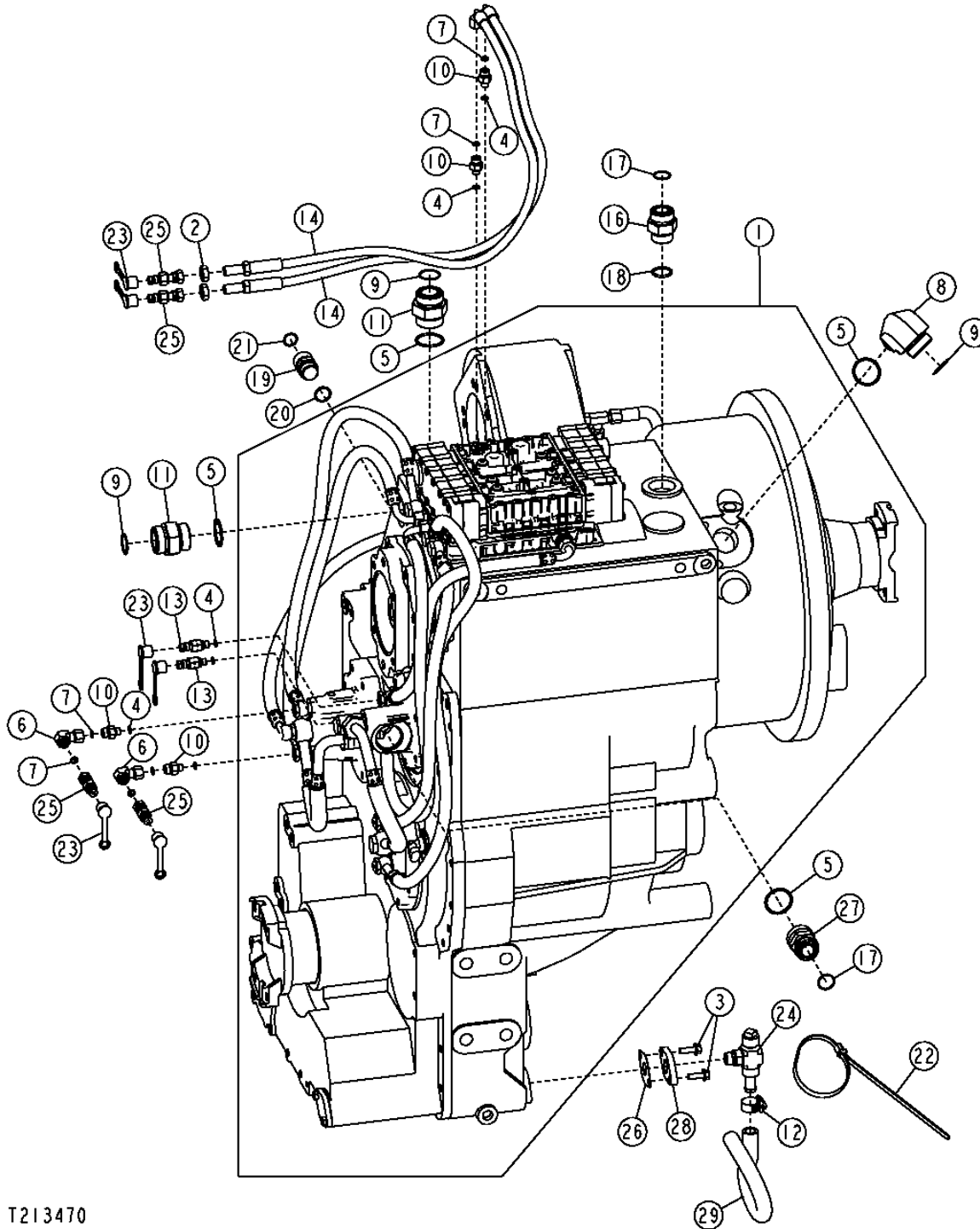
KEY	PART NO.	PART NAME	QTY.	SERIAL NO.	REMARKS
1	14M7277	NUT	4		M20
2	19M7921	CAP SCREW	4		M20 X 150
3	19M8224	CAP SCREW	8		M20 X 60
4	24M7241	WASHER	4		17 X 34 X 4 MM
5	24M7242	WASHER	12		21.400 X 42 X 5 MM
6	AT107738	ISOLATOR	4		
7	AT310259	SUPPORT	1		
8	T156025	ANGLE	2		
9	T42977	WASHER	4		23 X 89 X 2.3 MM
10	19M7489	CAP SCREW	4		M16 X 45

0350-2

TRANSMISSION 3

GEAR, SHAFTS, BEARINGS AND POWER SHIFT CLUTCH 0350
TRANSMISSION
BOITE DE VITESSES
TRANSMISSION

T213470 -UN-18AUG05



T213470

0350-3

TRANSMISSION 3

GEAR, SHAFTS, BEARINGS AND POWER SHIFT CLUTCH 0350
TRANSMISSION
BOITE DE VITESSES
TRANSMISSION

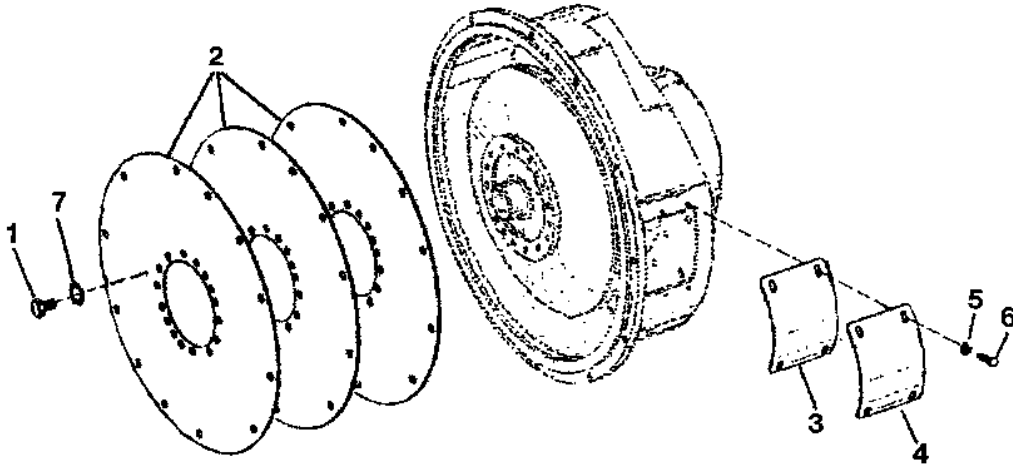
KEY	PART NO.	PART NAME	QTY.	SERIAL NO.	REMARKS
1	AT308384	TRANSMISSION	1		REMAN
2	14H832	NUT	2		9/16"
3	19M7867	SCREW	2		M8 X 25
4	51M7039	O-RING	6		8.100 X 1.600 MM
5	51M7049	O-RING	4		38.600 X 2.900 MM
6	38H1093	ELBOW FITTING	2		
7	T77814	O-RING	6		
8	38H5021	ELBOW FITTING	1		
9	T78612	O-RING	3		
10	38H5174	ADAPTER FITTING	4		
11	38H5189	ADAPTER FITTING	2		
12	AR21837	CLAMP	1		
13	AT202955	DIAGNOSTIC COUPLING	2		
14	AT324921	HYDRAULIC HOSE - FABRICATE	2		9/16" X 41-3/4" X 9/16"
16	T217460	FITTING	1		(ALSO ORDER T76938 AND U17409)
17	T76938	O-RING	2		
18	U17409	O-RING	1		
19	T168064	ADAPTER FITTING	1		(FLAT FACE SEAL) (JOINT A LEVRE) (RETEN)
20	T24210	O-RING	1		
21	T77858	O-RING	1		
22	N189220	TIE BAND	1		
23	R77175	COVER	6		
24	RE507950	DRAIN VALVE	1		
25	RE60700	DIAGNOSTIC COUPLING	4		
26	T116604	GASKET	1		
27	T168063	ADAPTER FITTING	1		(SEAL) (JOINT A LEVRE) (RETEN)
28	T216182	ADAPTER FITTING	1		(ALSO ORDER T116604) (PLATE) (PLAQUE) (PLACA)
29	T29384	HOSE	1		

0350-4

TRANSMISSION 3

GEAR, SHAFTS, BEARINGS AND POWER SHIFT CLUTCH 0350
CONVERTER HOUSING COVERS AND DRIVE PLATES
COUVERCLE DE CARTER DE CONVERTISSEUR ET PLATEAUX D'ENTRAINEMENT
CUBIERTA DE CAJA DEL CONVERTIDOR Y PLACAS IMPULSORA

TP62713 -UN-03DEC99



TP62713

0350-5

TRANSMISSION 3

GEAR, SHAFTS, BEARINGS AND POWER SHIFT CLUTCH 0350
CONVERTER HOUSING COVERS AND DRIVE PLATES
COUVERCLE DE CARTER DE CONVERTISSEUR ET PLATEAUX D'ENTRAINEMENT
CUBIERTA DE CAJA DEL CONVERTIDOR Y PLACAS IMPULSORA

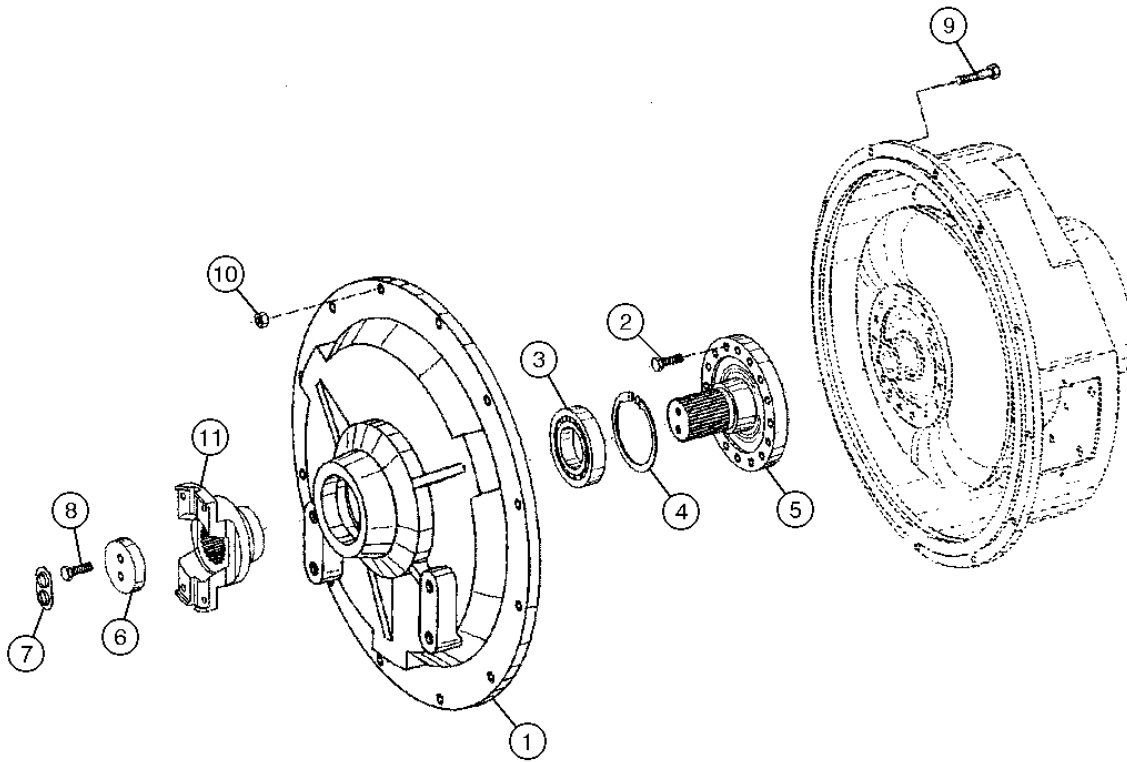
KEY	PART NO.	PART NAME	QTY.	SERIAL NO.	REMARKS
1	19M7938	CAP SCREW	16		M10 X 20
2	T168736	PLATE	3		
3	T169742	COVER	1		
4	T169743	COVER	1		
5	T195080	WASHER	4		
6	AT259005	CAP SCREW	4		
7	24M7239	WASHER	16		10.700 X 21 X 2.500 MM

0350-6

TRANSMISSION 3

GEAR, SHAFTS, BEARINGS AND POWER SHIFT CLUTCH 0350
ENGINE CONNECT ASSEMBLY
CONNEXION DE MOTEUR
CONJUNTO DE CONEXION DEL MOTOR

T212377 -UN-24JUN05



T212377

0350-7

TRANSMISSION 3

GEAR, SHAFTS, BEARINGS AND POWER SHIFT CLUTCH 0350
ENGINE CONNECT ASSEMBLY
CONNEXION DE MOTEUR
CONJUNTO DE CONEXION DEL MOTOR

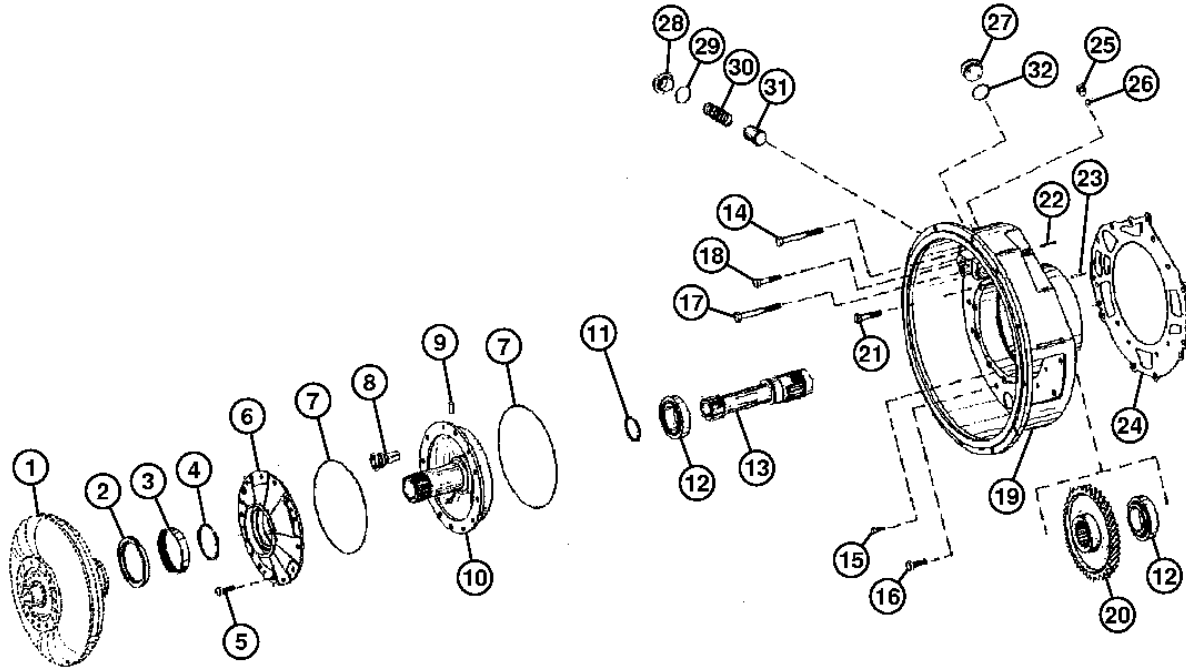
KEY	PART NO.	PART NAME	QTY.	SERIAL NO.	REMARKS
1	T211671	COVER	1		
2	19M7550	CAP SCREW	16		M10 X 35
3	T195242	BALL BEARING	1		
4	T195243	SNAP RING	1		
5	T211672	FLANGE	1		
6	T116940	SPACER	1		
7	T116928	WASHER	1		
8	19M7169	CAP SCREW	2		M10 X 35
9	19M7179	CAP SCREW	12		M10 X 50
10	14M7174	LOCK NUT	12		M24
11	T116972	UNIVERSAL JOINT YOKE	1		

0350-8

TRANSMISSION 3

GEAR, SHAFTS, BEARINGS AND POWER SHIFT CLUTCH 0350
INPUT SHAFT, CONVERTER HOUSING AND BEARING COVER
ARBRE PRIMAIRE, CARTER DE CONVERTISSEUR ET PROTECTION DE ROULEMENT
EJE DE ENTRADA, CAJA DE CONVERTIDOR Y CUBIERTA DE COJINETE

T212385 -UN-23JUN05



T212385

0350-9

TRANSMISSION 3

GEAR, SHAFTS, BEARINGS AND POWER SHIFT CLUTCH 0350
INPUT SHAFT, CONVERTER HOUSING AND BEARING COVER
ARBRE PRIMAIRE, CARTER DE CONVERTISSEUR ET PROTECTION DE ROULEMENT
EJE DE ENTRADA, CAJA DE CONVERTIDOR Y CUBIERTA DE COJINETE

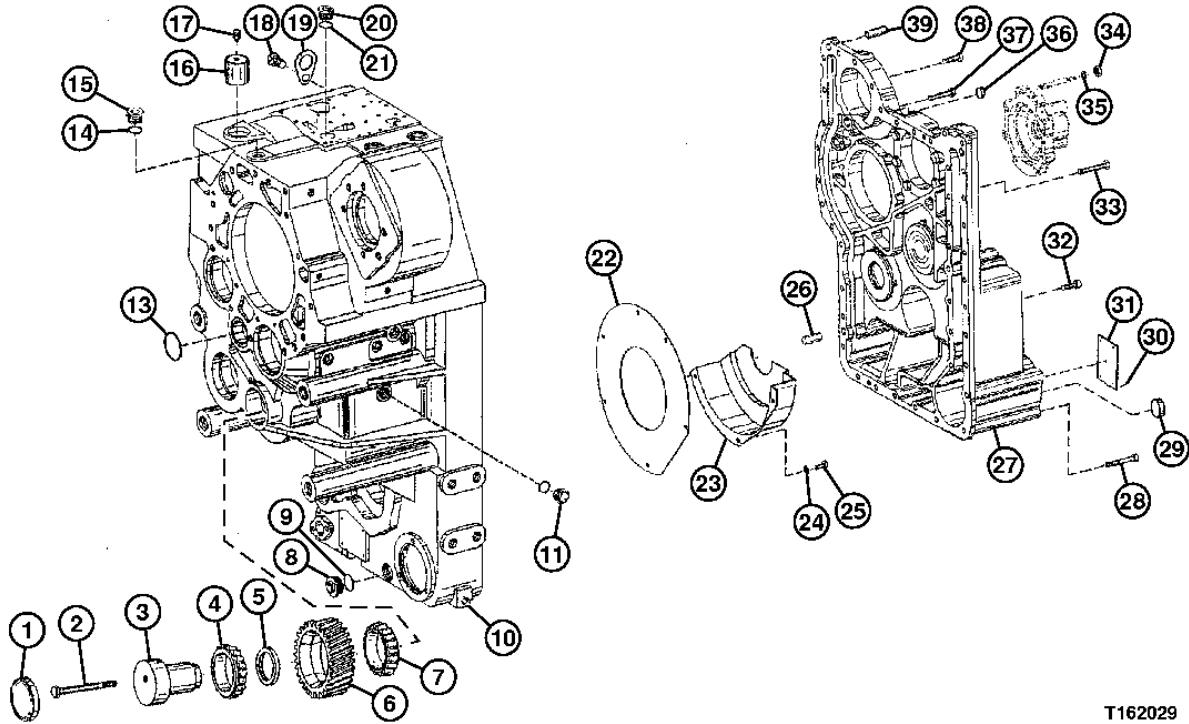
KEY	PART NO.	PART NAME	QTY.	SERIAL NO.	REMARKS
1	AT315404	TORQUE CONVERTER	1		
2	T168903	SEAL	1		
3	T168905	NEEDLE BEARING	1		
4	T169020	PISTON RING	1		
5	19M7550	CAP SCREW	12		
6	T180463	COVER	1		
7	T181770	O-RING	2		
8	T182765	PRESSURE RELIEF VALVE	1		
9	T195081	PIN	1		
10	T182764	FLANGE	1		
11	T169019	PISTON RING	1		
12	T182761	BALL BEARING	2		
13	T182759	SHAFT	1		
14	J441295	SCREW	2		
15	19M7017	CAP SCREW	4		
16	19M7403	CAP SCREW	10		
17	19M7362	CAP SCREW	1		
18	19M7817	SCREW	1		(SUB FOR 19M7753)
19	T203187	HOUSING	1		
20	T179180	GEAR	1		
21	19M7363	CAP SCREW	1		
22	34M7044	SPRING PIN	1		6 X 50 MM
23	T182763	PLUG	3		
24	T180709	GASKET	1		
25	T175862	PLUG	1		
26	T116416	O-RING	1		
27	T168795	PLUG	2		
28	T169073	CAP SCREW	1		
29	L55580	O-RING	1		
30	T168894	SPRING	1		
31	T169739	PISTON	1		
32	T170119	O-RING	2		

0350-10

TRANSMISSION 3

GEAR, SHAFTS, BEARINGS AND POWER SHIFT CLUTCH 0350
TRANSMISSION HOUSING
CARTER DE TRANSMISSION
CAJA DE LA TRANSMISION

T162029 -UN-22NOV02



T162029

0350-11

TRANSMISSION 3

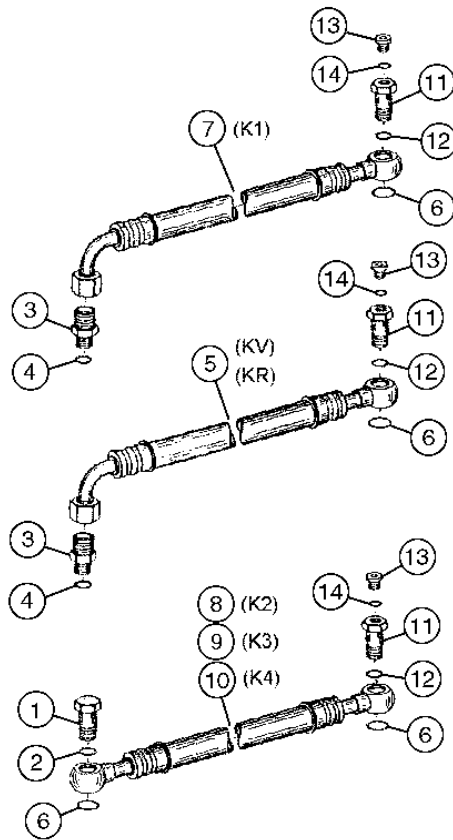
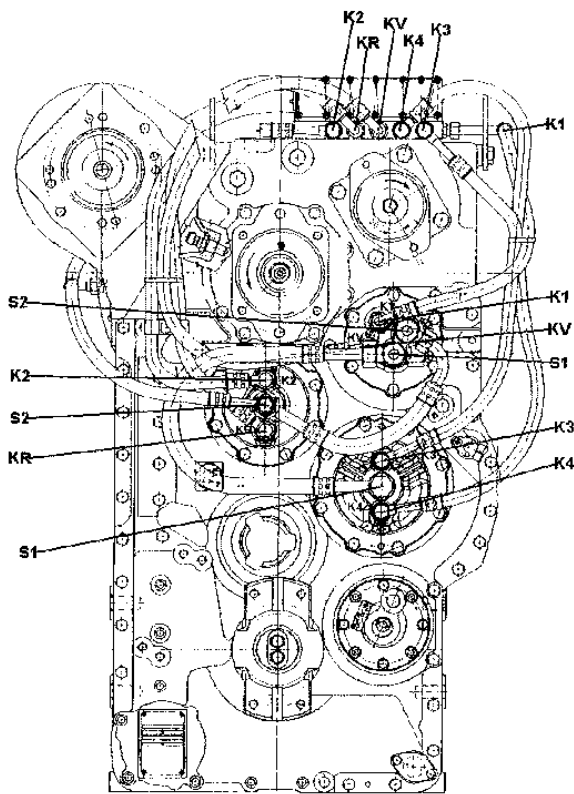
GEAR, SHAFTS, BEARINGS AND POWER SHIFT CLUTCH 0350
TRANSMISSION HOUSING
CARTER DE TRANSMISSION
CAJA DE LA TRANSMISION

KEY	PART NO.	PART NAME	QTY.	SERIAL NO.	REMARKS
1	T168734	COVER	1		
2	19M8343	CAP SCREW	1		
3	T182771	AXLE	1		
4	T182769	TAPERED ROLLER BEARING	1		
5	T182770	O-RING	1		
6	T224230	GEAR	1		(SUB FOR T182768)
7	T182769	TAPERED ROLLER BEARING	1		
8	T172094	DRAIN PLUG	1		
9	T174107	O-RING	1		
10	T182766	TRANSMISSION CASE	1		
11	T181463	PLUG	1		
13	T195079	O-RING	1		
14	L55601	O-RING	1		
15	15M7027	DRAIN PLUG	1		
16	T169061	PAN	1		
17	T116918	BREATHER	1		
18	19M7394	CAP SCREW	2		
19	T169729	PLATE	2		
20	T196980	PLUG	1		
21	L150867	O-RING	2		
22	T211408	COVER	1		
23	T211409	COVER	1		
24	24M7238	WASHER	4		
25	T196816	CAP SCREW	5		
26	T170115	DOWEL PIN	2		
27	T182767	COVER	1		
28	T195109	CAP SCREW	8		
29	30M7016	PLUG	1		
30	25M7021	GROOVE PIN	4		
31	SERIAL NUMBER PLATE	1		
32	T196815	CAP SCREW	14		
33	T196817	CAP SCREW	8		
34	14M7274	NUT	2		
35	24M7239	WASHER	2		
36	T170720	CAP	1		
37	T195108	CAP SCREW	1		
38	T196818	CAP SCREW	8		
39	34M7122	SPRING PIN	1		

0350-12

GEAR, SHAFTS, BEARINGS AND POWER SHIFT CLUTCH 0350
TRANSMISSION OIL LINES
CONDUITE D' HUILE DE BOITE DE VITESSES
TUBERIA DE ACEITE DE TRANSMISION

T212404 -UN-24JUN05



T212404

0350-13

TRANSMISSION 3

GEAR, SHAFTS, BEARINGS AND POWER SHIFT CLUTCH 0350
TRANSMISSION OIL LINES
CONDUITE D' HUILE DE BOITE DE VITESSES
TUBERIA DE ACEITE DE TRANSMISION

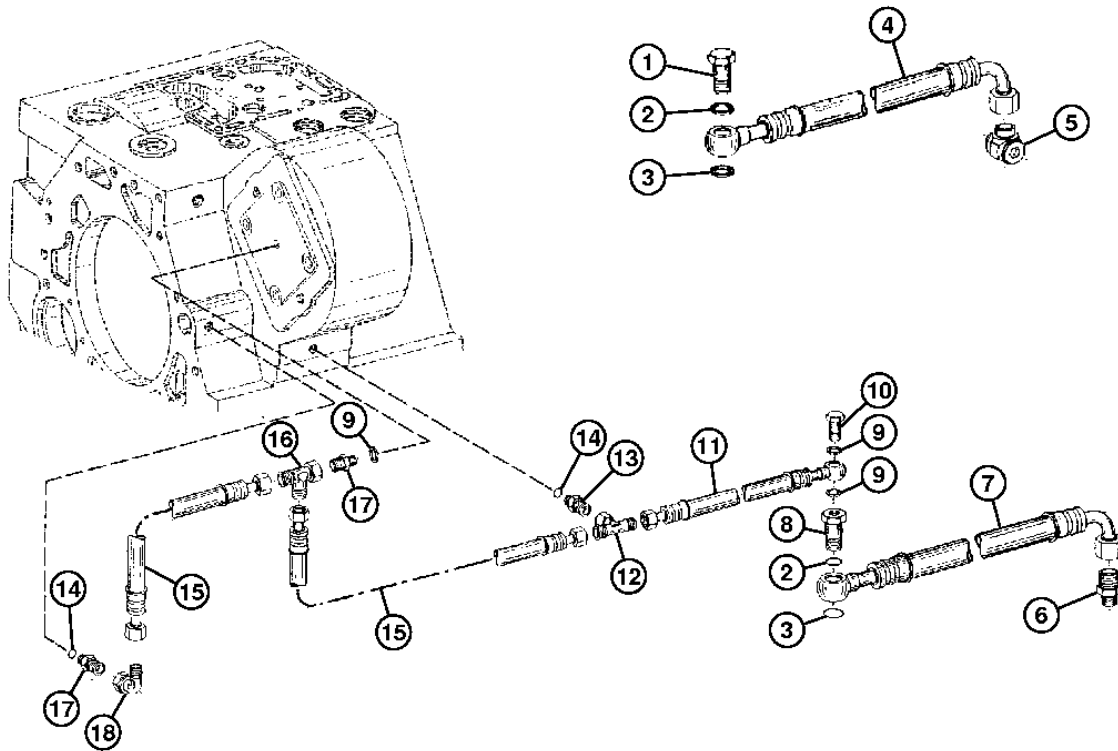
KEY	PART NO.	PART NAME	QTY.	SERIAL NO.	REMARKS
1	T138140	UNION FITTING	3		
2	Z29864	O-RING	3		
3	T169021	FITTING	3		
4	Z29864	O-RING	3		
5	AT225691	HYDRAULIC HOSE	2		
6	T129611	O-RING	9		
7	T169600	HYDRAULIC HOSE	1		
8	AT304850	SUCTION HOSE	1		
9	AT225693	HYDRAULIC HOSE	1		
10	AT259568	HYDRAULIC HOSE	1		
11	T168902	HOLLOW SCREW	6		
12	Z29864	O-RING	6		
13	T175862	PLUG	6		
14	T116416	O-RING	6		

0350-14

TRANSMISSION 3

GEAR, SHAFTS, BEARINGS AND POWER SHIFT CLUTCH 0350
TRANSMISSION OIL LINES
CONDUITE D' HUILE DE BOITE DE VITESSES
TUBERIA DE ACEITE DE TRANSMISION

T157964 -UN-25JUL02



T157964

THIS PARTS LISTING IS CONTINUED

0350-15

TRANSMISSION 3

GEAR, SHAFTS, BEARINGS AND POWER SHIFT CLUTCH 0350
TRANSMISSION OIL LINES
CONDUITE D' HUILE DE BOITE DE VITESSES
TUBERIA DE ACEITE DE TRANSMISION

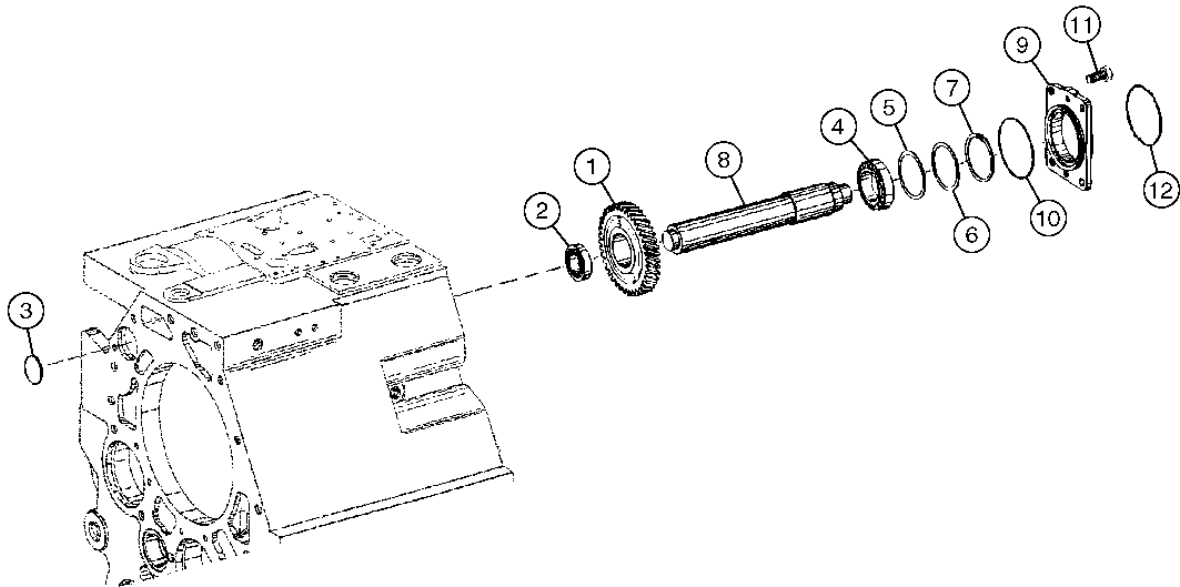
KEY	PART NO.	PART NAME	QTY.	SERIAL NO.	REMARKS
1	T196806	HOLLOW SCREW	1		
2	PE930685	RING	2		
3	T169031	RING	2		
4	AT225696	TUBE	1		
5	T196801	FITTING	1		
6	T169022	FITTING	1		
7	AT225697	TUBE	1		
8	T171900	FITTING	1		
9	51M4237	SEALING RING	3		
10	T171908	CAP SCREW	1		
11	T171899	HYDRAULIC HOSE	1		
12	T170255	SOCKET	1		
13	T170254	FITTING	1		
14	Z29864	O-RING	2		
15	T180937	HYDRAULIC HOSE	2		
16	T180054	SOCKET	1		
17	T170256	FITTING	2		
18	T180938	ELBOW FITTING	1		

0350-16

TRANSMISSION 3

GEAR, SHAFTS, BEARINGS AND POWER SHIFT CLUTCH 0350
TRANSMISSION HYDRAULIC PUMP DRIVE TWO
ARBRE DE PRISE DE FORCE II
EJE DE MANDO DE LA TDF II

T212392 -UN-24JUN05



T212392

0350-17

TRANSMISSION 3

GEAR, SHAFTS, BEARINGS AND POWER SHIFT CLUTCH 0350
TRANSMISSION HYDRAULIC PUMP DRIVE TWO
ARBRE DE PRISE DE FORCE II
EJE DE MANDO DE LA TDF II

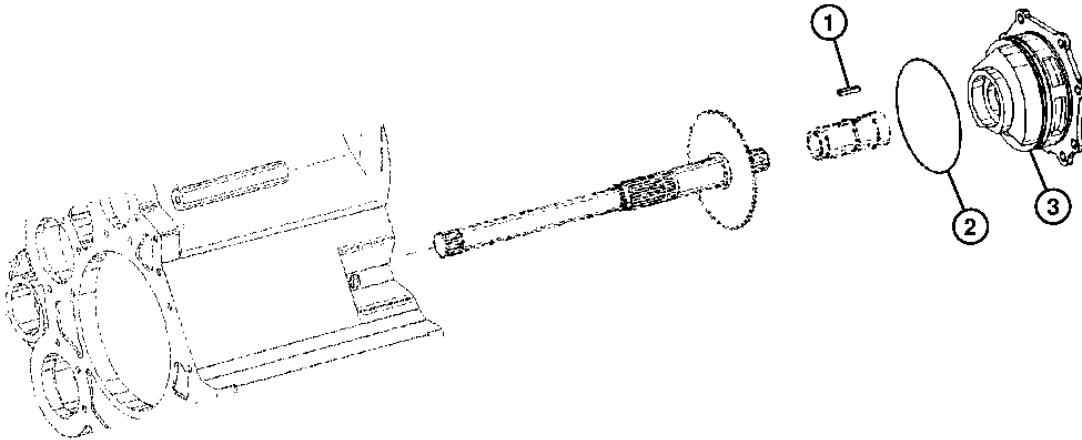
KEY	PART NO.	PART NAME	QTY.	SERIAL NO.	REMARKS
1	T203214	GEAR	1		
2	AT304574	BEARING	1		
3	30M7014	PLUG	1		
4	T182370	BALL BEARING	1		
5	T169636	SOLID SHIM	1		
6	L41005	SHIM	1		(M .1)
	T169663	SHIM	1		(M .15)
	L41004	SHIM	1		(M .2)
	T169664	SHIM	1		(M .25)
	L41003	SHIM	1		(M .3)
	T169665	SHIM	1		(M .35)
	L41002	SHIM	1		(M .4)
	L101689	SHIM	1		(M .45)
	L41001	SHIM	1		(M .5)
	L101690	SHIM	1		(M .55)
	L41000	SHIM	1		(M .6)
	L112211	WASHER	1		(M .65)
	L112212	WASHER	1		(M .7)
	L112213	WASHER	1		(M .75)
	L40999	WASHER	1		(M .8)
	L112214	WASHER	1		(M .85)
	L112215	WASHER	1		(M .9)
	L112216	WASHER	1		(M .95)
	L112217	WASHER	1		(M 1.1)
	T169636	SOLID SHIM	1		(M 2)
	T181388	SHIM	1		(M 1.47)
	T181389	SHIM	1		(M 1.63)
	T181390	SHIM	1		(M 1.75)
	T181391	SHIM	1		(M 1.7)
	T181392	SHIM	1		(M 1.8)
	T181393	SHIM	1		(M 1.85)
	T181394	SHIM	1		(M 1.9)
	T181395	SHIM	1		(M 1.95)
7	40M7060	SNAP RING	1		
8	T213835	SHAFT	1		
9	T213848	SPACER	1		
10	T170712	O-RING	1		
11	19M5827	CAP SCREW	4		M14 X 30
12	T169035	RING	1		

0350-18

TRANSMISSION 3

GEAR, SHAFTS, BEARINGS AND POWER SHIFT CLUTCH 0350
TRANSMISSION OIL PUMP
POMPE A HUILE DE TRANSMISSION
BOMBA DE ACEITE DE LA TRANSMISION

T157952 -UN-25JUL02



T157952

0350-19

TRANSMISSION 3

GEAR, SHAFTS, BEARINGS AND POWER SHIFT CLUTCH 0350
TRANSMISSION OIL PUMP
POMPE A HUILE DE TRANSMISSION
BOMBA DE ACEITE DE LA TRANSMISION

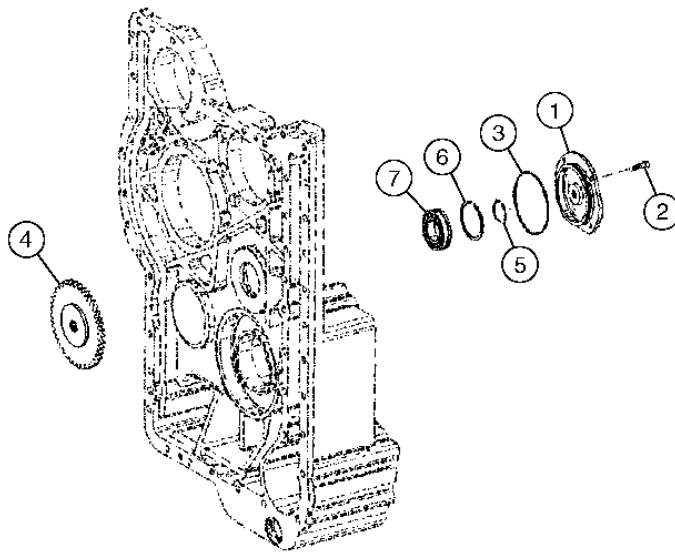
KEY	PART NO.	PART NAME	QTY.	SERIAL NO.	REMARKS
1	T170247	KEY	1		
2	T173959	O-RING	1		
3	T211758	PUMP	1		

0350-20

TRANSMISSION 3

GEAR, SHAFTS, BEARINGS AND POWER SHIFT CLUTCH 0350
STEERING PUMP COVER
COUVERCLE DE POMPE DE DIRECTION
TAPADERA DE BOMBA DE LA DIRECCION

T212402 -UN-24JUN05



T212402

0350-21

TRANSMISSION 3

GEAR, SHAFTS, BEARINGS AND POWER SHIFT CLUTCH 0350
STEERING PUMP COVER
COUVERCLE DE POMPE DE DIRECTION
TAPADERA DE BOMBA DE LA DIRECCION

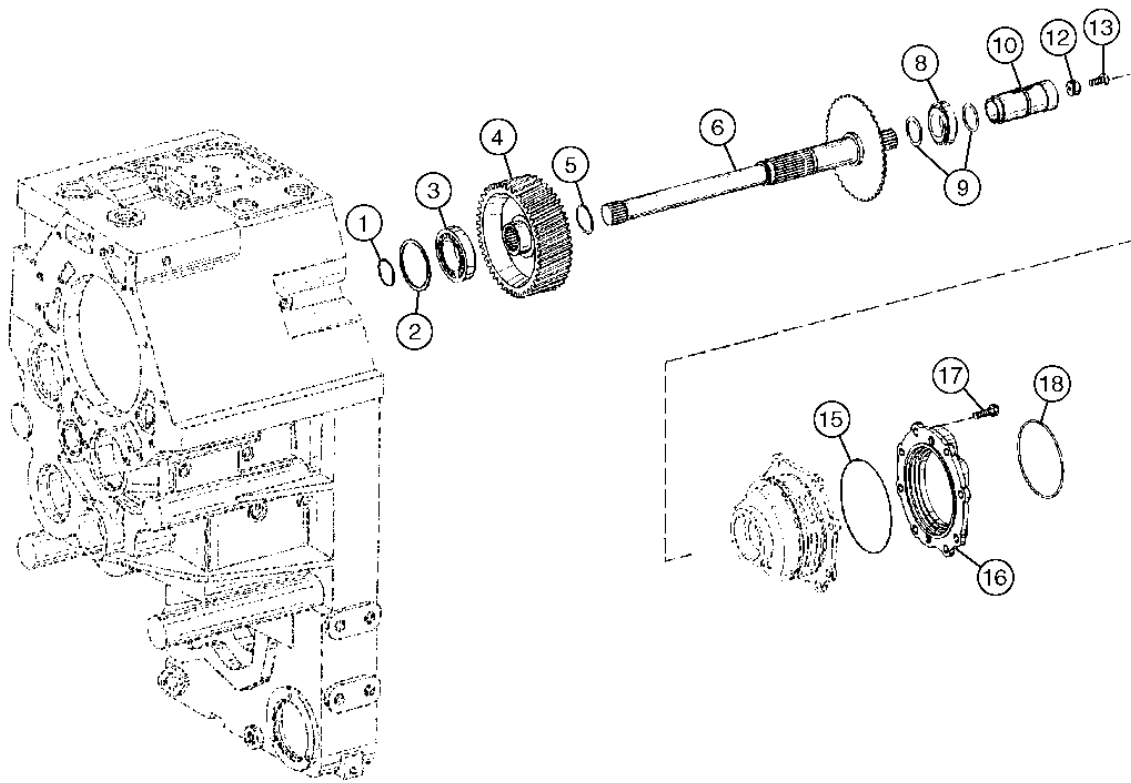
KEY	PART NO.	PART NAME	QTY.	SERIAL NO.	REMARKS
1	T195068	COVER	1		
2	19M7139	CAP SCREW	4		M8 X 20
3	T195039	O-RING	1		
4	T203218	GEAR	1		
5	40M7046	SNAP RING	1		
6	T214084	SNAP RING	2		
7	AT304575	BALL BEARING	1		

0350-22

TRANSMISSION 3

GEAR, SHAFTS, BEARINGS AND POWER SHIFT CLUTCH 0350
TRANSMISSION HYDRAULIC PUMP DRIVE ONE
ARBRE DE PRISE DE FORCE I
EJE DE MANDO DE LA TDF I

T212391 -UN-24JUN05



T212391

0350-23

TRANSMISSION 3

GEAR, SHAFTS, BEARINGS AND POWER SHIFT CLUTCH 0350
TRANSMISSION HYDRAULIC PUMP DRIVE ONE
ARBRE DE PRISE DE FORCE I
EJE DE MANDO DE LA TDF I

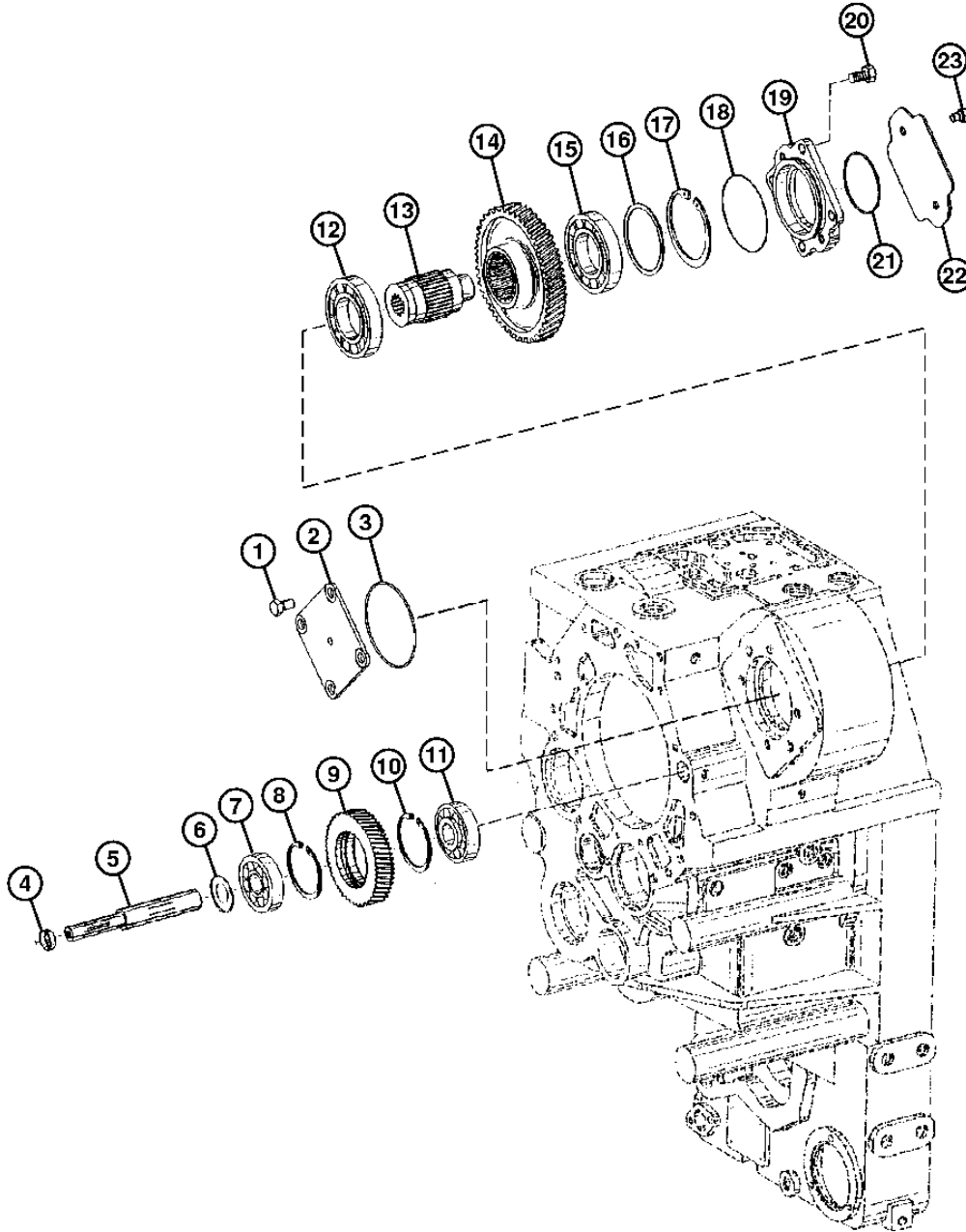
KEY	PART NO.	PART NAME	QTY.	SERIAL NO.	REMARKS
1	T168706	PISTON RING	1		
2	L41005	SHIM	1	0.10 MM	
	T169663	SHIM	1	0.15 MM	
	L41004	SHIM	1	0.20 MM	
	T169664	SHIM	1	0.25 MM	
	T169665	SHIM	1	0.35 MM	
	L41002	SHIM	1	0.40 MM	
	L101689	SHIM	1	0.45 MM	
	L41001	SHIM	1	0.50 MM	
	L101690	SHIM	1	0.55 MM	
	L41000	SHIM	1	0.60 MM	
	L112211	WASHER	1	0.65 MM	
	L112212	WASHER	1	0.70 MM	
	L112213	WASHER	1	0.75 MM	
	L40999	WASHER	1	0.80 MM	
	L112214	WASHER	1	0.85 MM	
	L112215	WASHER	1	0.90 MM	
	L112216	WASHER	1	0.95 MM	
	L40998	WASHER	1	1.00 MM	
	L112222	WASHER	1	1.05 MM	
	L112217	WASHER	1	1.10 MM	
	L112218	WASHER	1	1.15 MM	
	L40997	WASHER	1	1.20 MM	
	L112219	WASHER	1	1.25 MM	
	L112220	WASHER	1	1.30 MM	
	L112221	WASHER	1	1.35 MM	
	L112210	WASHER	1	1.40 MM	
	L112209	WASHER	1	1.45 MM	
	T181388	SHIM	1	1.47 MM	
	L112208	WASHER	1	1.50 MM	
	L112207	WASHER	1	1.55 MM	
	L112206	WASHER	1	1.60 MM	
	T181389	SHIM	1	1.63 MM	
	L112205	WASHER	1	1.65 MM	
	T181390	SHIM	1	1.75 MM	
	T181391	SHIM	1	1.70 MM	
	T181392	SHIM	1	1.80 MM	
	T181393	SHIM	1	1.85 MM	
	T181394	SHIM	1	1.90 MM	
	T181395	SHIM	1	1.95 MM	
	L112198	WASHER	1	2.00 MM	
3	T182370	BALL BEARING	1		
4	T169096	GEAR	1		
5	T170193	RING	1		
6	T196795	SHAFT	1		
8	T170190	BEARING	1		
9	T169100	WASHER	2		
10	T168758	COUPLING	1		
12	T168759	PLATE	1		
13	L31212	CAP SCREW	1		
15	T174398	O-RING	1		
16	T213834	SPACER	1		
17	19M7496	CAP SCREW	8	M12 X 45	
18	T174529	O-RING	1		

0350-24

TRANSMISSION 3

GEAR, SHAFTS, BEARINGS AND POWER SHIFT CLUTCH 0350 TRANSMISSION HYDRAULIC PUMP DRIVE THREE ARBRE DE PRISE DE FORCE III EJE DE MANDO DE LA TDF III

T157932 -UN-24JUL02



T157932

0350-25

TRANSMISSION 3

GEAR, SHAFTS, BEARINGS AND POWER SHIFT CLUTCH 0350
TRANSMISSION HYDRAULIC PUMP DRIVE THREE
ARBRE DE PRISE DE FORCE III
EJE DE MANDO DE LA TDF III

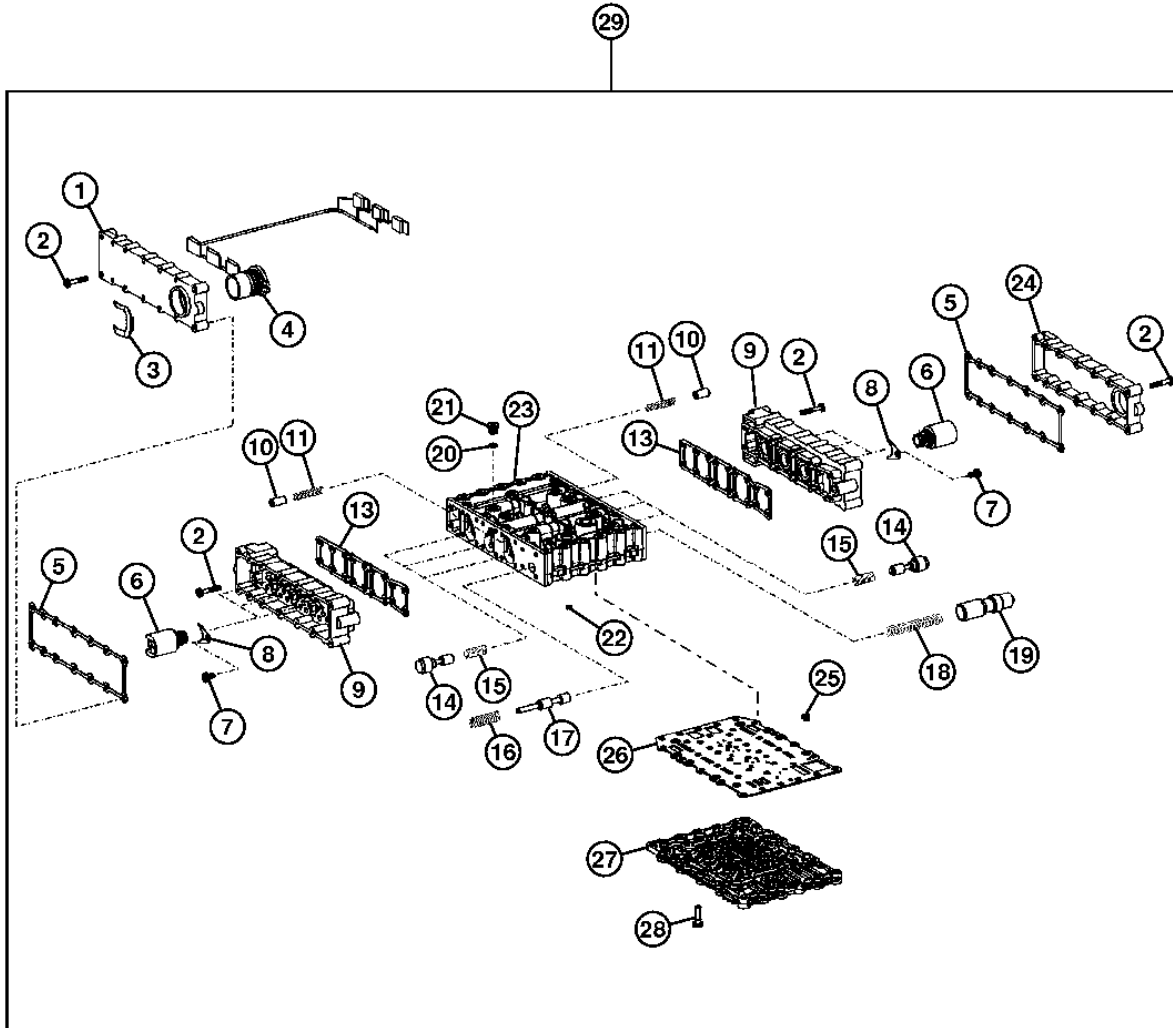
KEY	PART NO.	PART NAME	QTY.	SERIAL NO.	REMARKS
1	19M7646	CAP SCREW	4		M14 X 25
2	T179920	COVER	1		
3	T174529	O-RING	1		
4	T169028	COVER	1		
5	T195050	PIN	1		
6	T169685	SHIM	1		0.8 MM
	T169587	SHIM	1		1.0 MM
	T169689	SHIM	1		1.1 MM
	T169686	SHIM	1		1.2 MM
	T169687	SHIM	1		1.4 MM
	T169688	SHIM	1		1.6 MM
7	T168909	TAPERED ROLLER BEARING	1		
8	T169029	RING	1		
9	T169095	GEAR	1		
10	T169029	RING	1		
11	T168909	TAPERED ROLLER BEARING	1		
12	T168907	BALL BEARING	1		
13	T213854	SPLINED COUPLING	1		
14	T169097	GEAR	1		
15	T168907	BALL BEARING	1		
16	T169723	SHIM	1		1.0 MM
	T169649	SHIM	1		1.1 MM
	T169648	SHIM	1		1.2 MM
	T169647	SHIM	1		1.3 MM
	T169646	SHIM	1		1.4 MM
	T116902	WASHER	1		1.5 MM
	T116901	WASHER	1		1.6 MM
	T116900	WASHER	1		1.7 MM
	T116899	WASHER	1		1.8 MM
17	40M5463	SNAP RING	1		
18	T170712	O-RING	1		
19	T156177	SPACER	1		
20	19M7877	CAP SCREW	4		M14 X 30
21	T169035	RING	1		
22	T196661	PLATE	1		
23	T196662	CAP SCREW	2		

0350-26

TRANSMISSION 3

GEAR, SHAFTS, BEARINGS AND POWER SHIFT CLUTCH 0350 GEARSHIFT SYSTEM (CONTROL VALVE) DISTRIBUTEUR DE TRANSMISSION VALVULA DE CONTROL DE LA TRANSMISION

T157942 -UN-08AUG02



T157942

0350-27

TRANSMISSION 3

GEAR, SHAFTS, BEARINGS AND POWER SHIFT CLUTCH 0350
GEARSHIFT SYSTEM (CONTROL VALVE)
DISTRIBUTEUR DE TRANSMISSION
VALVULA DE CONTROL DE LA TRANSMISION

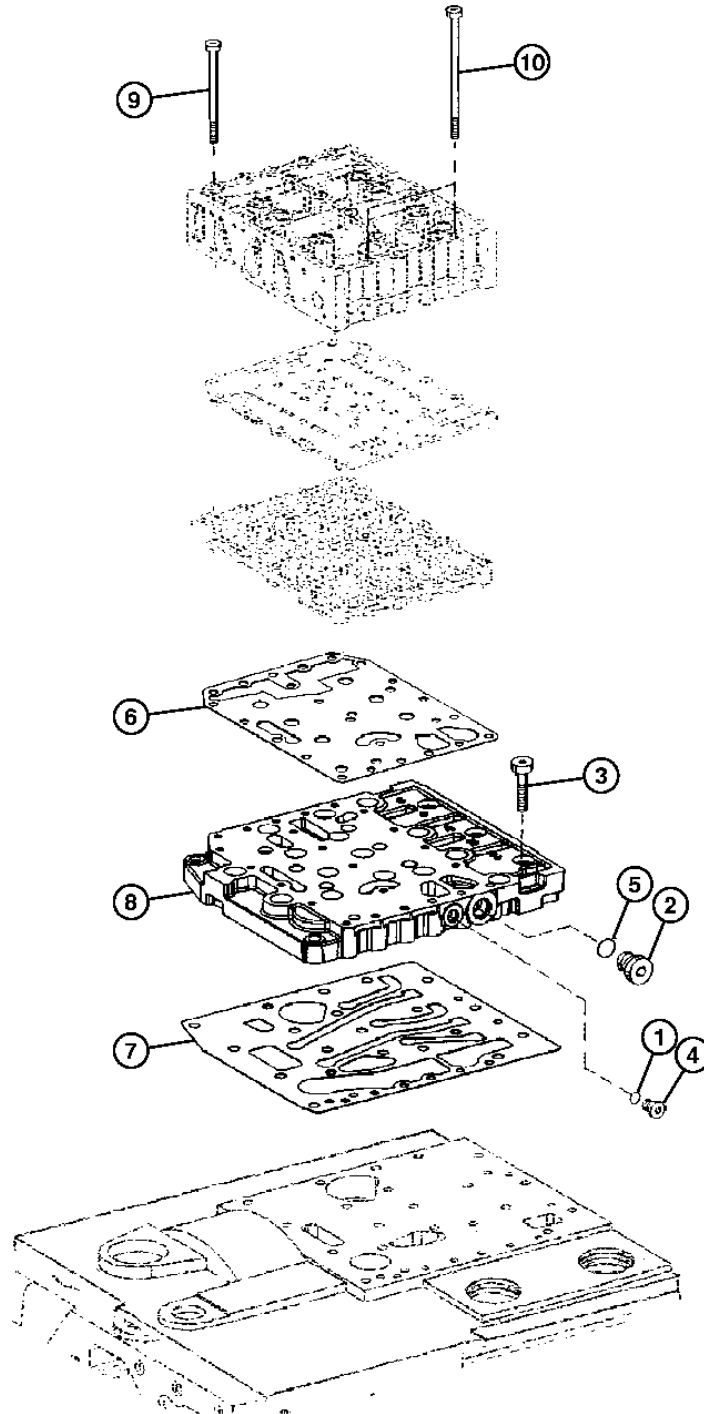
KEY	PART NO.	PART NAME	QTY.	SERIAL NO.	REMARKS
1	T173139	COVER	1		
2	T173131	CAP SCREW	64		
3	T161207	CLAMP	1		
4	T179721	WIRING HARNESS	1		
5	T182254	GASKET	2		
6	T169607	SOLENOID VALVE	6		
	T170196	O-RING	6		
7	T159602	CAP SCREW	6		
8	T144486	PLATE	6		
9	T177221	HOUSING	2		
10	T169766	PIN FASTENER	6		
11	T169712	COMPRESSION SPRING	6		
13	T182196	GASKET	2		
14	T173511	PISTON	6		
15	T169711	COMPRESSION SPRING	6		
16	T173126	COMPRESSION SPRING	1		
17	T173125	PISTON	1		
18	T173128	COMPRESSION SPRING	1		
19	T205369	PISTON	1		
20	T116416	O-RING	8		
21	T175862	PLUG	8		
22	T169707	ORIFICE	6		
23	T177219	FLOW CONTROL HYD. VALVE	1		
24	T173138	COVER	1		
25	T174396	SCREEN	6		
26	T179532	PLATE	1		(SUB FOR T195052) (ALSO ORDER T179531 AND T179533)
27	T203767	PLATE	1		
28	T195275	CAP SCREW	18		
29	AT220039	HYD ACTUATED CONTROL VALVE	1		

0350-28

TRANSMISSION 3

GEAR, SHAFTS, BEARINGS AND POWER SHIFT CLUTCH 0350 GEARSHIFT SYSTEM COLLECTEUR DE DISTRIBUTEUR DE TRANSMISSION COLECTOR DE VALVULA DE CONTROL DE LA TRANSMISION

T157935 -UN-24JUL02



T157935

0350-29

TRANSMISSION 3

GEAR, SHAFTS, BEARINGS AND POWER SHIFT CLUTCH 0350
GEARSHIFT SYSTEM
COLLECTEUR DE DISTRIBUTEUR DE TRANSMISSION
COLECTOR DE VALVULA DE CONTROL DE LA TRANSMISION

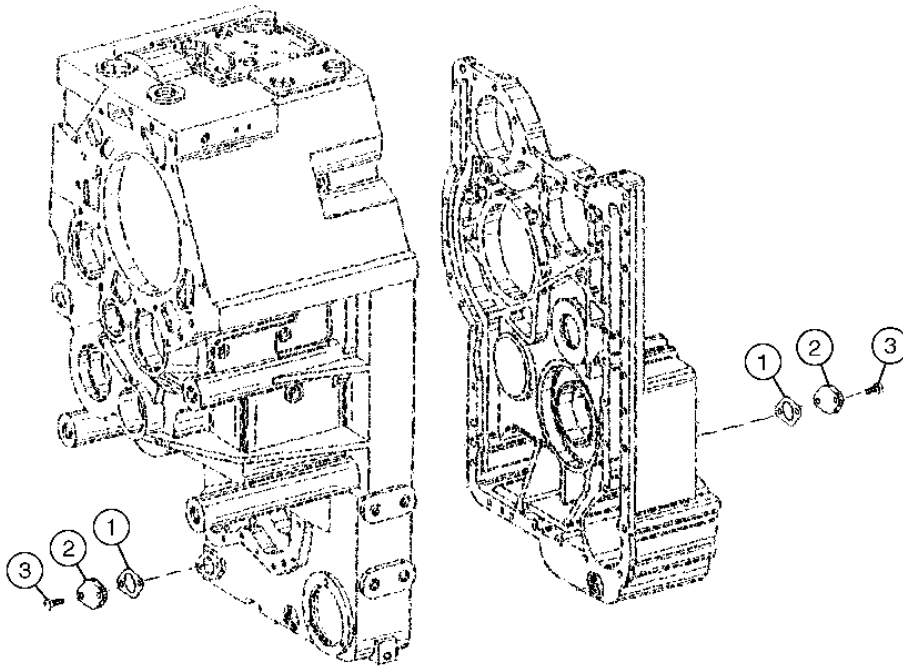
KEY	PART NO.	PART NAME	QTY.	SERIAL NO.	REMARKS
1	T116416	O-RING	1		
2	T122803	FITTING PLUG	1		
3	T174090	CAP SCREW	20		
4	T175862	PLUG	1		
5	T175864	O-RING	1		
6	T179557	GASKET	1		
7	T195053	GASKET	1		
8	T195054	MANIFOLD	1		
9	T173123	CAP SCREW	17		(SUB FOR T195055)
10	T195056	CAP SCREW	6		

0350-30

TRANSMISSION 3

GEAR, SHAFTS, BEARINGS AND POWER SHIFT CLUTCH 0350
FILLER NECK COVER
COUVERCLE DE TUYAU DE HUILE
TAPADERA DE TUBO DE ACEITE

T212405 -UN-24JUN05



T212405

0350-31

TRANSMISSION 3

GEAR, SHAFTS, BEARINGS AND POWER SHIFT CLUTCH 0350
FILLER NECK COVER
COUVERCLE DE TUYAU DE HUILE
TAPADERA DE TUBO DE ACEITE

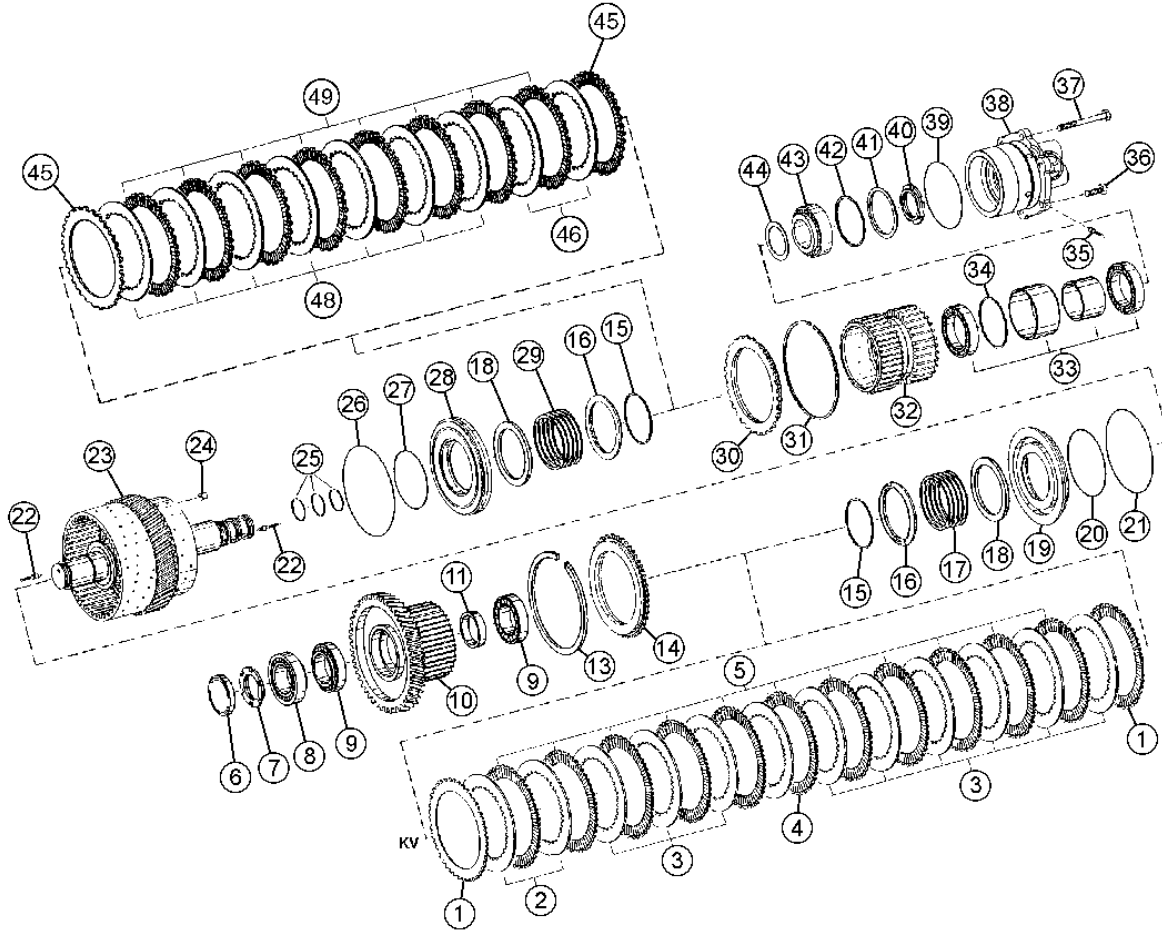
KEY	PART NO.	PART NAME	QTY.	SERIAL NO.	REMARKS
1	T116604	GASKET	2		
2	T144370	PLATE	2		
3	19M7162	CAP SCREW	4		M8 X 16

0350-32

TRANSMISSION 3

GEAR, SHAFTS, BEARINGS AND POWER SHIFT CLUTCH 0350
CLUTCH ASSEMBLY (LOW RANGE FORWARD) (K1 & KV)
DISQUE ET TRINGLERIE D'EMBAYAGE DE TRANSMISSION (K1 & KV)
DISCO Y VARILLAJE DEL EMBRAGUE DE TRANSMISION (K1 & KV)

T212272 -UN-24JUN05



T212272

0350-33

TRANSMISSION 3

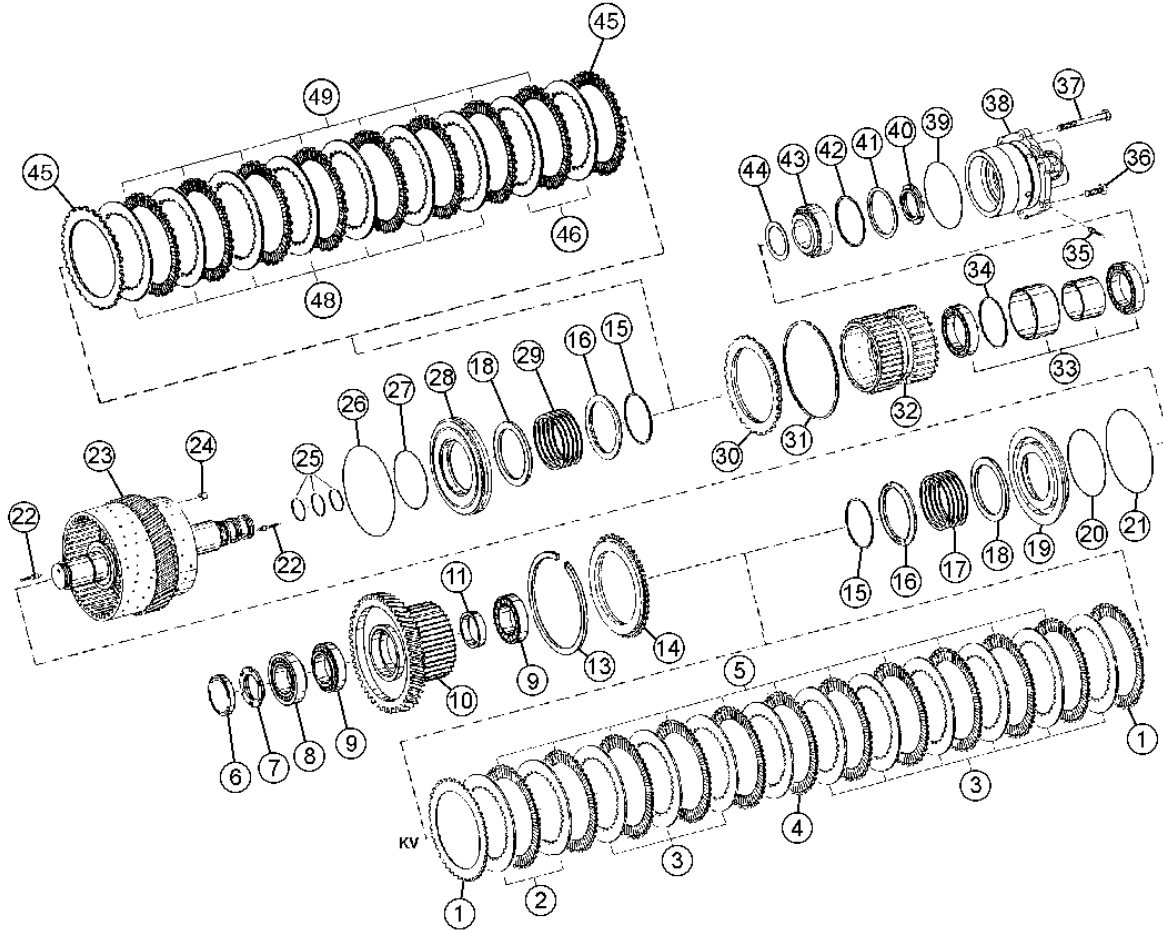
GEAR, SHAFTS, BEARINGS AND POWER SHIFT CLUTCH 0350
CLUTCH ASSEMBLY (LOW RANGE FORWARD) (K1 & KV)
DISQUE ET TRINGLERIE D'EMBRAYAGE DE TRANSMISSION (K1 & KV)
DISCO Y VARILLAJE DEL EMBRAGUE DE TRANSMISION (K1 & KV)

KEY	PART NO.	PART NAME	QTY.	SERIAL NO.	REMARKS
1	T169604	DISK WITH OUTER SPLINE	2		
2	T169751	DISK WITH INNER SPLINE	2		
	T169752	DISK WITH INNER SPLINE	2		
	T169753	DISK WITH INNER SPLINE	2		
	T169754	DISK WITH INNER SPLINE	2		
3	T169753	DISK WITH INNER SPLINE	9		
4	T169754	DISK WITH INNER SPLINE	1		
5	T169603	CLUTCH DISK	11		
6	T182791	COVER	1		
7	T226530	NUT	1		(SUB FOR T182790)
8	T182761	BALL BEARING	1		
9	T182761	BALL BEARING	2		
10	T203191	GEAR	1		
11	T182788	RING	1		
13	T169760	RING	1		
	T169759	RING	1		
	T169758	RING	1		
	T169089	SNAP RING	1		
	T169090	SNAP RING	1		
	T169091	SNAP RING	1		
	T169092	SNAP RING	1		
	T169093	SNAP RING	1		
	T169094	SNAP RING	1		
	T170706	SNAP RING	1		
	T179600	SNAP RING	1		
	T179601	SNAP RING	1		
	T179602	SNAP RING	1		
	T179603	SNAP RING	1		
	T169088	SNAP RING	1		
	T169087	SNAP RING	1		
	T169086	SNAP RING	1		
14	T181737	END PLATE	1		
15	T169618	SNAP RING	2		
16	T181434	RING	2		
17	T169709	COMPRESSION SPRING	1		
18	T181433	WASHER	2		
19	T182778	PISTON	1		
20	T169036	O-RING	1		
21	T169034	O-RING	1		
22	T182775	PLUG	3		
23	T182776	DRUM	1		
24	T176801	FLOW CONTROL HYD. VALVE	2		
25	T169017	PISTON RING	3		
26	T173959	O-RING	1		
27	T196822	O-RING	1		
28	T182779	PISTON	1		
29	T182781	COMPRESSION SPRING	1		
30	T182780	END PLATE	1		
31	T116909	SNAP RING	1		2.5MM
	T196826	SNAP RING	1		2.3 MM
	T196827	SNAP RING	1		2.4 MM
	T196828	SNAP RING	1		2.2 MM
	T196829	SNAP RING	1		2.1 MM
32	T182792	GEAR	1		
33	T182793	BALL BEARING	1		
34	T182774	SNAP RING	1		
35	T182775	PLUG	2		
36	19M8762	SCREW	4		M10 X 28
37	19M2875	CAP SCREW	2		M10 X 75
38	T182789	COVER	1		
39	T196852	O-RING	1		
40	T226530	NUT	1		(SUB FOR T182790)
41	T168743	RING	1		

0350-34

GEAR, SHAFTS, BEARINGS AND POWER SHIFT CLUTCH 0350
CLUTCH ASSEMBLY (LOW RANGE FORWARD) (K1 & KV) (CONTINUED)
DISQUE ET TRINGLERIE D'EMBAYAGE DE TRANSMISSION (K1 & KV)
DISCO Y VARILLAJE DEL EMBRAGUE DE TRANSMISION (K1 & KV)

T212272 -UN-24JUN05



T212272

0350-35

TRANSMISSION 3

GEAR, SHAFTS, BEARINGS AND POWER SHIFT CLUTCH 0350
CLUTCH ASSEMBLY (LOW RANGE FORWARD) (K1 & KV) (CONTINUED)
DISQUE ET TRINGLERIE D'EMBAYAGE DE TRANSMISSION (K1 & KV)
DISCO Y VARILLAJE DEL EMBRAGUE DE TRANSMISION (K1 & KV)

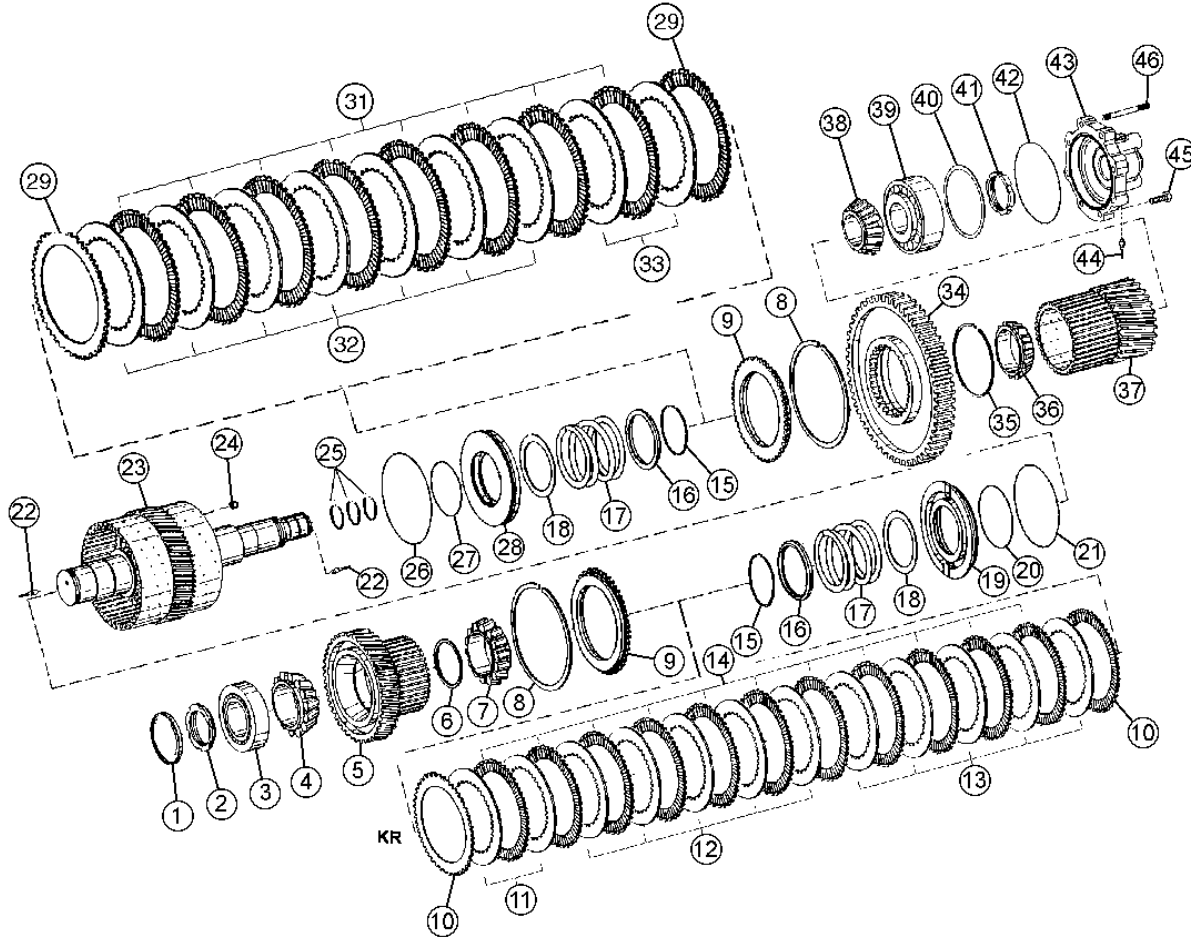
KEY	PART NO.	PART NAME	QTY.	SERIAL NO.	REMARKS
42	T196756	SHIM	1		.75 MM
	T177395	SOLID SHIM	1		.85 MM
	T169054	SOLID SHIM	1		.9 MM
	T177394	SOLID SHIM	1		.95 MM
	T169053	SOLID SHIM	1		1.0 MM
	T169052	SOLID SHIM	1		1.2 MM
	T169641	SHIM	1		1.5 MM
	T169640	SHIM	1		2.0 MM
43	T168776	BEARING	1		
44	T182777	WASHER	1		
45	T182785	DISK	2		
46	T196011	PLATE	2		3.5 MM
	T196012	PLATE	2		3.0 MM
	T182782	PLATE	6		4.0 MM
48	T182783	PLATE	4		
49	T182784	DISK	6		

0350-36

TRANSMISSION 3

GEAR, SHAFTS, BEARINGS AND POWER SHIFT CLUTCH 0350
CLUTCH ASSEMBLY (REVERSE AND K2)
DISQUE ET TRINGLERIE D'EMBRAYAGE DE TRANSMISSION (MARCHE ARRIERE & K2)
DISCO Y VARILLAJE DEL EMBRAGUE DE TRANSMISION (RETROCESO & K2)

T212417 -UN-24JUN05



T212417

0350-37

TRANSMISSION 3

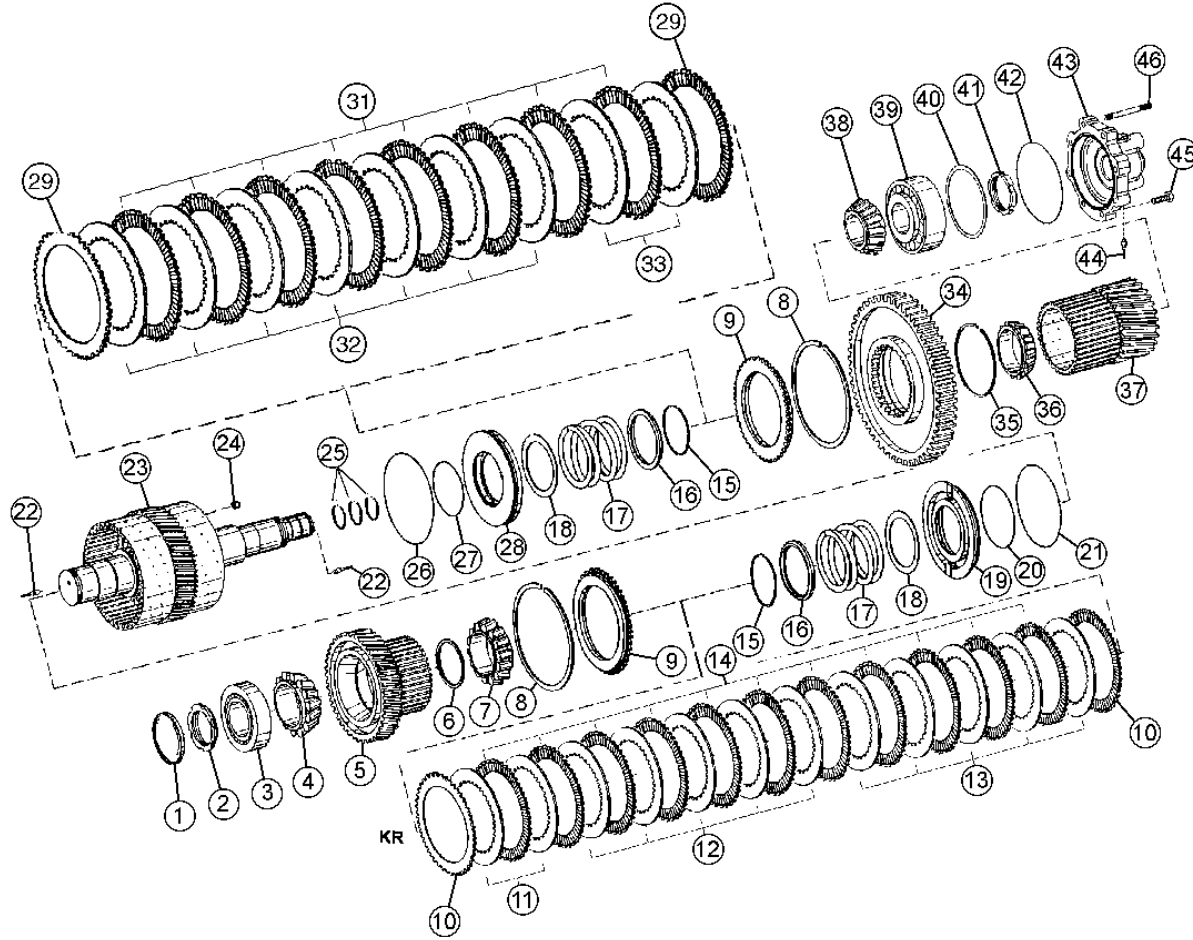
GEAR, SHAFTS, BEARINGS AND POWER SHIFT CLUTCH 0350
CLUTCH ASSEMBLY (REVERSE AND K2)
DISQUE ET TRINGLERIE D'EMBRAYAGE DE TRANSMISSION (MARCHE ARRIERE & K2)
DISCO Y VARILLAJE DEL EMBRAGUE DE TRANSMISION (RETROCESO & K2)

KEY	PART NO.	PART NAME	QTY.	SERIAL NO.	REMARKS
1	T168754	COVER	1		
2	T226531	NUT	1		(SUB FOR T195013)
3	T195012	BALL BEARING	1		
4	T195011	TAPERED ROLLER BEARING	1		
5	T195008	SPUR GEAR	1		
6	T195010	O-RING	1		
7	T195009	TAPERED ROLLER BEARING	1		
8	T169760	RING	2		
	T169759	RING	2		
	T169758	RING	2		
	T169089	SNAP RING	2		
	T169090	SNAP RING	2		
	T169091	SNAP RING	2		
	T169092	SNAP RING	2		
	T169093	SNAP RING	2		
	T169094	SNAP RING	2		
	T170706	SNAP RING	2		
	T179600	SNAP RING	2		
	T179601	SNAP RING	2		
	T179602	SNAP RING	2		
	T179603	SNAP RING	2		
	T169088	SNAP RING	2		
	T169087	SNAP RING	2		
	T169086	SNAP RING	2		
9	T181737	END PLATE	2		
10	T169604	DISK WITH OUTER SPLINE	2		
11	T205646	DISK WITH INNER SPLINE	2		
	T205647	DISK WITH INNER SPLINE	2		
12	T205647	DISK WITH INNER SPLINE	5		
13	T205646	DISK WITH INNER SPLINE	5		
14	T196794	DISK	11		
15	T169618	SNAP RING	2		
16	T181434	RING	2		
17	T169709	COMPRESSION SPRING	2		
18	T181433	WASHER	2		
19	T182778	PISTON	1		
20	T169036	O-RING	1		
21	T169034	O-RING	1		
22	T182775	PLUG	3		
23	T182800	DRUM	1		
24	T176801	FLOW CONTROL HYD. VALVE	2		
25	T169017	PISTON RING	3		
26	T168697	O-RING	1		
27	T168692	O-RING	1		
28	T195003	PISTON	1		
29	T169604	DISK WITH OUTER SPLINE	2		
31	T169603	CLUTCH DISK	6		
32	T169752	DISK WITH INNER SPLINE	7		
33	T169751	DISK WITH INNER SPLINE	2		
	T169752	DISK WITH INNER SPLINE	2		
	T169753	DISK WITH INNER SPLINE	2		
	T169754	DISK WITH INNER SPLINE	2		
34	T203202	GEAR	1		
35	T169030	SNAP RING	1		

0350-38

GEAR, SHAFTS, BEARINGS AND POWER SHIFT CLUTCH 0350
CLUTCH ASSEMBLY (REVERSE AND K2) (CONTINUED)
DISQUE ET TRINGLERIE D'EMBRAYAGE DE TRANSMISSION (MARCHE ARRIERE & K2)
DISCO Y VARILLAJE DEL EMBRAGUE DE TRANSMISION (RETROCESO & K2)

T212417 -UN-24JUN05



T212417

0350-39

TRANSMISSION 3

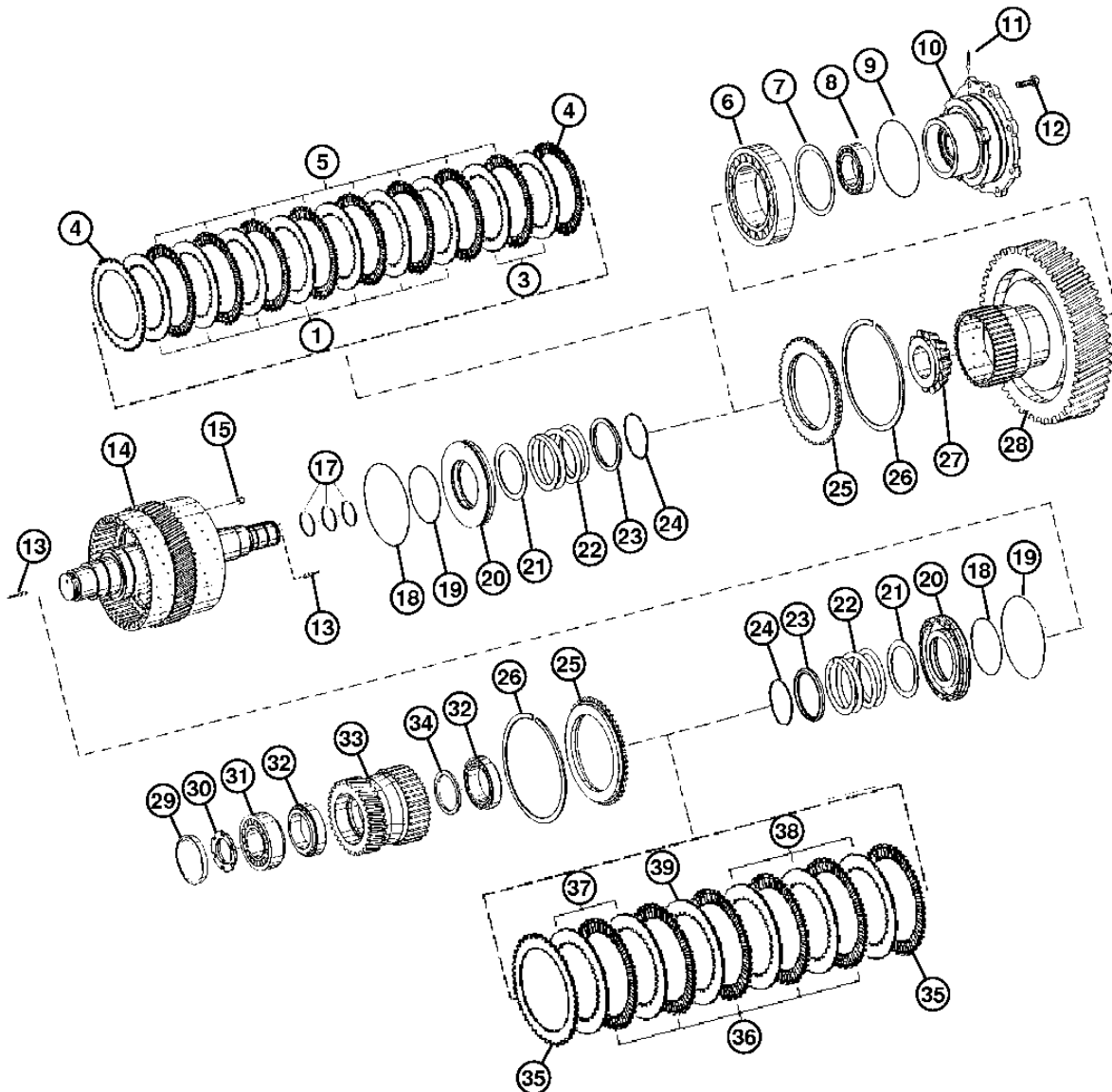
GEAR, SHAFTS, BEARINGS AND POWER SHIFT CLUTCH 0350
CLUTCH ASSEMBLY (REVERSE AND K2) (CONTINUED)
DISQUE ET TRINGLERIE D'EMBRAYAGE DE TRANSMISSION (MARCHE ARRIERE & K2)
DISCO Y VARILLAJE DEL EMBRAGUE DE TRANSMISION (RETROCESO & K2)

KEY	PART NO.	PART NAME	QTY.	SERIAL NO.	REMARKS
36	T195016	TAPERED ROLLER BEARING	1		
37	T195015	GEAR	1		
38	T195017	TAPERED ROLLER BEARING	1		
39	T195018	BALL BEARING	1		
40	T168830	SOLID SHIM	1		
	T168831	SOLID SHIM	1		
	T168832	SOLID SHIM	1		
	T168833	SOLID SHIM	1		
	T168834	SOLID SHIM	1		
	T168835	SOLID SHIM	1		
	T168836	SOLID SHIM	1		
	T168837	SOLID SHIM	1		
	T168838	SOLID SHIM	1		
	T168839	SOLID SHIM	1		
	T168840	SOLID SHIM	1		
41	T226529	NUT	1		(SUB FOR T195019)
42	T170126	O-RING	1		
43	T195022	COVER	1		
44	T182775	PLUG	2		
45	19M8637	CAP SCREW	6		M10 X 40
46	T195114	STUD	2		

0350-40

GEAR, SHAFTS, BEARINGS AND POWER SHIFT CLUTCH 0350
CLUTCH ASSEMBLY (HIGH RANGE FORWARD AND K3)
DISQUE ET TRINGLERIE D'EMBAYAGE DE TRANSMISSION (MARCHE AVANT & K3)
DISCO Y VARILLAJE DEL EMBRAGUE DE TRANSMISION (AVANCE & K3)

T212419 -UN-19AUG05



T212419

0350-41

TRANSMISSION 3

GEAR, SHAFTS, BEARINGS AND POWER SHIFT CLUTCH 0350
CLUTCH ASSEMBLY (HIGH RANGE FORWARD AND K3)
DISQUE ET TRINGLERIE D'EMBRAYAGE DE TRANSMISSION (MARCHE AVANT & K3)
DISCO Y VARILLAJE DEL EMBRAGUE DE TRANSMISION (AVANCE & K3)

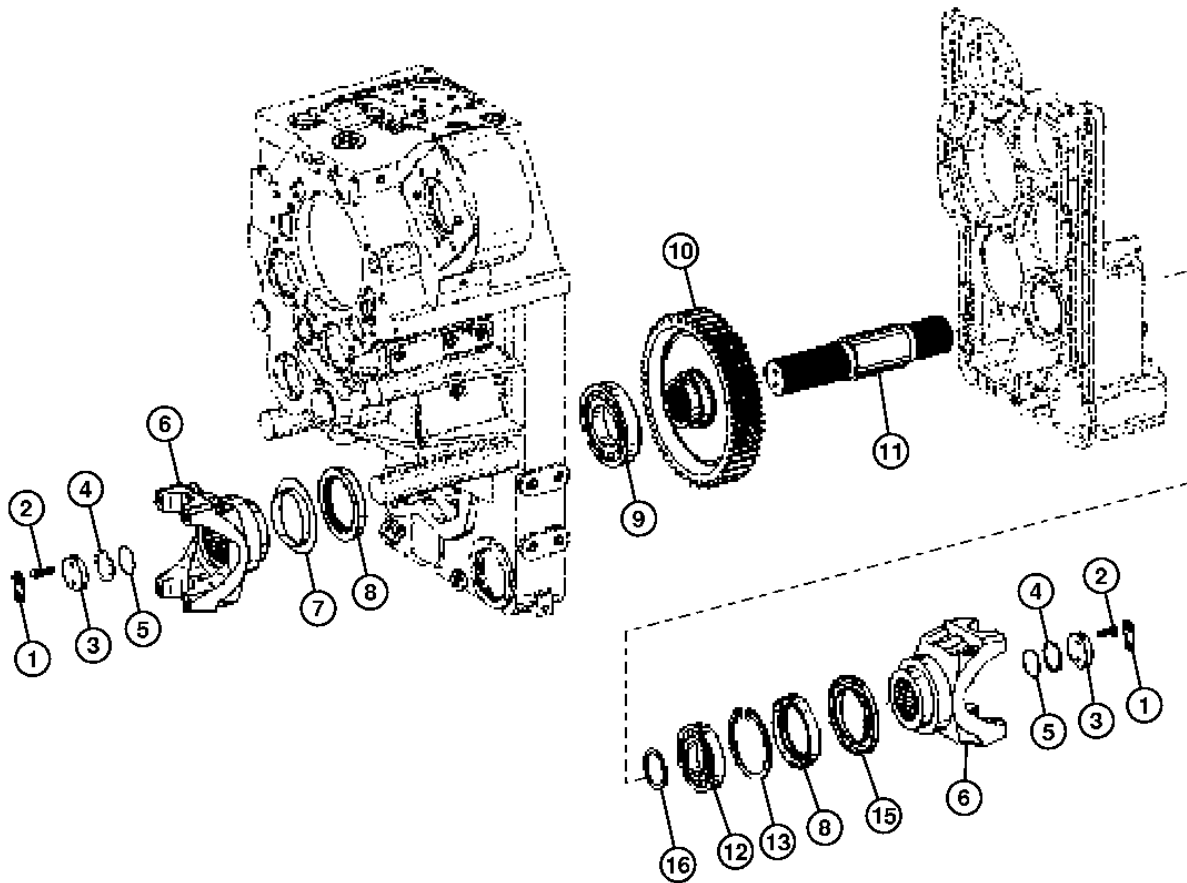
KEY	PART NO.	PART NAME	QTY.	SERIAL NO.	REMARKS
1	T169752	DISK WITH INNER SPLINE	7		3.0 MM
3	T169751	DISK WITH INNER SPLINE	2		2.5 MM
	T169752	DISK WITH INNER SPLINE	2		3.0 MM
	T169753	DISK WITH INNER SPLINE	2		3.5 MM
	T169754	DISK WITH INNER SPLINE	2		4.0 MM
4	T169604	DISK WITH OUTER SPLINE	2		
5	T169603	CLUTCH DISK	6		
6	T195041	BALL BEARING	1		
7	T196823	WASHER	1		
	T196824	WASHER	1		
	T196836	WASHER	1		
	T196837	WASHER	1		
	T196838	WASHER	1		
8	T195042	BALL BEARING	1		
9	T195115	O-RING	1		
10	T195044	COVER	1		
11	T182775	PLUG	2		
12	19M7168	CAP SCREW	8		M10 X 30
13	T182775	PLUG	3		
14	T195024	DRUM	1		
15	T176801	FLOW CONTROL HYD. VALVE	2		
17	T169017	PISTON RING	3		
18	T168697	O-RING	2		
19	T168692	O-RING	2		
20	T195003	PISTON	2		
21	T181433	WASHER	2		
22	T169709	COMPRESSION SPRING	2		
23	T181434	RING	2		
24	T169618	SNAP RING	2		
25	T181737	END PLATE	2		
26	T169760	RING	2		2.95 MM
	T169759	RING	2		2.9 MM
	T169758	RING	2		2.85 MM
	T169089	SNAP RING	2		2.8 MM
	T169090	SNAP RING	2		2.75 MM
	T169091	SNAP RING	2		2.7 MM
	T169092	SNAP RING	2		2.65 MM
	T169093	SNAP RING	2		2.6 MM
	T169094	SNAP RING	2		2.55 MM
	T170706	SNAP RING	2		2.45 MM
	T179600	SNAP RING	2		2.1 MM
	T179601	SNAP RING	2		2.15 MM
	T179602	SNAP RING	2		2.25 MM
	T179603	SNAP RING	2		2.35 MM
	T169088	SNAP RING	2		3.0 MM
	T169087	SNAP RING	2		3.05 MM
	T169086	SNAP RING	2		3.10 MM
27	AT255577	TAPERED ROLLER BEARING	1		
28	T195040	SPUR GEAR	1		
29	T182791	COVER	1		
30	T226530	NUT	1		(SUB FOR T182790)
31	T168916	BEARING	1		
32	T195036	TAPERED ROLLER BEARING	2		
33	T195023	HELICAL GEAR	1		
34	T205629	O-RING	1		
35	T169604	DISK WITH OUTER SPLINE	2		
36	T169603	CLUTCH DISK	4		
37	T169751	DISK WITH INNER SPLINE	2		2.5 MM
	T169752	DISK WITH INNER SPLINE	2		3.0 MM
	T169753	DISK WITH INNER SPLINE	2		3.5 MM
	T169754	DISK WITH INNER SPLINE	2		4.0 MM
38	T169754	DISK WITH INNER SPLINE	2		4.0 MM

0350-44

TRANSMISSION 3

GEAR, SHAFTS, BEARINGS AND POWER SHIFT CLUTCH 0350
OUTPUT SHAFT
ARBRE DE SORTIE DE TRANSMISSION
EJE DE SALIDA DE LA TRANSMISION

T213627 -UN-16AUG05



T213627

0350-45

TRANSMISSION 3

GEAR, SHAFTS, BEARINGS AND POWER SHIFT CLUTCH 0350
OUTPUT SHAFT
ARBRE DE SORTIE DE TRANSMISSION
EJE DE SALIDA DE LA TRANSMISION

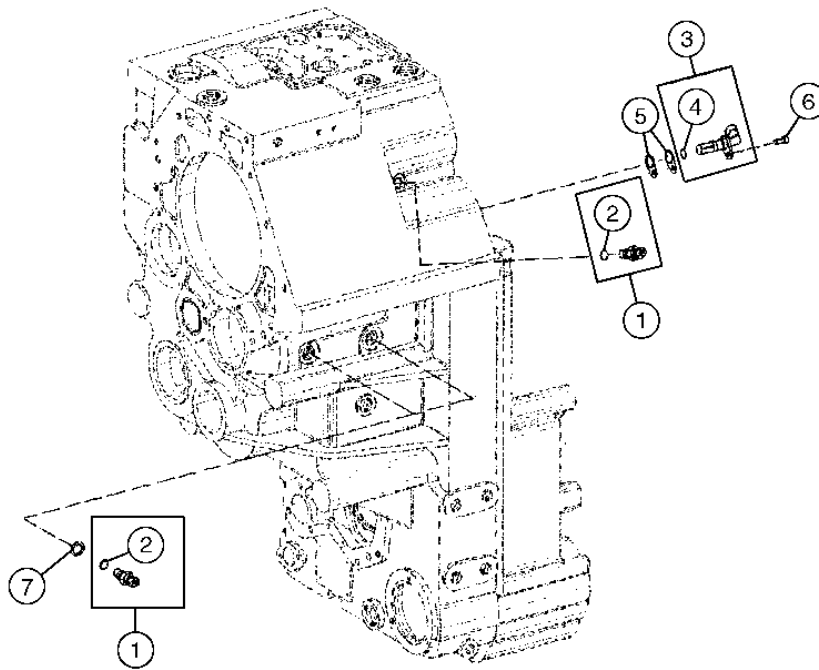
KEY	PART NO.	PART NAME	QTY.	SERIAL NO.	REMARKS
1	T116928	WASHER	2		
2	19M7550	CAP SCREW	4		M10 X 35
3	T168920	WASHER	2		
4	T196846	WASHER	1		
	T196847	WASHER	1		
5	T195128	O-RING	2		
6	T213832	YOKE	2		
7	T195047	SHEET	1		
8	T168904	SEAL	2		
9	T176773	BEARING	1		
10	T195046	GEAR	1		
11	T195045	SHAFT	1		
12	T168907	BALL BEARING	1		
13	40M5463	SNAP RING	1		
15	T195048	SCREEN	1		
16	T168882	SOLID SHIM	1		1.0 MM
	T168883	SOLID SHIM	1		1.1 MM
	T168884	SOLID SHIM	1		1.2 MM
	T168885	SOLID SHIM	1		1.3 MM
	T168886	SOLID SHIM	1		1.4 MM
	T168887	SOLID SHIM	1		1.5 MM
	T168888	SOLID SHIM	1		1.6 MM
	T168889	SOLID SHIM	1		1.7 MM
	T168890	SOLID SHIM	1		1.8 MM
	T168891	SOLID SHIM	1		1.9 MM
	T168926	SOLID SHIM	1		2.0 MM
	T168930	SOLID SHIM	1		2.1 MM
	T169706	SHIM	1		2.2 MM
	T168928	SOLID SHIM	1		2.3 MM
	T168927	SOLID SHIM	1		2.4 MM
	T168924	SOLID SHIM	1		2.5 MM
	T168925	SOLID SHIM	1		3.0 MM

0350-46

TRANSMISSION 3

GEAR, SHAFTS, BEARINGS AND POWER SHIFT CLUTCH 0350
TRANSMISSION SPEED SENSOR
COMPTEUR DE VITESSE DE BOITE DE VITESSES
VELOCIMETRO DE TRANSMISION

T212398 -UN-24JUN05



T212398

0350-47

TRANSMISSION 3

GEAR, SHAFTS, BEARINGS AND POWER SHIFT CLUTCH 0350
TRANSMISSION SPEED SENSOR
COMPTEUR DE VITESSE DE BOITE DE VITESSES
VELOCIMETRO DE TRANSMISION

KEY	PART NO.	PART NAME	QTY.	SERIAL NO.	REMARKS
1	AT210773	SENSOR	3		
2	R104558	O-RING	3		
3	T179510	SENSOR	1		
4	R73599	O-RING	1		
5	T169741	SOLID SHIM	2		
6	19M7647	SCREW	1		M8 X 16
7	24M7389	WASHER	1		18 X 25 X 1.500 MM
	24M7390	WASHER	1		18 X 25 X 1.400 MM
	24M7391	WASHER	1		18 X 25 X 1.200 MM
	T205862	WASHER	1		18 X 25 X 1.000 MM
	24M7120	WASHER	1		18 X 25 X 2 MM
	24M7211	SHIM	1		0.500 MM
	T205863	WASHER	1		18 X 25 X .300 MM
	T205864	WASHER	1		18 X 25 X .200 MM
	24M7119	WASHER	1		18 X 25 X 1.600 MM
	24M7392	WASHER	1		18 X 25 X 1.800 MM

0350-49

TRANSMISSION 3

GEAR, SHAFTS, BEARINGS AND POWER SHIFT CLUTCH 0350
TRANSMISSION SUCTION SCREEN
TAMIS DE BOITE DE VITESSES
MALLA DE TRANSMISION

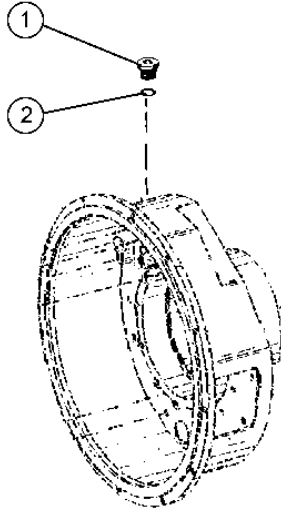
KEY	PART NO.	PART NAME	QTY.	SERIAL NO.	REMARKS
1	19M7162	CAP SCREW	3		M8 X 16
2	24M7238	WASHER	3		8.700 X 17 X 2 MM
3	T181736	COVER	1		
4	T177737	O-RING	1		
5	AT307331	SCREEN	1		
6	T170188	CAP	1		
7	30M7014	PLUG	1		52 MM
8	T168795	PLUG	3		
9	T170119	O-RING	3		
10	T169072	ADAPTER FITTING	1		
15	38H5021	ELBOW FITTING	1		
16	T78612	O-RING	1		
17	51M7049	O-RING	1		38.600 X 2.900 MM

0350-50

TRANSMISSION 3

GEAR, SHAFTS, BEARINGS AND POWER SHIFT CLUTCH 0350
TRANSMISSION TEMPERATURE SENSOR
THERMISTANCE DE BOITE DE VITESSES
TERMISTOR DE TRANSMISSION

T157957 -UN-24JUL02



T157957

THIS PARTS LISTING IS CONTINUED

0350-51

TRANSMISSION 3

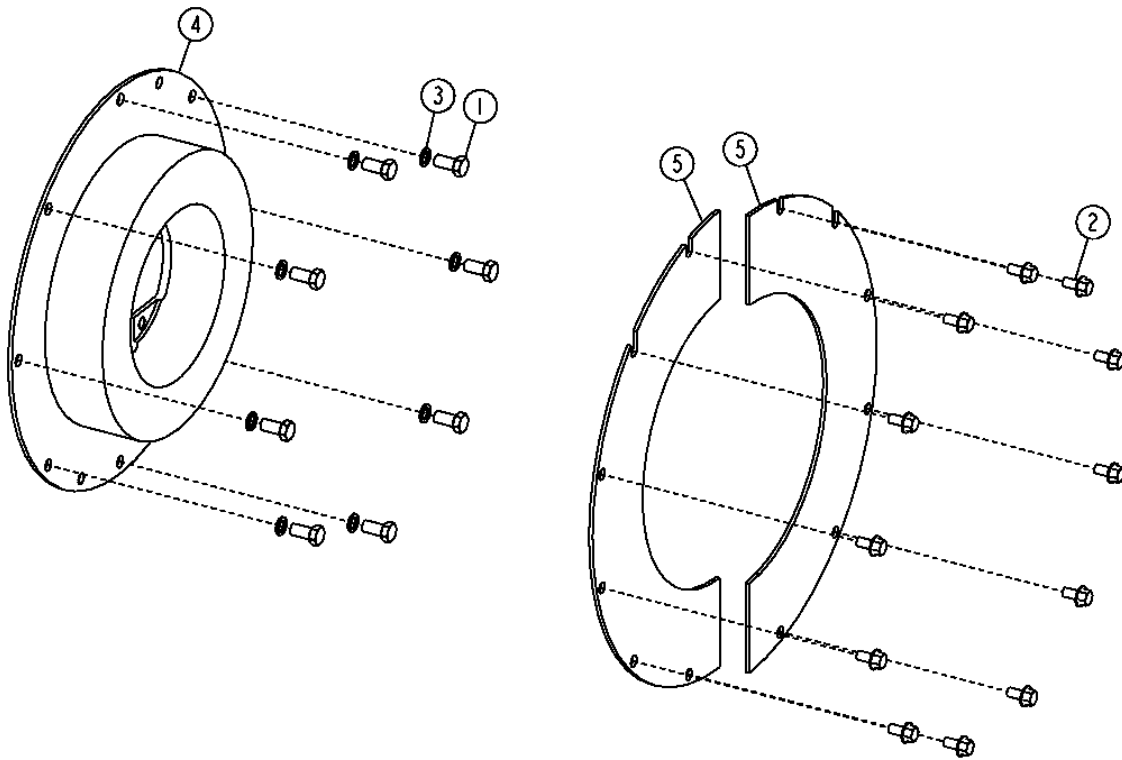
GEAR, SHAFTS, BEARINGS AND POWER SHIFT CLUTCH 0350
TRANSMISSION TEMPERATURE SENSOR
THERMISTANCE DE BOITE DE VITESSES
TERMISTOR DE TRANSMISION

KEY	PART NO.	PART NAME	QTY.	SERIAL NO.	REMARKS
1	AT112799	FITTING PLUG	1		(INCLUDES T107983)
	T107983	SEAL	1		
2	T74553	O-RING	1		

0351-2

DRIVE DAMPER AND COVER
AMORTISSEUR DE TORSION ET COUVERCLE
AMORTIGUADOR DE TORSION E TAPADERA

T212229 -UN-30JUN05



T212229

THIS PARTS LISTING IS CONTINUED

0351-3

TRANSMISSION 3

GEARS, SHAFTS, BEARINGS AND SEALS 0351

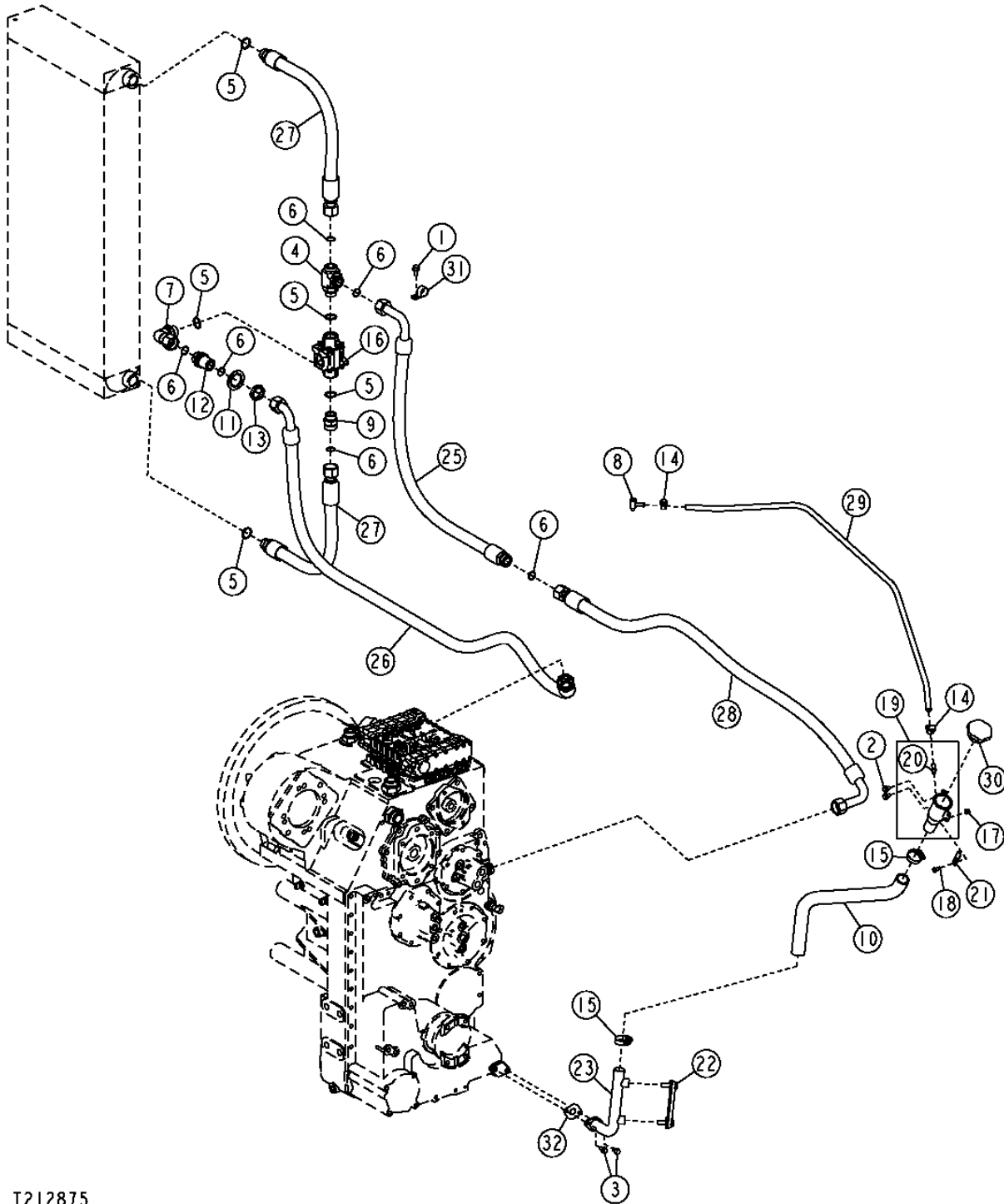
DRIVE DAMPER AND COVER
AMORTISSEUR DE TORSION ET COUVERCLE
AMORTIGUADOR DE TORSION E TAPADERA

KEY	PART NO.	PART NAME	QTY.	SERIAL NO.	REMARKS
1	19H2472	CAP SCREW	8		1/2" X 1"
2	19M7784	SCREW	12		M10 X 20
3	24M7044	WASHER	8		13 X 20 X 2 MM
4	AT310082	TORSIONAL DAMPER	1		
5	T207776	COVER	2		

0360-2

TRANSMISSION COOLER HYDRAULICS CIRCUIT HYDRAULIQUE DE REFROIDISSEMENT DE TRANSMISSION SISTEMA HIDRAULICO DEL ENFRIADOR DE LA TRANSMISION

T212875 -UN-03AUG05



T212875

THIS PARTS LISTING IS CONTINUED

0360-3

TRANSMISSION 3

HYDRAULIC SYSTEM 0360

**TRANSMISSION COOLER HYDRAULICS
CIRCUIT HYDRAULIQUE DE REFROIDISSEMENT DE TRANSMISSION
SISTEMA HIDRAULICO DEL ENFRIADOR DE LA TRANSMISION**

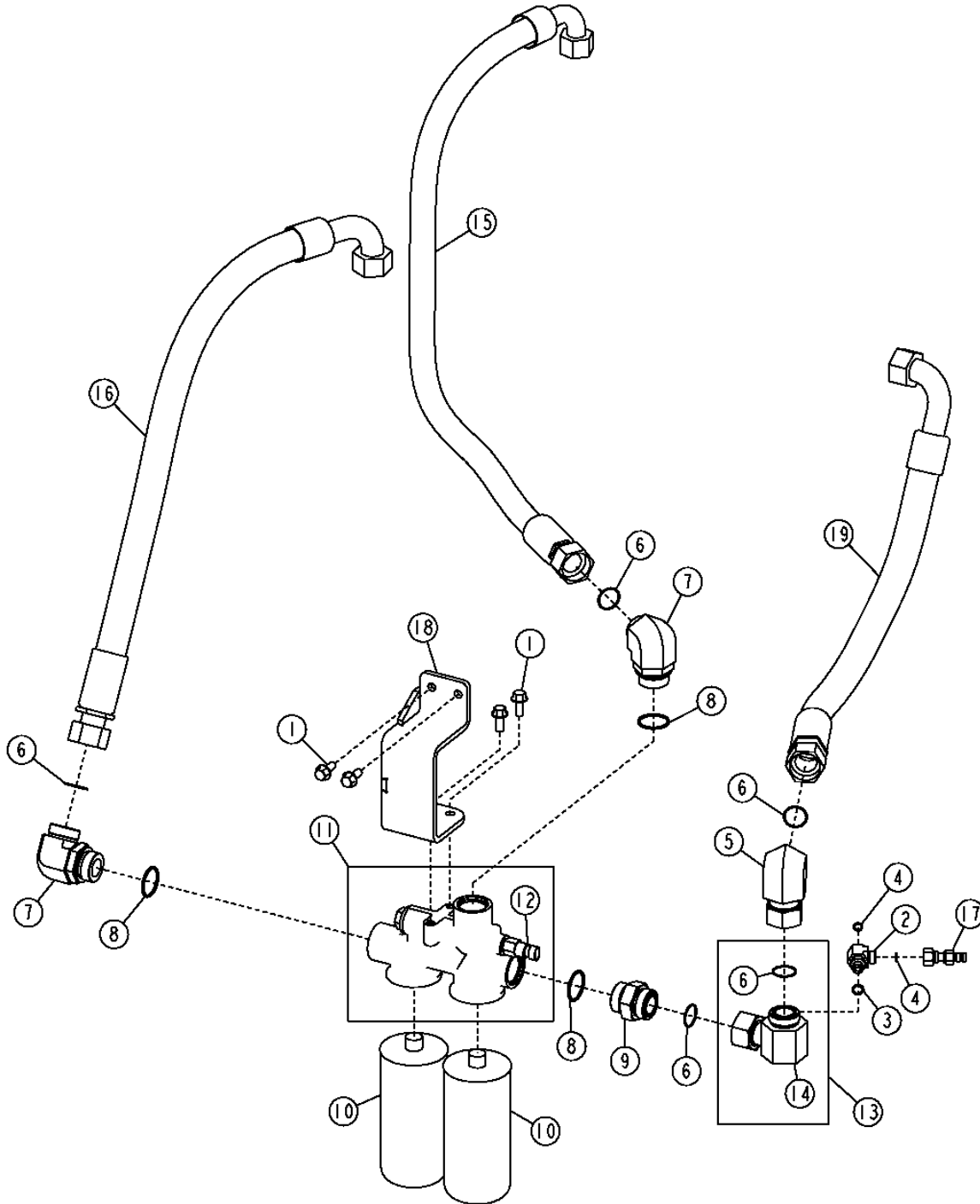
KEY	PART NO.	PART NAME	QTY.	SERIAL NO.	REMARKS
1	19M7784	SCREW	1		M10 X 20
2	19M7864	SCREW	2		M8 X 12
3	19M7865	SCREW	2	-XXXXXX	M8 X 16
	19M7867	SCREW	2	XXXXXX-	M8 X 25
4	38H1027	TEE FITTING	1		
5	R29936	O-RING	5		
6	T76938	O-RING	8		
7	38H1086	ELBOW FITTING	1		
8	T196587	TEE FITTING	1		
9	38H1164	ADAPTER FITTING	1		
10	T214513	HOSE	1		
11	T216836	LOCK WASHER	1		
12	38H1287	ADAPTER FITTING	1		
13	T78715	NUT	1		
14	AR21836	CLAMP	2		
15	AR21839	CLAMP	2		
16	AT325611	CONTROL VALVE	1		(SUB FOR AT225189)
17	14M7426	LOCK NUT	1		M8
18	19M7162	CAP SCREW	1		M8 X 16
19	AT227248	FILLER NECK	1		
20	R134954	HOSE FITTING	1		
21	T196464	STRAP	1		
22	AT227279	LEVEL GAUGE	1		
23	TUBE	1	-XXXXXX	(ORDER AT324881, R105415 AND (2) 19M7867) (AT315021 OR AT227651 NLA)
	AT324881	TUBE	1	XXXXXX-	
25	AT324984	HYDRAULIC HOSE - FABRICATE	1		1-7/16" X 1 075 MM X 1-7/16"
26	AT324985	HYDRAULIC HOSE - FABRICATE	1		1-11/16" X 2 300 MM X 1-7/16"
27	AT324986	HYDRAULIC HOSE - FABRICATE	2		1-7/16" X 700 MM X 1-7/16"
28	AT324987	HYDRAULIC HOSE - FABRICATE	1		1-7/16" X 1 753 MM X 1-7/16"
29	M87571	BULK HOSE	1		
30	RE500250	FILLER CAP	1		
31	T102934	CLAMP	1		
32	T116604	GASKET	1	-XXXXXX	
	R105415	O-RING	1	XXXXXX-	NOT ILLUSTRATED CORRECTLY

0360-4

TRANSMISSION 3
HYDRAULIC SYSTEM 0360

TRANSMISSION FILTER FILTRE A HUILE DE TRANSMISSION FILTRO DE LA TRANSMISION

T212944 -UN-05AUG05



T212944

0360-5

TRANSMISSION 3
HYDRAULIC SYSTEM 0360

TRANSMISSION FILTER
FILTRE A HUILE DE TRANSMISSION
FILTRO DE LA TRANSMISION

KEY	PART NO.	PART NAME	QTY.	SERIAL NO.	REMARKS
1	19M7785	SCREW	4		M10 X 25
2	38H1023	TEE FITTING	1		
3	R26448	O-RING	1		
4	T77613	O-RING	2		
5	38H1099	ELBOW FITTING	1		
6	T78612	O-RING	5		
7	38H5021	ELBOW FITTING	2		
8	51M7049	O-RING	3		38.600 X 2.900 MM
9	38H5189	ADAPTER FITTING	1		
10	AT222005	OIL FILTER	2		
11	AT301540	FILTER HEAD	1		
12	T173873	PRESSURE SWITCH	1		
13	AT305632	ELBOW FITTING	1		
14	AT305275	ELBOW FITTING	1		
15	AT325128	HYDRAULIC HOSE - FABRICATE	1		1-11/16" X 2" X 1-7/16"
16	AT310054	HYDRAULIC HOSE - FABRICATE	1		1-11/16" X 38-1/4" X 1-11/16"
17	AT320593	FITTING	1		
18	AT322970	BRACKET	1		
19	AT328996	HYDRAULIC HOSE - FABRICATE	1		1-11/16" X 29" X 1-11/16", (SUB FOR AT323004)

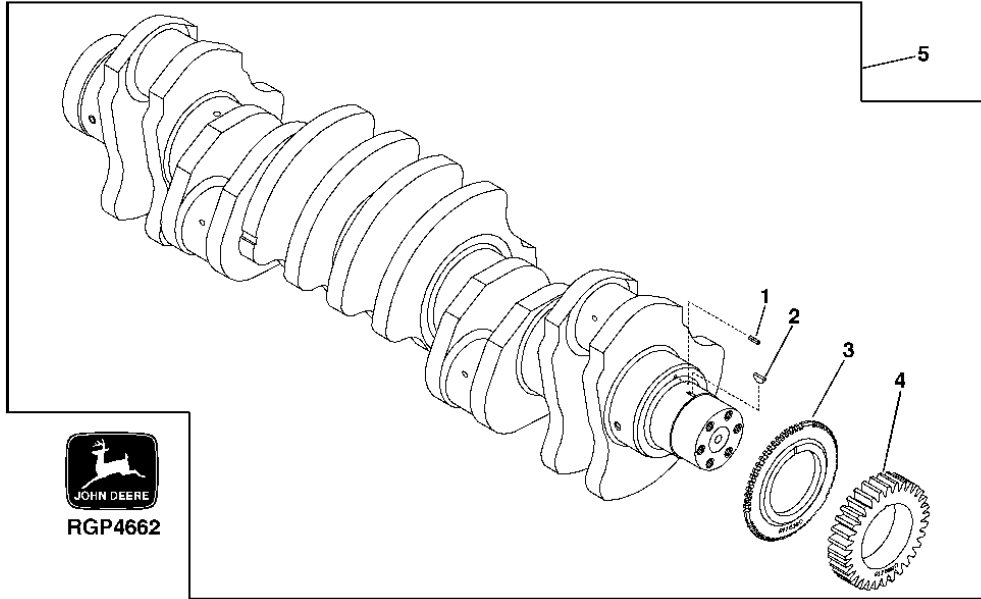
0401-2

ENGINE 4

CRANKSHAFT AND MAIN BEARINGS 0401

CRANKSHAFT
VILEBREQUIN
CIGUENAL

RGP4662 -UN-07AUG96



KEY	PART NO.	PART NAME	QTY.	ENGINE SERIAL NO.	REMARKS
1	34M7129	SPRING PIN	1		3 X 16 MM
2	26M4224	SHAFT KEY	1		4 X 16 MM
3	R122377	WHEEL SPEED SENSOR	1		
4	R116330	GEAR	1	-053079	(USE WITH R116068)
	R519560	GEAR	1	053080-	(USE WITH R519559)
5	RE51761	CRANKSHAFT	1	-053079	(MARKED R116068) (SUB RE522871 AND RE523267, THIS APPLICATION)
	RE522871	CRANKSHAFT	1	053080-	(MARKED R519559)

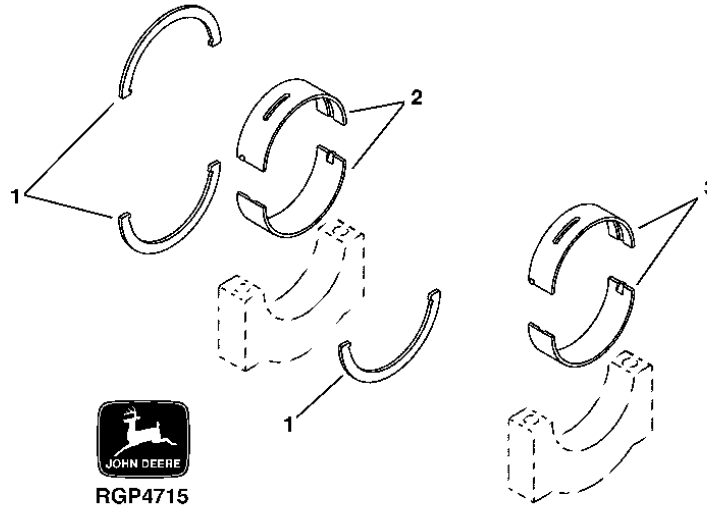
0401-3

ENGINE 4

CRANKSHAFT AND MAIN BEARINGS 0401

**MAIN BEARINGS
COUSSINETS PRINCIPAUX
COJINETES PRINCIPALES**

RGP4715 -UN-07AUG96



KEY	PART NO.	PART NAME	QTY.	ENGINE SERIAL NO.	REMARKS
1	RE63906	THRUST WASHER	1		STD, (PKG (3) R116299)
	RE68659	THRUST WASHER	1		0.18 MM (.007") OS, (PKG (2) R133599 AND R116299)
2	RE63905	THRUST BEARING	1		STD, (PKG R129751 AND R129752)
	RE68663	THRUST BEARING	1		0.25 MM (.010") US, (PKG R133606 AND R133607)
	RE68664	THRUST BEARING	1		0.50 MM (.020") US, (PKG R133608 AND R133609)
3	RE63903	BEARING	6		STD, (PKG R129749 AND R129750)
	RE68655	BEARING	AR		0.25 MM (.010") US, (PKG R133600 AND R133601)
	RE68656	BEARING	AR		0.50 MM (.020") US, (PKG R133602 AND R133603)

0401-4

ENGINE 4

CRANKSHAFT AND MAIN BEARINGS 0401

MEMORANDA
MEMORANDA
MEMORANDA

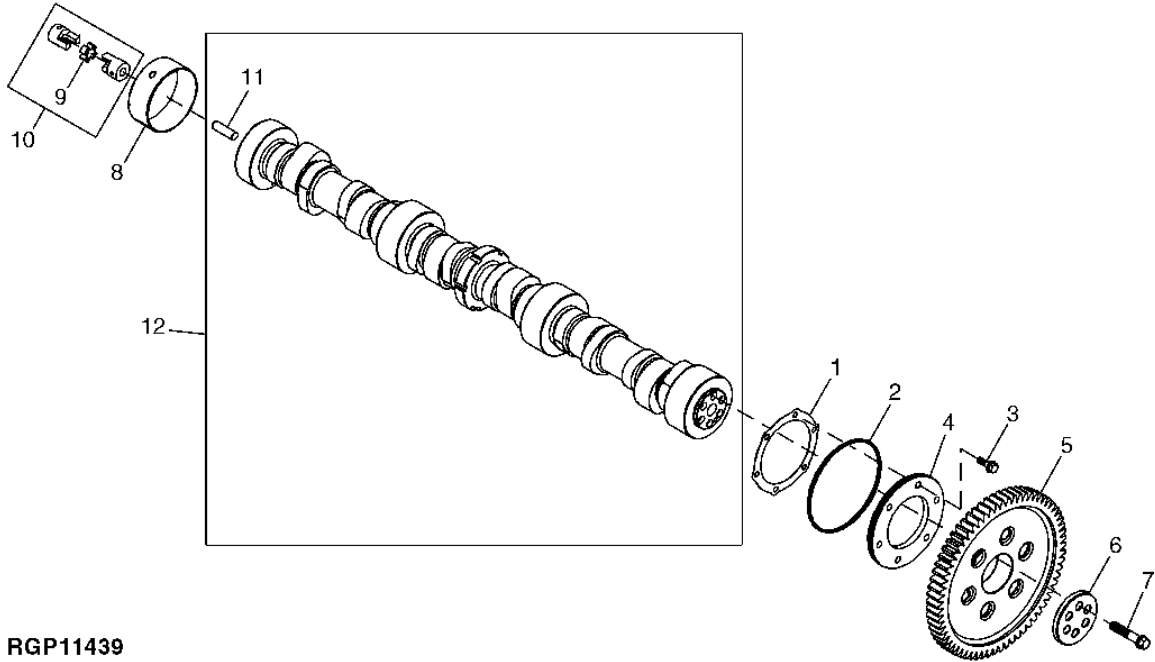
0402-1

ENGINE 4

CAMSHAFT AND VALVE ACTUATING MEANS 0402

CAMSHAFT AND GEAR
ARBRE A CAMES ET VITESSE
ARBOL DE LEVAS Y ENGRANAJE

RGP11439 -UN-19SEP05



RGP11439

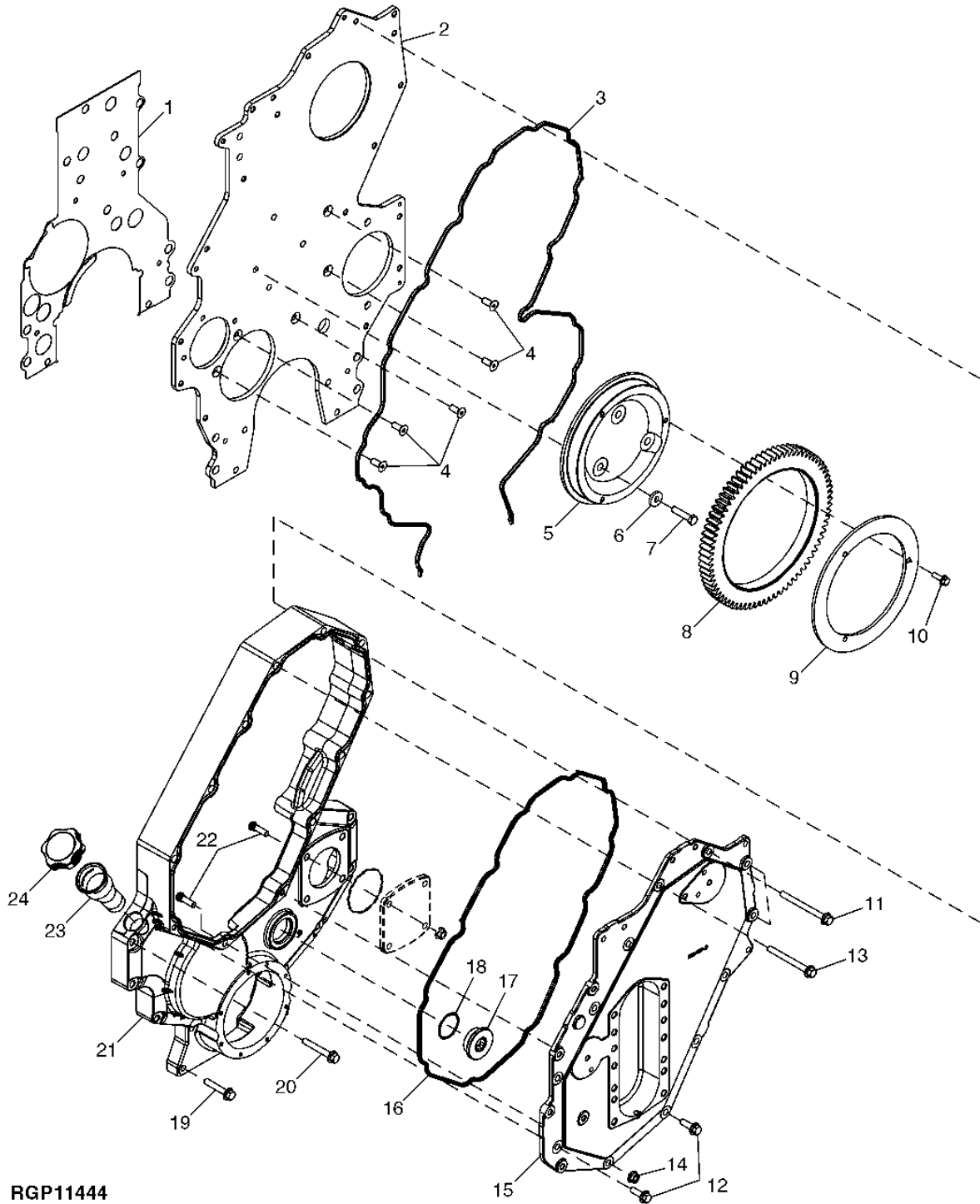
KEY	PART NO.	PART NAME	QTY.	ENGINE SERIAL NO.	REMARKS
1	R500211	GASKET	1		
2	R62976	O-RING	1		5-47/64" X 0.139"
3	19M7867	SCREW	6		M8 X 25
4	R119158	RING	1		
5	R116526	GEAR	1		
6	R119575	BUSHING	1		
7	R116911	CAP SCREW	6		
8	R522284	BUSHING	4		
9	R502027	SPIDER	1		
10	R117021	COUPLING	1		
11	R117020	PIN	1		
12	RE506962	KIT	1		(MARKED R503970)

0402-2

ENGINE 4

CAMSHAFT AND VALVE ACTUATING MEANS 0402
TIMING GEAR COVER, IDLER GEAR, FRONT PLATE AND OIL FILL
COUVERCLE DE DISTRIBUTION, PIGNON FOUS, PLAQUE AVANT ET SUFFISANCE D'HUILE
TAPA DE LA DISTRIBUCION, ENGRANAJE TENSORES, PLACA DELANTERA Y TERRAPLEN DEL ACEITE

RGP11444 -UN-20SEP05



RGP11444

THIS PARTS LISTING IS CONTINUED

0402-3

ENGINE 4

CAMSHAFT AND VALVE ACTUATING MEANS 0402

TIMING GEAR COVER, IDLER GEAR, FRONT PLATE AND OIL FILL
COUVERCLE DE DISTRIBUTION, PIGNON FOUS, PLAQUE AVANT ET SUFFISANCE D'HUILE
TAPA DE LA DISTRIBUCION, ENGRANAJE TENSORES, PLACA DELANTERA Y TERRAPLEN DEL ACEITE

KEY	PART NO.	PART NAME	QTY.	ENGINE SERIAL NO.	REMARKS
1	R520981	GASKET	1		
2	R520657	PLATE	1		
3	R502026	V-RING SEAL	1		
4	19M8551	SCREW	5		M10 X 25
5	R119157	BEARING CUP	1		
6	R43696	WASHER	3		
7	19M8738	CAP SCREW	3		M10 X 45
8	RE53911	SPUR GEAR	1		Z= 75, (MARKED R116527)
9	R501309	PLATE	1		
10	19M7867	SCREW	3		M8 X 25
11	19M7836	SCREW	3		M10 X 110
12	19M7786	SCREW	2		M10 X 30
13	19M7812	SCREW	6		M10 X 100
14	14M7296	FLANGE NUT	1		M10
15	R504671	COVER	1		
16	R502441	V-RING SEAL	1		
17	R131660	DRAIN PLUG	1		
18	A811045R	O-RING	1		(SUB FOR A811045)
19	19M8528	SCREW	9		M10 X 55
20	19M8114	SCREW	1		M10 X 70
21	R506150	COVER	1		
22	R119159	BOLT	5		
23	R120801	DIPSTICK TUBE	1		
24	RE500250	FILLER CAP	1		

0402-3A

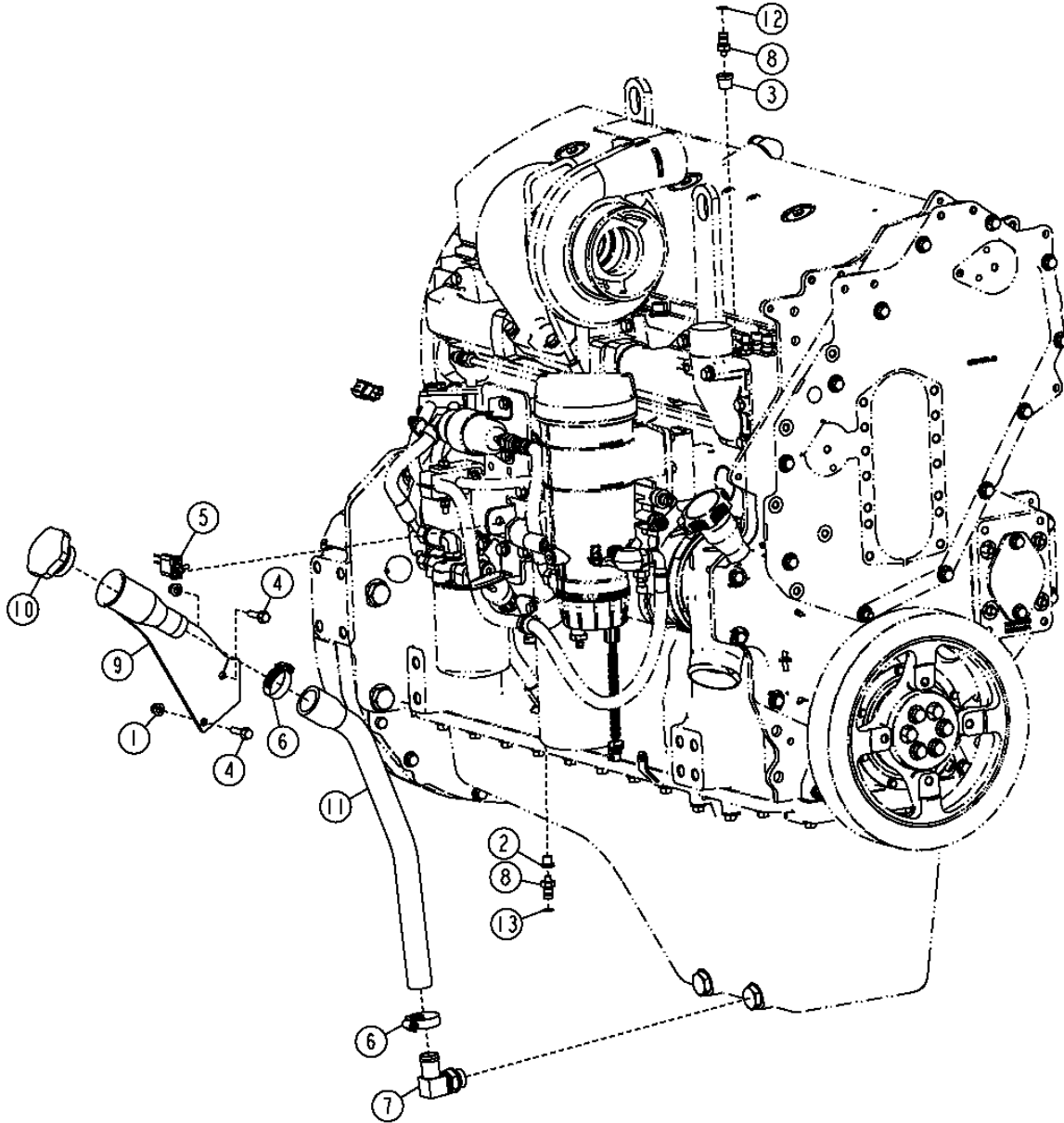
ENGINE 4

CAMSHAFT AND VALVE ACTUATING MEANS 0402

ENGINE OIL FILL
REPLISSAGE D HUILE MOTEUR
LLENADO DE ACEITE DEL MOTOR

TX1021238

-UN-



TX1021238

0402-3B

ENGINE 4

CAMSHAFT AND VALVE ACTUATING MEANS 0402

ENGINE OIL FILL
REPLISSAGE D HUILE MOTEUR
LLENADO DE ACEITE DEL MOTOR

KEY	PART NO.	PART NAME	QTY.	ENGINE SERIAL NO.	REMARKS
1	14M7396	LOCK NUT	4		M8
2	15H639	PIPE BUSHING	2		1/8"
3	15H691	PIPE BUSHING	1		1/8"
4	19M7897	SCREW	4		M8 X 35
5	AH158310	TOGGLE/ROCKER SWITCH	1		
6	AR21839	CLAMP	4		
7	AR68999	ELBOW FITTING	1		
8	AT306133	FITTING	4		
9	AT312465	BRACKET	1		
10	RE500250	FILLER CAP	2		
11	T214574	HOSE	1		
12	T217789	LABEL	2		
13	T217790	LABEL	2		

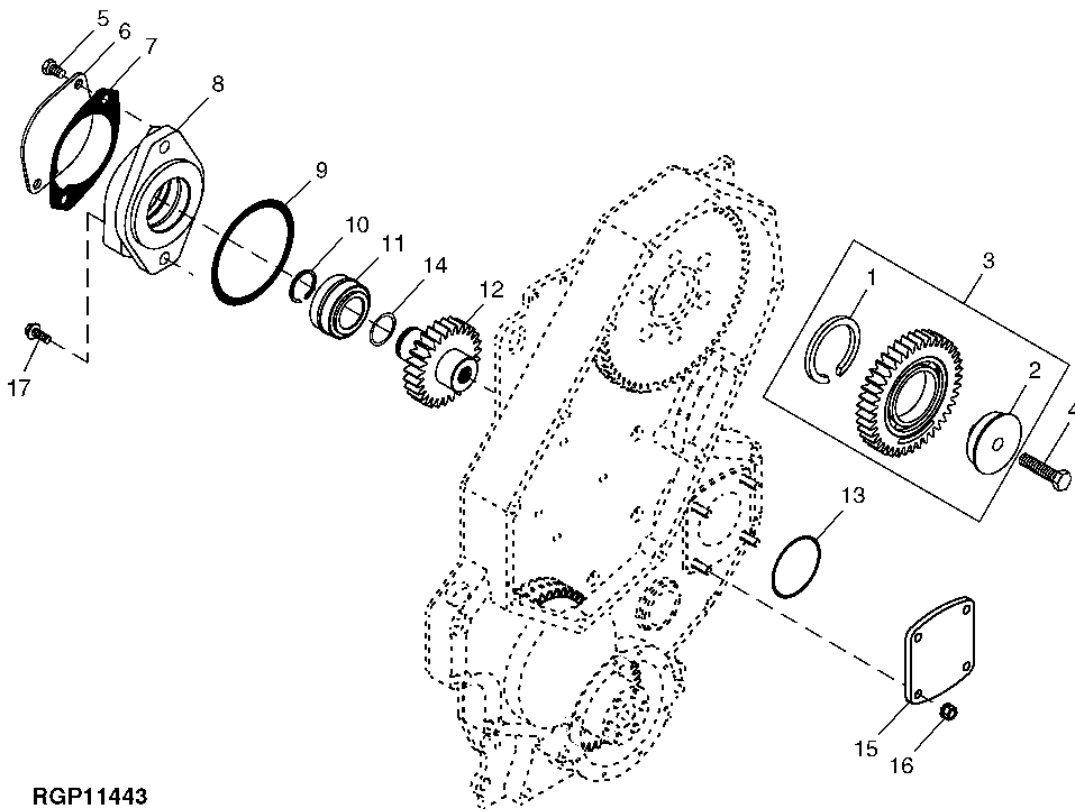
0402-4

ENGINE 4

CAMSHAFT AND VALVE ACTUATING MEANS 0402

AUXILIARY DRIVE
ENTRAÎNEMENT AUXILIAIRE
TRANSMISION ADICIONAL

RGP11443 -UN-19SEP05



RGP11443

0402-5

ENGINE 4

CAMSHAFT AND VALVE ACTUATING MEANS 0402

AUXILIARY DRIVE ENTRAÎNEMENT AUXILIAIRE TRANSMISION ADICIONAL

KEY	PART NO.	PART NAME	QTY.	ENGINE SERIAL NO.	REMARKS
1	R63846	SNAP RING	1		
2	R128769	SUPPORT	1		
3	RE66291	SPUR GEAR	1		Z= 41, (MARKED R116529)
4	19M7824	SCREW	1		M16 X 60
5	19M7789	SCREW	NA		M12 X 30
6	R85144	COVER	NA		
7	R501137	GASKET	1		
8	R130932	HOUSING	1		(MARKED 267)
9	T70176	O-RING	1		5-15/64" X 0.139"
10	A2597R	SNAP RING	AR		2.895 MM (.114")
	T27432	SNAP RING	AR		2.743 MM (.108")
	R96515	SNAP RING	AR		2.450 MM (.096")
11	RE33466	TAPERED ROLLER BEARING	1		
12	R130933	GEAR	1		Z= 27 (FRONT Z= 9, REAR Z= 13)
13	R82459	O-RING	1		3.237" X 0.103"
14	R44357	SHIM	AR		0.076 MM (.003")
15	R130937	COVER	1		
16	14M7296	FLANGE NUT	4		M10
17	R136091	SCREW	2		

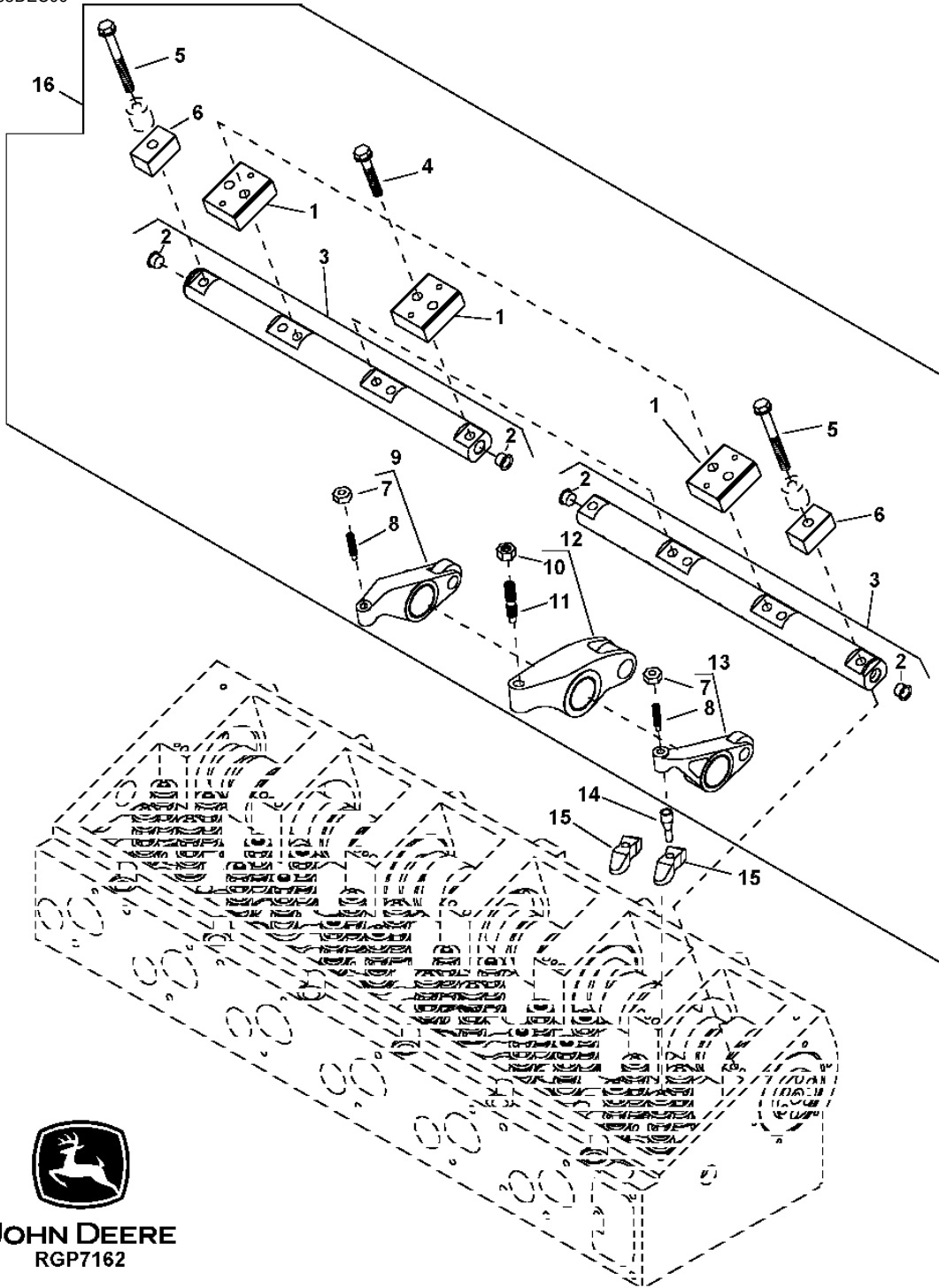
0402-6

ENGINE 4

CAMSHAFT AND VALVE ACTUATING MEANS 0402 ROCKER ARMS, SHAFT AND PUSH RODS ARBRES DES CULBUTEURS ET TIGES POUSSEUR EJE DE BALANCINES Y BARRAS DE EMPUJE

RGP7162

-UN-05DEC00



JOHN DEERE
RGP7162

THIS PARTS LISTING IS CONTINUED

0402-7

ENGINE 4

CAMSHAFT AND VALVE ACTUATING MEANS 0402

ROCKER ARMS, SHAFTS AND PUSH RODS
ARBRES DES CULBUTEURS ET TIGES POUSSEUR
EJE DE BALANCINES Y BARRAS DE EMPUJE

KEY	PART NO.	PART NAME	QTY.	ENGINE SERIAL NO.	REMARKS
1	R501647	CLAMP	5		(ALSO ORDER (2) R136507)
2	30M7010	PLUG	2		
3	RE520808	ROCKER ARM SHAFT	2		
4	R136507	SCREW	10		
5	R136507	SCREW	2		
6	R501644	CLAMP	2		(ALSO ORDER R136507)
7	R500145	NUT	1		
8	R116556	SCREW	1		
9	RE53420	ROCKER ARM	6		(C)
10	R130643	NUT	1		
11	R115516	SCREW	1		
12	RE508660	ROCKER ARM	6		(B)
13	RE53416	ROCKER ARM	6		(A)
14	R117069	PUSH ROD	12		
15	R503824	CROSSBAR	12		
16	RE520807	ROCKER ARM	1		

(A) EXHAUST
 (A) ECHAPPEMENT
 (A) ESCAPE

(B) INJECTOR
 (B) INJECTEUR
 (B) INYECTOR

(C) INTAKE
 (C) ADMISSION
 (C) ADMISION

0403-2

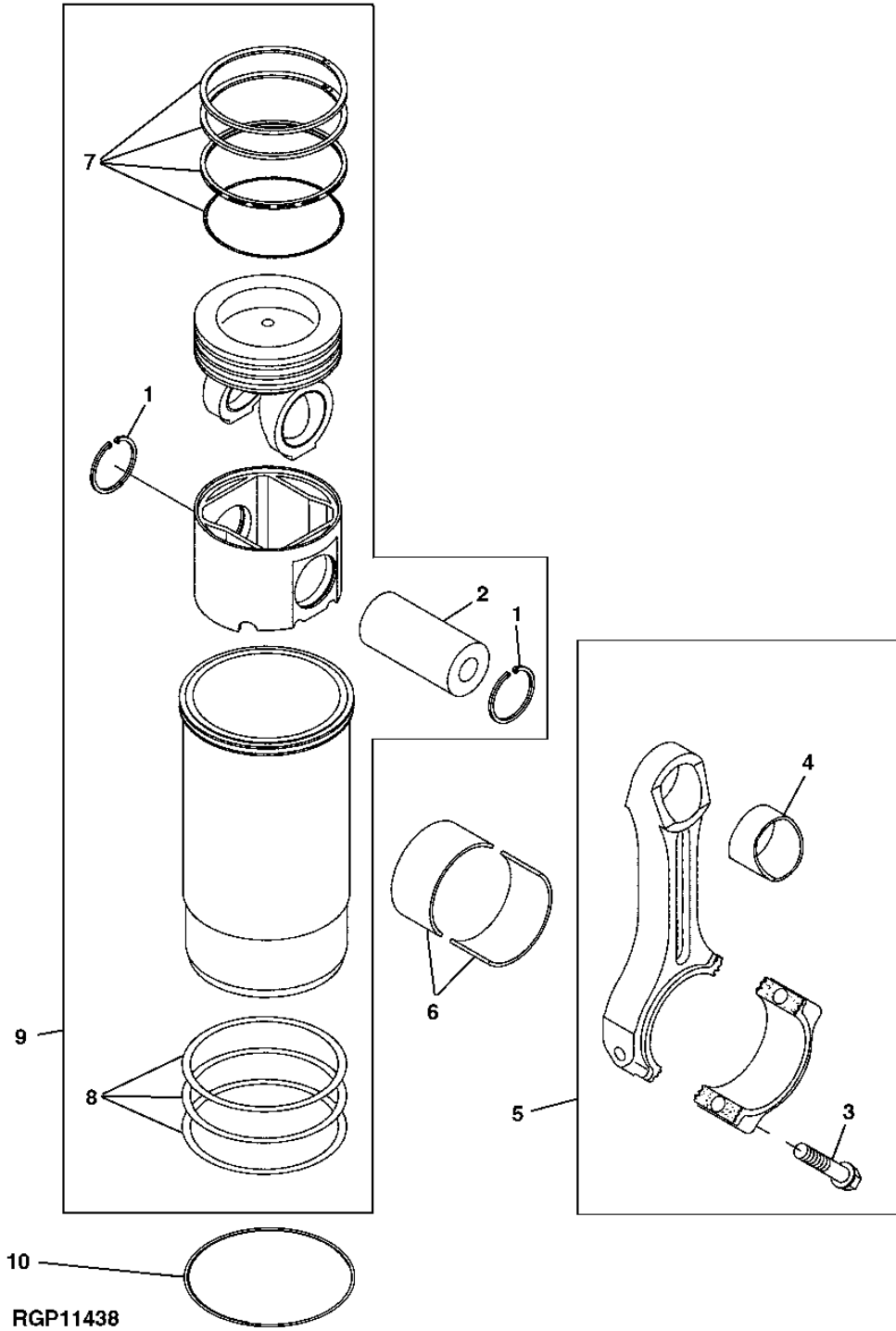
ENGINE 4

CONNECTING RODS AND PISTONS 0403

PISTON, CYLINDER LINER AND CONNECTING ROD
PISTON, BIELLE ET CHEMISE DE CYLINDRE
PISTON, BIELA Y CAMISA DEL CILINDRO

RGP11438

-UN-12SEP05



0403-3

ENGINE 4

CONNECTING RODS AND PISTONS 0403

**PISTON, CYLINDER LINER AND CONNECTING ROD
PISTON, BIELLE ET CHEMISE DE CYLINDRE
PISTON, BIELA Y CAMISA DEL CILINDRO**

KEY	PART NO.	PART NAME	QTY.	ENGINE SERIAL NO.	REMARKS
1	N51168	SNAP RING	12		
2	R64451	PISTON PIN	6		
3	R501380	CAP SCREW	2		
4	R69045	BUSHING	1		
5	RE522978	CONNECTING ROD	6		(MARKED R519614)
6	RE63811	KIT	6		STD. (PKG (2) R134407)
	RE68703	KIT	AR		0.25 MM (.010") US, (PKG (2) R133641)
	RE68704	KIT	AR		0.50 MM (.020") US, (PKG (2) R133642)
7	RE515941	PISTON RING KIT	1		
8	AR72351	O-RING KIT	1		
9	RE519111	PISTON-LINER KIT	6		(PISTON MARKED RE524324)
10	R81276	SHIM	AR		0.05 MM
	R81277	SHIM	AR		0.10 MM

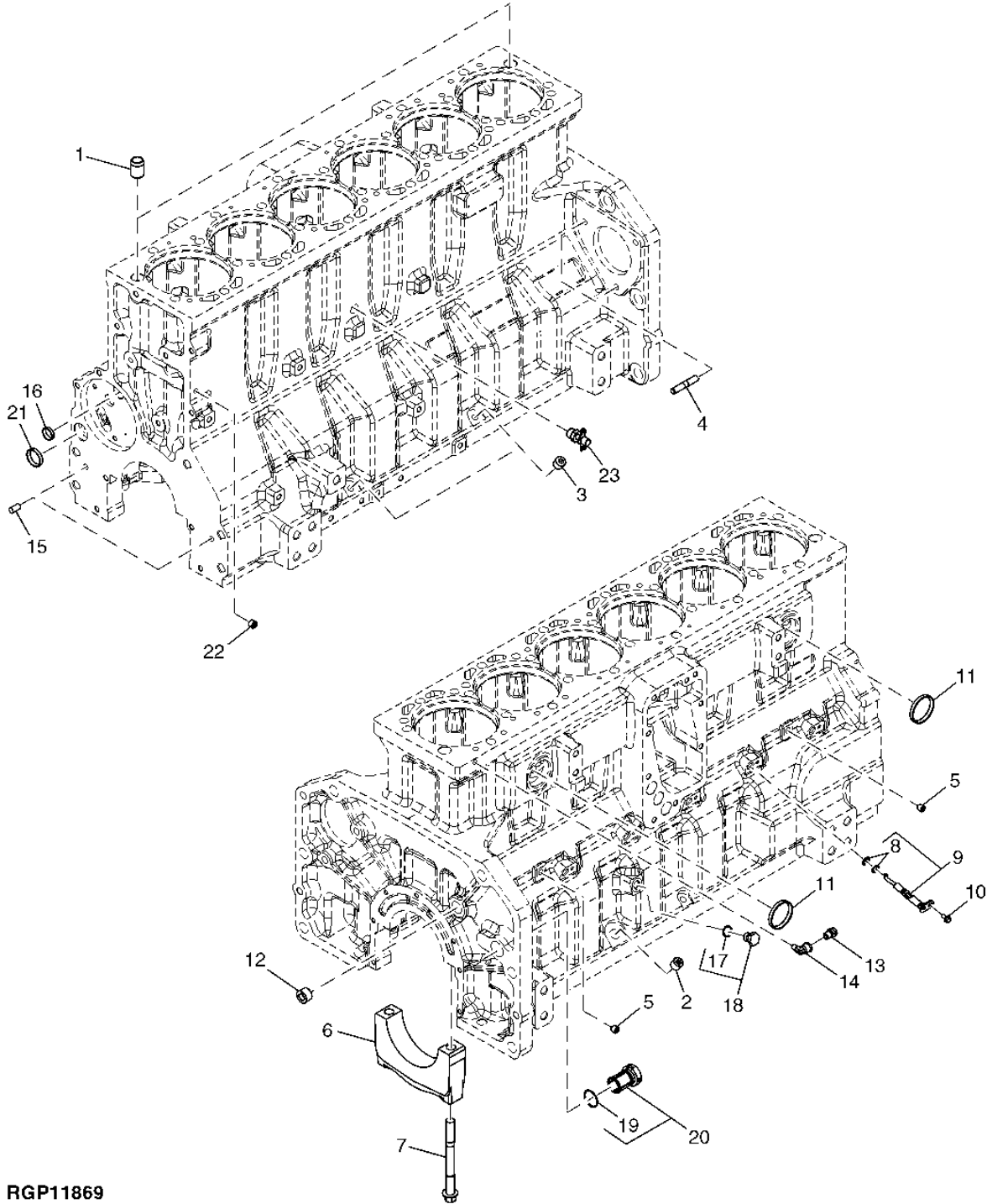
0404-2

ENGINE 4

CYLINDER BLOCK 0404

CYLINDER BLOCK FITTINGS RACCORDS DE BLOC-CYLINDRES CONECTORES DEL BLOQUE DE CILINDRO

RGP11869 -UN-11APR06



RGP11869

0404-3

ENGINE 4

CYLINDER BLOCK 0404

**CYLINDER BLOCK FITTINGS
RACCORDS DE BLOC-CYLINDRES
CONECTORES DEL BLOQUE DE CILINDRO**

KEY	PART NO.	PART NAME	QTY.	ENGINE SERIAL NO.	REMARKS
1	R116716	BUSHING	2		
2	RE57836	PIPE PLUG	1		1/2"
3	15H685	PIPE PLUG	2		1/4"
4	42M7029	STUD	2		
5	15H685	PIPE PLUG	2		1/4"
6	R518501	BEARING CAP	6		(A)
	R518573	BEARING CAP	1		(B)
7	R518579	CAP SCREW	14		
8	R63548	O-RING	2		0.364" X 0.070"
9	RE503567	JET	6		
10	R130091	SCREW	6		
11	R502753	PLUG	2		
12	15H690	PIPE PLUG	1		3/4"
13	R51133	FITTING	1		
14	T11370	ELBOW FITTING	1		
15	R1612R	DOWEL PIN	2		
16	T21937	PLUG	1		
17	51M7041	O-RING	1		11.300 X 2.200 MM
18	RE46684	FITTING PLUG	1		M14 X 1.5
19	R27149	O-RING	1		0.921" X 0.139"
20	AR61533	PLUG	1		
21	R116466	PLUG	1		
22	RE71255	PIPE PLUG	1		1/8"
23	AT13740	DRAIN VALVE	1		
..	37H44	SCREW	2		(C)

(A) MAIN
(A) PRINCIPAL
(A) PRINCIPAL

(B) THRUST
(B) EPAULEMENT
(B) EMPUJE

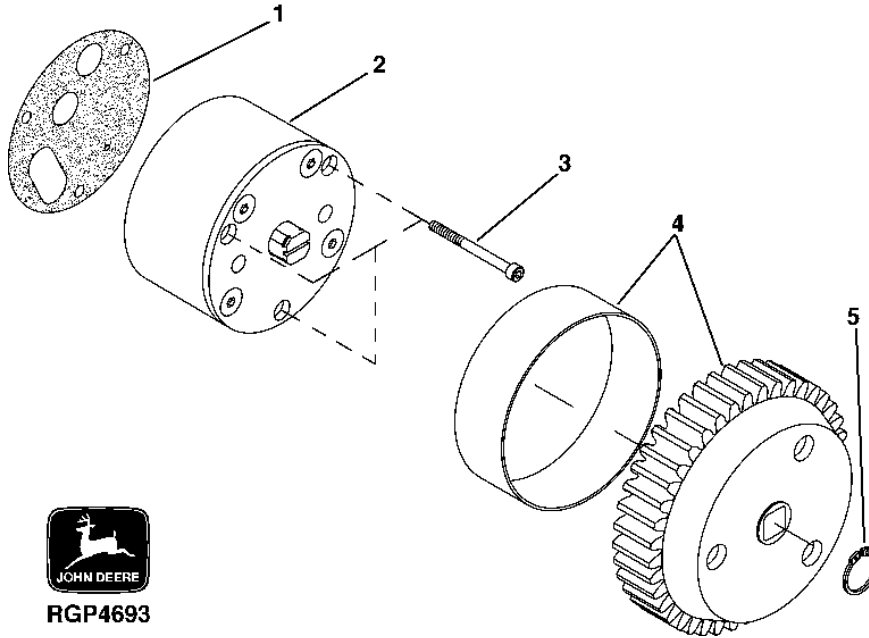
(C) ENGINE SERIAL NUMBER PLATE
(C) PLAQUETTE SIGNALETIQUE DU MOTEUR
(C) CHAPA DE IDENTIFICACION DEL MOTOR

0407-2

ENGINE 4
OILING SYSTEM 0407

OIL PUMP
POMPE A HUILE
BOMBA DE ACEITE

RGP4693 -UN-02JUL97



RGP4693

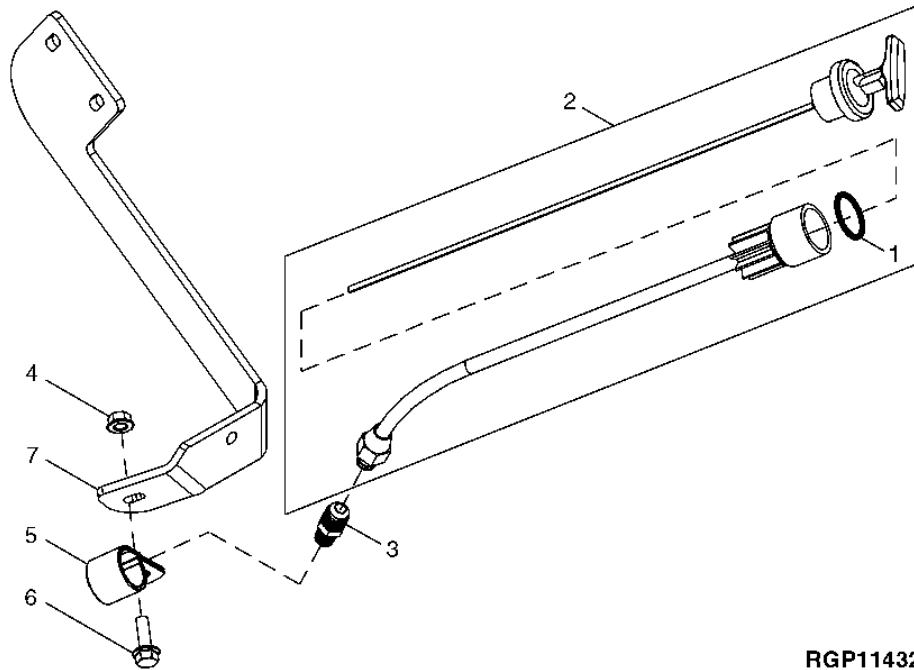
KEY	PART NO.	PART NAME	QTY.	ENGINE SERIAL NO.	REMARKS
1	R500387	GASKET	1		
2	RE502752	OIL PUMP	1		
3	19M8508	SCREW	3		M8 X 80
4	RE53654	GEAR	1		Z= 46
5	40M7076	SNAP RING	1		

0407-3

ENGINE 4
OILING SYSTEM 0407

DIPSTICK JAUGEUR VARILLA DE MEDICION

RGP11432 -UN-07SEP05



RGP11432

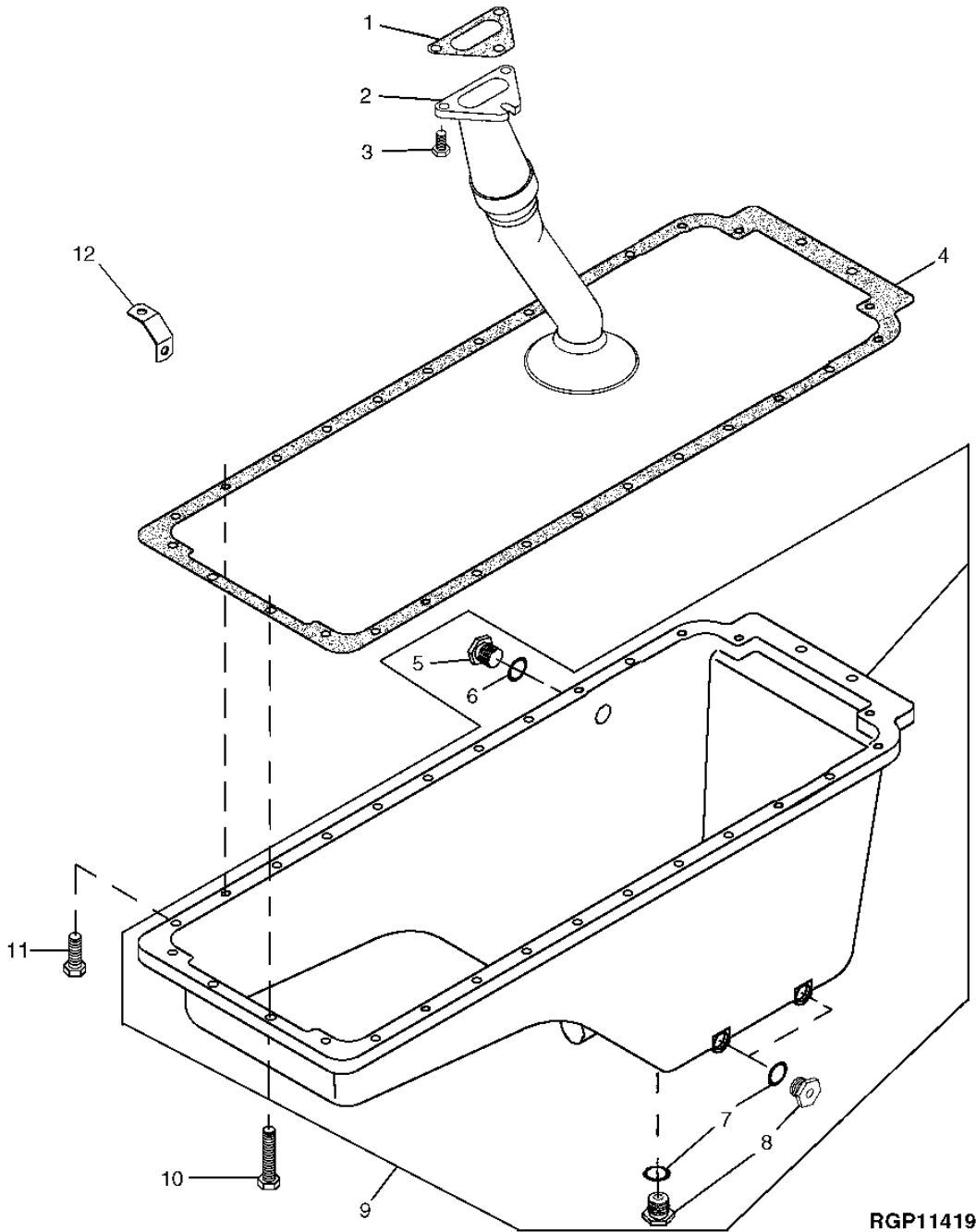
KEY	PART NO.	PART NAME	QTY.	ENGINE SERIAL NO.	REMARKS
1	T118688	O-RING	1		1.046" X 0.139"
2	RE509894	DIPSTICK TUBE	1		
3	A4925R	ADAPTER FITTING	1		
4	14M7298	FLANGE NUT	1		M8
5	R72659	CLAMP	1		
6	19M7867	SCREW	1		M8 X 25
7	R505770	BRACKET	1		

0407-4

ENGINE 4
OILING SYSTEM 0407

OIL PAN AND OIL PUMP INTAKE
CARTER D'HUILE ET PRISE DE POMPE D'HUILE
CARTER DE ACEITE Y PRODUCTO DE LA BOMBA DEL ACEITE

RGP11419 -UN-12AUG05



RGP11419

0407-5

ENGINE 4

OILING SYSTEM 0407

OIL PAN AND OIL PUMP INTAKE
CARTER D'HUILE ET PRISE DE POMPE D'HUILE
CARTER DE ACEITE Y PRODUCTO DE LA BOMBA DEL ACEITE

KEY	PART NO.	PART NAME	QTY.	ENGINE SERIAL NO.	REMARKS
1	R126783	GASKET	1		
2	RE62887	OIL PUMP INTAKE	1		
3	19M7866	SCREW	3		M8 X 20
4	R519752	GASKET	1		
5	R36636	FITTING PLUG	1		
6	R29936	O-RING	1		
7	R56751	O-RING	4		
8	R27175	DRAIN PLUG	4		
9	RE522842	OIL PAN	1		(MARKED R519538)
10	19M8528	SCREW	8		M10 X 55
11	19M7835	SCREW	22		M10 X 35
12	R136110	BRACKET	1		

0408-2

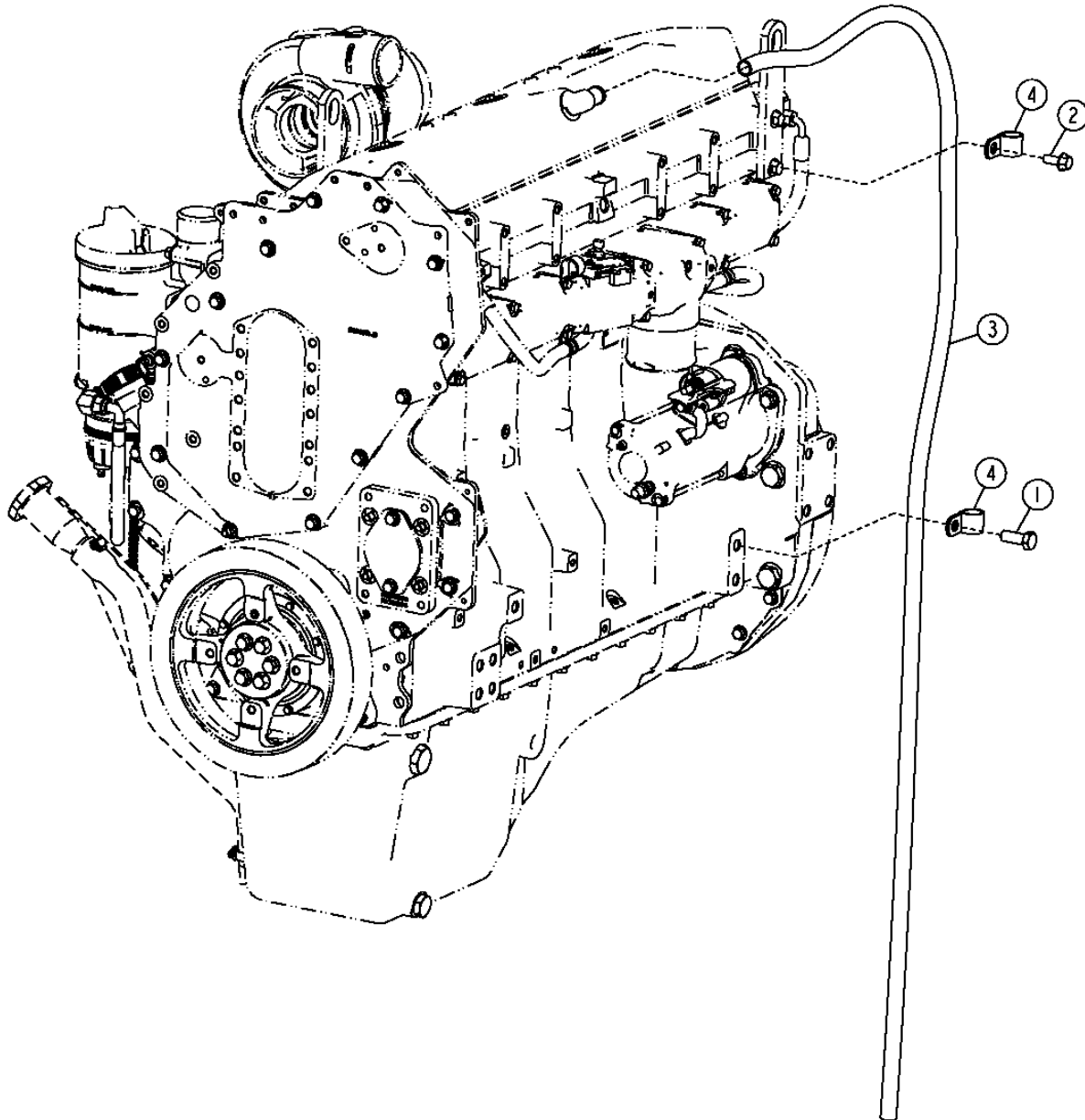
ENGINE 4

VENTILATING SYSTEM 0408

CRANKCASE BREATHER HOSE FLEXIBLE DE RENIFLARD DE CARTER-MOTEUR MANGUERA DEL RESPIRADERO DE CARTER

T211694

-UN-03JUN05



T211694

THIS PARTS LISTING IS CONTINUED

0408-3

ENGINE 4

VENTILATING SYSTEM 0408

**CRANKCASE BREATHER HOSE
FLEXIBLE DE RENIFLARD DE CARTER-MOTEUR
MANGUERA DEL RESPIRADERO DE CARTER**

KEY	PART NO.	PART NAME	QTY.	SERIAL NO.	REMARKS
1	19M8029	CAP SCREW	1		M16 X 30
2	19M7788	SCREW	1		M12 X 25
3	X831-12	BULK HOSE	1		(SUB FOR T147181) (CUT TO LENGTH 7 FEET)
4	T153974	CLAMP	2		

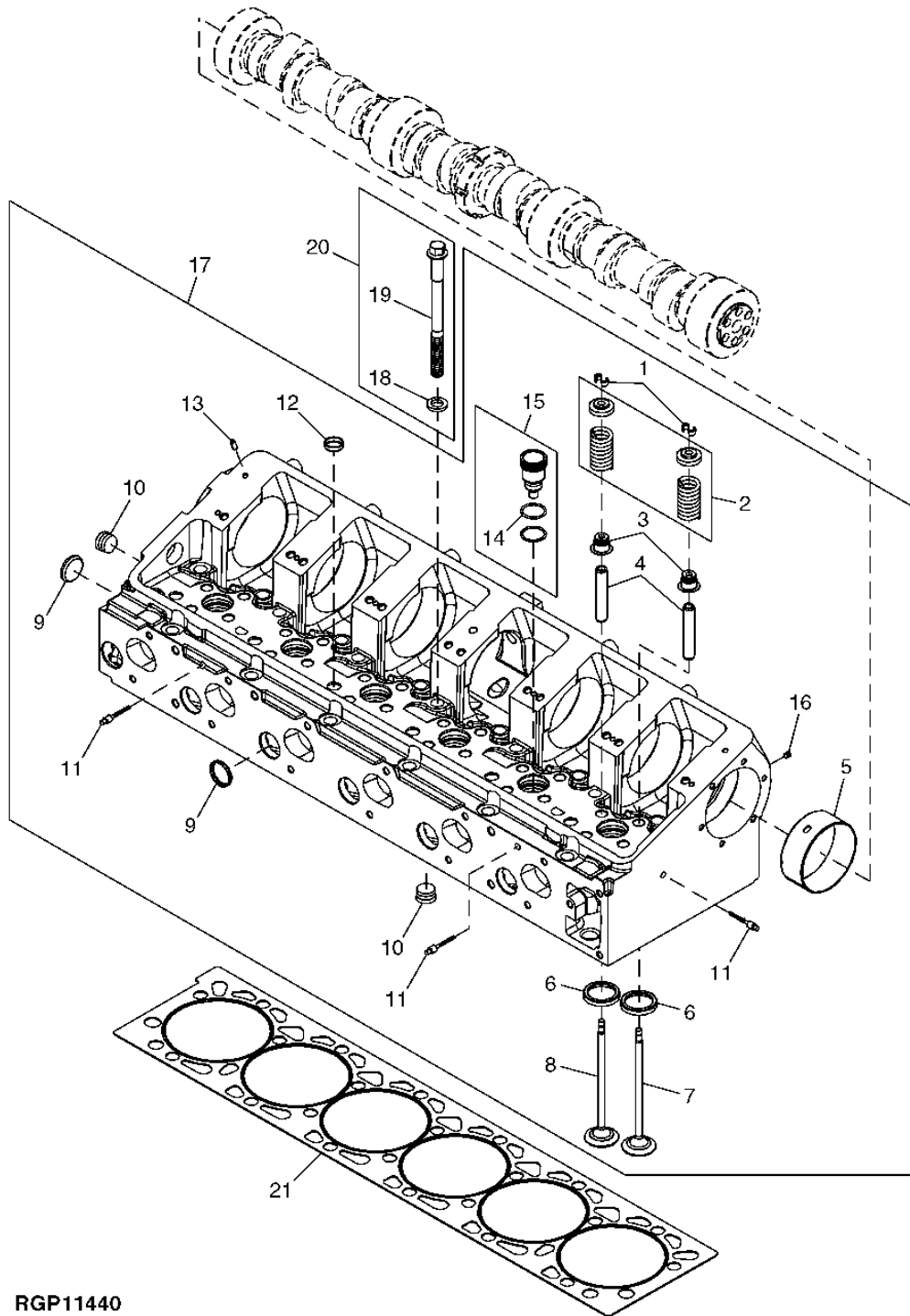
0409-2

ENGINE 4

CYLINDER HEAD AND VALVES 0409

CYLINDER HEAD AND VALVES
CULASSE ET SOUPAPES
CULATA Y VALVULAS

RGP11440 -UN-19SEP05



RGP11440

0409-3

ENGINE 4

CYLINDER HEAD AND VALVES 0409

CYLINDER HEAD AND VALVES CULASSE ET SOUPAPES CULATA Y VALVULAS

KEY	PART NO.	PART NAME	QTY.	ENGINE SERIAL NO.	REMARKS
1	R520798	RETAINER	48		
2	RE505499	KIT	12		
3	RE66635	SEAL	24		
4	R517011	SLEEVE	24		
5	R522284	BUSHING	4		
6	R504713	VALVE SEAT INSERT	24		STD
	R133637	VALVE SEAT INSERT	AR		0.25 MM (.010") OS
7	R516892	EXHAUST VALVE	12		(A)
8	R516892	EXHAUST VALVE	12		(B)
9	M1206T	PLUG	7		OD 38MM
10	15H690	PIPE PLUG	5		3/4"
11	R504174	PLUG	3		OD 9MM
12	N102039	PLUG	6		OD 25MM
13	34H309	SPRING PIN	2		1/4" X 5/8"
14	T122075	O-RING	1		1.174" X 0.103"
15	RE518339	SLEEVE	6		
16	AT107509	PLUG	1		OD 6.3MM
17	RE518554	CYLINDER HEAD	1		(MARKED R504243)
18	R129645	WASHER	26		
19	R132103	CAP SCREW	26		
20	RG28087	KIT	1		(CONTAINS (26) R129645 AND (26) R132103)
21	RE57784	ENGINE CYLINDER HEAD GASKET	1		

(A) INTAKE
(A) ADMISSION
(A) ADMISION

(B) EXHAUST
(B) ECHAPPEMENT
(B) ESCAPE

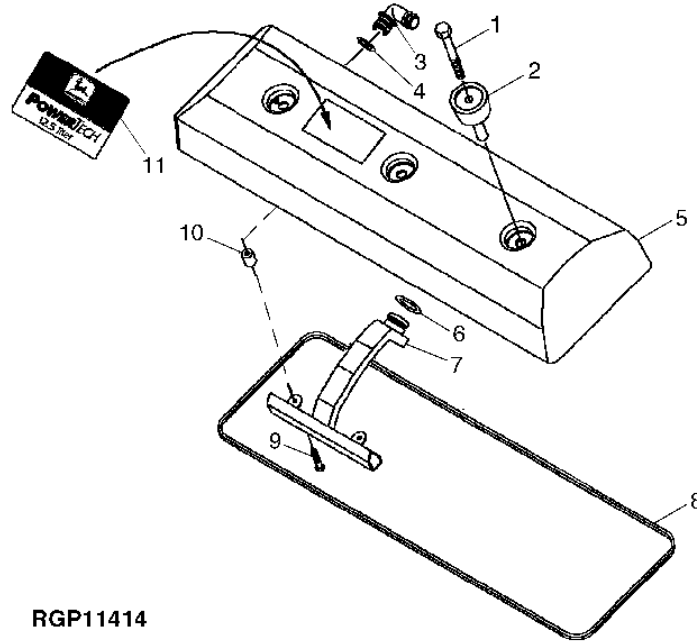
0409-4

ENGINE 4

CYLINDER HEAD AND VALVES 0409

ROCKER ARM COVER COUVERCLE DE CULBUTEURS TAPA DE BALANCINES

RGP11414 -UN-05AUG05



RGP11414

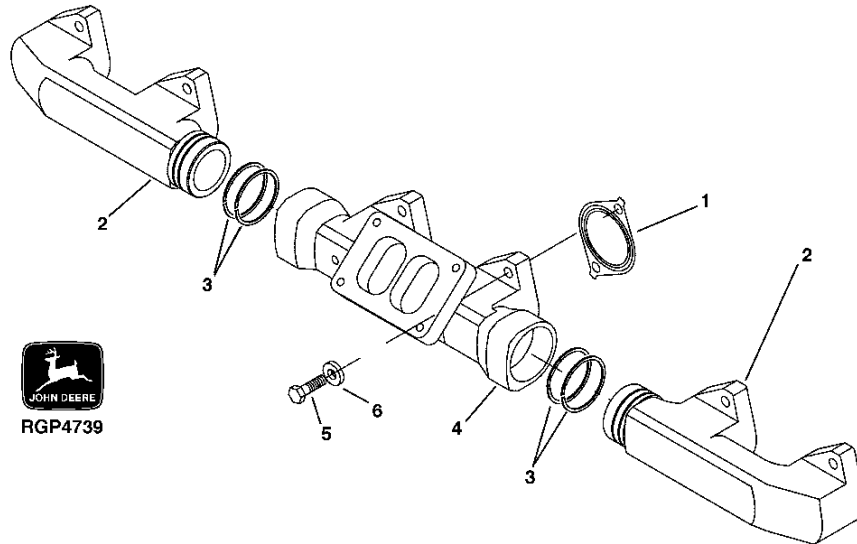
KEY	PART NO.	PART NAME	QTY.	ENGINE SERIAL NO.	REMARKS
1	19M8039	SCREW	3	M8 X 80	
2	RE71265	ISOLATOR	3		
3	R120467	ELBOW FITTING	1		
4	R72328	O-RING	1	0.737" X 0.103"	
5	R505450	VALVE COVER	1		
6	R63185	O-RING	1	1.171" X 0.139"	
7	RE66329	DEFLECTOR	1		
8	R521520	GASKET	1	(SUB FOR R502124)	
9	R130091	SCREW	2	M6 X 12	
10	R501292	BUSHING	2		
11	R132985	MEDALLION	1		

0410-1

ENGINE 4
EXHAUST MANIFOLD 0410

EXHAUST MANIFOLDS COLLECTEURS D'ÉCHAPPEMENT MULTIPLES DE ESCAPE

RGP4739 -UN-20AUG96



KEY	PART NO.	PART NAME	QTY.	ENGINE SERIAL NO.	REMARKS
1	R131809	GASKET	6		
2	R504613	EXHAUST MANIFOLD	2		
3	R135482	RING	4		
4	R116838	EXHAUST MANIFOLD	1		
5	19M8637	CAP SCREW	12	M10 X 40	
6	24M7346	WASHER	12	11 X 20 X 2 MM	

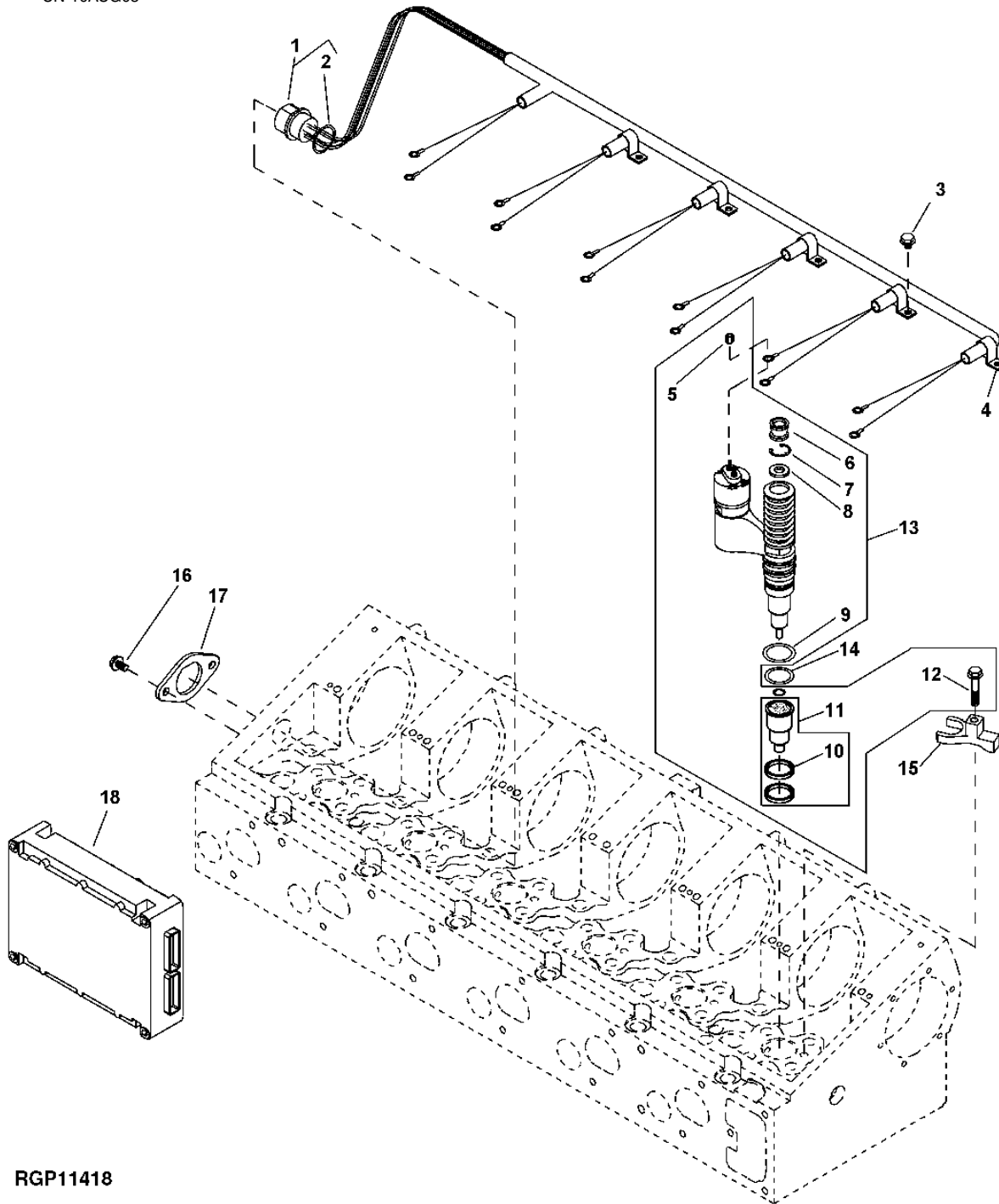
0413-2

ENGINE 4

FUEL INJECTION SYSTEM 0413

ENGINE CONTROLLER (ECU), ELECTRONIC UNIT INJECTOR (EUI) AND WIRING HARNESS
CONTROLEUR DE MOTEUR, INJECTEUR ELECTRONIQUE UNITAIRE ET FAISCEAU DE CABLES
REGULADOR DEL MOTOR, INYECTOR UNITARIO ELECTRONICO Y GRUPO DE CABLES

RGP11418 -UN-10AUG05



RGP11418

0413-3

ENGINE 4

FUEL INJECTION SYSTEM 0413

**ENGINE CONTROLLER (ECU), ELECTRONIC UNIT INJECTOR (EUI) AND WIRING HARNESS
CONTROLEUR DE MOTEUR, INJECTEUR ELECTRONIQUE UNITAIRE ET FAISCEAU DE CABLES
REGULADOR DEL MOTOR, INYECTOR UNITARIO ELECTRONICO Y GRUPO DE CABLES**

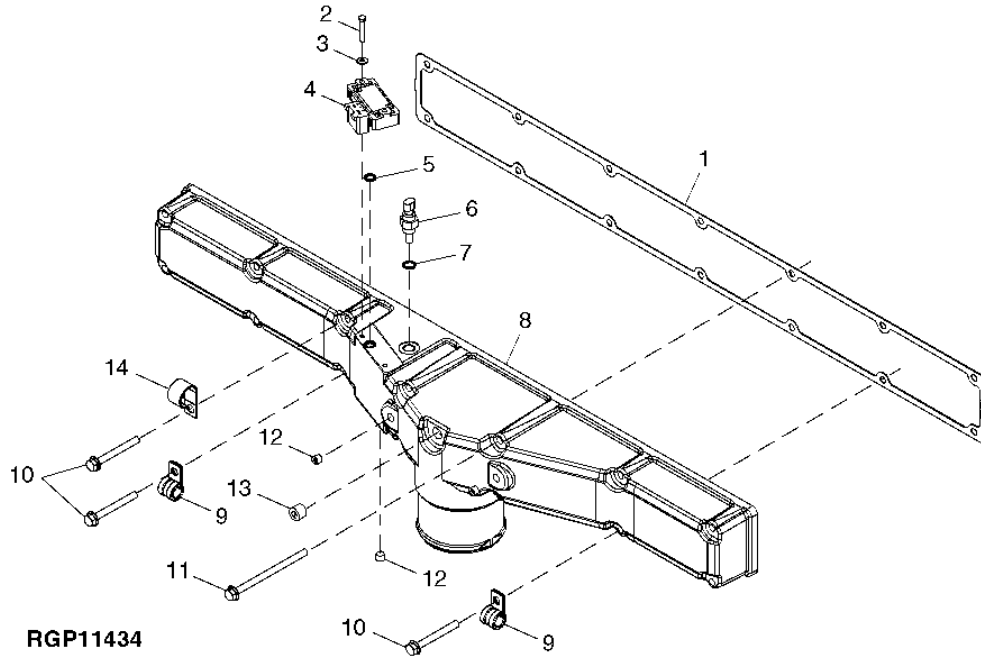
KEY	PART NO.	PART NAME	QTY.	ENGINE SERIAL NO.	REMARKS
1	RE508984	WIRING HARNESS	1		
2	R56461	O-RING	1		1-7/64" X 0.139"
3	19M7864	SCREW	5		M8 X 12
4	R128315	CLAMP	5		
5	R134920	NUT	2		M4
6	R502172	SOCKET	1		
7	R502173	SNAP RING	1		
8	R133655	PAD	1		
9	R133651	PACKING	1		
10	T122075	O-RING	1		1.174" X 0.103"
11	RE518339	SLEEVE	1		
12	R501390	SCREW	1		M8 X 50
13	RG33967	ELECTRONIC UNIT INJECTOR	6		(REMAN) (MARKED RE517662) (ALSO ORDER R502703) (INCLUDES PM38653)
14	R502703	PACKING	6		
15	R505747	CLAMP	6		
16	19M7865	SCREW	2		M8 X 16
17	R124676	BRACKET	1		
18	RE507981	ENGINE CONTROLLER	1		(24V) (ORDER W/ESN)
..	PM38653	SEALANT	AR		THREADLOCKER 222 [®] , 6ML (0.2 OZ)

0414-2

ENGINE 4
INTAKE MANIFOLD 0414

RGP11434 -UN-08SEP05

AIR INLET ENTREE D'AIR ENTRADA DE AIRE



KEY	PART NO.	PART NAME	QTY.	ENGINE SERIAL NO.	REMARKS
1	R116830	GASKET	1		
2	19M7317	SCREW	2	M5 X 30	
3	24H1283	WASHER	2	7/32" X 1/2" X 0.049"	
4	RE61408	SENSOR	1	(M.A.P.)	
5	F3353R	O-RING	1		
6	RE61812	SENSOR	1	(A) M14 X 1.5	
7	51M7041	O-RING	1	11.300 X 2.200 MM	
8	R516998	COVER	1		
9	T75197	CLAMP	2		
10	19M7803	SCREW	10	M8 X 70	
11	19M8006	SCREW	4	M8 X 120	
12	RE71255	PIPE PLUG	3	1/8"	
13	15H666	PIPE PLUG	1	3/8"	
14	AH89557	CLIP	1		

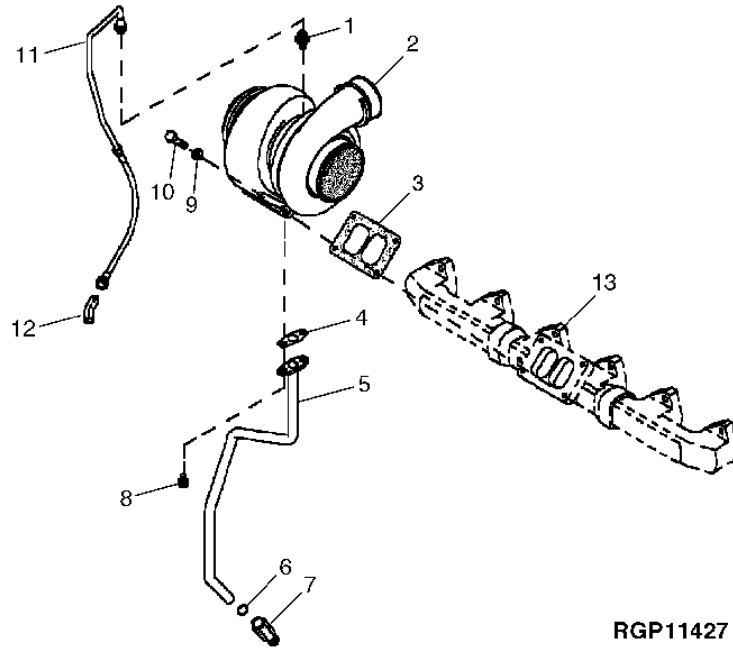
(A) AIR TEMPERATURE
(A) TEMPERATURE DIAIR
(A) TEMPERATURA DEL AIRE

0416-1

ENGINE 4
TURBOCHARGER 0416

TURBOCHARGER AND OIL LINES TURBOCOMPRESSEUR ET CONDUITES D'HUILE TURBOCARGADOR Y TUBERIAS DE ACEITE

RGP11427 -UN-02SEP05



RGP11427

KEY	PART NO.	PART NAME	QTY.	ENGINE SERIAL NO.	REMARKS
1	A4925R	ADAPTER FITTING	1		
2	RE524741	TURBOCHARGER	1		(REMAN)
3	R520685	GASKET	1		
4	R105346	GASKET	1		
5	RE65198	OIL LINE	1		
6	R72328	O-RING	1		
7	R41285	ADAPTER FITTING	1		
8	CC22170	SCREW	2		
9	24M7239	WASHER	4		
10	R127941	CAP SCREW	4		
11	RE66525	OIL LINE	1		
12	R116203	ELBOW FITTING	1		
13	EXHAUST MANIFOLD	1		

0417-2

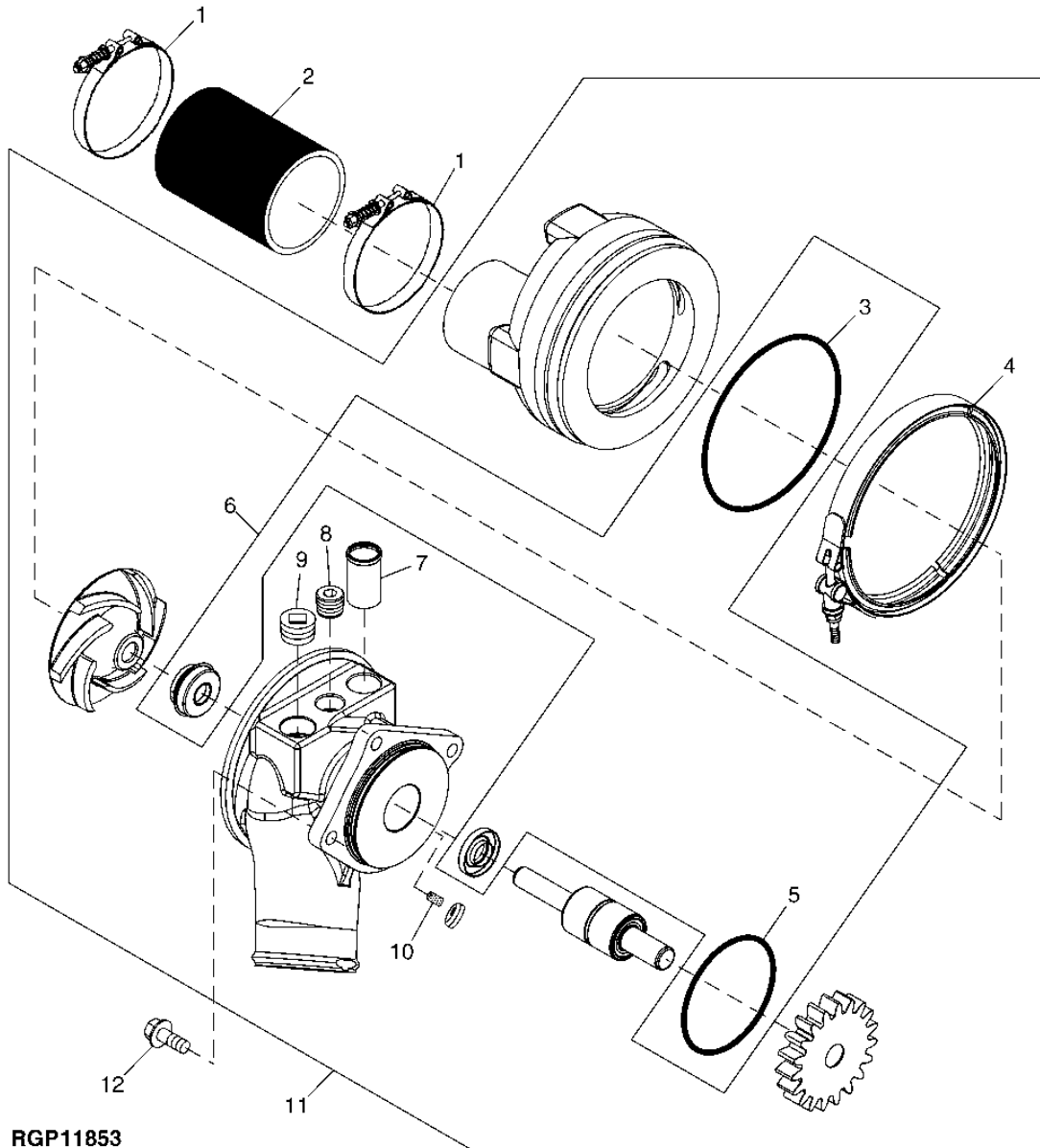
ENGINE 4

WATER PUMP 0417

WATER PUMP
POMPE A EAU
BOMBA DE AGUA

RGP11853

-UN-03MAR06



RGP11853

0417-3

ENGINE 4

WATER PUMP 0417

WATER PUMP (CONTINUED)
POMPE A EAU
BOMBA DE AGUA

KEY	PART NO.	PART NAME	QTY.	ENGINE SERIAL NO.	REMARKS
1	RE52702	CLAMP	2		
2	R117080	RADIATOR HOSE	1		
3	F37030254	O-RING	1		
4	R121187	CLAMP	1		
5	R56757	O-RING	1		
6	RE68707	SEAL KIT	1		
7	R57503	TUBE	1		
8	RE57836	PIPE PLUG	1	1/2"	
9	15H690	PIPE PLUG	1	3/4"	
10	R100369	FILTER	1		
11	RE530870	WATER PUMP	1		(SUB FOR RE503603) (MARKED R502052)
12	19M7785	SCREW	3		M10 X 25

0418-3

ENGINE 4

THERMOSTATS, HOUSING AND WATER PIPING 0418

**THERMOSTAT HOUSING, COVER AND THERMOSTATS
BOITIER DU THERMOSTAT, COUVERCLE ET THERMOSTATS
ALOJAMIENTO DEL TERMOSTATO, TAPADERA Y THERMOSTATOS**

KEY	PART NO.	PART NAME	QTY.	ENGINE SERIAL NO.	REMARKS
1	RE48419	SENSOR	2		(A)
2	51M7041	O-RING	2		
3	RE57836	PIPE PLUG	2		
4	R116205	GASKET	1		
5	R121443	ADAPTER FITTING	1		
6	R56464	O-RING	1		
7	R57503	TUBE	1		
8	RE501605	HOUSING	1		(MARKED R116204) (SUB FOR RE57264)
9	R121427	RADIATOR HOSE	1		
10	TY22467	CLAMP	2		
11	AR102258	THERMOSTAT	1		(B)
12A	R133142	GASKET	1	-XXXXXX	(USE WITH RE502571)
12B	R136151	SEAL	1	XXXXXX-	(USE WITH R89439)
13A	R89439	COVER	1	-XXXXXX	(CONTAINS R136151)
13B	RE502571	COVER	1	XXXXXX-	
14	19M7812	SCREW	2	-XXXXXX	M10 X 100
	19M7944	SCREW	2	XXXXXX-	M10 X 120
15	19M7784	SCREW	1	-XXXXXX	M10 X 20
	19M7835	SCREW	1	XXXXXX-	M10 X 35
16	19M9017	SCREW	1	-XXXXXX	M10 X 165
	19M8598	SCREW	1	XXXXXX-	M10 X 170
17	RE522076	THERMOSTAT	1		(C)
18	R51133	FITTING	2		
19	R67092	SEALING WASHER	2		
20	RE58336	LINE	1		
	R49672	FITTING	2		
21	AT13740	DRAIN VALVE	1		
22	T11370	ELBOW FITTING	1		

(A)WATER TEMPERATURE
TEMPERATURE
TEMPERSTURA DEL AGUA

(B)LOWER
INFERIEUR
INFERIOR

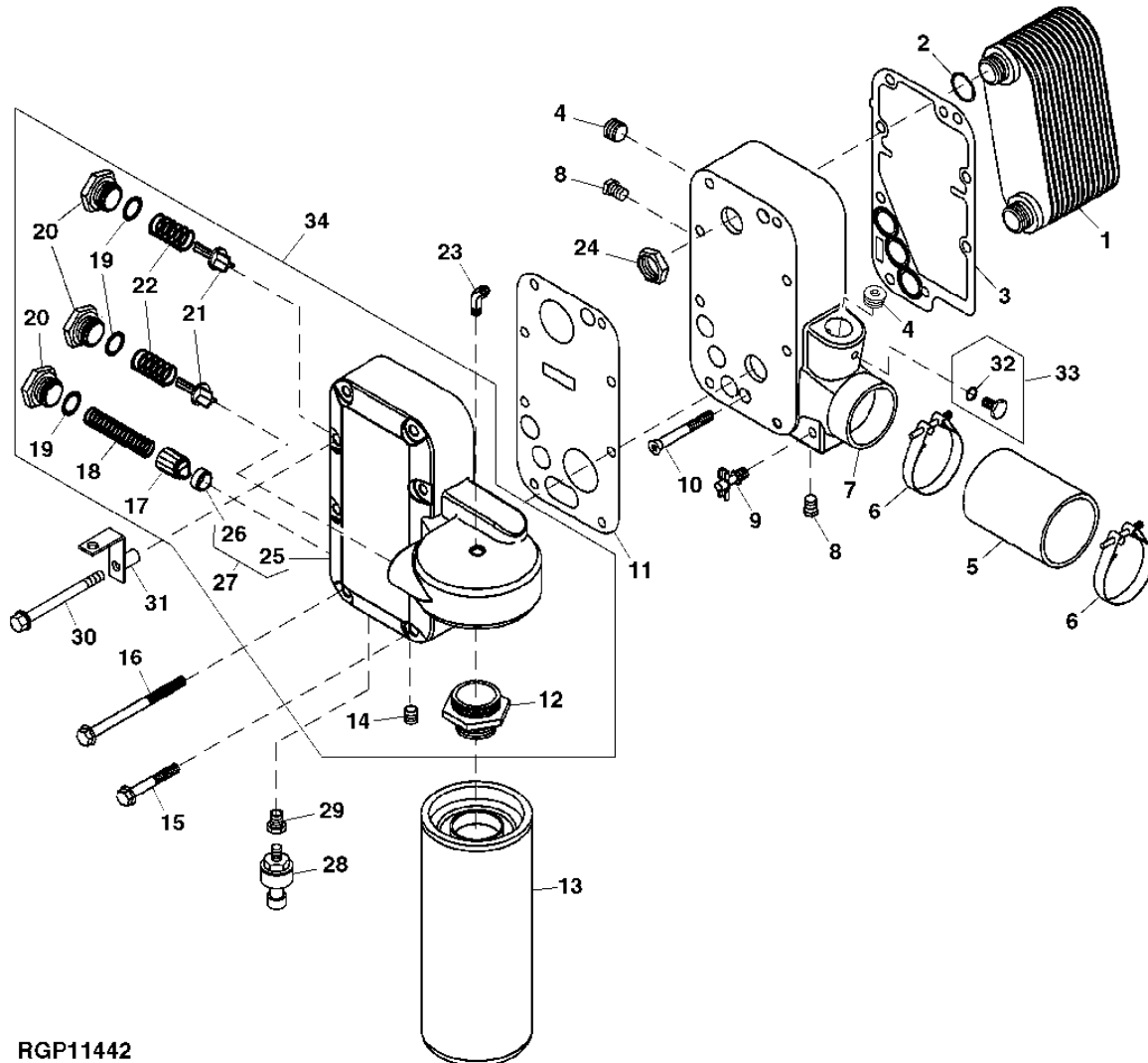
(C)UPPER
SUPERIEUR
SUPERIOR

0419-2

ENGINE 4
OIL COOLER 0419

OIL COOLER, OIL FILTER AND HOUSING
REFROIDISSEUR D'HUILE, FILTRE A HUILE ET CARTER
ENFRIADOR DE ACEITE, FILTRO DE ACEITE Y CARCASA

RGP11442 -UN-16SEP05



RGP11442

0419-3

ENGINE 4
OIL COOLER 0419

OIL COOLER, OIL FILTER AND HOUSING
REFROIDISSEUR D'HUILE, FILTRE A HUILE ET CARTER
ENFRIADOR DE ACEITE, FILTRO DE ACEITE Y CARCASA

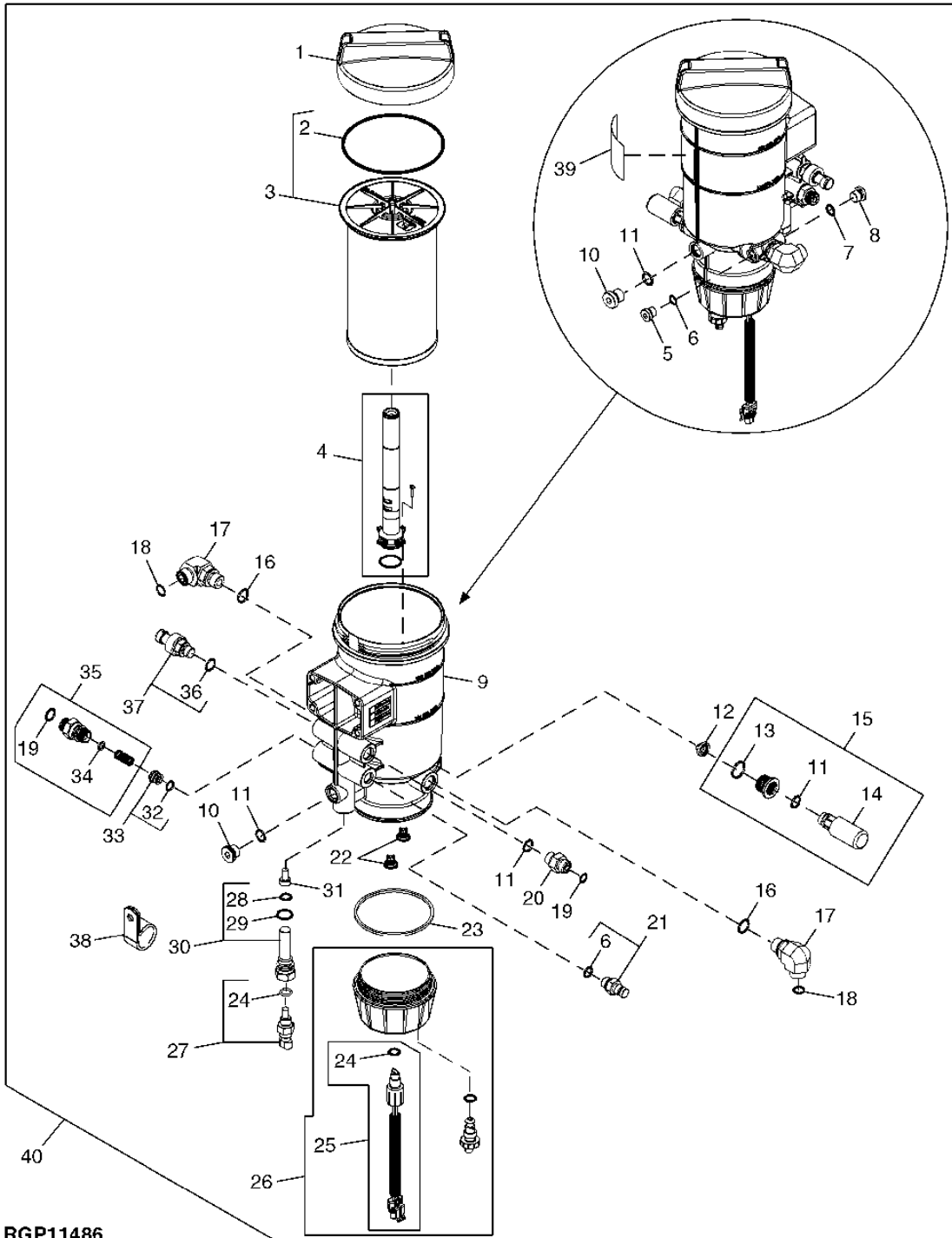
KEY	PART NO.	PART NAME	QTY.	ENGINE SERIAL NO.	REMARKS
1	RE500657	OIL COOLER	1		
2	R134716	O-RING	2		34.600 X 2.620 MM
3	R500209	GASKET	1		
4	15H686	PIPE PLUG	2		1"
5	R117080	RADIATOR HOSE	1		
6	RE52702	CLAMP	2		
7	R515255	HOUSING	1		
8	RE57836	PIPE PLUG	2		1/2"
9	AT13740	DRAIN VALVE	1		1/4"
10	19M8574	SCREW	2		M10 X 85
11	R500210	GASKET	1		
12	R127208	ADAPTER FITTING	1		
13	RE58935	OIL FILTER	1		
14	15H685	PIPE PLUG	1		1/4"
15	19M7810	SCREW	1		M10 X 80
16	19M7958	SCREW	6	-XXXXXX	M10 X 150
	19M7958	SCREW	7	XXXXXX-	M10 X 150
17	R124186	PRESSURE RELIEF VALVE	1		
18	R130717	SPRING	1		
19	U17409	O-RING	3		1.048" X 0.116"
20	R500232	FITTING PLUG	3		
21	R500055	VALVE	2		
22	R98064	SPRING	2		
23	R116203	ELBOW FITTING	1		
24	R136500	NUT	2		
25	HOUSING	1		(ORDER RE515304 OR RE527648)
26	BUSHING	1		(ORDER RE515304 OR RE527648)
27	RE515304	HOUSING	1	-XXXXXX	(MARKED R503714)
28	RE167207	PRESSURE SENSOR	1		
29	15H639	PIPE BUSHING	1		1/4" X 1/8"
30	19M8598	SCREW	1	-XXXXXX	M10 X 170, (USE WITH RE504051)
31	RE504051	BRACKET	1	-XXXXXX	
32	51M7040	O-RING	1		9.300 X 2.200 MM
33	RE46686	FITTING PLUG	1		M12 X 1.5

0420-2

ENGINE 4
FUEL FILTER 0420

FUEL FILTER FILTRE A CARBURANT FILTRO DE COMBUSTIBLE

RGP11486 -UN-16DEC05



RGP11486

0420-3

ENGINE 4
FUEL FILTER 0420

FUEL FILTER
FILTRE A CARBURANT
FILTRO DE COMBUSTIBLE

KEY	PART NO.	PART NAME	QTY.	ENGINE SERIAL NO.	REMARKS
1	R502490	CAP	1		
2	T12275	O-RING	1		4-63/64" X 0.139"
3	RE515345	FUEL FILTER	1		10 MICRON
4	RE516024	TUBE	1		
5	L41709	PIPE PLUG	1		
6	51M7041	O-RING	2		11.300 X 2.200 MM
7	51M7040	O-RING	1		9.300 X 2.200 MM
8	L41079	PIPE PLUG	1		
9	HOUSING	1		(ORDER RE525749)
10	T122803	FITTING PLUG	2		
11	51M7042	O-RING	3		13.300 X 2.200 MM
12	R502704	VALVE	1		
13	R26906	O-RING	1		0.755" X 0.097"
14	RE65265	HAND PRIMER	1		
15	RE528518	ADAPTER FITTING	1		(SUB FOR RE504939)
16	51M7043	O-RING	2		15.300 X 2.200 MM
17	38H5017	ELBOW FITTING	2		
18	T77857	O-RING	2		0.489" X 0.070"
19	T77613	O-RING	2		0.364" X 0.070"
20	38H5037	ADAPTER FITTING	1		
21	RE190805	DIAGNOSTIC COUPLING	1		
22	RE504498	INTAKE VALVE	2		
23	R501632	PACKING	1		
24	RE502349	SEDIMENT BOWL	1		
25	51M7095	O-RING	2		11.300 X 2.200 MM
26	RE503590	SENSOR	1		(A)
27	RE48419	SENSOR	1		(B)
28	R113050	O-RING	1		0.426" X 0.070"
29	R56465	O-RING	1		0.674" X 0.103"
30	RE526212	VALVE	1		
31	R502705	INSERT	1		
32	T81686	O-RING	1		0.426" X 0.070"
33	RE504500	VALVE	1		
34	R56465	O-RING	1		0.674" X 0.103"
35	RE504503	ADAPTER FITTING	1		
36	R77673	O-RING	1		0.414" X 0.072"
37	RE154966	PRESSURE SENSOR	1		(C)
38	T14787	CLAMP	1		
39	R515470	INSTRUCTION PLATE	1		
40	RE525749	FUEL FILTER	1		(D) 10 MICRON
..	R44302	TIE BAND	2		

(A) WATER IN FUEL
(A) L'EAU EN CARBURANT
(A) AGUA EN COMBUSTIBLE

(C) FUEL PRESSURE
(C) PRESSION DE CARBURANT
(C) PRESION DE CARBURANTE

(B) FUEL TEMPERATURE
(B) LA TEMPERATURE DE CARBURANT
(B) TEMPERATURA DE COMBUSTIBLE

(D) PRIMARY
(D) PRIMAIRE
(D) PRIMARIO

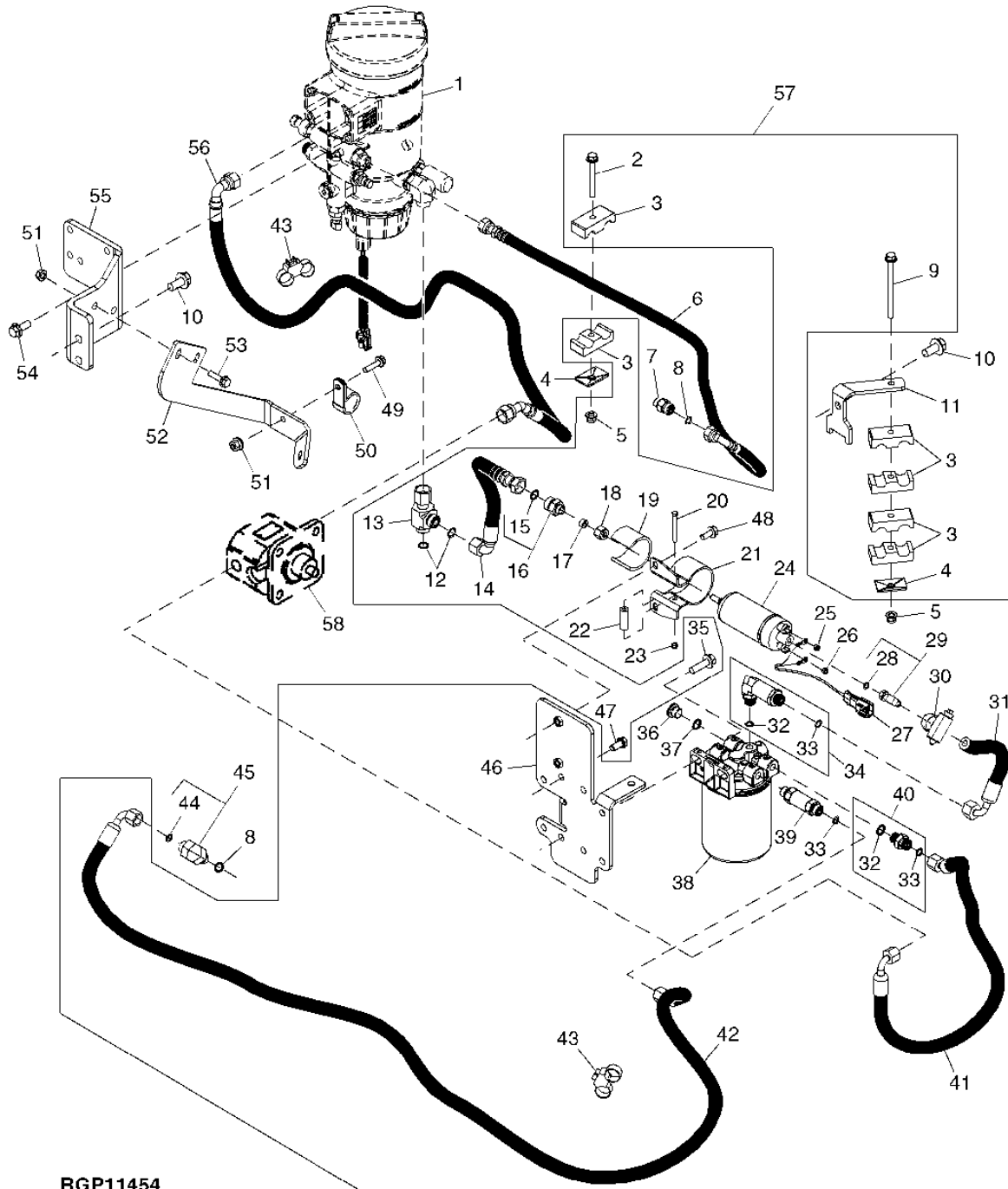
0420-4

ENGINE 4

FUEL FILTER 0420

FUEL FILTER FILTRE A CARBURANT FILTRO DE COMBUSTIBLE

RGP11454 -UN-14OCT05



RGP11454

0420-5

ENGINE 4
FUEL FILTER 0420

FUEL FILTER
FILTRE A CARBURANT
FILTRO DE COMBUSTIBLE

KEY	PART NO.	PART NAME	QTY.	ENGINE SERIAL NO.	REMARKS
1	FUEL FILTER	1	(A)	
2	19M7803	SCREW	1	M8 X 70	
3	H111730	CLAMP	6		
4	H121168	PLATE	2		
5	14M7396	LOCK NUT	2	M8	
6	RE504512	HOSE	1		
7	38H5002	ADAPTER FITTING	1		
8	T77613	O-RING	2	0.364" X 0.070"	
9	19M7873	SCREW	1	M8 X 110	
10	19M7788	SCREW	3	M12 X 25	
11	R504864	BRACKET	1		
12	T77857	O-RING	2	0.489" X 0.070"	
13	38H1031	TEE FITTING	1		
14	RE526833	LINE	1		
15	T40308	O-RING	1	0.489" X 0.070"	
16	RE528189	FITTING	1		
17	R74012	SEALING WASHER	1		
18	R123594	TUBE NUT	1		
19	R515461	ISOLATOR	1		
20	19M7986	CAP SCREW	1	M5 X 50	
21	R515460	BRACKET	1		
22	R515736	SPACER	1		
23	14M7265	LOCK NUT	1	M5	
24	RE515718	PUMP	1	(C) 24V	
	T215546	LABEL	1	ENGLISH (NOT SHOWN)	
	T215593	LABEL	AR	FRENCH (NOT SHOWN)	
	T215595	LABEL	AR	SPANISH (NOT SHOWN)	
25	14M7265	LOCK NUT	1	M5	
26	14M7264	LOCK NUT	1	M4	
27	RE515326	WIRING HARNESS	1		
	AT324531	WIRING HARNESS	AR	FIELD SERVICE	
	R78062	ELEC. CONNECTOR CABLE SEAL	AR		
	57M7272	ELEC. CONNECTOR TERMINAL	AR		
28	O-RING	1		
29	RE529410	FITTING	1		
30	TY22465	HOSE CLAMP	1		
31	RE526830	LINE	1		
32	51M7096	O-RING	2	13.300 X 2.200 MM	
33	R63548	O-RING	3	0.364" X 0.070"	
34	RE520968	CHECK VALVE	1		
35	19M7835	SCREW	2	M10 X 35	
36	T122803	FITTING PLUG	1		
37	51M7096	O-RING	1	13.300 X 2.200 MM	
38	RE528079	FILTER	1	(B) 2 MICRON, (INCLUDES RE506428)	
	RE506428	FILTER ELEMENT	1	(INCLUDES R501388)	
	R501388	PACKING	1		
39	RE524633	CHECK VALVE	1		
40	RE522518	FITTING	1		

(A) PRIMARY
(A) PRIMAIRE
(A) PRIMARIO

(B) SECONDARY
(B) SECONDAIRE
(B) SECUNDARIO

(C) PRIMER
(C) AMORCE
(C) CARTILLA

(D) TRANSFER
(D) TRANSFERT
(D) TRANSFERENCIA

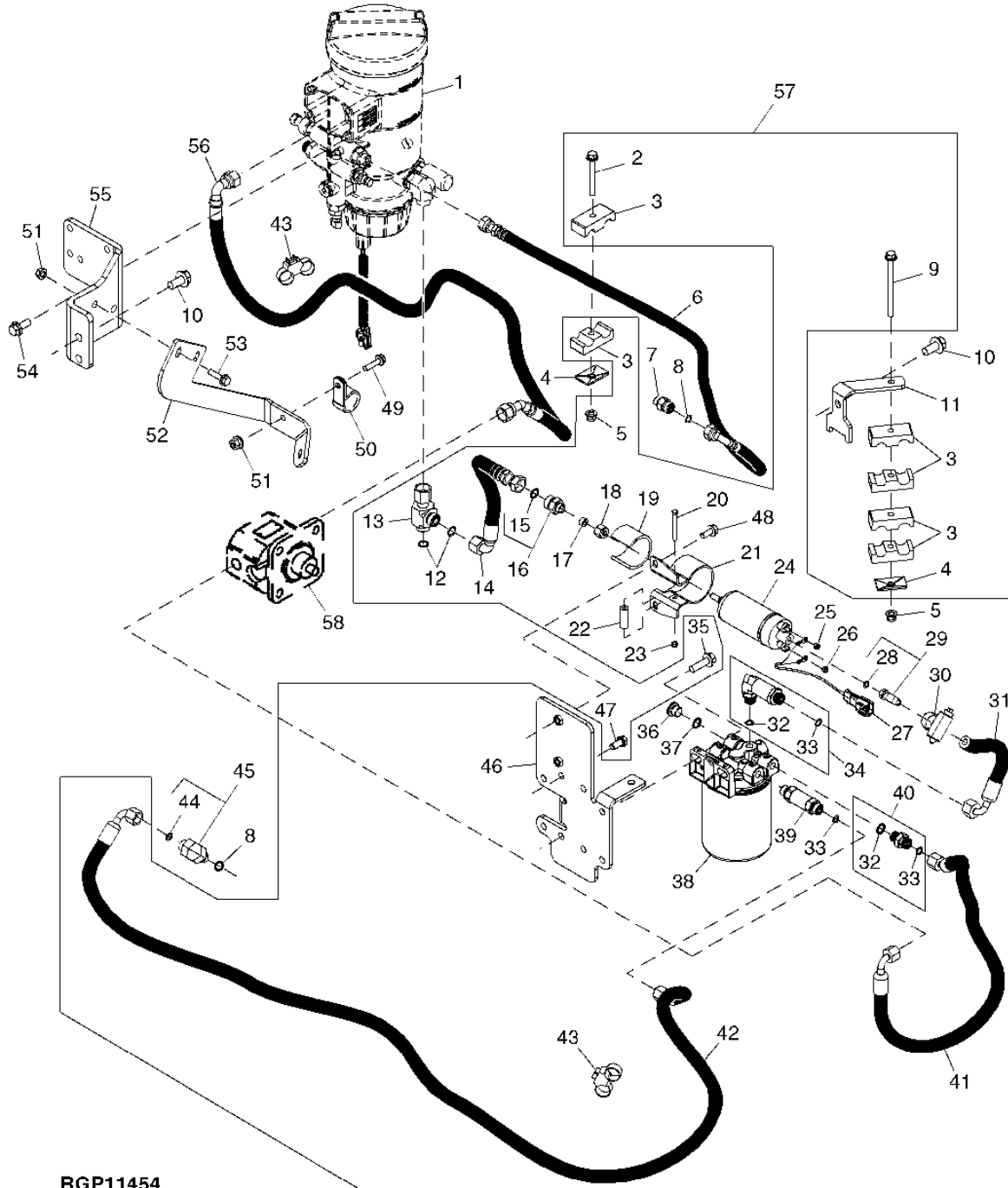
0420-6

ENGINE 4

FUEL FILTER 0420

FUEL FILTER (CONTINUED) FILTRE A CARBURANT (CONTINUE) FILTRO DE COMBUSTIBLE (CONTINUADO)

RGP11454 -UN-14OCT05



RGP11454

0420-7

ENGINE 4

FUEL FILTER 0420

FUEL FILTER (CONTINUED)
 FILTRE A CARBURANT (CONTINUE)
 FILTRO DE COMBUSTIBLE (CONTINUADO)

KEY	PART NO.	PART NAME	QTY.	ENGINE SERIAL NO.	REMARKS
41	RE526831	LINE	1		
42	RE526832	FUEL LINE	1		
43	R213663	CLAMP	2		
44	51M7041	O-RING	1		11.300 X 2.200 MM
45	38H5016	ELBOW FITTING	1		
46	RE527681	BRACKET	1		
47	R505537	CAP SCREW	2		M10 X 20
48	19M7866	SCREW	2		M8 X 20
49	19M7867	SCREW	1		M8 X 25
50	T74416	CLAMP	1		
51	14M7298	FLANGE NUT	3		M8
52	R505770	BRACKET	1		
53	19M7868	SCREW	2		M8 X 30
54	19M7785	SCREW	4		M10 X 25
55	R502494	BRACKET	1		
56	RE504513	HOSE	1		
57	RE528376	KIT	1		(INCLUDES RE515345 AND RE516024)
	19M8984	SCREW	4		M10 X 185, (NOT SHOWN)
	28H3467	SPACER	4		0.493" X 0.675" X 1-1/8", (NOT SHOWN)
	14M7296	FLANGE NUT	2		M10, (NOT SHOWN)
58	FUEL PUMP	1		(D)

(A) PRIMARY
 (A) PRIMAIRE
 (A) PRIMARIO

(B) SECONDARY
 (B) SECONDAIRE
 (B) SECUNDARIO

(C) PRIMER
 (C) AMORCE
 (C) CARTILLA

(D) TRANSFER
 (D) TRANSFERT
 (D) TRANSFERENCIA

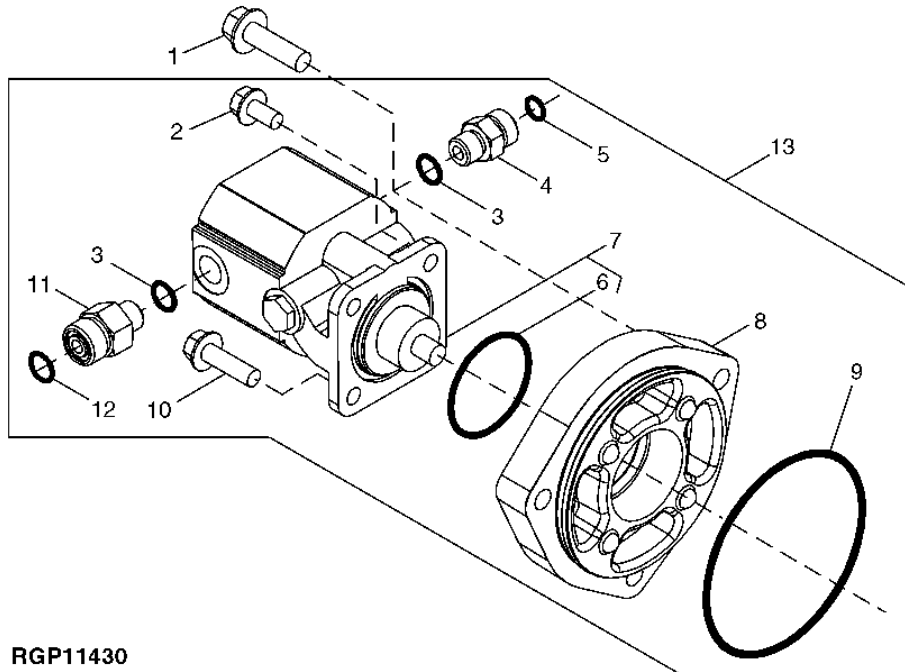
0421-2

ENGINE 4

FUEL TRANSFER PUMP 0421

FUEL TRANSFER PUMP
 POMPE D'ALIMENTATION A CARBURANT
 BOMBA DE ALIMENTACION DE COMBUSTIBLE

RGP11430 -UN-06SEP05



RGP11430

KEY	PART NO.	PART NAME	QTY.	ENGINE SERIAL NO.	REMARKS
1	19M7835	SCREW	3		M10 X 35
2	19M7865	SCREW	2		M8 X 16, UPPER
3	R26448	O-RING	2		0.468" X 5/64"
4	38H1160	ADAPTER FITTING	1		(A)
5	T77613	O-RING	1		0.364" X 0.070"
6	T35580	O-RING	1		1.925" X 0.103"
7	RE502974	FUEL PUMP	1		
8	R117063	BRACKET	1		
9	R500318	O-RING	1		100 X 3 MM
10	19M7867	SCREW	2		M8 X 25, LOWER
11	38H1173	ADAPTER FITTING	1		(B)
12	T77857	O-RING	1		0.489" X 0.070"
13	RE522244	FUEL PUMP	1		

(A) OUTLET
 (A) SORTIE
 (A) ENCHUFE

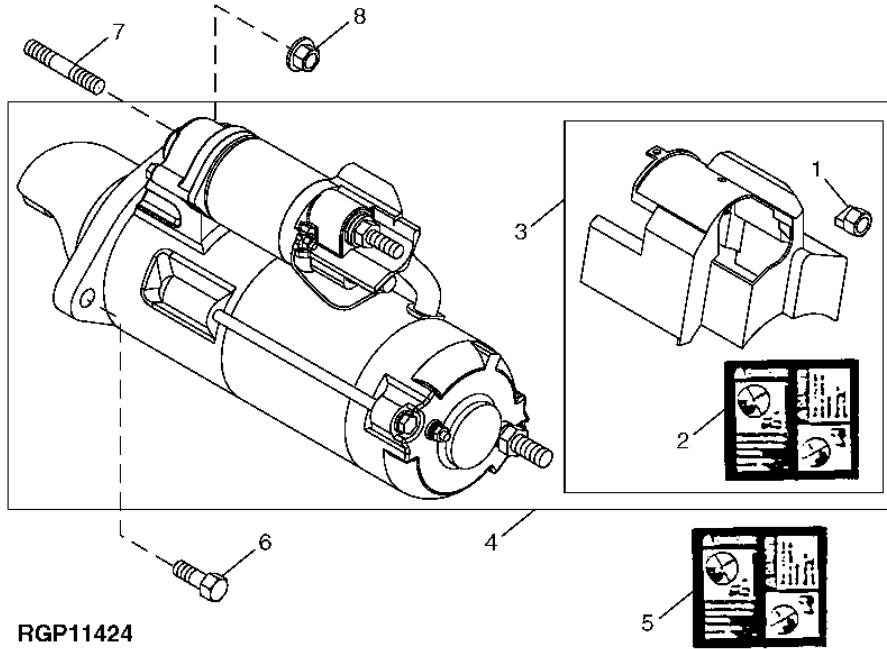
(B) INLET
 (B) ADMISION
 (B) ENTRADA

0422-1

ENGINE 4
STARTER MOTOR 0422

**STARTER MOTOR
DEMARREUR
MOTOR DE ARRANQUE**

RGP11424 -UN-16AUG05



KEY	PART NO.	PART NAME	QTY.	ENGINE SERIAL NO.	REMARKS
1	TY22471	CLAMP	1		
2	T146102	LABEL	1	(A)	
3	RE515734	SHIELD	1		
4	RE515895	STARTER MOTOR KIT	1		24V DENSO, (MARKED RE522852)
5	T146104	SAFETY SIGN	AR	(B)	
	T146106	SAFETY SIGN	AR	(C)	
	T146517	SAFETY SIGN	AR	(D)	
6	19M7813	SCREW	1		M12 X 45
7	42M7029	STUD	2		
8	14M7299	FLANGE NUT	2	M12	

(A) ENGLISH
(A) ANGLAIS
(A) INGLES

(B) FRENCH
(B) FRANCAIS
(B) FRANCES

(C) SPANISH
(C) ESPAGNOL
(C) ESPANOL

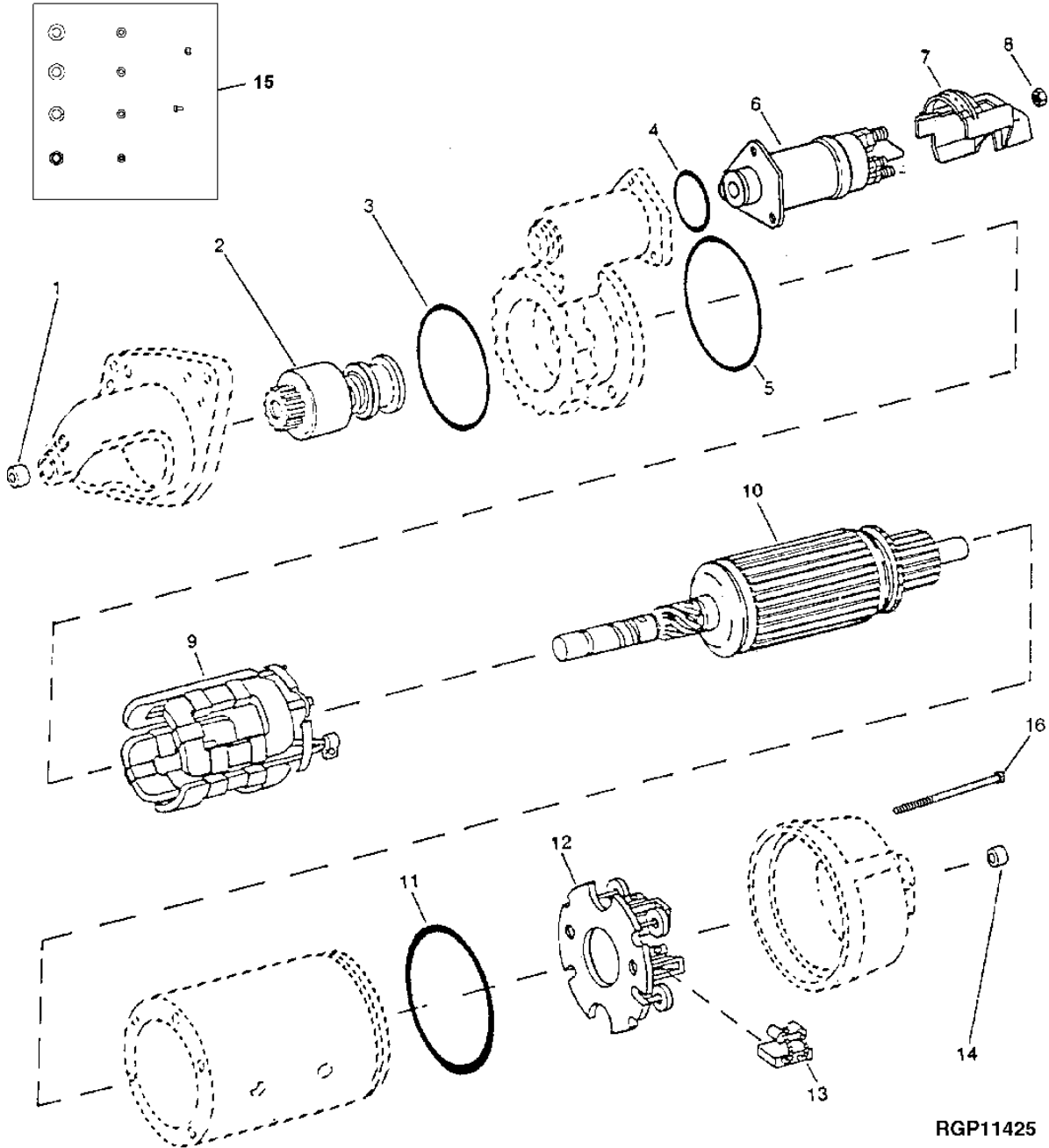
(D) ENGLISH/FRENCH
(D) ANGLAIS/FRANCAIS
(D) INGLES/FRANCES

0422-2

ENGINE 4
STARTER MOTOR 0422

STARTER MOTOR
DEMARREUR
MOTOR DE ARRANQUE

RGP11425 -UN-16AUG05



RGP11425

0422-3

ENGINE 4

STARTER MOTOR 0422

STARTER MOTOR DEMARREUR MOTOR DE ARRANQUE

KEY	PART NO.	PART NAME	QTY.	ENGINE SERIAL NO.	REMARKS
1	BUSHING	NA		
2	RE522853	CLUTCH	1		
3	O-RING	NA		
4	O-RING	NA		
5	O-RING	NA		
6	RE515728	SWITCH	1		
7	SHIELD	1		(ORDER RE515734)
8	R516331	NUT	2		
	R518381	FLANGE NUT	2		
9	FIELD WINDING COIL	NA		
10	ARMATURE	NA		
11	O-RING	NA		
12	RE515731	CARBON BRUSH HOLDER	1		
13	RE515730	BRUSH	1		
14	BUSHING	NA		
15	RE515754	KIT	1		
16	R515283	SCREW	1		
..	R516332	LOCK WASHER	1		

0422-4

ENGINE 4

STARTER MOTOR 0422

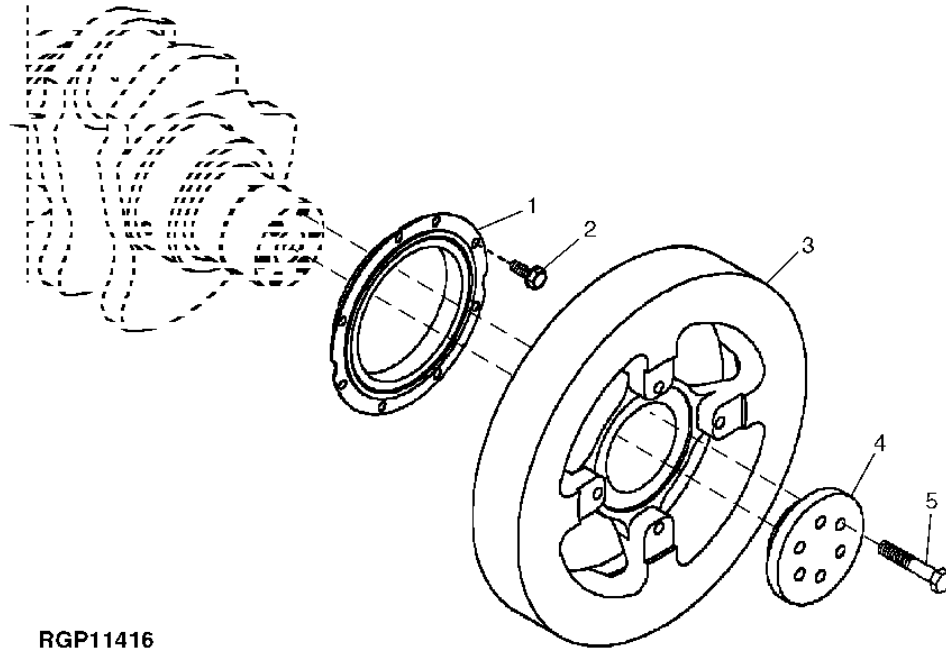
MEMORANDA
MEMORANDA
MEMORANDA

0429-1

ENGINE 4
FAN DRIVE 0429

CRANKSHAFT TORSIONAL DAMPER AND FRONT SEAL
DAMPER DE VILEBREQUIN ET JOINT AVANT
AMORTIGUADOR DEL CIGUENAL Y RETEN DELANTERA

RGP11416 -UN-11AUG05



RGP11416

KEY	PART NO.	PART NAME	QTY.	ENGINE SERIAL NO.	REMARKS
1	RE54073	SEAL	1		
2	R130091	SCREW	8		
3	RE65565	TORSIONAL DAMPER	1	-053079	M6 X 12 OD 355.6MM (14.0")
	RE523267	TORSIONAL DAMPER	1	053080-	
	R519753	WASHER	1	-053079	(USE WITH RE51761 AND RE523267)
4	R501561	SPACER	1		
5	19M7818	SCREW	6		M12 X 80

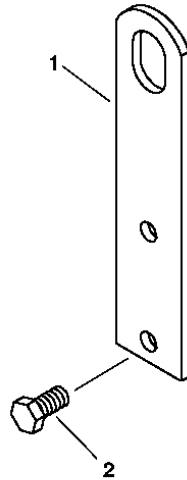
0432-2

ENGINE 4

FINISH ASSEMBLY 0432

LIFT STRAPS ECLISSES D'APAREIL DE LEVAGE TIRAS DE ELEVADOR

RGP4669 -UN-10AUG96



RGP4669

KEY	PART NO.	PART NAME	QTY.	ENGINE SERIAL NO.	REMARKS
1	R128000	STRAP	1		(REAR)
	R128001	STRAP	1		(FRONT)
2	19M7789	SCREW	4		M12 X 30

0433-1

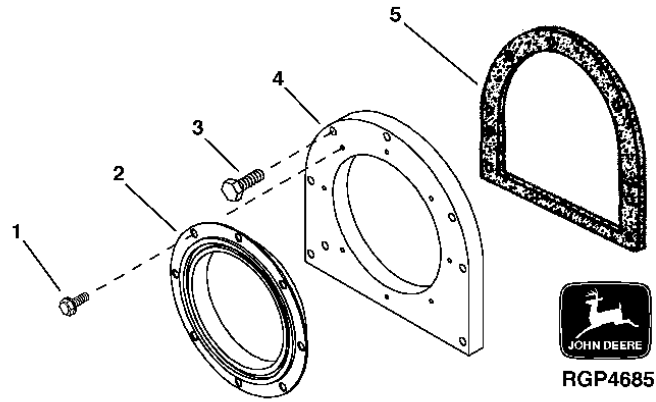
ENGINE 4

FLYWHEEL, HOUSING AND FASTENINGS 0433

REAR SEAL AND HOUSING
JOINT ARRIERE ET CARTER
SELLO POSTERIORES Y CARCASA

RGP4685

-UN-07AUG96



KEY	PART NO.	PART NAME	QTY.	ENGINE SERIAL NO.	REMARKS
1	R130091	SCREW	8	M6 X 12	
2	RE53687	SEAL	1		
3	19M7868	SCREW	7	M8 X 30	
4	R116338	HOUSING	1		
5	R520512	GASKET	1		

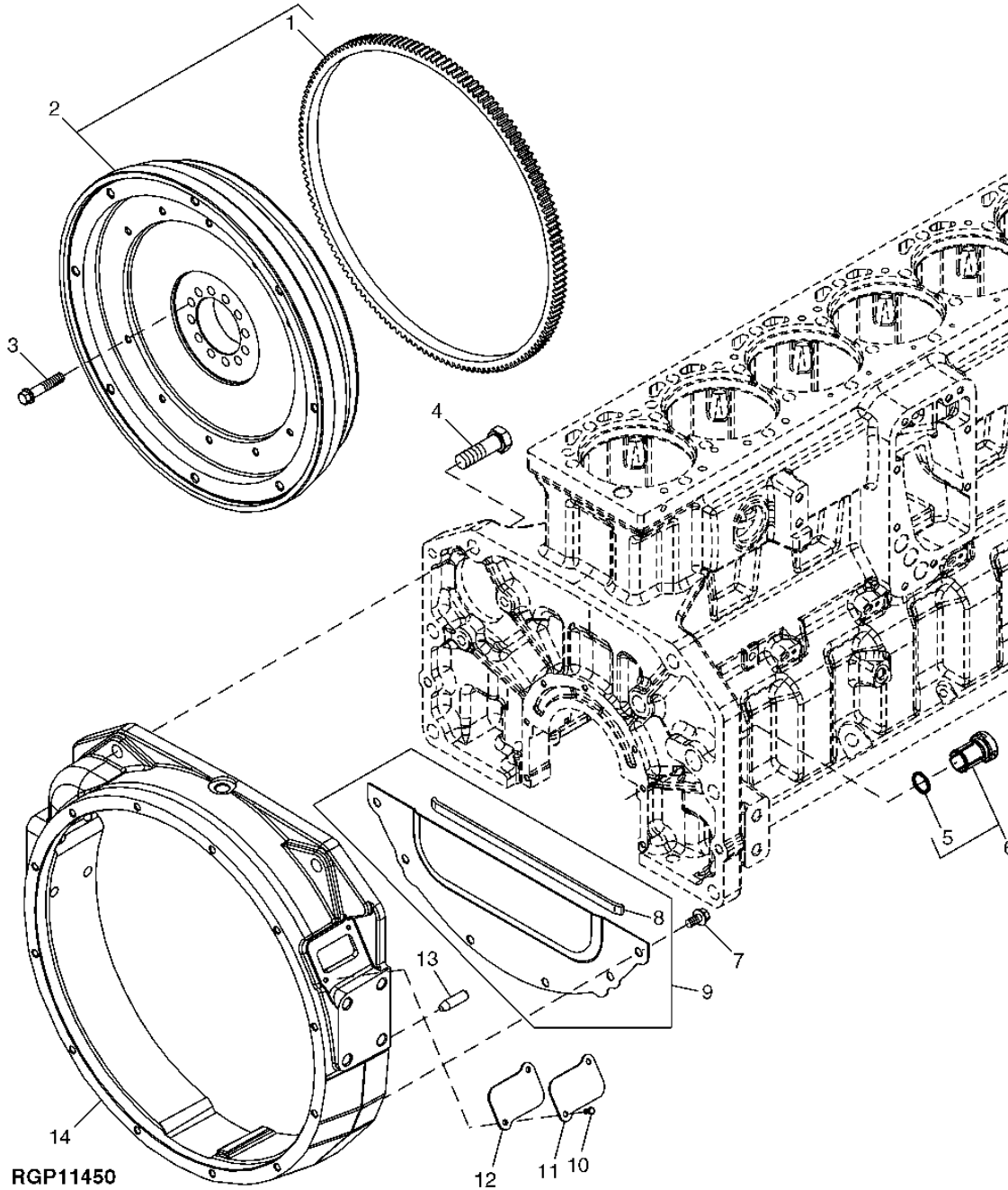
0433-2

ENGINE 4

FLYWHEEL AND HOUSING
VOLANT ET CARTER
VOLANTE Y CARCASA

FLYWHEEL, HOUSING AND FASTENINGS 0433

RGP11450 -UN-14OCT05



0433-3

ENGINE 4

FLYWHEEL AND HOUSING
VOLANT ET CARTER
VOLANTE Y CARCASA

FLYWHEEL, HOUSING AND FASTENINGS 0433

KEY	PART NO.	PART NAME	QTY.	ENGINE SERIAL NO.	REMARKS
1	R76000	GEAR	1		147 TEETH
2	RE53698	FLYWHEEL	1		
3	R116911	CAP SCREW	12		
4	19M8638	CAP SCREW	6		M20 X 65
5	R27149	O-RING	1		
6	AR61533	PLUG	1		
7	19M7784	SCREW	6		M10 X 20
8	H81330	ISOLATOR	1		(CUT TO LENGTH)
9	R526505	COVER	1		
10	19M7700	CAP SCREW	2		M5 X 10
11	R519255	COVER	1		(SUB FOR R31493)
12	R67989	GASKET	1		
13	H79910	DOWEL PIN	2		
14	R128311	HOUSING	1		

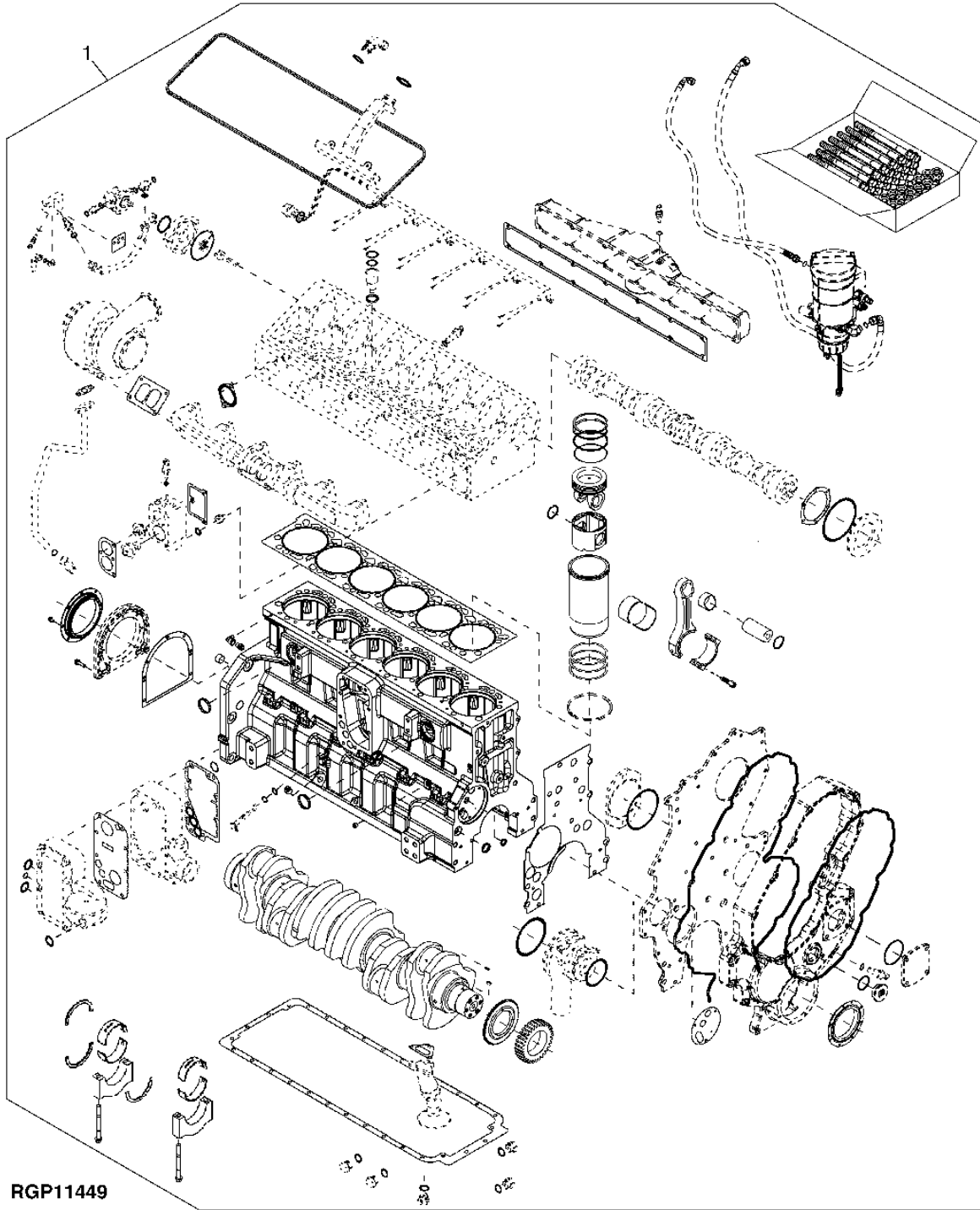
0450-2

ENGINE 4

SERVICE CYLINDER BLOCK ASSEMBLIES 0450

SHORT BLOCK
BLOC COURT
BLOQUE CORTO

RGP11449 -UN-30SEP05



0450-3

ENGINE 4

SERVICE CYLINDER BLOCK ASSEMBLIES 0450

**SHORT BLOCK
BLOC COURT
BLOQUE CORTO**

KEY	PART NO.	PART NAME	QTY.	ENGINE SERIAL NO.	REMARKS
1	RE508141	SHORT BLOCK ASSEMBLY	1	-053079	(SUB RE528462 AND RE523267, THIS APPLICATION)
	RE528462	SHORT BLOCK ASSEMBLY	1	053080-	(PISTON MARKED RE524324) (MARKED R522822)
..	SE501081	DIESEL ENGINE	1		COMPLETE (REMAN) (CALL 1-888-697-3626)
..	RE531282	DIESEL ENGINE	1		COMPLETE (NEW)

0451-2

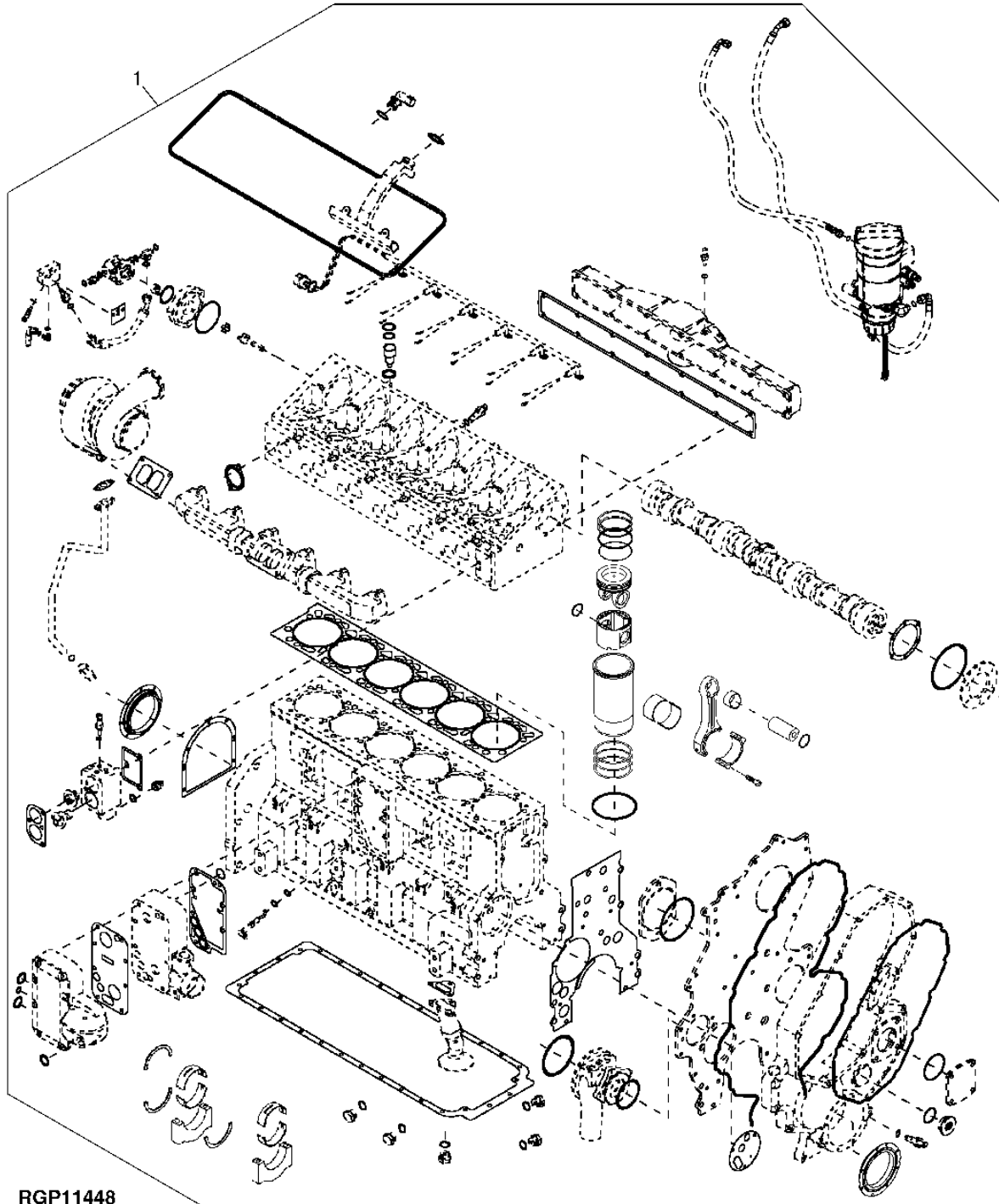
ENGINE 4

PISTON AND LINER KITS 0451

OVERHAUL KIT
JEU DE REMISE EN ETAT
JUEGO DE RECONSTRUCCION

RGP11448

-UN-03OCT05



RGP11448

0451-3

ENGINE 4

PISTON AND LINER KITS 0451

**OVERHAUL KIT
JEU DE REMISE EN ETAT
JUEGO DE RECONSTRUCCION**

<i>KEY</i>	<i>PART NO.</i>	<i>PART NAME</i>	<i>QTY.</i>	<i>ENGINE SERIAL NO.</i>	<i>REMARKS</i>
1	RE527659	ENGINE OVERHAUL KIT	1		(PISTON MARKED RE524324) (ALSO ORDER R136151 AND R126783)

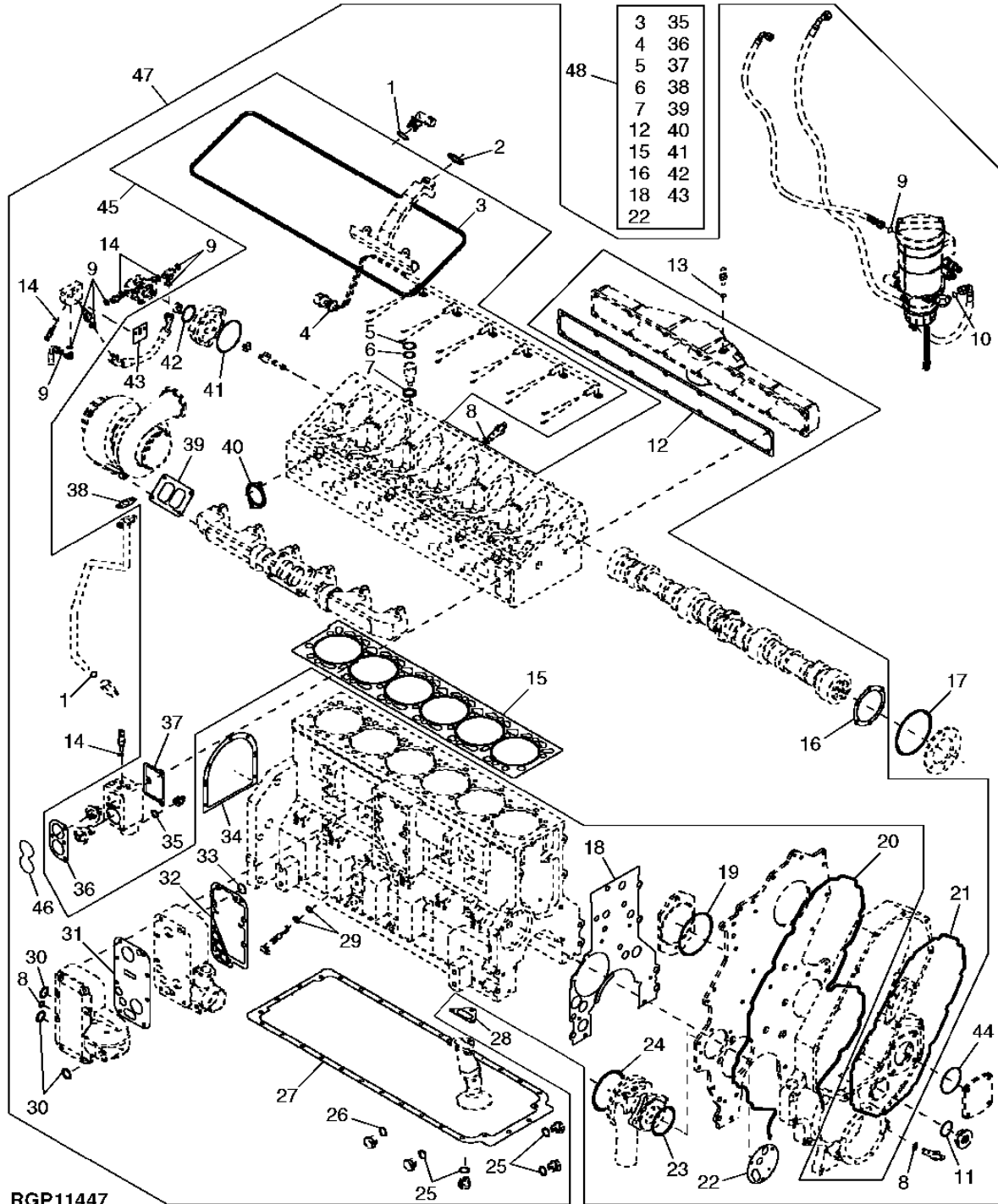
0452-2

ENGINE 4

GASKET REPLACEMENT KITS 0452

GASKET KITS
JEU DE JOINTS
JUEGO DE JUNATAS

RGP11447 -UN-12OCT05



RGP11447

THIS PARTS LISTING IS CONTINUED

0452-3

ENGINE 4

GASKET REPLACEMENT KITS 0452

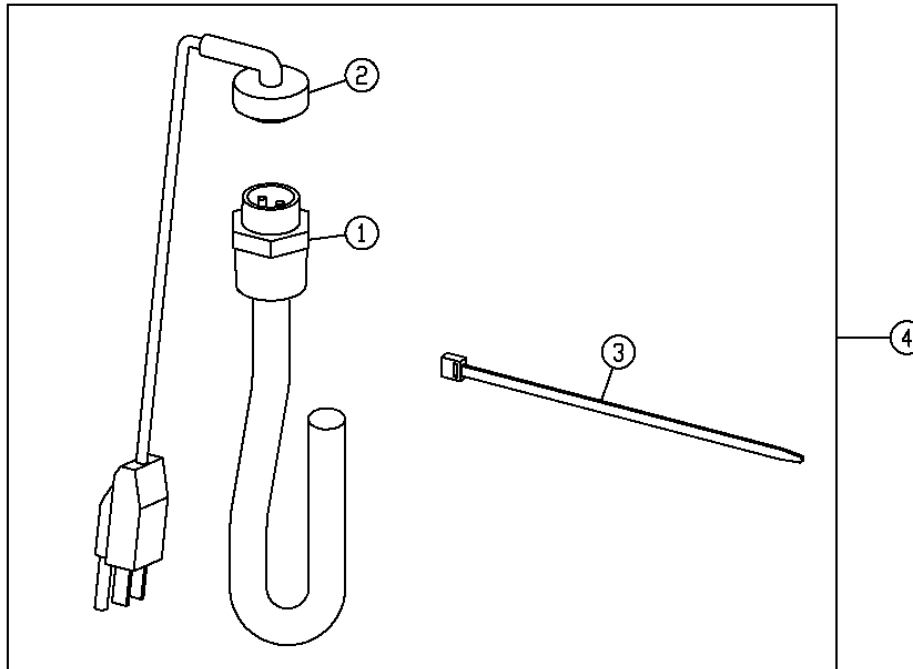
GASKET KITS
JEU DE JOINTS
JUEGO DE JUNATAS

KEY	PART NO.	PART NAME	QTY.	ENGINE SERIAL NO.	REMARKS
1	R72328	O-RING	2		
2	R63185	O-RING	1		
3	R502124	GASKET	1		
	R505677	GASKET	1		
4	R56461	O-RING	1		
5	R133651	PACKING	6		
6	R502703	PACKING	6		
	R133653	PACKING	NA		
7	R130772	PACKING	NA		(ORDER (6) T122075)
8	R26375	O-RING	NA		
9	T77613	O-RING	10		
10	T77857	O-RING	1		
11	A811045R	O-RING	1		(SUB FOR A811045)
12	R116830	GASKET	1		
13	51M7041	O-RING	1		
14	R26448	O-RING	6		
15	RE57784	ENGINE CYLINDER HEAD GASKET	1		
16	R500211	GASKET	1		
17	R62976	O-RING	1		
18	R520981	GASKET	1		
	N102039	PLUG	NA		
19	T70176	O-RING	1		
20	R500213	GASKET	NA		
	R502026	V-RING SEAL	1		
21	R500214	GASKET	NA		
	R502441	V-RING SEAL	1		
22	R500387	GASKET	1		
23	R56757	O-RING	1		
24	E52687	O-RING	1		
25	R56751	O-RING	4		
26	R29936	O-RING	4		
27	R519752	GASKET	1		
28	R126783	GASKET	1		
29	R63548	O-RING	12		
30	U17409	O-RING	3		
31	R500210	GASKET	1		
32	R500209	GASKET	1		
33	R134716	O-RING	2		
34	R520512	GASKET	1		
35	R56464	O-RING	1		
36	R133142	GASKET	NA		
37	R116205	GASKET	1		
38	R105346	GASKET	1		
39	R520685	GASKET	1		
40	R131809	GASKET	6		
41	R500318	O-RING	1		
42	T35580	O-RING	1		
43	R119148	GASKET	NA		
44	R82459	O-RING	1		
45	RE524753	GASKET KIT	1		(ALSO ORDER R136151 AND R126783)
46	R136151	SEAL	1		
47	RE527652	GASKET KIT	1		
	51M4238	SEALING RING	NA		
	51M7045	O-RING	NA		19.300 X 2.200 MM
48	RE524781	GASKET KIT	1		(ALSO ORDER R136151)

0505-2

COOLANT HEATER
PRECHAUFFAGE ELECTRIQUE
PRECALENTADOR DEL AGUA

T145391 -UN-12SEP01



T145391

0505-3

ENGINE AUXILIARY SYSTEM 5
COLD WEATHER STARTING AIDS 0505

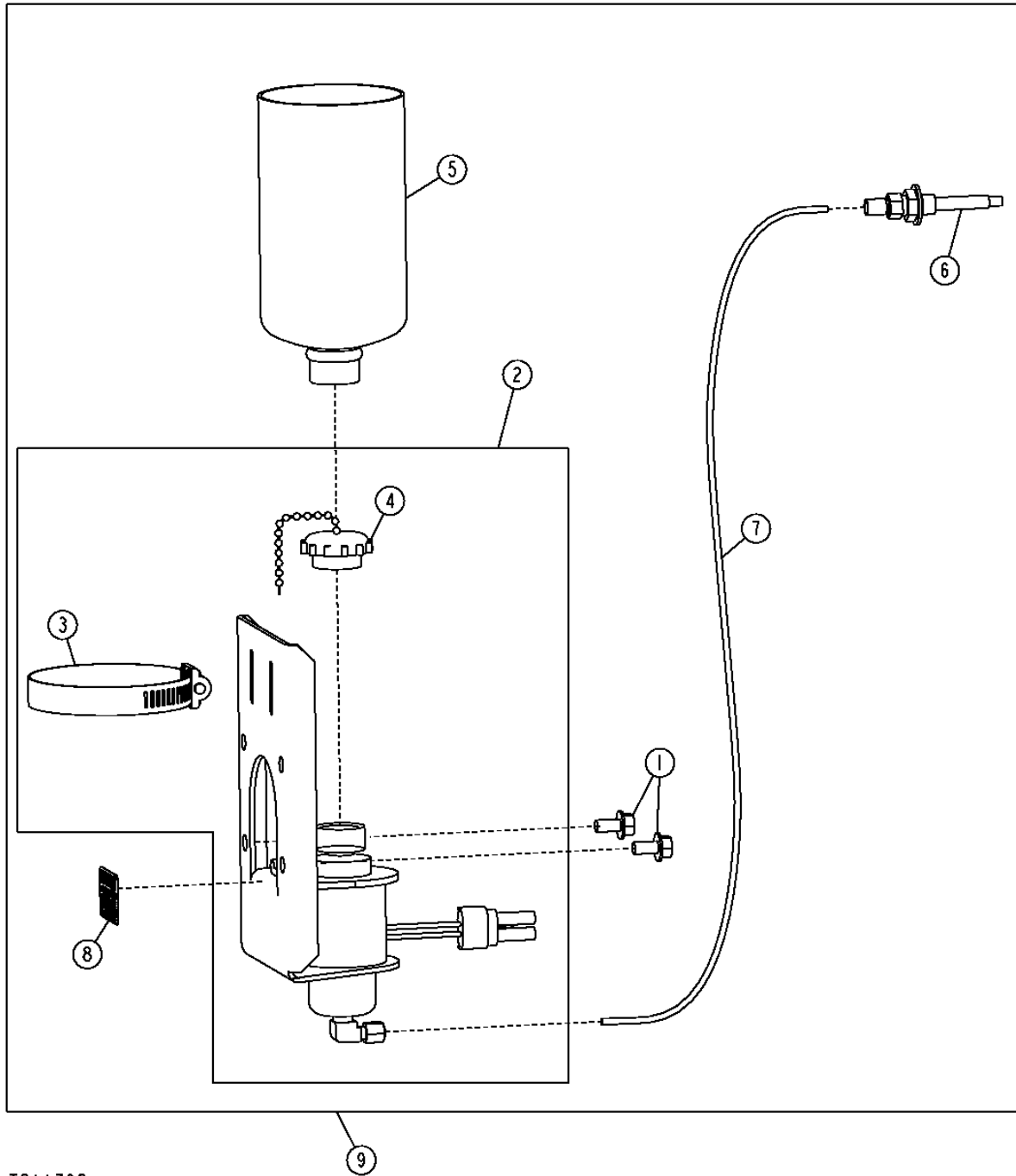
**COOLANT HEATER
PRECHAUFFAGE ELECTRIQUE
PRECALENTADOR DEL AGUA**

KEY	PART NO.	PART NAME	QTY.	SERIAL NO.	REMARKS
1	AR84185	HEATER	1		(1500W) (120V)
2	AR50411	WIRING LEAD	1		
3	R44302	TIE BAND	1		
4	KIT	1		(AT226999 NLA)

0505-4

COLD WEATHER STARTING AID
DISPOSITIF DAIDE AU DEMARRAGE PAR TEMPS FROID
DISPOSITIVO PARA EL ARRANQUE EN TIEMPO FRIO

T211708 -UN-06JUN05



T211708

0505-5

ENGINE AUXILIARY SYSTEM 5

COLD WEATHER STARTING AIDS 0505

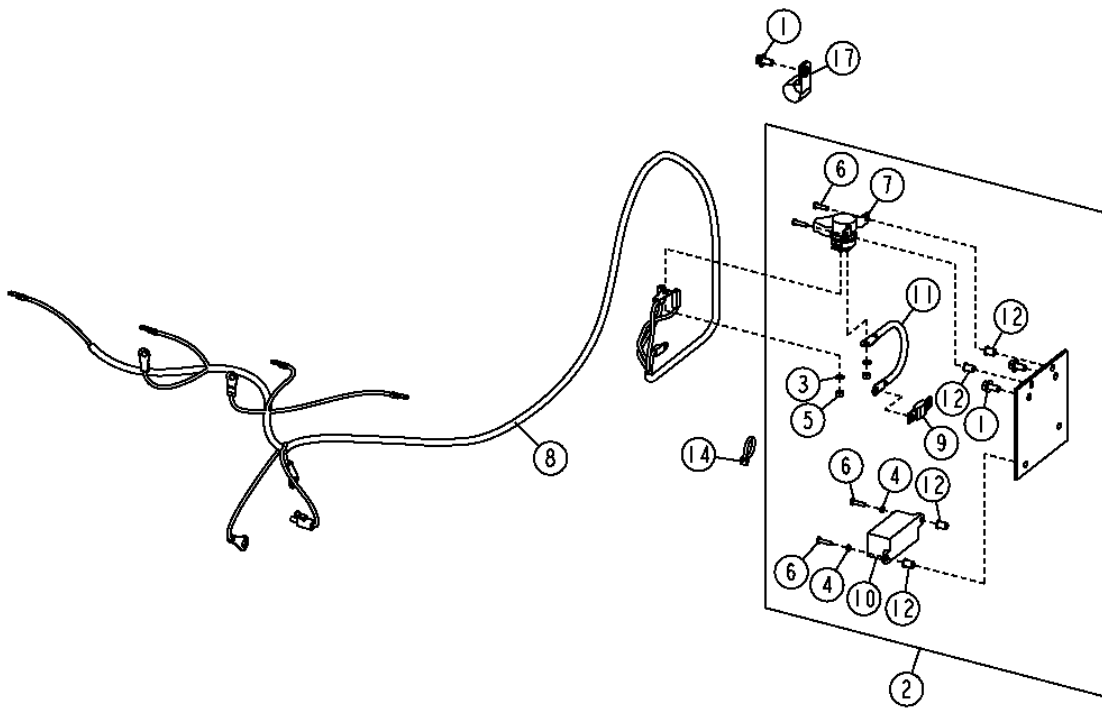
COLD WEATHER STARTING AID
DISPOSITIF DAIDE AU DEMARRAGE PAR TEMPS FROID
DISPOSITIVO PARA EL ARRANQUE EN TIEMPO FRIO

KEY	PART NO.	PART NAME	QTY.	SERIAL NO.	REMARKS
1	19M7774	SCREW	2		M6 X 12
2	AT170759	SOLENOID	1		
3	AR21999	HOSE CLAMP	1		
4	AT171539	CAP (HAT)	1		
5	AT171162	STARTING FLUID	1		
6	AT183222	NOZZLE	1		
7	LINE	2		(MAKE FROM DT5069, CUT TO 2 FEET LENGTH)
8	T42170	LABEL	1		(INSTRUCTIONAL) (INSTRUCTION) (INSTRUCCION)
9	AT308459	FIELD INSTALLATION KIT	1		

0505-6

ENGINE AIR HEATER RECHAUFFEUR AIR MOTEUR CALENTADOR DE AIRE DEL MOTOR

TX1018610 -UN-01MAR07



TX1018610

0505-7

ENGINE AUXILIARY SYSTEM 5
COLD WEATHER STARTING AIDS 0505

**ENGINE AIR HEATER
RECHAUFFEUR AIR MOTEUR
CALENTADOR DE AIRE DEL MOTOR**

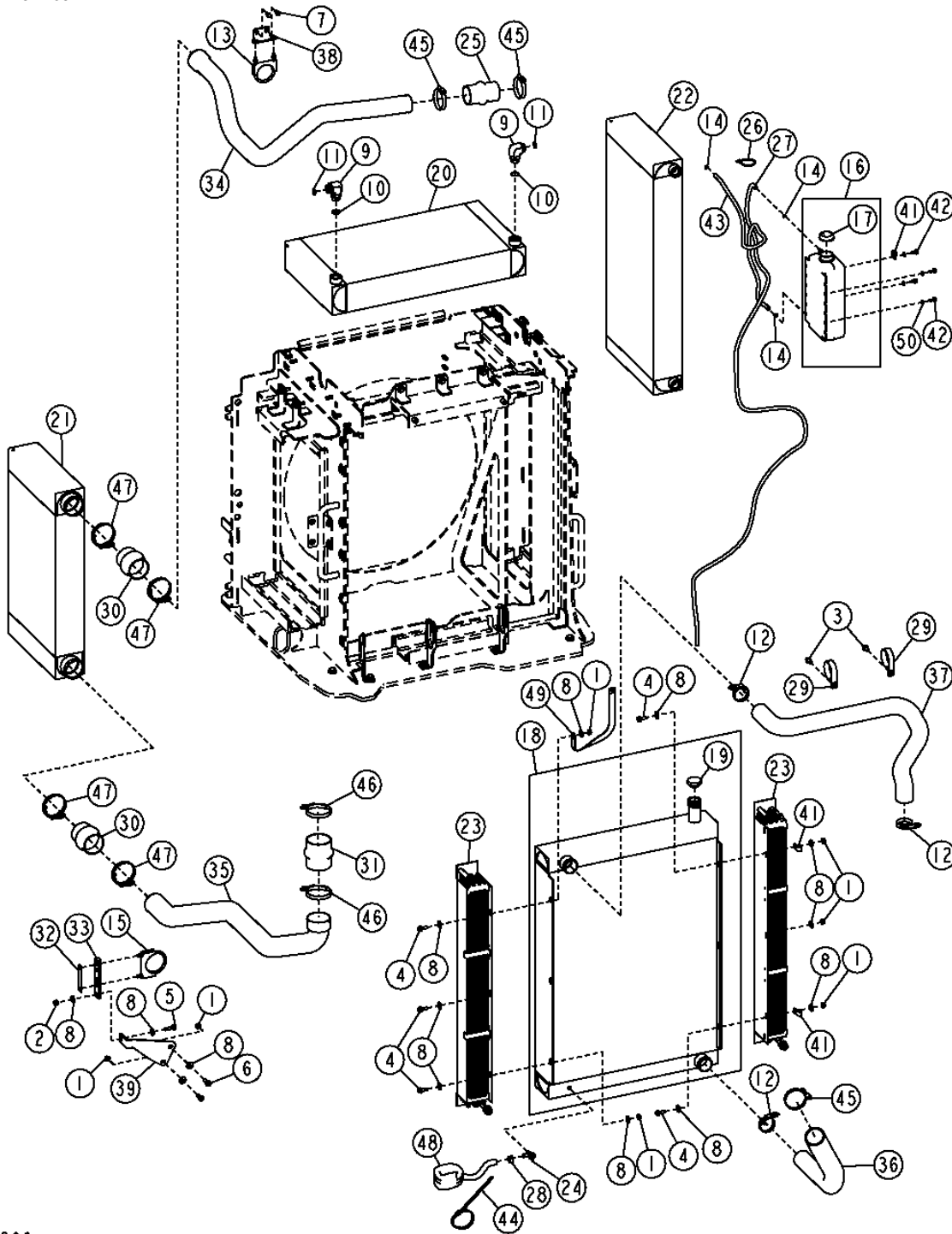
KEY	PART NO.	PART NAME	QTY.	SERIAL NO.	REMARKS
1	19M7865	SCREW	3		M8 X 16
2	AT206728	COOLANT HEATER	1		
3	12H297	LOCK WASHER	2		1/4"
4	12M7064	LOCK WASHER	2		5 MM
5	14M7272	NUT	2		M6
6	21M7022	SCREW	4		M5 X 20
7	AT145341	RELAY	1		
8	AT203565	WIRING HARNESS	1		
	R64879	WASHER	4		
	RE69295	GLOW PLUG	4		
	R134549	ADAPTER FITTING	4		
9	AT203566	FUSE	1		
10	AT206818	FUSE HOLDER	1		
11	AT207082	CABLE	1		
12	T103238	NUT	4		
14	R44302	TIE BAND	3		
17	R46667	CLAMP	1		

0510-2

COOLING SYSTEM RADIATORS ENVELOPPE, FLEXIBLES DE RADIATEUR ET BOUTEILLE DE COMPENSATION ENVUELTA, MANGUERAS DEL RADIADOR Y BOTELLA DE RECUPERACION

TX1002300

-UN-12JAN06



TX1002300

0510-3

ENGINE AUXILIARY SYSTEM 5

COOLING SYSTEMS 510

COOLING SYSTEM RADIATORS
ENVELOPPE, FLEXIBLES DE RADIATEUR ET BOUTEILLE DE COMPENSATION
ENVUELTA, MANGUERAS DEL RADIADOR Y BOTELLA DE RECUPERACION

KEY	PART NO.	PART NAME	QTY.	SERIAL NO.	REMARKS
1	14M7296	FLANGE NUT	8		M10
2	14M7400	LOCK NUT	1		M10
3	19M7785	SCREW	2		M10 X 25
4	19M7786	SCREW	4		M10 X 30
5	19M7804	SCREW	1		M10 X 40
6	19M7835	SCREW	2		M10 X 35
7	19M7866	SCREW	2		M8 X 20
8	24M7296	WASHER	12		10.500 X 30 X 2.500 MM
9	38H1037	ELBOW FITTING	2		
10	R29936	O-RING	2		29.743 X 2.946 MM
11	T76938	O-RING	2		
12	AH170895	CLAMP	3		
13	AN276328	CLAMP	1		
14	AR48236	CLAMP	3		
15	AT116380	CLAMP	1		
16	AT223091	RESERVOIR	1		
17	AT106413	CAP	1		
18	AT308403	RADIATOR	1		
19	AT173610	FILLER CAP	1		
20	AT308412	OIL COOLER	1		
21	AT308413	AIR COOLER	1		
22	AT308414	OIL COOLER	1		
23	AT328624	OIL COOLER	2		(A) (SUB FOR AT308817)
24	AT35831	DRAIN VALVE	1		
25	R164193	HOSE	1		
26	R44302	TIE BAND	1		
27	TY22324	BULK HOSE	1		CUT TO LENGTH, 57" (7620 MM)
28	RE32361	HOSE CLAMP	1		
29	T162575	CLAMP	2		
30	T179288	COMPRESSED AIR HOSE	2		
31	T179289	COMPRESSED AIR HOSE	1		
32	T181182	STRAP	1		
33	T182578	SUPPORT	1		
34	T207614	TUBE	1		
35	T207615	TUBE	1		
36	T222392	RADIATOR HOSE	1		(SUB FOR T207616)
37	T207617	RADIATOR HOSE	1		
38	T213531	BRACKET	1		
39	T216347	BRACKET	1		
41	T74416	CLAMP	3		
42	19M7866	SCREW	4		M8 X 20, (SUB FOR 19M7865)
43	TY22324	BULK HOSE	1		CUT TO LENGTH, 117" (7620 MM)
44	N189220	TIE BAND	1		
45	RE52702	CLAMP	3		
46	RE52703	HOSE CLAMP	2		
47	RE56859	CLAMP	4		
48	T60811	BULK HOSE	1		CUT TO LENGTH, 62" (1619 MM)
49	R36545	GROUND CABLE	1	-XXXXXX	
50	24M7238	WASHER	4		8.700 X 17 X 2 MM

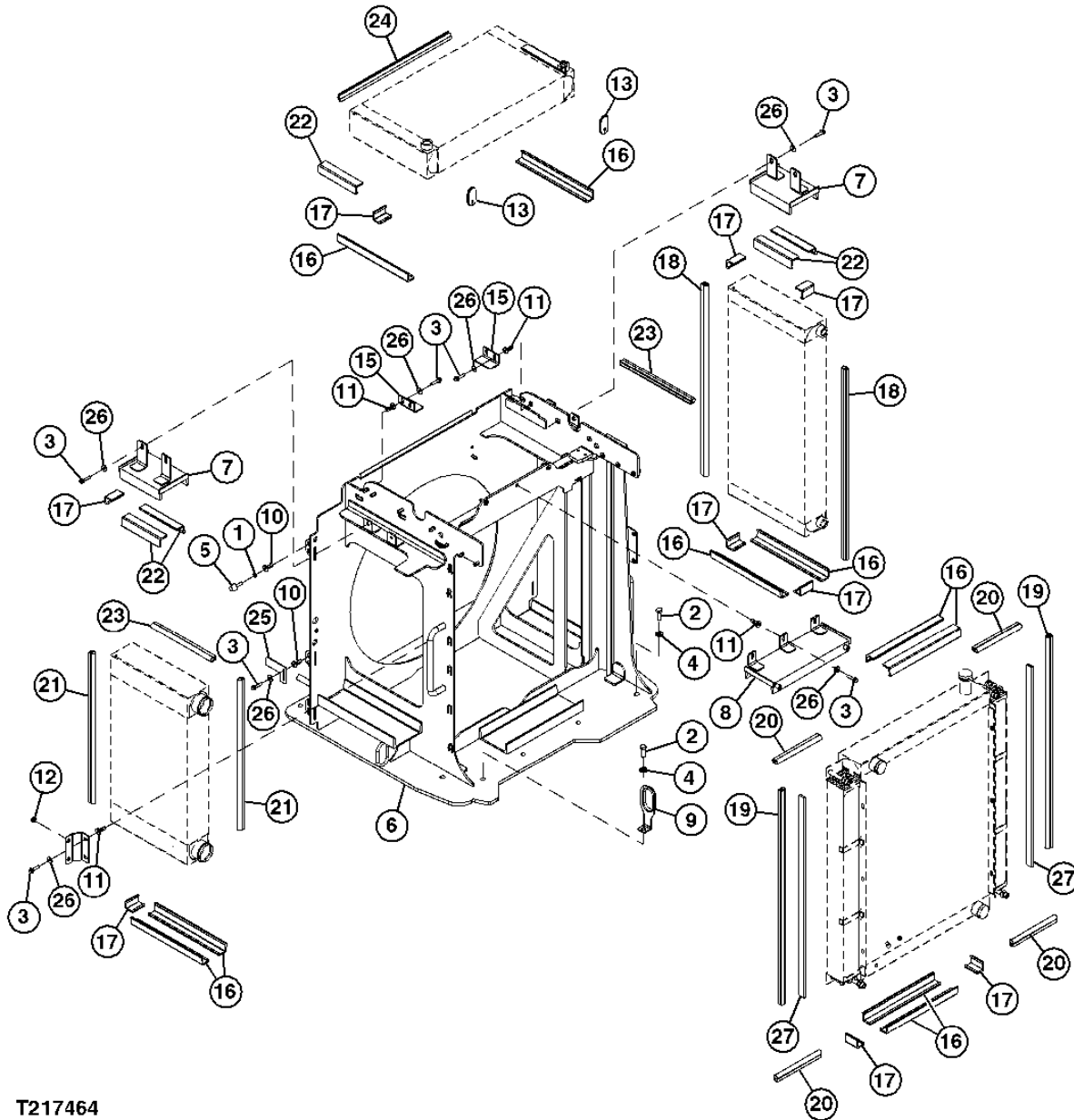
(A) AXLE
(A) AVANT
(A) EJE

0510-4

COOLING SYSTEM HOUSING ENVELOPPE, FLEXIBLES DE RADIATEUR ET BOUTEILLE DE COMPENSATION ENVUELTA, MANGUERAS DEL RADIADOR Y BOTELLA DE RECUPERACION

T217464

-UN-22DEC05



T217464

0510-5

ENGINE AUXILIARY SYSTEM 5

COOLING SYSTEMS 510

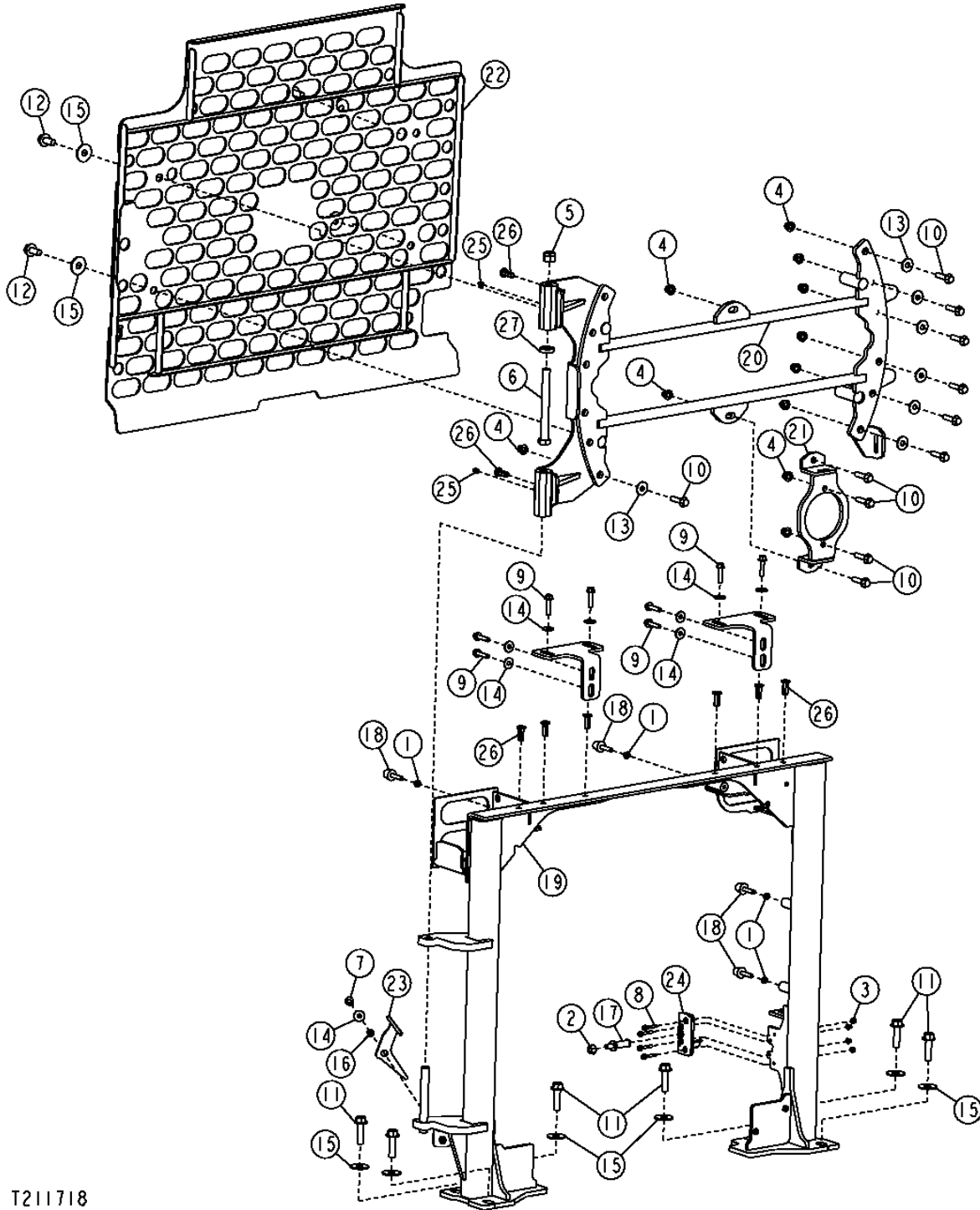
COOLING SYSTEM HOUSING
ENVELOPPE, FLEXIBLES DE RADIATEUR ET BOUTEILLE DE COMPENSATION
ENVUELTA, MANGUERAS DEL RADIADOR Y BOTELLA DE RECUPERACION

KEY	PART NO.	PART NAME	QTY.	SERIAL NO.	REMARKS
1	14M7152	NUT	8		M10
2	19M7489	CAP SCREW	5		M16 X 45
3	19M7805	SCREW	17		M10 X 45
4	24M7241	WASHER	5		17 X 34 X 4 MM
5	AT306690	BUMPER	8		
6	AT308722	FRAME	1		
7	AT308938	BRACKET	2		
8	AT308939	BRACKET	1		
9	AT311295	HOSE SUPPORT	1		
10	T148409	NUT	12		
11	T148410	NUT	AR		
12	T162238	GROMMET	2		
13	T201546	GROMMET	2		
14	T207044	ANGLE	1		
15	T207333	ANGLE	2		
16	T207782	ISOLATOR	AR		
17	T207783	ISOLATOR	AR		
18	T207789	ISOLATOR	2		
19	T207790	ISOLATOR	2		
20	T207791	ISOLATOR	4		
21	T207792	ISOLATOR	2		
22	T207929	ISOLATOR	6		
23	T207931	ISOLATOR	2		
24	ISOLATOR	1		(T208653 NLA) (FURNISH T209966 CUT TO LENGTH)
25	T216858	STRAP	2		
26	24M7296	WASHER	15		10.500 X 30 X 2.500 MM
27	T222192	ISOLATOR	2		(USE WITH AT328624)

0511-2

REAR FAN DOOR PORTE DE VENTILATEUR ARRIERE PUERTA TRASERA DE VENTILADOR

T211718 -UN-16JUN05



T211718

0511-3

ENGINE AUXILIARY SYSTEM 5
RADIATOR AND FAN SHROUD 511

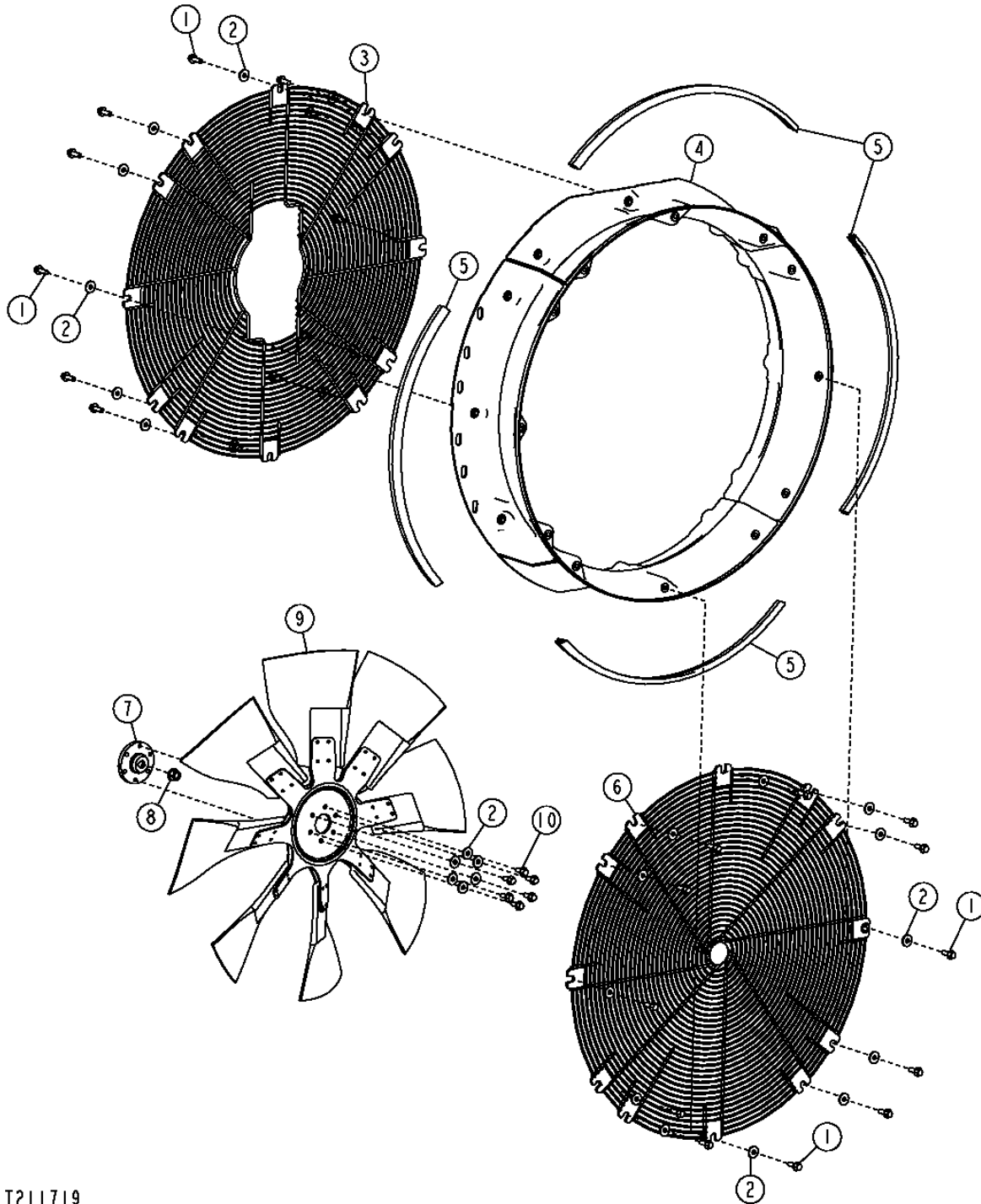
**REAR FAN DOOR
PORTE DE VENTILATEUR ARRIERE
PUERTA TRASERA DE VENTILADOR**

KEY	PART NO.	PART NAME	QTY.	SERIAL NO.	REMARKS
1	14M7152	NUT	4		M10
2	14M7299	FLANGE NUT	1		M12
3	14M7397	LOCK NUT	4		M6
4	14M7401	LOCK NUT	16		M12
5	14M7554	LOCK NUT	1		M20
6	19M7645	SCREW	1		M20 X 200, (SUB FOR 19M7645)
8	19M7797	SCREW	4		M6 X 40
9	19M7805	SCREW	8		M10 X 45
10	19M7814	SCREW	16		M12 X 50
11	19M7824	SCREW	6		M16 X 60
12	19M7843	SCREW	4		M16 X 35
13	24M7180	WASHER	14		13 X 37 X 3 MM
14	24M7296	WASHER	10		10.500 X 30 X 2.500 MM
15	24M7315	WASHER	10		17 X 50 X 3 MM
16	28H1519	WASHER	1		0.493" X 0.675" X 3/8"
17	AT301711	STRIKER	1		
18	AT306690	BUMPER	4		
19	AT308718	SUPPORT	1		
20	AT308719	HINGE	1		
21	AT310631	SUPPORT	1		
22	AT311460	GUARD	1		
23	AT311827	LATCH	1		
24	AT318974	LATCH	1		
25	JD7759	LUBRICATION FITTING	2		
26	T148410	NUT	8		
27	T214282	WASHER	1		
28	19M7835	SCREW	1		

0511-4

FAN AND FAN GUARD VENTILATEUR ET PROTECTION DE VENTILATEUR VENTILADOR Y PROTECTOR DEL VENTILADOR

T211719 -UN-16JUN05



T211719

0511-5

ENGINE AUXILIARY SYSTEM 5
RADIATOR AND FAN SHROUD 511

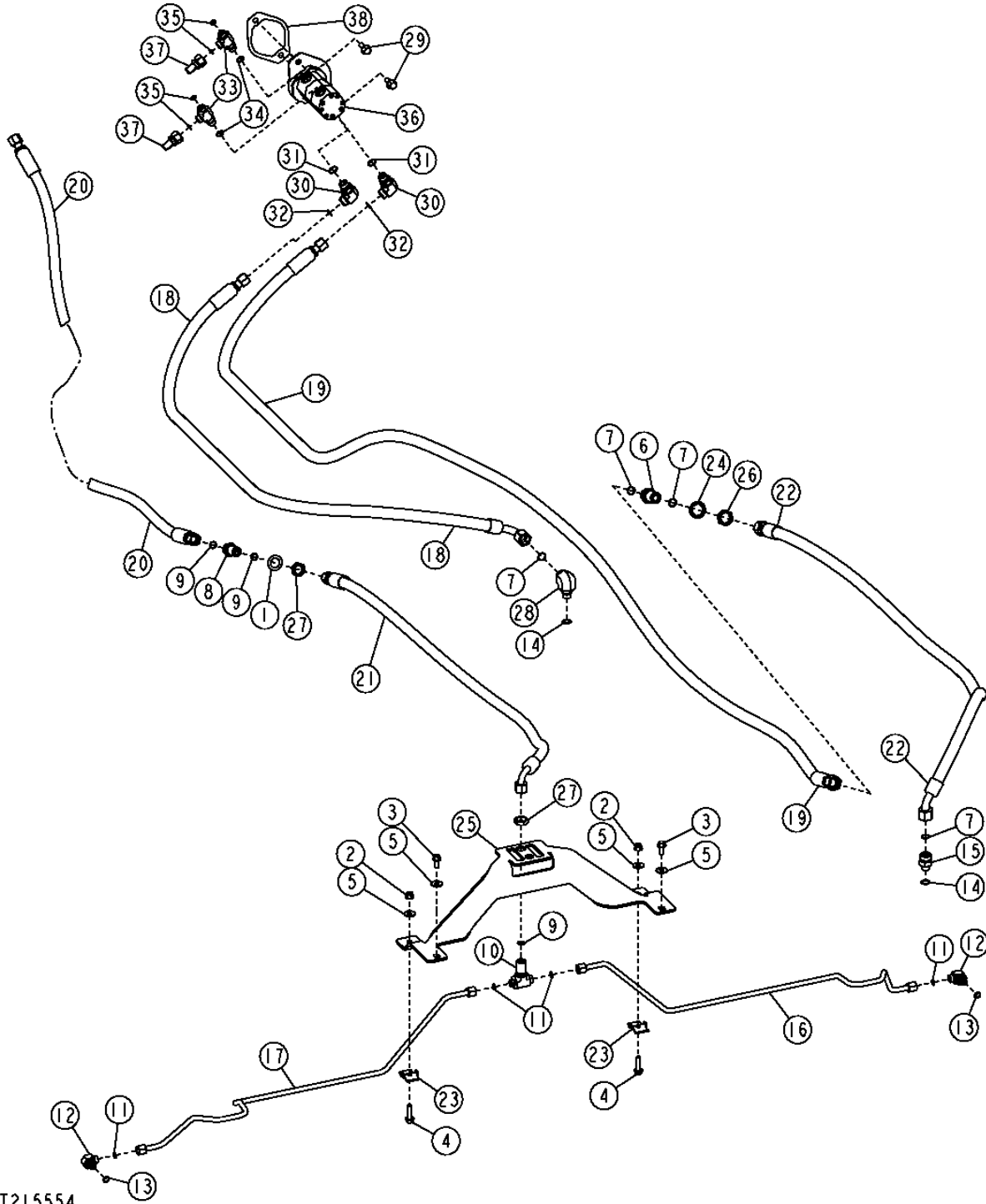
FAN AND FAN GUARD
VENTILATEUR ET PROTECTION DE VENTILATEUR
VENTILADOR Y PROTECTOR DEL VENTILADOR

KEY	PART NO.	PART NAME	QTY.	SERIAL NO.	REMARKS
1	19M7786	SCREW	24		M10 X 30
2	24M7296	WASHER	30		10.500 X 30 X 2.500 MM
3	AT310846	GUARD	1		(INNER)
4	AT310632	SHROUD	1		
5	T208388	SEALING TRIM	4		
6	AT310845	GUARD	1		(OUTER)
7	T207244	HUB	1		
8	M809247	LOCK NUT	1		
9	AT190589	SUCTION FAN	1		
10	19M7785	SCREW	6		M10 X 25

0511-6

FRONT AXLE OIL COOLING RECIRCULATION LINES AND RECIRCULATION PUMP
CONDUITES DE RECYCLAGE DE REFROIDISSEMENT D'HUILE D'ESSIEU AVANT ET POMPE DE RECYCLAGE
LINEAS DE RECIRCULACION DE ENFRIAMIENTO DE ACEITE DEL PUENTE DELANTERO Y BOMBA DE RECIRCULACION

T215554 -UN-06OCT05



T215554

0511-7

ENGINE AUXILIARY SYSTEM 5

RADIATOR AND FAN SHROUD 511

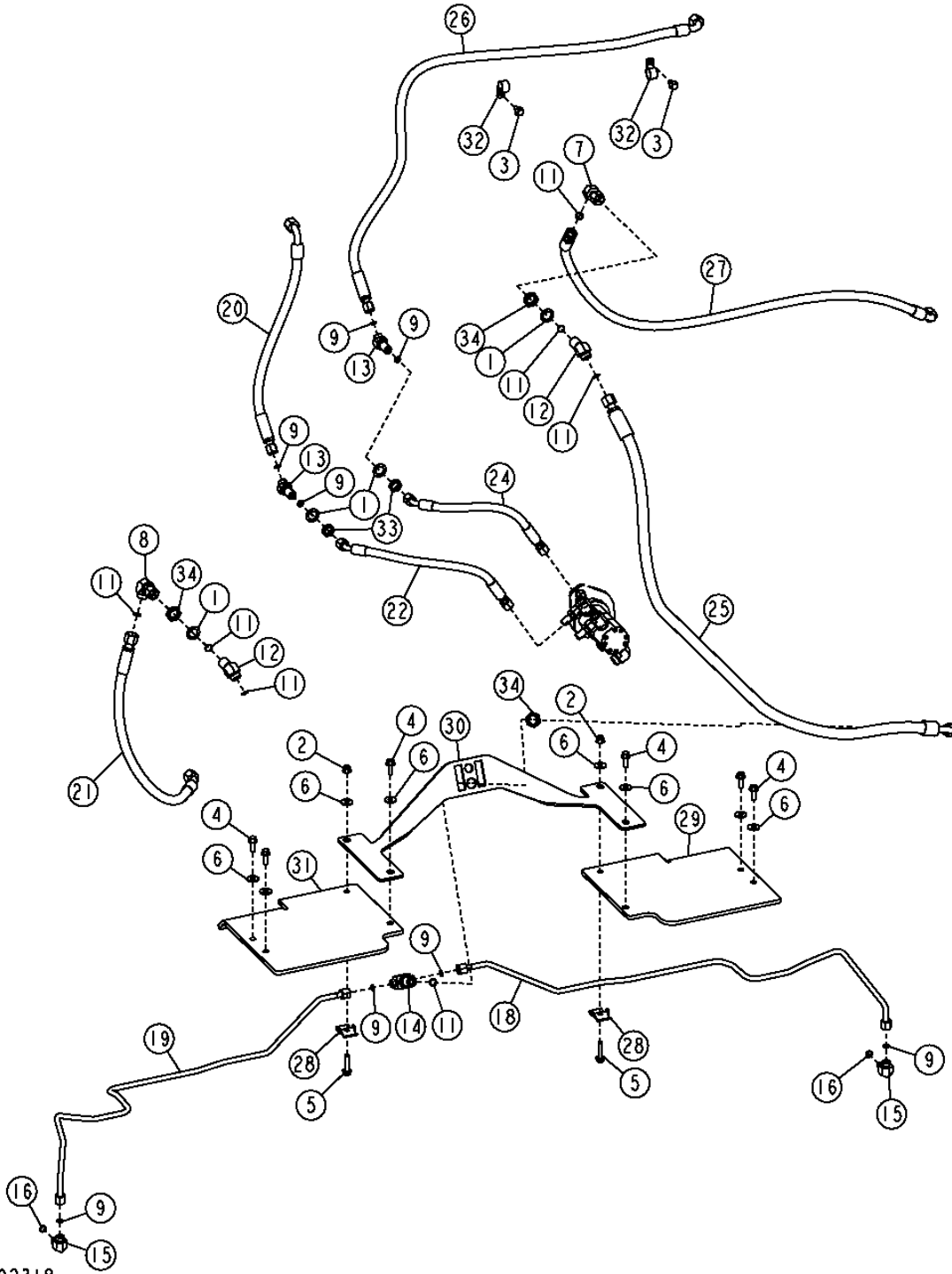
**FRONT AXLE OIL COOLING RECIRCULATION LINES AND RECIRCULATION PUMP
 CONDUITES DE RECYCLAGE DE REFROIDISSEMENT D'HUILE D'ESSEU AVANT ET POMPE DE RECYCLAGE
 LINEAS DE RECIRCULACION DE ENFRIAMIENTO DE ACEITE DEL PUENTE DELANTERO Y BOMBA DE RECIRCULACION**

KEY	PART NO.	PART NAME	QTY.	SERIAL NO.	REMARKS
1	12H329	LOCK WASHER	1		
2	14M7400	LOCK NUT	4		M10
3	19M7786	SCREW	2		M10 X 30
4	19M7804	SCREW	2		M10 X 40
5	24M7296	WASHER	4		10.500 X 30 X 2.500 MM
6	38H1276	ADAPTER FITTING	1		
7	T77858	O-RING	2		
8	38H1286	ADAPTER FITTING	1		
9	T77932	O-RING	2		
10	38H1520	TEE FITTING	1		
11	T77857	O-RING	1		
12	38H5036	ELBOW FITTING	1		
13	51M7042	O-RING	1		
14	51M7045	O-RING	2		
15	38H5121	ADAPTER FITTING	1		
16	AT323868	OIL LINE	1		
17	AT323943	OIL LINE	1		
18	AT328851	HYDRAULIC HOSE - FABRICATE	1		(SUB FOR AT326265)
19	AT326266	HYDRAULIC HOSE - FABRICATE	1		1" X 3 800 MM X 1-3/16"
20	AT328847	HYDRAULIC HOSE - FABRICATE	1		(SUB FOR AT326267)
21	AT328848	HYDRAULIC HOSE - FABRICATE	1		(SUB FOR AT326268)
22	AT326269	HYDRAULIC HOSE - FABRICATE	1		1-3/16" X 1 800 MM X 1-3/16"
23	T159950	CLAMP	2		
24	T174275	LOCK WASHER	1		
25	T216987	BRACKET	1		
26	T78707	NUT	1		
27	T80306	NUT	3		
28	38H5066	ELBOW FITTING	1		
29	19M7789	SCREW	2		M12 X 30
30	38H1006	ELBOW FITTING	1		
31	R26906	O-RING	1		
32	T77932	O-RING	1		
33	38H1024	TEE FITTING	1		
34	R26375	O-RING	1		
35	T77857	O-RING	7		
36	AT309296	PUMP	1		
37	AT312932	FITTING	2		
38	R501137	GASKET	1		

0511-8

REAR AXLE OIL COOLING RECIRCULATION LINES
CONDUITES DE RECYCLAGE DE REFROIDISSEMENT D'HUILE D'ESSIEU ARRIERE
LINEAS DE RECIRCULACION DE ENFRIAMIENTO DE ACEITE DEL PUENTE TRASERO

TX1002318 -UN-11JAN06



TX1002318

0511-9

ENGINE AUXILIARY SYSTEM 5

RADIATOR AND FAN SHROUD 511

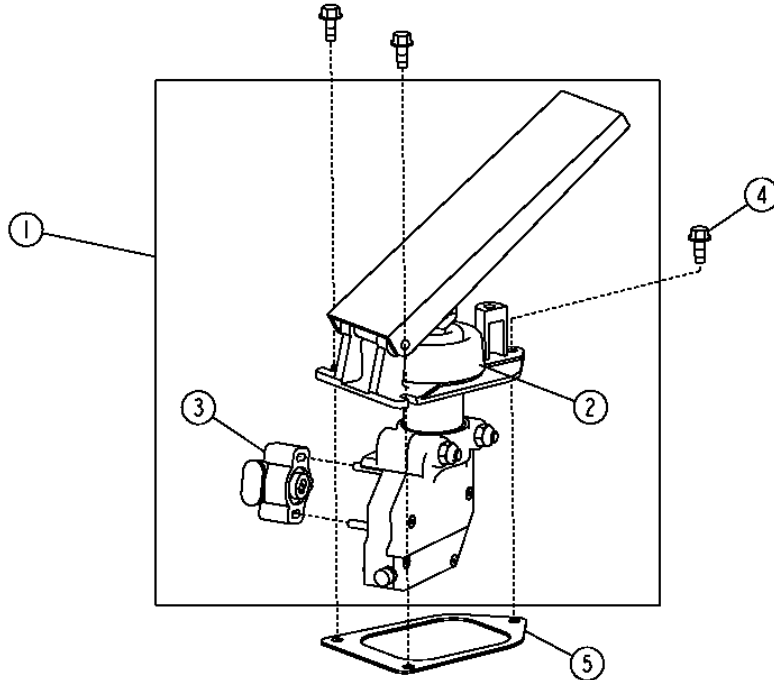
**REAR AXLE OIL COOLING RECIRCULATION LINES
CONDUITES DE RECYCLAGE DE REFROIDISSEMENT D'HUILE D'ESSIEU ARRIERE
LINEAS DE RECIRCULACION DE ENFRIAMIENTO DE ACEITE DEL PUENTE TRASERO**

KEY	PART NO.	PART NAME	QTY.	SERIAL NO.	REMARKS
1	12H328	LOCK WASHER	4		7/8"
2	14M7400	LOCK NUT	2		M10
3	19M7784	SCREW	2		M10 X 20
4	19M7786	SCREW	4		M10 X 30
5	19M7805	SCREW	2		M10 X 45
6	24M7296	WASHER	8		10.500 X 30 X 2.500 MM
7	38H1096	ELBOW FITTING	3		(SUB FOR 38H1005)
8	38H1613	ADAPTER FITTING	1		
9	T77857	O-RING	7		
11	T77932	O-RING	11		
12	38H1322	ELBOW FITTING	2		
13	38H1275	ADAPTER FITTING	2		(SUB FOR 38H1505)
14	38H1520	TEE FITTING	1		
15	38H5036	ELBOW FITTING	2		
16	51M7042	O-RING	2		13.300 X 2.200 MM
18	AT323869	OIL LINE	1		
19	AT323944	OIL LINE	1		
20	AT329410	HYDRAULIC HOSE - FABRICATE	1		(SUB FOR AT328921, AT326258)
21	AT329411	HYDRAULIC HOSE - FABRICATE	1		(SUB FOR AT328922, AT326260)
22	AT328924	HYDRAULIC HOSE - FABRICATE	1		(SUB FOR AT326261)
24	AT328923	HYDRAULIC HOSE - FABRICATE	1		(SUB FOR AT326263)
25	AT328850	HYDRAULIC HOSE - FABRICATE	1		(SUB FOR AT326264)
26	AT329412	HYDRAULIC HOSE - FABRICATE	1		(SUB FOR AT328925, AT326595)
27	AT329413	HYDRAULIC HOSE - FABRICATE	1		(SUB FOR AT328926, AT326596)
28	T159950	CLAMP	2		
29	T216791	PLATE	1		
30	T216881	BRACKET	1		
31	T217275	PLATE	1		
32	T27550	CLIP	2		
33	T78716	NUT	2		
34	T80306	NUT	2		

0515-2

ENGINE SPEED CONTROL
COMMANDE DE REGIME MOTEUR
CONTROL DE VELOCIDAD DEL MOTOR

T195146 -UN-14OCT03



T195146

0515-3

ENGINE AUXILIARY SYSTEM 5
ENGINE AND SPEED CONTROLS 0515

ENGINE SPEED CONTROL
COMMANDE DE REGIME MOTEUR
CONTROL DE VELOCIDAD DEL MOTOR

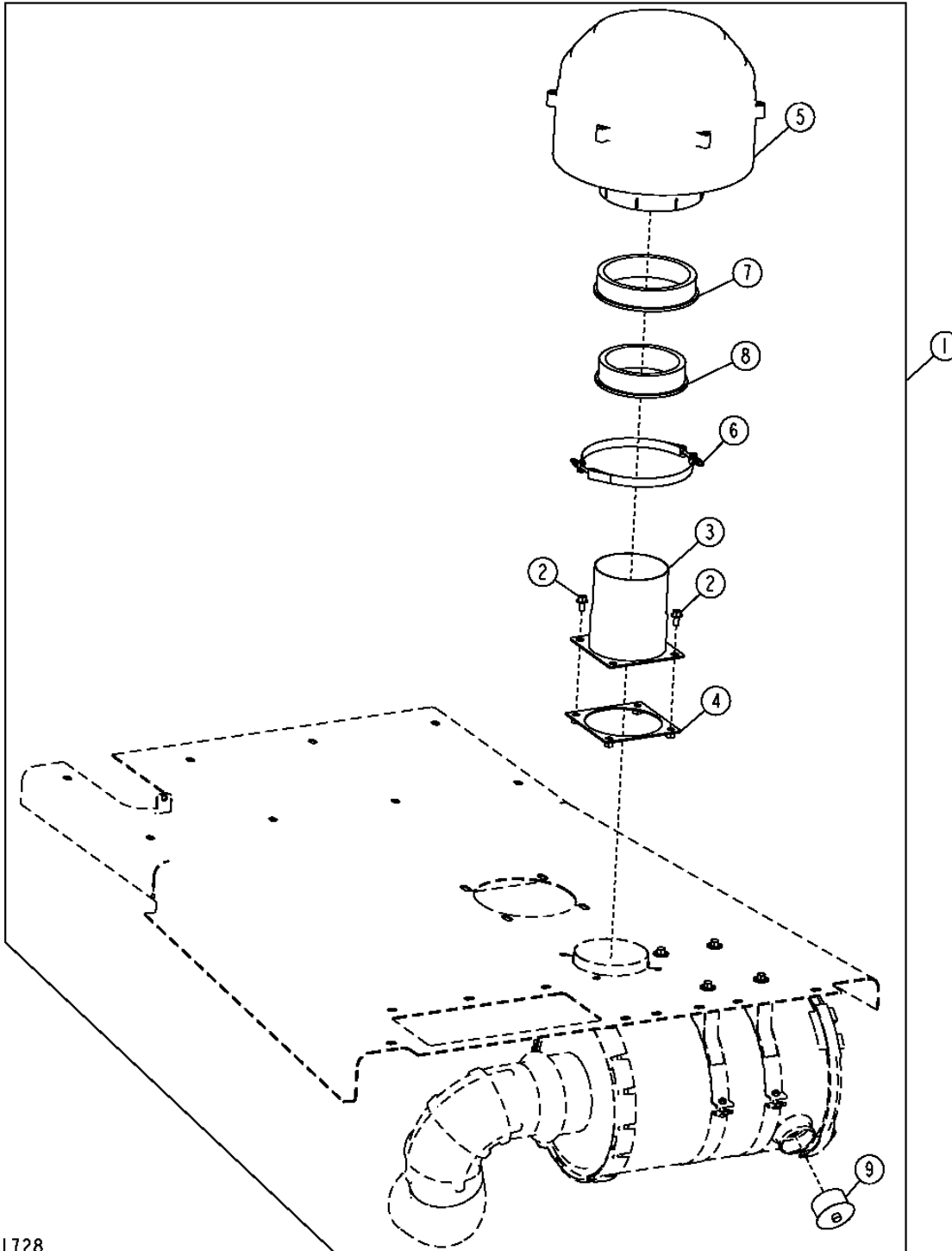
KEY	PART NO.	PART NAME	QTY.	SERIAL NO.	REMARKS
1	AT323306	ACCELERATOR	1		
2	T174634	BOOT	1		
3	AT323307	SENSOR	1		(SUB FOR AT306703)
4	M113243	SCREW	3		
5	T172927	GASKET	1		

0520-2

AIR PRECLEANER PREFILTRE A AIR PREFILTRO DE AIRE

T211728

-UN-06JUN05



T211728

THIS PARTS LISTING IS CONTINUED

0520-3

ENGINE AUXILIARY SYSTEM 5

INTAKE SYSTEM 520

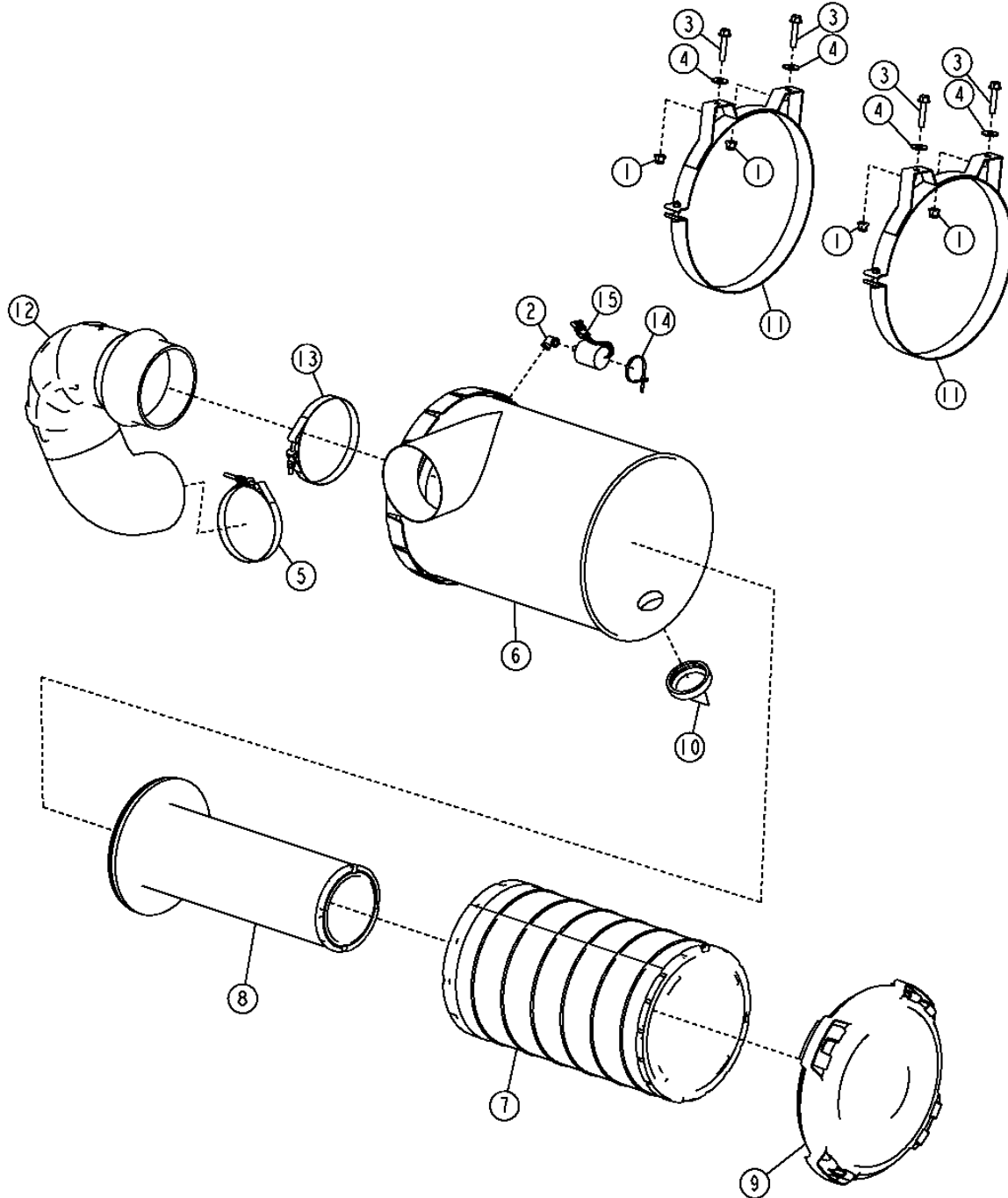
**AIR PRECLEANER
PREFILTRE A AIR
PREFILTRO DE AIRE**

KEY	PART NO.	PART NAME	QTY.	SERIAL NO.	REMARKS
1	AT308451	FIELD INSTALLATION KIT	1		
2	19M7784	SCREW	4		M10 X 20
3	AT223774	AIR INTAKE STACK	1		
4	AT223810	PLATE	1		
5	TY24864	EJECTOR	1		
6	AT225330	CLAMP	1		
7	T180869	ADAPTER FITTING	1		
8	T181938	BUSHING	1		
9	AT319142	PLUG	1		

0520-4

AIR CLEANER FILTRE A AIR FILTRO DE AIRE

T211736 -UN-10JUN05



T211736

0520-5

ENGINE AUXILIARY SYSTEM 5

INTAKE SYSTEM 520

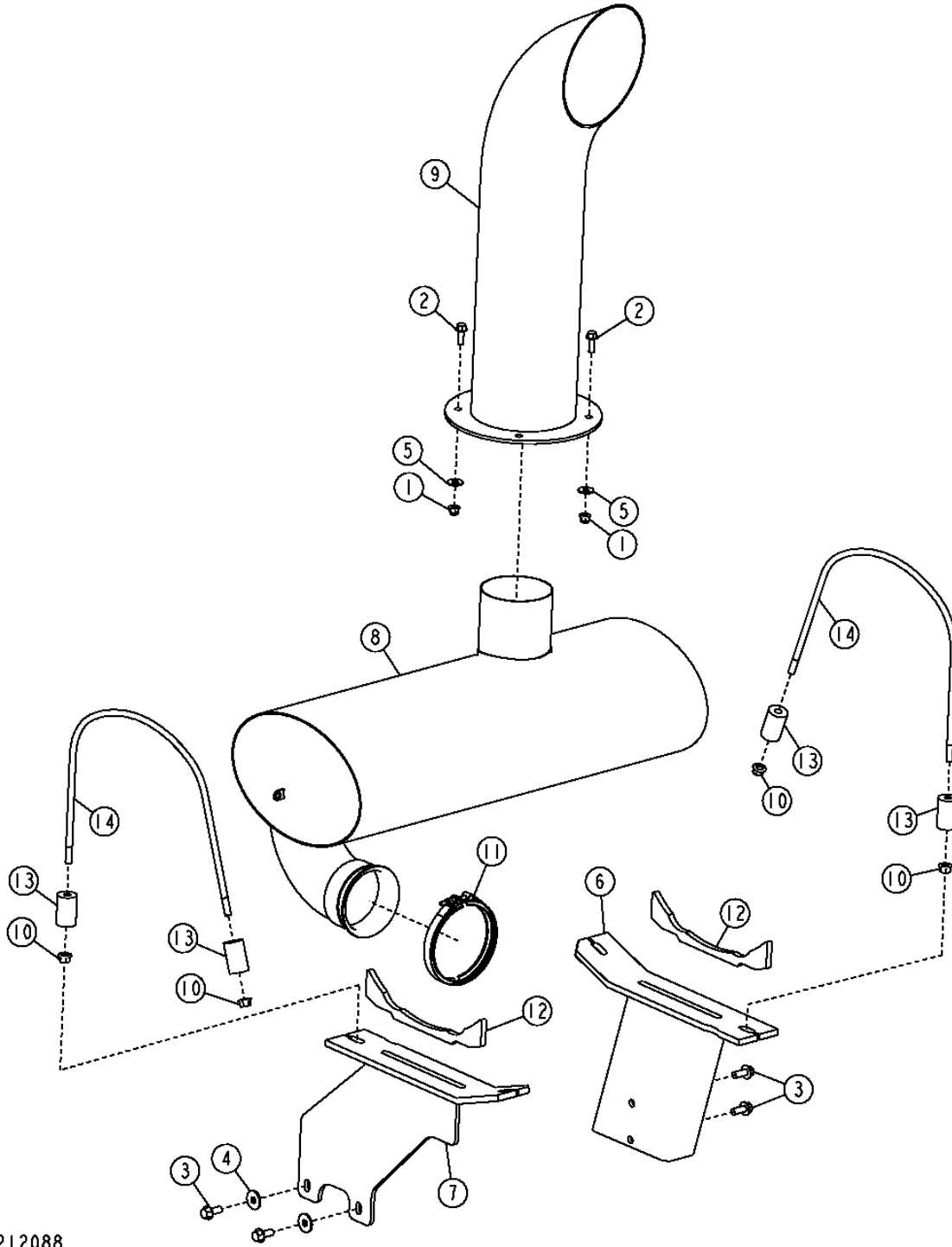
AIR CLEANER FILTRE A AIR FILTRO DE AIRE

KEY	PART NO.	PART NAME	QTY.	SERIAL NO.	REMARKS
1	14M7400	LOCK NUT	4		M10
2	T219672	ELBOW FITTING	1		1/8", (SUB FOR 15H95)
3	19M7807	SCREW	4		M10 X 60
4	24M7296	WASHER	4		10.500 X 30 X 2.500 MM
5	AT226659	CLAMP	1		
6	AT311065	AIR CLEANER	1		
7	AT311066	AIR FILTER	1		
8	AT311067	AIR FILTER	1		
9	RE210105	COVER	1		
10	T208633	HAND OPERATED VALVE	1		
11	AT310840	CLAMP	2		
12	AT311461	HOSE	1		
13	AT53440	CLAMP	1		
14	R44302	TIE BAND	1		
15	RE68255	SENSOR	1		

0530-2

MUFFLER AND EXHAUST PIPE SILENCIEUX ET TUYAU D'ÉCHAPPEMENT SILENCIADOR Y TUBO DE ESCAPE

T212088 -UN-29JUN05



T212088

THIS PARTS LISTING IS CONTINUED

0530-3

ENGINE AUXILIARY SYSTEM 5
EXTERNAL EXHAUST SYSTEMS 0530

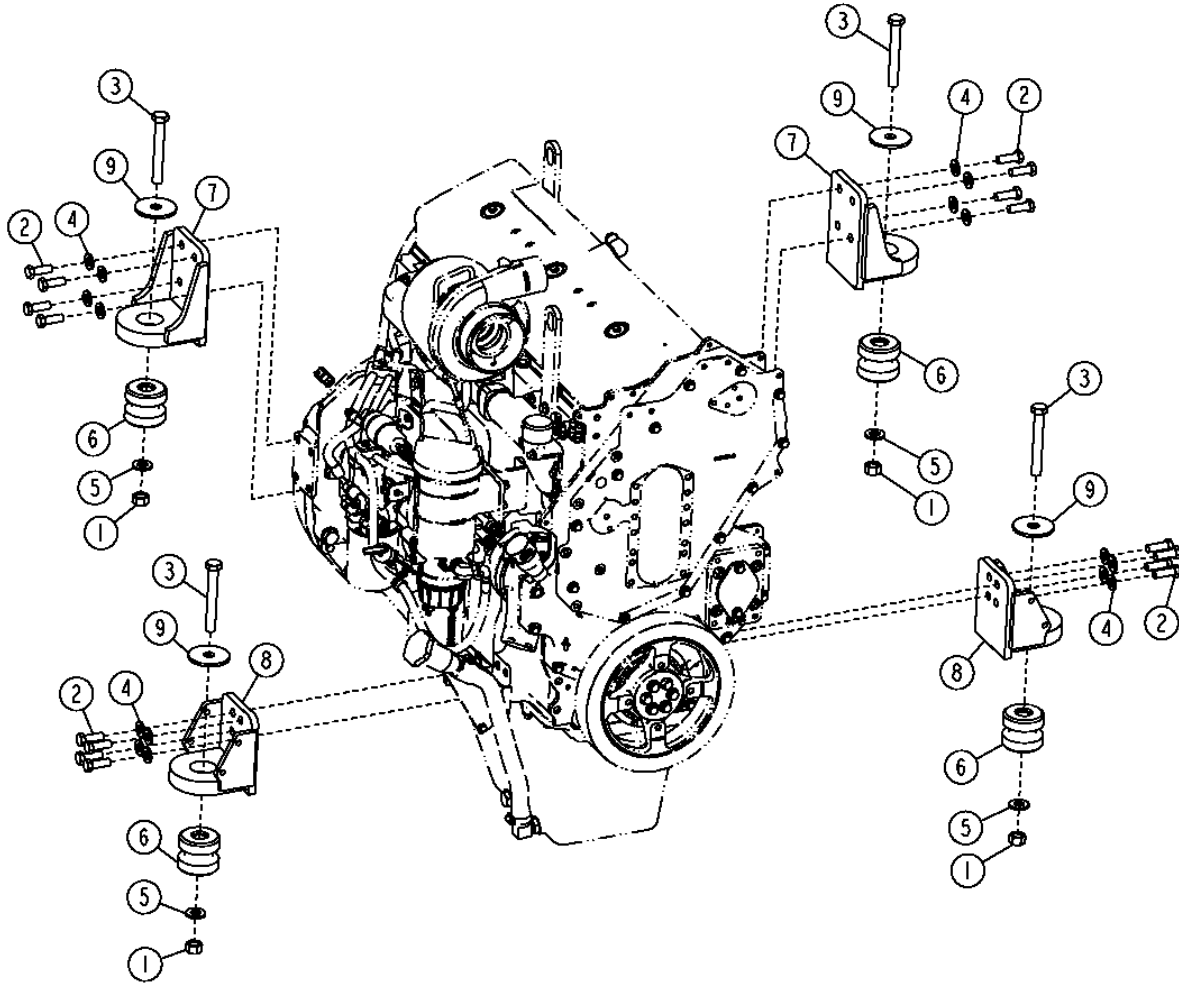
MUFFLER AND EXHAUST PIPE
SILENCIEUX ET TUYAU D'ÉCHAPPEMENT
SILENCIADOR Y TUBO DE ESCAPE

KEY	PART NO.	PART NAME	QTY.	SERIAL NO.	REMARKS
1	14M7400	LOCK NUT	4		M10
2	19M7786	SCREW	4		M10 X 30
3	19M7789	SCREW	4		M12 X 30
4	24M7180	WASHER	2		13 X 37 X 3 MM
5	24M7296	WASHER	4		10.500 X 30 X 2.500 MM
6	AT220899	BRACKET	1		
7	AT223719	BRACKET	1		
8	AT308837	MUFFLER	1		
9	AT308838	EXHAUST PIPE	1		(BLACK)
	AT311001	EXHAUST PIPE	1		(CHROME)
10	E80242	LOCK NUT	4		M12
11	RE25566	CLAMP	1		
12	T177340	CRADLE	2		
13	T216740	SPACER	4		
14	T217126	U-BOLT	2		

0540-2

ENGINE MOUNTING BRACKETS MONTURES DU MOTEUR MONTAJES DEL MOTOR

T211936 -UN-24JUN05



T211936

THIS PARTS LISTING IS CONTINUED

0540-3

ENGINE AUXILIARY SYSTEM 5

MOUNTING FRAME 0540

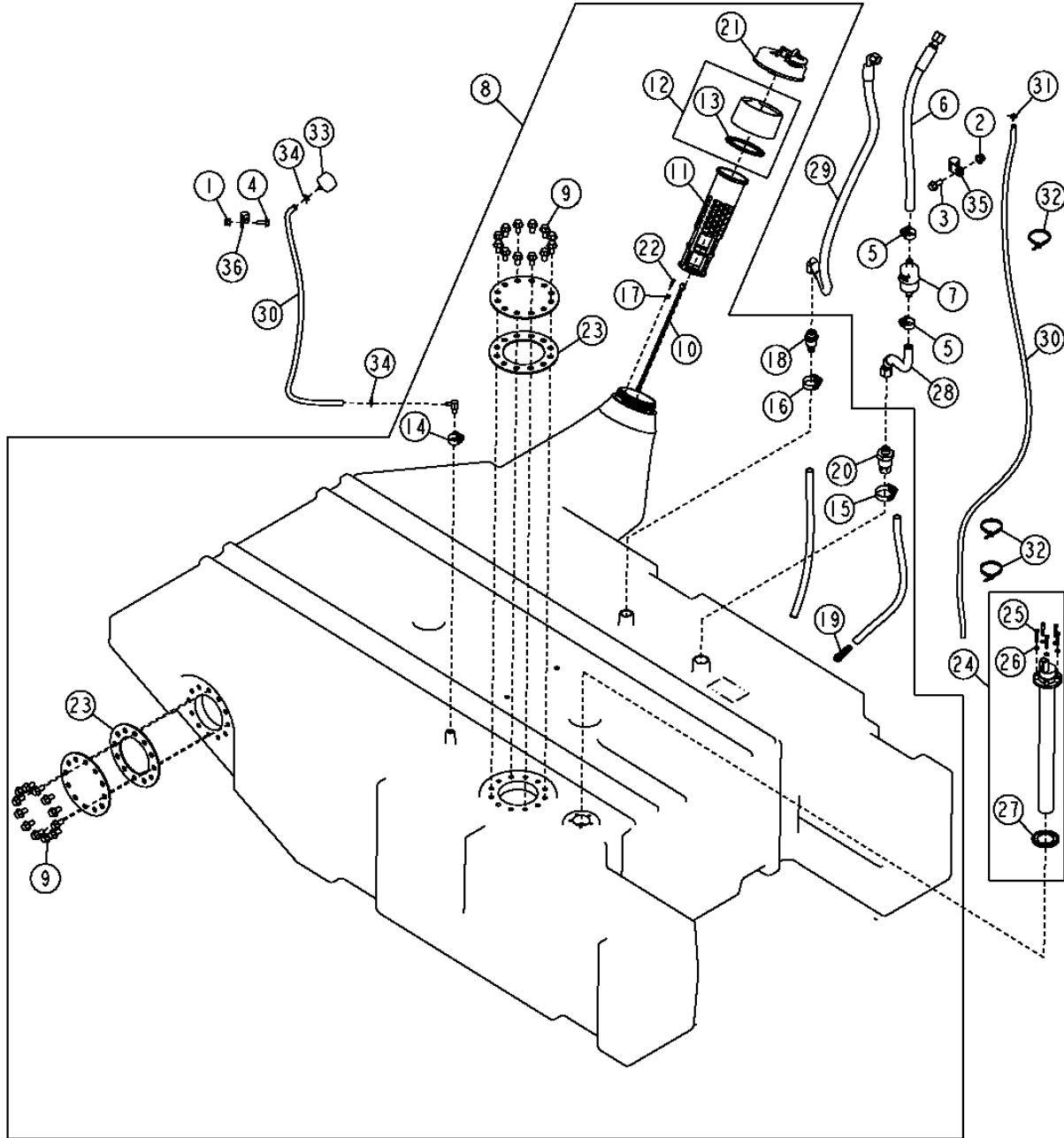
ENGINE MOUNTING BRACKETS MONTURES DU MOTEUR MONTAJES DEL MOTOR

KEY	PART NO.	PART NAME	QTY.	SERIAL NO.	REMARKS
1	14M7277	NUT	4		M20
2	19M7489	CAP SCREW	16		M16 X 45
3	19M7921	CAP SCREW	4		M20 X 150
4	24M7241	WASHER	16		17 X 34 X 4 MM
5	24M7242	WASHER	4		21.400 X 42 X 5 MM
6	AT223527	ISOLATOR	4		
7	AT309270	SUPPORT	2		
8	AT310519	SUPPORT	2		
9	T42977	WASHER	4		23.012 X 88.900 X 6 MM

0560-2

FUEL TANK AND FUEL TANK HOSES FLEXIBLES DE RESERVOIR DE CARBURANT MANGUERAS DEL TANQUE DE COMBUSTIBLE

T212234 -UN-01JUL05



T212234

0560-3

ENGINE AUXILIARY SYSTEM 5

EXTERNAL FUEL SUPPLY SYSTEMS 0560

**FUEL TANK AND FUEL TANK HOSES
FLEXIBLES DE RESERVOIR DE CARBURANT
MANGUERAS DEL TANQUE DE COMBUSTIBLE**

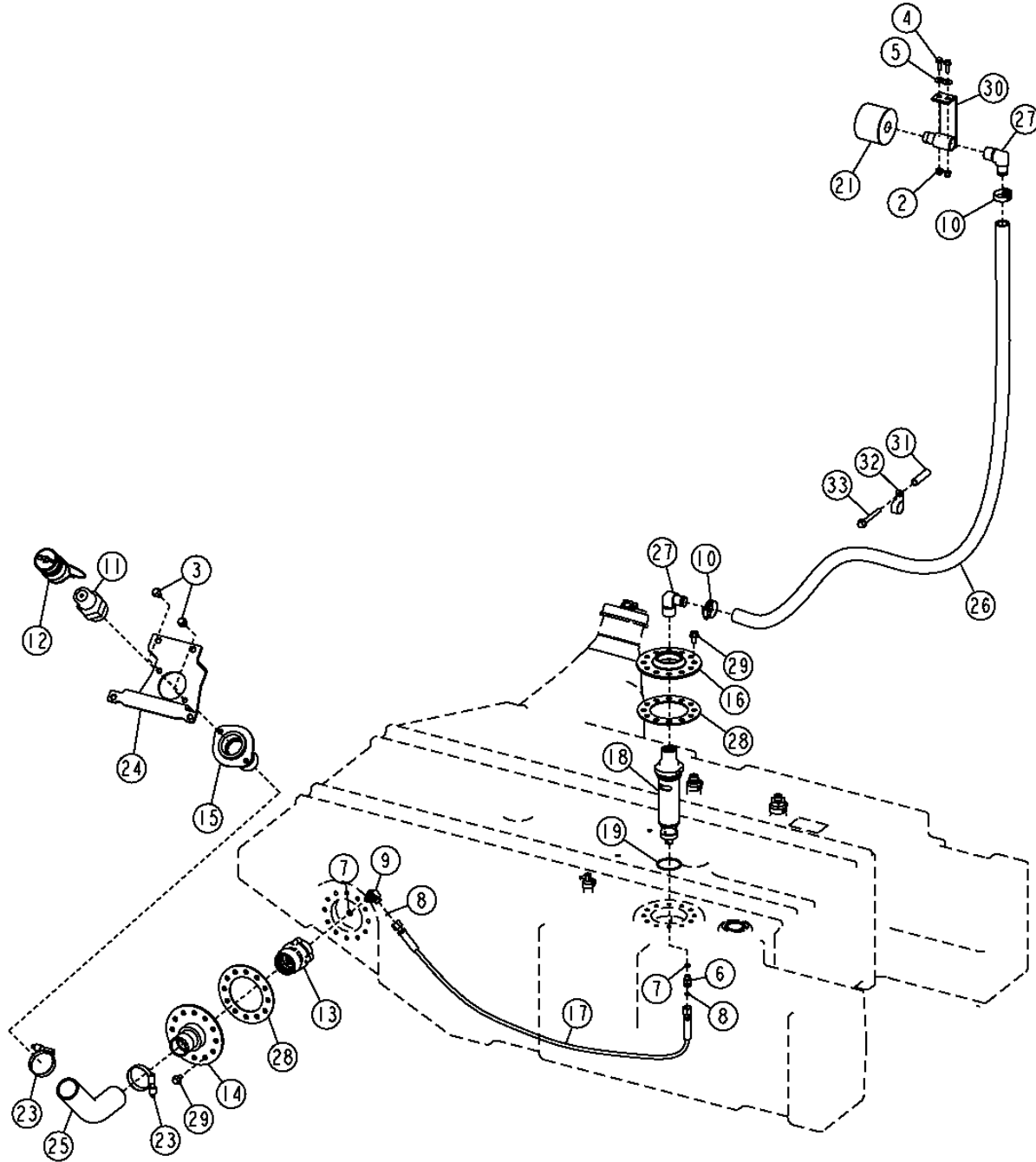
KEY	PART NO.	PART NAME	QTY.	SERIAL NO.	REMARKS
1	14M7396	LOCK NUT	1		M8
2	14M7400	LOCK NUT	1		M10
3	19M7785	SCREW	1		M10 X 25
4	19M7866	SCREW	1		M8 X 20
5	AR21837	CLAMP	2	-XXXXXX	
	R184863	HOSE CLAMP	2	XXXXXX-	
6	AT222934	HYDRAULIC HOSE - FABRICATE	1		
7	AT223493	FUEL FILTER	1		
8	AT308929	FUEL TANK	1		
9	19M7784	SCREW	24		M10 X 20
10	AH159448	LINK CHAIN	1		
11	AH162914	STRAINER	1		
12	AH165079	ADAPTER FITTING	1		
13	H172014	GASKET	1		
14	AR21837	CLAMP	1		
15	AR21839	CLAMP	1		
16	AR54815	CLAMP	1		
17	H174831	ANCHOR	1		
18	R193666	FITTING	1		
19	R194311	COMPRESSION SPRING	1		
20	RE194040	FITTING	1		
21	RE234193	FILLER CAP	1		
22	T164203	SCREW	1		
23	T212430	GASKET	2		
24	AT310957	FUEL SENDER	1		
25	19M7317	SCREW	5		M5 X 30
26	24M7027	WASHER	5		5.300 X 10 X 1 MM
27	T196733	GASKET	1		
28	AT311016	HYDRAULIC HOSE - FABRICATE	1		13/16" X 356 MM X ...
29	AT311019	HYDRAULIC HOSE - FABRICATE	1		11/16" X 1 000 MM X 13/16"
30	T79477	HOSE	1		(CUT TO LENGTH, 13 FEET)
31	PT9412	HOSE CLAMP	1	XXXXXX-	
32	R44302	TIE BAND	4		
33	RE52504	BREATHER	1		
34	T13254	CLAMP	2		
35	T70659	CLAMP	1		
36	T75276	CLAMP	1		

0560-4

FUEL TANK FILLING ASSEMBLY REPLISSAGE DU RESERVOIR DE CARBURANT CONJUNTO DE LLENADO DEL TANQUE DE COMBUSTIBLE

TX1002345

-UN-24FEB06



TX1002345

0560-5

ENGINE AUXILIARY SYSTEM 5

EXTERNAL FUEL SUPPLY SYSTEMS 0560

**FUEL TANK FILLING ASSEMBLY
REPLISSAGE DU RESERVOIR DE CARBURANT
CONJUNTO DE LLENADO DEL TANQUE DE COMBUSTIBLE**

KEY	PART NO.	PART NAME	QTY.	SERIAL NO.	REMARKS
2	14M7396	LOCK NUT	2		M8
3	19M7784	SCREW	2		M10 X 20
4	19M7867	SCREW	2		M8 X 25
5	24M7298	WASHER	2		8.400 X 25 X 2 MM
6	38H1170	ADAPTER FITTING	1		
7	R26286	O-RING	2		
8	T77613	O-RING	2		
9	38H1430	ELBOW FITTING	1		
10	AR21839	CLAMP	1		
11	AT311554	VALVE	1		
12	AT311176	CAP	1		
13	AT316520	VALVE	1		
14	AT317907	PLATE	1		
15	AT317961	PLATE	1		
16	AT318277	PLATE	1		
17	AT318483	HOSE	1		
18	AT329414	VALVE	1		(SUB FOR AT319044)
19	R43750	O-RING	1		
21	T225008	BREATHER	1		(SUB FOR T218798)
23	RE67208	CLAMP	2		
24	T213422	PLATE	1		
25	T222754	HOSE	1		(SUB FOR T213558)
26	T214523	BULK HOSE	1		
27	T214877	HOSE FITTING	1		
28	T212430	GASKET	2		
29	19M7784	SCREW	24		M10 X 20
30	AT325267	BRACKET	1		
31	28H3399	SPACER	1		
32	T162675	CLAMP	1		
33	19M7811	SCREW	1		M10 X 90
..	AT324797	FIELD INSTALLATION KIT	1		(A) FUEL TANK FILLING ASSEMBLY, (WHOLE GOODS)

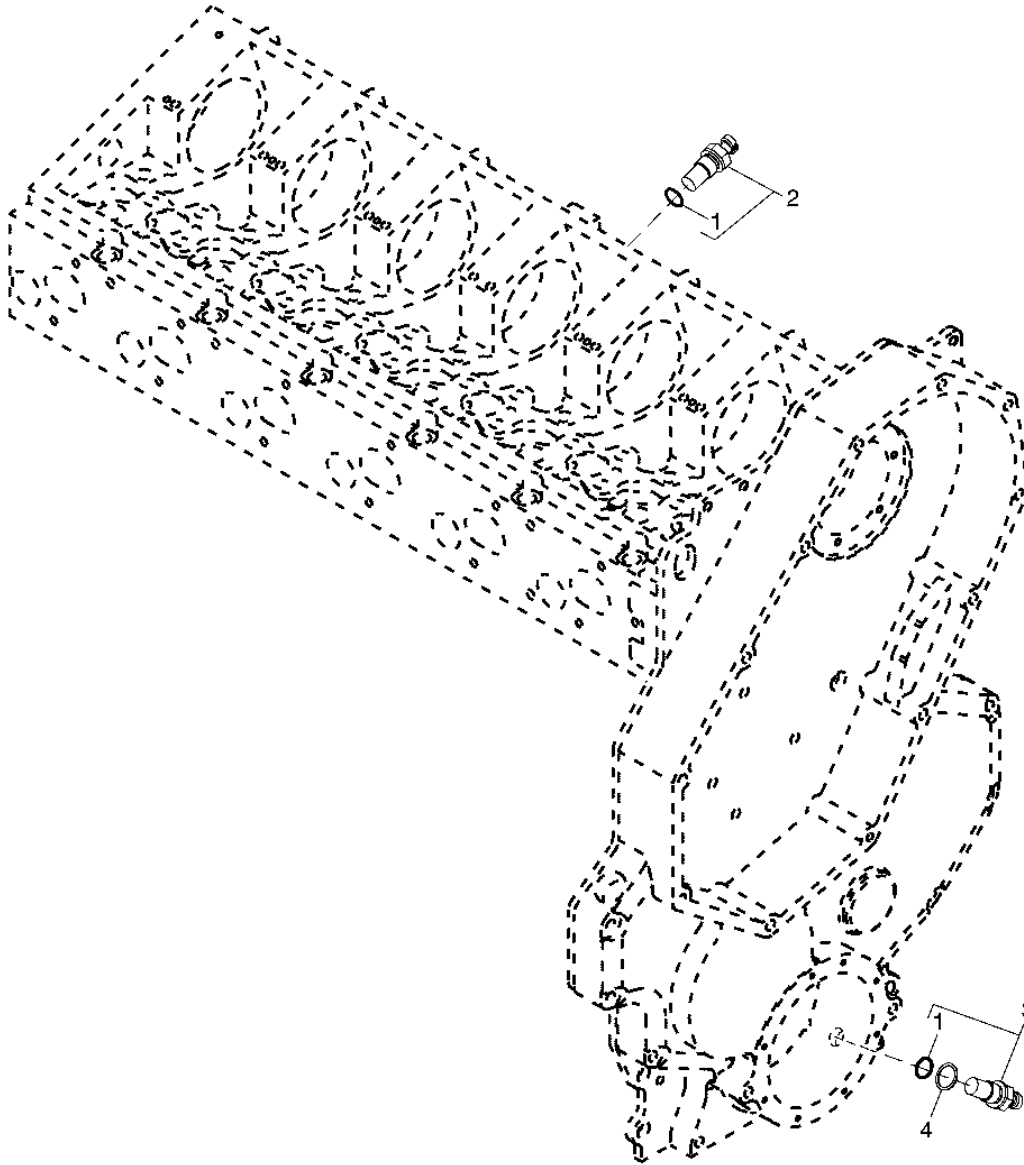
(A) INCLUDES ALL PARTS ON THIS PAGE
(A) COMPREND TOUTES PIECES SUR CETTE PAGE
(A) INCLUYE TODAS LAS PARTES EN ESTA PAG.

0578-2

MAGNETIC PICK-UPS
OUTIL AIMANTE A MANCHE
CAPTADOR MAGNETICO

RGP11435

-UN-08SEP05



RGP11435

0578-3

ENGINE AUXILIARY SYSTEM 5

SENSORS 0578

**MAGNETIC PICK-UPS
OUTIL AIMANTE A MANCHE
CAPTADOR MAGNETICO**

KEY	PART NO.	PART NAME	QTY.	ENGINE SERIAL NO.	REMARKS
1	51M7044	O-RING	1		17.300 X 2.200 MM
2	RE519144	SENSOR	1		(A)
3	RE519144	SENSOR	1		(B)
4	R60756	WASHER	1		(B)

(A) CAMSHAFT
(A) ARBRE A CAMES
(A) ARBOL DE LEVAS

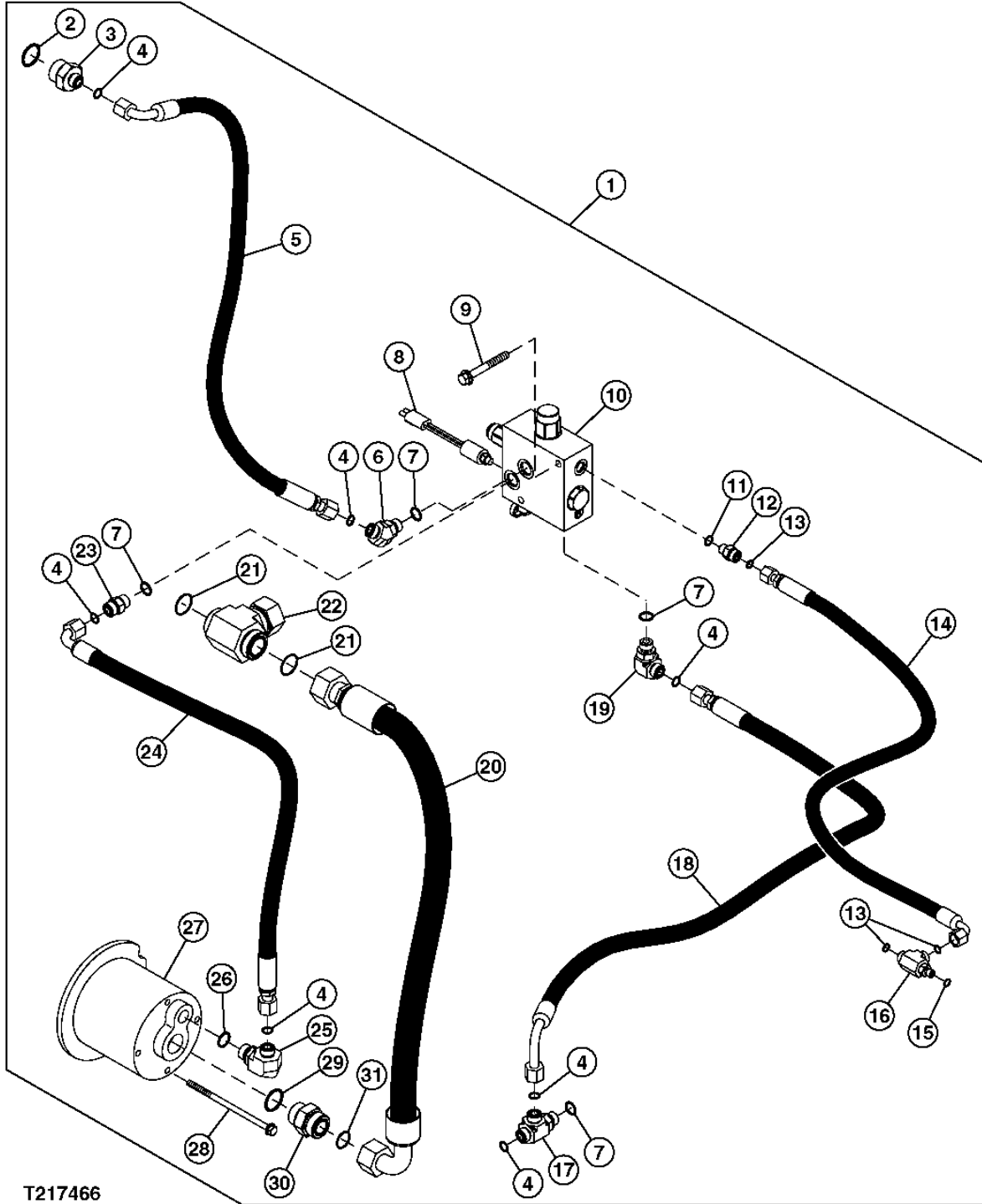
(B) CRANKSHAFT
(B) VILEBREQUIN
(B) CIGUENAL

0930-2

SECONDARY STEERING (S.N. -602348)
DIRECTION AUXILIAIRE
DIRECCION AUXILIAR

T217466

-UN-22DEC05



T217466

0930-3

STEERING SYSTEM 9

SECONDARY STEERING 0930

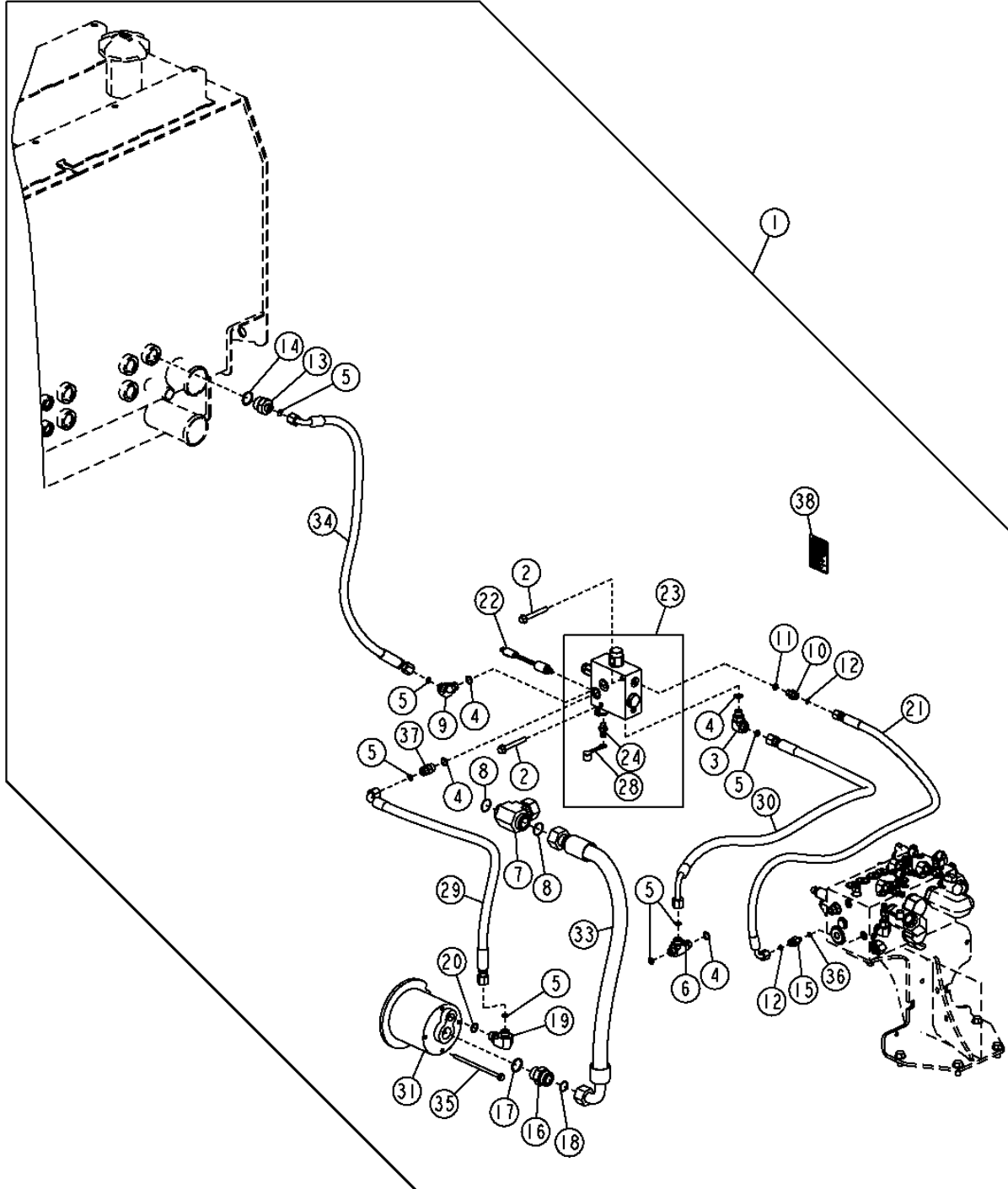
SECONDARY STEERING (S.N. -602348)
DIRECTION AUXILIAIRE
DIRECCION AUXILIAR

KEY	PART NO.	PART NAME	QTY.	SERIAL NO.	REMARKS
1	AT309280	FIELD INSTALLATION KIT	1		(WHOLEGOODS) (SECONDARY STEERING)
2	R29936	O-RING	1		
3	38H1176	ADAPTER FITTING	1		
4	T77857	O-RING	7		
5	AT325212	HYDRAULIC HOSE - FABRICATE	1		
6	38H1046	ELBOW FITTING	1		
7	R26375	O-RING	4		
8	AT223538	PRESSURE SWITCH	1		
9	19M7810	SCREW	2		
10	AT309294	MANIFOLD	1		
11	R26448	O-RING	1		
12	38H1160	ADAPTER FITTING	1		
13	T77613	O-RING	2		
14	AT324773	HYDRAULIC HOSE - FABRICATE	1		
15	R28782	O-RING	1		
16	38H1434	TEE FITTING	1		
17	38H1024	TEE FITTING	1		
18	AT312300	HYDRAULIC HOSE - FABRICATE	1		
19	38H1005	ELBOW FITTING	1		
20	AT324989	HYDRAULIC HOSE - FABRICATE	1		
21	T78612	O-RING	2		
22	38H1043	TEE FITTING	1		
23	38H1161	ADAPTER FITTING	1		
24	AT312077	HYDRAULIC HOSE - FABRICATE	1		
25	38H5027	ELBOW FITTING	1		
26	51M7045	O-RING	1		
27	AT321941	STEERING METERING PUMP	1		
28	T209846	BOLT	4		
29	51M7048	O-RING	1		
30	38H5006	ADAPTER FITTING	1		
31	T76938	O-RING	1		

0930-4

SECONDARY STEERING (S.N. 602349-)
DIRECTION AUXILIAIRE
DIRECCION AUXILIAR

TX1008328 -UN-08JUN06



TX1008328

0930-5

STEERING SYSTEM 9

SECONDARY STEERING 0930

**SECONDARY STEERING (S.N. 602349-)
DIRECTION AUXILIAIRE
DIRECCION AUXILIAR**

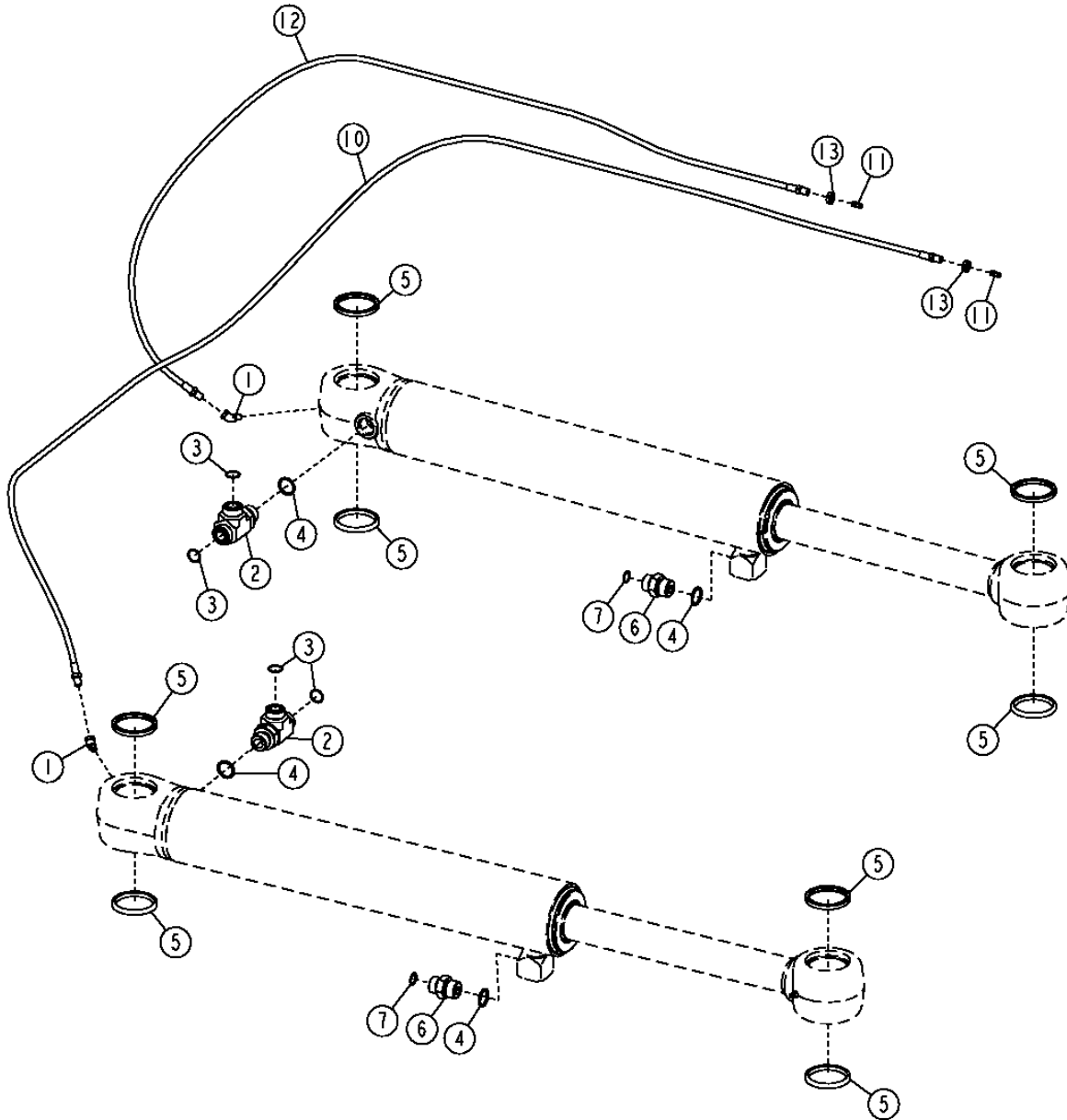
KEY	PART NO.	PART NAME	QTY.	SERIAL NO.	REMARKS
1	AT309280	FIELD INSTALLATION KIT	1		(WHOLEGOODS) (SECONDARY STEERING)
2	19M7810	SCREW	2		
3	38H1005	ELBOW FITTING	1		
4	R26375	O-RING	4		
5	T77857	O-RING	7		
6	38H1024	TEE FITTING	1		
7	38H1043	TEE FITTING	4		
8	T78612	O-RING	2		
9	38H1046	ELBOW FITTING	2		
10	38H1160	ADAPTER FITTING	1		
11	R26448	O-RING	1		
12	T77613	O-RING	1		
13	38H1176	ADAPTER FITTING	2		
14	R29936	O-RING	1		
15	38H1309	ADAPTER FITTING	1		
16	38H5006	ADAPTER FITTING	1		
17	51M7048	O-RING	1		
18	T76938	O-RING	1		
19	38H5027	ELBOW FITTING	1		
20	51M7045	O-RING	1		
21	AT222163	HYDRAULIC HOSE - FABRICATE	1		
22	AT223538	PRESSURE SWITCH	1		
23	AT309294	MANIFOLD	1		
24	AH125760	HYD. QUICK-CONNECT COUPLER	1		
28	R77175	COVER	1		
29	AT312077	HYDRAULIC HOSE - FABRICATE	1		
30	AT312300	HYDRAULIC HOSE - FABRICATE	1		
31	AT321941	STEERING METERING PUMP	1		
32	R500318	O-RING	1		
33	AT324989	HYDRAULIC HOSE - FABRICATE	1		
34	AT325212	HYDRAULIC HOSE - FABRICATE	1		
35	T209846	BOLT	4		
36	R28782	O-RING	1		
37	38H1161	ADAPTER FITTING	1		
38	T146443	SAFETY SIGN	1		

0960-2

STEERING SYSTEM 9
HYDRAULIC SYSTEM 0960

STEERING CYLINDER COMPONENTS (S.N. -612719)
COMPOSANTS DE VERIN DE DIRECTION (S.N. -612719)
COMPONENTES DEL CILINDRO DE LA DIRECCION (S.N. -612719)

T212530 -UN-12JUL05



T212530

THIS PARTS LISTING IS CONTINUED

0960-3

STEERING SYSTEM 9
HYDRAULIC SYSTEM 0960

STEERING CYLINDER COMPONENTS (S.N. -612719)
COMPOSANTS DE VERIN DE DIRECTION (S.N. -612719)
COMPONENTES DEL CILINDRO DE LA DIRECCION (S.N. -612719)

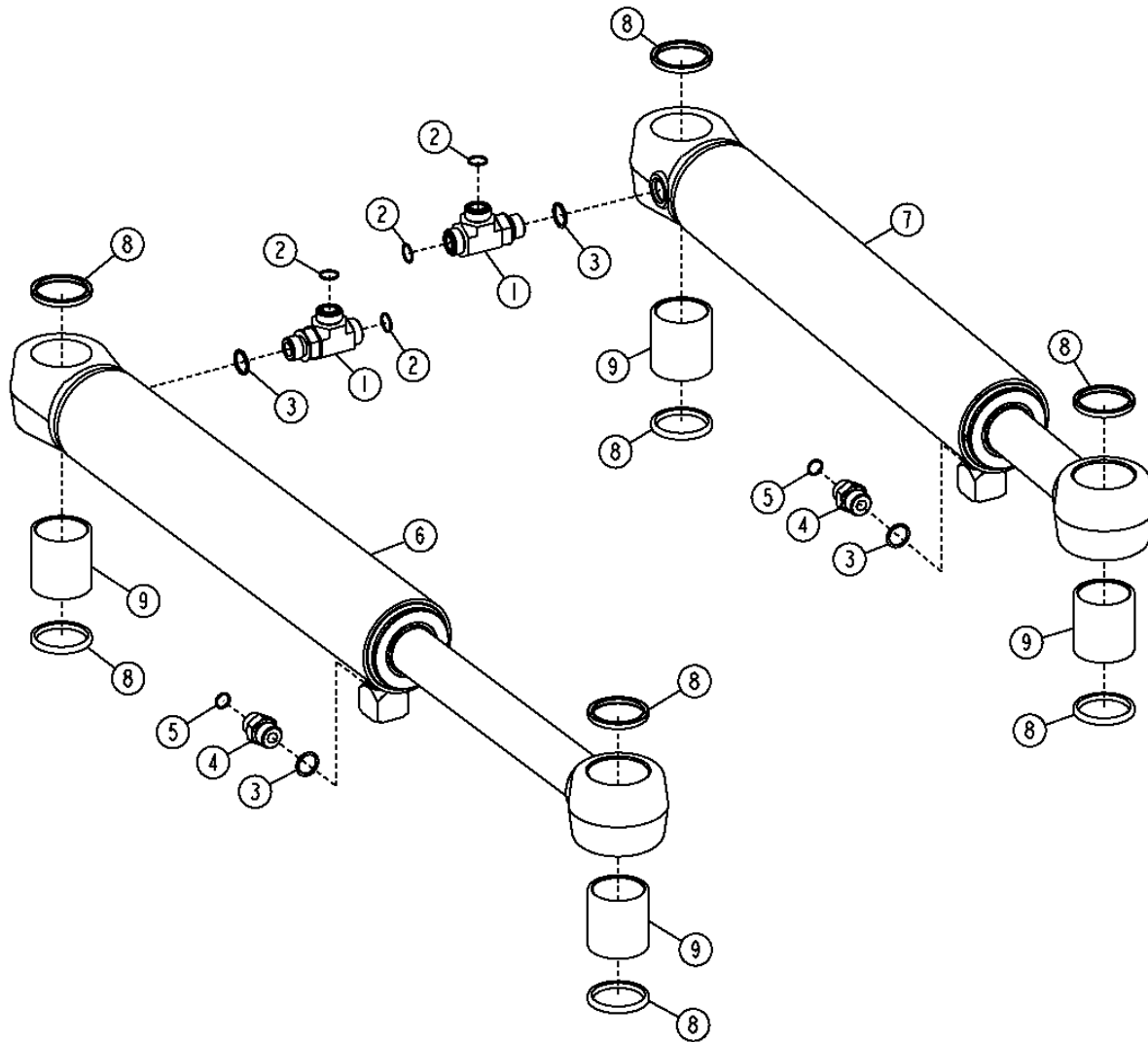
KEY	PART NO.	PART NAME	QTY.	SERIAL NO.	REMARKS
1	M45937	ELBOW FITTING	2		
2	38H1026	TEE FITTING	2		
3	T77858	O-RING	4		
4	U12547	O-RING	4		
5	T157275	SEAL	8		
6	38H1329	ADAPTER FITTING	2		
7	T77932	O-RING	2		
10	AT323284	HYDRAULIC HOSE	1		1/8" X 2 413 MM X 1/8", (RH)
11	JD7797	LUBRICATION FITTING	2		
12	AT323300	HYDRAULIC HOSE	1		1/8" X 1 651 MM X 1/8", (LH)
13	E12379	NUT	2		

0960-3A

STEERING SYSTEM 9
HYDRAULIC SYSTEM 0960

STEERING CYLINDER COMPONENTS (S.N. 612720-)
COMPOSANTS DE VERIN DE DIRECTION (S.N. 612720-)
COMPONENTES DEL CILINDRO DE LA DIRECCION (S.N. 612720-)

TX1019637 -UN-01MAR07



TX1019637

0960-3B

STEERING SYSTEM 9
HYDRAULIC SYSTEM 0960

STEERING CYLINDER COMPONENTS (S.N. 612720-)
COMPOSANTS DE VERIN DE DIRECTION (S.N. 612720-)
COMPONENTES DEL CILINDRO DE LA DIRECCION (S.N. 612720-)

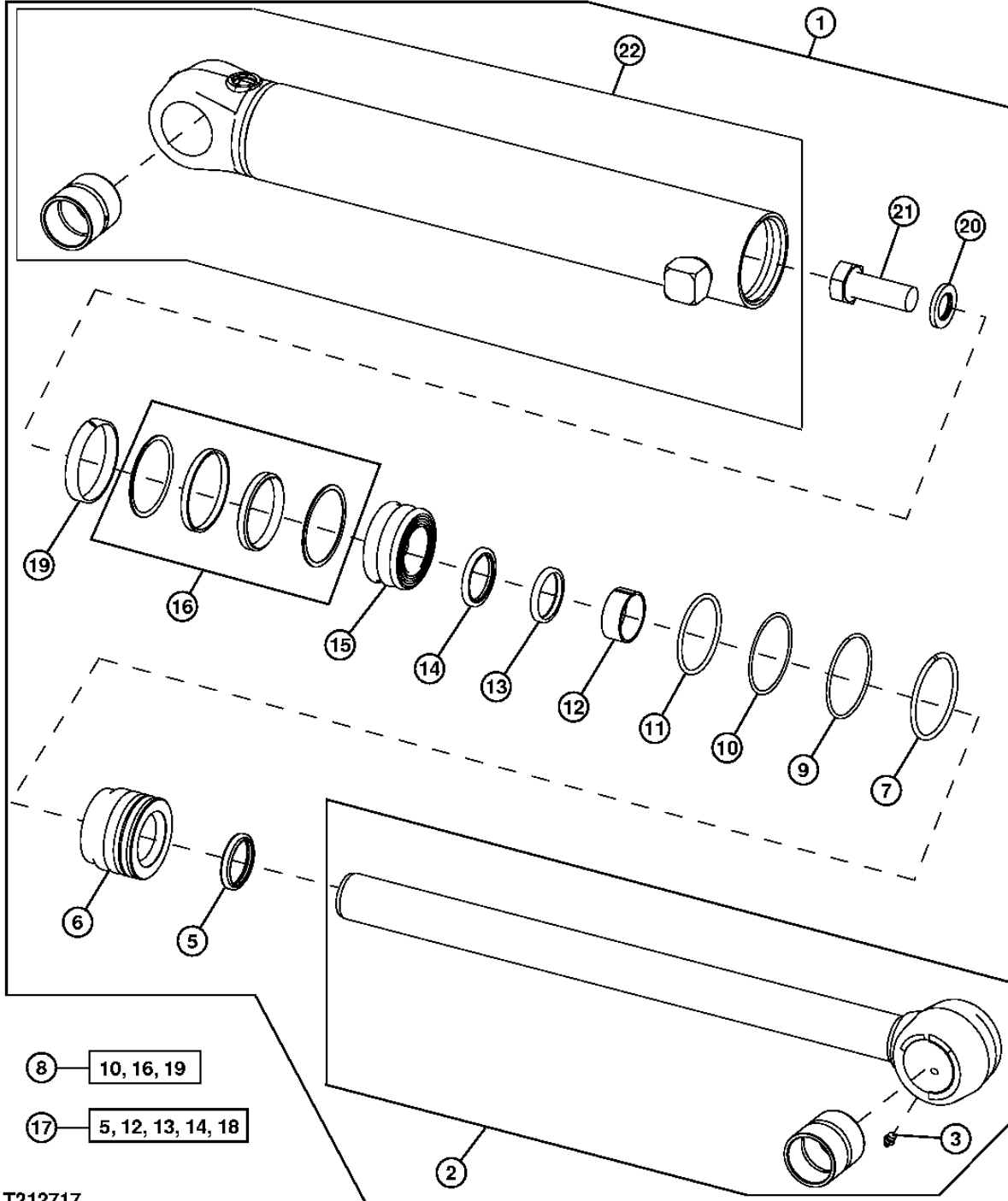
KEY	PART NO.	PART NAME	QTY.	SERIAL NO.	REMARKS
1	38H1026	TEE FITTING	2		
2	T77858	O-RING	4		
3	U12547	O-RING	2		
4	38H1329	ADAPTER FITTING	2		
5	T77932	O-RING	2		
6	AH222736	HYDRAULIC CYLINDER	1		
7	AH222737	HYDRAULIC CYLINDER	1		
8	T157275	SEAL	8		
9	T224313	BUSHING	4		

0960-4

STEERING SYSTEM 9
HYDRAULIC SYSTEM 0960

STEERING CYLINDERS (S.N. -612719)
VERIN DE DIRECTION (S.N. -612719)
CILINDRO DE LA DIRECCION (S.N. -612719)

T212717 -UN-31AUG05



T212717

0960-5

STEERING SYSTEM 9
HYDRAULIC SYSTEM 0960

STEERING CYLINDERS (S.N. -612719)
VERIN DE DIRECTION (S.N. -612719)
CILINDRO DE LA DIRECCION (S.N. -612719)

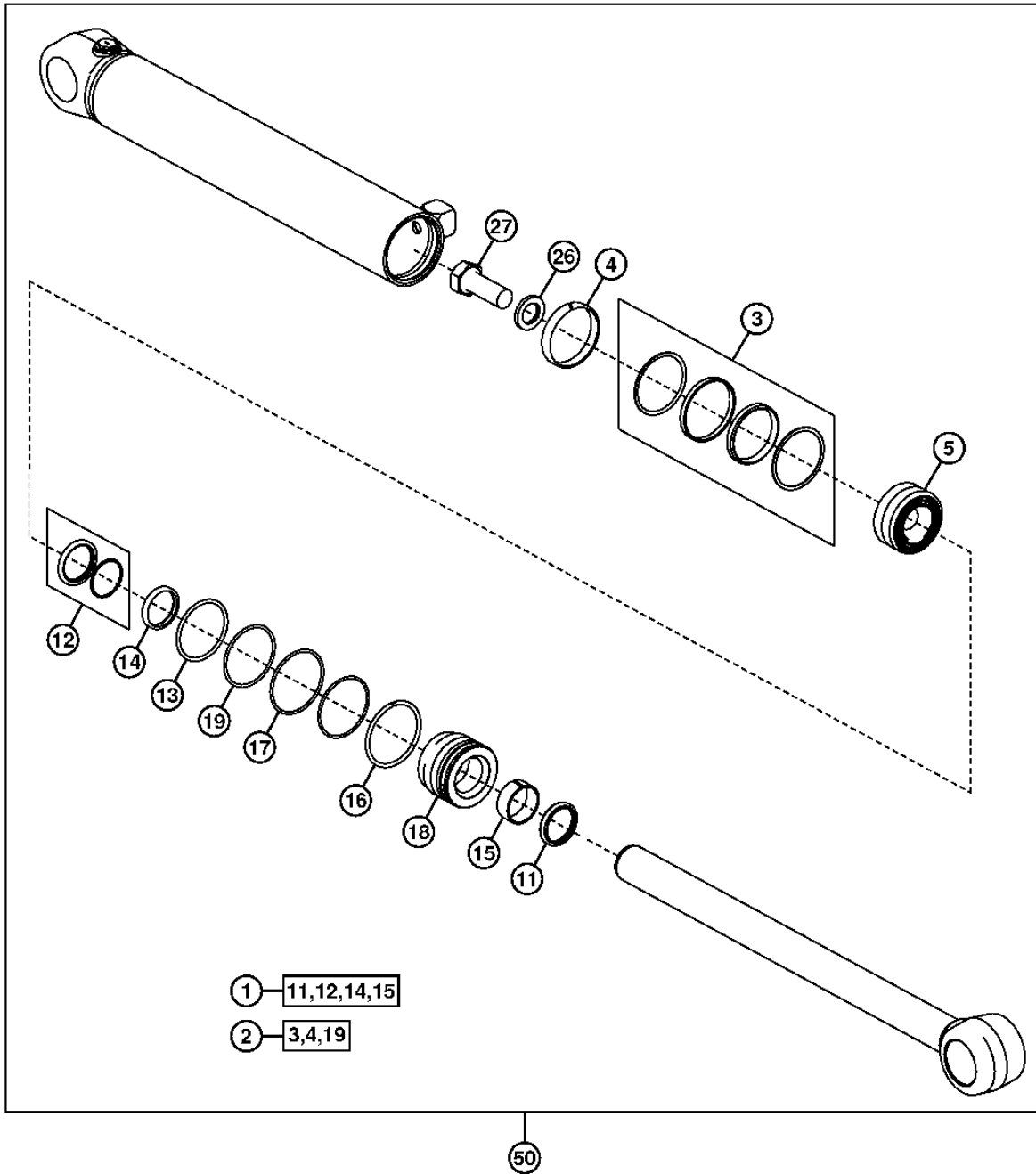
KEY	PART NO.	PART NAME	QTY.	SERIAL NO.	REMARKS
1	AH218087	HYDRAULIC CYLINDER	1		(LH)
	AH218085	HYDRAULIC CYLINDER	1		(RH)
2	AH213661	ROD	1		
	JD7798	LUBRICATION FITTING	1		
3	JD7798	LUBRICATION FITTING	1		
5	AH146558	SEAL	1		
6	H210826	HYDR. CYLINDER ROD GUIDE	1		
7	H180080	SNAP RING	1		
8	AH212101	HYDRAULIC CYLINDER KIT	1		
	E49244	O-RING	1		
	H152065	BACK-UP RING	1		
	R83577	O-RING	1		
	R91731	RING	1		
	U42703	O-RING	1		
	U43360	O-RING	1		
9	H180094	SNAP RING	1		
10	R81862	BACK-UP RING	1		
11	F950R	O-RING	1		
12	H152795	WEAR RING	1		
13	H152204	SEAL	1		
14	AH146562	SEAL	1		
15	R93028	PISTON	1		
16	RE20343	SEAL	2		
17	AH149814	HYDRAULIC CYLINDER KIT	1		
18	H155630	SEAL	1		
19	R81775	WEAR RING	1		
20	H145175	WASHER	1		
21	19M8353	CAP SCREW	1		M30 X 80
22	AH218092	HYDRAULIC CYLINDER BARREL	1		(LH)
	AH218091	HYDRAULIC CYLINDER BARREL	1		(RH)

0960-5A

STEERING SYSTEM 9
HYDRAULIC SYSTEM 0960

STEERING CYLINDERS (S.N. 612720-)
VERIN DE DIRECTION (S.N. 612720-)
CILINDRO DE LA DIRECCION (S.N. 612720-)

TX1019635 -UN-03MAR07



TX1019635

0960-5B

STEERING SYSTEM 9
HYDRAULIC SYSTEM 0960

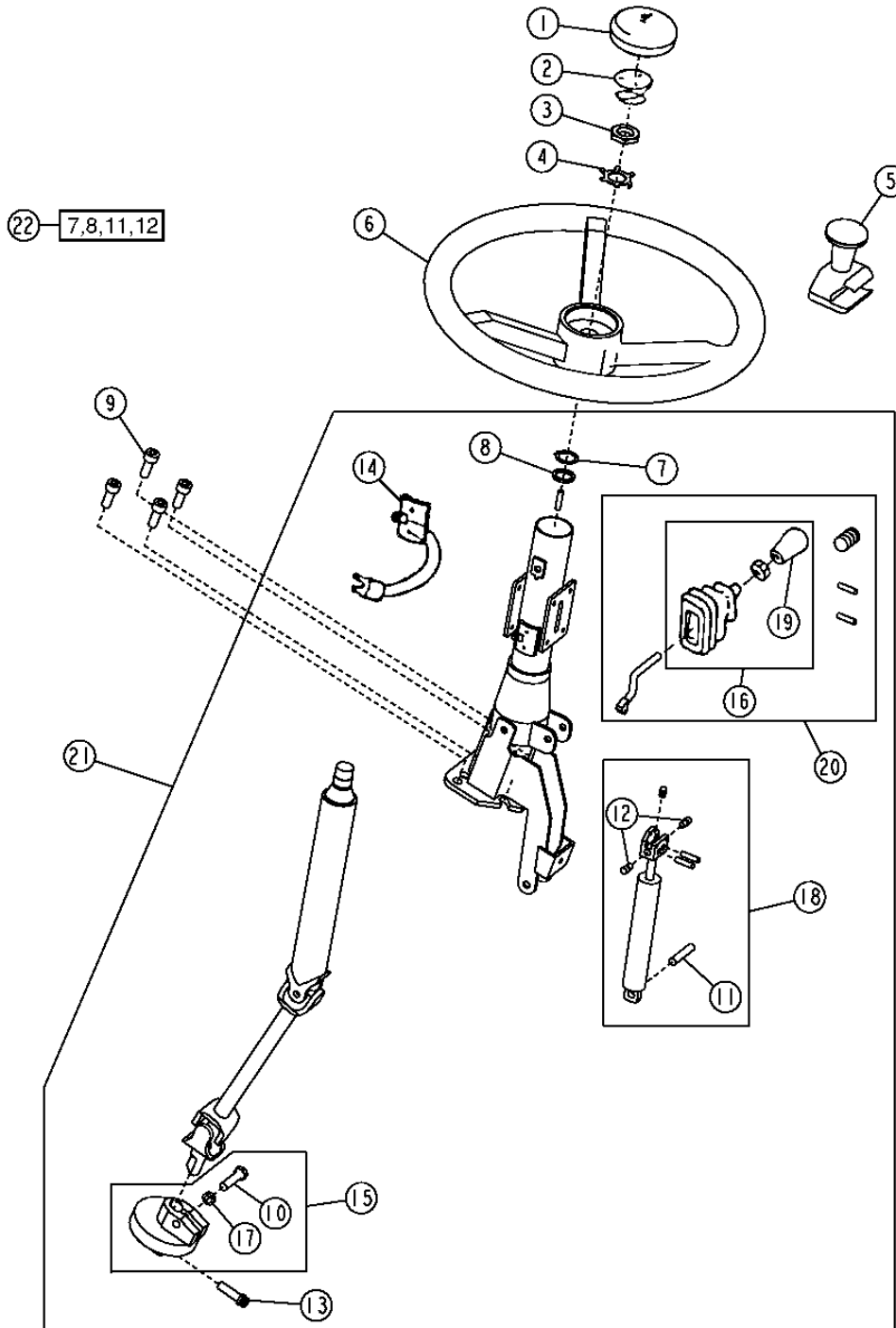
STEERING CYLINDERS (S.N. 612720-)
VERIN DE DIRECTION (S.N. 612720-)
CILINDRO DE LA DIRECCION (S.N. 612720-)

KEY	PART NO.	PART NAME	QTY.	SERIAL NO.	REMARKS
1	AH149814	HYDRAULIC CYLINDER KIT	1		
2	AH212101	HYDRAULIC CYLINDER KIT	1		
3	RE20343	SEAL	1		
4	R81775	WEAR RING	1		
5	R93028	PISTON	1		
11	AH146558	SEAL	1		
12	AH146562	SEAL	1		
13	F950R	O-RING	1		
14	H152204	SEAL	1		
15	H152795	WEAR RING	1		
16	H180080	SNAP RING	1		
17	H180094	SNAP RING	1		
18	H210826	HYDR. CYLINDER ROD GUIDE	1		
19	H81862	LINK	1		
26	H145175	WASHER	1		
27	19M8353	CAP SCREW	1		
50	AH222736	HYDRAULIC CYLINDER	1		
	AH222737	HYDRAULIC CYLINDER	1		

0962-2

STEERING WHEEL, COLUMN AND LINKAGE VOLANT, COLONNE ET TIMONERIE DE DIRECTION VOLANTE, COLUMNA Y ARTICULACION DE LA DIRECCION

T195299 -UN-21OCT03



T195299

0962-3

STEERING SYSTEM 9

STEERING VALVE AND CONTROL 0962

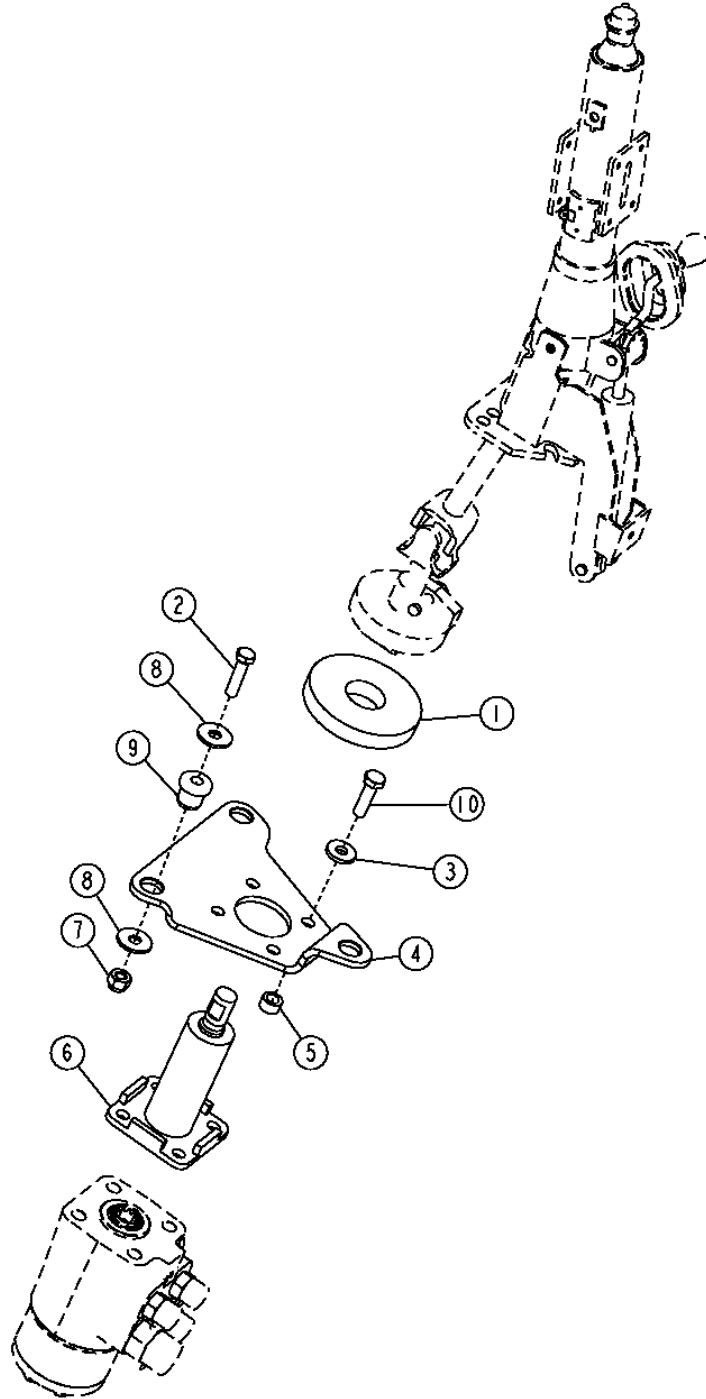
**STEERING WHEEL, COLUMN AND LINKAGE
VOLANT, COLONNE ET TIMONERIE DE DIRECTION
VOLANTE, COLUMNA Y ARTICULACION DE LA DIRECCION**

KEY	PART NO.	PART NAME	QTY.	SERIAL NO.	REMARKS
1	T154131	COVER	1		
2	AT222153	SWITCH	1		
3	T13630	NUT	1		
4	T17148	LOCK WASHER	1		
5	AT169849	KNOB	1		
6	AT139694	STEERING WHEEL	1		
7	SNAP RING	1		(ORDER RE56109)
8	SEALING WASHER	1		(ORDER RE56109)
9	19M8328	SCREW	4		M10 X 25
10	19H2544	CAP SCREW	1		
11	DOWEL PIN	1		(ORDER AT106662)
12	SCREW	2		(ORDER AT106662)
13	T39049	SCREW	1		
14	AT162719	BRUSH SET	1		
15	AT220226	KIT	1		(ISOLATOR) (MATIERE ISOLANTE) (AISLAMIENTO)
16	AT191487	KIT	1		(KNOB) (BOUTON) (EMPUNADURA)
17	WASHER	1		(ORDER AT220226)
18	AT160662	KIT	1		(CYLINDER) (CYLINDRE) (CILINDRO)
19	AT220223	KNOB	1		
20	AT220224	KIT	1		(LEVER) (LEVIER) (PALANCA)
21	AT300524	STEERING COLUMN	1		
22	RE56109	KIT	1		(STEERING COLUMN) (COLONNE DE DIRECTION) (COLUMNA DE DIRECCION)

0962-4

LOWER STEERING COLUMN COLONNE DE DIRECTION INFERIEURE COLUMNA INFERIOR DE LA DIRECCION

T212760 -UN-19JUL05



T212760

0962-5

STEERING SYSTEM 9

STEERING VALVE AND CONTROL 0962

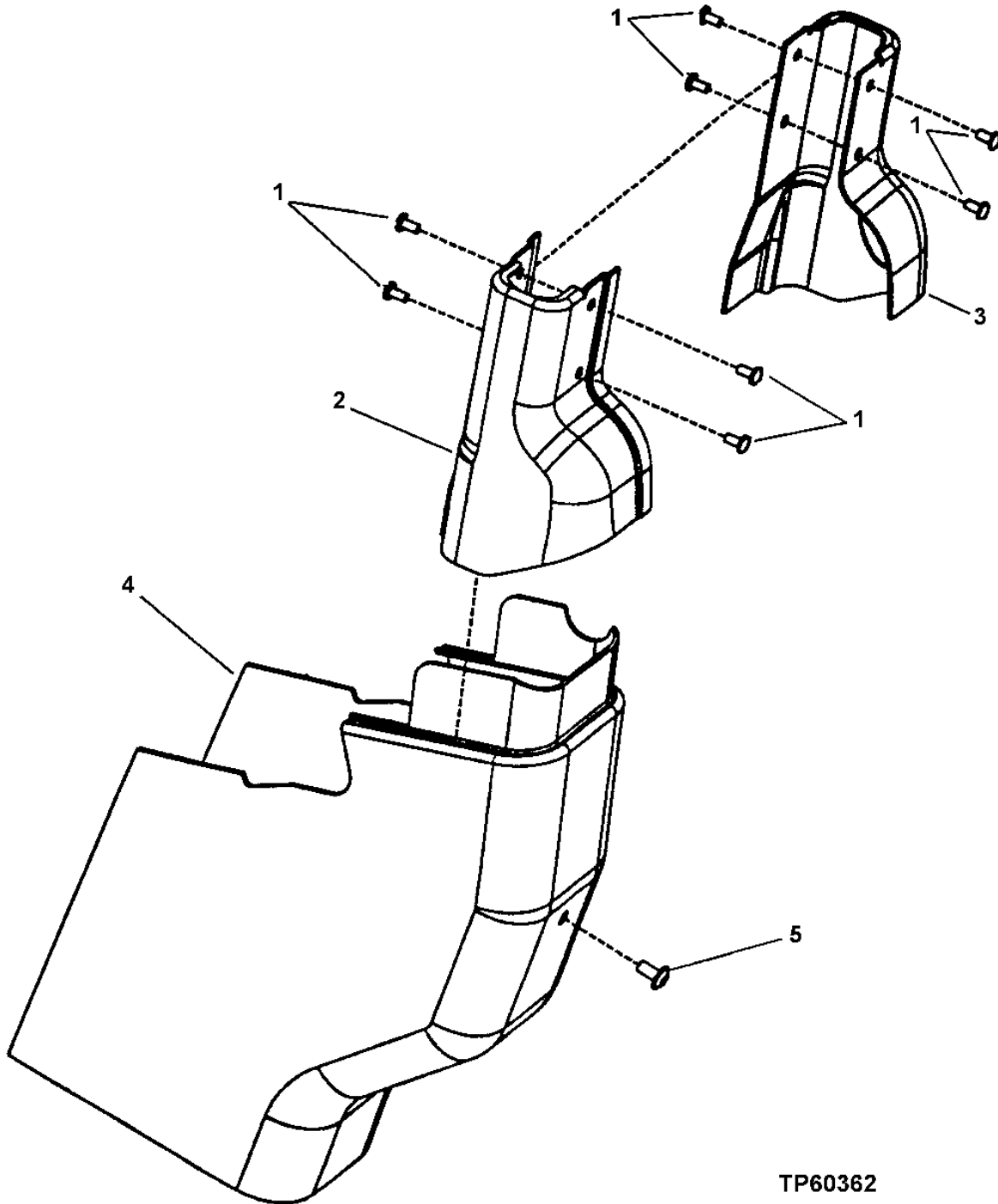
**LOWER STEERING COLUMN
COLONNE DE DIRECTION INFERIEURE
COLUMNA INFERIOR DE LA DIRECCION**

KEY	PART NO.	PART NAME	QTY.	SERIAL NO.	REMARKS
1	T131980	ISOLATOR	1		
2	19H2633	CAP SCREW	3		
3	24H1308	WASHER	4		13/32" X 1" X 0.134"
4	T168276	BRACKET	1		
5	28H860	WASHER	4		0.423" X 0.675" X 3/8"
6	AT156896	STEERING COLUMN	1		
7	14M7400	LOCK NUT	3		M10
8	24M7296	WASHER	6		10.500 X 30 X 2.500 MM
9	AT116162	ISOLATOR	3		
10	19M7550	CAP SCREW	4		

0962-6

STEERING COLUMN COVERS PROTECTIONS DE COLONNE DE DIRECTION CUBIERTAS DE LA COLUMNA DE LA DIRECCION

TP60362 -UN-27APR98



TP60362

0962-7

STEERING SYSTEM 9

STEERING VALVE AND CONTROL 0962

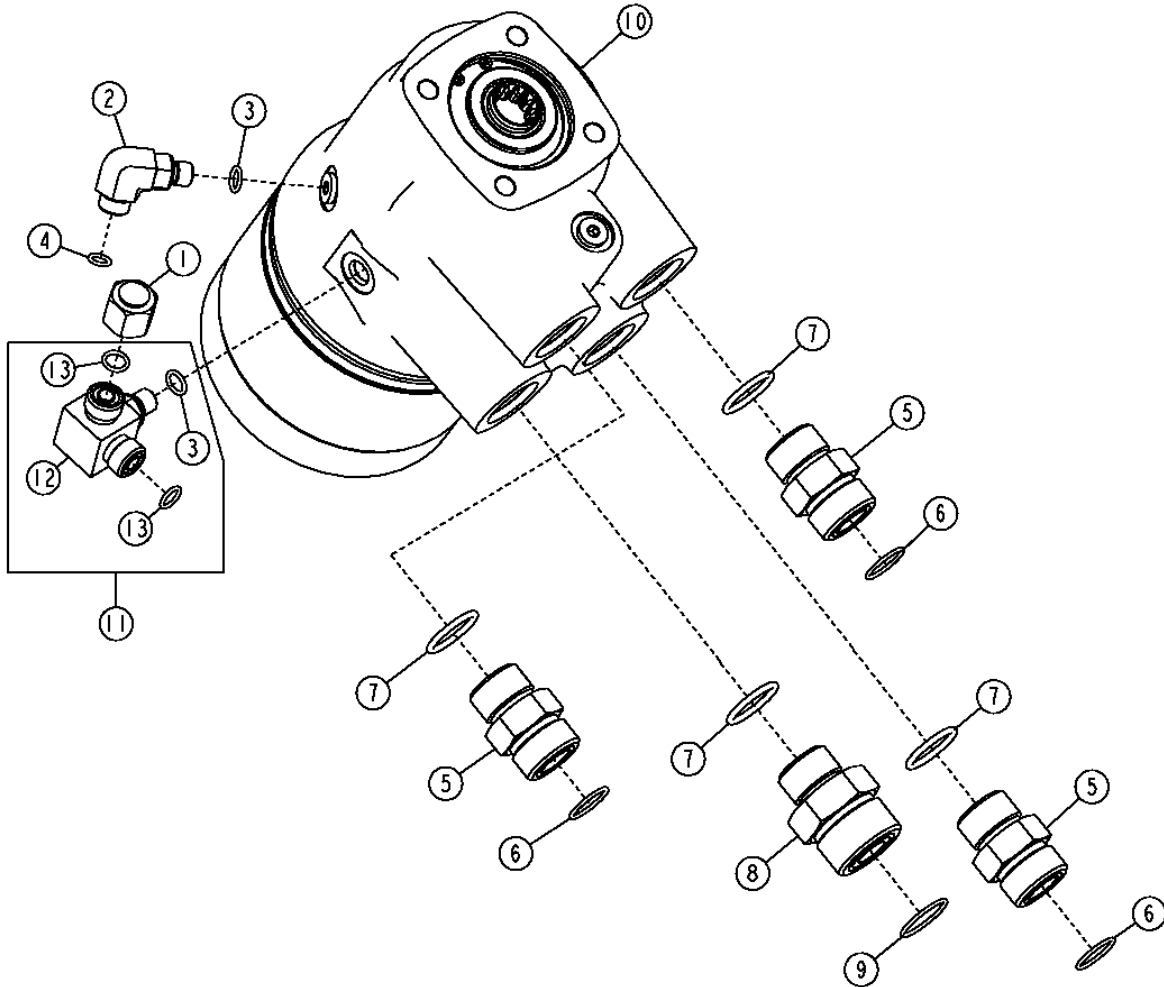
**STEERING COLUMN COVERS
PROTECTIONS DE COLONNE DE DIRECTION
CUBIERTAS DE LA COLUMNA DE LA DIRECCION**

KEY	PART NO.	PART NAME	QTY.	SERIAL NO.	REMARKS
1	21M7305	SCREW	8		M6 X 12
2	T173100	COVER	1		
3	T173099	COVER	1		
4	T156784	COVER	1		
5	19M8675	SCREW	1		M8 X 16

0962-8

STEERING VALVE SOUPAPE DE DIRECTION VALVULA DE LA DIRECCION

T212573 -UN-15AUG05



T212573

THIS PARTS LISTING IS CONTINUED

0962-9

STEERING SYSTEM 9

STEERING VALVE AND CONTROL 0962

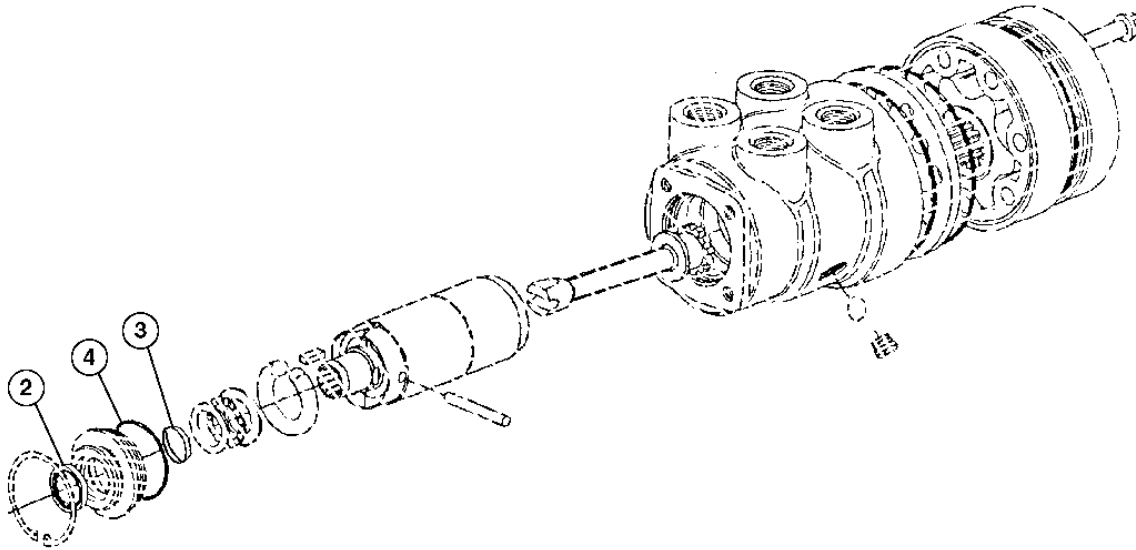
STEERING VALVE SOUPAPE DE DIRECTION VALVULA DE LA DIRECCION

KEY	PART NO.	PART NAME	QTY.	SERIAL NO.	REMARKS
1	38H1415	FITTING	1		
2	38H1044	ELBOW FITTING	1		(SUB FOR 38H1435)
3	R28782	O-RING	2		
4	T77814	O-RING	1		
5	38H1163	ADAPTER FITTING	3		
6	T77858	O-RING	3		
7	U12547	O-RING	4		
8	38H1179	ADAPTER FITTING	1		
9	T76938	O-RING	1		
10	AT322251	FLOW CONTROL HYD. VALVE	1		
11	AT324699	TEE FITTING	1		
12	AT324671	TEE FITTING	1		
13	T77613	O-RING	2		

0962-10

**STEERING VALVE COMPONENTS
COMPOSANTS SOUPAPE DE DIRECTION
COMPONENTES VALVULA DE LA DIRECCION**

T213629 -UN-31AUG05



T213629

0962-11

STEERING SYSTEM 9

STEERING VALVE AND CONTROL 0962

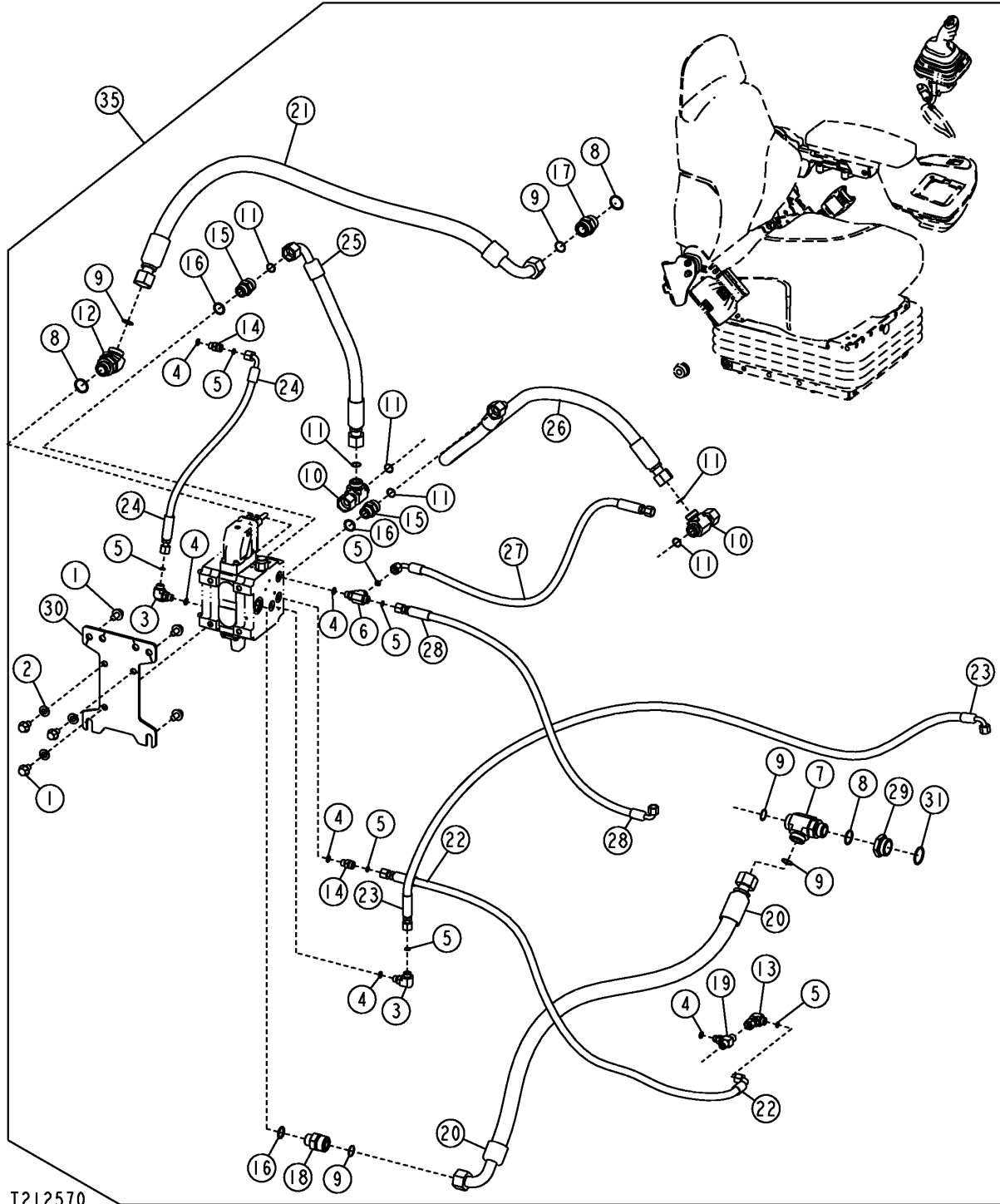
**STEERING VALVE COMPONENTS
COMPOSANTS SOUPAPE DE DIRECTION
COMPONENTES VALVULA DE LA DIRECCION**

KEY	PART NO.	PART NAME	QTY.	SERIAL NO.	REMARKS
2	C15104	SEAL	1		(K)
3	T180289	SEAL	1		(K)
4	U42111	O-RING	1		(K)
..	AT223440	SEAL KIT	1		(INCLUDES PARTS/ITEMS MARKED (K))

0962-12

JOYSTICK STEERING, MANIFOLD AND PLUMBING
DIRECTION PAR MANCHE A BALAI, COLLECTEUR ET CONDUITES HYDRAULIQUES
DIRECCION DE PALANCA DE CONTROL, MULTIPLE Y TUBERIAS

T212570 -UN-24AUG05



T212570

THIS PARTS LISTING IS CONTINUED

0962-13

STEERING SYSTEM 9

STEERING VALVE AND CONTROL 0962

JOYSTICK STEERING, MANIFOLD AND PLUMBING
DIRECTION PAR MANCHE A BALAI, COLLECTEUR ET CONDUITES HYDRAULIQUES
DIRECCION DE PALANCA DE CONTROL, MULTIPLE Y TUBERIAS

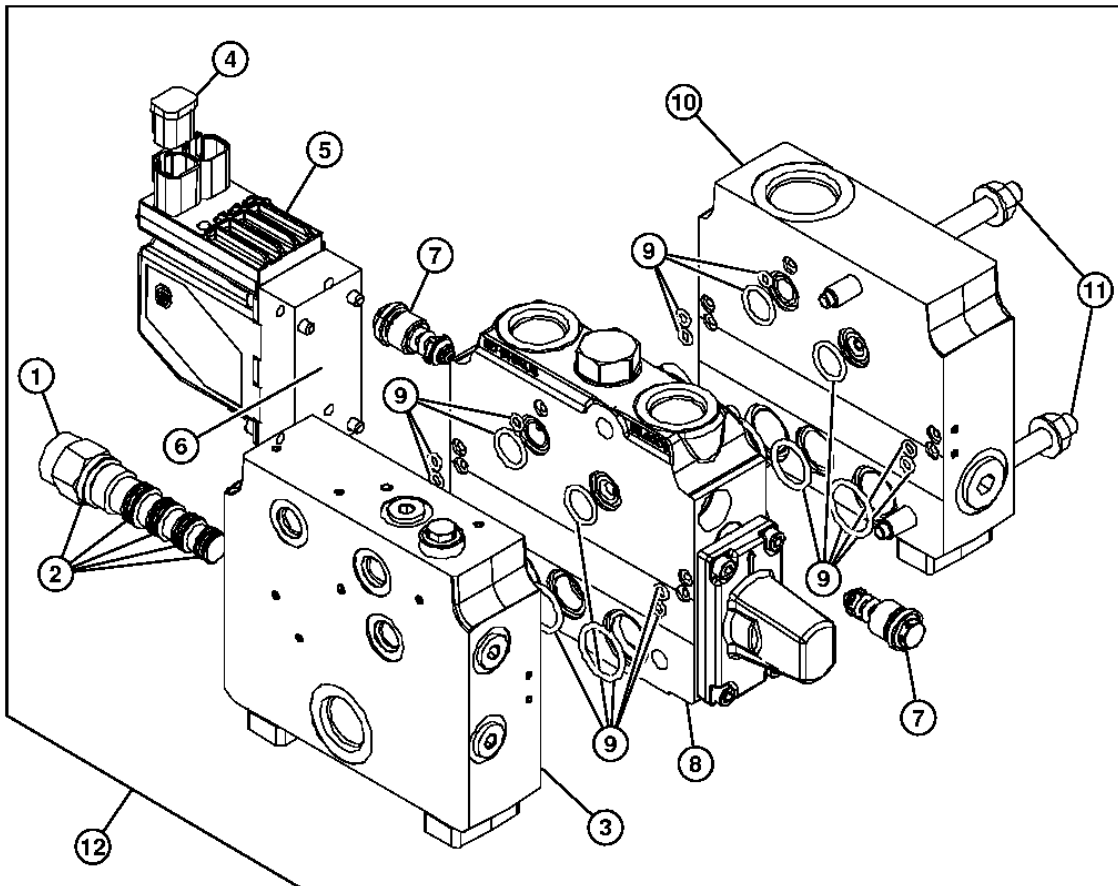
KEY	PART NO.	PART NAME	QTY.	SERIAL NO.	REMARKS
1	19M7787	SCREW	7		M12 X 20
2	24M7240	WASHER	3		13 X 25 X 3 MM
3	38H1004	ELBOW FITTING	1		
4	R26448	O-RING	3		
5	T77613	O-RING	4		
6	38H1023	TEE FITTING	1		
7	38H1027	TEE FITTING	1		
8	R29936	O-RING	3		
9	T76938	O-RING	5		
10	38H1033	TEE FITTING	2		
11	T77858	O-RING	6		
12	38H1049	ELBOW FITTING	1		
13	38H1094	ELBOW FITTING	1		
14	38H1160	ADAPTER FITTING	2		
15	38H1163	ADAPTER FITTING	1		
16	U12547	O-RING	3		
17	38H1164	ADAPTER FITTING	1		
18	38H1179	ADAPTER FITTING	1		
19	AT207529	CHECK VALVE	1		
20	AT324712	HYDRAULIC HOSE - FABRICATE	1		1-7/16" X 47" X 1-7/16"
21	AT329000	HYDRAULIC HOSE - FABRICATE	1		1-7/16" X 50" X 1-7/16", (SUB FOR AT324729)
22	AT324773	HYDRAULIC HOSE - FABRICATE	1		11/16" X 50" X 11/16"
23	AT324794	HYDRAULIC HOSE - FABRICATE	1		11/16" X 75" X 11/16"
24	AT324798	HYDRAULIC HOSE - FABRICATE	1		11/16" X 22" X 11/16"
25	AT324827	HYDRAULIC HOSE - FABRICATE	1		1-3/16" X 22" X 1-3/16"
26	AT324828	HYDRAULIC HOSE - FABRICATE	1		1-3/16" X 47" X 1-3/16"
27	AT325873	HYDRAULIC HOSE - FABRICATE	1		11/16" X 32" X 11/16"
28	AT310561	HYDRAULIC HOSE - FABRICATE	1		9/16" X 36-1/2" X 9/16", (SUB FOR AT325874)
29	T179513	FITTING	1		
30	T207404	PLATE	1		
31	U13639	O-RING	1		
35	AT309299	FIELD INSTALLATION KIT	1		(INCL SEAT AND CONTROLLER)

0962-14

JOYSTICK STEERING VALVE
DISTRIBUTEUR DE DIRECTION DE MANCHE A BALAI
VALVULA DE LA DIRECCION DE PALANCA DE CONTROL

TX1000396

-UN-14NOV05



TX1000396

0962-15

STEERING SYSTEM 9

STEERING VALVE AND CONTROL 0962

JOYSTICK STEERING VALVE
DISTRIBUTEUR DE DIRECTION DE MANCHE A BALAI
VALVULA DE LA DIRECCION DE PALANCA DE CONTROL

KEY	PART NO.	PART NAME	QTY.	SERIAL NO.	REMARKS
1	AT324967	HYD ACTUATED CONTROL VALVE	1		
2	AT324968	SEAL KIT	1		
3	AT324971	VALVE STACK	1		(B)
4	AT324975	ELEC. CONNECTOR CAVITY PLUG	1		
5	AT324965	ELEC-HYD PROPORTIONAL VALVE	1		
6	AT324966	SEAL KIT	1		
7	AT324969	PRESSURE RELIEF VALVE	1		
8	AT324972	VALVE SPOOL	1		
9	AT324974	SEAL KIT	1		
10	AT324970	VALVE STACK	1		(A)
11	AT324973	BOLT AND NUT	1		
12	AT322249	SPOOL VALVE	1		

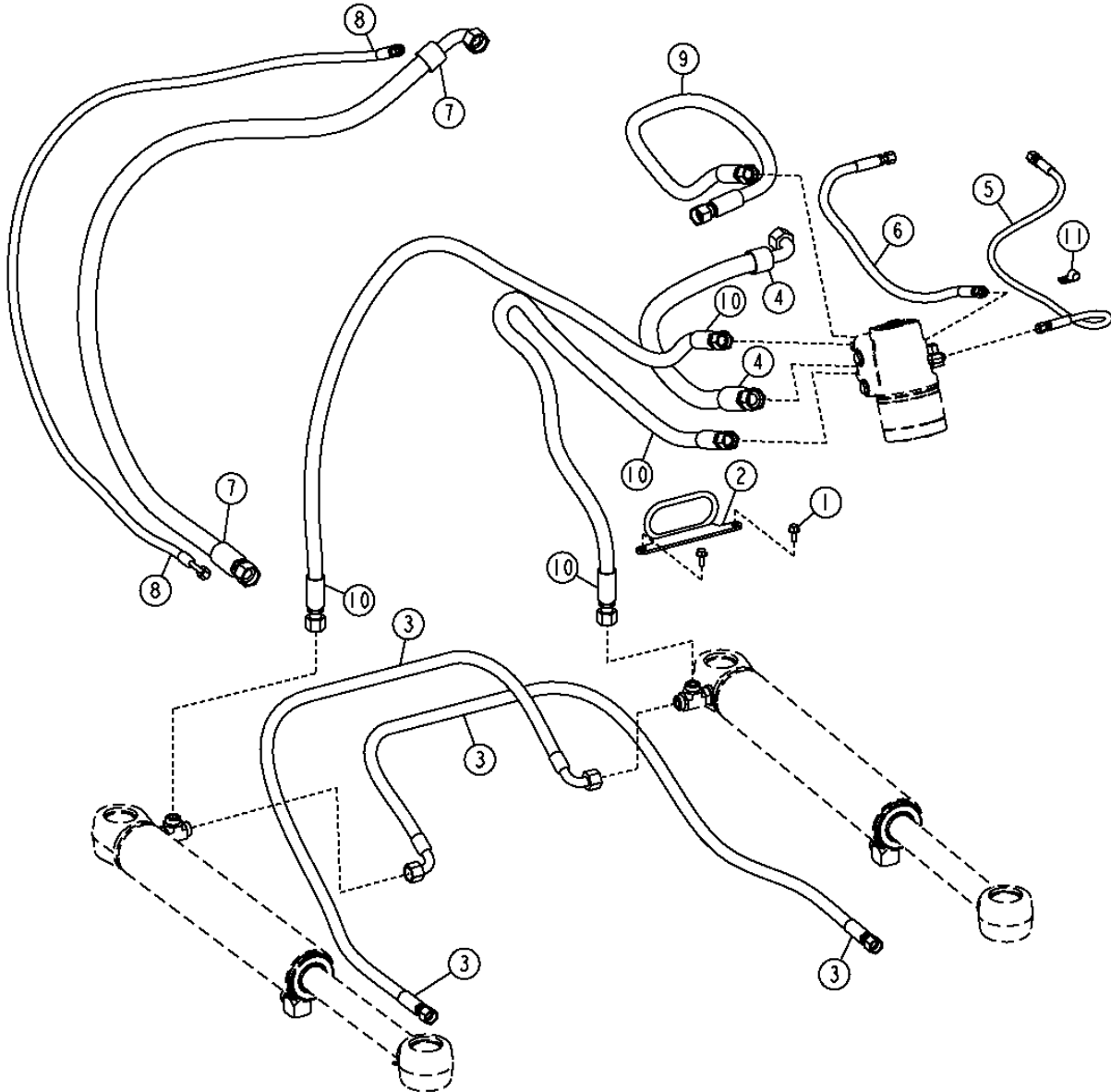
(A) OUTLET SECTION
(A) SECTION D'SORTIE
(A) SECCION DE SALIDA

(B) INLET SECTION
(B) SECTION D'ENTREE
(B) SECCION DE ENTRADA

0963-2

STEERING LINES, HOSES, AND FITTINGS 0963
STEERING CYLINDER HYDRAULIC HOSES
FLEXIBLES HYDRAULIQUES DE VERIN DE DIRECTION
MANGUERAS HIDRAULICAS DE CILINDROS DE LA DIRECCION

TX1002410 -UN-12JAN06



TX1002410

0963-3

STEERING SYSTEM 9

STEERING LINES, HOSES, AND FITTINGS 0963
STEERING CYLINDER HYDRAULIC HOSES
FLEXIBLES HYDRAULIQUES DE VERIN DE DIRECTION
MANGUERAS HIDRAULICAS DE CILINDROS DE LA DIRECCION

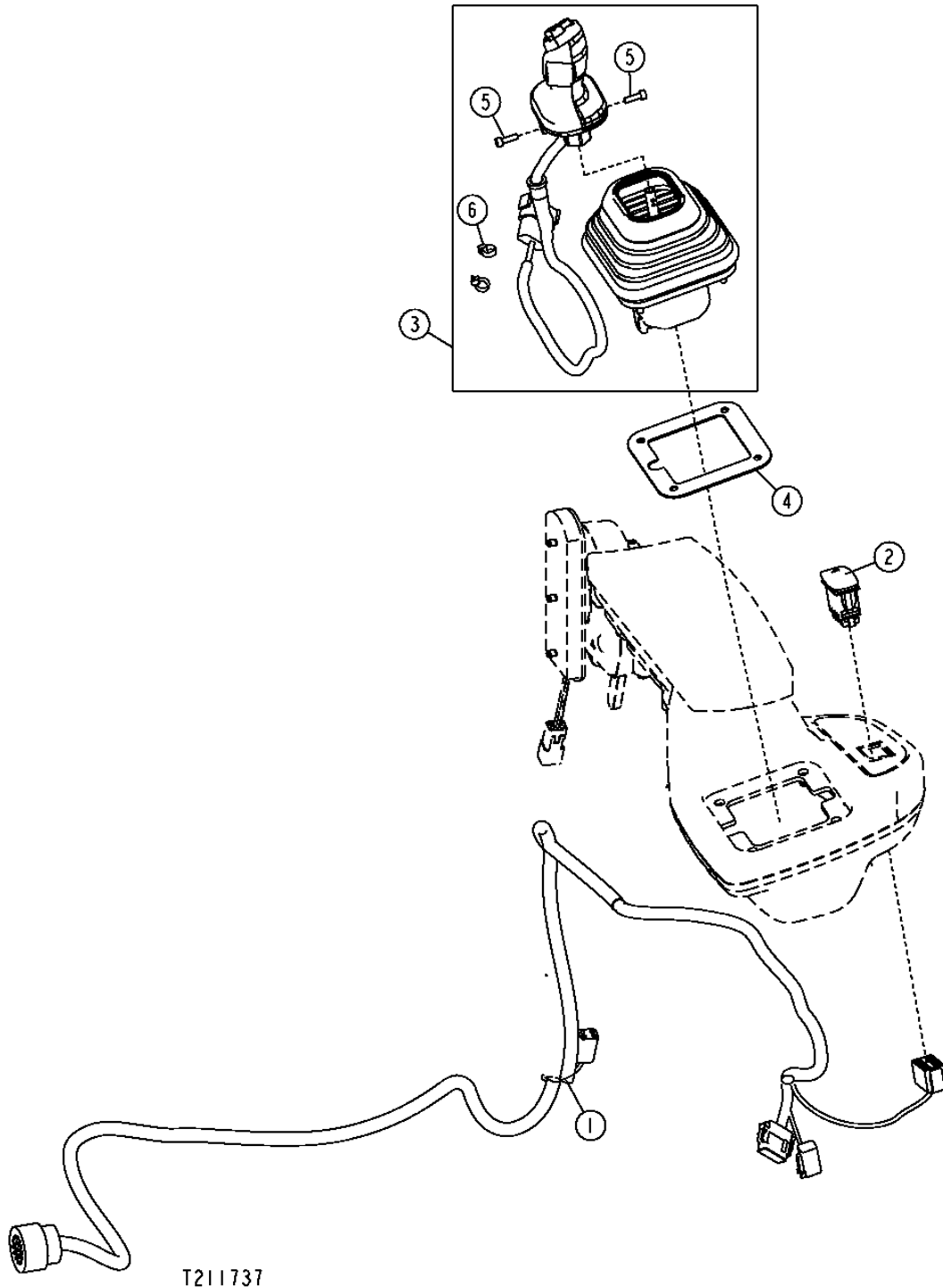
KEY	PART NO.	PART NAME	QTY.	SERIAL NO.	REMARKS
1	19M7785	SCREW	2		M10 X 25
2	AT323107	BRACKET	1		
3	AT323273	HYDRAULIC HOSE - FABRICATE	2		1" X 78" X 1-3/16"
4	AT323166	HYDRAULIC HOSE - FABRICATE	1		1-7/16" X 42-1/2" X 1-7/16"
5	AT329316	HYDRAULIC HOSE - FABRICATE	1		9/16" X 58" X 11/16", (SUB FOR AT322986, AT323173)
6	AT323176	HYDRAULIC HOSE - FABRICATE	1		11/16" X 41-1/2" X 11/16"
7	AT328998	HYDRAULIC HOSE - FABRICATE	1		1-7/16" X 70" X 1-7/16", (SUB FOR AT323188)
8	AT323191	HYDRAULIC HOSE - FABRICATE	1		11/16" X 89" X 11/16"
9	AT323241	HYDRAULIC HOSE - FABRICATE	1		1-3/16" X 56" X 1-3/16"
10	AT323251	HYDRAULIC HOSE - FABRICATE	2		1-3/16" X 84" X 1-3/16"
11	T75197	CLAMP	1		

0974-2

JOYSTICK STEERING WIRING HARNESS
FAISCEAU DE FILS DE DIRECTION COMMANDEE PAR LE MANCHE A BALAI GAUCHE
ARNES DE ALAMBRADO DE LA DIRECCION CONTROLADA POR LA PALANCA IZQ.

T211737

-UN-22AUG05



0974-3

STEERING SYSTEM 9

WIRING HARNESS AND SWITCHES 974

JOYSTICK STEERING WIRING HARNESS
FAISCEAU DE FILS DE DIRECTION COMMANDEE PAR LE MANCHE A BALAI GAUCHE
ARNES DE ALAMBRADO DE LA DIRECCION CONTROLADA POR LA PALANCA IZQ.

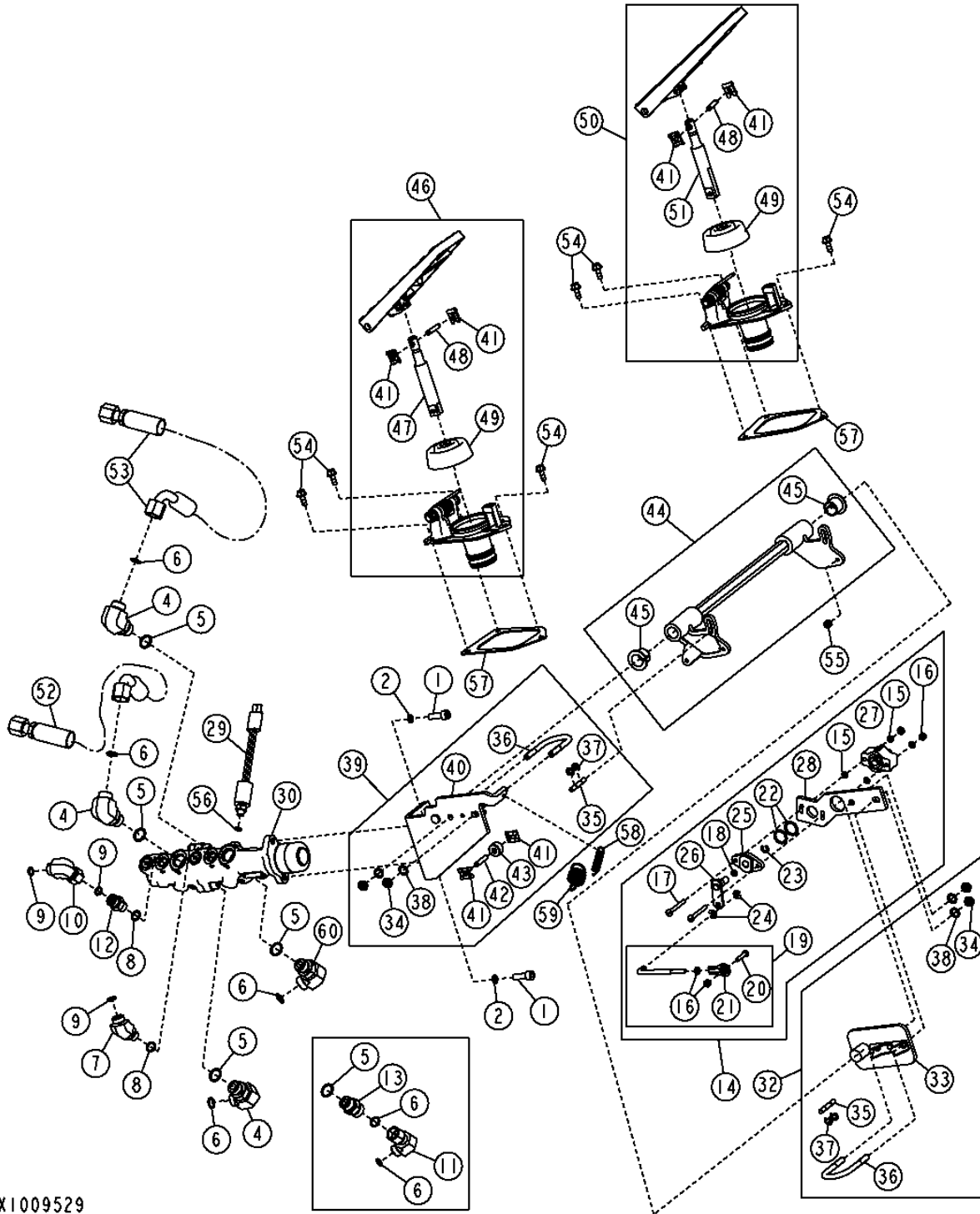
KEY	PART NO.	PART NAME	QTY.	SERIAL NO.	REMARKS
1	AT311621	WIRING HARNESS	1		
2	AT311633	TOGGLE/ROCKER SWITCH	1		
3	AT341273	ELECTROHYDRAULIC CONTROLLER	1		(SUB FOR AT334491 OR AT312441)
4	PLATE	1		NA
5	19M9478	SCREW	2		
6	R44302	TIE BAND	2		

1062-2

BRAKE VALVE, PEDALS AND LINKAGE MAITRE-CYLINDRE, PEDALES ET TIMONERIE VALVULA DE MANDO DEL FRENO, PEDALES Y VARILLAJE

TX1009529

-UN-17JUL06



TX1009529

THIS PARTS LISTING IS CONTINUED

1062-3

SERVICE BRAKES 10

HYDRAULIC SYSTEM 1060

**BRAKE VALVE, PEDALS AND LINKAGE
MAITRE-CYLINDRE, PEDALES ET TIMONERIE
VALVULLA DE MANDO DEL FRENO, PEDALES Y VARILLAJE**

KEY	PART NO.	PART NAME	QTY.	SERIAL NO.	REMARKS
1	19M7657	SCREW	2		M8 X 25
2	24M7313	WASHER	2		8.100 X 12 X 1.200 MM
4	38H1005	ELBOW FITTING	3		
5	R26375	O-RING	3		
6	T77857	O-RING	5		
7	38H1045	ELBOW FITTING	1		
8	R26448	O-RING	2		
9	T77613	O-RING	3		
10	38H1094	ELBOW FITTING	1		
11	38H1095	ELBOW FITTING	1	-605813	
12	38H1160	ADAPTER FITTING	1		
13	38H1161	ADAPTER FITTING	1	-605813	
14	AT210291	CLUTCH KIT	1		(A)
15	12H295	LOCK WASHER	4		0.190"
16	14H631	NUT	4		0.190"
17	21H1390	SCREW	2		0.190" X 1-3/4"
18	A4365R	O-RING	1		
19	AT210877	LINKAGE	1		
20	21H985	SCREW	1		0.190" X 1"
21	AH108055	LINK END	1		
22	P48347	O-RING	2		
23	R72653	SNAP RING	1		
24	R72654	SNAP RING	2		
25	R86457	SUPPORT	1		
26	RE24468	SHAFT	1		
27	RE261356	SENSOR	1		(SUB FOR RE35704 OR RE69297)
28	T172274	SUPPORT	1		
29	AT223535	PRESSURE SWITCH	1		
30	AT309508	FLOW CONTROL HYD. VALVE	1		
31	AT325225	SEAL KIT	1		(D)
32	AT208085	KIT	1		(B)
33	AT314267	SUPPORT	1		
34	R53317	LOCK NUT	4		
35	T157211	PIN	2		
36	T157220	CLAMP	2		
37	T170180	SNAP RING	4		
38	T170181	LOCK WASHER	4		
39	AT208086	HOSE KIT	1		(B)
40	AT314266	SUPPORT	1		
41	T157212	CLIP	6		
42	T157257	PIN	1		
43	T175236	ROLLER	1		
44	AT208089	ROCKER ARM	1		
45	T157223	BEARING	2		(C)
46	AT323790	PEDAL	1		(RH)
47	AT208088	PUSH ROD	1		
48	T157258	PIN	2		
49	T174634	BOOT	2		
50	AT323792	PEDAL	1		(LH)
51	AT208163	PUSH ROD	1		
52	AT323830	HYDRAULIC HOSE - FABRICATE	1		13/16" X 1 321 MM X 13/16"
53	AT323833	HYDRAULIC HOSE - FABRICATE	1		13/16" X 1 435 MM X 13/16"
54	M113243	SCREW	6		
55	N203905	LOCK NUT	1		
56	R26287	O-RING	1		
57	T172927	GASKET	2		
58	T176108	SPRING	1		
59	T176111	SPRING	1		
60	38H1005	ELBOW FITTING	1	605814-	

(A) CLUTCH CUTOFF
(A) DEBRAYAGE
(A) DESEMBRAGUE
(D) NOT ILLUSTRATED
(D) PAS ILLUSTRÉ
(D) NO SE ILUSTRÁ

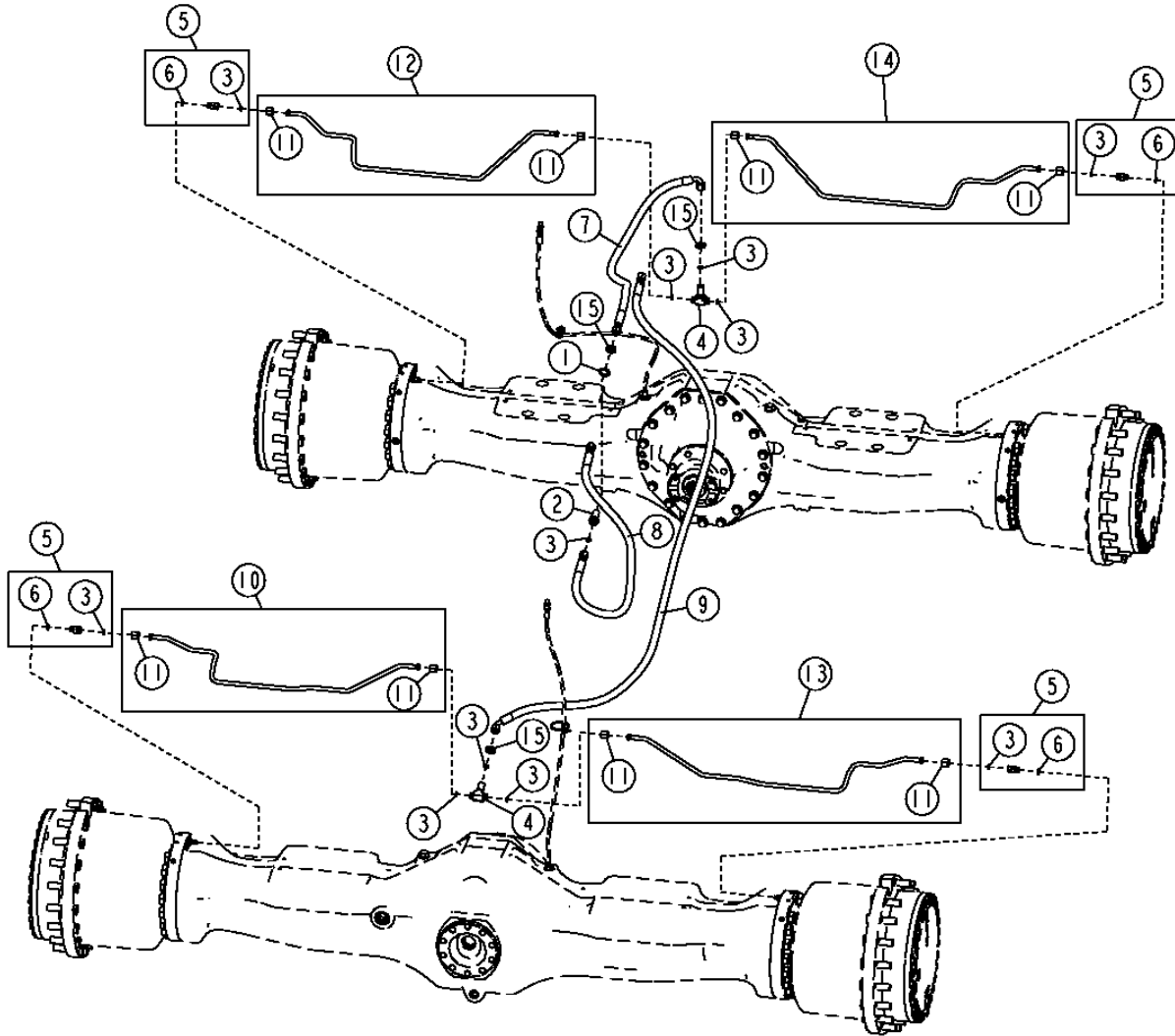
(B) PEDAL BRACKET
(B) SUPPORT DE PEDALE
(B) ESCUADRA DE PEDAL

(C) SELF LUBE
(C) AUTO-LUBRIFICATION
(C) AUTOLUBRICACION

1062-4

BRAKE VALVE HYDRAULIC HOSES
FLEXIBLES HYDRAULIQUES DE DISTRIBUTEUR DE FREIN
MANGUERAS HIDRAULICAS DE LA VALVULA DE FRENO

T212580 -UN-14JUL05



T212580

1062-5

SERVICE BRAKES 10
HYDRAULIC SYSTEM 1060

BRAKE VALVE HYDRAULIC HOSES
FLEXIBLES HYDRAULIQUES DE DISTRIBUTEUR DE FREIN
MANGUERAS HIDRAULICAS DE LA VALVULA DE FRENO

KEY	PART NO.	PART NAME	QTY.	SERIAL NO.	REMARKS
1	12H328	LOCK WASHER	1		7/8"
2	38H1275	ADAPTER FITTING	1		
3	T77857	O-RING	11		
4	38H1292	TEE FITTING	2		
5	61M5135	FITTING	4		
6	51M7042	O-RING	4		13.300 X 2.200 MM
7	AT323755	HYDRAULIC HOSE - FABRICATE	1		13/16" X 1 600 MM X 13/16"
8	AT323782	HYDRAULIC HOSE - FABRICATE	1		13/16" X 1 524 MM X 13/16"
9	AT328999	HYDRAULIC HOSE - FABRICATE	1		13/16" X 2 794 MM X 13/16", (SUB FOR AT323797)
10	AT323866	OIL LINE	1		(A) (LH)
11	38H1354	TUBE NUT	8		
12	AT323867	OIL LINE	1		(B) (LH)
13	AT323941	OIL LINE	1		(A) (RH)
14	AT323942	OIL LINE	1		(B) (RH)
15	T78716	NUT	3		

(A) REAR BRAKE LINE

(A) CONDUITE DE FREIN ARRIERE

(A) LINEA DE FRENO TRASERO

(B) FRONT BRAKE LINE

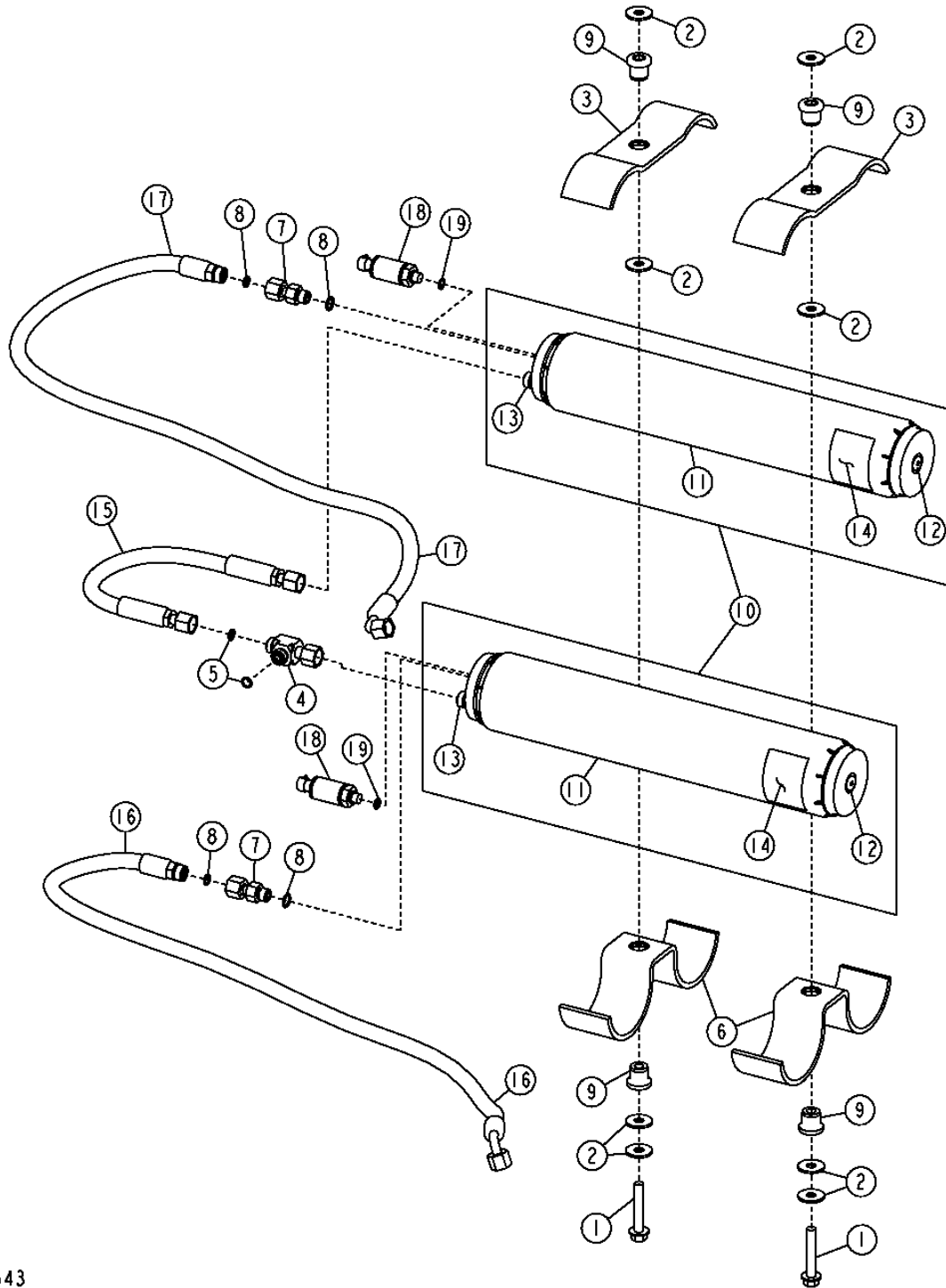
(B) LINEA DE FRENO DELANTERO

(B) LINEA DE FRENO DELANTERO

1064-2

BRAKE ACCUMULATOR ACCUMULATEUR DE FREINS ACUMULADOR DE FRENOS

T212543 -UN-13JUL05



T212543

1064-3

SERVICE BRAKES 10

RESERVOIR & ACCUMULATOR 1064

**BRAKE ACCUMULATOR
ACCUMULATEUR DE FREINS
ACUMULADOR DE FRENOS**

KEY	PART NO.	PART NAME	QTY.	SERIAL NO.	REMARKS
1	19M7807	SCREW	2		M10 X 60
2	24M7296	WASHER	8		10.500 X 30 X 2.500 MM
3	T214838	HALF CLAMP	2		
4	38H1030	TEE FITTING	1		
5	T77613	O-RING	2		
6	T214839	HALF CLAMP	2		
7	38H1067	ADAPTER FITTING	2		
8	R26448	O-RING	4		
9	AT116162	ISOLATOR	4		
10	AT325450	KIT	2		
11	AT325538	HYDRAULIC ACCUMULATOR	2		
12	AT196760	KIT	2		(A)
13	AT225573	CHECK VALVE	2		
14	T180944	LABEL	2		
15	AT320361	HYDRAULIC HOSE - FABRICATE	1		11/16" X 457 MM X 11/16"
16	AT320362	HYDRAULIC HOSE - FABRICATE	1		11/16" X 1 194 MM X 11/16"
17	AT320642	HYDRAULIC HOSE - FABRICATE	1		11/16" X 1 295 MM X 11/16"
18	AT322982	TRANSDUCER	2		
19	R28782	O-RING	2		

(A) GAS VALVE

(A) ROBINET DE CARBURANT

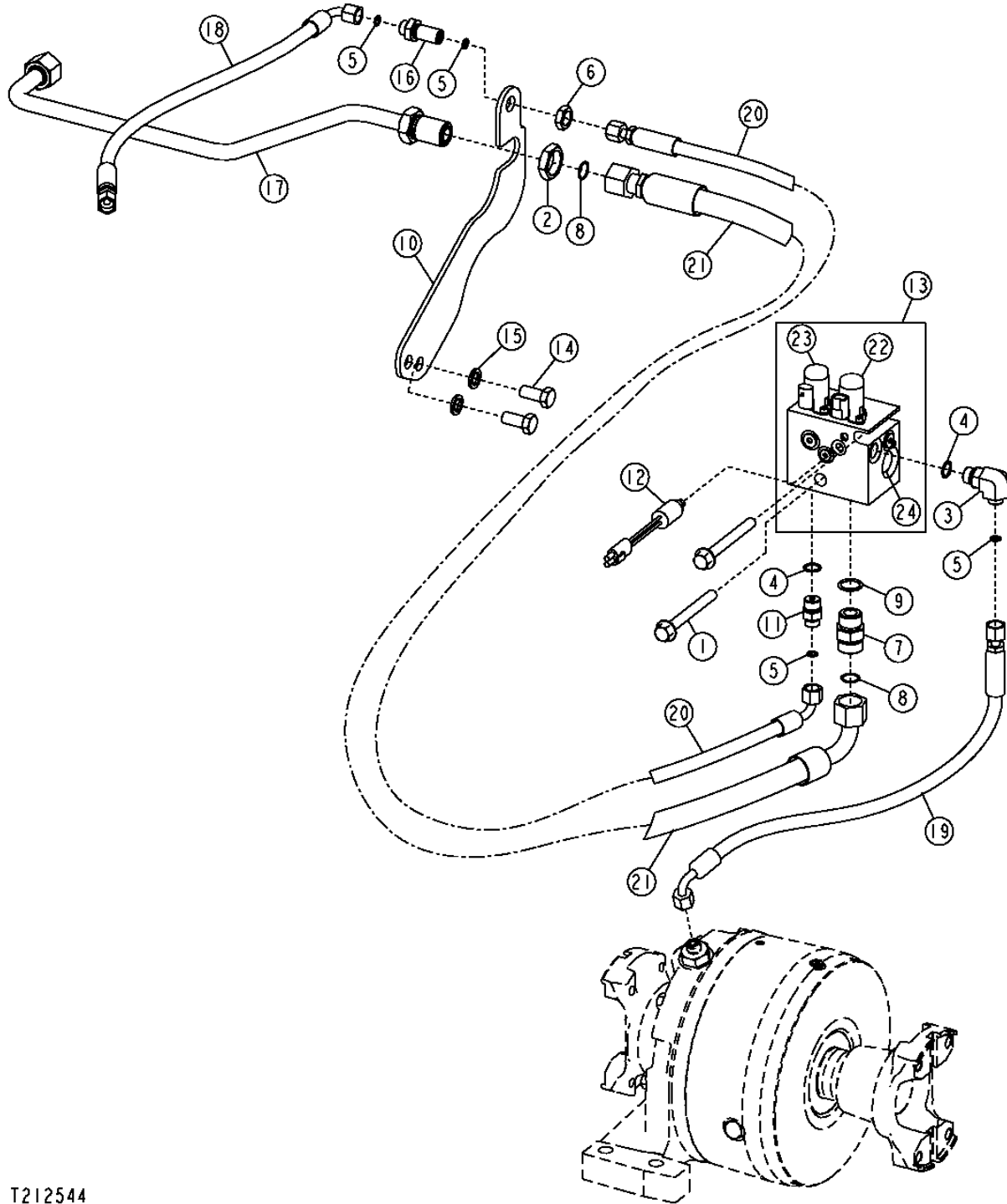
(A) VALVULA DE GAS

1100-2

PARK BRAKE SOLENOID VALVE AND HYDRAULIC LINES
ELECTROVANNE ET CONDUITES HYDRAULIQUES DU FREIN DE STATIONNEMENT
VALVULA DE SOLENOIDE Y LINEAS HIDRAULICAS DEL FRENO DE ESTACIONAMIENTO

T212544

-UN-22AUG05



T212544

1100-3

PARKING - EMERGENCY BRAKES 11

PARKING BRAKES 1100

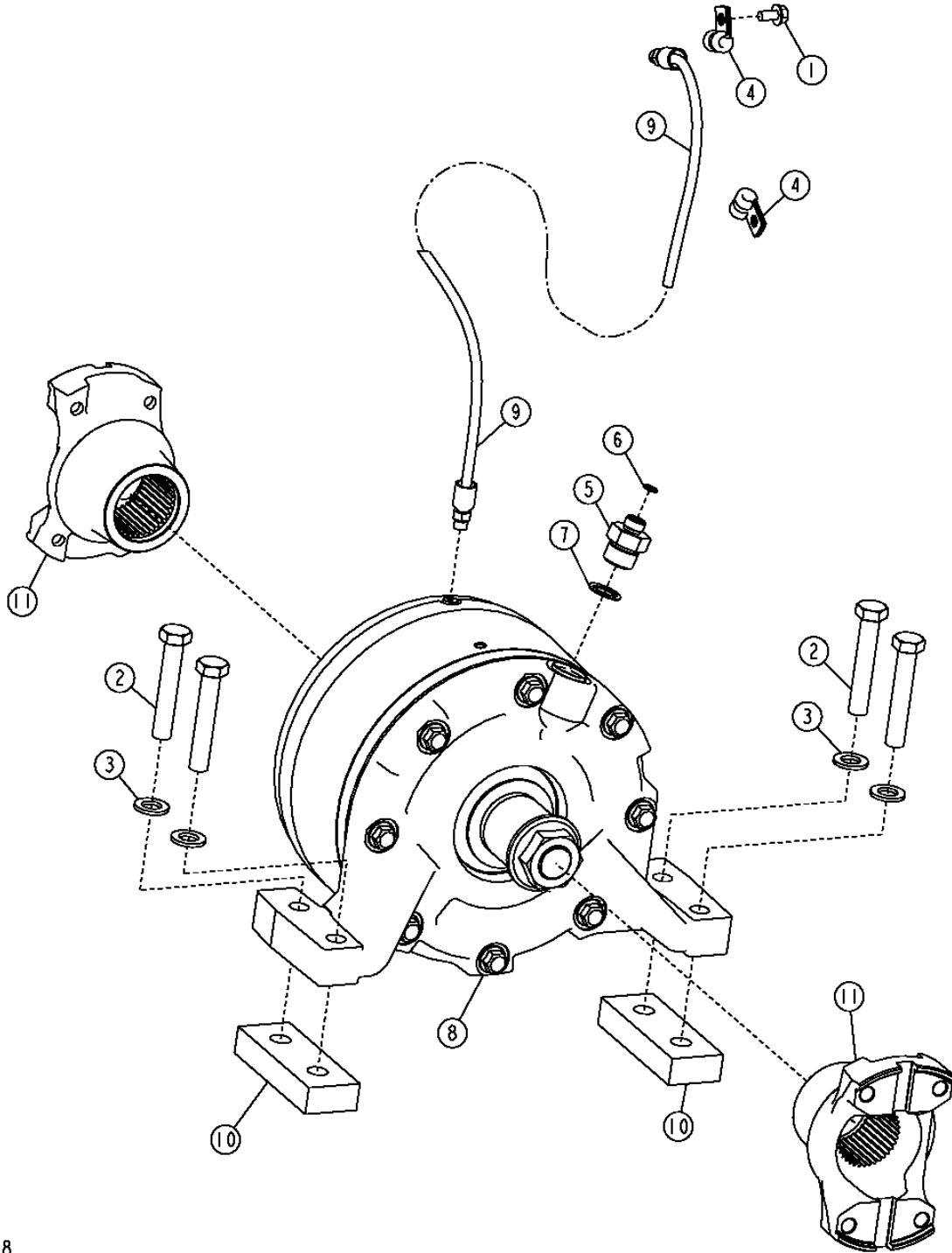
PARK BRAKE SOLENOID VALVE AND HYDRAULIC LINES
ELECTROVANNE ET CONDUITES HYDRAULIQUES DU FREIN DE STATIONNEMENT
VALVULA DE SOLENOIDE Y LINEAS HIDRAULICAS DEL FRENO DE ESTACIONAMIENTO

KEY	PART NO.	PART NAME	QTY.	SERIAL NO.	REMARKS
1	19M7837	SCREW	2		M12 X 110
2	T78707	NUT	1		
3	38H1010	ELBOW FITTING	1		
4	R26375	O-RING	2		
5	T77613	O-RING	4		
6	T81029	NUT	1		
7	38H1163	ADAPTER FITTING	1		
8	T77858	O-RING	2		
9	U12547	O-RING	1		
10	T215359	PLATE	1		
11	38H1171	ADAPTER FITTING	1		
12	AT223538	PRESSURE SWITCH	1		
13	AT315072	VALVE	1		
14	19M7877	CAP SCREW	2		M14 X 30
15	24M7406	WASHER	2		16 X 24 X 3 MM
16	38H1285	UNION FITTING	1		
17	AT321367	OIL LINE	1		
18	AT324190	HYDRAULIC HOSE - FABRICATE	1		11/16" X 26" X 11/16"
19	AT324151	HYDRAULIC HOSE - FABRICATE	1		11/16" X 24" X 11/16"
20	AT324153	HYDRAULIC HOSE - FABRICATE	1		11/16" X 53" X 11/16"
21	AT324167	HYDRAULIC HOSE - FABRICATE	1		1-3/16" X 54" X 1-3/16"
22	AT307301	FLOW CONTROL HYD. VALVE	1		
	AT224873	SEAL KIT	1		
23	AT307302	FLOW CONTROL HYD. VALVE	1		
	AT224873	SEAL KIT	1		
24	AT323128	CHECK VALVE	1		
	AT314326	SEAL KIT	1		

1115-2

DRIVELINE BEARING/PARKING BRAKE
ROULEMENT D'ARBRE DE TRANSMISSION/FREIN DE STATIONNEMENT
COJINETE DE EJE IMPULSOR/FRENO DE ESTACIONAMIENTO

T211938 -UN-29JUN05



T211938

1115-3

PARKING - EMERGENCY BRAKES 11

CONTROL LINKAGE 1115

DRIVELINE BEARING/PARKING BRAKE
ROULEMENT D'ARBRE DE TRANSMISSION/FREIN DE STATIONNEMENT
COJINETE DE EJE IMPULSOR/FRENO DE ESTACIONAMIENTO

KEY	PART NO.	PART NAME	QTY.	SERIAL NO.	REMARKS
1	19M7865	SCREW	1		M8 X 16
2	19M8485	CAP SCREW	4		M16 X 90
3	24M7338	WASHER	4		17 X 30 X 3 MM
4	T78974	CLAMP	2		
5	38H1338	ADAPTER FITTING	1		
6	T77613	O-RING	1		
7	U12547	O-RING	1		
8	AT314986	BRAKE	1		
9	AT64886	HYDRAULIC HOSE	1		
10	T207097	PLATE	2		
11	T225466	UNIVERSAL JOINT YOKE	2		(SUB FOR T208634)

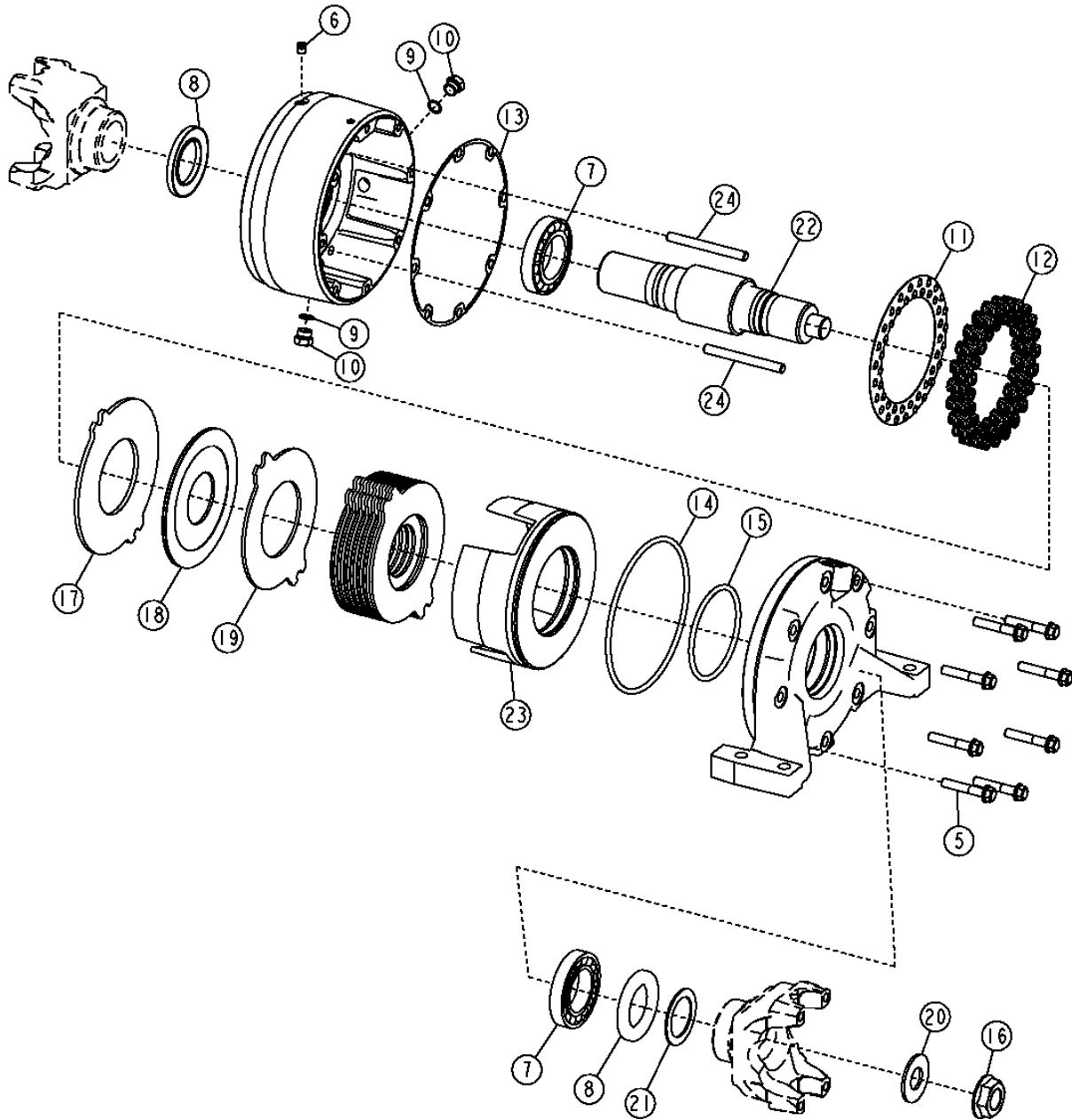
1115-4

PARKING - EMERGENCY BRAKES 11

CONTROL LINKAGE 1115

DRIVELINE BEARING/PARKING BRAKE COMPONENTS COMPOSANTS DE ROULEMENT D'ARBRE DE TRANSMISSION/FREIN DE STATIONNEMENT COMPONENTES DE COJINETE DE EJE IMPULSOR/FRENO DE ESTACIONAMIENTO

T212531 -UN-



T212531

1115-5

PARKING - EMERGENCY BRAKES 11

CONTROL LINKAGE 1115

DRIVELINE BEARING/PARKING BRAKE COMPONENTS
COMPOSANTS DE ROULEMENT D'ARBRE DE TRANSMISSION/FREIN DE STATIONNEMENT
COMPONENTES DE COJINETE DE EJE IMPULSOR/FRENO DE ESTACIONAMIENTO

KEY	PART NO.	PART NAME	QTY.	SERIAL NO.	REMARKS
5	19M7817	SCREW	8		
6	AT208411	PRESSURE RELIEF VALVE	1		
7	AT209495	BEARING	2		
8	AT225728	SEAL	2		
9	R26375	O-RING	2		
10	R39112	FITTING	2		
11	T167840	RETAINER	1		
12	T167841	COMPRESSION SPRING	46		
13	T167842	GASKET	1		
14	T167843	O-RING	1		
15	T167845	O-RING	1		
16	T167848	FLANGE NUT	1		
17	T167980	DISK WITH OUTER SPLINE	1	(A)	
18	T167981	DISK WITH INNER SPLINE	7	(B)	
19	T167982	DISK WITH OUTER SPLINE	8	(C)	
20	T170582	WASHER	1		
21	T172221	WASHER	1		
22	T211350	SHAFT	1		
23	T211351	PISTON	1		
24	T211352	DOWEL PIN	2		

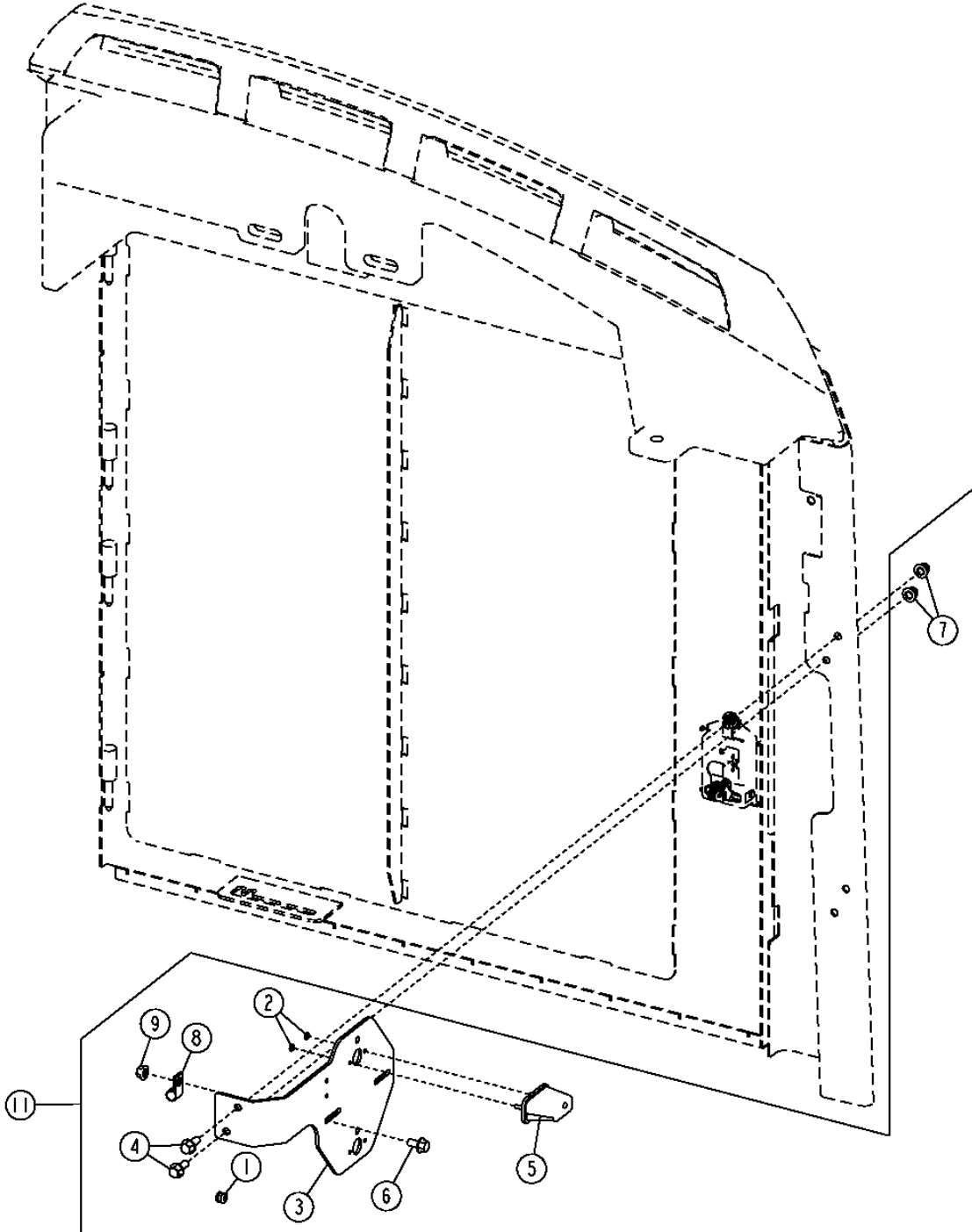
(A) PRIMARY (B) ROTATING (C) STATIONARY
 (A) PRINCIPAL (B) ROTATION (C) TRADUCCION NON-DISPONIBLE
 (A) MATERIAS (B) GIRATORIO (C) TRADUCCION NO DISPONIBLE

1314-2

MISCELLANEOUS VEHICLE 13
LICENSE PLATE BRACKET 1314

LICENSE PLATE BRACKET WITH LIGHT
PLAQUE MINERALOGIQUE, ECLAIRAGE ET SUPPORT
LUZ DE MATRICULA Y SOPORTE

T211766 -UN-19AUG05



T211766

1314-3

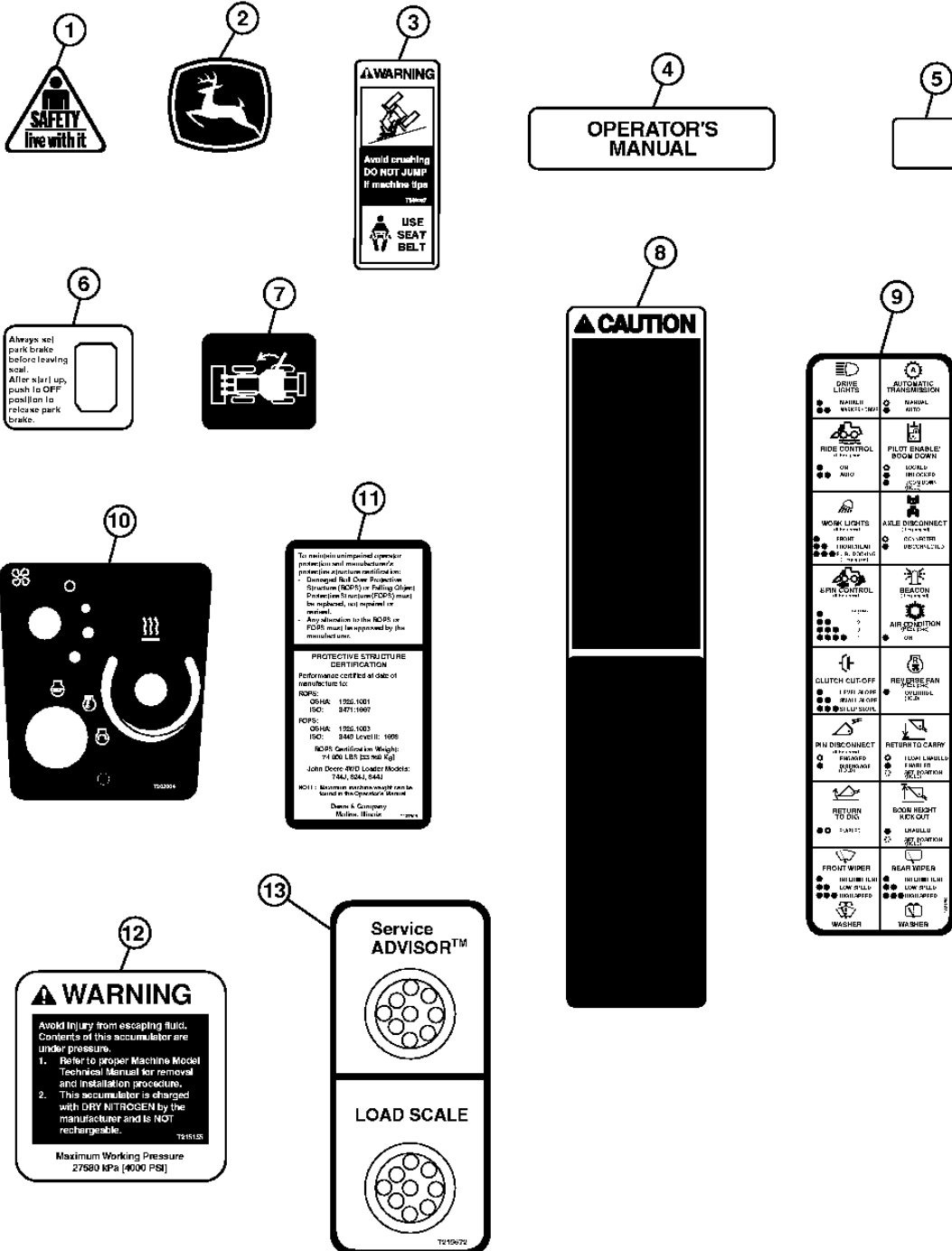
MISCELLANEOUS VEHICLE 13
LICENSE PLATE BRACKET 1314

LICENSE PLATE BRACKET WITH LIGHT
PLAQUE MINERALOGIQUE, ECLAIRAGE ET SUPPORT
LUZ DE MATRICULA Y SOPORTE

KEY	PART NO.	PART NAME	QTY.	SERIAL NO.	REMARKS
1	R27583	GROMMET	1		
2	14H605	NUT	2		0.164"
3	T156693	BRACKET	1		
4	19M7785	SCREW	2		M10 X 25
5	AT202789	LAMP	1		
	AT173354	BULB	1		(NOT ILLUSTRATED)
6	19M7784	SCREW	1		M10 X 20
7	14M7400	LOCK NUT	2		M10
8	T75197	CLAMP	1		
9	14M7296	FLANGE NUT	1		M10
11	AT308462	KIT	1		(INCLUDES AT203137)
	AT203137	WIRING HARNESS	1		

CAB LABELS AND DECALS ETIQUETTES ET AUTOCOLLANTS DE CABINE ETIQUETAS Y CALCOMANIAS DE LA CABINA

T211810 -UN-06JUN05



T211810

1320-3

MISCELLANEOUS VEHICLE 13
VEHICLE FINISH AND TRIM 1320

CAB LABELS AND DECALS
ETIQUETTES ET AUTOCOLLANTS DE CABINE
ETIQUETAS Y CALCOMANIAS DE LA CABINA

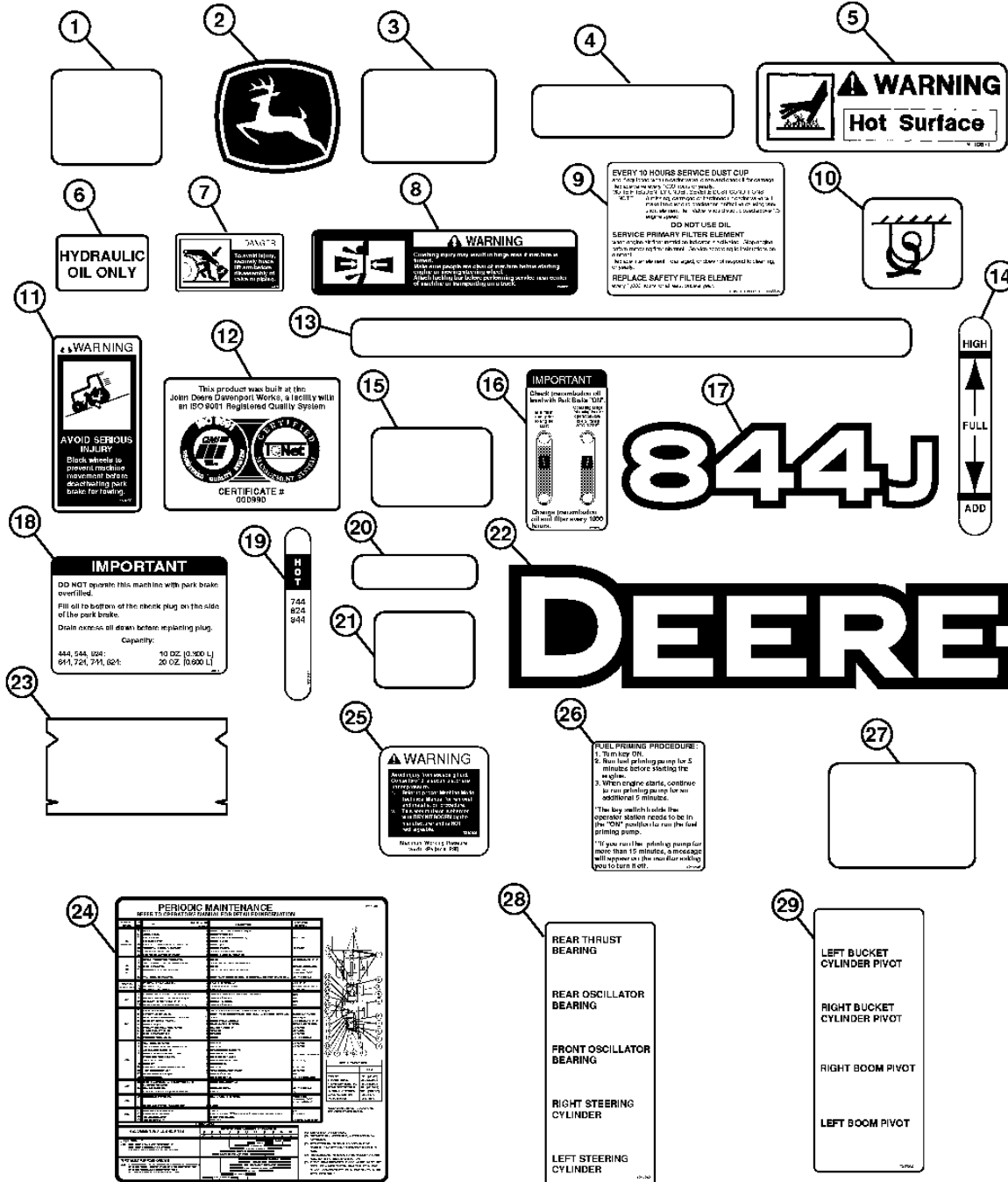
KEY	PART NO.	PART NAME	QTY.	SERIAL NO.	REMARKS
1	H138955	LABEL	2		(SAFETY)
2	JD5822	LABEL	2		(TRADEMARK, LEAPING DEERE)
3	T146097	LABEL	1		(WARNING, SEAT BELT (ENGLISH))
4	T148083	LABEL	1		(OPERATOR'S MANUAL)
5	T171223	LABEL	1		(DOOR RELEASE)
6	T171228	LABEL	1		(PARK BRAKE SWITCH)
7	T174735	LABEL	1		(DOOR RELEASE, RIGHT SIDE)
8	T182795	SAFETY SIGN	1		(CAUTION, ENGINE START/STOP)
9	T197186	LABEL	1		(ICON SS SWITCH DESCRIPTION)
10	T202884	LABEL	1		(KEY START/HVAC PANEL)
11	T207808	LABEL	1		(ROPS, 744J/824J/844J)
12	T215155	LABEL	2		(WARNING, ACCUMULATOR)
13	T215672	LABEL	1		(CONNECTOR)

1320-4

MISCELLANEOUS VEHICLE 13
 VEHICLE FINISH AND TRIM 1320

LABELS AND TRIM ETIQUETTES ET GARNITURE ETIQUETAS Y ADORNOS

T212902 -UN-02AUG05



T212902

THIS PARTS LISTING IS CONTINUED

1320-5

MISCELLANEOUS VEHICLE 13
VEHICLE FINISH AND TRIM 1320

LABELS AND TRIM ETIQUETTES ET GARNITURE ETIQUETAS Y ADORNOS

KEY	PART NO.	PART NAME	QTY.	SERIAL NO.	REMARKS
1	H21259	MAT	2		(OPERATORS DECK)
2	JD5749	LABEL	1		(LEAPING DEERE TRADEMARK)
3	JD5906	REFLECTOR	4		(PRESS SENSITIVE-YELLOW)
4	JD5920	REFLECTOR	2		(PRESS SENSITIVE-RED)
5	M118611	LABEL	2		(HOT SURFACE)
6	T218566	LABEL	1		(HYDRAULIC OIL)
7	T146175	SAFETY SIGN	1		(DANGER)
8	T146436	SAFETY SIGN	2		(ARTICULATION WARNING)
9	T146605	LABEL	1		(AIR CLEANER)
10	T153680	LABEL	4		(TIE DOWN)
11	T159028	LABEL	1		(PARK BRAKE)
12	T175744	LABEL	1		
13	T182192	SAFETY SIGN	2		(ARTICULATION LOCK)
14	T197300	LABEL	1		(HYDRAULIC RESERVOIR SIGHT GAUGE)
15	T198179	MAT	2		(RH AND LH COUNTERWEIGHT DOOR) (NON SLIP)
16	T200055	LABEL	1		(TRANSMISSION CHECK AND CHANGE)
17	T205314	LABEL	2		
18	T207741	LABEL	1		(PARK BRAKE OVERFILL)
19	T210111	LABEL	1		(TRANSMISSION OIL LEVEL)
20	T210138	MAT	1		(LH COUNTERWEIGHT) (NON-SLIP)
21	T210145	MAT	1		(RH COUNTERWEIGHT) (NON-SLIP)
22	T211200	LABEL	2		
23	T211201	LABEL	2		
24	T211340	LABEL	1		(PERIODIC MAINTENANCE)
25	T215155	LABEL	1		(ACCUMULATOR WARINING)
26	T215546	LABEL	1		(PRIMING PROCEDURE FUEL)
27	T215696	MAT	1		(REAR HITCH) (NON-SLIP)
28	T217242	LABEL	1		(ENGINE FRAME GREASE ZERK)
29	T217265	LABEL	1		(LOADER FRAME GREASE ZERK)

1320-6

FRENCH LABELS ETIQUETTES EN FRANCAIS ETIQUETAS EN FRANCES

T212811

-UN-02AUG05

1 **2** **3** **4** **5** **6** **7** **8** **9** **10** **11** **12** **13** **14** **15** **16** **17** **18** **19** **20** **21** **22** **23** **24** **25** **26** **27** **28** **29** **30** **31** **32** **33** **34** **35** **36**

ATTENTION
DANGER DE MORT ET DE BLESSURES
Lire et comprendre attentivement ce manuel
avant d'utiliser la machine.
- La charge maximale autorisée doit être respectée.
- Ne jamais travailler avec la charge sur la pelle.
- Arrêter la machine en toute sécurité avant de faire des réparations.
- Ne jamais travailler avec la machine si vous avez consommé de l'alcool ou si vous êtes fatigué.
- Éviter de travailler avec la machine sur des pentes raides.
- Ne jamais travailler avec la machine si vous avez consommé des médicaments.
- Ne jamais travailler avec la machine si vous avez consommé des drogues.
- Ne jamais travailler avec la machine si vous êtes malade.
- Ne jamais travailler avec la machine si vous êtes âgé ou si vous avez des problèmes de vision ou d'audition.

IMPORTANT
NE PAS utiliser cette machine si le frein de stationnement est trop rempli.
Remplir d'huile jusqu'au bas du bouchon de vérification au côté du frein de stationnement. Vidanger l'excédent d'huile avant de remettre le bouchon.
Contenance: 444H, 544H, 624H: 10 OZ. (0,300 l)
644H, 724J, 744J, 824J: 20 OZ. (0,600 l)

AVERTISSEMENT
Risques de blessures graves
Consignes pour prévenir les blessures graves et les décès.
- Ne jamais travailler avec la machine si vous êtes fatigué ou si vous avez consommé de l'alcool ou des médicaments.
- Ne jamais travailler avec la machine si vous avez consommé des drogues.
- Ne jamais travailler avec la machine si vous êtes malade.

VERROUILLÉ
POSER/DÉPOSER

PROCÉDURE D'AMORÇAGE DE CARBURANT
1. Mettre le commutateur de démarrage sur **MARCHE**.
2. Faire tourner le pompe d'amorçage de carburant pendant 5 minutes avant de démarrer le moteur.
3. Lorsque le moteur démarre, continuer à faire tourner le pompe d'amorçage pendant 5 minutes.
4. Lorsque le moteur a démarré, faire tourner le commutateur sur **ARRÊT**.
*La consigne d'amorçage à l'intérieur du porte de console doit être en position du "MORNET" pour faire tourner le pompe d'amorçage de carburant.
*Si la pompe d'amorçage pendant plus de 15 minutes, un message s'affiche sur le moniteur pour indiquer de l'arrêter.

AVERTISSEMENT
Attention au feu
- Ne jamais fumer ou utiliser des appareils à gaz dans la zone de travail de la machine.
- Ne jamais utiliser de produits inflammables ou explosifs.
- Ne jamais travailler avec la machine si vous avez consommé de l'alcool ou des médicaments.
- Ne jamais travailler avec la machine si vous avez consommé des drogues.
- Ne jamais travailler avec la machine si vous êtes malade.

AVERTISSEMENT
Attention aux personnes et aux objets
- Ne jamais travailler avec la machine si vous avez consommé de l'alcool ou des médicaments.
- Ne jamais travailler avec la machine si vous avez consommé des drogues.
- Ne jamais travailler avec la machine si vous êtes malade.

AVERTISSEMENT
Attention aux personnes et aux objets
- Ne jamais travailler avec la machine si vous avez consommé de l'alcool ou des médicaments.
- Ne jamais travailler avec la machine si vous avez consommé des drogues.
- Ne jamais travailler avec la machine si vous êtes malade.

Service ADVISOR™

BASCULE DE CHARGE

PALLIER DE BUTÉE ARRIÈRE
PALLIER D'OSCILLATION ARRIÈRE
PALLIER D'OSCILLATION AVANT
VÉRIN DE DIRECTION DROIT
VÉRIN DE DIRECTION GAUCHE

PIVOT DE VÉRIN DE BENNE GAUCHE
PIVOT DE VÉRIN DE BENNE DROIT
PIVOT DE FLÈCHE DROIT
PIVOT DE FLÈCHE GAUCHE

1320-7

MISCELLANEOUS VEHICLE 13
VEHICLE FINISH AND TRIM 1320

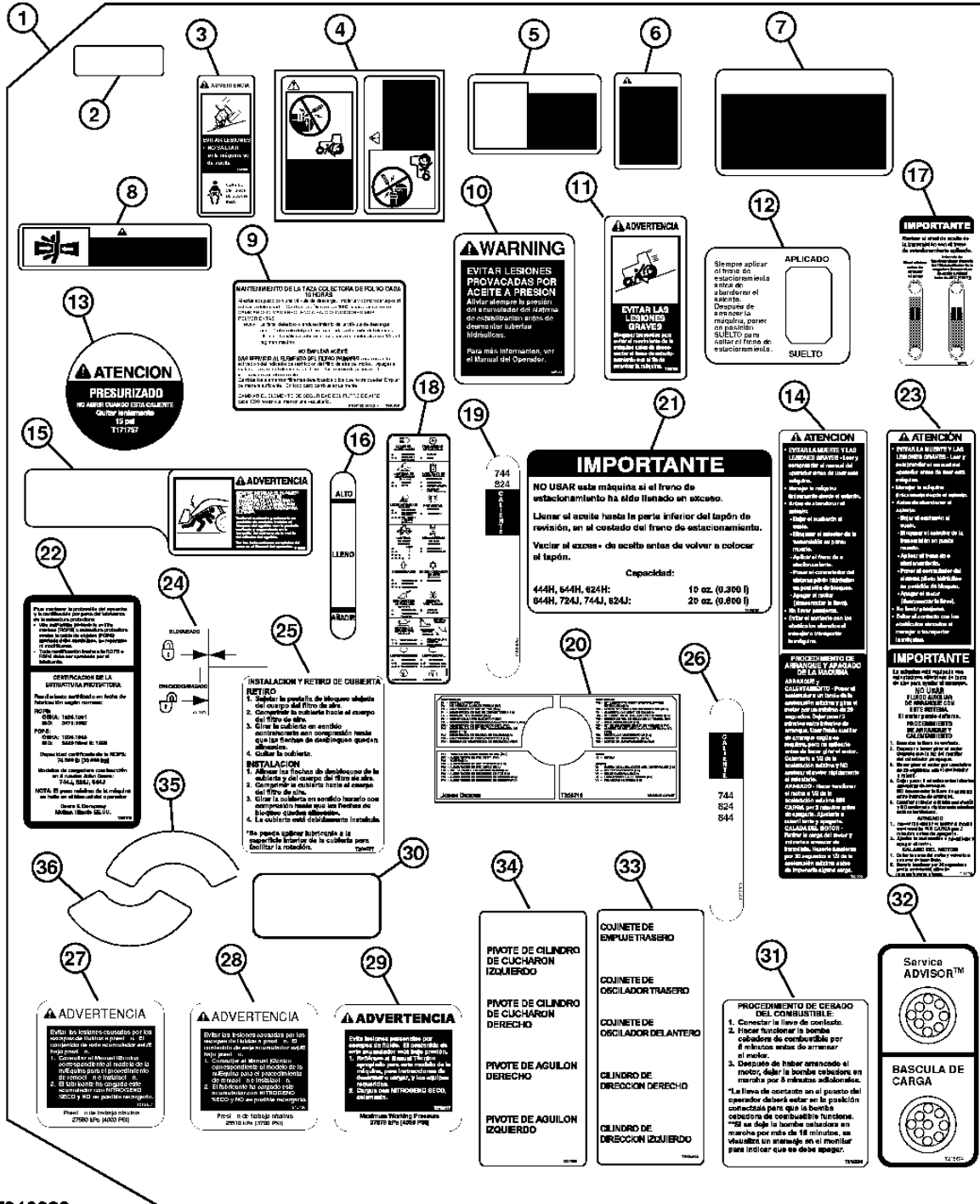
FRENCH LABELS
ETIQUETTES EN FRANCAIS
ETIQUETAS EN FRANCES

KEY	PART NO.	PART NAME	QTY.	SERIAL NO.	REMARKS
1	LABEL KIT	1		(AT309885 NLA) (844J FRANCAIS)
2	CD12569	LABEL	1		(ELEMENT DE FILTRE A HUILE)
3	T218568	LABEL	1		(SUB FOR T102618) (HUILE HYDRAULIQUE)
4	T146099	SAFETY SIGN	1		(AVERTISSEMENT DE CEINTURE DE SECURITE)
5	T146104	SAFETY SIGN	1		(SECURITE AU DEMARRAGE)
6	T146178	SAFETY SIGN	1		(DANGER)
7	T146494	SAFETY SIGN	1		(ATTENTION DE DIRECTION AUXILIAIRE)
8	T146495	SAFETY SIGN	2		(ATTENTION)
9	T146496	SAFETY SIGN	2		(AVERTISSEMENT)
10	T146607	LABEL	1		(FILTRE A AIR)
11	T146908	SAFETY SIGN	2		(AVERTISSEMENT)
12	T160762	LABEL	1		(AVERTISSEMENT DE FREIN DE STATIONNEMENT)
13	T171750	LABEL	1		(INTERRUPTEUR DE FREIN DE STATIONNEMENT)
14	T171756	LABEL	1		(BOUCHON DU RADIATEUR)
15	T195558	LABEL	1		(DEMARRAGE/ARRET DU MOTEUR)
16	T195857	LABEL	2		(VERROUILLAGE DE FLECHE)
17	T197323	LABEL	1		(VOYANT DU RESERVOIR HYDRAULIQUE)
18	T200056	LABEL	1		(VERIFICATION ET VIDANGE D'HUILE DE TRANSMISSION)
19	T200791	LABEL	1		(PAVE DE TOUCHES)
20	T202836	LABEL	1		(NIVEAU D'HUILE DE TRANSMISSION)
21	T205718	LABEL	1		
22	T207750	LABEL	1		(EXCES DE REMPLISSAGE DU FREIN DE STATIONNEMENT)
23	T207809	LABEL	1		(ARCEAU DE SECURITE)
24	T207750	LABEL	1		(ATTENTION/ASSISTE ELECTRIQUEMENT)
25	T208374	LABEL	1		(FILTRE A AIR)
26	T208375	LABEL	1		(FILTRE A AIR)
27	T210113	LABEL	1		(NIVEAU D'HUILE DE TRANSMISSION)
28	T215156	LABEL	2		(ACCUMULATEUR)
29	T215159	LABEL	1		(ACCUMULATEUR)
30	T215216	LABEL	2		(ACCUMULATEUR)
31	T215584	LABEL	1		(ENTRETIEN PERIODIQUE)
32	T215593	LABEL	1		(PROCEDURE D'AMORCAGE DE CARBURANT)
33	T215673	LABEL	1		(CONNECTEUR)
34	T217389	LABEL	1		(GRAISSEUR DE BATI DE MOTEUR)
35	T217390	LABEL	1		(GRAISSEUR DE BATI DE CHARGEUR)
36	T63224	LABEL	1		(DECONNEXION)

SPANISH LABELS
ETIQUETAS EN ESPAÑOL
ETIQUETAS EN ESPA-OL

T212933

-UN-02AUG05



T212933

1320-9

MISCELLANEOUS VEHICLE 13
VEHICLE FINISH AND TRIM 1320

SPANISH LABELS
ETIQUETTES EN ESPAGNOL
ETIQUETAS EN ESPA-OL

KEY	PART NO.	PART NAME	QTY.	SERIAL NO.	REMARKS
1	LABEL KIT	1		(AT309886 NLA) (844J ESPA-OL)
2	T218567	LABEL	1		(SUB FOR T102620) (ACEITE HIDRAULICAO)
3	T146098	SAFETY SIGN	1		(ADVERTENCIA DEL CINTURON DE SEGURIDAD)
4	T146106	SAFETY SIGN	1		(DERIVACION)
5	T146180	SAFETY SIGN	1		(PELIGRO)
6	T146502	SAFETY SIGN	1		(ATENCION DIRECCION AUXILIAR)
7	T146503	SAFETY SIGN	2		(ATENCION)
8	T146504	SAFETY SIGN	2		(ADVERTENCIA)
9	T146606	LABEL	1		(FILTRO DE AIRE)
10	T146911	LABEL	2		(ADVERTENCIA)
11	T160769	SAFETY SIGN	1		(ADVERTENCIA DEL FRENO DE ESTACIONAMIENTO)
12	T171751	LABEL	1		(CONTROL DE FRENO DE ESTACIONAMIENTO)
13	T171757	LABEL	1		(TAPA DEL RADIADOR)
14	T195559	LABEL	1		(ARRANQUE/PARADA DEL MOTOR)
15	T195558	LABEL	2		(BLOQUEO DEL AGUILON)
16	T197324	LABEL	1		(MIRILLA DEL DEPOSITO HIDRAULICO)
17	T200057	LABEL	1		(REVISION Y CAMBIO DEL ACEITE DE LA TRANSMISION)
18	T200818	LABEL	1		(TABLERO DE CONTROLES)
19	T202835	LABEL	1		(NIVEL DE ACEITE DE LA TRANSMISION)
20	T205719	LABEL	1		
21	T207751	LABEL	1		(LLENADO EXCESIVO DEL FRENO DE ESTACIONAMIENTO)
22	T207810	LABEL	1		(ROPS)
23	T208086	SAFETY SIGN	1		(ATENCION/AUXILIAR ELECTRICO)
24	T208376	LABEL	1		(FILTRO DE AIRE)
25	T208377	LABEL	1		(FILTRO DE AIRE)
26	T210112	LABEL	1		(NIVEL DE ACEITE DE LA TRANSMISION)
27	T215157	LABEL	2		(ACUMULADOR)
28	T215160	LABEL	1		(ACUMULADOR)
29	T215217	LABEL	2		(ACUMULADOR)
30	T215585	LABEL	1		(MANTENIMIENTO PERIODICO)
31	T215595	LABEL	1		(PROCEDIMIENTO DE CEBADO DE COMBUSTIBLE)
32	T215674	LABEL	1		(CONECTOR)
33	T217391	LABEL	1		(GRASERA DEL BASTIDOR DEL MOTOR)
34	T217392	LABEL	1		(GRASERA DEL BASTIDOR DE LA CARGADORA)
35	T63225	LABEL	1		(DESCONEXION)
36	T64217	LABEL	1		(ELEMENTO DEL FILTRO DE ACEITE)

1320-10

MISCELLANEOUS VEHICLE 13
VEHICLE FINISH AND TRIM 1320

MEMORANDA
MEMORANDA
MEMORANDA

1369-1

MISCELLANEOUS VEHICLE 13

GREASES, OILS, FUELS & COOLANTS 1369

ENGINE COOLANT CONDITIONER CONDITIONNEUR DE LIQUIDE DE REFROIDISSEMENT DU MOTEUR CONDICIONADOR DEL REFRIGERANTE DEL MOTOR

RGP9624

-UN-26JUN03



JOHN DEERE
RGP9624

KEY	PART NO.	PART NAME	QTY.	ENGINE SERIAL NO.	REMARKS
1	TY16004	ENGINE COOLANT CONDITIONER	1		16 OZ (473 ML)
2	TY16005	ENGINE COOLANT CONDITIONER	1		1/2 GAL (1.89 L)

1370-2

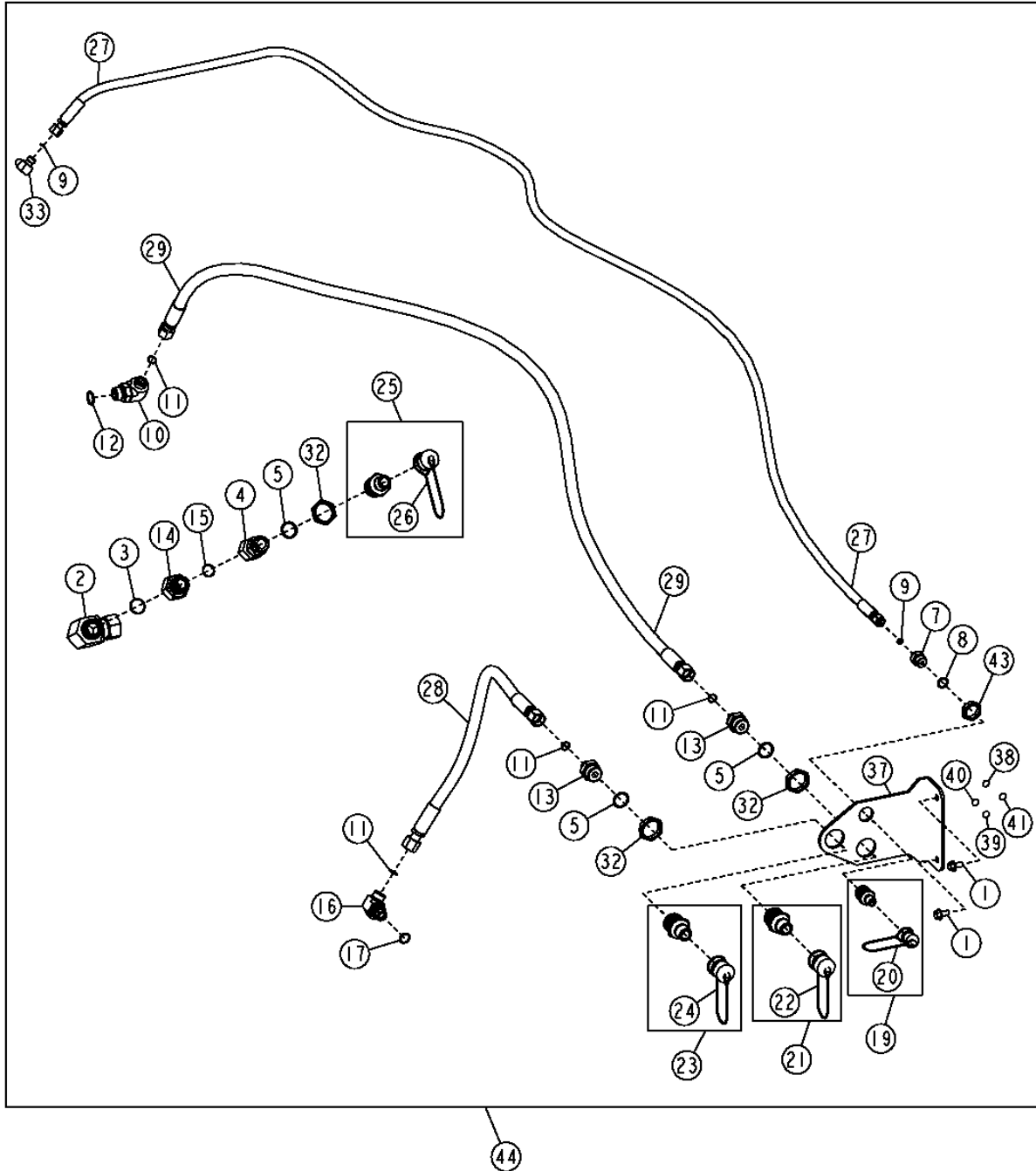
MISCELLANEOUS VEHICLE 13

LUBRICATION SYSTEMS 1370

QUICK SERVICE KIT KIT D'ENTRETIEN RAPIDE JUEGO DE SERVICIO RAPIDO

T212986

-UN-15AUG05



T212986

THIS PARTS LISTING IS CONTINUED

1370-3

MISCELLANEOUS VEHICLE 13

LUBRICATION SYSTEMS 1370

**QUICK SERVICE KIT
KIT D'ENTRETIEN RAPIDE
JUEGO DE SERVICIO RAPIDO**

KEY	PART NO.	PART NAME	QTY.	SERIAL NO.	REMARKS
1	19M7784	SCREW	2		M10 X 20
2	38H1043	TEE FITTING	1		
3	T78612	O-RING	2		
4	38H1071	ADAPTER FITTING	1		
5	R29936	O-RING	3		
6	38H1099	ELBOW FITTING	1		(A)
	T78612	O-RING	1		(A)
7	38H1172	ADAPTER FITTING	1		
8	R26906	O-RING	1		
9	T77613	O-RING	2		
10	38H1404	ELBOW FITTING	1		
11	T77932	O-RING	4		
12	U12547	O-RING	1		
13	38H1447	ADAPTER FITTING	2		
14	38H1484	REDUCER	1		
15	T76938	O-RING	1		
16	38H5018	ELBOW FITTING	1		
17	51M7045	O-RING	1		19.300 X 2.200 MM
18	AR21837	CLAMP	1		(A)
19	AT319067	FITTING	1		
20	AT319069	CAP	1		
21	AT319079	FITTING	1		
22	AT319081	CAP	1		
23	AT325195	ENGINE OIL PRESS. SENSOR	1		
24	AT325197	CAP	1		
25	AT325198	ENGINE OIL PRESS. SENSOR	1		
26	AT325200	CAP	1		
27	AT325585	HYDRAULIC HOSE	1		
28	AT325586	HYDRAULIC HOSE	1		
29	AT325587	HYDRAULIC HOSE	1		
30	AT35831	DRAIN VALVE	1		(A)
31	N189220	TIE BAND	1		(A)
32	R32295	NUT	3		
33	R87907	ELBOW FITTING	1		
34	RE32361	HOSE CLAMP	1		(A)
35	RE507950	DRAIN VALVE	1		(A)
36	T60811	BULK HOSE	1		(A) (CUT TO LENGTH, 5.1 FEET)
37	T215091	PLATE	1		
38	T217789	LABEL	1		
39	T217790	LABEL	1		
40	T217791	LABEL	1		
41	T217792	LABEL	1		
42	T29384	HOSE	1		(A)
43	T78707	NUT	1		
44	AT325999	KIT	1		

(A) NOT ILLUSTRATED

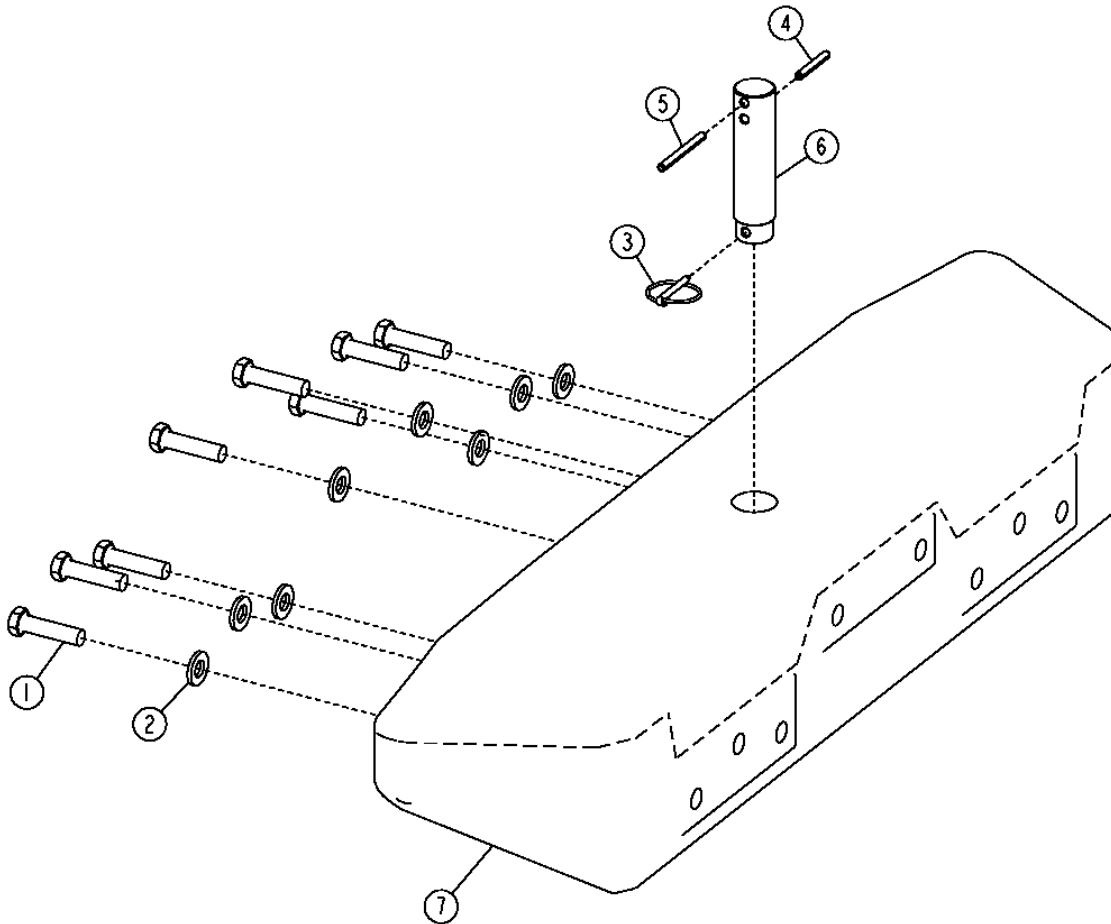
(A) PAS ILLUSTRÉ

(A) NO SE ILUSTRÓ

1520-2

HITCH ASSEMBLY
ATTELAGE
CONJUNTO DE ENGANCHE

T212940 -UN-04AUG05



T212940

1520-3

EQUIPMENT ATTACHING 15
HITCHES AND HITCH PINS 1520

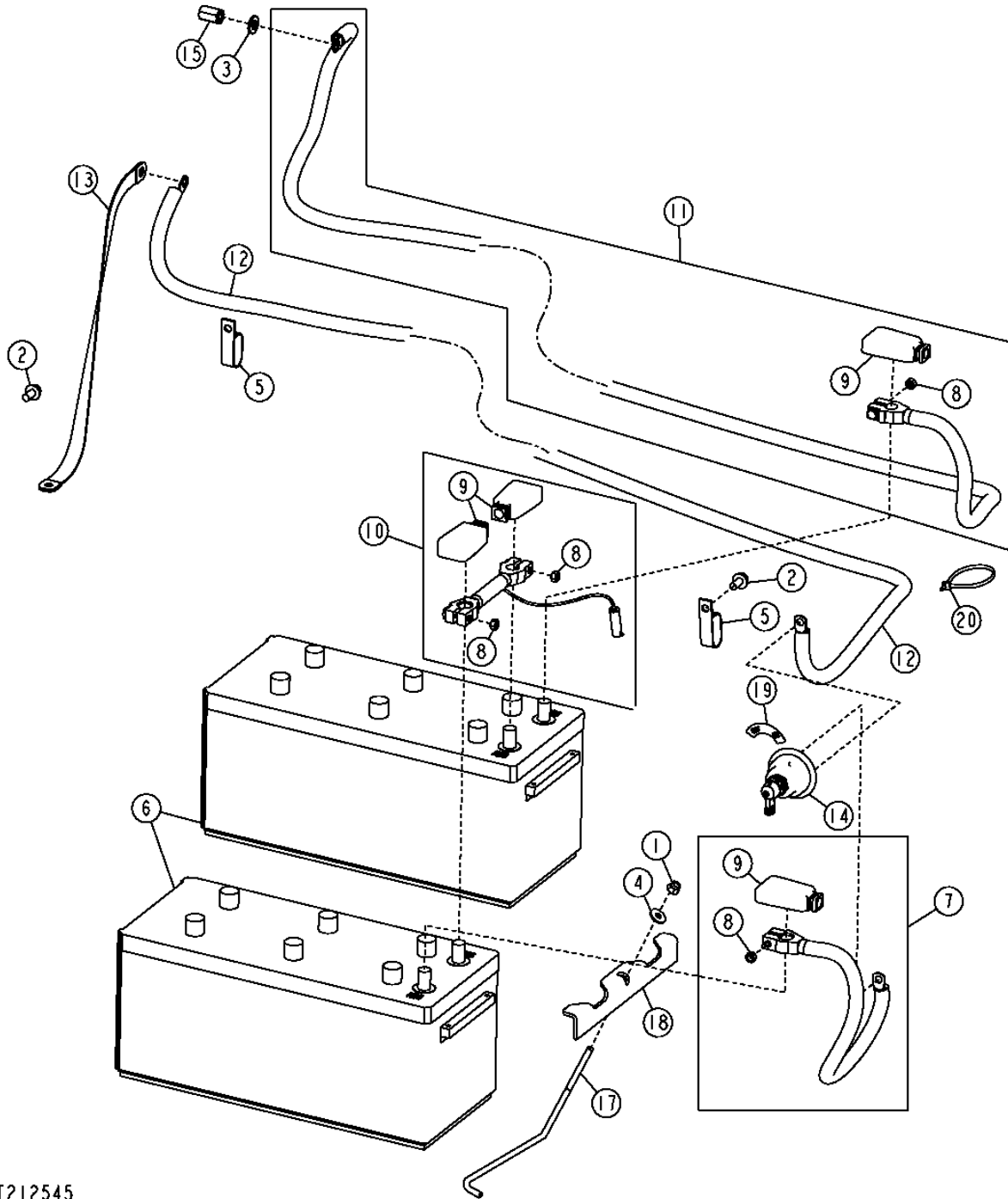
HITCH ASSEMBLY
ATTELAGE
CONJUNTO DE ENGANCHE

KEY	PART NO.	PART NAME	QTY.	SERIAL NO.	REMARKS
1	19M7892	CAP SCREW	8		M20 X 80
2	24M7242	WASHER	8		21.400 X 42 X 5 MM
3	AR83396	QUICK LOCK PIN	1		
4	34H358	SPRING PIN	1		3/8" X 2-3/4"
5	34H363	SPRING PIN	1		3/8" X 4"
6	T209371	PIN FASTENER	1		
7	T214673	HITCH	1		

1671-2

BATTERIES, CABLES, CLAMPS AND GROUNDING STRAP
BATTERIES, SUPPORT AND CABLES 1671
BATTERIES, CABLES, SERRE-CABLES ET TRESSE DE MASSE
BATERIAS, CABLES, ABRAZADERAS Y TIRA DE CONEXION A TIERRA

T212545 -UN-12JUL05



T212545

1671-3

ELECTRICAL SYSTEM 16

BATTERIES, SUPPORT AND CABLES 1671
BATTERIES, CABLES, CLAMPS AND GROUNDING STRAP
BATTERIES, CABLES, SERRE-CABLES ET TRESSE DE MASSE
BATERIAS, CABLES, ABRAZADERAS Y TIRA DE CONEXION A TIERRA

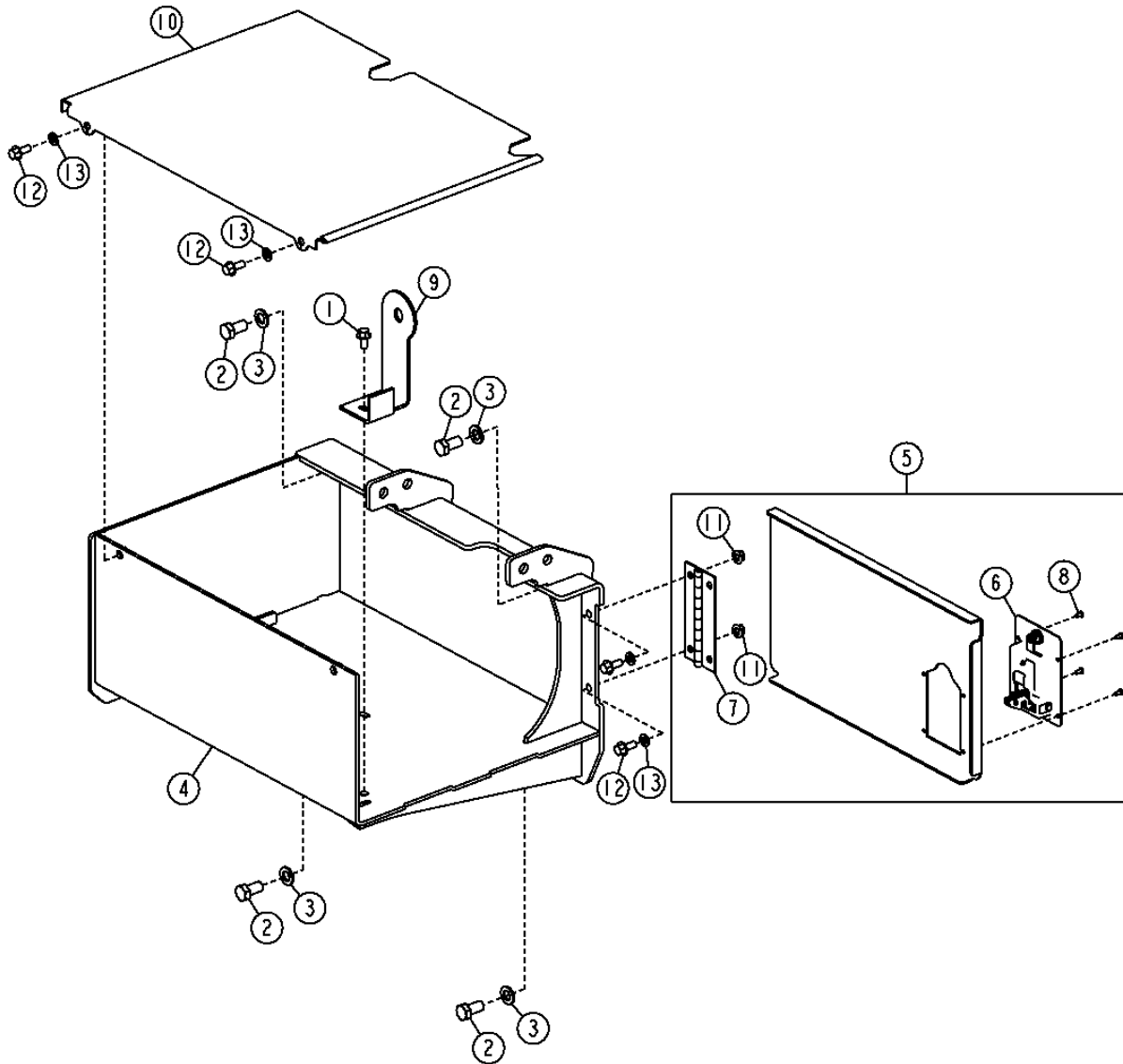
KEY	PART NO.	PART NAME	QTY.	SERIAL NO.	REMARKS
1	14M7396	LOCK NUT	1		M8
2	19M7784	SCREW	2		M10 X 20
3	24M7240	WASHER	1		13 X 25 X 3 MM
4	24M7298	WASHER	1		8.400 X 25 X 2 MM
5	AH77869	CLIP	2		
6	TY23020	DRY CHARGED BATTERY	2		(1400CCA)
7	AT228407	BATTERY CABLE	1		
8	14H785	NUT	4		5/16"
9	T107117	COVER	4		
10	AT312025	BATTERY CABLE	1		
11	AT312067	BATTERY CABLE	1		
12	AT312207	CABLE	1		
13	AT38449	GROUND CABLE	1		
14	AT41188	SWITCH	1		
15	T134103	NUT	1		
	T134104	COVER	1		
17	T213611	HOOK BOLT	1		
18	T217516	ANGLE	1		
19	T42199	LABEL	1		
20	R44302	TIE BAND	52		

1671-4

BATTERY BOX COFFRE A BATTERIE CAJA DE BATERIA

TX1018608

-UN-27FEB07



TX1018608

1671-5

ELECTRICAL SYSTEM 16

BATTERIES, SUPPORT AND CABLES 1671

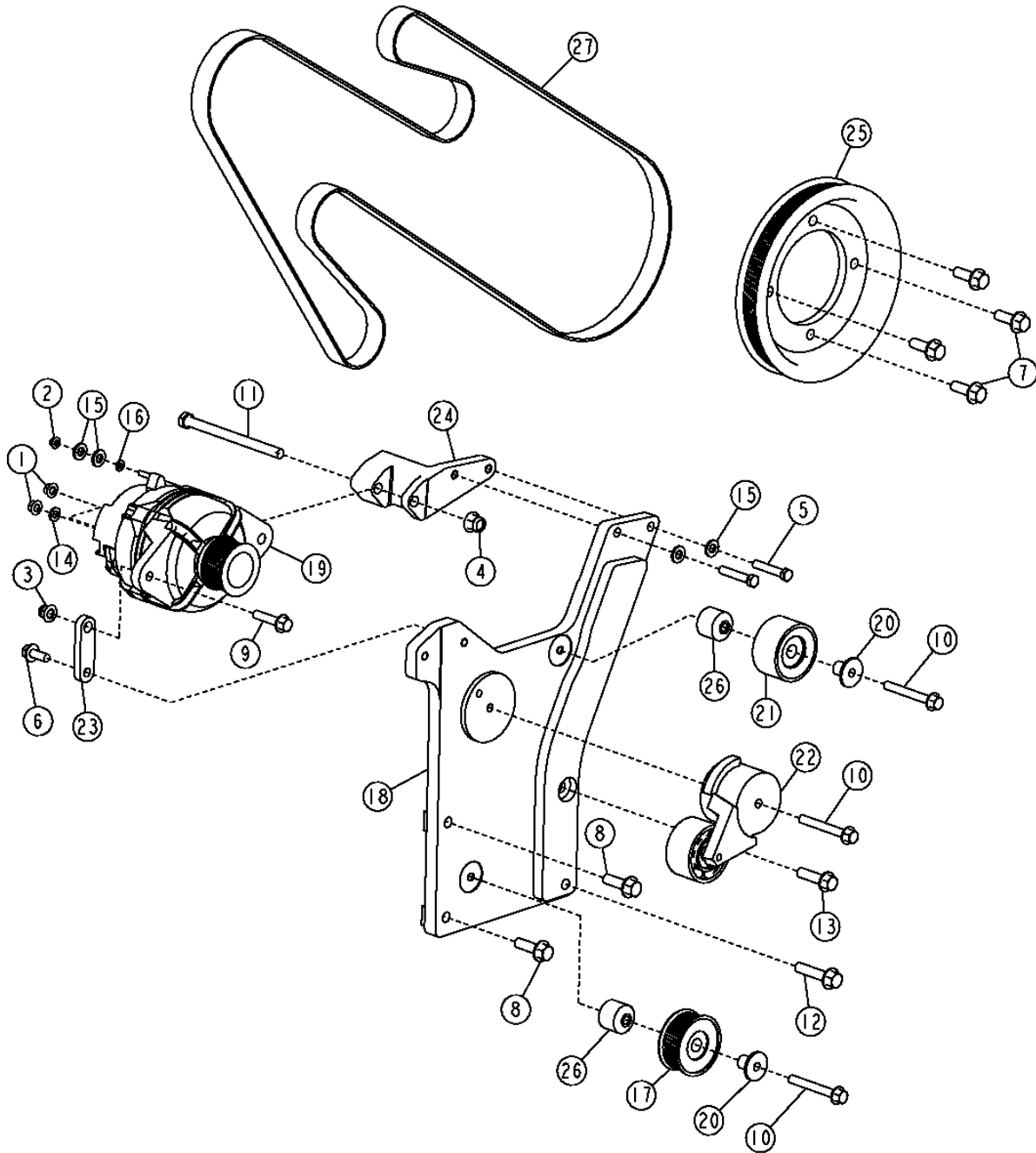
**BATTERY BOX
COFFRE A BATTERIE
CAJA DE BATERIA**

KEY	PART NO.	PART NAME	QTY.	SERIAL NO.	REMARKS
1	19M7784	SCREW	1		M10 X 20
2	19M8029	CAP SCREW	4		M16 X 30
3	24M7338	WASHER	4		17 X 30 X 3 MM
4	AT311174	BATTERY BOX	1		
5	AT330468	DOOR	1		(SUB FOR AT311197)
6	AT225885	LATCH	1		
7	AT162114	HINGE	1		
8	H85233	RIVET	4		
9	T197667	BRACKET	1		
10	T223704	COVER	1		(SUB FOR T208746)
11	14M7334	FLANGE NUT	2		M10
12	19M7785	SCREW	4		M10 X 25
13	24M7346	WASHER	4		11 X 20 X 2 MM

1672-2

ALTERNATOR, REGULATOR AND CHARGING SYSTEM WIRING 1672
ALTERNATOR, BRACKETS AND BELT
ALTERNATEUR, SUPPORTS ET COURROIE
ALTERNADOR, SOPORTES Y CORREA

T211740 -UN-10JUN05



T211740

1672-3

ELECTRICAL SYSTEM 16

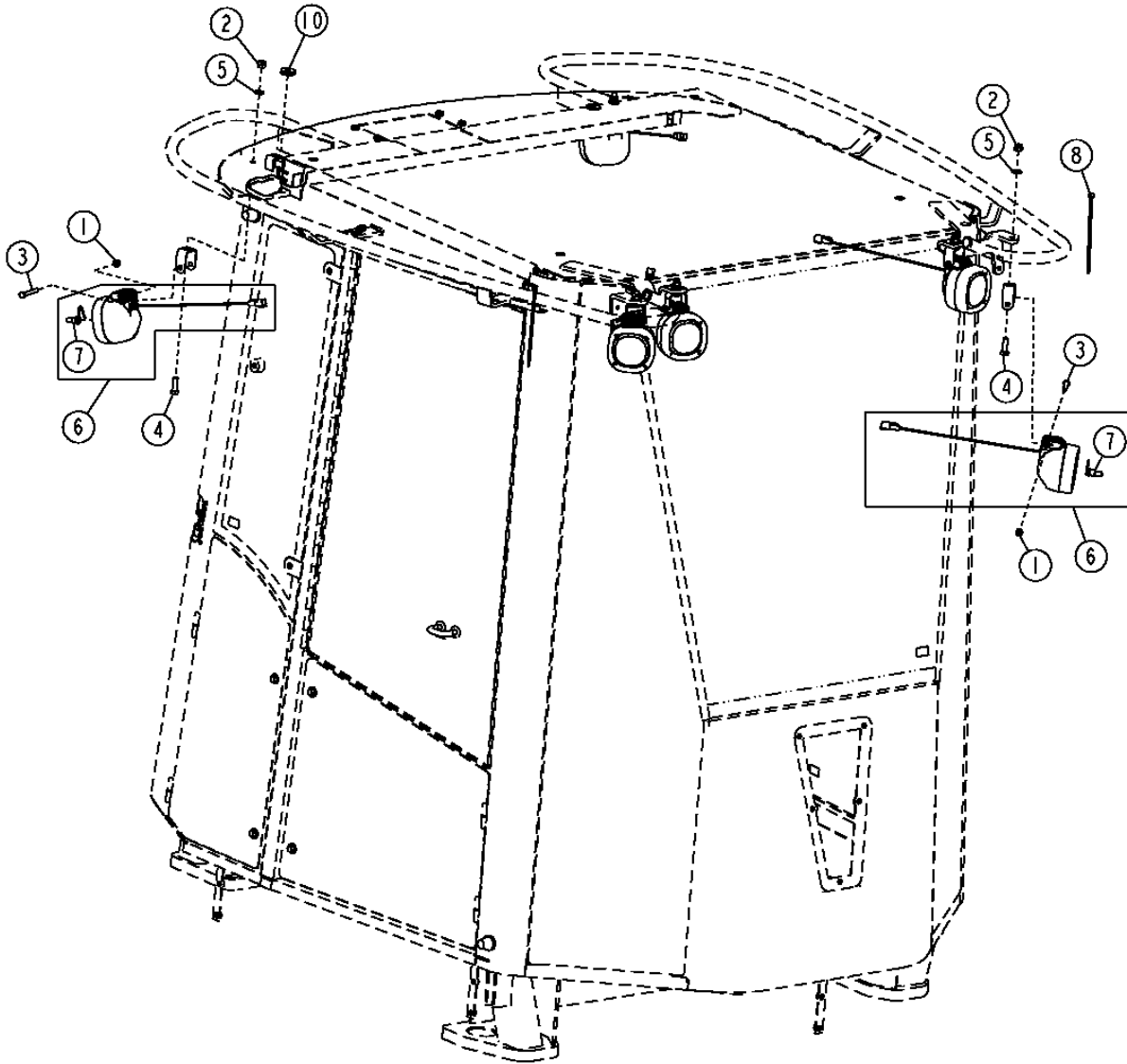
ALTERNATOR, REGULATOR AND CHARGING SYSTEM WIRING 1672
ALTERNATOR, BRACKETS AND BELT
ALTERNATEUR, SUPPORTS ET COURROIE
ALTERNADOR, SOPORTES Y CORREA

KEY	PART NO.	PART NAME	QTY.	SERIAL NO.	REMARKS
1	14M7298	FLANGE NUT	2		M8
2	14M7303	FLANGE NUT	1		M6
3	14M7400	LOCK NUT	1		M10
4	14M7401	LOCK NUT	1		M12
5	19H3485	CAP SCREW	2		3/8" X 2"
6	19M7785	SCREW	1		M10 X 25
7	19M7790	SCREW	4		M12 X 35
8	19M7791	BOLT	2		M12 X 40
9	19M7805	SCREW	1		M10 X 45
10	19M7810	SCREW	3		M10 X 80
11	19M7904	CAP SCREW	1		M12 X 160
12	19M8112	SCREW	1		M12 X 55
13	19M7813	SCREW	1		M12 X 45
14	24M7238	WASHER	1		8.700 X 17 X 2 MM
15	24M7239	WASHER	4		10.700 X 21 X 2.500 MM
16	24M7293	WASHER	1		6.500 X 13 X 1.600 MM
17	AT211041	IDLER	1		
18	AT222928	BRACKET	1		
19	AT303320	ALTERNATOR	1		(NEW) (NUEVO) (NOUVEL) (80 AMP)
20	R502079	SLEEVE	2		
21	RE505264	PULLEY	1		
22	RE69930	IDLER	1		
23	T179743	BRACKET	1		
24	R500607	BRACKET	1		
25	T206302	PULLEY	1		
26	T206483	SPACER	2		
27	T206488	V-BELT	1		

1673-2

CAB LIGHTS ECLAIRAGE DE CABINE LUCES DE LA CABINA

T211749 -UN-13JUN05



T211749

THIS PARTS LISTING IS CONTINUED

1673-3

ELECTRICAL SYSTEM 16

LIGHTING SYSTEM 1673

**CAB LIGHTS
ECLAIRAGE DE CABINE
LUCES DE LA CABINA**

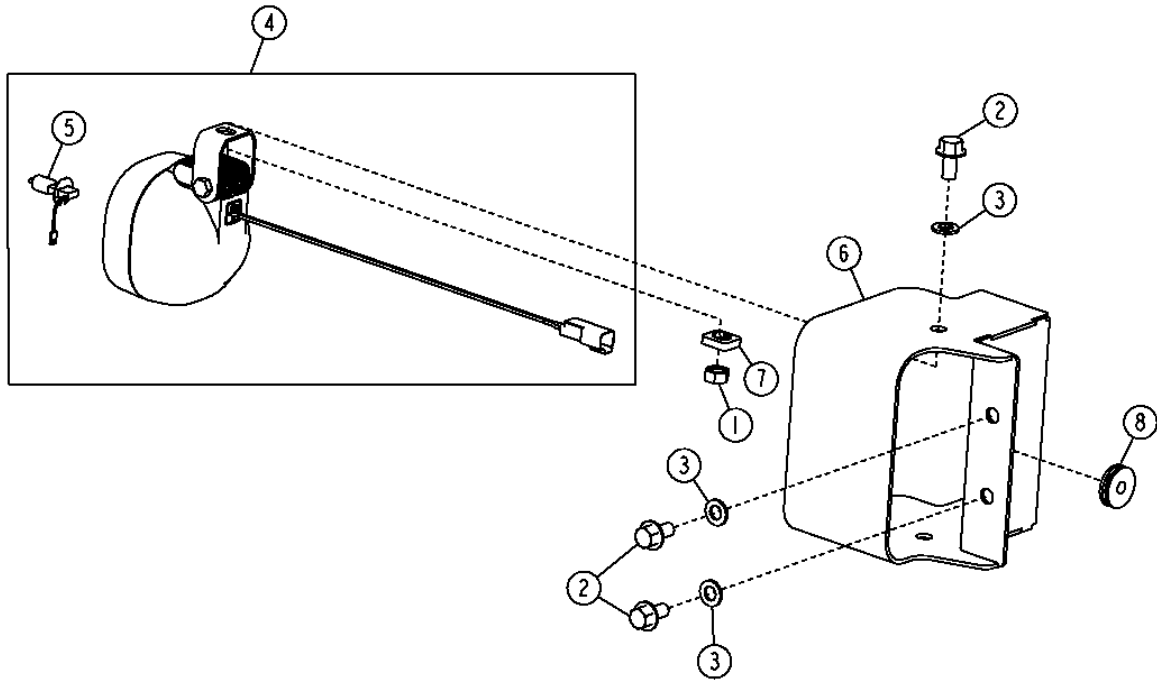
KEY	PART NO.	PART NAME	QTY.	SERIAL NO.	REMARKS
1	14M7426	LOCK NUT	6		M8
2	14M7517	LOCK NUT	6		M10
3	19M7165	CAP SCREW	6		M8 X 55
4	19M7662	CAP SCREW	6		M10 X 30
5	24M7239	WASHER	6		10.700 X 21 X 2.500 MM
6	AT305931	FLOODLAMP	6		(SUB FOR AT324936, THIS APPLICATION)
7	AT135758	BULB	1		(SUB FOR AT130104)
8	R44302	TIE BAND	2		
9	T152230	PLUG	1		(NOT ILLUSTRATED)
10	T65643	GROMMET	2		

1673-4

REAR WORK LIGHTS PROJECTEURS ARRIERE LUCES DE TRABAJO TRASERAS

T212097

-UN-30JUN05



T212097

1673-5

ELECTRICAL SYSTEM 16

LIGHTING SYSTEM 1673

REAR WORK LIGHTS
PROJECTEURS ARRIERE
LUCES DE TRABAJO TRASERAS

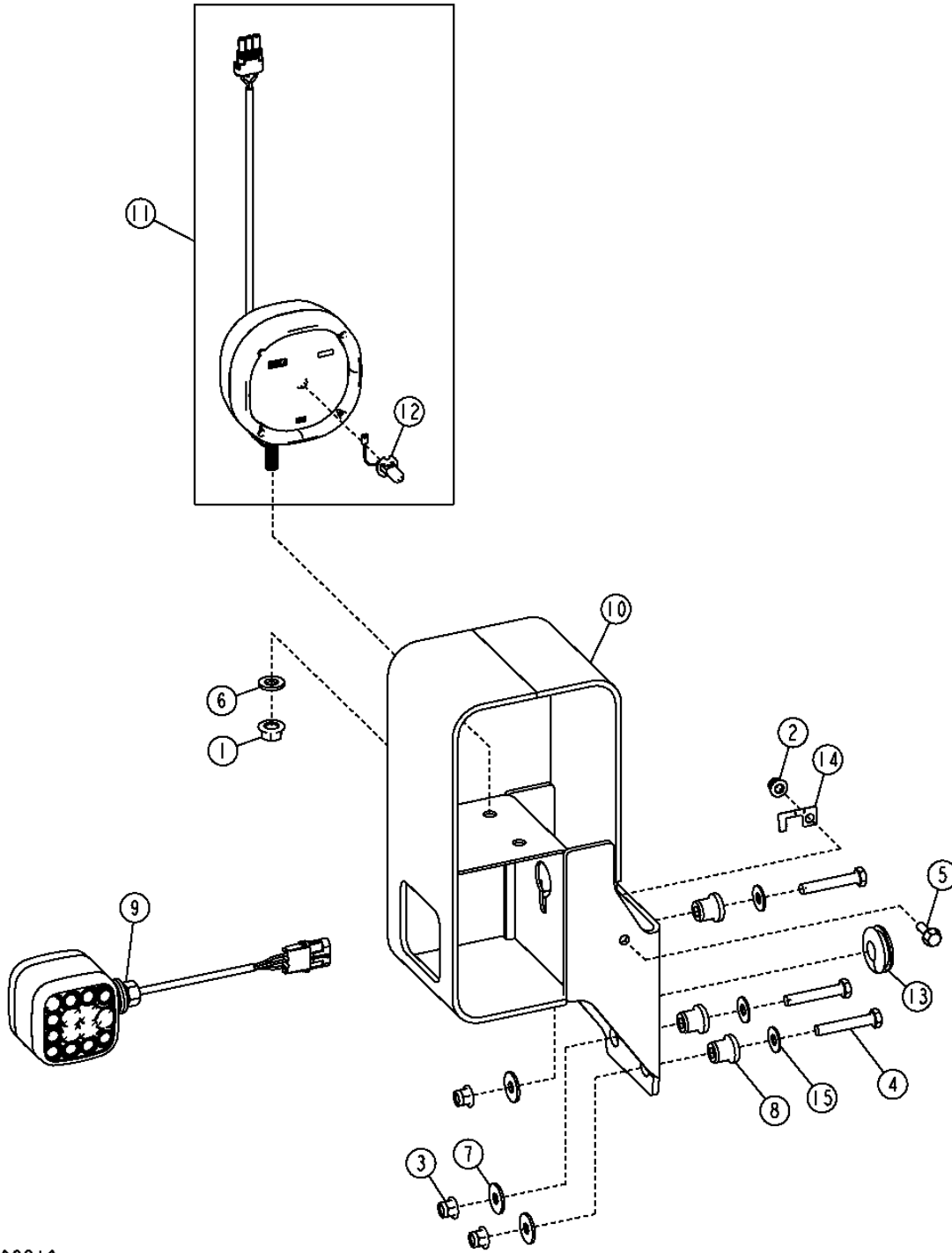
KEY	PART NO.	PART NAME	QTY.	SERIAL NO.	REMARKS
1	14M7274	NUT	1		M10
2	19M7784	SCREW	3		M10 X 20
3	24M7234	WASHER	3		13 X 25 X 3 MM
4	AT305931	FLOODLAMP	1		
5	AT135758	BULB	1		
6	AT320335	BRACKET	1		
7	T213426	LOCK WASHER	1		
8	T65643	GROMMET	1		

1673-6

FRONT WORK LIGHTS PROJECTEURS ARRIERE LUCES DE TRABAJO TRASERAS

TX1008810

-UN-16JUN06



TX1008810

1673-7

ELECTRICAL SYSTEM 16

LIGHTING SYSTEM 1673

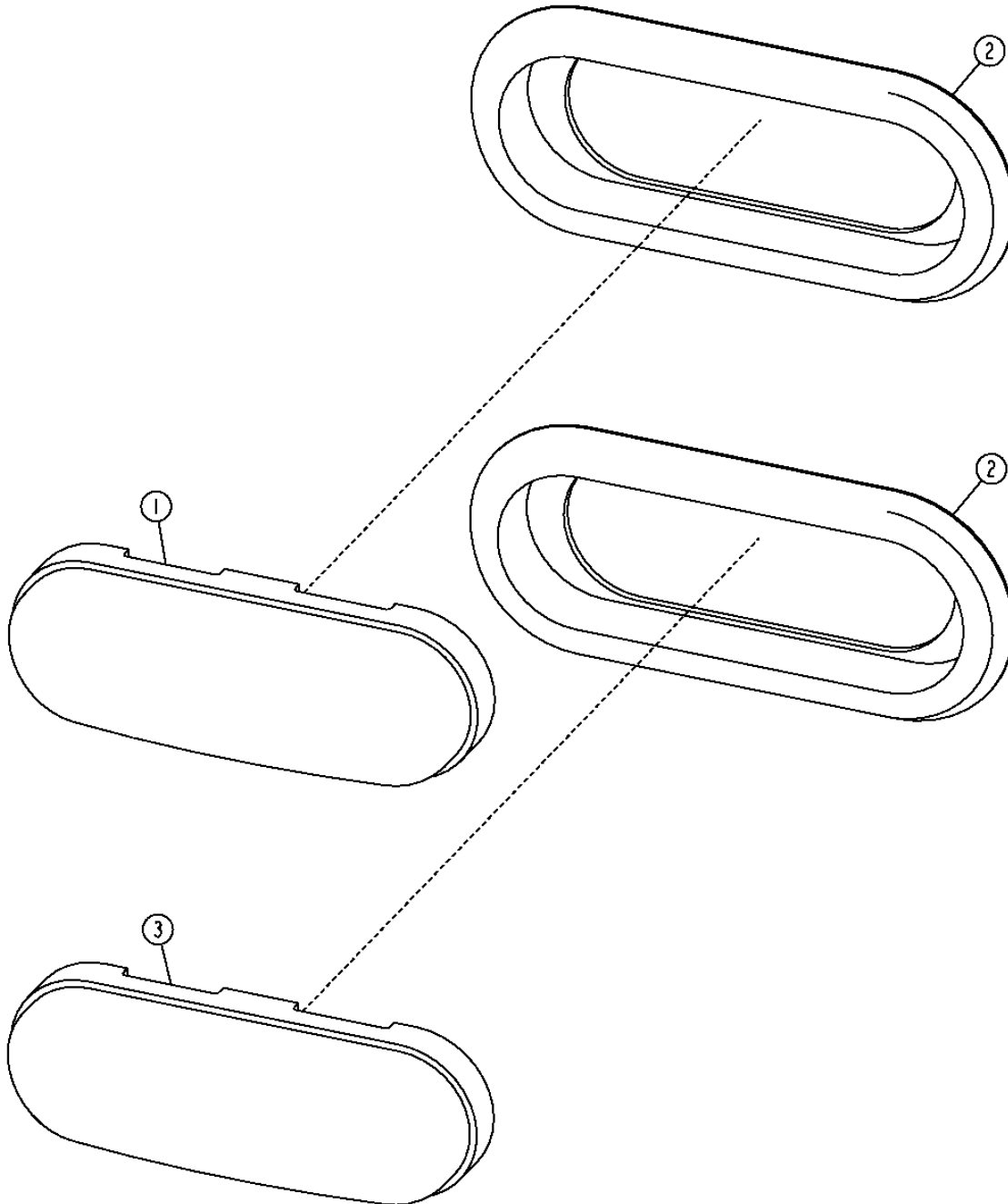
FRONT WORK LIGHTS
PROJECTEURS ARRIERE
LUCES DE TRABAJO TRASERAS

KEY	PART NO.	PART NAME	QTY.	SERIAL NO.	REMARKS
1	14M7299	FLANGE NUT	1		M12
2	14M7396	LOCK NUT	2		M8
3	14M7400	LOCK NUT	3		M10
4	19M8499	CAP SCREW	3		M10 X 60, (SUB FOR 19M7807)
5	19M7867	SCREW	2		M8 X 25
6	24M7240	WASHER	1		13 X 25 X 3 MM
7	24M7296	WASHER	3		10.500 X 30 X 2.500 MM
8	AT116162	ISOLATOR	3		
9	AT307090	LAMP	1		
10	AT324440	BRACKET	1		
11	AT324484	SIDE LIGHT	1		(AT228238 NO LONGER AVAILABLE)
12	AT135758	BULB	1		
13	R45210	GROMMET	1		
14	57M8736	ELEC. CONNECTOR ACCESSORY	2		(57M8998 NLA)
15	24H1307	WASHER	3		13/32" X 1" X 1/16"

1673-8

REAR SIGNAL LIGHTS
FEUX DE SIGNAL ARRIERE
SE-ALIZADORES TRASEROS

T212546 -UN-15JUL05



T212546

1673-9

ELECTRICAL SYSTEM 16

LIGHTING SYSTEM 1673

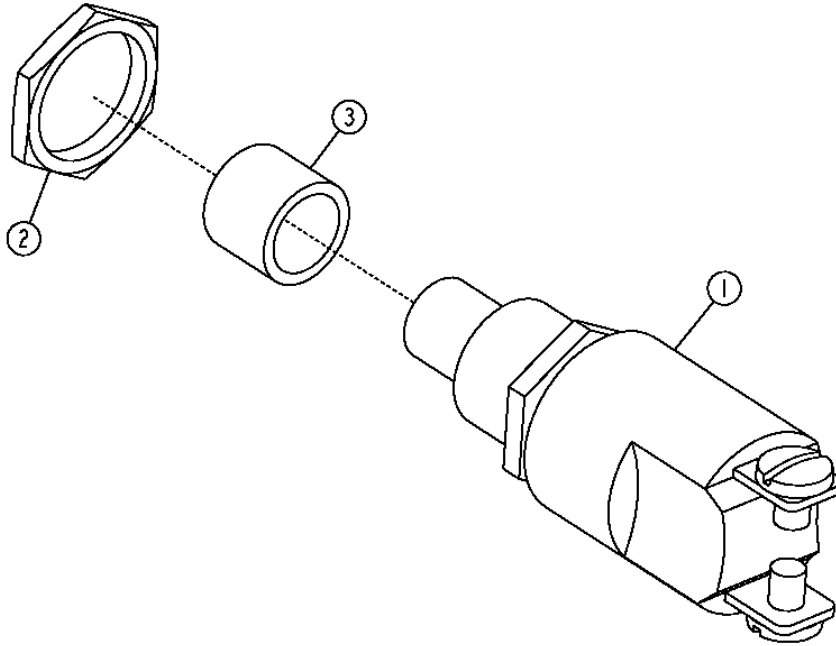
**REAR SIGNAL LIGHTS
FEUX DE SIGNAL ARRIERE
SE-ALIZADORES TRASEROS**

KEY	PART NO.	PART NAME	QTY.	SERIAL NO.	REMARKS
1	T180074	TURN SIGNAL LAMP	1		
2	T178948	RETAINER	2		
3	T180075	TAIL LAMP	1		

1674-2

**DOME LIGHT SWITCH
INTERRUPTEUR DE PLAFONNIER
INTERRUPTOR DE LA LUZ DE TECHO**

T192974 -UN-13AUG03



T192974

1674-3

ELECTRICAL SYSTEM 16

WIRING HARNESS AND SWITCHES 1674

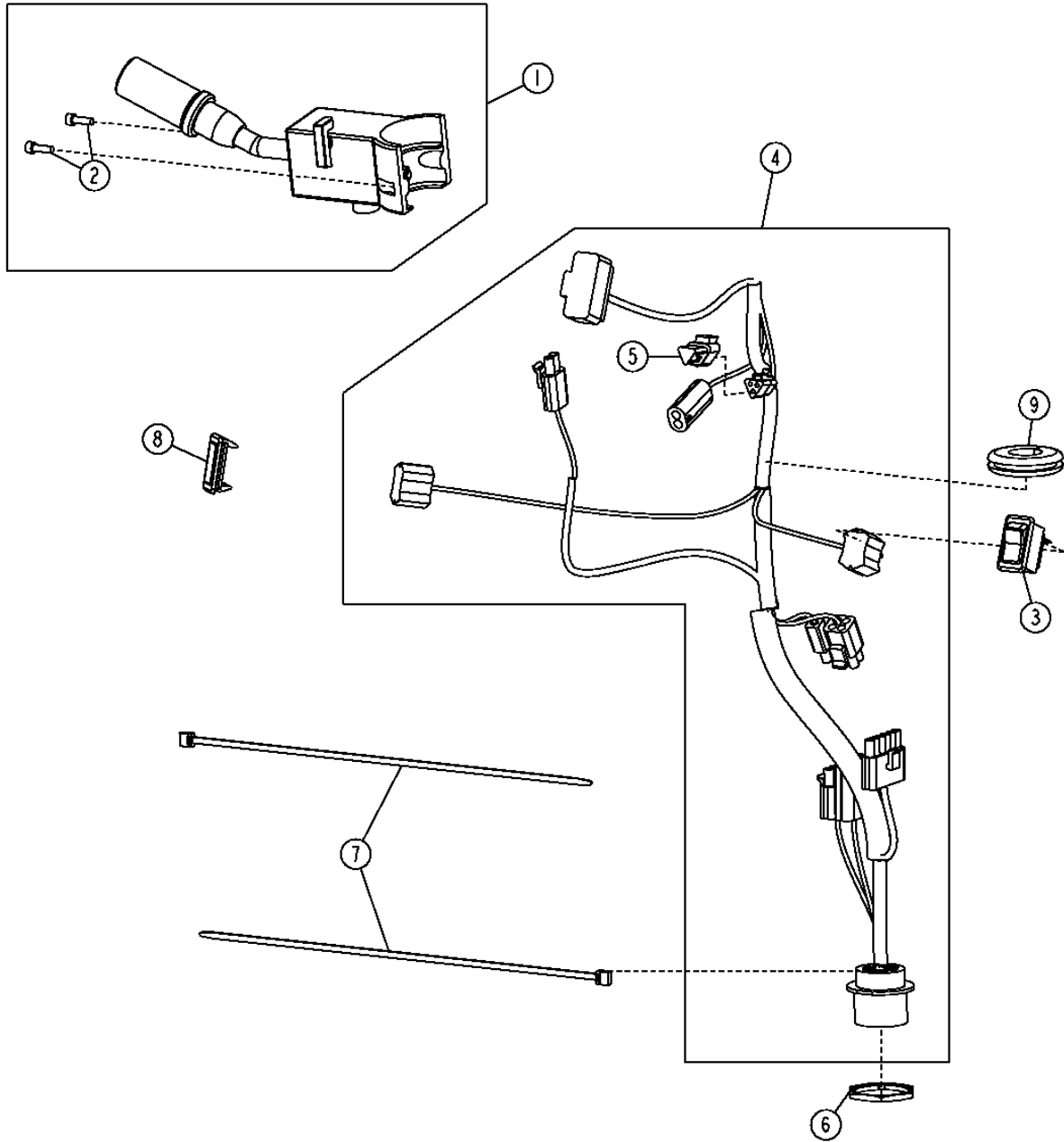
**DOME LIGHT SWITCH
INTERRUPTEUR DE PLAFONNIER
INTERRUPTOR DE LA LUZ DE TECHO**

<i>KEY</i>	<i>PART NO.</i>	<i>PART NAME</i>	<i>QTY.</i>	<i>SERIAL NO.</i>	<i>REMARKS</i>
1	RE51234	PUSH SWITCH	1		
2	R44097	NUT	1		
3	T182914	CAP	1		

1674-4

FRONT DASH MODULE WIRING AND SHIFTER ASSEMBLY
CABLAGE DE MODULE DE TABLEAU DE BORD AVANT ET DISPOSITIF DE COMMANDE
CONJUNTO DE ALAMBRADO DEL MODULO DEL TABLERO DELANTERO Y CONJUNTO DE CAMBIOS

T212822 -UN-19JUL05



T212822

1674-5

ELECTRICAL SYSTEM 16

WIRING HARNESS AND SWITCHES 1674

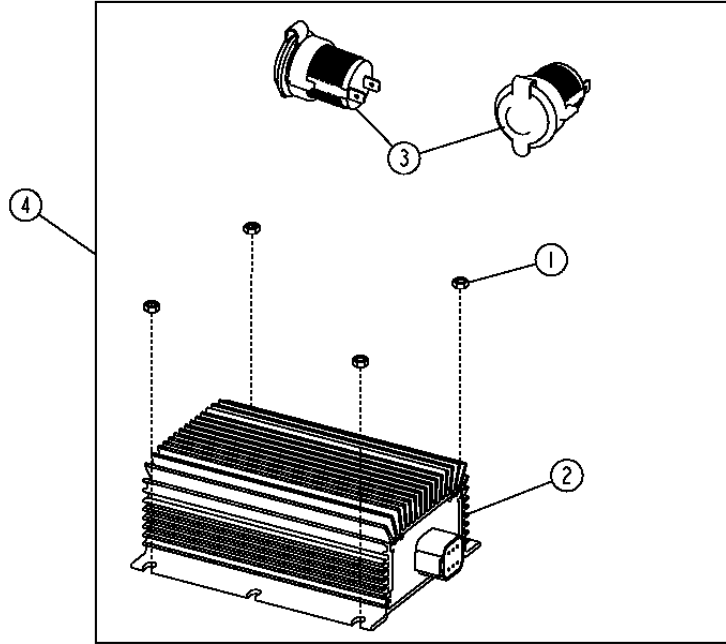
FRONT DASH MODULE WIRING AND SHIFTER ASSEMBLY
CABLAGE DE MODULE DE TABLEAU DE BORD AVANT ET DISPOSITIF DE COMMANDE
CONJUNTO DE ALAMBRADO DEL MODULO DEL TABLERO DELANTERO Y CONJUNTO DE CAMBIOS

KEY	PART NO.	PART NAME	QTY.	SERIAL NO.	REMARKS
1	AT176801	SWITCH	1		(ALSO ORDER 19M8581)
2	19M8581	SCREW	2		M5 X 20
3	AT208630	SWITCH	1		
4	AT227134	WIRING HARNESS	1		
5	57M8131	ELEC. CONNECTOR TERMINAL	1		
6	57M8035	NUT	1		(SUB FOR E73240)
7	H77698	TIE BAND	2		
8	M115279	PLUG	1		
9	T46876	GROMMET	1		

1674-6

**CONVERTER (10 AMP)
CONVERTISSEUR (10 A)
CONVERTIDOR (10 AMP)**

T193985 -UN-22AUG03



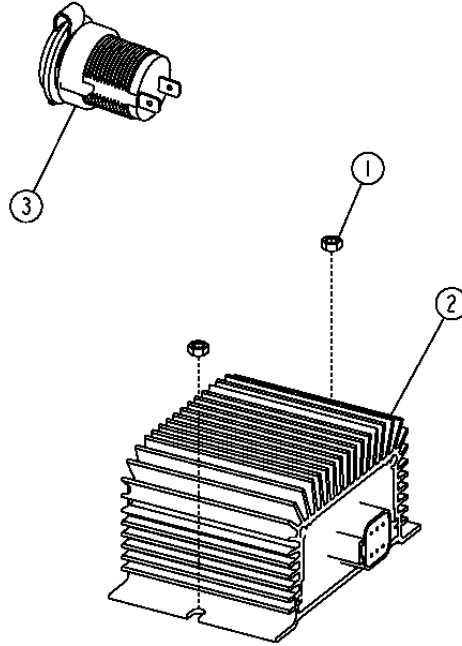
T193985

KEY	PART NO.	PART NAME	QTY.	SERIAL NO.	REMARKS
1	14M7100	NUT	4		M4
2	AT224894	CONVERTER	1		(10 AMP)
3	GY20126	SOCKET OUTLET	2		
4	AT306828	KIT	1		(A) (WHOLEGOODS)
(A) 24 TO 12 VOLT CONVERTER					
(A) CONVERTISSEUR 24/12 VOLTS					
(A) CONVERTIDOR DE 24 A 12 V					

1674-7

CONVERTER (5 AMP)
 CONVERTISSEUR (5 A)
 CONVERTIDOR (5 AMP)

T193986 -UN-22AUG03



T193986

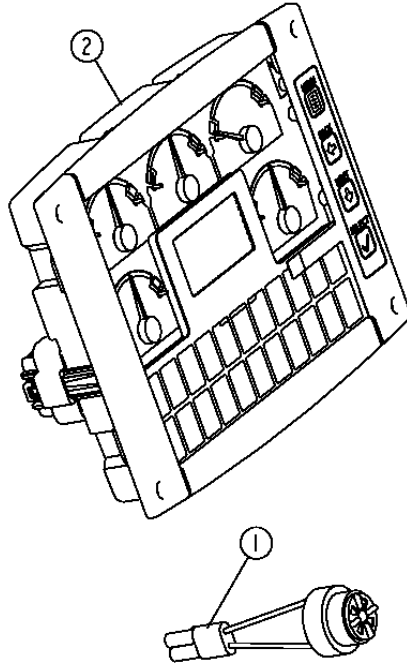
KEY	PART NO.	PART NAME	QTY.	SERIAL NO.	REMARKS
1	14M7100	NUT	2		M4
2	AT224893	CONVERTER	1		(A) (5 AMP)
3	GY20126	SOCKET OUTLET	1		

(A) 24 TO 12 VOLT CONVERTER
 (A) CONVERTISSEUR 24/12 VOLTS
 (A) CONVERTIDOR DE 24 A 12 V

1674-8

CAB MONITOR AND ALARM MONITEUR ET AVERTISSEUR DE CABINE MONITOR Y ALARMA DE LA CABINA

T193991 -UN-21AUG03



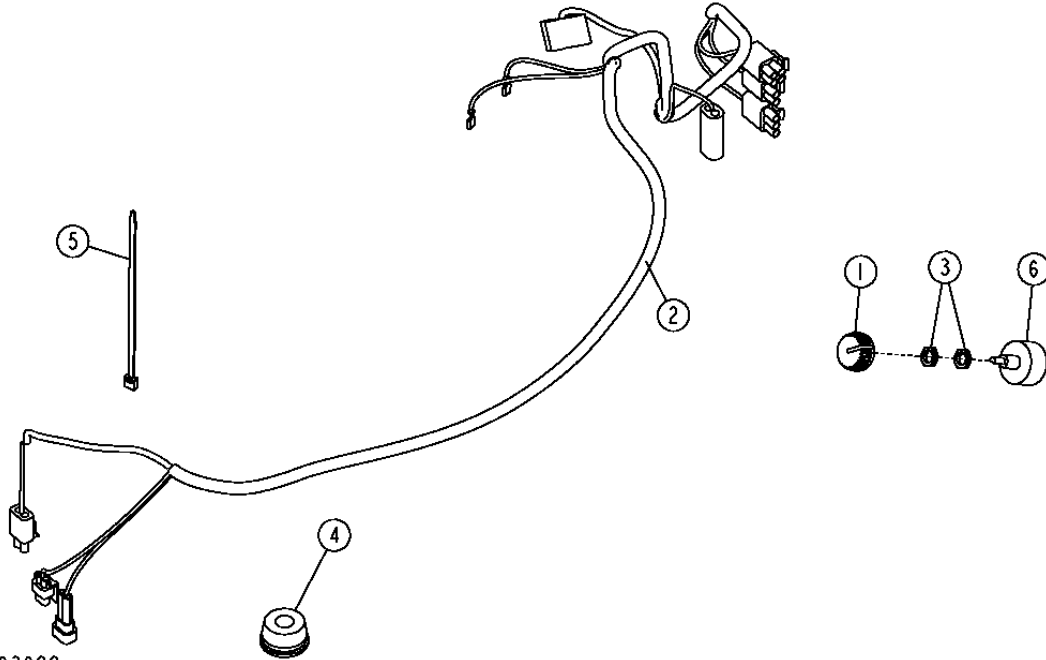
T193991

KEY	PART NO.	PART NAME	QTY.	SERIAL NO.	REMARKS
1	AT160480	ALARM SYSTEM	1		
2	AT312178	MONITOR	1		

1674-9

HVAC WIRING
 CABLE DE CHAUFFAGE, VENTILATION ET CLIMATISATION
 ALAMBRADO DE CLIMATIZACION

T193988 -UN-18AUG03



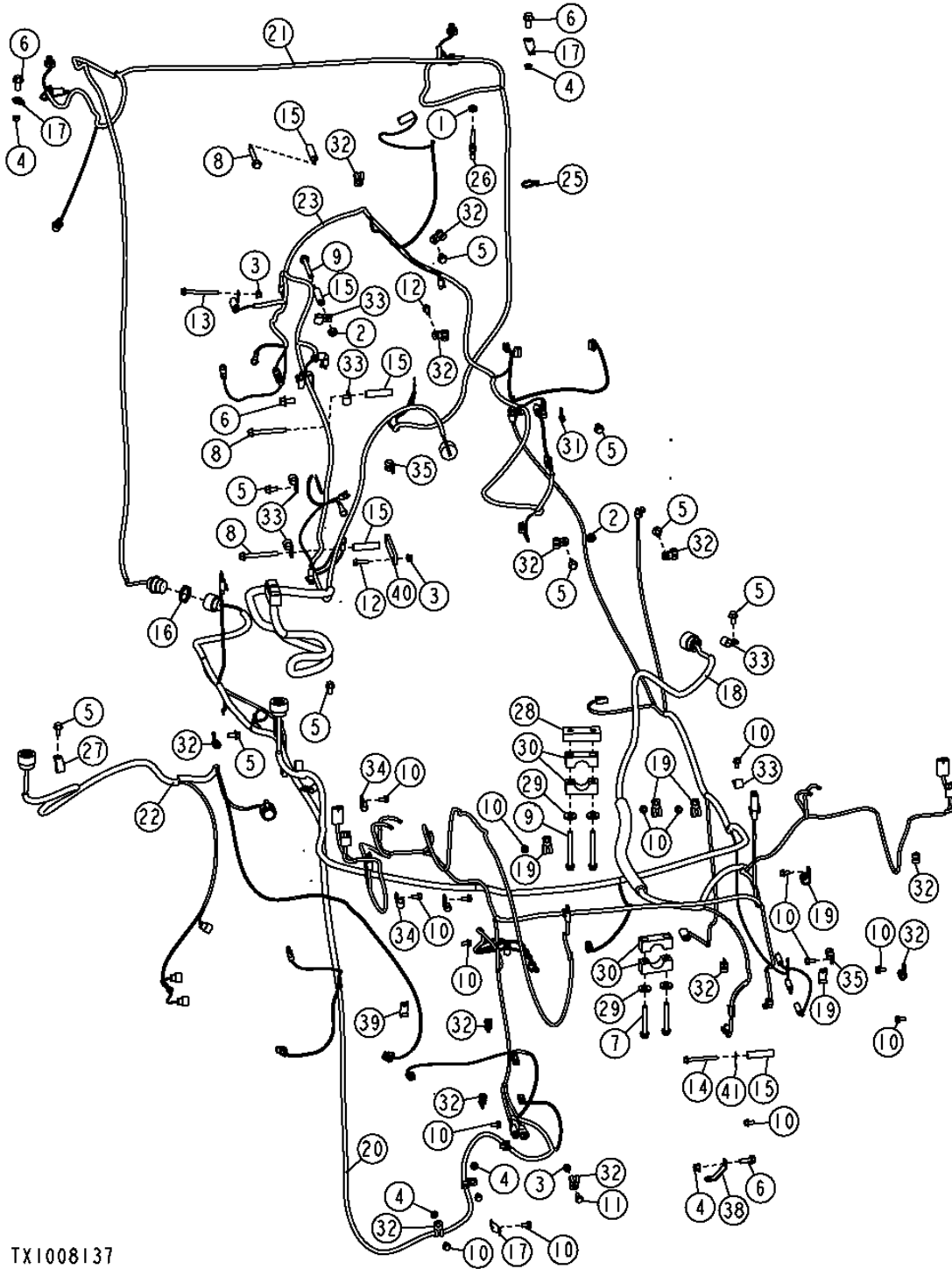
T193988

KEY	PART NO.	PART NAME	QTY.	SERIAL NO.	REMARKS
1	AL76568	KNOB	1		
2	AT202934	WIRING HARNESS	1		
3	R44165	LOCK NUT	2		
4	T182870	ISOLATOR	1		
5	R44302	TIE BAND	1		
6	RE43497	SWITCH	1		

1674-10

WIRING HARNESS FAISCEAU DE CABLES GRUPO DE CABLES

TX1008137 -UN-05JUN06



TX1008137

THIS PARTS LISTING IS CONTINUED

1674-11

ELECTRICAL SYSTEM 16

WIRING HARNESS AND SWITCHES 1674

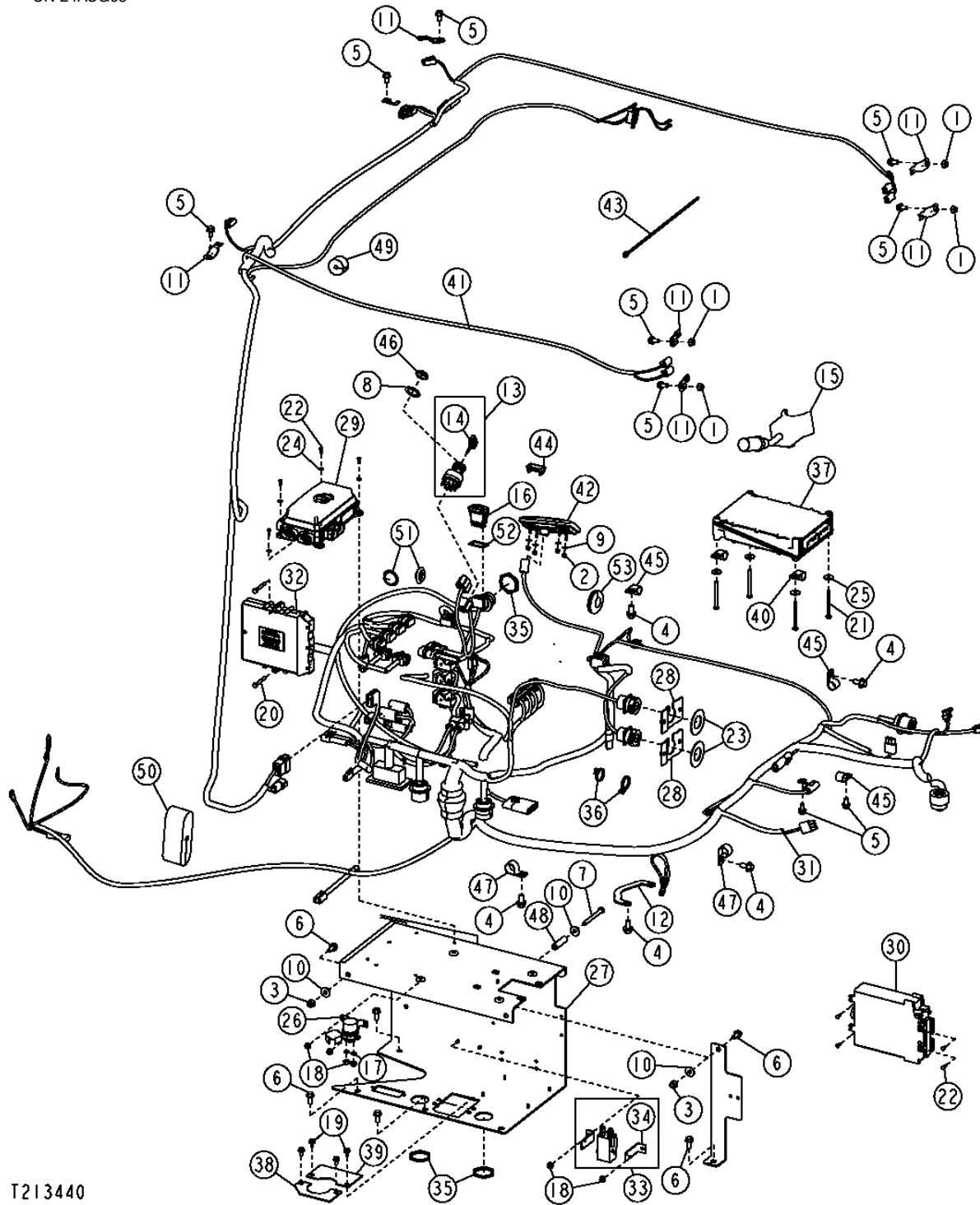
**WIRING HARNESS
FAISCEAU DE CABLES
GRUPO DE CABLES**

KEY	PART NO.	PART NAME	QTY.	SERIAL NO.	REMARKS
1	14H856	NUT	1	-602376	1/2"
2	14M7296	FLANGE NUT	1		M10
3	14M7396	LOCK NUT	3		M8
4	14M7400	LOCK NUT	2	-602376	M10
5	19M7784	SCREW	10		M10 X 20
6	19M7786	SCREW	2	-602376	M10 X 30
7	19M7810	SCREW	2		M10 X 80
8	19M7811	SCREW	4		M10 X 90
9	19M7812	SCREW	3		M10 X 100
10	19M7865	SCREW	17		M8 X 16
11	19M7867	SCREW	2		M8 X 25
12	19M7868	SCREW	1		M8 X 30
13	19M7913	SCREW	1		M8 X 90
14	19M8039	SCREW	1		M8 X 80
15	28H3399	SPACER	6		0.493" X 0.675" X 2-3/4"
16	57M8428	ELECTRICAL CONNECTOR ASSY	1		
17	57M8736	ELEC. CONNECTOR ACCESSORY	3		
18	AT311260	WIRING HARNESS	1		(LOADER FRAME) (BATI DU CHARGEUR) (BASTIDOR DE CARGADORA)
19	T76252	CLAMP	4		
20	AT311266	WIRING HARNESS	1		(ENGINE FRAME) (BATI DE MOTEUR) (BASTIDOR DEL MOTOR)
21	AT311267	WIRING HARNESS	1		(REAR SIGNAL LIGHTS) (FEUX DE SIGNAL ARRIERE) (SE-ALIZADORES TRASEROS)
22	AT312484	WIRING HARNESS	1		(TRANSMISSION) (BOITE DE VITESSES) (TRANSMISION)
23	AT312487	WIRING HARNESS	1		(ENGINE) (MOTEUR) (MOTOR)
25	R44302	TIE BAND	52		
26	RE151433	COOLANT TEMPERATURE SENSOR	1	-602376	
27	T102934	CLAMP	3	-602376	
28	T178259	STRAP	1		
29	T29342	WASHER	4		
30	T67995	CLAMP	4		
31	T74410	CLAMP	1		
32	T74412	CLAMP	10		
33	T74416	CLAMP	7		
34	T75197	CLAMP	4		
35	T75276	CLAMP	9		
36	14M7298	FLANGE NUT	2	602377-	M8
37	19M7788	SCREW	1	602377-	M12 X 25
38	R136110	BRACKET	1	-602376	
39	AH96317	CLIP	1	602377-	
40	T180424	STRAP	1	602377-	
41	57M8736	ELEC. CONNECTOR ACCESSORY	1	602377-	(57M8998 NLA)

1674-12

CAB WIRING HARNESS FAISCEAU DE FILS DE CABINE ARNES DE ALAMBRADO DE LA CABINA

T213440 -UN-24AUG05



T213440

THIS PARTS LISTING IS CONTINUED

1674-13

ELECTRICAL SYSTEM 16

WIRING HARNESS AND SWITCHES 1674

**CAB WIRING HARNESS
FAISCEAU DE FILS DE CABINE
ARNES DE ALAMBRADO DE LA CABINA**

KEY	PART NO.	PART NAME	QTY.	SERIAL NO.	REMARKS
1	14M7298	FLANGE NUT	4		M8
2	14M7360	LOCK NUT	4		M5
3	14M7396	LOCK NUT	2		M8
4	19M7784	SCREW	5		M10 X 20
5	19M7865	SCREW	9		M8 X 16
6	19M7866	SCREW	6		M8 X 20
7	19M8504	CAP SCREW	1		M8 X 80
8	24H1441	WASHER	1		1-1/64" X 1-1/2" X 0.048"
9	24M7054	WASHER	4		6.400 X 12 X 1.600 MM
10	24M7298	WASHER	3		8.400 X 25 X 2 MM
11	57M8736	ELEC. CONNECTOR ACCESSORY	6		
12	AP22660	GROUND CABLE	1		
13	AT195301	SWITCH	1		
14	AT195302	KEY	1		
15	AT210334	SWITCH	1		
16	AT304026	SWITCH	1		
17	12H297	LOCK WASHER	2		1/4"
18	14M7303	FLANGE NUT	6		M6
19	19M7774	SCREW	4		M6 X 12
20	19M8538	CAP SCREW	2		M6 X 45
21	19M8786	SCREW	4		M6 X 70
22	21M7250	SCREW	10		M4 X 12
23	24H1500	WASHER	2		1-9/32" X 2-1/2" X 0.060"
24	24M7027	WASHER	4		5.300 X 10 X 1 MM
25	24M7100	WASHER	4		6.600 X 22 X 2 MM
26	AT145341	RELAY	1		
27	AT227263	HOUSING	1		
28	AT301498	PLATE	2		
29	AT311903	VEHICLE CONTROLLER	1		
30	AT336601	TRANSMISSION CONTROLLER	1		(SUB FOR AT311905)
31	AT311908	WIRING HARNESS	1		
32	AT314374	VEHICLE CONTROLLER	1		
33	AT317063	RELAY	1		
34	T200363	ANGLE	2		
35	57M8035	NUT	3		(SUB FOR E73240)
36	R44302	TIE BAND	1		
37	RE507981	ENGINE CONTROLLER	1		
38	T181604	PLATE	1		
39	T181605	PLATE	1		
40	T74416	CLAMP	2		
41	AT311938	WIRING HARNESS	1		
42	AT320724	PUSH SWITCH	1		
43	H77698	TIE BAND	3		
44	M115279	PLUG	1		
45	T74416	CLAMP	3		
46	R44342	NUT	1		
47	T102934	CLAMP	2		
48	T167775	BUSHING	1		
49	T182861	ISOLATOR	1		
50	T182862	PLUG	1		-604940
	T224069	PLUG	1	604941-	
51	T206624	PLUG	2		
52	T211678	SEAL	1		
53	T46876	GROMMET	1		

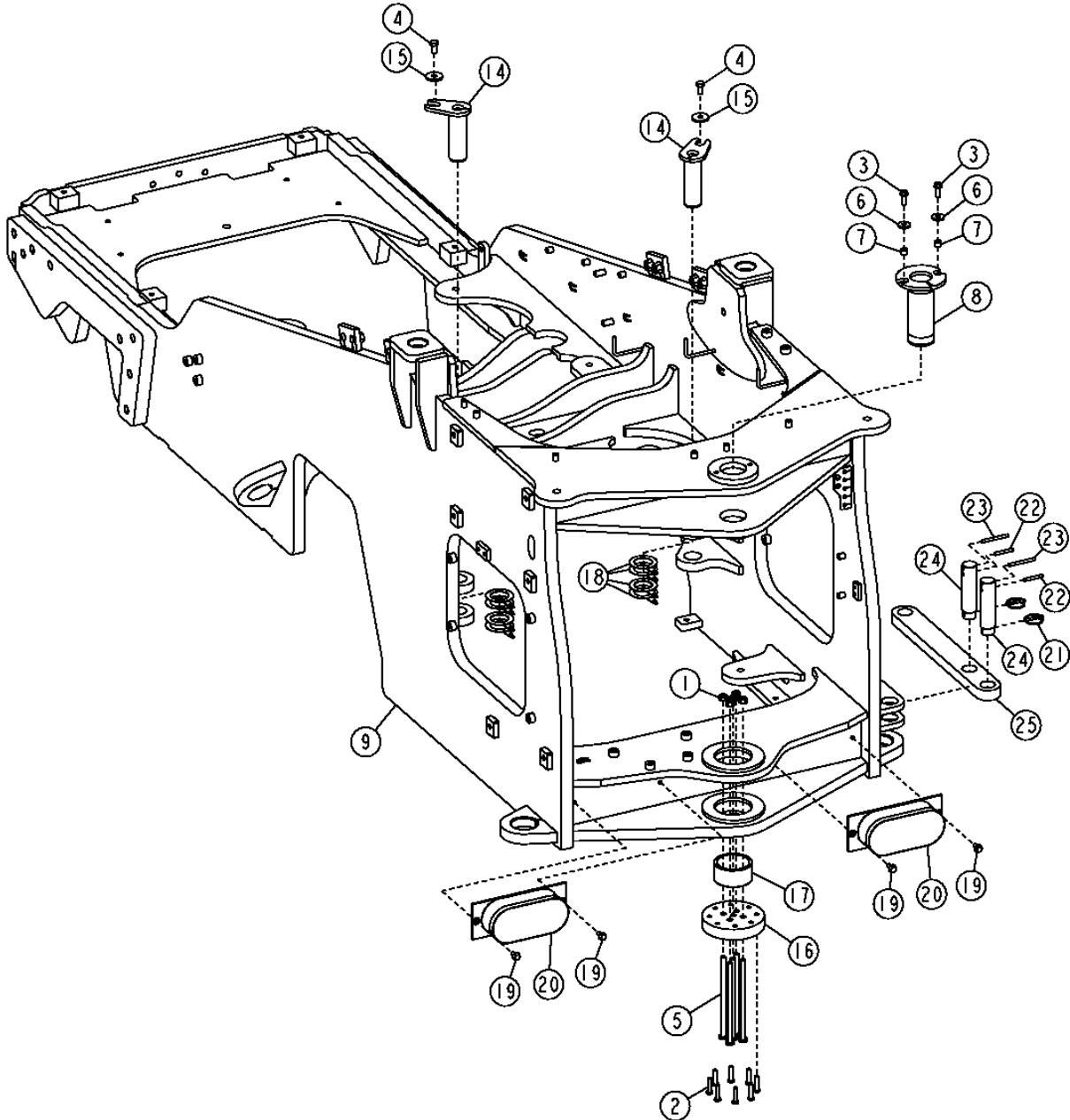
1741-2

FRAME, CHASSIS OR SUPPORTING STRUCTURE 17

ENGINE OR MAIN FRAME 1741

ENGINE FRAME
BÂTI DE MOTEUR
BASTIDOR DEL MOTOR

T212894 -UN-28JUL05



T212894

1741-3

FRAME, CHASSIS OR SUPPORTING STRUCTURE 17

ENGINE OR MAIN FRAME 1741

**ENGINE FRAME
BATI DE MOTEUR
BASTIDOR DEL MOTOR**

KEY	PART NO.	PART NAME	QTY.	SERIAL NO.	REMARKS
1	14M7276	NUT	5		M16
2	19M7361	CAP SCREW	8		M12 X 50
3	19M7791	BOLT	2		M12 X 40
4	19M7488	CAP SCREW	2		M16 X 40, (SUB FOR 19M8029, 19M9790)
5	19M8981	CAP SCREW	5		M16 X 300
6	24H1344	WASHER	2		17/32" X 1-5/8" X 1/4"
7	28H3382	BUSHING	2		0.546" X 0.840" X 5/8"
8	AT202860	PIN	1		
9	AT308524	FRAME	1		(CA)
14	AT325850	PIN	2		
15	T176064	BUSHING	2		(SUB FOR T218147, T146246)
16	T209868	COVER	1		
17	T209869	BUSHING	1		
18	T215849	SHIM	8		
19	19M7788	SCREW	4		M12 X 25
20	AT312521	BUMPER	2		
21	AR83396	QUICK LOCK PIN	2		
22	34H358	SPRING PIN	1		3/8" X 2-3/4"
23	34H363	SPRING PIN	1		3/8" X 4"
24	T209371	PIN FASTENER	1		
25	AT311933	BAR	1		

1746-2

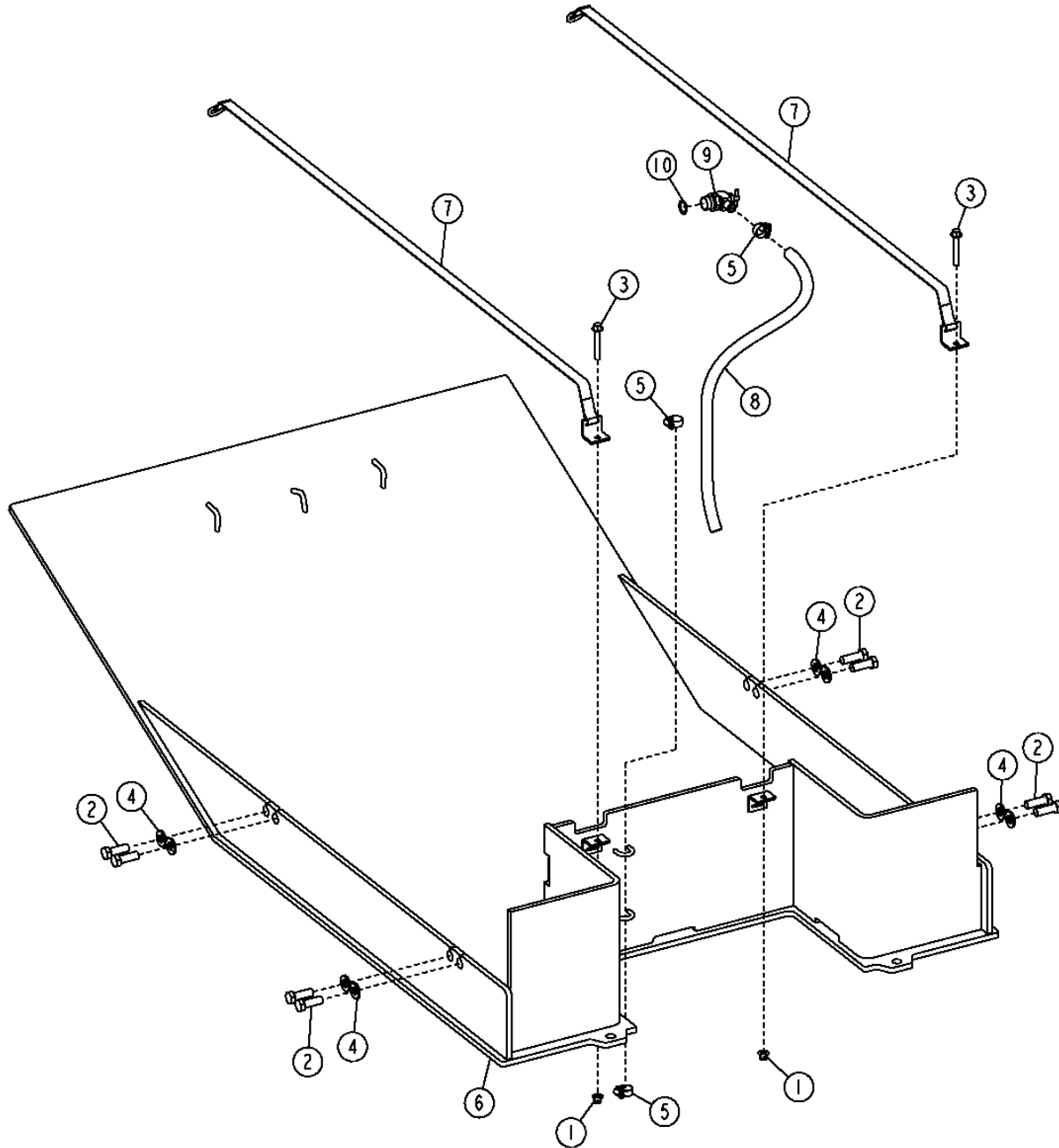
FRAME, CHASSIS OR SUPPORTING STRUCTURE 17

FRAME BOTTOM GUARDS 1746

FUEL TANK GUARD PROTECTION DE RESERVOIR DE CARBURANT PROTECTOR DEL TANQUE DE COMBUSTIBLE

T211771

-UN-05AUG05



T211771

THIS PARTS LISTING IS CONTINUED

1746-3

FRAME, CHASSIS OR SUPPORTING STRUCTURE 17

FRAME BOTTOM GUARDS 1746

**FUEL TANK GUARD
PROTECTION DE RESERVOIR DE CARBURANT
PROTECTOR DEL TANQUE DE COMBUSTIBLE**

KEY	PART NO.	PART NAME	QTY.	SERIAL NO.	REMARKS
1	14M7400	LOCK NUT	2		M10
2	19M7489	CAP SCREW	8		M16 X 45
3	19M8114	SCREW	2		M10 X 70
4	24M7241	WASHER	8		17 X 34 X 4 MM
5	AR21837	CLAMP	3		
6	AT308862	GUARD	1		
7	AT310748	STRAP	2		
8	T60811	BULK HOSE	1		(CUT TO LENGTH, 3 FEET)
9	RE68323	VALVE	1		
10	R56751	O-RING	1		

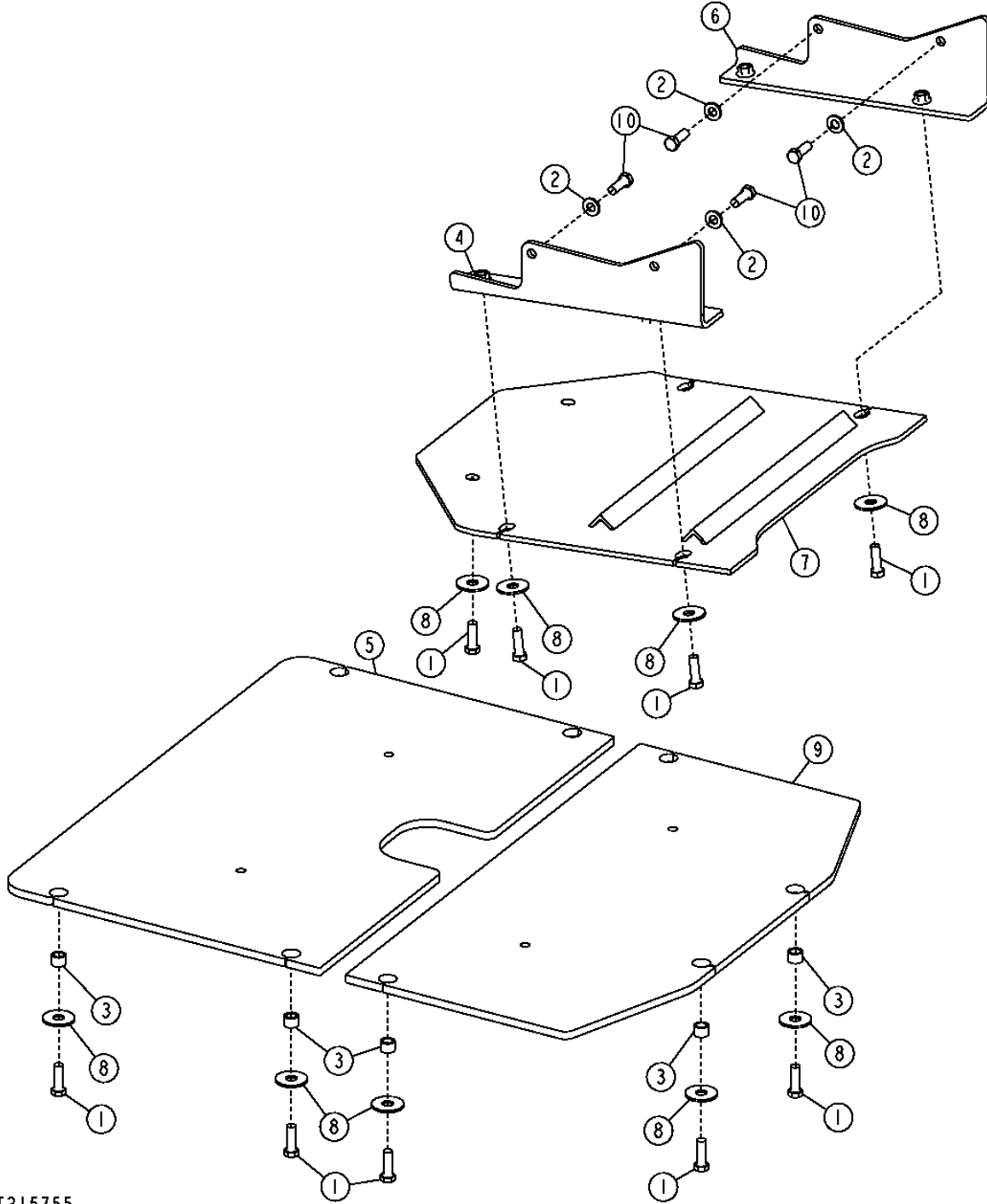
1746-4

FRAME, CHASSIS OR SUPPORTING STRUCTURE 17

FRAME BOTTOM GUARDS 1746

BOTTOM GUARDS PROTECTIONS INFERIEURES PROTECTORES INFERIORES

T215755 -UN-06OCT05



T215755

1746-5

FRAME, CHASSIS OR SUPPORTING STRUCTURE 17

FRAME BOTTOM GUARDS 1746

**BOTTOM GUARDS
PROTECTIONS INFERIEURES
PROTECTORES INFERIORES**

KEY	PART NO.	PART NAME	QTY.	SERIAL NO.	REMARKS
1	19M7409	CAP SCREW	14		M16 X 50, (SUB FOR 19M7489)
2	24M7241	WASHER	4		17 X 34 X 4 MM
3	28H3426	BUSHING	8		0.742" X 1.050" X 3/4"
4	AT225596	BRACKET	1		
5	AT327380	GUARD	1		(SUB FOR T208738)
6	AT225597	BRACKET	1		
7	AT313692	GUARD	1		
8	T146246	WASHER	14		17 X 57.100 X 6.500 MM, (SUB FOR 24M7277)
9	AT327370	GUARD	1		(SUB FOR T208737)
10	19M7489	CAP SCREW	4		M16 X 45

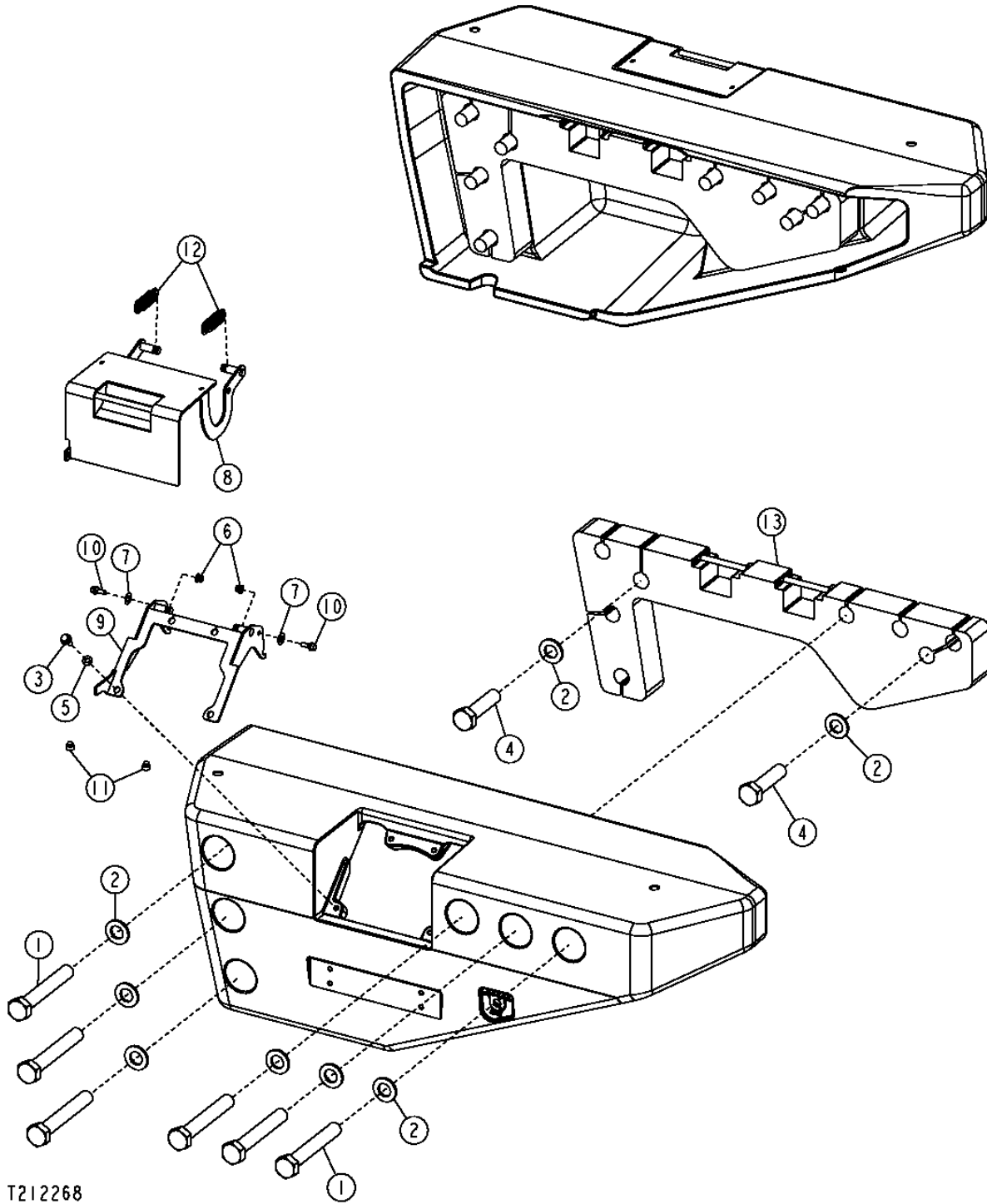
1749-2

FRAME, CHASSIS OR SUPPORTING STRUCTURE 17

CHASSIS WEIGHTS 1749

COUNTERWEIGHT CONTREPOIDS PRINCIPAL CONTRAPESO PRINCIPAL

T212268 -UN-06JUL05



T212268

1749-3

FRAME, CHASSIS OR SUPPORTING STRUCTURE 17

CHASSIS WEIGHTS 1749

**COUNTERWEIGHT
CONTREPOIDS PRINCIPAL
CONTRAPESO PRINCIPAL**

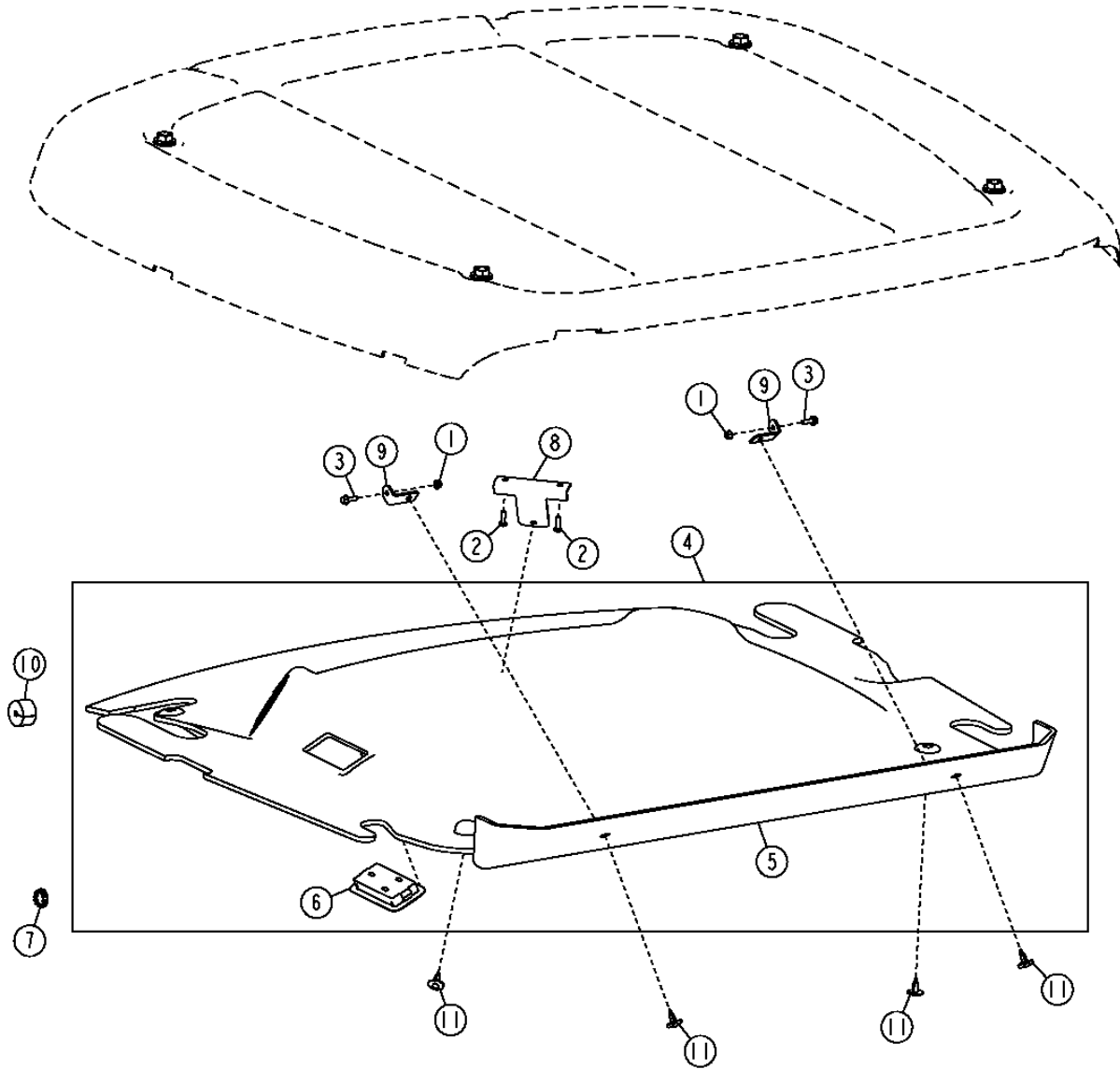
KEY	PART NO.	PART NAME	QTY.	SERIAL NO.	REMARKS
1	19M9799	CAP SCREW	12		M30 X 200, (PLATED) (SUB FOR 19M9190)
2	24M7455	WASHER	16		31 X 56 X 5 MM
3	19M7785	SCREW	8		M10 X 25
4	19M9191	CAP SCREW	4		M30 X 120
5	24M7239	WASHER	8		10.700 X 21 X 2.500 MM
6	14M7396	LOCK NUT	4		M8
7	24H1849	WASHER	4		17/32" X 1" X 0.036"
8	AT228414	DOOR	2		
9	AT228426	COVER	2		
10	H169568	SCREW	4		
11	T175361	GROMMET	2		
12	T203290	EXTENSION SPRING	2		
13	AT311901	COUNTERWEIGHT	2		

1810-2

OPERATOR'S STATION 18
OPERATOR ENCLOSURE 1810

HEADLINER AND DOMELIGHT REVEITEMENT DU TOIT ET PLAFONNIER FORRO Y LUZ INTERIOR DE LA CABINA

T211945 -UN-24JUN05



T211945

1810-3

OPERATOR'S STATION 18
OPERATOR ENCLOSURE 1810

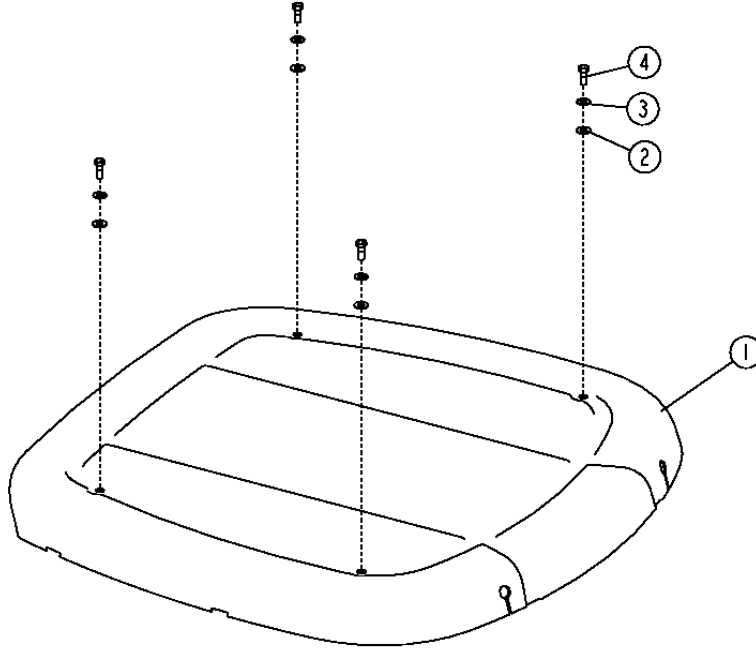
**HEADLINER AND DOMELIGHT
REVETEMENT DU TOIT ET PLAFONNIER
FORRO Y LUZ INTERIOR DE LA CABINA**

KEY	PART NO.	PART NAME	QTY.	SERIAL NO.	REMARKS
1	14M7303	FLANGE NUT	2		M6
2	19H1948	CAP SCREW	2		6.350 X 19.050 MM
3	19M7862	SCREW	2		M6 X 20
4	AT323859	HEADLINER	1		(W/O RADIO)
	AT323858	HEADLINER	1		
5	T216235	HEADLINER	1		(W/O RADIO)
	T216469	HEADLINER	1		(W/ RADIO)
6	TT206940	LAMP	1		(INCLUDES TT207136) (INTERIOR LIGHT)
	TT207136	BULB	1		(COMPONENT OF TT206940)
7	T152230	PLUG	1		
8	T180418	STRAP	1		
9	T181050	ANGLE	2		
10	T182870	ISOLATOR	1		(SUB FOR T182861)
11	T184892	RETAINER	6		

1810-4

T193660 -UN-19AUG03

ROOF
TOIT
TECHO



T193660

KEY	PART NO.	PART NAME	QTY.	SERIAL NO.	REMARKS
1	AT227013 AT226578	ROOF ROOF	1 1	(A)	
2	T167659	WASHER	4		
3	24H1368	WASHER	4		
4	T182920	CAP SCREW	4		

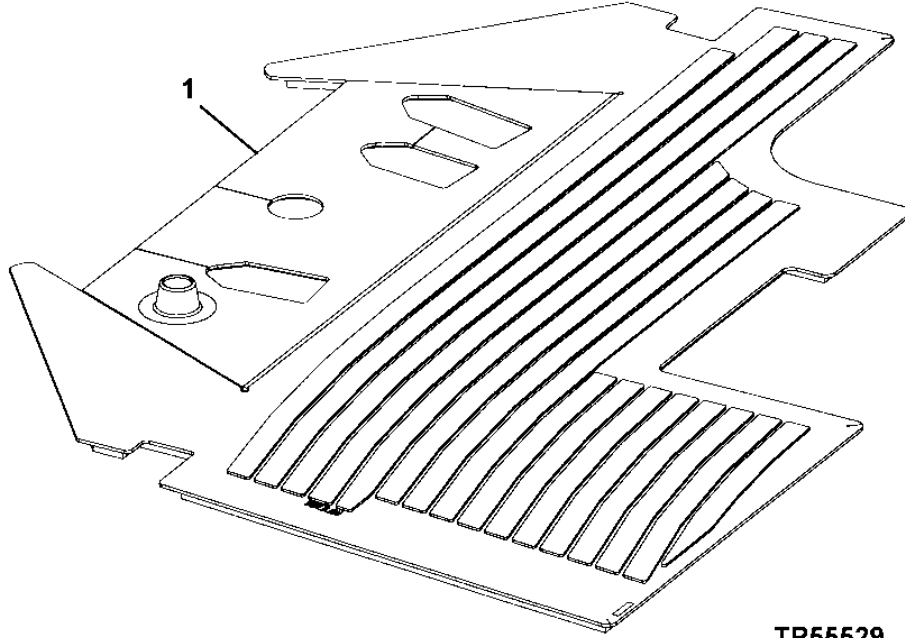
(A) PAINTABLE
(A) A PEINDRE
(A) PINTABLE

1810-5

OPERATOR'S STATION 18
OPERATOR ENCLOSURE 1810

CAB AND CANOPY FLOOR MAT
TAPIS DE PLANCHER DE CABINE ET D'AUVENT
FELPUDO DE CABINA Y DOSEL

TP55529 -UN-13MAY97



TP55529

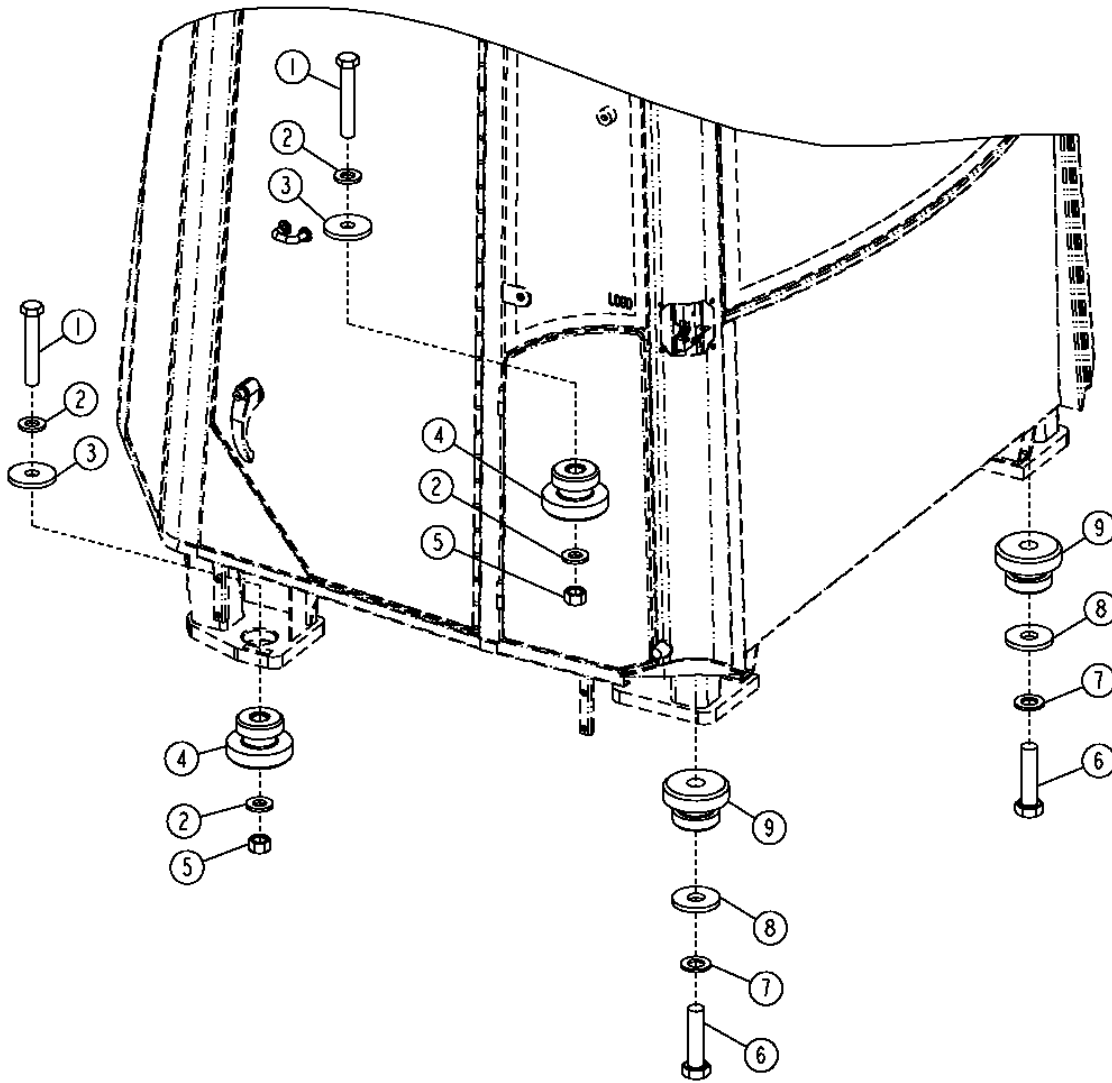
KEY	PART NO.	PART NAME	QTY.	SERIAL NO.	REMARKS
1	AT207144	MAT	1		

1810-6

OPERATOR'S STATION 18
OPERATOR ENCLOSURE 1810

CAB MOUNTS SUPPORTS DE MONTAGE DE CABINE PUNTOS DE MONTAJE DE CABINA

T209106 -UN-04MAR05



T209106

1810-7

OPERATOR'S STATION 18
OPERATOR ENCLOSURE 1810

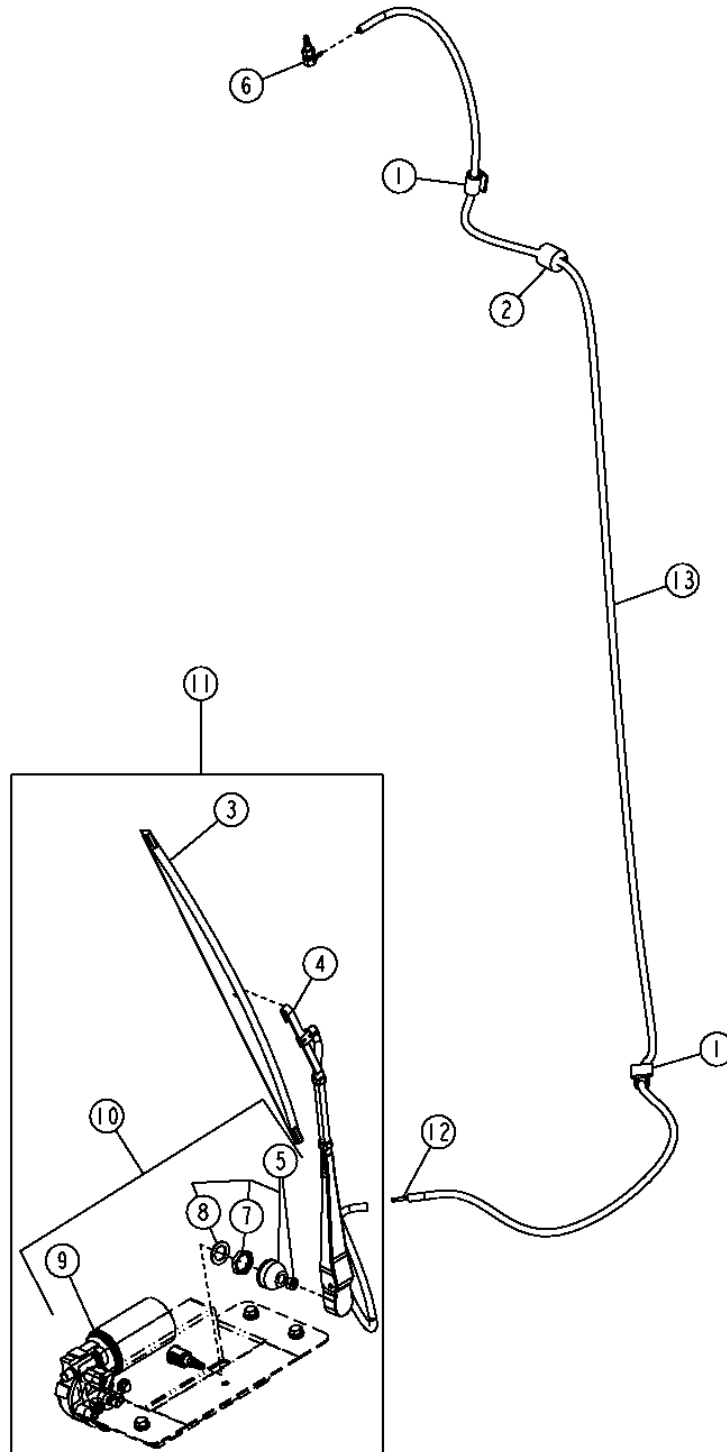
CAB MOUNTS
SUPPORTS DE MONTAGE DE CABINE
PUNTOS DE MONTAJE DE CABINA

KEY	PART NO.	PART NAME	QTY.	SERIAL NO.	REMARKS
1	19M7781	CAP SCREW	2		M24 X 150
2	24M7243	WASHER	4		25.400 X 50 X 6 MM
3	T153535	WASHER	2		
4	AT170005	ISOLATOR	2		
5	14M7278	NUT	2		M24
6	19M9191	CAP SCREW	2		M30 X 120
7	24M7455	WASHER	2		31 X 56 X 5 MM
8	T182420	WASHER	2		
9	AT225911	ISOLATOR	2		

1810-8

REAR WINDSHIELD WIPER ESSUIE-GLACE ARRIERE LIMPIACRISTAL

T153602 -UN-28JUN02



T153602

1810-9

OPERATOR'S STATION 18
OPERATOR ENCLOSURE 1810

REAR WINDSHIELD WIPER
ESSUIE-GLACE ARRIERE
LIMPIACRISTAL

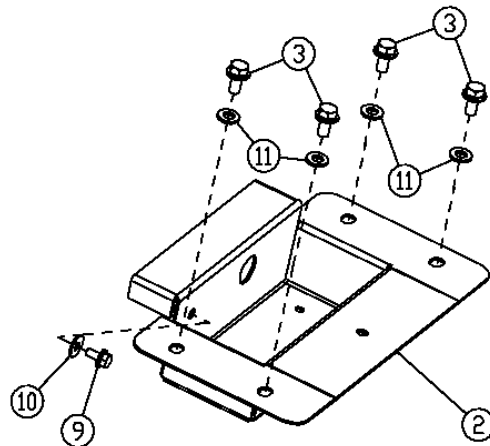
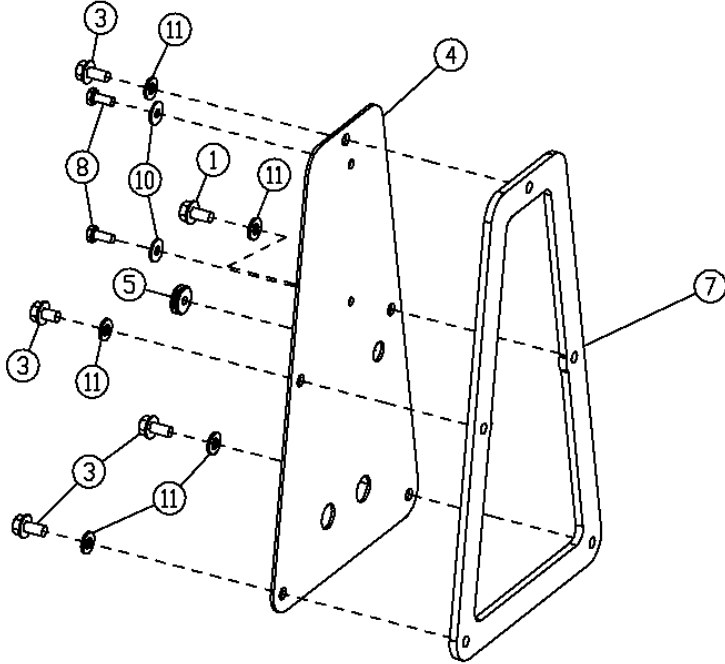
KEY	PART NO.	PART NAME	QTY.	SERIAL NO.	REMARKS
1	T182909	CLIP	1		
2	T182860	ISOLATOR	1		
3	AL153660	WIPER BLADE	1		(SUB FOR AT209912)
4	AT209910	WIPER ARM	1	-867756	
	AT304633	WIPER ARM	1	867757-	
5	RE40049	KIT	1		
6	AT116970	ELBOW FITTING	1		
7	AT138180	NUT	1		
8	R63667	WASHER	1		
9	AT324687	WIPER MOTOR	1	-604818	(ALSO ORDER (2) 19M7774) (SUB FOR AT209908)
	AT324687	WIPER MOTOR	1	604819-	
10	AT224217	WIPER MOTOR	1	-867756	
	AT324849	WIPER MOTOR	1	867757-	
11	MOTOR	1		(NLA)
12	T182919	FITTING	1		
13	HYDRAULIC HOSE - FABRICATE	1		(MAKE FROM R120653, CUT TO 96 IN.)

1810-10

OPERATOR'S STATION 18
OPERATOR ENCLOSURE 1810

WIPER MOUNTING BRACKETS AND WIPER CAB SWITCH
SUPPORT DE MONTAGE D'ESSUIE-GLACE ET INTERRUPTEUR DE CABINE D'ESSUIE-GLACE
ESCUADRAS DE MONTAJE DE LIMPIAPARABRISAS E INTERRUPTOR DE LIMPIAPARABRISAS DE CABINA

T209111 -UN-02MAR05



T209111

1810-11

OPERATOR'S STATION 18
OPERATOR ENCLOSURE 1810

**WIPER MOUNTING BRACKETS AND WIPER CAB SWITCH
SUPPORT DE MONTAGE D'ESSUIE-GLACE ET INTERRUPTEUR DE CABINE D'ESSUIE-GLACE
ESCUADRAS DE MONTAJE DE LIMPIAPARABRISAS E INTERRUPTOR DE LIMPIAPARABRISAS DE CABINA**

KEY	PART NO.	PART NAME	QTY.	SERIAL NO.	REMARKS
1	19M7865	SCREW	1		M8 X 16
2	T181412	TRAY	1		
3	19M7865	SCREW	8		M8 X 16
4	T181413	PLATE	1		
5	T182874	GROMMET	1		
7	T167754	SEAL	1		
8	19M7775	SCREW	2		M6 X 16, (SUB FOR 19H3138, THIS APPLICATION)
9	19M7774	SCREW	1		M6 X 12
10	24M7139	WASHER	3		6.400 X 18 X 1.600 MM
11	24M7238	WASHER	9		

1810-13

OPERATOR'S STATION 18
OPERATOR ENCLOSURE 1810

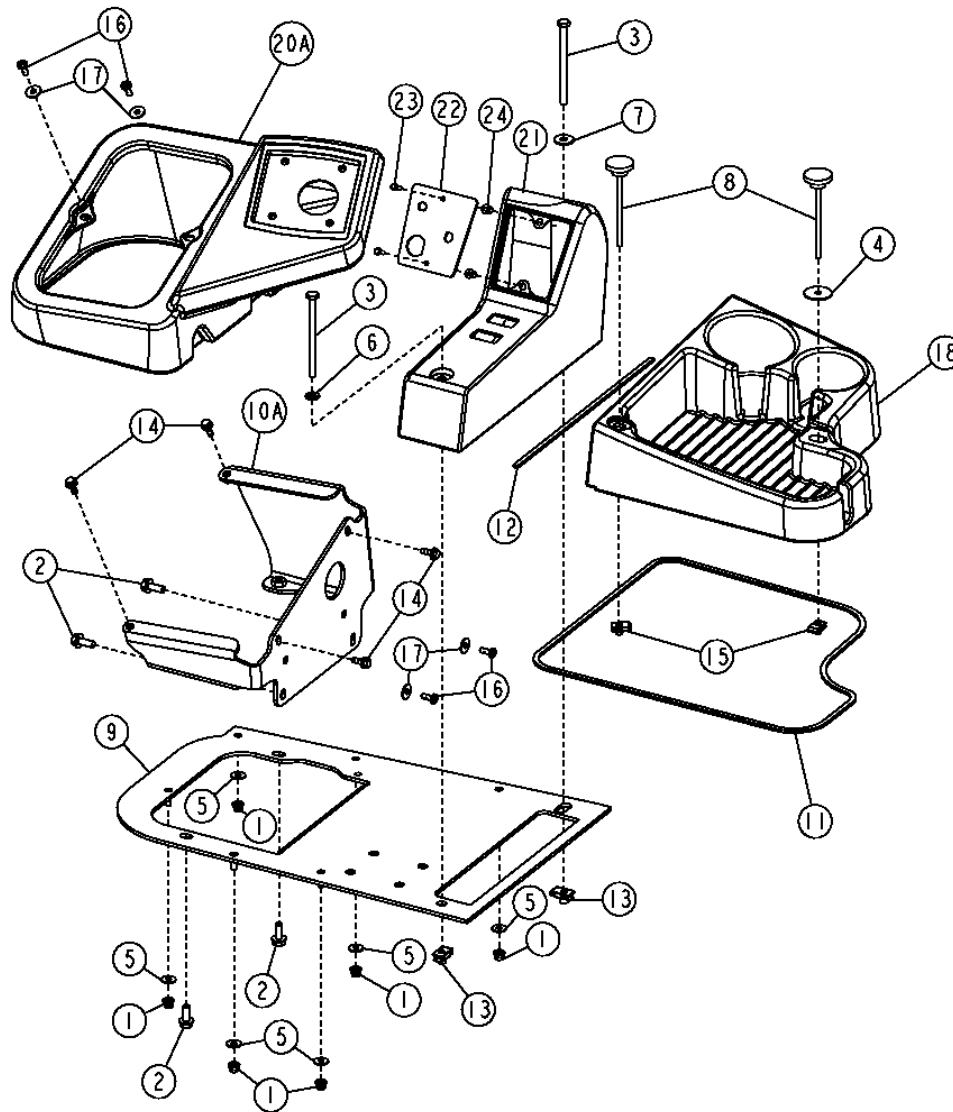
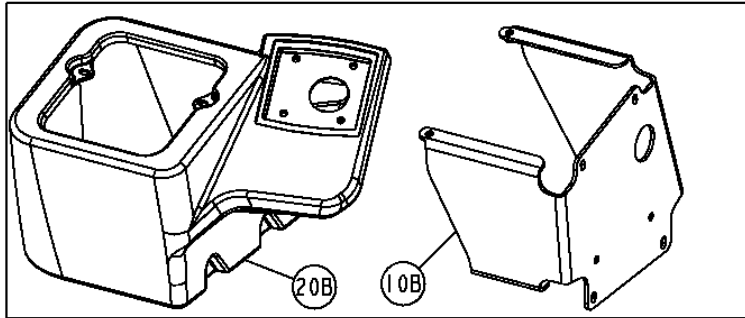
**FRONT WINDSHIELD WIPER
ESSUIE-GLACE AVANT
LIMPIAPARABRISAS**

KEY	PART NO.	PART NAME	QTY.	SERIAL NO.	REMARKS
1	RE16879	BRACKET	1		
2	RE40049	KIT	2		
3	T172652	LINK	1		
5	AT116970	ELBOW FITTING	1		
6	T182919	FITTING	1		
7	AT137920	WINDSHIELD WASHER	1		
8	R54445	HOSE	1		
9	AT137921	CLIP	1		
10	AT209909	WIPER ARM	1		
11	AT324687	WIPER MOTOR	1	-604818	(ALSO ORDER (2) 19M7774) (SUB FOR AT209908)
12	AT324687	WIPER MOTOR	1	604819-	
13	AT324681	WIPER BLADE	1		(SUB FOR AT138215)
13	AT138180	NUT	2		
14	R63667	WASHER	2		
15	AT202726	WINDSHIELD WIPER	1		
16	HYDRAULIC HOSE - FABRICATE	1		(MAKE FROM R120653, CUT TO 15 IN.)

1810-14

RIGHT SIDE CONSOLE CONSOLE DE DROITE CONSOLA DERECHA

T216042 -UN-25OCT05



T216042

1810-15

OPERATOR'S STATION 18
OPERATOR ENCLOSURE 1810

**RIGHT SIDE CONSOLE
CONSOLE DE DROITE
CONSOLA DERECHA**

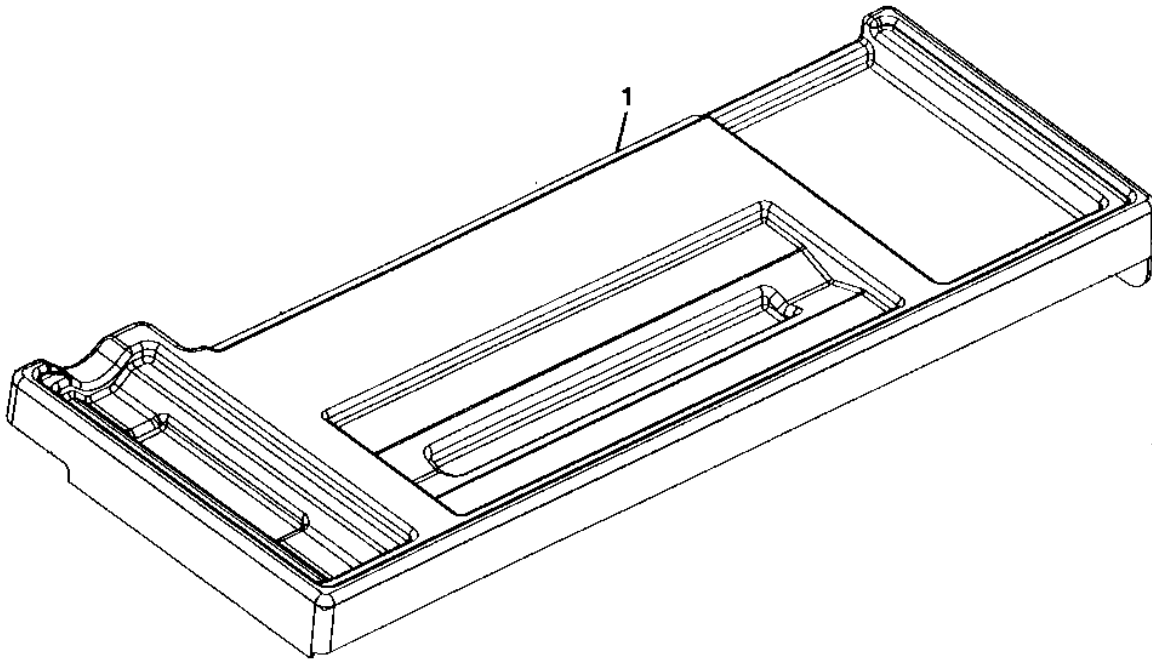
KEY	PART NO.	PART NAME	QTY.	SERIAL NO.	REMARKS
1	14M7165	LOCK NUT	6		M6
2	19M7866	SCREW	4		M8 X 20
3	19M7997	CAP SCREW	2		M8 X 110
4	24H1695	WASHER	1		9/32" X 1-3/8" X 0.065"
5	24M7139	WASHER	6		6.400 X 18 X 1.600 MM
6	24M7238	WASHER	1		8.700 X 17 X 2 MM
7	24M7298	WASHER	1		8.400 X 25 X 2 MM
8	AT226334	KNOB	2		
9	AT310413	PLATE	1		(SUB FOR AT228253)
10A	AT310414	BRACKET	1		(SHORT) (SUB FOR AT300441)
10B	AT310412	BRACKET	1		(TALL) (SUB FOR AT227794)
11	T180533	SEALING TRIM	1		
12	ISOLATOR	1		(FURNISH T207925 BULK MATERIAL, CUT TO 4.25 FT.)
13	H156360	NUT	2		
14	M113243	SCREW	4		
15	M84972	NUT	2		
16	T133674	SELF-LOCKING SCREW	4		(SUB FOR 21M7292)
17	24H1821	WASHER	4		
18	T182612	COVER	1		
20A	T200267	COVER	1		(SHORT)
20B	T196622	COVER	1		(TALL)
21	T202883	CONSOLE	1		
22	T203128	PLATE	1		
23	T82791	SCREW	2		
24	T82792	NUT	2		

1810-16

OPERATOR'S STATION 18
OPERATOR ENCLOSURE 1810

FRESH AIR HOUSING COVER
COUVERCLE DE LOGEMENT D'AIR FRAIS
CUBIERTA DE CAJA DE AIRE FRESCO

TP60556 -UN-01DEC98



TP60556

1810-17

OPERATOR'S STATION 18
OPERATOR ENCLOSURE 1810

FRESH AIR HOUSING COVER
COUVERCLE DE LOGEMENT D'AIR FRAIS
CUBIERTA DE CAJA DE AIRE FRESCO

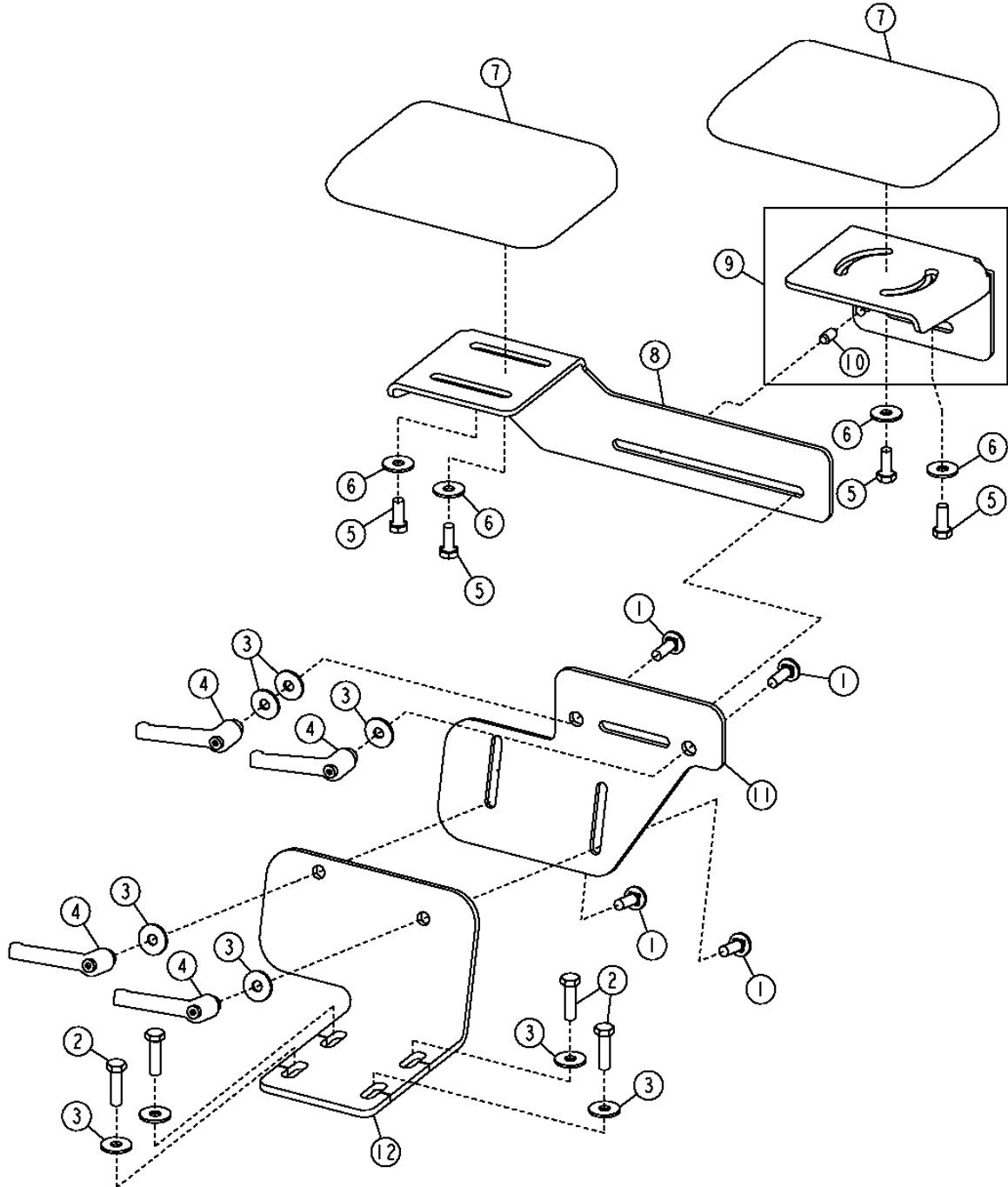
KEY	PART NO.	PART NAME	QTY.	SERIAL NO.	REMARKS
1	AT222402	COVER	1		

1810-18

OPERATOR'S STATION 18
OPERATOR ENCLOSURE 1810

WRIST-ARM REST (RH)
APOYAMUNECAS-APOYABRAZOS (RH)
REPOSE-POIGNETS-ACCOUDOIR (RH)

T212897 -UN-26JUL05



T212897

1810-19

OPERATOR'S STATION 18
OPERATOR ENCLOSURE 1810

**WRIST-ARM REST (RH)
APOYAMUNECAS-APOYABRAZOS (RH)
REPOSE-POIGNETS-ACCOUDOIR (RH)**

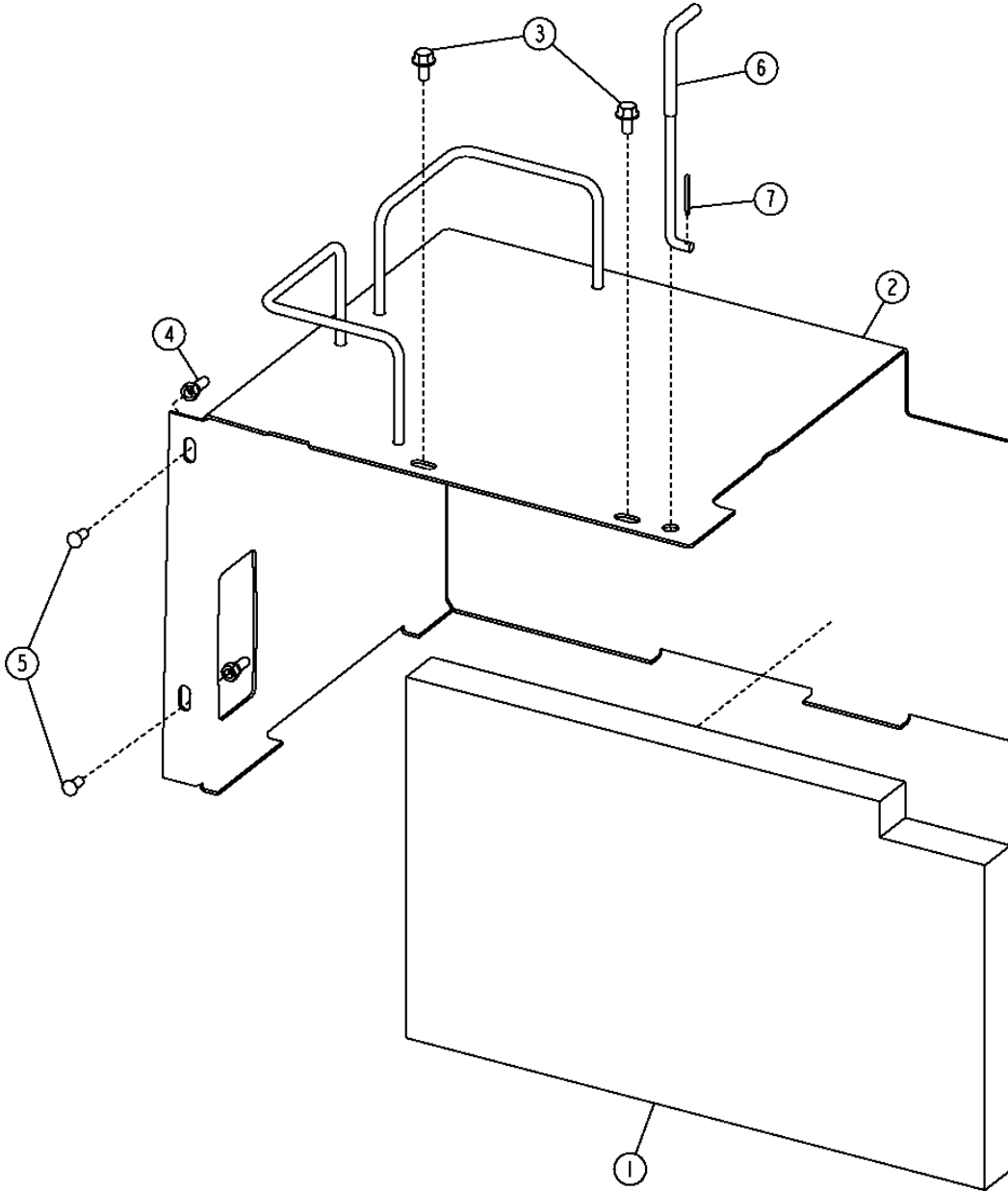
KEY	PART NO.	PART NAME	QTY.	SERIAL NO.	REMARKS
1	03M7185	BOLT	4		M8 X 25
2	19M7868	SCREW	4		M8 X 30, (SUB FOR 19M7513)
3	24M7298	WASHER	9		8.400 X 25 X 2 MM
4	AT227063	LEVER	4		
5	19M7866	SCREW	4		M8 X 20, (SUB FOR 19M7881)
6	24M7298	WASHER	4		8.400 X 25 X 2 MM
7	AT327621	CUSHION	2		(SUB FOR AT171679)
8	T200161	SUPPORT	1		
9	AT300115	BRACKET	1		
10	44M7027	PIN	1		
11	T209601	SUPPORT	1		(SINGLE LEVER CONTROLLER) (CONTROLEUR A UN SEUL LEVIER) (CONTROLADOR DE PALANCA UNICA)
	T200158	SUPPORT	1		(TWO LEVER CONTROLLER) (CONTROLEUR A DEUX LEVIERS) (CONTROL DE DOS PALANCAS)
12	T209602	SUPPORT	1		(SINGLE LEVER CONTROLLER) (CONTROLEUR A UN SEUL LEVIER) (CONTROLADOR DE PALANCA UNICA)
	T200159	SUPPORT	1		(TWO LEVER CONTROLLER) (CONTROLEUR A DEUX LEVIERS) (CONTROL DE DOS PALANCAS)

1810-20

OPERATOR'S STATION 18
OPERATOR ENCLOSURE 1810

CAB LEFT SIDE CONSOLE COVER COUVERCLE DE CONSOLE LATÉRALE GAUCHE DE CABINE CUBIERTA DE CONSOLA DE LADO IZQUIERDO DE CABINA

T192999 -UN-20AUG03



T192999

1810-21

OPERATOR'S STATION 18
OPERATOR ENCLOSURE 1810

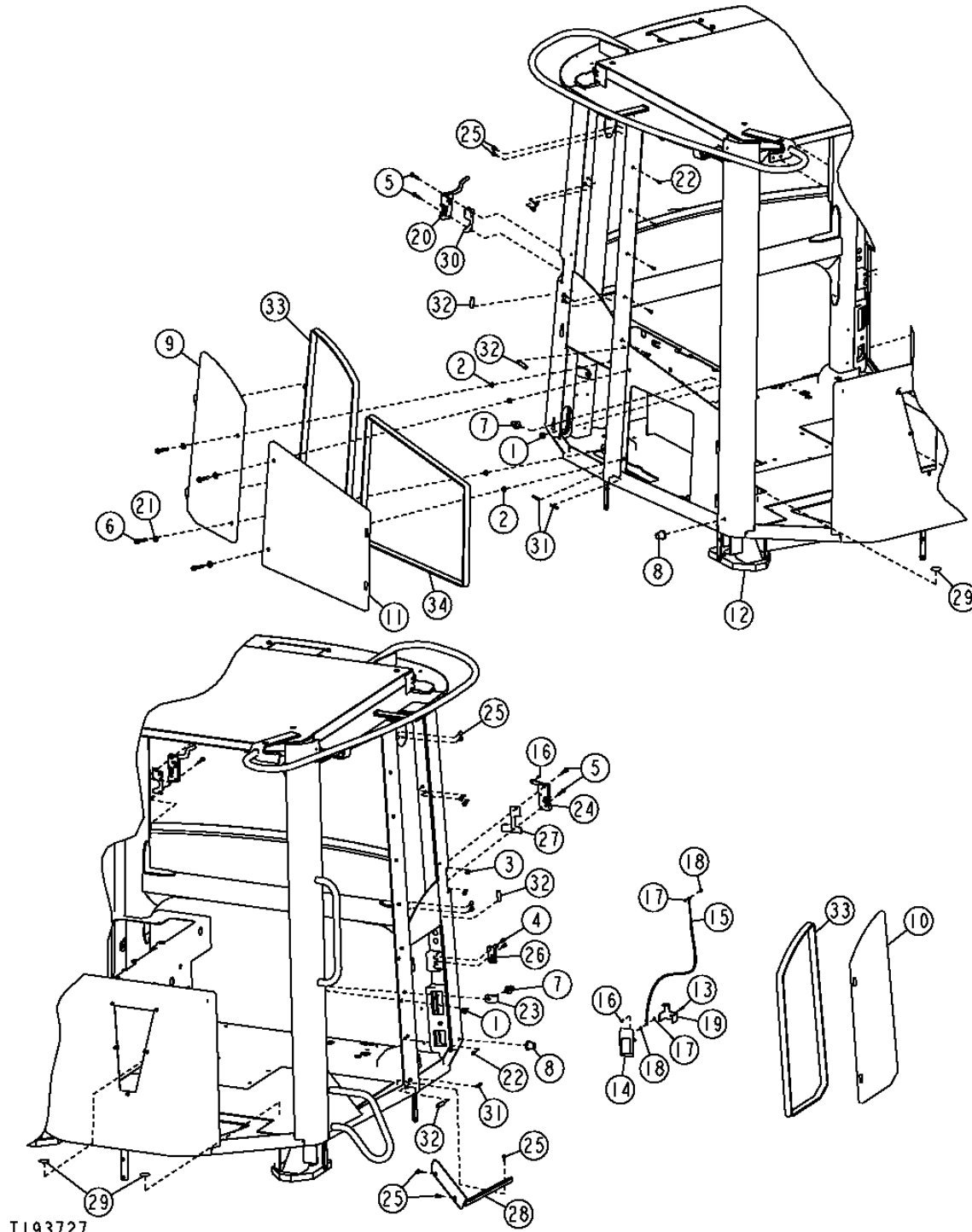
**CAB LEFT SIDE CONSOLE COVER
COUVERCLE DE CONSOLE LATÉRALE GAUCHE DE CABINE
CUBIERTA DE CONSOLA DE LADO IZQUIERDO DE CABINA**

KEY	PART NO.	PART NAME	QTY.	SERIAL NO.	REMARKS
1	T171849	ISOLATOR	1		
2	AT227549	COVER	1		
3	19M7774	SCREW	2		M6 X 12
4	14M7376	LOCK NUT	2		M6
5	T167593	SCREW	2		
6	T167764	ROD	1		
7	11M7081	COTTER PIN	1		2.500 X 20 MM

1810-22

CAB CABINE CABINA

T193727 -UN-16OCT03



1810-23

OPERATOR'S STATION 18
OPERATOR ENCLOSURE 1810

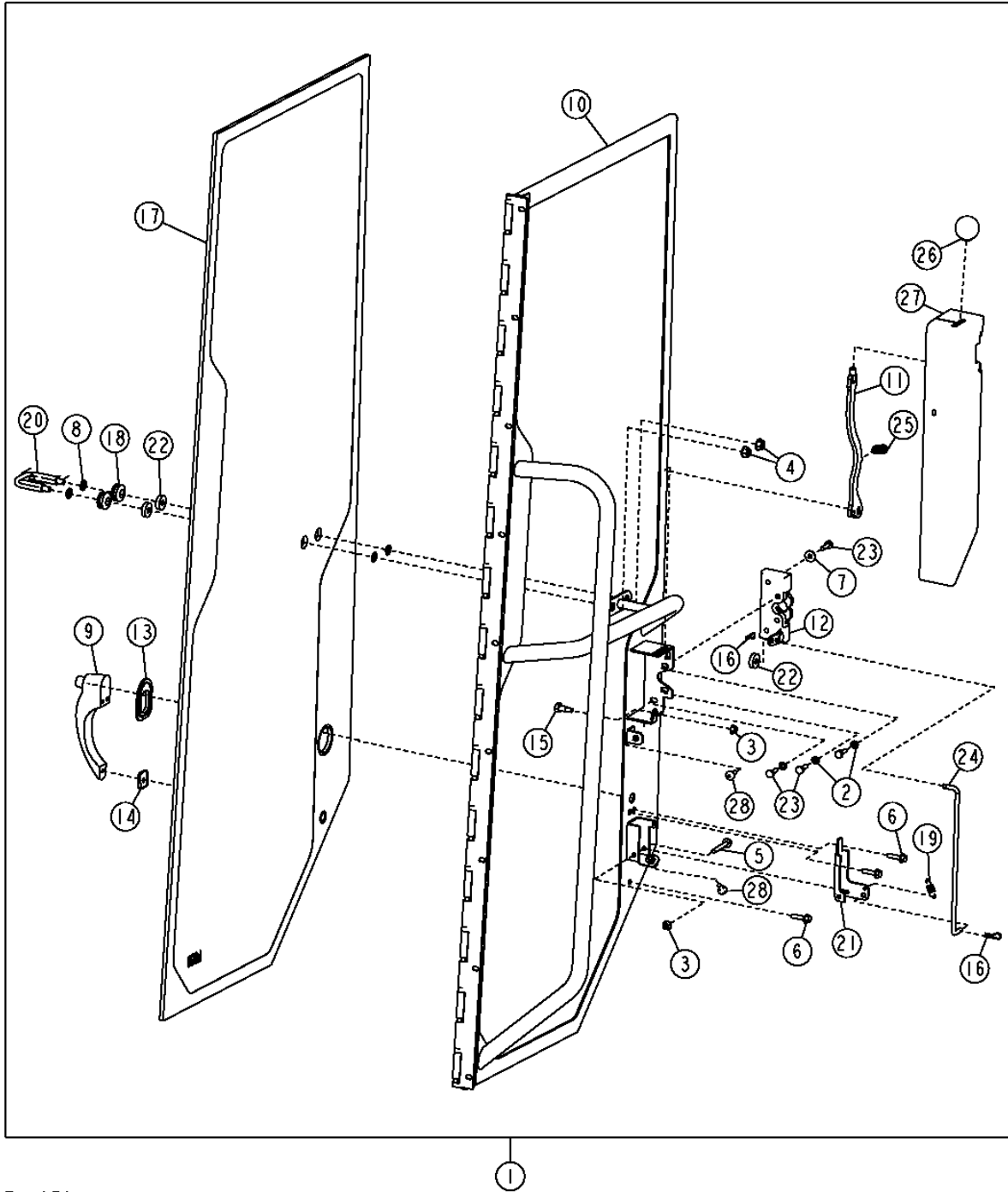
CAB
CABINE
CABINA

KEY	PART NO.	PART NAME	QTY.	SERIAL NO.	REMARKS
1	14H813	NUT	2		7/16"
2	14M7298	FLANGE NUT	4		M8
3	14M7397	LOCK NUT	4		M6
4	19H1948	CAP SCREW	2		1/4" X 3/4"
5	19M7797	SCREW	4		M6 X 40
6	19M8318	SCREW	4		M8 X 45
7	AR91896	STRIKER	2		
8	AT211296	BUMPER	2		
9	AT224989	DOOR	1		
10	AT224990	DOOR	1		
11	AT224991	DOOR	1		
12	AT309725	CAB FRAME	1		
13	19H3370	CAP SCREW	1		0.190" X 5/8"
14	AT227544	LATCH	1		
15	AT227545	PUSH PULL CABLE	1		
16	T178113	CLIP	2	-600445	(SUB L985T AND 11M7093, THIS APPLICATION)
	11M7093	COTTER PIN	2	600446-	1.600 X 20 MM
17	T178112	PIN FASTENER	2	-600445	(SUB L985T AND 11M7093, THIS APPLICATION)
	L985T	PIN FASTENER	2	600446-	
18	SPACER	2		(PART NO LONGER REQUIRED)
19	T196309	BRACKET	1		
20	AT315290	LATCH	1		
21	H110232	WASHER	4		0.406" X 0.890" X 0.059"
22	M114063	SCREW	15		M6 X 16
23	T135583	GUARD	1		
24	AT310702	LATCH	1		
25	TCU14336	SCREW	15		
26	T167658	LATCH	1		
27	T177505	BRACKET	1		
28	T180930	RETAINER	1		
29	T186793	LABEL	3		
30	T201708	PLATE	1		
31	T203614	ISOLATOR	3		
32	T203615	ISOLATOR	4		
33	ISOLATOR	1		(FURNISH AT305130, CUT TO 75.5 IN.(1918 MM))
34	AT305130	ISOLATOR	1		

1810-24

CAB DOOR PORTIERE DE CABINE PUERTA DE CABINA

T193726 -UN-30SEP03



T193726

1810-25

OPERATOR'S STATION 18
OPERATOR ENCLOSURE 1810

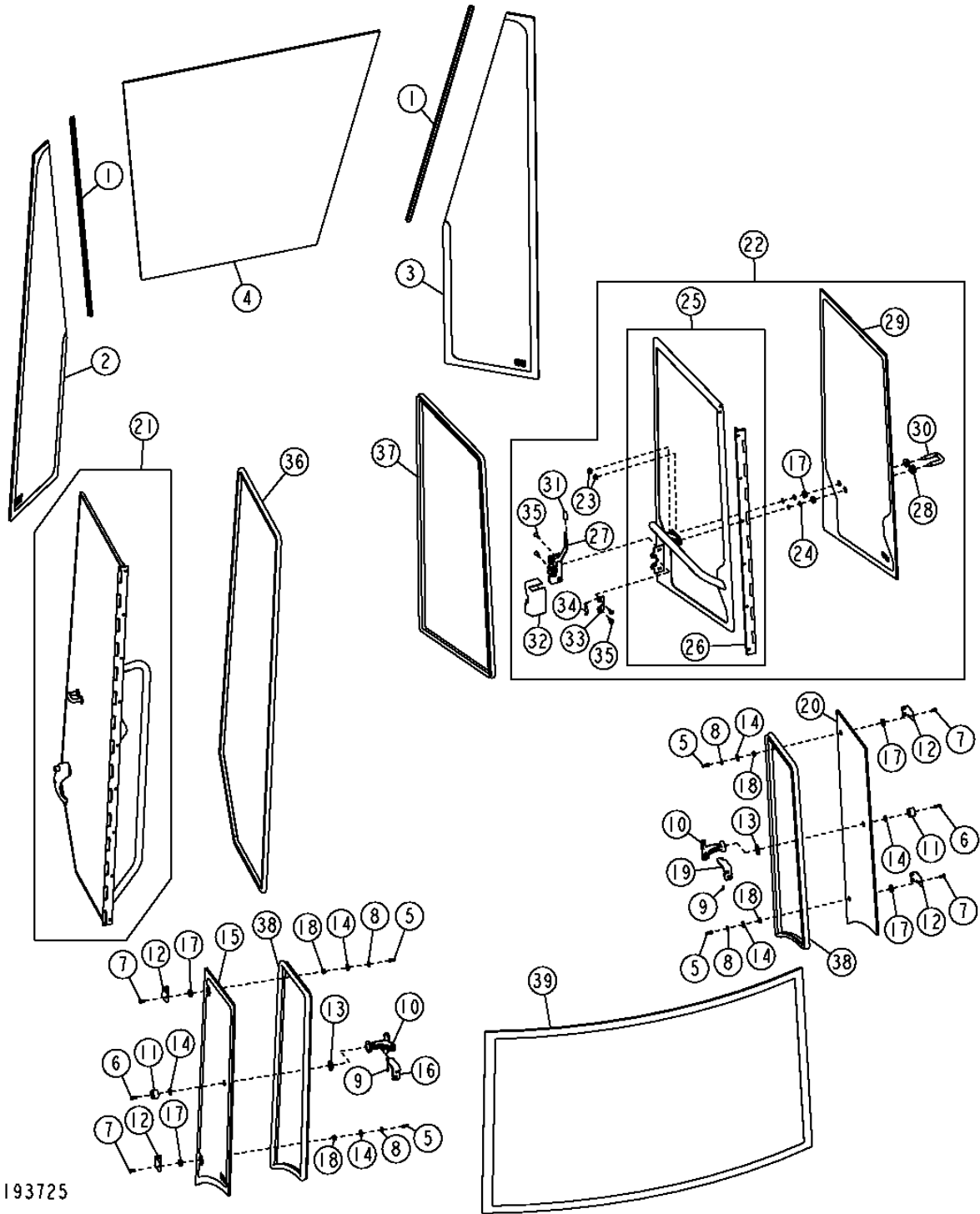
**CAB DOOR
PORTIERE DE CABINE
PUERTA DE CABINA**

KEY	PART NO.	PART NAME	QTY.	SERIAL NO.	REMARKS
1	AT224994	DOOR	1		
2	12M7006	LOCK WASHER	3		6 MM
3	14M7303	FLANGE NUT	2		M6
4	14M7424	FLANGE NUT	2		M8
5	19M7834	SCREW	1		M6 X 45
6	19M7863	SCREW	3		M6 X 25
7	24M7251	WASHER	1		6.400 X 18 X 1.600 MM
8	24M7362	WASHER	2		8.400 X 16 X 1.600 MM
9	AH121227	HANDLE	1		
10	AT224995	DOOR	1		
11	AT303493	CONTROL LEVER	1		
12	AT83105	LATCH	1		
13	H126081	BEZEL	1		
14	H126082	BEZEL	1		
15	BOLT	1		(SUB 19M7077 AND T213560)
16	H132922	COTTER PIN	2		
17	T167508	WINDOWPANE	1		
18	T167514	GROMMET	2		
19	T167530	SPRING	1		
20	T167546	STRIKER	1		
21	T167618	ARM	1		
22	T182899	WASHER	3		
23	T182963	SCREW	4		
24	T182967	ROD	1		
25	H95874	SPRING	1		
26	T182969	KNOB	1		
27	T182972	COVER	1		
28	TCU14336	SCREW	2		

1810-26

CAB GLASS GLACE DE CABINE VIDRIO DE LA CABINA

T193725 -UN-30SEP03



T193725

1810-27

OPERATOR'S STATION 18
OPERATOR ENCLOSURE 1810

CAB GLASS
GLACE DE CABINE
VIDRIO DE LA CABINA

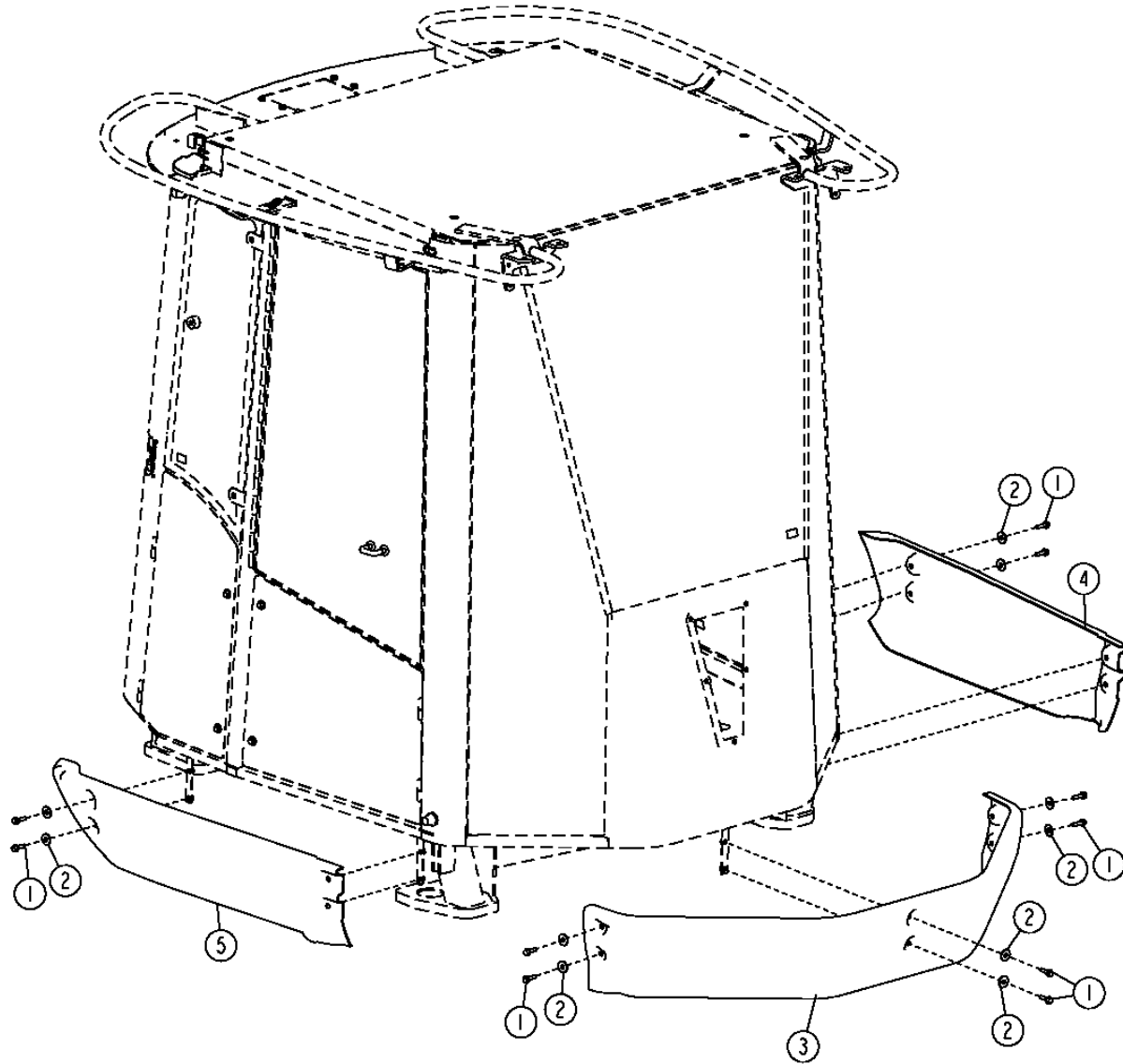
KEY	PART NO.	PART NAME	QTY.	SERIAL NO.	REMARKS
1	T182903	SEAL	2		
2	T182927	WINDOWPANE	1		
3	T182928	WINDOWPANE	1		
4	T196237	WINDSHIELD	1		(ALSO ORDER T215208)
	T215208	LABEL	1		SUN SCREEN
5	14M7376	LOCK NUT	4		M6
6	19M7768	SCREW	2		M6 X 16
7	19M8648	SCREW	4		M6 X 16
8	24M7251	WASHER	4		6.400 X 18 X 1.600 MM
9	34H275	SPRING PIN	2		3/16" X 1/2"
10	AT226000	LATCH	2		
11	T184135	BUMPER	2		
12	T167594	ANGLE	4		
	T167593	SCREW	8		(NOT ILLUSTRATED)
13	T167659	WASHER	2		
14	T167683	WASHER	6		
15	T178221	WINDOWPANE	1		
16	T178534	BRACKET	1		
17	T182899	WASHER	6		
18	T182902	BUSHING	4		
19	T177827	BRACKET	1		
20	T178220	WINDOWPANE	1		
21	AT224994	DOOR	1		
22	AT226151	WINDOW	1		
23	14M7424	FLANGE NUT	2		M8
24	24M7362	WASHER	2		8.400 X 16 X 1.600 MM
25	AT226152	DOOR	1		
26	T167505	HINGE	1		
27	AT226176	LATCH	1		
28	T167514	GROMMET	2		
29	T167527	WINDOWPANE	1		
30	T167546	STRIKER	1		
31	T167630	GRIP	1		
32	T182695	COVER	1		
33	T197455	BRACKET	1		
34	T197456	EXTENSION SPRING	1		
35	TCU14336	SCREW	4		M6 X 16
36	AT305126	ISOLATOR	1		
37	ISOLATOR	1		(FURNISH AT305126, CUT TO 120 IN.(3048 MM))
38	ISOLATOR	1		(FURNISH AT305126, CUT TO 86 IN.(2184 MM))
39	T167519	WINDOW	1		

1810-28

OPERATOR'S STATION 18
OPERATOR ENCLOSURE 1810

CAB SHIELDS DISPOSITIFS DE PROTECTION DE LA CABINE ESCUDOS DE LA CABINA

T211806 -UN-13JUN05



T211806

1810-29

OPERATOR'S STATION 18
OPERATOR ENCLOSURE 1810

CAB SHIELDS
DISPOSITIFS DE PROTECTION DE LA CABINE
ESCUDOS DE LA CABINA

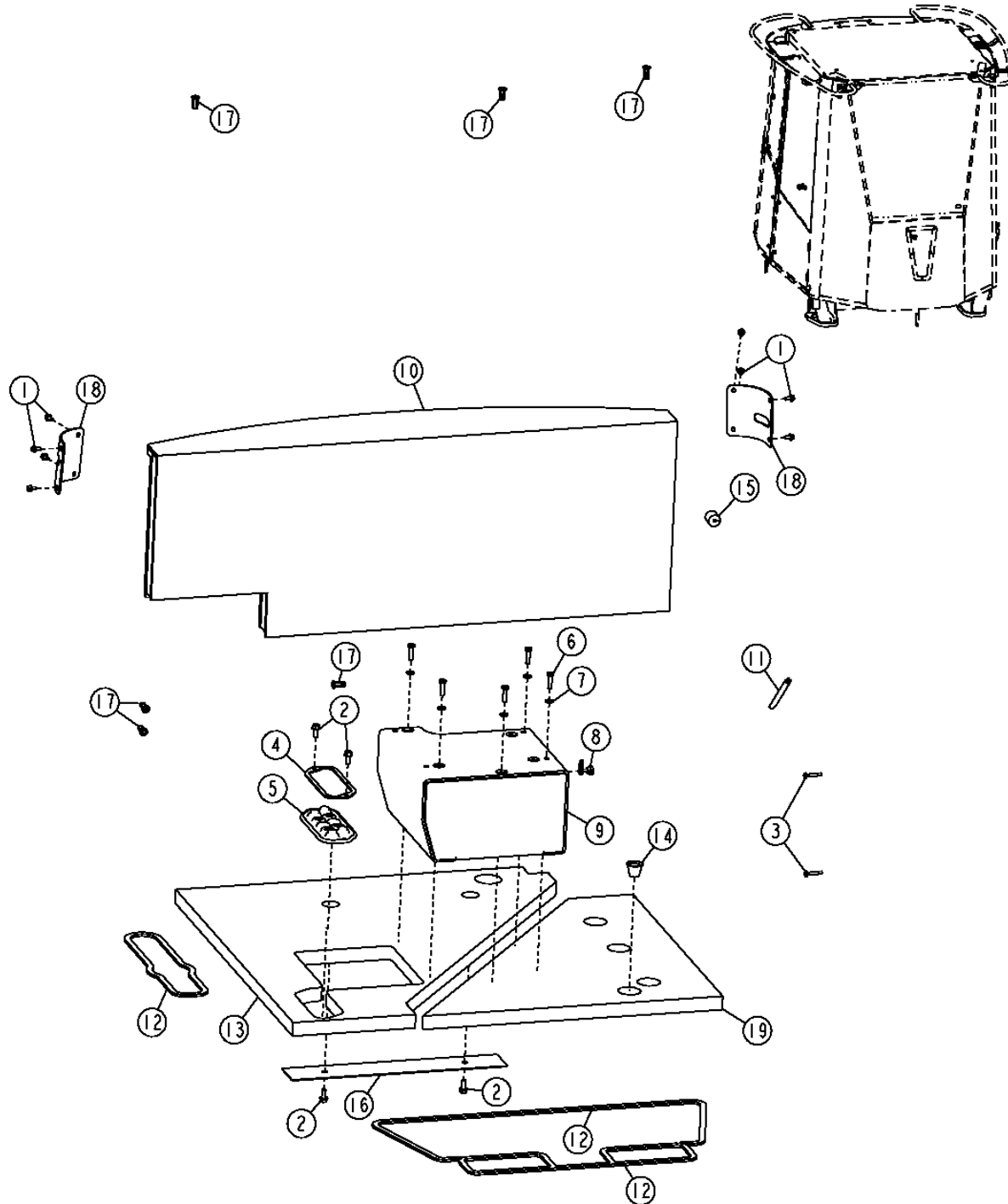
KEY	PART NO.	PART NAME	QTY.	SERIAL NO.	REMARKS
1	19M7868	SCREW	10		M8 X 30
2	24M7296	WASHER	10		10.500 X 30 X 2.500 MM
3	T168340	SHIELD	1		(FRONT)
4	T209406	SHIELD	1		(LH)
5	T209407	SHIELD	1		(RH)

1810-30

OPERATOR'S STATION 18
OPERATOR ENCLOSURE 1810

CAB TRIM AND SEAT BASE GARNITURE DE CABINE ET BASE DU SIEGE PIEZAS DE ADORNO DE CABINA Y BASE DEL ASIENTO

T211900 -UN-17JUN05



T211900

THIS PARTS LISTING IS CONTINUED

1810-31

OPERATOR'S STATION 18
OPERATOR ENCLOSURE 1810

**CAB TRIM AND SEAT BASE
GARNITURE DE CABINE ET BASE DU SIEGE
PIEZAS DE ADORNO DE CABINA Y BASE DEL ASIENTO**

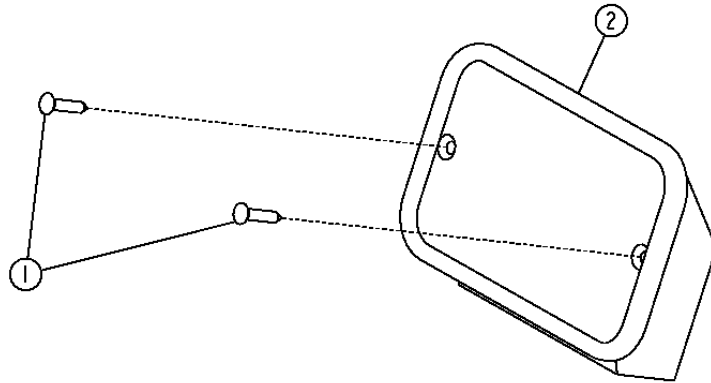
KEY	PART NO.	PART NAME	QTY.	SERIAL NO.	REMARKS
1	19M9007	SCREW	8		M6 X 12
2	19M7866	SCREW	4		M8 X 20
3	21M7247	SCREW	2		M6 X 35
4	T172991	PLATE	1		
5	T172992	GROMMET	1		
6	19M7868	SCREW	5		M8 X 30. (SUB FOR 19M7513)
7	24M7238	WASHER	5		8.700 X 17 X 2 MM
8	AT151931	LATCH	1		
9	AT224235	FLOOR	1		
10	AT225706	PAD	1		
11	T180533	SEALING TRIM	1		
12	H94158	WEATHERSTRIP	12		
13	T167770	ISOLATOR	1		
14	T180408	PLUG	1		
15	T182860	ISOLATOR	1		
16	T182906	PLATE	1		
17	T196079	NUT	6		
18	T205472	COVER	2		
19	T209094	ISOLATOR	1		

1810-32

OPERATOR'S STATION 18
OPERATOR ENCLOSURE 1810

ASH TRAY
CENDRIER
CENICERO

T193027 -UN-06AUG03



T193027

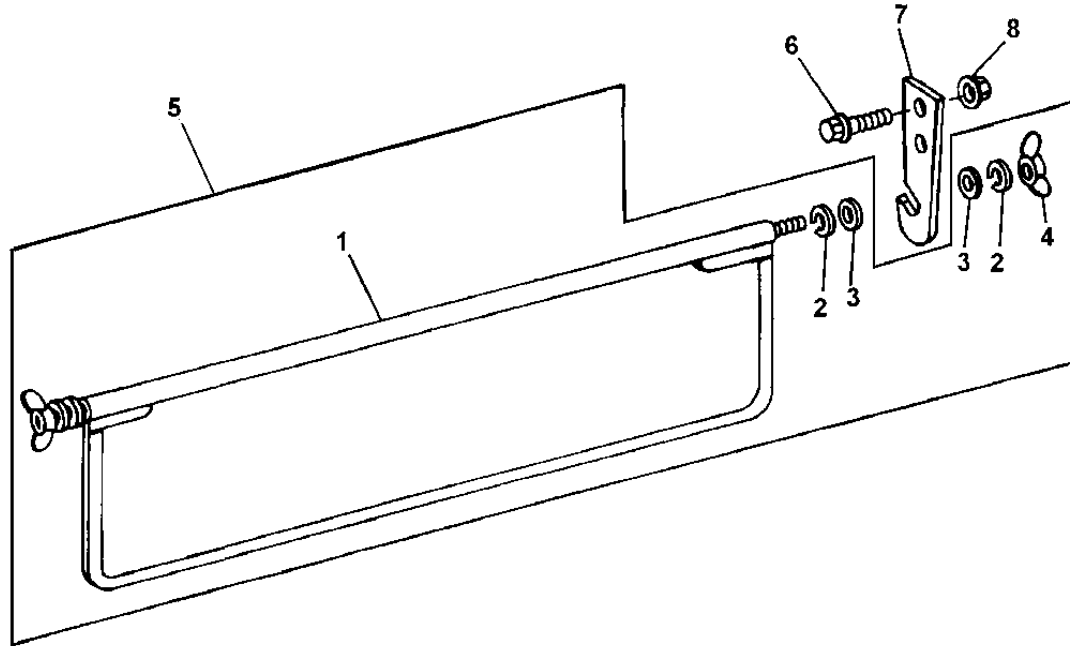
KEY	PART NO.	PART NAME	QTY.	SERIAL NO.	REMARKS
1	37M7333	SCREW	2		
2	AT59892	ASHTRAY	1		

1810-33

OPERATOR'S STATION 18
OPERATOR ENCLOSURE 1810

SUN VISOR PARE-SOLEIL VISERA

T141042 -UN-09APR01



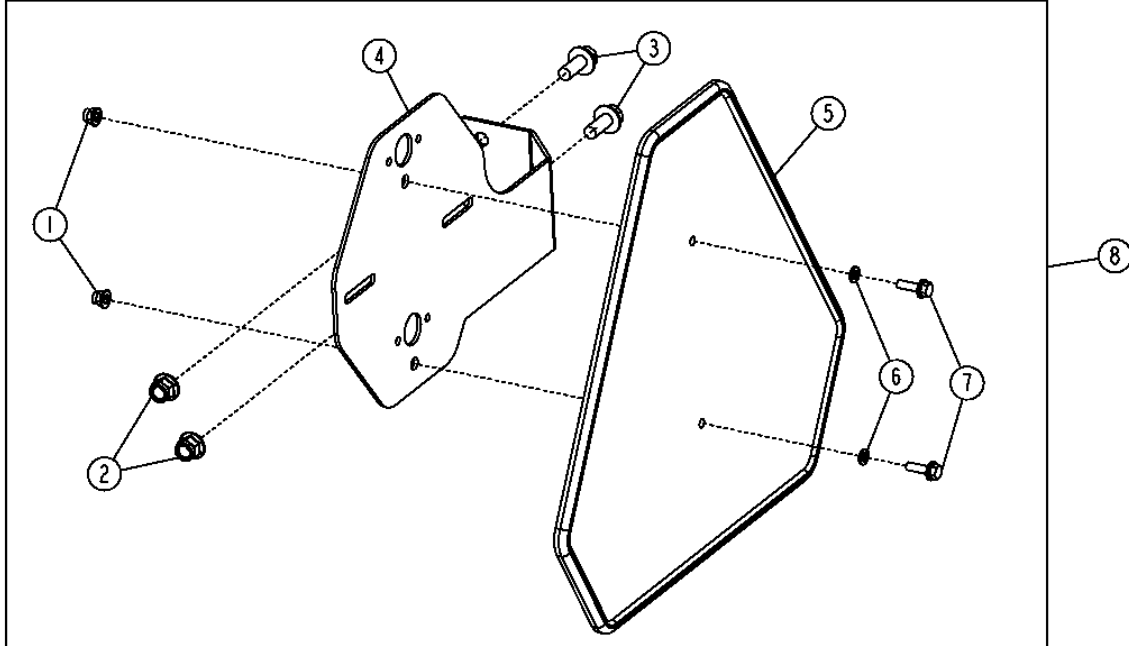
T141042

KEY	PART NO.	PART NAME	QTY.	SERIAL NO.	REMARKS
1	SUN VISOR	1		
2	24H1285	WASHER	4		17/64" X 7/16" X 0.065"
3	N218377	WASHER	4		
4	M47887	WING NUT	2		6.350 MM
5	SUN VISOR	1	-609131	(AT217448 NLA)
	AT336621	SUN VISOR	1	609132-	
6	19M7862	SCREW	2		M6 X 20
7	T181797	BRACKET	2		
8	14M7303	FLANGE NUT	2		M6

1810-34

SLOW MOVING VEHICLE EMBLEM
SIGNAL DE VEHICULE LENT
ETIQUETA DE VEHICULO DE MOVIMIENTO LENTO

T193231 -UN-07AUG03



T193231

1810-35

OPERATOR'S STATION 18
OPERATOR ENCLOSURE 1810

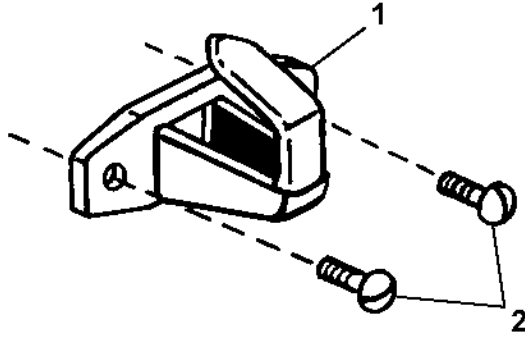
**SLOW MOVING VEHICLE EMBLEM
SIGNAL DE VEHICULE LENT
ETIQUETA DE VEHICULO DE MOVIMIENTO LENTO**

KEY	PART NO.	PART NAME	QTY.	SERIAL NO.	REMARKS
1	14M7397	LOCK NUT	2		M6
2	14M7400	LOCK NUT	2		M10
3	19M7785	SCREW	2		M10 X 25
4	T156693	BRACKET	1		
5	JD5929	SMV EMBLEM	1		
6	24M7088	WASHER	2		6.600 X 12 X 1.600 MM
7	19M7862	SCREW	2		M6 X 20
8	AT206923	FIELD INSTALLATION KIT	1		

1810-36

COAT HOOK
PATERE
GANCHO PARA ABRIGO

TP60658 -UN-08MAR99



TP60658

1810-37

OPERATOR'S STATION 18
OPERATOR ENCLOSURE 1810

COAT HOOK
PATERE
GANCHO PARA ABRIGO

KEY	PART NO.	PART NAME	QTY.	SERIAL NO.	REMARKS
1	L102023	HOOK	2		
2	21M7305	SCREW	4	M6 X 12	

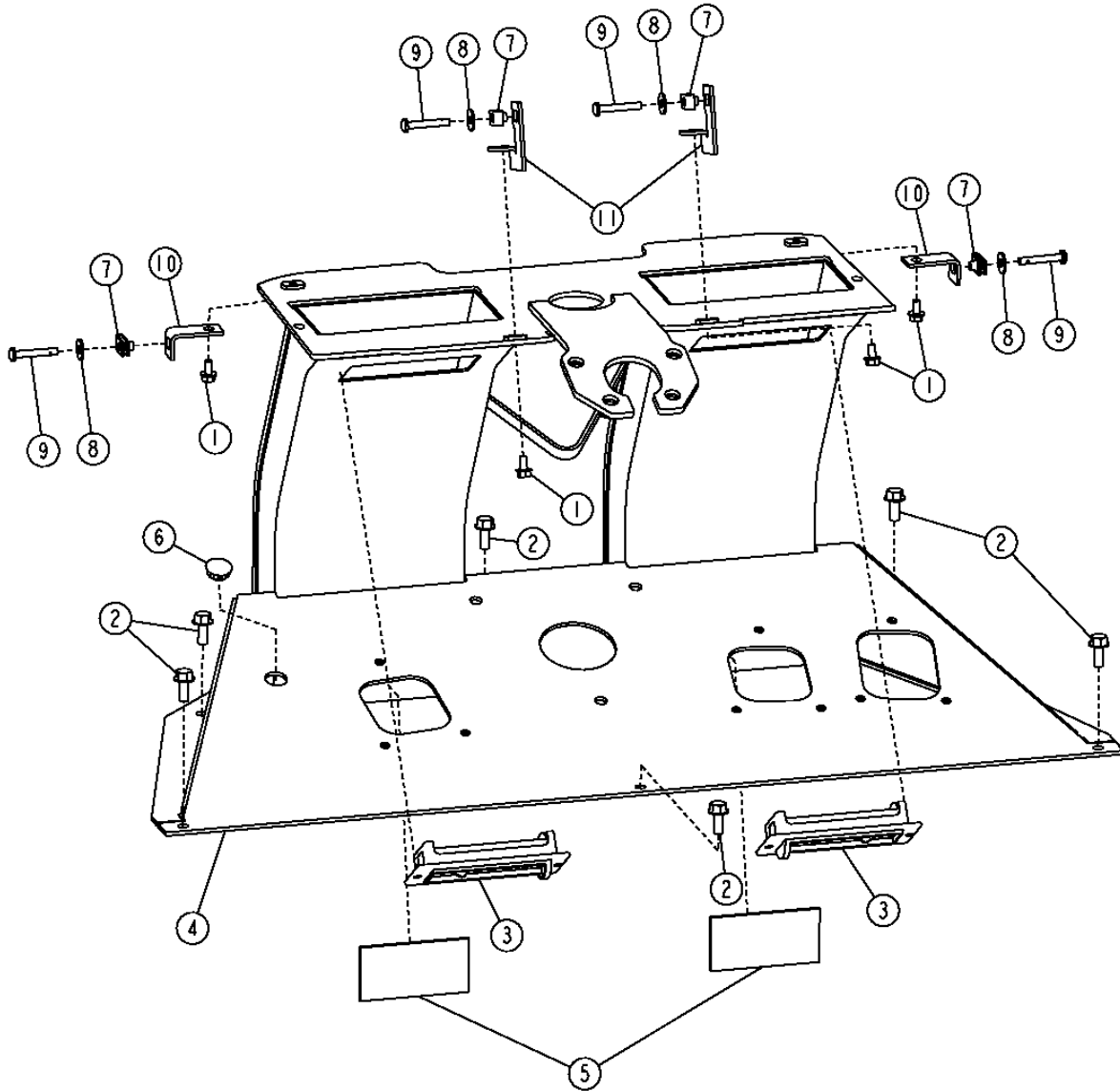
THIS PARTS LISTING IS CONTINUED

1810-38

OPERATOR'S STATION 18
OPERATOR ENCLOSURE 1810

OPERATOR STATION FRONT PEDESTAL SOCLE AVANT DE POSTE DE CONDUITE PEDESTAL DELANTERO DEL PUESTO DEL OPERADOR

T193670 -UN-20AUG03



T193670

1810-39

OPERATOR'S STATION 18
OPERATOR ENCLOSURE 1810

OPERATOR STATION FRONT PEDESTAL
SOCLE AVANT DE POSTE DE CONDUITE
PEDESTAL DELANTERO DEL PUESTO DEL OPERADOR

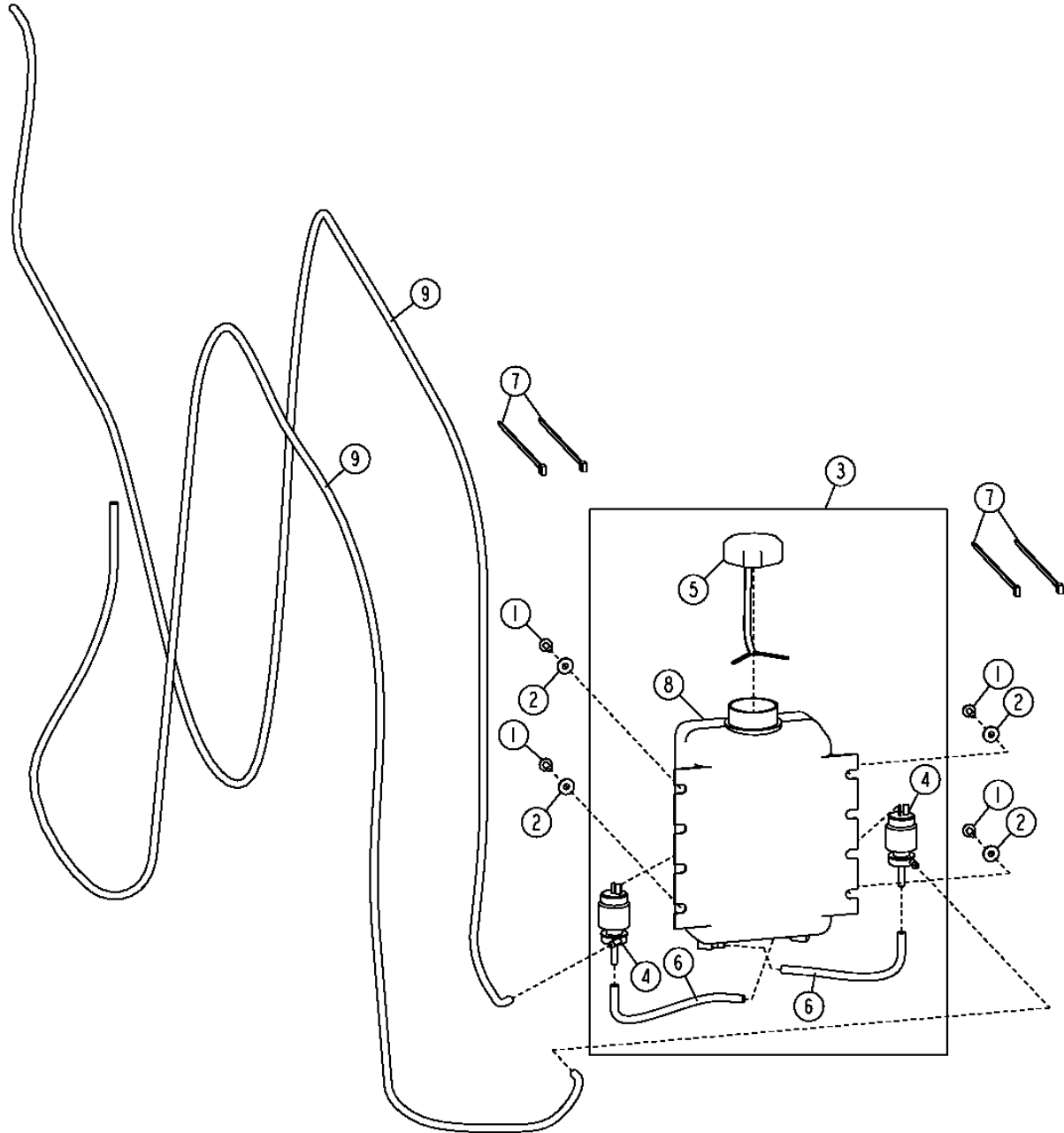
KEY	PART NO.	PART NAME	QTY.	SERIAL NO.	REMARKS
1	19M7774	SCREW	4		M6 X 12
2	19M7866	SCREW	6		M8 X 20
3	AT227668	LOUVER	2		
4	AT227965	PEDESTAL	1		
5	T66418	ISOLATOR	2		(CUT TO LENGTH, 6.2 INCHES)
6	H34597	PLUG	1		
7	M84972	NUT	4		
8	24H1821	WASHER	4		9/32" X 47/64" X 1/16"
9	T134874	SELF-LOCKING SCREW	4		
10	T196711	ANGLE	2		
11	T196712	BRACKET	2		(FRONT)

1810-40

OPERATOR'S STATION 18
OPERATOR ENCLOSURE 1810

FRONT AND REAR WINDOW WASHER AND HOSES
LAVE-GLACE AVANT ET ARRIERE ET FLEXIBLES
LAVAPARABRISAS DELANTERO Y TRASERO CON MANGUERAS

T212551 -UN-15JUL05



T212551

1810-41

OPERATOR'S STATION 18
OPERATOR ENCLOSURE 1810

**FRONT AND REAR WINDOW WASHER AND HOSES
LAVE-GLACE AVANT ET ARRIERE ET FLEXIBLES
LAVAPARABRISAS DELANTERO Y TRASERO CON MANGUERAS**

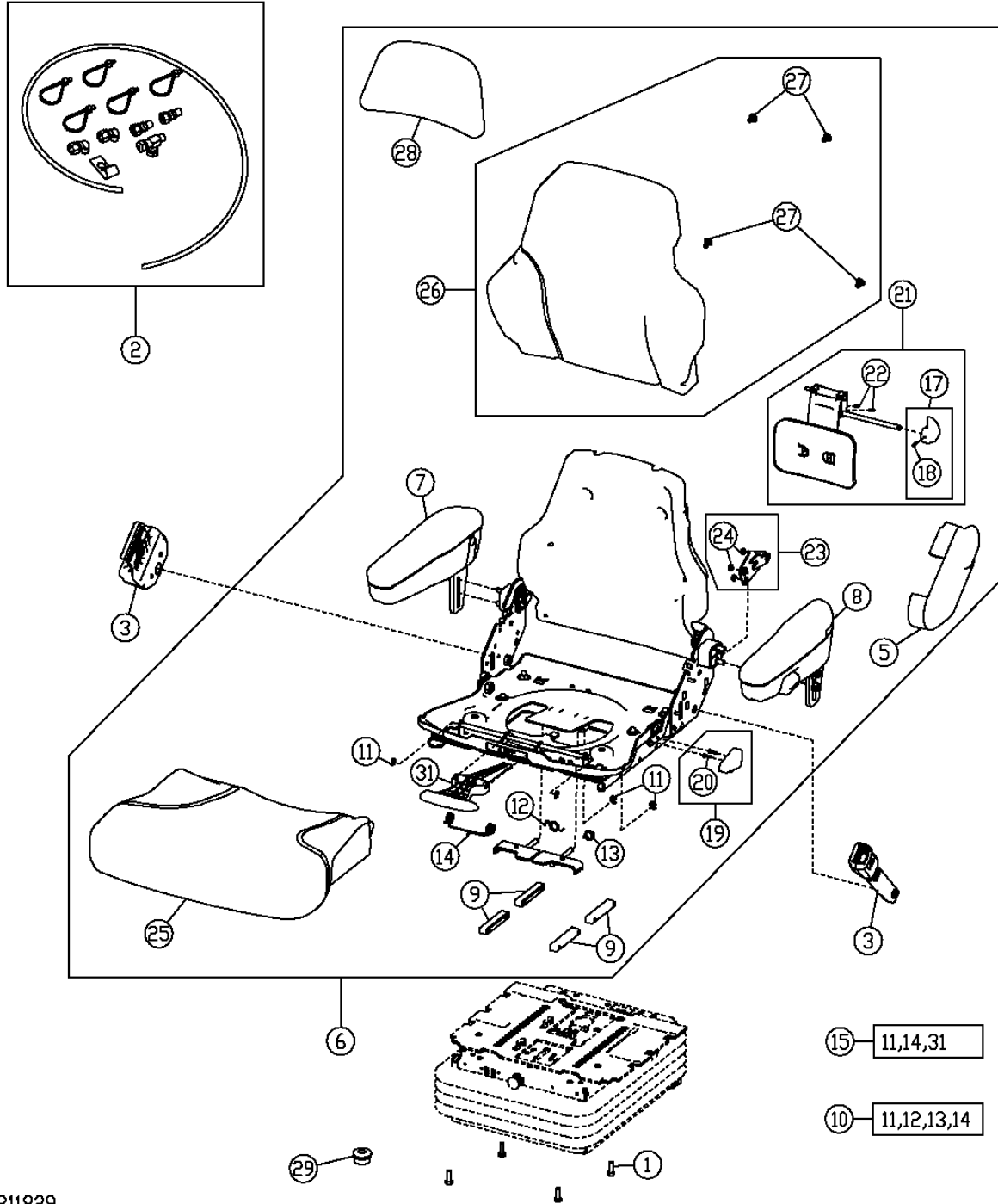
KEY	PART NO.	PART NAME	QTY.	SERIAL NO.	REMARKS
1	14M7303	FLANGE NUT	4		M6
2	24M7139	WASHER	4		6.400 X 18 X 1.600 MM
3	AT209947	TANK	1		
4	AT106365	PUMP	2		
5	AT173193	CAP	1		
6	HOSE	1		(MAKE FROM R120653, CUT TO 24 INCHES)
7	R44302	TIE BAND	4		
8	T147618	TANK	1		
9	HOSE	1		(MAKE FROM R120653, CUT TO 26 FEET)

1821-2

SEAT
SIEGE
ASIENTO

T211829

-UN-21JUN05



T211829

THIS PARTS LISTING IS CONTINUED

1821-3

OPERATOR'S STATION 18
SEAT AND SEAT BELTS 1821

SEAT
SIEGE
ASIENTO

KEY	PART NO.	PART NAME	QTY.	SERIAL NO.	REMARKS
1	19M7866	SCREW	4		M8 X 20
2	AT208493	FITTING KIT	1		(C)
3	AT308199	SEAT BELT	1		
5	T163962	COVER	1		
6	AT311919	SEAT	1		(A)
	AT310435	SEAT	1		(B)
7	AT195441	ARMREST KIT	1		(RH)
	AT315715	PAD	1		
8	AT195442	ARMREST KIT	1		(LH)
	AT315761	PAD	1		
9	AT209020	KIT	1		(D)
10	AT209021	KIT	1		(E)
11	R72655	SNAP RING	6		
12	T163334	SPRING	1		
13	T163335	SPRING	1		
14	T163336	TORSION SPRING	2		
15	AT209022	HOSE KIT	1		(F)
17	AT209024	KIT	1		(G)
18	34H262	SPRING PIN	1		
19	AT209025	KIT	1		(H)
20	37H121	SCREW	1		
21	AT209026	KIT	1		(I)
22	34H387	SPRING PIN	2		
23	AT209225	KIT	1		(J) (INCLUDES AT209025 AND T163336)
24	M453T	LOCK NUT	3		
25	AT221015	SEAT	1		(A)
	AT308795	SEAT	1		(B)
26	AT221016	SEAT BACK	1		(A)
	AT308796	SEAT BACK	1		(B)
27	T171686	CLIP	4		
28	AT221017	HEAD RESTRAINT	1		(A)
	AT308797	HEAD RESTRAINT	1		(B)
29	N119177	GROMMET	1		
31	CONTROL	1		(ORDER ASSEMBLY AT209022)

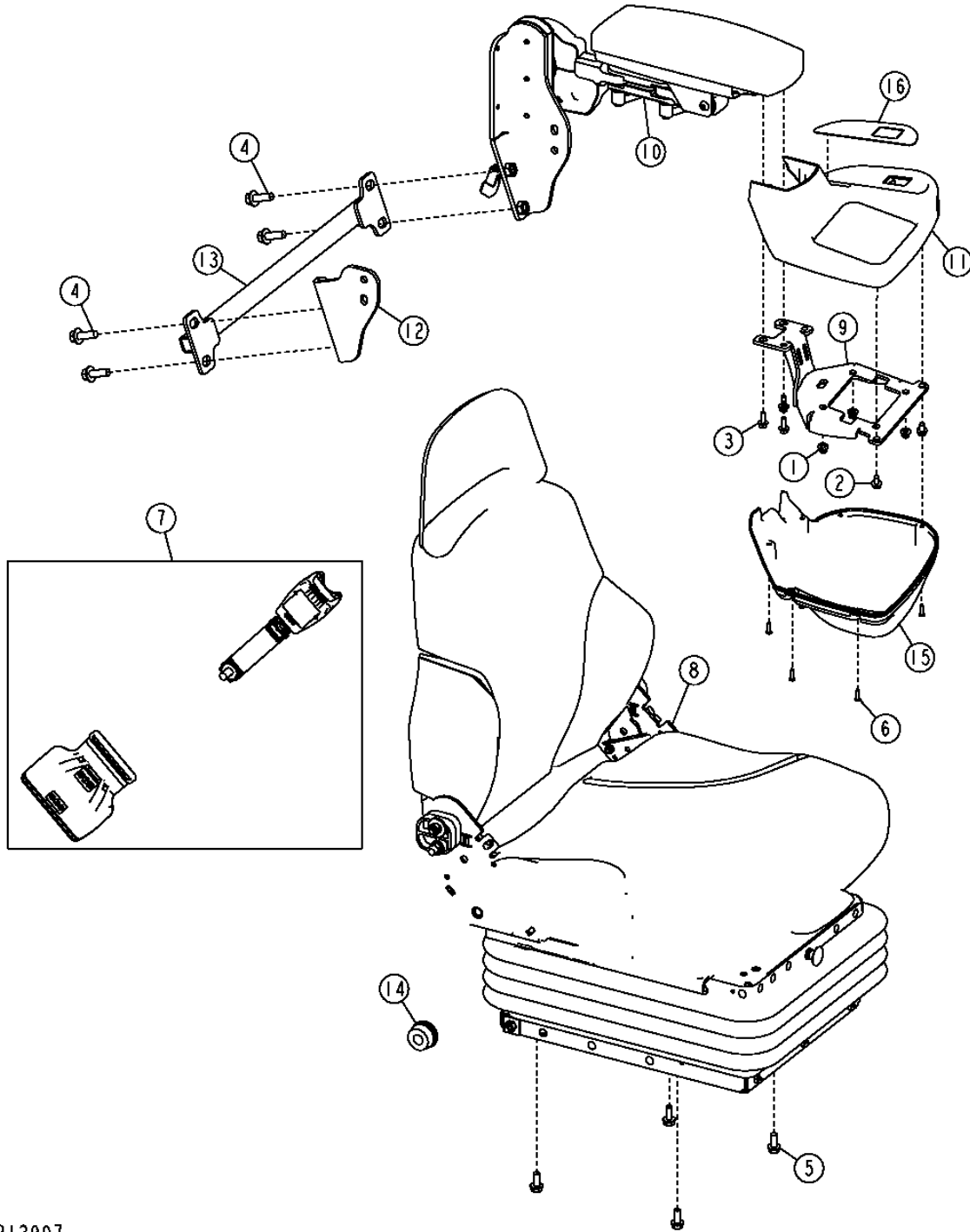
- (A) VINYL
- (A) VINYLE
- (A) VINILO
- (C) AIR LINE SERVICE
- (C) KIT D'ENTRETIEN DE CONDUITE PNEUMATIQUE
- (C) JUEGO DE SERVICIO DE LINEAS NEUMATICAS
- (E) SLIDE SPRING
- (E) RESSORT DE COULISSEMENT
- (E) RESORTE DE CORREDERA
- (G) LUMBAR KNOB
- (G) COMMANDE DE COULISSEMENT
- (G) PERILLA DE CONTROL LUMBAR
- (I) LUMBAR SERVICE
- (I) ENTRETIEN DE REGLAGE DE SUPPORT LOMBAIRE
- (I) SERVICIO LUMBAR

- (B) CLOTH
- (B) TISSU
- (B) TELA
- (D) SLIDE PUCK
- (D) PLAQUETTE DE COULISSEMENT
- (D) PASTILLA DE CORREDERA
- (F) SLIDE CONTROL
- (F) COMMANDE DE COULISSEMENT
- (F) CONTROL DE CORREDERA
- (H) RECLINER KNOB
- (H) BOUTON D'INCLINAISON
- (H) PERILLA DE RECLINADO
- (J) RECLINER SERVICE
- (J) ENTRETIEN D'INCLINAISON
- (J) SERVICIO DE RECLINADO

1821-4

JOYSTICK STEERING SEAT SIEGE DE DIRECTION PAR MANCHE A BALAI ASIENTO DE DIRECCION DE LA PALANCA DE CONTROL

T212907 -UN-28JUL05



T212907

1821-5

OPERATOR'S STATION 18
SEAT AND SEAT BELTS 1821

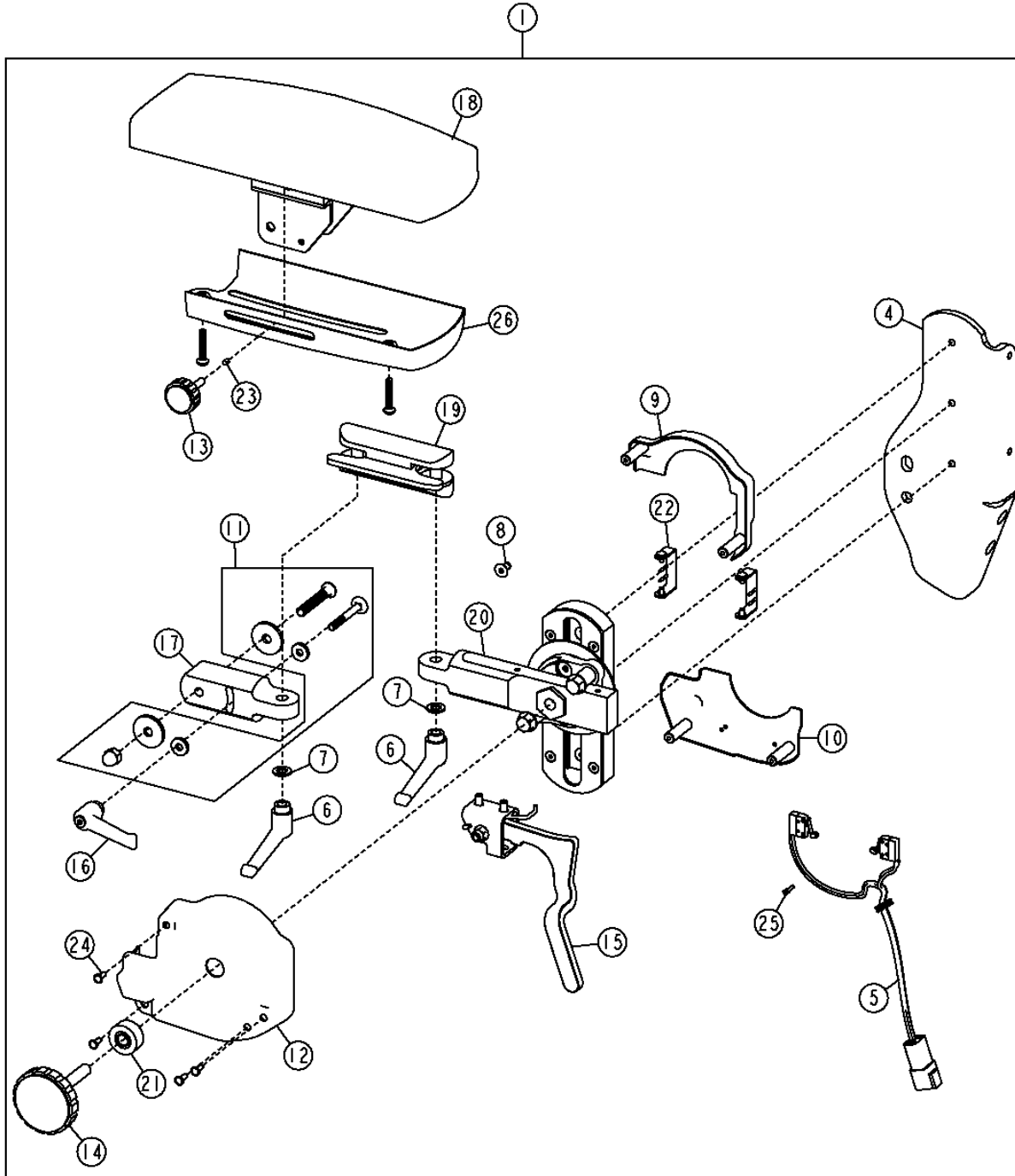
JOYSTICK STEERING SEAT
SIEGE DE DIRECTION PAR MANCHE A BALAI
ASIENTO DE DIRECCION DE LA PALANCA DE CONTROL

KEY	PART NO.	PART NAME	QTY.	SERIAL NO.	REMARKS
1	14M7397	LOCK NUT	4		M6
2	19M7774	SCREW	3		M6 X 12
3	19M7774	SCREW	4		M6 X 12. (SUB FOR 19M7775)
4	19M7786	SCREW	4		M10 X 30
5	19M7866	SCREW	4		M8 X 20
6	37M7340	BOLT	6		(SUB FOR 37M7179)
7	AT308199	SEAT BELT	1		
8	AT310435	SEAT	1		
9	AT311997	BRACKET	1		
10	ARMREST	1		(SUB AT338486) (AT313374 NLA)
	AT338486	ARMREST	1		
11	AT314833	COVER	1		
12	BRACKET	1		(SUB AT331844) (AT318199 NLA)
	AT331844	BRACKET	1		
13	BRACKET	2		(SUB AT330670) (AT318200 NLA)
	AT330670	BRACKET	2		
14	N119177	GROMMET	1		
15	T209539	COVER	1		
16	T214514	LABEL	1		

1821-6

JOYSTICK STEERING ARM REST ACCOUDOIR DE DIRECTION PAR MANCHE A BALAI APOYABRAZOS DE PALANCA DE CONTROL DE DIRECCION

TX1008743 -UN-09JUN06



TX1008743

1821-7

OPERATOR'S STATION 18
SEAT AND SEAT BELTS 1821

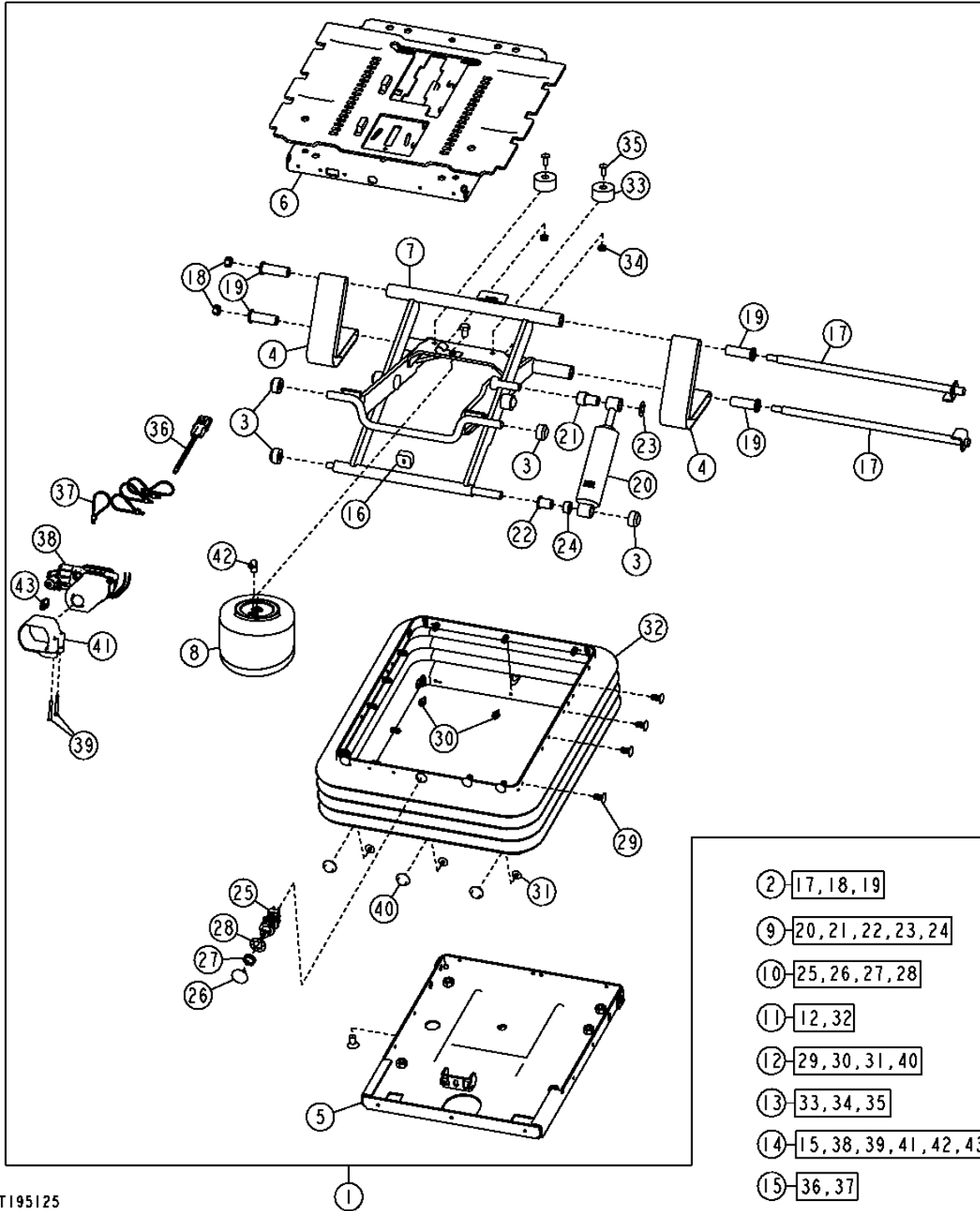
JOYSTICK STEERING ARM REST
ACCOUDOIR DE DIRECTION PAR MANCHE A BALAI
APOYABRAZOS DE PALANCA DE CONTROL DE DIRECCION

KEY	PART NO.	PART NAME	QTY.	SERIAL NO.	REMARKS
1	ARMREST	1		(SUB AT338486) (ALSO ORDER AT331844 AND AT330670) (AT313374 NLA)
	AT338486	ARMREST	1		
4	BRACKET	1		(SUB AT330669) (AT318198 NLA)
	AT330669	BRACKET	1		
5	AT321224	ELECTRICAL LOAD CENTER	1		
6	AT227063	HANDLE	2		M8
7	24M7036	WASHER	1		
8	T215154	SCREW	3		
9	AT325670	COVER	1		
10	AT325671	COVER	1		
11	AT325677	PACKAGE OF PARTS	1		
12	AT325669	COVER	1		
13	AT325667	KNOB	1		
14	AT325664	KNOB	1		
15	AT325663	LEVER	1		
16	AT325662	HANDLE	1		M6
17	AT325661	BRACKET	1		
18	AT325660	ARMREST KIT	1		
19	AT325659	KIT	1		
20	AT325658	PIVOT	1		
21	AT325665	SPACER	1		
22	AT325666	BRACKET	2		
23	AT325668	PIN	1		
24	37M7340	BOLT	4		(SUB FOR 37M7179)
25	TIE BAND	1		
26	AT330808	BRACKET	1		

1821-8

SEAT SUSPENSION
SUSPENSION DU SIEGE
SUSPENSION DEL ASIENTO

T195125 -UN-25SEP03



T195125

1821-9

OPERATOR'S STATION 18
SEAT AND SEAT BELTS 1821

SEAT SUSPENSION SUSPENSION DU SIEGE SUSPENSION DEL ASIENTO

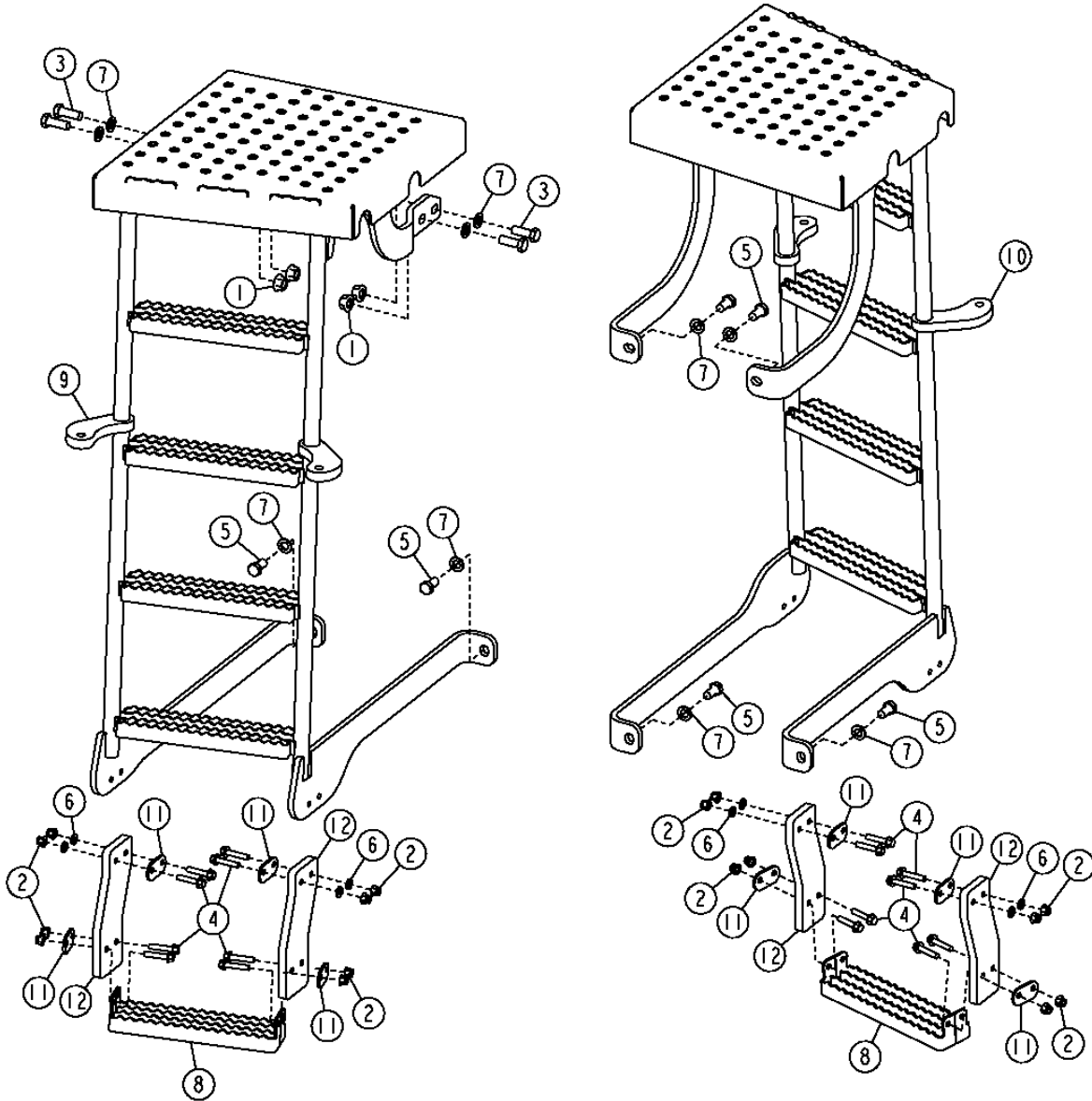
KEY	PART NO.	PART NAME	QTY.	SERIAL NO.	REMARKS
1	AT311918	SEAT SUSPENSION	1		
2	AT173313	SHAFT	1		
3	AT173314	SEAT BEARING ROLLER KIT	1		
4	AT173315	KIT	1		(A)
5	AT208483	HOUSING	1		
6	AT313399	HOUSING	1		
7	AT208485	ARM	1		
8	AT208486	ABSORBER	1		
9	AT208487	KIT	1		(B)
10	AT208490	SELECTIVE CONTROL VALVE	1		
11	AT208491	KIT	1		(C)
12	AT173321	SEAT SUSPENSION BOOT KIT	1		
13	AT209469	KIT	1		(D)
14	AT226676	COMPRESSOR	1		
15	AT208488	WIRING HARNESS	1		
16	T55224	BUMPER	1		
17	SHAFT	2		(SUB AT173313)
18	LOCK NUT	2		(SUB AT173313)
19	BUSHING	4		(SUB AT173313)
20	SHOCK ABSORBER	1		(SUB AT208487)
21	BEARING	1		(SUB AT208487)
22	ECCENTRIC LOCKING COLLAR	1		(SUB AT208487)
23	PUSH NUT	1		(SUB AT208487)
24	SPACER	1		(SUB AT208487)
25	HYD ACTUATED CONTROL VALVE	1		(SUB AT208490)
26	KNOB	1		(SUB AT208490)
27	NUT	1		(SUB AT208490)
28	LOCK WASHER	1		(SUB AT208490)
29	CLIP	23		(SUB AT173321)
30	RIVET	3		(SUB AT173321)
31	RIVET	3		(SUB AT173321)
32	BOOT	1		(SUB AT208491)
33	BUMPER	2		(SUB AT209469)
34	LOCK NUT	2		(SUB AT209469)
35	SCREW	2		(SUB AT209469)
36	WIRING HARNESS	1		(SUB AT208488)
37	TIE BAND	4		(SUB AT208488)
38	COMPRESSOR	1		(SUB AT226676)
39	SPRING PIN	2		(SUB AT226676)
40	RIVET	6		(SUB AT173321)
41	CLAMP	1		(SUB AT226676)
42	PIPE ELBOW	1		(SUB AT226676)
43	TAB CONNECTOR BODY	1		(SUB AT226676)

- | | |
|--------------------------------------|--|
| (A) TETHER BELT SERVICE | (B) SUSPENSION SHOCK SERVICE |
| (A) ENTRETIEN DE COURROIE D'AMARRAGE | (B) ENTRETIEN D'AMORTISSEUR DE SUSPENSION |
| (A) SERVICIO DE CORREA DE SEGURIDAD | (B) SERVICIO DE AMORTIGUADOR DE SUSPENSION |
| (C) BOOT SERVICE | (D) BUMPER SERVICE |
| (C) ENTRETIEN DE GAINE | (D) ENTRETIEN DE PARE-CHOCS |
| (C) SERVICIO DE FUNDA | (D) SERVICIO DE PARACHOQUES |

1822-2

ENGINE COMPARTMENT STEP MARCHE DE COMPARTIMENT MOTEUR PELDA-O DEL COMPARTIMIENTO DEL MOTOR

T212911 -UN-25JUL05



T212911

1822-3

OPERATOR'S STATION 18
STEPS AND HANDHOLDS 1822

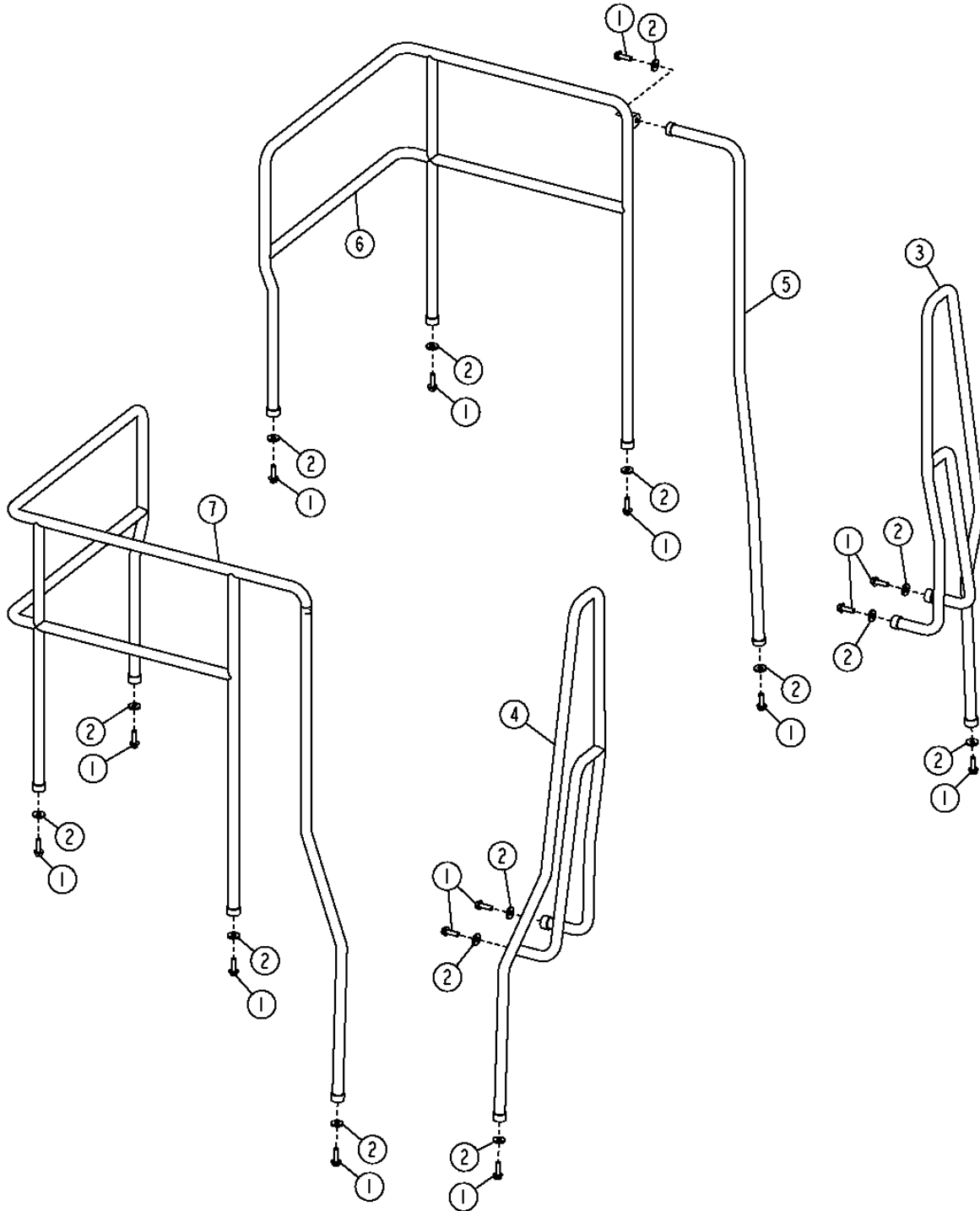
**ENGINE COMPARTMENT STEP
MARCHE DE COMPARTIMENT MOTEUR
PELDA-O DEL COMPARTIMIENTO DEL MOTOR**

KEY	PART NO.	PART NAME	QTY.	SERIAL NO.	REMARKS
1	14M7291	FLANGE NUT	4		M16
2	14M7400	LOCK NUT	16		M10
3	19M7489	CAP SCREW	4		M16 X 45
4	19M7806	SCREW	16		M10 X 50
5	19M8029	CAP SCREW	6		M16 X 30
6	24M7239	WASHER	8		10.700 X 21 X 2.500 MM
7	24M7338	WASHER	10		17 X 30 X 3 MM
8	AT225618	STEP	2		
9	AT311268	STEP	1		
10	AT311269	STEP	1		
11	T173779	STRAP	8		
12	T177503	STRAP	4		

1822-4

HANDRAILS MAINS COURANTES ASIDEROS

T212913 -UN-25JUL05



T212913

THIS PARTS LISTING IS CONTINUED

1822-5

OPERATOR'S STATION 18
STEPS AND HANDHOLDS 1822

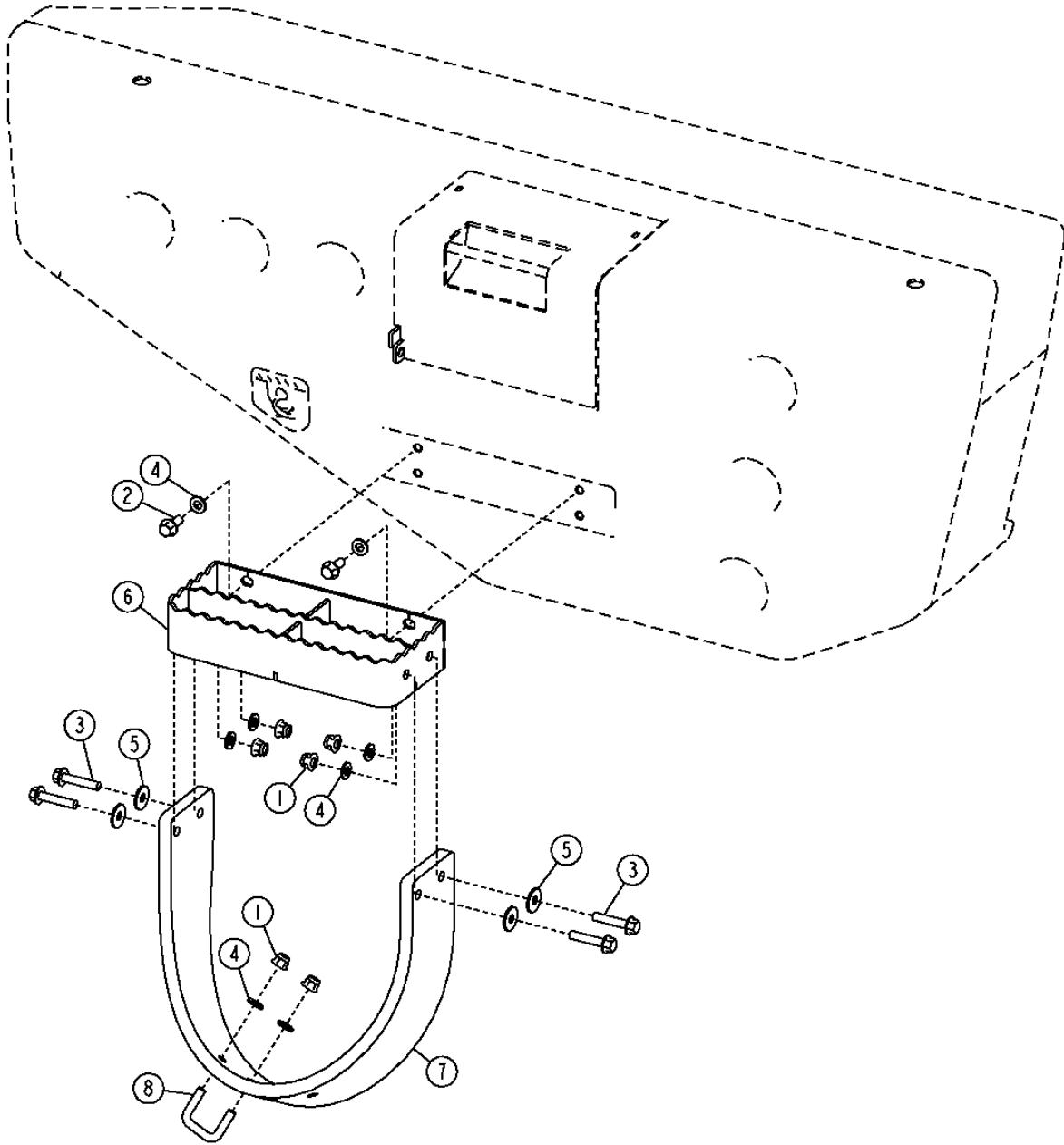
HANDRAILS MAINS COURANTES ASIDEROS

KEY	PART NO.	PART NAME	QTY.	SERIAL NO.	REMARKS
1	19M7791	BOLT	15		M12 X 40
2	24M7180	WASHER	15		13 X 37 X 3 MM, (SUB FOR 24M7226, THIS APPLICATION)
3	AT312277	HANDRAIL	1		
4	AT312278	HANDRAIL	1		
5	AT312280	HANDRAIL	1		
6	AT323055	HANDRAIL	1		
7	AT323056	HANDRAIL	1		

1822-6

REAR SERVICE STEPS
MARCHEPIED D'ENTRETIEN ARRIERE
PELDA-OS DE SERVICIO TRASEROS

T212915 -UN-17AUG05



T212915

1822-7

OPERATOR'S STATION 18
STEPS AND HANDHOLDS 1822

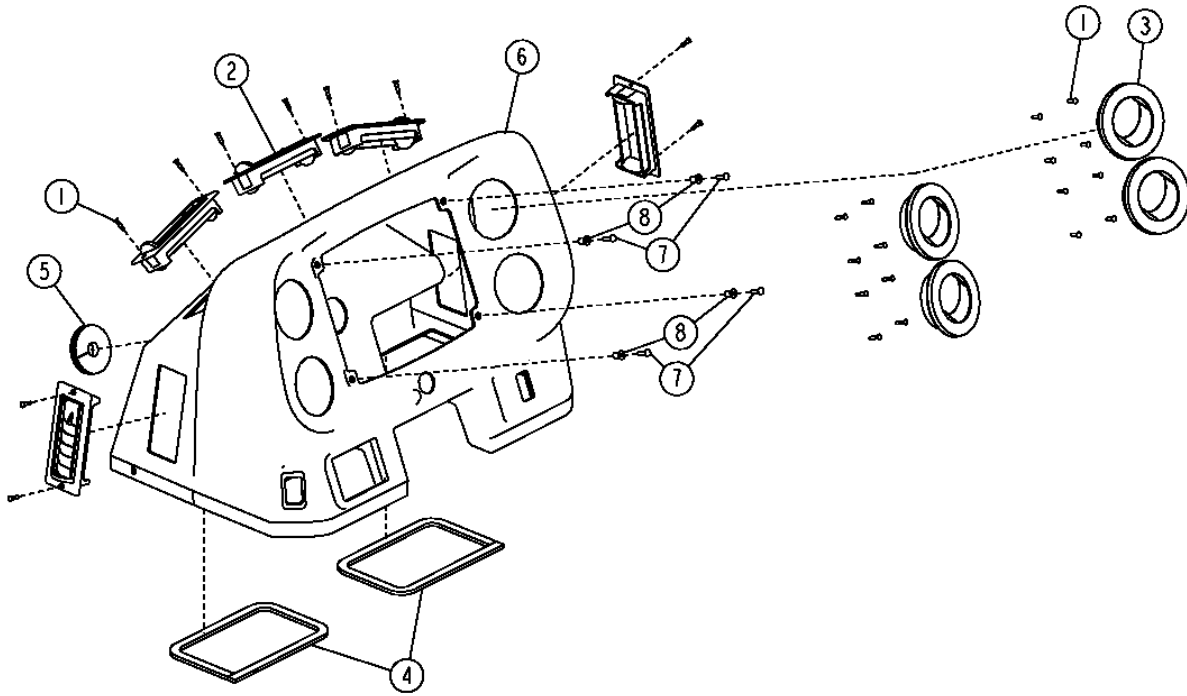
**REAR SERVICE STEPS
MARCHEPIED D'ENTRETIEN ARRIERE
PELDA-OS DE SERVICIO TRASEROS**

KEY	PART NO.	PART NAME	QTY.	SERIAL NO.	REMARKS
1	14M7400	LOCK NUT	16		M10
2	19M7785	SCREW	8		M10 X 25
3	19M7806	SCREW	8		M10 X 50
4	24M7239	WASHER	24		10.700 X 21 X 2.500 MM
5	24M7296	WASHER	8		10.500 X 30 X 2.500 MM
6	AT228809	STEP	2		
7	T217427	STRAP	2		
8	W29909	U-BOLT	4		

1830-2

CAB MONITOR CONSOLE
CONSOLE DU MONITEUR DE CABINE
CONSOLA DE MONITOR DE CABINA

T193669 -UN-24OCT03



T193669

1830-3

OPERATOR'S STATION 18

HEATING AND AIR CONDITIONING 1830

**CAB MONITOR CONSOLE
CONSOLE DU MONITEUR DE CABINE
CONSOLA DE MONITOR DE CABINA**

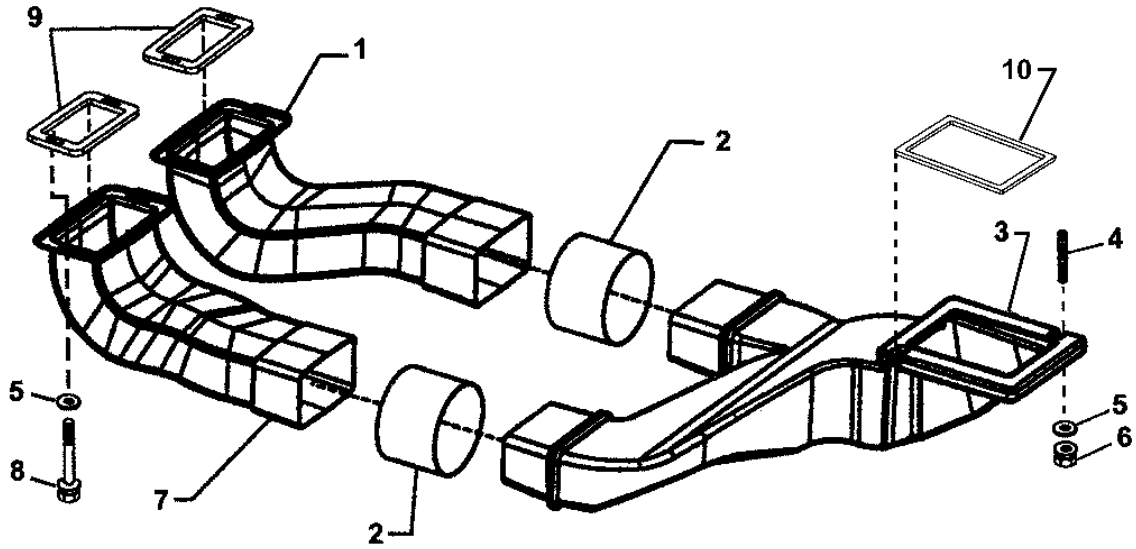
KEY	PART NO.	PART NAME	QTY.	SERIAL NO.	REMARKS
1	37M7333	SCREW	26		
2	AT227668	LOUVER	5		
3	AT227669	LOUVER	4		
4	H81330	ISOLATOR	1		(CUT TO LENGTH, 4.3 FEET)
5	R117845	GROMMET	1		
6	T196471	CONSOLE	1		
7	T82791	SCREW	4		
8	T82792	NUT	4		

1830-4

HEATING AND AIR CONDITIONING OUTLET DUCTS
CONDUITS DE SORTIE DE CHAUFFAGE ET DE CLIMATISATION
REGISTROS DE SALIDA DEL CALEFACTOR Y ACONDICIONADOR DE AIRE

TP62831

-UN-29JUN00



TP62831

1830-5

OPERATOR'S STATION 18

HEATING AND AIR CONDITIONING 1830

HEATING AND AIR CONDITIONING OUTLET DUCTS
CONDUITS DE SORTIE DE CHAUFFAGE ET DE CLIMATISATION
REGISTROS DE SALIDA DEL CALEFACTOR Y ACONDICIONADOR DE AIRE

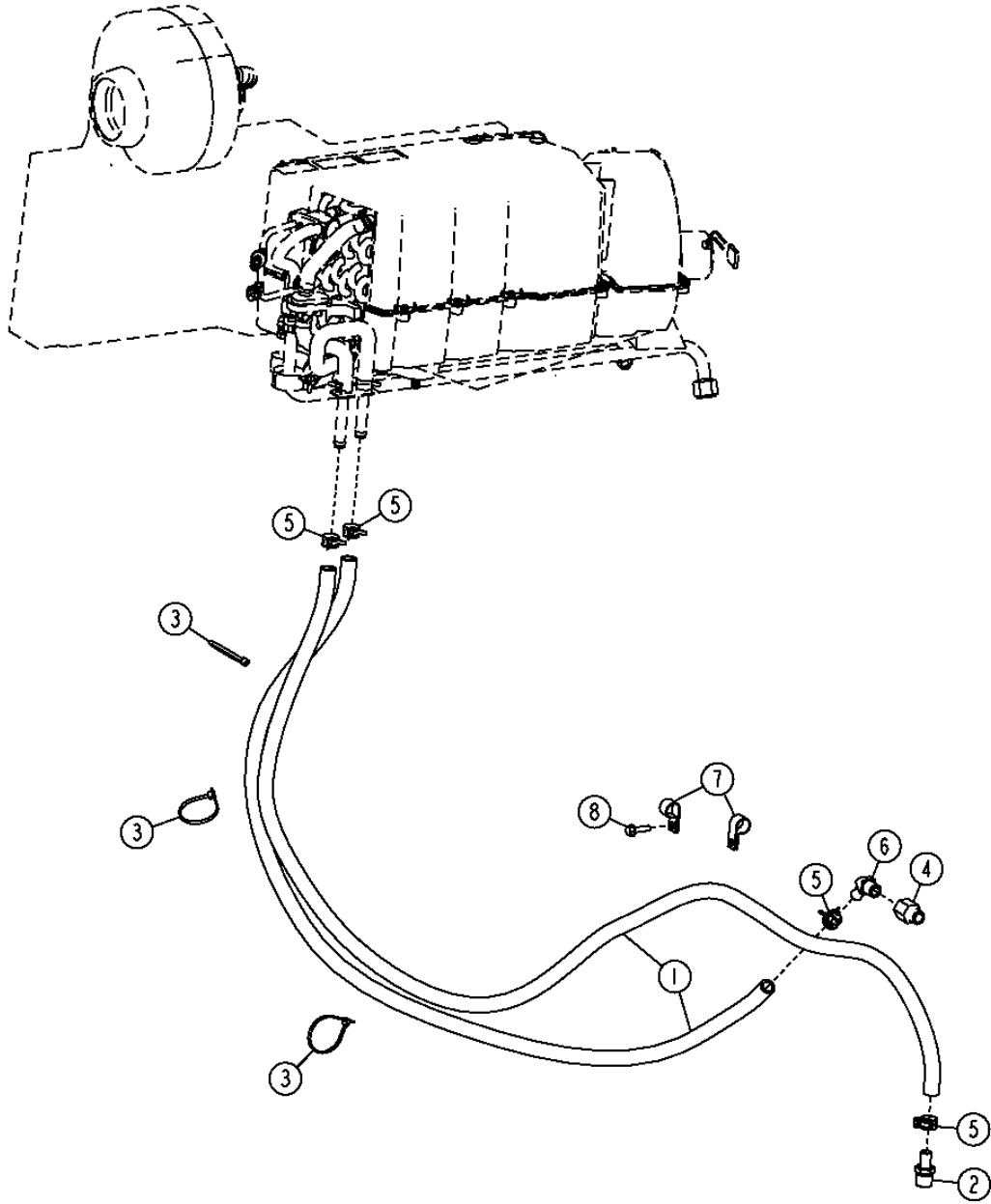
KEY	PART NO.	PART NAME	QTY.	SERIAL NO.	REMARKS
1	T173768	AIR DUCT	1		(RH)
2	T171082	SEAL	2		
3	T207669	AIR DUCT	1		
4	T167759	STUD	2		
5	24M7298	WASHER	6		8.400 X 25 X 2 MM
6	14M7298	FLANGE NUT	4		M8
7	T156256	AIR DUCT	1		(LH)
8	19M7800	SCREW	4		M8 X 50
9	T182872	SEAL	2		
10	H94158	WEATHERSTRIP	1		(CUT TO LENGTH, 2.25 FEET)

1830-6

HEATER HOSES AND FITTINGS FLEXIBLES ET RACCORDS DE CHAUFFAGE MANGUERAS Y ADAPTADORES DEL CALEFACTOR

TX1002860

-UN-20JAN06



TX1002860

1830-7

OPERATOR'S STATION 18

HEATING AND AIR CONDITIONING 1830

**HEATER HOSES AND FITTINGS
FLEXIBLES ET RACCORDS DE CHAUFFAGE
MANGUERAS Y ADAPTADORES DEL CALEFACTOR**

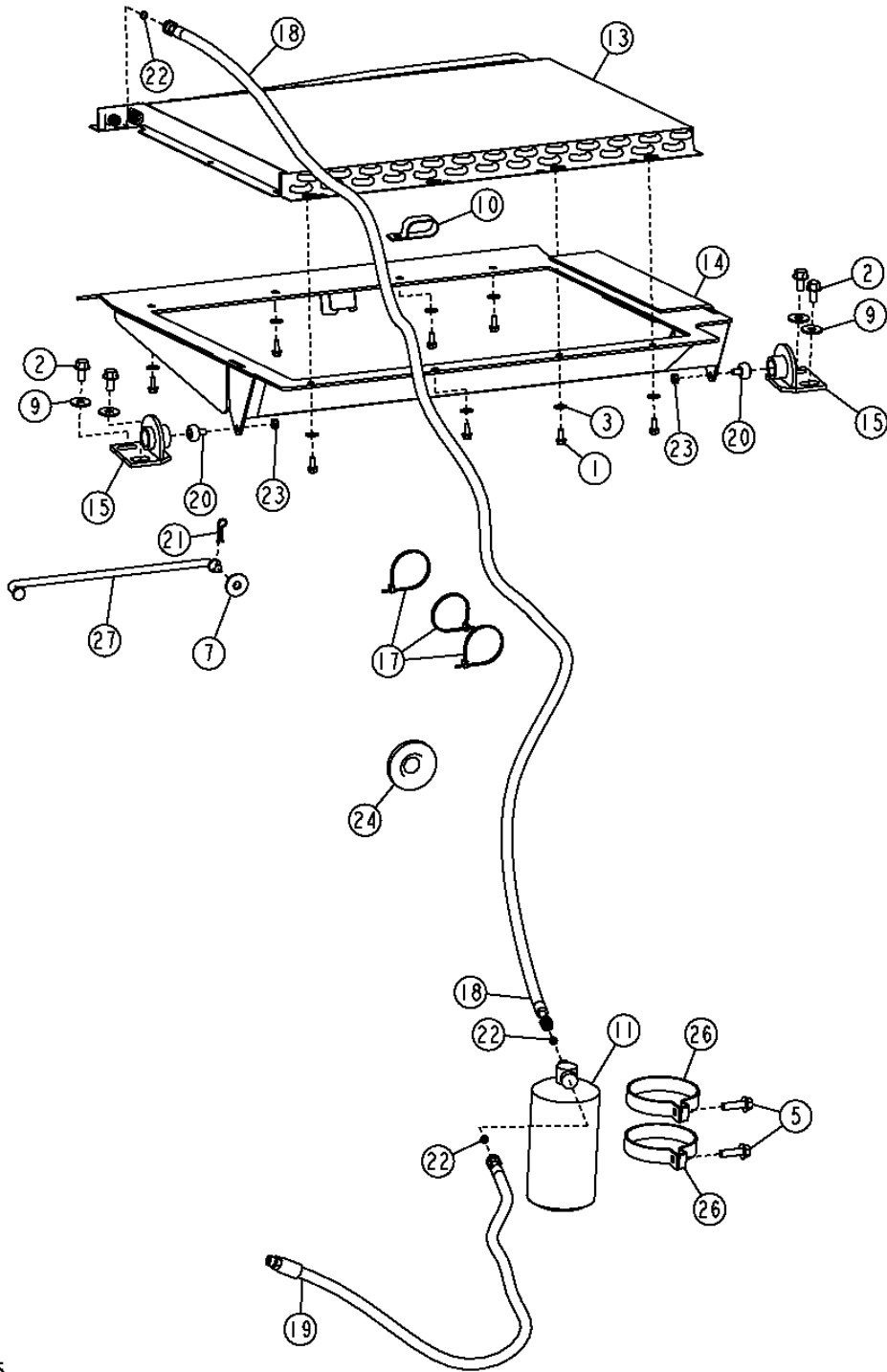
KEY	PART NO.	PART NAME	QTY.	SERIAL NO.	REMARKS
1	T60811	BULK HOSE	1		(CUT TO LENGTH, 14.25 FEET)
2	R41071	FITTING	1		
3	R44302	TIE BAND	3		
4	T177863	FITTING	1		
5	T184924	HOSE CLAMP	4		
6	T27077	HOSE FITTING	1		
7	T38377	CLAMP	2		
8	19M7868	SCREW	1		

1830-8

A/C CONDENSER, DRYER, AND BRACKETS
CONDENSEUR DE CLIMATISATION, FLACON SECHEUR ET SUPPORTS
CONDENSADOR, SECADOR Y ESCUADRAS DE A/A

TX1008825

-UN-16JUN06



TX1008825

1830-9

OPERATOR'S STATION 18

HEATING AND AIR CONDITIONING 1830

A/C CONDENSER, DRYER, AND BRACKETS
CONDENSEUR DE CLIMATISATION, FLACON SECHEUR ET SUPPORTS
CONDENSADOR, SECADOR Y ESCUADRAS DE A/A

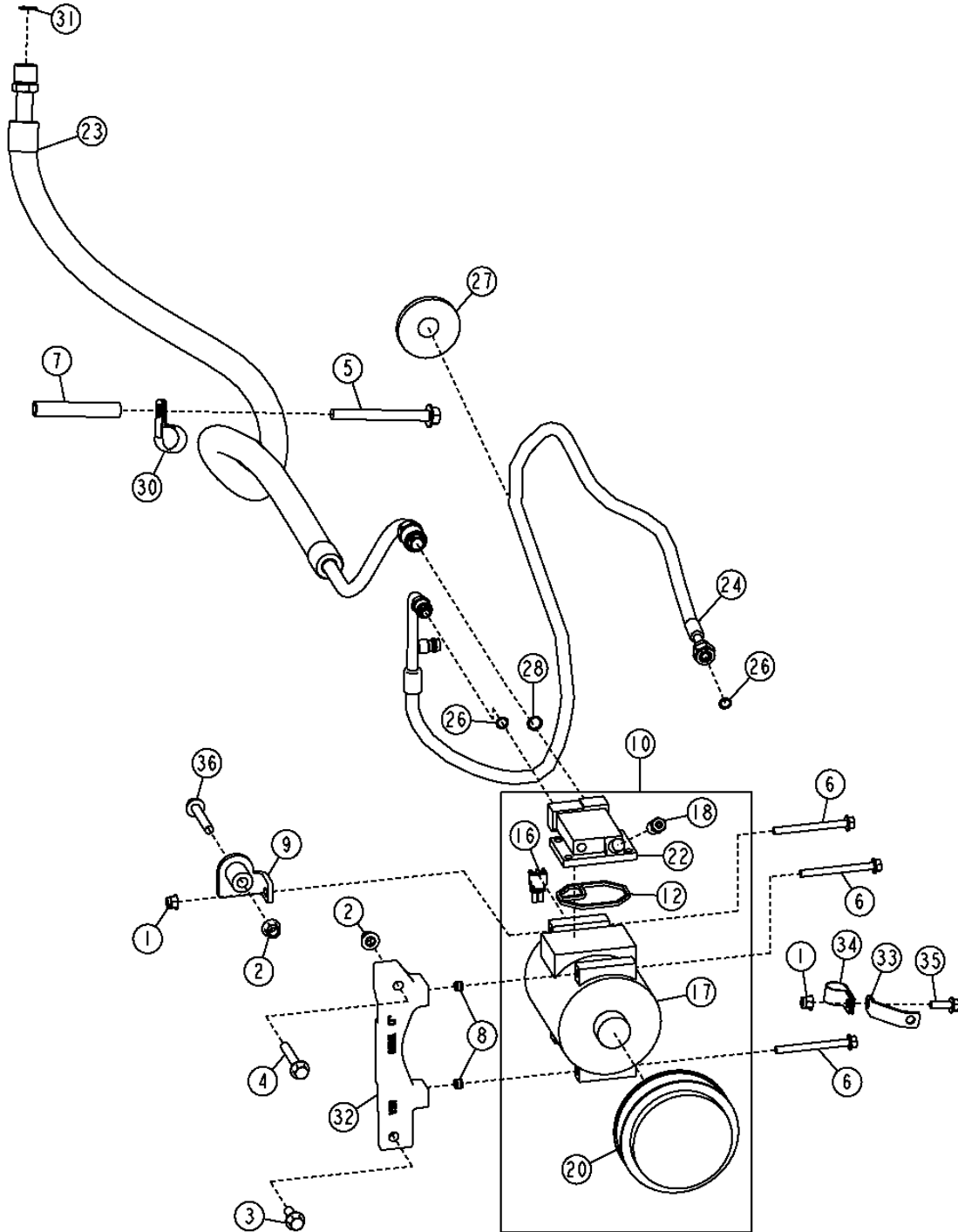
KEY	PART NO.	PART NAME	QTY.	SERIAL NO.	REMARKS
1	19M7775	SCREW	8		M6 X 16
2	19M7784	SCREW	4		M10 X 20
3	24M7139	WASHER	8		6.400 X 18 X 1.600 MM
5	19M7835	SCREW	2		M10 X 35
7	24H1330	WASHER	1		15/32" X 1-3/8" X 7/64"
10	AH77869	CLIP	1		
11	AT162848	RECEIVER-DRYER	1		
13	AT308847	VAPOR CONDENSER	1		
14	AT310633	HOUSING	1		
15	AT310926	SUPPORT	2		
17	R44302	TIE BAND	3		
18	AT311667	REFRIGERANT HOSE	1		
19	AT311819	HOSE	1		
20	AT45678	CAM FOLLOWER	2		
21	J16931	PIN	1		
22	R10093	O-RING	3		
23	R11151	LOCK NUT	2		
24	R180306	GROMMET	1		
26	T190513	CLAMP	2		
27	T208352	ROD	1		

1830-10

A/C COMPRESSOR COMPRESSEUR DE CLIMATISEUR COMPRESOR DEL ACONDICIONADOR DE AIRE

TX1002244

-UN-23JAN06



TX1002244

1830-11

OPERATOR'S STATION 18

HEATING AND AIR CONDITIONING 1830

**A/C COMPRESSOR
COMPRESSEUR DE CLIMATISEUR
COMPRESOR DEL ACONDICIONADOR DE AIRE**

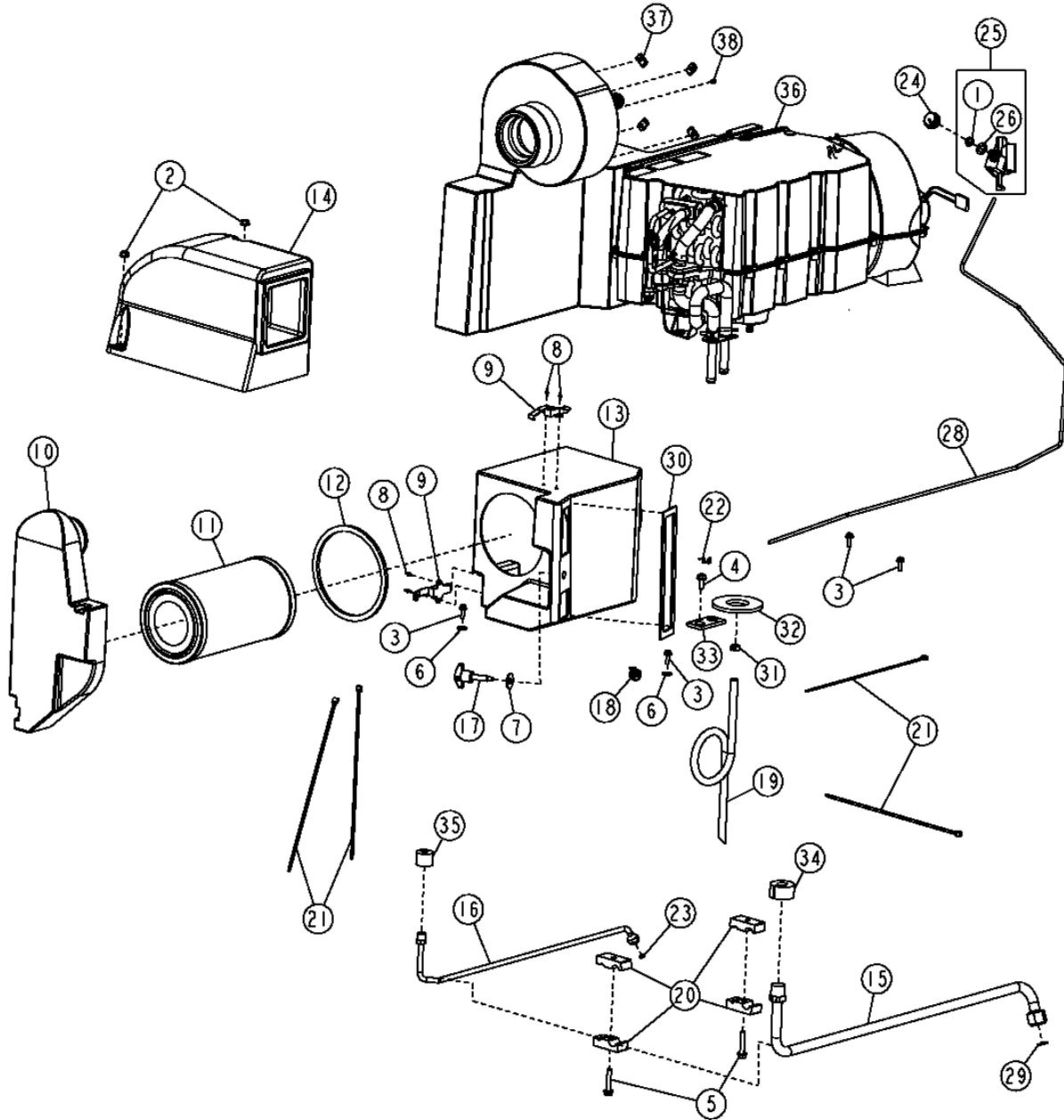
KEY	PART NO.	PART NAME	QTY.	SERIAL NO.	REMARKS
1	14M7396	LOCK NUT	2	M8	
2	14M7400	LOCK NUT	2	M10	
3	19M7786	SCREW	1	M10 X 30	
4	19M7809	SCREW	1	M10 X 70	
5	19M7821	SCREW	1	M12 X 120	
6	19M7913	SCREW	3	M8 X 90	
7	28H3462	SPACER	1	0.493" X 0.675" X 4-1/8"	
8	34M7189	SPRING PIN	2	11 X 8 MM	
9	AT222932	BRACKET	1		
10	AT226273	COMPRESSOR	1		
11	AT163872	KIT	1	(A) (B)	
12	R115742	SEAL	1		
13	R115743	COVER	1	(B)	
14	R78057	ELEC. CONNECTOR TERMINAL	2	(B)	
15	R78059	ELEC. CONNECTOR SEAL	2	(B) (C)	
16	RE12363	ELECTRICAL CONNECTOR ASSY	1		
17	RE52454	COMPRESSOR	1	(D)	
18	RE52506	FLOW CONTROL HYD. VALVE	1		
19	RE52507	KIT	1	(B) (E)	
20	RE52508	KIT	1	(F)	
21	RE52509	SEAL KIT	1	(G) (B)	
22	RE55423	MANIFOLD	1		
23	AT310981	HOSE	1	(H)	
24	AT310982	HOSE	1	(I)	
26	R113050	O-RING	2		
27	R180306	GROMMET	1		
28	R33259	O-RING	2		
30	R46667	CLAMP	1		
31	T143169	O-RING	1		
32	T179270	BRACKET	1	(J)	
33	R136110	BRACKET	1		
34	T38377	CLAMP	1		
35	19M7867	SCREW	1		
36	19M7908	CAP SCREW	1		

- | | |
|-------------------------------|--|
| (A) STATOR | (B) NOT ILLUSTRATED |
| (A) STATOR | (B) PAS ILLUSTRE |
| (A) ESTATOR | (B) NO SE ILUSTRADO |
| (C) SEAL CABLE | (D) COMPRESSOR BODY |
| (C) MANCHON D'ETANCHEITE | (D) CORPS DE COMPRESSEUR |
| (C) SELLO DE CABLE | (D) CUERPO DE COMPRESOR |
| (E) HARDWARE | (F) PULLEY AND CLUTCH |
| (E) BOULONNERIE | (F) POULIE ET EMBRAYAGE |
| (E) TORNILLERIA | (F) POLEA Y EMBRAGUE |
| (G) SHAFT SEAL | (H) SUCTION |
| (G) JOINT D'ARBRE | (H) ASPIRATION |
| (G) SELLO DE EJE | (H) SUCCION |
| (I) DISCHARGE FROM COMPRESSOR | (J) A/C COMPRESSOR |
| (I) DECHARGE DU COMPRESSEUR | (J) COMPRESSEUR DE CLIMATISEUR |
| (I) DESCARGA DEL COMPRESOR | (J) COMPRESOR DEL ACONDICIONADOR DE AIRE |

1830-12

HVAC MODULE MODULE HVAC MODULO DE CLIMATIZACION

T212988 -UN-23AUG05



T212988

1830-13

OPERATOR'S STATION 18

HEATING AND AIR CONDITIONING 1830

HVAC MODULE
MODULE HVAC
MODULO DE CLIMATIZACION

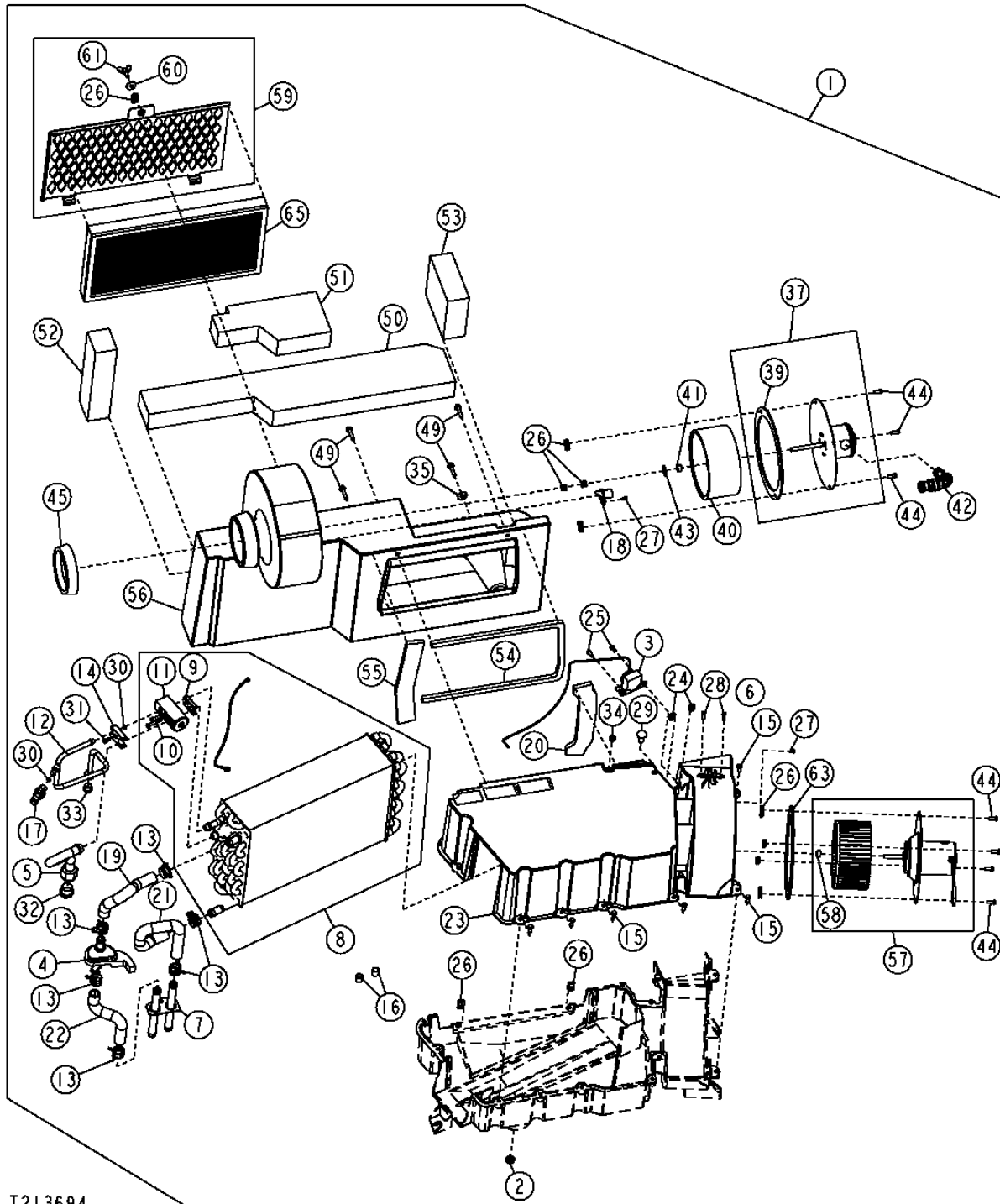
KEY	PART NO.	PART NAME	QTY.	SERIAL NO.	REMARKS
1	R203687	NUT	1		
2	14M7298	FLANGE NUT	2	M8	
3	19M7862	SCREW	4	M6 X 20	
4	19M7866	SCREW	3	M8 X 20	
5	19M8318	SCREW	2	M8 X 45	
6	24M7139	WASHER	2	6.400 X 18 X 1.600 MM	
7	24M7296	WASHER	1	10.500 X 30 X 2.500 MM	
8	H86981	RIVET	4		
9	R121465	LATCH	2		
10	T167945	AIR DUCT	1		
11	T168220	AIR FILTER	1		
	AT321942	ACTIVATED CARBON AIR FILTER	1		(ODOR REDUCING ACTIVATED CARBON FILTER)
12	T170053	SEAL	1		
13	T171459	AIR DUCT	1		
14	AT209668	AIR DUCT	1		
15	AT210561	LINE	1		
16	AT306913	TUBE	1		
17	AT220953	KNOB	1		
18	AT226249	JUMPER	1		
19	Z59685	HOSE	1		
20	H114865	CLAMP	4		
21	H77698	TIE BAND	4		
22	L57881	CLIP	1		
23	R10093	O-RING	1		
24	AL76568	KNOB	1		
25	RE46742	CONTROL	1		
26	12H292	LOCK WASHER	1	1/2"	
27	14H934	NUT	1	7/16"	
28	RE58614	PUSH PULL CABLE	1		
29	T143169	O-RING	1		
30	T167676	SEAL	1		
31	T174427	CLAMP	1		
32	T182852	SEALING WASHER	1		
33	T182858	GASKET	1		
34	T182870	ISOLATOR	1		
35	T182871	ISOLATOR	1		
36	T182906	PLATE	1		
37	T178117	CLEVIS	5		
38	T178118	CAP SCREW	1		

1830-14

HVAC MODULE COMPONENTS COMPOSANTS DE MODULE HVAC COMPONENTES DE MODULO DE CLIMATIZACION

T213694

-UN-22AUG05



T213694

THIS PARTS LISTING IS CONTINUED

1830-15

OPERATOR'S STATION 18

HEATING AND AIR CONDITIONING 1830

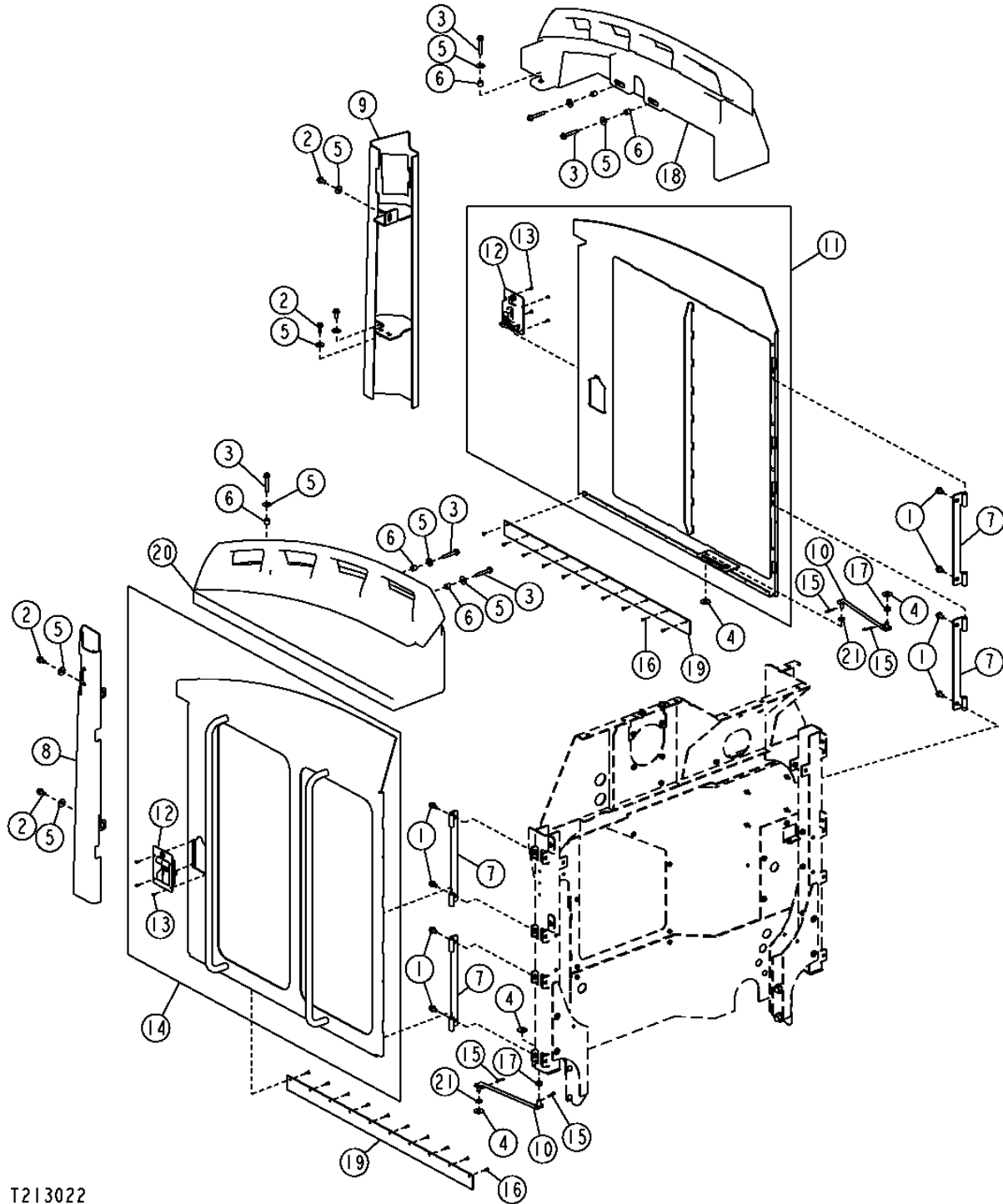
HVAC MODULE COMPONENTS COMPOSANTS DE MODULE HVAC COMPONENTES DE MODULO DE CLIMATIZACION

KEY	PART NO.	PART NAME	QTY.	SERIAL NO.	REMARKS
1	AT329722	MODULE	1		(SUB FOR AT223531)
2	14H934	NUT	1		
3	RE198074	TEMPERATURE SWITCH	1		
4	AT193500	HAND OPERATED VALVE	1		
5	AT210086	STRUCTURAL TUBING	1		
6	AT307197	RESISTOR	1		
7	AT219778	HOSE	1		
8	AT329723	HEAT EXCHANGER	1		(SUB FOR AT225899)
9	L77943	PLATE	1		
10	PT11778	BOLT	2		
11	RE174764	VALVE	1		
12	AT226309	TUBE	1		
13	R117721	CLAMP	6		
14	R125223	PLATE	1		
15	R129110	SCREW	12		
16	R50770	CAP	2		
17	RE157329	SWITCH	1		
18	RE36133	TUBE	1		
19	T170133	HOSE	1		
20	T59937	ISOLATOR	1		
21	T172933	HOSE	1		
22	T172934	HOSE	1		
23	T174109	HOUSING	1		
24	T178115	CLEVIS	2		
25	T178116	CAP SCREW	2		
26	T178117	CLEVIS	13		
27	T178118	CAP SCREW	1		
28	T178119	CAP SCREW	2		
29	T178120	RIVET	1		
30	T178123	O-RING	2		
31	T178124	SCREW	1		
32	T178125	PLUG	1		
33	T178126	PLUG	1		
34	T178971	GROMMET	1		
35	24H1122	WASHER	1		
37	AT225451	BLOWER MOTOR	1		
38	R117721	CLAMP	1		
39	R121664	SEAL	1		
40	R121666	IMPELLER	1		
41	R97332	CLIP	1		
42	T165169	HOSE	1		
43	T178127	PUSH NUT	1		
44	T178251	CAP SCREW	8		
45	R119171	SEAL	1		
49	T178130	BOLT	4		
50	T178131	ISOLATOR	1		
51	T178132	ISOLATOR	1		
52	T178133	ISOLATOR	1		
53	T178134	ISOLATOR	1		
54	T178135	ISOLATOR	1		
55	T178136	ISOLATOR	1		
56	T180929	AIR PLENUM	1		
57	AT313282	KIT	1		
58	R97332	CLIP	1		
59	AT305405	COVER	1		
60	24M7100	WASHER	1		
61	T181524	WING SCREW	1		
63	R121664	SEAL	1		
65	T156471	AIR FILTER	1		

1911-2

VENTED SIDE PANELING PANNEAU LATERAL A EVENT TABLEROS DE VENTILACIIN LATERALES

T213022 -UN-15AUG05



T213022

THIS PARTS LISTING IS CONTINUED

1911-3

SHEET METAL AND STYLING 19
HOOD AND HOOD SUPPORTS 1911

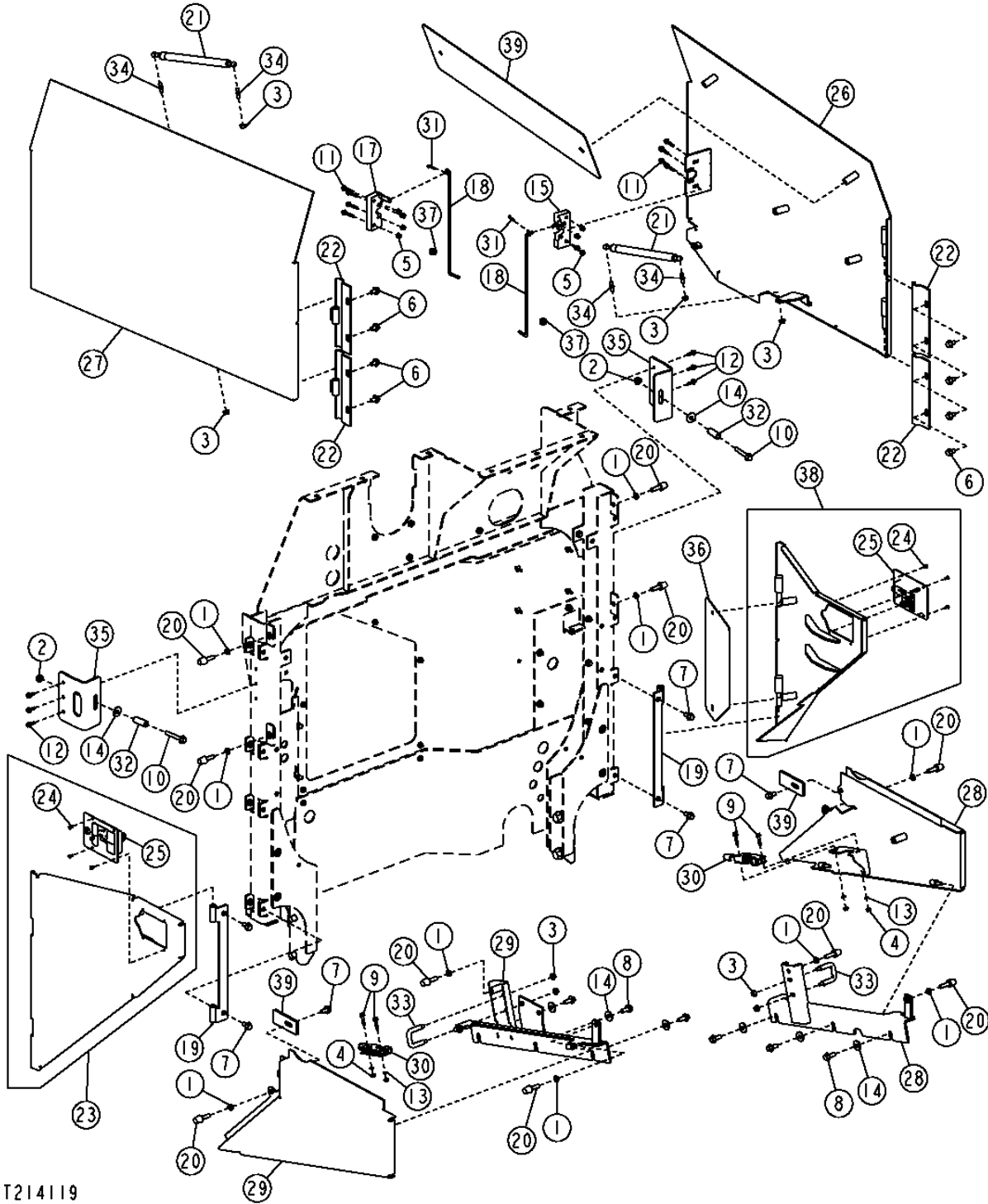
VENTED SIDE PANELING
PANNEAU LATERAL A EVENT
TABLEROS DE VENTILACIIN LATERALES

KEY	PART NO.	PART NAME	QTY.	SERIAL NO.	REMARKS
1	19M7784	SCREW	17		M10 X 20
2	19M7785	SCREW	29		M10 X 25
3	19M7808	SCREW	8		M10 X 65
4	24H1330	WASHER	4		
5	24M7296	WASHER	39		
6	28H1689	SPACER	6		
7	AT208440	HINGE	6		
8	AT311046	CORNER	1		
9	AT311825	CHANNEL	1		
10	AT312053	ROD	2		
11	AT330936	DOOR	1		(SUB FOR AT312427)
12	AT225885	LATCH	2		
13	H85233	RIVET	8		
14	AT330939	DOOR	1		(SUB FOR AT312477)
15	J16931	PIN	4		
16	M68628	RIVET	20		
17	T162238	GROMMET	2		
18	T208282	HANDLE	1		
19	T209871	FLAP	2		
20	T210350	HANDLE	1		
21	T27260	WASHER	2		

1911-4

ENGINE SIDE SHIELDS PANNEAUX LATERAUX DU MOTEUR ESCUDOS LATERALES DEL MOTOR

T214119 -UN-09SEP05



T214119

THIS PARTS LISTING IS CONTINUED

1911-5

SHEET METAL AND STYLING 19
HOOD AND HOOD SUPPORTS 1911

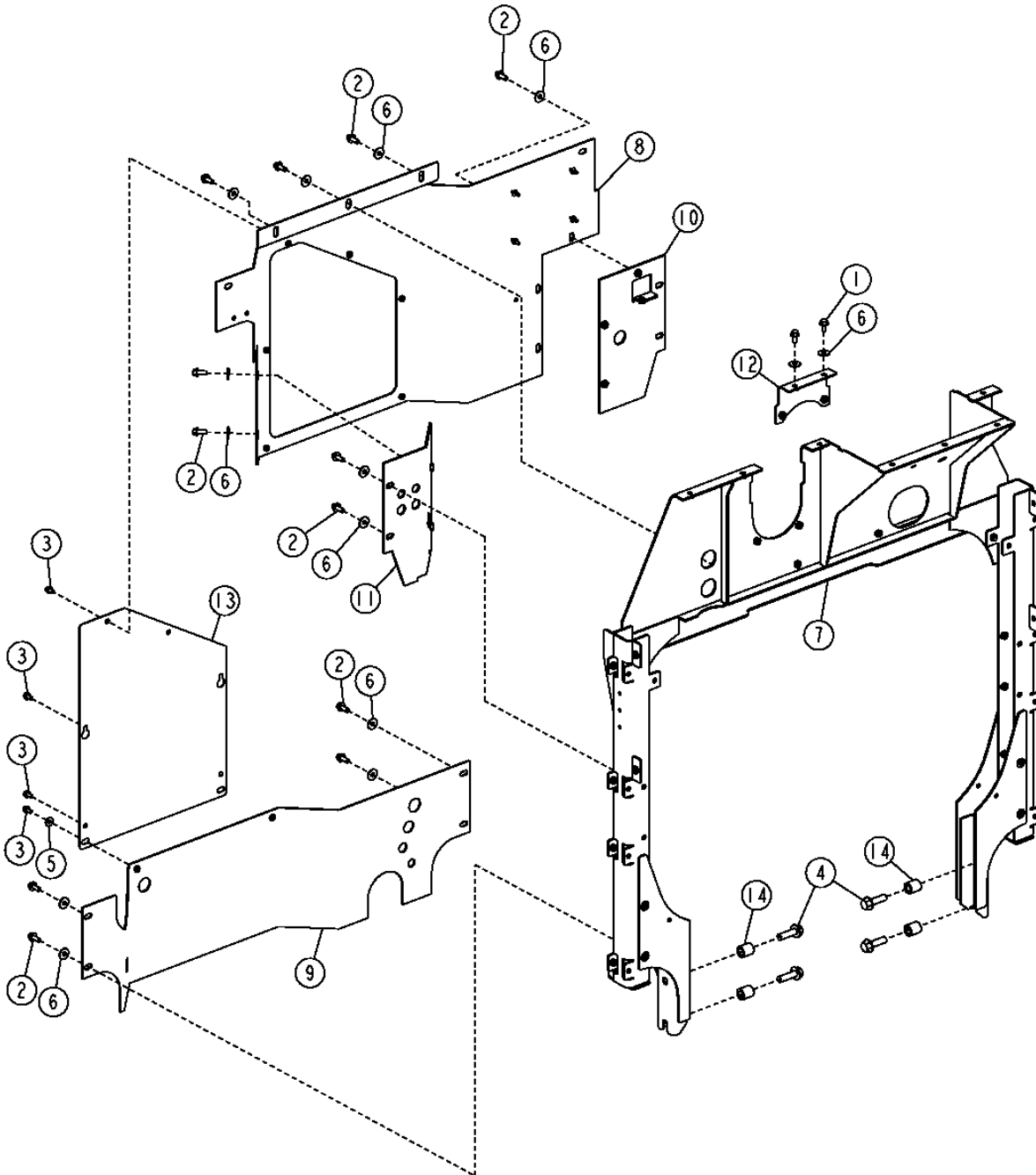
ENGINE SIDE SHIELDS
PANNEAUX LATERAUX DU MOTEUR
ESCUDOS LATERALES DEL MOTOR

KEY	PART NO.	PART NAME	QTY.	SERIAL NO.	REMARKS
1	14M7152	NUT	10		M10
2	14M7296	FLANGE NUT	2		M10
3	14M7298	FLANGE NUT	8		M8
4	14M7303	FLANGE NUT	4		M6
5	14M7397	LOCK NUT	8		M6
6	19M7783	SCREW	8		M10 X 16
7	19M7784	SCREW	17		M10 X 20
8	19M7785	SCREW	29		M10 X 25
9	19M7796	SCREW	4		M6 X 30
10	19M7808	SCREW	8		M10 X 65
11	19M7833	SCREW	8		M6 X 35
12	19M7862	SCREW	6		M6 X 20
13	24M7088	WASHER	4		
14	24M7296	WASHER	39		
15	AT106472	LATCH	1		
17	AT106473	LATCH	1		
18	AT203184	ROD	2		
19	AT208440	HINGE	6		
20	AT219974	BUMPER	10		
21	AT226229	CYLINDER	2		
22	AT310885	HINGE	4		
23	AT311893	DOOR	1		
24	H85233	RIVET	8		
25	AT225885	LATCH	2		
26	AT312435	DOOR	1		
27	AT312475	DOOR	1		
28	AT320535	DOOR	1		
29	AT322258	DOOR	1		
30	AT323959	LATCH	2		
31	R46528	SPRING LOCKING PIN	2		
32	T101975	BUSHING	2		
33	T167546	STRIKER	2		
34	T177909	BALL STUD	4		
35	T209509	PLATE	2		
36	T214685	PANEL	1		
37	T70154	GROMMET	2		
38	AT312456	DOOR	1		
39	T219362	PANEL	1		

1911-6

ENGINE SIDE SHIELD BRACKETS
SUPPORTS DE PANNEAU LATÉRAL DE MOTEUR
ESCUADRAS DE LOS ESCUDOS LATERALES DEL MOTOR

T213493 -UN-15AUG05



T213493

1911-7

SHEET METAL AND STYLING 19
HOOD AND HOOD SUPPORTS 1911

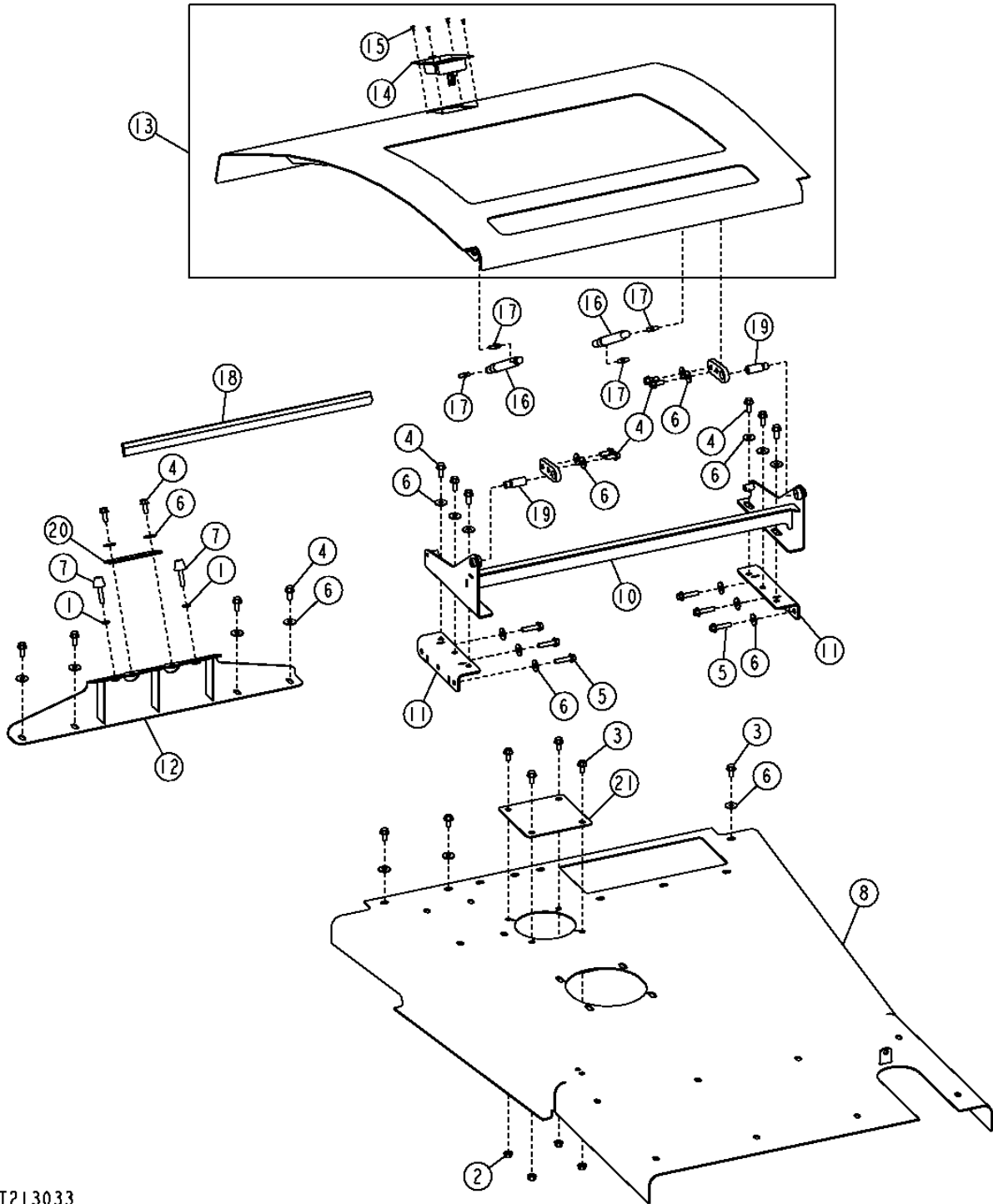
ENGINE SIDE SHIELD BRACKETS
SUPPORTS DE PANNEAU LATERAL DE MOTEUR
ESCUADRAS DE LOS ESCUDOS LATERALES DEL MOTOR

KEY	PART NO.	PART NAME	QTY.	SERIAL NO.	REMARKS
1	19M7784	SCREW	17		M10 X 20
2	19M7785	SCREW	29		M10 X 25
3	19M7865	SCREW	8		M8 X 16
4	19M7910	SCREW	4		M16 X 55
5	24M7207	WASHER	2		
6	24M7296	WASHER	39		
7	AT309318	ISOLATOR	1		
8	AT312413	SHEET	1		
9	AT312414	SHEET	1		
10	AT312415	SHEET	1		
11	AT312416	SHEET	1		
12	AT312966	PLATE	1		
13	T209858	PLATE	1		
14	LVU13519	SPACER	4		

1911-8

T213033 -UN-15AUG05

HOOD CAPOT CAPO



T213033

1911-9

SHEET METAL AND STYLING 19
HOOD AND HOOD SUPPORTS 1911

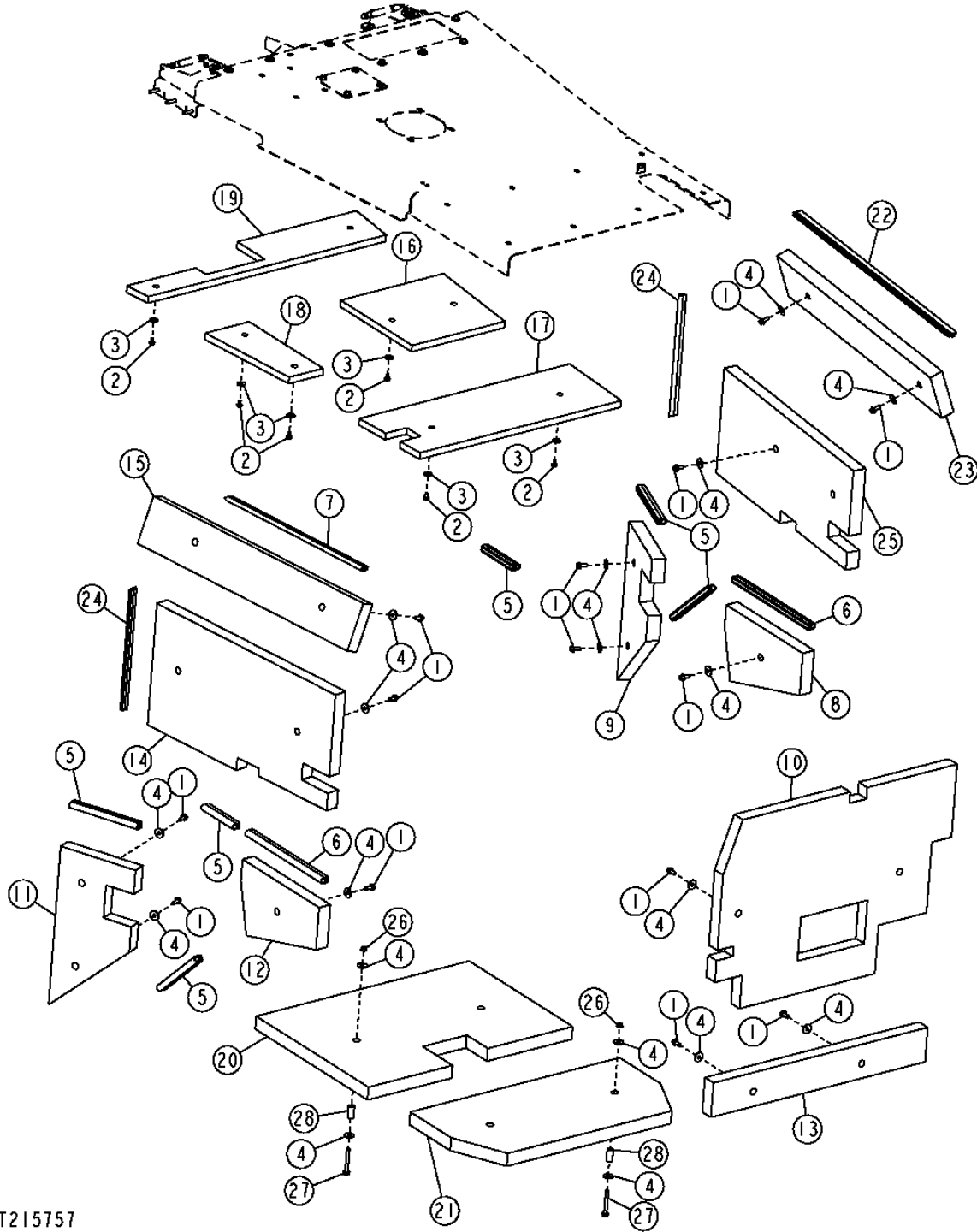
HOOD
CAPOT
CAPO

KEY	PART NO.	PART NAME	QTY.	SERIAL NO.	REMARKS
1	14M7152	NUT	1		
2	14M7296	FLANGE NUT	4		
3	19M7784	SCREW	11		
4	19M7785	SCREW	16		
5	19M7805	SCREW	6		
6	24M7296	WASHER	29		
7	AT306690	BUMPER	2		
8	AT330951	HOOD	1		(SUB FOR AT311278)
10	AT311396	BRACKET	1		
11	AT311427	BRACKET	2		
12	AT312230	BRACKET	1		
13	AT330949	HOOD	1		(SUB FOR AT312275)
14	AT225885	LATCH	1		
15	H85233	RIVET	4		
16	AT313218	GAS OPERATED CYLINDER	3		
17	KV14594	BALL STUD	4		
18	ISOLATOR	1		(T208653 NLA) (FURNISH T209966 CUT TO LENGTH)
19	T209058	SCREW	2		
20	T209684	PLATE	1		
21	T210046	BRACKET	1		

1913-2

SOUND ABSORPTION
ABSORPTION ACOUSTIQUE
ABSORCION DE RUIDOS

T215757 -UN-06OCT05



T215757

THIS PARTS LISTING IS CONTINUED

1913-3

SHEET METAL AND STYLING 19
MISCELLANEOUS SHIELDS 1913

SOUND ABSORPTION
ABSORBTION ACOUSTIQUE
ABSORCION DE RUIDOS

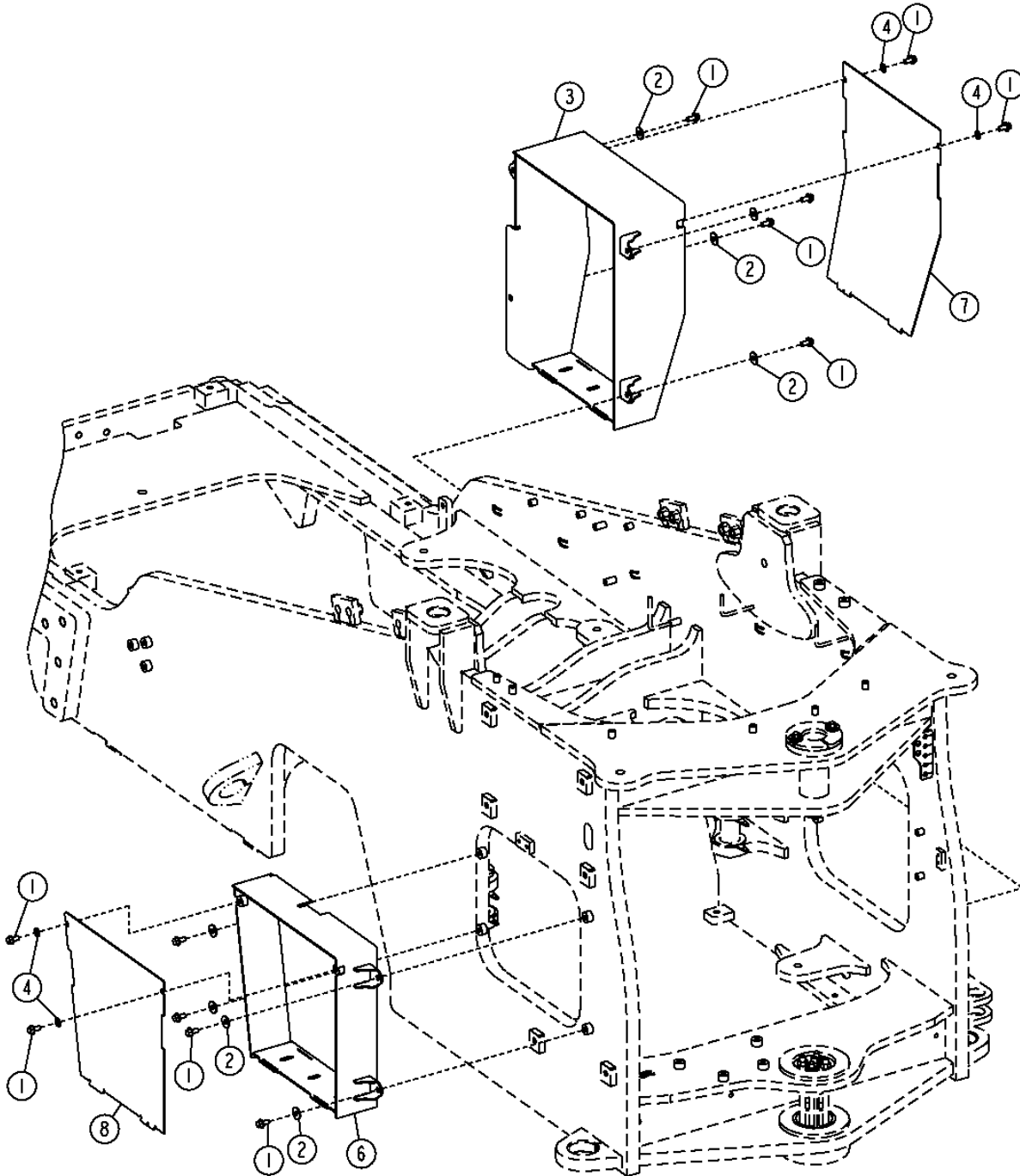
KEY	PART NO.	PART NAME	QTY.	SERIAL NO.	REMARKS
1	19M7785	SCREW	18		M10 X 25
2	19M7785	SCREW	8		M10 X 25
3	24M7024	WASHER	8		9 X 28 X 3 MM
4	24M7101	WASHER	26		11 X 34 X 3 MM
5	ISOLATOR	4		(T207791 NLA) (FURNISH T209966 CUT TO LENGTH)
6	ISOLATOR	2		(T207931 NLA) (FURNISH T209966 CUT TO LENGTH)
7	ISOLATOR	1		(T208653 NLA) (FURNISH T209966 CUT TO LENGTH)
8	T209948	ISOLATOR	1		
9	T209949	ISOLATOR	1		
10	T209953	ISOLATOR	1		
11	T209954	ISOLATOR	1		
12	T209955	ISOLATOR	1		
13	T209957	ISOLATOR	1		
14	T209958	ISOLATOR	1		
15	T209959	ISOLATOR	1		
16	T209960	ISOLATOR	1		
17	T209961	ISOLATOR	1		
18	T209962	ISOLATOR	1		
19	T209963	ISOLATOR	1		
20	T209964	ISOLATOR	1		
21	T209965	ISOLATOR	1		
22	ISOLATOR	1		(T209966 NLA) (FURNISH T209966 CUT TO LENGTH)
23	T210014	ISOLATOR	1		
24	ISOLATOR	2		(T210146 NLA) (FURNISH T209966 CUT TO LENGTH)
25	T217411	ISOLATOR	1		
26	14M7296	FLANGE NUT	4		M10
27	19M7811	SCREW	4		M10 X 90
28	28H3478	BUSHING	4		13.868 X 21.336 X 44.450 MM

1913-4

SHIELD, TRANSMISSION AND HYDRAULICS
TOLE D'HABILAGE, BOITE DE VITESSES ET HYDRAULIQUE
REVESTIMIENTO, TRANSMISION Y HIDRAULICO

TX1009168

-UN-21JUN06



TX1009168

1913-5

SHEET METAL AND STYLING 19

MISCELLANEOUS SHIELDS 1913

**SHIELD, TRANSMISSION AND HYDRAULICS
TOLE D'HABILLAGE, BOITE DE VITESSES ET HYDRAULIQUE
REVESTIMIENTO, TRANSMISION Y HIDRAULICO**

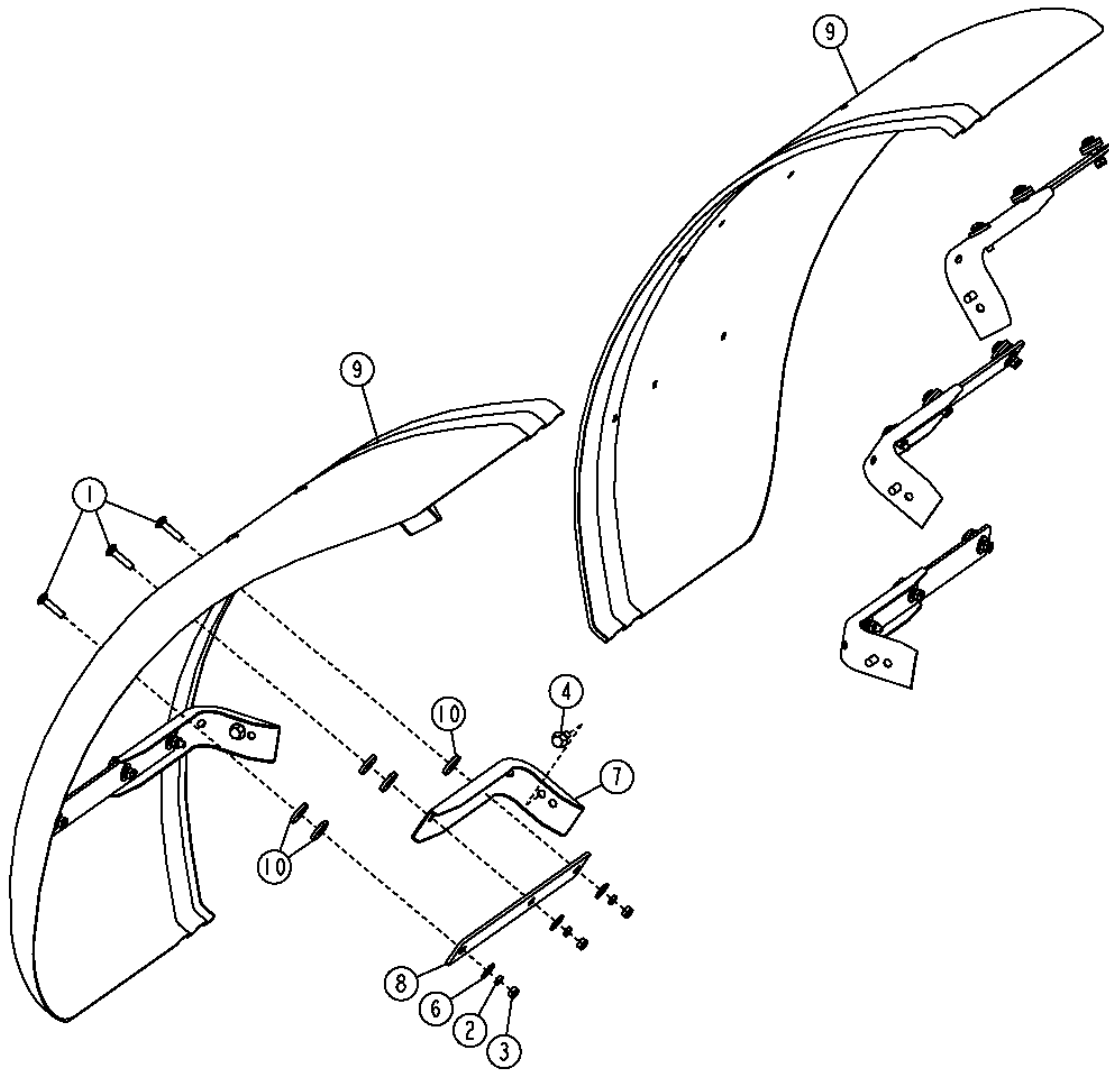
KEY	PART NO.	PART NAME	QTY.	SERIAL NO.	REMARKS
1	19M7788	SCREW	12		M12 X 25
2	24M7180	WASHER	8		13 X 37 X 3 MM
3	AT321258	DUST SHIELD	1		
4	24M7180	WASHER	4		13 X 37 X 3 MM
6	AT321327	SHIELD	1		
7	T215163	PLATE	1		
8	T215199	PLATE	1		

1927-2

FRONT FENDERS GARDE-BOUE AVANT GUARDABARRAS ANTERIORS

TX1009907

-UN-31JUL06



TX1009907

1927-3

SHEET METAL AND STYLING 19

FENDERS 1927

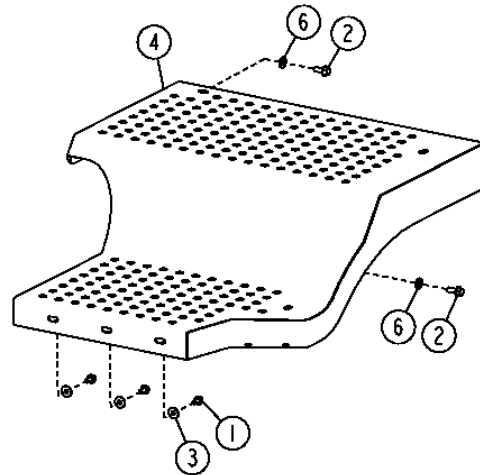
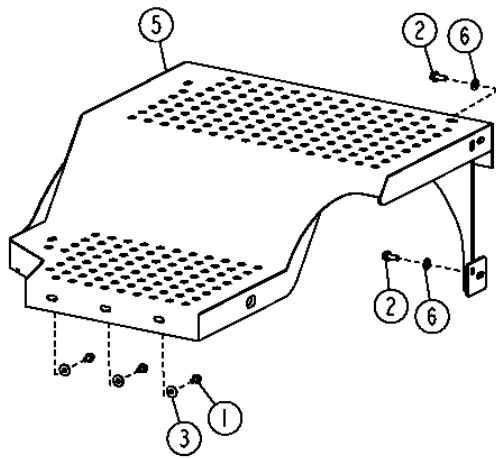
**FRONT FENDERS
GARDE-BOUE AVANT
GUARDABARROS ANTERIORS**

KEY	PART NO.	PART NAME	QTY.	SERIAL NO.	REMARKS
1	03M7195	BOLT	18		M10 X 45
2	14M7152	NUT	18		M10
3	14M7167	LOCK NUT	18		M10
4	19M7788	SCREW	6		M12 X 25
6	24M7296	WASHER	18		10.500 X 30 X 2.500 MM
7	T178368	SUPPORT	6		
8	T200463	PLATE	6		
9	T201019	FENDER	2		
10	T22381	WASHER	30		

1927-4

REAR FENDERS AND FENDER SUPPORTS
AILES ARRIERE ET SUPPORTS D'AILE
GUARDABARROS TRASEROS Y SOPORTES DE GUARDABARROS

T212555 -UN-15JUL05



T212555

1927-5

SHEET METAL AND STYLING 19

FENDERS 1927

**REAR FENDERS AND FENDER SUPPORTS
AILES ARRIERE ET SUPPORTS D'AILE
GUARDABARROS TRASEROS Y SOPORTES DE GUARDABARROS**

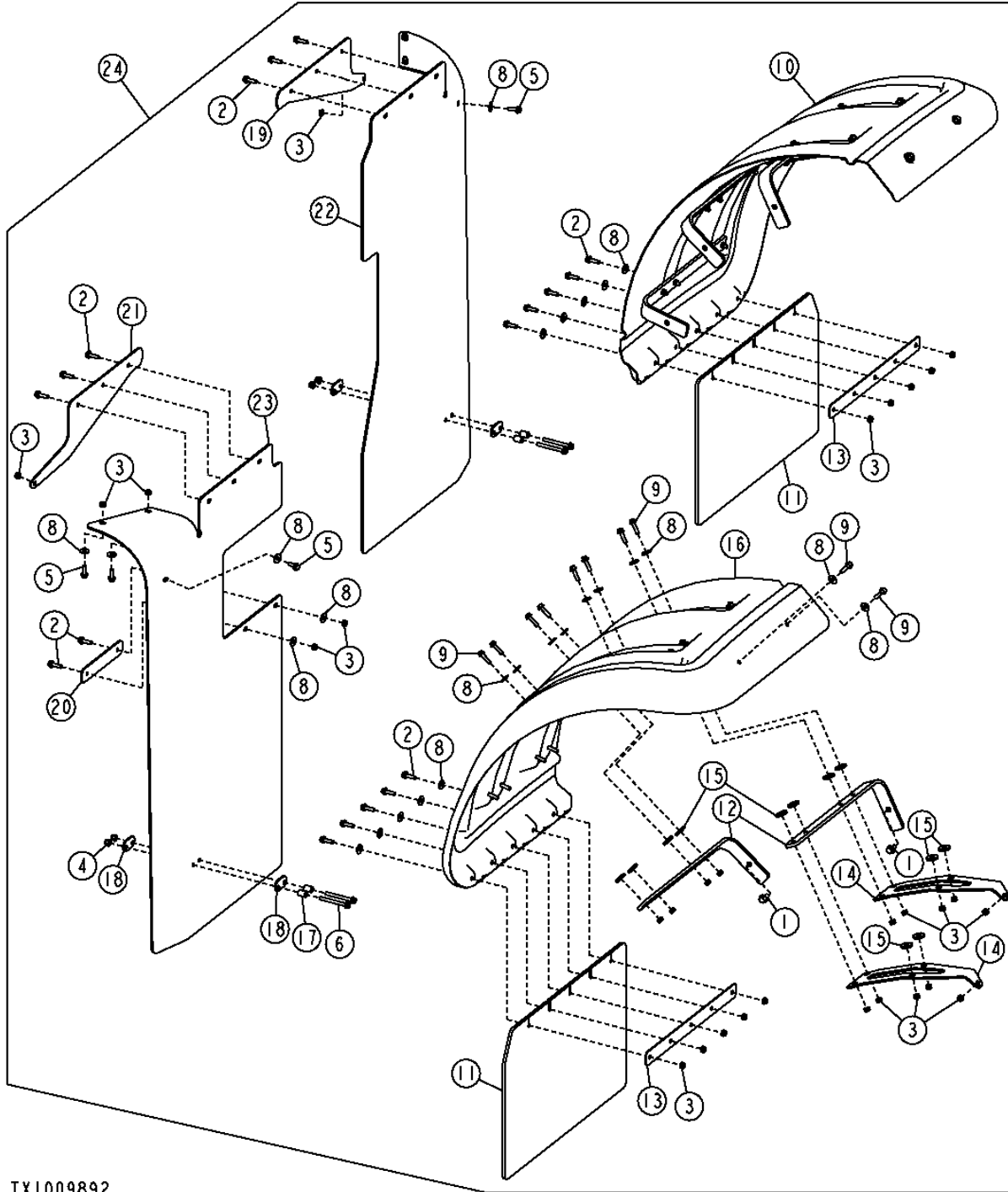
KEY	PART NO.	PART NAME	QTY.	SERIAL NO.	REMARKS
1	19M7786	SCREW	6		M10 X 30, (SUB FOR 19M7784, THIS APPLICATION)
2	19M7790	SCREW	4		M12 X 35, (SUB FOR 19M7789, THIS APPLICATION)
3	24M7296	WASHER	6		10.500 X 30 X 2.500 MM
4	AT311204	FENDER	1		(LH)
5	AT311205	FENDER	1		(RH)
6	T178063	WASHER	4		

1927-6

FRONT FULL COVERAGE FENDERS AILES AVANT PLEINE COUVERTURE GUARDABARROS DELANTEROS DE COBERTURA TOTAL

TX1009892

-UN-21JUL06



TX1009892

THIS PARTS LISTING IS CONTINUED

1927-7

SHEET METAL AND STYLING 19

FENDERS 1927

**FRONT FULL COVERAGE FENDERS
AILES AVANT PLEINE COUVERTURE
GUARDABARROS DELANTEROS DE COBERTURA TOTAL**

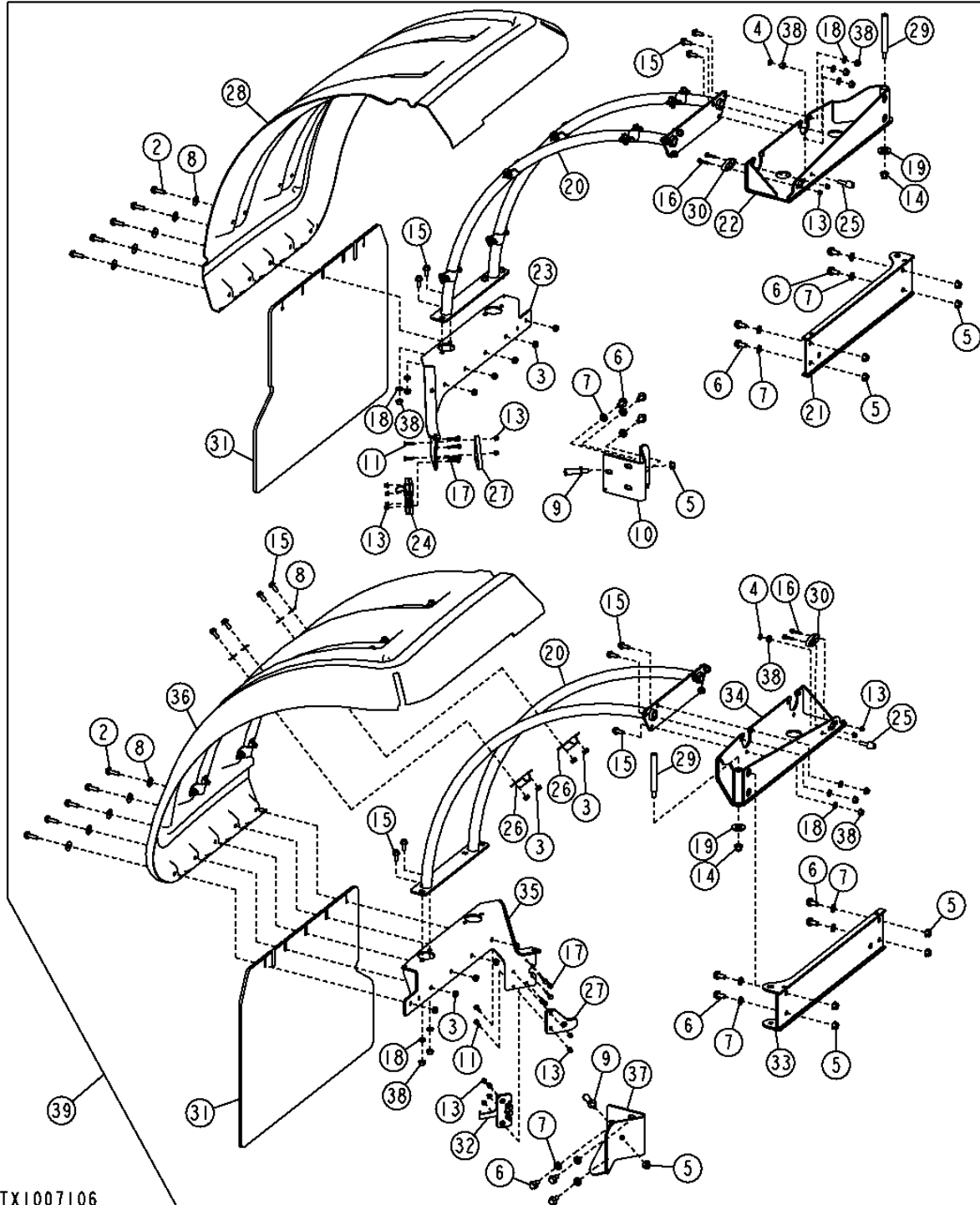
KEY	PART NO.	PART NAME	QTY.	SERIAL NO.	REMARKS
1	19M7788	SCREW	6		M12 X 25, (SUB FOR 19M7789)
2	19M7835	SCREW	18		M10 X 35
3	14M7400	LOCK NUT	54		M10, (SUB FOR 14M7167, THIS APPLICATION)
4	14M7400	LOCK NUT	4		M10
5	19M7786	SCREW	6		M10 X 30
6	19M7812	SCREW	4		M10 X 100
8	24M7296	WASHER	54		10.500 X 30 X 2.500 MM
9	19M7804	SCREW	36		M10 X 40
10	T215083	FENDER	1		(LH)
11	T215114	SPLASH GUARDS	2		
12	T215508	BRACKET	6		
13	T215676	PLATE	2		
14	T218091	BRACKET	4		
15	T22381	WASHER	38		
16	T216226	FENDER	1		(RH)
17	T147891	BUSHING	4		
18	T173779	STRAP	4		
19	T209649	PLATE	1		(LH)
20	T209699	PLATE	1		
21	T209797	PLATE	1		(RH)
22	T216861	SPLASH GUARDS	1		(LH)
23	T216862	SPLASH GUARDS	1		(RH)
24	AT322402	FIELD INSTALLATION KIT	1		(FRONT FENDER FIELD KIT)

1927-8

REAR FULL COVERAGE FENDERS AILES ARRIERE PLEINE COUVERTURE GUARDABARROS TRASEROS DE COBERTURA TOTAL

TX1007106

-UN-01MAY06



TX1007106

1927-9

SHEET METAL AND STYLING 19

FENDERS 1927

**REAR FULL COVERAGE FENDERS
AILES ARRIERE PLEINE COUVERTURE
GUARDABARROS TRASEROS DE COBERTURA TOTAL**

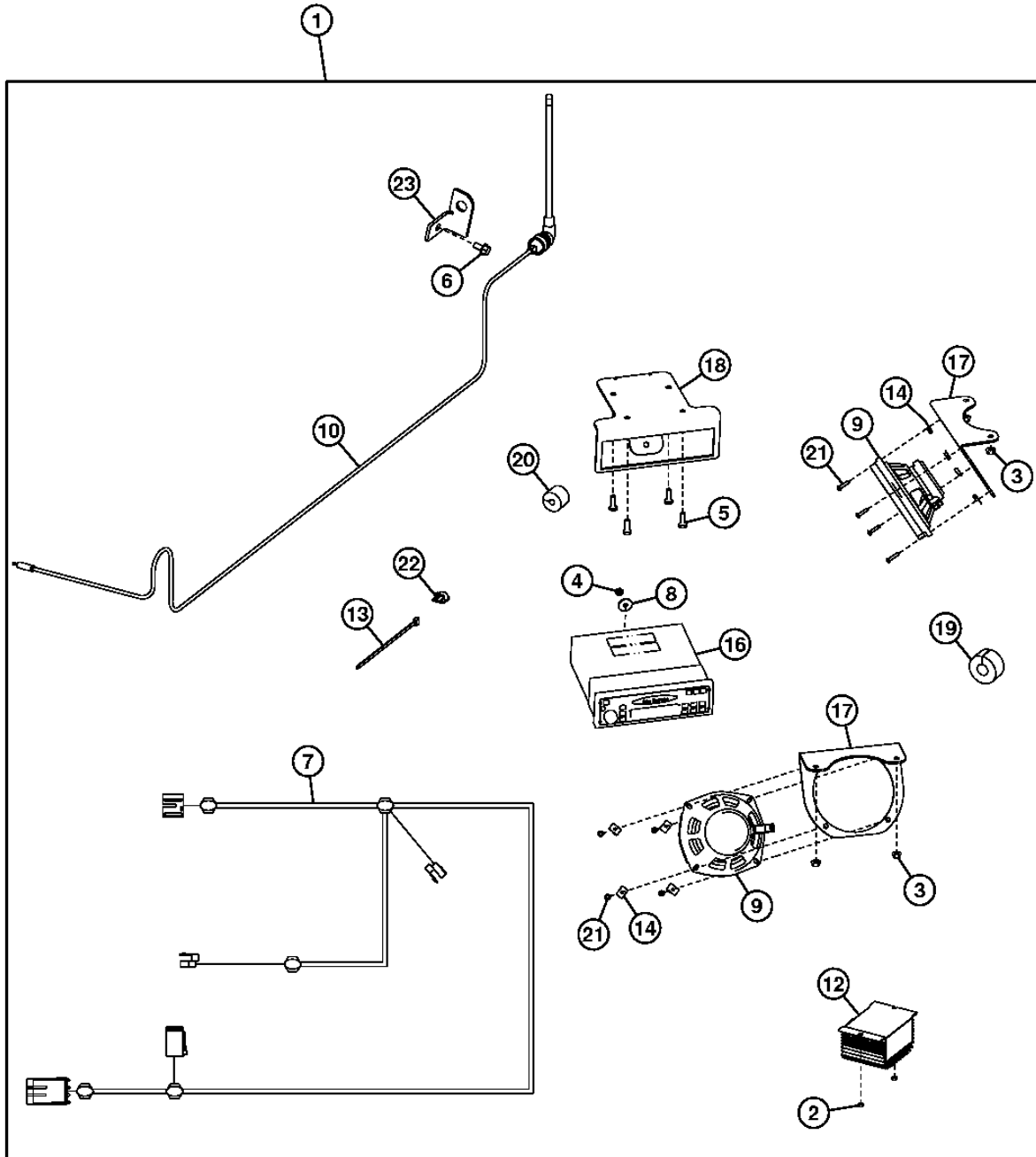
KEY	PART NO.	PART NAME	QTY.	SERIAL NO.	REMARKS
2	19M7835	SCREW	10		M10 X 35
3	14M7400	LOCK NUT	34		M10, (SUB FOR 14M7167, THIS APPLICATION)
4	14M7152	NUT	2		M10, (SUB FOR 14M7272)
5	14M7299	FLANGE NUT	10		M12
6	19M7788	SCREW	14		M12 X 25
7	T178063	WASHER	14		(SUB FOR 24M7240, THIS APPLICATION)
8	24M7296	WASHER	20		10.500 X 30 X 2.500 MM
9	AT301711	STRIKER	2		
10	AT321099	BRACKET	1		
11	03M7290	BOLT	4		M6 X 30
13	14M7397	LOCK NUT	16		M6
14	14M7401	LOCK NUT	2		M12
15	19M7785	SCREW	44		M10 X 25
16	19M7833	SCREW	4		M6 X 35, (SUB FOR 19M7796)
17	19M7833	SCREW	8		M6 X 35
18	24M7239	WASHER	20		10.700 X 21 X 2.500 MM
19	24M7242	WASHER	2		21.400 X 42 X 5 MM
20	AT321095	SUPPORT	2		
21	AT321096	HINGE	1		(LH)
22	AT321097	HINGE	1		(LH)
23	AT321098	BRACKET	1		(LH)
24	AT322382	LATCH	1		
25	AT219974	BUMPER	2		(SUB FOR H158596)
26	R214344	CLAMP	12		
27	T214949	PAD	2		
28	T215080	FENDER	1		(LH)
29	T215604	ROD	2		
30	T215884	SUPPORT	2		
31	T216481	SPLASH GUARDS	2		
32	AT322383	LATCH	1		
33	AT323116	HINGE	1		(RH)
34	AT323117	HINGE	1		(RH)
35	AT323118	BRACKET	1		(RH)
36	T216175	FENDER	1		(RH)
37	AT323248	BRACKET	1		
38	14M7296	FLANGE NUT	22		M10
39	AT322403	FIELD INSTALLATION KIT	1		(REAR FENDER FIELD KIT)

2001-2

RADIO, RADIO SPEAKERS AND ANTENNA RADIO, HAUTS-PARLEURS ET ANTENNE RADIO, ALTAVOCES Y ANTENA

T213273

-UN-31AUG05



T213273

2001-3

SAFETY, CONVENIENCE AND MISCELLANEOUS 20

RADIO 2001

**RADIO, RADIO SPEAKERS AND ANTENNA
RADIO, HAUTS-PARLEURS ET ANTENNE
RADIO, ALTAVOCES Y ANTENA**

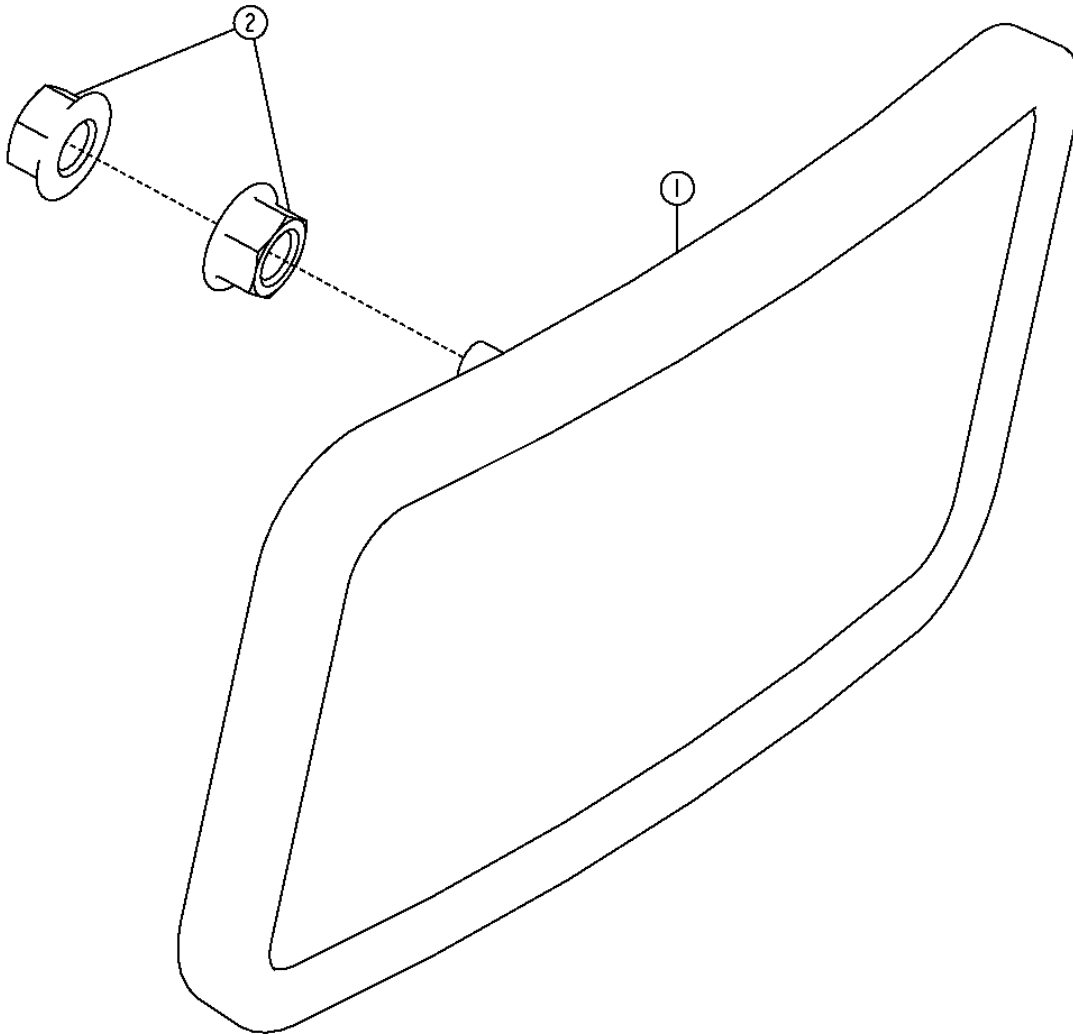
KEY	PART NO.	PART NAME	QTY.	SERIAL NO.	REMARKS
1	AT306829	FIELD INSTALLATION KIT	1	(A)	
	AT306830	FIELD INSTALLATION KIT	1	(B)	
	AT306831	FIELD INSTALLATION KIT	1	(C)	
2	14M7100	NUT	2	M4	
3	14M7303	FLANGE NUT	4	M6	
4	14M7375	FLANGE NUT	1	M5	
5	19H1948	CAP SCREW	4	1/4" X 3/4"	
6	19M7865	SCREW	1	M8 X 16	
7	AT223870	RADIO SPEAKER WRG HARNESS	1		
8	24M7100	WASHER	1		6.600 X 22 X 2 MM
9	AT188759	SPEAKER	2		
10	AT199388	ANTENNA	1		
12	AT224893	CONVERTER	1		
13	R44302	TIE BAND	1		
14	R53528	NUT	8		
16	RE190139	RADIO	1	(A)	
	RE190140	RADIO	1	(B)	
	RE227953	RADIO	1	(C)	
17	T180338	BRACKET	2		
18	T180420	BRACKET	1		
19	T182870	ISOLATOR	1		
20	T182871	ISOLATOR	1		
21	T182888	SCREW	8		
22	T182909	CLIP	6		
23	T204635	BRACKET	1		
(A)	(AM/FM/WB)		(B)	(AM/FM/WB) (W/CASSETTE)	(C) (AM/FM) (W/CD)
(A)	(AM/FM/WB)		(B)	(AM/FM/WB) (W/CASSETTE)	(C) (AM/FM) (W/CD)
(A)	(AM/FM/WB)		(B)	(AM/FM/WB) (W/CASSETTE)	(C) (AM/FM) (W/CD)

2002-2

**INSIDE REAR VIEW MIRROR
RETROVISEUR INTERIEUR
ESPEJO RETROVISOR INTERIOR**

TX1006817

-UN-27APR06



TX1006817

2002-3

SAFETY, CONVENIENCE AND MISCELLANEOUS 20

MIRROR 2002

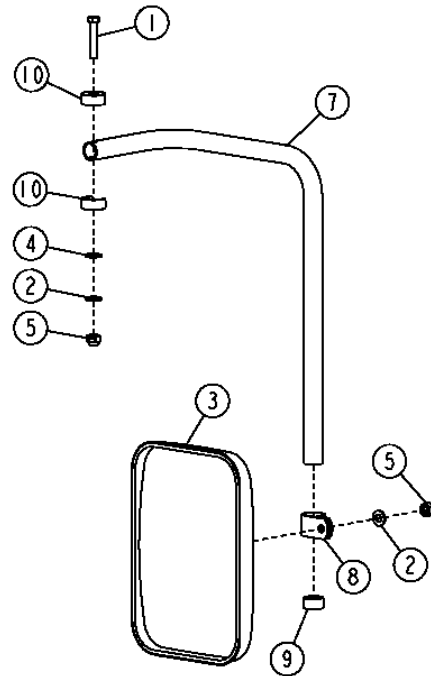
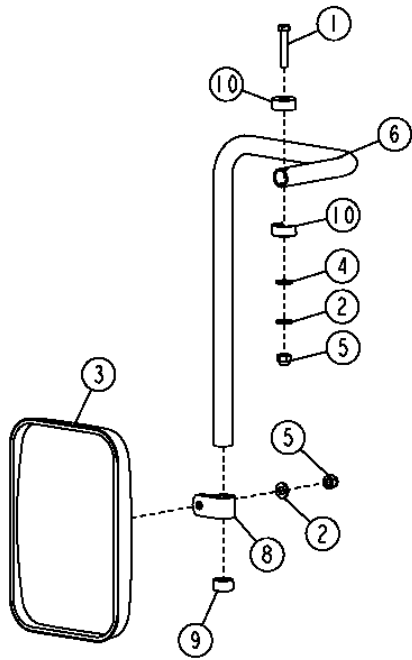
**INSIDE REAR VIEW MIRROR
RETROVISEUR INTERIEUR
ESPEJO RETROVISOR INTERIOR**

<i>KEY</i>	<i>PART NO.</i>	<i>PART NAME</i>	<i>QTY.</i>	<i>SERIAL NO.</i>	<i>REMARKS</i>
1	AT196427	REAR VIEW MIRROR	1		
2	14M7298	FLANGE NUT	2	M8	

2002-4

OUTSIDE MIRROR FOR CAB OR CANOPY RETROVISEUR EXTERIEUR POUR CABINE OU AUVENT ESPEJO RETROVISOR EXTERIOR PARA CABINA O DOSEL

T212558 -UN-15JUL05



T212558

2002-5

SAFETY, CONVENIENCE AND MISCELLANEOUS 20

MIRROR 2002

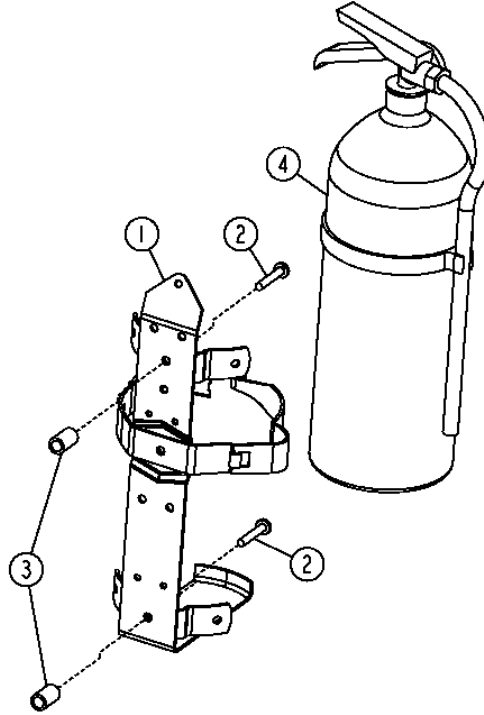
**OUTSIDE MIRROR FOR CAB OR CANOPY
RETROVISEUR EXTERIEUR POUR CABINE OU AUVENT
ESPEJO RETROVISOR EXTERIOR PARA CABINA O DOSEL**

KEY	PART NO.	PART NAME	QTY.	SERIAL NO.	REMARKS
1	19H3065	CAP SCREW	2		3/8" X 2"
2	24M7239	WASHER	2		10.700 X 21 X 2.500 MM
3	AT157226	REAR VIEW MIRROR	2		
4	WASHER	2		(H110232 NLA)
5	T11234	LOCK NUT	4		
6	T174054	RIB	1		(LH MIRROR)
7	T174106	RIB	1		(RH MIRROR)
8	T174200	CLAMP	2		
9	T174201	CAP	2		
10	T174203	HALF CLAMP	4		

2003-2

FIRE EXTINGUISHER AND BRACKET EXTINCTEUR ET SUPPORT EXTINTOR Y SOPORTE

T155232 -UN-28MAY02



T155232

2003-3

SAFETY, CONVENIENCE AND MISCELLANEOUS 20

FIRE EXTINGUISHER 2003

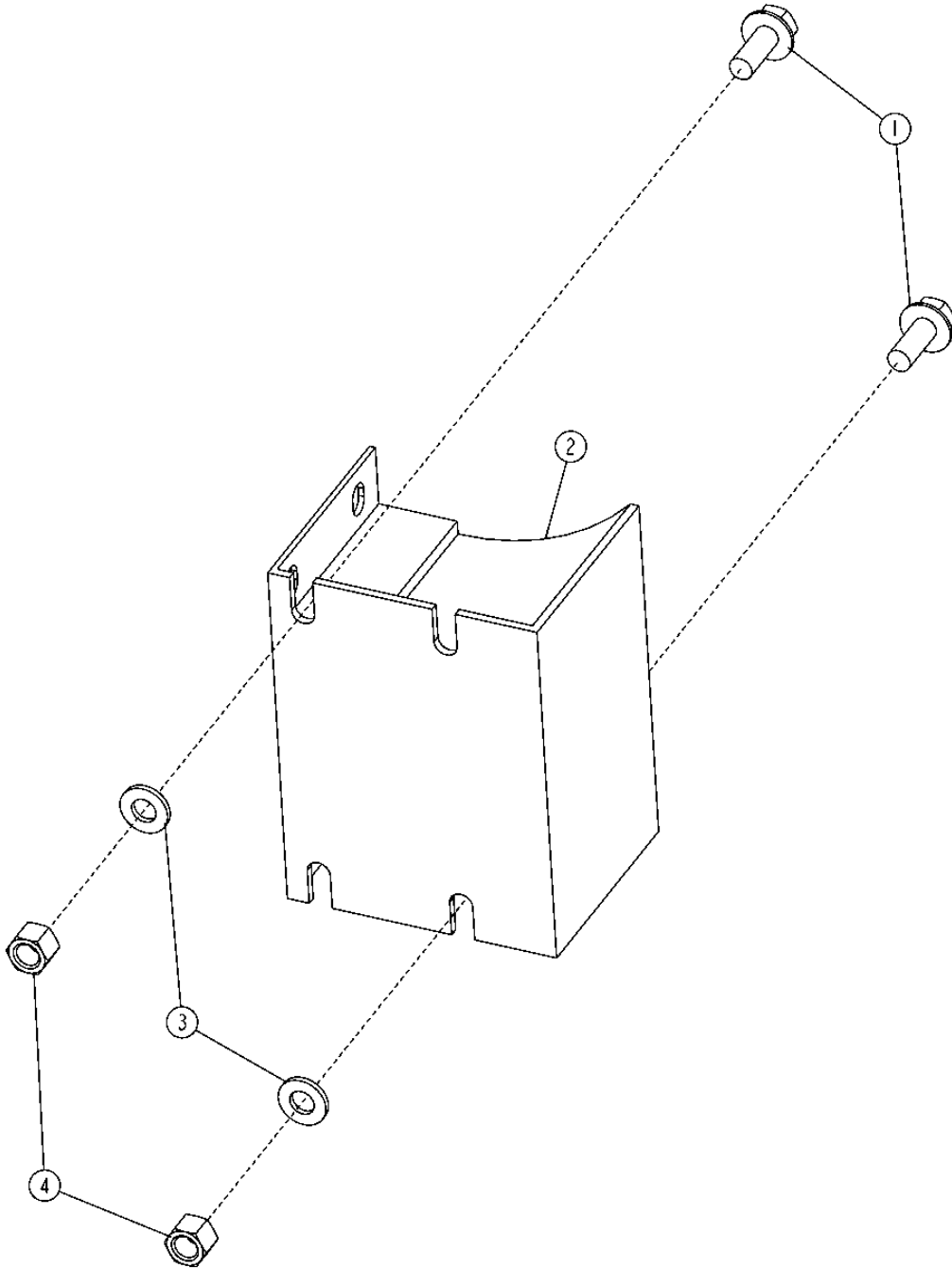
**FIRE EXTINGUISHER AND BRACKET
EXTINCTEUR ET SUPPORT
EXTINTOR Y SOPORTE**

KEY	PART NO.	PART NAME	QTY.	SERIAL NO.	REMARKS
1	AT189390	BRACKET	1		
2	21M7247	SCREW	2		M6 X 35
3	28H3423	BUSHING	2		0.364" X 0.540" X 7/8"
4	AT189487	FIRE EXTINGUISHER	1		

2004-2

BACK-UP ALARM AVERTISSEUR DE RECUL ALARMA DE RETROCESSO

T134335 -UN-10OCT00



T134335

2004-3

SAFETY, CONVENIENCE AND MISCELLANEOUS 20

HORN AND WARNING DEVICES 2004

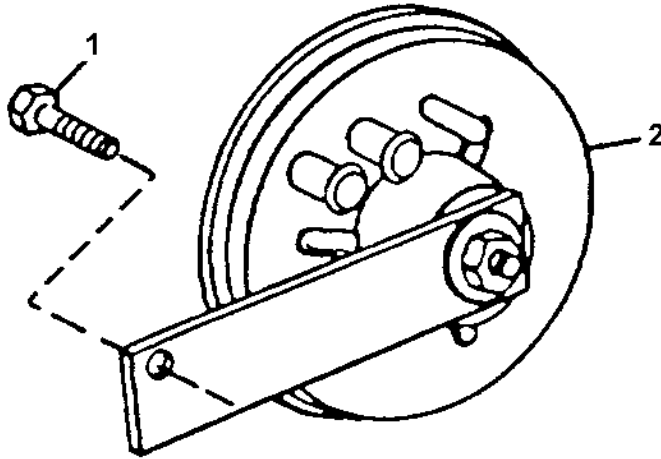
**BACK-UP ALARM
AVERTISSEUR DE REcul
ALARMA DE RETROCESSO**

KEY	PART NO.	PART NAME	QTY.	SERIAL NO.	REMARKS
1	19M7867	SCREW	2		M8 X 25
2	AT120461	TRAVEL WARNING ALARM	1		
3	24M7238	WASHER	2		8.700 X 17 X 2 MM
4	14M7396	LOCK NUT	2		M8

2004-4

HORN
ADVERTISSEUR SONORE
BOCINA

TP60387 -UN-13MAY98



TP60387

2004-5

SAFETY, CONVENIENCE AND MISCELLANEOUS 20

HORN AND WARNING DEVICES 2004

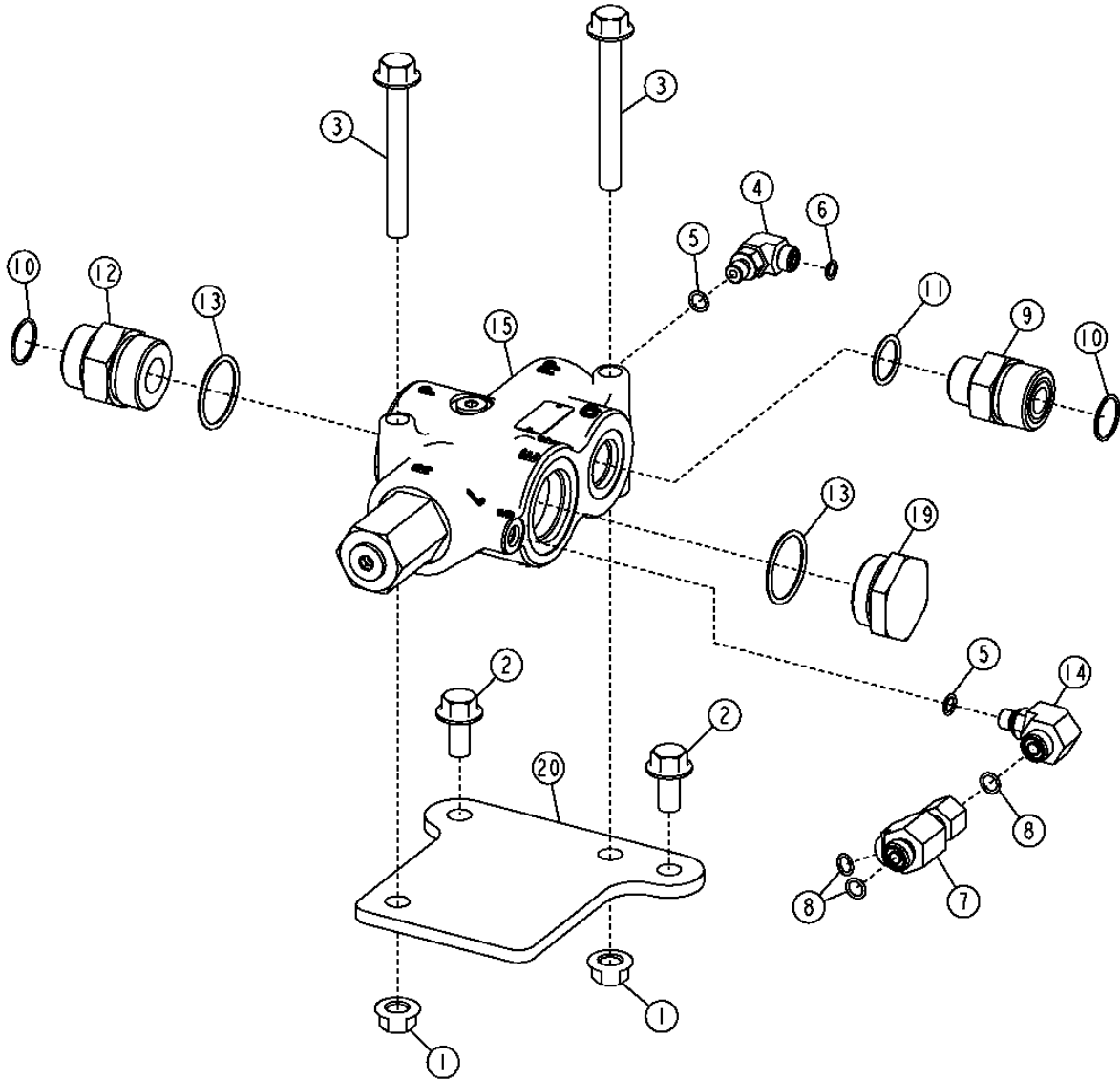
**HORN
ADVERTISSEUR SONORE
BOCINA**

<i>KEY</i>	<i>PART NO.</i>	<i>PART NAME</i>	<i>QTY.</i>	<i>SERIAL NO.</i>	<i>REMARKS</i>
1	19M7865	SCREW	1		
2	AT226282	HORN	1		M8 X 16

2162-2

HYDRAULIC SELECTIVE CONTROL & LOAD HOLDING VALVES 2163
PRIORITY VALVE
SOUPAPE PRIORITAIRE
VALVULA PRIORITARIA

T212563 -UN-26AUG05



T212563

2162-3

VEHICLE HYDRAULIC SYSTEM 21

HYDRAULIC SELECTIVE CONTROL & LOAD HOLDING VALVES 2163
PRIORITY VALVE
SOUPAPE PRIORITAIRE
VALVULA PRIORITARIA

KEY	PART NO.	PART NAME	QTY.	SERIAL NO.	REMARKS
1	14M7299	FLANGE NUT	2		M12
2	19M7788	SCREW	2		M12 X 25
3	19M7820	SCREW	2		M12 X 100
4	38H1435	ELBOW FITTING	1		(SUB FOR 38H1003)
5	R28782	O-RING	2		
6	T77814	O-RING	1		
7	38H1030	TEE FITTING	1		
8	T77613	O-RING	3		
9	38H1179	ADAPTER FITTING	1		
10	T76938	O-RING	2		
11	U12547	O-RING	1		
12	38H1180	ADAPTER FITTING	1		
13	U13639	O-RING	2		
14	38H1435	ELBOW FITTING	1		
15	AT322681	VALVE	1		
19	R39741	DRAIN PLUG	1		
20	T216190	PLATE	1		

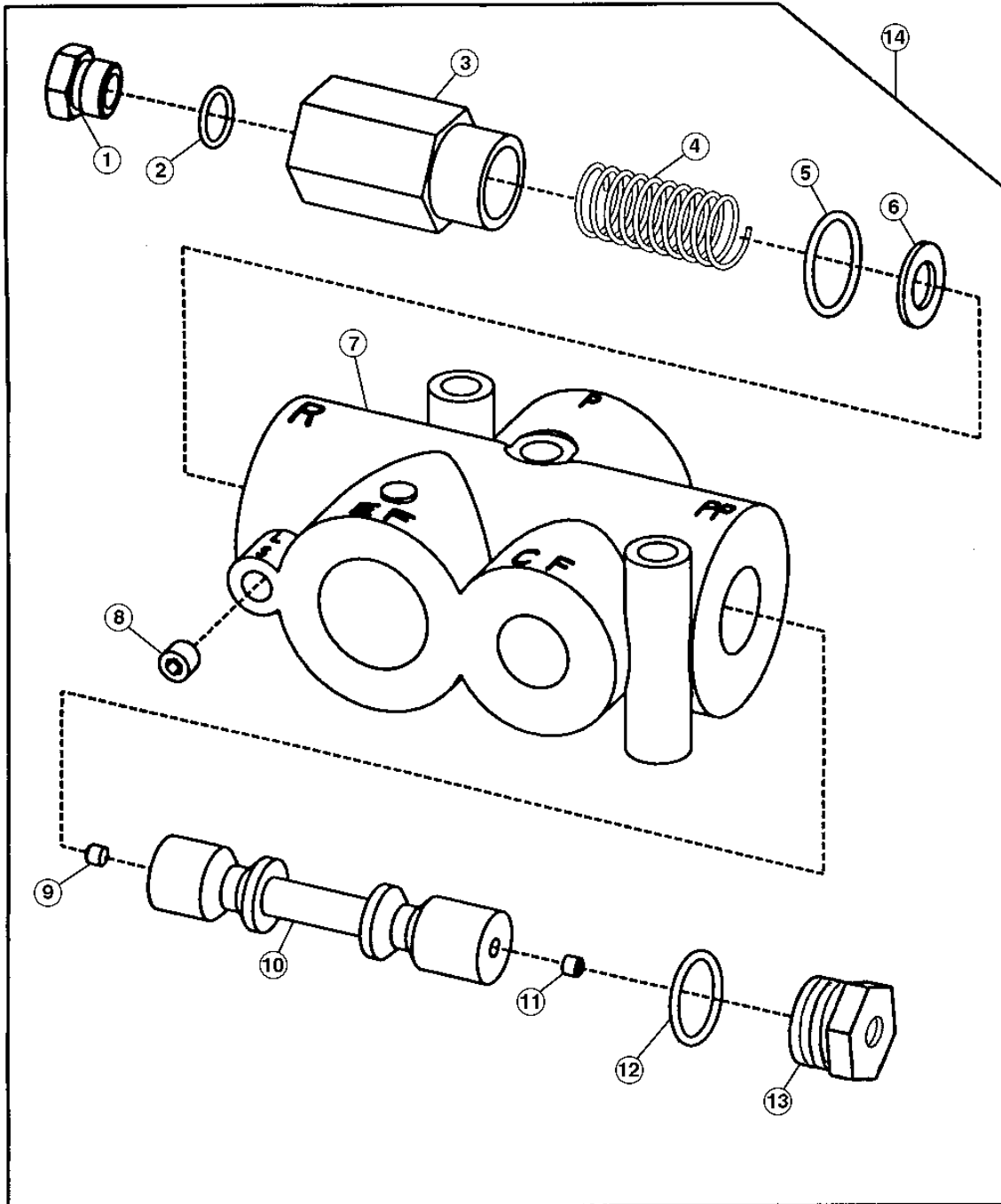
2162-4

VEHICLE HYDRAULIC SYSTEM 21

HYDRAULIC SELECTIVE CONTROL & LOAD HOLDING VALVES 2163 PRIORITY VALVE COMPOSANTS DE SOUPAPE PRIORITAIRE COMPONENTES DE VALVULA PRIORITARIA

T216358

-UN-20OCT05



T216358

2162-5

VEHICLE HYDRAULIC SYSTEM 21

HYDRAULIC SELECTIVE CONTROL & LOAD HOLDING VALVES 2163
PRIORITY VALVE
COMPOSANTS DE SOUPAPE PRIORITAIRE
COMPONENTES DE VALVULA PRIORITARIA

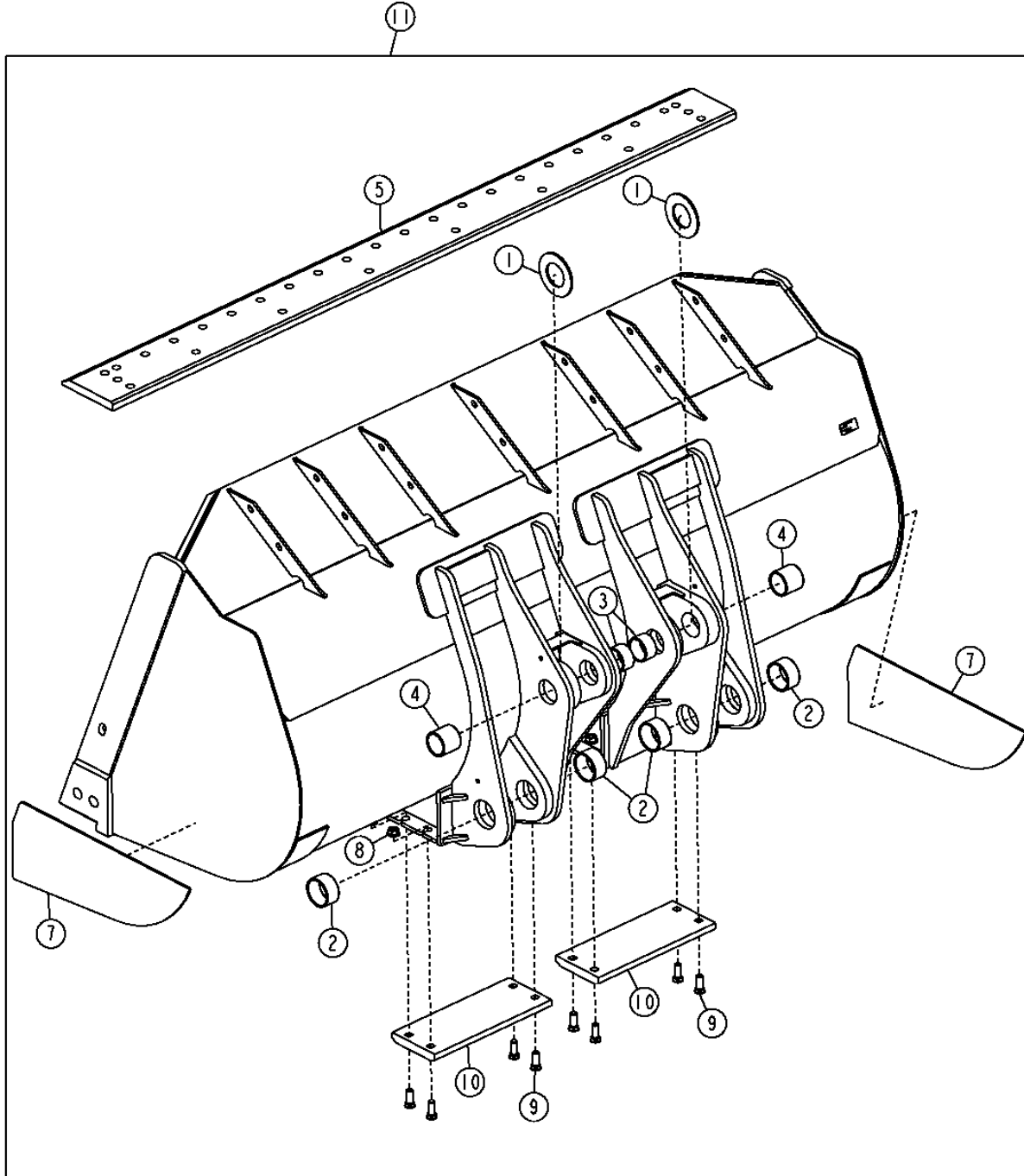
KEY	PART NO.	PART NAME	QTY.	SERIAL NO.	REMARKS
1	R39112	FITTING	1		
2	R26375	O-RING	1		
3	T101575	HOUSING	1		
4	T101572	COMPRESSION SPRING	1		
5	R29936	O-RING	1		
6	M46653	THRUST WASHER	1		
7	HOUSING	1		
8	T107255	ORIFICE	1		
9	T101571	ORIFICE	1		
10	SPOOL	1		
11	T107239	ORIFICE	1		
12	U17409	O-RING	1		
13	PLUG	1		(T54922 NOT USED THIS APPL)
14	AT322681	VALVE	1		

3102-2

7.25 CUBIC YARD LOADER BUCKET (S.N. -612719)
GODET DE CHARGEUR (7.25 CUBIC YARD) (S.N. -612719)
CUCHARON DE CARGADORA (7.25 YARDAS CUBICAS) (S.N. -612719)

T211963

-UN-30AUG05



T211963

3102-3

LOADER 31

HYDRAULIC SYSTEM 3102

7.25 CUBIC YARD LOADER BUCKET (S.N. -612719)
GODET DE CHARGEUR (7.25 CUBIC YARD) (S.N. -612719)
CUCHARON DE CARGADORA (7.25 YARDAS CUBICAS) (S.N. -612719)

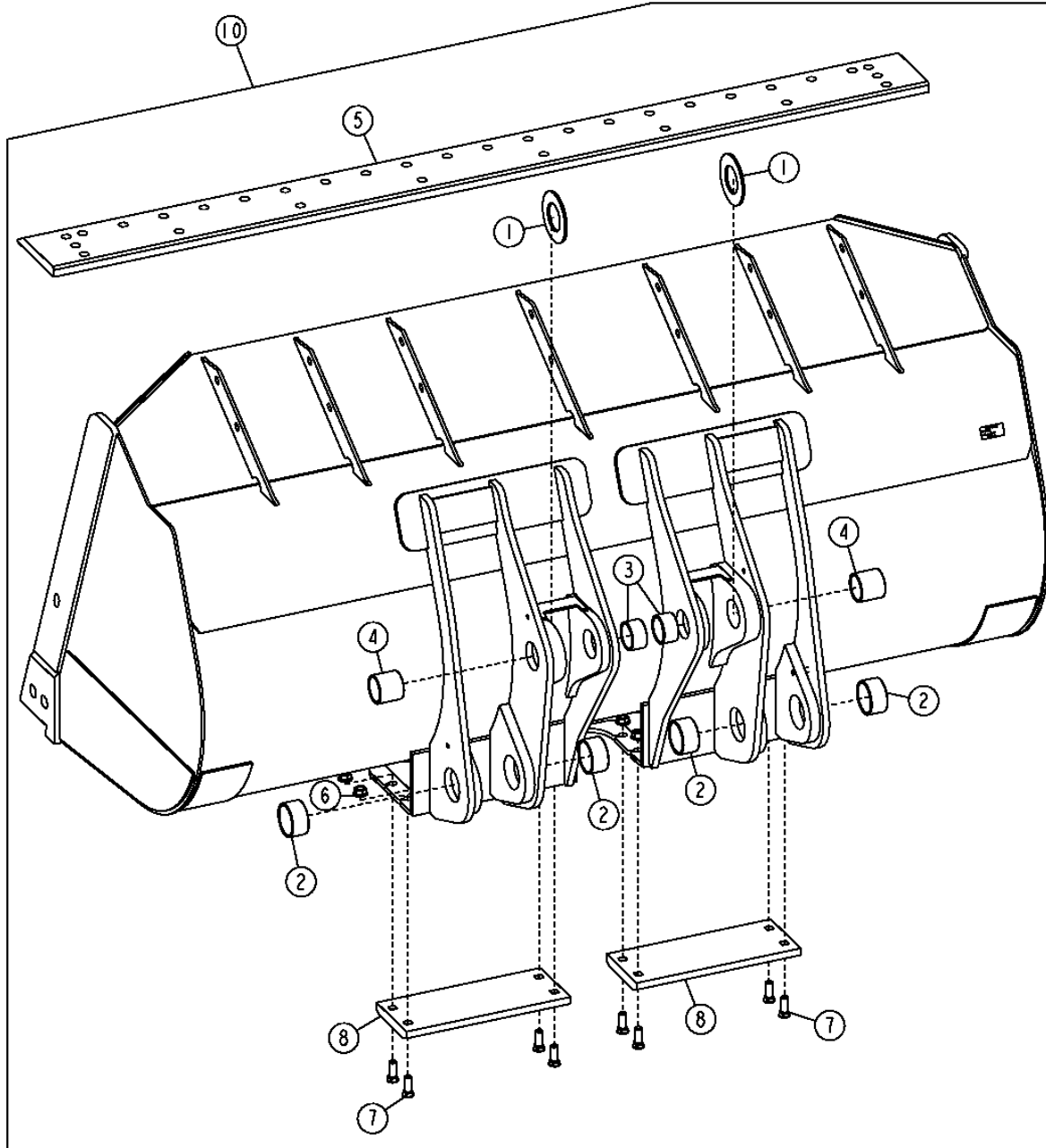
KEY	PART NO.	PART NAME	QTY.	SERIAL NO.	REMARKS
1	T208660	DISK	2		
2	T208661	BUSHING	4		
3	T208662	BUSHING	2		
4	T208663	BUSHING	2		
5	T196210	CUTTING EDGE	1		WELD-ON
7	T196293	PLATE	2		DOUBLER
8	T146932	NUT	8		1"
9	T146933	BOLT	8		1" X 3"
10	T198121	CUTTING EDGE	2		SHOE
11	AT321010	LOADER BUCKET	1		(KIT)

3102-4

7.75 CUBIC YARD LOADER BUCKET (S.N. -612719)
GODET DE CHARGEUR(7.75 CUBIC YARD) (S.N. -612719)
CUCHARON DE CARGADORA(7.75 YARDAS CUBICAS) (S.N. -612719)

T211964

-UN-29JUN05



T211964

THIS PARTS LISTING IS CONTINUED

3102-5

LOADER 31

HYDRAULIC SYSTEM 3102

7.75 CUBIC YARD LOADER BUCKET (S.N. -612719)
GODET DE CHARGEUR(7.75 CUBIC YARD) (S.N. -612719)
CUCHARON DE CARGADORA(7.75 YARDAS CUBICAS) (S.N. -612719)

KEY	PART NO.	PART NAME	QTY.	SERIAL NO.	REMARKS
1	T208660	DISK	2		
2	T208661	BUSHING	4		
3	T208662	BUSHING	2		
4	T208663	BUSHING	2		
5	T196210	CUTTING EDGE	1		WELD-ON
6	T146932	NUT	8		1"
7	T146933	BOLT	8		1" X 3"
8	T198121	CUTTING EDGE	2		SHOE
10	AT311369	LOADER BUCKET	1		CA
(A)	WELD-ON			(B) SHOE	
(A)	A SOUDER EN PLACE			(B) ZAPATA	
(A)	SOLDADO			(B) ZAPATA	

3102-5A

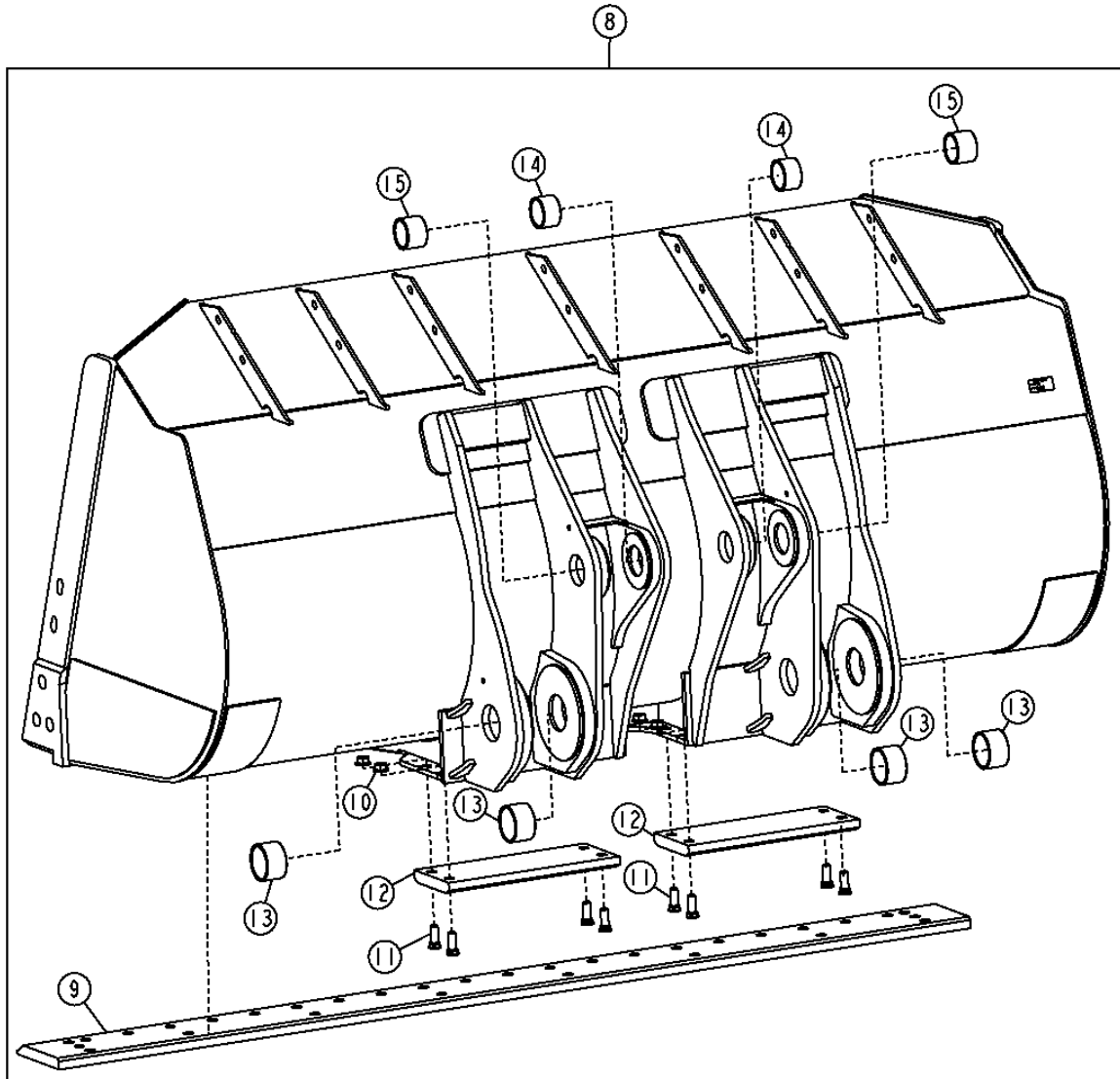
LOADER 31

HYDRAULIC SYSTEM 3102

LOADER BUCKET (S.N. 612720-)
BENNE DU CHARGEUR (S.N. 612720-)
CUCHARON DE LA CARGADORA (S.N. 612720-)

TX1019851

-UN-28FEB07



TX1019851

3102-5B

LOADER 31

HYDRAULIC SYSTEM 3102

LOADER BUCKET (S.N. 612720-)
BENNE DU CHARGEUR (S.N. 612720-)
CUCHARON DE LA CARGADORA (S.N. 612720-)

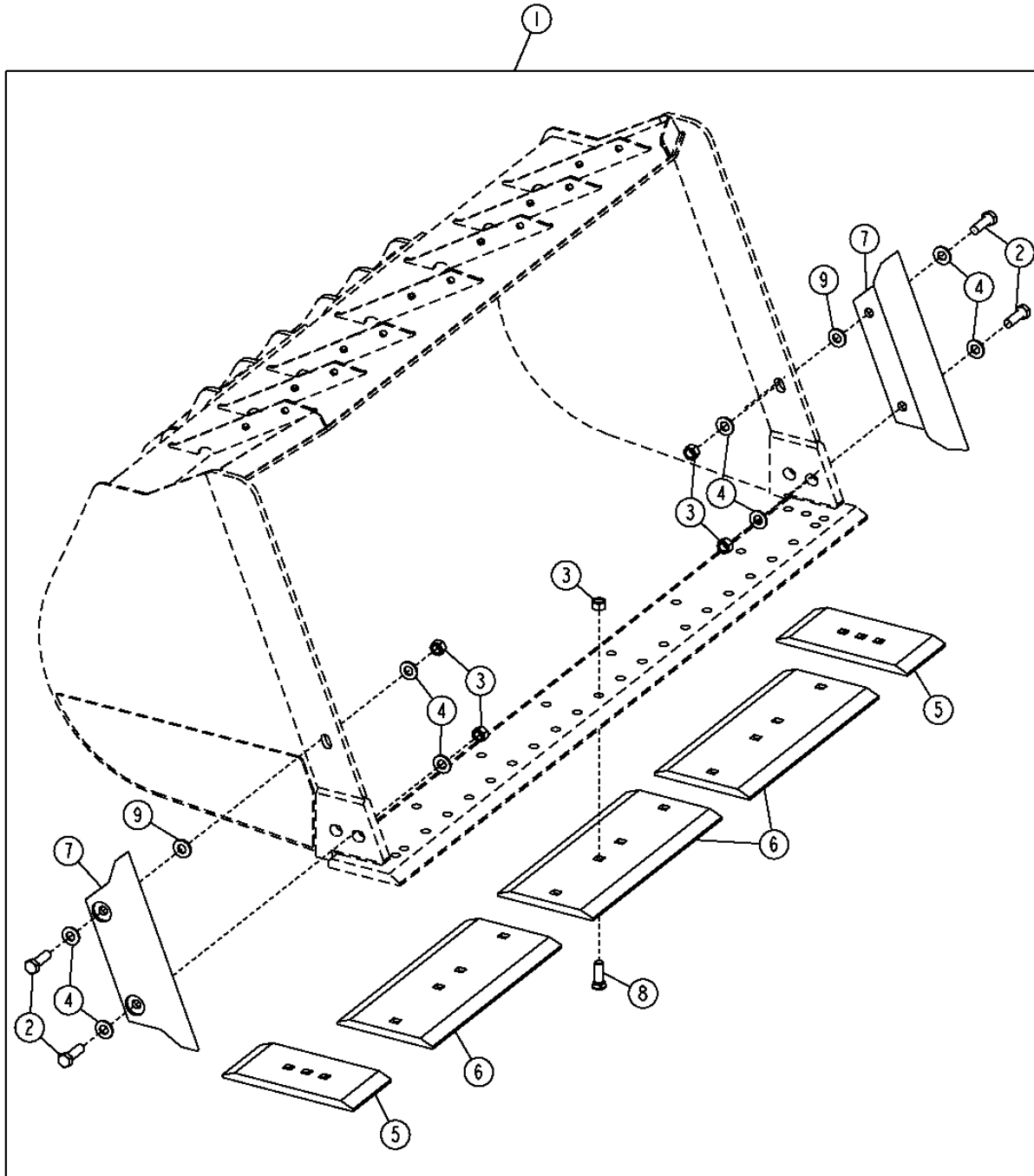
KEY	PART NO.	PART NAME	QTY.	SERIAL NO.	REMARKS
8	AT332568	LOADER BUCKET	1		CA (7.25)
	AT336610	LOADER BUCKET	1		CA (7.25) (HEAVY DUTY)
	AT336611	LOADER BUCKET	1		CA (7.75)
	AT336612	LOADER BUCKET	1		CA (7.75) (HEAVY DUTY)
9	T196210	CUTTING EDGE	1		
10	T146932	NUT	8		1"
11	T146933	BOLT	8		1" X 3"
12	T198121	CUTTING EDGE	2		
13	T224651	BUSHING	4		
14	T224652	BUSHING	2		
15	T224653	BUSHING	2		

3102-6

BOLT ON BUCKET AUXILIARY CUTTING EDGE (7.25 & 7.75 YARD)
BORD D'ATTAQUE AUXILIAIRE DE GODET (7.25 ET 7.75 CUBIC YARD)
BORDE CORTANTE AUXILIAR DEL CUCHARON (7.25 Y 7.75 YARDAS CUBICAS)

TX1006018

-UN-07APR06



TX1006018

3102-7

LOADER 31

HYDRAULIC SYSTEM 3102

**BOLT ON BUCKET AUXILIARY CUTTING EDGE (7.25 & 7.75 YARD)
BORD D'ATTAQUE AUXILIAIRE DE GODET (7.25 ET 7.75 CUBIC YARD)
BORDE CORTANTE AUXILIAR DEL CUCHARON (7.25 Y 7.75 YARDAS CUBICAS)**

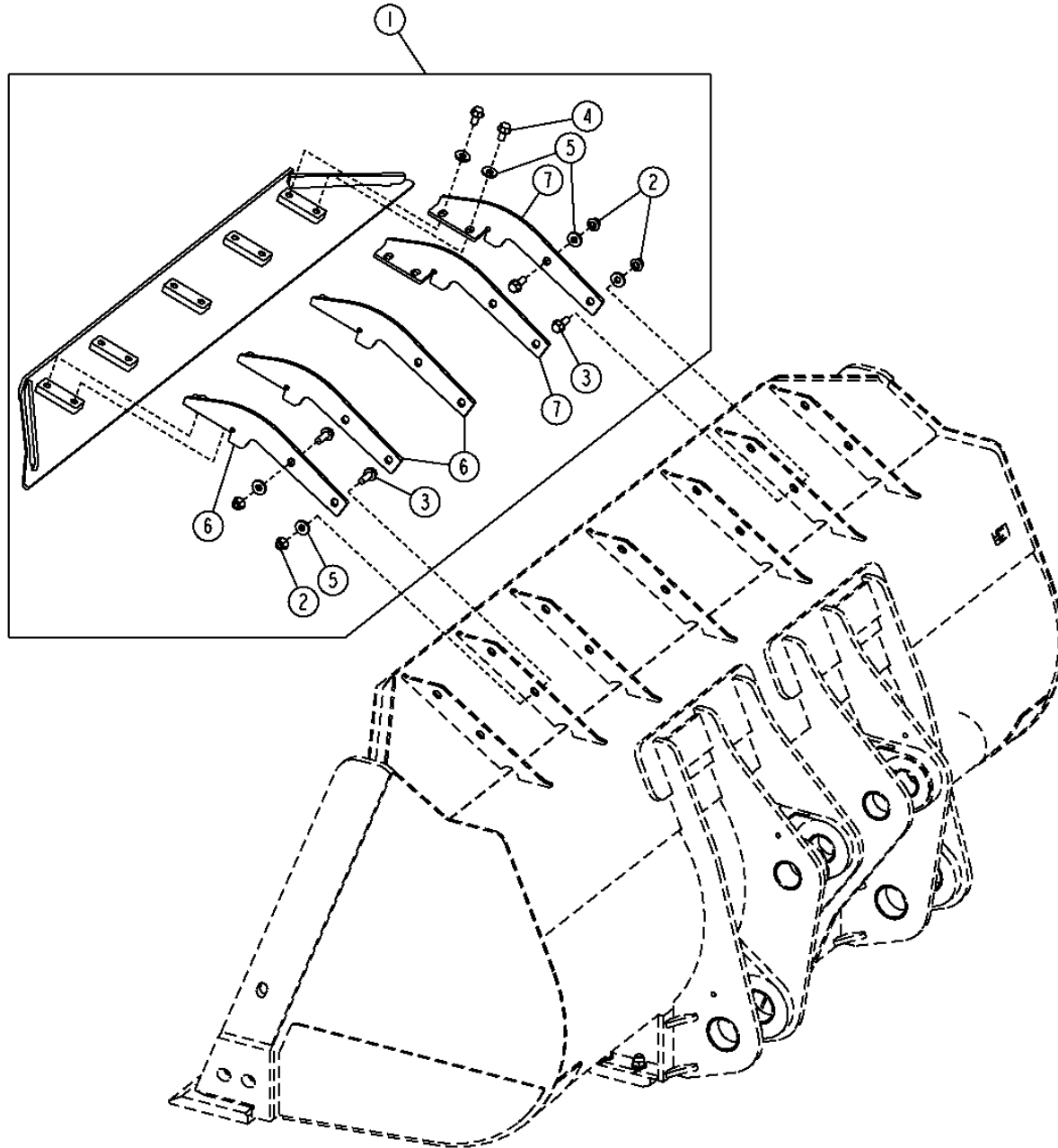
KEY	PART NO.	PART NAME	QTY.	SERIAL NO.	REMARKS
1	AT310673	FIELD INSTALLATION KIT	1		BOLT ON BUCKET AUXILIARY CUTTING EDGE
2	08H4042	CAP SCREW	4		1-1/4" X 4"
3	14H824	NUT	22		1-1/4"
4	24H1687	WASHER	6		1-3/8" X 2-3/4" X 1/4"
5	T196455	CUTTING EDGE	2		(SHORT) (COURT) (CORTO)
6	T198126	CUTTING EDGE	3		(LONG) (LONG) (LARGO)
7	T210715	CUTTING EDGE	2		(SIDE CUTTER)
8	T79002	BOLT	18		
9	T79096	WASHER	2		

3102-8

BOLT-ON SPILLGUARD (7.25 & 7.75 YARD)
PROTECTION CONTRE LES DEVERSEMENTS BOULONNEE (7.25 ET 7.75 CUBIC YARD)
PROTECTOR CONTRA DERRAMES EMPERNABLE (7.25 Y 7.75 YARDAS CUBICAS)

TX1007408

-UN-05MAY06



TX1007408

3102-9

LOADER 31

HYDRAULIC SYSTEM 3102

BOLT-ON SPILLGUARD (7.25 & 7.75 YARD)
PROTECTION CONTRE LES DEVERSEMENTS BOULONNEE (7.28 ET 7.75 CUBIC YARD)
PROTECTOR CONTRA DERRAMES EMPERNABLE (7.25 Y 7.75 YARDAS CUBICAS)

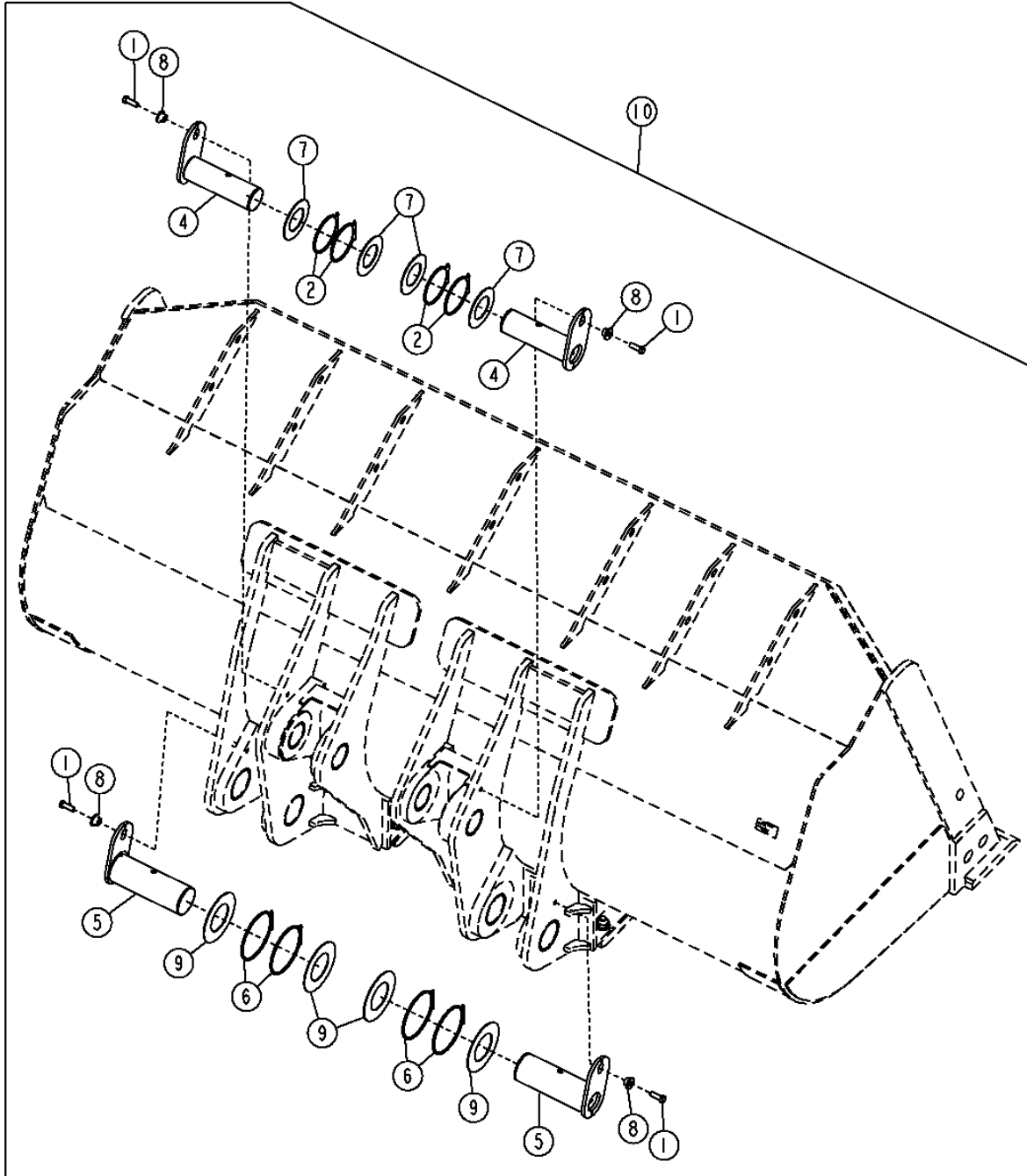
KEY	PART NO.	PART NAME	QTY.	SERIAL NO.	REMARKS
1	AT310680	FIELD INSTALLATION KIT	1		BOLT-ON SPILLGUARD
2	14M7300	FLANGE NUT	10		M20
3	19M7795	SCREW	10		M20 X 55
4	19M8709	SCREW	10		M20 X 40
5	24M7365	WASHER	10		21 X 50 X 6 MM
6	T207212	BRACKET	3		
7	T207211	BRACKET	2		

3102-10

LOADER BUCKET PINS (S.N. -612719)
AXES DE GODET (S.N. -612719)
PASADORES DE CUCHARON DE CARGADORA (S.N. -612719)

T212030

-UN-22AUG05



T212030

3102-11

LOADER 31

HYDRAULIC SYSTEM 3102

LOADER BUCKET PINS (S.N. -612719)
AXES DE GODET (S.N. -612719)
PASADORES DE CUCHARON DE CARGADORA (S.N. -612719)

KEY	PART NO.	PART NAME	QTY.	SERIAL NO.	REMARKS
1	19M7489	CAP SCREW	4		M16 X 45
2	AT228893	RING	4		
3	24M7027	WASHER	8		5.300 X 10 X 1 MM
4	AT311296	PIN FASTENER	2		
5	AT311297	PIN FASTENER	2		
6	AT311567	O-RING	4		
7	T101480	WASHER	8		91.500 X 160 X 3 MM
8	T176064	BUSHING	4		16.300 X 28.600 X 21.900 MM
9	T208908	WASHER	4		111.500 X 200 X 3 MM
10	AT310679	FIELD INSTALLATION KIT	1		(LOADER BUCKET PINS)

3102-11A

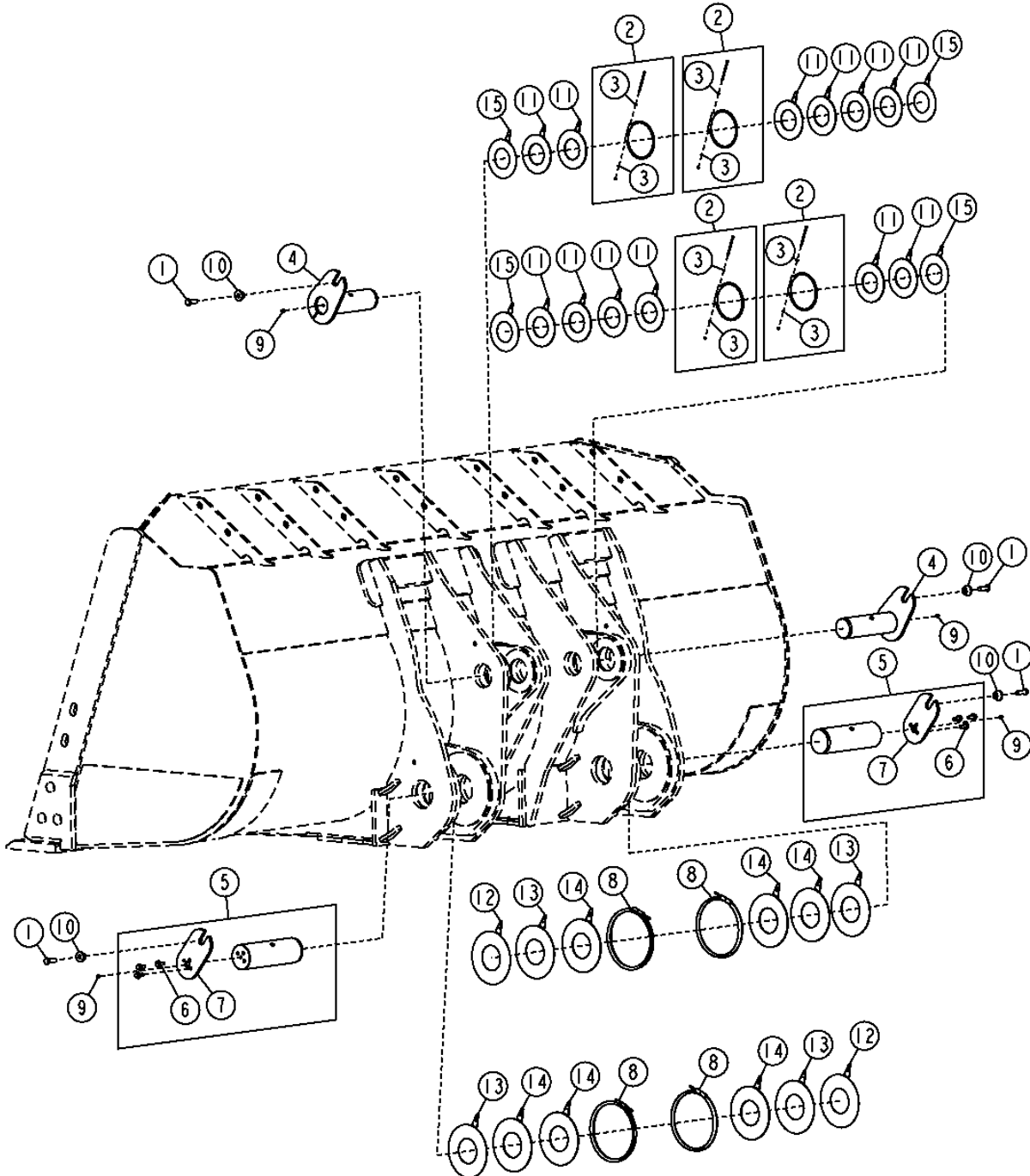
LOADER 31

HYDRAULIC SYSTEM 3102

LOADER BUCKET PINS (STD.) (S.N. 612720-)
AXES DE GODET (STD.) (S.N. 612720-)
PASADORES DE CUCHARON DE CARGADORA (ESTD) (S.N. 612720-)

TX1019061

-UN-21FEB07



TX1019061

3102-11B

LOADER 31

HYDRAULIC SYSTEM 3102

LOADER BUCKET PINS (STD.) (S.N. 612720-)
 AXES DE GODET (STD.) (S.N. 612720-)
 PASADORES DE CUCHARON DE CARGADORA (ESTD) (S.N. 612720-)

KEY	PART NO.	PART NAME	QTY.	SERIAL NO.	REMARKS
1	19M7489	CAP SCREW	4		M16 X 45
2	AT330664	RING	4		
3	24M7027	WASHER	8		5.300 X 10 X 1 MM
4	AT333721	PIN	2		
5	AT333722	PIN	2		
6	19M7789	SCREW	6		M12 X 30
7	T180931	PLATE	2		
8	AT341093	RING	4		
9	JD7759	LUBRICATION FITTING	4		
10	T176064	BUSHING	4		
11	T223721	WASHER	12		3.602" X 6.791" X 1/8"
12	T223724	SHIM	2		
13	T223725	SHIM	4		
14	T224839	SHIM	6		
15	T224915	WASHER	4		6.791" X 6.791" X 0.040"
..	AT336064	FIELD INSTALLATION KIT	1		WHOLE GOODS (LOADER BUCKET AND PINS) (7.25)
..	AT336080	FIELD INSTALLATION KIT	1		WHOLE GOODS (LOADER BUCKET AND PINS) (7.25) (HEAVYDUTY)
..	AT336068	FIELD INSTALLATION KIT	1		WHOLE GOODS (LOADER BUCKET AND PINS) (7.75)
..	AT336085	FIELD INSTALLATION KIT	1		WHOLE GOODS (LOADER BUCKET AND PINS) (7.75) (HEAVY DUTY)

3102-11C

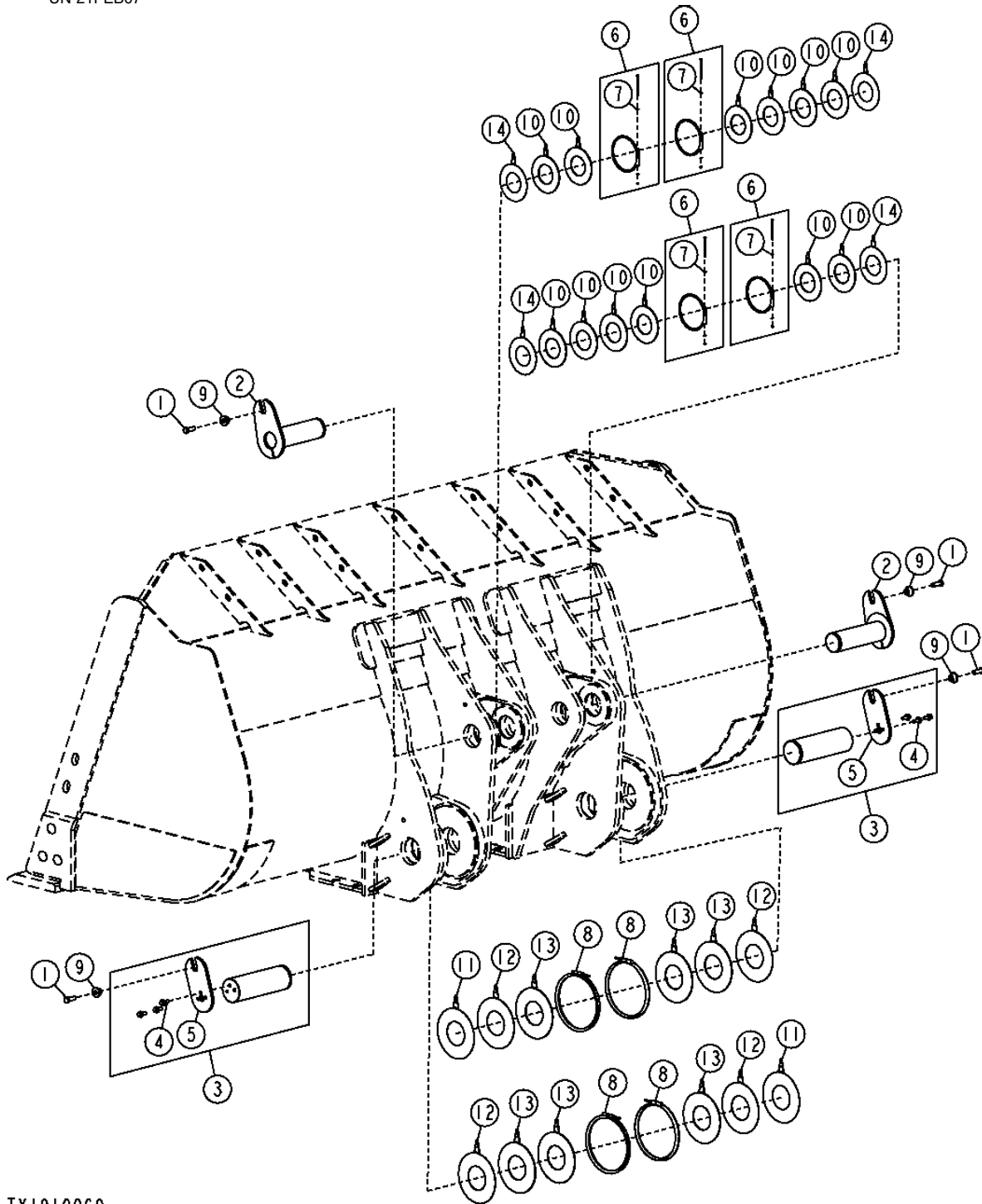
LOADER 31

HYDRAULIC SYSTEM 3102

LOADER BUCKET PINS (NEVERGREASE) (S.N. 612720-)
AXES DE GODET (NEVERGREASE) (S.N. 612720-)
PASADORES DE CUCHARON DE CARGADORA (NEVERGREASE) (S.N. 612720-)

TX1019060

-UN-21FEB07



TX1019060

3102-11D

LOADER 31

HYDRAULIC SYSTEM 3102

**LOADER BUCKET PINS (NEVERGREASE) (S.N. 612720-)
 AXES DE GODET (NEVERGREASE) (S.N. 612720-)
 PASADORES DE CUCHARON DE CARGADORA (NEVERGREASE) (S.N. 612720-)**

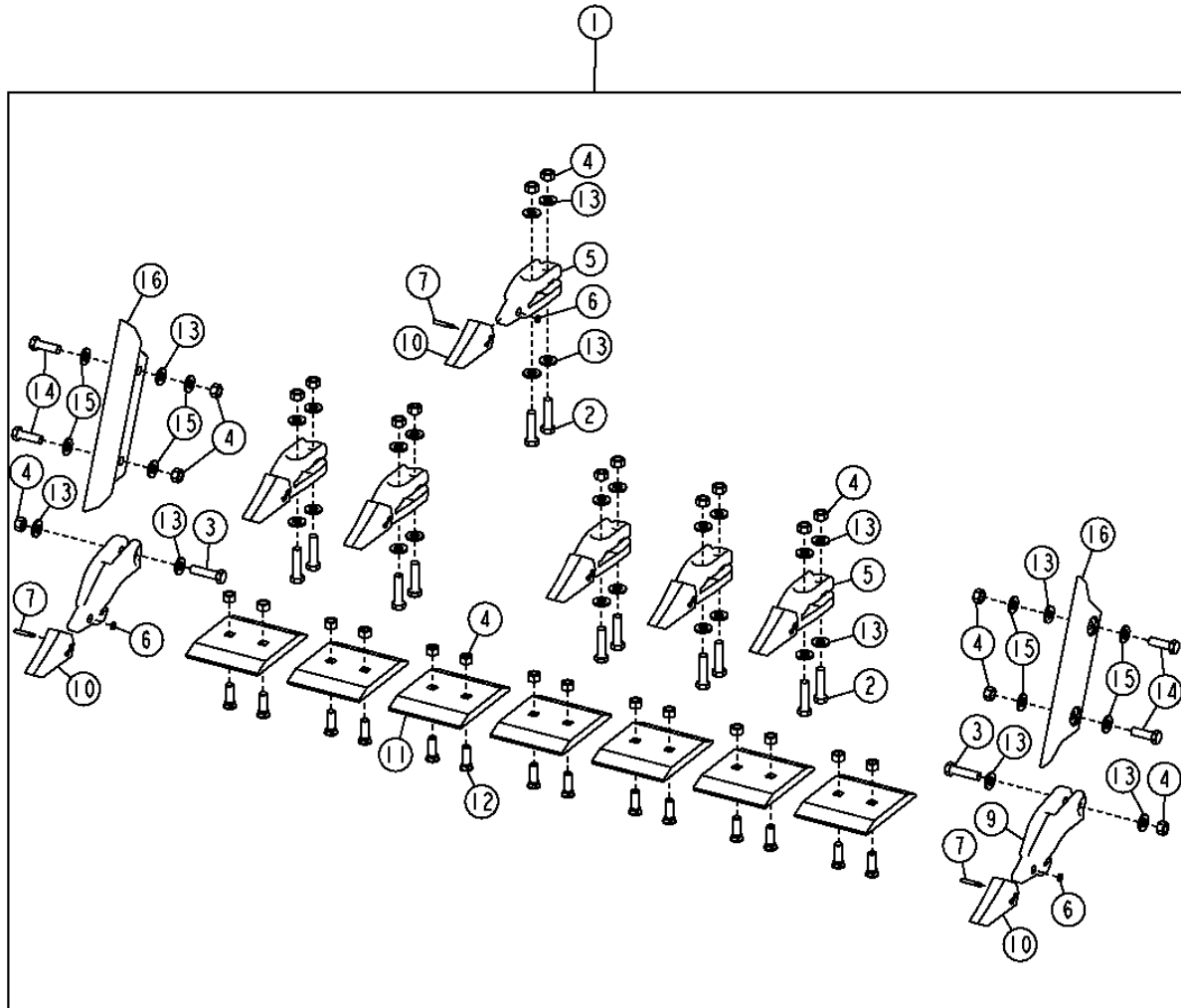
KEY	PART NO.	PART NAME	QTY.	SERIAL NO.	REMARKS
1	19M7489	CAP SCREW	4		M16 X 45
2	AT330347	PIN	2		
3	AT330348	PIN	2		
4	19M7789	SCREW	6		M12 X 30
5	T180931	PLATE	2		
6	AT330664	RING	4		
7	24M7027	WASHER	8		5.300 X 10 X 1 MM
8	AT341093	RING	4		
9	T176064	BUSHING	4		
10	T223721	WASHER	12		3.602" X 6.791" X 1/8"
11	T223724	SHIM	2		
12	T223725	SHIM	4		
13	T224839	SHIM	6		
14	T224915	WASHER	4		6.791" X 6.791" X 0.040"
..	AT332268	FIELD INSTALLATION KIT	1		WHOLE GOODS (LOADER BUCKET AND PINS) (7.25)
..	AT336077	FIELD INSTALLATION KIT	1		WHOLE GOODS (LOADER BUCKET AND PINS) (7.25) (HEAVY DUTY)
..	AT336066	FIELD INSTALLATION KIT	1		WHOLE GOODS (LOADER BUCKET AND PINS) (7.75)
..	AT336082	FIELD INSTALLATION KIT	1		WHOLE GOODS (LOADER BUCKET AND PINS) (7.75) (HEAVY DUTY)

3102-12

LOADER BUCKET TEETH AND SHANKS DENTS DE GODET ET PORTE-DENTS DIENTES Y VASTAGOS DE CUCHARON

TX1010487

-UN-02AUG06



TX1010487

THIS PARTS LISTING IS CONTINUED

3102-13

LOADER 31

HYDRAULIC SYSTEM 3102

**LOADER BUCKET TEETH AND SHANKS
DENTS DE GODET ET PORTE-DENTS
DIENTES Y VASTAGOS DE CUCHARON**

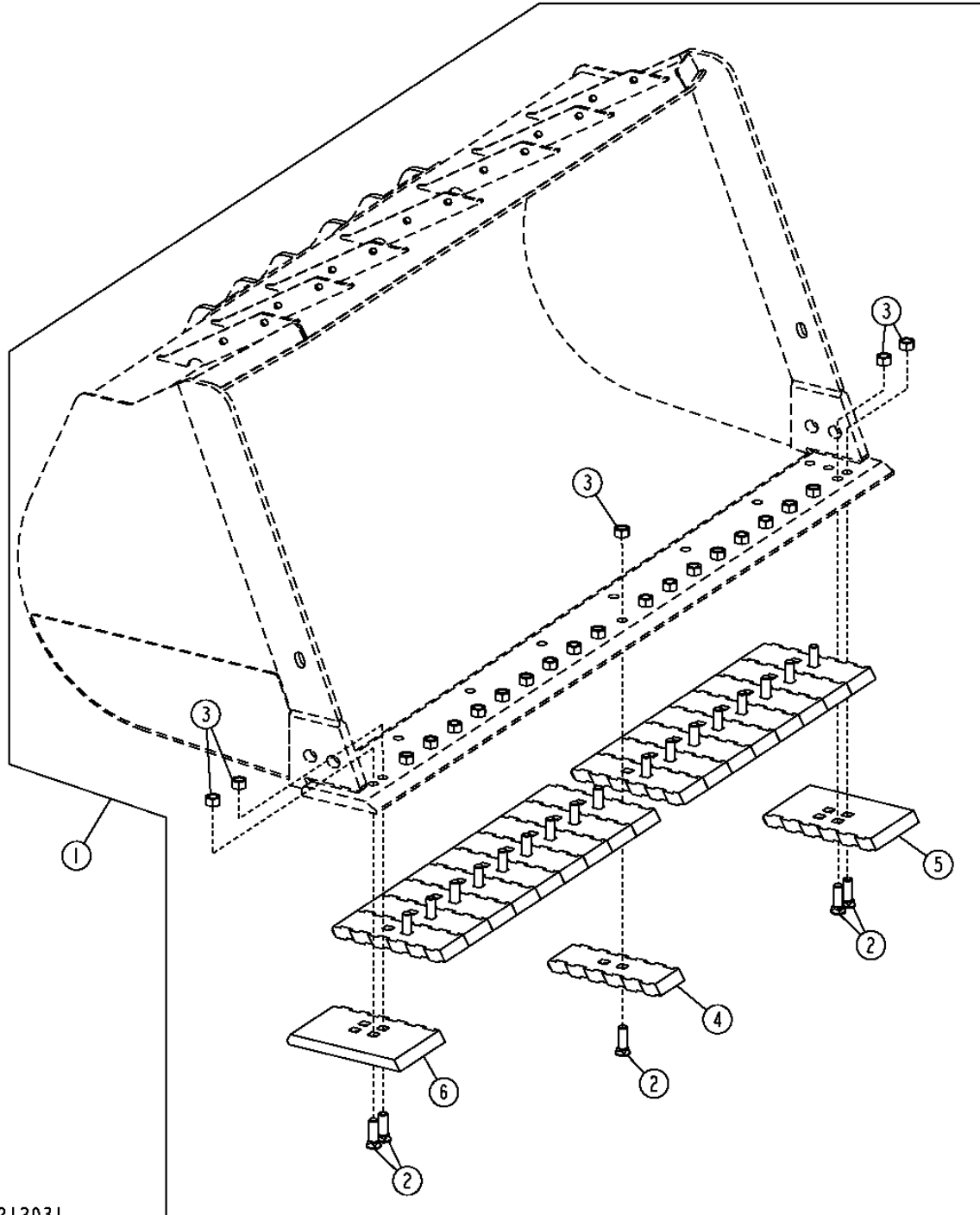
KEY	PART NO.	PART NAME	QTY.	SERIAL NO.	REMARKS
1	AT310674	FIELD INSTALLATION KIT	1		LOADER BUCKET TEETH AND SHANKS
2	08H4815	BOLT	12		1-1/4" X 5"
3	08H4815	BOLT	2		1-1/4" X 5"
4	14H824	NUT	32		1-1/4", (USES KEY 13 WASHER)
5	T123077	BUCKET TOOTH ADAPTER	6		
6	T3G9609	WASHER	8		
7	T9J2308	PIN FASTENER	8		
9	T215303	BUCKET TOOTH ADAPTER	2		
10	TF33L	TOOTH	8		
11	T196607	CUTTING EDGE	7		
12	T79002	BOLT	14		1-1/4" X 4"
13	T79096	WASHER	30		33.528 X 70 X 7.874 MM
14	08H4042	CAP SCREW	4		31.750 X 101.600 MM
15	24H1687	WASHER	8		34.925 X 69.850 X 6.350 MM
16	T210715	CUTTING EDGE	2		

3102-14

JAGZ LOADER BUCKET CUTTING EDGES
BORDS D'ATTAQUE DE GODET JAGZ
BORDES CORTANTES DE CUCHARON DE CARGADORA JAGZ

T212031

-UN-29JUN05



T212031

3102-15

LOADER 31

HYDRAULIC SYSTEM 3102

JAGZ LOADER BUCKET CUTTING EDGES
BORDS D'ATTAQUE DE GODET JAGZ
BORDES CORTANTES DE CUCHARON DE CARGADORA JAGZ

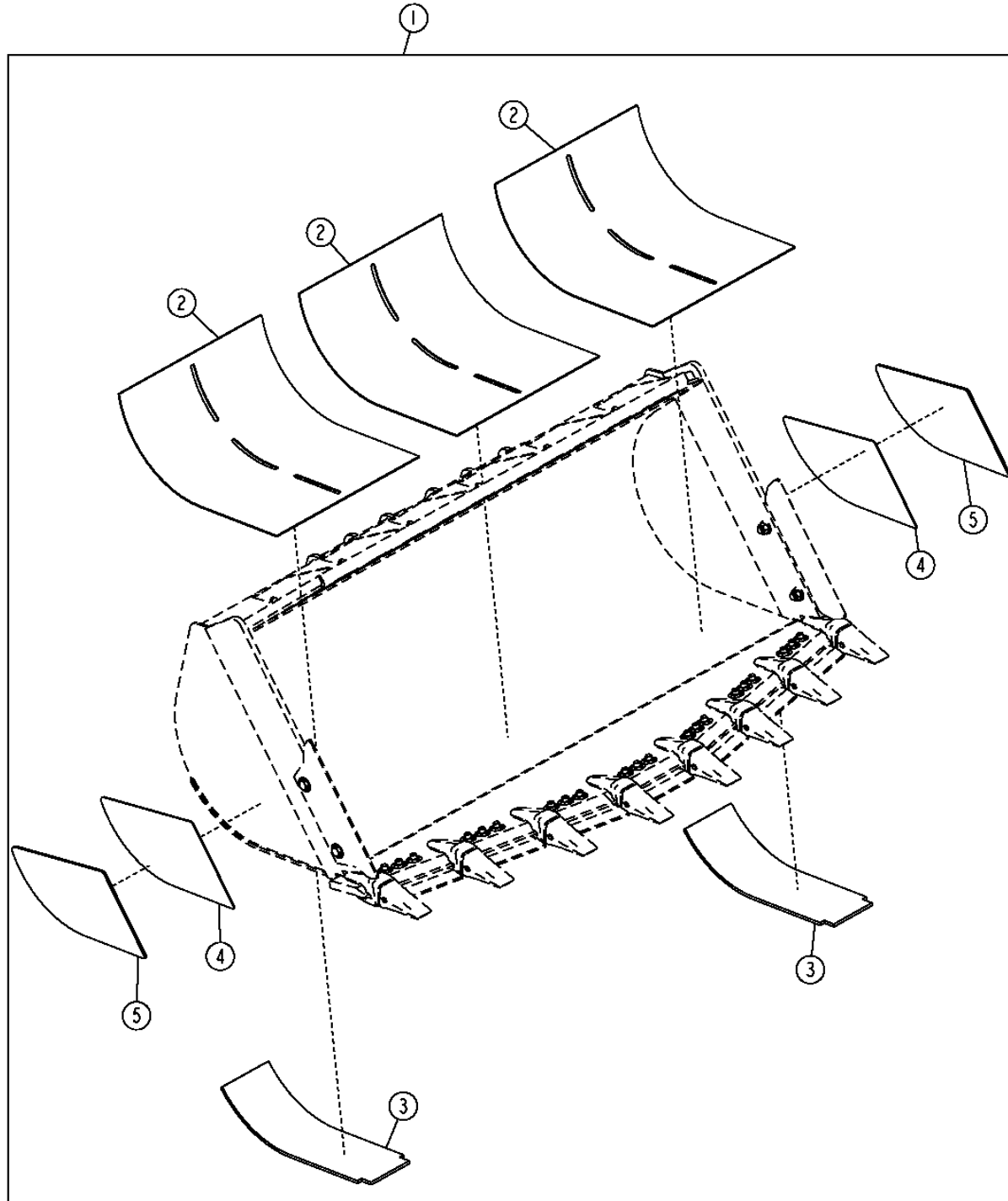
KEY	PART NO.	PART NAME	QTY.	SERIAL NO.	REMARKS
1	AT321015	FIELD INSTALLATION KIT	1		JAGZ LOADER BUCKET CUTTING EDGES
2	T79002	BOLT	22		1-1/4" X 4"
3	14H824	NUT	22		1-1/4"
4	T209201	CUTTING EDGE	18		
5	T209202	CUTTING EDGE	1		
6	T209203	CUTTING EDGE	1		

3102-16

ROCK BUCKET WEAR PLATE KIT
KIT DE PLAQUE D'USURE DE GODET A PIERRES
JUEGO DE CHAPA DE DESGASTE DE CUCHARON PARA ROCAS

T212079

-UN-30JUN05



T212079

3102-17

LOADER 31

HYDRAULIC SYSTEM 3102

**ROCK BUCKET WEAR PLATE KIT
KIT DE PLAQUE D'USURE DE GODET A PIERRES
JUEGO DE CHAPA DE DESGASTE DE CUCHARON PARA ROCAS**

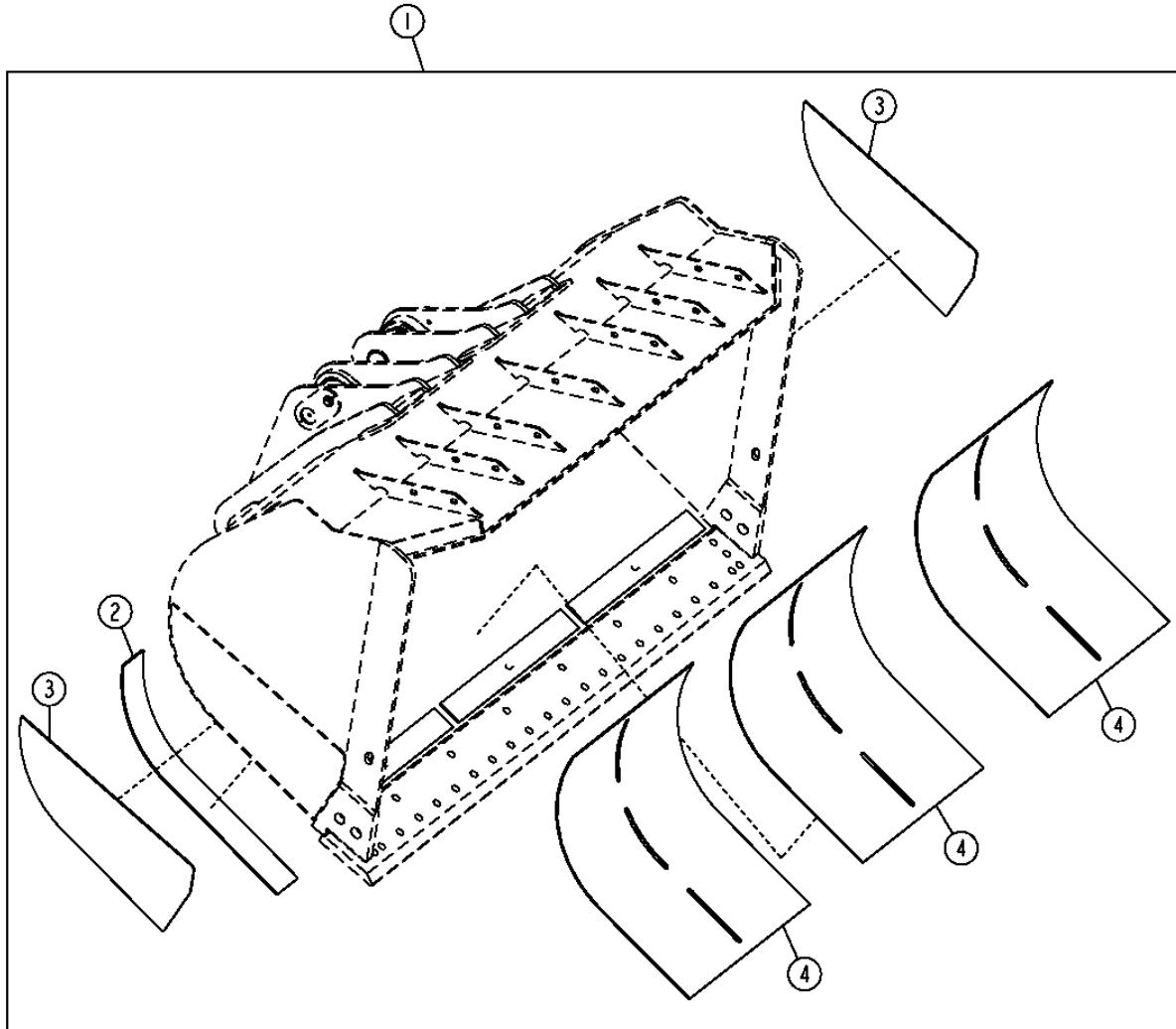
KEY	PART NO.	PART NAME	QTY.	SERIAL NO.	REMARKS
1	AT322753	FIELD INSTALLATION KIT	1		ROCK BUCKET WEAR PLATE KIT
2	T211767	WEAR PLATE	3		
3	T212151	PLATE	2		
4	T212152	PLATE	2		
5	T212160	PLATE	2		

3102-18

7.25 CUBIC YARD BUCKET WEAR PLATES KIT
JEU DE LA PLAQUE DE FROTTEMENT (7.25 CUBIC YARD)
JUEGO DE LA PLACA DE DESGASTE (7.25 YARDAS CUBICAS)

T212269

-UN-05JUL05



T212269

THIS PARTS LISTING IS CONTINUED

3102-19

LOADER 31

HYDRAULIC SYSTEM 3102

7.25 CUBIC YARD BUCKET WEAR PLATES KIT
JEU DE LA PLAQUE DE FROTTEMENT (7.25 CUBIC YARD)
JUEGO DE LA PLACA DE DESGASTE (7.25 YARDAS CUBICAS)

KEY	PART NO.	PART NAME	QTY.	SERIAL NO.	REMARKS
1	AT322748 AT332526	FIELD INSTALLATION KIT FIELD INSTALLATION KIT	1 1		(7.25 CUBIC YARD BUCKET WEAR PLATES KIT) (CA) (W/BUCKET) (7.25 CUBIC YARD BUCKET WEAR PLATES KIT)
2	T196231	PLATE	2		
3	T196293	PLATE	2		
4	T211767	WEAR PLATE	3		

3102-20

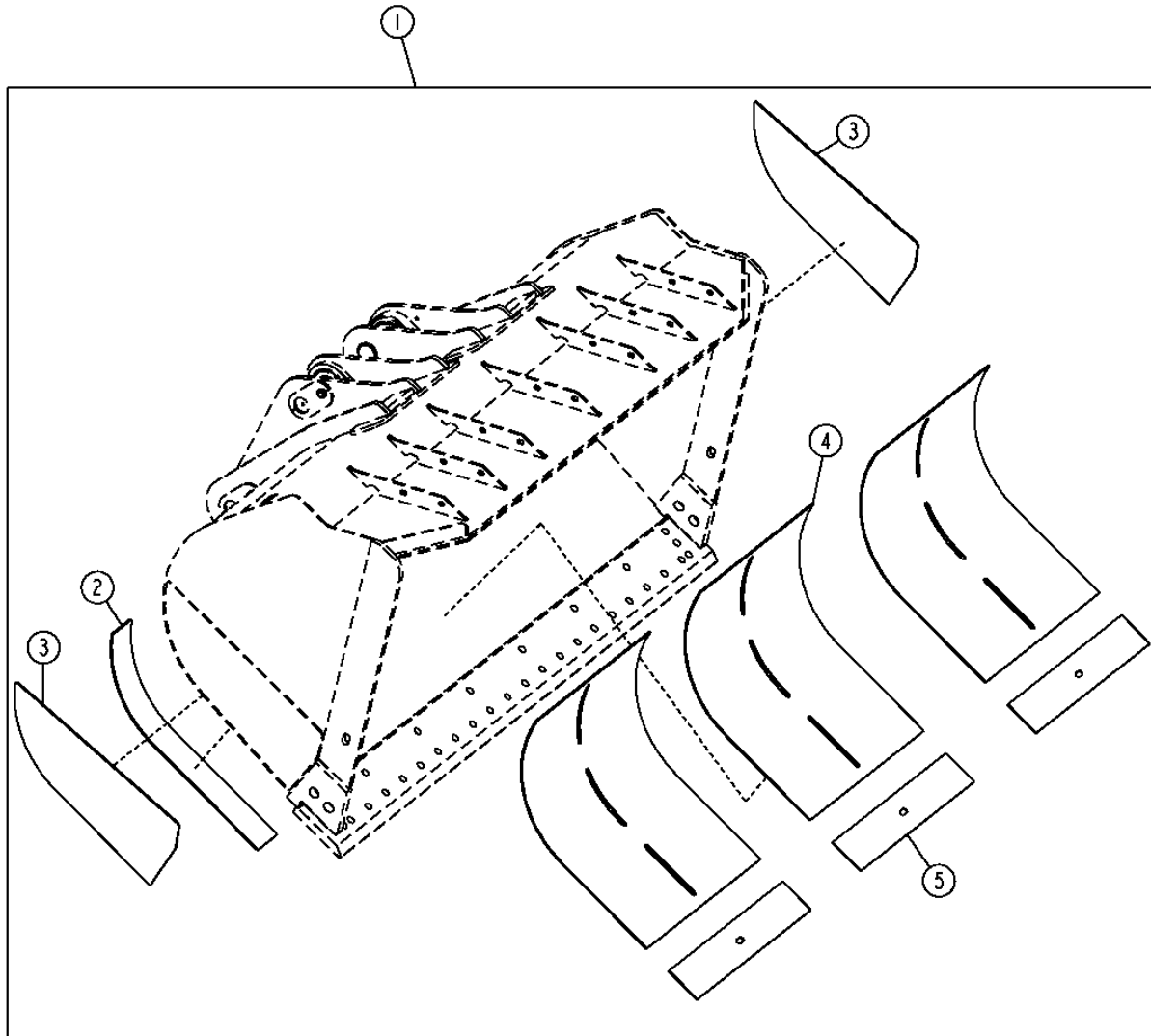
LOADER 31

HYDRAULIC SYSTEM 3102

7.75 CUBIC YARD BUCKET WEAR PLATES KIT JEU DE LA PLAQUE DE FROTTEMENT (7.75 CUBIC YARD) JUEGO DE LA PLACA DE DESGASTE (7.75 YARDAS CUBICAS)

T212270

-UN-19AUG05



T212270

THIS PARTS LISTING IS CONTINUED

3102-21

LOADER 31

HYDRAULIC SYSTEM 3102

7.75 CUBIC YARD BUCKET WEAR PLATES KIT
JEU DE LA PLAQUE DE FROTTEMENT (7.75 CUBIC YARD)
JUEGO DE LA PLACA DE DESGASTE (7.75 YARDAS CUBICAS)

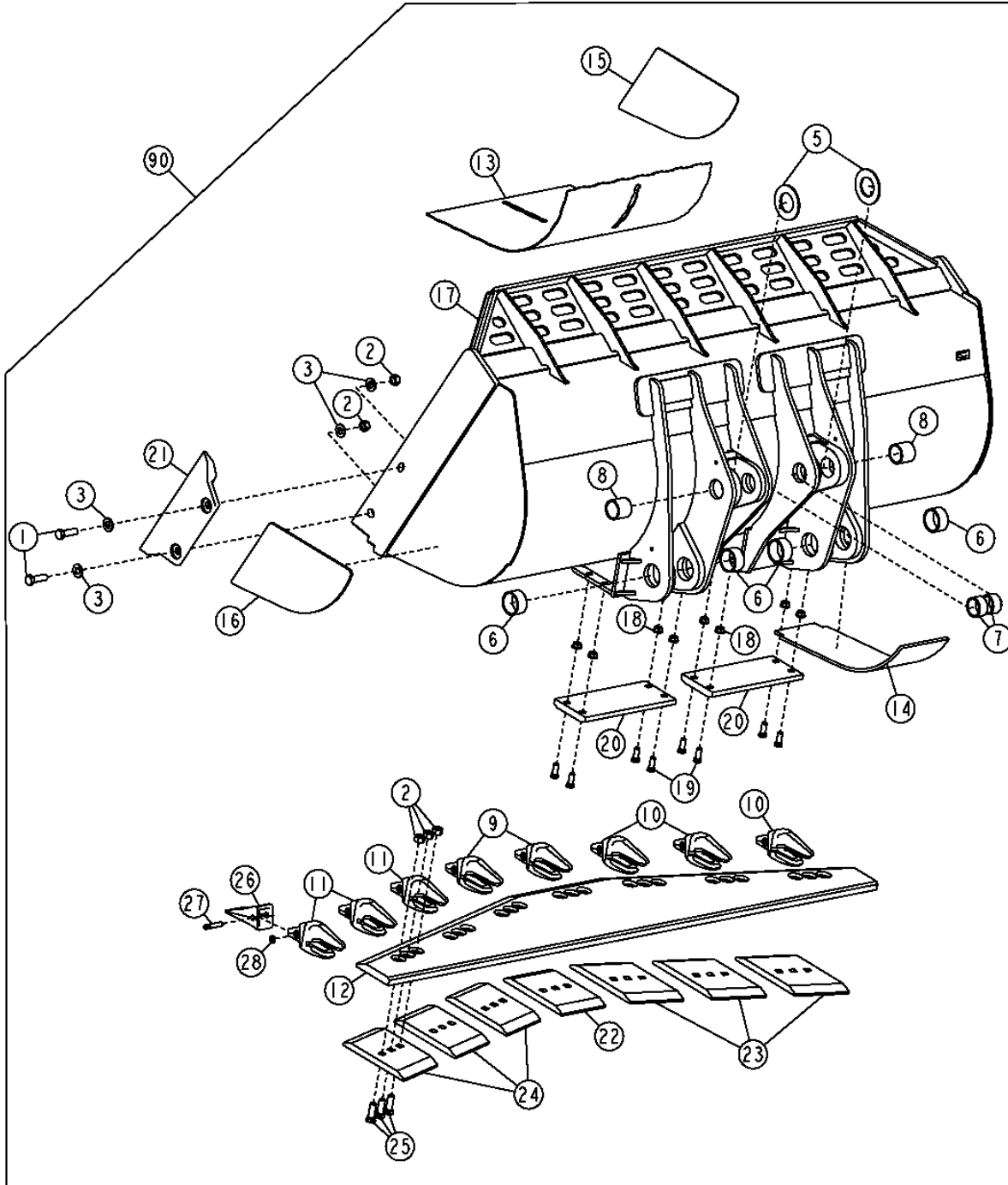
KEY	PART NO.	PART NAME	QTY.	SERIAL NO.	REMARKS
1	AT322749 AT332528	FIELD INSTALLATION KIT FIELD INSTALLATION KIT	1 1		(7.75 CUBIC YARD BUCKET WEAR PLATES KIT) (CA) (W/BUCKET) (7.75 CUBIC YARD BUCKET WEAR PLATES KIT)
2	CUTTERBAR WEAR PLATE	2		(USE WITH AT322749)
3	WEAR PLATE	2		(USE WITH AT322749)
4	T211767	WEAR PLATE	3		
5	WEAR PLATE	1		(USE WITH AT322749)

3102-22

6.0 CUBIC YARD ROCK BUCKET GODET A PIERRES (6.0 CUBIC YARD) CUCHARON PARA ROCAS (6.0 YARDAS CUBICAS)

TX1008232

-UN-08JUN06



TX1008232

3102-23

LOADER 31

HYDRAULIC SYSTEM 3102

**6.0 CUBIC YARD ROCK BUCKET
GODET A PIERRES (6.0 CUBIC YARD)
CUCHARON PARA ROCAS (6.0 YARDAS CUBICAS)**

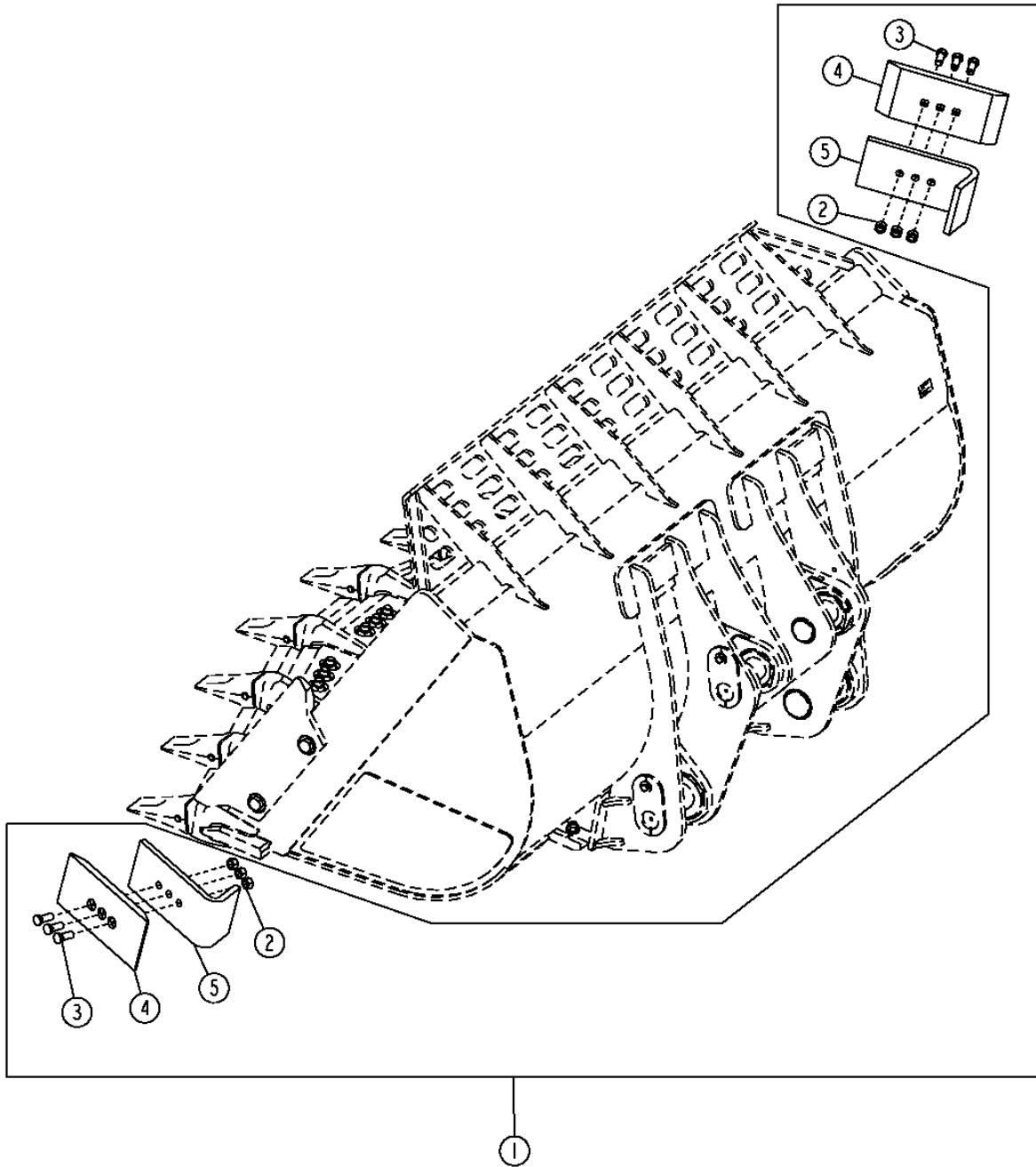
KEY	PART NO.	PART NAME	QTY.	SERIAL NO.	REMARKS
1	08H4042	CAP SCREW	4		1-1/4" X 4"
2	14H824	NUT	25		1-1/4"
3	24H1687	WASHER	8		1-3/8" X 2-3/4" X 1/4"
5	T208660	DISK	2		
6	T208661	BUSHING	4		
7	T208662	BUSHING	2		
8	T208663	BUSHING	2		
9	T1258404	BUCKET TOOTH ADAPTER	2		
10	T1258405	BUCKET TOOTH ADAPTER	3		RH
11	T1258406	BUCKET TOOTH ADAPTER	3		LH
12	T211766	CUTTING EDGE	1		
13	T211767	WEAR PLATE	3		
14	T212151	PLATE	2		
15	T212152	PLATE	2		RH
16	T212160	PLATE	2		LH
17	T212168	PLATE	1		
18	T146932	NUT	8		
19	T146933	BOLT	8		
20	T198121	CUTTING EDGE	2		(A)
21	T210715	CUTTING EDGE	2		(SIDE CUTTER)
22	T211887	DURA-MAX TM CUTTING EDGE	1		(B)
	T1167460	CUTTING EDGE	1		(C)
23	T211888	DURA-MAX TM CUTTING EDGE	3		(B)
	T1167461	CUTTING EDGE	3		(C)
24	T211889	DURA-MAX TM CUTTING EDGE	3		(B)
	T1167462	CUTTING EDGE	3		(C)
25	T79002	BOLT	21		31.750 X 101.600 MM
26	T7T3402	TOOTH	8		
27	T7T3408	PIN FASTENER	8		
28	T7T3409	RETAINER	8		
90	AT331627	FIELD INSTALLATION KIT	1		6.0 CUBIC YARD ROCK BUCKET, (WHOLE GOODS)
(A)	SHOE				(B) FLAT CUTTING EDGE
(A)	SABOT				(B) TRANCHANT PLAT
(A)	ZAPATA				(B) BORDE CORTANTE PLANO
(C)	HALF-ARROW CUTTING EDGE				
(C)	TRANCHANT EN DEMI-FLECHE				
(C)	BORDE CORTANTE DE MEDIA FLECHA				

3102-24

ROCK KICKER EJECTEUR DE PIERRES LANZADOR DE ROCAS

T213201

-UN-16AUG05



T213201

THIS PARTS LISTING IS CONTINUED

3102-25

LOADER 31

HYDRAULIC SYSTEM 3102

**ROCK KICKER
EJECTEUR DE PIERRES
LANZADOR DE ROCAS**

KEY	PART NO.	PART NAME	QTY.	SERIAL NO.	REMARKS
1	AT324242	KIT	1		ROCK KICKER
2	14H1048	NUT	6		
3	T146933	BOLT	6		
4	T167829	CUTTING EDGE	2		
5	T216971	ANGLE	2		

3140-2

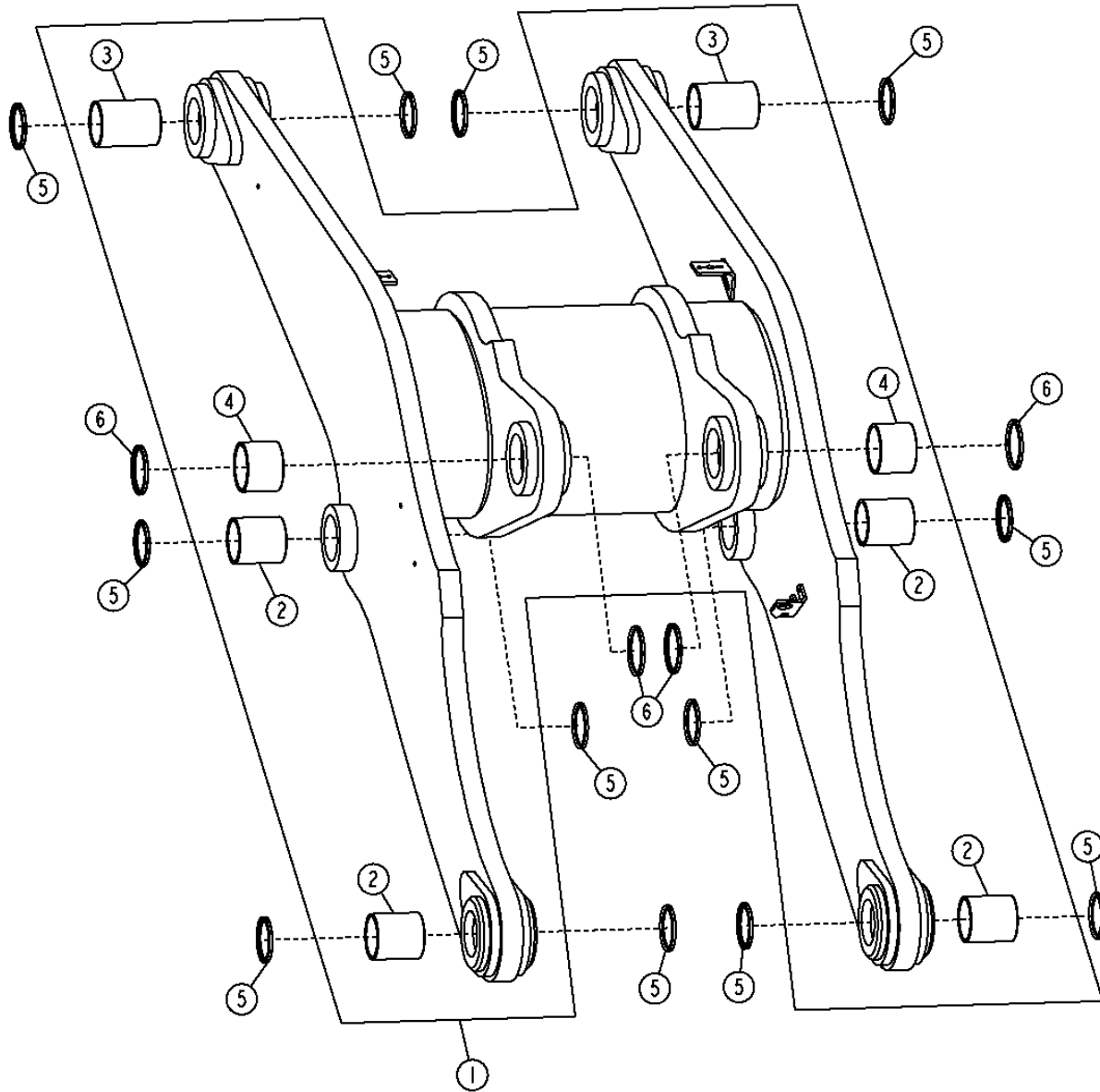
LOADER 31

FRAMES 3140

LOADER BOOM (S.N. -612719)
CADRE DE LEVAGE (S.N. -612719)
AGUILON DE CARGADORA (S.N. -612719)

TX1020464

-UN-



TX1020464

THIS PARTS LISTING IS CONTINUED

3140-3

LOADER 31

FRAMES 3140

LOADER BOOM (S.N. -612719)
CADRE DE LEVAGE (S.N. -612719)
AGUILON DE CARGADORA (S.N. -612719)

KEY	PART NO.	PART NAME	QTY.	SERIAL NO.	REMARKS
1	AT310592	LOADER BOOM	1		(CA)
2	T208993	BUSHING	4		
3	T226975	BUSHING	2		(SUB FOR (4) T226439)
4	T209003	BUSHING	2		
5	T102140	SEAL	12		
6	T208999	SEAL	4		

3140-4

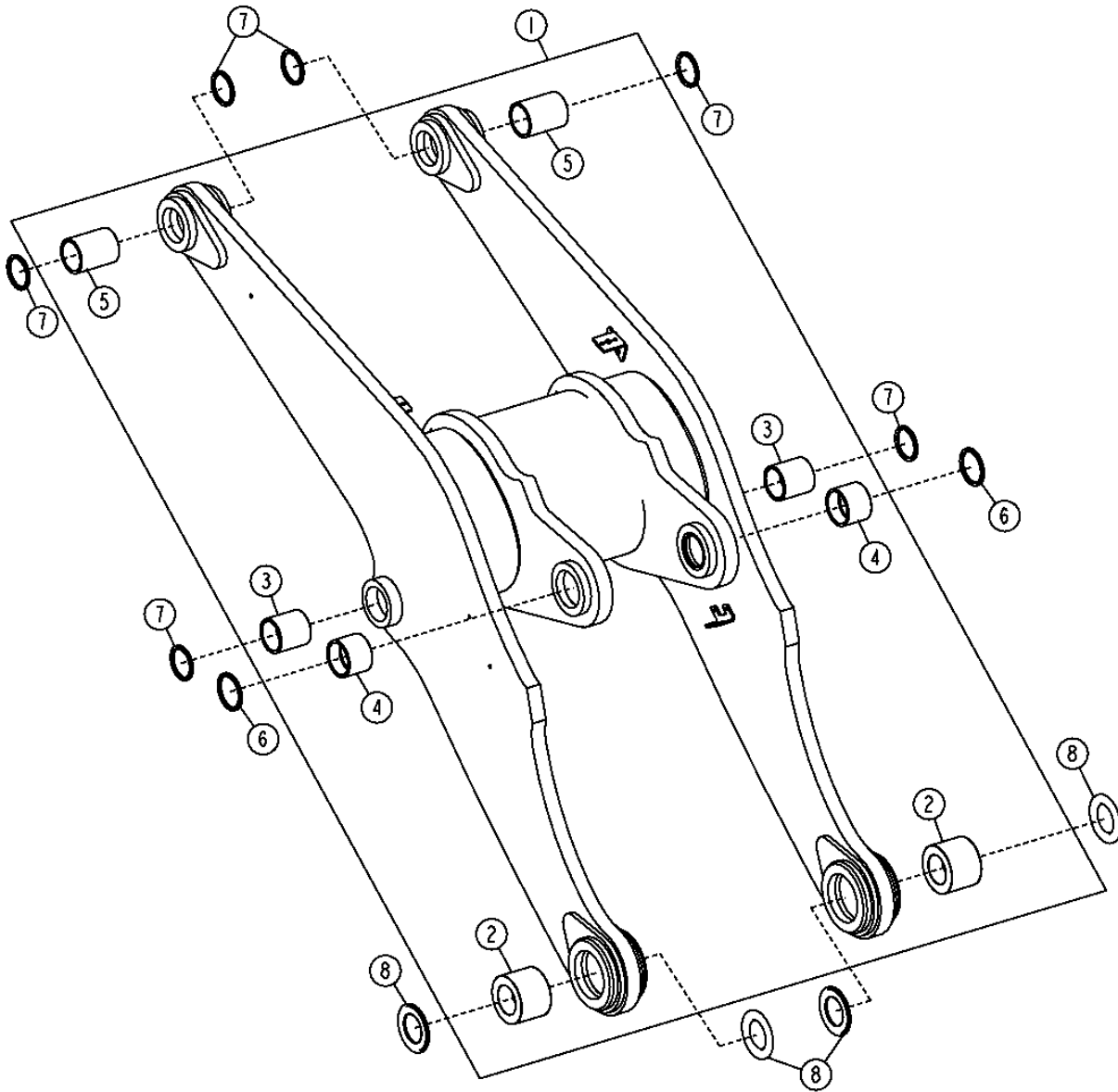
LOADER 31

FRAMES 3140

LOADER BOOM (STD) (S.N. 612720-)
CADRE DE LEVAGE (STD) (S.N. 612720-)
AGUILON DE CARGADORA (ESTD) (S.N. 612720-)

TX1019072

-UN-03MAR07



TX1019072

THIS PARTS LISTING IS CONTINUED

3140-5

LOADER 31

FRAMES 3140

LOADER BOOM (STD) (S.N. 612720-)
CADRE DE LEVAGE (STD) (S.N. 612720-)
AGUILON DE CARGADORA (ESTD) (S.N. 612720-)

KEY	PART NO.	PART NAME	QTY.	SERIAL NO.	REMARKS
1	AT332203	LOADER BOOM	1		(CA)
2	T224789	BUSHING	2		
3	T225131	BUSHING	2		
4	T225133	BUSHING	2		
5	T228506	BUSHING	2		
6	T224657	SEAL	4		
7	T224658	SEAL	8		
8	T225602	SEAL	4		

3140-6

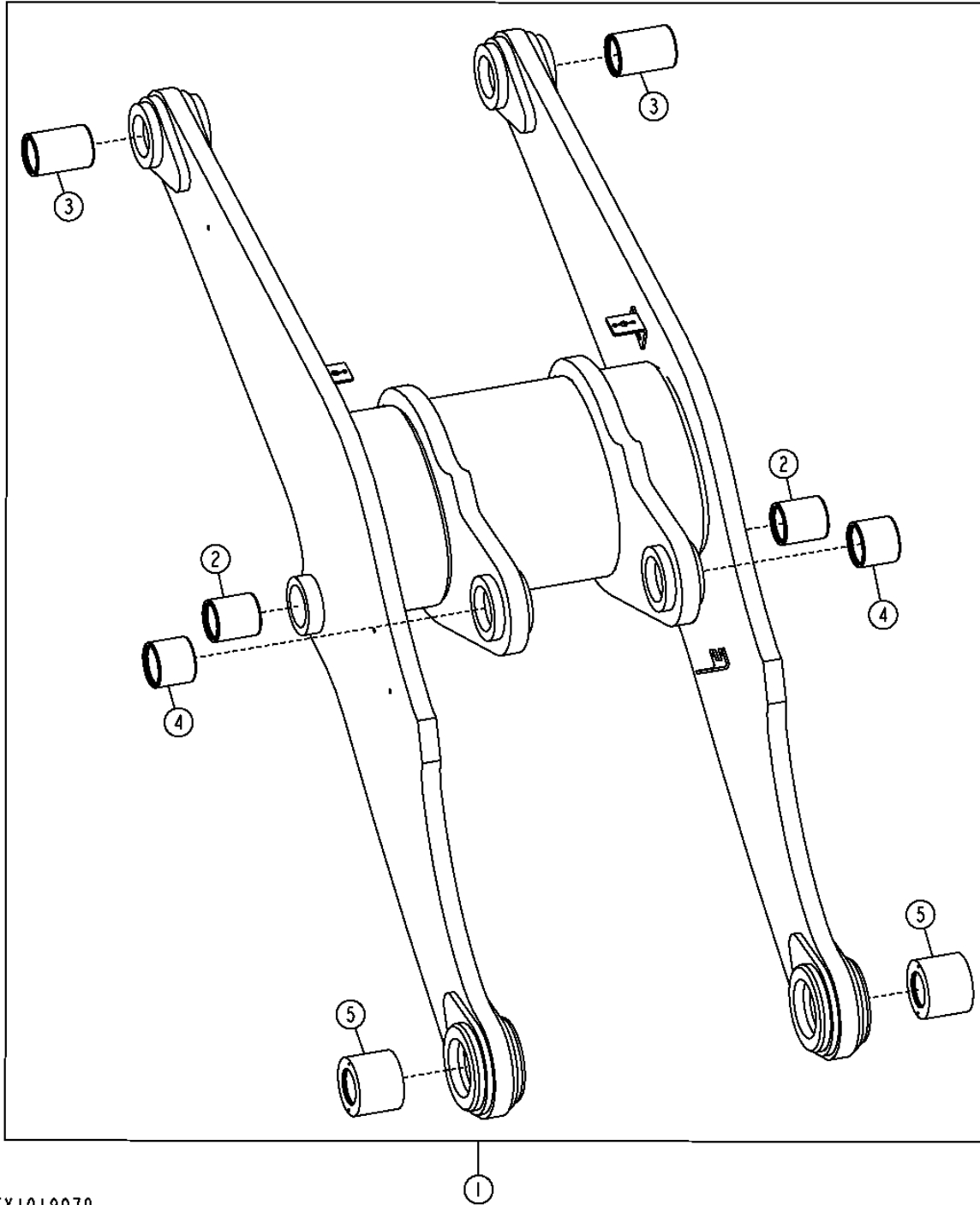
LOADER 31

FRAMES 3140

LOADER BOOM,(NEVERGREASE) (S.N. 612720-)
CADRE DE LEVAGE (NEVERGREASE) (S.N. 612720-)
AGUILON DE CARGADORA (NEVERGREASE) (S.N. 612720-)

TX1019070

-UN-03MAR07



TX1019070

THIS PARTS LISTING IS CONTINUED

3140-7

LOADER 31

FRAMES 3140

LOADER BOOM (NEVERGREASE) (S.N. 612720-)
CADRE DE LEVAGE (NEVERGREASE) (S.N. 612720-)
AGUILON DE CARGADORA (NEVERGREASE) (S.N. 612720-)

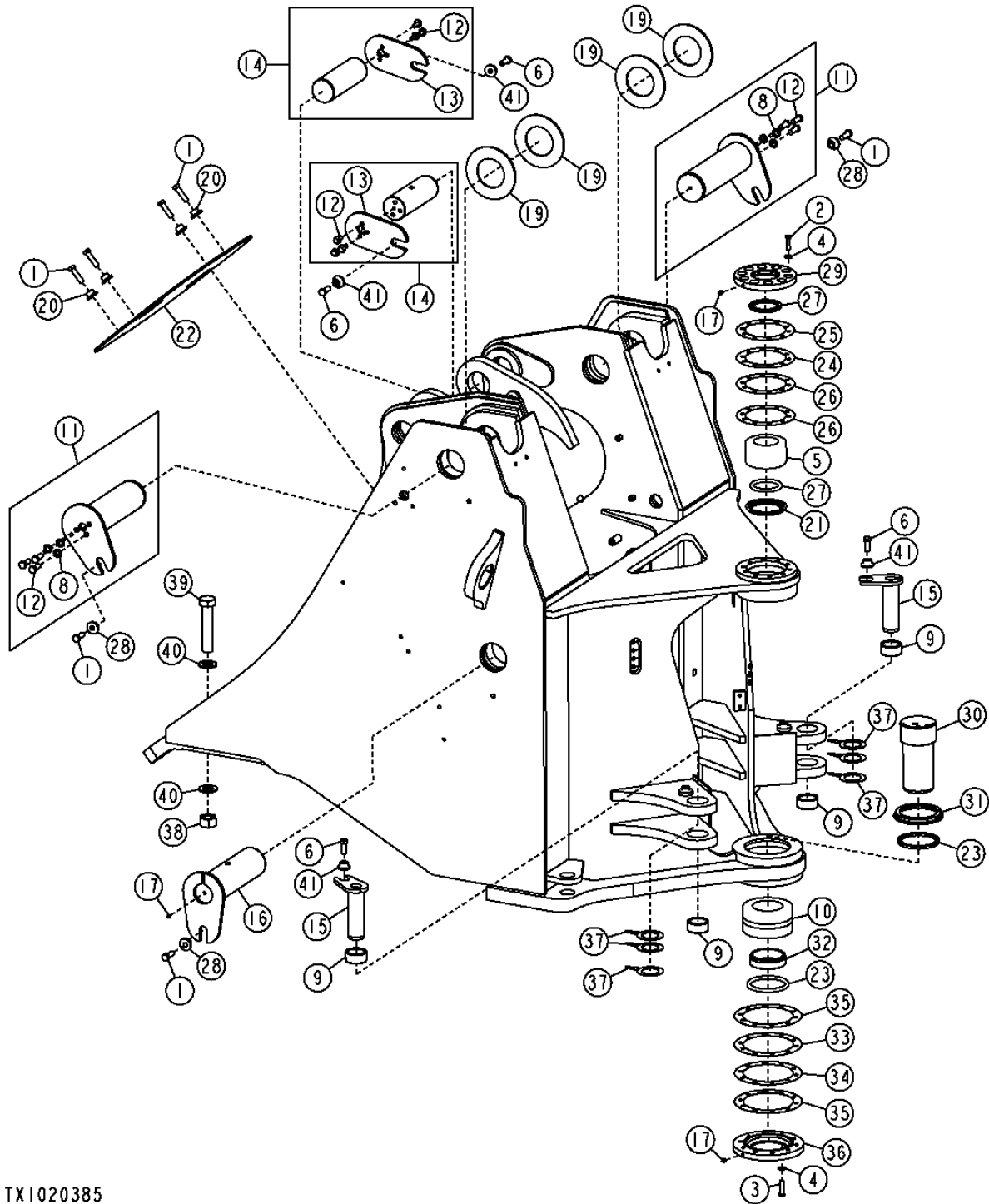
KEY	PART NO.	PART NAME	QTY.	SERIAL NO.	REMARKS
1	AT330809	LOADER BOOM	1		(CA)
2	AT330991	BUSHING	2		
3	AT330994	BUSHING	2		
4	AT330995	BUSHING	2		
5	AT331001	SPHERICAL ROLLER BEARING	2		

3141-2

LOADER 31
MAIN FRAME 3141

LOADER FRAME (S.N. -612719)
BATI DU CHARGEUR (S.N. -612719)
BASTIDOR DE CARGADORA (S.N. -612719)

TX1020385 -UN-



TX1020385

THIS PARTS LISTING IS CONTINUED

3141-3

LOADER 31

MAIN FRAME 3141

LOADER FRAME (S.N. -612719)
 BATI DU CHARGEUR (S.N. -612719)
 BASTIDOR DE CARGADORA (S.N. -612719)

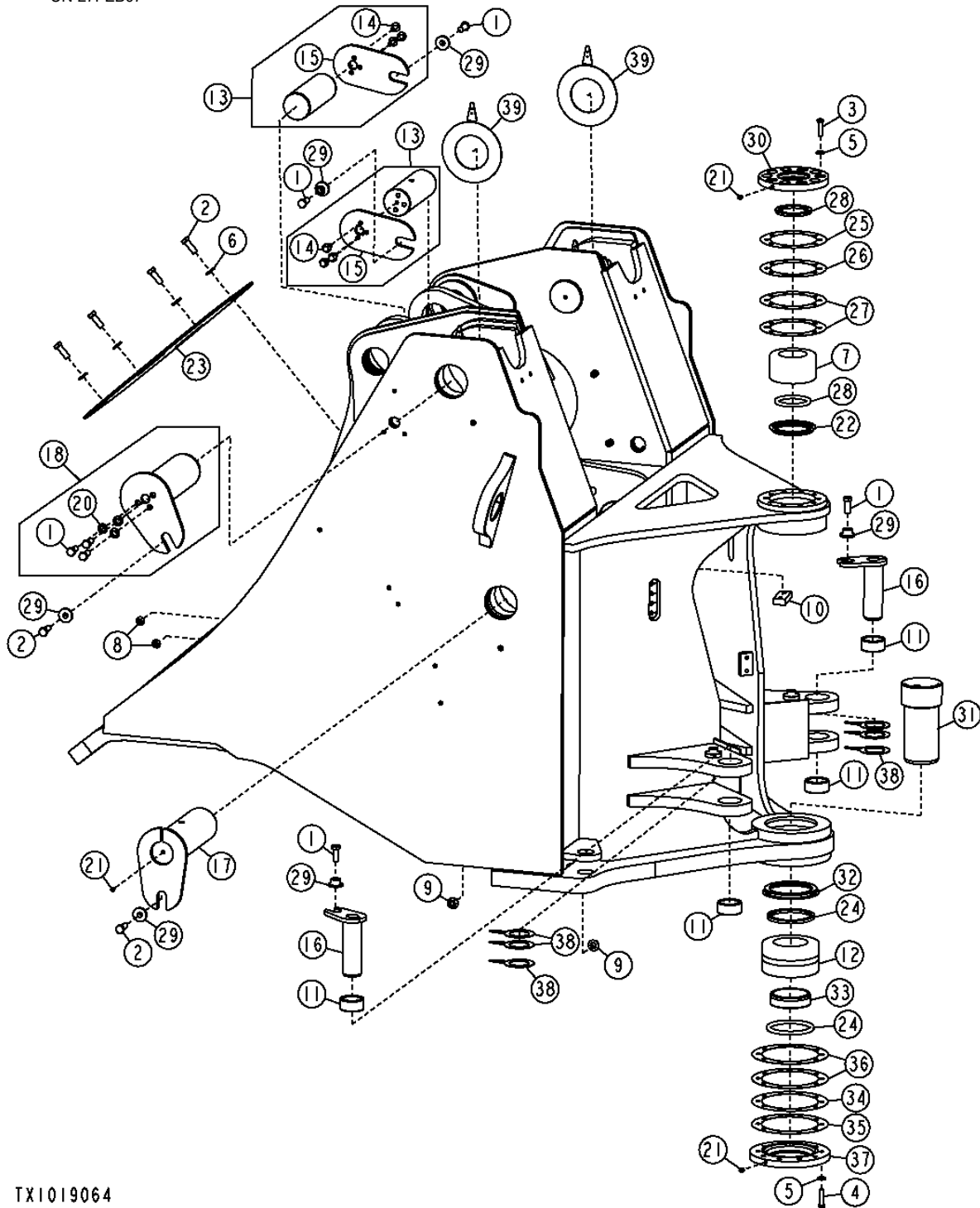
KEY	PART NO.	PART NAME	QTY.	SERIAL NO.	REMARKS
1	19M7489	CAP SCREW	8		M16 X 45
2	19M7496	CAP SCREW	10		M12 X 45
3	19M9315	CAP SCREW	10		M12 X 50
4	24M7240	WASHER	20		13 X 25 X 3 MM
5	AT202609	BEARING	1		
6	19M7488	CAP SCREW	4		M16 X 40, (SUB FOR 19M8029, 19M9790)
8	24M7338	WASHER	6		17 X 30 X 3 MM
9	T215504	BUSHING	4		
10	AT312391	BEARING	1		
11	AT341170	PIN FASTENER	2		
12	19M7488	CAP SCREW	12		M16 X 40
14	AT316069	PIN FASTENER	2		
15	AT325850	PIN	2		
16	AT325851	PIN FASTENER	2		
17	JD7759	LUBRICATION FITTING	4		
18	T101480	WASHER	4		3.602" X 6.299" X 0.118"
19	T102172	WASHER	8		4.390" X 7.874" X 0.118"
20	T146246	WASHER	4		0.669" X 2.248" X 0.256"
21	T156027	SPACER	1		
22	T156190	COVER	1		
23	T156473	SEAL	2		
24	T156709	SHIM	1		(.005)
25	T156710	SHIM	1		(.010)
26	T156711	SHIM	2		(.020)
27	T156926	SEAL	2		
28	T176064	BUSHING	4		
29	T200887	COVER	1		
30	T208748	PIN FASTENER	1		
31	T209833	SPACER	1		
32	T209834	LOCKING COLLAR	1		
33	T209835	SHIM	1		(.005)
34	T209836	SHIM	1		(.010)
35	T209837	SHIM	2		(.020)
36	T209839	COVER	1		
37	T215849	SHIM	6		
38	14M7280	NUT	8		M36
39	19M9768	CAP SCREW	8		M36 X 180
40	24M7462	WASHER	16		37 X 66 X 5 MM
41	T176064	BUSHING	4		16.300 X 28.600 X 21.900 MM, (SUB FOR T218147)

3141-4

LOADER 31
MAIN FRAME 3141

LOADER FRAME (STD.) (S.N. 612720-)
BATI DU CHARGEUR (STD.) (S.N. 612720-)
BASTIDOR DE CARGADORA (ESTD) (S.N. 612720-)

TX1019064 -UN-27FEB07



TX1019064

3141-5

LOADER 31

MAIN FRAME 3141

LOADER FRAME (STD.) (S.N. 612720-)
BATI DU CHARGEUR (STD.) (S.N. 612720-)
BASTIDOR DE CARGADORA (ESTD) (S.N. 612720-)

KEY	PART NO.	PART NAME	QTY.	SERIAL NO.	REMARKS
1	19M7488	CAP SCREW	10		M16 X 40
2	19M7489	CAP SCREW	8		M16 X 45
3	19M7496	CAP SCREW	10		M12 X 45
4	19M9315	CAP SCREW	10		M12 X 50
5	24M7240	WASHER	20		13 X 25 X 3 MM
6	24M7241	WASHER	4		17 X 34 X 4 MM
7	AT202609	BEARING	1		
8	14M7443	FLANGE NUT	2		M12
9	14M7291	FLANGE NUT	6		M16
10	T133290	STRAP	1		
11	T215504	BUSHING	4		
12	AT312391	BEARING	1		
13	AT316069	PIN FASTENER	2		
14	19M7789	SCREW	6		M12 X 30
15	T180931	PLATE	2		
16	AT325850	PIN	2		
17	AT325851	PIN FASTENER	2		
18	AT341170	PIN FASTENER	2		
20	24M7338	WASHER	6		17 X 30 X 3 MM
21	JD7759	LUBRICATION FITTING	4		
22	T156027	SPACER	1		
23	T156190	COVER	1		
24	T156473	SEAL	2		
25	T156709	SHIM	1		
26	T156710	SHIM	1		
27	T156711	SHIM	2		
28	T156926	SEAL	2		
29	T176064	BUSHING	8		
30	T200887	COVER	1		
31	T208748	PIN FASTENER	1		
32	T209833	SPACER	1		
33	T209834	LOCKING COLLAR	1		
34	T209835	SHIM	1		
35	T209836	SHIM	1		
36	T209837	SHIM	2		
37	T209839	COVER	1		
38	T215849	SHIM	6		
39	T223726	SHIM	4		

3141-6

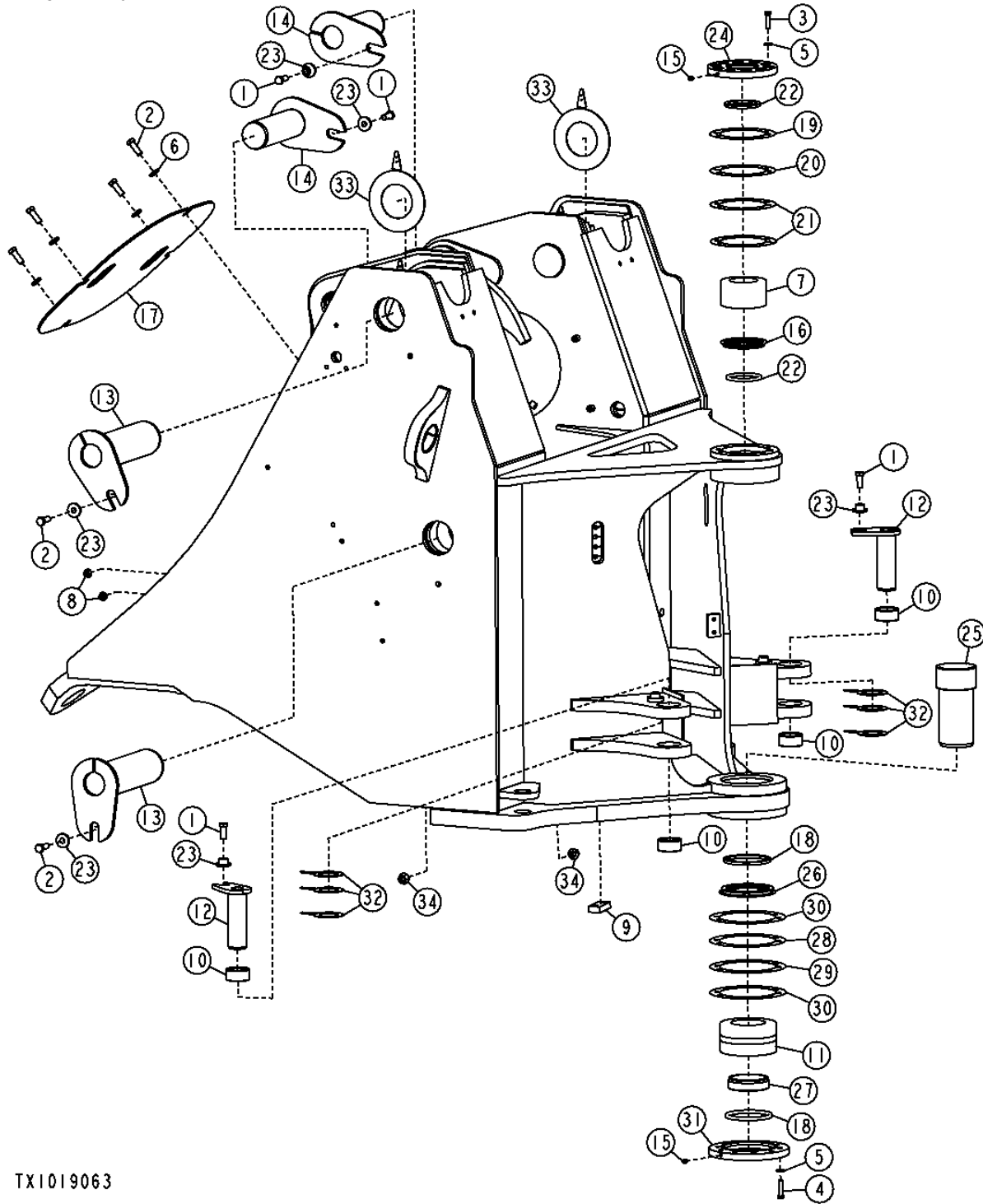
LOADER 31

MAIN FRAME 3141

LOADER FRAME (NEVERGREASE) (S.N. 612720-)
BÂTI DU CHARGEUR (NEVERGREASE) (S.N. 612720-)
BASTIDOR DE CARGADORA (NEVERGREASE) (S.N. 612720-)

TX1019063

-UN-27FEB07



TX1019063

3141-7

LOADER 31

MAIN FRAME 3141

LOADER FRAME (NEVERGREASE) (S.N. 612720-)
BATI DU CHARGEUR (NEVERGREASE) (S.N. 612720-)
BASTIDOR DE CARGADORA (NEVERGREASE) (S.N. 612720-)

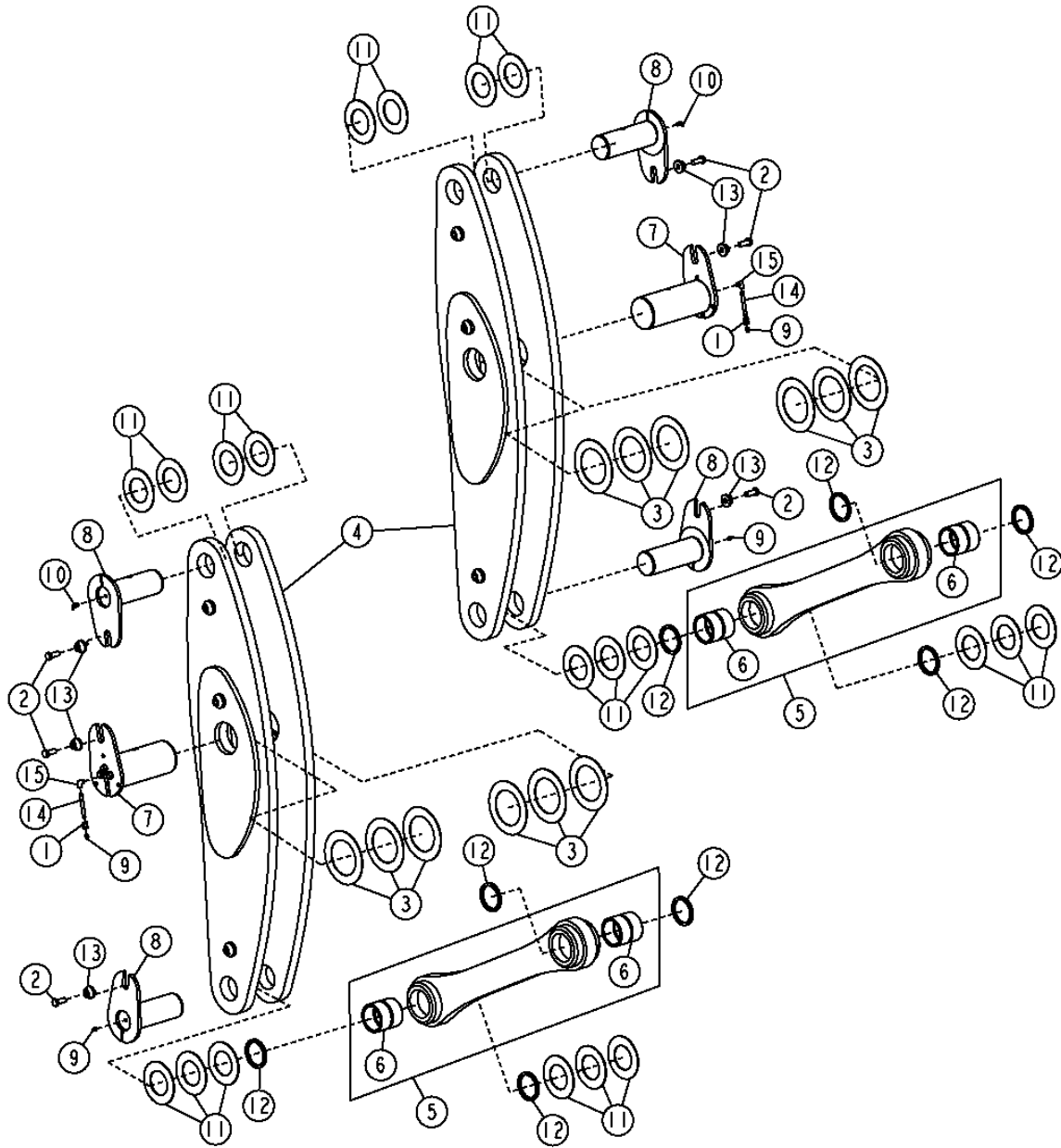
KEY	PART NO.	PART NAME	QTY.	SERIAL NO.	REMARKS
1	19M7488	CAP SCREW	4		M16 X 40
2	19M7489	CAP SCREW	8		M16 X 45
3	19M7496	CAP SCREW	10		M12 X 45
4	19M9315	CAP SCREW	10		M12 X 50
5	24M7240	WASHER	20		13 X 25 X 3 MM
6	24M7241	WASHER	4		17 X 34 X 4 MM
7	AT202609	BEARING	1		
8	14M7443	FLANGE NUT	2		M12
9	T133290	STRAP	1		
10	T215504	BUSHING	4		
11	AT312391	BEARING	1		
12	AT325850	PIN	2		
13	AT330349	PIN	4		
14	AT330351	PIN	2		
15	JD7759	LUBRICATION FITTING	2		
16	T156027	SPACER	1		
17	T156190	COVER	1		
18	T156473	SEAL	2		
19	T156709	SHIM	1		
20	T156710	SHIM	1		
21	T156711	SHIM	2		
22	T156926	SEAL	2		
23	T176064	BUSHING	8		
24	T200887	COVER	1		
25	T208748	PIN FASTENER	1		
26	T209833	SPACER	1		
27	T209834	LOCKING COLLAR	1		
28	T209835	SHIM	1		
29	T209836	SHIM	1		
30	T209837	SHIM	2		
31	T209839	COVER	1		
32	T215849	SHIM	6		
33	T223726	SHIM	4		
34	14M7291	FLANGE NUT	6		M16

3145-2

BUCKET LINKAGE (S.N. -612719)
ARTICULATION DE GODET (S.N. -612719)
VARILLAJE DEL CUCHARON (S.N. -612719)

TX1002382

-UN-13JAN06



TX1002382

3145-3

LOADER 31

BUCKET LOADER LINKAGE 3145

BUCKET LINKAGE (S.N. -612719)
ARTICULATION DE GODET (S.N. -612719)
VARILLAJE DEL CUCHARON (S.N. -612719)

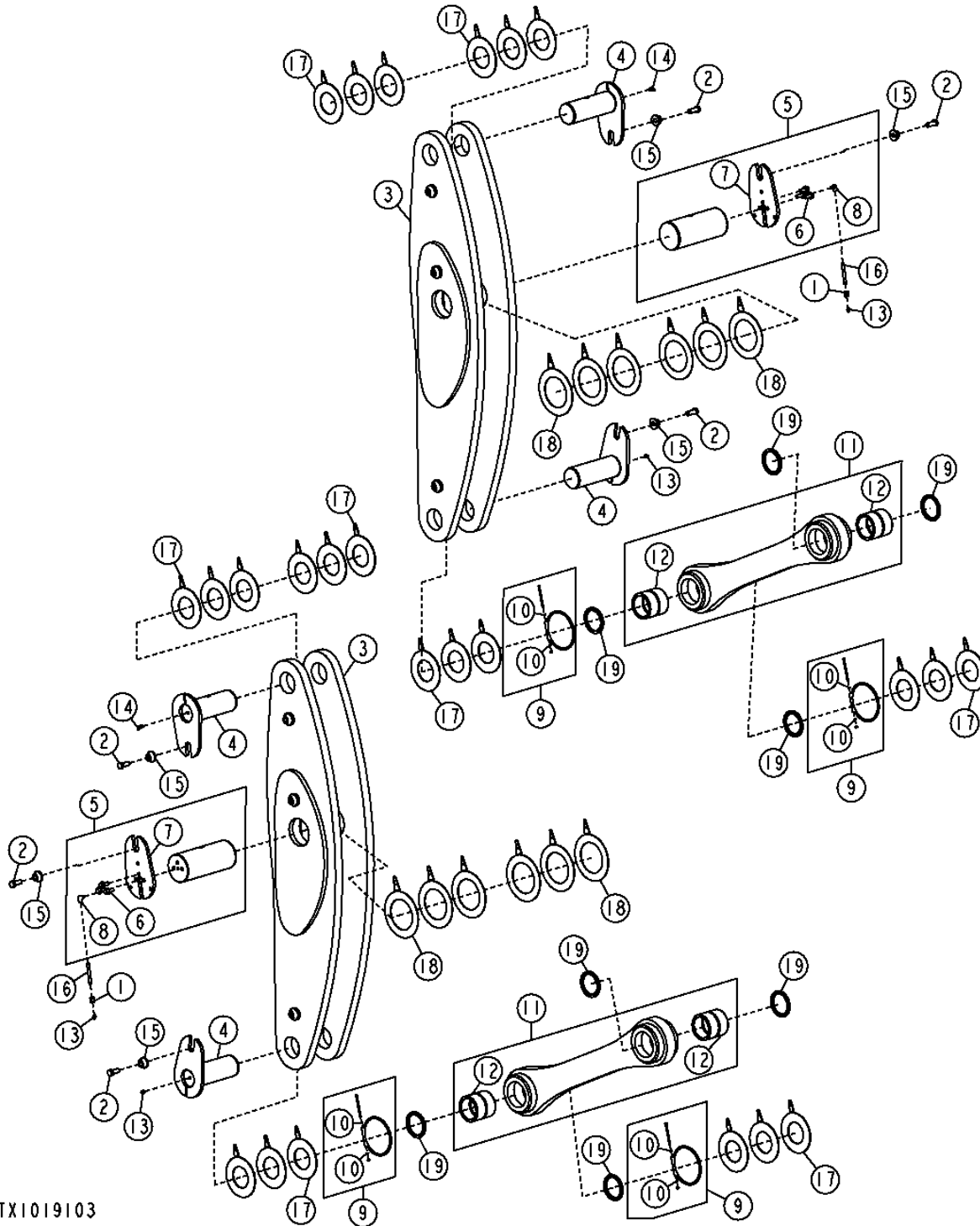
KEY	PART NO.	PART NAME	QTY.	SERIAL NO.	REMARKS
1	15H84	COUPLING	2		1/8"
2	19M7488	CAP SCREW	6		M16 X 40, (SUB FOR 19M8029)
3	AT137753	WASHER	12		
4	AT310563	BELLCRANK	2		(ALSO ORDER (2) AT330515 AND AT330516)
5	AT310571	LINK	2		
6	T208980	BUSHING	4		
7	AT330516	PIN FASTENER	2		(SUB FOR AT320425)
8	AT330515	PIN FASTENER	4		(SUB FOR AT325886)
9	JD7759	LUBRICATION FITTING	4		
10	JD7763	LUBRICATION FITTING	2		
11	T101480	WASHER	20		3.602" X 6.299" X 0.118"
12	T102138	SEAL	8		
13	T176064	BUSHING	6		(SUB FOR T218147, T146246)
14	T217261	THREADED NIPPLE	2		
15	T56112	ELBOW FITTING	2		

3145-4

BUCKET LINKAGE (STD.) (S.N. 612720-)
ARTICULATION DE GODET (STD.) (S.N. 612720-)
VARILLAJE DEL CUCHARON (ESTD) (S.N. 612720-)

TX1019103

-UN-21FEB07



TX1019103

THIS PARTS LISTING IS CONTINUED

3145-5

LOADER 31

BUCKET LOADER LINKAGE 3145

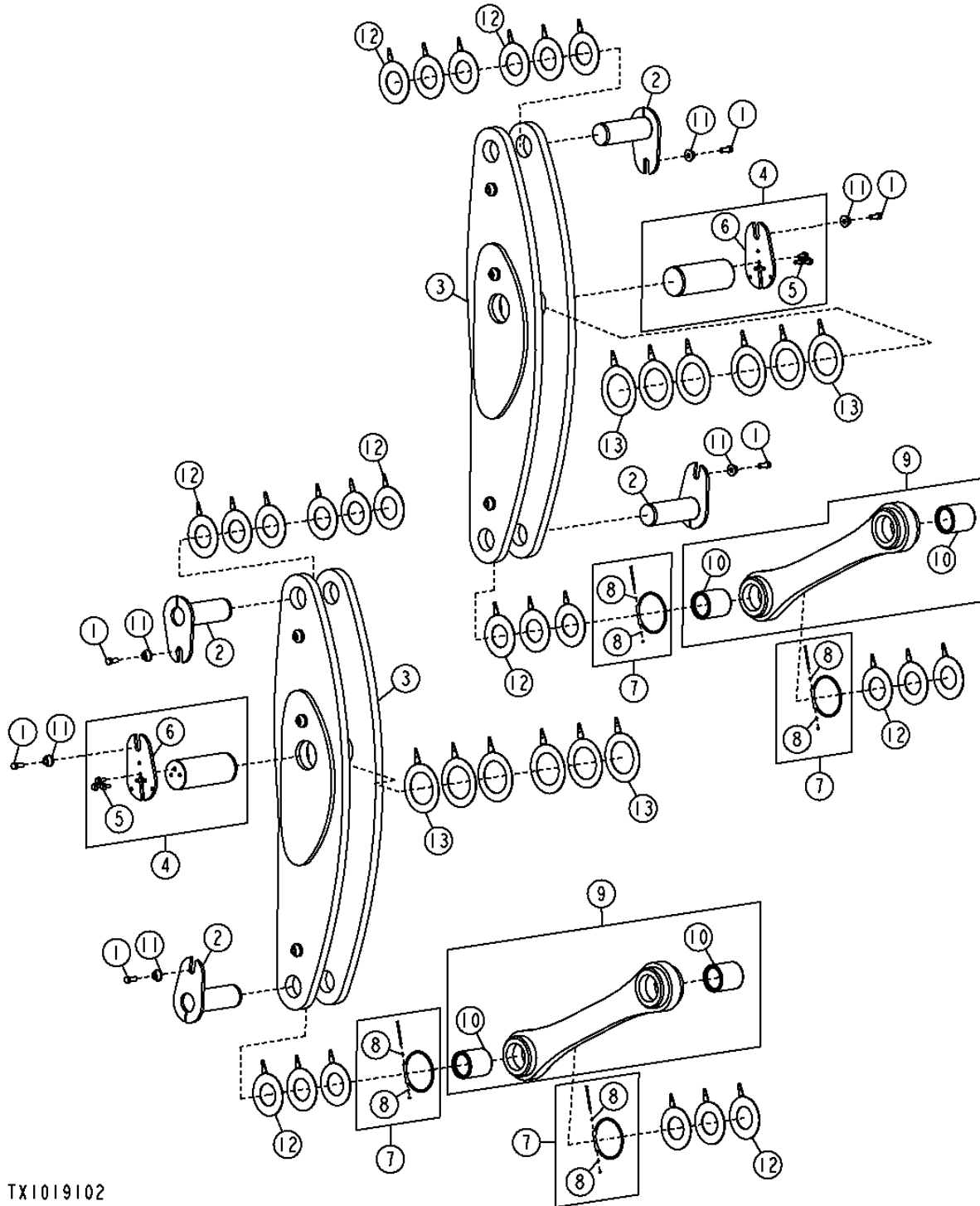
BUCKET LINKAGE (STD.) (S.N. 612720-)
ARTICULATION DE GODET (STD.) (S.N. 612720-)
VARILLAJE DEL CUCHARON (ESTD) (S.N. 612720-)

KEY	PART NO.	PART NAME	QTY.	SERIAL NO.	REMARKS
1	15H84	COUPLING	2		1/8"
2	19M7488	CAP SCREW	6		M16 X 40, (SUB FOR 19M8029)
3	AT310563	BELLCRANK	2		(ALSO ORDER (2) AT330515 AND AT330516)
4	AT330515	PIN FASTENER	4		
5	AT330516	PIN FASTENER	2		
6	19M7789	SCREW	6		M12 X 30
7	T223192	RETAINER	2		
8	T56112	ELBOW FITTING	2		
9	AT330664	RING	4		
10	24M7027	WASHER	8		5.300 X 10 X 1 MM
11	AT332205	LINK	2		
12	T224791	BUSHING	4		
13	JD7759	LUBRICATION FITTING	4		
14	JD7763	LUBRICATION FITTING	2		
15	T176064	BUSHING	6		
16	T217261	THREADED NIPPLE	2		
17	T223721	WASHER	24		3.602" X 6.791" X 1/8"
18	T223723	SHIM	12		
19	T225572	SEAL	8		

3145-6

BUCKET LINKAGE (NEVERGREASE) (S.N. 612720-)
ARTICULATION DE GODET (NEVERGREASE) (S.N. 612720-)
VARILLAJE DEL CUCHARON (NEVERGREASE) (S.N. 612720-)

TX1019102 -UN-21FEB07



TX1019102

3145-7

LOADER 31

BUCKET LOADER LINKAGE 3145

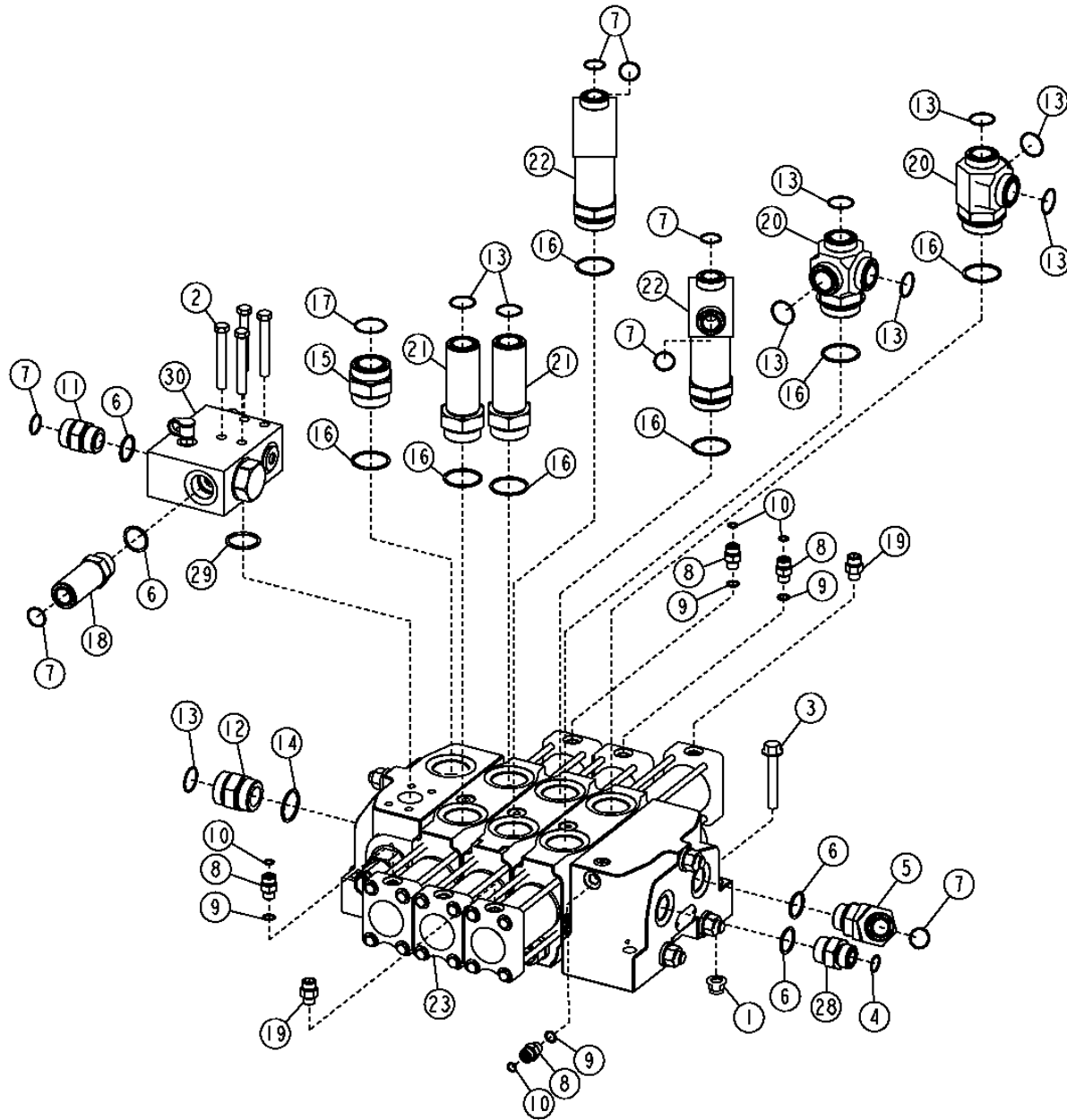
BUCKET LINKAGE (NEVERGREASE) (S.N. 612720-)
ARTICULATION DE GODET (NEVERGREASE) (S.N. 612720-)
VARILLAJE DEL CUCHARON (NEVERGREASE) (S.N. 612720-)

KEY	PART NO.	PART NAME	QTY.	SERIAL NO.	REMARKS
1	19M7488	CAP SCREW	6		M16 X 40
2	AT219746	PIN	4		
3	AT310563	BELLCRANK	2		(ALSO ORDER (2) AT330515 AND AT330516)
4	AT330352	PIN	2		
5	19M7789	SCREW	6		M12 X 30
6	T223192	RETAINER	2		
7	AT330664	RING	4		
8	24M7027	WASHER	8		5.300 X 10 X 1 MM
9	AT330810	LINK	2		
10	AT330985	BUSHING	4		
11	T176064	BUSHING	6		
12	T223721	WASHER	24		3.602" X 6.791" X 1/8"
13	T223723	SHIM	12		

3160-2

**LOADER CONTROL VALVE (TWO OR THREE-SPOOL)
DISTRIBUTEUR DE CHARGEUR (DEUX OU TROIS TIROIRS)
VALVULA DE CONTROL DE CARGADORA (DOS O TRES CARRETES)**

T212605 -UN-20JUL05



T212605

3160-3

LOADER 31

HYDRAULIC SYSTEM 3160

**LOADER CONTROL VALVE (TWO OR THREE-SPOOL)
DISTRIBUTEUR DE CHARGEUR (DEUX OU TROIS TIROIRS)
VALVULA DE CONTROL DE CARGADORA (DOS O TRES CARRETES)**

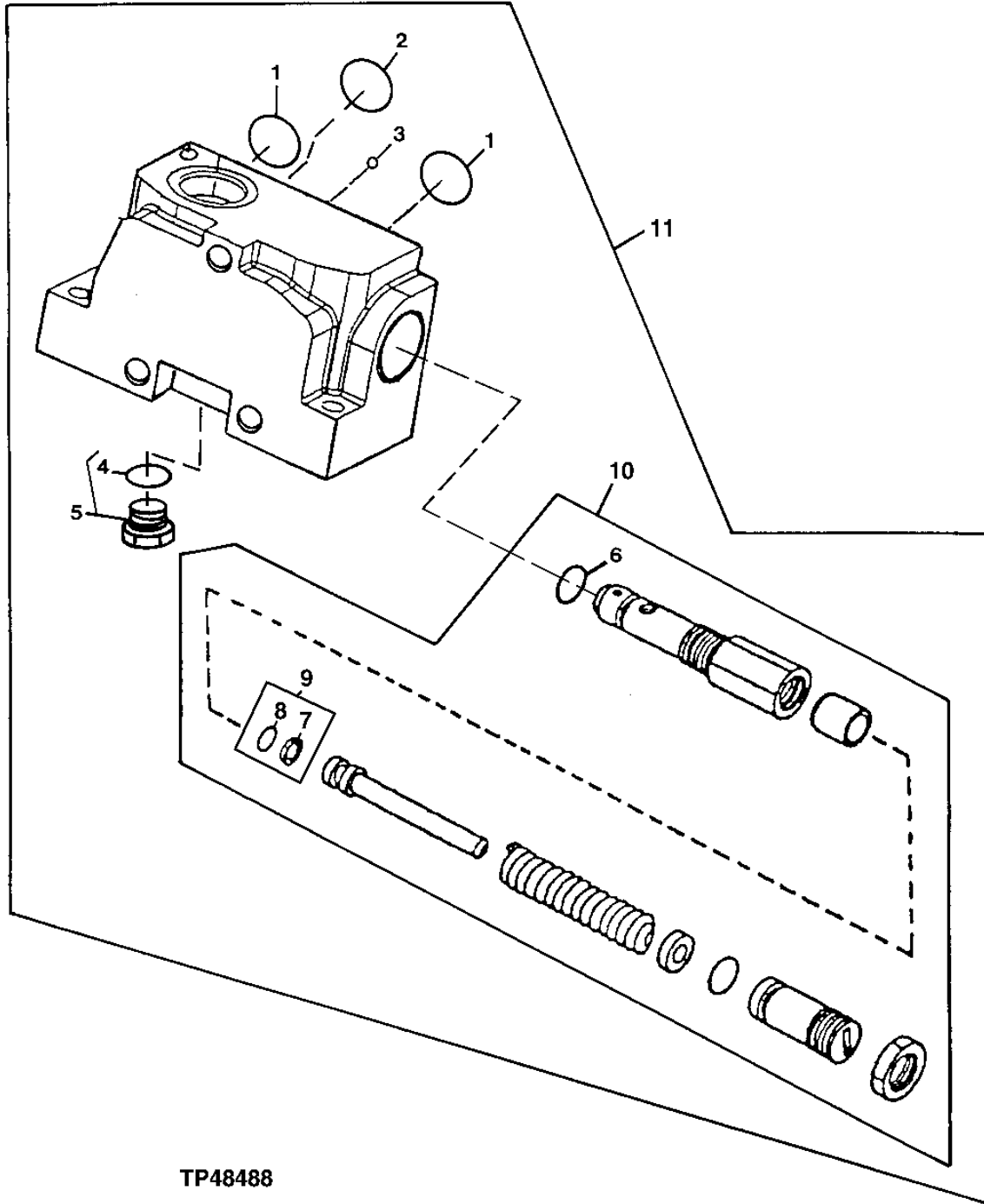
KEY	PART NO.	PART NAME	QTY.	SERIAL NO.	REMARKS
1	14M7401	LOCK NUT	4		M12
2	19H2444	CAP SCREW	4		7/16" X 3-1/4"
3	19M7818	SCREW	4		M12 X 80
4	T77858	O-RING	2		
5	38H1049	ELBOW FITTING	1		
6	R29936	O-RING	1		
7	T76938	O-RING	1		
8	38H1160	ADAPTER FITTING	1		
9	R26448	O-RING	1		
10	T77613	O-RING	1		
11	38H1164	ADAPTER FITTING	1		
12	38H1165	ADAPTER FITTING	1		
13	T78612	O-RING	4		
14	U13639	O-RING	1		
15	38H1191	ADAPTER FITTING	1		
16	R26773	O-RING	1		
17	T78784	O-RING	1		
18	38H1216	ADAPTER FITTING	1		
19	AT181313	CHECK VALVE	2		
20	AT313546	ELBOW FITTING	1		
21	38H1615	STUD	2		
22	AT313551	FITTING	1		
23	AT312466	HYD ACTUATED CONTROL VALVE	1		(A)
	AT207984	ROD	3		(B) (INCLUDES (2) AT119372, (2) T170067)
	AT309300	HYD ACTUATED CONTROL VALVE	1		(C)
	AT207983	ROD	3		(D) (INCLUDES (2) AT119372, (2) T170067)
28	38H1194	ADAPTER FITTING	1		
29	T78393	O-RING	1		
30	AT313407	MANIFOLD	1		
	AH125760	HYD. QUICK-CONNECT COUPLER	1		
	AT316682	CHECK VALVE	2		
	R26448	O-RING	1		
	R77175	COVER	1		
..	AT210105	SEAL KIT	1		BETWEEN SECTION

- (A) 3 SPOOL
- (A) TROIS BOBINE
- (A) TRES CARRETE
- (B) 3 SPOOL CONTROL VALVE HARDWARE
- (B) BOULONNERIE DE DISTRIBUTEUR A 3 TIROIRS
- (B) TORNILLERIA DE VALVULA DE CONTROL DE 3 CARRETES
- (C) 2 SPOOL
- (C) DEUX BOBINE
- (C) DOS CARRETE
- (D) 2 SPOOL CONTROL VALVE HARDWARE
- (D) BOULONNERIE DE DISTRIBUTEUR A 2 TIROIR
- (D) TORNILLERIA DE VALVULA DE CONTROL DE 2 CARRETES

3160-4

INLET SECTION VALVE WITH RELIEF VALVE
SOUPAPE DE SECTION D'ENTREE AVEC CLAPET DE DECHARGE
VALVULA DE SECCION DE ENTRADA CON VALVULA DE ALIVIO

TP48488 -UN-05OCT96



TP48488

3160-5

LOADER 31

HYDRAULIC SYSTEM 3160

**INLET SECTION VALVE WITH RELIEF VALVE
SOUPAPE DE SECTION D'ENTREE AVEC CLAPET DE DECHARGE
VALVULA DE SECCION DE ENTRADA CON VALVULA DE ALIVIO**

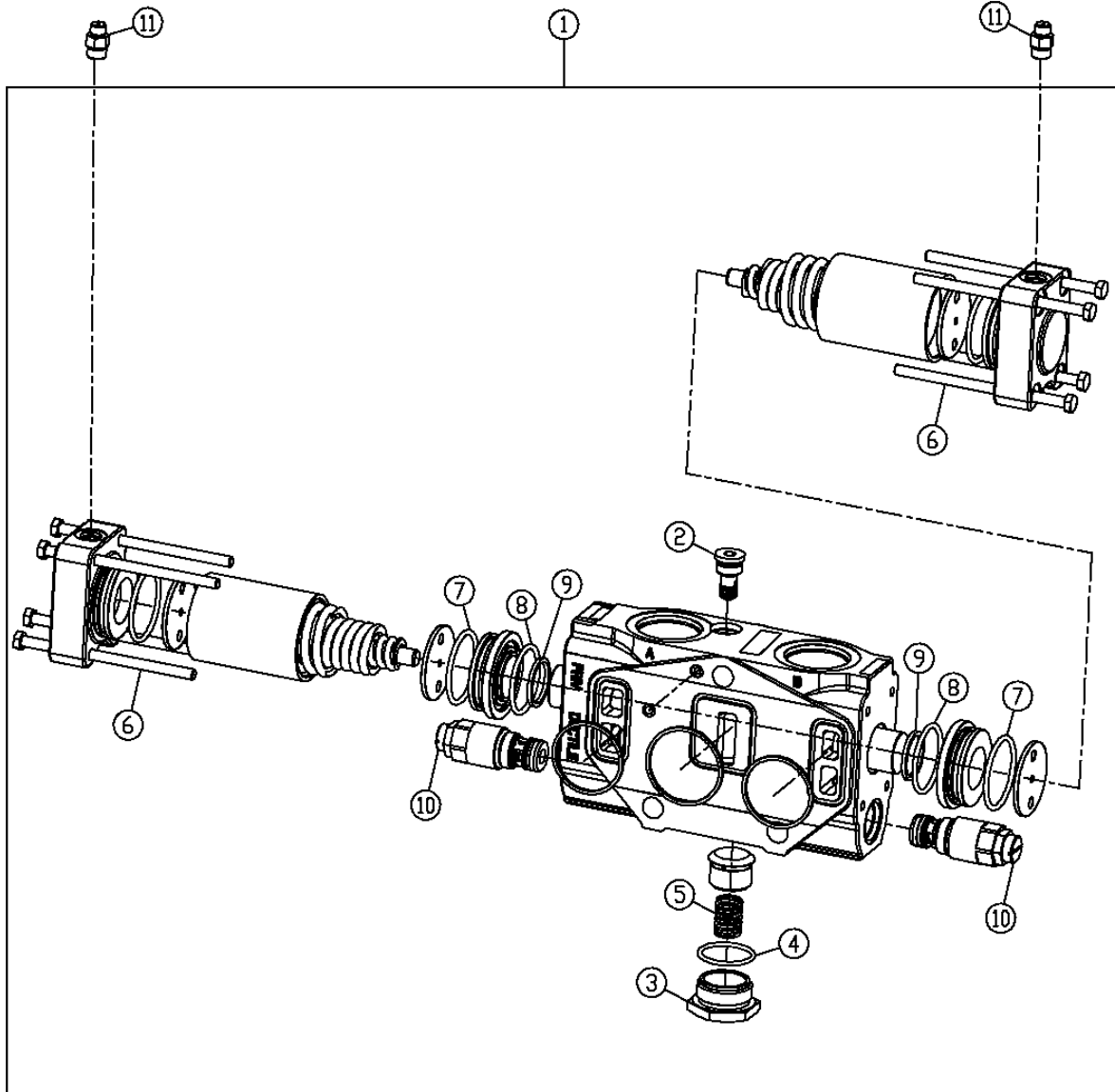
KEY	PART NO.	PART NAME	QTY.	SERIAL NO.	REMARKS
1	O-RING	2		(K) (SUB AT210106)
2	O-RING	1		(K) (SUB AT210106)
3	O-RING	1		(K) (SUB AT210106)
4	R26375	O-RING	1		
5	AT63271	FITTING	1		
6	U12547	O-RING	1		
7	BACK-UP RING	1		
8	U12547	O-RING	1		
9	AT169157	SEAL KIT	1		(INCLUDES U12547)
10	AT320485	HYD ACTUATED CONTROL VALVE	1		(A) (3800 PSI)
11	AT312740	HOUSING	1		(B)
..	AT210106	SEAL KIT	1		(INCLUDES PARTS/ITEMS MARKED (K))
(A)	RELIEF				(B) INLET SECTION
(A)	DECHARGE				(B) SECTION D'ENTREE
(A)	ALIVIO				(B) SECCION DE ENTRADA

3160-6

BUCKET SECTION VALVE SOUPAPE DE SECTION DE GODET VALVULA DE SECCION DE CUCHARON

T212695

-UN-31AUG05



T212695

3160-7

LOADER 31

HYDRAULIC SYSTEM 3160

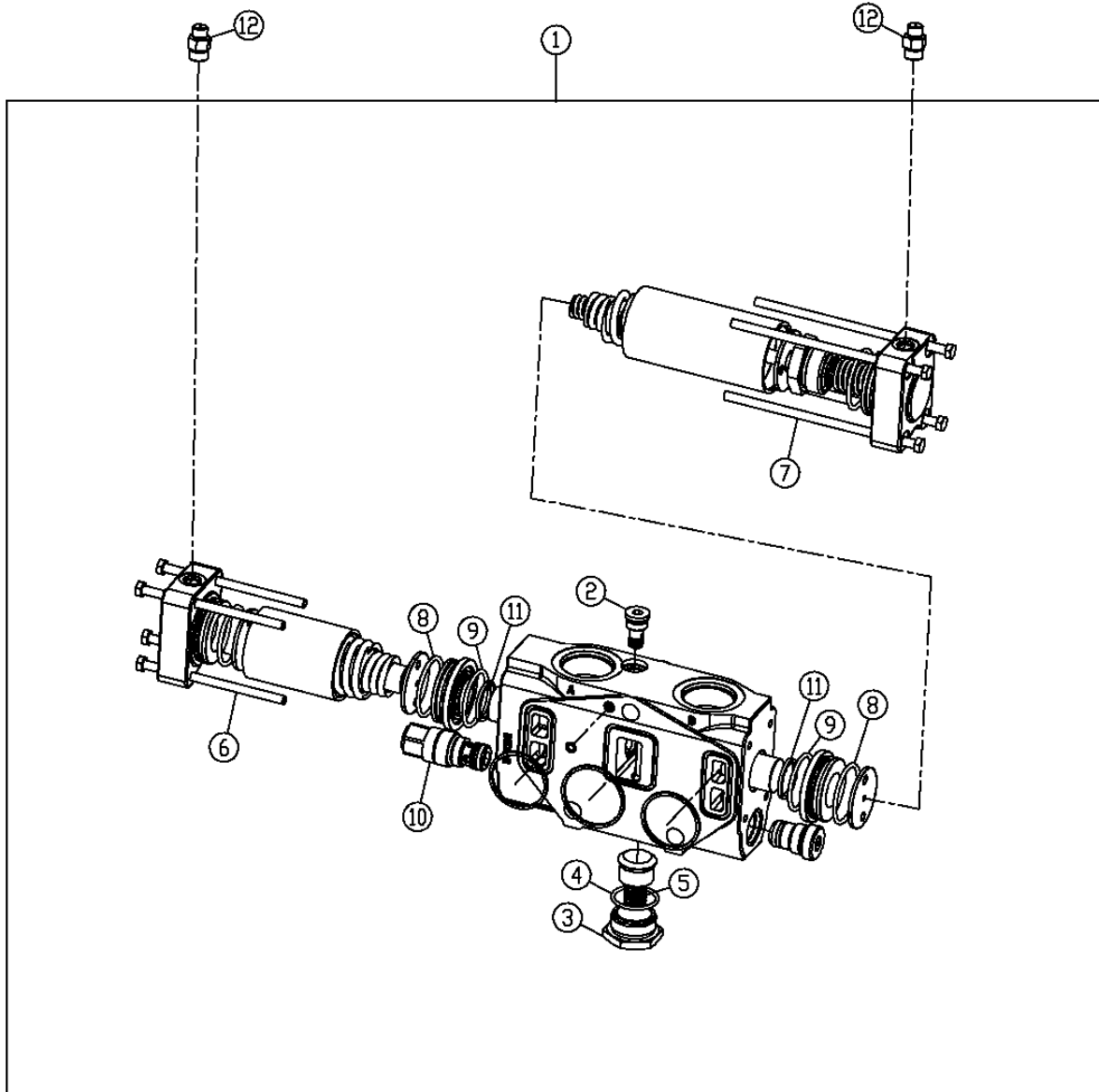
BUCKET SECTION VALVE
SOUPAPE DE SECTION DE GODET
VALVULA DE SECCION DE CUCHARON

KEY	PART NO.	PART NAME	QTY.	SERIAL NO.	REMARKS
1	AT312732	FLOW CONTROL HYD. VALVE	1		
	AT210107	SEAL KIT	1		
2	AT207941	CHECK VALVE	1		
	R26375	O-RING	1		
3	T169967	CAP	1		
4	T169968	O-RING	1		
5	T169969	SPRING	1		
6	T169961	CAP SCREW	8		
7	T169973	SEAL	2		
8	T169975	SEAL	2		
9	U45855	WASHER	2		
10	AT320488	PRESSURE RELIEF VALVE	2		
	AT316680	SEAL KIT	1		
11	T169893	ORIFICE	2		

3160-8

BOOM SECTION VALVE SOUPAPE DE SECTION DE FLECHE VALVULA DE SECCION DE AGUILON

T212696 -UN-18AUG05



T212696

3160-9

LOADER 31

HYDRAULIC SYSTEM 3160

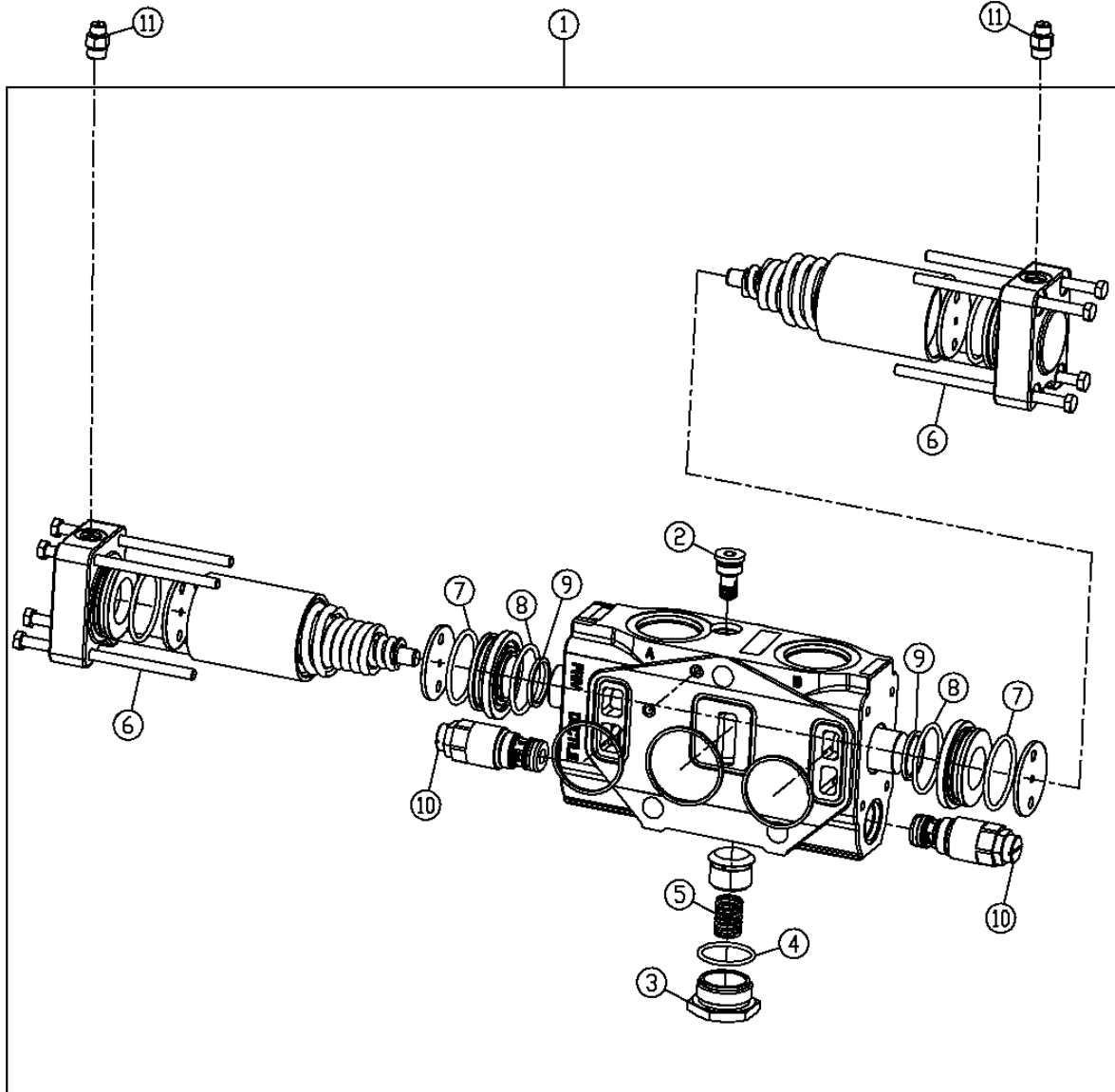
**BOOM SECTION VALVE
SOUPAPE DE SECTION DE FLECHE
VALVULA DE SECCION DE AGUILON**

KEY	PART NO.	PART NAME	QTY.	SERIAL NO.	REMARKS
1	AT312736	FLOW CONTROL HYD. VALVE	1		
	AT210107	SEAL KIT	1		
2	AT207941	CHECK VALVE	1		
	R26375	O-RING	1		16.358 X 2.210 MM, (O-RING FOR CHECK VALVE)
	T77613	O-RING	1		9.246 X 1.778 MM, (O-RING FOR CHECK VALVE)
3	T169967	CAP	1		
4	T169968	O-RING	1		
5	T169969	SPRING	1		
6	T169961	CAP SCREW	4		
7	T169881	BOLT	4		5/16" X 7-1/2"
8	T169973	SEAL	2		
9	T169975	SEAL	2		
10	AT221506	HYD ACTUATED CONTROL VALVE	1		
	AT170991	O-RING KIT	1		
11	U45855	WASHER	2		1.249" X 1.473" X 0.119"
12	AT181313	CHECK VALVE	2		

3160-10

AUXILIARY SECTION VALVE SOUPAPE DE SECTION AUXILIAIRE VALVULA DE SECCION AUXILIAR

T212695 -UN-31AUG05



T212695

3160-11

LOADER 31

HYDRAULIC SYSTEM 3160

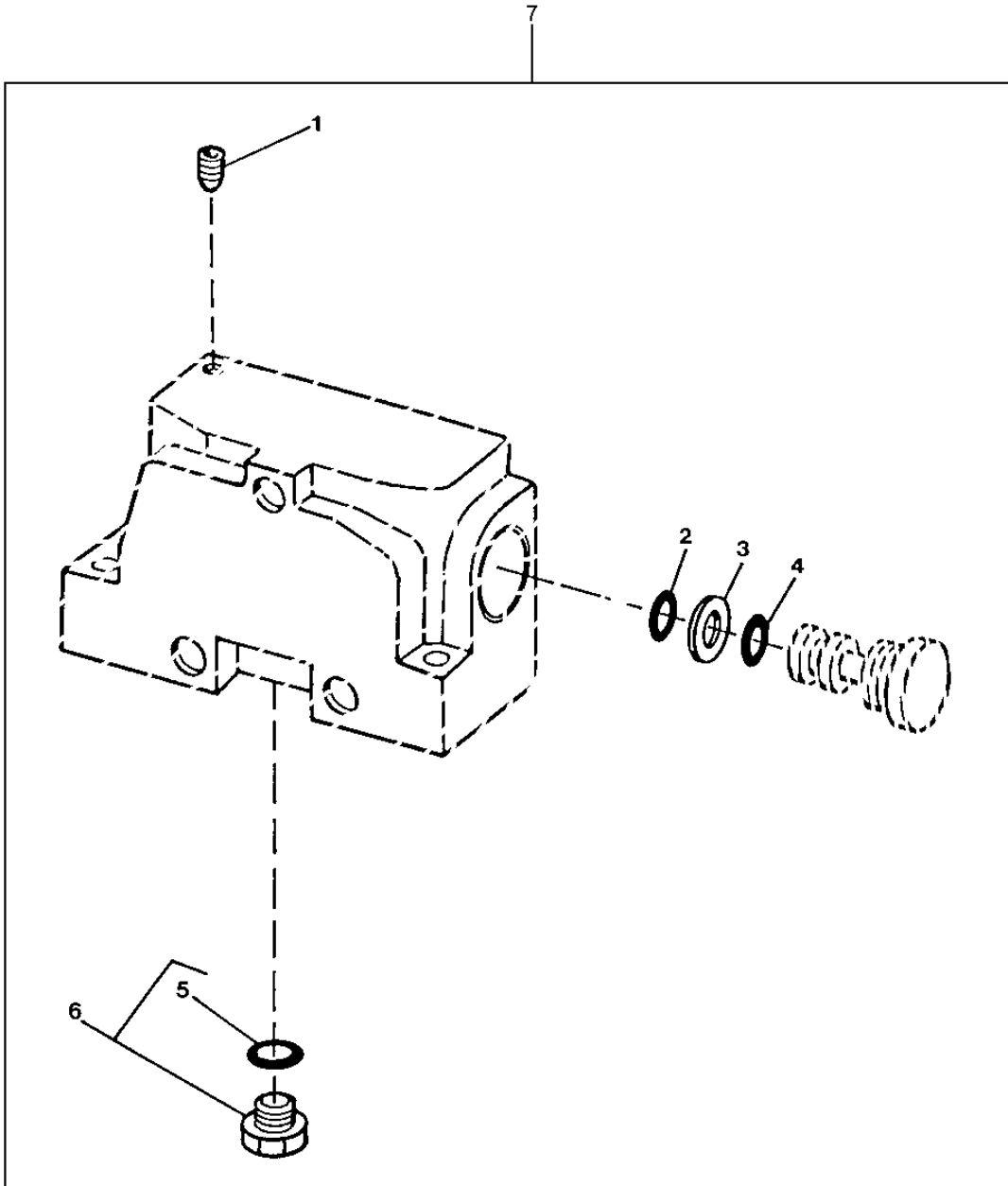
AUXILIARY SECTION VALVE
SOUPAPE DE SECTION AUXILIAIRE
VALVULA DE SECCION AUXILIAR

KEY	PART NO.	PART NAME	QTY.	SERIAL NO.	REMARKS
1	AT312731	FLOW CONTROL HYD. VALVE	1		
	AT210107	SEAL KIT	1		
2	AT207941	CHECK VALVE	1		
	R26375	O-RING	1		
3	T169967	CAP	1		
4	T169968	O-RING	1		
5	T169969	SPRING	1		
6	T169961	CAP SCREW	8		
7	T169973	SEAL	2		
8	T169975	SEAL	2		
9	U45855	WASHER	2		
10	AT320488	PRESSURE RELIEF VALVE	2		
	AT316680	SEAL KIT	1		
11	T169893	ORIFICE	2		

3160-12

OUTLET SECTION
SECTION DE SORTIE
SECCION DE SALIDA

T165727 -UN-25FEB03



T165727

3160-13

LOADER 31

HYDRAULIC SYSTEM 3160

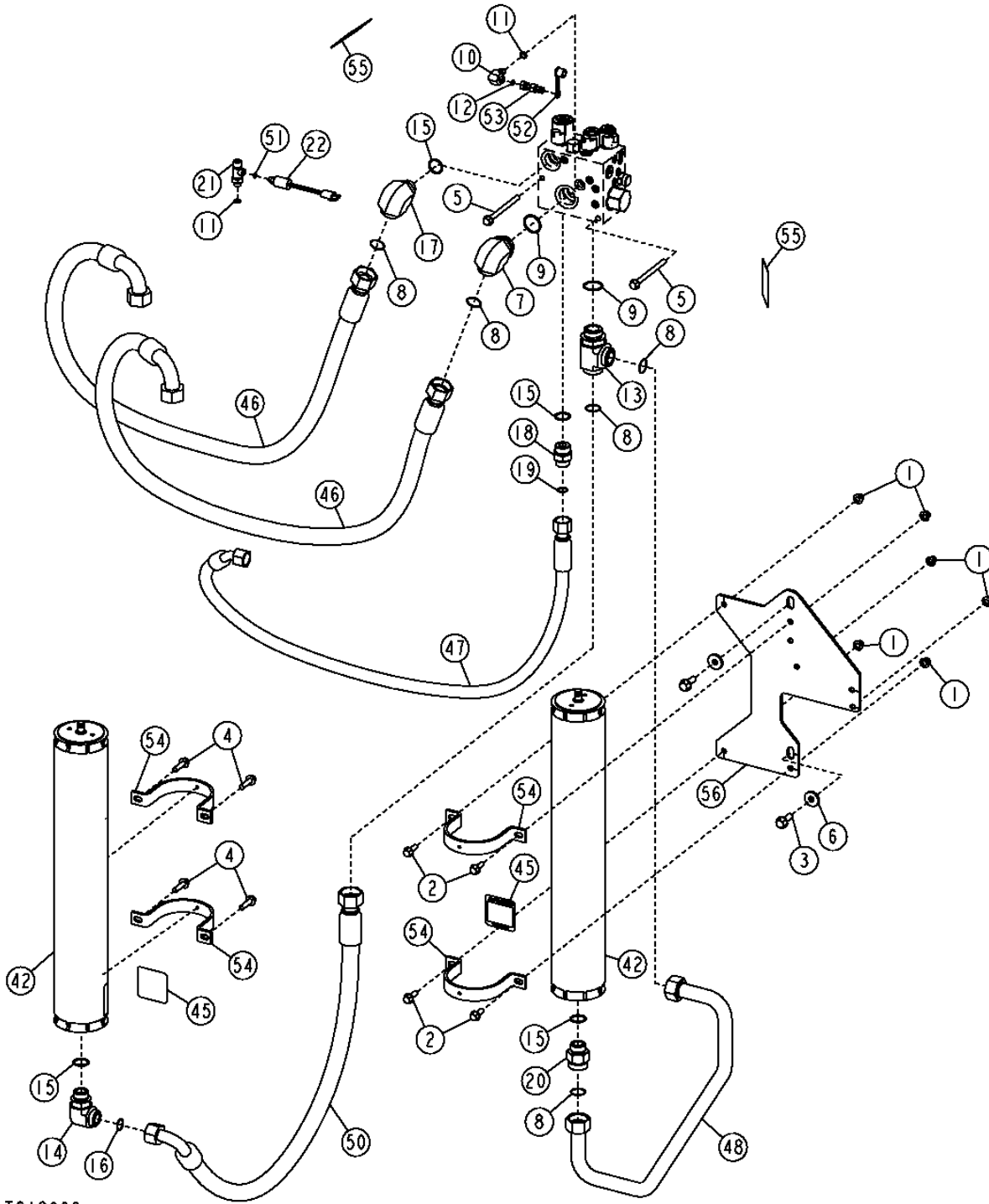
**OUTLET SECTION
SECTION DE SORTIE
SECCION DE SALIDA**

KEY	PART NO.	PART NAME	QTY.	SERIAL NO.	REMARKS
1	T170005	ORIFICE	1		
2	O-RING	1	(K)	
3	H60815	BACK-UP RING	1		
4	O-RING	1	(K)	
5	R26375	O-RING	1		
6	AT63271	FITTING	1		
7	AT312737	HOUSING	1		
..	AT210108	SEAL KIT	1		(INCLUDES PARTS/ITEMS MARKED (K))

3160-14

RIDE CONTROL ACCUMULATORS AND COMPONENTS COMPOSANTS DE COMMANDE DE SUSPENSION COMPONENTES DE CONTROL DE SUSPENSION

T212606 -UN-26JUL05



T212606

3160-15

LOADER 31

HYDRAULIC SYSTEM 3160

**RIDE CONTROL ACCUMULATORS AND COMPONENTS
COMPOSANTS DE COMMANDE DE SUSPENSION
COMPONENTES DE CONTROL DE SUSPENSION**

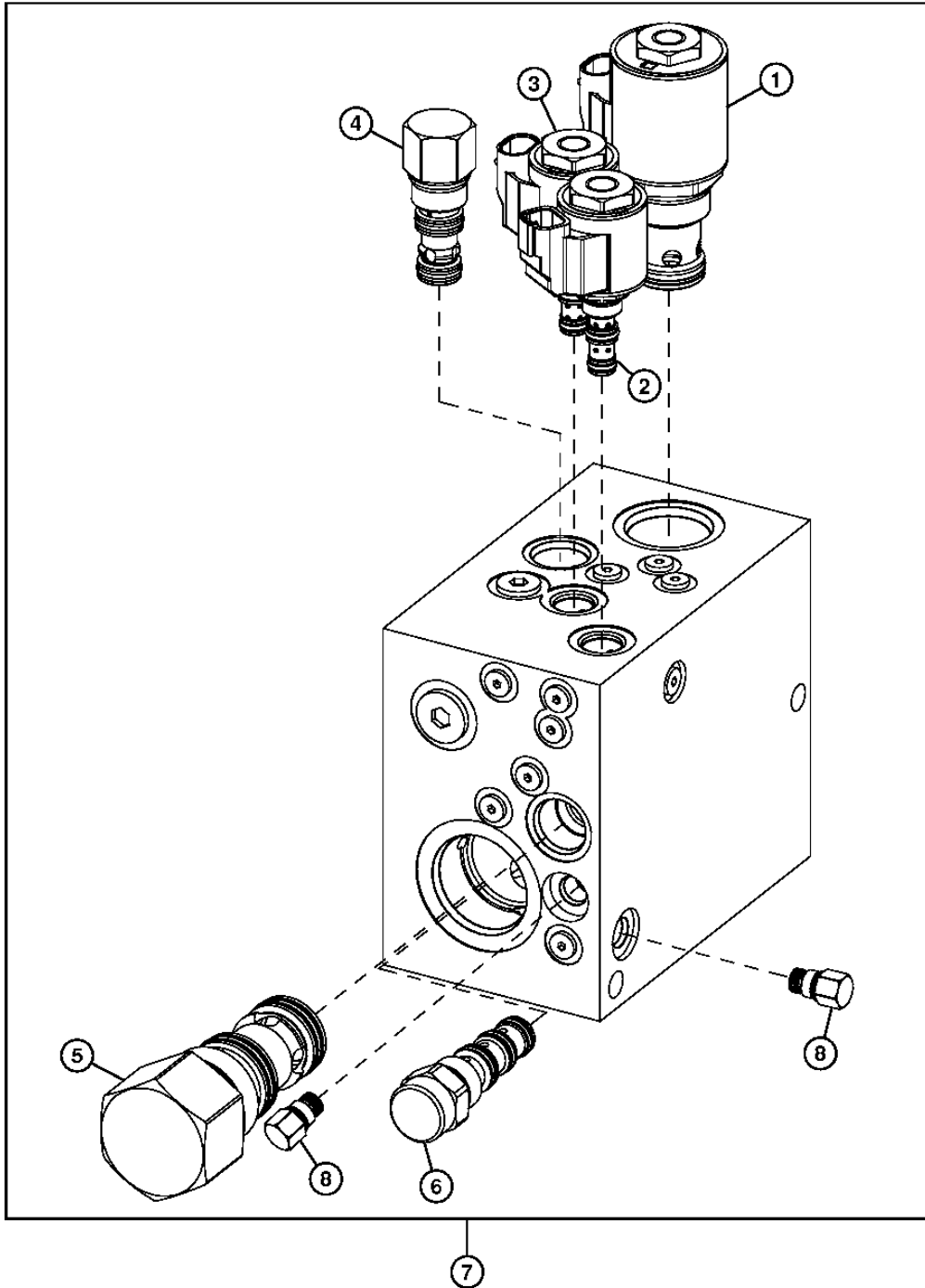
KEY	PART NO.	PART NAME	QTY.	SERIAL NO.	REMARKS
1	14M7400	LOCK NUT	6		M10, (SUB FOR CODY CUSTER, THIS APPLICATION)
2	19M7786	SCREW	4		M10 X 30
3	19M7790	SCREW	2		M12 X 35
4	19M7804	SCREW	4		M10 X 40
5	19M7898	SCREW	2		M10 X 130
6	24M7226	WASHER	2		13 X 35 X 5 MM
7	38H1008	ELBOW FITTING	1		
8	T78612	O-RING	5		
9	U13639	O-RING	2		
10	38H1009	ELBOW FITTING	1		
11	R26448	O-RING	2		
12	T77814	O-RING	1		
13	38H1028	TEE FITTING	1		
14	38H1037	ELBOW FITTING	1		
15	R29936	O-RING	4		
16	T76938	O-RING	1		
17	38H1053	ELBOW FITTING	1		
18	38H1194	ADAPTER FITTING	2		
19	T77858	O-RING	2		
20	38H1196	ADAPTER FITTING	1		
21	AT206815	TEE FITTING	1		
22	AT223535	PRESSURE SWITCH	1		
42	AT325524	KIT	2		
	AT325539	HYDRAULIC ACCUMULATOR	1		
	AT196760	KIT	1		
	T180944	LABEL	1		
45	T180944	LABEL	2		
46	AT312363	HYDRAULIC HOSE - FABRICATE	2		1-11/16" X 63" X 1-11/16"
47	AT312439	HYDRAULIC HOSE - FABRICATE	1		1-3/16" X 58" X 1-3/16"
48	AT323335	LINE	1		
50	AT323339	HYDRAULIC HOSE - FABRICATE	1		1-11/16" X 47" X 1-7/16"
51	R26287	O-RING	1		
52	R77175	COVER	1		
53	RE60700	DIAGNOSTIC COUPLING	1		
54	T146490	CLAMP	4		
55	T146792	SAFETY SIGN	2		
56	T181208	PLATE	1		

3160-15A

RIDE CONTROL VALVE VANNE DE COMMANDE DE SUSPENSION VALVULA DE CONTROL DE SUSPENSION

TX1019919

-UN-



TX1019919

3160-15B

LOADER 31

HYDRAULIC SYSTEM 3160

RIDE CONTROL VALVE
VANNE DE COMMANDE DE SUSPENSION
VALVULA DE CONTROL DE SUSPENSION

KEY	PART NO.	PART NAME	QTY.	SERIAL NO.	REMARKS
1	AT224701	SOLENOID VALVE	1		
	AT224702	SEAL KIT	1	(A)	
	AT224703	SOLENOID VALVE COIL	1		
	T181306	NUT	1		
2	AT224866	SOLENOID VALVE	1		
	AT224706	SEAL KIT	1	(A)	
	AT224865	SOLENOID VALVE COIL	1		
	T181306	NUT	1		
3	AT225249	FLOW CONTROL HYD. VALVE	1		
	AT224574	SOLENOID VALVE COIL	1		
	AT224706	SEAL KIT	1	(A)	
	T181306	NUT	1		
4	AT225084	FLOW CONTROL HYD. VALVE	1		
	AT225085	SEAL KIT	1	(A)	
5	AT224699	FLOW CONTROL HYD. VALVE	1		
	AT225698	SEAL KIT	1	(A)	
6	AT225082	FLOW CONTROL HYD. VALVE	1		
	F433299	SEAL KIT	1	(A)	
7	AT332290	HYD ACTUATED CONTROL VALVE	1		(RIDE CONTROL VALVE) (SUB FOR AT223806)
8	AN207183	CHECK VALVE	2		(SUB FOR AT307262)
	AN207184	SEAL KIT	1		(SUB FOR AT307265)
9	AT316532	KIT	1		(A)

(A) NOT ILLUSTRATED

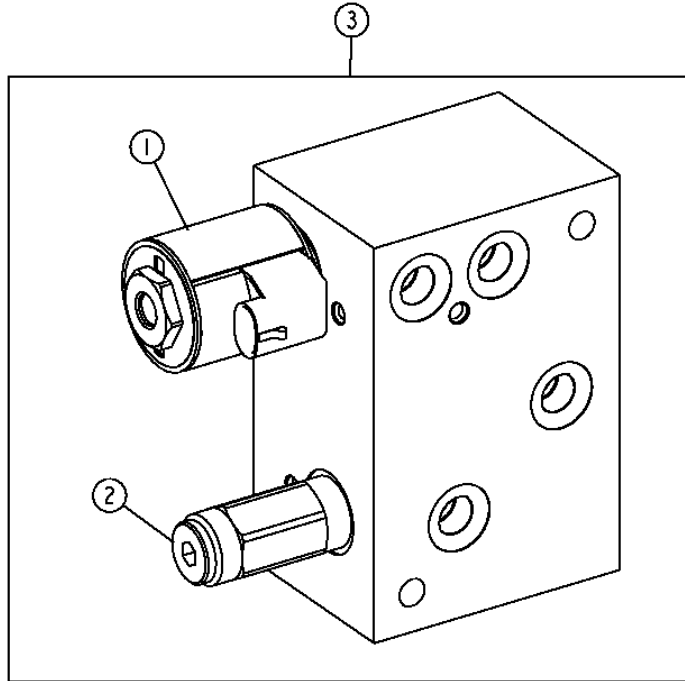
(A) PAS ILLUSTRÉ

(A) NO SE ILUSTRADO

3160-16

PIN DISCONNECT VALVE
COMPOSANTS DE VANNE DE DESENGAGEMENT DES AXES
COMPONENTES DE LA VALVULA DE DESCONEXION DE PASADOR

T197202 -UN-07JAN04



T197202

3160-17

LOADER 31

HYDRAULIC SYSTEM 3160

**PIN DISCONNECT VALVE
COMPOSANTS DE VANNE DE DESENGAGEMENT DES AXES
COMPONENTES DE LA VALVULA DE DESCONEXION DE PASADOR**

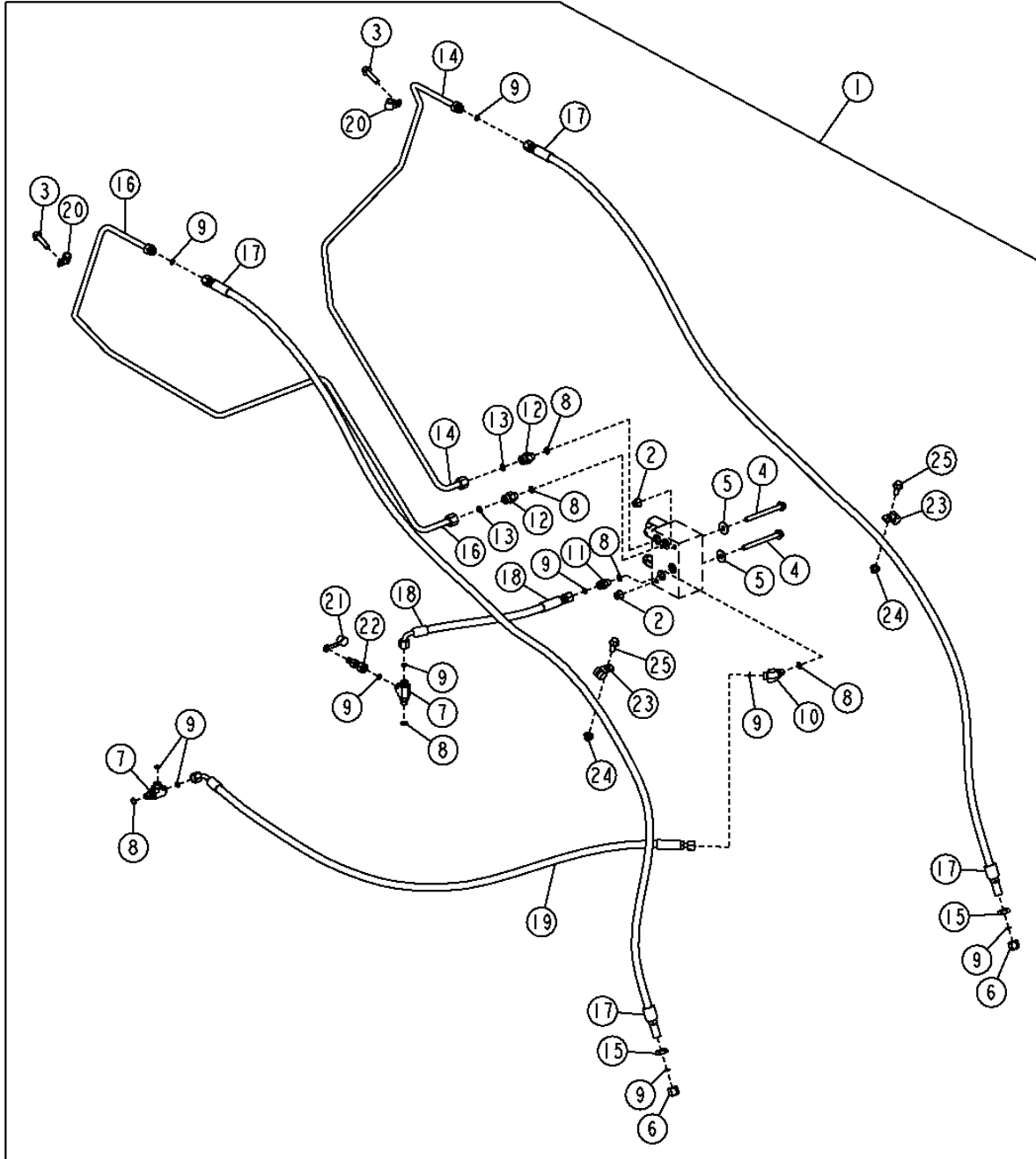
KEY	PART NO.	PART NAME	QTY.	SERIAL NO.	REMARKS
1	AT224703	SOLENOID VALVE COIL	1		
	AT226266	SOLENOID VALVE	1		
	AT225083	SEAL KIT	1		
2	AT226265	HYDRAULIC PRESSURE VALVE	1		
	AT225085	SEAL KIT	1		
3	AT225530	HYD ACTUATED CONTROL VALVE	1		

3160-18

PIN DISCONNECT VALVE, WIRING HARNESS, AND HYDRAULIC PLUMBING
VANNE DE DESENGAGEMENT DES AXES, FAISCEAU DE FILS ET TUYAUTERIE HYDRAULIQUE
VALVULA DE DESCONEXION DE PASADOR, ARNES DE ALAMBRADO Y TUBERIA HIDRAULICA

TX1002352

-UN-13JAN06



TX1002352

3160-19

LOADER 31

HYDRAULIC SYSTEM 3160

PIN DISCONNECT VALVE, WIRING HARNESS, AND HYDRAULIC PLUMBING
VANNE DE DESENGAGEMENT DES AXES, FAISCEAU DE FILS ET TUYAUTERIE HYDRAULIQUE
VALVULA DE DESCONECION DE PASADOR, ARNES DE ALAMBRADO Y TUBERIA HIDRAULICA

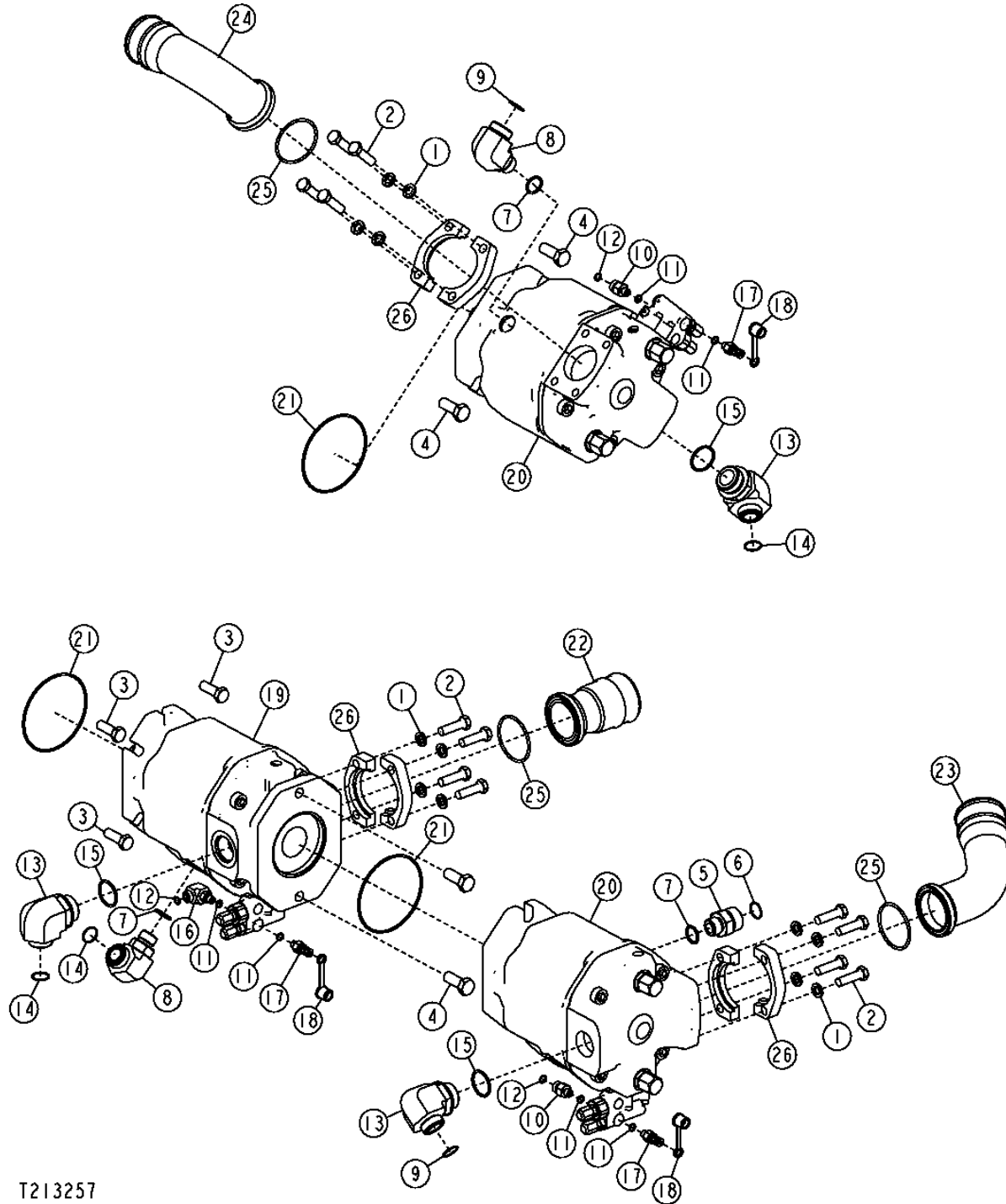
KEY	PART NO.	PART NAME	QTY.	SERIAL NO.	REMARKS
1	AT311009	KIT	1		(PIN DISCONNECT FIELD KIT)
2	14M7400	LOCK NUT	2		M10
3	19M7804	SCREW	2		M10 X 40
4	19M7836	SCREW	2		M10 X 110
5	24M7296	WASHER	2		10.500 X 30 X 2.500 MM
6	38H1415	FITTING	2		
7	38H1023	TEE FITTING	2		
8	R26448	O-RING	8		
9	T77613	O-RING	10		
10	38H1045	ELBOW FITTING	1		
11	38H1160	ADAPTER FITTING	1		
12	38H1173	ADAPTER FITTING	2		
13	T77857	O-RING	2		
14	AT325601	OIL LINE	1		
15	T81029	NUT	2		17.475 MM
16	AT325602	OIL LINE	1		
17	AT325647	HYDRAULIC HOSE - FABRICATE	2		11/16" X 2 515 MM X 11/16"
18	AT325673	HYDRAULIC HOSE - FABRICATE	1		11/16" X 457 MM X 11/16"
19	AT304346	HYDRAULIC HOSE - FABRICATE	1		9/16" X 1 775 MM X 9/16", (SUB FOR AT325691)
20	H75541	CLAMP	1		
21	R77175	COVER	1		
22	RE60701	DIAGNOSTIC COUPLING	1		
23	T76719	CLAMP	2		
24	14M7296	FLANGE NUT	2		M10
25	19M7785	SCREW	2		M10 X 25

3160-20

HYDRAULIC PUMP POMPE HYDRAULIQUE BOMBA HIDRAULICA

T213257

-UN-15AUG05



T213257

THIS PARTS LISTING IS CONTINUED

3160-21

LOADER 31

HYDRAULIC SYSTEM 3160

**HYDRAULIC PUMP
POMPE HYDRAULIQUE
BOMBA HIDRAULICA**

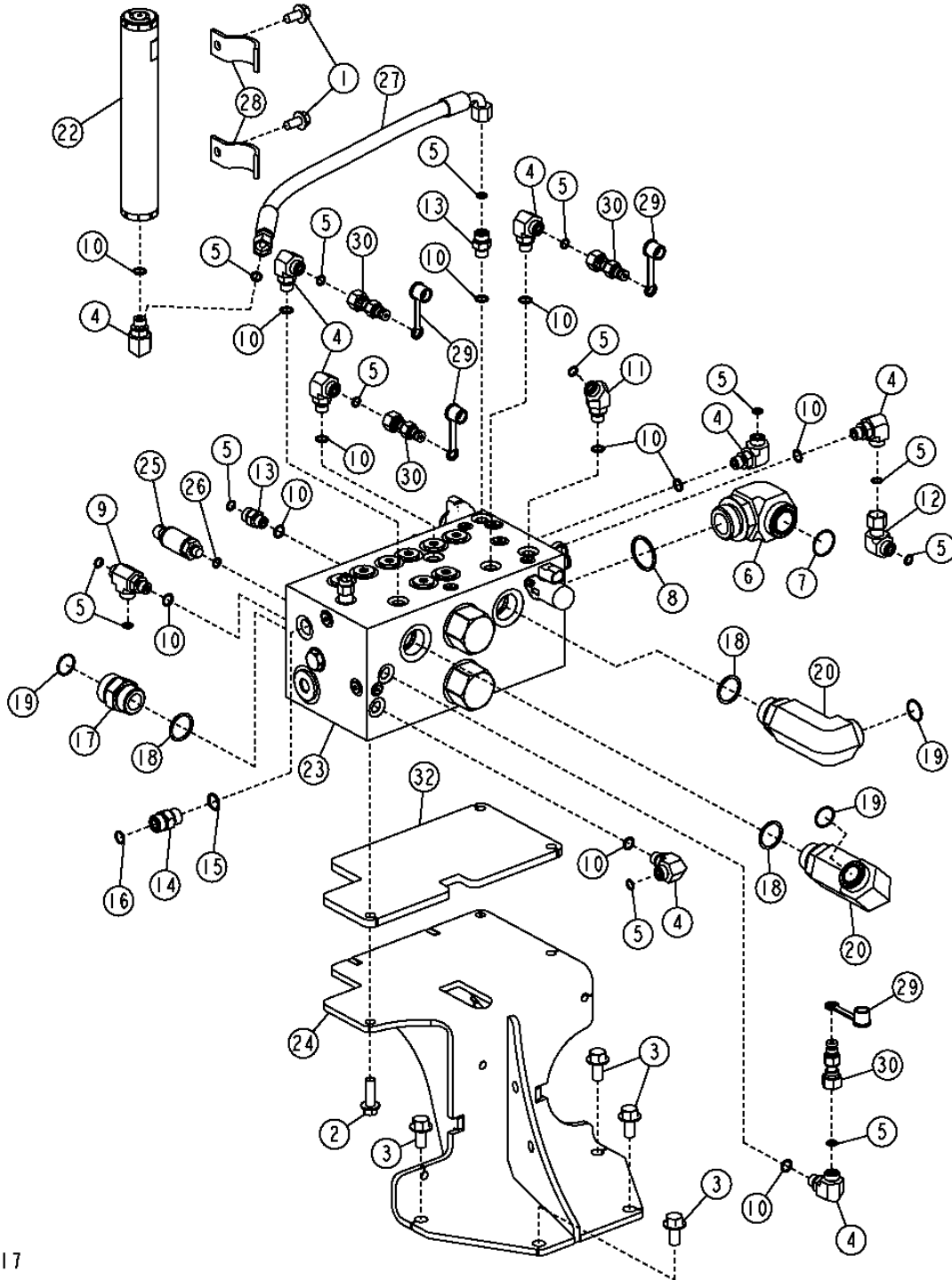
KEY	PART NO.	PART NAME	QTY.	SERIAL NO.	REMARKS
1	WASHER	12		(12H301 NA)
2	19H1777	CAP SCREW	12		1/2" X 1-3/4"
3	19M7404	CAP SCREW	4		M14 X 40
4	19M7488	CAP SCREW	4		M16 X 40
5	38H1179	ADAPTER FITTING	1		
6	T76938	O-RING	1		
7	U12547	O-RING	2		
8	38H1305	ELBOW FITTING	1		
9	T76938	O-RING	1		
10	38H1309	ADAPTER FITTING	2		
11	R28782	O-RING	5		
12	T77613	O-RING	3		
13	38H1325	ELBOW FITTING	3		
14	T76938	O-RING	2		
15	U13639	O-RING	3		
16	38H1435	ELBOW FITTING	1		
17	AT180119	FITTING	3		
18	R77175	COVER	3		
19	AT316685	HYDRAULIC PUMP	1		
	AT302146	SEAL KIT	1		(PUMP) (POMPE) (BOMBA)
	AT306219	SEAL KIT	1		(CONTROLLER) (CONTROLEUR) (CONTROLADOR)
	AT311194	CONTROL VALVE	1		
	T201521	GASKET	1		
	T201525	SEAL	1		
20	AT323920	HYDRAULIC PUMP	2		
	AT302146	SEAL KIT	1		(PUMP) (POMPE) (BOMBA)
	AT306219	SEAL KIT	1		(CONTROLLER) (CONTROLEUR) (CONTROLADOR)
	AT302144	SPOOL VALVE	1		
	T201521	GASKET	1		
	T201525	SEAL	1		
21	T107883	O-RING	3		
22	T196285	TUBE	1		
23	T197049	OIL TUBE	1		
24	T204584	TUBE	1		
25	U12331	O-RING	3		
26	U44384	FLANGE FITTING	6		

3160-22

HYDRAULIC SYSTEM MANIFOLD COLLECTEUR DU CIRCUIT HYDRAULIQUE COLECTOR DEL SISTEMA HIDRAULICO

TX1007417

-UN-09MAY06



TX1007417

3160-23

LOADER 31

HYDRAULIC SYSTEM 3160

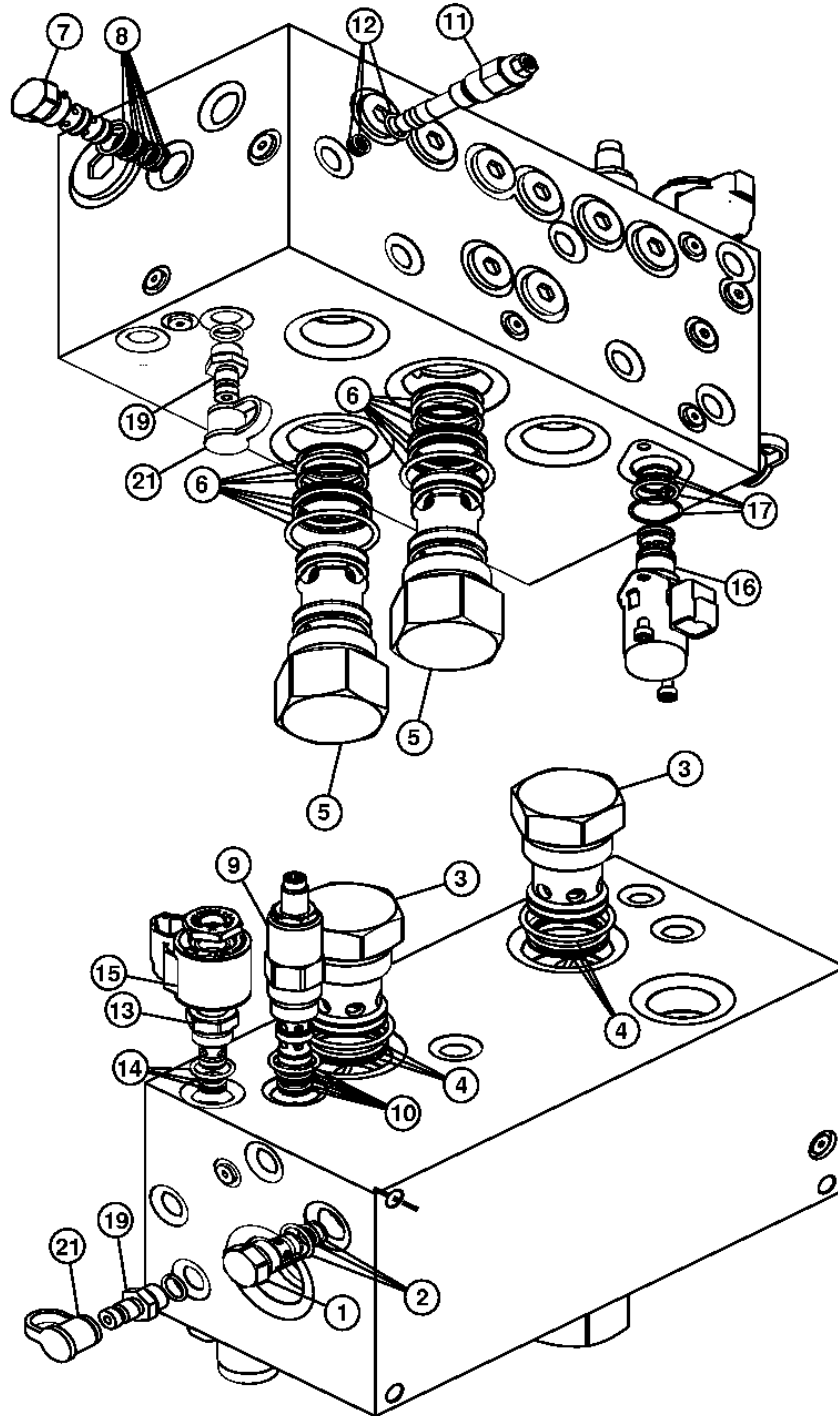
HYDRAULIC SYSTEM MANIFOLD
COLLECTEUR DU CIRCUIT HYDRAULIQUE
COLECTOR DEL SISTEMA HIDRAULICO

KEY	PART NO.	PART NAME	QTY.	SERIAL NO.	REMARKS
1	19M7784	SCREW	2		M10 X 20
2	19M7785	SCREW	3	-604674	M10 X 25, (SUB 19M7835) (ALSO ORDER T225552)
	19M7835	SCREW	3	604675-	M10 X 35
3	19M7788	SCREW	4		M12 X 25
4	38H1004	ELBOW FITTING	7		
5	T77613	O-RING	12		
6	38H1008	ELBOW FITTING	1		
7	T78612	O-RING	1		
8	U13639	O-RING	1		
9	38H1023	TEE FITTING	1		
10	R26448	O-RING	11		
11	38H1045	ELBOW FITTING	1		
12	38H1094	ELBOW FITTING	1		
13	38H1160	ADAPTER FITTING	2		
14	38H1161	ADAPTER FITTING	1		
15	R26375	O-RING	1		
16	T77857	O-RING	1		
17	38H1164	ADAPTER FITTING	1		
18	R29936	O-RING	3		
19	T76938	O-RING	3		
20	38H1493	ELBOW FITTING	2		
22	AT225574	HYDRAULIC ACCUMULATOR	1		
23	AT308670	MANIFOLD	1	-602348	
	AT330945	MANIFOLD	1	602349-	
24	AT334887	BRACKET	1		(SUB FOR AT313575)
25	AT322982	TRANSDUCER	1		
26	R28782	O-RING	1		
27	AT81931	HYDRAULIC HOSE - FABRICATE	1		11/16" X 20-1/4" X 11/16"
28	R68904	CLAMP	2		
29	R77175	COVER	4		
30	RE60701	DIAGNOSTIC COUPLING	4		
32	T225552	PLATE	1		

3160-24

HYDRAULIC SYSTEM MANIFOLD COMPONENTS COMPOSANTS DU COLLECTEUR DU CIRCUIT HYDRAULIQUE COMPONENTES DEL COLECTOR DE SISTEMA HIDRAULICO

T214564 -UN-20SEP05



T214564

3160-25

LOADER 31

HYDRAULIC SYSTEM 3160

HYDRAULIC SYSTEM MANIFOLD COMPONENTS
COMPOSANTS DU COLLECTEUR DU CIRCUIT HYDRAULIQUE
COMPONENTES DEL COLECTOR DE SISTEMA HIDRAULICO

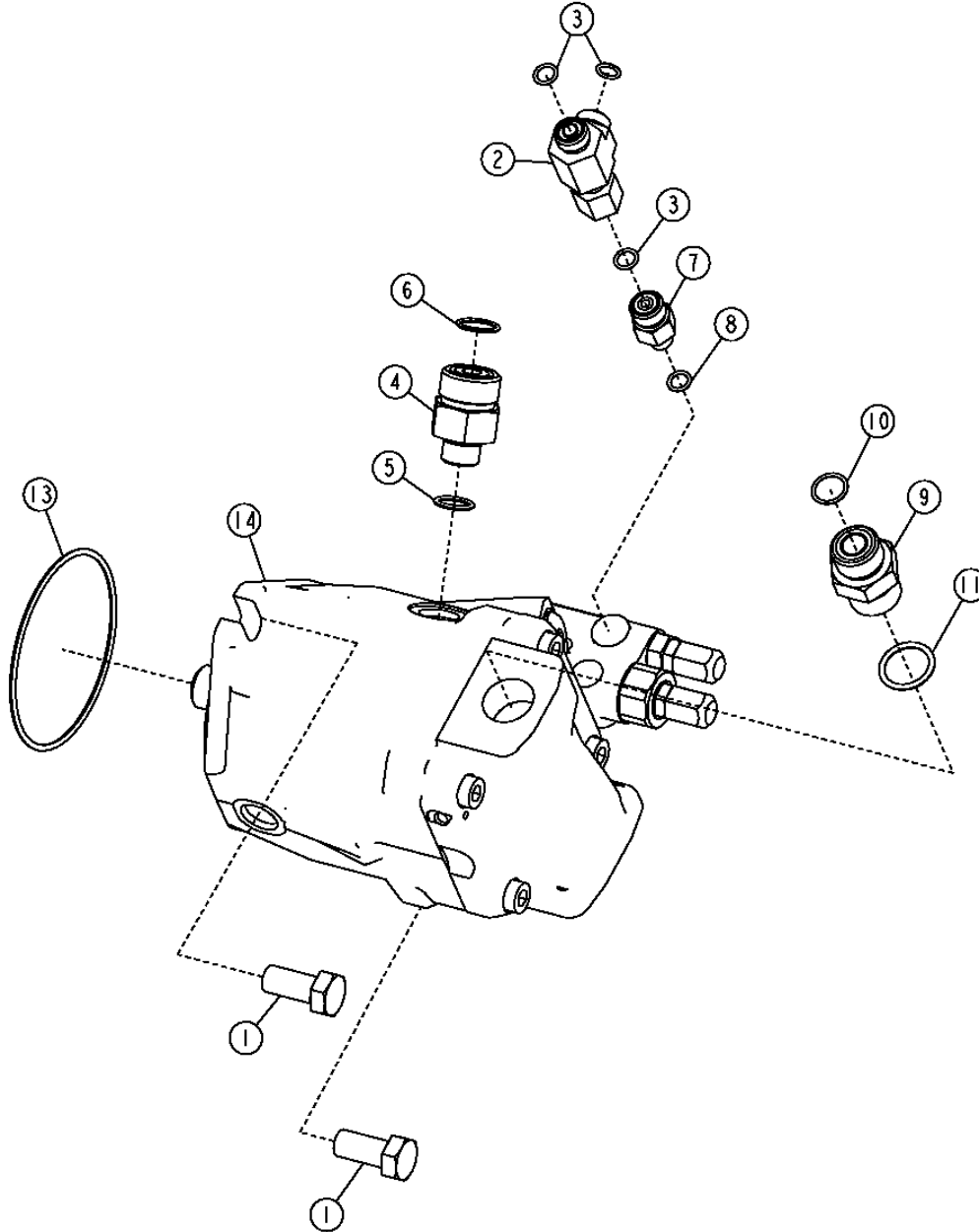
KEY	PART NO.	PART NAME	QTY.	SERIAL NO.	REMARKS
1	AT316678	CHECK VALVE	1		
2	AT195143	SEAL KIT	1		
3	AT316682	CHECK VALVE	2		
4	AT314333	SEAL KIT	2		
5	AT326225	FLOW CONTROL HYD. VALVE	2		
6	AT314332	SEAL KIT	2		
7	AT195140	CHECK VALVE	1		
8	AT195141	SEAL KIT	1		
9	AT316696	PRESSURE RELIEF VALVE	1		
10	AT316676	SEAL KIT	1		
11	AT311772	PRESSURE RELIEF VALVE	1		
12	AT316673	SEAL KIT	1		
13	AT316695	SOLENOID VALVE	1		
14	AT195143	SEAL KIT	1		
15	AT224865	SOLENOID VALVE COIL	1		
16	AT318788	SOLENOID VALVE	1		
17	AT224873	SEAL KIT	1		
19	AH125760	HYD. QUICK-CONNECT COUPLER	2		
21	R77175	COVER	2		

3160-26

FAN MOTOR PUMP POMPE DE MOTEUR DE VENTILATEUR BOMBA DEL MOTOR DEL VENTILADOR

T212886

-UN-03AUG05



T212886

3160-27

LOADER 31

HYDRAULIC SYSTEM 3160

FAN MOTOR PUMP
POMPE DE MOTEUR DE VENTILATEUR
BOMBA DEL MOTOR DEL VENTILADOR

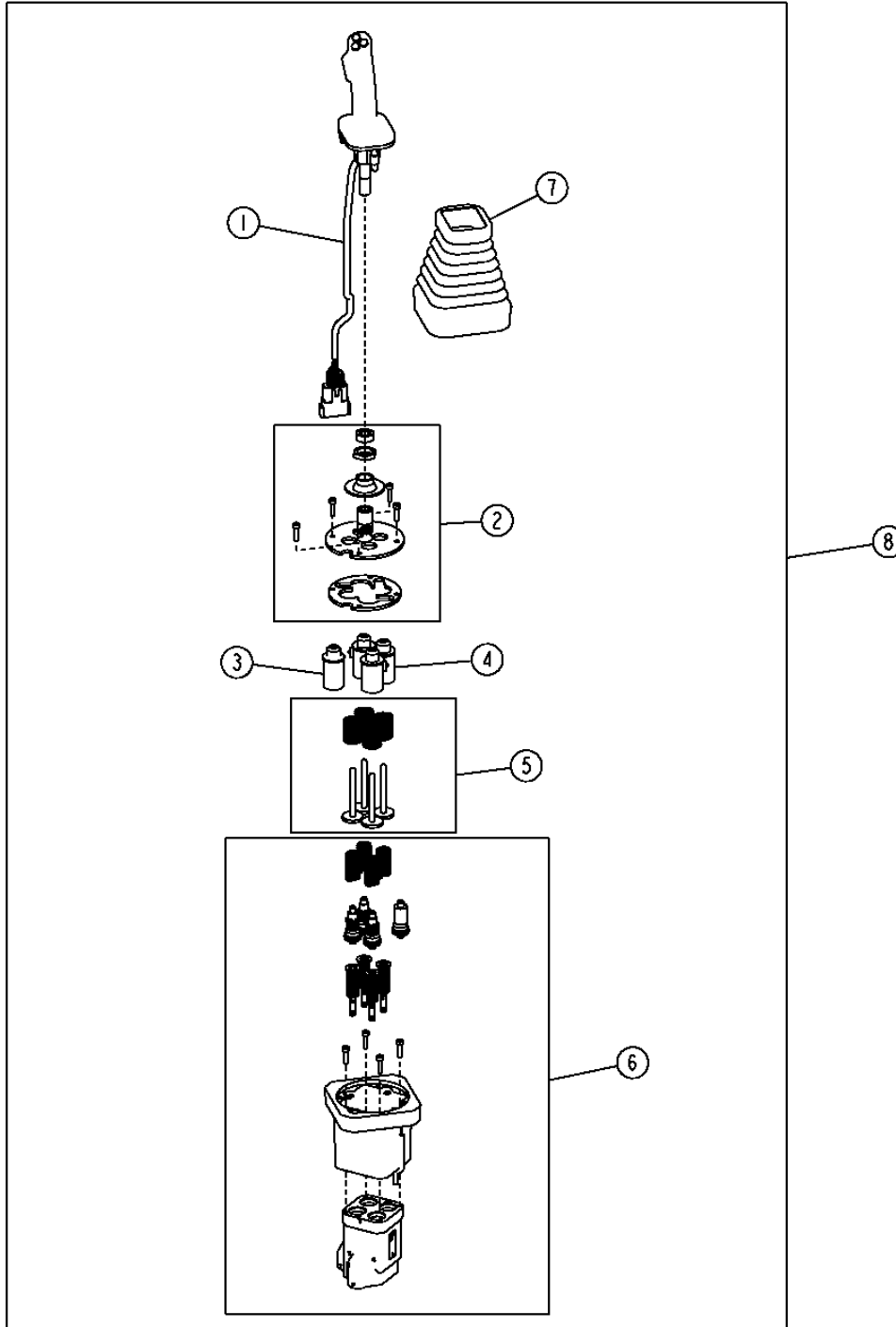
KEY	PART NO.	PART NAME	QTY.	SERIAL NO.	REMARKS
1	19M7789	SCREW	2		M12 X 30, (SUB FOR 19M7877)
2	38H1030	TEE FITTING	1		
3	T77613	O-RING	3		
4	38H1178	ADAPTER FITTING	1		
5	R26375	O-RING	1		
6	T77858	O-RING	1		
7	38H1309	ADAPTER FITTING	1		
8	R28782	O-RING	1		
9	38H1329	ADAPTER FITTING	1		
10	T77932	O-RING	1		
11	U12547	O-RING	1		
13	R500318	O-RING	1		
14	AT308355	HYDRAULIC PUMP	1		
	AT316677	SEAL KIT	1		

3162-2

SINGLE LEVER PILOTT CONTROLLER COMPONENTS COMPOSANTS DE CONTROLEUR A UN SEUL LEVIER COMPONENTES DEL CONTROLADOR DE PALANCA UNICA

T196147

-UN-13NOV03



T196147

3162-3

LOADER 31

HYDRAULIC SYSTEM 3160

**SINGLE LEVER PILOT CONTROLLER COMPONENTS
COMPOSANTS DE CONTROLEUR A UN SEUL LEVIER
COMPONENTES DEL CONTROLADOR DE PALANCA UNICA**

KEY	PART NO.	PART NAME	QTY.	SERIAL NO.	REMARKS
1	AT315458	HANDLE	1		(A)
	AT315459	HANDLE	1		(B)
2	AT307636	UNIVERSAL JOINT	1		
3	AT307638	GUIDE	1		
4	AT307637	SOLENOID	3		(C)
5	AT307640	PIN	1		
6	AT307641	OIL PRESSURE REG. VALVE	1		
7	T205941	BOOT	1		
8	AT315847	HYDR./PILOT CONTROL VALVE	1		(A)
	AT315846	HYDR./PILOT CONTROL VALVE	1		(B)

(A) WITHOUT FNR

(A) SANS FNR

(A) SIN FNR

(B) WITH FNR

(B) AVEC FNR

(B) CON FNR

(C) THREE USES - ORDER AS REQUIRED

(C) TROIS UTILISATIONS - COMMANDER SELON LE BESOIN

(C) TRES USOS - PEDIR SEGUN SE REQUIERA

(E) NOT ILLUSTRATED

(E) PAS ILLUSTRÉ

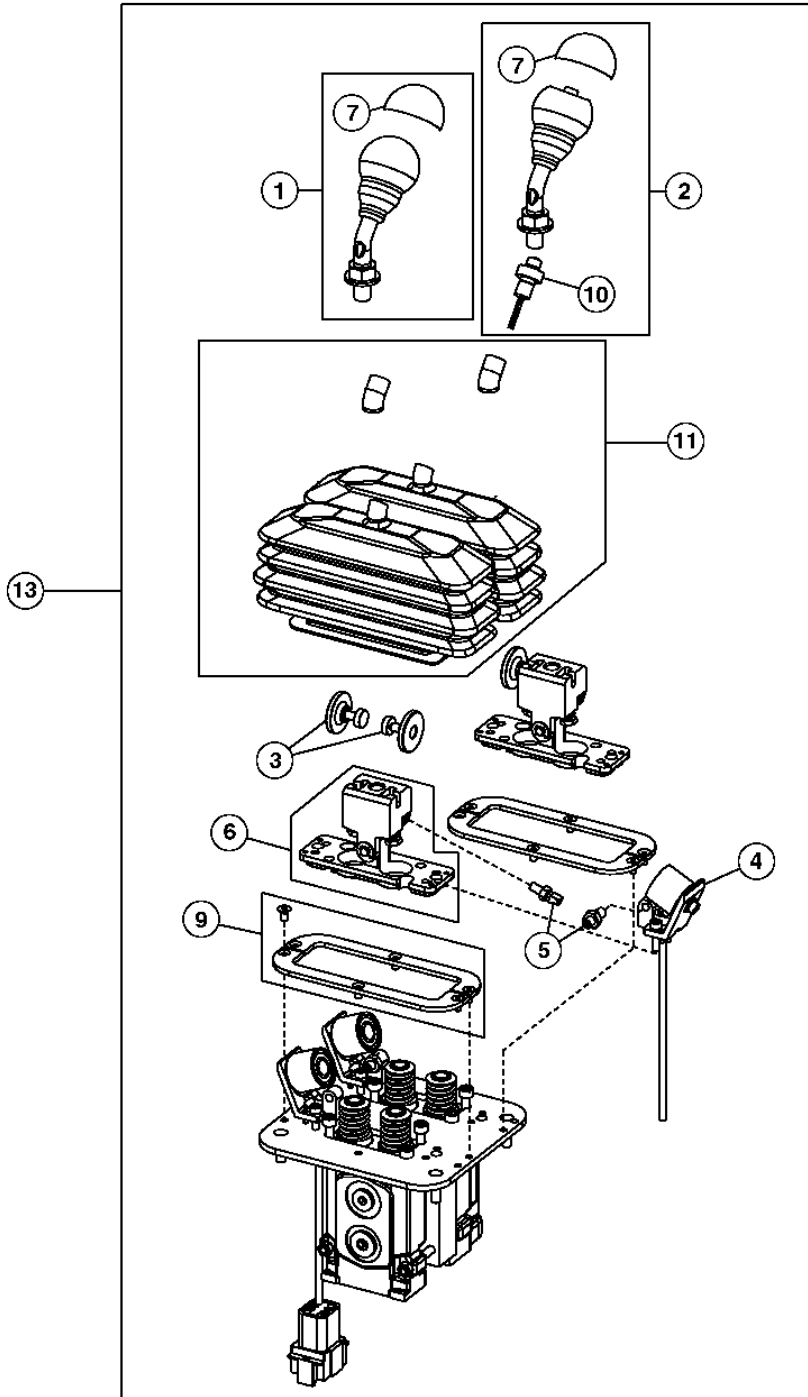
(E) NO SE ILUSTRÁ

3162-4

TWO LEVER PILOT CONTROLLER COMPONENTS COMPOSANTS DE CONTROLEUR DE PILOTE A DEUX LEVIERS COMPONENTES DEL CONTROLADOR PILOTO DE DOS PALANCAS

TX1003910

-UN-23FEB06



TX1003910

3162-5

LOADER 31

HYDRAULIC SYSTEM 3160

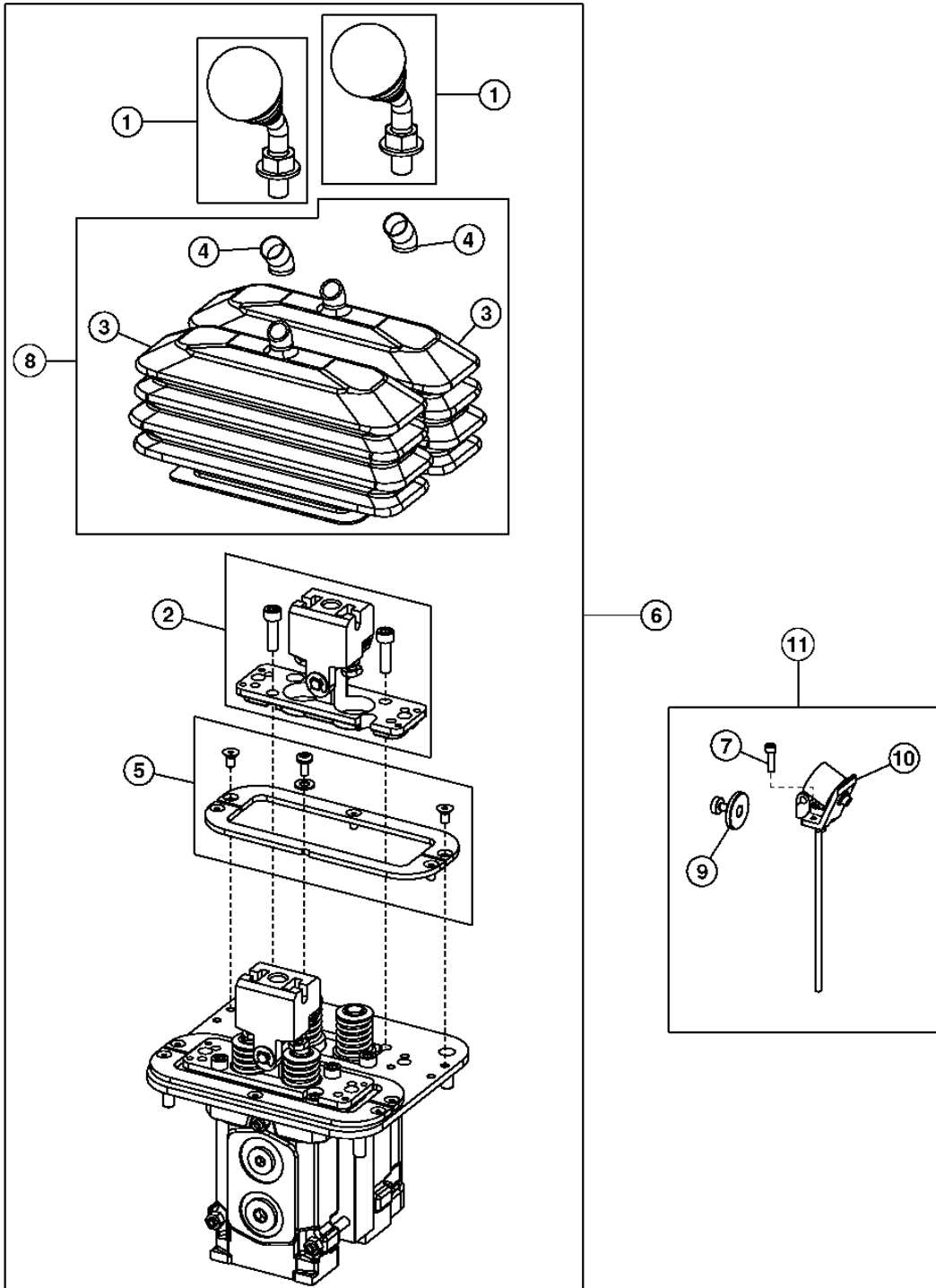
**TWO LEVER PILOT CONTROLLER COMPONENTS
COMPOSANTS DE CONTROLEUR DE PILOTE A DEUX LEVIERS
COMPONENTES DEL CONTROLADOR PILOTO DE DOS PALANCAS**

KEY	PART NO.	PART NAME	QTY.	SERIAL NO.	REMARKS
1	AT227925	LEVER	1		
2	AT227926	LEVER	1		(USE WITH AT227925)
3	AT227928	ARMATURE	2		
4	AT227927	SOLENOID	2		
5	AT227929	HYDR./PILOT CONTROL VALVE	4		
6	AT227930	PLATE	2		
7	AT318123	BOOT	2		
9	AT227933	PLATE	2		
10	AT226119	SWITCH	1		
11	AT303619	KIT	1		
13	AT225425	HYDR./PILOT CONTROL VALVE	1		

3162-6

AUXILIARY CONTROLLER COMPONENTS COMPOSANTS DE CONTROLEUR AUXILIAIRE COMPONENTES DE LA UNIDAD DE CONTROL AUXILIAR

T212877 -UN-19JUL05



T212877

3162-7

LOADER 31

HYDRAULIC SYSTEM 3160

**AUXILIARY CONTROLLER COMPONENTS
COMPOSANTS DE CONTROLEUR AUXILIAIRE
COMPONENTES DE LA UNIDAD DE CONTROL AUXILIAR**

KEY	PART NO.	PART NAME	QTY.	SERIAL NO.	REMARKS
1	AT227925	LEVER	1		
2	AT227930	PLATE	1		
3	BOOT	1		(ORDER AT303619 KIT)
4	TUBE	1		(ORDER AT303619 KIT)
5	AT227933	PLATE	1		
6	AT228250	HYDR./PILOT CONTROL VALVE	1		(A)
	AT300154	HYDR./PILOT CONTROL VALVE	1		(B)
7	AT325612	BOLT	2		
8	AT303619	KIT	1		
9	AT227928	ARMATURE	1		
10	AT227927	SOLENOID	1		
11	AT305603	KIT	1		(C) (INCLUDES AT227927, AT227928, (2) AT325612)

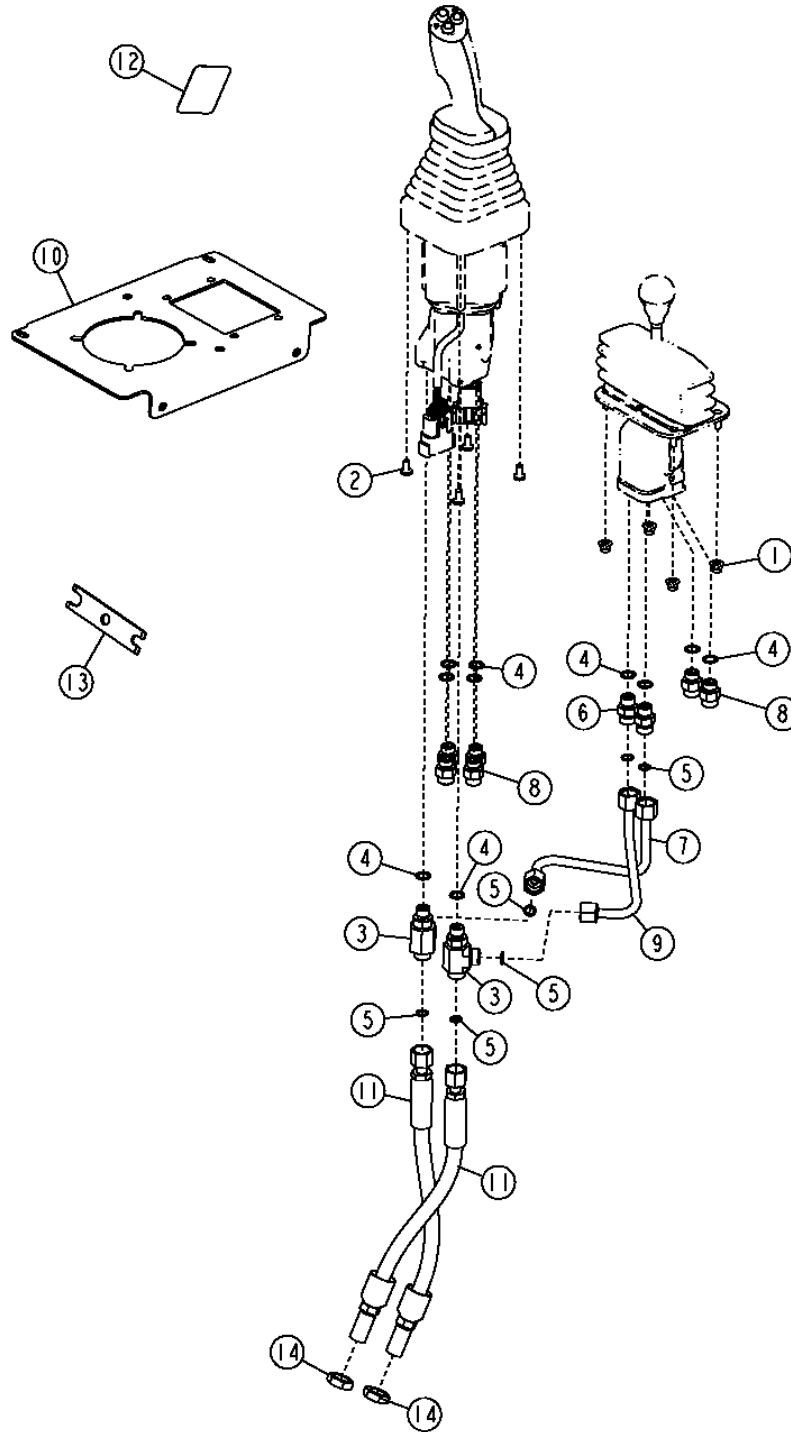
- (A) SINGLE LEVER AUXILLIARY CONTROLLER
- (A) CONTROLEUR A SIMPLE AUXILIAIRE
- (A) CONTROLADOR DE SIMPLE AUXILIAR
- (B) TWO LEVER CONTORLLER WITH AUXILLIARY
- (B) CONTROLEUR A DEUX LEVIERS AVEC AUX
- (B) CONTROLADOR DE DOS PALANCAS CON FUNCION AUXILIAR
- (C) AUXILLARY CONTROLLER DETENT KIT
- (C) CRAN D'ARRET DE CONTROLEUR AUXILIAIRE
- (C) TOPE DE CONTROLADOR AUXILIAR

3162-8

SINGLE LEVER CONTROLLER AND AUXILLIARY MOUNTING BRACKET
SUPPORT DE MONTAGE DE CONTROLEUR A UN SEUL LEVIER
ESCUADRA DE MONTAJE DE LA UNIDAD DE CONTROL DE PALANCA UNICA

T213301

-UN-22AUG05



T213301

3162-9

LOADER 31

HYDRAULIC SYSTEM 3160

**SINGLE LEVER CONTROLLER AND AUXILLIARY MOUNTING BRACKET
SUPPORT DE MONTAGE DE CONTROLEUR A UN SEUL LEVIER
ESCUADRA DE MONTAJE DE LA UNIDAD DE CONTROL DE PALANCA UNICA**

KEY	PART NO.	PART NAME	QTY.	SERIAL NO.	REMARKS
1	14M7397	LOCK NUT	4		M6
2	21M7285	SCREW	4		M6 X 12
3	38H1023	TEE FITTING	2		
4	R26448	O-RING	10		
5	T77613	O-RING	6		
6	38H1160	ADAPTER FITTING	2		
7	AT226132	OIL LINE	1		
8	ADAPTER FITTING	6		(NA)
9	AT226133	OIL LINE	1		
10	AT228261	PLATE	1		(W/ AUXILIARY) (W/ AUXILIAR) (W/ AUXILIAIRE)
	AT300662	PLATE	1		(W/O AUXILIARY) (W/O AUXILIAR) (W/O AUXILIAIRE)
11	AT228703	HYDRAULIC HOSE - FABRICATE	2		
12	T203670	LABEL	1		(W/O FNR)
13	T212304	TOOL	1		
14	T81029	NUT	2		

3162-10

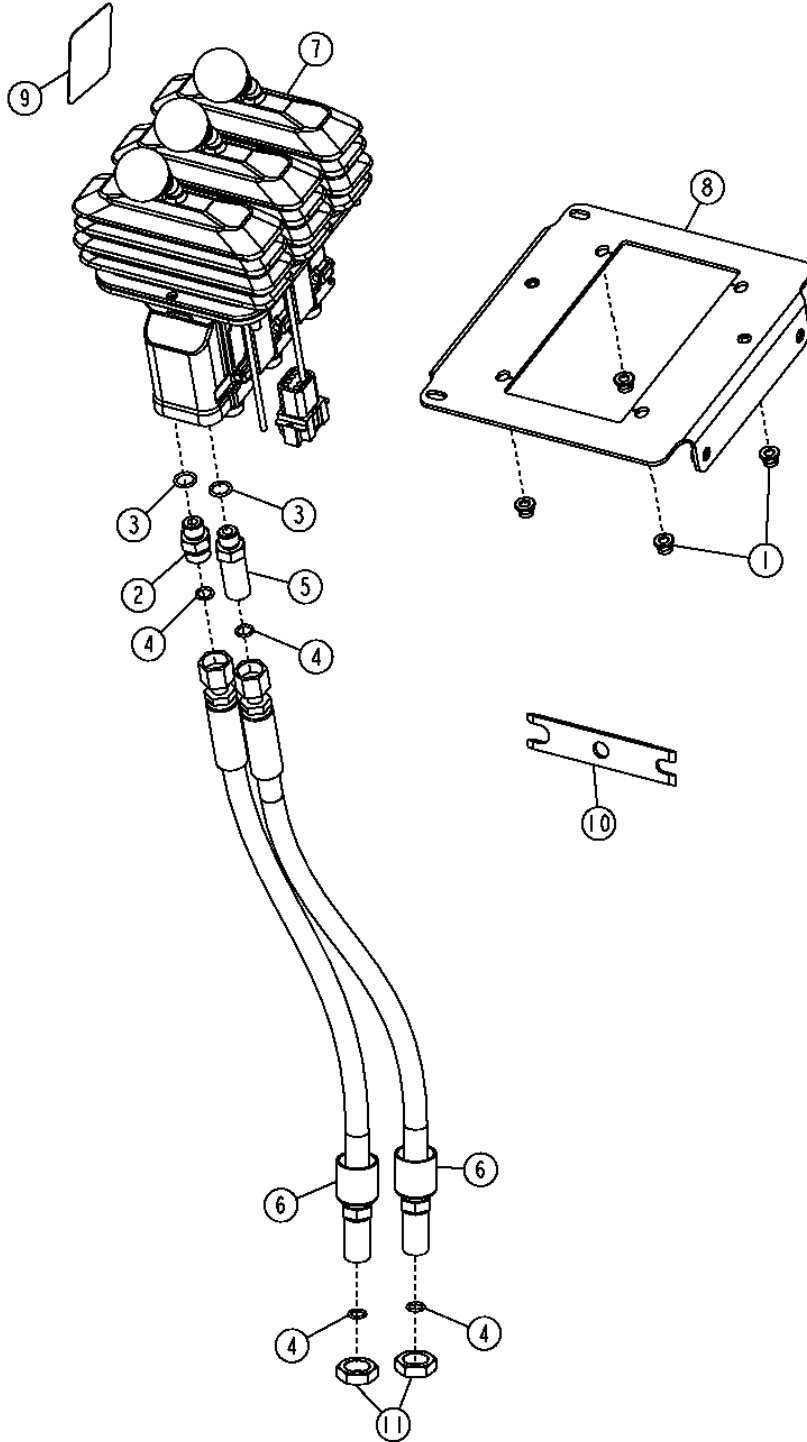
LOADER 31

HYDRAULIC SYSTEM 3160

TWO AND THREE LEVER PILOT CONTROLLER MOUNTING BRACKET
SUPPORT DE MONTAGE DE CONTROLEUR DE PILOTE A DEUX LEVIERS
ESCUADRA DE MONTAJE DE LA UNIDAD DE CONTROL PILOTO DE DOS PALANCAS

T213335

-UN-25AUG05



T213335

3162-11

LOADER 31

HYDRAULIC SYSTEM 3160

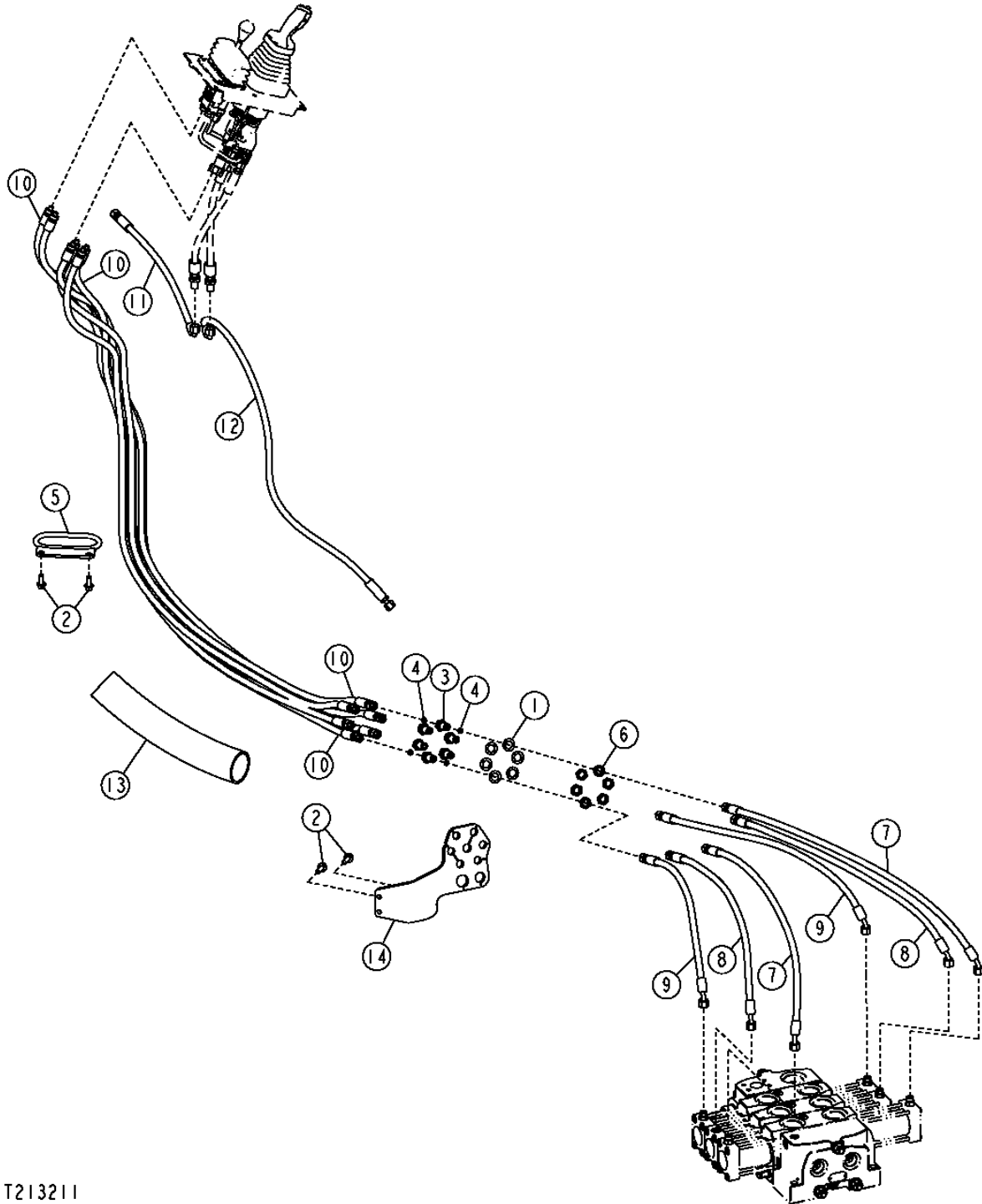
**TWO AND THREE LEVER PILOT CONTROLLER MOUNTING BRACKET
SUPPORT DE MONTAGE DE CONTROLEUR DE PILOTE A DEUX LEVIERS
ESCUADRA DE MONTAJE DE LA UNIDAD DE CONTROL PILOTO DE DOS PALANCAS**

KEY	PART NO.	PART NAME	QTY.	SERIAL NO.	REMARKS
1	14M7397	LOCK NUT	4		M6
2	38H1160	ADAPTER FITTING	1		
3	R26448	O-RING	9		
4	T77613	O-RING	3		
5	38H1212	ADAPTER FITTING	1		
6	AT226454	HYDRAULIC HOSE - FABRICATE	2		11/16" X 23-1/2" X 11/16"
7	AT300154	HYDR./PILOT CONTROL VALVE	1		(W/ AUXILIARY) (W/ AUXILIAIRE) (W/ AUXILIAR)
	AT225425	HYDR./PILOT CONTROL VALVE	1		(W/O AUXILIARY) (W/O AUXILIAIRE) (W/O AUXILIAR)
8	AT300156	PLATE	1		(W/ AUXILIARY) (W/ AUXILIAIRE) (W/ AUXILIAR)
	AT300936	PLATE	1		(W/O AUXILIARY) (W/O AUXILIAIRE) (W/O AUXILIAR)
9	T200729	LABEL	1		
10	T212304	TOOL	1		
11	T81029	NUT	2		

3162-12

SINGLE LEVER CONTROLLER AND AUXILLIARY PILOT LINES
CONDUITES PILOTE A CONTROLEUR A LEVIER UNIQUE
LINEAS PILOTO DE PALANCA DE CONTROL UNICA

T213211 -UN-18AUG05



T213211

3162-13

LOADER 31

HYDRAULIC SYSTEM 3160

**SINGLE LEVER CONTROLLER AND AUXILLIARY PILOT LINES
CONDUITES PILOTE A CONTROLEUR A LEVIER UNIQUE
LINEAS PILOTO DE PALANCA DE CONTROL UNICA**

KEY	PART NO.	PART NAME	QTY.	SERIAL NO.	REMARKS
1	12H327	LOCK WASHER	6		3/4"
2	19M7785	SCREW	4		M10 X 25
3	38H1285	UNION FITTING	1		
4	T77613	O-RING	2		
5	AT323101	BRACKET	1		
6	T81029	NUT	6		
7	AT323704	HYDRAULIC HOSE - FABRICATE	2		11/16" X 44" X 11/16"
8	AT323705	HYDRAULIC HOSE - FABRICATE	2		11/16" X 40" X 11/16"
9	AT323706	HYDRAULIC HOSE - FABRICATE	2		11/16" X 36-1/2" X 11/16"
10	AT323707	HYDRAULIC HOSE - FABRICATE	6		
11	AT323931	HYDRAULIC HOSE - FABRICATE	1		11/16" X 35" X 11/16"
12	AT323932	HYDRAULIC HOSE - FABRICATE	1		11/16" X 48" X 11/16"
13	T188182	HOSE GUARD	1		
14	T216532	PLATE	1		
..	AT305690	FIELD INSTALLATION KIT	1		(A) (SUB FOR AT327730)
..	AT325693	FIELD INSTALLATION KIT	1		(B) (SUB FOR AT327801)

(A) TWO LEVER TO SINGLE LEVER KIT

(A) KIT DEUX LEVIERS A LEVIER UNIQUE

(A) JUEGO DE DOS PALANCAS A PALANCA SENCILLA

(B) THREE LEVER TO SINGLE LEVER WITH AUXILIARY KIT

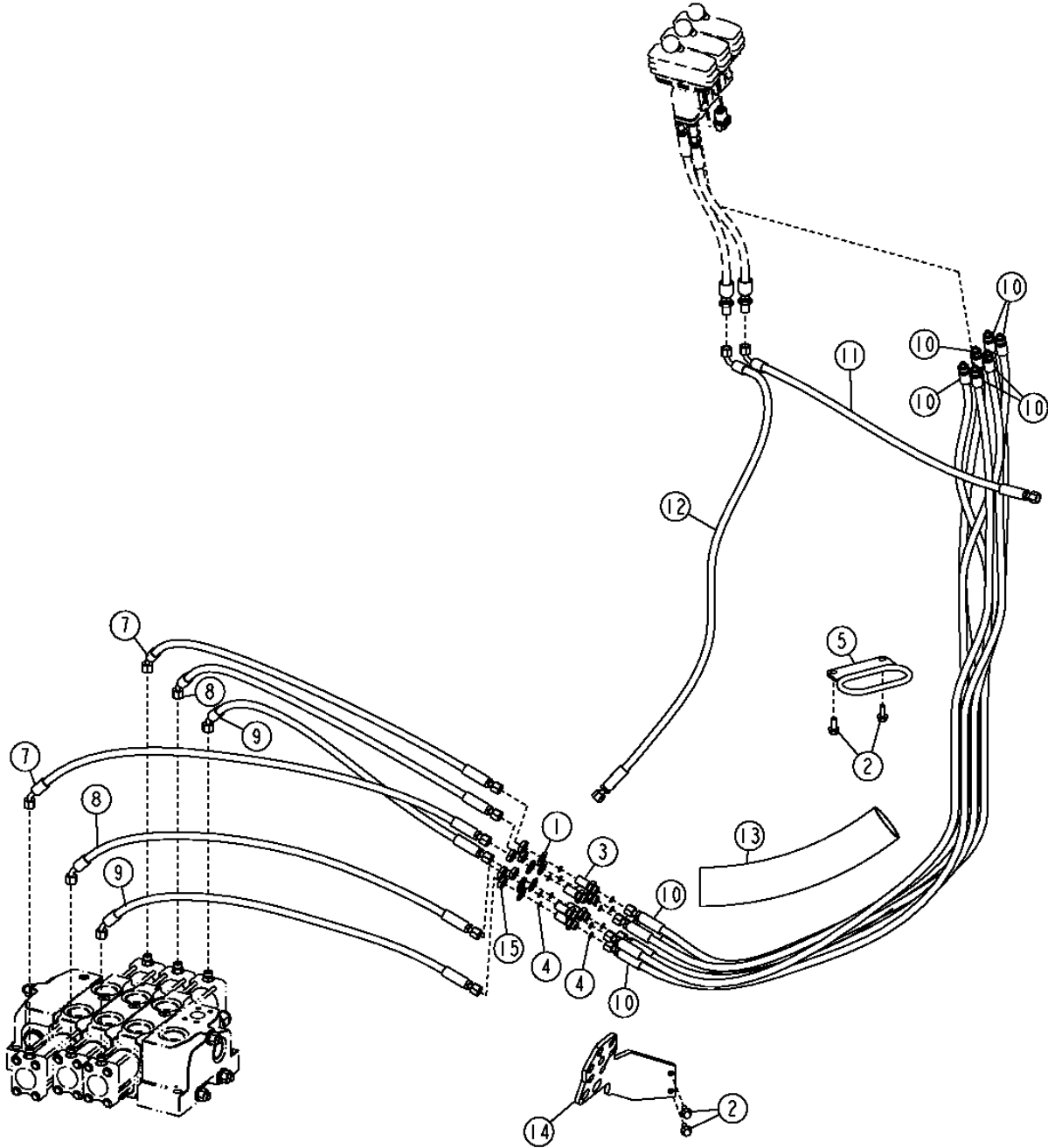
(B) KIT TROIS LEVIERS A LEVIER UNIQUE AVEC AUXILIAIRE

(B) JUEGO DE TRES PALANCAS A PALANCA SENCILLA CON AUXILIAR

3162-14

TWO AND THREE LEVER CONTROLLER PILOT LINES
CONDUITES PILOTE A CONTROLEUR A DEUX LEVIERS
LINEAS PILOTO DE DOS PALANCAS DE CONTROL

T213338 -UN-30AUG05



T213338

3162-15

LOADER 31

HYDRAULIC SYSTEM 3160

**TWO AND THREE LEVER CONTROLLER PILOT LINES
CONDUITES PILOTE A CONTROLEUR A DEUX LEVIERS
LINEAS PILOTO DE DOS PALANCAS DE CONTROL**

KEY	PART NO.	PART NAME	QTY.	SERIAL NO.	REMARKS
1	12H327	LOCK WASHER	6		3/4"
2	19M7785	SCREW	4		M10 X 25
3	38H1285	UNION FITTING	1		
4	T77613	O-RING	2		
5	AT323101	BRACKET	1		
7	AT323704	HYDRAULIC HOSE - FABRICATE	2		11/16" X 44" X 11/16"
8	AT323705	HYDRAULIC HOSE - FABRICATE	2		11/16" X 40" X 11/16"
9	AT323706	HYDRAULIC HOSE - FABRICATE	2		11/16" X 36-1/2" X 11/16"
10	AT323707	HYDRAULIC HOSE - FABRICATE	6		
11	AT323931	HYDRAULIC HOSE - FABRICATE	1		11/16" X 35" X 11/16"
12	AT323932	HYDRAULIC HOSE - FABRICATE	1		11/16" X 48" X 11/16"
13	T188182	HOSE GUARD	1		
14	T216532	PLATE	1		
15	T81029	NUT	6		
..	AT305687	FIELD INSTALLATION KIT	1		(A) (SUB FOR AT327690)
..	AT305692	FIELD INSTALLATION KIT	1		(B) (SUB FOR AT327800)

(A) SINGLE LEVER TO TWO LEVER KIT

(A) KIT LEVIER UNIQUE A DEUX LEVIERS

(A) JUEGO DE PALANCA SENCILLA A DOS PALANCAS

(B) SINGLE LEVER WITH AUXILIARY TO THREE LEVER KIT

(B) KIT LEVIER UNIQUE AVEC AUXILIAIRE A TROIS LEVIERS

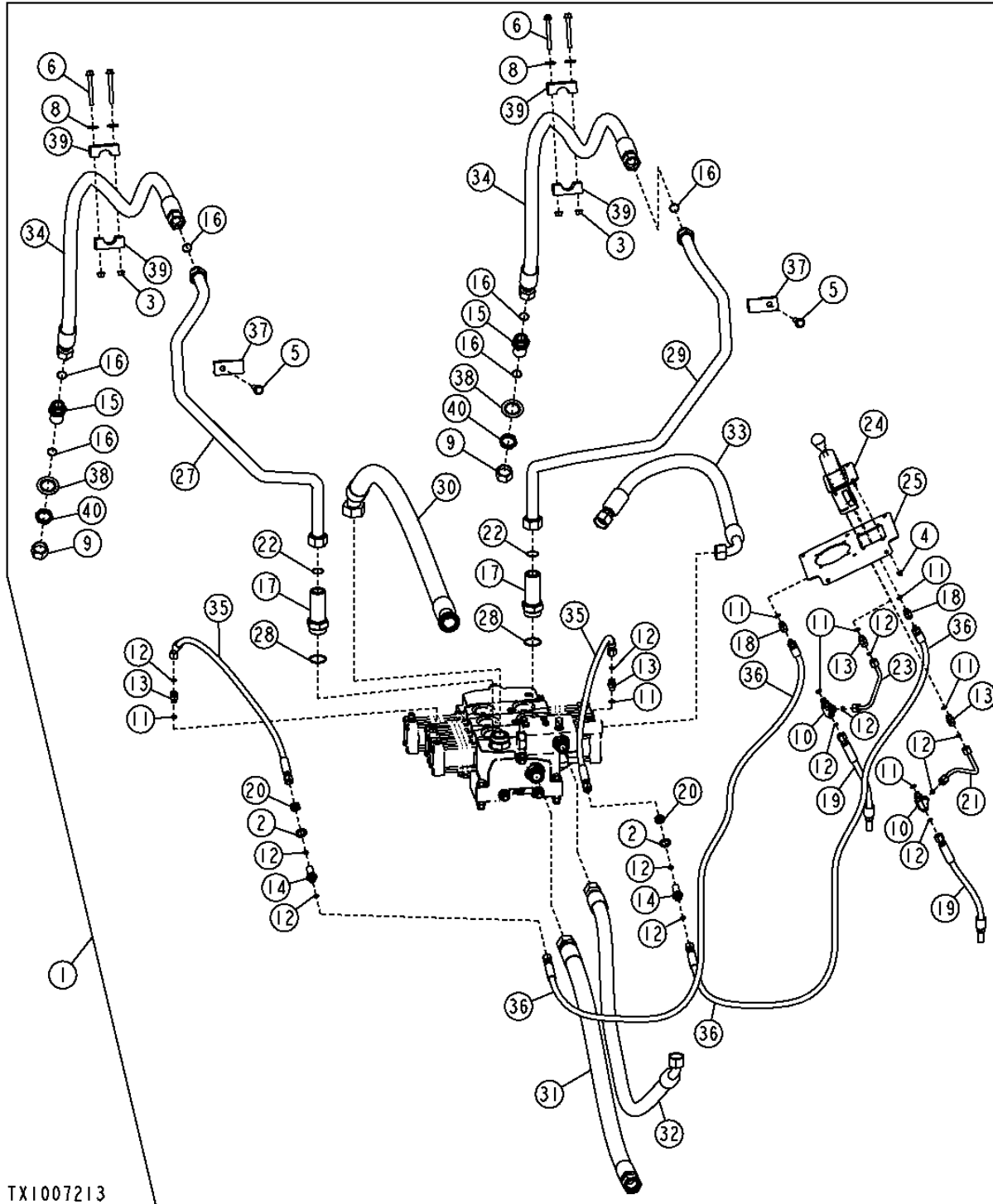
(B) JUEGO DE PALANCA SENCILLA CON AUXILIAR A TRES PALANCAS

3162-18

SINGLE LEVER CONTROLLER AUXILIARY SECTION AND HYDRAULICS
SECTION AUXILIAIRE ET CIRCUIT HYDRAULIQUE DE CONTROLEUR A UN SEUL LEVIER
SECCION AUXILIAR Y SISTEMA HIDRAULICO DE LA UNIDAD DE CONTROL DE PALANCA UNICA

TX1007213

-UN-04MAY06



TX1007213

THIS PARTS LISTING IS CONTINUED

3162-19

LOADER 31

HYDRAULIC SYSTEM 3160

SINGLE LEVER CONTROLLER AUXILIARY SECTION AND HYDRAULICS
SECTION AUXILIAIRE ET CIRCUIT HYDRAULIQUE DE CONTROLEUR A UN SEUL LEVIER
SECCION AUXILIAR Y SISTEMA HIDRAULICO DE LA UNIDAD DE CONTROL DE PALANCA UNICA

KEY	PART NO.	PART NAME	QTY.	SERIAL NO.	REMARKS
1	AT326301	FIELD INSTALLATION KIT	1		(A) (INCLUDES)
2	12H327	LOCK WASHER	2		3/4"
3	14M7296	FLANGE NUT	4		M10
4	14M7397	LOCK NUT	4		M6
5	19M7818	SCREW	2		M12 X 80
6	19M7811	SCREW	4		M10 X 90
8	24M7296	WASHER	4		10.500 X 30 X 2.500 MM
9	38H1419	FITTING	2		
10	38H1023	TEE FITTING	1		
11	R26448	O-RING	3		
12	T77613	O-RING	6		
13	38H1160	ADAPTER FITTING	1		
14	38H1285	UNION FITTING	1		
15	38H1287	ADAPTER FITTING	1		
16	T76938	O-RING	4		
17	AT313551	FITTING	2		
18	62H1001	ADAPTER FITTING	2		
19	AT228703	HYDRAULIC HOSE - FABRICATE	2		
20	T81029	NUT	2		
21	AT226132	OIL LINE	1		
22	T78612	O-RING	2		
23	AT226133	OIL LINE	1		
24	MULTI-FUNCTIONAL CONTROLLER	1		
25	AT228261	PLATE	1		
27	AT330023	OIL LINE	1		(SUB FOR AT321319)
28	R26773	O-RING	2		
29	AT330024	OIL LINE	1		(SUB FOR AT321321)
30	AT322651	HYDRAULIC HOSE - FABRICATE	1		2" X 1 464 MM X 2"
31	AT329642	HYDRAULIC HOSE - FABRICATE	1		1-11/16" X 1 315 MM X 1-11/16", (SUB FOR AT322672)
32	AT322689	HYDRAULIC HOSE - FABRICATE	1		1-7/16" X 1 499 MM X 1-7/16"
33	AT322737	HYDRAULIC HOSE - FABRICATE	1		1-7/16" X 914 MM X 1-7/16"
34	AT322754	HYDRAULIC HOSE - FABRICATE	2		1-7/16" X 2 540 MM X 1-7/16"
35	AT323706	HYDRAULIC HOSE - FABRICATE	2		11/16" X 927 MM X 11/16"
36	AT323707	HYDRAULIC HOSE - FABRICATE	2		
37	T104355	CLAMP	2		
38	T216836	LOCK WASHER	2		
39	T67995	CLAMP	4		
40	T78715	NUT	2		
41	T81029	NUT	2		

(A) AUXILIARY VALVE AND CONTROL VALVE HARDWARE
 (A) SOUPAPE DE AUXILIAIRE ET DISTRIBUTEUR BOULONNERIE
 (A) VALVULA DE AUXILIAR Y VALVULA DE CONTROL TORNILLERIA

3162-20

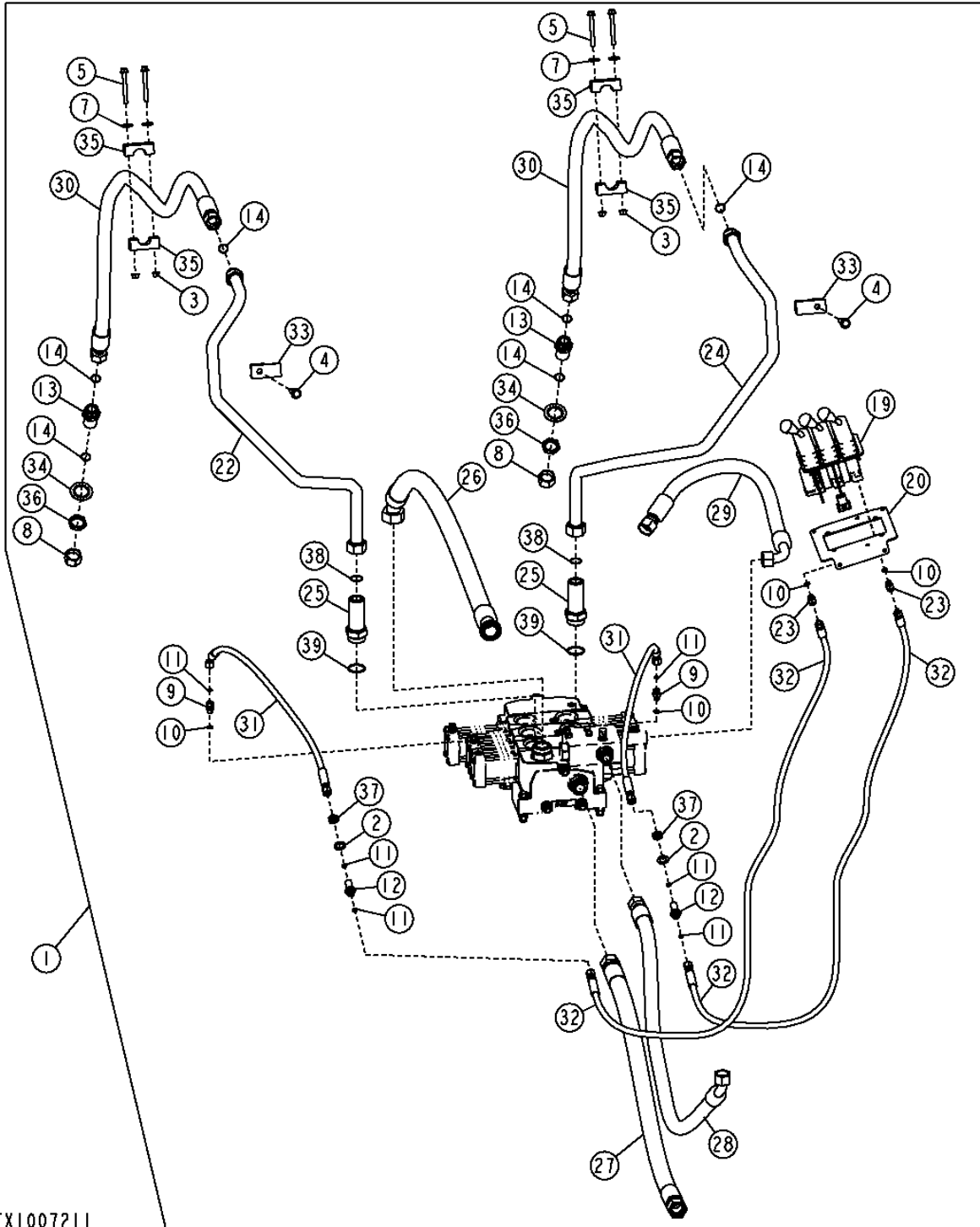
LOADER 31

HYDRAULIC SYSTEM 3160

TWO LEVER CONTROLLER AUXILIARY SECTION AND HYDRAULICS SECTION AUXILIAIRE ET CIRCUIT HYDRAULIQUE DE CONTROLER A DEUX LEVIERS SECCION AUXILIAR Y SISTEMA HIDRAULICO DE LA UNIDAD DE CONTROL DE DOS PALANCPALANCAS

TX1007211

-UN-04MAY06



TX1007211

THIS PARTS LISTING IS CONTINUED

3162-21

LOADER 31

HYDRAULIC SYSTEM 3160

**TWO LEVER CONTROLLER AUXILIARY SECTION AND HYDRAULICS
SECTION AUXILIAIRE ET CIRCUIT HYDRAULIQUE DE CONTROLEUR A DEUX LEVIERS
SECCION AUXILIAR Y SISTEMA HIDRAULICO DE LA UNIDAD DE CONTROL DE DOS PALANCAS**

KEY	PART NO.	PART NAME	QTY.	SERIAL NO.	REMARKS
1	AT309311	FIELD INSTALLATION KIT	1		(A) (INCLUDES)
2	12H327	LOCK WASHER	2		3/4"
3	14M7296	FLANGE NUT	4		M10
4	19M7818	SCREW	2		M12 X 80
5	19M7811	SCREW	4		M10 X 90
7	24M7296	WASHER	4		10.500 X 30 X 2.500 MM
8	38H1419	FITTING	2		
9	38H1160	ADAPTER FITTING	1		
10	R26448	O-RING	2		
11	T77613	O-RING	2		
12	38H1285	UNION FITTING	1		
13	38H1287	ADAPTER FITTING	1		
14	T76938	O-RING	4		
19	MULTI-FUNCTIONAL CONTROLLER	1		(B)
20	AT300156	PLATE	1		
22	AT330023	OIL LINE	1		(SUB FOR AT321319)
23	62H1001	ADAPTER FITTING	2		
24	AT330024	OIL LINE	1		(SUB FOR AT321321)
25	38H1615	ADAPTER FITTING	2		
26	AT322651	HYDRAULIC HOSE - FABRICATE	1		2" X 1 464 MM X 2"
27	AT329642	HYDRAULIC HOSE - FABRICATE	1		1-11/16" X 1 315 MM X 1-11/16", (SUB FOR AT322672)
28	AT322689	HYDRAULIC HOSE - FABRICATE	1		1-7/16" X 1 499 MM X 1-7/16"
29	AT322737	HYDRAULIC HOSE - FABRICATE	1		
30	AT322754	HYDRAULIC HOSE - FABRICATE	2		
31	AT323706	HYDRAULIC HOSE - FABRICATE	2		11/16" X 927 MM X 11/16"
32	AT323707	HYDRAULIC HOSE - FABRICATE	2		
33	T104355	CLAMP	2		
34	T216836	LOCK WASHER	2		
35	T67995	CLAMP	2		
36	T78715	NUT	2		
37	T81029	NUT	2		
38	T78612	O-RING	2		
39	R26773	O-RING	2		

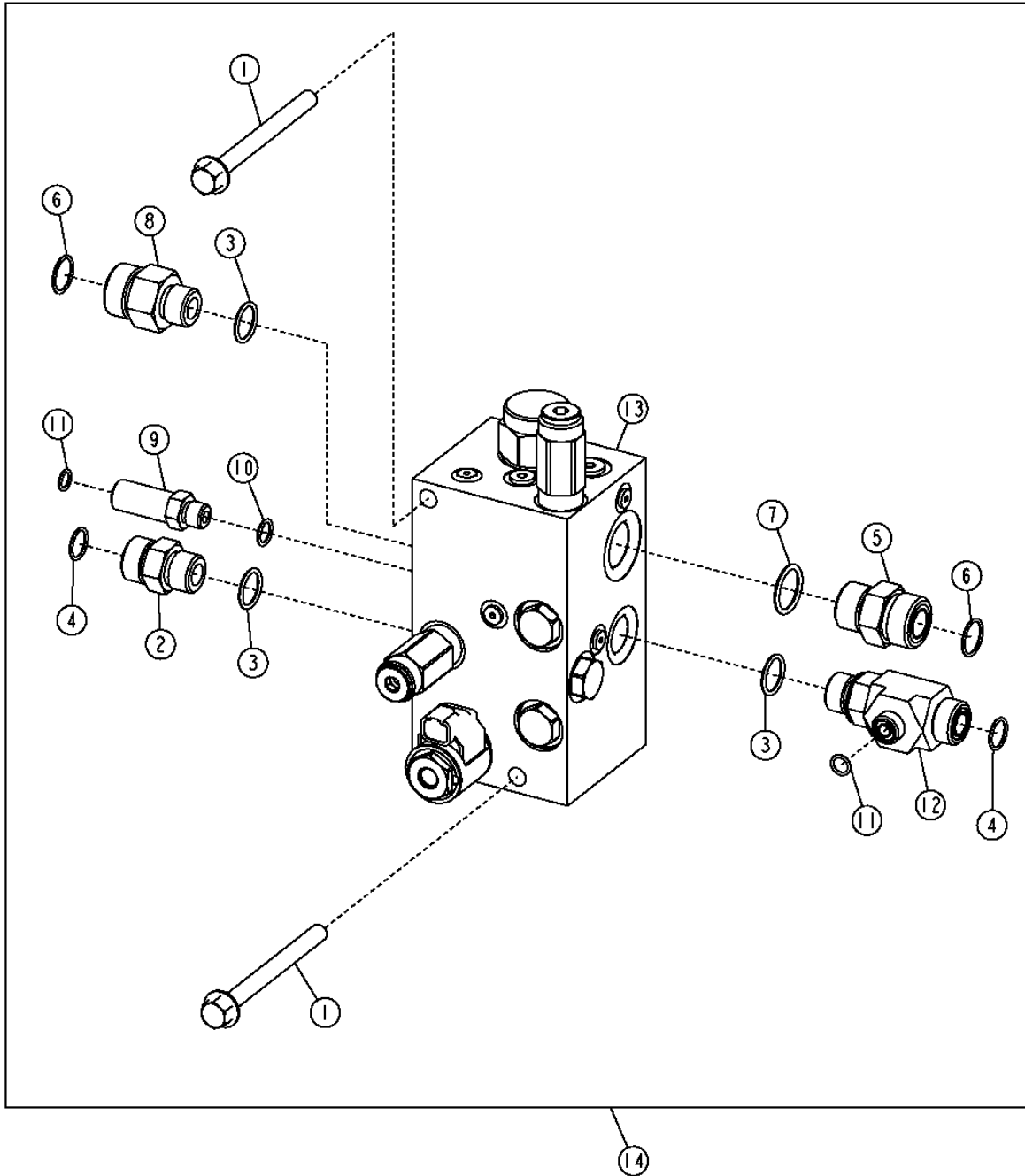
- (A) AUXILIARY VALVE AND CONTROL VALVE HARDWARE
 (A) SOUPAPE DE AUXILIAIRE ET DISTRIBUTEUR BOULONNERIE
 (A) VALVULA DE AUXILIAR Y VALVULA DE CONTROL TORNILLERIA
 (B) THREE LEVER CONTROLLER
 (B) CONTROLEUR A TROIS LEVIERS
 (B) CONTROLADOR DE TRES PALANCAS

3162-22

FAN DRIVE VALVE SOUPAPE D'ENTRAÎNEMENT DU VENTILATEUR VALVULA DE MANDO DE VENTILADOR

T212883

-UN-03AUG05



T212883

3162-23

LOADER 31

HYDRAULIC SYSTEM 3160

FAN DRIVE VALVE
SOUPAPE D'ENTRAÎNEMENT DU VENTILATEUR
VALVULA DE MANDO DE VENTILADOR

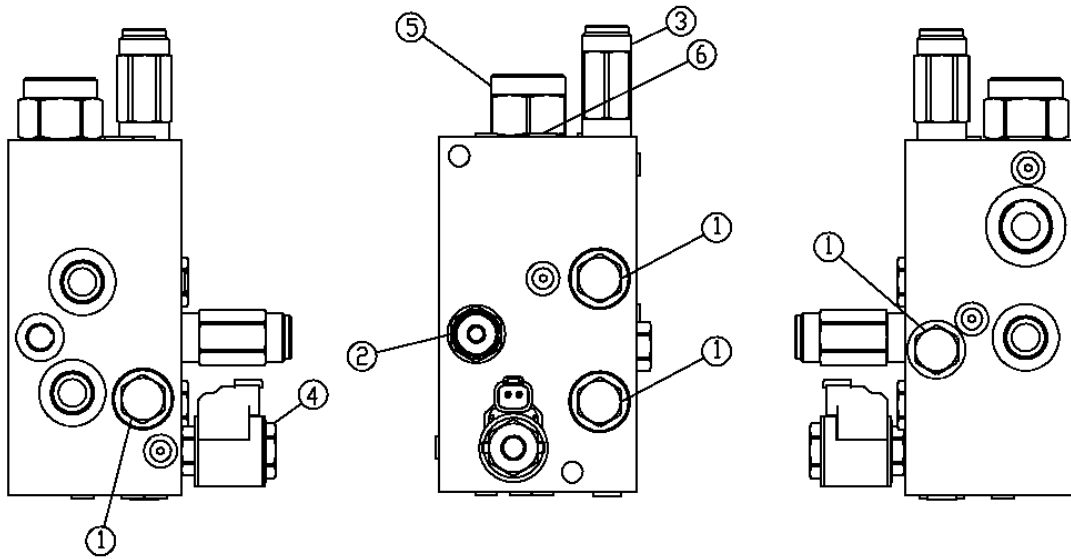
KEY	PART NO.	PART NAME	QTY.	SERIAL NO.	REMARKS
1	19M7836	SCREW	2		M10 X 110
2	38H1162	ADAPTER FITTING	1		
3	R26906	O-RING	3		
4	T77932	O-RING	2		
5	38H1163	ADAPTER FITTING	1		
6	T77858	O-RING	1		
7	U12547	O-RING	1		
8	38H1193	ADAPTER FITTING	1		
9	38H1212	ADAPTER FITTING	1		
10	R26448	O-RING	1		
11	T77613	O-RING	1		
12	TEE FITTING	1		(NLA)
13	AT318251	FLOW CONTROL HYD. VALVE	1		(A)
	AT318787	FLOW CONTROL HYD. VALVE	1		(B)
14	AT309286	FIELD INSTALLATION KIT	1		(A)
(A)	REVERSING VALVE				(B) STANDARD VALVE
(A)	SOUPAPE D'INVERSION				(B) SOUPAPE STANDARD
(A)	VALVULA INVERSORA				(B) VALVULA ESTANDAR

3162-24

REVERSING FAN DRIVE VALVE COMPONENTS
COMPOSANTS DE SOUPAPE D'ENTRAÎNEMENT DU VENTILATEUR D'INVERSION
COMPONENTES DE LA VALVULA DE MANDO DE VENTILADOR REVERSIBLE

T213476

-UN-19AUG05



T213476

3162-25

LOADER 31

HYDRAULIC SYSTEM 3160

REVERSING FAN DRIVE VALVE COMPONENTS
COMPOSANTS DE SOUPAPE D'ENTRAINEMENT DU VENTILATEUR D'INVERSION
COMPONENTES DE LA VALVULA DE MANDO DE VENTILADOR REVERSIBLE

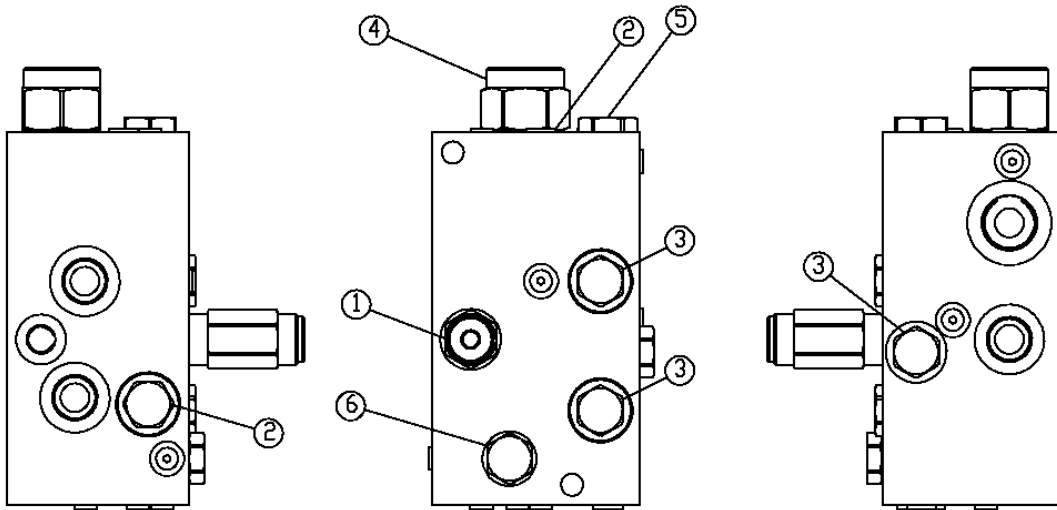
KEY	PART NO.	PART NAME	QTY.	SERIAL NO.	REMARKS
1	AT316678	CHECK VALVE	4		
	AT195143	SEAL KIT	1		
	T187815	O-RING	1		
2	AT324883	HYD ACTUATED CONTROL VALVE	1		
	AT324909	SEAL KIT	1		
3	AT316683	PRESSURE RELIEF VALVE	1		
	AT314326	SEAL KIT	1		
4	AT316687	SOLENOID VALVE	1		
	AT224865	SOLENOID VALVE COIL	1		
	AT316674	SEAL KIT	1		
	T181306	NUT	1		
5	AT316692	HYD ACTUATED CONTROL VALVE	1		
	AT316672	SEAL KIT	1		
6	AT324907	ORIFICE	1		

3162-26

STANDARD FAN DRIVE VALVE COMPONENTS
COMPOSANTS DE SOUPAPE D'ENTRAÎNEMENT DU VENTILATEUR STANDARD
COMPONENTES DE LA VALVULA DE MANDO DE VENTILADOR ESTANDAR

T213475

-UN-18AUG05



T213475

3162-27

LOADER 31

HYDRAULIC SYSTEM 3160

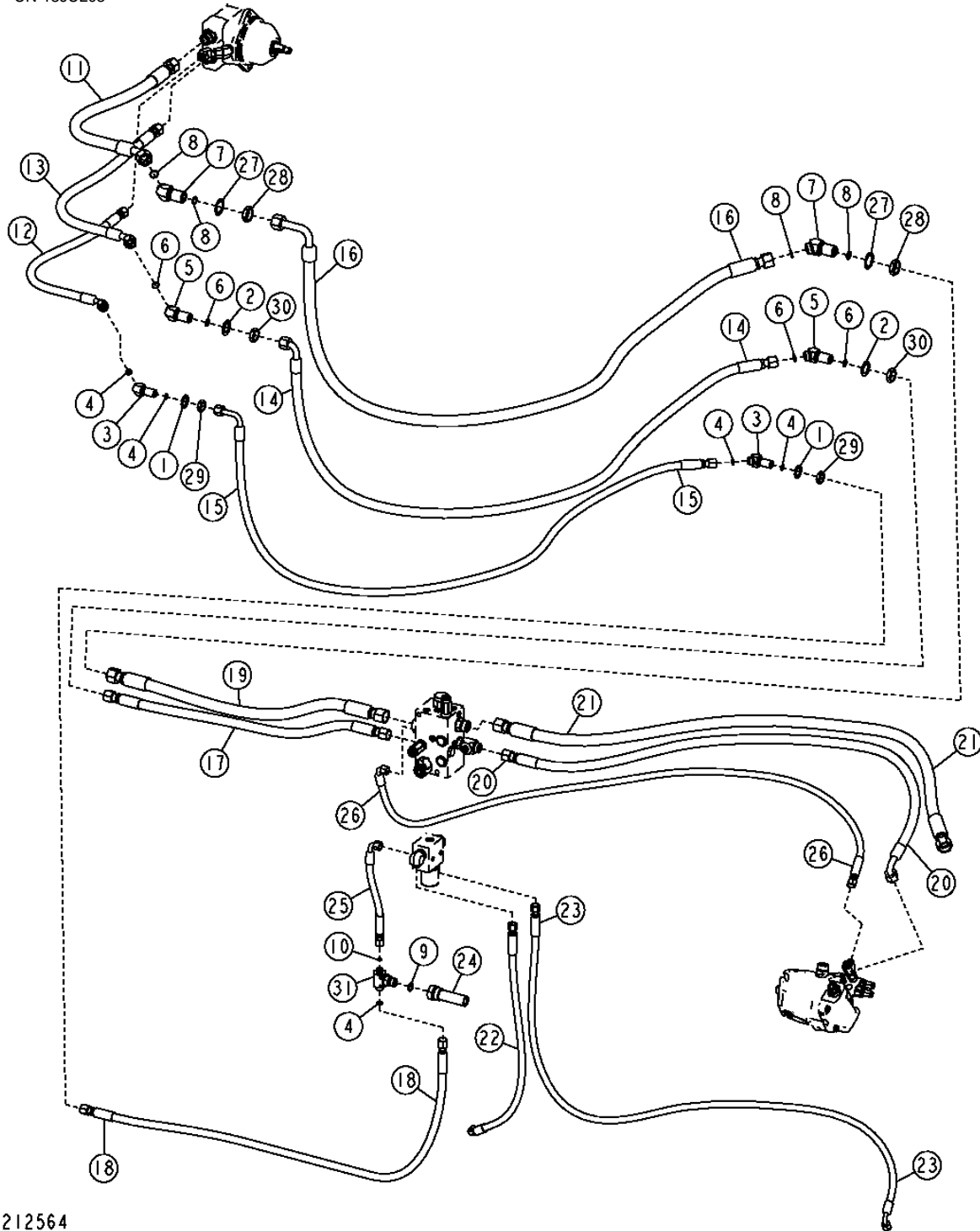
STANDARD FAN DRIVE VALVE COMPONENTS
COMPOSANTS DE SOUPAPE D'ENTRAINEMENT DU VENTILATEUR STANDARD
COMPONENTES DE LA VALVULA DE MANDO DE VENTILADOR ESTANDAR

KEY	PART NO.	PART NAME	QTY.	SERIAL NO.	REMARKS
1	AT324883	HYD ACTUATED CONTROL VALVE	1		
	AT324909	SEAL KIT	1		
2	AT324907	ORIFICE	1		
3	AT324910	PLUG	4		
	AT324911	SEAL KIT	1		
4	AT324912	PLUG	1		
	AT316672	SEAL KIT	1		
5	AT324914	SEAL KIT	1		
	AT324914	SEAL KIT	1		
6	AT324915	PLUG	1		
	AT316674	SEAL KIT	1		

3163-2

FAN MOTOR HYDRAULIC LINES CONDUITES HYDRAULIQUES DU MOTEUR DE VENTILATEUR LINEAS HIDRAULICAS DEL MOTOR DEL VENTILADOR

T212564 -UN-13JUL05



T212564

3163-3

LOADER 31

LINES, HOSES AND FITTINGS 3163

FAN MOTOR HYDRAULIC LINES
 CONDUITES HYDRAULIQUES DU MOTEUR DE VENTILATEUR
 LINEAS HIDRAULICAS DEL MOTOR DEL VENTILADOR

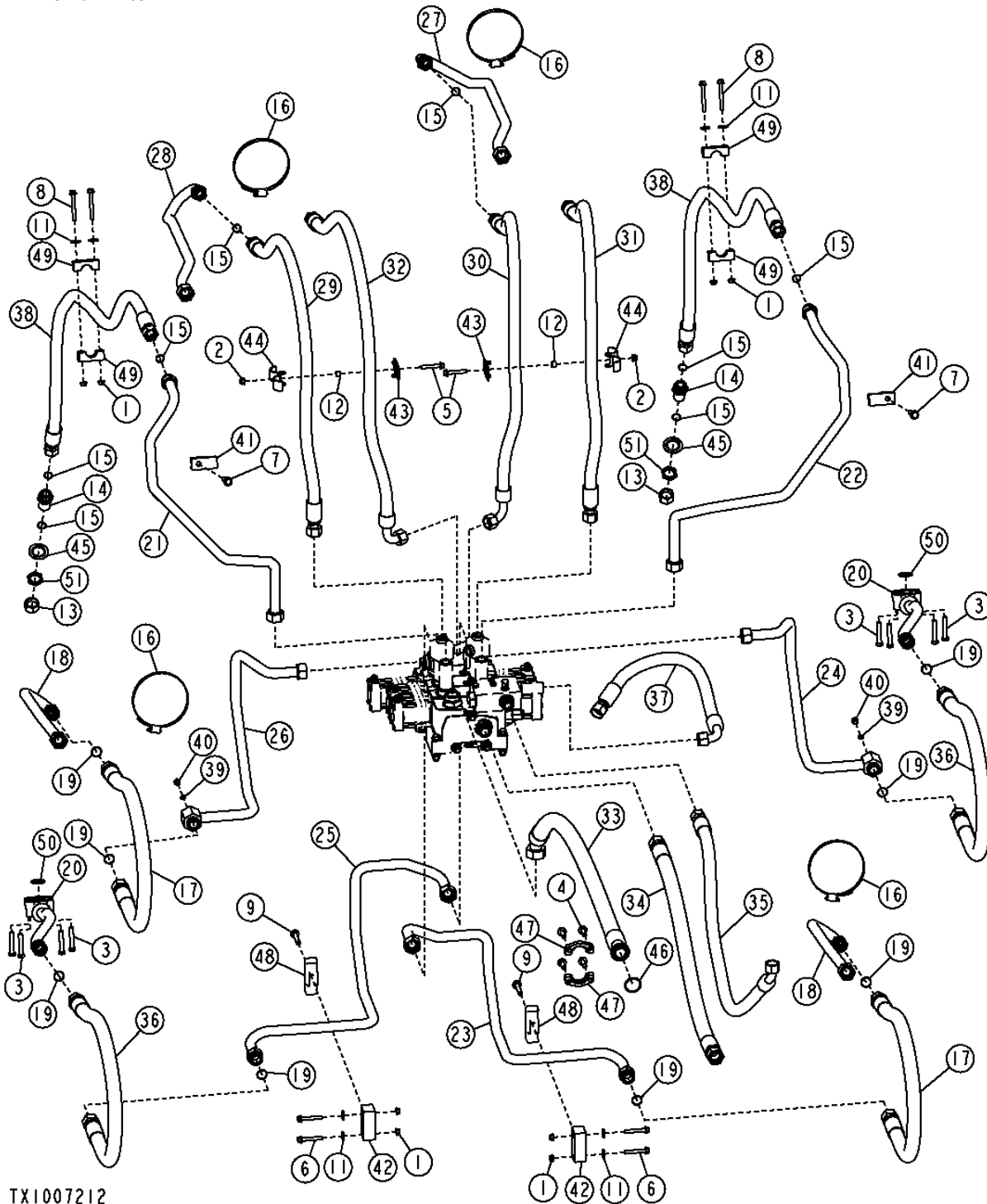
KEY	PART NO.	PART NAME	QTY.	SERIAL NO.	REMARKS
1	12H328	LOCK WASHER	2		22.225 MM
2	12H329	LOCK WASHER	2		25.400 MM
3	38H1321	ELBOW FITTING	2		
4	T77857	O-RING	3		12.421 X 1.778 MM
5	38H1322	ELBOW FITTING	2		
6	T77932	O-RING	2		15.596 X 1.778 MM
7	38H1490	ELBOW FITTING	1		
8	T77858	O-RING	2		18.771 X 1.778 MM
9	R26906	O-RING	1		19.177 X 2.464 MM
10	T77613	O-RING	1		9.246 X 1.778 MM
11	AT309411	HYDRAULIC HOSE - FABRICATE	1		1-3/16" X 30-3/4" X 1-3/16"
12	AT309414	HYDRAULIC HOSE - FABRICATE	1		13/16" X 29-1/4" X 13/16"
13	AT311148	HYDRAULIC HOSE - FABRICATE	1		1" X 30-1/4" X 1"
14	AT311149	HYDRAULIC HOSE - FABRICATE	1		1" X 81-1/2" X 1"
15	AT311150	HYDRAULIC HOSE - FABRICATE	1		13/16" X 82-3/4" X 13/16"
16	AT311151	HYDRAULIC HOSE - FABRICATE	1		1-3/16" X 84-1/4" X 1-3/16"
17	HYDRAULIC HOSE - FABRICATE	1	607100-	(SUB AT338917) (AT311168 NLA)
	AT338917	HYDRAULIC HOSE - FABRICATE	1	-607101	1" X 34-3/4" X 1"
18	AT311169	HYDRAULIC HOSE - FABRICATE	1		13/16" X 60-3/4" X 13/16"
19	AT311170	HYDRAULIC HOSE - FABRICATE	1		1-3/16" X 33-1/2" X 1-3/16"
20	AT322765	HYDRAULIC HOSE - FABRICATE	1		1" X 72-3/4" X 1", 1-3/16" X 1 900 MM X 1-3/16"
21	AT311179	HYDRAULIC HOSE - FABRICATE	1		1-3/16" X 72-3/4" X 1-3/16"
22	AT311319	HYDRAULIC HOSE - FABRICATE	1		11/16" X 33" X 11/16"
23	AT314734	HYDRAULIC HOSE - FABRICATE	1		9/16" X 78-3/4" X 9/16", (SUB FOR AT311320)
24	AT312287	FITTING	1		
25	AT322762	HYDRAULIC HOSE - FABRICATE	1		11/16" X 11-3/4" X 11/16"
26	AT325186	HYDRAULIC HOSE - FABRICATE	1		11/16" X 81-3/4" X 11/16"
27	T174275	LOCK WASHER	2		30.950 MM
28	T78707	NUT	2		30.175 MM
29	T78716	NUT	2		20.625 MM
30	T80306	NUT	2		25.400 MM
31	38H1616	TEE FITTING	1		

3163-4

CONTROL VALVE HYDRAULIC LINES CONDUITES HYDRAULIQUES DE VANNE DE COMMANDE LINEAS HIDRAULICAS DE LA VALVULA DE CONTROL

TX1007212

-UN-04MAY06



TX1007212

THIS PARTS LISTING IS CONTINUED

3163-5

LOADER 31

LINES, HOSES AND FITTINGS 3163

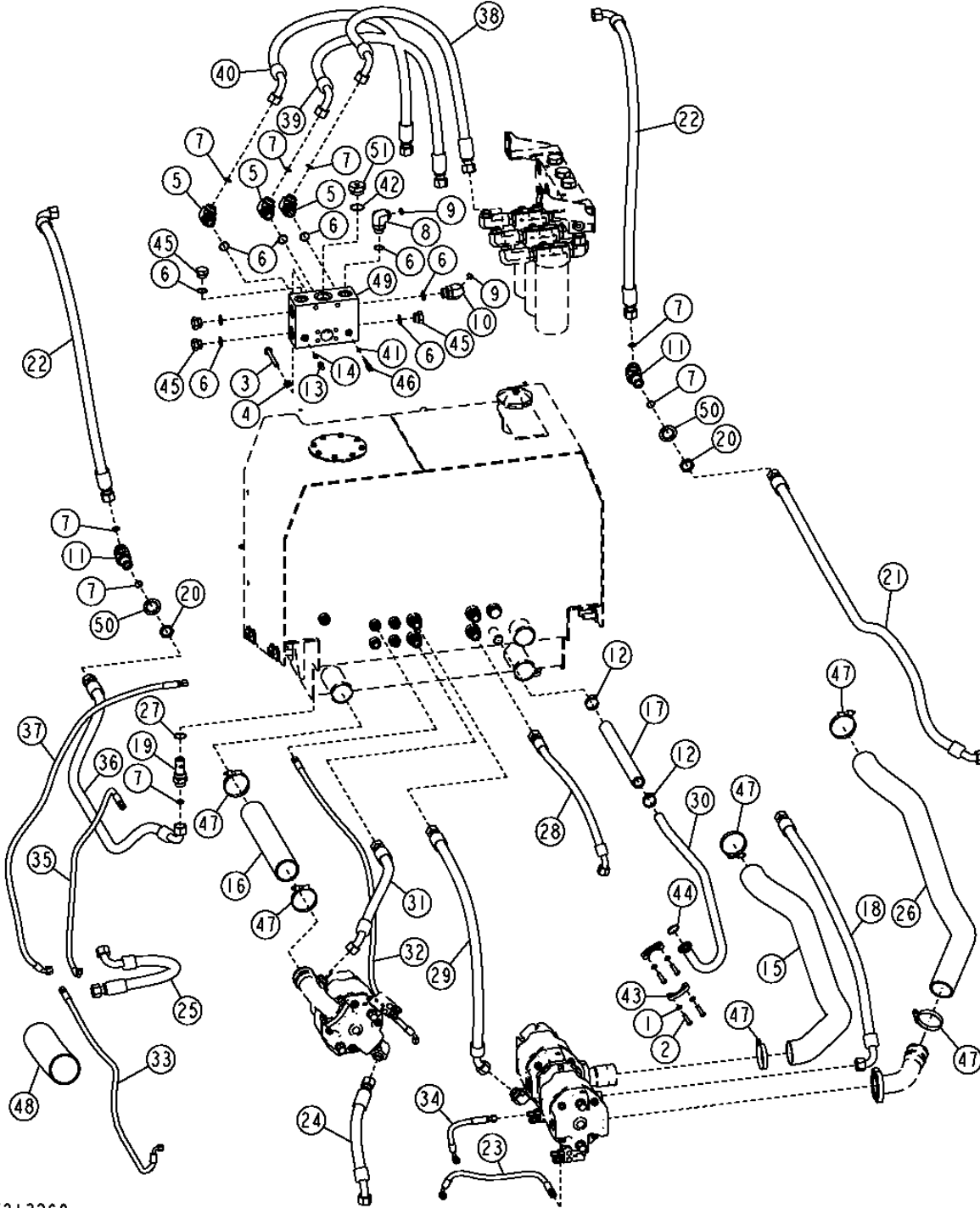
**CONTROL VALVE HYDRAULIC LINES
CONDUITES HYDRAULIQUES DE VANNE DE COMMANDE
LINEAS HIDRAULICAS DE LA VALVULA DE CONTROL**

KEY	PART NO.	PART NAME	QTY.	SERIAL NO.	REMARKS
1	14M7296	FLANGE NUT	8		M10
2	14M7400	LOCK NUT	2		M10
3	19H3057	CAP SCREW	8		1/2" X 2-3/4"
4	19M7790	SCREW	4		M12 X 35
5	19M7808	SCREW	2		M10 X 65
6	19M7809	SCREW	4		M10 X 70
7	19M9128	SCREW	2		M10 X 75
8	19M7811	SCREW	4		M10 X 90
9	19M7816	SCREW	2		M12 X 65
11	24M7296	WASHER	8		10.500 X 30 X 2.500 MM
12	28H3394	BUSHING	2		0.493" X 0.675" X 1/2"
13	38H1419	FITTING	2		
14	38H1287	ADAPTER FITTING	2		
15	T76938	O-RING	7		
16	AH130230	HOSE CLAMP	4		
17	AT203018	HYDRAULIC HOSE - FABRICATE	2		
18	AT203027	OIL LINE	2		
19	T78612	O-RING	8		
20	AT203028	OIL LINE	2		
21	AT330023	OIL LINE	1		(SUB FOR AT321319)
22	AT330024	OIL LINE	1		(SUB FOR AT321321)
23	AT322316	OIL LINE	1		
24	AT322317	OIL LINE	1		
25	AT322318	OIL LINE	1		
26	AT322319	OIL LINE	1		
27	AT322513	OIL LINE	1		
28	AT322514	OIL LINE	1		
29	AT322549	HYDRAULIC HOSE - FABRICATE	1		1-7/16" X 1 540 MM X 1-7/16"
30	AT322550	HYDRAULIC HOSE - FABRICATE	1		1-7/16" X 1 596 MM X 1-7/16"
31	AT330043	HYDRAULIC HOSE - FABRICATE	1		1-7/16" X 1 626 MM X 1-7/16", (SUB FOR AT322551)
32	AT330044	HYDRAULIC HOSE - FABRICATE	1		1-7/16" X 1 676 MM X 1-7/16", (SUB FOR AT322552)
33	AT322651	HYDRAULIC HOSE - FABRICATE	1		(A) 2" X 1 464 MM X 2"
	AT322652	HYDRAULIC HOSE - FABRICATE	1		(B) 2" X 1 540 MM X 2"
34	AT329642	HYDRAULIC HOSE - FABRICATE	1		(A) 1-11/16" X 1 315 MM X 1-11/16", (SUB FOR AT322672)
	AT329643	HYDRAULIC HOSE - FABRICATE	1		(B) 1-11/16" X 1 390 MM X 1-11/16", (SUB FOR AT322673)
35	AT322689	HYDRAULIC HOSE - FABRICATE	1		(A) 1-7/16" X 1 499 MM X 1-7/16"
	AT322688	HYDRAULIC HOSE - FABRICATE	1		(B) 1-7/16" X 1 575 MM X 1-7/16"
36	AT322732	HYDRAULIC HOSE - FABRICATE	2		1-11/16" X 1 499 MM X 1-11/16"
37	AT322737	HYDRAULIC HOSE - FABRICATE	1		(A) 1-7/16" X 914 MM X 1-7/16"
	AT322736	HYDRAULIC HOSE - FABRICATE	1		(B) 1-7/16" X 838 MM X 1-7/16"
38	AT322754	HYDRAULIC HOSE - FABRICATE	2		1-7/16" X 2 540 MM X 1-7/16"
39	R26448	O-RING	2		
40	R27218	FITTING PLUG	2		
41	T104355	CLAMP	2		
42	T156738	CLAMP	2		
43	T159956	CLAMP	2		
44	T209726	HALF CLAMP	2		
45	T216836	LOCK WASHER	2		
46	T34248	O-RING	1		
47	T47649	FLANGE FITTING	2		
48	T52979	CLAMP	2		
49	T67995	CLAMP	4		
50	T72216	O-RING	2		
51	T78715	NUT	2		
(A) 3	SPOOL VALVE			(B) 2	SPOOL VALVE
(A) 1	DISTRIBUTEUR A 3 TIROIRS			(B) 1	DISTRIBUTEUR A 2 TIROIRS
(A) 1	VALVULA DE 3 CARRETES			(B) 1	VALVULA DE 2 CARRETES

3163-6

HYDRAULIC PUMP HYDRAULIC LINES CONDUITES HYDRAULIQUES DE POMPE HYDRAULIQUE LINEAS HIDRAULICAS DE BOMBA HIDRAULICA

T213269 -UN-17AUG05



T213269

THIS PARTS LISTING IS CONTINUED

3163-7

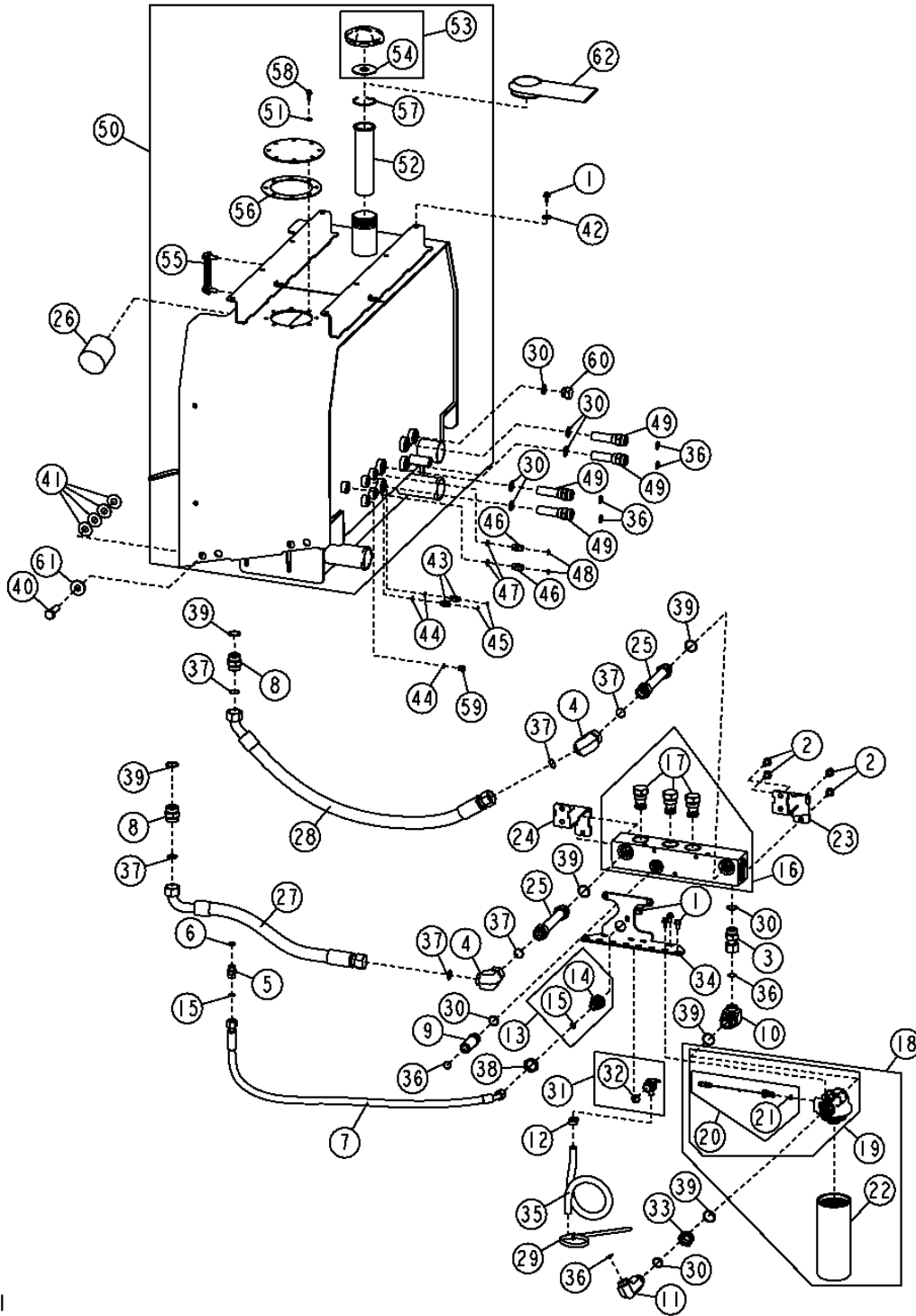
**HYDRAULIC PUMP HYDRAULIC LINES
CONDUITES HYDRAULIQUES DE POMPE HYDRAULIQUE
LINEAS HIDRAULICAS DE BOMBA HIDRAULICA**

KEY	PART NO.	PART NAME	QTY.	SERIAL NO.	REMARKS
1	WASHER	4		(12H293 NO LONGER USED)
2	19H1978	CAP SCREW	4		7/16" X 1-1/2"
3	19M7821	SCREW	2		M12 X 120
4	24M7240	WASHER	2		13 X 25 X 3 MM
5	38H1037	ELBOW FITTING	3		
6	R29936	O-RING	6		29.743 X 2.946 MM
7	T76938	O-RING	4		23.520 X 1.778 MM
8	38H1052	ELBOW FITTING	1		
9	T77858	O-RING	2		18.771 X 1.778 MM
10	38H1073	ELBOW FITTING	1		
11	38H1456	ELBOW FITTING	2		
12	AR21839	CLAMP	2		
13	AT306111	FITTING	1		
14	R26448	O-RING	1		11.887 X 1.981 MM
15	AT329786	SUCTION HOSE	1		(SUB FOR AT310772)
16	AT310794	SUCTION HOSE	1		
17	AT310937	HOSE	1		
18	AT328993	HYDRAULIC HOSE - FABRICATE	1		1-7/16" X 1 245 MM X 1-7/16", (SUB FOR AT310952)
19	AT311570	CHECK VALVE	1		
20	T78715	NUT	2		36.525 MM
21	AT311616	HYDRAULIC HOSE - FABRICATE	1		1-7/16" X 2 425 MM X 1-7/16"
22	AT311617	HYDRAULIC HOSE - FABRICATE	2		1-7/16" X 1 325 MM X 1-7/16"
23	AT313677	HYDRAULIC HOSE - FABRICATE	1		11/16" X 749 MM X 11/16"
24	AT328994	HYDRAULIC HOSE - FABRICATE	1		1-7/16" X 724 MM X 1-7/16", (SUB FOR AT322500)
25	AT322502	HYDRAULIC HOSE - FABRICATE	1		1-7/16" X 787 MM X 1-7/16"
26	AT329787	SUCTION HOSE	1		(SUB FOR AT322943)
27	U13639	O-RING	1		37.465 X 2.997 MM
28	AT322948	HYDRAULIC HOSE - FABRICATE	1		1-7/16" X 813 MM X 1-3/16"
29	AT322965	HYDRAULIC HOSE - FABRICATE	1		1-7/16" X 1 207 MM X 1-7/16"
30	AT322975	TUBE	1		
31	AT328995	HYDRAULIC HOSE - FABRICATE	1		1-7/16" X 699 MM X 1-7/16", (SUB FOR AT322977)
32	AT322986	HYDRAULIC HOSE - FABRICATE	1		11/16" X 1 473 MM X 11/16"
33	AT322987	HYDRAULIC HOSE - FABRICATE	1		11/16" X 1 930 MM X 11/16"
34	AT323040	HYDRAULIC HOSE - FABRICATE	1		11/16" X 368 MM X 11/16"
35	AT323041	HYDRAULIC HOSE - FABRICATE	1		11/16" X 1 041 MM X 11/16"
36	AT328997	HYDRAULIC HOSE - FABRICATE	1		1-7/16" X 1 575 MM X 1-7/16", (SUB FOR AT323175)
37	AT324084	HYDRAULIC HOSE - FABRICATE	1		11/16" X 1 499 MM X 13/16"
38	AT325795	HYDRAULIC HOSE - FABRICATE	1		1-7/16" X 1 245 MM X 1-7/16"
39	AT325796	HYDRAULIC HOSE - FABRICATE	1		1-7/16" X 1 295 MM X 1-7/16"
40	AT325797	HYDRAULIC HOSE - FABRICATE	1		1-7/16" X 1 346 MM X 1-7/16"
41	R26286	O-RING	1		10.516 X 1.829 MM
42	R26773	O-RING	1		43.688 X 2.997 MM
43	R29867	FLANGE FITTING	2		
44	T78393	O-RING	4		37.694 X 3.531 MM
45	R36636	FITTING PLUG	4		
46	RE151433	COOLANT TEMPERATURE SENSOR	1		
47	RE52702	CLAMP	6		
48	T188182	HOSE GUARD	1		
49	T208608	MANIFOLD	1		
50	T216836	LOCK WASHER	2		
51	T59663	FITTING	1		

3164-2

HYDRAULIC RESERVOIR WITH FITTINGS RESERVOIR HYDRAULIQUE ET RACCORDS RESERVA HIDRAULICA Y ACOPLAMIENTOS

TX1002411 -UN-12JAN06



TX1002411

3164-3

LOADER 31

HYDRAULIC RESERVOIR 3164

**HYDRAULIC RESERVOIR WITH FITTINGS
RESERVOIR HYDRAULIQUE ET RACCORDS
RESERVA HIDRAULICA Y ACOPLAMIENTOS**

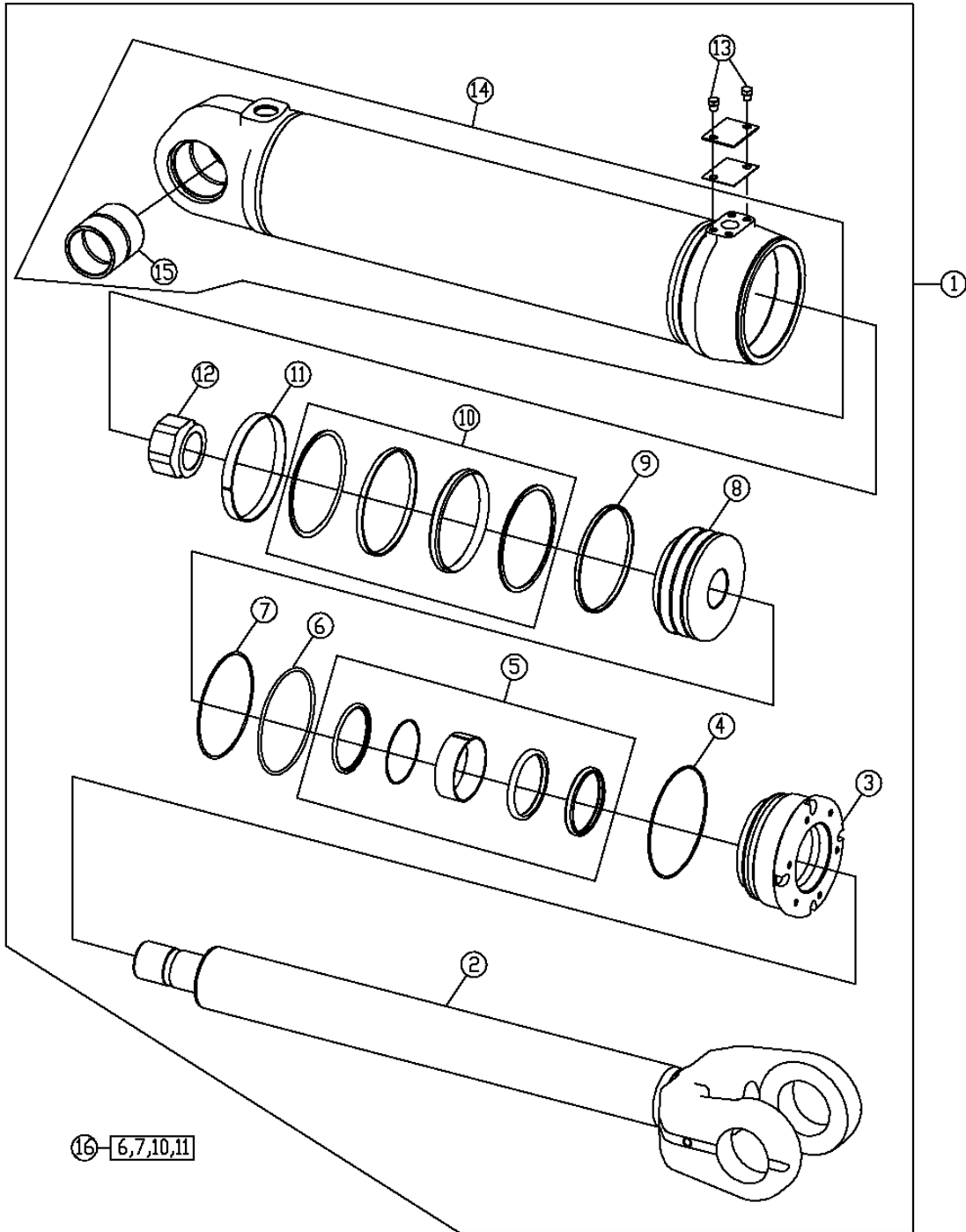
KEY	PART NO.	PART NAME	QTY.	SERIAL NO.	REMARKS
1	19M7784	SCREW	20		M10 X 20
2	19M7788	SCREW	8		M12 X 25
3	38H1071	ADAPTER FITTING	3		
4	38H1099	ELBOW FITTING	2		
5	38H1162	ADAPTER FITTING	1		
6	R26906	O-RING	1		
7	AT316261	HYDRAULIC HOSE - FABRICATE	1		1" X 1 194 MM X 1"
8	38H1165	ADAPTER FITTING	2		
9	38H1216	ADAPTER FITTING	1		
10	38H1325	ELBOW FITTING	3		
11	38H1493	ELBOW FITTING	3		
12	AR21837	CLAMP	1		
13	AT313477	TUBE NUT	1		
14	T210470	FITTING	1		
15	T77932	O-RING	2		
16	AT318661	HYDRAULIC PRESSURE VALVE	1		
17	AT323730	VALVE	3		
	AT314333	SEAL KIT	1		
18	AT319055	FILTER	3		
19	AT224105	FILTER HEAD	1		
20	AT307045	PRESSURE SWITCH	1		
21	P46051	O-RING	1		
22	AT310905	OIL FILTER	3		
23	AT323883	BRACKET	1		(LH)
24	AT323884	BRACKET	1		(RH)
25	AT324524	OIL LINE	2		
26	AM39653	OIL FILTER	1		
27	AT324573	HYDRAULIC HOSE - FABRICATE	1		1-11/16" X 737 MM X 1-11/16"
28	AT324574	HYDRAULIC HOSE - FABRICATE	1		1-11/16" X 1 092 MM X 1-11/16"
29	N189220	TIE BAND	1		
30	R29936	O-RING	12		
31	RE68323	VALVE	1		
32	R56751	O-RING	1		
33	T179513	FITTING	3		
34	T207953	BRACKET	1		
35	T64688	HOSE	1		
36	T76938	O-RING	11		
37	T78612	O-RING	6		
38	T78715	NUT	1		
39	U13639	O-RING	10		
40	19M8224	CAP SCREW	8		M20 X 60
41	24H1407	WASHER	32		13/16" X 2" X 0.060"
42	24M7296	WASHER	8		10.500 X 30 X 2.500 MM
43	38H1160	ADAPTER FITTING	2		
44	R26448	O-RING	3		
45	T77613	O-RING	2		
46	38H1161	ADAPTER FITTING	2		
47	R26375	O-RING	2		
48	T77857	O-RING	2		
49	AT219727	FITTING	4		
50	AT309252	HYDRAULIC RESERVOIR	1		
51	24H1136	WASHER	8		11/32" X 11/16" X 0.065"
52	AT161638	STRAINER	1		
53	AT177950	FILLER CAP	1		
54	H148166	WASHER	1		
55	AT227279	LEVEL GAUGE	1		
56	T106595	GASKET	1		
57	T39155	SNAP RING	1		
58	T81403	SCREW	8		
59	R27218	FITTING PLUG	1		
60	R36636	FITTING PLUG	1		
61	T128096	WASHER	8		
62	T208072	BOOT	1		

3165-2

BOOM HYDRAULIC CYLINDER (S.N. -612719)
VERIN HYDRAULIQUE DE FLECHE (S.N. -612719)
CILINDRO DE AGUILON HIDRAULICO (S.N. -612719)

T212699

-UN-19AUG05



T212699

3165-3

LOADER 31

HYDRAULIC CYLINDERS 3165

BOOM HYDRAULIC CYLINDER (S.N. -612719)
VERIN HYDRAULIQUE DE FLECHE (S.N. -612719)
CILINDRO DE AGUILON HIDRAULICO (S.N. -612719)

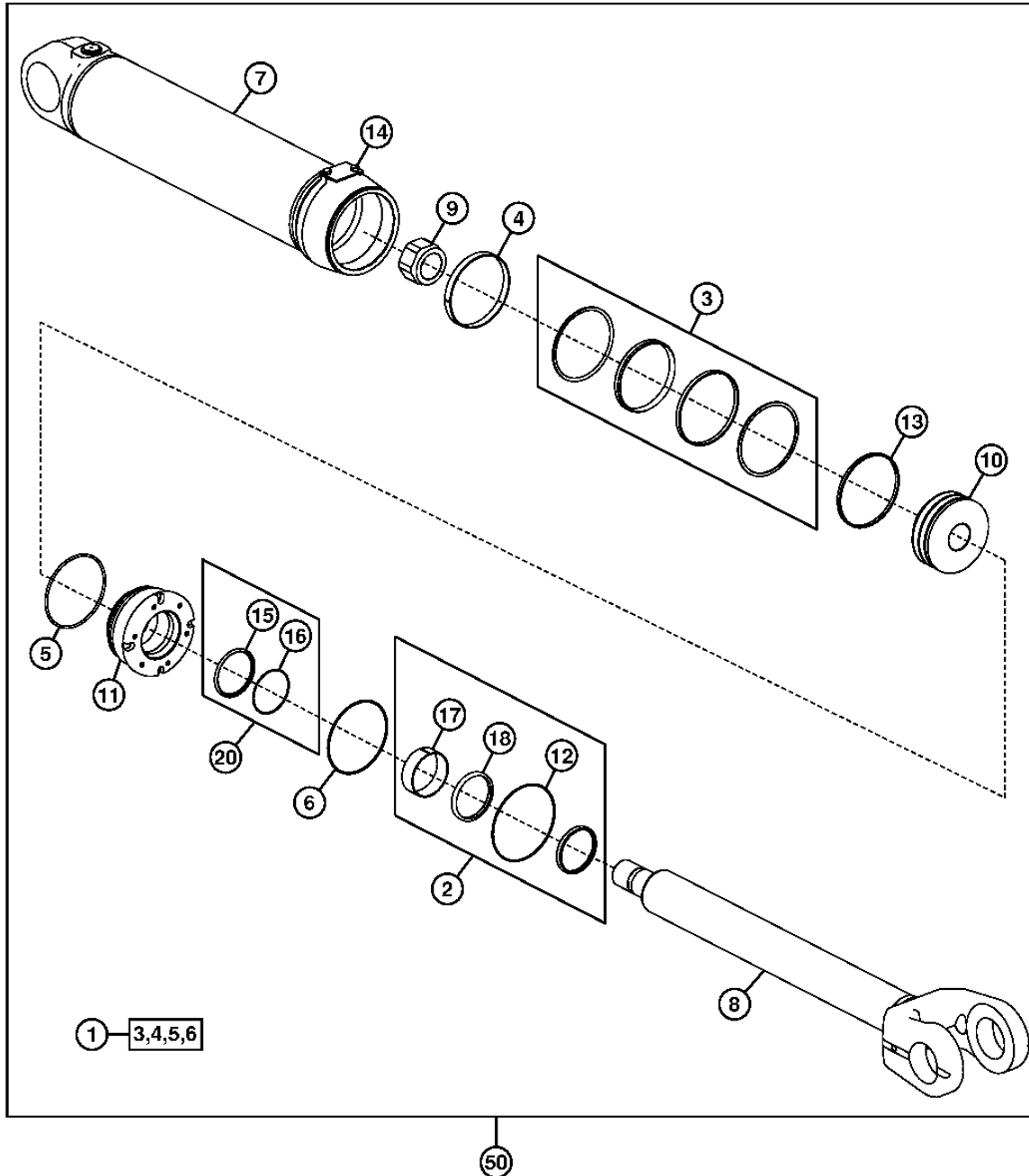
KEY	PART NO.	PART NAME	QTY.	SERIAL NO.	REMARKS
1	AH225661	HYDRAULIC CYLINDER	2		(SUB FOR AH213639)
2	AH223702	ROD	1		(SUB FOR AH218264)
3	H209617	HYDR. CYLINDER ROD GUIDE	1		
4	H210762	O-RING	1		
5	AH207243	HYDRAULIC CYLINDER KIT	1		
6	H152605	O-RING	1		
7	H171488	BACK-UP RING	1		
8	H207265	PISTON	1		
9	H218601	SCRAPER RING	1		
10	AH146460	SEAL	1		
11	H152121	SCRAPER RING	1		
12	H207262	NUT	1		
13	19H2351	CAP SCREW	1		1/2" X 1/2"
14	AH218263	HYDRAULIC CYLINDER BARREL	1		
15	H214772	BUSHING	2		4.322" X 4.927" X 4.843"
16	AH151320	HYDRAULIC CYLINDER KIT	1		

3165-3A

BOOM HYDRAULIC CYLINDER (S.N. 612720-)
VERIN HYDRAULIQUE DE FLECHE (S.N. 612720-)
CILINDRO DE AGUILON HIDRAULICO (S.N. 612720-)

TX1019646

-UN-03MAR07



TX1019646

3165-3B

LOADER 31

HYDRAULIC CYLINDERS 3165

BOOM HYDRAULIC CYLINDER (S.N. 612720-)
VERIN HYDRAULIQUE DE FLECHE (S.N. 612720-)
CILINDRO DE AGUILON HIDRAULICO (S.N. 612720-)

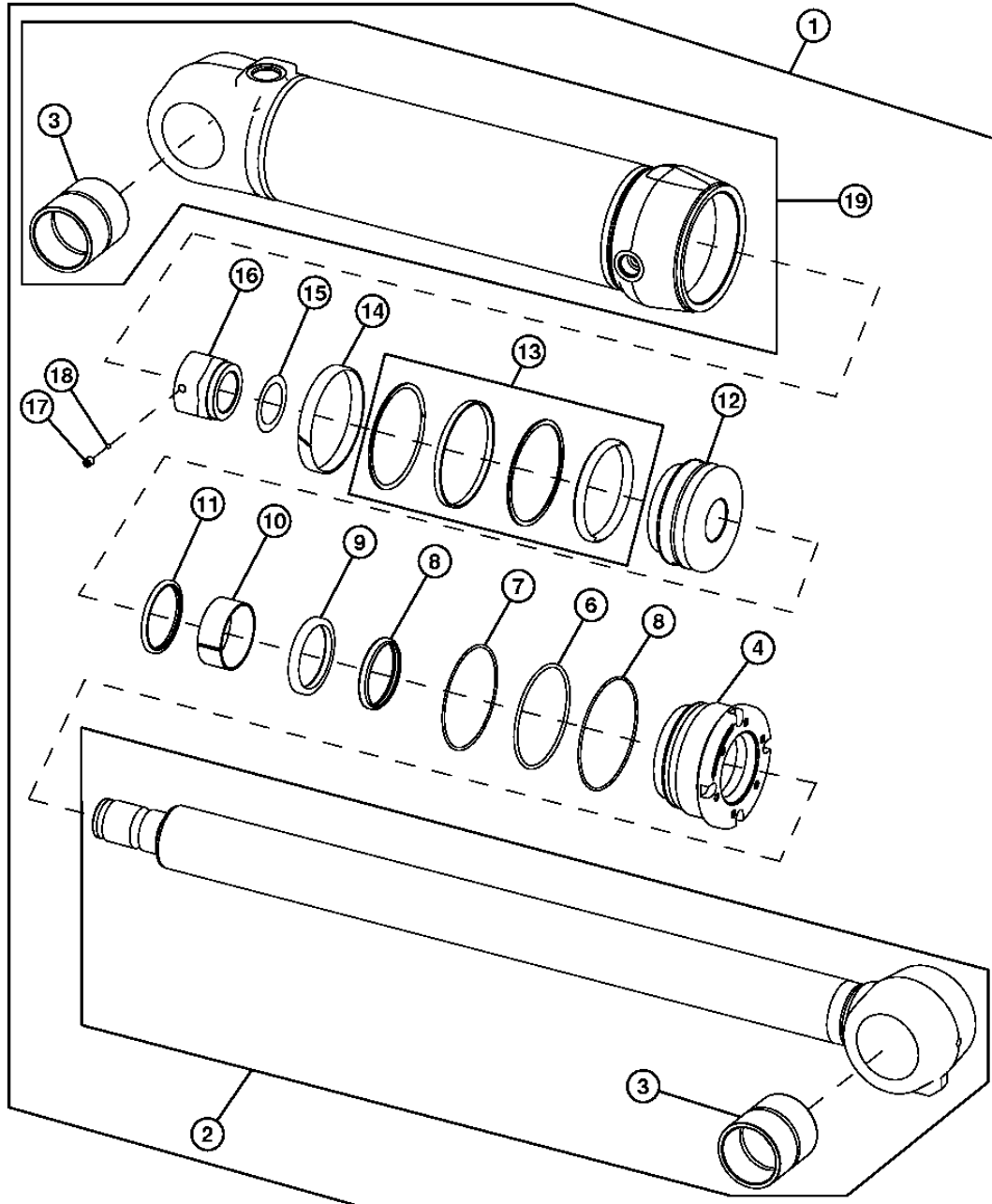
KEY	PART NO.	PART NAME	QTY.	SERIAL NO.	REMARKS
1	AH151320	HYDRAULIC CYLINDER KIT	1		BOOM CYLINDER BORE KIT
2	AH207243	HYDRAULIC CYLINDER KIT	1		BOOM CYLINDER ROD
3	AH146460	SEAL	1		
4	H152121	WEAR RING	1		
5	H152605	O-RING	1		
6	H171488	BACK-UP RING	1		
7	AH222738	HYDRAULIC CYLINDER BARREL	1		
8	AH223702	ROD	1		
9	H207262	NUT	1		
10	H207265	PISTON	1		
11	H209617	HYDR. CYLINDER ROD GUIDE	1		
12	H210762	O-RING	1		
13	H218601	SCRAPER RING	1		
14	19H2351	CAP SCREW	1		
50	AH222733	HYDRAULIC CYLINDER	1		

3165-4

BUCKET HYDRAULIC CYLINDER (S.N. -612719)
VERIN HYDRAULIQUE DE GODET (S.N. -612719)
CILINDRO DE CUCHARON HIDRAULICO (S.N. -612719)

T216732

-UN-27OCT05



20 — 8, 9, 10, 11

21 — 6, 7, 13, 14

T216732

3165-5

LOADER 31

HYDRAULIC CYLINDERS 3165

BUCKET HYDRAULIC CYLINDER (S.N. -612719)
 VERIN HYDRAULIQUE DE GODET (S.N. -612719)
 CILINDRO DE CUCHARON HIDRAULICO (S.N. -612719)

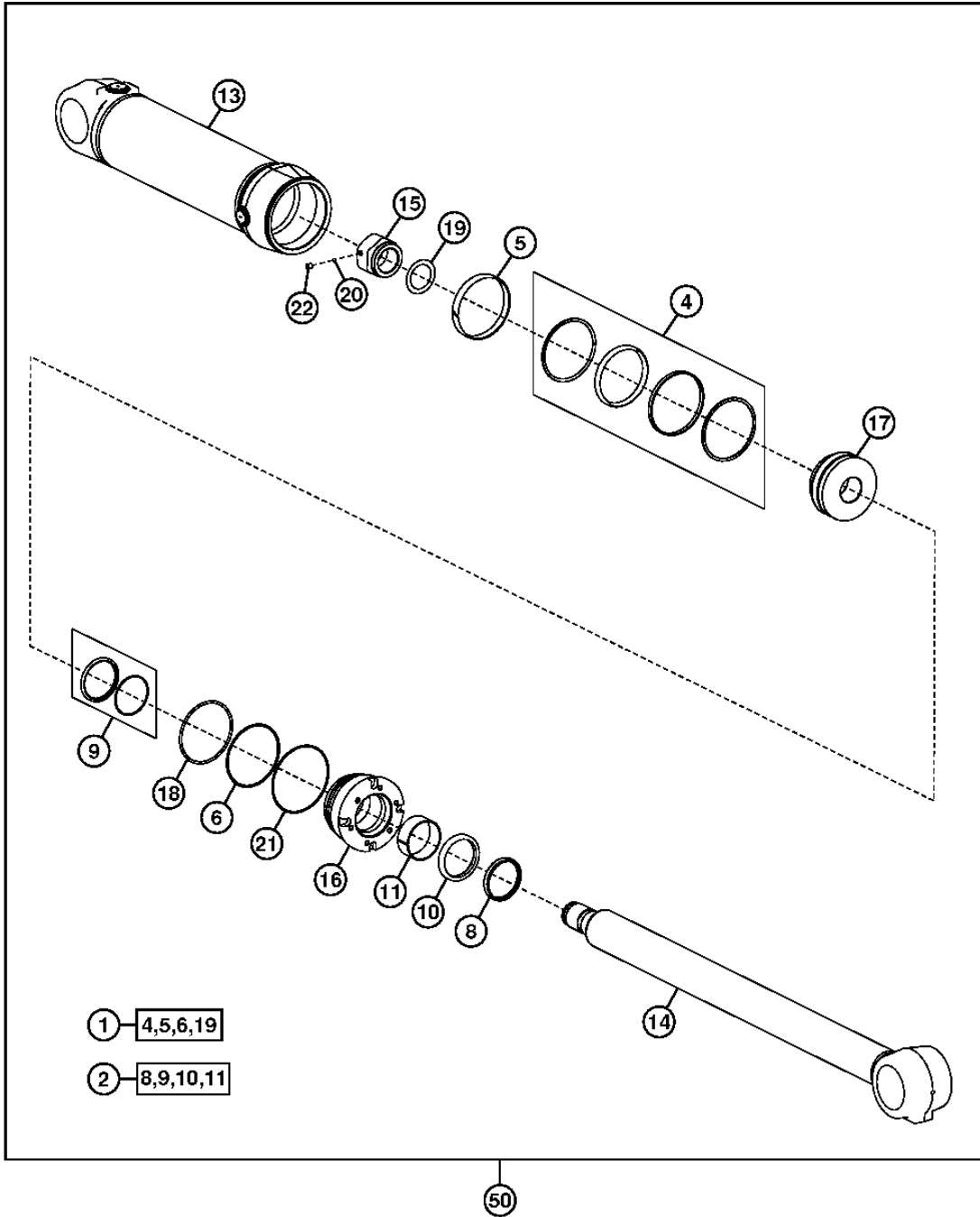
KEY	PART NO.	PART NAME	QTY.	SERIAL NO.	REMARKS
1	AH225721	HYDRAULIC CYLINDER	1		(SUB FOR AH220942) (RH)
	AH225722	HYDRAULIC CYLINDER	1		(SUB FOR AH220943) (LH)
2	AH224534	ROD	1		(SUB FOR AH218517)
3	R85556	BUSHING	2		
4	H208519	HYDR. CYLINDER ROD GUIDE	1		
5	T41326	O-RING	1		
6	H88900	O-RING	1		
7	R98669	BACK-UP RING	1		
8	AH157291	SEAL	1		
9	H163979	SEAL	1		
10	H163980	BUSHING	1		
11	AH157292	SEAL	1		
12	H214975	PISTON	1		
13	RE25146	SEAL	1		
14	R85228	WEAR RING	1		
15	T108030	SHIM	1		
16	H155924	NUT	1		
17	22M7009	SET SCREW	1		M12 X 12
18	T13624	BALL	1		
19	AH220944	HYDRAULIC CYLINDER BARREL	1		(RH)
	AH220945	HYDRAULIC CYLINDER BARREL	1		(LH)
20	AH159192	KIT	1		(A)
21	AH137210	HYDRAULIC CYLINDER KIT	1		(B)
(A)	ROD REPAIR				(B) CYLINDER BORE
(A)	BIELLE REPARATION				(B) CYLINDRES ALESAGE
(A)	BIELA REPARACION				(B) CILINDROS DIAMETRO

3165-5A

BUCKET HYDRAULIC CYLINDER (S.N. 612720-)
VERIN HYDRAULIQUE DE GODET (S.N. 612720-)
CILINDRO DE CUCHARON HIDRAULICO (S.N. 612720-)

TX1019647

-UN-05MAR07



TX1019647

3165-5B

LOADER 31

HYDRAULIC CYLINDERS 3165

BUCKET HYDRAULIC CYLINDER (S.N. 612720-)
 VERIN HYDRAULIQUE DE GODET (S.N. 612720-)
 CILINDRO DE CUCHARON HIDRAULICO (S.N. 612720-)

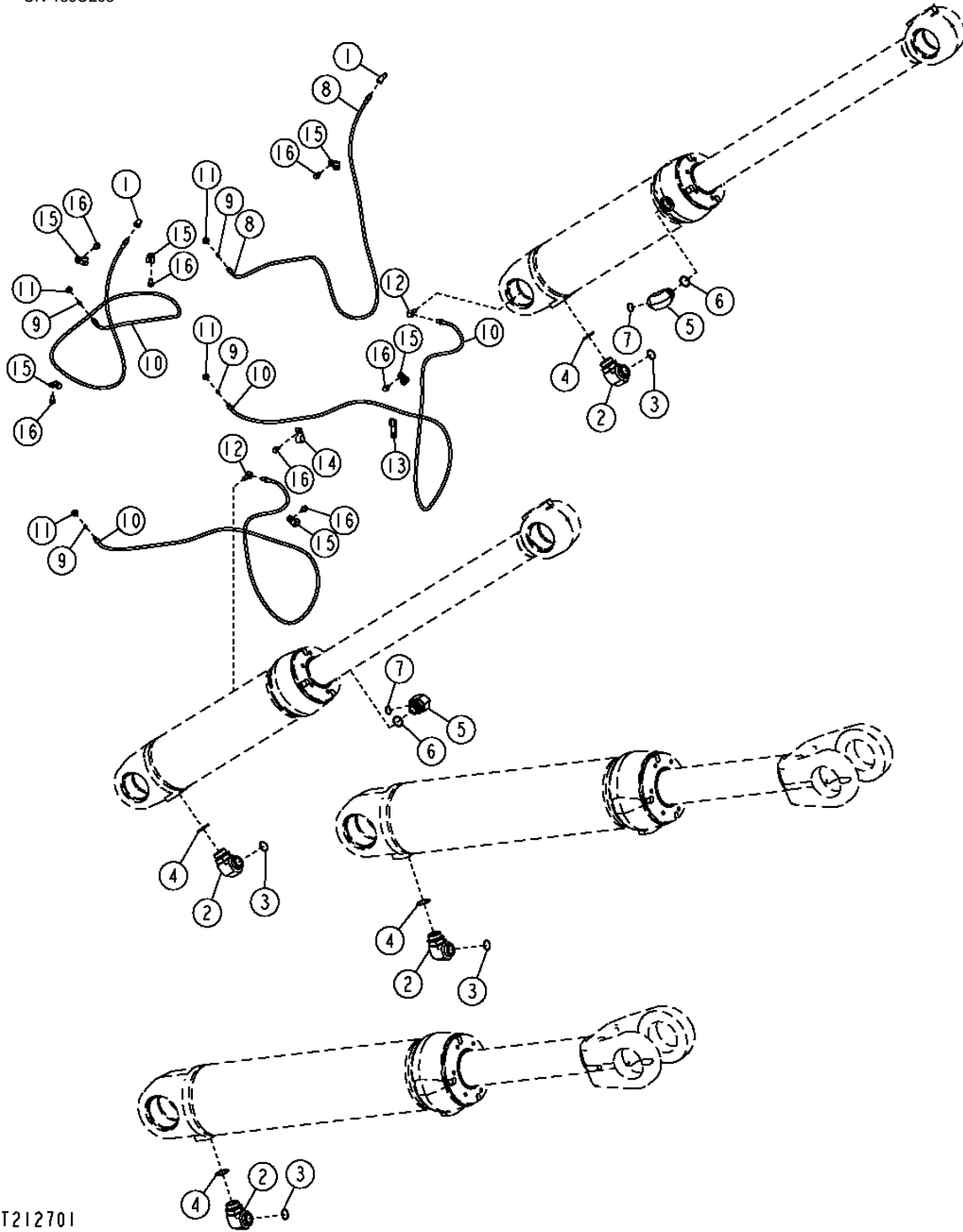
KEY	PART NO.	PART NAME	QTY.	SERIAL NO.	REMARKS
1	AH137210	HYDRAULIC CYLINDER KIT	1		(B)
2	AH159192	KIT	1		(A)
4	RE25146	SEAL	1		
5	R85228	WEAR RING	1		
6	R98669	BACK-UP RING	1		
8	AH157291	SEAL	1		
9	AH157292	SEAL	1		
10	H163979	SEAL	1		
11	H163980	BUSHING	1		
13	AH222739	HYDRAULIC CYLINDER BARREL	1		
14	AH227995	ROD	1		
15	H155924	NUT	1		
16	H208519	HYDR. CYLINDER ROD GUIDE	1		
17	H214975	PISTON	1		
18	H88900	O-RING	1		
19	T108030	SHIM	1		
20	T13624	BALL	1		
21	T41326	O-RING	1		
22	22M7009	SET SCREW	1		M12 X 12
50	AH222734	HYDRAULIC CYLINDER	1		
	AH222735	HYDRAULIC CYLINDER	1		

(A) ROD REPAIR (B) CYLINDER BORE
 (A) BIELLE REPARATION (B) CYLINDRES ALESAGE
 (A) BIELA REPARACION (B) CILINDROS DIAMETRO

3165-6

BOOM GREASE LINE HOSES (S.N. -612719)
FLEXIBLES DE CONDUITE DE GRAISSAGE DE FLECHE (S.N. -612719)
MANGUERAS DE LINEA DE GRASA DEL AGUILON (S.N. -612719)

T212701 -UN-15JUL05



T212701

THIS PARTS LISTING IS CONTINUED

3165-7

LOADER 31

HYDRAULIC CYLINDERS 3165

BOOM GREASE LINE HOSES (S.N. -612719)
FLEXIBLES DE CONDUITE DE GRAISSAGE DE FLECHE (S.N. -612719)
MANGUERAS DE LINEA DE GRASA DEL AGUILON (S.N. -612719)

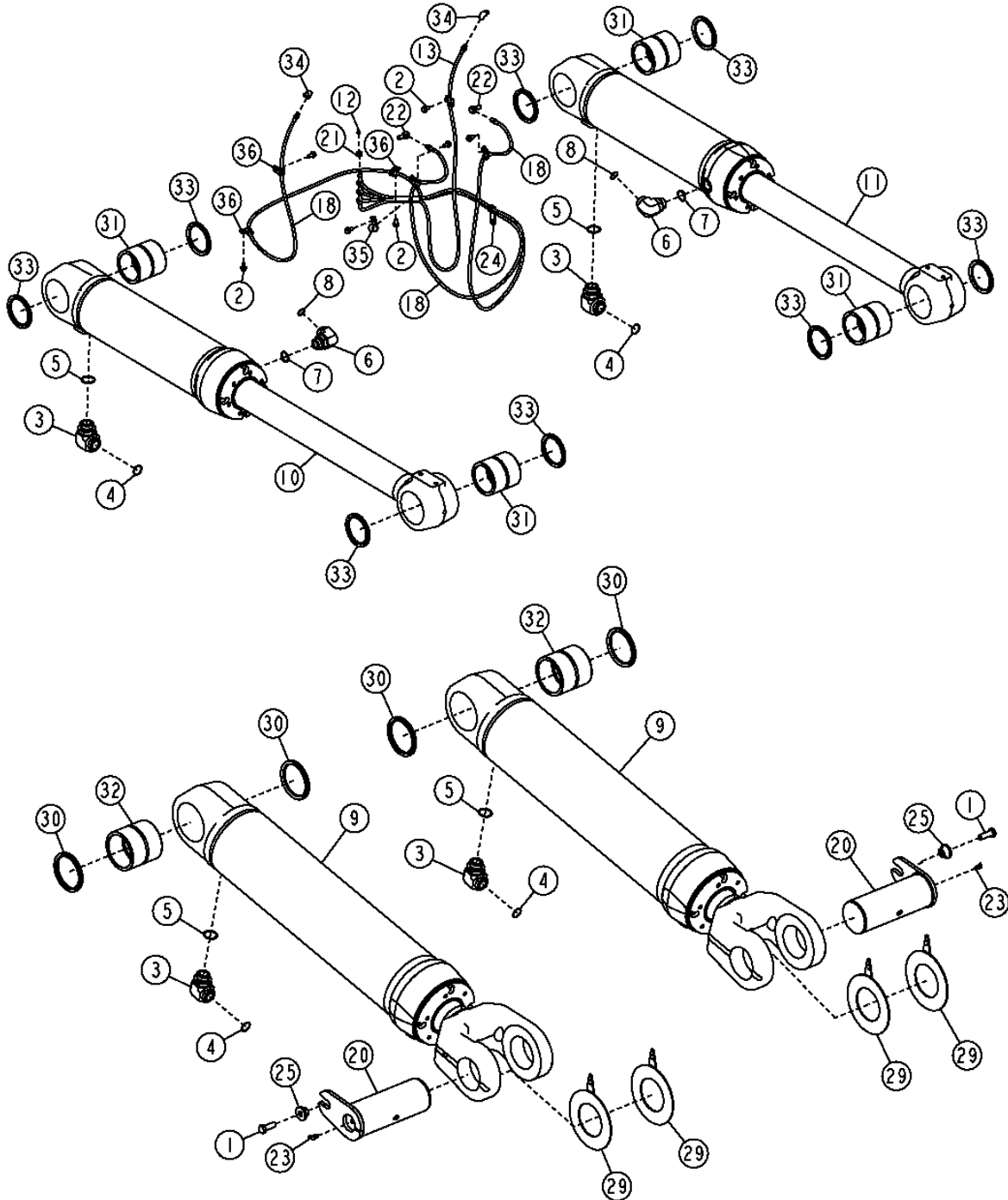
KEY	PART NO.	PART NAME	QTY.	SERIAL NO.	REMARKS
1	T56112	ELBOW FITTING	2		1/8", (SUB FOR 15H197)
2	38H1008	ELBOW FITTING	4		
3	T78612	O-RING	4		
4	U13639	O-RING	4		
5	38H1037	ELBOW FITTING	2		
6	R29936	O-RING	2		
7	T76938	O-RING	2		
8	AT307996	HYDRAULIC HOSE	1		1/8" X 1 524 MM X 1/8"
9	JD7797	LUBRICATION FITTING	4		
10	AT313932	HYDRAULIC HOSE	3		1/8" X 2 050 MM X 1/8"
11	E12379	NUT	4		
12	E53801	ELBOW FITTING	2		
13	KV24327	CLAMP	1		
14	T74416	CLAMP	1		
15	T78974	CLAMP	6		
16	19M7865	SCREW	7		M8 X 16

3165-8

BOOM GREASE LINE HOSES (STD.) (S.N. 612720-)
FLEXIBLES DE CONDUITE DE GRAISSAGE DE FLECHE (STD.) (S.N. 612720-)
MANGUERAS DE LINEA DE GRASA DEL AGUILON (ESTD.) (S.N. 612720-)

TX1019643

-UN-02MAR07



TX1019643

3165-9

LOADER 31

HYDRAULIC CYLINDERS 3165

BOOM GREASE LINE HOSES (STD.) (S.N. 612720-)
FLEXIBLES DE CONDUITE DE GRAISSAGE DE FLECHE (STD.) (S.N. 612720-)
MANGUERAS DE LINEA DE GRASA DEL AGUILON (ESTD.) (S.N. 612720-)

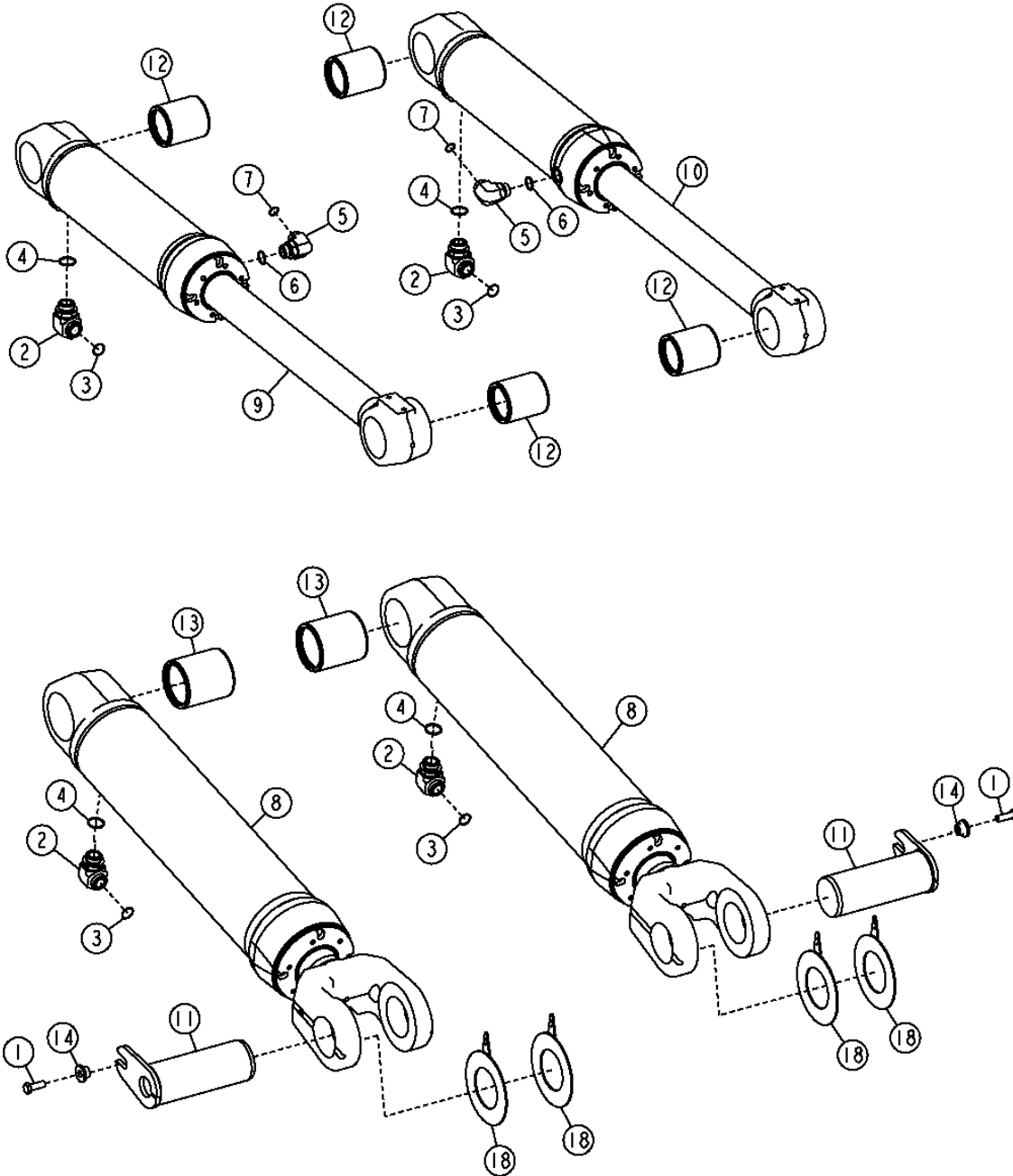
KEY	PART NO.	PART NAME	QTY.	SERIAL NO.	REMARKS
1	19M7489	CAP SCREW	4		M16 X 45
2	19M7865	SCREW	14		M8 X 16
3	38H1008	ELBOW FITTING	2		
4	T78612	O-RING	2		
5	U13639	O-RING	2		
6	38H1037	ELBOW FITTING	2		
7	R29936	O-RING	2		
8	T76938	O-RING	2		
9	AH222733	HYDRAULIC CYLINDER	2		
10	AH222734	HYDRAULIC CYLINDER	1		
11	AH222735	HYDRAULIC CYLINDER	1		
12	JD7797	LUBRICATION FITTING	12		
13	AT307996	HYDRAULIC HOSE	2		
18	AT313932	HYDRAULIC HOSE	1		
20	AT325875	PIN FASTENER	2		
21	E12379	NUT	8		
22	E53801	ELBOW FITTING	2		
23	JD7763	LUBRICATION FITTING	4		
24	KV24327	CLAMP	2		
25	T176064	BUSHING	16		16.300 X 28.600 X 21.900 MM
29	T223726	SHIM	4		
30	T224658	SEAL	4		
31	T224794	BUSHING	4		89.760 X 110.090 X 110 MM
32	T225134	BUSHING	2		109.780 X 130.130 X 123 MM
33	T225572	SEAL	8		
34	T56112	ELBOW FITTING	4		3.175 MM
35	T74416	CLAMP	2		
36	T78974	CLAMP	12		

3165-10

BOOM GREASE LINE HOSES (NEVERGREASE) (S.N. 612720-)
FLEXIBLES DE CONDUITE DE GRAISSAGE DE FLECHE (NEVERGREASE) (S.N. 612720-)
MANGUERAS DE LINEA DE GRASA DEL AGUILON (NEVERGREASE) (S.N. 612720-)

TX1019642

-UN-02MAR07



TX1019642

3165-11

LOADER 31

HYDRAULIC CYLINDERS 3165

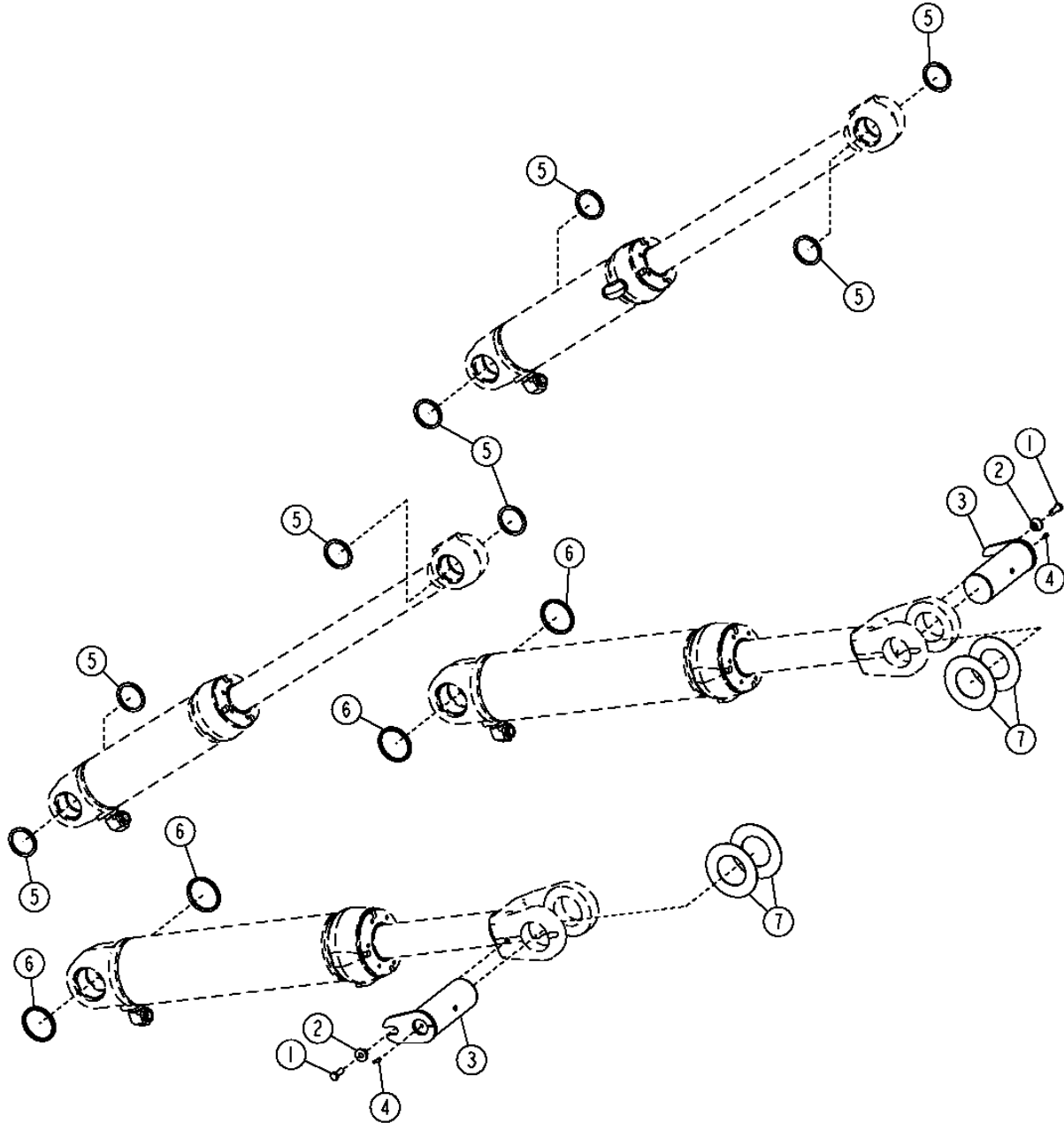
BOOM GREASE LINE HOSES (NEVERGREASE) (S.N. 612720-)
FLEXIBLES DE CONDUITE DE GRAISSAGE DE FLECHE (NEVERGREASE) (S.N. 612720-)
MANGUERAS DE LINEA DE GRASA DEL AGUILON (NEVERGREASE) (S.N. 612720-)

KEY	PART NO.	PART NAME	QTY.	SERIAL NO.	REMARKS
1	19M7489	CAP SCREW	4		M16 X 45
2	38H1008	ELBOW FITTING	2		
3	T78612	O-RING	2		
4	U13639	O-RING	2		
5	38H1037	ELBOW FITTING	1		
6	R29936	O-RING	2		
7	T76938	O-RING	2		
8	AH222733	HYDRAULIC CYLINDER	2		
9	AH222734	HYDRAULIC CYLINDER	1		
10	AH222735	HYDRAULIC CYLINDER	1		
11	AT330350	PIN	2		
12	AT330985	BUSHING	4		
13	AT330991	BUSHING	2		
14	T176064	BUSHING	16		16.300 X 28.600 X 21.900 MM
18	T223726	SHIM	4		

3165-12

**BOOM AND CYLINDER ROD PINS
FLECHE ET AXES DE TIGE DE VERIN
PASADORES DE VARILLAS DE AGUILON Y CILINDROS**

T212702 -UN-30AUG05



T212702

3165-13

LOADER 31

HYDRAULIC CYLINDERS 3165

**BOOM AND CYLINDER ROD PINS
FLECHE ET AXES DE TIGE DE VERIN
PASADORES DE VARILLAS DE AGUILON Y CILINDROS**

KEY	PART NO.	PART NAME	QTY.	SERIAL NO.	REMARKS
1	19M7489	CAP SCREW	2		M16 X 45
2	T176064	BUSHING	2		
3	AT325875	PIN FASTENER	2		
4	JD7763	LUBRICATION FITTING	2		
5	T102138	SEAL	8		
6	T102140	SEAL	4		
7	T102172	WASHER	4		

3166-2

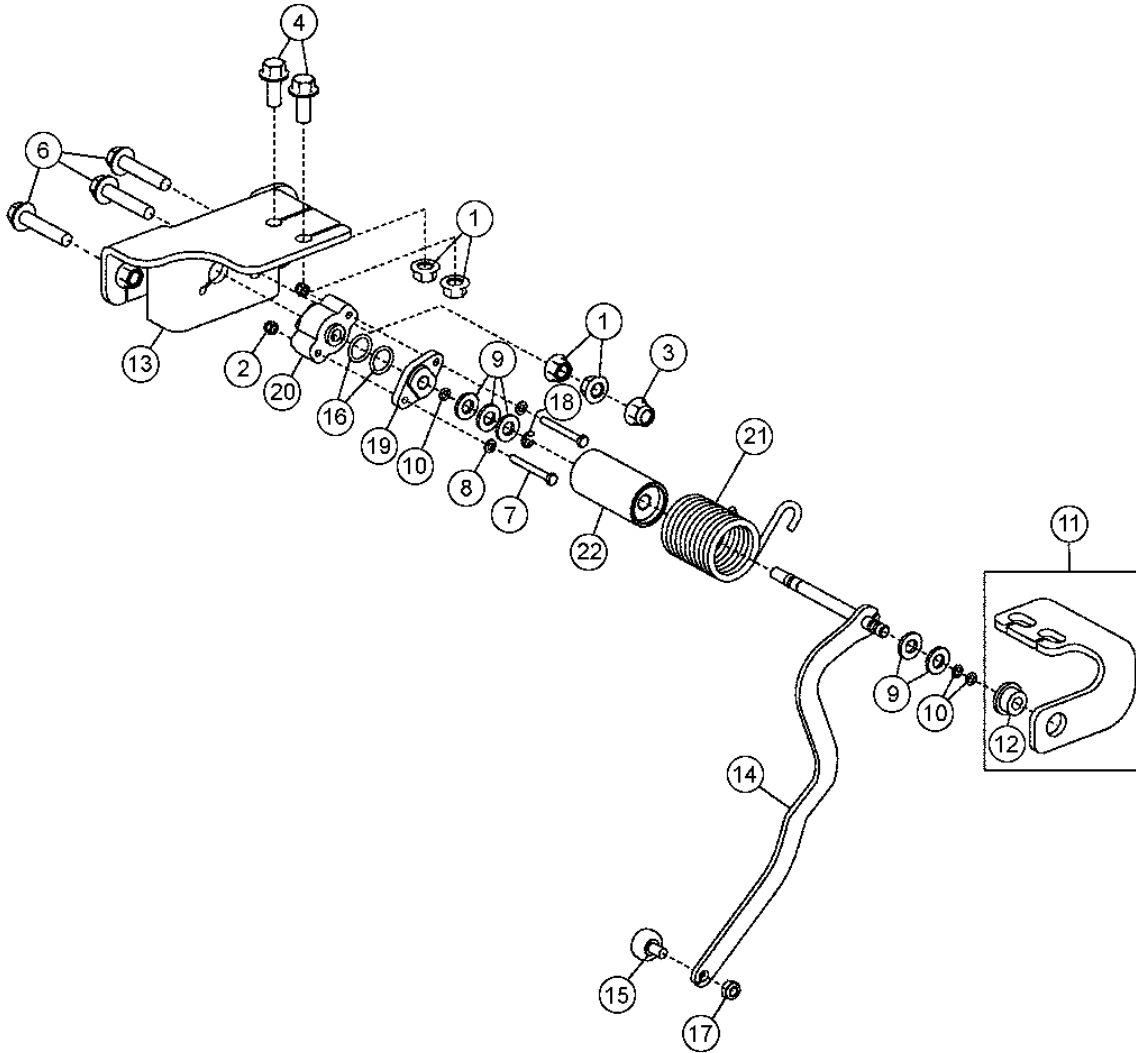
LOADER 31

AUTOMATIC CONTROL FUNCTION 3166

LOADER BOOM KICK OUT/ RETURN TO CARRY SENSOR
DETECTEUR DE DESENGAGEMENT DE FLECHE DE CHARGEUR / RETOUR EN POSITION DE TRANSPORT
SENSOR DE DESENGANCHE DE ALTURA DEL AGUILON DE CARGADORA / RETORNO A POSICION DE ACARREO

T211932

-UN-10JUN05



T211932

3166-3

LOADER 31

AUTOMATIC CONTROL FUNCTION 3166

LOADER BOOM KICK OUT/ RETURN TO CARRY SENSOR
DETECTEUR DE DESENGAGEMENT DE FLECHE DE CHARGEUR / RETOUR EN POSITION DE TRANSPORT
SENSOR DE DESENGANCHE DE ALTURA DEL AGUILON DE CARGADORA / RETORNO A POSICION DE ACARREO

KEY	PART NO.	PART NAME	QTY.	SERIAL NO.	REMARKS
1	14M7296	FLANGE NUT	4		M10
2	14M7360	LOCK NUT	2		M5
3	14M7400	LOCK NUT	1		M10
4	19M7785	SCREW	2		M10 X 25
6	19M7806	SCREW	3		M10 X 50
7	19M8834	CAP SCREW	2		M5 X 45
8	24M7027	WASHER	2		5.300 X 10 X 1 MM
9	24M7239	WASHER	7		10.700 X 21 X 2.500 MM
10	A4365R	O-RING	3		6.071 X 1.778 MM
11	AT226542	BRACKET	1		
12	T82861	BUSHING	1		
13	AT227530	BRACKET	1		
14	AT311304	ACTUATOR	1		
15	AT45678	CAM FOLLOWER	1		
16	P48347	O-RING	2		
17	R11151	LOCK NUT	1		
18	R72653	SNAP RING	1		
19	R86457	SUPPORT	1		
20	RE261354	SENSOR	1		(SUB FOR RE56165)
21	T195210	TORSION SPRING	1		
22	T197144	BUSHING	1		

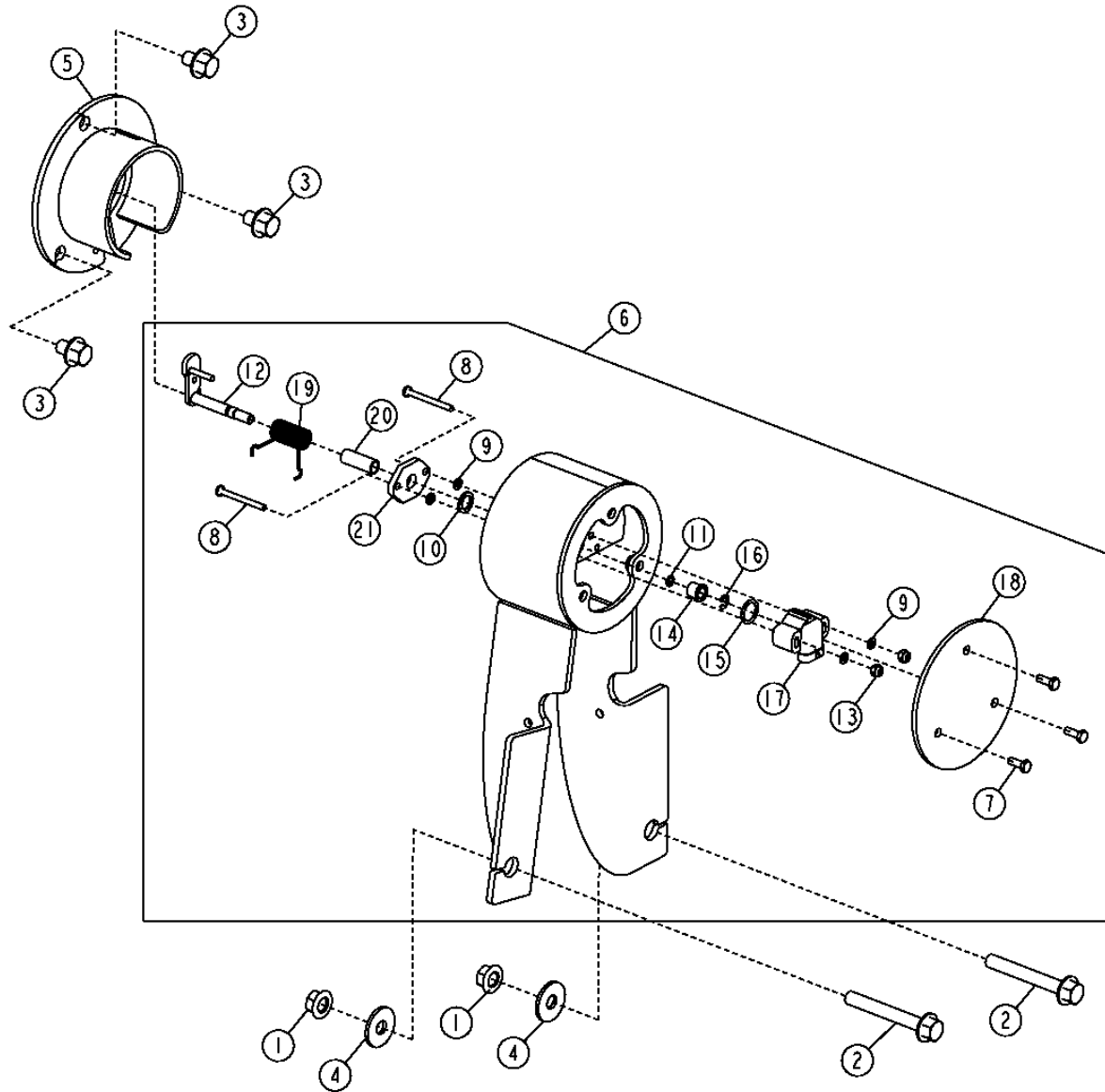
3166-4

LOADER 31

AUTOMATIC CONTROL FUNCTION 3166

BUCKET LINKAGE RETURN TO DIG TRINGLERIE DE BENNE DE RETOUR EN POSITION DE CREUSEMENT VARILLAJE DEL CUCHARON DE RETORNO PARA EXCAVAR

T212626 -UN-15JUL05



T212626

THIS PARTS LISTING IS CONTINUED

3166-5

LOADER 31

AUTOMATIC CONTROL FUNCTION 3166

BUCKET LINKAGE RETURN TO DIG
TRINGLERIE DE BENNE DE RETOUR EN POSITION DE CREUSEMENT
VARILLAJE DEL CUCHARON DE RETORNO PARA EXCAVAR

KEY	PART NO.	PART NAME	QTY.	SERIAL NO.	REMARKS
1	14M7299	FLANGE NUT	2		M12
2	19M7819	SCREW	2		M12 X 90
3	19M8242	SCREW	3		M12 X 16
4	24M7180	WASHER	2		13 X 37 X 3 MM
5	AT320424	BRACKET	1		(A)
6	AT320435	BRACKET	1		(B)
7	19M7560	CAP SCREW	3		M6 X 16
8	21H1383	SCREW	2		0.190" X 2"
9	24M7027	WASHER	4		5.300 X 10 X 1 MM
10	24M7386	WASHER	1		13 X 19 X 1.500 MM
11	A4365R	O-RING	1		
12	AT312996	ARM	1		
13	M135542	LOCK NUT	2		
14	M88102	BUSHING	1		
15	P48347	O-RING	1		
16	R72653	SNAP RING	1		
17	RE30295	SENSOR	1		
18	T210258	PLATE	1		
19	T211396	TORSION SPRING	1		
20	T211405	SPACER	1		
21	T214722	PLATE	1		

(A) RETURN TO DIG GUIDE LINK ATTACH HOUSING

(A) LOGEMENT DE FIXATION DE BIELLE DE GUIDAGE DE RETOUR EN POSITION DE CREUSEMENT

(A) CAJA DE FIJACION DE BRAZO GUIA DE RETORNO A POS. DE EXCAVACION

(B) RETURN TO DIG OUTER SUB ASSEMBLY

(B) SOUS-ENSEMBLE EXTERIEUR DE RETOUR EN POSITION DE CREUSEMENT

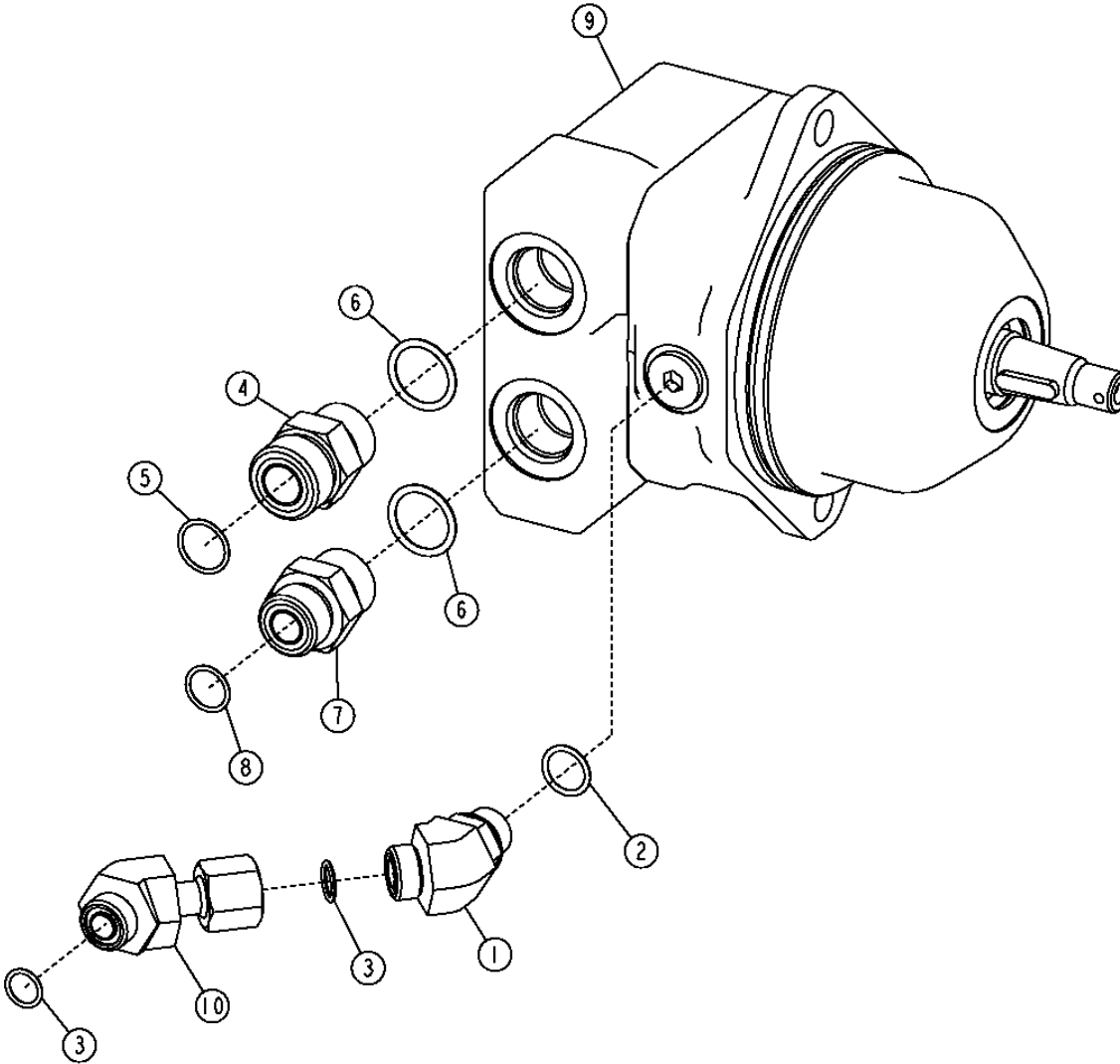
(B) SUBCONJUNTO EXTERIOR DE RETORNO A POS. DE EXCAVACION

3168-2

FAN MOTOR
MOTEUR DE VENTILATEUR
MOTOR DEL VENTILADOR

T212885

-UN-05AUG05



T212885

3168-3

LOADER 31

HYDRAULIC MOTOR 3168

FAN MOTOR
MOTEUR DE VENTILATEUR
MOTOR DEL VENTILADOR

KEY	PART NO.	PART NAME	QTY.	SERIAL NO.	REMARKS
1	38H1046	ELBOW FITTING	1		
2	R26375	O-RING	1		
3	T77857	O-RING	2		
4	38H1163	ADAPTER FITTING	1		
5	T77858	O-RING	1		
6	U12547	O-RING	2		
7	38H1329	ADAPTER FITTING	1		
8	T77932	O-RING	1		
9	AT308356	HYDRAULIC MOTOR	1		
10	38H1603	ELBOW FITTING	1		

3168-4

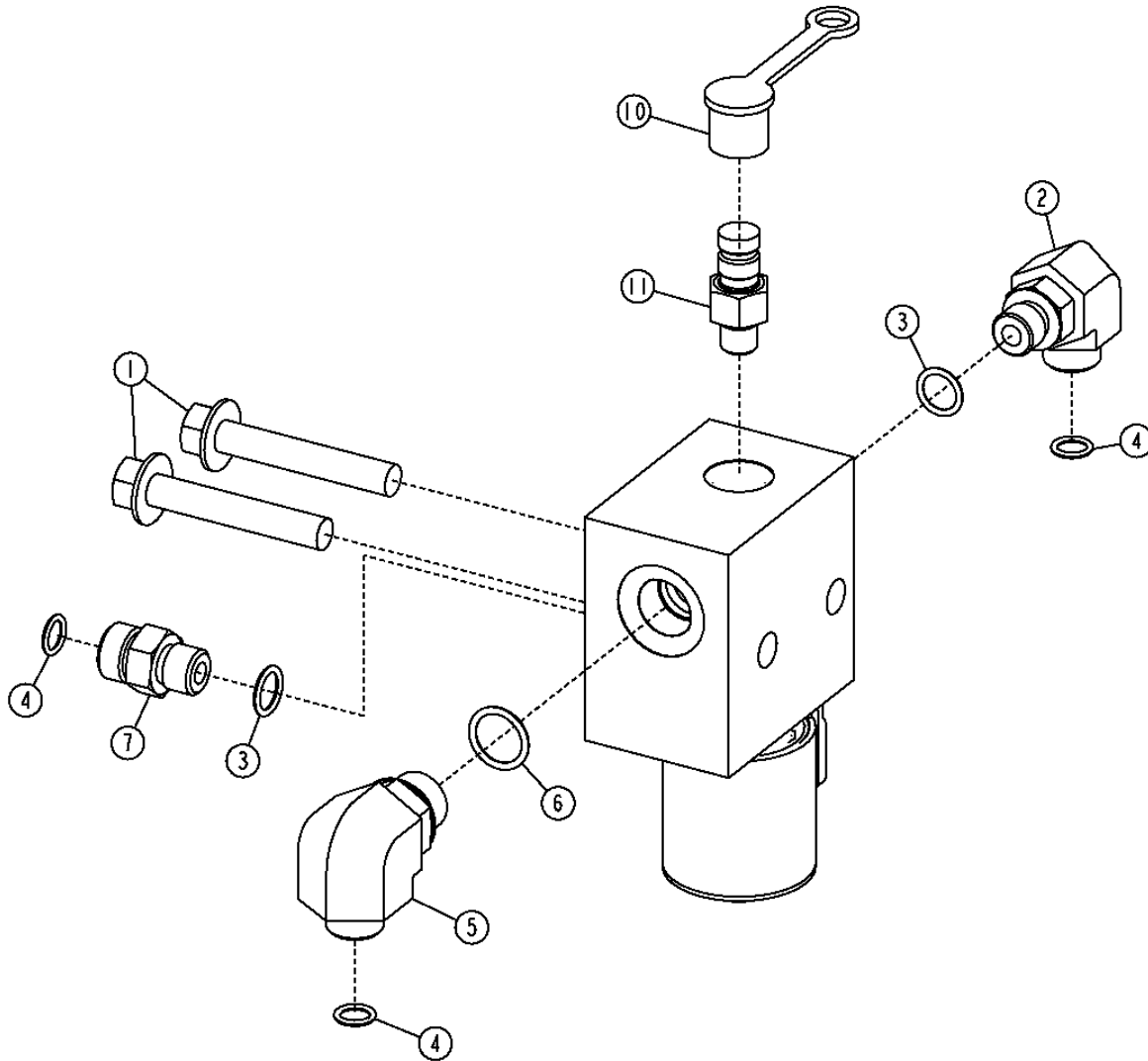
LOADER 31

HYDRAULIC MOTOR 3168

FAN MOTOR LOAD SENSING VALVE SOUPAPE DE DETECTION DE CHARGE DU MOTEUR DE VENTILATEUR VALVULA DE DETECCION DE CARGA DE MOTOR DEL VENTILADOR

TX1006443

-UN-21APR06



TX1006443

3168-5

LOADER 31

HYDRAULIC MOTOR 3168

FAN MOTOR LOAD SENSING VALVE
SOUPAPE DE DETECTION DE CHARGE DU MOTEUR DE VENTILATEUR
VALVULA DE DETECCION DE CARGA DE MOTOR DEL VENTILADOR

KEY	PART NO.	PART NAME	QTY.	SERIAL NO.	REMARKS
1	19M7807	SCREW	2		M10 X 60
2	38H1004	ELBOW FITTING	1		
3	R26448	O-RING	1		
4	T77613	O-RING	3		
5	38H1010	ELBOW FITTING	1		
6	R26375	O-RING	1		
7	38H1160	ADAPTER FITTING	1		
10	R77175	COVER	1		
11	RE31495	ELEC. CONNECTOR TERMINAL	1		(SUB FOR RE60701)
12	AT309295	SOLENOID VALVE	1		
	AT224703	SOLENOID VALVE COIL	1		
	AT316691	ELEC.PROPORTIONAL VALVE	1		
	AT195143	SEAL KIT	1		

3168-6

LOADER 31

HYDRAULIC MOTOR 3168

MEMORANDA
MEMORANDA
MEMORANDA

00II-1

844J LOADER

NUMERICAL INDEX

PART NO.	KEY	PAGE	PART NO.	KEY	PAGE	PART NO.	KEY	PAGE
AH108055	21	1062-3	AH227995	14	3165-5B	AT137921	9	1810-13
AH121227	9	1810-25	AH76883	3	0201-5	AT138180	7	1810-9
AH125760	24	0930-5	AH77869	5	1671-3	AT138180	13	1810-13
AH125760	30	3160-3	AH77869	10	1830-9	AT138215	12	1810-13
AH125760	19	3160-25	AH89557	14	0414-2	AT139694	6	0962-3
AH130230	16	3163-5	AH96317	39	1674-11	AT145341	7	0505-7
AH137210	21	3165-5	AL153660	3	1810-9	AT145341	26	1674-13
AH137210	1	3165-5B	AL32877	18	0210-7	AT151931	8	1810-31
AH146460	10	3165-3	AL32877	17	0210-15	AT156896	6	0962-5
AH146460	3	3165-3B	AL76568	1	1674-9	AT157226	3	2002-5
AH146558	5	0960-5	AL76568	24	1830-13	AT160480	1	1674-8
AH146558	11	0960-5B	AM39653	26	3164-3	AT160662	18	0962-3
AH146562	14	0960-5	AN207183	8	3160-15B	AT161638	52	3164-3
AH146562	12	0960-5B	AN207184	8	3160-15B	AT162114	7	1671-5
AH149814	17	0960-5	AN276328	13	0510-3	AT162719	14	0962-3
AH149814	1	0960-5B	AP22660	12	1674-13	AT162848	11	1830-9
AH151320	16	3165-3	AR102258	11	0418-3	AT163872	11	1830-11
AH151320	1	3165-3B	AR21836	14	0360-3	AT169157	9	3160-5
AH157291	8	3165-5	AR21837	12	0350-3	AT169849	5	0962-3
AH157291	8	3165-5B	AR21837	5	0560-3	AT170005	4	1810-7
AH157292	11	3165-5	AR21837	14	0560-3	AT170759	2	0505-5
AH157292	9	3165-5B	AR21837	18	1370-3	AT170991	10	3160-9
AH158310	5	0402-3B	AR21837	5	1746-3	AT171162	5	0505-5
AH159192	20	3165-5	AR21837	12	3164-3	AT171539	4	0505-5
AH159192	2	3165-5B	AR21839	15	0360-3	AT171679	7	1810-19
AH159448	10	0560-3	AR21839	6	0402-3B	AT173193	5	1810-41
AH162914	11	0560-3	AR21839	15	0560-3	AT173313	2	1821-9
AH165079	12	0560-3	AR21839	10	0560-5	AT173313	17	1821-9
AH170895	12	0510-3	AR21839	12	3163-7	AT173313	18	1821-9
AH207243	5	3165-3	AR21999	3	0505-5	AT173313	19	1821-9
AH207243	2	3165-3B	AR48236	14	0510-3	AT173314	3	1821-9
AH212101	8	0960-5	AR50411	2	0505-3	AT173315	4	1821-9
AH212101	2	0960-5B	AR54815	16	0560-3	AT173321	12	1821-9
AH213639	1	3165-3	AR61533	20	0404-3	AT173321	29	1821-9
AH213661	2	0960-5	AR61533	6	0433-3	AT173321	30	1821-9
AH218085	1	0960-5	AR68999	7	0402-3B	AT173321	31	1821-9
AH218087	1	0960-5	AR72351	8	0403-3	AT173321	40	1821-9
AH218091	22	0960-5	AR83396	3	1520-3	AT173354	5	1314-3
AH218092	22	0960-5	AR83396	21	1741-3	AT173610	19	0510-3
AH218263	14	3165-3	AR84185	1	0505-3	AT176801	1	1674-5
AH218264	2	3165-3	AR91896	7	1810-23	AT177950	53	3164-3
AH218517	2	3165-5	AT106365	4	1810-41	AT180119	17	3160-21
AH220942	1	3165-5	AT106413	17	0510-3	AT181313	19	3160-3
AH220943	1	3165-5	AT106472	15	1911-5	AT181313	12	3160-9
AH220944	19	3165-5	AT106473	17	1911-5	AT183222	6	0505-5
AH220945	19	3165-5	AT106662	11	0962-3	AT188759	9	2001-3
AH222733	50	3165-3B	AT106662	12	0962-3	AT189390	1	2003-3
AH222733	9	3165-9	AT107509	16	0409-3	AT189487	4	2003-3
AH222733	8	3165-11	AT107738	6	0342-3	AT190589	9	0511-5
AH222734	50	3165-5B	AT112799	1	0350-51	AT191487	16	0962-3
AH222734	10	3165-9	AT116162	9	0962-5	AT192227	41	0210-5
AH222734	9	3165-11	AT116162	9	1064-3	AT193500	4	1830-15
AH222735	50	3165-5B	AT116162	8	1673-7	AT195140	7	3160-25
AH222735	11	3165-9	AT116380	15	0510-3	AT195141	8	3160-25
AH222735	10	3165-11	AT116970	6	1810-9	AT195143	2	3160-25
AH222736	6	0960-3B	AT116970	5	1810-13	AT195143	14	3160-25
AH222736	50	0960-5B	AT119372	23	3160-3	AT195143	1	3162-25
AH222737	7	0960-3B	AT120461	2	2004-3	AT195143	12	3168-5
AH222737	50	0960-5B	AT130104	7	1673-3	AT195301	13	1674-13
AH222738	7	3165-3B	AT135758	7	1673-3	AT195302	14	1674-13
AH222739	13	3165-5B	AT135758	5	1673-5	AT195441	7	1821-3
AH223702	2	3165-3	AT135758	12	1673-7	AT195442	8	1821-3
AH223702	8	3165-3B	AT13740	23	0404-3	AT195588	14	0210-13
AH224534	2	3165-5	AT13740	21	0418-3	AT195588	15	0210-17
AH225661	1	3165-3	AT13740	9	0419-3	AT196427	1	2002-3
AH225721	1	3165-5	AT137753	3	3145-3	AT196760	12	1064-3
AH225722	1	3165-5	AT137920	7	1810-13	AT196760	42	3160-15

00II-2

844J LOADER

NUMERICAL INDEX - CONTINUED

PART NO.	KEY	PAGE	PART NO.	KEY	PAGE	PART NO.	KEY	PAGE
AT199388	10	2001-3	AT209469	34	1821-9	AT224217	10	1810-9
AT202609	5	3141-3	AT209469	35	1821-9	AT224235	9	1810-31
AT202609	7	3141-5	AT209495	7	1115-5	AT224574	3	3160-15B
AT202609	7	3141-7	AT209668	14	1830-13	AT224699	5	3160-15B
AT202726	15	1810-13	AT209908	9	1810-9	AT224701	1	3160-15B
AT202789	5	1314-3	AT209908	11	1810-13	AT224702	1	3160-15B
AT202860	8	1741-3	AT209909	10	1810-13	AT224703	1	3160-15B
AT202934	2	1674-9	AT209910	4	1810-9	AT224703	1	3160-17
AT202955	13	0350-3	AT209912	3	1810-9	AT224703	12	3168-5
AT203018	17	3163-5	AT209947	3	1810-41	AT224706	2	3160-15B
AT203027	18	3163-5	AT210086	5	1830-15	AT224706	3	3160-15B
AT203028	20	3163-5	AT210105	..	3160-3	AT224865	2	3160-15B
AT203137	11	1314-3	AT210106	1	3160-5	AT224865	15	3160-25
AT203184	18	1911-5	AT210106	2	3160-5	AT224865	4	3162-25
AT203565	8	0505-7	AT210106	3	3160-5	AT224866	2	3160-15B
AT203566	9	0505-7	AT210106	..	3160-5	AT224873	22	1100-3
AT206728	2	0505-7	AT210107	1	3160-7	AT224873	23	1100-3
AT206815	21	3160-15	AT210107	1	3160-9	AT224873	17	3160-25
AT206818	10	0505-7	AT210107	1	3160-11	AT224893	2	1674-7
AT206923	8	1810-35	AT210108	..	3160-13	AT224893	12	2001-3
AT207023	4	0201-5	AT210291	14	1062-3	AT224894	2	1674-6
AT207082	11	0505-7	AT210334	15	1674-13	AT224989	9	1810-23
AT207144	1	1810-5	AT210561	15	1830-13	AT224990	10	1810-23
AT207529	19	0962-13	AT210773	1	0350-47	AT224991	11	1810-23
AT207941	2	3160-7	AT210877	19	1062-3	AT224994	1	1810-25
AT207941	2	3160-9	AT211041	17	1672-3	AT224994	21	1810-27
AT207941	2	3160-11	AT211296	8	1810-23	AT224995	10	1810-25
AT207983	23	3160-3	AT217448	5	1810-33	AT225082	6	3160-15B
AT207984	23	3160-3	AT219727	49	3164-3	AT225083	1	3160-17
AT208085	32	1062-3	AT219746	2	3145-7	AT225084	4	3160-15B
AT208086	39	1062-3	AT219778	7	1830-15	AT225085	4	3160-15B
AT208088	47	1062-3	AT219974	20	1911-5	AT225085	2	3160-17
AT208089	44	1062-3	AT219974	25	1927-9	AT225189	16	0360-3
AT208163	51	1062-3	AT220039	29	0350-27	AT225249	3	3160-15B
AT208411	6	1115-5	AT220223	19	0962-3	AT225330	6	0520-3
AT208440	7	1911-3	AT220224	20	0962-3	AT225425	13	3162-5
AT208440	19	1911-5	AT220226	15	0962-3	AT225425	7	3162-11
AT208483	5	1821-9	AT220226	17	0962-3	AT225451	37	1830-15
AT208485	7	1821-9	AT220899	6	0530-3	AT225530	3	3160-17
AT208486	8	1821-9	AT220953	17	1830-13	AT225573	13	1064-3
AT208487	9	1821-9	AT221015	25	1821-3	AT225574	22	3160-23
AT208487	20	1821-9	AT221016	26	1821-3	AT225596	4	1746-5
AT208487	21	1821-9	AT221017	28	1821-3	AT225597	6	1746-5
AT208487	22	1821-9	AT221506	10	3160-9	AT225618	8	1822-3
AT208487	23	1821-9	AT222005	10	0360-5	AT225691	5	0350-13
AT208487	24	1821-9	AT222153	2	0962-3	AT225693	9	0350-13
AT208488	15	1821-9	AT222163	21	0930-5	AT225696	4	0350-15
AT208488	36	1821-9	AT222402	1	1810-17	AT225697	7	0350-15
AT208488	37	1821-9	AT222928	18	1672-3	AT225698	5	3160-15B
AT208490	10	1821-9	AT222932	9	1830-11	AT225706	10	1810-31
AT208490	25	1821-9	AT222934	6	0560-3	AT225728	8	1115-5
AT208490	26	1821-9	AT223091	16	0510-3	AT225885	6	1671-5
AT208490	27	1821-9	AT223440	..	0962-11	AT225885	12	1911-3
AT208490	28	1821-9	AT223493	7	0560-3	AT225885	25	1911-5
AT208491	11	1821-9	AT223527	6	0540-3	AT225885	14	1911-9
AT208491	32	1821-9	AT223531	1	1830-15	AT225899	8	1830-15
AT208493	2	1821-3	AT223535	29	1062-3	AT225911	9	1810-7
AT208630	3	1674-5	AT223535	22	3160-15	AT226000	10	1810-27
AT209020	9	1821-3	AT223538	8	0930-3	AT226119	10	3162-5
AT209021	10	1821-3	AT223538	22	0930-5	AT226132	7	3162-9
AT209022	15	1821-3	AT223538	12	1100-3	AT226132	21	3162-19
AT209024	17	1821-3	AT223719	7	0530-3	AT226133	9	3162-9
AT209025	19	1821-3	AT223774	3	0520-3	AT226133	23	3162-19
AT209026	21	1821-3	AT223806	7	3160-15B	AT226151	22	1810-27
AT209225	23	1821-3	AT223810	4	0520-3	AT226152	25	1810-27
AT209469	13	1821-9	AT223870	7	2001-3	AT226176	27	1810-27
AT209469	33	1821-9	AT224105	19	3164-3	AT226229	21	1911-5

00II-3

844J LOADER

NUMERICAL INDEX - CONTINUED

PART NO.	KEY	PAGE	PART NO.	KEY	PAGE	PART NO.	KEY	PAGE
AT226249	18	1830-13	AT259005	6	0350-5	AT307265	8	3160-15B
AT226265	2	3160-17	AT259568	10	0350-13	AT307301	22	1100-3
AT226266	1	3160-17	AT260901	11	0210-7	AT307302	23	1100-3
AT226273	10	1830-11	AT260901	12	0210-15	AT307331	5	0350-49
AT226282	2	2004-5	AT300115	9	1810-19	AT307636	2	3162-3
AT226309	12	1830-15	AT300154	6	3162-7	AT307637	4	3162-3
AT226334	8	1810-15	AT300154	7	3162-11	AT307638	3	3162-3
AT226454	6	3162-11	AT300156	8	3162-11	AT307640	5	3162-3
AT226542	11	3166-3	AT300156	20	3162-21	AT307641	6	3162-3
AT226578	1	1810-4	AT300441	10A	1810-15	AT307996	8	3165-7
AT226659	5	0520-5	AT300524	21	0962-3	AT307996	13	3165-9
AT226676	14	1821-9	AT300662	10	3162-9	AT308199	3	1821-3
AT226676	38	1821-9	AT300936	8	3162-11	AT308199	7	1821-5
AT226676	39	1821-9	AT301498	28	1674-13	AT308355	14	3160-27
AT226676	41	1821-9	AT301540	11	0360-5	AT308356	9	3168-3
AT226676	42	1821-9	AT301711	17	0511-3	AT308384	1	0350-3
AT226676	43	1821-9	AT301711	9	1927-9	AT308403	18	0510-3
AT226999	4	0505-3	AT302144	20	3160-21	AT308412	20	0510-3
AT227013	1	1810-4	AT302146	19	3160-21	AT308413	21	0510-3
AT227063	4	1810-19	AT302146	20	3160-21	AT308414	22	0510-3
AT227063	6	1821-7	AT303320	19	1672-3	AT308451	1	0520-3
AT227134	4	1674-5	AT303493	11	1810-25	AT308459	9	0505-5
AT227248	19	0360-3	AT303619	11	3162-5	AT308462	11	1314-3
AT227263	27	1674-13	AT303619	3	3162-7	AT308524	9	1741-3
AT227279	22	0360-3	AT303619	4	3162-7	AT308670	23	3160-23
AT227279	55	3164-3	AT303619	8	3162-7	AT308718	19	0511-3
AT227530	13	3166-3	AT304026	16	1674-13	AT308719	20	0511-3
AT227544	14	1810-23	AT304346	19	3160-19	AT308722	6	0510-5
AT227545	15	1810-23	AT304574	2	0350-17	AT308795	25	1821-3
AT227549	2	1810-21	AT304575	7	0350-21	AT308796	26	1821-3
AT227651	23	0360-3	AT304582	1	0201-3	AT308797	28	1821-3
AT227668	3	1810-39	AT304583	1	0201-5	AT308817	23	0510-3
AT227668	2	1830-3	AT304584	1	0201-3	AT308837	8	0530-3
AT227669	3	1830-3	AT304585	1	0201-5	AT308838	9	0530-3
AT227794	10B	1810-15	AT304633	4	1810-9	AT308847	13	1830-9
AT227925	1	3162-5	AT304850	8	0350-13	AT308862	6	1746-3
AT227925	2	3162-5	AT305126	36	1810-27	AT308929	8	0560-3
AT227925	1	3162-7	AT305126	37	1810-27	AT308938	7	0510-5
AT227926	2	3162-5	AT305126	38	1810-27	AT308939	8	0510-5
AT227927	4	3162-5	AT305130	33	1810-23	AT309252	50	3164-3
AT227927	10	3162-7	AT305130	34	1810-23	AT309270	7	0540-3
AT227927	11	3162-7	AT305275	14	0360-5	AT309280	1	0930-3
AT227928	3	3162-5	AT305405	59	1830-15	AT309280	1	0930-5
AT227928	9	3162-7	AT305603	11	3162-7	AT309286	14	3162-23
AT227928	11	3162-7	AT305632	13	0360-5	AT309294	10	0930-3
AT227929	5	3162-5	AT305687	..	3162-15	AT309294	23	0930-5
AT227930	6	3162-5	AT305690	..	3162-13	AT309295	12	3168-5
AT227930	2	3162-7	AT305692	..	3162-15	AT309296	36	0511-7
AT227933	9	3162-5	AT305931	6	1673-3	AT309299	35	0962-13
AT227933	5	3162-7	AT305931	4	1673-5	AT309300	23	3160-3
AT227965	4	1810-39	AT306111	13	3163-7	AT309311	1	3162-21
AT228238	11	1673-7	AT306133	8	0402-3B	AT309318	7	1911-7
AT228250	6	3162-7	AT306219	19	3160-21	AT309411	11	3163-3
AT228253	9	1810-15	AT306219	20	3160-21	AT309414	12	3163-3
AT228261	10	3162-9	AT306690	5	0510-5	AT309459	9	0242-5
AT228261	25	3162-19	AT306690	18	0511-3	AT309508	30	1062-3
AT228407	7	1671-3	AT306690	7	1911-9	AT309725	12	1810-23
AT228414	8	1749-3	AT306703	3	0515-3	AT309885	1	1320-7
AT228426	9	1749-3	AT306828	4	1674-6	AT309886	1	1320-9
AT228703	11	3162-9	AT306829	1	2001-3	AT310023	1	0325-3
AT228703	19	3162-19	AT306830	1	2001-3	AT310024	4	0325-3
AT228809	6	1822-7	AT306831	1	2001-3	AT310025	7	0325-3
AT228812	45	0210-5	AT306913	16	1830-13	AT310026	8	0325-3
AT228893	2	3102-11	AT307045	20	3164-3	AT310054	16	0360-5
AT255577	27	0350-41	AT307090	9	1673-7	AT310082	4	0351-3
AT258624	16	0210-13	AT307197	6	1830-15	AT310259	7	0342-3
AT258624	17	0210-17	AT307262	8	3160-15B	AT310412	10B	1810-15

00II-4

844J LOADER

NUMERICAL INDEX - CONTINUED

PART NO.	KEY	PAGE	PART NO.	KEY	PAGE	PART NO.	KEY	PAGE
AT310413	9	1810-15	AT311369	10	3102-5	AT312740	11	3160-5
AT310414	10A	1810-15	AT311396	10	1911-9	AT312800	1	0110-3
AT310435	6	1821-3	AT311427	11	1911-9	AT312833	2	0110-3
AT310435	8	1821-5	AT311460	22	0511-3	AT312852	5	0242-3
AT310519	8	0540-3	AT311461	12	0520-5	AT312932	37	0511-7
AT310561	28	0962-13	AT311554	11	0560-5	AT312966	12	1911-7
AT310563	4	3145-3	AT311567	6	3102-11	AT312996	12	3166-5
AT310563	3	3145-5	AT311570	19	3163-7	AT313218	16	1911-9
AT310563	3	3145-7	AT311616	21	3163-7	AT313282	57	1830-15
AT310571	5	3145-3	AT311617	22	3163-7	AT313399	6	1821-9
AT310592	1	3140-3	AT311621	1	0974-3	AT313407	30	3160-3
AT310631	21	0511-3	AT311633	2	0974-3	AT313477	13	3164-3
AT310632	4	0511-5	AT311667	18	1830-9	AT313546	20	3160-3
AT310633	14	1830-9	AT311772	11	3160-25	AT313551	22	3160-3
AT310673	1	3102-7	AT311819	19	1830-9	AT313551	17	3162-19
AT310674	1	3102-13	AT311825	9	1911-3	AT313575	24	3160-23
AT310679	10	3102-11	AT311827	23	0511-3	AT313677	23	3163-7
AT310680	1	3102-9	AT311893	23	1911-5	AT313692	7	1746-5
AT310702	24	1810-23	AT311901	13	1749-3	AT313927	10	0242-5
AT310748	7	1746-3	AT311903	29	1674-13	AT313932	12	0242-5
AT310772	15	3163-7	AT311905	30	1674-13	AT313932	10	3165-7
AT310794	16	3163-7	AT311908	31	1674-13	AT313932	18	3165-9
AT310840	11	0520-5	AT311918	1	1821-9	AT314266	40	1062-3
AT310845	6	0511-5	AT311919	6	1821-3	AT314267	33	1062-3
AT310846	3	0511-5	AT311933	25	1741-3	AT314326	24	1100-3
AT310885	22	1911-5	AT311938	41	1674-13	AT314326	3	3162-25
AT310905	22	3164-3	AT311997	9	1821-5	AT314332	6	3160-25
AT310926	15	1830-9	AT312025	10	1671-3	AT314333	4	3160-25
AT310937	17	3163-7	AT312039	3	0242-3	AT314333	17	3164-3
AT310952	18	3163-7	AT312053	10	1911-3	AT314374	32	1674-13
AT310957	24	0560-3	AT312067	11	1671-3	AT314734	23	3163-3
AT310981	23	1830-11	AT312077	24	0930-3	AT314833	11	1821-5
AT310982	24	1830-11	AT312077	29	0930-5	AT314986	8	1115-3
AT311001	9	0530-3	AT312178	2	1674-8	AT315021	23	0360-3
AT311009	1	3160-19	AT312207	12	1671-3	AT315072	13	1100-3
AT311016	28	0560-3	AT312230	12	1911-9	AT315290	20	1810-23
AT311019	29	0560-3	AT312275	13	1911-9	AT315404	1	0350-9
AT311046	8	1911-3	AT312277	3	1822-5	AT315458	1	3162-3
AT311065	6	0520-5	AT312278	4	1822-5	AT315459	1	3162-3
AT311066	7	0520-5	AT312280	5	1822-5	AT315715	7	1821-3
AT311067	8	0520-5	AT312287	24	3163-3	AT315761	8	1821-3
AT311075	1	0242-3	AT312300	18	0930-3	AT315846	8	3162-3
AT311148	13	3163-3	AT312300	30	0930-5	AT315847	8	3162-3
AT311149	14	3163-3	AT312363	46	3160-15	AT316069	14	3141-3
AT311150	15	3163-3	AT312391	10	3141-3	AT316069	13	3141-5
AT311151	16	3163-3	AT312391	12	3141-5	AT316261	7	3164-3
AT311169	18	3163-3	AT312391	11	3141-7	AT316520	13	0560-5
AT311170	19	3163-3	AT312413	8	1911-7	AT316532	9	3160-15B
AT311174	4	1671-5	AT312414	9	1911-7	AT316672	5	3162-25
AT311176	12	0560-5	AT312415	10	1911-7	AT316672	4	3162-27
AT311179	21	3163-3	AT312416	11	1911-7	AT316673	12	3160-25
AT311194	19	3160-21	AT312427	11	1911-3	AT316674	4	3162-25
AT311197	5	1671-5	AT312435	26	1911-5	AT316674	6	3162-27
AT311204	4	1927-5	AT312439	47	3160-15	AT316676	10	3160-25
AT311205	5	1927-5	AT312441	3	0974-3	AT316677	14	3160-27
AT311260	18	1674-11	AT312456	38	1911-5	AT316678	1	3160-25
AT311266	20	1674-11	AT312465	9	0402-3B	AT316678	1	3162-25
AT311267	21	1674-11	AT312466	23	3160-3	AT316680	10	3160-7
AT311268	9	1822-3	AT312475	27	1911-5	AT316680	10	3160-11
AT311269	10	1822-3	AT312477	14	1911-3	AT316682	30	3160-3
AT311278	8	1911-9	AT312484	22	1674-11	AT316682	3	3160-25
AT311295	9	0510-5	AT312487	23	1674-11	AT316683	3	3162-25
AT311296	4	3102-11	AT312521	20	1741-3	AT316685	19	3160-21
AT311297	5	3102-11	AT312731	1	3160-11	AT316687	4	3162-25
AT311304	14	3166-3	AT312732	1	3160-7	AT316691	12	3168-5
AT311319	22	3163-3	AT312736	1	3160-9	AT316692	5	3162-25
AT311320	23	3163-3	AT312737	7	3160-13	AT316695	13	3160-25

00II-5

844J LOADER

NUMERICAL INDEX - CONTINUED

PART NO.	KEY	PAGE	PART NO.	KEY	PAGE	PART NO.	KEY	PAGE
AT316696	9	3160-25	AT322513	27	3163-5	AT323241	9	0963-3
AT317063	33	1674-13	AT322514	28	3163-5	AT323248	37	1927-9
AT317907	14	0560-5	AT322549	29	3163-5	AT323251	10	0963-3
AT317961	15	0560-5	AT322550	30	3163-5	AT323273	3	0963-3
AT318123	7	3162-5	AT322551	31	3163-5	AT323284	10	0960-3
AT318251	13	3162-23	AT322552	32	3163-5	AT323300	12	0960-3
AT318277	16	0560-5	AT322651	30	3162-19	AT323306	1	0515-3
AT318483	17	0560-5	AT322651	26	3162-21	AT323307	3	0515-3
AT318661	16	3164-3	AT322651	33	3163-5	AT323335	48	3160-15
AT318787	13	3162-23	AT322652	33	3163-5	AT323339	50	3160-15
AT318788	16	3160-25	AT322672	31	3162-19	AT323704	7	3162-13
AT318974	24	0511-3	AT322672	27	3162-21	AT323704	7	3162-15
AT319044	18	0560-5	AT322672	34	3163-5	AT323705	8	3162-13
AT319055	18	3164-3	AT322673	34	3163-5	AT323705	8	3162-15
AT319067	19	1370-3	AT322681	15	2162-3	AT323706	9	3162-13
AT319069	20	1370-3	AT322681	14	2162-5	AT323706	9	3162-15
AT319079	21	1370-3	AT322688	35	3163-5	AT323706	35	3162-19
AT319081	22	1370-3	AT322689	32	3162-19	AT323706	31	3162-21
AT319142	9	0520-3	AT322689	28	3162-21	AT323707	10	3162-13
AT320335	6	1673-5	AT322689	35	3163-5	AT323707	10	3162-15
AT320361	15	1064-3	AT322732	36	3163-5	AT323707	36	3162-19
AT320362	16	1064-3	AT322736	37	3163-5	AT323707	32	3162-21
AT320424	5	3166-5	AT322737	33	3162-19	AT323730	17	3164-3
AT320425	7	3145-3	AT322737	29	3162-21	AT323755	7	1062-5
AT320435	6	3166-5	AT322737	37	3163-5	AT323782	8	1062-5
AT320485	10	3160-5	AT322748	1	3102-19	AT323790	46	1062-3
AT320488	10	3160-7	AT322749	1	3102-21	AT323792	50	1062-3
AT320488	10	3160-11	AT322753	1	3102-17	AT323797	9	1062-5
AT320535	28	1911-5	AT322754	34	3162-19	AT323830	52	1062-3
AT320593	17	0360-5	AT322754	30	3162-21	AT323833	53	1062-3
AT320642	17	1064-3	AT322754	38	3163-5	AT323858	4	1810-3
AT320724	42	1674-13	AT322762	25	3163-3	AT323859	4	1810-3
AT321010	11	3102-3	AT322765	20	3163-3	AT323866	10	1062-5
AT321015	1	3102-15	AT322943	26	3163-7	AT323867	12	1062-5
AT321095	20	1927-9	AT322948	28	3163-7	AT323868	16	0511-7
AT321096	21	1927-9	AT322965	29	3163-7	AT323869	18	0511-9
AT321097	22	1927-9	AT322968	1	0210-13	AT323883	23	3164-3
AT321098	23	1927-9	AT322970	18	0360-5	AT323884	24	3164-3
AT321099	10	1927-9	AT322975	30	3163-7	AT323886	13	0242-5
AT321224	5	1821-7	AT322977	31	3163-7	AT323887	15	0242-5
AT321258	3	1913-5	AT322982	18	1064-3	AT323920	20	3160-21
AT321319	27	3162-19	AT322982	25	3160-23	AT323931	11	3162-13
AT321319	22	3162-21	AT322986	5	0963-3	AT323931	11	3162-15
AT321319	21	3163-5	AT322986	32	3163-7	AT323932	12	3162-13
AT321321	29	3162-19	AT322987	33	3163-7	AT323932	12	3162-15
AT321321	24	3162-21	AT322993	24	0210-5	AT323941	13	1062-5
AT321321	22	3163-5	AT322996	24	0210-5	AT323942	14	1062-5
AT321327	6	1913-5	AT322997	24	0210-5	AT323943	17	0511-7
AT321367	17	1100-3	AT323004	19	0360-5	AT323944	19	0511-9
AT321665	46	0210-5	AT323040	34	3163-7	AT323959	30	1911-5
AT321746	6	0210-15	AT323041	35	3163-7	AT324084	37	3163-7
AT321941	27	0930-3	AT323055	6	1822-5	AT324151	19	1100-3
AT321941	31	0930-5	AT323056	7	1822-5	AT324153	20	1100-3
AT321942	11	1830-13	AT323066	1	0210-17	AT324166	3	0110-3
AT322249	12	0962-15	AT323101	5	3162-13	AT324167	21	1100-3
AT322251	10	0962-9	AT323101	5	3162-15	AT324190	18	1100-3
AT322258	29	1911-5	AT323107	2	0963-3	AT324242	1	3102-25
AT322316	23	3163-5	AT323116	33	1927-9	AT324440	10	1673-7
AT322317	24	3163-5	AT323117	34	1927-9	AT324484	11	1673-7
AT322318	25	3163-5	AT323118	35	1927-9	AT324524	25	3164-3
AT322319	26	3163-5	AT323128	24	1100-3	AT324531	27	0420-5
AT322382	24	1927-9	AT323166	4	0963-3	AT324573	27	3164-3
AT322383	32	1927-9	AT323173	5	0963-3	AT324574	28	3164-3
AT322402	24	1927-7	AT323175	36	3163-7	AT324671	12	0962-9
AT322403	39	1927-9	AT323176	6	0963-3	AT324681	12	1810-13
AT322500	24	3163-7	AT323188	7	0963-3	AT324687	9	1810-9
AT322502	25	3163-7	AT323191	8	0963-3	AT324687	11	1810-13

00II-6

844J LOADER

NUMERICAL INDEX - CONTINUED

PART NO.	KEY	PAGE	PART NO.	KEY	PAGE	PART NO.	KEY	PAGE
AT324699	11	0962-9	AT325659	19	1821-7	AT328995	31	3163-7
AT324712	20	0962-13	AT325660	18	1821-7	AT328996	19	0360-5
AT324729	21	0962-13	AT325661	17	1821-7	AT328997	36	3163-7
AT324773	14	0930-3	AT325662	16	1821-7	AT328998	7	0963-3
AT324773	22	0962-13	AT325663	15	1821-7	AT328999	9	1062-5
AT324794	23	0962-13	AT325664	14	1821-7	AT329000	21	0962-13
AT324797	..	0560-5	AT325665	21	1821-7	AT329316	5	0963-3
AT324798	24	0962-13	AT325666	22	1821-7	AT329410	20	0511-9
AT324827	25	0962-13	AT325667	13	1821-7	AT329411	21	0511-9
AT324828	26	0962-13	AT325668	23	1821-7	AT329412	26	0511-9
AT324849	10	1810-9	AT325669	12	1821-7	AT329413	27	0511-9
AT324881	23	0360-3	AT325670	9	1821-7	AT329414	18	0560-5
AT324883	2	3162-25	AT325671	10	1821-7	AT329642	31	3162-19
AT324883	1	3162-27	AT325673	18	3160-19	AT329642	27	3162-21
AT324907	6	3162-25	AT325677	11	1821-7	AT329642	34	3163-5
AT324907	2	3162-27	AT325691	19	3160-19	AT329643	34	3163-5
AT324909	2	3162-25	AT325693	..	3162-13	AT329722	1	1830-15
AT324909	1	3162-27	AT325795	38	3163-7	AT329723	8	1830-15
AT324910	3	3162-27	AT325796	39	3163-7	AT329786	15	3163-7
AT324911	3	3162-27	AT325797	40	3163-7	AT329787	26	3163-7
AT324912	4	3162-27	AT325850	14	1741-3	AT330023	27	3162-19
AT324914	5	3162-27	AT325850	15	3141-3	AT330023	22	3162-21
AT324915	6	3162-27	AT325850	16	3141-5	AT330023	21	3163-5
AT324921	14	0350-3	AT325850	12	3141-7	AT330024	29	3162-19
AT324936	6	1673-3	AT325851	16	3141-3	AT330024	24	3162-21
AT324965	5	0962-15	AT325851	17	3141-5	AT330024	22	3163-5
AT324966	6	0962-15	AT325873	27	0962-13	AT330043	31	3163-5
AT324967	1	0962-15	AT325874	28	0962-13	AT330044	32	3163-5
AT324968	2	0962-15	AT325875	20	3165-9	AT330347	2	3102-11D
AT324969	7	0962-15	AT325875	3	3165-13	AT330348	3	3102-11D
AT324970	10	0962-15	AT325886	8	3145-3	AT330349	13	3141-7
AT324971	3	0962-15	AT325999	44	1370-3	AT330350	11	3165-11
AT324972	8	0962-15	AT326225	5	3160-25	AT330351	14	3141-7
AT324973	11	0962-15	AT326258	20	0511-9	AT330352	4	3145-7
AT324974	9	0962-15	AT326260	21	0511-9	AT330468	5	1671-5
AT324975	4	0962-15	AT326261	22	0511-9	AT330515	4	3145-3
AT324984	25	0360-3	AT326263	24	0511-9	AT330515	8	3145-3
AT324985	26	0360-3	AT326264	25	0511-9	AT330515	3	3145-5
AT324986	27	0360-3	AT326265	18	0511-7	AT330515	4	3145-5
AT324987	28	0360-3	AT326266	19	0511-7	AT330515	3	3145-7
AT324989	20	0930-3	AT326267	20	0511-7	AT330516	4	3145-3
AT324989	33	0930-5	AT326268	21	0511-7	AT330516	7	3145-3
AT325128	15	0360-5	AT326269	22	0511-7	AT330516	3	3145-5
AT325186	26	3163-3	AT326301	1	3162-19	AT330516	5	3145-5
AT325195	23	1370-3	AT326595	26	0511-9	AT330516	3	3145-7
AT325197	24	1370-3	AT326596	27	0511-9	AT330664	2	3102-11B
AT325198	25	1370-3	AT327370	9	1746-5	AT330664	6	3102-11D
AT325200	26	1370-3	AT327380	5	1746-5	AT330664	9	3145-5
AT325212	5	0930-3	AT327621	7	1810-19	AT330664	7	3145-7
AT325212	34	0930-5	AT327690	..	3162-15	AT330669	4	1821-7
AT325225	31	1062-3	AT327730	..	3162-13	AT330670	13	1821-5
AT325267	30	0560-5	AT327800	..	3162-15	AT330670	1	1821-7
AT325450	10	1064-3	AT327801	..	3162-13	AT330808	26	1821-7
AT325524	42	3160-15	AT328624	23	0510-3	AT330809	1	3140-7
AT325538	11	1064-3	AT328624	27	0510-5	AT330810	9	3145-7
AT325539	42	3160-15	AT328847	20	0511-7	AT330936	11	1911-3
AT325585	27	1370-3	AT328848	21	0511-7	AT330939	14	1911-3
AT325586	28	1370-3	AT328850	25	0511-9	AT330945	23	3160-23
AT325587	29	1370-3	AT328851	18	0511-7	AT330949	13	1911-9
AT325601	14	3160-19	AT328921	20	0511-9	AT330951	8	1911-9
AT325602	16	3160-19	AT328922	21	0511-9	AT330985	10	3145-7
AT325611	16	0360-3	AT328923	24	0511-9	AT330985	12	3165-11
AT325612	7	3162-7	AT328924	22	0511-9	AT330991	2	3140-7
AT325612	11	3162-7	AT328925	26	0511-9	AT330991	13	3165-11
AT325647	17	3160-19	AT328926	27	0511-9	AT330994	3	3140-7
AT325657	25	0210-5	AT328993	18	3163-7	AT330995	4	3140-7
AT325658	20	1821-7	AT328994	24	3163-7	AT331001	5	3140-7

00II-7

844J LOADER

NUMERICAL INDEX - CONTINUED

PART NO.	KEY	PAGE	PART NO.	KEY	PAGE	PART NO.	KEY	PAGE
AT331627	90	3102-23	E49244	8	0960-5	H214975	12	3165-5
AT331844	12	1821-5	E52687	24	0452-3	H214975	17	3165-5B
AT331844	1	1821-7	E53801	12	3165-7	H218601	9	3165-3
AT332203	1	3140-5	E53801	22	3165-9	H218601	13	3165-3B
AT332205	11	3145-5	E73240	6	1674-5	H34597	6	1810-39
AT332268	..	3102-11D	E73240	35	1674-13	H60815	3	3160-13
AT332290	7	3160-15B	E80242	10	0530-3	H75541	20	3160-19
AT332526	1	3102-19	F3353R	5	0414-2	H77698	7	1674-5
AT332528	1	3102-21	F37030254	3	0417-3	H77698	43	1674-13
AT332568	8	3102-5B	F433299	6	3160-15B	H77698	21	1830-13
AT333721	4	3102-11B	F950R	11	0960-5	H79910	13	0433-3
AT333722	5	3102-11B	F950R	13	0960-5B	H81330	8	0433-3
AT334491	3	0974-3	GY20126	3	1674-6	H81330	4	1830-3
AT334887	24	3160-23	GY20126	3	1674-7	H81862	19	0960-5B
AT336064	..	3102-11B	H110232	21	1810-23	H85233	8	1671-5
AT336066	..	3102-11D	H110232	4	2002-5	H85233	13	1911-3
AT336068	..	3102-11B	H111730	3	0420-5	H85233	24	1911-5
AT336077	..	3102-11D	H114865	20	1830-13	H85233	15	1911-9
AT336080	..	3102-11B	H121168	4	0420-5	H86981	8	1830-13
AT336082	..	3102-11D	H126081	13	1810-25	H88900	6	3165-5
AT336085	..	3102-11B	H126082	14	1810-25	H88900	18	3165-5B
AT336601	30	1674-13	H132922	16	1810-25	H94158	12	1810-31
AT336610	8	3102-5B	H138955	1	1320-3	H94158	10	1830-5
AT336611	8	3102-5B	H145175	20	0960-5	H95874	25	1810-25
AT336612	8	3102-5B	H145175	26	0960-5B	JD5749	2	1320-5
AT336621	5	1810-33	H148166	54	3164-3	JD5822	2	1320-3
AT338486	10	1821-5	H152065	8	0960-5	JD5906	3	1320-5
AT338486	1	1821-7	H152121	11	3165-3	JD5920	4	1320-5
AT338917	17	3163-3	H152121	4	3165-3B	JD5929	5	1810-35
AT341093	8	3102-11B	H152204	13	0960-5	JD7759	25	0511-3
AT341093	8	3102-11D	H152204	14	0960-5B	JD7759	9	3102-11B
AT341170	11	3141-3	H152605	6	3165-3	JD7759	17	3141-3
AT341170	18	3141-5	H152605	5	3165-3B	JD7759	21	3141-5
AT341273	3	0974-3	H152795	12	0960-5	JD7759	15	3141-7
AT35831	24	0510-3	H152795	15	0960-5B	JD7759	9	3145-3
AT35831	30	1370-3	H155630	18	0960-5	JD7759	13	3145-5
AT38449	13	1671-3	H155924	16	3165-5	JD7763	10	3145-3
AT41188	14	1671-3	H155924	15	3165-5B	JD7763	14	3145-5
AT45678	20	1830-9	H156360	13	1810-15	JD7763	23	3165-9
AT45678	15	3166-3	H158596	25	1927-9	JD7763	4	3165-13
AT53440	13	0520-5	H163979	9	3165-5	JD7797	11	0242-5
AT59892	2	1810-32	H163979	10	3165-5B	JD7797	11	0960-3
AT63271	5	3160-5	H163980	10	3165-5	JD7797	9	3165-7
AT63271	6	3160-13	H163980	11	3165-5B	JD7797	12	3165-9
AT64886	6	0201-3	H169568	10	1749-3	JD7798	2	0960-5
AT64886	9	1115-3	H171488	7	3165-3	JD7798	3	0960-5
AT81931	27	3160-23	H171488	6	3165-3B	J16931	21	1830-9
AT83105	12	1810-25	H172014	13	0560-3	J16931	15	1911-3
A2597R	10	0402-5	H174831	17	0560-3	J441295	14	0350-9
A4365R	18	1062-3	H180080	7	0960-5	KV14594	17	1911-9
A4365R	10	3166-3	H180080	16	0960-5B	KV24327	13	3165-7
A4365R	11	3166-5	H180094	9	0960-5	KV24327	24	3165-9
A4925R	3	0407-3	H180094	17	0960-5B	LVU13519	14	1911-7
A4925R	1	0416-1	H207262	12	3165-3	L101689	6	0350-17
A811045	18	0402-3	H207262	9	3165-3B	L101689	2	0350-23
A811045	11	0452-3	H207265	8	3165-3	L101690	6	0350-17
A811045R	18	0402-3	H207265	10	3165-3B	L101690	2	0350-23
A811045R	11	0452-3	H208519	4	3165-5	L102023	1	1810-37
CC22170	8	0416-1	H208519	16	3165-5B	L112198	2	0350-23
CD12569	2	1320-7	H209617	3	3165-3	L112205	2	0350-23
CODY CUSTER	1	3160-15	H209617	11	3165-3B	L112206	2	0350-23
C15104	2	0962-11	H210762	4	3165-3	L112207	2	0350-23
DT5069	7	0505-5	H210762	12	3165-3B	L112208	2	0350-23
E12379	17	0242-5	H210826	6	0960-5	L112209	2	0350-23
E12379	13	0960-3	H210826	18	0960-5B	L112210	2	0350-23
E12379	11	3165-7	H21259	1	1320-5	L112211	6	0350-17
E12379	21	3165-9	H214772	15	3165-3	L112211	2	0350-23

00II-8

844J LOADER

NUMERICAL INDEX - CONTINUED

PART NO.	KEY	PAGE	PART NO.	KEY	PAGE	PART NO.	KEY	PAGE
L112212	6	0350-17	N189220	31	1370-3	RE503603	11	0417-3
L112212	2	0350-23	N189220	29	3164-3	RE504051	30	0419-3
L112213	6	0350-17	N194168	2	0201-3	RE504051	31	0419-3
L112213	2	0350-23	N203905	55	1062-3	RE504498	22	0420-3
L112214	6	0350-17	N218377	3	1810-33	RE504500	33	0420-3
L112214	2	0350-23	N51168	1	0403-3	RE504503	35	0420-3
L112215	6	0350-17	PE930685	2	0350-15	RE504512	6	0420-5
L112215	2	0350-23	PM38653	13	0413-3	RE504513	56	0420-7
L112216	6	0350-17	PM38653	..	0413-3	RE504939	15	0420-3
L112216	2	0350-23	PT11778	10	1830-15	RE505264	21	1672-3
L112217	6	0350-17	PT9412	31	0560-3	RE505499	2	0409-3
L112217	2	0350-23	P40098	18	0242-5	RE506428	38	0420-5
L112218	2	0350-23	P46051	21	3164-3	RE506962	12	0402-1
L112219	2	0350-23	P48347	22	1062-3	RE507950	24	0350-3
L112220	2	0350-23	P48347	16	3166-3	RE507950	35	1370-3
L112221	2	0350-23	P48347	15	3166-5	RE507981	18	0413-3
L112222	2	0350-23	RE12363	16	1830-11	RE507981	37	1674-13
L150867	21	0350-11	RE151433	26	1674-11	RE508141	1	0450-3
L31212	13	0350-23	RE151433	46	3163-7	RE508660	12	0402-7
L40997	2	0350-23	RE154966	37	0420-3	RE508984	1	0413-3
L40998	2	0350-23	RE157329	17	1830-15	RE509894	2	0407-3
L40999	6	0350-17	RE167207	28	0419-3	RE51234	1	1674-3
L40999	2	0350-23	RE16879	1	1810-13	RE515304	25	0419-3
L41000	6	0350-17	RE174764	11	1830-15	RE515304	26	0419-3
L41000	2	0350-23	RE190139	16	2001-3	RE515304	27	0419-3
L41001	6	0350-17	RE190140	16	2001-3	RE515326	27	0420-5
L41001	2	0350-23	RE190805	21	0420-3	RE515345	3	0420-3
L41002	6	0350-17	RE194040	20	0560-3	RE515345	57	0420-7
L41002	2	0350-23	RE198074	3	1830-15	RE515718	24	0420-5
L41003	6	0350-17	RE20343	16	0960-5	RE515728	6	0422-3
L41004	6	0350-17	RE20343	3	0960-5B	RE515730	13	0422-3
L41004	2	0350-23	RE210105	9	0520-5	RE515731	12	0422-3
L41005	6	0350-17	RE227953	16	2001-3	RE515734	3	0422-1
L41005	2	0350-23	RE234193	21	0560-3	RE515734	7	0422-3
L41079	8	0420-3	RE24468	26	1062-3	RE515754	15	0422-3
L41709	5	0420-3	RE25146	13	3165-5	RE515895	4	0422-1
L55580	29	0350-9	RE25146	4	3165-5B	RE515941	7	0403-3
L55601	14	0350-11	RE25566	11	0530-3	RE516024	4	0420-3
L57881	22	1830-13	RE261354	20	3166-3	RE516024	57	0420-7
L77943	9	1830-15	RE261356	27	1062-3	RE51761	5	0401-2
L985T	16	1810-23	RE30295	17	3166-5	RE51761	3	0429-1
L985T	17	1810-23	RE31495	11	3168-5	RE517662	13	0413-3
M113243	4	0515-3	RE32361	28	0510-3	RE518339	15	0409-3
M113243	54	1062-3	RE32361	34	1370-3	RE518339	11	0413-3
M113243	14	1810-15	RE33466	11	0402-5	RE518554	17	0409-3
M114063	22	1810-23	RE35704	27	1062-3	RE519111	9	0403-3
M115279	8	1674-5	RE36133	18	1830-15	RE519144	2	0578-3
M115279	44	1674-13	RE40049	5	1810-9	RE519144	3	0578-3
M118611	5	1320-5	RE40049	2	1810-13	RE520807	16	0402-7
M1206T	9	0409-3	RE43497	6	1674-9	RE520808	3	0402-7
M135542	13	3166-5	RE46684	18	0404-3	RE520968	34	0420-5
M453T	24	1821-3	RE46686	33	0419-3	RE522076	17	0418-3
M45937	1	0960-3	RE46742	25	1830-13	RE522244	13	0421-2
M46653	6	2162-5	RE48419	1	0418-3	RE522518	40	0420-5
M47887	4	1810-33	RE48419	27	0420-3	RE522842	9	0407-5
M68628	16	1911-3	RE500250	30	0360-3	RE522852	4	0422-1
M809247	8	0511-5	RE500250	24	0402-3	RE522853	2	0422-3
M84972	15	1810-15	RE500250	10	0402-3B	RE522871	5	0401-2
M84972	7	1810-39	RE500657	1	0419-3	RE522978	5	0403-3
M87571	29	0360-3	RE501605	8	0418-3	RE523267	5	0401-2
M88102	14	3166-5	RE502349	24	0420-3	RE523267	3	0429-1
N102039	12	0409-3	RE502571	12A	0418-3	RE523267	1	0450-3
N102039	18	0452-3	RE502571	13B	0418-3	RE524324	9	0403-3
N119177	29	1821-3	RE502752	2	0407-2	RE524324	1	0450-3
N119177	14	1821-5	RE502974	7	0421-2	RE524324	1	0451-3
N189220	22	0350-3	RE503567	9	0404-3	RE52454	17	1830-11
N189220	44	0510-3	RE503590	26	0420-3	RE524633	39	0420-5

00II-9

844J LOADER

NUMERICAL INDEX - CONTINUED

PART NO.	KEY	PAGE	PART NO.	KEY	PAGE	PART NO.	KEY	PAGE
RE524741	2	0416-1	RE63903	3	0401-3	R116911	3	0433-3
RE524753	45	0452-3	RE63905	2	0401-3	R117020	11	0402-1
RE524781	48	0452-3	RE63906	1	0401-3	R117021	10	0402-1
RE52504	33	0560-3	RE65198	5	0416-1	R117063	8	0421-2
RE52506	18	1830-11	RE65265	14	0420-3	R117069	14	0402-7
RE52507	19	1830-11	RE65565	3	0429-1	R117080	2	0417-3
RE52508	20	1830-11	RE66291	3	0402-5	R117080	5	0419-3
RE52509	21	1830-11	RE66329	7	0409-4	R117721	13	1830-15
RE525749	9	0420-3	RE66525	11	0416-1	R117721	38	1830-15
RE525749	40	0420-3	RE66635	3	0409-3	R117845	5	1830-3
RE526212	30	0420-3	RE67208	23	0560-5	R119148	43	0452-3
RE526830	31	0420-5	RE68255	15	0520-5	R119157	5	0402-3
RE526831	41	0420-7	RE68323	9	1746-3	R119158	4	0402-1
RE526832	42	0420-7	RE68323	31	3164-3	R119159	22	0402-3
RE526833	14	0420-5	RE68655	3	0401-3	R119171	45	1830-15
RE52702	1	0417-3	RE68656	3	0401-3	R119575	6	0402-1
RE52702	6	0419-3	RE68659	1	0401-3	R120467	3	0409-4
RE52702	45	0510-3	RE68663	2	0401-3	R120653	6	1810-41
RE52702	47	3163-7	RE68664	2	0401-3	R120653	9	1810-41
RE52703	46	0510-3	RE68703	6	0403-3	R120801	23	0402-3
RE527648	25	0419-3	RE68704	6	0403-3	R121187	4	0417-3
RE527648	26	0419-3	RE68707	6	0417-3	R121427	9	0418-3
RE527652	47	0452-3	RE69295	8	0505-7	R121443	5	0418-3
RE527659	1	0451-3	RE69297	27	1062-3	R121465	9	1830-13
RE527681	46	0420-7	RE69930	22	1672-3	R121664	39	1830-15
RE528079	38	0420-5	RE71255	22	0404-3	R121664	63	1830-15
RE528189	16	0420-5	RE71255	12	0414-2	R121666	40	1830-15
RE528376	57	0420-7	RE71265	2	0409-4	R122377	3	0401-2
RE528462	1	0450-3	RG28087	20	0409-3	R123594	18	0420-5
RE528518	15	0420-3	RG33967	13	0413-3	R124186	17	0419-3
RE529410	29	0420-5	R100357	9	0325-3	R124676	17	0413-3
RE530870	11	0417-3	R100369	10	0417-3	R125223	14	1830-15
RE531282	..	0450-3	R10093	22	1830-9	R126783	1	0407-5
RE53416	13	0402-7	R10093	23	1830-13	R126783	1	0451-3
RE53420	9	0402-7	R104558	2	0350-47	R126783	28	0452-3
RE53654	4	0407-2	R105346	4	0416-1	R126783	45	0452-3
RE53687	2	0433-1	R105346	38	0452-3	R127208	12	0419-3
RE53698	2	0433-3	R105415	23	0360-3	R127941	10	0416-1
RE53911	8	0402-3	R105415	32	0360-3	R128000	1	0432-2
RE54073	1	0429-1	R11151	23	1830-9	R128001	1	0432-2
RE55423	22	1830-11	R11151	17	3166-3	R128311	14	0433-3
RE56109	7	0962-3	R113050	28	0420-3	R128315	4	0413-3
RE56109	8	0962-3	R113050	26	1830-11	R128769	2	0402-5
RE56109	22	0962-3	R114105	10	0325-3	R129110	15	1830-15
RE56165	20	3166-3	R115516	11	0402-7	R129645	18	0409-3
RE56859	47	0510-3	R115742	12	1830-11	R129645	20	0409-3
RE57264	8	0418-3	R115743	13	1830-11	R129749	3	0401-3
RE57784	21	0409-3	R116068	4	0401-2	R129751	2	0401-3
RE57784	15	0452-3	R116068	5	0401-2	R130091	10	0404-3
RE57836	2	0404-3	R116203	12	0416-1	R130091	9	0409-4
RE57836	8	0417-3	R116203	23	0419-3	R130091	2	0429-1
RE57836	3	0418-3	R116204	8	0418-3	R130091	1	0433-1
RE57836	8	0419-3	R116205	4	0418-3	R130643	10	0402-7
RE58336	20	0418-3	R116205	37	0452-3	R130717	18	0419-3
RE58614	28	1830-13	R116299	1	0401-3	R130772	7	0452-3
RE58935	13	0419-3	R116330	4	0401-2	R130932	8	0402-5
RE60700	25	0350-3	R116338	4	0433-1	R130933	12	0402-5
RE60700	53	3160-15	R116466	21	0404-3	R130937	15	0402-5
RE60701	22	3160-19	R116526	5	0402-1	R131660	17	0402-3
RE60701	30	3160-23	R116527	8	0402-3	R131809	1	0410-1
RE60701	11	3168-5	R116529	3	0402-5	R131809	40	0452-3
RE61408	4	0414-2	R116556	8	0402-7	R132103	19	0409-3
RE61812	6	0414-2	R116716	1	0404-3	R132103	20	0409-3
RE62887	2	0407-5	R116830	1	0414-2	R132985	11	0409-4
RE62981	3	0201-3	R116830	12	0452-3	R133142	12A	0418-3
RE62981	6	0201-5	R116838	4	0410-1	R133142	36	0452-3
RE63811	6	0403-3	R116911	7	0402-1	R133599	1	0401-3

00II-10

844J LOADER

NUMERICAL INDEX - CONTINUED

PART NO.	KEY	PAGE	PART NO.	KEY	PAGE	PART NO.	KEY	PAGE
R133600	3	0401-3	R26448	14	0452-3	R36636	5	0407-5
R133602	3	0401-3	R26448	11	0930-3	R36636	45	3163-7
R133606	2	0401-3	R26448	11	0930-5	R36636	60	3164-3
R133608	2	0401-3	R26448	4	0962-13	R39112	10	1115-5
R133637	6	0409-3	R26448	8	1062-3	R39112	1	2162-5
R133641	6	0403-3	R26448	8	1064-3	R39741	19	2162-3
R133642	6	0403-3	R26448	9	3160-3	R41071	2	1830-7
R133651	9	0413-3	R26448	30	3160-3	R41285	7	0416-1
R133651	5	0452-3	R26448	11	3160-15	R43696	6	0402-3
R133653	6	0452-3	R26448	8	3160-19	R43750	19	0560-5
R133655	8	0413-3	R26448	10	3160-23	R44097	2	1674-3
R134407	6	0403-3	R26448	4	3162-9	R44165	3	1674-9
R134549	8	0505-7	R26448	3	3162-11	R44302	5	0201-5
R134716	2	0419-3	R26448	11	3162-19	R44302	..	0420-3
R134716	33	0452-3	R26448	10	3162-21	R44302	3	0505-3
R134920	5	0413-3	R26448	10	3162-23	R44302	14	0505-7
R134954	20	0360-3	R26448	39	3163-5	R44302	26	0510-3
R135482	3	0410-1	R26448	14	3163-7	R44302	14	0520-5
R136091	17	0402-5	R26448	44	3164-3	R44302	32	0560-3
R136110	12	0407-5	R26448	3	3168-5	R44302	6	0974-3
R136110	38	1674-11	R26773	16	3160-3	R44302	20	1671-3
R136110	33	1830-11	R26773	28	3162-19	R44302	8	1673-3
R136151	12B	0418-3	R26773	39	3162-21	R44302	5	1674-9
R136151	13A	0418-3	R26773	42	3163-7	R44302	25	1674-11
R136151	1	0451-3	R26906	13	0420-3	R44302	36	1674-13
R136151	45	0452-3	R26906	31	0511-7	R44302	7	1810-41
R136151	46	0452-3	R26906	8	1370-3	R44302	3	1830-7
R136151	48	0452-3	R26906	3	3162-23	R44302	17	1830-9
R136500	24	0419-3	R26906	9	3163-3	R44302	13	2001-3
R136507	1	0402-7	R26906	6	3164-3	R44342	46	1674-13
R136507	4	0402-7	R27149	19	0404-3	R44357	14	0402-5
R136507	5	0402-7	R27149	5	0433-3	R45210	13	1673-7
R136507	6	0402-7	R27175	8	0407-5	R46528	31	1911-5
R1612R	15	0404-3	R27218	40	3163-5	R46667	17	0505-7
R164193	25	0510-3	R27218	59	3164-3	R46667	30	1830-11
R180306	24	1830-9	R27583	1	1314-3	R49672	20	0418-3
R180306	27	1830-11	R28782	15	0930-3	R500055	21	0419-3
R184863	5	0560-3	R28782	36	0930-5	R500145	7	0402-7
R193666	18	0560-3	R28782	3	0962-9	R500209	3	0419-3
R194311	19	0560-3	R28782	19	1064-3	R500209	32	0452-3
R203687	1	1830-13	R28782	5	2162-3	R500210	11	0419-3
R213663	43	0420-7	R28782	11	3160-21	R500210	31	0452-3
R214344	26	1927-9	R28782	26	3160-23	R500211	1	0402-1
R26286	7	0560-5	R28782	8	3160-27	R500211	16	0452-3
R26286	41	3163-7	R29480	4	0110-3	R500213	20	0452-3
R26287	56	1062-3	R29867	43	3163-7	R500214	21	0452-3
R26287	51	3160-15	R29936	5	0360-3	R500232	20	0419-3
R26375	8	0452-3	R29936	6	0407-5	R500318	9	0421-2
R26375	34	0511-7	R29936	26	0452-3	R500318	41	0452-3
R26375	7	0930-3	R29936	10	0510-3	R500318	32	0930-5
R26375	4	0930-5	R29936	2	0930-3	R500318	13	3160-27
R26375	5	1062-3	R29936	14	0930-5	R500387	1	0407-2
R26375	4	1100-3	R29936	8	0962-13	R500387	22	0452-3
R26375	9	1115-5	R29936	5	1370-3	R500607	24	1672-3
R26375	2	2162-5	R29936	5	2162-5	R501137	7	0402-5
R26375	4	3160-5	R29936	6	3160-3	R501137	38	0511-7
R26375	2	3160-7	R29936	15	3160-15	R501292	10	0409-4
R26375	2	3160-9	R29936	18	3160-23	R501309	9	0402-3
R26375	2	3160-11	R29936	6	3163-7	R501380	3	0403-3
R26375	5	3160-13	R29936	30	3164-3	R501388	38	0420-5
R26375	15	3160-23	R29936	6	3165-7	R501390	12	0413-3
R26375	5	3160-27	R29936	7	3165-9	R501561	4	0429-1
R26375	47	3164-3	R29936	6	3165-11	R501632	23	0420-3
R26375	2	3168-3	R31493	11	0433-3	R501644	6	0402-7
R26375	6	3168-5	R32295	32	1370-3	R501647	1	0402-7
R26448	3	0360-5	R33259	28	1830-11	R502026	3	0402-3
R26448	3	0421-2	R36545	49	0510-3	R502026	20	0452-3

00II-11

844J LOADER

NUMERICAL INDEX - CONTINUED

PART NO.	KEY	PAGE	PART NO.	KEY	PAGE	PART NO.	KEY	PAGE
R502027	9	0402-1	R520981	1	0402-3	R79496	7	0210-7
R502052	11	0417-3	R520981	18	0452-3	R79496	8	0210-15
R502079	20	1672-3	R521520	8	0409-4	R81276	10	0403-3
R502124	8	0409-4	R522284	8	0402-1	R81277	10	0403-3
R502124	3	0452-3	R522284	5	0409-3	R81775	19	0960-5
R502172	6	0413-3	R522822	1	0450-3	R81775	4	0960-5B
R502173	7	0413-3	R526505	9	0433-3	R81862	10	0960-5
R502441	16	0402-3	R53317	34	1062-3	R82198	9	0210-15
R502441	21	0452-3	R53528	14	2001-3	R82198	14	0210-15
R502490	1	0420-3	R54445	8	1810-13	R82199	42	0210-5
R502494	55	0420-7	R56461	2	0413-3	R82199	6	0210-7
R502703	13	0413-3	R56461	4	0452-3	R82199	7	0210-15
R502703	14	0413-3	R56464	6	0418-3	R82459	13	0402-5
R502703	6	0452-3	R56464	35	0452-3	R82459	44	0452-3
R502704	12	0420-3	R56465	29	0420-3	R83577	8	0960-5
R502705	31	0420-3	R56465	34	0420-3	R85144	6	0402-5
R502753	11	0404-3	R56751	7	0407-5	R85228	14	3165-5
R503714	27	0419-3	R56751	25	0452-3	R85228	5	3165-5B
R503824	15	0402-7	R56751	10	1746-3	R85556	3	3165-5
R503970	12	0402-1	R56751	32	3164-3	R86457	25	1062-3
R504174	11	0409-3	R56757	5	0417-3	R86457	19	3166-3
R504243	17	0409-3	R56757	23	0452-3	R87907	33	1370-3
R504613	2	0410-1	R57503	7	0417-3	R89439	12B	0418-3
R504671	15	0402-3	R57503	7	0418-3	R89439	13A	0418-3
R504713	6	0409-3	R60756	4	0578-3	R91731	8	0960-5
R504864	11	0420-5	R62976	2	0402-1	R93028	15	0960-5
R505450	5	0409-4	R62976	17	0452-3	R93028	5	0960-5B
R505537	47	0420-7	R63185	6	0409-4	R94361	19	0242-5
R505677	3	0452-3	R63185	2	0452-3	R96515	10	0402-5
R505747	15	0413-3	R63548	8	0404-3	R97332	41	1830-15
R505770	7	0407-3	R63548	33	0420-5	R97332	58	1830-15
R505770	52	0420-7	R63548	29	0452-3	R98064	22	0419-3
R506150	21	0402-3	R63667	8	1810-9	R98669	7	3165-5
R50770	16	1830-15	R63667	14	1810-13	R98669	6	3165-5B
R51133	13	0404-3	R63846	1	0402-5	SE501081	..	0450-3
R51133	18	0418-3	R64451	2	0403-3	TCU14336	25	1810-23
R515255	7	0419-3	R64879	8	0505-7	TCU14336	28	1810-25
R515283	16	0422-3	R67092	19	0418-3	TCU14336	35	1810-27
R515460	21	0420-5	R67989	12	0433-3	TF33L	10	3102-13
R515461	19	0420-5	R68904	28	3160-23	TTZF140070	17	0210-7
R515470	39	0420-3	R69045	4	0403-3	TTZF140070	16	0210-15
R515736	22	0420-5	R72328	4	0409-4	TT206765	6	0325-3
R516331	8	0422-3	R72328	6	0416-1	TT206940	6	1810-3
R516332	..	0422-3	R72328	1	0452-3	TT207136	6	1810-3
R516892	7	0409-3	R72653	23	1062-3	TT207990	3	0325-3
R516892	8	0409-3	R72653	18	3166-3	TY16004	1	1369-1
R516998	8	0414-2	R72653	16	3166-5	TY16005	2	1369-1
R517011	4	0409-3	R72654	24	1062-3	TY22324	27	0510-3
R518381	8	0422-3	R72655	11	1821-3	TY22324	43	0510-3
R518501	6	0404-3	R72659	5	0407-3	TY22465	30	0420-5
R518573	6	0404-3	R73581	41	0210-5	TY22467	10	0418-3
R518579	7	0404-3	R73599	4	0350-47	TY22471	1	0422-1
R519255	11	0433-3	R74012	17	0420-5	TY23020	6	1671-3
R519538	9	0407-5	R76000	1	0433-3	TY24864	5	0520-3
R519559	4	0401-2	R77175	23	0350-3	T101480	7	3102-11
R519559	5	0401-2	R77175	28	0930-5	T101480	18	3141-3
R519560	4	0401-2	R77175	30	3160-3	T101480	11	3145-3
R519614	5	0403-3	R77175	52	3160-15	T101571	9	2162-5
R519752	4	0407-5	R77175	21	3160-19	T101572	4	2162-5
R519752	27	0452-3	R77175	18	3160-21	T101575	3	2162-5
R519753	3	0429-1	R77175	29	3160-23	T101975	32	1911-5
R520512	5	0433-1	R77175	21	3160-25	T102138	12	3145-3
R520512	34	0452-3	R77175	10	3168-5	T102138	5	3165-13
R520657	2	0402-3	R77673	36	0420-3	T102140	20	0242-5
R520685	3	0416-1	R78057	14	1830-11	T102140	5	3140-3
R520685	39	0452-3	R78059	15	1830-11	T102140	6	3165-13
R520798	1	0409-3	R78062	27	0420-5	T102172	19	3141-3

00II-12

844J LOADER

NUMERICAL INDEX - CONTINUED

PART NO.	KEY	PAGE	PART NO.	KEY	PAGE	PART NO.	KEY	PAGE
T102172	7	3165-13	T13624	18	3165-5	T156190	22	3141-3
T102618	3	1320-7	T13624	20	3165-5B	T156190	23	3141-5
T102620	2	1320-9	T13630	3	0962-3	T156190	17	3141-7
T102934	31	0360-3	T138140	1	0350-13	T156256	7	1830-5
T102934	27	1674-11	T143169	31	1830-11	T156471	65	1830-15
T102934	47	1674-13	T143169	29	1830-13	T156473	23	3141-3
T103238	12	0505-7	T144370	2	0350-31	T156473	24	3141-5
T104355	37	3162-19	T144486	8	0350-27	T156473	18	3141-7
T104355	33	3162-21	T146097	3	1320-3	T156693	3	1314-3
T104355	41	3163-5	T146098	3	1320-9	T156693	4	1810-35
T106595	56	3164-3	T146099	4	1320-7	T156709	24	3141-3
T107117	9	1671-3	T146102	2	0422-1	T156709	25	3141-5
T107239	11	2162-5	T146104	5	0422-1	T156709	19	3141-7
T107255	8	2162-5	T146104	5	1320-7	T156710	25	3141-3
T107883	21	3160-21	T146106	5	0422-1	T156710	26	3141-5
T107983	1	0350-51	T146106	4	1320-9	T156710	20	3141-7
T108030	15	3165-5	T146175	7	1320-5	T156711	26	3141-3
T108030	19	3165-5B	T146178	6	1320-7	T156711	27	3141-5
T11234	5	2002-5	T146180	5	1320-9	T156711	21	3141-7
T11370	14	0404-3	T146246	15	1741-3	T156738	42	3163-5
T11370	22	0418-3	T146246	8	1746-5	T156784	4	0962-7
T116416	26	0350-9	T146246	20	3141-3	T156926	27	3141-3
T116416	14	0350-13	T146246	13	3145-3	T156926	28	3141-5
T116416	20	0350-27	T146436	8	1320-5	T156926	22	3141-7
T116416	1	0350-29	T146443	38	0930-5	T157056	21	0242-5
T116604	26	0350-3	T146490	54	3160-15	T157211	35	1062-3
T116604	28	0350-3	T146494	7	1320-7	T157212	41	1062-3
T116604	1	0350-31	T146495	8	1320-7	T157220	36	1062-3
T116604	32	0360-3	T146496	9	1320-7	T157223	45	1062-3
T1167460	22	3102-23	T146502	6	1320-9	T157257	42	1062-3
T1167461	23	3102-23	T146503	7	1320-9	T157258	48	1062-3
T1167462	24	3102-23	T146504	8	1320-9	T157275	5	0960-3
T116899	16	0350-25	T146517	5	0422-1	T157275	8	0960-3B
T116900	16	0350-25	T146605	9	1320-5	T159028	11	1320-5
T116901	16	0350-25	T146606	9	1320-9	T159358	3	0210-15
T116902	16	0350-25	T146607	10	1320-7	T159359	4	0210-15
T116909	31	0350-33	T146792	55	3160-15	T159492	17	0210-13
T116918	17	0350-11	T146908	11	1320-7	T159492	18	0210-17
T116928	7	0350-7	T146911	10	1320-9	T159493	17	0210-13
T116928	1	0350-45	T146932	8	3102-3	T159493	18	0210-17
T116940	6	0350-7	T146932	6	3102-5	T159494	17	0210-13
T116972	11	0350-7	T146932	10	3102-5B	T159494	18	0210-17
T118688	1	0407-3	T146932	18	3102-23	T159495	17	0210-13
T122075	14	0409-3	T146933	9	3102-3	T159495	18	0210-17
T122075	10	0413-3	T146933	7	3102-5	T159496	17	0210-13
T122075	7	0452-3	T146933	11	3102-5B	T159496	18	0210-17
T12275	2	0420-3	T146933	19	3102-23	T159497	17	0210-13
T122803	3	0210-3	T146933	3	3102-25	T159497	18	0210-17
T122803	32	0210-5	T147181	3	0408-3	T159602	7	0350-27
T122803	2	0350-29	T147618	8	1810-41	T159950	23	0511-7
T122803	10	0420-3	T14787	38	0420-3	T159950	28	0511-9
T122803	36	0420-5	T147891	17	1927-7	T159956	43	3163-5
T123077	5	3102-13	T148083	4	1320-3	T160762	12	1320-7
T1258404	9	3102-23	T148409	10	0510-5	T160769	11	1320-9
T1258405	10	3102-23	T148410	11	0510-5	T161207	3	0350-27
T1258406	11	3102-23	T148410	26	0511-3	T162238	12	0510-5
T128096	61	3164-3	T152230	9	1673-3	T162238	17	1911-3
T129611	6	0350-13	T152230	7	1810-3	T162575	29	0510-3
T131980	1	0962-5	T153535	3	1810-7	T162675	32	0560-5
T13254	34	0560-3	T153680	10	1320-5	T163334	12	1821-3
T133290	10	3141-5	T153974	4	0408-3	T163335	13	1821-3
T133290	9	3141-7	T154131	1	0962-3	T163336	14	1821-3
T133674	16	1810-15	T156025	8	0342-3	T163962	5	1821-3
T134103	15	1671-3	T156027	21	3141-3	T164203	22	0560-3
T134104	15	1671-3	T156027	22	3141-5	T164704	44	0210-5
T134874	9	1810-39	T156027	16	3141-7	T165169	42	1830-15
T135583	23	1810-23	T156177	19	0350-25	T167505	26	1810-27

00II-13

844J LOADER

NUMERICAL INDEX - CONTINUED

PART NO.	KEY	PAGE	PART NO.	KEY	PAGE	PART NO.	KEY	PAGE
T167508	17	1810-25	T168840	40	0350-39	T169090	26	0350-41
T167514	18	1810-25	T168882	16	0350-45	T169091	13	0350-33
T167514	28	1810-27	T168883	16	0350-45	T169091	8	0350-37
T167519	39	1810-27	T168884	16	0350-45	T169091	26	0350-41
T167527	29	1810-27	T168885	16	0350-45	T169092	13	0350-33
T167530	19	1810-25	T168886	16	0350-45	T169092	8	0350-37
T167546	20	1810-25	T168887	16	0350-45	T169092	26	0350-41
T167546	30	1810-27	T168888	16	0350-45	T169092	13	0350-33
T167546	33	1911-5	T168889	16	0350-45	T169093	8	0350-37
T167593	5	1810-21	T168890	16	0350-45	T169093	26	0350-41
T167593	12	1810-27	T168891	16	0350-45	T169094	13	0350-33
T167594	12	1810-27	T168894	30	0350-9	T169094	8	0350-37
T167618	21	1810-25	T168902	11	0350-13	T169094	26	0350-41
T167630	31	1810-27	T168903	2	0350-9	T169095	9	0350-25
T167658	26	1810-23	T168904	8	0350-45	T169096	4	0350-23
T167659	2	1810-4	T168905	3	0350-9	T169097	14	0350-25
T167659	13	1810-27	T168907	12	0350-25	T169100	9	0350-23
T167676	30	1830-13	T168907	15	0350-25	T169329	23	0242-5
T167683	14	1810-27	T168907	12	0350-45	T169587	6	0350-25
T167754	7	1810-11	T168909	7	0350-25	T169600	7	0350-13
T167759	4	1830-5	T168909	11	0350-25	T169603	5	0350-33
T167764	6	1810-21	T168916	31	0350-41	T169603	31	0350-37
T167770	13	1810-31	T168920	3	0350-45	T169603	5	0350-41
T167775	48	1674-13	T168924	16	0350-45	T169603	36	0350-41
T167829	4	3102-25	T168925	16	0350-45	T169604	1	0350-33
T167840	11	1115-5	T168926	16	0350-45	T169604	10	0350-37
T167841	12	1115-5	T168927	16	0350-45	T169604	29	0350-37
T167842	13	1115-5	T168928	16	0350-45	T169604	4	0350-41
T167843	14	1115-5	T168930	16	0350-45	T169604	35	0350-41
T167845	15	1115-5	T169017	25	0350-33	T169607	6	0350-27
T167848	16	1115-5	T169017	25	0350-37	T169618	15	0350-33
T167924	22	0242-5	T169017	17	0350-41	T169618	15	0350-37
T167945	10	1830-13	T169019	11	0350-9	T169618	24	0350-41
T167980	17	1115-5	T169020	4	0350-9	T169636	5	0350-17
T167981	18	1115-5	T169021	3	0350-13	T169636	6	0350-17
T167982	19	1115-5	T169022	6	0350-15	T169640	42	0350-35
T168063	27	0350-3	T169028	4	0350-25	T169641	42	0350-35
T168064	19	0350-3	T169029	8	0350-25	T169646	16	0350-25
T168220	11	1830-13	T169029	10	0350-25	T169647	16	0350-25
T168276	4	0962-5	T169030	35	0350-37	T169648	16	0350-25
T168340	3	1810-29	T169031	3	0350-15	T169649	16	0350-25
T168692	27	0350-37	T169034	21	0350-33	T169663	6	0350-17
T168692	19	0350-41	T169034	21	0350-37	T169663	2	0350-23
T168697	26	0350-37	T169035	12	0350-17	T169664	6	0350-17
T168697	18	0350-41	T169035	21	0350-25	T169664	2	0350-23
T168706	1	0350-23	T169036	20	0350-33	T169665	6	0350-17
T168734	1	0350-11	T169036	20	0350-37	T169665	2	0350-23
T168736	2	0350-5	T169052	42	0350-35	T169685	6	0350-25
T168743	41	0350-33	T169053	42	0350-35	T169686	6	0350-25
T168754	1	0350-37	T169054	42	0350-35	T169687	6	0350-25
T168758	10	0350-23	T169061	16	0350-11	T169688	6	0350-25
T168759	12	0350-23	T169072	10	0350-49	T169689	6	0350-25
T168776	43	0350-35	T169073	28	0350-9	T169706	16	0350-45
T168795	27	0350-9	T169086	13	0350-33	T169707	22	0350-27
T168795	8	0350-49	T169086	8	0350-37	T169709	17	0350-33
T168796	16	0210-7	T169086	26	0350-41	T169709	17	0350-37
T168796	15	0210-15	T169087	13	0350-33	T169709	22	0350-41
T168830	40	0350-39	T169087	8	0350-37	T169711	15	0350-27
T168831	40	0350-39	T169087	26	0350-41	T169712	11	0350-27
T168832	40	0350-39	T169088	13	0350-33	T169723	16	0350-25
T168833	40	0350-39	T169088	8	0350-37	T169729	19	0350-11
T168834	40	0350-39	T169088	26	0350-41	T169739	31	0350-9
T168835	40	0350-39	T169089	13	0350-33	T169741	5	0350-47
T168836	40	0350-39	T169089	8	0350-37	T169742	3	0350-5
T168837	40	0350-39	T169089	26	0350-41	T169743	4	0350-5
T168838	40	0350-39	T169090	13	0350-33	T169751	2	0350-33
T168839	40	0350-39	T169090	8	0350-37	T169751	33	0350-37

00II-14

844J LOADER

NUMERICAL INDEX - CONTINUED

PART NO.	KEY	PAGE	PART NO.	KEY	PAGE	PART NO.	KEY	PAGE
T169751	3	0350-41	T170256	17	0350-15	T175361	11	1749-3
T169751	37	0350-41	T170582	20	1115-5	T175744	12	1320-5
T169752	2	0350-33	T170706	13	0350-33	T175862	25	0350-9
T169752	32	0350-37	T170706	8	0350-37	T175862	13	0350-13
T169752	33	0350-37	T170706	26	0350-41	T175862	21	0350-27
T169752	1	0350-41	T170712	10	0350-17	T175862	4	0350-29
T169752	3	0350-41	T170712	18	0350-25	T175864	5	0350-29
T169752	37	0350-41	T170720	36	0350-11	T176064	15	1741-3
T169753	2	0350-33	T171082	2	1830-5	T176064	8	3102-11
T169753	3	0350-33	T171223	5	1320-3	T176064	10	3102-11B
T169753	33	0350-37	T171228	6	1320-3	T176064	9	3102-11D
T169753	3	0350-41	T171459	13	1830-13	T176064	28	3141-3
T169753	37	0350-41	T17148	4	0962-3	T176064	41	3141-3
T169754	2	0350-33	T171686	27	1821-3	T176064	29	3141-5
T169754	4	0350-33	T171750	13	1320-7	T176064	23	3141-7
T169754	33	0350-37	T171751	12	1320-9	T176064	13	3145-3
T169754	3	0350-41	T171756	14	1320-7	T176064	15	3145-5
T169754	37	0350-41	T171757	13	1320-9	T176064	11	3145-7
T169754	38	0350-41	T171849	1	1810-21	T176064	25	3165-9
T169758	13	0350-33	T171899	11	0350-15	T176064	14	3165-11
T169758	8	0350-37	T171900	8	0350-15	T176064	2	3165-13
T169758	26	0350-41	T171908	10	0350-15	T176108	58	1062-3
T169759	13	0350-33	T172094	8	0350-11	T176111	59	1062-3
T169759	8	0350-37	T172221	21	1115-5	T176773	9	0350-45
T169759	26	0350-41	T172274	28	1062-3	T176801	24	0350-33
T169760	13	0350-33	T172652	3	1810-13	T176801	24	0350-37
T169760	8	0350-37	T172927	5	0515-3	T176801	15	0350-41
T169760	26	0350-41	T172927	57	1062-3	T177219	23	0350-27
T169766	10	0350-27	T172933	21	1830-15	T177221	9	0350-27
T169881	7	3160-9	T172934	22	1830-15	T177340	12	0530-3
T169893	11	3160-7	T172991	4	1810-31	T177394	42	0350-35
T169893	11	3160-11	T172992	5	1810-31	T177395	42	0350-35
T169961	6	3160-7	T173099	3	0962-7	T177503	12	1822-3
T169961	6	3160-9	T173100	2	0962-7	T177505	27	1810-23
T169961	6	3160-11	T173123	9	0350-29	T177737	4	0350-49
T169967	3	3160-7	T173125	17	0350-27	T177827	19	1810-27
T169967	3	3160-9	T173126	16	0350-27	T177863	4	1830-7
T169967	3	3160-11	T173128	18	0350-27	T177909	34	1911-5
T169968	4	3160-7	T173131	2	0350-27	T178063	6	1927-5
T169968	4	3160-9	T173138	24	0350-27	T178063	7	1927-9
T169968	4	3160-11	T173139	1	0350-27	T178112	17	1810-23
T169969	5	3160-7	T173511	14	0350-27	T178113	16	1810-23
T169969	5	3160-9	T173768	1	1830-5	T178115	24	1830-15
T169969	5	3160-11	T173779	11	1822-3	T178116	25	1830-15
T169973	7	3160-7	T173779	18	1927-7	T178117	37	1830-13
T169973	8	3160-9	T173873	12	0360-5	T178117	26	1830-15
T169973	7	3160-11	T173959	2	0350-19	T178118	38	1830-13
T169975	8	3160-7	T173959	26	0350-33	T178118	27	1830-15
T169975	9	3160-9	T174054	6	2002-5	T178119	28	1830-15
T169975	8	3160-11	T174090	3	0350-29	T178120	29	1830-15
T170005	1	3160-13	T174106	7	2002-5	T178123	30	1830-15
T170053	12	1830-13	T174107	9	0350-11	T178124	31	1830-15
T170067	23	3160-3	T174109	23	1830-15	T178125	32	1830-15
T170115	26	0350-11	T174200	8	2002-5	T178126	33	1830-15
T170119	32	0350-9	T174201	9	2002-5	T178127	43	1830-15
T170119	9	0350-49	T174203	10	2002-5	T178130	49	1830-15
T170126	42	0350-39	T174275	24	0511-7	T178131	50	1830-15
T170133	19	1830-15	T174275	27	3163-3	T178132	51	1830-15
T170180	37	1062-3	T174396	25	0350-27	T178133	52	1830-15
T170181	38	1062-3	T174398	15	0350-23	T178134	53	1830-15
T170188	6	0350-49	T174427	31	1830-13	T178135	54	1830-15
T170190	8	0350-23	T174529	18	0350-23	T178136	55	1830-15
T170193	5	0350-23	T174529	3	0350-25	T178220	20	1810-27
T170196	6	0350-27	T174634	2	0515-3	T178221	15	1810-27
T170247	1	0350-19	T174634	49	1062-3	T178251	44	1830-15
T170254	13	0350-15	T174735	7	1320-3	T178259	28	1674-11
T170255	12	0350-15	T175236	43	1062-3	T178368	7	1927-3

00II-15

844J LOADER

NUMERICAL INDEX - CONTINUED

PART NO.	KEY	PAGE	PART NO.	KEY	PAGE	PART NO.	KEY	PAGE
T178534	16	1810-27	T181391	2	0350-23	T182784	49	0350-35
T178948	2	1673-9	T181392	6	0350-17	T182785	45	0350-35
T178971	34	1830-15	T181392	2	0350-23	T182788	11	0350-33
T179180	20	0350-9	T181393	6	0350-17	T182789	38	0350-33
T179270	32	1830-11	T181393	2	0350-23	T182790	7	0350-33
T179288	30	0510-3	T181394	6	0350-17	T182790	40	0350-33
T179289	31	0510-3	T181394	2	0350-23	T182790	30	0350-41
T179510	3	0350-47	T181395	6	0350-17	T182791	6	0350-33
T179513	29	0962-13	T181395	2	0350-23	T182791	29	0350-41
T179513	33	3164-3	T181412	2	1810-11	T182792	32	0350-33
T179531	26	0350-27	T181413	4	1810-11	T182793	33	0350-33
T179532	26	0350-27	T181433	18	0350-33	T182795	8	1320-3
T179533	26	0350-27	T181433	18	0350-37	T182800	23	0350-37
T179557	6	0350-29	T181433	21	0350-41	T182852	32	1830-13
T179600	13	0350-33	T181434	16	0350-33	T182858	33	1830-13
T179600	8	0350-37	T181434	16	0350-37	T182860	2	1810-9
T179600	26	0350-41	T181434	23	0350-41	T182860	15	1810-31
T179601	13	0350-33	T181463	11	0350-11	T182861	49	1674-13
T179601	8	0350-37	T181524	61	1830-15	T182861	10	1810-3
T179601	26	0350-41	T181604	38	1674-13	T182862	50	1674-13
T179602	13	0350-33	T181605	39	1674-13	T182870	4	1674-9
T179602	8	0350-37	T181736	3	0350-49	T182870	10	1810-3
T179602	26	0350-41	T181737	14	0350-33	T182870	34	1830-13
T179603	13	0350-33	T181737	9	0350-37	T182870	19	2001-3
T179603	8	0350-37	T181737	25	0350-41	T182871	35	1830-13
T179603	26	0350-41	T181770	7	0350-9	T182871	20	2001-3
T179721	4	0350-27	T181797	7	1810-33	T182872	9	1830-5
T179743	23	1672-3	T181938	8	0520-3	T182874	5	1810-11
T179920	2	0350-25	T182192	13	1320-5	T182888	21	2001-3
T180054	16	0350-15	T182196	13	0350-27	T182899	22	1810-25
T180074	1	1673-9	T182254	5	0350-27	T182899	17	1810-27
T180075	3	1673-9	T182370	4	0350-17	T182902	18	1810-27
T180289	3	0962-11	T182370	3	0350-23	T182903	1	1810-27
T180338	17	2001-3	T182420	8	1810-7	T182906	16	1810-31
T180408	14	1810-31	T182578	33	0510-3	T182906	36	1830-13
T180418	8	1810-3	T182612	18	1810-15	T182909	1	1810-9
T180420	18	2001-3	T182695	32	1810-27	T182909	22	2001-3
T180424	40	1674-11	T182759	13	0350-9	T182914	3	1674-3
T180463	6	0350-9	T182761	12	0350-9	T182919	12	1810-9
T180533	11	1810-15	T182761	8	0350-33	T182919	6	1810-13
T180533	11	1810-31	T182761	9	0350-33	T182920	4	1810-4
T180709	24	0350-9	T182763	23	0350-9	T182927	2	1810-27
T180869	7	0520-3	T182764	10	0350-9	T182928	3	1810-27
T180929	56	1830-15	T182765	8	0350-9	T182963	23	1810-25
T180930	28	1810-23	T182766	10	0350-11	T182967	24	1810-25
T180931	7	3102-11B	T182767	27	0350-11	T182969	26	1810-25
T180931	5	3102-11D	T182768	6	0350-11	T182972	27	1810-25
T180931	15	3141-5	T182769	4	0350-11	T184135	11	1810-27
T180937	15	0350-15	T182769	7	0350-11	T184892	11	1810-3
T180938	18	0350-15	T182770	5	0350-11	T184924	5	1830-7
T180944	14	1064-3	T182771	3	0350-11	T186793	29	1810-23
T180944	42	3160-15	T182774	34	0350-33	T187815	1	3162-25
T180944	45	3160-15	T182775	22	0350-33	T188182	13	3162-13
T181050	9	1810-3	T182775	35	0350-33	T188182	13	3162-15
T181182	32	0510-3	T182775	22	0350-37	T188182	48	3163-7
T181208	56	3160-15	T182775	44	0350-39	T190513	26	1830-9
T181306	1	3160-15B	T182775	11	0350-41	T195003	28	0350-37
T181306	2	3160-15B	T182775	13	0350-41	T195003	20	0350-41
T181306	3	3160-15B	T182776	23	0350-33	T195008	5	0350-37
T181306	4	3162-25	T182777	44	0350-35	T195009	7	0350-37
T181388	6	0350-17	T182778	19	0350-33	T195010	6	0350-37
T181388	2	0350-23	T182778	19	0350-37	T195011	4	0350-37
T181389	6	0350-17	T182779	28	0350-33	T195012	3	0350-37
T181389	2	0350-23	T182780	30	0350-33	T195013	2	0350-37
T181390	6	0350-17	T182781	29	0350-33	T195015	37	0350-39
T181390	2	0350-23	T182782	46	0350-35	T195016	36	0350-39
T181391	6	0350-17	T182783	48	0350-35	T195017	38	0350-39

00II-16

844J LOADER

NUMERICAL INDEX - CONTINUED

PART NO.	KEY	PAGE	PART NO.	KEY	PAGE	PART NO.	KEY	PAGE
T195018	39	0350-39	T196815	32	0350-11	T197953	21	0210-5
T195019	41	0350-39	T196816	25	0350-11	T197955	3	0210-13
T195022	43	0350-39	T196817	33	0350-11	T197955	4	0210-17
T195023	33	0350-41	T196818	38	0350-11	T197957	20	0210-13
T195024	14	0350-41	T196822	27	0350-33	T197957	21	0210-17
T195036	32	0350-41	T196823	7	0350-41	T197965	3	0210-7
T195039	3	0350-21	T196824	7	0350-41	T197966	4	0210-7
T195040	28	0350-41	T196826	31	0350-33	T197970	9	0210-3
T195041	6	0350-41	T196827	31	0350-33	T197972	6	0210-3
T195042	8	0350-41	T196828	31	0350-33	T197979	14	0210-7
T195044	10	0350-41	T196829	31	0350-33	T197979	13	0210-15
T195045	11	0350-45	T196836	7	0350-41	T197981	8	0210-9
T195046	10	0350-45	T196837	7	0350-41	T197981	8	0210-11
T195047	7	0350-45	T196838	7	0350-41	T197983	8	0210-9
T195048	15	0350-45	T196846	4	0350-45	T197983	8	0210-11
T195050	5	0350-25	T196847	4	0350-45	T197984	8	0210-9
T195052	26	0350-27	T196852	39	0350-33	T197984	8	0210-11
T195053	7	0350-29	T196980	20	0350-11	T197985	6	0210-9
T195054	8	0350-29	T197049	23	3160-21	T197985	6	0210-11
T195055	9	0350-29	T197144	22	3166-3	T197986	9	0210-11
T195056	10	0350-29	T197186	9	1320-3	T197991	13	0210-13
T195068	1	0350-21	T197300	14	1320-5	T197991	14	0210-17
T195079	13	0350-11	T197323	17	1320-7	T197992	11	0210-13
T195080	5	0350-5	T197324	16	1320-9	T197992	12	0210-17
T195081	9	0350-9	T197455	33	1810-27	T197993	5	0210-13
T195108	37	0350-11	T197456	34	1810-27	T197993	6	0210-17
T195109	28	0350-11	T197667	9	1671-5	T197998	5	0210-13
T195114	46	0350-39	T197817	23	0210-5	T197998	6	0210-17
T195115	9	0350-41	T197818	22	0210-5	T197999	5	0210-13
T195128	5	0350-45	T197830	1	0210-7	T197999	6	0210-17
T195210	21	3166-3	T197830	1	0210-15	T198000	5	0210-13
T195242	3	0350-7	T197832	37	0210-5	T198000	6	0210-17
T195243	4	0350-7	T197833	30	0210-5	T198001	5	0210-13
T195275	28	0350-27	T197836	8	0210-7	T198001	6	0210-17
T195558	15	1320-7	T197836	15	0210-7	T198002	5	0210-13
T195558	15	1320-9	T197838	34	0210-5	T198002	6	0210-17
T195559	14	1320-9	T197839	11	0210-3	T198003	5	0210-13
T19572	7	0110-3	T197840	14	0210-3	T198003	6	0210-17
T195857	16	1320-7	T197846	39	0210-5	T198005	5	0210-13
T196011	46	0350-35	T197847	12	0210-7	T198005	6	0210-17
T196012	46	0350-35	T197850	40	0210-5	T198006	5	0210-13
T196079	17	1810-31	T197853	5	0210-7	T198006	6	0210-17
T196210	5	3102-3	T197854	13	0210-7	T198007	5	0210-13
T196210	5	3102-5	T197856	12	0210-13	T198007	6	0210-17
T196210	9	3102-5B	T197856	13	0210-17	T198008	5	0210-13
T196231	2	3102-19	T197860	2	0210-17	T198008	6	0210-17
T196237	4	1810-27	T197861	43	0210-5	T198009	5	0210-13
T196285	22	3160-21	T197928	2	0210-7	T198009	6	0210-17
T196293	7	3102-3	T197928	2	0210-15	T198025	5	0210-9
T196293	3	3102-19	T197930	38	0210-5	T198025	5	0210-11
T196309	19	1810-23	T197931	38	0210-5	T198121	10	3102-3
T196455	5	3102-7	T197932	38	0210-5	T198121	8	3102-5
T196464	21	0360-3	T197933	38	0210-5	T198121	12	3102-5B
T196471	6	1830-3	T197934	38	0210-5	T198121	20	3102-23
T196587	8	0360-3	T197935	38	0210-5	T198126	6	3102-7
T196607	11	3102-13	T197936	7	0210-3	T198179	15	1320-5
T196622	20B	1810-15	T197937	7	0210-3	T200055	16	1320-5
T196661	22	0350-25	T197938	7	0210-3	T200056	18	1320-7
T196662	23	0350-25	T197939	7	0210-3	T200057	17	1320-9
T196711	10	1810-39	T197940	7	0210-3	T200158	11	1810-19
T196712	11	1810-39	T197941	7	0210-3	T200159	12	1810-19
T196733	27	0560-3	T197943	7	0210-3	T200161	8	1810-19
T196756	42	0350-35	T197945	7	0210-3	T200267	20A	1810-15
T196794	14	0350-37	T197949	18	0210-3	T200363	34	1674-13
T196795	6	0350-23	T197950	19	0210-5	T200463	8	1927-3
T196801	5	0350-15	T197951	5	0210-3	T200729	9	3162-11
T196806	1	0350-15	T197952	20	0210-5	T200791	19	1320-7

00II-17

844J LOADER

NUMERICAL INDEX - CONTINUED

PART NO.	KEY	PAGE	PART NO.	KEY	PAGE	PART NO.	KEY	PAGE
T200818	18	1320-9	T207782	16	0510-5	T209649	19	1927-7
T200887	29	3141-3	T207783	17	0510-5	T209684	20	1911-9
T200887	30	3141-5	T207789	18	0510-5	T209699	20	1927-7
T200887	24	3141-7	T207790	19	0510-5	T209726	44	3163-5
T201019	9	1927-3	T207791	20	0510-5	T209797	21	1927-7
T201521	19	3160-21	T207791	5	1913-3	T209833	31	3141-3
T201521	20	3160-21	T207792	21	0510-5	T209833	32	3141-5
T201525	19	3160-21	T207808	11	1320-3	T209833	26	3141-7
T201525	20	3160-21	T207809	23	1320-7	T209834	32	3141-3
T201546	13	0510-5	T207810	22	1320-9	T209834	33	3141-5
T201708	30	1810-23	T207925	12	1810-15	T209834	27	3141-7
T202835	19	1320-9	T207929	22	0510-5	T209835	33	3141-3
T202836	20	1320-7	T207931	23	0510-5	T209835	34	3141-5
T202883	21	1810-15	T207931	6	1913-3	T209835	28	3141-7
T202884	10	1320-3	T207953	34	3164-3	T209836	34	3141-3
T203128	22	1810-15	T208072	62	3164-3	T209836	35	3141-5
T203187	19	0350-9	T208086	23	1320-9	T209836	29	3141-7
T203191	10	0350-33	T208282	18	1911-3	T209837	35	3141-3
T203202	34	0350-37	T208352	27	1830-9	T209837	36	3141-5
T203214	1	0350-17	T208374	25	1320-7	T209837	30	3141-7
T203218	4	0350-21	T208375	26	1320-7	T209839	36	3141-3
T203290	12	1749-3	T208376	24	1320-9	T209839	37	3141-5
T203614	31	1810-23	T208377	25	1320-9	T209839	31	3141-7
T203615	32	1810-23	T208388	5	0511-5	T209846	28	0930-3
T203670	12	3162-9	T208608	49	3163-7	T209846	35	0930-5
T203767	27	0350-27	T208633	10	0520-5	T209858	13	1911-7
T204584	24	3160-21	T208634	11	1115-3	T209868	16	1741-3
T204635	23	2001-3	T208653	24	0510-5	T209869	17	1741-3
T205314	17	1320-5	T208653	18	1911-9	T209871	19	1911-3
T205369	19	0350-27	T208653	7	1913-3	T209948	8	1913-3
T205472	18	1810-31	T208660	1	3102-3	T209949	9	1913-3
T205629	34	0350-41	T208660	1	3102-5	T209953	10	1913-3
T205646	11	0350-37	T208660	5	3102-23	T209954	11	1913-3
T205646	13	0350-37	T208661	2	3102-3	T209955	12	1913-3
T205647	11	0350-37	T208661	2	3102-5	T209957	13	1913-3
T205647	12	0350-37	T208661	6	3102-23	T209958	14	1913-3
T205718	21	1320-7	T208662	3	3102-3	T209959	15	1913-3
T205719	20	1320-9	T208662	3	3102-5	T209960	16	1913-3
T205862	7	0350-47	T208662	7	3102-23	T209961	17	1913-3
T205863	7	0350-47	T208663	4	3102-3	T209962	18	1913-3
T205864	7	0350-47	T208663	4	3102-5	T209963	19	1913-3
T205941	7	3162-3	T208663	8	3102-23	T209964	20	1913-3
T206302	25	1672-3	T208737	9	1746-5	T209965	21	1913-3
T206483	26	1672-3	T208738	5	1746-5	T209966	24	0510-5
T206488	27	1672-3	T208746	10	1671-5	T209966	18	1911-9
T206624	51	1674-13	T208748	30	3141-3	T209966	5	1913-3
T207044	14	0510-5	T208748	31	3141-5	T209966	6	1913-3
T207097	10	1115-3	T208748	25	3141-7	T209966	7	1913-3
T207211	7	3102-9	T208789	26	0242-5	T209966	22	1913-3
T207212	6	3102-9	T208908	9	3102-11	T209966	24	1913-3
T207222	24	0242-5	T208980	6	3145-3	T210014	23	1913-3
T207223	25	0242-5	T208993	2	3140-3	T210046	21	1911-9
T207244	7	0511-5	T208999	6	3140-3	T210111	19	1320-5
T207333	15	0510-5	T209003	4	3140-3	T210112	26	1320-9
T207404	30	0962-13	T209058	19	1911-9	T210113	27	1320-7
T207465	16	0242-5	T209094	19	1810-31	T210127	5	0110-3
T207614	34	0510-3	T209201	4	3102-15	T210133	6	0110-3
T207615	35	0510-3	T209202	5	3102-15	T210138	20	1320-5
T207616	36	0510-3	T209203	6	3102-15	T210145	21	1320-5
T207617	37	0510-3	T209371	6	1520-3	T210146	24	1913-3
T207669	3	1830-5	T209371	24	1741-3	T210258	18	3166-5
T207741	18	1320-5	T209406	4	1810-29	T210350	20	1911-3
T207750	22	1320-7	T209407	5	1810-29	T210470	14	3164-3
T207750	24	1320-7	T209509	35	1911-5	T210715	7	3102-7
T207751	21	1320-9	T209539	15	1821-5	T210715	16	3102-13
T207772	14	0242-5	T209601	11	1810-19	T210715	21	3102-23
T207776	5	0351-3	T209602	12	1810-19	T211200	22	1320-5

00II-18

844J LOADER

NUMERICAL INDEX - CONTINUED

PART NO.	KEY	PAGE	PART NO.	KEY	PAGE	PART NO.	KEY	PAGE
T211201	23	1320-5	T215160	28	1320-9	T215984	29	0210-5
T211340	24	1320-5	T215163	7	1913-5	T215985	9	0210-9
T211350	22	1115-5	T215199	8	1913-5	T215985	10	0210-11
T211351	23	1115-5	T215208	4	1810-27	T215986	25	0210-13
T211352	24	1115-5	T215216	30	1320-7	T215988	2	0210-3
T211396	19	3166-5	T215217	29	1320-9	T215989	9	0210-7
T211405	20	3166-5	T215303	9	3102-13	T215989	10	0210-15
T211408	22	0350-11	T215359	10	1100-3	T215992	19	0210-7
T211409	23	0350-11	T215504	9	3141-3	T215993	20	0210-7
T211671	1	0350-7	T215504	11	3141-5	T215993	19	0210-15
T211672	5	0350-7	T215504	10	3141-7	T216009	1	0210-3
T211678	52	1674-13	T215508	12	1927-7	T216010	1	0210-3
T211758	3	0350-19	T215546	24	0420-5	T216011	7	0210-3
T211766	12	3102-23	T215546	26	1320-5	T216015	7	0210-3
T211767	2	3102-17	T215584	31	1320-7	T216016	7	0210-3
T211767	4	3102-19	T215585	30	1320-9	T216022	8	0210-3
T211767	4	3102-21	T215593	24	0420-5	T216023	10	0210-3
T211767	13	3102-23	T215593	32	1320-7	T216024	12	0210-3
T211887	22	3102-23	T215595	24	0420-5	T216025	13	0210-3
T211888	23	3102-23	T215595	31	1320-9	T216026	15	0210-3
T211889	24	3102-23	T215604	29	1927-9	T216027	16	0210-3
T212151	3	3102-17	T215672	13	1320-3	T216028	17	0210-3
T212151	14	3102-23	T215673	33	1320-7	T216039	26	0210-5
T212152	4	3102-17	T215674	32	1320-9	T216040	27	0210-5
T212152	15	3102-23	T215676	13	1927-7	T216041	28	0210-5
T212160	5	3102-17	T215696	27	1320-5	T216042	31	0210-5
T212160	16	3102-23	T215849	18	1741-3	T216043	35	0210-5
T212168	17	3102-23	T215849	37	3141-3	T216044	36	0210-5
T212304	13	3162-9	T215849	38	3141-5	T216109	26	0210-17
T212304	10	3162-11	T215849	32	3141-7	T216128	8	0210-9
T212430	23	0560-3	T215884	30	1927-9	T216128	8	0210-11
T212430	28	0560-5	T215958	2	0210-13	T216175	36	1927-9
T213295	8	0110-3	T215958	3	0210-17	T216182	28	0350-3
T213422	24	0560-5	T215959	4	0210-13	T216190	20	2162-3
T213426	7	1673-5	T215959	5	0210-17	T216195	24	0210-5
T213531	38	0510-3	T215960	22	0210-13	T216197	18	0210-15
T213558	25	0560-5	T215960	23	0210-17	T216226	16	1927-7
T213560	15	1810-25	T215961	7	0210-13	T216235	5	1810-3
T213611	17	1671-3	T215961	8	0210-17	T216347	39	0510-3
T213832	6	0350-45	T215962	8	0210-13	T216469	5	1810-3
T213834	16	0350-23	T215962	9	0210-17	T216481	31	1927-9
T213835	8	0350-17	T215963	9	0210-13	T216532	14	3162-13
T213848	9	0350-17	T215963	10	0210-17	T216532	14	3162-15
T213854	13	0350-25	T215965	15	0210-13	T216740	13	0530-3
T214084	6	0350-21	T215965	16	0210-17	T216791	4	0242-3
T214282	27	0511-3	T215966	17	0210-13	T216791	29	0511-9
T214513	10	0360-3	T215966	18	0210-17	T216836	11	0360-3
T214514	16	1821-5	T215970	17	0210-13	T216836	38	3162-19
T214523	26	0560-5	T215970	18	0210-17	T216836	34	3162-21
T214574	11	0402-3B	T215971	17	0210-13	T216836	45	3163-5
T214673	7	1520-3	T215971	18	0210-17	T216836	50	3163-7
T214685	36	1911-5	T215973	17	0210-13	T216858	25	0510-5
T214722	21	3166-5	T215973	18	0210-17	T216861	22	1927-7
T214838	3	1064-3	T215977	18	0210-13	T216862	23	1927-7
T214839	6	1064-3	T215977	19	0210-17	T216881	30	0511-9
T214877	27	0560-5	T215978	23	0210-13	T216971	5	3102-25
T214949	27	1927-9	T215978	24	0210-17	T216987	25	0511-7
T215080	28	1927-9	T215979	24	0210-13	T217126	14	0530-3
T215083	10	1927-7	T215979	25	0210-17	T217242	28	1320-5
T215091	37	1370-3	T215980	2	0210-9	T217261	14	3145-3
T215114	11	1927-7	T215980	2	0210-11	T217261	16	3145-5
T215154	8	1821-7	T215981	3	0210-9	T217265	29	1320-5
T215155	12	1320-3	T215981	3	0210-11	T217275	6	0242-3
T215155	25	1320-5	T215982	4	0210-9	T217275	31	0511-9
T215156	28	1320-7	T215982	4	0210-11	T217389	34	1320-7
T215157	27	1320-9	T215983	7	0210-9	T217390	35	1320-7
T215159	29	1320-7	T215983	7	0210-11	T217391	33	1320-9

00II-19

844J LOADER

NUMERICAL INDEX - CONTINUED

PART NO.	KEY	PAGE	PART NO.	KEY	PAGE	PART NO.	KEY	PAGE
T217392	34	1320-9	T225133	4	3140-5	T67995	35	3162-21
T217411	25	1913-3	T225134	32	3165-9	T67995	49	3163-5
T217427	7	1822-7	T225466	11	1115-3	T7T3402	26	3102-23
T217460	16	0350-3	T225552	2	3160-23	T7T3408	27	3102-23
T217516	18	1671-3	T225552	32	3160-23	T7T3409	28	3102-23
T217676	5	0210-15	T225572	19	3145-5	T70154	37	1911-5
T217757	24	0210-5	T225572	33	3165-9	T70176	9	0402-5
T217758	24	0210-5	T225602	8	3140-5	T70176	19	0452-3
T217760	24	0210-5	T226439	3	3140-3	T70659	35	0560-3
T217789	12	0402-3B	T226529	41	0350-39	T72216	50	3163-5
T217789	38	1370-3	T226530	7	0350-33	T74410	31	1674-11
T217790	13	0402-3B	T226530	40	0350-33	T74412	32	1674-11
T217790	39	1370-3	T226530	30	0350-41	T74416	50	0420-7
T217791	40	1370-3	T226531	2	0350-37	T74416	41	0510-3
T217792	41	1370-3	T226975	3	3140-3	T74416	33	1674-11
T218091	14	1927-7	T228151	47	0210-5	T74416	40	1674-13
T218147	15	1741-3	T228506	5	3140-5	T74416	45	1674-13
T218147	41	3141-3	T229900	2	0210-17	T74416	14	3165-7
T218147	13	3145-3	T24210	20	0350-3	T74416	35	3165-9
T218566	6	1320-5	T27077	6	1830-7	T74553	2	0350-51
T218567	2	1320-9	T27260	21	1911-3	T75197	9	0414-2
T218568	3	1320-7	T27432	10	0402-5	T75197	11	0963-3
T218798	21	0560-5	T27550	32	0511-9	T75197	8	1314-3
T219362	39	1911-5	T29342	29	1674-11	T75197	34	1674-11
T21937	16	0404-3	T29384	29	0350-3	T75276	36	0560-3
T219672	2	0520-5	T29384	42	1370-3	T75276	35	1674-11
T222192	27	0510-5	T3G9609	6	3102-13	T76252	19	1674-11
T222392	36	0510-3	T34248	46	3163-5	T76719	23	3160-19
T222754	25	0560-5	T35580	6	0421-2	T76938	16	0350-3
T223192	7	3145-5	T35580	42	0452-3	T76938	17	0350-3
T223192	6	3145-7	T38377	7	1830-7	T76938	6	0360-3
T223246	12	0210-3	T38377	34	1830-11	T76938	11	0510-3
T223704	10	1671-5	T39049	13	0962-3	T76938	31	0930-3
T223721	11	3102-11B	T39155	57	3164-3	T76938	18	0930-5
T223721	10	3102-11D	T40308	15	0420-5	T76938	9	0962-9
T223721	17	3145-5	T41326	5	3165-5	T76938	9	0962-13
T223721	12	3145-7	T41326	21	3165-5B	T76938	15	1370-3
T223723	18	3145-5	T42170	8	0505-5	T76938	10	2162-3
T223723	13	3145-7	T42199	19	1671-3	T76938	7	3160-3
T223724	12	3102-11B	T42977	9	0342-3	T76938	16	3160-15
T223724	11	3102-11D	T42977	9	0540-3	T76938	6	3160-21
T223725	13	3102-11B	T46876	9	1674-5	T76938	9	3160-21
T223725	12	3102-11D	T46876	53	1674-13	T76938	14	3160-21
T223726	39	3141-5	T47649	47	3163-5	T76938	19	3160-23
T223726	33	3141-7	T52979	48	3163-5	T76938	16	3162-19
T223726	29	3165-9	T54922	13	2162-5	T76938	14	3162-21
T223726	18	3165-11	T55224	16	1821-9	T76938	15	3163-5
T22381	10	1927-3	T56112	1	0242-5	T76938	7	3163-7
T22381	15	1927-7	T56112	15	3145-3	T76938	36	3164-3
T224069	50	1674-13	T56112	8	3145-5	T76938	7	3165-7
T224230	6	0350-11	T56112	1	3165-7	T76938	8	3165-9
T224313	9	0960-3B	T56112	34	3165-9	T76938	7	3165-11
T224651	13	3102-5B	T59663	51	3163-7	T77613	4	0360-5
T224652	14	3102-5B	T59937	20	1830-15	T77613	19	0420-3
T224653	15	3102-5B	T60811	48	0510-3	T77613	8	0420-5
T224657	6	3140-5	T60811	36	1370-3	T77613	5	0421-2
T224658	7	3140-5	T60811	8	1746-3	T77613	9	0452-3
T224658	30	3165-9	T60811	1	1830-7	T77613	8	0560-5
T224789	2	3140-5	T63224	36	1320-7	T77613	13	0930-3
T224791	12	3145-5	T63225	35	1320-9	T77613	12	0930-5
T224794	31	3165-9	T64217	36	1320-9	T77613	13	0962-9
T224839	14	3102-11B	T64688	35	3164-3	T77613	5	0962-13
T224839	13	3102-11D	T65643	10	1673-3	T77613	9	1062-3
T224915	15	3102-11B	T65643	8	1673-5	T77613	5	1064-3
T224915	14	3102-11D	T66418	5	1810-39	T77613	5	1100-3
T225008	21	0560-5	T67995	30	1674-11	T77613	6	1115-3
T225131	3	3140-5	T67995	39	3162-19	T77613	9	1370-3

00II-20

844J LOADER

NUMERICAL INDEX - CONTINUED

PART NO.	KEY	PAGE	PART NO.	KEY	PAGE	PART NO.	KEY	PAGE
T77613	8	2162-3	T78612	21	0930-3	U12547	11	2162-3
T77613	10	3160-3	T78612	8	0930-5	U12547	6	3160-5
T77613	2	3160-9	T78612	3	1370-3	U12547	8	3160-5
T77613	9	3160-19	T78612	6	1370-3	U12547	9	3160-5
T77613	12	3160-21	T78612	13	3160-3	U12547	7	3160-21
T77613	5	3160-23	T78612	8	3160-15	U12547	11	3160-27
T77613	3	3160-27	T78612	7	3160-23	U12547	7	3162-23
T77613	5	3162-9	T78612	22	3162-19	U12547	6	3168-3
T77613	4	3162-11	T78612	38	3162-21	U13639	31	0962-13
T77613	4	3162-13	T78612	19	3163-5	U13639	13	2162-3
T77613	4	3162-15	T78612	37	3164-3	U13639	14	3160-3
T77613	12	3162-19	T78612	3	3165-7	U13639	9	3160-15
T77613	11	3162-21	T78612	4	3165-9	U13639	15	3160-21
T77613	11	3162-23	T78612	3	3165-11	U13639	8	3160-23
T77613	10	3163-3	T78707	26	0511-7	U13639	27	3163-7
T77613	45	3164-3	T78707	2	1100-3	U13639	39	3164-3
T77613	4	3168-5	T78707	43	1370-3	U13639	4	3165-7
T77814	7	0350-3	T78707	28	3163-3	U13639	5	3165-9
T77814	4	0962-9	T78715	13	0360-3	U13639	4	3165-11
T77814	6	2162-3	T78715	40	3162-19	U17409	16	0350-3
T77814	12	3160-15	T78715	36	3162-21	U17409	18	0350-3
T77857	18	0420-3	T78715	51	3163-5	U17409	19	0419-3
T77857	12	0420-5	T78715	20	3163-7	U17409	30	0452-3
T77857	12	0421-2	T78715	38	3164-3	U17409	12	2162-5
T77857	10	0452-3	T78716	33	0511-9	U42111	4	0962-11
T77857	11	0511-7	T78716	15	1062-5	U42703	8	0960-5
T77857	35	0511-7	T78716	29	3163-3	U43360	8	0960-5
T77857	9	0511-9	T78784	17	3160-3	U44384	26	3160-21
T77857	4	0930-3	T78974	5	0201-3	U45855	9	3160-7
T77857	5	0930-5	T78974	4	1115-3	U45855	11	3160-9
T77857	6	1062-3	T78974	15	3165-7	U45855	9	3160-11
T77857	3	1062-5	T78974	36	3165-9	W29909	8	1822-7
T77857	13	3160-19	T79002	8	3102-7	X831-12	3	0408-3
T77857	16	3160-23	T79002	12	3102-13	Z29864	4	0210-3
T77857	4	3163-3	T79002	2	3102-15	Z29864	33	0210-5
T77857	48	3164-3	T79002	25	3102-23	Z29864	2	0350-13
T77857	3	3168-3	T79096	9	3102-7	Z29864	4	0350-13
T77858	21	0350-3	T79096	13	3102-13	Z29864	12	0350-13
T77858	7	0511-7	T79477	30	0560-3	Z29864	14	0350-15
T77858	3	0960-3	T80306	27	0511-7	Z59685	19	1830-13
T77858	2	0960-3B	T80306	34	0511-9			
T77858	6	0962-9	T80306	30	3163-3			
T77858	11	0962-13	T81029	6	1100-3			
T77858	8	1100-3	T81029	15	3160-19			
T77858	4	3160-3	T81029	14	3162-9			
T77858	19	3160-15	T81029	11	3162-11			
T77858	6	3160-27	T81029	6	3162-13			
T77858	6	3162-23	T81029	15	3162-15			
T77858	8	3163-3	T81029	20	3162-19			
T77858	9	3163-7	T81029	41	3162-19			
T77858	5	3168-3	T81029	37	3162-21			
T77932	9	0511-7	T81403	58	3164-3			
T77932	32	0511-7	T81686	32	0420-3			
T77932	11	0511-9	T82791	23	1810-15			
T77932	7	0960-3	T82791	7	1830-3			
T77932	5	0960-3B	T82792	24	1810-15			
T77932	11	1370-3	T82792	8	1830-3			
T77932	10	3160-27	T82861	12	3166-3			
T77932	4	3162-23	T9J2308	7	3102-13			
T77932	6	3163-3	U12331	25	3160-21			
T77932	15	3164-3	U12547	4	0960-3			
T77932	8	3168-3	U12547	3	0960-3B			
T78393	29	3160-3	U12547	7	0962-9			
T78393	44	3163-7	U12547	16	0962-13			
T78612	9	0350-3	U12547	9	1100-3			
T78612	16	0350-49	U12547	7	1115-3			
T78612	6	0360-5	U12547	12	1370-3			

