

**310G,310SG and 315SG
BACKHOE LOADERS**



JOHN DEERE

PARTS CATALOG

**310G,310SG and 315SG
BACKHOE LOADERS**

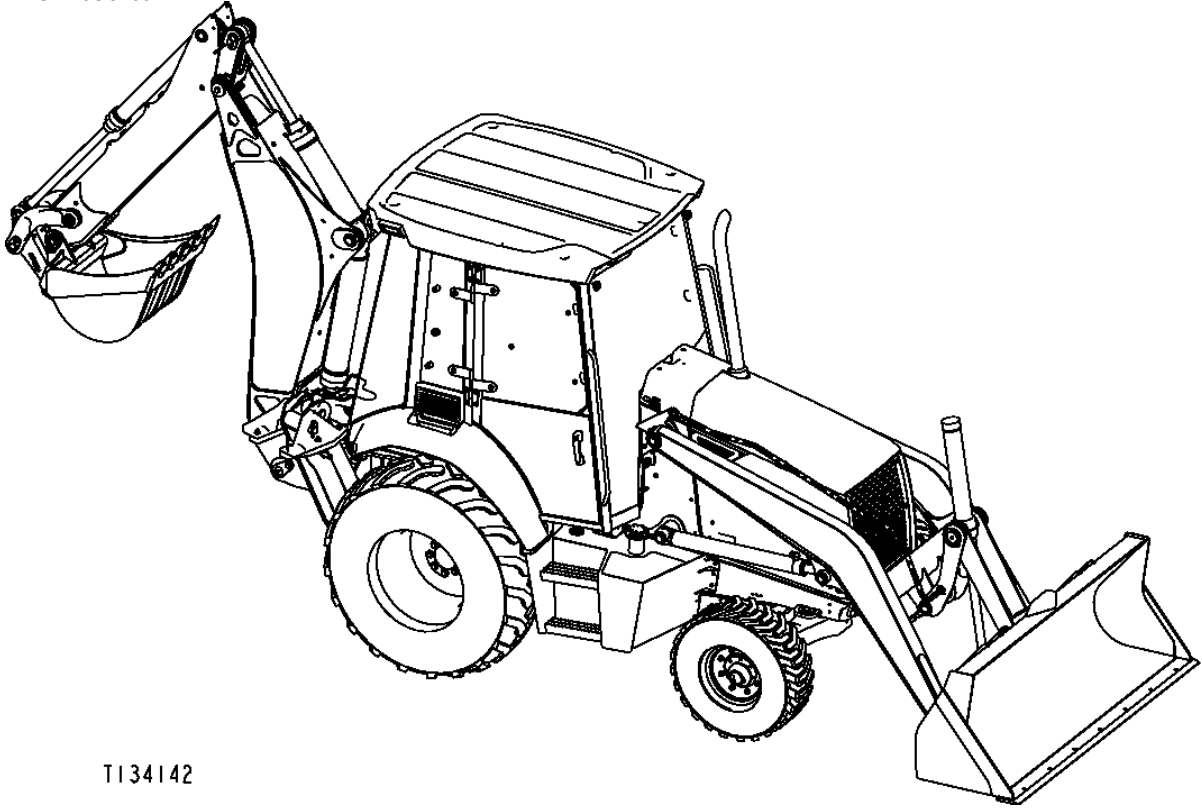
PC2755 (Jan-07) English

Worldwide Construction and Forestry Division

Worldwide Edition
Litho In U.S.A. (Revised)
COPYRIGHT © 2007
DEERE & COMPANY
Moline, Illinois
All rights reserved

INTRODUCTION AND CUSTOMER INFORMATION

T134142 -UN-10OCT00



T134142

*SIDE VIEW OF JOHN DEERE BACKHOE LOADER
(MANUFACTURED 2000-)*

TO THE CUSTOMER

THE PART NUMBERS IN THIS PARTS CATALOG WERE CORRECT AT THE TIME YOUR CATALOG WAS PUBLISHED. IT IS OUR POLICY TO CONSTANTLY IMPROVE OUR MACHINES AND, THEREFORE, PART NUMBERS MAY CHANGE. WHEN ORDERING PARTS, VERIFY PART NUMBERS THROUGH YOUR DEALER'S

(SPECIFICATIONS AND DESIGN SUBJECT TO CHANGE WITHOUT NOTICE.)

SERIAL NUMBER LOCATIONS

EACH 310G, 310SG AND 315SG BACKHOE LOADER HAS SIX SERIAL NUMBERS, A PRODUCT IDENTIFICATION NUMBER PLATE, AN ENGINE SERIAL NUMBER PLATE, A HYDRAULIC PUMP SERIAL NUMBER PLATE, A MFWD AXLE SERIAL NUMBER PLATE, A TRANSMISSION SERIAL NUMBER PLATE, AND A REAR AXLE SERIAL NUMBER PLATE.

THE PRODUCT IDENTIFICATION NUMBER IS ON THE LEFT-HAND SIDE OF THE LOADER FRAME JUST ABOVE THE LIFT CYLINDER PIVOT BOSS.

THE ENGINE SERIAL NUMBER PLATE IS LOCATED ON THE RIGHT-HAND SIDE OF THE CYLINDER BLOCK NEAR THE FUEL PUMP.

THE MFWD AXLE SERIAL NUMBER PLATE IS LOCATED ON THE RIGHT-HAND (REAR) SIDE OF THE MFWD AXLE HOUSING.

THE REAR AXLE SERIAL NUMBER PLATE IS LOCATED ON THE RIGHT-HAND (FRONT) SIDE OF THE AXLE HOUSING.

THE TRANSMISSION SERIAL NUMBER PLATE IS LOCATED ON THE BOTTOM-REAR FACE OF THE HOUSING.

THE HYDRAULIC PUMP SERIAL NUMBER IS LOCATED ON THE BOTTOM FACE OF THE PUMP.

LEFT-HAND SIDE, RIGHT-HAND SIDE, FRONT AND REAR OF THE BACKHOE LOADER ARE VIEWED BY FACING IN THE DIRECTION OF THE BACKHOE LOADER FORWARD TRAVEL.

LEFT-HAND SIDE, RIGHT-HAND SIDE, FRONT AND REAR OF THE BACKHOE COMPONENTS ARE DETERMINED WHEN SEATED IN THE BACKHOE OPERATING POSITION.

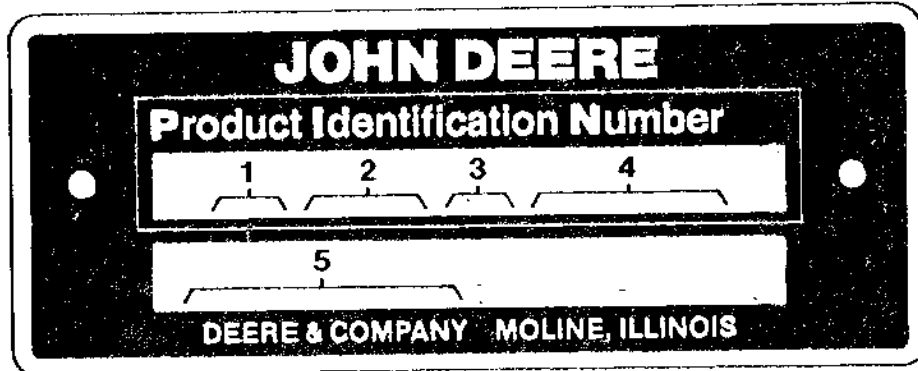
IF PRODUCT IDENTIFICATION NUMBERS OR SERIAL NUMBERS ARE REQUIRED FOR WARRANTY CLAIMS OR CORRESPONDENCE PERTAINING TO THIS PRODUCT. IT IS EXTREMELY IMPORTANT THAT ALL CHARACTERS BE FURNISHED. THIS POINT CANNOT BE OVEREMPHASIZED.

0001-3

310G, 310SG AND 315SG BACKHOE LOADERS

PRODUCT IDENTIFICATION NUMBER

TP16004 -UN-01JAN94



TP16004

- | | |
|--|----------------------------------|
| 1. DESIGNATES BACKHOE MANUFACTURER | T0 - JOHN DEERE DUBUQUE WORKS |
| 2. DESIGNATES BACKHOE MODEL | BE - BELL EQUIPMENT SOUTH AFRICA |
| 3. DESIGNATES BACKHOE CONFIGURATION | 315 |
| 4. DESIGNATES DUBUQUE WORKS SERIAL NUMBERS | SG |
| DESIGNATES BELL EQUIPMENT SERIAL NUMBERS | 893079 THRU 948698 |
| 5. DESIGNATES UNIT TYPE | 200001 THRU XXXXXX |
| | BACKHOE LOADER |

ENGINE SERIAL NUMBER PLATE

T134833 -UN-23OCT00



T134833

1. DESIGNATES ENGINE MANUFACTURER
1.
2. DESIGNATES NUMBER OF CYLINDERS
AND LITERS.
3. DESIGNATES FUEL TYPE OR SPECIAL COND.
4. DESIGNATES ENGINE SERIAL NUMBER
5. DESIGNATES THE ENGINE APPLICATION
AND FACTORY USER.

T-JOHN DEERE DUBUQUE WORKS
P-JOHN DEERE MOTORES
4045 (4.5 LITER)

DT NON-TURBOCHARGED DIESEL ENGINE
TT TURBOCHARGED DIESEL ENGINE

123456
T04045DT056 (WITHOUT TURBOCHARGER)(310G)

PE4045DT056 (WITHOUT TURBOCHARGER)(310G)
T04045TT080 (WITH TURBOCHARGER)(310G)
PE4045TT080 (WITH TURBOCHARGER)(310G)
T04045TT081 (WITH TURBOCHARGER)(310SG,315SG)
PE4045TT081 (WITH TURBOCHARGER)(310SG,315SG)
PE4045DT058 (WITHOUT TURBOCHARGER)(310G)
PE4045TT088 (WITH TURBOCHARGER)(310G)
PE4045TT089 (WITH TURBOCHARGER)(310SG)

0001-5

310G, 310SG AND 315SG BACKHOE LOADERS

MFWD AXLE SERIAL NUMBER PLATE

TP19438

-UN-01JAN94

The diagram shows a rectangular serial number plate with four mounting holes. At the top, it reads "Zahnradfabrik Passau GmbH". Below this, there are two main sections: "Type" and "Serial No.". The "Type" field is labeled with a bracket and the number 4. The "Serial No." field is labeled with a bracket and the number 5. Below these are two more fields: "Parts List No." (labeled with bracket 3) and "Total Ratio/Version:" (labeled with brackets 6 and 7). Under "Total Ratio/Version:", there are three rows, each with a "Ltri:" field (labeled with bracket 9) and a "List of Lubricants" field (labeled with bracket 8). The "List of Lubricants" field contains the text "TE-ML" and a bracketed area labeled 8. Below these fields is a "Customer's Code No." field (labeled with bracket 1).

TP19438

- 1. DESIGNATES CUSTOMER'S CODE NUMBER
- 2. DESIGNATES TYPE OF LUBRICANT
- 3. DESIGNATES ZF-PARTS-LIST NUMBER
- 4. DESIGNATES AXLE TYPE
- 5. DESIGNATES AXLE SERIAL NUMBER
- 6. DESIGNATES TOTAL - RATIO OF THE AXLE
- 7. DESIGNATES VERSION
- 8. DESIGNATES LUBRICANT SPECIFICATION
- 9. DESIGNATES CAPACITY

JOHN DEERE PART NUMBER
M1L-L-2105B, SAE90
4464 006 101
AP-11H
12345
20.28
SP. DIFF. (WITH OR WITHOUT SELF-LOCKING
DIFFERENTIAL)
05
LTR (DIFFERENTIAL CARRIER AND PLANETARY GEAR
ASSEMBLY

SERIAL NUMBER LISTING INFORMATION

SERIAL NUMBER INFORMATION IS LISTED TO SHOW ON WHICH MACHINES EACH PART CAN BE USED; FOR EXAMPLE:

- THE PART CAN BE USED ON ALL MACHINES.
- 000000- THE PART CAN BE USED ON ALL MACHINES BEGINNING WITH THE SERIAL NUMBER LISTED.
- 000000 THE PART CAN BE USED ON ALL MACHINES UP TO AND INCLUDING THE SERIAL NUMBER LISTED.
- 000000-000000 THE PART CAN BE USED ON ALL MACHINES BETWEEN AND INCLUDING THE SERIAL NUMBERS LISTED.

WHEN XXXXXX'S ARE LISTED IN PLACE OF A SERIAL NUMBER, A SERIAL NUMBER CHANGE WAS MADE BUT THE EXACT SERIAL NUMBER WAS NOT AVAILABLE WHEN THE CATALOG WAS PRODUCED.

USE OF VEHICLE SERIAL NUMBERS ON ENGINE PAGES:

PLEASE PROVIDE THE VEHICLE SERIAL NUMBER (VSN-T0450HX910011), ENGINE SERIAL NUMBER (ESN-PE4045T19 0332), AND ENGINE MODEL NO. (PE4045TT058) WHEN ORDERING REPLACEMENT PARTS. ENGINE PARTS PAGES HAVE BEEN REVISED TO DETAIL THE VSN IN THE HEADER, ENGINE MODEL NO. IN THE REMARKS SECTION, AND VEHICLE SERIAL NO. IN THE ALPHABETICAL INDEX. PLEASE PROVIDE ALL THREE NUMBERS WHEN ORDERING ENGINE PARTS TO INSURE EFFICIENT SERVICE.

DIRECTION ARROW

ARROWS ARE USED WITH ILLUSTRATIONS TO INDICATE THE FRONT OF THE UNIT. "RIGHT-HAND" AND "LEFT-HAND" SIDES OF THE LOADER OR TRACTOR PARTS ARE DETERMINED BY FACING IN THE DIRECTION OF MACHINE FORWARD TRAVEL

EXCEPTION: FOR ALL BACKHOE PARTS, "RIGHT-HAND" AND "LEFT-HAND" SIDES, "FRONT" AND "REAR" ARE DETERMINED WHEN SEATED FOR BACKHOE OPERATION.

BOX-ENCLOSED ILLUSTRATIONS

A KEY NUMBER, SHOWN IN THE PARTS LIST, IS ASSIGNED TO A BOX ENCLOSING ALL PARTS SOLD AS A SERVICE ASSEMBLY.

COMPLETE GOODS LISTINGS

COMPLETE GOODS ARE LISTED IN THE REMARKS COLUMN AS WHOLE GOODS. DO NOT INCLUDE ON REPLACEMENT PARTS ORDER.

SI UNITS OF MEASURE

METRIC DIMENSIONS ARE GIVEN, WHERE APPLICABLE, THROUGHOUT THIS PARTS CATALOG.

CHANGE INDICATOR LINE

CHANGES AFFECTING THE ORDERING OF PARTS ARE IDENTIFIED BY VERTICAL LINES MARKED IN THE LEFT-HAND MARGIN OF REVISED PARTS LISTING IMAGES. A LINE IS ALSO AT THE LEFT-HAND EDGE OF THE SAME PART NUMBER IN THE NUMERICAL INDEX TO SHOW THE LOCATION OF REVISED INFORMATION.

REMARKS AND ABBREVIATIONS

TX1007193

-UN-04MAY06

PHRASE	ENGLISH	FRANCAIS	DEUTSCH	ITALIANO	ESPAÑOL	SVENSKA
ALSO ORDER, ORD W/	Also order	Commander aussi	Ebenso bestellen	Ordinare anche	Pedir también	Beställ även
AMP	Ampere	Ampère	Ampere	Ampere	Amperio	Ampere
APPL, APPL ONLY	This application only	Uniquement pour cette utilisation	Nur für diese Anwendung	Solo per questa applicazione	Solo para este propósito	Endast för denna användning
AR	As required	Selon le besoin	Nach Bedarf	Secondo necessità	Según necesidad	Vid behov
ASSY	Complete assembly	Ensemble complet	Kompl.-Zusammenbau	Gruppo completo	Montaje completo	Komplett montering
CA, CONVENIENCE ASSY	Convenience assembly	Ensemble convenance	Komfort-Zusammenbau	Montaggio pratico	Montaje de conveniencia	Lämplig montering
CCW	Counter-clockwise	Sens anti-horaire	Gegen Uhrzeigersinn	Senso antiorario	A la izquierda	Moturs
COMPLETE	Complete	Complet	Vollständig	Completo	Completo	Fullständig
COMPLETE GOODS	Complete goods	Compléter marchandises	Vollst. Waren	Merci complete	Mercancías completas	Kompleta varor
CTL CUT TO LENGTH	Cut to length	Couper à la longueur	Auf Länge zurechtschneiden	Tagliare alla lunghezza	Corte a la longitud	Skära till längd
CW	Clockwise	Sens horaire	Im Uhrzeigersinn	In senso orario	A la derecha	Medurs
FOR	For	Pour	Für	Per	Para	För
FRONT	Front	Avant	Vorn	Anteriore	Frente	Fram
GAS	Gasoline	Essence	Benzin	Benzina	Gasolina	Bensin
HP	Horsepower	Puissance en cv	Leistung	Potenza	Potencia	Hästkraft
HFWD	Hydraulic Front-wheel Drive	Traction Avant Hydraulique	Hydraulischer Vorderradantrieb	Trazione Anteriore Idraulica	Traccion Delantera Hidraulica	Hydraulisk Framhjulsdrift
HS, HEAD MARKED	High strength, head marked	Haute résistance, tête marquée	Hochfest, vorn gekennzeichnet	Contrassegnato in testa, ad alta resistenza	Alta fuerza, marca en cabeza	Hög styrka, huvudmärkt
ID	Inside diameter	Diamètre intérieur	Innendurchmesser	Diametro interno	Diá. interior	Innerdiameter
INCH	Inch	Pouce	In.	Pollice	Pulg.	Tum
INCL KEYS	Includes keys...	Comprend les positions...	Einschließlich Schlüssel...	Include le chiavette...	Incluye posiciones...	Inklusive nycklar...
INCL, INCLUDES	Includes...	Comprend...	Enthält...	Include...	Incluye...	Inkluderar...
INCLUDES PARTS/ ITEMS MARKED	Includes parts/items marked...	Comprend les pièces/articles marqués...	Enthält gekennzeichnete Teile/Pos. ...	Include i pezzi e gli elementi contrassegnati...	Incluye piezas marcadas...	Inkluderar markerade delar/artiklar...
INNER	Inner	Intérieur	Innerer	Interno	Interno	Inre, invändig
KIT	Kit	Kit	Kit	Kit	Juego	Sats
L	Number of links	Nombre de maillons	Anzahl der Glieder	Numero di maglie	Nº de eslabones	Antal länkar
LGTH	Length	Longueur	Länge	Lunghezza	Longitud	Längd
LGP	Low Ground Pressure	Faible Pression Au Sol	Niederer Bodendruck	Bassa Pressione Sul Suolo	Baja Presion Sobre El Suelo	Laagt Marktryck
LH	Left-hand	Gauche	Links	Sinistra	Izquierda	Vänster
LT	Long Track	Chenille Longue	Mit Langem Laufwerk	Cingolo Lungo	Cadena Largo	Laangt Larvband
LOW, LOWER	Lower	Inférieur	Unterer	Inferiore	Inferior	Nedre
MAKE FROM, MF MARKED	Make from Marked	Faireavec Marqué	Herstellen von Markiert	Fabbricare da Contrassegnato	Hacer de Marcado	Tillverka av Märkt

TX1007193

REMARKS AND ABBREVIATIONS

TX1007195

-UN-04MAY06

PHRASE	ENGLISH	FRANCAIS	DEUTSCH	ITALIANO	ESPAÑOL	SVENSKA
MATCHED SET	Matched set	Ensemble assorti	Passender Satz	Set abbinato	Sistema emparejado	Anpassad sats
MFWD	Mechanical Front-Wheel Drive	Pont Avant	Allradantrieb	Ruota Motrice Meccanica Anteriore	Traccion Delantera Mecanica	Mekanisk Framhjulsdrift
NA, NOT USED THIS APPL	Not used this application	Ne sert pas pour cette application	In dieser Anwendung nicht benutzt	Non usato in questa applicazione	No se usa en esta aplicación	Ej använd i detta sammanhang
NLA	No longer available	Épuisé	Nicht mehr lieferbar	Non più disponibile	Descontinuado	Ej längre tillgänglig
NSEP	Not supplied separately	Non livré séparément	Nicht einzeln lieferbar	Non fornito separatamente	No se suministra por separado	Kan ej erhållas separat
OD	Outside diameter	Diamètre extérieur	Außendurchmesser	Diametro esterno	Diá. exterior	Ytterdiameter
OPTIONAL	Optional	En option	Wahlweise	Opzionale	Opcional	Valfri
OR	Or	Ou	Oder	Oppure	O	Eller
ORD, ORDER	Order	Commander	Bestellen	Ordinare	Pídase	Order
OS	Oversize	Sur-dimension	Übergröße	Maggiorato	Sobretamaño	Överdimension
OUTER	Outer	Externe	Äußerer	Esterno	Externo	Yttre, utvändig
PKG, PACKG	Package, Packet of	Emballage, paquet de	Verpackung, verpackt mit	In confezione da	Paquete de	I sats; paket
PTO	Power Take Off	Prise De Force	Zapfwelle	Presa Di Forza	Toma De Fuerza	Kraftuttag
RATIO	Ratio	Rapport	Übersetzungs-verhältnis	Rapporto	Índice	Förhållande
REAR	Rear	Arrière	Hinten	Posteriore	Trasero	Bak; bakre
REMAN	Remanufactured	Echange Standard	Generalveberholt	Refatto	Refabricador por	Renoverad
REPL	Replaces	Remplace	Ersetzt	Sostituisce	Sustituye	Ersätter
RH	Right-hand	Droit	Rechts	Destra	Derecha	Höger
SN	Serial number	Numéro de série	Seriennummer	Numero di serie	Nº de serie	Seriennummer
STD	Standard	Standard	Standard	Standard	Normal	Standard
SUB	Replaced by	Remplacé par	Ersetzt durch	Sostituito da	Sustituido por	Ersatt med
SUB COMPONENTS	Substitute components (of the kit or assy)	Substituer les composants (du kit ou de l'ensemble)	Komponenten ersetzen (des Kits oder der Baugruppe)	Sostituire i componenti (del kito del gruppo)	Sustituir los componentes	Ersätta komponenterna (i satsen eller monteringen)
SUB FOR	Substitutes for	Remplace	Ersatz für	Sostituisce	Sustitución para	Ersätter
TEETH, Z	Number of gear teeth	Nombre de dents d'engrenages	Zahl der Zahnradzähne	Numero di denti dell'ingranaggio	Nº de dientes de engranaje	Antal redskapständer
TK	Thickness	Épaisseur	Stärke	Spessore	Espesor	Tjocklek
UP, UPPER	Upper	Supérieur	Oberer	Superiore	Superior	Övre
US	Undersize	Sous-dimension	Untergröße	Minorato	Subtamaño	Underdimension
USE WITH	Use with	À utiliser avec	Verwenden mit	Usare con	Usar con	Använd med
USE UNTIL EXHAUSTED	Use until exhausted	Utilisation jusqu'à épuisé	Verwenden, bis erschöpft	Usare fino all'esaurimento	Usar hasta agotar	Använda till uttömd
W/	With	Avec	Mit	Con	Con	Med; inklusive
W/O	Without	Sans	Ohne	Senza	Sin	Utän; exklusive
WHOLE GOODS	Whole goods	Marchandises entières	Vollständige Waren	Merci intere	Mercancías enteras	Hela varor
XLT	Extra Long Track	Chenille Extra Longue	Mit Extra Langem Laufwerk	Cingolo Extra Lungo	Cadena Extra Larga	Extra Laangt Larvband
VEC	Vehicle Electronic Controller	Controlleur Electronique Du Vehicule	Elektronisches Steuergeraet Des Fahrzeugs	Unità Di Comando Electronica Del Veicolo	Unidad de Control Electronico del Vehiculo	Elektronisk Fordonsstyrenhet
VLC	Vehicle Load Center	Coffret De Repartition Du Vehicule	Verteilerstation Des Fahrzeugs	Centro Di Carico Del Veicolo	Centro De Cargas Del Vehiculo	Fordonets Eicentral

TX1007195

0001-9

310G, 310SG AND 315SG BACKHOE LOADERS

ALPHABETICAL INDEX

	PAGE		PAGE
A			
A/C PRESSURE SWITCH HARNESS.....	1674-4	AIR SUSPENSION SEAT COMPRESSOR.....	1821-16
A/C SWITCH.....	1674-6	AIR SUSPENSION SEAT SWITCH	1674-6
ACCELERATOR PEDAL RUBBER BUMPER.....	1812-4	ALARM SYSTEM, BACK-UP (315SG).....	2004-4
ACCESS COVER, INJECTION PUMP GEAR		ALARM, BACK-UP ALARM (310G,310SG)	2004-2
(VSN -911768) 310G (W/O TURBO)	0402-4	ALARM, TRAVEL WARNING (310G,310SG)	2004-2
ACCESS COVER, INJECTION PUMP GEAR		ALARM, TRAVEL WARNING (315SG)	2004-4
(VSN-910055) 310G(TURBO), 310SG, 315SG	0402-6	ALTERNATOR	
ACCESS COVER, INJECTION PUMP GEAR		(SN -XXXXX).....	1672-2
310G (W/O TURBO) (VSN 911769-)	0402-4B	ALTERNATOR	
ACCESS COVER, INJECTION PUMP GEAR		(SN -XXXXX).....	1672-4
310G(TURBO), 310SG, 315SG (VSN910056-)	0402-6B	ALTERNATOR	
ACCU-SWING VALVE KIT	3362-29A	(SN XXXXXX-).....	1672-6
ACCUMULATOR SEAL KIT	2160-24	ALTERNATOR ADJUSTING STRAP.....	0423-2
ACCUMULATOR SEAL KIT	2160-26	ALTERNATOR FAN	
ACCUMULATOR VALVE	2160-24	(SN -XXXXX).....	1672-2
ACCUMULATOR VALVE	2160-26	ALTERNATOR FAN	
ACCUMULATOR, MANIFOLD		(SN -XXXXX).....	1672-4
(PILOT CONTROL)	3362-31	ALTERNATOR FAN	
ACCUMULATOR, RIDE CONTROL.....	2160-24	(SN XXXXXX-).....	1672-6
ACCUMULATOR, RIDE CONTROL.....	2160-26	ALTERNATOR MOUNTING BRACKETS	0423-2
ACCESS COVER , INJECTION PUMP GEAR		ALTERNATOR PULLEY	
(VSN-910055) 310G(TURBO), 310SG, 315SG	0402-6	(SN -XXXXX).....	1672-2
ACTUATOR DOOR RELAY.....	1674-4	ALTERNATOR PULLEY	
ADAPTER KIT, STARTER MOTOR.....	0422-6	(SN XXXXXX-).....	1672-6
ADAPTER,ENGINE OIL COOLER	0419-2	ANCHOR, TIE BAND MOUNT, HARNESS	
ADAPTER,EXHAUST		SERIAL NO. -XXXXXX	1673-4
310G(TURBO), 310SG, 315SG	0410-2	ANCHOR, TIE BAND MOUNT, HARNESS	
ADJUSTING STRAP, ALTERNATOR	0423-2	SERIAL NO. XXXXXX-.....	1673-6
AIR CLEANER	0520-2	ANGLE,BACKREST ADJUSTMENT.....	1821-2
AIR CLEANER ELEMENT	0520-2	ANGLE,BACKREST ADJUSTMENT.....	1821-3A
AIR CLEANER HOSE	0520-2	ANTENNA, RADIO.....	2001-2
AIR CLEANER RESTRICTION INDICATOR SWITCH	0520-2	ANTI-CAVITATION, BOOM SECTION	3162-10
AIR CONDITIONING	1830-6	ANTI-CAVITATION, BUCKET SECTION	3162-14
AIR CONDITIONING	1830-7A	ANTI-SKID MAT	1812-4
AIR CONDITIONING (FREEZE/COMPRESSOR) SWI		ARM (FRAME), SUSPENSION SEAT SCISSOR	1821-10
TCH.....	1830-7A	ARM GRIP REPAIR KIT,EXT.DIPPER	3346-8
AIR CONDITIONING COMPRESSOR	1830-12	ARM RESTS	1821-2
AIR CONDITIONING COMPRESSOR	1830-14	ARM RESTS	1821-3A
AIR CONDITIONING COMPRESSOR		ARM, LOADER LIFT	3140-2
MOUNTING BRACKETS	1830-12	ARM, PILOT CONTROLLER	
AIR CONDITIONING COMPRESSOR		(LEFT SIDE).....	1816-14
MOUNTING BRACKETS	1830-14	ARM, PILOT CONTROLLER	
AIR CONDITIONING COMPRESSOR DIODE	1674-8	(RIGHT SIDE).....	1816-16
AIR CONDITIONING COMPRESSOR DIODE	1674-9A	ARM, STANDARD	3346-2
AIR CONDITIONING COMPRESSOR DIODE	1674-9C	ARM,STABILIZER (310G,310SG).....	3348-2
AIR CONDITIONING COMPRESSOR DRIVE BELT	1830-12	ARMS, ROCKER.....	0402-2
AIR CONDITIONING COMPRESSOR DRIVE BELT	1830-14	ATTACHMENT PLUMBING KIT	3363-42
AIR CONDITIONING COMPRESSOR HOSES	1830-12	AUDIBLE ALARM, QUICK COUPLER PIN ENGAGEM	
AIR CONDITIONING COMPRESSOR HOSES	1830-14	ENT	1674-5C
AIR CONDITIONING CONDENSER	1830-12	AUGER COUPLERS	
AIR CONDITIONING CONDENSER	1830-14	(STANDARD DIPPERSTICK).....	3363-40
AIR CONDITIONING DOOR ACTUATOR RELAY	1674-4	AUGER COUPLERS	
AIR CONDITIONING DUCTS	1830-2	(WITH EXTENDIBLE DIPPERSTICK).....	3363-38
AIR CONDITIONING DUCTS	1830-4	AUGER HYDRAULIC OIL LINES	
AIR CONDITIONING RECEIVER DRYER.....	1830-12	(WITH EXTENDIBLE DIPPERSTICK).....	3363-38
AIR CONDITIONING RECEIVER DRYER.....	1830-14	AUGER HYDRAULICS	
AIR CONDITIONING THERMOSTAT SWITCH	1816-12	(STANDARD DIPPERSTICK).....	3363-40
AIR INTAKE SYSTEM		AUXILIARY HYDRAULICS, STD. DIPPERSTICK	
310(W/O TURBO).....	0414-3	(310G AND 310SG).....	3363-20
AIR INTAKE SYSTEM 310G(TURBO), 310SG,		AUXILIARY EQUIPMENT HYDRAULICS, EXTENDIB	
315SG (VSN -910055).....	0414-1	LE DIPPERSTICK (310G AND 310SG)	3363-24
AIR INTAKE SYSTEM 310G(TURBO),310SG,315S		AUXILIARY FUNCTION PEDAL	
G (VSN 910056-).....	0414-2	(PILOT CONTROL)	3315-15A
AIR INTAKE TEMPERATURE SENSOR 310G (TURB		AUXILIARY HYDRAULICS, EXT.DIPPERSTICK	
O),310SG,315SG (VSN 910056-).....	0414-2	(315SG).....	3363-26

000I-10

310G, 310SG AND 315SG BACKHOE LOADERS

ALPHABETICAL INDEX - CONTINUED

	PAGE		PAGE
AUXILIARY HYDRAULICS, STD.DIPPERSTICK (315SG).....	3363-22	BACKHOE BOOM LOCK HYDRAULICS 315SG	3363-30
AUXILIARY OIL COOLER KIT (310G).....	2160-22	BACKHOE BOOM PIN	3344-2
AUXILIARY SECTION RELIEF VALVE (SERIAL NO. -913416).....	3162-16	BACKHOE BOOM STOP/CLAMP	3344-2
AUXILIARY SECTION RELIEF VALVE (SERIAL NO. 913417-).....	3162-20	BACKHOE BOOM,PROTECTION KIT	3344-3
AUXILIARY SECTION, BACKHOE VALVE	3362-22	BACKHOE BUCKET	3302-14
AUXILIARY SECTION, LOADER VALVE (SERIAL NO. -913416).....	3162-16	BACKHOE BUCKET	3302-16
AUXILIARY SECTION, LOADER VALVE (SERIAL NO. 913417-).....	3162-20	BACKHOE BUCKET CUTTING EDGE	3302-14
AUXILIARY VALVE KIT, LOADER (SERIAL NO. -913416).....	3162-18	BACKHOE BUCKET CUTTING EDGE	3302-16
AXLE HOUSING	0201-2	BACKHOE BUCKET CYLINDER (310G)(SER.# 910901-925926)	3365-11
AXLE HOUSING	0201-4	BACKHOE BUCKET CYLINDER (310G)(SER.# 925927-)	3365-12
AXLE HOUSING ASSEMBLY (MFWD).....	0250-4	BACKHOE BUCKET CYLINDER (310G)(SN -910900).....	3365-10
AXLE HOUSING, FRONT (WITHOUT MFWD) (SERIAL NO. 911132-).....	0230-6	BACKHOE BUCKET CYLINDER (310SG,315SG) (SN -926788)	3365-15
AXLE PIVOT PIN (WITHOUT MFWD) (SERIAL NO. -911131).....	0230-2	BACKHOE BUCKET CYLINDER (310SG,315SG) (SN 926789-)	3365-16
AXLE ROLLER BEARING	0201-2	BACKHOE BUCKET CYLINDER (310SG,315SG) SERIAL NO. 926130-)	3365-14
AXLE ROLLER BEARING	0201-4	BACKHOE BUCKET CYLINDER 310SG,315SG (SERIAL NO. -926129)	3365-13
AXLE SHAFT	0201-2	BACKHOE BUCKET CYLINDER HYDRAULICS	3363-8
AXLE SHAFT	0201-4	BACKHOE BUCKET CYLINDER REPAIR KIT (310G)(SER.# 910901-925926)	3365-11
AXLE SWIVEL HOUSING, FRONT (WITHOUT MFWD)(SERIAL NO. 911132-)	0230-7	BACKHOE BUCKET CYLINDER REPAIR KIT (310G)(SER.# 925927-)	3365-12
AXLE, FRONT (MFWD).....	0250-1	BACKHOE BUCKET CYLINDER REPAIR KIT (310G)(SN -910900).....	3365-10
AXLE, FRONT (WITHOUT MFWD) (SERIAL NO. -911131).....	0230-2	BACKHOE BUCKET CYLINDER REPAIR KIT (310SG,315SG) (SN -926788)	3365-15
AXLE, FRONT (WITHOUT MFWD) (SERIAL NO. 911132-).....	0230-5	BACKHOE BUCKET CYLINDER REPAIR KIT (310SG,315SG) (SN 926789-)	3365-16
B			
BACK-UP ALARM SYSTEM (310G,310SG).....	2004-2	BACKHOE BUCKET CYLINDER REPAIR KIT (310SG,315SG) SERIAL NO. 926130-)	3365-14
BACK-UP ALARM SYSTEM (315SG)	2004-4	BACKHOE BUCKET CYLINDER REPAIR KIT 310SG,315SG (SERIAL NO. -926129)	3365-13
BACK, SEAT	1821-4	BACKHOE BUCKET PIN LUBE KIT (310G)	3345-6
BACKHOE BOOM.....	3344-2	BACKHOE BUCKET PINS	3302-14
BACKHOE BOOM CYLINDER (310G).....	3365-2	BACKHOE BUCKET PINS	3302-16
BACKHOE BOOM CYLINDER (310G)(SN 926130-).....	3365-4	BACKHOE CONTROL LEVER CONVERSION LINKAGE (SAE PATTERN)	3315-26
BACKHOE BOOM CYLINDER (310SG,315SG)(SN -926129)	3365-6	BACKHOE CONTROL VALVE	3362-4
BACKHOE BOOM CYLINDER (310SG,315SG)(SN 926130-).....	3365-8	BACKHOE CONTROL VALVE	3362-6
BACKHOE BOOM CYLINDER REPAIR KIT (310G).....	3365-2	BACKHOE CONTROL VALVE LINKAGE, TWO LEVER (310G AND 310SG).....	3315-6
BACKHOE BOOM CYLINDER REPAIR KIT (310G)(SN 926130-).....	3365-4	BACKHOE CONTROLS COVER	1816-2
BACKHOE BOOM CYLINDER REPAIR KIT (310SG,315SG)(SN -926129)	3365-6	BACKHOE CONTROLS, PILOT CONTROLLER ARM (LEFT SIDE)	1816-14
BACKHOE BOOM CYLINDER REPAIR KIT (310SG,315SG)(SN 926130-)	3365-8	BACKHOE CONTROLS, PILOT CONTROLLER ARM (RIGHT SIDE).....	1816-16
BACKHOE BOOM LOCK (310G AND 310SG)	3315-20	BACKHOE CYLINDER HYDRAULICS (315SG)	3363-32
BACKHOE BOOM LOCK CONTROL LEVER (310G AND 310SG)	3315-18	BACKHOE LEVER COVER	1816-4
BACKHOE BOOM LOCK CONTROL LEVER (315SG).....	3315-22	BACKHOE LEVERS COVER	1816-2
BACKHOE BOOM LOCK CONTROL SOLENOID (315SG).....	3315-22	BACKHOE LINKAGE, FIFTH FN LEVER FOR THREE LEVER CONTROLS.....	3315-16
BACKHOE BOOM LOCK CONTROL WIRE HARNESS (315SG).....	3315-22	BACKHOE MAIN FRAME(315SG).....	1740-4
		BACKHOE OIL LINES CLAMP	3344-2
		BACKHOE STABILIZER CYLINDER HYDRAULICS	3363-2
		BACKHOE STABILIZER CYLINDER HYDRAULICS	3363-3A
		BACKHOE STABILIZER CYLINDER HYDRAULICS, SIDESHIFT 315SE	3363-4
		BACKHOE SWING CYLINDER HYDRAULICS (315SG).....	3363-16

ALPHABETICAL INDEX - CONTINUED

	PAGE		PAGE
BACKHOE SWING LOCK CONTROL LEVER (315SG).....	3315-22	BEARINGS,CONNECTING ROD 310G (W/O TURBO) (VSN -911768).....	0403-2
BACKHOE THREE LEVER CONTROL VALVE CONVERSION KIT(310G AND 310SG).....	3315-8	BELL HOUSING.....	0341-1
BACKHOE VALVE AUXILIARY SECTION	3362-22	BELL HOUSING.....	0341-2
BACKHOE VALVE BOOM SECTION.....	3362-10	BELLVILLEWASHER, FIRST GEAR, POWER SHIFT	0350-14
BACKHOE VALVE BOOM,PILOT SECTION	3362-40	BELLVILLEWASHER, FORWARD, POWER SHIFT	0350-22
BACKHOE VALVE BUCKET SECTION	3362-12	BELLVILLEWASHER, REVERSE, POWER SHIFT	0350-24
BACKHOE VALVE BUCKET, PILOT SECTION	3362-42	BELLVILLEWASHER, 2ND GEAR, POWER SHIFT	0350-16
BACKHOE VALVE CROWD SECTION.....	3362-14	BELLVILLEWASHER, 3RD GEAR, POWER SHIFT	0350-18
BACKHOE VALVE CROWD, PILOT SECTION.....	3362-44	BELLVILLEWASHER, 4TH GEAR, POWER SHIFT.....	0350-20
BACKHOE VALVE EXTENDIBLE SECTION	3362-18	BELT, DRIVE	
BACKHOE VALVE MOUNTING PLATE (PILOT CONTROL).....	3315-3A	310G(TURBO),310SG,315SG	0429-2
BACKHOE VALVE MOUNTING PLATE 310G,310SG	3315-2	BELT, TETHER.....	1821-16
BACKHOE VALVE MOUNTING PLATE 315SG	3315-4	BELT,AIR CONDITIONING COMPRESSOR DRIVE	1830-12
BACKHOE VALVE PRIORITY INLET SECTION	3362-8	BELT,AIR CONDITIONING COMPRESSOR DRIVE	1830-14
BACKHOE VALVE SELECTIVE FLOW SECTION.....	3362-20	BELT,FAN DRIVE	0510-2
BACKHOE VALVE SWING SECTION	3362-16	BELTS, SEAT	1821-2
BACKHOE VALVE SWING, PILOT SECTION	3362-46	BELTS, SEAT	1821-3A
BACKHOE VALVE TWO LEVER CONVERSION KIT (310G AND 310SG)	3315-6	BELTS, TETHER WITH NON-SUSPENDED SEAT	1821-12
BACKHOE, FOUR-LEVER CONTROLS, STANDARD (310G,310SG)	3315-10	BEVEL DRIVE GEAR (MFWD) (310SG,315SG).....	0250-10
BACKHOE, THREE LEVER CONTROL VALVE LINKAGE (310G AND 310SG).....	3315-8	BLOCK, CYLINDER	
BACKREST ADJUSTMENT ANGLE	1821-2	310G(TURBO), 310SG, 315SG (VSN-910055)	0404-2
BACKREST ADJUSTMENT ANGLE	1821-3A	BLOCK, TRUNNION SWING CYLINDER, 315SG.....	3342-2
BALANCER SHAFT, ENGINE		BLOCK,TRUNNION SWING CYLINDER,310G,310SG	1740-2
310G(TURBO), 310SG, 315SG	0415-2	BLOWER MOTOR PRESSURIZER	1830-6
BANK, FRONT AXLE GREASE.....	1370-2	BLOWER MOTOR PRESSURIZER	1830-7A
BAR, CYLINDER SERVICE LOCK	1313-2	BOLT, STRIKER, HOOD	1910-2
BARREL, STEERING CYLINDER (MFWD)	0960-12	BOLT, STRIKER, HOOD	1910-4
BARRIER, HEAT AND NOISE	1834-2	BOOM CYL.KIT, CONTROLLED LOWERING DEVICE	3363-34
BASE, SEAT FOR NON-SUSPENDED SEAT	1821-14	BOOM CYL.KIT, LOWERING DEVICE,CONTROLLED	3363-34
BASE, SEAT WITH NON-SUSPENDED SEAT.....	1821-12	BOOM CYLINDER	
BATTERIES,DUAL	1671-4	(310SG AND 315SG)(SER.# 910492-926248)	3165-8
BATTERY BOX.....	1913-2	BOOM CYLINDER HYDRAULIC HOSES.....	3363-6
BATTERY CABLE, SINGLE	1671-2	BOOM CYLINDER HYDRAULIC OIL LINES	3363-6
BATTERY COVER	1913-2	BOOM CYLINDER HYDRAULICS, LOADER	3163-2
BATTERY DISCONNECT SWITCH,MASTER	1671-6	BOOM CYLINDER HYDRAULICS, LOADER	3163-4
BATTERY INSTALLATION, SINGLE	1671-2	BOOM CYLINDER REPAIR KIT (310SG AND 315SG)(SER.# 910492-926248)	3165-8
BEACON, ROTATING	1673-2	BOOM CYLINDER REPAIR KIT, BACKHOE (310G)	3365-2
BEACON, STROBE	1673-2	BOOM CYLINDER REPAIR KIT, BACKHOE (310G)(SN 926130-)	3365-4
BEARING, FRONT WHEEL (WITHOUT MFWD) (SERIAL NO. -911131).....	0230-4	BOOM CYLINDER REPAIR KIT, BACKHOE (310SG,315SG)(SN 926129)	3365-6
BEARING,FRONT AXLE HOUSING (WITHOUT MFWD)(SERIAL NO. 911132-)	0230-6	BOOM CYLINDER REPAIR KIT, BACKHOE (310SG,315SG)(SN 926130-)	3365-8
BEARINGS, MAIN 310G (W/O TURBO) (VSN 911769-)	0401-2	BOOM CYLINDER, BACKHOE (310G)	3365-2
BEARINGS, MAIN 310G (W/O TURBO) (VSN-911768)	0401-1A	BOOM CYLINDER, BACKHOE (310G)(SN 926130-)	3365-4
BEARINGS, MAIN 310G(TURBO),310SG,315SG (VSN -910055)	0401-4	BOOM CYLINDER, BACKHOE (310SG,315SG)(SN -926129)	3365-6
BEARINGS, MAIN 310G(TURBO),310SG,315SG (VSN -910055)	0401-5	BOOM CYLINDER, BACKHOE (310SG,315SG)(SN 926130-)	3365-8
BEARINGS, MAIN 310G(TURBO),310SG,315SG (VSN 910056-)	0401-6	BOOM LEVER LOCK COVER	1816-10
BEARINGS,CONNECTING ROD 310G (W/O TURBO) (VSN 911769-)	0403-2A	BOOM LEVER LOCK COVER	1816-12
BEARINGS,CONNECTING ROD 310G(TURBO) 310SG 315SG (VSN 910056-)	0403-3A	BOOM LOCK CONTROL LEVER (310G AND 310SG).....	3315-18
BEARINGS,CONNECTING ROD 310G(TURBO), 310SG, 315SG (VSN-910055)	0403-2B	BOOM LOCK, BACKHOE (310G AND 310SG).....	3315-20
		BOOM PIN, BACKHOE.....	3344-2
		BOOM SECTION ANTI-CAVITATION RELIEF	3162-10
		BOOM SECTION RELIEF VALVE.....	3162-8
		BOOM SECTION RELIEF VALVE.....	3162-10
		BOOM SECTION RELIEF VALVE.....	3362-10
		BOOM SECTION, BACKHOE VALVE.....	3362-10

000I-12

310G, 310SG AND 315SG BACKHOE LOADERS

ALPHABETICAL INDEX - CONTINUED

	PAGE		PAGE
BOOM SECTION, LOADER VALVE	3162-8	BUCKET CYLINDER HYDRAULICS, BACKHOE	3363-8
BOOM SECTION, LOADER VALVE	3162-10	BUCKET CYLINDER LINES, BACKHOE	3363-8
BOOM SERVICE LOCK BAR	1313-2	BUCKET CYLINDER, BACKHOE	
BOOM STOP/CLAMP, BACKHOE	3344-2	(310SG, 315SG) (SN -926788)	3365-15
BOOM, LOADER	3140-2	BUCKET CYLINDER, BACKHOE	
BOOM, PILOT SECTION RELIEF VALVE	3362-40	(310SG, 315SG) (SN 926789-)	3365-16
BOOM, BACKHOE	3344-2	BUCKET CYLINDER, BACKHOE	
BOOM, PILOT SECTION, BACKHOE VALVE	3362-40	(310SG, 315SG) SERIAL NO. 926130-)	3365-14
BRACKET, MECHANICAL SUSPENDED SEAT	1821-8	BUCKET CYLINDER, BACKHOE	
BRACKET, TRANSMISSION SHIFTER CARROT	0315-2	310SG, 315SG (SERIAL NO. -926129)	3365-13
BRACKET, TRANSMISSION SHIFTER LEVER	0315-6	BUCKET CYLINDER, LOADER	
BOTTOM GUARD	1746-4	(SERIAL NO. -941225)	3165-10
BOX, BATTERY	1913-2	BUCKET CYLINDER, LOADER	
BOX, TOOL	1913-2	(SERIAL NO. 941226-)	3165-12
BRACKET, AIR CLEANER MOUNTING	0520-2	BUCKET CYLINDER, LOADER	
BRACKET, ENGINE MOUNTING	0540-2	(SN 941226-) REPLACEMENT	3165-14
BRACKET, EXTERNAL REAR VIEW MIRROR	2002-3	BUCKET CYLINDER, MULTI-PURPOSE	
BRACKET, HARNESS COVER	1812-4	(SERIAL NO. -925076)	3102-12
BRACKET, HORN (SERIAL NO. -910147)	2004-6	BUCKET CYLINDER, MULTI-PURPOSE	
BRACKET, INTERIOR REAR VIEW MIRROR	2002-2	(SERIAL NO. 925077-)	3102-13
BRACKET, LICENCE PLATE	1314-2	BUCKET LEVELING LINKAGE	3115-2
BRACKET, STRIKER BOLT	1910-2	BUCKET LEVELING LINKAGE	3115-4
BRACKET, STRIKER BOLT	1910-4	BUCKET LEVELING ROD	3115-2
BRACKET, BACKHOE VALVE MOUNTING		BUCKET LEVELING ROD	3115-4
(PILOT CONTROL)	3315-3A	BUCKET LEVELING YOKE	3115-2
BRACKET, BACKHOE VALVE MOUNTING		BUCKET LEVELING YOKE	3115-4
310G, 310SG	3315-2	BUCKET LINKAGE, LOADER	3140-4
BRACKET, BACKHOE VALVE MOUNTING		BUCKET LINKS AND PINS, BACKHOE	
315SG	3315-4	(310SG AND 315SG)	3345-4
BRACKET, RADIO ANTENA	2001-2	BUCKET LINKS AND PINS, BACKHOE (310G)	3345-2
BRACKET, STABILIZER VALVE MOUNTING		BUCKET PIN	3346-2
(PILOT CONTROL)	3315-3A	BUCKET PINS, LOADER	3102-6
BRACKET, STABILIZER VALVE MOUNTING		BUCKET SECTION ANTI-CAVITATION RELIEF	3162-14
310G, 310SG	3315-2	BUCKET SECTION RELIEF VALVE	3162-12
BRACKET, STABILIZER VALVE MOUNTING		BUCKET SECTION RELIEF VALVE	3162-14
315SG	3315-4	BUCKET SECTION RELIEF VALVE	3362-12
BRACKET, TRANSMISSION SHIFTER LEVER	0315-6	BUCKET SECTION, BACKHOE VALVE	3362-12
BRACKETS, SEAT	1821-2	BUCKET SECTION, LOADER VALVE	3162-12
BRACKETS, SEAT	1821-3A	BUCKET SECTION, LOADER VALVE	3162-14
BRACKETS, ALTERNATOR MOUNTING	0423-2	BUCKET SPACER, SYNTHETIC	3346-2
BRAKE DISK	1011-2	BUCKET, LOADER	
BRAKE HOUSING	1011-2	.76 CUBIC METER (1.00 CUBIC YARD)	3102-2
BRAKE LIGHT PRESSURE SWITCH	1060-2	BUCKET, LOADER	
BRAKE PEDAL	1060-2	.90 CUBIC METER (1.20 CUBIC YARD)	3102-2
BRAKE PISTON	1011-2	BUCKET, LOADER	
BRAKE SERVICE, HYDRAULICS	1060-6	.96 CUBIC METER (1.25 CUBIC YARD)	3102-2
BRAKE VALVE	1060-2	BUCKET, LOADER, COUPLER	
BRAKE VALVE	1060-4	.76 CUBIC METER (1.00 CUBIC YARD)	3102-14
BRAKE VALVE BOOST PLUMBING		BUCKET, LOADER, COUPLER	
(CAB), 310G AND 310SG	1060-8	.96 CUBIC METER (1.25 CUBIC YARD)	3102-14
BRAKE VALVE BOOST PLUMBING		BUCKET, MULTI-PURPOSE	3102-8
(ROPS), 310G AND 310SG	1060-10	BUCKET, PILOT SECTION RELIEF VALVE	3362-42
BRAKE VALVE HOUSING	1060-2	BUCKET, PILOT SECTION, BACKHOE VALVE	3362-42
BRAKE VALVE HOUSING	1060-4	BUCKET, BACKHOE	3302-14
BRAKE VALVE KIT	1060-4	BUCKET, BACKHOE	3302-16
BRAKE VALVE MOUNTING PLATE	1060-2	BUCKET, LOADER	
BRAKE VALVE PUSH ROD	1060-4	.86 CUBIC METER (1.13 CUBIC YARD)	3102-4
BRAKE, PARK		BUCKET, LOADER	
(AXLE SERIAL NO. -217496)	1111-2	1.00 CUBIC METER (1.30 CUBIC YARD)	3102-4
BRAKE, PARK		BUCKET, LOADER, COUPLER	
(AXLE SERIAL NO. 217497-)	1111-4	.86 CUBIC METER (1.13 CUBIC YARD)	3102-16
BRAKES, SERVICE	1011-2	BUCKET, LOADER, COUPLER	
BREATHER FILTER, HYDRAULIC RESERVOIR	2160-12	1.00 CUBIC METER (1.31 CUBIC YARD)	3102-16
BREATHER, TRANSMISSION	0341-1	BUCKET, MULTI-PURPOSE	3102-10
BREATHER, TRANSMISSION	0341-2	BUCKET, MULTI-PURPOSE, COUPLER	3102-18
BUCKET CYLINDER HYDRAULIC HOSES		BUCKET, MULTI-PURPOSE, COUPLER	3102-20
(EXTENDIBLE DIPPERSTICK)	3363-10		

000I-13

310G, 310SG AND 315SG BACKHOE LOADERS

ALPHABETICAL INDEX - CONTINUED

	PAGE		PAGE
BUMPER		CAM/CRANKSHAFT SWITCH (FRONT WIRE	
(SERIAL NUMBER -901551)	1747-2	HARNESS) (SN 910056-)	1674-9E
BUMPER		CAMSHAFT GEAR 310G (W/O TURBO)	
(SERIAL NUMBER 901552-)	1747-4	(VSN -911768)PE4045DT056	0402-1
BUMPER		CAMSHAFT GEAR 310G (W/O TURBO)	
(SERIAL NUMBER 901552-)	1747-6	(VSN 893079-907963)T04045DT056	0402-1
BUMPER, ACCELERATOR PEDAL, RUBER	1812-4	CAMSHAFT GEAR 310G (W/O TURBO)	
BUMPER, MAIN FRAME		(VSN 911769-)T04045DT058	0402-1
(SERIAL NUMBER -901551)	1747-2	CAMSHAFT GEAR 310G(TURBO), 310SG, 315SG	
BUMPER, MAIN FRAME		(VSN -910055)	0402-1A
(SERIAL NUMBER 901552-)	1747-4	CAMSHAFT GEAR 310G(TURBO), 310SG, 315SG	
BUMPER, MAIN FRAME		(VSN 893079-907963)	0402-1A
(SERIAL NUMBER 901552-)	1747-6	CAMSHAFT GEAR 310G(TURBO), 310SG, 315SG	
BUSHING, EXTENDIBLE ARM	3346-4	(VSN 910056-)	0402-1B
BUSHING, EXTENDIBLE ARM	3346-6	CAMSHAFT 310G (W/O TURBO)	
BUSHING, MULTI-PURPOSE BUCKET CYLINDER	3102-10	(VSN -911768)PE4045DT056	0402-1
BUSHING, MULTI-PURPOSE BUCKET CYLINDER,		CAMSHAFT 310G (W/O TURBO)	
COUPLER	3102-18	(VSN 893079-907963)T04045DT056	0402-1
BUSHING, MULTI-PURPOSE BUCKET CYLINDER,		CAMSHAFT 310G (W/O TURBO)	
COUPLER	3102-20	(VSN 911769-)T04045DT058	0402-1
BUSHING,FRONT AXLE HOUSING		CAMSHAFT 310G(TURBO), 310SG, 315SG (VSN	
(WITHOUT MFWD)(SERIAL NO. 911132-)	0230-6	-910055)	0402-1A
BUSHING,SLIDING FRAME,315SG	3342-2	CAMSHAFT 310G(TURBO), 310SG, 315SG (VSN	
		893079-907963)	0402-1A
		CAMSHAFT 310G(TURBO), 310SG, 315SG (VSN	
		910056-)	0402-1B
		CAN TERMINATION RESISTOR	1674-9A
		CAN TERMINATION RESISTOR	1674-9C
		CAN TERMINATION RESISTORS	1674-4
		CANOPY	1811-2
		CANOPY HEATER	1830-8
		CANOPY HEATER HOSE	1830-8
		CANOPY HEATER SHUT-OFF VALVE	1830-8
		CANOPY HEATER VALVE CONTROL CABLE	1830-8
		CAP, FUEL TANK	0560-2
		CAP, FUEL TANK	0560-6
		CAP, RADIATOR	0510-2
		CAP,ENGINE OIL FILL INLET	0407-2
		CAP,MAIN BEARING	
		310G(TURBO), 310SG, 315SG (VSN-910055)	0404-2
		CARRIER, PLANETARY PINION	0210-1
		CATALYTIC MUFFLER KIT	0530-6
		CENTER HOUSING,TURBOCHARGER(VSN -910055)	
		310G(TURBO), 310SG, 315SG	0416-2
		CENTER KICK PANEL, REAR	1812-2
		CENTRAL LUBRICATION SYSTEM, FRONT AXLE	1370-2
		CHARGE PUMP	0360-5
		CHARGE PUMP OIL FILTER	0360-5
		CHARGE PUMP, AXIAL BEARING	0360-5
		CIRCUIT BREAKERS	1674-2
		CIRCUIT BREAKERS	1674-3A
		CLAMP, BACKHOE OIL LINES	3344-2
		CLAMP,GATHERING	2160-6
		CLAMP,GATHERING	2160-8
		CLAMP,GATHERING	2160-9A
		CLUTCH ASSEMBLY, FIRST GEAR, POWER SHIFT	0350-14
		CLUTCH ASSEMBLY, FORWARD	0350-2
		CLUTCH ASSEMBLY, PISTON	0350-2
		CLUTCH ASSEMBLY, PISTON	0350-4
		CLUTCH ASSEMBLY, REVERSE	0350-4
		CLUTCH ASSEMBLY, FORWARD, POWER SHIFT	0350-22
		CLUTCH ASSEMBLY, FOURTH GEAR, POWER SHIFT	0350-20
		CLUTCH ASSEMBLY, REVERSE, POWER SHIFT	0350-24
		CLUTCH ASSEMBLY, SECOND GEAR, POWER SHIFT	0350-16
		CLUTCH ASSEMBLY, THIRD GEAR, POWER SHIFT	0350-18
		CLUTCH BACKING PLATE, POWER SHIFT	0350-18
		CLUTCH BACKING PLATE, POWER SHIFT	0350-20

C

CAB DOME LIGHT	2001-2
CAB DOOR CYLINDER	1814-2
CAB DOOR CYLINDER	1814-4
CAB DOOR HINGES	1814-2
CAB DOOR HINGES	1814-4
CAB DOORS	1814-2
CAB DOORS	1814-4
CAB FRAME	1811-4
CAB HEADLINER	1811-4
CAB HEATER	1830-6
CAB HEATER	1830-7A
CAB HEATER (20,000 BTU)	1830-10
CAB HEATER DUCTS	1830-2
CAB HEATER DUCTS	1830-4
CAB HEATER MOTOR (20,000 BTU)	1830-10
CAB MAIN WIRE HARNESS	1674-2
CAB MAIN WIRE HARNESS	1674-3A
CAB MAIN WIRE HARNESS	1674-4
CAB MOUNTING ISOLATORS	1811-4
CAB REAR WINDOWS	
(SER.NO. -920856)	1814-8
CAB REAR WINDOWS	
(SER.NO. 920857-)	1814-9A
CAB ROOF	1811-6
CAB SIDE WINDOW LATCH	1814-2
CAB SIDE WINDOW LATCH	1814-4
CAB SIDE WINDOWS	1814-2
CAB SIDE WINDOWS	1814-4
CAB SKIRT	1927-2
CAB WINDSHIELD	1814-6
CABLE, ENGINE SPEED CONTROL	0515-2
CABLE, ENGINE SPEED CONTROL	0515-4
CABLE, HEATER VALVE CONTROL	1830-6
CABLE, RADIO	2001-2
CABLE, RETURN-TO-DIG	3115-2
CABLE, SELF-LEVELING	3115-2
CABLE, SINGLE BATTERY	1671-2
CABLE, HEATER VALVE CONTROL, CANOPY	1830-8
CABLES, STABILIZER CONTROL	3315-24
CABLES, DUAL BATTERY	1671-4

ALPHABETICAL INDEX - CONTINUED

	PAGE		PAGE
CLUTCH BACKING PLATE, POWER SHIFT.....	0350-22	CONSOLE, FRONT.....	1816-8
CLUTCH BACKING PLATE, POWER SHIFT.....	0350-24	CONTROLLED LOWERING DEVICE, BOOM CYL.KIT.....	3363-34
CLUTCH CARRIER, FIRST GEAR, POWER SHIFT.....	0350-14	CONTROL CABLE, HEATER VALVE.....	1830-6
CLUTCH CARRIER, FORWARD, POWER SHIFT.....	0350-22	CONTROL CABLE, HEATER VALVE.....	1830-8
CLUTCH CARRIER, FOURTH GEAR, POWER SHIFT.....	0350-20	CONTROL COVER, BACKHOE, TWO LEVER.....	1816-2
CLUTCH CARRIER, REVERSE, POWER SHIFT.....	0350-24	CONTROL HANDLE, PILOT,BUTTON FUNTION KIT.....	3362-38
CLUTCH CARRIER, SECOND GEAR, POWER SHIFT.....	0350-16	CONTROL LEVER CONSOLE, BACKHOE.....	1816-4
CLUTCH CARRIER, THIRD GEAR, POWER SHIFT.....	0350-18	CONTROL LEVER, TRANSMISSION.....	0315-4
CLUTCH DISK, PARK BRAKE (AXLE SERIAL NO. -217496).....	1111-2	CONTROL LEVER, BACKHOE BOOM LOCK (310G AND 310SG).....	3315-18
CLUTCH DISK, PARK BRAKE (AXLE SERIAL NO. 217497-).....	1111-4	CONTROL LEVER, BACKHOE BOOM LOCK (315SG).....	3315-22
CLUTCH HUB.....	0350-2	CONTROL LEVER, BACKHOE SWING LOCK (315SG).....	3315-22
CLUTCH HUB.....	0350-4	CONTROL VALVE LINKAGE, STABILIZER.....	3315-24
COIL, CONTROL VALVE SOLENIOD SYNCHRO-SHUTTLE.....	0360-4	CONTROL VALVE LINKAGE, THREE LEVER, BACKHOE (310G AND 310SG).....	3315-8
COLD WEATHER STARTING AID.....	0505-4	CONTROL VALVE LINKAGE, BACKHOE, TWO LEVER (310G AND 310GS).....	3315-6
COLD WEATHER STARTING AID.....	0505-6	CONTROL VALVE PISTON.....	0360-2
COLD WEATHER STARTING AID SOLENOID.....	0505-4	CONTROL VALVE SOLENIOD COIL SYNCHRO-SHUTTLE.....	0360-4
COLD WEATHER STARTING AID SOLENOID.....	0505-6	CONTROL VALVE SOLENIOD KIT SYNCHRO-SHUTTLE.....	0360-4
COLUMN, STEERING.....	0960-2	CONTROL VALVE SOLENIOD, SYNCHRO-SHUTTLE.....	0360-4
COLUMN, STEERING.....	0960-4	CONTROL VALVE, BACKHOE.....	3362-4
COLUMN, TILT STEERING.....	0960-4	CONTROL VALVE, BACKHOE.....	3362-6
COMPRESSOR DIODE, A/C.....	1674-8	CONTROL VALVE, LOADER/STABILIZER.....	3162-4
COMPRESSOR DIODE, A/C.....	1674-9A	CONTROL VALVE, PILOT, LEFT.....	3362-34
COMPRESSOR DIODE, A/C.....	1674-9C	CONTROL VALVE, PILOT, RIGHT.....	3362-36
COMPRESSOR MOUNTING BRACKETS, AIR CONDITIONING.....	1830-12	CONTROL VALVE, TRANSMISSION.....	0360-2
COMPRESSOR MOUNTING BRACKETS, AIR CONDITIONING.....	1830-14	CONTROL VALVE, TRANSMISSION(POWER SHIFT).....	0360-6
COMPRESSOR, AIR CONDITIONING.....	1830-12	CONTROL, RIDE.....	2160-24
COMPRESSOR, AIR CONDITIONING.....	1830-14	CONTROL, RIDE.....	2160-26
COMPRESSOR, AIR SUSPENSION SEAT.....	1821-16	CONTROL, RIDE.....	2160-26
CONDENSER, AIR CONDITIONING.....	1830-12	CONTROL, TEMPERATURE HEATER.....	1830-8
CONDENSER, AIR CONDITIONING.....	1830-14	CONTROLLED LOWERING DEVICE, CROWD CYL.KIT.....	3363-36
CONNECTING ROD 310G (W/O TURBO) (VSN 911769-).....	0403-2A	CONTROLLER ARM, PILOT (LEFT SIDE).....	1816-14
CONNECTING ROD 310G(TURBO) 310SG 315SG (VSN 910056-).....	0403-3A	CONTROLLER ARM, PILOT (RIGHT SIDE).....	1816-16
CONNECTING ROD 310G(TURBO), 310SG, 315SG (VSN-910055).....	0403-2B	CONTROLLER, LEFT HAND VALVE.....	3362-34
CONNECTING ROD BEARINGS 310G (W/O TURBO) (VSN 911769-).....	0403-2A	CONTROLLER, RIGHT HAND VALVE.....	3362-36
CONNECTING ROD BEARINGS 310G(TURBO) 310SG 315SG (VSN 910056-).....	0403-3A	CONTROLLER, ENGINE 310G(TURBO), 310SG, 315SG (VSN 910056-).....	0413-10
CONNECTING ROD BEARINGS 310G(TURBO), 310SG, 315SG (VSN-910055).....	0403-2B	CONTROLLER, ENGINE 310G(W/O TURBO)(VSN 911769-).....	0413-6
CONNECTING ROD BEARINGS 310G (W/O TURBO) (VSN -911768).....	0403-2	CONTROLS, FOUR-LEVER STANDARD BACKHOE (310G, 310SG).....	3315-10
CONNECTING ROD 310G (W/O TURBO) (VSN -911768).....	0403-2	CONVERSION, BACKHOE CONTROL LEVER LINKAGE (SAE PATTERN).....	3315-26
CONNECTOR, SOLENOID, STANADYNE DE10 310G (W/O TURBO) (VSN 911769-).....	0413-12A	CONVERTER, TORQUE.....	0350-1
CONNECTOR, SOLENOID, STANADYNE DE10 310G (W/O TURBO) (VSN 911769-).....	0413-12B	COOLANT RECOVERY TANK.....	0510-2
CONNECTOR, SOLENOID, STANADYNE DE10 310G(TURBO), 310SG/315SG (VSN 910056-).....	0413-13A	COOLANT, ENGINE HEATER.....	0505-2
CONNECTOR, SOLENOID, STANADYNE DE10 310G(TURBO), 310SG/315SG (VSN 910056-).....	0413-13B	COOLER LINES.....	2160-10
CONNECTORS, WEATHERPACK.....	1674-20	COOLER, FUEL.....	0560-4
CONSOLE WIRING HARNESS, FRONT WITH CAB.....	1674-2	COOLER, HYD. OIL KIT AND HOSES (310G).....	2160-22
CONSOLE WIRING HARNESS, FRONT WITH CAB.....	1674-3A	COOLER, TRANSMISSION, HYD. OIL.....	2160-18
CONSOLE WIRING HARNESS, SIDE WITH CAB.....	1674-4	COOLER, HYD. OIL AND HOSES (HI-AMBIENT).....	2160-20
CONSOLE, BACKHOE CONTROL LEVER.....	1816-4	COOLER, HYDRAULIC OIL AND HOSES.....	2160-18
		COOLER, HYDRAULIC OIL AND HOSES (310G).....	2160-16
		CORD, MANUAL HOLDER ATTACHMENT.....	1811-2
		CORE, FUEL COOLER.....	0560-4
		CORE, HEATER (20,000 BTU).....	1830-10
		CORNER WINDOWPANE, REAR (SER.NO. -920856).....	1814-8

0001-15

310G, 310SG AND 315SG BACKHOE LOADERS

ALPHABETICAL INDEX - CONTINUED

	PAGE		PAGE
CORNER WINDOWPANE, REAR (SER.NO. 920857-)	1814-9A	COVER, SEAT BELT	1821-2
COUNTERWEIGHT FRAME	1749-3	COVER, SEAT BELT	1821-3A
COUNTERWEIGHT, FRONT	1749-2	COVER, SHIFT HOUSING	0315-2
COUPLER FRAME, FORKLIFT	3103-2	COVER, STABILIZER CONTROL	1816-10
COUPLER LOADER BUCKET .76 CUBIC METER (1.00 CUBIC YARD)	3102-14	COVER, STABILIZER CONTROL	1816-12
COUPLER LOADER BUCKET .86 CUBIC METER (1.13 CUBIC YARD)	3102-16	COVER, STEERING COLUMN	1816-6
COUPLER LOADER BUCKET .96 CUBIC METER (1.25 CUBIC YARD)	3102-14	COVER, THERMOSTAT	0418-2
COUPLER LOADER BUCKET 1.00 CUBIC METER (1.31 CUBIC YARD)	3102-16	COVER, TIMING GEAR (VSN -911768) 310G (W/O TURBO)	0402-4
COUPLER MULTI-PURPOSE BUCKET	3102-18	COVER, TIMING GEAR (VSN -910055) 310G(TURBO), 310SG, 315SG	0402-6
COUPLER MULTI-PURPOSE BUCKET	3102-20	COVER, TIMING GEAR (VSN 910056-) 310G(TURBO), 310SG, 315SG (VSN910056-)	0402-6B
COUPLER, CYLINDER, FRONT	3104-4	COVER, TIMING GEAR 310G (W/O TURBO) (VSN 911769-)	0402-4B
COUPLER, FRONT	3163-10	COVER, WHEEL HUB (WITHOUT MFWD) (SERIAL NO. 911132-)	0230-8
COUPLER, HYDRAULIC HOSES	3163-12	COVER,REMOTE START POST	1671-8
COUPLER, HYDRAULIC LINES	3163-12	CRANKSHAFT 310G (W/O TURBO) (VSN 911769-)	0401-2
COUPLER, HYDRAULIC, FRONT	3104-2	CRANKSHAFT 310G (W/O TURBO) (VSN-911768)	0401-1A
COUPLER, LOADER BUCKET	3163-10	CRANKSHAFT 310G(TURBO),310SG,315SG (VSN -910055)	0401-4
COUPLER, LOADER BUCKET VALVE	3162-28	CRANKSHAFT 310G(TURBO),310SG,315SG (VSN -910055)	0401-5
COUPLER, QUICK (STANDARD) (310G)	3302-8	CRANKSHAFT 310G(TURBO),310SG,315SG (VSN 910056-)	0401-6
COUPLER, QUICK (STANDARD) (310SG AND 315SG)	3302-6	CRANKSHAFT FRONT OIL SEAL (VSN -911768) 310G (W/O TURBO)	0402-4
COUPLER, QUICK CONNECT	2160-6	CRANKSHAFT FRONT OIL SEAL (VSN-910055) 310G(TURBO), 310SG, 315SG	0402-6
COUPLER, QUICK CONNECT	2160-8	CRANKSHAFT FRONT OIL SEAL 310G (W/O TURBO) (VSN 911769-)	0402-4B
COUPLER, QUICK COUPLER (CASE)	3302-10	CRANKSHAFT FRONT OIL SEAL 310G(TURBO), 310SG, 315SG (VSN910056-)	0402-6B
COUPLER, QUICK COUPLER (FORD)	3302-12	CRANKSHAFT GEAR 310G (W/O TURBO) (VSN 911769-)	0401-2
COUPLER, QUICK COUPLER (UNIVERSAL) (310G)	3302-4	CRANKSHAFT GEAR 310G (W/O TURBO) (VSN-911768)	0401-1A
COUPLER, QUICK COUPLER (UNIVERSAL) (310SG AND 315SG)	3302-2	CRANKSHAFT GEAR 310G(TURBO),310SG,315SG (VSN -910055)	0401-4
COUPLERS,AUGER (STANDARD DIPPERSTICK)	3363-40	CRANKSHAFT GEAR 310G(TURBO),310SG,315SG (VSN -910055)	0401-5
COUPLERS,AUGER (WITH EXTENDIBLE DIPPERSTICK)	3363-38	CRANKSHAFT GEAR 310G(TURBO),310SG,315SG (VSN 910056-)	0401-6
COVER, ACCESS, INJECTION PUMP GEAR (VSN -911768) 310G (W/O TURBO)	0402-4	CRANKSHAFT REAR OIL SEAL (VSN -910055)	0433-3
COVER, ACCESS, INJECTION PUMP GEAR (VSN-910055) 310G(TURBO), 310SG, 315SG	0402-6	CRANKSHAFT REAR OIL SEAL (VSN 910056-)	0433-4
COVER, ACCESS, INJECTION PUMP GEAR 310G (W/O TURBO) (VSN 911769-)	0402-4B	CRANKSHAFT SPEED SENSOR (VSN 910056-) 310G(TURBO), 310SG, 315SG	0402-6B
COVER, ACCESS, INJECTION PUMP GEAR 310G(TURBO), 310SG, 315SG (VSN910056-)	0402-6B	CRANKSHAFT SPEED SENSOR 310G (W/O TURBO) (VSN 911769-)	0402-4B
COVER, BACKHOE CONTROLS	1816-2	CRANKSHAFT TIMING WHEEL 310G (W/O TURBO) (VSN 911769-)	0401-2
COVER, BACKHOE LEVER	1816-4	CRANKSHAFT TIMING WHEEL 310G (W/O TURBO) (VSN-911768)	0401-1A
COVER, BACKHOE LEVERS	1816-2	CRANKSHAFT TIMING WHEEL 310G(TURBO),310SG,315SG (VSN -910055)	0401-4
COVER, BATTERY	1913-2	CRANKSHAFT TIMING WHEEL 310G(TURBO),310SG,315SG (VSN -910055)	0401-5
COVER, BOOM LEVER LOCK	1816-10	CRANKSHAFT TIMING WHEEL 310G(TURBO),310SG,315SG (VSN 910056-)	0401-6
COVER, BOOM LEVER LOCK	1816-12	CRANKSHAFT/CAM SWITCH (FRONT WIRE HARNES) (SN 910056-)	1674-9E
COVER, FLOOR TO FRONT CONSOLE	1812-2	CROWD CYL,KIT,CONTROLLED LOWERING DEVICE	3363-36
COVER, FUSE PANEL	1816-8	CROWD CYL,LOWER,ING DEVICE,CONTROLLED	3363-36
COVER, JUMP START PROTECTION	1674-8	CROWD CYLINDER	3365-17
COVER, JUMP START PROTECTION	1674-9A		
COVER, JUMP START PROTECTION	1674-9C		
COVER, LINKAGE	1812-2		
COVER, LOADER CONTROL	1816-12		
COVER, LOADER CONTROL VALVE PLUMBING	1913-4		
COVER, MIDDLE FLOOR	1812-2		
COVER, OIL FILLER OPENING	0407-2		
COVER, OPERATOR STATION	1927-2		
COVER, REAR FLOOR	1812-2		
COVER, ROCKER ARM	0402-3		

000I-16

310G, 310SG AND 315SG BACKHOE LOADERS

ALPHABETICAL INDEX - CONTINUED

	PAGE		PAGE
CROWD CYLINDER		CYLINDER REPAIR KIT, BACKHOE BUCKET	
310SG,315SG	3365-18	(310SG,315SG) (SN -926788)	3365-15
CROWD CYLINDER HYDRAULIC HOSE	3363-12	CYLINDER REPAIR KIT, BACKHOE BUCKET	
CROWD CYLINDER HYDRAULIC OIL LINES	3363-12	(310SG,315SG) (SN 926789-)	3365-16
CROWD CYLINDER REPAIR KIT	3365-17	CYLINDER REPAIR KIT, BACKHOE BUCKET	
CROWD CYLINDER REPAIR KIT		(310SG,315SG) SERIAL NO. 926130-)	3365-14
310SG,315SG	3365-18	CYLINDER REPAIR KIT, BACKHOE BUCKET	
CROWD PIN	3346-2	310SG,315SG (SERIAL NO. -926129)	3365-13
CROWD SECTION RELIEF VALVE	3362-14	CYLINDER REPAIR KIT, STABILIZER	
CROWD SECTION, BACKHOE VALVE	3362-14	310G (SERIAL NO. -925946)	3365-21A
CROWD SPACER, SYNTHETIC	3346-2	CYLINDER REPAIR KIT, STABILIZER (310SG)	
CROWD, PILOT SECTION RELIEF VALVE	3362-44	(SN 926207-952148)	3365-24
CROWD, PILOT SECTION, BACKHOE VALVE	3362-44	CYLINDER REPAIR KIT, STABILIZER (315SG)	
CUSHIONS, SEAT	1821-2	(SERIAL NO. 944156-)	3365-28
CUSHIONS, SEAT	1821-3A	CYLINDER REPAIR KIT, STABILIZER (315SG)	
CUTTING EDGE ,COUPLER, LOADER BUCKET		(SN -944155)	3365-27
.86 CUBIC METER (1.13 CUBIC YARD)	3102-16	CYLINDER REPAIR KITS, STABILIZER	
CUTTING EDGE ,COUPLER, LOADER BUCKET		310G (SERIAL NO. 925947-951995)	3365-22
1.00 CUBIC METER (1.31 CUBIC YARD)	3102-16	CYLINDER REPAIR KITS, STABILIZER	
CUTTING EDGE, BACKHOE BUCKET	3302-14	310G (SN 951996-)	3365-22A
CUTTING EDGE, BACKHOE BUCKET	3302-16	CYLINDER REPAIR KITS, STABILIZER	
CUTTING EDGE, LOADER BUCKET	3102-2	310SG (SN -926206)	3365-23
CUTTING EDGE, LOADER BUCKET	3102-4	CYLINDER REPAIR KITS, STABILIZER	
CUTTING EDGE, LOADER BUCKET		310SG (SN 952149-)	3365-24B
.76 CUBIC METER (1.00 CUBIC YARD)	3102-14	CYLINDER REPAIR KITS, STABILIZER	
CUTTING EDGE, LOADER BUCKET		310SG (SERIAL NO. -925993)	3365-25
.96 CUBIC METER (1.25 CUBIC YARD)	3102-14	CYLINDER REPAIR KITS, STABILIZER	
CUTTING EDGE, MULTI-PURPOSE BUCKET	3102-8	310SG (SN 925994-952006)	3365-26
CYLINDER BLOCK		CYLINDER REPAIR KITS, STABILIZER	
310G(TURBO), 310SG, 315SG (VSN-910055)	0404-2	310SG (SN 952007-)	3365-26A
CYLINDER HEAD	0409-2	CYLINDER ROD LOCK BAR	1313-2
CYLINDER HEAD GASKET	0409-2	CYLINDER, BACKHOE BOOM	
CYLINDER HEAD REMOVAL GASKET SET		(310G)	3365-2
310G(TURBO), 310SG, 315SG	0452-1	CYLINDER, BACKHOE BOOM	
CYLINDER HYDRAULICS, BACKHOE SWING		(310G)(SN 926130-)	3365-4
(315SG)	3363-16	CYLINDER, BACKHOE BOOM	
CYLINDER LINER		(310SG,315SG)(SN -926129)	3365-6
310G (W/O TURBO) (VSN 911769-)	0403-2A	CYLINDER, BACKHOE BOOM	
CYLINDER LINER		(310SG,315SG)(SN 926130-)	3365-8
310G(TURBO) 310SG 315SG (VSN 910056-)	0403-3A	CYLINDER, BACKHOE BUCKET	
CYLINDER LINER		(310G)(SER.# 910901-925926)	3365-11
310G(TURBO), 310SG, 315SG (VSN-910055)	0403-2B	CYLINDER, BACKHOE BUCKET	
CYLINDER LINER O-RING KIT		(310G)(SER.# 925927-)	3365-12
310G (W/O TURBO) (VSN -911768)	0403-2	CYLINDER, BACKHOE BUCKET	
CYLINDER LINER O-RING KIT		(310G)(SN -910900)	3365-10
310G (W/O TURBO) (VSN 911769-)	0403-2A	CYLINDER, BACKHOE BUCKET	
CYLINDER LINER O-RING KIT		(310SG,315SG) (SN -926788)	3365-15
310G(TURBO) 310SG 315SG (VSN 910056-)	0403-3A	CYLINDER, BACKHOE BUCKET	
CYLINDER LINER O-RING KIT		(310SG,315SG) (SN 926789-)	3365-16
310G(TURBO), 310SG, 315SG (VSN-910055)	0403-2B	CYLINDER, BACKHOE BUCKET	
CYLINDER LINER 310G (W/O TURBO)		(310SG,315SG) SERIAL NO. 926130-)	3365-14
(VSN -911768)	0403-2	CYLINDER, BACKHOE BUCKET	
CYLINDER REPAIR KIT, BACKHOE BOOM		310SG,315SG (SERIAL NO. -926129)	3365-13
(310G)	3365-2	CYLINDER, BACKHOE BUCKET HYDRAULICS	3363-8
CYLINDER REPAIR KIT, BACKHOE BOOM		CYLINDER, BACKHOE STABILIZER HYDRAULICS	3363-2
(310G)(SN 926130-)	3365-4	CYLINDER, BACKHOE STABILIZER HYDRAULICS	3363-3A
CYLINDER REPAIR KIT, BACKHOE BOOM		CYLINDER, BACKHOE STABILIZER HYDRAULICS	
(310SG,315SG)(SN -926129)	3365-6	SIDESHIFT 315SE	3363-4
CYLINDER REPAIR KIT, BACKHOE BOOM		CYLINDER, BOOM	
(310SG,315SG)(SN 926130-)	3365-8	(310SG AND 315SG)(SER.# 910492-926248)	3165-8
CYLINDER REPAIR KIT, BACKHOE BUCKET		CYLINDER, CROWD	3365-17
(310G)(SER.# 910901-925926)	3365-11	CYLINDER, CROWD	
CYLINDER REPAIR KIT, BACKHOE BUCKET		310SG,315SG	3365-18
(310G)(SER.# 925927-)	3365-12	CYLINDER, EXTENDIBLE ARM	
CYLINDER REPAIR KIT, BACKHOE BUCKET		(310G) (SN -928456)	3365-30
(310G)(SN -910900)	3365-10	CYLINDER, EXTENDIBLE ARM	
		(310G) (SN 928457-953470)	3365-31

ALPHABETICAL INDEX - CONTINUED

	PAGE		PAGE
CYLINDER, EXTENDIBLE ARM (310G) (SN 953471-)	3365-32	CYLINDER, SWING (310G) (SN 957129-)	3365-19A
CYLINDER, EXTENDIBLE ARM (310SG,315SG) (SN -910900)	3365-34	CYLINDER, SWING (310G,310SG) (SN 957115-)	3365-20
CYLINDER, EXTENDIBLE ARM (310SG,315SG) (SN 910901-926427)	3365-35	CYLINDER, SWING (310SG,315SG) (SN -957114)	3365-19C
CYLINDER, EXTENDIBLE ARM (310SG,315SG) (SN 926428-)	3365-36	CYLINDER, SWING TRUNNION BLOCK, 315SG	3342-2
CYLINDER, EXTENDIBLE DIPPERSTICK	3346-4	CYLINDER, CAB DOOR	1814-2
CYLINDER, EXTENDIBLE DIPPERSTICK	3346-6	CYLINDER, CAB DOOR	1814-4
CYLINDER, EXTENDIBLE DIPPERSTICK (310G) (SN -928456)	3365-30	CYLINDER, EXTENSION, EXTENDIBLE DIPPERSTIC K HYDRAULICS	3363-18
CYLINDER, EXTENDIBLE DIPPERSTICK (310G) (SN 928457-953470)	3365-31	CYLINDER, FRONT AXLE STEERING (WITHOUT MFWD)(SERIAL NO. 911132-)	0230-7
CYLINDER, EXTENDIBLE DIPPERSTICK (310G) (SN 953471-)	3365-32	CYLINDER, LOADER BUCKET (SERIAL NO. -941225)	3165-10
CYLINDER, EXTENDIBLE DIPPERSTICK (310SG,315SG) (SN -910900)	3365-34	CYLINDER, LOADER BUCKET (SERIAL NO. 941226-)	3165-12
CYLINDER, EXTENDIBLE DIPPERSTICK (310SG,315SG) (SN 910901-926427)	3365-35	CYLINDER, LOADER BUCKET (SN 941226-) REPLACEMENT	3165-14
CYLINDER, EXTENDIBLE DIPPERSTICK (310SG,315SG) (SN 926428-)	3365-36	CYLINDER, STABILIZER 310G (SERIAL NO. 925947-951995)	3365-22
CYLINDER, FRONT COUPLER	3104-4	CYLINDER, STABILIZER 310G (SN 951996-)	3365-22A
CYLINDER, HYDRAULIC FRONT COUPLER	3104-2	CYLINDER, SWING TRUNNION BLOCK, 310G, 310SG	1740-2
CYLINDER, LOADER BOOM LIFT (310G)(SER.# -926493)	3165-2		
CYLINDER, LOADER BOOM LIFT (310G)(SER.# 926494-)	3165-4	D	
CYLINDER, LOADER BOOM LIFT (310SG AND 315SG)(SER.# 926249-)	3165-9	DECALS	1320-2
CYLINDER, LOADER BOOM LIFT (310SG AND 315SG)(SERIAL NO. -910491)	3165-6	DECALS	1320-4
CYLINDER, LOADER BOOM LIFT PINS (310G)(SER.# -926493)	3165-2	DECALS	1320-5A
CYLINDER, LOCK SIDE SHIFT 315SG	3363-28	DECALS	1320-6
CYLINDER, MULTI-PURPOSE BUCKET	3102-10	DECALS	1320-7A
CYLINDER, MULTI-PURPOSE BUCKET (SERIAL NO. -925076)	3102-12	DECALS	1320-8
CYLINDER, MULTI-PURPOSE BUCKET (SERIAL NO. 925077-)	3102-13	DELUXE LIGHTS SERIAL NO. -XXXXXX	1673-4
CYLINDER, POWER STEERING (WITHOUT MFWD) (SERIAL NO. -911131)	0960-14	DELUXE LIGHTS SERIAL NO. XXXXXX-	1673-6
CYLINDER, POWER STEERING (WITHOUT MFWD) (SERIAL NO. -911131)	0960-16	DEUTSCH TERMINALS	1674-23
CYLINDER, STABILIZER 310G (SERIAL NO. -925946)	3365-21A	DEVICE, CONTROLLED LOWERING, BOOM CYL. KIT	3363-34
CYLINDER, STABILIZER 310SG (SN 952149-)	3365-24B	DEVICE, CONTROLLED LOWERING, CROWD CYL. KIT	3363-36
CYLINDER, STABILIZER (310SG) (SN 926207-952148)	3365-24	DIFF LOCK SOLENOID	0350-7
CYLINDER, STABILIZER (315SG) (SERIAL NO. 944156-)	3365-28	DIFF LOCK SOLENOID	0360-10
CYLINDER, STABILIZER (315SG) (SN -944155)	3365-27	DIFFERENTIAL ASSEMBLY WITH LOCK	0210-2
CYLINDER, STABILIZER, EXTENDED 310SG (SERIAL NO. -925993)	3365-25	DIFFERENTIAL HOUSING	0201-2
CYLINDER, STABILIZER, EXTENDED 310SG (SN 925994-952006)	3365-26	DIFFERENTIAL HOUSING	0201-4
CYLINDER, STABILIZER, EXTENDED 310SG (SN 952007-)	3365-26A	DIFFERENTIAL HOUSING WITH LOCK	0210-2
CYLINDER, STABILIZER, STANDARD 310SG (SN -926206)	3365-23	DIFFERENTIAL LOCK PLUMBING	0210-6
CYLINDER, STEERING, MECHANICAL FRONT WHEEL DRIVE (MFWD)	0960-12	DIFFERENTIAL LOCK PUSH BUTTON	1674-12
CYLINDER, SWING (310G) (SN -957128)	3365-19	DIFFERENTIAL LOCK SWITCH	1674-12
		DIFFERENTIAL LOCK, SOLENOID, SYNCHRO-SHUTTLE	0360-4
		DIFFERENTIAL SPIRAL BEVEL GEAR (MFWD)	0250-12
		DIFFERENTIAL WITH LOCK	0210-2
		DIFFERENTIAL, LIMITED SLIP (MFWD) (310SG,315SG)	0250-10
		DIODE, A/C COMPRESSOR	1674-8
		DIODE, A/C COMPRESSOR	1674-9A
		DIODE, A/C COMPRESSOR	1674-9C
		DIODES	1674-8
		DIODES	1674-9A
		DIODES	1674-9C
		DIPPERSTICK	3346-2
		DIPPERSTICK EXTENDIBLE	3346-4
		DIPPERSTICK EXTENDIBLE	3346-6
		DIPPERSTICK PIN	3346-2

ALPHABETICAL INDEX - CONTINUED

	PAGE
DIPPERSTICK, CYLINDER EXTENDIBLE (310G) (SN -928456).....	3365-30
DIPPERSTICK, CYLINDER EXTENDIBLE (310G) (SN 928457-953470).....	3365-31
DIPPERSTICK, CYLINDER EXTENDIBLE (310G) (SN 953471-).....	3365-32
DIPPERSTICK, CYLINDER EXTENDIBLE (310SG,315SG) (SN -910900).....	3365-34
DIPPERSTICK, CYLINDER EXTENDIBLE (310SG,315SG) (SN 910901-926427).....	3365-35
DIPPERSTICK, CYLINDER EXTENDIBLE (310SG,315SG) (SN 926428-).....	3365-36
DIPPERSTICK,EXT. ARM GRIP REPAIR.....	3346-8
DIPPERSTICK,EXT.PROTECTION KIT.....	3346-8
DIPSTICK TUBE, ENGINE OIL.....	0407-4
DIPSTICK TUBE, TRANSMISSION.....	0341-4
DIPSTICK, ENGINE OIL.....	0407-4
DIPSTICK, ENGINE OIL PE4045DT058 (VSN 929330-).....	0407-5
DIPSTICK, GUARD, TRANSMISSION.....	1746-4
DIPSTICK,TRANSMISSION.....	0341-4
DIRT PAD,SLIDING FRAME (315SG).....	1740-4
DISCONNECT SOLENOID, TRANSMISSION.....	0360-2
DISK, BRAKE.....	1011-2
DOG GEAR,OUTPUT SHAFT.....	0350-8
DOME LIGHT.....	1811-4
DOOR FLAP RELAY,A/C.....	1674-4
DOOR STRAP.....	1814-4
DOOR TETHER.....	1814-4
DOOR THRESHOLD.....	1812-4
DOORS, CAB.....	1814-2
DOORS, CAB.....	1814-4
DP SWITCH KIT.....	2160-14
DRAIN PACKAGE, ENVIRONMENTAL.....	1369-6
DRAIN VALVE,RADIATOR.....	0510-2
DRIVE SHAFT YOKE (MFWD).....	0250-2
DRIVE SHAFT, UNIVERSAL (MFWD).....	0250-2
DRIVE SHAFT,REAR(REVERSER).....	0325-2
DRIVE,PLANETARY (MFWD) (S.N. -962303).....	0250-8
DRIVE,PLANETARY (MFWD) (S.N.962304-962373).....	0250-8A
DRIVE,PLANETARY (MFWD) (S.N.962374-).....	0250-8B
DRIVE,PLANETARY (MFWD)(310G).....	0250-9
DRIVE,STARTER MOTOR (310G) (ENG.SER.NO. 866618-908991).....	0422-2
DRIVE,STARTER MOTOR (310SG,315SG)(SERIAL NO. -894292).....	0422-3
DRIVE,STARTER MOTOR (WITH TURBOCHARGER) (310G) (ENGINE SERIAL NO. -268961).....	0422-2
DRIVE,STARTER MOTOR (WITHOUT TURBO) (310G) (ENGINE SERIAL NO. -257521).....	0422-2
DRIVER LINK (310G).....	3345-2
DRIVER LINK (310SG AND 315SG).....	3345-4
DRYER,RECEIVER, AIR CONDITIONING.....	1830-12
DRYER,RECEIVER, AIR CONDITIONING.....	1830-14
DUAL BATTERIES.....	1671-4
DUAL BATTERY CABLES.....	1671-4
DUCTS, AIR CONDITIONING.....	1830-2
DUCTS, AIR CONDITIONING.....	1830-4
DUCTS, CAB HEATER.....	1830-2
DUCTS, CAB HEATER.....	1830-4

	PAGE
E	
ECU - ENGINE CONTROLLER 310G(W/O TURBO)(VSN 911769-).....	0413-6
EDGING, ISOLATOR.....	0510-2
ELBOW, ENGINE VENTILATING PE4045DT058.....	0408-4
ELBOW,EXHAUST 310G(TURBO), 310SG, 315SG.....	0410-2
ELECTRICAL, FRONT COUPLER HARNESS.....	1674-5C
ELECTRICAL, PILOT ENABLE.....	1674-5A
ELECTRONIC ETHER STARTING AID.....	0505-4
ELEMENT, AIR CLEANER.....	0520-2
ELEMENT, ENGINE OIL FILTER (VSN -911768) 310G (W/O TURBO).....	0407-12
ELEMENT, ENGINE OIL FILTER (VSN -910055) 310G(TURBO),310SG,315SG.....	0407-16
ELEMENT, ENGINE OIL FILTER (VSN 910056-) 310G(TURBO),310SG,315SG.....	0407-18
ELEMENT, ENGINE OIL FILTER (VSN 911769-) 310G (W/O TURBO).....	0407-14
ELEMENT, FILTER.....	2160-14
ELEMENT, FUEL FILTER 310G (TURBO),310SG, 315SG) (VSN -910055).....	0420-8
ELEMENT, FUEL FILTER 310G (W/O TURBO) (VSN -911768).....	0420-2
ELEMENT, FUEL FILTER 310G (W/O TURBO) (VSN 911769-).....	0420-4
ELEMENT, FUEL FILTER 310G(TURBO), 310SG, 315SG (VSN 910056-).....	0420-10
EMBLEM, SMV.....	2008-2
ENABLE SWITCH, REAR WIPER.....	1814-14
END CAP, STEERING CYLINDER (MFWD).....	0960-12
ENGINE BALANCER SHAFT 310G(TURBO), 310SG, 315SG.....	0415-2
ENGINE CONTROLLER 310G(TURBO),310SG,315SG (VSN 910056-).....	0413-10
ENGINE CONTROLLER 310G(W/O TURBO)(VSN 911769-).....	0413-6
ENGINE CONTROLLER UNIT - ECU 310G(W/O TURBO)(VSN 911769-).....	0413-6
ENGINE COOLANT HEATER.....	0505-2
ENGINE COOLANT TEMPERATURE SENDER.....	1674-8
ENGINE COOLANT TEMPERATURE SENDER.....	1674-9A
ENGINE COOLANT TEMPERATURE SENDER.....	1674-9C
ENGINE COOLANT TEMPERATURE SENSOR.....	0418-2
ENGINE COOLANT TEMPERATURE SWITCH (FRONT WIRE HARNESS) (SN 910056-).....	1674-9E
ENGINE FLYWHEEL.....	0433-2
ENGINE FRONT PLATE.....	0404-1
ENGINE FRONT WIRE HARNESS (SN 910056-).....	1674-9E
ENGINE MAJOR OVERHAUL GASKET SET 310G(TURBO), 310SG, 315SG.....	0452-2
ENGINE MAJOR OVERHAUL GASKET SET 310G(TURBO), 310SG, 315SG.....	0452-4
ENGINE MOUNT ISOLATOR.....	0540-2
ENGINE MOUNTING BRACKET.....	0540-2
ENGINE OIL BY-PASS VALVE 310G(TURBO), 310SG, 315SG (VSN-910055).....	0404-2
ENGINE OIL COOLER.....	0419-2
ENGINE OIL COOLER ADAPTER.....	0419-2
ENGINE OIL DIPSTICK.....	0407-4
ENGINE OIL DIPSTICK PE4045DT058 (VSN 929330-).....	0407-5
ENGINE OIL DIPSTICK TUBE.....	0407-4
ENGINE OIL DIPSTICK TUBE PE4045DT058 (VSN 929330-).....	0407-5

000I-19

310G, 310SG AND 315SG BACKHOE LOADERS

ALPHABETICAL INDEX - CONTINUED

	PAGE		PAGE
ENGINE OIL FILL INLET CAP	0407-2	ENGINE SPEED CONTROL CABLE	0515-2
ENGINE OIL FILTER		ENGINE SPEED CONTROL CABLE	0515-4
(VSN -911768) 310G (W/O TURBO)	0407-12	ENGINE SPEED CONTROL LEVER	0515-2
ENGINE OIL FILTER		ENGINE SPEED CONTROL LEVER	0515-4
(VSN -910055) 310G(TURBO),310SG,315SG	0407-16	ENGINE SPEED CONTROL LINKAGE	0515-2
ENGINE OIL FILTER		ENGINE SPEED CONTROL POTENTIOMETER	0515-4
(VSN 910056-) 310G(TURBO),310SG,315SG	0407-18	ENGINE SPEED SENSOR	0515-4
ENGINE OIL FILTER		ENGINE SUPPORT	0540-2
(VSN 911769-) 310G (W/O TURBO)	0407-14	ENGINE THERMOSTAT	0418-2
ENGINE OIL FILTER HEADER		ENGINE VENTILATING HOSE	
(VSN -911768) 310G (W/O TURBO)	0407-12	(DT056, TT080/81/88/89)	0408-2
ENGINE OIL FILTER HEADER		ENGINE VENTILATING SYSTEM	
(VSN -910055) 310G(TURBO),310SG,315SG	0407-16	(DT056, TT080/81/88/89)	0408-2
ENGINE OIL FILTER HEADER		ENGINE VENTILATING SYSTEM	
(VSN 910056-) 310G(TURBO),310SG,315SG	0407-18	PE4045DT058	0408-4
ENGINE OIL FILTER HEADER		ENGINE WIRING HARNESS	1674-8
(VSN 911769-) 310G (W/O TURBO)	0407-14	ENGINE WIRING HARNESS	1674-9A
ENGINE OIL PAN 310G (W/O TURBO)		ENGINE WIRING HARNESS	1674-9C
(VSN -911768)(VSN 911769-)	0407-6	ENVIRONMENTAL DRAIN PACKAGE	1369-6
ENGINE OIL PAN 310G (W/O TURBO)		ETHER SWITCH	1674-6
(VSN 893079 - 907963)	0407-6	EVAPORATOR	1830-6
ENGINE OIL PAN 310G(TURBO),310SG,315SG		EVAPORATOR	1830-7A
(VSN 893079-907963)(VSN -910055)	0407-8	EVAPORATOR TEMPERATURE SWITCH	1830-7A
ENGINE OIL PAN 310G(TURBO),310SG,315SG		EXHAUST ADAPTER	
(VSN 910056-)	0407-10	310G(TURBO), 310SG, 315SG	0410-2
ENGINE OIL PRESSURE REGULATING VALVE		EXHAUST ELBOW	
(VSN -911768) 310G (W/O TURBO)	0402-4	310G(TURBO), 310SG, 315SG	0410-2
ENGINE OIL PRESSURE REGULATING VALVE		EXHAUST EXTENSION	0530-4
(VSN-910055) 310G(TURBO), 310SG, 315SG	0402-6	EXHAUST EXTENSION (310G)	0530-2
ENGINE OIL PRESSURE REGULATING VALVE		EXHAUST MANIFOLD	0410-1
310G(TURBO), 310SG, 315SG (VSN-910055)	0404-2	EXHAUST MANIFOLD GASKET	0410-1
ENGINE OIL PRESSURE SWITCH	1674-8	EXHAUST VALVE	0409-2
ENGINE OIL PRESSURE SWITCH	1674-9A	EXPANSION VALVE	1830-6
ENGINE OIL PRESSURE SWITCH	1674-9C	EXPANSION VALVE	1830-7A
ENGINE OIL PUMP	0407-20	EXT. DIPPERSTICK AUXILIARY HYDRAULICS	
ENGINE OIL PUMP GEAR	0407-20	(315SG)	3363-26
ENGINE OIL PUMP HOUSING	0407-20	EXT.DIPPER ARM GRIP REPAIR KIT	3346-8
ENGINE OIL PUMP INTAKE	0407-20	EXT.DIPPERSTICK PROTECTION KIT	3346-8
ENGINE OVERHAUL KIT	0450-2	EXTENDED GRILLE HOUSING	1921-4
ENGINE OVERHAUL KIT		EXTENDIBLE ARM CYLINDER	
310G(TURBO), 310SG, 315SG	0452-2	(310G) (SN -928456)	3365-30
ENGINE OVERHAUL KIT		EXTENDIBLE ARM CYLINDER	
310G(TURBO), 310SG, 315SG	0452-4	(310G) (SN 928457-953470)	3365-31
ENGINE PISTON		EXTENDIBLE ARM CYLINDER	
310G (W/O TURBO) (VSN 911769-)	0403-2A	(310G) (SN 953471-)	3365-32
ENGINE PISTON		EXTENDIBLE ARM CYLINDER	
310G(TURBO) 310SG 315SG (VSN 910056-)	0403-3A	(310SG,315SG) (SN -910900)	3365-34
ENGINE PISTON		EXTENDIBLE ARM CYLINDER	
310G(TURBO), 310SG, 315SG (VSN-910055)	0403-2B	(310SG,315SG) (SN 910901-926427)	3365-35
ENGINE PISTON 310G (W/O TURBO)		EXTENDIBLE ARM CYLINDER	
(VSN -911768)	0403-2	(310SG,315SG) (SN 926428-)	3365-36
ENGINE REBUILD KIT		EXTENDIBLE ARM LOCKING PIN	3346-4
310G(TURBO), 310SG, 315SG	0452-2	EXTENDIBLE ARM LOCKING PIN	3346-6
ENGINE REBUILD KIT		EXTENDIBLE ARM PAD	3346-4
310G(TURBO), 310SG, 315SG	0452-4	EXTENDIBLE ARM PAD	3346-6
ENGINE SHORT BLOCK		EXTENDIBLE ARM WEARSTRIPS	3346-4
(ENG. SER. NO. -221705)	0404-4	EXTENDIBLE ARM WEARSTRIPS	3346-6
ENGINE SHORT BLOCK		EXTENDIBLE DIPPER PEDAL	
(ENG. SER. NO. 221706-)	0404-6	(PILOT CONTROL)	3315-13A
ENGINE SHORT BLOCK (ENG.SER.NO.866618-90		EXTENDIBLE DIPPERSTICK CYLINDER	
8991)	0404-4	(310G) (SN -928456)	3365-30
ENGINE SIDE PANELS	1910-2	EXTENDIBLE DIPPERSTICK CYLINDER	
ENGINE SIDE PANELS	1910-4	(310G) (SN 928457-953470)	3365-31
ENGINE SIDE SHIELDS	1910-2	EXTENDIBLE DIPPERSTICK CYLINDER	
ENGINE SIDE SHIELDS	1910-4	(310G) (SN 953471-)	3365-32
ENGINE SPEED CONTROL	0515-2	EXTENDIBLE DIPPERSTICK CYLINDER	
ENGINE SPEED CONTROL	0515-4	(310SG,315SG) (SN -910900)	3365-34

ALPHABETICAL INDEX - CONTINUED

	PAGE		PAGE
EXTENDIBLE DIPPERSTICK CYLINDER (310SG,315SG) (SN 910901-926427).....	3365-35	FILTER, ENGINE OIL (VSN -911768) 310G (W/O TURBO).....	0407-12
EXTENDIBLE DIPPERSTICK CYLINDER (310SG,315SG) (SN 926428-).....	3365-36	FILTER, ENGINE OIL (VSN -910055) 310G(TURBO),310SG,315SG	0407-16
EXTENDIBLE DIPPERSTICK.....	3346-4	FILTER, ENGINE OIL (VSN 910056-) 310G(TURBO),310SG,315SG	0407-18
EXTENDIBLE DIPPERSTICK.....	3346-6	FILTER, ENGINE OIL (VSN 911769-) 310G (W/O TURBO).....	0407-14
EXTENDIBLE DIPPERSTICK AUXILIARY HYDRAUL ICS (310G AND 310SG)	3363-24	FILTER, FRESH AIR.....	1816-12
EXTENDIBLE DIPPERSTICK BUCKET CYLINDER HYDRAULICS	3363-10	FILTER, FUEL 310G (TURBO),310SG,315SG (VSN -910055).....	0420-8
EXTENDIBLE DIPPERSTICK EXTENSION CYLINDE R HYDRAULICS.....	3363-18	FILTER, FUEL 310G (W/O TURBO) (VSN -911768).....	0420-2
EXTENDIBLE DIPPERSTICK HYDRAULICS.....	3363-18	FILTER, FUEL 310G (W/O TURBO) (VSN 911769-).....	0420-4
EXTENDIBLE DIPPERSTICK LINES	3363-18	FILTER, FUEL 310G(TURBO), 310SG, 315SG (VSN 910056-).....	0420-10
EXTENDIBLE DIPPERSTICK LINES, BUCKET	3363-10	FILTER, HYDRAULIC OIL	2160-14
EXTENDIBLE SECTION, BACKHOE VALVE	3362-18	FILTER, TRANSMISSION.....	0360-5
EXTENSION CYLINDER HYDRAULICS,EXTENDIBLE DIPPERSTICK	3363-18	FILTERS, AIR CLEANER	0520-2
EXTENSION, EXHAUST	0530-4	FIRST GEAR CLUTCH ASSEMBLY, POWER SHIFT	0350-14
EXTENSION, EXHAUST (310G)	0530-2	FIRST GEAR CLUTCH CARRIER, POWER SHIFT	0350-14
EXTERNAL REAR VIEW MIRROR	2002-3	FIRST GEAR, BELLVILLEWASHER, POWER SHIFT	0350-14
		FITTINGS, BRAKE VALVE.....	1060-4
F		FITTINGS, SWING CYLINDER (310G,310SG)	3363-14
FAN DRIVE BELT.....	0510-2	FLASHER, 12 VOLT.....	1674-2
FAN DRIVE BELT TENSIONER 310G(TURBO),310SG,315SG	0429-2	FLASHER, 12 VOLT.....	1674-3A
FAN DRIVE HOUSING 310G(TURBO),310SG,315SG	0429-2	FLASHER, 4-WAY	1674-2
FAN DRIVE HUB 310G(TURBO),310SG,315SG	0429-2	FLASHER, 4-WAY.....	1674-3A
FAN DRIVE PULLEY 310G(TURBO),310SG,315SG	0429-2	FLEXPLATE, TORQUE CONVERTOR	0350-1
FAN SHROUD.....	0510-2	FLOOR COVER, REAR.....	1812-2
FAN SHROUD, RADIATOR.....	0510-2	FLOOR HOLES, FRONT CAB MOUNT PLUGS.....	1812-4
FAN, ALTERNATOR (SN -XXXXX).....	1672-2	FLOOR MATS	1812-2
FAN, ALTERNATOR (SN -XXXXX).....	1672-4	FLOOR PLATE, LOADER LINKAGE.....	3115-6
FAN, ALTERNATOR (SN XXXXXX-).....	1672-6	FLOW CONTROL VALVE	3363-1A
FAN, CAB HEATER (20,000 BTU).....	1830-10	FLUID, STARTING	0505-4
FENDERS.....	1927-2	FLYWHEEL HOUSING (VSN -910055).....	0433-3
FIFTH FN LEVER FOR THREE LEVER CONTROLS.....	3315-16	FLYWHEEL HOUSING (VSN 910056-).....	0433-4
FIFTH FUNCTION FOOT CONTROL.....	3315-12	FLYWHEEL RING GEAR.....	0433-2
FIFTH FUNCTION MANUAL VALVE KIT (310G).....	3362-24	FLYWHEEL, ENGINE.....	0433-2
FIFTH FUNCTION MANUAL VALVE KIT (310SG AND 315SG).....	3362-25	FNR, RANGE SWITCH.....	0315-4
FIFTH FUNCTION PEDAL.....	3315-12	FOOT CONTROL, FIFTH FUNCTION	3315-12
FIFTH FUNCTION PEDAL (PILOT CONTROL).....	3315-13A	FOOT CONTROL, SIXTH FUNCTION.....	3315-14
FILTER ELEMENT.....	2160-14	FOOT, STABILIZER (315SG).....	1740-4
FILTER ELEMENT, PILOT CONTROL (SN -943092).....	3363-1A	FORK, SHIFT	0315-1
FILTER LINES, FUEL 310G (TURBO), 310SG, 315SG (VSN 910056-).....	0420-12	FORKLIFT FORKS	3103-2
FILTER LINES, FUEL 310G (TURBO),310SG, 315SG (VSN -910055)	0420-8	FORKS, PALLET	3103-2
FILTER LINES, FUEL 310G (W/O TURBO) (VSN -911768)	0420-2	FORKS,LOADER FORKLIFT	3103-2
FILTER LINES, FUEL 310G (W/O TURBO) (VSN 911769-).....	0420-6	FORWARD CLUTCH ASSEMBLY	0350-2
FILTER, BREATHER, HYDRAULIC RESERVOIR	2160-12	FORWARD CLUTCH ASSEMBLY, POWER SHIFT	0350-22
FILTER, CHARGE PUMP	0360-5	FORWARD CLUTCH CARRIER, POWER SHIFT	0350-22
		FORWARD, BELLVILLEWASHER, POWERSHIFT	0350-22
		FORWARD, NEUTRAL AND REVERSE SOLENOIDS.....	0360-2
		FORWARD, NEUTRAL, REVERSE CONTROL.....	0315-4
		FOURTH GEAR CLUTCH ASSEMBLY, POWER SHIFT	0350-20
		FOURTH GEAR CLUTCH CARRIER, POWER SHIFT	0350-20
		FOURTH GEAR, BELLVILLEWASHER, POWERSHIFT	0350-20
		FRAME (ARM), SUSPENSION SEAT SCISSOR	1821-10
		FRAME, BACKHOE SLIDING,315SG.....	3342-2
		FRAME, CAB	1811-4
		FRAME, COUNTERWEIGHT.....	1749-3
		FRAME, FORKLIFT COUPLER.....	3103-2
		FRAME, GRILLE, EXTENDED	1921-4
		FRAME, MAIN FRAME (315SG)	1740-4
		FRAME, ROPS	1811-2
		FRAME, SLIDING (315SG).....	1740-4

000I-21

310G, 310SG AND 315SG BACKHOE LOADERS

ALPHABETICAL INDEX - CONTINUED

	PAGE		PAGE
FRAME, SWING 315SG	3343-4	FUEL FILTER LINES 310G (TURBO),310SG, 315SG (VSN -910055)	0420-8
FRAME,MAIN FRAME(310G,310SG)	1740-2	FUEL FILTER LINES 310G (W/O TURBO) (VSN -911768).....	0420-2
FRAME,SLIDING,315SG	3342-2	FUEL FILTER LINES 310G (W/O TURBO) (VSN 911769-).....	0420-6
FRAME,SWING (310G,310SG)	3343-2	FUEL FILTER 310G (TURBO),310SG,315SG (VSN -910055).....	0420-8
FREEZE/COMPRESSOR SWITCH, AIR CONDITIONI NG	1830-7A	FUEL FILTER 310G (W/O TURBO) (VSN -911768).....	0420-2
FRESH AIR FILTER	1816-12	FUEL FILTER 310G (W/O TURBO) (VSN 911769-).....	0420-4
FRONT ASLE HOUSING	0250-6	FUEL FILTER 310G(TURBO), 310SG, 315SG (VSN 910056-).....	0420-10
FRONT AXLE (MFWD)	0250-1	FUEL GAUGE SENDER	0560-2
FRONT AXLE (WITHOUT MFWD) (SERIAL NO. -911131)	0230-2	FUEL GAUGE SENDER	0560-6
FRONT AXLE (WITHOUT MFWD) (SERIAL NO. 911132-).....	0230-5	FUEL HOSES	0560-2
FRONT AXLE HOUSING (MFWD)	0250-4	FUEL HOSES	0560-6
FRONT AXLE HOUSING (MFWD)	0250-6	FUEL INJECTION LINES 310G(TURBO),310SG,315SG (VSN 910056-)	0413-10
FRONT AXLE HOUSING (MWFWD)	0250-4	FUEL INJECTION LINES 310G(W/O TURBO)(VSN 911769-).....	0413-6
FRONT AXLE HOUSING (WITHOUT MFWD) (SERIAL NO. 911132-).....	0230-6	FUEL INJECTION LINES 310G(TURBO),310SG, 315SG(VSN 893079-907963)(VSN-910055)	0413-8
FRONT AXLE HUB (MFWD)	0250-6	FUEL INJECTION LINES 310G(W/O TURBO) (VSN 893079-907963)(VSN -911768).....	0413-4
FRONT AXLE KING PIN	0250-6	FUEL INJECTION NOZZLE (PE4045TT089) 310SG,315SG (VSN -943548)	0413-2
FRONT AXLE LUBRICATION SYSTEM	1370-2	FUEL INJECTION NOZZLE (PE4045TT089) 310S G,315SG (VSN 943549-).....	0413-3
FRONT AXLE PIVOT PIN (MFWD)	0250-1	FUEL INJECTION NOZZLE (TT088, 89) 310G(TURBO),310SG,315SG (VSN 910056-)	0413-2
FRONT AXLE PIVOT PIN (WITHOUT MFWD) (SERIAL NO. 911132-).....	0230-5	FUEL INJECTION NOZZLE (VSN -910055) 310G(TURBO), 310SG, 315SG	0413-1
FRONT AXLE SWIVEL HOUSING (WITHOUT MFWD) (SERIAL NO. 911132-).....	0230-7	FUEL INJECTION NOZZLE 310G(TURBO),310SG, 315SG (VSN 893079-907963)	0413-1
FRONT AXLE UNIVERSAL DRIVE SHAFT (MFWD)	0250-6	FUEL INJECTION NOZZLE 310G(W/O TURBO) (VSN -911768).....	0413-3A
FRONT AXLE WHEEL HUB(WITHOUT MFWD) (SERIAL NO. 911132-).....	0230-8	FUEL INJECTION NOZZLE 310G(W/O TURBO) (VSN 893079-907963).....	0413-3A
FRONT CONSOLE	1816-8	FUEL INJECTION NOZZLE 310G(W/O TURBO) (VSN 911769-).....	0413-3B
FRONT CONSOLE COVER,FLOOR	1812-2	FUEL INJECTION PUMP 310G(TURBO),310SG,315SG (VSN 910056-)	0413-10
FRONT CONSOLE SWITCHES	1674-2	FUEL INJECTION PUMP 310G(W/O TURBO)(VSN 911769-).....	0413-6
FRONT CONSOLE SWITCHES	1674-3A	FUEL INJECTION PUMP DRIVE GEAR 310G(TURBO),310SG,315SG (VSN 910056-)	0413-10
FRONT CONSOLE WIRING HARNESS WITH CAB	1674-2	FUEL INJECTION PUMP DRIVE GEAR 310G(W/O TURBO)(VSN -911768).....	0413-4
FRONT CONSOLE WIRING HARNESS WITH CAB	1674-3A	FUEL INJECTION PUMP DRIVE GEAR 310G(W/O TURBO)(VSN 893079-907963).....	0413-4
FRONT COUNTERWEIGHT	1749-2	FUEL INJECTION PUMP DRIVE GEAR 310G(W/O TURBO)(VSN 911769-).....	0413-6
FRONT COUPLER CYLINDER	3104-4	FUEL INJECTION PUMP DRIVE 310G(TURBO) 310SG,315SG (VSN-910055)	0413-8
FRONT COUPLER VALVE	3162-28	FUEL INJECTION PUMP DRIVE 310G(TURBO) 310SG,315SG(VSN 893079-907963)	0413-8
FRONT COUPLER, HYDRAULIC	3104-2	FUEL INJECTION PUMP 310G(TURBO),310SG, 315SG(VSN 893079-907963)(VSN-910055)	0413-8
FRONT DRIVE WHEEL (MFWD)	0110-3	FUEL INJECTION PUMP 310G(W/O TURBO) (VSN 893079-907963)(VSN -911768).....	0413-4
FRONT FLOOR MAT	1812-2	FUEL INJECTION PUMP DRIVE GEAR 310G(TURBO),310SG,315SG (VSN 910056-)	0413-10
FRONT LIGHTS SWITCH	1674-2	FUEL INJECTION PUMP DRIVE GEAR 310G(W/O TURBO)(VSN -911768).....	0413-4
FRONT LIGHTS SWITCH	1674-3A	FUEL INJECTION PUMP DRIVE GEAR 310G(W/O TURBO)(VSN 910056-)	0413-10
FRONT PLATE, ENGINE	0404-1	FUEL INJECTION PUMP DRIVE GEAR 310G(W/O TURBO)(VSN 911769-).....	0413-6
FRONT WHEEL (WITHOUT MFWD).....	0120-1	FUEL INJECTION SYSTEM 310G(TURBO),310SG,315SG (VSN 910056-)	0413-10
FRONT WHEEL BEARING (WITHOUT MFWD) (SERIAL NO. -911131).....	0230-4	FUEL INJECTION SYSTEM 310G(W/O TURBO)(VSN 911769-).....	0413-6
FRONT WHEEL HUB (WITHOUT MFWD) (SERIAL NO. -911131)	0230-4		
FRONT WINDSHIELD WIPER MOTOR	1814-10		
FRONT WINDSHILD WIPER SWITCH	1674-2		
FRONT WINDSHILD WIPER SWITCH	1674-3A		
FUEL COOLER, HI-AMBIENT	0560-4		
FUEL FILTER HEATER 310G (TURBO), 310SG,315SG (VSN -910055)	0420-8		
FUEL FILTER HEATER 310G (TURBO), 310SG, 315SG (VSN 910056-)	0420-10		
FUEL FILTER HEATER 310G (W/O TURBO) (VSN -911768)	0420-2		
FUEL FILTER HEATER 310G (W/O TURBO) (VSN 911769-)	0420-4		
FUEL FILTER LINES 310G (TURBO), 310SG, 315SG (VSN 910056-)	0420-12		

ALPHABETICAL INDEX - CONTINUED

	PAGE		PAGE
FUEL INJECTION SYSTEM 310G(TURBO),310SG, 315SG(VSN 893079-907963)(VSN-910055)	0413-8	GASKET,OIL PAN 310G(TURBO),310SG,315SG	0407-8
FUEL INJECTION SYSTEM 310G(W/O TURBO) (VSN 893079-907963)(VSN -911768)	0413-4	GASKET,OIL PAN 310G(TURBO),310SG,315SG (VSN 910056-)	0407-10
FUEL LINE FILTER 310G (TURBO),310SG, 315SG (VSN -910055)	0420-8	GASKET,ROCKER ARM COVER	0402-3
FUEL LINE FILTER 310G (W/O TURBO) (VSN -911768)	0420-2	GASKET,TRANSMISSION CONTROL VALVE, SYNCHRO-SHUTTLE	0360-4
FUEL LINES, FILTER 310G (TURBO), 310SG, 315SG (VSN 910056-)	0420-12	GASKETS, INTERMEDIATE PLATE SYNCHRO-SHUTTLE	0360-4
FUEL LINES, FILTER 310G (W/O TURBO) (VSN 911769-)	0420-6	GASKETS, INTERMEDIATE PLATE, POWER SHIFT	0360-10
FUEL TANK	0560-2	GATHERING CLAMP	2160-6
FUEL TANK	0560-6	GATHERING CLAMP	2160-8
FUEL TANK CAP	0560-2	GATHERING CLAMP	2160-9A
FUEL TANK CAP	0560-6	GEAR SHIFTERS	0315-1
FUEL TANK STRAINER	0560-2	GEAR, CAMSHAFT 310G (W/O TURBO) (VSN -911768)PE4045DT056	0402-1
FUEL TANK STRAINER	0560-6	GEAR, CAMSHAFT 310G (W/O TURBO) (VSN 893079-907963)T04045DT056	0402-1
FUEL TEMPERATURE SENSOR (FRONT WIRE HARNESS) (SN 910056-)	1674-9E	GEAR, CAMSHAFT 310G (W/O TURBO) (VSN 911769-)T04045DT058	0402-1
FUEL TEMPERATURE SENSOR, STANADYNE DE10 310G (W/O TURBO) (VSN 911769-)	0413-12A	GEAR, CAMSHAFT 310G(TURBO), 310SG, 315SG (VSN -910055)	0402-1A
FUEL TEMPERATURE SENSOR, STANADYNE DE10 310G (W/O TURBO) (VSN 911769-)	0413-12B	GEAR, CAMSHAFT 310G(TURBO), 310SG, 315SG (VSN 893079-907963)	0402-1A
FUEL TEMPERATURE SENSOR, STANADYNE DE10 310G(TURBO),310SG/315SG (VSN 910056-)	0413-13A	GEAR, CAMSHAFT 310G(TURBO), 310SG, 315SG (VSN 910056-)	0402-1B
FUEL TEMPERATURE SENSOR, STANADYNE DE10 310G(TURBO),310SG/315SG (VSN 910056-)	0413-13B	GEAR, CRANKSHAFT 310G (W/O TURBO) (VSN 911769-)	0401-2
FUEL TRANSFER PUMP	0421-2	GEAR, CRANKSHAFT 310G (W/O TURBO) (VSN-911768)	0401-1A
FUEL TRANSFER PUMP PUSH ROD	0421-2	GEAR, CRANKSHAFT 310G(TURBO),310SG,315SG (VSN -910055)	0401-4
FUSE PANEL	1674-2	GEAR, CRANKSHAFT 310G(TURBO),310SG,315SG (VSN -910055)	0401-5
FUSE PANEL	1674-3A	GEAR, CRANKSHAFT 310G(TURBO),310SG,315SG (VSN 910056-)	0401-6
FUSE PANEL COVER	1816-8	GEAR, ENGINE OIL PUMP	0407-20
FUSES	1674-2	GEAR, FUEL INJECTION PUMP DRIVE	0413-8
FUSES	1674-3A	GEAR, FUEL INJECTION PUMP DRIVE 310G(TURBO),310SG,315SG (VSN 910056-)	0413-10
		GEAR, FUEL INJECTION PUMP DRIVE 310G(W/O TURBO)(VSN -911768)	0413-4
G		GEAR, FUEL INJECTION PUMP DRIVE 310G(W/O TURBO)(VSN 893079-907963)	0413-4
GAS PEDAL	0515-2	GEAR, FUEL INJECTION PUMP DRIVE 310G(W/O TURBO)(VSN 911769-)	0413-6
GAS PEDAL	0515-4	GEAR, FUEL INJECTION PUMP DRIVE 310G (TURBO),310SG,315SG (VSN-910055)	0413-8
GASKET SET, CYLINDER HEAD REMOVAL 310G(TURBO), 310SG, 315SG	0452-1	GEAR, FUEL INJECTION PUMP DRIVE 310G (TURBO),310SG,315SG(VSN 893079-907963)	0413-8
GASKET SET,ENGINE MAJOR OVERHAUL 310G(TURBO), 310SG, 315SG	0452-2	GEAR, INTERMEDIATE, TRANSMISSION	0350-10
GASKET SET,ENGINE MAJOR OVERHAUL 310G(TURBO), 310SG, 315SG	0452-4	GEAR, PLANET (MFWD) (S.N. -962303)	0250-8
GASKET SET,IN CHASSIS OVERHAUL 310G(TURBO), 310SG, 315SG	0452-1	GEAR, PLANET (MFWD) (S.N.962304-962373)	0250-8A
GASKET, CYLINDER HEAD	0409-2	GEAR, PLANET (MFWD) (S.N.962374-)	0250-8B
GASKET, EXHAUST MANIFOLD	0410-1	GEAR, PLANET (MFWD)(310G)	0250-9
GASKET, TIMING GEAR COVER (VSN -911768) 310G (W/O TURBO)	0402-4	GEAR, PLANETARY PINION	0210-1
GASKET, TIMING GEAR COVER 310G (W/O TURBO)) (VSN 911769-)	0402-4B	GEAR, RING (MFWD) (S.N. -962303)	0250-8
GASKET, TIMING GEAR COVER (VSN 910056-) 310G(TURBO), 310SG, 315SG	0402-6B	GEAR, RING (MFWD) (S.N.962304-962373)	0250-8A
GASKET, TIMING GEAR COVER (VSN-910055) 310G(TURBO), 310SG, 315SG	0402-6	GEAR, RING (MFWD) (S.N.962374-)	0250-8B
GASKET, TURBOCHARGER (VSN -910055) 310G(TURBO), 310SG, 315SG	0416-2	GEAR, RING (MFWD)(310G)	0250-9
GASKET, TURBOCHARGER 310G(TURBO), 310SG, 315SG (VSN 910056-)	0416-4	GEAR, SPIRAL BEVEL WITH LOCK	0210-2
GASKET,OIL PAN 310G (W/O TURBO) (VSN -911768)(VSN 911769-)	0407-6		
GASKET,OIL PAN 310G (W/O TURBO) (VSN 893079- 907963)	0407-6		

ALPHABETICAL INDEX - CONTINUED

	PAGE		PAGE
GEAR, SYNCHRONIZER, 2ND	0350-9	HEAD, CYLINDER	0409-2
GEAR, SYNCHRONIZER, 4TH	0350-10	HEADER, ENGINE OIL FILTER	
GEAR, SYNCHRONIZER, 1ST	0350-9	(VSN -911768) 310G (W/O TURBO)	0407-12
GEAR, SYNCHRONIZER, 3RD	0350-10	HEADER, ENGINE OIL FILTER	
GEAR, BEVEL DRIVE (MFWD)		(VSN -910055) 310G(TURBO), 310SG, 315SG	0407-16
(310SG, 315SG)	0250-10	HEADER, ENGINE OIL FILTER	
GEAR, DIFFERENTIAL SPIRAL BEVEL (MFWD)	0250-12	(VSN 910056-) 310G(TURBO), 310SG, 315SG	0407-18
GREASE BANK, FRONT AXLE	1370-2	HEADER, ENGINE OIL FILTER	
GREASE KIT, POWER LINK		(VSN 911769-) 310G (W/O TURBO)	0407-14
(310G)	3345-6	HEADLINER LAMP	1811-4
GRILLE	1921-2	HEADLINER, CAB	1811-4
GRILLE HOUSING	1921-2	HEADLINER, ROPS	1811-2
GRILLE HOUSING, EXTENDED	1921-4	HEADREST, SEAT	1821-3
GRILLE SCREEN	1921-2	HEADREST, SEAT	1821-3B
GRILLE SCREEN EXTENDED	1921-4	HEAT AND NOISE BARRIER	1834-2
GRILLE, CAB HEATER (20,000 BTU)	1830-10	HEATER CORE (20,000 BTU)	1830-10
GRIPPER TEETH, REPAIR KIT, EXT. DIPPER	3346-8	HEATER HOSE, CANOPY	1830-8
GROUND CABLE	1674-8	HEATER VALVE CONTROL	1830-8
GROUND CABLE	1674-9A	HEATER VALVE CONTROL CABLE	1830-6
GROUND CABLE	1674-9C	HEATER VALVE CONTROL CABLE, CANOPY	1830-8
GROUND STRAP	1674-8	HEATER VALVE KNOB	1830-8
GROUND STRAP	1674-9A	HEATER, CAB (20,000 BTU)	1830-10
GROUND STRAP	1674-9C	HEATER, CANOPY	1830-8
GUARD, BOTTOM	1746-4	HEATER, ENGINE COOLANT	0505-2
GUARD, LOADER CONTROL VALVE PLUMBING	1913-4	HEATER, FUEL FILTER 310G (TURBO),	
GUARD, MFWD	1740-2	310SG, 315SG (VSN -910055)	0420-8
GUARD, RADIATOR FAN	0510-2	HEATER, FUEL FILTER 310G (W/O TURBO)	
GUARD, REVERSE CONTROL LEVER	0315-4	(VSN -911768)	0420-2
GUARD, MFWD (315SG)	1740-4	HEATER, FUEL FILTER 310G (W/O TURBO)	
GUARD, STABILIZER KIT		(VSN 911769-)	0420-4
310G, 310SG	1746-2	HEATER, FUEL FILTER 310G(TURBO), 310SG,	
		315SG (VSN 910056-)	0420-10
		HEATER, TEMPERATURE CONTROL	1830-8
H		HEIGHT ADJUSTER FOR NON-SUSPENDED SEAT	1821-14
HAND HELD HYDRAULIC TOOL KIT		HI-AMBIENT FUEL COOLER	0560-4
(SERIAL NO. -913416)	3363-44	HI-AMBIENT OIL COOLER	2160-20
HAND HELD HYDRAULIC TOOL KIT		HIGH PRESSURE SWITCH	1830-6
(SERIAL NO. 913417-)	3363-46	HIGH PRESSURE SWITCH	1830-7A
HARNES CONNECTOR KIT	1674-8	HINGE PINS, MULTI-PURPOSE BUCKET	3102-8
HARNES CONNECTOR KIT	1674-9A	HINGES, CAB DOORS	1814-2
HARNES CONNECTOR KIT	1674-9C	HINGES, CAB DOORS	1814-4
HARNES COVER BRACKET	1812-4	HOLDER, MANUAL	1811-2
HARNES COVER BRACKET STRAP	1812-4	HOLDER, SWING PIN	1811-2
HARNES, ANCHOR, TIE BAND MOUNT		HOOD	1910-2
SERIAL NO. -XXXXXX	1673-4	HOOD	1910-4
HARNES, ANCHOR, TIE BAND MOUNT		HOOD LATCH	1910-2
SERIAL NO. XXXXXX-	1673-6	HOOD LATCH	1910-4
HARNES, ENGINE FRONT (SN 910056-)	1674-9E	HOOD STRICKER BRACKET	0520-2
HARNES, ENGINE WIRING	1674-9A	HOOD SUPPORT	1910-2
HARNES, ENGINE WIRING	1674-9C	HOOD SUPPORT	1910-4
HARNES, LOAD COUPLER CONTROL CHASSIS	1674-5C	HORN (FRONT WIRE HARNES) (SN 910056-)	1674-9E
HARNES, LOADER COUPLER, CAB	1674-5C	HORN (SERIAL NO. -910147)	2004-6
HARNES, PATTERN SELECTOR	3362-32	HORN (SERIAL NO. 910148-)	2004-8
HARNES, PILOT ENABLE WIRING	1674-5A	HORN SWITCH	1674-6
HARNES, PUMP CONTROL AND RELAY	1674-10	HOSE, AIR CLEANER	0520-2
HARNES, QUICK COUPLER	1674-5C	HOSE, ENGINE VENTILATING	
HARNES, RADIO	2001-2	(DT056, TT080/81/88/89)	0408-2
HARNES, RIDE CONTROL	2160-24	HOSE, ENGINE VENTILATING	
HARNES, RIDE CONTROL	2160-26	PE4045DT058	0408-4
HARNES, ROOF WIRING		HOSE, HYDRAULIC, RIDE CONTROL	2160-24
SERIAL NO. -XXXXXX	1673-4	HOSE, HYDRAULIC, RIDE CONTROL	2160-26
HARNES, ROOF WIRING		HOSE, WINDSHIELD WASHER	1814-12
SERIAL NO. XXXXXX-	1673-6	HOSES, ATTACHMENT KIT	3363-42
HARNES, SIDE CONSOLE WIRING, WITH CAB	1674-4	HOSES, FUEL	0560-2
HARNES, A/C PRESSURE SWITCH	1674-4	HOSES, FUEL	0560-6
HARNES, SIDE SHIFT LOCK CONT VALVE 315SG	3363-28	HOSES, HAND HELD HYDRAULIC TOOL KIT	
		(SERIAL NO. -913416)	3363-44

ALPHABETICAL INDEX - CONTINUED

	PAGE		PAGE
HOSES, HAND HELD HYDRAULIC TOOL KIT (SERIAL NO. 913417-).....	3363-46	HUB, CLUTCH	0350-2
HOSES, LOADER BOOM LIFT CYLINDER HOSES.....	3163-2	HUB, CLUTCH	0350-4
HOSES, LOADER BOOM LIFT CYLINDER HOSES.....	3163-4	HUB, FAN DRIVE 310G(TURBO),310SG,315SG	0429-2
HOSES, LOADER BUCKET CYLINDER HOSES	3163-6	HUB, FRONT AXLE WHEEL (WITHOUT MFWD) (SERIAL NO. 911132-)	0230-8
HOSES, LOADER BUCKET CYLINDER HOSES	3163-8	HUB, FRONT WHEEL (WITHOUT MFWD) (SERIAL NO. -911131)	0230-4
HOSES, MAIN HYDRAULIC	2160-6	HUB,FRONT AXLE (MFWD).....	0250-6
HOSES, MAIN HYDRAULIC	2160-8	HYDRAULIC CYLINDER,MULTI-PURPOSE BUCKET.....	3102-10
HOSES, MAIN HYDRAULIC	2160-9A	HYDRAULIC CYLINDER,MULTI-PURPOSE BUCKET.....	3102-18
HOSES, MAIN HYDRAULIC	2160-10	HYDRAULIC CYLINDER,MULTI-PURPOSE BUCKET.....	3102-20
HOSES, MULTI-PURPOSE BUCKET	3102-10	HYDRAULIC FRONT COUPLER	3104-2
HOSES, MULTI-PURPOSE BUCKET, COUPLER.....	3102-18	HYDRAULIC FRONT COUPLER	3163-10
HOSES, MULTI-PURPOSE BUCKET, COUPLER.....	3102-20	HYDRAULIC FRONT COUPLER CYLINDER.....	3104-4
HOSES, OIL COOLER.....	2160-18	HYDRAULIC FRONT COUPLER HARNESS.....	1674-5C
HOSES, OIL COOLER (310G)	2160-16	HYDRAULIC FRONT COUPLER VALVE	3162-28
HOSES, OIL COOLER KIT (310G).....	2160-22	HYDRAULIC FRONT COUPLER,HOSES	3163-12
HOSES, OIL COOLER, HI-AMBIENT	2160-20	HYDRAULIC FRONT COUPLER,LINES	3163-12
HOSES, RADIATOR	0510-2	HYDRAULIC HOSE, RIDE CONTROL	2160-24
HOSES, STEERING (WITH MFWD)	0960-8	HYDRAULIC HOSE, RIDE CONTROL	2160-26
HOSES, STEERING (WITHOUT MFWD).....	0960-10	HYDRAULIC HOSE,BOOM CYLINDER	3363-6
HOSES, THIRD FUNCTION HYDRAULIC HOSES.....	3163-6	HYDRAULIC HOSE,CROWD CYLINDER	3363-12
HOSES, THIRD FUNCTION HYDRAULIC HOSES.....	3163-8	HYDRAULIC HOSES FOR ATTACHMENT KIT	3363-42
HOSES,AIR CONDITIONING COMPRESSOR	1830-12	HYDRAULIC HOSES, HAND HELD TOOL KIT (SERIAL NO. -913416)	3363-44
HOSES,AIR CONDITIONING COMPRESSOR	1830-14	HYDRAULIC HOSES, HAND HELD TOOL KIT (SERIAL NO. 913417-)	3363-46
HOSES,AIR CONDITIONING COMPRESSOR, RECEIVER DRYER.....	1830-12	HYDRAULIC HOSES,BUCKET CYLINDER (EXTENDIBLE DIPPERSTICK).....	3363-10
HOSES,AIR CONDITIONING COMPRESSOR, RECEIVER DRYER.....	1830-14	HYDRAULIC LINES, COOLER	2160-10
HOSES,RECEIVER DRYER, AIR CONDITIONING COMPRESSOR.....	1830-12	HYDRAULIC LOADER COUPLER VALVE.....	3162-28
HOSES,RECEIVER DRYER, AIR CONDITIONING COMPRESSOR.....	1830-14	HYDRAULIC LOADER COUPLER, BUCKET.....	3163-10
HOUSING AXLE	0201-2	HYDRAULIC OIL COOLER & HOSES(HI-AMBIENT)	2160-20
HOUSING AXLE	0201-4	HYDRAULIC OIL COOLER AND HOSES	2160-18
HOUSING, BELL	0341-1	HYDRAULIC OIL COOLER AND HOSES (310G)	2160-16
HOUSING, BELL	0341-2	HYDRAULIC OIL COOLER KIT AND HOSES(310G).....	2160-22
HOUSING, BRAKE	1011-2	HYDRAULIC OIL COOLER LINES	2160-6
HOUSING, BRAKE VALVE	1060-2	HYDRAULIC OIL COOLER LINES	2160-8
HOUSING, BRAKE VALVE	1060-4	HYDRAULIC OIL COOLER LINES	2160-9A
HOUSING, DIFFERENTIAL.....	0201-2	HYDRAULIC OIL FILTER.....	2160-14
HOUSING, DIFFERENTIAL.....	0201-4	HYDRAULIC OIL LINE,BOOM CYLINDER.....	3363-6
HOUSING, DIFFERENTIAL WITH LOCK.....	0210-2	HYDRAULIC OIL LINES LOADER BUCKET CYLINDER	3163-6
HOUSING, FAN DRIVE 310G(TURBO),310SG,315SG	0429-2	HYDRAULIC OIL LINES LOADER BUCKET CYLINDER	3163-8
HOUSING, FLYWHEEL (VSN 910056-)	0433-4	HYDRAULIC OIL LINES,AUGER (WITH EXTENDIBLE DIPPERSTICK).....	3363-38
HOUSING, FRONT INSTRUMENT PANEL	1816-8	HYDRAULIC OIL LINES,CROWD CYLINDER	3363-12
HOUSING, GRILLE	1921-2	HYDRAULIC OIL LINES,MULTI-PURPOSE BUCKET	3102-10
HOUSING, GRILLE, EXTENDED.....	1921-4	HYDRAULIC OIL LINES,MULTI-PURPOSE BUCKET, COUPLER.....	3102-18
HOUSING, LOCK VALVE, SIDE SHIFT (315SG).....	3362-30	HYDRAULIC OIL LINES,MULTI-PURPOSE BUCKET, COUPLER	3102-20
HOUSING, PARK BRAKE (AXLE SERIAL NO. -217496).....	1111-2	HYDRAULIC OIL LINES,THIRD FUNCTION	3163-6
HOUSING, PARK BRAKE (AXLE SERIAL NO. 217497-).....	1111-4	HYDRAULIC OIL LINES,THIRD FUNCTION	3163-8
HOUSING, SIDE INSTRUMENT PANEL	1816-10	HYDRAULIC REMOTE KIT	3362-28
HOUSING, SIDE INSTRUMENT PANEL	1816-12	HYDRAULIC RESERVOIR	2160-12
HOUSING, SWIVEL, FRONT AXLE (WITHOUT MFWD)(SERIAL NO. 911132-)	0230-7	HYDRAULIC RESERVOIR BREATHER FILTER.....	2160-12
HOUSING, TRANSMISSION	0341-1	HYDRAULIC RIDE CONTROL	2160-24
HOUSING, TRANSMISSION, POWER SHIFT	0341-2	HYDRAULIC RIDE CONTROL	2160-26
HOUSING,ENGINE OIL PUMP	0407-20	HYDRAULIC VALVE, LOADER	3162-2
HOUSING,FLYWHEEL (VSN -910055)	0433-3	HYDRAULIC VALVE, LOADER/STABILIZER.....	3162-4
HOUSING,FRONT AXLE (MFWD)	0250-6	HYDRAULICS HOSE,SWING CYLINDER (310G,310SG)	3363-14
HOUSING,FRONT AXLE (MWFD)	0250-4		
HOUSING,FRONT AXLE (WITHOUT MFWD) (SERIAL NO. 911132-).....	0230-6		
HOUSING,SHIFT	0315-2		

ALPHABETICAL INDEX - CONTINUED

	PAGE		PAGE
HYDRAULICS, AUXILIARY EQUIPMENT, EXT. (315SG).....	3363-26	INPUT SHAFT SEAL (AXLE SERIAL NO. -217496).....	1111-2
HYDRAULICS, AUXILIARY EQUIPMENT, EXTENDI BLE DIPPERSTICK (310G AND 310SG).....	3363-24	INPUT SHAFT SEAL (AXLE SERIAL NO. 217497-).....	1111-4
HYDRAULICS, AUXILIARY EQUIPMENT, STD. (315SG).....	3363-22	INPUT SHAFT, POWER SHIFT	0350-12
HYDRAULICS, AUXILIARY EQUIPMENT,STD. (310G AND 310SG)	3363-20	INSIDE MIRROR.....	2002-2
HYDRAULICS, BACKHOE BUCKET CYLINDER.....	3363-8	INSTRUMENT PANEL VANDAL GUARD.....	1816-10
HYDRAULICS, BACKHOE STABILIZER CYLINDER	3363-2	INSTRUMENT PANEL, SIDE	1816-10
HYDRAULICS, BACKHOE STABILIZER CYLINDER	3363-3A	INSTRUMENT PANEL, SIDE	1816-12
HYDRAULICS, BACKHOE STABILIZER CYLINDER SIDESHIFT 315SE.....	3363-4	INTAKE SYSTEM, AIR 310(W/O TURBO)	0414-3
HYDRAULICS, LOADER BOOM CYLINDER	3163-2	INTAKE SYSTEM, AIR 310G(TURBO), 310SG, 315SG (VSN -910055)	0414-1
HYDRAULICS, LOADER BOOM CYLINDER	3163-4	INTAKE SYSTEM, AIR 310G(TURBO),310SG,315 SG (VSN 910056-)	0414-2
HYDRAULICS, MAIN	2160-6	INTAKE VALVE	0409-2
HYDRAULICS, MAIN	2160-8	INTAKE, ENGINE OIL PUMP.....	0407-20
HYDRAULICS, MAIN	2160-9A	INTERIOR REAR VIEW MIRROR	2002-2
HYDRAULICS, MAIN	2160-10	INTERMEDIATE GEAR, TRANSMISSION	0350-10
HYDRAULICS, PILOT CONTROL	3363-1C	INTERMEDIATE PLATE GASKETS, SYNCHRO-SHUTTLE	0360-4
HYDRAULICS, PILOT SELECTOR VALVE.....	3363-1C	INTERMEDIATE PLATE GASKETS, POWER SHIFT	0360-10
HYDRAULICS, SELECTOR VALVE (PILOT CONTROL)	3363-1A	INTERMEDIATE PLATE, POWER SHIFT TRANSMIS SION.....	0360-10
HYDRAULICS, SERVICE BRAKE	1060-6	INTERMEDIATE PLATE,TRANSMISSION, SYNCHRO-SHUTTLE	0360-4
HYDRAULICS, STEERING VALVE (WITH MFWD).....	0960-8	INTERMEDIATE SHAFT, TRANSMISSION	0350-10
HYDRAULICS, STEERING,(WITHOUT MFWD)	0960-10	ISOLATED TRANSMISSION SHIFTER LEVER	0315-6
HYDRAULICS,AUGER (STANDARD DIPPERSTICK).....	3363-40	ISOLATOR EDGING	0510-2
HYDRAULICS,BACKHOE CYLINDERS (315SG)	3363-32	ISOLATOR SEAL	0510-2
HYDRAULICS,BACKHOE SWING CYLINDER (315SG).....	3363-16	ISOLATOR, ENGINE MOUNT	0540-2
HYDRAULICS,BOOM LOCK,BACKHOE 315SG	3363-30	ISOLATORS, CAB MOUNTING	1811-4
HYDRAULICS,BRAKE VALVE BOOST (CAB),310G AND 310SG	1060-8	ISOLATORS, ROPS FRAME.....	1811-2
HYDRAULICS,BRAKE VALVE BOOST (ROPS),310G AND 310SG	1060-10		
		J	
		JOY STICK, CONTROL VALVE, BUTTON FUNCION KIT.....	3362-38
		JOY STICK, CONTROL VALVE, LEFT.....	3362-34
		JOY STICK, CONTROL VALVE, RIGHT	3362-36
		JUMP START PROTECTION COVER	1674-8
		JUMP START PROTECTION COVER	1674-9A
		JUMP START PROTECTION COVER	1674-9C
		K	
		KEY,IGNITION SWITCH	1674-6
		KING PIN (WITHOUT MFWD) (SERIAL NO. -911131)	0230-2
		KING PIN, FRONT AXLE	0250-6
		KINGPIN, FRONT AXLE (WITHOUT MFWD) (SERIAL NO. 911132-)	0230-7
		KIT, ACCU-SWING VALVE.....	3362-29A
		KIT, ATTACHMENT PLUMBING KIT	3363-42
		KIT, AUXILIARY VALVE, LOADER (SERIAL NO. -913416).....	3162-18
		KIT, BACKHOE BOOM CYLINDER REPAIR (310G)	3365-2
		KIT, BACKHOE BOOM CYLINDER REPAIR (310G)(SN 926130-).....	3365-4
		KIT, BACKHOE BOOM CYLINDER REPAIR (310SG,315SG)(SN -926129)	3365-6
		KIT, BACKHOE BOOM CYLINDER REPAIR (310SG,315SG)(SN 926130-)	3365-8
IDLER SHAFT, MFWD	0350-7		
IGNITION SWITCH.....	1674-6		
IGNITION SWITCH KEY.....	1674-6		
IMPELLER,WATER PUMP 310G(TURBO), 310SG, 315SG (VSN -910055) T0/PE4045TT080,081	0417-3		
IMPELLER,WATER PUMP 310G(TURBO), 310SG, 315SG (VSN 910056-) PE4045TT088,089	0417-4		
IMPELLER,WATER PUMP 310G(W/O TURBO) (VSN -911768) T0/PE4045DT056.....	0417-3		
IMPELLER,WATER PUMP 310G(W/O TURBO) (VSN 911769-) PE4045DT058	0417-4		
IN CHASSIS OVERHAUL GASKET SET 310G(TURBO), 310SG, 315SG	0452-1		
INJECTION PUMP,FUEL 310G(TURBO),310SG,315SG (VSN 910056-)	0413-10		
INJECTION PUMP,FUEL 310G(W/O TURBO)(VSN 911769-)	0413-6		
INLET OIL FILL	0407-2		
INLET PRIORITY SECTION, BACKHOE VALVE	3362-8		
INLET SECTION RELIEF VALVE	3162-6		
INLET SECTION, LOADER VALVE	3162-6		
INLET, WATER PUMP 310G(TURBO), 310SG, 315SG	0417-2		
INPUT FLANGE,(MFWD)	0250-12		
INPUT PINION, SPIRAL BEVEL	0210-4		
INPUT SHAFT	0350-6		

ALPHABETICAL INDEX - CONTINUED

	<i>PAGE</i>		<i>PAGE</i>
KIT, BACKHOE BUCKET CYLINDER REPAIR (310G)(SER.# 910901-925926)	3365-11	KIT, O-RING	1369-4
KIT, BACKHOE BUCKET CYLINDER REPAIR (310G)(SER.# 925927-)	3365-12	KIT, PATTERN SELECTOR VALVE	3362-32
KIT, BACKHOE BUCKET CYLINDER REPAIR (310G)(SN -910900).....	3365-10	KIT, REAR WINDOW LATCH (SER.NO. -920856)	1814-8
KIT, BACKHOE BUCKET CYLINDER REPAIR (310SG,315SG) (SN -926788)	3365-15	KIT, REAR WINDOW LATCH (SER.NO. 920857-)	1814-9A
KIT, BACKHOE BUCKET CYLINDER REPAIR (310SG,315SG) (SN 926789-)	3365-16	KIT, REPAIR, SWING CYLINDER (310G) (SN -957128).....	3365-19
KIT, BACKHOE BUCKET CYLINDER REPAIR (310SG,315SG) SERIAL NO. 926130-)	3365-14	KIT, REPAIR, SWING CYLINDER (310G) (SN 957129-)	3365-19A
KIT, BACKHOE BUCKET CYLINDER REPAIR 310SG,315SG (SERIAL NO. -926129)	3365-13	KIT, REPAIR, SWING CYLINDER (310G,310SG) (SN 957115-)	3365-20
KIT, BRAKE VALVE.....	1060-4	KIT, SELECTIVE FLOW CONTROL	1674-10
KIT, CATALYTIC MUFFLER	0530-6	KIT, SIXTH FUNCTION MANUAL VALVE (310G)	3362-26
KIT, CONTROL VALVE SOLENIOD SYNCHRO-SHUTTLE.....	0360-4	KIT, SIXTH FUNCTION MANUAL VALVE (310SG AND 315SG)	3362-27
KIT, CYLINDER LINER O-RING 310G (W/O TURBO) (VSN -911768)	0403-2	KIT, STABILIZER CYLINDER REPAIR 310G (SERIAL NO. -925946).....	3365-21A
KIT, CYLINDER LINER O-RING 310G (W/O TURBO) (VSN 911769-)	0403-2A	KIT, STABILIZER CYLINDER REPAIR (310SG) (SN 926207-952148)	3365-24
KIT, CYLINDER LINER O-RING 310G(TURBO) 310SG 315SG (VSN 910056-)	0403-3A	KIT, STABILIZER CYLINDER REPAIR (315SG) (SERIAL NO. 944156-)	3365-28
KIT, CYLINDER LINER O-RING 310G(TURBO), 310SG, 315SG (VSN-910055)	0403-2B	KIT, STABILIZER CYLINDER REPAIR (315SG) (SN -944155).....	3365-27
KIT, DP SWITCH.....	2160-14	KIT, STABILIZER GUARD 310G,310SG.....	1746-2
KIT, ENGINE OVERHAUL 310G(TURBO), 310SG, 315SG	0452-2	KIT, STARTER MOTOR ADAPTER.....	0422-6
KIT, ENGINE OVERHAUL 310G(TURBO), 310SG, 315SG	0452-4	KIT, STEERING VALVE REPAIR (SERIAL NO. -911131).....	0960-6
KIT, EXT.DIPPER ARM GRIP REPAIR	3346-8	KIT, SUSPENDED SEAT POSITION SENSOR	1821-8
KIT, EXTENDED GRILLE HOUSING.....	1921-4	KIT, UNIVERSAL DRIVE SHAFT (MFWD)	0250-2
KIT, FIFTH FUNCTION MANUAL VALVE (310G)	3362-24	KIT, WATER PUMP REPAIR 310G(TURBO),310SG 315SG (VSN -910055) TO/PE4045TT080,081	0417-3
KIT, FIFTH FUNCTION MANUAL VALVE (310SG AND 315SG)	3362-25	KIT, WATER PUMP REPAIR 310G(W/O TURBO) (VSN -911768) TO/PE4045DT056	0417-3
KIT, FRONT COUPLER CYLINDER REPAIR	3104-4	KIT, WINDOW SEAL (SER.NO. -920856)	1814-8
KIT, FUEL FILTER HEATER 310G (W/O TURBO) (VSN 911769-)	0420-4	KIT, WINDOW SEAL (SER.NO. 920857-)	1814-9A
KIT, FUEL FILTER HEATER 310G(TURBO), 310SG, 315SG (VSN 910056-)	0420-10	KIT,AUXILIARY OIL COOLER (310G)	2160-22
KIT, FUEL FILTER 310G (TURBO),310SG, 315SG (VSN -910055)	0420-8	KIT,BACKHOE BOOM PROTECTION	3344-3
KIT, FUEL FILTER 310G (W/O TURBO) (VSN -911768)	0420-2	KIT,BACKHOE TWO LEVER CONVERSION (310G AND 310SG).....	3315-6
KIT, FUEL FILTER 310G (W/O TURBO) (VSN 911769-)	0420-4	KIT,BOOM CYLINDER REPAIR (310SG AND 315SG)(SER.# 910492-926248)	3165-8
KIT, FUEL FILTER 310G(TURBO), 310SG, 315SG (VSN 910056-)	0420-10	KIT,CROWD CYLINDER REPAIR	3365-17
KIT, HAND HELD HYDRAULIC TOOL KIT (SERIAL NO. -913416).....	3363-44	KIT,CROWD CYLINDER REPAIR 310SG,315SG	3365-18
KIT, HAND HELD HYDRAULIC TOOL KIT (SERIAL NO. 913417-)	3363-46	KIT,ENGINE REBUILD 310G(TURBO), 310SG, 315SG	0452-2
KIT, HARNESS CONNECTOR	1674-8	KIT,ENGINE REBUILD 310G(TURBO), 310SG, 315SG	0452-4
KIT, HARNESS CONNECTOR	1674-9A	KIT,HYDRAULIC RIDE CONTROL	2160-24
KIT, HARNESS CONNECTOR	1674-9C	KIT,HYDRAULIC RIDE CONTROL	2160-26
KIT, HYDRAULIC REMOTE	3362-28	KIT,MULTI-PURPOSE BUCKET CYLINDER REPAIR (SERIAL NO. -925076).....	3102-12
KIT, LOADER BUCKET CYLINDER REPAIR (SERIAL NO. -941225).....	3165-10	KIT,MULTI-PURPOSE BUCKET CYLINDER REPAIR (SERIAL NO. 925077-).....	3102-13
KIT, LOADER BUCKET CYLINDER REPAIR (SERIAL NO. 941226-)	3165-12	KIT,PILOT CONTROL HANDLE,BUTTON FUNCTION	3362-38
KIT, LOADER BUCKET CYLINDER REPAIR (SN 941226-) REPLACEMENT	3165-14	KIT,POWER LINK GREASE KIT (310G)	3345-6
KIT, LOCTITE SERVICE	1330-2	KIT,PROTECTION,BACKHOE BOOM	3344-3
KIT, MAIN HYDRAULIC PUMP (310SG AND 315SG)	2160-4	KIT,PROTECTION,EXT.DIPPERSTICK	3346-8
		KIT,SAE BACKHOE CONTROL LINKAGE PATTERN	3315-26
		KIT,SEAT SLIDE LATCH	1821-4
		KIT,SLIDE PUCK SERVICE	1821-6

ALPHABETICAL INDEX - CONTINUED

	PAGE		PAGE
KIT,STARTER MOTOR (310G) (ENG.SER.NO. 866618-908991)	0422-2	LEVER, FOUR-LEVER CONTROLS, STANDARD BACKHOE (310G,310SG).....	3315-10
KIT,STARTER MOTOR (310SG,315SG)(SERIAL NO. -894292)	0422-3	LEVER, ISOLATED, TRANSMISSION SHIFTER.....	0315-6
KIT,STARTER MOTOR (WITH TURBOCHARGER) (310G) (ENGINE SERIAL NO. -268961).....	0422-2	LEVER, STABILIZER	3315-24
KIT,STARTER MOTOR (WITHOUT TURBOCHARGER) (310G) (ENGINE SERIAL NO. -257521).....	0422-2	LEVER, THIRD FUNCTION LOADER CONTROL.....	3115-10
KIT,STARTER MOTOR(310G W/O TURBO) (ENG.SER.NO.257522-)	0422-4	LEVER, THIRD FUNCTION LOADER CONTROL.....	3115-12
KIT,STARTER MOTOR(310G W/TURBO) (ENG.SER.NO.258962-)	0422-4	LEVER, THREE, BACKHOE CONTROL VALVE (310G AND 310SG).....	3315-8
KIT,STARTER MOTOR(310SG,315SG) (ENG.SER.NO.894293-908991)	0422-4	LEVER, THROTTLE.....	0515-2
KIT,SWING CYLINDER REPAIR (310SG,315SG) (SN -957114).....	3365-19C	LEVER, THROTTLE.....	0515-4
KIT,SWIVEL LATCH.....	1821-6	LEVER, TRANSMISSION CONTROL.....	0315-4
KIT,WATER PUMP REPAIR 310G(TURBO, 310SG, 315SG (VSN 910056-) PE4045TT088,089	0417-4	LEVER, TRANSMISSION SHIFTER.....	0315-6
KIT,WATER PUMP REPAIR 310G(W/O TURBO) (V SN 911769) PE4045DT058.....	0417-4	LEVER,BACKHOE BOOM LOCK CONTROL (310G AND 310SG).....	3315-18
KITS, STABILIZER CYLINDER REPAIR 310G (SERIAL NO. 925947-951995)	3365-22	LEVER,BACKHOE BOOM LOCK CONTROL (315SG).....	3315-22
KITS, STABILIZER CYLINDER REPAIR 310G (SN 951996-)	3365-22A	LEVER,BACKHOE SWING LOCK CONTROL (315SG)	3315-22
KITS, STABILIZER CYLINDER REPAIR 310SG (SERIAL NO. -925993).....	3365-25	LEVER,ENGINE SPEED CONTROL	0515-2
KITS, STABILIZER CYLINDER REPAIR 310SG (SN -926206).....	3365-23	LEVER,ENGINE SPEED CONTROL	0515-4
KITS, STABILIZER CYLINDER REPAIR 310SG (SN 925994-952006).....	3365-26	LEVER,LOADER CONTROL VALVE	3115-6
KITS, STABILIZER CYLINDER REPAIR 310SG (SN 952007-).....	3365-26A	LEVER,LOADER CONTROL VALVE	3115-8
KITS, STABILIZER CYLINDER REPAIR 310SG (SN 952149-).....	3365-24B	LEVER,SEAT LUMBAR SUPPORT CONTROL.....	1821-4
KITS, STABILIZER VALVE (SERIAL NO. -913416).....	3162-24	LEVER,SEAT SLIDE CONTROL.....	1821-4
KNOB, HEATER VALVE	1830-8	LEVER,SEAT SWIVEL CONTROL	1821-4
KNUCKLE AND SPINDLE ASSEMBLY (WITHOUT MFWD)(SERIAL NO. -911131)	0230-2	LEVERS, BACKHOE COVER	1816-2
KNUCKLE HOUSING (MFWD).....	0250-6	LICENCE PLATE BRACKET	1314-2
L			
LABELS	1320-2	LICENCE PLATE LIGHT	1314-2
LABELS	1320-4	LIFT ARM, LOADER	3140-2
LABELS	1320-5A	LIFT ARM, LOADER, HYDRAULICS	3163-2
LABELS	1320-6	LIFT BRACKET, TRANSMISSION	0341-1
LABELS	1320-7A	LIFT BRACKET, TRANSMISSION	0341-2
LABELS	1320-8	LIFT CYLINDER, LOADER BOOM (310G)(SER.# -926493)	3165-2
LAMP, HEADLINER	1811-4	LIFT CYLINDER, LOADER BOOM (310G)(SER.# 926494-)	3165-4
LATCH, HOOD	1910-2	LIFT CYLINDER, LOADER BOOM (310SG AND 315SG)(SER.# 926249-)	3165-9
LATCH, HOOD	1910-4	LIFT CYLINDER, LOADER BOOM (310SG AND 315SG)(SERIAL NO. -910491).....	3165-6
LATCH, REAR WINDOW (SER.NO. -920856)	1814-8	LIFT CYLINDER, LOADER BOOM PINS (310G)(SER.# -926493)	3165-2
LATCH, REAR WINDOW (SER.NO. 920857-)	1814-9A	LIGHT SWITCH, FRONT	1674-2
LATCH, SIDE WINDOW LATCH	1814-2	LIGHT SWITCH, FRONT	1674-3A
LATCH, SIDE WINDOW LATCH	1814-4	LIGHT, DOME	1811-4
LATCH,SEAT SWIVEL	1821-6	LIGHT, LICENCE PLATE	1314-2
LEAD, WIRE, KIT	1674-16	LIGHT,CAB DOME	2001-2
LEAD, WIRE, KIT	1674-18	LIGHTS,STANDARD AND DELUXE SERIAL NO. -XXXXXX	1673-4
LEVER CONVERSION LINKAGE, BACKHOE (SAE PATTERN)	3315-26	LIGHTS,STANDARD AND DELUXE SERIAL NO. XXXXXX-	1673-6
LEVER, FIFTH FN FOR THREE LEVER CONTROLS	3315-16	LIMITED SLIP DIFFERENTIAL (MFWD) (310SG,315SG).....	0250-10
		LINE, POWER BEYOND, HYDRAULIC	3362-4
		LINE, POWER BEYOND, HYDRAULIC	3362-6
		LINE, STABILIZER HYDRAULIC	3362-4
		LINE, STABILIZER HYDRAULIC	3362-6
		LINER, CYLINDER 310G (W/O TURBO) (VSN 911769-).....	0403-2A
		LINER, CYLINDER 310G(TURBO) 310SG 315SG (VSN 910056-)	0403-3A
		LINER, CYLINDER 310G(TURBO), 310SG, 315SG (VSN-910055)	0403-2B
		LINER, CYLINDER 310G (W/O TURBO) (VSN -911768).....	0403-2
		LINES, AUXILIARY EQUIPMENT, EXTENDIBLE (315SG).....	3363-26

ALPHABETICAL INDEX - CONTINUED

	PAGE		PAGE
LINES, AUXILIARY EQUIPMENT, EXTENDIBLE DIPPERSTICK (310G AND 310SG)	3363-24	LOADER BOOM LIFT CYLINDER (310G)(SER.# 926494-)	3165-4
LINES, AUXILIARY EQUIPMENT, STANDARD (310G AND 310SG)	3363-20	LOADER BOOM LIFT CYLINDER (310SG AND 315SG)(SER.# 926249-)	3165-9
LINES, AUXILIARY EQUIPMENT, STANDARD (315SG)	3363-22	LOADER BOOM LIFT CYLINDER (310SG AND 315SG)(SERIAL NO. -910491).....	3165-6
LINES, BUCKET CYLINDER, BACKHOE	3363-8	LOADER BOOM LIFT CYLINDER PINS (310G)(SER.# -926493)	3165-2
LINES, EXTENDIBLE DIPPERSTICK, BUCKET	3363-10	LOADER BOOM LIFT CYLINDER REPAIR KIT (310G)(SER.# -926493)	3165-2
LINES, FUEL FILTER 310G (TURBO), 310SG, 315SG (VSN 910056-)	0420-12	LOADER BOOM LIFT CYLINDER REPAIR KIT (310G)(SER.# 926494-)	3165-4
LINES, FUEL FILTER 310G (TURBO),310SG, 315SG (VSN -910055)	0420-8	LOADER BOOM LIFT CYLINDER REPAIR KIT (310SG AND 315SG)(SER.# 926249-)	3165-9
LINES, FUEL FILTER 310G (W/O TURBO) (VSN -911768)	0420-2	LOADER BOOM LIFT CYLINDER REPAIR KIT (310SG AND 315SG)(SERIAL NO. -910491).....	3165-6
LINES, FUEL FILTER 310G (W/O TURBO) (VSN 911769-)	0420-6	LOADER BOOM OIL LINES	3163-2
LINES, FUEL INJECTION 310G(TURBO),310SG,315SG (VSN 910056-)	0413-10	LOADER BOOM OIL LINES	3163-4
LINES, FUEL INJECTION 310G(W/O TURBO)(VSN 911769-)	0413-6	LOADER BOOM SERVICE LOCK	1313-2
LINES, FUEL INJECTION 310G(TURBO),310SG, 315SG(VSN 893079-907963)(VSN-910055)	0413-8	LOADER BUCKET .76 CUBIC METER (1.00 CUBIC YARD).....	3102-2
LINES, FUEL INJECTION310G(W/O TURBO) (VSN 893079-907963)(VSN -911768)	0413-4	LOADER BUCKET .86 CUBIC METER(1.13 CUBIC YARD).....	3102-4
LINES, HYDRAULIC COOLER	2160-10	LOADER BUCKET .90 CUBIC METER (1.20 CUBIC YARD).....	3102-2
LINES, OIL COOLER, HYDRAULIC	2160-6	LOADER BUCKET .96 CUBIC METER (1.25 CUBIC YARD).....	3102-2
LINES, OIL COOLER, HYDRAULIC	2160-8	LOADER BUCKET 1.00 CUBIC METER(1.30 CUBIC YARD).....	3102-4
LINES, OIL COOLER, HYDRAULIC	2160-9A	LOADER BUCKET COUPLER .76 CUBIC METER (1.00 CUBIC YARD).....	3102-14
LINES, QUICK COUPLER HYDRAULIC	3163-12	LOADER BUCKET COUPLER .96 CUBIC METER (1.25 CUBIC YARD).....	3102-14
LINES, SERVICE BRAKE	1060-6	LOADER BUCKET CUTTING EDGE	3102-2
LINES, TURBOCHARGER OIL (VSN -910055) 310G(TURBO), 310SG, 315SG	0416-6	LOADER BUCKET CUTTING EDGE	3102-4
LINES, TURBOCHARGER OIL (VSN 910056-) 310G(TURBO), 310SG, 315SG	0416-8	LOADER BUCKET CYLINDER (SERIAL NO. -941225)	3165-10
LINES,EXTENDIBLE DIPPERSTICK	3363-18	LOADER BUCKET CYLINDER (SERIAL NO. 941226-)	3165-12
LINKAGE BACKHOE, FIFTH FN LEVER FOR THREE LEVER CONTROLS	3315-16	LOADER BUCKET CYLINDER (SN 941226-) REPLACEMENT	3165-14
LINKAGE THREE LEVER BACKHOE CONTROL VALVE (310G AND 310SG)	3315-8	LOADER BUCKET CYLINDER PINS	3102-6
LINKAGE, BACKHOE CONTROL (SAE PATTERN)	3315-26	LOADER BUCKET CYLINDER REPAIR KIT (SERIAL NO. -941225)	3165-10
LINKAGE, BUCKET LEVELING	3115-2	LOADER BUCKET CYLINDER REPAIR KIT (SERIAL NO. 941226-)	3165-12
LINKAGE, BUCKET LEVELING	3115-4	LOADER BUCKET CYLINDER REPAIR KIT (SN 941226-) REPLACEMENT	3165-14
LINKAGE, ENGINE SPEED CONTROL	0515-2	LOADER BUCKET HYDRAULIC CYLINDER (SERIAL NO. -941225)	3165-10
LINKAGE, FLOOR COVER	1812-2	LOADER BUCKET HYDRAULIC CYLINDER (SERIAL NO. 941226-)	3165-12
LINKAGE, FOUR-LEVER CONTROL VALVE, STANDARD BACKHOE (310G,310SG)	3315-10	LOADER BUCKET HYDRAULIC CYLINDER (SN 941226-) REPLACEMENT	3165-14
LINKAGE, STABILIZER VALVE	3315-24	LOADER BUCKET LIFT CYLINDER HYDRAULICS	3163-6
LINKAGE, TWO LEVER BACKHOE CONTROL VALVE (310G AND 310SG)	3315-6	LOADER BUCKET LIFT CYLINDER HYDRAULICS	3163-8
LINKAGE,LOADER BUCKET	3140-4	LOADER BUCKET LINK PINS.....	3102-6
LINKAGE,LOADER CONTROL VALVE	3115-6	LOADER BUCKET LINKAGE	3140-4
LINKAGE,LOADER CONTROL VALVE	3115-8	LOADER BUCKET PINS.....	3102-6
LINKAGE,RETURN-TO-DIG	3115-2	LOADER BUCKET,COUPLER .86 CUBIC METER (1.13 CUBIC YARD).....	3102-16
LINKAGE,RETURN-TO-DIG	3115-4	LOADER BUCKET,COUPLER 1.00 CUBIC METER (1.31 CUBIC YARD).....	3102-16
LINKAGE,THIRD FUNCTION LOADER CONTROL VALVE	3115-10	LOADER CONTROL COVER	1816-12
LINKAGE,THIRD FUNCTION LOADER CONTROL VALVE	3115-12	LOADER CONTROL VALVE	3162-2
LOAD SENSE RELIEF VALVE (SER.NO.913417-)	3162-26	LOADER CONTROL VALVE LEVER	3115-6
LOADER ARM SERVICE LOCK	1313-2	LOADER CONTROL VALVE LEVER	3115-8
LOADER BOOM	3140-2		
LOADER BOOM CYLINDER HYDRAULICS	3163-2		
LOADER BOOM CYLINDER HYDRAULICS	3163-4		
LOADER BOOM LIFT CYLINDER (310G)(SER.# -926493)	3165-2		

ALPHABETICAL INDEX - CONTINUED

	PAGE		PAGE
LOADER CONTROL VALVE LINKAGE	3115-6	MAIN FRAME BUMPER	
LOADER CONTROL VALVE LINKAGE	3115-8	(SERIAL NUMBER -901551).....	1747-2
LOADER CONTROL VALVE PLUMBING SHIELD	1913-4	MAIN FRAME BUMPER	
LOADER COUPLER, BUCKET	3163-10	(SERIAL NUMBER 901552-).....	1747-4
LOADER COUPLER, VALVE	3162-28	MAIN FRAME BUMPER	
LOADER FORKLIFT FORKS.....	3103-2	(SERIAL NUMBER 901552-).....	1747-6
LOADER LIFT ARM.....	3140-2	MAIN FRAME(310G,310SG)	1740-2
LOADER LIFT ARM PIN	3140-2	MAIN HYDRAULIC HOSES	2160-6
LOADER LIFT ARM, HYDRAULICS	3163-2	MAIN HYDRAULIC HOSES	2160-8
LOADER LINKAGE, FLOOR PLATE	3115-6	MAIN HYDRAULIC HOSES	2160-9A
LOADER VALVE AUXILIARY KIT		MAIN HYDRAULIC HOSES	2160-10
(SERIAL NO. -913416).....	3162-18	MAIN HYDRAULIC PUMP (310G).....	2160-2
LOADER VALVE AUXILIARY SECTION		MAIN HYDRAULIC PUMP (310SG AND 315SG).....	2160-4
(SERIAL NO. -913416).....	3162-16	MAIN HYDRAULIC PUMP SOLENOID VALVE	
LOADER VALVE AUXILIARY SECTION		(310SG AND 315SG)	2160-4
(SERIAL NO. 913417-).....	3162-20	MAIN HYDRAULIC RESERVOIR.....	2160-12
LOADER VALVE BOOM SECTION	3162-8	MAIN HYDRAULIC SEAL KIT(310SG AND 315SG)	2160-4
LOADER VALVE BOOM SECTION	3162-10	MAIN HYDRAULICS	2160-6
LOADER VALVE BUCKET SECTION	3162-12	MAIN HYDRAULICS	2160-8
LOADER VALVE BUCKET SECTION	3162-14	MAIN HYDRAULICS	2160-9A
LOADER VALVE INLET SECTION	3162-6	MAIN HYDRAULICS	2160-10
LOADER VALVE RELIEF		MAIN WIRE HARNESS,CAB	1674-2
(SER.NO.913417-).....	3162-26	MAIN WIRE HARNESS,CAB	1674-3A
LOADER/STABILIZER CONTROL VALVE.....	3162-4	MAIN WIRE HARNESS,CAB	1674-4
LOCK BAR, BOOM SERVICE	1313-2	MANIFOLD, PILOT ACTIVATING	3363-1A
LOCK PIN, HYDRAULIC FRONT COUPLER.....	3104-2	MANIFOLD, PILOT CONTROL	3362-31
LOCK PIN, SWING	1811-2	MANIFOLD,EXHAUST	0410-1
LOCK SWITCH, DIFFERENTIAL	1674-12	MANUAL HOLDER CORD.....	1811-2
LOCK VALVE, SIDE SHIFT		MANUAL HOLDER, OPERATOR.....	1811-2
(315SG).....	3362-30	MASTER DISCONNECT BATTERY SWITCH	1671-6
LOCK, BACHOE BOOM		MASTER SWITCH MOUNTING PLATE	1671-6
(310G AND 310SG)	3315-20	MAT, ANTI-SKID.....	1812-4
LOCK, DIFFERENTIAL ASSEMBLY.....	0210-2	MATS, FLOOR	1812-2
LOCK, SLIDING FRAME HYDRAULICS 315SG	3363-28	MECHANICAL FRONT WHEEL DRIVE, STEERING	
LOCK,VANDAL GUARD	1816-10	CYLINDER (MFWD).....	0960-12
LOCKING PIN, EXTENDIBLE ARM	3346-4	MFWD GUARD	1740-2
LOCKING PIN, EXTENDIBLE ARM	3346-6	MFWD GUARD (315SG).....	1740-4
LOCKING VALVE, SIDE SHIFT		MFWD IDLER SHAFT	0350-7
(315SG).....	3362-30	MFWD OUTPUT SHAFT	0350-8
LOCKOUT VALVE, STABILIZER		MFWD PIPE.....	0350-7
(SER.NO.913417-).....	3162-26	MFWD PLANETARY DRIVE	
LOCTITE SERVICE KIT.....	1330-2	(S.N.962304-962373)	0250-8A
LOUVER, AIR CONDITIONING.....	1830-4	MFWD SOLENOID	0350-7
LOW PRESSURE SWITCH	1830-6	MFWD SOLINOID HOLE PLUG	0360-10
LOW PRESSURE SWITCH	1830-7A	MFWD SWITCH.....	1674-6
LOWERING DEVICE,CONTROLLED, BOOM CYL.KIT	3363-34	MFWD, FRONT AXLE	0250-1
LOWERING DEVICE,CONTROLLED,CROWD CYL.KIT.....	3363-36	MFWD, PLANETARY DRIVE	
LUBRICATION SYSTEM, FRONT AXLE	1370-2	(S.N. -962303)	0250-8
		MFWD, PLANETARY DRIVE	
		(S.N.962374-).....	0250-8B
M		MFWD, SOLENOID, SYNCHRO-SHUTTLE	0360-4
MAGNET, RETURN-TO-DIG.....	3162-12	MIDDLE FLOOR COVER.....	1812-2
MAGNET, RETURN-TO-DIG.....	3162-14	MIRROR BRACKET, INTERIOR REAR VIEW	2002-2
MAIN BEARING CAP		MIRROR, EXTERNAL REAR VIEW	2002-3
310G(TURBO), 310SG, 315SG (VSN-910055)	0404-2	MIRROR, INTERIOR REAR VIEW	2002-2
MAIN BEARINGS		MIRROR, OUTSIDE.....	2002-3
310G (W/O TURBO) (VSN 911769-)	0401-2	MODE DOOR.....	1816-8
MAIN BEARINGS		MODE DOOR WIRING HARNESS.....	1816-8
310G (W/O TURBO) (VSN-911768)	0401-1A	MOLDBOARD,MULTI-PURPOSE BUCKET.....	3102-8
MAIN BEARINGS		MONITOR	1674-6
310G(TURBO),310SG,315SG (VSN -910055)	0401-4	MONITOR PANEL	1674-6
MAIN BEARINGS		MONITOR PANEL SWITCHES	1674-6
310G(TURBO),310SG,315SG (VSN -910055)	0401-5	MOTOR MOUNTS.....	0540-2
MAIN BEARINGS		MOTOR, CAB HEATER (20,000 BTU).....	1830-10
310G(TURBO),310SG,315SG (VSN 910056-).....	0401-6	MOTOR, FRONT WINDSHIELD WIPER	1814-10
MAIN FRAME (315SG).....	1740-4	MOTOR, REAR WINDSHIELD WIPER.....	1814-14

000I-30

310G, 310SG AND 315SG BACKHOE LOADERS

ALPHABETICAL INDEX - CONTINUED

	PAGE	N	PAGE
MOTOR, STARTING (310G) (ENG.SER.NO. 866618-908991)	0422-2		
MOTOR, STARTING (310SG,315SG)(SERIAL NO. -894292)	0422-3		
MOTOR, STARTING (WITH TURBOCHARGER) (310G) (ENGINE SERIAL NO. -268961)	0422-2		
MOTOR, STARTING (WITHOUT TURBOCHARGER) (310G) (ENGINE SERIAL NO. -257521)	0422-2		
MOTOR, STARTING(310G W/O TURBO) (ENG.SER.NO.257522-)	0422-4		
MOTOR, STARTING(310G W/TURBO) (ENG.SER.NO.258962-)	0422-4		
MOTOR, STARTING(310SG,315SG) (ENG.SER.NO.894293-908991)	0422-4		
MOUNTING BRACKETS, COMPRESSOR, AIR CONDITIONING	1830-12		
MOUNTING BRACKETS, COMPRESSOR, AIR CONDITIONING	1830-14		
MOUNTING PLATE, BACKHOE VALVE (PILOT CONTROL)	3315-3A		
MOUNTING PLATE, BACKHOE VALVE 310G,310SG	3315-2		
MOUNTING PLATE, BACKHOE VALVE 315SG	3315-4		
MOUNTING PLATE, BRAKE VALVE	1060-2		
MOUNTING PLATE, RADIO/SPEAKER	2001-2		
MOUNTING PLATE, STABILIZER VALVE (PILOT CONTROL)	3315-3A		
MOUNTING PLATE, STABILIZER VALVE 310G,310SG	3315-2		
MOUNTING PLATE, STABILIZER VALVE 315SG	3315-4		
MOUNTING PLATE, MASTER DISCONNECT SWITCH	1671-6		
MUFFLER	0530-4		
MUFFLER (310G)	0530-2		
MUFFLER, CATALYTIC	0530-6		
MULTI-PURPOSE BUCKET	3102-8		
MULTI-PURPOSE BUCKET	3102-10		
MULTI-PURPOSE BUCKET CUTTING EDGE	3102-8		
MULTI-PURPOSE BUCKET CYLINDER (SERIAL NO. -925076)	3102-12		
MULTI-PURPOSE BUCKET CYLINDER (SERIAL NO. 925077-)	3102-13		
MULTI-PURPOSE BUCKET CYLINDER REPAIR KIT (SERIAL NO. -925076)	3102-12		
MULTI-PURPOSE BUCKET CYLINDER REPAIR KIT (SERIAL NO. 925077-)	3102-13		
MULTI-PURPOSE BUCKET CYLINDER PINS COUPLER	3102-18		
MULTI-PURPOSE BUCKET CYLINDER PINS COUPLER	3102-20		
MULTI-PURPOSE BUCKET HYDRAULIC OIL LINES	3102-10		
MULTI-PURPOSE BUCKET HYDRAULIC OIL LINES, COUPLER	3102-18		
MULTI-PURPOSE BUCKET HYDRAULIC OIL LINES, COUPLER	3102-20		
MULTI-PURPOSE BUCKET HYDRAULIC CYLINDER	3102-10		
MULTI-PURPOSE BUCKET HYDRAULIC CYLINDER, COUPLER	3102-18		
MULTI-PURPOSE BUCKET HYDRAULIC CYLINDER, COUPLER	3102-20		
MULTI-PURPOSE BUCKET MOLDBOARD	3102-8		
MULTI-PURPOSE BUCKET, COUPLER	3102-18		
MULTI-PURPOSE BUCKET, COUPLER	3102-20		
		O	
		O-RING KIT	1369-4
		OIL COOLER	2160-18
		OIL COOLER (310G)	2160-16
		OIL COOLER KIT (310G)	2160-22
		OIL COOLER LINES, HYDRAULIC	2160-6
		OIL COOLER LINES, HYDRAULIC	2160-8
		OIL COOLER LINES, HYDRAULIC	2160-9A
		OIL COOLER, ENGINE	0419-2
		OIL COOLER, HI-AMBIENT	2160-20
		OIL COOLER, HYDRAULIC	2160-18
		OIL COOLER, TRANSMISSION	2160-18
		OIL DIPSTICK PE4045DT058 (VSN 929330-)	0407-5
		OIL FILL INLET	0407-2
		OIL FILLER OPENING COVER	0407-2
		OIL FILTER, CHARGE PUMP	0360-5
		OIL FILTER, ENGINE (VSN -911768) 310G (W/O TURBO)	0407-12
		OIL FILTER, ENGINE (VSN -910055) 310G(TURBO),310SG,315SG	0407-16
		OIL FILTER, ENGINE (VSN 911769-) 310G (W/O TURBO)	0407-14
		OIL FILTER, TRANSMISSION	0360-5
		OIL FILTER, ENGINE (VSN 910056-) 310G(TURBO),310SG,315SG	0407-18
		OIL LINES, LOADER BOOM	3163-2
		OIL LINES, LOADER BOOM	3163-4
		OIL LINES, TURBOCHARGER (VSN -910055) 310G(TURBO), 310SG, 315SG	0416-6
		OIL LINES, TURBOCHARGER (VSN 910056-) 310G(TURBO), 310SG, 315SG	0416-8
		OIL PAN GASKET 310G (W/O TURBO) (VSN -911768)(VSN 911769-)	0407-6
		OIL PAN GASKET 310G (W/O TURBO) (VSN 893079 - 907963)	0407-6
		OIL PAN GASKET 310G(TURBO),310SG,315SG (VSN 893079-907963)(VSN -910055)	0407-8
		OIL PAN GASKET 310G(TURBO),310SG,315SG (VSN 910056-)	0407-10

0001-31

310G, 310SG AND 315SG BACKHOE LOADERS

ALPHABETICAL INDEX - CONTINUED

	PAGE		PAGE
OIL PAN,ENGINE 310G (W/O TURBO) (VSN -911768)(VSN 911769-)	0407-6	PARK BRAKE PISTON (AXLE SERIAL NO. 217497-)	1111-4
OIL PAN,ENGINE 310G (W/O TURBO) (VSN 893079 - 907963)	0407-6	PARK BRAKE SEPERATOR PLATE (AXLE SERIAL NO. -217496).....	1111-2
OIL PAN,ENGINE 310G(TURBO),310SG,315SG (VSN 893079-907963)(VSN -910055)	0407-8	PARK BRAKE SEPERATOR PLATE (AXLE SERIAL NO. 217497-).....	1111-4
OIL PAN,ENGINE 310G(TURBO),310SG,315SG (VSN 910056-)	0407-10	PARK BRAKE SOLENOID	0350-7
OPERATOR MANUAL HOLDER.....	1811-2	PARK BRAKE SOLENOID	0360-10
OPERATOR STATION SKIRTS.....	1927-2	PARK BRAKE, SOLENOID, SYNCHRO-SHUTTLE	0360-4
OPERATOR'S SEAT	1821-18	PATTERN SELECTOR HARNESS.....	3362-32
OUTPUT SHAFT DOG GEAR	0350-8	PATTERN SELECTOR VALVE	3362-32
OUTPUT SHAFT SCREEN	0350-8	PATTERN SELECTOR, SWITCH.....	3362-32
OUTPUT SHAFT SLIDING SLEEVE	0350-8	PEDAL FIELD KIT, FIFTH FUNCTION (PILOT CONTROL)	3315-13A
OUTPUT SHAFT YOKE, TRANSMISSION	0350-18	PEDAL FIELD KIT, SIXTH FUNCTION (PILOT CONTROL)	3315-15A
OUTPUT SHAFT, MFWD.....	0350-8	PEDAL, AUXILIARY FUNCTION (PILOT CONTROL)	3315-15A
OUTPUT SHAFT, TRANSMISSION (MFWD).....	0350-26	PEDAL, BRAKE	1060-2
OUTPUT YOKE, TRANSMISSION	0350-9	PEDAL, EXTENDIBLE DIPPER (PILOT CONTROL)	3315-13A
OUTSIDE MIRROR.....	2002-3	PEDAL, FIFTH FUNCTION.....	3315-12
OVERHAUL KIT, ENGINE.....	0450-2	PEDAL, FIFTH FUNCTION (PILOT CONTROL)	3315-13A
OVERHUAL KIT, ENGINE 310G(TURBO), 310SG, 315SG	0452-2	PEDAL, SELECTIVE FLOW CONTROL VALVE	1674-10
P			
PACKAGE, ENVIORMENTAL DRAIN	1369-6	PEDAL, SIXTH FUNCTION	3315-14
PAD SEAT BACK	1821-2	PEDAL, SIXTH FUNCTION (PILOT CONTROL)	3315-15A
PAD SEAT BACK	1821-3A	PEDAL, SPEED CONTROL.....	0515-2
PAD,EXTENDIBLE ARM	3346-4	PEDAL, SPEED CONTROL	0515-4
PAD,EXTENDIBLE ARM	3346-6	PILOT ACTIVATING MANIFOLD.....	3363-1A
PALLET FORKS.....	3103-2	PILOT BACKHOE BOOM SECTION VALVE.....	3362-40
PAN, SEAT BACK	1821-4	PILOT BACKHOE BUCKET SECTION VALVE	3362-42
PAN,ENGINE OIL 310G (W/O TURBO) (VSN -911768)(VSN 911769-)	0407-6	PILOT BACKHOE CROWD SECTION VALVE	3362-44
PAN,ENGINE OIL 310G (W/O TURBO) (VSN 893079 - 907963)	0407-6	PILOT BACKHOE SWING SECTION VALVE	3362-46
PAN,ENGINE OIL 310G(TURBO),310SG,315SG (VSN 893079-907963)(VSN -910055)	0407-8	PILOT CONTROL HANDLE BUTTON FUNCTION KIT	3362-38
PAN,ENGINE OIL 310G(TURBO),310SG,315SG (VSN 910056-)	0407-10	PILOT CONTROL HYDRAULICS	3363-1C
PANEL, FRONT INSTRUMENT	1816-8	PILOT CONTROL MANIFOLD.....	3362-31
PANEL, RADIO TRIM	2001-2	PILOT CONTROL VALVE, BACKHOE	3362-4
PANEL, REAR KICK	1812-2	PILOT CONTROL VALVE, BACKHOE	3362-6
PANEL,FUSE	1674-2	PILOT CONTROL VALVE, LEFT.....	3362-34
PANEL,FUSE	1674-3A	PILOT CONTROL VALVE, RIGHT	3362-36
PANEL,MONITOR.....	1674-6	PILOT CONTROLLER ARM (LEFT SIDE).....	1816-14
PANELS, ENGINE SIDE	1910-2	PILOT CONTROLLER ARM (RIGHT SIDE).....	1816-16
PANELS, ENGINE SIDE	1910-4	PILOT ENABLE.....	1674-5A
PARK BRAKE (AXLE SERIAL NO. -217496).....	1111-2	PILOT ENABLE SWITCH.....	1674-5A
PARK BRAKE (AXLE SERIAL NO. 217497-).....	1111-4	PILOT SELECTOR VALVE HYDRAULICS.....	3363-1C
PARK BRAKE CLUTCH DISK (AXLE SERIAL NO. -217496).....	1111-2	PIN, AXLE PIVOT (WITHOUT MFWD) (SERIAL NO. -911131).....	0230-2
PARK BRAKE CLUTCH DISK (AXLE SERIAL NO. 217497-).....	1111-4	PIN, BACKHOE BOOM.....	3344-2
PARK BRAKE HOUSING (AXLE SERIAL NO. -217496).....	1111-2	PIN, BACKHOE BUCKET LUBE KIT (310G)	3345-6
PARK BRAKE HOUSING (AXLE SERIAL NO. 217497-).....	1111-4	PIN, BUCKET	3346-2
PARK BRAKE OIL PRESSURE SWITCH.....	1674-8	PIN, CROWD	3346-2
PARK BRAKE OIL PRESSURE SWITCH.....	1674-9A	PIN, DIPPERSTICK	3346-2
PARK BRAKE OIL PRESSURE SWITCH.....	1674-9C	PIN, KING (WITHOUT MFWD) (SERIAL NO. -911131)	0230-2
PARK BRAKE PISTON (AXLE SERIAL NO. -217496).....	1111-2	PIN, KING, FRONT AXLE (MFWD)	0250-6
		PIN, SWING LOCK	1811-2
		PIN,FRONT AXLE PIVOT (MFWD).....	0250-1
		PIN,FRONT AXLE PIVOT (WITHOUT MFWD) (SERIAL NO. 911132-)	0230-5
		PIN,LOADER LIFT ARM	3140-2
		PINION GEAR, PLANETARY	0210-1

ALPHABETICAL INDEX - CONTINUED

	PAGE		PAGE
PINION, BEVEL WITH LOCK	0210-2	PLANETARY DRIVE (MFWD)	
PINS AND BUCKET LINKS, BACKHOE		(S.N. -962303)	0250-8
(310SG AND 315SG)	3345-4	PLANETARY DRIVE (MFWD)	
PINS AND BUCKET LINKS, BACKHOE (310G)	3345-2	(S.N.962304-962373)	0250-8A
PINS, BACKHOE BUCKET AND LINKS		PLANETARY DRIVE (MFWD)	
(310SG AND 315SG)	3345-4	(S.N.962374-)	0250-8B
PINS, BACKHOE BUCKET AND LINKS (310G)	3345-2	PLANETARY DRIVE (MFWD)(310G)	0250-9
PINS, LOADER BOOM LIFT CYLINDER		PLANETARY PINION CARRIER	0210-1
(310G)(SER.# -926493)	3165-2	PLANETARY PINION GEAR	0210-1
PINS, LOADER BUCKET CYLINDER	3102-6	PLANETARY RING GEAR	0210-1
PINS, LOADER BUCKET LINK	3102-6	PLATE, BULKHEAD	3363-32
PINS, MULTI-PURPOSE BUCKET CYLINDER	3102-10	PLATE, BRAKE VALVE MOUNTING	1060-2
PINS, MULTI-PURPOSE BUCKET CYLINDER,		PLATE, REAR AXLE HOUSING MOUNTING	0201-2
COUPLER	3102-18	PLATE, REAR AXLE HOUSING MOUNTING	0201-4
PINS, MULTI-PURPOSE BUCKET CYLINDER,		PLUG, FRONT CAB MOUNT FLOOR HOLES	1812-4
COUPLER	3102-20	PLUG, TIMING PIN HOLE, STANADYNE DE10	
PINS, MULTI-PURPOSE BUCKET HINGE	3102-8	310G (W/O TURBO) (VSN 911769-)	0413-12A
PINS, SWING FRAME 315SG	3343-4	PLUG, TIMING PIN HOLE, STANADYNE DE10	
PINS, BACKHOE BUCKET	3302-14	310G (W/O TURBO) (VSN 911769-)	0413-12B
PINS, BACKHOE BUCKET	3302-16	PLUG, TIMING PIN HOLE, STANADYNE DE10	
PINS, LOADER BUCKET	3102-6	310G(TURBO), 310SG/315SG (VSN 910056-)	0413-13A
PINS, STABILIZER ARM (310G, 310SG)	3348-2	PLUG, TIMING PIN HOLE, STANADYNE DE10	
PINS, STABILIZER CYLINDER	3348-4	310G(TURBO), 310SG/315SG (VSN 910056-)	0413-13B
PINS, SWING FRAME		PLUMBING KIT, ATTACHMENT	3363-42
(310G, 310SG)	3343-2	PLUMBING, BRAKE VALVE BOOST	
PIPE, EXHAUST PIPE	0530-4	(CAB), 310G AND 310SG	1060-8
PIPE, EXHAUST PIPE (310G)	0530-2	PLUMBING, BRAKE VALVE BOOST	
PIPE, MFWD	0350-7	(ROPS), 310G AND 310SG	1060-10
PISTON RINGS		PLUMBING, DIFFERENTIAL LOCK	0210-6
310G (W/O TURBO) (VSN 911769-)	0403-2A	POSITION SWITCH, SEAT	1821-8
PISTON RINGS		POST, REMOTE START	1671-8
310G(TURBO) 310SG 315SG (VSN 910056-)	0403-3A	POTENTIOMETER, ENGINE SPEED CONTROL	0515-4
PISTON RINGS		POWER BEYOND HYDRAULIC LINE	3362-4
310G(TURBO), 310SG, 315SG (VSN-910055)	0403-2B	POWER BEYOND HYDRAULIC LINE	3362-6
PISTON RINGS 310G (W/O TURBO)		POWER LINK (310G)	3345-2
(VSN -911768)	0403-2	POWER LINK (310SG AND 315SG)	3345-4
PISTON, BRAKE	1011-2	POWER LINK GREASE KIT	
PISTON, BRAKE VALVE	1060-4	(310G)	3345-6
PISTON, CLUTCH ASSEMBLY	0350-2	POWER SHIFT CLUTCH ASSEMBLY, FIRST GEAR	0350-14
PISTON, CLUTCH ASSEMBLY	0350-4	POWER SHIFT CLUTCH ASSEMBLY, FORWARD	0350-22
PISTON, ENGINE		POWER SHIFT CLUTCH ASSEMBLY, FOURTH GEAR	0350-20
310G (W/O TURBO) (VSN 911769-)	0403-2A	POWER SHIFT CLUTCH ASSEMBLY, REVERSE	0350-24
PISTON, ENGINE		POWER SHIFT CLUTCH ASSEMBLY, SECOND GEAR	0350-16
310G(TURBO) 310SG 315SG (VSN 910056-)	0403-3A	POWER SHIFT CLUTCH ASSEMBLY, THIRD GEAR	0350-18
PISTON, ENGINE		POWER STEERING CYLINDER (WITHOUT MFWD)	
310G(TURBO), 310SG, 315SG (VSN-910055)	0403-2B	(SERIAL NO. -911131)	0960-14
PISTON, ENGINE 310G (W/O TURBO)		POWER STEERING CYLINDER (WITHOUT MFWD)	
(VSN -911768)	0403-2	(SERIAL NO. -911131)	0960-16
PISTON, PARK BRAKE		PRE CLEANER	0520-4
(AXLE SERIAL NO. -217496)	1111-2	PRESSURE REDUCING VALVE, MANIFOLD	
PISTON, PARK BRAKE		(PILOT CONTROL)	3362-31
(AXLE SERIAL NO. 217497-)	1111-4	PRESSURE REGULATOR, STANADYNE DE10	
PISTON, RANGE SHIFT VALVE, POWER SHIFT	0360-8	310G (W/O TURBO) (VSN 911769-)	0413-12A
PISTON, SLIDING FRAME LOCK 315SG	3363-28	PRESSURE REGULATOR, STANADYNE DE10	
PISTON, TRANSMISSION CONTROL VALVE	0360-2	310G (W/O TURBO) (VSN 911769-)	0413-12B
PISTON, TRANSMISSION CONTROL VALVE		PRESSURE REGULATOR, STANADYNE DE10	
(POWER SHIFT)	0360-6	310G(TURBO), 310SG/315SG (VSN 910056-)	0413-13A
PIVOT, SHIFT HOUSING	0315-2	PRESSURE REGULATOR, STANADYNE DE10	
PLANET GEAR (MFWD)		310G(TURBO), 310SG/315SG (VSN 910056-)	0413-13B
(S.N. -962303)	0250-8	PRESSURE SWITCH (ENGINE OIL)	
PLANET GEAR (MFWD)		(SN 910056-)	1674-9E
(S.N.962304-962373)	0250-8A	PRESSURE SWITCH HARNESS, A/C	1674-4
PLANET GEAR (MFWD)		PRESSURE SWITCH, BRAKE LIGHT	1060-2
(S.N.962374-)	0250-8B	PRESSURE, ENGINE OIL SWITCH	1674-8
PLANET GEAR (MFWD)(310G)	0250-9	PRESSURE, ENGINE OIL SWITCH	1674-9A
PLANETARY CARRIER SHAFT	0210-1	PRESSURE, ENGINE OIL SWITCH	1674-9C
		PRIORITY VALVE INLET SECTION, BACKHOE	3362-8

ALPHABETICAL INDEX - CONTINUED

	PAGE	PAGE	
PROTECTION COVER, LOADER PLUMBING.....	1913-4	QUICK COUPLER FORKS AND FRAME.....	3103-2
PROTECTION KIT, BACKHOE BOOM.....	3344-3	QUICK COUPLER PIN ENGAGE AUDIBLE ALARM.....	1674-5C
PROTECTION KIT, EXT. DIPPERSTICK.....	3346-8	QUICK COUPLER PIN, DISCONNECT SWITCH.....	1674-5C
PROTECTIVE SLEEVES.....	2160-18	QUICK COUPLER WIRING HARNESS.....	1674-5C
PROTECTIVE SLEEVES.....	2160-20	QUICK COUPLER, HYDRAULICS.....	3163-12
PROTECTIVE SLEEVES (310G).....	2160-16	QUICK COUPLER, HYDRAULICS LINES.....	3163-12
PROTECTIVE SLEEVES (310G).....	2160-22	QUICK COUPLER, LOADER BUCKET.....	3163-10
PTO PUMP DRIVE SHAFT.....	0350-6	QUICK COUPLER, LOADER BUCKET VALVE.....	3162-28
PTO PUMP DRIVE SHAFT, POWER SHIFT.....	0350-12		
PULLEY ALTERNATOR		R	
(SN -XXXXX).....	1672-2	RADIATOR.....	0510-2
PULLEY ALTERNATOR		RADIATOR CAP.....	0510-2
(SN -XXXXX).....	1672-4	RADIATOR DRAIN VALVE.....	0510-2
PULLEY ALTERNATOR		RADIATOR FAN GUARD.....	0510-2
(SN XXXXXX-).....	1672-6	RADIATOR FAN SHROUD.....	0510-2
PULLEY, FAN DRIVE		RADIATOR HOSES.....	0510-2
310G(TURBO), 310SG, 315SG.....	0429-2	RADIO.....	2001-2
PULLEY, WATER PUMP		RADIO ANTENA.....	2001-2
310G(TURBO), 310SG, 315SG.....	0417-2	RADIO SPEAKER.....	2001-2
PUMP CONTROL RELAY AND HARNESS.....	1674-10	RAIL, SHIFT.....	0315-1
PUMP, ENGINE OIL.....	0407-20	RANGE SHIFT VALVE, POWER SHIFT.....	0360-8
PUMP, FUEL INJECTION		REAR AXLE ASSEMBLY.....	0201-2
310G(TURBO), 310SG, 315SG (VSN 910056-).....	0413-10	REAR AXLE ASSEMBLY.....	0201-4
PUMP, FUEL INJECTION		REAR AXLE HOUSING MOUNTING PLATE.....	0201-2
310G(W/O TURBO)(VSN 911769-).....	0413-6	REAR AXLE HOUSING MOUNTING PLATE.....	0201-4
PUMP, FUEL INJECTION 310G(TURBO), 310SG, 315SG,		REAR AXLE RING GEAR AND PINION.....	0210-4
315SG(VSN 893079-907963)(VSN-910055).....	0413-8	REAR AXLE SPIRAL BEVEL INPUT PINION.....	0210-4
PUMP, FUEL INJECTION 310G(W/O TURBO)		REAR AXLE YOKE.....	0210-4
(VSN 893079-907963)(VSN -911768).....	0413-4	REAR CONSOLE COVER FOR THREE LEVERS.....	1816-4
PUMP, FUEL TRANSFER.....	0421-2	REAR CORNER WINDOWPANE	
PUMP, MAIN HYDRAULIC (310G).....	2160-2	(SER.NO. -920856).....	1814-8
PUMP, MAIN HYDRAULIC (310SG AND 315SG).....	2160-4	REAR CORNER WINDOWPANE	
PUMP, WINDSHIELD WASHER.....	1814-12	(SER.NO. 920857-).....	1814-9A
PUMP, CHARGE.....	0360-5	REAR DRIVE SHAFT UNIVERSAL JOINT	
PUMP, WATER 310G(TURBO), 310SG, 315SG		(REVERSER).....	0325-2
(VSN -910055) T0/PE4045TT080,081.....	0417-3	REAR DRIVE SHAFT(REVERSER).....	0325-2
PUMP, WATER 310G(TURBO), 310SG, 315SG		REAR DRIVE WHEEL.....	0110-2
(VSN 910056-) PE4045TT088,089.....	0417-4	REAR FLOOR COVER.....	1812-2
PUMP, WATER 310G(W/O TURBO)		REAR FLOOR MAT.....	1812-2
(VSN -911768) T0/PE4045DT056.....	0417-3	REAR KICK PANEL.....	1812-2
PUMP, WATER 310G(W/O TURBO) (VSN 911769-)		REAR VIEW MIRROR, EXTERNAL.....	2002-3
PE4045DT058.....	0417-4	REAR VIEW MIRROR, INTERIOR.....	2002-2
PUSH BUTTON, DIFFERENTIAL LOCK.....	1674-12	REAR WINDOW LATCH	
PUSH ROD, BRAKE VALVE.....	1060-4	(SER.NO. -920856).....	1814-8
PUSH ROD, FUEL TRANSFER PUMP.....	0421-2	REAR WINDOW LATCH	
PUSH RODS.....	0402-2	(SER.NO. 920857-).....	1814-9A
		REAR WINDOW WEATHERSTRIP	
Q		(SER.NO. -920856).....	1814-8
QUARTER CAB.....	1811-2	REAR WINDOW WEATHERSTRIP	
QUARTER CAB ROOF.....	1811-6	(SER.NO. 920857-).....	1814-9A
QUARTER CAB WINDSHIELD.....	1814-6	REAR WINDOWS	
QUICK CONNECT COUPLER.....	2160-6	(SER.NO. -920856).....	1814-8
QUICK CONNECT COUPLER.....	2160-8	REAR WINDOWS	
QUICK COUPLER		(SER.NO. 920857-).....	1814-9A
(CASE).....	3302-10	REAR WINDSHIELD WIPER MOTOR.....	1814-14
QUICK COUPLER		REAR WIPER ENABLE SWITCH.....	1814-14
(FORD).....	3302-12	RECEIVER DRYER HOSES.....	1830-12
QUICK COUPLER (STANDARD)		RECEIVER DRYER HOSES.....	1830-14
(310G).....	3302-8	RECEIVER DRYER, AIR CONDITIONING.....	1830-12
QUICK COUPLER (STANDARD)		RECEIVER DRYER, AIR CONDITIONING.....	1830-14
(310SG AND 315SG).....	3302-6	REFRIGERANT HOSE.....	1830-6
QUICK COUPLER (UNIVERSAL)		REFRIGERANT HOSE.....	1830-7A
(310G).....	3302-4	REFRIGERANT LINE.....	1830-6
QUICK COUPLER (UNIVERSAL)		REFRIGERANT LINE.....	1830-7A
(310SG AND 315SG).....	3302-2		

ALPHABETICAL INDEX - CONTINUED

	PAGE		PAGE
REGULATOR, PRESSURE, STANADYNE DE10 310G (W/O TURBO) (VSN 911769-)	0413-12A	REPAIR KIT, LOADER BOOM LIFT CYLINDER (310G)(SER.# 926494-)	3165-4
REGULATOR, PRESSURE, STANADYNE DE10 310G (W/O TURBO) (VSN 911769-)	0413-12B	REPAIR KIT, LOADER BOOM LIFT CYLINDER (310SG AND 315SG)(SER.# 926249-)	3165-9
REGULATOR, PRESSURE, STANADYNE DE10 310G(TURBO),310SG/315SG (VSN 910056-)	0413-13A	REPAIR KIT, LOADER BOOM LIFT CYLINDER (310SG AND 315SG)(SERIAL NO. -910491)	3165-6
REGULATOR, PRESSURE, STANADYNE DE10 310G(TURBO),310SG/315SG (VSN 910056-)	0413-13B	REPAIR KIT, LOADER BUCKET CYLINDER (SERIAL NO. -941225)	3165-10
RELAY, ACTUATOR DOOR	1674-4	REPAIR KIT, LOADER BUCKET CYLINDER (SERIAL NO. 941226-)	3165-12
RELAY, PUMP CONTROL AND HARNESS	1674-10	REPAIR KIT, LOADER BUCKET CYLINDER (SN 941226-) REPLACEMENT	3165-14
RELAY, STARTER	1674-8	REPAIR KIT, STABILIZER CYLINDER 310G (SERIAL NO. -925946)	3365-21A
RELAY, STARTER	1674-9A	REPAIR KIT, STABILIZER CYLINDER (310SG) (SN 926207-952148)	3365-24
RELAY, STARTER	1674-9C	REPAIR KIT, STABILIZER CYLINDER (315SG) (SERIAL NO. 944156-)	3365-28
RELAY, TIMER	1674-4	REPAIR KIT, STABILIZER CYLINDER (315SG) (SN -944155)	3365-27
RELIEF VALVE, ATTACHMENT PLUMBING KIT	3363-42	REPAIR KIT, STEERING VALVE (SERIAL NO. -911131)	0960-6
RELIEF VALVE, AUXILIARY SECTION (SERIAL NO. -913416)	3162-16	REPAIR KIT, SWING CYLINDER (310G) (SN -957128)	3365-19
RELIEF VALVE, AUXILIARY SECTION (SERIAL NO. 913417-)	3162-20	REPAIR KIT, SWING CYLINDER (310G) (SN 957129-)	3365-19A
RELIEF VALVE, BOOM PILOT SECTION	3362-40	REPAIR KIT, SWING CYLINDER (310G,310SG) (SN 957115-)	3365-20
RELIEF VALVE, BOOM SECTION	3162-8	REPAIR KIT, SWING CYLINDER (310SG,315SG) (SN -957114)	3365-19C
RELIEF VALVE, BOOM SECTION	3162-10	REPAIR KIT,BOOM CYLINDER (310SG AND 315SG)(SER.# 910492-926248)	3165-8
RELIEF VALVE, BOOM SECTION	3362-10	REPAIR KIT,CROWD CYLINDER	3365-17
RELIEF VALVE, BUCKET PILOT SECTION	3362-42	REPAIR KIT,CROWD CYLINDER 310SG,315SG	3365-18
RELIEF VALVE, BUCKET SECTION	3162-12	REPAIR KITS, STABILIZER CYLINDER 310G (SERIAL NO. 925947-951995)	3365-22
RELIEF VALVE, BUCKET SECTION	3162-14	REPAIR KITS, STABILIZER CYLINDER 310G (SN 951996-)	3365-22A
RELIEF VALVE, BUCKET SECTION	3362-12	REPAIR KITS, STABILIZER CYLINDER 310SG (SN -926206)	3365-23
RELIEF VALVE, CROWD PILOT SECTION	3362-44	REPAIR KITS, STABILIZER CYLINDER 310SG (SN 952149-)	3365-24B
RELIEF VALVE, CROWD SECTION	3362-14	REPAIR KITS, STABILIZER CYLINDER 310SG (SERIAL NO. -925993)	3365-25
RELIEF VALVE, INLET SECTION	3162-6	REPAIR KITS, STABILIZER CYLINDER 310SG (SN 925994-952006)	3365-26
RELIEF VALVE, LOADER (SER.NO.913417-)	3162-26	REPAIR KITS, STABILIZER CYLINDER 310SG (SN 952007-)	3365-26A
RELIEF VALVE, SELECTIVE FLOW SECTION	3362-20	REPLACEMENT, RETURN-TO-DIG	1674-14
RELIEF VALVE, SIDE SHIFT (315SG)	3362-30	RESERVOIR BREATHER FILTER, HYDRAULIC	2160-12
RELIEF VALVE, SWING PILOT SECTION	3362-46	RESERVOIR, MAIN HYDRAULIC SCREEN	2160-12
RELIEF VALVE, SWING SECTION	3362-16	RESERVOIR, MAIN HYDRAULICS	2160-12
RELIEF, MAIN HYDRAULIC PUMP (310SG AND 315SG)	2160-4	RESERVOIR, WINDSHIELD WASHER	1814-12
REMOTE KIT, HYDRAULIC	3362-28	RESISTOR (FRONT WIRE HARNESS) (SN 910056-)	1674-9E
REMOTE START POST	1671-8	RESISTOR, CAN TERMINATION	1674-9A
REMOTE START POST COVER	1671-8	RESISTOR, CAN TERMINATION	1674-9C
REPAIR KIT, BACKHOE BOOM CYLINDER (310G)	3365-2	RESISTORS, CAN TERMINATION	1674-4
REPAIR KIT, BACKHOE BOOM CYLINDER (310G)(SN 926130-)	3365-4	RESTRICTION INDICATOR SWITCH,AIR CLEANER	0520-2
REPAIR KIT, BACKHOE BOOM CYLINDER (310SG,315SG)(SN -926129)	3365-6	RETURN-TO-DIG CABLE	3115-2
REPAIR KIT, BACKHOE BOOM CYLINDER (310SG,315SG)(SN 926130-)	3365-8	RETURN-TO-DIG LINKAGE	3115-2
REPAIR KIT, BACKHOE BUCKET CYLINDER (310G)(SER.# 910901-925926)	3365-11	RETURN-TO-DIG LINKAGE	3115-4
REPAIR KIT, BACKHOE BUCKET CYLINDER (310G)(SER.# 925927-)	3365-12	RETURN-TO-DIG MAGNET	3162-12
REPAIR KIT, BACKHOE BUCKET CYLINDER (310G)(SN -910900)	3365-10	RETURN-TO-DIG MAGNET	3162-14
REPAIR KIT, BACKHOE BUCKET CYLINDER (310SG,315SG) (SN -926788)	3365-15	RETURN-TO-DIG SWITCH	1674-14
REPAIR KIT, BACKHOE BUCKET CYLINDER (310SG,315SG) (SN 926789-)	3365-16	REVERSE ALARM (310G,310SG)	2004-2
REPAIR KIT, BACKHOE BUCKET CYLINDER (310SG,315SG) SERIAL NO. 926130-)	3365-14		
REPAIR KIT, BACKHOE BUCKET CYLINDER 310SG,315SG (SERIAL NO. -926129)	3365-13		
REPAIR KIT, LOADER BOOM LIFT CYLINDER (310G)(SER.# -926493)	3165-2		

ALPHABETICAL INDEX - CONTINUED

	PAGE		PAGE
REVERSE ALARM (315SG)	2004-4	RUBER BUMPER ACCELERATOR PEDAL	1812-4
REVERSE CLUTCH ASSEMBLY	0350-4		
REVERSE CLUTCH ASSEMBLY, POWER SHIFT	0350-24	S	
REVERSE CLUTCH CARRIER, POWER SHIFT	0350-24	SAE BACKHOE CONTROL LINKAGE PATTERN KIT	3315-26
REVERSE, BELLVILLEWASHER, POWERSHIFT	0350-24	SAE PATTERN, BACKHOE CONTROL LEVER	3315-26
RIDE CONTROL	2160-24	SCISSOR FRAME (ARM) SEAT SUSPENSION	1821-10
RIDE CONTROL	2160-26	SCREEN, CAB HEATER FAN (20,000 BTU)	1830-10
RIDE CONTROL HYDRAULIC HOSE	2160-24	SCREEN, EXTENDED GRILLE	1921-4
RIDE CONTROL HYDRAULIC HOSE	2160-26	SCREEN, GRILLE	1921-2
RIDE CONTROL SWITCH	1674-6	SCREEN, MAIN HYDRAULIC RESERVOIR	2160-12
RIM, FRONT WHEEL (MFWD)	0110-3	SCREEN, REAR, OUTPUT SHAFT	0350-8
RIM, FRONT WHEEL (WITHOUT MFWD)	0120-1	SCREW, TRANSFER PUMP TAP, STANADYNE DE10 310G (W/O TURBO) (VSN 911769-)	0413-12A
RING GEAR (MFWD) (S.N. -962303)	0250-8	SCREW, TRANSFER PUMP TAP, STANADYNE DE10 310G (W/O TURBO) (VSN 911769-)	0413-12B
RING GEAR (MFWD) (S.N.962304-962373)	0250-8A	SCREW, TRANSFER PUMP TAP, STANADYNE DE10 310G(TURBO),310SG/315SG (VSN 910056-)	0413-13A
RING GEAR (MFWD) (S.N.962374-)	0250-8B	SCREW, TRANSFER PUMP TAP, STANADYNE DE10 310G(TURBO),310SG/315SG (VSN 910056-)	0413-13B
RING GEAR (MFWD)(310G)	0250-9	SEAL, INPUT SHAFT (AXLE SERIAL NO. -217496)	1111-2
RING GEAR AND PINION, REAR AXLE	0210-4	SEAL, ISOLATOR	0510-2
RING GEAR, FLYWHEEL	0433-2	SEAL, SHAFT, INPUT (AXLE SERIAL NO. 217497-)	1111-4
RING GEAR, PLANETARY	0210-1	SEAL, CRANKSHAFT FRONT OIL (VSN -911768) 310G (W/O TURBO)	0402-4
RINGS, PISTON 310G (W/O TURBO) (VSN 911769-)	0403-2A	SEAL, CRANKSHAFT FRONT OIL (VSN-910055) 310G(TURBO), 310SG, 315SG	0402-6
RINGS, PISTON 310G(TURBO) 310SG 315SG (VSN 910056-)	0403-3A	SEAL, CRANKSHAFT FRONT OIL 310G (W/O TURBO) (VSN 911769-)	0402-4B
RINGS, PISTON 310G(TURBO), 310SG, 315SG (VSN-910055)	0403-2B	SEAL, CRANKSHAFT FRONT OIL 310G(TURBO), 310SG, 315SG (VSN910056-)	0402-6B
RINGS, PISTON 310G (W/O TURBO) (VSN -911768)	0403-2	SEAL, CRANKSHAFT REAR OIL (VSN -910055)	0433-3
ROCKER ARM COVER	0402-3	SEAL, CRANKSHAFT REAR OIL (VSN 910056-)	0433-4
ROCKER ARM COVER GASKET	0402-3	SEAL, SLIDING YOKE (MFWD)	0250-2
ROCKER ARM SHAFT	0402-2	SEAT ADJUSTING SWITCH	1821-16
ROCKER ARMS	0402-2	SEAT BACK	1821-4
ROD ASSEMBLY, TIE (MFWD)	0250-4	SEAT BACK PAD	1821-2
ROD, BUCKET LEVELING	3115-2	SEAT BACK PAD	1821-3A
ROD, BUCKET LEVELING	3115-4	SEAT BACK PAN	1821-4
ROD, CONNECTING 310G (W/O TURBO) (VSN 911769-)	0403-2A	SEAT BASE FOR NON-SUSPENDED SEAT	1821-14
ROD, CONNECTING 310G(TURBO) 310SG 315SG (VSN 910056-)	0403-3A	SEAT BASE WITH NON-SUSPENDED SEAT	1821-12
ROD, CONNECTING 310G(TURBO), 310SG, 315SG (VSN-910055)	0403-2B	SEAT BELT COVER	1821-2
ROD, CONNECTING 310G (W/O TURBO) (VSN -911768)	0403-2	SEAT BELT COVER	1821-3A
ROD, CYLINDER LOCK BAR	1313-2	SEAT BELTS	1821-2
ROD, STEERING CYLINDER (MFWD)	0960-12	SEAT BELTS	1821-3A
ROD, TIE, ASSEMBLY (WITHOUT MFWD)	0230-1	SEAT BRACKETS	1821-2
RODS, PUSH	0402-2	SEAT BRACKETS	1821-3A
ROLLER BEARING, AXLE	0201-2	SEAT CUSHIONS	1821-2
ROLLER BEARING, AXLE	0201-4	SEAT CUSHIONS	1821-3A
ROOF WIRING HARNESS SERIAL NO. -XXXXXX	1673-4	SEAT LUMBAR SUPPORT CONTROL LEVER	1821-4
ROOF WIRING HARNESS SERIAL NO. -XXXXXX	1673-4	SEAT SLIDE CONTROL LEVER	1821-4
ROOF WIRING HARNESS SERIAL NO. XXXXXX	1673-6	SEAT SLIDE LATCH KIT	1821-4
ROOF, CAB	1811-6	SEAT SPRING, MECHANICAL SUSPENDED	1821-8
ROOF, QUARTER CAB	1811-6	SEAT SUSPENSION SCISSOR ARM (FRAME)	1821-10
ROOF, ROPS	1811-6	SEAT SUSPENSION, SUSPENDED SEAT	1821-16
ROPS FRAME	1811-2	SEAT SWIVEL	1821-6
ROPS FRAME ISOLATORS	1811-2	SEAT SWIVEL CONTROL LEVER	1821-4
ROPS HEADLINER	1811-2	SEAT SWIVEL LATCH	1821-6
ROPS ROOF	1811-6	SEAT, COMPLETE ASSEMBLY	1821-18
ROPS SKIRT	1927-2	SEAT, HEADREST	1821-3
ROTATING BEACON	1673-2	SEAT, HEADREST	1821-3B
ROTATING BEACON SWITCH	1673-2	SEAT, OPERATOR'S	1821-18
		SECTIVE FLOW SECTION RELIEF VALVE	3362-20
		SECOND GEAR CLUTCH ASSEMBLY, POWER SHIFT	0350-16

ALPHABETICAL INDEX - CONTINUED

	PAGE		PAGE
SECOND GEAR CLUTCH CARRIER, POWER SHIFT	0350-16	SHAFT, STATOR, POWER SHIFT	0350-12
SECOND GEAR, BELLVILLEWASHER, POWERSHIFT	0350-16	SHAFT, SUN GEAR (MFWD)	
SELECTIVE FLOW CONTROL KIT	1674-10	(S.N. -962303)	0250-8
SELECTIVE FLOW CONTROL SWITCH	1674-10	SHAFT, SUN GEAR (MFWD)	
SELECTIVE FLOW CONTROL WIRE		(S.N.962304-962373)	0250-8A
HARNESSES	1674-10	SHAFT, SUN GEAR (MFWD)	
SELECTIVE FLOW SECTION, BACKHOE VALVE	3362-20	(S.N.962374-)	0250-8B
SELECTOR VALVE		SHAFT, SUN GEAR (MFWD)(310G)	0250-9
(PILOT CONTROL)	3363-1A	SHAFT, SUSPENSION, SEAT	1821-10
SELECTOR VALVE HYDRAULICS	3363-1C	SHAFT, TURBINE	0350-6
SELECTOR VALVE HYDRAULICS		SHAFT, TURBINE, POWER SHIFT	0350-12
(PILOT CONTROL)	3363-1A	SHAFT, UNIVERSAL DRIVE (MFWD)	0250-2
SELECTOR VALVE, PATTERN	3362-32	SHAFT, INPUT	0350-6
SELF-LEVELING CABLE	3115-2	SHAFTS, SHIFTER	0315-1
SENDER, ENGINE COOLANT TEMPERATURE	1674-8	SHIELD, LOADER CONTROL VALVE PLUMBING	1913-4
SENDER, ENGINE COOLANT TEMPERATURE	1674-9A	SHIELD, TRANSMISSION DIPSTICK	1746-4
SENDER, ENGINE COOLANT TEMPERATURE	1674-9C	SHIELDS, ENGINE SIDE	1910-2
SENDER, FUEL GAUGE	0560-2	SHIELDS, ENGINE SIDE	1910-4
SENDER, FUEL GAUGE	0560-6	SHIFT FORK	0315-1
SENDER, FUEL, ENGINE OIL, AIR FILTER		SHIFT HOUSING	0315-2
(FRONT WIRE HARNESS) (SN 910056-)	1674-9E	SHIFT HOUSING COVER	0315-2
SENSOR, AIR INTAKE TEMPERATURE 310G (TUR		SHIFT HOUSING PIVOT	0315-2
BO),310SG,315SG (VSN 910056-)	0414-2	SHIFT RAIL	0315-1
SENSOR, ENGINE COOLANT TEMPERATURE	0418-2	SHIFTER LEVER CARROT, TRANSMISSION	0315-2
SENSOR, FUEL TEMPERATURE (FRONT WIRE		SHIFTER LEVER, ISOLATED, TRANSMISSION	0315-6
HARNESSES) (SN 910056-)	1674-9E	SHIFTER LEVER, TRANSMISSION	0315-6
SENSOR, FUEL TEMPERATURE STANADYNE DE10		SHIFTER SHAFTS	0315-1
310G (W/O TURBO) (VSN 911769-)	0413-12A	SHOCK ABSORBER, SUSPENDED SEAT	1821-8
SENSOR, FUEL TEMPERATURE STANADYNE DE10		SHOCK ABSORBER, SUSPENDED SEAT	1821-16
310G (W/O TURBO) (VSN 911769-)	0413-12B	SHORT BLOCK, ENGINE	
SENSOR, FUEL TEMPERATURE STANADYNE DE10		(ENG. SER. NO. -221705)	0404-4
310G(TURBO),310SG/315SG (VSN 910056-)	0413-13A	SHORT BLOCK, ENGINE	
SENSOR, FUEL TEMPERATURE STANADYNE DE10		(ENG. SER. NO. 221706-)	0404-6
310G(TURBO),310SG/315SG (VSN 910056-)	0413-13B	SHORT BLOCK, ENGINE (ENG.SER.NO.866618-90	
SENSOR, THROTTLE POSITION	0515-4	8991)	0404-4
SENSOR, CRANKSHAFT SPEED (VSN 910056-)		SHROUD, FAN	0510-2
310G(TURBO), 310SG, 315SG	0402-6B	SIDE CONSOLE WIRING HARNESS	
SENSOR, CRANKSHAFT SPEED 310G (W/O TURBO)		WITH CAB	1674-4
(VSN 911769-)	0402-4B	SIDE INSTRUMENT PANEL HOUSING	1816-10
SENSOR, SUSPENDED SEAT POSITION	1821-8	SIDE INSTRUMENT PANEL HOUSING	1816-12
SENSOR, SUSPENDED SEAT POSITION	1821-16	SIDE PANELS, ENGINE	1910-2
SEPERATOR PLATE, PARK BRAKE		SIDE PANELS, ENGINE	1910-4
(AXLE SERIAL NO. -217496)	1111-2	SIDE SHIELD, LOADER PLUMBING	1913-4
SEPERATOR PLATE, PARK BRAKE		SIDE SHIELDS, ENGINE	1910-2
(AXLE SERIAL NO. 217497-)	1111-4	SIDE SHIELDS, ENGINE	1910-4
SERVICE BRAKE HYDRAULICS	1060-6	SIDE SHIFT CONTROL VALVE HARNESS 315SG	3363-28
SERVICE BRAKE LINES	1060-6	SIDE SHIFT LOCK 315SG	3363-28
SERVICE BRAKES	1011-2	SIDE SHIFT, LOCK VALVE HOUSING	
SERVICE LOCK BAR, BOOM	1313-2	(315SG)	3362-30
SERVICE LOCK, LOADER ARM	1313-2	SIDE SHIFT, LOCKING VALVE	
SHAFT, AXLE	0201-2	(315SG)	3362-30
SHAFT, AXLE	0201-4	SIDE SHIFT, SOLENOID VALVE	
SHAFT, ENGINE BALANCER		(315SG)	3362-30
310G(TURBO), 310SG, 315SG	0415-2	SIDE WINDOWS, CAB	1814-2
SHAFT, IDLER, MFWD	0350-7	SIDE WINDOWS, CAB	1814-4
SHAFT, INPUT SEAL		SIDESHIFT 315SE BACKHOE STABILIZER	
(AXLE SERIAL NO. 217497-)	1111-4	CYLINDER HYDRAULICS	3363-4
SHAFT, INPUT, POWER SHIFT	0350-12	SINGLE BATTERY CABLE	1671-2
SHAFT, INTERMEDIATE, TRANSMISSION	0350-10	SINGLE BATTERY INSTALLATION	1671-2
SHAFT, OUTPUT, MFWD	0350-8	SIXTH FUNCTION MANUAL VALVE KIT	
SHAFT, PLANETARY SHAFT	0210-1	(310G)	3362-26
SHAFT, PTO PUMP DRIVE	0350-6	SIXTH FUNCTION MANUAL VALVE KIT	
SHAFT, PTO PUMP DRIVE, POWER SHIFT	0350-12	(310SG AND 315SG)	3362-27
SHAFT, ROCKER ARM	0402-2	SIXTH FUNCTION PEDAL	3315-14
SHAFT, SEAL, INPUT		SIXTH FUNCTION PEDAL	
(AXLE SERIAL NO. -217496)	1111-2	(PILOT CONTROL)	3315-15A
SHAFT, STATOR	0350-6	SIXTH FUNTION FOOT CONTROL	3315-14

ALPHABETICAL INDEX - CONTINUED

	PAGE		PAGE
SKIRT, MECHANICAL SUSPENDED SEAT	1821-8	SPEED SENSOR, ENGINE	0515-4
SKIRTS, OPERATOR STATION	1927-2	SPINDLE AND KNUCKLE ASSEMBLY (WITHOUT MFWD)(SERIAL NO. -911131).....	0230-2
SLIDE PUCK SERVICE KIT	1821-6	SPIRAL BEVEL GEAR,DIFFGERENTIAL (MFWD).....	0250-12
SLIDER BLOCKS, SUSPENSION SEAT	1821-10	SPIRAL BEVEL INPUT PINION.....	0210-4
SLIDING FRAME (315SG)	1740-4	SPRING, MECHANICAL SUSPENDED SEAT	1821-8
SLIDING FRAME DIRT PAD (315SG)	1740-4	SPRING, SUSPENSION SEAT	1821-16
SLIDING FRAME LOCK 315SG	3363-28	SPRING, VALVE	0409-2
SLIDING FRAME,315SG	3342-2	STABILIZER (315SG)	1740-4
SLIDING REAR WINDOWS (SER.NO. -920856)	1814-8	STABILIZER ARM (310G,310SG).....	3348-2
SLIDING REAR WINDOWS (SER.NO. 920857-)	1814-9A	STABILIZER ARM PINS (310G,310SG)	3348-2
SLIDING SLEEVE, OUTPUT SHAFT	0350-8	STABILIZER CONTROL CABLES	3315-24
SLIDING YOKE, SEAL (MFWD)	0250-2	STABILIZER CONTROL COVER	1816-10
SMV EMBLEM	2008-2	STABILIZER CONTROL COVER	1816-12
SOLENIOD, CONTROL VALVE SYNCHRO-SHUTTLE	0360-4	STABILIZER CYLINDER 310G (SERIAL NO. -925946)	3365-21A
SOLENIOD CONNECTOR, STANADYNE DE10 310G (W/O TURBO) (VSN 911769-)	0413-12A	STABILIZER CYLINDER 310G (SERIAL NO. 925947-951995)	3365-22
SOLENIOD CONNECTOR, STANADYNE DE10 310G (W/O TURBO) (VSN 911769-)	0413-12B	STABILIZER CYLINDER 310G (SN 951996-)	3365-22A
SOLENIOD CONNECTOR, STANADYNE DE10 310G(TURBO),310SG/315SG (VSN 910056-)	0413-13A	STABILIZER CYLINDER (310SG) (SN 926207-952148)	3365-24
SOLENIOD CONNECTOR, STANADYNE DE10 310G(TURBO),310SG/315SG (VSN 910056-)	0413-13B	STABILIZER CYLINDER (315SG) (SERIAL NO. 944156-)	3365-28
SOLENIOD VALVE, MAIN HYDRAULIC PUMP (310SG AND 315SG)	2160-4	STABILIZER CYLINDER (315SG) (SN -944155)	3365-27
SOLENIOD VALVE, MANIFOLD (PILOT CONTROL)	3362-31	STABILIZER CYLINDER HYDRAULICS, SIDESHIFT 315SE BACKHOE	3363-4
SOLENIOD VALVE, RANGE SHIFT,POWER SHIFT	0360-8	STABILIZER CYLINDER HYDRAULICS, BACKHOE	3363-2
SOLENIOD VALVE, SIDE SHIFT (315SG)	3362-30	STABILIZER CYLINDER HYDRAULICS, BACKHOE	3363-3A
SOLENIOD VALVE, TRANSMISSION	0360-2	STABILIZER CYLINDER PINS	3348-4
SOLENIOD VALVE,TRANSMISSION CONTROL VALVE(POWER SHIFT)	0360-6	STABILIZER CYLINDER REPAIR KIT 310G (SERIAL NO. -925946)	3365-21A
SOLENIOD, DIFFERENTIAL LOCK, SYNCHRO-SHUTTLE	0360-4	STABILIZER CYLINDER REPAIR KIT (310SG) (SN 926207-952148)	3365-24
SOLENIOD, FORWARD, NEUTRAL, REVERSE	0360-2	STABILIZER CYLINDER REPAIR KIT (315SG) (SERIAL NO. 944156-)	3365-28
SOLENIOD, MFWD, SYNCHRO-SHUTTLE	0360-4	STABILIZER CYLINDER REPAIR KIT (315SG) (SN -944155)	3365-27
SOLENIOD, PARK BRAKE, SYNCHRO-SHUTTLE	0360-4	STABILIZER CYLINDER REPAIR KITS 310G (SERIAL NO. 925947-951995)	3365-22
SOLENIOD, RETURN-TO-DIG	3162-12	STABILIZER CYLINDER REPAIR KITS 310G (SN 951996-)	3365-22A
SOLENIOD, RETURN-TO-DIG	3162-14	STABILIZER CYLINDER REPAIR KITS 310SG (SERIAL NO. -925993)	3365-25
SOLENIOD, TRANSMISSION DISCONNECT	0360-2	STABILIZER CYLINDER REPAIR KITS 310SG (SN -926206)	3365-23
SOLENIOD,BACKHOE BOOM LOCK CONTROL (315SG)	3315-22	STABILIZER CYLINDER REPAIR KITS 310SG (SN 952149-)	3365-24B
SOLENIOD,COLD WEATHER STARTING AID.....	0505-4	STABILIZER CYLINDER SPACERS	3348-4
SOLENIOD,COLD WEATHER STARTING AID.....	0505-6	STABILIZER CYLINDER, EXTENDED 310SG (SERIAL NO. -925993)	3365-25
SOLENIOD,STARTER MOTOR (310G) (ENG.SER.NO. 866618-908991)	0422-2	STABILIZER CYLINDER, EXTENDED 310SG (SN 925994-952006)	3365-26
SOLENIOD,STARTER MOTOR (310SG,315SG)(SERIAL NO. -894292)	0422-3	STABILIZER CYLINDER, EXTENDED 310SG (SN 952007-)	3365-26A
SOLENIOD,STARTER MOTOR (WITHOUT TURBO) (310G) (ENGINE SERIAL NO. -257521).....	0422-2	STABILIZER CYLINDER, STANDARD 310SG (SN -926206)	3365-23
SOLENIOD,STARTER MOTOR(WITH TURBOCHARGER (310G) (ENGINE SERIAL NO. -268961).....	0422-2	STABILIZER FOOT (315SG).....	1740-4
SOLENOIDS, PARK BRAKE, DIFF LOCK	0360-10	STABILIZER GUARD KIT 310G,310SG.....	1746-2
SOLENOIDS, PARK BRAKE, DIFF LOCK, MFWD.....	0350-7	STABILIZER HYDRAULIC LINE	3362-4
SPACER, SYNTHETIC BUCKET	3346-2	STABILIZER HYDRAULIC LINE	3362-6
SPACER, SYNTHETIC CROWD	3346-2	STABILIZER LEVER	3315-24
SPACER, WHEEL	0110-2	STABILIZER LINKAGE	3315-24
SPACERS, STABILIZER CYLINDER	3348-4		
SPEAKER, RADIO	2001-2		
SPEED CONTROL ENGINE	0515-2		
SPEED CONTROL ENGINE	0515-4		
SPEED CONTROL PEDAL	0515-2		
SPEED CONTROL PEDAL	0515-4		

0001-38

310G, 310SG AND 315SG BACKHOE LOADERS

ALPHABETICAL INDEX - CONTINUED

	PAGE		PAGE
STABILIZER LOCKOUT VALVE (SER.NO.913417-)	3162-26	STARTER RELAY	1674-9C
STABILIZER VALVE (SERIAL NO.-913416).....	3162-22	STARTER,JUMP START PROTECTION COVER	1674-8
STABILIZER VALVE (SERIAL NO.-913416).....	3162-24	STARTER,JUMP START PROTECTION COVER	1674-9A
STABILIZER VALVE KITS (SERIAL NO.-913416).....	3162-24	STARTER,JUMP START PROTECTION COVER	1674-9C
STABILIZER VALVE LINKAGE	3315-24	STARTING AID, COLD WEATHER	0505-4
STABILIZER VALVE MOUNTING PLATE (PILOT CONTROL)	3315-3A	STARTING AID, COLD WEATHER	0505-6
STABILIZER VALVE MOUNTING PLATE 310G,310SG	3315-2	STARTING FLUID	0505-4
STABILIZER VALVE MOUNTING PLATE 315SG	3315-4	STARTING MOTOR (310G) (ENG.SER.NO. 866618-908991)	0422-2
STABILIZER VALVE RELIEF (SER.NO.913417-)	3162-26	STARTING MOTOR (310SG,315SG)(SERIAL NO. -894292)	0422-3
STABILIZER/LOADER CONTROL VALVE.....	3162-4	STARTING MOTOR (WITH TURBOCHARGER) (310G) (ENGINE SERIAL NO. -268961).....	0422-2
STABILIZER/LOADER VALVE (SER.NO.913417-).....	3162-26	STARTING MOTOR (WITHOUT TURBOCHARGER) (310G) (ENGINE SERIAL NO. -257521).....	0422-2
STABILIZER CYLINDER REPAIR KITS 310SG (SN 925994-952006).....	3365-26	STARTING MOTOR(310G W/O TURBO) (ENG.SER.NO.257522-)	0422-4
STABILIZER CYLINDER REPAIR KITS 310SG (SN 952007-).....	3365-26A	STARTING MOTOR(310G W/TURBO) (ENG.SER.NO.268962-)	0422-4
STABILIZER ARM STREET PAD (310G,310SG)	3348-2	STARTING MOTOR(310SG,315SG) (ENG.SER.NO.894293-908991)	0422-4
STANDARD ARM	3346-2	STATOR SHAFT	0350-6
STANDARD DIPPERSTICK AUXILIARY HYDRAULIC (310G AND 310SG)	3363-20	STATOR SHAFT, POWER SHIFT	0350-12
STANDARD DIPPERSTICK AUXILIARY HYDRAULIC (315SG).....	3363-22	STEERING COLUMN	0960-2
STANDARD LIGHTS SERIAL NO. -XXXXXX	1673-4	STEERING COLUMN	0960-4
STANDARD LIGHTS SERIAL NO. XXXXXX.....	1673-6	STEERING COLUMN COVER.....	1816-6
STARTER MOTOR ADAPTER KIT	0422-6	STEERING COLUMN, TILT	0960-4
STARTER MOTOR DRIVE, (310G) (ENG.SER.NO. 866618-908991)	0422-2	STEERING CYLINDER, FRONT AXLE (WITHOUT MFWD)(SERIAL NO. 911132-).....	0230-7
STARTER MOTOR DRIVE, (310SG,315SG)(SERIAL NO. -894292)	0422-3	STEERING CYLINDER, MECHANICAL FRONT WHEEL DRIVE (MFWD)	0960-12
STARTER MOTOR DRIVE, (WITH TURBOCHARGER) (310G) (ENGINE SERIAL NO. -268961).....	0422-2	STEERING CYLINDER, POWER (WITHOUT MFWD) (SERIAL NO. -911131).....	0960-14
STARTER MOTOR DRIVE,(WITHOUT TURBO) (310G) (ENGINE SERIAL NO. -257521).....	0422-2	STEERING CYLINDER, POWER (WITHOUT MFWD) (SERIAL NO. -911131)	0960-16
STARTER MOTOR KIT (310G) (ENG.SER.NO. 866618-908991)	0422-2	STEERING HOSES (WITH MFWD)	0960-8
STARTER MOTOR KIT (310SG,315SG)(SERIAL NO. -894292)	0422-3	STEERING HYDRAULICS (WITHOUT MFWD)	0960-10
STARTER MOTOR KIT (WITH TURBOCHARGER) (310G) (ENGINE SERIAL NO. -268961).....	0422-2	STEERING KNUCKLE HOUSING	0250-6
STARTER MOTOR KIT (WITHOUT TURBOCHARGER) (310G) (ENGINE SERIAL NO. -257521).....	0422-2	STEERING VALVE (WITH MFWD)	0960-8
STARTER MOTOR KIT(310G W/O TURBO) (ENG.SER.NO.257522-)	0422-4	STEERING VALVE (WITHOUT MFWD).....	0960-10
STARTER MOTOR KIT(310G W/TURBO) (ENG.SER.NO.258962-)	0422-4	STEERING VALVE HOSE	2160-6
STARTER MOTOR KIT(310SG,315SG) (ENG.SER.NO.894293-908991)	0422-4	STEERING VALVE HOSE.....	2160-8
STARTER MOTOR SOLENOID (310G) (ENG.SER.NO. 866618-908991)	0422-2	STEERING VALVE HOSE.....	2160-9A
STARTER MOTOR SOLENOID (310SG,315SG)(SERIAL NO. -894292)	0422-3	STEERING VALVE HYDRAULICS (WITH MFWD)	0960-8
STARTER MOTOR SOLENOID (WITHOUT TURBO) (310G) (ENGINE SERIAL NO. -257521).....	0422-2	STEERING VALVE REPAIR KIT (SERIAL NO. -911131)	0960-6
STARTER MOTOR SOLENOID(WITH TURBOCHARGER) (310G) (ENGINE SERIAL NO. -268961).....	0422-2	STEERING WHEEL	0960-2
STARTER RELAY	1674-8	STEERING WHEEL	0960-4
STARTER RELAY	1674-9A	STEM, VALVE (WITHOUT MFWD)	0120-1
		STOP LIGHT SWITCH.....	1060-2
		STOP, BACKHOE BOOM.....	3344-2
		STRAINER, FUEL TANK.....	0560-2
		STRAINER, FUEL TANK.....	0560-6
		STRAP, HARNESS COVER BRACKET	1812-4
		STRAP,DOOR	1814-4
		STREET PAD,STABILIZER ARM (310G,310SG).....	3348-2
		STRICKER, BRACKET FOR HOOD	0520-2
		STRIKER BOLT, HOOD	1910-2
		STRIKER BOLT, HOOD	1910-4
		STROBE BEACON	1673-2
		STUDS, WHEEL (MFWD).....	0250-6
		SUCTION PIPE, TRANSMISSION	0341-1
		SUCTION PIPE, TRANSMISSION	0341-2
		SUN GEAR SHAFT (MFWD) (S.N. -962303)	0250-8
		SUN GEAR SHAFT (MFWD) (S.N.962304-962373)	0250-8A

ALPHABETICAL INDEX - CONTINUED

	PAGE		PAGE
SUN GEAR SHAFT (MFWD) (S.N.962374-)	0250-8B	SWITCH, BRAKE LIGHT, PRESSURE	1060-2
SUN GEAR SHAFT (MFWD)(310G)	0250-9	SWITCH, CAM/CRANKSHAFT (FRONT WIRE HARNESS) (SN 910056-)	1674-9E
SUN VISOR	2007-2	SWITCH, DIFFERENTIAL LOCK	1674-12
SUPPLEMENTARY TERMINALS, CONNECTORS AND REPAIR CONDUIT	1674-22	SWITCH, ENGINE COOLANT TEMPERATURE (FRONT WIRE HARNESS) (SN 910056-)	1674-9E
SUPPORT, ENGINE	0540-2	SWITCH, ENGINE OIL PRESSURE	1674-8
SUPPORT, HOOD	1910-2	SWITCH, ENGINE OIL PRESSURE	1674-9A
SUPPORT, HOOD	1910-4	SWITCH, ENGINE OIL PRESSURE	1674-9C
SURFACING, NON-SLIP	1812-4	SWITCH, ETHER	1674-6
SUSPENDED SEAT POSITION SENSOR	1821-8	SWITCH, FORWARD, NEUTRAL, REVERSE	0315-4
SUSPENDED SEAT POSITION SENSOR	1821-16	SWITCH, FRONT LIGHTS	1674-2
SUSPENDED SEAT POSITION SWITCH	1821-8	SWITCH, FRONT LIGHTS	1674-3A
SUSPENDED SEAT SHOCK ABSORBER	1821-8	SWITCH, HIGH PRESSURE	1830-6
SUSPENDED SEAT SHOCK ABSORBER	1821-16	SWITCH, HIGH PRESSURE	1830-7A
SUSPENDED SEAT SUSPENSION	1821-8	SWITCH, HORN	1674-6
SUSPENDED SEAT SUSPENSION	1821-16	SWITCH, LOW PRESSURE	1830-6
SUSPENDED SEAT TETHER BELT	1821-8	SWITCH, LOW PRESSURE	1830-7A
SUSPENSION SCISSOR ARM (FRAME), SEAT	1821-10	SWITCH, MFWD	1674-6
SUSPENSION SEAT SLIDER BLOCKS	1821-10	SWITCH, PARK BRAKE OIL PRESSURE	1674-8
SUSPENSION SHAFT, SEAT	1821-10	SWITCH, PARK BRAKE OIL PRESSURE	1674-9A
SUSPENSION, SUSPENDED SEAT	1821-8	SWITCH, PARK BRAKE OIL PRESSURE	1674-9C
SWING CYLINDER (310G) (SN -957128)	3365-19	SWITCH, PATTERN SELECTOR	3362-32
SWING CYLINDER (310G) (SN 957129-)	3365-19A	SWITCH, PILOT ENABLE	1674-5A
SWING CYLINDER (310G,310SG) (SN 957115-)	3365-20	SWITCH, PIN DISCONNECT, QUICK COUPLER	1674-5C
SWING CYLINDER (310SG,315SG) (SN -957114)	3365-19C	SWITCH, PRESSURE (ENGINE OIL) (SN 910056-)	1674-9E
SWING CYLINDER FITTINGS (310G,310SG)	3363-14	SWITCH, REAR WIPER ENABLE	1814-14
SWING CYLINDER HYDRAULIC HOSE (310G,310SG)	3363-14	SWITCH, RETURN-TO-DIG	1674-14
SWING CYLINDER HYDRAULICS, BACKHOE (315SG)	3363-16	SWITCH, RIDE CONTROL	1674-6
SWING CYLINDER REPAIR KIT (310G) (SN -957128)	3365-19	SWITCH, ROTATING BEACON	1673-2
SWING CYLINDER REPAIR KIT (310G) (SN 957129-)	3365-19A	SWITCH, SEAT ADJUSTING	1821-16
SWING CYLINDER REPAIR KIT (310G,310SG) (SN 957115-)	3365-20	SWITCH, STOP LIGHT	1060-2
SWING CYLINDER REPAIR KIT (310SG,315SG) (SN -957114)	3365-19C	SWITCH, SUSPENDED SEAT POSITION KIT	1821-8
SWING CYLINDER TRUNNION BLOCK, 310G, 310SG	1740-2	SWITCH, TEMPERATURE CONTROL	1674-6
SWING CYLINDER TRUNNION BLOCK, 315SG	3342-2	SWITCH, TRANSMISSION CONTROL LEVER	0315-4
SWING FRAME (310G,310SG)	3343-2	SWITCH, TURN SIGNAL	1674-2
SWING FRAME PINS (310G,310SG)	3343-2	SWITCH, TURN SIGNAL	1674-3A
SWING FRAME PINS 315SG	3343-4	SWITCH, WARNING LIGHTS	1674-2
SWING FRAME 315SG	3343-4	SWITCH, WARNING LIGHTS	1674-3A
SWING LOCK CONTROL LEVER AND LINKAGE (315SG)	3315-22	SWITCH, WINDSHIELD WASHER	1814-12
SWING LOCK PIN	1811-2	SWITCH, BATTERY, MASTER DISCONNECT	1671-6
SWING PIN HOLDER	1811-2	SWITCH, FRONT WINDSHIELD WIPER	1674-2
SWING SECTION RELIEF VALVE	3362-16	SWITCH, FRONT WINDSHIELD WIPER	1674-3A
SWING SECTION, BACKHOE VALVE	3362-16	SWITCH, IGNITION	1674-6
SWING VALVE ACCU-SWING KIT	3362-29A	SWITCH, SELECTIVE FLOW CONTROL VALVE PEDAL	1674-10
SWING, PILOT SECTION RELIEF VALVE	3362-46	SWITCH, STARTER MOTOR(310G W/O TURBO) (ENG.SER.NO.257522-)	0422-4
SWING, PILOT SECTION, BACKHOE VALVE	3362-46	SWITCH, STARTER MOTOR(310G W/TURBO) (ENG.SER.NO.258962-)	0422-4
SWITCH, A/C	1674-6	SWITCH, STARTER MOTOR(310SG,315SG) (ENG.SER.NO.894293-908991)	0422-4
SWITCH, A/C PRESSURE HARNESS	1674-4	SWITCHES, FRONT CONSOLE	1674-2
SWITCH, AIR CONDITIONING (FREEZE/COMPRES SOR)	1830-7A	SWITCHES, FRONT CONSOLE	1674-3A
SWITCH, AIR CONDITIONING THERMOSTAT	1816-12	SWITCHES, FRONT WIRING HARNESS (SN 910056-)	1674-9E
SWITCH, AIR SUSPENSION SEAT	1674-6	SWITCHES, MONITOR PANEL	1674-6
		SWIVEL HOUSING, FRONT AXLE (WITHOUT MFWD)(SERIAL NO. 911132-)	0230-7
		SWIVEL SEAT	1821-6
		SWIVEL SERVICE KIT	1821-6
		SYNCHRONIZER GEAR, 1ST	0350-9
		SYNCHRONIZER GEAR, 2ND	0350-9
		SYNCHRONIZER GEAR, 3RD	0350-10
		SYNCHRONIZER GEAR, 4TH	0350-10
		SYNTHETIC BUCKET SPACER	3346-2

ALPHABETICAL INDEX - CONTINUED

	PAGE		PAGE
SYNTHETIC CROWD SPACER.....	3346-2	TIE BAND MOUNT ANCHOR, HARNESS	
SYSTEM, FUEL INJECTION		SERIAL NO. XXXXXX-.....	1673-6
310G(TURBO),310SG,315SG (VSN 910056-).....	0413-10	TIE ROD ASSEMBLY (MFWD)	0250-4
SYSTEM, FUEL INJECTION		TIE ROD ASSEMBLY (WITHOUT MFWD)	0230-1
310G(W/O TURBO)(VSN 911769-)	0413-6	TILT STEERING COLUMN	0960-4
SYSTEM, FUEL INJECTION 310G(TURBO),310SG		TIMER RELAY.....	1674-4
315SG(VSN 893079-907963)(VSN-910055)	0413-8	TIMING GEAR COVER	
SYSTEM, FUEL INJECTION 310G(W/O TURBO)		(VSN -911768) 310G (W/O TURBO).....	0402-4
(VSN 893079-907963)(VSN -911768)	0413-4	TIMING GEAR COVER (VSN -910055)	
		310G(TURBO), 310SG, 315SG	0402-6
		TIMING GEAR COVER (VSN 910056-)	
		310G(TURBO), 310SG, 315SG	0402-6B
		TIMING GEAR COVER GASKET	
		(VSN -911768) 310G (W/O TURBO).....	0402-4
		TIMING GEAR COVER GASKET	
		(VSN-910055) 310G(TURBO), 310SG, 315SG	0402-6
		TIMING GEAR COVER GASKET	
		310G (W/O TURBO) (VSN 911769-).....	0402-4B
		TIMING GEAR COVER GASKET (VSN 910056-)	
		310G(TURBO), 310SG, 315SG	0402-6B
		TIMING GEAR COVER 310G (W/O TURBO)	
		(VSN 911769-).....	0402-4B
		TIMING PIN HOLE PLUG, STANADYNE DE10	
		310G (W/O TURBO) (VSN 911769-).....	0413-12A
		TIMING PIN HOLE PLUG, STANADYNE DE10	
		310G (W/O TURBO) (VSN 911769-).....	0413-12B
		TIMING PIN HOLE PLUG, STANADYNE DE10	
		310G(TURBO),310SG/315SG (VSN 910056-)	0413-13A
		TIMING PIN HOLE PLUG, STANADYNE DE10	
		310G(TURBO),310SG/315SG (VSN 910056-)	0413-13B
		TIMING, CRANKSHAFT WHEEL	
		310G (W/O TURBO) (VSN 911769-).....	0401-2
		TIMING, CRANKSHAFT WHEEL	
		310G (W/O TURBO) (VSN-911768).....	0401-1A
		TIMING, CRANKSHAFT WHEEL	
		310G(TURBO),310SG,315SG (VSN -910055)	0401-4
		TIMING, CRANKSHAFT WHEEL	
		310G(TURBO),310SG,315SG (VSN -910055)	0401-5
		TIMING, CRANKSHAFT WHEEL	
		310G(TURBO),310SG,315SG (VSN 910056-)	0401-6
		TOOL BOX	1913-2
		TOOL KIT, HAND HELD HYDRAULIC	
		(SERIAL NO. -913416).....	3363-44
		TOOL KIT, HAND HELD HYDRAULIC	
		(SERIAL NO. 913417-).....	3363-46
		TOOTH, BACKHOE BUCKET	3302-14
		TOOTH, BACKHOE BUCKET	3302-16
		TORQUE CONVERTER.....	0350-1
		TORQUE CONVERTER TEMPERATURE	1674-8
		TORQUE CONVERTER TEMPERATURE	1674-9A
		TORQUE CONVERTER TEMPERATURE	1674-9C
		TORQUE CONVERTOR FLEXPLATE	0350-1
		TRADEMARKS	1320-2
		TRADEMARKS	1320-4
		TRADEMARKS	1320-5A
		TRADEMARKS	1320-6
		TRADEMARKS	1320-7A
		TRADEMARKS	1320-8
		TRANSFER PUMP TAP SCREW, STANADYNE DE10	
		310G (W/O TURBO) (VSN 911769-).....	0413-12A
		TRANSFER PUMP TAP SCREW, STANADYNE DE10	
		310G (W/O TURBO) (VSN 911769-).....	0413-12B
		TRANSFER PUMP TAP SCREW, STANADYNE DE10	
		310G(TURBO),310SG/315SG (VSN 910056-)	0413-13A
		TRANSFER PUMP TAP SCREW, STANADYNE DE10	
		310G(TURBO),310SG/315SG (VSN 910056-)	0413-13B
		TRANSMISSION.....	0341-4

T

TANK, FUEL.....	0560-2
TANK, FUEL.....	0560-6
TANK,COOLANT RECOVERY.....	0510-2
TEETH, BACKHOE BUCKET	3302-14
TEETH, BACKHOE BUCKET	3302-16
TEMPERATURE CONTROL SWITCH.....	1674-6
TEMPERATURE CONTROL,HEATER.....	1830-8
TEMPERATURE SENSOR, FUEL (FRONT WIRE	
HARNESS) (SN 910056-)	1674-9E
TEMPERATURE SENSOR, FUEL, STANADYNE DE10	
310G (W/O TURBO) (VSN 911769-)	0413-12A
TEMPERATURE SENSOR, FUEL, STANADYNE DE10	
310G (W/O TURBO) (VSN 911769-)	0413-12B
TEMPERATURE SENSOR, FUEL, STANADYNE DE10	
310G(TURBO),310SG/315SG (VSN 910056-)	0413-13A
TEMPERATURE SENSOR, FUEL, STANADYNE DE10	
310G(TURBO),310SG/315SG (VSN 910056-)	0413-13B
TEMPERATURE, TORQUE CONVERTER.....	1674-8
TEMPERATURE, TORQUE CONVERTER.....	1674-9A
TEMPERATURE, TORQUE CONVERTER.....	1674-9C
TENSIONER, FAN DRIVE BELT	
310G(TURBO),310SG,315SG	0429-2
TERMINALS, DEUTSCH	1674-23
TERMINALS, SUPPLEMENTARY	1674-22
TERMINALS, WEATHERPACK.....	1674-20
TERMINATION RESISTORS, CAN.....	1674-4
TERMINATION RESISTORS, CAN.....	1674-9A
TERMINATION RESISTORS, CAN.....	1674-9C
TETHER BELT	1821-16
TETHER BELT,SUSPENDED SEAT	1821-8
TETHER BELTS WITH NON-SUSPENDED SEAT	1821-12
TETHER KIT, OPERATOR MANUAL	1811-2
TETHER, DOOR	1814-4
THERMOSTAT COVER.....	0418-2
THERMOSTAT COVER TUBE	0418-2
THERMOSTAT SWITCH, AIR CONDITIONING	1816-12
THERMOSTAT, ENGINE.....	0418-2
THIRD FUCTION HYDRAULIC OIL LINES	3163-6
THIRD FUCTION HYDRAULIC OIL LINES	3163-8
THIRD FUNCTION LOADER CONTROL VALVE	
LINKAGE	3115-10
THIRD FUNCTION LOADER CONTROL VALVE	
LINKAGE	3115-12
THIRD GEAR CLUTCH ASSEMBLY, POWER SHIFT	0350-18
THIRD GEAR CLUTCH CARRIER, POWER SHIFT	0350-18
THIRD GEAR, BELLVILLEWASHER, POWERSHIFT	0350-18
THREE LEVER BACKHOE CONTROL	
VALVE LINKAGE (310G AND 310SG)	3315-8
THRESHOLD, DOOR	1812-4
THROTTLE LEVER	0515-2
THROTTLE LEVER	0515-4
THROTTLE SENSOR	0515-4
TIE BAND MOUNT ANCHOR, HARNESS	
SERIAL NO. -XXXXXX.....	1673-4

ALPHABETICAL INDEX - CONTINUED

PAGE	PAGE
TRANSMISSION BREATHER	0341-1
TRANSMISSION BREATHER	0341-2
TRANSMISSION CONTROL LEVER	0315-4
TRANSMISSION CONTROL LEVER SWITCH	0315-4
TRANSMISSION CONTROL VALVE	0360-2
TRANSMISSION CONTROL VALVE PISTON (POWER SHIFT)	0360-6
TRANSMISSION CONTROL VALVE SOLENOID (POWER SHIFT)	0360-6
TRANSMISSION CONTROL VALVE SOLENOID, POW ER SHIFT	0360-10
TRANSMISSION CONTROL VALVE(POWER SHIFT)	0360-6
TRANSMISSION DIPSTICK	0341-4
TRANSMISSION DIPSTICK GUARD	1746-4
TRANSMISSION DIPSTICK TUBE	0341-4
TRANSMISSION DISCONNECT SOLENOID	0360-2
TRANSMISSION HOUSING	0341-1
TRANSMISSION HOUSING, POWER SHIFT	0341-2
TRANSMISSION INTERMEDIATE PLATE, SYNCHRO-SHUTTLE	0360-4
TRANSMISSION INTERMEDIATE PLATE, POWER S HIFT	0360-10
TRANSMISSION LIFT BRACKET	0341-1
TRANSMISSION LIFT BRACKET	0341-2
TRANSMISSION OIL FILTER	0360-5
TRANSMISSION OUTPUT SHAFT (MFWD)	0350-26
TRANSMISSION OUTPUT SHAFT YOKE	0350-18
TRANSMISSION OUTPUT YOKE	0350-9
TRANSMISSION SHIELD	1746-4
TRANSMISSION SHIFTER CARROT BOOT	0315-2
TRANSMISSION SHIFTER LEVER	0315-6
TRANSMISSION SHIFTER LEVER BOOT	0315-6
TRANSMISSION SHIFTER LEVER BRACKET	0315-6
TRANSMISSION SHIFTER LEVER CARROT	0315-2
TRANSMISSION SHIFTER LEVER, ISOLATED	0315-6
TRANSMISSION SOLENOID VALVE	0360-2
TRANSMISSION SUCTION PIPE	0341-1
TRANSMISSION SUCTION PIPE	0341-2
TRANSMISSION, INTERMEDIATE GEAR	0350-10
TRANSMISSION, OIL COOLER	2160-18
TRANSPORT PIN, SWING FRAME	1811-2
TRAVEL WARNING ALARM (310G,310SG)	2004-2
TRAVEL WARNING ALARM (315SG)	2004-4
TRUNION BULKHEAD PLATE	3363-32
TRUNNION BLOCK, SWING CYLINDER, 315SG	3342-2
TRUNNION BLOCK, SWING CYLINDER,310G,310SG	1740-2
TUBE, ENGINE VENTILATING PE4045DT058	0408-4
TUBE, TRANSMISSION DIPSTICK	0341-4
TUBE, THERMOSTAT COVER	0418-2
TURBINE SHAFT	0350-6
TURBINE SHAFT, POWER SHIFT	0350-12
TURBOCHARGER (VSN -910055) 310G(TURBO), 310SG, 315SG	0416-2
TURBOCHARGER CENTER HOUSING(VSN -910055) 310G(TURBO), 310SG, 315SG	0416-2
TURBOCHARGER GASKET (VSN -910055) 310G(TURBO), 310SG, 315SG	0416-2
TURBOCHARGER GASKET 310G(TURBO), 310SG, 315SG (VSN 910056-)	0416-4
TURBOCHARGER OIL LINES (VSN -910055) 310G(TURBO), 310SG, 315SG	0416-6
TURBOCHARGER OIL LINES (VSN 910056-) 310G(TURBO), 310SG, 315SG	0416-8
TURBOCHARGER 310G(TURBO), 310SG, 315SG (VSN 910056-)	0416-4
TURN SIGNAL SWITCH	1674-2
TURN SIGNAL SWITCH	1674-3A
TWO LEVER BACKHOE CONTROL COVER	1816-2
TWO LEVER BACKHOE CONTROL VALVE LINKAGE (310G AND 310SG)	3315-6
U	
UNIVERSAL DRIVE SHAFT (MFWD)	0250-2
UNIVERSAL DRIVE SHAFT KIT (MFWD)	0250-2
UNIVERSAL DRIVE SHAFT,FRONT AXLE (MFWD)	0250-6
UNIVERSAL JOINT YOKE (AXLE SERIAL NO. -217496)	1111-2
UNIVERSAL JOINT YOKE (AXLE SERIAL NO. 217497-)	1111-4
UNIVERSAL JOINT,REAR DRIVE SHAFT (REVERSER)	0325-2
V	
VALVE LINKAGE, STABILIZER	3315-24
VALVE MOUNTING PLATE, BACKHOE (PILOT CONTROL)	3315-3A
VALVE MOUNTING PLATE, BACKHOE 310G,310SG	3315-2
VALVE MOUNTING PLATE, BACKHOE 315SG	3315-4
VALVE MOUNTING PLATE, STABILIZER (PILOT CONTROL)	3315-3A
VALVE MOUNTING PLATE, STABILIZER 310G,310SG	3315-2
VALVE MOUNTING PLATE, STABILIZER 315SG	3315-4
VALVE SPRING	0409-2
VALVE STEM	0110-3
VALVE STEM (WITHOUT MFWD)	0120-1
VALVE, ACCU-SWING KIT	3362-29A
VALVE, AUXILIARY KIT, LOADER (SERIAL NO. -913416)	3162-18
VALVE, BACKHOE AUXILIARY SECTION	3362-22
VALVE, BACKHOE BOOM SECTION	3362-10
VALVE, BACKHOE BOOM, PILOT SECTION	3362-40
VALVE, BACKHOE BUCKET SECTION	3362-12
VALVE, BACKHOE BUCKET, PILOT SECTION	3362-42
VALVE, BACKHOE CONTROL	3362-4
VALVE, BACKHOE CONTROL	3362-6
VALVE, BACKHOE CROWD SECTION	3362-14
VALVE, BACKHOE CROWD, PILOT SECTION	3362-44
VALVE, BACKHOE EXTENDIBLE SECTION	3362-18
VALVE, BACKHOE INLET PRIORITY SECTION	3362-8
VALVE, BACKHOE SELECTIVE FLOW SECTION	3362-20
VALVE, BACKHOE SWING SECTION	3362-16
VALVE, BACKHOE SWING, PILOT SECTION	3362-46
VALVE, BRAKE	1060-2
VALVE, BRAKE	1060-4
VALVE, CANOPY HEATER SHUT-OFF	1830-8
VALVE, ENGINE OIL PRESSURE REGULATING (VSN -911768) 310G (W/O TURBO)	0402-4
VALVE, ENGINE OIL PRESSURE REGULATING (VSN-910055) 310G(TURBO), 310SG, 315SG	0402-6
VALVE, ENGINE OIL PRESSURE REGULATING 310G(TURBO), 310SG, 315SG (VSN-910055)	0404-2
VALVE, EXHAUST	0409-2
VALVE, FIFTH FUNCTION MANUAL KIT (310G)	3362-24

000I-42

310G, 310SG AND 315SG BACKHOE LOADERS

ALPHABETICAL INDEX - CONTINUED

	PAGE		PAGE
VALVE, FIFTH FUNCTION MANUAL KIT (310SG AND 315SG).....	3362-25		
VALVE, FLOW CONTROL	3363-1A		
VALVE, INTAKE.....	0409-2		
VALVE, LOADER AUXILIARY SECTION (SERIAL NO. -913416).....	3162-16		
VALVE, LOADER AUXILIARY SECTION (SERIAL NO. 913417-).....	3162-20		
VALVE, LOADER BOOM SECTION	3162-8		
VALVE, LOADER BOOM SECTION	3162-10		
VALVE, LOADER BUCKET SECTION.....	3162-12		
VALVE, LOADER BUCKET SECTION.....	3162-14		
VALVE, LOADER CONTROL.....	3162-2		
VALVE, LOADER/STABILIZER CONTROL.....	3162-4		
VALVE, LOCKING, SIDE SHIFT (315SG).....	3362-30		
VALVE, PATTERN SELECTOR.....	3362-32		
VALVE, PILOT CONTROL HANDLE BUTTON KIT.....	3362-38		
VALVE, PILOT CONTROLLER, LEFT.....	3362-34		
VALVE, PILOT CONTROLLER, RIGHT.....	3362-36		
VALVE, PRESSURE REDUCING, MANIFOLD (PILOT CONTROL).....	3362-31		
VALVE, QUICK COUPLER BUCKET	3162-28		
VALVE, RANGE SHIFT, POWER SHIFT	0360-8		
VALVE, RELIEF, SIDE SHIFT (315SG).....	3362-30		
VALVE, SIXTH FUNCTION MANUAL KIT (310G).....	3362-26		
VALVE, SIXTH FUNCTION MANUAL KIT (310SG AND 315SG).....	3362-27		
VALVE, SOLENOID (MANIFOLD) (PILOT CONTROL).....	3362-31		
VALVE, SOLENOID SIDE SHIFT (315SG).....	3362-30		
VALVE, SOLINOID FRONT COUPLER	3162-28		
VALVE, STABILIZER (SERIAL NO.-913416).....	3162-22		
VALVE, STABILIZER (SERIAL NO.-913416).....	3162-24		
VALVE, STABILIZER LOCKOUT (SER.NO.913417-).....	3162-26		
VALVE, STABILIZER/LOADER (SER.NO.913417-).....	3162-26		
VALVE, STEERING (WITH MFWD).....	0960-8		
VALVE, STEERING (WITHOUT MFWD)	0960-10		
VALVE, TRANSMISSION CONTROL	0360-2		
VALVE, TRANSMISSION CONTROL(POWER SHIFT).....	0360-6		
VALVE, TRANSMISSION SOLENOID	0360-2		
VALVE,BRAKE VALVE BOOST HYDRAULICS (CAB),310G AND 310SG.....	1060-8		
VALVE,BRAKE VALVE BOOST HYDRAULICS (ROPS),310G AND 310SG	1060-10		
VALVE,ENGINE OIL BY-PASS 310G(TURBO), 310SG, 315SG (VSN-910055)	0404-2		
VANDAL GUARD LOCK	1816-10		
VANDAL GUARD,INSTRUMENT PANEL.....	1816-10		
VEHICLE WIRING HARNESS.....	1674-8		
VEHICLE WIRING HARNESS.....	1674-9A		
VEHICLE WIRING HARNESS.....	1674-9C		
VENTILATING SYSTEM, ENGINE (DT056, TT080/81/88/89).....	0408-2		
VENTILATING SYSTEM, ENGINE PE4045DT058.....	0408-4		
VISOR, SUN	2007-2		
		W	
		WARNING ALARM, TRAVEL (310G,310SG)	2004-2
		WARNING ALARM, TRAVEL (315SG)	2004-4
		WARNING LIGHTS SWITCH.....	1674-2
		WARNING LIGHTS SWITCH.....	1674-3A
		WASHER, WINDSHIELD RESERVOIR	1814-12
		WATER PUMP IMPELLER 310G(TURBO), 310SG, 315SG (VSN -910055) T0/PE4045TT080,081.....	0417-3
		WATER PUMP IMPELLER 310G(TURBO), 310SG, 315SG (VSN 910056-) PE4045TT088,089	0417-4
		WATER PUMP IMPELLER 310G(W/O TURBO (VSN 911769) PE4045DT058.....	0417-4
		WATER PUMP IMPELLER 310G(W/O TURBO) (VSN -911768) T0/PE4045DT056.....	0417-3
		WATER PUMP INLET 310G(TURBO), 310SG, 315SG	0417-2
		WATER PUMP PULLEY 310G(TURBO), 310SG, 315SG	0417-2
		WATER PUMP REPAIR KIT 310G(TURBO), 310SG 315SG (VSN -910055) T0/PE4045TT080,081	0417-3
		WATER PUMP REPAIR KIT 310G(TURBO), 310SG, 315SG (VSN 910056-) PE4045TT088,089	0417-4
		WATER PUMP REPAIR KIT 310G(W/O TURBO) (VSN -911768) T0/PE4045DT056.....	0417-3
		WATER PUMP REPAIR KIT 310G(W/O TURBO) (V SN 911769) PE4045DT058.....	0417-4
		WATER PUMP 310G(TURBO), 310SG, 315SG (VSN -910055) T0/PE4045TT080,081	0417-3
		WATER PUMP 310G(TURBO), 310SG, 315SG (VSN 910056-) PE4045TT088,089	0417-4
		WATER PUMP 310G(W/O TURBO) (VSN -911768) T0/PE4045DT056.....	0417-3
		WATER PUMP 310G(W/O TURBO) (VSN 911769-) PE4045DT058	0417-4
		WEARSTRIPS, EXTENDIBLE ARM	3346-4
		WEARSTRIPS, EXTENDIBLE ARM	3346-6
		WEATHERPACK CONNECTORS.....	1674-20
		WEATHERPACK TERMINALS.....	1674-20
		WEATHERSTRIP, REAR WINDOW (SER.NO. -920856)	1814-8
		WEATHERSTRIP, REAR WINDOW (SER.NO. 920857-).....	1814-9A
		WET CAP KIT, HYDRAULIC.....	3362-28
		WHEEL HUB, FRONT (WITHOUT MFWD) (SERIAL NO. -911131)	0230-4
		WHEEL HUB, FRONT AXLE (WITHOUT MFWD) (SERIAL NO. 911132-).....	0230-8
		WHEEL SPACER	0110-2
		WHEEL STUDS (MFWD).....	0250-6
		WHEEL, DRIVE, FRONT (MFWD).....	0110-3
		WHEEL, DRIVE, REAR	0110-2
		WHEEL, FRONT (WITHOUT MFWD).....	0120-1
		WHEEL, STEERING	0960-2
		WHEEL, STEERING	0960-4
		WHEEL,CRANKSHAFT TIMING 310G (W/O TURBO) (VSN 911769-).....	0401-2
		WHEEL,CRANKSHAFT TIMING 310G (W/O TURBO) (VSN-911768).....	0401-1A
		WHEEL,CRANKSHAFT TIMING 310G(TURBO),310SG,315SG (VSN -910055)	0401-4
		WHEEL,CRANKSHAFT TIMING 310G(TURBO),310SG,315SG (VSN -910055)	0401-5
		WHEEL,CRANKSHAFT TIMING 310G(TURBO),310SG,315SG (VSN 910056-)	0401-6
		WINDOW, CAB SIDE	1814-2
		WINDOW, CAB SIDE	1814-4

ALPHABETICAL INDEX - CONTINUED

	PAGE		PAGE
WINDOWPANE, REAR CORNER (SER.NO. -920856)	1814-8	YOKE, UNIVERSAL JOINT (AXLE SERIAL NO. 217497-)	1111-4
WINDOWPANE, REAR CORNER (SER.NO. 920857-)	1814-9A	YOKE, SEAL, SLIDING (MFWD)	0250-2
WINDOWS, REAR (SER.NO. -920856)	1814-8		
WINDOWS, REAR (SER.NO. 920857-)	1814-9A		
WINDSHIELD WASHER HOSE	1814-12		
WINDSHIELD WASHER PUMP	1814-12		
WINDSHIELD WASHER SWITCH	1814-12		
WINDSHIELD WIPER MOTOR, FRONT	1814-10		
WINDSHIELD WIPER MOTOR, REAR	1814-14		
WINDSHIELD WIPER SWITCH, FRONT	1674-2		
WINDSHIELD WIPER SWITCH, FRONT	1674-3A		
WINDSHIELD, CAB OR QUARTER CAB	1814-6		
WINDSHIELD, WASHER RESERVOIR	1814-12		
WINDSHILD WIPER BLADE, FRONT	1814-10		
WINDSHILD WIPER BLADE, REAR	1814-14		
WIPER BLADE, FRONT	1814-10		
WIPER BLADE, REAR	1814-14		
WIPER MOTOR, FRONT WINDSHIELD	1814-10		
WIPER MOTOR, REAR WINDSHIELD	1814-14		
WIPER SWITCH, FRONT WINDSHIELD	1674-2		
WIPER SWITCH, FRONT WINDSHIELD	1674-3A		
WIRE HARNESS, BACKHOE BOOM LOCK CONTROL (315SG)	3315-22		
WIRE HARNESS, SELECTIVE FLOW CONTROL	1674-10		
WIRE LEAD KIT	1674-16		
WIRE LEAD KIT	1674-18		
WIRING HARNESS FRONT CONSOLE WITH CAB	1674-2		
WIRING HARNESS FRONT CONSOLE WITH CAB	1674-3A		
WIRING HARNESS SIDE CONSOLE WITH CAB	1674-4		
WIRING HARNESS, ENGINE	1674-8		
WIRING HARNESS, ENGINE	1674-9A		
WIRING HARNESS, ENGINE	1674-9C		
WIRING HARNESS, ENGINE FRONT (SN 910056-)	1674-9E		
WIRING HARNESS, ROOF SERIAL NO. -XXXXXX	1673-4		
WIRING HARNESS, ROOF SERIAL NO. XXXXXX-	1673-6		
WIRING HARNESS, VEHICLE	1674-8		
WIRING HARNESS, VEHICLE	1674-9A		
WIRING HARNESS, VEHICLE	1674-9C		
WIRING HARNESS, FRONT COUPLER	1674-5C		
WIRING HARNESS, MODE DOOR	1816-8		
WIRING HARNESS, PILOT ENABLE	1674-5A		
Y			
YOKE, BUCKET LEVELING	3115-2		
YOKE, BUCKET LEVELING	3115-4		
YOKE, DRIVE SHAFT (MFWD)	0250-2		
YOKE, REAL AXLE	0210-4		
YOKE, REAR AXLE (AXLE SERIAL NO. -217496)	1111-2		
YOKE, TRANSMISSION OUTPUT	0350-9		
YOKE, TRANSMISSION OUTPUT SHAFT	0350-18		
YOKE, UNIVERSAL JOINT	0210-4		
YOKE, UNIVERSAL JOINT (AXLE SERIAL NO. -217496)	1111-2		

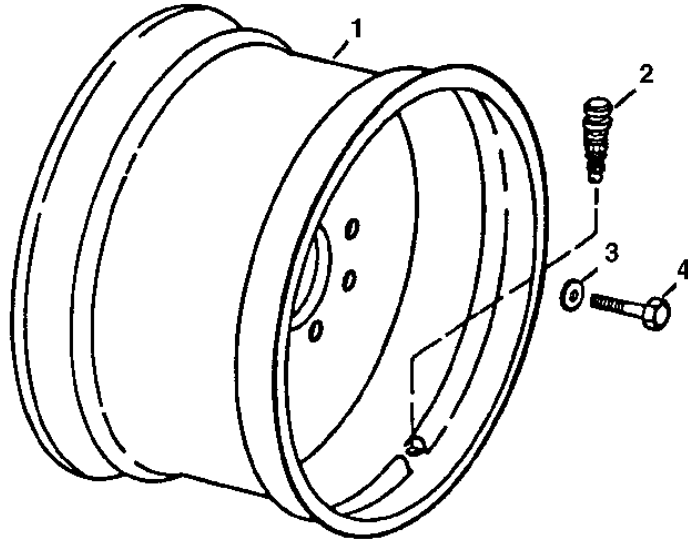
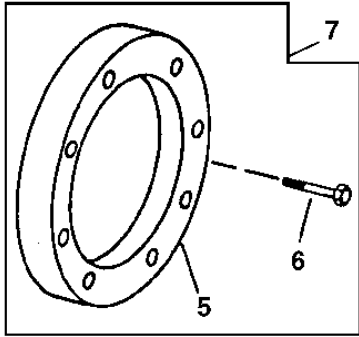
0110-2

WHEELS AND TIRES 1

POWERED WHEELS, TIRES AND FASTENINGS 0110

REAR DRIVE WHEEL
ROUE MOTRICE ARRIERE
RUEDA MOTRIZ TRASERA

TP50501 -UN-17OCT96



TP50501

KEY	PART NO.	PART NAME	QTY.	SERIAL NO.	REMARKS
				3 3	
				3 1 1	
				1 0 5	
				0 S S	
				G G G	
1	AT309100	WHEEL	1		X (FOR 16.9 X 28 TIRE) (SUB FOR AT124371) (ALSO ORDER (8) 19H2431)
	AT320204	WHEEL	1		X X X (FOR 19.5L X 24 TIRE) (SUB FOR AT66805, AT300165 AND AT309110)
	AT309102	WHEEL	1		X X (FOR 16.9 X 24 AND 17.5L X 24 TIRES) (SUB FOR AT141444)
2	AT25226	TIRE VALVE STEM	1		X X X (WITH CALCIUM CHLORIDE)
	AN132749	TIRE VALVE STEM	1		X X X (WITHOUT CALCIUM CHLORIDE) (TUBELESS)
3	R54124	WASHER	8		X X X
4	19H2717	CAP SCREW	8		X X X 3/4" X 1-3/4"
	19H2431	CAP SCREW	8		X 3/4" X 2-1/4", (USE WITH AT309100)
5	T66860	SPACER	2		X X X
6	19H3196	CAP SCREW	16		X X X 3/4" X 4"
7	AT179287	WHEEL KIT	1		X X X (WHOLE GOODS)

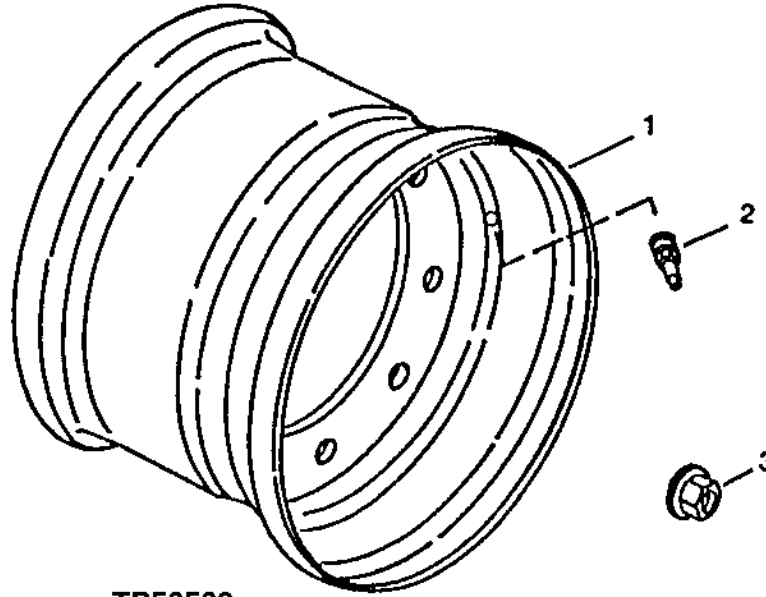
0110-3

WHEELS AND TIRES 1

POWERED WHEELS, TIRES AND FASTENINGS 0110

FRONT DRIVE WHEEL
ROUE MOTRICE AVANT
RUEDA MOTRIZ DELANTERA

TP50502 -UN-17OCT96



KEY	PART NO.	PART NAME	QTY.	SERIAL NO.	REMARKS
1	AT309104	WHEEL	1		X X (FOR 12.5/80 X 18 TIRE) (SUB FOR AT169550)
	AT309105	WHEEL	1		X (FOR 12 X 16.5 TIRE) (SUB FOR AT178499)
2	AN132749	TIRE VALVE STEM	1		X X X (TUBELESS)
3	14M7332	FLANGE NUT	8		X X X M18

0110-4

WHEELS AND TIRES 1

POWERED WHEELS, TIRES AND FASTENINGS 0110

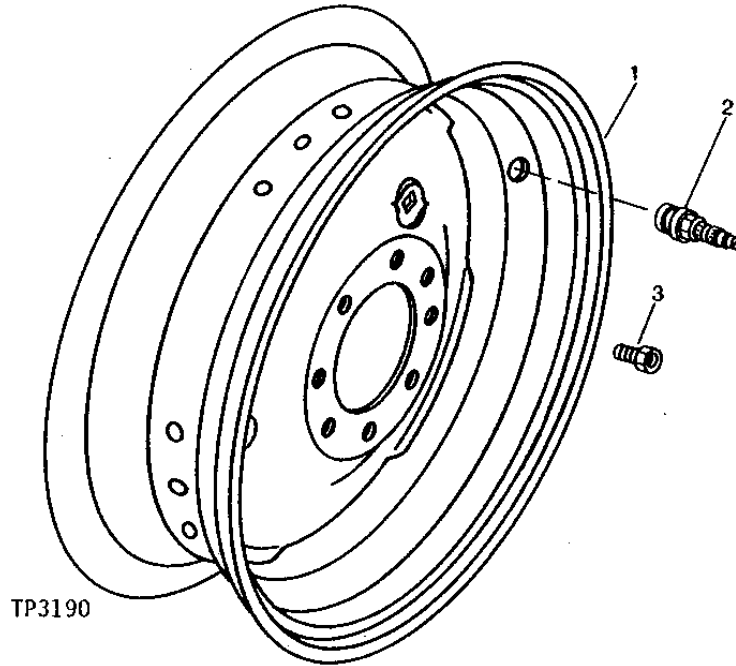
MEMORANDA
MEMORANDA
MEMORANDA

0120-1

WHEELS AND TIRES 1

NON-POWERED WHEELS, TIRES AND FASTENINGS 0120
FRONT WHEEL (WITHOUT MECHANICAL FRONT WHEEL DRIVE)
ROUE AVANT (SANS TRACTION AVANT MECANIQUE)
RUEDA MOTRIZ DELANTERA (SIN ETRACCION DELANTERA MECANICA)

TP3190 -UN-01JAN94



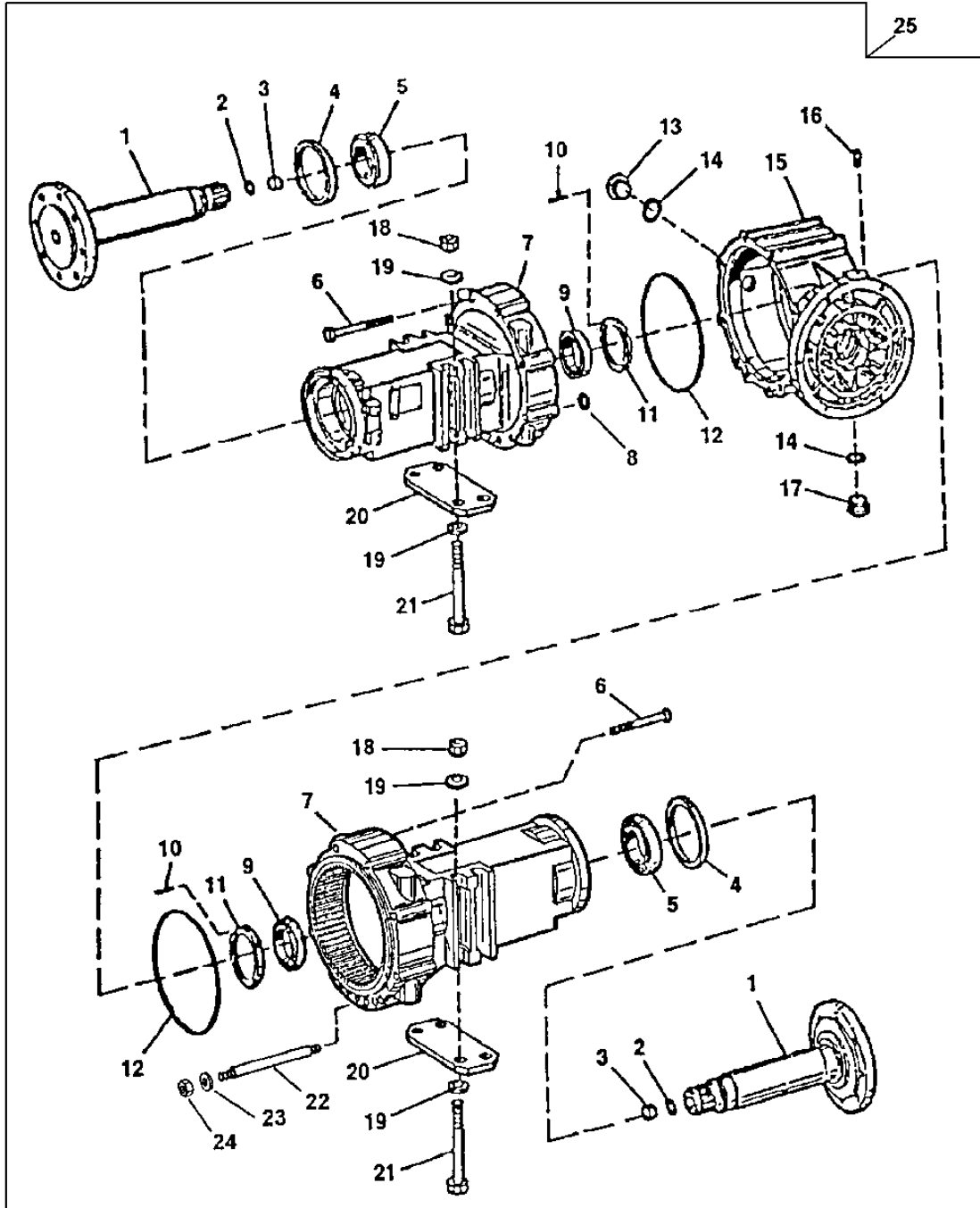
KEY	PART NO.	PART NAME	QTY.	SERIAL NO.	REMARKS
					3 3
					3 1 1
					1 0 5
					0 S S
					G G G
1	AT309111	WHEEL	1		X X (FOR 11L X 15 TIRE) (SUB FOR AT51878)
	AT310291	WHEEL	1		X X X (FOR 11L X 16 TIRE) (SUB FOR JD3216)
2	AN132749	TIRE VALVE STEM	1		X X X (WITHOUT CALCIUM CHLORIDE) (TUBELESS)
3	JD21	BOLT	8	-911131	X X X
	JD27	BOLT	8	911132-	X X X

0201-2

AXLES, DIFFERENTIALS AND SUSPENSION SYSTEMS 2

DRIVE AXLE HOUSING AND SUPPORT 0201 CARTER DE DIFFERENTIEL, TROMPETTE D'ESSIEU ET ARBRE CAJA DEL DIFERENCIAL, CAJA DEL EJE Y EJE

T142285 -UN-25MAY01



T142285

0201-3

AXLES, DIFFERENTIALS AND SUSPENSION SYSTEMS 2

DRIVE AXLE HOUSING AND SUPPORT 0201
DIFFERENTIAL HOUSING, AXLE HOUSING AND SHAFT
CARTER DE DIFFERENTIEL, TROMPETTE D'ESSIEU ET ARBRE
CAJA DEL DIFERENCIAL, CAJA DEL EJE Y EJE

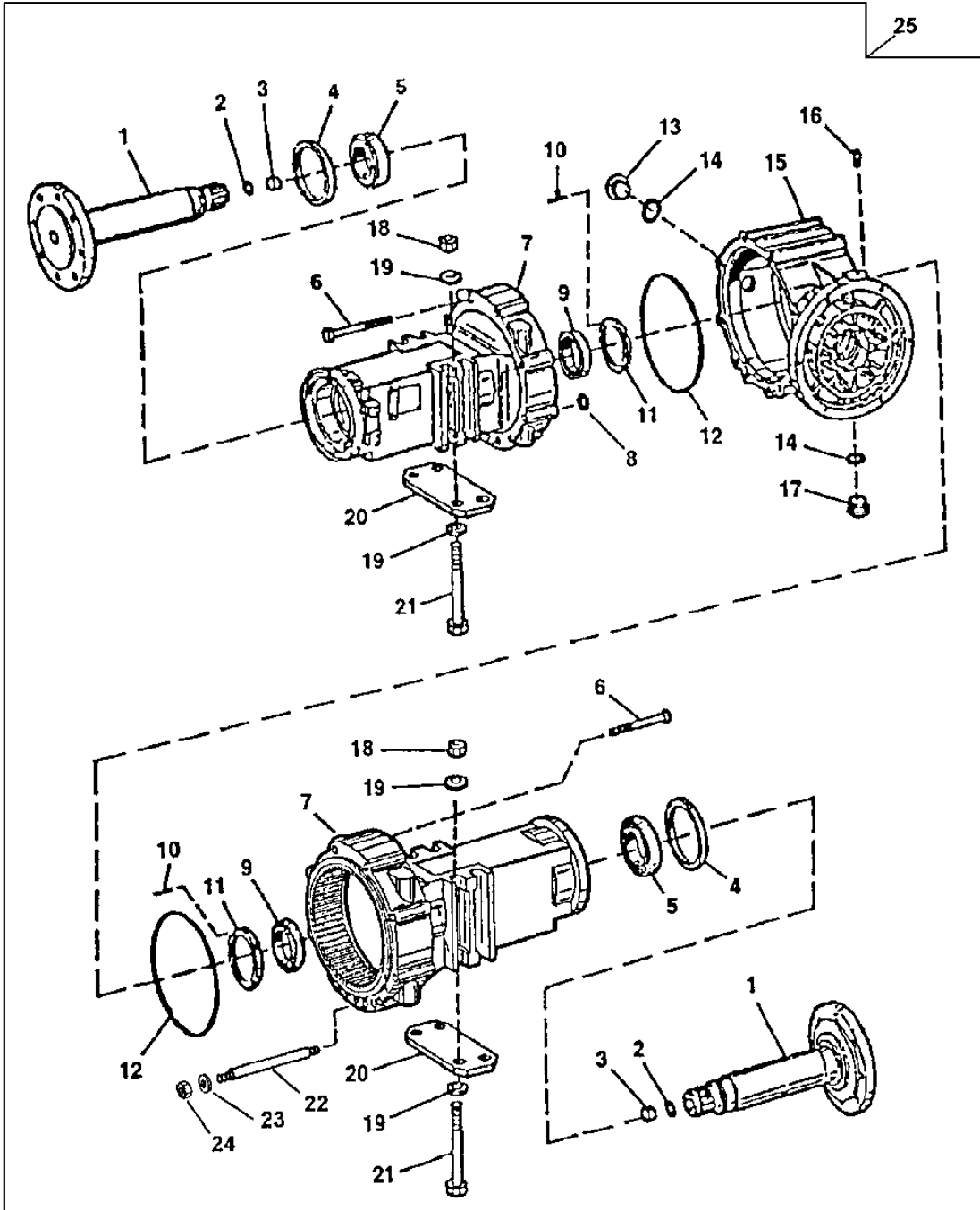
KEY	PART NO.	PART NAME	QTY.	AXLE SERIAL NO.	3 3 3 1 1 1 0 5 0 S S G G G	REMARKS
1	T154951	SHAFT	2		X X X	
2	R75384	SHIM	AR		X X X	0.3MM (0.012")
	R75383	SHIM	AR		X X X	0.5MM (0.020")
	R75382	SOLID SHIM	AR		X X X	1.0MM (0.040")
	T183496	SOLID SHIM	AR		X X X	2.0MM (0.080")
	R75385	SOLID SHIM	AR		X X X	3.0MM (0.118")
3	R79132	PIN	2		X X X	
4	AT179502	SEAL	2		X X X	
5	AT179500	TAPERED ROLLER BEARING	2		X X X	
6	19M7677	CAP SCREW	16		X X X	M16 X 240
7	AT179499	HOUSING	2		X X X	
8	T159373	O-RING	2		X X X	
9	AT179501	TAPERED ROLLER BEARING	2		X X X	
10	T164844	GROOVE PIN	2		X X X	(SUB FOR AT186927) (ALSO ORDER T184401)
11	T185444	NUT	2		X X X	(SUB FOR T159371)
12	T159362	O-RING	2		X X X	
13	15M7030	PIPE PLUG	1		X X X	
14	L55580	O-RING	2		X X X	
15	T164998	HOUSING	1	-217496	X X X	
	T188279	HOUSING	1	217497-	X X X	
16	AL32877	VENT	1		X X X	
17	L56822	PIPE PLUG	1		X X X	
18	14M7315	NUT	8		X X X	M20
19	N231749	WASHER	16		X X X	
20	T147269	PLATE	2		X X X	
21	19M8001	CAP SCREW	8		X X X	M20 X 260
22	T159388	STUD	4		X X X	
23	T159386	WASHER	4		X X X	
24	T159389	NUT	4		X X X	

0201-4

AXLES, DIFFERENTIALS AND SUSPENSION SYSTEMS 2

DRIVE AXLE HOUSING AND SUPPORT 0201
DIFFERENTIAL HOUSING, AXLE HOUSING AND SHAFT (CONTINUED)
CARTER DE DIFFERENTIEL, TROMPETTE D'ESSIEU ET ARBRE (SUITE)
CAJA DEL DIFERENCIAL, CAJA DEL EJE Y EJE (CONTINUACION)

T142285 -UN-25MAY01



T142285

0201-5

AXLES, DIFFERENTIALS AND SUSPENSION SYSTEMS 2

DRIVE AXLE HOUSING AND SUPPORT 0201
DIFFERENTIAL HOUSING, AXLE HOUSING AND SHAFT (CONTINUED)
CARTER DE DIFFERENTIEL, TROMPETTE D'ESSIEU ET ARBRE (SUITE)
CAJA DEL DIFERENCIAL, CAJA DEL EJE Y EJE (CONTINUACION)

KEY	PART NO.	PART NAME	QTY.	AXLE SERIAL NO.	3 3	REMARKS
					3 1 1	
					1 0 5	
					0 S S	
					G G G	
25	REAR AXLE	1	-217496	X X X (A) (CA) (AT192627 NLA) (SUB AT184406)	
	REAR AXLE	1	217497-	X X X (A) (CA) (AT195851 NLA) (SUB AT195929)	
	AT184406	REAR AXLE	1	-217496	X X X (A) (REMAN) (SUB FOR AT192627)	
	AT195929	REAR AXLE	1	217497-	X X X (A) (REMAN) (SUB FOR AT195851)	

(A) ALSO INCLUDES PLANETARY PINION CARRIER , RING GEAR ASSEMBLY, DIFFERENTIAL ASSEMBLY WITH LOCK,
 (A) COMPREND AUSSI PORTE-SATELLITES, COURONNE, DIFFERENTIEL AVEC BLOCAGE, FREIN SERVICE,
 (A) TAMBIEN INCLUYE PORTAPINON PLANETARIO, CONJUNTO DE CORONA DENTADA, CONJUNTO DIFERENCIAL

SERVICE BRAKE, PARK BRAKE ASSEMBLY AND INPUT YOKE
 FREIN STATIONNEMENT ET CHAPE ENTREE
 CON FRENO SERVICIO CON TRABA, CONJUNTO DE FRENO ESTACIONAMIENTO Y HORQUILLA DE ENTRADA

0201-6

AXLES, DIFFERENTIALS AND SUSPENSION SYSTEMS 2

DRIVE AXLE HOUSING AND SUPPORT 0201

MEMORANDA
MEMORANDA
MEMORANDA

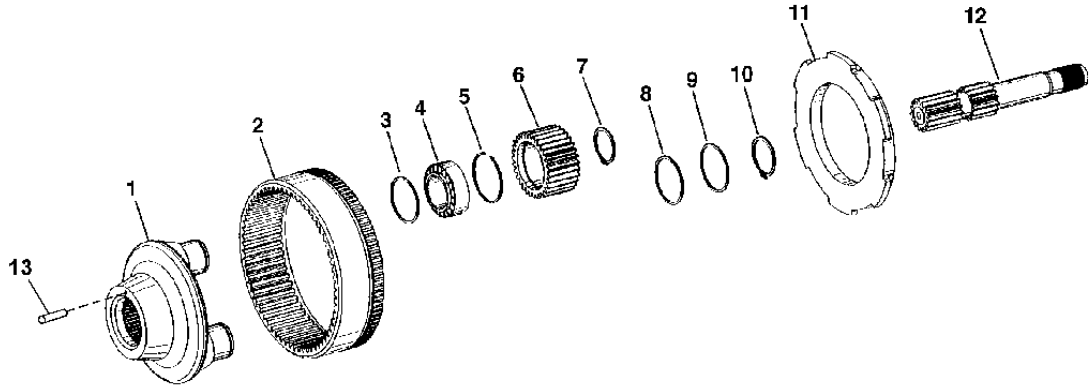
0210-1

AXLES, DIFFERENTIALS AND SUSPENSION SYSTEMS 2

DIFFERENTIAL OR BEVEL DRIVE 0210

PLANETARY PINION CARRIER PORTE-SATELLITES PORTAPINONES PLANETARIOS

T199252 -UN-22APR04



T199252

KEY	PART NO.	PART NAME	QTY.	SERIAL NO.	REMARKS
					3 3
					3 1 1
					1 0 5
					0 S S
					G G G
1	T166084	PLANET PINION CARRIER	1		X X X
2	HOUSING	1		X X X (ORDER AT179499)
3	T183922	WASHER	6		X X X
4	AT179538	TAPERED ROLLER BEARING	3		X X X
5	T183923	SNAP RING	6		X X X
6	T183921	PLANET PINION	3		X X X
7	L110729	SNAP RING	3		X X X
8	T159518	THRUST WASHER	1		X X X
9	T159525	SHIM	1		X X X 0.2MM (0.008")
	T159523	SHIM	1		X X X 0.3MM (0.012")
	T159522	SHIM	1		X X X 0.5MM (0.020")
	T161249	SHIM	1		X X X 1.5MM (0.060")
	T161248	SHIM	1		X X X 2.0MM (0.079")
10	T159519	SNAP RING	1		X X X
11	T166085	PLATE	1		X X X
12	T154952	SHAFT	1		X X X
13	T164844	GROOVE PIN	2		X X X (SUB FOR AT186927) (ALSO ORDER T184401)

0210-2

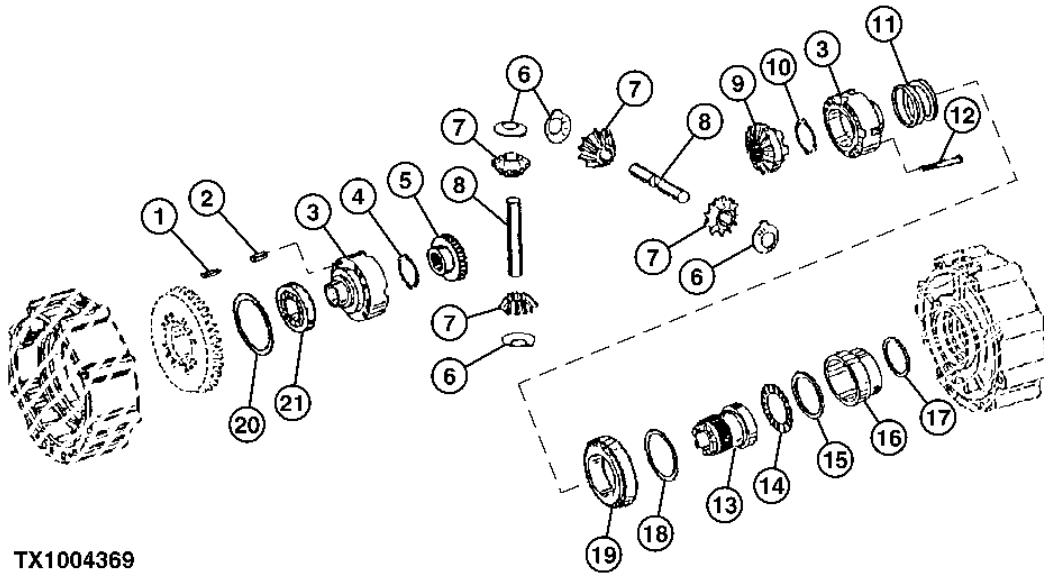
AXLES, DIFFERENTIALS AND SUSPENSION SYSTEMS 2

DIFFERENTIAL OR BEVEL DRIVE 0210

DIFFERENTIAL ASSEMBLY WITH LOCK
DIFFERENTIEL AVEC BLOCAGE
CONJUNTO DE DIFERENCIAL CON TRABA

TX1004369

-UN-03MAR06



0210-3

AXLES, DIFFERENTIALS AND SUSPENSION SYSTEMS 2

DIFFERENTIAL OR BEVEL DRIVE 0210

**DIFFERENTIAL ASSEMBLY WITH LOCK
DIFFERENTIEL AVEC BLOPAGE
CONJUNTO DE DIFERENCIAL CON TRABA**

KEY	PART NO.	PART NAME	QTY.	SERIAL NO.	REMARKS
					3 3
					3 1 1
					1 0 5
					0 S S
					G G G
1	T159359	SPRING PIN	4		X X X
2	T159358	SPRING PIN	4		X X X
3	AT186312	DIFFERENTIAL	1		X X X (LH, RH)
4	T163374	THRUST WASHER	1		X X X (RING GEAR SIDE)
5	T159348	BEVEL GEAR	1		X X X
6	T210077	THRUST WASHER	4		X X X (SUB FOR T159351)
7	T159350	BEVEL GEAR	4		X X X
8	T210078	PINION SHAFT	2		X X X (SUB FOR T164431)
9	T163810	BEVEL GEAR	1		X X X
10	T163375	THRUST WASHER	1		X X X (DIFF LOCK SIDE)
11	T159341	SPRING	1		X X X
12	19M8771	SCREW	12		X X X M14 X 120
13	T166336	SHIFT COLLAR	1		X X X
14	AT179498	NEEDLE BEARING	1		X X X
15	T159344	SEAL	1		X X X
16	T159343	PISTON	1		X X X
17	T159346	SEAL	1		X X X
18	T159444	SHIM	1		X X X 0.10MM (0.004")
	T159445	SHIM	1		X X X 0.15MM (0.006")
	T159443	SHIM	1		X X X 0.20MM (0.008")
	T159440	SHIM	1		X X X 0.30MM (0.012")
	T159441	SHIM	1		X X X 0.50MM (0.020")
	T159442	SHIM	1		X X X 1.00MM (0.040")
	T159446	SHIM	1		X X X 1.10MM (0.043")
	T159447	SHIM	1		X X X 1.20MM (0.047")
	T159448	SHIM	1		X X X 1.30MM (0.051")
	T159449	SHIM	1		X X X 1.40MM (0.055")
	T159450	SHIM	1		X X X 1.50MM (0.059")
	T159451	SHIM	1		X X X 1.60MM (0.063")
	T159452	SHIM	1		X X X 1.70MM (0.067")
	T159453	SHIM	1		X X X 1.80MM (0.071")
	T159457	SHIM	1		X X X 2.80MM (0.110")
	T159459	SHIM	1		X X X 3.00MM (0.118")
	T159461	SHIM	1		X X X 3.20MM (0.126")
	T159463	SHIM	1		X X X 3.40MM (0.129")
19	AT179504	TAPERED ROLLER BEARING	1		X X X (LH)
20	T161247	SHIM	1		X X X 0.20MM (0.008")
	T161246	SHIM	1		X X X 0.30MM (0.012")
	T161245	SHIM	1		X X X 0.40MM (0.016")
	T161244	SHIM	1		X X X 0.50MM (0.020")
	T161243	SHIM	1		X X X 0.70MM (0.028")
	T161242	SHIM	1		X X X 0.75MM (0.030")
	T161241	SHIM	1		X X X 0.80MM (0.031")
	T161240	SHIM	1		X X X 0.85MM (0.033")
	T161239	SHIM	1		X X X 0.90MM (0.035")
	T161238	SHIM	1		X X X 0.95MM (0.037")
21	AT179505	TAPERED ROLLER BEARING	1		X X X (RH)

0210-4

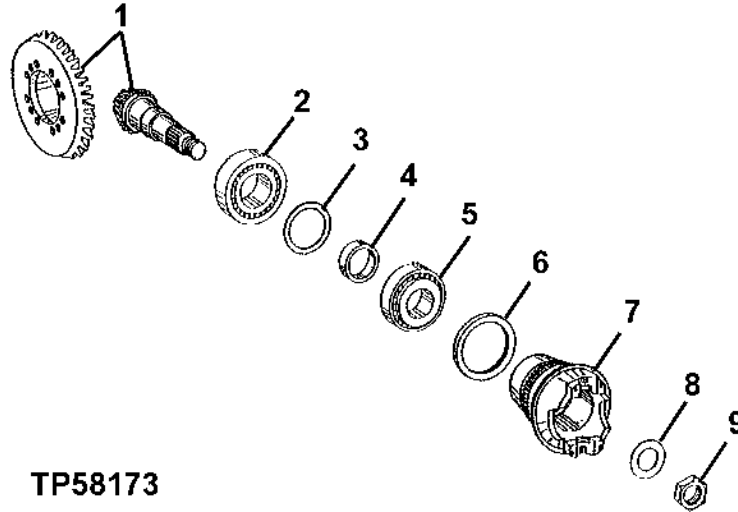
AXLES, DIFFERENTIALS AND SUSPENSION SYSTEMS 2

DIFFERENTIAL OR BEVEL DRIVE 0210

SPIRAL BEVEL INPUT PINION AND RING GEAR SET
JEU DE PIGNONS CONIQUES HELICOIDiaux D'ENTREE ET COURONNES
JUEGO DE PINON DE ENTRADA CONICO EN ESPIRAL Y CORONA DENTADA

TP58173

-UN-21FEB00



TP58173

0210-5

AXLES, DIFFERENTIALS AND SUSPENSION SYSTEMS 2

DIFFERENTIAL OR BEVEL DRIVE 0210

**SPIRAL BEVEL INPUT PINION AND RING GEAR SET
JEU DE PIGNONS CONIQUES HELICOIDALUX D'ENTREE ET COURONNES
JUEGO DE PINON DE ENTRADA CONICO EN ESPIRAL Y CORONA DENTADA**

KEY	PART NO.	PART NAME	QTY.	SERIAL NO.	REMARKS
					3 3
					3 1 1
					1 0 5
					0 S S
					G G G
1	AT171644	BEVEL GEAR DRIVE	1		X X X
2	AT176491	CYLINDRICAL ROLLER BEARING	1		X X X
3	T159310	SHIM	1		X X X 1.20MM (0.047")
	T159315	SHIM	1		X X X 1.30MM (0.051")
	T159314	SHIM	1		X X X 1.40MM (0.055")
	T159309	SHIM	1		X X X 1.50MM (0.059")
	T159313	SHIM	1		X X X 1.60MM (0.063")
	T159308	SHIM	1		X X X 1.80MM (0.071")
	T159311	SHIM	1		X X X 1.90MM (0.075")
	T159307	SHIM	1		X X X 2.00MM (0.079")
4	T159322	RING	1		X X X 16.40MM (0.6456")
	T159323	RING	1		X X X 16.50MM (0.6496")
	T183482	SOLID SHIM	1		X X X 16.56MM (0.6519")
	T159324	RING	1		X X X 16.60MM (0.6535")
	T183483	SOLID SHIM	1		X X X 16.62MM (0.6543")
	T183484	SOLID SHIM	1		X X X 16.64MM (0.6551")
	T183485	SOLID SHIM	1		X X X 16.68MM (0.6566")
	T159325	RING	1		X X X 16.70MM (0.6574")
	T183486	SOLID SHIM	1		X X X 16.72MM (0.6582")
	T183487	SOLID SHIM	1		X X X 16.74MM (0.6590")
	RING	1		X X X 16.75MM (0.6594")
	T183489	SOLID SHIM	1		X X X 16.76MM (0.6598")
	T183490	SOLID SHIM	1		X X X 16.78MM (0.6606")
	T159326	RING	1		X X X 16.80MM (0.6614")
	T183491	SOLID SHIM	1		X X X 16.82MM (0.6622")
	RING	1		X X X 16.83MM (0.6625")
	T183492	SOLID SHIM	1		X X X 16.84MM (0.6629")
	T159334	RING	1		X X X 16.86MM (0.6637")
	T183493	SOLID SHIM	1		X X X 16.88MM (0.6645")
	RING	1		X X X 16.89MM (0.6650")
	T183494	SOLID SHIM	1		X X X 16.90MM (0.6653")
	T159327	RING	1		X X X 16.92MM (0.6661")
	T183495	SOLID SHIM	1		X X X 16.94MM (0.6669")
	RING	1		X X X 16.95MM (0.6673")
	T159337	RING	1		X X X 16.98MM (0.6685")
	RING	1		X X X 17.01MM (0.6696")
	T159338	RING	1		X X X 17.04MM (0.6708")
	RING	1		X X X 17.07MM (0.6720")
	T159329	RING	1		X X X 17.10MM (0.6732")
	T159330	RING	1		X X X 17.20MM (0.6771")
	T159331	RING	1		X X X 17.30MM (0.6811")
	T159332	RING	1		X X X 17.40MM (0.6850")
5	AL79794	TAPERED ROLLER BEARING	1		X X X
6	AT179537	SEAL	1		X X X
7	T158437	UNIVERSAL JOINT YOKE	1	-902702	X X X
	T188229	UNIVERSAL JOINT YOKE	1	902703-	X X X
8	T159316	WASHER	1		X X X
9	T159317	NUT	1		X X X

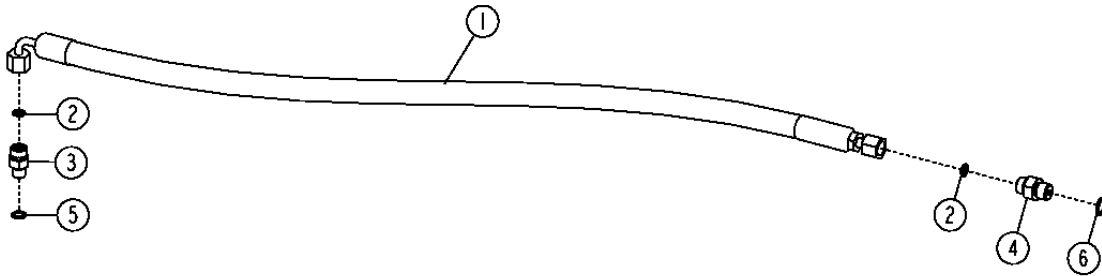
0210-6

AXLES, DIFFERENTIALS AND SUSPENSION SYSTEMS 2

DIFFERENTIAL OR BEVEL DRIVE 0210

DIFFERENTIAL LOCK PLUMBING
TUYAUTERIE DU BLOCAGE DU DIFFERENTIEL
TUBERIA DE TRABA DE DIFERENCIAL

T154477 -UN-30APR02



T154477

KEY	PART NO.	PART NAME	QTY.	SERIAL NO.	REMARKS
1	AT171637	HYDRAULIC HOSE - FABRICATE	1	-951252	9/16" X 915 MM (36") X 9/16"
	AT309683	HYDRAULIC HOSE - FABRICATE	1	951253-	9/16" X 934 MM (36-3/4") X 9/16"
2	T77814	O-RING	2		
3	38H1159	ADAPTER FITTING	1	-951252	
	38H1003	ELBOW FITTING	1	951253-	90°
4	38H1168	ADAPTER FITTING	1		
5	R28782	O-RING	1		
6	R26448	O-RING	1		

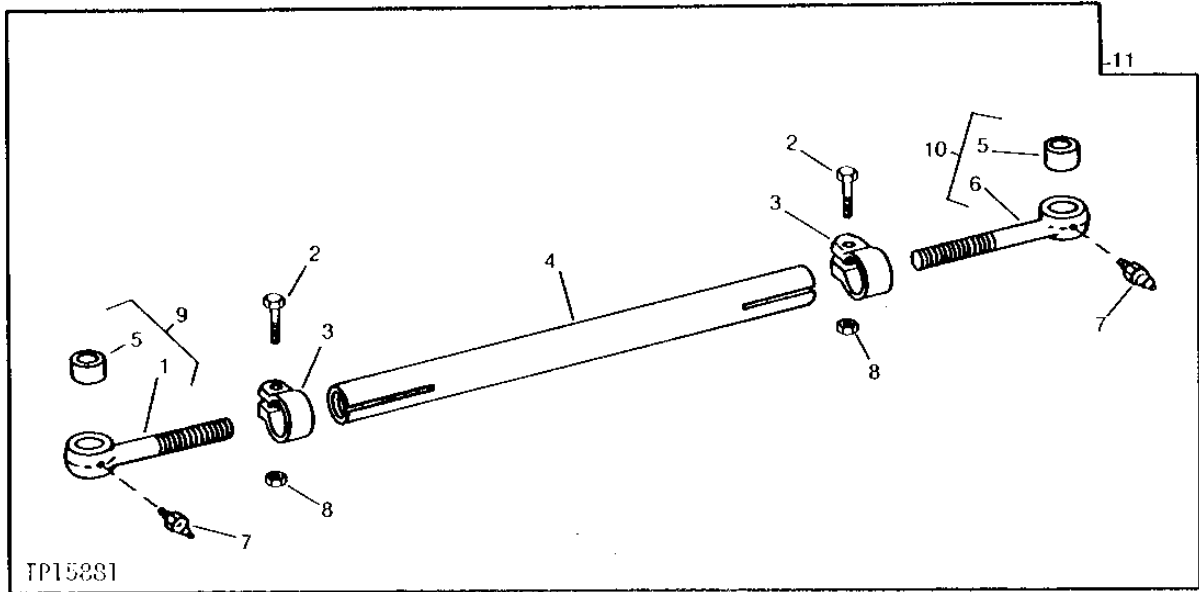
0230-1

AXLES, DIFFERENTIALS AND SUSPENSION SYSTEMS 2

NON-POWERED WHEEL AXLES 0230

TIE ROD ASSEMBLY (W/O MFWD) (SN -911131)
 BARRE D'ACCOUPLMENT (W/O MFWD) (SN -911131)
 CONJUNTO DE BARRA DE ACOPLAMIENTO (W/O MFWD) (SN -911131)

TP15881 -UN-01JAN94



KEY	PART NO.	PART NAME	QTY.	SERIAL NO.	REMARKS
					3 3
					3 1 1
					1 0 5
					0 S S
					G G G
1	BOLT	1		X X X (L)
2	19H3208	CAP SCREW	2		X X X 5/8" X 3"
3	T69360	CLIP	2		X X X
4	T81963	TUBE	1		X X X
5	T79786	BUSHING	2		X X X
6	BOLT	1		X X X (R)
7	JD7797	LUBRICATION FITTING	2		X X X 1/4"
8	U14555	LOCK NUT	2		X X X
9	AT79756	BOLT	1		X X X (L)
10	AT79755	BOLT	1		X X X (R)
11	AT79754	TIE ROD ASSEMBLY	1		X X X

(L) LEFT-HAND THREAD
 (L) FILET A GAUCHE
 (L) ROSCA IZQ.

(R) RIGHT-HAND THREAD
 (R) FILET A DROITE
 (R) ROSCA DERECHA

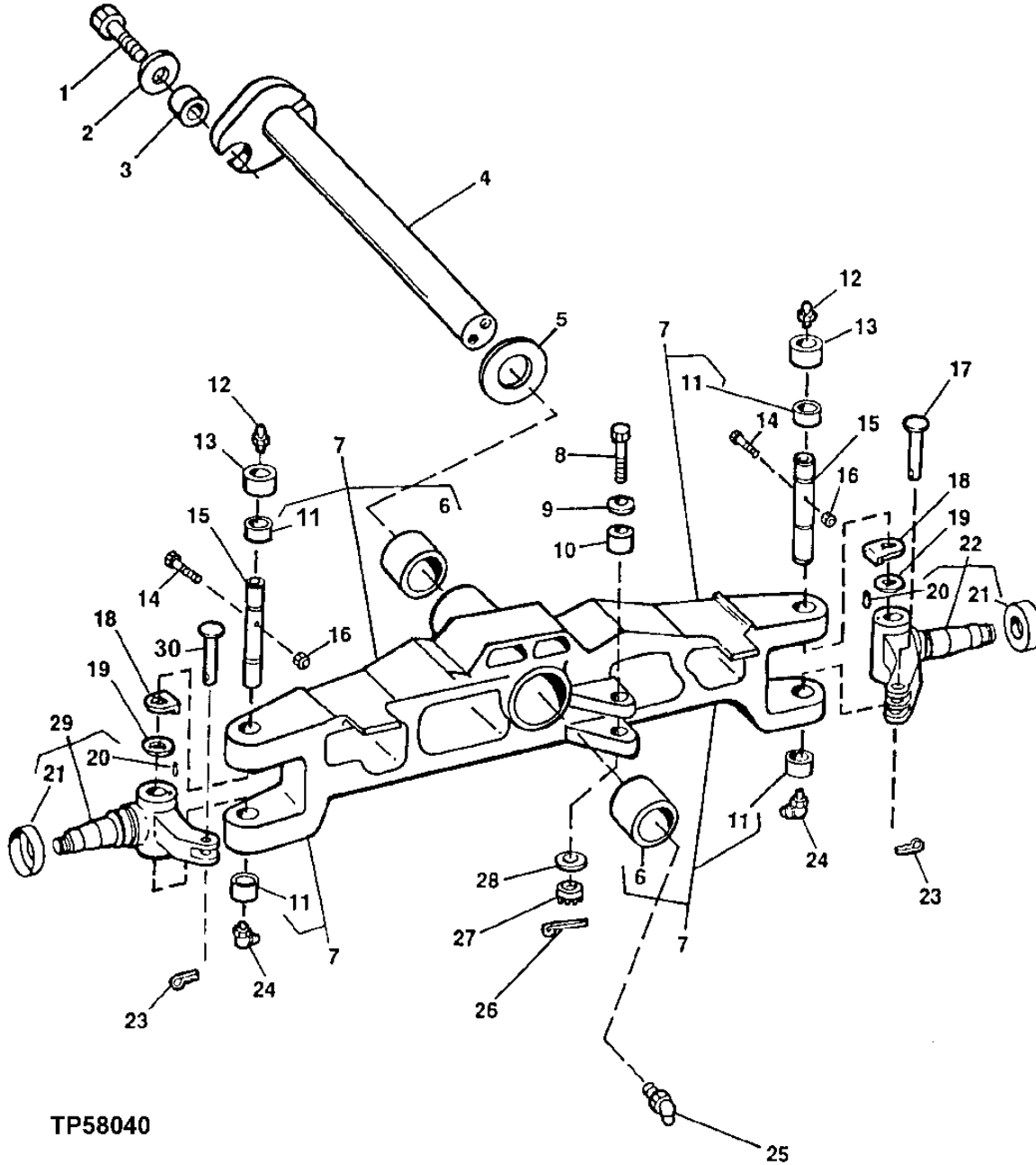
0230-2

AXLES, DIFFERENTIALS AND SUSPENSION SYSTEMS 2

FRONT AXLE, SPINDLE AND KNUCKLE ASSEMBLY (W/O MFWD) (SN -911131)
NON-POWERED WHEEL AXLES 0230
ESSIEU AVANT ET ARTICULATION-FUSEE (W/O MFWD) (SN -911131)
CONJUNTO DE EJE DELANTERO, MANGUETA Y ARTICULACION (W/O MFWD) (SN -911131)

TP58040

-UN-04JUN99



TP58040

0230-3

AXLES, DIFFERENTIALS AND SUSPENSION SYSTEMS 2

NON-POWERED WHEEL AXLES 0230

FRONT AXLE, SPINDLE AND KUNCKLE ASSEMBLY (W/O MFWD) (SN -911131)
 ESSIEU AVANT ET ARTICULATION-FUSEE (W/O MFWD) (SN -911131)
 CONJUNTO DE EJE DELANTERO, MANGUETA Y ARTICULACION (W/O MFWD) (SN -911131)

KEY	PART NO.	PART NAME	QTY.	SERIAL NO.	REMARKS
					3 3 3 1 1 1 0 5 0 S S G G G
1	19M7488	CAP SCREW	1		X X X M16 X 40
2	T119912	WASHER	1		X X X
3	T18145	BUSHING	1		X X X
4	AT164442	PIN	2		X X X
5	R46973	THRUST WASHER	AR		X X X
6	T140211	BUSHING	2		X X X
7	FRONT AXLE	1		X X X (AT176216 NLA) (MARKED T158828) (SUB AT307741) (ALSO ORDER AT197852 AND T125615)
8	19M6575	CAP SCREW	1		X X X M12 X 110
9	24H1162	WASHER	2		X X X 17/32" X 1-1/4" X 0.060"
10	T100813	BUSHING	1		X X X
11	T140207	BUSHING	4		X X X
12	T162396	LUBRICATION FITTING	2		X X X
13	T69027	SEAL	2		X X X
14	19H3445	CAP SCREW	2		X X X 3/8" X 3-3/4"
15	T184816	KINGPIN	2		X X X
16	T11234	LOCK NUT	2		X X X
17	T69355	PIN	1		X X X
18	T69364	THRUST WASHER	2		X X X
19	T69363	THRUST WASHER	2		X X X
20	34M7117	SPRING PIN	2		X X X 5 X 10 MM
21	R20255	DUST SHIELD	2		X X X
22	AT182390	KNUCKLE	1		X X X (RH) (MARKED T148467)
23	11M7030	COTTER PIN	2		X X X 5 X 40 MM
24	T162396	LUBRICATION FITTING	2		X X X
25	JD7838	ADAPTER FITTING	2		X X X
26	11M7086	COTTER PIN	1		X X X 2.500 X 50 MM
27	14M7184	NUT	1		X X X M12
28	24H1162	WASHER	2		X X X 17/32" X 1-1/4" X 0.060"
29	AT182391	KNUCKLE	1		X X X (LH) (MARKED T148468)
30	T69354	PIN	1		X X X

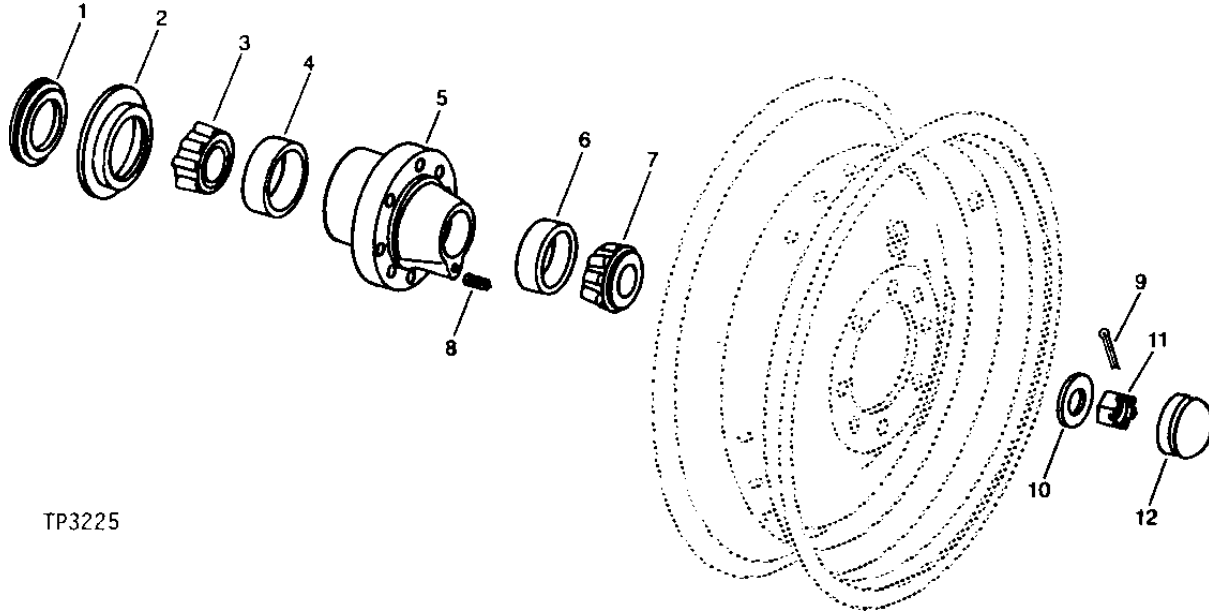
0230-4

AXLES, DIFFERENTIALS AND SUSPENSION SYSTEMS 2

NON-POWERED WHEEL AXLES 0230

FRONT WHEEL HUB (W/O MFWD) (SN -911131)
 MOYEU DE LA ROUE AVANT (W/O MFWD) (SN -911131)
 CUBO DEL NEUMATICO DELANTERO (W/O MFWD) (SN -911131)

TP3225 -UN-01JAN94



TP3225

KEY	PART NO.	PART NAME	QTY.	SERIAL NO.	REMARKS
				3 3	
				3 1 1	
				1 0 5	
				0 S S	
				G G G	
1	AR26480	SEAL	1		X X X
2	R26632	BUSHING	1		X X X
3	JD9041	BEARING CONE	1		X X X
4	JD9170	BEARING CUP	1		X X X
5	R49841	HUB	1		X X X
6	JD8251	BEARING CUP	1		X X X
7	JD8929	BEARING CONE	1		X X X
8	22H841	SET SCREW	1		X X X 1/4" X 1/4"
9	11M7030	COTTER PIN	1		X X X 5 X 40 MM
10	T75506	WASHER	1		X X X
11	14M7519	NUT	1		X X X M24
12	R50992	CAP	1		X X X

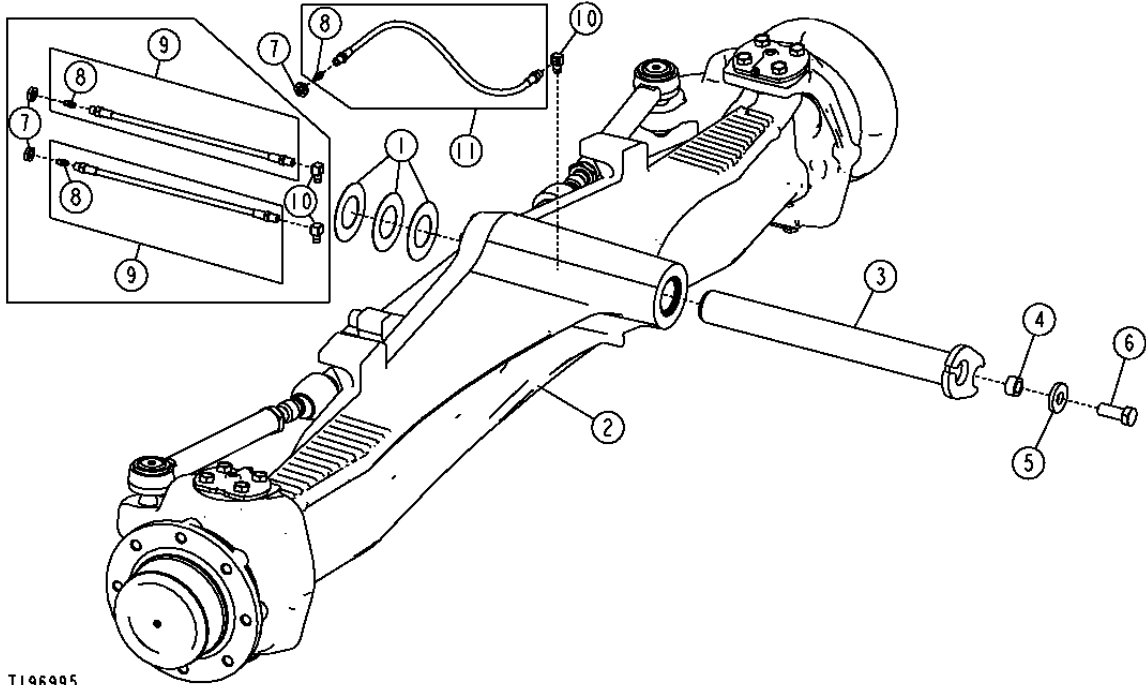
0230-5

AXLES, DIFFERENTIALS AND SUSPENSION SYSTEMS 2

STANDARD FRONT AXLE (W/O MFWD) (SN 911132-)
 ESSIEU AVANT STANDARD (W/O MFWD) (SN 911132-)
 EJE DELANTERO ESTANDAR (W/O MFWD) (SN 911132-)

NON-POWERED WHEEL AXLES 0230

T196995 -UN-07JAN04



T196995

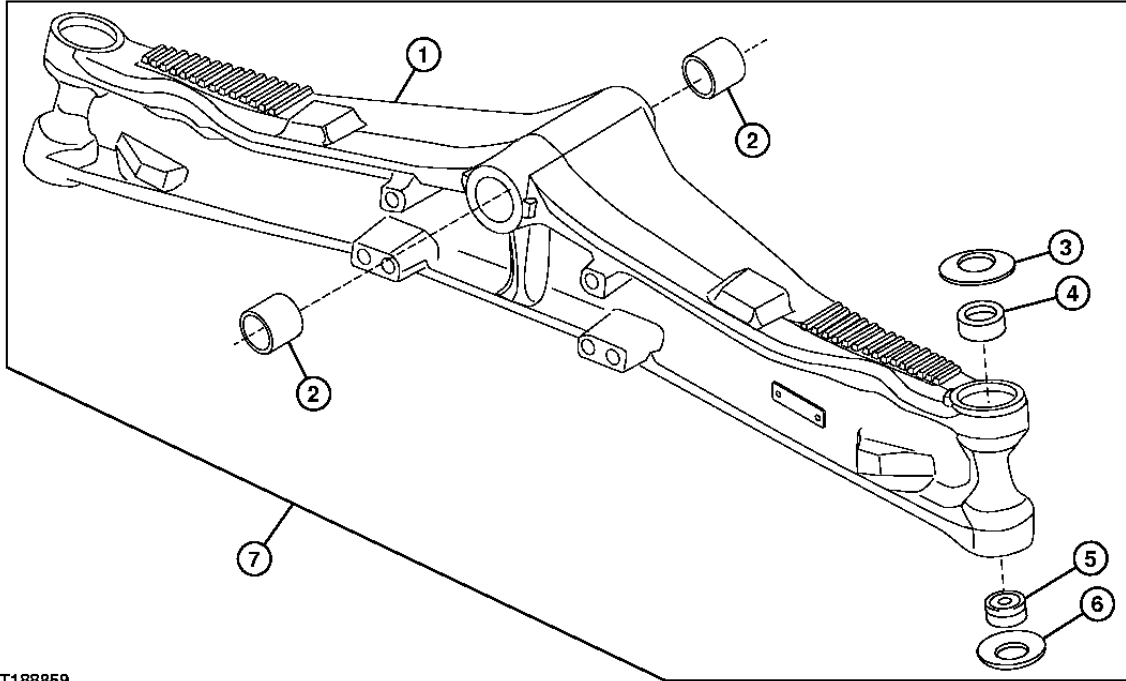
KEY	PART NO.	PART NAME	QTY.	SERIAL NO.	3 3 3 1 1 1 0 5 0 S S G G G	REMARKS
1	R46973	THRUST WASHER	3		X X X	
2	FRONT AXLE	1	-926720	X X X	(AT196428 NLA) (COMPONENTS ON FOLLOWING PAGES) (SUB AT307741) (ALSO ORDER T125615)
	AT307741	FRONT AXLE	1	926721-	X X X	(CA)
3	AT164442	PIN	1	-926720	X X X	
	AT306684	PIN	1	926721-	X X X	
4	T18145	BUSHING	1		X X X	
5	T119912	WASHER	1		X X X	
6	19M7488	CAP SCREW	1		X X X	M16 X 40
7	E12379	NUT	2		X X X	
8	JD7797	LUBRICATION FITTING	2		X X X	
9	AT173254	HYDRAULIC HOSE	2	-926720	X X X	
10	JD7838	ADAPTER FITTING	2		X X X	
11	AT224949	HOSE	1	926721-	X X X	(STD, MFWD)

0230-6

AXLES, DIFFERENTIALS AND SUSPENSION SYSTEMS 2

NON-POWERED WHEEL AXLES 0230
 STANDARD FRONT AXLE HOUSING (W/O MFWD) (SN 911132-)
 ESSIEU AVANT STANDARD (W/O MFWD) (SN 911132-)
 EJE DELANTERO ESTANDAR (W/O MFWD) (SN 911132-)

T188859 -UN-27MAR03



T188859

3 3
 3 1 1
 1 0 5
 0 S S
 G G G

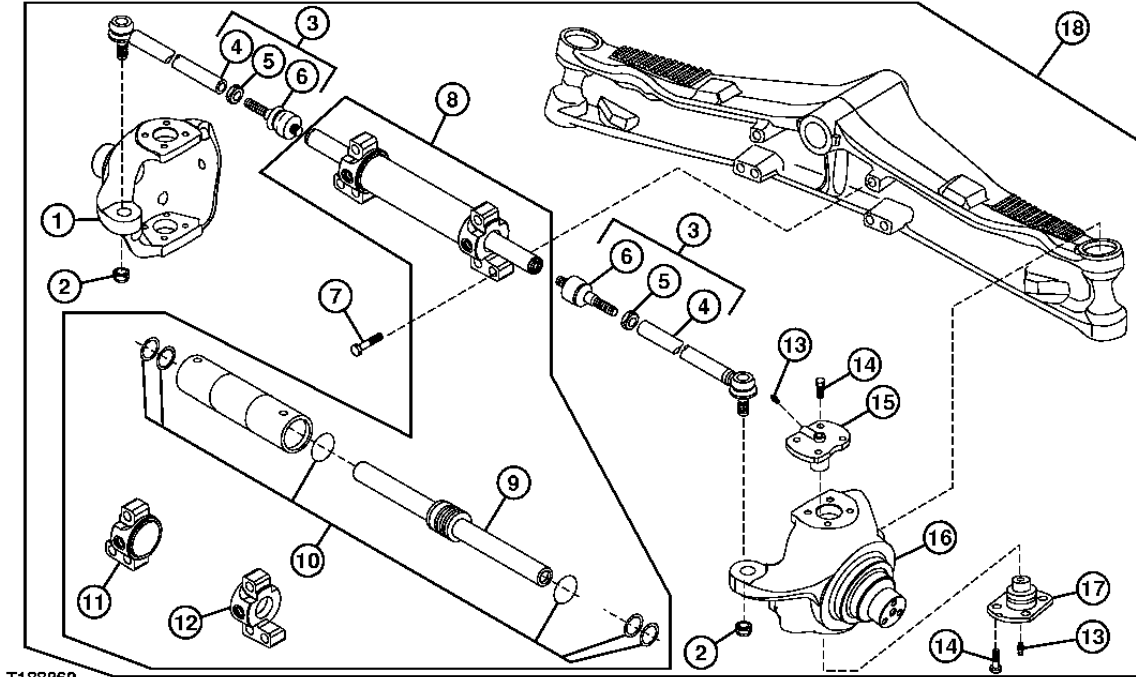
KEY	PART NO.	PART NAME	QTY.	SERIAL NO.	REMARKS
1	T206520	AXLE	1		X X X (SUB FOR T190750)
2	T202499	BUSHING	2		X X X (SUB FOR (2) T140211, THIS APPLICATION)
3	R121593	WASHER	2		X X X
4	R204271	BUSHING	2		X X X (SUB FOR R113780, THIS APPLICATION)
5	RE45896	BEARING	2		X X X
6	R121594	WASHER	2		X X X
7	FRONT AXLE	1	-926720	X X X (AT196428 NLA) (ADDITIONAL COMPONENTS ON FOLLOWING PAGES) (SUB AT307741) (ALSO ORDER T125615)
	AT307741	FRONT AXLE	1	926721-	X X X (CA)

0230-7

AXLES, DIFFERENTIALS AND SUSPENSION SYSTEMS 2

NON-POWERED WHEEL AXLES 0230
 SWIVEL HOUSINGS AND STEERING CYLINDER (W/O MFWD) (SN 911132-)
 CARTERS PIVOTANTS ET VERIN DE DIRECTION (W/O MFWD) (SN 911132-)
 CAJAS DE GIRO Y CILINDRO DE DIRECCION (W/O MFWD) (SN 911132-)

T188860 -UN-27MAR03



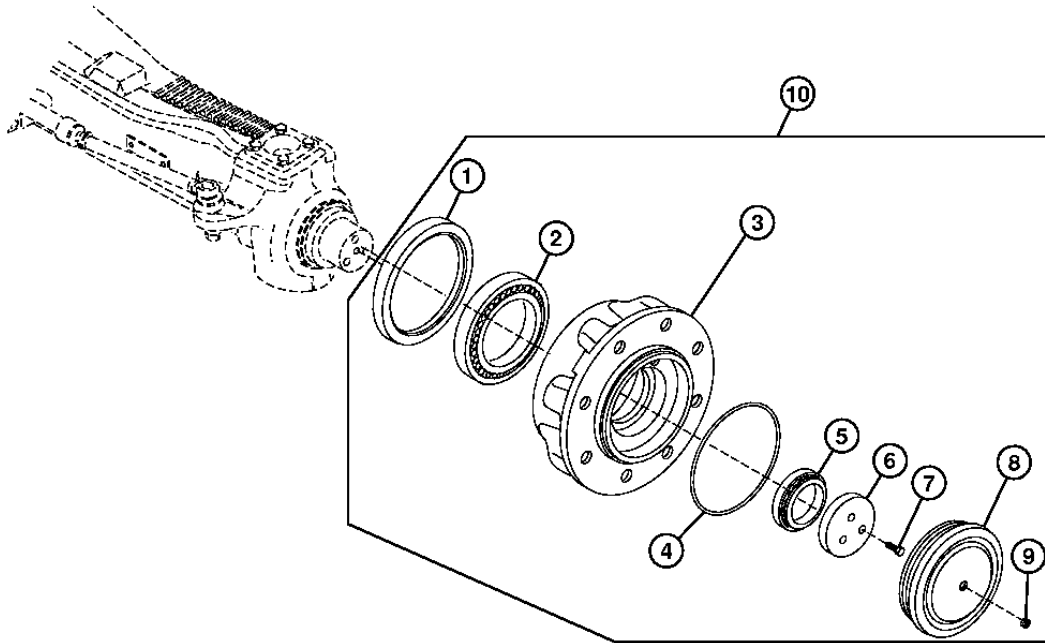
T188860

KEY	PART NO.	PART NAME	QTY.	SERIAL NO.	3 3 3 1 1 1 0 5 0 S S G G G	REMARKS
1	T190745	HOUSING	1		X X X	(LH)
2	AT280268	LOCK NUT	2		X X X	M20
3	AT198602	TIE ROD ASSEMBLY	2		X X X	
4	T191428	TIE ROD ASSEMBLY	2		X X X	
5	14M7309	NUT	2		X X X	M24
6	T191427	BALL JOINT	2		X X X	
7	T116290	BOLT	6		X X X	M20 X 80
8	AT198598	CYLINDER	1		X X X	
9	AT280869	ROD	1		X X X	
10	T191430	SEAL KIT	1		X X X	
11	HYDRAULIC CYLINDER CAP	1		X X X	(LH)
12	HYDRAULIC CYLINDER CAP	1		X X X	(RH)
13	R140070	LUBRICATION FITTING	4		X X X	
14	19M8011	CAP SCREW	16		X X X	M12 X 30
15	RE57471	TRUNNION	2		X X X	
	R122218	SPACER	AR		X X X	
16	T190746	HOUSING	1		X X X	(RH)
17	RE57472	TRUNNION	2		X X X	
18	FRONT AXLE	1	-926720	X X X	(CA) (AT196428 NLA) (ADDITIONAL COMPONENTS ON PREVIOUS AND FOLLOWING PAGES) (SUB AT307741) (ALSO ORDER T125615)
	AT307741	FRONT AXLE	1	926721-	X X X	

0230-8

WHEEL HUB (W/O MFWD) (SN 911132-))
 MOYEU DE ROUE (W/O MFWD) (SN 911132-))
 CUBO DE LA RUEDA (W/O MFWD) (SN 911132-))

T188861 -UN-27MAR03



T188861

3 3
 3 1 1
 1 0 5
 0 S S
 G G G

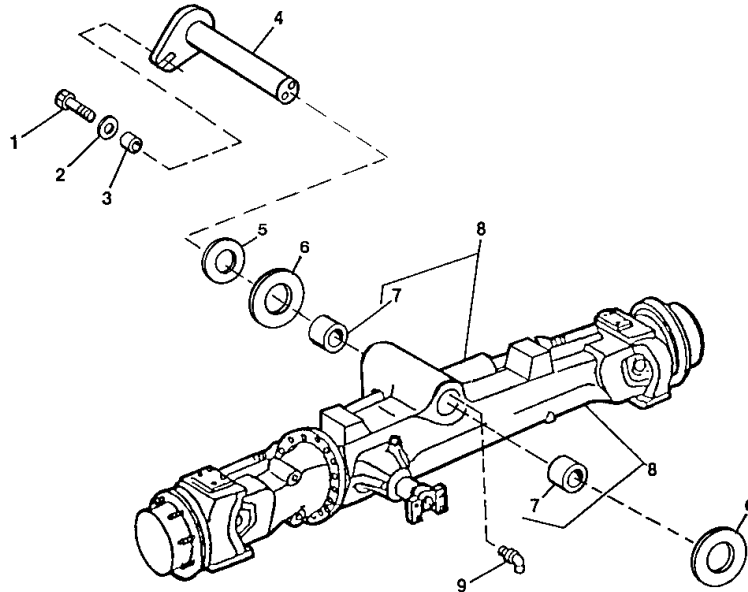
KEY	PART NO.	PART NAME	QTY.	SERIAL NO.	REMARKS
1	AT280866	SEAL	2		X X X
2	AT196169	BEARING	2		X X X
3	T190749	HUB	2		X X X
4	T188441	O-RING	2		X X X
5	JD10063	TAPERED ROLLER BEARING	2		X X X
6	T188442	RING	2		X X X
7	19M8011	CAP SCREW	6		X X X M12 X 30
8	T188448	CAP	2		X X X
9	R121079	PLUG	2		X X X
10	FRONT AXLE	1	-926720	X X X (AT196428 NLA) (ADDITIONAL COMPONENTS ON PREVIOUS PAGES) (SUB AT307741) (ALSO ORDER T125615)
	AT307741	FRONT AXLE	1	926721-	X X X (CA)

0250-1

AXLES, DIFFERENTIALS AND SUSPENSION SYSTEMS 2

FRONT AXLE (MFWD) ESSIEU AVANT (MFWD) EJE DELANTERO (MFWD)

TP57965 -UN-11NOV98



TP57965

KEY	PART NO.	PART NAME	QTY.	SERIAL NO.	3 3 3 1 1 1 0 5 0 S S G G G	REMARKS
1	19M7488	CAP SCREW	1		X X X	M16 X 40
2	T119912	WASHER	1		X X X	
3	T18145	BUSHING	1		X X X	
4	AT164442	PIN	1	-928777	X X X	
	AT306684	PIN	1	928778-	X X X	
5	R46973	THRUST WASHER	AR		X X X	45.212 X 82.550 X 0.914 MM
6	T80027	THRUST WASHER	2		X X X	
7	T140211	BUSHING	2		X X X	
8	FRONT AXLE	1	-928777	X	(AT178113 NLA) (SUB AT307737) (ALSO ORDER T125615)
	AT307737	FRONT AXLE	1	928778-	X	
	FRONT AXLE	1	-928777	X X	(AT171134 NLA) (SUB AT307739) (ALSO ORDER T125615)
	AT307739	FRONT AXLE	1	928778-	X X	
9	JD7838	LUBRICATION FITTING	2		X X X	

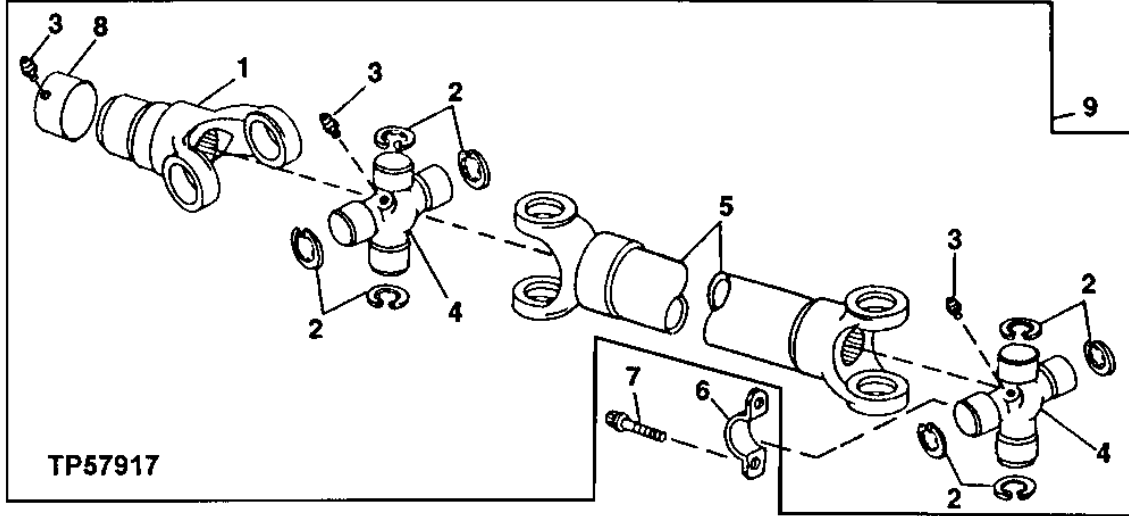
0250-2

AXLES, DIFFERENTIALS AND SUSPENSION SYSTEMS 2

AXLE SHAFT, BEARINGS AND REDUCTION GEARS 0250

DRIVE SHAFT (MFWD)
 ARBRE D'ENTRAINEMENT (MFWD)
 EJE DE TRANSMISION (MFWD)

TP57917 -UN-10SEP98



KEY	PART NO.	PART NAME	QTY.	SERIAL NO.	REMARKS
				3 3	
				3 1 1	
				1 0 5	
				0 S S	
				G G G	
1	AT179596	UNIVERSAL JOINT YOKE	1	X X X	
2	N119316	SNAP RING	6	X X X	
3	JD7797	LUBRICATION FITTING	1	X X X	
4	AT178387	KIT	2	X X X	(U-JOINT) GREASEABLE
	AT178389	KIT	2	X X X	(U-JOINT) LUBED FOR LIFE
5	DRIVE SHAFT	1	X X X	
6	T69938	HALF CLAMP	2	X X X	
7	T113128	SCREW	4	X X X	
8	AT179590	SEAL	1	X X X	(SLIDING YOKE)
9	AT182735	UNIVERSAL DRIVESHAFT	1	X X X	(LUBED FOR LIFE)

0250-3

AXLES, DIFFERENTIALS AND SUSPENSION SYSTEMS 2

AXLE SHAFT, BEARINGS AND REDUCTION GEARS 0250

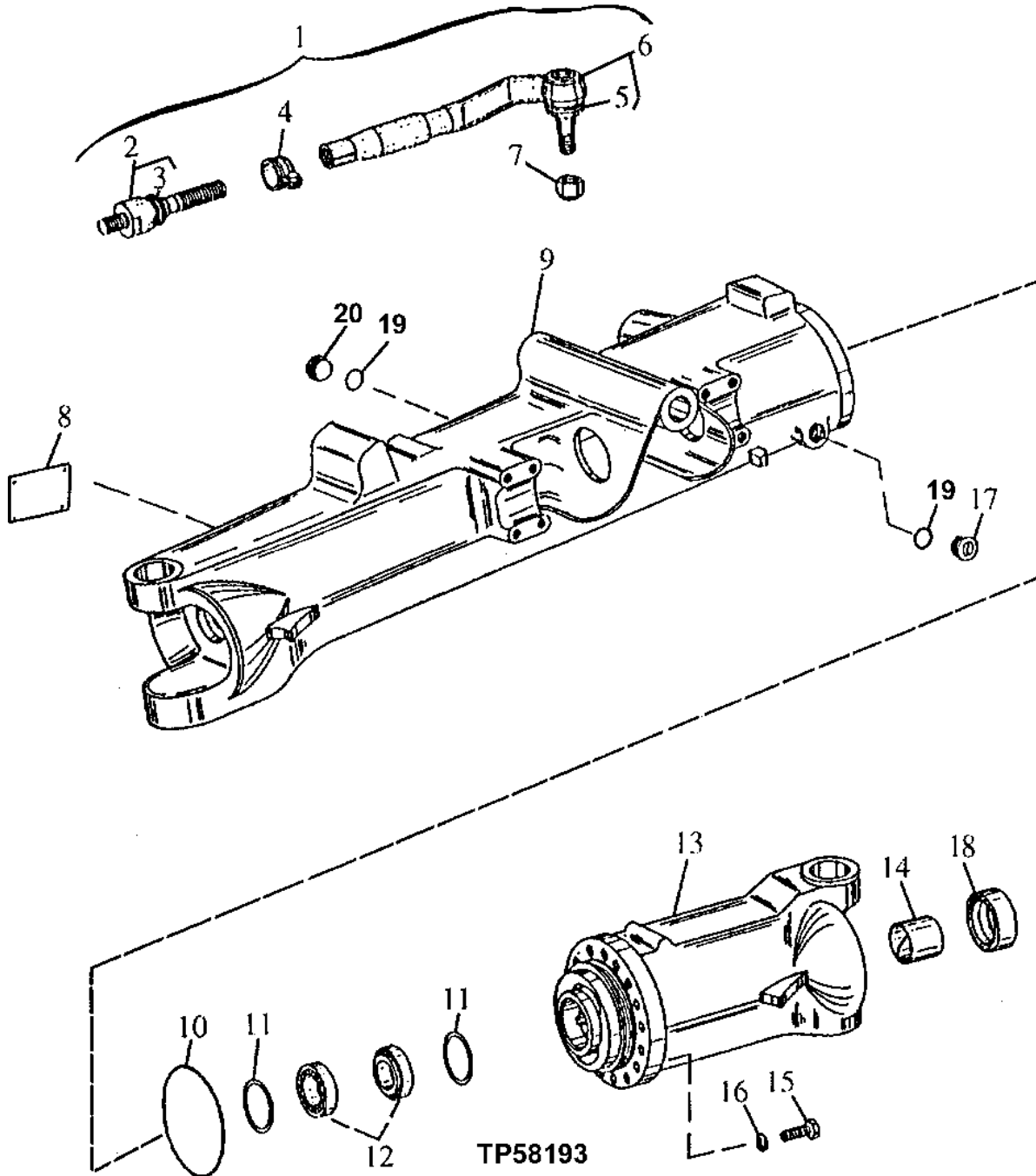
MEMORANDA
MEMORANDA
MEMORANDA

0250-4

AXLES, DIFFERENTIALS AND SUSPENSION SYSTEMS 2

AXLE SHAFT, BEARINGS AND REDUCTION GEARS 0250
FRONT AXLE HOUSING AND TIE RODS (MFWD)
CARTER D'ESSIEU AVANT ET BARRES D'ACCOUPEMENT (MFWD)
CAJA DE EJE DELANTERO Y BARRAS DE ACOPLAMIENTO (MFWD)

TP58193 -UN-22MAR00



0250-5

AXLES, DIFFERENTIALS AND SUSPENSION SYSTEMS 2

AXLE SHAFT, BEARINGS AND REDUCTION GEARS 0250
FRONT AXLE HOUSING AND TIE RODS (MFWD)
CARTER D'ESSIEU AVANT ET BARRES D'ACCOUPLMENT (MFWD)
CAJA DE EJE DELANTERO Y BARRAS DE ACOPLAMIENTO (MFWD)

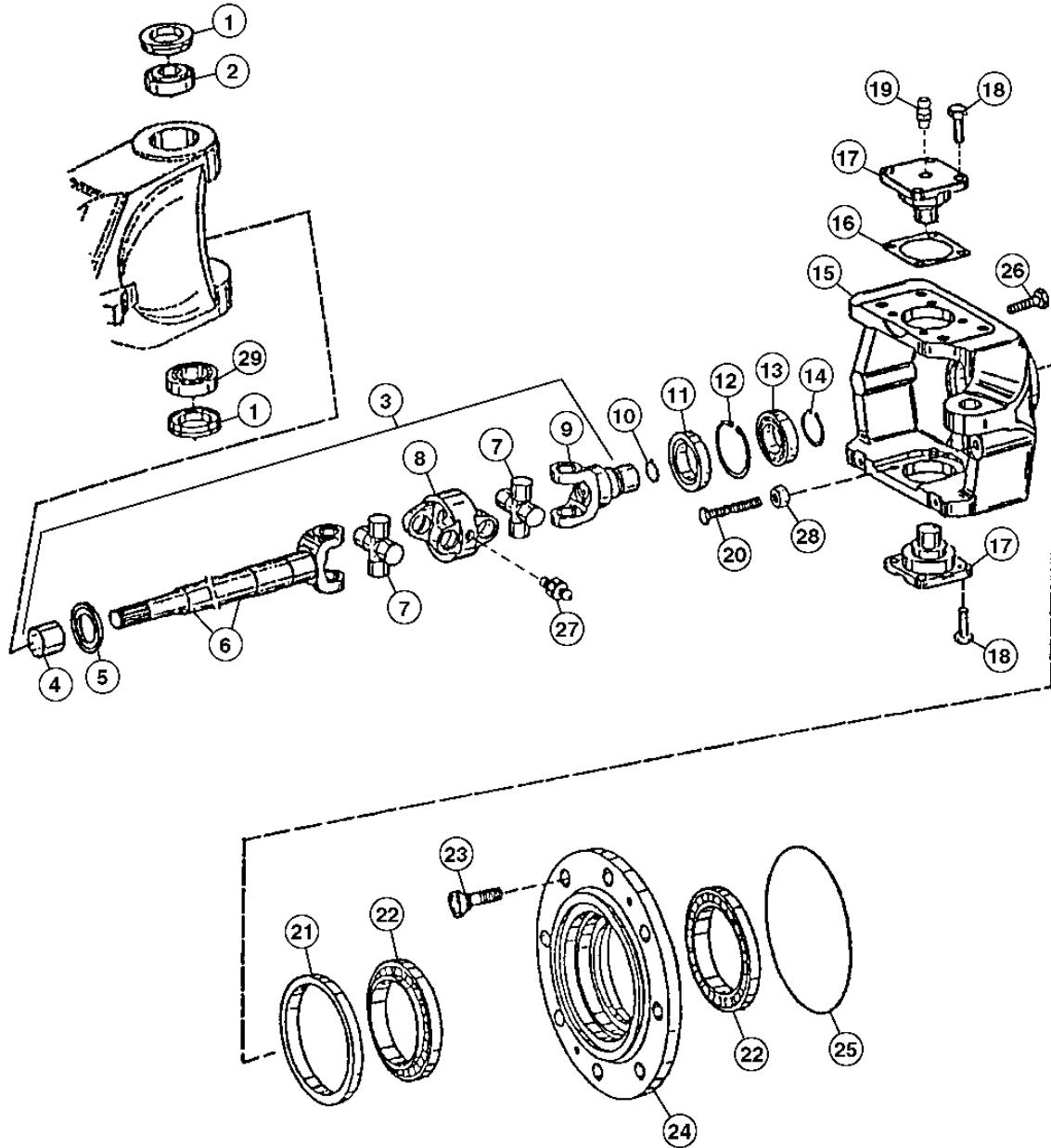
KEY	PART NO.	PART NAME	QTY.	SERIAL NO.	REMARKS
					3 3 3 1 1 1 0 5 0 S S G G G
1	AT309304	TIE ROD ASSEMBLY	1		X X X (LH) (ALSO ORDER L55605) (SUB FOR AT170205)
	AT309303	TIE ROD ASSEMBLY	1		X X X (RH) (NOT ILLUSTRATED) (ALSO ORDER L55605) (SUB FOR AT170204)
2	AL80542	TIE ROD ASSEMBLY	1		X X X (END)
3	AL113451	BOOT	1		X X X
4	AT309307	CLAMP	1		X X X (SUB FOR AT170209)
	L55605	NUT	1		X X X M24
5	AL113460	BOOT	1		X X X
6	AT309305	TIE ROD ASSEMBLY	1		X X X (LH) (ALSO ORDER L55605) (SUB FOR AT170206)
	AT309306	TIE ROD ASSEMBLY	1		X X X (RH) (NOT ILLUSTRATED) (ALSO ORDER L55605) (SUB FOR AT170208)
7	14M7513	LOCK NUT	1		X X X M22
8	SERIAL NUMBER PLATE	1		X X X
9	T206432	HOUSING	1		X X X (RH) (SUB FOR T151262)
10	L40306	O-RING	1		X X X
11	L100141	WASHER	AR		X X X 1.15MM (0.0453")
	L100145	WASHER	AR		X X X 1.35MM (0.0531")
	L61263	WASHER	AR		X X X 1.50MM (0.0591")
	L61267	WASHER	AR		X X X 1.70MM (0.0669)
	L61271	WASHER	AR		X X X 1.90MM (0.0748")
	L61275	WASHER	AR		X X X 2.10MM (0.0827")
	T183518	SOLID SHIM	AR		X X X 2.65MM (0.1043")
	T183519	SOLID SHIM	AR		X X X 2.70MM (0.1063")
	T183520	SOLID SHIM	AR		X X X 2.75MM (0.1083")
	T183521	SOLID SHIM	AR		X X X 2.80MM (0.1102")
	T183522	SOLID SHIM	AR		X X X 2.85MM (0.1122")
	T183523	SOLID SHIM	AR		X X X 2.90MM (0.1142")
	T183524	SOLID SHIM	AR		X X X 2.95MM (0.1161")
	T183525	SOLID SHIM	AR		X X X 3.00MM (0.1181")
	T183526	SOLID SHIM	AR		X X X 3.10MM (0.1220")
	T183527	SOLID SHIM	AR		X X X 3.35MM (0.1319")
	T183528	SOLID SHIM	AR		X X X 3.40MM (0.1339")
12	AL79808	BEARING	2		X X X
13	T151089	HOUSING	1		X X X (LH)
14	L114558	BUSHING	2		X X X
15	T151261	CAP SCREW	15		X X X
16	L40014	WASHER	15		X X X 15 X 23.700 X 3 MM
17	L56822	PIPE PLUG	1		X X X
18	L110233	SEAL	2		X X X
19	L55580	O-RING	2		X X X
20	15M7030	PIPE PLUG	1		X X X

0250-6

AXLES, DIFFERENTIALS AND SUSPENSION SYSTEMS 2

AXLE SHAFT, BEARINGS AND REDUCTION GEARS 0250
FRONT AXLE HOUSINGS, HUBS AND UNIVERSAL JOINTS (MFWD)
CARTERS D'ESSIEU AVANT, MOYEUX ET JOINTS UNIVERSELS (MFWD)
CAJAS, CUBOS Y JUNTAS UNIVERSALES DE EJE DELANTERO (MFWD)

TX1010569 -UN-09AUG06



TX1010569

0250-7

AXLES, DIFFERENTIALS AND SUSPENSION SYSTEMS 2

AXLE SHAFT, BEARINGS AND REDUCTION GEARS 0250
FRONT AXLE HOUSINGS, HUBS AND UNIVERSAL JOINTS (MFWD)
CARTERS D'ESSIEU AVANT, MOYEUX ET JOINTS UNIVERSELS (MFWD)
CAJAS, CUBOS Y JUNTAS UNIVERSALES DE EJE DELANTERO (MFWD)

KEY	PART NO.	PART NAME	QTY.	SERIAL NO.	REMARKS
					3 3
					3 1 1
					1 0 5
					0 S S
					G G G
1	AL79902	SEAL	2		X X X
2	AL79901	BEARING	1		X X X
3	AT167118	UNIVERSAL DRIVESHAFT	1		X X X (LH)
	AT167119	UNIVERSAL DRIVESHAFT	1		X X X (RH)
4	L100636	BUSHING	1		X X X
5	L100635	SHEET	1		X X X
6	T153722	SHAFT	1		X X X (LH)
	T153721	SHAFT	1		X X X (RH)
7	L100632	CROSS AND BEARING ASSEMBLY	2		X X X
8	L100633	YOKE	1		X X X
9	T153720	UNIVERSAL JOINT	1		X X X
10	L40276	SNAP RING	1		X X X
11	AL79951	SEAL	1		X X X
12	40M5099	SNAP RING	1		X X X
13	R115119	BALL BEARING	1		X X X
14	T151264	SNAP RING	1		X X X
15	T151088	HOUSING	1		X X X (LH)
	T151087	HOUSING	1		X X X (RH)
16	L100102	SHIM	AR		X X X 0.20MM (0.0079")
	T166150	SHIM	AR		X X X 0.50MM (0.0197")
	T166149	SHIM	AR		X X X 0.70MM (0.0276")
	L100106	SHIM	AR		X X X 0.80MM (0.0315")
	T166145	SHIM	AR		X X X 0.90MM (0.0354")
	T166148	SHIM	AR		X X X 1.10MM (0.0433")
	T166147	SHIM	AR		X X X 1.20MM (0.0472")
	T166146	SHIM	AR		X X X 1.30MM (0.0512")
	L100109	SHIM	AR		X X X 1.60MM (0.0630")
17	T188397	PIN	2		X X X (SUB FOR T151074, THIS APPLICATION) (ALSO ORDER 58M5573)
18	19M8011	CAP SCREW	8		X X X
19	58M5573	LUBRICATION FITTING	2		X X X
20	L100239	SCREW	1		X X X
21	AL79950	SEAL	1		X X X
22	JD10249	TAPERED ROLLER BEARING	2		X X X
23	L55598	WHEEL BOLT	8		X X X
24	L100238	HUB	1		X X X
25	L40317	O-RING	1		X X X
26	19M8738	CAP SCREW	8		X X X M10 X 45, (RING GEAR TO HOUSING)
27	58M5574	LUBRICATION FITTING	2		X X X
28	14M7345	NUT	1		X X X M14
29	AT333060	TAPERED ROLLER BEARING	1		X X X (SUB FOR AL79901, THIS APPLICATION)

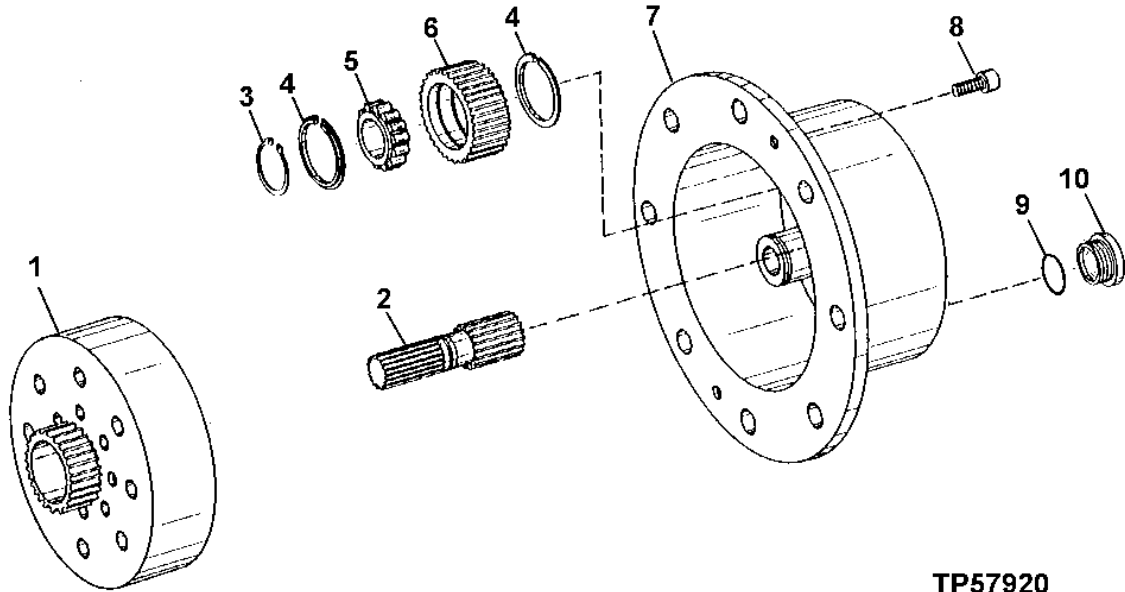
0250-8

AXLES, DIFFERENTIALS AND SUSPENSION SYSTEMS 2

AXLE SHAFT, BEARINGS AND REDUCTION GEARS 0250

PLANETARY DRIVE (MFWD)(S.N. -962303)
 ENTRAINEMENT DE TRAIN PLANETAIRE (MFWD)(S.N. -962303)
 MANDO DE PLANETARIOS (MFWD)(S.N. -962303)

TP57920 -UN-09SEP98



TP57920

KEY	PART NO.	PART NAME	QTY.	SERIAL NO.	REMARKS
				3 3	
				3 1 1	
				1 0 5	
				0 S S	
				G G G	
1	L110235	RING GEAR	1	X X X	
2	T151065	PINION SHAFT	1	X X X	
3	40M4624	SNAP RING	3	X X X	
4	L41159	SNAP RING	6	X X X	
5	JD10250	CYLINDRICAL ROLLER BEARING	3	X X X	
6	L79728	PLANET PINION	3	X X X	
7	L100168	PLANET PINION CARRIER	1	X X X	
8	19M5039	SCREW	2	X X X	M10 X 20
9	L55580	O-RING	1	X X X	
10	L100240	DRAIN PLUG	1	X X X	

0250-8A

AXLES, DIFFERENTIALS AND SUSPENSION SYSTEMS 2

AXLE SHAFT, BEARINGS AND REDUCTION GEARS 0250

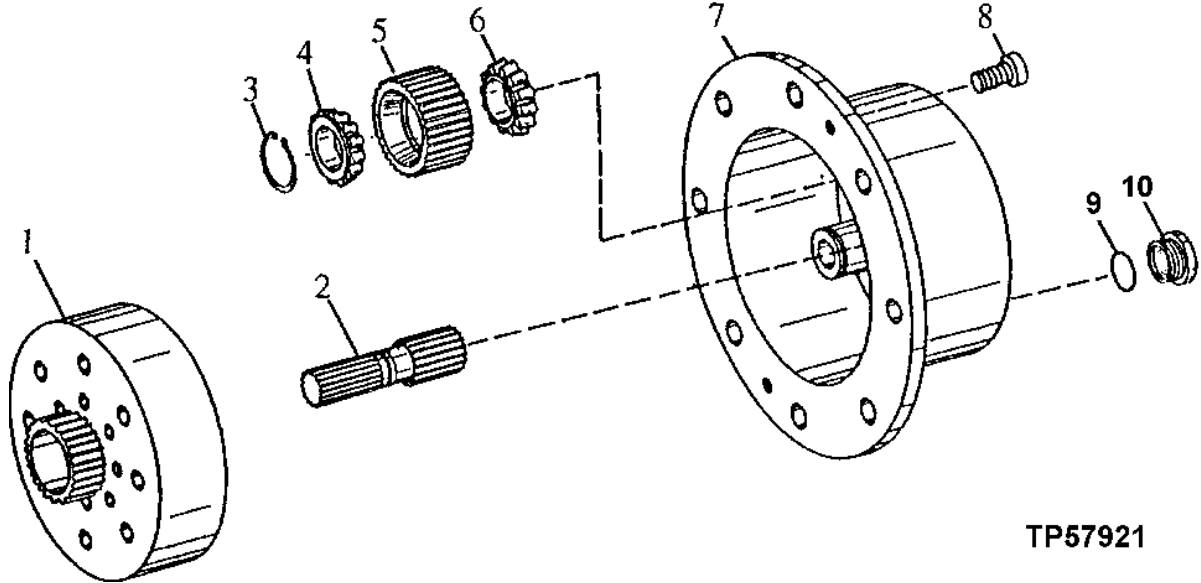
PLANETARY DRIVE (MFWD)(S.N.962304-962373)

ENTRAINEMENT DE TRAIN PLANETAIRE (MFWD)(S.N.962304-962373)

MANDO DE PLANETARIOS (MFWD)(S.N.962304-962373)

TP57921

-UN-04SEP98



KEY	PART NO.	PART NAME	QTY.	SERIAL NO.	REMARKS
1	L79729	RING GEAR	1		
2	T151085	SUN GEAR	1		
3	L100169	SNAP RING	3		
4	AL79843	ROLLER BEARING	3		(SUB FOR AL81853)
5	L100241	PLANET PINION	3		
6	AL79904	ROLLER BEARING	3		(SUB FOR AL81854)
7	L100242	PLANET PINION CARRIER	1		
8	19M5039	SCREW	2		M10 X 20
9	L55580	O-RING	1		
10	L100240	DRAIN PLUG	1		

3 3
3 1 1
1 0 5
0 S S
G G G

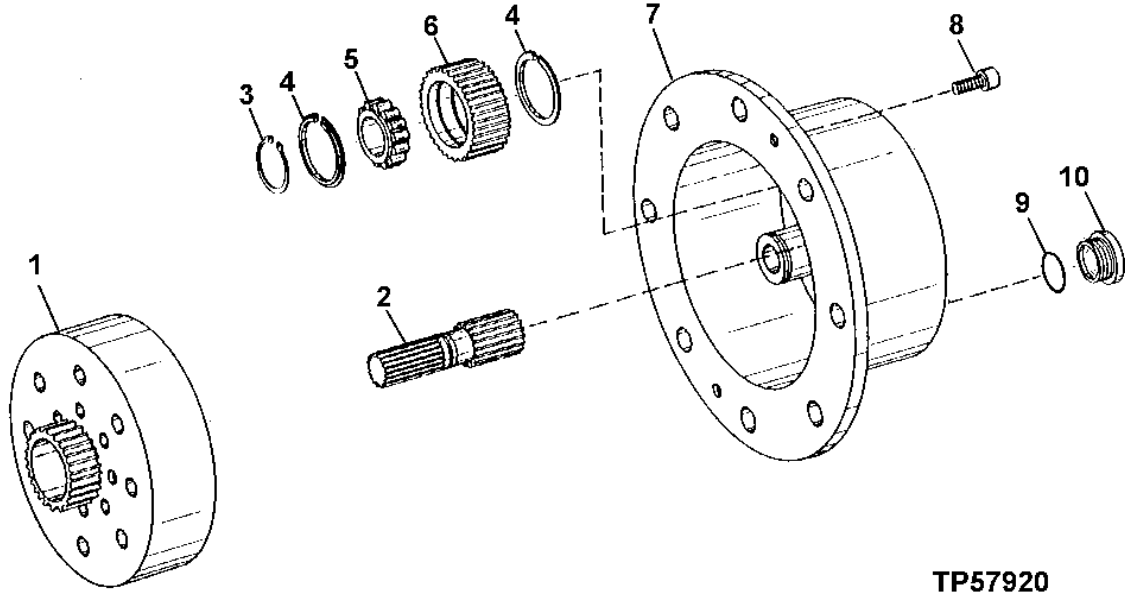
0250-8B

AXLES, DIFFERENTIALS AND SUSPENSION SYSTEMS 2

AXLE SHAFT, BEARINGS AND REDUCTION GEARS 0250

PLANETARY DRIVE (MFWD)(S.N.962374-)
 ENTRAINEMENT DE TRAIN PLANETAIRE (MFWD)(S.N.962374-)
 MANDO DE PLANETARIOS (MFWD)(S.N.962374-)

TP57920 -UN-09SEP98



TP57920

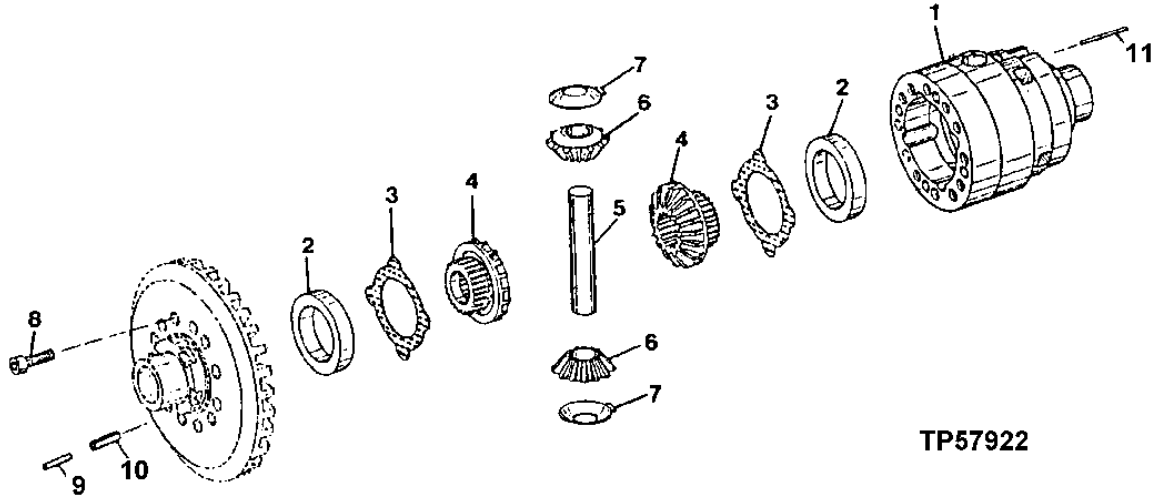
KEY	PART NO.	PART NAME	QTY.	SERIAL NO.	REMARKS
				3 3	
				3 1 1	
				1 0 5	
				0 S S	
				G G G	
1	L110235	RING GEAR	1	X X X	
2	T151065	PINION SHAFT	1	X X X	
3	40M4624	SNAP RING	3	X X X	
4	L41159	SNAP RING	6	X X X	
5	JD10250	CYLINDRICAL ROLLER BEARING	3	X X X	
6	L79728	PLANET PINION	3	X X X	
7	L100168	PLANET PINION CARRIER	1	X X X	
8	19M5039	SCREW	2	X X X	M10 X 20
9	L55580	O-RING	1	X X X	
10	L100240	DRAIN PLUG	1	X X X	

0250-9

AXLES, DIFFERENTIALS AND SUSPENSION SYSTEMS 2

AXLE SHAFT, BEARINGS AND REDUCTION GEARS 0250
 OPEN DIFFERENTIAL (MFWD) (310G)
 DIFFERENTIEL OUVERT (MFWD) (310G)
 DIFERENCIAL ABIERTO (MFWD) (310G)

TP57922 -UN-09SEP98



TP57922

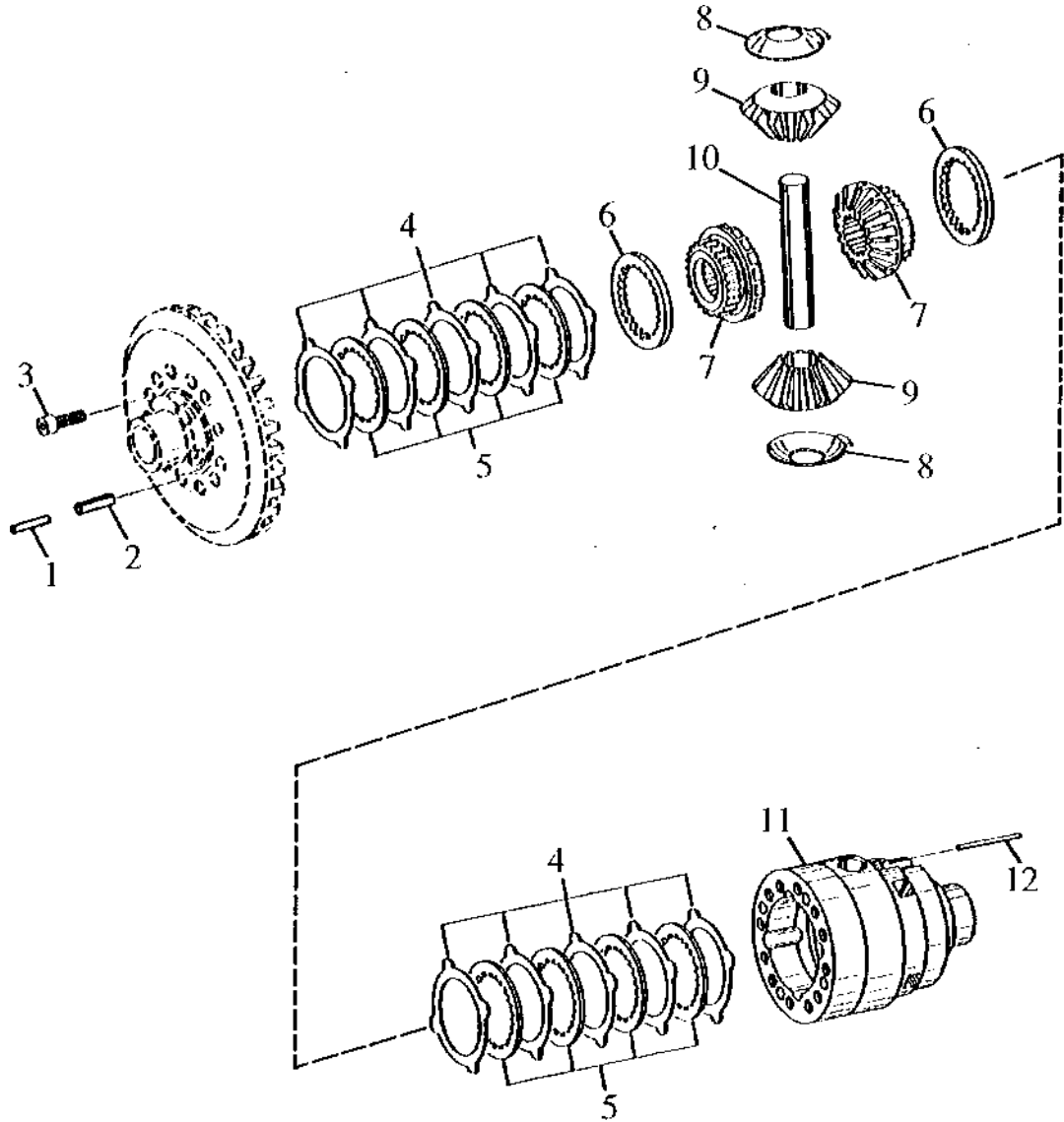
KEY	PART NO.	PART NAME	QTY.	SERIAL NO.	REMARKS
					3 3
					3 1 1
					1 0 5
					0 S S
					G G G
1	L112197	HOUSING	1	X	(ALSO ORDER 34M7119) (SUB FOR T151080)
2	T162043	SPACER	2	X	13.5MM (0.5315")
	T162044	SPACER	2	X	13.6MM (0.5354")
	T162045	SPACER	2	X	13.7MM (0.5394")
3	T162046	THRUST WASHER	2	X	
4	T151075	BEVEL GEAR DRIVE	2	X	
5	L60104	PIN FASTENER	1	X	
6	T116851	BEVEL GEAR	2	X	
7	L60103	THRUST WASHER	2	X	
8	19M8533	SCREW	12	X	M10 X 25, (SUB FOR T151077)
9	34M7224	SPRING PIN	4	X	8 X 26 MM (0.315" X 1.024")
10	L100158	SPRING PIN	4	X	
11	34M7119	SPRING PIN	1	X	5 X 65 MM (0.197" X 2.559") (USE WITH L112197)
	34M5723	SPRING PIN	1	X	5 X 55 MM (0.197" X 2.165") (USE WITH T151080)

0250-10

AXLES, DIFFERENTIALS AND SUSPENSION SYSTEMS 2

AXLE SHAFT, BEARINGS AND REDUCTION GEARS 0250
LIMITED SLIP DIFFERENTIAL (MFW) (310SG AND 315SG)
DIFFERENTIEL AUTOBLOQUANT (MFW) (310SG ET 315SG)
DIFERENCIAL DE PATINAJE LIMITADO (MFW) (310SG Y 315SG)

TP44518 -UN-01JAN94



TP44518

0250-11

AXLES, DIFFERENTIALS AND SUSPENSION SYSTEMS 2

AXLE SHAFT, BEARINGS AND REDUCTION GEARS 0250
LIMITED SLIP DIFFERENTIAL (MFWD) (310SG AND 315SG)
DIFFERENTIEL AUTOBLOQUANT (MFWD) (310SG ET 315SG)
DIFERENCIAL DE PATINAJE LIMITADO (MFWD) (310SG Y 315SG)

KEY	PART NO.	PART NAME	QTY.	SERIAL NO.	REMARKS
					3 3
					3 1 1
					1 0 5
					0 S S
					G G G
1	34M7224	SPRING PIN	4		X X 8 X 26 MM
2	L100158	SPRING PIN	4		X X
3	19M8533	SCREW	12		X X (SUB FOR T151077)
4	L100150	DISK WITH OUTER SPLINE	AR		X X 1.0MM (0.0394")
	L100151	DISK WITH OUTER SPLINE	AR		X X 1.1MM (0.0433")
	L100152	DISK WITH OUTER SPLINE	AR		X X 1.2MM (0.0472")
5	L100153	DISK WITH INNER SPLINE	8		X X
6	L100154	THRUST WASHER	2		X X
7	T151075	BEVEL GEAR DRIVE	2		X X
8	L60103	THRUST WASHER	2		X X
9	T116851	BEVEL GEAR	2		X X
10	L60104	PIN FASTENER	1		X X
11	L112197	HOUSING	1		X X (ALSO ORDER 34M5723) (SUB FOR T151080)
12	34M5723	SPRING PIN	1		X X 5 X 55 MM

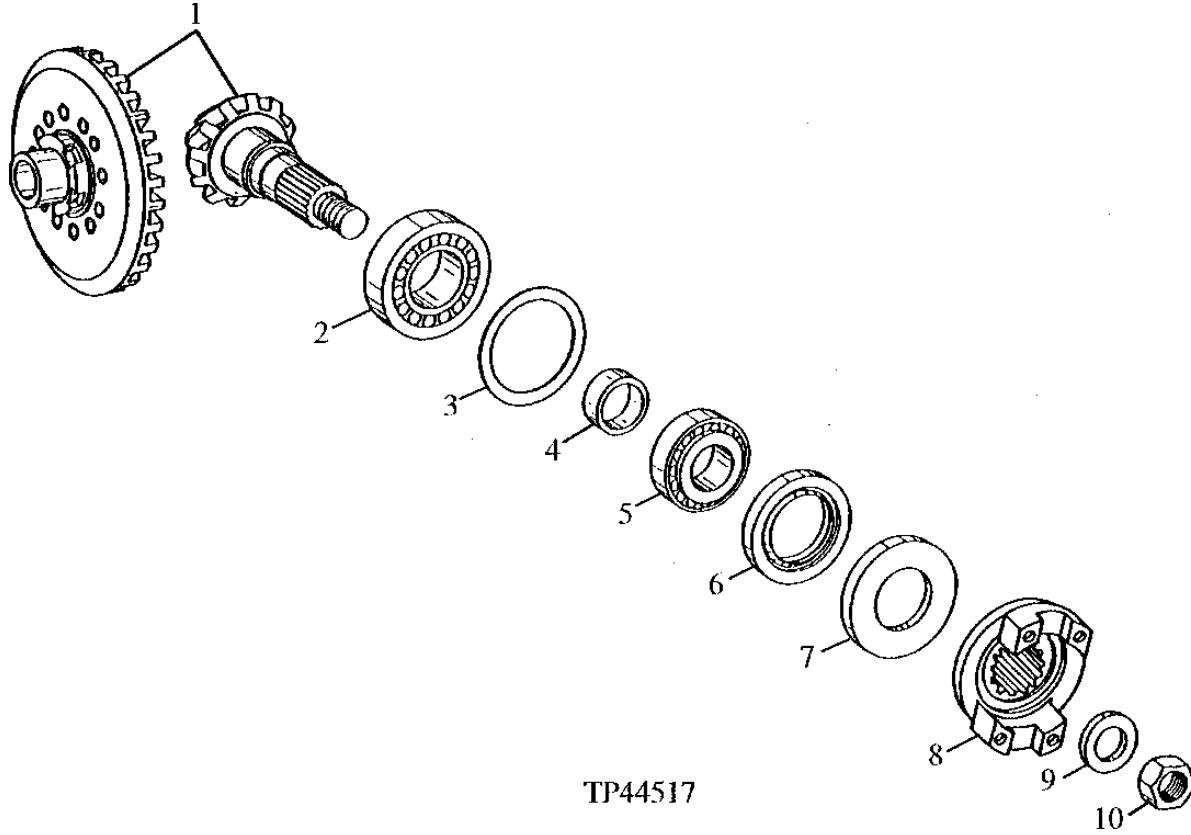
0250-12

AXLES, DIFFERENTIALS AND SUSPENSION SYSTEMS 2

AXLE SHAFT, BEARINGS AND REDUCTION GEARS 0250

SPIRAL BEVEL GEAR AND INPUT FLANGE (MFWD)
PIGNON CONIQUE HELICOIDAL ET FLASQUE D'ENTREE (MFWD)
ENGRANAJE CONICO EN ESPIRAL Y BRIDA DE ENTRADA (MFWD)

TP44517 -UN-01JAN94



TP44517

0250-13

AXLES, DIFFERENTIALS AND SUSPENSION SYSTEMS 2

AXLE SHAFT, BEARINGS AND REDUCTION GEARS 0250
SPIRAL BEVEL GEAR AND INPUT FLANGE (MFWD)
PIGNON CONIQUE HELICOIDAL ET FLASQUE D'ENTREE (MFWD)
ENGRANAJE CONICO EN ESPIRAL Y BRIDA DE ENTRADA (MFWD)

KEY	PART NO.	PART NAME	QTY.	SERIAL NO.	REMARKS
					3 3
					3 1 1
					1 0 5
					0 S S
					G G G
1	AT178112	RING GEAR AND PINION	1		X
	AT178002	BEVEL GEAR DRIVE	1		X X
2	AL79794	TAPERED ROLLER BEARING	1		X X X
3	L55606	SHIM	AR		X X X 0.650 MM (0.026")
	L55610	WASHER	AR		X X X 72 X 88.600 X 0.850 MM (2.835" X 3.488" X 0.033")
	L40982	WASHER	AR		X X X 72 X 88.600 X 1 MM (2.835" X 3.488" X 0.039")
	L40985	WASHER	AR		X X X 72 X 88.600 X 1.150 MM (2.835" X 3.488" X 0.045")
	L40988	WASHER	AR		X X X 72 X 88.600 X 1.300 MM (2.835" X 3.488" X 0.051")
	L40991	WASHER	AR		X X X 72 X 88.600 X 1.450 MM (2.835" X 3.488" X 0.057")
	L40994	WASHER	AR		X X X 72 X 88.600 X 1.600 MM (2.835" X 3.488" X 0.063")
4	L100057	SPACER	AR		X X X 15.10MM (0.5945")
	L100092	SPACER	AR		X X X 15.33MM (0.6035")
	L100060	SPACER	AR		X X X 15.40MM (0.6063")
	L100089	SPACER	AR		X X X 15.46MM (0.6089")
	L100096	SPACER	AR		X X X 15.48MM (0.6094")
	L100086	SPACER	AR		X X X 15.63MM (0.6154")
	T183508	SPACER	AR		X X X 15.69MM (0.6177")
	L100063	SPACER	AR		X X X 15.70MM (0.6181")
	T183509	SPACER	AR		X X X 15.72MM (0.6189")
	L100083	SPACER	AR		X X X 15.76MM (0.6205")
	T183510	SPACER	AR		X X X 15.78MM (0.6213")
	T183511	SPACER	AR		X X X 15.81MM (0.6224")
	T183512	SPACER	AR		X X X 15.84MM (0.6236")
	T183513	SPACER	AR		X X X 15.88MM (0.6252")
	T183514	SPACER	AR		X X X 15.89MM (0.6256")
	T183515	SPACER	AR		X X X 15.91MM (0.6264")
	L100080	SPACER	AR		X X X 15.93MM (0.6272")
	T183516	SPACER	AR		X X X 15.94MM (0.6276")
	T183517	SPACER	AR		X X X 15.97MM (0.6287")
	L100066	SPACER	AR		X X X 16.00MM (0.6299")
	L100077	SPACER	AR		X X X 16.06MM (0.6323")
	L100074	SPACER	AR		X X X 16.23MM (0.6390")
	L100069	SPACER	AR		X X X 16.30MM (0.6417")
5	AL111096	BEARING	1		X X X
6	AL79797	SEAL	1		X X X (SUB FOR AT113921)
7	L100230	GUARD	1		X X X
8	T151072	FLANGE	1		X X X
9	L35714	WASHER	1		X X X
10	14M7498	LOCK NUT	1		X X X M24

0250-14

AXLES, DIFFERENTIALS AND SUSPENSION SYSTEMS 2

AXLE SHAFT, BEARINGS AND REDUCTION GEARS 0250

MEMORANDA
MEMORANDA
MEMORANDA

0315-1

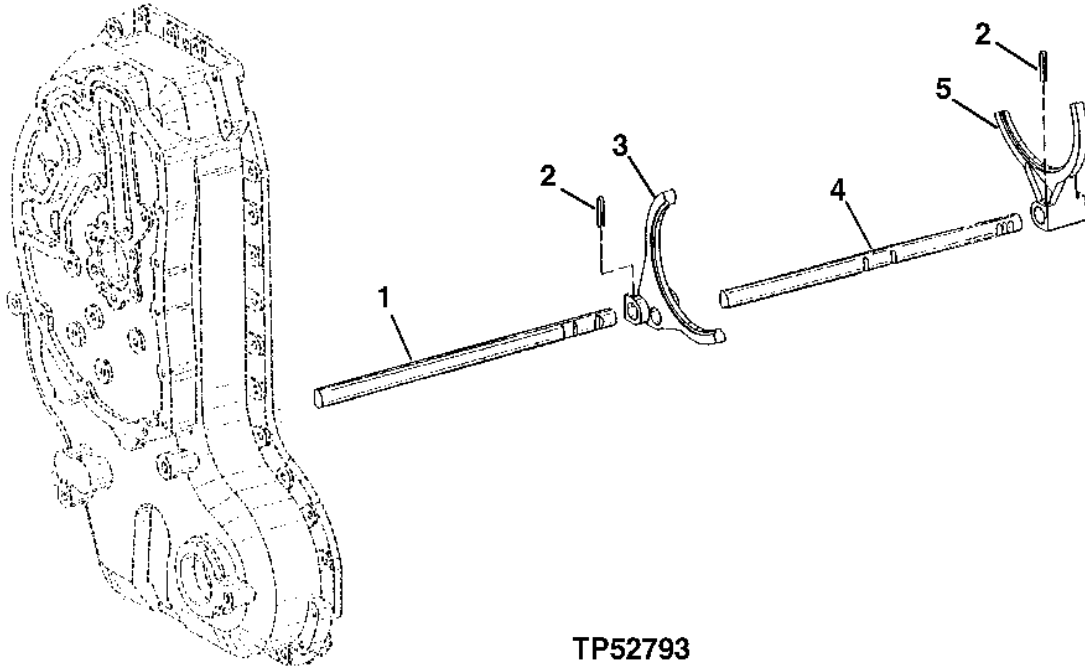
TRANSMISSION 3

CONTROLS 0315

SHIFT FORKS AND SHIFT RAILS (SYNCHSHUTTLE)
 FOURCHETTES DE COMMANDE ET COULISSEAUX DE COMMANDE (SYNCHSHUTTLE)
 HORQUILLAS DE CAMBIOS Y RIELES DE CAMBIOS (SYNCHSHUTTLE)

TP52793

-UN-19AUG96



TP52793

3 3
 3 1 1
 1 0 5
 0 S S
 G G G

KEY	PART NO.	PART NAME	QTY.	SERIAL NO.	REMARKS
1	T158817	SHIFTER	1		X X X (A)
2	T159578	SPRING PIN	4		X X X
3	T158815	SHIFTER	1		X X X (A)
4	T158818	SHIFTER	1		X X X (B)
5	T158816	SHIFTER	1		X X X (B)

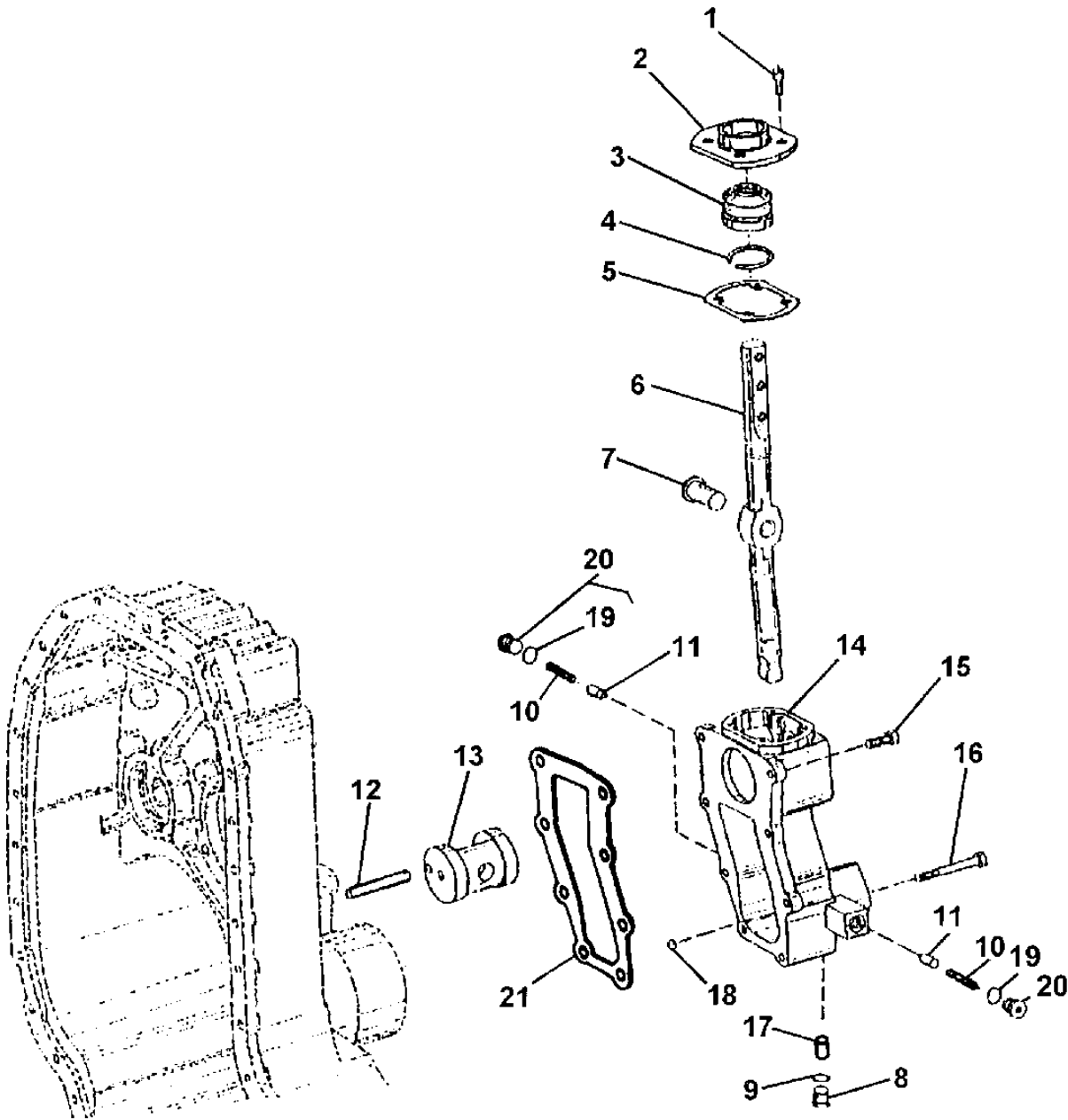
(A) 1ST AND 2ND
 (A) 1ER ET 2EME
 (A) 1ST Y 2DO

(B) 3RD AND 4TH
 (B) 3EME ET 4EME
 (B) 3RO Y 4TO

0315-2

TRANSMISSION SHIFTER LEVER AND HOUSING (SYNCHSHUTTLE)
LEVIER DE VITESSES ET LOGEMENT (SYNCHSHUTTLE)
PALANCA DE CAMBIOS DE TRANSMISION Y CAJA (SYNCHSHUTTLE)

T137914 -UN-08FEB01



T137914

0315-3

TRANSMISSION 3

CONTROLS 0315

**TRANSMISSION SHIFTER LEVER AND HOUSING (SYNCHSHUTTLE)
 LEVIER DE VITESSES ET LOGEMENT (SYNCHSHUTTLE)
 PALANCA DE CAMBIOS DE TRANSMISION Y CAJA (SYNCHSHUTTLE)**

KEY	PART NO.	PART NAME	QTY.	SERIAL NO.	REMARKS
					3 3
					3 1 1
					1 0 5
					0 S S
					G G G
1	19M7768	SCREW	4		X X X M6 X 16
2	T158785	COVER	1		X X X
3	T158784	BOOT	1		X X X
4	T158758	SNAP RING	1		X X X
5	T158786	GASKET	1		X X X
6	T154828	LEVER	1		X X X
7	T158820	PIVOT	1		X X X
8	AT183282	PLUG	1		X X X
9	T74553	O-RING	AR		X X X
10	T163869	SPRING	2		X X X
11	T163868	PIN	2		X X X
12	T158735	DOWEL PIN	1		X X X
13	T158819	PIVOT	1		X X X
14	T163867	SHIFTER	1		X X X
15	19M7407	CAP SCREW	6		X X X M8 X 25
16	19M7663	CAP SCREW	2		X X X M8 X 70
17	T158734	DOWEL PIN	1		X X X
18	L38730	BALL	1		X X X
19	T74553	O-RING	2		X X X
20	AT175750	PLUG	2		X X X
21	T163870	GASKET	1		X X X

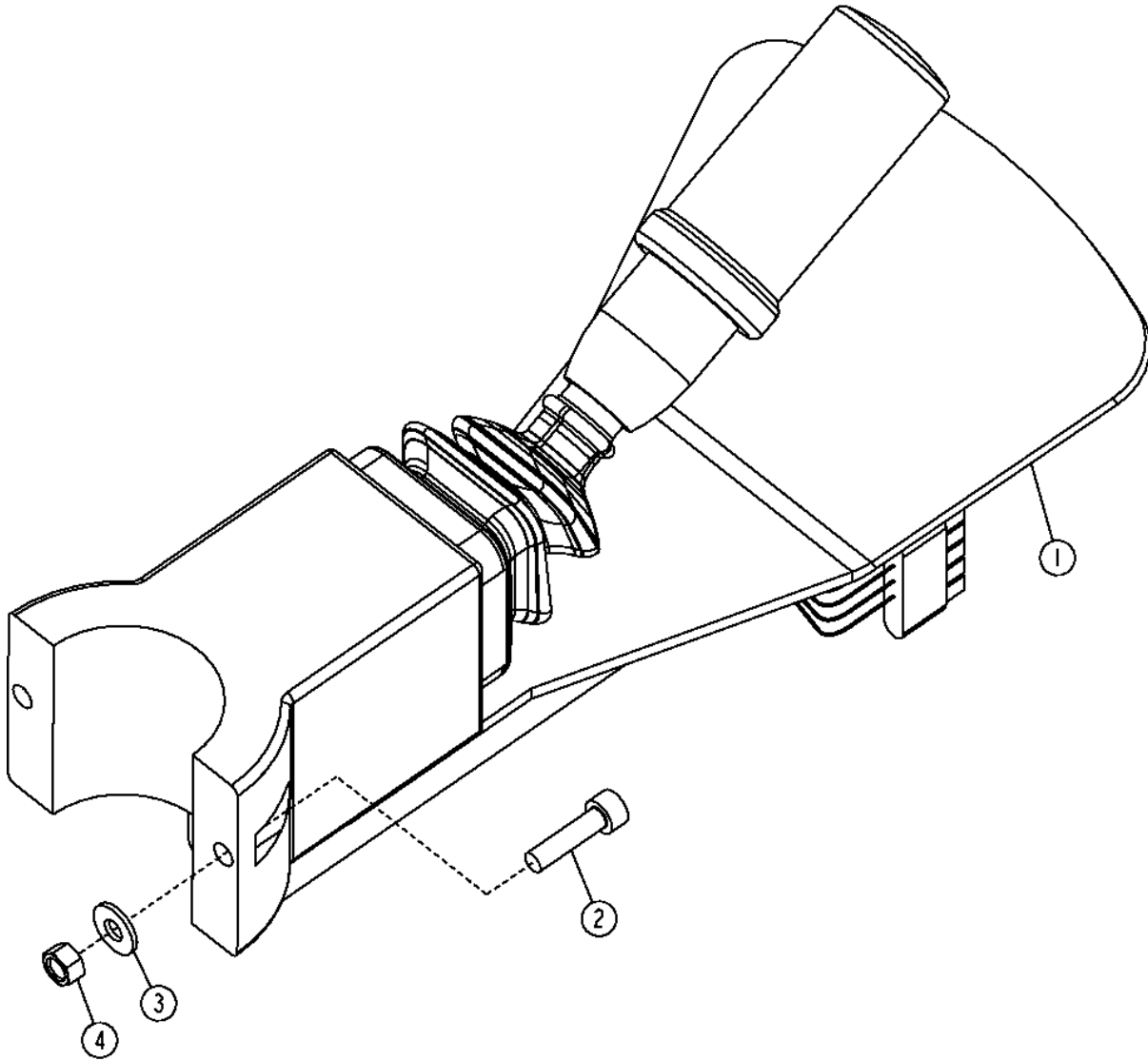
0315-4

TRANSMISSION 3

CONTROLS 0315

TRANSMISSION CONTROL LEVER LEVIER DE VITESSES PALANCA DE CONTROL DE TRANSMISION

T135287 -UN-08NOV00



T135287

THIS PARTS LISTING IS CONTINUED

0315-5

TRANSMISSION 3

CONTROLS 0315

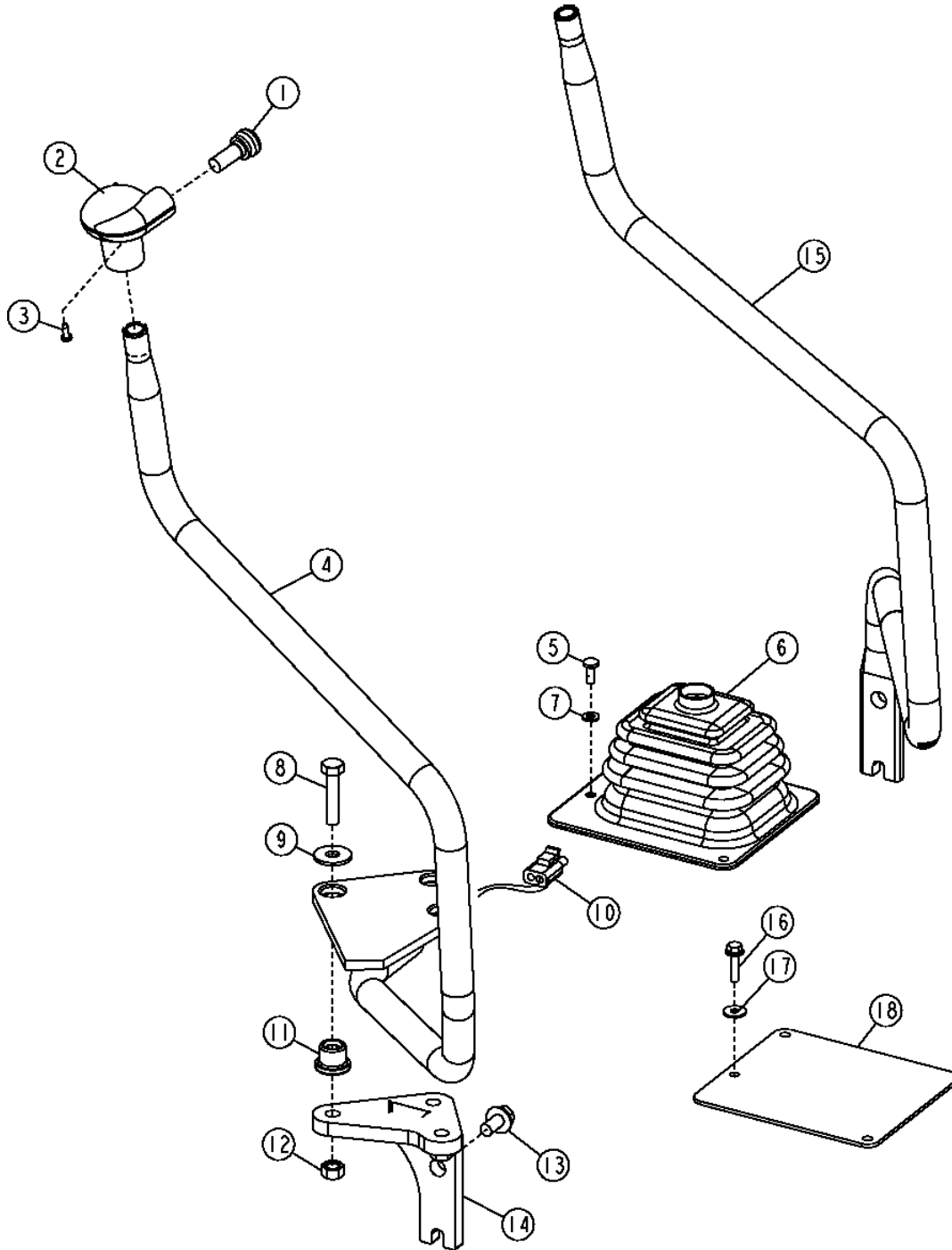
TRANSMISSION CONTROL LEVER
LEVIER DE VITESSES
PALANCA DE CONTROL DE TRANSMISION

KEY	PART NO.	PART NAME	QTY.	SERIAL NO.	3 3 3 1 1 1 0 5 0 S S G G G	REMARKS
1	AT180916	SWITCH	1		X X X	(SYNCHSHUTTLE REVERSER CONTROL)
	AT182520	SWITCH	1		X X	(POWER SHIFT REVERSER CONTROL)
2	19M8581	SCREW	2		X X X	M5 X 20
3	24H1283	WASHER	2		X X X	
4	14M7375	FLANGE NUT	2		X X X	M5

0315-6

TRANSMISSION SHIFTER LEVERS (STD & ISOLATED) LEVIERS DE VITESSES (STD & ISOLE) PALANCAS DE CAMBIOS DE TRANSMISION (STD & AISLADO)

TP58129 -UN-03OCT00



TP58129

0315-7

TRANSMISSION 3

CONTROLS 0315

**TRANSMISSION SHIFTER LEVERS (STD & ISOLATED)
LEVIERS DE VITESSES (STD & ISOLE)
PALANCAS DE CAMBIOS DE TRANSMISION (STD & AISLADO)**

KEY	PART NO.	PART NAME	QTY.	SERIAL NO.	REMARKS
					3 3
					3 1 1
					1 0 5
					0 S S
					G G G
1	AT162180	SWITCH	1		X X X
2	AT169304	KNOB	1		X X X
3	37H95	SCREW	2		X X X
4	AT189549	SHIFTER	1		X X X (ISOLATED)
5	19M7863	SCREW	3		X X X M6 X 25
6	AT189797	BOOT	1		X X X
7	24M7139	WASHER	3		X X X
8	19M7572	CAP SCREW	3		X X X M10 X 45
9	24M7296	WASHER	3		X X X
10	RE12363	ELECTRICAL CONNECTOR ASSY	1		X X X
11	U42208	ISOLATOR	3		X X X
12	14M7274	NUT	3		X X X M10
13	19M7785	SCREW	2		X X X M10 X 25
14	AT190531	SUPPORT	1		X X X
15	SHIFTER ROD	1		X X X (STD) (ORDER AT189549, AT190531, (3) U42208, (3) 14M7274, (3) 19M7572, (3) 24M7296)
16	19M7863	SCREW	3		X X M6 X 25
17	24M7139	WASHER	3		X X
18	T166360	COVER	1		X X (SHIFT LEVER HOLE)

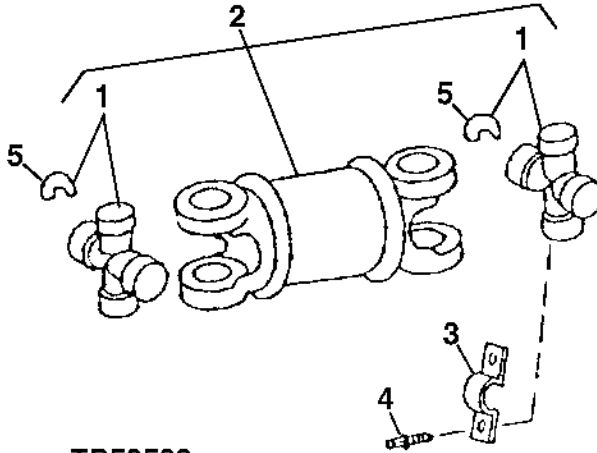
0325-2

TRANSMISSION 3

INPUT DRIVE SHAFTS AND U-JOINTS 0325

REAR DRIVESHAFT AND UNIVERSAL JOINTS
ARBRE D'ENTRAINEMENT ARRIERE ET JOINTS DE CARDAN
EJE DE MANDO TRASERA Y EMPALMES UNIVERSALES

TP50532 -UN-20NOV96



TP50532

KEY	PART NO.	PART NAME	QTY.	SERIAL NO.	REMARKS
1	AT178389	KIT	2		X X X
2	AT176080	UNIVERSAL DRIVESHAFT	1		X X X (SYNCHSHUTTLE)
	AT179063	UNIVERSAL DRIVESHAFT	1		X X (POWER SHIFT)
3	T69938	HALF CLAMP	4		X X X
4	T113128	SCREW	8		X X X
5	N119316	SNAP RING	4		X X X

3 3
 3 1 1
 1 0 5
 0 S S
 G G G

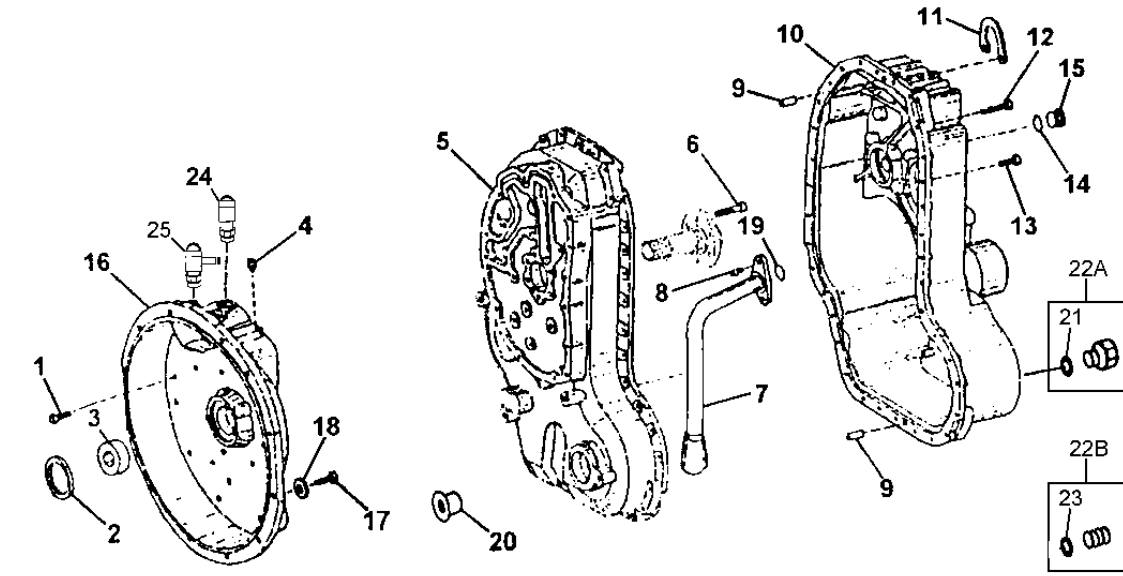
0341-1

TRANSMISSION 3

HOUSING AND COVERS 0341

**TRANSMISSION HOUSING (SYNCHSHUTTLE)
CARTER DE TRANSMISSION (SYNCHSHUTTLE)
CAJA DE LA TRANSMISION (SYNCHSHUTTLE)**

T196027 -UN-07NOV03



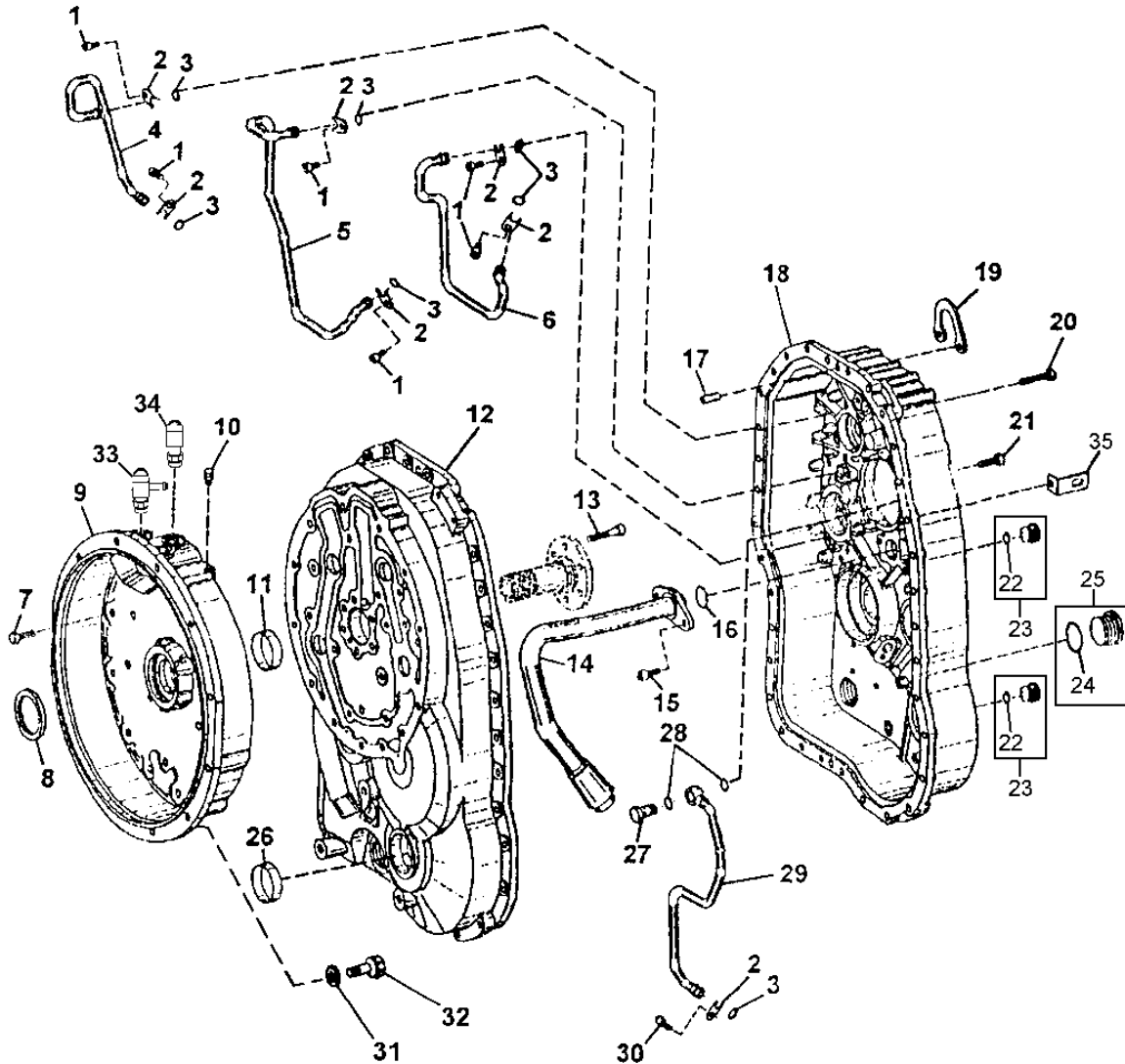
T196027

KEY	PART NO.	PART NAME	QTY.	SERIAL NO.	REMARKS
				3 3	
				3 1 1	
				1 0 5	
				0 S S	
				G G G	
1	19M7168	CAP SCREW	22	X X X	M10 X 30
2	AT179316	SEAL	1	X X X	
3	T164665	BUSHING	1	X X X	
4	T116918	BREATHER	1	X X X	
5	T154129	HOUSING	1	X X X	FRONT
6	19M8213	SCREW	6	X X X	M10 X 50
7	AT179317	LINE	1	X X X	
8	19M7660	SCREW	2	X X X	M8 X 20
9	T159564	DOWEL PIN	2	X X X	
10	T154128	HOUSING	1	X X X	REAR
11	T159567	PLATE	1	X X X	
12	19M7658	CAP SCREW	6	X X X	M10 X 50
13	19M7168	CAP SCREW	29	X X X	M10 X 30
14	L53816	O-RING	1	X X X	
15	T159565	PLUG	1	X X X	
16	T154130	HOUSING	1	X X X	
17	19M7662	CAP SCREW	11	X X X	M10 X 30
18	24M7239	WASHER	12	X X X	
19	T161181	O-RING	1	X X X	
20	T159683	COVER	1	X X X	(W/O MFWD)
21	R26906	O-RING	2	X X X	
22A	R27474	DRAIN PLUG	2	X X X	(HEX HEAD)
22B	T159565	PLUG	2	X X X	(SOCKET HEAD)
23	H81744	O-RING	2	X X X	
24	AT193927	HOSE FITTING	1	X X X	
25	AT186236	ELBOW FITTING	1	X X X	

0341-2

TRANSMISSION HOUSING (POWER SHIFT)
CARTER DE TRANSMISSION (POWER SHIFT)
CAJA DE LA TRANSMISION (POWER SHIFT)

T196028 -UN-06NOV03



T196028

0341-3

TRANSMISSION 3

HOUSING AND COVERS 0341

**TRANSMISSION HOUSING (POWER SHIFT)
CARTER DE TRANSMISSION (POWER SHIFT)
CAJA DE LA TRANSMISION (POWER SHIFT)**

KEY	PART NO.	PART NAME	QTY.	SERIAL NO.	3 3 3 1 1 1 0 5 0 S S G G G	REMARKS
1	T164648	CAP SCREW	6		X X	
2	T164573	PLATE	7		X X	
3	T161218	O-RING	7		X X	
4	AT184060	OIL LINE	1		X X	
5	AT184061	OIL LINE	1		X X	
6	AT184062	OIL LINE	1		X X	
7	T164660	SCREW	24		X X	
8	AT179316	SEAL	1		X X	
9	T164659	HOUSING	1		X X	
10	T116918	BREATHER	1		X X	
11	T164665	BUSHING	1		X X	
12	T164657	HOUSING	1		X X	FRONT, (ALSO ORDER T159683)
13	T164666	CAP SCREW	6		X X	
14	AT184059	LINE	1		X X	
15	T161182	CAP SCREW	2		X X	
16	T161181	O-RING	1		X X	
17	T164662	PIN	2		X X	
18	T164658	HOUSING	1	-926902	X X	REAR
19	T164658	HOUSING	1	926903-	X X	(ALSO ORDER AT185791 AND U13639)
20	T159567	PLATE	1		X X	
21	T164661	SCREW	6		X X	
22	T164660	SCREW	28		X X	
23	H81744	O-RING	2		X X	
24	T159565	PLUG	2		X X	
25	U13639	O-RING	1		X X	
26	AT185791	PLUG	1		X X	
27	T159683	COVER	1		X X	(MFWD OUTPUT SHAFT HOLE PLUG)
28	T164703	CAP SCREW	1		X X	
29	T164704	O-RING	2		X X	
30	AT183995	OIL LINE	1		X X	
31	T164648	CAP SCREW	1		X X	
32	24M7239	WASHER	12		X X	
33	19M7662	CAP SCREW	12		X X	M10 X 30
34	AT186237	TEE FITTING	1		X X	
35	AH64349	HOSE FITTING	1		X X	
36	T164671	BRACKET	2		X X	

0341-5

TRANSMISSION 3

HOUSING AND COVERS 0341

**TRANSMISSION, DIPSTICK AND TUBE
TRANSMISSION, JAUGE ET TUBE
TRANSMISION, VARILLA DE MEDICION Y TUBO**

KEY	PART NO.	PART NAME	QTY.	SERIAL NO.	3 3 3 1 1 1 0 5 0 S S G G G	REMARKS
1	AT174898	DIPSTICK	1		X X X	
2A	AT174365	DIPSTICK TUBE	1	-925932	X X X	
2B	AT302258	DIPSTICK TUBE	1	925933-	X X X	
3	19M7938	CAP SCREW	1	-925932	X X X	M10 X 20
	19M8291	SCREW	1	925933-	X X X	M8 X 35
4	24M7028	WASHER	1		X X X	
5	T26955	CLAMP	1	-925932	X X X	
	T102934	CLAMP	1	925933-	X X X	
6	T78612	O-RING	1	-925932	X X X	
	T76938	O-RING	1	925933-	X X X	
7A	38H1050	ELBOW FITTING	1	-925932	X X X	
7B	38H1180	ADAPTER FITTING	1	925933-	X X X	
8	U13639	O-RING	1		X X X	
9	AT171544	TRANSMISSION	1		X X X	(A) (SYNCHSHUTTLE™) (CA) (W/MFWD)
	AT171541	TRANSMISSION	1		X X X	(A) (SYNCHSHUTTLE™) (CA) (W/O MFWD)
	AT168400	TRANSMISSION	1		X X	(A) (POWER SHIFT) (CA) (W/MFWD)
	AT168397	TRANSMISSION	1		X X	(A) (POWER SHIFT) (CA) (W/O MFWD)

(A) ALSO INCLUDES TORQUE CONVERTER ,BELL HOUSING,CONTROL VALVE,SOLENOIDS, CHARGE PUMP AND FILTER
 (A) COMPREND CONVERT. COUPLES, CARTER FIXE EMBRAYAGE, DISTR., SOLENOIDE, POMPE CHARGE ET FILTRE
 (A) INCLUYE CONVERT. PAR, CUBIERTA CONVERSOR, VALVULA CONTROL, SOLENOIDES,BOMBA CARGA Y FILTRO

0341-6

TRANSMISSION 3
HOUSING AND COVERS 0341

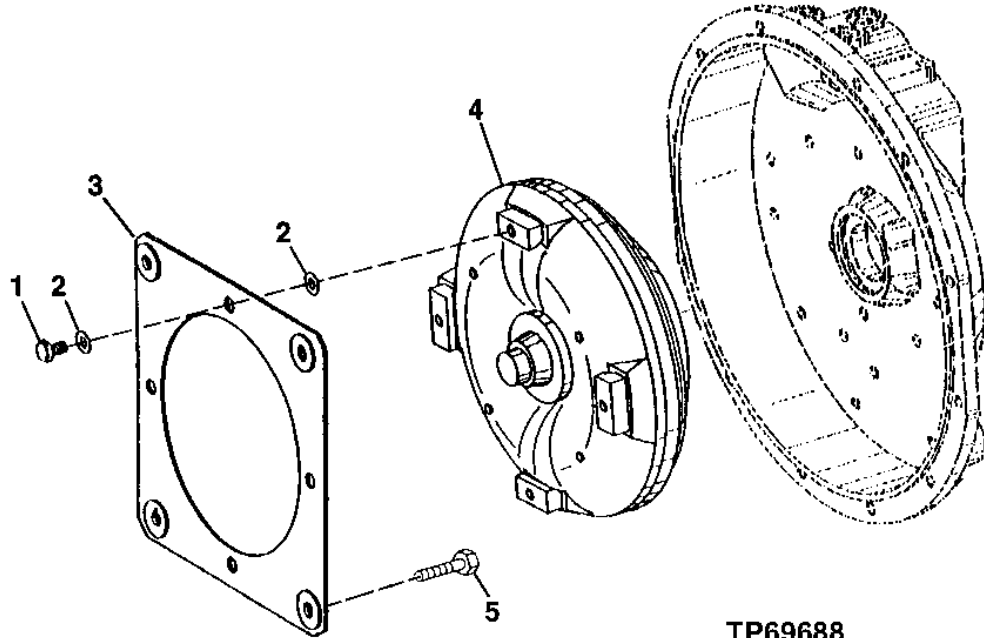
MEMORANDA
MEMORANDA
MEMORANDA

0350-1

TRANSMISSION 3

GEARS, SHAFTS, BEARINGS AND POWER SHIFT CLUTCH 0350
TORQUE CONVERTOR
CONVERTISSEUR DE COUPLE
CONVERTIDOR DE PAR

TP69688 -UN-14SEP00



TP69688

KEY	PART NO.	PART NAME	QTY.	SERIAL NO.	REMARKS
1	19M8289	CAP SCREW	4		
2	T155324	PLATE	8		
3	AT179312	PLATE	2		
4	AT196803	TORQUE CONVERTER	1		(SUB FOR AT172763, THIS APPLICATION)
5	19M7402	CAP SCREW	4		

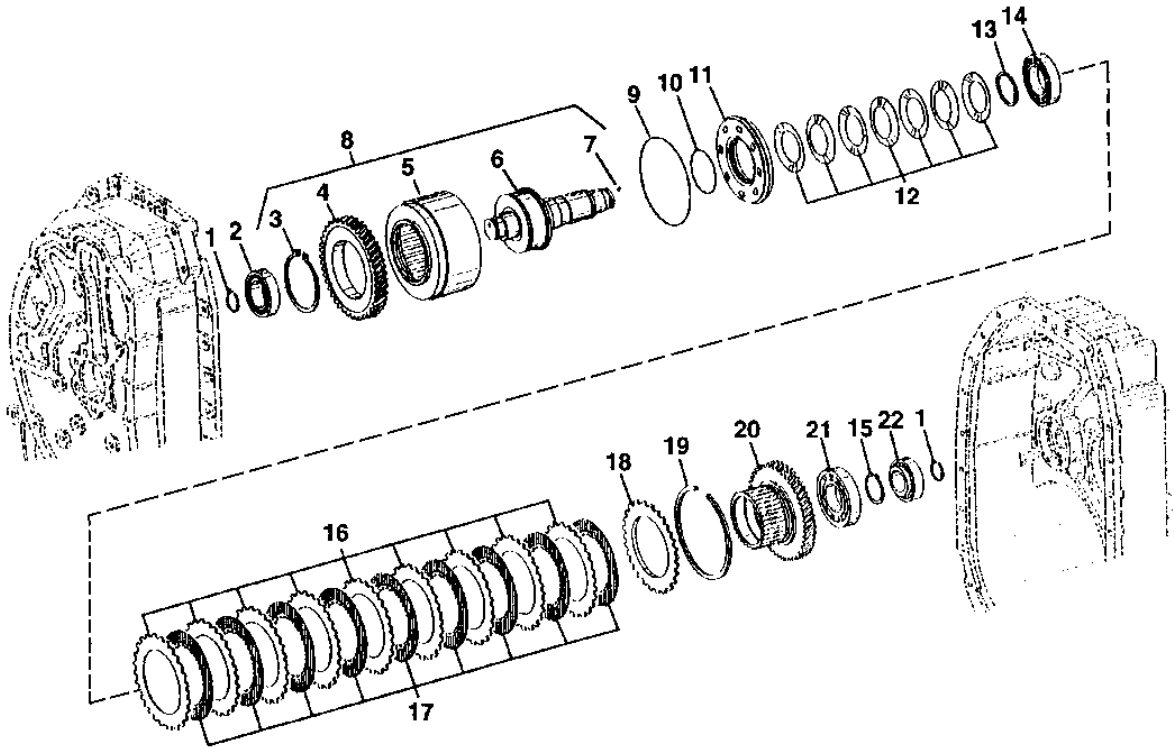
3 3
 3 1 1
 1 0 5
 0 S S
 G G G

0350-2

TRANSMISSION 3

GEARS, SHAFTS, BEARINGS AND POWER SHIFT CLUTCH 0350
FORWARD CLUTCH ASSEMBLY (SYNCHSHUTTLE)
EMBAYAGE DE MARCHE AVANT (SYNCHSHUTTLE)
CONJUNTO DE EMBRAGUE DE AVANCE (SYNCHSHUTTLE)

TP57805 -UN-18NOV97



TP57805

0350-3

TRANSMISSION 3

GEARS, SHAFTS, BEARINGS AND POWER SHIFT CLUTCH 0350
FORWARD CLUTCH ASSEMBLY (SYNCHSHUTTLE)
EMBAYAGE DE MARCHE AVANT (SYNCHSHUTTLE)
CONJUNTO DE EMBRAGUE DE AVANCE (SYNCHSHUTTLE)

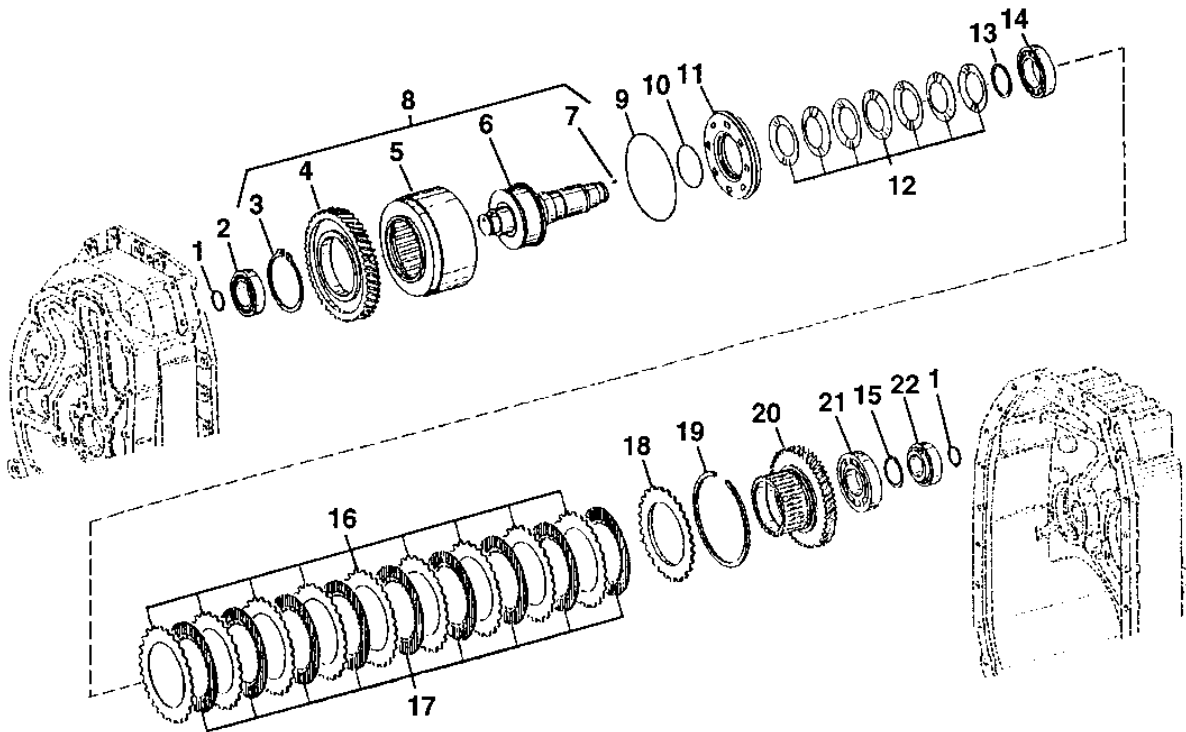
KEY	PART NO.	PART NAME	QTY.	SERIAL NO.	REMARKS
					3 3
					3 1 1
					1 0 5
					0 S S
					G G G
1	T158742	RING	2		X X X
2	AT179472	TAPERED ROLLER BEARING	1		X X X
3	SNAP RING	1		X X X
4	GEAR	1		X X X
5	CLUTCH	1		X X X
6	SHAFT	1		X X X
7	BALL	1		X X X
8	AT175733	CLUTCH	1		X X X
9	RING	1		X X X (T158739 NLA) (SUB AT193704)
10	RING	1		X X X (T158743 NLA) (SUB AT193704)
11	AT193704	PISTON	1		X X X (SUB FOR T158789)
12	T158775	DISK SPRING	7		X X X
13	T158756	WASHER	1		X X X
14	AT179469	TAPERED ROLLER BEARING	1		X X X
15	T161193	SNAP RING	1		X X X 2.5MM (0.0984")
	T161192	SNAP RING	1		X X X 2.6MM (0.1024")
	T161191	SNAP RING	1		X X X 2.7MM (0.1063")
	T161190	SNAP RING	1		X X X 2.8MM (0.1102")
	T161189	SNAP RING	1		X X X 2.9MM (0.1142")
	T161188	SNAP RING	1		X X X 3.0MM (0.1181")
	T161187	SNAP RING	1		X X X 3.1MM (0.1220")
	T161186	SNAP RING	1		X X X 3.2MM (0.1260")
16	T158801	CLUTCH PLATE	9		X X X
17	AT179473	DISK WITH INNER SPLINE	9		X X X
18	T161147	PLATE	1		X X X
19	T159570	SNAP RING	1		X X X 2.0MM (0.0787")
	T159569	SNAP RING	1		X X X 2.5MM (0.0984")
	T159568	SNAP RING	1		X X X 3.0MM (0.1181")
	T158778	SNAP RING	1		X X X 3.5MM (0.1378")
	T161183	SNAP RING	1		X X X 4.0MM (0.1575")
20	T158802	HUB	1		X X X
21	AT179470	TAPERED ROLLER BEARING	1		X X X
22	AT179471	TAPERED ROLLER BEARING	1		X X X

0350-4

TRANSMISSION 3

GEARS, SHAFTS, BEARINGS AND POWER SHIFT CLUTCH 0350
REVERSE CLUTCH ASSEMBLY (SYNCHSHUTTLE)
EMBAYAGE DE MARCHE ARRIERE (SYNCHSHUTTLE)
CONJUNTO DE EMBRAGUE DE RETROCESO (SYNCHSHUTTLE)

TP57806 -UN-18NOV97



TP57806

0350-5

TRANSMISSION 3

GEARS, SHAFTS, BEARINGS AND POWER SHIFT CLUTCH 0350
REVERSE CLUTCH ASSEMBLY (SYNCHSHUTTLE)
EMBAYAGE DE MARCHE ARRIERE (SYNCHSHUTTLE)
CONJUNTO DE EMBRAGUE DE RETROCESO (SYNCHSHUTTLE)

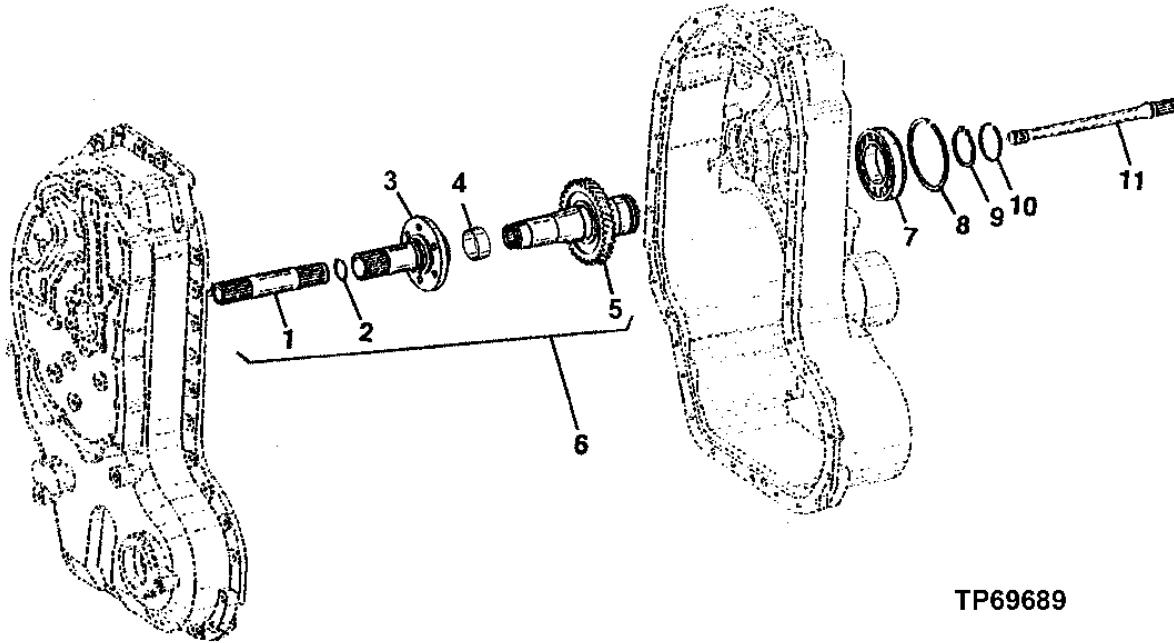
KEY	PART NO.	PART NAME	QTY.	SERIAL NO.	REMARKS
					3 3
					3 1 1
					1 0 5
					0 S S
					G G G
1	T158742	RING	2		X X X
2	AT179472	TAPERED ROLLER BEARING	1		X X X
3	SNAP RING	1		X X X
4	GEAR	1		X X X
5	CLUTCH	1		X X X
6	SHAFT	1		X X X
7	BALL	1		X X X
8	AT175734	CLUTCH	1		X X X
9	RING	1		X X X (T158739 NLA) (SUB AT193704)
10	RING	1		X X X (T158743 NLA) (SUB AT193704)
11	AT193704	PISTON	1		X X X (SUB FOR T158789)
12	T158775	DISK SPRING	7		X X X
13	T158756	WASHER	1		X X X
14	AT179469	TAPERED ROLLER BEARING	1		X X X
15	T161193	SNAP RING	1		X X X 2.5MM (0.0984")
	T161192	SNAP RING	1		X X X 2.6MM (0.1024")
	T161191	SNAP RING	1		X X X 2.7MM (0.1063")
	T161190	SNAP RING	1		X X X 2.8MM (0.1102")
	T161189	SNAP RING	1		X X X 2.9MM (0.1142")
	T161188	SNAP RING	1		X X X 3.0MM (0.1181")
	T161187	SNAP RING	1		X X X 3.1MM (0.1220")
	T161186	SNAP RING	1		X X X 3.2MM (0.1260")
16	T158801	CLUTCH PLATE	9		X X X
17	AT179473	DISK WITH INNER SPLINE	9		X X X
18	T161147	PLATE	1		X X X
19	T159570	SNAP RING	1		X X X 2.0MM (0.0787")
	T159569	SNAP RING	1		X X X 2.5MM (0.0984")
	T159568	SNAP RING	1		X X X 3.0MM (0.1181")
	T158778	SNAP RING	1		X X X 3.5MM (0.1378")
20	T158802	HUB	1		X X X
21	AT179470	TAPERED ROLLER BEARING	1		X X X
22	AT179471	TAPERED ROLLER BEARING	1		X X X

0350-6

TRANSMISSION 3

GEARS, SHAFTS, BEARINGS AND POWER SHIFT CLUTCH 0350
 INPUT SHAFTS (SYNCHSHUTTLE)
 ARBRES PRIMAIRE (SYNCHSHUTTLE)
 EJES DE ENTRADA (SYNCHSHUTTLE)

TP69689 -UN-14SEP00



TP69689

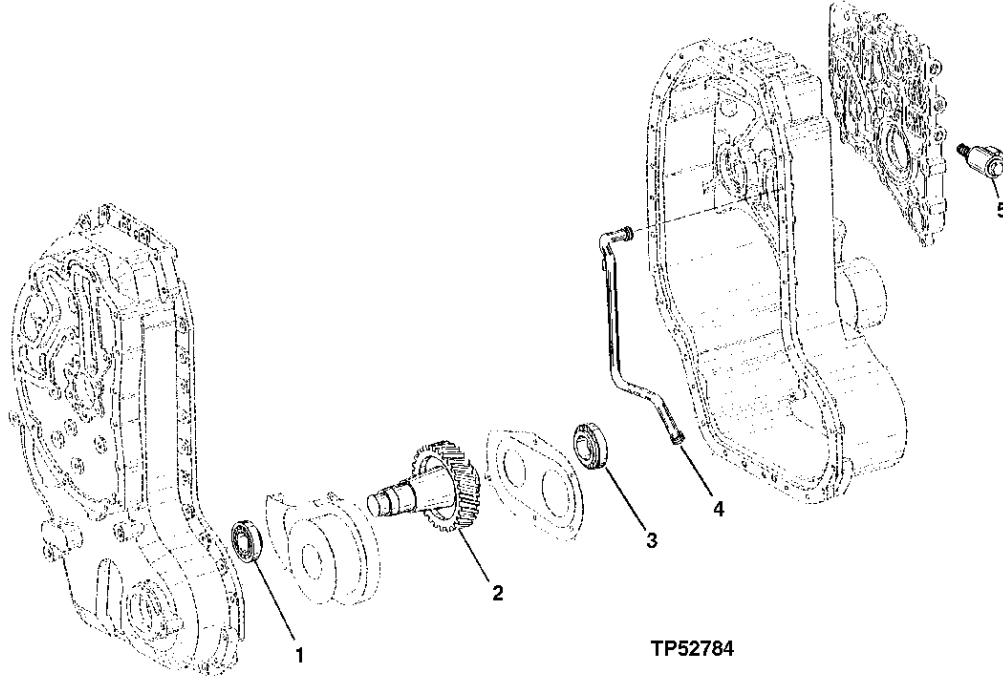
KEY	PART NO.	PART NAME	QTY.	SERIAL NO.		REMARKS
					3 3	
					3 1 1	
					1 0 5	
					0 S S	
					G G G	
1	SHAFT	1		X X X	
2	T158720	SNAP RING	1		X X X	
3	T164654	SHAFT	1		X X X	
4	T164655	BUSHING	1		X X X	
5	SHAFT	1		X X X	
6	AT187711	SHAFT	1		X X X	
7	AT179314	BALL BEARING	1		X X X	
8	T158717	SNAP RING	1		X X X	
9	T158718	SNAP RING	1		X X X	
10	T158740	PACKING	1		X X X	
11	T155259	SHAFT	1		X X X	

0350-7

TRANSMISSION 3

GEARS, SHAFTS, BEARINGS AND POWER SHIFT CLUTCH 0350
 MFWD IDLER SHAFT (SYNCHSHUTTLE)
 ARBRE INTERMEDIAIRE DE PONT AVANT (SYNCHSHUTTLE)
 EJE INTERMEDIO DE TDM (SYNCHSHUTTLE)

TP52784 -UN-22OCT96



TP52784

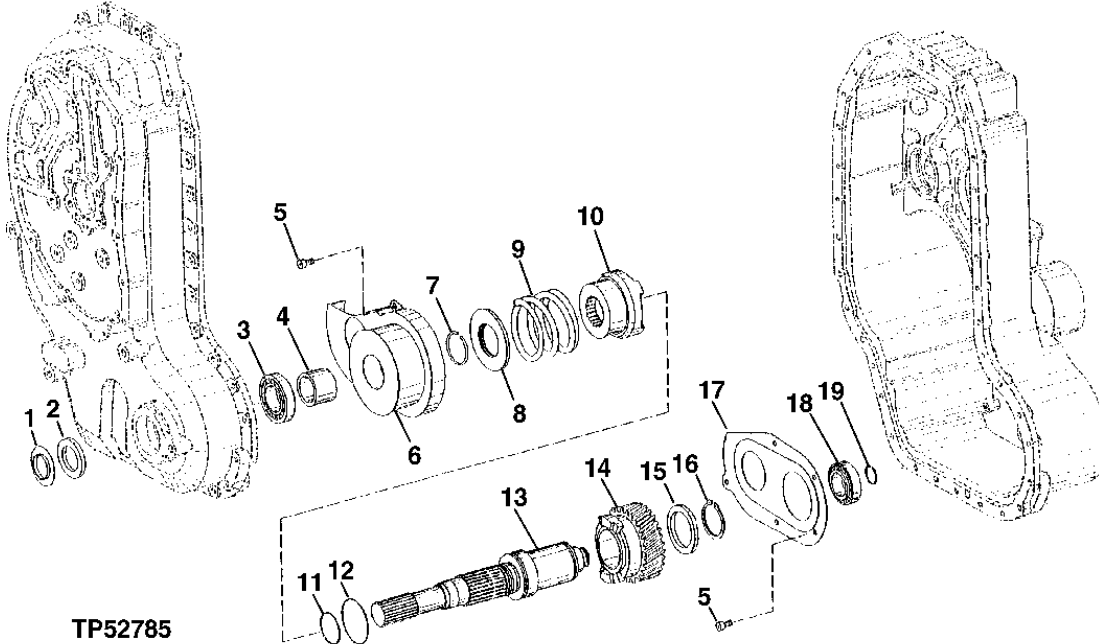
KEY	PART NO.	PART NAME	QTY.	SERIAL NO.	3 3 3 1 1 1 0 5 0 S S G G G	REMARKS
1	AT179471	TAPERED ROLLER BEARING	1		X X X	
2	T158714	SHAFT	1		X X X	
3	AT179468	TAPERED ROLLER BEARING	1		X X X	
4	AT179467	OIL LINE	1		X X X	
	T161218	O-RING	2		X X X	
5	AT177703	SOLENOID VALVE	2		X X X	(DIFFERENTIAL LOCK, PARK BRAKE, MFWD)
	SOLENOID	1		X X X	(AT179318 NLA) (SERVICED IN AT177703)
	AT179319	ELECTRICAL COIL	1		X X X	
	AT179320	O-RING KIT	1		X X X	
	T161144	NUT	1		X X X	

0350-8

TRANSMISSION 3

GEARS, SHAFTS, BEARINGS AND POWER SHIFT CLUTCH 0350
 MFWD OUTPUT SHAFT (SYNCHSHUTTLE)
 ARBRE DE SORTIE DE PONT AVANT (SYNCHSHUTTLE)
 EJE DE SALIDA DE TDM (SYNCHSHUTTLE)

TP52785 -UN-19AUG96



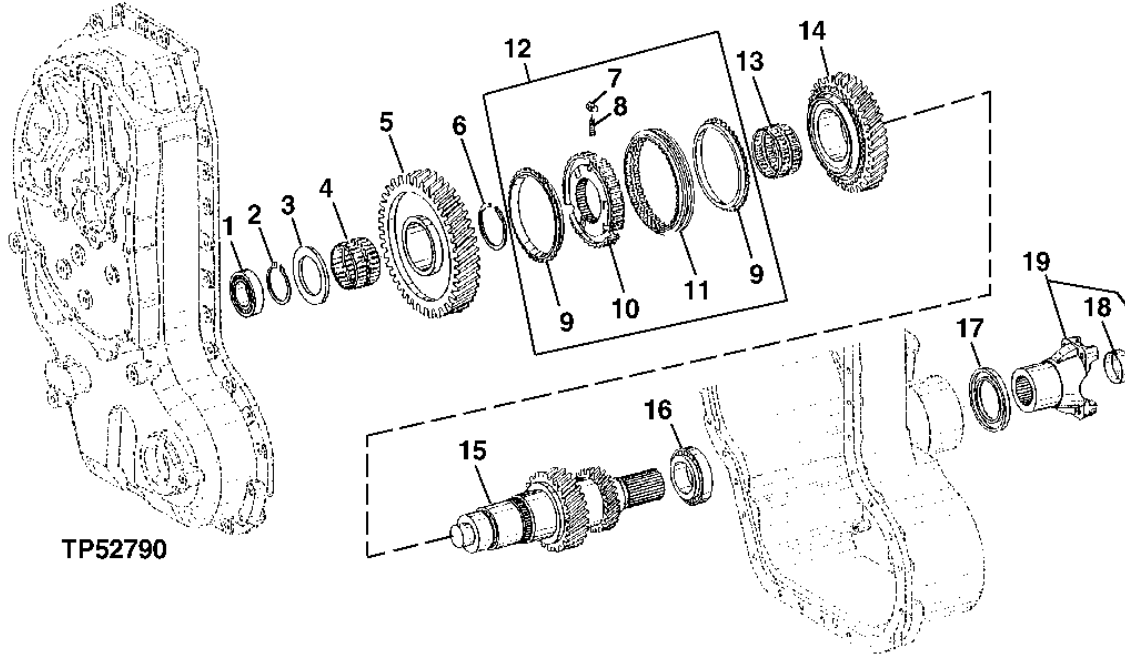
KEY	PART NO.	PART NAME	QTY.	SERIAL NO.	3 3 3 1 1 1 0 5 0 S S G G G	REMARKS
1	T159572	SEAL	1		X X X	
2	AT179466	SEAL	1		X X X	
3	AT179468	TAPERED ROLLER BEARING	1		X X X	
4	T159571	BUSHING	1		X X X	
5	19M7931	SCREW	6		X X X	M8 X 16
6	T158861	SCREEN	1		X X X	
7	T158722	SNAP RING	1		X X X	
8	T158855	END PLATE	1		X X X	
9	T158762	SPRING	1		X X X	
10	T158859	SLEEVE	1		X X X	
11	T158745	RING	1		X X X	
12	T158744	RING	1		X X X	
13	T158858	SHAFT	1		X X X	
14	T158860	SPUR GEAR	1		X X X	
15	T158760	THRUST WASHER	1		X X X	
16	L78069	RING	1		X X X	
17	T158864	SCREEN	1		X X X	
18	AT179472	TAPERED ROLLER BEARING	1		X X X	
19	T158742	RING	1		X X X	

0350-9

TRANSMISSION 3

GEARS, SHAFTS, BEARINGS AND POWER SHIFT CLUTCH 0350 OUTPUT SHAFT GROUP (SYNCHSHUTTLE) GROUPE D'ARBRE DE SORTIE (SYNCHSHUTTLE) GRUPO DE EJE DE SALIDA (SYNCHSHUTTLE)

TP52790 -UN-19AUG96



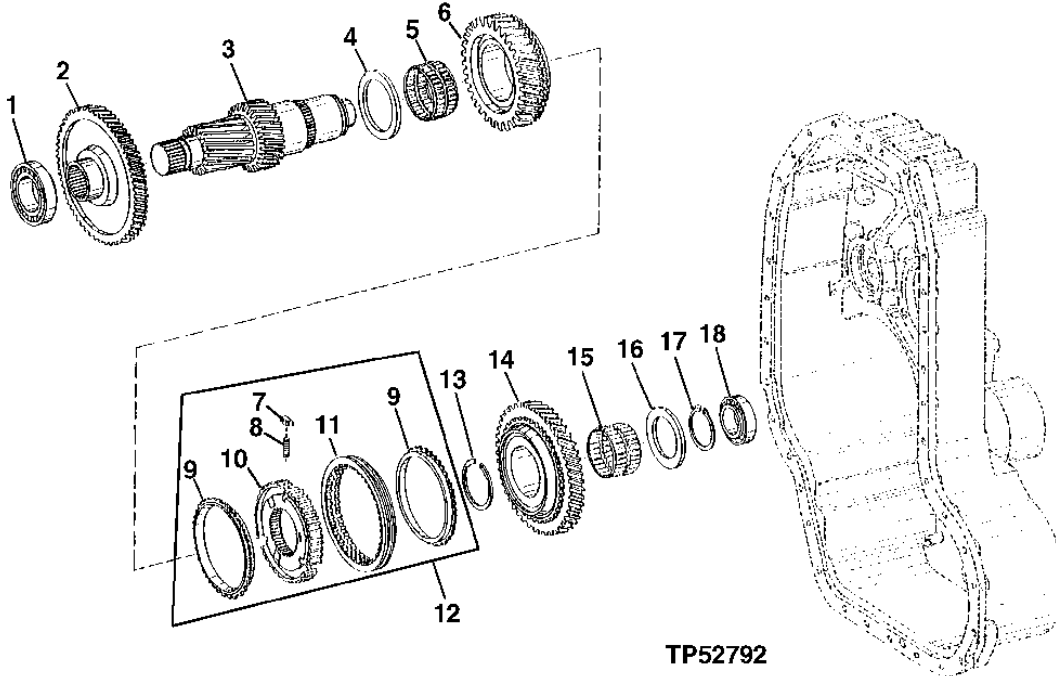
KEY	PART NO.	PART NAME	QTY.	SERIAL NO.	3 3 3 1 1 1 0 5 0 S S G G G	REMARKS
1	AT179472	TAPERED ROLLER BEARING	1		X X X	
2	T158718	SNAP RING	1		X X X	
3	T158748	THRUST WASHER	1		X X X	
4	AT179482	NEEDLE BEARING	1		X X X	
5	T165399	GEAR	1		X X X	(FIRST)
6	T159577	SNAP RING	1		X X X	1.8MM (0.0709")
	T159576	SNAP RING	1		X X X	1.9MM (0.0748")
	T159575	SNAP RING	1		X X X	
	T159574	SNAP RING	1		X X X	2.1MM (0.0827")
	T158777	SNAP RING	1		X X X	2.2MM (0.0866")
7	DETENT	3		X X X	
8	SPRING	3		X X X	
9	RING	2		X X X	
10	HUB	1		X X X	
11	SHIFT COLLAR	1		X X X	
12	AT175748	SYNCHRONIZER	1		X X X	
13	AT179483	NEEDLE BEARING	1		X X X	
14	T165400	GEAR	1		X X X	(SECOND)
15	T158811	SHAFT	1		X X X	
16	AT179485	TAPERED ROLLER BEARING	1		X X X	
17	AT179481	SEAL	1		X X X	
18	PLUG	1		X X X	
19	AT177701	UNIVERSAL JOINT YOKE	1		X X X	

0350-10

TRANSMISSION 3

GEARS, SHAFTS, BEARINGS AND POWER SHIFT CLUTCH 0350
 INTERMEDIATE SHAFT GROUP (SYNCHSHUTTLE)
 GROUPE D'ARBRE INTERMEDIAIRE (SYNCHSHUTTLE)
 GRUPO DE EJE INTERMEDIO (SYNCHSHUTTLE)

TP52792 -UN-19AUG96



TP52792

3 3
 3 1 1
 1 0 5
 0 S S
 G G G

KEY	PART NO.	PART NAME	QTY.	SERIAL NO.	REMARKS
1	AT179485	TAPERED ROLLER BEARING	1		X X X
2	T158805	GEAR	1		X X X
3	T158806	SHAFT	1		X X X
4	T158747	THRUST WASHER	1		X X X
5	AT179483	NEEDLE BEARING	1		X X X
6	AT179490	GEAR	1		X X X (3RD)
7	DETENT	3		X X X
8	SPRING	3		X X X
9	RING	2		X X X
10	HUB	1		X X X
11	SHIFT COLLAR	1		X X X
12	AT175748	SYNCHRONIZER	1		X X X
13	T159577	SNAP RING	1		X X X 1.8MM (0.0709")
	T159576	SNAP RING	1		X X X 1.9MM (0.0748")
	T159575	SNAP RING	1		X X X
	T159574	SNAP RING	1		X X X 2.1MM (0.0827")
	T158777	SNAP RING	1		X X X 2.2MM (0.0866")
14	T165401	GEAR	1		X X X (4TH)
15	AT179482	NEEDLE BEARING	1		X X X
16	T158748	THRUST WASHER	1		X X X
17	T158718	SNAP RING	1		X X X
18	AT179472	TAPERED ROLLER BEARING	1		X X X

0350-11

TRANSMISSION 3

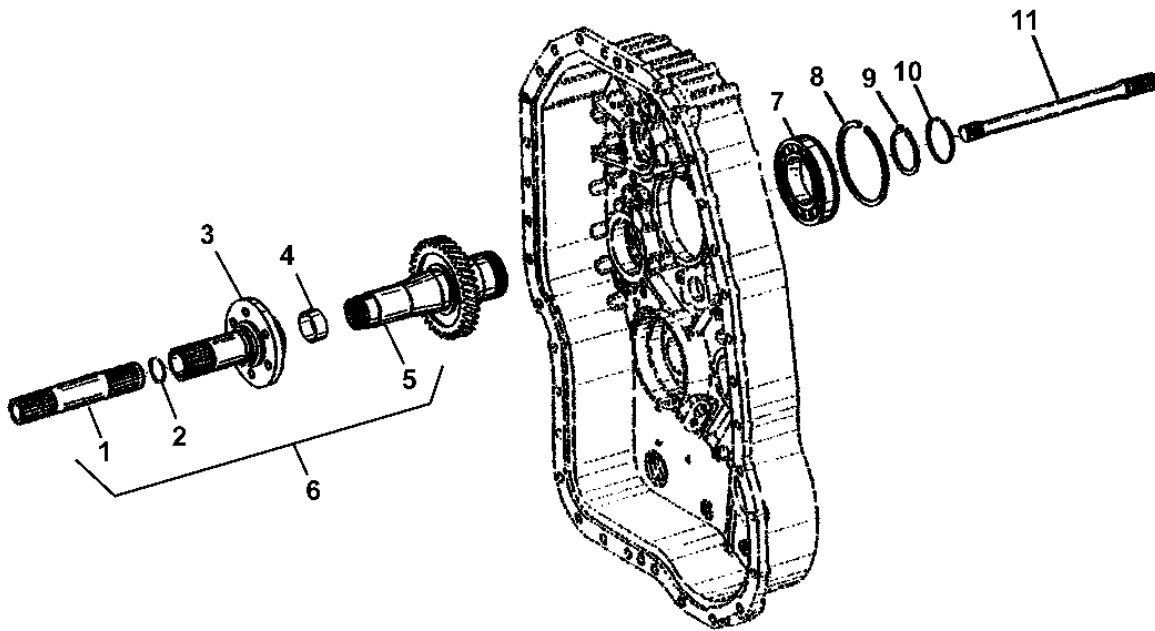
GEARS, SHAFTS, BEARINGS AND POWER SHIFT CLUTCH 0350
MEMORANDA
MEMORANDA
MEMORANDA

0350-12

TRANSMISSION 3

GEARS, SHAFTS, BEARINGS AND POWER SHIFT CLUTCH 0350
TRANSMISSION INPUT SHAFT (POWER SHIFT)
ARBRE D ENTREE DE TRANSMISSION (POWER SHIFT)
EJE DE ENTRADA DE LA TRANSMISION (POWER SHIFT)

TP58038 -UN-18MAY99



TP58038

0350-13

TRANSMISSION 3

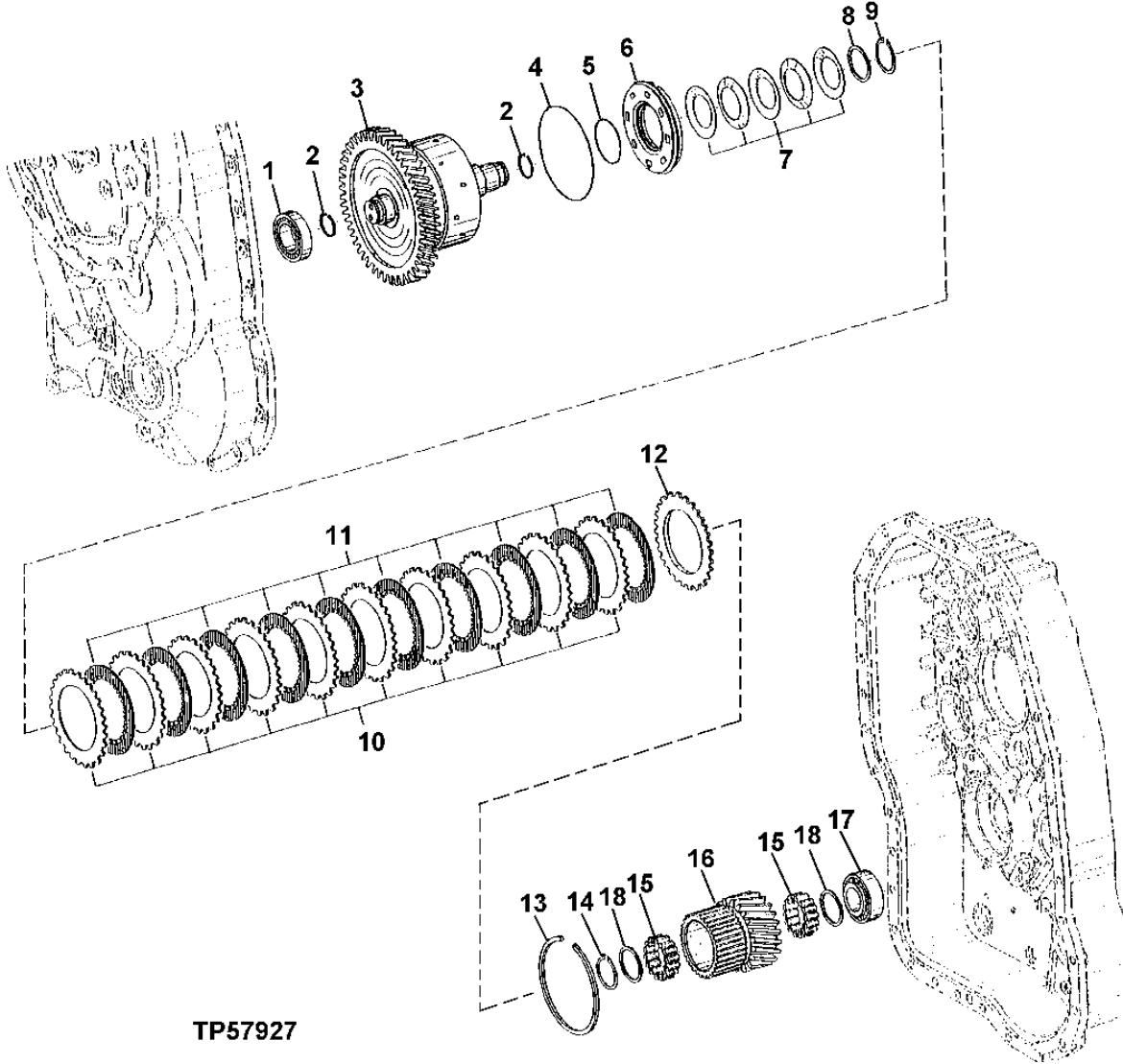
GEARS, SHAFTS, BEARINGS AND POWER SHIFT CLUTCH 0350
 TRANSMISSION INPUT SHAFT (POWER SHIFT)
 ARBRE D ENTREE DE TRANSMISSION (POWER SHIFT)
 EJE DE ENTRADA DE LA TRANSMISION (POWER SHIFT)

KEY	PART NO.	PART NAME	QTY.	SERIAL NO.	3 3 3 1 1 1 0 5 0 S S G G G	REMARKS
1	SHAFT	1		X X	
2	T158720	SNAP RING	1		X X	
3	T164654	SHAFT	1		X X	
4	T164655	BUSHING	1		X X	
5	SHAFT	1		X X	
6	AT187711	SHAFT	1		X X	
7	AT179314	BALL BEARING	1		X X	
8	T158717	SNAP RING	1		X X	
9	T158718	SNAP RING	1		X X	
10	T158740	PACKING	1		X X	
11	T155259	SHAFT	1		X X	

0350-14

GEARS, SHAFTS, BEARINGS AND POWER SHIFT CLUTCH 0350
FIRST GEAR CLUTCH ASSEMBLY (POWER SHIFT)
EMBRAYAGE DE PREMIERE VITESSE (POWER SHIFT)
CONJUNTO DE EMBRAGUE DE PRIMERA MARCHA (POWER SHIFT)

TP57927 -UN-16SEP98



TP57927

0350-15

TRANSMISSION 3

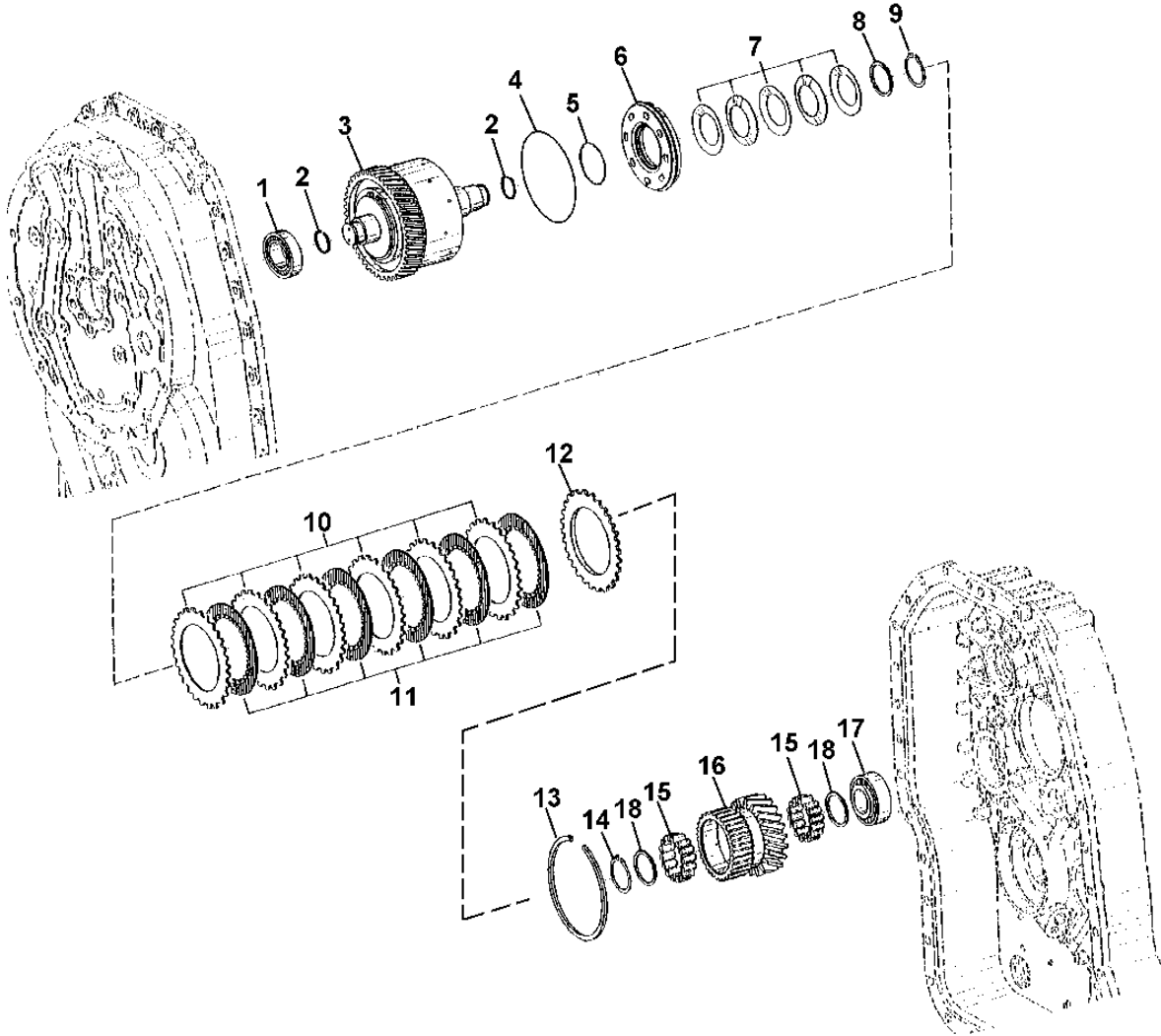
GEARS, SHAFTS, BEARINGS AND POWER SHIFT CLUTCH 0350
FIRST GEAR CLUTCH ASSEMBLY (POWER SHIFT)
EMBRAYAGE DE PREMIERE VITESSE (POWER SHIFT)
CONJUNTO DE EMBRAGUE DE PRIMERA MARCHA (POWER SHIFT)

KEY	PART NO.	PART NAME	QTY.	SERIAL NO.	REMARKS
					3 3
					3 1 1
					1 0 5
					0 S S
					G G G
1	AT179472	TAPERED ROLLER BEARING	1		X X
2	T158742	RING	2		X X
3	AT184048	DRUM	1		X X (DISK CARRIER)
4	RING	1		X X (T158739 NLA) (SUB AT193704)
5	RING	1		X X (T158743 NLA) (SUB AT193704)
6	AT193704	PISTON	1		X X (SUB FOR T158789)
7	T158775	DISK SPRING	5		X X
8	T164712	SHIM	1		X X 2.0MM (0.0787")
9	40M7058	SNAP RING	1		X X
10	T158801	CLUTCH PLATE	10		X X
11	T164626	DISK	10		X X
12	T161147	PLATE	1		X X
13	T161183	SNAP RING	1		X X 4.0MM (0.1575")
	T158778	SNAP RING	1		X X 3.5MM (0.1378")
	T159568	SNAP RING	1		X X 3.0MM (0.1181")
	T159569	SNAP RING	1		X X 2.5MM (0.0984")
	T159570	SNAP RING	1		X X 2.0MM (0.0787")
14	40M7058	SNAP RING	1		X X
15	AT185793	ROLLER	2		X X
16	T164640	GEAR	1		X X
17	AT184052	ROLLER	1		X X
18	T166062	THRUST WASHER	2		X X

0350-16

GEARS, SHAFTS, BEARINGS AND POWER SHIFT CLUTCH 0350
SECOND GEAR CLUTCH ASSEMBLY (POWER SHIFT)
EMBRAYAGE DE SECONDE VITESSE (POWER SHIFT)
CONJUNTO DE EMBRAGUE DE SEGUNDA MARCHA (POWER SHIFT)

TP57928 -UN-16SEP98



TP57928

THIS PARTS LISTING IS CONTINUED

0350-17

TRANSMISSION 3

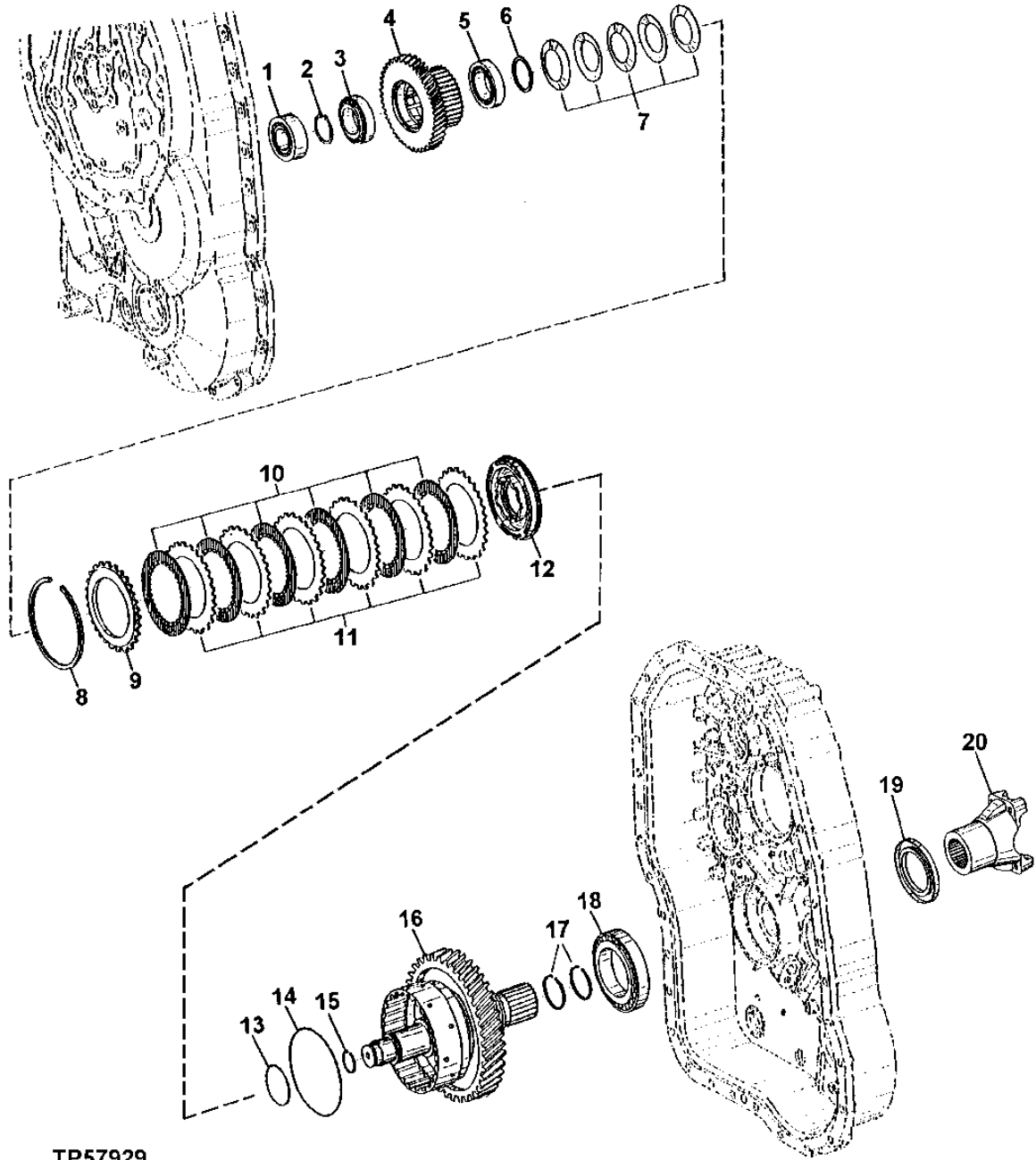
GEARS, SHAFTS, BEARINGS AND POWER SHIFT CLUTCH 0350
SECOND GEAR CLUTCH ASSEMBLY (POWER SHIFT)
EMBAYAGE DE SECONDE VITESSE (POWER SHIFT)
CONJUNTO DE EMBRAGUE DE SEGUNDA MARCHA (POWER SHIFT)

KEY	PART NO.	PART NAME	QTY.	SERIAL NO.	REMARKS
					3 3
					3 1 1
					1 0 5
					0 S S
					G G G
1	AT179472	TAPERED ROLLER BEARING	1		X X
2	T158742	RING	2		X X
3	AT184053	DRUM	1		X X (DISK CARRIER)
4	RING	1		X X (T158739 NLA) (SUB AT193704)
5	RING	1		X X (T158743 NLA) (SUB AT193704)
6	AT193704	PISTON	1		X X (SUB FOR T158789)
7	T158775	DISK SPRING	5		X X
8	T164712	SHIM	1		X X
9	40M7058	SNAP RING	1		X X 2.0MM (0.0787")
10	T158801	CLUTCH PLATE	6		X X
11	T164626	DISK	6		X X
12	T161147	PLATE	1		X X
13	T161183	SNAP RING	1		X X 4.0MM (0.1575")
	T158778	SNAP RING	1		X X 3.5MM (0.1378")
	T159568	SNAP RING	1		X X 3.0MM (0.1181")
	T159569	SNAP RING	1		X X 2.5MM (0.0984")
	T159570	SNAP RING	1		X X 2.0MM (0.0787")
14	40M7058	SNAP RING	1		X X
15	AT185793	ROLLER	2		X X
16	T164643	GEAR	1		X X
17	AT184052	ROLLER BEARING	1		X X
18	T166062	SNAP RING	2		X X

0350-18

GEARS, SHAFTS, BEARINGS AND POWER SHIFT CLUTCH 0350
THIRD GEAR CLUTCH ASSEMBLY (POWER SHIFT)
EMBRAYAGE DE TROISIEME VITESSE (POWER SHIFT)
CONJUNTO DE EMBRAGUE DE TERCERA MARCHA (POWER SHIFT)

TP57929 -UN-18SEP98



TP57929

0350-19

TRANSMISSION 3

GEARS, SHAFTS, BEARINGS AND POWER SHIFT CLUTCH 0350
THIRD GEAR CLUTCH ASSEMBLY (POWER SHIFT)
EMBAYAGE DE TROISIEME VITESSE (POWER SHIFT)
CONJUNTO DE EMBRAGUE DE TERCERA MARCHA (POWER SHIFT)

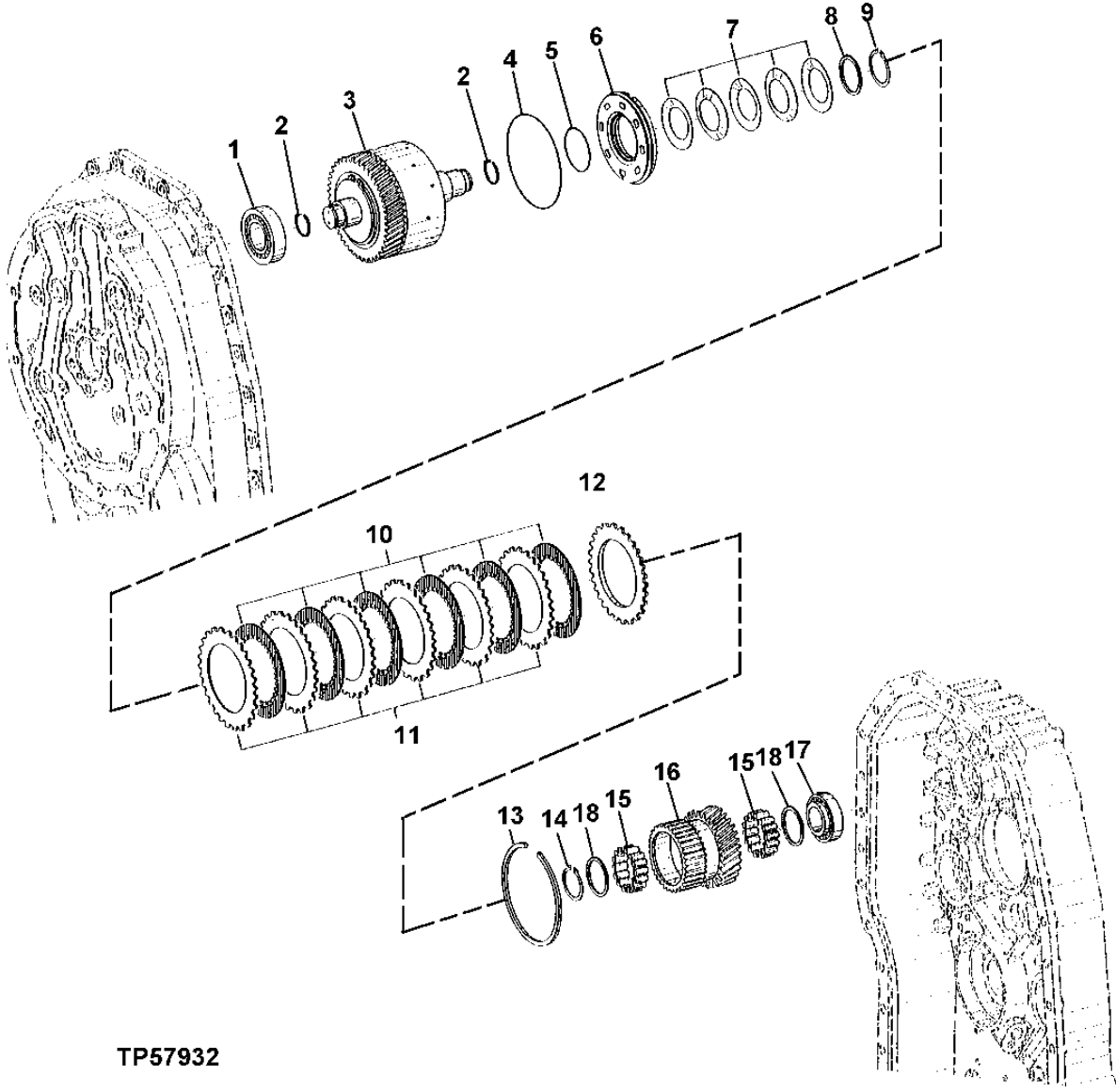
KEY	PART NO.	PART NAME	QTY.	SERIAL NO.	REMARKS
					3 3 3 1 1 1 0 5 0 S S G G G
1	AT184052	ROLLER BEARING	1		X X
2	T161186	SNAP RING	1		X X 3.2MM (0.1260")
	T161187	SNAP RING	1		X X 3.1MM (0.1220")
	T161188	SNAP RING	1		X X 3.0MM (0.1181")
	T161189	SNAP RING	1		X X 2.9MM (0.1142")
	T161190	SNAP RING	1		X X 2.8MM (0.1102")
	T161191	SNAP RING	1		X X 2.7MM (0.1063")
	T161192	SNAP RING	1		X X 2.6MM (0.1024")
	T161193	SNAP RING	1		X X 2.5MM (0.0984")
	T164628	SNAP RING	1		X X 2.3MM (0.0906")
	T164629	SNAP RING	1		X X 2.2MM (0.0866")
	T164630	SNAP RING	1		X X 2.1MM (0.0827")
3	AT179470	TAPERED ROLLER BEARING	1		X X
4	T166065	GEAR	1		X X
5	AT179469	TAPERED ROLLER BEARING	1		X X
6	T158756	WASHER	1		X X
7	T158775	DISK SPRING	5		X X
8	T161183	SNAP RING	1		X X 4.0MM (0.1575")
	T158778	SNAP RING	1		X X 3.5MM (0.1378")
	T159568	SNAP RING	1		X X 3.0MM (0.1181")
	T159569	SNAP RING	1		X X 2.5MM (0.0984")
	T159570	SNAP RING	1		X X 2.0MM (0.0787")
9	T161147	PLATE	1		X X 2.0MM (0.0787")
10	T164626	DISK	6		X X
11	T158801	CLUTCH PLATE	6		X X
12	AT193704	PISTON	1		X X (SUB FOR T158789)
13	RING	1		X X (T158743 NLA) (SUB AT193704)
14	RING	1		X X (T158739 NLA) (SUB AT193704)
15	T158742	RING	1		X X
16	AT184055	DRUM	1		X X (DISK CARRIER)
17	T164646	O-RING	2		X X
18	AT184056	ROLLER BEARING	1		X X
19	AT179481	SEAL	1		X X
20	AT177701	UNIVERSAL JOINT YOKE	1		X X

0350-20

TRANSMISSION 3

GEARS, SHAFTS, BEARINGS AND POWER SHIFT CLUTCH 0350 FOURTH GEAR CLUTCH ASSEMBLY (POWER SHIFT) EMBAYAGE DE QUATRIEME VITESSE (POWER SHIFT) CONJUNTO DE EMBRAGUE DE CUARTA MARCHA (POWER SHIFT)

TP57932 -UN-16SEP98



0350-21

TRANSMISSION 3

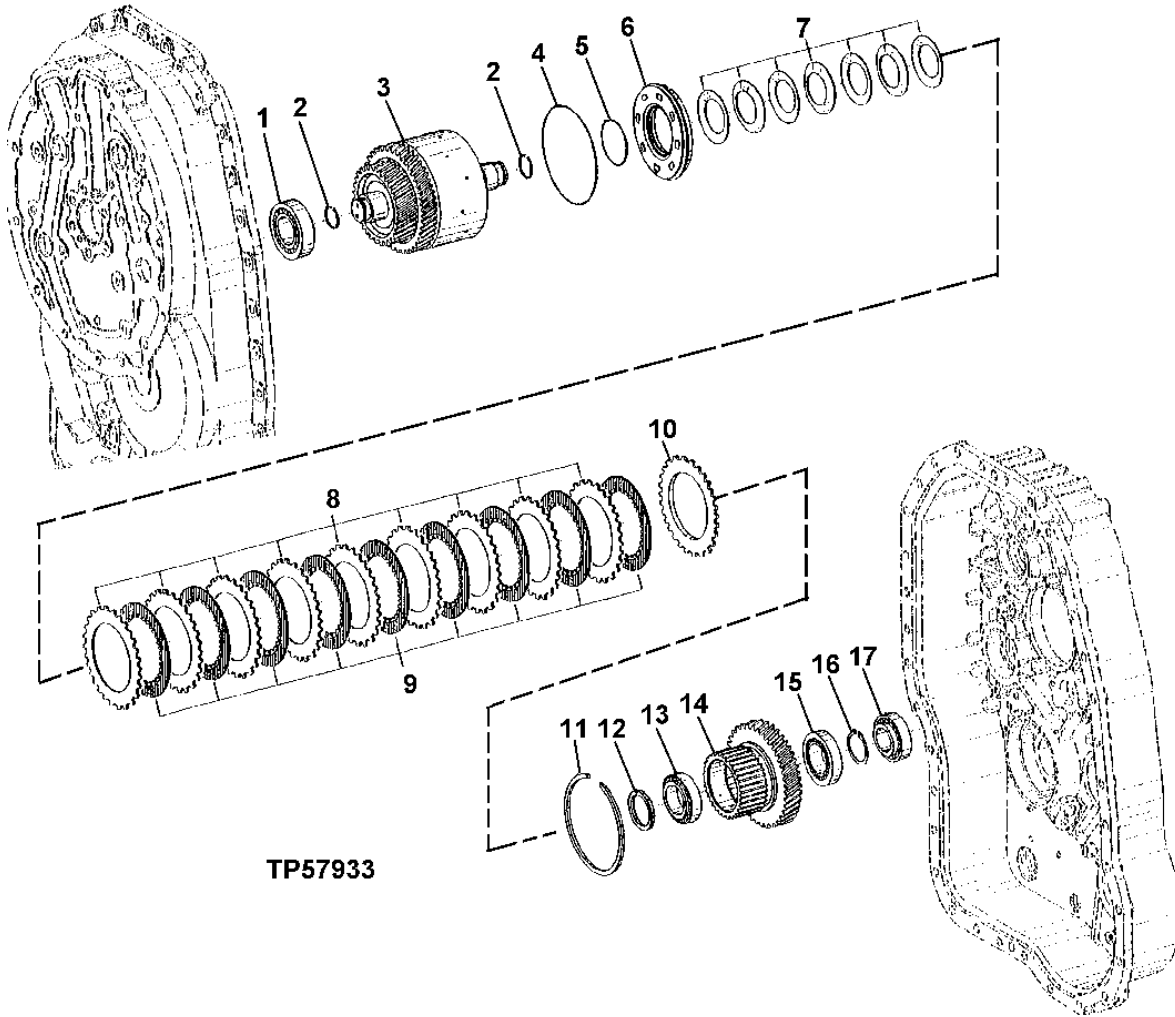
GEARS, SHAFTS, BEARINGS AND POWER SHIFT CLUTCH 0350
 FOURTH GEAR CLUTCH ASSEMBLY (POWER SHIFT)
 EMBRAYAGE DE QUATRIEME VITESSE (POWER SHIFT)
 CONJUNTO DE EMBRAGUE DE CUARTA MARCHA (POWER SHIFT)

KEY	PART NO.	PART NAME	QTY.	SERIAL NO.	REMARKS
					3 3
					3 1 1
					1 0 5
					0 S S
					G G G
1	AT184042	BEARING	1		X X
2	T158742	RING	2		X X
3	AT184057	DRUM	1		X X (DISK CARRIER)
4	RING	1		X X (T158739 NLA) (SUB AT193704)
5	RING	1		X X (T158743 NLA) (SUB AT193704)
6	AT193704	PISTON	1		X X (SUB FOR T158789)
7	T158775	DISK SPRING	5		X X
8	T164712	SHIM	1		X X
9	40M7058	SNAP RING	1		X X 2.0MM (0.0787")
10	T158801	CLUTCH PLATE	6		X X
11	T164626	DISK	6		X X
12	T161147	PLATE	1		X X
13	T161183	SNAP RING	1		X X 4.0MM (0.1575")
	T158778	SNAP RING	1		X X 3.5MM (0.1378")
	T159568	SNAP RING	1		X X 3.0MM (0.1181")
	T159569	SNAP RING	1		X X 2.5MM (0.0984")
	T159570	SNAP RING	1		X X 2.0MM (0.0787")
14	40M7058	SNAP RING	1		X X
15	AT185793	ROLLER	2		X X
16	T164647	GEAR	1		X X
17	AT179471	TAPERED ROLLER BEARING	1		X X
18	T166062	THRUST WASHER	2		X X

0350-22

GEARS, SHAFTS, BEARINGS AND POWER SHIFT CLUTCH 0350
FORWARD CLUTCH ASSEMBLY (POWER SHIFT)
EMBAYAGE DE MARCHÉ AVANT (POWER SHIFT)
CONJUNTO DE EMBRAGUE DE AVANCE (POWER SHIFT)

TP57933 -UN-15SEP98



TP57933

0350-23

TRANSMISSION 3

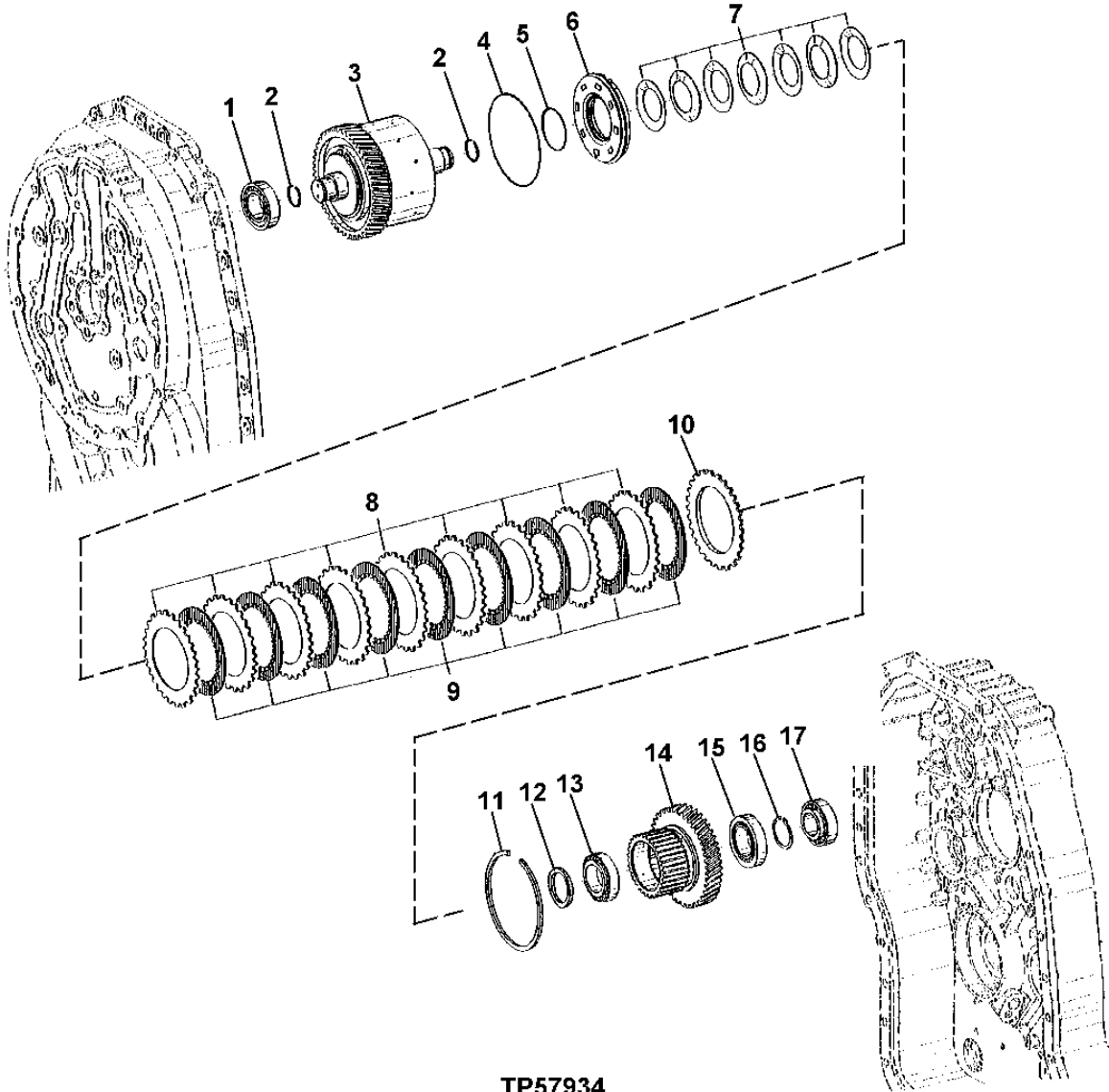
GEARS, SHAFTS, BEARINGS AND POWER SHIFT CLUTCH 0350
FORWARD CLUTCH ASSEMBLY (POWER SHIFT)
EMBAYAGE DE MARCHE AVANT (POWER SHIFT)
CONJUNTO DE EMBRAGUE DE AVANCE (POWER SHIFT)

KEY	PART NO.	PART NAME	QTY.	SERIAL NO.	REMARKS
					3 3 3 1 1 1 0 5 0 S S G G G
1	AT184042	BEARING	1		X X
2	T158742	RING	2		X X
3	AT184043	DRUM	1		X X (DISK CARRIER)
4	RING	1		X X (T158739 NLA) (SUB AT193704)
5	RING	1		X X (T158743 NLA) (SUB AT193704)
6	AT193704	PISTON	1		X X (SUB FOR T158789)
7	T158775	DISK SPRING	7		X X
8	T158801	CLUTCH PLATE	9		X X
9	AT179473	DISK WITH INNER SPLINE	9		X X
10	T161147	PLATE	1		X X
11	T161183	SNAP RING	1		X X 4.0MM (0.1578")
	T158778	SNAP RING	1		X X 3.5MM (0.1378")
	T159568	SNAP RING	1		X X 3.0MM (.01181")
	T159569	SNAP RING	1		X X 2.5MM (0.0984")
	T159570	SNAP RING	1		X X 2.0MM (0.0787")
12	T158756	WASHER	1		X X
13	AT179469	TAPERED ROLLER BEARING	1		X X
14	T164711	GEAR	1		X X
15	AT179470	TAPERED ROLLER BEARING	1		X X
16	T161186	SNAP RING	1		X X 3.2MM (0.1260")
	T161187	SNAP RING	1		X X 3.1MM (0.1220")
	T161188	SNAP RING	1		X X 3.0MM (0.1181")
	T161189	SNAP RING	1		X X 2.9MM (0.1141")
	T161190	SNAP RING	1		X X 2.8MM (0.1102")
	T161191	SNAP RING	1		X X 2.7MM (0.1063")
	T161192	SNAP RING	1		X X 2.6MM (0.1024")
	T161193	SNAP RING	1		X X 2.5MM (0.0984")
	T164628	SNAP RING	1		X X 2.3MM (0.0905")
	T164629	SNAP RING	1		X X 2.2MM (0.0866")
	T164630	SNAP RING	1		X X 2.1MM (0.0827")
17	AT179471	TAPERED ROLLER BEARING	1		X X

0350-24

GEARS, SHAFTS, BEARINGS AND POWER SHIFT CLUTCH 0350
REVERSE CLUTCH ASSEMBLY (POWER SHIFT)
INTERRUPTEUR DE RETOUR EN POSITION DE CREUSEMENT (POWER SHIFT)
INTERRUPTOR DE RETORNO A EXCAVACION (POWER SHIFT)

TP57934 -UN-15SEP98



TP57934

0350-25

TRANSMISSION 3

GEARS, SHAFTS, BEARINGS AND POWER SHIFT CLUTCH 0350
REVERSE CLUTCH ASSEMBLY (POWER SHIFT)
INTERRUPTEUR DE RETOUR EN POSITION DE CREUSEMENT (POWER SHIFT)
INTERRUPTOR DE RETORNO A EXCAVACION (POWER SHIFT)

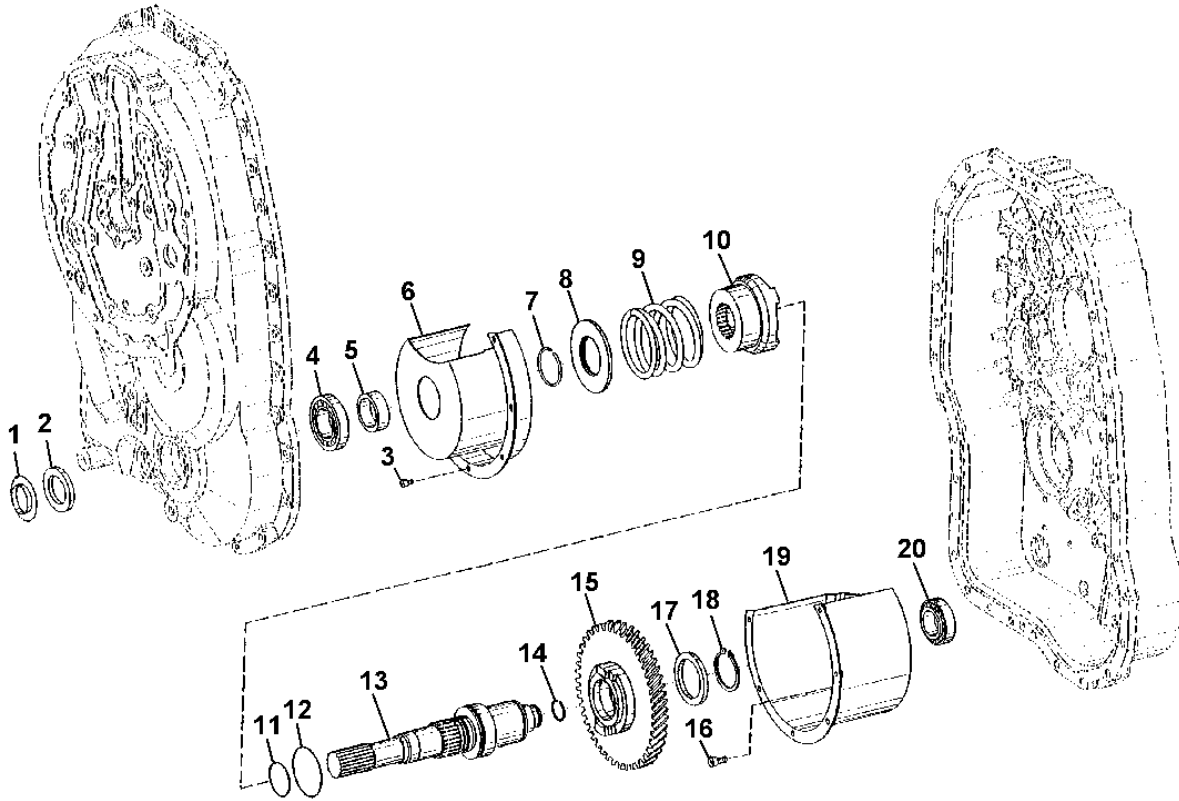
KEY	PART NO.	PART NAME	QTY.	SERIAL NO.	REMARKS
					3 3 3 1 1 1 0 5 0 S S G G G
1	AT179472	TAPERED ROLLER BEARING	1		X X
2	T158742	RING	2		X X
3	AT184045	DRUM	1		X X (DISK CARRIER)
4	RING	1		X X (T158739 NLA) (SUB AT193704)
5	RING	1		X X (T158743 NLA) (SUB AT193704)
6	AT193704	PISTON	1		X X (SUB FOR T158789)
7	T158775	DISK SPRING	7		X X
8	T158801	CLUTCH PLATE	9		X X
9	AT179473	DISK WITH INNER SPLINE	9		X X
10	T161147	PLATE	1		X X
11	T161183	SNAP RING	1		X X 4.0MM (0.1575")
	T158778	SNAP RING	1		X X 3.5MM (0.1378")
	T159568	SNAP RING	1		X X 3.0MM (0.1181")
	T159569	SNAP RING	1		X X 2.5MM (0.0984")
	T159570	SNAP RING	1		X X 2.0MM (0.0787")
12	T158756	WASHER	1		X X
13	AT179469	TAPERED ROLLER BEARING	1		X X
14	T164711	DISK	1		X X
15	AT179470	TAPERED ROLLER BEARING	1		X X
16	T161186	SNAP RING	1		X X 3.2MM (0.1260")
	T161187	SNAP RING	1		X X 3.1MM (0.1220")
	T161188	SNAP RING	1		X X 3.0MM (0.1181")
	T161189	SNAP RING	1		X X 2.9MM (0.1141")
	T161190	SNAP RING	1		X X 2.8MM (0.1102")
	T161191	SNAP RING	1		X X 2.7MM (0.1063")
	T161192	SNAP RING	1		X X 2.6MM (0.1024")
	T161193	SNAP RING	1		X X 2.5MM (0.0984")
	T164628	SNAP RING	1		X X 2.3MM (0.0905")
	T164629	SNAP RING	1		X X 2.2MM (0.0866")
	T164630	SNAP RING	1		X X 2.1MM (0.0827")
17	AT179471	TAPERED ROLLER BEARING	1		X X

0350-26

TRANSMISSION 3

GEARS, SHAFTS, BEARINGS AND POWER SHIFT CLUTCH 0350
TRANSMISSION OUTPUT SHAFT (POWER SHIFT)(W/MFWD)
ARBRE DE SORTIE DE TRANSMISSION (POWER SHIFT)(W/MFWD)
EJE DE SALIDA DE LA TRANSMISSION (POWER SHIFT)(W/MFWD)

TP57935 -UN-16SEP98



TP57935

0350-27

TRANSMISSION 3

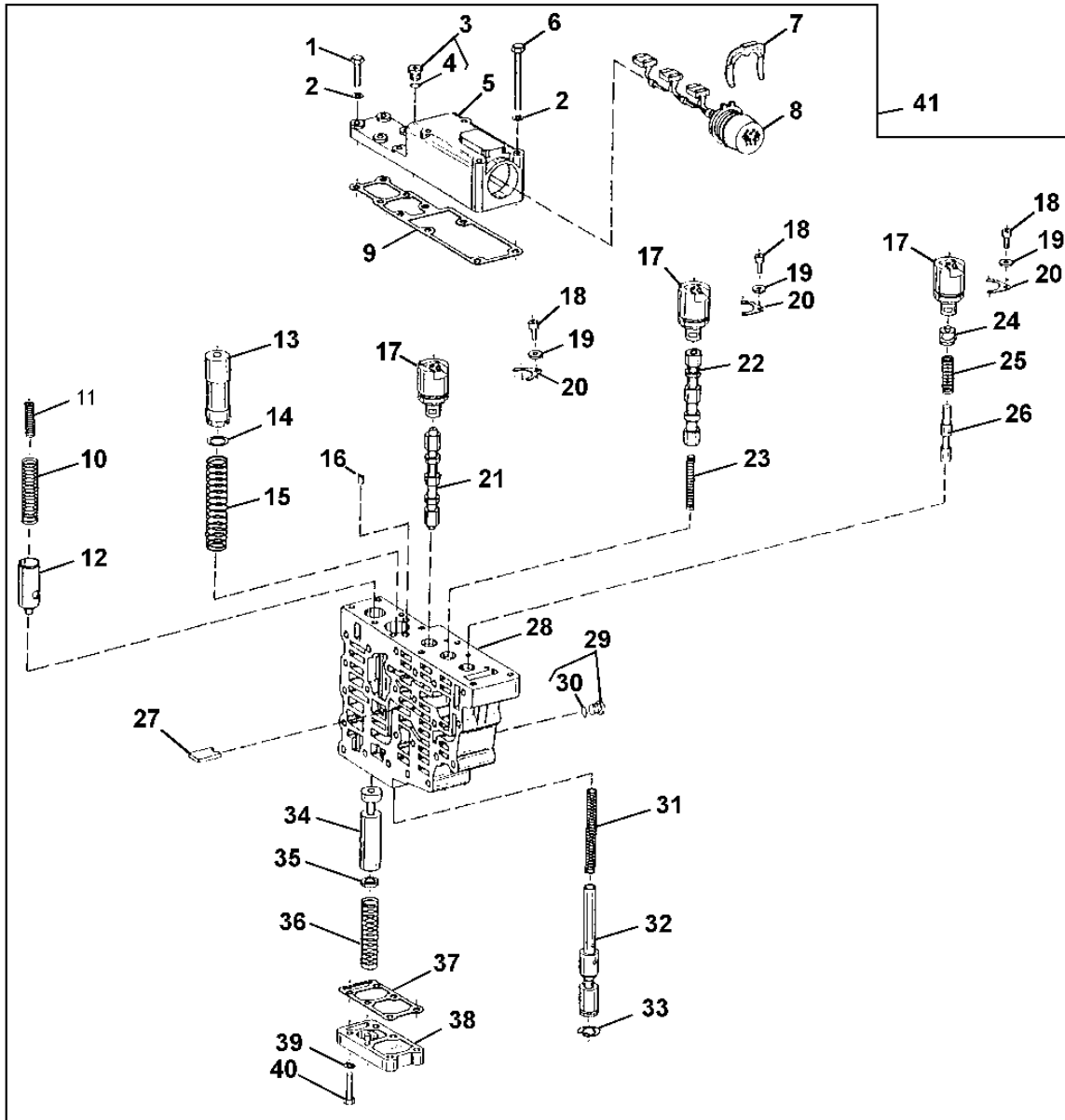
GEARS, SHAFTS, BEARINGS AND POWER SHIFT CLUTCH 0350
 TRANSMISSION OUTPUT SHAFT (POWER SHIFT)(W/MFWD)
 ARBRE DE SORTIE DE TRANSMISSION (POWER SHIFT)(W/MFWD)
 EJE DE SALIDA DE LA TRANSMISION (POWER SHIFT)(W/MFWD)

KEY	PART NO.	PART NAME	QTY.	SERIAL NO.	3 3 3 1 1 1 0 5 0 S S G G G	REMARKS
1	T159572	SEAL	1		X X	
2	AT179466	SEAL	1		X X	
3	T166078	SCREW	6		X X	
4	AT179468	TAPERED ROLLER BEARING	1		X X	
5	T164572	BUSHING	1		X X	
6	T164576	SCREEN	1		X X	
7	T158722	SNAP RING	1		X X	
8	T158855	END PLATE	1		X X	
9	T158762	SPRING	1		X X	
10	T158859	SLEEVE	1		X X	
11	T158744	RING	1		X X	
12	T158745	RING	1		X X	
13	T164574	SHAFT	1		X X	
14	T158742	RING	1		X X	
15	T164575	GEAR	1		X X	
16	19M7931	SCREW	3		X X	M8 X 16
17	T158760	THRUST WASHER	1		X X	
18	L78069	RING	1		X X	
19	T184918	SCREEN	1		X X	
20	AT179472	TAPERED ROLLER BEARING	1		X X	

0360-2

**TRANSMISSION CONTROL VALVE GROUP (SYNCHSHUTTLE)
GRUPE DE DISTRIBUTEURS DE LA TRANSMISSION (SYNCHSHUTTLE)
GRUPO DE VALVULA DE CONTROL DE TRANSMISION (SYNCHSHUTTLE)**

T150759 -UN-31JAN02



T150759

0360-3

TRANSMISSION 3

TRANSMISSION HYDRAULICS 0360

**TRANSMISSION CONTROL VALVE GROUP (SYNCHSHUTTLE)
 GROUPE DE DISTRIBUTEURS DE LA TRANSMISSION (SYNCHSHUTTLE)
 GRUPO DE VALVULA DE CONTROL DE TRANSMISION (SYNCHSHUTTLE)**

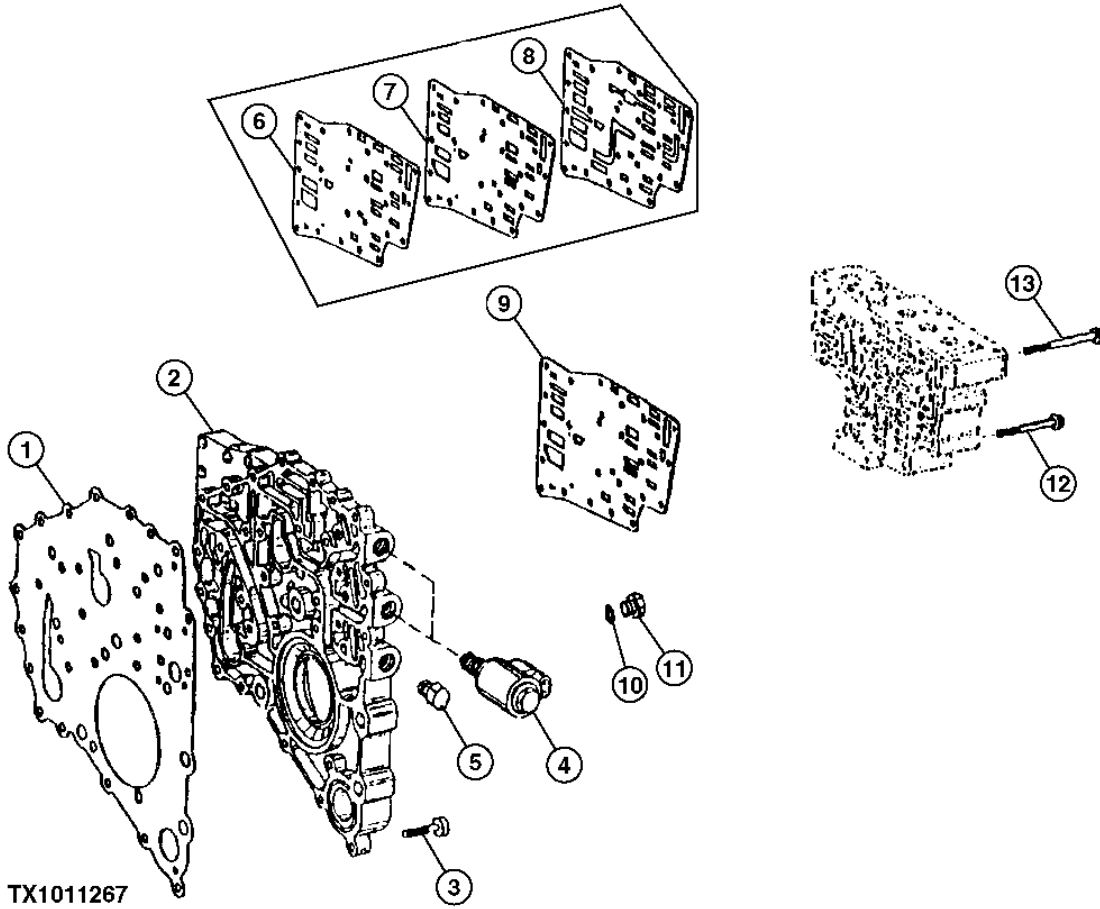
KEY	PART NO.	PART NAME	QTY.	SERIAL NO.	REMARKS
					3 3
					3 1 1
					1 0 5
					0 S S
					G G G
1	T159593	CAP SCREW	6		X X X
2	T161204	WASHER	AR		X X X
3	T161194	PLUG	1		X X X (INCLUDES L11698)
4	L11698	O-RING	1		X X X
5	T185606	COVER	1		X X X
6	T159607	CAP SCREW	4		X X X
7	T161207	CLAMP	1		X X X
8	AT179492	WIRING HARNESS	1		X X X
9	T159604	GASKET	1		X X X
10	T159584	SPRING	1		X X X
11	T188173	SPRING	1		X X X
12	PISTON	1		X X X (T159583, T161196 NLA) (SUB T188172)
	T188172	PISTON	1		X X X
13	T162947	PISTON	1		X X X
14	T164584	SPACER	1		X X X 0.20MM (0.0078")
	T164583	SPACER	1		X X X 0.30MM (0.0118")
	T164582	SPACER	1		X X X 0.50MM (0.0197")
	T161203	SHIM	1		X X X 1.0MM (0.0394")
	T164581	SPACER	1		X X X 2.0MM (0.0787")
15	T161202	SPRING	1		X X X
16	T164577	ORIFICE	1		X X X
17	AT179491	SOLENOID VALVE	3		X X X (FORWARD, NEUTRAL CLUTCH DISCONNECT, REVERSE)
18	T164693	SCREW	3		X X X
19	T144487	WASHER	3		X X X
20	T144486	PLATE	3		X X X
21	AT182947	PISTON	1		X X X
22	T159595	PISTON	1		X X X
23	T159596	SPRING	1		X X X
24	T159599	PLUG	1		X X X
25	T159598	SPRING	1		X X X
26	T159597	PISTON	1		X X X
27	T159600	PLATE	1		X X X
28	T159582	HOUSING	1		X X X
29	T161194	PLUG	7		X X X (INCLUDES L11698)
30	L11698	O-RING	7		X X X
31	T159589	SPRING	1		X X X
32	T159587	PISTON	1		X X X
33	T159588	LOCK WASHER	1		X X X
34	T164579	PISTON	1		X X X
35	T161200	SPACER	AR		X X X 2.4MM (0.0945")
	T161199	SPACER	AR		X X X 2.8MM (0.1102")
	T161198	SPACER	AR		X X X 3.2MM (0.1260")
	T161197	SPACER	AR		X X X 3.6MM (0.1417")
36	T159586	SPRING	1		X X X
37	T159591	GASKET	1		X X X
38	T159592	COVER	1		X X X
39	T161204	WASHER	6		X X X
40	T159593	CAP SCREW	6		X X X
41	AT195752	HYD ACTUATED CONTROL VALVE	1		X X X (SUB FOR AT179447)

0360-4

TRANSMISSION INTERMEDIATE PLATE AND GASKET (SYNCHSHUTTLE)
PLAQUE INTERMEDIAIRE ET JOINT DE LA TRANSMISSION (SYNCHSHUTTLE)
PLACA INTERMEDIA Y EMPAQUETADURA DE TRANSMISION (SYNCHSHUTTLE)

TX1011267

-UN-18AUG06



0360-4A

TRANSMISSION 3

TRANSMISSION HYDRAULICS 0360

**TRANSMISSION INTERMEDIATE PLATE AND GASKET (SYNCHSHUTTLE)
 PLAQUE INTERMEDIAIRE ET JOINT DE LA TRANSMISSION (SYNCHSHUTTLE)
 PLACA INTERMEDIA Y EMPAQUETADURA DE TRANSMISION (SYNCHSHUTTLE)**

KEY	PART NO.	PART NAME	QTY.	SERIAL NO.	REMARKS
					3 3
					3 1 1
					1 0 5
					0 S S
					G G G
1	T184586	GASKET	1		X X X
2	T186041	HOUSING	1		X X X (ALSO ORDER T159684)
3	T161208	CAP SCREW	30		X X X
4	AT177703	SOLENOID VALVE	2		X X X (DIFFERENTIAL LOCK, PARK BRAKE, MFWD)
	SOLENOID	1		X X X (AT179318 NLA) (SERVICED IN AT177703)
	AT179319	ELECTRICAL COIL	1		X X X
	AT179320	O-RING KIT	1		X X X
	T161144	NUT	1		X X X
5	T159684	PLUG	1		X X X
6	T224778	GASKET	1		X X X (SUB FOR AT192550) (ALSO ORDER (19) T164682)
7	T159611	PLATE	1		X X X (SUB FOR AT192550) (ALSO ORDER (19) T164682)
8	T224751	GASKET	1		X X X (SUB FOR AT192550) (ALSO ORDER (19) T164682)
9	PLATE	1		X X X (AT192550 NLA) (NO GASKETS REQUIRED) (SUB T159611, T224751, T224778 AND (19) T164682)
10	R26286	O-RING	1		X X X
11	R27094	DRAIN PLUG	1		X X X
12	T159607	CAP SCREW	19		X X X
13	T159613	CAP SCREW	4		X X X

0360-4B

TRANSMISSION 3

TRANSMISSION HYDRAULICS 0360

MEMORANDA
MEMORANDA
MEMORANDA

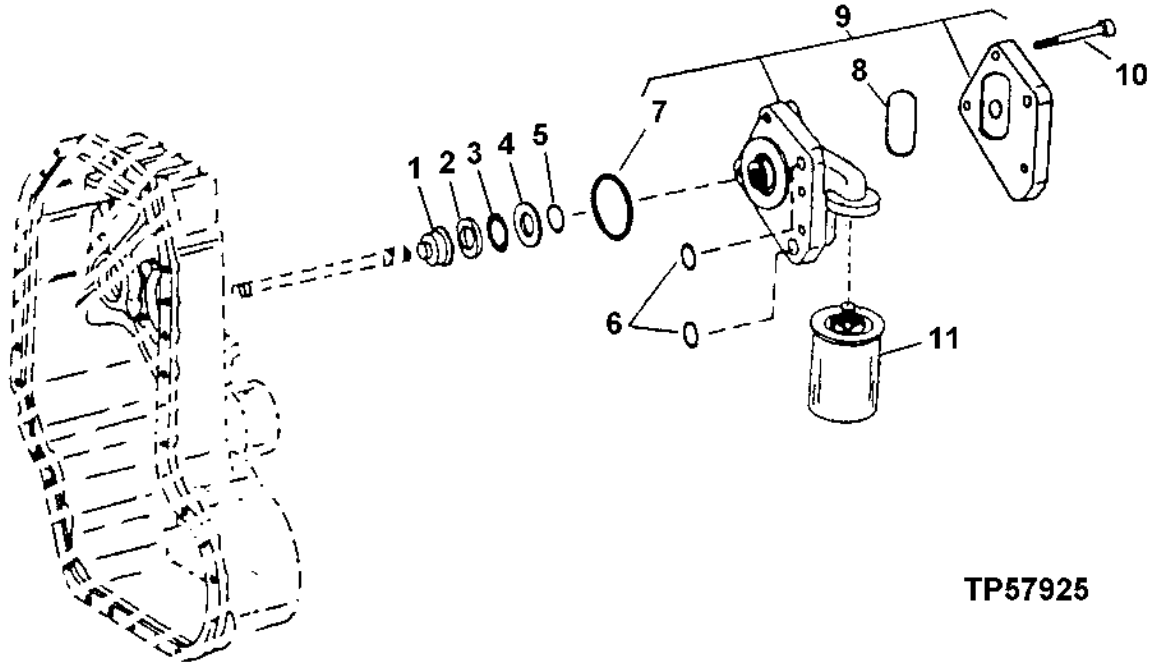
0360-5

TRANSMISSION 3

TRANSMISSION HYDRAULICS 0360

TRANSMISSION CHARGE PUMP POMPE DE GAVAGE DE TRANSMISSION BOMBA DE CARGA DE LA TRANSMISION

TP57925 -UN-14SEP98



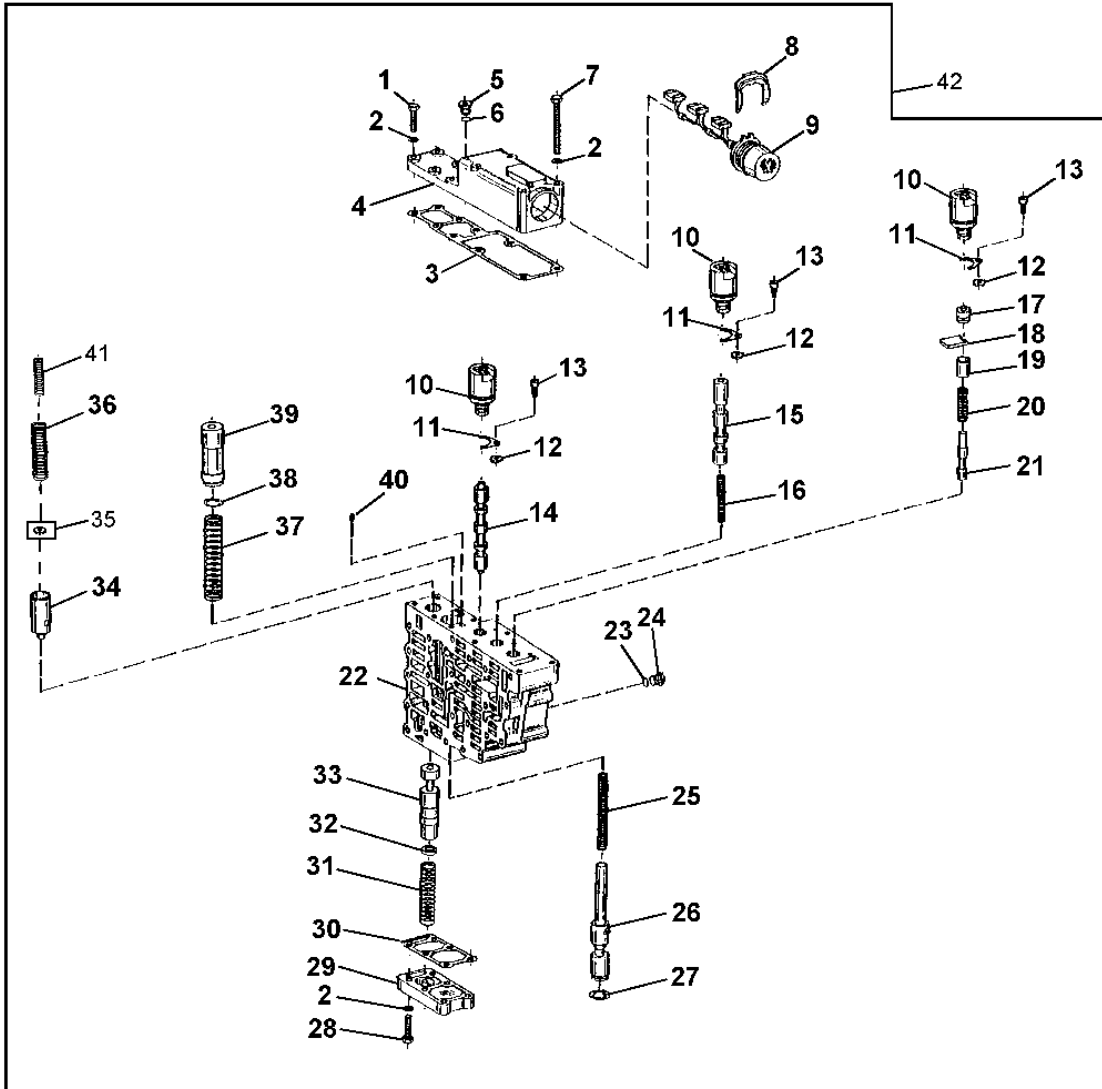
TP57925

KEY	PART NO.	PART NAME	QTY.	SERIAL NO.	REMARKS
				3 3	
				3 1 1	
				1 0 5	
				0 S S	
				G G G	
1	T166077	STOP	1		X X X
2	T158732	DISK	1		X X X
3	AT179153	NEEDLE BEARING	1		X X X
4	T158749	THRUST WASHER	1		X X X
5	T141689	O-RING	1		X X X
6	T19854	O-RING	2		X X X
7	T162446	PACKING	1		X X X
8	T162935	O-RING	1		X X X
9	AT186167	HYDRAULIC PUMP	1		X X X
10	T158754	CAP SCREW	4		X X X
11	AT179323	OIL FILTER	1		X X X

0360-6

TRANSMISSION CONTROL VALVE GROUP (POWER SHIFT)
GROUPE DE DISTRIBUTEURS DE LA TRANSMISSION (POWER SHIFT)
GRUPO DE VALVULA DE CONTROL DE TRANSMISION (POWER SHIFT)

T150758 -UN-05FEB02



T150758

0360-7

TRANSMISSION 3

TRANSMISSION HYDRAULICS 0360

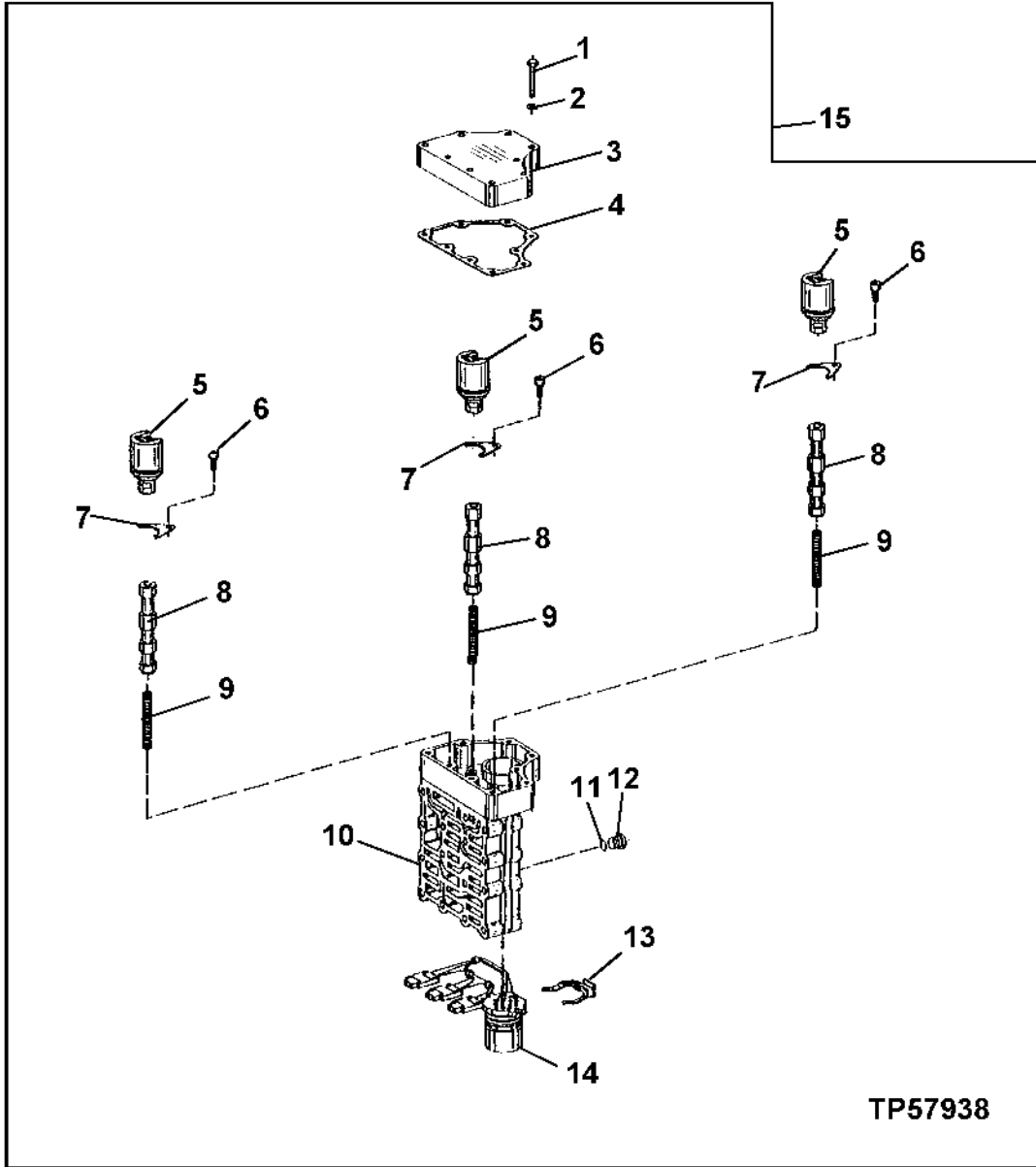
**TRANSMISSION CONTROL VALVE GROUP (POWER SHIFT)
 GROUPE DE DISTRIBUTEURS DE LA TRANSMISSION (POWER SHIFT)
 GRUPO DE VALVULA DE CONTROL DE TRANSMISION (POWER SHIFT)**

KEY	PART NO.	PART NAME	QTY.	SERIAL NO.	3 3 3 1 1 1 0 5 0 S S G G G	REMARKS
1	T159593	CAP SCREW	6		X X	
2	T161204	WASHER	16		X X	
3	T159604	GASKET	1		X X	
4	T185606	COVER	1		X X	
5	T161194	PLUG	3		X X	
6	L11698	O-RING	3		X X	
7	T159607	CAP SCREW	4		X X	
8	T161207	CLAMP	1		X X	
9	AT179492	WIRING HARNESS	1		X X	
10	AT179491	SOLENOID VALVE	3		X X	(FORWARD, NEUTRAL, REVERSE)
11	T144486	PLATE	3		X X	
12	T144487	WASHER	3		X X	
13	T164693	SCREW	3		X X	
14	AT182947	PISTON	1		X X	
15	T164578	PISTON	1		X X	
16	T159596	SPRING	1		X X	
17	T159599	PLUG	1		X X	
18	T159600	PLATE	1		X X	
19	T164585	SPACER	1		X X	
20	T159598	SPRING	1		X X	
21	T159597	PISTON	1		X X	
22	T159582	HOUSING	1		X X	
23	L11698	O-RING	5		X X	
24	T161194	PLUG	5		X X	
25	T159589	SPRING	1		X X	
26	T159587	PISTON	1		X X	
27	T159588	LOCK WASHER	1		X X	
28	T159593	CAP SCREW	6		X X	
29	T159592	COVER	1		X X	
30	T159591	GASKET	1		X X	
31	T159586	SPRING	1		X X	
32	T161200	SPACER	1		X X	2.40MM (0.0945")
	T161199	SPACER	1		X X	2.80MM (0.1102")
	T161198	SPACER	1		X X	3.20MM (0.1260")
	T161197	SPACER	1		X X	3.60MM (0.1417")
33	T164579	PISTON	1		X X	
34	PISTON	1		X X	(T159583 NLA) (SUB T188172 AND T188173)
	T188172	PISTON	1		X X	
35	SPACER	1		X X	(T161196 NLA) (SUB T188172 AND T188173)
36	T159584	SPRING	1		X X	
37	T161202	SPRING	1		X X	
38	T164584	SPACER	1		X X	0.2MM (0.0079")
	T164583	SPACER	1		X X	0.3MM (0.0118")
	T164582	SPACER	1		X X	0.5MM (0.0197")
	T161203	SHIM	1		X X	1.0MM (0.0894")
	T164581	SPACER	1		X X	2.0MM (0.0787")
39	T162947	PISTON	1		X X	
40	T164577	ORIFICE	1		X X	
41	T188173	SPRING	1		X X	
42	AT195753	HYD ACTUATED CONTROL VALVE	1		X X	(SUB FOR AT183972)

0360-8

RANGE SHIFT VALVE GROUP (POWER SHIFT)
GROUPE DE SOUPAPES DE CHANGEMENT DE GAMME (POWER SHIFT)
GRUPO DE VALVULAS DE CAMBIO DE GAMAS (POWER SHIFT)

TP57938 -UN-17SEP98



0360-9

TRANSMISSION 3

TRANSMISSION HYDRAULICS 0360

RANGE SHIFT VALVE GROUP (POWER SHIFT)
 GROUPE DE SOUPAPES DE CHANGEMENT DE GAMME (POWER SHIFT)
 GRUPO DE VALVULAS DE CAMBIO DE GAMAS (POWER SHIFT)

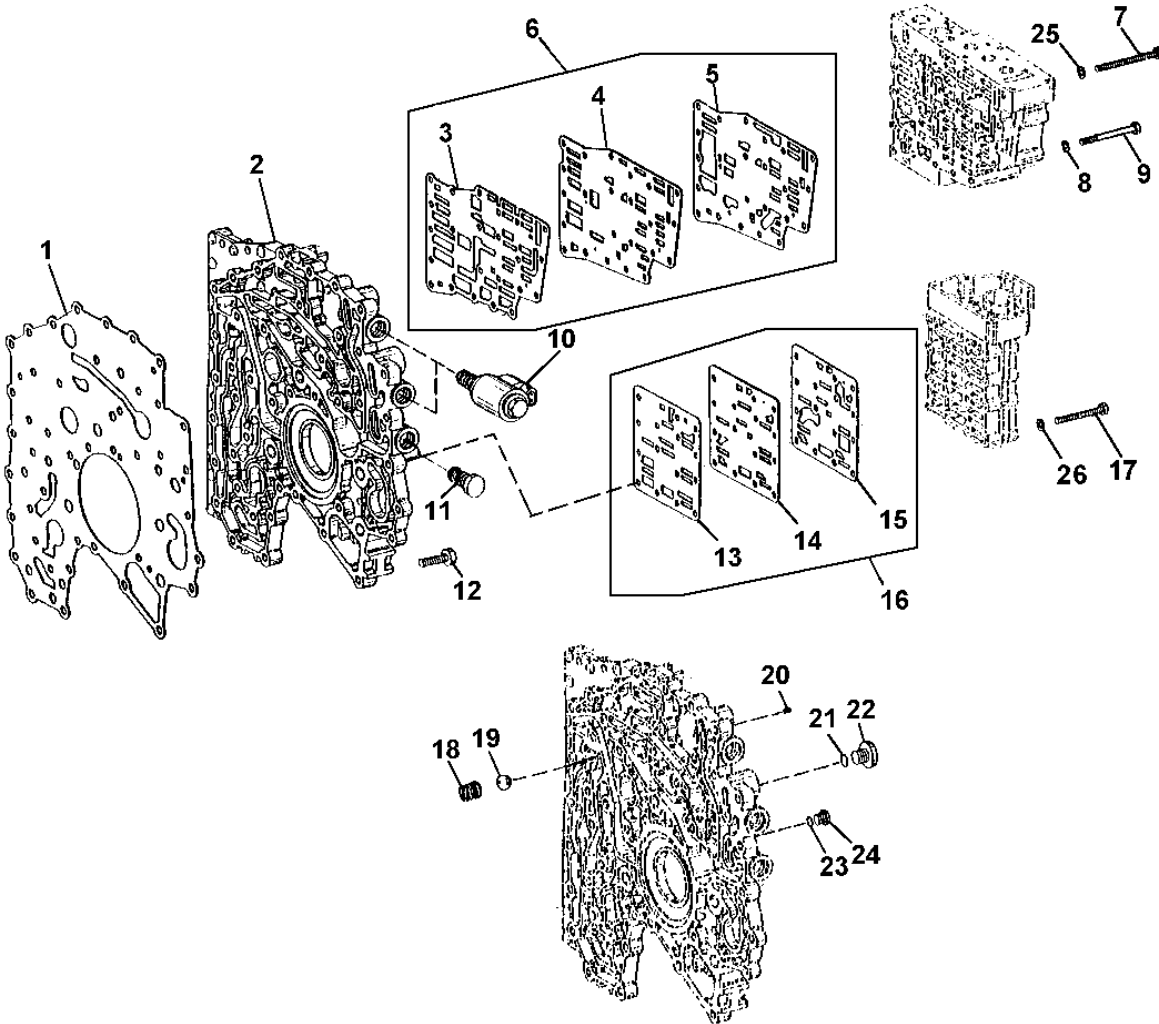
KEY	PART NO.	PART NAME	QTY.	SERIAL NO.	3 3 3 1 1 1 0 5 0 S S G G G	REMARKS
1	T166066	CAP SCREW	9		X X	
2	T164702	WASHER	9		X X	
3	T164611	COVER	1		X X	
4	T164612	GASKET	1		X X	
5	AT179491	SOLENOID VALVE	3		X X	
6	T164693	SCREW	3		X X	
7	T144486	PLATE	3		X X	
8	T164610	PISTON	3		X X	
9	T159596	SPRING	3		X X	
10	T164609	HOUSING	1		X X	
11	L11698	RING	4		X X	
12	T161194	PLUG	4		X X	
13	T161207	CLAMP	1		X X	
14	AT184007	WIRING HARNESS	1		X X	
15	AT183973	HYD ACTUATED CONTROL VALVE	1		X X	

0360-10

TRANSMISSION 3

TRANSMISSION HYDRAULICS 0360 TRANSMISSION INTERMEDIATE PLATE AND GASKETS (POWER SHIFT) PLAQUE INTERMEDIAIRE ET JOINTS DE TRANSMISSION (POWER SHIFT) PLACA INTERMEDIA Y EMPAQUETADURAS DE TRANSMISION (POWER SHIFT)

T143501 -UN-29JUN01



T143501

0360-11

TRANSMISSION 3

TRANSMISSION HYDRAULICS 0360

**TRANSMISSION INTERMEDIATE PLATE AND GASKETS (POWER SHIFT)
PLAQUE INTERMEDIAIRE ET JOINTS DE TRANSMISSION (POWER SHIFT)
PLACA INTERMEDIA Y EMPAQUETADURAS DE TRANSMISION (POWER SHIFT)**

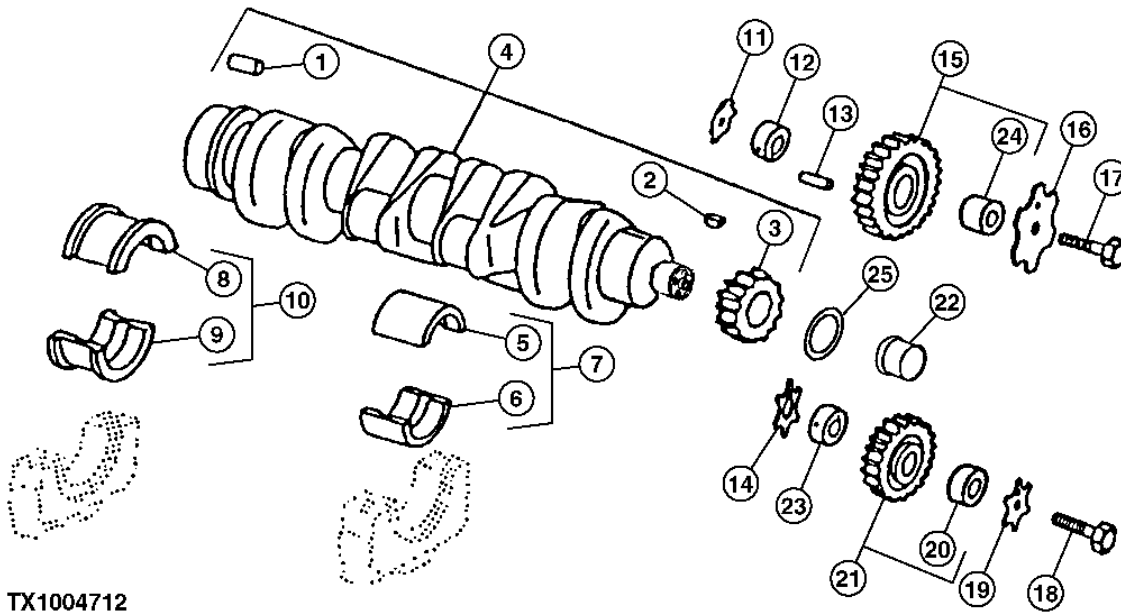
KEY	PART NO.	PART NAME	QTY.	SERIAL NO.	REMARKS
					3 3 3 1 1 1 0 5 0 S S G G G
1	T164592	GASKET	1		X X
2	T186560	HOUSING	1		X X (SUB FOR T164591)
3	GASKET	1		X X (SUB AT192552) (ALSO ORDER (19) T159607) (SUB FOR T159612)
	T224750	GASKET	1		X X (SUB FOR AT192552) (ALSO ORDER (19) T164682)
4	PLATE	1		X X (SUB AT192552) (ALSO ORDER (19) T159607) (SUB FOR T164595)
	T164595	PLATE	1		X X (SUB FOR AT192552) (ALSO ORDER (19) T164682)
5	GASKET	1		X X (SUB AT192552) (ALSO ORDER (19) T159607) (SUB FOR T164596)
	T224751	GASKET	1		X X (SUB FOR AT192552) (ALSO ORDER (19) T164682)
6	PLATE	1		X X (AT192552 NLA) (SUB FOR T159612, T164595 AND T164596) (ALSO ORDER (19) T159607)
7	T159613	CAP SCREW	4		X X
8	T161204	WASHER	19		X X
9	T159607	CAP SCREW	19		X X
10	AT177703	SOLENOID VALVE	2		X X (PARK BRAKE, DIFF LOCK)
	SOLENOID	2		X X (AT179318 NLA) (SERVICED IN AT177703)
	AT179319	ELECTRICAL COIL	2		X X
	AT179320	O-RING KIT	2		X X
	T161144	NUT	2		X X
11	T159684	PLUG	1		X X (MFWD SOLENOID HOLE)
12	T161208	CAP SCREW	43		X X
13	GASKET	1		X X (SUB AT192553) (ALSO ORDER (19) T159607) (SUB FOR T164597)
	T224776	GASKET	1		X X (SUB FOR AT192553) (ALSO ORDER (19) T164682)
14	PLATE	1		X X (SUB AT192553) (ALSO ORDER (19) T159607) (SUB FOR T164598)
	T164598	PLATE	1		X X (SUB FOR AT192553) (ALSO ORDER (19) T164682)
15	GASKET	1		X X (SUB AT192553) (ALSO ORDER (19) T159607) (SUB FOR T164599)
	T224777	GASKET	1		X X (SUB FOR AT192553) (ALSO ORDER (19) T164682)
16	PLATE	1		X X (AT192553 NLA) (SUB FOR T164597, T164598, T164599) (ALSO ORDER (19) T159607)
17	T164686	CAP SCREW	15		X X
18	T144494	COMPRESSION SPRING	1		X X
19	T144493	BALL	1		X X
20	T164577	ORIFICE	1		X X
21	R26286	O-RING	1		X X
22	R27094	DRAIN PLUG	1		X X
23	L11698	O-RING	1		X X
24	T161194	PLUG	1		X X
25	T161204	WASHER	4		X X
26	T161204	WASHER	15		X X

0401-1A

ENGINE 4

CRANKSHAFT AND MAIN BEARINGS (310G) (W/O TURBO) (VSN -911768) TO/PE4405DT056
VILEBREQUIN ET PALIER (310G) (W/O TURBO) (VSN -911768) TO/PE4405DT056
CIGUENAL Y COJINETE DE BANCADA (310G) (W/O TURBO) (VSN -911768) TO/PE4405DT056

TX1004712 -UN-14MAR06



TX1004712

0401-1B

ENGINE 4

CRANKSHAFT AND MAIN BEARINGS (310G) (W/O TURBO) (VSN -911768) TO/PE4405DT056
 VILEBREQUIN ET PALIER (310G) (W/O TURBO) (VSN -911768) TO/PE4405DT056
 CIGUENAL Y COJINETE DE BANCADA (310G) (W/O TURBO) (VSN -911768) TO/PE4405DT056

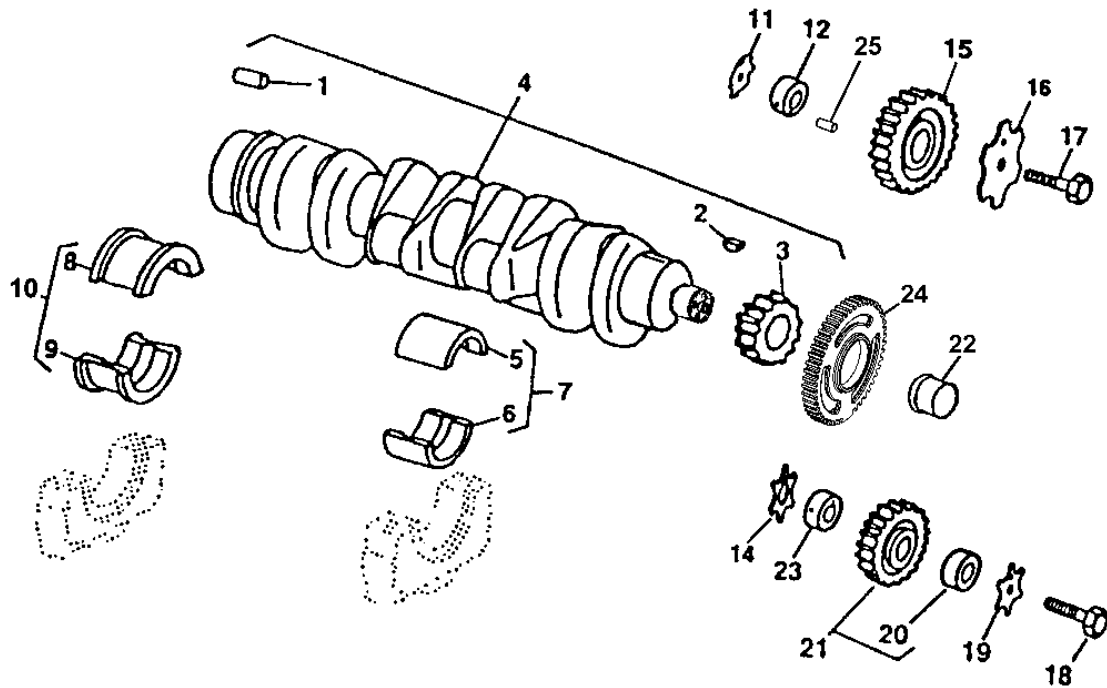
KEY	PART NO.	PART NAME	QTY.	ENGINE SERIAL NO.	3 3 3 1 1 1 0 5 0 S S G G G	REMARKS
1	R48685	DOWEL PIN	1		X	
2	26M4224	SHAFT KEY	1	-903066	X	4 X 16 MM
	R505609	SHAFT KEY	1	903067-	X	
3	R120631	GEAR	1		X	(Z = 30)
4	RE50618	CRANKSHAFT	1	-903066	X	(MARKED R113596) (SUB RE504638 AND RE516340)
	RE504638	CRANKSHAFT	1	903067-	X	(MARKED R113596) (ALSO ORDER RE516340)
5	BEARING	4		X	(STD) (UPPER) (MARKED R123561)
	BEARING	4		X	(US) (UPPER) 0.254MM (.0100") (MARKED R130576)
6	BEARING	4		X	(STD) (LOWER) (MARKED R123562)
	BEARING	4		X	(US) (LOWER) 0.254MM (.0100") (MARKED R130577)
7	RE65165	BEARING KIT	4		X	(STD)
	RE65911	BEARING	4		X	(US) 0.254MM (.0100")
8	BEARING	1		X	(STD) (UPPER) (MARKED R123563)
	BEARING	1		X	(US) (UPPER) 0.254MM (.0100") (MARKED R130574)
9	BEARING	1		X	(STD) (LOWER) (MARKED R123564)
	BEARING	1		X	(US) (LOWER) 0.254MM (.0100") (MARKED R130575)
10	RE65168	BEARING KIT	1		X	(STD)
	RE65912	THRUST BEARING	1		X	(US) 0.254MM (.0100")
11	R101225	THRUST WASHER	1		X	
12	R109863	SHAFT	1		X	
13	34H288	SPRING PIN	1		X	
14	R101225	THRUST WASHER	1		X	
15	RE500631	GEAR	1		X	(MARKED R500363)
16	R131283	THRUST WASHER	1		X	
17	19M8844	SCREW	1		X	M10 X 60
18	19M8966	SCREW	1		X	M10 X 50
19	R131283	THRUST WASHER	1		X	
20	R114193	BUSHING	1		X	
21	RE56369	GEAR	1		X	
22	RE59811	SLEEVE	1		X	
23	R114194	SHAFT	1		X	
24	T20034	BUSHING	1		X	
25	RE516340	KIT	1	903067-	X	

0401-2

ENGINE 4

CRANKSHAFT AND MAIN BEARINGS (310G) (W/O TURBO) (VSN 911769-) PE4045DT058
VILEBREQUIN ET PALIER (310G) (W/O TURBO) (VSN 911769-) PE4045DT058
CIGUENAL Y COJINETE DE BANCADA (310G) (W/O TURBO) (VSN 911769-) PE4045DT058

T145419 -UN-12NOV01



T145419

0401-3

ENGINE 4

CRANKSHAFT AND MAIN BEARINGS (310G) (W/O TURBO) (VSN 911769-) PE4045DT058
 VILEBrequin ET PALIER (310G) (W/O TURBO) (VSN 911769-) PE4045DT058
 CIGUENAL Y COJINETE DE BANCADA (310G) (W/O TURBO) (VSN 911769-) PE4045DT058

KEY	PART NO.	PART NAME	QTY.	ENGINE SERIAL NO.	REMARKS
				3 3	
				3 1 1	
				1 0 5	
				0 S S	
				G G G	
1	R48685	DOWEL PIN	1	X	
2	R505609	SHAFT KEY	1	X	
3	R120631	GEAR	1	X	(Z = 30)
4	RE504638	CRANKSHAFT	1	X	(MARKED R113596) (ALSO ORDER RE59811)
5	BEARING	4	X	(STD) (UPPER) (MARKED R123561)
	BEARING	4	X	(US) (UPPER) 0.254MM (.0100") (MARKED R130576)
6	BEARING	4	X	(STD) (LOWER) (MARKED R123562)
	BEARING	4	X	(US) (LOWER) 0.254MM (.0100") (MARKED R130577)
7	RE65165	BEARING KIT	4	X	(STD)
	RE65911	BEARING	4	X	(US) 0.254MM (.0100")
8	BEARING	1	X	(STD) (UPPER) (MARKED R123563)
	BEARING	1	X	(US) (UPPER) 0.254MM (.0100") (MARKED R130574)
9	BEARING	1	X	(STD) (LOWER) (MARKED R123564)
	BEARING	1	X	(US) (LOWER) 0.254MM (.0100") (MARKED R130575)
10	RE65168	BEARING KIT	1	X	(STD)
	RE65912	THRUST BEARING	1	X	(US) 0.254MM (.0100")
11	R123174	THRUST WASHER	1	X	
12	R120641	SHAFT	1	X	
14	R101225	THRUST WASHER	1	X	
15	RE56313	GEAR	1	X	(MARKED R500563)
16	R131206	THRUST WASHER	1	X	
17	19M8997	SCREW	1	X	M10 X 65
18	19M8966	SCREW	1	X	M10 X 50
19	R131283	THRUST WASHER	1	X	
20	R114193	BUSHING	1	X	
21	RE56369	GEAR	1	X	
22	RE59811	SLEEVE	1	X	
23	R114194	SHAFT	1	X	
24	R501489	WHEEL SPEED SENSOR	1	X	(CRANKSHAFT TIMING)
25	34H288	SPRING PIN	1	X	3/16" X 1-3/4"

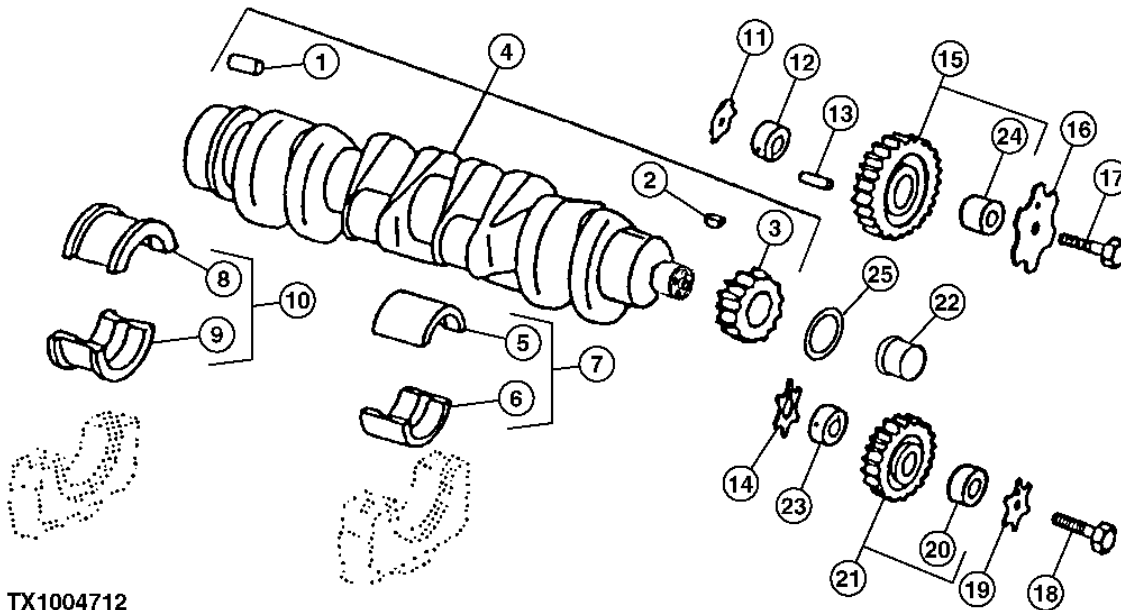
0401-4

ENGINE 4

CRANKSHAFT AND MAIN BEARINGS 310G (TURBO),310SG,315SG (VSN -910055) TO/PE4045TT080/081
VILEBREQUIN ET PALIER 310G (TURBO),310SG,315SG (VSN -910055) TO/PE4045TT080/081
CIGUENAL Y COJINETE DE BANCADA 310G (TURBO),310SG,315SG (VSN -910055) TO/PE4045TT080/081

TX1004712

-UN-14MAR06



TX1004712

0401-5

ENGINE 4

CRANKSHAFT AND MAIN BEARINGS 310G(TURBO),310SG,315SG (VSN -910055) TO/PE4045TT080/081
 VILEBREQUIN ET PALIER 310G(TURBO),310SG,315SG (VSN -910055) TO/PE4045TT080/081
 CIGUENAL Y COJINETE DE BANCADA 310G(TURBO),310SG,315SG (VSN -910055) TO/PE4045TT080/081

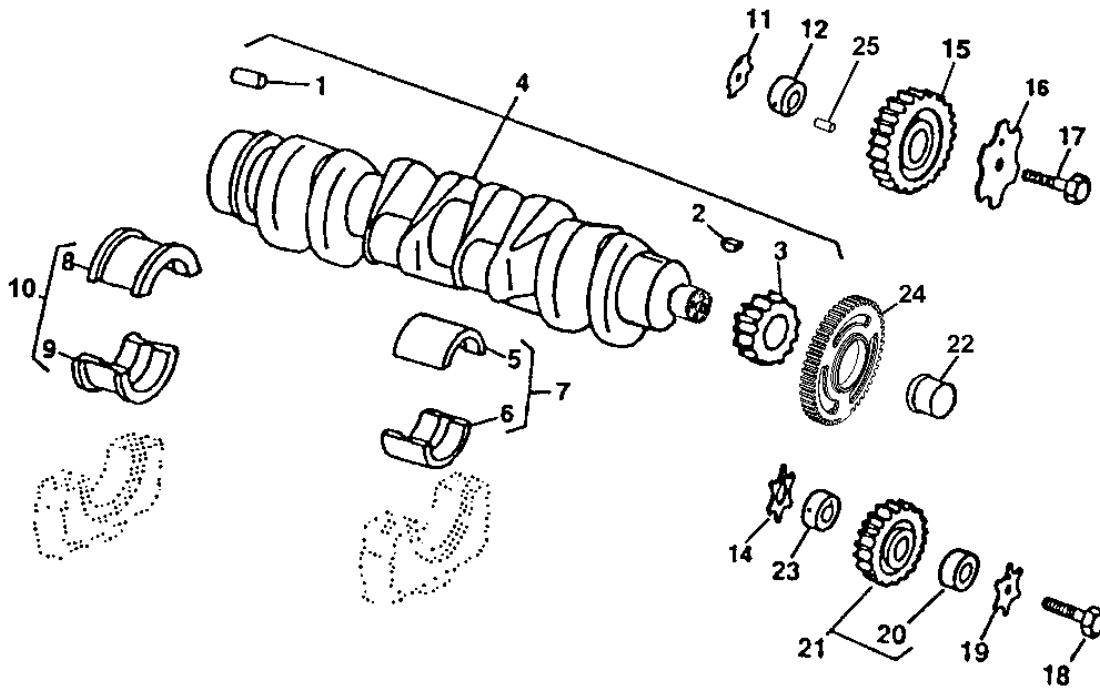
KEY	PART NO.	PART NAME	QTY.	ENGINE SERIAL NO.	REMARKS
					3 3 3 1 1 1 0 5 0 S S G G G
1	R48685	DOWEL PIN	1		X X X
2	26M4224	SHAFT KEY	1	-903066	X X X 4 X 16 MM
	R505609	SHAFT KEY	1	903067-	
3	R120631	GEAR	1		X X X (Z = 30)
4	RE50618	CRANKSHAFT	1	-903066	X X X (MARKED R113596) (SUB RE504638 AND RE516340)
	RE504638	CRANKSHAFT	1	903067-	(ALSO ORDER RE516340) (MARKED R113596)
5	BEARING	4		X X X (STD) (UPPER) (MARKED R123561)
	BEARING	4		X X X (US) (UPPER) 0.254MM (.0100") (MARKED R130576)
6	BEARING	4		X X X (STD) (LOWER) (MARKED R123562)
	BEARING	4		X X X (US) (LOWER) 0.254MM (.0100") (MARKED R130577)
7	RE65165	BEARING KIT	4		X X X (STD)
	RE65911	BEARING	4		X X X (US) 0.254MM (.0100")
8	BEARING	1		X X X (STD) (UPPER) (MARKED R123563)
	BEARING	1		X X X (US) (UPPER) 0.254MM (.0100") (MARKED R130574)
9	BEARING	1		X X X (STD) (LOWER) (MARKED R123564)
	BEARING	1		X X X (US) (LOWER) 0.254MM (.0100") (MARKED R130575)
10	RE65168	BEARING KIT	1		X X X (STD)
	RE65912	THRUST BEARING	1		X X X (US) 0.254MM (.0100")
11	R101225	THRUST WASHER	1		X X X
12	R109863	SHAFT	1		X X X
13	34H288	SPRING PIN	1		X X X
14	R101225	THRUST WASHER	1		X X X
15	RE500631	GEAR	1		X X X (MARKED R500363)
16	R131283	THRUST WASHER	1		X X X
17	19M8844	SCREW	1		X X X M10 X 60
18	19M8966	SCREW	1		X X X M10 X 50
19	R131283	THRUST WASHER	1		X X X
20	R114193	BUSHING	1		X X X
21	RE56369	GEAR	1		X X X
22	RE59811	SLEEVE	1		X X X
23	R114194	SHAFT	1		X X X
24	T20034	BUSHING	1		X X X
25	RE516340	KIT	1	903067-	X X X

0401-6

ENGINE 4

CRANKSHAFT AND MAIN BEARINGS 310G(TURBO),310SG,315SG (VSN 910056-) PE4045TT088, PE4045TT089
VILEBREQUIN ET PALIER 310G(TURBO),310SG,315SG (VSN 910056-) PE4045TT088, PE4045TT089
CIGUENAL Y COJINETE DE BANCADA 310G(TURBO),310SG,315SG (VSN 910056-) PE4045TT088, PE4045TT089

T145419



T145419

0401-7

ENGINE 4

CRANKSHAFT AND MAIN BEARINGS 310G(TURBO),310SG,315SG (VSN 910056-) PE4045TT088, PE4045TT089
 VILEBrequin ET PALIER 310G(TURBO),310SG,315SG (VSN 910056-) PE4045TT088, PE4045TT089
 CIGUENAL Y COJINETE DE BANCADA 310G(TURBO),310SG,315SG (VSN 910056-) PE4045TT088, PE4045TT089

KEY	PART NO.	PART NAME	QTY.	ENGINE SERIAL NO.	REMARKS
				3 3	
				3 1 1	
				1 0 5	
				0 S S	
				G G G	
1	R48685	DOWEL PIN	1	X X X	
2	R505609	SHAFT KEY	1	X X X	
3	R120631	GEAR	1	X X X (Z = 30)	
4	RE504638	CRANKSHAFT	1	X X X	(MARKED R113596) (ALSO ORDER RE59811)
5	BEARING	4	X X X	(STD) (UPPER) (MARKED R123561)
	BEARING	4	X X X	(US) (UPPER) 0.254MM (.0100") (MARKED R130576)
6	BEARING	4	X X X	(STD) (LOWER) (MARKED R123562)
	BEARING	4	X X X	(US) (LOWER) 0.254MM (.0100") (MARKED R130577)
7	RE65165	BEARING KIT	4	X X X	(STD)
	RE65911	BEARING	4	X X X	(US) 0.254MM (.0100")
8	BEARING	1	X X X	(STD) (UPPER) (MARKED R123563)
	BEARING	1	X X X	(US) (UPPER) 0.254MM (.0100") (MARKED R130574)
9	BEARING	1	X X X	(STD) (LOWER) (MARKED R123564)
	BEARING	1	X X X	(US) (LOWER) 0.254MM (.0100") (MARKED R130575)
10	RE65168	BEARING KIT	1	X X X	(STD)
	RE65912	THRUST BEARING	1	X X X	(US) 0.254MM (.0100")
11	R123174	THRUST WASHER	1	X X X	
12	R120641	SHAFT	1	X X X	
14	R101225	THRUST WASHER	1	X X X	
15	RE56313	GEAR	1	X X X	(MARKED R500563)
16	R131206	THRUST WASHER	1	X X X	
17	19M8997	SCREW	1	X X X	M10 X 65
18	19M8966	SCREW	1	X X X	M10 X 50
19	R131283	THRUST WASHER	1	X X X	
20	R114193	BUSHING	1	X X X	
21	RE56369	GEAR	1	X X X	
22	RE59811	SLEEVE	1	X X X	
23	R114194	SHAFT	1	X X X	
24	R517471	WHEEL	1	X X X	(CRANKSHAFT TIMING) (SUB FOR R501489)
25	34H288	SPRING PIN	1	X X X	

0401-8

ENGINE 4

CRANKSHAFT AND MAIN BEARINGS 0401

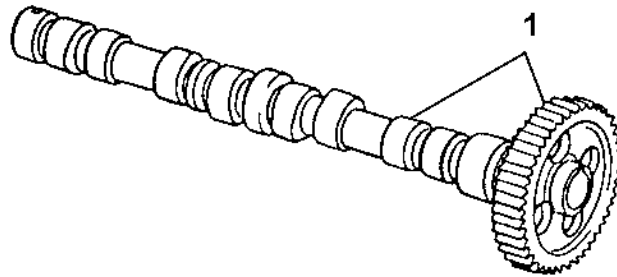
MEMORANDA
MEMORANDA
MEMORANDA

0402-1

ENGINE 4

CAMSHAFT AND VALVE ACTUATING MEANS 0402
 CAMSHAFT (VSN 893079-907963)T04045DT056(VSN -911768)PE4045DT056 (VSN 911769-)PE4045DT058
 ARBRE A CAMES (VSN 893079-907963)T04045DT056(VSN -911768)PE4045DT056(VSN 911769-)PE4045DT058
 ARBOL DE LEVAS (VSN 893079-907963)T04045DT056(VSN-911768)PE4045DT056(VSN 911769-)PE4045DT058

TP69520 -UN-02JUN00



TP69520

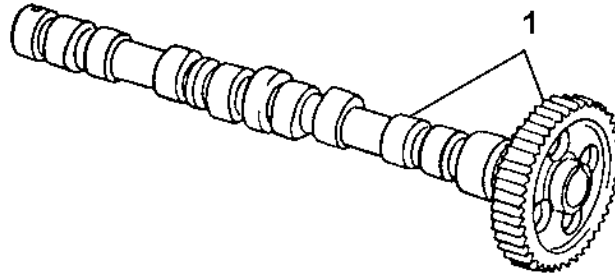
KEY	PART NO.	PART NAME	QTY.	ENGINE SERIAL NO.	REMARKS
1	RE56375	CAMSHAFT	1	3 3 3 1 1 1 0 5 0 S S G G G	(WITH GEAR AND KEY) (WITH AND WITHOUT TURBOCHARGER) (MARKED R135439)

0402-1A

ENGINE 4

CAMSHAFT AND VALVE ACTUATING MEANS 0402
 CAMSHAFT (VSN 893079-907963)T04045TT080/081(VSN -910055)PE4045TT080/081
 ARBRE A CAMES (VSN 893079-907963)T04045TT080/081(VSN-910055)PE4045TT080/08 1
 ARBOL DE LEVAS (VSN 893079-907963)T04045TT080/081(VSN-910055)PE4045TT080/81

TP69520 -UN-02JUN00



TP69520

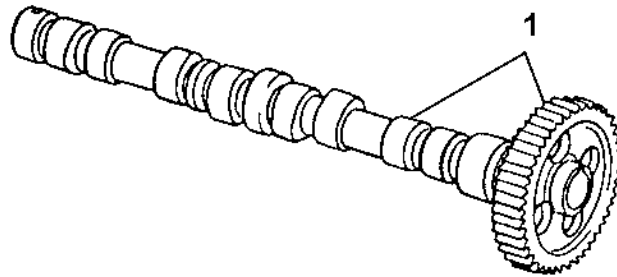
KEY	PART NO.	PART NAME	QTY.	ENGINE SERIAL NO.	REMARKS
1	RE56375	CAMSHAFT	1	-221705	3 3 3 1 1 1 0 5 0 S S G G G X X X (WITH GEAR AND KEY) (WITH AND WITHOUT TURBOCHARGER) (MARKED R135439)

0402-1B

ENGINE 4

CAMSHAFT AND VALVE ACTUATING MEANS 0402
 CAMSHAFT (VSN 910056-) PE4045TT088, PE4045TT089
 ARBRE A CAMES (VSN 910056-) PE4045TT088, PE4045TT089
 ARBOL DE LEVAS (VSN 910056-) PE4045TT088, PE4045TT089

TP69520 -UN-02JUN00



TP69520

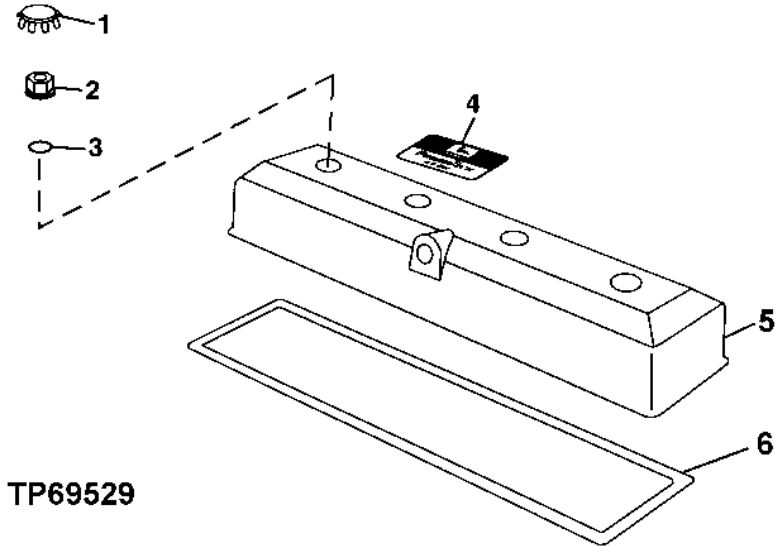
KEY	PART NO.	PART NAME	QTY.	ENGINE SERIAL NO.	REMARKS
1	RE507595	CAMSHAFT	1	221706-	3 3 3 1 1 1 0 5 0 S S G G G X X X (WITH GEAR AND KEY) (WITH AND WITHOUT TURBOCHARGER) (MARKED R135439)

0402-3

ENGINE 4

CAMSHAFT AND VALVE ACTUATING MEANS 0402
ROCKER ARM COVER AND GASKET
COUVERCLE DE CULBUTEURS ET JOINT
TAPA DE BALANCINES Y EMPAQUETADURA

TP69529 -UN-26JUL00



TP69529

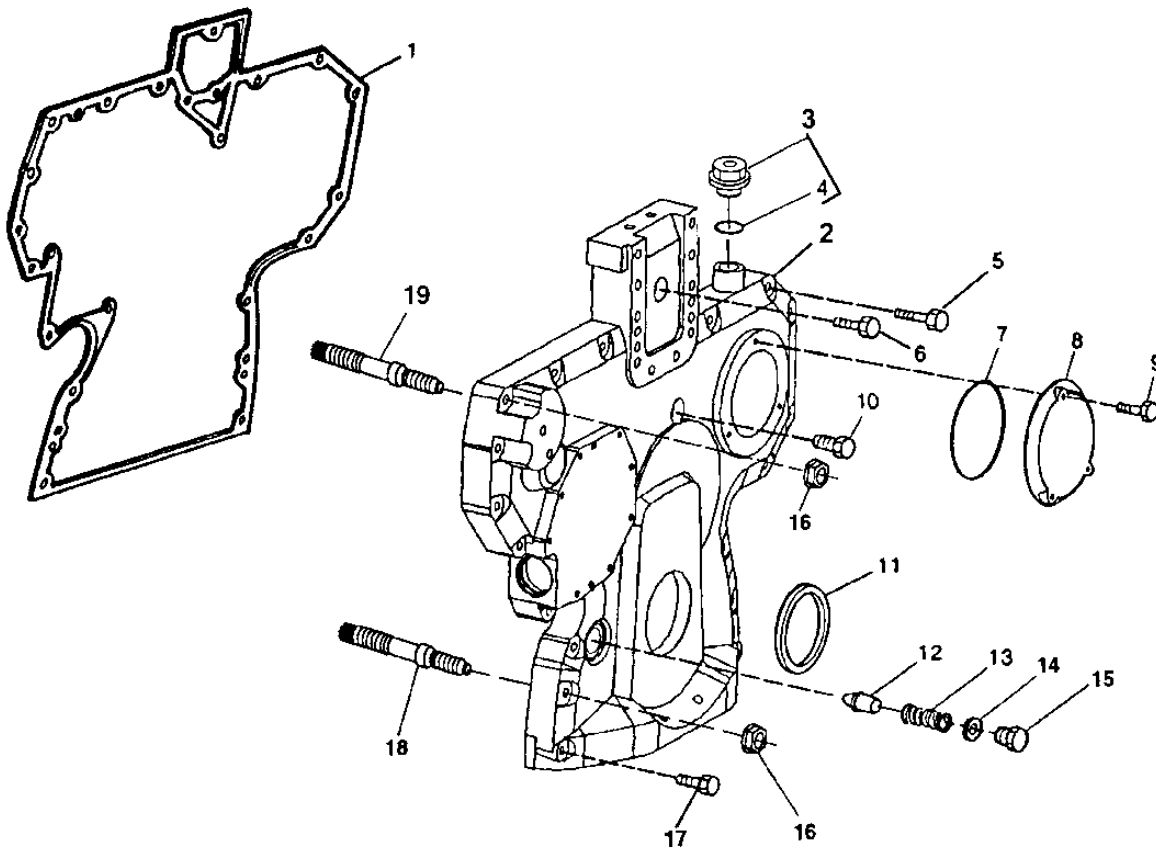
KEY	PART NO.	PART NAME	QTY.	ENGINE SERIAL NO.	REMARKS
				3 3	
				3 1 1	
				1 0 5	
				0 S S	
				G G G	
1	H23125	PLUG	4		X X X
2	R123574	NUT	4		X X X
3	R123575	O-RING	4		X X X
4	R116324	MEDALLION	1		X X X
5	RE502969	VALVE COVER	1		X X X
6	R123542	GASKET	1		X X X

0402-4

ENGINE 4

CAMSHAFT AND VALVE ACTUATING MEANS 0402
TIMING GEAR COVER AND GASKET 310G (W/O TURBO)(VSN -911768) TO/PE4045DT056
CARTER DE DISTRIBUCION ET JOINT 310G (W/O TURBO)(VSN -911768) TO/PE4045DT056
CUBIERTA DE ENGRANAJES DE DISTRIBUCION Y EMPAQUETADURA 310G (W/O TURBO)(VSN-911768) TO/PE4045DT056

TP68676 -UN-31JAN00



TP68676

0402-4A

ENGINE 4

CAMSHAFT AND VALVE ACTUATING MEANS 0402
 TIMING GEAR COVER AND GASKET (310G W/O TURBO) (VSN -911768)
 CARTER DE DISTRIBUCION ET JOINT (310G W/O TURBO) (VSN -911768)
 CUBIERTA DE ENGRANAJES DE DISTRIBUCION Y EMPAQUETADURA (310G W/O TURBO) (VSN -911768)

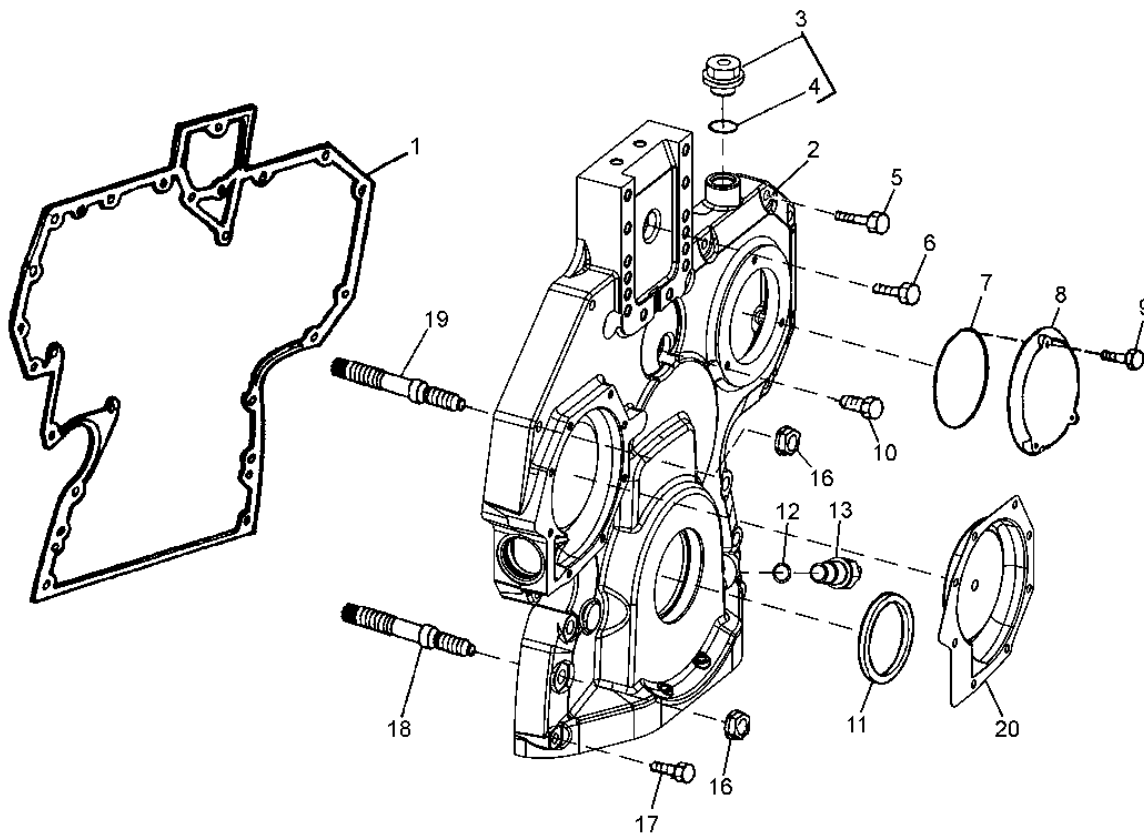
KEY	PART NO.	PART NAME	QTY.	ENGINE SERIAL NO.	REMARKS
					3 3
					3 1 1
					1 0 5
					0 S S
					G G G
1	R136516	GASKET	1		X X X
2	R505462	COVER	1		X X X (SUB FOR R134531) (SUB R504725 AND RE515978)
3	RE501938	PLUG	1		X X X (WITHOUT TACHOMETER SENSOR)
4	51M7044	O-RING	1		X X X 17.300 X 2.200 MM
5	19M8317	SCREW	6		X X X M8 X 40
	19M7801	SCREW	1		X X X M8 X 60
	19M7867	SCREW	1		X X X M8 X 25
	RE67239	SCREW	1		X X X
6	19M8291	SCREW	1		X X X M8 X 35
7	R121424	O-RING	1		X X X
8	R121411	COVER	1		X X X
9	19M7775	SCREW	3		X X X M6 X 16
10	19M7801	SCREW	1		X X X M8 X 60
11	RE516340	KIT	1		X X X (MARKED RE52346 OR RE505515) (SUB FOR RE59810)
12	R83169	VALVE	1	-889024	X X X
13	R131425	SPRING	1	-889024	X X X
14	A4827R	WASHER	1	-889024	X X X
15	R91692	PLUG	1	-889024	X X X (OIL PRESSURE REGULATING)
16	14M7296	FLANGE NUT	6		X X X M10
17	19M7979	SCREW	2		X X X M8 X 55
18	R123584	STUD	4		X X X
19	R134518	STUD	2		X X X

0402-4B

ENGINE 4

CAMSHAFT AND VALVE ACTUATING MEANS 0402
TIMING GEAR COVER AND GASKET (310G W/O TURBO)(VSN 911769-) PE4045DT058
CARTER DE DISTRIBUTION ET JOINT (310G W/O TURBO) (VSN 911769-) PE4045DT058
CUBIERTA DE ENGRANAJES DE DISTRIBUCION Y EMPAQUETADURA (310G W/O TURBO)(VSN 911769-) PE4045DT058

T145747 -UN-02OCT01



T145747

0402-5A

ENGINE 4

CAMSHAFT AND VALVE ACTUATING MEANS 0402
 TIMING GEAR COVER AND GASKET (310G W/O TURBO)(VSN 911769-) PE4045DT058
 CARTER DE DISTRIBUCION ET JOINT (310G W/O TURBO) (VSN 911769-) PE4045DT058
 CUBIERTA DE ENGRANAJES DE DISTRIBUCION Y EMPAQUETADURA (310G W/O TURBO)(VSN 911769-) PE4045DT058

KEY	PART NO.	PART NAME	QTY.	ENGINE SERIAL NO.	REMARKS
					3 3
					3 1 1
					1 0 5
					0 S S
					G G G
1	R136516	GASKET	1		X
2	R504725	COVER	1		X
3	RE501938	PLUG	1		X (WITHOUT TACHOMETER SENSOR)
4	51M7044	O-RING	1		X 17.300 X 2.200 MM
5	19M8317	SCREW	6		X M8 X 40
	19M7867	SCREW	1		X M8 X 25
	RE67239	SCREW	1		X
6	19M8291	SCREW	1		X M8 X 35
7	R121424	O-RING	1		X
8	R121411	COVER	1		X
9	19M7775	SCREW	3		X M6 X 16
10	19M7801	SCREW	1		X M8 X 60
11	RE516340	KIT	1		X (MARKED RE52346 OR RE505515) (SUB FOR RE59810)
12	51M7044	O-RING	1		X 17.300 X 2.200 MM
13	RE519144	SENSOR	1		X (CRANKSHAFT SPEED) (SUB FOR RE508195)
	RE517370	FITTING	1		X (WITHOUT CRANKSHAFT SPEED SENSOR) (SUB FOR RE501938)
14	RE505501	BLEED VALVE	1		X
15	RE515978	KIT	1		X
16	14M7296	FLANGE NUT	6		X M10
17	19M7979	SCREW	2		X M8 X 55
18	R123584	STUD	4		X
19	R134518	STUD	2		X
20	RE508566	KIT	1		X (WATER PUMP INSERT REPAIR)

0402-6

ENGINE 4

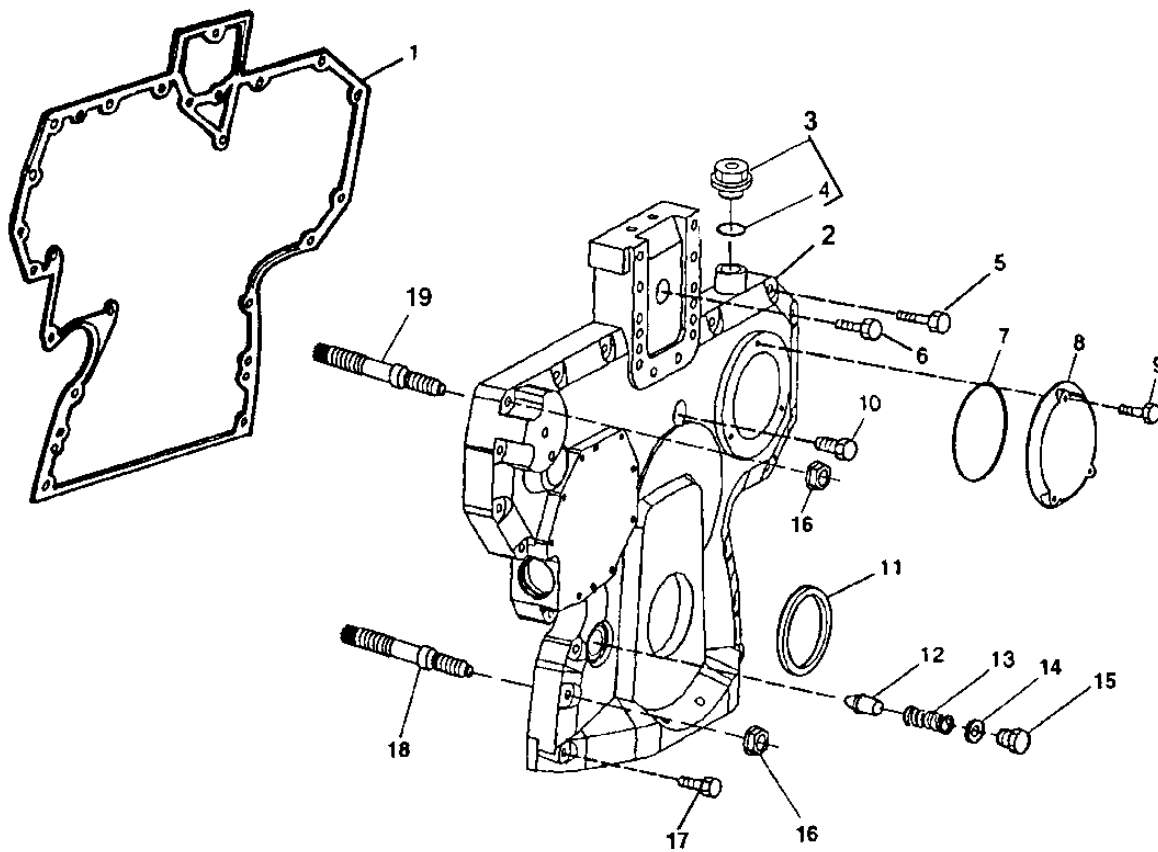
CAMSHAFT AND VALVE ACTUATING MEANS 0402

TIMING GEAR COVER AND GASKET (SEE FOOTNOTE)
CARTER DE DISTRIBUCION ET JOINT (VOIR NOTE BAS DE PAGE)

CUBIERTA DE ENGRANAJES DE DISTRIBUCION Y EMPAQUETADURA (CONSULTE NOTA DE PIE DE PAGINA)

TP68676

-UN-31JAN00



TP68676

0402-6A

ENGINE 4

CAMSHAFT AND VALVE ACTUATING MEANS 0402
TIMING GEAR COVER AND GASKET (SEE FOOTNOTE)
CARTER DE DISTRIBUTION ET JOINT (VOIR NOTE BAS DE PAGE)
CUBIERTA DE ENGRANAJES DE DISTRIBUCION Y EMPAQUETADURA (CONSULTE NOTA DE PIE DE PAGINA)

KEY	PART NO.	PART NAME	QTY.	ENGINE SERIAL NO.	REMARKS
					3 3
					3 1 1
					1 0 5
					0 S S
					G G G
1	R136516	GASKET	1		X X X
2	R505462	COVER	1		X X X (SUB FOR R134531) (SUB R504725 AND RE515978)
3	RE501938	PLUG	1		X X X (WITHOUT TACHOMETER SENSOR)
4	51M7044	O-RING	1		X X X 17.300 X 2.200 MM
5	19M8317	SCREW	6		X X X M8 X 40
	19M7801	SCREW	1		X X X M8 X 60
	19M7867	SCREW	1		X X X M8 X 25
	RE67239	SCREW	1		X X X
6	19M8291	SCREW	1		X X X M8 X 35
7	R121424	O-RING	1		X X X
8	R121411	COVER	1		X X X
9	19M7775	SCREW	3		X X X M6 X 16
10	19M7801	SCREW	1		X X X M8 X 60
11	RE516340	SEAL	1		X X X (MARKED RE52346 OR RE505515) (SUB FOR RE59810)
12	R83169	VALVE	1	-889024	X X X
13	R131425	SPRING	1	-889024	X X X
14	A4827R	WASHER	1	-889024	X X X
15	R91692	PLUG	1	-889024	X X X (OIL PRESSURE REGULATING)
16	14M7296	FLANGE NUT	6		X X X M10
17	19M7979	SCREW	2		X X X M8 X 55
18	R123584	STUD	4		X X X
19	R134518	STUD	2		X X X

310G (TURBO), 310SG, 315SG (VSN -910055) TO/PE4045TT080/081
 310G (TURBO), 310SG, 315SG (VSN -910055) TO/PE4045TT080/081
 310G (TURBO), 310SG, 315SG (VSN -910055) TO/PE4045TT080/081

0402-6B

ENGINE 4

CAMSHAFT AND VALVE ACTUATING MEANS 0402

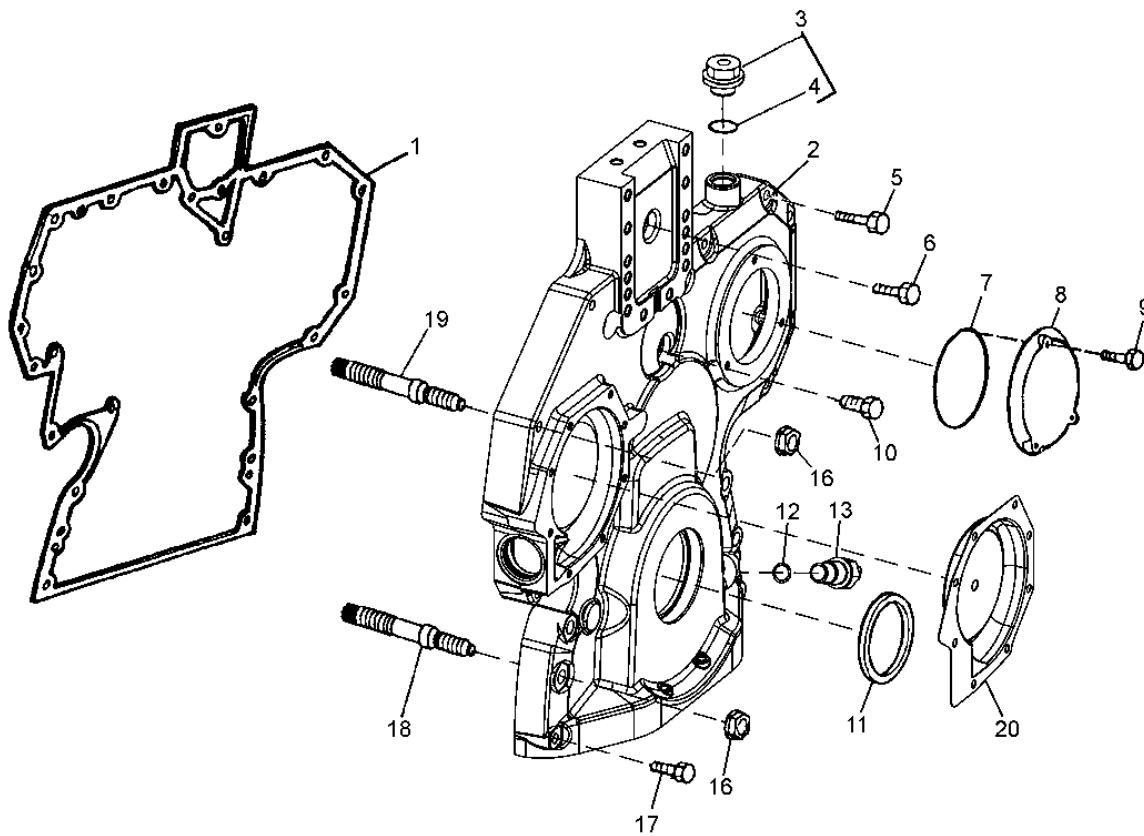
TIMING GEAR COVER AND GASKET (SEE FOOTNOTE)

CARTER DE DISTRIBUTION ET JOINT (VOIR NOTES EN BAS DE PAGE)

CUBIERTA DE ENGRANAJES DE DISTRIBUCION Y EMPAQUETADURA (CONSULTE NOTA DE PIE DE PAGINA)

T145747

-UN-02OCT01



T145747

0402-7A

ENGINE 4

CAMSHAFT AND VALVE ACTUATING MEANS 0402
 TIMING GEAR COVER AND GASKET (SEE FOOTNOTE)
 CARTER DE DISTRIBUTION ET JOINT (VOIR NOTE BAS DE PAGE)
 CUBIERTA DE ENGRANAJES DE DISTRIBUCION Y EMPAQUETADURA (CONSULTE NOTA DE PIE DE PAGINA)

KEY	PART NO.	PART NAME	QTY.	ENGINE SERIAL NO.	REMARKS
				3 3	
				3 1 1	
				1 0 5	
				0 S S	
				G G G	
1	R136516	GASKET	1		X X X
2	R504725	COVER	1		X X X
3	RE501938	PLUG	1		X X X (WITHOUT TACHOMETER SENSOR)
4	51M7044	O-RING	1		X X X 17.300 X 2.200 MM
5	19M8317	SCREW	6		X X X M8 X 40
	19M7867	SCREW	1		X X X M8 X 25
	RE67239	SCREW	1		X X X
6	19M8291	SCREW	1		X X X M8 X 35
7	R121424	O-RING	1		X X X
8	R121411	COVER	1		X X X
9	19M7775	SCREW	3		X X X M6 X 16
10	19M7801	SCREW	1		X X X M8 X 60
11	RE516340	SEAL	1		X X X (MARKED RE52346 OR RE505515) (SUB FOR RE59810)
12	51M7044	O-RING	1		X X X 17.300 X 2.200 MM
13	RE519144	SENSOR	1		X X X (CRANKSHAFT SPEED) (SUB FOR RE508195)
	RE517370	FITTING	1		X (WITHOUT CRANKSHAFT SPEED SENSOR) (SUB FOR RE501938)
14	RE505501	BLEED VALVE	1		X X X
15	RE515978	KIT	1		X X X
16	14M7296	FLANGE NUT	6		X X X M10
17	19M7979	SCREW	2		X X X M8 X 55
18	R123584	STUD	4		X X X
19	R134518	STUD	2		X X X
20	RE508566	KIT	1		X X X (WATER PUMP INSERT REPAIR)

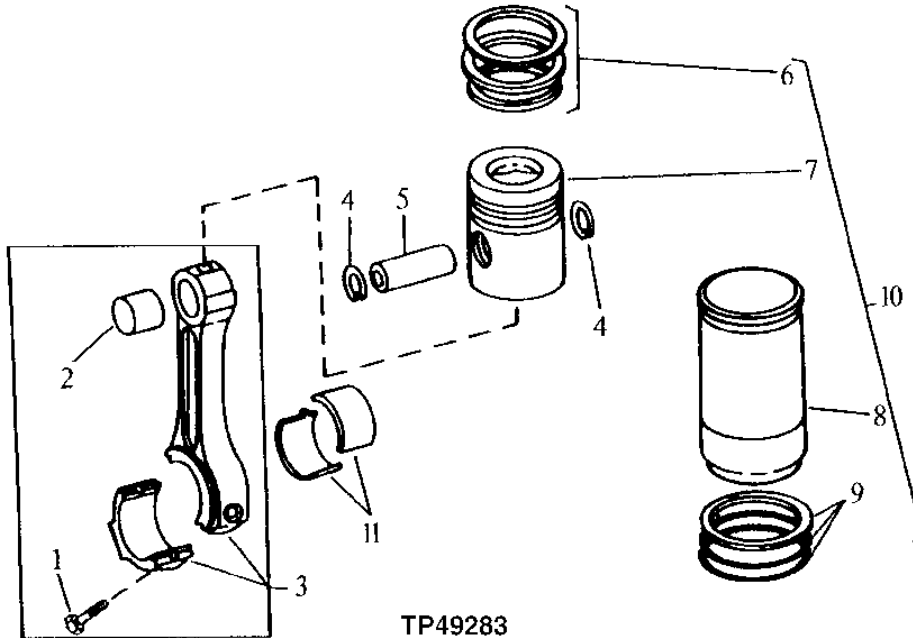
310G (TURBO), 310SG, 315SG (VSN 910056-) PE4045TT088, PE4045TT089
 310G (TURBO), 310SG, 315SG (VSN 910056-) PE4045TT088, PE4045TT089
 310G (TURBO), 310SG, 315SG (VSN 910056-) PE4045TT088, PE4045TT089

0403-2

ENGINE 4

CONNECTING RODS AND PISTONS 0403
 PISTON, CONNECTING RODS AND CYLINDER LINER 310G (W/O TURBO)(VSN -911768) T0/PE4045DT056
 PISTON, BIELLES ET CHEMISE DE CYLINDRE 310G (W/O TURBO)(VSN -911768) T0/PE4045DT056
 PISTON, BIELAS Y CAMISA DE CILINDRO 310G (W/O TURBO)(VSN -911768) T0/PE4045DT056

TP49283 -UN-17JUL95



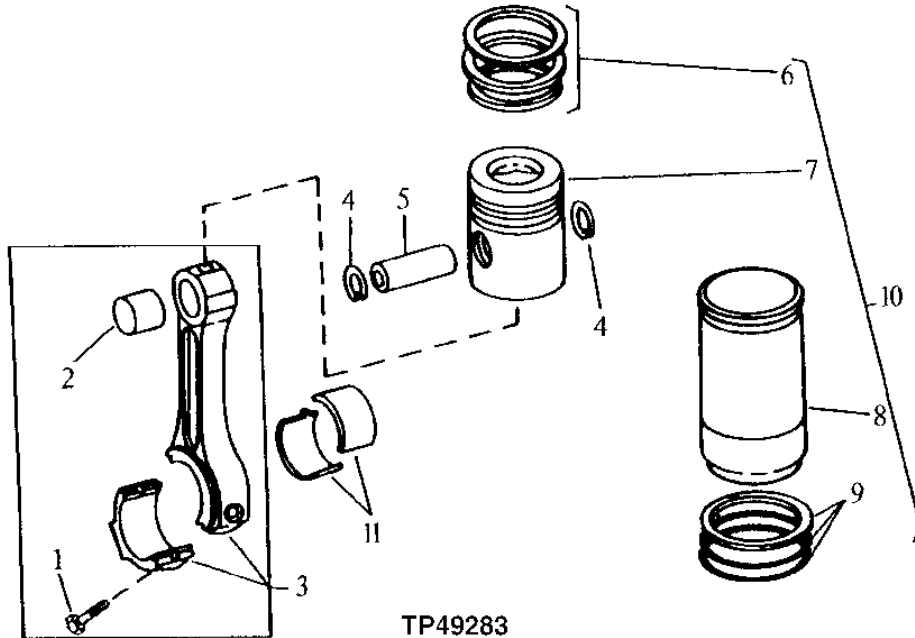
KEY	PART NO.	PART NAME	QTY.	ENGINE SERIAL NO.	REMARKS
				3 3	
				3 1 1	
				1 0 5	
				0 S S	
				G G G	
1	R501124	SCREW	8		X X X
2	R123960	BUSHING	4		X X X
3	RE500002	CONNECTING ROD	4		X X X (MARKED RE500000)
4	M41029	SNAP RING	8		X X X
5	R123178	PISTON PIN	4		X X X
6	RE66271	PISTON RING KIT	4		X X X
7	PISTON	4		X X X (ORDER RE65966)
8	CYLINDER LINER	4		X X X (ORDER RE65966)
9	AR65507	O-RING KIT	4		X X X (CYLINDER LINER)
10	RE505110	PISTON-LINER KIT	4		X (SUB FOR RE65966)
11	RE65908	BEARING	4		X X X (STD)
	RE65909	BEARING	4		X X X (.010" US)

0403-2A

ENGINE 4

CONNECTING RODS AND PISTONS 0403
 PISTON, CONNECTING RODS AND CYLINDER LINER 310G (W/O TURBO)(VSN 911769-) PE4045DT058
 PISTON, BIELLES ET CHEMISE DE CYLINDRE 310G (W/O TURBO)(VSN 911769-) PE4045DT058
 PISTON, BIELAS Y CAMISA DE CILINDRO 310G (W/O TURBO)(VSN 911769-) PE4045DT058

TP49283 -UN-17JUL95



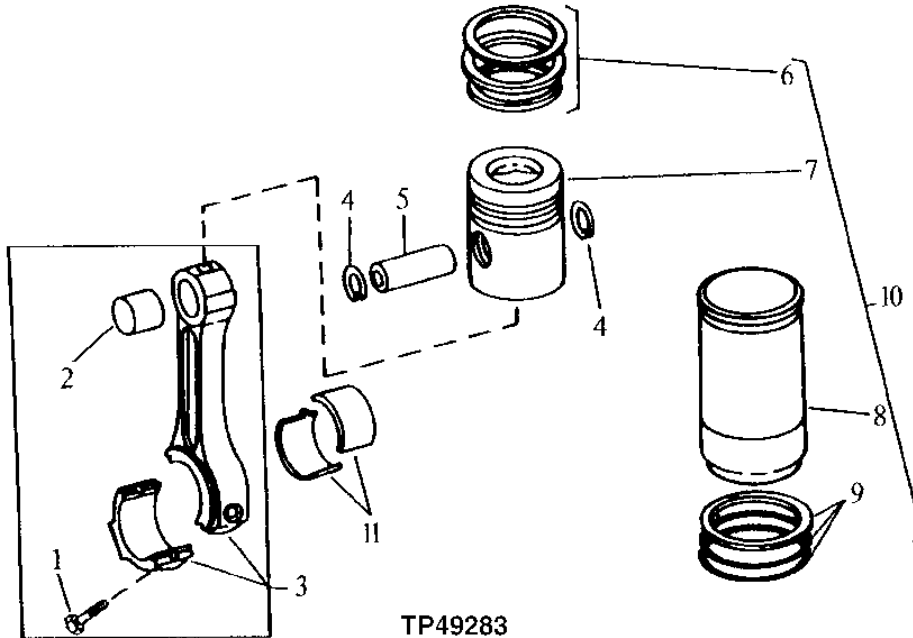
KEY	PART NO.	PART NAME	QTY.	ENGINE SERIAL NO.	REMARKS
				3 3	
				3 1 1	
				1 0 5	
				0 S S	
				G G G	
1	R501124	SCREW	8		X X X
2	R123960	BUSHING	4		X X X
3	RE500002	CONNECTING ROD	4		X X X (MARKED RE500000)
4	M41029	SNAP RING	8		X X X
5	R123178	PISTON PIN	4		X X X
6	RE66271	PISTON RING KIT	4		X
7	PISTON	4		X X X (ORDER RE65966)
8	CYLINDER LINER	4		X X X (ORDER RE65966)
9	AR65507	O-RING KIT	4		X X X (CYLINDER LINER)
10	RE505110	PISTON-LINER KIT	4		X (SUB FOR RE65966)
11	RE65908	BEARING	4		X X X (STD)
	RE65909	BEARING	4		X X X (.010" US)

0403-2B

ENGINE 4

CONNECTING RODS AND PISTONS 0403
 PISTON, CONNECTING RODS AND CYLINDER LINER (310G TURBO) (VSN -910055) T0/PE4045TT080/081
 PISTON, BIELLES ET CHEMISE DE CYLINDRE (310G TURBO) (VSN -910055) T0/PE4045TT080/081
 PISTON, BIELAS Y CAMISA DE CILINDRO (310G TURBO) (VSN -910055) T0/PE4045TT080/081

TP49283 -UN-17JUL95



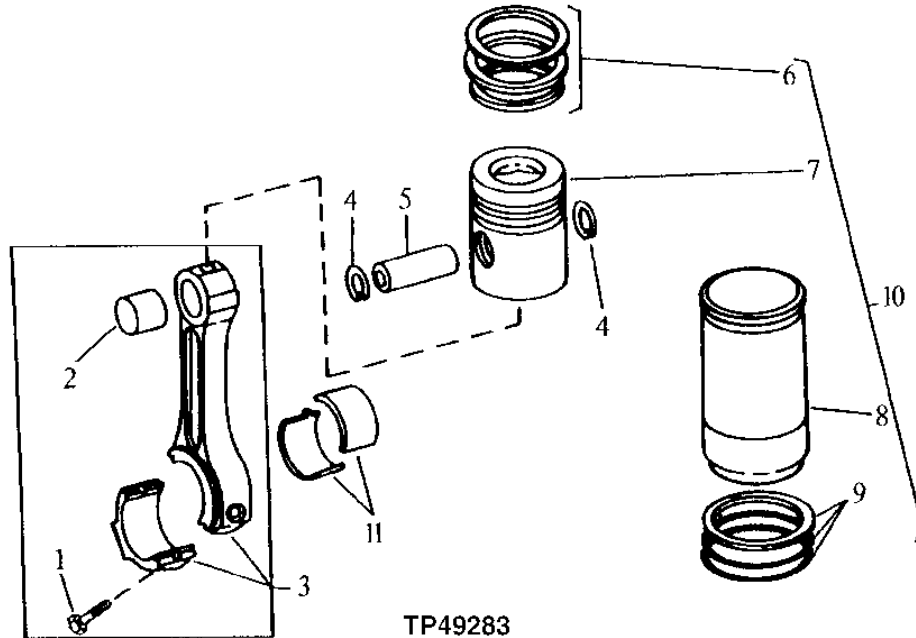
KEY	PART NO.	PART NAME	QTY.	ENGINE SERIAL NO.	REMARKS
				3 3	
				3 1 1	
				1 0 5	
				0 S S	
				G G G	
1	R501124	SCREW	8		X X X
2	R123960	BUSHING	4		X X X
3	RE500002	CONNECTING ROD	4		X X X (MARKED RE500000)
4	M41029	SNAP RING	8		X X X
5	R123178	PISTON PIN	4		X X X
6	RE66271	PISTON RING KIT	4		X X X
7	PISTON	4		X X X (WITH TURBOCHARGER) (ORDER RE505111)
8	CYLINDER LINER	4		X X X (WITH TURBOCHARGER) (ORDER RE505111)
9	AR65507	O-RING KIT	4		X X X (CYLINDER LINER)
10	RE505111	PISTON-LINER KIT	4		X X X (WITH TURBOCHARGER)
11	RE65908	BEARING	4		X X X (STD)
	RE65909	BEARING	4		X X X (.010" US)

0403-3A

ENGINE 4

CONNECTING RODS AND PISTONS 0403
 PISTON, CONNECTING RODS AND CYLINDER LINER (VSN 910056-) PE4045TT088, PE4045T089
 PISTON, BIELLES ET CHEMISE DE CYLINDRE (VSN 910056-) PE4045TT088, PE4045T089
 PISTON, BIELAS Y CAMISA DE CILINDRO (VSN 910056-) PE4045TT088, PE4045T089

TP49283 -UN-17JUL95



KEY	PART NO.	PART NAME	QTY.	ENGINE SERIAL NO.	REMARKS
				3 3	
				3 1 1	
				1 0 5	
				0 S S	
				G G G	
1	R501124	SCREW	8		X X X
2	R123960	BUSHING	4		X X X
3	RE500002	CONNECTING ROD	4		X X X (MARKED RE500000)
4	M41029	SNAP RING	8		X X X
5	R123178	PISTON PIN	4		X X X
6	RE507852	PISTON RING KIT	4		X X X (WITH TURBOCHARGER)
7	PISTON	4		X X X (WITH TURBOCHARGER) (ORDER RE507920)
8	CYLINDER LINER	4		X X X (WITH TURBOCHARGER) (ORDER RE507920)
9	AR65507	O-RING KIT	4		X X X (CYLINDER LINER)
10	RE507920	PISTON-LINER KIT	4		X X X (WITH TURBOCHARGER)
11	RE65908	BEARING	4		X X X (STD)
	RE65909	BEARING	4		X X X (.010" US)

0403-4

ENGINE 4

CONNECTING RODS AND PISTONS 0403

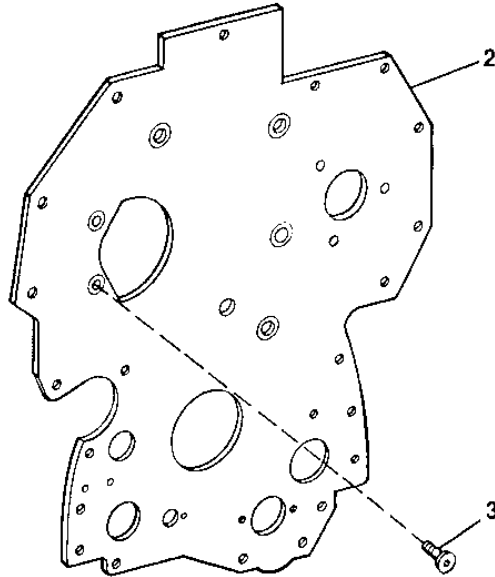
MEMORANDA
MEMORANDA
MEMORANDA

0404-1

ENGINE 4
CYLINDER BLOCK 0404

ENGINE FRONT PLATE
PLAQUE AVANT DE MOTEUR
PLACA DELANTERA DEL MOTOR

T145836 -UN-21SEP01



T145836

KEY	PART NO.	PART NAME	QTY.	ENGINE SERIAL NO.	REMARKS
2	R134527	PLATE	1	3 3	X X X
3	R136475	SCREW	4	3 1 1 1 0 5 0 S S G G G	X X X

0404-2

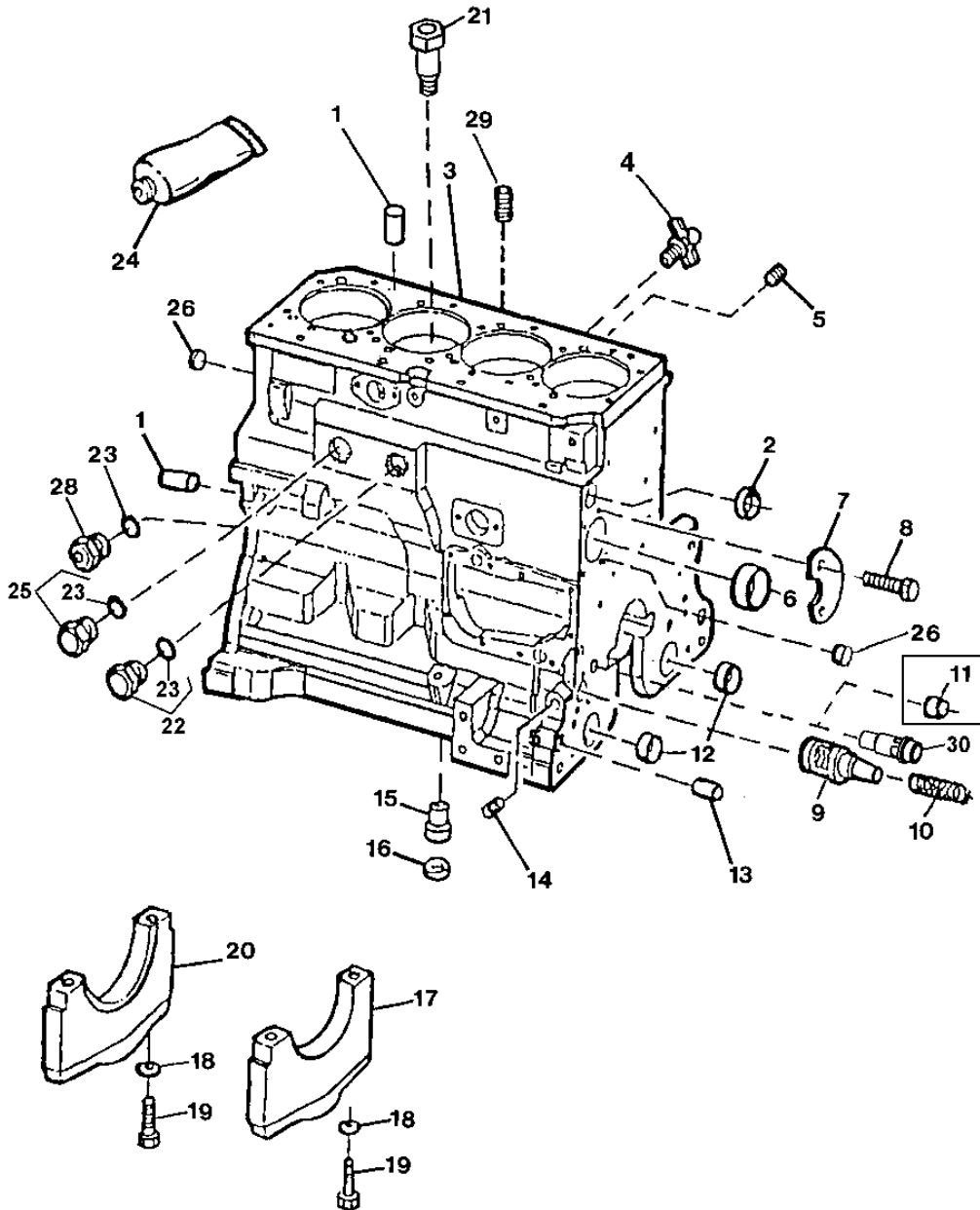
ENGINE 4

CYLINDER BLOCK 0404

CYLINDER BLOCK AND MAIN BEARING CAP (VSN -910055) T0/PE4045TT080, T0/PE4045TT081
BLOC-CYLINDRES ET CHAPEAU DE PALIER (VSN -910055) T0/PE4045TT080, T0/PE4045TT081
BLOQUE DE CILINDROS Y TAPA DE COJINETE DE BANCADA (VSN -910055) T0/PE4045TT080, T0/PE4045TT081

T146036

-UN-01OCT01



T146036

THIS PARTS LISTING IS CONTINUED

0404-2

310G, 310SG AND 315SG BACKHOE LOADERS PC2755 (23-AUG-06) PN=164

0404-3

ENGINE 4

CYLINDER BLOCK 0404

CYLINDER BLOCK AND MAIN BEARING CAP (VSN -910055) T0/PE4045TT080, T0/PE4045TT081
 BLOC-CYLINDRES ET CHAPEAU DE PALIER (VSN -910055) T0/PE4045TT080, T0/PE4045TT081
 BLOQUE DE CILINDROS Y TAPA DE COJINETE DE BANCADA (VSN -910055) T0/PE4045TT080, T0/PE4045TT081

KEY	PART NO.	PART NAME	QTY.	ENGINE SERIAL NO.	REMARKS
					3 3 3 1 1 1 0 5 0 S S G G G
1	R48685	DOWEL PIN	4		X X X
2	R116466	PLUG	1		X X X
3	CYLINDER BLOCK	1	-221705	X X X (MARKED R115081) (ORDER RE516100 OR RE516099)
4	AT13740	DRAIN VALVE	1		X X X
5	R104592	PIPE PLUG	5		X X X
6	R119874	BUSHING	1		X X X (CAMSHAFT)
7	R132518	PLATE	1		X X X
8	19M8999	SCREW	2		X X X M8 X 25
9	R121043	VALVE	1		X X X (ENGINE OIL BYPASS)
10	R111137	SPRING	1		X X X
11	R26493	BUSHING	1	-221705	X X X (OIL PRESSURE REGULATING)
12	R115299	BUSHING	6		X X X (BALANCER SHAFT)
13	R26650	DOWEL PIN	2		X X X
14	15H623	PIPE PLUG	1		X X X
15	R115390	BUSHING	1		X X X
16	R75892	O-RING	1		X X X
17	R114241	BEARING CAP	4		X X X
18	T20168	WASHER	10		X X X
19	T23474	CAP SCREW	10		X X X
20	R132186	BEARING CAP	1		X X X
21	R131182	ORIFICE	4		X X X
22	RE508185	FITTING	1		X X X
23	U13639	O-RING	2		X X X
24	PM38655	SEALANT	1		X X X (SUB FOR TY6304)
25	RE508185	FITTING	1		X X X (WITHOUT CAB HEATER)
26	T18891	PLUG	2		X X X
28	R123616	PLUG	1		X X X (WITH CAB HEATER)
29	RE57836	PIPE PLUG	1		X X X 1/2", (WITHOUT TURBOCHARGER) (SUB FOR 15H624)
30	RE505501	BLEED VALVE	1	221706-	X X X (OIL PRESSURE REGULATING)

0404-4

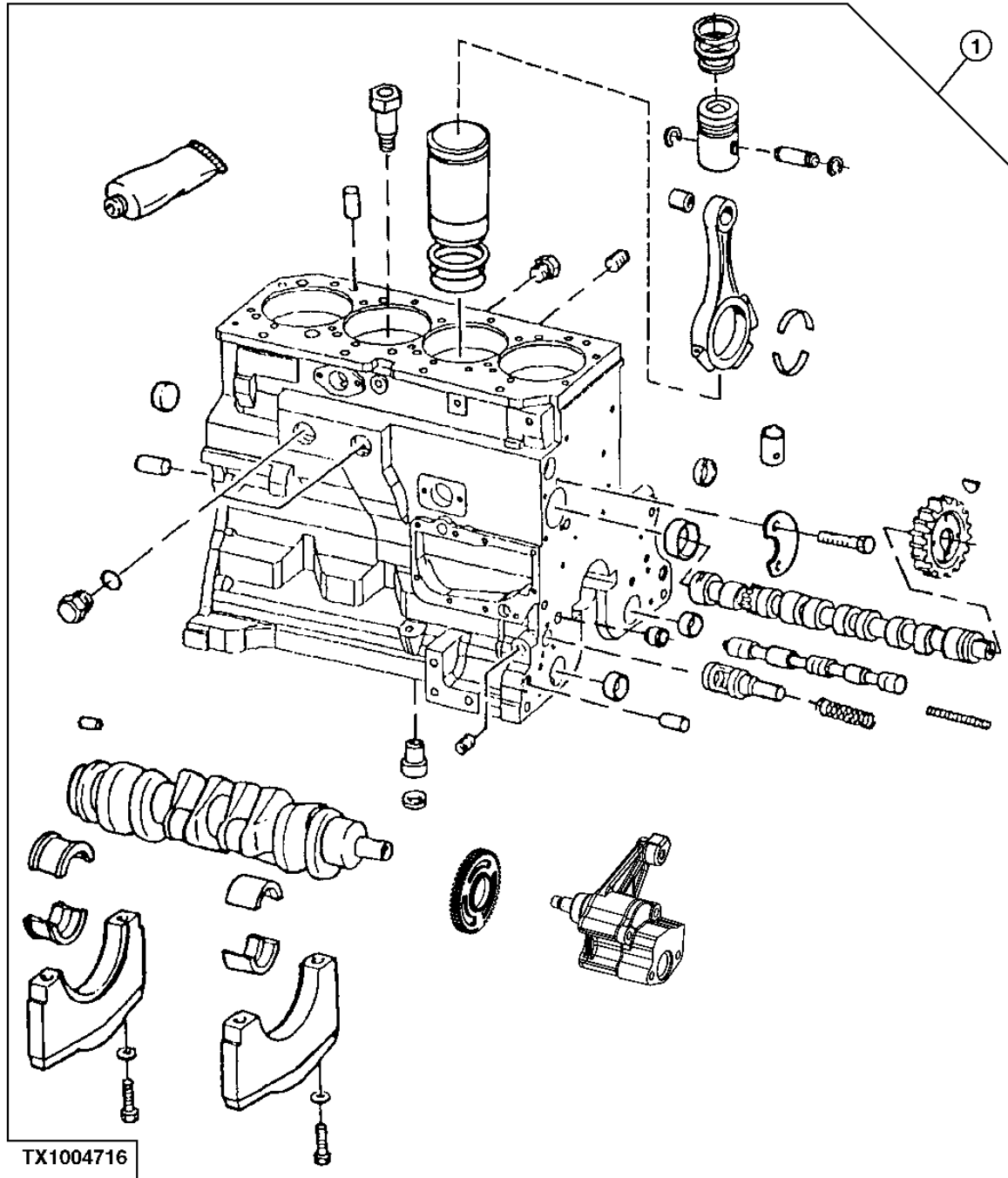
ENGINE 4

CYLINDER BLOCK 0404

ENGINE SHORT BLOCK (SEE FOOTNOTE)
BLOC MOTEUR COURT (VOIR NOTES EN BAS DE PAGE)
BLOQUE CORTO DEL MOTOR (CONSULTE NOTA DE PIE DE PAGINA)

TX1004716

-UN-14MAR06



TX1004716

0404-5

ENGINE 4

CYLINDER BLOCK 0404

ENGINE SHORT BLOCK (SEE FOOTNOTE)
 BLOC MOTEUR COURT (VOIR NOTE BAS DE PAGE)
 BLOQUE CORTO DEL MOTOR (CONSULTE NOTA DE PIE DE PAGINA)

KEY	PART NO.	PART NAME	QTY.	ENGINE SERIAL NO.	REMARKS
				3 3 3 1 1 1 0 5 0 S S G G G	
1	RE516099	SHORT BLOCK ASSEMBLY	1	X X X	(WITH TURBOCHARGER) (DOES NOT INCLUDE FRONT PLATE) (MARKED R115081) (SUB FOR RE65953)
	RE516100	SHORT BLOCK ASSEMBLY	1	X	(WITHOUT TURBOCHARGER) (DOES NOT INCLUDE FRONT PLATE) (MARKED R115081) (SUB FOR RE65951)
	SE500711	COMPLETE BLOCK ASSEMBLY	1	X	(WITHOUT TURBOCHARGER) (REMAN) (PE/T04045DT056, PE4045DT058)
	SE500716	COMPLETE BLOCK ASSEMBLY	1	X X	(WITH TURBOCHARGER) (REMAN) (PE/T04045TT080, PE/T04054TT081)

(ESN. 866618-908991) TO4045DT056, TO4045TT080, TO4045TT081
 (ESN. 866618-908991) TO4045DT056, TO4045TT080, TO4045TT081
 (ESN. 866618-908991) TO4045DT056, TO4045TT080, TO4045TT081

(ESN. -221705) PE4045DT056, PE4045TT080, TO4045TT081
 (ESN. -221705) PE4045DT056, PE4045TT080, TO4045TT081
 (ESN. -221705) PE4045DT056, PE4045TT080, TO4045TT081

0404-6

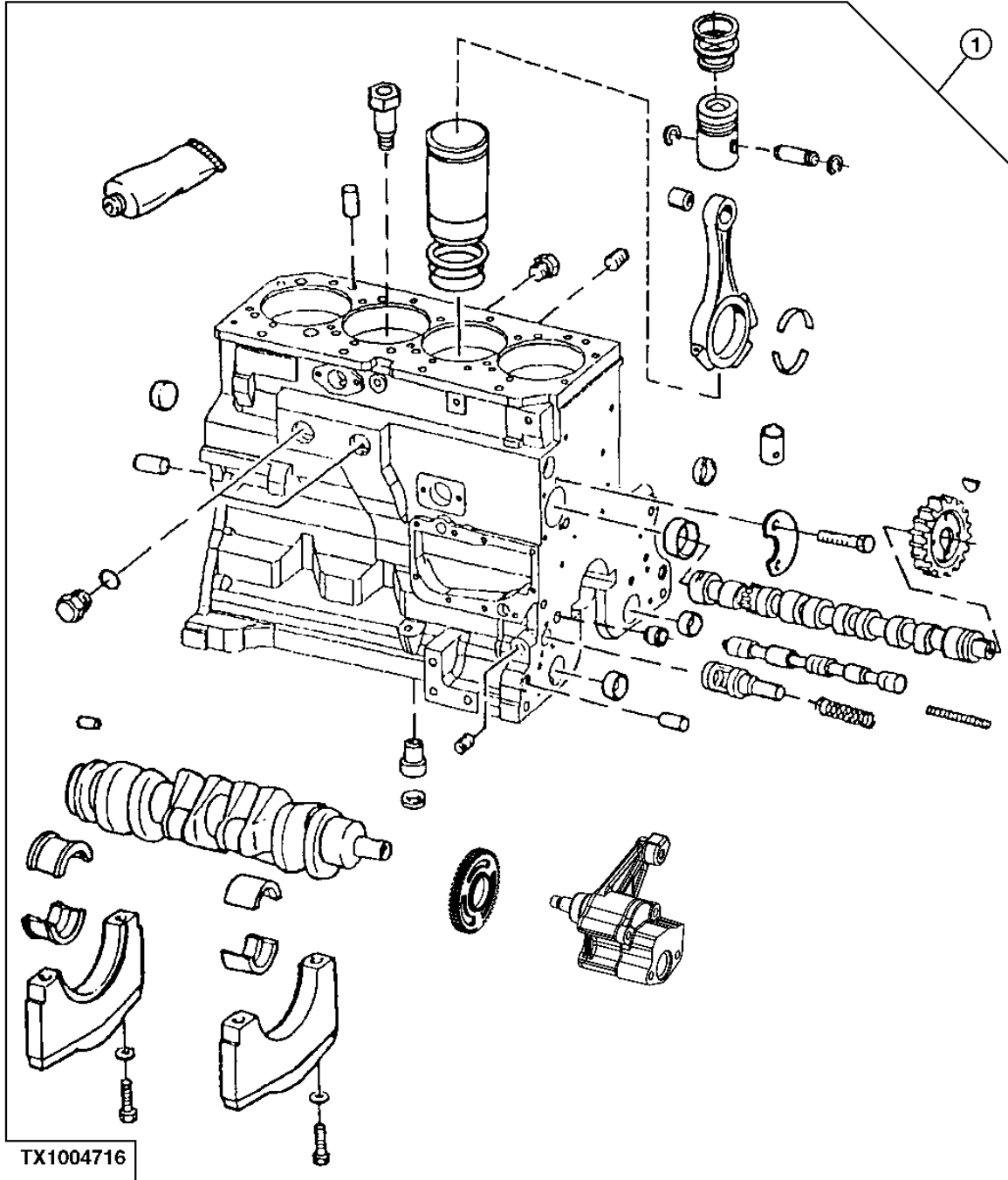
ENGINE 4

CYLINDER BLOCK 0404

ENGINE SHORT BLOCK (ESN 221706-) PE4045DT058, PE4045TT088/089
BLOC MOTEUR COURT (ESN 221706-) PE4045DT058, PE4045TT088/089
BLOQUE CORTO DEL MOTOR (ESN 221706-) PE4045DT058, PE4045TT088/089

TX1004716

-UN-14MAR06



0404-7

ENGINE 4

CYLINDER BLOCK 0404

ENGINE SHORT BLOCK (ESN 221706-) PE4045DT058, PE4045TT088/089
 BLOC MOTEUR COURT (ESN 221706-) PE4045DT058, PE4045TT088/089
 BLOQUE CORTO DEL MOTOR (ESN 221706-) PE4045DT058, PE4045TT088/089

KEY	PART NO.	PART NAME	QTY.	ENGINE SERIAL NO.	REMARKS
				3 3 3 1 1 1 0 5 0 S S G G G	
1	RE520023	SHORT BLOCK ASSEMBLY	1		X X X (WITH TURBOCHARGER)
	RE520031	SHORT BLOCK ASSEMBLY	1		X (WITHOUT TURBOCHARGER)

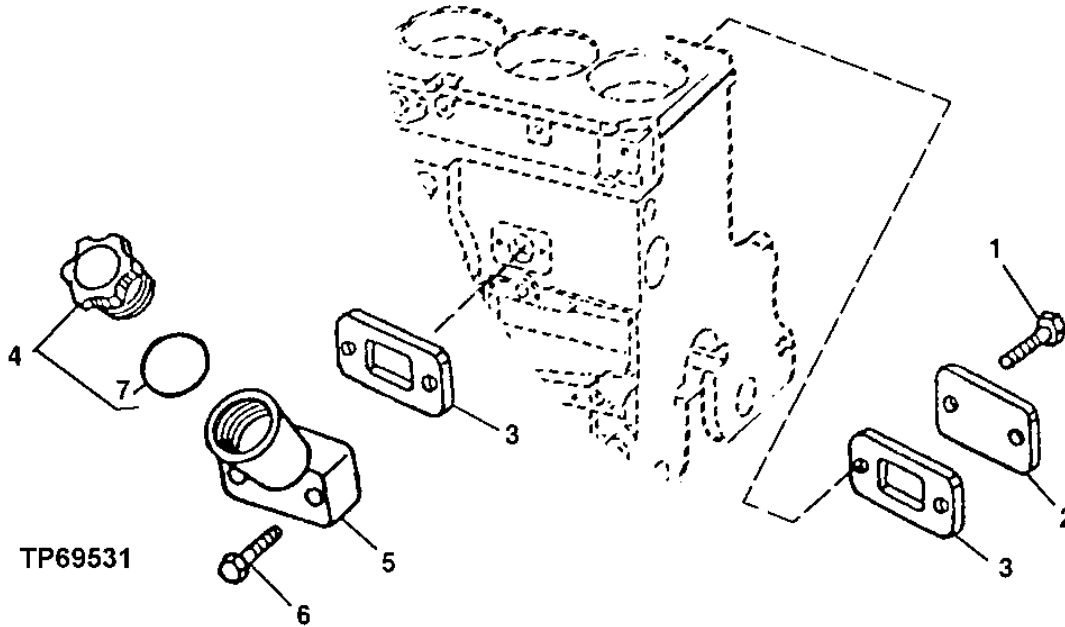
0407-2

ENGINE 4

ENGINE OILING SYSTEM 0407

ENGINE OIL FILLER INLET (SEE FOOTNOTE)
 ENTREE DE REMPLISSAGE D HUILE MOTEUR (VOIR NOTE BAS DE PAGE)
 ENTRADA DE LLENADO DE ACEITE DEL MOTOR (CONSULTE NOTA DE PIE DE PAGINA)

TP69531 -UN-26JUL00



KEY	PART NO.	PART NAME	QTY.	ENGINE SERIAL NO.	REMARKS
				3 3	
				3 1 1	
				1 0 5	
				0 S S	
				G G G	
1	RE67238	SCREW	2	X X X	M8 X 20, (WITH PREAPPLIED SEALANT)
2	R116296	COVER	1	X X X	
3	R136495	GASKET	2	X X X	
4	RE500005	FILLER CAP	1	X X X	
5	RE501377	FILLER NECK	1	X X X	
6	RE67239	SCREW	2	X X X	M8 X 45, (WITH PREAPPLIED SEALANT)
7	R502902	PACKING	1	X X X	

TO/PE4045DT056, TO/PE4045TT080, TO/PE4045TT081, PE4045DT058, PE4045TT088, PE4045TT089
 TO/PE4045DT056, TO/PE4045TT080, TO/PE4045TT081, PE4045DT058, PE4045TT088, PE4045TT089
 TO/PE4045DT056, TO/PE4045TT080, TO/PE4045TT081, PE4045DT058, PE4045TT088, PE4045TT089

0407-3

ENGINE 4

ENGINE OILING SYSTEM 0407

MEMORANDA
MEMORANDA
MEMORANDA

0407-4

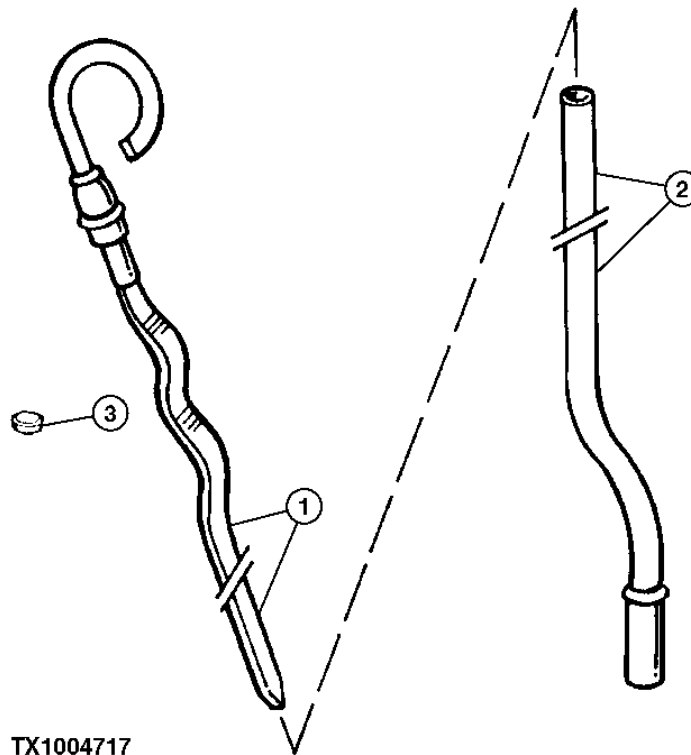
ENGINE 4

ENGINE OILING SYSTEM 0407

ENGINE OIL DIPSTICK (SEE FOOTNOTE)
JAUGE A HUILE MOTEUR (VOIR NOTE BAS DE PAGE)
ASPILLA PARA MEDIR EL NIVEL DE ACEITE DEL MOTOR (CONSULTE NOTA DE PIE DE PAGINA)

TX1004717

-UN-14MAR06



TX1004717

THIS PARTS LISTING IS CONTINUED

0407-4A

ENGINE 4

ENGINE OILING SYSTEM 0407

ENGINE OIL DIPSTICK (SEE FOOTNOTE)
JAUGE A HUILE MOTEUR (VOIR NOTE BAS DE PAGE)
ASPILLA PARA MEDIR EL NIVEL DE ACEITE DEL MOTOR (CONSULTE NOTA DE PIE DE PAGINA)

KEY	PART NO.	PART NAME	QTY.	ENGINE	REMARKS
				SERIAL NO.	
				3 3	
				3 1 1	
				1 0 5	
				0 S S	
				G G G	
1	RE69243	DIPSTICK	1	X X X	
2	R502604	DIPSTICK TUBE	1	X X X	
3	R502725	PLUG	1	X X X	

TO/PE4045DT056, TO/PE4045TT080/081, PE4045TT088, PE4045TT089 (VSN -929329) PE4045DT058
TO/PE4045DT056, TO/PE4045TT080/081, PE4045TT088, PE4045TT089 (VSN -929329) PE4045DT058
TO/PE4045DT056, TO/PE4045TT080/081, PE4045TT088, PE4045TT089 (VSN -929329) PE4045DT058

0407-4B

ENGINE 4

ENGINE OILING SYSTEM 0407

MEMORANDA
MEMORANDA
MEMORANDA

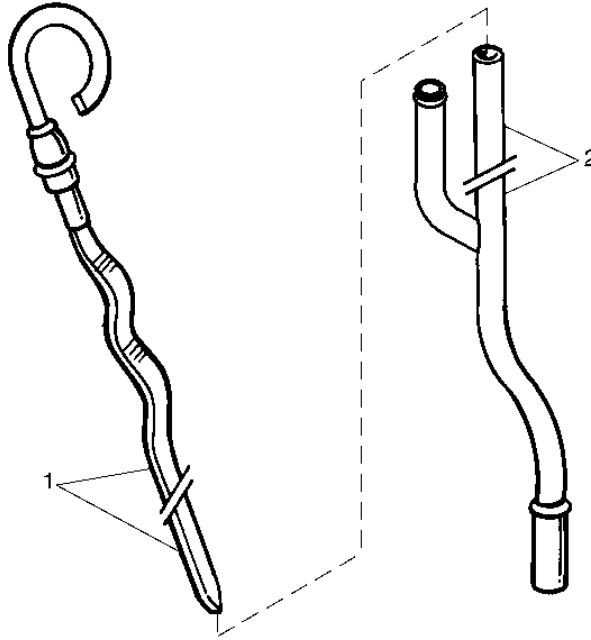
0407-5

ENGINE 4

ENGINE OILING SYSTEM 0407

ENGINE OIL DIPSTICK (VSN 929330-) PE4045DT058
 JAUGE A HUILE MOTEUR (VSN 929330-) PE4045DT058
 ASPILLA PARA MEDIR EL NIVEL DE ACEITE DEL MOTOR (VSN 929330-) PE4045DT058

RGP10106 -UN-19SEP03



KEY	PART NO.	PART NAME	QTY.	ENGINE SERIAL NO.	REMARKS
1	RE69243	DIPSTICK	1	X	
2	RE522078	DIPSTICK TUBE	1	X	

3 3
 3 1 1
 1 0 5
 0 S S
 G G G

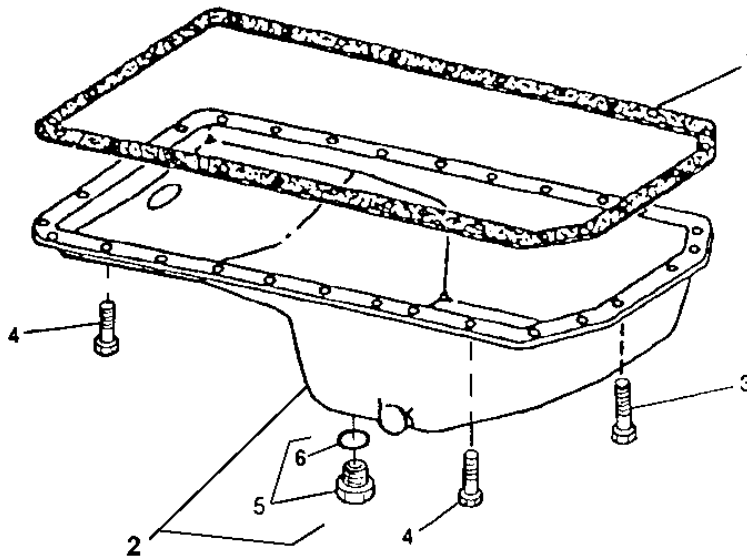
0407-6

ENGINE 4

ENGINE OILING SYSTEM 0407

ENGINE OIL PAN AND GASKET (SEE FOOTNOTE)
CARTER D'HUILE MOTEUR ET JOINT (VOIR NOTES EN BAS DE PAGE)
CARTER DE ACEITE Y EMPAQUETADURA (CONSULTE NOTA DE PIE DE PAGINA)

T145710 -UN-21SEP01



T145710

THIS PARTS LISTING IS CONTINUED

0407-6

310G, 310SG AND 315SG BACKHOE LOADERS PC2755 (23-AUG-06)
PN=176

0407-7

ENGINE 4

ENGINE OILING SYSTEM 0407

ENGINE OIL PAN AND GASKET (SEE FOOTNOTE)
 CARTER D'HUILE MOTEUR ET JOINT (VOIR NOTE BAS DE PAGE)
 CARTER DE ACEITE Y EMPAQUETADURA (CONSULTE NOTA DE PIE DE PAGINA)

KEY	PART NO.	PART NAME	QTY.	ENGINE SERIAL NO.	REMARKS
				3 3	
				3 1 1	
				1 0 5	
				0 S S	
				G G G	
1	R521493	GASKET	1		X
2	RE59439	OIL PAN	1		X
3	19M7866	SCREW	6		X M8 X 20. (SUB FOR 19M8062)
4	19M8163	BOLT	22		X M8 X 16
5	RE46685	FITTING PLUG	1		X
6	51M7043	O-RING	1		X 15.300 X 2.200 MM

(VSN 893079-907963) TO4045DT056 (VSN -911768) PE4045DT056 (911769-) PE4045DT058 (W/O TURBO)
 (VSN 893079-907963) TO4045DT056 (VSN -911768) PE4045DT056 (911769-) PE4045DT058 (W/O TURBO)
 (VSN 893079-907963) TO4045DT056 (VSN -911768) PE4045DT056 (911769-) PE4045DT058 (W/O TURBO)

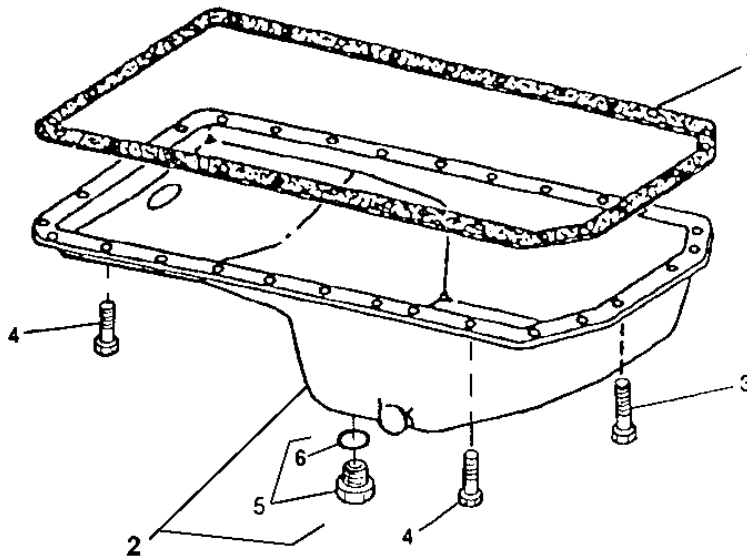
0407-8

ENGINE 4

ENGINE OILING SYSTEM 0407

ENGINE OIL PAN AND GASKET (SEE FOOTNOTE)
CARTER D'HUILE MOTEUR ET JOINT (VOIR NOTE BAS DE PAGE)
CARTER DE ACEITE Y EMPAQUETADURA (CONSULTE NOTA DE PIE DE PAGINA)

T145710 -UN-21SEP01



T145710

THIS PARTS LISTING IS CONTINUED

0407-9

ENGINE 4

ENGINE OILING SYSTEM 0407

ENGINE OIL PAN AND GASKET (SEE FOOTNOTE)
 CARTER D'HUILE MOTEUR ET JOINT (VOIR NOTE BAS DE PAGE)
 CARTER DE ACEITE Y EMPAQUETADURA (CONSULTE NOTA DE PIE DE PAGINA)

KEY	PART NO.	PART NAME	QTY.	ENGINE SERIAL NO.	REMARKS
				3 3	
				3 1 1	
				1 0 5	
				0 S S	
				G G G	
1	R521493	GASKET	1		X X X
2	RE59439	OIL PAN	1		X X X
3	19M7866	SCREW	6		X X X M8 X 20. (SUB FOR 19M8062)
4	19M8163	BOLT	22		X X X M8 X 16
5	RE46685	FITTING PLUG	1		X X X
6	51M7043	O-RING	1		X X X 15.300 X 2.200 MM

(VSN 893079-907963) TO4045TT080/081 (VSN -910055) PE4045TT080/081
 (VSN 893079-907963) TO4045TT080/081 (VSN -910055) PE4045TT080/081
 (VSN 893079-907963) TO4045TT080/081 (VSN -910055) PE4045TT080/081

0407-10

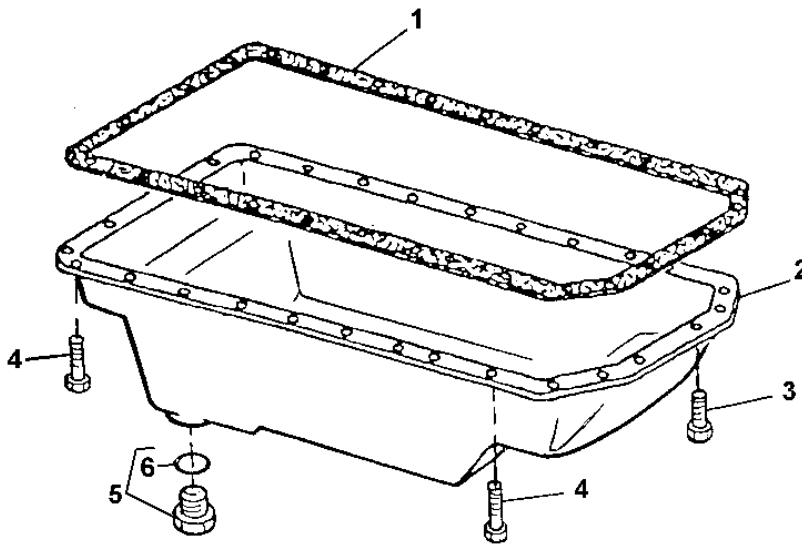
ENGINE 4

ENGINE OILING SYSTEM 0407

ENGINE OIL PAN AND GASKET (VSN 910056-) PE4045TT088, PE4045TT089
CARTER D'HUILE MOTEUR ET JOINT (VSN 910056-) PE4045TT088, PE4045TT089
CARTER DE ACEITE Y EMPAQUETADURA (VSN 910056-) PE4045TT088, PE4045TT089

T145708

-UN-21SEP01



T145708

0407-11

ENGINE 4

ENGINE OILING SYSTEM 0407

ENGINE OIL PAN AND GASKET (VSN 910056-) PE4045TT088, PE4045TT089
 CARTER D'HUILE MOTEUR ET JOINT (VSN 910056-) PE4045TT088, PE4045TT089
 CARTER DE ACEITE Y EMPAQUETADURA (VSN 910056-) PE4045TT088, PE4045TT089

KEY	PART NO.	PART NAME	QTY.	ENGINE SERIAL NO.	REMARKS
				3 3	
				3 1 1	
				1 0 5	
				0 S S	
				G G G	
1	R521493	GASKET	1		X X X
2	RE59545	OIL PAN	1		X X X
3	19M7866	SCREW	6		X X X M8 X 20. (SUB FOR 19M8062)
4	19M8163	BOLT	22		X X X M8 X 16
5	RE46685	FITTING PLUG	1		X X X
6	51M7043	O-RING	1		X X X 15.300 X 2.200 MM

0407-12

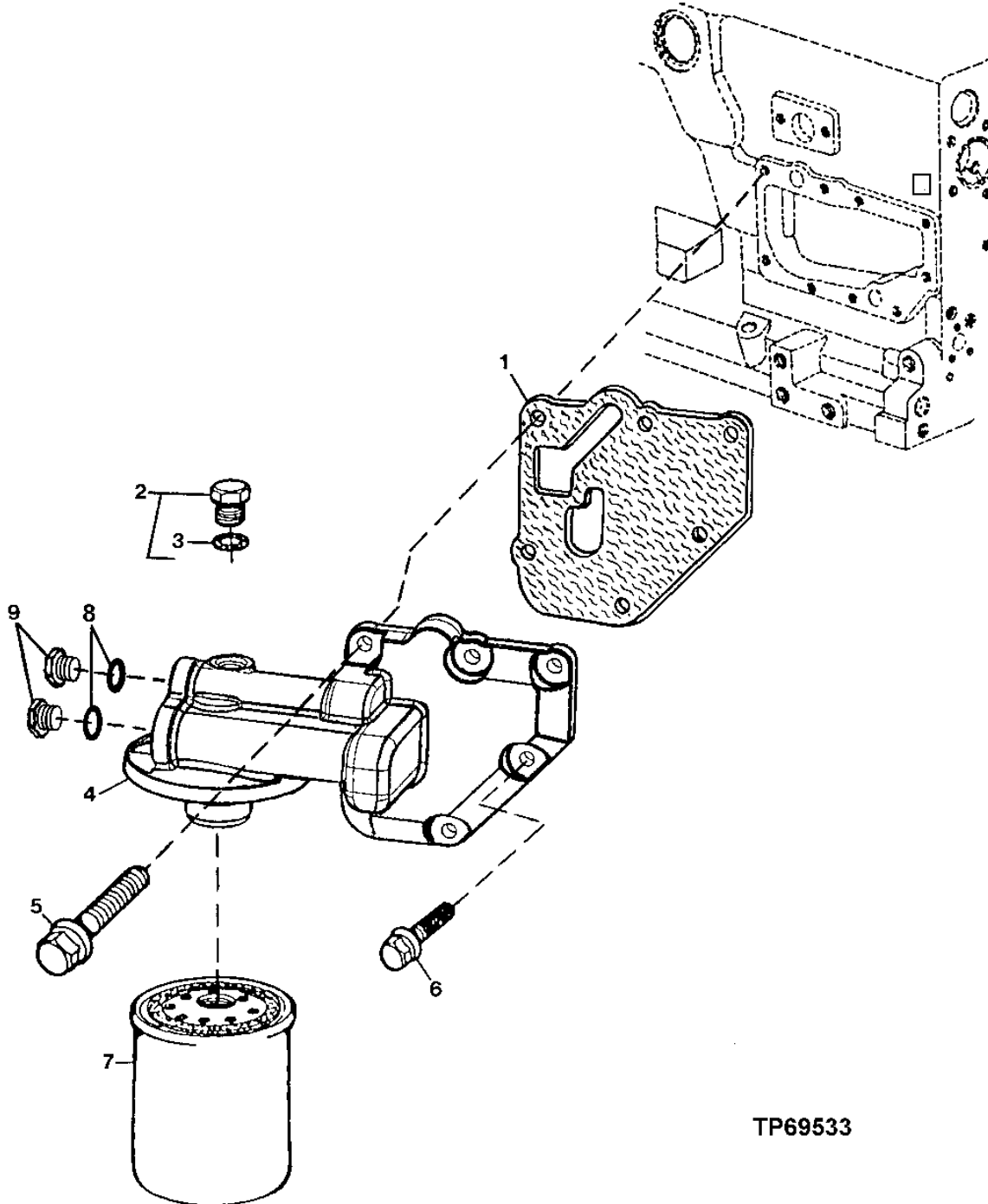
ENGINE 4

ENGINE OILING SYSTEM 0407

ENGINE OIL FILTER AND HOUSING (VSN -911768) T0/PE4045DT056
FILTRE ET CARTER D'HUILE MOTEUR (VSN -911768) T0/PE4045DT056
CAJA Y FILTRO DE ACEITE DEL MOTOR (VSN -911768) T0/PE4045DT056

TP69533

-UN-07AUG00



TP69533

0407-13

ENGINE 4

ENGINE OILING SYSTEM 0407

ENGINE OIL FILTER AND HOUSING (VSN -911768) T0/PE4045DT056
 FILTRE ET CARTER D'HUILE MOTEUR (VSN -911768) T0/PE4045DT056
 CAJA Y FILTRO DE ACEITE DEL MOTOR (VSN -911768) T0/PE4045DT056

KEY	PART NO.	PART NAME	QTY.	ENGINE SERIAL NO.	REMARKS
				3 3	
				3 1 1	
				1 0 5	
				0 S S	
				G G G	
1	R500374	GASKET	1	X	
2	RE52242	DRAIN PLUG	1	X	
3	51M7042	O-RING	1	X	13.300 X 2.200 MM
4	RE500133	FILTER HEAD	1	X	
5	19M7802	SCREW	5	X	M8 X 65
6	RE67238	SCREW	1	X	M8 X 20. (WITH PREAPPLIED SEALANT)
7	RE59754	OIL FILTER	1	X	
8	51M7045	O-RING	2	X	19.300 X 2.200 MM
9	R116115	FITTING	2	X	

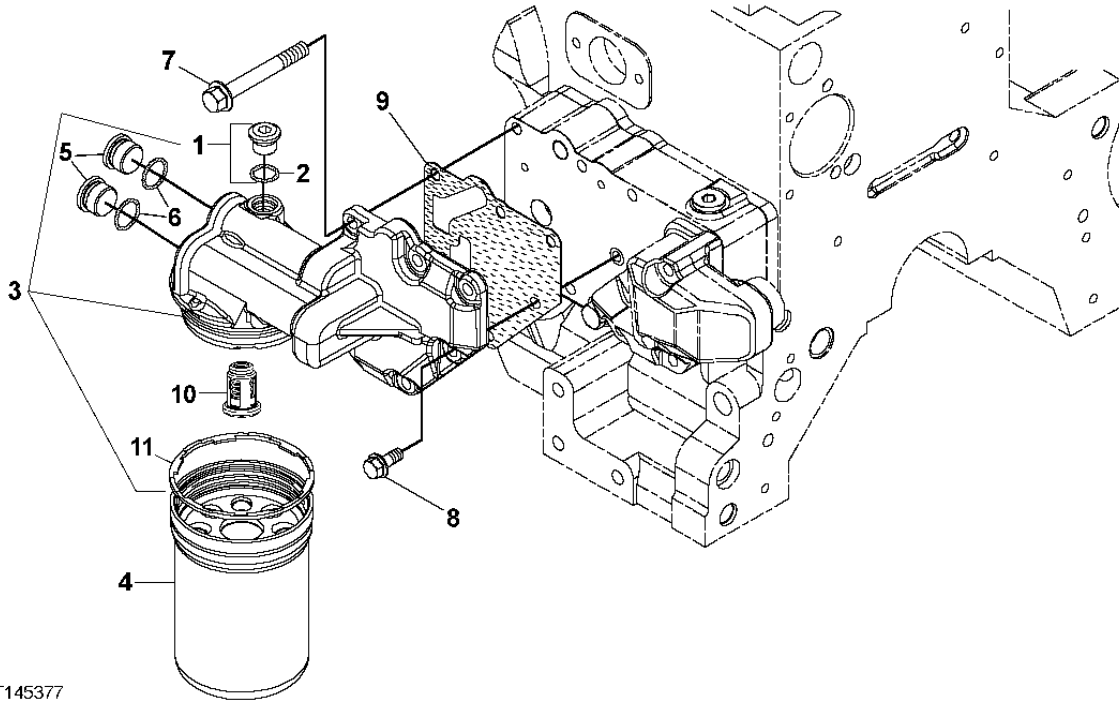
0407-14

ENGINE 4

ENGINE OILING SYSTEM 0407

ENGINE OIL FILTER AND HOUSING (VSN 911769-) PE4045DT058
 FILTRE ET CARTER D'HUILE MOTEUR (VSN 911769-) PE4045DT058
 CAJA Y FILTRO DE ACEITE DEL MOTOR (VSN 911769-) PE4045DT058

T145377 -UN-14SEP01



T145377

KEY	PART NO.	PART NAME	QTY.	ENGINE SERIAL NO.	REMARKS
				3 3	
				3 1 1	
				1 0 5	
				0 S S	
				G G G	
1	RE52242	DRAIN PLUG	1	X	M16 X 1.5
2	51M7042	O-RING	1	X	13.300 X 2.200 MM
3	RE504564	FILTER HEAD	1	X	(MARKED R502505)
4	RE504836	OIL FILTER	1	X	(ALSO ORDER R502513)
5	R116115	FITTING	2	X	
6	51M7045	O-RING	2	X	19.300 X 2.200 MM
7	19M7802	SCREW	5	X	M8 X 65
8	RE67238	SCREW	1	X	M8 X 20, (WITH PREAPPLIED SEALANT)
9	R500374	GASKET	1	X	
10	RE504543	VALVE	1	X	
11	R502513	SEAL	1	X	

0407-15

ENGINE 4

ENGINE OILING SYSTEM 0407

MEMORANDA
MEMORANDA
MEMORANDA

0407-16

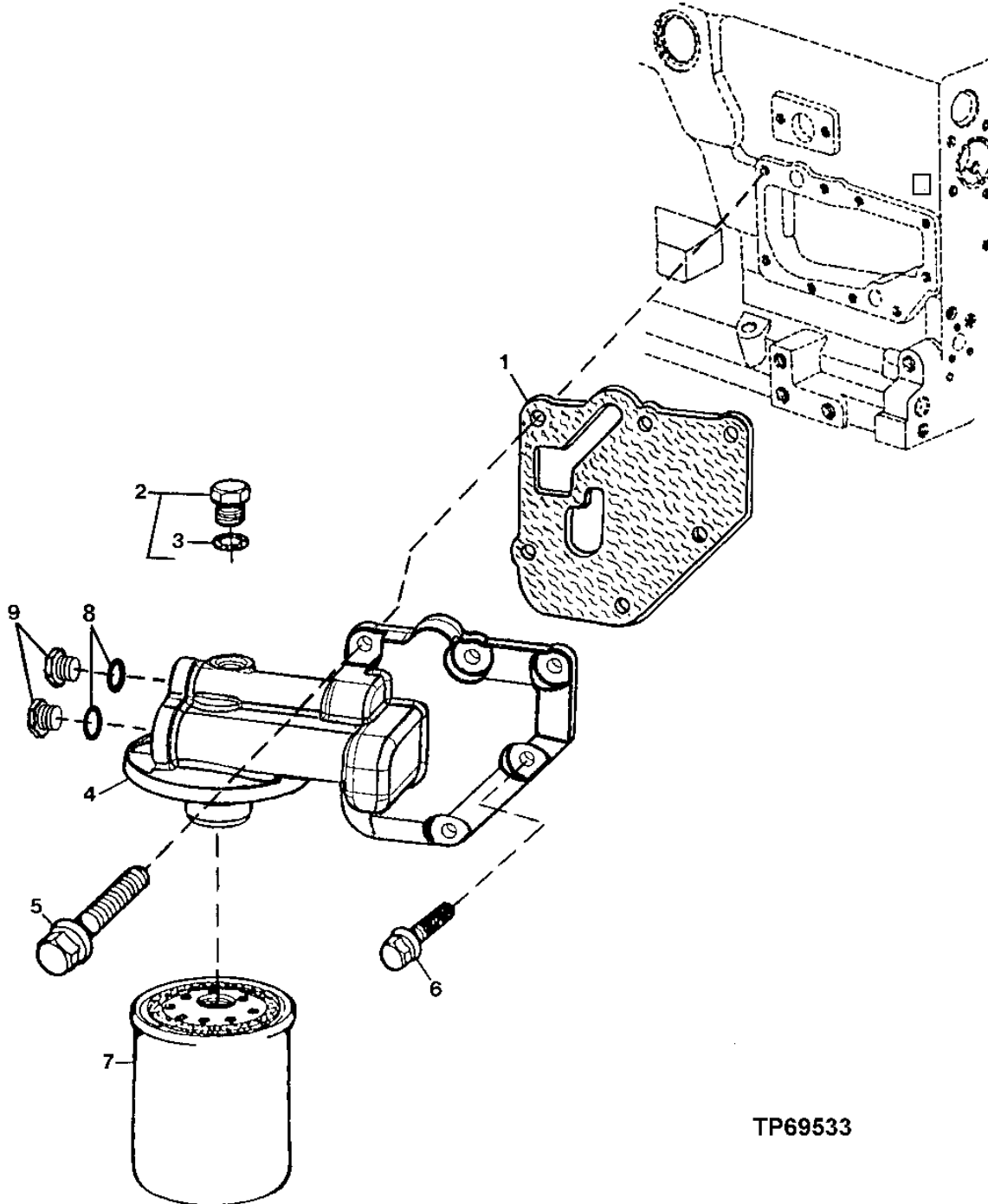
ENGINE 4

ENGINE OILING SYSTEM 0407

ENGINE OIL FILTER AND HOUSING (VSN -910055) T0/PE4045TT080/081
FILTRE ET CARTER D'HUILE MOTEUR (VSN -910055) T0/PE4045TT080/081
CAJA Y FILTRO DE ACEITE DEL MOTOR (VSN -910055) T0/PE4045TT080/081

TP69533

-UN-07AUG00



TP69533

0407-17

ENGINE 4

ENGINE OILING SYSTEM 0407

ENGINE OIL FILTER AND HOUSING (VSN -910055) T0/PE4045TT080/081
 FILTRE ET CARTER D'HUILE MOTEUR (VSN -910055) T0/PE4045TT080/081
 CAJA Y FILTRO DE ACEITE DEL MOTOR (VSN -910055) T0/PE4045TT080/081

KEY	PART NO.	PART NAME	QTY.	ENGINE SERIAL NO.	REMARKS
				3 3	
				3 1 1	
				1 0 5	
				0 S S	
				G G G	
1	R500374	GASKET	1		X X X
2	RE52242	DRAIN PLUG	1		X X X
3	51M7042	O-RING	1		X X X 13.300 X 2.200 MM
4	RE500133	FILTER HEAD	1		X X X
5	19M7802	SCREW	5		X X X M8 X 65
6	RE67238	SCREW	1		X X X M8 X 20. (WITH PREAPPLIED SEALANT)
7	RE59754	OIL FILTER	1		X X X
	RE67764	OIL FILTER	1		X X X (HIGH CAPACITY)
8	51M7045	O-RING	2		X X X 19.300 X 2.200 MM
9	R116115	FITTING	2		X X X

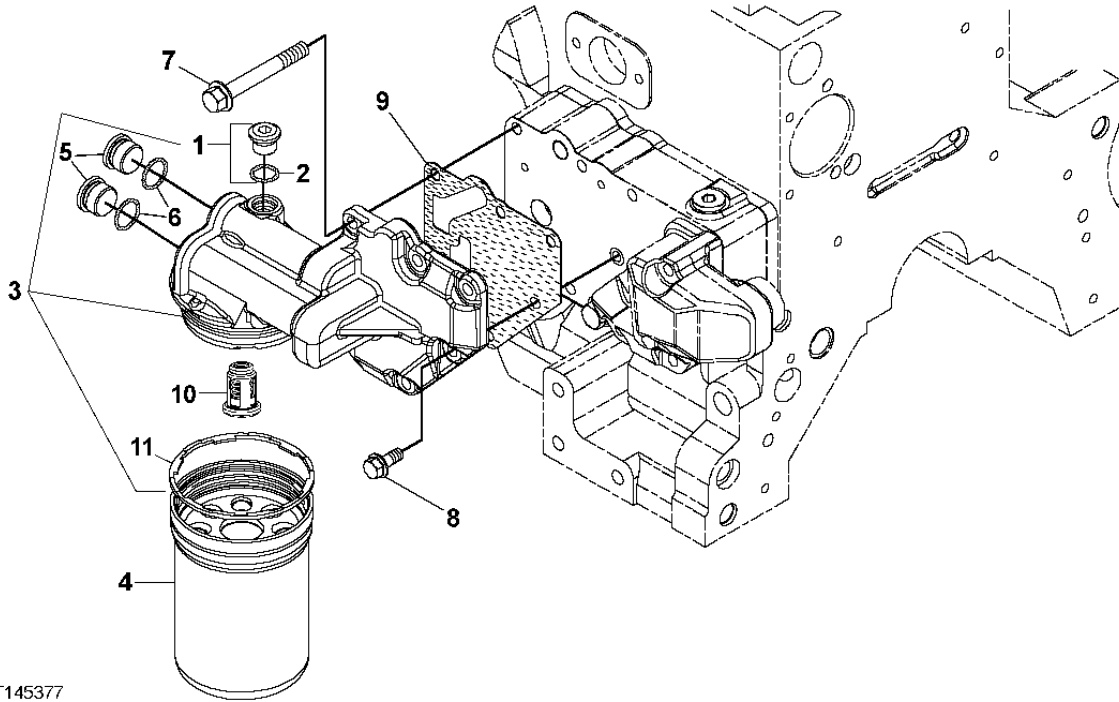
0407-18

ENGINE 4

ENGINE OILING SYSTEM 0407

ENGINE OIL FILTER AND HOUSING (VSN 910056-) PE4045TT088/089
 FILTRE ET CARTER D'HUILE MOTEUR (VSN 910056-) PE4045TT088/089
 CAJA Y FILTRO DE ACEITE DEL MOTOR (VSN 910056-) PE4045TT088/089

T145377 -UN-14SEP01



T145377

KEY	PART NO.	PART NAME	QTY.	ENGINE SERIAL NO.	REMARKS
				3 3	
				3 1 1	
				1 0 5	
				0 S S	
				G G G	
1	RE52242	DRAIN PLUG	1	X X X	M16 X 1.5
2	51M7042	O-RING	1	X X X	13.300 X 2.200 MM
3	RE504564	FILTER HEAD	1	X X X	(MARKED R502505)
4	RE504836	OIL FILTER	1	X X X	(ALSO ORDER R502513)
5	R116115	FITTING	2	X X X	
6	51M7045	O-RING	2	X X X	19.300 X 2.200 MM
7	19M7802	SCREW	5	X X X	M8 X 65
8	RE67238	SCREW	1	X X X	M8 X 20, (WITH PREAPPLIED SEALANT)
9	R500374	GASKET	1	X X X	
10	RE504543	VALVE	1	X X X	
11	R502513	SEAL	1	X X X	

0407-19

ENGINE 4

ENGINE OILING SYSTEM 0407

MEMORANDA
MEMORANDA
MEMORANDA

0407-20

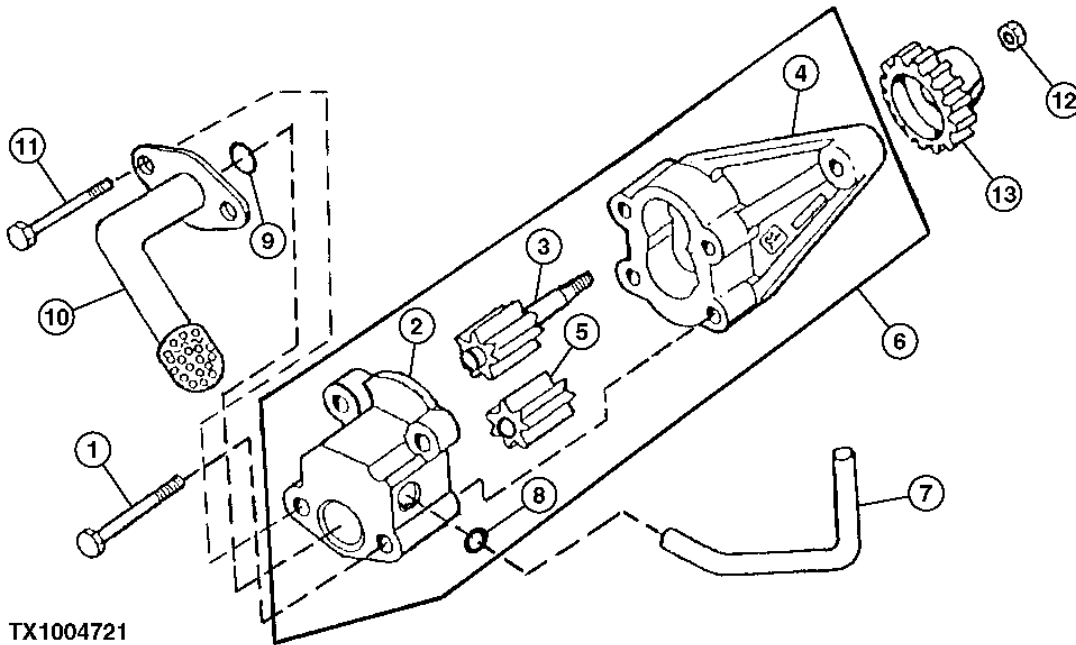
ENGINE 4

ENGINE OILING SYSTEM 0407

ENGINE OIL PUMP AND INTAKE (SEE FOOTNOTE)
POMPE A HUILE MOTEUR ET ADMISSION (VOIR NOTE BAS DE PAGE)
BOMBA Y TOMA DE ACEITE DEL MOTOR (CONSULTE NOTA DE PIE DE PAGINA)

TX1004721

-UN-14MAR06



TX1004721

0407-21

ENGINE 4

ENGINE OILING SYSTEM 0407

**ENGINE OIL PUMP AND INTAKE (SEE FOOTNOTE)
 POMPE A HUILE MOTEUR ET ADMISSION (VOIR NOTE BAS DE PAGE)
 BOMBA Y TOMA DE ACEITE DEL MOTOR (CONSULTE NOTA DE PIE DE PAGINA)**

KEY	PART NO.	PART NAME	QTY.	ENGINE SERIAL NO.	3 3	REMARKS
					3 1 1	
					1 0 5	
					0 S S	
					G G G	
1	19M8987	SCREW	2		X X X	M8 X 65
2	COVER	1		X X X	
3	GEAR	1		X X X	
4	HOUSING	1		X X X	
5	GEAR	1		X X X	
6	RE504914	OIL PUMP	1		X X X	(MARKED R502867)
7	R121376	TUBE	1		X X X	(TO CYLINDER BLOCK)
8	R97185	O-RING	1		X X X	
9	R61871	O-RING	1		X X X	
10	RE70073	OIL PUMP INTAKE	1	-221705	X X X	
	RE57619	OIL PUMP INTAKE	1	221706-	X X X	(PE4045TT089)
	RE57619	OIL PUMP INTAKE	1	224566-	X	(PE4045TT088)
	RE70073	OIL PUMP INTAKE	1	241601-	X	(PE4045DT058) (WITHOUT TURBOCHARGER)
11	19M8986	SCREW	2		X X X	M8 X 100
12	14M7066	NUT	1		X X X	M12
13	R120638	GEAR	1		X X X	(Z = 30)

TO/PE4045DT056, TO/PE4045TT080/081, PE4045DT058, PE4045TT088/089
 TO/PE4045DT056, TO/PE4045TT080/081, PE4045DT058, PE4045TT088/089
 TO/PE4045DT056, TO/PE4045TT080/081, PE4045DT058, PE4045TT088/089

0408-2

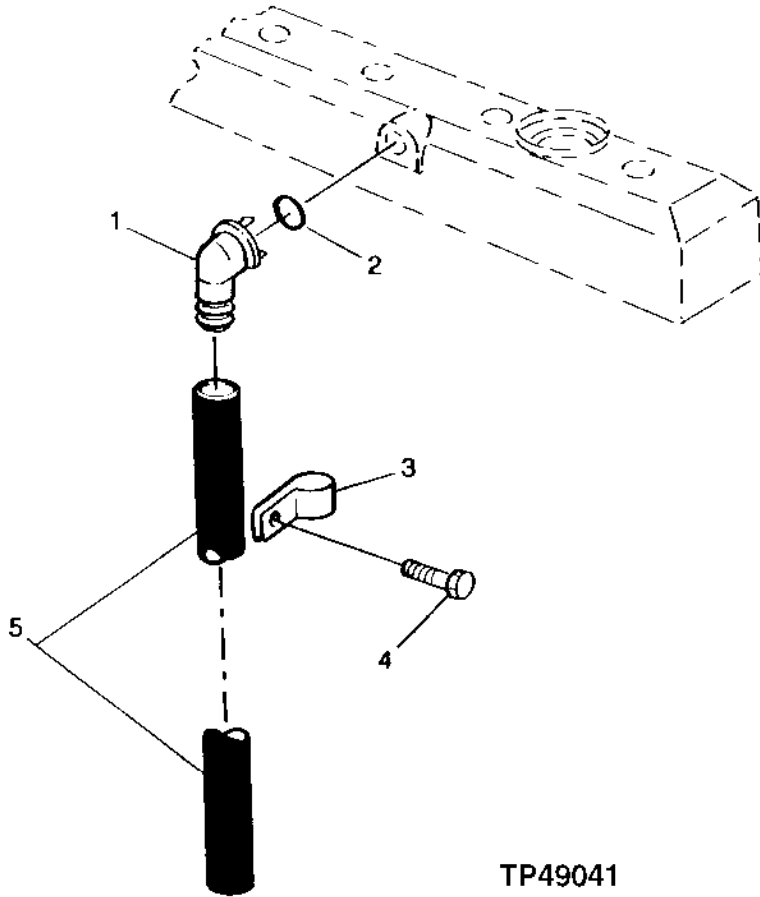
ENGINE 4

VENTILATING SYSTEM 0408

ENGINE VENTILATING SYSTEM (TO/PE4045DT056, TO/PE4045TT080/081, PE4045TT088/089)
SYSTEME DE VENTILATION DU MOTEUR (TO/PE4045DT056, TO/PE4045TT080/081, PE4045TT088/089)
SISTEMA DE VENTILACION DEL MOTOR (TO/PE4045DT056, TO/PE4045TT080/081, PE4045TT088/089)

TP49041

-UN-06SEP95



TP49041

0408-3

ENGINE 4

VENTILATING SYSTEM 0408

ENGINE VENTILATING SYSTEM (TO/PE4045DT056, TO/PE4045TT080/081, PE4045DT058, PE4045TT088/089)
 SYSTEME DE VENTILATION DU MOTEUR (TO/PE4045DT056, TO/PE4045TT080/081, PE4045DT058, PE4045TT088/089)
 SISTEMA DE VENTILACION DEL MOTOR (TO/PE4045DT056, TO/PE4045TT080/081, PE4045DT058, PE4045TT088/089)

KEY	PART NO.	PART NAME	QTY.	ENGINE SERIAL NO.	REMARKS
				3 3 3 1 1 1 0 5 0 S S G G G	
1	R120467	ELBOW FITTING	1		X X X
2	R72328	O-RING	1		X X X
3	R72659	CLAMP	1		X X X
4	19M7866	SCREW	1		X X X M8 X 20
5	TY24401	BULK HOSE	1		X X X

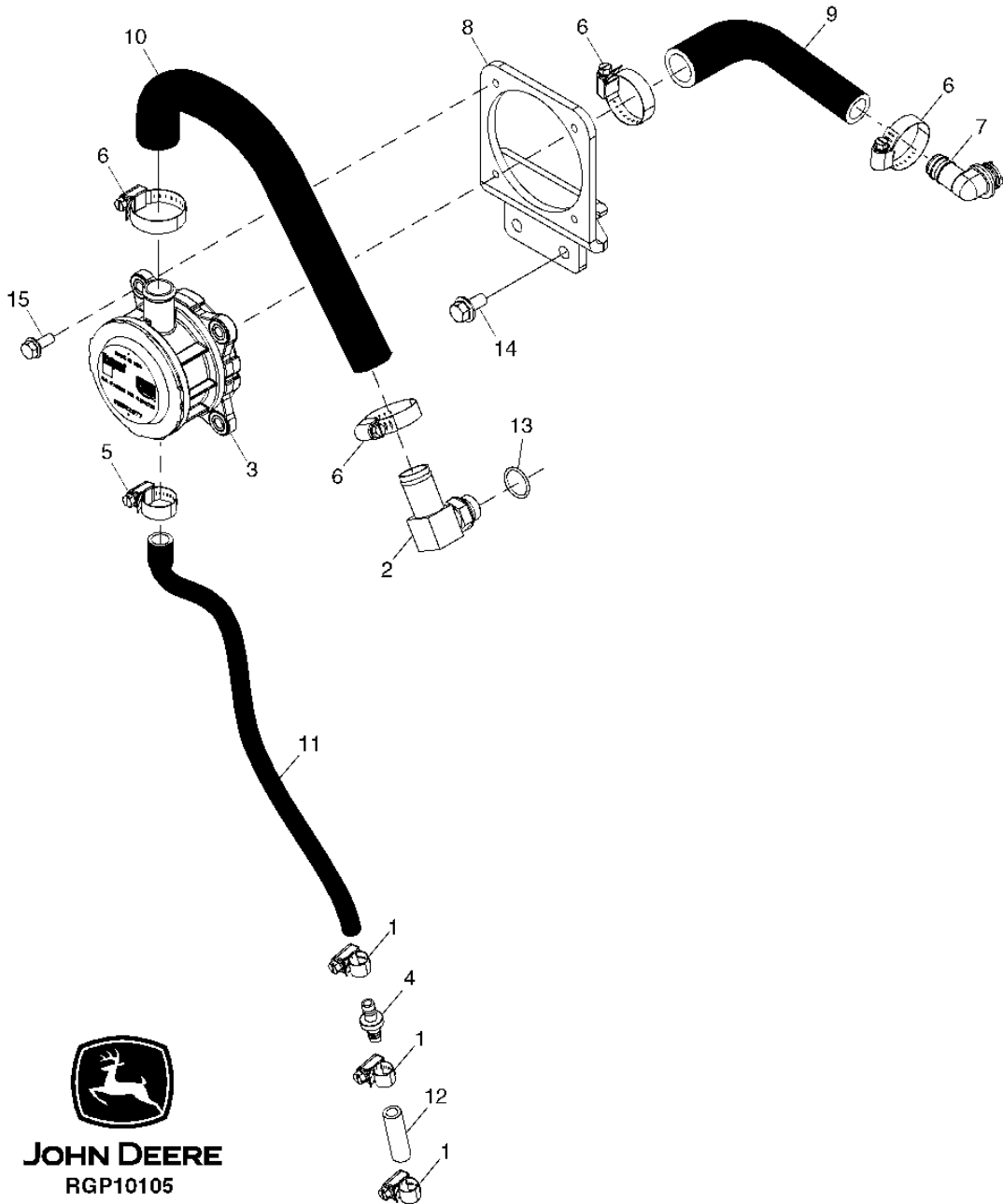
0408-4

ENGINE 4

VENTILATING SYSTEM 0408

ENGINE VENTILATING SYSTEM (310G W/O TURBO) (VSN 929330-) PE4045DT058
SYSTEME DE VENTILATION DU MOTEUR (310G W/O TURBO) (VSN 929330-) PE4045DT058
SISTEMA DE VENTILACION DEL MOTOR (310G W/O TURBO) (VSN 929330-) PE4045DT058

RGP10105 -UN-19SEP03



0408-5

ENGINE 4

VENTILATING SYSTEM 0408

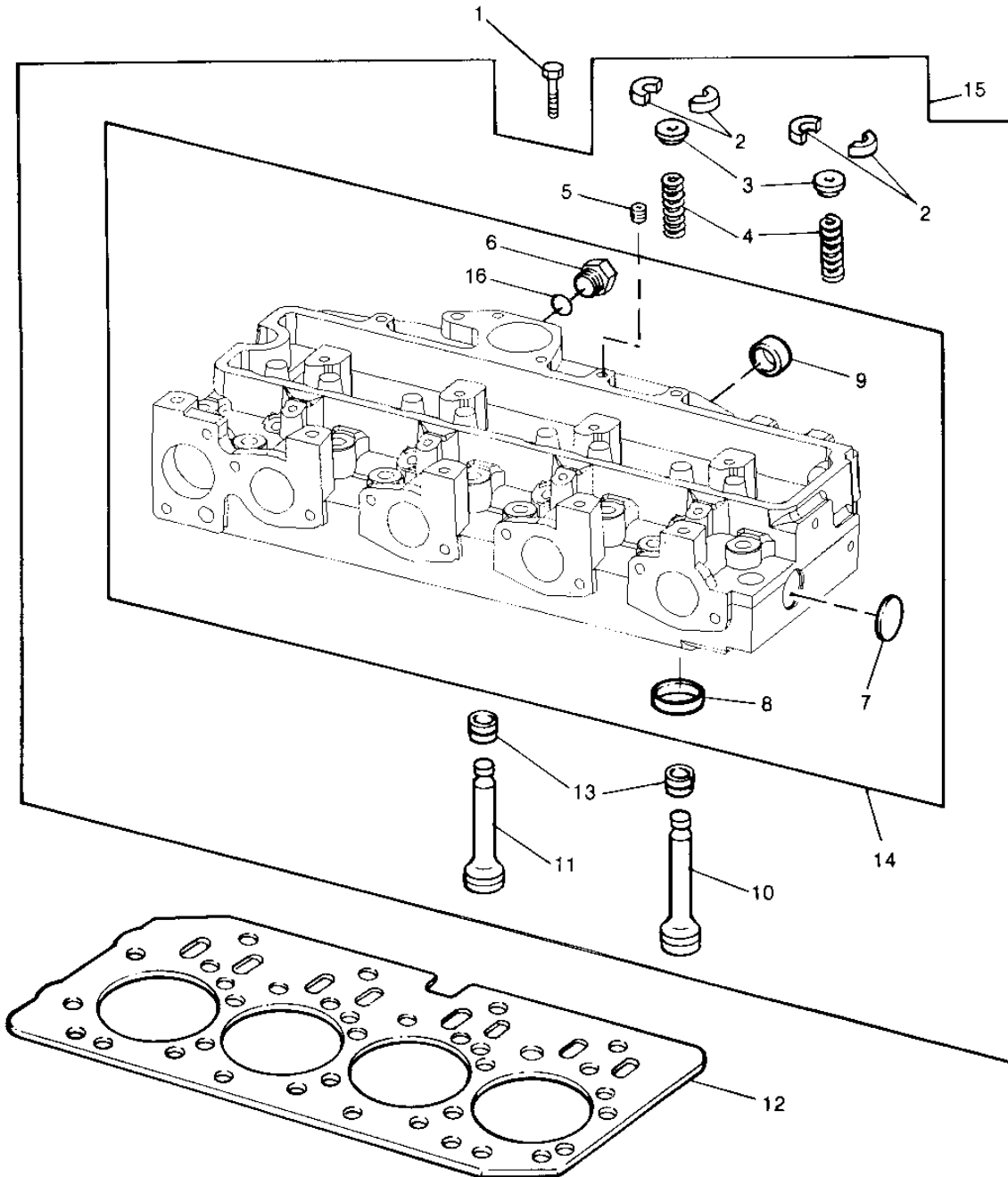
ENGINE VENTILATING SYSTEM (310G W/O TURBO) (VSN 929330-) PE4045DT058
 SYSTÈME DE VENTILATION DU MOTEUR (310G W/O TURBO) (VSN 929330-) PE4045DT058
 SISTEMA DE VENTILACION DEL MOTOR (310G W/O TURBO) (VSN 929330-) PE4045DT058

KEY	PART NO.	PART NAME	QTY.	ENGINE SERIAL NO.	REMARKS
				3 3	
				3 1 1	
				1 0 5	
				0 S S	
				G G G	
1	TY22464	CLAMP	3		X
2	AT196258	ELBOW FITTING	1		X
3	RE522766	IMPACTOR	1		X (SUB FOR RE522077)
4	RE522079	CHECK VALVE	1		X
5	RE65978	CLAMP	1		X
6	AR21839	CLAMP	4		X
7	R120467	ELBOW FITTING	1		X
8	R519244	BRACKET	1		X
9	R519273	HOSE	1		X
10	R519274	HOSE	1		X
11	R519275	HOSE	1		X
12	R519286	HOSE	1		X
13	R72328	O-RING	1		X
14	19M7784	SCREW	4		X M10 X 20
15	19M7866	SCREW	4		X M8 X 20

0409-2

CYLINDER HEAD AND VALVES (T0/PE4045DT056, T0/PE4045TT080/081, PE4045DT058, PE4045TT088/089)
CULASSE ET SOUPAPES (T0/PE4045DT056, T0/PE4045TT080/081, PE4045DT058, PE4045TT088/089)
CULATA Y VALVULAS (T0/PE4045DT056, T0/PE4045TT080/081, PE4045DT058, PE4045TT088/089)

T149672 -UN-10JAN02



T149672

0409-3

ENGINE 4

CYLINDER HEAD, VALVES AND EXHAUST VALVE BRAKE
 CYLINDER HEAD AND VALVES (T0/PE4045DT056, T0/PE4045TT080/081, PE4045DT058, PE4045TT088/089)
 CULASSE ET SOUPAPES (T0/PE4045DT056, T0/PE4045TT080/081, PE4045DT058, PE4045TT088/089)
 CULATA Y VALVULAS (T0/PE4045DT056, T0/PE4045TT080/081, PE4045DT058, PE4045TT088/089)

KEY	PART NO.	PART NAME	QTY.	ENGINE SERIAL NO.	REMARKS
				3 3	
				3 1 1	
				1 0 5	
				0 S S	
				G G G	
1	R85363	CAP SCREW	18		X X X
2	R91889	RETAINER	16		X X X
3	RE60005	ROTATOR	8		X X X
4	R26125	SPRING	8		X X X
5	R104592	PIPE PLUG	1		X X X
6	T58477	FITTING	1		X X X
	R26906	O-RING	1		X X X
7	CD16284	PLUG	1		X X X
8	R98063	VALVE SEAT INSERT	4		X X X (STD) (INTAKE)
	R98335	VALVE SEAT INSERT	4		X X X (OS) (INTAKE)
	R85687	VALVE SEAT INSERT	4		X X X (STD) (EXHAUST)
	R93910	VALVE SEAT INSERT	4		X X X (OS) (EXHAUST)
9	R43409	PLUG	2		X X X
10	R90692	EXHAUST VALVE	4		X X X (STD)
11	R98062	INTAKE VALVE	4		X X X (STD)
12	R116515	ENGINE CYLINDER HEAD GASKET	1		X X X
13	RE31617	SEAL	8		X X X
14	CYLINDER HEAD	1		X X X (MARKED R121402)
15	RE57234	CYLINDER HEAD	1		X X X (MARKED R121402)
16	R26906	O-RING	1		X X X

0409-4

ENGINE 4

CYLINDER;HEAD;VALVES AND;EXHAUST VALVE;BRAKE 0409
MEMORANDA
MEMORANDA
MEMORANDA

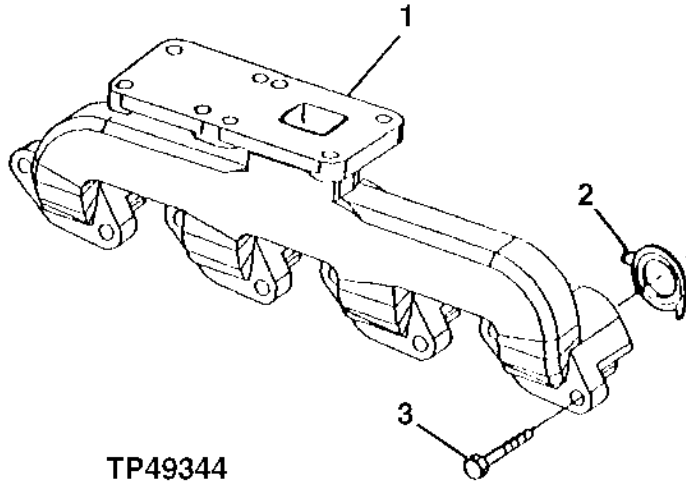
0410-1

ENGINE 4

EXHAUST MANIFOLD 0410

EXHAUST MANIFOLD AND GASKET (SEE FOOTNOTE)
 COLLECTEUR D'ÉCHAPPEMENT ET GARNITURE (VOIR NOTE BAS DE PAGE)
 COLECTOR DE ESCAPE Y JUNTA (CONSULTE NOTA DE PIE DE PAGINA)

TP49344 -UN-22NOV95



TP49344

KEY	PART NO.	PART NAME	QTY.	ENGINE SERIAL NO.	REMARKS
				3 3	
				3 1 1	
				1 0 5	
				0 S S	
				G G G	
1	R132261	EXHAUST MANIFOLD	1	X X X	
2	R90658	GASKET	4	X X X	
3	19M7810	SCREW	8	X X X	M10 X 80

TO/PE4045DT056, TO/PE4045TT080/081, PE4045DT058, PE4045TT088/089
 TO/PE4045DT056, TO/PE4045TT080/081, PE4045DT058, PE4045TT088/089
 TO/PE4045DT056, TO/PE4045TT080/081, PE4045DT058, PE4045TT088/089

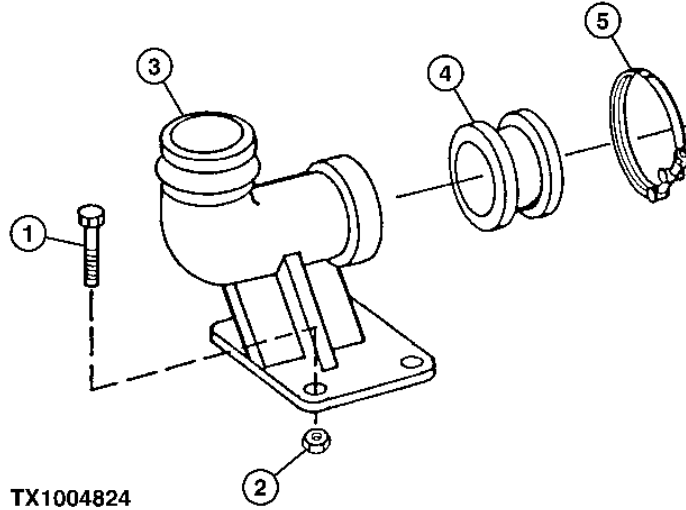
0410-2

ENGINE 4

EXHAUST MANIFOLD 0410

EXHAUST ELBOW (VSN -910055) T0/PE4045TT080/081 (VSN -910055) T0/PE4045TT080/081
 COUDE D'ECHAPPEMENT (VSN -910055) T0/PE4045TT080/081 (VSN -910055) T0/PE4045TT080/081
 CODO DE ESCAPE (VSN -910055) T0/PE4045TT080/081 (VSN -910055) T0/PE4045TT080/081

TX1004824 -UN-16MAR06



TX1004824

KEY	PART NO.	PART NAME	QTY.	ENGINE SERIAL NO.	REMARKS
1	19M8162	SCREW	4		
2	14M7296	FLANGE NUT	4		
3	R123246	PIPE ELBOW	1		
4	R87732	ADAPTER FITTING	1		
5	RE40048	CLAMP	1		

3 3
 3 1 1
 1 0 5
 0 S S
 G G G

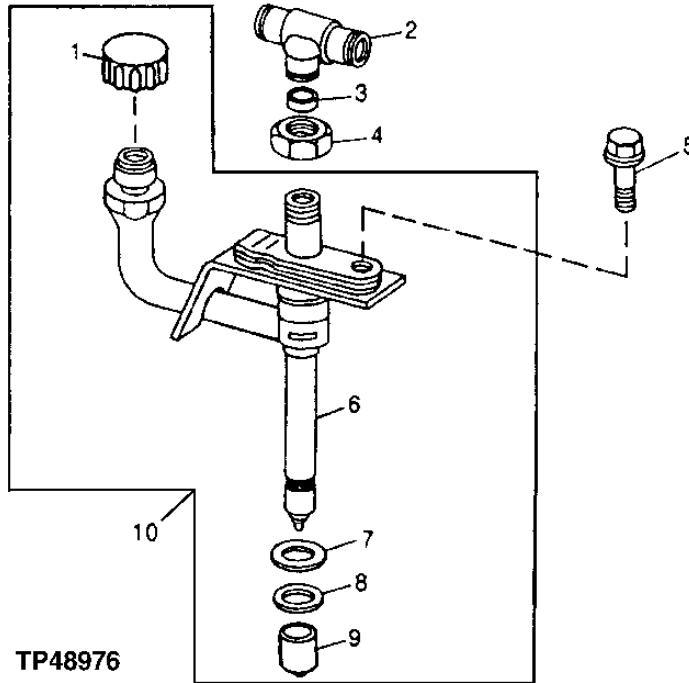
0413-1

ENGINE 4

FUEL INJECTION SYSTEM 0413

FUEL INJECTION NOZZLE (SEE FOOTNOTE)
 INJECTEURS D'INJECTION DE CARBURANT (VOIR NOTE BAS DE PAGE)
 TOBERAS DE INYECCION DE COMBUSTIBLE (CONSULTE NOTA DE PIE DE PAGINA)

TP48976 -UN-26OCT96



KEY	PART NO.	PART NAME	QTY.	ENGINE SERIAL NO.	REMARKS
				3 3	
				3 1 1	
				1 0 5	
				0 S S	
				G G G	
1	CAP (HAT)	1	X X X	
2	R71963	TEE FITTING	1	X X X	
3	R79605	WASHER	1	X X X	
4	R79604	TUBE NUT	1	X X X	
5	R116366	SCREW	1	X X X	
6	NOZZLE	1	X X X	
7	R92352	PACKING	1	X X X	
8	R48000	SEAL	1	X X X	(USE WITH OVERSIZE NOZZLE BORE) (NOT INCLUDED WITH RE48786)
	R500390	WASHER	1	X X X	(USE WITH STANDARD NOZZLE BORE)
9	T24472	CAP	1	X X X	
10	RE48786	INJECTION NOZZLE	1	X X X	
	SE500826	NOZZLE	1	X X X	(REMANUFACTURED FOR RE48786) PKG 4
	SE501101	NOZZLE	1	X X X	(REMAN FOR RE48786) PKG 1

(VSN 893079-907963) TO4045TT080/081
 (VSN 893079-907963) TO4045TT080/081
 (VSN 893079-907963) TO4045TT080/081

(VSN -910055) PE4045TT088/089
 (VSN -910055) PE4045TT088/089
 (VSN -910055) PE4045TT088/089

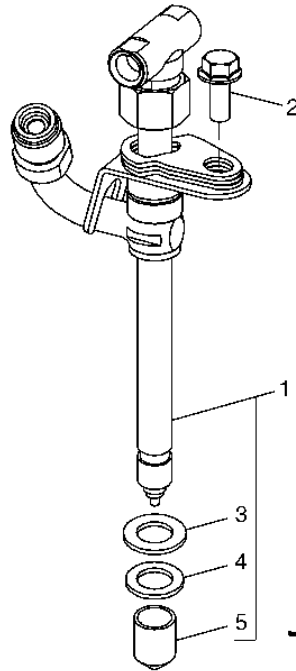
0413-2

ENGINE 4

FUEL INJECTION SYSTEM 0413

FUEL INJECTION NOZZLE (SEE FOOTNOTE)
 INJECTEURS D'INJECTION DE CARBURANT (VOIR NOTE BAS DE PAGE)
 TOBERAS DE INYECCION DE COMBUSTIBLE (CONSULTE NOTA DE PIE DE PAGINA)

RGP10095 -UN-



3 3
 3 1 1
 1 0 5
 0 S S
 G G G

KEY	PART NO.	PART NAME	QTY.	ENGINE SERIAL NO.	REMARKS
1	RE507766	INJECTION NOZZLE	1	X X X	
	SE500830	NOZZLE	1	X X X	(REMAN FOR RE507766) PKG 4
	SE501103	NOZZLE	AR	X X X	(REMAN FOR RE507766) PKG 1
	RE531116	KIT	1	X X X	
2	RE508716	CLAMP	4	X X X	
3	R92352	PACKING	1	X X X	
4	R500390	WASHER	1	X X X	
5	T24472	CAP	1	X X X	

(VSN 910056-) PE4045TT088/089
 (VSN 910056-) PE4045TT088/089
 (VSN 910056-) PE4045TT088/089

(VSN -943548) PE4045TT089
 (VSN -943548) PE4045TT089
 (VSN -943548) PE4045TT089

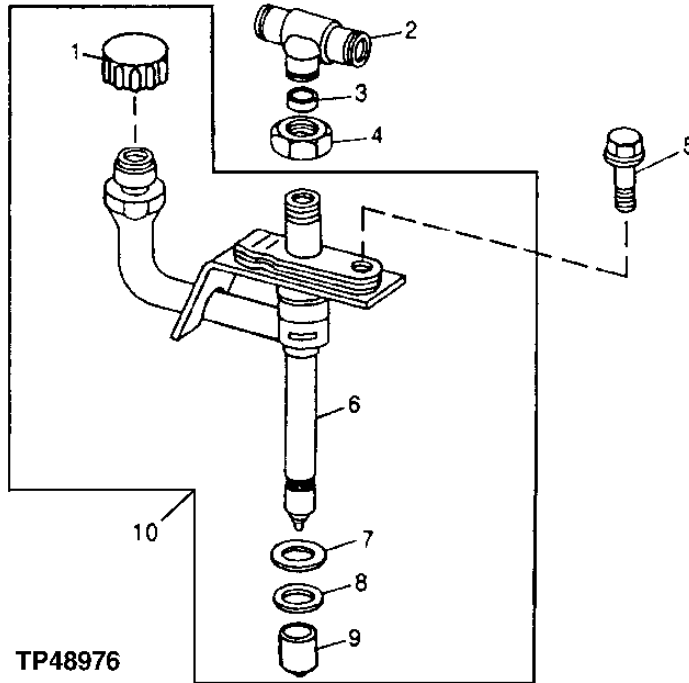
0413-3

ENGINE 4

FUEL INJECTION SYSTEM 0413

FUEL INJECTION NOZZLE (VSN 943549-) T04045TT089
 INJECTEURS D'INJECTION DE CARBURANT (VSN 943549-) T04045TT089
 TOBERAS DE INYECCION DE COMBUSTIBLE (VSN 943549-) T04045TT089

TP48976 -UN-26OCT96



KEY	PART NO.	PART NAME	QTY.	ENGINE SERIAL NO.	REMARKS
				3 3	
				3 1 1	
				1 0 5	
				0 S S	
				G G G	
1	CAP (HAT)	1		X X
2	R71963	TEE FITTING	1		X X
3	R79605	WASHER	1		X X
4	R79604	TUBE NUT	1		X X
5	R116366	SCREW	1		X X
6	NOZZLE	1		X X
7	R92352	PACKING	1		X X
8	R48000	SEAL	1		X X (USE WITH OVERSIZE NOZZLE BORE) (NOT INCLUDED WITH RE48786)
	R500390	WASHER	1		X X (USE WITH STANDARD NOZZLE BORE)
9	T24472	CAP	1		X X
10	RE48786	INJECTION NOZZLE	1		X X
	SE500826	NOZZLE	1		X X X (REMAN FOR RE48786) PKG 4
	SE501101	NOZZLE	1		X X (REMAN FOR RE48786) PKG 1

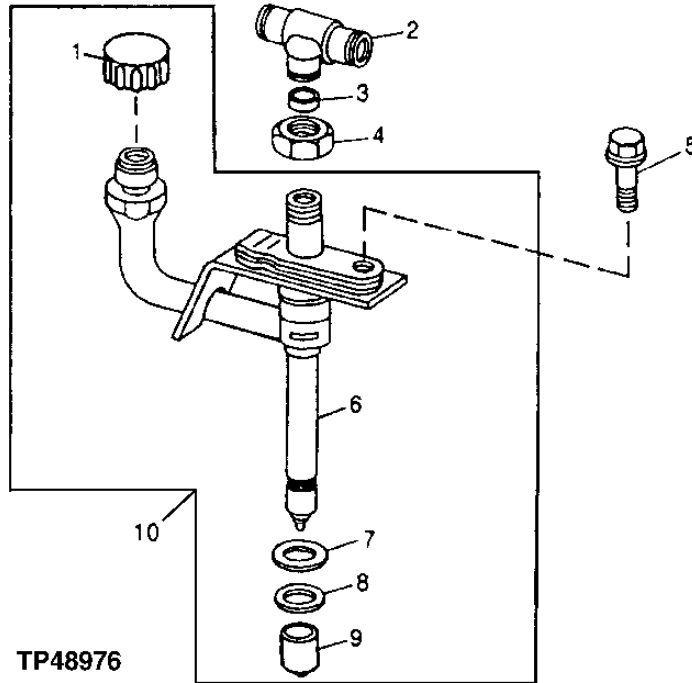
0413-3A

ENGINE 4

FUEL INJECTION SYSTEM 0413

FUEL INJECTION NOZZLE (VSN 893079-907963) TO4045DT056 (VSN -911768) TO4045DT056
 INJECTEURS D'INJECTION DE CARBURANT (VSN 893079-907963) TO4045DT056 (VSN -911768) TO4045DT056
 TOBERAS DE INYECCION DE COMBUSTIBLE (VSN 893079-907963) TO4045DT056 (VSN -911768) TO4045DT056

TP48976 -UN-26OCT96



KEY	PART NO.	PART NAME	QTY.	ENGINE SERIAL NO.	REMARKS
1	CAP (HAT)	1	X	
2	R71963	TEE FITTING	1	X	
3	R79605	WASHER	1	X	
4	R79604	TUBE NUT	1	X	
5	R116366	SCREW	1	X	
6	NOZZLE	1	X	
7	R92352	PACKING	1	X	
8	R48000	SEAL	1	X	(USE WITH OVERSIZE NOZZLE BORE)
	R500390	WASHER	1	X	(USE WITH STANDARD NOZZLE BORE)
9	T24472	CAP	1	X	
10	RE60062	INJECTION NOZZLE	1	X	
	SE500828	NOZZLE	1	X X X	(REMAN FOR RE60062) PKG 4

3 3
 3 1 1
 1 0 5
 0 S S
 G G G

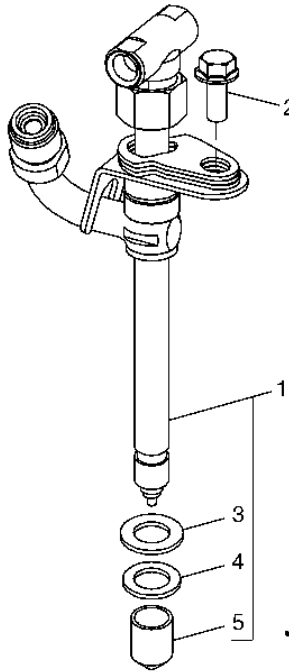
0413-3B

ENGINE 4

FUEL INJECTION SYSTEM 0413

FUEL INJECTION NOZZLE (VSN 911769-) PE4045DT058
 INJECTEURS D'INJECTION DE CARBURANT (VSN 911769-) PE4045DT058
 TOBERAS DE INYECCION DE COMBUSTIBLE (VSN 911769-) PE4045DT058

RGP10095 -UN-



3 3
 3 1 1
 1 0 5
 0 S S
 G G G

KEY	PART NO.	PART NAME	QTY.	ENGINE SERIAL NO.	REMARKS
1	RE515684	INJECTION NOZZLE	1	X	
	SE501178	NOZZLE	1	X	(REMAN FOR RE515684) PKG 4
	SE501177	NOZZLE	1	X	(REMAN FOR RE515684) PKG 1
2	R116366	SCREW	1	X	
3	R60746	SEAL	1	X	
4	R500390	SEAL	1	X	
5	T24472	CAP	1	X	

0413-5

ENGINE 4

FUEL INJECTION SYSTEM 0413

FUEL INJECTION SYSTEM (SEE FOOTNOTE)
 INJECTEURS D'INJECTION DE CARBURANT (VOIR NOTES EN BAS DE PAGE)
 TOBERAS DE INYECCION DE COMBUSTIBLE (CONSULTE NOTA DE PIE DE PAGINA)

KEY	PART NO.	PART NAME	QTY.	ENGINE SERIAL NO.	REMARKS
					3 3
					3 1 1
					1 0 5
					0 S S
					G G G
1	AR85519	PLUG	2		X X X
2	R123593	TUBE NUT	2		X X X
3	RE68748	TUBE	2		X X X
4	R51936	SEALING WASHER	2		X X X (NOT ILLUSTRATED)
	RE70848	FUEL LINE	1		X X X (LEAK-OFF)
	R51936	SEALING WASHER	3		X X X (NOT ILLUSTRATED)
5	RE19797	CLAMP	2		X X X
6	19M7300	CAP SCREW	2		X X X M6 X 10
7	RE59447	FUEL LINE	1		X X X NO. 1
8	RE59448	FUEL LINE	1		X X X NO. 2
9	RE59449	FUEL LINE	1		X X X NO. 3
10	RE59450	FUEL LINE	1		X X X NO. 4
11	19M7865	SCREW	1		X X X M8 X 16, NO. 2
12	R116116	BRACKET	1		X X X
13	T14050	CLAMP	1		X X X
14	14M7298	FLANGE NUT	1		X X X M8
15	RE19799	CLAMP	1		X X X
16	19M7300	CAP SCREW	1		X X X M6 X 10
17	51M7040	O-RING	1		X X X 9.300 X 2.200 MM, (USE WITH RE60029)
	R26286	O-RING	1		X X X (USE WITH RE59487)
18	RE60029	ADAPTER FITTING	1		X X X
	RE59487	FITTING	1	-706976	X X X
19	14M7273	NUT	3		X X X M8
20	R116386	STUD	3		X X X
21	26H10	SHAFT KEY	1		X X X 5/32" X 5/8"
22	RE502380	FUEL INJECTION PUMP	1		X (A) (WITHOUT TURBOCHARGER) (STANADYNE)
	SE500685	FUEL INJECTION PUMP	1		X (A) (REMAN FOR RE502380)
23	R132267	GEAR	1		X X X (Z = 60)
24	R132874	WASHER	1		X X X
25	R91360	NUT	1		X X X M14
26	R67364	ELBOW FITTING	1		X X X
27	12M7065	LOCK WASHER	3		X X X 8 MM
28	T27860	WASHER	3		X X X
29	T16318	O-RING	1		X
	R502076	O-RING	1		X X

(A) SEE YOUR AUTHORIZED PUMP REPAIR STATION FOR INTERNAL PARTS
 (A) CONSULTER LA STATION DE REPARATION DE POMPE AGREEE POUR LES PIECES INTERNES
 (A) CONSULTAR A UN TALLER AUTORIZADO DE REPARACION DE BOMBAS PARA LAS PIEZAS INTERNAS

(VSN 893079-907963) TO4045D5056, TO4045TTO80/81
 (VSN 893079-907963) TO4045D5056, TO4045TTO80/81
 (VSN 893079-907963) TO4045D5056, TO4045TTO80/81

(VSN -911768) PE4045D5058
 (VSN -911768) PE4045D5058
 (VSN -911768) PE4045D5058

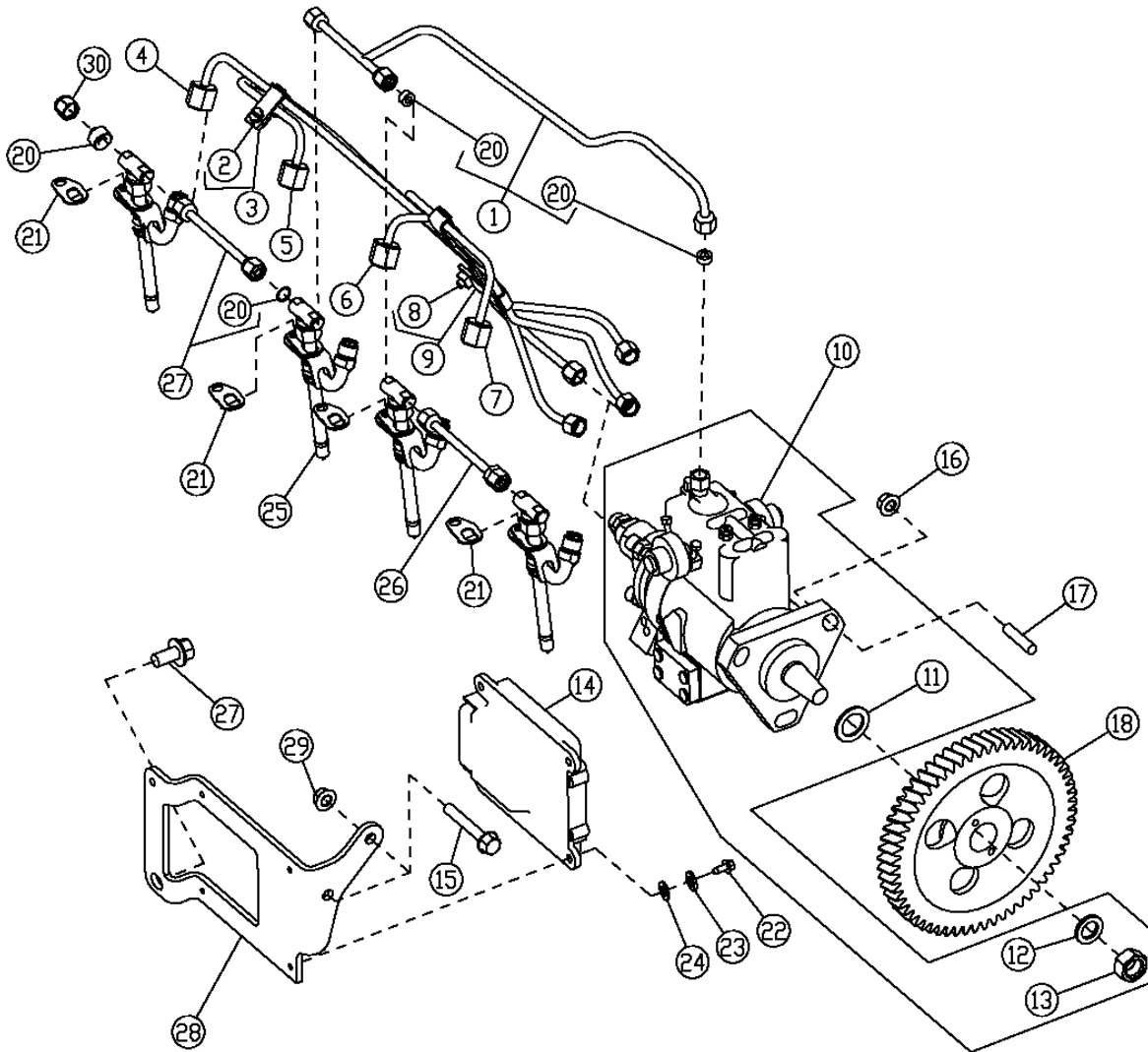
0413-6

ENGINE 4

FUEL INJECTION SYSTEM 0413

FUEL INJECTION PUMP, LINES AND ENGINE CONTROLLER (SEE FOOTNOTE)
POMPE D'INJECTION DE CARBURANT, CONDUITES ET CONTROLEUR DE MOTEUR (VOIR NOTES EN BAS DE PAGE)
BOMBA DE INYECCION DE COMBUSTIBLE, LINEAS Y UNIDAD DE CONTROL DEL MOTOR (CONSULTE NOTA PIE PAGINA)

T157487 -UN-18JUL02



T157487

0413-7

ENGINE 4

FUEL INJECTION SYSTEM 0413

FUEL INJECTION PUMP, LINES AND ENGINE CONTROLLER (SEE FOOTNOTE)
POMPE D'INJECTION DE CARBURANT, CONDUITES ET CONTROLEUR DE MOTEUR (VOIR NOTES EN BAS DE PAGE)
BOMBA DE INYECCION DE COMBUSTIBLE, LINEAS Y UNIDAD DE CONTROL DEL MOTOR (CONSULTE NOTA PIE PAGINA)

KEY	PART NO.	PART NAME	QTY.	ENGINE SERIAL NO.	REMARKS
				3 3	
				3 1 1	
				1 0 5	
				0 S S	
				G G G	
1	RE507598	FUEL LINE	1		X X X
2	19M6614	CAP SCREW	2		X X X M6 X 12
3	RE19797	CLAMP	2		X X X
4	RE507646	FUEL LINE	1		X X X NO.1
5	RE507647	FUEL LINE	1		X X X NO.2
6	RE507648	FUEL LINE	1		X X X NO.3
7	RE507649	FUEL LINE	1		X X X NO.4
8	19M6614	CAP SCREW	1		X X X M6 X 12
9	RE19799	CLAMP	1		X X X
10	RE518087	FUEL INJECTION PUMP	1		X X X (SUB FOR RE515464) (12V)
	SE501235	FUEL INJECTION PUMP	1		X X X (REMANUFACTURED FOR RE518087)
11	R502076	O-RING	1		X X X
12	R132874	WASHER	1		X X X
13	R91360	NUT	1		X X X M14
14	RE522527	ENGINE CONTROLLER	1		X X X (A) (SUB FOR RE518176)
15	19M7979	SCREW	2		X X X M8 X 55
16	14M7298	FLANGE NUT	3		X X X M8
17	R116386	STUD	3		X X X
18	R505472	GEAR	1		X X X
19	R123593	TUBE NUT	1		X X X
20	R51936	SEALING WASHER	6		X X X
21	RE508716	CLAMP	4		X X X
22	19M7640	CAP SCREW	4		X X X M5 X 12
23	12H316	LOCK WASHER	4		X X X 5.486 MM
24	24M7027	WASHER	4		X X X 5.300 X 10 X 1 MM
25	RE507766	INJECTION NOZZLE	4		X X X
	SE500830	NOZZLE	1		X X X (REMAN) PKG 4
	SE501103	NOZZLE	1		X X X (REMAN) PKG 1
	RE531116	KIT	1		X X X
26	RE68748	TUBE	2		X X X
27	19M7784	SCREW	2		X X X M10 X 20
28	R503520	BRACKET	1		X X X
29	14M7298	FLANGE NUT	2		X X X M8
30	AR85519	PLUG	2		X X X

310G - WITHOUT TURBOCHARGER (VSN 911769-) PE4045DT058
 310G - SANS TURBOCOMPRESSEUR (VSN 911769-) PE4045DT058
 310G - SIN TURBOALIMENTADOR (VSN 911769-) PE4045DT058

(A) WHEN ENGINE CONTROLLER IS BEING REPLACED YOU MUST PROVIDE THE ENGINE SERIAL NUMBER
 (A) LORS DU REMPLACEMENT DU CONTROLEUR DU MOTEUR, FOURNIR LE NUMERO DE SERIE DU MOTEUR
 (A) AL REEMPLAZAR UNIDAD DE CONTROL DEL MOTOR, DEBE PROPORCIONAR EL NUMERO DE SERIE DEL MOTOR

0413-8

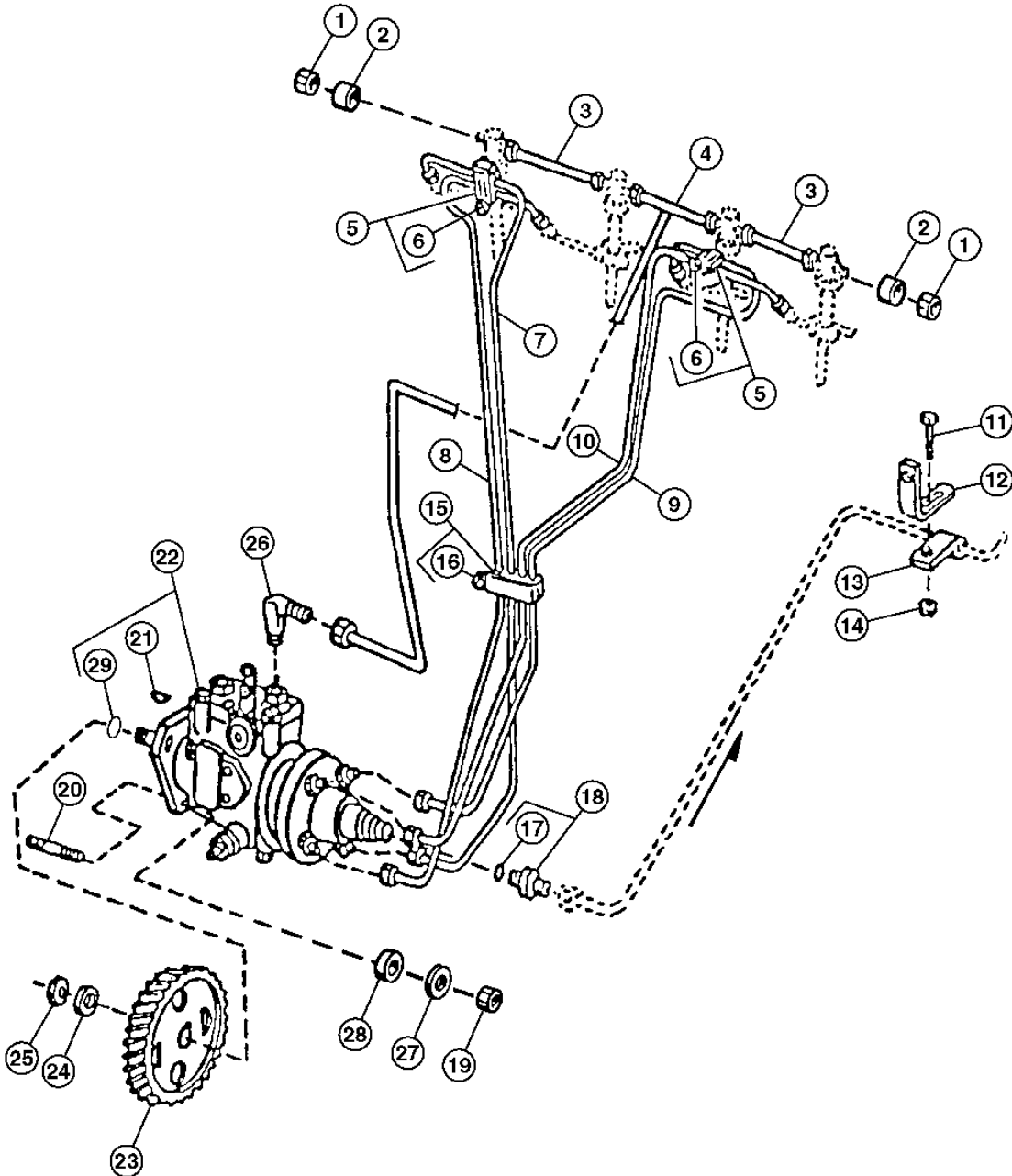
ENGINE 4

FUEL INJECTION SYSTEM 0413

FUEL INJECTION SYSTEM (SEE FOOTNOTE)
CIRCUIT D'INJECTION DE CARBURANT (VOIR NOTE EN BAS DE PAGE)
SISTEMA DE INYECCION DE COMBUSTIBLE (CONSULTE NOTA AL PIE DE PAGINA)

TX1005705

-UN-03APR06



TX1005705

0413-9

ENGINE 4

FUEL INJECTION SYSTEM 0413

FUEL INJECTION SYSTEM (SEE FOOTNOTE)
 CIRCUIT D'INJECTION DE CARBURANT (VOIR NOTE BAS DE PAGE)
 SISTEMA DE INYECCION DE COMBUSTIBLE (CONSULTE NOTA DE PIE DE PAGINA)

KEY	PART NO.	PART NAME	QTY.	ENGINE SERIAL NO.	REMARKS
				3 3	
				3 1 1	
				1 0 5	
				0 S S	
				G G G	
1	AR85519	PLUG	2		X X X
2	R123593	TUBE NUT	2		X X X
3	RE68748	TUBE	2		X X X
4	R51936	SEALING WASHER	2		X X X (NOT ILLUSTRATED)
	RE70848	FUEL LINE	1		X X X LEAK-OFF
	R51936	SEALING WASHER	3		X X X (NOT ILLUSTRATED)
5	RE19797	CLAMP	2		X X X
6	19M7300	CAP SCREW	2		X X X M6 X 10
7	RE59447	FUEL LINE	1		X X X NO. 1
8	RE59448	FUEL LINE	1		X X X NO. 2
9	RE59449	FUEL LINE	1		X X X NO. 3
10	RE59450	FUEL LINE	1		X X X NO. 4
11	19M7865	SCREW	1		X X X M8 X 16, NO. 2
12	R116116	BRACKET	1		X X X
13	T14050	CLAMP	1		X X X
14	14M7298	FLANGE NUT	1		X X X M8
15	RE19799	CLAMP	1		X X X
16	19M7300	CAP SCREW	1		X X X M6 X 10
17	51M7040	O-RING	1		X X X 9.300 X 2.200 MM, (USE WITH RE60029)
	R26286	O-RING	1		X X X (USE WITH RE59487)
18	RE60029	ADAPTER FITTING	1		X X X
	RE59487	FITTING	1	-706976	X X X
19	14M7273	NUT	3		X X X M8
20	R116386	STUD	3		X X X
21	26H10	SHAFT KEY	1		X X X 5/32" X 5/8"
22	RE502378	FUEL INJECTION PUMP	1		X X (A) (WITH TURBOCHARGER) (STANADYNE)
	SE500683	FUEL INJECTION PUMP	1		X X (A) (REMANUFACTURED FOR RE502378)
	RE502377	FUEL INJECTION PUMP	1		X (A) (WITH TURBOCHARGER) (STANADYNE)
	SE500769	FUEL INJECTION PUMP	1		X (REMAN FOR RE502377) PKG 1
23	R132267	GEAR	1		X X X (Z = 60)
24	R132874	WASHER	1		X X X
25	R91360	NUT	1		X X X M14
26	R67364	ELBOW FITTING	1		X X X
27	12M7065	LOCK WASHER	3		X X X 8 MM
28	T27860	WASHER	3		X X X
29	T16318	O-RING	1		X
	R502076	O-RING	1		X X

(A) SEE YOUR AUTHORIZED PUMP REPAIR STATION FOR INTERNAL PARTS
 (A) CONSULTER LA STATION DE REPARATION DE POMPE AGREEE POUR LES PIECES INTERNES
 (A) CONSULTAR A UN TALLER AUTORIZADO DE REPARACION DE BOMBAS PARA LAS PIEZAS INTERNAS

(VSN 893079-907963) TO4045DTO56, TO4045TTO80/81 (VSN -910055) PE4045TT088/89
 (VSN 893079-907963) TO4045DTO56, TO4045TTO80/81 (VSN -910055) PE4045TT088/89
 (VSN 893079-907963) TO4045DTO56, TO4045TTO80/81 (VSN -910055) PE4045TT088/89

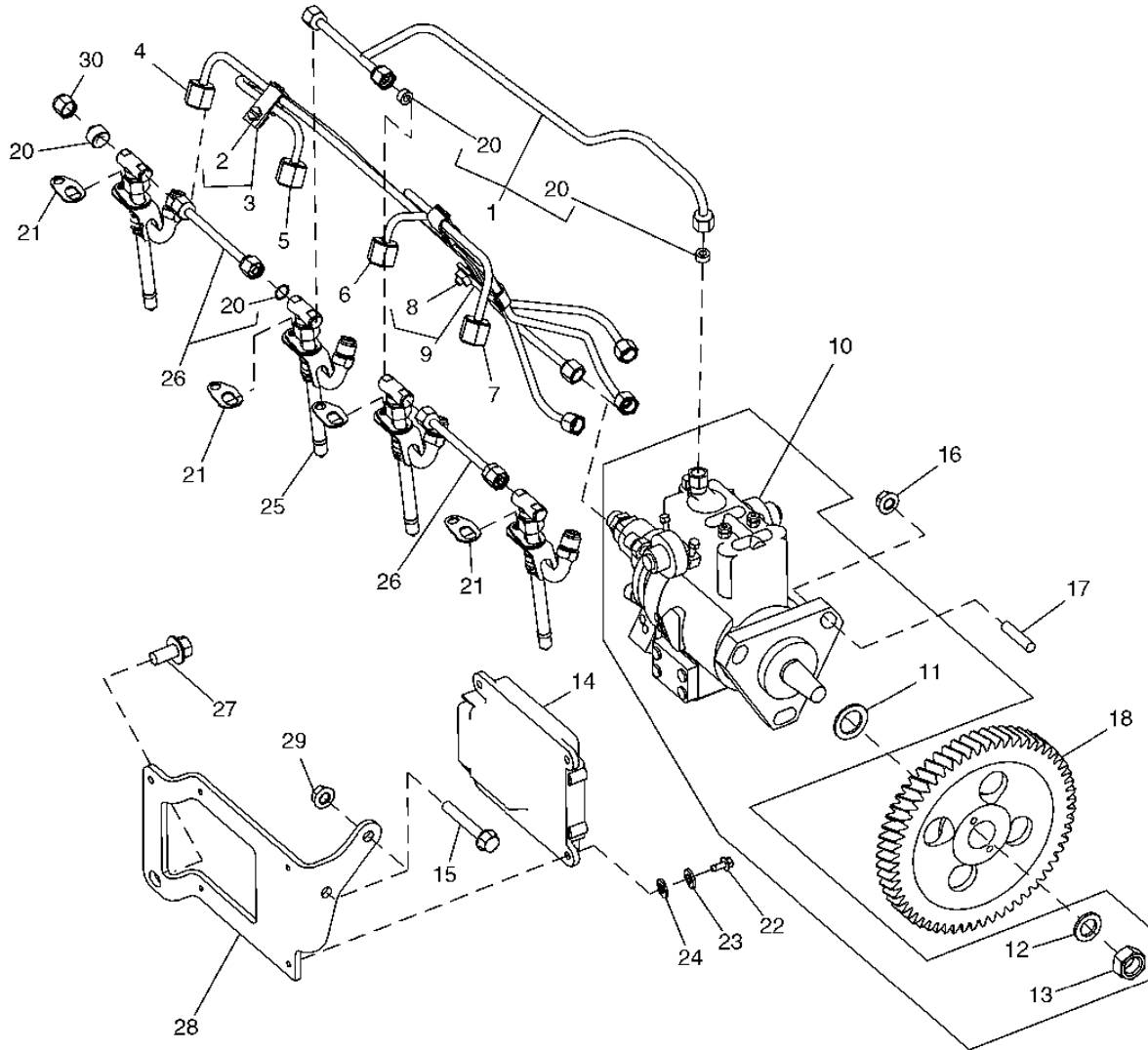
0413-10

ENGINE 4

FUEL INJECTION SYSTEM 0413

FUEL INJECTION PUMP, LINES AND ENGINE CONTROLLER (SEE FOOTNOTE)
POMPE D'INJECTION DE CARBURANT, CONDUITES ET CONTROLEUR DE MOTEUR (VOIR NOTE EN BAS DE PAGE)
BOMBA DE INYECCION DE COMBUSTIBLE, LINEAS Y UNIDAD DE CONTROL DEL MOTOR (VEA LA NOTA DEL PIE)

RGP10110 -UN-



JOHN DEERE
RGP10110

THIS PARTS LISTING IS CONTINUED

0413-11

ENGINE 4

FUEL INJECTION SYSTEM 0413

FUEL INJECTION PUMP, LINES AND ENGINE CONTROLLER (SEE FOOTNOTE)
 POMPE D'INJECTION DE CARBURANT, CONDUITES ET CONTROLEUR DE MOTEUR (VOIR NOTE EN BAS DE PAGE)
 BOMBA DE INYECCION DE COMBUSTIBLE, LINEAS Y UNIDAD DE CONTROL DEL MOTOR (VEA NOTA PIE DEL PAGINA)

KEY	PART NO.	PART NAME	QTY.	ENGINE SERIAL NO.	REMARKS
				3 3	
				3 1 1	
				1 0 5	
				0 S S	
				G G G	
1	RE507598	FUEL LINE	1		X X X
2	19M7923	CAP SCREW	2		X X X M6 X 12
3	RE19797	CLAMP	2		X X X
4	RE507649	FUEL LINE	1		X X X NO.4
5	RE507648	FUEL LINE	1		X X X NO.3
6	RE507647	FUEL LINE	1		X X X NO.2
7	RE507646	FUEL LINE	1		X X X NO.1
8	19M7923	CAP SCREW	1		X X X M6 X 12
9	RE19799	CLAMP	1		X X X
10	RE518087	FUEL INJECTION PUMP	1		X X X (SUB FOR RE515464) (12V)
	SE501235	FUEL INJECTION PUMP	1		X X X (REMANUFACTURED FOR RE518087)
11	R502076	O-RING	1		X X X
12	R132874	WASHER	1		X X X
13	R91360	NUT	1		X X X M14
14	RE522527	ENGINE CONTROLLER	1		X X X (A) (SUB FOR RE518176)
15	19M7979	SCREW	2		X X X M8 X 55
16	14M7298	FLANGE NUT	3		X X X M8
17	R116386	STUD	3		X X X
18	R505472	GEAR	1		X X X
19	R123593	TUBE NUT	1		X X X
20	R51936	SEALING WASHER	6		X X X
21	RE508716	CLAMP	4		X X X
22	19M7640	CAP SCREW	4		X X X M5 X 12
23	12H316	LOCK WASHER	4		X X X 5.486 MM
24	24M7027	WASHER	4		X X X 5.300 X 10 X 1 MM
25	RE507766	INJECTION NOZZLE	4		X X X
	SE500830	NOZZLE	1		X X X (REMAN) PKG 4
	SE501103	NOZZLE	AR		X X X (REMAN) PKG 1
	RE531116	KIT	1		X X X
26	RE68748	TUBE	2		X X X
27	19M7784	SCREW	2		X X X M10 X 20
28	R503520	BRACKET	1		X X X
29	14M7298	FLANGE NUT	2		X X X M8
30	AR85519	PLUG	2		X X X

(VSN 910056-) PE4045TTO88/89
 (VSN 910056-) PE4045TTO88/89
 (VSN 910056-) PE4045TTO88/89

(A) WHEN ENGINE CONTROLLER IS BEING REPLACED YOU MUST PROVIDE THE ENGINE SERIAL NUMBER
 (A) LORS DU REMPLACEMENT DU CONTROLEUR DU MOTEUR, FOURNIR LE NUMERO DE SERIE DU MOTEUR
 (A) AL REEMPLAZAR UNIDAD DE CONTROL DEL MOTOR, DEBE PROPORCIONAR EL NUMERO DE SERIE DEL MOTOR

0413-12A

ENGINE 4

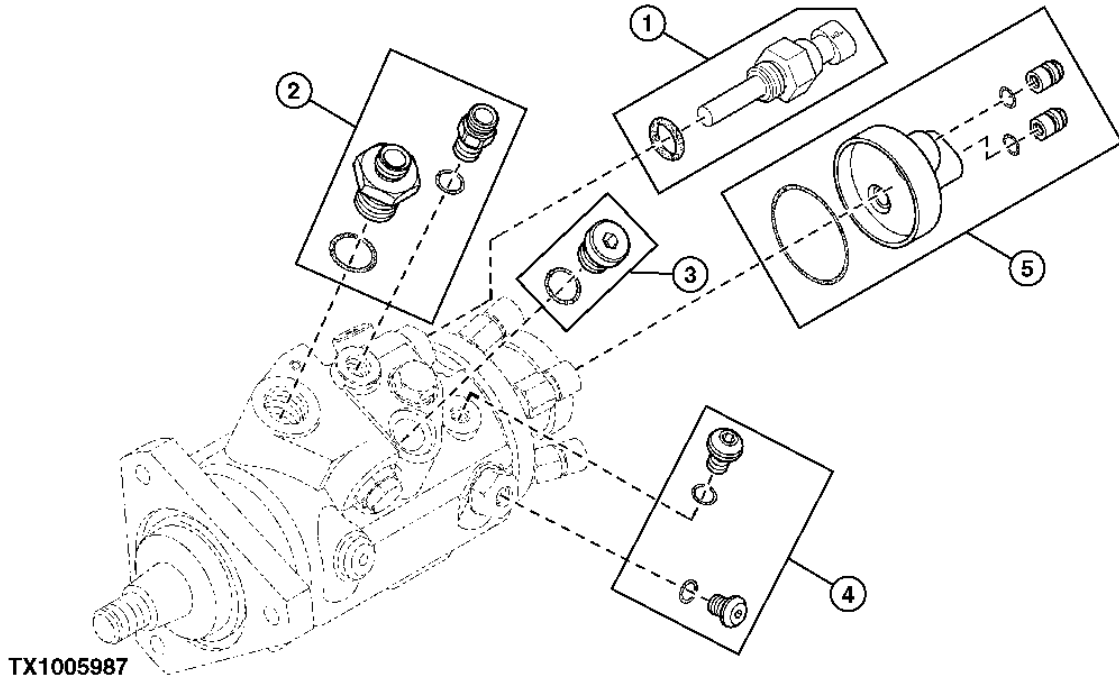
FUEL INJECTION SYSTEM 0413

FUEL INJECTION PUMP STANADYNE DE10 SERVICE KITS (SEE FOOTNOTE)

KITS D'ENTRETIEN DE POMPE D'INJECTION DE CARBURANT STANADYNE DE10 (VOIR NOTE EN BAS DE PAGE)

JUEGOS DE MANTENIMIENTO DE BOMBA DE INYECCION DE COMBUSTIBLE STANADYNE DE10(VEA NOTA PIE PAGINA)

TX1005987 -UN-11APR06



0413-12B

ENGINE 4

FUEL INJECTION SYSTEM 0413

FUEL INJECTION PUMP STANADYNE DE10 SERVICE KITS (SEE FOOTNOTE)
 KITS D'ENTRETIEN DE POMPE D'INJECTION DE CARBURANT STANADYNE DE10 (VOIR NOTE BAS DE PAGE)
 JUEGOS DE MANTENIMIENTO DE BOMBA DE INYECCION DE COMBUSTIBLE STANADYNE DE10(VEA NOTA PIE PAGINA)

KEY	PART NO.	PART NAME	QTY.	ENGINE SERIAL NO.	REMARKS
				3 3	
				3 1 1	
				1 0 5	
				0 S S	
				G G G	
1	RE521822	KIT	1	X	(FUEL TEMPERATURE SENSOR)
2	RE521823	KIT	1	X	(PRESSURE REGULATOR AND FUEL INLET CONNECTOR)
3	RE521824	KIT	1	X	(TIMING PIN HOLE PLUG)
4	RE521825	KIT	1	X	(TRANSFER PUMP TAP SCREW AND VENT WIRE ACCESS SCREW)
5	RE522109	KIT	1	X	(SOLENOID CONNECTOR ASSEMBLY)

(VSN 911469-) PE4045DTO58 (W/O TURBOCHARGER)
 (VSN 911469-) PE4045DTO58 (SANS TURBOCOMPRESSEUR)
 (VSN 911469-) PE4045DTO58 (SIN TURBOALIMENTADOR)

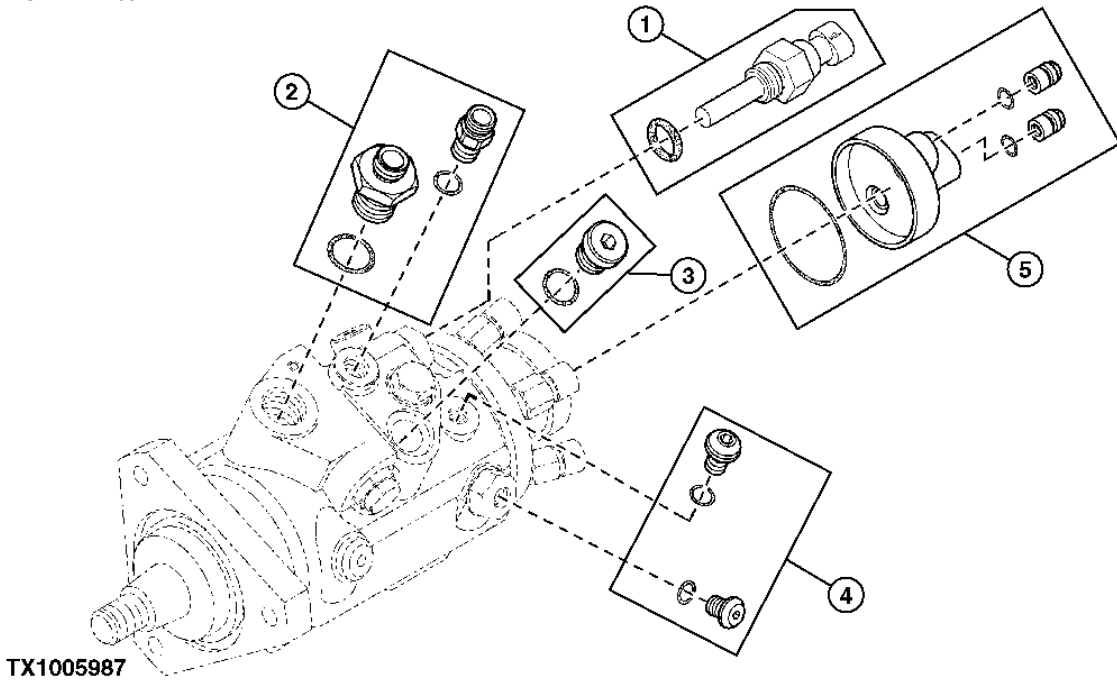
0413-13A

ENGINE 4

FUEL INJECTION SYSTEM 0413

FUEL INJECTION PUMP STANADYNE DE10 SERVICE KITS (SEE FOOTNOTE)
KITS D'ENTRETIEN DE POMPE D'INJECTION DE CARBURANT STANADYNE DE10 (VOIR NOTE EN BAS DE PAGE)
JUEGOS DE MANTENIMIENTO DE BOMBA DE INYECCION DE COMBUSTIBLE STANADYNE DE10(VEA NOTA PIE PAGINA)

TX1005987 -UN-11APR06



0413-13B

ENGINE 4

FUEL INJECTION SYSTEM 0413

FUEL INJECTION PUMP STANADYNE DE10 SERVICE KITS (SEE FOOTNOTE)
 KITS D'ENTRETIEN DE POMPE D'INJECTION DE CARBURANT STANADYNE DE10 (VOIR NOTE EN BAS DE PAGE)
 JUEGOS DE MANTENIMIENTO DE BOMBA DE INYECCION DE COMBUSTIBLE STANADYNE DE10(VEA NOTA PIE PAGINA)

KEY	PART NO.	PART NAME	QTY.	ENGINE SERIAL NO.	REMARKS
				3 3	
				3 1 1	
				1 0 5	
				0 S S	
				G G G	
1	RE521822	KIT	1		X X X (FUEL TEMPERATURE SENSOR)
2	RE521823	KIT	1		X X X (PRESSURE REGULATOR AND FUEL INLET CONNECTOR)
3	RE521824	KIT	1		X X X (TIMING PIN HOLE PLUG)
4	RE521825	KIT	1		X X X (TRANSFER PUMP TAP SCREW AND VENT WIRE ACCESS SCREW)
5	RE522109	KIT	1		X X X (SOLENOID CONNECTOR ASSEMBLY)

(VSN 910056-) PE4045TTO88/89 (WITH TURBOCHARGER)
 (VSN 910056-) PE4045TTO88/89 (AVEC SURALIMENTATION)
 (VSN 910056-) PE4045TTO88/89 (CON TURBOALIMENTADOR)

0413-14

ENGINE 4

FUEL INJECTION SYSTEM 0413

MEMORANDA
MEMORANDA
MEMORANDA

0414-1

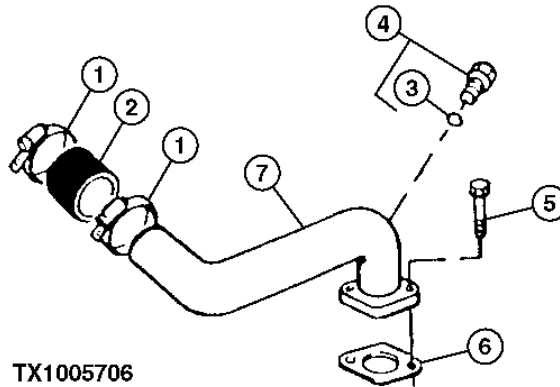
ENGINE 4

INTAKE MANIFOLD 0414

AIR INTAKE SYSTEM 310G (TURBO), 310SG, 315SG (VSN -910055) TO/PE4045TTO80/81
 SYSTEME D'ADMISSION D'AIR 310G (TURBO), 310SG, 315SG (VSN -910055) TO/PE4045TTO80/81
 SISTEMA DE ADMISION DE AIRE 310G (TURBO), 310SG, 315SG (VSN -910055) TO/PE4045TTO80/81

TX1005706

-UN-03APR06



KEY	PART NO.	PART NAME	QTY.	ENGINE SERIAL NO.	REMARKS
				3 3	
				3 1 1	
				1 0 5	
				0 S S	
				G G G	
1	R110531	CLAMP	2	X X X	
2	R500596	HOSE	1	X X X	
3	51M7039	O-RING	1	X X X	8.100 X 1.600 MM
4	RE60071	FITTING	1	X X X	(SUB FOR RE502903)
5	19M7785	SCREW	2	X X X	M10 X 25
6	R81275	GASKET	1	X X X	
7	RE506662	TUBE	1	X X X	(AIR INLET)

0414-2

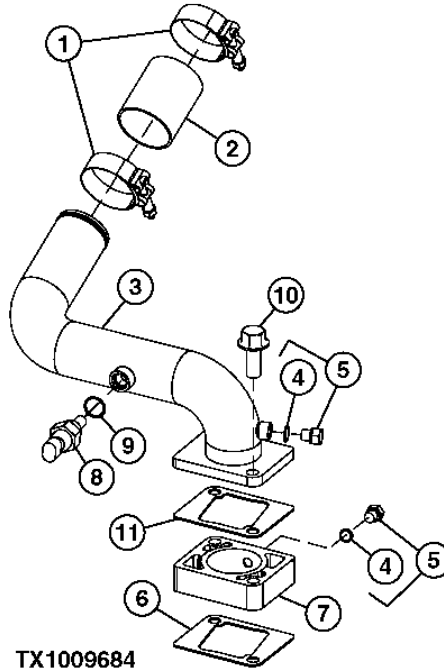
ENGINE 4

INTAKE MANIFOLD 0414

AIR INTAKE SYSTEM 310G (TURBO), 310SG, 315SG (VSN 910056-) TO/PE4045TTO80/81
 SYSTEME D'ADMISSION D'AIR 310G (TURBO), 310SG, 315SG (VSN 910056-) TO/PE4045TTO80/81
 SISTEMA DE ADMISION DE AIRE 310G (TURBO), 310SG, 315SG (VSN 910056-) TO/PE4045TTO80/81

TX1009684

-UN-10JUL06



TX1009684

3 3
 3 1 1
 1 0 5
 0 S S
 G G G

KEY	PART NO.	PART NAME	QTY.	ENGINE SERIAL NO.	REMARKS
1	R110531	CLAMP	2	X X X	
2	R500596	HOSE	1	X X X	
3	RE506949	STRUCTURAL TUBING	1	X X X	
4	51M7039	O-RING	2	X X X	8.100 X 1.600 MM
5	RE60071	FITTING	2	X X X	
6	R81275	GASKET	1	X X X	
7	R501472	SPACER	1	X X X	(AIR INLET) (ALSO ORDER (2) R81275)
8	RE61812	SENSOR	1	X X X	(AIR INTAKE TEMPERATURE)
9	51M7041	O-RING	1	X X X	11.300 X 2.200 MM
10	19M8292	SCREW	2	X X X	M10 X 50
11	R81275	GASKET	1	X X X	

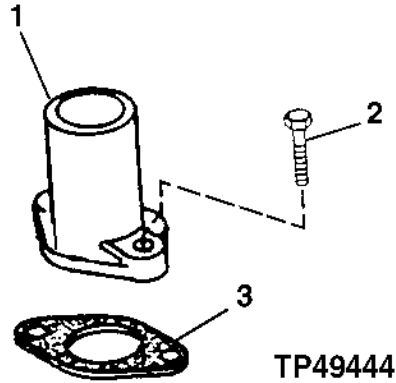
0414-3

ENGINE 4

INTAKE MANIFOLD 0414

AIR INTAKE SYSTEM 310G (W/O TURBO) (TO/PE4045DTO56)
 SYSTEME D'ADMISSION D'AIR (W/O TURBO) (TO/PE4045DTO56)
 SISTEMA DE ADMISION DE AIRE (W/O TURBO) (TO/PE4045DTO56)

TP49444 -UN-14AUG96



KEY	PART NO.	PART NAME	QTY.	ENGINE SERIAL NO.	REMARKS
1	R123569	INTAKE MANIFOLD	1		
2	R500394	SCREW	2		
3	R81275	GASKET	1		

3 3
 3 1 1
 1 0 5
 0 S S
 G G G

0415-2

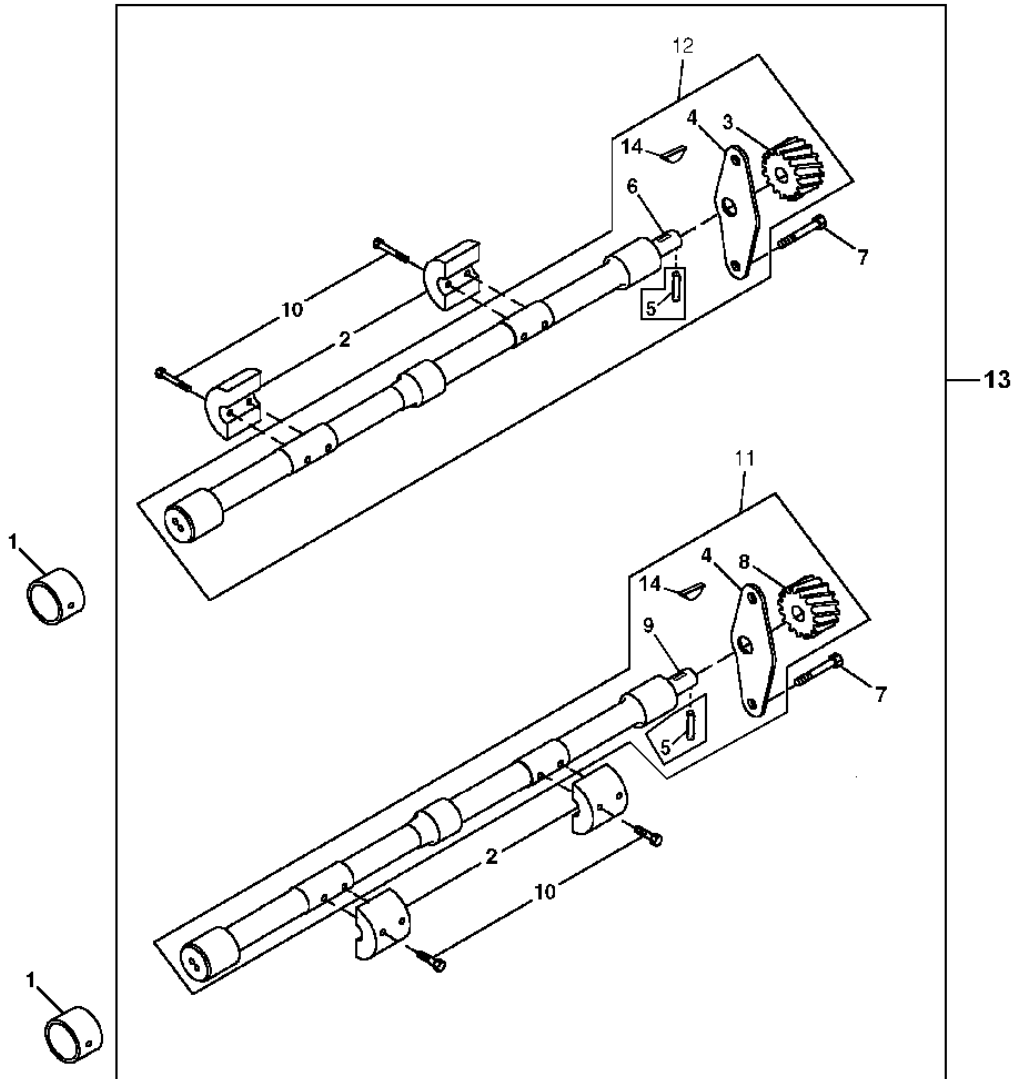
ENGINE 4

ENGINE BALANCER 0415

ENGINE BALANCER SHAFT 310G (TURBO), 310SG, 315SG (TO/PE4045TTO80/81)
ARBRE DE BALANCIER DE MOTEUR 310G (TURBO), 310SG, 315SG (TO/PE4045TTO80/81)
EJE DEL EQUILIBRADOR DEL MOTOR 310G (TURBO), 310SG, 315SG (TO/PE4045TTO80/81)

T149536

-UN-03JAN02



T149536

0415-3

ENGINE 4

ENGINE BALANCER 0415

ENGINE BALANCER SHAFT 310G (TURBO), 310SG, 315SG (TO/PE4045TTO80/81)
 ARBRE DE BALANCIER DE MOTEUR 310G (TURBO), 310SG, 315SG (TO/PE4045TTO80/81)
 EJE DEL EQUILIBRADOR DEL MOTOR 310G (TURBO), 310SG, 315SG (TO/PE4045TTO80/81)

KEY	PART NO.	PART NAME	QTY.	SERIAL NO.	REMARKS
					3 3
					3 1 1
					1 0 5
					0 S S
					G G G
1	R115299	BUSHING	6		X X X
2	R500265	WEIGHT	4		X X X
3	GEAR	1		X X X LH (Z = 15)
4	PLATE	2		X X X
5	34M7089	DOWEL PIN	2	-782945	X X X 4 X 12 MM
6	BALANCER SHAFT	1		X X X LH
7	19M8998	SCREW	4		X X X M8 X 12
8	GEAR	1		X X X RH (Z = 15)
9	BALANCER SHAFT	1		X X X RH
10	19M8882	SCREW	8		X X X M8 X 40
11	RE500448	BALANCER SHAFT	1		X X X RH
12	RE500449	BALANCER SHAFT	1		X X X LH
13	RE504741	BALANCER SHAFT	1		X X X KIT
14	R133303	SHAFT KEY	2	782946-	X X X

0416-2

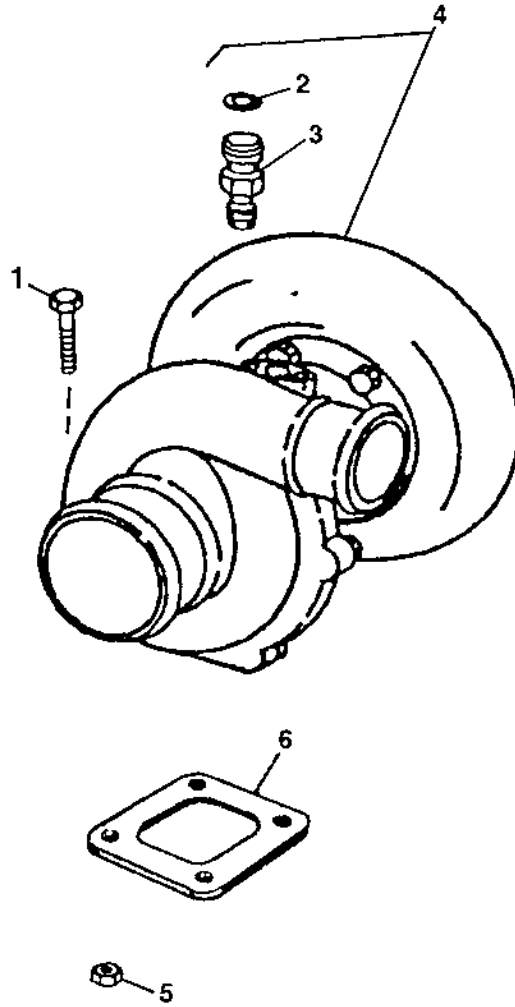
ENGINE 4

TURBORCHARGER 0416

TURBOCHARGER 310G (TURBO), 310SG, 315SG (VSN -910055) TO/PE4045TTO80/81
TURBOCOMPRESSEUR 310G (TURBO), 310SG, 315SG (VSN -910055) TO/PE4045TTO80/81
TURBOCARGADOR 310G (TURBO), 310SG, 315SG (VSN -910055) TO/PE4045TTO80/81

TP49341

-UN-27SEP96



TP49341

0416-3

ENGINE 4

TURBORCHARGER 0416

TURBOCHARGER 310G (TURBO), 310SG, 315SG (VSN -910055) TO/PE4045TTO80/81
 TURBOCOMPRESSEUR 310G (TURBO), 310SG, 315SG (VSN -910055) TO/PE4045TTO80/81
 TURBOCARGADOR 310G (TURBO), 310SG, 315SG (VSN -910055) TO/PE4045TTO80/81

KEY	PART NO.	PART NAME	QTY.	ENGINE SERIAL NO.	REMARKS
				3 3	
				3 1 1	
				1 0 5	
				0 S S	
				G G G	
1	19M8162	SCREW	4		X X X M10 X 40
2	R63548	O-RING	1		X X X
3	M87733	ADAPTER FITTING	1		X X X
4	RE505047	TURBOCHARGER	1		X X X
5	14M7296	FLANGE NUT	4		X X X M10
6	R92097	GASKET	1		X X X

0416-4

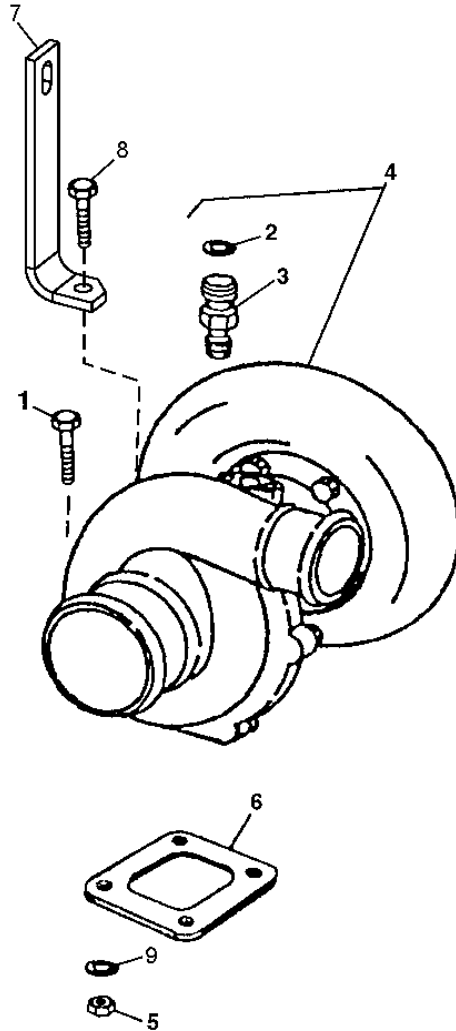
ENGINE 4

TURBORCHARGER 0416

TURBOCHARGER 310G (TURBO), 310SG, 315SG (VSN -910056) TO/PE4045TTO80/81
TURBOCOMPRESSEUR 310G (TURBO), 310SG, 315SG (VSN -910056) TO/PE4045TTO80/81
TURBOCARGADOR 310G (TURBO), 310SG, 315SG (VSN -910056) TO/PE4045TTO80/81

T155121

-UN-22MAY02



T145833

0416-5

ENGINE 4

TURBORCHARGER 0416

TURBOCHARGER 310G (TURBO), 310SG, 315SG (VSN -910056) TO/PE4045TTO80/81
 TURBOCOMPRESSEUR 310G (TURBO), 310SG, 315SG (VSN -910056) TO/PE4045TTO80/81
 TURBOCARGADOR 310G (TURBO), 310SG, 315SG (VSN -910056) TO/PE4045TTO80/81

KEY	PART NO.	PART NAME	QTY.	ENGINE SERIAL NO.	3 3 3 1 1 1 0 5 0 S S G G G	REMARKS
1	19M8162	SCREW	4		X X X	M10 X 40
2	R63548	O-RING	1		X X X	
3	M87733	ADAPTER FITTING	1		X X X	
4	RE509572	TURBOCHARGER	1	-406329	X	(REMAN) (BORG-WARNER)
	RE509572	TURBOCHARGER	1	-432748	X X	(REMAN) (BORG-WARNER)
	RE505047	TURBOCHARGER	1	406330-	X	(CZ)
	SE501155	TURBOCHARGER	1	432749-	X X	(CZ)
5	14M7296	FLANGE NUT	4		X X X	
6	R92097	GASKET	1		X X X	
7	T68098	ANGLE	1		X X X	
8	19M8292	SCREW	1		X X X	
9	24M7096	WASHER	4		X X X	10.500 X 18 X 1.600 MM

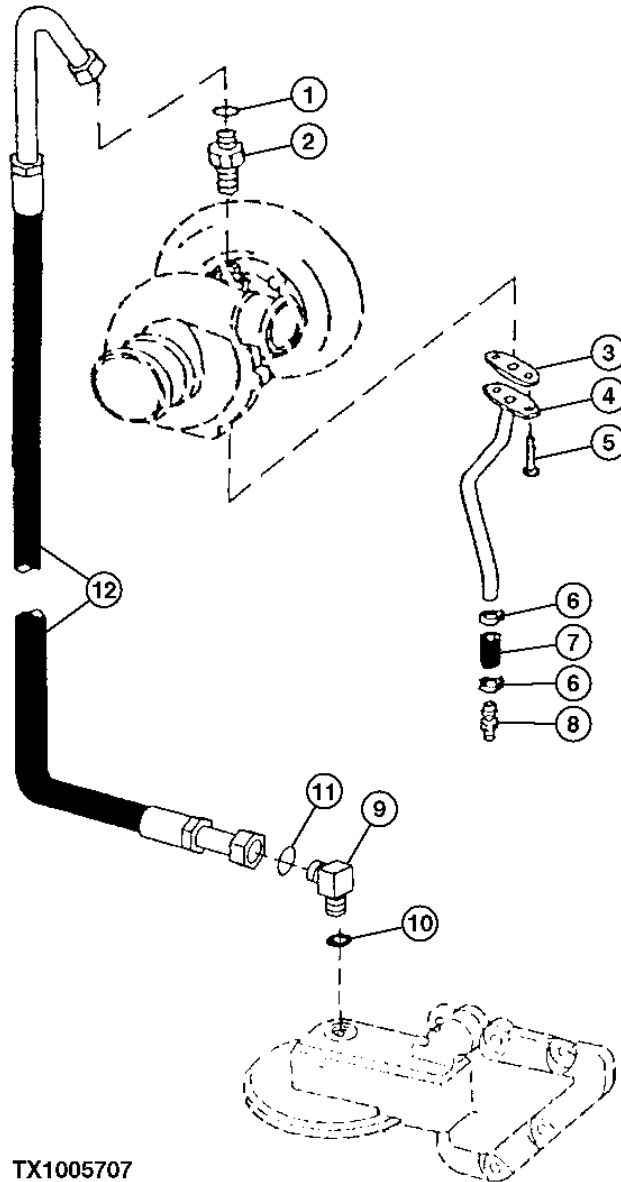
0416-6

ENGINE 4

TURBORCHARGER 0416

TURBOCHARGER OIL LINES 310G (TURBO), 310SG, 315SG (VSN -910055) TO/PE4045TT080/081
CONDUITES D'HUILE DE TURBOCOMPRESSEUR 310G (TURBO), 310SG, 315SG (VSN -910055) TO/PE4045TT080/081
LINEAS DE ACEITE DEL TURBOALIMENTADOR 310G (TURBO), 310SG, 315SG (VSN -910055) TO/PE4045TT080/081

TX1005707 -UN-03APR06



0416-7

ENGINE 4

TURBORCHARGER 0416

TURBOCHARGER OIL LINES 310G (TURBO), 310SG, 315SG (VSN -910055) TO/PE4045TT080/081
 CONDUITES D'HUILE DE TURBOCOMPRESSEUR 310G (TURBO), 310SG, 315SG (VSN -910055) TO/PE4045TT080/081
 LINEAS DE ACEITE DEL TURBOALIMENTADOR 310G (TURBO), 310SG, 315SG (VSN -910055) TO/PE4045TT080/081

KEY	PART NO.	PART NAME	QTY.	ENGINE SERIAL NO.	3 3	REMARKS
					3 1 1	
					1 0 5	
					0 S S	
					G G G	
1	R63548	O-RING	1		X X X	
2	M87733	ADAPTER FITTING	1		X X X	
3	R123570	GASKET	1		X X X	
4	RE59547	OIL LINE	1		X X X	
5	19M7866	SCREW	2		X X X	M8 X 20
6	RE65978	CLAMP	2		X X X	
7	HOSE	1		X X X	(MAKE FROM R120013) (CTL)
8	RE54885	HOSE FITTING	1		X X X	
9	38H5154	ELBOW FITTING	1		X X X	
10	51M7042	O-RING	1		X X X	
11	T77613	O-RING	1		X X X	
12	RE501260	OIL LINE	1		X X X	

0416-8

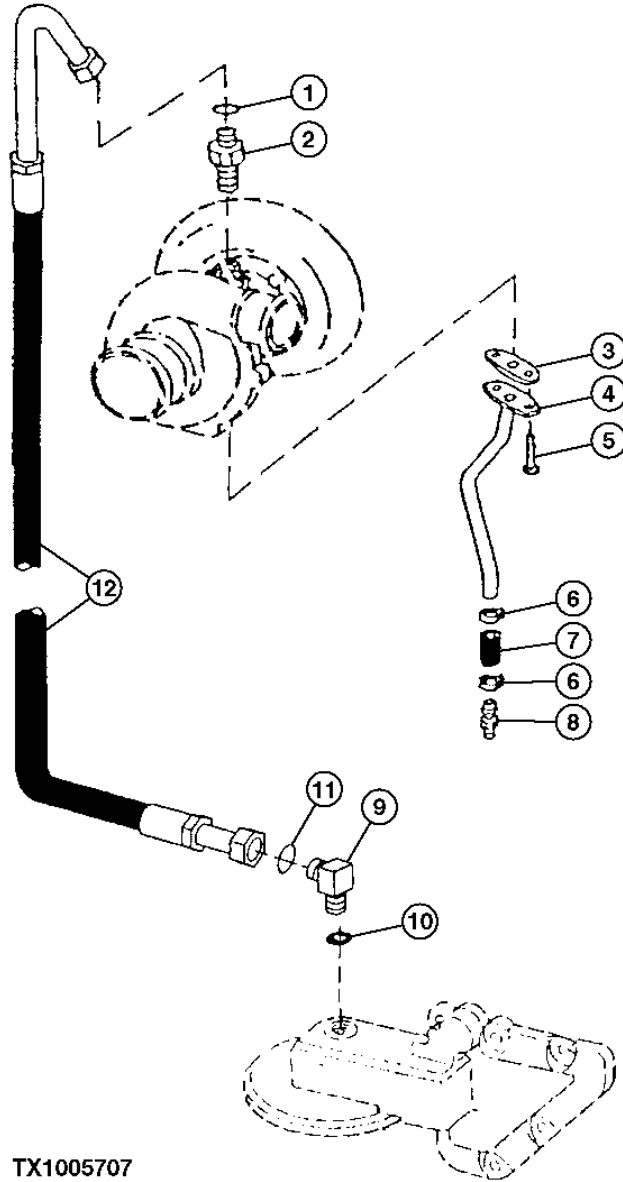
ENGINE 4

TURBORCHARGER 0416

TURBOCHARGER OIL LINES (VSN 910056-) TO/PE4045TT080/081, PE4045TT088
CONDUITES D'HUILE DE TURBOCOMPRESSEUR (VSN 910056-) TO/PE4045TT080/081, PE4045TT088
LINEAS DE ACEITE DEL TURBOALIMENTADOR (VSN 910056-) TO/PE4045TT080/081, PE4045TT088

TX1005707

-UN-03APR06



TX1005707

0416-9

ENGINE 4

TURBORCHARGER 0416

TURBOCHARGER OIL LINES (VSN 910056-) TO/PE4045TT080/081, PE4045TT088
 CONDUITES D'HUILE DE TURBOCOMPRESSEUR (VSN 910056-) TO/PE4045TT080/081, PE4045TT088
 LINEAS DE ACEITE DEL TURBOALIMENTADOR (VSN 910056-) TO/PE4045TT080/081, PE4045TT088

KEY	PART NO.	PART NAME	QTY.	ENGINE SERIAL NO.	REMARKS
					3 3
					3 1 1
					1 0 5
					0 S S
					G G G
1	R63548	O-RING	1		X X X
2	M87733	ADAPTER FITTING	1		X X X
3	R503891	GASKET	1	-406329	X X X (USE WITH RE509572)
	R123570	GASKET	1	406330-	X X X (USE WITH RE505047)
4	RE509555	OIL LINE	1	-406329	X X X (USE WITH RE509572)
	RE59547	OIL LINE	1	406330-	X X X (USE WITH RE505047)
5	19M7862	SCREW	2	-406329	X X X M6 X 20, (USE WITH RE509572)
	19M7866	SCREW	2	406330-	X X X M8 X 20, (USE WITH RE505047)
6	RE65978	CLAMP	2		X X X
7	HOSE	1		X X X (MAKE FROM R120013) (CTL)
8	RE54885	HOSE FITTING	1		X X X
9	38H5154	ELBOW FITTING	1		X X X
10	R63548	O-RING	1		X X X
11	T77613	O-RING	1		X X X
12	RE501260	OIL LINE	1		X X X

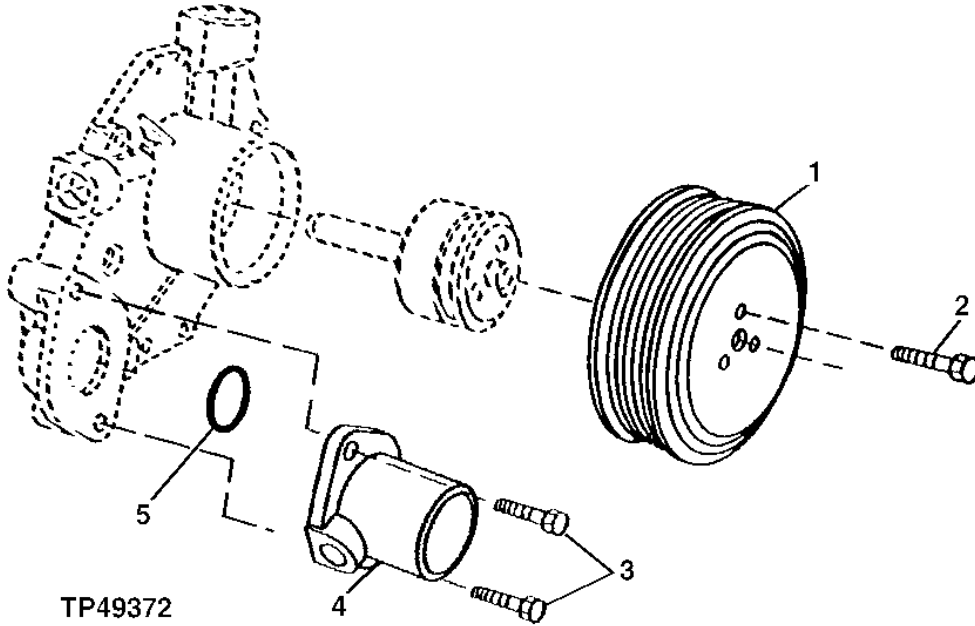
0417-2

ENGINE 4

WATER PUMP 0417

WATER PUMP INLET AND PULLEY
 ENTREE DE POMPE A EAU ET POULIE
 ENTRADA DE BOMBA DE AGUA Y POLEA

TP49372 -UN-18JAN96



KEY	PART NO.	PART NAME	QTY.	ENGINE SERIAL NO.	REMARKS
1	R121038	PULLEY	1	X X X	
2	19M7774	SCREW	3	X X X	M6 X 12
3	19M7867	SCREW	2	X X X	M8 X 25
4	R121634	HOUSING	1	X X X	
5	R89944	O-RING	1	X X X	

3 3
 3 1 1
 1 0 5
 0 S S
 G G G

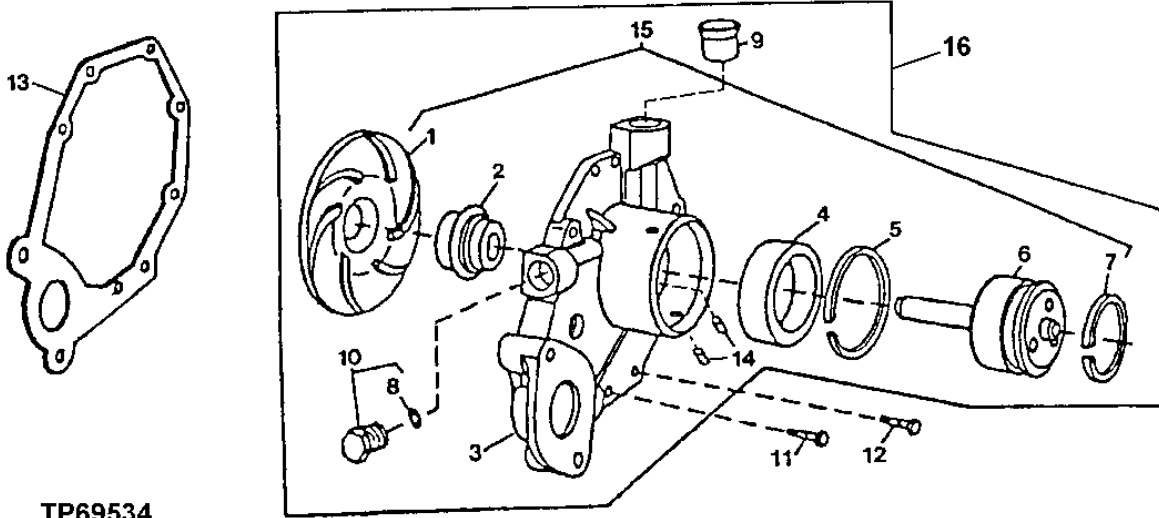
0417-3

ENGINE 4

WATER PUMP 0417

WATER PUMP AND REPAIR KIT (SEE FOOTNOTE)
POMPE A EAU ET KIT DE REPARATION (VOIR NOTE EN BAS DE PAGE)
BOMBA DE AGUA Y JUEGO DE REPARACION (CONSULTE NOTA AL PIE DE PAGINA)

TP69534 -UN-18JUL00



TP69534

KEY	PART NO.	PART NAME	QTY.	ENGINE SERIAL NO.	REMARKS
				3 3	
				3 1 1	
				1 0 5	
				0 S S	
				G G G	
1	IMPELLER	1	X X X	
2	SEAL	1	X X X	
3	HOUSING	1	X X X	
4	BALL BEARING	1	X X X	
5	RING	1	X X X	
6	SHAFT	1	X X X	
7	A364R	SNAP RING	1	X X X	
8	51M7043	O-RING	1	X X X	15.300 X 2.200 MM
9	R123226	GASKET	1	X X X	
10	RE46685	FITTING PLUG	1	X X X	
11	19M7796	SCREW	3	X X X	M6 X 30
12	19M7863	SCREW	5	X X X	M6 X 25
13	R123417	GASKET	1	X X X	
14	R100369	FILTER	2	X X X	
15	RE71240	KIT	1	X X X	
16	RE500737	WATER PUMP	1	X X X	(MARKED R500401) (SUB RE505981 AND RE508566)

310G (W/O TURBO) (VSN -911769) TO/PE4045DT056
 310G (SANS SURALIMENTATION) (VSN -911769) TO/PE4045DT056
 310G (SIN TURBOALIMENTADOR) (VSN -911769) TO/PE4045DT056

310G (TURBO), 310SG, 315SG (VSN -910055) TO/PE4045TT080/081
 310G (TURBO), 310SG, 315SG (VSN -910055) TO/PE4045TT080/081
 310G (TURBO), 310SG, 315SG (VSN -910055) TO/PE4045TT080/081

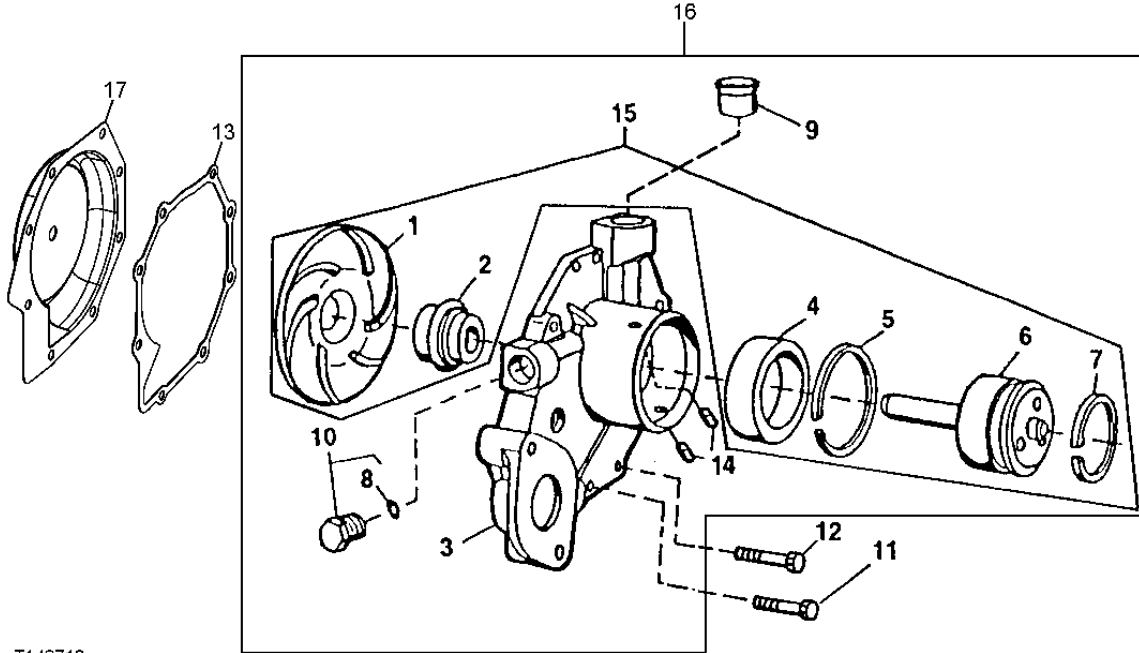
0417-4

ENGINE 4

WATER PUMP 0417

WATER PUMP AND REPAIR KIT (SEE FOOTNOTE)
 POMPE A EAU ET KIT DE REPARATION (VOIR NOTE EN BAS DE PAGE)
 BOMBA DE AGUA Y JUEGO DE REPARACION (CONSULTE NOTA AL PIE DE PAGINA)

T149718 -UN-07JAN02



T149718

KEY	PART NO.	PART NAME	QTY.	ENGINE SERIAL NO.	REMARKS
1	IMPELLER	1		(MARKED R121036)
2	SEAL	1		(MARKED R503509)
3	HOUSING	1		
4	BALL BEARING	1		
5	RING	1		
6	SHAFT	1		
7	A364R	SNAP RING	1		
8	51M7043	O-RING	1		15.300 X 2.200 MM
9	R123226	GASKET	1		
10	RE46685	FITTING PLUG	1		
11	19M7863	SCREW	5		M6 X 25
12	19M7796	SCREW	3		M6 X 30
13	R123417	GASKET	1		
14	R100369	FILTER	2		
15	RE70962	KIT	1		
16	RE505981	WATER PUMP	1		(MARKED R503509)
17	RE508566	KIT	1		(WATER PUMP INSERT REPAIR)

310G (W/O TURBO) (VSN 911769-) PE4045DT058
 310G (SANS SURALIMENTATION) (VSN 911769-) PE4045DT058
 310G (SIN TURBOALIMENTADOR) (VSN 911769-) PE4045DT058

310G (TURBO), 310SG, 315SG (VSN 910056-) PE4045TT088/089
 310G (TURBO), 310SG, 315SG (VSN 910056-) PE4045TT088/089
 310G (TURBO), 310SG, 315SG (VSN 910056-) PE4045TT088/089

0417-5

ENGINE 4
WATER PUMP 0417

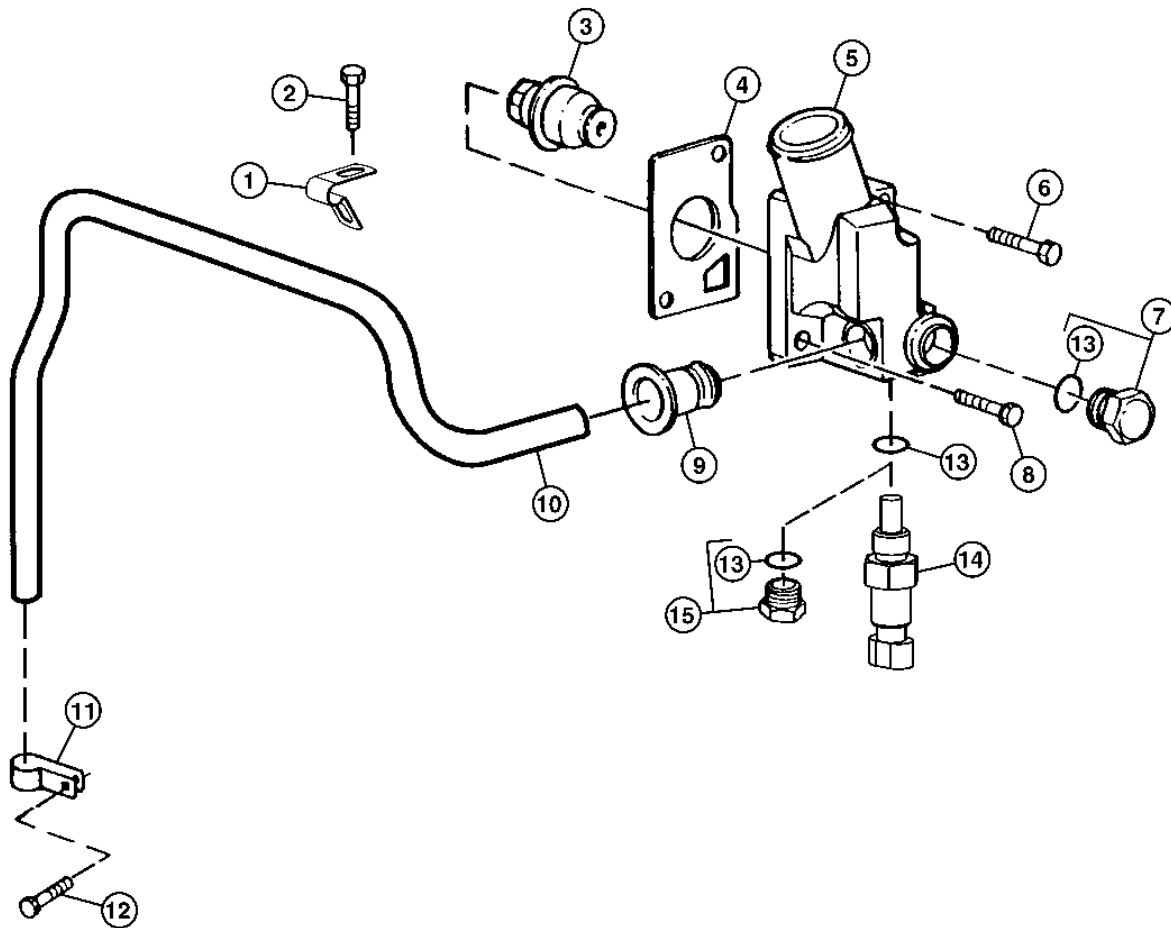
MEMORANDA
MEMORANDA
MEMORANDA

0418-2

ENGINE 4

THERMOSTATS, HOUSING AND WATER PIPING 0418 THERMOSTAT AND COVER THERMOSTAT ET COUVERCLE THERMOSTATO Y TAPADERA

TX1006074 -UN-26APR06



TX1006074

0418-3

ENGINE 4

THERMOSTATS, HOUSING AND WATER PIPING 0418

**THERMOSTAT AND COVER
THERMOSTAT ET COUVERCLE
THERMOSTATO Y TAPADERA**

KEY	PART NO.	PART NAME	QTY.	ENGINE SERIAL NO.	3 3	REMARKS
					3 1 1	
					1 0 5	
					0 S S	
					G G G	
1	R123323	CLAMP	1		X X X	
2	19M7788	SCREW	1		X X X	M12 X 25
3	RE522076	THERMOSTAT	1		X X X	82° C (180° F) (SUB FOR RE506300)
4	R502814	GASKET	1		X X X	(SUB FOR R135896)
5	R131016	COVER	1		X X X	
6	19M8292	SCREW	1		X X X	M10 X 50
7	RE46684	FITTING PLUG	1		X X X	
8	19M7786	SCREW	1		X X X	M10 X 30
9	R123226	GASKET	1		X X X	
10	R501144	TUBE	1		X X X	TO WATER PUMP
11	R123324	CLAMP	1		X X X	
12	19M7801	SCREW	1		X X X	M8 X 60
13	51M7041	O-RING	2		X X X	11.300 X 2.200 MM
14	RE52722	SENSOR	1	221706-	X	(ENGINE COOLANT TEMPERATURE) PE4045TT089
	RE52722	SENSOR	1	224069-	X	PE4045TT089
	RE52722	SENSOR	1	224566-	X	PE4045TT088
	RE52722	SENSOR	1	241601-	X	PE4045DT058
15	RE46684	FITTING PLUG	1	-221705	X X	
	RE46684	FITTING PLUG	1		X	

0419-2

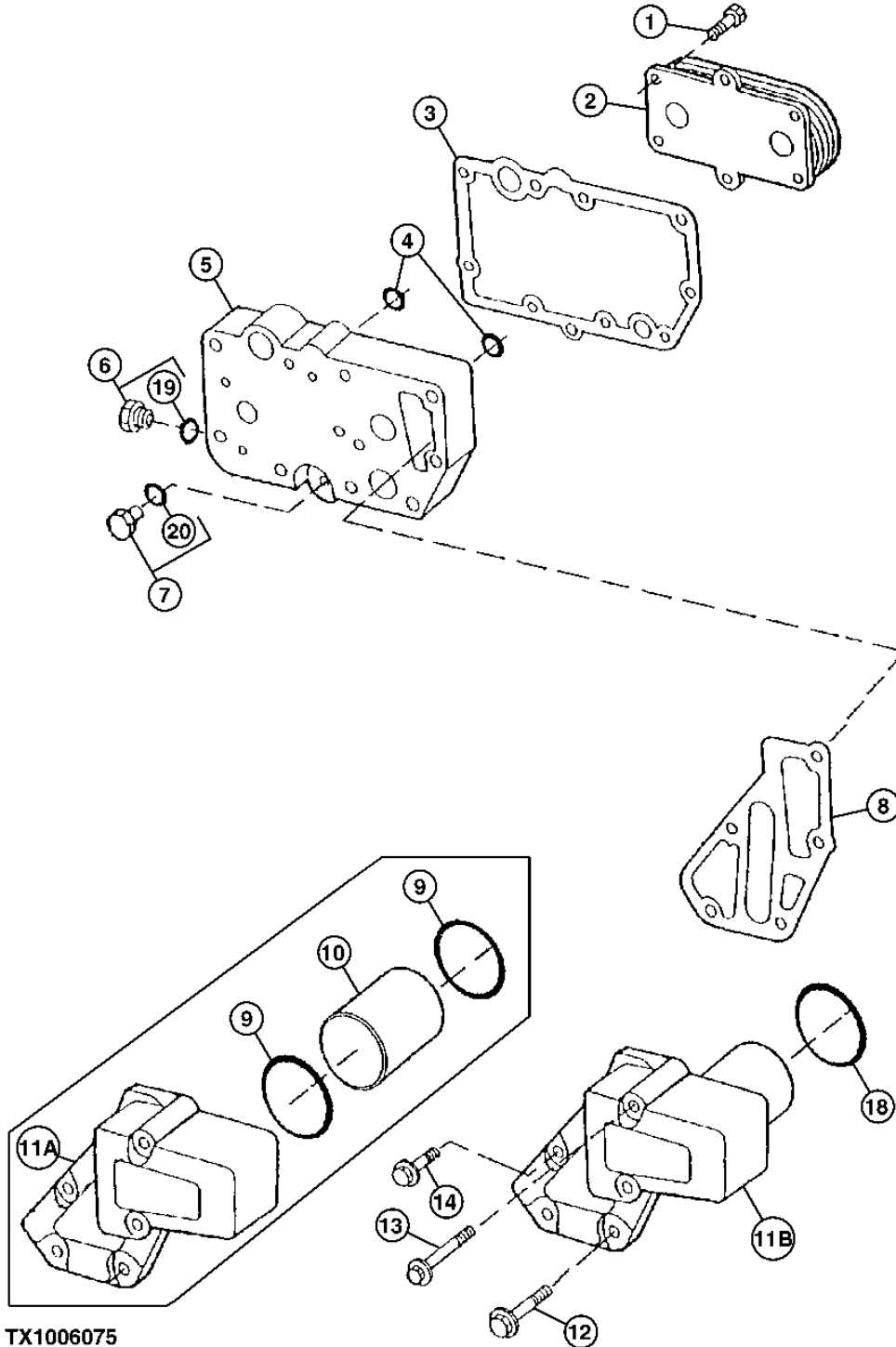
ENGINE 4

ENGINE OIL COOLER 0419

ENGINE OIL COOLER AND ADAPTER 310G (TURBO), 310SG, 315SG (TO/PE4045TT080/081)
REFROIDISSEUR D'HUILE MOTEUR ET ADAPTATEUR 310G (TURBO), 310SG, 315SG (TO/PE4045TT080/081)
ENFRIADOR DE ACEITE DEL MOTOR Y ADAPTADOR 310G (TURBO), 310SG, 315SG (TO/PE4045TT080/081)

TX1006075

-UN-26APR06



TX1006075

0419-3

ENGINE 4

ENGINE OIL COOLER 0419

ENGINE OIL COOLER AND ADAPTER 310G (TURBO), 310SG, 315SG (TO/PE4045TT080/081)
 REFROIDISSEUR D'HUILE MOTEUR ET ADAPTATEUR 310G (TURBO), 310SG, 315SG (TO/PE4045TT080/081)
 ENFRIADOR DE ACEITE DEL MOTOR Y ADAPTADOR 310G (TURBO), 310SG, 315SG (TO/PE4045TT080/081)

KEY	PART NO.	PART NAME	QTY.	ENGINE SERIAL NO.	REMARKS
					3 3
					3 1 1
					1 0 5
					0 S S
					G G G
1	RE67231	SCREW	6		X X X M6 X 16 (WITH PRE-APPLIED SEALANT)
2	RE59296	OIL COOLER	1		X X X (5 PLATE) TO CYLINDER BLOCK
	RE522820	OIL COOLER	1		X X X (5-PLATE TESTED ASSEMBLY)
3	R123501	GASKET	1		X X X
4	T122075	O-RING	2		X X X
5	R123471	HOUSING	1		X X X
6	RE46686	FITTING PLUG	1		X X X
7	RE46685	FITTING PLUG	1		X X X
8	R501428	GASKET	1		X X X
9	R61105	O-RING	2	-873088	X X X
10	R115252	BUSHING	1	-873088	X X X
11A	R135177	ADAPTER FITTING	1	-873088	X X X (SUB R502811) TO TIMING GEAR COVER
11B	R502811	ADAPTER FITTING	1	873089-	X X X TO TIMING GEAR COVER
12	19M7802	SCREW	2		X X X M8 X 65
13	19M7970	SCREW	2		X X X M8 X 100
14	RE67238	SCREW	1		X X X M8 X 20 (WITH PRE-APPLIED SEALANT)
18	R504734	O-RING	1	873089-	X X X
19	51M7040	O-RING	1		X X X 9.300 X 2.200 MM
20	51M7043	O-RING	1		X X X 15.300 X 2.200 MM

0420-2

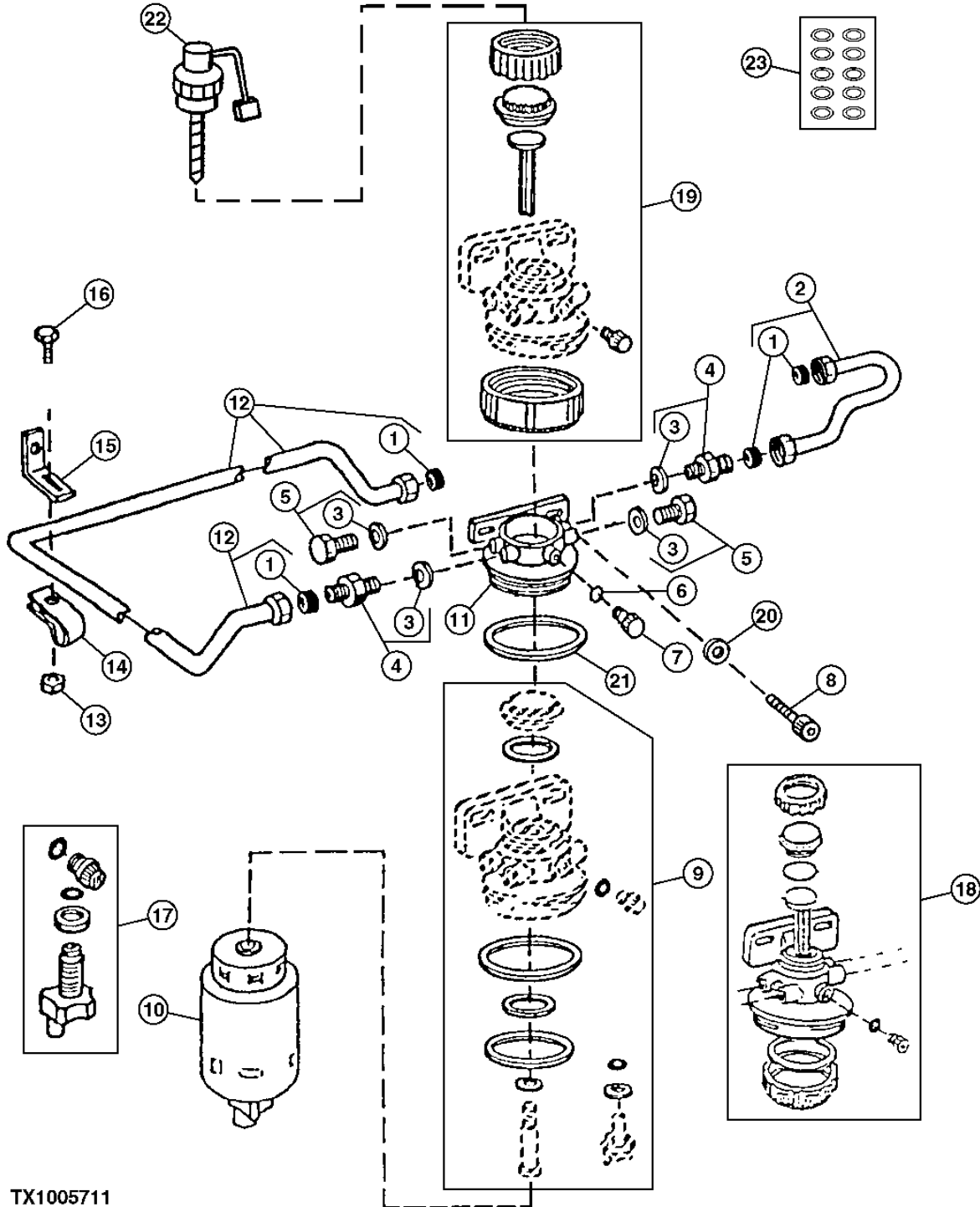
ENGINE 4

FUEL FILTER 0420

FUEL FILTER AND LINES 310G (W/O TURBO) (VSN -911768) TO/PE4045DT056
FILTRE A COMBUSTIBLE ET CONDUITE 310G (W/O TURBO) (VSN -911768) TO/PE4045DT056
FILTRO DE COMBUSTIBLE Y TUBERIA 310G (W/O TURBO) (VSN -911768) TO/PE4045DT056

TX1005711

-UN-03APR06



TX1005711

THIS PARTS LISTING IS CONTINUED

0420-3

ENGINE 4

FUEL FILTER 0420

FUEL FILTER AND LINES 310G (W/O TURBO) (VSN -911768) TO/PE4045DT056
 FILTRE A COMBUSTIBLE ET CONDUITE 310G (W/O TURBO) (VSN -911768) TO/PE4045DT056
 FILTRO DE COMBUSTIBLE Y TUBERIA 310G (W/O TURBO) (VSN -911768) TO/PE4045DT056

KEY	PART NO.	PART NAME	QTY.	ENGINE SERIAL NO.	REMARKS
				3 3	
				3 1 1	
				1 0 5	
				0 S S	
				G G G	
1	R74012	SEALING WASHER	4	X	
2	RE60037	FUEL LINE	1	X	TO FUEL TRANSFER PUMP
3	51M7040	O-RING	1	X	(USE WITH RE60029)
	R26286	O-RING	1	X	(USE WITH RE59487)
4	RE60029	ADAPTER FITTING	2	X	
	RE59487	FITTING	2	X	
5	RE56323	FITTING PLUG	2	X	
6	R113562	O-RING	1	X	
7	R113563	DRAIN PLUG	1	X	(ALSO ORDER R113562)
8	19M8328	SCREW	1	X	
9	RE516553	SEAL KIT	1	X	FUEL FILTER, (SUB FOR RE50752)
10	RE62418	FUEL FILTER	1	X	INCL DRAIN VALVE
11	FILTER HEAD	1	X	FINAL, (ORDER RE70358)
12	RE60025	FUEL LINE	1	X	TO FUEL INJECTION PUMP
13	14M7298	FLANGE NUT	1	X	M8
14	T14050	CLAMP	1	X	
15	R116116	BRACKET	1	X	
16	19M7865	SCREW	1	X	M8 X 16
17	RE60854	DRAIN VALVE	1	X	DRAIN VALVE
18	RE70358	FILTER HEAD	1	X	FINAL FILTER
19	RE51649	SEAL KIT	1	X	FUEL FILTER
20	24M7096	WASHER	2	X	10.500 X 18 X 1.600 MM
21	R113565	O-RING	1	X	
22	RE51648	KIT	1	X	FUEL FILTER HEATER (12-VOLT)
23	RE516513	KIT	1	X	(WITH HAND PRIMER) (CONTAINS 10 O-RINGS)
	RE516512	O-RING KIT	1	X	(WITHOUT HAND PRIMER) (CONTAINS 10 O-RINGS)

0420-4

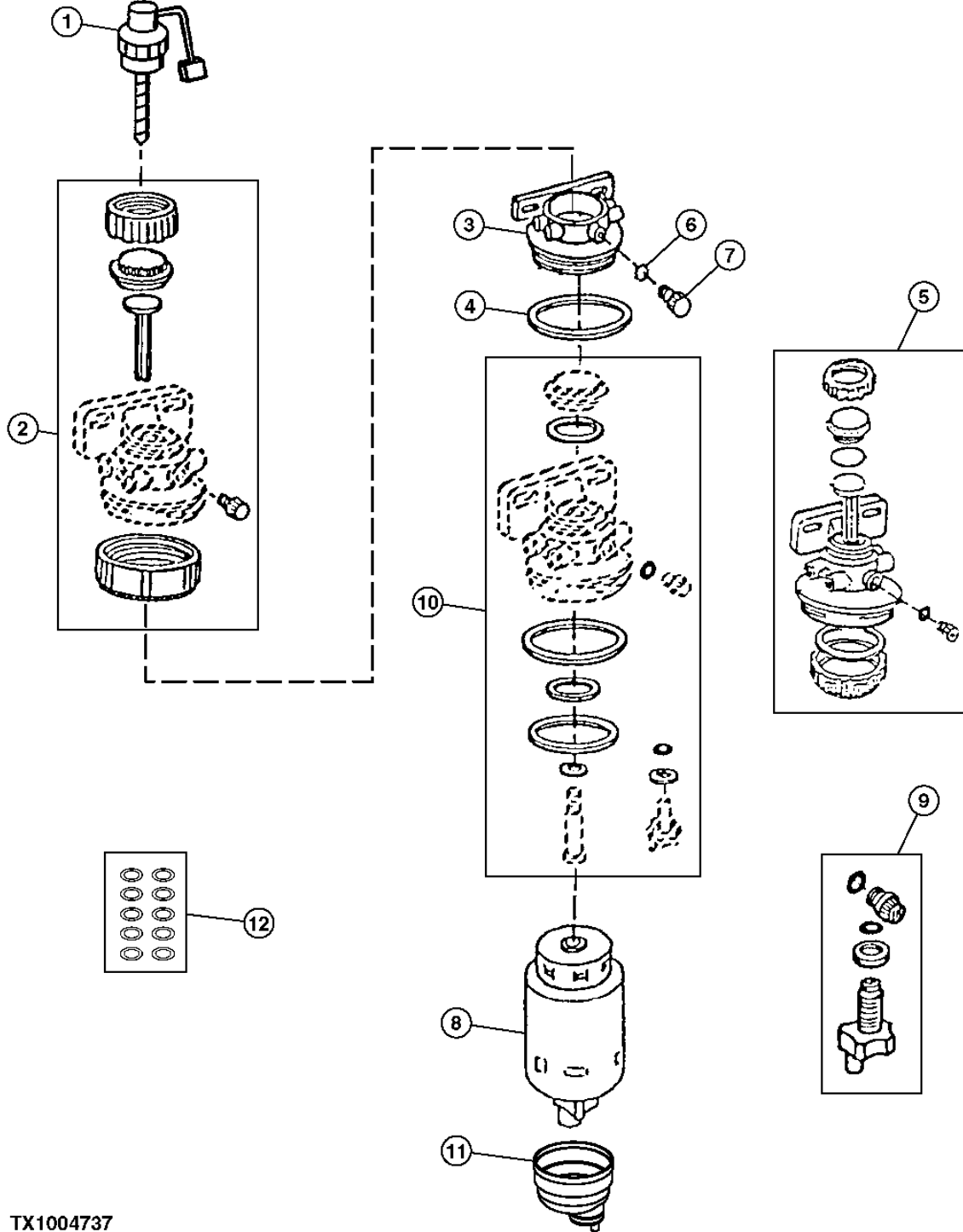
ENGINE 4

FUEL FILTER 0420

FUEL FILTER 310G (W/O TURBO) (VSN 911769-) PE4045DT058
FILTRE A CARBURANT 310G (W/O TURBO) (VSN 911769-) PE4045DT058
FILTRO DE COMBUSTIBLE Y TUBERIA 310G (W/O TURBO) (VSN 911769-) PE4045DT058

TX1004737

-UN-22MAR06



TX1004737

0420-5

ENGINE 4

FUEL FILTER 0420

FUEL FILTER 310G (W/O TURBO) (VSN 911769-) PE4045DT058
 FILTRE A CARBURANT 310G (W/O TURBO) (VSN 911769-) PE4045DT058
 FILTRO DE COMBUSTIBLE Y TUBERIA 310G (W/O TURBO) (VSN 911769-) PE4045DT058

KEY	PART NO.	PART NAME	QTY.	ENGINE SERIAL NO.	REMARKS
				3 3	
				3 1 1	
				1 0 5	
				0 S S	
				G G G	
1	RE51648	KIT	1	X	FUEL FILTER HEATER (12-VOLT)
2	RE51649	SEAL KIT	1	X	FUEL FILTER
3	FILTER HEAD	1	X	(ORDER RE509794)
4	RE516512	O-RING KIT	1	X	
5	RE509794	FILTER HEAD	1	X	FUEL FILTER
6	R113562	O-RING	1	X	
7	R113563	DRAIN PLUG	1	X	(ALSO ORDER R113562)
8	RE509031	FILTER ELEMENT	1	X	
9	RE60854	DRAIN VALVE	1	X	DRAIN VALVE
10	RE516553	SEAL KIT	1	X	(SUB FOR RE50752)
11	RE51650	SEDIMENT BOWL	1	X	
12	RE516513	KIT	1	X	(WITH HAND PRIMER) (CONTAINS 10 O-RINGS)
	RE516512	O-RING KIT	1	X	(WITHOUT HAND PRIMER) (CONTAINS 10 O-RINGS)

0420-6

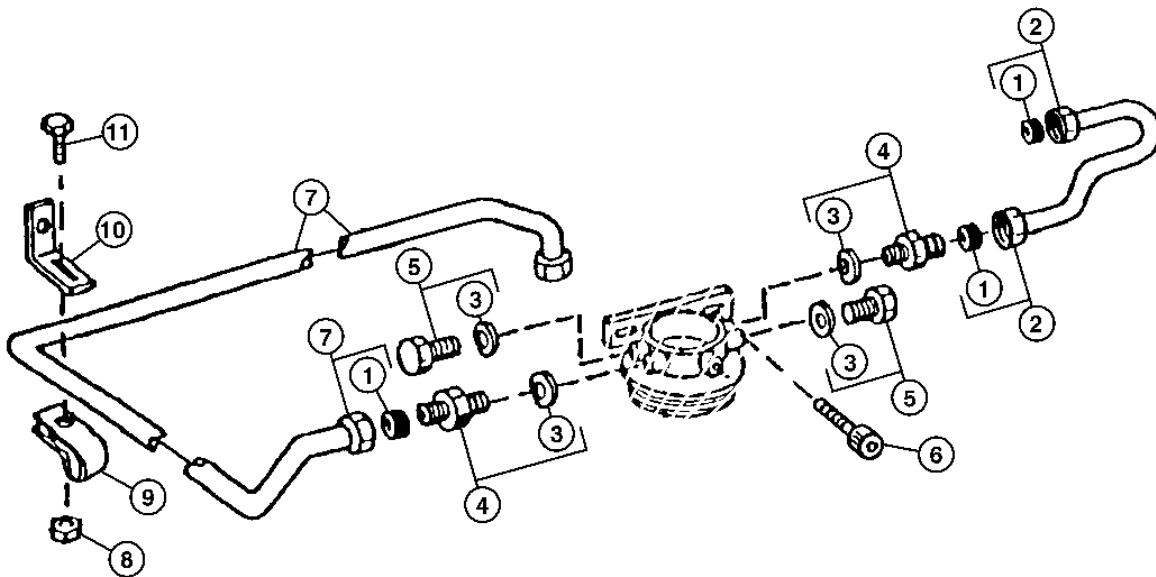
ENGINE 4

FUEL FILTER 0420

FUEL FILTER LINES 310G (W/O TURBO) (VSN 911769-) PE4045DT058
CONDUITES DU FILTRE A CARBURANT 310G (W/O TURBO) (VSN 911769-) PE4045DT058
LINEAS DEL FILTRO DE ACEITE 310G (W/O TURBO) (VSN 911769-) PE4045DT058

TX1006076

-UN-26APR06



TX1006076

0420-7

ENGINE 4

FUEL FILTER 0420

FUEL FILTER LINES 310G (W/O TURBO) (VSN 911769-) PE4045DT058
 CONDUITES DU FILTRE A CARBURANT 310G (W/O TURBO) (VSN 911769-) PE4045DT058
 LINEAS DEL FILTRO DE ACEITE 310G (W/O TURBO) (VSN 911769-) PE4045DT058

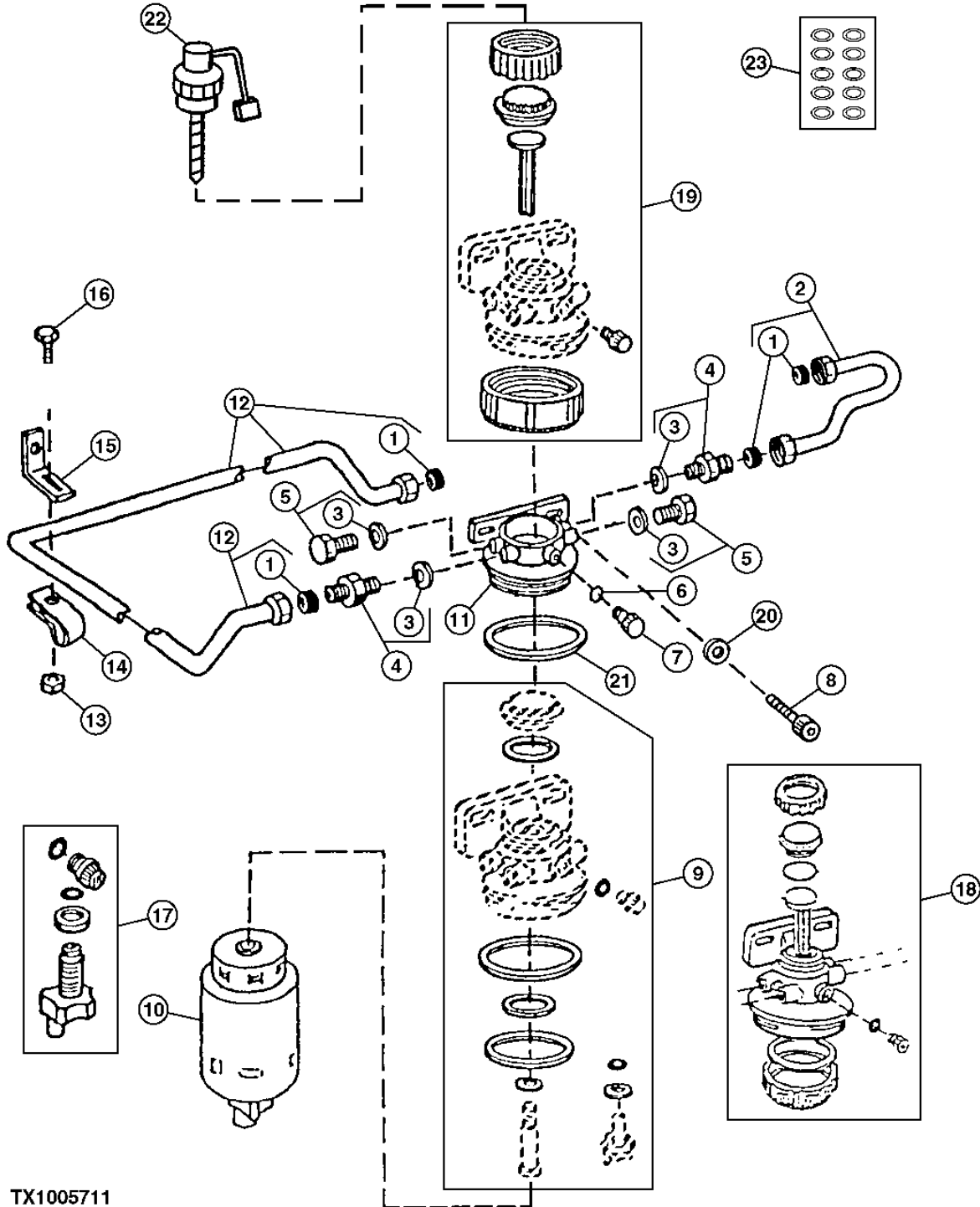
KEY	PART NO.	PART NAME	QTY.	ENGINE SERIAL NO.	REMARKS
				3 3	
				3 1 1	
				1 0 5	
				0 S S	
				G G G	
1	R74012	SEALING WASHER	4	X	
2	RE60037	FUEL LINE	1	X	TO FUEL TRANSFER PUMP
3	51M7040	O-RING	1	X	(USE WITH RE60029)
	R26286	O-RING	1	X	(USE WITH RE59487)
4	RE60029	ADAPTER FITTING	2	X	
	RE59487	FITTING	2	X	
5	RE46686	FITTING PLUG	2	X	
6	19M7784	SCREW	2	X	M10 X 20
7	RE507597	FUEL LINE	1	X	TO FUEL INJECTION PUMP
8	14M7298	FLANGE NUT	1	X	M8
9	T14050	CLAMP	1	X	
10	R116116	BRACKET	1	X	
11	19M7865	SCREW	1	X	M8 X 16

0420-8

FUEL FILTER AND LINES 310G (TURBO), 310SG, 315SG (VSN -910055) TO/PE4045TT080/081
FILTRE A COMBUSTIBLE ET CONDUITE 310G (TURBO), 310SG, 315SG (VSN -910055) TO/PE4045TT080/081
FILTRO DE COMBUSTIBLE Y TUBERIA 310G (TURBO), 310SG, 315SG (VSN -910055) TO/PE4045TT080/081

TX1005711

-UN-03APR06



TX1005711

THIS PARTS LISTING IS CONTINUED

0420-9

ENGINE 4

FUEL FILTER 0420

FUEL FILTER AND LINES 310G (TURBO), 310SG, 315SG (VSN -910055) TO/PE4045TT080/081
 FILTRE A COMBUSTIBLE ET CONDUITE 310G (TURBO), 310SG, 315SG (VSN -910055) TO/PE4045TT080/081
 FILTRO DE COMBUSTIBLE Y TUBERIA 310G (TURBO), 310SG, 315SG (VSN -910055) TO/PE4045TT080/081

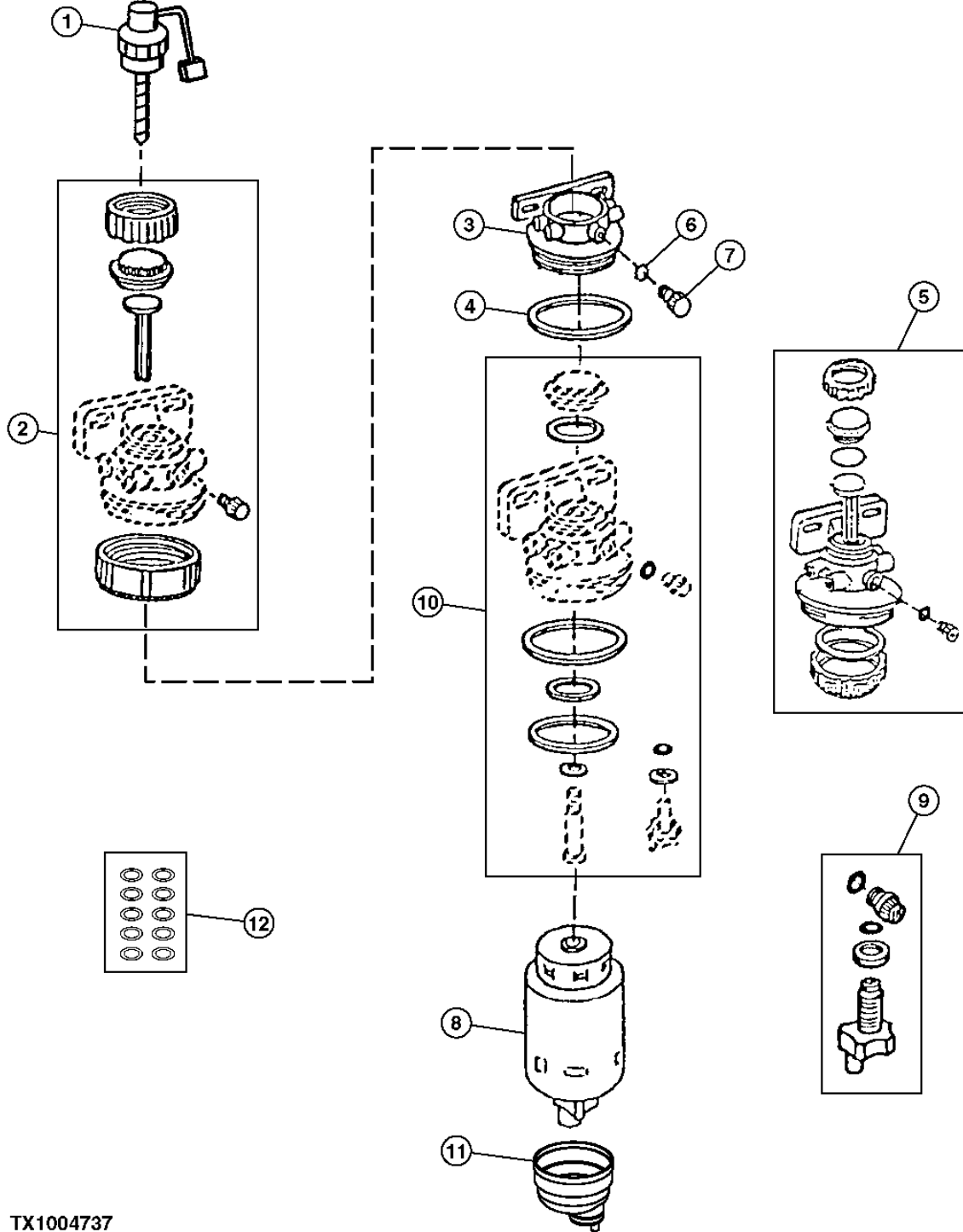
KEY	PART NO.	PART NAME	QTY.	ENGINE SERIAL NO.	REMARKS
				3 3	
				3 1 1	
				1 0 5	
				0 S S	
				G G G	
1	R74012	SEALING WASHER	4		X X X
2	RE60037	FUEL LINE	1		X X X TO FUEL TRANSFER PUMP
3	51M7040	O-RING	1		X X X (USE WITH RE60029)
	R26286	O-RING	1		X X X (USE WITH RE59487)
4	RE60029	ADAPTER FITTING	2		X X X
	RE59487	FITTING	2		X X X
5	RE56323	FITTING PLUG	2		X X X
6	R113562	O-RING	1		X X X
7	R113563	DRAIN PLUG	1		X X X (ALSO ORDER R113562)
8	19M8328	SCREW	1		X X X
9	RE516553	SEAL KIT	1		X X X (SUB FOR RE50752) FUEL FILTER
10	RE62418	FUEL FILTER	1		X X X INCLUDES DRAIN VALVE
11	FILTER HEAD	1		X X X (ORDER RE70358) FINAL
12	RE60025	FUEL LINE	1		X X X TO FUEL INJECTION PUMP
13	14M7298	FLANGE NUT	1		X X X M8
14	T14050	CLAMP	1		X X X
15	R116116	BRACKET	1		X X X
16	19M7865	SCREW	1		X X X M8 X 16
17	RE60854	DRAIN VALVE	1		X X X DRAIN VALVE
18	RE70358	FILTER HEAD	1		X X X FINAL FILTER
19	RE51649	SEAL KIT	1		X X X FUEL FILTER
20	24M7096	WASHER	2		X X X 10.500 X 18 X 1.600 MM
21	R113565	O-RING	1		X X X
22	RE51648	KIT	1		X X X FUEL FILTER HEATER (12-VOLT)
23	RE516513	KIT	1		X X X (WITH HAND PRIMER) (CONTAINS 10 O-RINGS)
	RE516512	O-RING KIT	1		X X X (WITHOUT HAND PRIMER) (CONTAINS 10 O-RINGS)

0420-10

FUEL FILTER 310G (TURBO), 310SG, 315SG (VSN 910056-) PE4045TT088/089
FILTRE A CARBURANT 310G (TURBO), 310SG, 315SG (VSN 910056-) PE4045TT088/089
FILTRO DE COMBUSTIBLE Y TUBERIA 310G (TURBO), 310SG, 315SG (VSN 910056-) PE4045TT088/089

TX1004737

-UN-22MAR06



TX1004737

0420-11

ENGINE 4

FUEL FILTER 0420

FUEL FILTER 310G (TURBO), 310SG, 315SG (VSN 910056-) PE4045TT088/089
 FILTRE A CARBURANT 310G (TURBO), 310SG, 315SG (VSN 910056-) PE4045TT088/089
 FILTRO DE COMBUSTIBLE Y TUBERIA 310G (TURBO), 310SG, 315SG (VSN 910056-) PE4045TT088/089

KEY	PART NO.	PART NAME	QTY.	ENGINE SERIAL NO.				REMARKS
					3 3	3 1 1	1 0 5	
					0 S S	G G G		
1	RE51648	KIT	1		X X X			FUEL FILTER HEATER (12-VOLT)
2	RE51649	SEAL KIT	1		X X X			FUEL FILTER
3	FILTER HEAD	1		X X X			(ORDER RE509794)
4	RE516512	O-RING KIT	1		X X X			
5	RE509794	KIT	1		X X X			FUEL FILTER
6	R113562	O-RING	1		X X X			
7	R113563	DRAIN PLUG	1		X X X			(ALSO ORDER R113562)
8	RE509031	FILTER ELEMENT	1		X X X			
9	RE60854	DRAIN VALVE	1		X X X			DRAIN VALVE
10	RE516553	SEAL KIT	1		X X X			(SUB FOR RE50752)
11	RE51650	SEDIMENT BOWL	1		X X X			
12	RE516513	KIT	1		X X X			(WITH HAND PRIMER) (CONTAINS 10 O-RINGS)
	RE516512	O-RING KIT	1		X X X			(WITHOUT HAND PRIMER) (CONTAINS 10 O-RINGS)

0420-12

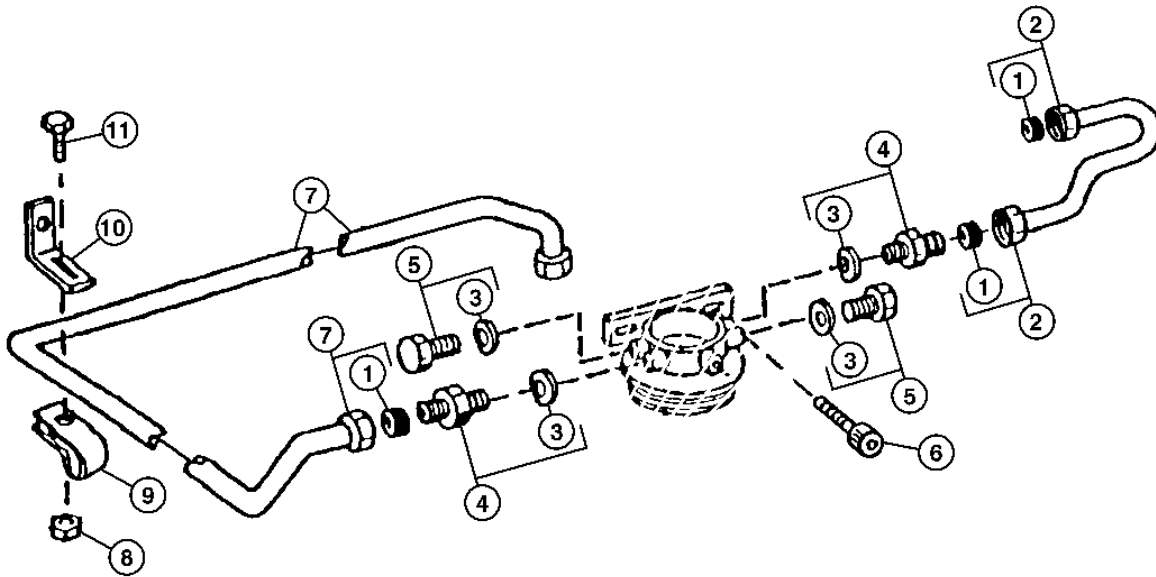
ENGINE 4

FUEL FILTER 0420

FUEL FILTER LINES 310G (TURBO), 310SG, 315SG (VSN 910056-) PE4045TT088/089
CONDUITES DU FILTRE A CARBURANT 310G (TURBO), 310SG, 315SG (VSN 910056-) PE4045TT088/089
LINEAS DEL FILTRO DE ACEITE 310G (TURBO), 310SG, 315SG (VSN 910056-) PE4045TT088/089

TX1006076

-UN-26APR06



TX1006076

0420-13

ENGINE 4

FUEL FILTER 0420

FUEL FILTER LINES 310G (TURBO), 310SG, 315SG (VSN 910056-) PE4045TT088/089
 CONDUITES DU FILTRE A CARBURANT 310G (TURBO), 310SG, 315SG (VSN 910056-) PE4045TT088/089
 LINEAS DEL FILTRO DE ACEITE 310G (TURBO), 310SG, 315SG (VSN 910056-) PE4045TT088/089

KEY	PART NO.	PART NAME	QTY.	ENGINE SERIAL NO.	REMARKS
				3 3	
				3 1 1	
				1 0 5	
				0 S S	
				G G G	
1	R74012	SEALING WASHER	4		X X X
2	RE60037	FUEL LINE	1		X X X TO FUEL TRANSFER PUMP
3	51M7040	O-RING	1		X X X (USE WITH RE60029)
	R26286	O-RING	1		X X X
4	RE60029	ADAPTER FITTING	2		X X X (USE WITH RE59487)
	RE59487	FITTING	2		X X X
5	RE46686	FITTING PLUG	2		X X X
6	19M7784	SCREW	2		X X X M10 X 20
7	RE507597	FUEL LINE	1		X X X TO FUEL INJECTION PUMP
8	14M7298	FLANGE NUT	1		X X X M8
9	T14050	CLAMP	1		X X X
10	R116116	BRACKET	1		X X X
11	19M7865	SCREW	1		X X X M8 X 16

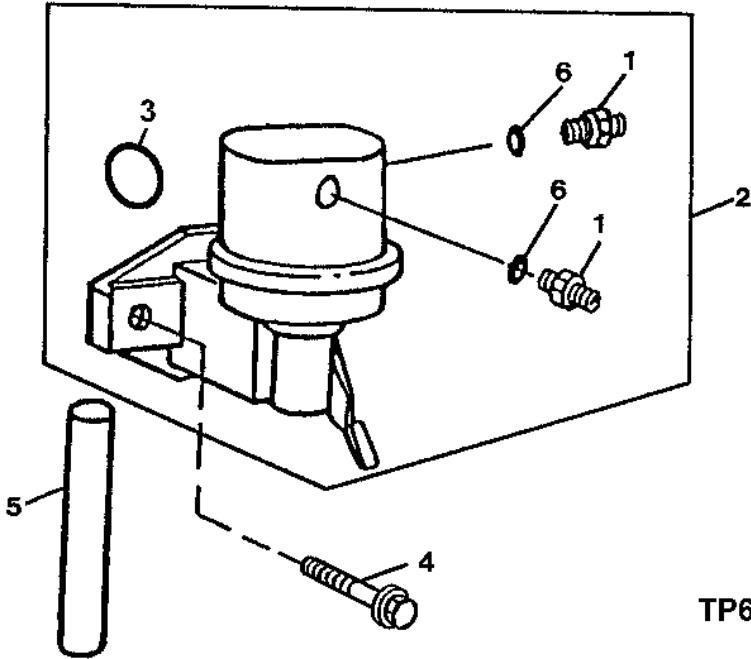
0421-2

ENGINE 4

FUEL TRANSFER PUMP 0421

FUEL TRANSFER PUMP
 POMPE DE TRANSFERT DE CARBURANT
 BOMBA DE TRANSFERENCIA DE COMBUSTIBLE

TP69536 -UN-18JUL00



TP69536

KEY	PART NO.	PART NAME	QTY.	ENGINE SERIAL NO.	REMARKS
				3 3	
				3 1 1	
				1 0 5	
				0 S S	
				G G G	
1	R500270	FITTING	2		X X X
2	RE66153	FUEL PUMP	1		X X X
3	R123273	O-RING	1		X X X
4	RE504233	CAP SCREW	2		X X X
5	R133405	PIN	1		X X X
6	R500271	O-RING	2		X X X

0422-1

ENGINE 4

STARTING MOTOR AND FASTENINGS 0422

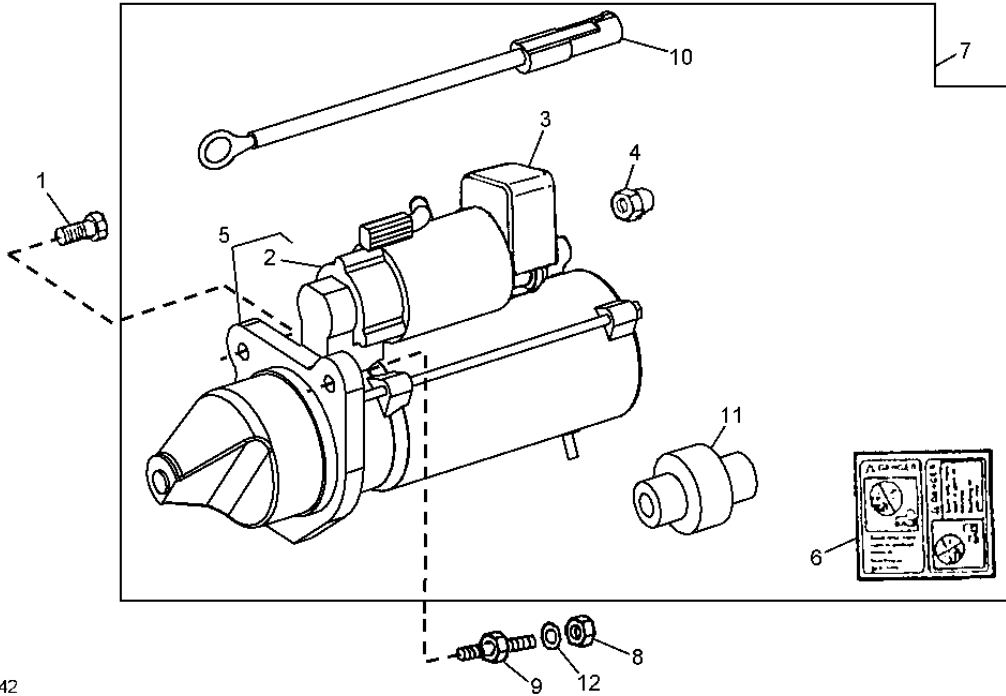
MEMORANDA
MEMORANDA
MEMORANDA

0422-2

ENGINE 4

STARTING MOTOR AND FASTENINGS 0422
 STARTING MOTOR AND ATTACHING PARTS (ISKRA) (SEE FOOTNOTE)
 DEMARREUR ET FIXATIONS (ISKRA) (VOIR NOTE EN BAS DE PAGE)
 ARRANCADOR Y SUJETADORES (ISKRA) (CONSULTE NOTA AL PIE DE PAGINA)

T145842 -UN-21SEP01



T145842

KEY	PART NO.	PART NAME	QTY.	ENGINE SERIAL NO.	REMARKS
1	19M7786	SCREW	2	X	M10 X 30
2	RE515428	SOLENOID	1	X	(SUB FOR RE507637)
3	R135431	COVER	1	X	
4	R135432	NUT	1	X	
5	STARTER MOTOR	1	X	(12 VOLT)
6	T146102	LABEL	1	X	
7	STARTER MOTOR KIT	1	X	(SUB FOR RE501767, THIS APPLICATION) (SUB RE506105 AND AT196314)
8	14M7296	FLANGE NUT	1	X	M10
9	R503419	STUD	1	X	
10	RE505400	BATTERY CABLE	1	X	
11	RE515688	STARTER MOTOR DRIVE	1	X	(SUB FOR RE507638)
12	12M7033	LOCK WASHER	1	X	10,500 MM

ESN 866618-908991
 ESN 866618-908991
 ESN 866618-908991

ESN -268961 (W/TURBO)
 ESN -268961 (W/TURBO)
 ESN -268961 (W/TURBO)

ESN -257521 (W/O TURBO)
 ESN -257521 (W/O TURBO)
 ESN -257521 (W/O TURBO)

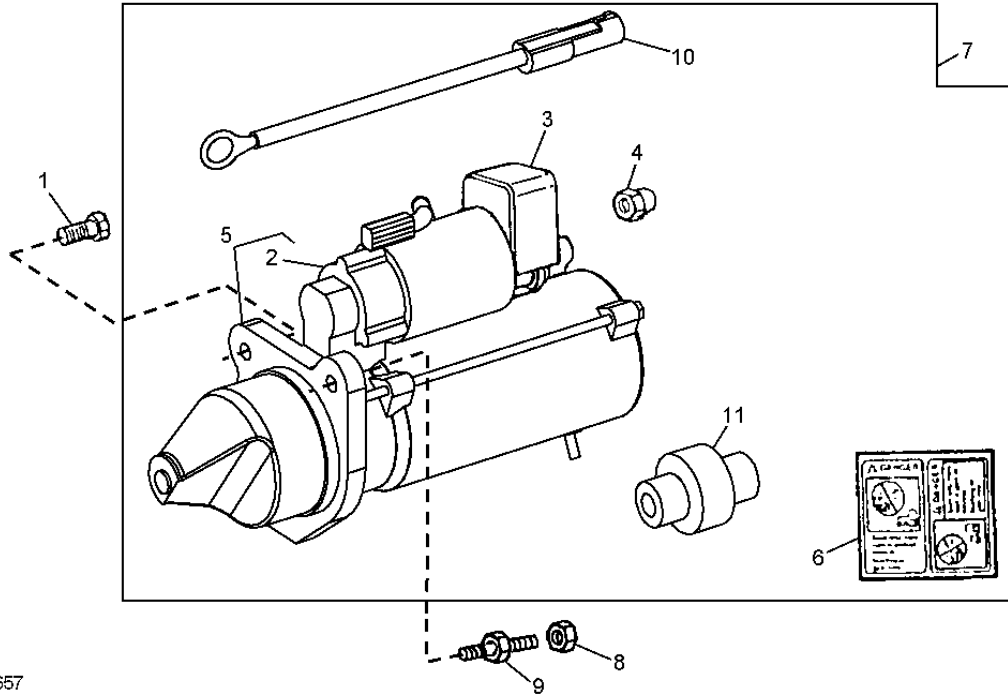
TO/PE4045TT080, PE4045TT088, PE4045DT056/058
 TO/PE4045TT080, PE4045TT088, PE4045DT056/058
 TO/PE4045TT080, PE4045TT088, PE4045DT056/058

0422-3

ENGINE 4

STARTING MOTOR AND FASTENINGS 0422
 STARTING MOTOR AND ATTACHING PARTS (ISKRA) (310SG AND 315SG) (ESN -894292) TO/PE4045TT081
 DEMARREUR ET FIXATIONS (ISKRA) (310SG ET 315SG) (ESN -894292) TO/PE4045TT081
 ARRANCADOR Y SUJETADORES (ISKRA) (310SG Y 315SG) (ESN -894292) TO/PE4045TT081

T135657 -UN-27NOV00



T135657

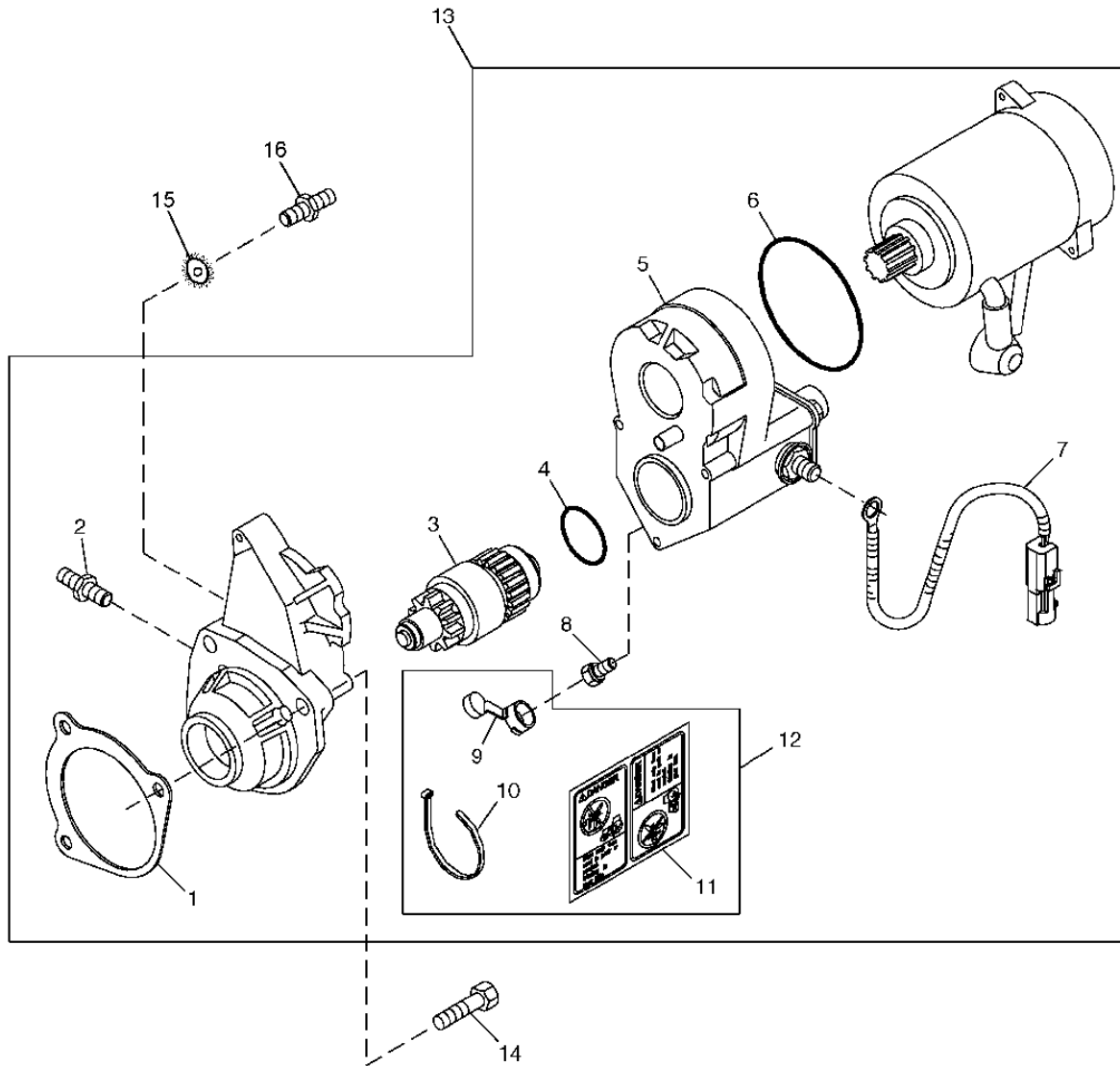
KEY	PART NO.	PART NAME	QTY.	ENGINE SERIAL NO.	REMARKS
				3 3	
				3 1 1	
				1 0 5	
				0 S S	
				G G G	
1	19M7786	SCREW	2		X X M10 X 30
2	RE515428	SOLENOID	1		X X (SUB FOR RE507637)
3	R135431	COVER	1		X X
4	R135432	NUT	1		X X
5	STARTER MOTOR	1		X X (12 VOLT)
6	T146102	LABEL	1		X X
7	STARTER MOTOR KIT	1		X X (SUB RE506105 AND AT196314)
8	14M7296	FLANGE NUT	1		X X M10
9	R503419	STUD	1		X X
10	RE505400	BATTERY CABLE	1		X X
11	RE515688	STARTER MOTOR DRIVE	1		X X (SUB FOR RE507638)

0422-4

ENGINE 4

STARTING MOTOR AND FASTENINGS 0422
STARTING MOTOR (DENSO) (SEE FOOTNOTE)
DEMARREUR (DENSO) (VOIR NOTE EN BAS DE PAGE)
ARRANCADOR (DENSO) (CONSULTE NOTA AL PIE DE PAGINA)

T149124 -UN-14DEC01



T149124

0422-5

ENGINE 4

STARTING MOTOR AND FASTENINGS 0422

**STARTING MOTOR (DENSO) (SEE FOOTNOTE)
 DEMARREUR (DENSO) (VOIR NOTE EN BAS DE PAGE)
 ARRANCADOR (DENSO) (CONSULTE NOTA AL PIE DE PAGINA)**

KEY	PART NO.	PART NAME	QTY.	ENGINE SERIAL NO.	REMARKS
				3 3	
				3 1 1	
				1 0 5	
				0 S S	
				G G G	
1	R53108	GASKET	1		X X X NA
2	R136052	STUD	1		X X X
3	RE70487	CLUTCH	1		X X X
4	R135510	O-RING	1		X X X
5	RE70486	SWITCH	1		X X X
6	R135509	SEAL	1		X X X
7	RE505400	WIRING HARNESS	1		X X X
8	RE71256	SCREW WITH WASHER	1		X X X
9	COVER	1		X X X (ORDER RE70756)
10	R96703	TIE BAND	1		X X X NA
11	T146102	LABEL	1		X X X DANGER (BYPASS START)
12	RE70756	KIT	1		X X X
13	RE506105	STARTER MOTOR KIT	1		X X X (A) DENSO 12V WET SEALED, (MARKED RE504244)
	RE501298	STARTER MOTOR KIT	1		X X X (B)
14	19M7786	SCREW	2		X X X M10 X 30
15	12M7033	LOCK WASHER	1		X X X 10.500 MM
16	R503419	STUD	1		X X X

- (A) TO/PE4045DT056, TO/PE4045TT080, TO/PE4045TT081
- (A) TO/PE4045DT056, TO/PE4045TT080, TO/PE4045TT081
- (A) TO/PE4045DT056, TO/PE4045TT080, TO/PE4045TT081
- (B) PE4045DT058, PE4045TT088, PE4045TT089
- (B) PE4045DT058, PE4045TT088, PE4045TT089
- (B) PE4045DT058, PE4045TT088, PE4045TT089

- ESN 984293-908991 (TO4045TT081) (310SG & 315SG)
- ESN 984293-908991 (TO4045TT081) (310SG & 315SG)
- ESN 984293-908991 (TO4045TT081) (310SG & 315SG)
- ESN 268962- (PE4045TT080, PE4045TT088) (310G W/TURBO)
- ESN 268962- (PE4045TT080, PE4045TT088) (310G W/TURBO)
- ESN 268962- (PE4045TT080, PE4045TT088) (310G W/TURBO)
- ESN 257522- (PE4045DT058) (310G W/O TURBO)
- ESN 257522- (PE4045DT058) (310G W/O TURBO)
- ESN 257522- (PE4045DT058) (310G W/O TURBO)

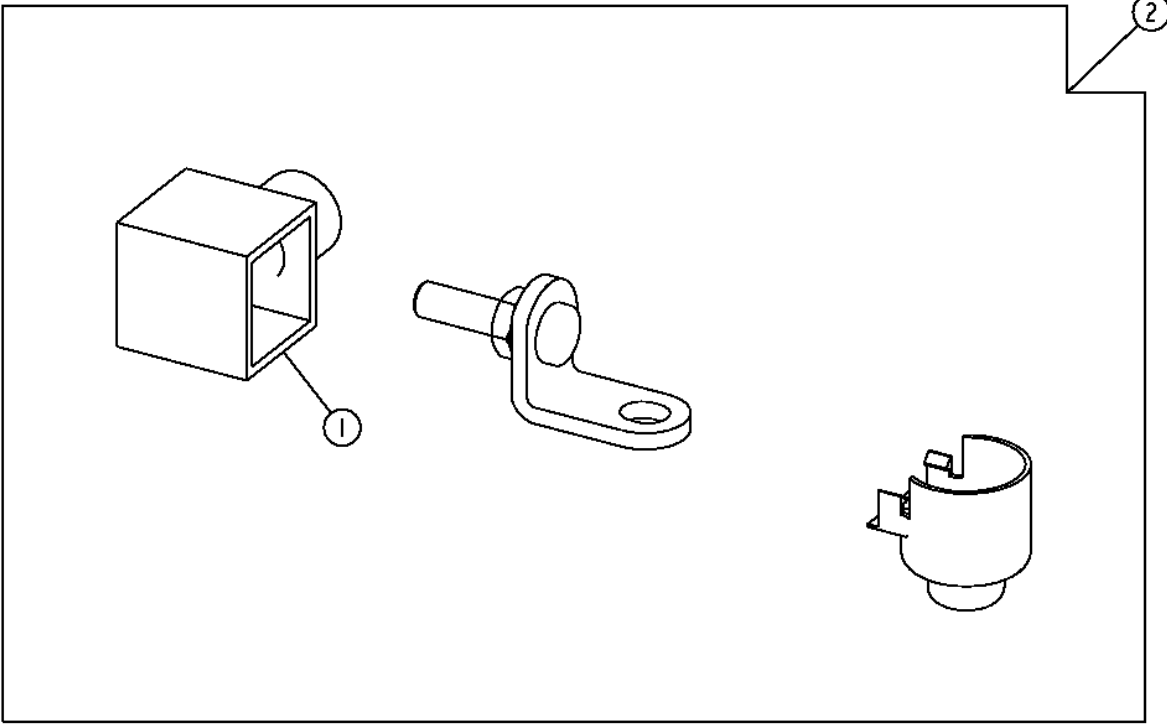
0422-6

ENGINE 4

STARTING MOTOR AND FASTENINGS 0422

STARTER MOTOR ADAPTER KIT (SEE FOOTNOTE)
KIT D'ADAPTATEUR DE DEMARREUR (VOIR NOTE EN BAS DE PAGE)
JUEGO DE ADAPTADOR DE ARRANCADOR (CONSULTE NOTA AL PIE DE PAGINA)

T143910 -UN-16JUL01



T143910

0422-7

ENGINE 4

STARTING MOTOR AND FASTENINGS 0422

STARTER MOTOR ADAPTER KIT (SEE FOOTNOTE)
KIT D'ADAPTATEUR DE DEMARREUR (VOIR NOTE EN BAS DE PAGE)
JUEGO DE ADAPTADOR DE ARRANCADOR (CONSULTE NOTA AL PIE DE PAGINA)

KEY	PART NO.	PART NAME	QTY.	SERIAL NO.	REMARKS
				3 3	
				3 1 1	
				1 0 5	
				0 S S	
				G G G	
1	T129165	BOOT	1	X X X	
2	AT196314	KIT	1	X X X	(ALSO ORDER RE506105) (STARTER MOTOR KIT)

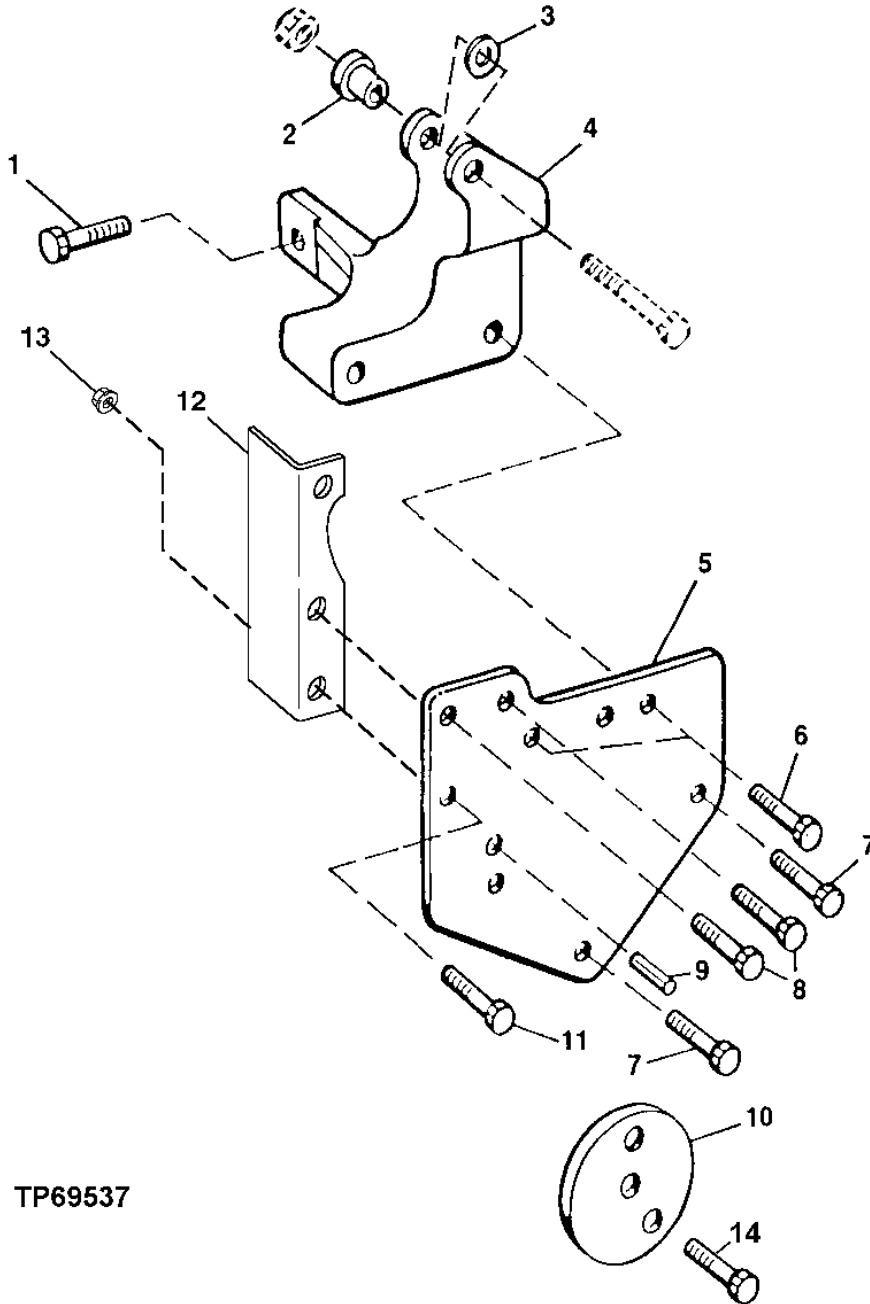
(TO CONVERT ISKRA STARTER TO DENSO STARTER)
(POUR CONVERTIR LE DEMARREUR D'ISKRA EN DEMARREUR DE DENSO)
(PARA CONVERTIR EL ARRANCADOR DEL ISKRA AL ARRANCADOR DEL DENSO)
TO/PE4045DT056, TO/PE4045TT081/081, PE4045DT058, PE4045TT088/089
TO/PE4045DT056, TO/PE4045TT081/081, PE4045DT058, PE4045TT088/089
TO/PE4045DT056, TO/PE4045TT081/081, PE4045DT058, PE4045TT088/089

0423-2

ENGINE 4

ALTERNATOR AND GENERATOR MOUNTING 0423 SUPPORTS DE MONTAGE DU ALTERNATEUR SOPORTES DE MONTAJE DEL ALTERNADOR

TP69537 -UN-26JUL00



TP69537

0423-3

ENGINE 4

ALTERNATOR AND GENERATOR MOUNTING 0423
ALTERNATOR MOUNTING BRACKETS
SUPPORTS DE MONTAGE DU ALTERNATEUR
SOPORTES DE MONTAJE DEL ALTERNADOR

KEY	PART NO.	PART NAME	QTY.	ENGINE	REMARKS
				SERIAL NO.	
				3 3	
				3 1 1	
				1 0 5	
				0 S S	
				G G G	
1	19M7786	SCREW	2		X X X M10 X 30
2	R100377	BUSHING	1		X X X
3	R64525	THRUST WASHER	1		X X X
4	R132166	BRACKET	1		X X X
5	R133978	SUPPORT	1		X X X
6	19M7785	SCREW	2		X X X M10 X 25
7	19M7801	SCREW	2		X X X M8 X 60
8	19M7786	SCREW	2		X X X M10 X 30
9	34M7061	SPRING PIN	1		X X X 8 X 20 MM
10	R500322	SPACER	1		X X X
11	19M7786	SCREW	4		X X X M10 X 30
12	R500531	STRAP	1		X X X
13	14M7296	FLANGE NUT	2		X X X M10
14	19M7811	SCREW	1		X X X M10 X 90

0429-2

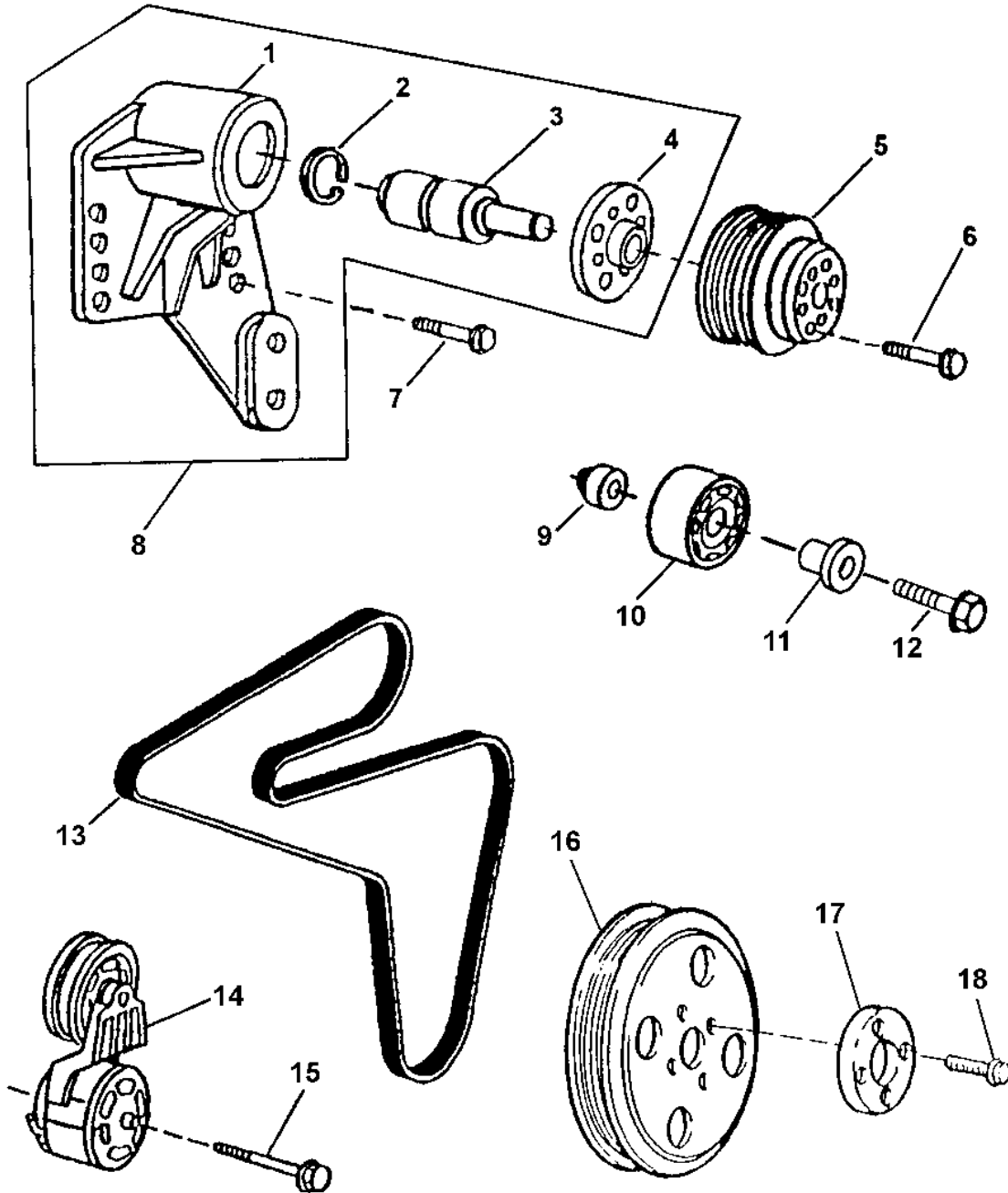
ENGINE 4

FAN DRIVE 0429

FAN DRIVE AND BELT 310G (TURBO), 310SG, 315SG (T0/PE4045TT080/081)
ENTRAÎNEMENT DE VENTILATEUR ET COURROIE 310G (TURBO), 310SG, 315SG (T0/PE4045TT080/081)
MANDO DEL VENTILADOR Y CORREA 310G (TURBO), 310SG, 315SG (T0/PE4045TT080/081)

TP69539

-UN-26JUL00



TP69539

0429-3

ENGINE 4

FAN DRIVE 0429

FAN DRIVE AND BELT 310G (TURBO), 310SG, 315SG (T0/PE4045TT080/081)
 ENTRAINEMENT DE VENTILATEUR ET COURROIE 310G (TURBO), 310SG, 315SG (T0/PE4045TT080/081)
 MANDO DEL VENTILADOR Y CORREA 310G (TURBO), 310SG, 315SG (T0/PE4045TT080/081)

KEY	PART NO.	PART NAME	QTY.	ENGINE SERIAL NO.	REMARKS
					3 3
					3 1 1
					1 0 5
					0 S S
					G G G
1	HOUSING	1		X X X (MARKED R500304)
2	H80753	SNAP RING	1		X X X
3	BALL BEARING	1		X X X
4	HUB	1		X X X (MARKED R500598)
5	R128660	PULLEY	1		X X X
6	19M8197	CAP SCREW	4		X X X M10 X 85
7	19M7835	SCREW	4		X X X M10 X 35
8	RE500539	HUB	1		X X X (MARKED R500304)
9	R500320	SPACER	1		X X X (A)
10	RE505264	PULLEY	1		X X X (A)
11	R502079	SLEEVE	1		X X X (A)
12	19M7808	SCREW	1		X X X (A) M10 X 65
13	R504023	V-BELT	1		X (A)
	R504023	V-BELT	1	-958748	X X (A)
	T225495	V-BELT	1	958749-	X X (A)
	R504022	V-BELT	1		X (B)
	R504022	V-BELT	1	-958549	X X (B)
	T225494	V-BELT	1	958550-	X X (B)
14	TIGHTENER	1	-259046	X X X (RE70535 NLA) (SUB RE518097) (ALSO ORDER R516623)
	RE518097	TIGHTENER	1	259047-	X X X
15	19M7811	SCREW	2		X X X M10 X 90
16	R133295	PULLEY	1		X X X
17	R500649	FLANGE	1		X X X
18	R121897	BOLT	1		X X X

(A) WITH AIR CONDITIONING
 (A) AVEC CLIMATISATION
 (A) CON ACONDICIONADOR AIRE

(B) WITHOUT AIR CONDITIONING
 (B) SANS CLIMATISATION
 (B) SIN ACONDICIONADOR DE AIRE

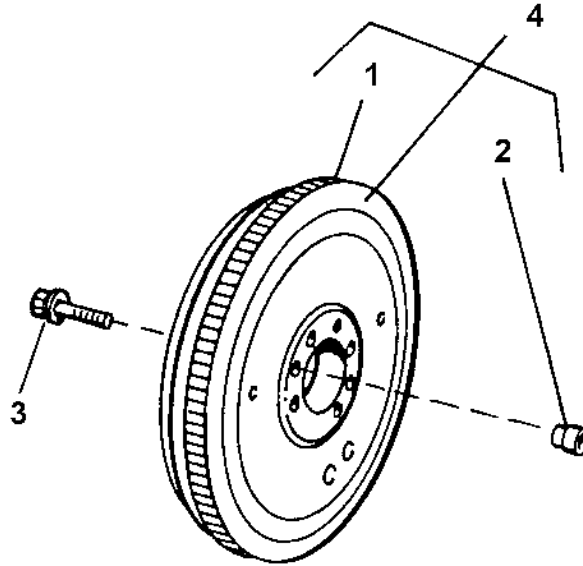
0433-2

ENGINE 4

FLYWHEEL, HOUSING AND FASTENINGS 0433

ENGINE FLYWHEEL
VOLANT-MOTEUR
VOLANTE DEL MOTOR

TP69538 -UN-18JUL00



TP69538

KEY	PART NO.	PART NAME	QTY.	ENGINE SERIAL NO.	REMARKS
1	R28811	RING GEAR	1		
2	R123521	SLEEVE	1		
3	R135918	BOLT	4		
4	RE500137	FLYWHEEL	4		

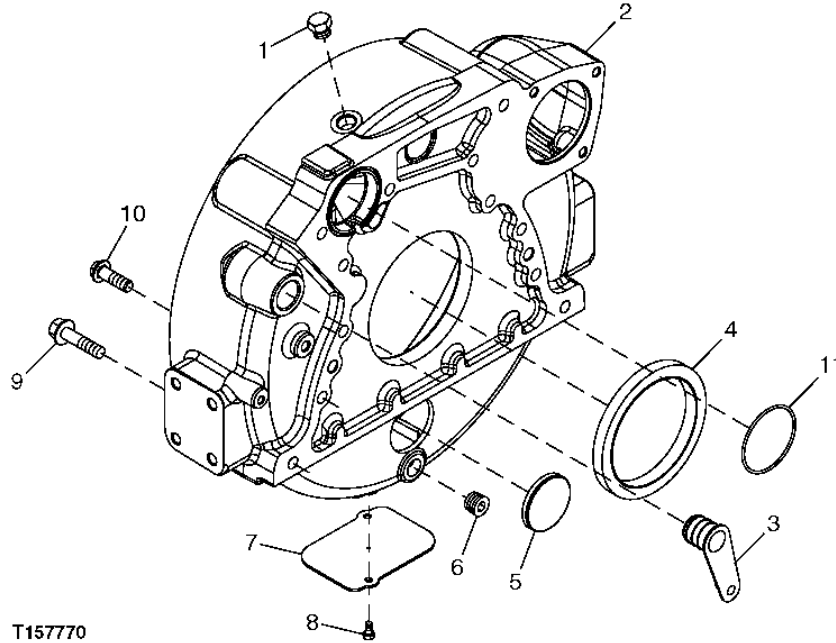
				3 3	
				3 1 1	
				1 0 5	
				0 S S	
				G G G	

0433-3

ENGINE 4

FLYWHEEL, HOUSING AND FASTENINGS 0433
 FLYWHEEL HOUSING (VSN -910055)
 CARTER DE VOLANT-MOTEUR (VSN -910055)
 CAJA DEL VOLANTE (VSN -910055)

T157770 -UN-02AUG02



T157770

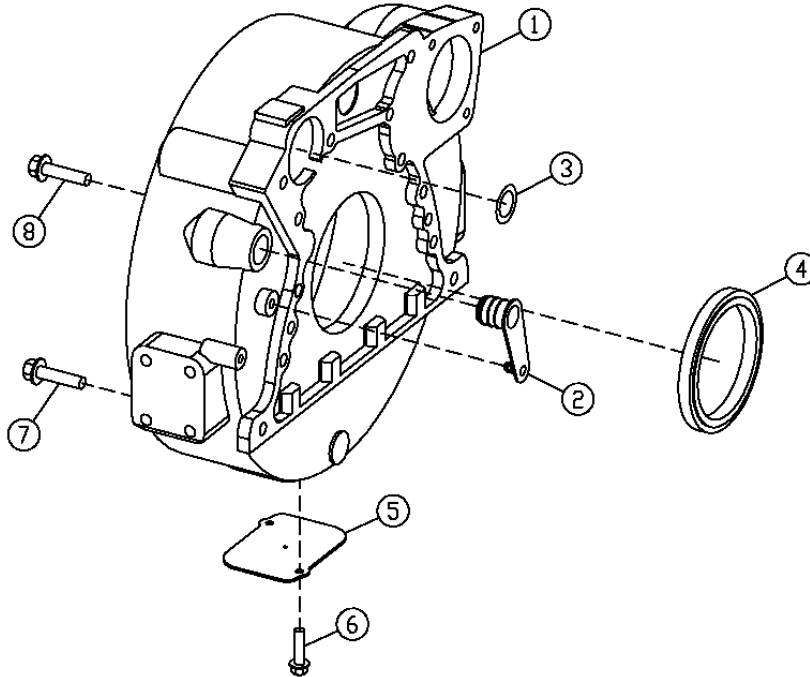
KEY	PART NO.	PART NAME	QTY.	ENGINE SERIAL NO.	3 3 3 1 1 1 0 5 0 S S G G G	REMARKS
1	R39112	FITTING	1		X X X	
2	R132006	HOUSING	1	-867794	X X X	(SUB R503451 AND R61467)
	R503451	HOUSING	1	867795-	X X X	(ALSO ORDER R61467)
3	R131769	PLUG	1		X X X	
4	RE44574	SEAL	1		X X X	
5	T13518	PLUG	1		X X X	
6	RE57836	PIPE PLUG	1		X X X	1/2", (SUB FOR 15H624)
7	R121039	PLATE	2		X X X	
8	19M7923	CAP SCREW	2		X X X	M6 X 12
9	19M8306	SCREW	4		X X X	M12 X 50
10	R135918	BOLT	8		X X X	
11	R61467	O-RING	1	867795-	X X X	

0433-4

ENGINE 4

FLYWHEEL, HOUSING AND FASTENINGS 0433
 FLYWHEEL HOUSING (VSN 910056-)
 CARTER DE VOLANT-MOTEUR (VSN 910056-)
 CAJA DEL VOLANTE (VSN 910056-)

T158177 -UN-26SEP02



T158177

KEY	PART NO.	PART NAME	QTY.	ENGINE SERIAL NO.	REMARKS
				3 3	
				3 1 1	
				1 0 5	
				0 S S	
				G G G	
1	R503449	HOUSING	1	X X X	
2	R131769	PLUG	1	X X X	
3	R61467	O-RING	1	X X X	
4	RE44574	SEAL	1	X X X	
5	R121039	PLATE	1	X X X	
6	19M7923	CAP SCREW	2	X X X	M6 X 12
7	19M8306	SCREW	4	X X X	M12 X 50
8	R135918	BOLT	8	X X X	

0450-1

ENGINE 4

SERVICE CYLINDER BLOCK ASSEMBLIES 0450

MEMORANDA
MEMORANDA
MEMORANDA

0450-2

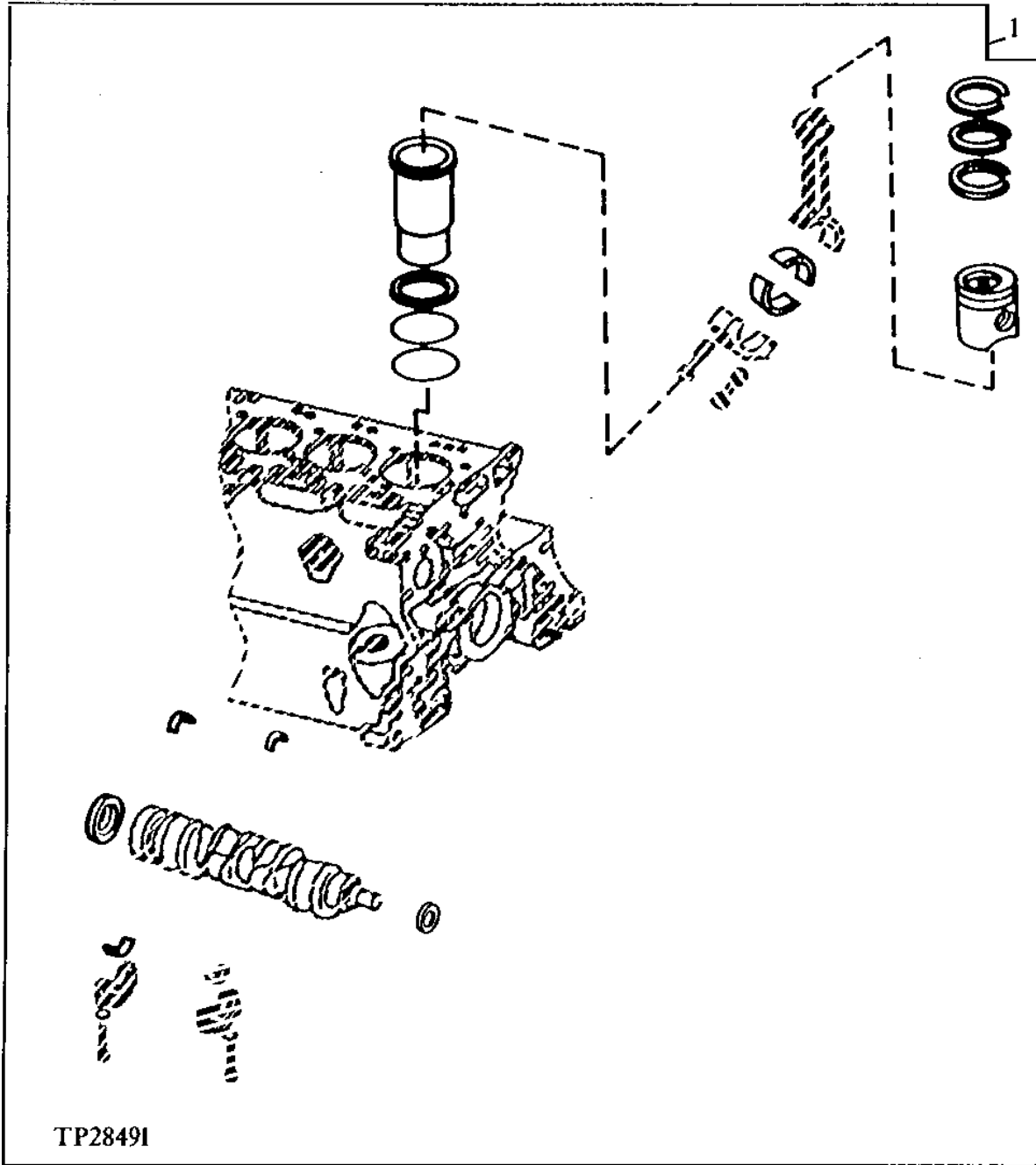
ENGINE 4

SERVICE CYLINDER BLOCK ASSEMBLIES 0450

OVERHAUL KIT
JEU DE REMISE EN ETAT
JUEGO DE RECONSTRUCCION

TP28491

-UN-01JAN94



TP28491

0450-3

ENGINE 4

SERVICE CYLINDER BLOCK ASSEMBLIES 0450

**OVERHAUL KIT
JEU DE REMISE EN ETAT
JUEGO DE RECONSTRUCCION**

<i>KEY</i>	<i>PART NO.</i>	<i>PART NAME</i>	<i>QTY.</i>	<i>ENGINE SERIAL NO.</i>	<i>REMARKS</i>
1	RE527299	ENGINE OVERHAUL KIT	1		PISTON, (MARKED RE515372)

0450-4

ENGINE 4

SERVICE CYLINDER BLOCK ASSEMBLIES 0450

MEMORANDA
MEMORANDA
MEMORANDA

0452-1

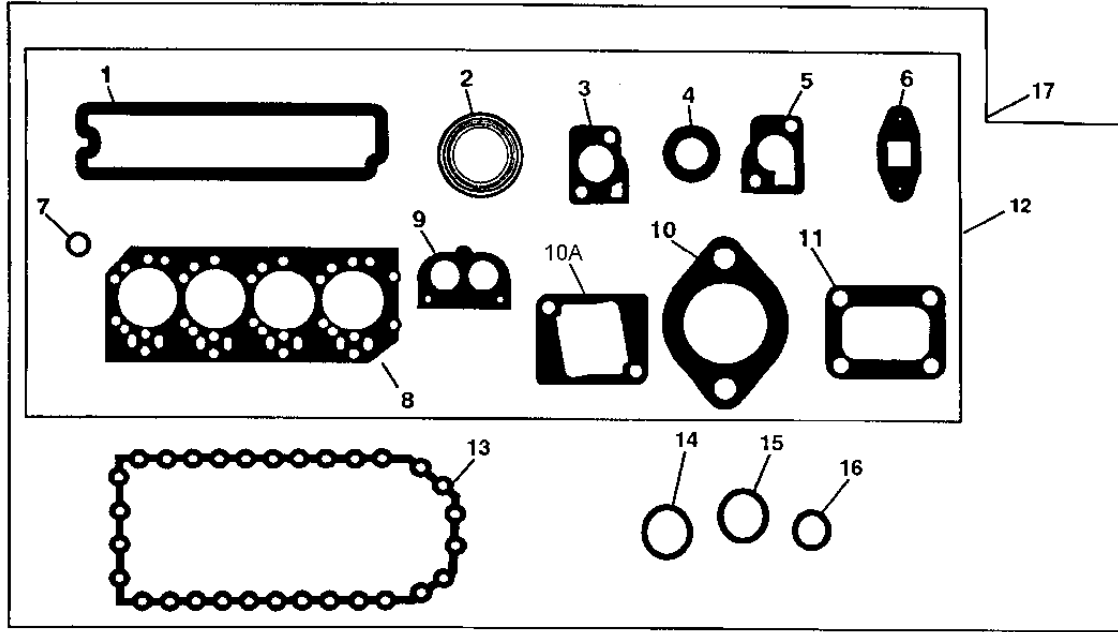
ENGINE 4

GASKET REPLACEMENT KITS 0452

CYLINDER HEAD REMOVAL AND IN VEHICLE OVERHAUL GASKET SETS
DEPOSE DE CULASSE ET JEU DE JOINTS DE REMISE A NEUF DANS LE VEHICULE
JUEGO DE RETIRO DE CULATA Y EMPAQUETADURAS PARA REACONDICIONAMIENTO DEL VEHICULO

T150756

-UN-31JAN20



T150756

KEY	PART NO.	PART NAME	QTY.	ENGINE SERIAL NO.	REMARKS
1	R123542	GASKET	1		(A) ROCKER ARM COVER
2	R521439	GASKET	4		(A) EXHAUST MANIFOLD, (SUB FOR R90658)
3	R502814	GASKET	1		(A) THERMOSTAT COVER, (SUB FOR R135896)
4	R123226	GASKET	2		(A) WATER BY-PASS TUBE
5	R123345	GASKET	1		(A) THERMOSTAT HOUSING
6	R123570	GASKET	1		(A) TURBOCHARGER OIL OUTLET LINE (SQUARE)
	R503891	GASKET	1		(A) TURBOCHARGER OIL OUTLET LINE (ROUND)
7	R123575	O-RING	4		(A) ROCKER ARM COVER HOLD DOWN STUD
8	R116515	ENGINE CYLINDER HEAD GASKET	1		(A) CYLINDER HEAD
9	R501373	GASKET	1		(A) THERMOSTAT COVER
10	R81275	GASKET	1		(A) AIR INLET
10A	R133893	GASKET	1		(A) AIR INLET
11	R92097	GASKET	1		(A) TURBOCHARGER TO EXHAUST MANIFOLD
12	RE526670	GASKET KIT	1		(A) CYLINDER HEAD REMOVAL, (SUB FOR RE66082)
13	R123353	GASKET	1		(A) ENGINE OIL PAN
	R522030	GASKET	1		(A) (STEEL, 3/8")
14	R75892	O-RING	1		(A) OIL PUMP TUBE CONNECTOR
15	R97185	O-RING	1		(A) OIL PUMP OUTLET TUBE TO COVER
16	R61871	O-RING	1		(A) OIL PUMP INTAKE TUBE
17	RE526671	GASKET KIT	1		(A) IN CHASSIS OVERHAUL, (SUB FOR RE66084)

(A) 310G (TURBO), 310SG, 315SG - TO/PE4045TT080, TO/PE4045TT081

(A) 310G (TURBO), 310SG, 315SG - TO/PE4045TT080, TO/PE4045TT081

(A) 310G (TURBO), 310SG, 315SG - TO/PE4045TT080, TO/PE4045TT081

0452-2

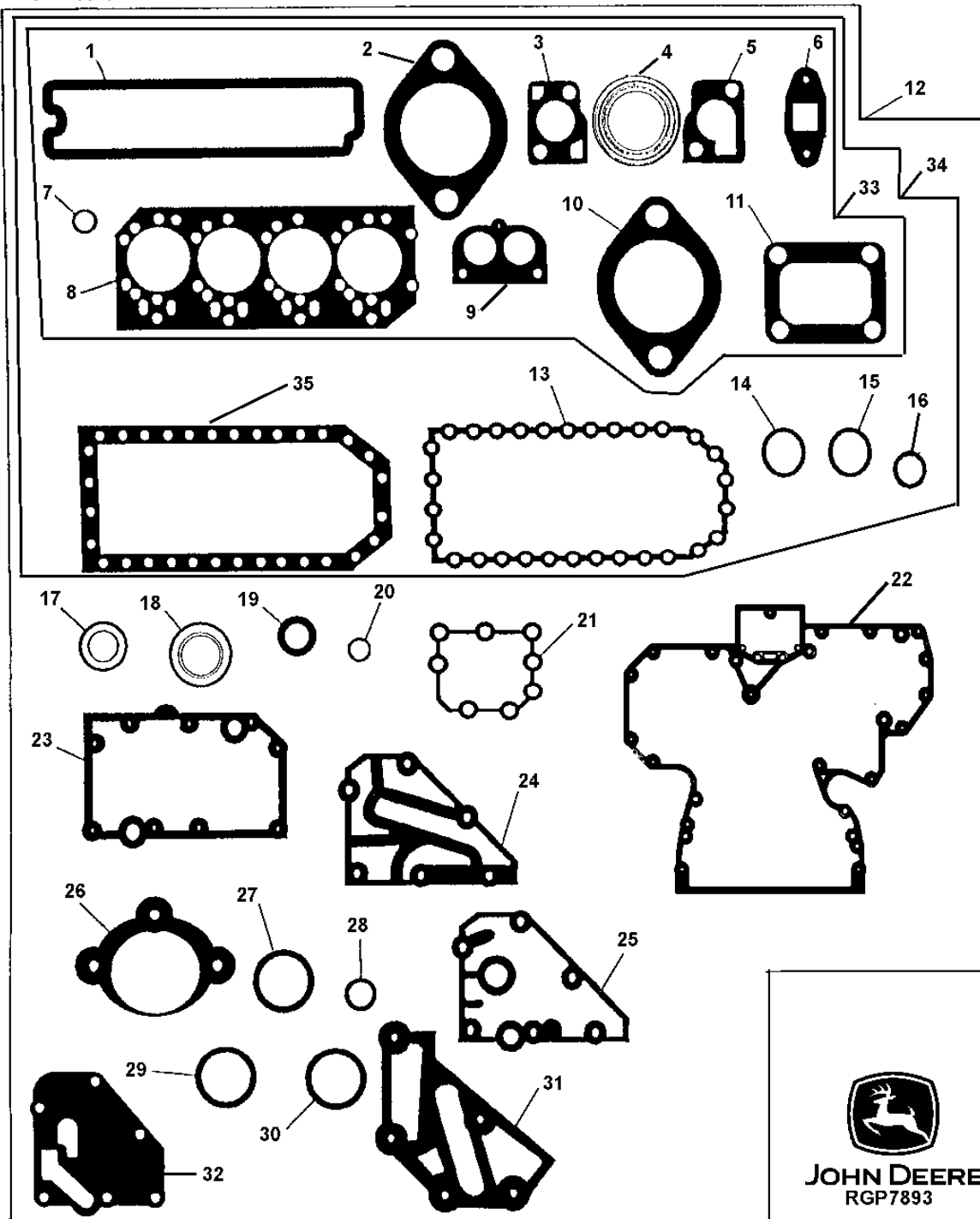
ENGINE 4

GASKET REPLACEMENT KITS 0452

ENGINE MAJOR OVERHAUL GASKET KIT (SEE FOOTNOTE)
JEU DE JOINTS POUR REMISE A NEUF MAJEURE DE MOTEUR (VOIR NOTE EN BAS DE PAGE)
JUEGO DE EMPAQUETADURAS PARA REACONDICIONAMIENTO DEL MOTOR (CONSULTE NOTA AL PIE DE PAGINA)

RGP7893

-UN-12JUL01



0452-3

ENGINE 4

GASKET REPLACEMENT KITS 0452

ENGINE MAJOR OVERHAUL GASKET KIT (SEE FOOTNOTE)
 JEU DE JOINTS POUR REMISE A NEUF MAJEURE DE MOTEUR (VOIR NOTE EN BAS DE PAGE)
 JUEGO DE EMPAQUETADURAS PARA REACONDICIONAMIENTO DEL MOTOR (CONSULTE NOTA AL PIE DE PAGINA)

KEY	PART NO.	PART NAME	QTY.	ENGINE SERIAL NO.	REMARKS
					3 3
					3 1 1
					1 0 5
					0 S S
					G G G
1	R123542	GASKET	1		ROCKER ARM COVER
	RE520539	GASKET KIT	1		HIGH TEMP ROCKER ARM COVER GASKET & SHIMS (NOT INCLUDED IN MAJOR KITS)
2	R521439	GASKET	4		EXHAUST MANIFOLD. (SUB FOR R90658)
3	R502814	GASKET	1		THERMOSTAT COVER
4	R123226	GASKET	2		WATER BY-PASS TUBE
5	R123345	GASKET	1		THERMOSTAT HOUSING
6	R123570	GASKET	1		TURBOCHARGER OIL OUTLET TUBE
	R503891	GASKET	1		TURBOCHARGER OIL OUTLET TUBE
7	R123575	O-RING	4		ROCKER ARM COVER HOLD DOWN STUD
8	R116515	ENGINE CYLINDER HEAD GASKET	1		CYLINDER HEAD
9	R501373	GASKET	1		THERMOSTAT COVER
10	R81275	GASKET	1		AIR INLET (OVAL)
	R133893	GASKET	1		AIR INLET (SQUARE)
11	R92097	GASKET	1		TURBOCHARGER TO EXHAUST MANIFOLD
12	RE527042	GASKET KIT	1	X X X	(4045DT056,DT058,TT080,TT081,TT088, OR TT089) (SUB FOR RE501455)
	RE527298	ENGINE OVERHAUL KIT	1	X	(WITHOUT TURBOCHARGER-4045DT056 / TT058) (CONTAINS ENGINE OVERHAUL GASKET KIT, PISTON/LINER KIT,CONNECTING ROD BEARINGS AND CRANKSHAFT MAIN BEARINGS)
	RE527299	ENGINE OVERHAUL KIT	1	X X X	(WITH TURBO-4045TT080,TT081, TT088, OR TT089) (CONTAINS ENGINE OVERHAUL GASKET KIT, PISTON/LINER KIT,CONNECTING ROD BEARINGS AND CRANKSHAFT MAIN BEARINGS)

310G (TURBO)-(TO/PE4045TT080, PE4045TT088) 310G-(PE4045DT058) 310SG, 315SG -(TO/PE4045TT081/089)
 310G (TURBO)-(TO/PE4045TT080, PE4045TT088) 310G-(PE4045DT058) 310SG, 315SG -(TO/PE4045TT081/089)
 310G (TURBO)-(TO/PE4045TT080, PE4045TT088) 310G-(PE4045DT058) 310SG, 315SG -(TO/PE4045TT081/089)

0452-4

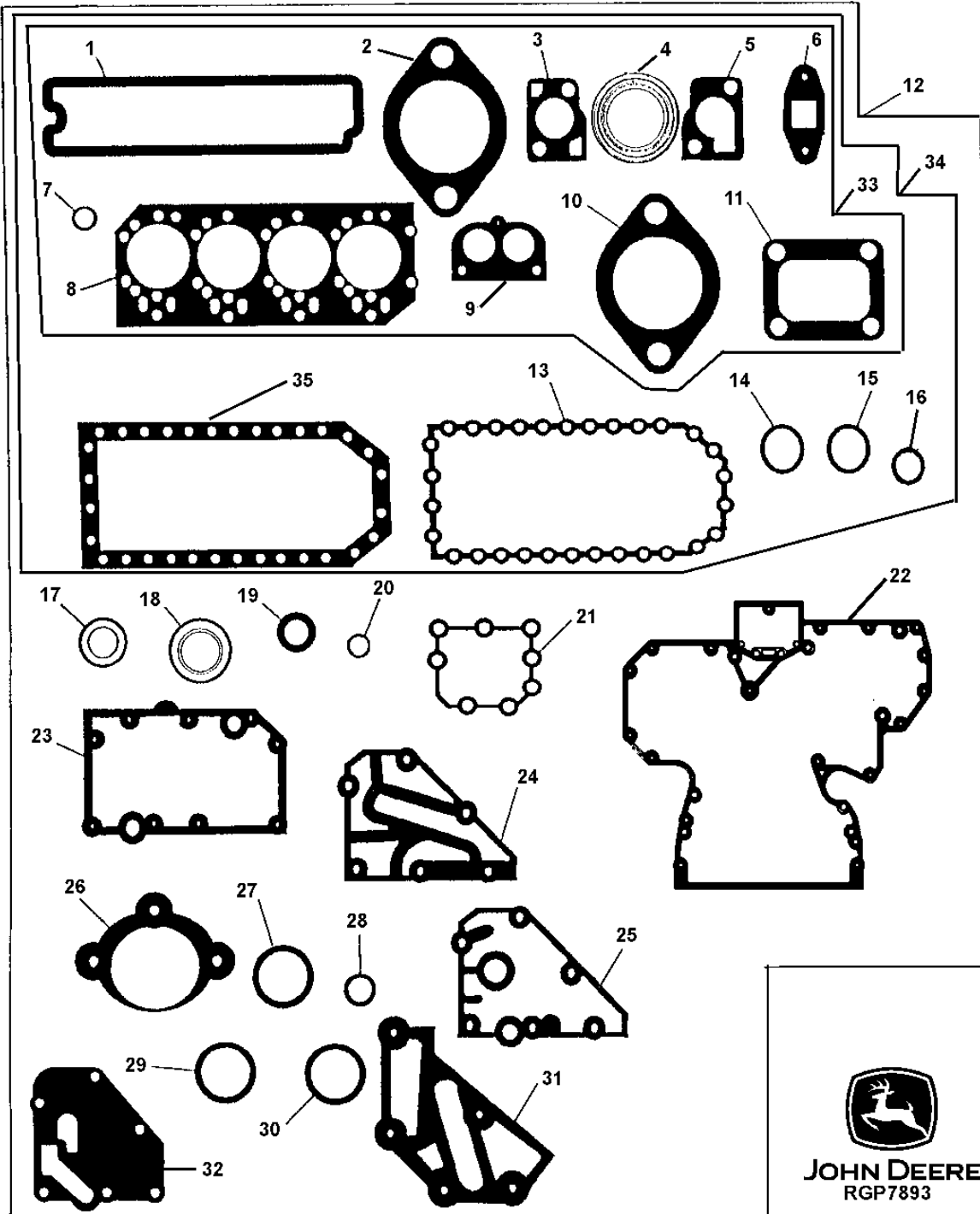
ENGINE 4

GASKET REPLACEMENT KITS 0452

ENGINE MAJOR OVERHAUL GASKET KIT (SEE FOOTNOTE)
JEU DE JOINTS POUR REMISE A NEUF MAJEURE DE MOTEUR (VOIR NOTE EN BAS DE PAGE)
JUEGO DE EMPAQUETADURAS PARA REACONDICIONAMIENTO DEL MOTOR (CONSULTE NOTA AL PIE DE PAGINA)

RGP7893

-UN-12JUL01



0452-5

ENGINE 4

GASKET REPLACEMENT KITS 0452

ENGINE MAJOR OVERHAUL GASKET KIT (SEE FOOTNOTE)
 JEU DE JOINTS POUR REMISE A NEUF MAJEURE DE MOTEUR (VOIR NOTE EN BAS DE PAGE)
 JUEGO DE EMPAQUETADURAS PARA REACONDICIONAMIENTO DEL MOTOR (CONSULTE NOTA AL PIE DE PAGINA)

KEY	PART NO.	PART NAME	QTY.	ENGINE SERIAL NO.	REMARKS
				3 3	
				3 1 1	
				1 0 5	
				0 S S	
				G G G	
13	R522030	GASKET	1		ENGINE OIL PAN (NOT INCLUDED IN MAJOR KITS)
14	R75892	O-RING	1		OIL PUMP TUBE CONNECTOR
15	R97185	O-RING	1		OIL PUMP OUTLET TUBE TO COVER
16	R61871	O-RING	1		OIL PUMP INTAKE TUBE
17	A4827R	WASHER	1		OIL PRESSURE REGULATOR PLUG
18	RE44574	SEAL	1		REAR OIL SEAL
19	RE516340	KIT	1		FRONT OIL SEAL, (SUB FOR RE59810) (MARKED RE52346 OR RE505515)
20	R123273	O-RING	1		FUEL TRANSFER PUMP
21	R123417	GASKET	1		WATER PUMP
22	R136515	GASKET	1		TIMING GEAR COVER (WITH AUXILIARY DRIVE)
	R136516	GASKET	1		TIMING GEAR COVER (WITHOUT AUXILIARY DRIVE)
23	R123501	GASKET	1		OIL COOLER HOUSING
24	R502864	GASKET	1		REMOTE OIL FILTER ADAPTER
25	R123525	GASKET	1		OIL FILTER HEADER
26	R53108	GASKET	1		STARTING MOTOR
27	R72328	O-RING	4		OIL FILTER TUBES
28	R89944	O-RING	1		WATER PUMP INLET
29	R504734	O-RING	2		CONNECTOR TUBE TO TIMING GEAR COVER
30	T122075	O-RING	2		OIL COOLER TO HOUSING
31	R501428	GASKET	1		COOLANT PASSAGE ADAPTER
32	R500374	GASKET	1		OIL FILTER HEADER
33	RE526670	GASKET KIT	1		CYLINDER HEAD REMOVAL, (SUB FOR RE66082)
34	RE526671	GASKET KIT	1		IN CHASSIS OVERHAUL, (SUB FOR RE66084)
35	R123353	GASKET	1		ENGINE OIL PAN

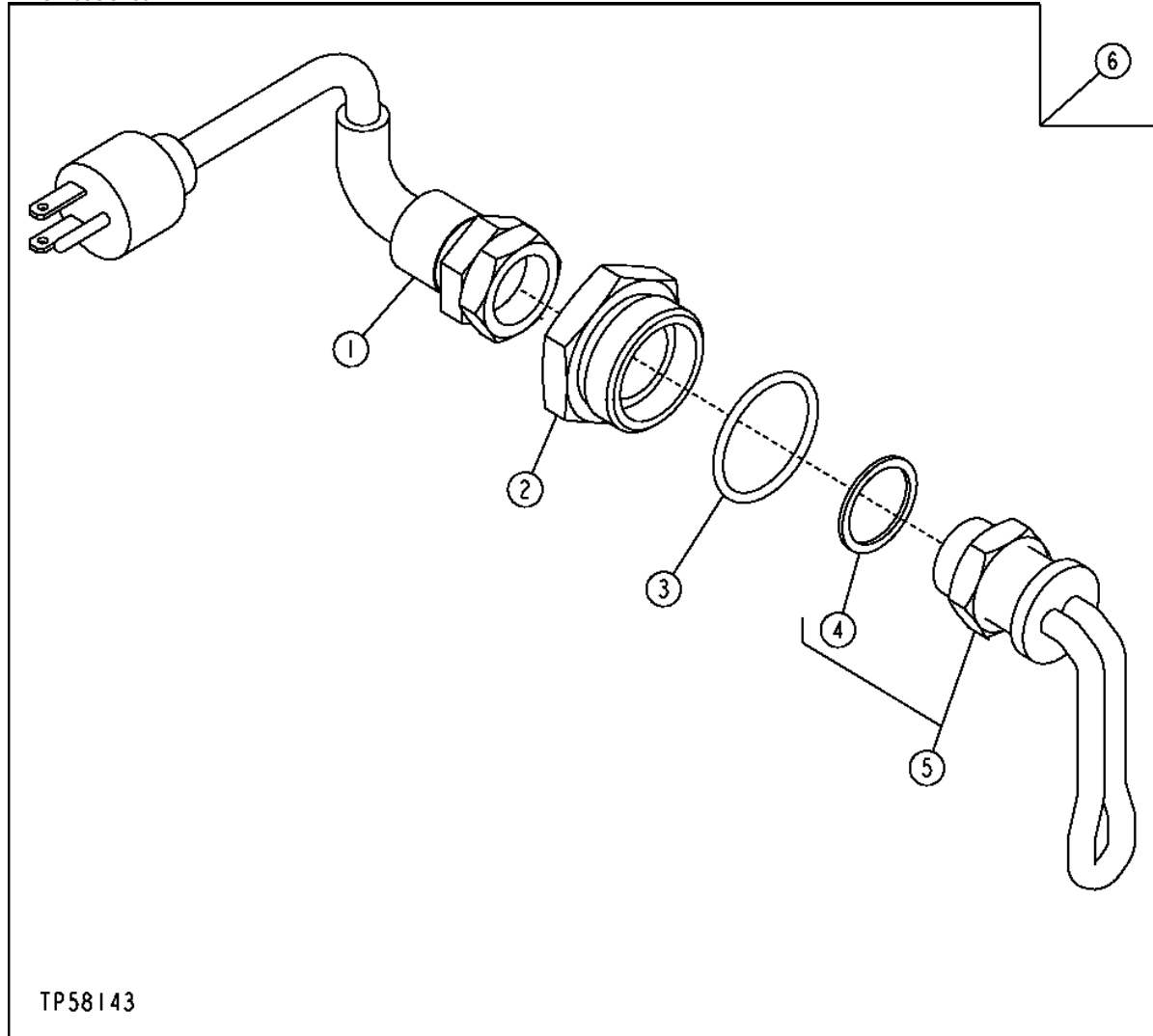
310G (TURBO)-(TO/PE4045TT080, PE4045TT088) 310G-(PE4045DT058) 310SG, 315SG -(TO/PE4045TT081/089)
 310G (TURBO)-(TO/PE4045TT080, PE4045TT088) 310G-(PE4045DT058) 310SG, 315SG -(TO/PE4045TT081/089)
 310G (TURBO)-(TO/PE4045TT080, PE4045TT088) 310G-(PE4045DT058) 310SG, 315SG -(TO/PE4045TT081/089)

0505-2

ENGINE AUXILIARY SYSTEM 5
COLD WEATHER STARTING AIDS 0505

ENGINE COOLANT HEATER CHAUFFE-BLOC MOTEUR CALEFACTOR DE REFRIGERANTE DE MOTOR

TP58143 -UN-03OCT00



TP58143

0505-3

ENGINE AUXILIARY SYSTEM 5

COLD WEATHER STARTING AIDS 0505

**ENGINE COOLANT HEATER
CHAUFFE-BLOC MOTEUR
CALEFACTOR DE REFRIGERANTE DE MOTOR**

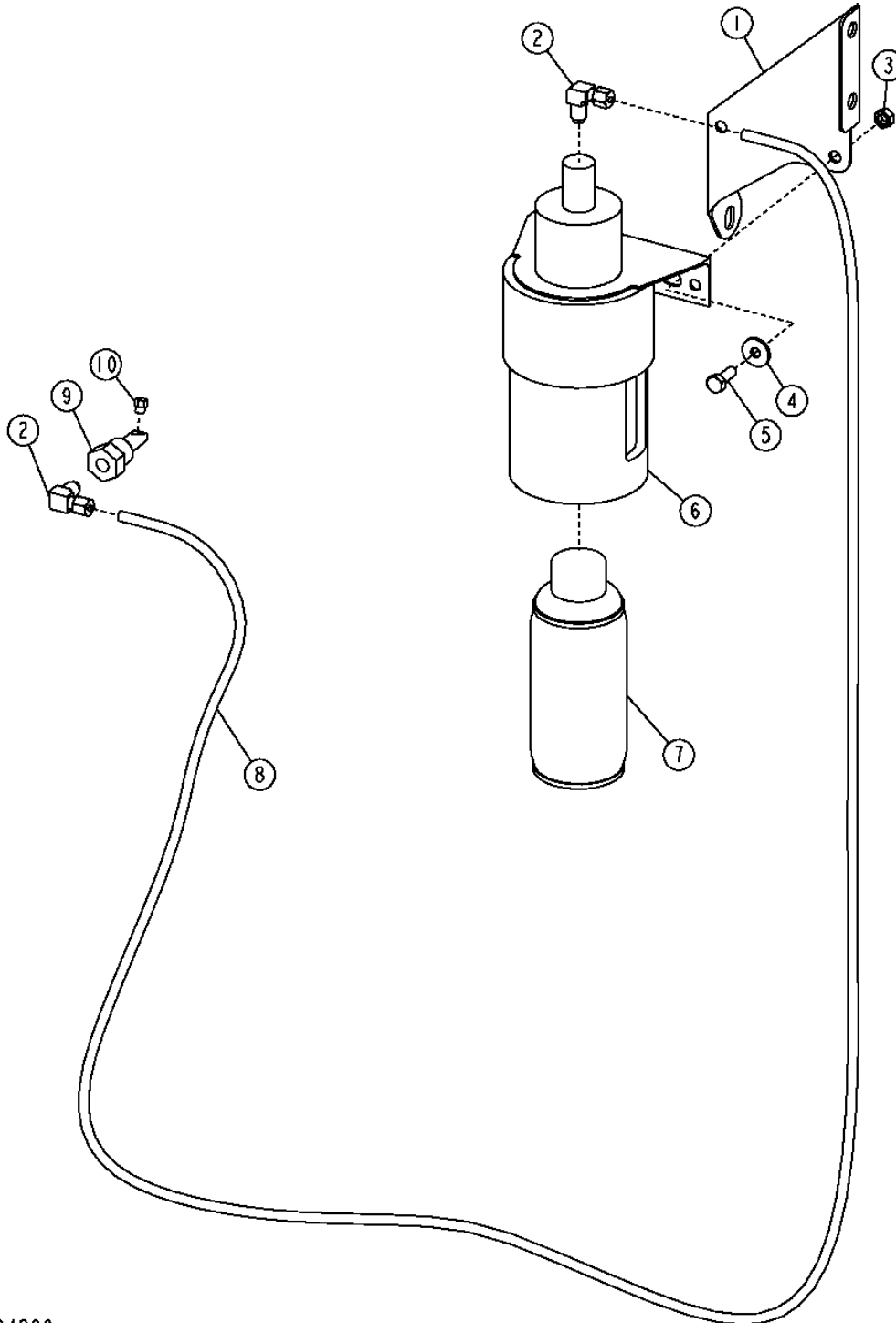
KEY	PART NO.	PART NAME	QTY.	SERIAL NO.	REMARKS
					3 3
					3 1 1
					1 0 5
					0 S S
					G G G
1	AT73296	POWER CORD	1		X X X
2	R54123	ADAPTER FITTING	1		X X X
3	U13639	O-RING	1		X X X
4	R206883	WASHER	1		X X X (SUB FOR R47693)
5	RE42139	HEATING ELEMENT	1		X X X
6	AT74940	COOLANT HEATER	1		X X X

0505-4

COLD WEATHER STARTING AID (SN -910055)
DISPOSITIF D'AIDE AU DEMARRAGE PAR TEMPS FROID (SN -910055)
DISPOSITIVO PARA EL ARRANQUE EN TIEMPO FRIJO (SN -910055)

COLD WEATHER STARTING AIDS 0505

T134800 -UN-08NOV00



T134800

THIS PARTS LISTING IS CONTINUED

0505-5

ENGINE AUXILIARY SYSTEM 5

COLD WEATHER STARTING AIDS 0505

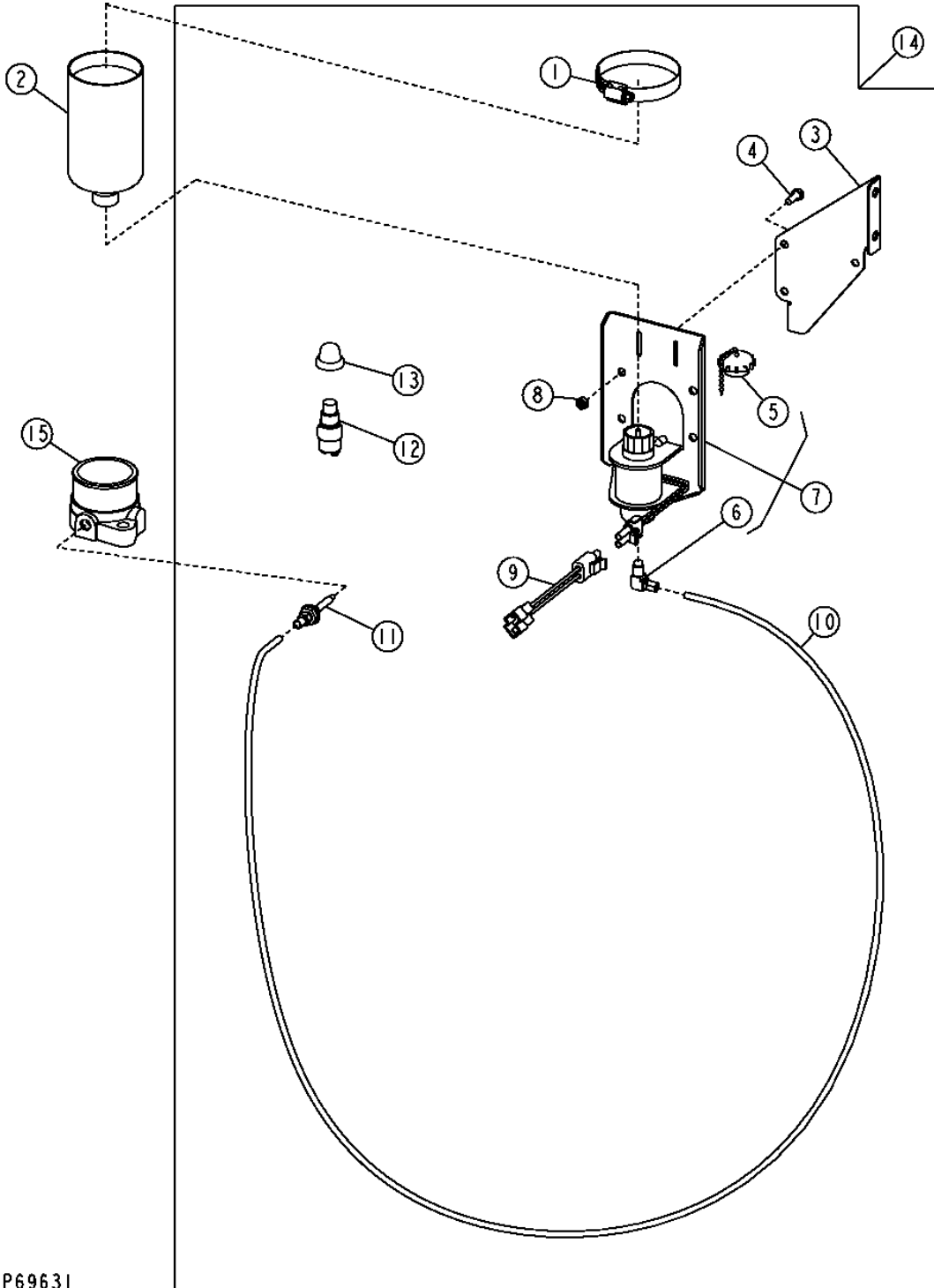
COLD WEATHER STARTING AID (SN -910055)
 DISPOSITIF D'AIDE AU DEMARRAGE PAR TEMPS FROID (SN -910055)
 DISPOSITIVO PARA EL ARRANQUE EN TIEMPO FRIO (SN -910055)

KEY	PART NO.	PART NAME	QTY.	SERIAL NO.	REMARKS
					3 3
					3 1 1
					1 0 5
					0 S S
					G G G
1	T185387	BRACKET	1		X X X
2	RE21790	ELBOW FITTING	2		X X X
3	14M7272	NUT	2		X X X M6
4	24M7139	WASHER	2		X X X
5	19M8425	CAP SCREW	2		X X X M6 X 16
6	RE48310	STARTING AID SOLENOID	1		X X X
7	RE33636	STARTING FLUID	1		X X X
8	TUBE	1		X X X CTL, (MAKE FROM T78593)
9	R47160	NOZZLE HOLDER	1		X X X
10	T155858	NOZZLE	1		X X X

0505-6

COLD WEATHER STARTING AID
DISPOSITIF D'AIDE AU DEMARRAGE PAR TEMPS FROID
DISPOSITIVO PARA EL ARRANQUE EN TIEMPO FRIO

TP69631 -UN-20SEP00



TP69631

0505-7

ENGINE AUXILIARY SYSTEM 5

COLD WEATHER STARTING AIDS 0505

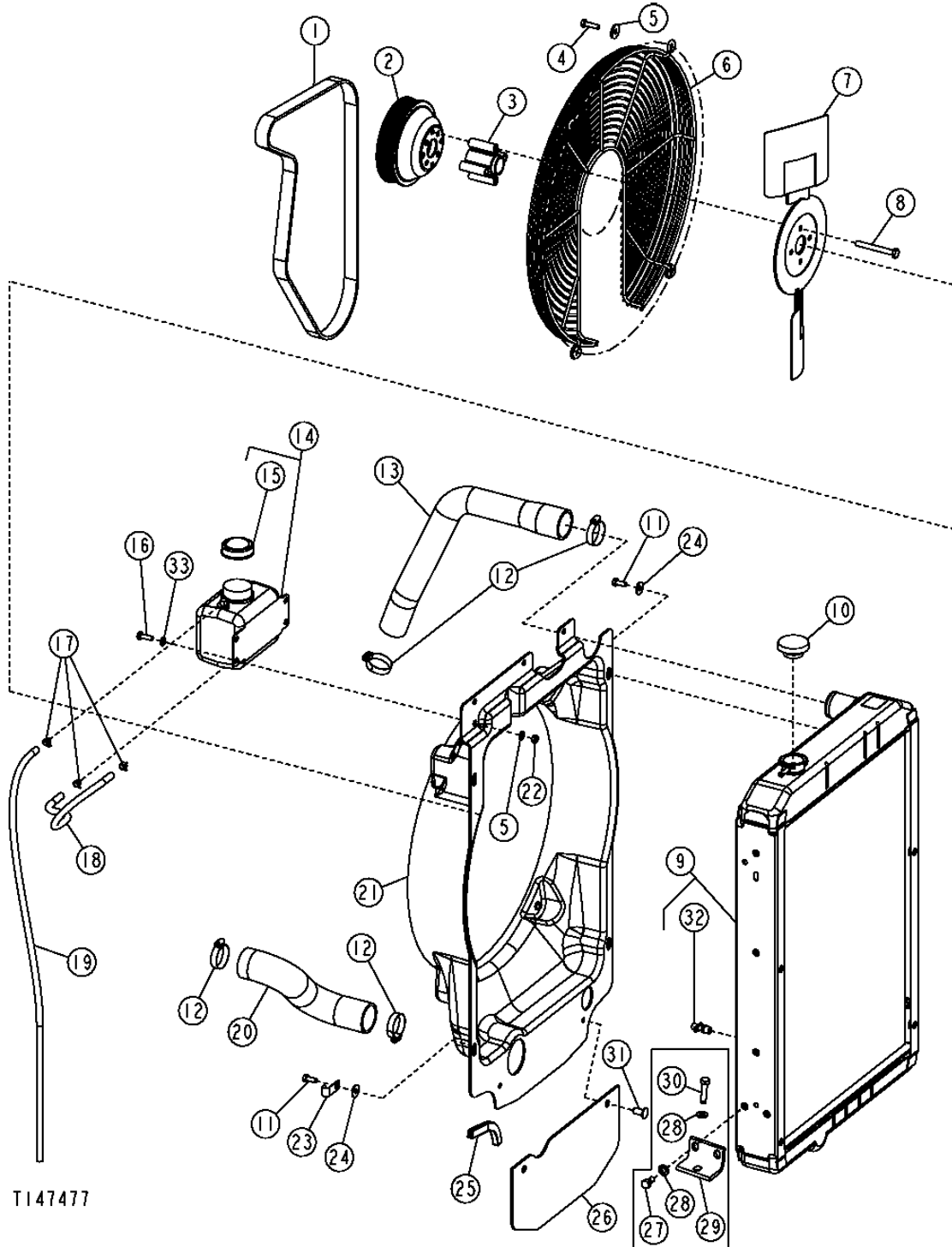
**COLD WEATHER STARTING AID
DISPOSITIF D'AIDE AU DEMARRAGE PAR TEMPS FROID
DISPOSITIVO PARA EL ARRANQUE EN TIEMPO FRIO**

KEY	PART NO.	PART NAME	QTY.	SERIAL NO.	REMARKS
					3 3
					3 1 1
					1 0 5
					0 S S
					G G G
1	AR21999	HOSE CLAMP	1		X X X
2	AT171162	STARTING FLUID	1		X X X
3	T185933	BRACKET	1		X X X
4	19M8425	CAP SCREW	3		X X X M6 X 16
5	AT171539	CAP (HAT)	1		X X X
6	AT181582	ELBOW FITTING	1		X X X
7	AT173385	STARTING AID SOLENOID	1		X X X
8	14M7272	NUT	3		X X X M6
	24M7293	WASHER	3		X X X 6.500 X 13 X 1.600 MM
9	AT182257	WIRING HARNESS	1	-910055	X X X (USE WITH AT196262)
	AT199714	WIRING HARNESS	1	-910055	X X X (USE WITH AT199060)
10	TUBE	1		X X X (CTL) 457MM (1.50') (MAKE FROM T78593)
11	AT183222	NOZZLE	1		X X X
12	R39554	SWITCH	1		X X X
13	T55585	CAP	1		X X X
14	AT192153	KIT	1		X X X
15	R133187	INTAKE MANIFOLD	1		X

0510-2

RADIATOR, HOSES, FAN SHROUD AND GUARD
RADIATEUR, FLEXIBLES, CAPOT DE VENTILATEUR ET PROTECTION
RADIADOR, MANGUERAS, ENVUELTA DEL VENTILADOR Y PROTECTOR

T147477 -UN-29OCT01



T147477

0510-3

ENGINE AUXILIARY SYSTEM 5
ENGINE COOLING SYSTEMS 0510

**RADIATOR, HOSES, FAN SHROUD AND GUARD
RADIATEUR, FLEXIBLES, CAPOT DE VENTILATEUR ET PROTECTION
RADIADOR, MANGUERAS, ENVUELTA DEL VENTILADOR Y PROTECTOR**

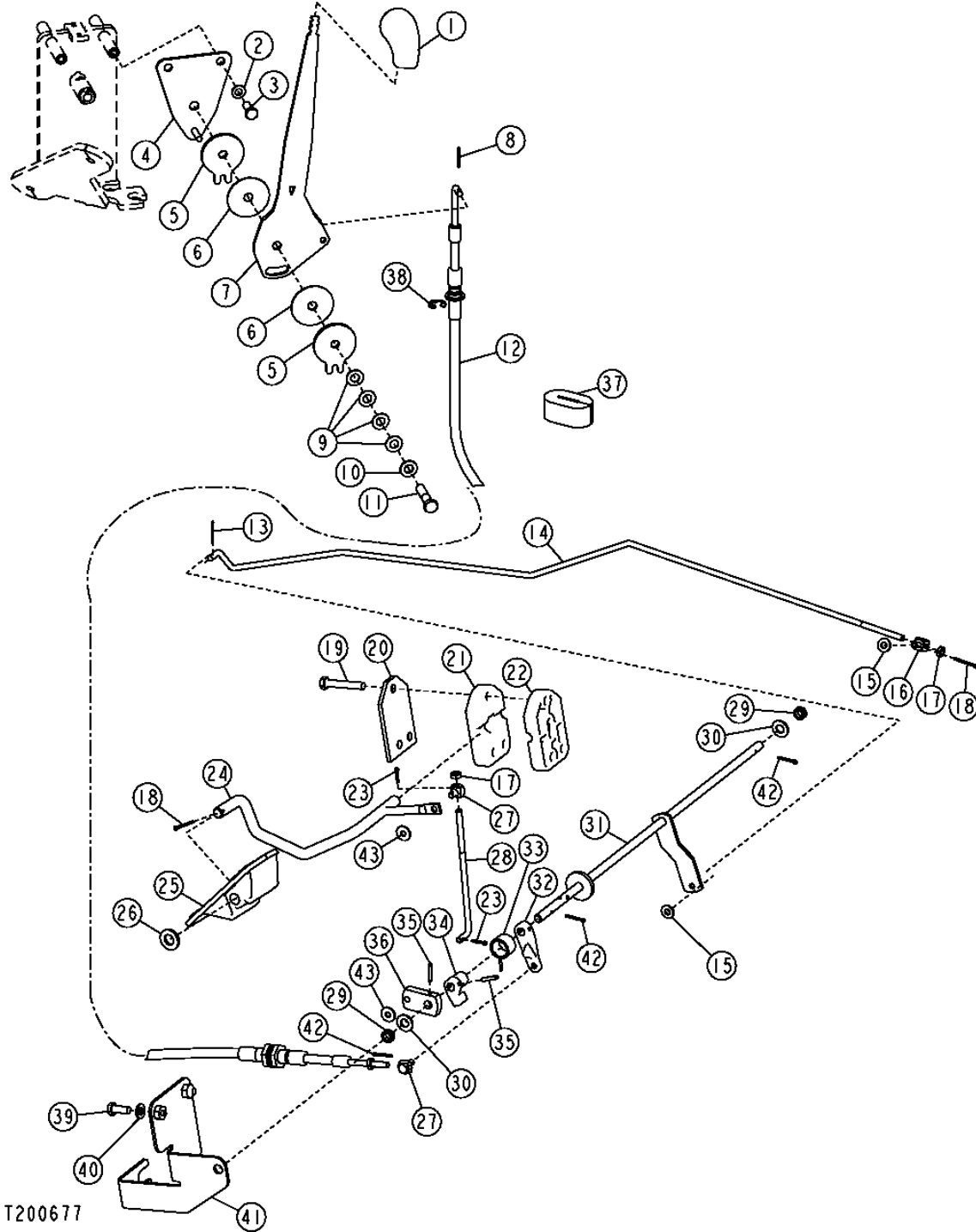
KEY	PART NO.	PART NAME	QTY.	SERIAL NO.	3 3 3 1 1 1 0 5 0 S S G G G	REMARKS
1	R504023	V-BELT	1		X	(WITH AIR CONDITIONING)
	R504023	V-BELT	1	-958748	X X	(WITH AIR CONDITIONING)
	T225495	V-BELT	1	958749-	X X	(WITH AIR CONDITIONING)
	R504022	V-BELT	1		X	(WITHOUT AIR CONDITIONING)
	R504022	V-BELT	1	-958549	X X	(WITHOUT AIR CONDITIONING)
	T225494	V-BELT	1	958550-	X X	(WITHOUT AIR CONDITIONING)
2	R128660	PULLEY	1		X X X	
3	T160508	SPACER	1		X X X	
4	19M7513	CAP SCREW	4		X X X	M8 X 30
5	24M7024	WASHER	4		X X X	(SUB FOR 24M7238, THIS APPLICATION)
6	GUARD	1		X X X	(AT186906 NLA) (SUB AT195907) (ALSO ORDER (4) 24M7024)
	AT195907	GUARD	1		X X X	
7	AT107512	SUCTION FAN	1		X	(6 BLADE)
	AT178394	FAN	1		X X X	(7 BLADE)
8	19M8197	CAP SCREW	4		X X X	M10 X 85
9	AT184503	RADIATOR	1		X	(USE W/O AIR CONDITIONING OR FLOW CONTROL)
	AT190595	RADIATOR	1		X X X	(USE WITH HI-AMBIENT,AND/OR SELECTIVE FLOW, AND/OR AIR CONDITIONING)
10	AT173610	FILLER CAP	1		X X X	
11	M86877	BOLT	4		X X X	M8 X 20
12	AT308555	HOSE CLAMP	4		X X X	(SUB FOR AR65294)
13	T155826	RADIATOR HOSE	1		X X X	
14	AN205068	TANK	1		X X X	
15	AT186925	FILLER CAP	1		X X X	
16	19M7881	SCREW	3		X X X	M8 X 20
17	R56101	CLIP	3		X X X	
18	HOSE	1		X X X	(CTL) 396.2MM (1.3')
19	HOSE	1		X X X	(CTL) 975.4MM (3.2')
20	T155827	HOSE	1		X X X	
21	AT186747	SHROUD	1		X X X	
22	14M7273	NUT	3		X X X	M8
23	AH89557	CLIP	1		X X X	
24	24M7298	WASHER	4		X X X	
25	ISOLATOR	2		X X X	(CTL) 131.1MM (.43')
26	T183669	DEFLECTOR	1		X X X	
27	19M7938	CAP SCREW	4	-903149	X X X	M10 X 20
28	24M7239	WASHER	6	-903149	X X X	
29	T164701	ANGLE	2	-903149	X X X	
30	19M7572	CAP SCREW	2	-903149	X X X	M10 X 45
31	MT2485	PLUG	2		X X X	FASTENER, (SUB FOR T161380)
32	AT13740	DRAIN VALVE	1		X X X	
33	24M7238	WASHER	6		X X X	

0515-2

ENGINE AUXILIARY SYSTEM 5
ENGINE SPEED CONTROLS 0515

ENGINE SPEED CONTROL LINKAGE (SN -910055)
TRINGLERIE DE COMMANDE DE REGIME MOTEUR (SN -910055)
VARILLAJE DE CONTROL DE VELOCIDAD DEL MOTOR (SN -910055)

T200677 -UN-04JUN04



T200677

0515-3

ENGINE AUXILIARY SYSTEM 5

ENGINE SPEED CONTROLS 0515

ENGINE SPEED CONTROL LINKAGE (SN -910055)
 TRINGLERIE DE COMMANDE DE REGIME MOTEUR (SN -910055)
 VARILLAJE DE CONTROL DE VELOCIDAD DEL MOTOR (SN -910055)

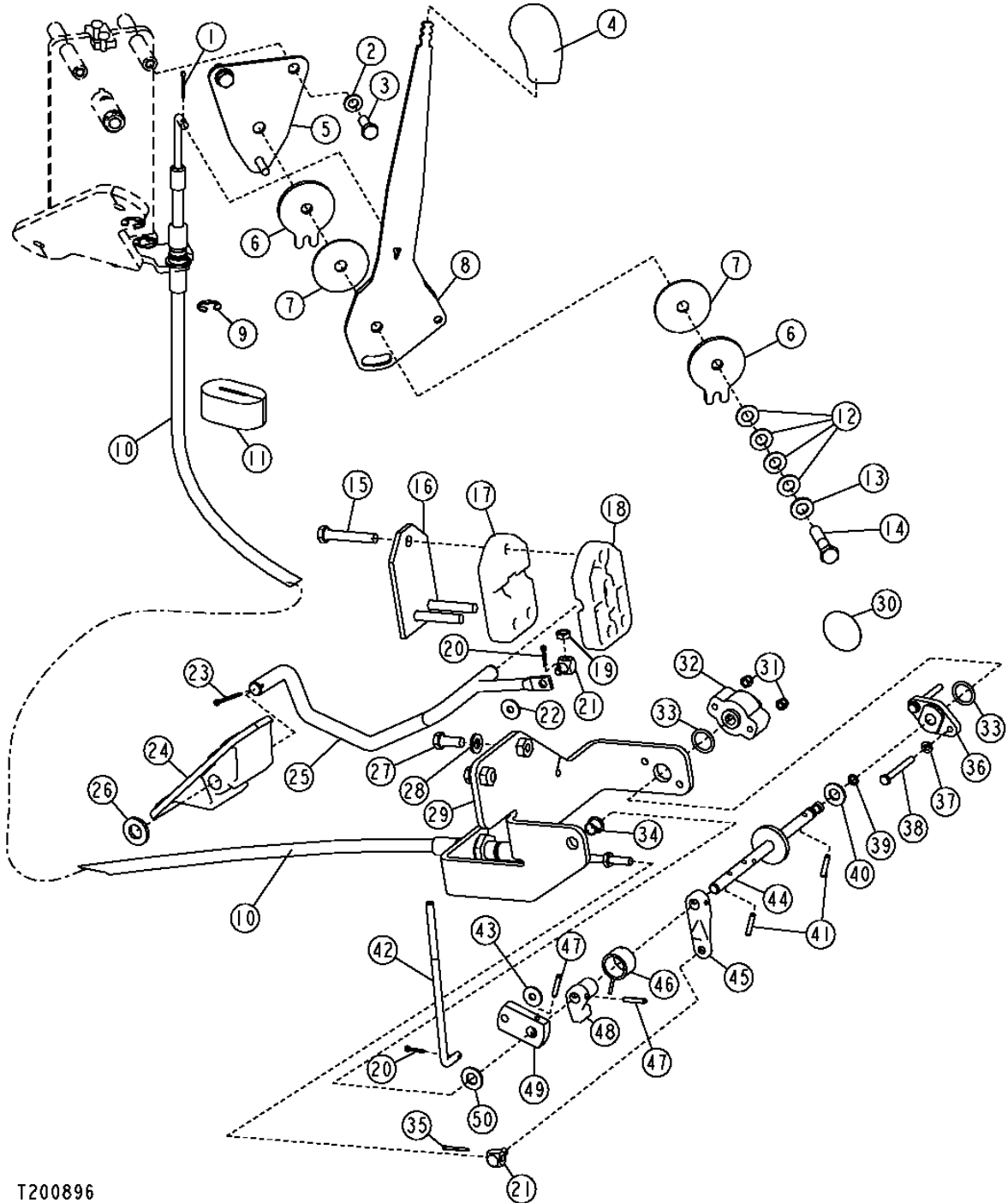
KEY	PART NO.	PART NAME	QTY.	SERIAL NO.	REMARKS
					3 3
					3 1 1
					1 0 5
					0 S S
					G G G
1	M48534	KNOB	1		X X X
2	24M7055	WASHER	2		X X X
3	19M7139	CAP SCREW	2		X X X M8 X 20
4	AT191631	BRACKET	1	-913416	X X X
	AT300768	BRACKET	1	913417-	X X X
5	R33976	PLATE	2		X X X
6	R105812	WASHER	2		X X X
7	T185491	LEVER	1		X X X
8	11M7081	COTTER PIN	1		X X X 2.500 X 20 MM, (SUB FOR 11M7099, THIS APPLICATION)
9	12M7117	WASHER	4		X X X
10	24M7028	WASHER	1		X X X
11	R41920	CAP SCREW	1		X X X 3/8" X 1-3/4"
12	AT196338	PUSH PULL CABLE	1		X X X (SUB FOR AT185848)
	24H1368	WASHER	2		X X X
13	11M7077	COTTER PIN	1		X X X 1.600 X 25 MM
14	T166157	ROD	1		X X X INJECTION PUMP
15	24H1287	WASHER	2		X X X
16	T142748	SWIVEL	1		X X X
17	14H649	NUT	1		X X X 1/4"
18	11M7082	COTTER PIN	2		X X X 2.500 X 25 MM
19	19M8397	CAP SCREW	3		X X X M8 X 50
20	T129732	PLATE	1		X X X
21	T137321	SUPPORT	1		X X X
22	T137322	SUPPORT	1		X X X
23	11M7009	COTTER PIN	2		X X X 2 X 16 MM
24	AT185836	ROD	1		X X X
25	T137318	PEDAL	1		X X X ACCELERATOR
26	24M7240	WASHER	1		X X X
27	T213225	SWIVEL	1		X X X (SUB FOR T35887, THIS APPLICATION)
28	T166174	HOOK BOLT	1		X X X
29	T22241	GROMMET	2		X X X
30	24H1305	WASHER	2		X X X
31	AT185849	LINKAGE	1		X X X
32	T22240	ARM	1		X X X
33	T77165	SPRING	1		X X X
34	T22150	ARM	1		X X X
35	34H264	SPRING PIN	1		X X X 5/32" X 7/8"
36	T135342	LEVER	1		X X X
37	T183217	SEAL	1		X X X
38	R26871	SNAP RING	1		X X X
39	19M7881	SCREW	2		X X X M8 X 20
40	24M7238	WASHER	2		X X X
41	AT195550	BRACKET	1		X X X
42	11M7081	COTTER PIN	3		X X X 2.500 X 20 MM
43	24M7139	WASHER	2		X X X

0515-4

ENGINE AUXILIARY SYSTEM 5
ENGINE SPEED CONTROLS 0515

ENGINE SPEED CONTROL LINKAGE (SN 910056-)
TRINGLERIE DE COMMANDE DE REGIME MOTEUR (SN 910056-)
VARILLAJE DE CONTROL DE VELOCIDAD DEL MOTOR (SN 910056-)

T200896 -UN-11JUN04



T200896

0515-5

ENGINE AUXILIARY SYSTEM 5

ENGINE: SPEED: CONTROLS 0515

ENGINE SPEED CONTROL LINKAGE (SN 910056-)
 TRINGLERIE DE COMMANDE DE REGIME MOTEUR (SN 910056-)
 VARILLAJE DE CONTROL DE VELOCIDAD DEL MOTOR (SN 910056-)

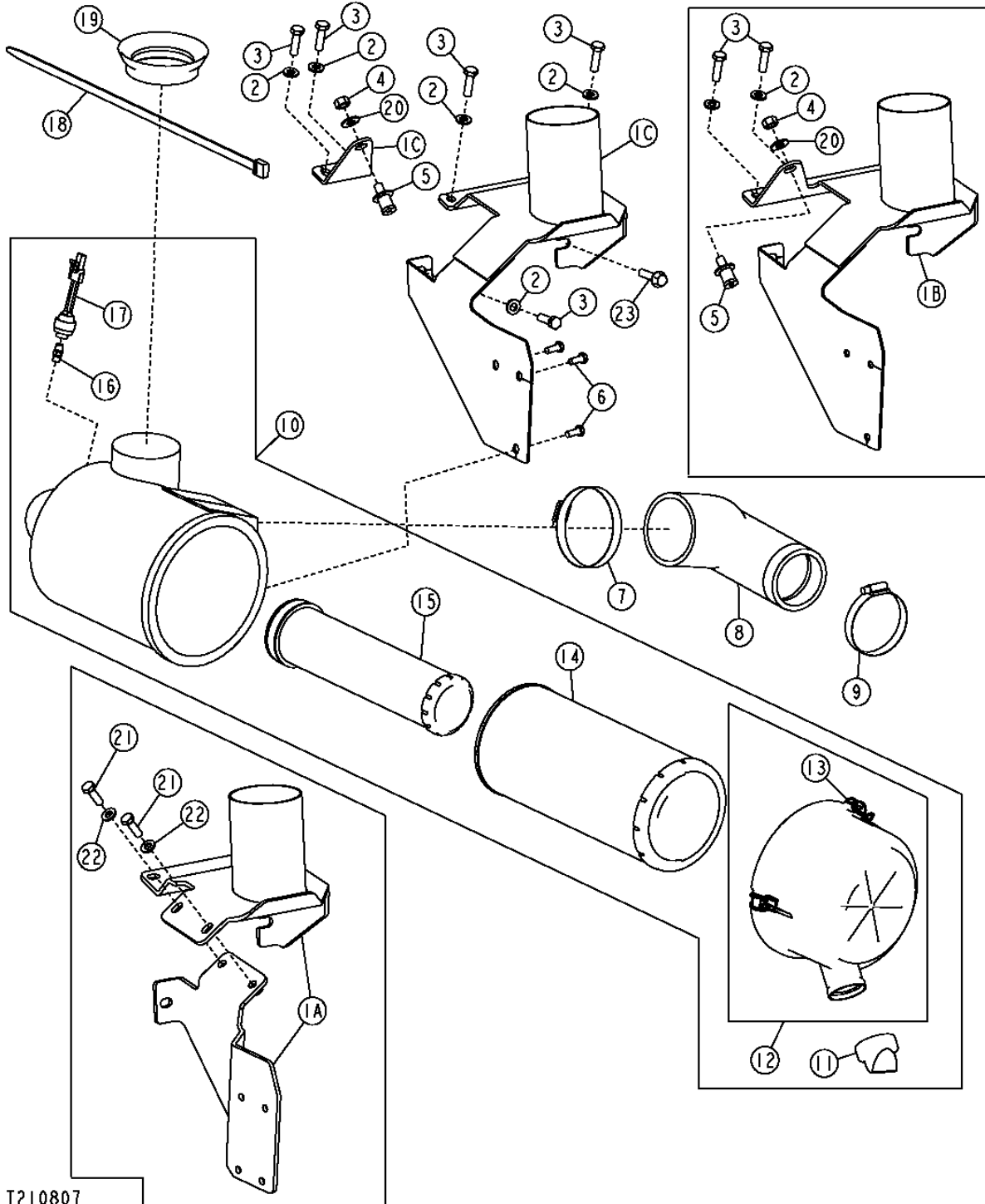
KEY	PART NO.	PART NAME	QTY.	SERIAL NO.	REMARKS
					3 3
					3 1 1
					1 0 5
					0 S S
					G G G
1	11M7081	COTTER PIN	1		X X X
2	24M7055	WASHER	2		X X X
3	19M7881	SCREW	2		X X X M8 X 20
4	M48534	KNOB	1		X X X
5	AT191631	BRACKET	1		X X X
6	R33976	PLATE	2		X X X
7	R105812	WASHER	2		X X X
8	T185491	LEVER	1		X X X
9	R106466	CLIP	1		X X X
10	AT196338	PUSH PULL CABLE	1		X X X
	24H1368	WASHER	2		X X X
11	T183217	SEAL	1		X X X
12	12M7117	WASHER	4		X X X
13	24M7028	WASHER	1		X X X
14	R41920	CAP SCREW	1		X X X 3/8" X 1-3/4"
15	19M8397	CAP SCREW	3		X X X M8 X 50
16	T129732	PLATE	1		X X X
17	T137321	SUPPORT	1		X X X
18	T137322	SUPPORT	1		X X X
19	14H649	NUT	1		X X X 1/4"
20	11M7009	COTTER PIN	2		X X X 2 X 16 MM
21	T213225	SWIVEL	2		X X X (SUB FOR T35887, THIS APPLICATION)
22	24M7139	WASHER	2		X X X
23	11M7082	COTTER PIN	1		X X X 2.500 X 25 MM
24	T137318	PEDAL	1		X X X
25	AT185836	ROD	1		X X X ACCELERATOR
26	24M7240	WASHER	1		X X X
27	19M7881	SCREW	2		X X X M8 X 20
28	24M7238	WASHER	2		X X X
29	AT195421	BRACKET	1		X X X
30	T186793	LABEL	1		X X X GREY CIRCLE
31	14M7360	LOCK NUT	2		X X X M5
32	RE56165	POTENTIOMETER	1		X X X
33	P48347	O-RING	2		X X X
34	T187920	BUSHING	1		X X X
35	11M7081	COTTER PIN	1		X X X 2.500 X 20 MM
36	R86457	SUPPORT	1		X X X
37	24M7027	WASHER	2		X X X
38	19M8834	CAP SCREW	2		X X X M5 X 45
39	A4365R	O-RING	1		X X X
40	24H1305	WASHER	1		X X X
41	34H264	SPRING PIN	2		X X X 3.962 X 22.225 MM
42	T166174	HOOK BOLT	1		X X X
43	24H1287	WASHER	1		X X X
44	AT192776	SHAFT	1		X X X
45	T22240	ARM	1		X X X
46	T77165	SPRING	1		X X X
47	34H264	SPRING PIN	2		X X X 3.962 X 22.225 MM
48	T22150	ARM	1		X X X
49	T135342	LEVER	1		X X X
50	24H1305	WASHER	1		X X X

0520-2

AIR CLEANER AND MOUNTING BRACKETS FILTRE A AIR ET SUPPORTS DE MONTAGE FILTRO DE AIRE Y SOPORTES DE MONTAJE

T210807

-UN-09MAY05



T210807

THIS PARTS LISTING IS CONTINUED

0520-3

ENGINE AUXILIARY SYSTEM 5

INTAKE SYSTEM 0520

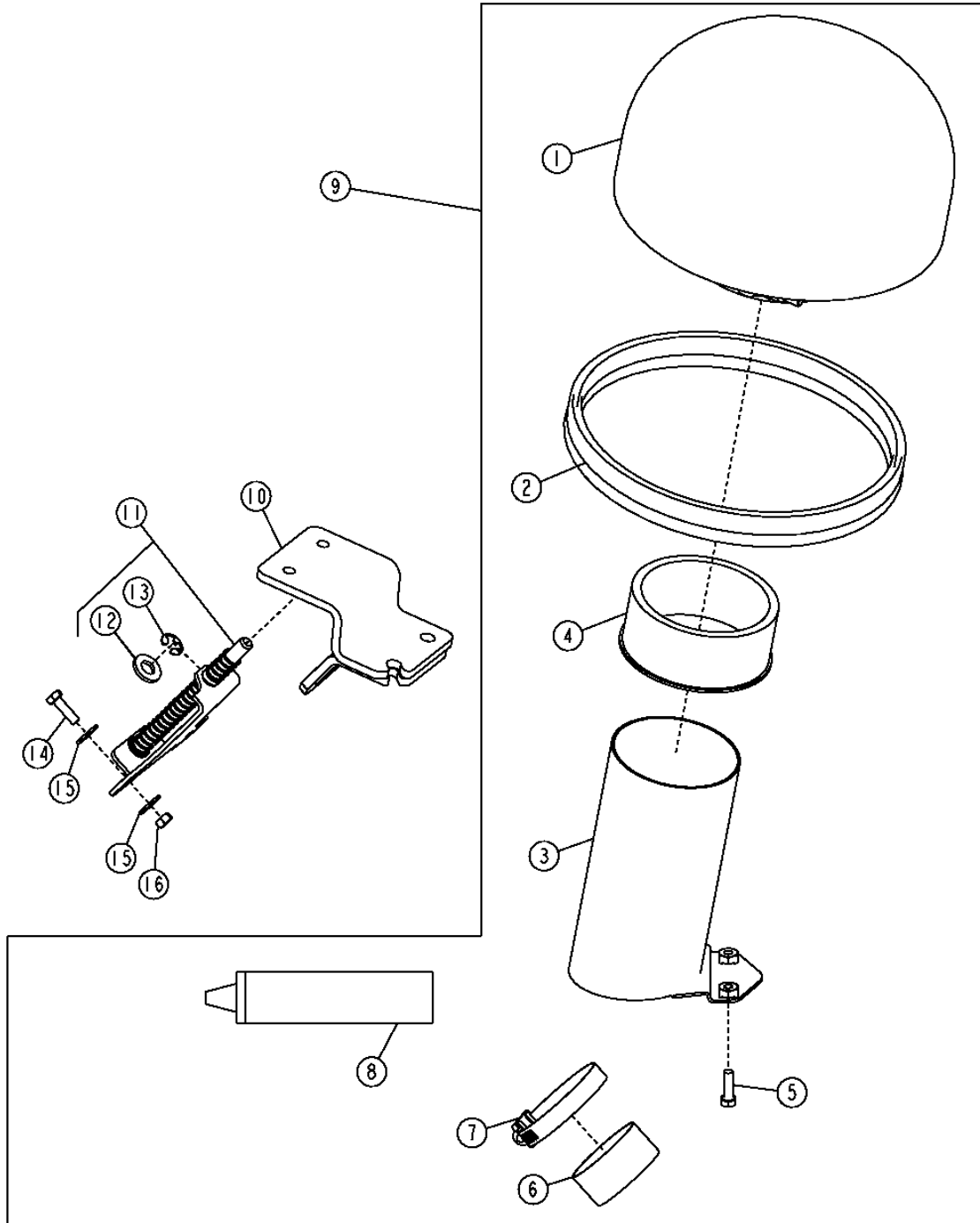
**AIR CLEANER AND MOUNTING BRACKETS
FILTRE A AIR ET SUPPORTS DE MONTAGE
FILTRO DE AIRE Y SOPORTES DE MONTAJE**

KEY	PART NO.	PART NAME	QTY.	SERIAL NO.	3 3 3 1 1 1 0 5 0 S S G G G	REMARKS
1A	AT184304	SUPPORT	1	-903476	X X X	(UPPER)
	AT187812	SUPPORT	1	-903476	X X X	(LOWER)
1B	AT196242	SUPPORT	1	903477-948464	X X X	
1C	AT322234	SUPPORT	1	948465-	X X X	
	T215364	ANGLE	1	948465-	X X X	
2	24M7239	WASHER	4		X X X	
3	19M7550	CAP SCREW	4		X X X	M10 X 35
4	14H1047	NUT	1	903477-	X X X	7/16"
5	AR91896	STRIKER	1	903477-	X X X	
6	19M7881	SCREW	3		X X X	M8 X 20
7	AH104837	HOSE CLAMP	1		X X X	(WITH TURBOCHARGER)
	TY22487	HOSE CLAMP	1		X	(WITHOUT TURBOCHARGER) (SUB FOR AR85328)
8	T164034	HOSE	1		X X X	(WITH TURBOCHARGER)
	T165423	SUCTION HOSE	1		X	(WITHOUT TURBOCHARGER)
9	TY22489	HOSE CLAMP	1		X X X	(SUB FOR AR85329)
10	AT186281	AIR CLEANER	1		X X X	
11	R48568	VALVE	1		X X X	
12	AT171855	COVER	1		X X X	
13	AT180680	LATCH	3		X X X	
14	KV16429	AIR FILTER	1		X X X	PRIMARY, (SUB FOR AT171853, THIS APPLICATION)
15	AT171854	AIR FILTER	1		X X X	SECONDARY
16	AR44361	FITTING	1		X X X	
17	AT178542	AIR RESTRICTION SENSOR	1		X X X	
18	N189220	TIE BAND	1		X X X	
19	T166091	SEAL	1		X X X	
20	T105740	WASHER	1	903477-	X X X	
21	19M7662	CAP SCREW	2	-903476	X X X	M10 X 30
22	24M7239	WASHER	2	-903476	X X X	
23	19M8320	SCREW	1		X X X	(SUB FOR 19M7550, THIS APPLICATION)

0520-4

PRE CLEANER PREFILTRE PREFILTRO

T197455 -UN-29JAN04



T197455

0520-5

ENGINE AUXILIARY SYSTEM 5

INTAKE SYSTEM 0520

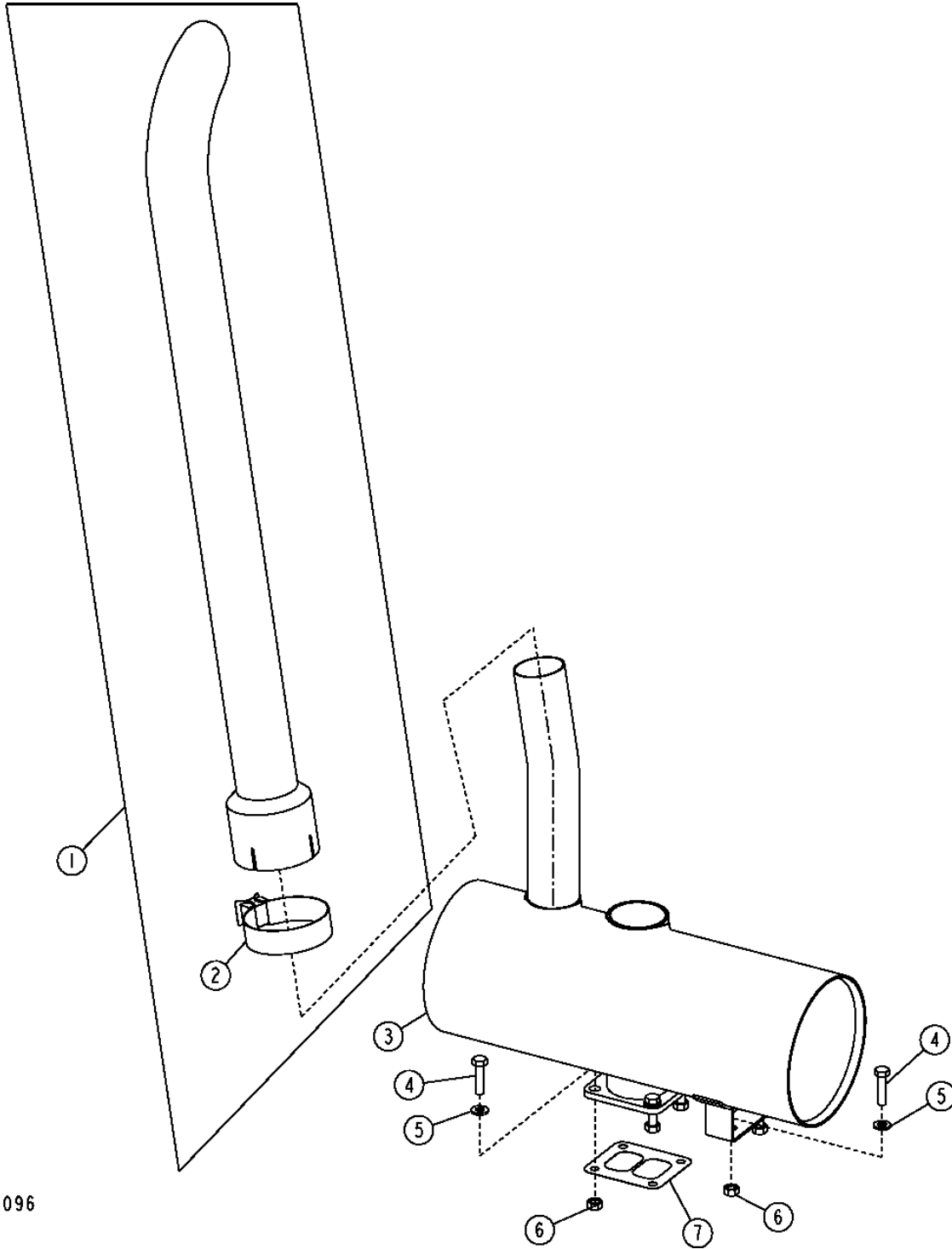
**PRE CLEANER
PREFILTRE
PREFILTRO**

KEY	PART NO.	PART NAME	QTY.	SERIAL NO.	REMARKS
					3 3
					3 1 1
					1 0 5
					0 S S
					G G G
1	AT220930	PRECLEANER	1		X X X
2	AH140044	ISOLATOR	1		X X X
3	AT191266	TUBE	1		X X X
4	TY24867	KIT	1		X X X ADAPTER
5	21M7351	SCREW	2		X X X M6 X 20, (SUB FOR (2) 19M7077 AND (2) 24M7239, THIS APPLICATION)
6	T176553	PLUG	1		X X X
7	AR40418	HOSE CLAMP	1		X X X
8	PM37465	SEALANT	1		X X X
9	AT189492	KIT	1		X X X WHOLE GOODS
10	BRACKET	1	-903476	X X X (AT192456 NLA) (ORDER AT189400)
11	AT191153	SPRING	1	-903476	X X X
12	24M7239	WASHER	1	-903476	X X X
13	R72655	SNAP RING	1	-903476	X X X
14	19M7077	CAP SCREW	4	-903476	X X X M6 X 20
15	24M7139	WASHER	4	-903476	X X X 6.400 X 18 X 1.600 MM
16	14M7272	NUT	2	-903476	X X X M6

0530-2

EXHAUST EXTENSION AND MUFFLER (W/O TURBO) (310G)
RALLONGE D'ÉCHAPPEMENT ET SILENCIEUX (W/O TURBO) (310G)
EXTENSION DE ESCAPE Y SILENCIADOR (W/O TURBO) (310G)

T150096 -UN-11JAN02



T150096

0530-3

ENGINE AUXILIARY SYSTEM 5

EXTERNAL EXHAUST SYSTEMS 0530

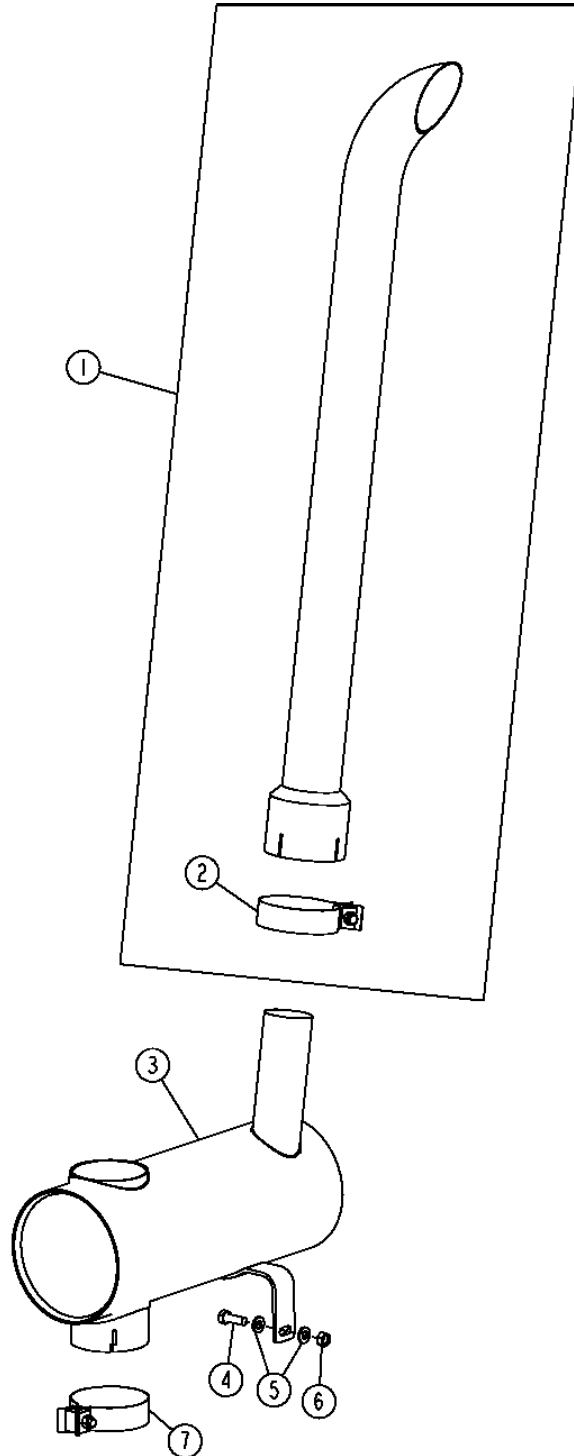
**EXHAUST EXTENSION AND MUFFLER (W/O TURBO) (310G)
 RALLONGE D'ECHAPPEMENT ET SILENCIEUX (W/O TURBO) (310G)
 EXTENSION DE ESCAPE Y SILENCIADOR (W/O TURBO) (310G)**

KEY	PART NO.	PART NAME	QTY.	SERIAL NO.	REMARKS
					3 3
					3 1 1
					1 0 5
					0 S S
					G G G
1	AT184716	MUFFLER EXTENSION	1		X
2	RE52087	CLAMP	1		X
3	AT195456	MUFFLER	1		X (SUB FOR AT184853)
	AT185085	MUFFLER	1		X SPARK ARRESTOR
4	19M7550	CAP SCREW	6		X M10 X 35
5	24M7296	WASHER	AR		X
	24M7239	WASHER	6		X
6	14M7274	NUT	6		X M10
7	R92097	GASKET	1		X (SUB FOR R123572, THIS APPLICATION)

0530-4

EXHAUST EXTENSION AND MUFFLER (W/ TURBO)
RALLONGE D'ÉCHAPPEMENT ET SILENCIEUX (W/ TURBO)
EXTENSION DE ESCAPE Y SILENCIADOR (W/ TURBO)

TP58067 -UN-04OCT00



TP58067

0530-5

ENGINE AUXILIARY SYSTEM 5

EXTERNAL EXHAUST SYSTEMS 0530

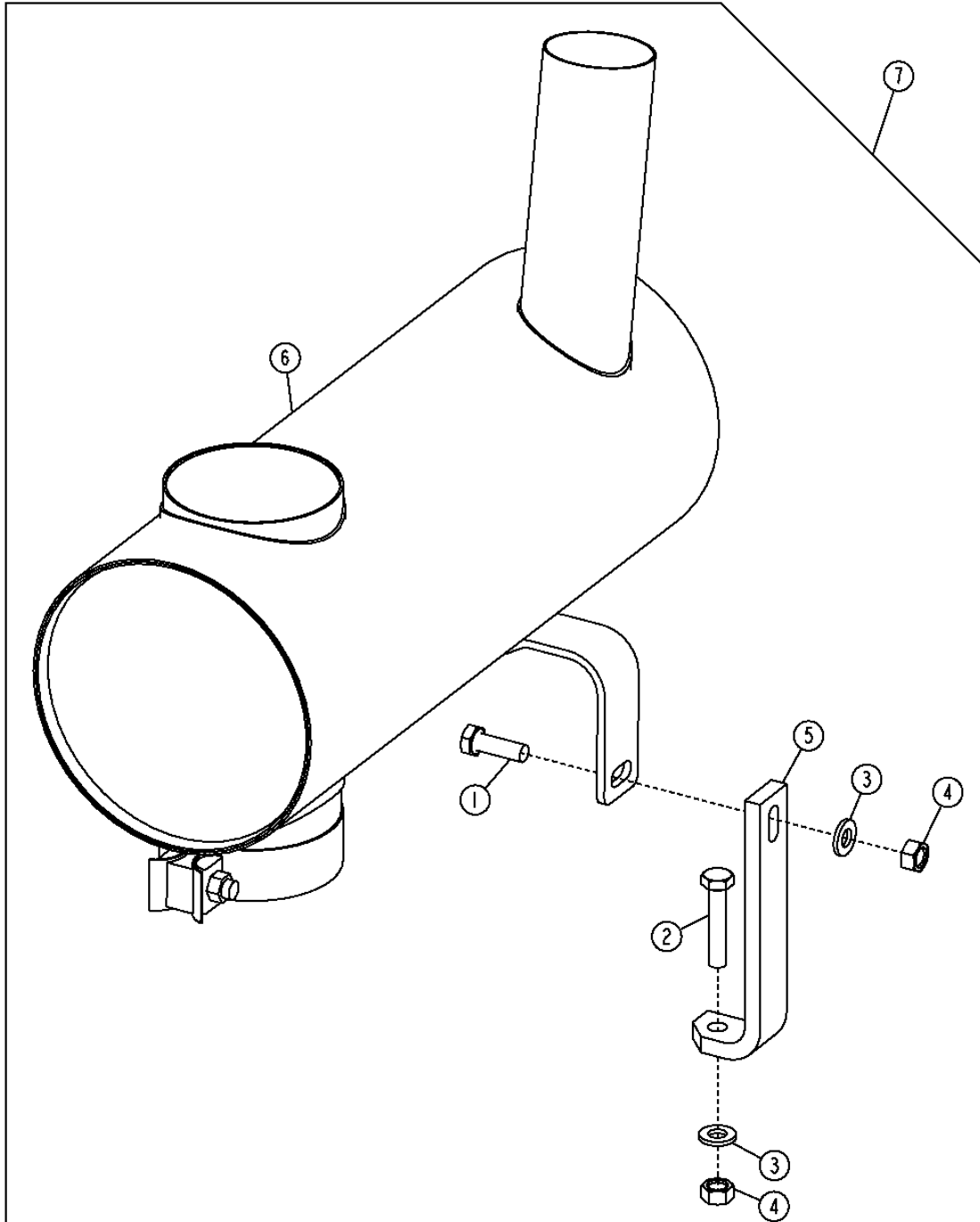
**EXHAUST EXTENSION AND MUFFLER (W/ TURBO)
RALLONGE D'ÉCHAPPEMENT ET SILENCIEUX (W/ TURBO)
EXTENSION DE ESCAPE Y SILENCIADOR (W/ TURBO)**

KEY	PART NO.	PART NAME	QTY.	SERIAL NO.	REMARKS
					3 3
					3 1 1
					1 0 5
					0 S S
					G G G
1	AT184716	MUFFLER EXTENSION	1		X X X
	AT184848	MUFFLER EXTENSION	1		X X X CHROME
2	RE52087	CLAMP	1		X X X
3	AT183219	MUFFLER	1		X X X
4	19M7402	CAP SCREW	1		X X X M10 X 25
5	24M7239	WASHER	2		X X X
6	14M7274	NUT	1		X X X M10
7	AT183426	CLAMP	1		X X X

0530-6

CATALYTIC MUFFLER FIELD KIT (W/ TURBO)
KIT DE SILENCIEUX CATALYTIQUE SUR LE TERRAIN (W/ TURBO)
JUEGO DE CAMPO PARA SILENCIADOR CATALITICO (W/ TURBO)

TX1001320 -UN-20DEC05



TX1001320

0530-7

ENGINE AUXILIARY SYSTEM 5

EXTERNAL EXHAUST SYSTEMS 0530

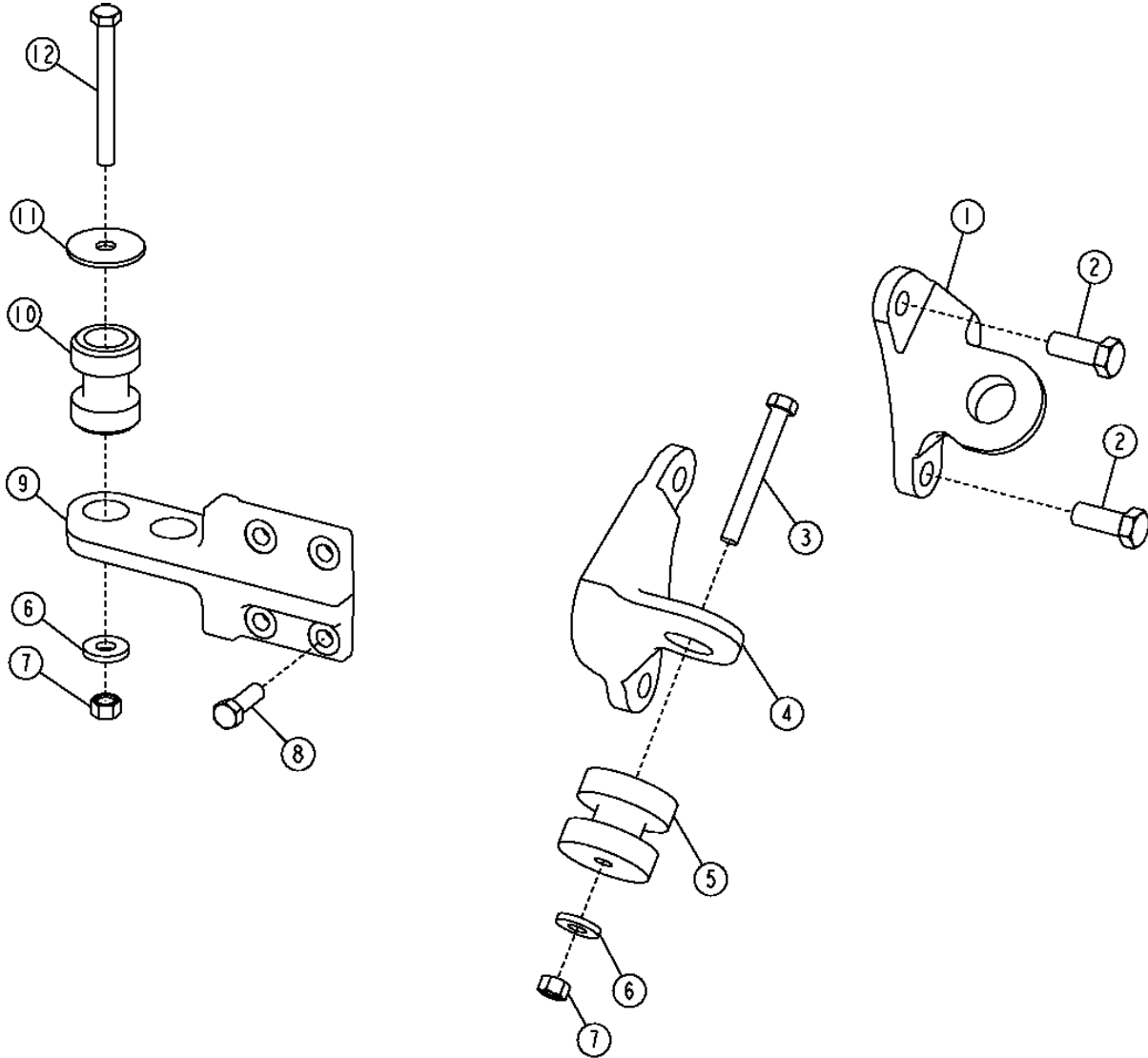
CATALYTIC MUFFLER FIELD KIT (W/ TURBO)
KIT DE SILENCIEUX CATALYTIQUE SUR LE TERRAIN (W/ TURBO)
JUEGO DE CAMPO PARA SILENCIADOR CATALITICO (W/ TURBO)

KEY	PART NO.	PART NAME	QTY.	SERIAL NO.	REMARKS
					3 3
					3 1 1
					1 0 5
					0 S S
					G G G
1	19M7662	CAP SCREW	1		X X X M10 X 30
2	19M8600	CAP SCREW	1		X X X M10 X 50
3	24M7239	WASHER	2		X X X
4	14M7274	NUT	2		X X X M10
5	ANGLE	1		X X X
6	MUFFLER	1		X X X
7	AT314909	MUFFLER KIT	1		X X X (WHOLE GOODS)

0540-2

ENGINE MOUNTS AND ISOLATORS SUPPORTS DE MOTEUR ET ISOLATEURS MONTAJES DEL MOTOR Y AMORTIGUADORES

TP69661 -UN-03OCT00



TP69661

0540-3

ENGINE AUXILIARY SYSTEM 5

ENGINE MOUNTING 0540

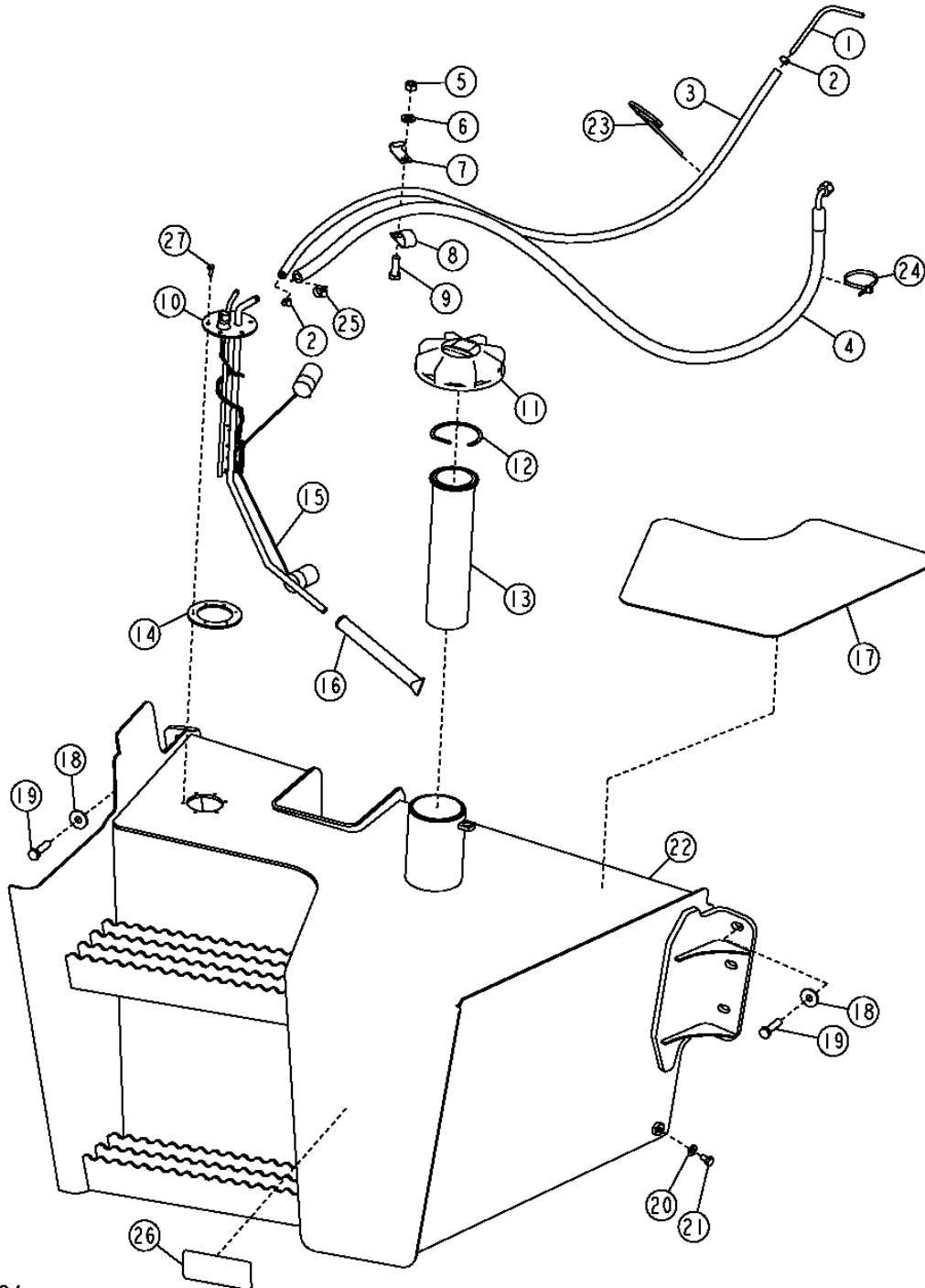
**ENGINE MOUNTS AND ISOLATORS
SUPPORTS DE MOTEUR ET ISOLATEURS
MONTAJES DEL MOTOR Y AMORTIGUADORES**

KEY	PART NO.	PART NAME	QTY.	SERIAL NO.	REMARKS
					3 3
					3 1 1
					1 0 5
					0 S S
					G G G
1	T187571	SUPPORT	1		X X X (SUB FOR T170783)
2	19M7488	CAP SCREW	4		X X X M16 X 40
3	19M7949	CAP SCREW	2		X X X M12 X 100
4	T170784	SUPPORT	1		X X X
5	AT173400	ISOLATOR	2		X X X
6	T29342	WASHER	6		X X X
7	14M7275	NUT	6		X X X M12
8	19M7403	CAP SCREW	8		X X X M12 X 35
9	T154449	PLATE	2		X X X
10	AT175374	ISOLATOR	4		X X X
11	T158648	WASHER	4		X X X
12	19M7908	CAP SCREW	4		X X X M12 X 110

0560-2

FUEL TANK AND FUEL TANK HOSES RESERVOIR CARBURANT ET FLEXIBLES RESERVOIR CARBURANT TANQUE DE COMBUSTIBLE Y MANGUERAS DEL TANQUE DE COMBUSTIBLE

T208284 -UN-03JUN05



T208284

0560-3

ENGINE AUXILIARY SYSTEM 5

EXTERNAL FUEL SUPPLY SYSTEMS 0560

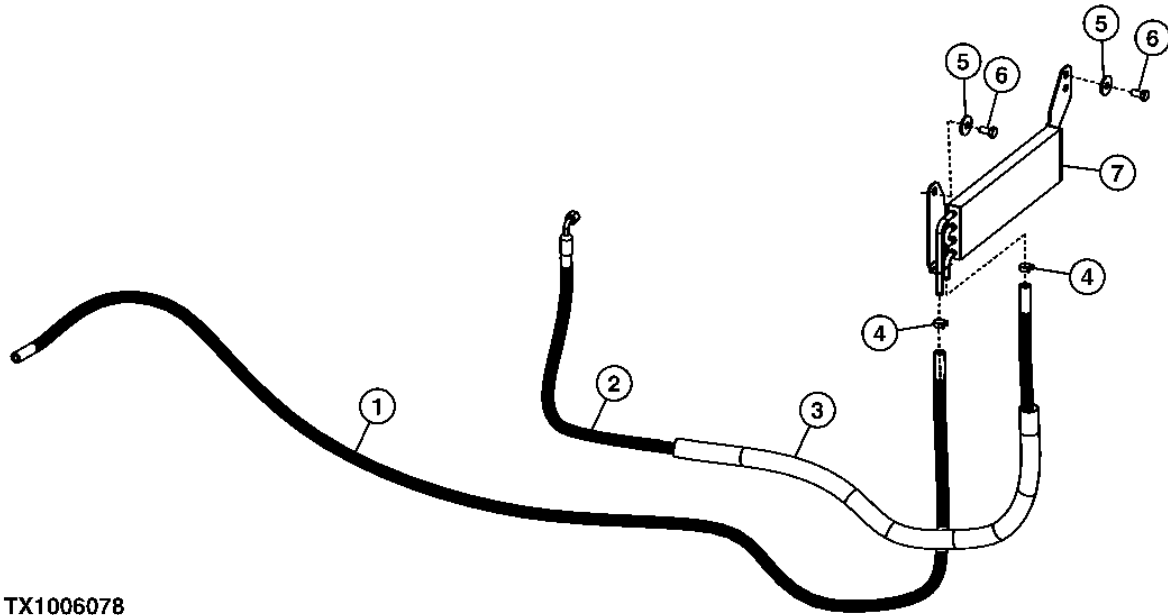
FUEL TANK AND FUEL TANK HOSES
RESERVOIR CARBURANT ET FLEXIBLES RESERVOIR CARBURANT
TANQUE DE COMBUSTIBLE Y MANGUERAS DEL TANQUE DE COMBUSTIBLE

KEY	PART NO.	PART NAME	QTY.	SERIAL NO.	REMARKS
					3 3 3 1 1 1 0 5 0 S S G G G
1	T66701	LINE	1		X X X
2	TY22462	CLAMP	2		X X X (SUB FOR AR48236)
3	HOSE	1		X X X (CTL) 1.3M (4.25") (MAKE FROM TY22559)
4	AT183881	HOSE	1		X X X
	E87197	PACKING	1		X X X
5	14M7274	NUT	1		X X X M10
6	24M7239	WASHER	1		X X X
7	AH89557	CLIP	1		X X X (SUB FOR T76252, THIS APPLICATION)
8	AH96317	CLIP	1		X X X
9	19M7662	CAP SCREW	1		X X X M10 X 30
10	37H129	SCREW	6		X X X
11	AT156445	FILLER CAP	1		X X X
	T103461	SEALING WASHER	1		X X X
12	T39155	SNAP RING	1		X X X
13	AT161638	STRAINER	1		X X X
14	T165292	GASKET	1		X X X
15	FUEL SENDER	1	-926900	X X X (AT183874 NLA) (SUB AT300958) (ALSO ORDER AT304837, AT65241, 57M7254, (2) R104846 AND 57M7289)
	AT300958	FUEL SENDER	1	926901-	X X X (ALSO ORDER AT65241)
16	AT65241	STRAINER	1		X X X
	PM37485	ADHESIVE	1		X X X (SUB FOR TY15969)
17	T165295	ANTI-SKID PAD	1		X X X
18	24M7296	WASHER	6		X X X
19	19M8637	CAP SCREW	6		X X X M10 X 40
20	R463R	WASHER	1		X X X
21	19H2020	CAP SCREW	1		X X X 5/16" X 1/2"
22	FUEL TANK	1		X X X AT317805 NLA, (ORDER AT322232)
23	H77698	TIE BAND	1		X X X
24	R44302	TIE BAND	2		X X X
25	AR77962	HOSE CLAMP	1		X X X
26	JD5933	REFLECTOR	1		X X X

0560-4

FUEL COOLER (SN 910059-910319)
 REFROIDISSEUR DE CARBURANT (SN 910059-910319)
 ENFRIADOR DE COMBUSTIBLE (SN 910059-910319)

TX1006078 -UN-26APR06



TX1006078

KEY	PART NO.	PART NAME	QTY.	ENGINE SERIAL NO.	REMARKS
1	BULK HOSE	1		X X CTL 2.56M (8.4 FEET) TO FUEL TANK, (MAKE FROM M87571)
2	AT280234	HOSE	1		X X TO FUEL TRANSFER PUMP
3	T185089	SLEEVE	1		X X
4	R97021	CLAMP	2		X X
5	24M7239	WASHER	2		X X (SUB FOR 24M7101, THIS APPLICATION)
6	19M7938	CAP SCREW	2		X X M10 X 20
7	AT199908	CORE	1		X X
	T165742	ISOLATOR	2		X X

3 3
 3 1 1
 1 0 5
 0 S S
 G G G

0560-5

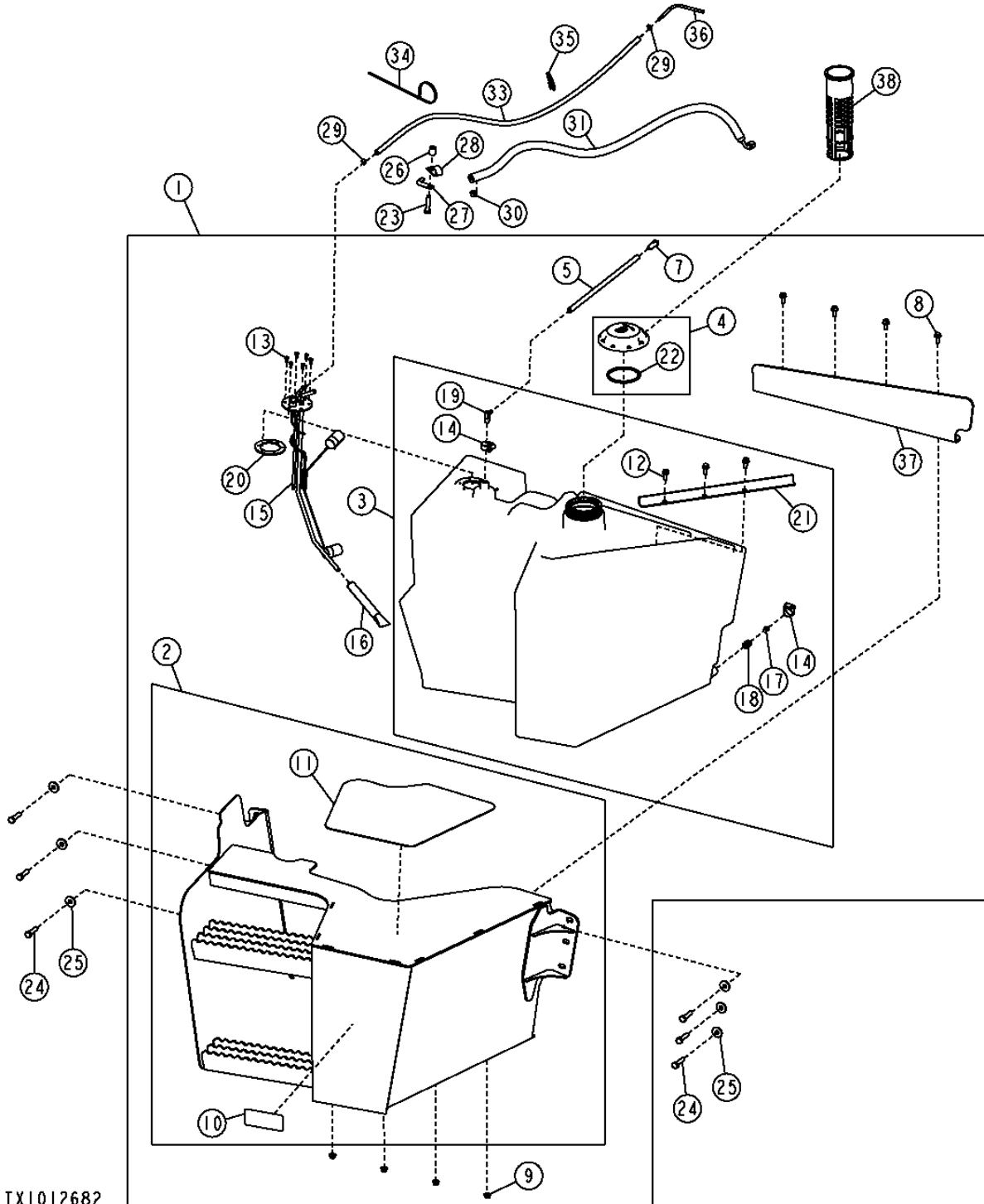
ENGINE AUXILIARY SYSTEM 5
EXTERNAL FUEL SUPPLY SYSTEMS 0560

MEMORANDA
MEMORANDA
MEMORANDA

0560-6

FUEL TANK AND FUEL TANK HOSES RESERVOIR CARBURANT ET FLEXIBLES RESERVOIR CARBURANT TANQUE DE COMBUSTIBLE Y MANGUERAS DEL TANQUE DE COMBUSTIBLE

TX1012682 -UN-



TX1012682

0560-7

ENGINE AUXILIARY SYSTEM 5

EXTERNAL FUEL SUPPLY SYSTEMS 0560

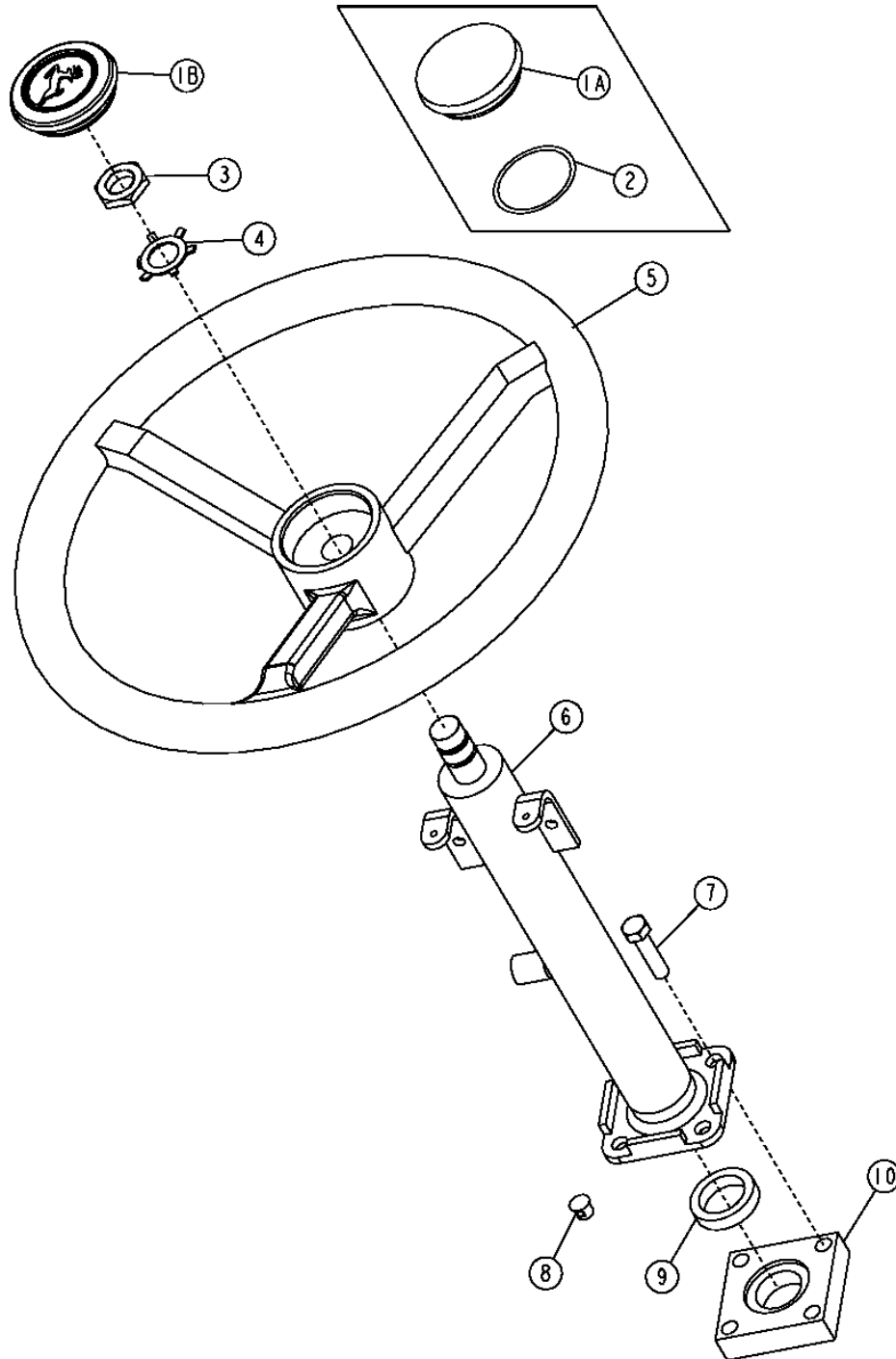
FUEL TANK AND FUEL TANK HOSES
RESERVOIR CARBURANT ET FLEXIBLES RESERVOIR CARBURANT
TANQUE DE COMBUSTIBLE Y MANGUERAS DEL TANQUE DE COMBUSTIBLE

KEY	PART NO.	PART NAME	QTY.	SERIAL NO.	REMARKS
					3 3
					3 1 1
					1 0 5
					0 S S
					G G G
1	AT322232	FUEL TANK	1		X X X CONVENIENCE ASSEMBLY, (SUB FOR AT317805)
2	AT320235	HOUSING	1		X X X
3	AT339941	FUEL TANK	1		X X X (ALSO ORDER T165292)
4	AT323593	CAP	1		X X X
5	HOSE	1		X X X (MAKE FROM TY22559) CTL 52 INCH
7	AM107314	FUEL FILTER	1		X X X
8	19M7866	SCREW	4		X X X M8 X 20
9	14M7298	FLANGE NUT	4		X X X M8
10	JD5933	REFLECTOR	1		X X X
11	T215367	ANTI-SKID PAD	1		X X X
12	19M7866	SCREW	3		X X X M8 X 20
13	21M7265	SCREW	6		X X X M5 X 12
14	AR21837	CLAMP	2		X X X
15	AT300958	FUEL SENDER	1		X X X
16	AT65241	STRAINER	1		X X X
17	L2646N	PIPE PLUG	1		X X X 1/8"
18	N30405	ADAPTER FITTING	1		X X X 1/8"
19	RE179976	CHECK VALVE	1		X X X
20	T165292	GASKET	1		X X X
21	T224200	ANGLE	1		X X X
22	R36424	O-RING	1		X X X 3.225" X 0.210"
23	19M7572	CAP SCREW	1		X X X M10 X 45
24	19M8637	CAP SCREW	6		X X X M10 X 40
25	24M7296	WASHER	6		X X X 10.500 X 30 X 2.500 MM
26	28H3383	BUSHING	1		X X X 0.493" X 0.675" X 3/4"
27	AH89557	CLIP	1		X X X
28	AH96317	CLIP	1		X X X
29	TY22462	CLAMP	2		X X X
30	AR77962	HOSE CLAMP	1		X X X
31	AT183881	HOSE	1		X X X
32	E87197	PACKING	1		X X X
33	HOSE	1		X X X (MAKE FROM TY22559) CTL 15 INCH
34	H77698	TIE BAND	1		X X X
35	R44302	TIE BAND	2		X X X
36	T66701	LINE	1		X X X
37	T214270	SUPPORT	1		X X X
38	AH162914	STRAINER	1		X X X

0960-2

STEERING WHEEL AND COLUMN VOLANT ET COLONNE DE DIRECTION VOLANTE Y COLUMNA DE LA DIRECCION

T146670 -UN-15OCT01



T146670

THIS PARTS LISTING IS CONTINUED

0960-3

STEERING SYSTEM 9

POWER:STEERING:HYDRAULIC:SYSTEM 0960

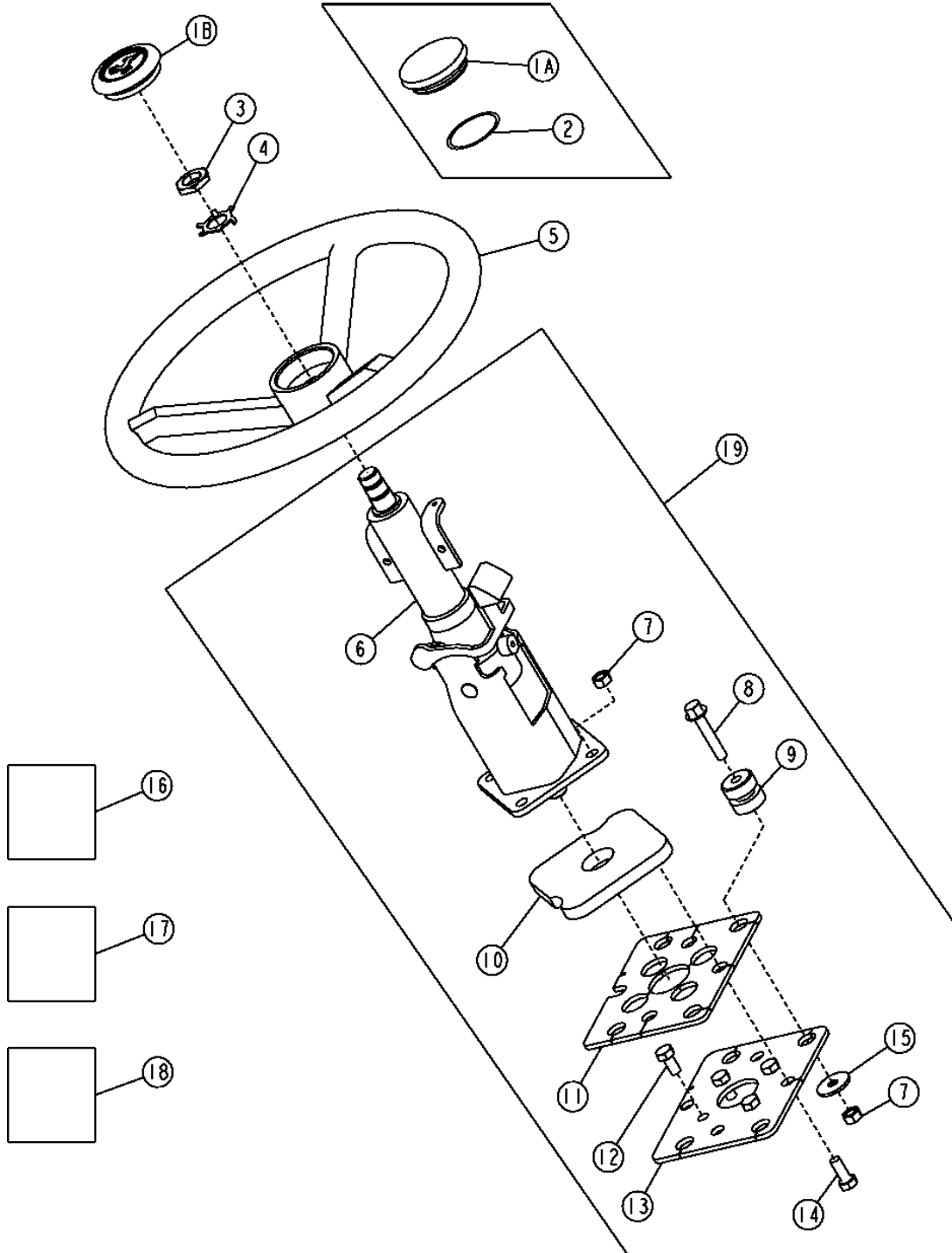
**STEERING WHEEL AND COLUMN
VOLANT ET COLONNE DE DIRECTION
VOLANTE Y COLUMNA DE LA DIRECCION**

KEY	PART NO.	PART NAME	QTY.	SERIAL NO.	REMARKS
					3 3
					3 1 1
					1 0 5
					0 S S
					G G G
1	AL155227	COVER	1		X X X (SUB FOR AL118173 OR R47998)
2	P50631	O-RING	1	-902607	X X X
3	T13630	NUT	1		X X X
4	T17148	LOCK WASHER	1		X X X
5	AT139694	STEERING WHEEL	1		X X X
6	AT184728	STEERING COLUMN	1	-926969	X X X
	AT307345	STEERING COLUMN	1	926970-	X X X
7	19H2633	CAP SCREW	4	-911132	X X X 3/8" X 1-1/2"
	19M8637	CAP SCREW	4	911133-926969	X X X M10 X 40
	19M7938	CAP SCREW	4	916970-	X X X M10 X 20
8	H113924	PLUG	8		X X X
9	T167416	WASHER	1	-926969	X X X
10	T167319	ADAPTER FITTING	1	-926969	X X X

0960-4

STEERING WHEEL AND TILT COLUMN
VOLANT ET COLONNE D'INCLINAISON
VOLANTE DE LA DIRECCION Y COLUMNA INCLINABLE

T146674 -UN-24OCT01



T146674

THIS PARTS LISTING IS CONTINUED

0960-5

STEERING SYSTEM 9

POWER:STEERING:HYDRAULIC:SYSTEM 0960

**STEERING WHEEL AND TILT COLUMN
VOLANT ET COLONNE D'INCLINAISON
VOLANTE DE LA DIRECCION Y COLUMNA INCLINABLE**

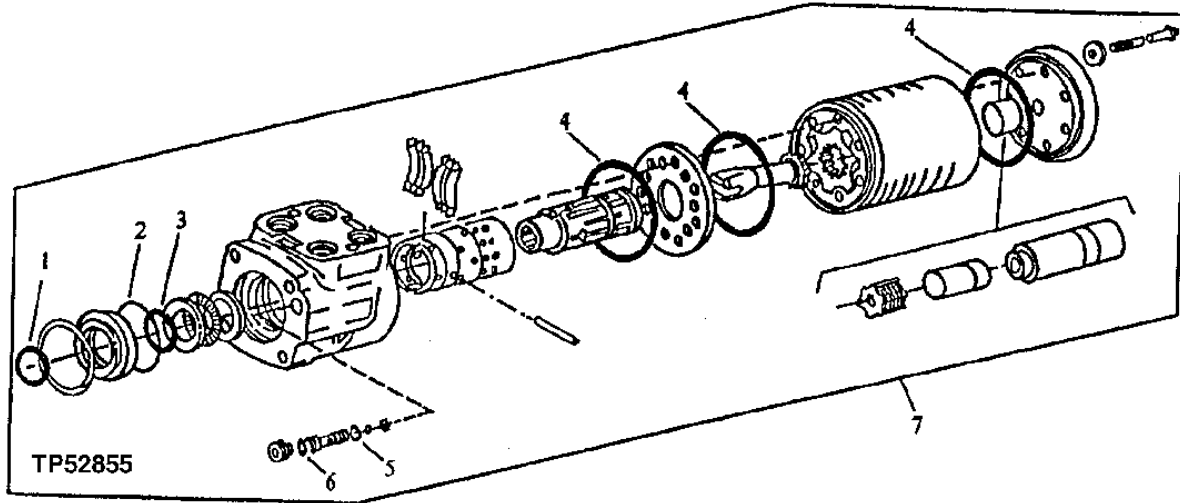
KEY	PART NO.	PART NAME	QTY.	SERIAL NO.	REMARKS
					3 3 3 1 1 1 0 5 0 S S G G G
1	AL155227	COVER	1		X X X (SUB FOR AL118173 OR R47998)
2	P50631	O-RING	1	-902607	X X X
3	T13630	NUT	1		X X X
4	T17148	LOCK WASHER	1		X X X
5	AT139694	STEERING WHEEL	1		X X X
6	AT184397	STEERING COLUMN	1		X X X
7	14M7274	NUT	8		X X X M10
8	19M8528	SCREW	4		X X X M10 X 55
9	AT219940	ISOLATOR	4		X X X
10	T165533	GASKET	1		X X X
11	T165188	PLATE	1		X X X
12	19H1648	CAP SCREW	4	-911132	X X X 3/8" X 3/4"
	19M7938	CAP SCREW	4	911133-	X X X M10 X 20
13	T165256	PLATE	1		X X X
14	19M7402	CAP SCREW	4		X X X M10 X 25
15	24M7101	WASHER	4		X X X 11 X 34 X 3 MM, (SUB FOR 24H1312, THIS APPLICATION)
16	AT192278	KIT	1		X X X COLUMN TILT UP SPRING
17	AT192279	KIT	1		X X X LEVER RETURN SPRING
18	AT192280	KIT	1		X X X KNOB
19	AT195686	KIT	1		X X X (WHOLE GOODS)

0960-6

STEERING SYSTEM 9

POWER STEERING VALVE SEAL REPAIR KIT (SN -911131)
 KIT DE REPARATION DE JOINT DE SOUPEPE DE DIRECTION ASSISTEE (SN -911131)
 JUEGO DE REPARACION DE SELLO DE VALVULA DE SERVODIRECCION (SN -911131)

TP52855 -UN-16NOV96



KEY	PART NO.	PART NAME	QTY.	SERIAL NO.	REMARKS
1	C15104	SEAL	1	X X X	
2	B3690R	O-RING	1	X X X	
3	C15107	O-RING	1	X X X	
4	T152288	O-RING	3	X X X	
5	R10093	O-RING	1	X X X	
6	A3917R	O-RING	1	X X X	
7	AT168632	SEAL KIT	1	X X X	

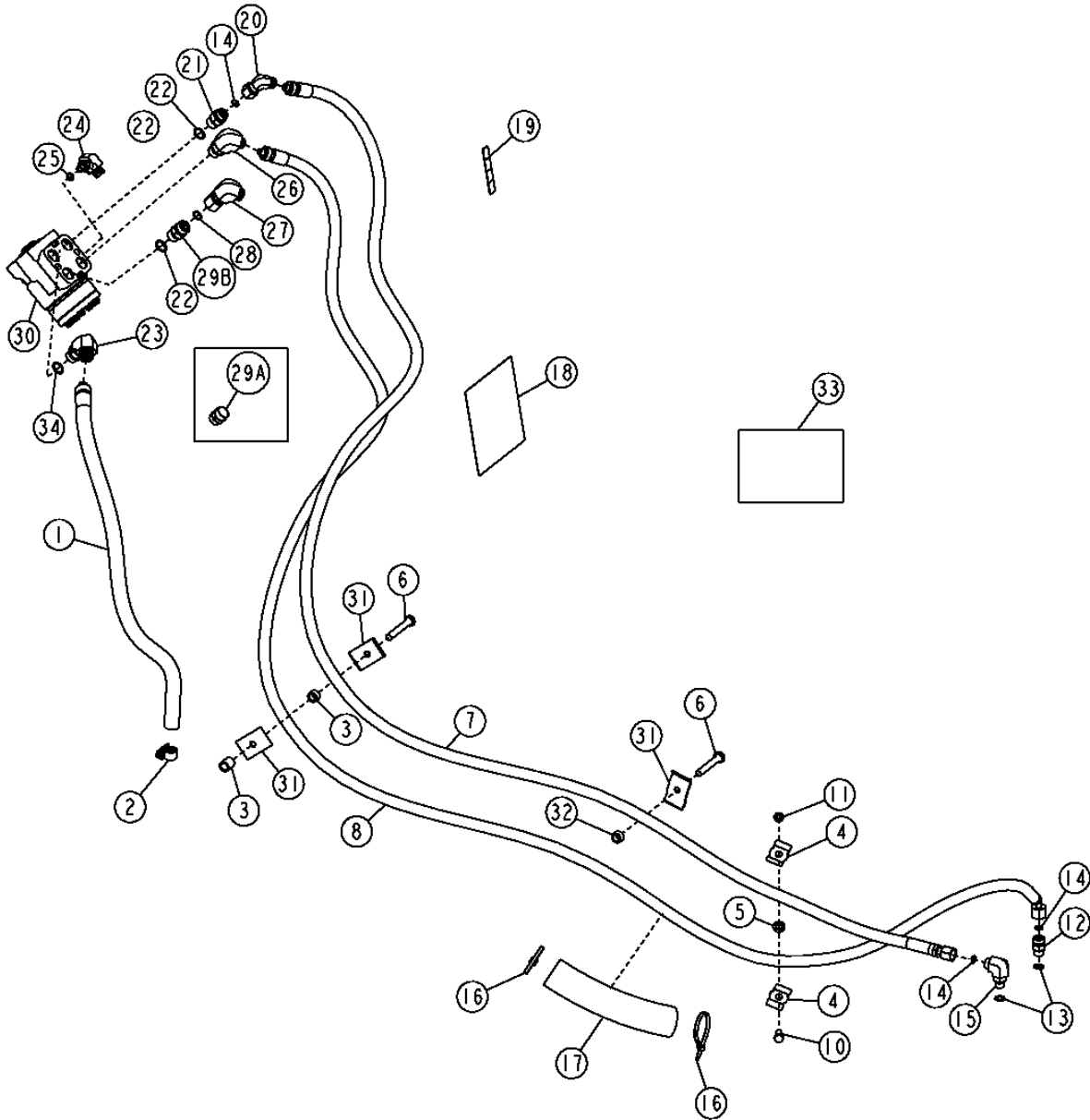
0960-7

MEMORANDA
MEMORANDA
MEMORANDA

0960-8

STEERING HYDRAULICS (W/ MFWD)
CIRCUIT HYDRAULIQUE DE DIRECTION (W/ MFWD)
SISTEMA HIDRAULICO DE DIRECCION (W/ MFWD)

T214095 -UN-08SEP05



T214095

0960-9

STEERING SYSTEM 9

POWER/STEERING/HYDRAULIC/SYSTEM 0960

**STEERING HYDRAULICS (W/ MFWD)
CIRCUIT HYDRAULIQUE DE DIRECTION (W/ MFWD)
SISTEMA HIDRAULICO DE DIRECCION (W/ MFWD)**

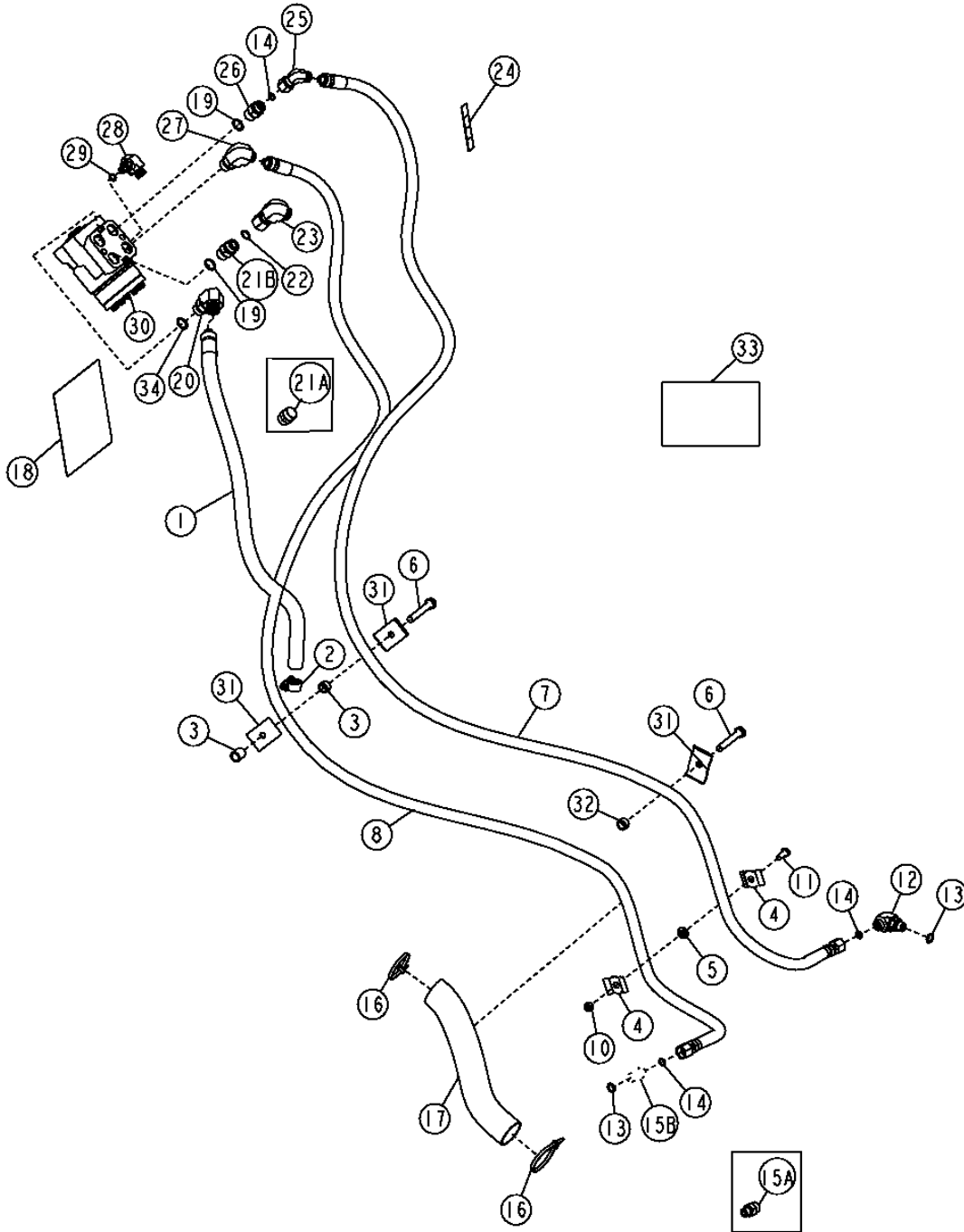
KEY	PART NO.	PART NAME	QTY.	SERIAL NO.	3 3 3 1 1 1 0 5 0 S S G G G	REMARKS
1	AT184900	HYDRAULIC HOSE - FABRICATE	1		X X X	(ALSO ORDER 62H1043 AND T77857)
	62H1043	ADAPTER FITTING	1		X X X	STC™
	TY22464	CLAMP	1		X X X	(SUB FOR AR21836)
3	28H3383	BUSHING	1	-952043	X X X	
	28H3421	SPACER	2	952044-	X X X	
4	R27491	CLAMP	2		X X X	
5	24M7106	WASHER	1		X X X	
6	19M8412	SCREW	2	-906604	X X X	(SUB FOR T184328)
	19M7742	CAP SCREW	2	906605-952043	X X X	
	19M8600	CAP SCREW	2	952044-	X X X	
7	AT184907	HYDRAULIC HOSE - FABRICATE	1		X X X	(ALSO ORDER 62H1042 AND T77613)
	62H1042	ADAPTER FITTING	1		X X X	STC™
8	AT184908	HYDRAULIC HOSE - FABRICATE	1		X X X	(ALSO ORDER 62H1042 AND T77613)
	62H1042	ADAPTER FITTING	1		X X X	STC™
9	28H3394	BUSHING	1	-952043	X X X	
10	19M7881	SCREW	1		X X X	M8 X 20
11	14M7273	NUT	1		X X X	M8
12	38H1160	ADAPTER FITTING	1		X X X	
13	R26448	O-RING	2		X X X	
14	T77613	O-RING	2		X X X	
15	38H1004	ELBOW FITTING	1		X X X	
16	R44302	TIE BAND	2		X X X	
17	SLEEVE	1		X X X	(CTL) 254MM (10") (MAKE FROM T78606)
18	T184319	LABEL	1	-911132	X X X	HOSE
	T191425	LABEL	1	911133-	X X X	
19	T184320	LABEL	1		X X X	HOSE
20	AT195201	ELBOW FITTING	1		X X X	(SUB FOR AT188009)
21	38H1171	ADAPTER FITTING	1		X X X	
22	R26375	O-RING	4		X X X	
23	AT187668	ELBOW FITTING	1	-911132	X X X	
	38H1005	ELBOW FITTING	1	911133-	X X X	
24	AT188010	ELBOW FITTING	1		X X X	
25	R28782	O-RING	1		X X X	
26	AT195202	ELBOW FITTING	1		X X X	(SUB FOR AT188011)
27	AT195203	ELBOW FITTING	1		X X X	(SUB FOR AT188182)
28	T77857	O-RING	1	-911132	X X X	
29A	AT141527	CHECK VALVE	1	-911132	X X X	
29B	38H1161	ADAPTER FITTING	1	911133-	X X X	
30	AT318271	MANUAL HYDRAULIC VALVE	1	-911132	X X X	(SUB FOR AT173411)
	AT318271	MANUAL HYDRAULIC VALVE	1	911133-	X X X	(SUB FOR AT198089 AND AT307738)
	AT316249	SEAL KIT	1	911133-	X X X	(SUB FOR AT198090)
31	R27491	CLAMP	4	-906604	X X X	
	R46919	HALF CLAMP	3	906605-	X X X	
32	24M7106	WASHER	2	-906604	X X X	
	28H3412	WASHER	2	906605-952043	X X X	
	T166773	WASHER	1	952044-	X X X	
33	AT193365	KIT	1		X X X	STC™ REPAIR (-06)
	AT193366	PUMP REPAIR KIT	1		X X X	STC™ REPAIR (-08)
34	R26375	O-RING	1	-911132	X X X	
	T77857	O-RING	1	911133-	X X X	

0960-10

STEERING HYDRAULICS (W/O MFWD)
CIRCUIT HYDRAULIQUE DE DIRECTION (W/O MFWD)
SISTEMA HIDRAULICO DE DIRECCION (W/O MFWD)

T214094

-UN-08SEP05



T214094

THIS PARTS LISTING IS CONTINUED

0960-11

STEERING SYSTEM 9

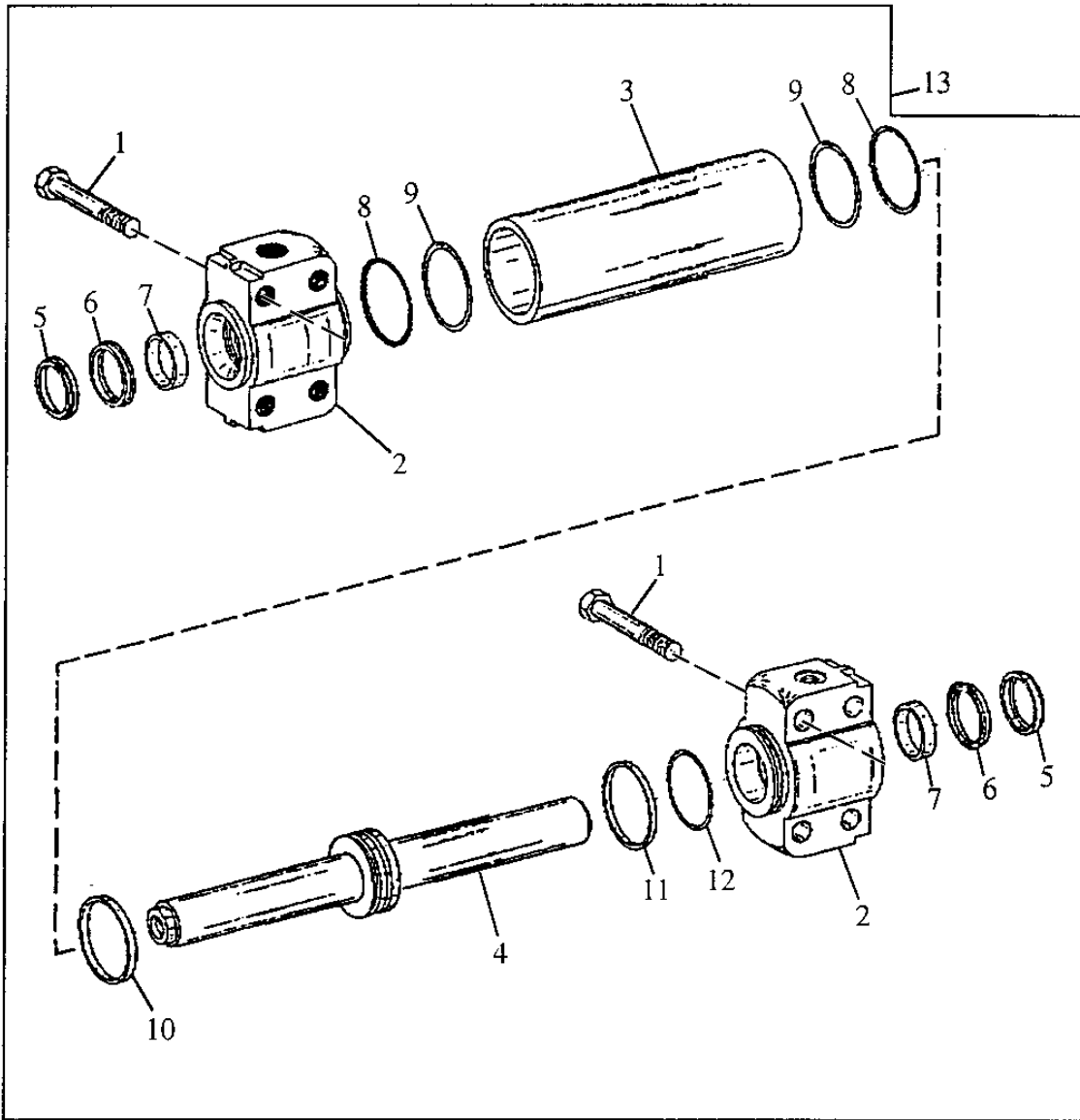
POWER/STEERING/HYDRAULIC/SYSTEM 0960
STEERING HYDRAULICS (W/O MFWD)
CIRCUIT HYDRAULIQUE DE DIRECTION (W/O MFWD)
SISTEMA HIDRAULICO DE DIRECCION (W/O MFWD)

KEY	PART NO.	PART NAME	QTY.	SERIAL NO.	3 3 3 1 1 1 0 5 0 S S G G G	REMARKS
1	AT184900	HYDRAULIC HOSE - FABRICATE	1		X X X	(ALSO ORDER 62H1043 AND T77857)
	62H1043	ADAPTER FITTING	1		X X X	STC™
	TY22464	CLAMP	1		X X X	(SUB FOR AR21836)
3	28H3383	BUSHING	1	-911132	X X X	
	28H3394	BUSHING	1	911133-952043	X X X	
	28H3421	SPACER	1	952044-	X X X	
4	R27491	CLAMP	2	-911132	X X X	
5	24M7106	WASHER	1	-911132	X X X	
6	19M8412	SCREW	2	-906604	X X X	(SUB FOR T184328)
	19M7742	CAP SCREW	2	906605-952043	X X X	
	19M8600	CAP SCREW	2	952044-	X X X	
7	AT184903	HYDRAULIC HOSE - FABRICATE	1	-911132	X X X	(ALSO ORDER 62H1042 AND T77613)
	AT197852	HYDRAULIC HOSE - FABRICATE	1	911133-	X X X	9/16" X 2 540 MM (100") X 9/16", (ALSO ORDER 62H1042 AND T77613)
	62H1042	ADAPTER FITTING	1		X X X	STC™
8	AT184902	HYDRAULIC HOSE - FABRICATE	1		X X X	(ALSO ORDER 62H1042 AND T77613)
	62H1042	ADAPTER FITTING	1		X X X	STC™
9	28H3394	BUSHING	1	-952043	X X X	
10	14M7273	NUT	1	-911132	X X X	
11	19M7881	SCREW	1	-911132	X X X	
12	38H1004	ELBOW FITTING	1		X X X	
13	R26448	O-RING	2		X X X	
14	T77613	O-RING	3		X X X	
15A	38H1160	ADAPTER FITTING	1	-911132	X X X	
15B	38H1004	ELBOW FITTING	AR	911133-	X X X	3/8"
	38H1010	ELBOW FITTING	AR	911133-	X X X	1/2"
16	R44302	TIE BAND	2		X X X	
17	SLEEVE	1		X X X	(CTL) 254MM (10") (MAKE FROM T78606)
18	T184319	LABEL	1	-911132	X X X	HOSE
	T191425	LABEL	1	911133-	X X X	
19	R26375	O-RING	4		X X X	
20	AT187668	ELBOW FITTING	1	-911132	X X X	
	38H1005	ELBOW FITTING	1	911133-	X X X	
21A	AT141527	CHECK VALVE	1	-911132	X X X	
21B	38H1161	ADAPTER FITTING	1	911133-	X X X	
22	T77857	O-RING	1		X X X	
23	AT195203	ELBOW FITTING	1		X X X	(SUB FOR AT188182)
24	T184320	LABEL	1		X X X	HOSE
25	AT195201	ELBOW FITTING	1		X X X	(SUB FOR AT188009)
26	38H1171	ADAPTER FITTING	1		X X X	
27	AT195202	ELBOW FITTING	1		X X X	(SUB FOR AT188011)
28	AT188010	ELBOW FITTING	1		X X X	
29	R28782	O-RING	1		X X X	
30	AT318271	MANUAL HYDRAULIC VALVE	1	-911132	X X X	(SUB FOR AT173411)
	AT318271	MANUAL HYDRAULIC VALVE	1	911133-	X X X	(SUB FOR AT198089 AND AT307738)
	AT316249	SEAL KIT	1	911133-	X X X	(SUB FOR AT198090)
31	R27491	CLAMP	4	-906604	X X X	
	R46919	HALF CLAMP	3	906605-	X X X	
32	24M7106	WASHER	2	-906604	X X X	
	28H3412	WASHER	2	906605-952043	X X X	
	T166773	WASHER	1	952044-	X X X	
33	AT193365	KIT	1		X X X	STC™ REPAIR (-06)
	AT193366	PUMP REPAIR KIT	1		X X X	STC™ REPAIR (-08)
34	R26375	O-RING	1	-911132	X X X	
	T77857	O-RING	1	911133-	X X X	

0960-12

STEERING CYLINDER (MFWD)
VERIN DE DIRECTION (MFWD)
CILINDRO DE LA DIRECCION (MFWD)

T200302 -UN-26MAY04



14 — 5,6,7,8,9,10,11,12

T200302

0960-13

STEERING SYSTEM 9

POWER STEERING HYDRAULIC SYSTEM 0960

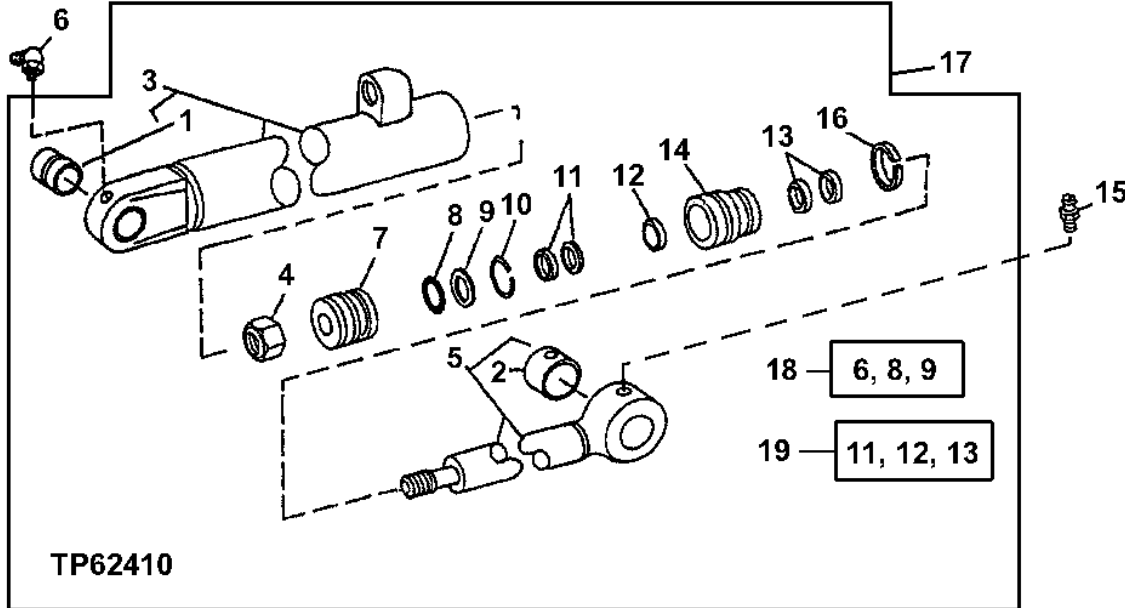
STEERING CYLINDER (MFWD)
 VERIN DE DIRECTION (MFWD)
 CILINDRO DE LA DIRECCION (MFWD)

KEY	PART NO.	PART NAME	QTY.	AXLE SERIAL NO.				REMARKS
					3 3	3 1 1	1 0 5	
					0 S S			
					G G G			
1	19M8632	CAP SCREW	8		X X X	M16 X 75		
2	T153723	HYDRAULIC CYLINDER CAP	2	-394241	X			
	HYDRAULIC CYLINDER CAP	2	394242-	X	(T213799 NLA) (ORDER AT195570)		
	T153723	HYDRAULIC CYLINDER CAP	2	-416701	X X			
	HYDRAULIC CYLINDER CAP	2	416702-	X X	(T213799 NLA) (ORDER AT195570)		
3	T153742	HYDRAULIC CYLINDER BARREL	1	-394241	X			
	HYDRAULIC CYLINDER BARREL	1	394242-	X	(T213800 NLA) (ORDER AT195570)		
	T153742	HYDRAULIC CYLINDER BARREL	1	-416701	X X			
	HYDRAULIC CYLINDER BARREL	1	416702-	X X	(T213800 NLA) (ORDER AT195570)		
4	AT195573	ROD	1	-394241	X	(SUB FOR T153743)		
	ROD	1	394242-	X	(AT318551 NLA) (ORDER AT195570)		
	AT195573	ROD	1	-416701	X X	(SUB FOR T153743)		
	ROD	1	416702-	X X	(AT318551 NLA) (ORDER AT195570)		
5	SEAL	2		X X X	(A)		
6	SEAL	2		X X X	(A)		
7	GUIDE	2		X X X	(A)		
8	O-RING	2		X X X	(A)		
9	RING	2		X X X	(A)		
10	SEAL	1		X X X	(A)		
11	GUIDE	1		X X X	(A)		
12	O-RING	1		X X X	(A)		
13	AT195570	CYLINDER	1		X X X	(SUB FOR AT167332)		
14	T153744	HYDRAULIC CYLINDER KIT	1	-394241	X	INCLUDES ALL PARTS MARKED (A)		
	T213801	HYDRAULIC CYLINDER KIT	1	394242-	X	INCLUDES ALL PARTS MARKED (A)		
	T153744	HYDRAULIC CYLINDER KIT	1	-416701	X X	INCLUDES ALL PARTS MARKED (A)		
	T213801	HYDRAULIC CYLINDER KIT	1	416702-	X X	INCLUDES ALL PARTS MARKED (A)		

0960-14

POWER STEERING CYLINDER (W/O MFWD) (SN -911131)
 VERIN DE DIRECTION ASSISTEE (W/O MFWD) (SN -911131)
 CILINDRO DE LA SERVODIRECCION (W/O MFWD) (SN -911131)

TP62410 -UN-15MAY00



KEY	PART NO.	PART NAME	QTY.	SERIAL NO.	REMARKS
				3 3	
				3 1 1	
				1 0 5	
				0 S S	
				G G G	
1	R81854	BUSHING	1	X X X	
2	R72700	BUSHING	1	X X X	
3	RE22413	HYDRAULIC CYLINDER BARREL	1	X X X	
4	H170534	NUT	1	X X X	
5	RE22415	HYDRAULIC CYLINDER ROD	1	X X X	
6	JD7838	ADAPTER FITTING	1	X X X (A)	
7	AH138200	PISTON	1	X X X	INCLUDES WEAR RINGS AND SEALS
8	H158942	O-RING	1	X X X (A)	
9	R79117	BACK-UP RING	1	X X X (A)	
10	R82571	SNAP RING	1	X X X	
11	AH151381	SEAL	1	X X X (B)	
12	H158676	SEAL	1	X X X (B)	
13	AH151380	SEAL	1	X X X (B)	
14	H157662	HYDR. CYLINDER ROD GUIDE	1	X X X	
15	T162396	LUBRICATION FITTING	1	X X X	(ROD END)
16	R90565	SNAP RING	1	X X X	
17	HYDRAULIC CYLINDER	1	X X X	(AH154780 NLA) (SUB AH216821)
18	AH167552	HYDRAULIC CYLINDER KIT	1	X X X	CYLINDER BORE REPAIR, INCLUDES ALL PARTS MARKED (A)
19	AH149810	HYDRAULIC CYLINDER KIT	1	X X X	CYLINDER ROD REPAIR, INCLUDES ALL PARTS MARKED (B)

0960-15

STEERING SYSTEM 9

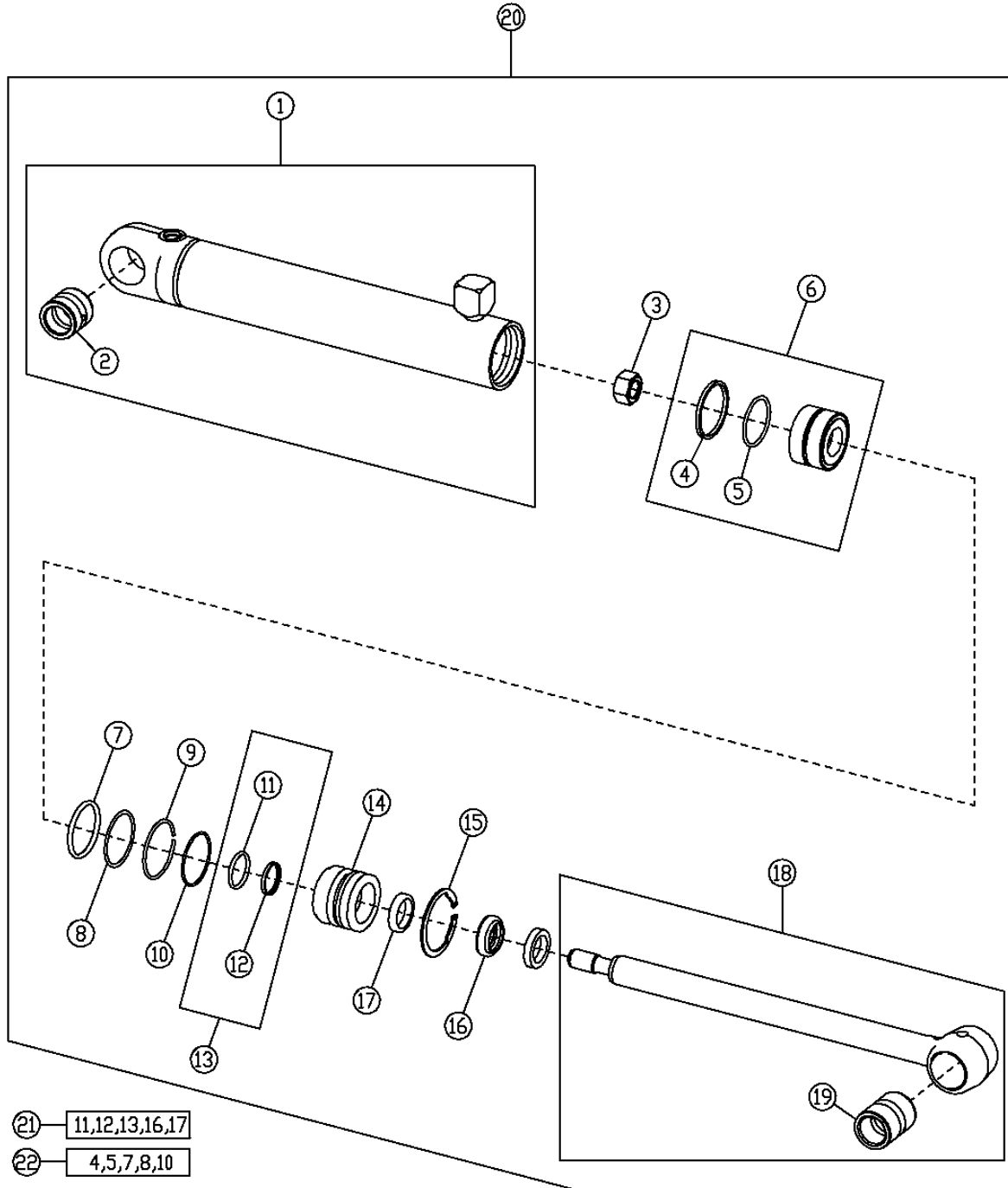
POWER:STEERING:HYDRAULIC:SYSTEM 0960

MEMORANDA
MEMORANDA
MEMORANDA

0960-16

POWER STEERING HYDRAULIC SYSTEM 0960
 REPLACEMENT POWER STEERING CYLINDER (W/O MFWD) (SN -911131)
 VERIN DE DIRECTION ASSISTEE DE RECHANGE (W/O MFWD) (SN -911131)
 CILINDRO DE SERVODIRECCION DE REPUESTO (W/O MFWD) (SN -911131)

T212092 -UN-14JUL05



21 11,12,13,16,17

22 4,5,7,8,10

T212092

THIS PARTS LISTING IS CONTINUED

0960-17

STEERING SYSTEM 9

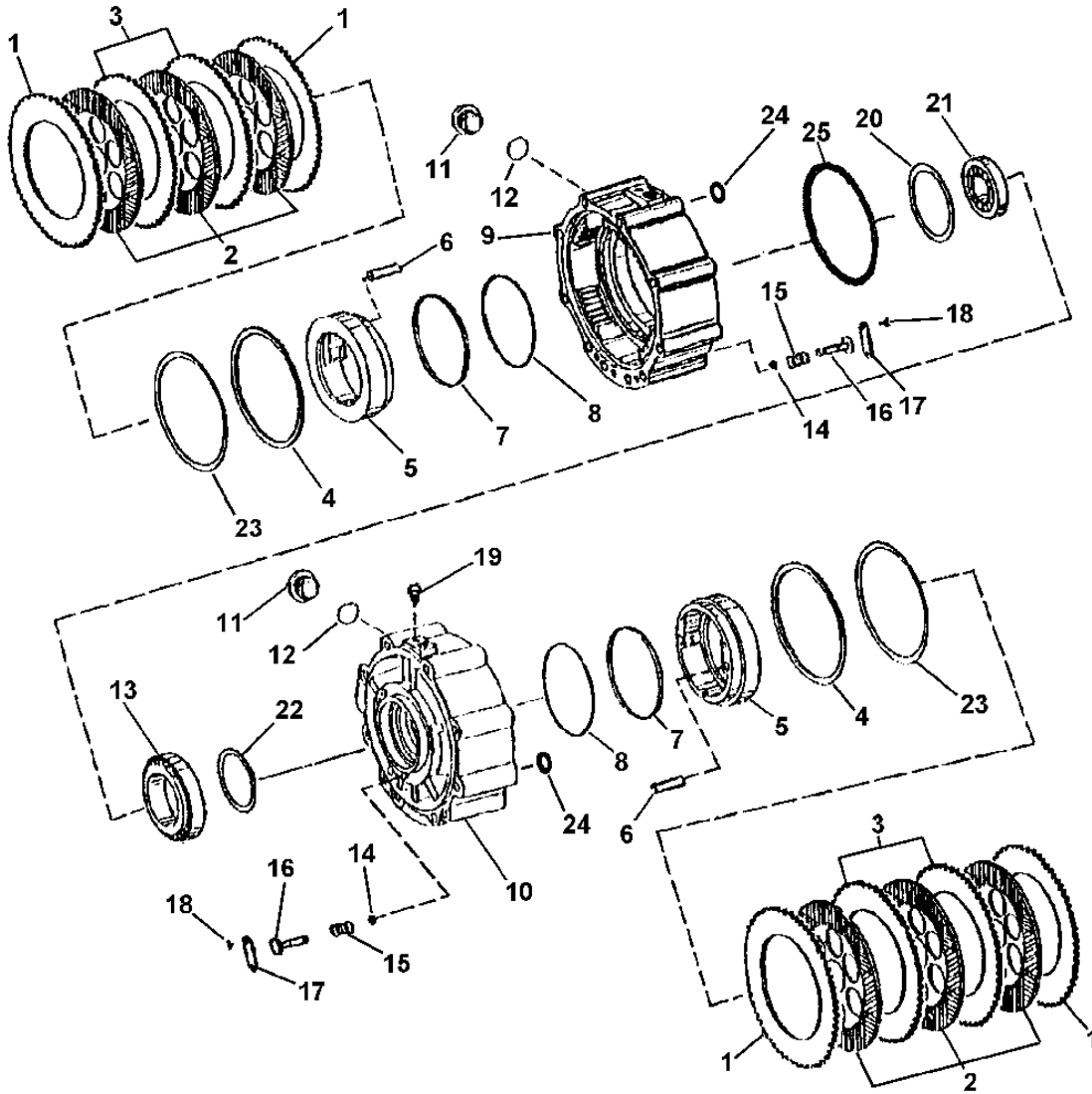
POWER STEERING HYDRAULIC SYSTEM 0960
 REPLACEMENT POWER STEERING CYLINDER (W/O MFWD) (SN -911131)
 VERIN DE DIRECTION ASSISTEE DE RECHANGE (W/O MFWD) (SN -911131)
 CILINDRO DE SERVODIRECCION DE REPUESTO (W/O MFWD) (SN -911131)

KEY	PART NO.	PART NAME	QTY.	SERIAL NO.	REMARKS
1	AH216822	HYDRAULIC CYLINDER BARREL	1		
2	R81854	BUSHING	1		
3	H170534	NUT	1		
4	H144342	PISTON RING	1	(B)	
5	U15973	O-RING	1	(B)	
6	AH138200	PISTON	1		
7	H158942	O-RING	1	(B)	
8	R79117	BACK-UP RING	1	(B)	
9	H164359	SNAP RING	1		
10	T22828	O-RING	1	(B)	
11	H158674	SEAL	1	(A)	
12	H158675	SEAL	1	(A)	
13	AH151381	SEAL	1	(A)	
14	H157662	HYDR. CYLINDER ROD GUIDE	1		
15	R82571	SNAP RING	1		
16	AH151380	SEAL	1	(A)	
17	H158676	SEAL	1	(A)	
18	RE22415	HYDRAULIC CYLINDER ROD	1		
19	R72700	BUSHING	1		
20	AH216821	HYDRAULIC CYLINDER	1		
21	AH149810	HYDRAULIC CYLINDER KIT	1		CYLINDER BORE REPAIR, INCLUDES ALL PARTS MARKED (A)
22	AH167552	HYDRAULIC CYLINDER KIT	1		CYLINDER ROD REPAIR, INCLUDES ALL PARTS MARKED (B)

1011-2

SERVICE BRAKE ASSEMBLY
FREIN DE SERVICE
CONJUNTO DE FRENOS DE SERVICIO

T138068 -UN-16FEB01



T138068

1011-3

**SERVICE BRAKE ASSEMBLY
FREIN DE SERVICE
CONJUNTO DE FRENOS DE SERVICIO**

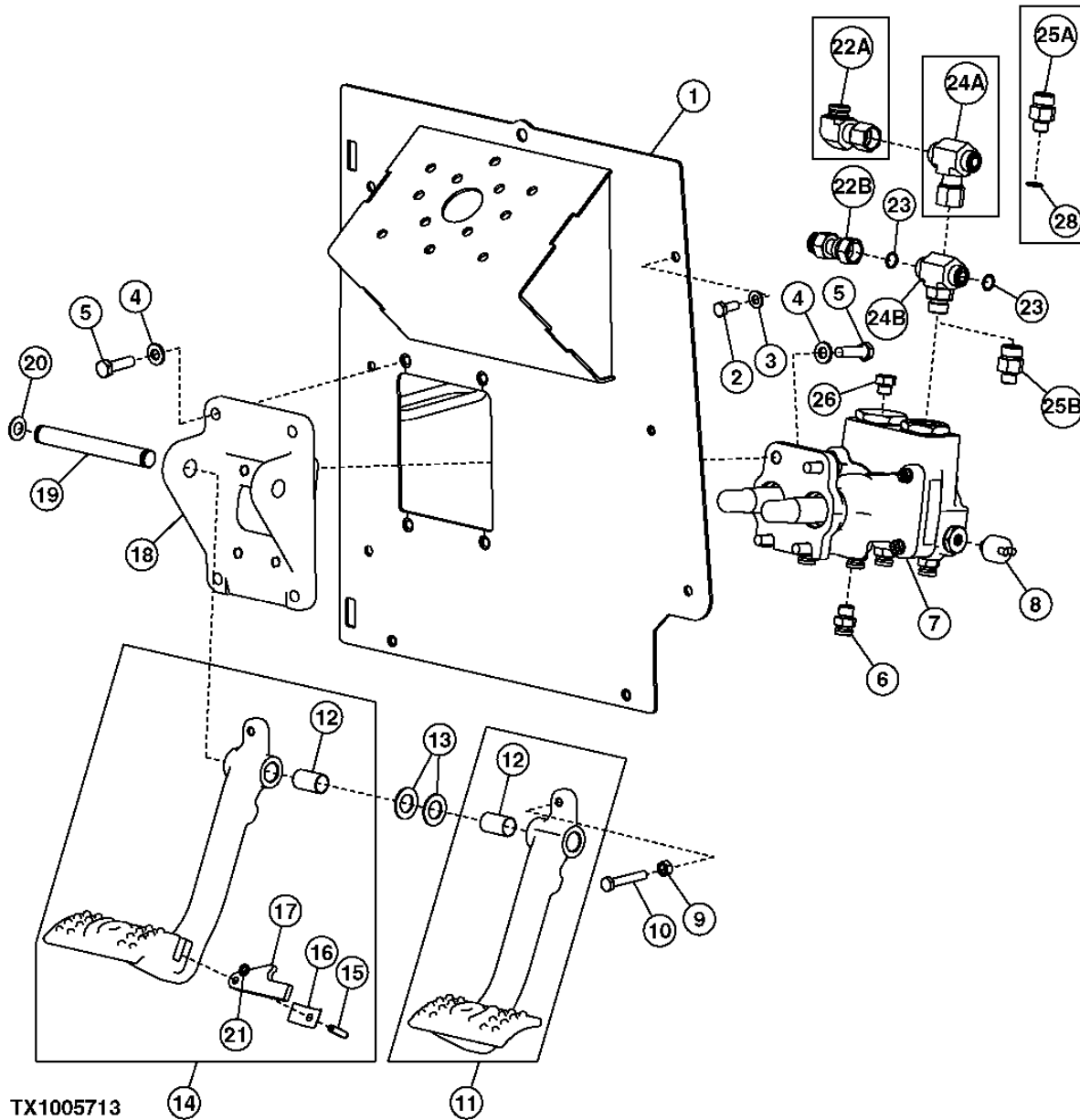
KEY	PART NO.	PART NAME	QTY.	SERIAL NO.	REMARKS
				3 3	
				3 1 1	
				1 0 5	
				0 S S	
				G G G	
1	T159409	PLATE	4	X X X	3MM (0.1181")
2	AT179503	BRAKE DISK	6	X X X	
3	T161233	DISK	4	X X X	4MM (0.1575")
4	T159402	SEAL	2	X X X	
5	T185443	PISTON	2	X X X	
6	T159399	DOWEL PIN	4	X X X	
7	T159400	SEAL	2	X X X	
8	T159401	BACK-UP RING	2	X X X	
9	T159396	HOUSING	1	X X X	RH
10	T159397	HOUSING	1	X X X	LH
11	15M7030	PIPE PLUG	2	X X X	
12	L55580	O-RING	2	X X X	
13	AT179504	TAPERED ROLLER BEARING	1	X X X	LH
14	T159407	RING	6	X X X	
15	T159408	SPRING	6	X X X	
16	T159406	PIN	6	X X X	
17	T159398	LOCK PLATE	6	X X X	
18	19M8425	CAP SCREW	12	X X X	
19	T162517	BLEED VALVE	2	X X X	
20	T161247	SHIM	1	X X X	.20MM (0.0079")
	T161246	SHIM	1	X X X	.30MM (0.0118")
	T161245	SHIM	1	X X X	.40MM (0.0157")
	T161244	SHIM	1	X X X	.50MM (0.0197")
	T161243	SHIM	1	X X X	.70MM (0.0276")
	T161242	SHIM	1	X X X	.75MM (0.0295")
	T161241	SHIM	1	X X X	.80MM (0.0315")
	T161240	SHIM	1	X X X	.85MM (0.0335")
	T161239	SHIM	1	X X X	.90MM (0.0354")
	T161238	SHIM	1	X X X	.95MM (0.0374")
	T159435	SHIM	1	X X X	1.0MM (0.0394")
	T159431	SHIM	1	X X X	1.2MM (0.0472")
	T159429	SHIM	1	X X X	1.3MM (0.0512")
	T159427	SHIM	1	X X X	1.4MM (0.0551")
	T159425	SHIM	1	X X X	1.5MM (0.0591")
21	AT179505	TAPERED ROLLER BEARING	1	X X X	RH
22	T159444	SHIM	1	X X X	.10MM (0.0039")
	T159445	SHIM	1	X X X	.15MM (0.0059")
	T159443	SHIM	1	X X X	.20MM (0.0079")
	T159440	SHIM	1	X X X	.30MM (0.0118")
	T159441	SHIM	1	X X X	.50MM (0.0197")
	T159442	SHIM	1	X X X	1.0MM (0.0394")
	T159446	SHIM	1	X X X	1.1MM (0.0433")
	T159447	SHIM	1	X X X	1.2MM (0.0472")
	T159448	SHIM	1	X X X	1.3MM (0.0511")
	T159449	SHIM	1	X X X	1.4MM (0.0551")
	T159450	SHIM	1	X X X	1.5MM (0.0591")
	T159451	SHIM	1	X X X	1.6MM (0.0630")
	T159452	SHIM	1	X X X	1.7MM (0.0670")
	T159453	SHIM	1	X X X	1.8MM (0.0709")
	T183500	SOLID SHIM	1	X X X	2.15MM (0.0846")
	T183502	SOLID SHIM	1	X X X	2.25MM (0.0886")
	T183505	SOLID SHIM	1	X X X	2.4MM (0.0945")
	T183506	SOLID SHIM	1	X X X	2.45MM (0.0965")
	T183507	SOLID SHIM	1	X X X	2.5MM (0.0984")
	T159457	SHIM	1	X X X	2.8MM (0.1102")
	T159459	SHIM	1	X X X	3.0MM (0.1181")
	T159461	SHIM	1	X X X	3.2MM (0.1260")
	T159463	SHIM	1	X X X	3.4MM (0.1339")
23	T159403	BACK-UP RING	2	X X X	
24	T159373	O-RING	8	X X X	
25	T159362	O-RING	1	X X X	

1060-2

BRAKE VALVE AND PEDALS SOUPAPE ET PEDALES DES FREINS VALVULA Y PEDLES DE FRENO

TX1005713

-UN-03APR06



1060-3

SERVICE BRAKES 10

SERVICE BRAKES:HYDRAULICS 1060

**BRAKE VALVE AND PEDALS
SOUPAPE ET PEDALES DES FREINS
VALVULA Y PEDLES DE FRENO**

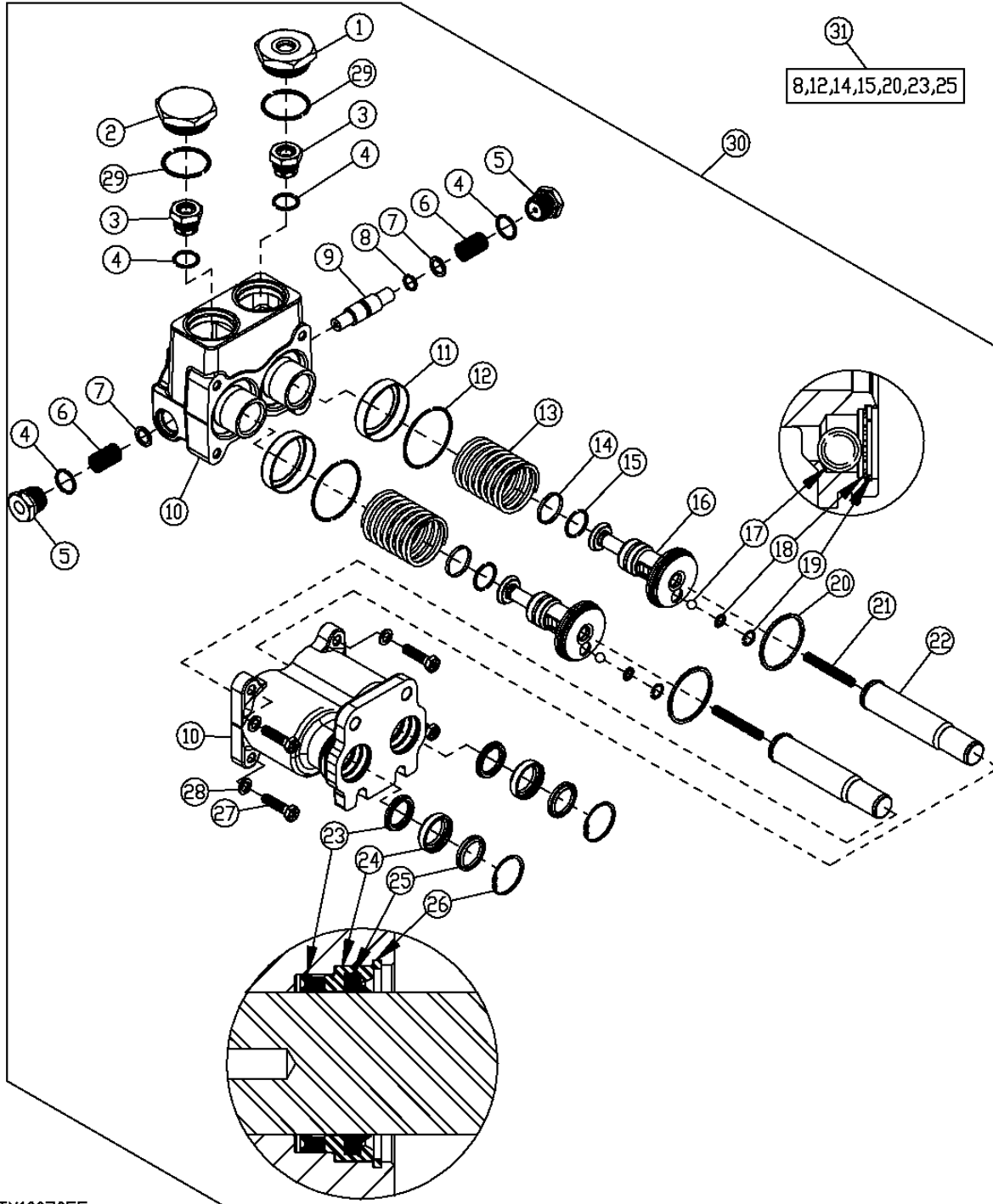
KEY	PART NO.	PART NAME	QTY.	SERIAL NO.	REMARKS
					3 3
					3 1 1
					1 0 5
					0 S S
					G G G
1	AT186839	SUPPORT	1		X X X
2	19M7881	SCREW	4		X X X M8 X 20
3	24M7238	WASHER	4		X X X
4	24M7239	WASHER	8		X X X
5	19M7550	CAP SCREW	8		X X X M10 X 35
6	AT187666	ADAPTER FITTING	7		X X X
	AT193365	KIT	1		X X X STC
7	AT304761	MANUAL HYDRAULIC VALVE	1		X X X (SUB FOR AT184578)
8	R32548	PRESSURE SWITCH	2		X X X (BRAKE LIGHT)
9	14M7273	NUT	2		X X X M8
10	19M7164	CAP SCREW	2		X X X M8 X 50
11	AT184592	PEDAL	1		X X X RH
12	B177R	BUSHING	1		X X X
13	24H1381	WASHER	2		X X X
14	AT184579	PEDAL	1		X X X LH
15	34H212	SPRING PIN	1		X X X 5/64" X 5/8"
16	R50034	LEAF SPRING	1		X X X
17	R50879	ARM	1		X X X
18	T166171	BRACKET	1		X X X
19	T165282	PIN FASTENER	1		X X X
20	F2863R	SNAP RING	2		X X X
21	24H1285	WASHER	AR		X X X
22A	AT195203	ELBOW FITTING	1	911133-913416	X X X TO RESERVOIR
22B	AT280459	ADAPTER FITTING	1	913417-	X X X TO RESERVOIR
23	T77857	O-RING	2	911133-	X X X
24A	38H1039	TEE FITTING	1	911133-922272	X X X
24B	38H1017	TEE FITTING	1	922273-	X X X
25A	AT187666	ADAPTER FITTING	1	911133-922272	X X X
25B	38H1173	ADAPTER FITTING	1	911133-922272	X X X
26	R27218	FITTING PLUG	1	911133-922272	X X X
27	T77857	O-RING	1	-922272	X X X
	R26375	O-RING	1	922273-	X X X
28	R26448	O-RING	1	-922272	X X X

1060-4

BRAKE VALVE ASSEMBLY CLAPET DE FREIN CONJUNTO DE VALVULA DE FRENOS

TX1007055

-UN-27APR06



TX1007055

THIS PARTS LISTING IS CONTINUED

1060-5

SERVICE BRAKES 10

SERVICE BRAKES:HYDRAULICS 1060

**BRAKE VALVE ASSEMBLY
CLAPET DE FREIN
CONJUNTO DE VALVULA DE FRENOS**

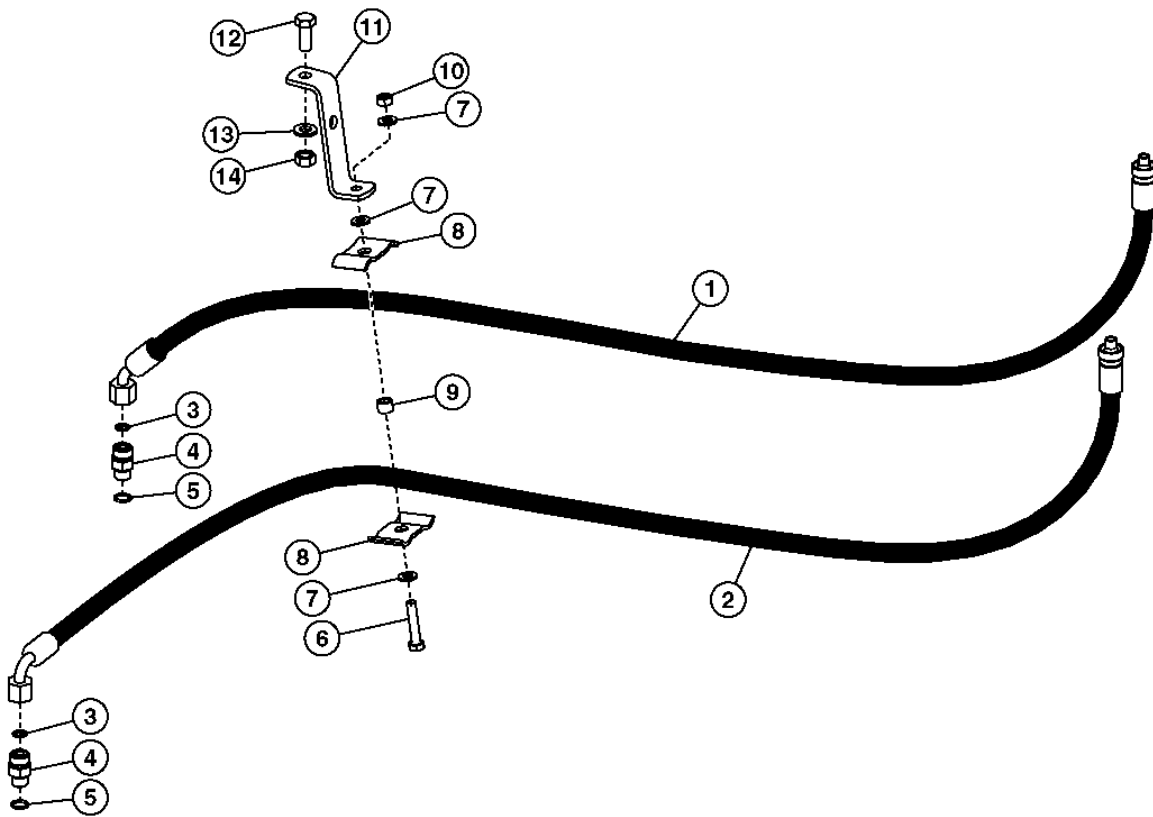
KEY	PART NO.	PART NAME	QTY.	SERIAL NO.	3 3 3 1 1 1 0 5 0 S S G G G	REMARKS
1	T183268	FITTING	1	-922272	X X X	
	T203385	REDUCER	1	922273-	X X X	
2	T183268	FITTING	1	-922272	X X X	
	T203374	FITTING PLUG	1	922273-	X X X	
3	AT188343	CHECK VALVE	2		X X X	
4	R26906	O-RING	4		X X X	
5	T185926	PLUG	2		X X X	
6	T183274	SPRING	2		X X X	
7	T183273	WASHER	2		X X X	
8	RING	2		X X X	
9	T183272	PISTON	1		X X X	
10	HOUSING	1		X X X	(ORDER AT304761)
11	T183271	RETAINER	2		X X X	
12	O-RING	2		X X X	
13	T183270	SPRING	2		X X X	
14	SEAL	2		X X X	
15	RING	2		X X X	
16	T183276	PISTON	2		X X X	
17	R26552	BALL	2		X X X	
18	T185078	LOCK WASHER	2		X X X	
19	R48523	SNAP RING	2		X X X	
20	T183362	PISTON RING	2		X X X	
21	T183269	SPRING	2		X X X	
22	AT192151	PUSH ROD	2		X X X	
23	SEAL	2		X X X	
24	T183357	RETAINER	2		X X X	
25	SEAL	2		X X X	
26	M41029	SNAP RING	2		X X X	
27	19H1849	CAP SCREW	4		X X X	5/16" X 1-1/4"
28	T183310	WASHER	4		X X X	
29	U13639	O-RING	2		X X X	
30	AT304761	MANUAL HYDRAULIC VALVE	1		X X X	(SUB FOR AT184578)
31	AT192419	KIT	1		X X X	(BRAKE VALVE OVERHAUL) (REQUIRES 1 KIT PER VALVE)

1060-6

SERVICE BRAKE HYDRAULICS
CIRCUIT HYDRAULIQUE DE FREINS DE SERVICE
SISTEMA HIDRAULICO DE FRENOS DE SERVICIO

TX1005714

-UN-03APR06



TX1005714

1060-7

SERVICE BRAKES 10

SERVICE BRAKES:HYDRAULICS 1060

**SERVICE BRAKE HYDRAULICS
CIRCUIT HYDRAULIQUE DE FREINS DE SERVICE
SISTEMA HIDRAULICO DE FRENOS DE SERVICIO**

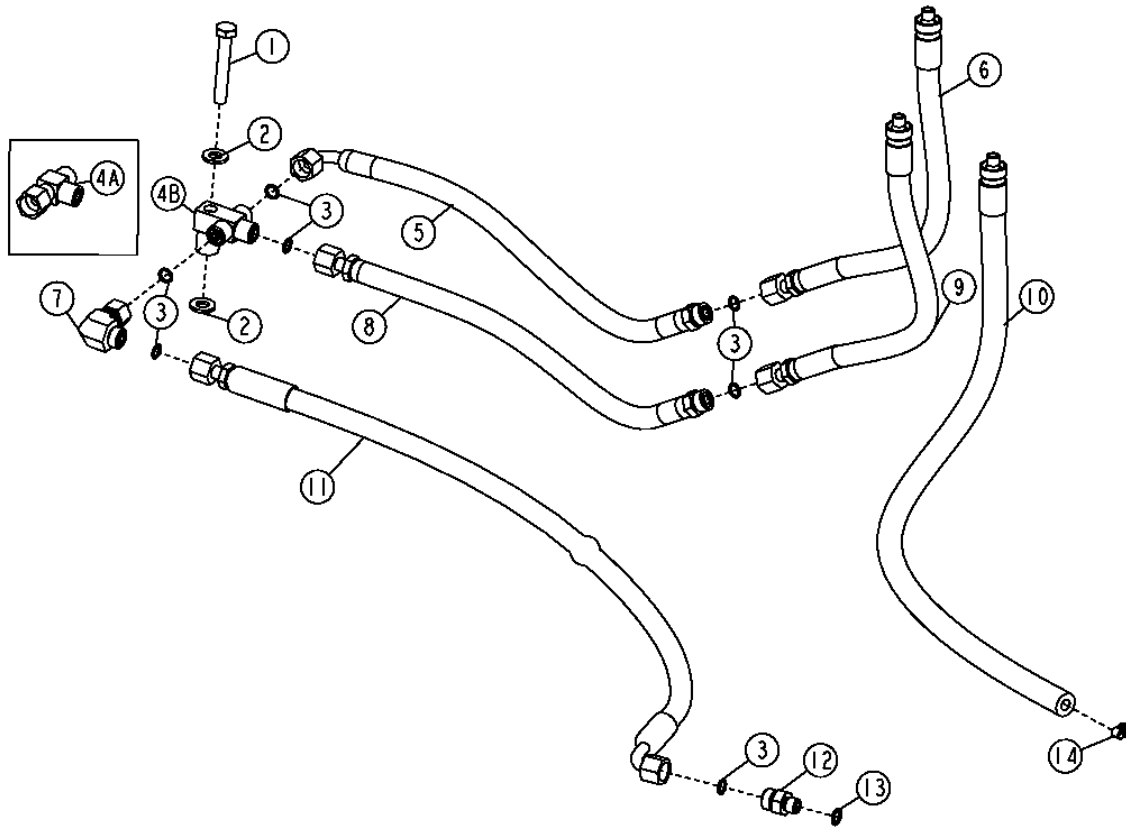
KEY	PART NO.	PART NAME	QTY.	SERIAL NO.	REMARKS
					3 3
					3 1 1
					1 0 5
					0 S S
					G G G
1	AT185513	HYDRAULIC HOSE - FABRICATE	1		X X X (ALSO ORDER 62H1042 AND T77613) TO BRAKE VALVE
	62H1042	ADAPTER FITTING	1		X X X
2	AT184894	HYDRAULIC HOSE - FABRICATE	1		X X X (ALSO ORDER 62H1042 AND T77613) TO BRAKE VALVE
	62H1042	ADAPTER FITTING	1		X X X
3	T77613	O-RING	2		X X X
4	38H1160	ADAPTER FITTING	2		X X X TO REAR AXLE
5	R26448	O-RING	2		X X X
6	19M7922	CAP SCREW	1		X X X M8 X 40
7	24M7238	WASHER	3		X X X
8	R46919	HALF CLAMP	2		X X X
9	T186859	WASHER	1		X X X
10	14M7273	NUT	1		X X X M8
11	T158245	STRAP	1		X X X
12	19M7402	CAP SCREW	1		X X X M10 X 25
13	24M7239	WASHER	1		X X X
14	14M7274	NUT	1		X X X M10

1060-8

SERVICE BRAKES 10

SERVICE BRAKES:HYDRAULICS 1060
BRAKE VALVE BOOST PLUMBING (310G AND 310SG - CAB) (315SG - ROPS AND CAB)
CONDUITES HYDRAULIQUES SURALIMENTATION CLAPET DE FREIN (310G,310SG-CABINE) (315SG -ROPS, CABINE)
TUBERIA DE AUMENTO DE VALVULA DE FRENOS (310G, 310SG - CABINA) (315SG - ROPS, CABINA)

T201761 -UN-19JUL04



T201761

1060-9

SERVICE BRAKES 10

SERVICE BRAKES:HYDRAULICS 1060

BRAKE VALVE BOOST PLUMBING (310G AND 310SG - CAB) (315SG - ROPS AND CAB)
CONDUITES HYDRAULIQUES SURALIMENTATION CLAPET FREIN (310G,310SG-CABINE) (315SG -ROPS, CABINE)
TUBERIA DE AUMENTO DE VALVULA DE FRENOS (310G, 310SG - CABINA) (315SG - ROPS, CABINA)

KEY	PART NO.	PART NAME	QTY.	SERIAL NO.	3 3 3 1 1 1 0 5 0 S S G G G	REMARKS
1	19M7742	CAP SCREW	1	-951096	X X X	M10 X 65
	19M8499	CAP SCREW	1	951097-	X X X	M10 X 60
2	24M7239	WASHER	AR		X X X	
3	T77613	O-RING	7		X X X	
4A	AT191868	TEE FITTING	1	-940475	X X X	
4B	T212039	TEE FITTING	1	940476-	X X X	
5	AT194417	HYDRAULIC HOSE - FABRICATE	1		X X X	11/16" X 470 MM (18-1/2") X 11/16"
6	AT194412	HYDRAULIC HOSE - FABRICATE	1		X X X	(ALSO ORDER 62H1042 AND T77613)
7	38H1094	ELBOW FITTING	1		X X X	
8	AT194416	HYDRAULIC HOSE - FABRICATE	1		X X X	11/16" X 465 MM (18-1/4") X 11/16"
9	AT318113	HYDRAULIC HOSE - FABRICATE	1		X X X	(ALSO ORDER 62H1042 AND T77613) (SUB FOR AT194412, THIS APPLICATION)
10	AT186740	HYDRAULIC HOSE - FABRICATE	1		X X X	(ALSO ORDER 62H1042 AND T77613)
	62H1042	ADAPTER FITTING	1		X X X	STC
11	AT193981	HYDRAULIC HOSE - FABRICATE	1	-940475	X X X	11/16" X 540 MM (21-1/4") X 11/16"
	AT304075	HYDRAULIC HOSE - FABRICATE	1	940476-	X X X	11/16" X 635 MM (25") X 11/16"
12	38H1575	ADAPTER FITTING	1	-940475	X X	
	38H1170	ADAPTER FITTING	1	940476-	X X	
	38H1170	ADAPTER FITTING	1		X	
13	R26286	O-RING	1		X X X	
14	TY22462	CLAMP	1		X X X	(SUB FOR AR48236)

1060-10

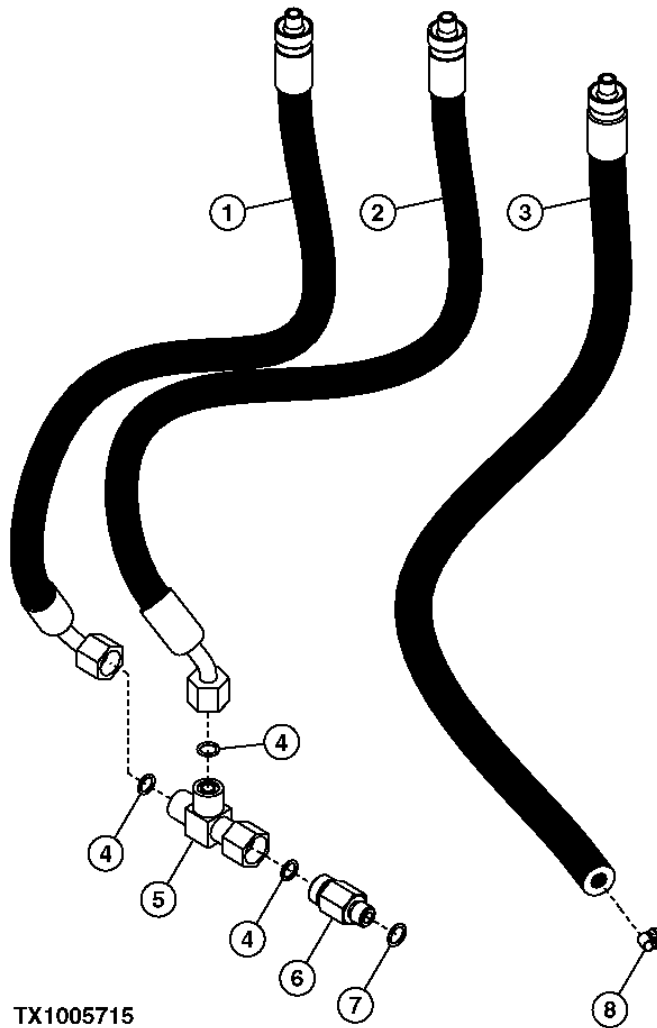
SERVICE BRAKES 10

SERVICE BRAKES:HYDRAULICS 1060

BRAKE VALVE BOOST PLUMBING (310G AND 310SG - ROPS)
CONDUITES HYDRAULIQUES DE SURALIMENTATION DE CLAPET DE FREIN (310G, 310SG - ROPS)
TUBERIA DE AUMENTO DE VALVULA DE FRENOS (310G, 310SG - ROPS)

TX1005715

-UN-03APR06



TX1005715

THIS PARTS LISTING IS CONTINUED

1060-11

SERVICE BRAKES 10

SERVICE BRAKES:HYDRAULICS 1060

BRAKE VALVE BOOST PLUMBING (310G AND 310SG - ROPS)
CONDUITES HYDRAULIQUES DE SURALIMENTATION DE CLAPET DE FREIN (310G, 310SG - ROPS)
TUBERIA DE AUMENTO DE VALVULA DE FRENOS (310G, 310SG - ROPS)

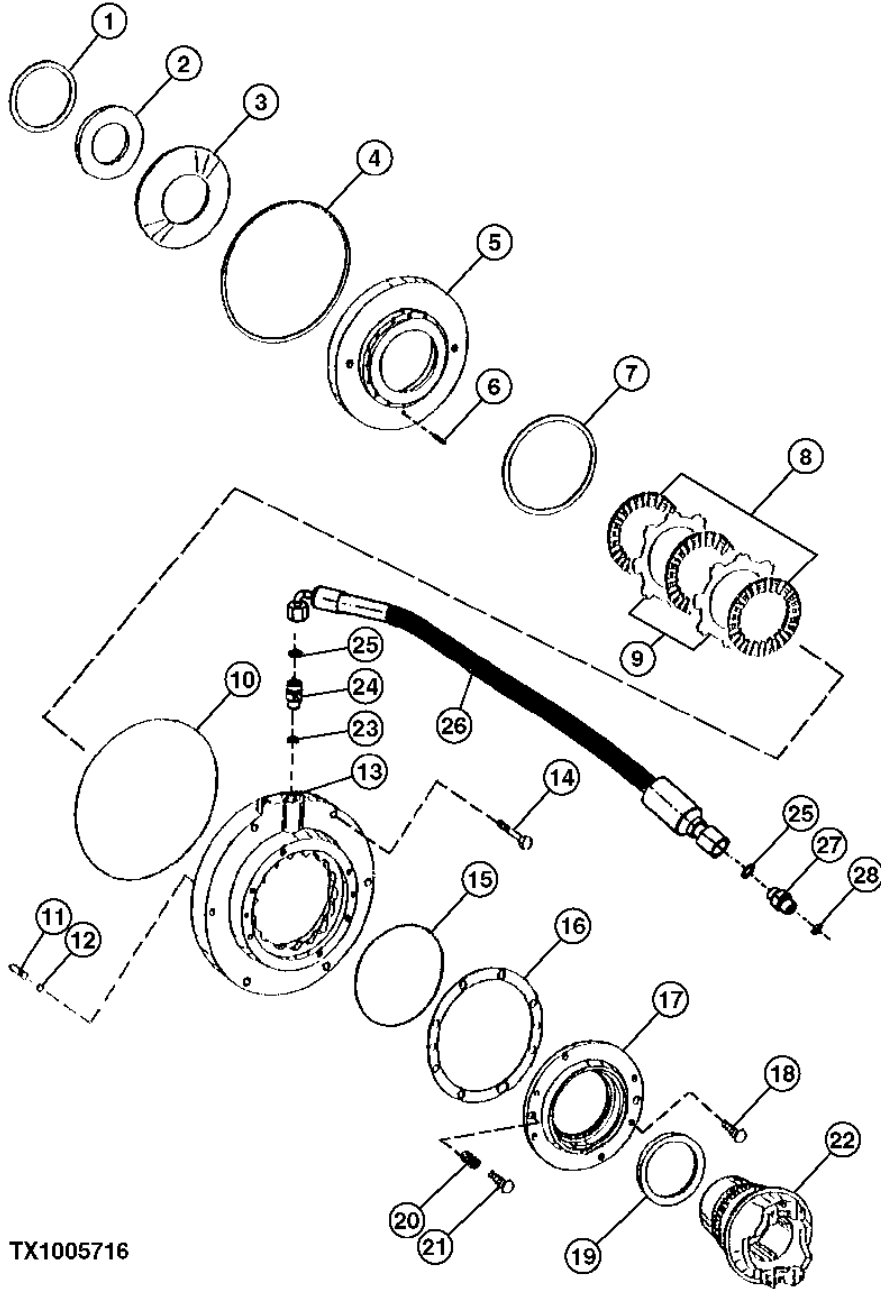
KEY	PART NO.	PART NAME	QTY.	SERIAL NO.	REMARKS
					3 3
					3 1 1
					1 0 5
					0 S S
					G G G
1	AT317121	HYDRAULIC HOSE - FABRICATE	1		X X (ALSO ORDER 62H1042 AND T77613) (SUB FOR AT192415 AND AT192416, THIS APPLICATION)
	62H1042	ADAPTER FITTING	1		X X STC
2	AT192416	HYDRAULIC HOSE - FABRICATE	1		X X (ALSO ORDER 62H1042 AND T77613)
	62H1042	ADAPTER FITTING	1		X X STC
3	AT186740	HYDRAULIC HOSE - FABRICATE	1		X X (ALSO ORDER 62H1042 AND T77613)
	62H1042	ADAPTER FITTING	1		X X STC
4	T77613	O-RING	3		X X
5	AT192417	TEE FITTING	1		X X
6	T186238	ADAPTER FITTING	1		X X
7	R26286	O-RING	1		X X
8	TY22462	CLAMP	1		X X (SUB FOR AR48236)

1111-2

PARKING BRAKE (AXLE SN -217496)
FREIN DE STATIONNEMENT (SN D'ESSIEU -217496)
FRENO DE ESTACIONAMIENTO (SN DEL EJE -217496)

PARKING: BRAKE: ACTIVE: ELEMENTS 1111

TX1005716 -UN-04APR06



1111-3

PARKING BRAKE ACTIVE ELEMENTS 1111

PARKING BRAKE (AXLE SN -217496)
FREIN DE STATIONNEMENT (SN D'ESSIEU -217496)
FRENO DE ESTACIONAMIENTO (SN DEL EJE -217496)

KEY	PART NO.	PART NAME	QTY.	AXLE SERIAL NO.	3 3	REMARKS
					3 1 1	
					1 0 5	
					0 S S	
					G G G	
1	T159479	SHIM	1		X X X	0.6MM (0.0236")
	T159480	SHIM	1		X X X	0.7MM (0.0276")
	T159481	SHIM	1		X X X	0.8MM (0.0315")
	T159482	SHIM	1		X X X	0.9MM (0.0354")
	T159483	SHIM	1		X X X	2.0MM (0.0787")
2	T159484	SUPPORT	1		X X X	
3	T159485	DISK SPRING	1		X X X	
4	T159478	SEAL	1		X X X	
5	T159476	PISTON	1		X X X	
6	T159473	SPRING PIN	1		X X X	
7	T159477	SEAL	1		X X X	
8	T159475	CLUTCH DISK	3		X X X	
9	T159474	PLATE	2		X X X	
10	T159472	O-RING	1		X X X	
11	T159486	PIN	2		X X X	
12	T159487	O-RING	2		X X X	
13	T159471	HOUSING	1		X X X	
14	19M7935	CAP SCREW	6		X X X	M10 X 55
15	T174398	O-RING	1		X X X	(SUB FOR T159491)
16	T159492	SHIM	1		X X X	1.0MM (0.0394")
	T159493	SHIM	1		X X X	0.5MM (0.0197")
	T159494	SHIM	1		X X X	0.3MM (0.0118")
	T159495	SHIM	1		X X X	0.1MM (0.0039")
	T159496	SHIM	1		X X X	0.15MM (0.0059")
	T159497	SHIM	1		X X X	0.2MM (0.0079")
17	T159490	COVER	1		X X X	
18	19M8761	SCREW	6		X X X	M10 X 22
19	AT179537	SEAL	1		X X X	
20	T159502	LOCK NUT	2		X X X	(MANUAL RELEASE-PARK BRAKE)
21	T159499	CAP SCREW	2		X X X	(MANUAL RELEASE-PARK BRAKE)
22	T158437	UNIVERSAL JOINT YOKE	1		X X X	
23	R26906	O-RING	1		X X X	
24	38H1162	ADAPTER FITTING	1		X X X	
25	T77932	O-RING	2		X X X	
26	AT179899	HYDRAULIC HOSE - FABRICATE	1		X X X	1" X 655 MM (25-3/4") X 1", TO TRANSMISSION
27	38H1317	FITTING	1		X X X	
28	R26375	O-RING	1		X X X	

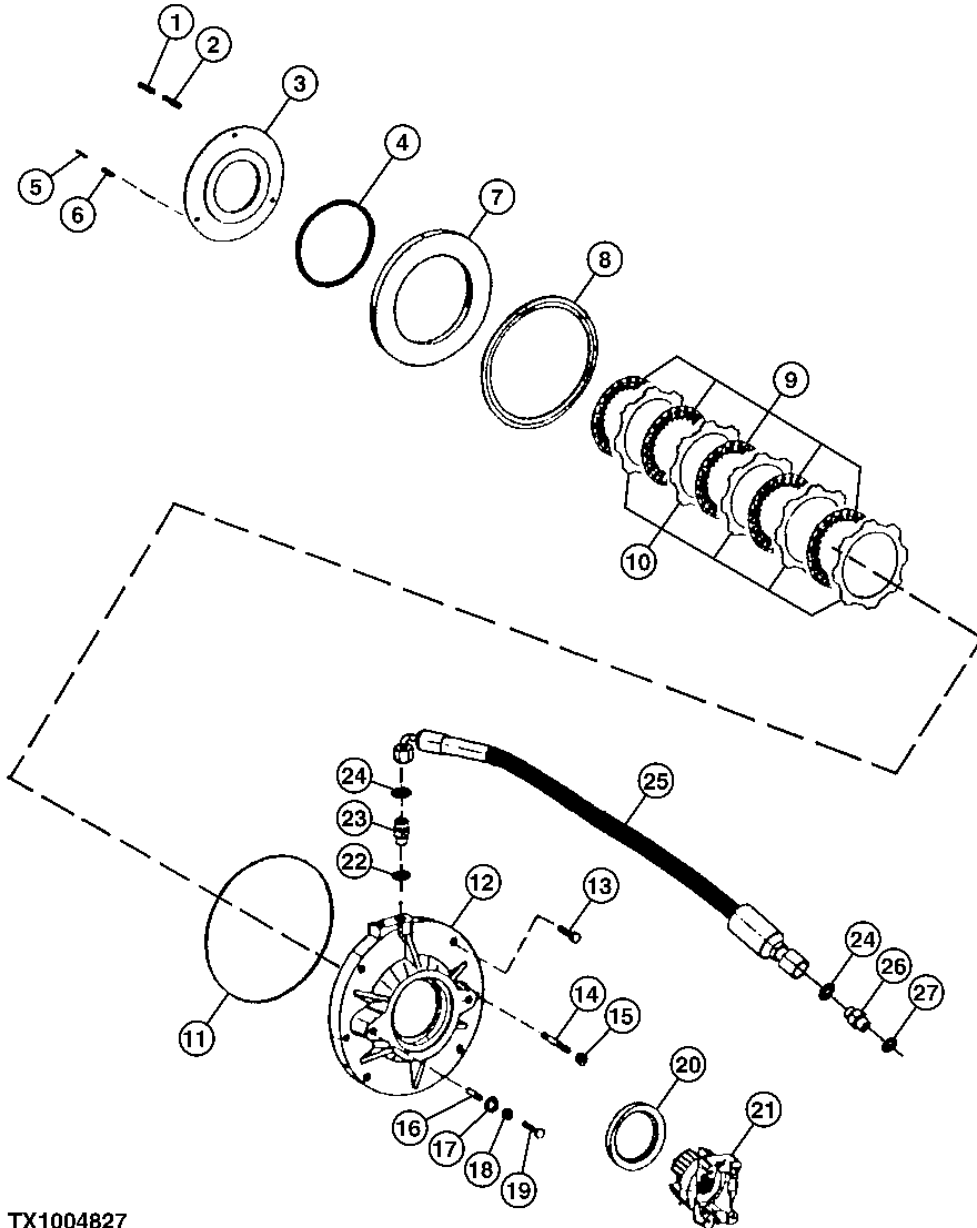
1111-4

PARKING BRAKE (AXLE SN 217497-)
FREIN DE STATIONNEMENT (SN D'ESSIEU 217497-)
FRENO DE ESTACIONAMIENTO (SN DEL EJE 217497-)

PARKING: BRAKE: ACTIVE: ELEMENTS 1111

TX1004827

-UN-16MAR06



TX1004827

1111-5

PARKING BRAKES 11

PARKING BRAKE (AXLE SN 217497-)
 FREIN DE STATIONNEMENT (SN D'ESSIEU 217497-)
 FRENO DE ESTACIONAMIENTO (SN DEL EJE 217497-)

KEY	PART NO.	PART NAME	QTY.	AXLE SERIAL NO.	REMARKS
				3 3	
				3 1 1	
				1 0 5	
				0 S S	
				G G G	
1	T164917	COMPRESSION SPRING	14		X X X
2	T164916	COMPRESSION SPRING	14		X X X
3	T164915	PLATE	1		X X X
4	T159477	SEAL	1		X X X
5	T164911	PIN	1		X X X
6	T159359	SPRING PIN	2		X X X
7	T164914	PISTON	1		X X X
8	T159478	SEAL	1		X X X
9	T159475	CLUTCH DISK	3		X X X
10	T159474	PLATE	3		X X X
11	T164909	O-RING	1		X X X
12	T188234	HOUSING	1		X X X
13	19M7179	CAP SCREW	4		X X X M10 X 50
14	T164912	STUD	2		X X X
15	T164913	NUT	2		X X X
16	T164918	PIN	2		X X X
17	T159487	O-RING	2		X X X
18	T159502	LOCK NUT	2		X X X
19	T164922	SCREW	2		X X X
20	AT179537	SEAL	1		X X X
21	T188229	UNIVERSAL JOINT YOKE	1		X X X
22	R26906	O-RING	1		X X X
23	38H1006	ELBOW FITTING	1		X X X (SUB FOR 38H1162, THIS APPLICATION)
24	T77932	O-RING	2		X X X
25	AT179899	HYDRAULIC HOSE - FABRICATE	1		X X X 655MM (25.78") TO TRANSMISSION
26	38H1317	FITTING	1		X X X TO TRANSMISSION
27	R26375	O-RING	1		X X X

1313-2

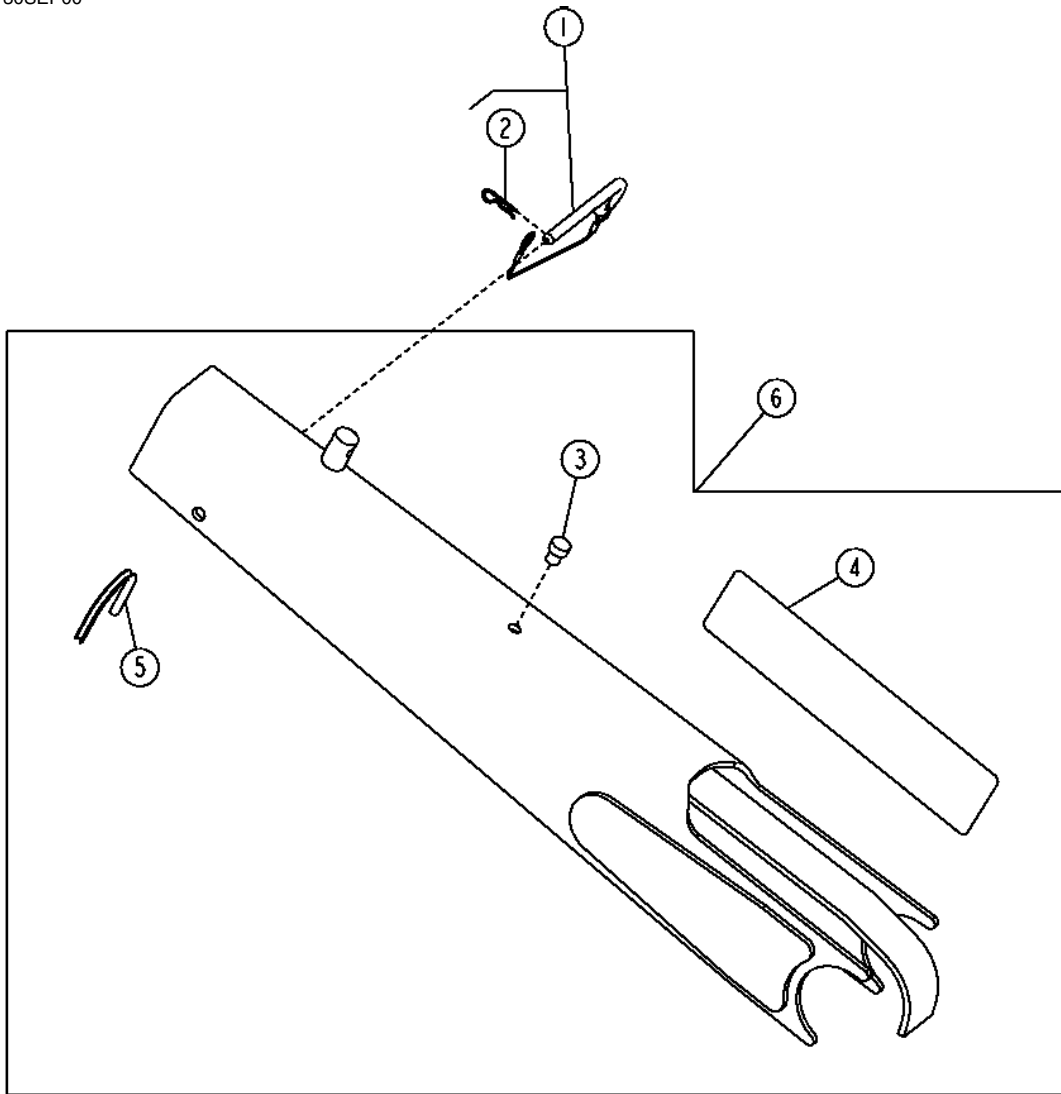
MISCELLANEOUS VEHICLE 13

HAND TOOLS 1313

LOADER ARM SERVICE LOCK VERROUILLAGE D'ENTRETIEN DE BRAS DE CHARGEUR BLOQUEO DE SERVICIO DE BRAZO DE CARGADORA

T134150

-UN-30SEP00



T134150

1313-3

MISCELLANEOUS VEHICLE 13

HAND TOOLS 1313

**LOADER ARM SERVICE LOCK
 VERROUILLAGE D'ENTRETIEN DE BRAS DE CHARGEUR
 BLOQUEO DE SERVICIO DE BRAZO DE CARGADORA**

KEY	PART NO.	PART NAME	QTY.	SERIAL NO.	REMARKS
				3 3	
				3 1 1	
				1 0 5	
				0 S S	
				G G G	
1	AT195244	PIN FASTENER	1		X X X (SUB FOR AT178745, THIS APPLICATION)
2	J16931	PIN	1		X X X
3	T14083	BUMPER	2		X X X
4	T185902	LABEL	1		X X X
5	T152648	ISOLATOR	1		X X X
6	AT307260	ARM	1		X X X SERVICE LOCK, (SUB FOR AT192367)

1314-2

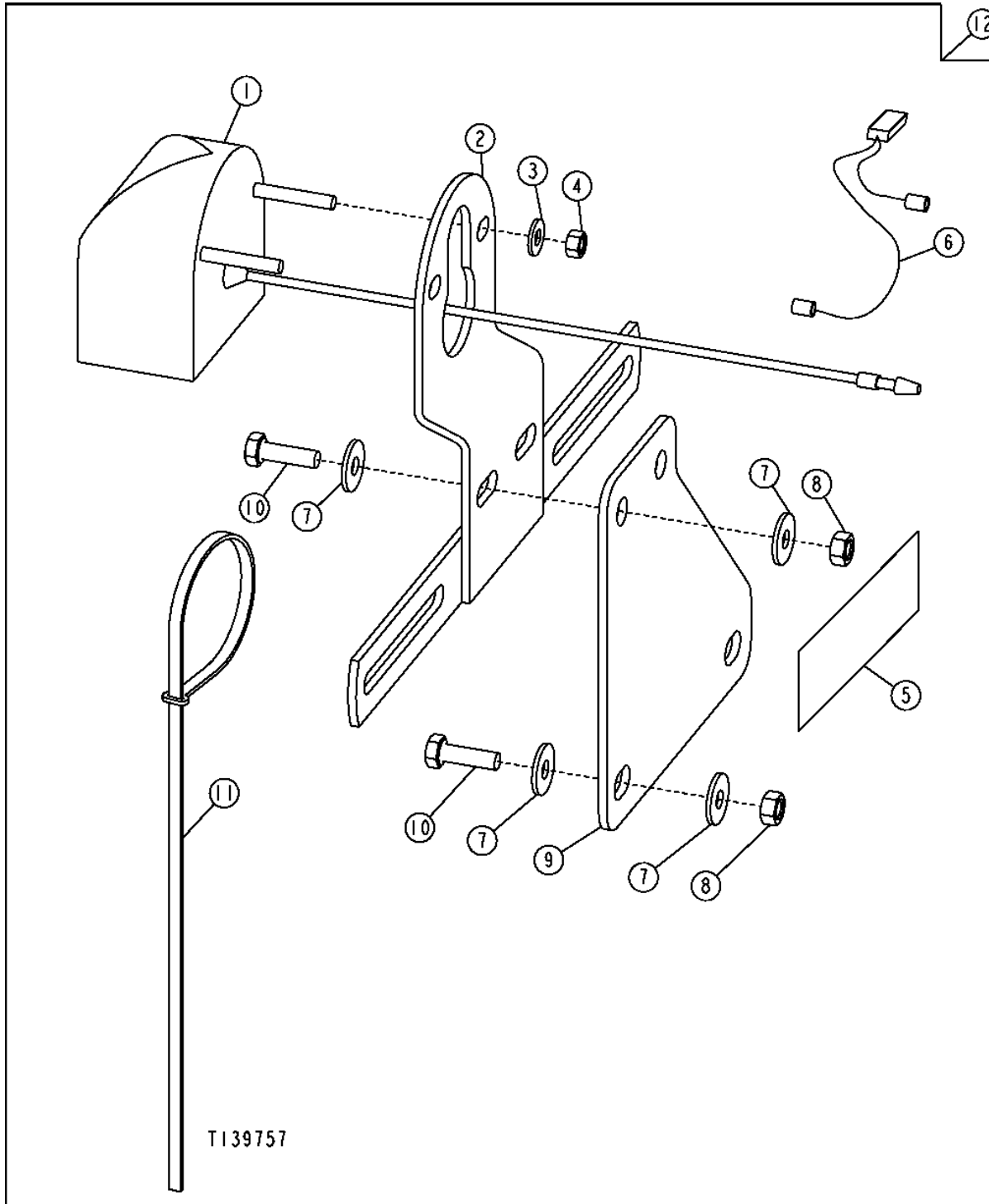
MISCELLANEOUS VEHICLE 13

LICENSE BRACKET 1314

LICENSE PLATE LAMP AND BRACKET
PLAQUE MINERALOGIQUE, ECLAIRAGE ET SUPPORT
LUZ DE MATRICULA Y SOPORTE

T139757

-UN-12MAR01



1314-3

MISCELLANEOUS VEHICLE 13

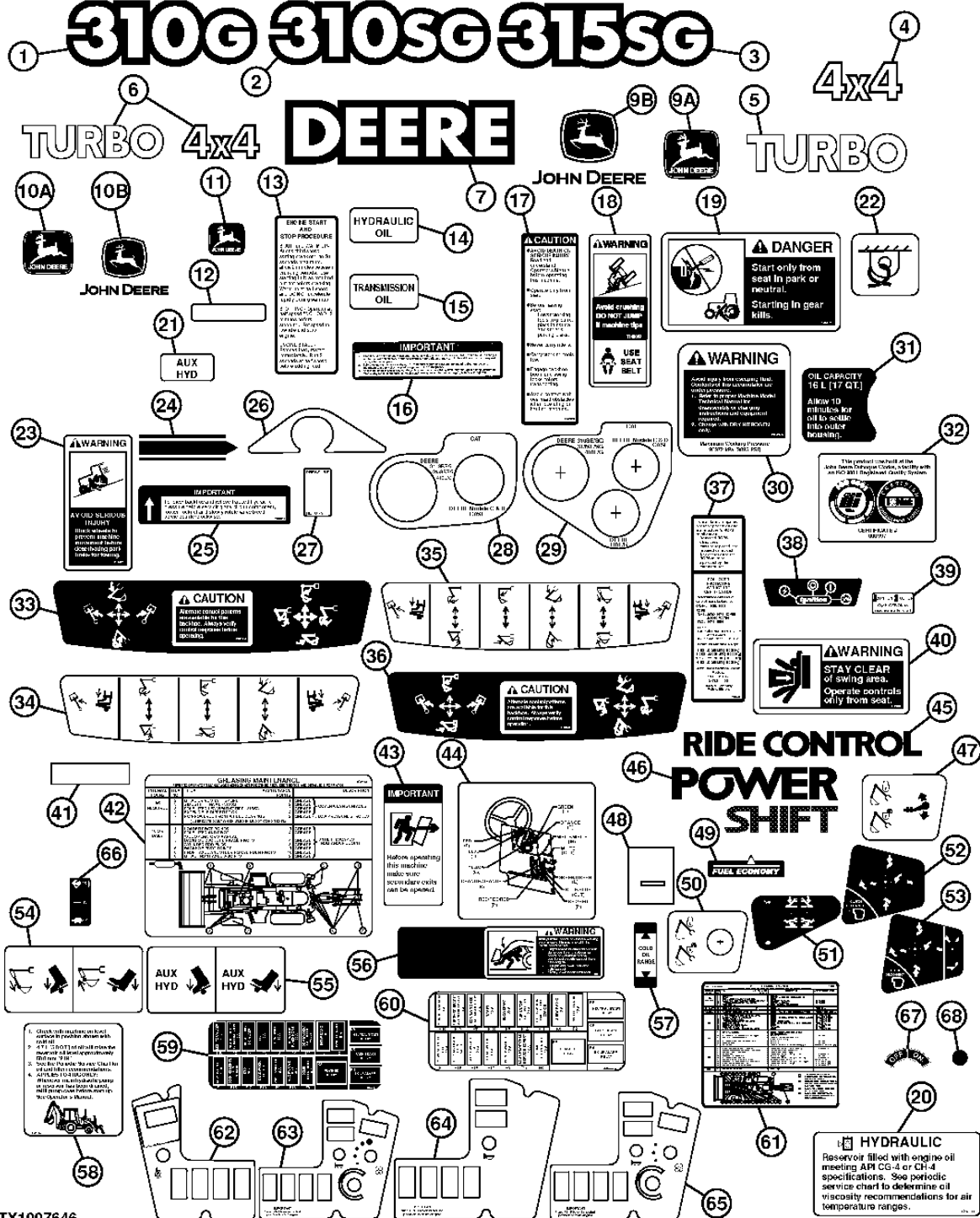
LICENSE BRACKET 1314

LICENSE PLATE LAMP AND BRACKET
 PLAQUE MINERALOGIQUE, ECLAIRAGE ET SUPPORT
 LUZ DE MATRICULA Y SOPORTE

KEY	PART NO.	PART NAME	QTY.	SERIAL NO.	REMARKS
					3 3
					3 1 1
					1 0 5
					0 S S
					G G G
1	AT34211	LAMP	1		X X X (INCLUDES (2) 24H1283 AND (2) 14M7297)
	AB2599R	BULB	1		X X X
2	AT34210	BRACKET	1		X X X
3	24H1283	WASHER	2		X X X
4	14M7297	NUT	2		X X X M5
5	JD5920	REFLECTOR	2		X X X
6	AT187708	WIRING HARNESS	1		X X X
7	24M7139	WASHER	8		X X X
8	14M7272	NUT	4		X X X M6
9	T186062	PLATE	1		X X X
10	19M7077	CAP SCREW	4		X X X M6 X 20
11	H77698	TIE BAND	6		X X X
12	AT187707	MOUNTING PARTS	1		X X X (WHOLE GOODS)

TRADEMARKS AND LABELS
MARQUES DEPOSEES ET ETIQUETTES
MARCAS REGISTRADAS Y ETIQUETAS

TX1007646 -UN-16MAY06



TX1007646

THIS PARTS LISTING IS CONTINUED

1320-3

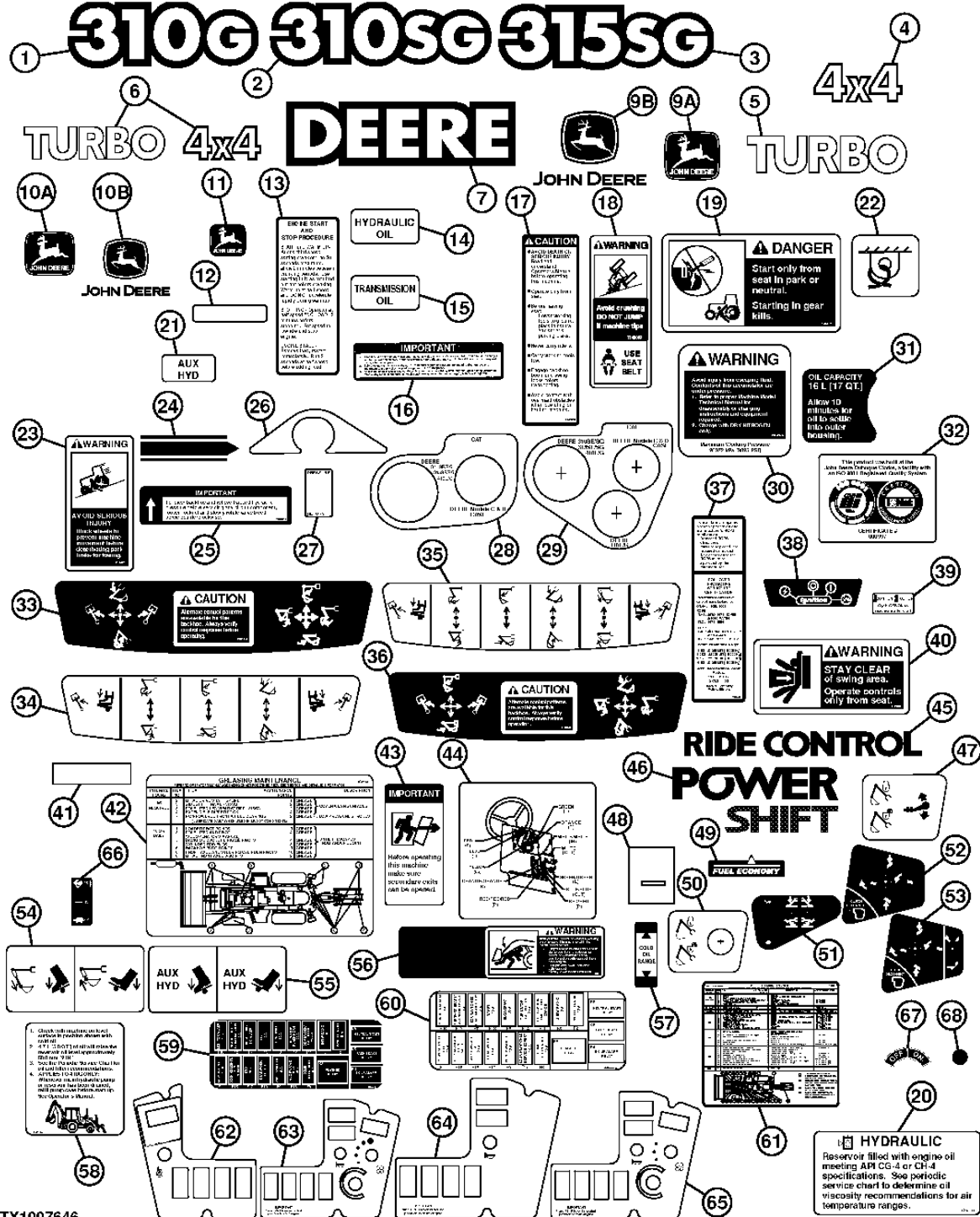
MISCELLANEOUS VEHICLE 13
 VEHICLE FINISH AND TRIM 1320

**TRADEMARKS AND LABELS
 MARQUES DEPOSEES ET ETIQUETES
 MARCAS REGISTRADAS Y ETIQUETAS**

KEY	PART NO.	PART NAME	QTY.	SERIAL NO.	3 3 3 1 1 1 0 5 0 S S G G G	REMARKS
1	T166904	LABEL	2	-951252	X	310G
	T206952	LABEL	2	952253-	X	310G
2	T166901	LABEL	2	-951252	X	310SG
	T206951	LABEL	2	951253-	X	310SG
3	T166958	LABEL	2	-951252	X	315SG
	T206954	LABEL	2	951253-	X	315SG
4	T165999	LABEL	2		X X X	4 X 4
5	T166001	LABEL	1		X X X	TURBO
6	T166002	LABEL	2		X X X	TURBO 4 X 4
7	T184759	LABEL	2		X X X	DEERE (32 INCH)
	JD5836	LABEL	2		X X X	DEERE (BOLD OUTLINE) (36 INCH)
8	T159815	LABEL	2		X	TRANSPORT
9A	JD5621	LABEL	1	-902607	X X X	LEAPING DEER
9B	JD5750	LABEL	1	902608-	X X X	LEAPING DEER
10A	JD5694	LABEL	1	-902607	X X X	LEAPING DEER
10B	JD5750	LABEL	1	902608-	X X X	LEAPING DEER
	JD5717	LABEL	2		X X X	LEAPING DEER (DOOR GLASS)
	JD5761	LABEL	1		X X X	LEAPING DEER (GRILLE)
11	T184519	LABEL	1	-902607	X X X	LEAPING DEER (WINDOW)
12	JD5920	REFLECTOR	2		X X X	RED
13	T131938	LABEL	1		X X X	ENGINE START/STOP
14	T140283	LABEL	1	-951252	X X X	HYDRAULIC OIL
15	T140311	LABEL	1		X X X	TRANSMISSION OIL
16	T145560	LABEL	1		X X X	IMPORTANT (RECEIVER DRYER)
17	T146080	LABEL	1		X X X	CAUTION (READ OPERATOR'S MANUAL)
18	T146097	LABEL	1		X X X	WARNING (SEAT BELT)
19	T146102	LABEL	1		X X X	DANGER (BYPASS START)
20	T207191	LABEL	1	951253-	X X X	HYDRAULIC OIL LEVEL
21	T149199	LABEL	1		X X X	AUXILIARY HYDRAULICS
22	T153680	LABEL	1		X X X	TIE DOWN
23	T159028	LABEL	1		X X X	WARNING (PARK BRAKE)
24	T160759	LABEL	1		X X X	BUCKET LEVEL INDICATOR
25	T161665	LABEL	1		X X X	IMPORTANT (COUPLER / SERVICE VALVE)

TRADEMARKS AND LABELS (CONTINUED)
MARQUES DEPOSEES ET ETIQUETTES (SUITE)
MARCAS REGISTRADAS Y ETIQUETAS (CONTINUACION)

TX1007646 -UN-16MAY06



TX1007646

THIS PARTS LISTING IS CONTINUED

1320-5

MISCELLANEOUS VEHICLE 13
VEHICLE FINISH AND TRIM 1320

TRADEMARKS AND LABELS (CONTINUED)
MARQUES DEPOSEES ET ETIQUETTES (SUITE)
MARCAS REGISTRADAS Y ETIQUETAS (CONTINUACION)

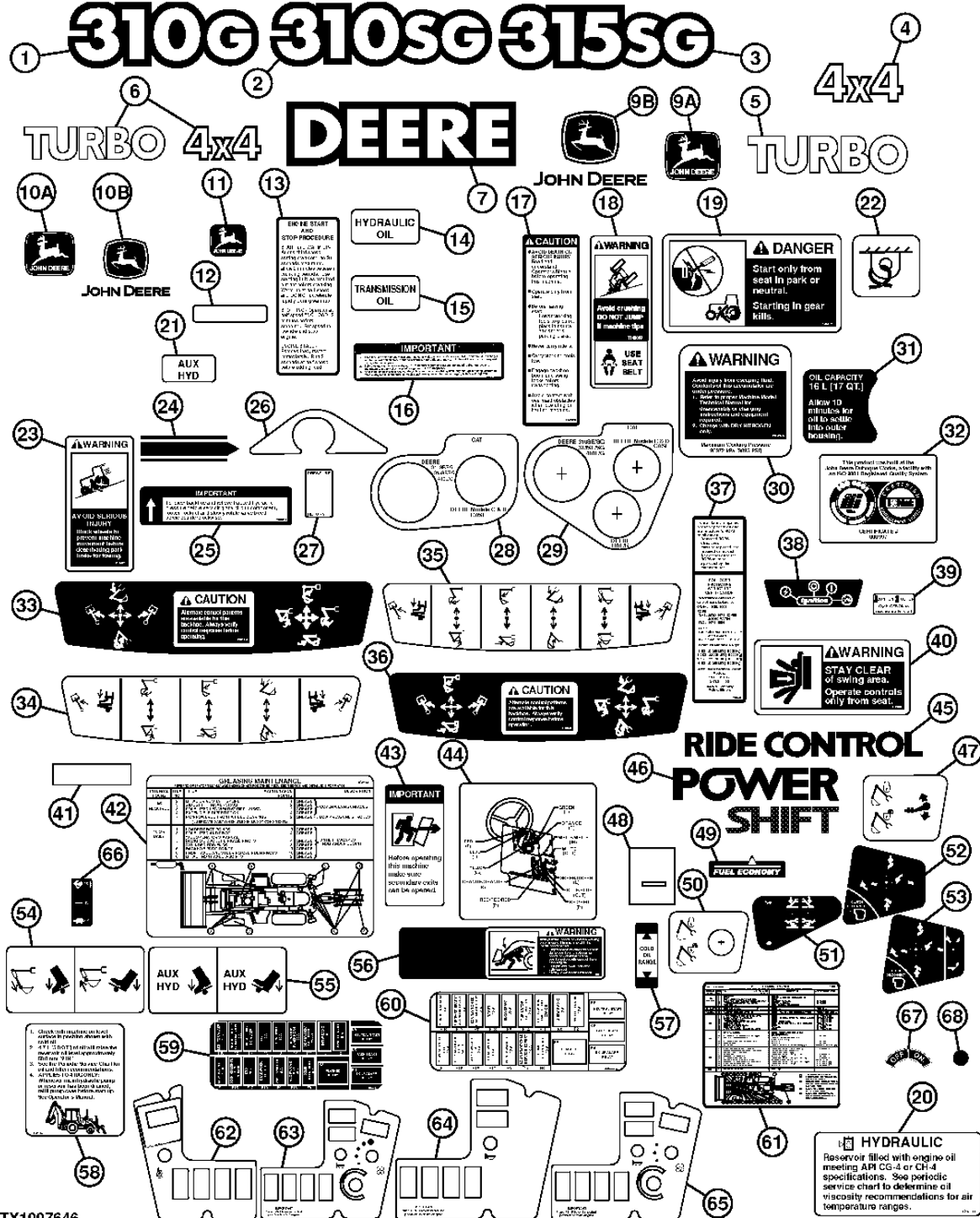
KEY	PART NO.	PART NAME	QTY.	SERIAL NO.	REMARKS
					3 3
					3 1 1
					1 0 5
					0 S S
					G G G
26	T161678	LABEL	1		X X X PROTECTIVE
27	T162404	LABEL	1		X X X HAND HELD HYDRAULICS
28	T162847	LABEL	1		X X X COUPLER "SE/SG"
29	T162848	LABEL	1		X X X COUPLER "E/G"
30	T225374	LABEL	1		X X X (SUB FOR T164124, THIS APPLICATION) WARNING (ACCUMULATOR)
31	T164420	LABEL	1		X X X OIL CAPACITY (AXLE)
	T164999	LABEL	1		X X X OIL CAPACITY (AXLE)
32	LABEL	1		X X X ISO CERTIFICATION
33	T165584	LABEL	1		X X X BACKHOE CONTROL (2 LEVER)
34	T165585	LABEL	1		X X X BACKHOE CONTROL (3 LEVER)
	T165604	LABEL	1		X X BACKHOE CONTROL (4 LEVER)
35	T165586	LABEL	1		X X X BACKHOE CONTROL (3 LEVER WITH EXTENDIBLE)
36	T165595	LABEL	1		X X X BACKHOE CONTROL (2 LEVER) SAE
37	T166896	LABEL	1		X X X (SUB FOR T166051, THIS APPLICATION) ROPS
38	T166300	LABEL	1		X X X START SWITCH
39	T166538	LABEL	1		X X X FLOW CONTROL
40	T183768	LABEL	1		X X X WARNING (STAY CLEAR)
41	T184116	LABEL	1		X X X PROTECTIVE
42	T184514	LABEL	1	-951252	X X X PERIODIC GREASING
	T214321	LABEL	1	951253-955713	X X X PERIODIC GREASING
	T224283	LABEL	1	955714-	X X X PERIODIC GREASING
43	T184789	LABEL	1		X X X WARNING (EXIT UNLOCK)
44	T185019	LABEL	1		X X X HOSE ROUTING (FRONT CONSOLE)
45	T185145	LABEL	1		X X X RIDE CONTROL
46	T185146	LABEL	1		X X X POWER SHIFT
47	T185330	LABEL	1		X X BOOM LOCK (WITH STANDARD CONTROLS)
	T200990	LABEL	1		X BOOM LOCK (WITH HYDRAULIC PILOT CONTROLS)
48	T185469	LABEL	1		X X X PROTECTIVE
49	T185556	LABEL	1		X X X FUEL ECONOMY
50	T185640	LABEL	1		X BOOM LOCK

1320-5A

MISCELLANEOUS VEHICLE 13
 VEHICLE FINISH AND TRIM 1320

TRADEMARKS AND LABELS (CONTINUED)
 MARQUES DEPOSEES ET ETIQUETTES (SUITE)
 MARCAS REGISTRADAS Y ETIQUETAS (CONTINUACION)

TX1007646 -UN-16MAY06



THIS PARTS LISTING IS CONTINUED

1320-5B

MISCELLANEOUS VEHICLE 13
VEHICLE FINISH AND TRIM 1320

TRADEMARKS AND LABELS (CONTINUED)
MARQUES DEPOSEES ET ETIQUETTES (SUITE)
MARCAS REGISTRADAS Y ETIQUETAS (CONTINUACION)

KEY	PART NO.	PART NAME	QTY.	SERIAL NO.	REMARKS
					3 3
					3 1 1
					1 0 5
					0 S S
					G G G
51	T185646	LABEL	1		X X X STABILIZER SPEED CONTROL
52	T185675	LABEL	1		X X X LOADER CONTROL
53	T185676	LABEL	1		X X X LOADER CONTROL (THREE FUNCTION)
54	T185691	LABEL	1		X X X FOOT PEDAL
55	T185692	LABEL	1		X X X AUXILIARY HYDRAULICS (PEDAL)
56	T185902	LABEL	1		X X X BOOM LOCK
57	T186123	LABEL	1		X X X HYDRAULIC OIL RANGE, COLD
58	T186124	LABEL	1		X X X HYDRAULIC RESERVOIR
59	T186360	LABEL	1	-910055	X X X (A)
60	T188817	LABEL	1	910056-951252	X X X (A)
	T207040	LABEL	1	951253-	X X X (A)
61	T186391	LABEL	1		X (B) (W/O TURBO)
	T186391	LABEL	1	-910055	X X X (B) (W/ TURBO)
	T201293	LABEL	1	910056-943092	X X X (B) (W/ TURBO)
	T213333	LABEL	1	943093-951252	X X X (B) (W/ TURBO)
	T209529	LABEL	1	951253-	X X X (B) (W/ TURBO)
62	T186400	LABEL	1		X X X INSTRUMENT PANEL (LH)
63	T186401	LABEL	1		X X X INSTRUMENT PANEL (RH) (CAB)
64	T186402	LABEL	1		X X X INSTRUMENT PANEL (RH) (CANOPY)
65	T186552	LABEL	1		X X X TEMPERATURE AND FAN SPEED CONTROL RH (CANOPY)
66	LABEL	1		X X X SPEED CONTROL
67	T42199	LABEL	1		X X X BATTERY DISCONNECT
68	T186793	LABEL	9		X X X GRAY CIRCULAR COVER

(A) FUSE BLOCK
(A) BLOC-FUSIBLES
(A) BLOQUE DE FUSIBLES

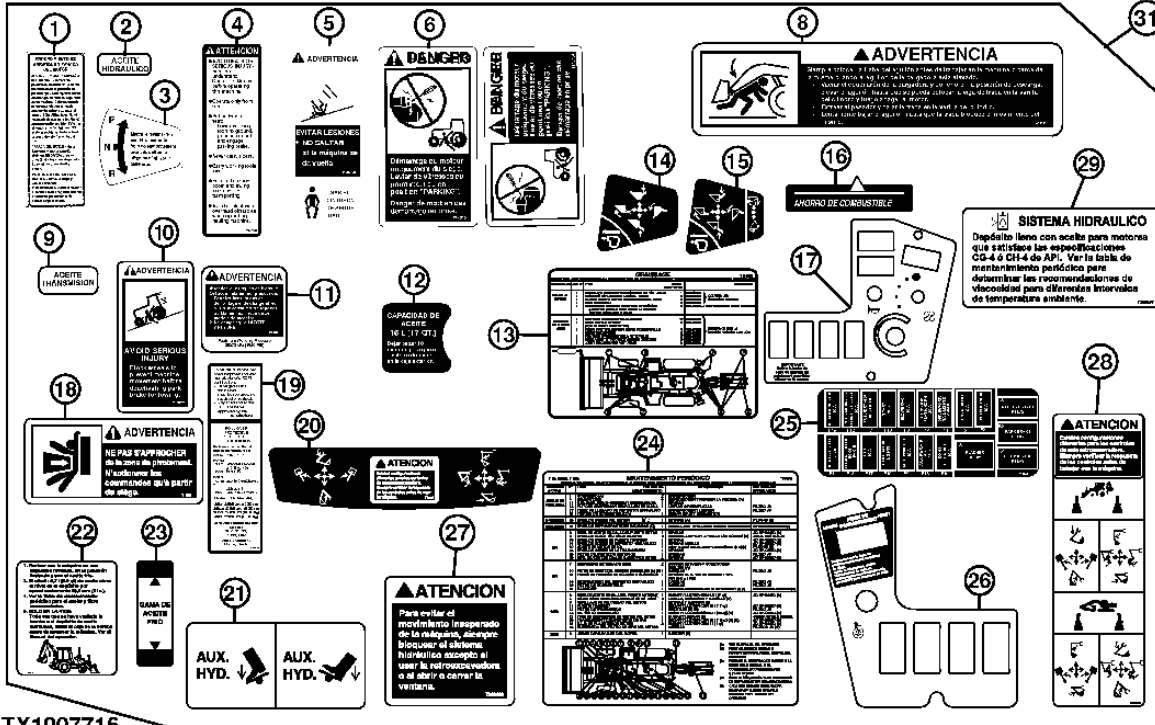
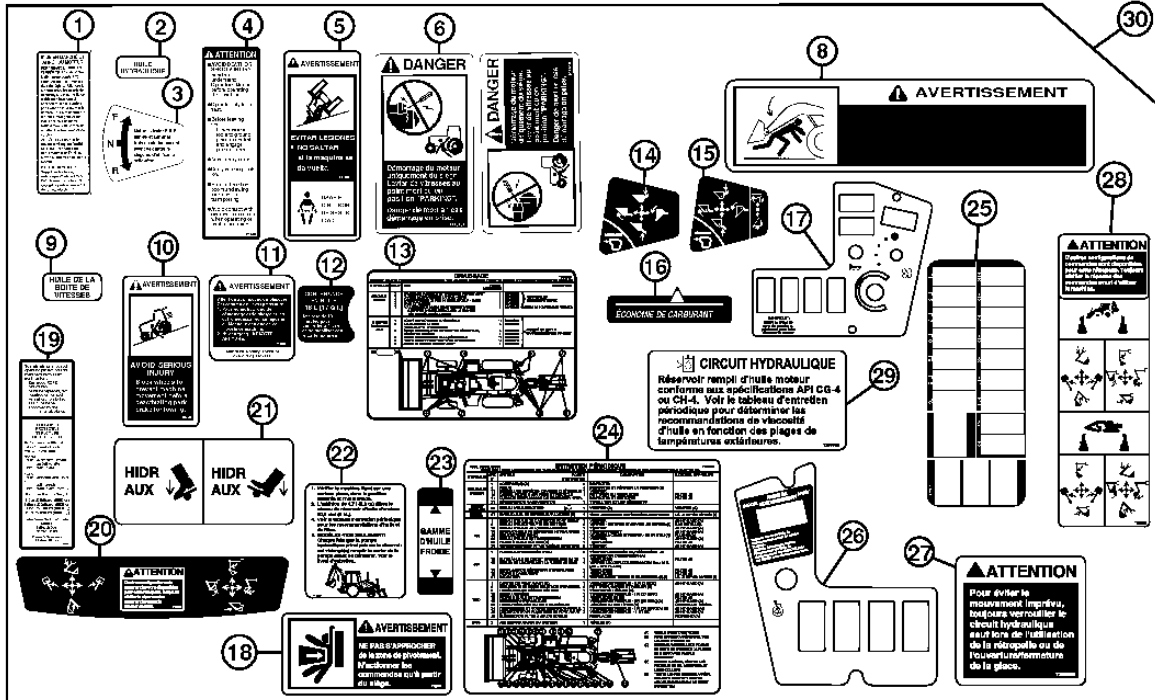
(B) PERIODIC MAINTENANCE CHART
(B) TABLEAU D'ENTRETIEN PERIODIQUE
(B) TABLA DE MANTENIMIENTO PERIODICO

1320-6

MISCELLANEOUS VEHICLE 13
VEHICLE FINISH AND TRIM 1320

TRADEMARKS AND LABELS (FRENCH AND SPANISH) MARQUES DEPOSEES ET ETIQUETTES (FRANCAIS ET ESPAGNOL) MARCAS REGISTRADAS Y ETIQUETAS (FRANCS Y ESPANOL)

TX1007716 -UN-16MAY06



TX1007716

THIS PARTS LISTING IS CONTINUED

1320-7

MISCELLANEOUS VEHICLE 13

VEHICLE FINISH AND TRIM 1320

**TRADEMARKS AND LABELS (FRENCH AND SPANISH)
MARQUES DEPOSEES ET ETIQUETTES (FRANCAIS ET ESPAGNOL)
MARCAS REGISTRADAS Y ETIQUETAS (FRANCES Y ESPANOL)**

KEY	PART NO.	PART NAME	QTY.	SERIAL NO.	REMARKS
					3 3
					3 1 1
					1 0 5
					0 S S
					G G G
1	T139165	LABEL	1		X X X ENGINE START AND STOP (FRENCH)
	T139167	LABEL	1		X X X ENGINE START AND STOP (SPANISH)
2	T141093	LABEL	1		X X X HYDRAULIC OIL (FRENCH)
	T141075	LABEL	1		X X X HYDRAULIC OIL (SPANISH)
3	T141096	LABEL	1		X X X DIRECTION CONTROL SWITCH (FRENCH)
	T141078	LABEL	1		X X X DIRECTION CONTROL SWITCH (SPANISH)
4	T146095	SAFETY SIGN	1		X X X CAUTION (READ OPERATOR'S MANUAL) (FRENCH)
	T146089	SAFETY SIGN	1		X X X CAUTION (READ OPERATOR'S MANUAL) (SPANISH)
5	T146099	SAFETY SIGN	1		X X X WARNING (SEAT BELT) (FRENCH)
	T146098	SAFETY SIGN	1		X X X WARNING (SEAT BELT) (SPANISH)
6	T146104	LABEL	1		X X X DANGER (BYPASS START) (FRENCH)
	T146106	LABEL	1		X X X DANGER (BYPASS START) (SPANISH)
8	T152997	LABEL	1		X X X WARNING (BOOM LOCK) (FRENCH)
	T152996	LABEL	1		X X X WARNING (BOOM LOCK) (SPANISH)
9	T160761	LABEL	1		X X X TRANSMISSION OIL (FRENCH)
	T160763	LABEL	1		X X X TRANSMISSION OIL (SPANISH)
10	T160762	LABEL	1		X X X WARNING (PARK BRAKE) (FRENCH)
	T160769	LABEL	1		X X X WARNING (PARK BRAKE) (SPANISH)
11	T225375	LABEL	1		X X X (SUB FOR T164128, THIS APPLICATION) WARNING (ACCUMULATOR) (FRENCH)
	T225376	LABEL	1		X X X (SUB FOR T164129, THIS APPLICATION) WARNING (ACCUMULATOR) (SPANISH)
12	LABEL	1		X X X AXLE OIL CAPACITY
13	T184506	LABEL	1	-951252	X X X PERIODIC GREASING (FRENCH)
	T214323	LABEL	1	951253-955713	X X X PERIODIC GREASING (FRENCH)
	T224285	LABEL	1	955714-	X X X PERIODIC GREASING (FRENCH)
	T184502	LABEL	1	-951252	X X X PERIODIC GREASING (SPANISH)
	T214322	LABEL	1	951253-955713	X X X PERIODIC GREASING (SPANISH)
	T224284	LABEL	1	955714-	X X X PERIODIC GREASING (SPANISH)

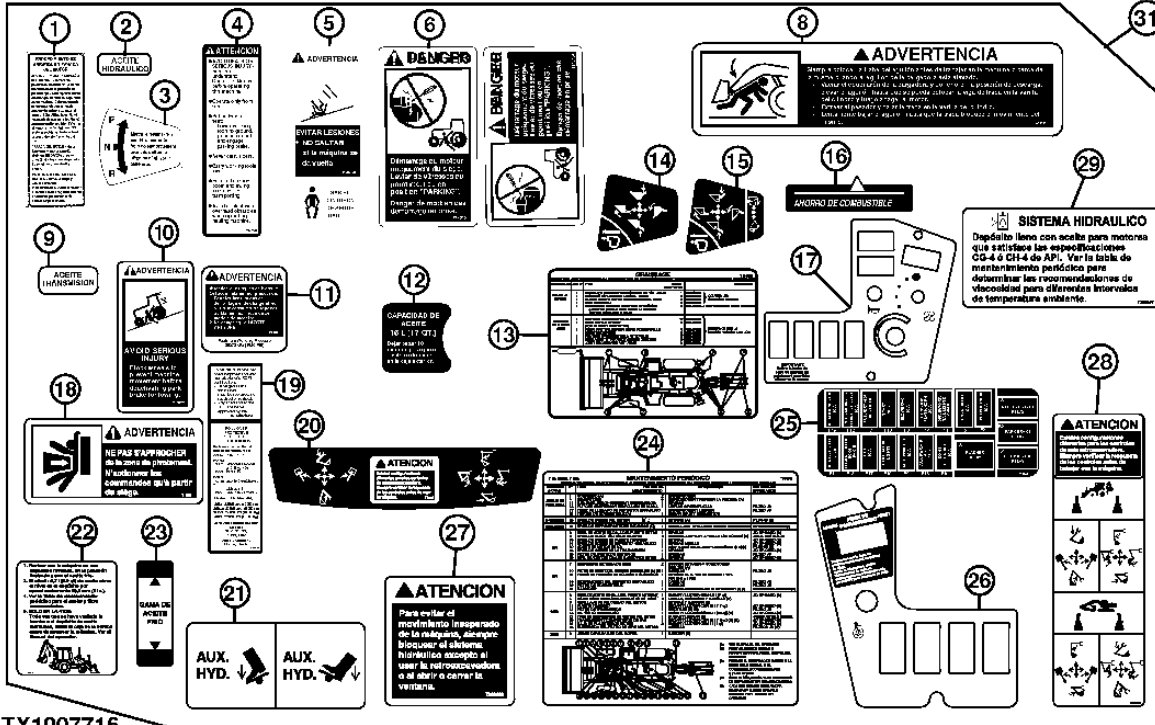
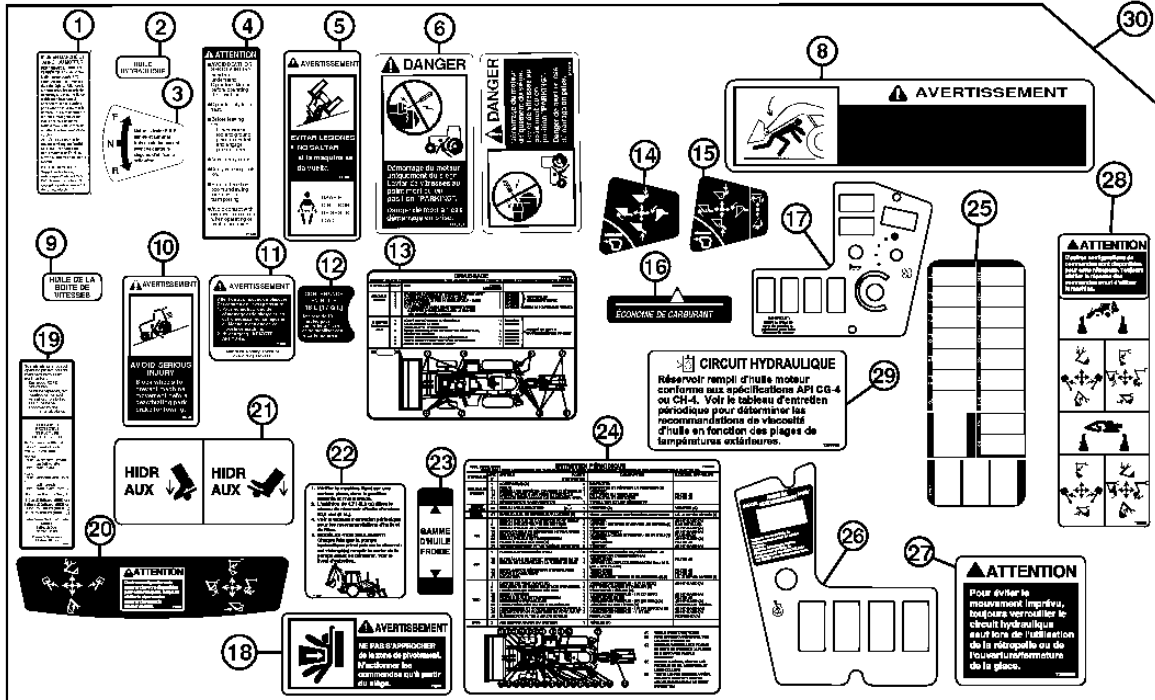
THIS PARTS LISTING IS CONTINUED

1320-7A

MISCELLANEOUS VEHICLE 13
VEHICLE FINISH AND TRIM 1320

TRADEMARKS AND LABELS (FRENCH AND SPANISH) MARQUES DEPOSEES ET ETIQUETTES (FRANCAIS ET ESPAGNOL) MARCAS REGISTRADAS Y ETIQUETAS (FRANCES Y ESPANOL)

TX1007716 -UN-16MAY06



TX1007716

1320-7B

MISCELLANEOUS VEHICLE 13

VEHICLE FINISH AND TRIM 1320

**TRADEMARKS AND LABELS (FRENCH AND SPANISH)
MARQUES DEPOSEES ET ETIQUETTES (FRANCAIS ET ESPAGNOL)
MARCAS REGISTRADAS Y ETIQUETAS (FRANCES Y ESPANOL)**

KEY	PART NO.	PART NAME	QTY.	SERIAL NO.	REMARKS
					3 3
					3 1 1
					1 0 5
					0 S S
					G G G
14	T185567	LABEL	1		X X X LOADER CONTROL (FRENCH)
	T185545	LABEL	1		X X X LOADER CONTROL (SPANISH)
15	T185568	LABEL	1		X X X LOADER CONTROL (THREE FUNCTION) (FRENCH)
	T185546	LABEL	1		X X X LOADER CONTROL (THREE FUNCTION) (SPANISH)
16	T185569	LABEL	1		X X X FUEL ECONOMY (FRENCH)
	T185547	LABEL	1		X X X FUEL ECONOMY (SPANISH)
17	T185570	LABEL	1		X X X INSTRUCTION (START) (RH) (FRENCH)
	T185548	LABEL	1		X X X INSTRUCTION (START) (RH) (SPANISH)
18	T185571	LABEL	1		X X X WARNING (STAY CLEAR) (FRENCH)
	T185549	LABEL	1		X X X WARNING (STAY CLEAR) (SPANISH)
19	T185573	LABEL	1		X X X ROPS (FRENCH)
	T185552	LABEL	1		X X X ROPS (SPANISH)
20	T185577	LABEL	1		X X X BACKHOE CONTROL (2 LEVER) (FRENCH)
	T185553	LABEL	1		X X X BACKHOE CONTROL (2 LEVER) (SPANISH)
	T188018	LABEL	1		X X X ATTENTION - BACKHOE CONTROL (2 LEVER) (SAE) (FRENCH)
	T188019	LABEL	1		X X X ATTENTION - BACKHOE CONTROL (2 LEVER) (SAE) (SPANISH)

THIS PARTS LISTING IS CONTINUED

1320-8

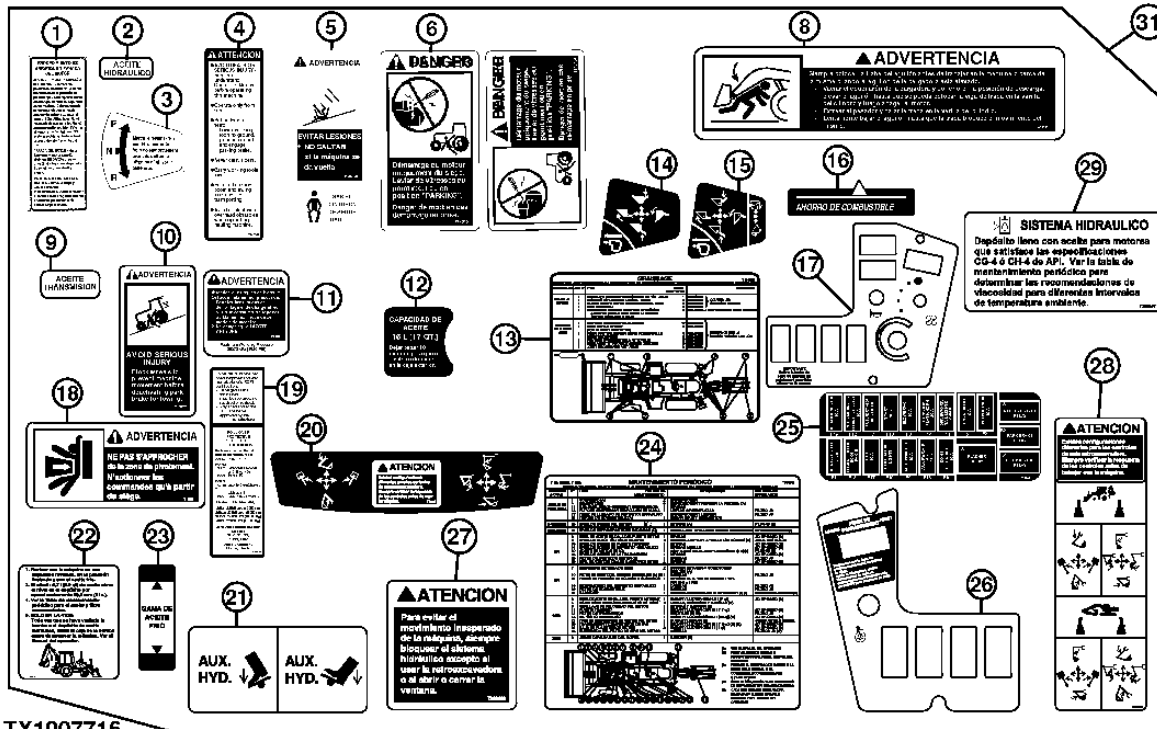
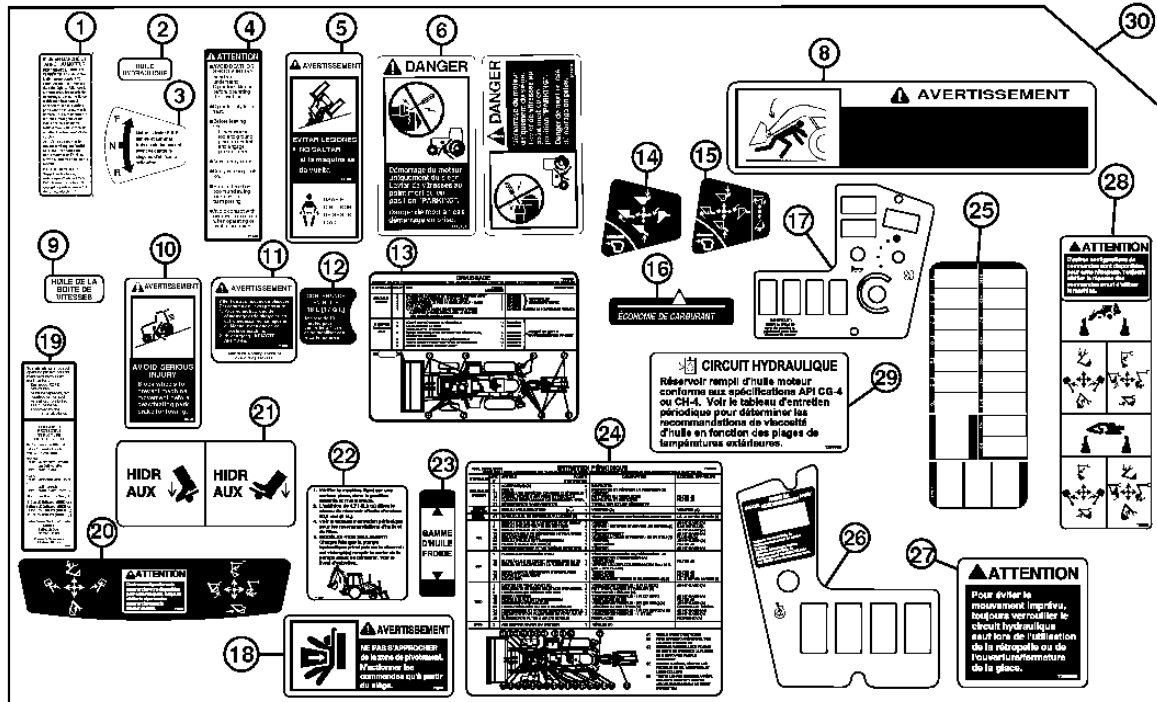
MISCELLANEOUS VEHICLE 13

VEHICLE FINISH AND TRIM 1320

TRADEMARKS AND LABELS (FRENCH AND SPANISH) (CONTINUED) MARQUES DEPOSEES ET ETIQUETTES (FRANCAIS ET ESPAGNOL) (SUITE) MARCAS REGISTRADAS Y ETIQUETAS (FRANCOIS Y ESPANOL) (CONTINUACION)

TX1007716

-UN-16MAY06



TX1007716

THIS PARTS LISTING IS CONTINUED

1320-9

MISCELLANEOUS VEHICLE 13

VEHICLE FINISH AND TRIM 1320

TRADEMARKS AND LABELS (FRENCH AND SPANISH) (CONTINUED)
MARQUES DEPOSEES ET ETIQUETTES (FRANCAIS ET ESPAGNOL) (SUITE)
MARCAS REGISTRADAS Y ETIQUETAS (FRANCES Y ESPANOL) (CONTINUACION)

KEY	PART NO.	PART NAME	QTY.	SERIAL NO.	3 3 3 1 1 1 0 5 0 S S G G G	REMARKS
21	T185695	LABEL	1		X X X	FOOT PEDAL (FRENCH)
	T185696	LABEL	1		X X X	FOOT PEDAL (SPANISH)
22	T201286	LABEL	1		X X X	HYDRAULIC RESERVOIR (FRENCH)
	T201285	LABEL	1		X X X	HYDRAULIC RESERVOIR (SPANISH)
23	T186128	LABEL	1		X X X	HYDRAULIC OIL LEVEL (MIN-MAX) (FRENCH)
	T186125	LABEL	1		X X X	HYDRAULIC OIL LEVEL (MIN-MAX) (SPANISH)
24	T186392	LABEL	1	-910055	X X X	PERIODIC MAINTENANCE (FRENCH)
	T201294	LABEL	1	910056-943092	X X X	PERIODIC MAINTENANCE (FRENCH)
	T213334	LABEL	1	943093-951252	X X X	PERIODIC MAINTENANCE (FRENCH)
	T209530	LABEL	1	951252-	X X X	PERIODIC MAINTENANCE (FRENCH)
	T186393	LABEL	1	-910055	X X X	PERIODIC MAINTENANCE (SPANISH)
	T201295	LABEL	1	910056-943092	X X X	PERIODIC MAINTENANCE (SPANISH)
	T213335	LABEL	1	943093-951252	X X X	PERIODIC MAINTENANCE (SPANISH)
	T209531	LABEL	1	951253-	X X X	PERIODIC MAINTENANCE (SPANISH)
25	T186440	LABEL	1	-910055	X X X	FUSE BLOCK (FRENCH)
	T188819	LABEL	1	910056-951252	X X X	FUSE BLOCK (FRENCH)
	T207042	LABEL	1	951253-	X X X	FUSE BLOCK (FRENCH)
	T186439	LABEL	1	-910055	X X X	FUSE BLOCK (SPANISH)
	T188818	LABEL	1	910056-951252	X X X	FUSE BLOCK (SPANISH)
	T207041	LABEL	1	951253-	X X X	FUSE BLOCK (SPANISH)
26	T186441	LABEL	1		X X X	INSTRUMENT PANEL (LH) (FRENCH)
	T186442	LABEL	1		X X X	INSTRUMENT PANEL (LH) (SPANISH)
27	T200659	SAFETY SIGN	1		X X X	CAUTION (MOTION) (FRENCH)
	T200660	SAFETY SIGN	1		X X X	CAUTION (MOTION) (SPANISH)
28	T200895	SAFETY SIGN	1		X X X	ATTENTION (BACKHOE CONTROL) (FRENCH)
	T200896	SAFETY SIGN	1		X X X	ATTENTION (BACKHOE CONTROL) (SPANISH)
29	T208008	LABEL	1	951253-	X X X	HYDRAULIC OIL LEVEL (FRENCH)
	T208007	LABEL	1	951253-	X X X	HYDRAULIC OIL LEVEL (SPANISH)
30	DECAL KIT	1		X X X	(FRENCH) (NLA)
31	DECAL KIT	1		X X X	(SPANISH) (NLA)

1330-2

MISCELLANEOUS VEHICLE 13

SHIPPING AND PACKAGING 1330

LOCTITE SERVICE KIT (PARTS LISTED BELOW ARE NOT ILLUSTRATED)
KIT D'ENTRETIEN LOCTITE (PIECES INDIQUEES CI-DESSOUS NON ILLUSTRÉES)
JUEGO DE SERVICIO LOCTITE (LAS PIEZAS INDICADAS ABAJO NO SE ILUSTRAN)

KEY	PART NO.	PART NAME	QTY.	SERIAL NO.	REMARKS
1	TY16285	PRIMER	1		
	T43512	SEALANT	1		LOCTITE
	T43513	SEALANT	1		
	PM38655	SEALANT	1		(SUB FOR T43514) PLASTIC
	PM37485	ADHESIVE	1		(SUB FOR TY15969)

1330-3

MISCELLANEOUS VEHICLE 13
SHIPPING AND PACKAGING 1330

MEMORANDA
MEMORANDA
MEMORANDA

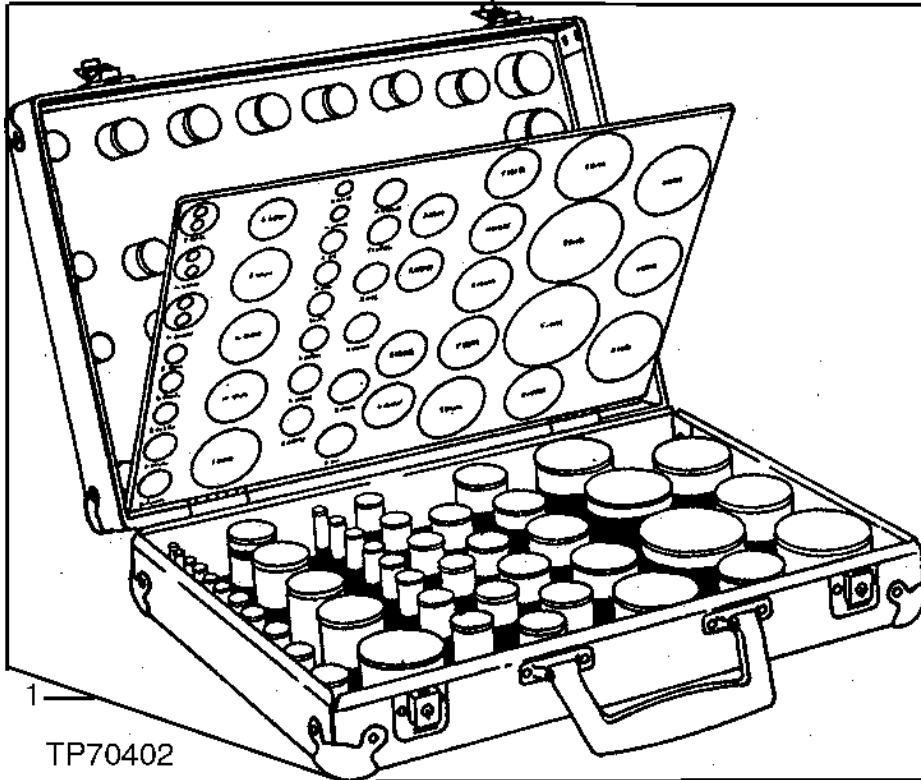
1369-4

MISCELLANEOUS VEHICLE 13

GREASES, OILS, FUELS AND COOLANTS 1369

O-RING KIT JEU DE PIÈCES DE JOINT TORIQUE JUEGO DE ANILLO TORICO

TP70402 -UN-13JUL00



1369-5

MISCELLANEOUS VEHICLE 13

GREASES, OILS, FUELS AND COOLANTS 1369

O-RING KIT
 JEU DE PIECES DE JOINT TORIQUE
 JUEGO DE ANILLO TORICO

KEY	PART NO.	PART NAME	QTY.	SERIAL NO.	REMARKS
1	AT130208	O-RING KIT	1		(CONTAINS FIVE OF EACH O-RING LISTED BELOW) (INCLUDES CARRYING CASE)
	A3606R	O-RING	1		
	A3917R	O-RING	1		
	A4365R	O-RING	1		
	A4730R	O-RING	1		
	B2762R	O-RING	1		
	B3690R	O-RING	1		
	F1056R	O-RING	1		
	F1870R	O-RING	1		
	U12547	O-RING	1		
	F3353R	O-RING	1		
	H35244	RING	1		
	T78313	O-RING	1		
	M4237T	O-RING	1		
	N131838	O-RING	1		
	P46051	O-RING	1		
	P48403	O-RING	1		
	P50631	O-RING	1		
	R375R	O-RING	1		
	R394R	O-RING	1		
	R459R	O-RING	1		
	R460R	O-RING	1		
	R495R	O-RING	1		
	R10093	O-RING	1		
	R26286	O-RING	1		
	R26287	O-RING	1		
	R26375	O-RING	1		
	R26448	O-RING	1		
	R26773	O-RING	1		
	R26863	O-RING	1		
	R26906	O-RING	1		
	R27166	O-RING	1		
	R27928	O-RING	1		
	R28776	O-RING	1		
	R28782	O-RING	1		
	R29463	O-RING	1		
	R29936	O-RING	1		
	R30903	O-RING	1		
	R33259	O-RING	1		
	R56461	O-RING	1		
	R48638	O-RING	1		
	R71732	O-RING	1		
	R53543	O-RING	1		
	R56463	O-RING	1		
	R56751	O-RING	1		
	R60332	O-RING	1		
	R80632	O-RING	1		
	T12275	O-RING	1		
	T13119	O-RING	1		
	T16752	O-RING	1		
	T19687	O-RING	1		
	R112857	O-RING	1		
	T25335	O-RING	1		
	T34248	O-RING	1		
	U10289	O-RING	1		
	U10746	O-RING	1		
	U10776	O-RING	1		
	U11326	O-RING	1		
	U11343	O-RING	1		
	U12037	O-RING	1		
	U12198	O-RING	1		
	U12331	O-RING	1		
	U12547	O-RING	1		
	U13639	O-RING	1		
	U15415	O-RING	1		
	U15973	O-RING	1		
	U17409	O-RING	1		
	U42111	O-RING	1		

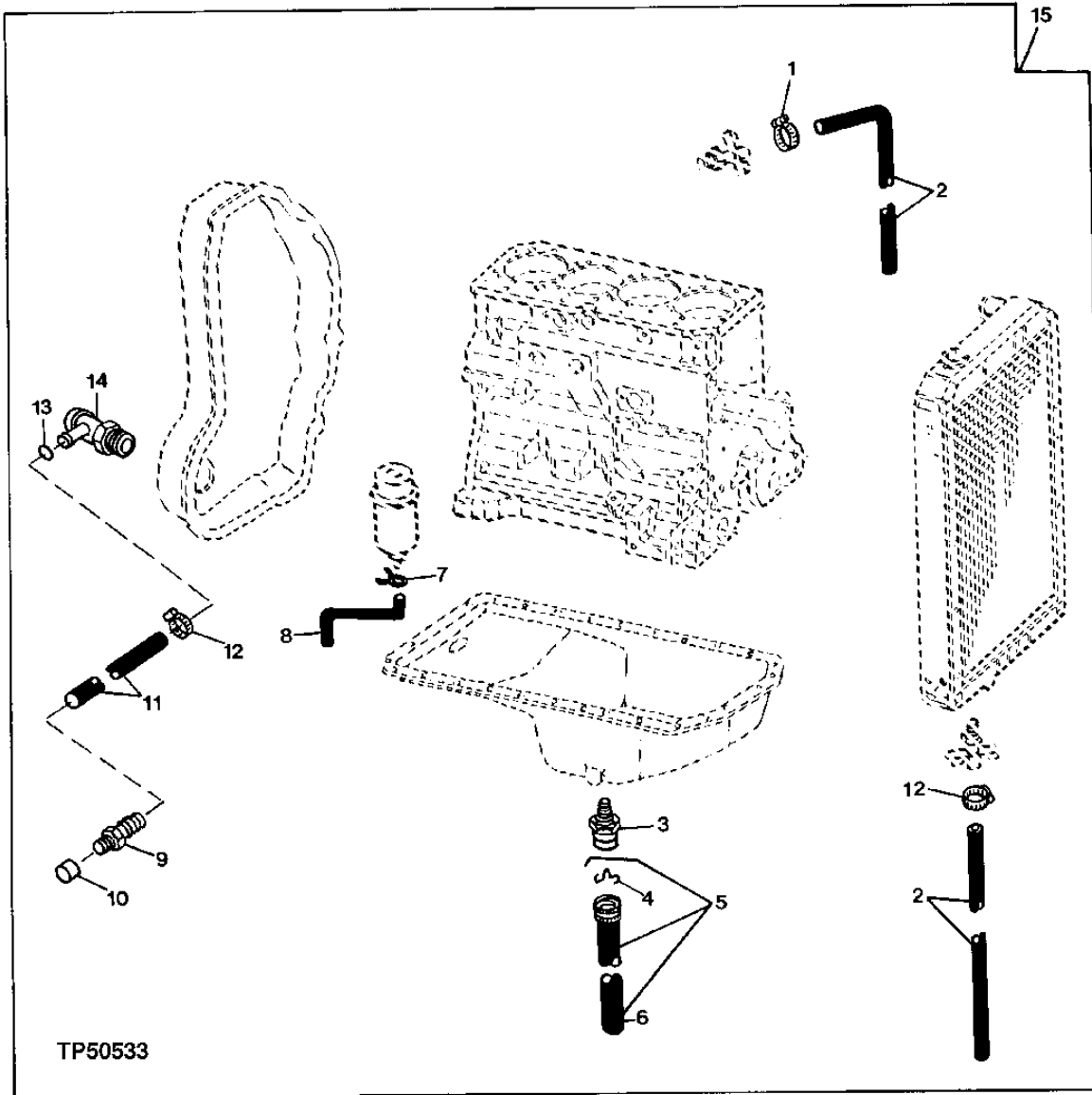
1369-6

MISCELLANEOUS VEHICLE 13

GREASES, OILS, FUELS AND COOLANTS 1369

ENVIRONMENTAL DRAIN PACKAGE ENSEMBLE DE VIDANGE ECOLOGIQUE CONJUNTO DE VACIADO AMBIENTAL

TP50533 -UN-02JAN97



1369-7

MISCELLANEOUS VEHICLE 13

GREASES, OILS, FUELS AND COOLANTS 1369

**ENVIRONMENTAL DRAIN PACKAGE
ENSEMBLE DE VIDANGE ECOLOGIQUE
CONJUNTO DE VACIADO AMBIENTAL**

KEY	PART NO.	PART NAME	QTY.	SERIAL NO.	REMARKS
					3 3
					3 1 1
					1 0 5
					0 S S
					G G G
1	AR21837	CLAMP	1		X X X
2	T161002	HOSE	2		X X X
3	AT179995	DRAIN VALVE	1		X X X
4	T161615	PIN	1		X X X
5	AT179996	HOSE	1		X X X
6	BULK HOSE	1		X X X (MAKE FROM TY22388) CTL
7	T13254	CLAMP	1		X X X
8	T161093	HOSE	1		X X X
9	H23196	FITTING	1		X X X
10	15H3	FITTING	1		X X X
11	BULK HOSE	1		X X X (MAKE FROM TY22388) CTL
12	RE65978	CLAMP	2		X X X
13	R26906	O-RING	1		X X X
14	AT152180	DRAIN VALVE	1		X X X
15	AT179053	MOUNTING PARTS	1		X X X (WHOLE GOODS)

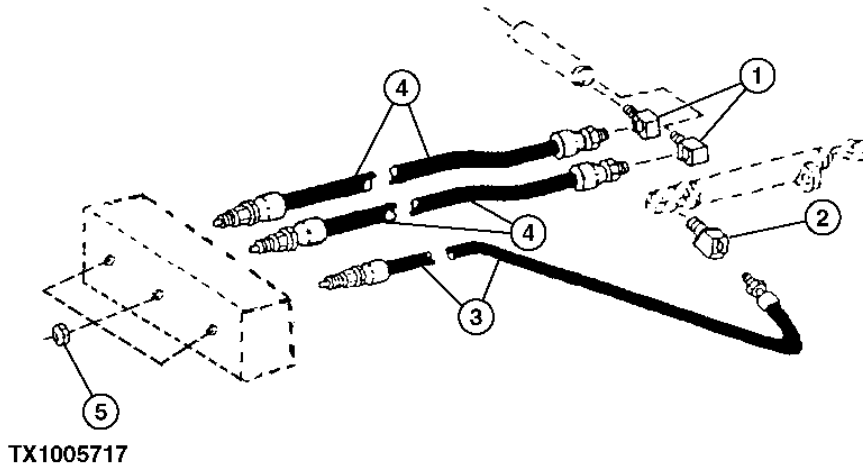
1370-2

MISCELLANEOUS VEHICLE 13

LUBRICATION SYSTEMS

FRONT AXLE AND STEERING CYLINDER LUBRICATION SYSTEM (SN -911131)
 CIRCUIT DE LUBRIFICATION D'ESSIEU AVANT ET DE VERIN DE DIRECTION (SN -911131)
 SISTEMA DE LUBRICACION DEL EJE DELANTERO Y CILINDRO DE DIRECCION (SN -911131)

TX1005717 -UN-04APR06



KEY	PART NO.	PART NAME	QTY.	SERIAL NO.	REMARKS
				3 3	
				3 1 1	
				1 0 5	
				0 S S	
				G G G	
1	JD7838	ADAPTER FITTING	2	X X X	
2	JD7838	ADAPTER FITTING	1	X X X	
3	AT173254	HYDRAULIC HOSE	1	X X X	
4	AT173254	HYDRAULIC HOSE	2	X X X	
5	E12379	NUT	3	X X X	

1370-3

MISCELLANEOUS VEHICLE 13

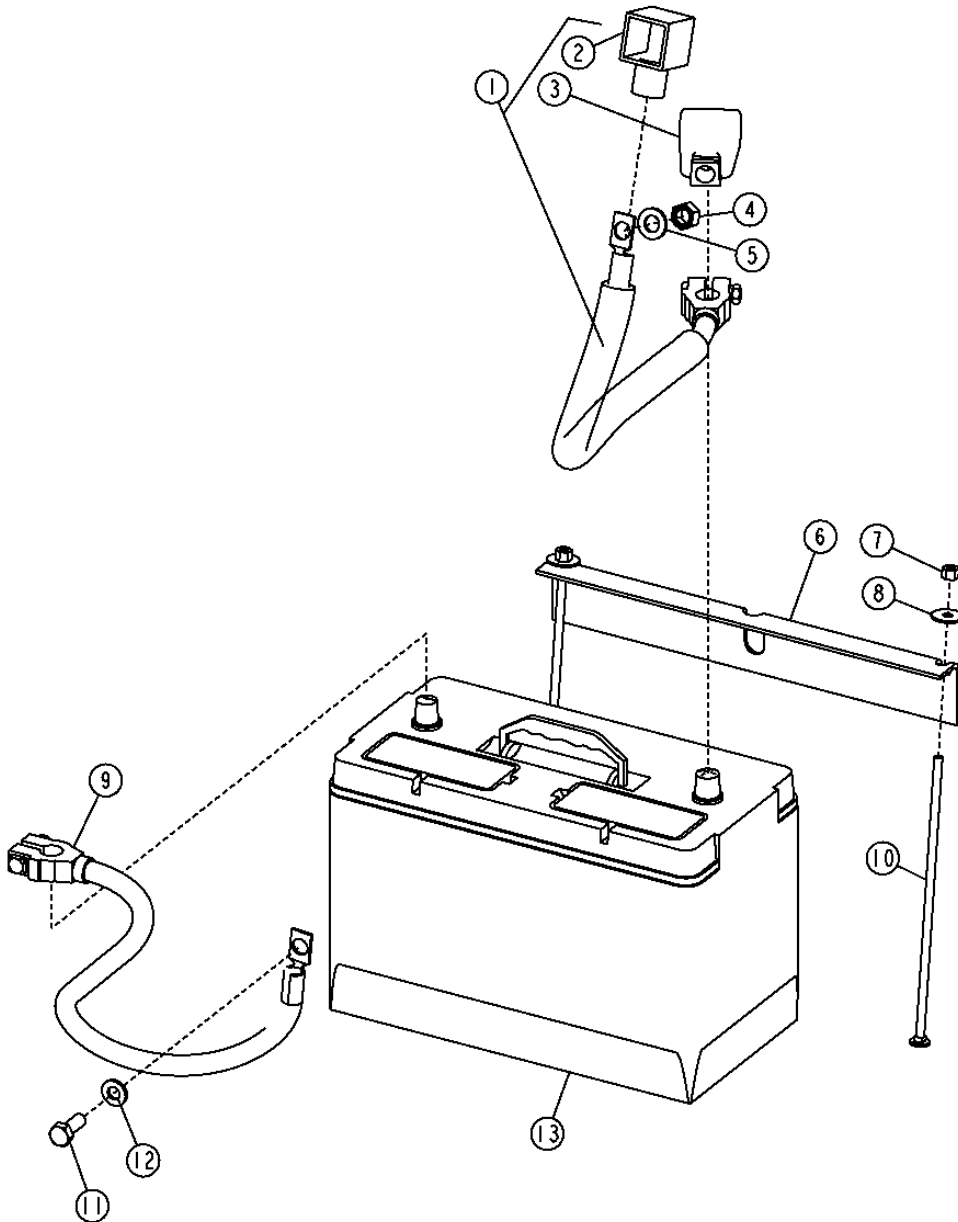
LUBRICATION SYSTEMS

MEMORANDA
MEMORANDA
MEMORANDA

1671-2

SINGLE BATTERY INSTALLATION
INSTALLATION A BATTERIE UNIQUE
INSTALACION DE BATERIA SENCILLA

T145407 -UN-20SEP01



T145407

1671-3

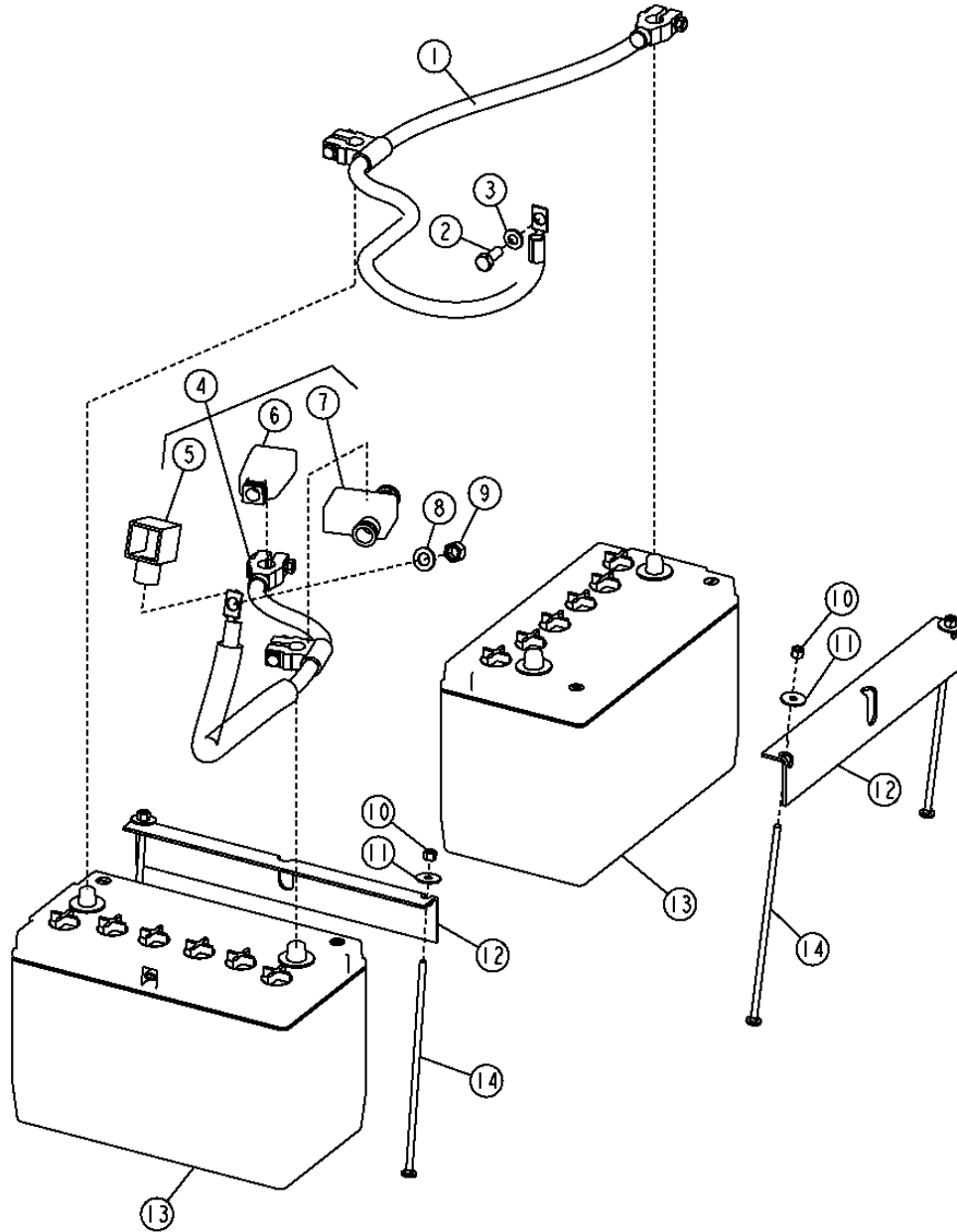
**SINGLE BATTERY INSTALLATION
INSTALLATION A BATTERIE UNIQUE
INSTALACION DE BATERIA SENCILLA**

KEY	PART NO.	PART NAME	QTY.	SERIAL NO.	3 3 3 1 1 1 0 5 0 S S G G G	REMARKS
1	AT195996	BATTERY CABLE	1	-917119	X	POSITIVE (W/ TURBO) (SUB FOR AT185689)
	AT195996	BATTERY CABLE	1	-916367	X	POSITIVE (W/O TURBO)
	AT196446	BATTERY CABLE	1	917120-	X	POSITIVE (W/ TURBO) (SUB FOR AT185689)
	AT196446	BATTERY CABLE	1	916368-	X	POSITIVE (W/O TURBO)
	AT196446	BATTERY CABLE	1		X X	
2	T129165	BOOT	1		X X	
3	T107117	COVER	1		X X X	
4	14M7275	NUT	1		X X X	M12
5	24M7047	WASHER	1		X X X	
6	T121288	ANGLE	1		X X X	
7	M40333	LOCK NUT	2		X X X	1/4"
8	24H1288	WASHER	2		X X X	
9	AT195995	BATTERY CABLE	1		X X X	NEGATIVE, (SUB FOR AT185690)
10	03H2208	BOLT	2		X X X	1/4" X 9-1/4"
11	19M7402	CAP SCREW	1		X X X	M10 X 25
12	24M7239	WASHER	2		X X X	
13	TY6128	DRY CHARGED BATTERY	1		X X X	(WARRANTY NO. AT132864) (950 CCA) (SUB FOR TY21766, THIS APPLICATION)

1671-4

DUAL BATTERY INSTALLATION INSTALLATION A BATTERIE DOUBLE INSTALACION DE DOS BATERIAS

T145408 -UN-20SEP01



T145408

1671-5

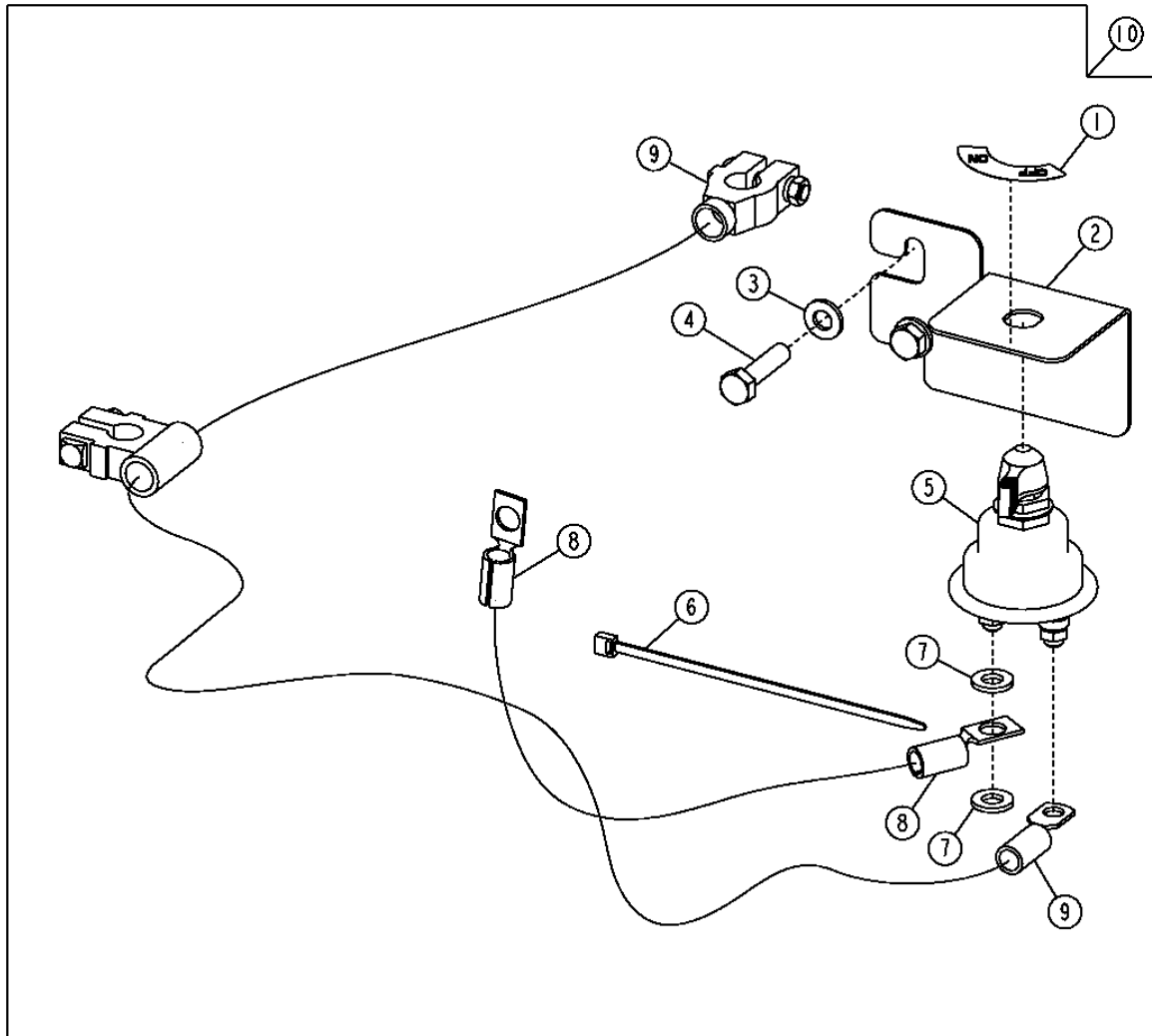
**DUAL BATTERY INSTALLATION
INSTALLATION A BATTERIE DOUBLE
INSTALACION DE DOS BATERIAS**

KEY	PART NO.	PART NAME	QTY.	SERIAL NO.	3 3 3 1 1 1 0 5 0 S S G G G	REMARKS
1	AT195911	BATTERY CABLE	1		X X X	NEGATIVE, (SUB FOR AT191817)
2	19M7402	CAP SCREW	1		X X X	M10 X 25
3	24M7239	WASHER	1		X X X	
4	AT195910	BATTERY CABLE	1	-917119	X	POSITIVE (W/ TURBO) (SUB FOR AT185691)
	AT195910	BATTERY CABLE	1	-916367	X	POSITIVE (W/O TURBO)
	AT196447	BATTERY CABLE	1	917120-	X	POSITIVE (W/ TURBO) (SUB FOR AT185691)
	AT196447	BATTERY CABLE	1	916368-	X	POSITIVE (W/O TURBO)
	AT195910	BATTERY CABLE	1	-902007	X X	POSITIVE
	AT196447	BATTERY CABLE	1	902008-	X X	
5	T129165	BOOT	1		X X	
6	T107117	COVER	1		X X X	
7	T107116	COVER	1		X X X	
8	24M7047	WASHER	1		X X X	
9	14M7275	NUT	1		X X X	
10	M40333	LOCK NUT	4		X X X	6.350 MM
11	24H1288	WASHER	4		X X X	
12	T121288	ANGLE	2		X X X	
13	TY6128	DRY CHARGED BATTERY	2		X X X	(WARRANTY NO. AT132864) (950 CCA) (SUB FOR TY21766, THIS APPLICATION)
14	03H2208	BOLT	4		X X X	1/4" X 9-1/4"

1671-6

**MASTER BATTERY DISCONNECT
SECTIONNEUR DE BATTERIE PRINCIPAL
DESCONEXION MAESTRA DE BATERIAS**

T152635 -UN-21MAR02



T152635

1671-7

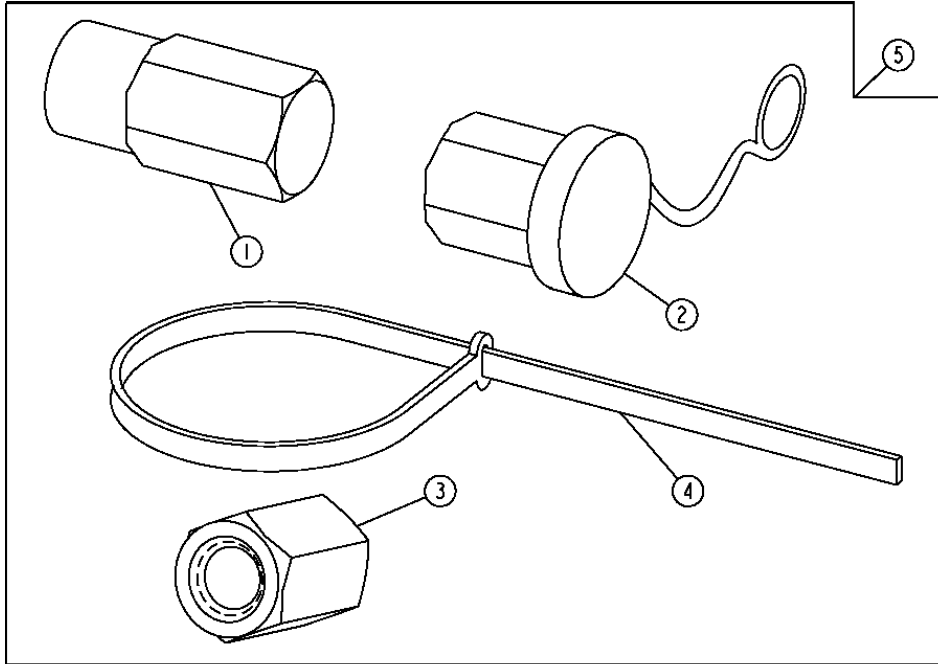
**MASTER BATTERY DISCONNECT
SECTIONNEUR DE BATTERIE PRINCIPAL
DESCONEXION MAESTRA DE BATERIAS**

KEY	PART NO.	PART NAME	QTY.	SERIAL NO.	REMARKS
					3 3
					3 1 1
					1 0 5
					0 S S
					G G G
1	T42199	LABEL	1		X X X
2	T190658	BRACKET	1		X X X
3	24M7239	WASHER	2		X X X 10.700 X 21 X 2.500 MM
4	19M7806	SCREW	2		X X X M10 X 50, (SUB FOR 19M7384)
5	AT41188	SWITCH	1		X X X
6	R44302	TIE BAND	1		X X X
7	24M7239	WASHER	2		X X X 10.700 X 21 X 2.500 MM
8	AR67069	GROUND CABLE	1		X X X
9	AT197922	BATTERY CABLE	1		X X X (DUAL BATTERY)
	AT179926	GROUND CABLE	1		X X X (SINGLE BATTERY) (NOT ILLUSTRATED) (NOT INCLUDED IN KIT)
10	AT198096	KIT	1		X X X (WHOLE GOODS) (SUB FOR AT186452, THIS APPLICATION)

1671-8

**REMOTE START POST
POSTE DE DEMARRAGE A DISTANCE
BORNE PARA ARRANQUE REMOTO**

T144950 -UN-20AUG01



T144950

KEY	PART NO.	PART NAME	QTY.	SERIAL NO.	REMARKS
				3 3	
				3 1 1	
				1 0 5	
				0 S S	
				G G G	
1	T172353	TERMINAL	1		X X X ISKRA
2	T134104	COVER	1		X X X
3	E64052	NUT	1		X X X DENSO, (SUB FOR T174530)
4	H77698	TIE BAND	1		X X X
5	AT186213	KIT	1		X X X (WHOLE GOODS)

1671-9

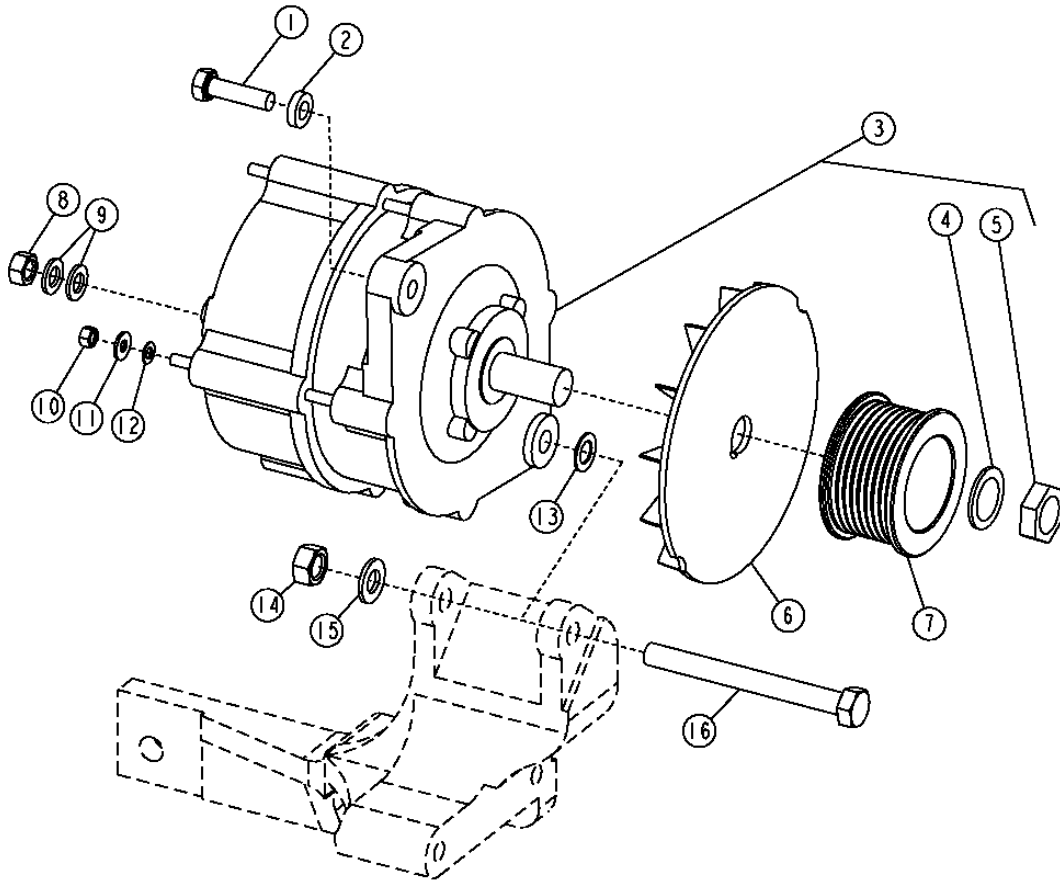
VEHICLE ELECTRICAL SYSTEM 16
BATTERIES, SUPPORT AND CABLES 1671

MEMORANDA
MEMORANDA
MEMORANDA

1672-2

ALTERNATOR, REGULATOR & CHARGING SYSTEM WIRING 1672
ALTERNATOR (SN -958549) (310G,310SG)
ALTERNATEUR (SN -958549) (310G,310SG)
ALTERNADOR (SN -958549) (310G,310SG)

T152387 -UN-03APR02



T152387

1672-3

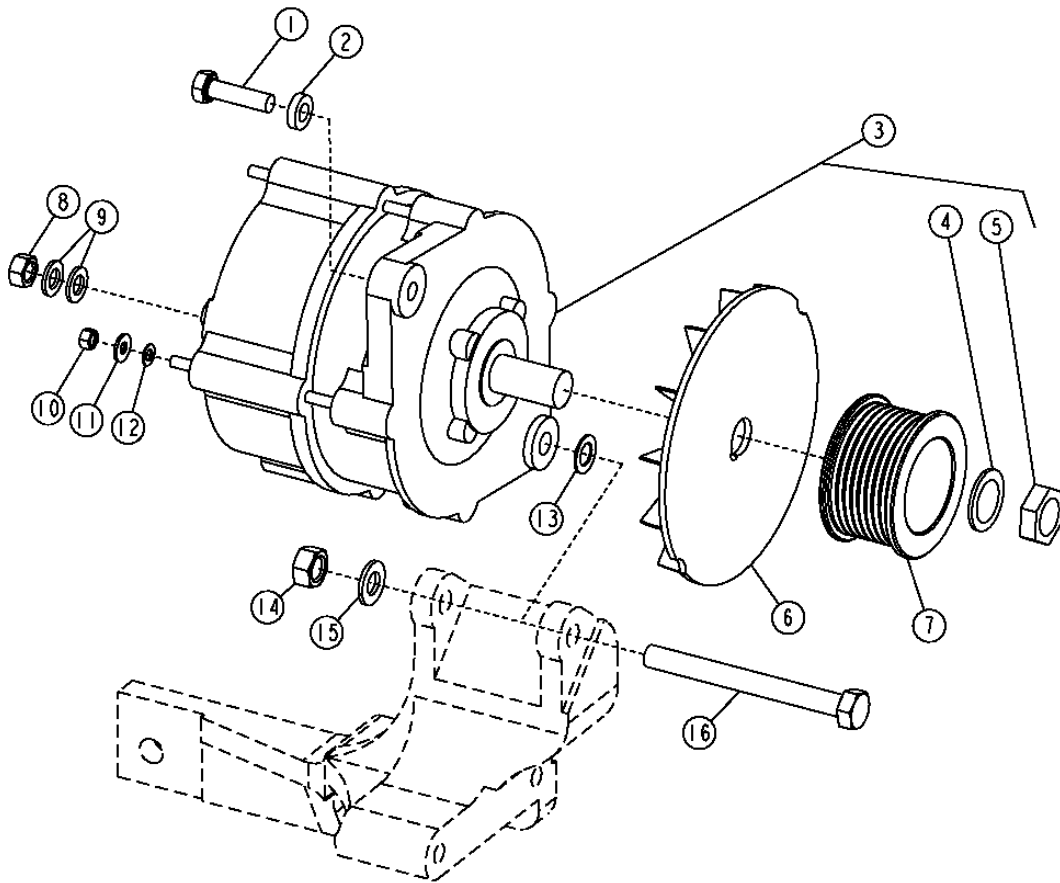
ALTERNATOR,REGULATOR;&CHARGING;SYSTEM;WIRING 1672
 ALTERNATOR (SN -958549) (310G,310SG)
 ALTERNATEUR (SN -958549) (310G,310SG)
 ALTERNADOR (SN -958549) (310G,310SG)

KEY	PART NO.	PART NAME	QTY.	SERIAL NO.	REMARKS
					3 3
					3 1 1
					1 0 5
					0 S S
					G G G
1	19M7513	CAP SCREW	1		X X M8 X 30
2	R48808	WASHER	1		X X
3	AH137883	ALTERNATOR	1		X X 12 VOLT 95 AMP. (SUB FOR AT220394)
	TY24485	ALTERNATOR	1		X X 12 VOLT 95 AMP (REMAN) (SUB FOR TY6750)
	AT173624	ALTERNATOR	1		X X 12 VOLT 65 AMP, (SUB FOR AT220393) (SUB TY6799)
	H144094	VOLTAGE REGULATOR	1		X X
	H144095	CAPACITOR	1		X X
	L33993	FAN	1		X X
	TY6799	ALTERNATOR	1		X X 12 VOLT 65 AMP (REMAN)
	SE501342	ALTERNATOR	1		X X (REMANUFACTURED FOR TY24485)
	SE501387	ALTERNATOR	1		X X (REMANUFACTURED FOR TY6799)
4	T10745	WASHER	1		X X
5	14M7158	NUT	1		X X M16
6	T158584	FAN	1		X X
7	R501486	PULLEY	1		X X
8	14M7273	NUT	1		X X M8
9	24M7036	WASHER	2		X X
10	14M7297	NUT	2		X X M5
11	24H1283	WASHER	1		X X
12	12M7060	WASHER	3		X X
13	R64525	THRUST WASHER	1		X X
14	14M7274	NUT	1		X X M10
15	24M7028	WASHER	1		X X
16	19M8093	CAP SCREW	1		X X M10 X 100

1672-4

ALTERNATOR, REGULATOR & CHARGING SYSTEM WIRING 1672
ALTERNATOR (315SG)
ALTERNATEUR (315SG)
ALTERNADOR (315SG)

T152387 -UN-03APR02



T152387

1672-5

ALTERNATOR,REGULATOR;&CHARGING;SYSTEM;WIRING 1672
 ALTERNATOR (315SG)
 ALTERNATEUR (315SG)
 ALTERNADOR (315SG)

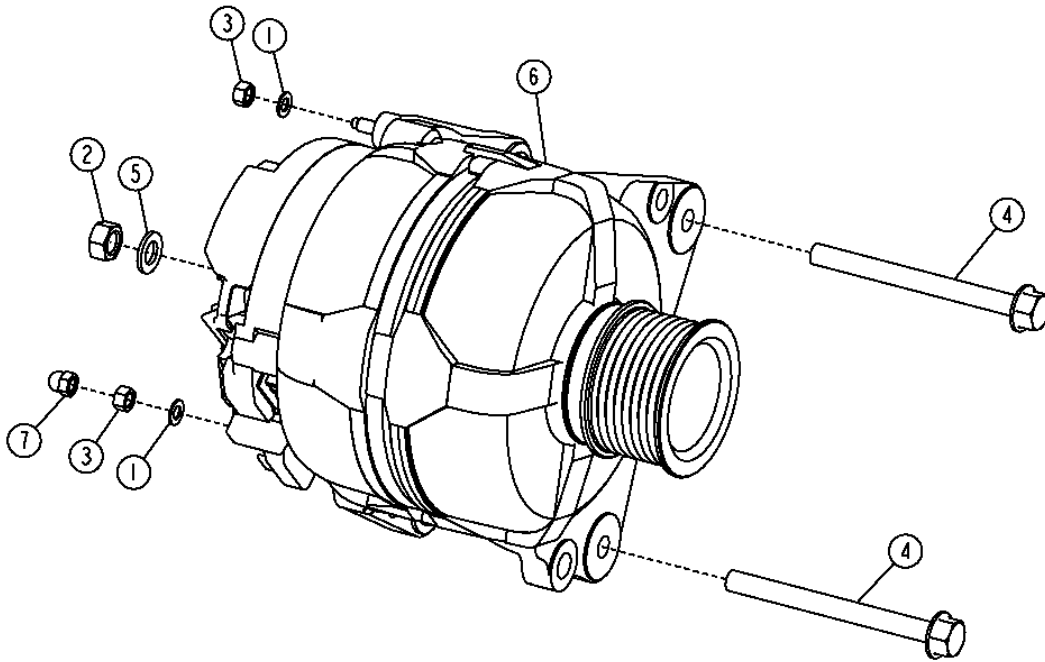
KEY	PART NO.	PART NAME	QTY.	SERIAL NO.	REMARKS
					3 3
					3 1 1
					1 0 5
					0 S S
					G G G
1	19M7513	CAP SCREW	1		X M8 X 30
2	R48808	WASHER	1		X
3	AH137883	ALTERNATOR	1		X 12 VOLT 95 AMP. (SUB FOR AT220394)
	TY24485	ALTERNATOR	1		X 12 VOLT 95 AMP (REMAN) (SUB FOR TY6750)
	AT173624	ALTERNATOR	1		X 12 VOLT 65 AMP, (SUB FOR AT220393) (SUB TY6799)
	H144094	VOLTAGE REGULATOR	1		X
	H144095	CAPACITOR	1		X
	L33993	FAN	1		X
	TY6799	ALTERNATOR	1		X 12 VOLT 65 AMP (REMAN)
	SE501342	ALTERNATOR	1		X X (REMANUFACTURED FOR TY24485)
	SE501387	ALTERNATOR	1		X (REMANUFACTURED FOR TY6799)
4	T10745	WASHER	1		X
5	14M7158	NUT	1		X M16
6	T158584	FAN	1		X
7	R501486	PULLEY	1		X
8	14M7273	NUT	1		X M8
9	24M7036	WASHER	2		X
10	14M7297	NUT	2		X M5
11	24H1283	WASHER	1		X
12	12M7060	WASHER	3		X
13	R64525	THRUST WASHER	1		X
14	14M7274	NUT	1		X M10
15	24M7028	WASHER	1		X
16	19M8093	CAP SCREW	1		X M10 X 100

1672-6

ALTERNATOR, REGULATOR & CHARGING SYSTEM WIRING 1672
ALTERNATOR (SN 958550-) (310G,310SG)
ALTERNATEUR (SN 958550-) (310G,310SG)
ALTERNADOR (SN 958550-) (310G,310SG)

TX1007739

-UN-22JUN06



TX1007739

1672-7

ALTERNATOR,REGULATOR;&CHARGING;SYSTEM;WIRING 1672
 ALTERNATOR (SN 958550-) (310G,310SG)
 ALTERNATEUR (SN 958550-) (310G,310SG)
 ALTERNADOR (SN 958550-) (310G,310SG)

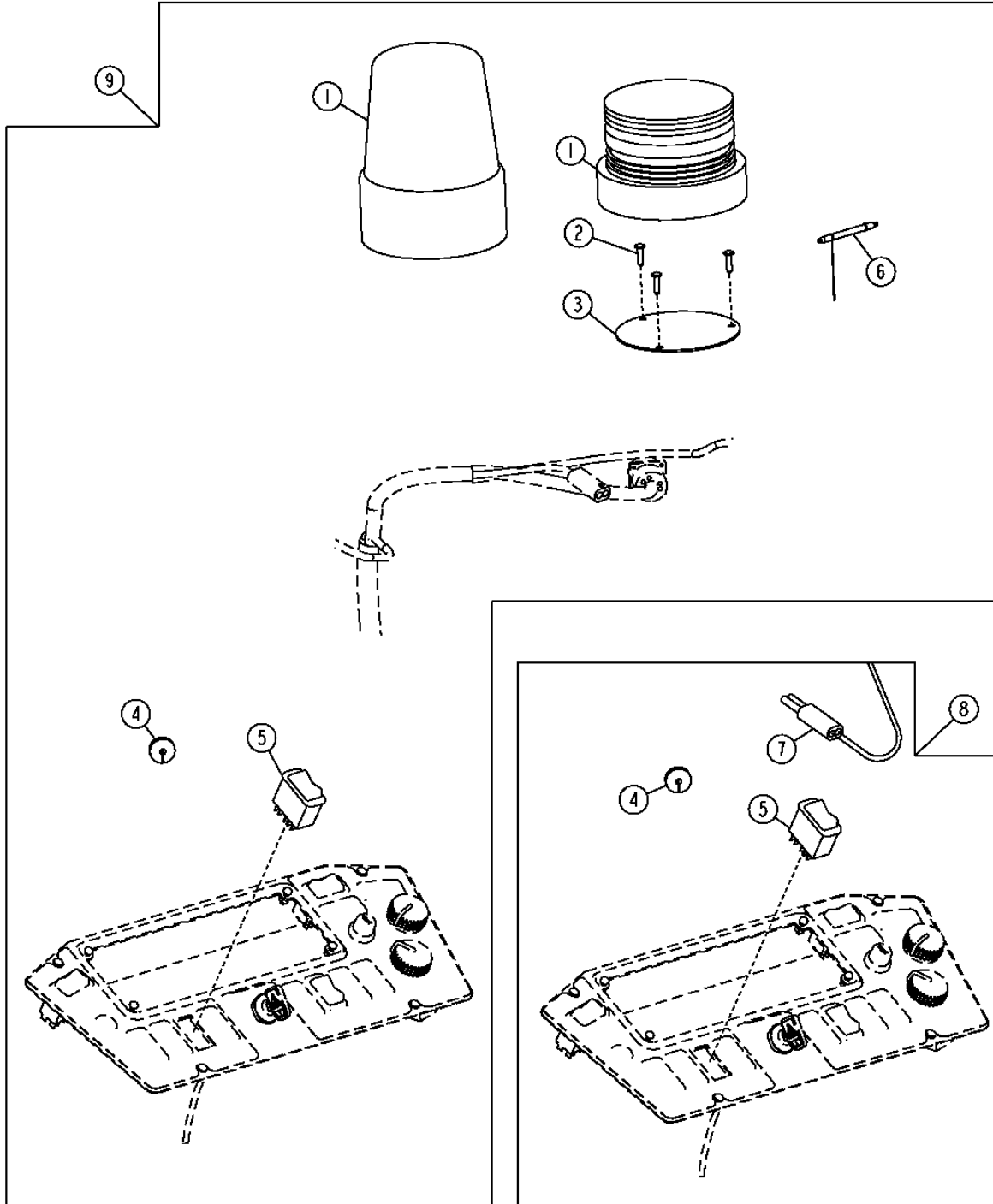
KEY	PART NO.	PART NAME	QTY.	SERIAL NO.	REMARKS
					3 3
					3 1 1
					1 0 5
					0 S S
					G G G
1	12M7060	WASHER	2		X X 5.300 MM
2	14M7273	NUT	1		X X M8
3	14M7297	NUT	2		X X M5
4	19M7913	SCREW	2		X X M8 X 90
5	24M7036	WASHER	1		X X
6	AT321280	ALTERNATOR	1		X X 12 VOLT - 70 AMPERE
	AT318374	ALTERNATOR	1		X X 12 VOLT - 90 AMPERE
	AT334722	PULLEY	1		X X
7	T224227	NUT	1		X X

1673-2

ROTATING BEACON PHARE A ECLATS FARO GIRATORIO

TX1004828

-UN-16MAR06



TX1004828

1673-3

VEHICLE ELECTRICAL SYSTEM 16

VEHICLE LIGHTING SYSTEM 1673

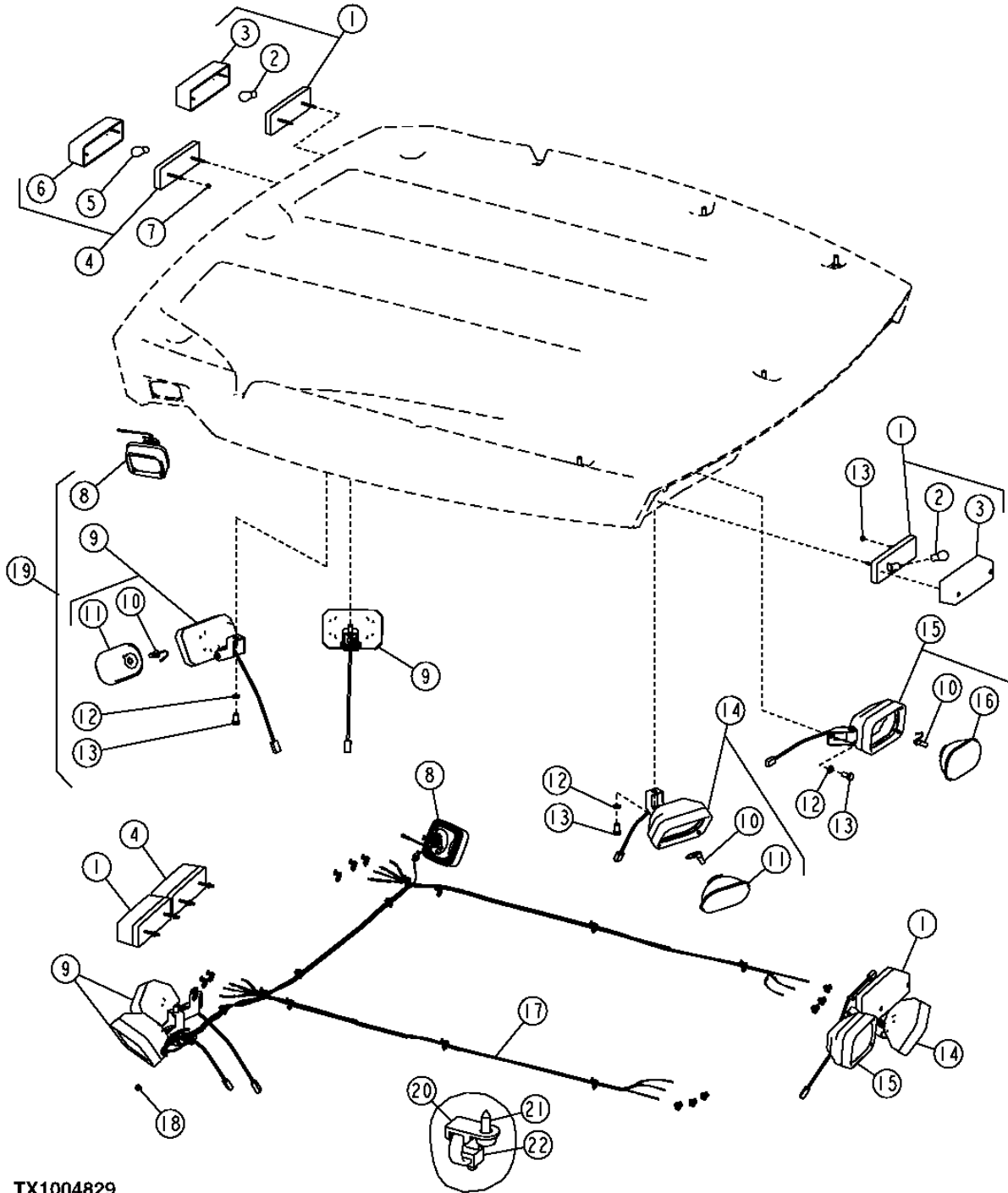
**ROTATING BEACON
PHARE A ECLATS
FARO GIRATORIO**

KEY	PART NO.	PART NAME	QTY.	SERIAL NO.	REMARKS
					3 3
					3 1 1
					1 0 5
					0 S S
					G G G
1	AT187816	STROBE LIGHT	1		X X X STROBE
	AT194822	REVOLVING LIGHT DOME	1		X X X ROTATING BEACON
	AT310650	REVOLVING LIGHT	1		X X X BEACON
2	37M7218	SCREW	3		X X X
3	T167214	PLATE	1		X X X
4	T74952	GROMMET	1		X X X
5	AT175603	TOGGLE/ROCKER SWITCH	1		X X X
6	PML377	STROBE LIGHT	1		X X X 12 VOLT
7	AT195461	ROOF WIRING HARNESS	1		X X X
8	AT195462	KIT	1		X X X (WHOLE GOODS) WIRING KIT
9	AT187815	KIT	1		X X X (WHOLE GOODS) STROBE LIGHT
	AT194821	KIT	1		X X X (WHOLE GOODS) ROTATING BEACON

1673-4

ROOF LIGHTS (SN -953497)
FEUX DE TOIT (SN -953497)
LUCES DE TECHO (SN -953497)

TX1004829 -UN-16MAR06



TX1004829

1673-5

VEHICLE ELECTRICAL SYSTEM 16

VEHICLE LIGHTING SYSTEM 1673

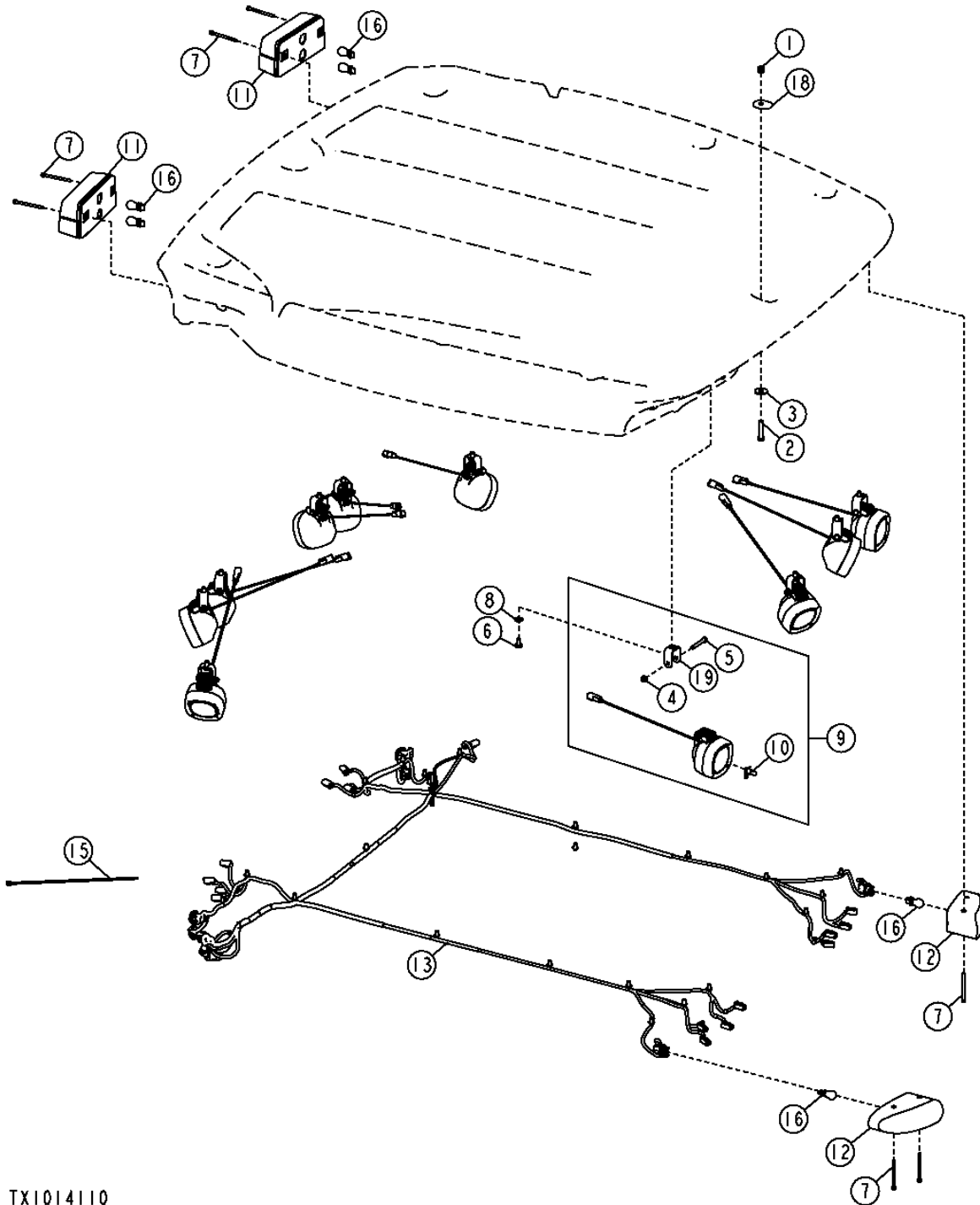
ROOF LIGHTS (SN -953497)
 FEUX DE TOIT (SN -953497)
 LUCES DE TECHO (SN -953497)

KEY	PART NO.	PART NAME	QTY.	SERIAL NO.	REMARKS
					3 3
					3 1 1
					1 0 5
					0 S S
					G G G
1	AT184736	LAMP	4		X X X WARNING
2	AD2062R	BULB	4		X X X
3	T165542	LENS	4		X X X AMBER
4	AT184737	LAMP	2		X X X STOP/TAIL
5	AF48041	BULB	2		X X X
6	T165543	LENS	2		X X X RED
7	14M7375	FLANGE NUT	12		X X X M5
8	AT187868	LAMP	2		X X X DOCKING
	AT130104	BULB	2		X X X
	AT191409	LENS	2		X X X
9	AT191875	LAMP	4		X X X WORK
10	AT130104	BULB	4		X X X
11	AT191408	LENS	4		X X X
12	24M7239	WASHER	8		X X X (SUB FOR 24M7096, THIS APPLICATION)
13	19M8324	CAP SCREW	8		X X X M10 X 16
14	AT192460	LAMP	2		X X X WORK
	AT130104	BULB	2		X X X
	AT191408	LENS	2		X X X
15	AT184972	LAMP	1		X X X RH
	AT185451	LAMP	1		X X X LH
16	AT191407	LENS	2		X X X WITH REFLECTOR
17	AT191873	ROOF WIRING HARNESS	1		X X X
18	R41440	GROMMET	2		X X X
19	AT192242	KIT	1		X X X WHOLE GOODS
20	T187394	ANCHOR	30		X X X (SUB FOR (4) T185713 AND (5) T185714)
21	T185769	SCREW	30		X X X
22	R44302	TIE BAND	30		X X X

1673-6

ROOF LIGHTS (SN 953498-)
FEUX DE TOIT (SN 953498-)
LUCES DE TECHO (SN 953498-)

TX1014110 -UN-



TX1014110

THIS PARTS LISTING IS CONTINUED

1673-7

VEHICLE ELECTRICAL SYSTEM 16

VEHICLE LIGHTING SYSTEM 1673

ROOF LIGHTS (SN 953498-)
 FEUX DE TOIT (SN 953498-)
 LUCES DE TECHO (SN 953498-)

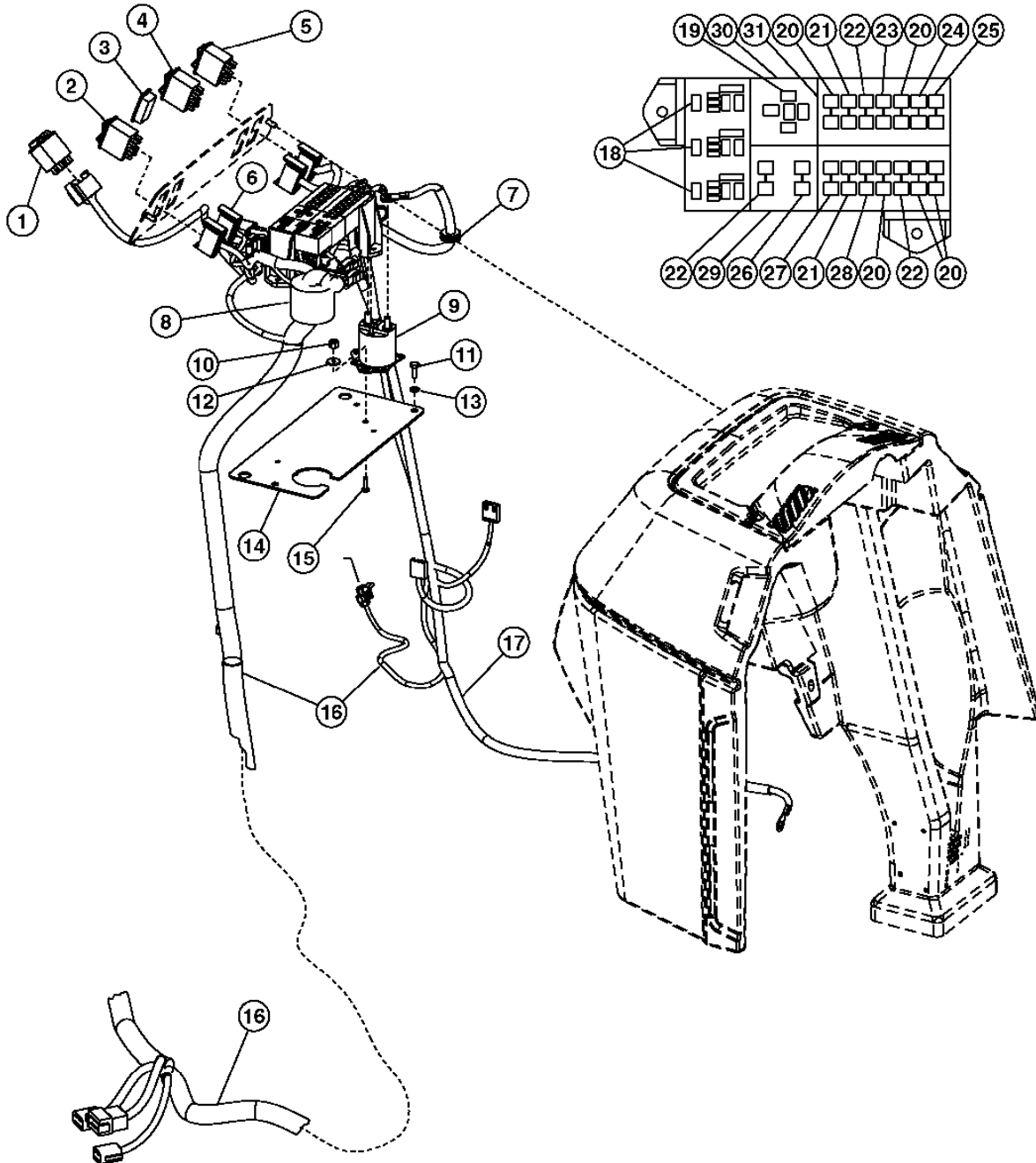
KEY	PART NO.	PART NAME	QTY.	SERIAL NO.	3 3 3 1 1 1 0 5 0 S S G G G	REMARKS
1	14M7517	LOCK NUT	8		X X X	M10
2	19M8600	CAP SCREW	8		X X X	M10 X 50
3	24M7101	WASHER	8		X X X	
4	14M7426	LOCK NUT	10		X X X	M8
5	19M7165	CAP SCREW	10		X X X	M8 X 55
6	19M8324	CAP SCREW	10		X X X	M10 X 16
7	19M8482	SCREW	8		X X X	M6 X 80
8	24M7239	WASHER	10		X X X	
9	AT323301	FLOODLAMP	10		X X X	(DELUXE LIGHTS) (SUB FOR AT323744, THIS APPLICATION)
	AT323301	FLOODLAMP	4		X X X	(STANDARD LIGHTS) (SUB FOR AT323744, THIS APPLICATION)
10	AT130104	BULB	10		X X X	
11	AT324938	STOP LIGHT	2		X X X	
12	AT326622	LAMP	2		X X	(WARNING LAMP)
	AT326622	LAMP	2	-200132	X	(WARNING LAMP)
	AT329524	LAMP	2	200133-	X	
13	AT321365	ROOF WIRING HARNESS	1		X X X	(DELUXE LIGHTS)
	AT326166	ROOF WIRING HARNESS	1		X X	(STANDARD LIGHTS)
	AT326166	ROOF WIRING HARNESS	1	-200132	X	(STANDARD LIGHTS)
	AT326932	ROOF WIRING HARNESS	1	200133-	X	
14	T209627	CLAMP	23		X X X	
15	R44302	TIE BAND	10		X X X	
16	RE49778	BULB	6		X X X	
17	M115279	PLUG	1		X X X	
18	T185664	SEALING WASHER	8		X X X	
19	T215487	ROOF	AR		X X X	

1674-2

FRONT CONSOLE WIRING HARNESSES FAISCEAUX DE FILS DE CONSOLE AVANT ARNESAS DE ALAMBRADO DE CONSOLA DELANTERA

TX1005718

-UN-04APR06



TX1005718

THIS PARTS LISTING IS CONTINUED

1674-3

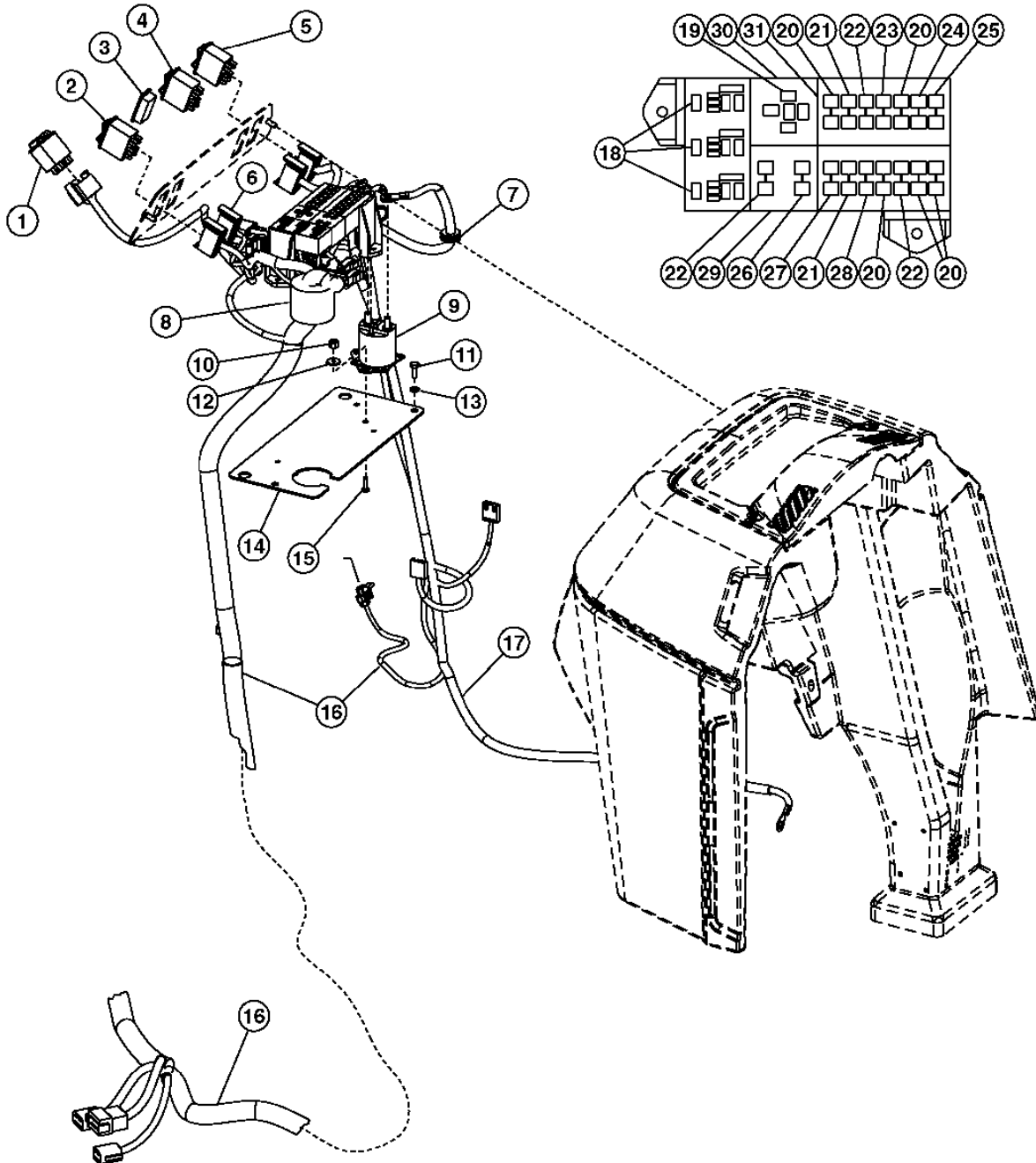
**FRONT CONSOLE WIRING HARNESSES
FAISCEAUX DE FILS DE CONSOLE AVANT
ARNESES DE ALAMBRADO DE CONSOLA DELANTERA**

KEY	PART NO.	PART NAME	QTY.	SERIAL NO.	REMARKS
					3 3
					3 1 1
					1 0 5
					0 S S
					G G G
1	AT175300	SWITCH	1		X X X TURN SIGNAL
	T162380	BULB	1		X X X
2	AT175071	SWITCH	1		X X X FRONT WIPER
	AT175072	SWITCH	1		X X X FRONT WASHER
3	PLUG	1		X X X (T163309 NLA) (SUB T207060)
	M115279	PLUG	1		X X X SMALL BLANK
4	AT175070	SWITCH	1		X X X WARNING
5	AT175069	SWITCH	1		X X X LIGHTS
6	AT191701	WIRING HARNESS	1		X X X QUARTER CAB WIPER HARNESS
7	M85517	GROMMET	1		X X X
8	T166244	BUSHING	1		X X X
9	AR73144	RELAY	1		X X X
10	14M7375	FLANGE NUT	2		X X X M5
11	19M7775	SCREW	2		X X X M6 X 16, (SUB FOR 19M8425, THIS APPLICATION)
12	WASHER	2		X X X (24M7210 NLA)
13	WASHER	2		X X X (24M7054 NLA)
14	T206491	PLATE	1		X X X (SUB FOR T183600) (ALSO ORDER T186793)
15	19M7372	CAP SCREW	2		X X X M5 X 16
16	AT185980	WIRING HARNESS	1	-910055	X X X CAB W/ SYNCHRO-SHUTTLE TRANSMISSION
	AT194865	WIRING HARNESS	1	910056-951252	X X X CAB W/ SYNCHRO-SHUTTLE TRANSMISSION
	AT308208	WIRING HARNESS	1	951253-	X X CAB W/ SYNCHRO-SHUTTLE TRANSMISSION
	AT308208	WIRING HARNESS	1	951253-200132	X CAB W/ SYNCHRO-SHUTTLE TRANSMISSION
	AT327441	WIRING HARNESS	1	200133-	X CAB W/ SYNCHRO-SHUTTLE TRANSMISSION
	AT185981	WIRING HARNESS	1	-910055	X X X CANOPY OR QUARTER CAB W/ SYNCHRO-SHUTTLE TRANSMISSION
	AT303579	WIRING HARNESS	1	910056-951252	X X X (SUB FOR AT194866) CANOPY OR QUARTER CAB W/ SYNCHRO-SHUTTLE TRANSMISSION
	AT308148	WIRING HARNESS	1	951253-	X X X CANOPY W/ SYNCHRO-SHUTTLE TRANSMISSION
	AT199372	WIRING HARNESS	1	-910055	X X (SUB FOR AT186625) CAB WITH POWER SHIFT TRANSMISSION
	AT194867	WIRING HARNESS	1	910056-951252	X X CAB WITH POWER SHIFT TRANSMISSION
	AT310730	WIRING HARNESS	1	951253-	X X CAB WITH POWER SHIFT TRANSMISSION
	AT303575	WIRING HARNESS	1	-910055	X X (SUB FOR AT186626) CANOPY OR QUARTER CAB W/ POWER SHIFT TRANSMISSION
	AT303580	WIRING HARNESS	1	910056-951252	X X (SUB FOR AT194868) CANOPY OR QUARTER CAB W/ POWER SHIFT TRANSMISSION
	AT310728	WIRING HARNESS	1	951253-	X X CANOPY WITH POWER SHIFT TRANSMISSION

1674-3A

FRONT CONSOLE WIRING HARNESSES FAISCEAUX DE FILS DE CONSOLE AVANT ARNESSES DE ALAMBRADO DE CONSOLA DELANTERA

TX1005718 -UN-04APR06



TX1005718

THIS PARTS LISTING IS CONTINUED

1674-3B

VEHICLE ELECTRICAL SYSTEM 16

WIRING HARNESS AND SWITCHES 1674

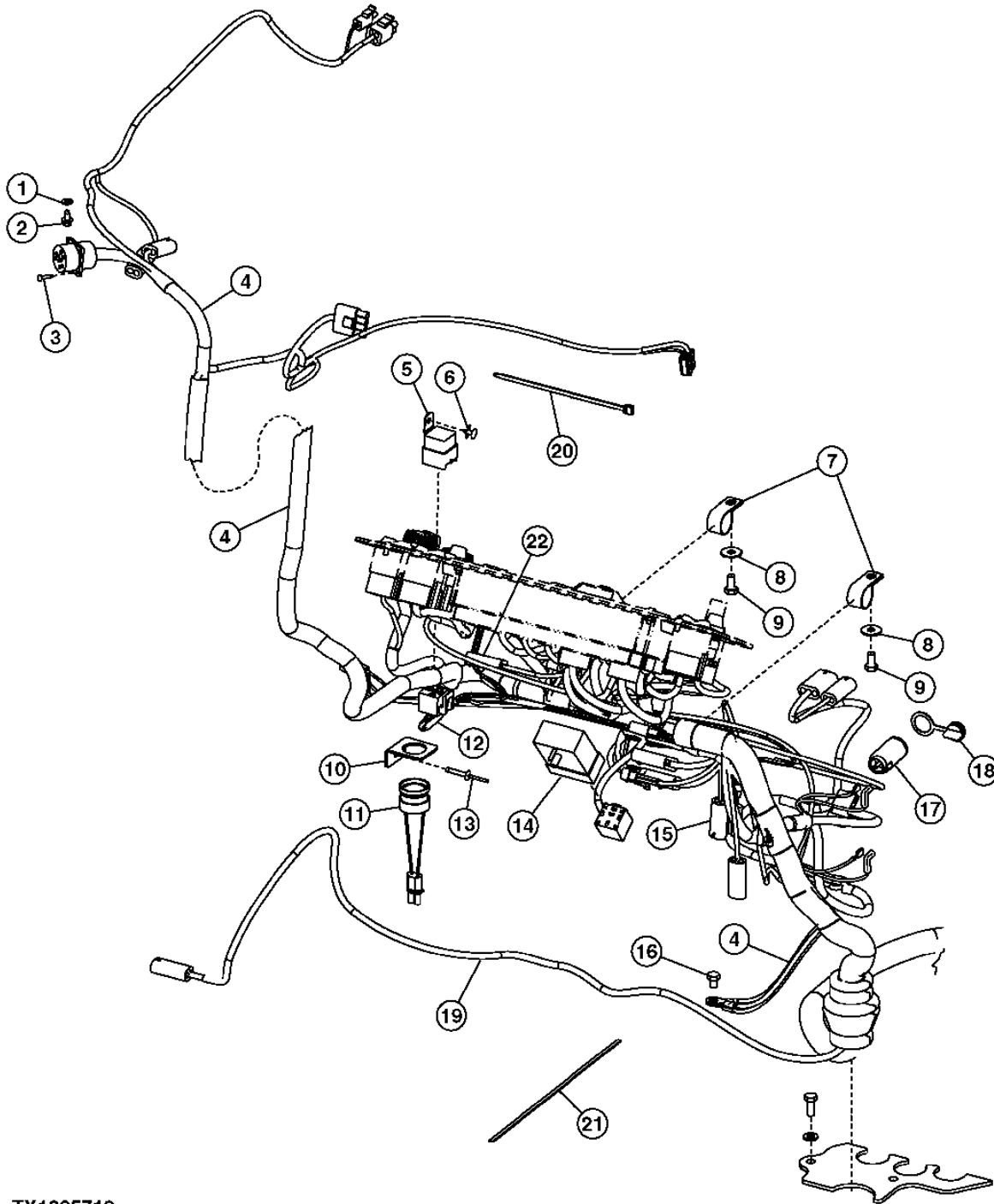
**FRONT CONSOLE WIRING HARNESSES
FAISCEAUX DE FILS DE CONSOLE AVANT
ARNESES DE ALAMBRADO DE CONSOLA DELANTERA**

KEY	PART NO.	PART NAME	QTY.	SERIAL NO.	REMARKS
					3 3
					3 1 1
					1 0 5
					0 S S
					G G G
17	AT196390	WIRING HARNESS	1		X X X (SUB FOR AT192769)
18	AT310980	RELAY	3	-941732	X X X (SUB FOR AT189041)
	AT310980	RELAY	3	-939834	X X X (SUB FOR AT189041)
	AT310980	RELAY	3	-942024	X X X (SUB FOR AT189041)
	AT308380	RELAY	3	941733-	X X X (USE WITH AT194865) ABOVE SER. NO. BREAK
	AT308380	RELAY	3	941733-	X X X (USE WITH AT303580) ABOVE SER. NO. BREAK
	AT308380	RELAY	3	939835-	X X X (USE WITH AT303579) ABOVE SER. NO. BREAK
	AT308380	RELAY	3	942024-	X X X (USE WITH AT194867) ABOVE SER. NO. BREAK
19	FLASHER	1	-951254	X X X (AT163088 NLA) (SUB T215293)
	T215293	FLASHER	1	951255-	X X X (SUB FOR AT163088)
20	57M7121	FUSE	5		X X X 10 AMP
21	57M7120	FUSE	2		X X X 20 AMP
22	99M7065	FUSE	3		X X X 15 AMP
23	T103834	CIRCUIT BREAKER	1		X X X
24	T108357	CIRCUIT BREAKER	1		X X X
25	99M7064	FUSE	1		X X X 7-1/2 AMP
26	57M7125	FUSE	1		X X X 5 AMP
27	T102780	CIRCUIT BREAKER	1		X X X
28	57M7146	FUSE	1		X X X 30 AMP
29	T190197	MODULE	1		X X X
30	T190198	RELAY MODULE	1		X X X
31	T190199	WEDGE	AR		X X X

1674-4

SIDE CONSOLE WIRING HARNESSES
FAISCEAUX DE FILS DE CONSOLE LATÉRALE
ARNESSES DE ALAMBRADO DE CONSOLA DELANTERA

TX1005719 -UN-04APR06



TX1005719

THIS PARTS LISTING IS CONTINUED

1674-5

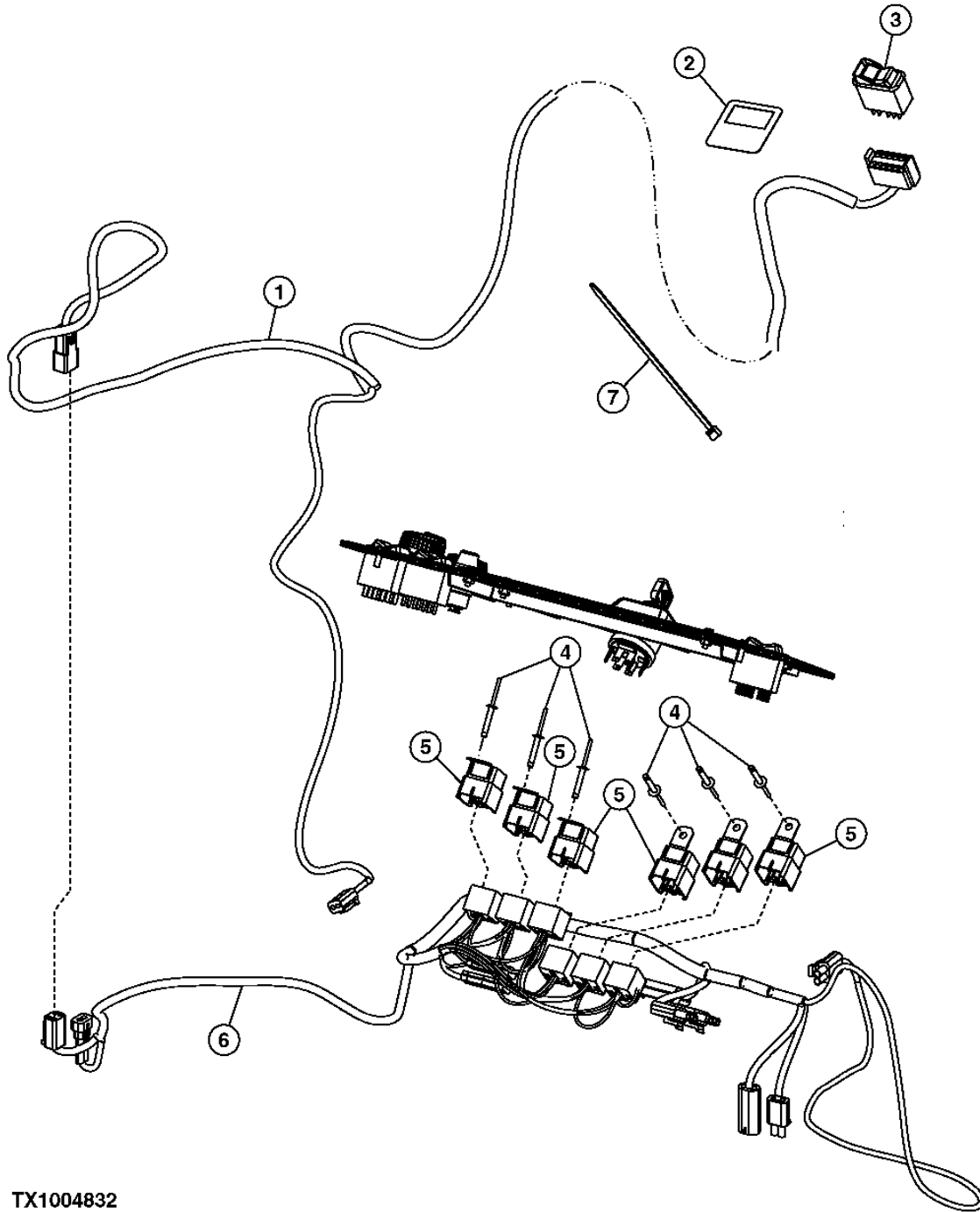
**SIDE CONSOLE WIRING HARNESSES
FAISCEAUX DE FILS DE CONSOLE LATÉRALE
ARNESSES DE ALAMBRADO DE CONSOLA LATERAL**

KEY	PART NO.	PART NAME	QTY.	SERIAL NO.	3 3 3 1 1 1 0 5 0 S S G G G	REMARKS
1	24M7054	WASHER	1		X X X	6.400 X 12 X 1.600 MM
2	37M7089	SCREW	1		X X X	M6 X 12
3	37M7066	SCREW	4		X X X	
4	AT185980	WIRING HARNESS	1	-910055	X X X	CAB W/ SYNCHRO-SHUTTLE TRANSMISSION
	AT194865	WIRING HARNESS	1	910056-951252	X X X	CAB W/ SYNCHRO-SHUTTLE TRANSMISSION
	AT308208	WIRING HARNESS	1	951253-	X X	CAB W/ SYNCHRO-SHUTTLE TRANSMISSION
	AT308208	WIRING HARNESS	1	951253-200132	X	CAB W/ SYNCHRO-SHUTTLE TRANSMISSION
	AT327441	WIRING HARNESS	1	200133-	X	CAB W/ SYNCHRO-SHUTTLE TRANSMISSION
	AT185981	WIRING HARNESS	1	-910055	X X X	CANOPY OR QUARTER CAB W/ SYNCHRO-SHUTTLE TRANSMISSION
	AT303579	WIRING HARNESS	1	910056-951252	X X X	(SUB FOR AT194866) CANOPY OR QUARTER CAB W/ SYNCHRO-SHUTTLE TRANSMISSION
	AT308148	WIRING HARNESS	1	951253-	X X X	CANOPY WITH SYNCHRO-SHUTTLE TRANSMISSION
	AT199372	WIRING HARNESS	1	-910055	X X	CAB WITH POWER SHIFT TRANSMISSION, (SUB FOR AT186625)
	AT194867	WIRING HARNESS	1	910056-951252	X X	CAB WITH POWER SHIFT TRANSMISSION
	AT310730	WIRING HARNESS	1	951253-	X X	CAB WITH POWER SHIFT TRANSMISSION
	AT303575	WIRING HARNESS	1	-910055	X X	CANOPY OR QUARTER CAB WITH POWER SHIFT TRANSMISSION, (SUB FOR AT186626)
	AT303580	WIRING HARNESS	1	910056-951252	X X	CANOPY OR QUARTER CAB WITH POWER SHIFT TRANSMISSION, (SUB FOR AT194868)
	AT310728	WIRING HARNESS	1	951253-	X X	CANOPY WITH POWER SHIFT TRANSMISSION
5	AT75769	RELAY	1		X X X	AIR CONDITION ACTUATOR DOOR
6	T184345	RIVET	1		X X X	
7	T102934	CLAMP	AR		X X X	
	T162675	CLAMP	AR		X X X	
8	24M7207	WASHER	2		X X X	(USE WITH 19M7932)
9	19M7865	SCREW	2		X X X	M8 X 16, (SUB FOR 19M7932, THIS APPLICATION)
10	T166344	BRACKET	1		X X X	
11	AT178526	AUDIBLE WARNING ALARM	1		X X X	WARNING
12	AT191747	WIRING HARNESS	1	-925506	X X X	A/C SWITCH TO CONSOLE HARNESS
	AT302727	WIRING HARNESS	1	925507-	X X X	A/C SWITCH TO CONSOLE HARNESS
13	T184345	RIVET	1		X X X	
14	AT180485	RELAY MODULE	1		X X X	TIMER RELAY
15	AT189174	WIRING HARNESS	1		X X X	RISE CONTROL
16	19M7008	CAP SCREW	1		X X X	M8 X 10
17	AT78633	HOUSING	3		X X X	
18	R131671	PLUG	3		X X X	
19	AT191953	POWER SUPPLY	2		X X X	
20	R44302	TIE BAND	14		X X X	
21	H77698	TIE BAND	6		X X X	
22	57M8131	RESISTOR NETWORK	1	910056-	X X X	CAN RESISTOR

1674-5A

PILOT ENABLE ACTIVATION PILOTE HABILITACION DE PILOTO

TX1004832 -UN-15MAR06



TX1004832

1674-5B

VEHICLE ELECTRICAL SYSTEM 16
WIRING HARNESS AND SWITCHES 1674

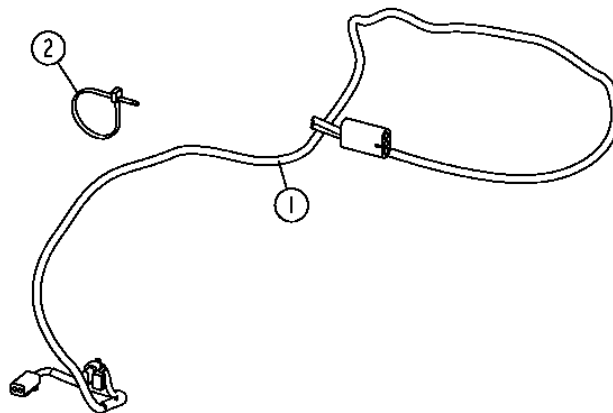
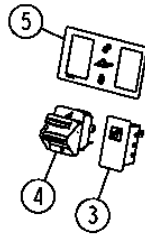
PILOT ENABLE
ACTIVATION PILOTE
HABILITACION DE PILOTO

KEY	PART NO.	PART NAME	QTY.	SERIAL NO.	3 3 3 1 1 1 0 5 0 S S G G G	REMARKS
1	CAB WIRING HARNESS	1	-918287	X	(AT199016 NLA) (SUB AT302625) (ALSO ORDER 57M7535, 57M7618, (4) R78065, 57M7628, 57M7619 AND (4) R78066)
	AT302625	CAB WIRING HARNESS	1	918288-	X X	
1A	57M8021	ELECTRICAL CONNECTOR ASSY	1		X X	
1B	R78065	ELEC. CONNECTOR TERMINAL	1		X X	
2	T200424	LABEL	1		X X	
3	AT301427	SWITCH	1		X X	
4	T184345	RIVET	6		X X	
5	AT75769	RELAY	6		X X	
6	AT302628	WIRING HARNESS	1		X X	(SUB FOR AT198844)
7	R44302	TIE BAND	1		X X	

1674-5C

HYDRAULIC FRONT COUPLER HARNESS
FAISCEAU D'ACCOUPLMENT AVANT HYDRAULIQUE
ARNES DE ACOPLADOR HIDRAULICO DELANTERO

T205502 -UN-29NOV04



T205502

1674-5D

VEHICLE ELECTRICAL SYSTEM 16

WIRING HARNESS AND SWITCHES 1674

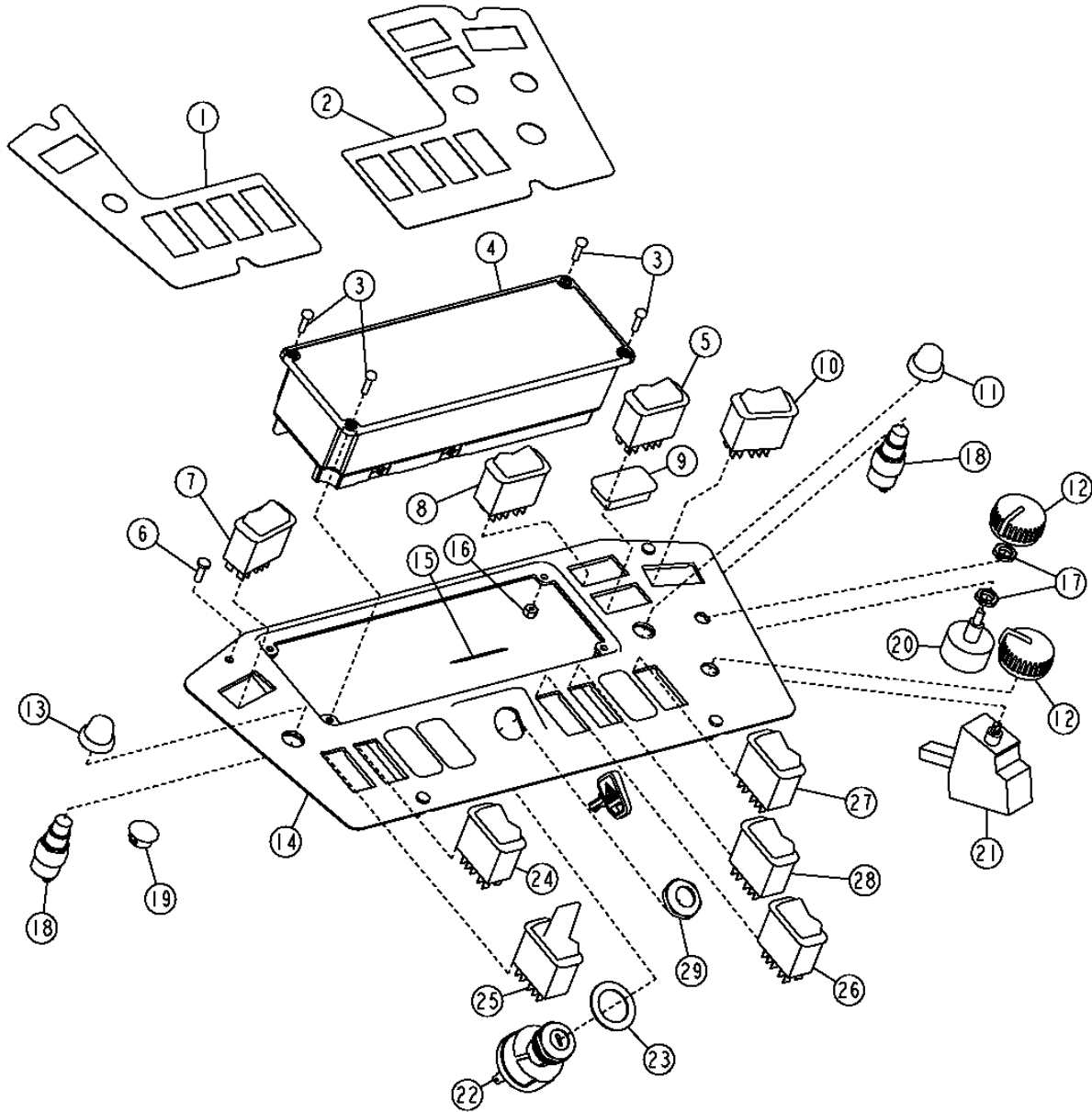
**HYDRAULIC FRONT COUPLER HARNESS
FAISCEAU D'ACCOUPLMENT AVANT HYDRAULIQUE
ARNES DE ACOPLADOR HIDRAULICO DELANTERO**

KEY	PART NO.	PART NAME	QTY.	SERIAL NO.	REMARKS
					3 3
					3 1 1
					1 0 5
					0 S S
					G G G
1	AT308440	WIRING HARNESS	1		X X X LOADER COUPLER
	AT308473	WIRING HARNESS	1		X X X LOAD COUPLER CONTROL CHASSIS
	14M7303	FLANGE NUT	1		X X X M6
	21M7247	SCREW	1		X X X M6 X 35
	24M7139	WASHER	1		X X X
	24M7239	WASHER	1		X X X
	AE44436	HORN	1		X X X AUDIBLE ALARM, COUPLER PIN ENGAGEMENT
	AT308237	RELAY MODULE	1		X X X
	AT308475	WIRING HARNESS	1		X X X LOADER COUPLER CAB
	T206695	BRACKET	1		X X X ALARM MOUNTING
	H77698	TIE BAND	1		X X X
	T186793	LABEL	1		X X X GRAY CIRCLE
2	R44302	TIE BAND	4		X X X
3	AT311598	INDICATOR LAMP	1		X X X PIN DISCONNECT
4	AT225952	SWITCH	1		X X X PIN DISCONNECT
5	T209212	LABEL	1		X X X ENABLE/DISABLE

1674-6

MONITOR PANEL WITH MONITOR, SWITCHES AND LABELS
PANNEAU DE MONITEUR AVEC MONITEUR, INTERRUPTEURS ET ETIQUETTES
TABLERO DE MONITOR CON MONITOR, CONMUTADORES Y ROTULOS

T192707 -UN-18JUL03



T192707

1674-7

VEHICLE ELECTRICAL SYSTEM 16

WIRING HARNESS AND SWITCHES 1674

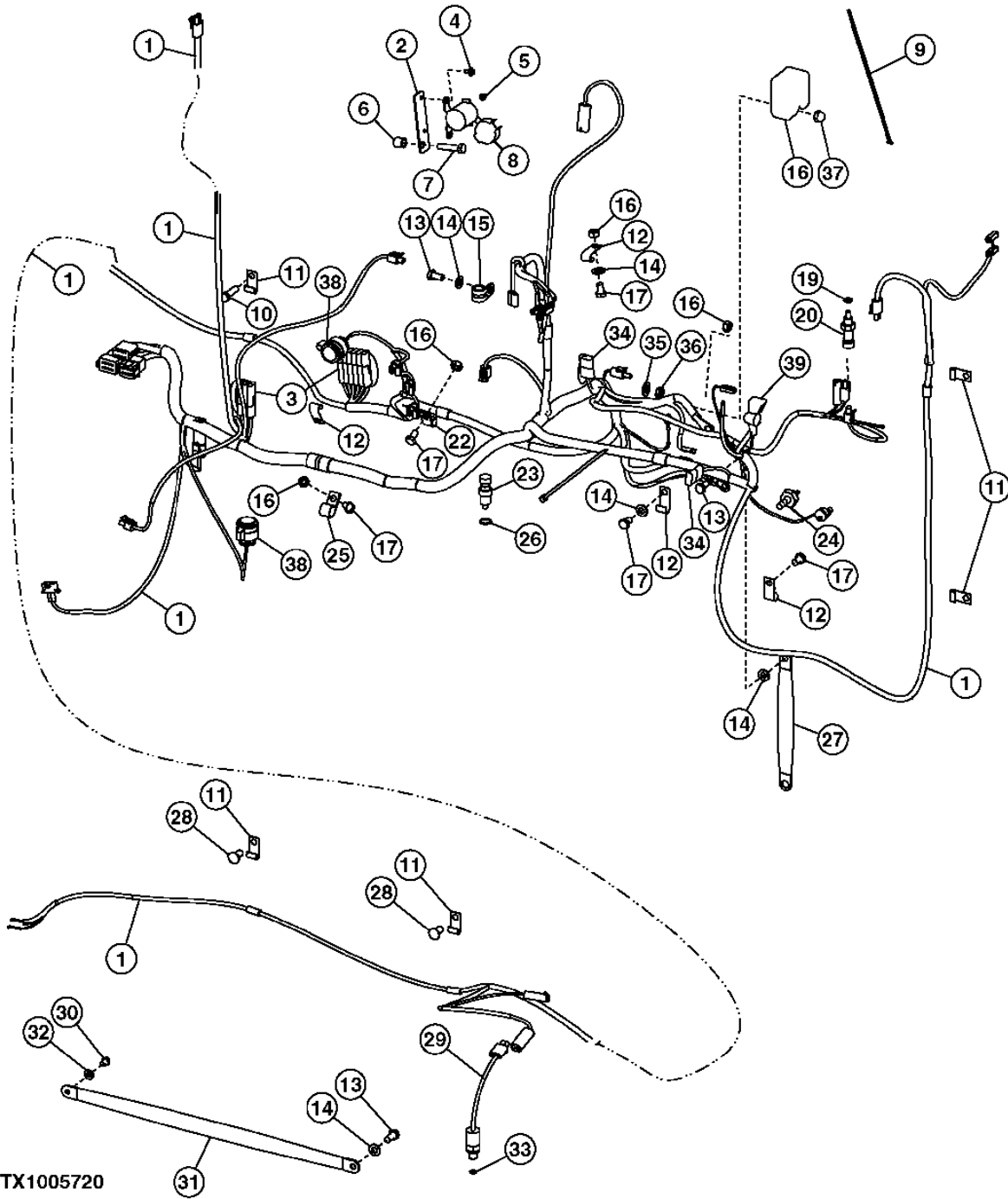
MONITOR PANEL WITH MONITOR, SWITCHES AND LABELS
PANNEAU DE MONITEUR AVEC MONITEUR, INTERRUPTEURS ET ETIQUETTES
TABLERO DE MONITOR CON MONITOR, CONMUTADORES Y ROTULOS

KEY	PART NO.	PART NAME	QTY.	SERIAL NO.	3 3 3 1 1 1 0 5 0 S S G G G	REMARKS
1	T186400	LABEL	1		X X X	LH
2	T186401	LABEL	1		X X X	RH
3	T82791	SCREW	4		X X X	4.166 X 16.002 MM
4	AT332118	MONITOR	1		X X X	(SUB FOR AT191861, AT197381, AT194491, AT300131, AT304971 AND AT309994)
5	AT310630	LAMP	AR		X X X	
	AT189473	ROTARY SWITCH	1		X X X	DOCKING LIGHT
6	21M7271	SCREW	4		X X X	M5 X 16
7	AT189088	SWITCH	1		X X X	PARK BRAKE
8	AT189473	ROTARY SWITCH	1		X X X	REAR LIGHT
9	PLUG	9		X X X	(SUB T207060) (T163309 NLA)
10	AT189630	ROTARY SWITCH	1	-919463	X X X	REAR WIPER
	AT199633	TOGGLE/ROCKER SWITCH	1	919464-	X X X	PATTERN SELECT
11	T55501	CAP	1		X X X	
12	R111632	KNOB	2		X X X	
13	T55585	CAP	1		X X X	
14	T167065	INSTRUMENT PANEL	1		X X X	
15	T166300	LABEL	1		X X X	START SWITCH
16	M63431	LOCK NUT	4		X X X	4.166 MM
17	R44165	LOCK NUT	2		X X X	7/16"
18	R39554	SWITCH	1		X X X	ETHER OR HORN
19	T154361	PLUG	1		X X X	
20	RE43497	CONTROL	1		X X X	FAN SPEED
21	RE46742	AC/HEAT TEMPERATURE SWITCH	1		X X X	TEMPERATURE CONTROL
	12H292	LOCK WASHER	1		X X X	
	14H934	NUT	1		X X X	7/16"
22	AT195301	SWITCH	1		X X X	(SUB FOR AT145931) IGNITION
	AT145929	KEY	1	-902604	X X X	
	AT195302	KEY	1	902605-	X X X	
	R44342	NUT	1		X X X	1"
23	24H1441	WASHER	1		X X X	(SUB FOR R52725)
24	AT184335	SWITCH	1		X X X	RIDE CONTROL
25	AT189692	SWITCH	1		X X X	MFWD
26	AT189145	SWITCH	1		X X X	AIR SEAT
27	AT192716	TOGGLE/ROCKER SWITCH	1		X X X	A/C SWITCH
28	AT304561	ROTARY SWITCH	1	919464-	X X X	REAR WIPER
29	R44342	NUT	1		X X X	

1674-8

ENGINE WIRING HARNESS FAISCEAU DE FILS MOTEUR ARNES DE ALAMBRADO DEL MOTOR

TX1005720 -UN-04APR06



TX1005720

THIS PARTS LISTING IS CONTINUED

1674-9

**ENGINE WIRING HARNESS
FAISCEAU DE FILS MOTEUR
ARNES DE ALAMBRADO DEL MOTOR**

KEY	PART NO.	PART NAME	QTY.	SERIAL NO.		REMARKS
					3 3	
					3 1 1	
					1 0 5	
					0 S S	
					G G G	
1	AT196261	WIRING HARNESS	1	-901683	X X X	(A) (SUB FOR AT185677) (ALSO ORDER AT196246)
	AT196261	WIRING HARNESS	1	901684-910055	X X X	(A)
	WIRING HARNESS	1	910056-926900	X X X	(A) (AT194862 NLA) (SUB AT304824) (ALSO ORDER AT304837, 57M7254, (2) R104846 AND (2) 57M7289)
	AT304824	WIRING HARNESS	1	926901-951252	X X	(A)
	AT304824	WIRING HARNESS	1	926901-XXXXXX	X	(A)
	AT332110	WIRING HARNESS	1	951253-	X X	(A) (SUB FOR AT308322)
	AT332110	WIRING HARNESS	1	XXXXXX-	X	(A) (SUB FOR AT308322)
	WIRING HARNESS	1	-901683	X X	(B) (AT199060 NLA) (SUB FOR AT185678, AT196262) (ALSO ORDER AT196246) (SUB AT304826) (ALSO ORDER AT304837, 57M7254, (2) R104846, (2) 57M7289)
	WIRING HARNESS	1	901684-910055	X X	(B) (AT199060 NLA) (SUB FOR AT196262) (SUB AT304826) (ALSO ORDER AT304837, 57M7254, (2) R104846, (2) 57M7289)
	AT304826	WIRING HARNESS	1	-910055	X X	(B)
	WIRING HARNESS	1	910056-926835	X X	(B) (AT194864 NLA) (SUB AT304825) (ALSO ORDER AT304837, 57M7254, (2) R104846, (2) 57M7289)
	AT304825	WIRING HARNESS	1	926836-951252	X X	(B)
	AT332114	WIRING HARNESS	1	951253-	X	(B) (SUB FOR AT308319)
	AT332114	WIRING HARNESS	1	XXXXXX-	X	(B) (SUB FOR AT308319)

(A) SYNCHRO-SHUTTLE TRANSMISSION
(A) TRANSMISSION DE SYNCHROSHUTTLE
(A) TRANSMISSION DEL SYNCHROSHUTTLE

(B) POWER SHIFT TRANSMISSION
(B) TRANSMISSION DE DECALAGE DE PUISSANCE
(B) TRANSMISSION DE CAMBIO DE ENERGIA

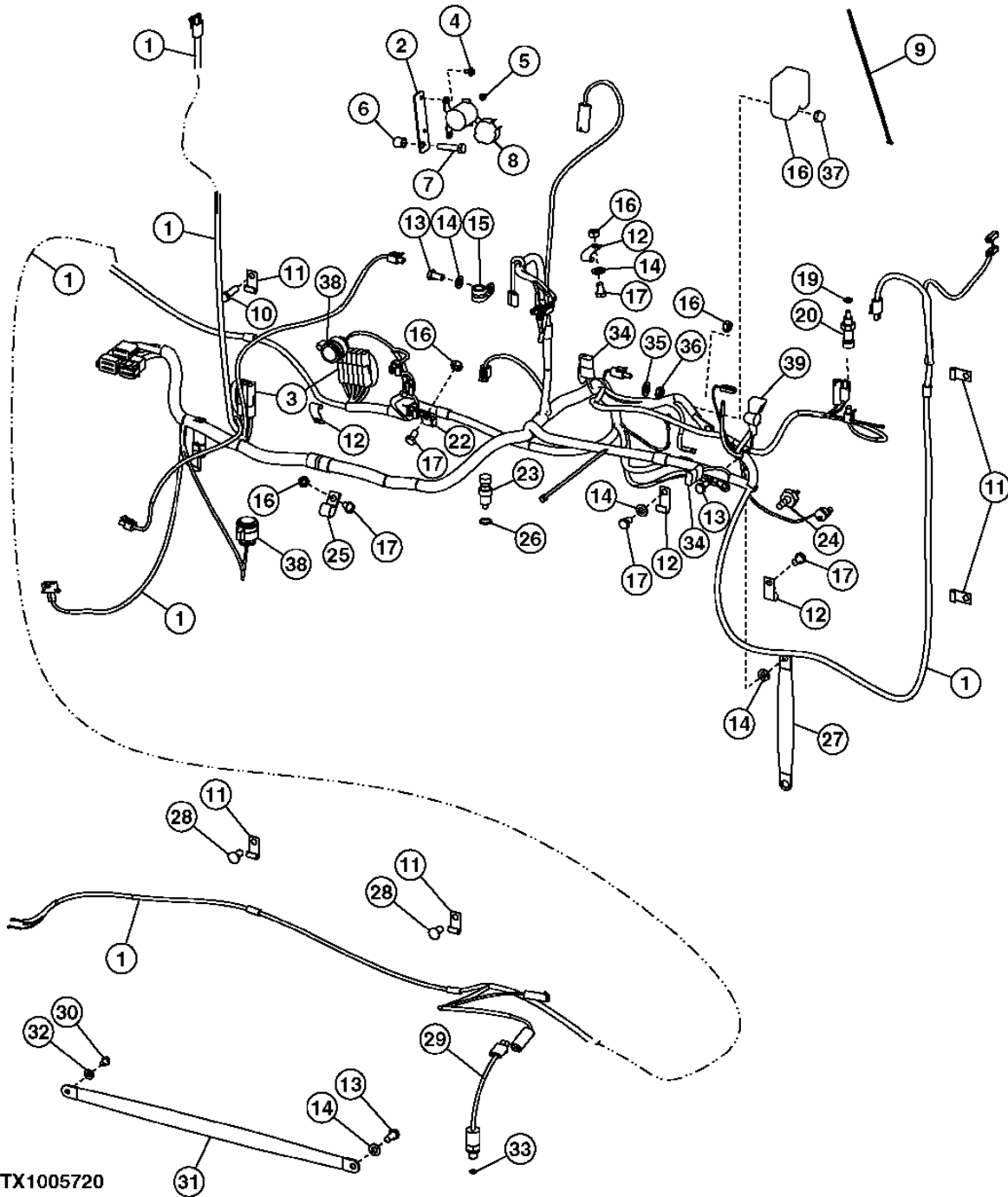
THIS PARTS LISTING IS CONTINUED

1674-9A

ENGINE WIRING HARNESS (CONTINUED)
FAISCEAU DE FILS MOTEUR (SUITE)
ARNES DE ALAMBRADO DEL MOTOR (CONTINUACION)

TX1005720

-UN-04APR06



TX1005720

THIS PARTS LISTING IS CONTINUED

1674-9B

VEHICLE ELECTRICAL SYSTEM 16

WIRING HARNESS AND SWITCHES 1674

ENGINE WIRING HARNESS (CONTINUED)
FAISCEAU DE FILS MOTEUR (SUITE)
ARNES DE ALAMBRADO DEL MOTOR (CONTINUACION)

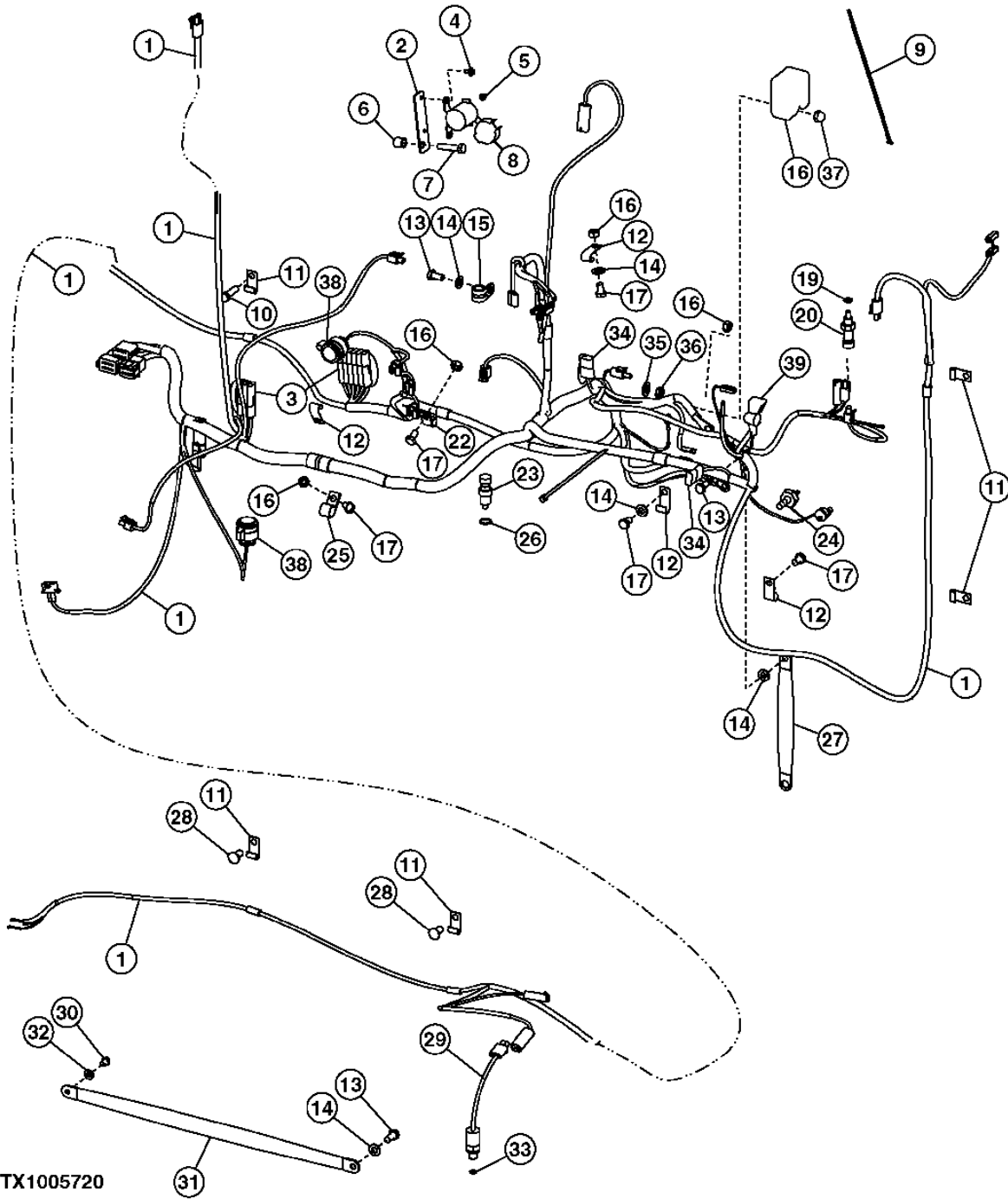
KEY	PART NO.	PART NAME	QTY.	SERIAL NO.	3 3 3 1 1 1 0 5 0 S S G G G	REMARKS
2	T184676	STRAP	1		X X X	
3	AR94101	DIODE	AR		X X X	DIFF LOCK, MFWD, PARK BRAKE, REVERSE, AND FORWARD SOLENOIDS
4	37H116	SCREW	2		X X X	
5	14M7272	NUT	2		X X X	M6
	24M7088	WASHER	2		X X X	
6	28H3381	SPACER	1		X X X	
7	19M7572	CAP SCREW	1		X X X	M10 X 45
8	AT141011	RELAY	1		X X X	
9	R44302	TIE BAND	2		X X X	
11	T19935	CLAMP	5		X X X	
12	AH89557	CLIP	4		X X X	
13	19M7938	CAP SCREW	2		X X X	M10 X 20
14	24M7239	WASHER	3		X X X	
15	T76252	CLAMP	1		X X X	
16	14M7274	NUT	4		X X X	M10, STARTER
17	19M7557	CAP SCREW	5		X X X	M10 X 16
18	R135431	COVER	1		X	
	R135431	COVER	1	-866615	X X	
19	51M7041	O-RING	1		X X X	
20	RE52722	SENSOR	1		X X X	ENGINE COOLANT TEMPERATURE
	51M7041	O-RING	1		X X X	
22	T75197	CLAMP	1		X X X	
23	AT183823	SENDER	1		X X X	TORQUE CONVERTER TEMPERATURE
24	AT85174	SWITCH	1		X X X	ENGINE OIL PRESSURE
25	T74416	CLAMP	1		X X X	

1674-9C

ENGINE WIRING HARNESS (CONTINUED)
FAISCEAU DE FILS MOTEUR (SUITE)
ARNES DE ALAMBRADO DEL MOTOR (CONTINUACION)

TX1005720

-UN-04APR06



TX1005720

THIS PARTS LISTING IS CONTINUED

1674-9D

VEHICLE ELECTRICAL SYSTEM 16

WIRING HARNESS AND SWITCHES 1674

**ENGINE WIRING HARNESS
FAISCEAU DE FILS MOTEUR
ARNES DE ALAMBRADO DEL MOTOR (CONTINUACION)**

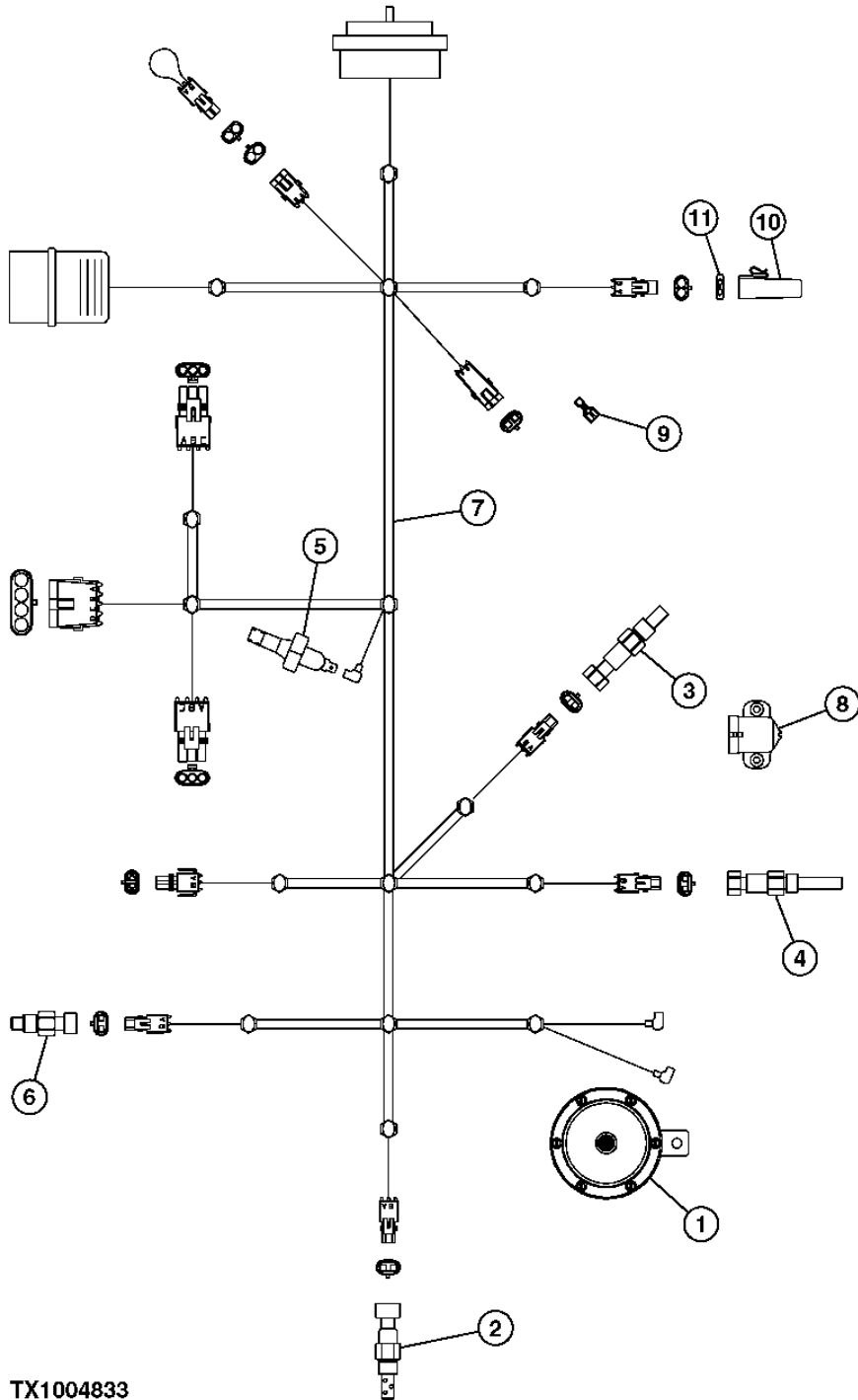
KEY	PART NO.	PART NAME	QTY.	SERIAL NO.	3 3 3 1 1 1 0 5 0 S S G G G	REMARKS
26	R26375	O-RING	1		X X X	
27	AT167399	GROUND CABLE	1		X X X	
28	MT2485	PLUG	3		X X X	FASTENER. (SUB FOR T161380)
29	AT159811	SWITCH	1		X X X	PARK BRAKE OIL PRESSURE
30	19M7008	CAP SCREW	1		X X X	M8 X 10
31	AT180705	GROUND CABLE	1		X X X	
32	24M7238	WASHER	1		X X X	
33	51M7039	O-RING	1		X X X	
34	AT103399	DIODE	2		X X X	ALTERNATOR, STARTER, A/C COMPRESSOR AND PARK BRAKE RELAY
35	24M7047	WASHER	1	-910055	X X X	(SYNCHRO-SHUTTLE TRANSMISSION)
	24M7047	WASHER	1		X X X	(POWER SHIFT TRANSMISSION)
36	14M7415	NUT	1		X X X	M12. (POWER SHIFT TRANSMISSION)
37	R135432	NUT	1		X	STARTER COVER
	R135432	NUT	1	-866615	X X	
38	AT180706	KIT	1		X X X	HARNESS CONNECTOR (16 PIN FEMALE END)
	CONNECTOR	6		X X X	(ORDER AT180706)
	SEAL	6		X X X	(ORDER AT180706)
	PLUG	14		X X X	(ORDER AT180706)
	CONNECTOR	1		X X X	(ORDER AT180706)
39	57M8131	RESISTOR NETWORK	1		X X X	CAN RESISTOR

1674-9E

ENGINE FRONT HARNESS (SN 910056-)
FAISCEAU AVANT DE MOTEUR (SN 910056-)
ARNES DELANTERO DEL MOTOR (SN 910056-)

TX1004833

-UN-15MAR06



TX1004833

1674-9F

VEHICLE ELECTRICAL SYSTEM 16

WIRING HARNESS AND SWITCHES 1674

ENGINE FRONT HARNESS (SN 910056-)
FAISCEAU AVANT DE MOTEUR (SN 910056-)
ARNES DELANTERO DEL MOTOR (SN 910056-)

KEY	PART NO.	PART NAME	QTY.	SERIAL NO.	REMARKS
1	AT226281	HORN	1		
2	RE61812	SENSOR	1		AIR TEMPERATURE
3	RE521822	KIT	1		FUEL/COOLANT TEMPERATURE
4	AH156144	COOLANT TEMPERATURE SENSOR	1		
5	AT85174	SWITCH	1		ENGINE OIL PRESSURE
6	RE519144	SENSOR	1		CAM/CRANKSHAFT (CRANKSHAFT POSITION SENSOR) (CRANKSHAFT SPEED SENSOR)
7	WIRING HARNESS	1		
8	RE56165	POTENTIOMETER	1		
9	AT190929	RESISTOR	1		
10	57M8487	ELECTRICAL CONNECTOR CAP	1		
11	57M7121	FUSE	1		(10 AMP)

1674-10

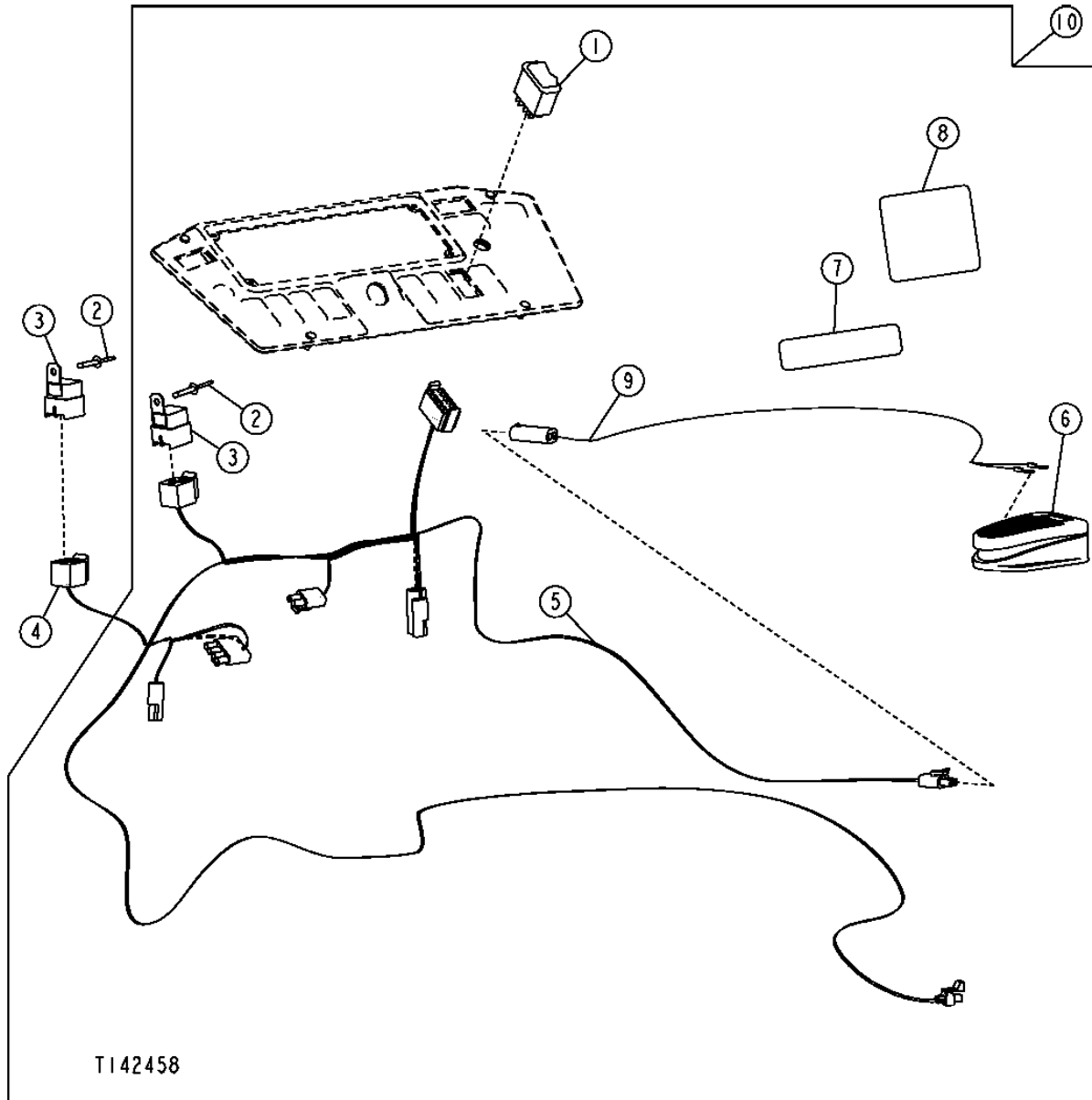
VEHICLE ELECTRICAL SYSTEM 16

WIRING HARNESS AND SWITCHES 1674

SELECTIVE FLOW CONTROL AND PUMP CONTROL WIRE HARNESS
COMMANDE DE DEBIT SELECTIF ET FAISCEAU DE FILS DE COMMANDE DE POMPE
ARNES DE ALAMBRADO DE CONTROL DE CAUDAL SELECTIVO Y CONTROL DE BOMBA

T142458

-UN-01JUN01



1674-11

VEHICLE ELECTRICAL SYSTEM 16

WIRING HARNESS AND SWITCHES 1674

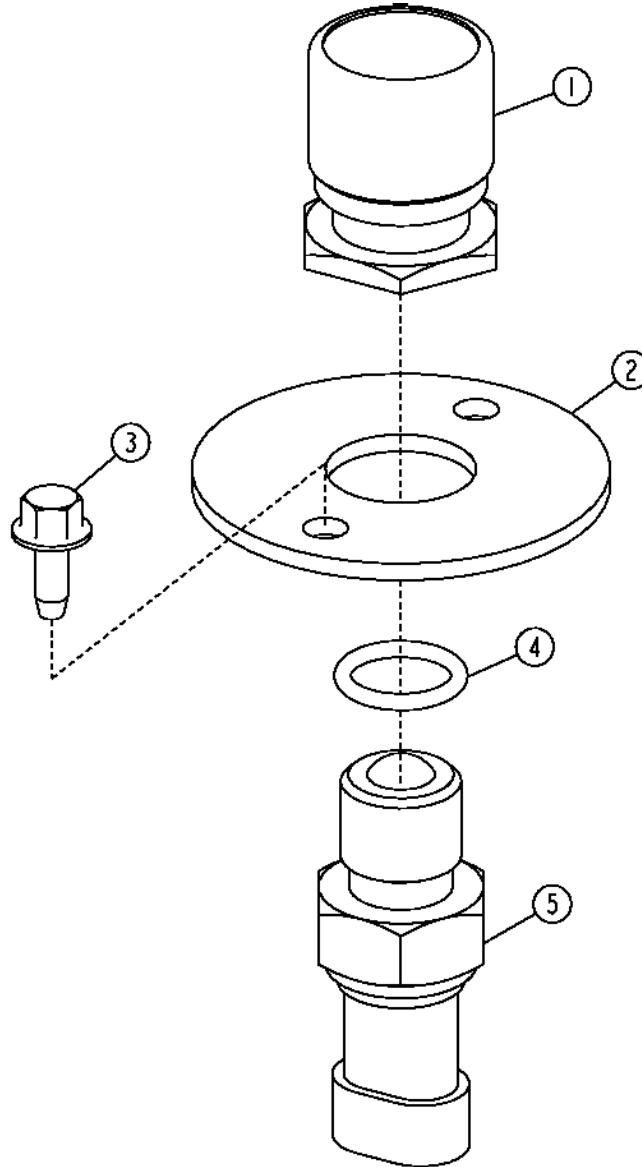
**SELECTIVE FLOW CONTROL AND PUMP CONTROL WIRE HARNESS
 COMMANDE DE DEBIT SELECTIF ET FAISCEAU DE FILS DE COMMANDE DE POMPE
 ARNES DE ALAMBRADO DE CONTROL DE CAUDAL SELECTIVO Y CONTROL DE BOMBA**

KEY	PART NO.	PART NAME	QTY.	SERIAL NO.	REMARKS
					3 3
					3 1 1
					1 0 5
					0 S S
					G G G
1	AT175604	SWITCH	1		X X X
2	T184345	RIVET	2		X X X 4.780 MM
3	AT75769	RELAY	2		X X X
4	AT189801	WIRING HARNESS	1		X X X PUMP CONTROL VALVE
5	AT187797	WIRING HARNESS	1		X X X FLOW CONTROL VALVE
6	AT82210	SWITCH	1		X X X
7	LABEL	1		X X X (AUXILIARY HYDRAULICS) (T149199 NLA)
8	T166538	LABEL	1		X X X (FLOW CONTROL)
9	AT156431	WIRING HARNESS	1		X X X
10	AT186689	KIT	1		X X X (WHOLE GOODS) (INCLUDES AT192384, AT190234, AT186297, AT191037, AT193881 AND AT300928) KIT ALSO INCLUDES TIE BOLTS. WHEN THIS KIT IS ADDED TO AN EXISTING 6 FUNCTION VALVE, ORDER (2) T159263 AND AT159264, 7 FUNCTION TIE BOLTS.

1674-12

DIFFERENTIAL LOCK SWITCH
INTERRUPTEUR DE BLOCAGE DU DIFFERENTIEL
INTERRUPTOR DE TRABA DEL DIFERENCIAL

TP58124 -UN-03OCT00



TP58124

1674-13

VEHICLE ELECTRICAL SYSTEM 16

WIRING HARNESS AND SWITCHES 1674

**DIFFERENTIAL LOCK SWITCH
INTERRUPTEUR DE BLOCAGE DU DIFFERENTIEL
INTERRUPTOR DE TRABA DEL DIFERENCIAL**

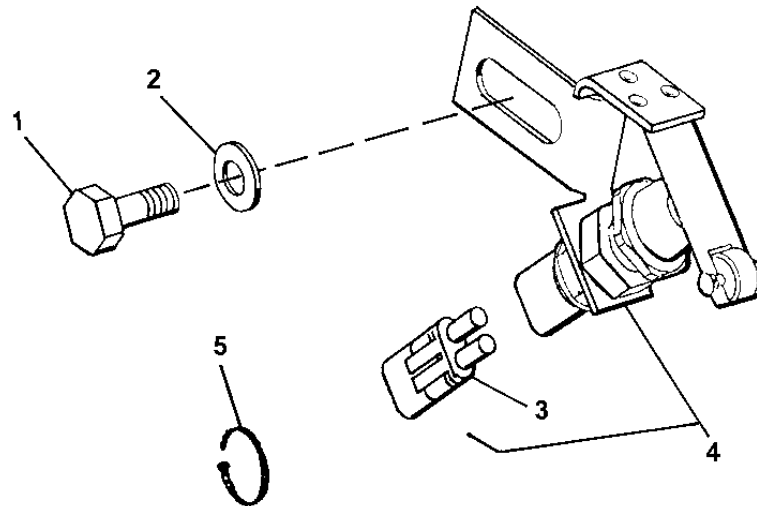
KEY	PART NO.	PART NAME	QTY.	SERIAL NO.	REMARKS
					3 3
					3 1 1
					1 0 5
					0 S S
					G G G
1	RE43637	ACTUATOR	1		X X X
2	T186024	PLATE	1		X X X
3	37M7059	SCREW	2		X X X M5 X 12
4	51M7042	O-RING	1		X X X
5	RE46534	SWITCH	1		X X X

1674-14

VEHICLE ELECTRICAL SYSTEM 16
WIRING HARNESS AND SWITCHES 1674

RETURN-TO-DIG SWITCH
INTERRUPTEUR DE RETOUR EN POSITION DE CREUSEMENT
INTERRUPTOR DEL RETORNO A EXCAVAR

T144515 -UN-14AUG01



T144515

KEY	PART NO.	PART NAME	QTY.	SERIAL NO.	REMARKS
1	19M8017	CAP SCREW	1		X X X M12 X 20
2	24M7047	WASHER	1		X X X 13 X 24 X 2.500 MM
3	RE12363	ELECTRICAL CONNECTOR ASSY	1		X X X
4	AT183246	SWITCH	1		X X X
5	R44302	TIE BAND	AR		X X X

1674-15

VEHICLE ELECTRICAL SYSTEM 16
WIRING HARNESS AND SWITCHES 1674

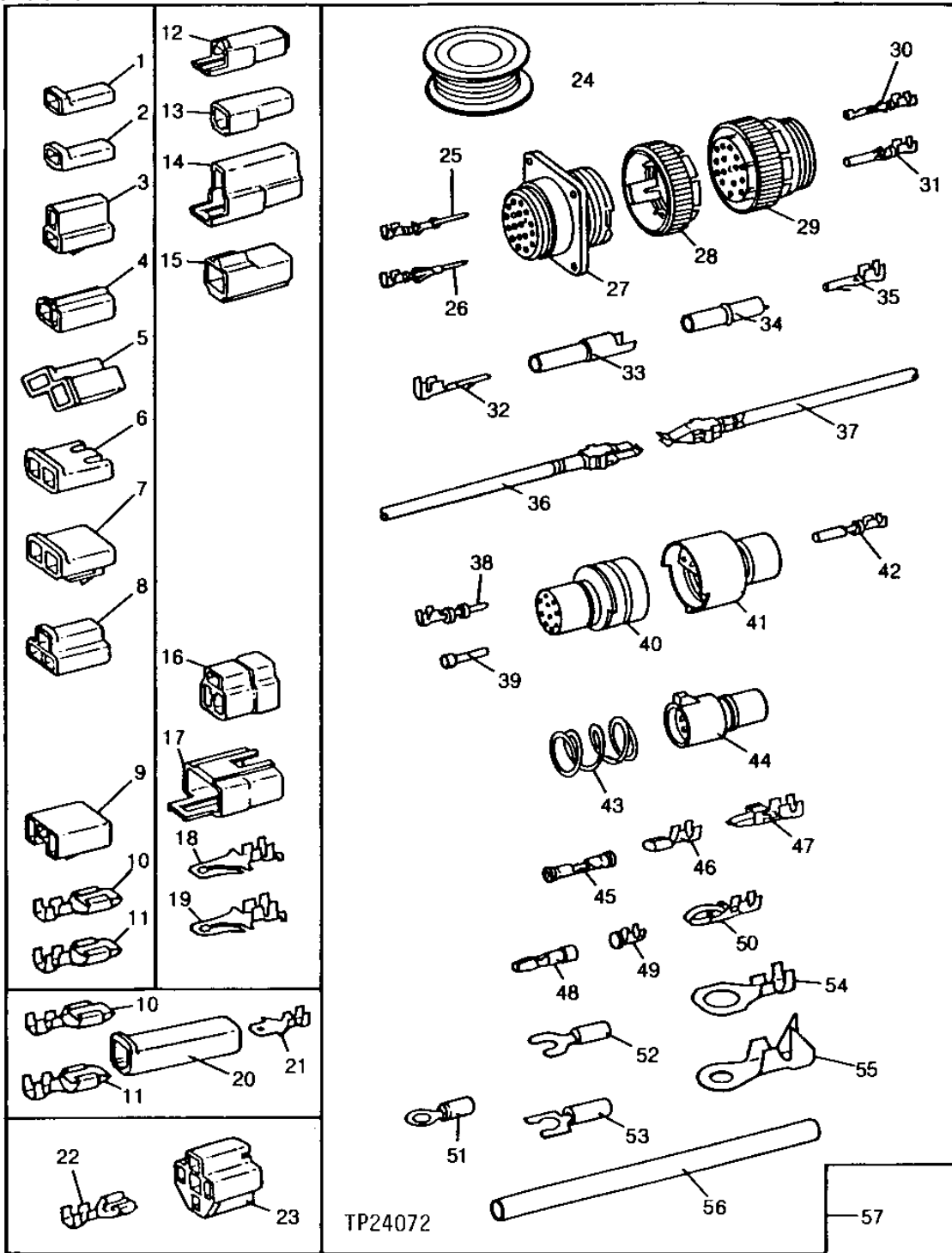
MEMORANDA
MEMORANDA
MEMORANDA

1674-16

WIRE LEAD KIT MOYEU DE ROUE CUBO DE RUEDA

TP24072

-UN-01JAN94



1674-17

**WIRE LEAD KIT
MOYEU DE ROUE
CUBO DE RUEDA**

KEY	PART NO.	PART NAME	QTY.	SERIAL NO.	REMARKS
					3 3
					3 1 1
					1 0 5
					0 S S
					G G G
1	T28583	ELEC. CONNECTOR HOUSING	1		X X X (B) PKG=3
2	M43835	ELECTRICAL CONNECTOR ASSY	1		X X X (B) PKG=3
3	R77476	ELECTRICAL CONNECTOR ASSY	1		X X X (A) PKG=2
4	R77477	ELEC. CONNECTOR HOUSING	1		X X X (A) PKG=2
5	R77479	ELECTRICAL CONNECTOR ASSY	1		X X X (A) PKG=2
6	R77480	ELECTRICAL CONNECTOR ASSY	1		X X X (A) PKG=2
7	R77481	ELECTRICAL CONNECTOR ASSY	1		X X X (A) PKG=2
8	R77482	ELECTRICAL CONNECTOR ASSY	1		X X X
9	H104855	ELECTRICAL CONNECTOR ASSY	1		X X X
10	U46662	ELEC. CONNECTOR TERMINAL	1		X X X (E) (F) PKG=25
11	N115096	TERMINAL	1		X X X (C) (D) PKG=15
12	T28585	ELECTRICAL CONNECTOR ASSY	1		X X X (B) PKG=3
13	R77475	ELECTRICAL CONNECTOR ASSY	1		X X X (B) PKG=3
14	T28586	ELECTRICAL CONNECTOR ASSY	1		X X X (A) PKG=2
15	R77478	ELECTRICAL CONNECTOR ASSY	1		X X X (A) PKG=2
16	R77483	ELECTRICAL CONNECTOR ASSY	1		X X X
17	R48887	ELECTRICAL CONNECTOR ASSY	1		X X X
18	T34067	ELEC. CONNECTOR TERMINAL	1		X X X (E) (F) PKG=25
19	R77484	ELEC. CONNECTOR TERMINAL	1		X X X (C) (D) PKG=15
20	U46370	ELECTRICAL CONNECTOR ASSY	1		X X X (B) PKG=3
21	R77485	ELEC. CONNECTOR TERMINAL	1		X X X (E) (F) PKG=10
22	R77486	ELEC. CONNECTOR TERMINAL	1		X X X (E) (F) PKG=25
23	R77487	ELECTRICAL CONNECTOR ASSY	1		X X X (B) PKG=3
24	R66321	WIRING LEAD	1		X X X (C) 15M (50')
	R66320	WIRING LEAD	1		X X X (D) 30.5M (100')
	R77501	WIRE	1		X X X (E) 30.5M (100')
	R77500	WIRE	1		X X X (F) 30.5M (100')
	R77499	WIRE	1		X X X (G) 30.5M (100')
	R77498	WIRE	1		X X X (H) 30.5M (100')
25	R77462	ELEC. CONNECTOR TERMINAL	1		X X X (H) (I) (J) PKG=40
26	R77464	ELEC. CONNECTOR TERMINAL	1		X X X (H) PKG=50
27	R77456	ELEC. CONNECTOR TERMINAL	1		X X X (37 WAY)
28	R77458	ELEC.CONNECT LOCKING DEVICE	1		X X X (A) PKG=2, (SIZE 23)
	R77459	ELEC.CONNECT LOCKING DEVICE	1		X X X (A) PKG=2, (SIZE 17)
	R77460	ELEC.CONNECT LOCKING DEVICE	1		X X X (A) PKG=2, (SIZE 13)
	R77461	ELEC.CONNECT LOCKING DEVICE	1		X X X (A) PKG=2, (SIZE 11)
29	R77457	ELEC. CONNECTOR TERMINAL	1		X X X (37 WAY)
30	R77463	ELEC. CONNECTOR TERMINAL	1		X X X (H) (I) (J) PKG=40
31	R77465	ELEC. CONNECTOR TERMINAL	1		X X X (H) PKG=50
32	R77468	ELEC. CONNECTOR TERMINAL	1		X X X PKG=5
33	R77466	ELECTRICAL CONNECTOR ASSY	1		X X X (A) PKG=2
34	R77467	ELECTRICAL CONNECTOR ASSY	1		X X X (A) PKG=2

- | | | |
|---------------------|---------------------|---------------------|
| (A) 6 GAUGE | (B) 8 GAUGE | (C) 10 GAUGE |
| (A) CALIBRE 6 | (B) CALIBRE 8 | (C) CALIBRE 10 |
| (A) ANCHO DE VIA 6 | (B) ANCHO DE VIA 8 | (C) ANCHO DE VIA 10 |
| (D) 12 GAUGE | (E) 14 GAUGE | (F) 16 GAUGE |
| (D) CALIBRE 12 | (E) CALIBRE 14 | (F) CALIBRE 16 |
| (D) ANCHO DE VIA 12 | (E) ANCHO DE VIA 14 | (F) ANCHO DE VIA 16 |
| (G) 18 GAUGE | (H) 20 GAUGE | (I) 22 GAUGE |
| (G) CALIBRE 18 | (H) CALIBRE 20 | (H) CALIBRE 22 |
| (G) ANCHO DE VIA 18 | (H) ANCHO DE VIA 20 | (I) ANCHO DE VIA 22 |
| (J) 24 GAUGE | | |
| (J) CALIBRE 24 | | |
| (J) ANCHO DE VIA 24 | | |

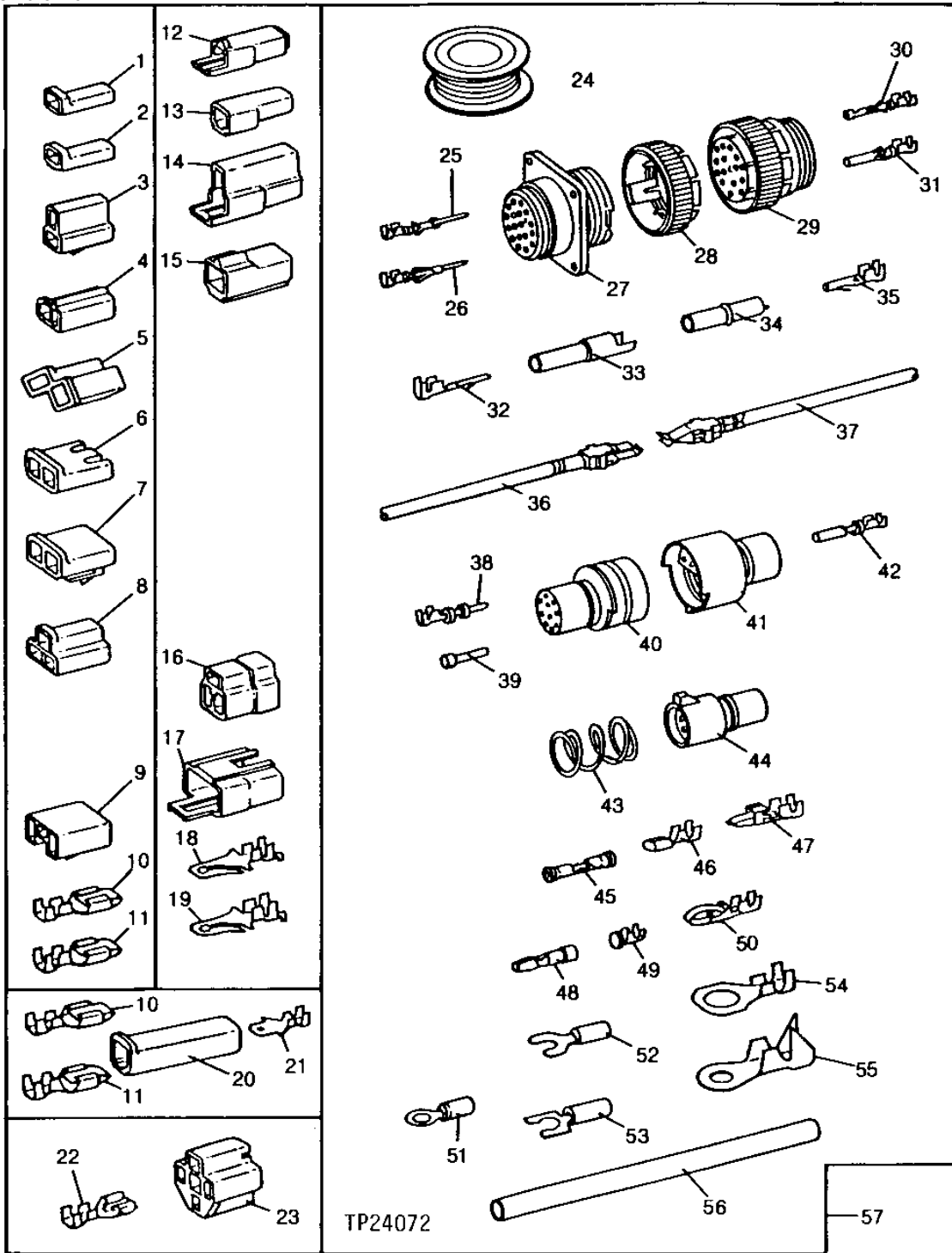
THIS PARTS LISTING IS CONTINUED

1674-18

WIRE LEAD KIT (CONTINUED)
MOYEU DE ROUE (SUITE)
CUBO DE RUEDA (CONTINUACION)

TP24072

-UN-01JAN94



1674-19

**WIRE LEAD KIT (CONTINUED)
MOYEU DE ROUE (SUITE)
CUBO DE RUEDA (CONTINUACION)**

KEY	PART NO.	PART NAME	QTY.	SERIAL NO.	REMARKS
					3 3
					3 1 1
					1 0 5
					0 S S
					G G G
35	R77469	ELEC. CONNECTOR TERMINAL	1		X X X PKG=5
36	RE11156	ELEC. CONNECTOR TERMINAL	1		X X X (B) (MALE) PKG=3
37	RE11157	ELEC. CONNECTOR TERMINAL	1		X X X (B) (FEMALE) PKG=3
38	R70222	ELEC. CONNECTOR TERMINAL	1		X X X (E) (F) (G) PKG=20
39	R70221	ELEC. CONNECTOR TERMINAL	1		X X X (E) PKG=25
40	R70219	PLUG	1		X X X (A) (10 WAY) PKG=2
	R70217	PLUG	1		X X X (A) (7 WAY) PKG=2
	R70215	PLUG	1		X X X (A) (4 WAY) PKG=2
	R70213	ELEC. CONNECTOR HOUSING	1		X X X (A) (3 WAY) PKG=2
41	R70211	ELECTRICAL CONNECTOR ASSY	1		X X X (A) (2 WAY) PKG=2
	R70218	ELEC. CONNECTOR TERMINAL	1		X X X (A) (10 WAY) PKG=2
	R70216	ELEC. CONNECTOR TERMINAL	1		X X X (A) (7 WAY) PKG=2
	R70214	ELEC. CONNECTOR TERMINAL	1		X X X (A) (4 WAY) PKG=2
	R70212	ELEC. CONNECTOR TERMINAL	1		X X X (A) (3 WAY) PKG=2
	R70210	ELEC. CONNECTOR TERMINAL	1		X X X (A) (2 WAY) PKG=2
42	AR91793	ELEC. CONNECTOR TERMINAL	1		X X X (D) PKG=20
43	R30378	SPRING	1		X X X (C) PKG=10
44	R77474	ELECTRICAL CONNECTOR ASSY	1		X X X (A) (6 WAY) PKG=2
45	R77470	ELEC. CONNECTOR TERMINAL	1		X X X (F) (G) (H) (I) (J) SPLICE PKG=15
	R77471	ELEC. CONNECTOR TERMINAL	1		X X X (C) (D) SPLICE PKG=10
	R77472	ELEC. CONNECTOR TERMINAL	1		X X X (B) SPLICE PKG=2
	R77473	ELEC. CONNECTOR TERMINAL	1		X X X (A) SPLICE PKG=2
46	R65607	ELEC. CONNECTOR TERMINAL	1		X X X (G) (H) PKG=10
47	U46664	ELEC. CONNECTOR TERMINAL	1		X X X (E) (F) PKG=10
48	R32026	ELEC. CONNECTOR TERMINAL	1		X X X (E) (F) PKG=20
49	R65602	ELEC. CONNECTOR TERMINAL	1		X X X (F) (G) PKG=10
50	R70220	ELEC. CONNECTOR TERMINAL	1		X X X (H) (I) PKG=10
51	R77489	ELEC. CONNECTOR TERMINAL	1		X X X (E) (F) (G) (H) (NO. 10 EYELET) PKG=20
	R77493	ELEC. CONNECTOR TERMINAL	1		X X X (C) (D) (NO. 10 EYELET) PKG=20
	R77488	ELEC. CONNECTOR TERMINAL	1		X X X (E) (F) (G) (H) (3/8" EYELET) PKG=20
	R77490	ELEC. CONNECTOR TERMINAL	1		X X X (C) (D) (1/2" EYELET) PKG=20
52	R77496	ELEC. CONNECTOR TERMINAL	1		X X X (E) (F) (NO. 8 SPADE) PKG=20
	R77495	ELEC. CONNECTOR TERMINAL	1		X X X (G) (NO. 10 SPADE) PKG=20
53	R77497	ELEC. CONNECTOR TERMINAL	1		X X X (E) (F) (NO. 6 SPADE) PKG=20
54	R77491	ELEC. CONNECTOR TERMINAL	1		X X X (C) (D) (3/8" EYELET) PKG=20
	R77492	ELEC. CONNECTOR TERMINAL	1		X X X (C) (D) (1/4" EYELET) PKG=20
55	R77494	ELEC. CONNECTOR TERMINAL	1		X X X (A) (B) (1/4" EYELET) PKG=20
56	R77502	TUBE	1		X X X PKG=8 (3/8" HEAT SHRINK)
	R77503	TUBE	1		X X X PKG=8 (3/16" HEAT SHRINK)
57	TY26194	KIT	1		X X X (SUB FOR RE11154) (SUB FOR PM797NA)

(A) 6 GAUGE
(A) CALIBRE 6
(A) ANCHO DE VIA 6

(B) 8 GAUGE
(B) CALIBRE 8
(B) ANCHO DE VIA 8

(C) 10 GAUGE
(C) CALIBRE 10
(C) ANCHO DE VIA 10

(D) 12 GAUGE
(D) CALIBRE 12
(D) ANCHO DE VIA 12

(E) 14 GAUGE
(E) CALIBRE 14
(E) ANCHO DE VIA 14

(F) 16 GAUGE
(F) CALIBRE 16
(F) ANCHO DE VIA 16

(G) 18 GAUGE
(G) CALIBRE 18
(G) ANCHO DE VIA 18

(H) 20 GAUGE
(H) CALIBRE 20
(H) ANCHO DE VIA 20

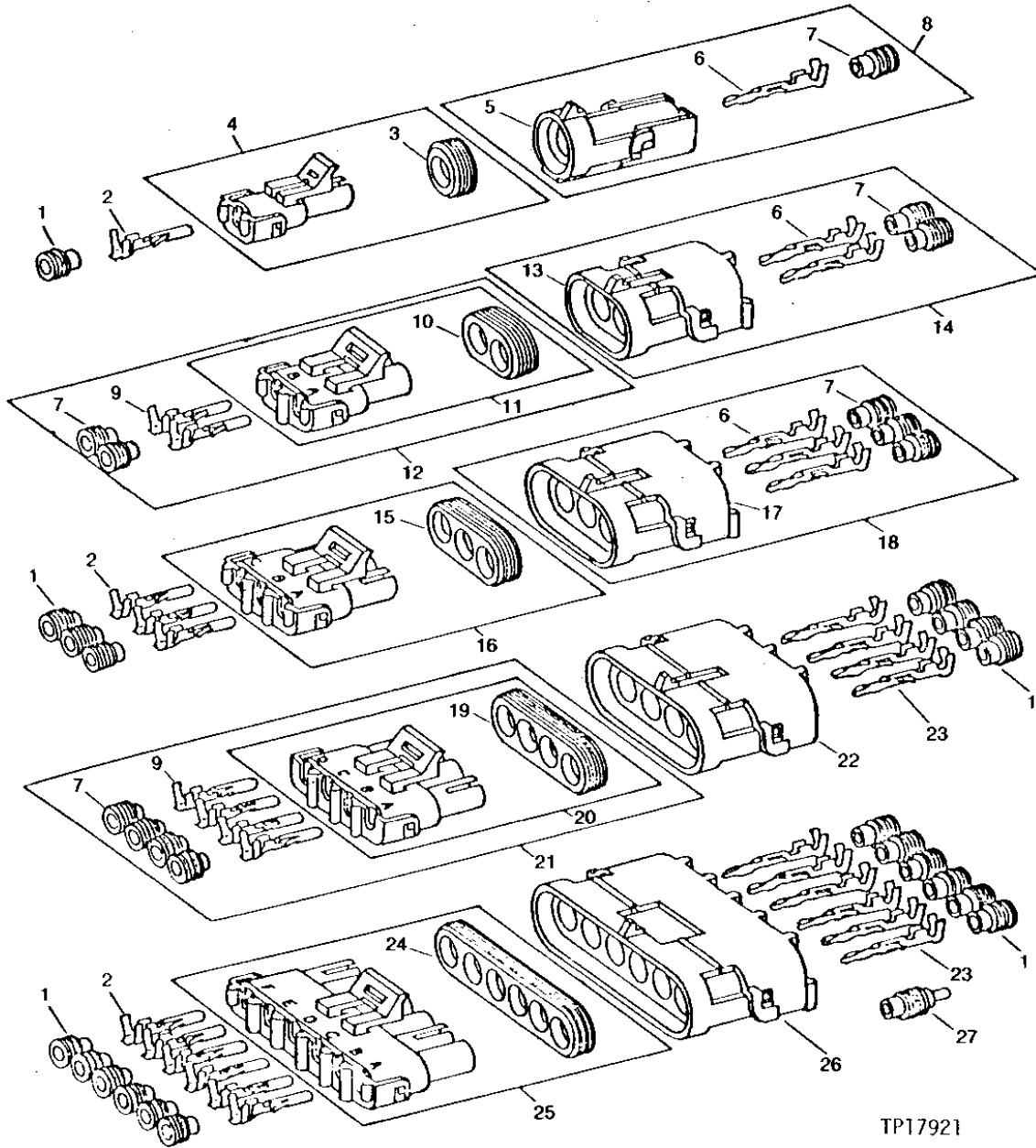
(I) 22 GAUGE
(I) CALIBRE 22
(I) ANCHO DE VIA 22

(J) 24 GAUGE
(J) CALIBRE 24
(J) ANCHO DE VIA 24

1674-20

WEATHERPACK TERMINALS AND CONNECTORS COSSES ET CONNECTEURS WEATHERPACK TERMINALES Y CONEXIONES WEATHERPACK

TP17921 -UN-01JAN94



TP17921

1674-21

VEHICLE ELECTRICAL SYSTEM 16

WIRING HARNESS AND SWITCHES 1674

**WEATHERPACK TERMINALS AND CONNECTORS
COSSES ET CONNECTEURS WEATHERPACK
TERMINALES Y CONEXIONES WEATHERPACK**

KEY	PART NO.	PART NAME	QTY.	TRACTOR SERIAL NO.	REMARKS
				3 3	
				3 1 1	
				1 0 5	
				0 S S	
				G G G	
1	R78063	ELEC. CONNECTOR SEAL	1		X X X (B) (GRAY) PKG=40
	R78059	ELEC. CONNECTOR SEAL	1		X X X (C) (D) (GREEN) PKG=40
	R78062	ELEC. CONNECTOR ACCESSORY	1		X X X (A) (BLUE) PKG=40
2	R78057	ELEC. CONNECTOR TERMINAL	1		X X X (C) (D) (NO. 19) PKG=40
	R78060	ELEC. CONNECTOR TERMINAL	1		X X X (A) (B) (NO. 15) PKG=40
3	R78047	SEAL	1		X X X PKG=5
4	RE12362	ELECTRICAL CONNECTOR ASSY	1		X X X PKG=3
5	R78052	ELECTRICAL CONNECTOR ASSY	1		X X X PKG=3
6	R78061	ELEC. CONNECTOR TERMINAL	1		X X X (A) (B) (NO. 15) PKG=40
7	R78063	ELEC. CONNECTOR SEAL	1		X X X (B) (GRAY) PKG=40
8	RE12334	ELECTRICAL CONNECTOR ASSY	1		X X X
9	R78060	ELEC. CONNECTOR TERMINAL	1		X X X (A) (B) (NO. 15) PKG=40
10	R78048	ELEC. CONNECTOR ACCESSORY	1		X X X PKG=5
11	RE12363	ELECTRICAL CONNECTOR ASSY	1		X X X PKG=3
12	RE12331	ELECTRICAL CONNECTOR ASSY	1		X X X
13	R78053	ELECTRICAL CONNECTOR ASSY	1		X X X PKG=3
14	RE12330	ELECTRICAL CONNECTOR ASSY	1		X X X
15	R78049	SEAL	1		X X X PKG=5
16	RE12364	ELECTRICAL CONNECTOR ASSY	1		X X X PKG=3
17	R78054	ELECTRICAL CONNECTOR ASSY	1		X X X PKG=3
18	RE12332	ELECTRICAL CONNECTOR ASSY	1		X X X
19	R78050	SEAL	1		X X X PKG=5
20	RE12365	ELECTRICAL CONNECTOR ASSY	1		X X X PKG=2
21	RE12333	ELECTRICAL CONNECTOR ASSY	1		X X X
22	R78055	ELECTRICAL CONNECTOR ASSY	1		X X X PKG=2
23	R78061	ELEC. CONNECTOR TERMINAL	1		X X X (NO. 15) PKG=40
	R78058	ELEC. CONNECTOR TERMINAL	1		X X X (C) (D) (NO. 19) PKG=40
24	R78051	SEAL	1		X X X PKG=5
25	RE12366	ELECTRICAL CONNECTOR ASSY	1		X X X PKG=2
26	R78056	ELECTRICAL CONNECTOR ASSY	1		X X X PKG=2
27	R78064	ELEC. CONNECTOR CAVITY PLUG	1		X X X PKG=40

(A) 14 GAUGE
(A) CALIBRE 14
(A) ANCHO DE VIA 14

(B) 16 GAUGE
(B) CALIBRE 16
(B) ANCHO DE VIA 16

(C) 18 GAUGE
(C) CALIBRE 18
(C) ANCHO DE VIA 18

(D) 20 GAUGE
(D) CALIBRE 20
(D) ANCHO DE VIA 20

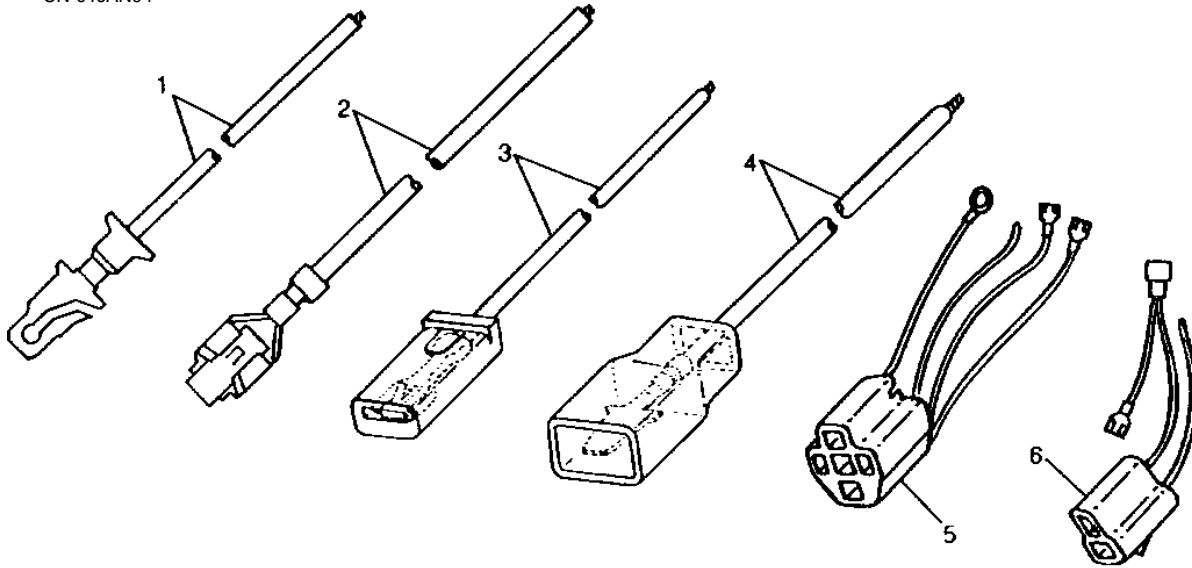
1674-22

VEHICLE ELECTRICAL SYSTEM 16

WIRING HARNESS AND SWITCHES 1674

SUPPLEMENTARY TERMINALS, CONNECTORS AND REPAIR CONDUIT
BORNES SUPPLEMENTAIRES, CONNECTEURS ET CONDUIT DE REPARATION
BORNES SUPLEMENTARIOS, CONECTORES Y CONDUCTO DE REPUESTO

TP24539 -UN-01JAN94



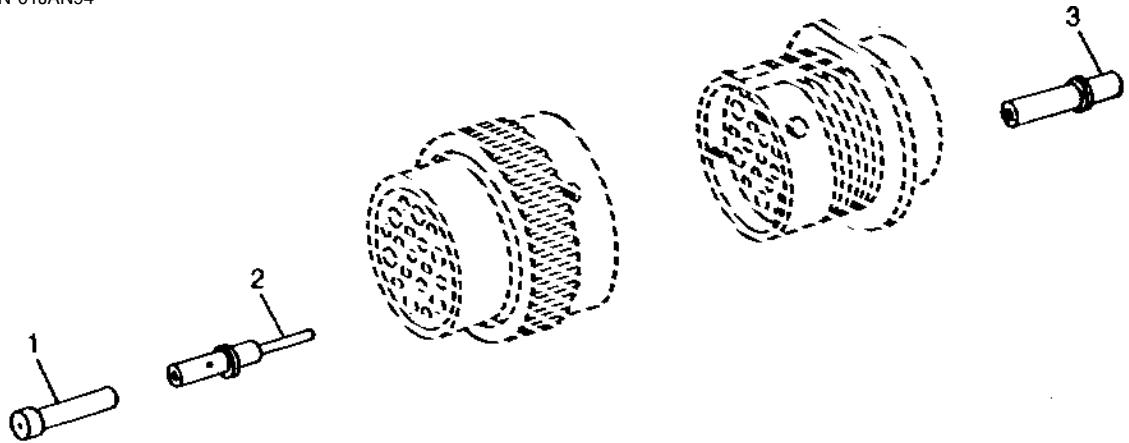
TP24539

KEY	PART NO.	PART NAME	QTY.	SERIAL NO.	REMARKS
				3 3	
				3 1 1	
				1 0 5	
				0 S S	
				G G G	
1	AR65005	ELEC. CONNECTOR TERMINAL	1		X X X
2	AR65006	ELEC. CONNECTOR TERMINAL	1		X X X
3	R32024	WIRING LEAD	1		X X X
4	R32025	WIRING LEAD	1		X X X
5	RE21730	ELECTRICAL CONNECTOR ASSY	1		X X X (ILLUSTRATED)
	RE21731	ELECTRICAL CONNECTOR ASSY	1		X X X
6	RE21732	ELECTRICAL CONNECTOR ASSY	1		X X X
	R93219	CONDUIT	1		X X X 0.3 X 3048 MM (1/4" X 120")
	R93220	CONDUIT	1		X X X 10.4 X 2048 MM (13/32" X 120")
	R93221	CONDUIT	1		X X X 15.9 X 3048 MM (5/8" X 120")
	R93222	CONDUIT	1		X X X 25.4 X 3048 MM (1" X 120")

1674-23

DEUTSCH TERMINALS
BORNES DEUTSCH
TERMINALES DE DEUTSCH

TP24540 -UN-01JAN94



TP24540

KEY	PART NO.	PART NAME	QTY.	SERIAL NO.	REMARKS
				3 3	
				3 1 1	
				1 0 5	
				0 S S	
				G G G	
1	R78069	ELEC. CONNECTOR TERMINAL	3	X X X	(PKG = 40)
2	R78066	ELEC. CONNECTOR TERMINAL	14	X X X	(B) (PKG = 40)
	R78068	ELEC. CONNECTOR TERMINAL	4	X X X	(A) (PKG = 40)
3	R78065	ELEC. CONNECTOR TERMINAL	14	X X X	(B) (PKG = 40)
	R78067	ELEC. CONNECTOR TERMINAL	4	X X X	(A) (PKG = 40)

(A) 12 OR 14 GAUGE
(A) CALIBRE 12 OU 14
(A) ANCHO DE VIA 12 O 14

(B) 16 OR 18 GAUGE
(B) CALIBRE 16 OU 18
(B) ANCHO DE VIA 16 O 18

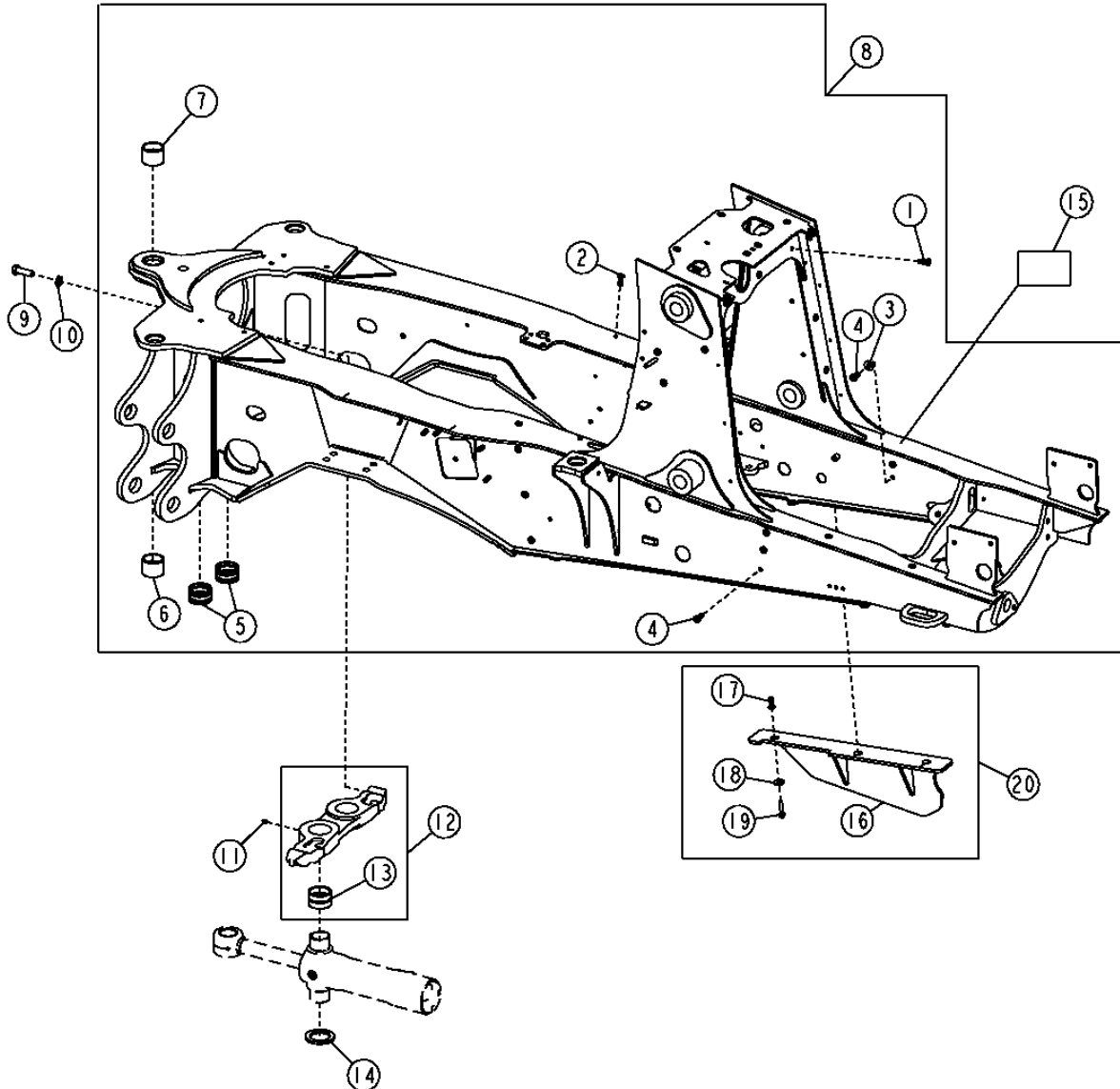
1740-2

FRAME CHASSIS OR SUPPORTING STRUCTURE 17

FRAME INSTALLATION 1740

MAIN FRAME (310G, 310SG)
CHASSIS PRINCIPAL (310G, 310SG)
BASTIDOR PRINCIPAL (310G, 310SG)

T214536 -UN-21SEP05



T214536

THIS PARTS LISTING IS CONTINUED

1740-3

FRAME CHASSIS OR SUPPORTING STRUCTURE 17

FRAME INSTALLATION 1740

MAIN FRAME (310G, 310SG)
 CHASSIS PRINCIPAL (310G, 310SG)
 BASTIDOR PRINCIPAL (310G, 310SG)

KEY	PART NO.	PART NAME	QTY.	SERIAL NO.	3 3 3 1 1 1 0 5 0 S S G G G	REMARKS
1	T148410	NUT	20		X	M10, 8MM PLATE
	T148410	NUT	17		X	M10, 8MM PLATE
2	T148411	NUT	7		X	M10, 10MM PLATE
	T148411	NUT	16		X	M10, 10MM PLATE
3	24H1211	WASHER	5		X	
4	T148409	NUT	23		X X	M10, 6MM PLATE
5	T147070	BUSHING	2		X X	
6	T148313	BUSHING	1		X	
	T154621	BUSHING	1		X	
7	T159832	BUSHING	1	-901551	X	
	T148313	BUSHING	1	901552-	X	
	T154621	BUSHING	1		X	
8	AT197231	MAIN FRAME	1		X	CONVENIENCE ASSY, (ALSO ORDER T146102) (SUB FOR AT184777 AND AT197232)
	AT197247	MAIN FRAME	1		X	CONVENIENCE ASSY, (ALSO ORDER T146102) (SUB FOR AT183899 AND AT197248)
9	19M8224	CAP SCREW	4		X X	M20 X 60
10	T83426	WASHER	4		X X	
11	T162396	LUBRICATION FITTING	6		X X	
12	AT169804	TRUNNION	1		X X	
13	T153303	BUSHING	2		X X	
14	T148387	WASHER	2		X X	
15	T146102	LABEL	1		X X	BYPASS STARTING WARNING
16	AT315263	GUARD	1		X X	
17	T148410	NUT	3		X X	
18	24M7226	WASHER	3		X X	
19	19M7806	SCREW	3		X X	
20	AT323348	KIT	1		X X	MFWD GUARD (WHOLE GOODS)

1740-4

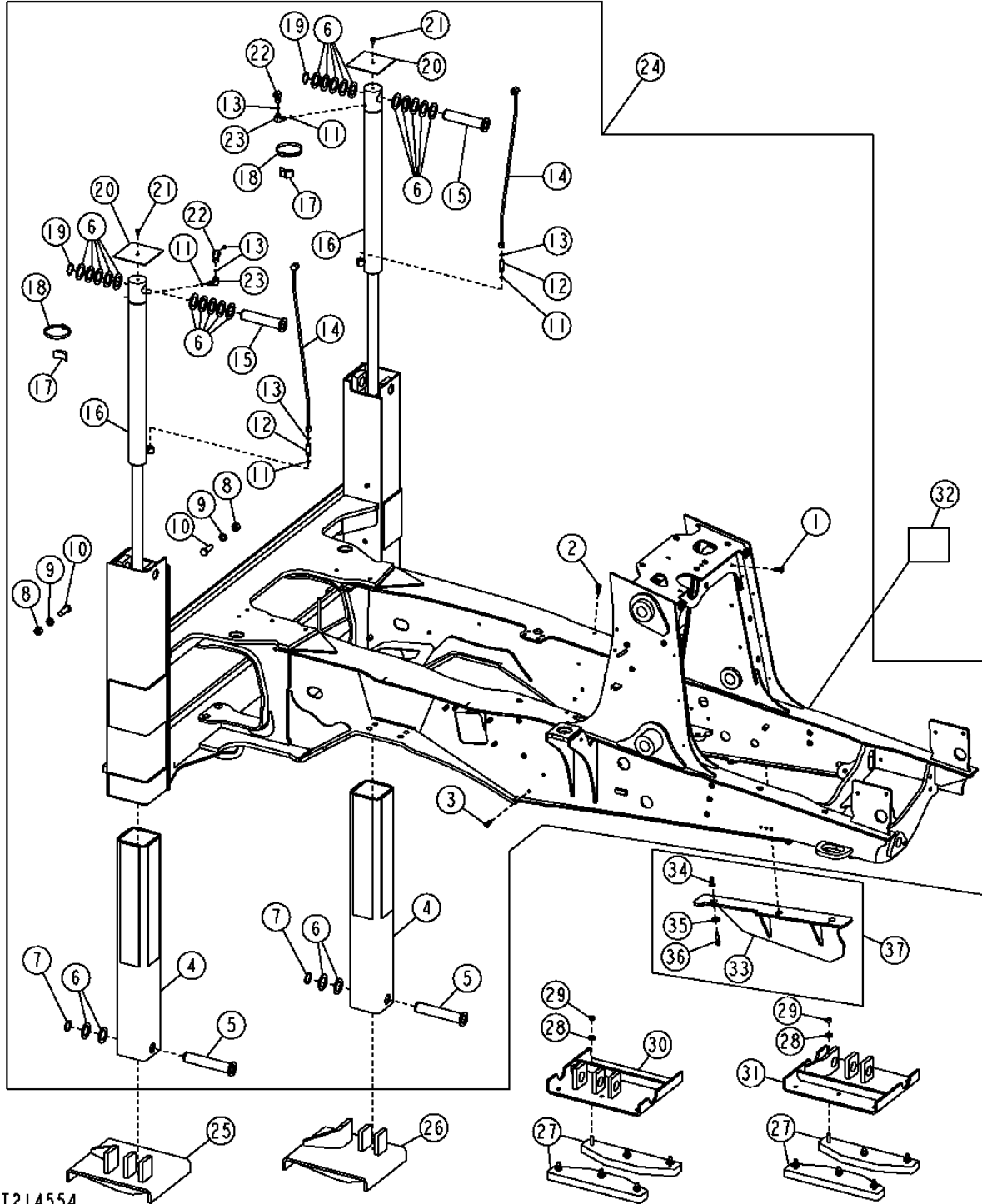
FRAME CHASSIS OR SUPPORTING STRUCTURE 17

FRAME INSTALLATION 1740

MAIN FRAME WITH STABILIZER (315SG)
CHASSIS PRINCIPAL AVEC STABILISATEUR (315SG)
CHASIS PRINCIPAL CON ESTABILIZADOR (315SG)

T214554

-UN-20SEP05



T214554

THIS PARTS LISTING IS CONTINUED

1740-5

FRAME CHASSIS OR SUPPORTING STRUCTURE 17

FRAME INSTALLATION 1740

**MAIN FRAME WITH STABILIZER (315SG)
CHASSIS PRINCIPAL AVEC STABILISATEUR (315SG)
CHASIS PRINCIPAL CON ESTABILIZADOR (315SG)**

KEY	PART NO.	PART NAME	QTY.	SERIAL NO.	3 3 3 1 1 1 0 5 0 S S G G G	REMARKS
1	T148410	NUT	18		X	M10
2	T148411	NUT	7		X	M10
3	T148409	NUT	23		X	M10
4	AT145849	ARM	2		X	
5	AT186254	PIN	2		X	
6	24H1571	WASHER	24		X	
7	U12167	SNAP RING	2		X	
8	14M7277	NUT	2		X	M20
9	14M7335	NUT	2		X	M20
10	19M8002	CAP SCREW	2		X	M20 X 55
11	R26448	O-RING	4		X	
12	38H1160	ADAPTER FITTING	2	-944155	X	
	38H1212	ADAPTER FITTING	2	944156-	X	
13	T77613	O-RING	2		X	
14	AT178683	LINE	2		X	
15	AT135084	PIN FASTENER	2		X	
16	AH211348	HYDRAULIC CYLINDER	2		X	(SUB FOR AH154788)
17	T181801	CLAMP	2		X	(SUB FOR T101624, THIS APPLICATION)
18	AR21842	CLAMP	2		X	
19	40M7180	SNAP RING	2		X	
20	T126013	STRAP	2		X	
21	19M8324	CAP SCREW	2		X	M10 X 16
22	38H1094	ELBOW FITTING	2		X	
23	38H1004	ELBOW FITTING	2		X	
24	AT197255	MAIN FRAME	1		X	CONVENIENCE ASSY, (ALSO ORDER T146102) (SUB FOR AT186630 AND AT197256)
25	AT172419	STABILIZER	1		X	DIRT PAD, LH
26	AT172420	STABILIZER	1		X	DIRT PAD, RH
27	AT195669	STREET PAD	4		X	
28	T29342	WASHER	12		X	
29	14H809	NUT	12		X	1/2"
30	AT182588	STABILIZER	1		X	STREET PAD, LH
31	AT182587	STABILIZER	1		X	STREET PAD, RH
32	T146102	LABEL	1		X	BYPASS START WARNING
33	AT315263	GUARD	1		X	
34	T148410	NUT	3		X	M10
35	24M7226	WASHER	3		X	
36	19M7806	SCREW	3		X	M10 X 50
37	AT323348	KIT	1		X	MFWD GUARD (WHOLE GOODS)

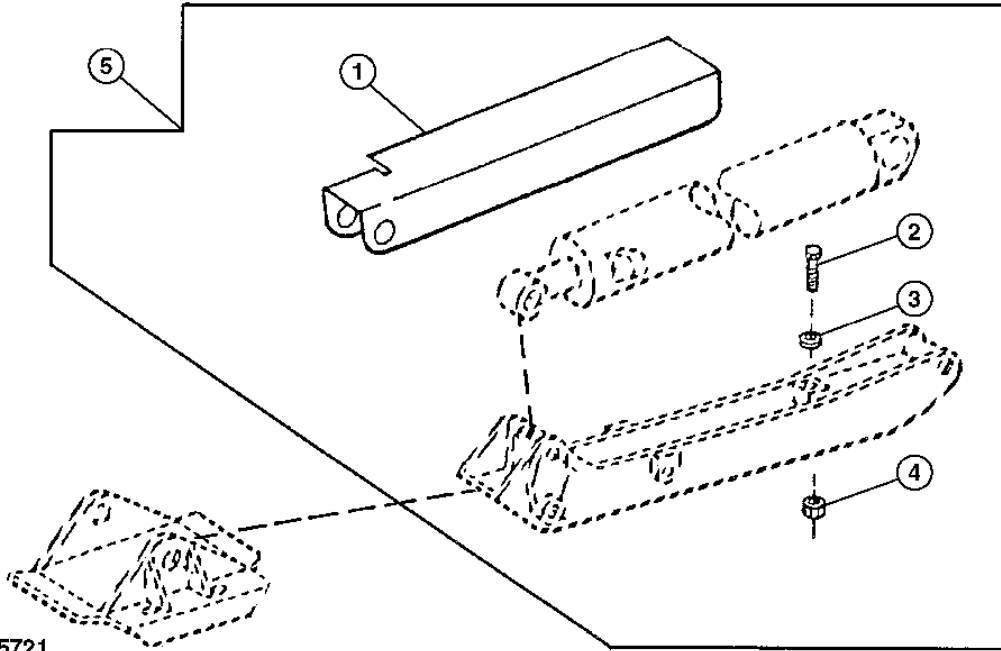
1746-2

FRAME CHASSIS OR SUPPORTING STRUCTURE 17

FRAME:BOTTOM:GUARDS 1746

**STABILIZER CYLINDER GUARD KIT
KIT DE PROTECTION DE VERIN DE STABILISATEUR
JUEGO DE PROTECTOR DE CILINDRO DE ESTABILIZADOR**

TX1005721 -UN-04APR06



TX1005721

3 3
3 1 1
1 0 5
0 S S
G G G

KEY	PART NO.	PART NAME	QTY.	SERIAL NO.	REMARKS
1	T203361	COVER	1	X X	RH, (SUB FOR T185989)
	T203362	COVER	1	X X	LH, (SUB FOR T185990)
2	19H2261	CAP SCREW	1	X X	5/8" X 2-1/2"
3	24M7241	WASHER	7	X X	17 X 34 X 4 MM
	T75815	WASHER	AR	X X	
4	NUT	1	X X	
5	AT305073	KIT	1	X X	(WHOLE GOODS) (SUB FOR AT192188)

1746-3

FRAME CHASSIS OR SUPPORTING STRUCTURE 17

FRAME:BOTTOM:GUARDS 1746

MEMORANDA
MEMORANDA
MEMORANDA

1746-4

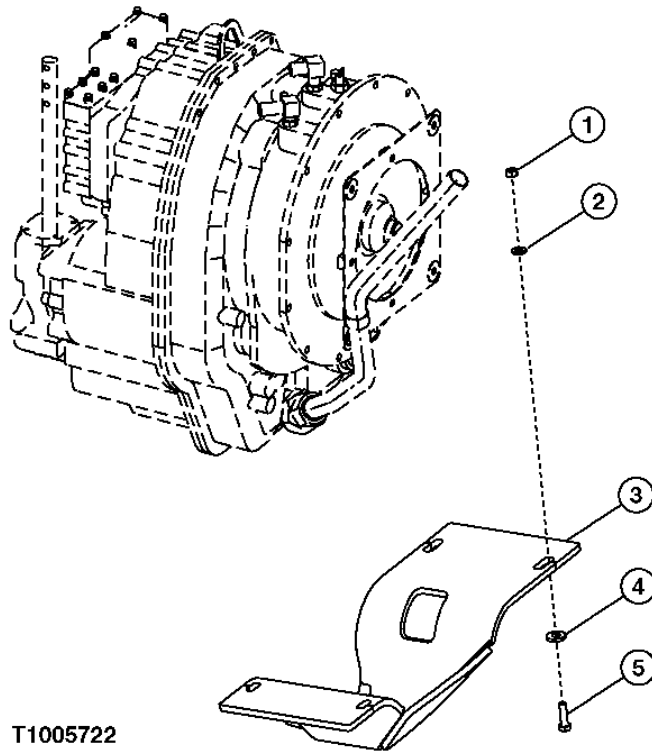
FRAME CHASSIS OR SUPPORTING STRUCTURE 17

FRAME\BOTTOM\GUARDS 1746

**BOTTOM GUARD
PROTECTION INFERIEURE
PROTECTOR INFERIOR**

TX1005722

-UN-04APR06



T1005722

1746-5

FRAME CHASSIS OR SUPPORTING STRUCTURE 17

FRAME:BOTTOM:GUARDS 1746

**BOTTOM GUARD
PROTECTION INFERIEURE
PROTECTOR INFERIOR**

KEY	PART NO.	PART NAME	QTY.	SERIAL NO.	3 3 3 1 1 1 0 5 0 S S G G G	REMARKS
1	14M7274	NUT	4		X X X	M10
2	24M7239	WASHER	4		X X X	
3	AT178315	GUARD	1		X X X	
4	24H1886	WASHER	4		X X X	
5	19M7550	CAP SCREW	4		X X X	M10 X 35

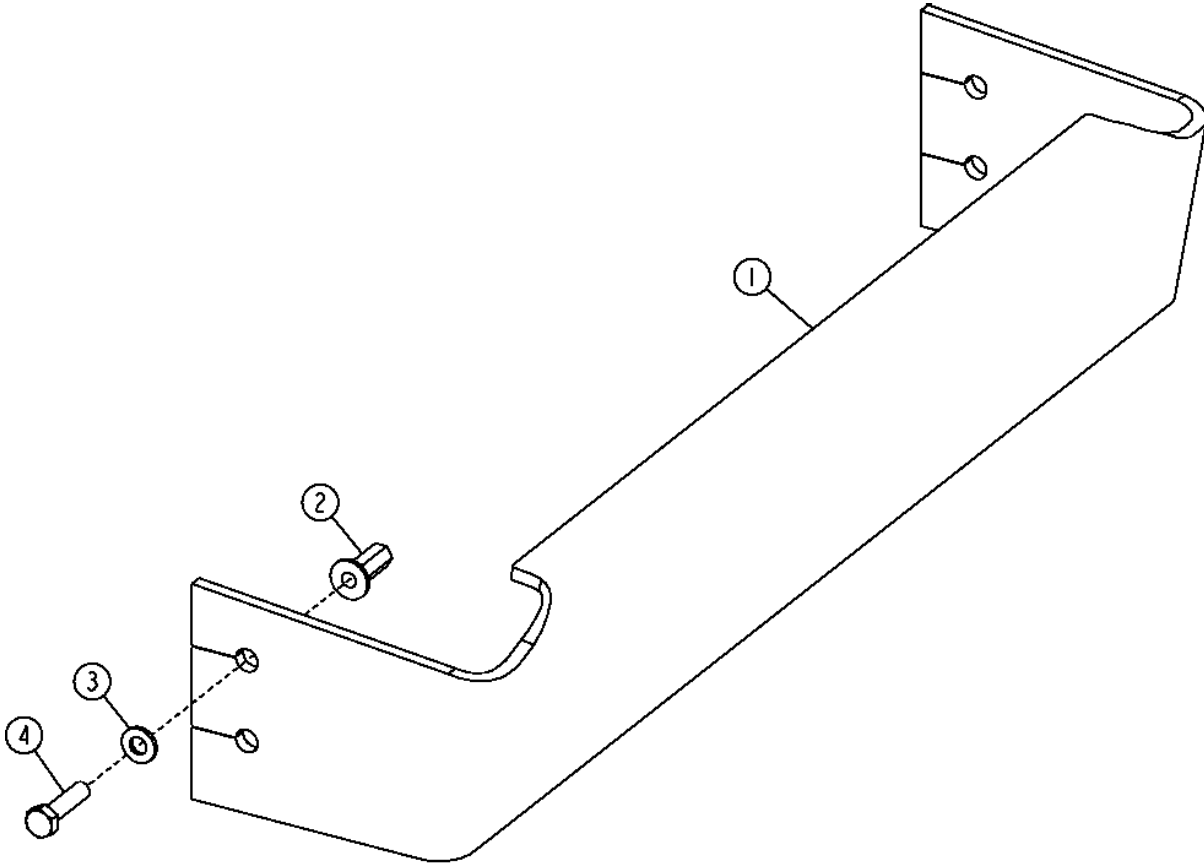
1747-2

FRAME CHASSIS OR SUPPORTING STRUCTURE 17

BUMPERS, VEHICLE 1747

BUMPER (SN -901551)
PARE-CHOCS (SN -901551)
PARAGOLPES (SN -901551)

TP69619 -UN-05OCT00



TP69619

THIS PARTS LISTING IS CONTINUED

1747-3

FRAME CHASSIS OR SUPPORTING STRUCTURE 17

BUMPERS,VEHICLE 1747

BUMPER (SN -901551)
 PARE-CHOCS (SN -901551)
 PARAGOLPES (SN -901551)

KEY	PART NO.	PART NAME	QTY.	SERIAL NO.	REMARKS
					3 3 3 1 1 1 0 5 0 S S G G G
1	BUMPER	1		X X X (T166329 NLA) (SUB T188360, (2) 24H1368 AND (2) 19M8029)
2	T148409	NUT	4		X X X M10
3	24M7239	WASHER	4		X X X
4	19M8637	CAP SCREW	4		X X X M10 X 40

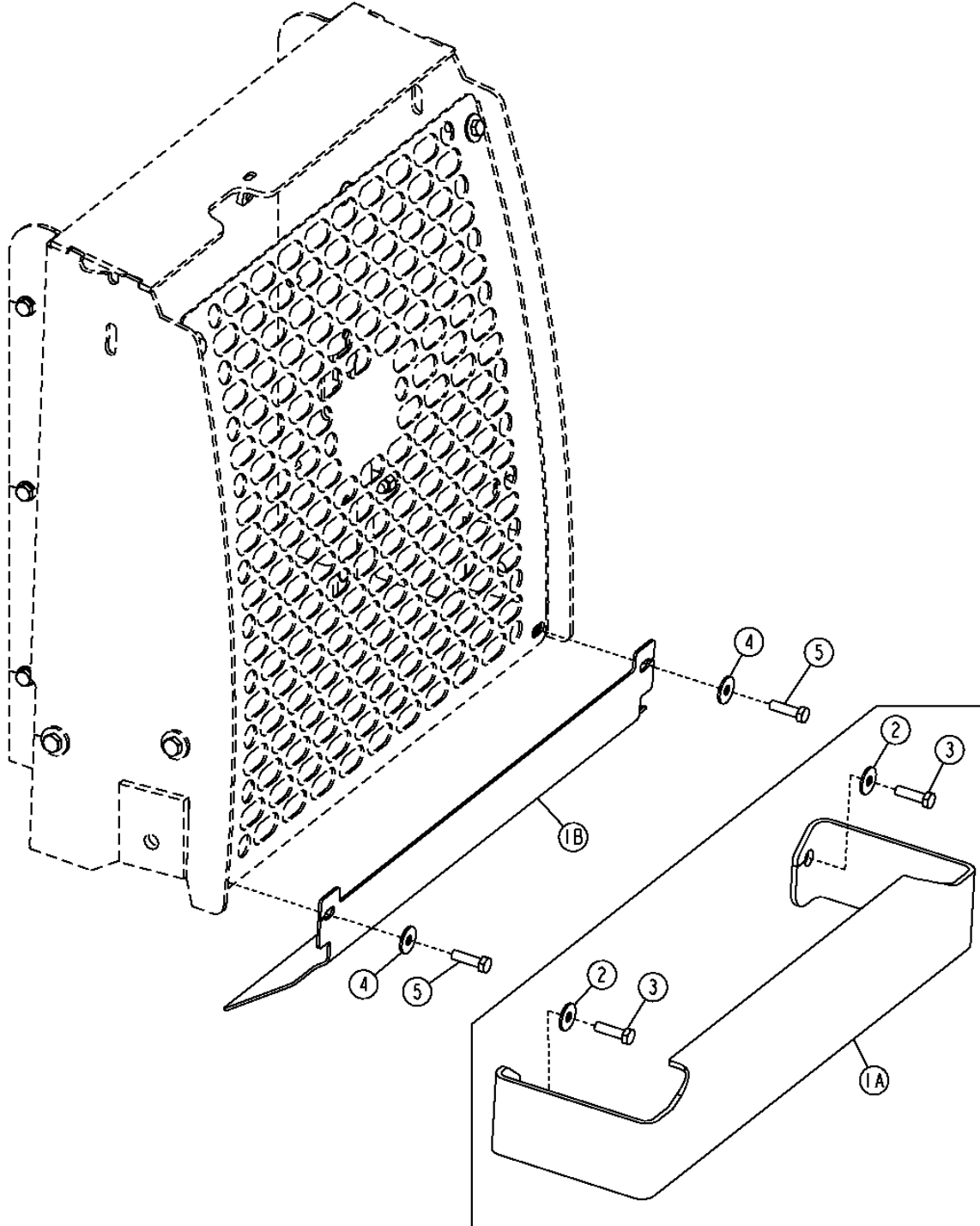
1747-4

FRAME CHASSIS OR SUPPORTING STRUCTURE 17

BUMPERS, VEHICLE 1747

BUMPER (SN 901552-)
PARE-CHOCS (SN 901552-)
PARAGOLPES (SN 901552-)

T211914 -UN-22JUN05



T211914

1747-5

FRAME CHASSIS OR SUPPORTING STRUCTURE 17

BUMPERS,VEHICLE 1747

BUMPER (SN 901552-)
 PARE-CHOCS (SN 901552-)
 PARAGOLPES (SN 901552-)

KEY	PART NO.	PART NAME	QTY.	SERIAL NO.	3 3 3 1 1 1 0 5 0 S S G G G	REMARKS
1A	BUMPER	1	-950460	X X X	(T188360 NLA) (SUB T214677)
1B	T214677	BUMPER	1	950461-	X X X	
2	24H1368	WASHER	2		X X X	
3	19M8029	CAP SCREW	2		X X X	M16 X 30
4	24M7296	WASHER	2		X X X	10.500 X 30 X 2.500 MM
5	19M7550	CAP SCREW	2		X X X	M10 X 35

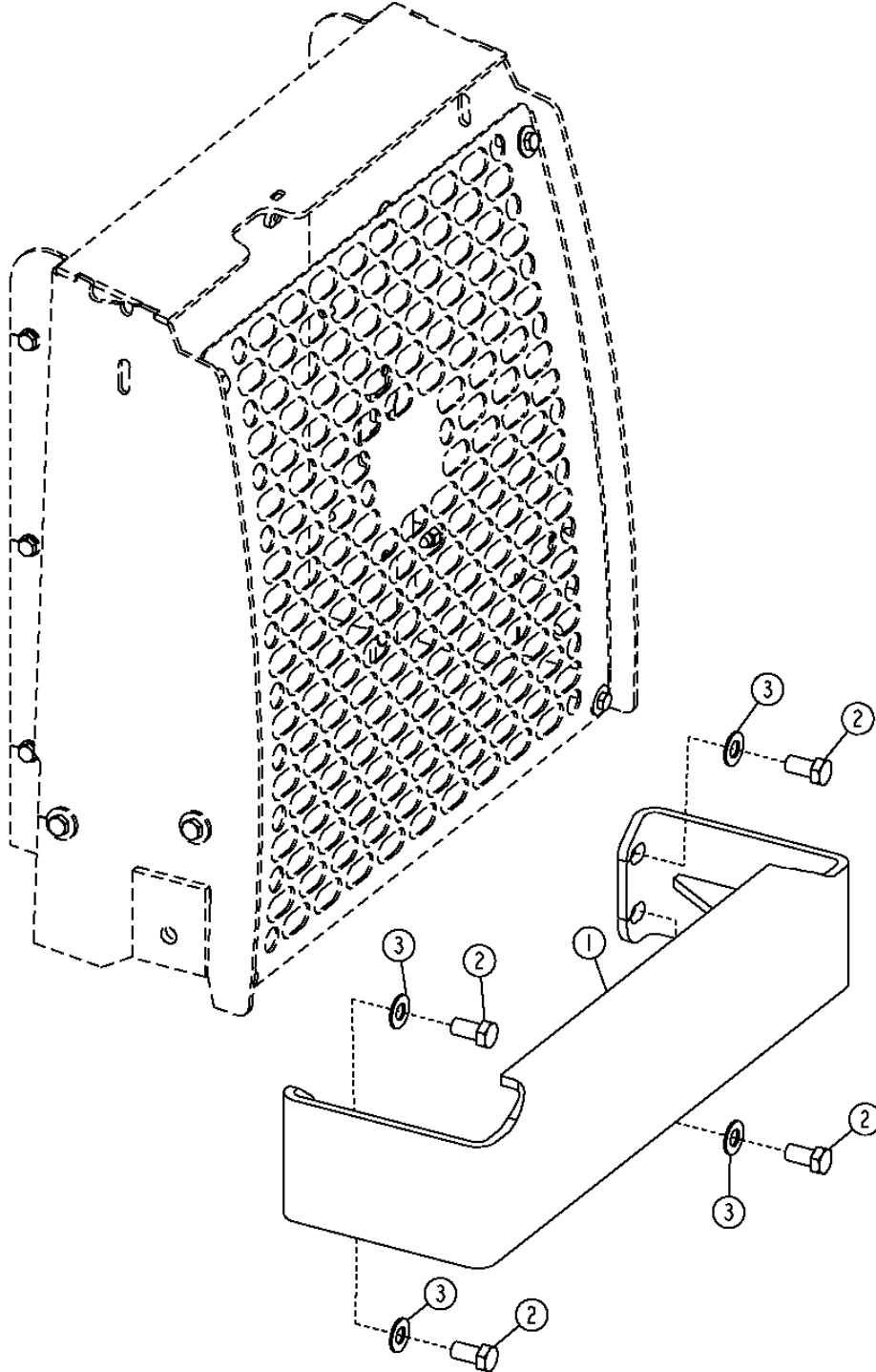
1747-6

FRAME CHASSIS OR SUPPORTING STRUCTURE 17

BUMPERS, VEHICLE 1747

BUMPER (SN 901552-)
PARE-CHOCS (SN 901552-)
PARAGOLPES (SN 901552-)

T211927 -UN-17JUN05



T211927

1747-7

FRAME CHASSIS OR SUPPORTING STRUCTURE 17

BUMPERS,VEHICLE 1747

BUMPER (SN 901552-)
PARE-CHOCS (SN 901552-)
PARAGOLPES (SN 901552-)

KEY	PART NO.	PART NAME	QTY.	SERIAL NO.	3 3 3 1 1 1 0 5 0 S S G G G	REMARKS
1	AT321040	BUMPER	1		X X X	
2	19M8029	CAP SCREW	4		X X X	M16 X 30
3	24H1368	WASHER	4		X X X	16.662 X 33.325 X 2.286 MM

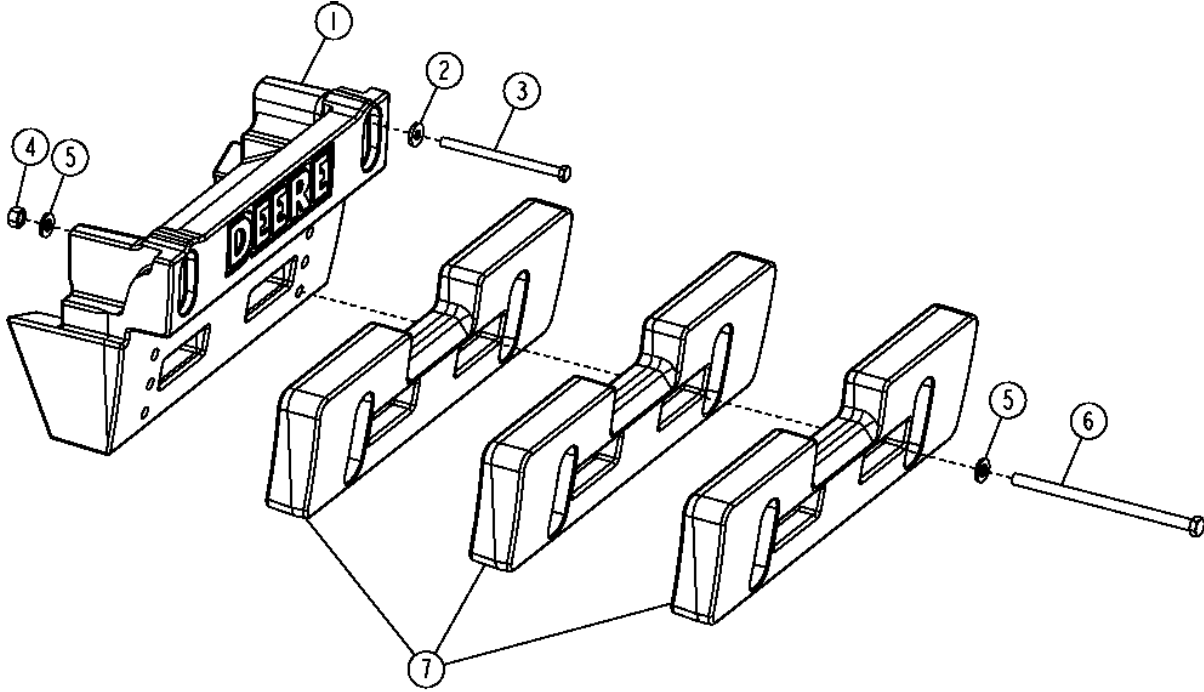
1749-2

FRAME CHASSIS OR SUPPORTING STRUCTURE 17

CHASSIS WEIGHTS 1749

FRONT COUNTERWEIGHT CONTREPOIDS AVANT CONTRAPESO DELANTERO

TP58100 -UN-06OCT00



TP58100

THIS PARTS LISTING IS CONTINUED

1749-3

FRAME CHASSIS OR SUPPORTING STRUCTURE 17

CHASSIS WEIGHTS 1749

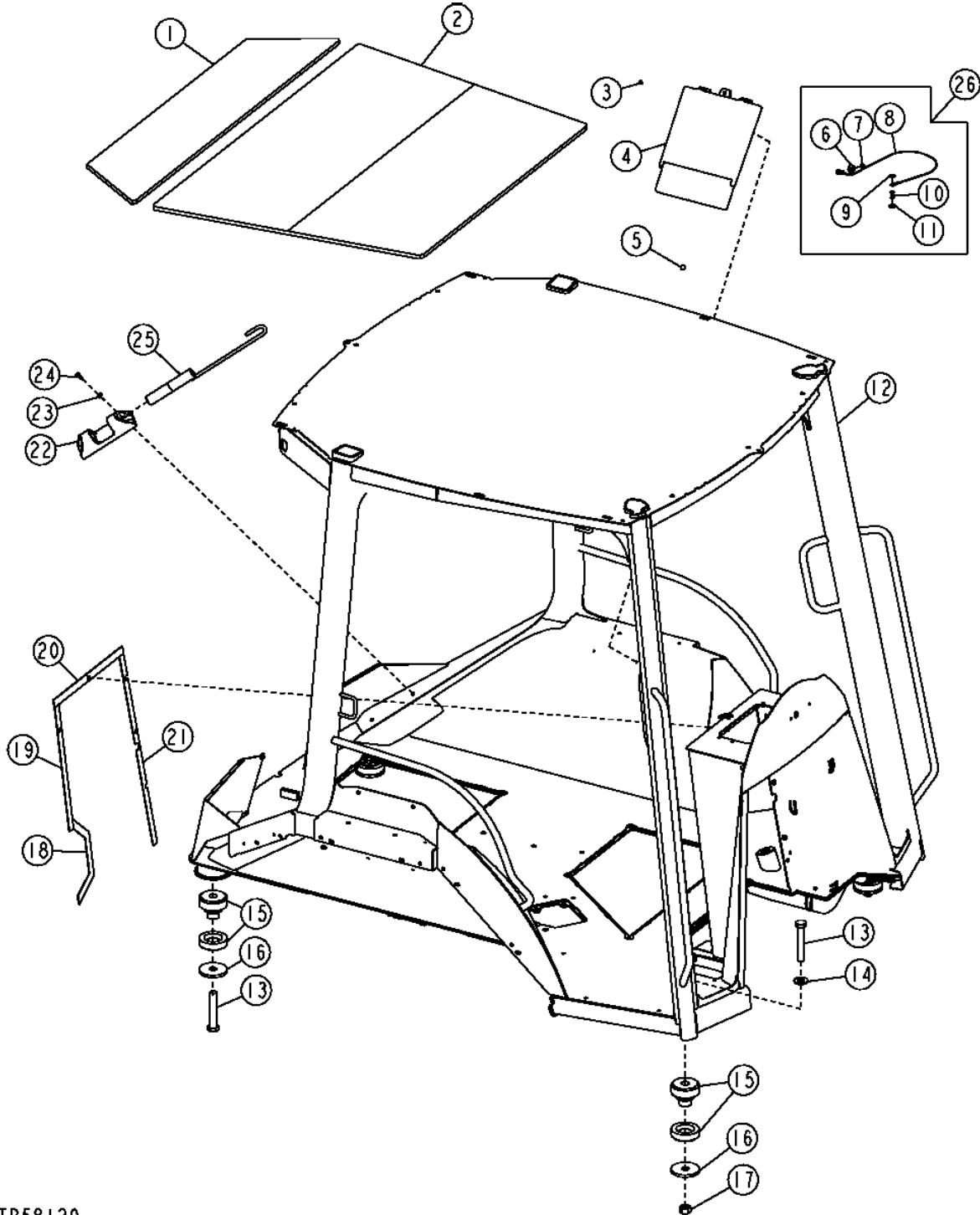
**FRONT COUNTERWEIGHT
CONTREPOIDS AVANT
CONTRAPESO DELANTERO**

KEY	PART NO.	PART NAME	QTY.	SERIAL NO.	REMARKS
					3 3 3 1 1 1 0 5 0 S S G G G
1	T165950	COUNTERWEIGHT	1		X X X (WHOLE GOODS) (400 LB.) PRIMARY COUNTERWEIGHT
	T165525	COUNTERWEIGHT	1		X X X (WHOLE GOODS) (600 LB.) PRIMARY COUNTERWEIGHT
2	T119912	WASHER	4		X X X (USE WITH PRIMARY COUNTERWEIGHT)
3	19M9027	BOLT	4		X X X M16 X 240, (USE WITH PRIMARY COUNTERWEIGHT)
4	14M7277	NUT	2		X X X M20, (USE WITH ADDITIONAL COUNTERWEIGHT)
5	T151797	WASHER	4		X X X (USE WITH ADDITIONAL COUNTERWEIGHT) (SUB FOR 24M7242, THIS APPLICATION)
6	19M7645	BOLT	2		X X X M20 X 200, (250 LB.) ADDITIONAL COUNTERWEIGHT, (USE WITH T165739)
	19M8389	BOLT	2		X X X M20 X 280, (250 LB.) ADDITIONAL COUNTERWEIGHT, (USE WITH (2) T165739)
	19M8817	BOLT	2		X X X M20 X 360, (250 LB.) ADDITIONAL COUNTERWEIGHT, (USE WITH (3) T165739)
7	T165739	COUNTERWEIGHT	1		X X X (WHOLE GOODS) (250 LB.) ADDITIONAL COUNTERWEIGHT

1811-2

ROPS, FOPS, OPS, OR BODY FRAME 1811
HEADLINER AND MOUNTING ISOLATORS (ROPS CANOPY OR QUARTER CAB)
REVETEMENT DE TOIT ET ISOLATEURS DE MONTAGE (AUVENT D'ARCEAU DE SECURITE OU QUART DE CABINE)
FORRO INTERIOR DE TECHO Y AMORTIGUADORES DE MONTAJE (DOSEL CON ROPS O CABINA DE UN CUARTO)

TP58120 -UN-05OCT00



TP58120

THIS PARTS LISTING IS CONTINUED

1811-3

OPERATOR'S STATION 18

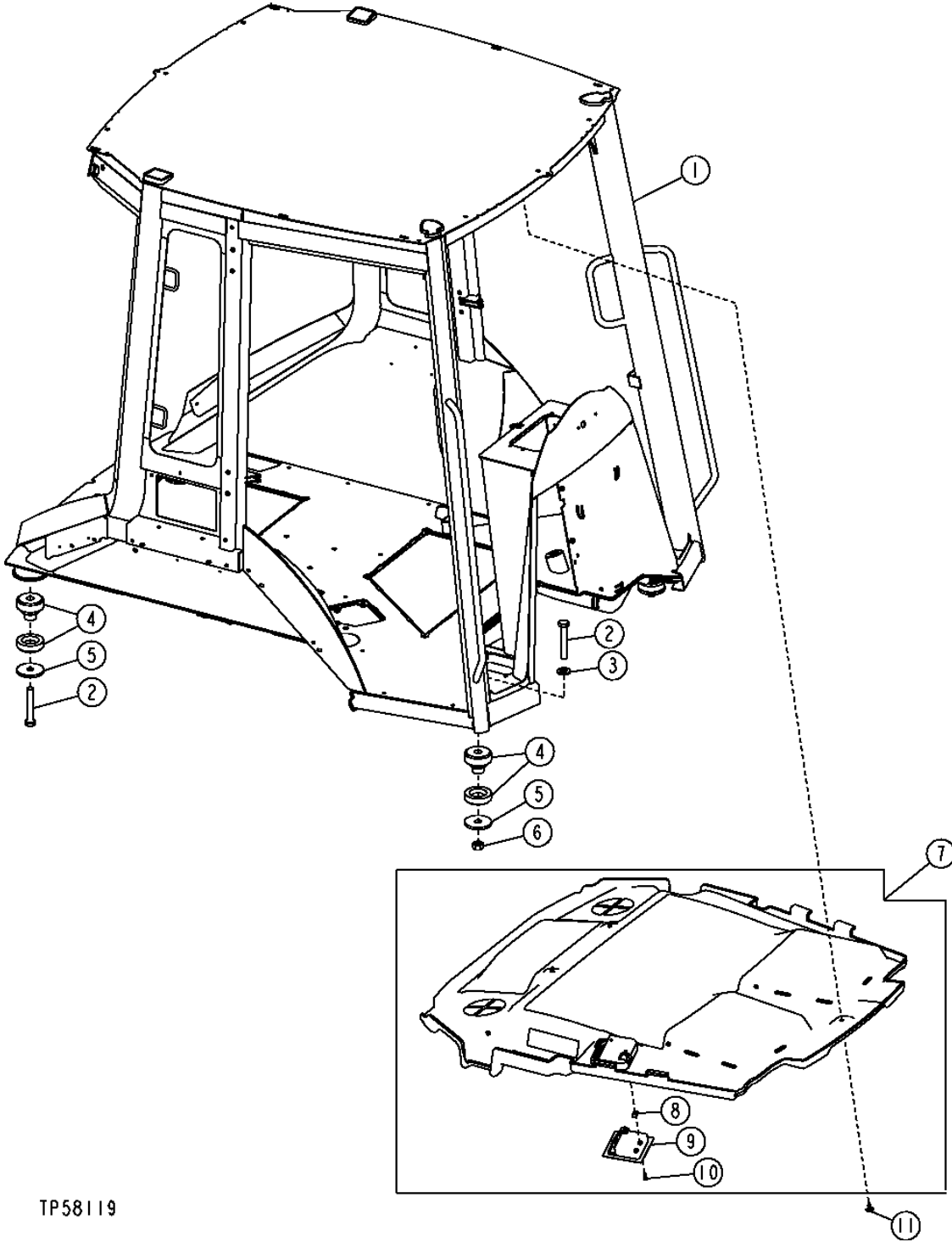
ROPS, FOPS, OPS, OR BODY FRAME 1811
HEADLINER AND MOUNTING ISOLATORS (ROPS CANOPY OR QUARTER CAB)
REVETEMENT DE TOIT ET ISOLATEURS DE MONTAGE (AUVENT D'ARCEAU DE SECURITE OU QUART DE CABINE)
FORRO INTERIOR DE TECHO Y AMORTIGUADORES DE MONTAJE (DOSEL CON ROPS O CABINA DE UN CUARTO)

KEY	PART NO.	PART NAME	QTY.	SERIAL NO.	3 3 3 1 1 1 0 5 0 S S G G G	REMARKS
1	T186029	HEADLINER	1		X X X	REAR
2	T186030	HEADLINER	1		X X X	FRONT
3	R79033	RIVET	2		X X X	
4	AT195894	HOLDER	1		X X X	(SUB FOR RE14246, THIS APPLICATION)
5	R55326	RIVET	1		X X X	
6	24M7100	WASHER	1		X X X	
7	SCREW	1		X X X	
8	AT164804	CABLE	1		X X X	
9	24M7139	WASHER	1		X X X	
10	AT164803	BOLT	1		X X X	
11	24M7139	WASHER	1		X X X	
12	AT188965	FRAME	1	-903163	X X X	(INCLUDES T166896) (ALSO ORDER AT195550 AND (2) 19M7881 AND (2) 24M7238) (SUB FOR AT185757)
	AT188965	FRAME	1	903164-	X X X	(INCLUDES T166896) (SUB FOR AT185757)
	AT304887	FRAME	1		X X X	(PILOT CONTROL) (INCLUDES T166896)
13	19M7883	SCREW	4		X X X	M20 X 120
14	24M7242	WASHER	2		X X X	
15	AT165288	ISOLATOR	4		X X X	
16	T101807	WASHER	4		X X X	
17	14M7277	NUT	2		X X X	M20
18	T185785	GASKET	1		X X X	
19	T185784	ISOLATOR	1		X X X	
20	T185782	GASKET	1		X X X	
21	T185783	GASKET	1		X X X	
22	T141234	HOLDER	1		X X X	
23	24M7238	WASHER	2		X X X	
24	21M7310	SCREW	2		X X X	(SUB FOR T134895, THIS APPLICATION)
25	AT150725	PIN FASTENER	1		X X X	SWING PIN
26	AT192032	KIT	1		X X X	(WHOLE GOODS) (OPERATOR MANUAL TETHER KIT)

1811-4

HEADLINER AND MOUNTING ISOLATORS (CAB FRAME)
REVETEMENT DE TOIT ET ISOLATEURS DE MONTAGE (OSSATURE DE CABINE)
FORRO INTERIOR DE TECHO Y AMORTIGUADORES DE MONTAJE (BASTIDOR DE CABINA)

TP58119 -UN-06OCT00



TP58119

THIS PARTS LISTING IS CONTINUED

1811-5

OPERATOR'S STATION 18

ROPS,;FOPS,;OPS,;OR;BODY;FRAME 1811

HEADLINER AND MOUNTING ISOLATORS (CAB FRAME)
REVETEMENT DE TOIT ET ISOLATEURS DE MONTAGE (OSSATURE DE CABINE)
FORRO INTERIOR DE TECHO Y AMORTIGUADORES DE MONTAJE (BASTIDOR DE CABINA)

KEY	PART NO.	PART NAME	QTY.	SERIAL NO.	3 3 3 1 1 1 0 5 0 S S G G G	REMARKS
1	AT187096	FRAME	1	-903163	X X X	(ALSO ORDER AT195550 AND (2) 19M7881 AND (2) 24M7238) (SUB FOR AT184761)
	AT187096	FRAME	1	903164-	X X X	(LEVER CONTROL) (SUB FOR AT184761)
	AT199734	FRAME	1		X X X	(PILOT CONTROL) (SUB FOR AT199735)
2	19M7883	SCREW	4		X X X	M20 X 120
3	24M7242	WASHER	2		X X X	
4	AT165288	ISOLATOR	4		X X X	
5	T101807	WASHER	4		X X X	
6	14M7277	NUT	2		X X X	M20
7	HEADLINER	1	-951252	X X X	(B) (AT185498 NLA) (SUB AT321004) (ALSO ORDER AT326356 AND AT320544)
	HEADLINER	1	-951252	X X X	(A) (AT185499 NLA) (SUB AT321005) (ALSO ORDER AT326356 AND AT320544)
	AT321004	HEADLINER	1	951253-	X X X	(B)
	AT321005	HEADLINER	1	951253-	X X X	(A)
8	M84972	NUT	2	-951252	X X X	
9	LAMP	1	-951252	X X X	(AT185500 NLA) (SUB AT320544 AND AT326356)
	AT320544	LAMP	1	951253-	X X X	
10	T134895	SELF-LOCKING SCREW	2	-951252	X X X	
11	PLUG	9	-921525	X X X	(T184892 NA) (DRILL HOLE TO 10MM) (SUB (9) MT2485)
	MT2485	PLUG	9	921526-	X X X	FASTENER
12	AT326356	CAB WIRING HARNESS	1	-951252	X X X	
13	AT192414	BULB	1	951253-	X X X	

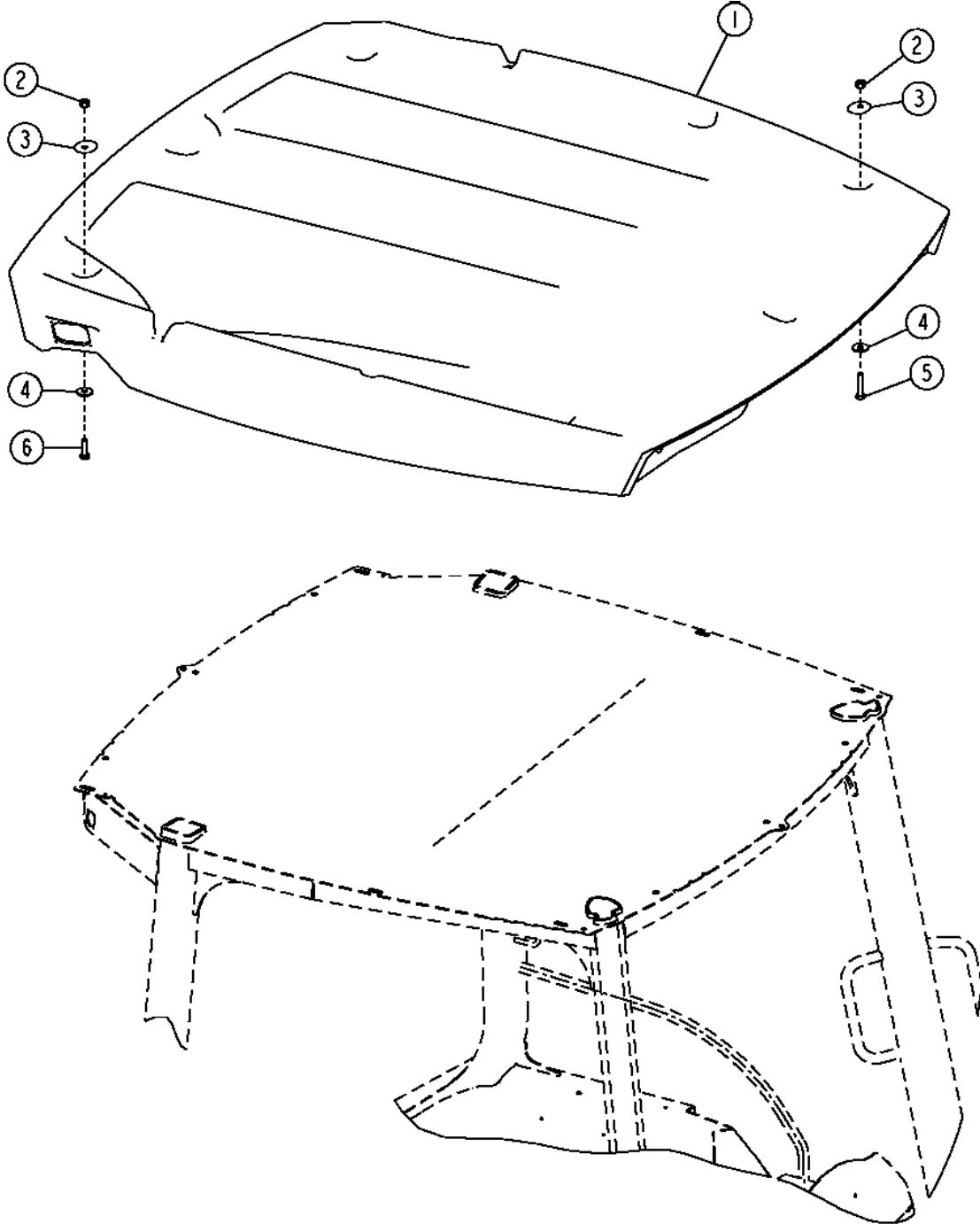
(A) W/ RADIO
(A) AVEC RADIO
(A) CON RADIO

(B) W/O RADIO
(B) SANS RADIO
(B) SIN RADIO

1811-6

ROOF (CAB, QUARTER CAB OR ROPS)
TOIT (CABINE, QUART DE CABINE OU AUVENT D'ARCEAU DE SECURITE)
TECHO (CABINA, CABINA DE UN CUARTO O DOSEL CON ROPS)

T138530 -UN-22FEB01



T138530

1811-7

OPERATOR'S STATION 18

ROPS,;FOPS,;OPS,;OR;BODY;FRAME 1811

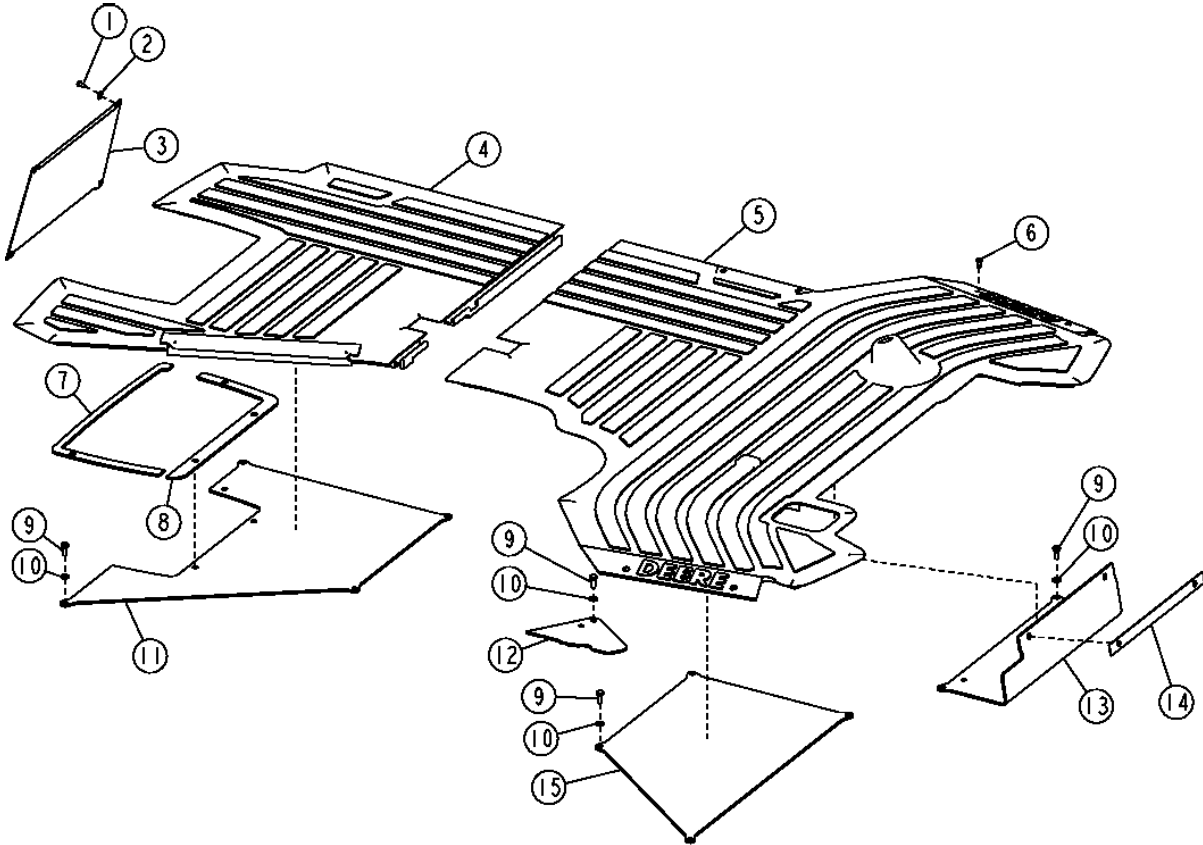
ROOF (CAB, QUARTER CAB OR ROPS)
 TOIT (CABINE, QUART DE CABINE OU AUVENT D'ARCEAU DE SECURITE)
 TECHO (CABINA, CABINA DE UN CUARTO O DOSEL CON ROPS)

KEY	PART NO.	PART NAME	QTY.	SERIAL NO.	REMARKS
					3 3
					3 1 1
					1 0 5
					0 S S
					G G G
1	T185328	ROOF	1	-953497	X X X (WITH DELUXE LIGHTING) (YELLOW)
	T185329	ROOF	1	-953497	X X X (WITH STD LIGHTING) (YELLOW)
	T215487	ROOF	1	953498-	X X X (WITH STD AND DELUXE LIGHTING) (YELLOW)
2	14M7517	LOCK NUT	8		X X X M10
3	T185664	SEALING WASHER	8		X X X
4	24M7101	WASHER	7		X X X
5	19M8600	CAP SCREW	3		X X X M10 X 50, (SUB FOR 19M7550, THIS APPLICATION)
6	19M8600	CAP SCREW	5		X X X M10 X 50

1812-2

FLOOR MATS TAPIS FELPUDO

T136077 -UN-05DEC00



T136077

THIS PARTS LISTING IS CONTINUED

1812-3

OPERATOR'S STATION 18

PLATFORM 1812

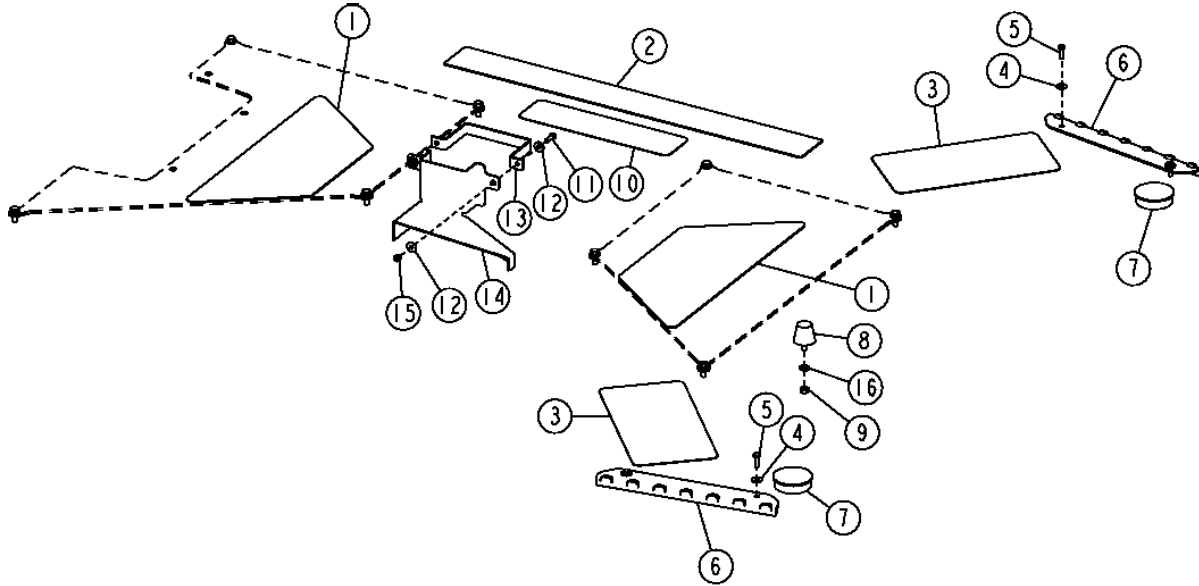
FLOOR MATS
TAPIS
FELPUDO

KEY	PART NO.	PART NAME	QTY.	SERIAL NO.	REMARKS
					3 3
					3 1 1
					1 0 5
					0 S S
					G G G
1	19M7923	CAP SCREW	4		X X X M6 X 12
2	24M7139	WASHER	4		X X X
3	T203458	PANEL	1		X X X (SUB FOR T185524)
4	T166000	MAT	1		X X X REAR
	T188726	MAT	1		X X X REAR (PILOT CONTROLS)
5	T165969	MAT	1		X X X FRONT
6	T133674	SELF-LOCKING SCREW	4		X X X M6 X 16, (SUB FOR 21M7292, THIS APPLICATION)
7	T185773	GASKET	1		X X X
8	T185774	GASKET	1		X X X (LEVER CONTROLS)
	T191142	GASKET	1		X X X (PILOT CONTROLS)
9	19M7881	SCREW	13		X X X M8 X 20
10	24M7238	WASHER	13		X X X
11	AT186321	COVER	1		X X X REAR
	AT196294	COVER	1		X X X REAR (PILOT CONTROLS)
12	AT191976	COVER	1	-913416	X X X LINKAGE
	AT197479	COVER	1	913417-	X X X LINKAGE
	AT193881	COVER	1	-913416	X X X LINKAGE, WITH RIDE CONTROL, SELECTIVE FLOW VALVE OR HYDRAULIC FRONT COUPLER
	AT300928	COVER	1	913417-	X X X LINKAGE, WITH RIDE CONTROL, SELECTIVE FLOW VALVE OR HYDRAULIC FRONT COUPLER
13	T188565	COVER	1		X X X FRONT, (SUB FOR T185666)
14	T185775	GASKET	1		X X X
15	T165948	COVER	1		X X X MIDDLE

1812-4

FLOOR COVERS AND NON SLIP SURFACE
PROTECTIONS DE PLANCHER ET SURFACE ANTIDERAPANTE
CUBIERTAS DE PISO Y SUPERFICIE ANTIDESLIZANTE

T136112 -UN-05DEC00



T136112

THIS PARTS LISTING IS CONTINUED

1812-5

OPERATOR'S STATION 18

PLATFORM 1812

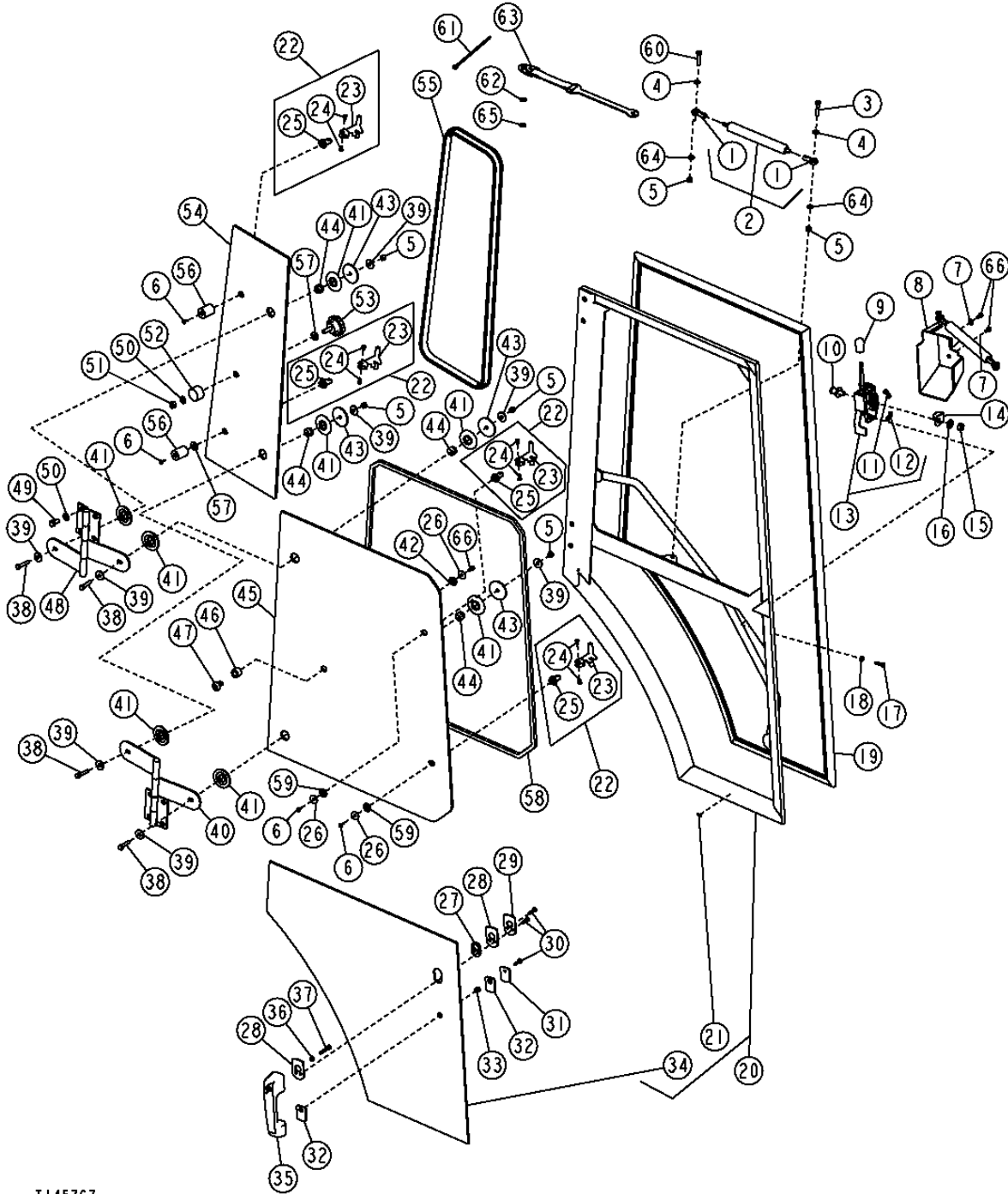
FLOOR COVERS AND NON SLIP SURFACE
 PROTECTIONS DE PLANCHER ET SURFACE ANTIDERAPANTE
 CUBIERTAS DE PISO Y SUPERFICIE ANTIDESLIZANTE

KEY	PART NO.	PART NAME	QTY.	SERIAL NO.	REMARKS
					3 3
					3 1 1
					1 0 5
					0 S S
					G G G
1	T166997	MAT	2		X ANTI-SKID
2	T100787	MAT	1		X ANTI-SKID
3	T25838	MAT	2		X ANTI-SKID
4	WASHER	4		X (24M7139 NA)
5	19M7775	SCREW	4		X M6 X 16, (SUB FOR 19M7077, THIS APPLICATION)
6	T185757	STEP	2		X THRESHOLD
7	T184528	PLUG	2		X
8	AT36635	BUMPER	1		X ACCELERATOR PEDAL
9	14H650	NUT	1		X 5/16"
10	T158428	MAT	1		X ANTI-SKID
11	19M7775	SCREW	2		X M6 X 16, (SUB FOR 19M7077 AND 19M7862, THIS APPLICATION)
12	WASHER	4		X (24M7139 NA)
13	T185466	STRAP	1		X
14	T185465	BRACKET	1		X
15	14M7303	FLANGE NUT	2		X M6, (SUB FOR 14M7272, THIS APPLICATION)
16	24M7238	WASHER	1		X

1814-2

DOORS AND SIDE WINDOWS (CAB)
PORTIERES ET GLACES LATERALES (CABINE)
PUERTAS Y VENTANAS LATERALES (CABINA)

T145767 -UN-20SEP01



T145767

1814-3

OPERATOR'S STATION 18
WINDSHIELD AND WIPER 1814

**DOORS AND SIDE WINDOWS (CAB)
PORTIERES ET GLACES LATERALES (CABINE)
PUERTAS Y VENTANAS LATERALES (CABINA)**

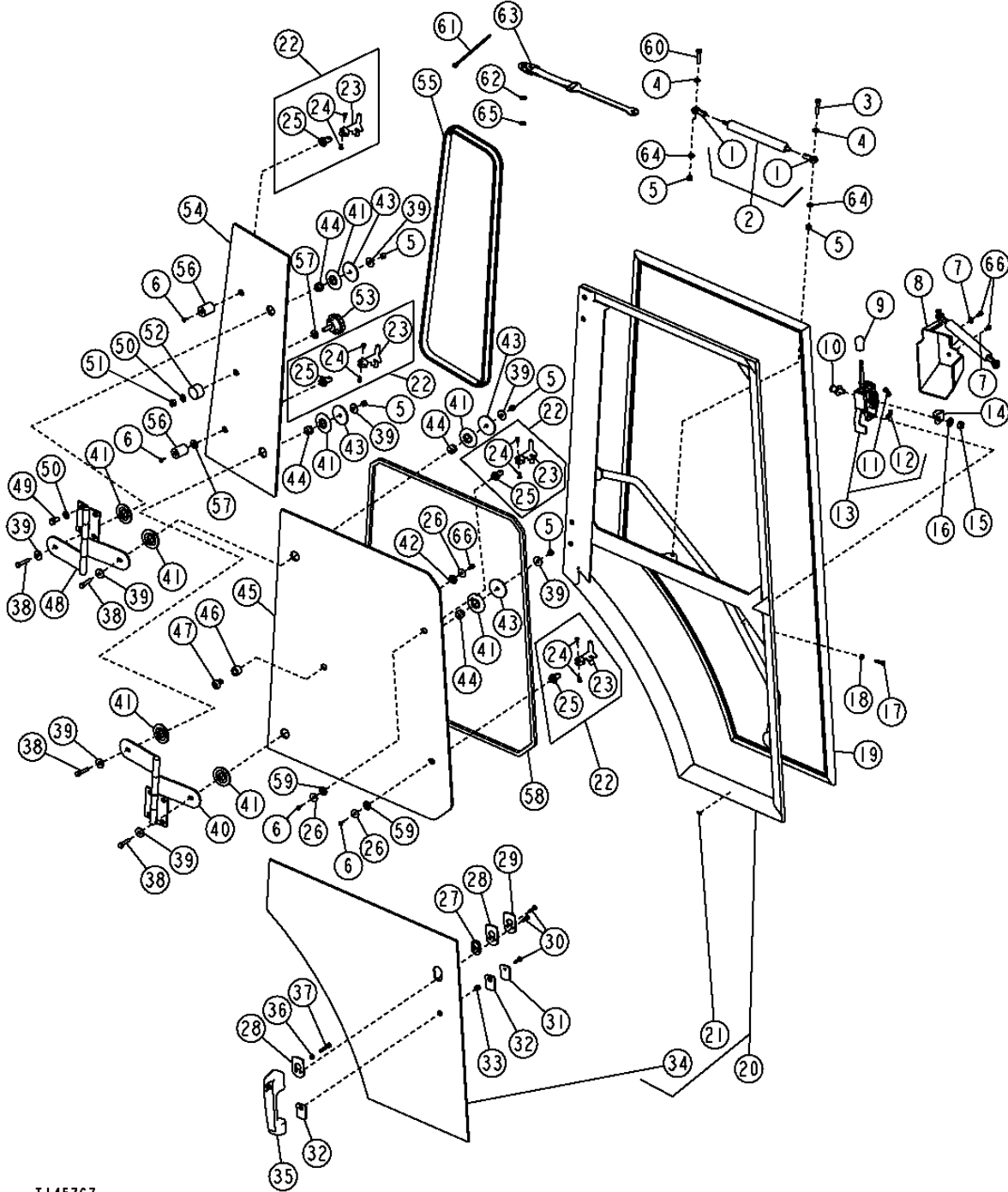
KEY	PART NO.	PART NAME	QTY.	SERIAL NO.	3 3 3 1 1 1 0 5 0 S S G G G	REMARKS
1	AW24539	END	2	-904214	X X X	
	AM102062	LINK END	2	904215-	X X X	
2	CYLINDER	1	-904214	X X X	(AT193621 NLA) (SUB AT194718, 19M7922, (4) 24M7238) (SUB FOR AT184407)
	AT340155	CYLINDER	1	904215-	X X X	
3	19M7922	CAP SCREW	1		X X X	M8 X 40
4	24M7238	WASHER	2		X X X	
5	14M7426	LOCK NUT	6		X X X	M8
6	T133674	SELF-LOCKING SCREW	4	-902299	X X X	
	T188806	SCREW	4	902300-	X X X	
7	WASHER	2		X X X	
8	T165095	COVER	1		X X X	RH
	T165096	COVER	1		X X X	LH
9	T133487	KNOB	1		X X X	
10	AR91896	STRIKER	1		X X X	
11	T161373	CLIP	1		X X X	
12	R26491	CLIP	1		X X X	
13	AT145792	LATCH	1		X X X	RH
	AT184767	LATCH	1		X X X	LH
14	T135583	GUARD	1		X X X	STRIKER
15	14H1047	NUT	1		X X X	7/16"
16	T105740	WASHER	1		X X X	
17	19H1914	CAP SCREW	2		X X X	1/4" X 1"
18	24H1287	WASHER	2		X X X	
19	AT184652	ISOLATOR	1		X X X	RH
	AT184719	ISOLATOR	1		X X X	LH
20	AT194627	DOOR	1		X X X	RH
	AT194628	DOOR	1		X X X	LH
21	T135675	STAND-OFF	7		X X X	
22	LATCH	4	-902299	X X X	(AT118766 NLA) (SUB AT196522 AND T188806)
	AT196522	LATCH	4	902300-	X X X	
23	T119153	LATCH	1		X X X	
24	A48970	DUAL LOCK FASTENER	2		X X X	
25	BASE	1		X X X	
26	24H1288	WASHER	3		X X X	
27	T175645	SPACER	1		X X X	
28	T175642	GROMMET	2		X X X	
29	T175641	PLATE	1		X X X	
30	T134895	SELF-LOCKING SCREW	3		X X X	
31	T175644	PLATE	1		X X X	
32	T175643	GROMMET	2		X X X	
33	T175646	SPACER	1		X X X	
34	T165158	WINDOWPANE	1		X X X	RH
	T165336	WINDOWPANE	1		X X X	LH

THIS PARTS LISTING IS CONTINUED

1814-4

DOORS AND SIDE WINDOWS (CAB) (CONTINUED)
PORTIERES ET GLACES LATERALES (CABINE) (SUITE)
PUERTAS Y VENTANAS LATERALES (CABINA) (CONTINUACION)

T145767 -UN-20SEP01



T145767

1814-5

OPERATOR'S STATION 18
WINDSHIELD AND WIPER 1814

DOORS AND SIDE WINDOWS (CAB) (CONTINUED)
PORTIERES ET GLACES LATERALES (CABINE) (SUITE)
PUERTAS Y VENTANAS LATERALES (CABINA) (CONTINUACION)

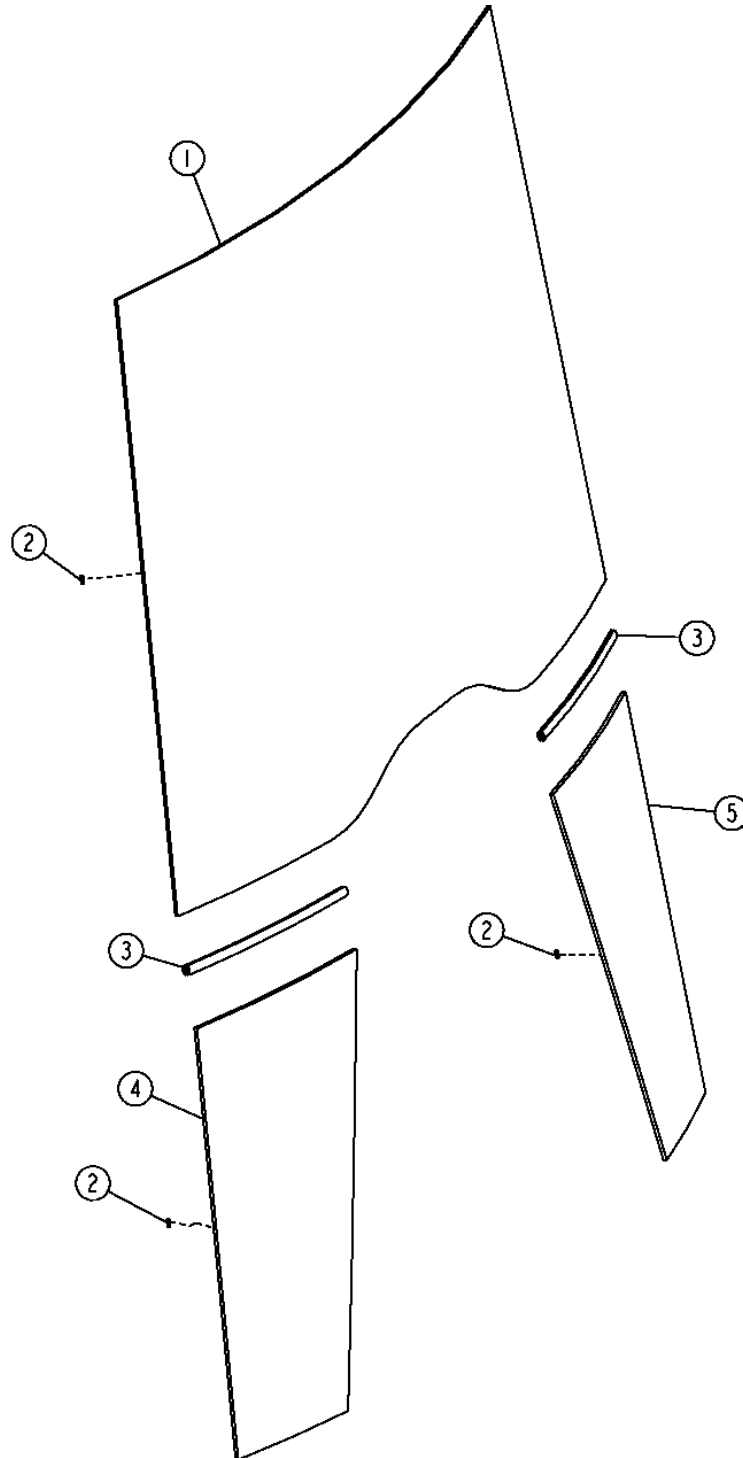
KEY	PART NO.	PART NAME	QTY.	SERIAL NO.	3 3 3 1 1 1 0 5 0 S S G G G	REMARKS
35	AT220317	HANDLE	1		X X X	
36	14H786	NUT	1		X X X	
37	T166035	SCREW	1		X X X	
38	19M7922	CAP SCREW	4		X X X	M8 X 40
39	24M7024	WASHER	8		X X X	
40	AT184524	HINGE	2		X X X	LOWER RH AND UPPER LH
41	T158081	WASHER	8		X X X	
42	T76832	WASHER	1		X X X	
43	T185678	WASHER	4		X X X	
44	T158358	BUSHING	4		X X X	
45	T164707	WINDOWPANE	1		X X X	RH AND LH
46	T186017	BUSHING	1		X X X	
47	T186016	BUSHING	1		X X X	
48	AT184651	HINGE	2		X X X	LOWER LH AND UPPER RH
49	19M7938	CAP SCREW	8		X X X	M10 X 20
50	24M7239	WASHER	8		X X X	
51	14M7167	LOCK NUT	1		X X X	M10
52	T76830	GUARD	1		X X X	
53	AT75311	KNOB	1		X X X	
54	T164706	WINDOWPANE	1		X X X	RH
	T166060	WINDOWPANE	1		X X X	LH
55	T164710	ISOLATOR	1		X X X	RH
	T164709	ISOLATOR	1		X X X	LH
56	T186018	BUMPER	2		X X X	
57	R52921	WASHER	2		X X X	PLASTIC
	T76833	WASHER	2		X X X	RUBBER
58	T165357	ISOLATOR	1		X X X	
59	T76833	WASHER	2		X X X	
60	19M8397	CAP SCREW	1	-904214	X X X	M8 X 50
	19M7922	CAP SCREW	1	904215-	X X X	M8 X 40
61	R44302	TIE BAND	1	-904214	X X X	
62	M87534	SPRING WASHER	1	-904214	X X X	
63	STRAP	1	-904214	X X X	(AT194407 NLA) (SUB AT194718, 19M7922 AND (4) 24M7238)
64	24M7298	WASHER	2	-904214	X X X	
	24M7238	WASHER	2	904215-	X X X	
65	28H1511	WASHER	1	-904214	X X X	
66	T133674	SELF-LOCKING SCREW	3		X X X	

1814-6

OPERATOR'S STATION 18
WINDSHIELD AND WIPER 1814

WINDSHIELD (CAB OR QUARTER CAB)
PARA-BRISE (CABINE OU QUART DE CABINE)
PARABRISAS (CABINA O CABINA DE UN CUARTO)

TP69621 -UN-05OCT00



TP69621

1814-7

OPERATOR'S STATION 18
WINDSHIELD AND WIPER 1814

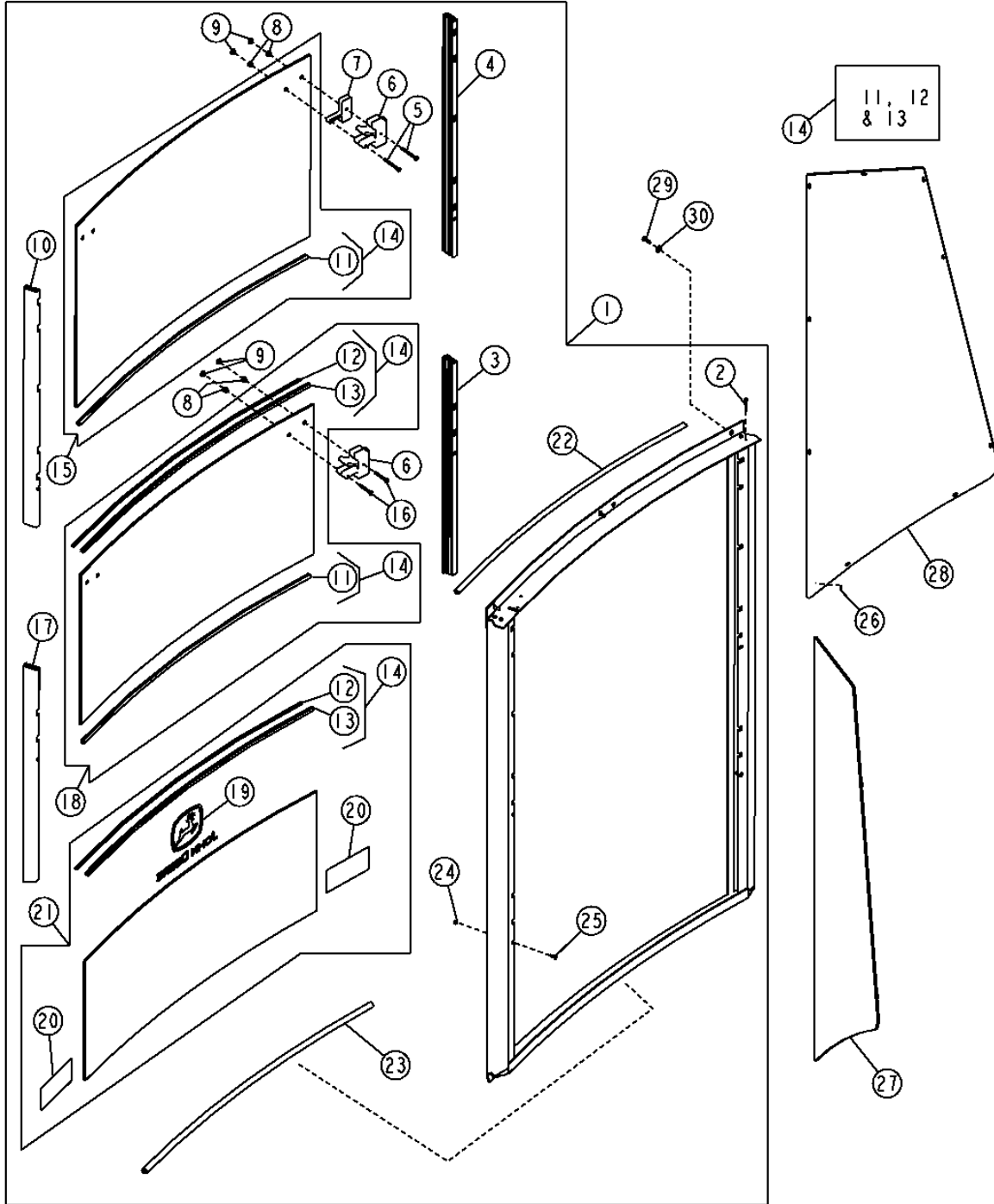
WINDSHIELD (CAB OR QUARTER CAB)
PARA-BRISE (CABINE OU QUART DE CABINE)
PARABRISAS (CABINA O CABINA DE UN CUARTO)

KEY	PART NO.	PART NAME	QTY.	SERIAL NO.	REMARKS
				3 3	
				3 1 1	
				1 0 5	
				0 S S	
				G G G	
1	T191071	WINDOWPANE	1		X X X (SUB FOR T164694)
2	T135675	STAND-OFF	22		X X X
3	T164697	ISOLATOR	2		X X X
4	T191072	WINDOWPANE	1		X X X LOWER, RH, (SUB FOR T164695)
5	T191073	WINDOWPANE	1		X X X LOWER, LH, (SUB FOR T164696)

1814-8

SLIDING REAR WINDOWS AND CORNER WINDOWS (SN -920856)
GLACES ARRIERE COULISSANTES ET DE COIN (SN -920856)
VENTANAS CORREDIZAS TRASERAS Y VENTANAS DE ESQUINA (SN -920856)

T152680 -UN-14MAR02



T152680

THIS PARTS LISTING IS CONTINUED

1814-9

OPERATOR'S STATION 18

WINDSHIELD AND WIPER 1814

SLIDING REAR WINDOWS AND CORNER WINDOWS (SN -920856)
 GLACES ARRIERE COULISSANTES ET DE COIN (SN -920856)
 VENTANAS CORREDIZAS TRASERAS Y VENTANAS DE ESQUINA (SN -920856)

KEY	PART NO.	PART NAME	QTY.	SERIAL NO.	REMARKS
					3 3
					3 1 1
					1 0 5
					0 S S
					G G G
1	WINDOW	1		X X X CA (AT184089 NLA) (SUB AT302812)
2	T164698	SCREW	8		X X X
3	AT190194	GUIDE	1		X X X (BOTTOM LEFT WINDOW)
4	AT190193	GUIDE	1		X X X (TOP LEFT WINDOW)
5	T166368	SCREW	2		X X X
6	AT309347	LATCH	1		X X X (LH AND RH) (DOES NOT INCLUDE HARDWARE) (SUB FOR AT196391)
7	T165561	SPACER	1		X X X
8	T166371	GROMMET	2		X X X
9	T187765	INSERT	2		X X X (SUB FOR T166370)
10	AT190191	GUIDE	1		X X X (TOP RIGHT WINDOW)
11	SEAL	1		X X X (A) (ORDER AT190490)
12	WEATHERSTRIP	1		X X X (A) (ORDER AT190490)
13	SEAL	1		X X X (A) (ORDER AT190490)
14	AT190490	KIT	1		X X X INCLUDES ALL PARTS MARKED (A), ONE KIT SERVICES MIDDLE WINDOW, TWO KITS SERVICE ALL THREE
15	AT189176	WINDOW	1		X X X (UPPER)
16	T166369	SCREW	2		X X X
17	AT190192	GUIDE	1		X X X (BOTTOM RIGHT WINDOW)
18	AT189175	WINDOW	1		X X X (MIDDLE)
19	JD5694	LABEL	1	-902607	X X X LEAPING DEER
	JD5750	LABEL	1	902608-	X X X LEAPING DEER
20	T183768	LABEL	2		X X X WARNING
21	AT187036	WINDOW	1		X X X (LOWER)
22	T166881	WEATHERSTRIP	1		X X X
23	T187780	ISOLATOR	1		X X X (SUB FOR T166881, THIS APPLICATION)
24	T185378	NUT	2		X X X
25	T185377	SCREW	2		X X X
26	T135675	STAND-OFF	22		X X X
27	T164705	WINDOWPANE	1		X X X (RH REAR CORNER)
28	T164708	WINDOWPANE	1		X X X (LH REAR CORNER)
29	19M7775	SCREW	6		X X X M6 X 16
30	24M7139	WASHER	6		X X X

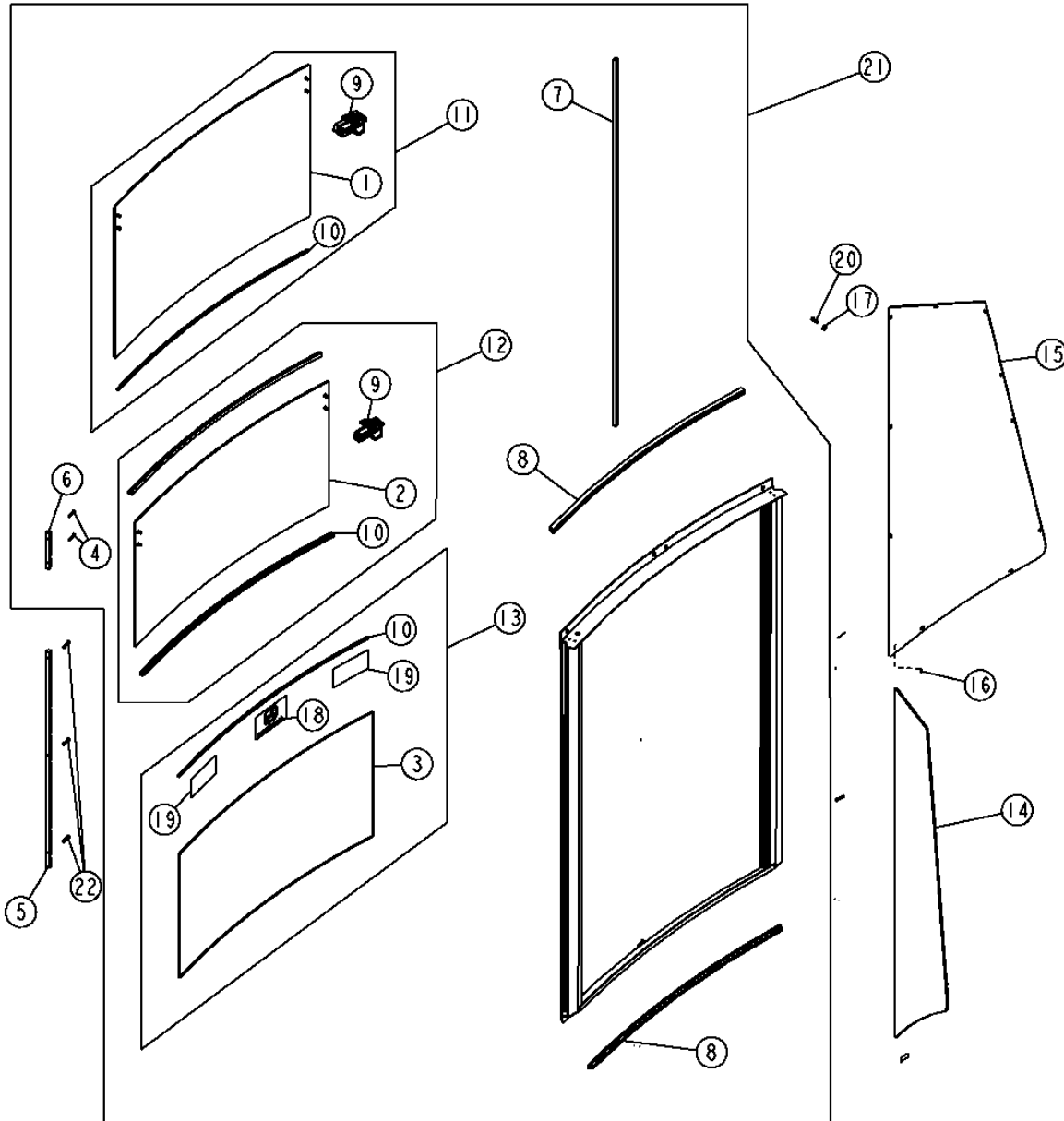
1814-9A

SLIDING REAR WINDOWS AND CORNER WINDOWS (SN 920857-)
GLACES ARRIERE COULISSANTES ET DE COIN (SN 920857-)
VENTANAS CORREDIZAS TRASERAS Y VENTANAS DE ESQUINA (SN 920857-)

WINDSHIELD AND WIPER 1814

T200471

-UN-28MAY04



T200471

1814-9B

OPERATOR'S STATION 18

WINDSHIELD AND WIPER 1814

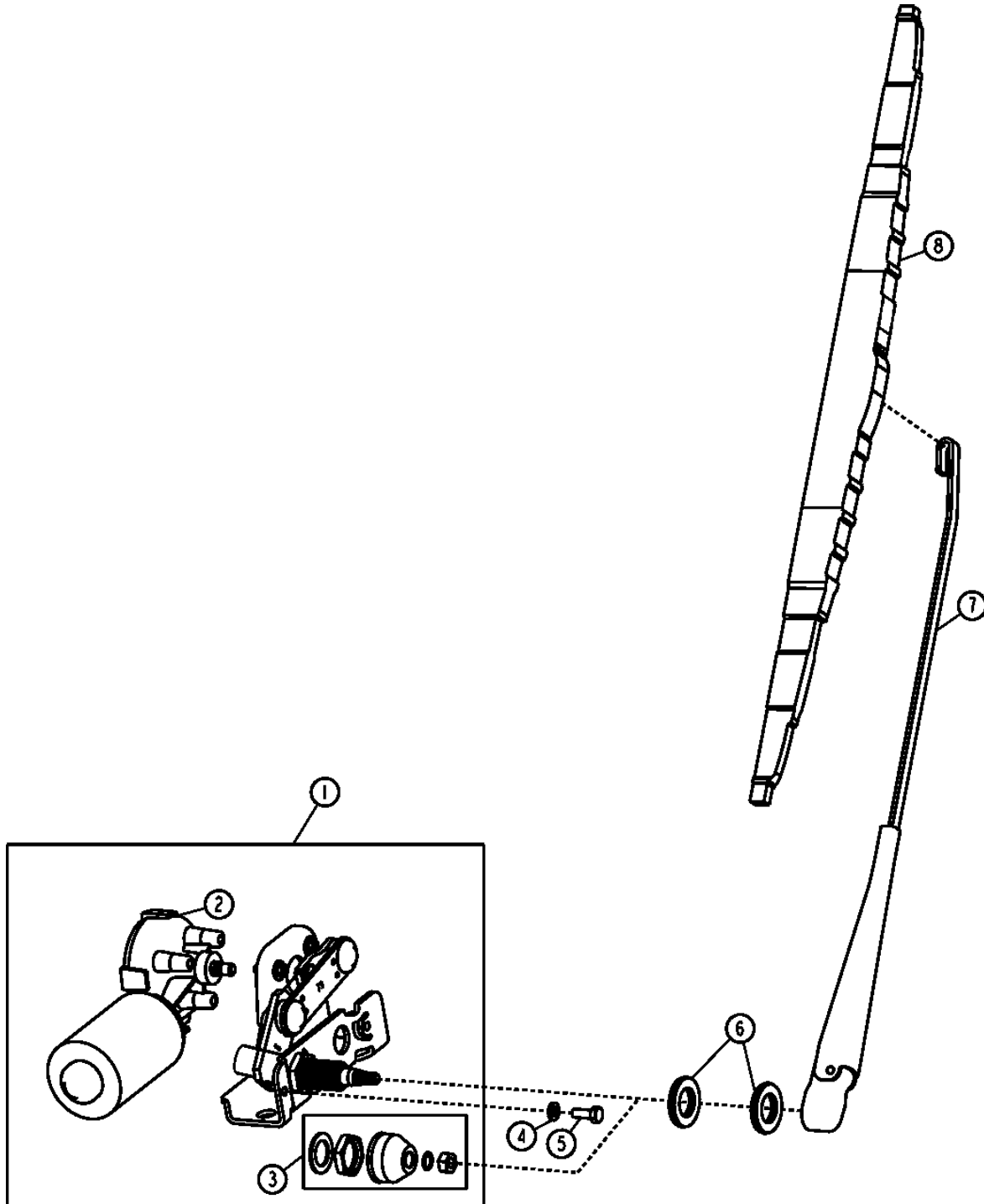
SLIDING REAR WINDOWS AND CORNER WINDOWS (SN 920857-)
 GLACES ARRIERE COULISSANTES ET DE COIN (SN 920857-)
 VENTANAS CORREDIZAS TRASERAS Y VENTANAS DE ESQUINA (SN 920857-)

KEY	PART NO.	PART NAME	QTY.	SERIAL NO.	REMARKS
					3 3
					3 1 1
					1 0 5
					0 S S
					G G G
1	T201955	WINDOWPANE	1		X X X
2	T201954	WINDOWPANE	1		X X X
3	T201953	WINDOWPANE	1		X X X
4	T201952	SCREW	10		X X X
5	T201957	FRAME	2		X X X
6	T201956	FRAME	2		X X X
7	T201958	WEATHERSTRIP	2		X X X
8	T201968	GASKET	2		X X X
9	AT302817	LATCH	1		X X X (INCL HARDWARE AND (1) LATCH)
	21H1395	SCREW	2		X X X 0.164" X 2", (TOP WINDOW)
	21H1367	SCREW	2		X X X 0.164" X 1-3/8", (MIDDLE WINDOW)
	T166371	GROMMET	2		X X X
	T223289	INSERT	2		X X X 0.164"
10	AT307770	SEAL	1		X X X
11	AT302816	WINDOW	1		X X X
12	AT302815	WINDOW	1		X X X
13	AT302813	WINDOW	1		X X X
14	T164705	WINDOWPANE	1		X X X (RH REAR CORNER)
15	T164708	WINDOWPANE	1		X X X (LH REAR CORNER)
16	T135675	STAND-OFF	22		X X X
17	24M7139	WASHER	6		X X X
18	JD5750	LABEL	1		X X X
19	T183768	LABEL	1		X X X
20	19M7775	SCREW	6		X X X M6 X 16, (SUB FOR 19M7077 AND 19M7862, THIS APPLICATION)
21	AT302812	WINDOW	1		X X X CA, (ALSO ORDER (2) T201957 AND (6) T208077)
22	T208077	SCREW	6		X X X

1814-10

FRONT WINDSHIELD WIPER SYSTEM
ESSUIE-GLACE AVANT
SISTEMA DE LIMPIAPARABRISAS

T137150 -UN-30JAN01



T137150

1814-11

OPERATOR'S STATION 18
WINDSHIELD AND WIPER 1814

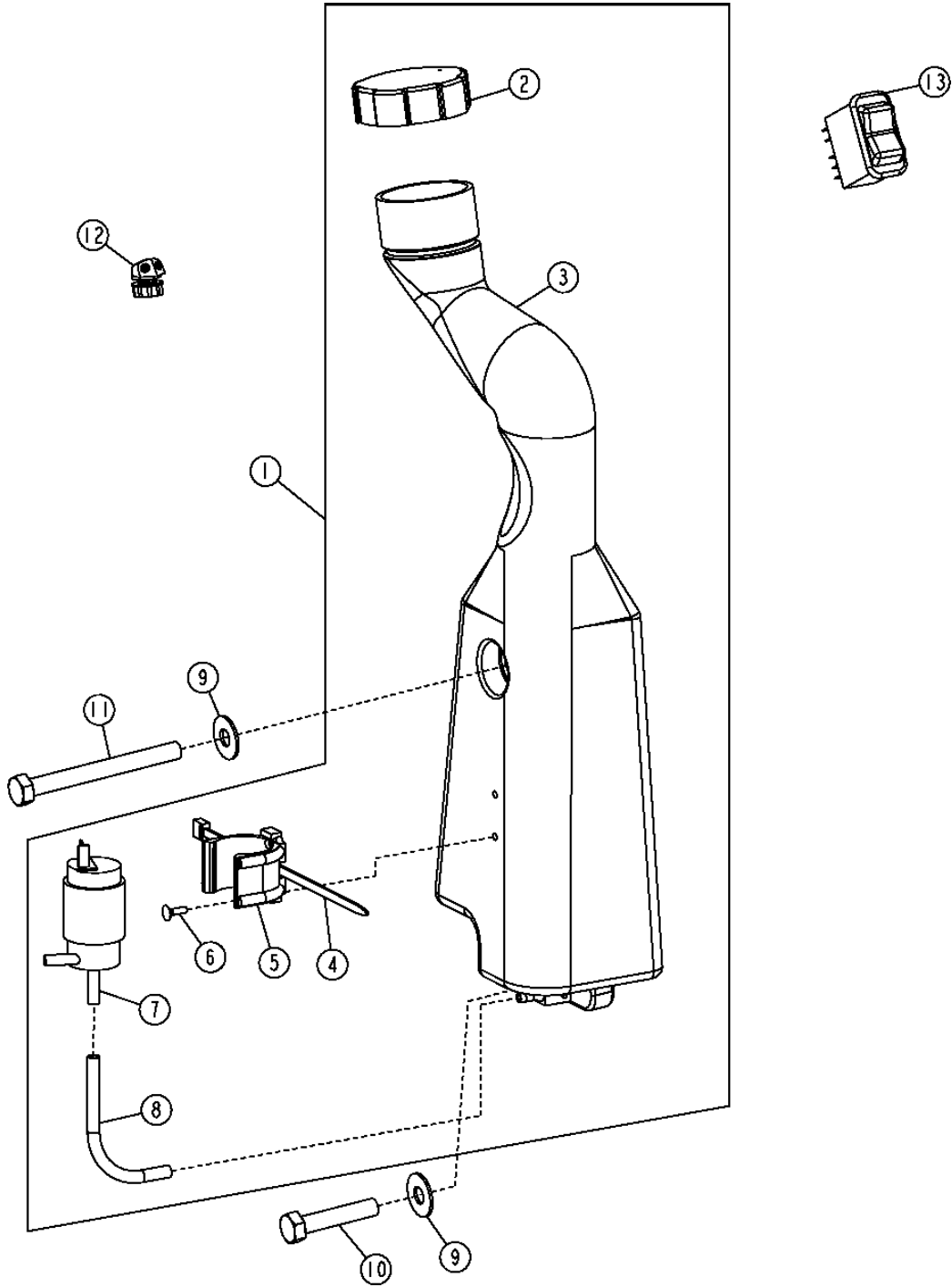
**FRONT WINDSHIELD WIPER SYSTEM
ESSUIE-GLACE AVANT
SISTEMA DE LIMPIAPARABRISAS**

KEY	PART NO.	PART NAME	QTY.	SERIAL NO.	3 3 3 1 1 1 0 5 0 S S G G G	REMARKS
1	WIPER MOTOR	1	-895627	X X X	(AT189103 NLA) (SUB AT323014 AND (2) 19M8425)
	WIPER MOTOR	1	895628-953087	X X X	(AT192587 NLA) (SUB AT323014)
	AT323014	WIPER MOTOR	1	953088-	X X X	(SUB FOR AT192587) (INCLUDES AT323022)
	AT323022	JUMPER	1	953088-	X X X	
2	AT315228	WIPER MOTOR	1	953088-	X X X	(INCLUDES RE40049)
3	RE40049	KIT	1	-953087	X X X	
4	12H302	LOCK WASHER	2	-895627	X X X	1/4"
5	19H2651	CAP SCREW	2	-895627	X X X	1/4" X 3/4"
	19M7775	SCREW	2	895628-	X X X	M6 X 16, (SUB FOR 19M8425, THIS APPLICATION)
6	T183664	WASHER	2	-953087	X X X	
7	AT323012	WIPER ARM	1		X X X	(SUB FOR AT184965)
8	AL153661	WIPER BLADE	1		X X X	(SUB FOR AT184966)

1814-12

FRONT WINDSHIELD WASHER RESERVOIR AND PUMP RESERVOIR ET POMPE DE LAVE-GLACE AVANT DEPOSITO DE LAVAPARABRISAS Y BOMBA

TP58145 -UN-05OCT00



TP58145

1814-13

OPERATOR'S STATION 18
WINDSHIELD AND WIPER 1814

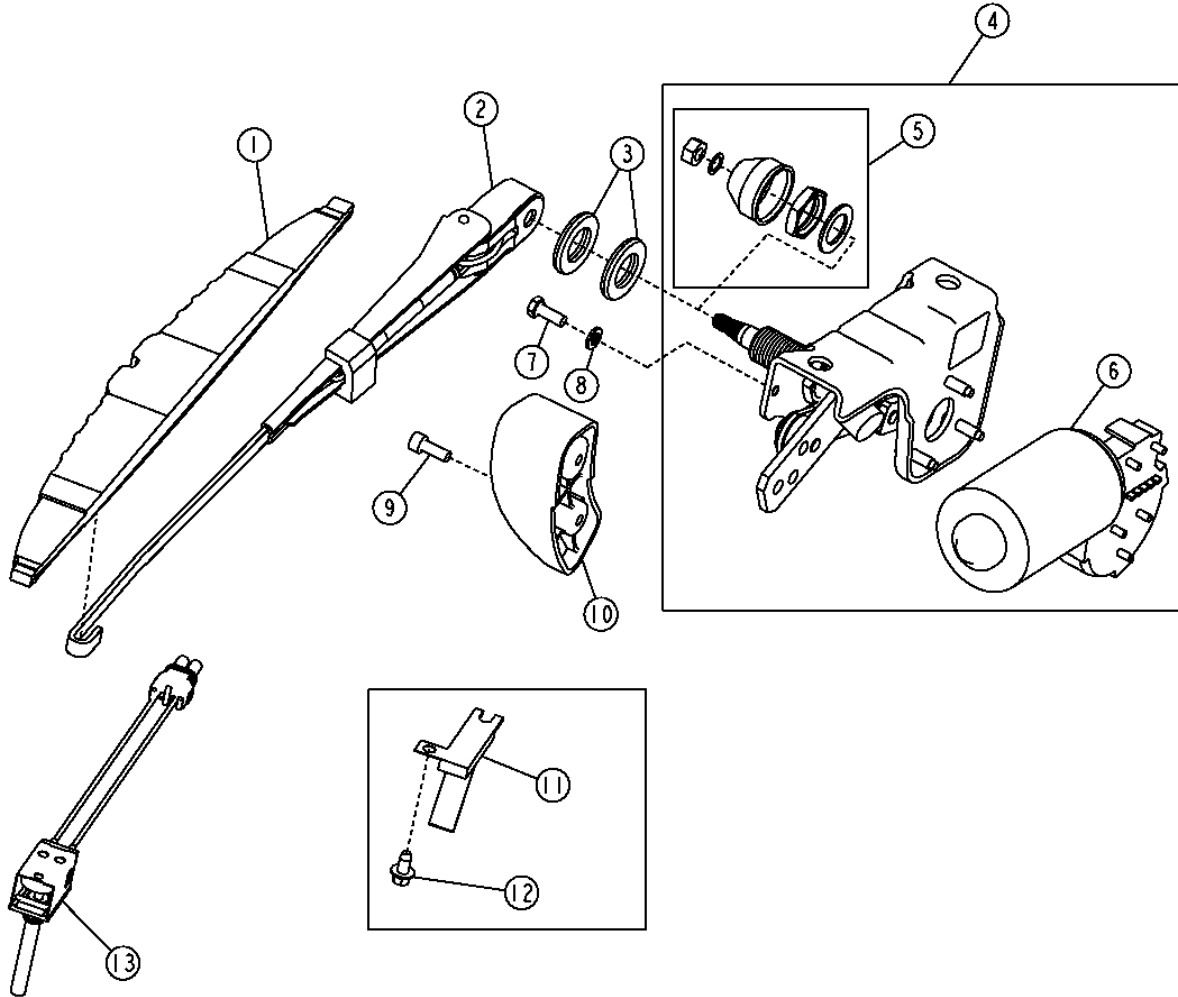
**FRONT WINDSHIELD WASHER RESERVOIR AND PUMP
RESERVOIR ET POMPE DE LAVE-GLACE AVANT
DEPOSITO DE LAVAPARABRISAS Y BOMBA**

KEY	PART NO.	PART NAME	QTY.	SERIAL NO.	REMARKS
					3 3
					3 1 1
					1 0 5
					0 S S
					G G G
1	AT187710	WINDSHIELD WASHER	1		X X X
2	AT173193	CAP	1		X X X (SUB FOR AT189043)
3	T179055	RESERVOIR	1		X X X
4	R44302	TIE BAND	1		X X X
5	T183344	BRACKET	1		X X X
6	R116089	SCREW	2		X X X 0.138" X 1/2"
7	AT174348	PUMP	1		X X X
8	HOSE	1		X X X (CUT TO LENGTH) (MAKE FROM R120653)
9	24H1307	WASHER	2		X X X
10	R151507	CAP SCREW	1		X X X M10 X 50
11	M132832	CAP SCREW	1		X X X M10 X 100
12	AT188766	NOZZLE	1		X X X
13	AT175072	TOGGLE/ROCKER SWITCH	1		X X X

1814-14

REAR WINDSHIELD WIPER SYSTEM
ESSUIE-GLACE ARRIERE
SISTEMA DE LIMPIACRISTAL

T192678 -UN-09JUL03



T192678

1814-15

OPERATOR'S STATION 18
WINDSHIELD AND WIPER 1814

REAR WINDSHIELD WIPER SYSTEM
ESSUIE-GLACE ARRIERE
SISTEMA DE LIMPIACRISTAL

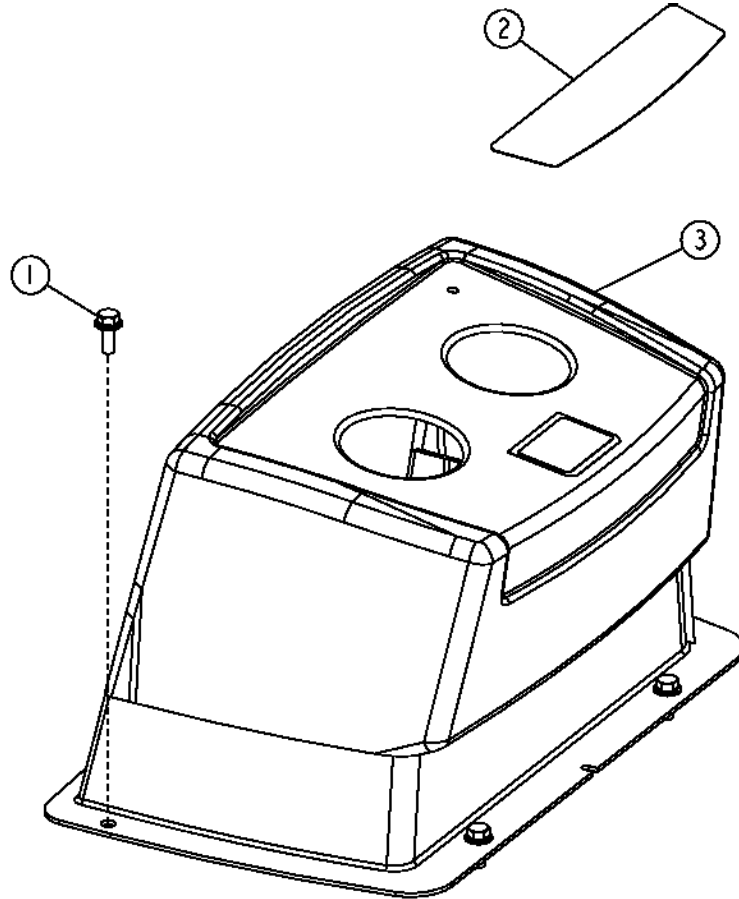
KEY	PART NO.	PART NAME	QTY.	SERIAL NO.	3 3 3 1 1 1 0 5 0 S S G G G	REMARKS
1	AT304631	WIPER BLADE	1		X X X	(SUB FOR AT184970)
2	AT323013	WIPER ARM	1		X X X	(SUB FOR AT184969)
3	T183664	WASHER	2	-953143	X X X	
4	WIPER MOTOR	1	-895627	X X X	(AT184968 NLA) (SUB AT323015 AND (2) 19M8425)
	WIPER MOTOR	1	895628-953143	X X X	(INCL DRIVE ASSEMBLY) (AT194279 NLA) (SUB AT323015)
	AT323015	WIPER MOTOR	1	953144-	X X X	(SUB FOR AT194279) (INCLUDES AT323022)
	AT323022	JUMPER	1	953144-	X X X	
5	RE40049	KIT	1	-953143	X X X	
6	AT315227	WIPER MOTOR	1	953144-	X X X	(INCLUDES RE40049)
7	19H2651	CAP SCREW	2	-895627	X X X	1/4" X 3/4"
	19M7775	SCREW	2	895628-	X X X	M6 X 16, (SUB FOR 19M8425, THIS APPLICATION)
8	12H302	LOCK WASHER	2	-895627	X X X	
9	19M8553	SCREW	2		X X X	M6 X 16
10	AT340856	RAMP	1		X X X	(SUB FOR AT187229)
11	AT186913	SWITCH	1	-920856	X X X	
12	37M7089	SCREW	2	-920856	X X X	M6 X 12
13	AT305685	PUSH SWITCH	1	920857-	X X X	

1816-2

OPERATOR'S STATION 18

INSTRUMENT;&CONTROL;MOUNTING;STRUCTURE 1816
BACKHOE CONTROL CONSOLE (TWO LEVER)
CONSOLE DE COMMANDE DE RETROPELLE (DEUX LEVIER)
CONSOLA DE CONTROL DE RETROEXCAVADORA (DOS PALANCA)

TP58177 -UN-12AUG00



TP58177

1816-3

OPERATOR'S STATION 18

INSTRUMENT;&CONTROL:MOUNTING:STRUCTURE 1816
BACKHOE CONTROL CONSOLE (TWO LEVER)
CONSOLE DE COMMANDE DE RETROPELLE (DEUX LEVIER)
CONSOLA DE CONTROL DE RETROEXCAVADORA (DOS PALANCA)

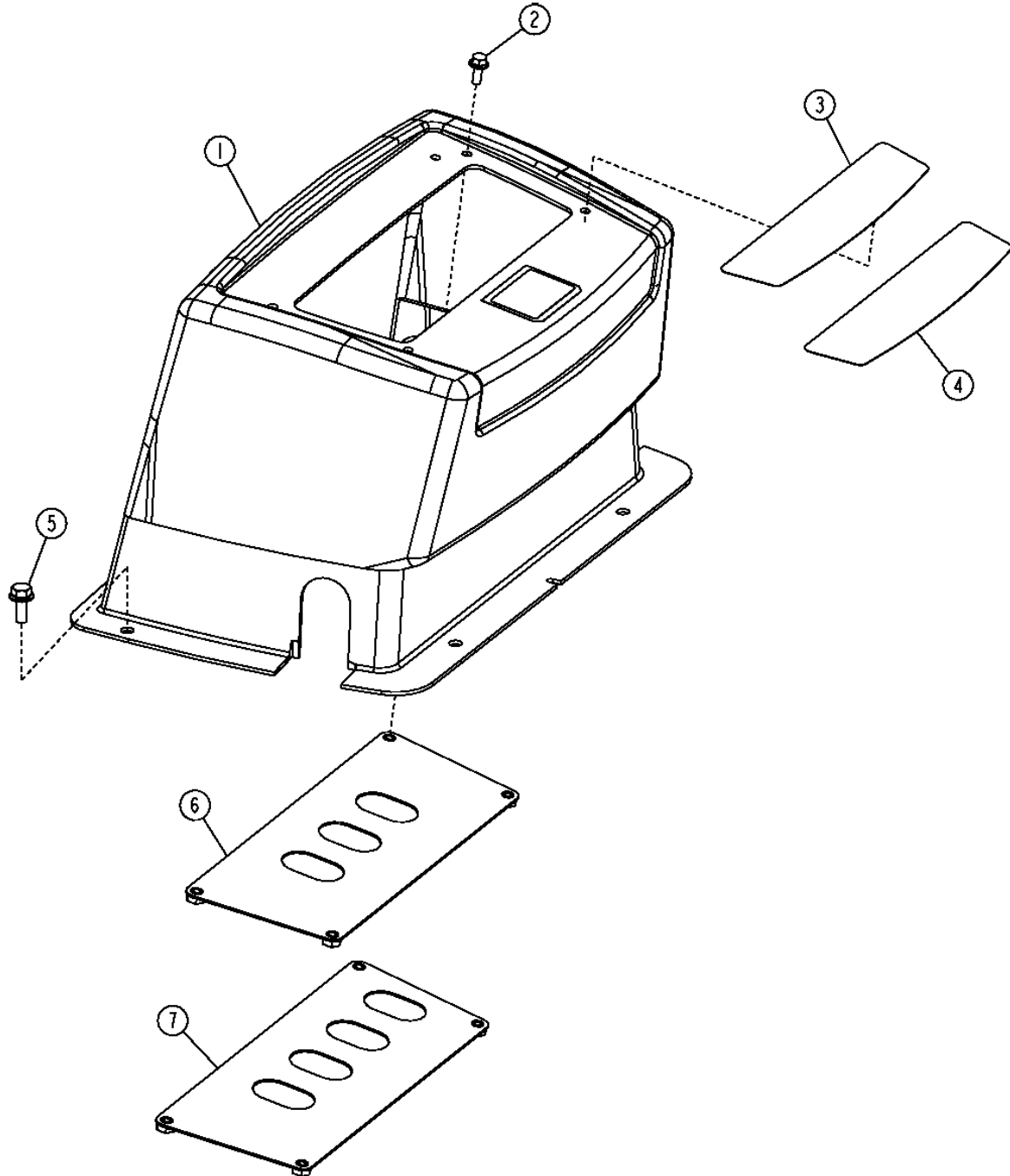
KEY	PART NO.	PART NAME	QTY.	SERIAL NO.	REMARKS
					3 3 3 1 1 1 0 5 0 S S G G G
1	19M7866	SCREW	4		X X X M8 X 20
2	T165584	LABEL	1		X X
3	AT189269	COVER	1		X X
	AT193375	COVER	1		X
	AT189270	COVER	1		X X WITH RH PEDAL
	AT193526	COVER	1		X WITH RH PEDAL
	AT189271	COVER	1		X X WITH LH AND RH PEDAL

1816-4

OPERATOR'S STATION 18

INSTRUMENT & CONTROL MOUNTING STRUCTURE 1816
BACKHOE CONTROL CONSOLE (MULTIPLE LEVERS)
CONSOLE DE COMMANDE DE RETROPELLE (LEVIERS MULTIPLES)
CONSOLA DE CONTROL DE RETROEXCAVADORA (PALANCAS MULTIPLES)

TP69618 -UN-12AUG00



TP69618

1816-5

OPERATOR'S STATION 18

INSTRUMENT;&CONTROL:MOUNTING:STRUCTURE 1816
BACKHOE CONTROL CONSOLE (MULTIPLE LEVERS)
CONSOLE DE COMMANDE DE RETROPELLE (LEVIERS MULTIPLES)
CONSOLA DE CONTROL DE RETROEXCAVADORA (PALANCAS MULTIPLES)

KEY	PART NO.	PART NAME	QTY.	SERIAL NO.	REMARKS
					3 3 3 1 1 1 0 5 0 S S G G G
1	AT189272	COVER	1		X X
2	19M7775	SCREW	4		X X M6 X 16
3	T165585	LABEL	1		X X (A)
4	T165586	LABEL	1		X X (B)
5	19M7866	SCREW	4		X X M8 X 20
6	AT186045	COVER	1	-952137	X X (A)
	AT312121	COVER	1	952138-	X X (A)
7	AT186050	COVER	1	-944916	X X (B)
	AT311929	COVER	1	944917-	X X (B)

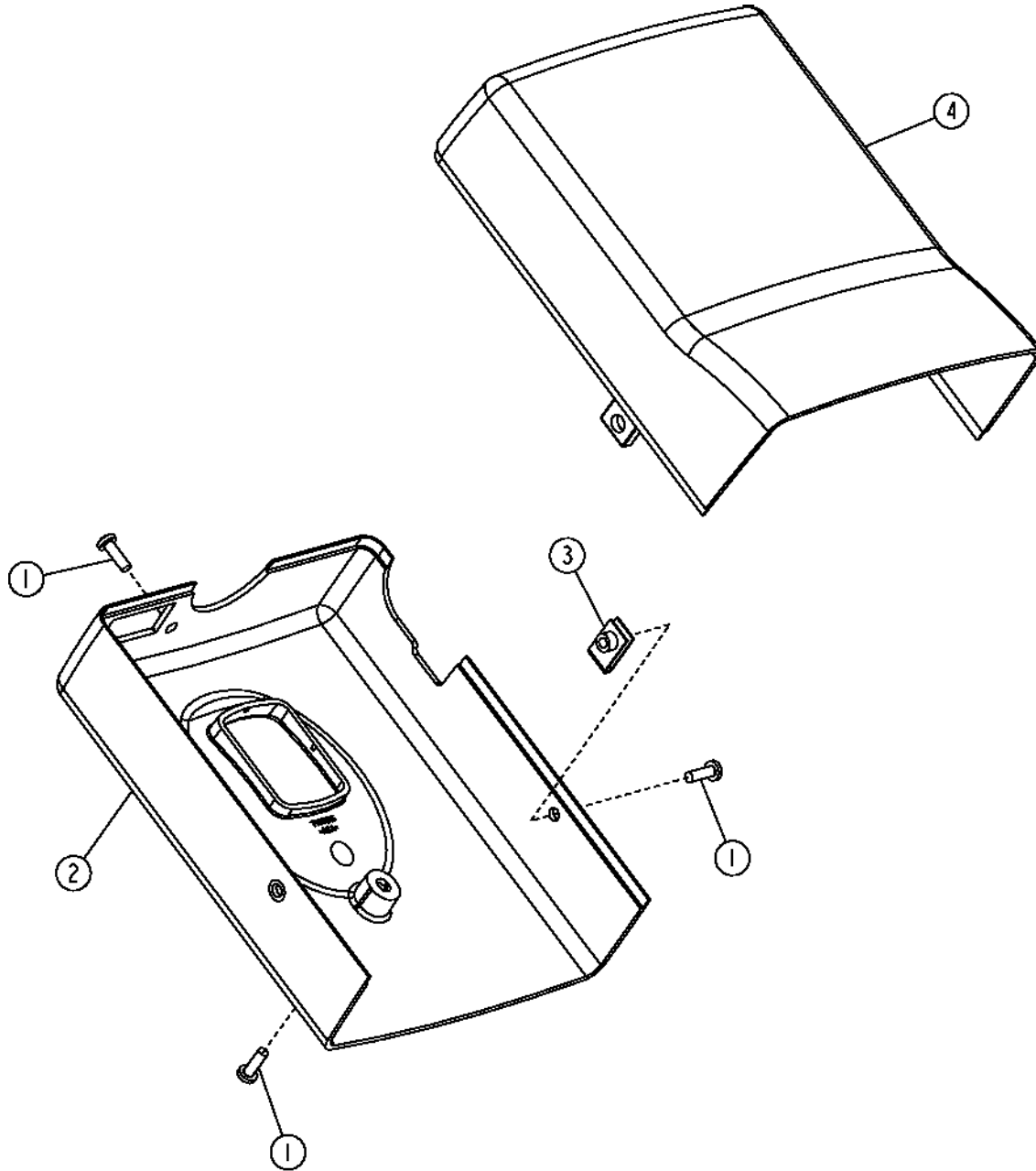
(A) THREE LEVER
 (A) LEVIER TROIS
 (A) PALANCA TRES

(B) THREE LEVER WITH EXTENDABLE
 (B) LEVIER TROIS AVEC EXTENSIBLE
 (B) PALANCA TRES CON EXTENSIBLE

1816-6

INSTRUMENT & CONTROL MOUNTING STRUCTURE 1816
STEERING COLUMN COVER
COUVERCLE DE COLONNE DE DIRECTION
CUBIERTA DE LA COLUMNA DE DIRECCION

TP58083 -UN-05OCT00



TP58083

1816-7

OPERATOR'S STATION 18

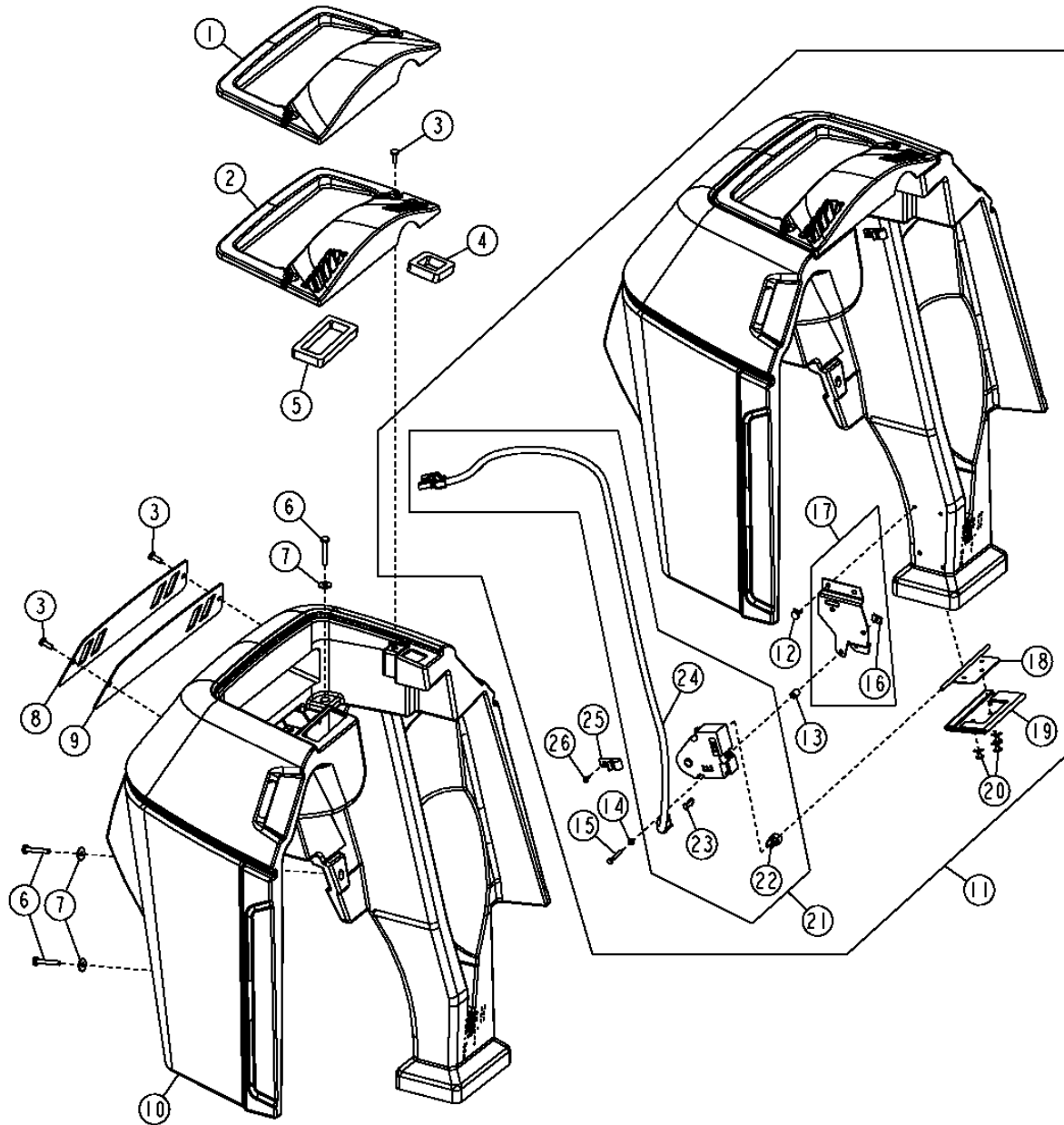
INSTRUMENT;&CONTROL;MOUNTING;STRUCTURE 1816
STEERING COLUMN COVER
COUVERCLE DE COLONNE DE DIRECTION
CUBIERTA DE LA COLUMNA DE DIRECCION

KEY	PART NO.	PART NAME	QTY.	SERIAL NO.	3 3 3 1 1 1 0 5 0 S S G G G	REMARKS
1	21M7271	SCREW	5		X X X	M5 X 16
2	T166213	COVER	1		X X X	STD
	T166213	COVER	1		X X X	TILT, (SUB FOR T166215)
3	R117892	NUT	2		X X X	
4	T166211	COVER	1		X X X	

1816-8

INSTRUMENT & CONTROL MOUNTING STRUCTURE 1816
FRONT CONSOLE (CAB OR CANOPY)
CONSOLE AVANT (CABINE OU AUVENT)
CONSOLA DELANTERA (CABINA O DOSEL)

T209250 -UN-11MAR05



T209250

1816-9

OPERATOR'S STATION 18

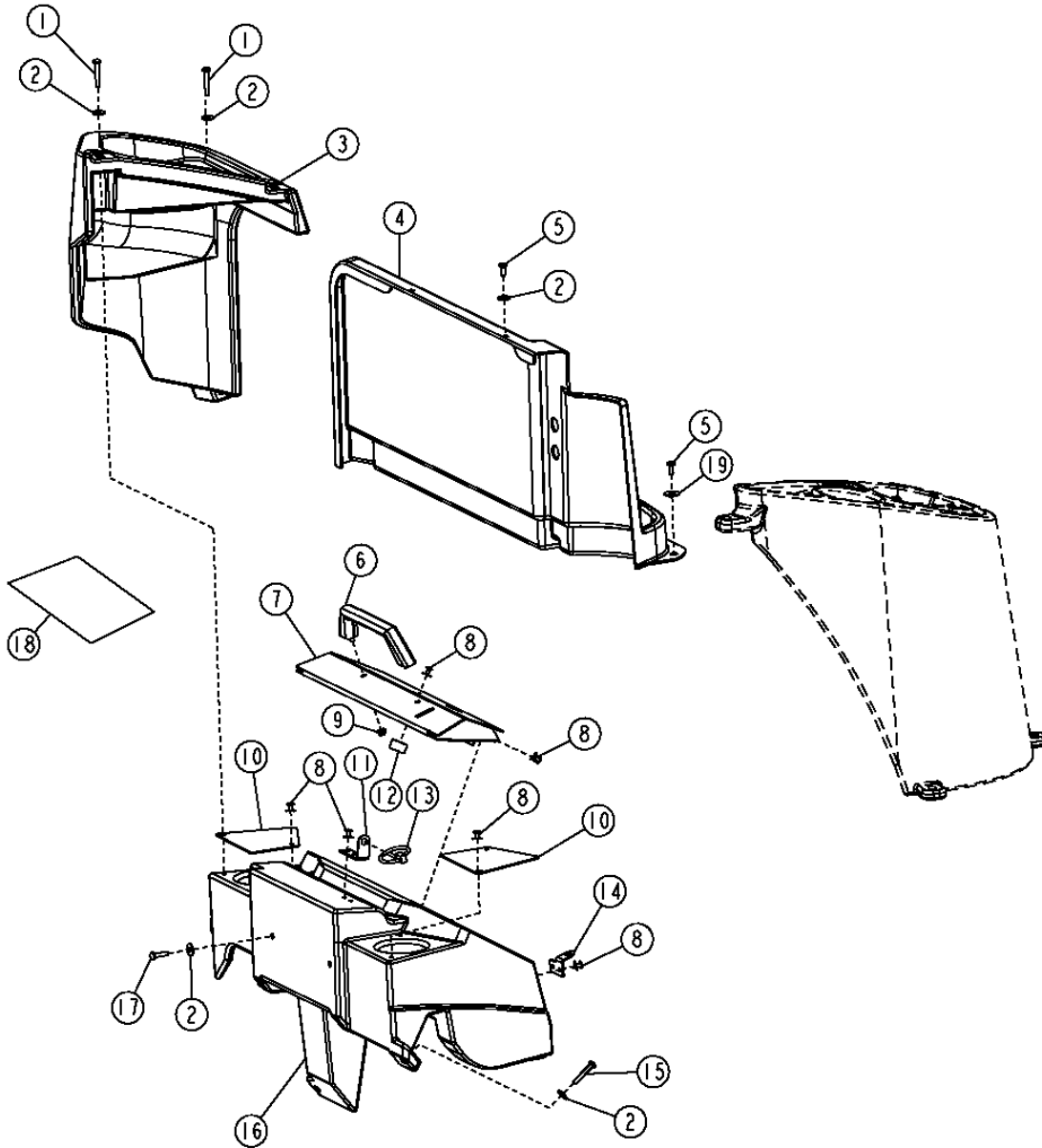
INSTRUMENTS;CONTROL;MOUNTING;STRUCTURE 1816
FRONT CONSOLE (CAB OR CANOPY)
CONSOLE AVANT (CABINE OU AUVENT)
CONSOLA DELANTERA (CABINA O DOSEL)

KEY	PART NO.	PART NAME	QTY.	SERIAL NO.	REMARKS
					3 3
					3 1 1
					1 0 5
					0 S S
					G G G
1	T183706	PANEL	1		X X X (CANOPY)
2	T167083	PANEL	1		X X X (CAB)
3	T133674	SELF-LOCKING SCREW	2		X X X M6 X 16, (SUB FOR 21M7292, THIS APPLICATION)
4	T184008	ISOLATOR	1		X X X LH
5	T184009	ISOLATOR	1		X X X RH
6	T134874	SELF-LOCKING SCREW	6		X X X M6 X 40, (SUB FOR 21M7403, THIS APPLICATION)
7	24H1821	WASHER	4		X X X (SUB FOR 24H1646)
8	T206457	PANEL	1		X X (CAB) (SUB FOR T167150)
	T206457	PANEL	1	-200132	X
	PANEL	1	200133-	X
9	T206457	PANEL	1		X X X (CANOPY) (SUB FOR T167149)
10	T167082	COVER	1		X X X (CAB)
	T167119	COVER	1		X X X (CANOPY/ROPS)
11	AT191629	COVER	1		X X X (W/ AIR CONDITIONING)
12	T184345	RIVET	3		X X X
13	T134586	SPACER	1		X X X
14	24M7117	WASHER	3		X X X
15	19M7715	CAP SCREW	3		X X X M4 X 30
16	T185742	NUT	3		X X X
17	AT191877	BRACKET	1		X X X
18	AT191826	GATE	1		X X X
19	AT191688	PLATE	1		X X X (W/ SEAL)
20	T184345	RIVET	3		X X X
21	AT191876	ACTUATOR	1		X X X
22	T185485	ADAPTER FITTING	1		X X X
23	T186022	ELECTRICAL CONNECTOR ASSY	1		X X X
24	AT191919	WIRING HARNESS	1		X X X
25	T185743	CLIP	3		X X X
26	T185769	SCREW	3		X X X

1816-10

INSTRUMENT & CONTROL MOUNTING STRUCTURE 1816
SIDE INSTRUMENT PANEL HOUSING AND STABILIZER LEVER COVER (CANOPY)
LOGEMENT DE TABLEAU DE BORD LATERAL ET PROTECTION DE LEVIER DE STABILISATEUR (AUVENT)
CAJA DE TABLERO LATERAL DE INSTRUMENTOS Y CUBIERTA DE PALANCA DE ESTABILIZADOR (DOSEL)

T137242 -UN-05MAR02



T137242

1816-11

OPERATOR'S STATION 18

INSTRUMENT & CONTROL MOUNTING STRUCTURE 1816
 SIDE INSTRUMENT PANEL HOUSING AND STABILIZER LEVER COVER (CANOPY)
 LOGEMENT DE TABLEAU DE BORD LATERAL ET PROTECTION DE LEVIER DE STABILISATEUR (AUVENT)
 CAJA DE TABLERO LATERAL DE INSTRUMENTOS Y CUBIERTA DE PALANCA DE ESTABILIZADOR (DOSEL)

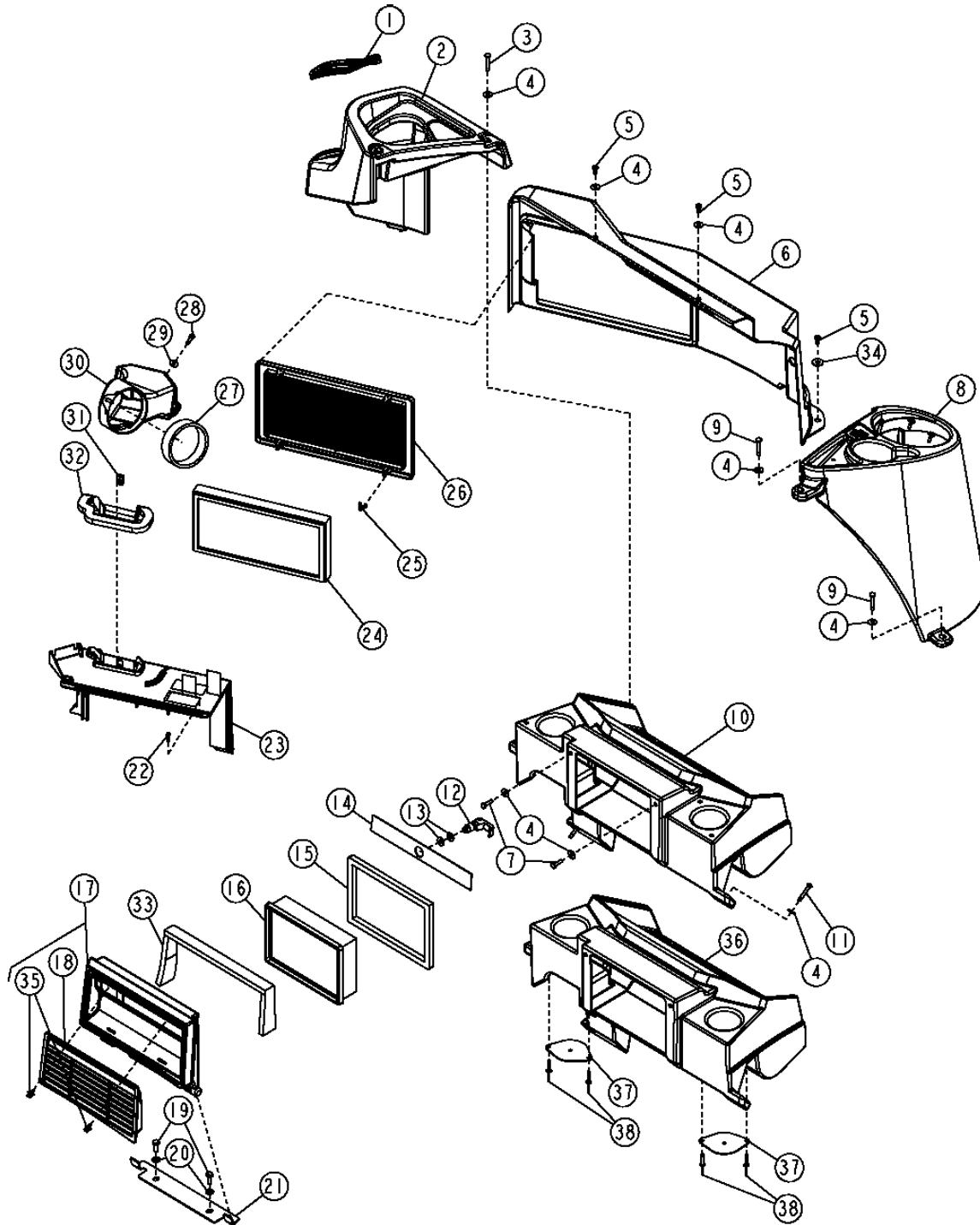
KEY	PART NO.	PART NAME	QTY.	SERIAL NO.	REMARKS
					3 3
					3 1 1
					1 0 5
					0 S S
					G G G
1	T134874	SELF-LOCKING SCREW	3		X X X M6 X 40, (SUB FOR 21M7403, THIS APPLICATION)
2	24H1646	WASHER	9		X X X
3	T185619	COVER	1		X X X STABILIZER CONTROL
	AT304324	COVER	1		X X PILOT CONTROL
4	AT304593	COVER	1		X X X CENTER, (SUB FOR T166875)
5	T133674	SELF-LOCKING SCREW	5		X X X M6 X 16
6	AM118928	HANDLE	1		X X X
7	AT192122	COVER	1		X X X VANDAL PROTECTION
8	T184345	RIVET	13		X X X
9	14M7303	FLANGE NUT	2		X X X M6
10	T185654	PANEL	2		X X X
11	T185905	ANGLE	1		X X X
12	T134896	BUMPER	1		X X X VANDAL PROTECTION
13	M72598	QUICK LOCK PIN	1		X X X
14	T183151	STRAP	1		X X X
15	T134874	SELF-LOCKING SCREW	2		X X X M6 X 40
16	T185653	HOUSING	1		X X X INSTRUMENT PANEL
17	T134895	SELF-LOCKING SCREW	2		X X X M6 X 25
18	T186552	LABEL	1		X X X TEMPERATURE AND FAN SPEED CONTROL
19	24M7207	WASHER	3		X X X

1816-12

INSTRUMENT & CONTROL MOUNTING STRUCTURE 1816
SIDE INSTRUMENT PANEL HOUSING AND STABILIZER LEVER COVER (CAB)
LOGEMENT DE TABLEAU DE BORD LATÉRAL ET PROTECTION DE LEVIER DE STABILISATEUR (CABINE)
CAJA DE TABLERO LATERAL DE INSTRUMENTOS Y CUBIERTA DE PALANCA DE ESTABILIZADOR (CABINA)

T147548

-UN-30OCT01



T147548

1816-13

OPERATOR'S STATION 18

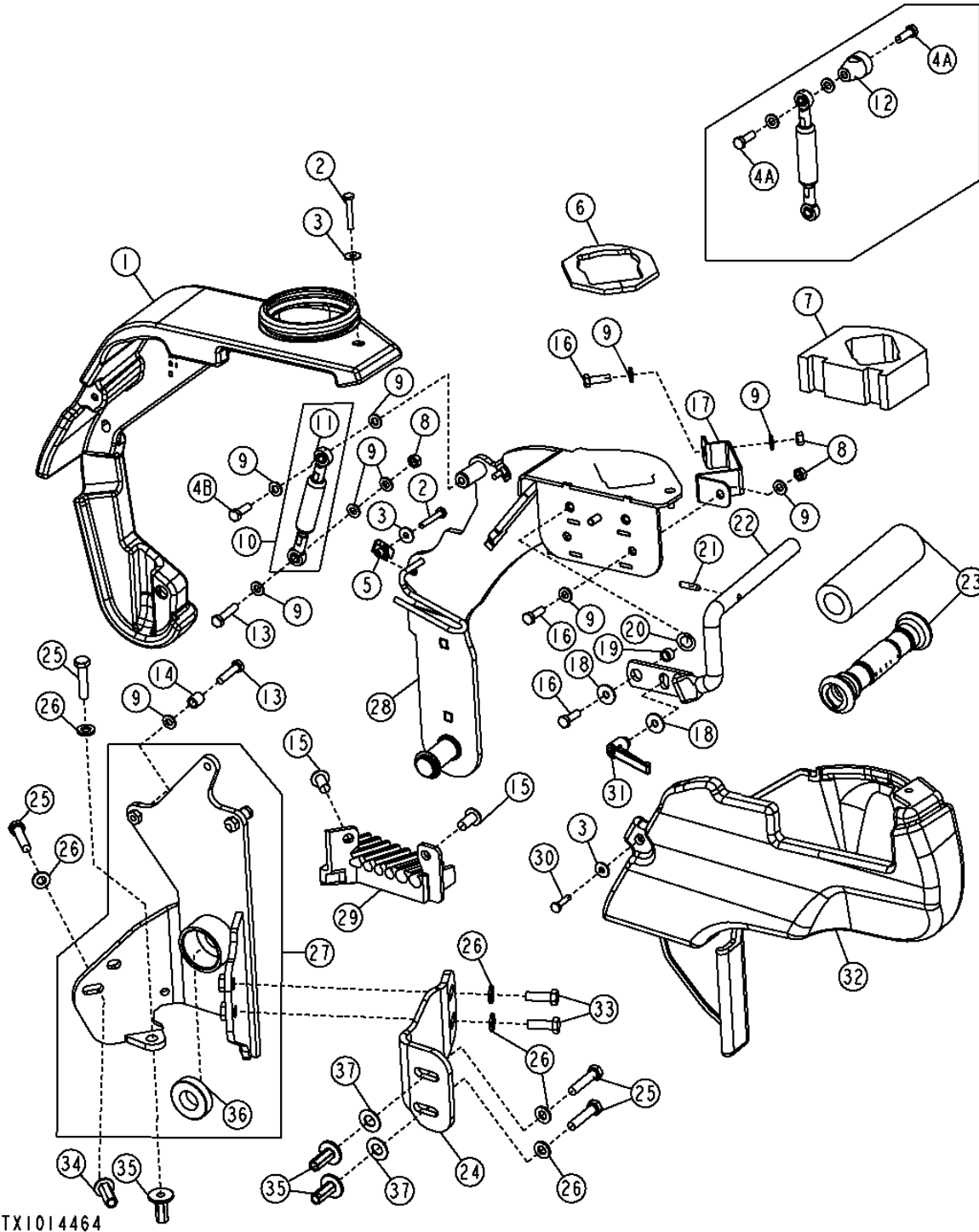
INSTRUMENT & CONTROL MOUNTING STRUCTURE 1816
SIDE INSTRUMENT PANEL HOUSING AND STABILIZER LEVER COVER (CAB)
LOGEMENT DE TABLEAU DE BORD LATÉRAL ET PROTECTION DE LEVIER DE STABILISATEUR (CABINE)
CAJA DE TABLERO LATÉRAL DE INSTRUMENTOS Y CUBIERTA DE PALANCA DE ESTABILIZADOR (CABINA)

KEY	PART NO.	PART NAME	QTY.	SERIAL NO.	REMARKS
					3 3 3 1 1 1 0 5 0 S S G G G
1	ISOLATOR	1		X X X (CUT TO LENGTH, 445 MM) (MAKE FROM T58056)
2	T185494 AT304891	COVER COVER	1 1		X X X STABILIZER CONTROL X X STABILIZER CONTROL (FOR PILOT CONTROL WITH SELECTOR VALVE) (SUB FOR AT280255)
	PLUG	1		(T163309 NLA) (SELECTOR VALVE SWITCH PLUG) (SUB T207060)
3	T134874	SELF-LOCKING SCREW	3		X X M6 X 40, (SUB FOR 21M7403, THIS APPLICATION)
4	24H1821	WASHER	12		X X X
5	T133674	SELF-LOCKING SCREW	5		X X X M6 X 16, (SUB FOR 21M7292, THIS APPLICATION)
6	T166874	COVER	1		X X X CENTER
7	T134895	SELF-LOCKING SCREW	2		X X X M6 X 25
8	T185493	COVER	1		X X X LOADER CONTROL
9	T134874	SELF-LOCKING SCREW	3		X X X M6 X 40, (SUB FOR 21M7403, THIS APPLICATION)
10	T185495	HOUSING	1		X X X INSTRUMENT PANEL (AIR CONDITIONING)
11	T134874	SELF-LOCKING SCREW	2		X X X M6 X 40
12	AT222150	LATCH	1		X X X
13	24H1136	WASHER	2		X X X
14	T185896	ISOLATOR	1		X X X
15	T185770	ISOLATOR	1		X X X
16	AT191102	AIR FILTER	1		X X X FRESH AIR
17	AT185396	COVER	1		X X X FRESH AIR
18	T165808	GRILLE	1		X X X
19	19M7881	SCREW	2		X X X M8 X 20
20	24M7238	WASHER	2		X X X
21	T184164	BRACKET	1		X X X
22	T184620	SCREW	4		X X X
23	T164620	HOUSING	1		X X X TOP ACCESS
24	AT184590	AIR FILTER	1		X X X
25	R120160	CLIP	4		X X X
26	T164621	GRILLE	1		X X X
27	T185844	ISOLATOR	1		X X X
28	19M7933	CAP SCREW	2		X X X M6 X 25
29	24M7139	WASHER	2		X X X
30	T166322	AIR DUCT	1		X X X
31	M84972	NUT	1		X X X
32	T184370	SEAL	1		X X X
33	T187110	ISOLATOR	1		X X X
34	24M7207	WASHER	3		X X X
35	T184214	RIVET	2		X X X
36	T185651	HOUSING	1		X X X INSTRUMENT PANEL (HEATER)
37	T185652	PANEL	2		X X X
38	T184345	RIVET	4		X X X

1816-14

INSTRUMENT & CONTROL MOUNTING STRUCTURE 1816
PILOT CONTROLLER ARM (LEFT SIDE)
BRAS DE COMMANDE PILOTE (COTE GAUCHE)
BRAZO DE PALANCA DE CONTROL PILOTO (LADO IZQUIERDO)

TX1014464 -UN-



TX1014464

1816-15

OPERATOR'S STATION 18

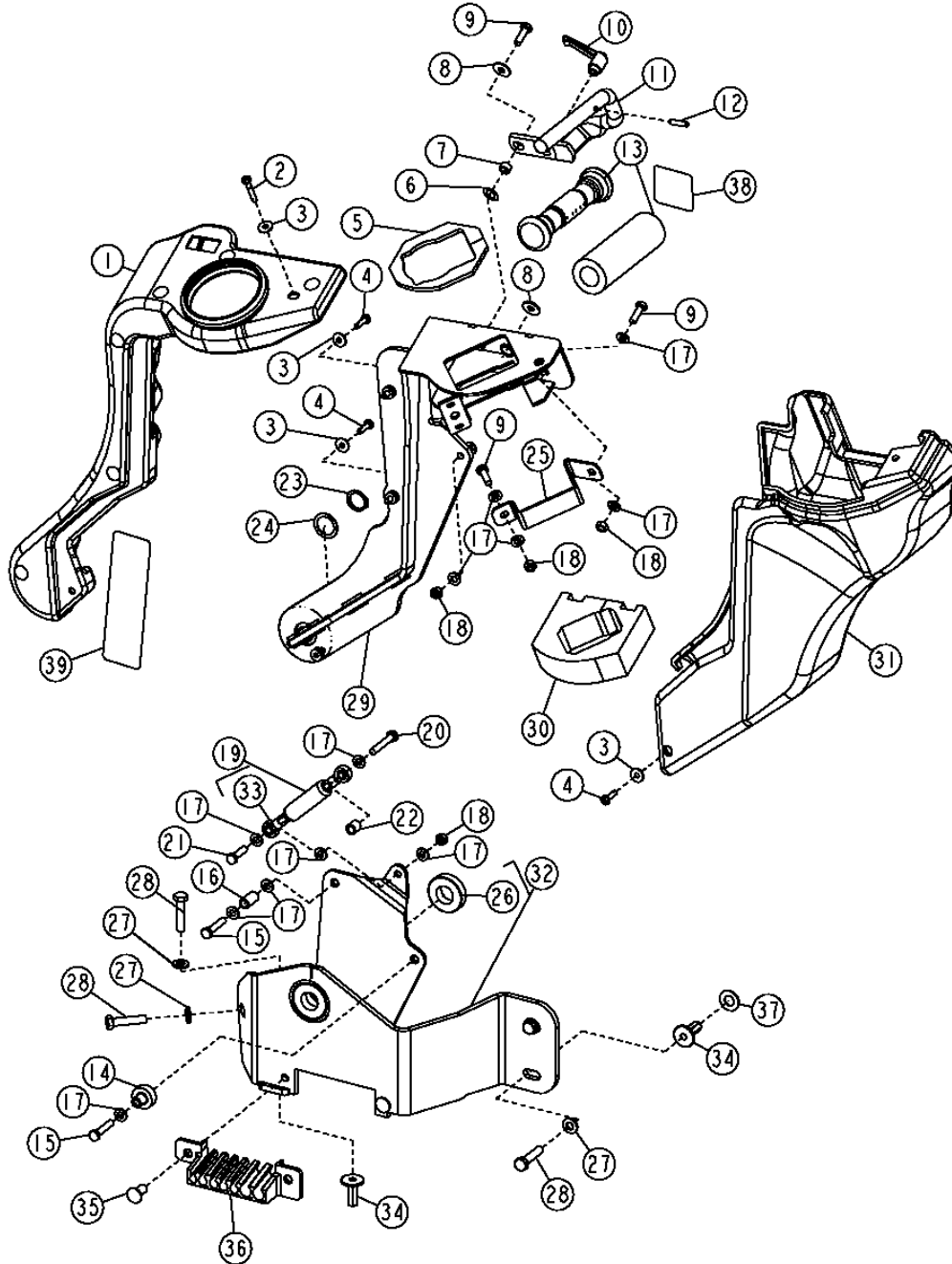
INSTRUMENT & CONTROL MOUNTING STRUCTURE 1816
PILOT CONTROLLER ARM (LEFT SIDE)
BRAS DE COMMANDE PILOTE (COTE GAUCHE)
BRAZO DE PALANCA DE CONTROL PILOTO (LADO IZQUIERDO)

KEY	PART NO.	PART NAME	QTY.	SERIAL NO.	3 3 3 1 1 1 0 5 0 S S G G G	REMARKS
1	AT199591	COVER	1		X X	
2	T134874	SELF-LOCKING SCREW	3		X X	M6 X 40
3	24H1646	WASHER	5		X X	
4A	CAP SCREW	2	-943052	X X	
4B	19M7407	CAP SCREW	1	943053-	X X	M8 X 25
5	R120332	NUT	2		X X	
6	T190998	ISOLATOR	1		X X	
7	T190999	ISOLATOR	1		X X	
8	14M7273	NUT	4		X X	M8
9	24M7238	WASHER	9		X X	
10	AT280674	GAS OPERATED CYLINDER	1		X X	
11	AM102062	LINK END	2		X X	
12	T213244	BUSHING	1	-943052	X X	
13	19M8008	CAP SCREW	3		X X	M8 X 35
14	28H3376	SPACER	2		X X	
15	MT2485	PLUG	2		X X	FASTENER, (SUB FOR T161380)
16	19M7407	CAP SCREW	3		X X	M8 X 25
17	T190868	STRAP	1		X X	
18	24M7298	WASHER	2		X X	
19	28H3392	WASHER	1		X X	
20	M87534	SPRING WASHER	1		X X	
21	T190956	PIN	1		X X	
22	AT300750	BRACKET	1		X X	
23	AT303853	SLEEVE	1		X X	
24	T190912	SUPPORT	1		X X	
25	19M7572	CAP SCREW	4		X X	M10 X 45
26	24M7239	WASHER	5		X X	
27	AT198778	SUPPORT	1		X X	
28	AT198777	ARM	1		X X	
29	T190960	GUIDE	1		X X	
30	T134895	SELF-LOCKING SCREW	2		X X	M6 X 25
31	AT227063	LEVER	1		X X	
32	AT199592	COVER	1		X X	
33	19M7662	CAP SCREW	2		X X	M10 X 30
34	T148410	NUT	2		X X	M10
35	H173411	NUT	3		X X	M10
36	JD10373	BALL BEARING	2		X X	
37	24H1261	WASHER	2		X X	

1816-16

INSTRUMENT & CONTROL MOUNTING STRUCTURE 1816
PILOT CONTROLLER ARM (RIGHT SIDE)
BRAS DE COMMANDE PILOTE (COTE DROIT)
BRAZO DE PALANCA DE CONTROL PILOTO (LADO DERECHA)

T199111 -UN-07APR04



T199111

1816-17

OPERATOR'S STATION 18

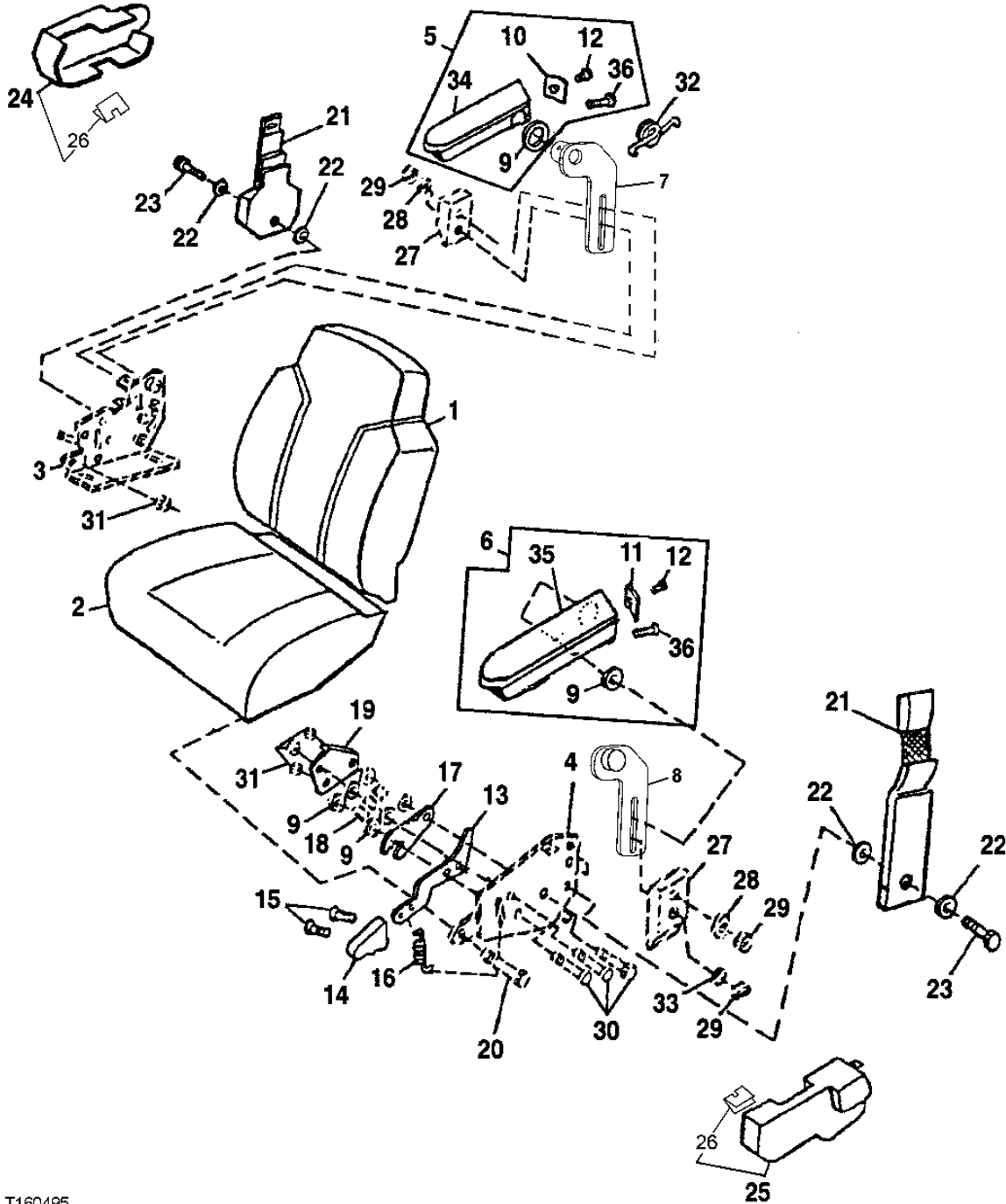
INSTRUMENT & CONTROL MOUNTING STRUCTURE 1816
 PILOT CONTROLLER ARM (RIGHT SIDE)
 BRAS DE COMMANDE PILOTE (DROIT COTE)
 BRAZO DE PALANCA DE CONTROL PILOTO (LADO DERECHO)

KEY	PART NO.	PART NAME	QTY.	SERIAL NO.	REMARKS
					3 3
					3 1 1
					1 0 5
					0 S S
					G G G
1	AT199594	COVER	1		X
2	T134874	SELF-LOCKING SCREW	1		X M6 X 40
3	24H1646	WASHER	5		X
4	T134895	SELF-LOCKING SCREW	4		X M6 X 25
5	T191000	ISOLATOR	1		X
6	M87534	SPRING WASHER	1		X
7	28H3392	WASHER	1		X
8	24M7298	WASHER	2		X
9	19M7407	CAP SCREW	3		X M8 X 25
10	AT227063	LEVER	1		X
11	AT300885	BRACKET	1		X
12	T190956	PIN	1		X
13	AT303853	SLEEVE	1		X
14	T202720	BUSHING	1		X
15	19M7922	CAP SCREW	2		X M8 X 40
16	28H3390	SPACER	1		X
17	24M7238	WASHER	14		X
18	14M7273	NUT	4		X M8
19	AT280674	GAS OPERATED CYLINDER	1		X
20	19M8397	CAP SCREW	1		X M8 X 50
21	19M7513	CAP SCREW	1		X M8 X 30
22	28H3376	SPACER	1		X
23	W23122	SNAP RING	1		X
24	24H1844	WASHER	1		X
25	T190868	STRAP	1		X
26	JD10373	BALL BEARING	2		X
27	24M7239	WASHER	5		X
28	19M7572	CAP SCREW	4		X M10 X 45
29	AT198776	ARM	1		X
30	T190999	ISOLATOR	1		X
31	AT199595	COVER	1		X
32	AT198865	SUPPORT	1		X
33	AM102062	LINK END	2		X
34	H173411	NUT	6		X M10
35	MT2485	PLUG	2		X FASTENER, (SUB FOR T161380)
36	T190964	GUIDE	1		X
37	24H1261	WASHER	2		X
38	T200658	SAFETY SIGN	1		X
39	T200781	LABEL	1		X (BACKHOE CONTROLS)

1821-2

SEAT/SEAT BELTS/ARM REST
SIEGE/CEINTURE DE SECURITE/ACCOUDOIR
ASIENTO/CINTURON DE SEGURIDAD/REPOSABRAZOS

T160495 -UN-21OCT02



T160495

1821-3

OPERATOR'S STATION 18
SEAT AND SEAT BELTS 1821

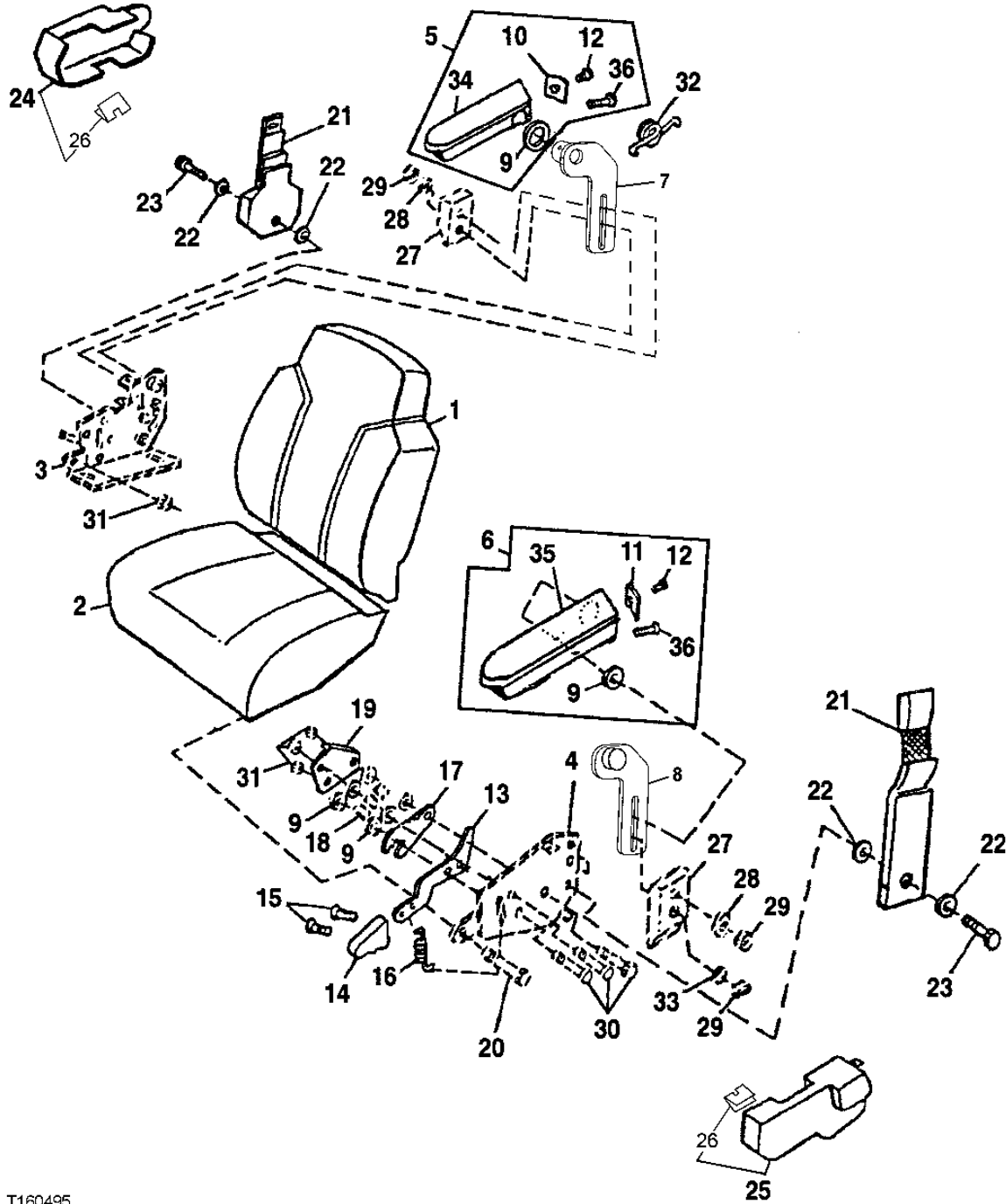
**SEAT/SEAT BELTS/ARM RESTS
SIEGE/CEINTURE DE SECURITE/ACCOUDOIR
ASIENTO/CINTURON DE SEGURIDAD/REPOSABRAZOS**

KEY	PART NO.	PART NAME	QTY.	SERIAL NO.	REMARKS
					3 3
					3 1 1
					1 0 5
					0 S S
					G G G
1	AT308796	CUSHION	1		X X X (CLOTH, BACK PAD) (SUB FOR AT221020)
	AT221016	PAD	1		X X X (VINYL, BACK PAD)
	T171686	CLIP	4		X X X
	AT308797	CUSHION	AR		X X X (HEADREST OPTIONAL)
2	AT308795	CUSHION	1		X X X (SEAT PAD, CLOTH) (SUB FOR AT221019)
	AT221015	SEAT	1		X X X (SEAT PAD, VINYL)
3	PLATE	1		X X X (RH BACKREST ANGLE ADJUSTMENT)
4	PLATE	1		X X X (LH BACKREST ANGLE ADJUSTMENT)
5	AT312730	ARMREST	1		X X X RH. (SUB FOR AT186152)
6	AT312728	ARMREST	1		X X X (LH) (SUB FOR AT186156)
7	AT189059	BRACKET	1		X X X (RH ARM REST ASSEMBLY)
8	AT189030	BRACKET	1		X X X (LH ARM REST ASSEMBLY)
9	T120545	WASHER	2		X X X (WAVE)
10	T166226	PLATE	1		X X X (RH COVER)
11	T166227	PLATE	1		X X X (LH COVER)
12	T120543	SCREW	2		X X X (SET SCREW)
13	AT209225	KIT	1		X X X (RECLINER) INCL EXTENSION SPRING, TORSION SPRING, BACKING PLATE, LATCH, SPACERS AND HARDWARE.
	LEVER	1		X X X
14	AT209025	KIT	1		X X X (KNOB AND SCREW) (RECLINER)
15	37H121	SCREW	2		X X X (RECLINER KNOB)
16	SPRING	1		X X X (TILT LEVER)
17	LATCH	1		X X X (RECLINER-SAW TOOTH)
18	SPACER	3		X X X (BETWEEN SMALL AND LARGE PLATE) (TILT LEVER)
19	PLATE	1		X X X (SMALL 3-HOLE INSIDE PLATE)

1821-3A

SEAT / SEAT BELTS / ARM REST (CONTINUED)
SIEGE / CEINTURE DE SECURITE / ACCOUDOIR (SUITE)
ASIENTO / CINTURON DE SEGURIDAD / REPOSABRAZOS (CONTINUACION)

T160495 -UN-21OCT02



T160495

1821-3B

OPERATOR'S STATION 18
SEAT AND SEAT BELTS 1821

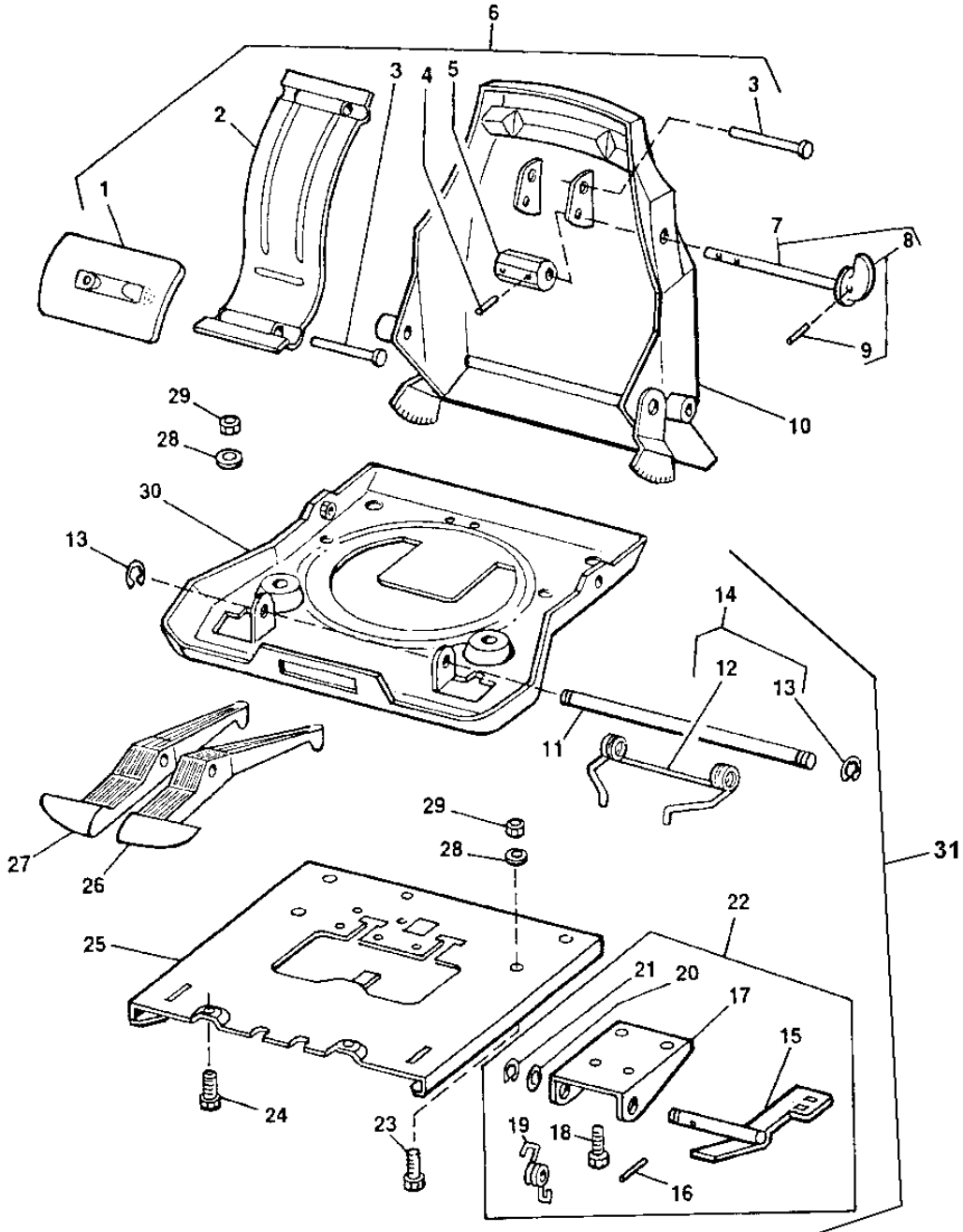
SEAT / SEAT BELTS / ARM RESTS (CONTINUED)
SIEGE / CEINTURE DE SECURITE / ACCOUDOIR (SUITE)
ASIENTO / CINTURON DE SEGURIDAD / REPOSABRAZOS (CONTINUACION)

KEY	PART NO.	PART NAME	QTY.	SERIAL NO.	REMARKS
					3 3
					3 1 1
					1 0 5
					0 S S
					G G G
20	19H1813	CAP SCREW	2		X X X 5/16" X 5/8", (TILT LEVER)
	24H1136	WASHER	2		X X X
21	AT179423	SEAT BELT	1		X X X (2 INCH) (ALSO ORDER (4) T105740 AND (2) 19H2109)
	AT308199	SEAT BELT	1		X X X (3 INCH) (ALSO ORDER (4) T105740 AND (2) 19H2109) (SUB FOR AT178065)
22	T105740	WASHER	4		X X X (SEAT BELT)
23	19H2109	CAP SCREW	2		X X X 7/16" X 1-1/4", (SEAT BELT)
24	T160896	COVER	1		X X X (SEAT BELT) (RH) REQUIRES SCREWS
25	T163962	COVER	1		X X X (SEAT BELT) (LH) REQUIRES SCREWS, (SUB FOR T160895, THIS APPLICATION)
26	CLIP	1		X X X
27	SPACER	2		X X X
28	WASHER	4		X X X
29	NUT	4		X X X
30	19H1914	CAP SCREW	3		X X X 1/4" X 1"
	24H1287	WASHER	6		X X X
31	M453T	LOCK NUT	3		X X X 1/4", (RECLINER)
32	SPRING	1		X X X SEAT BACK
33	WASHER	2		X X X
34	ARMREST	1		X X X (RH)
35	ARMREST	1		X X X (LH)
36	T120544	SCREW	2		X X X

1821-4

SEAT SLIDE AND LUMBAR ADJUSTER CONTROL LEVERS
GLISSIERE DE SIEGE ET LEVIERS DE COMMANDE DE REGLAGE
PALANCAS DE CONTROL DE DESLIZAMIENTO Y DE AJUSTE DEL ASIENTO

T144454 -UN-08AUG01



T144454

1821-5

OPERATOR'S STATION 18
SEAT AND SEAT BELTS 1821

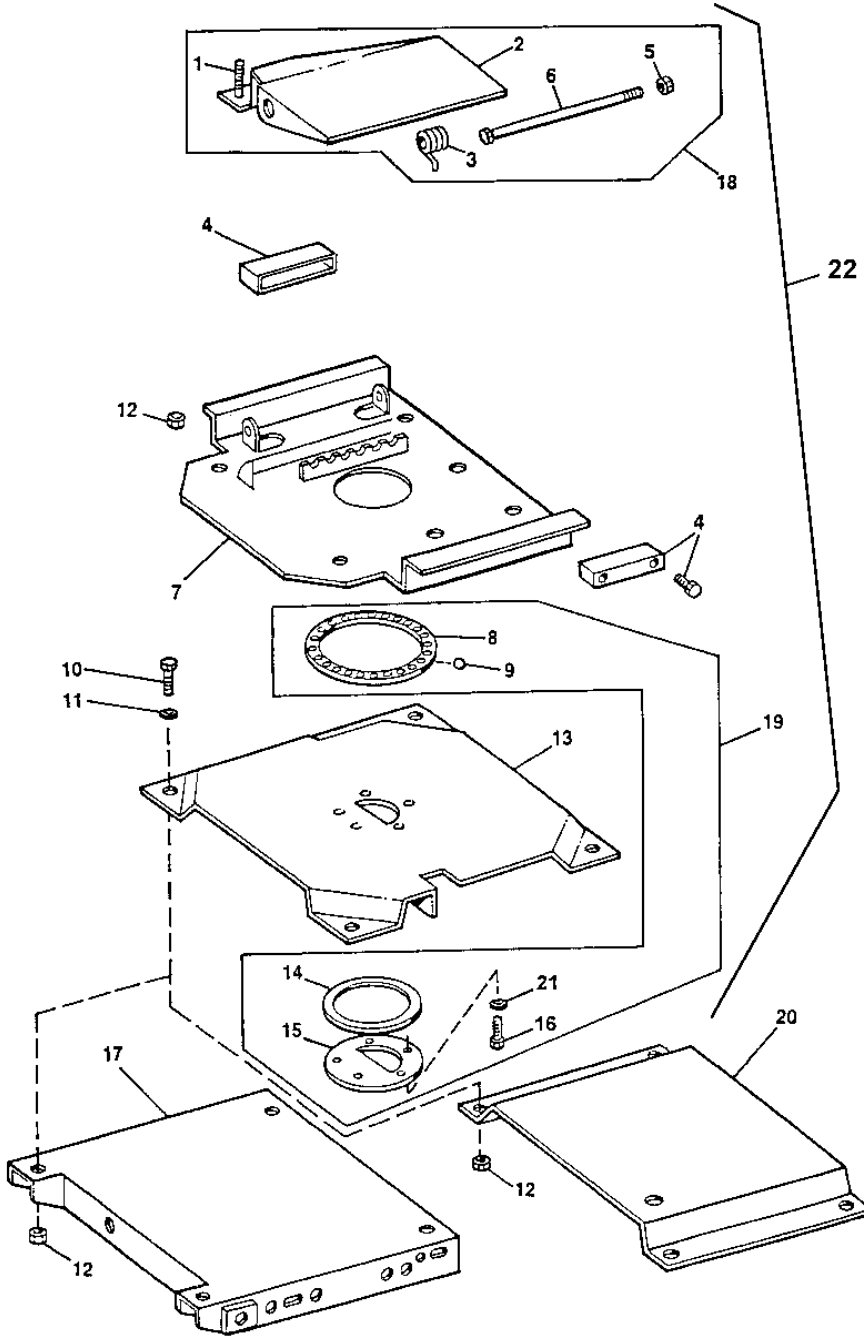
SEAT SLIDE AND LUMBAR ADJUSTER CONTROL LEVERS
GLISSIERE DE SIEGE ET LEVIERS DE COMMANDE DE REGLAGE
PALANCAS DE CONTROL DE DESLIZAMIENTO Y DE AJUSTE DEL ASIENTO

KEY	PART NO.	PART NAME	QTY.	SERIAL NO.	REMARKS
					3 3
					3 1 1
					1 0 5
					0 S S
					G G G
1	PADDLE	1		X X X
2	TORSION SPRING	1		X X X
3	NAIL	2		X X X
4	34H387	SPRING PIN	1		X X X 3/16" X 3/4"
5	CAM	1		X X X
6	AT209026	KIT	1		X X X (LUMBAR ADJUSTER)
7	KNOB	1		X X X WITH SHAFT (LUMBAR ADJUSTER)
8	AT209024	KIT	1		X X X (LUMBAR ADJUSTER KNOB)
9	34H262	SPRING PIN	1		X X X 5/32" X 3/4"
10	AT280583	PAN	1		X X X
11	SHAFT	1		X X X
12	SPRING	1		X X X (DOUBLE TORSION)
13	R72655	SNAP RING	2		X X X
14	AT179688	KIT	1		X X X (SLIDE LATCH SPRING)
15	LATCH	1		X X X
16	34H262	SPRING PIN	1		X X X 5/32" X 3/4"
17	BRACKET	1		X X X
18	19H1227	CAP SCREW	4		X X X 1/4" X 1/2"
19	SPRING	1		X X X
20	24H1305	WASHER	2		X X X
21	R72655	SNAP RING	1		X X X
22	AT179691	KIT	1		X X X (SLIDE CONTROL)
23	BOLT	3		X X X
24	CAP SCREW	2		X X X
25	PLATE	1		X X X
26	CONTROL LEVER	1		X X X (SWIVEL) (ORDER AT179692)
27	CONTROL LEVER	1		X X X (FORE-AFT) (ORDER AT179691)
28	WASHER	2		X X X
29	NUT	2		X X X
30	AT191620	PAN	1		X X X
31	AT179686	KIT	1		X X X INCLUDES SWIVEL SERVICE KIT, SWIVEL LATCH KIT AND SLIDE PUCK

1821-6

SEAT SWIVEL AND SWIVEL LATCH
PIVOTEMENT DE SIEGE ET VERROU DE PIVOTEMENT
ADAPTADOR GIRATORIO DE ASIENTO Y BLOQUEO DE GIRO

T138328 -UN-20FEB01



T138328

THIS PARTS LISTING IS CONTINUED

1821-7

OPERATOR'S STATION 18
SEAT AND SEAT BELTS 1821

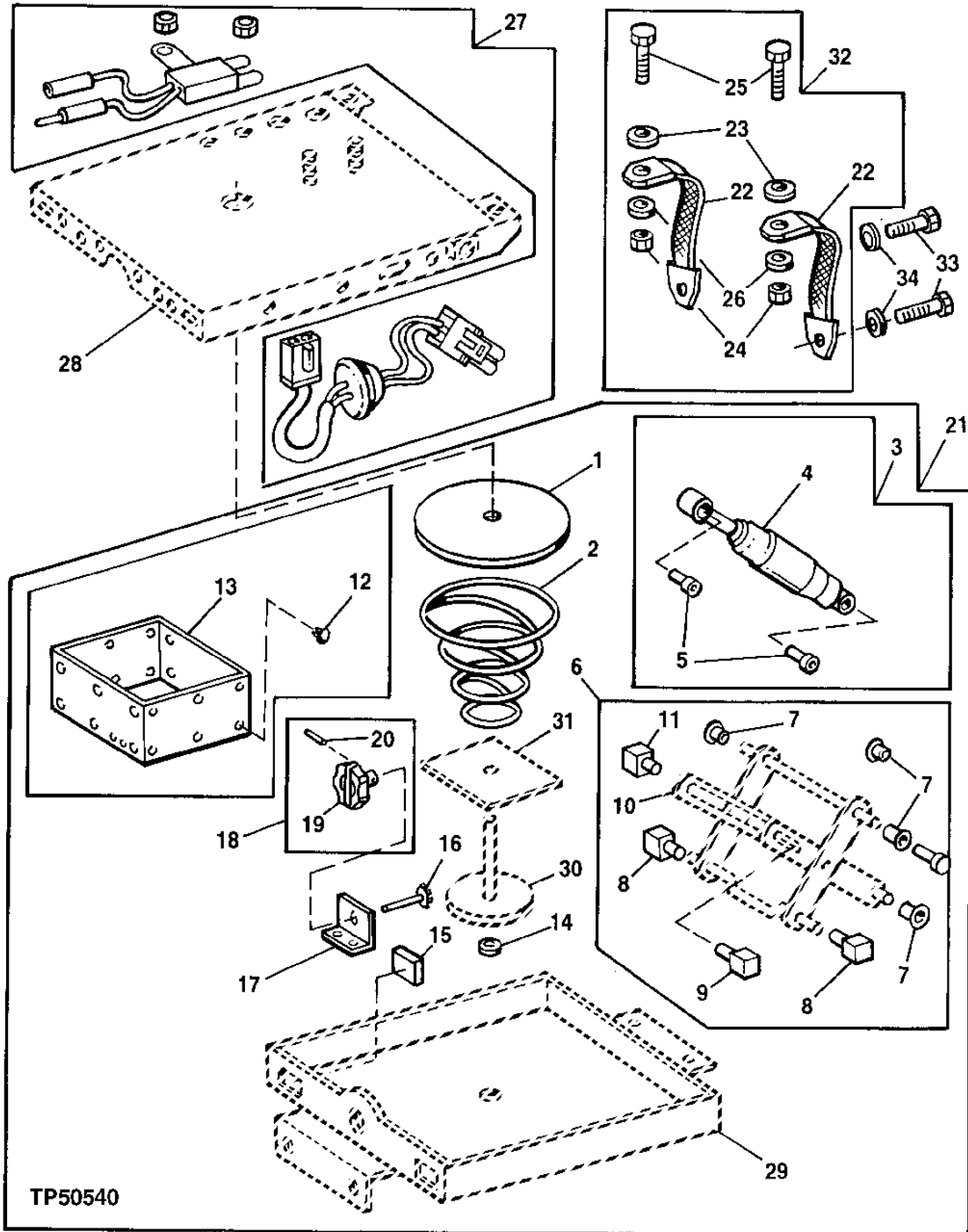
**SEAT SWIVEL AND SWIVEL LATCH
PIVOTEMENT DE SIEGE ET VERROU DE PIVOTEMENT
ADAPTADOR GIRATORIO DE ASIENTO Y BLOQUEO DE GIRO**

KEY	PART NO.	PART NAME	QTY.	SERIAL NO.	REMARKS
					3 3
					3 1 1
					1 0 5
					0 S S
					G G G
1	CLIP	1		X X X
2	LOCK PLATE	1		X X X
3	SPRING	1		X X X
4	AT209020	KIT	1		X X X (SLIDE PUCK)
5	M47031	LOCK NUT	1		X X X (SUB FOR (2) R72655, THIS APPLICATION)
6	BOLT	1		X X X 3/8-16 X 8.5
7	PLATE	1		X X X (TOP SWIVEL)
8	RETAINER	1		X X X (BALL BEARING)
9	M87261	BALL	24		X X X BEARING
10	19M7402	CAP SCREW	4		X X X M10 X 25
11	24M7239	WASHER	4		X X X
12	M47031	LOCK NUT	4		X X X 9.525 MM
13	PLATE	1		X X X (BOTTOM SWIVEL)
14	PLATE	1		X X X (BEARING)
15	PLATE	1		X X X (RETAINING)
16	BOLT	5		X X X (SHOULDER)
17	TRAY	1		X X X (UPPER) (WITH SUSPENDED SEAT)
18	AT179692	KIT	1		X X X (SWIVEL LATCH)
19	AT179687	KIT	1		X X X (SWIVEL)
20	PLATFORM	1		X X X (WITH NON SUSPENDED SEAT)
	AT186701	PLATE	1		X X X (AIR SUSPENSION TO SWIVEL)
21	24M6504	WASHER	5		X X X
22	AT179686	KIT	1		X X X INCLUDES SLIDE LATCH KIT AND SLIDE CONTROL KIT

1821-8

SEAT SUSPENSION (WITH SUSPENDED SEAT)
SUSPENSION DE SIEGE (AVEC SIEGE SUSPENDU)
SUSPENSION DE ASIENTO (CON ASIENTO SUSPENDIDO)

TP50540 -UN-02JAN97



THIS PARTS LISTING IS CONTINUED

1821-9

OPERATOR'S STATION 18
SEAT AND SEAT BELTS 1821

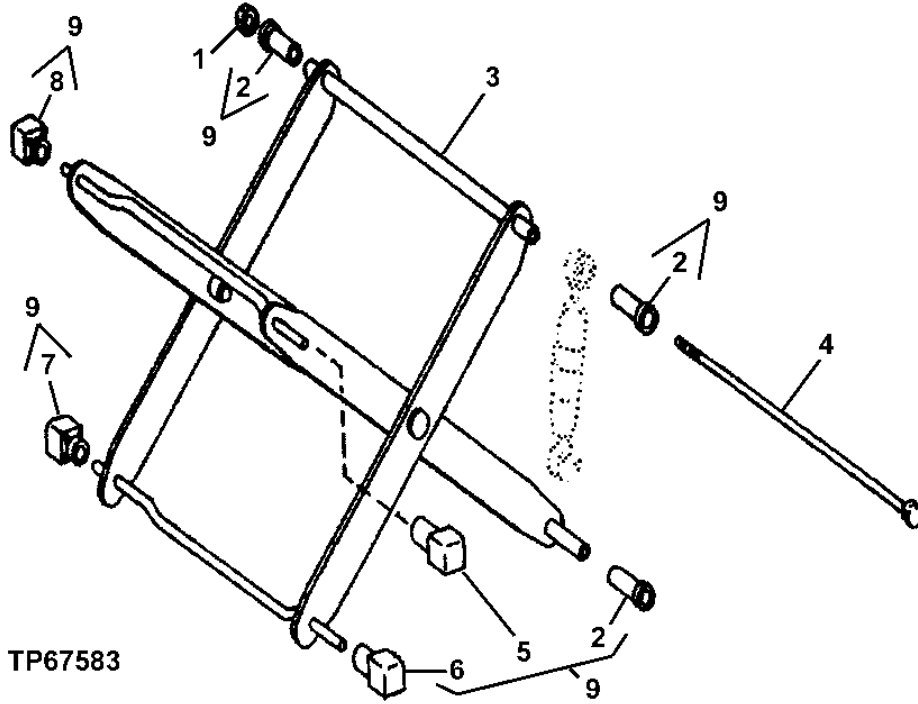
**SEAT SUSPENSION (WITH SUSPENDED SEAT)
SUSPENSION DE SIEGE (AVEC SIEGE SUSPENDU)
SUSPENSION DE ASIENTO (CON ASIENTO SUSPENDIDO)**

KEY	PART NO.	PART NAME	QTY.	SERIAL NO.	REMARKS
					3 3
					3 1 1
					1 0 5
					0 S S
					G G G
1	T55208	PAD	1		X X X
2	AT125801	SPRING	1		X X X (REGULAR)
	T160315	SPRING	1		X X X (HEAVY DUTY)
3	AT175436	KIT	1		X X X (SHOCK ABSORBER)
4	ABSORBER	1		X X X (SHOCK)
5	T55222	BUSHING	2		X X X (SHOCK ABSORBER)
6	AT106397	KIT	1		X X X (BEARING/BUSHING)
7	BUSHING	4		X X X
8	PILLOW BLOCK	2		X X X
9	PILLOW BLOCK	1		X X X
10	FRAME	1		X X X (SCISSOR)
11	PILLOW BLOCK	1		X X X
12	T63798	PLUG	25		X X X (FASTENER)
13	AT179699	BOOT	1		X X X (VINYL)
14	T158481	WASHER	1		X X X
15	T55224	BUMPER	2		X X X
16	AT175353	GEAR	1		X X X
17	T55214	ANGLE	1		X X X
18	AT125805	KIT	1		X X X (ADJUSTING KNOB)
19	AT125829	KNOB	1		X X X
20	25H729	GROOVE PIN	1		X X X (ADJUSTING KNOB)
21	AT186150	KIT	1		X X X (GUARDIAN SUSPENSION) (INCLUDES SEAT SUSPENSION SCISSOR ARM SHOWN ON ANOTHER PAGE)
22	BELT	2		X X X (TETHER)
23	M1340T	WASHER	2		X X X (TETHER)
24	M47031	LOCK NUT	2		X X X 9.525 MM, (TETHER)
25	19H2676	CAP SCREW	2		X X X 3/8" X 1", (TETHER)
26	24H1305	WASHER	2		X X X (TETHER)
27	AT179694	KIT	1		X X X (SEAT POSITION SWITCH) (2 BLACK WIRES - 8")
	AT304775	KIT	1		X X X (SUB FOR AT192687) (FORWARD SEAT POSITION SWITCH) (2 BLACK WIRES - 28.5")
	AT304776	KIT	1		X X X (INCLUDES AT196793) (REAR SEAT POSITION SWITCH) (WITH PILOT CONTROLS)
	AT196793	SWITCH	1		X X X (REAR SEAT POSITION) (WITH PILOT CONTROLS) (2 GRAY - 28.5")
28	TRAY	1		X X X (UPPER)
29	TRAY	1		X X X (LOWER)
30	GEAR	1		X X X (LARGE BASE)
31	PLATE	1		X X X (SPRING SUPPORT)
32	AT179693	KIT	1		X X X (TETHER BELT SET)
33	19M7402	CAP SCREW	4		X X X M10 X 25
34	24M7239	WASHER	4		X X X

1821-10

SEAT SUSPENSION ARMS AND SHAFT
BRAS ET ARBRE DE SUSPENSION DE SIEGE
BRAZOS Y EJE DE SUSPENSION DE ASIENTO

TP67583 -UN-20AUG99



TP67583

3 3
3 1 1
1 0 5
0 S S
G G G

KEY	PART NO.	PART NAME	QTY.	SERIAL NO.	REMARKS
1	BP12214	RETAINER	2	X X	
2	BUSHING	4	X X	
3	AT191619	ARM	1		(SCISSOR) (ALSO ORDER AT106397)
4	E67574	SHAFT	2	X X	
5	END	1	X X	(A)
6	END	1	X X	(A)
7	END	1	X X	(A)
8	END	1	X X	(A)
9	AT106397	BEARING KIT	1	X X	

- (A) SLIDER BLOCK
- (A) COULISSEAU
- (A) BLOQUE DESLIZANTE

1821-11

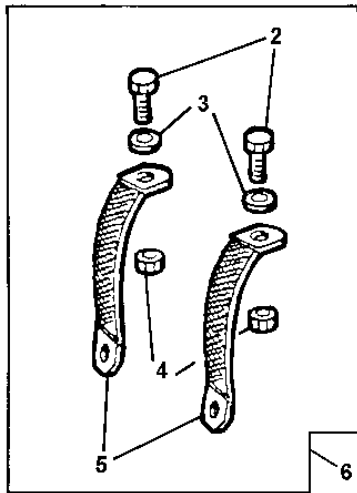
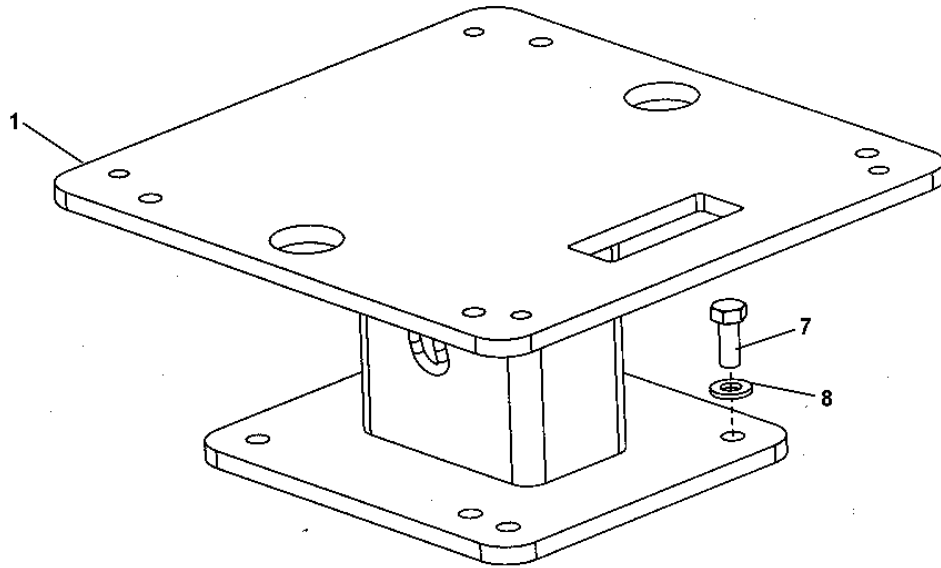
OPERATOR'S STATION 18
SEAT AND SEAT BELTS 1821

MEMORANDA
MEMORANDA
MEMORANDA

1821-12

SEAT BASE AND TETHER BELT (WITH NON-SUSPENDED SEAT)
BASE DE SIEGE ET REGLAGE DE HAUTEUR (AVEC SIEGE NON-SUSPENDU)
BASE DEL ASIENTO Y AJUSTADOR DE ALTURA (CON ASIENTO NO-SUSPENDIDO)

T134229 -UN-06OCT00



T134229

THIS PARTS LISTING IS CONTINUED

1821-13

OPERATOR'S STATION 18
SEAT AND SEAT BELTS 1821

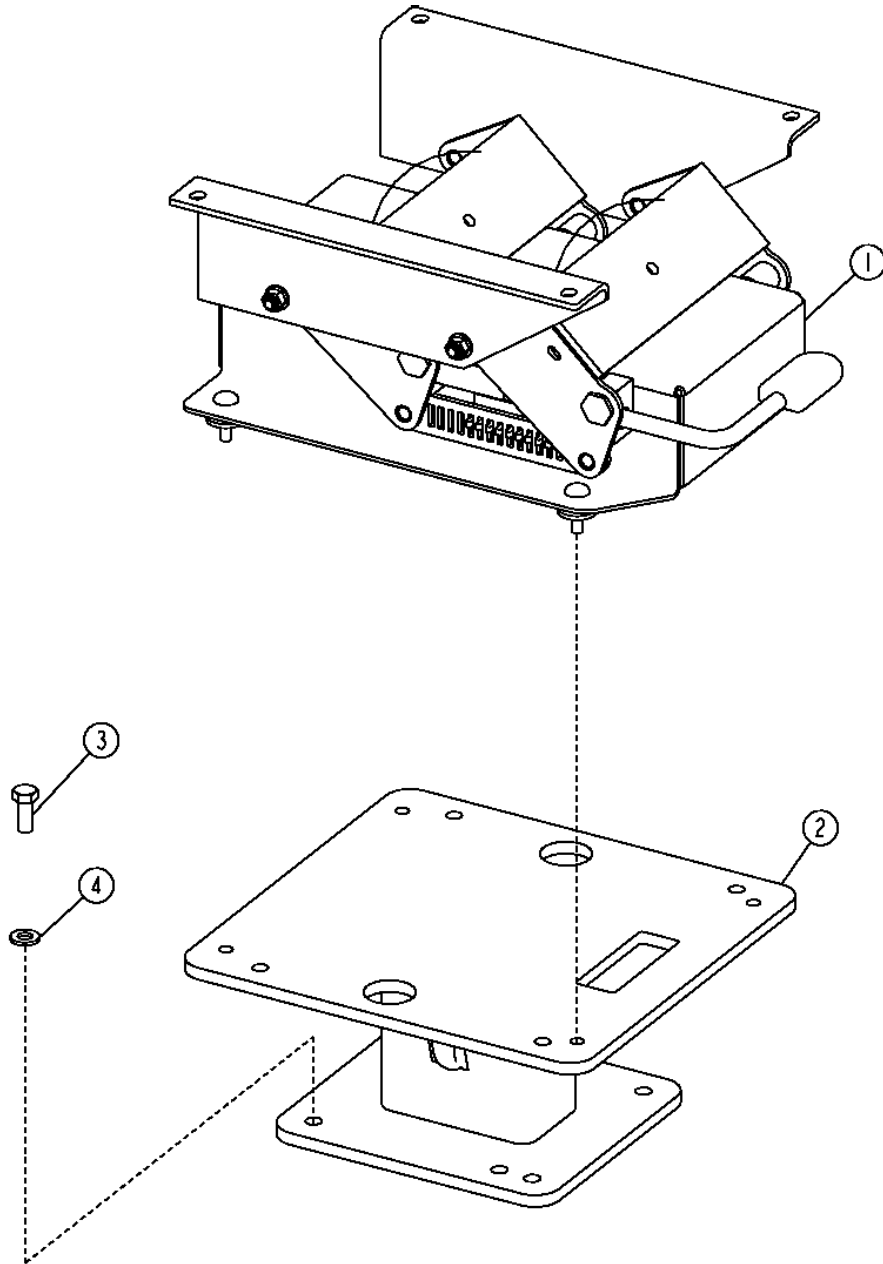
SEAT BASE AND TETHER BELT (WITH NON-SUSPENDED SEAT)
BASE DE SIEGE ET REGLAGE DE HAUTEUR (AVEC SIEGE NON-SUSPENDU)
BASE DEL ASIENTO Y AJUSTADOR DE ALTURA (CON ASIENTO NO-SUSPENDIDO)

KEY	PART NO.	PART NAME	QTY.	SERIAL NO.	REMARKS
					3 3
					3 1 1
					1 0 5
					0 S S
					G G G
1	AT184609	BASE	1		X X X
2	19H2676	CAP SCREW	2		X X X 3/8" X 1"
3	24H1305	WASHER	2		X X X
4	M47031	LOCK NUT	2		X X X
5	BELT	4		X X X
6	AT179714	KIT	1		X X X TETHER BELT
7	19M7402	CAP SCREW	4		X X X M10 X 25
8	24M7239	WASHER	4		X X X

1821-14

SEAT BASE AND HEIGHT ADJUSTER (WITH NON-SUSPENDED SEAT)
BASE DE SIEGE ET REGLAGE DE HAUTEUR (AVEC SIEGE SUSPENDU)
BASE DEL ASIENTO Y AJUSTADOR DE ALTURA (CON ASIENTO NO-SUSPENDIDO)

T137895 -UN-08FEB01



T137895

1821-15

OPERATOR'S STATION 18

SEAT AND SEAT BELTS 1821

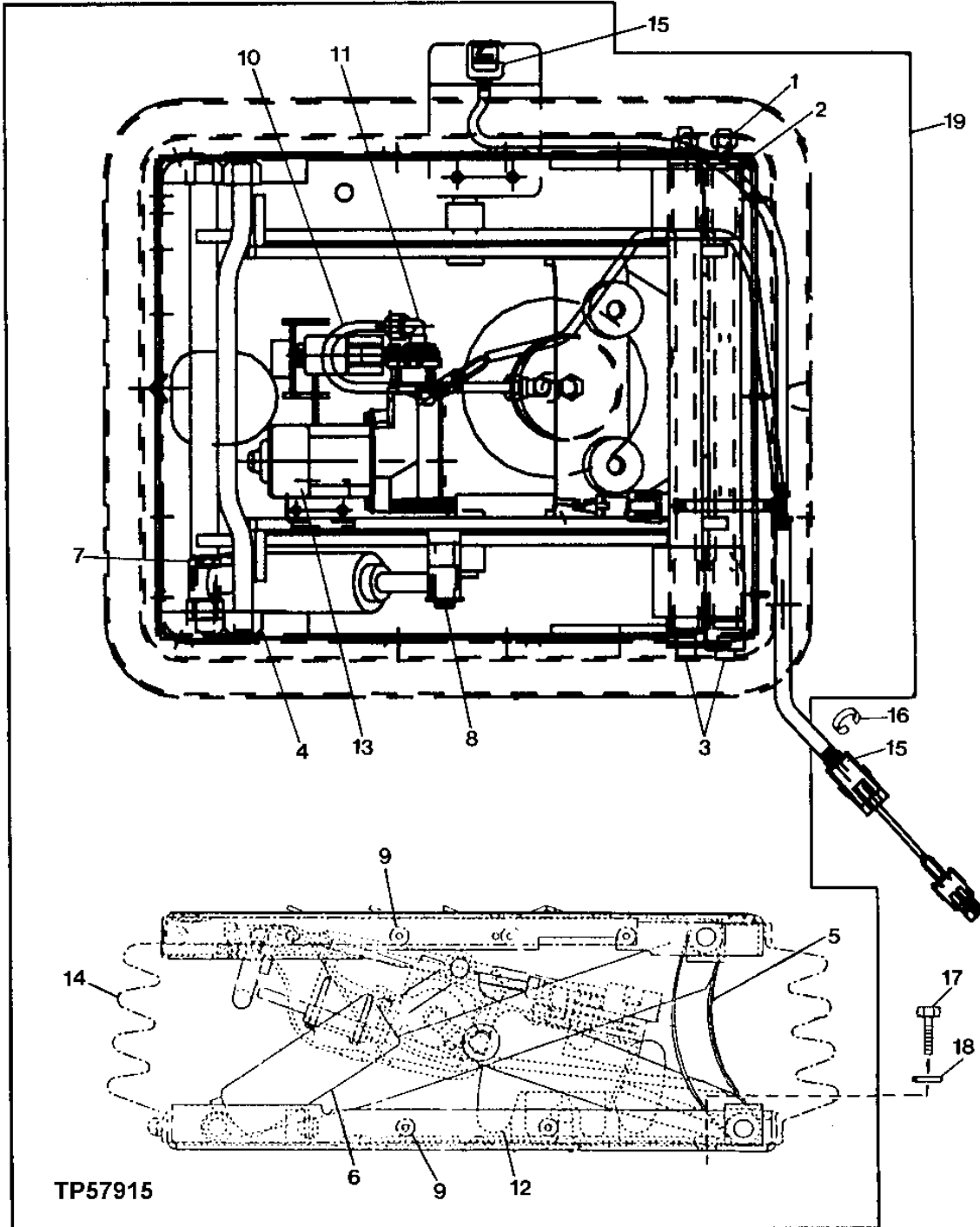
SEAT BASE AND HEIGHT ADJUSTER (WITH NON-SUSPENDED SEAT)
BASE DE SIEGE ET REGLAGE DE HAUTEUR (AVEC SIEGE SUSPENDU)
BASE DEL ASIENTO Y AJUSTADOR DE ALTURA (CON ASIENTO NO-SUSPENDIDO)

KEY	PART NO.	PART NAME	QTY.	SERIAL NO.	REMARKS
				3 3	
				3 1 1	
				1 0 5	
				0 S S	
				G G G	
1	AT186204	ADJUSTER	1	X X X	
2	AT184609	BASE	1	X X X	
3	19M7402	CAP SCREW	4	X X X	M10 X 25
4	24M7239	WASHER	4	X X X	

1821-16

AIR SUSPENSION SEAT BASE (SN 849689-)
BASE DE SIEGE A SUSPENSION PNEUMATIQUE (SN 849689-)
BASE DE ASIENTO CON SUSPENSION NEUMATICA (SN 849689-)

TP57915 -UN-31AUG98



1821-17

OPERATOR'S STATION 18
SEAT AND SEAT BELTS 1821

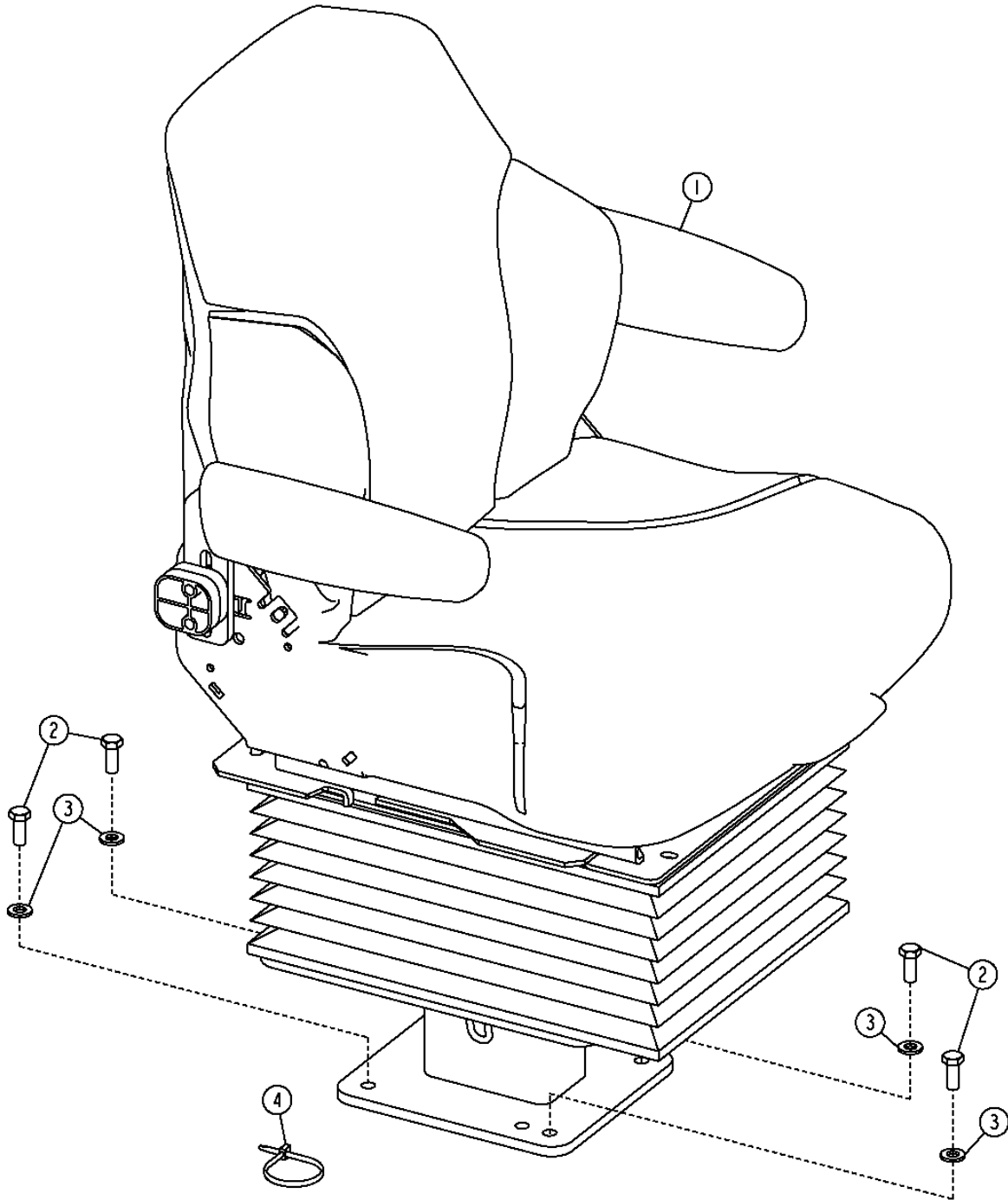
**AIR SUSPENSION SEAT BASE (SN 849689-)
BASE DE SIEGE A SUSPENSION PNEUMATIQUE (SN 849689-)
BASE DE ASIENTO CON SUSPENSION NEUMATICA (SN 849689-)**

KEY	PART NO.	PART NAME	QTY.	SERIAL NO.	REMARKS
1	LOCK NUT	2		(A)
2	SHAFT	4		(A)
3	BEARING	2		(A)
4	AT173314	SEAT BEARING ROLLER KIT	1		SUSPENSION ROLLER
5	AT173315	KIT	1		TETHER BELT SERVICE
6	ABSORBER	1		(B)
7	BEARING	2		(B)
8	BOLT	1		(B)
9	AT173321	SEAT SUSPENSION BOOT KIT	1		BOOT CLIP
10	LINE	1		(C)
11	FITTING	2		(C)
12	AT208486	KIT	1		AIR SPRING SEAT (AIR BLADDER SPRING)
	AT208483	HOUSING	1		LOWER WELDMENT
13	AT198694	KIT	1		COMPRESSOR
14	AT208491	KIT	1		BOOT SERVICE. (INCLUDES AT173321)
15	AT183810	KIT	1		SUSPENSION SWITCH
16	T164714	GROMMET	1		
17	19M7402	CAP SCREW	4		
18	24M7239	WASHER	4		
19	AT186224	SEAT SUSPENSION	1		(INCLUDES AT208485) (ALSO ORDER AT189145) AIR
	AT208485	ARM	1		(NOT ILLUSTRATED) (AIR SUSPENSION ARM WELDMENT)
	AT192689	KIT	1		(NOT ILLUSTRATED) WIRE HARNESS
	AT182954	KIT	1		INCLUDES PARTS MARKED (B) (SUSPENSION SHOCK SERVICE)
	AT208493	FITTING KIT	1		INCLUDES PARTS MARKED (C) (AIR LINE / FITTING SERVICE)
	AT173313	SHAFT	1		INCLUDES PARTS MARKED (A) (SUSPENSION SHAFT SERVICE) (ALSO ORDER AT189145)
20	T55224	BUMPER	1		(NOT ILLUSTRATED)

1821-18

SUSPENSION SEAT
SIEGE A SUSPENSION
ASIENTO CON SUSPENSION

TX1000637 -UN-18JAN06



TX1000637

1821-19

OPERATOR'S STATION 18
SEAT AND SEAT BELTS 1821

**SUSPENSION SEAT
SIEGE A SUSPENSION
ASIENTO CON SUSPENSION**

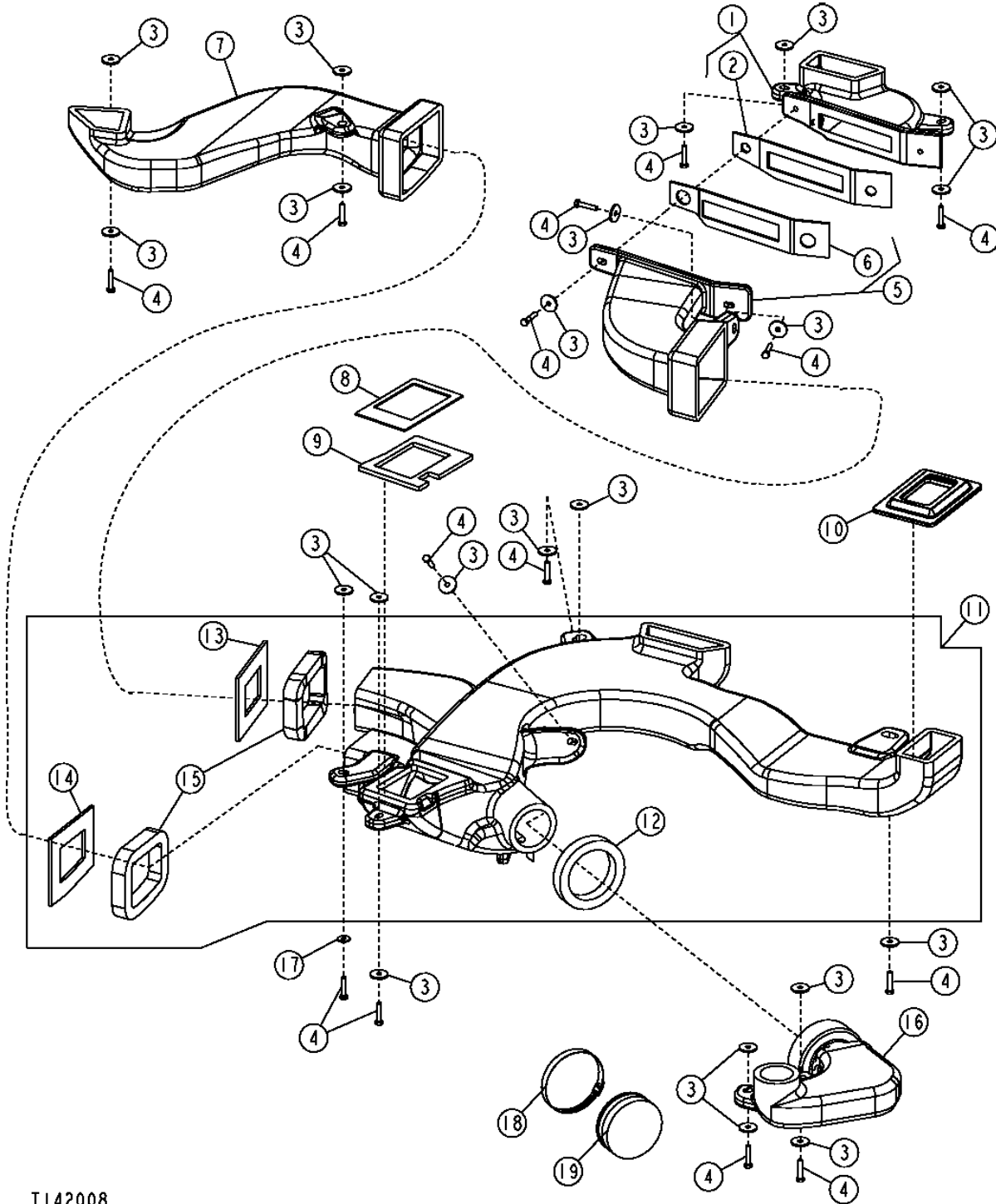
KEY	PART NO.	PART NAME	QTY.	SERIAL NO.	REMARKS
					3 3 3 1 1 1 0 5 0 S S G G G
1	AT196286	SEAT	1		X X X CLOTH, AIR SUSPENSION (CONVENIENCE ASSY)
	AT196561	SEAT	1		X X X CLOTH, MECHANICAL SUSPENSION (CONVENIENCE ASSY)
	AT196559	SEAT	1		X X X VINYL, MECHANICAL SUSPENSION (CONVENIENCE ASSY)
2	19M7402	CAP SCREW	4		X X X M10 X 25
3	24M7239	WASHER	4		X X X
4	R44302	TIE BAND	1		X X X

1830-2

HEATER AND AIR CONDITIONING DUCTING CONDUITS DE CHAUFFAGE ET DE CLIMATISATION CONDUCTOS DE CALEFACTOR Y ACONDICIONADOR DE AIRE

T142008 -UN-10MAY01

HEATING AND AIR CONDITIONING 1830



T142008

1830-3

OPERATOR'S STATION 18

HEATING AND AIR CONDITIONING 1830

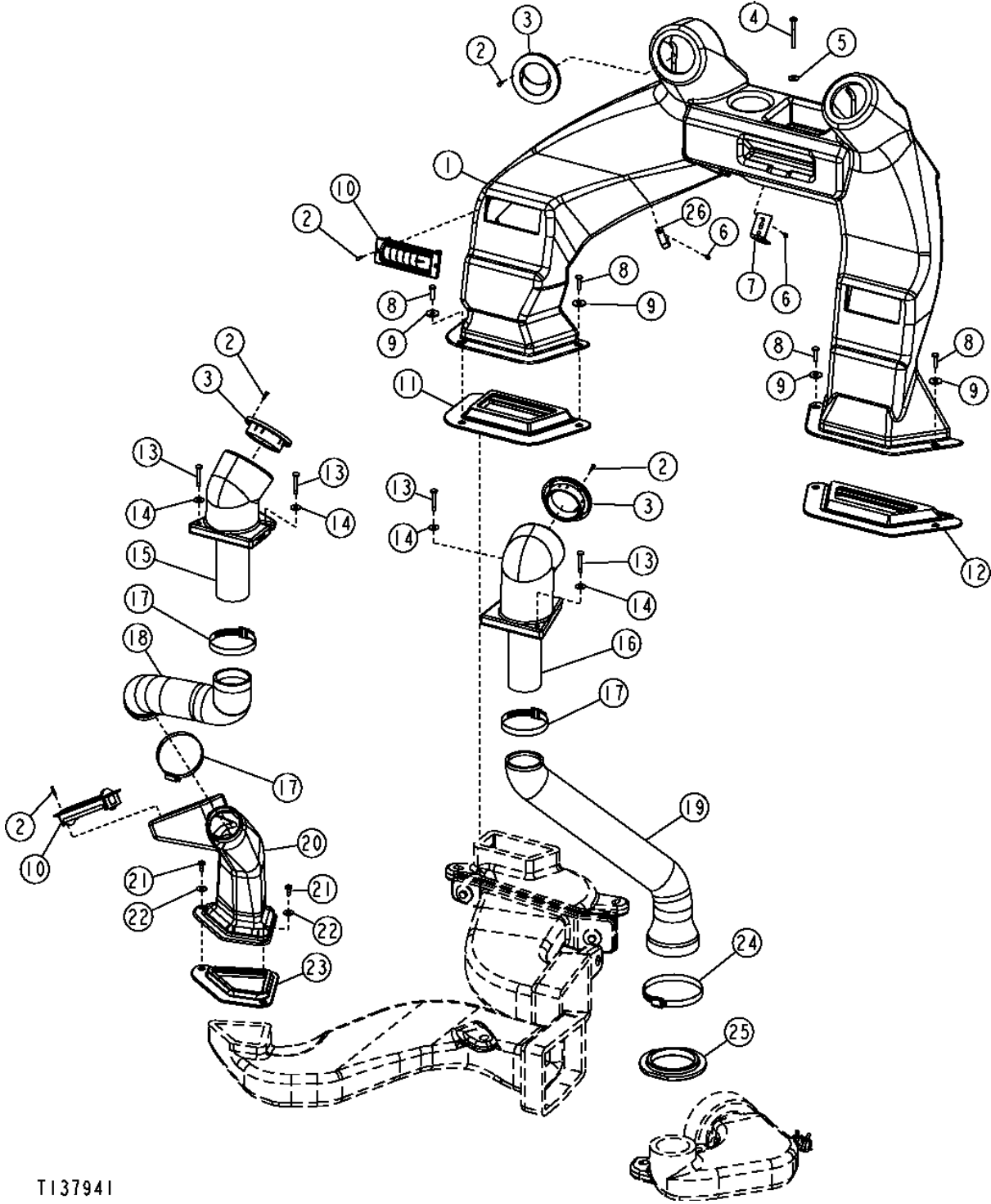
HEATER AND AIR CONDITIONING DUCTING
 CONDUITS DE CHAUFFAGE ET DE CLIMATISATION
 CONDUCTOS DE CALEFACTOR Y ACONDICIONADOR DE AIRE

KEY	PART NO.	PART NAME	QTY.	SERIAL NO.	REMARKS
					3 3
					3 1 1
					1 0 5
					0 S S
					G G G
1	AT188307	AIR DUCT	1		X X X (LH, REAR)
2	T185841	ISOLATOR	1		X X X
3	24H1296	WASHER	21		X X X
4	19M7922	CAP SCREW	15		X X X M8 X 40
5	AT192074	AIR DUCT	1		X X X (REAR CONNECTOR)
6	T185840	ISOLATOR	1		X X X
7	T167325	AIR DUCT	1		X X X (RH, REAR)
8	T185842	ISOLATOR	1		X X X
9	T185843	ISOLATOR	1		X X X
10	T185850	ISOLATOR	1		X X X
11	AT188306	AIR DUCT	1		X X X (MAIN BOTTOM)
12	T185867	ISOLATOR	1		X X X
13	T185779	ISOLATOR	1		X X X
14	T185780	ISOLATOR	1		X X X
15	T185866	ISOLATOR	2		X X X
16	T167324	AIR DUCT	1		X X X (RH, FRONT)
17	24M7207	WASHER	1		X X X
18	TY22490	HOSE CLAMP	1		X X X
19	T185673	CAP	1		X X X

1830-4

HEATER AND AIR CONDITIONING DUCTING CONDUITS DE CHAUFFAGE ET DE CLIMATISATION CONDUCTOS DE CALEFACTOR Y ACONDICIONADOR DE AIRE

T137941 -UN-10MAY01



T137941

1830-5

OPERATOR'S STATION 18

HEATING AND AIR CONDITIONING 1830

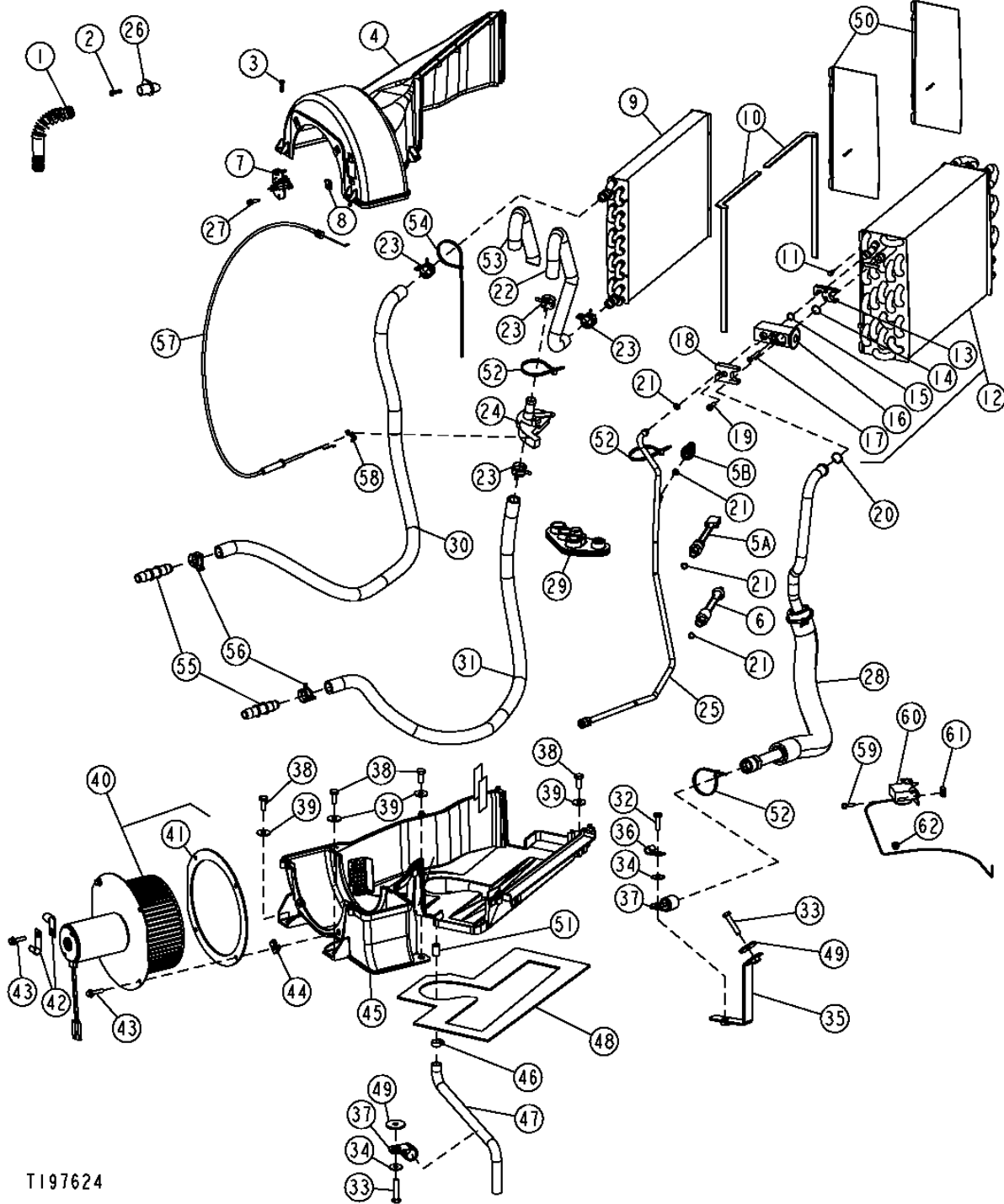
HEATER AND AIR CONDITIONING DUCTING
 CONDUITS DE CHAUFFAGE ET DE CLIMATISATION
 CONDUCTOS DE CALEFACTOR Y ACONDICIONADOR DE AIRE

KEY	PART NO.	PART NAME	QTY.	SERIAL NO.	REMARKS
					3 3
					3 1 1
					1 0 5
					0 S S
					G G G
1	T185540	AIR DUCT	1		X X X (LH, FENDER) WITH AIR CONDITIONING
	T185744	AIR DUCT	1		X X X (LH, FENDER) WITHOUT AIR CONDITIONING
2	37M7333	SCREW	22		X X X
3	AT151036	LOUVER	4		X X X
4	T186873	SELF-LOCKING SCREW	1		X X X
5	24H1821	WASHER	1		X X X
6	T185769	SCREW	5		X X X
7	T183560	BRACKET	1		X X X
8	21M7310	SCREW	4		X X X M6 X 25, (SUB FOR T134895, THIS APPLICATION)
9	24M7207	WASHER	4		X X X
10	AT177227	LOUVER	AR		X X X
11	T185848	ISOLATOR	1		X X X
12	T185849	ISOLATOR	1		X X X
13	T134874	SELF-LOCKING SCREW	4		X X X M6 X 40, (SUB FOR 21M7403, THIS APPLICATION)
14	24H1821	WASHER	4		X X X
15	T185479	AIR DUCT	1		X X X (REAR EXTENSION)
16	T185478	AIR DUCT	1		X X X (FRONT EXTENSION)
17	AR62936	CLAMP	3		X X X
18	T185482	AIR DUCT	1		X X X (REAR, UPPER)
19	T185480	AIR DUCT	1		X X X (FRONT)
20	T185481	AIR DUCT	1		X X X (REAR, LOWER)
21	21M7310	SCREW	6		X X X M6 X 25, (SUB FOR T134895 AND T133674, THIS APPLICATION)
22	24H1821	WASHER	2		X X X
23	T185847	ISOLATOR	1		X X X
24	AR21842	CLAMP	1		X X X
25	T185846	ISOLATOR	1		X X X
26	T185743	CLIP	3		X X X

1830-6

HEATER AND AIR CONDITIONING WITH PRESSURIZER CHAUFFAGE ET CLIMATISATION AVEC PRESSURISATEUR CALEFACTOR Y ACONDICIONADOR DE AIRE CON PRESURIZADOR

T197624 -UN-03FEB04



T197624

1830-7

OPERATOR'S STATION 18

HEATING AND AIR CONDITIONING 1830

**HEATER AND AIR CONDITIONING WITH PRESSURIZER
CHAUFFAGE ET CLIMATISATION AVEC PRESSURISATEUR
CALEFACTOR Y ACONDICIONADOR DE AIRE CON PRESURIZADOR**

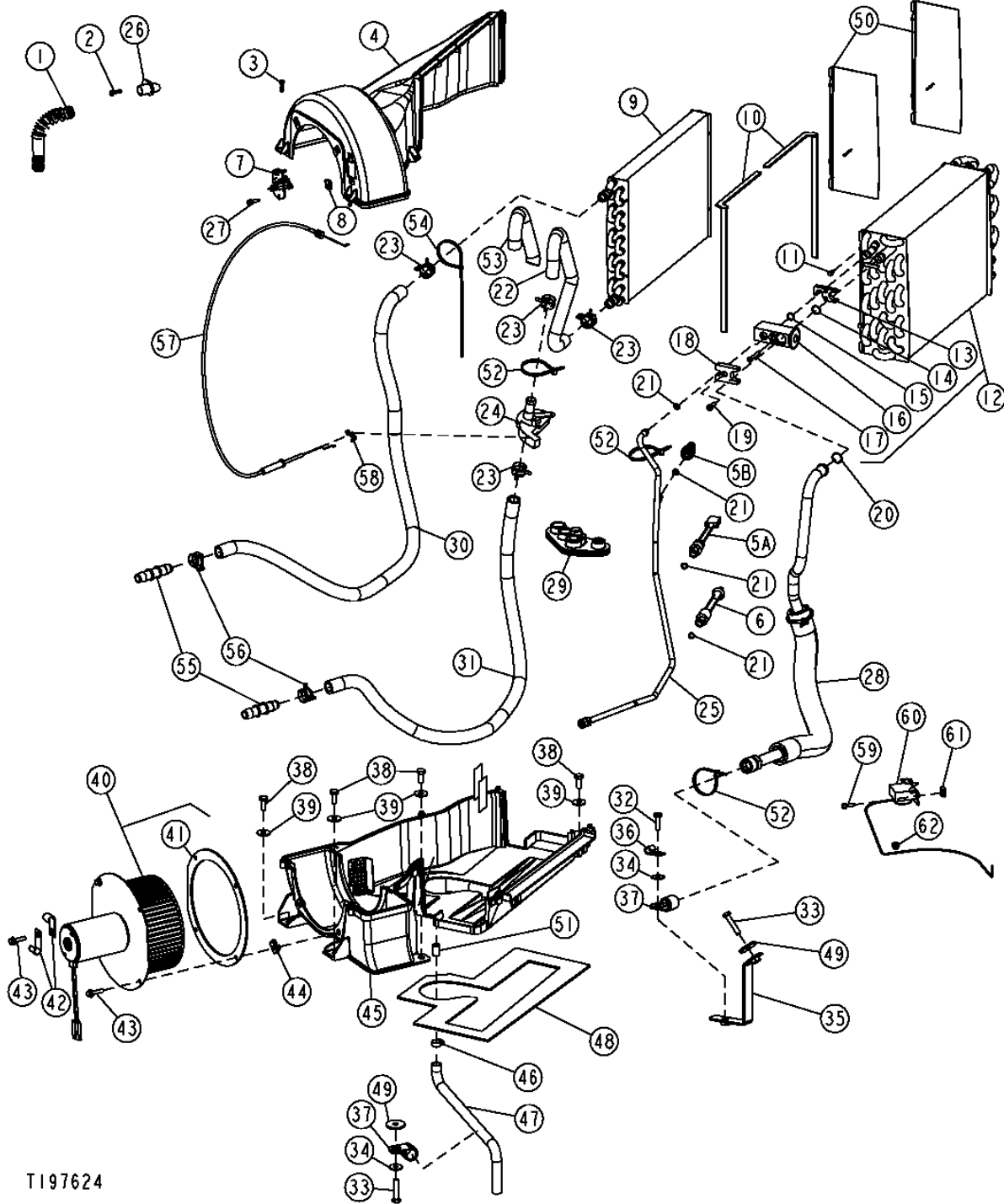
KEY	PART NO.	PART NAME	QTY.	SERIAL NO.	3 3 3 1 1 1 0 5 0 S S G G G	REMARKS
1	T165169	HOSE	1	-926427	X X X	
2	T184620	SCREW	1	-926427	X X X	
3	T184620	SCREW	9		X X X	
4	T164619	HOUSING	1	-926427	X X X	(TOP)
	T205969	HOUSING	1	926428-	X X X	
5A	RE155938	PRESSURE SWITCH	1	-843495	X X X	
5B	RE157329	SWITCH	1	843496-	X X X	
6	RE60888	PRESSURE SWITCH	1	-843495	X X X	
7	AT210515	RESISTOR	1		X X X	
8	R50279	NUT	2		X X X	
9	AT191993	CORE	1		X X X	(HEATER)
10	T184369	SEAL	2		X X X	
11	H85092	SCREW	4		X X X	
12	AT191994	EVAPORATOR	1		X X X	
13	T181522	PLATE	1		X X X	(SUB FOR T186760)
14	R33259	O-RING	1		X X X	
15	R113050	O-RING	1		X X X	
16	RE174764	VALVE	1		X X X	(EXPANSION) (SUB FOR AT189639, THIS APPLICATION)
17	PT11778	BOLT	2		X X X	
18	R125223	PLATE	1		X X X	
19	19M8553	SCREW	1		X X X	M6 X 16
20	T143169	O-RING	1		X X X	
21	R10093	O-RING	3		X X X	
22	T185789	RADIATOR HOSE	1		X X X	
23	T184924	HOSE CLAMP	4		X X X	
24	AT193500	HAND OPERATED VALVE	1		X X X	(WATER)
25	AT192033	LINE	1	-843495	X X X	(LIQUID REFRIGERANT)
	AT303214	LINE	1	843496-	X X X	(LIQUID REFRIGERANT)
26	RE36133	TUBE	1	-926427	X X X	(AIR OUTLET)
27	37M7073	SCREW	2		X X X	
28	AT191990	REFRIGERANT HOSE	1		X X X	
29	T166297	GROMMET	1		X X X	
30	BULK HOSE	1		X X X	(CUT TO LENGTH, 33 INCHES) (MAKE FROM T60811)
31	BULK HOSE	1		X X X	(CUT TO LENGTH, 38 INCHES) (MAKE FROM T60811)
32	19M7407	CAP SCREW	1		X X X	M8 X 25
33	19M7922	CAP SCREW	2		X X X	M8 X 40
34	24M7207	WASHER	2		X X X	
35	AT192509	BRACKET	1		X X X	
36	T13814	CLAMP	1		X X X	
37	T70659	CLAMP	2		X X X	
38	19M7881	SCREW	4		X X X	M8 X 20
39	24M7207	WASHER	4		X X X	
40	BLOWER MOTOR	1	-926427	X X X	(AT195731 NLA) (PRESSURIZER) (SUB AT307691) (SUB FOR AT184530)
	AT307691	BLOWER MOTOR	1	926428-	X X X	

THIS PARTS LISTING IS CONTINUED

1830-7A

HEATER AND AIR CONDITIONING WITH PRESSURIZER (CONTINUED)
CHAUFFAGE ET CLIMATISATION AVEC PRESSURISATEUR (SUITE)
CALEFACTOR Y ACONDICIONADOR DE AIRE CON PRESURIZADOR (CONTINUACION)

T197624 -UN-03FEB04



T197624

1830-7B

OPERATOR'S STATION 18

HEATING AND AIR CONDITIONING 1830

HEATER AND AIR CONDITIONING WITH PRESSURIZER (CONTINUED)
CHAUFFAGE ET CLIMATISATION AVEC PRESSURISATEUR (SUITE)
CALEFACTOR Y ACONDICIONADOR DE AIRE CON PRESURIZADOR (CONTINUACION)

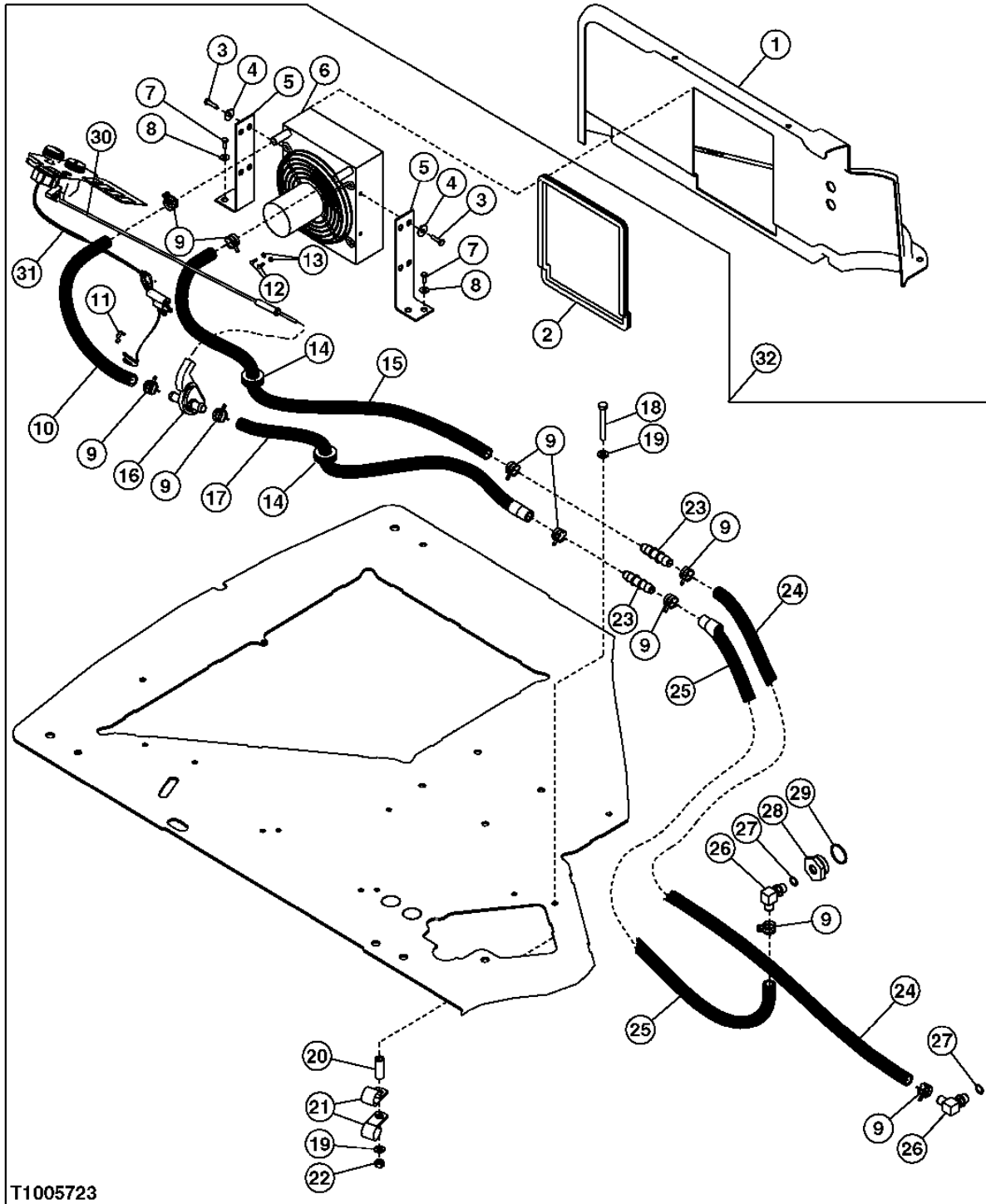
KEY	PART NO.	PART NAME	QTY.	SERIAL NO.	REMARKS
					3 3
					3 1 1
					1 0 5
					0 S S
					G G G
41	T184368	SEAL	2		X X X
42	AH89557	CLIP	2		X X X
43	T178251	CAP SCREW	4		X X X
44	M84972	NUT	5		X X X
45	T164618	HOUSING	1		X X X (BOTTOM)
46	AR77962	HOSE CLAMP	1		X X X
47	AT186304	HOSE	1		X X X (CONDENSATE)
48	T185845	ISOLATOR	1		X X X
49	24H1296	WASHER	2		X X X
50	T184414	SHEET	2		X X X
51	T184415	PLUG	1		X X X
52	R44302	TIE BAND	4		X X X
53	T186766	HOSE GUARD	1		X X X
54	H77698	TIE BAND	1		X X X
55	T160492	ELEC. CONNECTOR ACCESSORY	2		X X X
56	R117721	CLAMP	2		X X X
57	AT186289	CABLE	1		X X X (HEATER CONTROL)
58	L57881	CLIP	1		X X X
59	37M7073	SCREW	2		X X X
60	RE198074	TEMPERATURE SWITCH	1		X X X A/C THERMOSTAT SWITCH, (SUB FOR AH144020)
61	R50279	NUT	2		X X X
62	T178971	GROMMET	1		X X X

1830-8

CANOPY HEATER, HOSES AND CONTROL CHAUFFAGE D'AUVENT, FLEXIBLES ET COMMANDE CALEFACTOR DE DOSÉL, MANGUERAS Y CONTROL

TX1005723

-UN-04APR06



1830-9

OPERATOR'S STATION 18

HEATING AND AIR CONDITIONING 1830

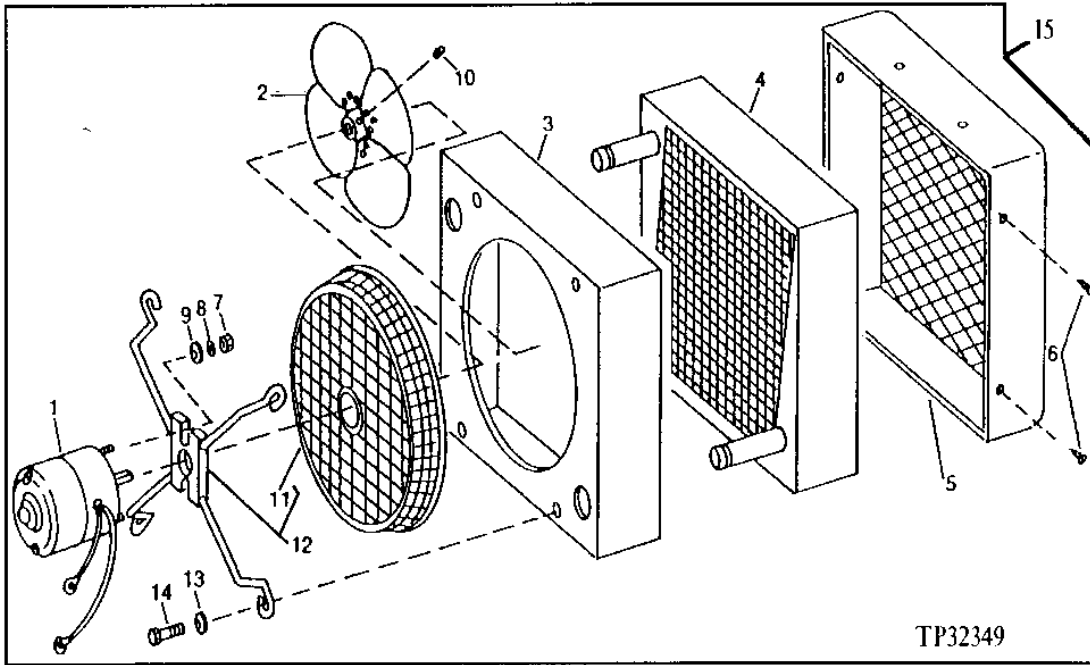
**CANOPY HEATER, HOSES AND CONTROL
CHAUFFAGE D'AUVENT, FLEXIBLES ET COMMANDE
CALEFACTOR DE DOSEL, MANGUERAS Y CONTROL**

KEY	PART NO.	PART NAME	QTY.	SERIAL NO.	REMARKS
					3 3
					3 1 1
					1 0 5
					0 S S
					G G G
1	AT304593	COVER	1		X X X (SUB FOR T185763)
2	ISOLATOR	1		X X X (CUT TO LENGTH, 3.23 FT. (986 MM)) (MAKE FROM T58056)
3	19H1914	CAP SCREW	4		X X X 1/4" X 1"
4	24H1287	WASHER	4		X X X
5	T185762	BRACKET	2		X X X
6	AT169175	HEATER	1		X X X
7	19M8425	CAP SCREW	4		X X X M6 X 16
8	24M7139	WASHER	4		X X X
9	R117721	CLAMP	10		X X X
10	HOSE	1		X X X (CUT TO LENGTH, 1.37 FT. (416MM)) (MAKE FROM T60811)
11	L57881	CLIP	1		X X X
12	21H1290	SCREW	2		X X X 0.138" X 1/2", CONNECTS HEATER UNIT ELECTRICAL EYELETS TO VEHICLE HARNESS
13	14H1026	NUT	2		X X X 0.138"
14	T58739	GROMMET	2		X X X
15	HOSE	1		X X X (CUT TO LENGTH, 2.92 FT (890 MM)) (MAKE FROM T60811)
16	AT193500	HAND OPERATED VALVE	1		X X X (TEMPERATURE/HEATER)
17	HOSE	1		X X X (CUT TO LENGTH, 2.21 FT (675 MM)) (MAKE FROM T60811)
18	19M8081	CAP SCREW	1		X X X M10 X 80
19	24M7239	WASHER	2		X X X
20	T101975	BUSHING	1		X X X
21	R46667	CLAMP	2		X X X
22	14M7274	NUT	1		X X X M10
23	T160492	ELEC. CONNECTOR ACCESSORY	2		X X X
24	BULK HOSE	1		X X X (CUT TO LENGTH, 6 FT.) (MAKE FROM T60811)
25	BULK HOSE	1		X X X (CUT TO LENGTH, 5.2 FT) (MAKE FROM T60811)
26	AT174697	ELBOW FITTING	2		X X X
27	51M7043	O-RING	2		X X X
28	R123616	PLUG	1		X X X
29	U13639	O-RING	1		X X X
30	AT186289	CABLE	1		X X X
31	AT191507	MOTOR WIRING HARNESS	1		X X X
32	AT192200	COOLANT HEATER	1		X X X (WHOLE GOODS)

1830-10

**CAB HEATER (20,000 BTU)
CHAUFFAGE DE CABINE (20,000 BTU)
CALEFACTOR DE CABINA (20,000 BTU)**

TP32349 -UN-01JAN94



TP32349

KEY	PART NO.	PART NAME	QTY.	SERIAL NO.	REMARKS
				3 3	
				3 1 1	
				1 0 5	
				0 S S	
				G G G	
1	AT169180	ELECTRIC MOTOR	1		X X X
2	AT112810	FAN	1		X X X
3	CASE	1		X X X (ORDER AT169175)
4	AT156440	CORE	1		X X X
	AT169929	HEATING ELEMENT	1		X X X (NOT ILLUSTRATED)
5	SHROUD	1		X X X (ORDER AT169175)
6	37H43	SCREW	4		X X X
7	14H778	NUT	2		X X X 0.190"
8	12M7060	WASHER	2		X X X
9	24H1283	WASHER	2		X X X
10	22H897	SET SCREW	1		X X X 1/4" X 1/4"
11	SCREEN	1		X X X (ORDER T114774)
12	T114774	GUARD	1		X X X
13	24H1287	WASHER	4		X X X
14	19H1227	CAP SCREW	4		X X X 1/4" X 1/2"
15	AT169175	HEATER	1		X X X

1830-11

OPERATOR'S STATION 18

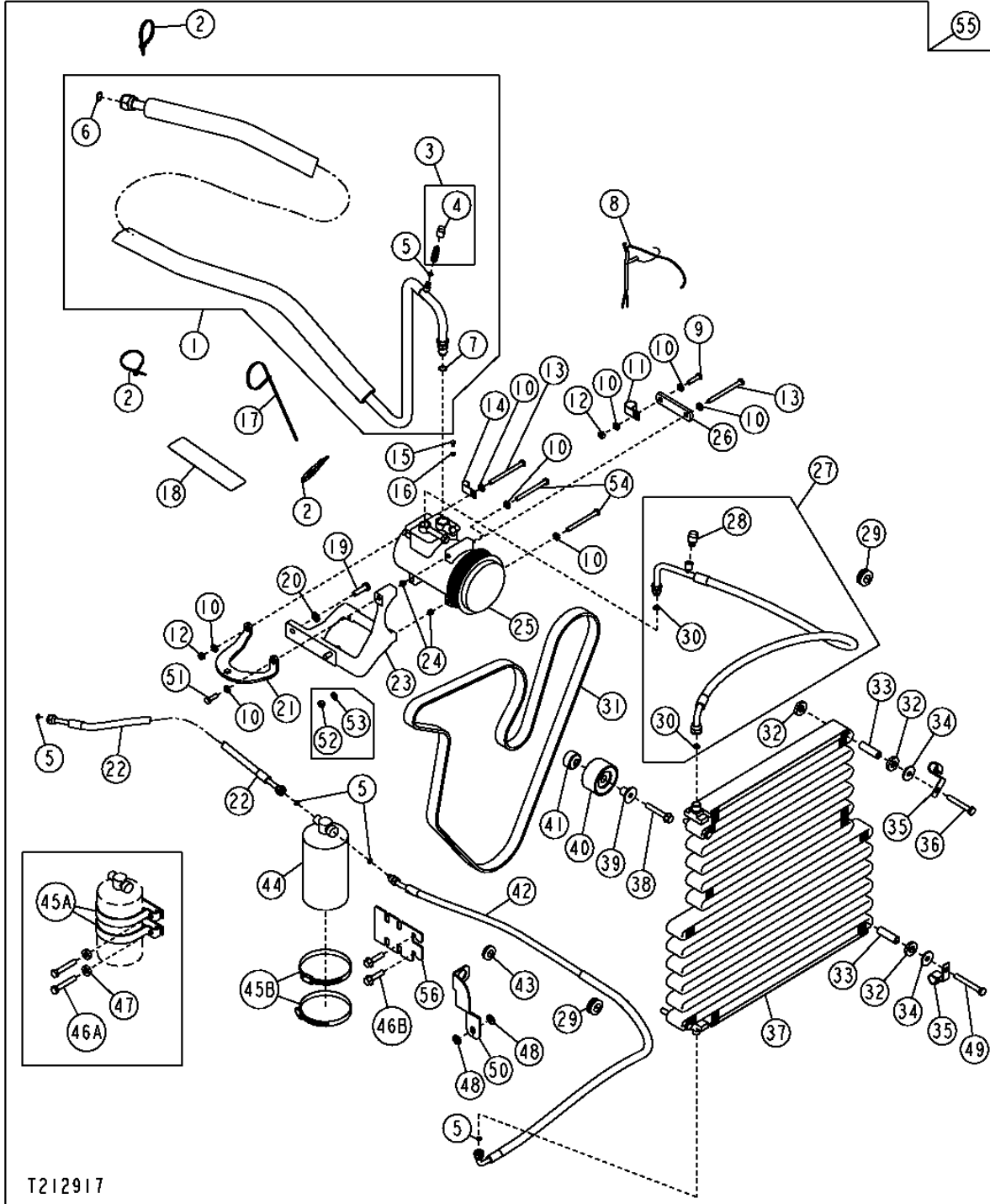
HEATING AND AIR CONDITIONING 1830

MEMORANDA
MEMORANDA
MEMORANDA

1830-12

AIR CONDITIONING, HARDWARE AND HOSES
CLIMATISATION, BOULONNERIE ET FLEXIBLES
ACONDICIONADOR DE AIRE, TORNILLERIA Y MANGUERAS

T212917 -UN-21JUL05



1830-13

OPERATOR'S STATION 18

HEATING AND AIR CONDITIONING 1830

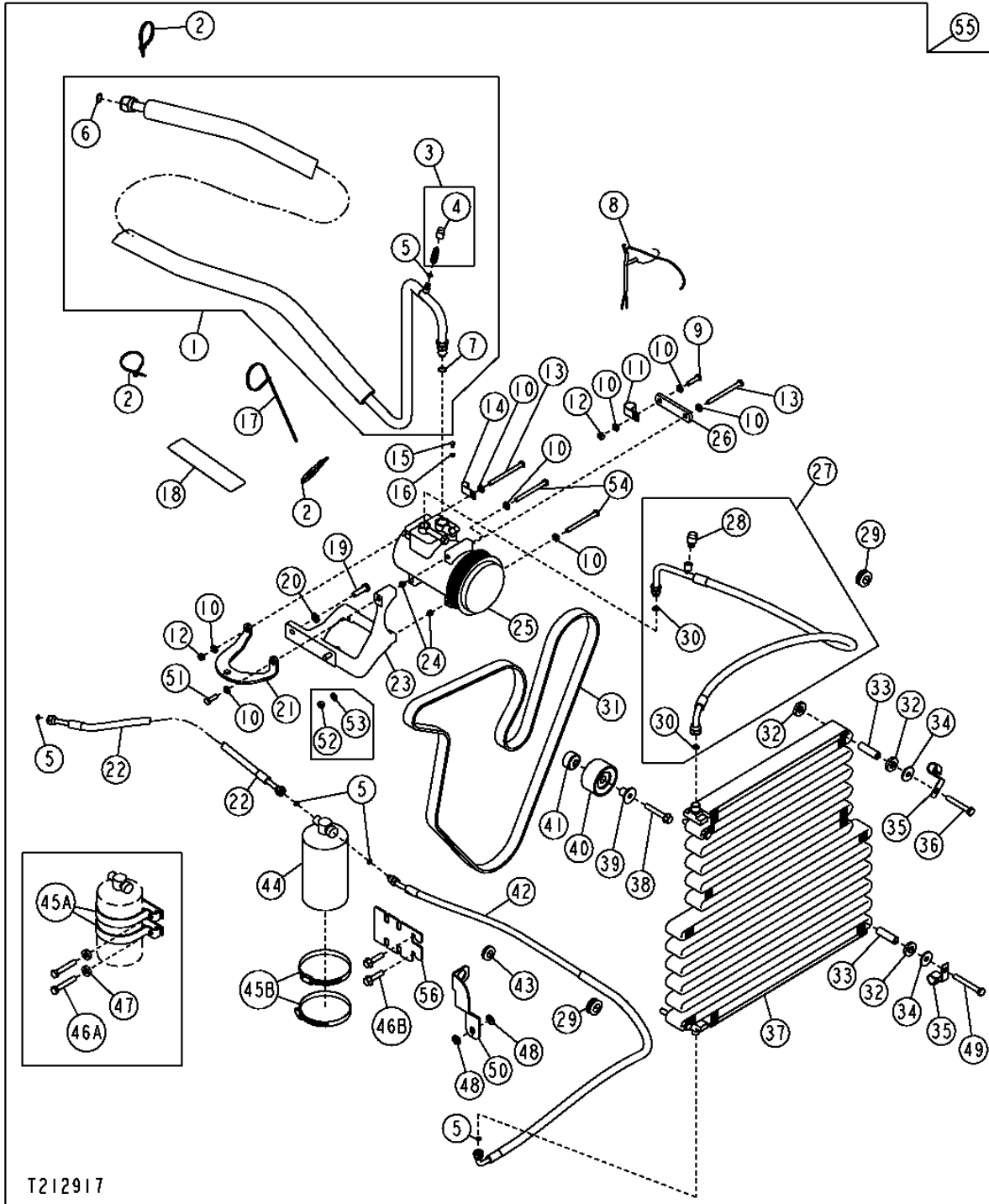
**AIR CONDITIONING, HARDWARE AND HOSES
CLIMATISATION, BOULONNERIE ET FLEXIBLES
ACONDICIONADOR DE AIRE, TORNILLERIA Y MANGUERAS**

KEY	PART NO.	PART NAME	QTY.	SERIAL NO.	REMARKS
					3 3
					3 1 1
					1 0 5
					0 S S
					G G G
1	AT188368	REFRIGERANT HOSE	1		X X X
2	R44302	TIE BAND	3		X X X
3	AT181530	FLOW CONTROL HYD. VALVE	1		X X X (LOW SIDE)
4	T162557	CAP	1		X X X
5	R10093	O-RING	8		X X X
6	T143169	O-RING	1		X X X
7	R33259	O-RING	1		X X X
8	AT190658	AC COMPRESSOR WRG HARNESS	1		X X X
9	19M7513	CAP SCREW	1		X X X M8 X 30
10	24M7238	WASHER	11		X X X
11	T78787	CLAMP	1		X X X
12	14M7273	NUT	1		X X X M8
13	19M8456	CAP SCREW	2		X X X M8 X 100
14	AH89557	CLIP	1		X X X (SUB FOR T19935, THIS APPLICATION)
15	21M7283	SCREW	1		X X X M5 X 8
16	12H316	LOCK WASHER	1		X X X
17	H77698	TIE BAND	1		X X X
18	T145560	LABEL	1		X X X
19	19M7402	CAP SCREW	2	-901696	X X X M10 X 25
	19M7550	CAP SCREW	2	901697-	X X X M10 X 35
20	24M7239	WASHER	2		X X X
21	R132690	SUPPORT	1	-901696	X X X
	R504191	BRACKET	1	901697-	X X X
22	AT188369	REFRIGERANT HOSE	1		X X X
23	BRACKET	1		X X X (AT180350 NLA) (SUB R504192) (ALSO ORDER R504191, 19M7407, (2) 19M7550, (3) 19M8539)
	R504192	BRACKET	1	901697-	X X X
24	34M7189	SPRING PIN	1		X X X 11 X 8 MM
25	RE46609	COMPRESSOR	1		X X X
	TY6764	COMPRESSOR	1		X X X REMAN
26	M86533	STRAP	1		X X X
27	AT199081	REFRIGERANT HOSE	1		X X X (SUB FOR AT186263)
28	AT178930	HYDRAULIC CYLINDER PORT	1		X X X
29	R137851	GROMMET	2	-903152	X X X
	T190177	GROMMET	2	903153-	X X X
30	R113050	O-RING	2		X X X
31	R504023	V-BELT	1		X X X
32	T158424	WASHER	11		X X X RUBBER
33	L3483N	BUSHING	4		X X X
34	24M7101	WASHER	4		X X X
35	AT192168	CLAMP	2		X X X
36	19M7328	CAP SCREW	2		X X X M10 X 70
37	AT184522	VAPOR CONDENSER	1		X X X
38	19M7808	SCREW	1		X X X M10 X 65
39	R502079	SLEEVE	1		X X X

1830-14

HEATING AND AIR CONDITIONING 1830
AIR CONDITIONING, HARDWARE AND HOSES (CONTINUED)
CLIMATISATION, BOULONNERIE ET FLEXIBLES (SUITE)
ACONDICIONADOR DE AIRE, TORNILLERIA Y MANGUERAS (CONTINUACION)

T212917 -UN-21JUL05



T212917

1830-15

OPERATOR'S STATION 18

HEATING AND AIR CONDITIONING 1830

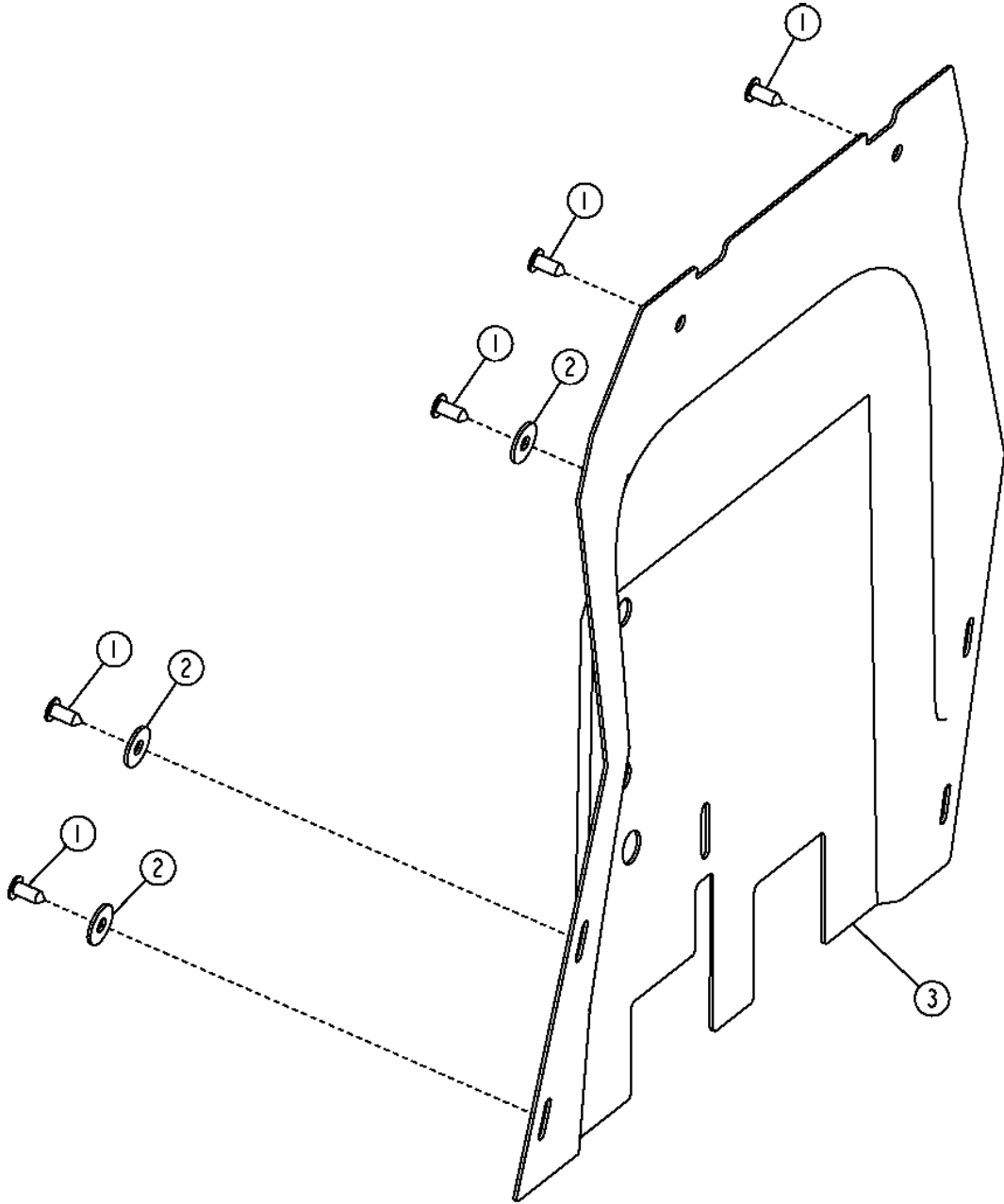
AIR CONDITIONING, HARDWARE AND HOSES (CONTINUED)
CLIMATISATION, BOULONNERIE ET FLEXIBLES (SUITE)
ACONDICIONADOR DE AIRE, TORNILLERIA Y MANGUERAS (CONTINUACION)

KEY	PART NO.	PART NAME	QTY.	SERIAL NO.	3 3 3 1 1 1 0 5 0 S S G G G	REMARKS
40	RE505264	PULLEY	1		X X X	
41	R500320	SPACER	1		X X X	
42	AT193499	REFRIGERANT HOSE	1		X X X	
43	R115350	GROMMET	1		X X X	
44	AT162848	RECEIVER-DRYER	1		X X X	
45A	T190438	CLAMP	2	-951252	X X X	
45B	AR21842	CLAMP	2	951253-	X X X	
46A	19M7384	CAP SCREW	2	-952252	X X X	M10 X 60
46B	19M7806	SCREW	2	951253-	X X X	M10 X 50. (SUB FOR 19M7804)
47	24H1781	WASHER	2	-951252	X X X	
48	24M7239	WASHER	1		X X X	
49	19M8049	CAP SCREW	2		X X X	M10 X 80
50	T185949	BRACKET	1		X X X	
51	19M7407	CAP SCREW	1	901697-	X X X	
52	14M7273	NUT	1	-901696	X X X	M8
53	24M7238	WASHER	1	-901696	X X X	
54	19M8456	CAP SCREW	2	-901696	X X X	M8 X 100
	19M8539	CAP SCREW	2	901697-	X X X	M8 X 90
55	AT187439	KIT	1		X	(WHOLE GOODS) WITH FIELD INSTALLED FLOW CONTROL, INCLUDES INSULATED DUCT WORK, (INCLUDES AT178394, AT192656 AND T187606)
	AT187442	KIT	1		X	(WHOLE GOODS) WITH FLOW CONTROL, INCLUDES INSULATED DUCT WORK, (INCLUDES AT192656)
	AT187442	KIT	1		X X	(WHOLE GOODS) WITH BASE COOLING, INCLUDES INSULATED DUCT WORK, (INCLUDES AT192656)
	AT187440	KIT	1		X X	(WHOLE GOODS) WITH HIGH AMBIENT COOLING, INCLUDES INSULATED DUCT WORK (SUB (2) T190438 AND (2) 19M7875)
56	T212352	BRACKET	1	951253-		

1834-2

HEAT AND NOISE BARRIER
CHAUFFAGE ET BARRIERE CONTRE LE BRUIT
BARRERA TERMICA Y DE RUIDOS

T145246 -UN-04SEP01



T145246

1834-3

OPERATOR'S STATION 18

GRILLES, BAFFLES AND CONTROLS 1834

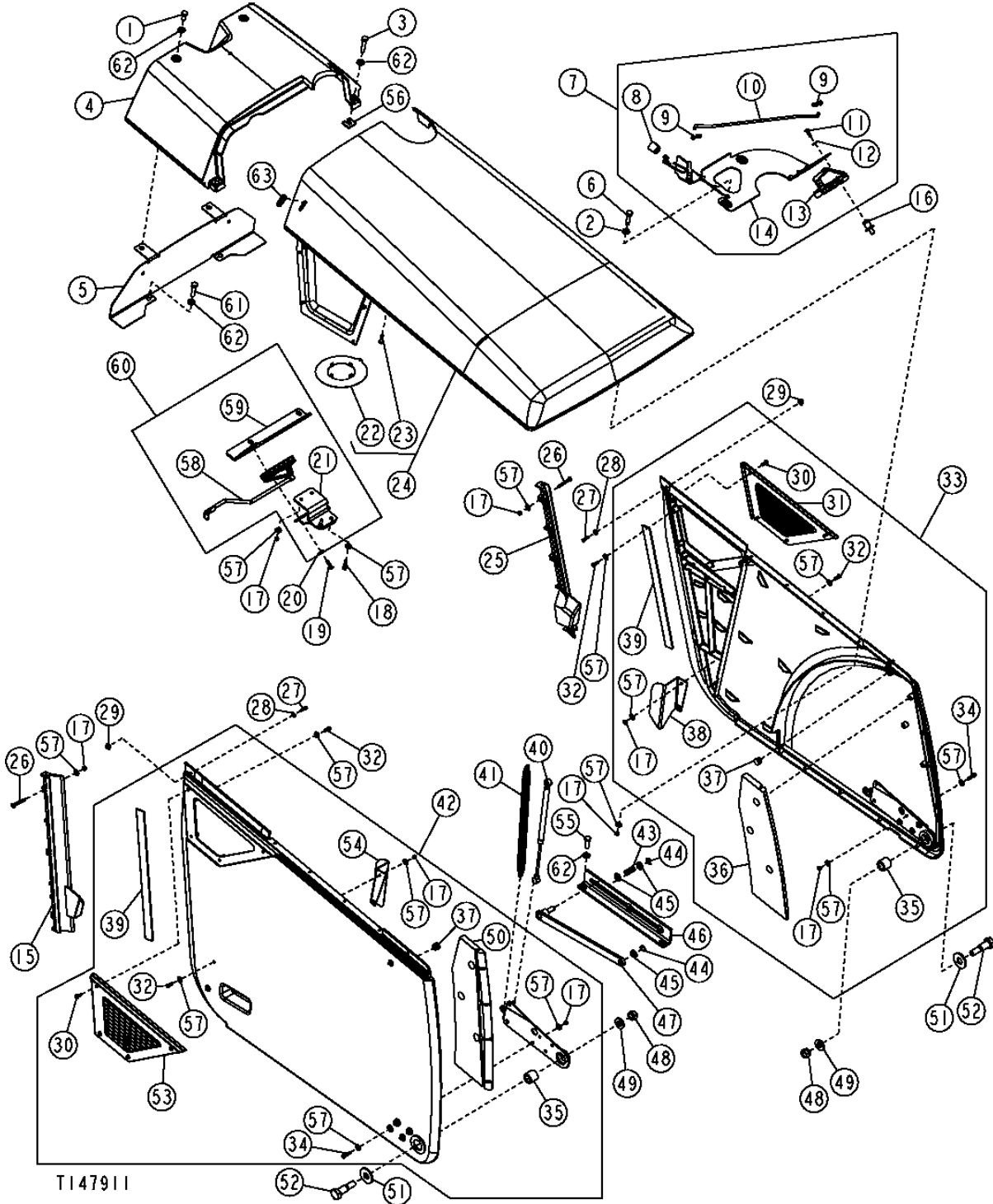
HEAT AND NOISE BARRIER
CHAUFFAGE ET BARRIERE CONTRE LE BRUIT
BARRERA TERMICA Y DE RUIDOS

KEY	PART NO.	PART NAME	QTY.	SERIAL NO.	3 3 3 1 1 1 0 5 0 S S G G G	REMARKS
1	MT2485	PLUG	5		X X X	FASTENER, (SUB FOR 19M7662, THIS APPLICATION) (SUB FOR T161380)
2	24M7180	WASHER	3		X X X	
3	T185663	PANEL	1	-913416	X X X	
	T191101	ISOLATOR	1	913417-	X X X	

1910-2

HOOD AND SIDE PANELS
CAPOT ET PANNEAUX LATERAUX
CAPO Y PANELES LATERALES

T147911 -UN-29NOV01



1910-3

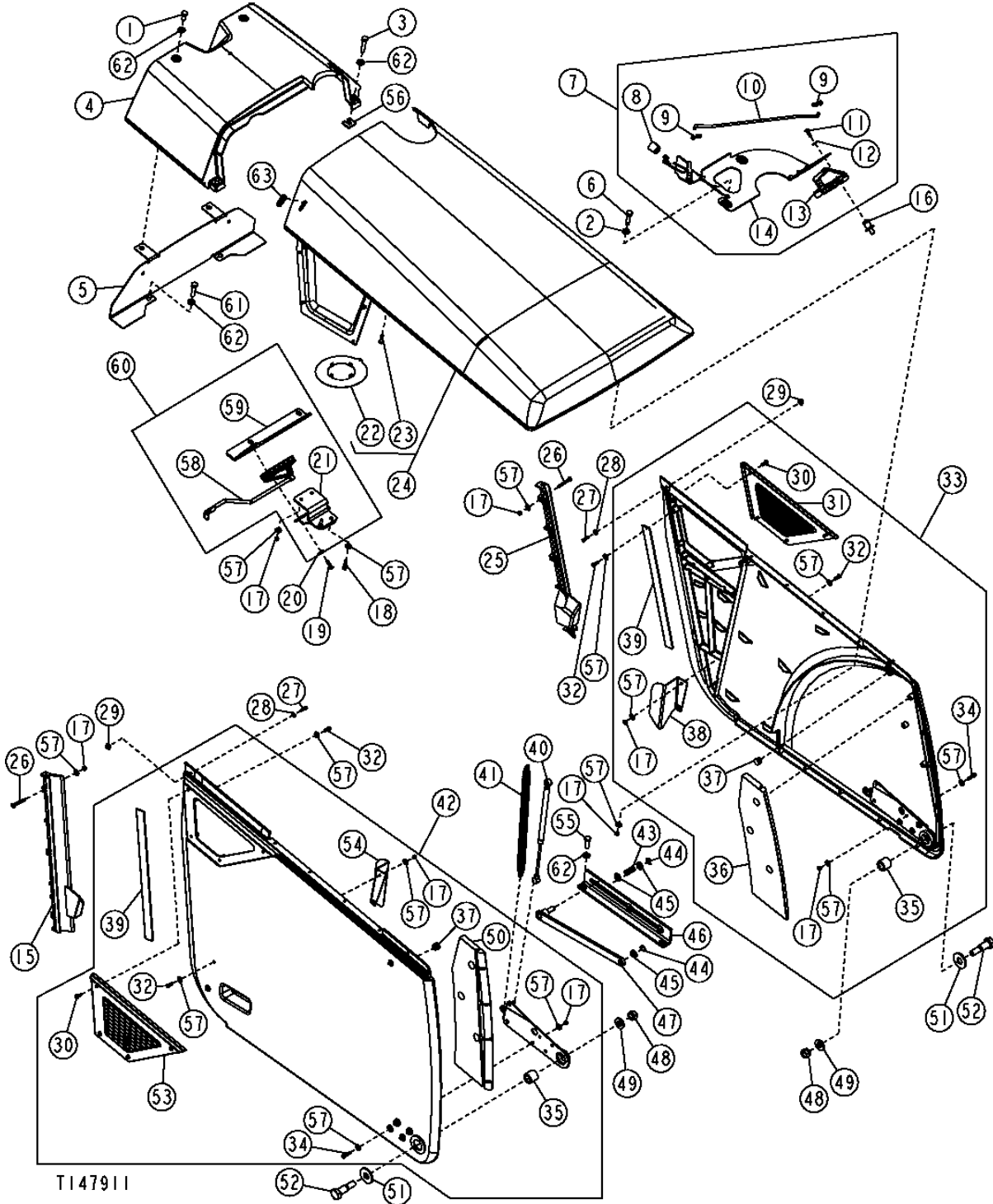
**HOOD AND SIDE PANELS
CAPOT ET PANNEAUX LATERAUX
CAPO Y PANELES LATERALES**

KEY	PART NO.	PART NAME	QTY.	SERIAL NO.	3 3 3 1 1 1 0 5 0 S S G G G	REMARKS
1	19M7938	CAP SCREW	2		X X X	M10 X 20
2	24M7239	WASHER	3	-903476	X X X	
3	19M8600	CAP SCREW	2		X X X	M10 X 50
4	T165982	HOOD	1	-903476	X X X	
	T209334	HOOD	1	903477-	X X X	(SUB FOR T188707)
5	AT302803	SUPPORT	1		X X X	(SUB FOR AT185683)
6	19M8637	CAP SCREW	3	-903476	X X X	M10 X 40
7	LATCH	1	-903476	X X X	ORDER ATTACHING HARDWARE, (SUB AT196815) (ALSO ORDER (2) 14M7272, (2) 19M7874, (2) 19M7933, (4) 24M7139)
8	T133487	KNOB	1	-903476	X X X	
9	T161373	CLIP	2	-903476	X X X	
10	T165973	ROD	1	-903476	X X X	
11	19M7077	CAP SCREW	2	-903476	X X X	M6 X 20
12	24M7139	WASHER	1	-903476	X X X	
13	AT185680	LATCH	1	-903476	X X X	
14	LATCH	1	-903476	X X X	(AT191557 NLA) (SUB AT196815)
15	T165976	GUIDE	1		X X X	RH
16	AR91896	STRIKER	1	-903476	X X X	
17	14M7272	NUT	28		X X X	M6
18	19M7874	CAP SCREW	2		X X X	M6 X 30
19	14H1047	NUT	1	-903476	X X X	7/16"
	19M7933	CAP SCREW	2	903477-	X X X	M6 X 25
20	T105740	WASHER	1	-903476	X X X	
	24M7139	WASHER	2	903477-	X X X	
21	AT189400	BRACKET	1	-903476	X X X	STRIKER BOLT BRACKET
	T201591	BRACKET	1	903477-	X X X	(SUB FOR AT195339)
22	PLATE	1		X X X	
23	T187272	SCREW	4		X X X	(SUB FOR T165985)
24	HOOD	1	-903476	X X X	(AT185537 NLA) (SUB AT311787 AND T188642)
	HOOD	1	-903476	X X X	(AT196355 NLA) (SUB AT311787, T188642 AND AT196815)
	AT311787	HOOD	1	903477-	X X X	
25	T184393	GUIDE	1		X X X	LH
26	19M9100	SCREW	6		X X X	M6 X 50
27	19M7373	CAP SCREW	4		X X X	M5 X 20
28	24M7138	WASHER	4		X X X	
29	T183773	NUT	4		X X X	
30	21M7246	SCREW	8		X X X	M6 X 16
31	T165916	LOUVER	1		X X X	LH
32	19M8425	CAP SCREW	12		X X X	M6 X 16

1910-4

HOOD AND SIDE PANELS (CONTINUED)
CAPOT ET PANNEAUX LATERAUX (SUITE)
CAPO Y PANELES LATERALES (CONTINUACION)

T147911 -UN-29NOV01



1910-5

SHEET METAL AND STYLING 19

HOOD OR ENGINE ENCLOSURE 1910

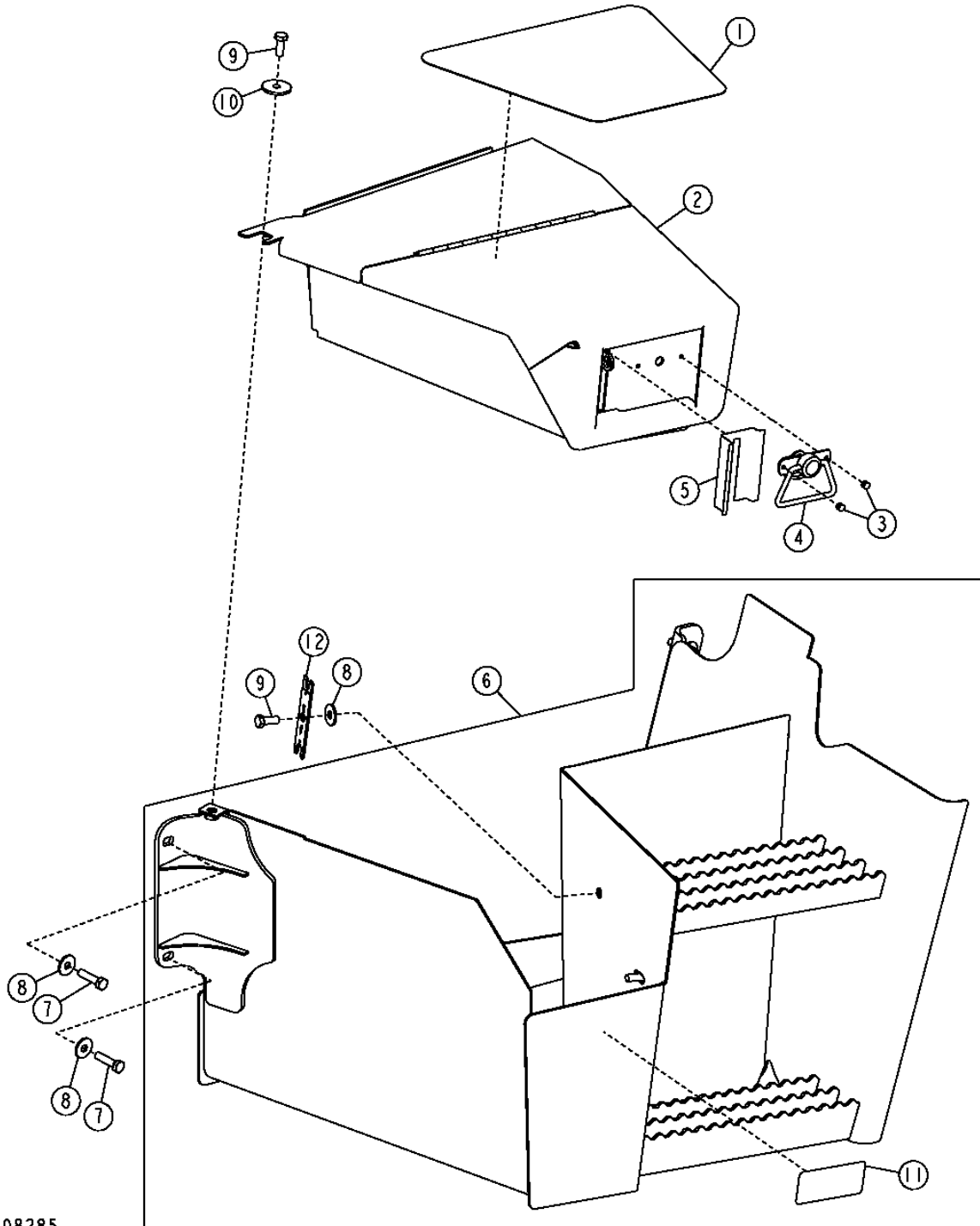
HOOD AND SIDE PANELS (CONTINUED)
 CAPOT ET PANNEAUX LATERAUX (SUITE)
 CAPO Y PANELES LATERALES (CONTINUACION)

KEY	PART NO.	PART NAME	QTY.	SERIAL NO.	REMARKS
					3 3
					3 1 1
					1 0 5
					0 S S
					G G G
33	AT311786	PANEL	1		X X X LH, (SUB FOR AT185539)
34	19M7933	CAP SCREW	10		X X X M6 X 25
35	T165911	BUSHING	2		X X X
36	SHIELD	1		X X X (T183781 NLA) LH
37	T165997	INSERT	2		X X X
38	T184788	BRACKET	1		X X X LH, GUIDE
39	T184116	LABEL	2		X X X
40	AT311334	GAS OPERATED CYLINDER	1		X X X (SUB FOR AT191760)
41	T165977	EXTENSION SPRING	2		X X X
42	AT311785	PANEL	1		X X X RH, (SUB FOR AT185538)
43	T165981	COMPRESSION SPRING	1		X X X
44	R26871	SNAP RING	2		X X X
45	24M7047	WASHER	3		X X X
46	T165978	GUIDE	1		X X X
47	AT189661	BAR	1		X X X
48	14M7328	LOCK NUT	2		X X X M16
49	24M7241	WASHER	2		X X X
50	SHIELD	1		X X X (T183780 NLA) RH
51	24H1236	WASHER	2		X X X
52	T165975	BOLT	2		X X X
53	T165915	LOUVER	1		X X X RH
54	T184787	BRACKET	1		X X X RH, GUIDE
55	19M8637	CAP SCREW	2		X X X M10 X 40
56	SHIM	AR		X X X
57	24M7139	WASHER	52		X X X
58	AT196358	LATCH	1	903477-	X X X
59	BRACKET	1	903477-	X X X
60	AT196815	KIT	1		X X X (INCLUDES T188642)
61	19M8637	CAP SCREW	2		X X X M10 X 40
62	24M7239	WASHER	8		X X X
63	T188642	GROMMET	1	903477-	X X X

1913-2

BATTERY ENCLOSURE AND TOOL BOX
COMPARTIMENT BATTERIE ET BOITE A OUTILS
ENVUELTA DE BATERIA Y CAJA DE HERRAMIENTAS

T208285 -UN-25FEB05



T208285

1913-3

SHEET METAL AND STYLING 19

MISCELLANEOUS SHIELDS 1913

**BATTERY ENCLOSURE AND TOOL BOX
COMPARTIMENT BATTERIE ET BOITE A OUTILS
ENVUELTA DE BATERIA Y CAJA DE HERRAMIENTAS**

KEY	PART NO.	PART NAME	QTY.	SERIAL NO.	REMARKS
					3 3
					3 1 1
					1 0 5
					0 S S
					G G G
1	T165290	ANTI-SKID PAD	1		X X X
2	AT183428	TOOLBOX	1	-963068	X X X
	AT332084	TOOLBOX	1	963069-	X X X
3	M63200	RIVET	2	-963068	X X X
	AT333453	RIVET	2	963069-	X X X
4	T185360	LATCH	1	-963068	X X X (ALSO ORDER (2) M63200)
	AT332153	LATCH	1	963069-	X X X
5	T185469	LABEL	1	-963068	X X X PROTECTIVE
	T227945	ANGLE	1	963069-	X X X
6	AT183411	BATTERY BOX	1	-963068	X X X
	AT332597	BATTERY BOX	1	963069-	X X X
7	19M8637	CAP SCREW	4		X X X M10 X 40
8	24M7296	WASHER	6		X X X
9	19M7402	CAP SCREW	3		X X X M10 X 25, (SUB FOR 19M7938)
10	24H1718	WASHER	1		X X X
11	JD5933	REFLECTOR	1		X X X
12	T212304	TOOL	1		X X X STC

1913-4

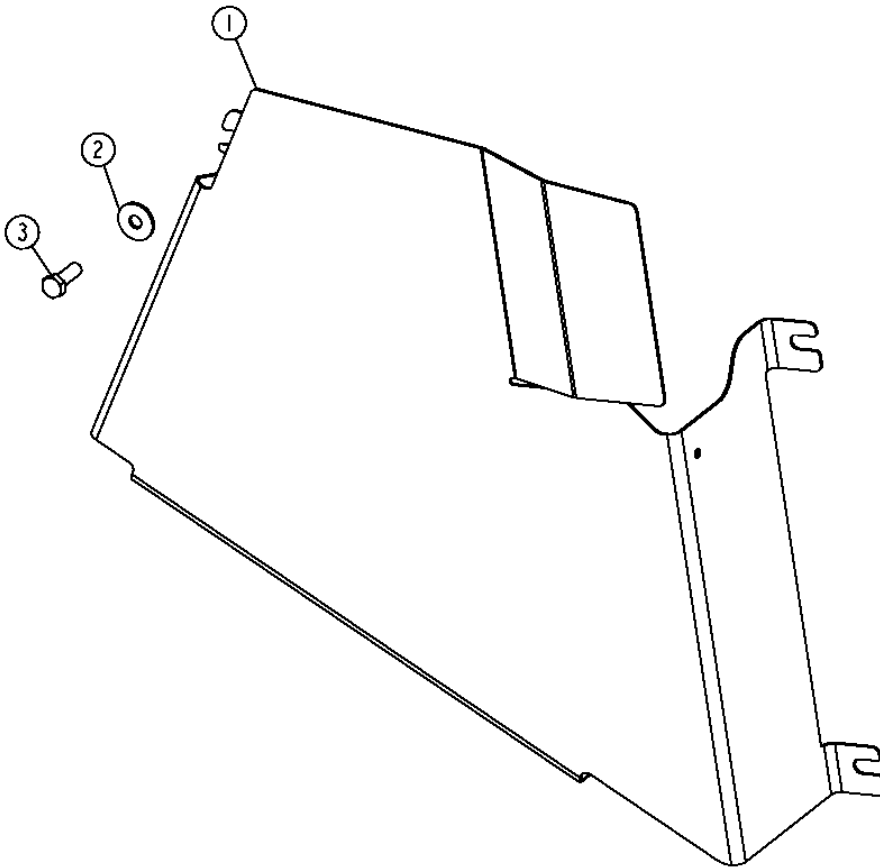
SHEET METAL AND STYLING 19

MISCELLANEOUS SHIELDS 1913

LOADER PLUMBING SHIELD PROTECTION DE CONDUITES HYDRAULIQUES DE CHARGEUR ESCUDO DE TUBERIA DE CARGADORA

T135722

-UN-21APR04



T135722

1913-5

SHEET METAL AND STYLING 19

MISCELLANEOUS SHIELDS 1913

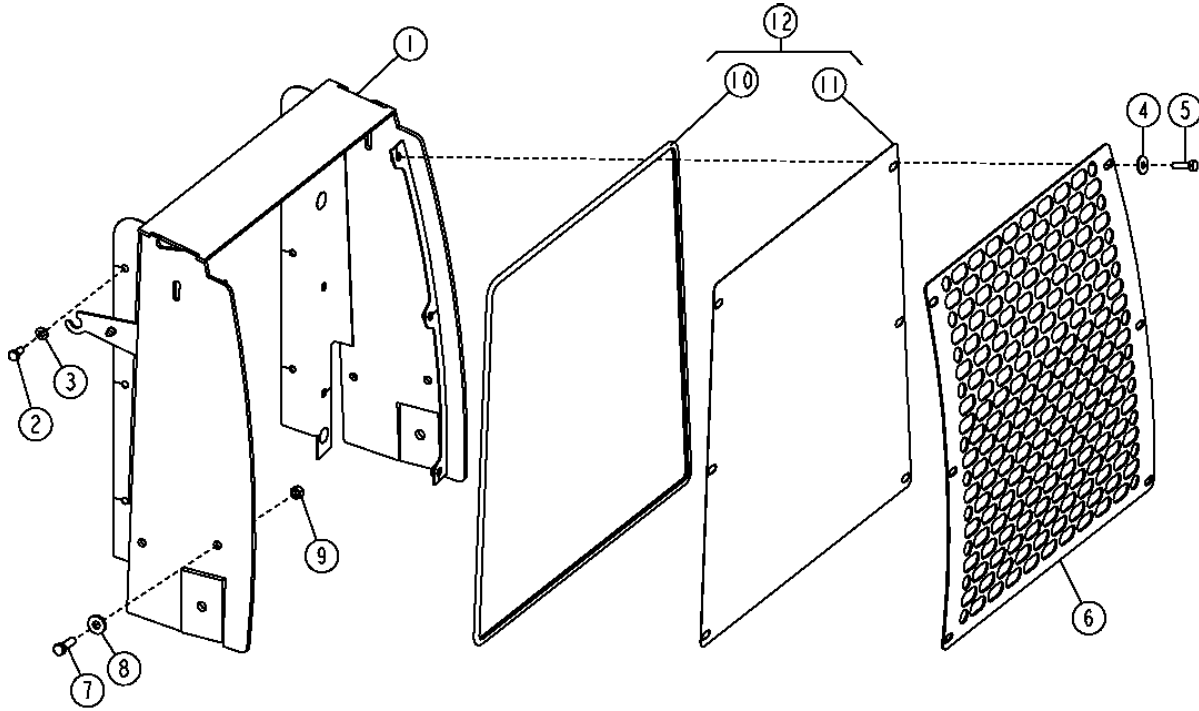
LOADER PLUMBING SHIELD
PROTECTION DE CONDUITES HYDRAULIQUES DE CHARGEUR
ESCUDO DE TUBERIA DE CARGADORA

KEY	PART NO.	PART NAME	QTY.	SERIAL NO.	3 3 3 1 1 1 0 5 0 S S G G G	REMARKS
1	T206525	SHIELD	1	-944620	X X X	(SUB FOR T166531)
	T206908	SHIELD	1	944621-	X X X	
2	24M7296	WASHER	1		X X X	
3	19M7662	CAP SCREW	1		X X X	M10 X 30

1921-2

GRILLE AND GRILLE HOUSING CALANDRE ET LOGEMENT DE CALANDRE PARRILLA Y CAJA DE LA PARRILLA

TP58071 -UN-06SEP00



TP58071

THIS PARTS LISTING IS CONTINUED

1921-3

SHEET METAL AND STYLING 19

GRILLE;&!GRILLE!HOUSING 1921

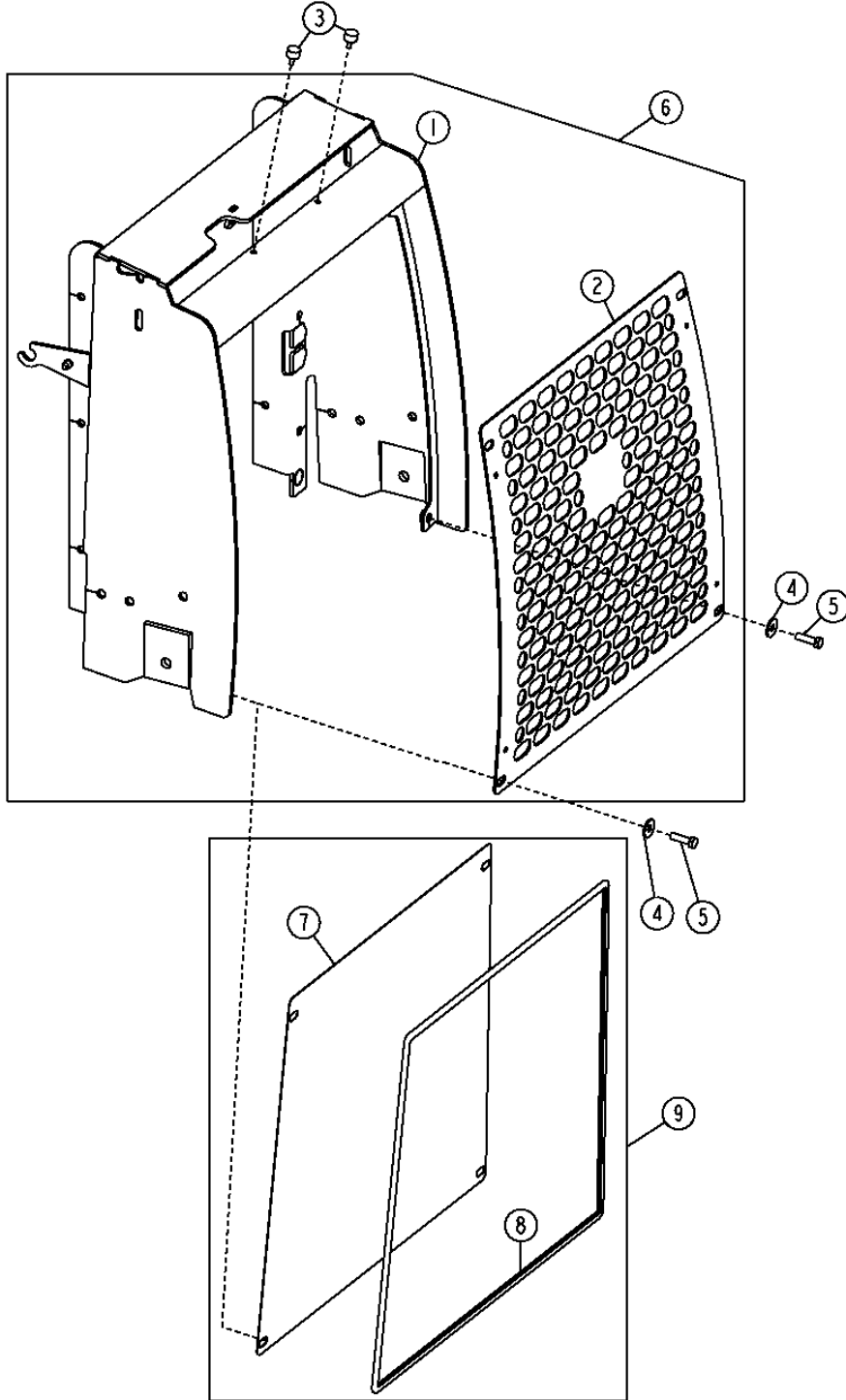
GRILLE AND GRILLE HOUSING
CALANDRE ET LOGEMENT DE CALANDRE
PARRILLA Y CAJA DE LA PARRILLA

KEY	PART NO.	PART NAME	QTY.	SERIAL NO.	3 3 3 1 1 1 0 5 0 S S G G G	REMARKS
1	AT197001	KIT	1	-903149	X X X	(SUB FOR AT185004)
	AT195872	FRAME	1	903150-	X X X	
2	19M7938	CAP SCREW	6		X X X	M10 X 20
3	24M7239	WASHER	6		X X X	
4	24M7296	WASHER	6		X X X	
5	19M7550	CAP SCREW	6		X X X	M10 X 35
6	T165896	GRILLE	1	-949370	X X X	
	T217001	GRILLE	1	949371-	X X X	
7	19M7493	CAP SCREW	4		X X X	M12 X 40
8	T29342	WASHER	4		X X X	
9	14M7275	NUT	4		X X X	M12
10	MOLDING	1		X X X	(CUT TO LENGTH, 8.74 FEET) (MAKE FROM T58056)
11	AT189091	SCREEN	1		X X X	(TRASH SCREEN)
12	AT189090	SCREEN	1		X X X	WHOLE GOODS

1921-4

EXTENDED GRILLE HOUSING
LOGEMENT DE CALANDRE ETENDU
CAJA DE PARRILLA EXTENDIDA

T212960 -UN-25JUL05



T212960

1921-5

SHEET METAL AND STYLING 19

GRILLE;&!GRILLE!HOUSING 1921

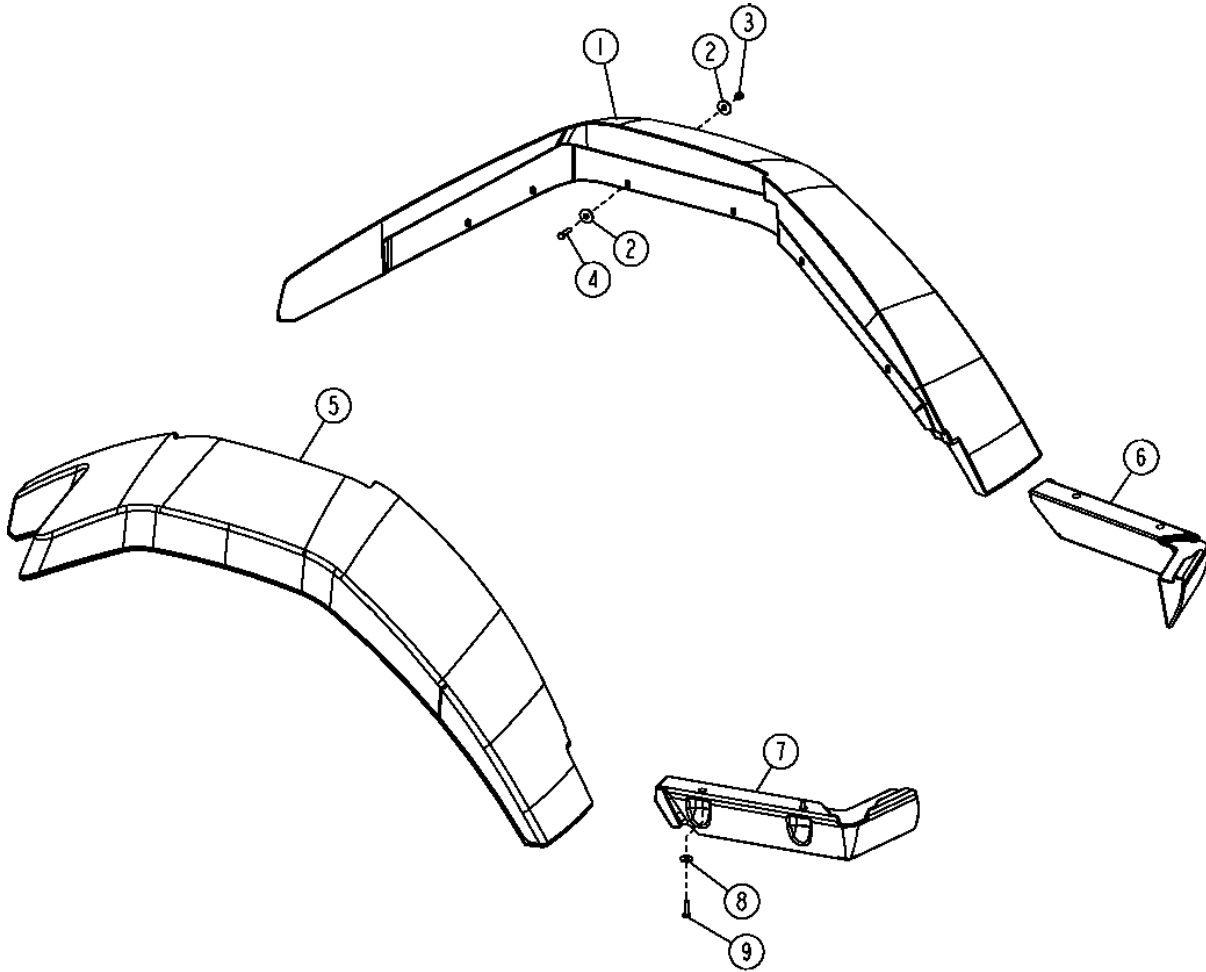
EXTENDED GRILLE HOUSING
LOGEMENT DE CALANDRE ETENDU
CAJA DE PARRILLA EXTENDIDA

KEY	PART NO.	PART NAME	QTY.	SERIAL NO.	REMARKS
					3 3
					3 1 1
					1 0 5
					0 S S
					G G G
1	AT316227	FRAME	1		X X X
2	T210544	GRILLE	1		X X X
	JD5761	LABEL	1		X X X LEAPING DEER
3	H158596	BUMPER	2		X X X
4	24M7296	WASHER	4		X X X
5	19M7550	CAP SCREW	4		X X X M10 X 35
6	AT323124	KIT	1		X X X (WHOLE GOODS)
7	AT322743	SCREEN	1		X X X (TRASH SCREEN)
8	MOLDING	1		X X X (CUT TO LENGTH, 8.38 FEET) (MAKE FROM T58056)
9	AT322742	SCREEN	1		X X X (WHOLE GOODS)

1927-2

OPERATOR STATION FENDERS AND SKIRTS
AILES ET JUPES DU POSTE DE CONDUITE
GUARDABARROS Y FALDILLAS DE PUESTO DEL OPERADOR

TP58069 -UN-05OCT00



TP58069

1927-3

SHEET METAL AND STYLING 19

FENDERS 1927

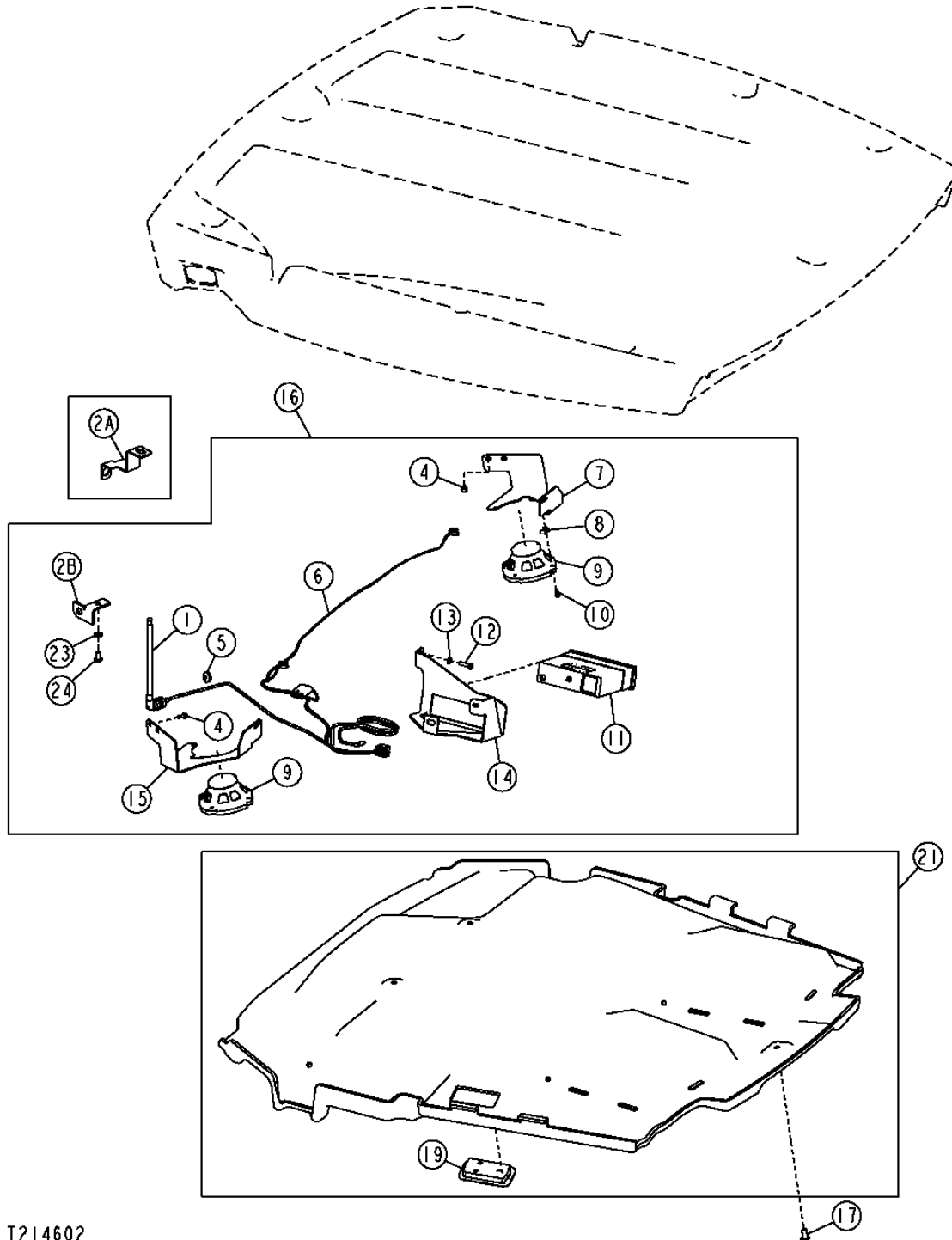
**OPERATOR STATION FENDERS AND SKIRTS
AILES ET JUPES DU POSTE DE CONDUITE
GUARDABARROS Y FALDILLAS DE PUESTO DEL OPERADOR**

KEY	PART NO.	PART NAME	QTY.	SERIAL NO.	REMARKS
					3 3
					3 1 1
					1 0 5
					0 S S
					G G G
1	T177187	FENDER	1		X X X LH
2	24M7296	WASHER	24		X X X
3	14M7426	LOCK NUT	12		X X X M8
4	19M7513	CAP SCREW	12		X X X M8 X 30
5	T165870	FENDER	1		X X X RH
6	T166331	COVER	1		X X LH (SERVICE ONLY)
7	T166332	COVER	1		X X RH (SERVICE ONLY)
8	24M7298	WASHER	4		X X
9	19M7513	CAP SCREW	4		X X M8 X 30

2001-2

RADIO (CAB)
RADIO (CABINE)
RADIO (CABINA)

T214602 -UN-21SEP05



T214602

2001-3

SAFETY, CONVENIENCE AND MISCELLANEOUS 20

RADIO 2001

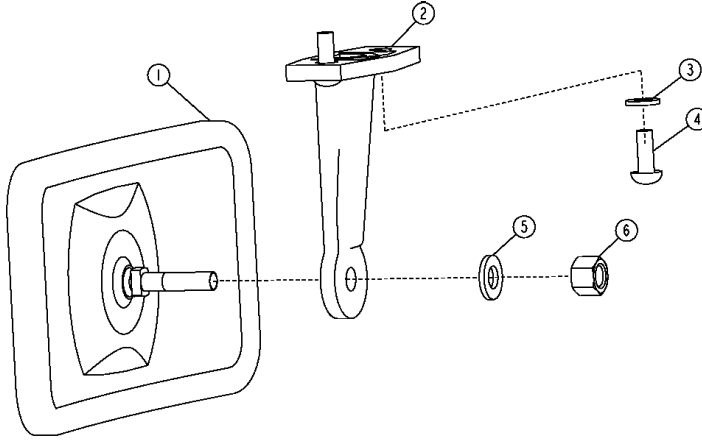
**RADIO (CAB)
RADIO (CABINE)
RADIO (CABINA)**

KEY	PART NO.	PART NAME	QTY.	SERIAL NO.	3 3 3 1 1 1 0 5 0 S S G G G	REMARKS
1	AT199388	ANTENNA	1		X X X	(SUB FOR AT185366)
2A	T167232	BRACKET	1	-951253	X X X	
2B	T204635	BRACKET	1	951254-	X X X	
3	24M7054	WASHER	6		X X X	
4	19M7775	SCREW	6		X X X	M6 X 16, (SUB FOR 19M7933, THIS APPLICATION)
5	T74952	GROMMET	1		X X X	
6	AT191575	WIRING HARNESS	1		X X X	
7	T186443	BRACKET	1		X X X	
8	R117892	NUT	6		X X X	RADIO/SPEAKER MOUNTING
9	AT188759	SPEAKER	2		X X X	
10	21M7271	SCREW	6		X X X	M5 X 16
11	RE190139	RADIO	1		X X X	AM/FM STEREO, (SUB FOR AT192956, THIS APPLICATION)
12	19M7513	CAP SCREW	2		X X X	M8 X 30
13	24M7238	WASHER	2		X X X	
14	T165951	BRACKET	1		X X X	
15	T186444	BRACKET	1		X X X	
16	AT192217	RADIO	1		X X X	(WHOLE GOODS)
17	PLUG	9	-921525	X X X	(T184892 NA) (SUB (9) MT2485) (DRILL HOLE TO 10MM)
	MT2485	PLUG	9	921526-	X X X	FASTENER, (SUB FOR T161380)
18	M84972	NUT	2	-951253	X X X	
19	HEADLINER	1	-951253	X X X	(AT185500 NLA) (SUB AT320544) (ALSO ORDER AT326356)
	AT320544	LAMP	1	951254-		
20	T134895	SELF-LOCKING SCREW	1	-951253	X X X	
21	HEADLINER	1	-951253	X X X	FOR RADIO (AT185499 NLA) (SUB AT321005) (ALSO ORDER AT326356 AND AT320544)
	AT321005	HEADLINER	1	951254-	X X X	
22	AT326356	CAB WIRING HARNESS	1	-951253	X X X	
23	24M7239	WASHER	1	951254-	X X X	
24	19M8324	CAP SCREW	1	951254-	X X X	

2002-2

**INTERIOR REAR VIEW MIRROR
RETROVISEUR L'INTERIEUR
RETROVISOR DEL INTERIOR**

T145088 -UN-24AUG01



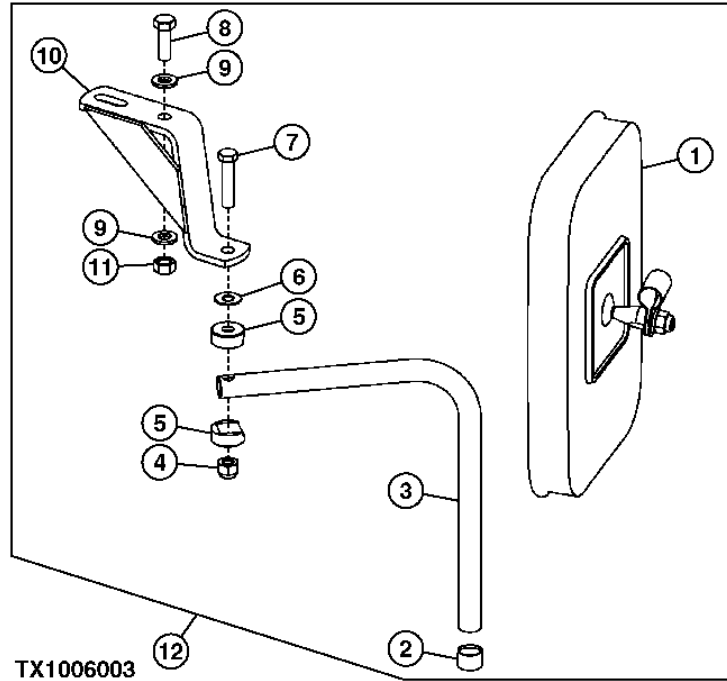
T145088

KEY	PART NO.	PART NAME	QTY.	SERIAL NO.	REMARKS
1	AT222333	REAR VIEW MIRROR	1		X X X (RECOMMENDED FOR USE IN HIGHLY CORROSIVE ENVIRONMENT)
2	AT196427 L75379	REAR VIEW MIRROR BRACKET	1 1		X X X X X X
3	WASHER	2		X X X
4	21M7246	SCREW	2		X X X M6 X 16
5	24M7238	WASHER	1		X X X
6	14M7426	LOCK NUT	1		X X X M8

2002-3

**EXTERNAL MIRROR
RETROVISEUR EXTERIEUR
ESPEJO EXTERNO**

TX1006003 -UN-17APR06



TX1006003

3 3
3 1 1
1 0 5
0 S S
G G G

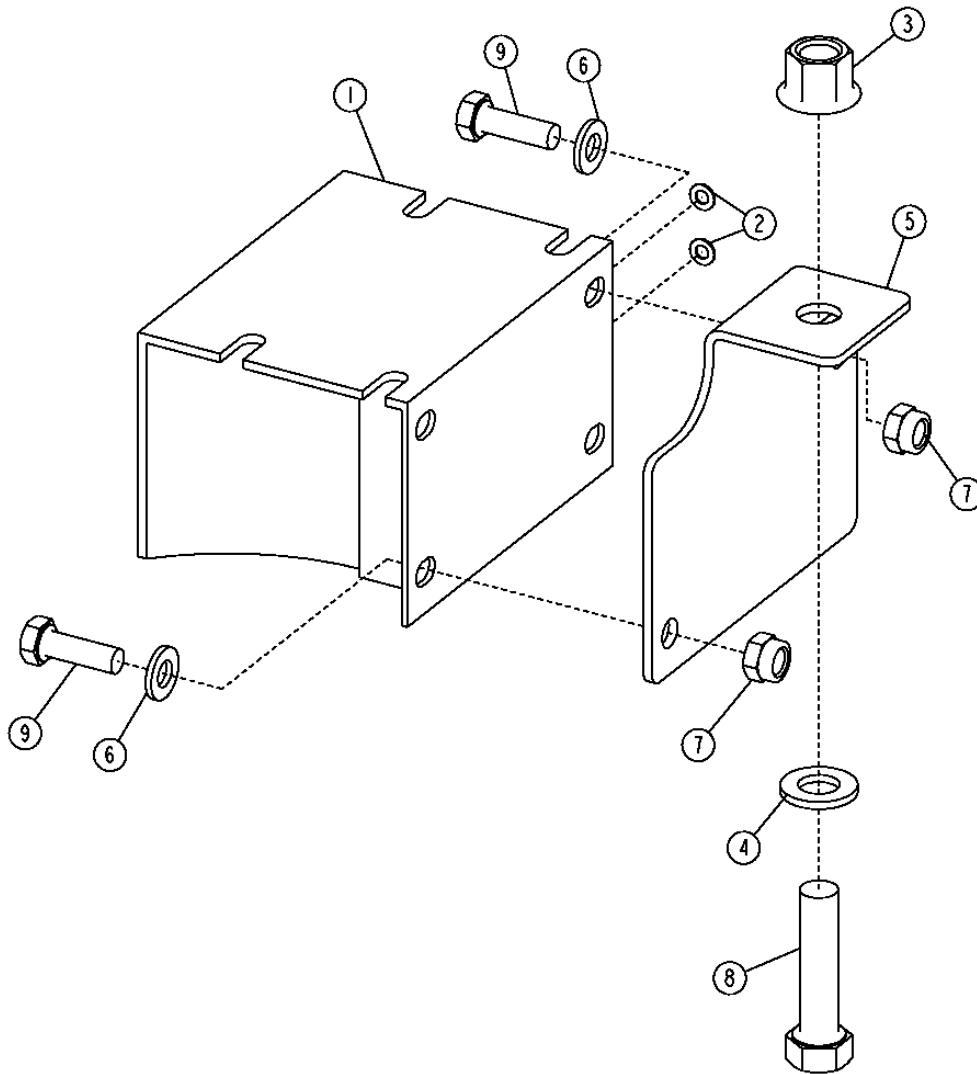
KEY	PART NO.	PART NAME	QTY.	SERIAL NO.	REMARKS
1	AT103919	REAR VIEW MIRROR	2		X X
	AT103919	REAR VIEW MIRROR	2	-200132	X
	REAR VIEW MIRROR	1	200133-	X
2	T128437	CAP	2		X X X
3	T148817	TUBE	2		X X X
4	T11234	LOCK NUT	2		X X X 3/8"
5	T115030	HALF CLAMP	4		X X X
6	T60920	WASHER	2		X X X
7	19H3217	CAP SCREW	2		X X X 3/8" X 1-3/4"
8	19M7662	CAP SCREW	2		X X X M10 X 30
9	24M7239	WASHER	4		X X X
10	AT195814	BRACKET	1		X X X LH, (SUB FOR T166898)
	AT195815	BRACKET	1		X X X RH, (SUB FOR T166898)
	T223008	BRACKET	1	200133-	X LH
	T223009	BRACKET	1	200133-	X RH
11	14M7274	NUT	2		X X X M10
12	AT186155	REAR VIEW MIRROR	1		X X X

2004-2

SAFETY, CONVENIENCE AND MISCELLANEOUS 20

WARNING: DEVICES INCLUDING HORN & REVERSE ALARM 2004
BACK-UP ALARM SYSTEM (310G AND 310SG)
SYSTEME AVERTISSEUR SONORE DE MARCHE ARRIERE (310G ET 310SG)
SISTEMA DE BOCINA DE RETROCESO (310G Y 310SG)

T160035 -UN-01OCT02



T160035

2004-3

SAFETY, CONVENIENCE AND MISCELLANEOUS 20

WARNING: DEVICES INCLUDING HORN & REVERSE ALARM 2004
BACK-UP ALARM SYSTEM (310G AND 310SG)
SYSTEME AVERTISSEUR SONORE DE MARCHE ARRIERE (310G ET 310SG)
SISTEMA DE BOCINA DE RETROCESO (310G Y 310SG)

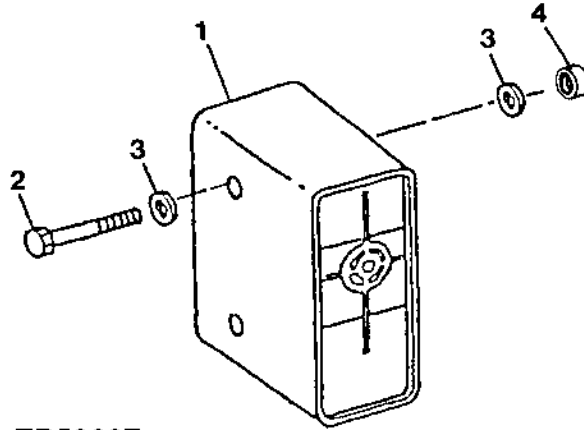
KEY	PART NO.	PART NAME	QTY.	SERIAL NO.	REMARKS
					3 3
					3 1 1
					1 0 5
					0 S S
					G G G
1	AT120461	TRAVEL WARNING ALARM	1		X X
2	12M7084	LOCK WASHER	2		X X
3	14M7401	LOCK NUT	1		X X M12
4	24M7047	WASHER	1		X X
5	T161368	BRACKET	1		X X
6	24M7238	WASHER	2		X X
7	14M7426	LOCK NUT	2		X X M8
8	19M7496	CAP SCREW	1		X X M12 X 45, (SUB FOR 19M7631 AND 19M7361, THIS APPLICATION)
9	19M7407	CAP SCREW	2		X X M8 X 25

2004-4

SAFETY, CONVENIENCE AND MISCELLANEOUS 20

WARNING: DEVICES INCLUDING HORN & REVERSE ALARM 2004
 BACK-UP ALARM SYSTEM (315SG)
 SYSTEME AVERTISSEUR SONORE DE MARCHE ARRIERE (315SG)
 SISTEMA DE BOCINA DE RETROCESO (315SG)

TP50607 -UN-19MAR97



TP50607

KEY	PART NO.	PART NAME	QTY.	SERIAL NO.	REMARKS
1	AT78534	TRAVEL WARNING ALARM	1		X
2	N275275	CAP SCREW	2		X M10 X 125
3	24M7239	WASHER	2		X
4	28H2547	SPACER	2		X

3 3
 3 1 1
 1 0 5
 0 S S
 G G G

2004-5

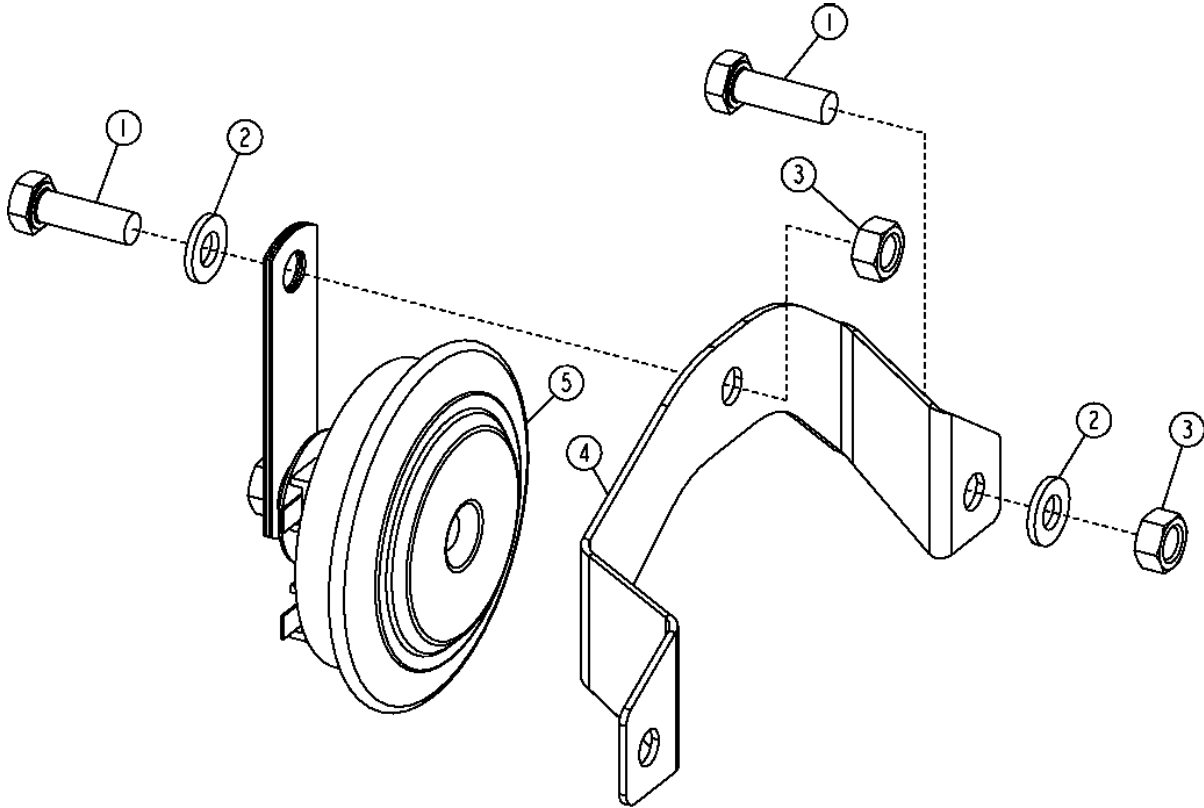
SAFETY, CONVENIENCE AND MISCELLANEOUS 20

WARNING: DEVICES INCLUDING HORN & REVERSE ALARM 2004
MEMORANDA
MEMORANDA
MEMORANDA

2004-6

WARNING: DEVICES INCLUDING HORN & REVERSE ALARM 2004
HORN (SN -910147)
KLAXON (SN -910147)
BOCINA (SN -910147)

TP58115 -UN-09OCT00



TP58115

2004-7

SAFETY, CONVENIENCE AND MISCELLANEOUS 20

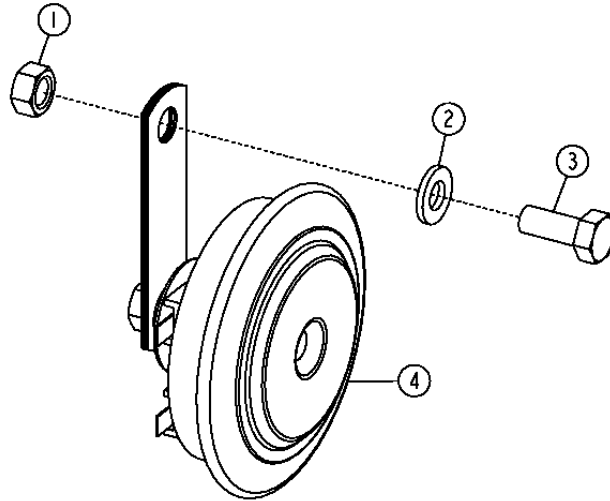
WARNING: DEVICES INCLUDING HORN & REVERSE ALARM 2004
HORN (SN -910147)
KLAXON (SN -910147)
BOCINA (SN -910147)

KEY	PART NO.	PART NAME	QTY.	SERIAL NO.	REMARKS
					3 3
					3 1 1
					1 0 5
					0 S S
					G G G
1	M86877	BOLT	2		X X X M8 X 20
2	24M7238	WASHER	2		X X X
3	14M7273	NUT	2		X X X M8
4	T185699	BRACKET	1		X X X
5	AT226281	HORN	1		X X X (SUB FOR AT222276)

2004-8

WARNING: DEVICES INCLUDING HORN & REVERSE ALARM 2004
 HORN (SN 910148-)
 KLAXON (SN 910148-)
 BOCINA (SN 910148-)

T154411 -UN-29APR02



T154411

KEY	PART NO.	PART NAME	QTY.	SERIAL NO.	REMARKS
1	14M7273	NUT	1		
2	24M7238	WASHER	1		
3	M86877	BOLT	1		
4	AT226281	HORN	1		

3 3
 3 1 1
 1 0 5
 0 S S
 G G G

2004-9

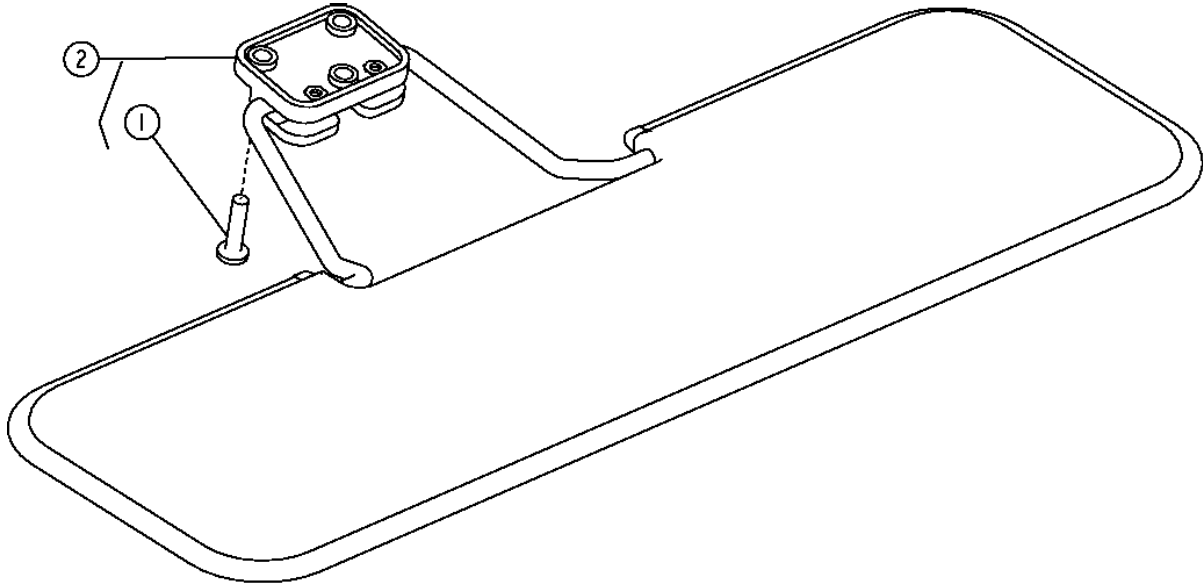
SAFETY, CONVENIENCE AND MISCELLANEOUS 20

WARNING: DEVICES INCLUDING HORN & REVERSE ALARM 2004
MEMORANDA
MEMORANDA
MEMORANDA

2007-2

SUN VISOR PARE-SOLEIL VISERA

TP58072 -UN-09OCT00



TP58072

2007-3

SAFETY, CONVENIENCE AND MISCELLANEOUS 20

SUN:VISOR 2007

SUN VISOR PARE-SOLEIL VISERA

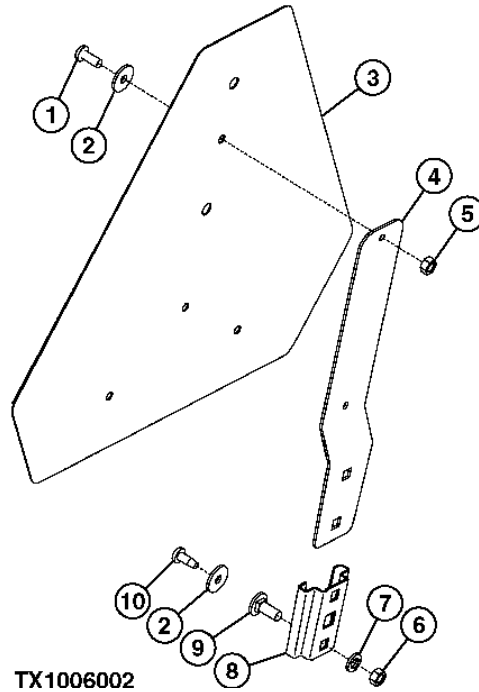
KEY	PART NO.	PART NAME	QTY.	SERIAL NO.	REMARKS
1	T134895	SELF-LOCKING SCREW	3		X X X M6 X 25
2	AT186307	SUN VISOR	1		X X X WHOLE GOODS

3 3
3 1 1
1 0 5
0 S S
G G G

2008-2

**SMV EMBLEM
SYMBOLE DE VEHICULE LENT
DISTINTIVO VEHICULO DE MOVIMIENTO LENTO**

TX1006002 -UN-17APR06



TX1006002

3 3
3 1 1
1 0 5
0 S S
G G G

KEY	PART NO.	PART NAME	QTY.	SERIAL NO.	REMARKS
1	21H1302	SCREW	2	X X X	1/4" X 5/8"
2	24M7100	WASHER	4	X X X	
3	JD5930	SMV EMBLEM	1	X X X	
4	JD5404	BRACKET	1	X X X	
5	14H786	NUT	2	X X X	1/4"
6	14H785	NUT	2	X X X	5/16"
7	12M7065	LOCK WASHER	2	X X X	
8	JD126	BRACKET	1	X X X	
9	03H1268	BOLT	2	X X X	5/16" X 3/4"
10	37M7074	SCREW	2	X X X	

2008-3

SAFETY, CONVENIENCE AND MISCELLANEOUS 20

REFLECTORS & SIGN 2008

MEMORANDA
MEMORANDA
MEMORANDA

2160-2

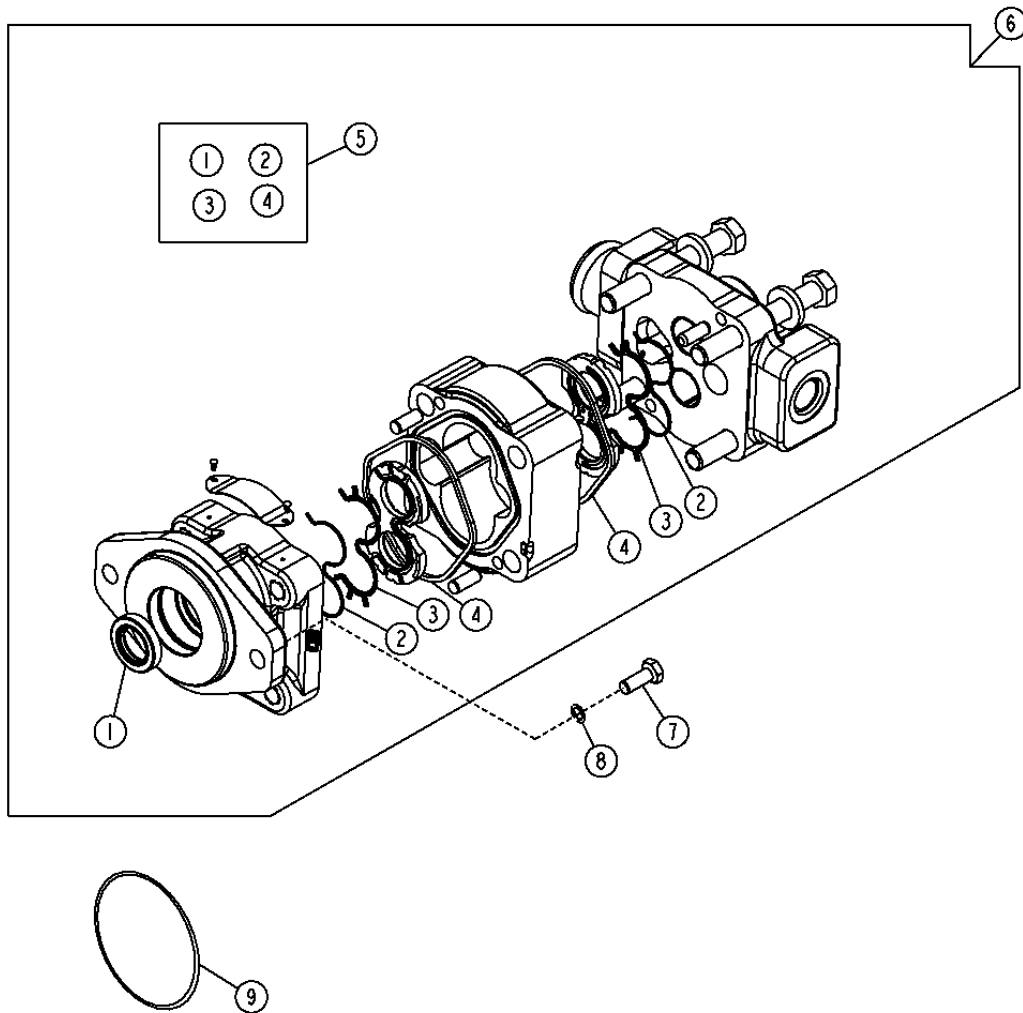
VEHICLE:MAIN:HYDRAULIC:SYSTEM 21

VEHICLE HYDRAULICS 2160

MAIN HYDRAULIC PUMP (310G) POMPE HYDRAULIQUE PRINCIPALE (310G) BOMBA HIDRAULICA PRINCIPAL (310G)

T137562

-UN-24JAN01



T137562

2160-3

VEHICLE:MAIN;HYDRAULIC;SYSTEM 21

VEHICLE HYDRAULICS 2160

**MAIN HYDRAULIC PUMP (310G)
POMPE HYDRAULIQUE PRINCIPALE (310G)
BOMBA HIDRAULICA PRINCIPAL (310G)**

KEY	PART NO.	PART NAME	QTY.	SERIAL NO.	REMARKS
					3 3
					3 1 1
					1 0 5
					0 S S
					G G G
1	SEAL	2		X
2	BACK-UP RING	2		X
3	SEAL	2		X
4	SEAL	2		X
5	AT199930	SEAL KIT	1		X (P330) (SUB FOR AT170052)
6	AT179792	HYDRAULIC PUMP	1		X (SUB FOR AT182078)
7	19M7403	CAP SCREW	2		X M12 X 35
8	24M7240	WASHER	2		X
9	F37030242	O-RING	1		X

2160-4

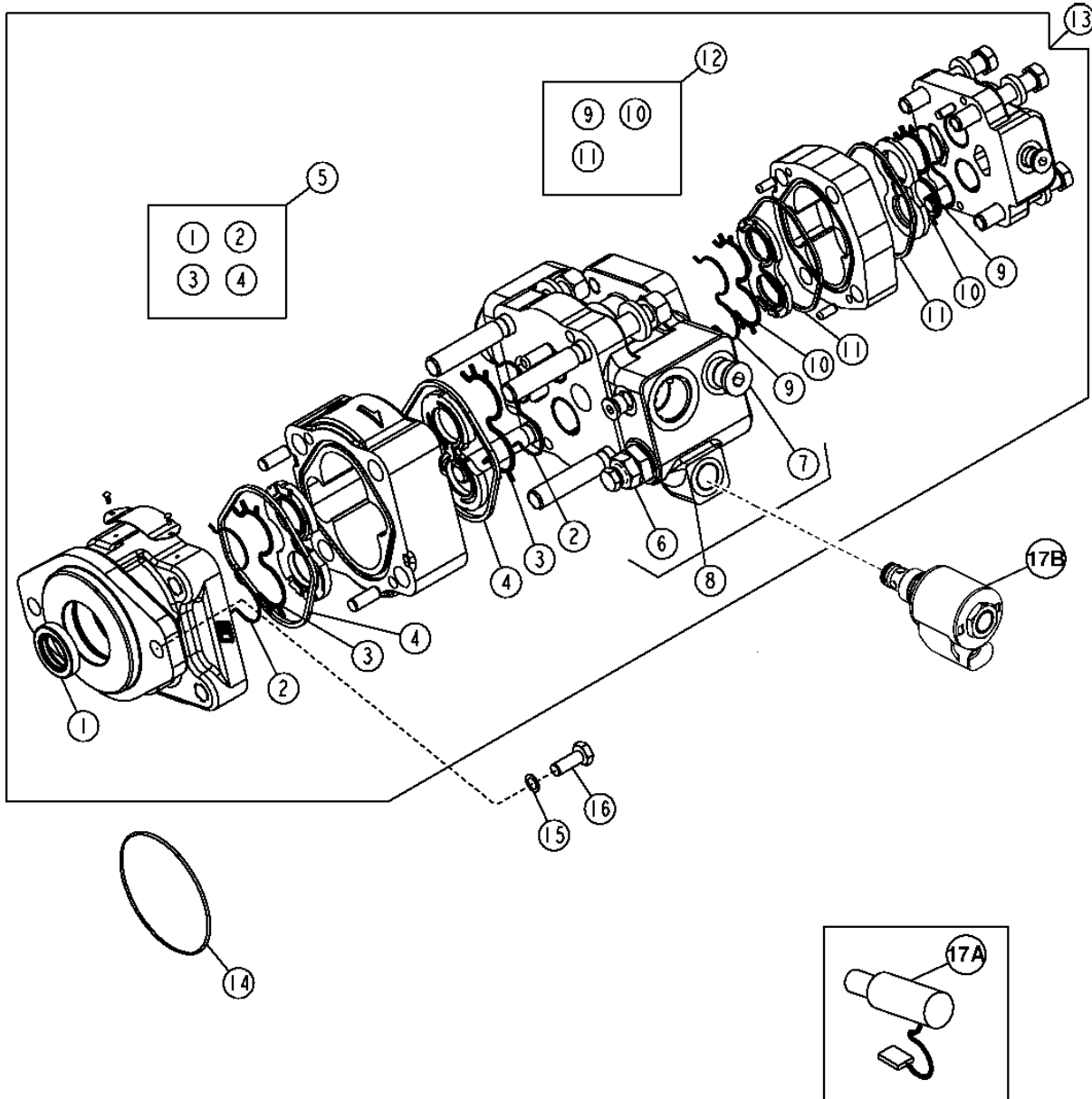
VEHICLE:MAIN:HYDRAULIC:SYSTEM 21

VEHICLE HYDRAULICS 2160

MAIN HYDRAULIC PUMP (310SG AND 315SG) POMPE HYDRAULIQUE PRINCIPALE (310SG ET 315SG) BOMBA HIDRAULICA PRINCIPAL (310SG Y 315SG)

TX1009980

-UN-27JUL06



TX1009980

THIS PARTS LISTING IS CONTINUED

2160-5

VEHICLE:MAIN:HYDRAULIC:SYSTEM 21

VEHICLE HYDRAULICS 2160

**MAIN HYDRAULIC PUMP (310SG AND 315SG)
POMPE HYDRAULIQUE PRINCIPALE (310SG ET 315SG)
BOMBA HIDRAULICA PRINCIPAL (310SG Y 315SG)**

KEY	PART NO.	PART NAME	QTY.	SERIAL NO.	3 3 3 1 1 1 0 5 0 S S G G G	REMARKS
1	SEAL	1		X X	
2	BACK-UP RING	2		X X	
3	SEAL	2		X X	
4	SEAL	2		X X	
5	AT199930	SEAL KIT	1		X X	(P330) (SUB FOR AT170052)
6	AT317385	PRESSURE RELIEF VALVE	1		X X	(2900 PSI) (SUB FOR AT181937)
	T164075	SPRING	1		X X	UNLOADER SPOOL
7	AT180530	CHECK VALVE	1		X X	
	R26906	O-RING	1		X X	
	R27474	DRAIN PLUG	1		X X	
8	PUMP/VALVE CONTROLLER	1	-959174	X	UNLOADER (AT317442 NLA) (SUB AT332462) (ALSO ORDER AT195142 AND AT333053) (SUB FOR AT192455)
	PUMP/VALVE CONTROLLER	1	-XXXXXX	X	UNLOADER (AT317442 NLA) (SUB AT332462) (ALSO ORDER AT195142 AND AT333053) (SUB FOR AT192455)
	AT199938	SEAL KIT	1	-959174	X	UNLOADER, (SUB FOR AT178608)
	AT199938	SEAL KIT	1	-XXXXXX	X	UNLOADER, (SUB FOR AT178608)
	AT332462	HYDR./PILOT CONTROL VALVE	1	959175-	X	
	AT332462	HYDR./PILOT CONTROL VALVE	1	XXXXXX-	X	
9	BACK-UP RING	2		X X	
10	SEAL	2		X X	
11	SEAL	2		X X	
12	AT199931	SEAL KIT	1		X X	(P315) (SUB FOR AT170053)
13	PUMP	1	-959174	X	(AT317640 NLA) (SUB AT331223) (ALSO ORDER AT195142 AND AT333053) (SUB FOR AT183664)
	PUMP	1	-XXXXXX	X	(AT317640 NLA) (SUB AT331223) (ALSO ORDER AT195142 AND AT333053) (SUB FOR AT183664)
	AT331223	PUMP	1	959175-	X	
	AT331223	PUMP	1	XXXXXX-	X	
14	F37030242	O-RING	1		X X	
15	24M7240	WASHER	2		X X	
16	19M7403	CAP SCREW	2		X X	M12 X 35
17A	RE32530	SOLENOID VALVE	1	-959174	X	DESTROKE
	RE32530	SOLENOID VALVE	1	-XXXXXX	X	
	R26375	O-RING	1		X X	
	T40308	O-RING	1		X X	
	T57374	BACK-UP RING	1		X X	
17B	AT195142	HYD ACTUATED CONTROL VALVE	1	959175-	X	
	AT195142	HYD ACTUATED CONTROL VALVE	1	XXXXXX-	X	
	AT195143	SEAL KIT	1		X X	
	T187815	O-RING	1		X X	
	AT333807	SOLENOID VALVE COIL	1		X X	
	T225291	NUT	1		X X	
18	AT333053	ELECTRICAL CONNECTOR ASSY	1	-959174	X	NOT ILLUSTRATED
	AT333053	ELECTRICAL CONNECTOR ASSY	1	-XXXXXX	X	NOT ILLUSTRATED

2160-6

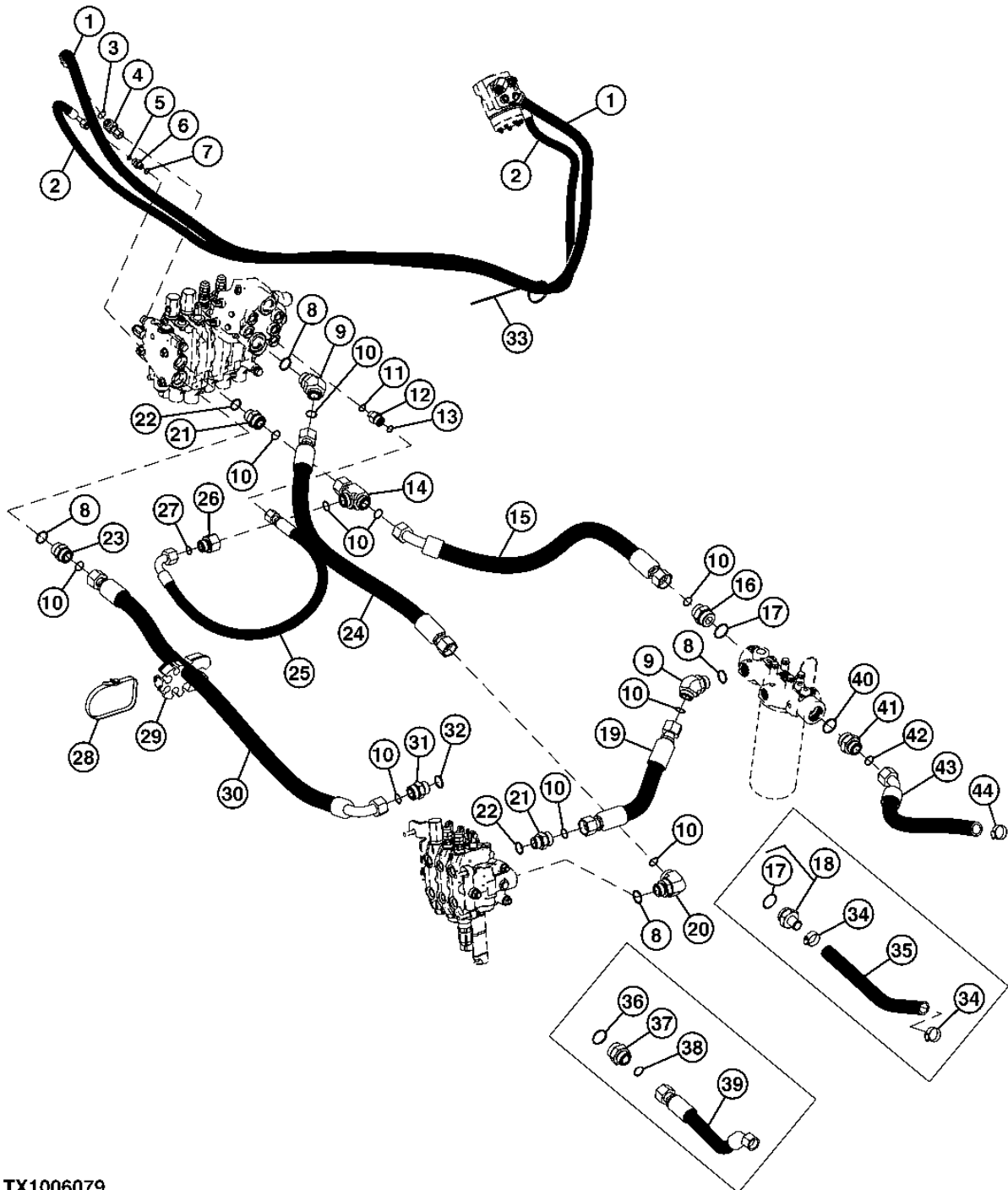
VEHICLE:MAIN:HYDRAULIC:SYSTEM 21

VEHICLE HYDRAULICS 2160

MAIN HYDRAULIC SYSTEM (SN -913416)
CIRCUIT HYDRAULIQUE PRINCIPAL (SN -913416)
SISTEMA HIDRAULICO PRINCIPAL (SN -913416)

TX1006079

-UN-26APR06



TX1006079

2160-7

VEHICLE:MAIN:HYDRAULIC:SYSTEM 21

VEHICLE HYDRAULICS 2160

MAIN HYDRAULIC SYSTEM (SN -913416)
 CIRCUIT HYDRAULIQUE PRINCIPAL (SN -913416)
 SISTEMA HIDRAULICO PRINCIPAL (SN -913416)

KEY	PART NO.	PART NAME	QTY.	SERIAL NO.	3 3 3 1 1 1 0 5 0 S S G G G	REMARKS
1	AT184952	HYDRAULIC HOSE - FABRICATE	1		X X X	(ALSO ORDER 62H1043 AND T77857)
	62H1043	ADAPTER FITTING	1		X X X	STC®
2	AT184951	HYDRAULIC HOSE - FABRICATE	1		X X X	(ALSO ORDER 62H1042 AND T77613)
	62H1042	ADAPTER FITTING	1		X X X	STC®
3	T77857	O-RING	1		X X X	
4	38H1095	ELBOW FITTING	1		X X X	
5	T77613	O-RING	1		X X X	
6	38H1160	ADAPTER FITTING	1		X X X	
7	R26448	O-RING	1		X X X	
8	R29936	O-RING	4		X X X	
9	38H1073	ELBOW FITTING	2		X	
	38H1049	ELBOW FITTING	2		X X	
10	T77858	O-RING	6		X	
	T76938	O-RING	6		X X	
11	R26375	O-RING	1		X X X	
12	38H1317	FITTING	1		X X X	
13	T77932	O-RING	1		X X X	
14	38H1033	TEE FITTING	1		X	
	38H1002	TEE FITTING	1		X	
	38H1002	TEE FITTING	AR		X	(NOT ILLUSTRATED)
15	AT191046	HYDRAULIC HOSE - FABRICATE	1		X	1-7/16" X 860 MM (33-3/4") X 1-3/16"
	AT190829	HYDRAULIC HOSE - FABRICATE	1		X	1-7/16" X 800 MM (31-1/2") X 1-7/16", WITH AUXILIARY HYDRAULICS
	AT186357	HYDRAULIC HOSE - FABRICATE	1		X	1-7/16" X 850 MM (33-1/2") X 1-7/16", WITHOUT AUXILIARY HYDRAULICS
	AT190829	HYDRAULIC HOSE - FABRICATE	1		X	1-7/16" X 800 MM (31-1/2") X 1-7/16", WITH AUXILIARY HYDRAULICS, (SUB FOR AT191236, THIS APPLICATION)
	AT190829	HYDRAULIC HOSE - FABRICATE	1		X	1-7/16" X 800 MM (31-1/2") X 1-7/16", WITHOUT AUXILIARY HYDRAULICS
16	38H1180	ADAPTER FITTING	1		X X X	
17	U13639	O-RING	1	-909422	X X X	
18	ADAPTER FITTING	1	905529-909422	X X X	(AT198196 NLA) (SUB T191313, U13639, T76938, AT280598 AND AH105968)
19	AT186428	HYDRAULIC HOSE - FABRICATE	1		X	1-3/16" X 410 MM (16-1/4") X 1-3/16"
	AT199334	HYDRAULIC HOSE - FABRICATE	1		X X	1-7/16" X 400 MM (15-3/4") X 1-7/16", (SUB FOR AT186358)
20	38H1052	ELBOW FITTING	1		X	
	38H1037	ELBOW FITTING	1		X X	
21	38H1343	ADAPTER FITTING	2		X	
	38H1346	ADAPTER FITTING	2		X X	
22	U17409	O-RING	2		X X X	
23	38H1194	ADAPTER FITTING	1		X	
	38H1164	ADAPTER FITTING	1		X X	
24	AT186427	HYDRAULIC HOSE - FABRICATE	1		X	1-3/16" X 975 MM (38-1/2") X 1-3/16"
	AT185609	HYDRAULIC HOSE - FABRICATE	1		X X	1-7/16" X 985 MM (38-3/4") X 1-7/16"
25	AT186359	HYDRAULIC HOSE - FABRICATE	1		X X	1" X 860 MM (33-3/4") X 1-3/16"
	AT191237	HYDRAULIC HOSE - FABRICATE	1		X	1" X 565 MM (22-1/4") X 1", (NOT ILLUSTRATED)

THIS PARTS LISTING IS CONTINUED

2160-8

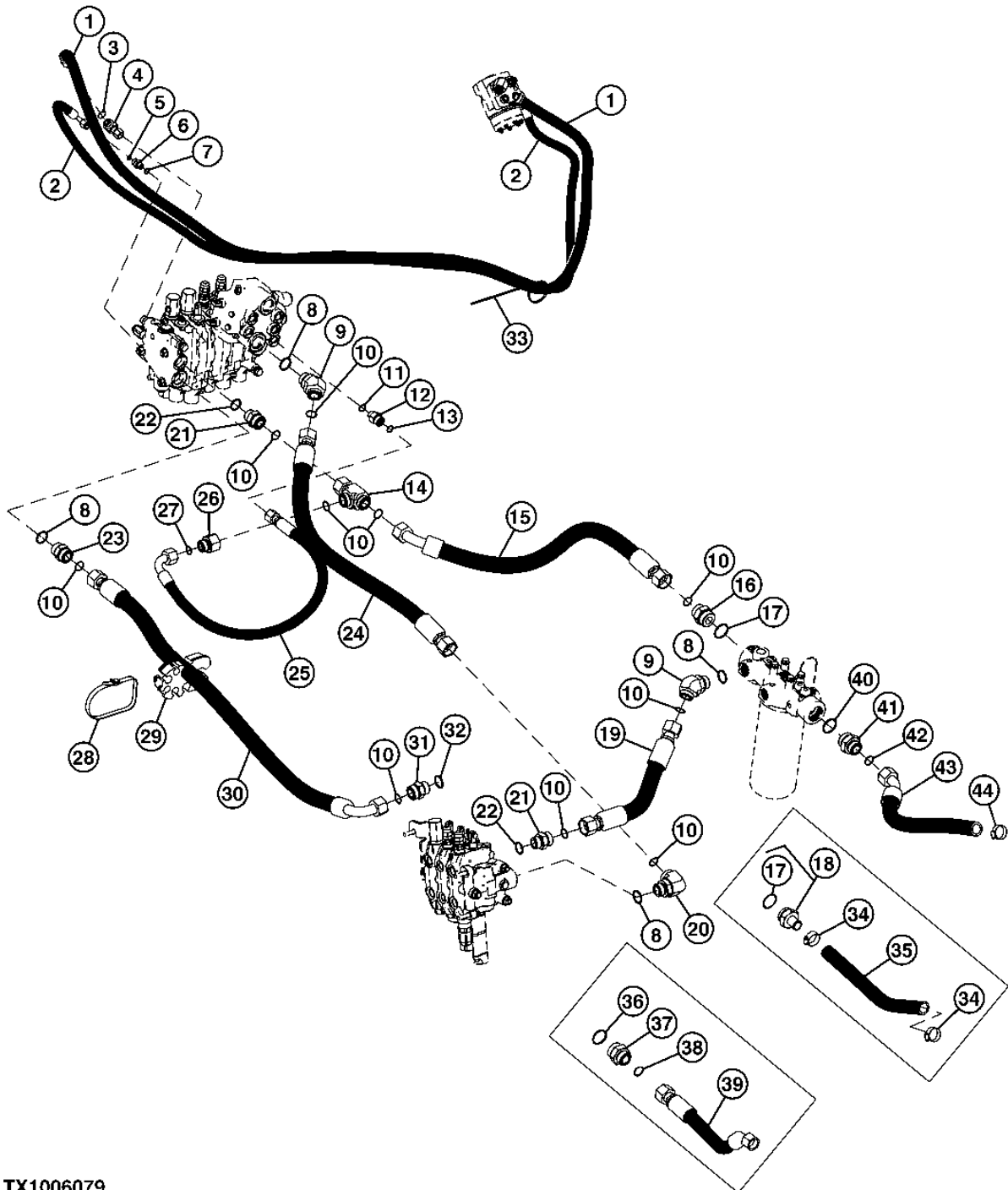
VEHICLE:MAIN:HYDRAULIC:SYSTEM 21

VEHICLE HYDRAULICS 2160

MAIN HYDRAULIC SYSTEM (SN -913416) (CONTINUED)
CIRCUIT HYDRAULIQUE PRINCIPAL (SN -913416) (SUITE)
SISTEMA HIDRAULICO PRINCIPAL (SN -913416) (CONTINUACION)

TX1006079

-UN-26APR06



TX1006079

2160-9

VEHICLE:MAIN;HYDRAULIC;SYSTEM 21

VEHICLE HYDRAULICS 2160

MAIN HYDRAULIC SYSTEM (SN -913416) (CONTINUED)
 CIRCUIT HYDRAULIQUE PRINCIPAL (SN -913416) (SUITE)
 SISTEMA HIDRAULICO PRINCIPAL (SN -913416) (CONTINUACION)

KEY	PART NO.	PART NAME	QTY.	SERIAL NO.	3 3 3 1 1 1 0 5 0 S S G G G	REMARKS
26	38H1483	REDUCER	1		X X	
	38H1476	REDUCER	2		X X	(NOT ILLUSTRATED)
27	T77858	O-RING	1		X X	
	T77932	O-RING	1		X X X	(NOT ILLUSTRATED)
28	N189220	TIE BAND	1		X X X	
29	T167142	HOSE CLAMP	1		X	GATHERING CLAMP
	T165940	HOSE CLAMP	1	-911132	X X	GATHERING CLAMP, (SUB FOR T165940)
	T190669	HOSE CLAMP	1	911133-	X X	
30	AT187709	HYDRAULIC HOSE - FABRICATE	1		X	1-3/16" X 1 281 MM (50-1/2") X 1-3/16"
	AT185586	HYDRAULIC HOSE - FABRICATE	1		X X	1-7/16" X 1 305 MM (51-1/2") X 1-7/16"
31	38H1163	ADAPTER FITTING	1		X	
	38H1164	ADAPTER FITTING	1		X X	
32	U12547	O-RING	1		X	
	R29936	O-RING	1		X X	
33	H77698	TIE BAND	1		X X X	
34	AH105968	HOSE CLAMP	2	905529-909422	X X X	
35	T207885	HOSE	1	905529-909422	X X X	660MM
36	U13639	O-RING	1	-905528	X X X	
37	38H1180	ADAPTER FITTING	1	-905528	X X X	
38	T76938	O-RING	1	-905528	X X X	
39	AT190561	HYDRAULIC HOSE - FABRICATE	1	-905528	X X X	1-7/16" X 615 MM (24-1/4") X 1-3/16"
40	U13639	O-RING	1	909423-	X X X	
41	T191313	ORIFICE	1	909423-	X X X	
42	T76938	O-RING	1	909423-	X X X	
43	AT280598	HYDRAULIC HOSE - FABRICATE	1	909423-	X X X	
44	AH105968	HOSE CLAMP	1	909423-	X X X	

2160-9A

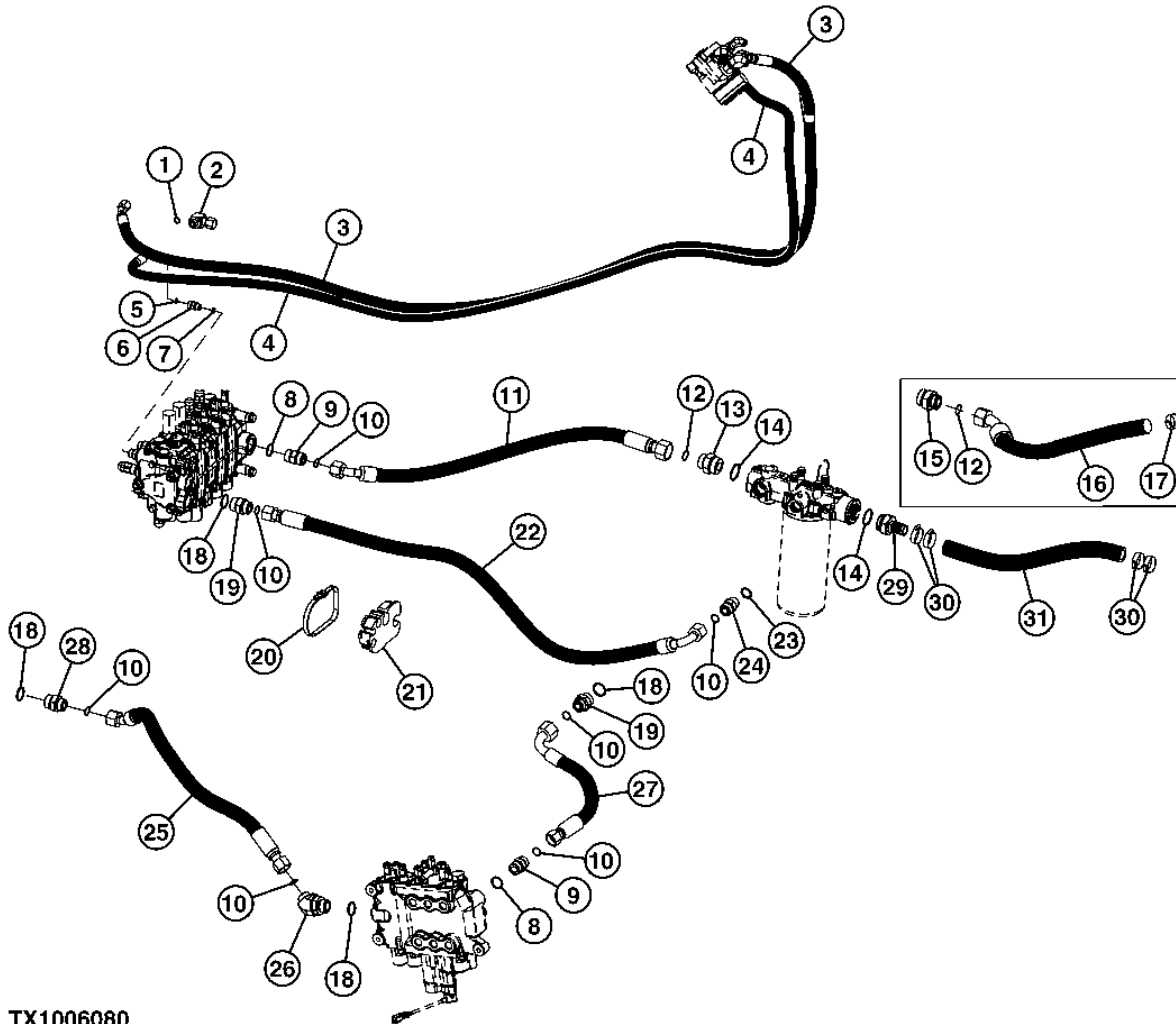
VEHICLE:MAIN:HYDRAULIC:SYSTEM 21

VEHICLE HYDRAULICS 2160

MAIN HYDRAULIC SYSTEM (SN 913417-)
CIRCUIT HYDRAULIQUE PRINCIPAL (SN 913417-)
SISTEMA HIDRAULICO PRINCIPAL (SN 913417-)

TX1006080

-UN-26APR06



TX1006080

2160-9B

VEHICLE:MAIN:HYDRAULIC:SYSTEM 21

VEHICLE HYDRAULICS 2160

MAIN HYDRAULIC SYSTEM (SN 913417-)
 CIRCUIT HYDRAULIQUE PRINCIPAL (SN 913417-)
 SISTEMA HIDRAULICO PRINCIPAL (SN 913417-)

KEY	PART NO.	PART NAME	QTY.	SERIAL NO.	3 3 3 1 1 1 0 5 0 S S G G G	REMARKS
1	T77857	O-RING	1		X X X	
2	38H1095	ELBOW FITTING	1		X X X	
3	AT184952	HYDRAULIC HOSE - FABRICATE	1		X X X	
4	AT184951	HYDRAULIC HOSE - FABRICATE	1		X X X	
5	T77613	O-RING	1		X X X	
6	38H1160	ADAPTER FITTING	1		X X X	
7	R26448	O-RING	1		X X X	
8	U17409	O-RING	2		X X X	
9	38H1343	ADAPTER FITTING	2		X	
	38H1346	ADAPTER FITTING	2		X X	
10	T77858	O-RING	7		X	
	T76938	O-RING	7		X X	
11	AT190762	HYDRAULIC HOSE - FABRICATE	1		X	1-3/16" X 710 MM (28") X 1-7/16", WITH AUXILIARY HYDRAULICS
	AT196400	HYDRAULIC HOSE - FABRICATE	1		X	1" X 953 MM (37-1/2") X 13/16", WITHOUT AUXILIARY HYDRAULICS
	AT300759	HYDRAULIC HOSE - FABRICATE	1		X X	1-7/16" X 870 MM (34-1/4") X 1-7/16", WITH AUXILIARY HYDRAULICS
	AT196320	HYDRAULIC HOSE - FABRICATE	1		X X	1" X 965 MM (38") X 1", WITHOUT AUXILIARY HYDRAULICS
12	T76938	O-RING	2		X X X	
13	38H1180	ADAPTER FITTING	1		X X X	
14	U13639	O-RING	2		X X X	
15	T191313	ORIFICE	1	-909422	X X X	
16	AT280598	HYDRAULIC HOSE - FABRICATE	1	-909422	X X X	
17	AH105968	HOSE CLAMP	1	-909422	X X X	
18	R29936	O-RING	1		X X X	
19	38H1194	ADAPTER FITTING	2		X	
	38H1164	ADAPTER FITTING	2		X X	
20	N189220	TIE BAND	1		X X X	
21	T167142	HOSE CLAMP	1		X	
	T190669	HOSE CLAMP	1		X	(WITH PILOT CONTROLS)
	T190669	HOSE CLAMP	1		X X	
22	AT303066	HYDRAULIC HOSE - FABRICATE	1		X	1-3/16" X 1 295 MM (51") X 1-3/16", (SUB FOR AT196399, THIS APPLICATION)
	AT303065	HYDRAULIC HOSE - FABRICATE	1		X X	1-7/16" X 1 295 MM (51") X 1-7/16", (SUB FOR AT196318, THIS APPLICATION)
23	U12547	O-RING	1		X	
	R29936	O-RING	1		X X	
24	38H1163	ADAPTER FITTING	1		X	(SUB FOR 38H1007, THIS APPLICATION)
	38H1164	ADAPTER FITTING	1		X X	(SUB FOR 38H1037, THIS APPLICATION)
25	AT196397	HYDRAULIC HOSE - FABRICATE	1		X	13/16" X 864 MM (34") X 13/16"
	AT318647	HYDRAULIC HOSE - FABRICATE	1		X	1-3/16" X 826 MM (32-1/2") X 1-7/16", (PILOT CONTROL)
	AT196319	HYDRAULIC HOSE - FABRICATE	1		X X	1" X 826 MM (32-1/2") X 1"
26	38H1073	ELBOW FITTING	1		X	
	38H1049	ELBOW FITTING	1		X X	
27	AT196398	HYDRAULIC HOSE - FABRICATE	1		X	13/16" X 495 MM (19-1/2") X 13/16"
	AT196321	HYDRAULIC HOSE - FABRICATE	1		X X	1" X 495 MM (19-1/2") X 1"
28	38H1194	ADAPTER FITTING	1		X	
	38H1216	ADAPTER FITTING	1		X	(PILOT CONTROL)
	38H1216	ADAPTER FITTING	1		X X	
29	T208467	FITTING	1	909423-	X X X	(SUB FOR T204992)
30	AT300153	HOSE CLAMP	4	909423-	X X X	
31	TY22556	HOSE	1	909423-	X X X	(CTL 2.25')

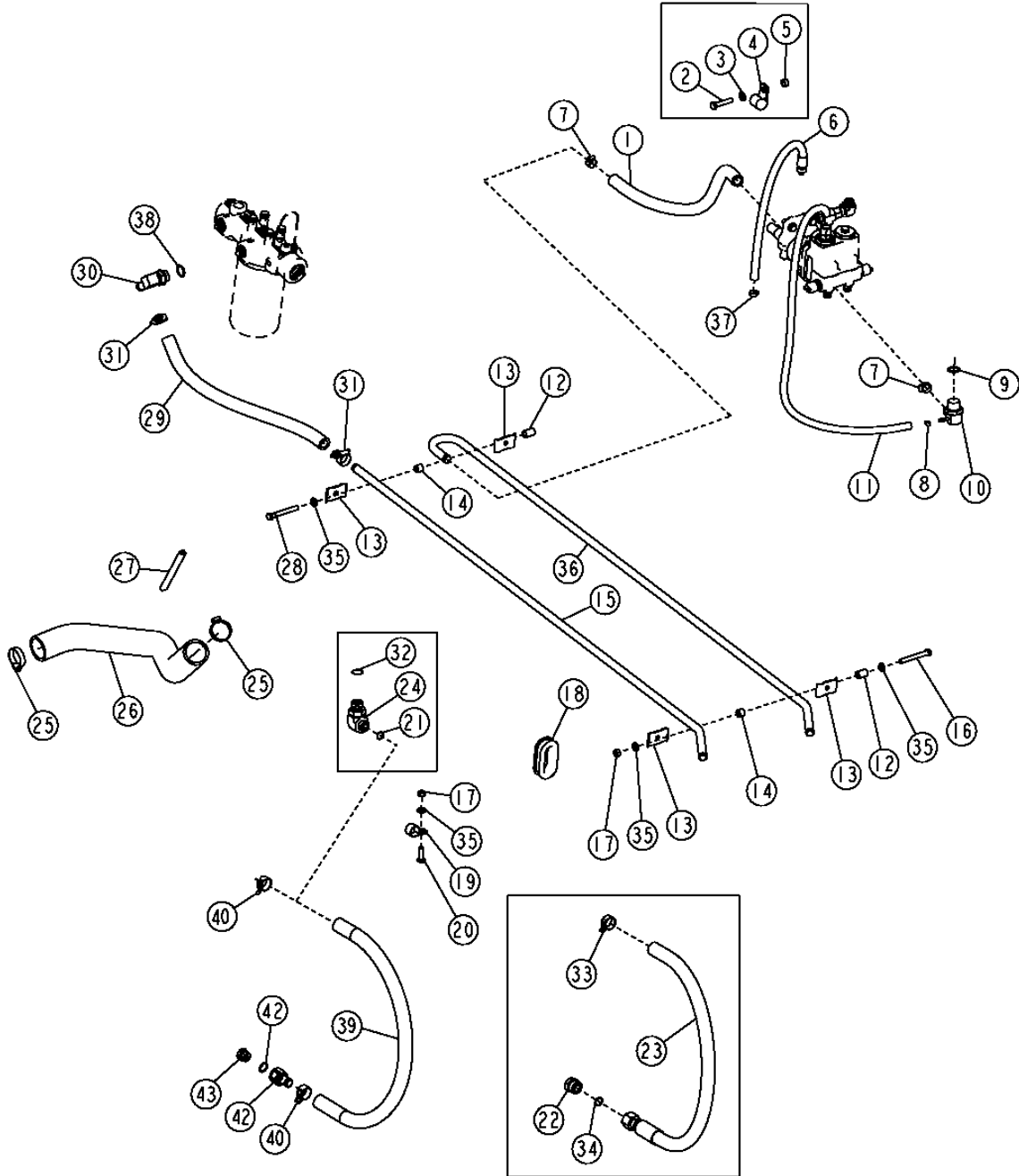
2160-10

VEHICLE:MAIN:HYDRAULIC:SYSTEM 21

VEHICLE HYDRAULICS 2160

MAIN HYDRAULIC SYSTEM CIRCUIT HYDRAULIQUE PRINCIPAL SISTEMA HIDRAULICO PRINCIPAL

T192803 -UN-23JUL03



T192803

2160-11

VEHICLE:MAIN:HYDRAULIC:SYSTEM 21

VEHICLE HYDRAULICS 2160

MAIN HYDRAULIC SYSTEM CIRCUIT HYDRAULIQUE PRINCIPAL SISTEMA HIDRAULICO PRINCIPAL

KEY	PART NO.	PART NAME	QTY.	SERIAL NO.	3 3 3 1 1 1 0 5 0 S S G G G	REMARKS
1	HOSE	1		X X X	(CTL, 322MM) (MAKE FROM T78497)
2	19M8600	CAP SCREW	2	-902890	X X X	M10 X 50
3	24M7239	WASHER	2	-902890	X X X	
4	R46667	CLAMP	2	-902890	X X X	
5	28H3412	WASHER	2	-902890	X X X	
6	AT185078	HYDRAULIC HOSE - FABRICATE	1	-911132	X X X	(ALSO ORDER 62H1042 AND T77613)
7	AT101779	HYDRAULIC HOSE - FABRICATE	1	911133-	X X X	STC®
8	AT301917	HOSE CLAMP	2		X X X	(SUB FOR RE65978)
8	TY22462	CLAMP	1		X X X	(SUB FOR AR48236)
9	U12547	O-RING	1	-911132	X X X	
10	AT187779	TEE FITTING	1	-911132	X X X	
11	AT185077	HYDRAULIC HOSE - FABRICATE	1	-911132	X X X	(ALSO ORDER 62H1042 AND T77613)
	AT280598	HYDRAULIC HOSE - FABRICATE	1	911133-	X X X	STC®
	62H1042	ADAPTER FITTING	1	-911132	X X X	
12	H141836	BUSHING	2		X X X	
13	R46919	HALF CLAMP	4		X X X	
14	T126052	SPACER	2		X X X	
15	T183913	OIL TUBE	1		X X X	UPPER
16	19M8081	CAP SCREW	1		X X X	M10 X 80
17	14M7274	NUT	2		X X X	M10
18	T158476	GROMMET	1		X X X	
19	T102934	CLAMP	1		X X X	
20	19M7662	CAP SCREW	1		X X X	M10 X 30
21	T77932	O-RING	1	-902890	X X X	
22	38H1148	FITTING PLUG	1	-902890	X X X	
	38H1149	FITTING PLUG	1	902891-923038	X X X	
23	AT191884	HYDRAULIC HOSE - FABRICATE	1	-902890	X X X	
	AT196814	HYDRAULIC HOSE - FABRICATE	1	902891-923038	X X X	
24	38H1404	ELBOW FITTING	1	-902890	X X X	
25	AT308555	HOSE CLAMP	2		X X X	(SUB FOR AR65294)
26	AT186170	SUCTION HOSE	1		X X X	
27	MOLDING	1	-902890	X X X	(CTL) (MAKE FROM T61861)
28	19M8081	CAP SCREW	1		X X X	M10 X 80
29	HOSE	1		X X X	(CTL, 622MM) (MAKE FROM T78497)
30	AH61472	HOSE FITTING	1		X X X	
31	AT301917	HOSE CLAMP	4		X X X	(SUB FOR RE65978 AND AT196496)
32	U12547	O-RING	1	-902890	X X X	
33	T185826	CLAMP	1	902891-923038	X X X	
34	T77932	O-RING	1	-902890	X X X	
	T77858	O-RING	1	902891-923038	X X X	
35	24M7239	WASHER	4		X X X	
36	OIL TUBE	1	-902890	X X X	LOWER. (SUB T188573)
	T188573	OIL TUBE	1	902891-	X X X	LOWER
37	AR77962	HOSE CLAMP	1	-911132	X X X	
38	U12547	O-RING	1		X X X	
39	BULK HOSE	1	923039-	X X X	(CTL, 32 IN.) (MAKE FROM T78497) (SUB FOR T203949)
40	T185826	CLAMP	2	923039-	X X X	
41	T190892	HOSE FITTING	1	923039-	X X X	
42	R26906	O-RING	1	923039-	X X X	
43	R27474	DRAIN PLUG	1	923039-	X X X	

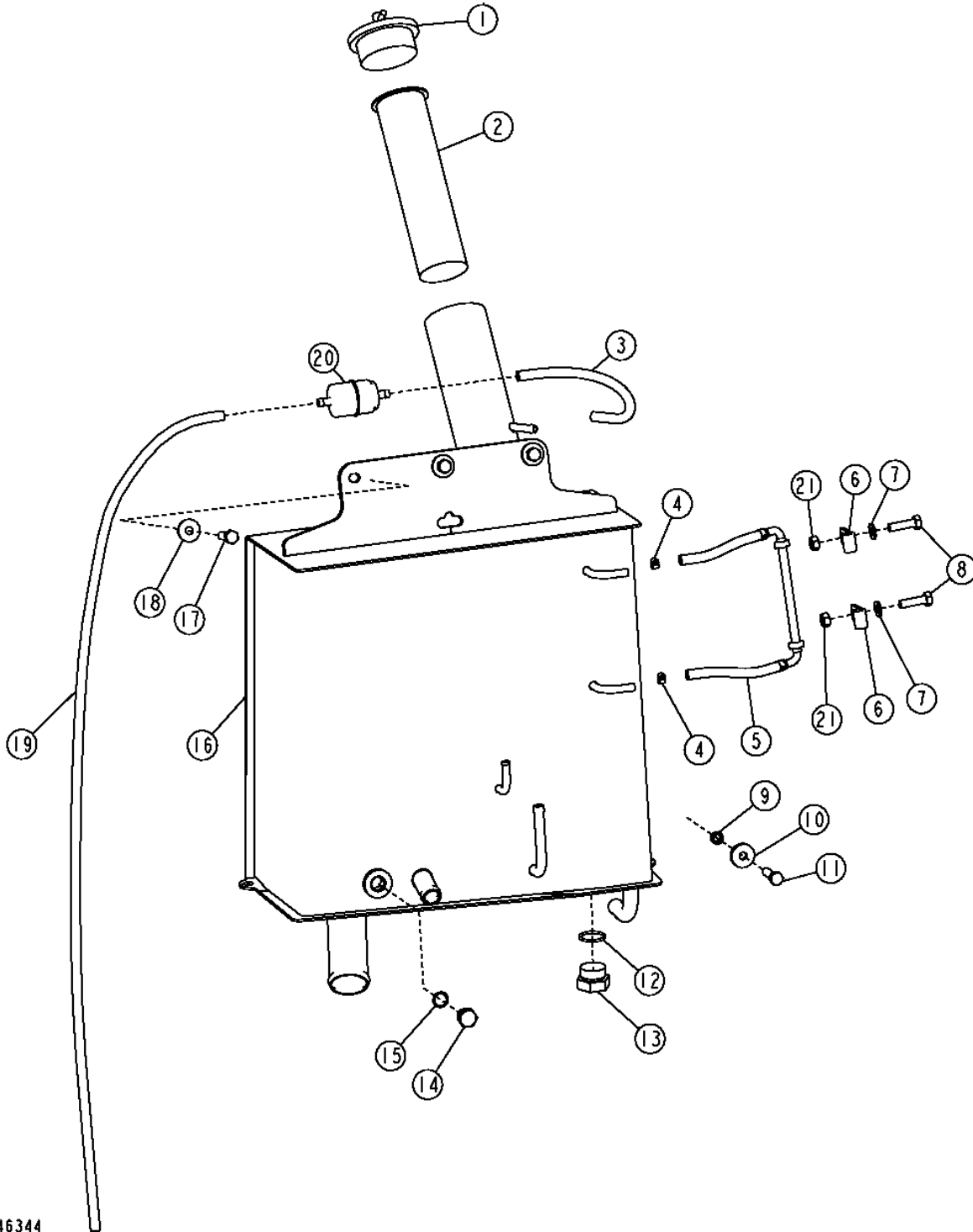
2160-12

VEHICLE:MAIN:HYDRAULIC:SYSTEM 21

VEHICLE HYDRAULICS 2160

MAIN HYDRAULIC SYSTEM RESERVOIR RESERVOIR DE CIRCUIT HYDRAULIQUE PRINCIPAL DEPOSITO DEL SISTEMA HIDRAULICO PRINCIPAL

T146344 -UN-01FEB02



T146344

2160-13

VEHICLE:MAIN:HYDRAULIC:SYSTEM 21

VEHICLE HYDRAULICS 2160

**MAIN HYDRAULIC SYSTEM RESERVOIR
RESERVOIR DE CIRCUIT HYDRAULIQUE PRINCIPAL
DEPOSITO DEL SISTEMA HIDRAULICO PRINCIPAL**

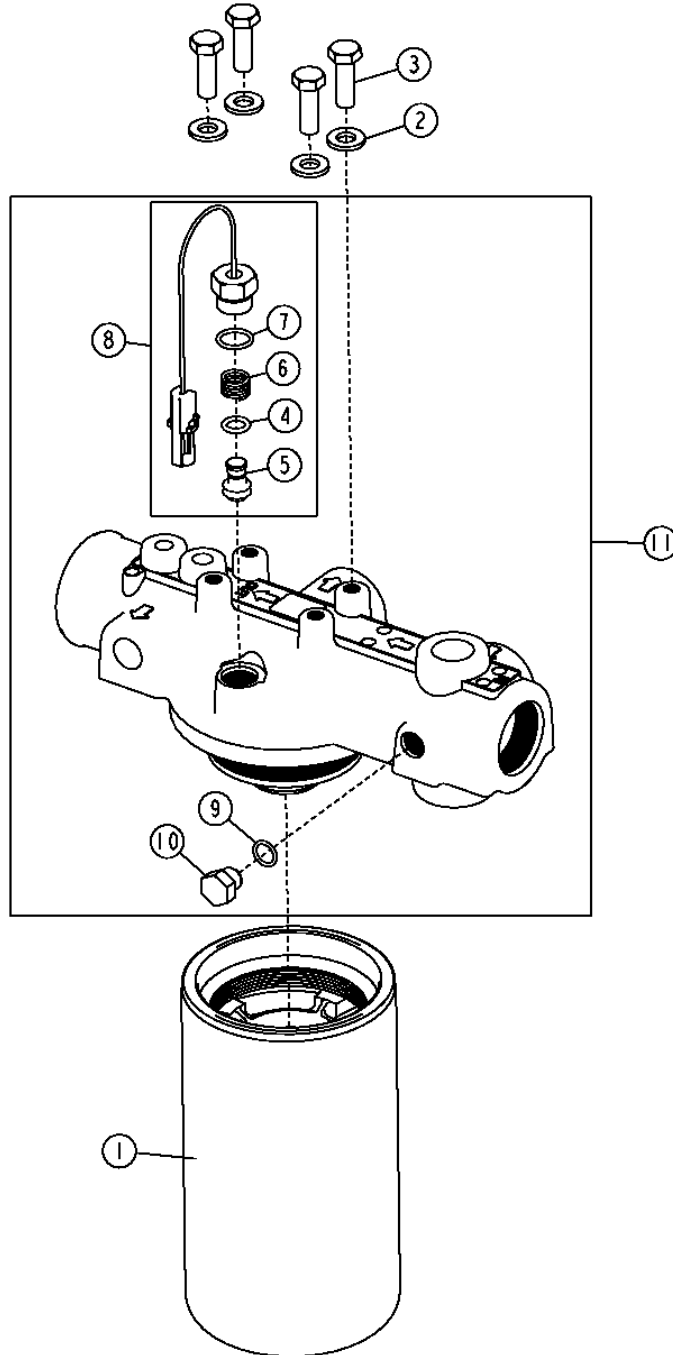
KEY	PART NO.	PART NAME	QTY.	SERIAL NO.	3 3 3 1 1 1 0 5 0 S S G G G	REMARKS
1	AT174743	FILLER CAP	1		X X X	
2	AT161638	STRAINER	1		X X X	
3	HOSE	1		X X X	(CUT TO LENGTH) (MAKE FROM M87571)
4	AR77962	HOSE CLAMP	2		X X X	
5	AT199541	LEVEL GAUGE	1		X X X	
6	T185683	CLIP	2		X X X	
7	24M7239	WASHER	2		X X X	
8	19M7662	CAP SCREW	2		X X X	M10 X 30
9	T184657	SPACER	1		X X X	
10	24H1311	WASHER	1		X X X	
11	19M8637	CAP SCREW	1		X X X	M10 X 40
12	R29936	O-RING	1	-913416	X X X	
	R26375	O-RING	1	913417-	X X X	
13	R36636	FITTING PLUG	1	-913416	X X X	
	R39112	FITTING	1	913417-	X X X	
14	R39112	FITTING	1		X X X	
15	R26375	O-RING	1		X X X	
16	AT184082	HYDRAULIC RESERVOIR	1	-905457	X X X	
	AT196813	HYDRAULIC RESERVOIR	1	905458-911132	X X X	
	AT280396	HYDRAULIC RESERVOIR	1	911133-913416	X X X	
	HYDRAULIC RESERVOIR	1	913417-909422	X X X	(AT197542 NLA) (SUB AT305766) (ALSO ORDER T208467, (4) AT300153 AND TY22556)
	AT305766	HYDRAULIC RESERVOIR	1	909423-	X X X	
17	19M8637	CAP SCREW	3		X X X	M10 X 40
18	24M7296	WASHER	3		X X X	
19	HOSE	1		X X X	(CUT TO LENGTH) (MAKE FROM M87571)
20	AT101565	AIR FILTER	1		X X X	BREATHER (INSTALL WITH FLOW ARROW POINTING TOWARD RESERVOIR)
21	14M7274	NUT	2		X X X	M10

2160-14

HYDRAULIC OIL FILTER FILTRE A HUILE HYDRAULIQUE FILTRO DE ACEITE HIDRAULICO

T203720

-UN-03NOV04



T203720

2160-15

VEHICLE:MAIN;HYDRAULIC;SYSTEM 21

VEHICLE HYDRAULICS 2160

**HYDRAULIC OIL FILTER
FILTRE A HUILE HYDRAULIQUE
FILTRO DE ACEITE HIDRAULICO**

KEY	PART NO.	PART NAME	QTY.	SERIAL NO.	REMARKS
					3 3 3 1 1 1 0 5 0 S S G G G
1	AT308274	OIL FILTER	1		X X X (SUB FOR AT189924, AT195915 AND AT228474)
2	24M7239	WASHER	4		X X X
3	19M7662	CAP SCREW	4	-951097	X X X M10 X 30
	19M7402	CAP SCREW	4	951098-	X X X M10 X 25
4	T186154	O-RING	1		X X X
5	PISTON	1		X X X
6	SPRING	1		X X X
7	R26375	O-RING	1		X X X
8	AT192373	KIT	1		X X X
9	R26448	O-RING	1		X X X
10	R27218	FITTING PLUG	1		X X X
11	AT192374	FILTER HEAD	1		X X X

2160-16

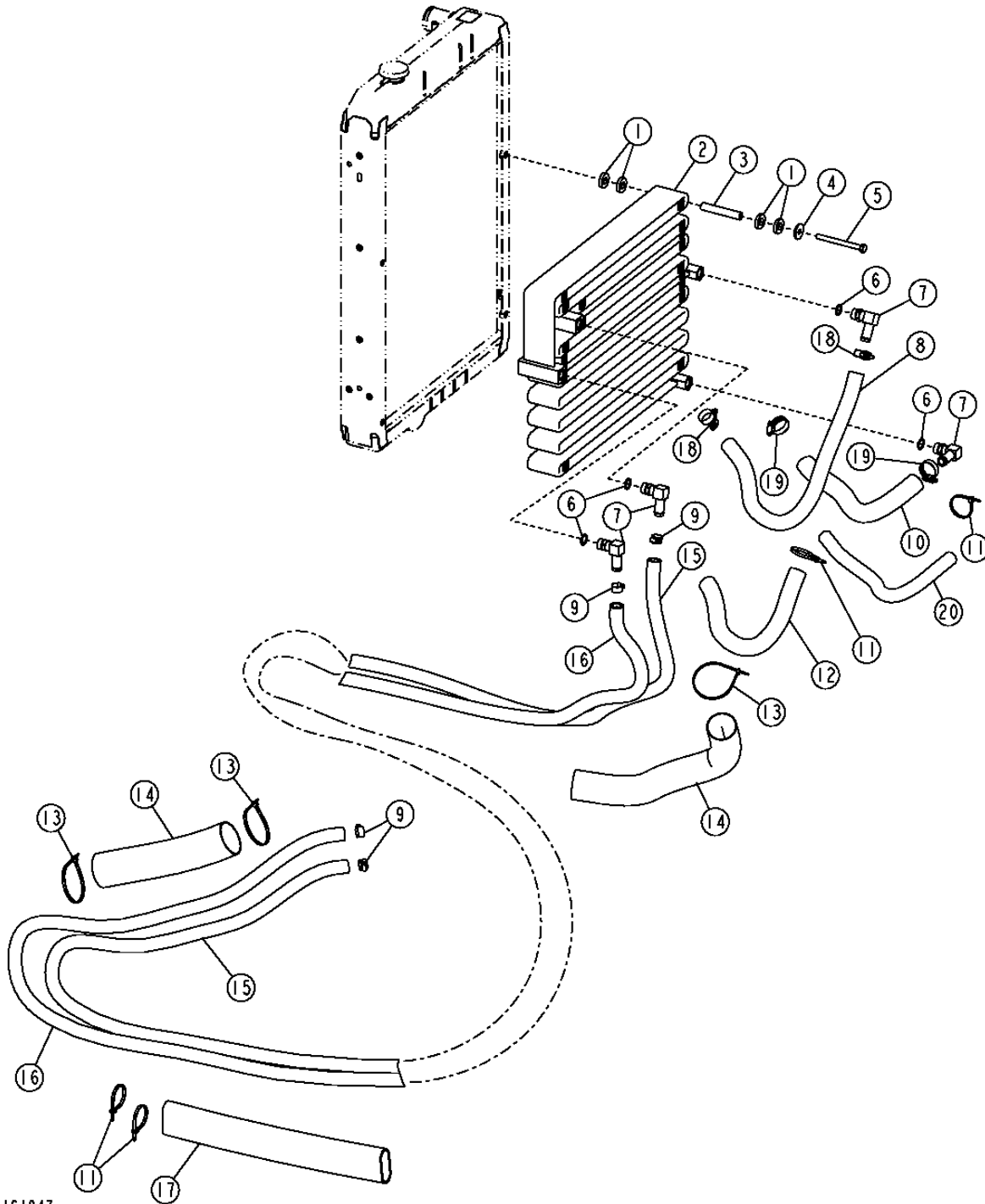
VEHICLE:MAIN:HYDRAULIC:SYSTEM 21

VEHICLE HYDRAULICS 2160

HYDRAULIC OIL COOLER AND HOSES (W/O FLOW CONTROL) (310G)
REFROIDISSEUR D'HUILE HYDRAULIQUE ET FLEXIBLES (W/O COMMANDE DE DEBIT) (310G)
ENFRIADOR DE ACEITE HIDRAULICO Y MANGUERAS (W/O CONTROL DE CAUDAL) (310G)

T161947

-UN-22NOV02



T161947

2160-17

VEHICLE:MAIN:HYDRAULIC:SYSTEM 21

VEHICLE HYDRAULICS 2160

**HYDRAULIC OIL COOLER AND HOSES (W/O FLOW CONTROL) (310G)
 REFROIDISSEUR D'HUILE HYDRAULIQUE ET FLEXIBLES (W/O COMMANDE DE DEBIT) (310G)
 ENFRIADOR DE ACEITE HIDRAULICO Y MANGUERAS (W/O CONTROL DE CAUDAL) (310G)**

KEY	PART NO.	PART NAME	QTY.	SERIAL NO.	REMARKS
					3 3
					3 1 1
					1 0 5
					0 S S
					G G G
1	T158424	WASHER	16		X RUBBER
2	AT187869	OIL COOLER	1		X
3	B28851	SPACER	4		X
4	24M7101	WASHER	4		X
5	19M8166	CAP SCREW	4		X M10 X 110
6	R26906	O-RING	4		X
7	AH64349	HOSE FITTING	4		X
8	HYDRAULIC HOSE	1		X (CTL, 2.75 FT.) (MAKE FROM T78497)
9	AT301917	HOSE CLAMP	4		X (SUB FOR RE65978)
10	T191469	HOSE	1		X (CTL, 2.7 FT.)
11	R44302	TIE BAND	4		X
12	T185189	HOSE GUARD	1		X
13	N198516	TIE BAND	3		X
14	T161463	SLEEVE	2		X
15	HYDRAULIC HOSE	1		X (CTL, 10.83 FT.) (MAKE FROM T78497)
16	HYDRAULIC HOSE	1		X (CTL, 10.66 FT.) (MAKE FROM T78497)
17	HOSE SLEEVE - FABRICATE	2		X (CTL, 254MM) (MAKE FROM T78606) (SUB FOR T161464)
18	AT301917	HOSE CLAMP	4		X (SUB FOR AT196496)
19	AT300153	HOSE CLAMP	2		X (SUB FOR RE65978, THIS APPLICATION) (SUB FOR AT304913)
20	T161463	SLEEVE	1		X (SUB FOR T185189, THIS APPLICATION)

2160-18

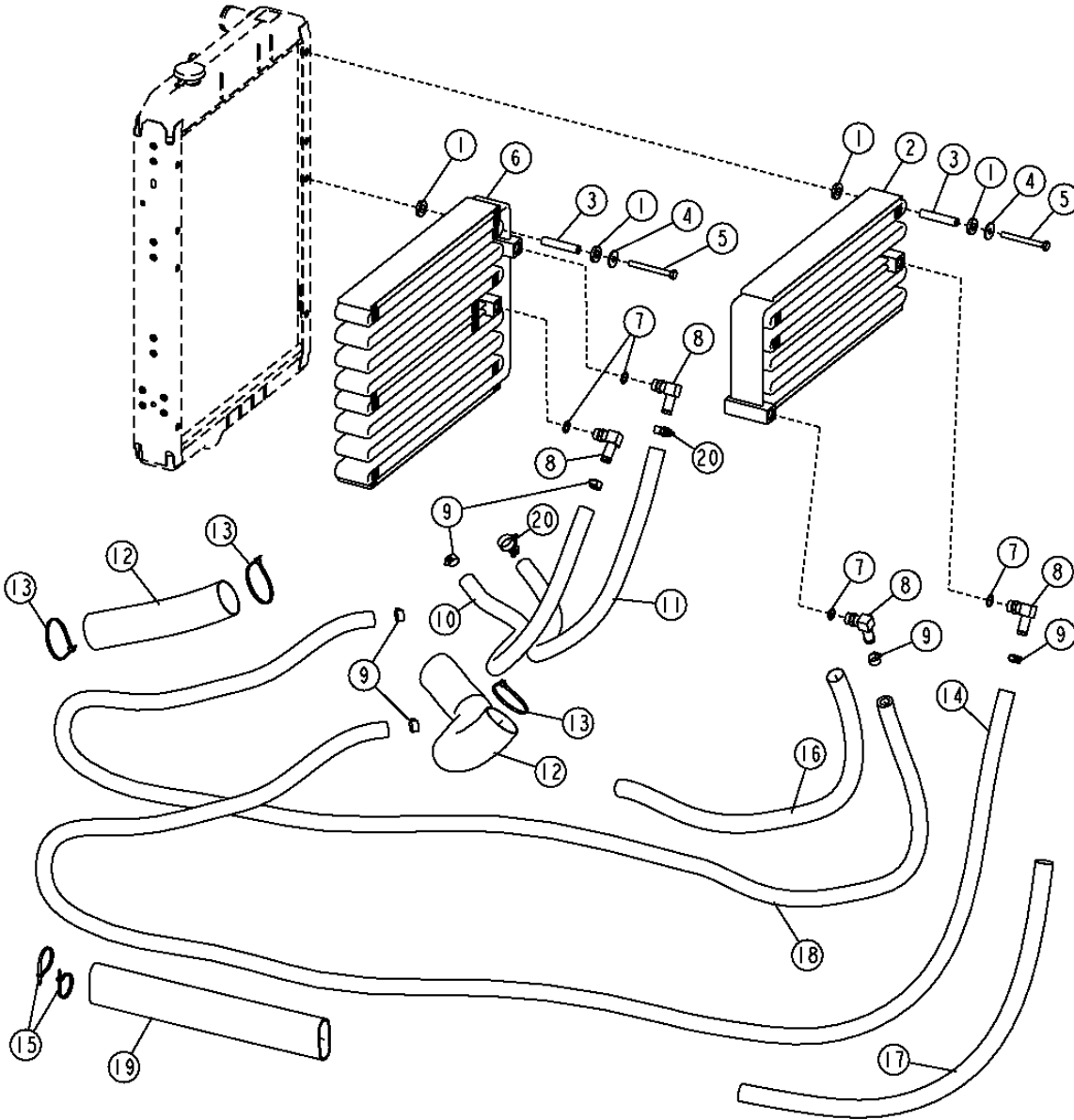
VEHICLE:MAIN:HYDRAULIC:SYSTEM 21

VEHICLE HYDRAULICS 2160

HYDRAULIC OIL COOLER AND HOSES (310G W/FLOW CONTROL)(310SG,315SG STD EQUIPMENT)
REFROIDISSEUR D'HUILE HYDRAULIQUE ET FLEXIBLES (310G W/COMMANDE DE DEBIT)(310SG,315SG STD EQUIP)
ENFRIADOR DE ACEITE HIDRAULICO Y MANGUERAS (310G W/CONTROL DE CAUDAL)(310SG,315SG STD EQUIPO)

T146574

-UN-11OCT01



T146574

2160-19

VEHICLE:MAIN:HYDRAULIC:SYSTEM 21

VEHICLE HYDRAULICS 2160

HYDRAULIC OIL COOLER AND HOSES (310G W/FLOW CONTROL)(310SG,315SG STD EQUIPMENT)
 REFROIDISSEUR D'HUILE HYDRAULIQUE ET FLEXIBLES (310G W/COMMANDE DE DEBIT)(310SG,315SG STD EQUIP)
 ENFRIADOR DE ACEITE HIDRAULICO Y MANGUERAS (310G W/CONTROL DE CAUDAL)(310SG,315SG STD EQUIPO)

KEY	PART NO.	PART NAME	QTY.	SERIAL NO.	REMARKS
					3 3
					3 1 1
					1 0 5
					0 S S
					G G G
1	T158424	WASHER	16		X X X RUBBER
2	AT178693	OIL COOLER	1		X X X TRANSMISSION
3	N117290	SPACER	8		X X X
4	24M7101	WASHER	8		X X X
5	19M8093	CAP SCREW	8		X X X M10 X 100
6	AT177204	OIL COOLER	1		X X X HYDRAULIC
7	R26906	O-RING	4		X X X
8	AH64349	HOSE FITTING	4		X X X
9	AT301917	HOSE CLAMP	6		X X X (SUB FOR RE65978)
10	HYDRAULIC HOSE	1		X X X (CTL, 2.5 FT.) (MAKE FROM T78497)
11	HYDRAULIC HOSE	4		X X X (CTL, 3 FT.) (MAKE FROM T78497)
12	T161463	SLEEVE	2		X X X
13	N198516	TIE BAND	3		X X X
14	HYDRAULIC HOSE	1		X X X (CTL, 11.7 FT.) (MAKE FROM T78497)
15	R44302	TIE BAND	2		X X X
16	T185090	SLEEVE	1		X X X CODURA
17	T185089	SLEEVE	1		X X X CODURA
18	HOSE	1		X X X (CTL, 11.6 FT.) (MAKE FROM T78497)
19	HOSE SLEEVE - FABRICATE	2		X X X (CTL, 254MM) (MAKE FROM T78497) (SUB FOR T161464)
20	AT301917	HOSE CLAMP	4		X X X (SUB FOR AT196496)

2160-20

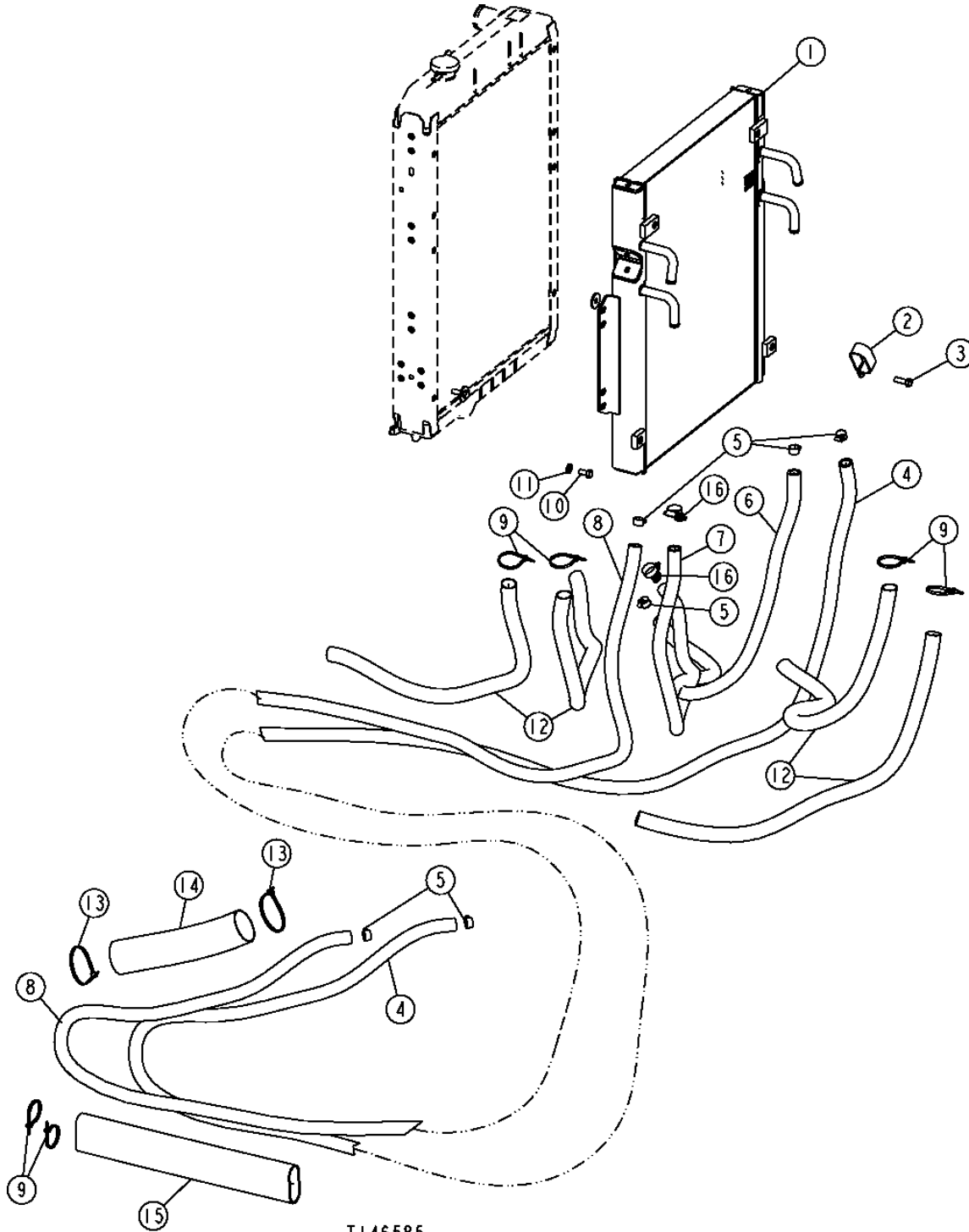
VEHICLE:MAIN:HYDRAULIC:SYSTEM 21

VEHICLE HYDRAULICS 2160

HYDRAULIC OIL COOLER AND HOSES (HI-AMBIENT) REFROIDISSEUR D'HUILE HYDRAULIQUE ET FLEXIBLES (HAUTE AMBIANTE) ENFRIADOR DE ACEITE HIDRAULICO Y MANGUERAS (AMBIENTE ALTA)

T146585

-UN-11OCT01



T146585

2160-21

VEHICLE:MAIN;HYDRAULIC;SYSTEM 21

VEHICLE HYDRAULICS 2160

**HYDRAULIC OIL COOLER AND HOSES (HI-AMBIENT)
REFROIDISSEUR D'HUILE HYDRAULIQUE ET FLEXIBLES (HAUTE AMBIANTE)
ENFRIADOR DE ACEITE HIDRAULICO Y MANGUERAS (AMBIENTE ALTA)**

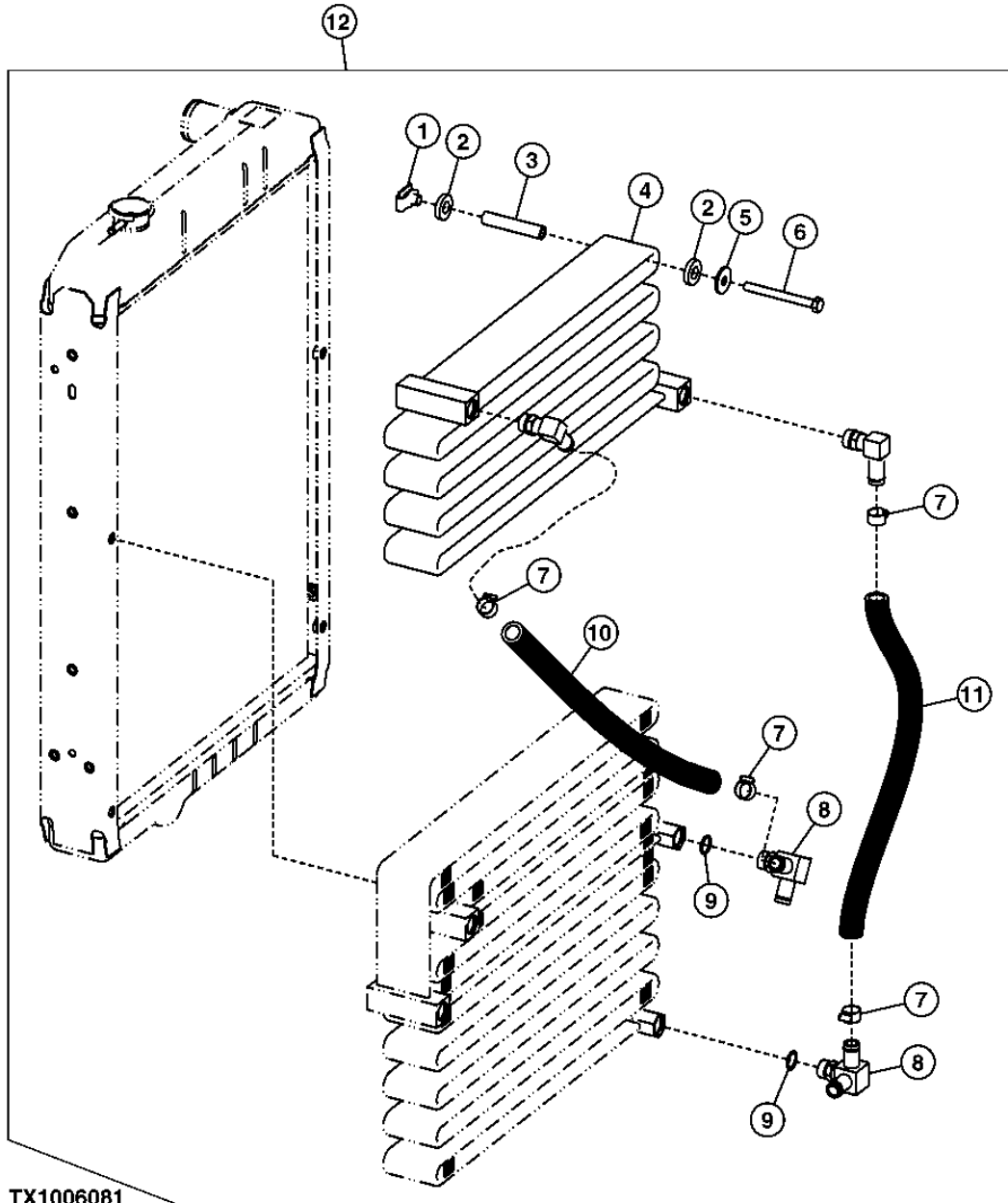
KEY	PART NO.	PART NAME	QTY.	SERIAL NO.	REMARKS
					3 3
					3 1 1
					1 0 5
					0 S S
					G G G
1	AT192656	OIL COOLER	1		X X X (SUB FOR AT184519)
2	T185154	CLAMP	2		X X X
3	19M7662	CAP SCREW	2		X X X M10 X 30
4	HYDRAULIC HOSE	1		X X X (CTL, 11.88 FT.) (MAKE FROM T78497)
5	AT301917	HOSE CLAMP	6		X X X (SUB FOR RE65978)
6	HYDRAULIC HOSE	1		X X X (CTL, 3.58 FT.) (MAKE FROM T78497)
7	HYDRAULIC HOSE	1		X X X (CTL, 3.75 FT.) (MAKE FROM T78497)
8	HYDRAULIC HOSE	1		X X X (CTL, 11.4 FT.) (MAKE FROM T78497)
9	R44302	TIE BAND	6		X X X
10	19M7402	CAP SCREW	4		X X X M10 X 25
11	24M7239	WASHER	4		X X X
12	T185089	SLEEVE	4		X X X
13	N198516	TIE BAND	2		X X X
14	T161463	SLEEVE	1		X X X
15	HOSE SLEEVE - FABRICATE	2		X X X (CTL, 254MM) (MAKE FROM T78606) (SUB FOR T161464)
16	AT301917	HOSE CLAMP	4		X X X (SUB FOR AT196496)

2160-22

AUXILIARY HYDRAULIC OIL COOLER KIT (310G)
KIT DE REFROIDISSEUR D'HUILE HYDRAULIQUE AUXILIAIRE (310G)
JUEGO DE ENFRIADOR DE ACEITE HIDRAULICO AUXILIAR (310G)

TX1006081

-UN-26APR06



TX1006081

2160-23

VEHICLE:MAIN;HYDRAULIC;SYSTEM 21

VEHICLE HYDRAULICS 2160

AUXILIARY HYDRAULIC OIL COOLER KIT (310G)
KIT DE REFROIDISSEUR D'HUILE HYDRAULIQUE AUXILIAIRE (310G)
JUEGO DE ENFRIADOR DE ACEITE HIDRAULICO AUXILIAR (310G)

KEY	PART NO.	PART NAME	QTY.	SERIAL NO.	REMARKS
					3 3
					3 1 1
					1 0 5
					0 S S
					G G G
1	H146457	NUT	4		X
2	T158424	WASHER	8		X RUBBER
3	N117290	SPACER	4		X
4	AT186929	OIL COOLER	1		X
5	24M7101	WASHER	4		X 11 X 34 X 3 MM
6	19M8166	CAP SCREW	4		X M10 X 110
7	AT301917	HOSE CLAMP	4		X (SUB FOR RE65978)
8	AT190758	TEE FITTING	2		X
9	R26906	O-RING	2		X
10	T167328	HOSE	1		X
11	T167328	HOSE	1		X
12	AT191759	KIT	1		X (WHOLE GOODS)

2160-24

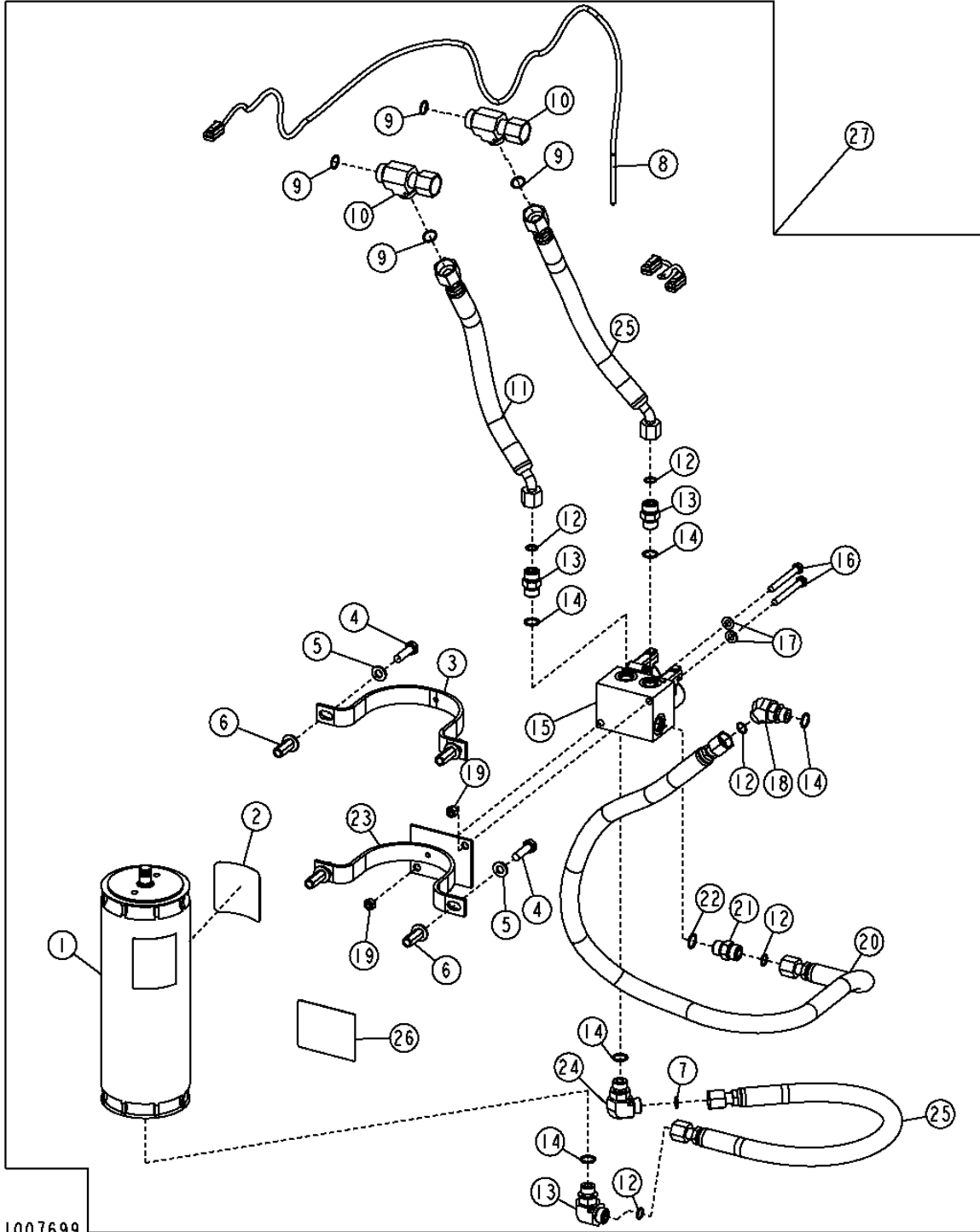
VEHICLE:MAIN:HYDRAULIC:SYSTEM 21

VEHICLE HYDRAULICS 2160

RIDE CONTROL KIT (SN -911132)
KIT DE COMMANDE DE SUSPENSION (SN -911132)
JUEGO DE CONTROL DE SUSPENSION (SN -911132)

TX1007699

-UN-16MAY06



TX1007699

2160-25

VEHICLE:MAIN:HYDRAULIC:SYSTEM 21

VEHICLE HYDRAULICS 2160

RIDE CONTROL KIT (SN -911132)
 KIT DE COMMANDE DE SUSPENSION (SN -911132)
 JUEGO DE CONTROL DE SUSPENSION (SN -911132)

KEY	PART NO.	PART NAME	QTY.	SERIAL NO.	REMARKS
					3 3 3 1 1 1 0 5 0 S S G G G
1	AT196351	HYDRAULIC ACCUMULATOR	1		X X X (SUB FOR AT188819, THIS APPLICATION) (INCLUDES T225374, T225375 AND T225376)
	AT161527	SEAL KIT	1	-902361	X X X (NOT ILLUSTRATED)
	AT161528	HYD ACTUATED CONTROL VALVE	1	-902361	X X X (NOT ILLUSTRATED)
	T146481	CAP	1	-902361	X X X (NOT ILLUSTRATED)
	AT196760	KIT	1	902362-	X X X (NOT ILLUSTRATED) (SCHRADER VALVE SERVICE KIT)
2	T225374	LABEL	1		X X X WARNING (ACCUMULATOR) (ENGLISH) (SUB FOR T164124, THIS APPLICATION)
	LABEL KIT	1		X X X FRENCH
	LABEL KIT	1		X X X SPANISH
3	T166761	CLAMP	1		X X X
4	19M7550	CAP SCREW	4		X X X M10 X 35
5	24M7239	WASHER	4		X X X
6	T148409	NUT	4		X X X M10
7	T77932	O-RING	1		X X X
8	AT183590	WIRING HARNESS	1		X X X
9	T77932	O-RING	4		X X X
10	38H1032	TEE FITTING	2		X X X
11	AT186898	HYDRAULIC HOSE - FABRICATE	1		X X X
12	T77857	O-RING	5		X X X
13	38H1161	ADAPTER FITTING	3		X X X
14	R26375	O-RING	5		X X X
15	SOLENOID HYDRAULIC VALVE	1		X X X (SUB AT310818) (ALSO ORDER AT199646 AND (2) 19M7663) (SUB FOR AT191176, THIS APPLICATION) (SUB FOR AT198760)
	19H3070	SCREW	4		X X X 0.190" X 1-1/4"
	AT184161	ELECTRICAL COIL	1		X X X
	N203255	NUT	1		X X X
	AT172179	SEAL KIT	1		X X X
16	19M8402	CAP SCREW	2		X X X M8 X 65
17	24M7238	WASHER	2		X X X
18	38H1046	ELBOW FITTING	1		X X X
19	14M7273	NUT	2		X X X M8
20	AT188401	HYDRAULIC HOSE - FABRICATE	1		X X X
21	38H1173	ADAPTER FITTING	1		X X X
22	R26448	O-RING	1		X X X
23	AT189210	CLAMP	1		X X X
24	38H1405	ELBOW FITTING	1		X X X
25	AT186899	HYDRAULIC HOSE - FABRICATE	2		X X X
26	T185145	LABEL	2		X X X RIDE CONTROL
27	KIT	1		X X X (WHOLE GOODS) (AT185950 NLA) (INCLUDES AT193881, T162238 AND T70341) (SUB FOR AT280742) (SUB AT309385)

2160-26

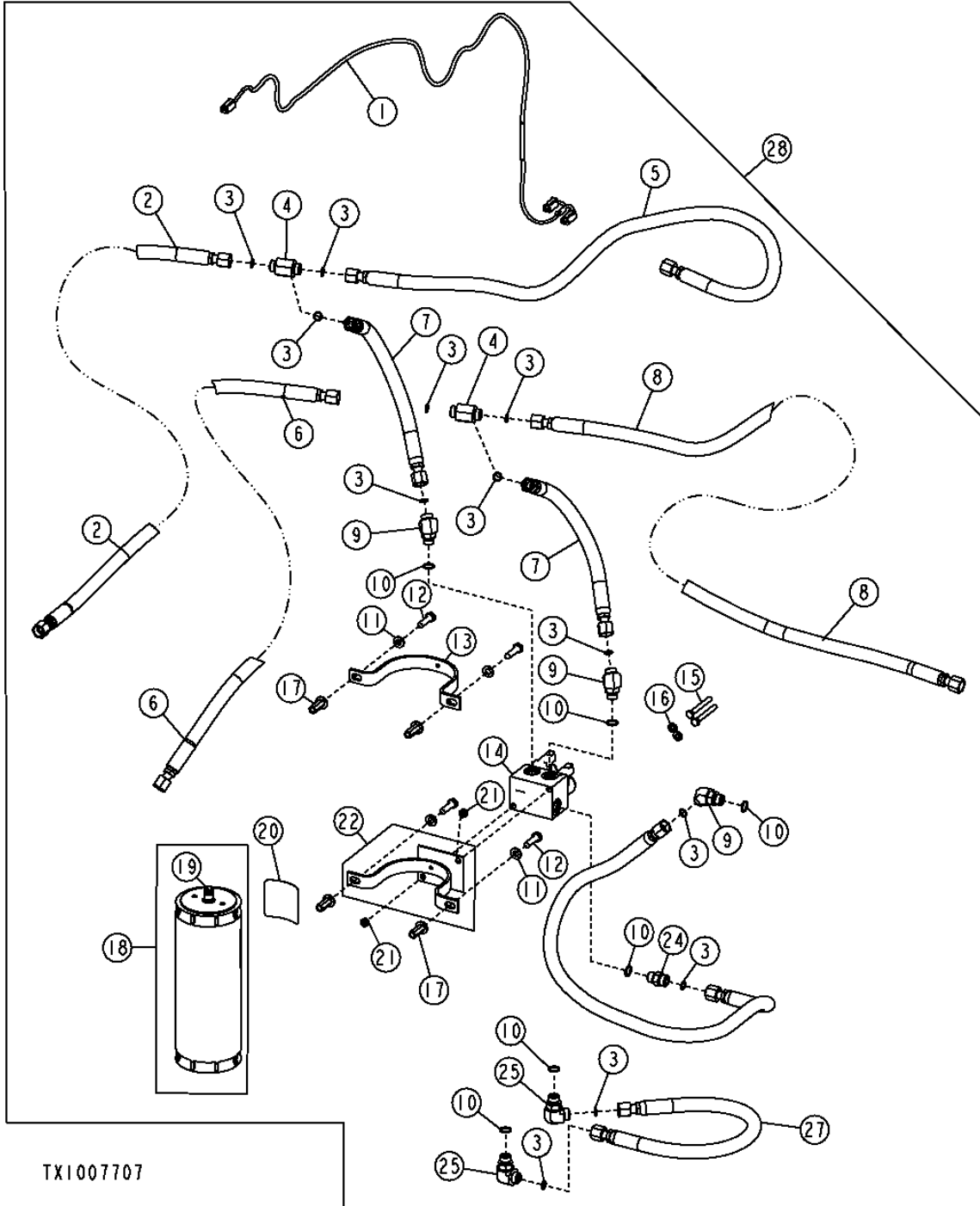
VEHICLE:MAIN:HYDRAULIC:SYSTEM 21

VEHICLE HYDRAULICS 2160

RIDE CONTROL KIT (SN 911133-)
KIT DE COMMANDE DE SUSPENSION (SN 911133-)
JUEGO DE CONTROL DE SUSPENSION (SN 911133-)

TX1007707

-UN-19MAY06



2160-27

VEHICLE:MAIN:HYDRAULIC:SYSTEM 21

VEHICLE HYDRAULICS 2160

RIDE CONTROL KIT (SN 911133-)
 KIT DE COMMANDE DE SUSPENSION (SN 911133-)
 JUEGO DE CONTROL DE SUSPENSION (SN 911133-)

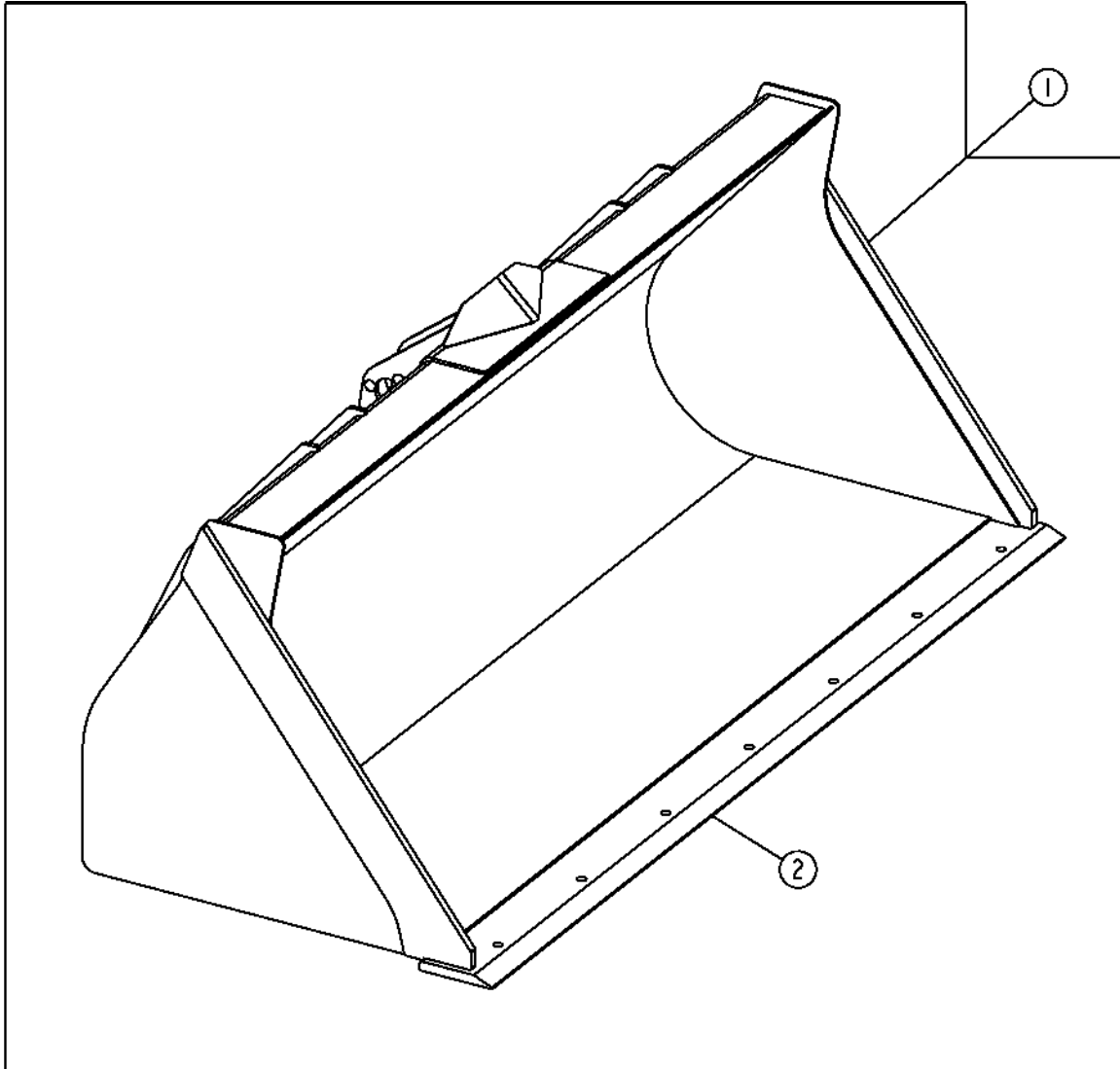
KEY	PART NO.	PART NAME	QTY.	SERIAL NO.	3 3 3 1 1 1 0 5 0 S S G G G	REMARKS
1	AT199646	WIRING HARNESS	1		X X X	
2	AT199643	HYDRAULIC HOSE - FABRICATE	1		X X X	9/16" X 927 MM (36-1/2") X 9/16"
3	T77857	O-RING	12		X X X	
4	38H1032	TEE FITTING	2	-913416	X X X	
	38H1206	TEE FITTING	2	913417-	X X X	
5	AT199645	HYDRAULIC HOSE - FABRICATE	1		X X X	13/16" X 1 143 MM (45") X 13/16"
6	AT199642	HYDRAULIC HOSE - FABRICATE	1		X X X	13/16" X 889 MM (35") X 13/16"
7	AT280509	HYDRAULIC HOSE - FABRICATE	2	-913416	X X X	1" X 394 MM (15-1/2") X 13/16"
	AT199639	HYDRAULIC HOSE - FABRICATE	2	913417-	X X X	13/16" X 419 MM (16-1/2") X 13/16"
8	AT199644	HYDRAULIC HOSE - FABRICATE	1		X X X	13/16" X 1 499 MM (59") X 13/16"
9	38H1161	ADAPTER FITTING	2	-913416	X X X	(STRAIGHT)
	38H1046	ELBOW FITTING	2	913417-	X X X	(45°)
10	R26375	O-RING	6		X X X	
11	24M7239	WASHER	4		X X X	
12	19M7550	CAP SCREW	4		X X X	
13	T166761	CLAMP	1		X X X	
14	AT310818	SOLENOID HYDRAULIC VALVE	1		X X X	(SUB FOR AT198760)
	AT280440	SOLENOID HYDRAULIC VALVE	2		X X X	CARTRIDGE
	AT280441	SOLENOID VALVE COIL	2		X X X	
	E71998	BACK-UP RING	2		X X X	
	R28776	O-RING	2		X X X	
	R47151	O-RING	2		X X X	
	14M7477	NUT	2		X X X	M18
15	19M7663	CAP SCREW	2		X X X	
16	24M7238	WASHER	2		X X X	
17	T148409	NUT	4		X X X	
18	AT196351	HYDRAULIC ACCUMULATOR	1		X X X	(INCLUDES T225374, T225375 AND T225376)
19	AT196760	KIT	1		X X X	
20	T225374	LABEL	1		X X X	(SUB FOR T164124, THIS APPLICATION)
21	14M7273	NUT	2		X X X	
22	AT189210	CLAMP	1		X X X	
24	38H1161	ADAPTER FITTING	1		X X X	
25	38H1005	ELBOW FITTING	2		X X X	
26	AT199641	HYDRAULIC HOSE - FABRICATE	1		X X X	13/16" X 1 168 MM (46") X 13/16"
27	AT199640	HYDRAULIC HOSE - FABRICATE	1		X X X	13/16" X 533 MM (21") X 13/16"
28	AT309385	KIT	1		X X X	(WHOLEGOODS) (USE FOR PRE AND POST COMBO VALVE) (KIT INCLUDES HOSES) (INCLUDES AT300928, AT193881, AT184335 AND AT189174) (SUB FOR AT197238)

3102-2

LOADER 31
BUCKETS 3102

LOADER BUCKET AND CUTTING EDGE
BENNE DE CHARGEUR A ACCOUPLEMENT ET TRANCHANT
ACOPLADOR DE CUCHARON DE CARGADORA Y BORDE CORTANTE

TP69675 -UN-10OCT00



TP69675

3102-3

LOADER 31
BUCKETS 3102

**LOADER BUCKET AND CUTTING EDGE
BENNE DE CHARGEUR ET TRANCHANT
CUCHARON DE CARGADORA Y BORDE CORTANTE**

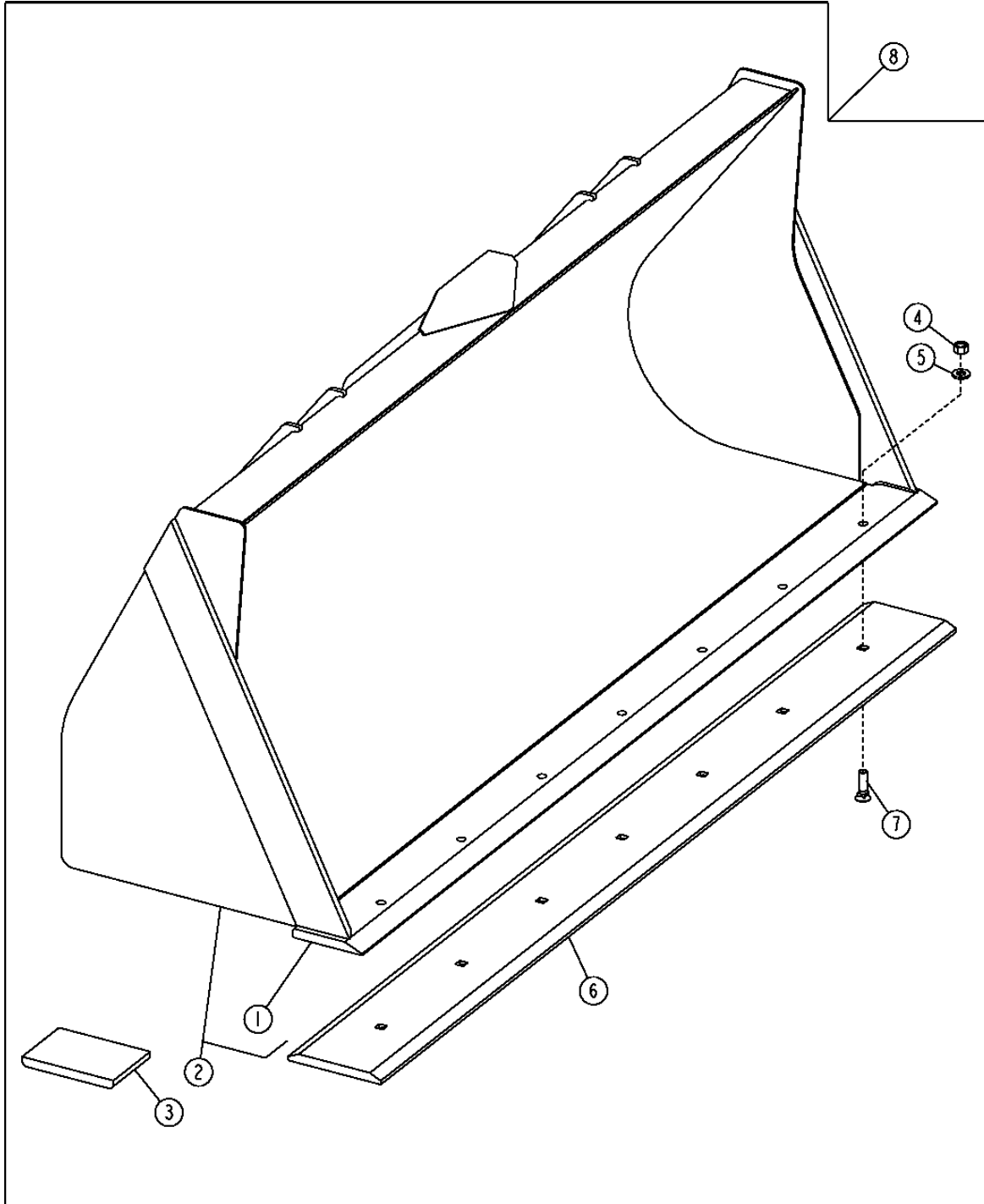
KEY	PART NO.	PART NAME	QTY.	SERIAL NO.	REMARKS
					3 3 3 1 1 1 0 5 0 S S G G G
1	AT308040	LOADER BUCKET	1		X .76 CUBIC METER (1.00 CUBIC YARD) (WHOLE GOODS) (MARKED AT308040) (USE WITH (2) T204908, (2) 14M7319 AND (2) 19M7949) (SUB FOR AT184738) (MARKED AT184738)
	AT308188	LOADER BUCKET	1		X X X .90 CUBIC METER (1.20 CUBIC YARD) (WHOLE GOODS) (MARKED AT308188) (USE WITH (2) T204908, (2) 14M7319 AND (2) 19M7949) (SUB FOR AT185524) (MARKED AT185524)
	AT308076	LOADER BUCKET	1	941415-	X X X .96 CUBIC METER (1.25 CUBIC YARD) (WHOLE GOODS) (MARKED AT308076) (USE WITH (2) T204908, (2) 14M7319 AND (2) 19M7949) (SUB FOR AT185522) (MARKED AT185522)
2	T150487	CUTTING EDGE	1		X X X (WELDED ON) SBF

3102-4

LOADER 31
BUCKETS 3102

LOADER BUCKET AND CUTTING EDGE
BENNE DE CHARGEUR ET TRANCHANT
CUCHARON DE CARGADORA Y BORDE CORTANTE

TP58156 -UN-10OCT00



TP58156

3102-5

LOADER 31
BUCKETS 3102

**LOADER BUCKET AND CUTTING EDGE
BENNE DE CHARGEUR ET TRANCHANT
CUCHARON DE CARGADORA Y BORDE CORTANTE**

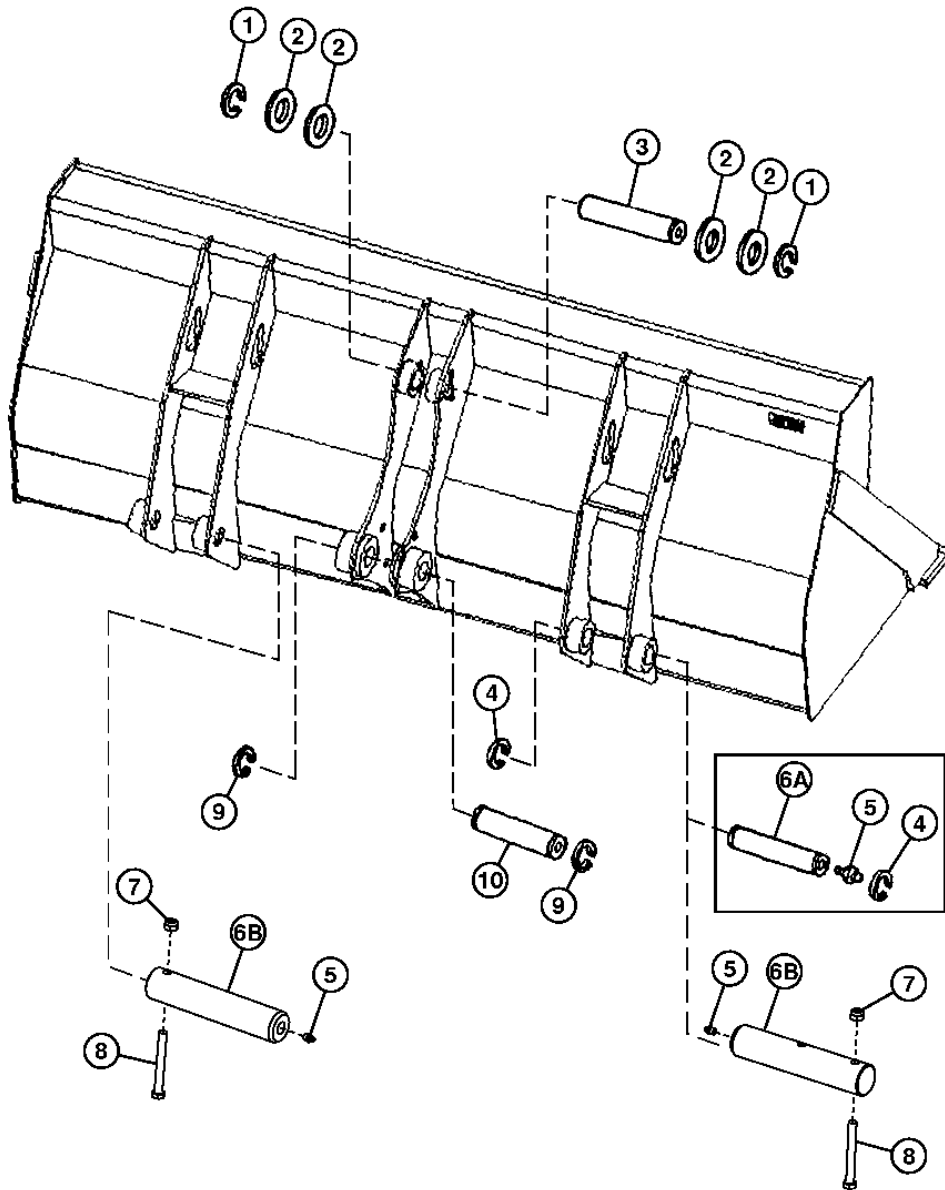
KEY	PART NO.	PART NAME	QTY.	SERIAL NO.	REMARKS
					3 3 3 1 1 1 0 5 0 S S G G G
1	T150487	CUTTING EDGE	1		X X X (1.13 CUBIC YARD) SBF
	T118768	CUTTING EDGE	1		X X (1.30 CUBIC YARD) 3/4" SBF
2	LOADER BUCKET	1		X X X
3	T147296	SHOE	2		X X X
4	14H1039	NUT	8		X X X 5/8"
5	24M7241	WASHER	8		X X X 17 X 34 X 4 MM
6	T150517	CUTTING EDGE	1		X X X (AUXILIARY) 3/4 TK X 8" DBF X 86", (ALSO ORDER (7) 09H1759, (7) 14H1039 AND (7) 24M7241)
	T150517HD	DURA-MAX TM CUTTING EDGE	1		X X X (AUXILIARY) 1" TK X 8" DBF X 86", (ALSO ORDER (7) 09H1764, (7) 14H1039 AND (7) 24M7241)
	T84194	CUTTING EDGE	1		X X (AUXILIARY) 3/4" TK X 8" DBF X 92 3/8" LONG, (ALSO ORDER (8) 09H1759, (8) 14H1039 AND (8) 24M7241)
	T84194HD	DURA-MAX TM CUTTING EDGE	1		X X (AUXILIARY) 1" TK X 8" DBF X 92 3/8" LONG, (ALSO ORDER (8) 09H1764, (8) 14H1039 AND (8) 24M7241)
7	09H1759	BOLT	8		X X X 5/8" X 2-1/4"
	09H1764	BOLT	8		X X X 5/8" X 2-1/2"
8	LOADER BUCKET	1		X X 0.76 CUBIC METER (1.00 CUBIC YARD) LESS SKID PLATES (AT307632 NLA)
	AT308071	LOADER BUCKET	1		X X X 0.86 CUBIC METER (1.13 CUBIC YARD) (WHOLE GOODS) (USE WITH (2) T204908, (2) 14M7319 AND (2) 19M7949) (SUB FOR AT185526)
	AT308080	LOADER BUCKET	1		X X 1.00 CUBIC METER (1.30 CUBIC YARD) (WHOLE GOODS) (MARKED AT308080) (USE WITH (2) T204908, (2) 14M7319 AND (2) 19M7949) (SUB FOR AT185519) (MARKED AT185519)
.....	LOADER BUCKET	1	-944081	X X FRONT COUPLER BUCKET (AT180838 NLA)
.....	LOADER BUCKET	1	-944081	X X X FRONT COUPLER BUCKET (AT180839 NLA)

3102-6

LOADER 31
BUCKETS 3102

LOADER BUCKET PINS AXES DE BENNE DE CHARGEUR PASADORES DE CUCHARON DE CARGADORA

T201154 -UN-25JUN04



T201154

THIS PARTS LISTING IS CONTINUED

3102-7

LOADER 31
BUCKETS 3102

**LOADER BUCKET PINS
AXES DE BENNE DE CHARGEUR
PASADORES DE CUCHARON DE CARGADORA**

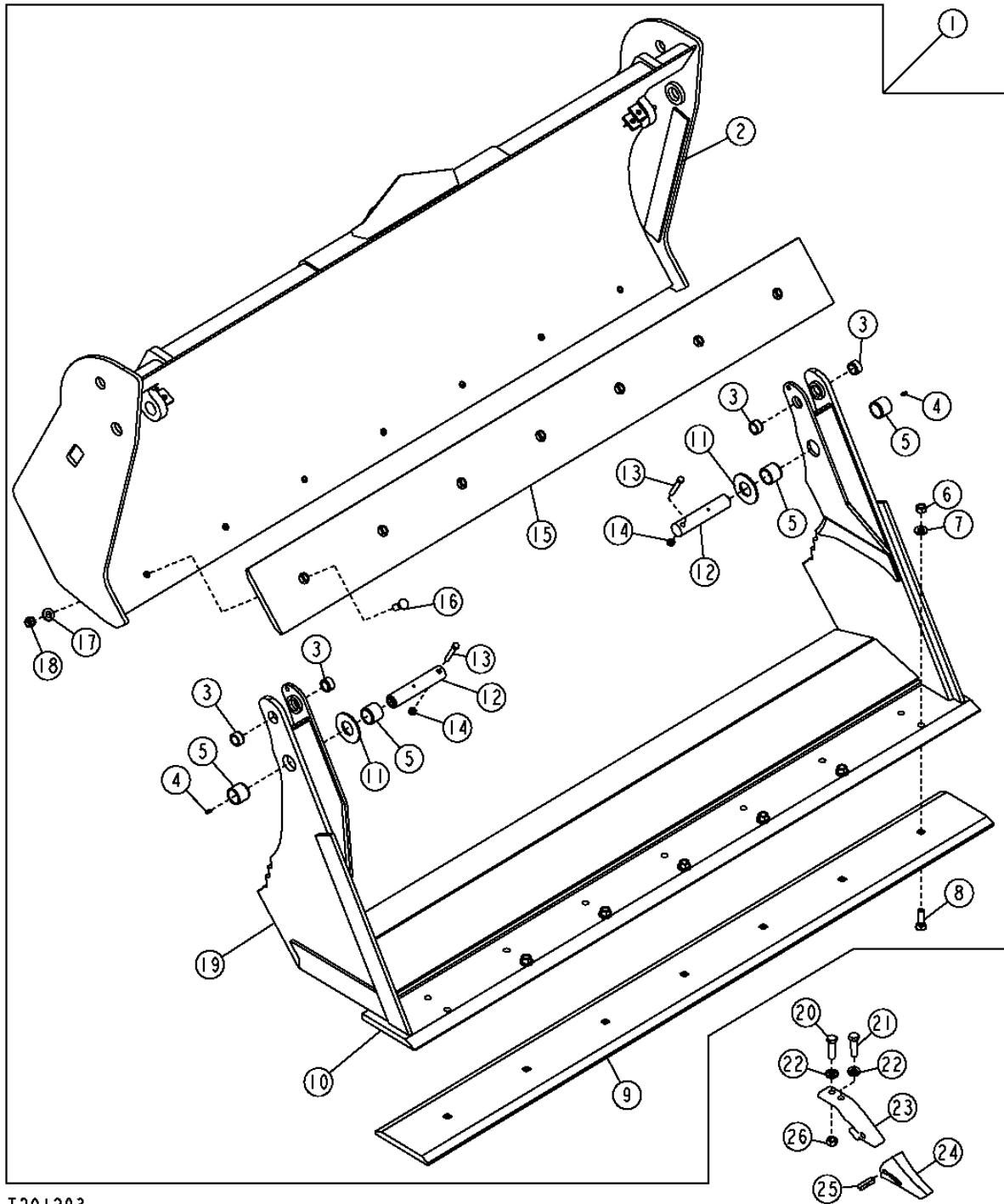
KEY	PART NO.	PART NAME	QTY.	SERIAL NO.	REMARKS
					3 3
					3 1 1
					1 0 5
					0 S S
					G G G
1	40M7066	SNAP RING	2		X X X
2	T161036	WASHER	4		X X X 2.205" X 3.150" X 0.079"
3	T165333	PIN FASTENER	1		X X X 54.475 X 246 MM (2.145" X 9.685")
4	40M7166	SNAP RING	2	-941414	X X X
5	T162396	LUBRICATION FITTING	2		X X X
6A	T154360	PIN FASTENER	2		X (USE WITH BUCKET MARKED AT184738)
	T154360	PIN FASTENER	2		X X X (USE WITH BUCKET MARKED AT185524)
	T154360	PIN FASTENER	2	-941414	X X X (USE WITH BUCKET MARKED AT185522)
	T154360	PIN FASTENER	2	-940584	X X X (USE WITH BUCKET MARKED AT185526)
	T154360	PIN FASTENER	2	-940629	X X (USE WITH BUCKET MARKED AT185519)
	T154360	PIN FASTENER	2	-941159	X X X (USE WITH BUCKET MARKED AT189703)
	T154360	PIN FASTENER	2	-941020	X X X (USE WITH BUCKET MARKED AT189702)
	T154360	PIN FASTENER	2	-940899	X X (USE WITH BUCKET MARKED AT189699)
6B	T204908	PIN FASTENER	2		X (USE WITH BUCKET MARKED AT308040)
	T204908	PIN FASTENER	2		X X X (USE WITH BUCKET MARKED AT308188)
	T204908	PIN FASTENER	2	941415-	X X X (USE WITH BUCKET MARKED AT308076)
	T204908	PIN FASTENER	2	940585-	X X X (USE WITH BUCKET MARKED AT308071)
	T204908	PIN FASTENER	2	940630-	X X X (USE WITH BUCKET MARKED AT308080)
	T204908	PIN FASTENER	2	941160-	X X X (USE WITH BUCKET MARKED AT308049)
	T204908	PIN FASTENER	2	941021-	X X X (USE WITH BUCKET MARKED AT308095)
	T204908	PIN FASTENER	2	940900-	X X (USE WITH BUCKET MARKED AT308099)
7	14M7319	LOCK NUT	2		X X X M12
8	19M7949	CAP SCREW	2		X X X M12 X 100
9	40M7166	SNAP RING	2		X X X
10	T165332	PIN FASTENER	1		X X X 49.475 X 244.600 MM

3102-8

LOADER 31
BUCKETS 3102

MULTI-PURPOSE BUCKET
BENNE UNIVERSELLE
CUCHARA POLIVALENTE

T201293 -UN-29JUN04



T201293

3102-9

LOADER 31
BUCKETS 3102

**MULTI-PURPOSE BUCKET
BENNE UNIVERSELLE
CUCHARA POLIVALENTE**

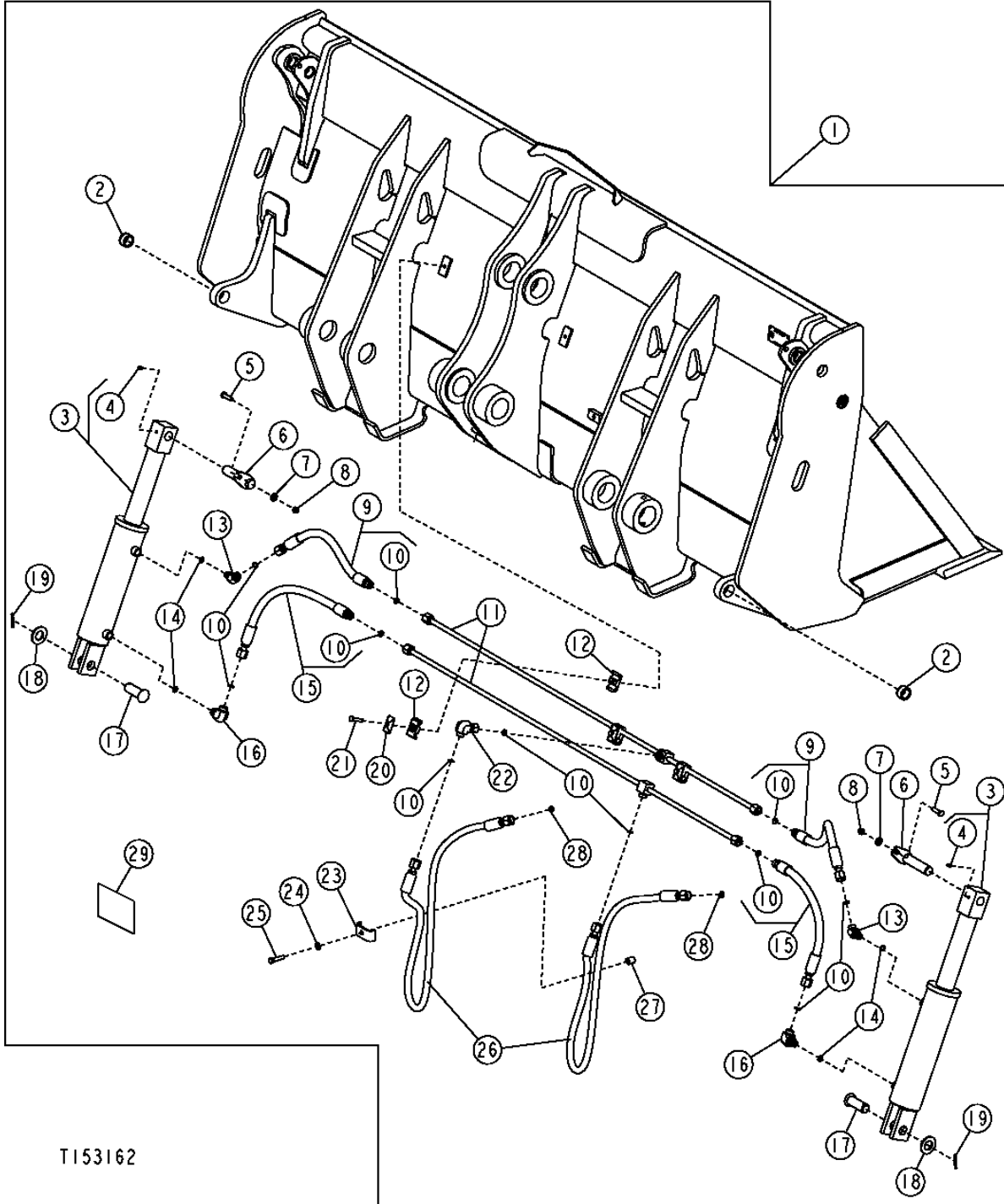
KEY	PART NO.	PART NAME	QTY.	SERIAL NO.	3 3 3 1 1 1 0 5 0 S S G G G	REMARKS
1	AT308042	MULTI-PURPOSE BUCKET	1	941160-	X X X	(2083MM - 82 INCH) INCLUDES CYLINDERS, LINES AND HOSES (WHOLE GOODS) (MARKED AT308049) (USE WITH (2) T204908, (2) 14M7319 AND (2) 19M7949) (SUB FOR AT186370)
	AT308191	MULTI-PURPOSE BUCKET	1	941021-	X X X	(2184MM - 86 INCH) INCLUDES CYLINDERS, LINES AND HOSES (WHOLE GOODS) (MARKED AT308095) (USE WITH (2) T204908, (2) 14M7319 AND (2) 19M7949) (SUB FOR AT185634)
	AT308193	MULTI-PURPOSE BUCKET	1	940900-	X X	(2337MM - 92 INCH) INCLUDES CYLINDERS, LINES AND HOSES (WHOLE GOODS) (MARKED AT308099) (USE WITH (2) T204908, (2) 14M7319 AND (2) 19M7949) (SUB FOR AT185639)
2	MOLDBOARD	1		X X X	(ORDER AT308042, AT308191 OR AT308193)
3	T166433	BUSHING	4		X X X	
4	JD7797	LUBRICATION FITTING	2		X X X	
5	T128533	BUSHING	4		X X X	
6	14H1039	NUT	8		X X X	5/8"
7	24M7241	WASHER	8		X X X	
8	09H1759	BOLT	8		X X X	5/8" X 2-1/4"
	09H1764	BOLT	8		X X X	
9	T166437	CUTTING EDGE	1		X X X	(82 INCH) AUXILIARY
	T150517	CUTTING EDGE	1		X X X	(86 INCH) AUXILIARY
	T150517HD	DURA-MAX TM CUTTING EDGE	1		X X X	(86 INCH) AUXILIARY
	T84194	CUTTING EDGE	1		X X	(92 INCH) AUXILIARY
	T84194HD	DURA-MAX TM CUTTING EDGE	1		X X	(92 INCH) AUXILIARY
10	T166419	CUTTING EDGE	1		X X X	(82 INCH)
	T166455	CUTTING EDGE	1		X X X	(86 INCH)
	T128538	CUTTING EDGE	1		X X	(92 INCH)
11	24H1554	WASHER	2		X X X	
12	T167059	PIN	2		X X X	
13	19H2106	CAP SCREW	2		X X X	7/16" X 2-3/4"
14	K40006	LOCK NUT	2		X X X	7/16"
15	T143802	CUTTING EDGE	1		X X X	(82 INCH)
	T166454	CUTTING EDGE	1		X X X	(86 INCH)
	T143802	CUTTING EDGE	1		X X	(92 INCH)
16	09H1776	BOLT	8		X X X	5/8" X 1-3/4"
17	24M7241	WASHER	8		X X X	
18	14H1039	NUT	8		X X X	5/8"
19	HINGE	1		X X X	(ORDER AT308042, AT308191 OR AT308193)
20	19H3244	CAP SCREW	1		X X X	5/8" X 2-1/4"
21	19H2599	CAP SCREW	1		X X X	5/8" X 2-1/2"
22	24H1367	WASHER	2		X X X	
23	T221X230	ADAPTER FITTING	1		X X X	
24	T230SP	TOOTH	1		X X X	
25	T23P	PIN	1		X X X	
26	14H1039	NUT	1		X X X	

3102-10

LOADER 31
BUCKETS 3102

MULTI-PURPOSE BUCKET, CYLINDER AND HYDRAULIC OIL LINES
BENNE UNIVERSELLE, VERIN ET CONDUITES D'HUILE HYDRAULIQUE
CUCHARON UNIVERSAL, CILINDRO Y LINEAS DE ACEITE HIDRAULICO

T153162 -UN-10APR02



T153162

3102-11

LOADER 31
BUCKETS 3102

**MULTI-PURPOSE BUCKET, CYLINDER AND HYDRAULIC OIL LINES
BENNE UNIVERSELLE, VERIN ET CONDUITES D'HUILE HYDRAULIQUE
CUCHARON UNIVERSAL, CILINDRO Y LINEAS DE ACEITE HIDRAULICO**

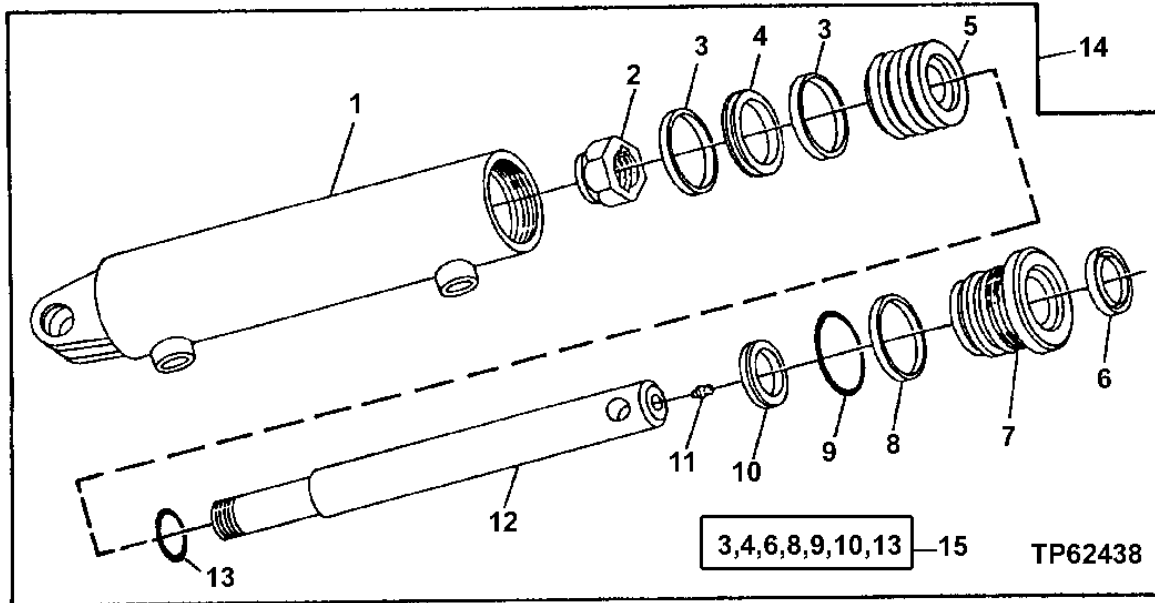
KEY	PART NO.	PART NAME	QTY.	SERIAL NO.	REMARKS
					3 3 3 1 1 1 0 5 0 S S G G G
1	AT308042	MULTI-PURPOSE BUCKET	1		X X X (2083MM - 82 INCH) INCLUDES CYLINDERS, LINES AND HOSES (WHOLE GOODS) (USE WITH (2) T204908, (2) 14M7319 AND (2) 19M7949) (SUB FOR AT186370)
	AT308191	MULTI-PURPOSE BUCKET	1		X X X (2184MM - 86 INCH) INCLUDES CYLINDERS, LINES AND HOSES (WHOLE GOODS) (USE WITH (2) T204908, (2) 14M7319 AND (2) 19M7949) (SUB FOR AT185634)
	AT308193	MULTI-PURPOSE BUCKET	1		X X (2337MM - 92 INCH) INCLUDES CYLINDERS, LINES AND HOSES (WHOLE GOODS) (USE WITH (2) T204908, (2) 14M7319 AND (2) 19M7949) (SUB FOR AT185639)
2	T166433	BUSHING	2		X X X
3	AT190880	CYLINDER	2	-925076	X X X
	A24073	BUSHING	8	-925076	X X X 1" X 1-1/4" X 0.780"
4	AH210737	HYDRAULIC CYLINDER	2	925077-	X X X
	JD7797	LUBRICATION FITTING	2	-925076	X X X
	JD7844	LUBRICATION FITTING	2	925077-	X X X
5	19H3239	CAP SCREW	2		X X X 3/8" X 1-1/4"
6	AT190900	PIN	2		X X X
7	24M7239	WASHER	2		X X X
8	T54568	LOCK NUT	2		X X X 3/8"
9	AT189822	HYDRAULIC HOSE - FABRICATE	2		X X X
	AT190628	HYDRAULIC HOSE - FABRICATE	2		X X X 13/16" X 241 MM (9-1/2") X 13/16"
	AT189822	HYDRAULIC HOSE - FABRICATE	2		X X X
10	T77857	O-RING	AR		X X X
11	AT189819	LINE	2		X X X
12	H135156	CLAMP	6		X X X
13	38H1521	ELBOW FITTING	2		X X X
14	R26448	O-RING	4		X X X
15	AT189822	HYDRAULIC HOSE - FABRICATE	2		X X X (82 INCH)
	AT190702	HYDRAULIC HOSE - FABRICATE	2		X X X (86 INCH)
	AT190701	HYDRAULIC HOSE - FABRICATE	2		X X (92 INCH)
16	38H1314	ELBOW FITTING	2		X X X
17	PIN	2	-925076	X X X (T185041 NLA) (SUB T191318) (ALSO ORDER (6) 24H1138)
	T191318	PIN FASTENER	2	925077-	X X X
18	24H1138	WASHER	2		X X X
19	11M7030	COTTER PIN	2		X X X
20	H121168	PLATE	3		X X X
21	19H3552	CAP SCREW	3		X X X 5/16" X 1-1/2"
22	38H1095	ELBOW FITTING	1		X X X
23	T27022	CLAMP	1		X X X (SUB FOR U40398, THIS APPLICATION)
24	24M7106	WASHER	1		X X X
25	19H2633	CAP SCREW	1		X X X 3/8" X 1-1/2"
26	AT175198	HYDRAULIC HOSE - FABRICATE	2	-913426	X X X 13/16" X 1 170 MM (46") X 13/16"
	AT172386	HYDRAULIC HOSE - FABRICATE	2	913427-	X X X 13/16" X 1 170 MM (46") X 1"
27	28H3383	BUSHING	1		X X X
28	T77857	O-RING	2		X X X
29	T160759	LABEL	1		X X X BUCKET LEVEL INDICATOR

3102-12

LOADER 31
BUCKETS 3102

MULTI-PURPOSE BUCKET CYLINDER (SN -925076)
VERIN DE BENNE UNIVERSELLE (SN -925076)
CILINDRO DE CUCHARON UNIVERSAL (SN -925076)

TP62438 -UN-06JUL00



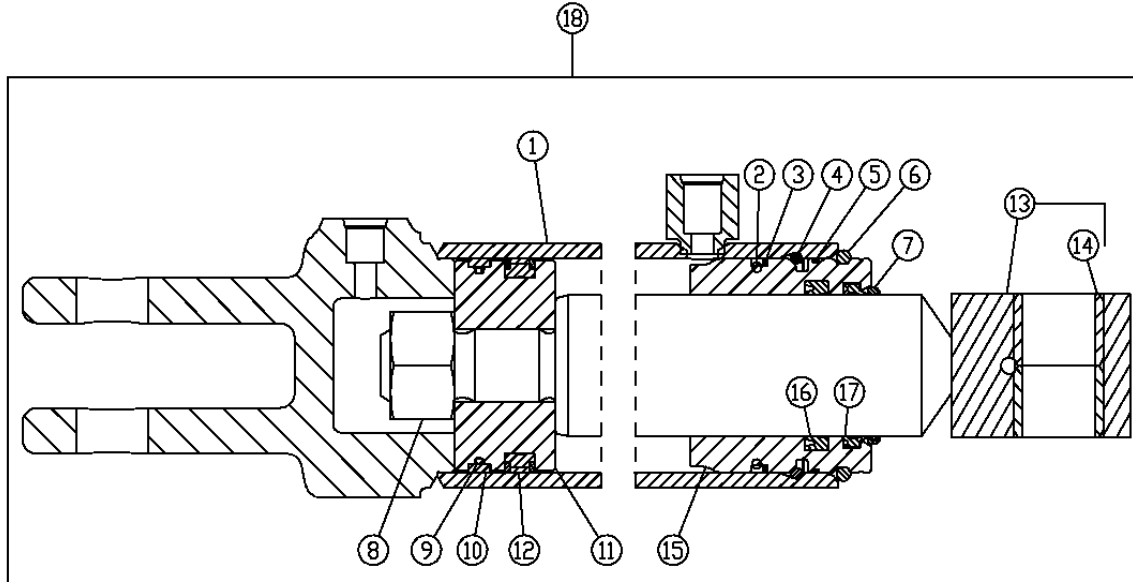
KEY	PART NO.	PART NAME	QTY.	SERIAL NO.	REMARKS
1	AT190881	BARREL	1	X X X	
2	H29619	LOCK NUT	1	X X X	
3	WEAR RING	2	X X X	
4	SEAL	1	X X X	
5	T163117	PISTON	1	X X X	
6	SEAL	1	X X X	
7	T163116	HYDR. CYLINDER ROD GUIDE	1	X X X	
8	BACK-UP RING	1	X X X	
9	O-RING	1	X X X	
10	SEAL	1	X X X	
11	JD7797	LUBRICATION FITTING	1	X X X	
12	T163118	HYDRAULIC CYLINDER ROD	1	X X X	
13	O-RING	1	X X X	
14	CYLINDER	1	X X X	(AT190880 NLA) (SUB (2) AH210737, (2) T191318 AND (6) 24H1138)
15	AT190898	KIT	1	X X X	

3102-13

LOADER 31
BUCKETS 3102

MULTI-PURPOSE BUCKET CYLINDER AND REPAIR KIT (SN 925077-)
VERIN DE BENNE UNIVERSELLE ET KIT DE REPARATION (SN 925077-)
CILINDRO DE CUCHARON UNIVERSAL Y JUEGO DE REPARACION (SN 925077-)

T197121 -UN-08JAN04



19 — 2,3,5,9,10,12,16,17

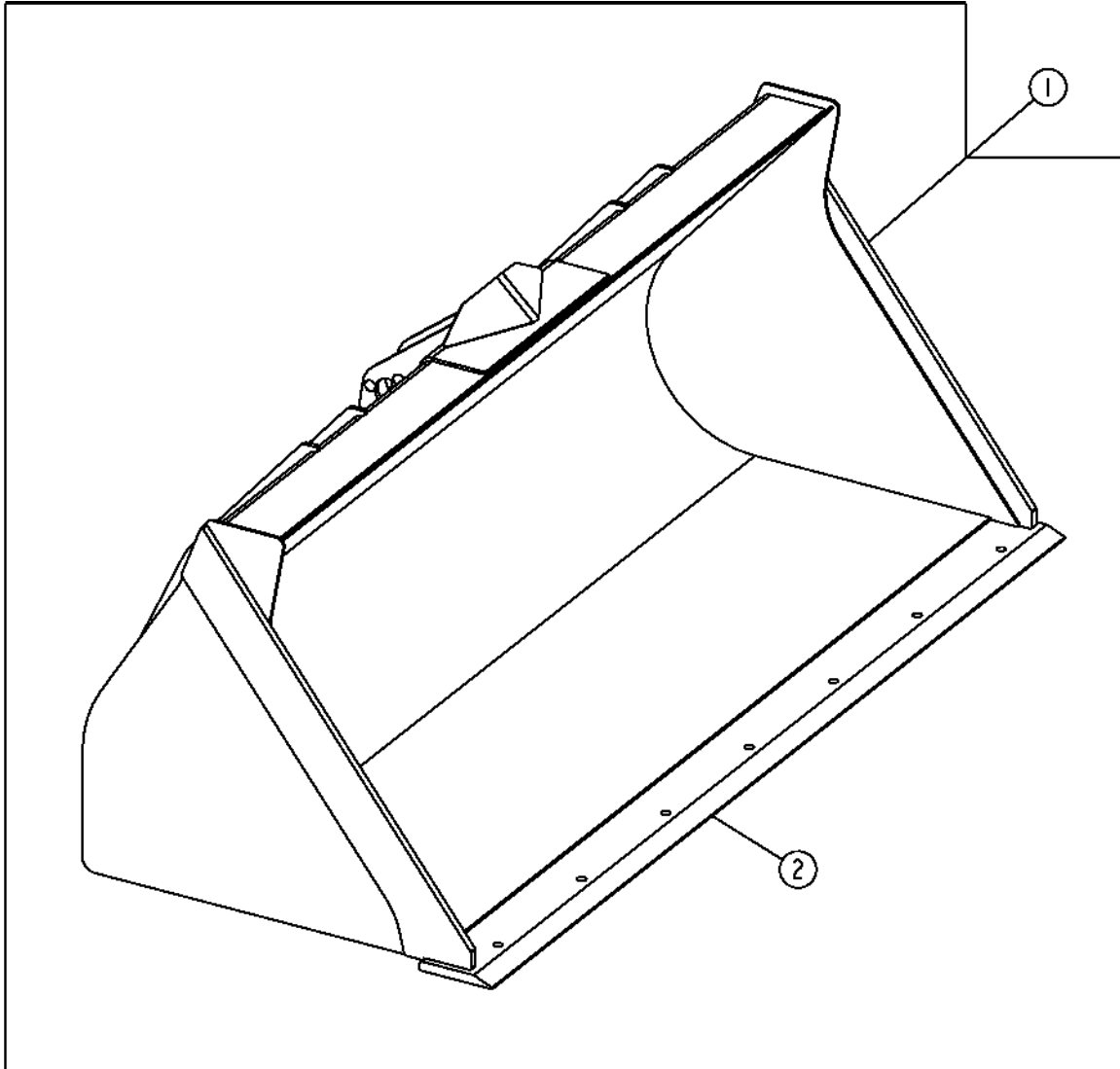
KEY	T197121 PART NO.	PART NAME	QTY.	SERIAL NO.	REMARKS
1	HYDRAULIC CYLINDER BARREL	1		
2	T14065	O-RING	1		
3	RING	2		
4	H177854	SNAP RING	1		
5	O-RING	1		
6	H180927	SNAP RING	1		
7	O-RING	1		
8	14H1112	NUT	1		1", (SUB FOR H179692)
9	WEAR RING	1		
10	O-RING	1		
11	PISTON	1		
12	PISTON RING	1		
13	ROD	1		
14	BUSHING	1		
15	HYDR. CYLINDER ROD GUIDE	1		
16	H152203	SEAL	1		
17	SEAL	1		
18	AH210737	HYDRAULIC CYLINDER	1		
19	AH209022	HYDRAULIC CYLINDER KIT	1		

3102-14

LOADER 31
BUCKETS 3102

COUPLER LOADER BUCKET AND CUTTING EDGE
BENNE DE CHARGEUR A ACCOUPLEMENT ET TRANCHANT
ACOPLADOR DE CUCHARON DE CARGADORA Y BORDE CORTANTE

TP69675 -UN-10OCT00



TP69675

3102-15

LOADER 31
BUCKETS 3102

**COUPLER LOADER BUCKET AND CUTTING EDGE
BENNE DE CHARGEUR A ACCOUPLEMENT ET TRANCHANT
ACOPLADOR DE CUCHARON DE CARGADORA Y BORDE CORTANTE**

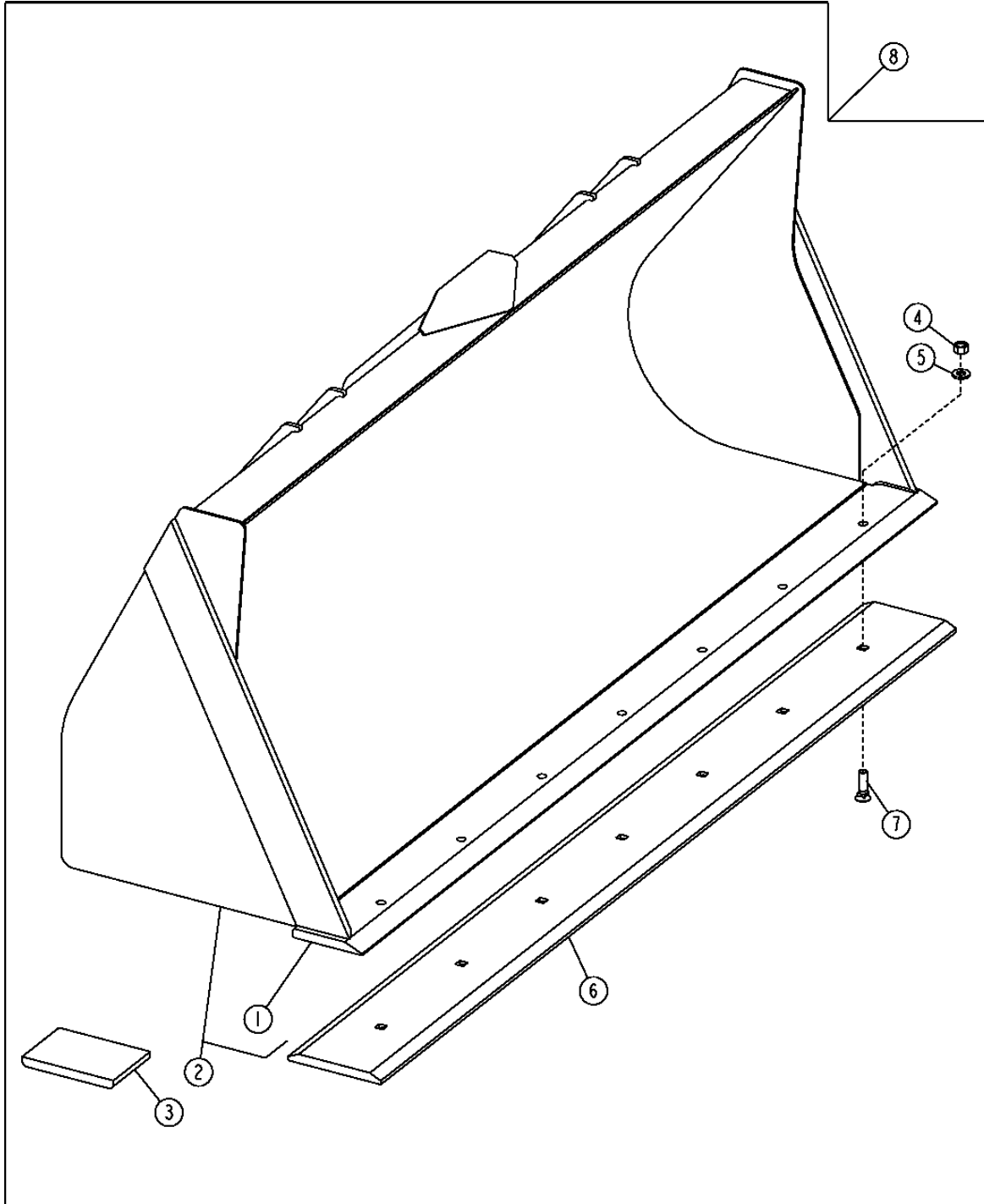
KEY	PART NO.	PART NAME	QTY.	SERIAL NO.	REMARKS
					3 3 3 1 1 1 0 5 0 S S G G G
1	LOADER BUCKET	1		X X X .76 CUBIC METER (1.00 CUBIC YARD), FRONT COUPLER BUCKET, (AT309208 NLA) (MARKED AT308968)
	AT308968	LOADER BUCKET	1		X X X .96 CUBIC METER (1.25 CUBIC YARD), FRONT COUPLER BUCKET, (WHOLE GOODS) (MARKED AT308968)
2	T150487	CUTTING EDGE	1		X X X (WELDED ON) SBF

3102-16

LOADER 31
BUCKETS 3102

COUPLER LOADER BUCKET AND CUTTING EDGE
BENNE DE CHARGEUR A ACCOUPLEMENT ET TRANCHANT
ACOPLADOR DE CUCHARON DE CARGADORA Y BORDE CORTANTE

TP58156 -UN-10OCT00



TP58156

3102-17

LOADER 31
BUCKETS 3102

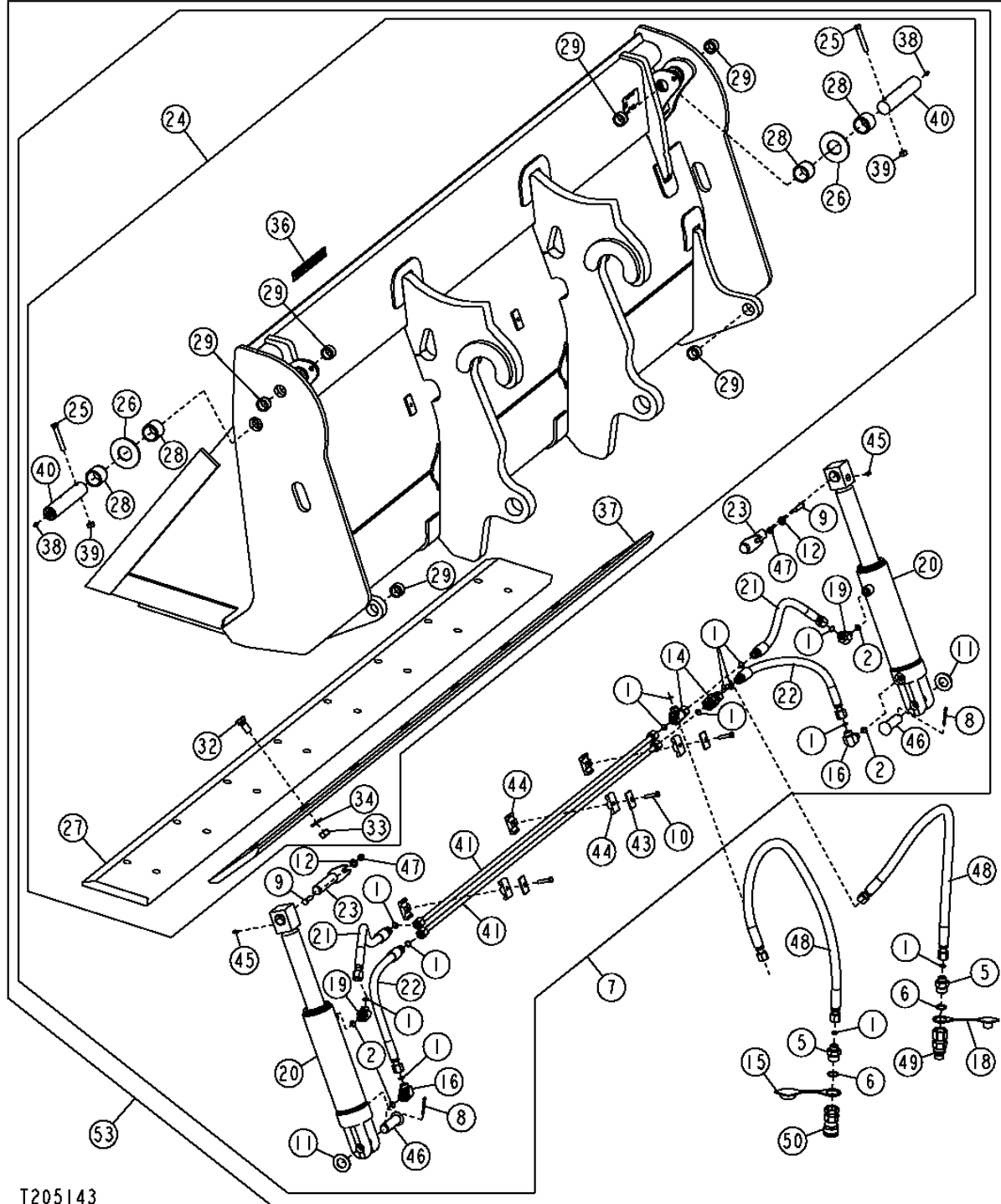
**COUPLER LOADER BUCKET AND CUTTING EDGE
BENNE DE CHARGEUR A ACCOUPLEMENT ET TRANCHANT
ACOPLADOR DE CUCHARON DE CARGADORA Y BORDE CORTANTE**

KEY	PART NO.	PART NAME	QTY.	SERIAL NO.	REMARKS
					3 3
					3 1 1
					1 0 5
					0 S S
					G G G
1	T150487	CUTTING EDGE	1		X X X (1.13 CUBIC YARD) 3/4" SBF
	T118768	CUTTING EDGE	1		X X X (1.31 CUBIC YARD) 3/4" SBF
2	LOADER BUCKET	1		X X X
3	T147296	SHOE	2		X X X
4	14H1039	NUT	8		X X X 5/8"
5	24M7241	WASHER	8		X X X
6	T150517	CUTTING EDGE	1		X X X (AUXILIARY) 3/4 TK X 8 INCH DBF X 86 INCH LONG (1.13 CUBIC YARD)
	T150517HD	DURA-MAX TM CUTTING EDGE	1		X X X (AUXILIARY) 1" TK X 8 INCH DBF X 86 INCH LONG (1.13 CUBIC YARD)
	T84194	CUTTING EDGE	1		X X X (AUXILIARY) 3/4 TK X 8 INCH DBF X 92 3/8 INCH LONG (1.31 CUBIC YARD)
	T84194HD	DURA-MAX TM CUTTING EDGE	1		X X X (AUXILIARY) 1" TK X 8 INCH DBF X 92 3/8 INCH LONG (1.31 CUBIC YARD)
7	09H1759	BOLT	8		X X X 5/8" X 2-1/4"
	09H1764	BOLT	8		X X X 5/8" X 2-1/2"
8	AT308970	LOADER BUCKET	1		X X X 0.86 CUBIC METER (1.13 CUBIC YARD), FRONT COUPLER BUCKET, (WHOLE GOODS) (MARKED AT308970)
	AT308966	LOADER BUCKET	1		X X X 1.00 CUBIC METER (1.31 CUBIC YARD), FRONT COUPLER BUCKET, (WHOLE GOODS) (MARKED AT308966)

3102-18

QUICK COUPLER MULTI-PURPOSE BUCKET, CYLINDERS AND LINES
BENNE UNIVERSELLE A ACCOUPLEMENT RAPIDE, VERINS ET CONDUITES
ACOPLADOR RAPIDO DE CUCHARON UNIVERSAL, CILINDROS Y LINEAS

T205143 -UN-23NOV04



T205143

THIS PARTS LISTING IS CONTINUED

3102-19

LOADER 31
BUCKETS 3102

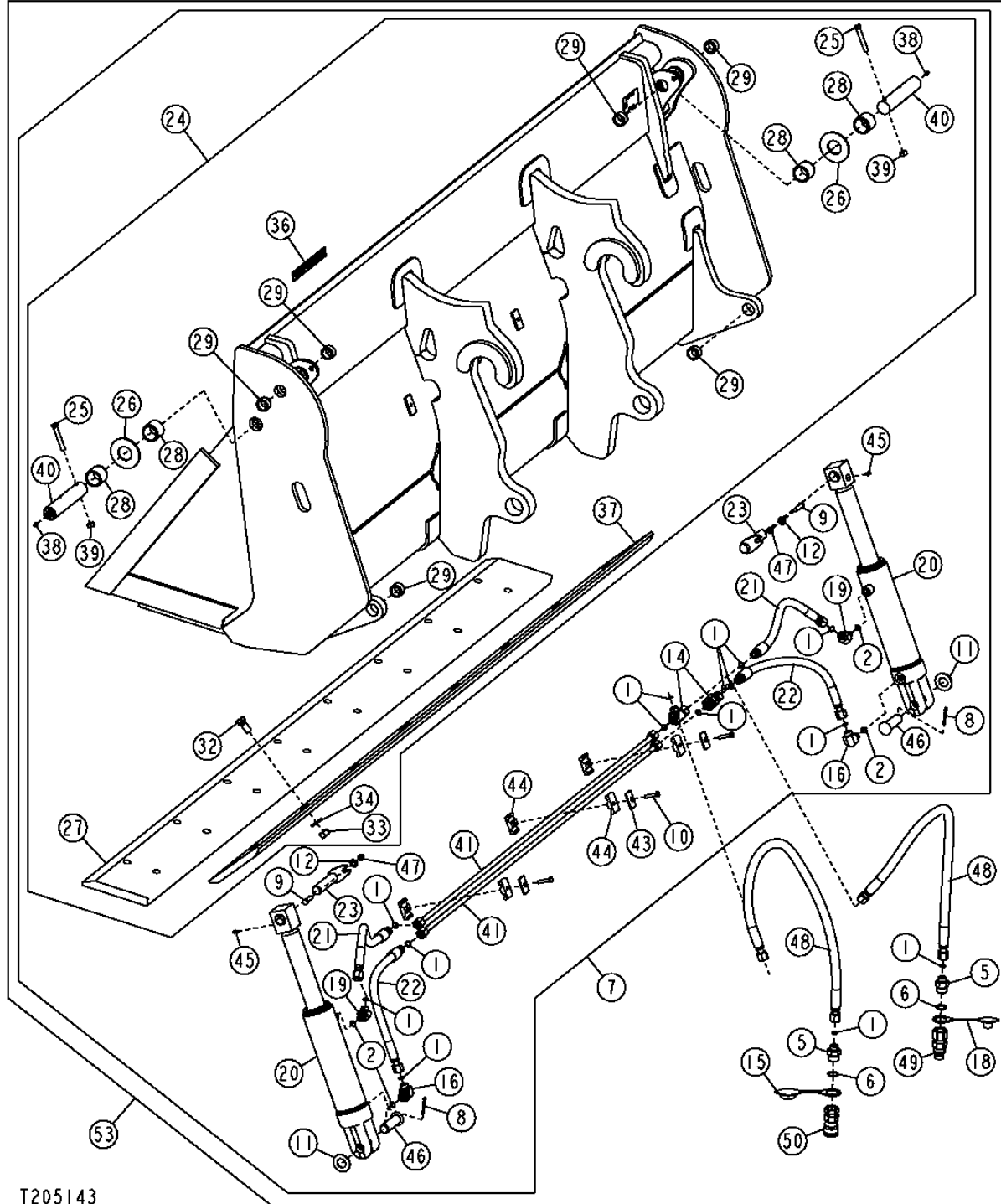
**QUICK COUPLER MULTI-PURPOSE BUCKET, CYLINDERS AND LINES
BENNE UNIVERSELLE A ACCOUPLEMENT RAPIDE, VERINS ET CONDUITES
ACOPLADOR RAPIDO DE CUCHARON UNIVERSAL, CILINDROS Y LINEAS**

KEY	PART NO.	PART NAME	QTY.	SERIAL NO.	REMARKS
					3 3 3 1 1 1 0 5 0 S S G G G
1	T77857	O-RING	9		X X X
2	R26448	O-RING	2		X X X
3	19H2633	CAP SCREW	1		X X X 3/8" X 1-1/2"
5	38H1175	ADAPTER FITTING	2		X X X
6	U12547	O-RING	1		X X X
7	MULTI-PURPOSE BUCKET	1		X X X (ORDER AT308972 OR AT308974)
8	11M7030	COTTER PIN	2		X X X 0.197" X 1.575"
9	19H3239	CAP SCREW	2		X X X 3/8" X 1-1/4"
10	19H3552	CAP SCREW	3		X X X 5/16" X 1-1/2"
11	24H1138	WASHER	2		X X X
12	24M7239	WASHER	2		X X X
13	T162396	LUBRICATION FITTING	2		X X X
14	38H1031	TEE FITTING	1		X X X
15	T188879	BOOT	1		X X X
16	38H1314	ELBOW FITTING	1		X X X
17	38H1148	FITTING PLUG	1		X X X
18	T188880	BOOT	1		X X X
19	38H1521	ELBOW FITTING	1		X X X
20	AH210737	HYDRAULIC CYLINDER	2		X X X
21	AT190628	HYDRAULIC HOSE - FABRICATE	2		X X X 13/16" X 241 MM (9-1/2") X 13/16", (86 INCH)
	AT189822	HYDRAULIC HOSE - FABRICATE	2		X X X (92 INCH)
22	AT190702	HYDRAULIC HOSE - FABRICATE	2		X X X 13/16" X 407 MM (16") X 13/16", (86 INCH)
	AT190701	HYDRAULIC HOSE - FABRICATE	2		X X X 13/16" X 470 MM (18-1/2") X 13/16", (92 INCH)
23	AT190900	PIN	2		X X X
24	MOLDBOARD	1		X X X (ORDER AT308972 OR AT308974)
25	19H2106	CAP SCREW	2		X X X 7/16" X 2-3/4"
26	24H1554	WASHER	2		X X X
27	T166455	CUTTING EDGE	1		X X X WELDED ON (86 INCH)
	T150517	CUTTING EDGE	1		X X X AUXILIARY (86 INCH)
	T128538	CUTTING EDGE	1		X X X WELDED ON (92 INCH)
	T84194	CUTTING EDGE	1		X X X AUXILIARY (92 INCH)
28	T128533	BUSHING	4		X X X
29	T166433	BUSHING	2		X X X
32	09H1776	BOLT	8		X X X 5/8" X 1-3/4", MOLDBOARD
	09H1759	BOLT	8		X X X 5/8" X 2-1/4", AUXILIARY
33	14H1039	NUT	8		X X X 5/8"

3102-20

QUICK COUPLER MULTI-PURPOSE BUCKET, CYLINDERS AND LINES (CONTINUED)
BENNE UNIVERSELLE A ACCOUPLEMENT RAPIDE, VERINS ET CONDUITES (SUITE)
ACOPLADOR RAPIDO DE CUCHARON UNIVERSAL, CILINDROS Y LINEAS (CONTINUACION)

T205143 -UN-23NOV04



T205143

3102-21

LOADER 31
BUCKETS 3102

QUICK COUPLER MULTI-PURPOSE BUCKET, CYLINDERS AND LINES (CONTINUED)
BENNE UNIVERSELLE A ACCOUPLEMENT RAPIDE, VERINS ET CONDUITES (SUITE)
ACOPLADOR RAPIDO DE CUCHARON UNIVERSAL, CILINDROS Y LINEAS (CONTINUACION)

KEY	PART NO.	PART NAME	QTY.	SERIAL NO.	REMARKS
					3 3
					3 1 1
					1 0 5
					0 S S
					G G G
34	24M7241	WASHER	8		X X X
36	T213143	LABEL	1		X X X WORKSITE PRO™, (SUB FOR KV22121)
37	T166454	CUTTING EDGE	1		X X X (86 INCH) DBF
	T143804	CUTTING EDGE	1		X X X (92 INCH) DBF
38	JD7797	LUBRICATION FITTING	2		X X X
39	K40006	LOCK NUT	2		X X X 7/16"
40	T167059	PIN	2		X X X
41	AT311143	TUBE	2		X X X
42	38H1354	TUBE NUT	2		X X X
43	H121168	PLATE	3		X X X
44	H135156	CLAMP	6		X X X
45	JD7844	LUBRICATION FITTING	2		X X X
46	T191318	PIN FASTENER	2		X X X
47	T54568	LOCK NUT	2		X X X 3/8"
48	AT172386	HYDRAULIC HOSE - FABRICATE	2		X X X 13/16" X 1 170 MM (46") X 1"
	T77932	O-RING	2		X X X
	AT309986	HYDRAULIC HOSE - FABRICATE	1		X X X UPPER
	AT309934	HYDRAULIC HOSE - FABRICATE	1		X X X LOWER
49	AT312470	HYD. QUICK-CONNECT COUPLER	1		X X X
	KV11305	HYD. QUICK-CONNECT COUPLER	1		X X X
	T77932	O-RING	1		X X X
	T80306	NUT	1		X X X
50	KV14216	HYD. QUICK-CONNECT COUPLER	1		X X X
	KV11304	HYD. QUICK-CONNECT COUPLER	1		X X X
53	AT308972	MULTI-PURPOSE BUCKET	1		X X X (2184MM - 86 INCH) (WHOLE GOODS)
	AT308974	MULTI-PURPOSE BUCKET	1		X X X (2337MM - 92 INCH) (WHOLE GOODS)

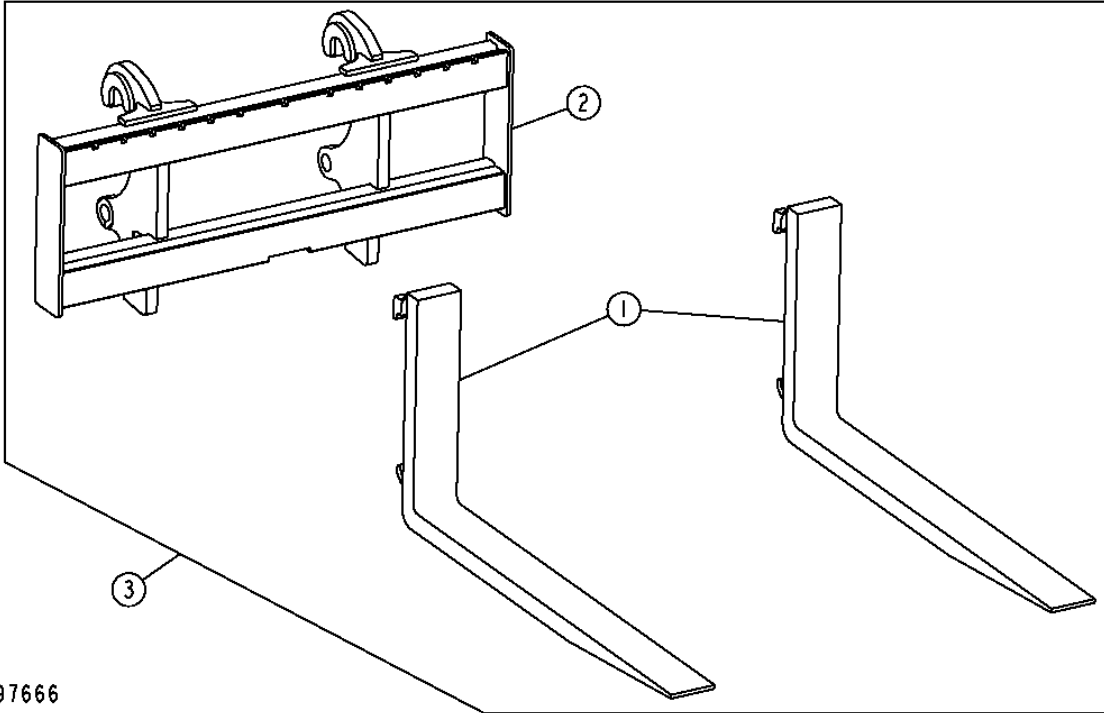
3103-2

LOADER 31

FORKS 3103

QUICK COUPLER FORKS AND FRAME
FOURCHES A ACCOUPLEMENT RAPIDE ET BÂTI
ACOPLADOR RAPIDO DE HORQUILLAS Y BASTIDOR

T197666 -UN-19FEB04



T197666

3103-3

LOADER 31

FORKS 3103

**QUICK COUPLER FORKS AND FRAME
FOURCHES A ACCOUPLEMENT RAPIDE ET BATI
ACOPLADOR RAPIDO DE HORQUILLAS Y BASTIDOR**

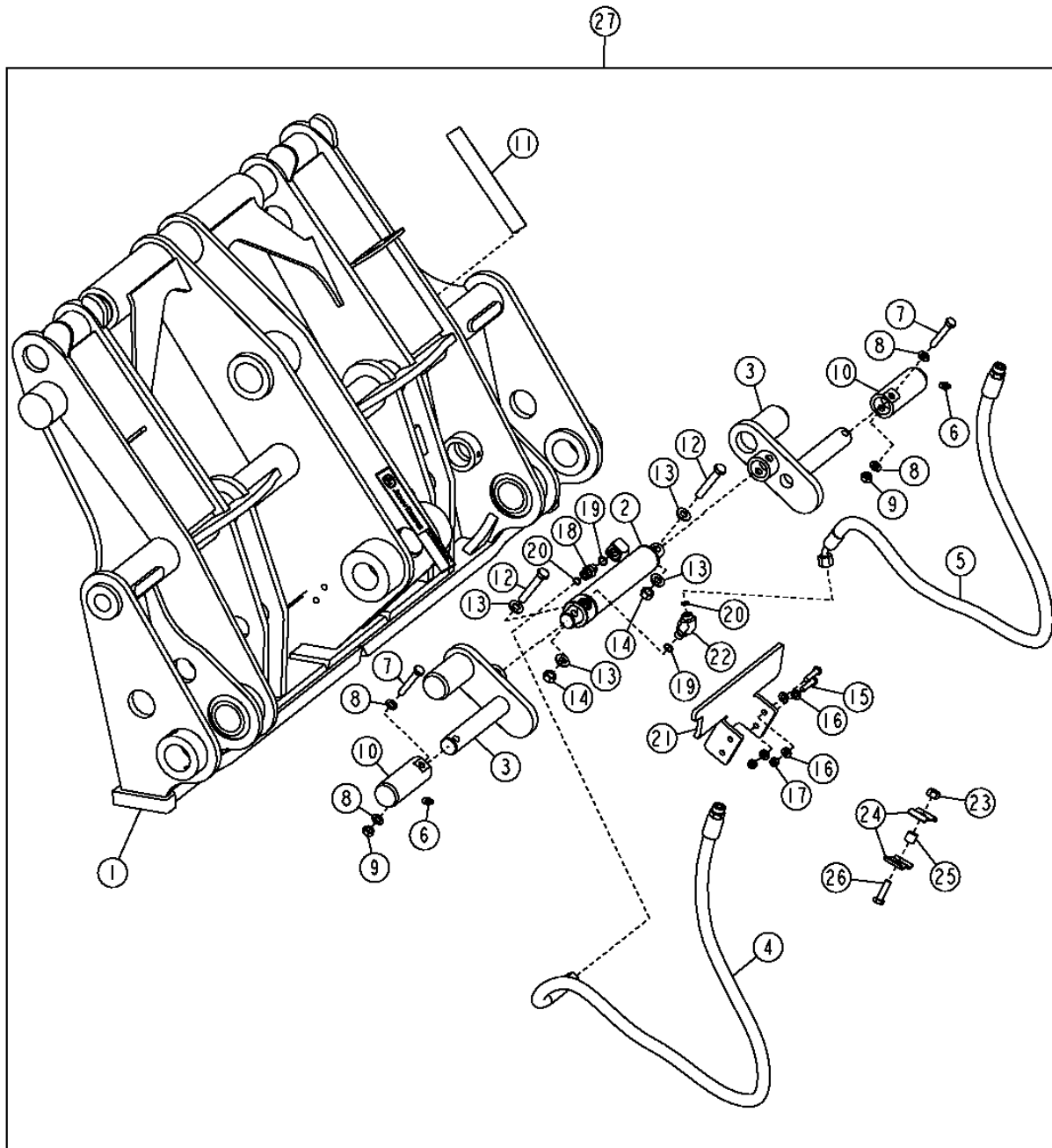
KEY	PART NO.	PART NAME	QTY.	SERIAL NO.	REMARKS
					3 3
					3 1 1
					1 0 5
					0 S S
					G G G
1	AT308925	FORK	1		X X X CONVENIENCE ASSY (48 INCH)
	AT308926	FORK	1		X X X CONVENIENCE ASSY (60 INCH)
	AT308067	LOCK	2		X X X
2	AT308910	FORK	1		X X X CONVENIENCE ASSY
3	AT308138	FORKLIFT	1		X X X (48 INCH) (WHOLEGOODS)
	AT308139	FORKLIFT	1		X X X (60 INCH) (WHOLEGOODS)

3104-2

HYDRAULIC FRONT COUPLER
ACCOUPEMENT AVANT HYDRAULIQUE
ACOPLADOR HIDRAULICO DELANTERO

T209829

-UN-11APR05



T209829

3104-3

LOADER 31

ATTACHMENT COUPLER 3104

**HYDRAULIC FRONT COUPLER
ACCOUPLMENT AVANT HYDRAULIQUE
ACOPLADOR HIDRAULICO DELANTERO**

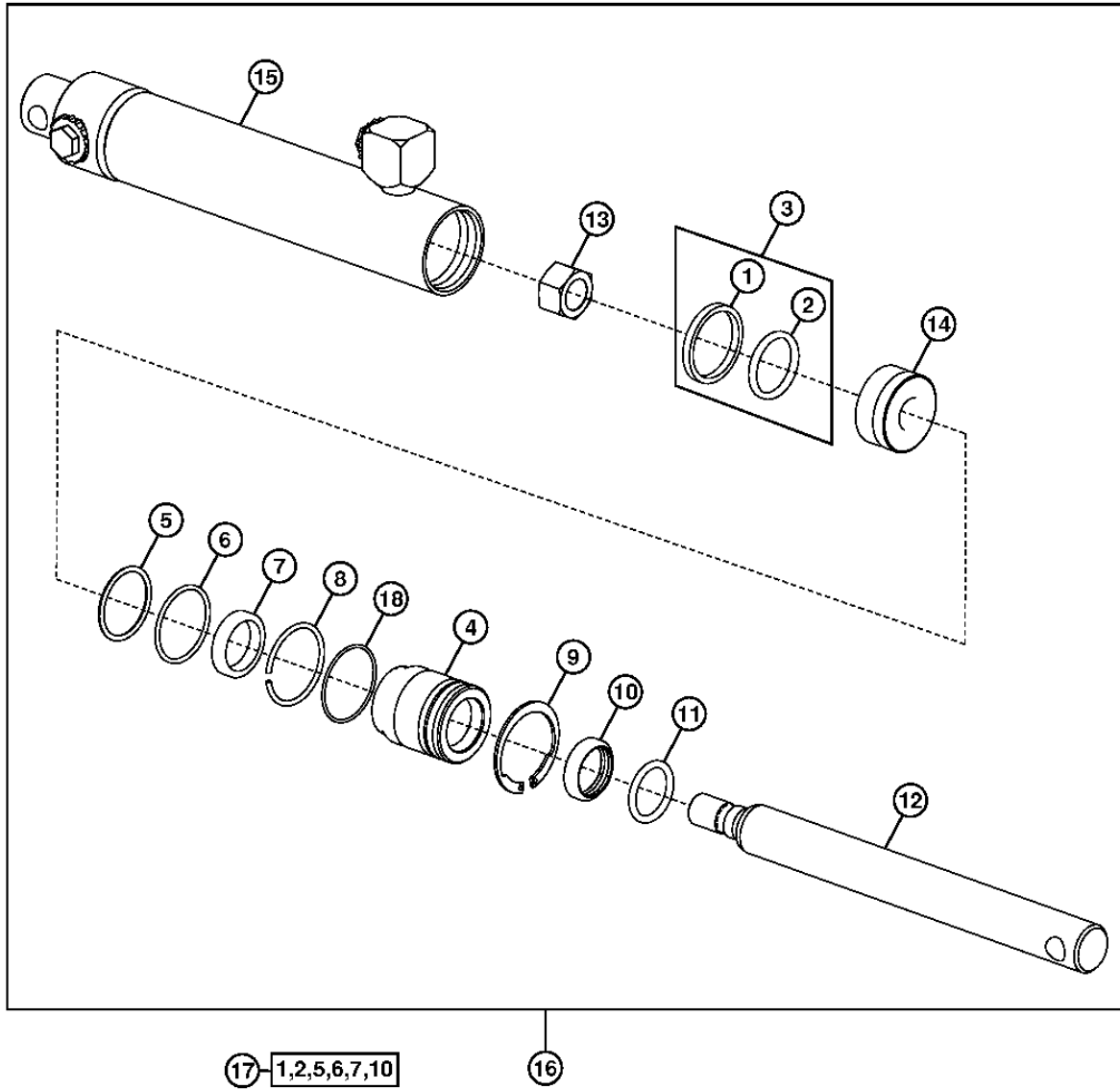
KEY	PART NO.	PART NAME	QTY.	SERIAL NO.	REMARKS
					3 3
					3 1 1
					1 0 5
					0 S S
					G G G
1	QUICK COUPLER	1		X X X (ORDER AT307916)
2	AH217348	HYDRAULIC CYLINDER	1		X X X
3	AT307106	PIN FASTENER	2		X X X
4	AT309746	HYDRAULIC HOSE - FABRICATE	1		X X X 11/16" X 1 245 MM (49") X 11/16"
5	AT309747	HYDRAULIC HOSE - FABRICATE	1		X X X 11/16" X 1 125 MM (44-1/4") X 11/16"
6	T162396	LUBRICATION FITTING	2		X X X
7	19M8499	CAP SCREW	2		X X X M10 X 60
8	24M7346	WASHER	4		X X X
9	14M7274	NUT	2		X X X M10
10	T205017	PIN	2		X X X
11	T213143	LABEL	1		X X X
12	19M7753	CAP SCREW	2		X X X M12 X 70
13	24M7240	WASHER	4		X X X
14	14M7275	NUT	2		X X X M12
15	19M8008	CAP SCREW	4		X X X M8 X 35
16	24M7238	WASHER	8		X X X
17	14M7273	NUT	4		X X X M8
18	38H1160	ADAPTER FITTING	1		X X X
19	R26448	O-RING	2		X X X
20	T77613	O-RING	2		X X X
21	T213288	BRACKET	1		X X X
22	38H1045	ELBOW FITTING	1		X X X
23	14M7274	NUT	1		X X X
24	R46919	HALF CLAMP	2		X X X
25	28H3381	SPACER	1		X X X
26	19M7550	CAP SCREW	1		X X X
27	AT307916	KIT	1		X X X (WHOLE GOODS) INCLUDES HYDRAULIC LINES, FITTINGS, SOLENOID VALVE, HARNESS, SWITCHES AND HARDWARE.

3104-4

FRONT COUPLER CYLINDER
VERIN D'ACCOUPEMENT AVANT
CILINDRO DE ACOPLADOR DELANTERO

TX1015950

-UN-



TX1015950

3104-5

LOADER 31

ATTACHMENT COUPLER 3104

**FRONT COUPLER CYLINDER
VERIN D'ACCOUPLMENT AVANT
CILINDRO DE ACOPLADOR DELANTERO**

KEY	PART NO.	PART NAME	QTY.	SERIAL NO.	REMARKS
					3 3
					3 1 1
					1 0 5
					0 S S
					G G G
1	SEAL	1		X X X (ORDER AH176230) (H180778 NA)
2	O-RING	1		X X X (ORDER AH176230) (H180782 NA)
3	AH176230	SEAL	1		X X X
4	H173205	HYDR. CYLINDER ROD GUIDE	1		X X X
5	M4125T	O-RING	1		X X X
6	H162312	BACK-UP RING	1		X X X
7	H158676	SEAL	1		X X X
8	H173206	RING	1		X X X
9	H173207	SNAP RING	1		X X X
10	H164925	SEAL	1		X X X
11	P45750	O-RING	1		X X X
12	ROD	1		X X X (ORDER AH217348) (H217543 NA)
13	14H1083	NUT	1		X X X 5/8"
14	H173199	PISTON	1		X X X
16	AH217348	HYDRAULIC CYLINDER	1		X X X
17	AH176272	HYDRAULIC CYLINDER KIT	1		X X X
18	O-RING	1		X X X (H207036 NA)

3115-2

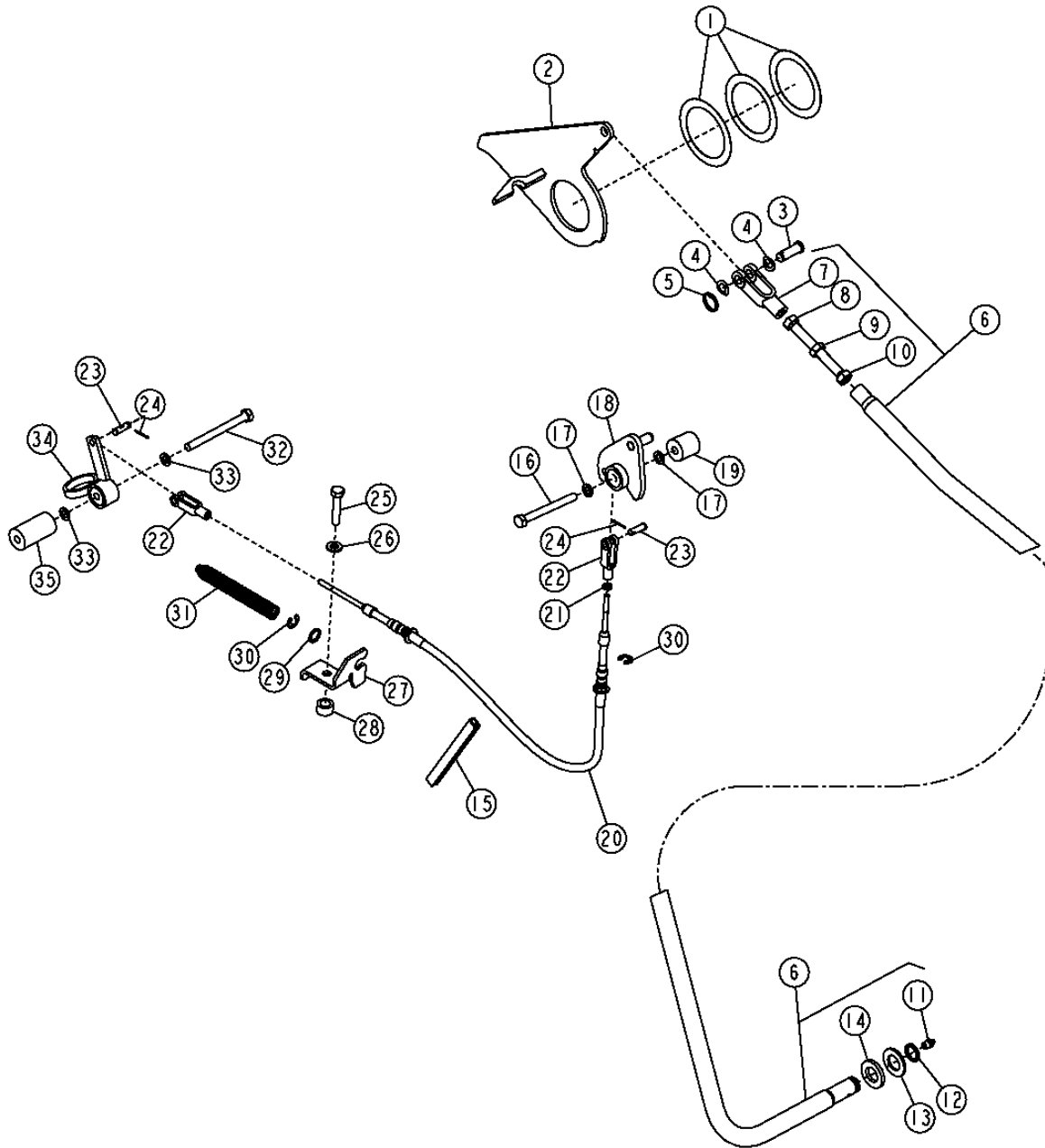
LOADER 31

CONTROLS LINKAGE 3115

BUCKET LEVELING AND RETURN-TO-DIG LINKAGE (SN -913416)
TRINGLERIE DE MISE A NIVEAU DE BENNE ET DE RETOUR EN POSITION DE CREUSEMENT (SN -913416)
VARILLAJE DE NIVELACION DE CUCHARON Y DE RETORNO A EXCAVACION (SN -913416)

T144118

-UN-07SEP01



T144118

3115-3

LOADER 31

CONTROLS LINKAGE 3115

**BUCKET LEVELING AND RETURN-TO-DIG LINKAGE (SN -913416)
 TRINGLERIE DE MISE A NIVEAU DE BENNE ET DE RETOUR EN POSITION DE CREUSEMENT (SN -913416)
 VARILLAJE DE NIVELACION DE CUCHARON Y DE RETORNO A EXCAVACION (SN -913416)**

KEY	PART NO.	PART NAME	QTY.	SERIAL NO.	REMARKS
					3 3 3 1 1 1 0 5 0 S S G G G
1	T161497	SHIM	3		X X X
2	AT185957	BRACKET	1		X X X
3	R72855	PIN FASTENER	1		X X X
4	T146757	WASHER	2		X X X
5	T148182	RING	1		X X X
6	AT184682	TUBE	1		X X X
7	T159981	YOKE	1		X X X
8	14H881	NUT	1		X X X 1/2"
9	T159980	STUD	1		X X X
10	14H856	NUT	1		X X X 1/2"
11	T162396	LUBRICATION FITTING	1		X X X
12	5787YT	SNAP RING	1		X X X
13	24H1659	WASHER	1		X X X
14	T160720	WASHER	1		X X X
15	MOLDING	1		X X X (CTL, 152MM) (MAKE FROM T61861)
16	19M8093	CAP SCREW	1		X X X M10 X 100
17	24M7096	WASHER	2		X X X
18	AT185440	BELLCRANK	1		X X X (INCLUDES AA34134)
	AA34134	BALL BEARING	1		X X X (NOT ILLUSTRATED)
19	T184873	BUSHING	1		X X X
20	CABLE	1	-894048	X X X (AT184341 NLA) (SUB AT196333 AND AT194487)
	AT196333	PUSH PULL CABLE	1	894049-	X X X (SUB FOR AT194488)
21	14H649	NUT	1		X X X 1/4"
22	T184870	YOKE	2		X X X
23	P10456	PIN FASTENER	2		X X X
24	11M7078	COTTER PIN	2		X X X 2 X 20 MM
25	19M8600	CAP SCREW	1		X X X M10 X 50
26	24M7239	WASHER	1		X X X
27	T186082	BRACKET	1		X X X
28	T186083	SPACER	1		X X X
29	24M7228	WASHER	1		X X X
30	R26871	SNAP RING	2		X X X (SUB FOR R106466)
31	T185700	COMPRESSION SPRING	1		X X X
32	19M8166	CAP SCREW	1		X X X M10 X 110
33	24M7096	WASHER	2		X X X
34	BELLCRANK	1	-894048	X X X (AT191023 NLA) (SUB AT194487 AND AT196333)
	AT194487	BELLCRANK	1	894049-	X X X (INCLUDES AA34134)
	AA34134	BALL BEARING	1	894049-	X X X (NOT ILLUSTRATED)
35	T164953	SPACER	1		X X X

3115-4

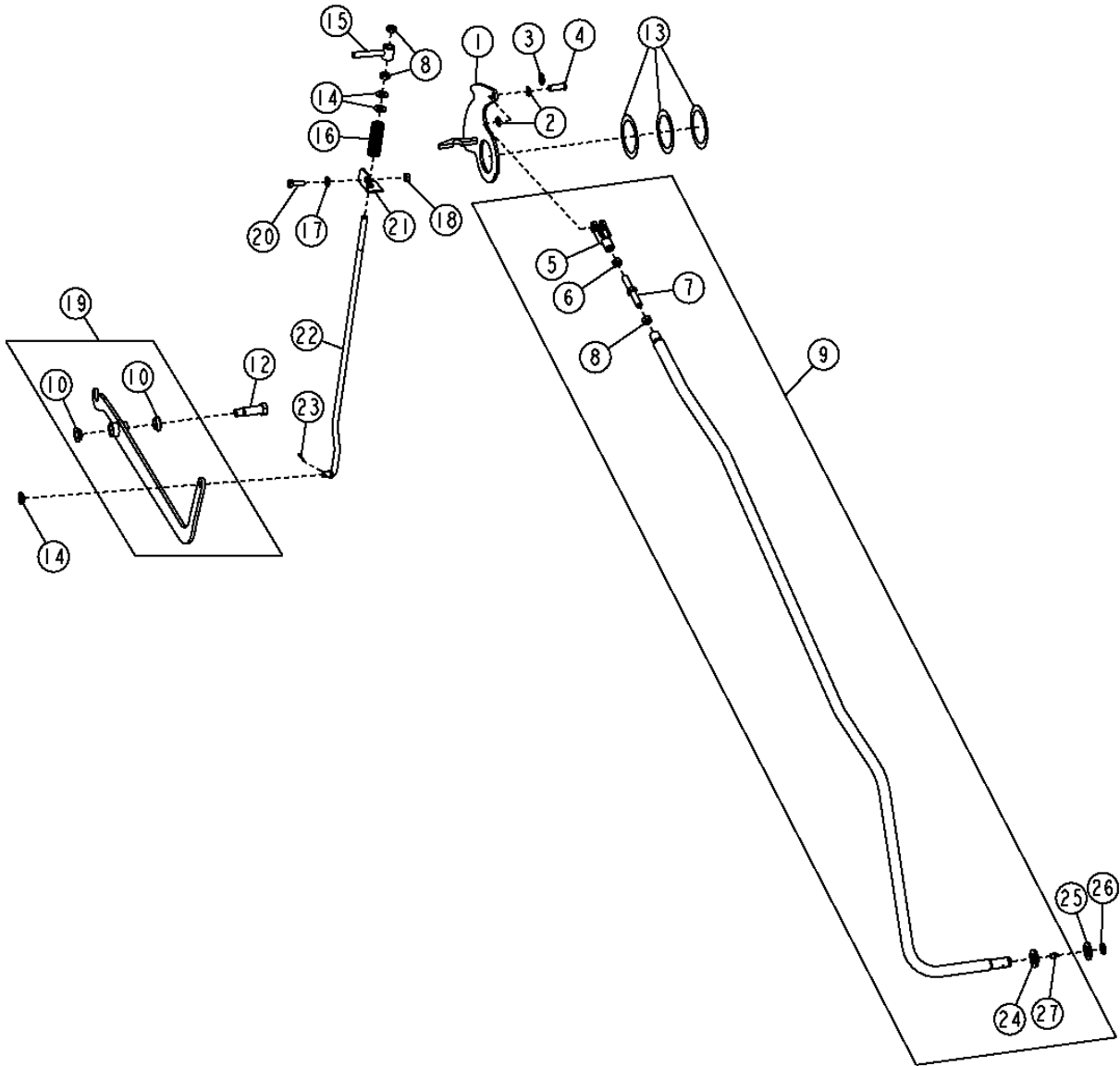
LOADER 31

CONTROLS LINKAGE 3115

BUCKET LEVELING AND RETURN-TO-DIG LINKAGE (SN 913417-)
TRINGLERIE DE MISE A NIVEAU DE BENNE ET DE RETOUR EN POSITION DE CREUSEMENT (SN 913417-)
VARILLAJE DE NIVELACION DE CUCHARON Y DE RETORNO A EXCAVACION (SN 913417-)

TX1005442

-UN-30MAR06



TX1005442

3115-5

LOADER 31

CONTROLS LINKAGE 3115

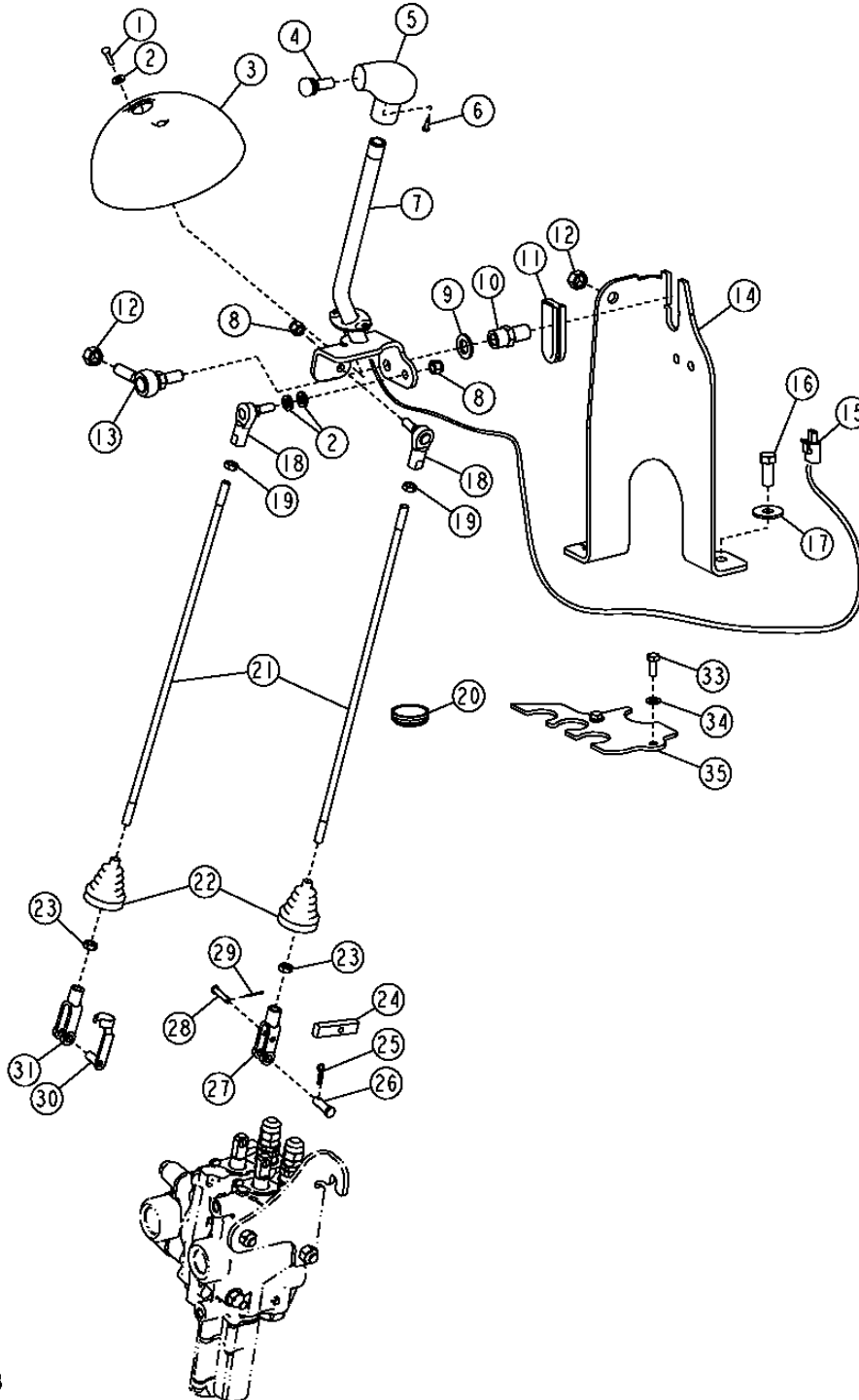
BUCKET LEVELING AND RETURN-TO-DIG LINKAGE (SN 913417-)
 TRINGLERIE DE MISE A NIVEAU DE BENNE ET DE RETOUR EN POSITION DE CREUSEMENT (SN 913417-)
 VARILLAJE DE NIVELACION DE CUCHARON Y DE RETORNO A EXCAVACION (SN 913417-)

KEY	PART NO.	PART NAME	QTY.	SERIAL NO.	3 3 3 1 1 1 0 5 0 S S G G G	REMARKS
1	AT197105	PLATE	1		X X X	
2	T146757	WASHER	2		X X X	
3	T148182	RING	1		X X X	
4	R72855	PIN FASTENER	1		X X X	
5	T159981	YOKE	1		X X X	
6	14H881	NUT	1		X X X	
7	T159980	STUD	1		X X X	
8	14H856	NUT	3		X X X	
9	AT184682	TUBE	1		X X X	
10	T166097	BEARING	2		X X X	(SUB FOR JD9954, THIS APPLICATION)
12	T191285	BOLT	1		X X X	
13	T161497	SHIM	3		X X X	
14	24H1111	WASHER	3		X X X	
15	AT326922	LINK	1		X X X	(SUB FOR AT300159)
16	T190992	COMPRESSION SPRING	1		X X X	
17	24M7239	WASHER	1		X X X	
18	14M7274	NUT	1		X X X	
19	AT199335	ARM	1		X X X	
20	19M7662	CAP SCREW	1		X X X	
21	T190357	SUPPORT	1		X X X	
22	T191226	ROD	1		X X X	
23	11M7082	COTTER PIN	1		X X X	(SUB FOR R46528, THIS APPLICATION)
24	T160720	WASHER	1		X X X	
25	24H1659	WASHER	1		X X X	
26	5787YT	SNAP RING	1		X X X	
27	T162396	LUBRICATION FITTING	1		X X X	

3115-6

LOADER CONTROL VALVE LINKAGE (SN -913416)
TRINGLERIE DE DISTRIBUTEURS DE CHARGEUR (SN -913416)
VARILLAJE DE VALVULA DE CONTROL DE CARGADORA (SN -913416)

T158663 -UN-20AUG02



T158663

3115-7

LOADER 31

CONTROLS LINKAGE 3115

LOADER CONTROL VALVE LINKAGE (SN -913416)
 TRINGLERIE DE DISTRIBUTEURS DE CHARGEUR (SN -913416)
 VARILLAJE DE VALVULA DE CONTROL DE CARGADORA (SN -913416)

KEY	PART NO.	PART NAME	QTY.	SERIAL NO.	REMARKS
					3 3
					3 1 1
					1 0 5
					0 S S
					G G G
1	21H1406	SCREW	2		X X X 0.190" X 3/4"
2	T83061	WASHER	2		X X X
3	T166899	COVER	1		X X X
4	AT162180	SWITCH	1		X X X
5	AT171550	KNOB	1		X X X
6	37H95	SCREW	2		X X X
7	AT184156	LEVER	1		X X X
8	M68954	LOCK NUT	2		X X X 3/8"
9	24M7053	WASHER	1		X X X
10	T187072	SPACER	1		X X X (SUB FOR T167104)
11	T167192	INSERT	1		X X X
12	14H865	NUT	2		X X X 1/2"
13	AT124107	BALL JOINT	1		X X X
14	T165299	SUPPORT	1		X X X
15	RE12363	ELECTRICAL CONNECTOR ASSY	1		X X X
16	19M8011	CAP SCREW	2		X X X M12 X 30
17	24M7180	WASHER	2		X X X
18	AT169087	BALL JOINT	2		X X X
19	14H774	NUT	2		X X X 3/8"
20	T185711	PLUG	2		X X X (THIRD FUNCTION)
21	T164257	ROD	2		X X X
22	T185710	BOOT	2		X X X
23	14H913	NUT	2		X X X 3/8"
24	T184821	STRAP	1		X X X
25	R46528	SPRING LOCKING PIN	1		X X X
26	R65563	PIN FASTENER	1		X X X
27	T185004	YOKE	1		X X X (L.H.)
28	45M7036	PIN FASTENER	1		X X X
29	11M7093	COTTER PIN	1		X X X 1.600 X 20 MM
30	T183617	PIN FASTENER	1		X X X
31	T140328	YOKE	1		X X X (L.H.)
32	24M7106	WASHER	2		X X X
33	19M7881	SCREW	2		X X X M8 X 20
34	24M7238	WASHER	2		X X X
35	T185748	PLATE	1		X X X

3115-8

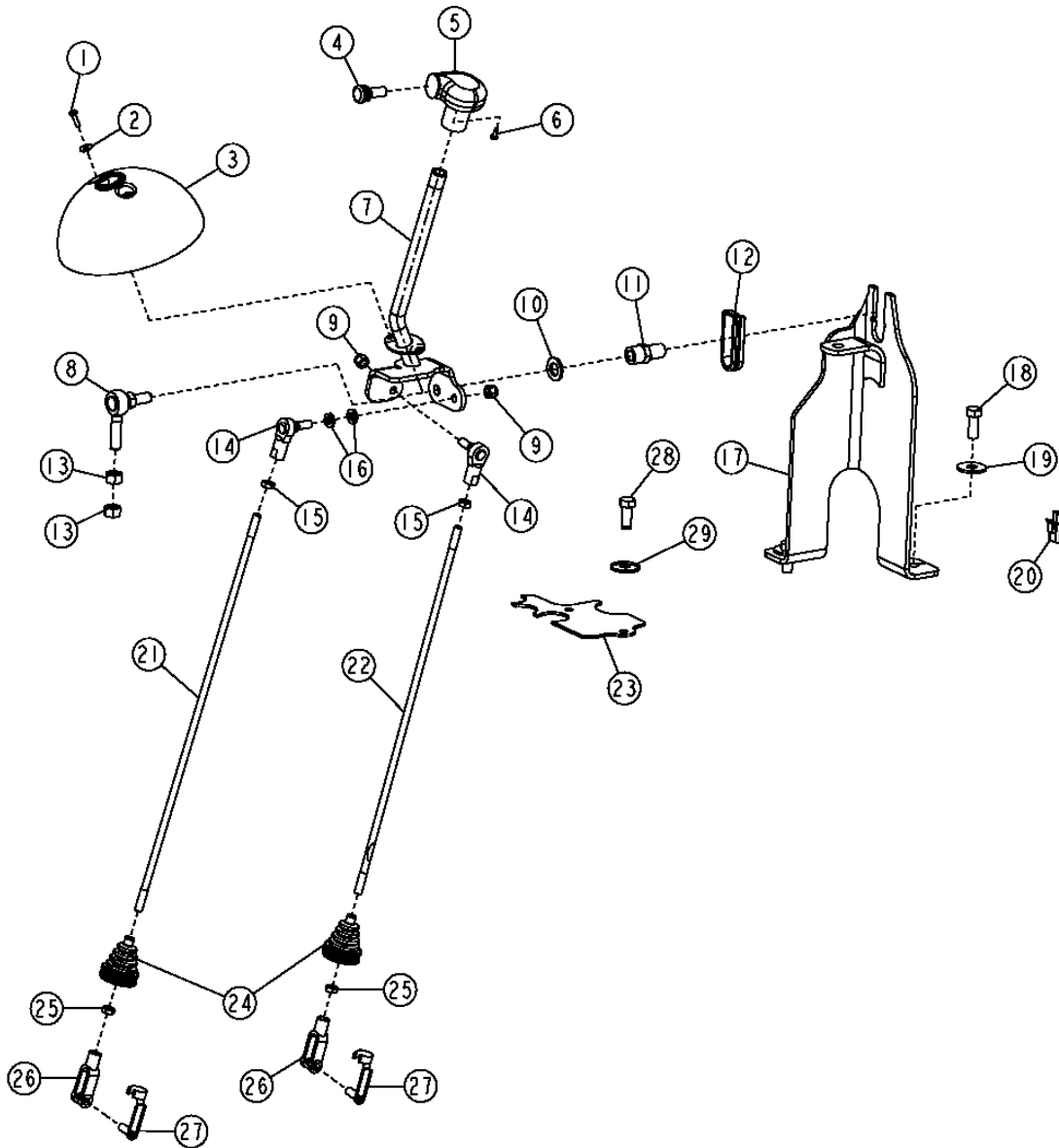
LOADER 31

CONTROLS LINKAGE 3115

LOADER CONTROL VALVE LINKAGE (SN 913417-)
TRINGLERIE DE DISTRIBUTEURS DE CHARGEUR (SN 913417-)
VARILLAJE DE VALVULA DE CONTROL DE CARGADORA (SN 913417-)

T164098

-UN-16JAN03



T164098

3115-9

LOADER 31

CONTROLS LINKAGE 3115

LOADER CONTROL VALVE LINKAGE (SN 913417-)
 TRINGLERIE DE DISTRIBUTEURS DE CHARGEUR (SN 913417-)
 VARILLAJE DE VALVULA DE CONTROL DE CARGADORA (SN 913417-)

KEY	PART NO.	PART NAME	QTY.	SERIAL NO.	REMARKS
					3 3
					3 1 1
					1 0 5
					0 S S
					G G G
1	21H1406	SCREW	2		X X X 0.190" X 3/4"
2	T83061	WASHER	2		X X X
3	T166899	COVER	1		X X X
4	AT162180	SWITCH	1		X X X
5	AT171550	KNOB	1		X X X
6	37H95	SCREW	2		X X X
7	AT196591	LEVER	1		X X X
8	AT124107	BALL JOINT	1		X X X
9	M68954	LOCK NUT	2		X X X 9.525 MM
10	24M7053	WASHER	1		X X X
11	T187072	SPACER	1		X X X
12	T167192	INSERT	1		X X X
13	14H865	NUT	2		X X X 1/2"
14	AT169087	BALL JOINT	2		X X X
15	14H774	NUT	2		X X X 3/8"
16	24M7106	WASHER	2		X X X 10 X 18 X 2.500 MM
17	AT196590	CONTROL SUPPORT	1		X X X
18	19M8011	CAP SCREW	2		X X X M12 X 30
19	24M7180	WASHER	2		X X X
20	RE12363	ELECTRICAL CONNECTOR ASSY	1		X X X
21	T188976	ROD	1		X X X
22	T188976	ROD	1		X X X
23	T190473	PLATE	1		X X X
24	T185710	BOOT	2		X X X
25	14H913	NUT	2		X X X 3/8"
26	T140328	YOKE	2		X X X
27	T183617	PIN FASTENER	2		X X X
28	19M7881	SCREW	2		X X X M8 X 20
29	24M7238	WASHER	2		X X X

3115-10

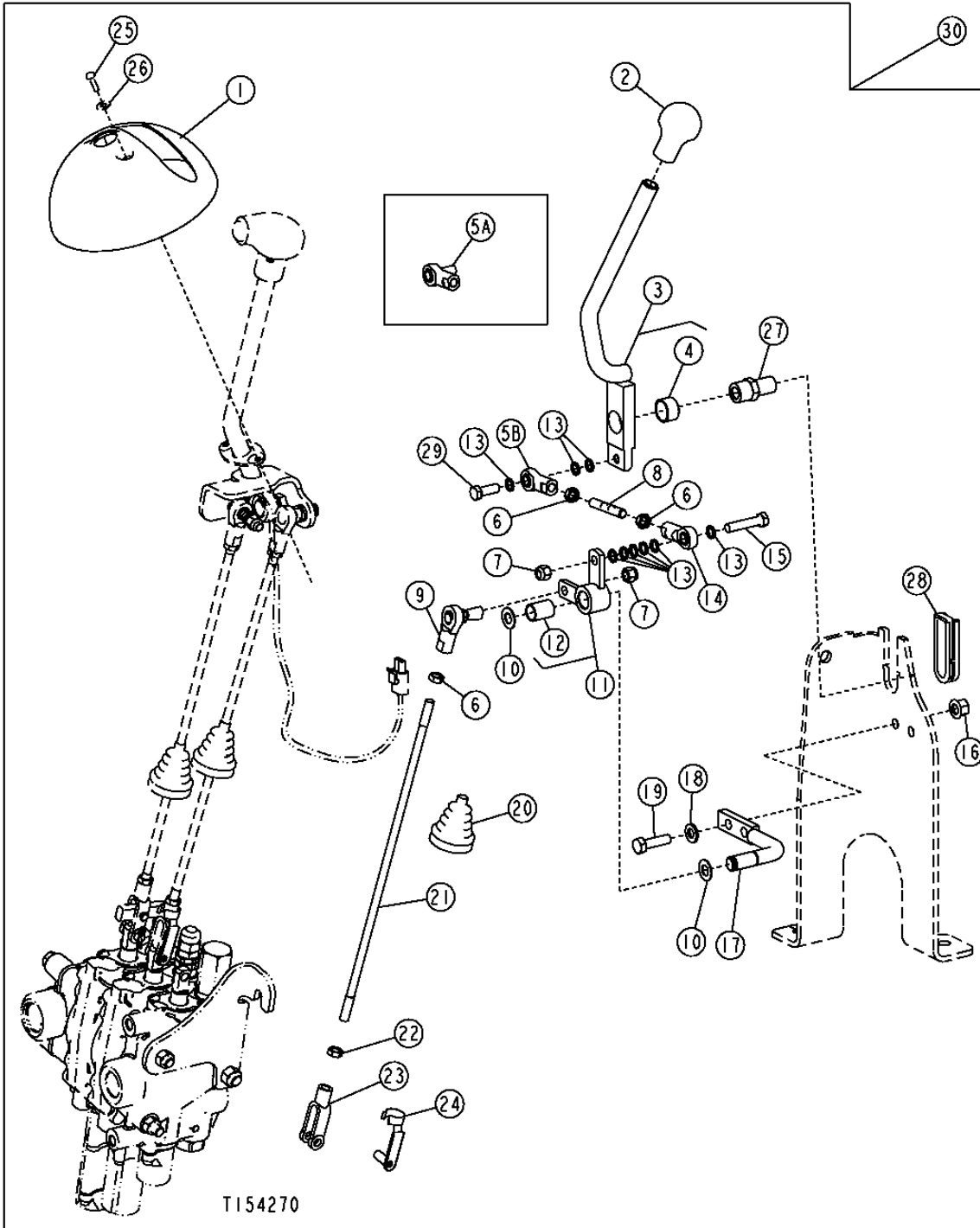
LOADER 31

CONTROLS LINKAGE 3115

THIRD FUNCTION LOADER CONTROL VALVE LINKAGE (SN -913416)
TRINGLERIE DE DISTRIBUTEURS DE CHARGEUR A TROISIEME FONCTION (SN -913416)
VARILLAJE DE VALVULA DE CONTROL DE CARGADORA DE TERCERA FUNCION (SN -913416)

T154270

-UN-23APR02



3115-11

LOADER 31

CONTROLS LINKAGE 3115

THIRD FUNCTION LOADER CONTROL VALVE LINKAGE (SN -913416)
 TRINGLERIE DE DISTRIBUTEURS DE CHARGEUR A TROISIEME FONCTION (SN -913416)
 VARILLAJE DE VALVULA DE CONTROL DE CARGADORA DE TERCERA FUNCION (SN -913416)

KEY	PART NO.	PART NAME	QTY.	SERIAL NO.	3 3 3 1 1 1 0 5 0 S S G G G	REMARKS
1	T166900	COVER	1		X X X	
2	T133291	KNOB	1		X X X	
3	AT192261	LEVER	1		X X X	
4	L4694T	BUSHING	1		X X X	
5A	BALL JOINT	1	-906331	X X X	(AT192684 NLA) (SUB AE37072, 19H2987, 19H2960, (5) 24H1301)
5B	AE37072	LINK END	1	906332-	X X X	
6	14H774	NUT	3		X X X	3/8"
7	M68954	LOCK NUT	2		X X X	3/8"
8	T165431	STUD	1		X X X	
9	AT169087	BALL JOINT	1		X X X	
10	F2863R	SNAP RING	2		X X X	
11	AT184744	BELLCRANK	1		X X X	
12	U12857	BUSHING	1		X X X	
13	24H1301	WASHER	4	-906331	X X X	
	24H1301	WASHER	9	906332-	X X X	
14	AE37072	LINK END	1		X X X	
15	19H2544	CAP SCREW	1	-906331	X X X	3/8" X 1-1/2"
	19H2960	CAP SCREW	1	906332-	X X X	3/8" X 1-3/4"
16	14M7400	LOCK NUT	2		X X X	M10
17	T185338	SUPPORT	1		X X X	
18	24M7239	WASHER	2		X X X	
19	19M7550	CAP SCREW	2		X X X	M10 X 35
20	T185710	BOOT	1		X X X	
21	T164259	ROD	1		X X X	
22	14H913	NUT	1		X X X	3/8"
23	T140328	YOKE	1		X X X	
24	T183617	PIN FASTENER	1		X X X	
25	21H1406	SCREW	2		X X X	0.190" X 3/4"
26	T83061	WASHER	2		X X X	
27	T187072	SPACER	1		X X X	
28	T167192	INSERT	1		X X X	
29	19H2987	CAP SCREW	1	906332-	X X X	3/8" X 1"
30	AT194369	KIT	1		X X X	(WHOLE GOODS) (INCLUDES HYDRAULIC OIL LINES, ADAPTERS AND ATTACHING HARDWARE) (ALSO ORDER AT192185)

3115-12

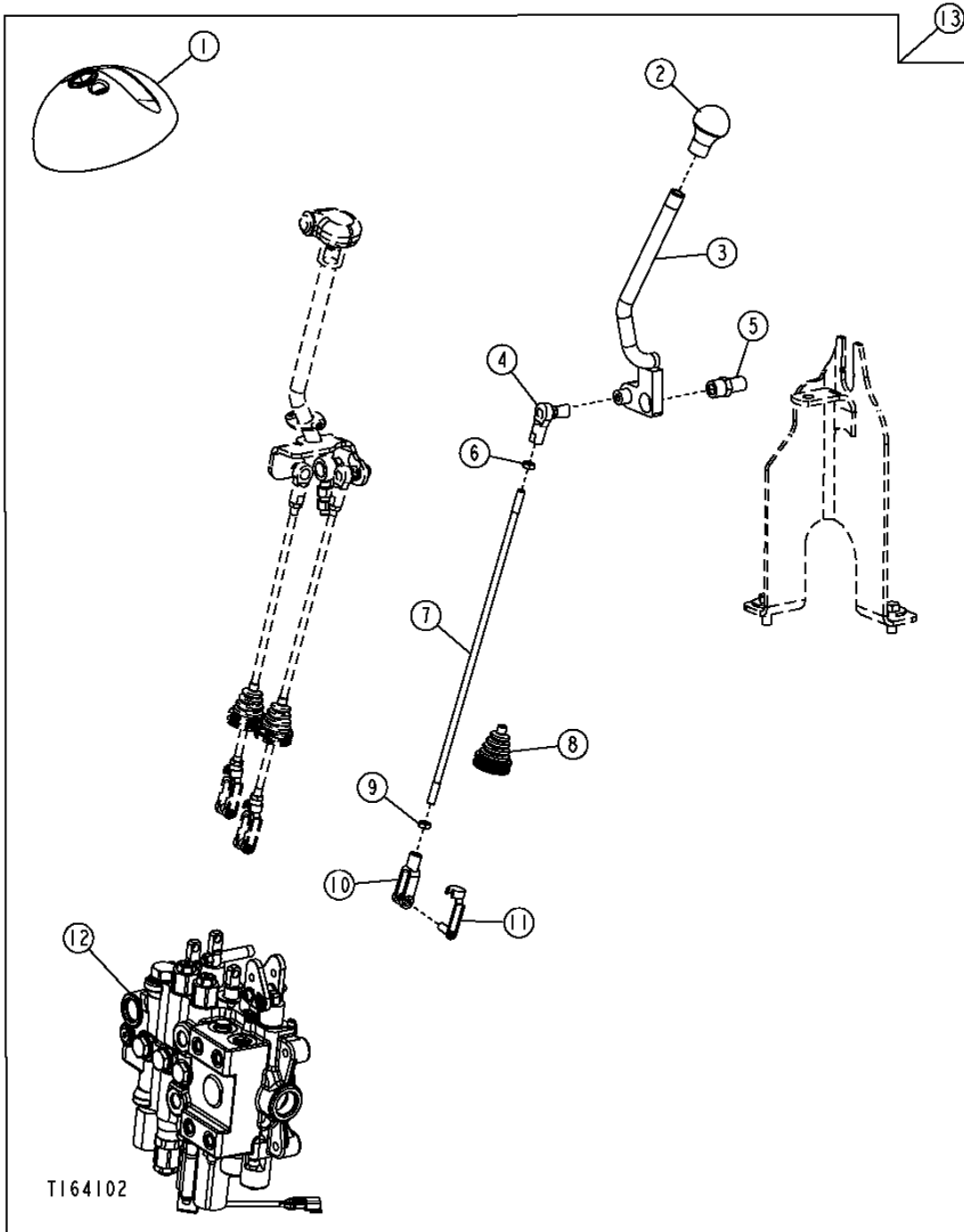
LOADER 31

CONTROLS LINKAGE 3115

THIRD FUNCTION LOADER CONTROL VALVE LINKAGE (SN 913417-)
TRINGLERIE DE DISTRIBUTEURS DE CHARGEUR A TROISIEME FONCTION (SN 913417-)
VARILLAJE DE VALVULA DE CONTROL DE CARGADORA DE TERCERA FUNCION (SN 913417-)

T164102

-UN-16JAN03



3115-13

LOADER 31

CONTROLS LINKAGE 3115

THIRD FUNCTION LOADER CONTROL VALVE LINKAGE (SN 913417-)
TRINGLERIE DE DISTRIBUTEURS DE CHARGEUR A TROISIEME FONCTION (SN 913417-)
VARILLAJE DE VALVULA DE CONTROL DE CARGADORA DE TERCERA FUNCION (SN 913417-)

KEY	PART NO.	PART NAME	QTY.	SERIAL NO.	REMARKS
1	T166900	COVER	1		
2	T133291	KNOB	1		
3	AT196596	LEVER	1		
4	AT169087	BALL JOINT	1		
5	L4694T	BUSHING	1		
6	14H774	NUT	1		3/8"
7	T188976	ROD	1		
8	T185710	BOOT	1		
9	14H913	NUT	1		3/8"
10	T140328	YOKE	1		
11	T183617	PIN FASTENER	1		
12	AT196624	CONTROL VALVE	1		(CONVENIENCE ASSEMBLY)
13	AT197236	KIT	1		(WHOLE GOODS) (INCLUDES HYDRAULIC OIL LINES, ADAPTERS AND ATTACHING HARDWARE)

3140-2

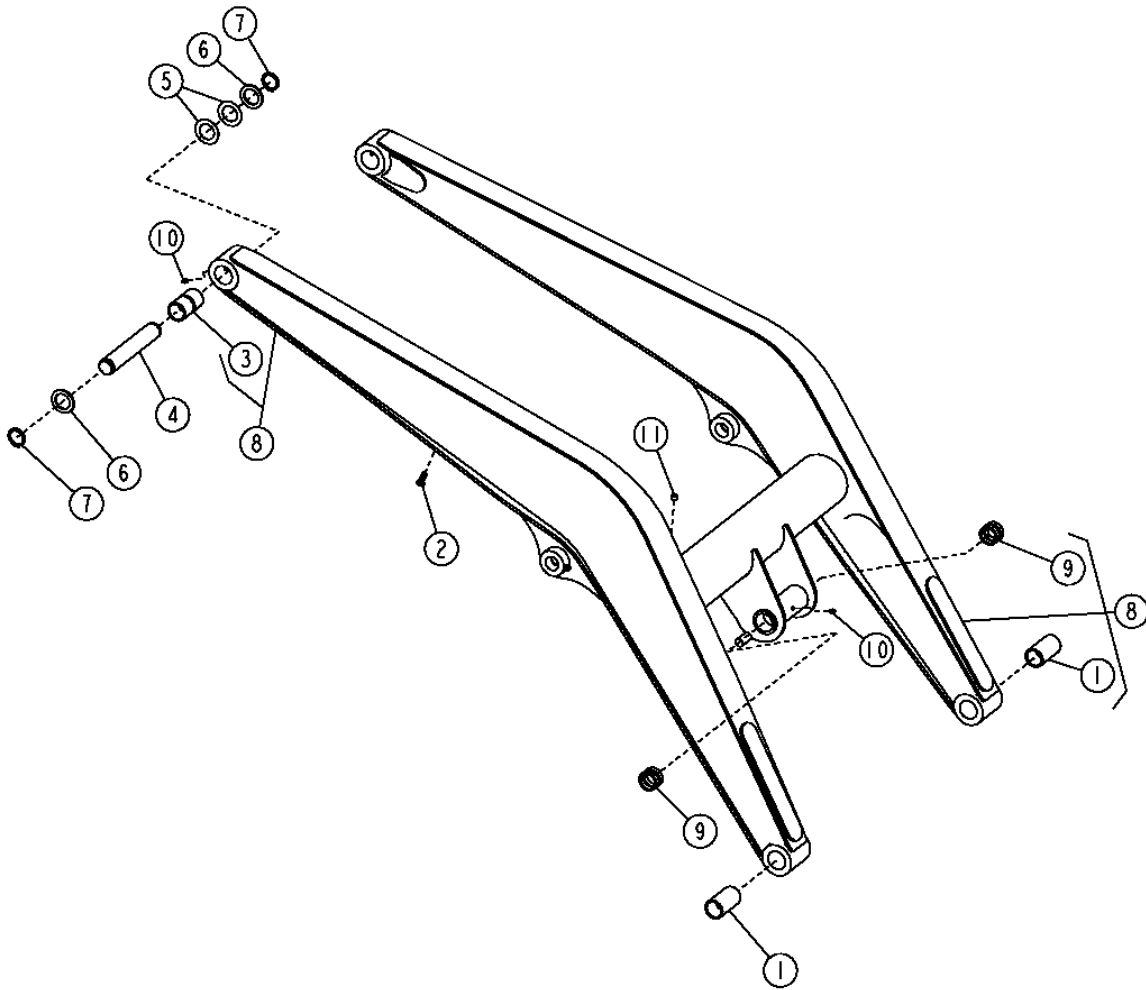
LOADER 31

FRAMES 3140

LOADER LIFT ARM
BRAS DE RELEVAGE DE CHARGEUR
BRAZO ELEVADOR DE CARGADORA

T152287

-UN-05MAR02



T152287

3140-3

LOADER 31

FRAMES 3140

**LOADER LIFT ARM
BRAS DE RELEVAGE DE CHARGEUR
BRAZO ELEVADOR DE CARGADORA**

KEY	PART NO.	PART NAME	QTY.	SERIAL NO.	3 3 3 1 1 1 0 5 0 S S G G G	REMARKS
1	T154165	BUSHING	2		X X X	
2	T148411	NUT	1		X X X	M10
3	T154166	BUSHING	2		X X X	(SN 9084382 REQUIRES T154764)
4	T154352	PIN	2		X X X	49.475 X 296.600 MM (1.948" X 11.677") (SN 908382 REQUIRES T154769)
5	24H1589	WASHER	6		X X X	(SN 908382 REQUIRES 24H1679)
6	T75815	WASHER	4		X X X	(SN 908382 REQUIRES T75816)
7	T61226	SNAP RING	4		X X X	(SN 908382 REQUIRES T158181)
8	LOADER BOOM	1	-896864	X X X	(AT184843 NLA) (SUB AT315189) (ALSO ORDER (2) T187275, (2) T187276 AND (2) 19M7784) (SUB FOR AT199740, THIS APPLICATION)
	AT315189	LIFT ARM	1	896865-	X X X	(SN 908382 REQUIRES AT314739)
9	T154058	BUSHING	2		X X X	
10	T162396	LUBRICATION FITTING	3		X X X	

3140-4

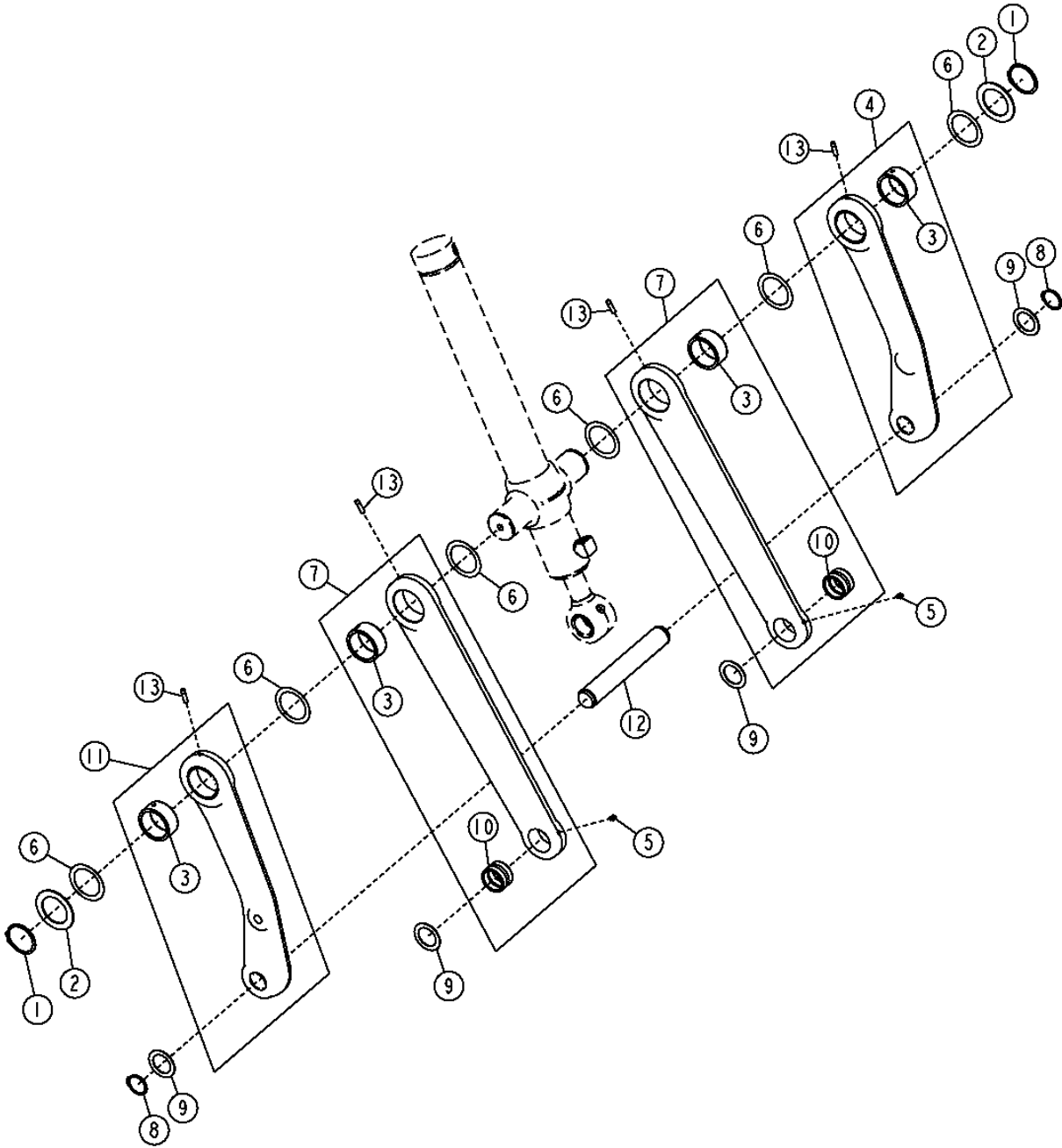
LOADER 31

FRAMES 3140

LOADER BUCKET LINKAGE TRINGLERIE DE BENNE DE CHARGEUR VARILLAJE DE CUCHARON DE CARGADORA

TX1007618

-UN-16MAY06



TX1007618

3140-5

LOADER 31

FRAMES 3140

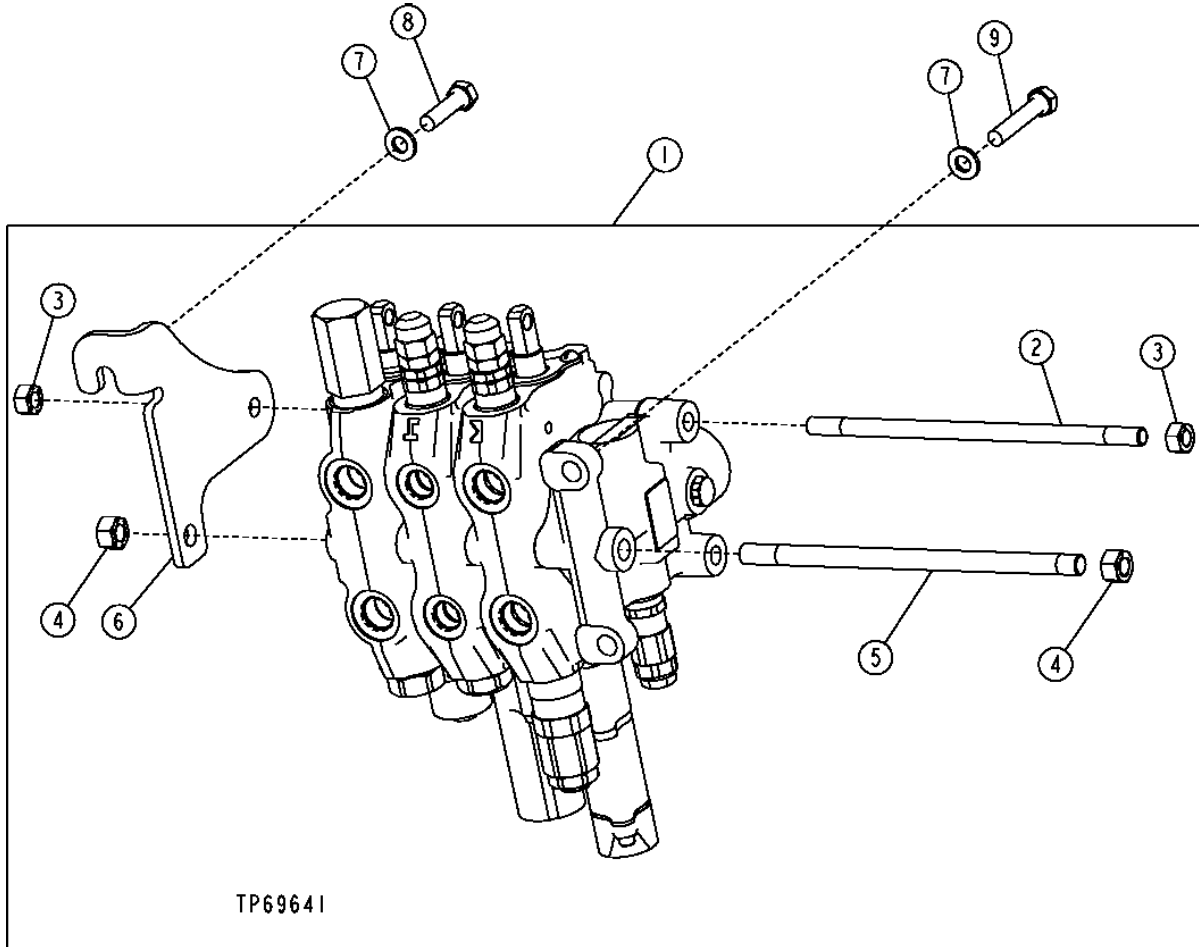
LOADER BUCKET LINKAGE
 TRINGLERIE DE BENNE DE CHARGEUR
 VARILLAJE DE CUCHARON DE CARGADORA

KEY	PART NO.	PART NAME	QTY.	SERIAL NO.	REMARKS
					3 3
					3 1 1
					1 0 5
					0 S S
					G G G
1	40M7217	SNAP RING	2		X X X
2	T158579	WASHER	2		X X X
3	T216397	BUSHING	4		X X X
4	AT184647	LINK	1		X X X (LH)
5	T162396	LUBRICATION FITTING	2		X X X
6	T161497	SHIM	6		X X X
7	AT184064	LINK	2		X X X
8	40M7166	SNAP RING	2		X X X
9	24H1595	WASHER	4		X X X
10	T183356	BUSHING	2		X X X
11	AT184646	LINK	1		X X X (RH)
12	T165314	PIN	1		X X X 49.475 X 330.100 MM
13	T224857	DOWEL PIN	4		X X X

3162-2

CONTROL & LOAD HOLDING VALVES 3162
LOADER CONTROL VALVE (HUSCO) (SN -913416)
DISTRIBUTEUR DE CHARGEUR (HUSCO) (SN -913416)
VALVULA DE CONTROL DE CARGADORA (HUSCO) (SN -913416)

TP69641 -UN-06OCT00



3162-3

LOADER 31

CONTROL& LOAD:HOLDING:VALVES 3162

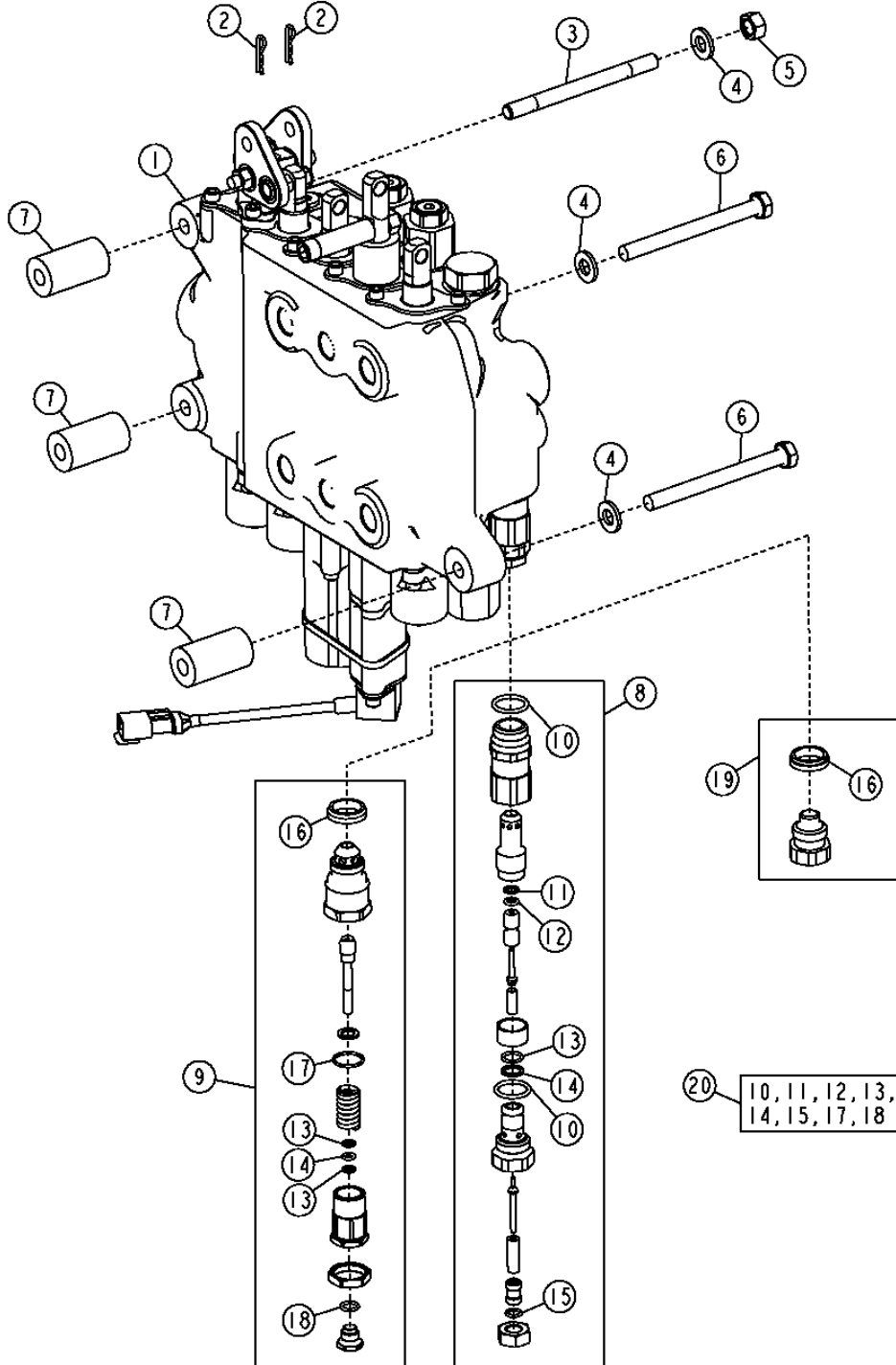
LOADER CONTROL VALVE (HUSCO) (SN -913416)
DISTRIBUTEUR DE CHARGEUR (HUSCO) (SN -913416)
VALVULA DE CONTROL DE CARGADORA (HUSCO) (SN -913416)

KEY	PART NO.	PART NAME	QTY.	SERIAL NO.	REMARKS
					3 3
					3 1 1
					1 0 5
					0 S S
					G G G
1	RELIEF VALVE	1		X X X (TWO FUNCTION) (AT184003 NLA) (ORDER COMPONENTS)
	RELIEF VALVE	1		X X X (THREE FUNCTION) (AT184005 NLA) (ORDER COMPONENTS)
2	T185982	STUD	2		X X X (TWO FUNCTION)
	T186319	STUD	2		X X X (THREE FUNCTION)
3	14H807	NUT	4		X X X 7/16"
4	14H865	NUT	2		X X X 1/2"
5	T185985	STUD	1		X X X (TWO FUNCTION)
	T121238	STUD	1		X X X (THREE FUNCTION)
6	T164088	BRACKET	1		X X X
7	24M7239	WASHER	3		X X X
8	19M8637	CAP SCREW	1		X X X M10 X 40
9	19M7935	CAP SCREW	2		X X X M10 X 55

3162-4

CONTROL & LOAD HOLDING VALVES 3162
LOADER CONTROL VALVE (HUSCO) (SN 913417-)
DISTRIBUTEUR DE CHARGEUR (HUSCO) (SN 913417-)
VALVULA DE CONTROL DE CARGADORA (HUSCO) (SN 913417-)

T206864 -UN-28JAN05



T206864

3162-5

LOADER 31

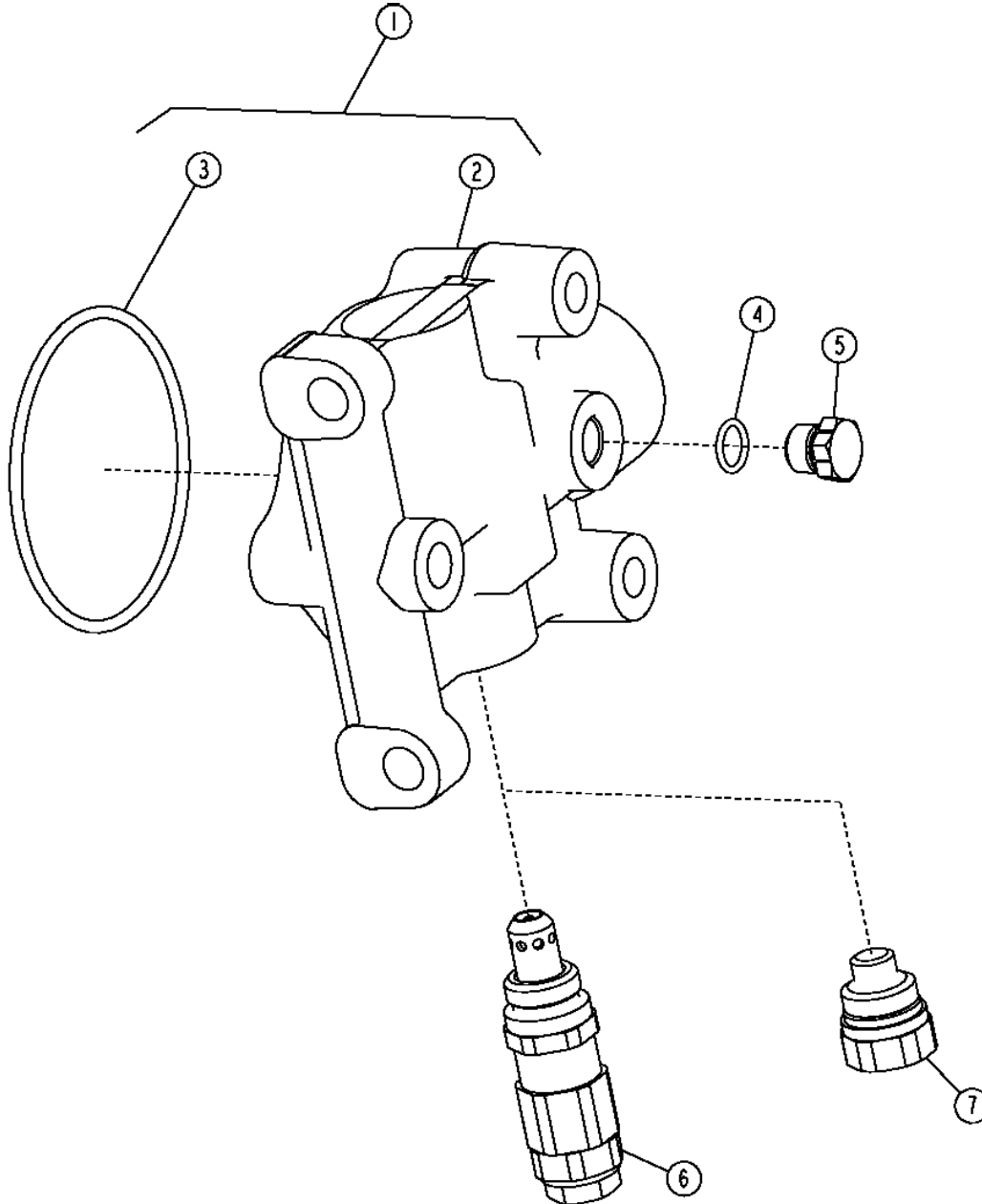
CONTROL& LOAD:HOLDING:VALVES 3162
 LOADER CONTROL VALVE (HUSCO) (SN 913417-)
 DISTRIBUTEUR DE CHARGEUR (HUSCO) (SN 913417-)
 VALVULA DE CONTROL DE CARGADORA (HUSCO) (SN 913417-)

KEY	PART NO.	PART NAME	QTY.	SERIAL NO.	3 3 3 1 1 1 0 5 0 S S G G G	REMARKS
1	AT196622	SPOOL VALVE	1		X X X	(TWO FUNCTION) (CONVENIENCE ASSEMBLY)
	AT196624	SPOOL VALVE	1		X X X	(THREE FUNCTION) (CONVENIENCE ASSEMBLY)
2	R46528	SPRING LOCKING PIN	2		X X X	
3	T190300	STUD	1		X X X	
4	24M7239	WASHER	3		X X X	
5	14M7274	NUT	1		X X X	M10
6	19M8166	CAP SCREW	2		X X X	M10 X 110
7	T190296	SPACER	3		X X X	
8	PRESSURE RELIEF VALVE	1	-943225	X	(AT172945 NLA) 18271 KPA (2650 PSI) (SUB AT316301)
9	AT316301	PRESSURE RELIEF VALVE	1	943226-	X	19305 KPA (2800 PSI)
10	KV12858	O-RING	2		X	
11	BACK-UP RING	1		X	
12	O-RING	1		X	
13	O-RING	1		X	
14	BACK-UP RING	1		X	
15	R79060	O-RING	1		X	
16	T183756	SEAL	1		X X X	
17	O-RING	1		X	
18	O-RING	1		X	
19	AT78527	FITTING PLUG	1		X X	
20	AT314538	SEAL KIT	1		X X X	(7/8 INCH) (RELIEF VALVE) (SUB FOR AT189413)
	AT314539	SEAL KIT	1		X X X	(1 1/16 INCH) (RELIEF VALVE) (SUB FOR AT189413)

3162-6

CONTROL & LOAD HOLDING VALVES 3162
INLET SECTION (LOADER VALVE) (SN -913416)
SECTION D'ENTREE (SOUPAPE DE CHARGEUR) (SN -913416)
SECCION DE ENTRADA (VALVULA DE CARGADORA) (SN -913416)

TP69644 -UN-06OCT00



TP69644

3162-7

LOADER 31

CONTROL & LOAD HOLDING VALVES 3162

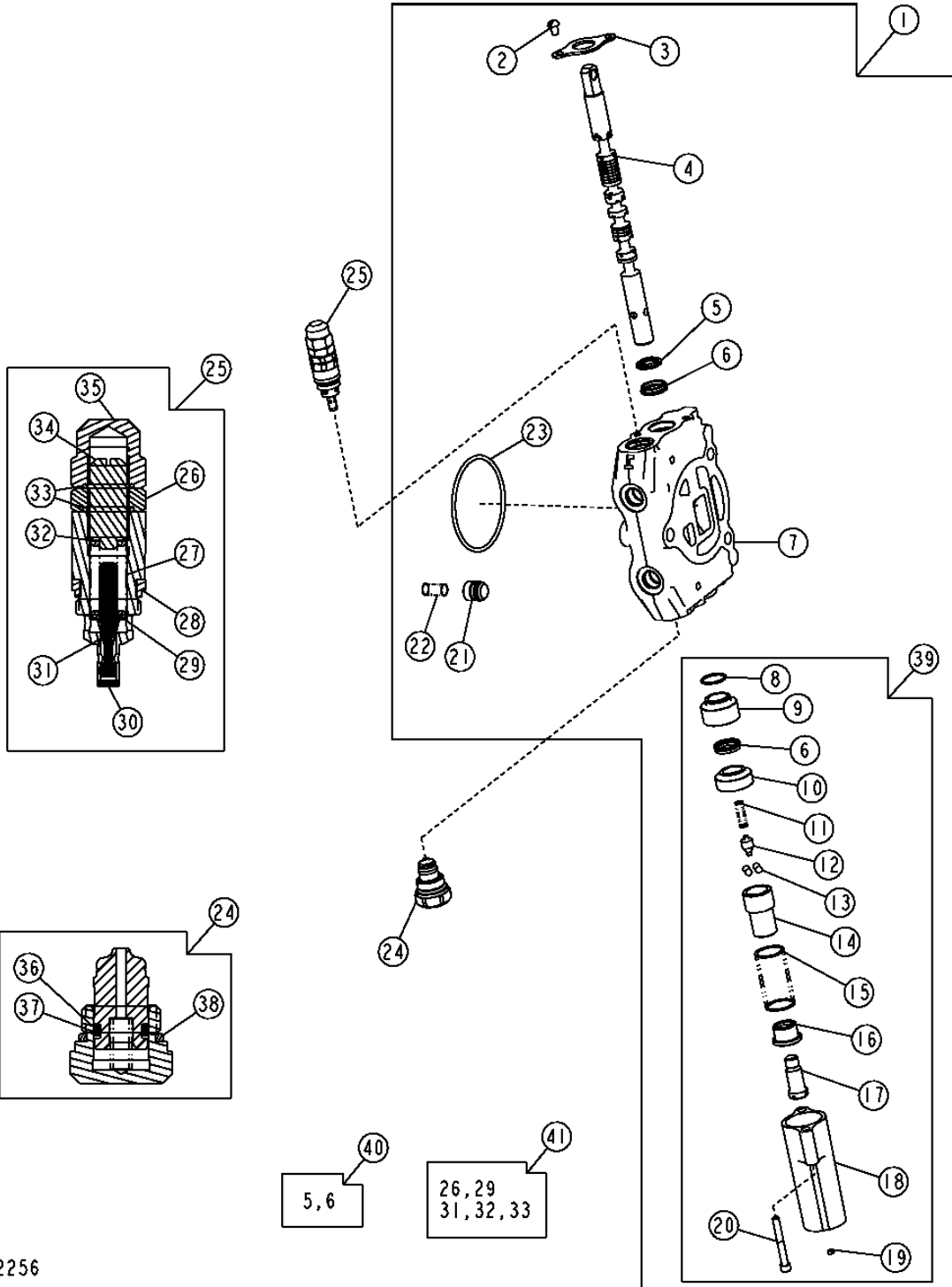
INLET SECTION (LOADER VALVE) (SN -913416)
 SECTION D'ENTREE (SOUPAPE DE CHARGEUR) (SN -913416)
 SECCION DE ENTRADA (VALVULA DE CARGADORA) (SN -913416)

KEY	PART NO.	PART NAME	QTY.	SERIAL NO.	3 3 3 1 1 1 0 5 0 S S G G G	REMARKS
1	AT185939	SPOOL VALVE	1		X X X	
2	HOUSING	1		X X X	
3	T118685	O-RING	1		X X X	
4	R26448	O-RING	1		X X X	
5	R27218	FITTING PLUG	1		X X X	
6	AT318530	PRESSURE RELIEF VALVE	1	-910055	X	18271 KPA (2650 PSI) (SUB FOR AT172945)
	AT316301	PRESSURE RELIEF VALVE	1	910056-	X	19305 KPA (2800 PSI) (SUB FOR AT172945)
	AT184547	PRESSURE RELIEF VALVE	1	-910055	X	
7	AT78527	FITTING PLUG	1	910056-	X	
	AT78527	FITTING PLUG	1		X	

3162-8

CONTROL & LOAD HOLDING VALVES 3162
 BOOM SECTION (LOADER VALVE) (SN -913416)
 SECTION DE FLECHE (SOUPAPE DE CHARGEUR) (SN -913416)
 SECCION DE AGUILON (VALVULA DE CARGADORA) (SN -913416)

T142256 -UN-18MAY01



T142256

3162-9

LOADER 31

CONTROL & LOAD HOLDING VALVES 3162

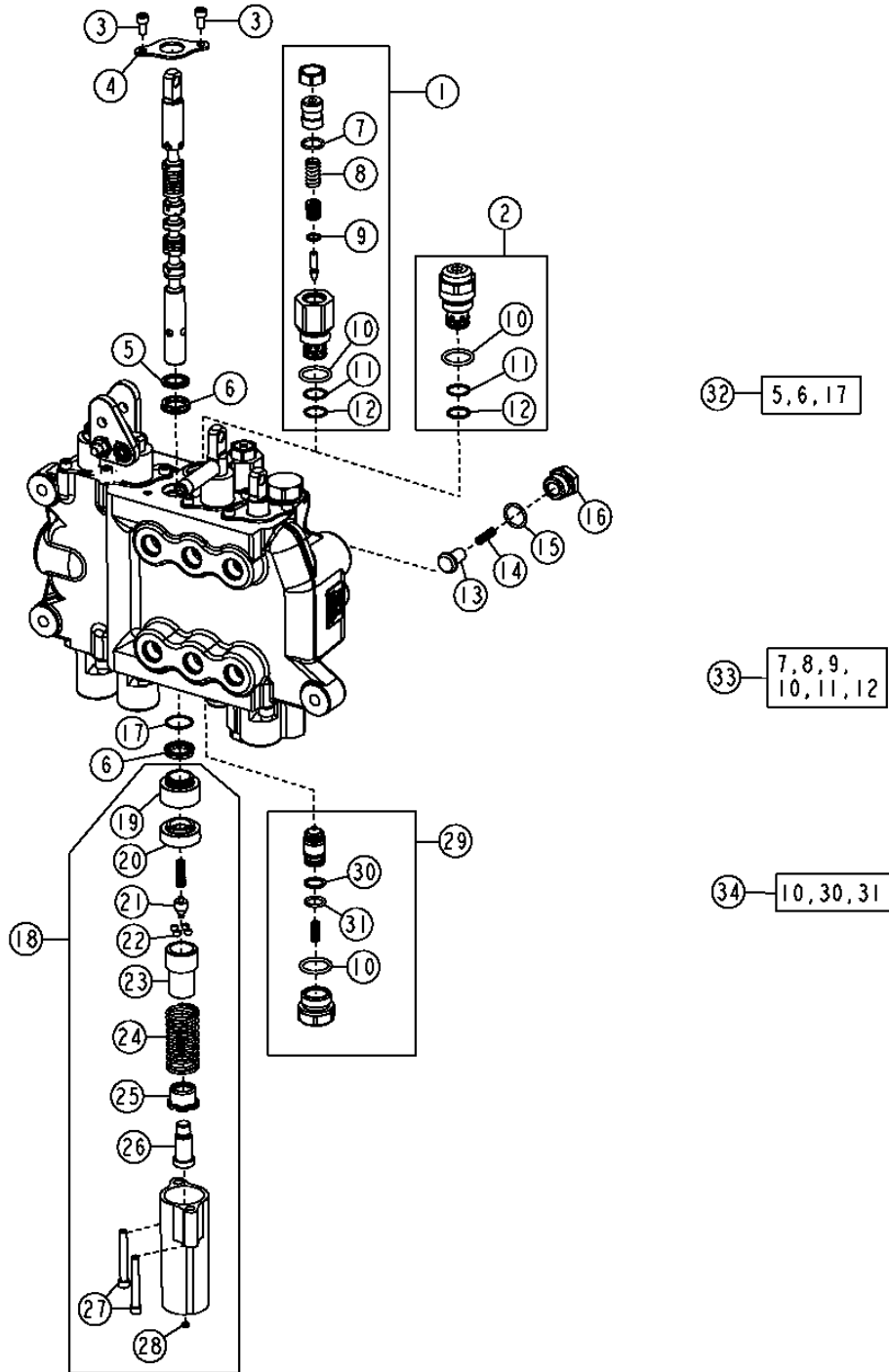
BOOM SECTION (LOADER VALVE) (SN -913416)
SECTION DE FLECHE (SOUPAPE DE CHARGEUR) (SN -913416)
SECCION DE AGUILON (VALVULA DE CARGADORA) (SN -913416)

KEY	PART NO.	PART NAME	QTY.	SERIAL NO.	REMARKS
					3 3 3 1 1 1 0 5 0 S S G G G
1	AT191715	VALVE	1		X X X (2 FUNCTION)
	AT191707	HYD ACTUATED CONTROL VALVE	1		X X X (3 FUNCTION)
2	21H1352	SCREW	2		X X X 1/4" X 3/8"
3	T81524	PLATE	1		X X X
4	SPOOL VALVE	1		X X X
5	SEAL	2		X X X
6	SEAL	2		X X X
7	HOUSING	1		X X X
8	O-RING	1		X X X
9	T152404	SLEEVE	1		X X X
10	T152401	SLEEVE	1		X X X
11	SPRING	1		X X X
12	T118715	CAM	1		X X X
13	T81535	BALL	4		X X X
14	T118708	SEAT	1		X X X
15	T118884	SPRING	1		X X X
16	T118709	SEAT	1		X X X
17	T118711	END	1		X X X
18	T152398	CAP	1		X X X
19	T118799	FILTER	1		X X X
20	T118712	SCREW	2		X X X
21	T152406	POPPET	1		X X X (2 FUNCTION)
	T81538	POPPET	1		X X X (3 FUNCTION)
22	T152407	SPRING	1		X X X (2 FUNCTION)
	T81539	SPRING	1		X X X (3 FUNCTION)
23	T118685	O-RING	1		X X X
24	AT169373	CHECK VALVE	1		X X X
25	AT174217	PRESSURE RELIEF VALVE	1		X X X 34473 KPA (5000 PSI)
26	T67424	NUT	1		X X X
27	SPRING	1		X X X
28	T183756	SEAL	1		X X X
29	RETAINER	1		X X X
30	PLUG	1		X X X
31	POPPET	1		X X X
32	SHIM	1		X X X
33	O-RING	2		X X X
34	SCREW	1		X X X
35	T67425	NUT	1		X X X
36	BACK-UP RING	1		X X X
37	O-RING	1		X X X
38	T118681	O-RING	1		X X X
39	AT192372	DETENT	1		X X X (POSITIONER)
40	AT280406	SEAL KIT	1		X X X (SPOOL) (SUB FOR AT178372)
41	AT314538	SEAL KIT	1		X X X (7/8 INCH) (RELIEF VALVE) (SUB FOR AT189413)
	AT314539	SEAL KIT	1		X X X (1 1/16 INCH) (RELIEF VALVE) (SUB FOR AT189413)

3162-10

CONTROL & LOAD HOLDING VALVES 3162
 BOOM SECTION (LOADER/STABILIZER VALVE) (SN 913417-)
 SECTION DE FLECHE (SOUPAPE DE CHARGEUR/STABILISATEUR) (SN 913417-)
 SECCION DE AGUILON (VALVULA DE CARGADORA/ESTABILIZADOR) (SN 913417-)

T163271 -UN-27DEC02



T163271

3162-11

LOADER 31

CONTROL& LOAD:HOLDING:VALVES 3162

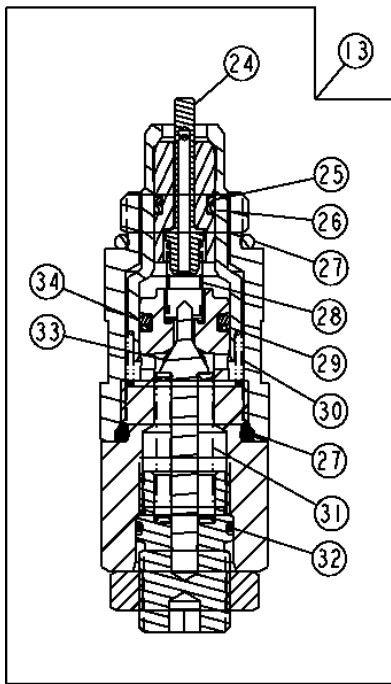
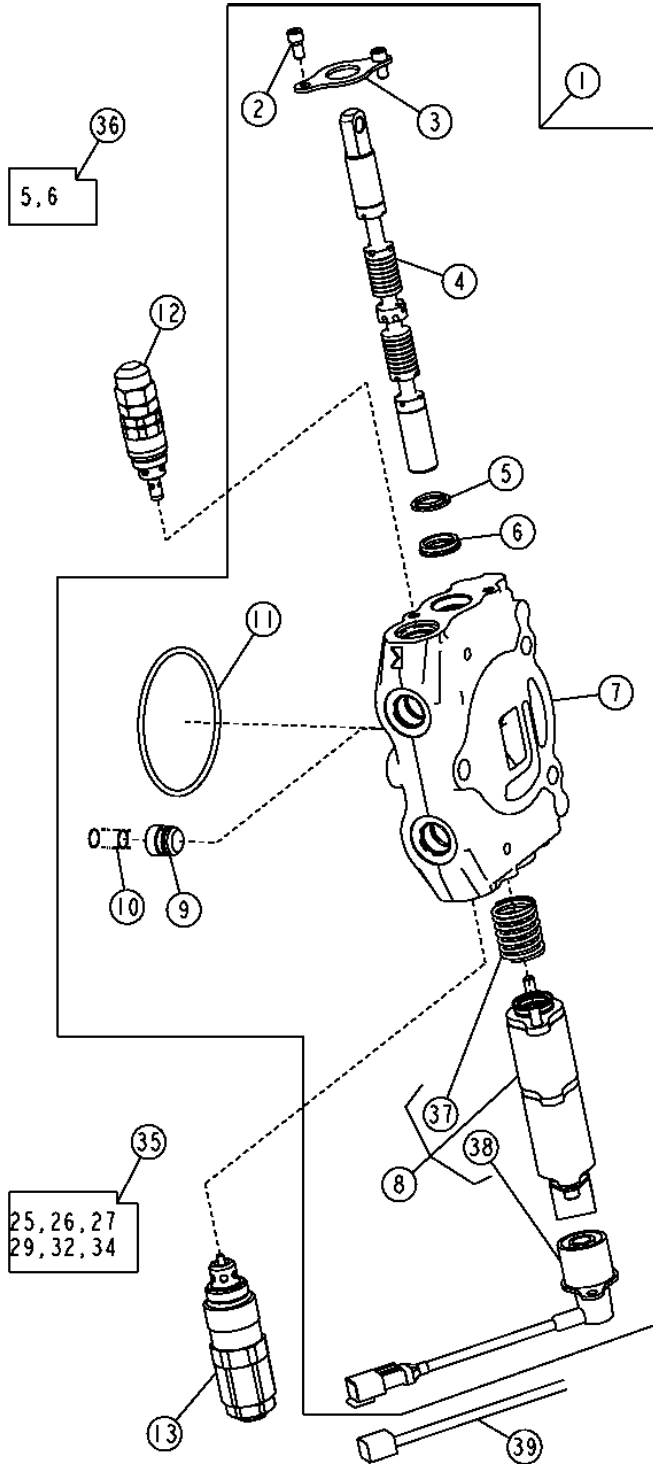
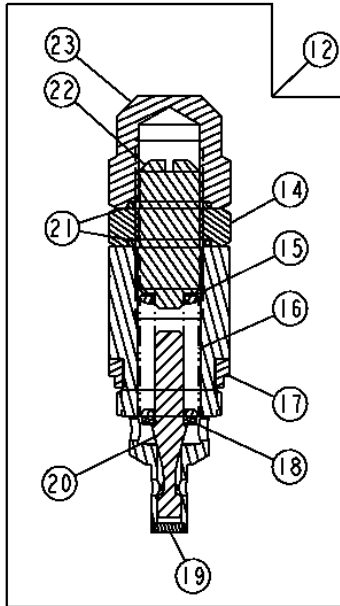
BOOM SECTION (LOADER/STABILIZER VALVE) (SN 913417-)
 SECTION DE FLECHE (SOUPAPE DE CHARGEUR/STABILISATEUR) (SN 913417-)
 SECCION DE AGUILON (VALVULA DE CARGADORA/ESTABILIZADOR) (SN 913417-)

KEY	PART NO.	PART NAME	QTY.	SERIAL NO.	REMARKS
					3 3 3 1 1 1 0 5 0 S S G G G
1	AT300803	PRESSURE RELIEF VALVE	1		X X X (NOT ANTI-CAVITATION) 34473 KPA (5000 PSI)
2	AT301128	PRESSURE RELIEF VALVE	1		X X X (ANTI-CAVITATION) 34473 KPA (5000 PSI)
3	21H1352	SCREW	2		X X X 1/4" X 3/8"
4	T81524	PLATE	1		X X X
5	SEAL	1		X X X
6	SEAL	2		X X X
7	O-RING	1		X X X
8	SPRING	1		X X X
9	R63548	O-RING	1		X X X
10	T118681	O-RING	3		X X X
11	BACK-UP RING	2		X X X
12	T107887	O-RING	2		X X X
13	T118694	POPPET	1		X X X
14	T118693	SPRING	1		X X X
15	R26906	O-RING	1		X X X
16	T118692	SEAT	1		X X X
17	O-RING	1		X X X
18	AT192372	DETENT	1		X X X
19	T152404	SLEEVE	1		X X X
20	T152401	SLEEVE	1		X X X
21	T118715	CAM	1		X X X
22	T81535	BALL	4		X X X
23	T118708	VALVE SEAT INSERT	1		X X X
24	T118884	SPRING	1		X X X
25	T118709	VALVE SEAT INSERT	1		X X X
26	T118711	END	1		X X X
27	T118712	SCREW	2		X X X
28	T118799	FILTER	1		X X X
29	AT169373	CHECK VALVE	1		X X X
30	BACK-UP RING	1		X X X
31	O-RING	1		X X X
32	AT280406	SEAL KIT	1		X X X (SPOOL) (SUB FOR AT178372)
33	AT300801	SEAL KIT	2		X X X
34	AT314538	SEAL KIT	1		X X X (7/8") (RELIEF VALVE) (SUB FOR AT189413)
	AT314539	SEAL KIT	1		X X X (1 1/16") (RELIEF VALVE) (SUB FOR AT189413)

3162-12

CONTROL & LOAD HOLDING VALVES 3162
BUCKET SECTION (LOADER VALVE) (SN -913416)
SECTION DE GODET (SOUPAPE DE CHARGEUR) (SN -913416)
SECCION DE CUCHARON (VALVULA DE CARGADORA) (SN -913416)

T149039 -UN-08JAN02



T149039

THIS PARTS LISTING IS CONTINUED

3162-13

LOADER 31

CONTROL& LOAD:HOLDING:VALVES 3162

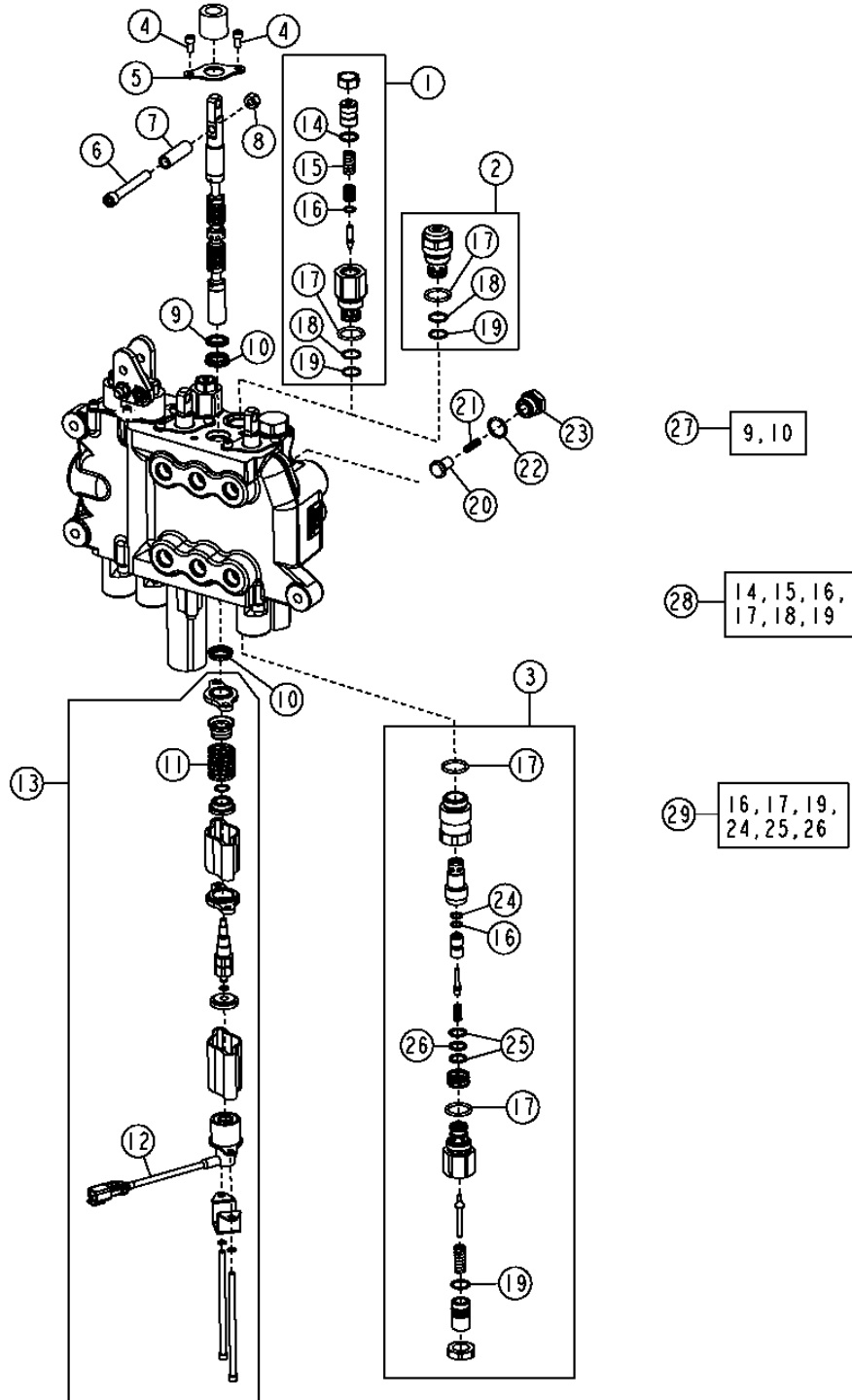
BUCKET SECTION (LOADER VALVE) (SN -913416)
SECTION DE GODET (SOUPAPE DE CHARGEUR) (SN -913416)
SECCION DE CUCHARON (VALVULA DE CARGADORA) (SN -913416)

KEY	PART NO.	PART NAME	QTY.	SERIAL NO.	3 3 3 1 1 1 0 5 0 S S G G G	REMARKS
1	AT170218	CONTROL VALVE	1		X X X	
2	21H1352	SCREW	2		X X X	1/4" X 3/8"
3	T81524	PLATE	1		X X X	
4	SPOOL VALVE	1		X X X	
5	SEAL	2		X X X	
6	SEAL	2		X X X	
7	HOUSING	1		X X X	
8	AT196245	DETENT	1	-901683	X X X	(SEE DTAC SOL 51993) (ALSO ORDER AT183590) (SUB FOR AT178326)
	AT196245	DETENT	1	901684-	X X X	
9	T81538	POPPET	1		X X X	
10	T81539	SPRING	1		X X X	
11	T118685	O-RING	1		X X X	
12	AT172937	PRESSURE RELIEF VALVE	1		X X X	31715 KPA (4600 PSI)
13	AT192457	PRESSURE RELIEF VALVE	1		X X X	31715 KPA (4600 PSI)
14	T67424	NUT	1		X X X	
15	SHIM	1		X X X	
16	SPRING	1		X X X	
17	T183756	SEAL	1		X X X	
18	RETAINER	1		X X X	
19	PLUG	1		X X X	
20	POPPET	1		X X X	
21	O-RING	2		X X X	
22	SCREW	1		X X X	
23	T67425	NUT	1		X X X	
24	POPPET	1		X X X	
25	BACK-UP RING	1		X X X	
26	O-RING	1		X X X	
27	T118681	O-RING	2		X X X	
28	SPRING	1		X X X	
29	BACK-UP RING	1		X X X	
30	SPRING	1		X X X	
31	SPRING	1		X X X	
32	O-RING	1		X X X	
33	POPPET	1		X X X	
34	O-RING	1		X X X	
35	AT314538	SEAL KIT	1		X X X	(7/8") (RELIEF VALVE) (SUB FOR AT189413)
	AT314539	SEAL KIT	1		X X X	(1 1/16") (RELIEF VALVE) (SUB FOR AT189413)
36	AT280406	SEAL KIT	1		X X X	(SPOOL) (SUB FOR AT178372)
37	T134881	SPRING	1		X X X	
38	AT196246	MAGNET	1		X X X	
39	AT183590	WIRING HARNESS	1	-901683	X X X	(SEE DTAC SOL 51993)

3162-14

CONTROL & LOAD HOLDING VALVES 3162
 BUCKET SECTION (LOADER VALVE) (SN 913417-)
 SECTION DE GODET (SOUPAPE DE CHARGEUR) (SN 913417-)
 SECCION DE CUCHARON (VALVULA DE CARGADORA) (SN 913417-)

T163249 -UN-27DEC02



T163249

3162-15

LOADER 31

CONTROL& LOAD:HOLDING:VALVES 3162

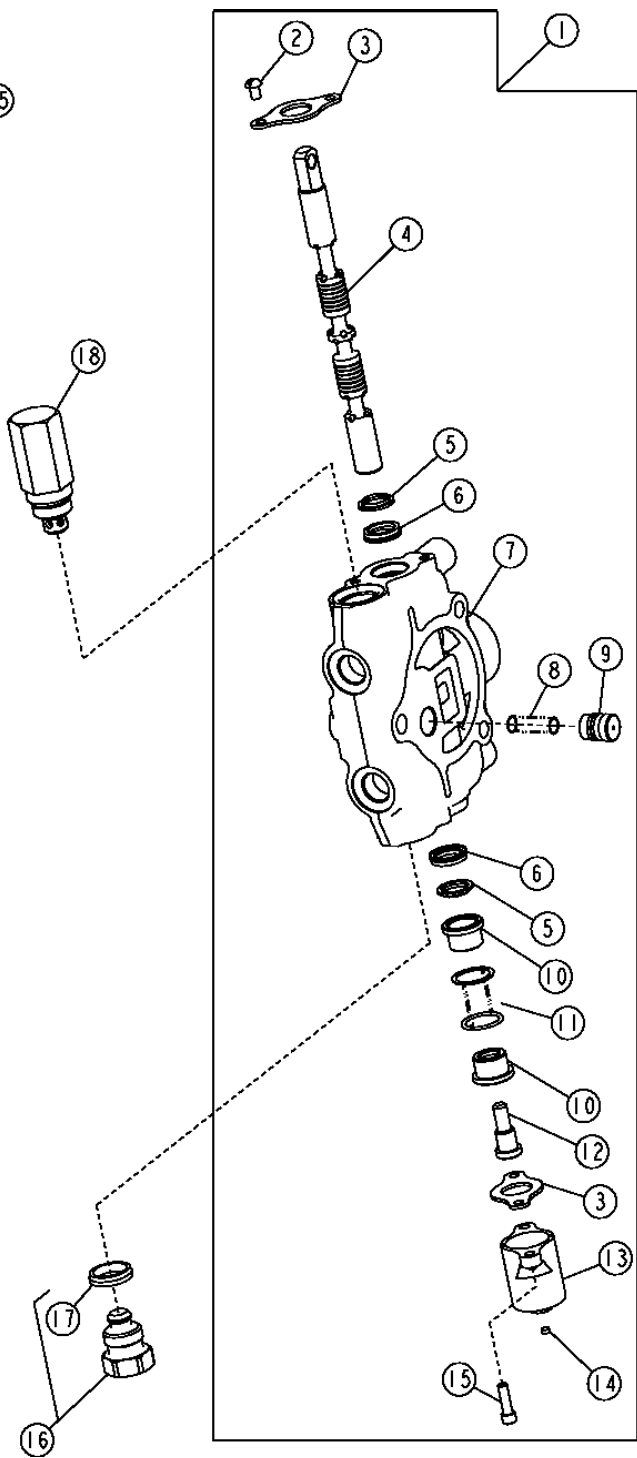
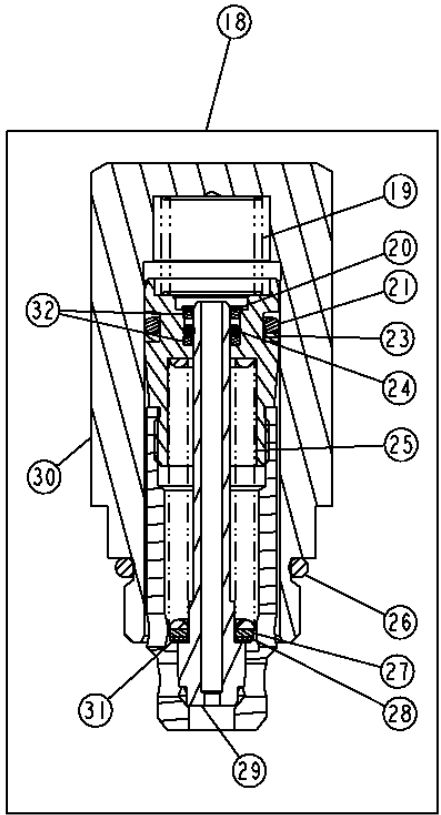
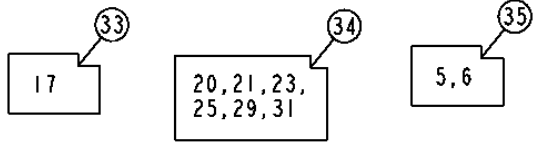
BUCKET SECTION (LOADER VALVE) (SN 913417-)
SECTION DE GODET (SOUPAPE DE CHARGEUR) (SN 913417-)
SECCION DE CUCHARON (VALVULA DE CARGADORA) (SN 913417-)

KEY	PART NO.	PART NAME	QTY.	SERIAL NO.	REMARKS
					3 3
					3 1 1
					1 0 5
					0 S S
					G G G
1	AT301526	PRESSURE RELIEF VALVE	1		X X X (NOT ANTI-CAVITATION) 31715 KPA (4600 PSI)
2	AT301527	PRESSURE RELIEF VALVE	1		X X X (ANTI-CAVITATION) 31715 KPA (4600 PSI)
3	AT192457	PRESSURE RELIEF VALVE	1		X X X 31715 KPA (4600 PSI)
4	21H1352	SCREW	2		X X X 1/4" X 3/8"
5	T81524	PLATE	1		X X X
6	19H3317	SCREW	1		X X X 3/8" X 2-3/4"
7	T190795	TUBE	1		X X X
8	14H1076	NUT	1		X X X 3/8"
9	SEAL	1		X X X
10	SEAL	2		X X X
11	T134881	SPRING	1		X X X
12	AT196246	MAGNET	1		X X X
13	AT196245	DETENT	1		X X X
14	O-RING	1		X X X
15	SPRING	1		X X X
16	R63548	O-RING	2		X X X
17	T118681	O-RING	4		X X X
18	BACK-UP RING	2		X X X
19	T107887	O-RING	3		X X X
20	T118694	POPPET	1		X X X
21	T118693	SPRING	1		X X X
22	R26906	O-RING	1		X X X
23	T118692	FITTING PLUG	1		X X X
24	T150958	BACK-UP RING	1		X X X
25	BACK-UP RING	2		X X X
26	O-RING	1		X X X
27	AT280406	SEAL KIT	1		X X X (SPOOL) (SUB FOR AT178372)
28	AT300801	SEAL KIT	2		X X X
29	AT314538	SEAL KIT	1		(7/8") (RELIEF VALVE) (SUB FOR AT189413)
	AT314539	SEAL KIT	1		(1 1/16") (RELIEF VALVE) (SUB FOR AT189413)

3162-16

AUXILIARY SECTION (LOADER VALVE) (SN -913416)
 SECTION AUXILIAIRE (SOUPAPE DE CHARGEUR) (SN -913416)
 SECCION AUXILIAR (VALVULA DE CARGADORA) (SN -913416)

T215713 -UN-10OCT05



T215713

3162-17

LOADER 31

CONTROL & LOAD HOLDING VALVES 3162

AUXILIARY SECTION (LOADER VALVE) (SN -913416)
SECTION AUXILIAIRE (SOUPAPE DE CHARGEUR) (SN -913416)
SECCION AUXILIAR (VALVULA DE CARGADORA) (SN -913416)

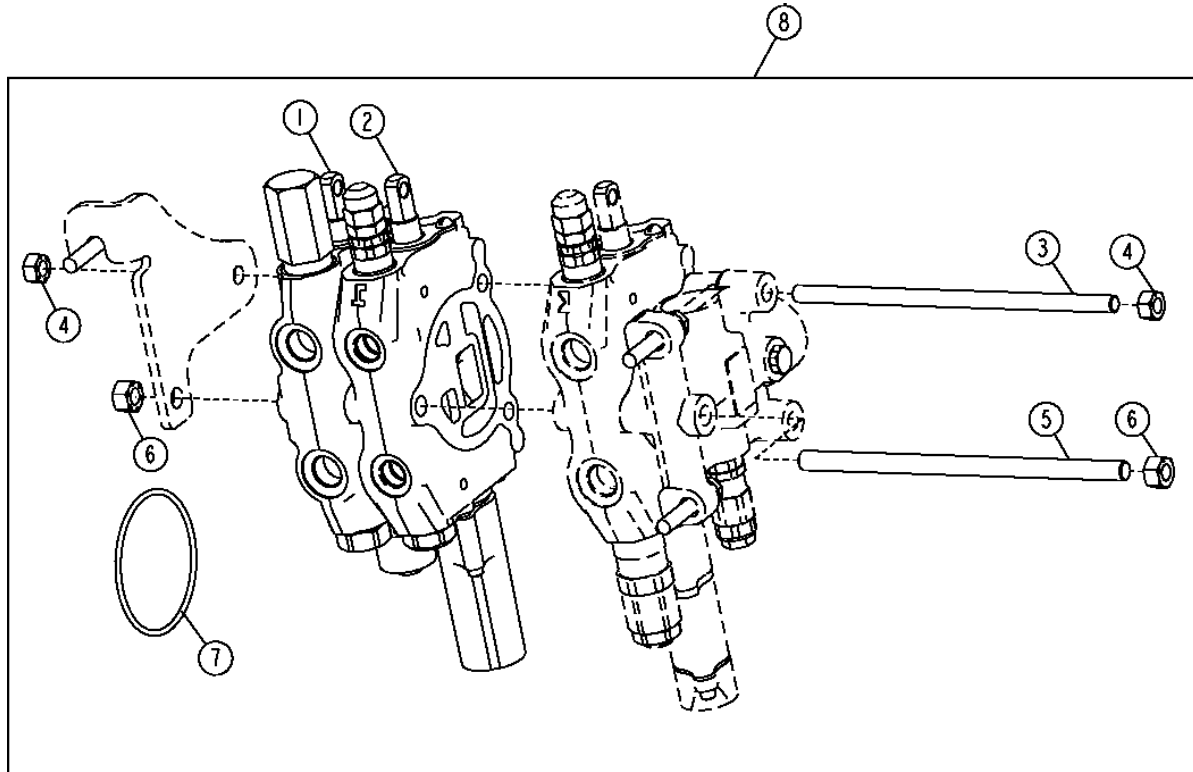
KEY	PART NO.	PART NAME	QTY.	SERIAL NO.	REMARKS
					3 3 3 1 1 1 0 5 0 S S G G G
1	AT191711	SPOOL VALVE	1		X X X
2	21H1352	SCREW	2		X X X 1/4" X 3/8"
3	T81524	PLATE	1		X X X
4	SPOOL VALVE	1		X X X
5	SEAL	2		X X X
6	SEAL	2		X X X
7	HOUSING	1		X X X
8	T152407	SPRING	1		X X X
9	T152406	POPPET	1		X X X
10	T81540	RETAINER	2		X X X
11	T118879	SPRING	1		X X X
12	T81541	SCREW	1		X X X
13	T118808	CAP	1		X X X
14	T118799	FILTER	1	-906011	X X X
15	19H3554	SCREW	2		X X X 1/4" X 0.880"
16	AT83174	FITTING PLUG	1		X X X
17	T183757	SEAL	1		X X X
18	AT182377	PRESSURE RELIEF VALVE	1		X X X 26200 KPA (3800 PSI)
19	T118867	SPRING	1		X X X
20	RETAINER	1		X X X
21	O-RING	1		X X X
22	O-RING	1		X X X
23	BACK-UP RING	1		X X X
24	O-RING	1		X X X
25	SPRING	1		X X X
26	T118681	O-RING	1		X X X
27	WASHER	1		X X X
28	WASHER	1		X X X
29	POPPET	1		X X X
30	T118866	HOUSING	1		X X X
31	WASHER	1		X X X
32	BACK-UP RING	2		X X X
33	AT314538	SEAL KIT	1		(7/8") (RELIEF VALVE) (SUB FOR AT189413)
	AT314539	SEAL KIT	1		(1 1/16") (RELIEF VALVE) (SUB FOR AT189413)
34	AT178362	KIT	1		X X X (RELIEF VALVE CARTRIDGE)
35	AT280406	SEAL KIT	1		X X X (SPOOL) (SUB FOR AT178372)

3162-18

LOADER 31

AUXILIARY VALVE KIT (LOADER VALVE) (SN -913416) CONTROL & LOAD HOLDING VALVES 3162
KIT DE SOUPAPE AUXILIAIRE (SOUPAPE DE CHARGEUR) (SN -913416)
JUEGO DE VALVULA AUXILIAR (VALVULA DE CARGADORA) (SN -913416)

T135702 -UN-28NOV00



T135702

3162-19

LOADER 31

CONTROL & LOAD HOLDING VALVES 3162

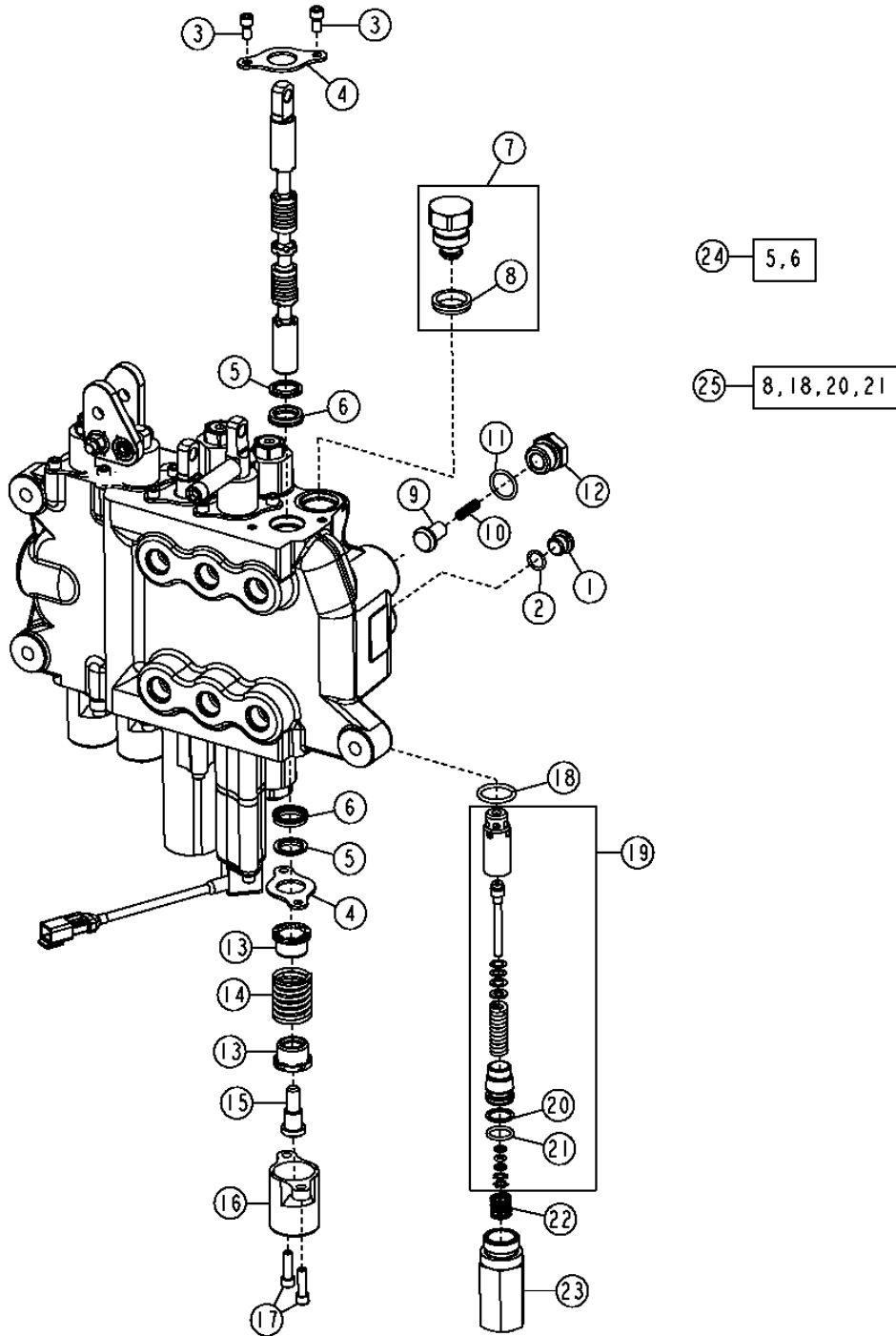
AUXILIARY VALVE KIT (LOADER VALVE) (SN -913416)
KIT DE SOUPE AUXILIAIRE (SOUPE DE CHARGEUR) (SN -913416)
JUEGO DE VALVULA AUXILIAR (VALVULA DE CARGADORA) (SN -913416)

KEY	PART NO.	PART NAME	QTY.	SERIAL NO.	REMARKS
					3 3
					3 1 1
					1 0 5
					0 S S
					G G G
1	AT191711	SPOOL VALVE	1		X X X (AUXILIARY SECTION)
2	AT191707	HYD ACTUATED CONTROL VALVE	1		X X X (BOOM SECTION)
3	T186319	STUD	2		X X X
4	14H807	NUT	4		X X X 7/16"
5	T121238	STUD	1		X X X
6	14H865	NUT	2		X X X 1/2"
7	T118685	O-RING	2		X X X
8	AT192185	KIT	1		X X X (WHOLE GOODS) (INCLUDES AT182377) (ALSO ORDER AT194369)

3162-20

AUXILIARY SECTION (LOADER/STABILIZER VALVE) (SN 913417-)
SECTION AUXILIAIRE (SOUPAPE DE CHARGEUR/STABILISATEUR) (SN 913417-)
SECCION AUXILIAR (VALVULA DE CARGADORA/ESTABILIZADOR) (SN 913417-)

T163042 -UN-06JAN03



T163042

3162-21

LOADER 31

CONTROL& LOAD:HOLDING:VALVES 3162

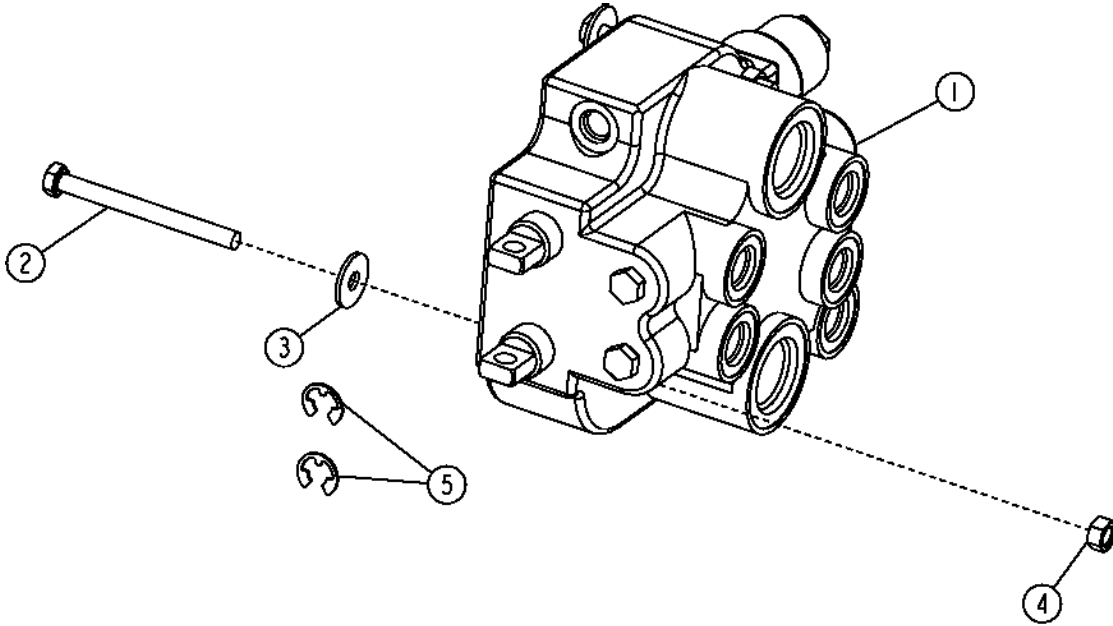
AUXILIARY SECTION (LOADER/STABILIZER VALVE) (SN 913417-)
 SECTION AUXILIAIRE (SOUPAPE DE CHARGEUR/STABILISATEUR) (SN 913417-)
 SECCION AUXILIAR (VALVULA DE CARGADORA/ESTABILIZADOR) (SN 913417-)

KEY	PART NO.	PART NAME	QTY.	SERIAL NO.	REMARKS
					3 3 3 1 1 1 0 5 0 S S G G G
1	R111493	FITTING PLUG	1		X X X
2	T70177	O-RING	1		X X X
3	21H1352	SCREW	2		X X X
4	T81524	PLATE	2		X X X
5	SEAL	2		X X X
6	SEAL	2		X X X
7	AT83174	FITTING PLUG	1		X X X
8	T183757	SEAL	1		X X X
9	T118694	POPPET	1		X X X
10	T118693	SPRING	1		X X X
11	R26906	O-RING	1		X X X
12	T118692	FITTING PLUG	1		X X X
13	T81540	RETAINER	2		X X X
14	T118879	SPRING	1		X X X
15	T81541	SCREW	1		X X X
16	T118808	CAP	1		X X X
17	19H3554	SCREW	2		X X X 1/4" X 0.880"
18	T118681	O-RING	1		X X X
19	AT178362	KIT	1		X X X
20	BACK-UP RING	1		X X X
21	O-RING	1		X X X
22	T118867	SPRING	1		X X X
23	T118866	HOUSING	1		X X X
24	AT280406	SEAL KIT	1		X X X (SPOOL) (SUB FOR AT178372)
25	AT314538	SEAL KIT	1		X X X (7/8") (RELIEF VALVE) (SUB FOR AT189413)
	AT314539	SEAL KIT	1		X X X (1 1/16") (RELIEF VALVE) (SUB FOR AT189413)

3162-22

STABILIZER VALVE (EATON) (SN -913416)
SOUPAPE DE STABILISATEUR (EATON) (SN -913416)
VALVULA ESTABILIZADORA (EATON) (SN -913416)

T144119 -UN-17JUL01



T144119

3162-23

LOADER 31

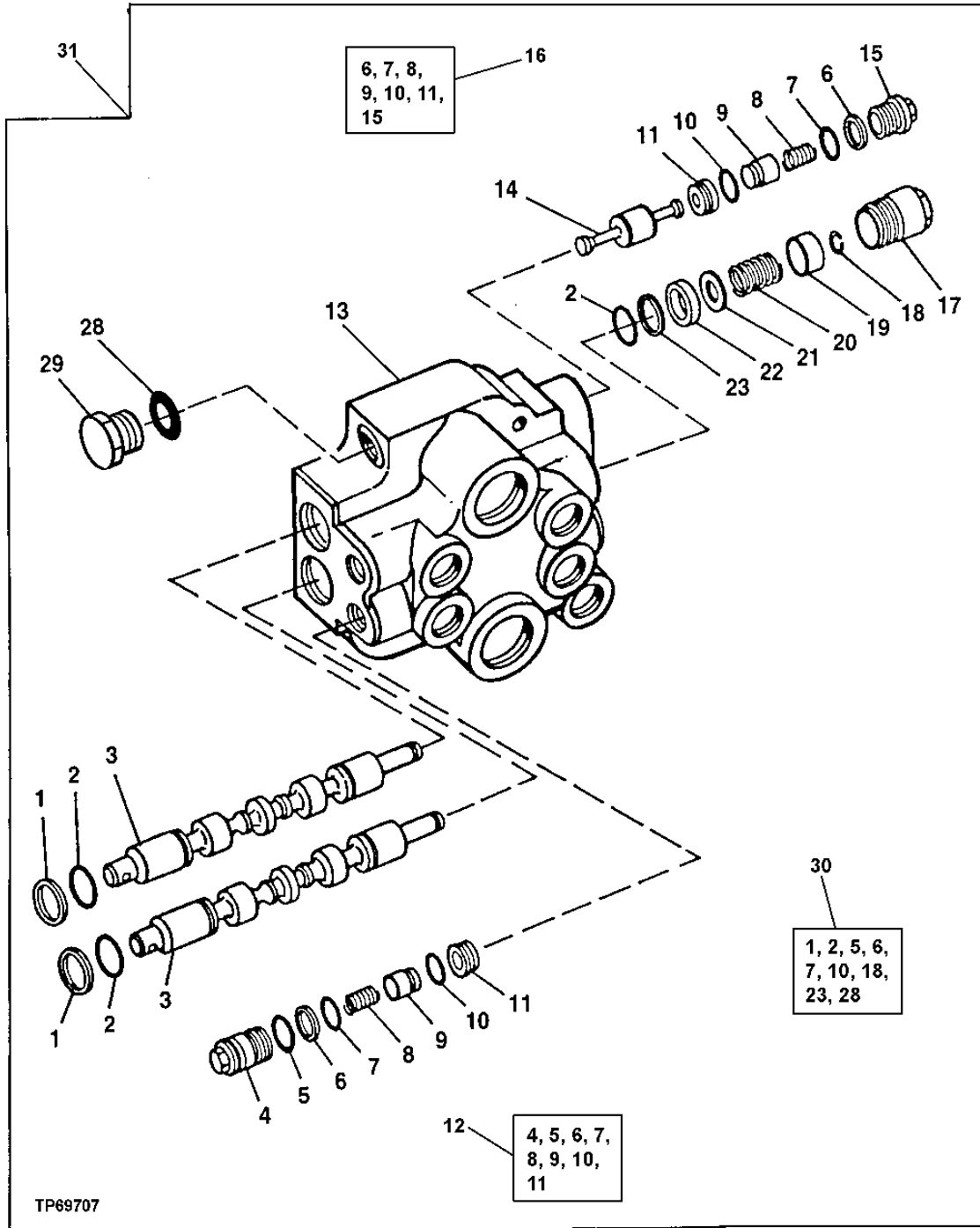
CONTROL& LOAD:HOLDING:VALVES 3162
 STABILIZER VALVE (EATON) (SN -913416)
 SOUPE DE STABILISATEUR (EATON) (SN -913416)
 VALVULA ESTABILIZADORA (EATON) (SN -913416)

KEY	PART NO.	PART NAME	QTY.	SERIAL NO.	REMARKS
					3 3
					3 1 1
					1 0 5
					0 S S
					G G G
1	AT190330	SPOOL VALVE	1		X X X
2	19M8539	CAP SCREW	2		X X X M8 X 90
3	24M7298	WASHER	2		X X X
4	14M7273	NUT	2		X X X M8
5	R26871	SNAP RING	2		X X X (SUB FOR R106466)

3162-24

CONTROL & LOAD HOLDING VALVES 3162
 STABILIZER VALVE ASSEMBLY (EATON) (SN -913416)
 SOUPAPE DE STABILISATEUR (EATON) (SN -913416)
 CONJUNTO DE VALVULA ESTABILIZADORA (EATON) (SN -913416)

TP69707 -UN-29SEP00



TP69707

3162-25

LOADER 31

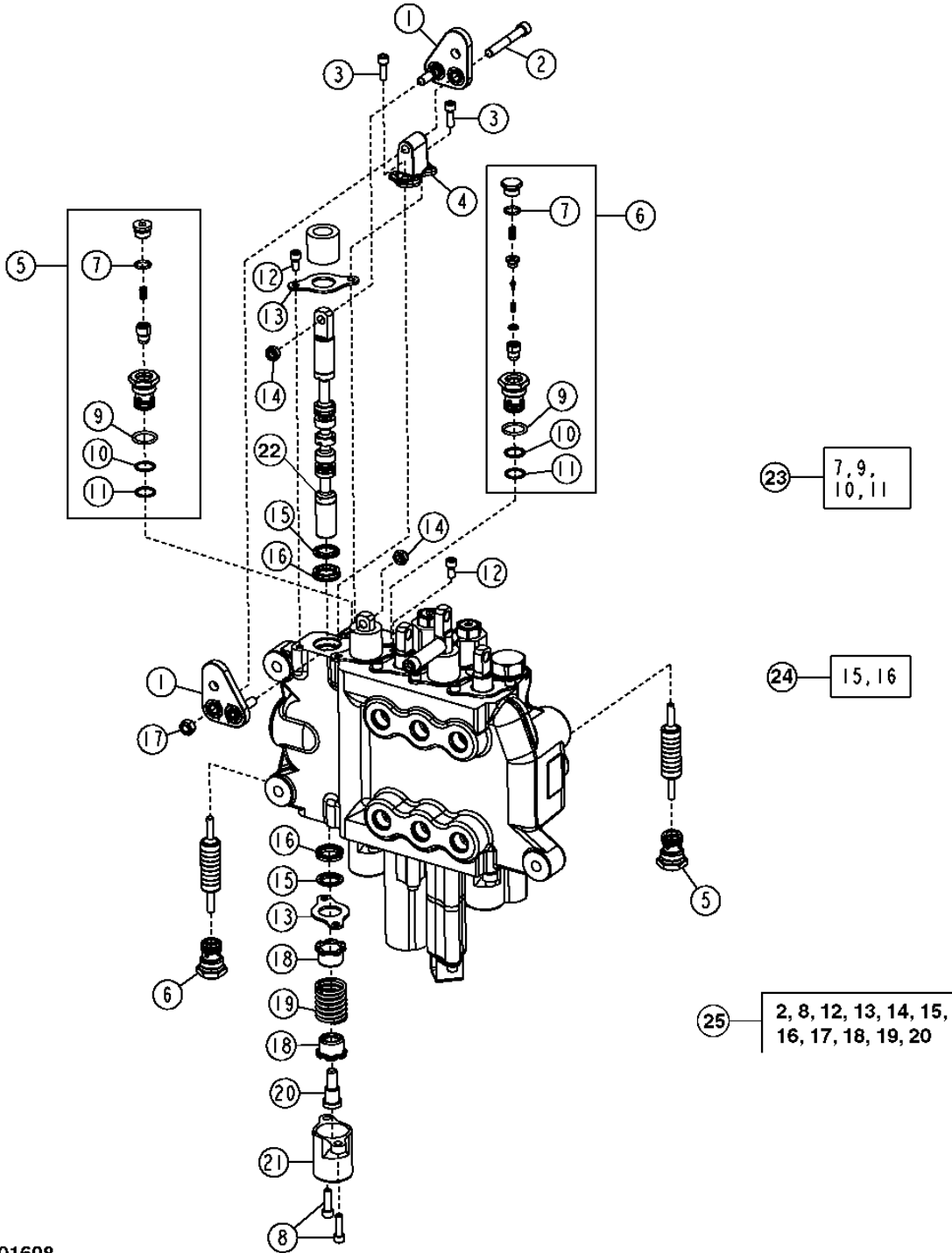
CONTROL& LOAD:HOLDING:VALVES 3162
 STABILIZER VALVE ASSEMBLY (EATON) (SN -913416)
 SOUPAPE DE STABILISATEUR (EATON) (SN -913416)
 CONJUNTO DE VALVULA ESTABILIZADORA (EATON) (SN -913416)

KEY	PART NO.	PART NAME	QTY.	SERIAL NO.	REMARKS
					3 3
					3 1 1
					1 0 5
					0 S S
					G G G
1	T127265	SEAL	2		X X X
2	T127268	O-RING	4		X X X
3	VALVE SPOOL	2		X X X (ORDER AT190330)
4	RETAINER	2		X X X (ORDER AT190334)
5	R116031	O-RING	2		X X X
6	T154187	BACK-UP RING	4		X X X
7	R72328	O-RING	4		X X X
8	SPRING	4		X X X (ORDER AT190333 AND AT190334)
9	POPPET	4		X X X (ORDER AT190333 AND AT190334)
10	R56464	O-RING	4		X X X
11	SEAT	4		X X X (ORDER AT190333 AND AT190334)
12	AT190334	KIT	2		X X X (THERMAL RELIEF)
13	HOUSING	1		X X X (ORDER AT190330)
14	T127257	PLUNGER	2		X X X
15	RETAINER	2		X X X (ORDER AT190333)
16	AT190333	KIT	2		X X X (STD)
17	AT135767	CAP	2		X X X
18	T127263	SNAP RING	2		X X X
19	T127261	RETAINER	2		X X X
20	MG272321	SPRING	2		X X X
21	T127264	WASHER	2		X X X
22	T127260	SPACER	2		X X X
23	R73530	BACK-UP RING	2		X X X
24	19M8539	CAP SCREW	2		X X X M8 X 90
25	24M7298	WASHER	2		X X X
26	24M7298	WASHER	2		X X X
27	14M7273	NUT	2		X X X M8
28	R26448	O-RING	1		X X X
29	T54967	FITTING PLUG	1		X X X
30	AT190741	SEAL KIT	1		X X X
31	AT190330	SPOOL VALVE	1		X X X

3162-26

CONTROL & LOAD HOLDING VALVES 3162
 STABILIZER/LOADER VALVE (HUSCO) (SN 913417-)
 SOUPE DE STABILISATEUR/DE CHARGEUR (HUSCO) (SN 913417-)
 VALVULA ESTABILIZADORA/DE CARGADORA (HUSCO) (SN 913417-)

TX1001608 -UN-21DEC05



TX1001608

3162-27

LOADER 31

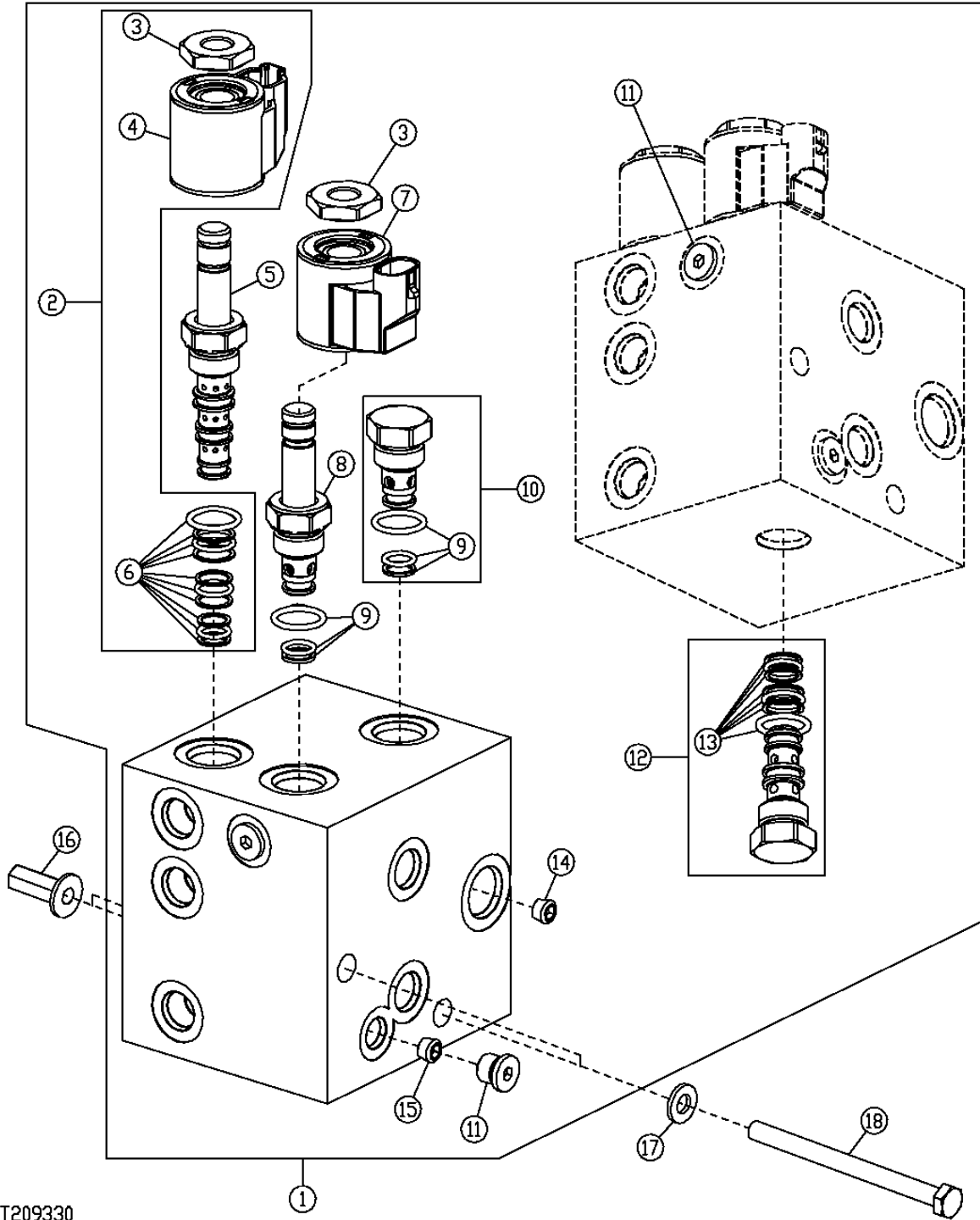
CONTROL& LOAD:HOLDING:VALVES 3162
 STABILIZER/LOADER VALVE (HUSCO) (SN 913417-)
 SOUPAPE DE STABILISATEUR / DE CHARGEUR (HUSCO) (SN 913417-)
 VALVULA ESTABILIZADORA / DE CARGADORA (HUSCO) (SN 913417-)

KEY	PART NO.	PART NAME	QTY.	SERIAL NO.	REMARKS
					3 3
					3 1 1
					1 0 5
					0 S S
					G G G
1	AT199656	BELLCRANK	1		X X X
2	M1036T	SCREW	1		X X X 5/16" X 2-1/4", (SUB FOR 19H3152, THIS APPLICATION)
3	19H2924	SCREW	2		X X X 1/4" X 3/4"
4	AT199657	BASE	1		X X X
5	AT337941	VALVE	2		X X X (LOCKOUT) (WITHOUT THERMAL RELIEF VALVE) (SUB FOR AT199652)
6	AT330860	VALVE	2		X X X (LOCKOUT) (WITH THERMAL RELIEF VALVE) (SUB FOR AT328231 AND AT199654)
7	T70177	O-RING	2		X X X
8	19H3554	SCREW	4		X X X 1/4" X 0.880"
9	R26906	O-RING	4		X X X
10	O-RING	4		X X X
11	BACK-UP RING	4		X X X
12	21H1352	SCREW	4		X X X 1/4" X 3/8"
13	T81524	PLATE	4		X X X
14	R11151	LOCK NUT	2		X X X
15	SEAL	4		X X X
16	SEAL	4		X X X
17	14H785	NUT	1		X X X 5/16"
18	T81540	RETAINER	4		X X X
19	T118683	SPRING	2		X X X
20	T81541	SCREW	2		X X X 3/8" X 1-5/16"
21	T118808	CAP	2		X X X
22	SPOOL	2		X X X
23	AT196924	SEAL KIT	4		X X X
24	AT280406	SEAL KIT	2		X X X (SPOOL)
25	AT328623	KIT	1		X X X

3162-28

HYDRAULIC FRONT COUPLER VALVE SOUPAPE D'ACCOUPLMENT AVANT HYDRAULIQUE VALVULA DE ACOPLADOR HIDRAULICO DELANTERO

T209330 -UN-10MAR05



T209330

THIS PARTS LISTING IS CONTINUED

3162-29

LOADER 31

CONTROL& LOAD:HOLDING:VALVES 3162

HYDRAULIC FRONT COUPLER VALVE
 SOUPAPE D'ACCOUPLMENT AVANT HYDRAULIQUE
 VALVULA DE ACOPLADOR HIDRAULICO DELANTERO

KEY	PART NO.	PART NAME	QTY.	SERIAL NO.	3 3 3 1 1 1 0 5 0 S S G G G	REMARKS
1	AT309458	SOLENOID VALVE	1		X X X	
	T187815	O-RING	1		X X X	
2	AT301765	SOLENOID VALVE	1		X X X	
3	T181306	NUT	1		X X X	
4	AT301767	SOLENOID VALVE COIL	1		X X X	
5	AT195922	HYD ACTUATED CONTROL VALVE	1		X X X	
6	AT301766	SEAL KIT	1		X X X	
7	AT195144	SOLENOID VALVE COIL	1		X X X	
8	AT307315	SOLENOID VALVE	1		X X X	
9	AT224862	SEAL KIT	1		X X X	
10	AT224570	CHECK VALVE	1		X X X	
11	PLUG	2		X X X	
12	AT195140	CHECK VALVE	1		X X X	
13	AT195141	SEAL KIT	1		X X X	
14	ORIFICE	1		X X X	
15	ORIFICE	1		X X X	
16	T148409	NUT	2		X X X	M10, (FOR 6MM PLATE)
17	24M7239	WASHER	2		X X X	
18	19M7638	CAP SCREW	2		X X X	M10 X 130

3163-2

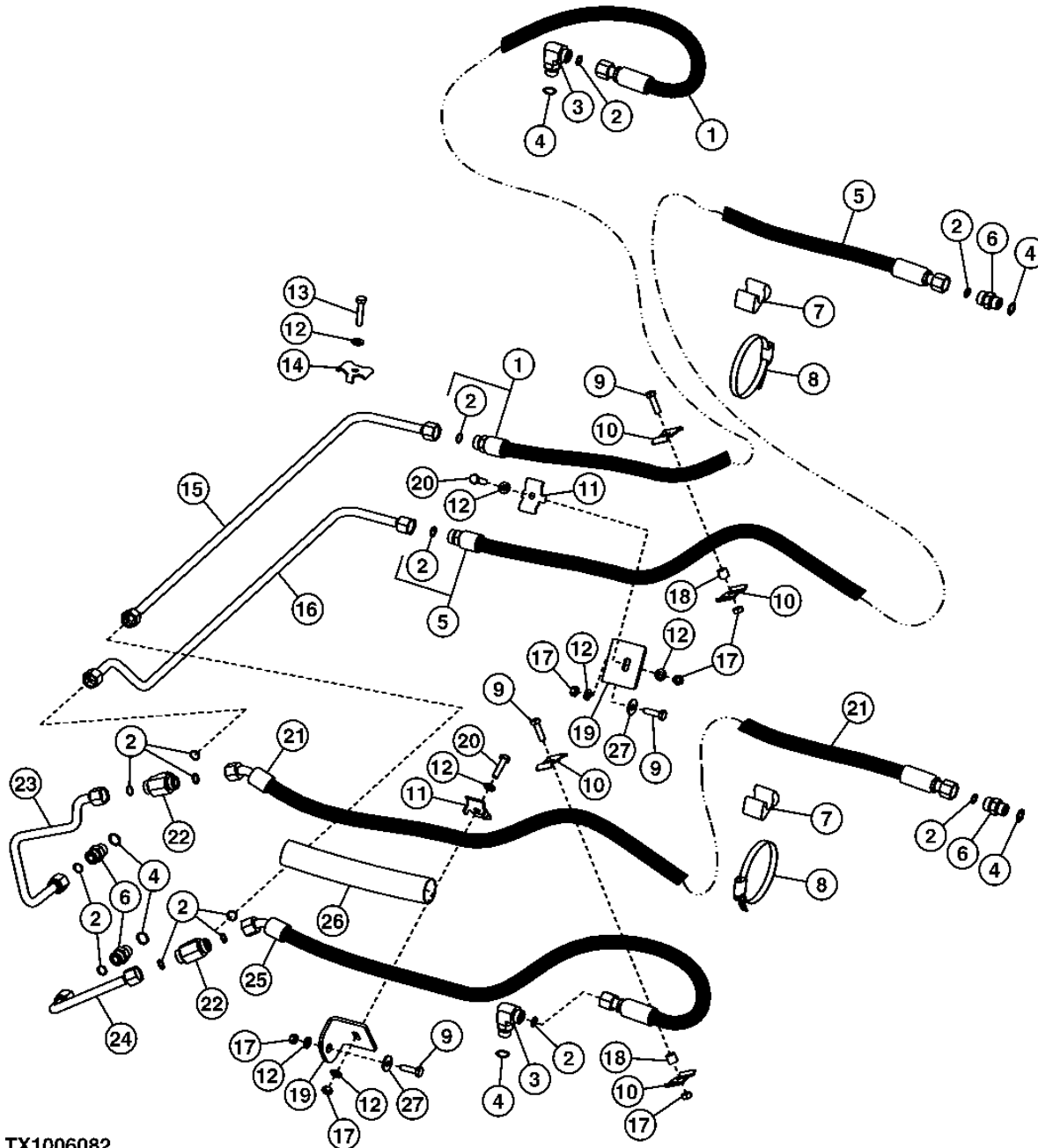
LOADER 31

LINES, HOSES & FITTINGS 3163

LOADER BOOM LIFT CYLINDER HYDRAULICS (SN -913416)
CIRCUIT HYDRAULIQUE DE VERIN DE RELEVAGE DE FLECHE DU CHARGEUR (SN -913416)
SISTEMA HIDRAULICO DE CILINDRO ELEVADOR DE AGUILON DE CARGADORA (SN -913416)

TX1006082

-UN-26APR06



TX1006082

3163-3

LOADER 31

LINES, HOSES & FITTINGS 3163

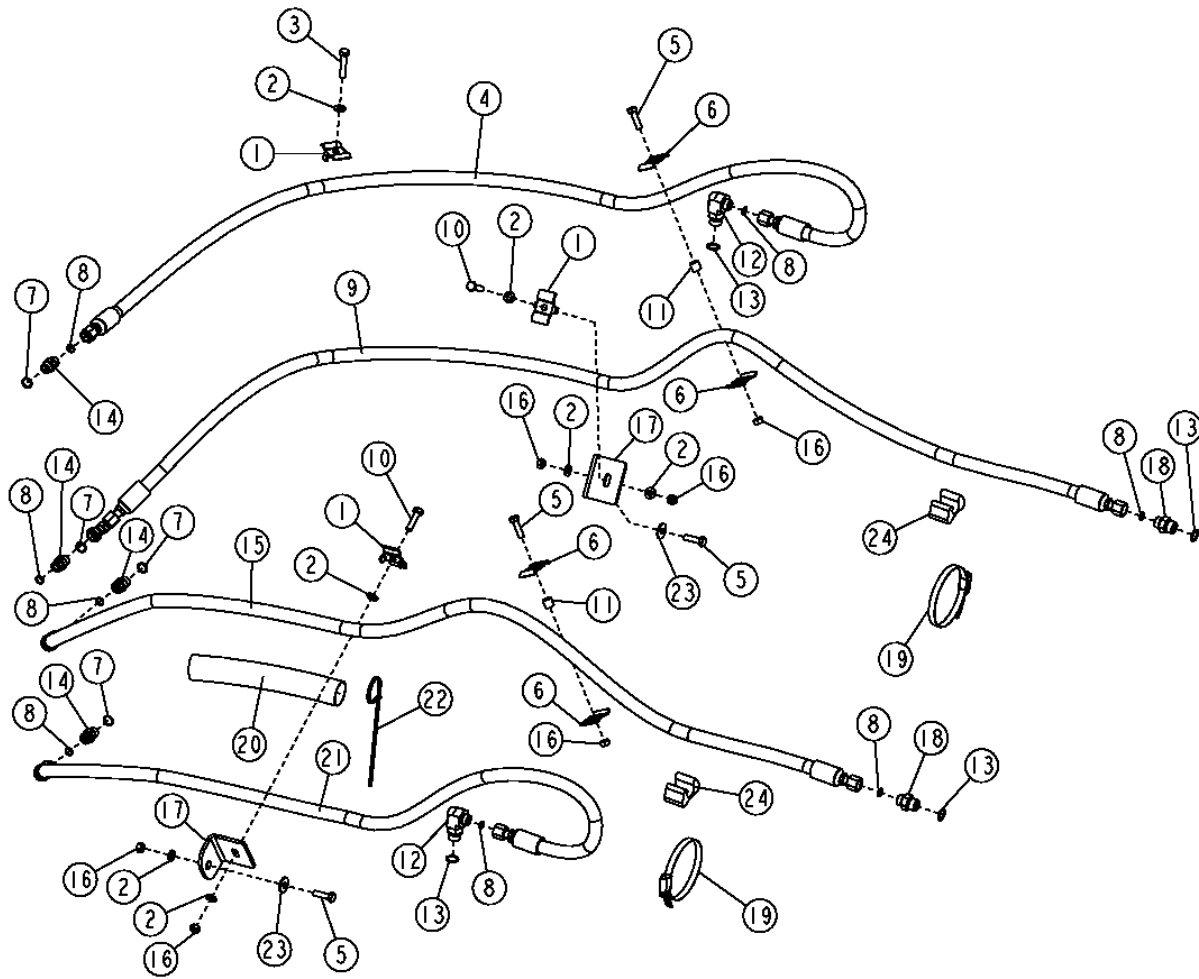
LOADER BOOM LIFT CYLINDER HYDRAULICS (SN -913416)
 CIRCUIT HYDRAULIQUE DE VERIN DE RELEVAGE DE FLECHE DU CHARGEUR (SN -913416)
 SISTEMA HIDRAULICO DE CILINDRO ELEVADOR DE AGUILON DE CARGADORA (SN -913416)

KEY	PART NO.	PART NAME	QTY.	SERIAL NO.	REMARKS
					3 3
					3 1 1
					1 0 5
					0 S S
					G G G
1	AT189423	HYDRAULIC HOSE - FABRICATE	1		X X X 1" X 1 270 MM (50") X 1"
2	T77932	O-RING	14		X X X
3	38H1006	ELBOW FITTING	2		X X X
4	R26906	O-RING	6		X X X
5	AT185799	HYDRAULIC HOSE - FABRICATE	1		X X X 1" X 1 598 MM (63") X 1"
6	38H1162	ADAPTER FITTING	4		X X X
7	T105773	GUIDE	2		X X X
8	C16054	CLAMP	2		X X X
9	19M7550	CAP SCREW	4		X X X M10 X 35
10	R46919	HALF CLAMP	4		X X X
11	KV22609	CLAMP	2		X X X (SUB FOR T160550)
12	24M7239	WASHER	7		X X X
13	19M8600	CAP SCREW	1		X X X M10 X 50
14	T159954	CLAMP	1		X X X
15	AT183721	OIL LINE	1		X X X
16	AT183722	OIL LINE	1		X X X
17	14M7274	NUT	6		X X X M10
18	28H3381	SPACER	2		X X X
19	T165864	ANGLE	2		X X X
20	19M8637	CAP SCREW	2		X X X M10 X 40
21	AT185797	HYDRAULIC HOSE - FABRICATE	1		X X X 1" X 1 670 MM (65-3/4") X 1"
22	38H1207	TEE FITTING	2		X X X
23	AT183717	OIL LINE	1		X X X
24	AT183718	OIL LINE	1		X X X
25	AT185798	HYDRAULIC HOSE - FABRICATE	1		X X X 1" X 1 350 MM (53-1/4") X 1"
26	SLEEVE	2		X X X
27	24M7296	WASHER	2		X X X

3163-4

LOADER BOOM LIFT CYLINDER HYDRAULICS (SN 913417-)
CIRCUIT HYDRAULIQUE DE VERIN DE RELEVAGE DE FLECHE DU CHARGEUR (SN 913417-)
SISTEMA HIDRAULICO DE CILINDRO ELEVADOR DE AGUILON DE CARGADORA (SN 913417-)

T163734 -UN-10JAN03



T163734

3163-5

LOADER 31

LINES,HOSES & FITTINGS 3163

LOADER BOOM LIFT CYLINDER HYDRAULICS (SN 913417-)
 CIRCUIT HYDRAULIQUE DE VERIN DE RELEVAGE DE FLECHE DU CHARGEUR (SN 913417-)
 SISTEMA HIDRAULICO DE CILINDRO ELEVADOR DE AGUILON DE CARGADORA (SN 913417-)

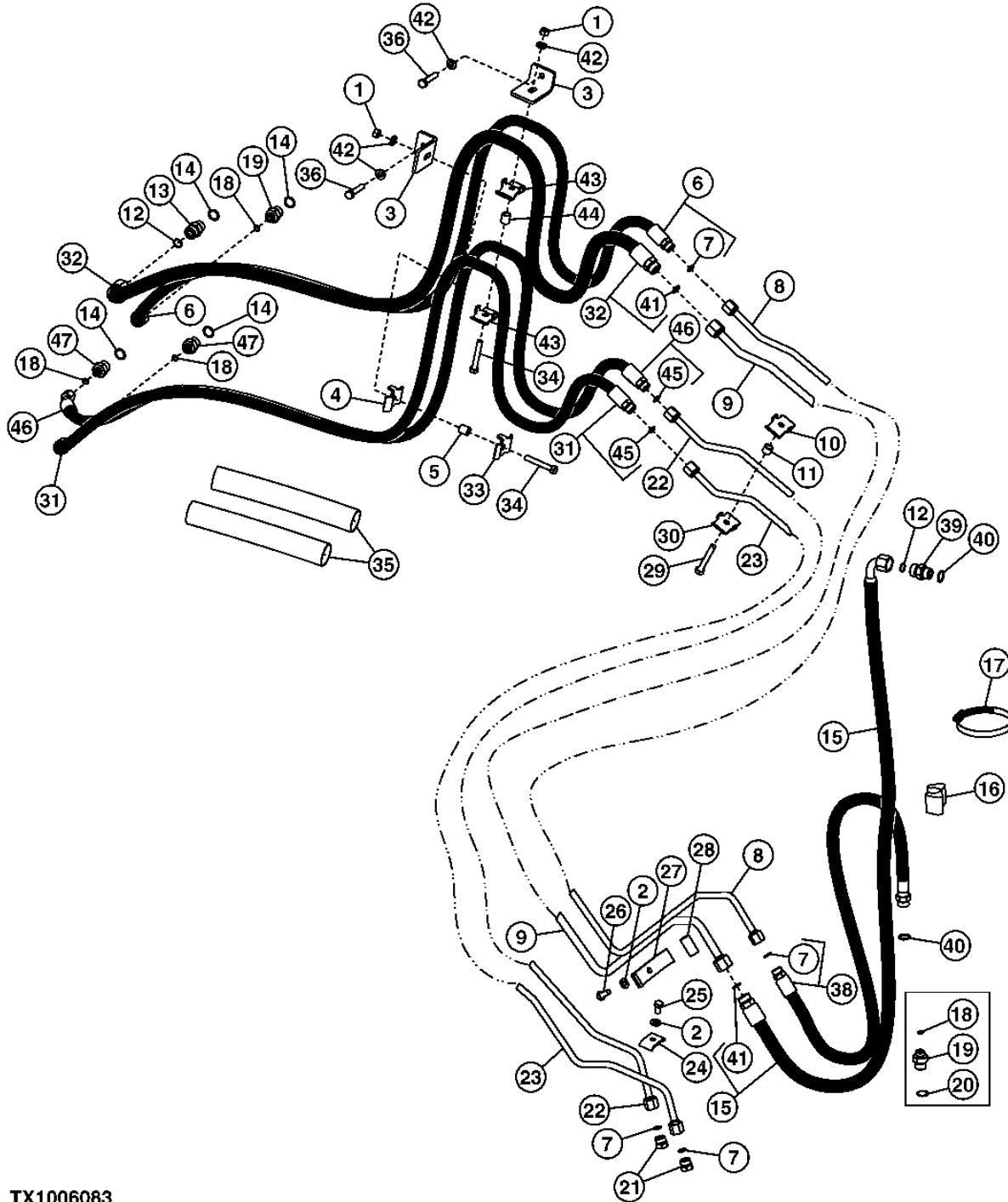
KEY	PART NO.	PART NAME	QTY.	SERIAL NO.	REMARKS
					3 3
					3 1 1
					1 0 5
					0 S S
					G G G
1	KV22609	CLAMP	3		X X X (SUB FOR T160550)
2	24M7239	WASHER	6		X X X
3	19M8600	CAP SCREW	1		X X X M10 X 50
4	AT197654	HYDRAULIC HOSE - FABRICATE	1		X X X 13/16" X 2 105 MM (82-3/4") X 13/16"
5	19M7550	CAP SCREW	4		X X X M10 X 35
6	R46919	HALF CLAMP	4		X X X
7	R26375	O-RING	3		X X X
8	T77857	O-RING	8		X X X
9	AT197647	HYDRAULIC HOSE - FABRICATE	1		X X X 13/16" X 2 410 MM (95") X 13/16"
10	19M8637	CAP SCREW	2		X X X M10 X 40
11	28H3381	SPACER	2		X X X
12	38H1012	ELBOW FITTING	2		X X X
13	R26906	O-RING	4		X X X
14	38H1161	ADAPTER FITTING	4		X X X
15	AT197645	HYDRAULIC HOSE - FABRICATE	1		X X X 13/16" X 2 110 MM (83") X 13/16"
16	14M7274	NUT	6		X X X M10
17	T165864	ANGLE	2		X X X
18	38H1174	ADAPTER FITTING	2		X X X
19	AR21842	CLAMP	2		X X X (SUB FOR C16054, THIS APPLICATION)
20	HOSE GUARD	2		X X X (CUT TO 254MM (10.0 IN)) (MAKE FROM T78606)
21	AT197646	HYDRAULIC HOSE - FABRICATE	1		X X X 13/16" X 1 755 MM (69") X 13/16"
22	H77698	TIE BAND	2		X X X
23	24M7296	WASHER	2		X X X
24	T105773	GUIDE	2		X X X

3163-6

LOADER 31

LOADERS BUCKET CYLINDER AND THIRD FUNCTION HYDRAULICS (SN -913416) LINES, HOSES & FITTINGS 3163
VERIN DE BENNE DE CHARGEUR ET CIRCUIT HYDRAULIQUE DE TROISIEME FONCTION (SN -913416)
SISTEMA HIDRAULICO DE CILINDRO DE CUCHARON DE CARGADORA Y TERCERA FUNCION (SN -913416)

TX1006083 -UN-26APR06



TX1006083

3163-7

LOADER 31

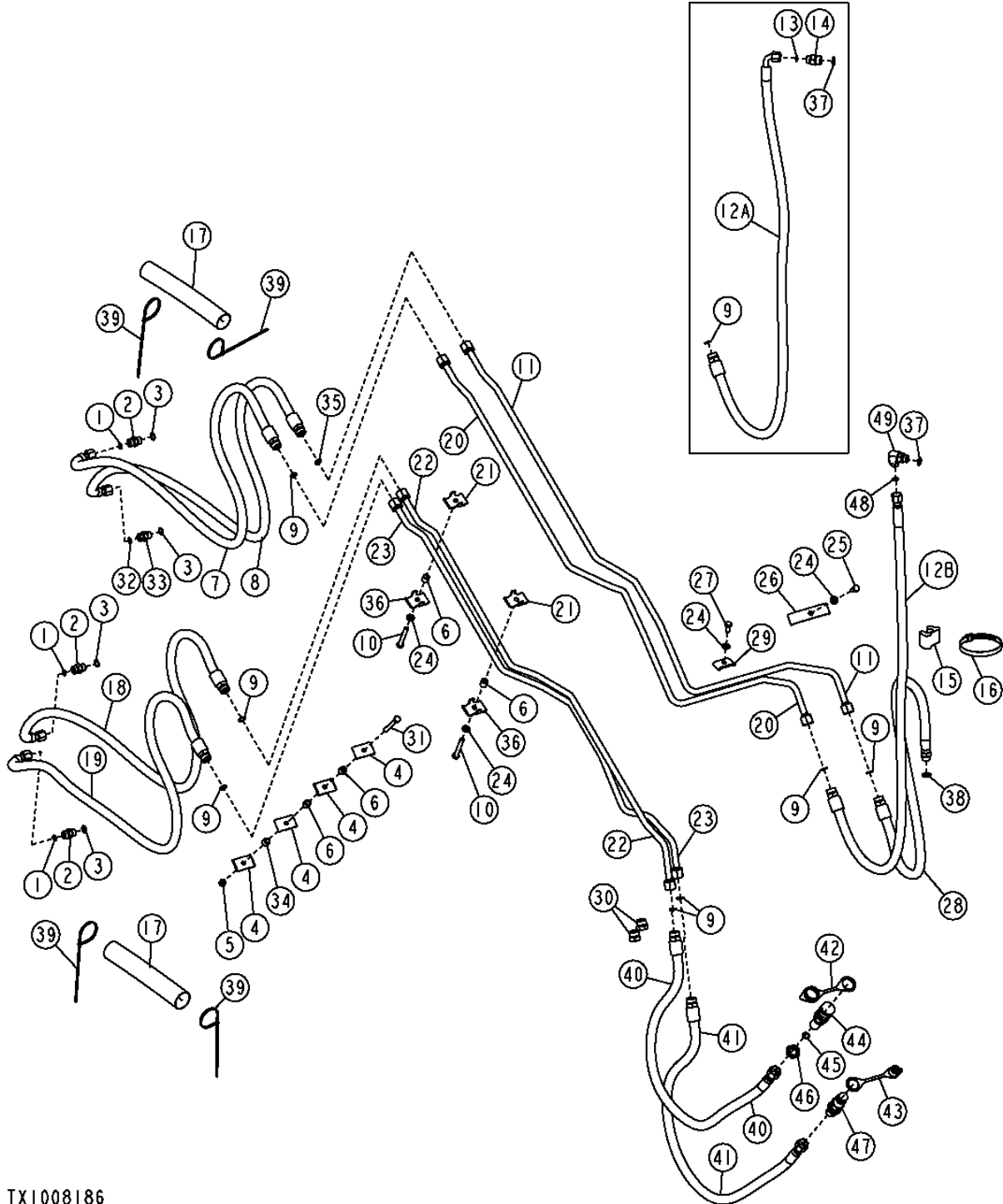
LINES, HOSES & FITTINGS 3163
 -913416)
 VERIN DE BENNE DE CHARGEUR ET CIRCUIT HYDRAULIQUE DE TROISIEME FONCTION (SN -913416)
 SISTEMA HIDRAULICO DE CILINDRO DE CUCHARON DE CARGADORA Y TERCERA FUNCION (SN -913416)

KEY	PART NO.	PART NAME	QTY.	SERIAL NO.	REMARKS
					3 3 3 1 1 1 0 5 0 S S G G G
1	14M7274	NUT	2		X X X M10
2	24M7239	WASHER	2		X X X
3	T202050	ANGLE	2	-913416	X X X (SUB FOR T166245)
4	T160548	CLAMP	1	-913416	X X X
5	28H3383	BUSHING	1	-913416	X X X
6	AT186856	HYDRAULIC HOSE - FABRICATE	1	-913416	X X X 11/16" X 2 147 MM (84-1/2") X 13/16"
7	T77857	O-RING	4		X X X
8	AT185976	OIL LINE	1	-913416	X X X
9	AT185977	OIL LINE	1	-913416	X X X
10	T159952	CLAMP	1		X X X
11	T126052	SPACER	1	-913416	X X X
12	T77932	O-RING	2	-913416	X X X
13	38H1162	ADAPTER FITTING	1	-913416	X X X
14	R26906	O-RING	4	-913417	X X X
15	AT173128	HYDRAULIC HOSE - FABRICATE	1	-913416	X X X 1" X 1 628 MM (64") X 1"
16	T105773	GUIDE	1		X X X
17	AU12450	HOSE CLAMP	1		X X X
18	T77613	O-RING	4	-901979	X X X
	T77613	O-RING	3	901980-	X X X
19	38H1172	ADAPTER FITTING	1	-901979	X X X
	38H1171	ADAPTER FITTING	1	901980-	X X X
20	R26906	O-RING	1	-901979	X X X
21	38H1148	FITTING PLUG	2		X X X
22	AT185978	OIL LINE	1	-913416	X X X
23	AT185979	OIL LINE	1	-913416	X X X
24	U10516	HOSE CLAMP	1		X X X
25	19M8324	CAP SCREW	1		X X X M10 X 16
26	19M7938	CAP SCREW	1		X X X
27	T105720	CLAMP	1		X X X
28	HOSE GUARD	1		X X X (CUT TO 254 MM (10.0 IN)) (MAKE FROM T78606)
29	19M7875	CAP SCREW	1		X X X
30	T159950	CLAMP	1		X X X
31	AT186858	HYDRAULIC HOSE - FABRICATE	1		X X X
32	AT190748	HYDRAULIC HOSE - FABRICATE	1		X X X
33	T160549	CLAMP	2		X X X
34	19M7742	CAP SCREW	2		X X X
35	SLEEVE	1		X X X (CUT TO 254 MM (10.0 IN)) (MAKE FROM T78606)
36	19M8600	CAP SCREW	2		X X X
37	H77698	TIE BAND	6		X X X
38	AT173120	HYDRAULIC HOSE - FABRICATE	1	-901979	X X X
	AT196853	HYDRAULIC HOSE - FABRICATE	1	901980-	X X X
39	38H1162	ADAPTER FITTING	1		X X X
40	R26906	O-RING	2		X X X
41	T77932	O-RING	2		X X X
42	24M7239	WASHER	4		X X X
43	T160548	CLAMP	1		X X X
44	28H3383	BUSHING	1		X X X
45	T77857	O-RING	2		X X X
46	AT186858	HYDRAULIC HOSE - FABRICATE	1		X X X
47	38H1161	ADAPTER FITTING	2		X X X

3163-8

LOADER BUCKET CYLINDER AND THIRD FUNCTION HYDRAULICS (SN 913417-)
VERIN DE BENNE DE CHARGEUR ET CIRCUIT HYDRAULIQUE DE TROISIEME FONCTION (SN 913417-)
SISTEMA HIDRAULICO DE CILINDRO DE CUCHARON DE CARGADORA Y TERCERA FUNCION (SN 913417-)

TX1008186 -UN-07JUN06



TX1008186

3163-9

LOADER BUCKET CYLINDER AND THIRD FUNCTION HYDRAULICS (SN 913417-)
VERIN DE BENNE DE CHARGEUR ET CIRCUIT HYDRAULIQUE DE TROISIEME FONCTION (SN 913417-)
SISTEMA HIDRAULICO DE CILINDRO DE CUCHARON DE CARGADORA Y TERCERA FUNCION (SN 913417-)

KEY	PART NO.	PART NAME	QTY.	SERIAL NO.	3 3 3 1 1 1 0 5 0 S S G G G	REMARKS
1	T77857	O-RING	3		X X X	
2	38H1161	ADAPTER FITTING	3		X X X	
3	R26375	O-RING	4		X X X	
4	R46919	HALF CLAMP	4		X X X	
5	14M7274	NUT	1		X X X	M10
6	28H3381	SPACER	4		X X X	
7	AT198258	HYDRAULIC HOSE - FABRICATE	1		X X X	13/16" X 1 867 MM (73-1/2") X 1"
8	AT301476	HYDRAULIC HOSE - FABRICATE	1		X X X	11/16" X 1 892 MM (74-1/2") X 13/16"
9	T77932	O-RING	6		X X X	
10	19M7875	CAP SCREW	2		X X X	M10 X 70
11	AT197648	OIL LINE	1		X X X	
12A	HYDRAULIC HOSE - FABRICATE	1	-955725	X X	(AT197760 NLA) (SUB AT188560, 38H1005, T77857 AND R26375)
.....	HYDRAULIC HOSE - FABRICATE	1	-200382	X	(AT197760 NLA) (SUB AT188560, 38H1005, T77857 AND R26375)
12B	AT188560	HYDRAULIC HOSE - FABRICATE	1	955726-	X X	
AT188560	HYDRAULIC HOSE - FABRICATE		1	200383-	X	
13	T77857	O-RING	1	-955725	X X	
T77857	O-RING		1	-200382	X	
14	38H1174	ADAPTER FITTING	1	-955725	X X	
38H1174	ADAPTER FITTING		1	-200382	X	
15	T105773	GUIDE	1		X X X	
16	AU12450	HOSE CLAMP	1		X X X	
17	HOSE GUARD	2		X X X	(CUT TO 254 MM (10.0 IN)) (MAKE FROM T78606)
18	AT198260	HYDRAULIC HOSE - FABRICATE	1		X X X	13/16" X 1 822 MM (71-3/4") X 1"
19	AT198254	HYDRAULIC HOSE - FABRICATE	1		X X X	5/8" X 1 835 MM (72-1/4") X 11/16"
20	AT197649	OIL LINE	1		X X X	
21	T159952	CLAMP	2		X X X	
22	AT198253	OIL LINE	1		X X X	
23	AT198251	OIL LINE	1		X X X	
24	24M7239	WASHER	4		X X X	
25	19M7938	CAP SCREW	1		X X X	M10 X 20
26	T105720	CLAMP	1		X X X	
27	19M7938	CAP SCREW	1		X X X	M10 X 20
28	AT173120	HYDRAULIC HOSE - FABRICATE	1		X X X	11/16" X 1 226 MM (48-1/4") X 13/16", (SUB FOR AT196853, THIS APPLICATION) (ALSO ORDER 38H1172, R26906 AND T77613)
29	U10516	HOSE CLAMP	1		X X X	
30	38H1148	FITTING PLUG	2		X X X	
31	19M8081	CAP SCREW	1		X X X	M10 X 80
32	T77613	O-RING	1		X X X	
33	38H1171	ADAPTER FITTING	1		X X X	
34	28H3394	BUSHING	1		X X X	
35	T77857	O-RING	2		X X X	
36	T159954	CLAMP	2		X X X	
37	R26375	O-RING	1		X X X	
38	R26906	O-RING	1		X X X	
39	H77698	TIE BAND	2		X X X	
40	AT309986	HYDRAULIC HOSE - FABRICATE	1		X X X	
41	AT309934	HYDRAULIC HOSE - FABRICATE	1		X X X	
42	T188879	BOOT	1		X X X	
43	T188880	BOOT	1		X X X	
44	KV11305	HYD. QUICK-CONNECT COUPLER	1		X X X	
45	T77932	O-RING	2		X X X	
46	T80306	NUT	2		X X X	
47	AT312876	HYD. QUICK-CONNECT COUPLER	1		X X X	
48	T77857	O-RING	1	955726-	X X	
T77857	O-RING		1	200383-	X	
49	38H1005	ELBOW FITTING	1	955726-	X X	
38H1005	ELBOW FITTING		1	200383-	X X X	

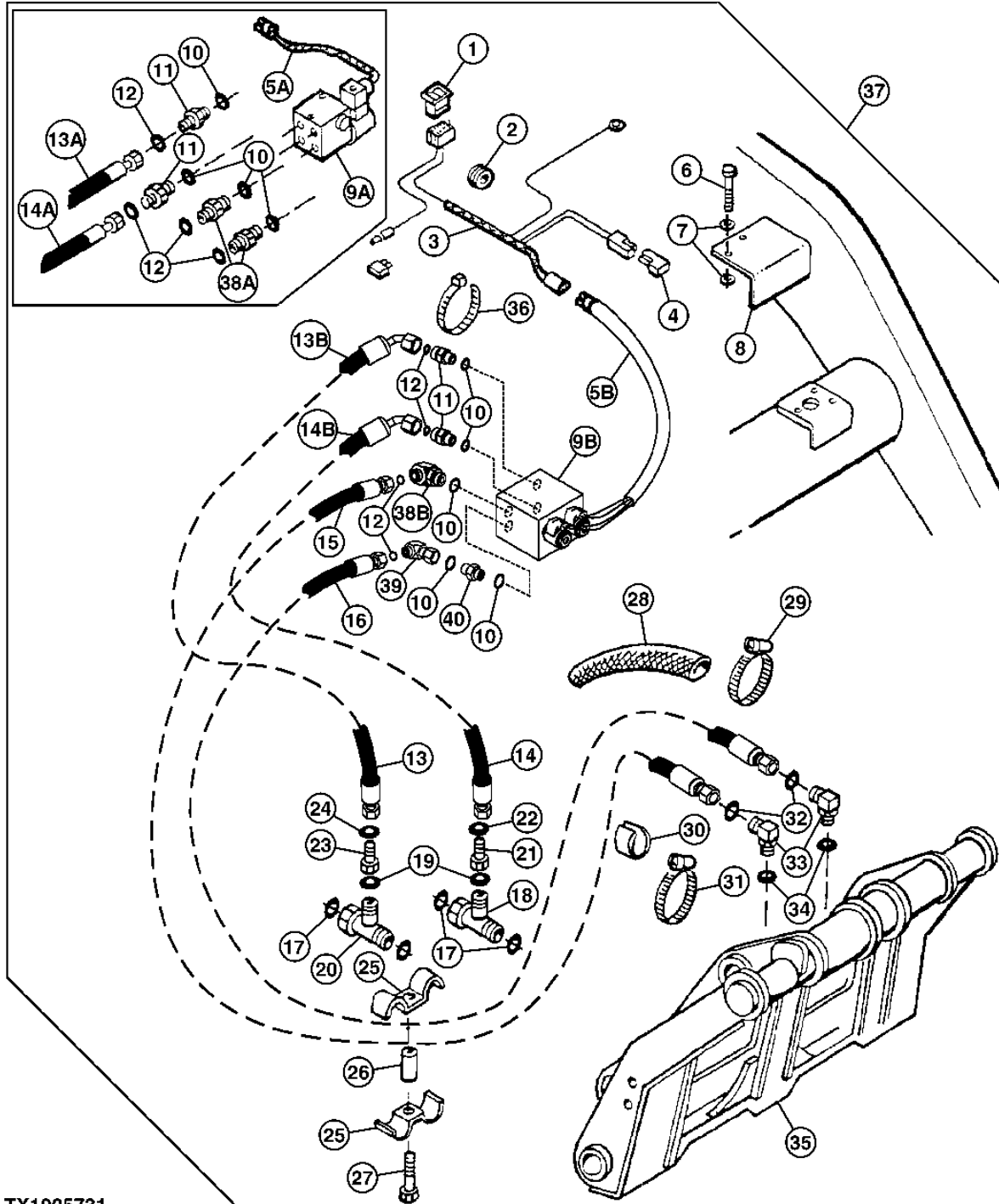
3163-10

LOADER 31

LINES, HOSES & FITTINGS 3163

HYDRAULIC FRONT COUPLER (SN -944081)
ACCOUPLMENT AVANT HYDRAULIQUE (SN -944081)
ACOPLADOR HIDRAULICO DELANTERO (SN -944081)

TX1005731 -UN-05APR06



TX1005731

THIS PARTS LISTING IS CONTINUED

3163-11

LOADER 31

LINES,HOSES & FITTINGS 3163

HYDRAULIC FRONT COUPLER (SN -944081)
 ACCOUPLEMENT AVANT HYDRAULIQUE (SN -944081)
 ACOPLADOR HIDRAULICO DELANTERO (SN -944081)

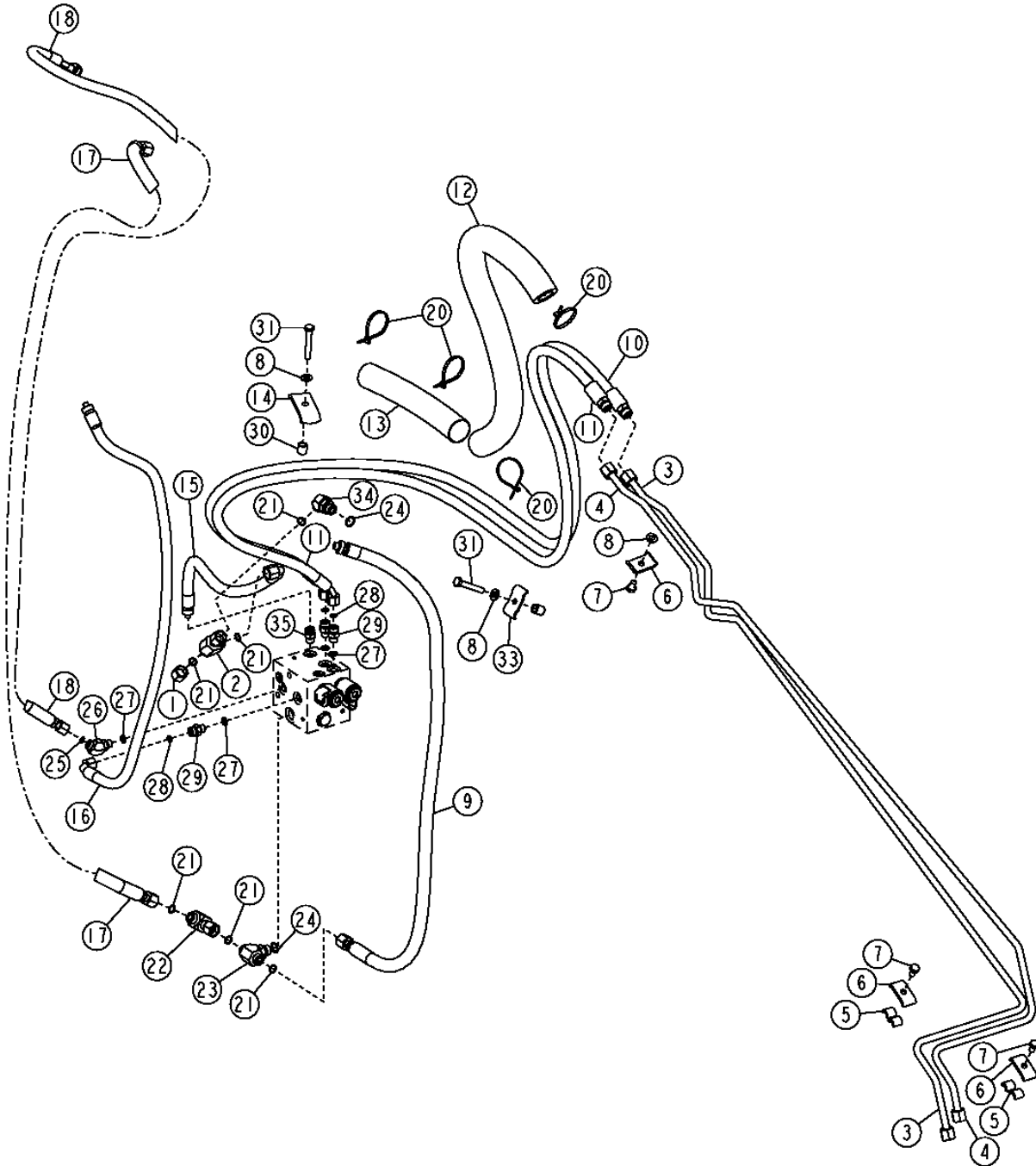
KEY	PART NO.	PART NAME	QTY.	SERIAL NO.	REMARKS
					3 3
					3 1 1
					1 0 5
					0 S S
					G G G
1	AT181292	SWITCH	1		X X X
2	N30256	GROMMET	1		X X X
	T70341	GROMMET	1		X X X
3	AT193699	CAB WIRING HARNESS	1		X X X (ALSO ORDER AT300857) (SUB FOR AT185877)
4	AR94101	DIODE	1		X X X
5A	AT185876	WIRING HARNESS	1	-913970	X X X (ALSO ORDER AT193699)
5B	AT300857	WIRING HARNESS	1	913971-	X X X (ALSO ORDER AT193699)
6	19M8456	CAP SCREW	2		X X X M8 X 100, (SUB FOR 19M7763, THIS APPLICATION)
7	24M7238	WASHER	4		X X X 8,700 X 17 X 2 MM, (SUB FOR 24M7250, THIS APPLICATION)
8	T200540	COVER	1		X X X (SUB FOR A36518)
9A	AT181422	VALVE	1	-913970	X X X
9B	AT300855	VALVE	1	913971-	X X X
	AT224865	SOLENOID VALVE COIL	1	913871-	X X X
	AT301016	CHECK VALVE	3	913871-	X X X
	AT301017	SOLENOID VALVE	1	913871-	X X X (LARGE DIAMETER)
	AT301019	SOLENOID VALVE COIL	1	913871-	X X X
	AT301020	SOLENOID VALVE	1	913871-	X X X (SMALL DIAMETER)
	T181306	NUT	2	913871-	X X X
10	R26448	O-RING	4		X X X
11	38H1168	ADAPTER FITTING	2		X X X
12	T77814	O-RING	4		X X X
13A	AT195862	HYDRAULIC HOSE	1	-913970	X X X (SUB FOR AT194784, THIS APPLICATION)
13B	AT300860	HYDRAULIC HOSE	1	913971-	X X X
14A	AT195862	HYDRAULIC HOSE	1	-913970	X X X (SUB FOR AT194784, THIS APPLICATION)
14B	AT300860	HYDRAULIC HOSE	1	913971-	X X X
15	AT194785	HYDRAULIC HOSE	1		X X X
16	AT194786	HYDRAULIC HOSE	1		X X X
17	T77932	O-RING	4		X X X
18	38H1031	TEE FITTING	1		X X X
19	T77857	O-RING	2		X X X
20	38H1032	TEE FITTING	1		X X X
21	38H1471	REDUCER	1		X X X
22	T77932	O-RING	1		X X X
23	38H1471	REDUCER	1		X X X
24	T77613	O-RING	1		X X X
25	R46919	HALF CLAMP	2		X X X
26	28H1878	SPACER	1		X X X
27	19M7179	CAP SCREW	1		X X X
28	T162439	HOSE GUARD	1		X X X
29	AR21842	CLAMP	2		X X X
30	BULK HOSE	2		X X X (CUT TO LENGTH) (MAKE FROM T60811)
31	AR21839	CLAMP	2		X X X
32	T77613	O-RING	2		X X X
33	38H1009	ELBOW FITTING	2		X X X
34	R26448	O-RING	2		X X X
35	QUICK COUPLER	1		X X X
36	H77698	TIE BAND	12		X X X
37	KIT	1		X X X (AT300853 NLA) (SUB FOR AT185635 AND AT194410)
38A	38H1168	ADAPTER FITTING	2	-913970	X X X (PORT A, B)
38B	38H1009	ELBOW FITTING	1	913971-	X X X (PORT A)
39	38H1093	ELBOW FITTING	1	913971-	X X X (PORT B)
40	38H1168	ADAPTER FITTING	1	913971-	X X X (PORT B)

3163-12

HYDRAULIC FRONT COUPLER ACCOUPEMENT AVANT HYDRAULIQUE ACOPLADOR HIDRAULICO DELANTERO

T209883

-UN-11APR05



T209883

3163-13

LOADER 31

LINES,HOSES & FITTINGS 3163

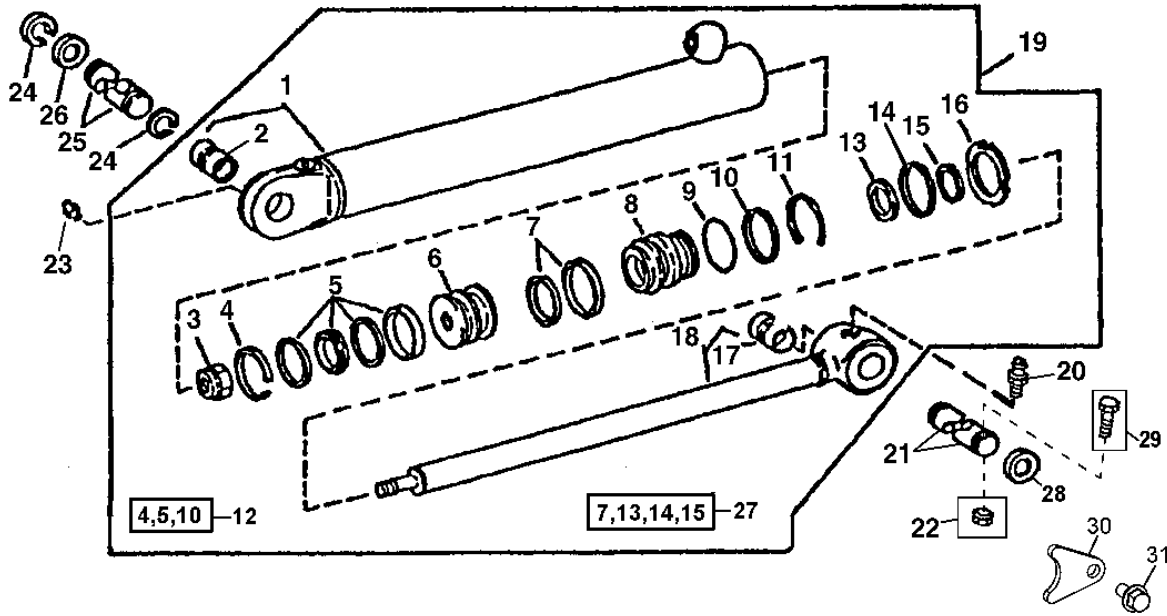
**HYDRAULIC FRONT COUPLER
ACCOUPLLEMENT AVANT HYDRAULIQUE
ACOPLADOR HIDRAULICO DELANTERO**

KEY	PART NO.	PART NAME	QTY.	SERIAL NO.	REMARKS
1	38H1416	FITTING	1		
2	38H1031	TEE FITTING	1		
3	AT309663	OIL LINE	1		
4	AT309662	OIL LINE	1		
5	ISOLATOR	4		
6	U10516	HOSE CLAMP	3		
7	19M8324	CAP SCREW	3		M10 X 16
8	24M7239	WASHER	5		
9	AT309694	HYDRAULIC HOSE - FABRICATE	1		
10	AT311651	HYDRAULIC HOSE - FABRICATE	1		11/16" X 2 045 MM (80-1/2") X 13/16"
11	AT308506	HYDRAULIC HOSE - FABRICATE	1		11/16" X 1 994 MM (78-1/2") X 13/16"
12	T185089	SLEEVE	1		
13	T78606	HOSE GUARD	2		(CUT TO 254MM (10.0 IN))
14	T190979	HALF CLAMP	1		
15	AT309679	HYDRAULIC HOSE - FABRICATE	1		
16	AT309682	HYDRAULIC HOSE - FABRICATE	1		
17	AT309696	HYDRAULIC HOSE - FABRICATE	1		
18	AT309690	HYDRAULIC HOSE - FABRICATE	1		
20	R44302	TIE BAND	4		
21	T77857	O-RING	5		
22	38H1095	ELBOW FITTING	1		
23	38H1017	TEE FITTING	1		
24	R26375	O-RING	2		
25	T77613	O-RING	1		
26	38H1045	ELBOW FITTING	1		
27	R26448	O-RING	2		
28	T77613	O-RING	1		
29	38H1160	ADAPTER FITTING	1		
30	28H1522	SPACER	1		
31	19M7742	CAP SCREW	2		M10 X 65
32	28H3383	BUSHING	2		
33	R46919	HALF CLAMP	1		
34	38H1046	ELBOW FITTING	1		
35	AT187666	ADAPTER FITTING	1		

3165-2

BOOM CYLINDER AND REPAIR KITS (310G) (SN -926493)
VERIN DE FLECHE ET KITS DE REPARATION (310G) (SN -926493)
CILINDRO DE AGUILON Y JUEGOS DE REPARACION (310G) (SN -926493)

T148462 -UN-28NOV01



T148462

THIS PARTS LISTING IS CONTINUED

3165-3

LOADER 31

HYDRAULIC CYLINDERS 3165

**BOOM CYLINDER AND REPAIR KITS (310G) (SN -926493)
 VERIN DE FLECHE ET KITS DE REPARATION (310G) (SN -926493)
 CILINDRO DE AGUILON Y JUEGOS DE REPARACION (310G) (SN -926493)**

KEY	PART NO.	PART NAME	QTY.	SERIAL NO.	REMARKS
					3 3
					3 1 1
					1 0 5
					0 S S
					G G G
1	AH146876	HYDRAULIC CYLINDER BARREL	1		X
2	H159941	BUSHING	1		X
3	H170538	NUT	1		X
4	R81777	WEAR RING	1	-902497	X
5	RE20345	SEAL	1	-902497	X
6	H145359	PISTON	1	-902497	X
	AH165826	PISTON	1	902498-926493	X
	R98323	SEAL	1	902498-926493	X
	R98322	SEAL	1	902498-926493	X
7	AH146561	SEAL	1		X
8	H152345	HYDR. CYLINDER ROD GUIDE	1		X
9	T12582	O-RING	1		X
10	R81864	BACK-UP RING	1		X
11	R81789	RING	1		X
12	AH212091	HYDRAULIC CYLINDER KIT	1	-902497	X (CYLINDER BORE REPAIR) (SUB FOR AH149842)
13	H152203	SEAL	1		X
14	H152794	WEAR RING	1		X
15	AH146557	SEAL	1		X
16	R81795	NUT	1		X
17	H151542	BUSHING	1	-902497	X
18	AH146875	HYDRAULIC CYLINDER ROD	1		X
19	AH146874	HYDRAULIC CYLINDER	1	-902497	X
	HYDRAULIC CYLINDER	1	902498-926493	X (AH174222 NLA) (SUB AH211203)
20	T162396	LUBRICATION FITTING	1		X
21	T186354	PIN	2	-896864	X
	T187275	PIN FASTENER	2	896865-	X
22	14M7168	LOCK NUT	2	-896864	X M12
23	T162396	LUBRICATION FITTING	1		X
24	T61226	SNAP RING	4		X
25	T158132	PIN	1		X
26	T75815	WASHER	AR		X 1.988" X 2.953" X 0.197"
27	AH210484	HYDRAULIC CYLINDER KIT	1		X (CYLINDER ROD REPAIR) (SUB FOR AH148164)
28	24H1577	WASHER	8	-896864	X
29	19M7949	CAP SCREW	2	-896864	X M12 X 100
30	T187276	PLATE	1	896865-	X (RETAINER)
31	19M7784	SCREW	1	896865-	X

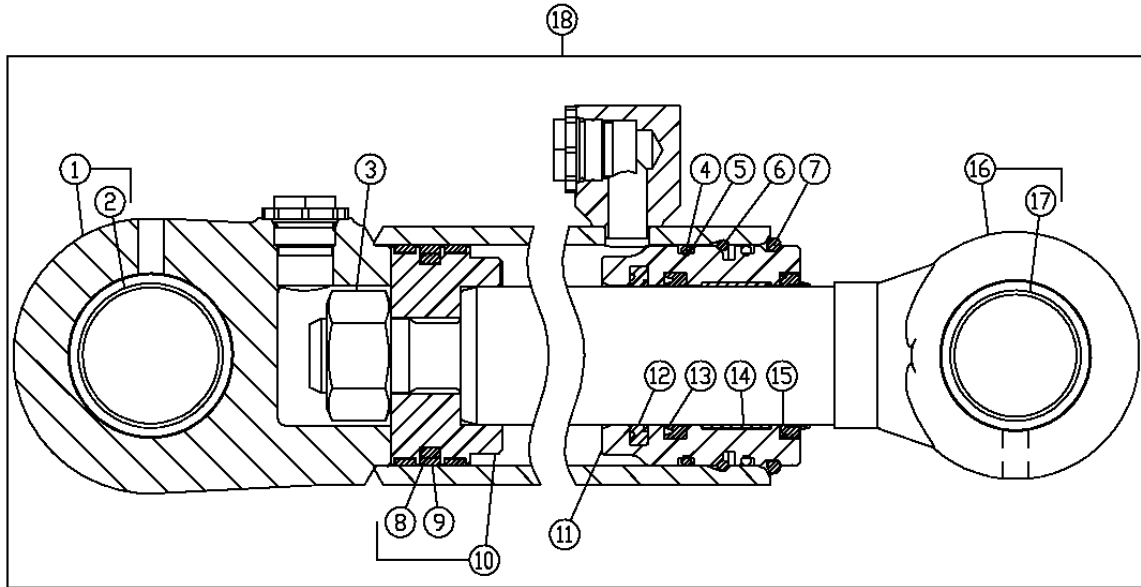
3165-4

LOADER 31

HYDRAULIC CYLINDERS 3165

BOOM CYLINDER AND REPAIR KITS (310G) (SN 926494-)
 VERIN DE FLECHE ET KITS DE REPARATION (310G) (SN 926494-)
 CILINDRO DE AGUILON Y JUEGOS DE REPARACION (310G) (SN 926494-)

T196129 -UN-10NOV03



19-12,13,14,15

20-5,8,9

T196129

KEY	PART NO.	PART NAME	QTY.	SERIAL NO.	3 3 3 1 1 1 0 5 0 S S G G G	REMARKS
1	AH211204	HYDRAULIC CYLINDER BARREL	1		X	
2	H159941	BUSHING	1		X	
3	H170538	NUT	1		X	
4	T12582	O-RING	2		X	
5	R81864	BACK-UP RING	1		X	
6	SNAP RING	1		X	
7	SNAP RING	1		X	
8	R98323	SEAL	1		X	
9	R98322	SEAL	1		X	
10	AH165826	PISTON	1		X	
11	H209221	HYDR. CYLINDER ROD GUIDE	1		X	
12	AH146561	SEAL	1		X	
13	H152203	SEAL	1		X	
14	H208987	WEAR RING	1		X	
15	AH146557	SEAL	1		X	
16	AH146875	HYDRAULIC CYLINDER ROD	1		X	
17	H151542	BUSHING	1		X	
18	AH211203	HYDRAULIC CYLINDER	1		X	
19	AH210484	HYDRAULIC CYLINDER KIT	1		X	(ROD SEAL)
20	AH212092	HYDRAULIC CYLINDER KIT	1		X	(BORE SEAL)

3165-5

LOADER 31

HYDRAULIC CYLINDERS 3165

MEMORANDA
MEMORANDA
MEMORANDA

3165-6

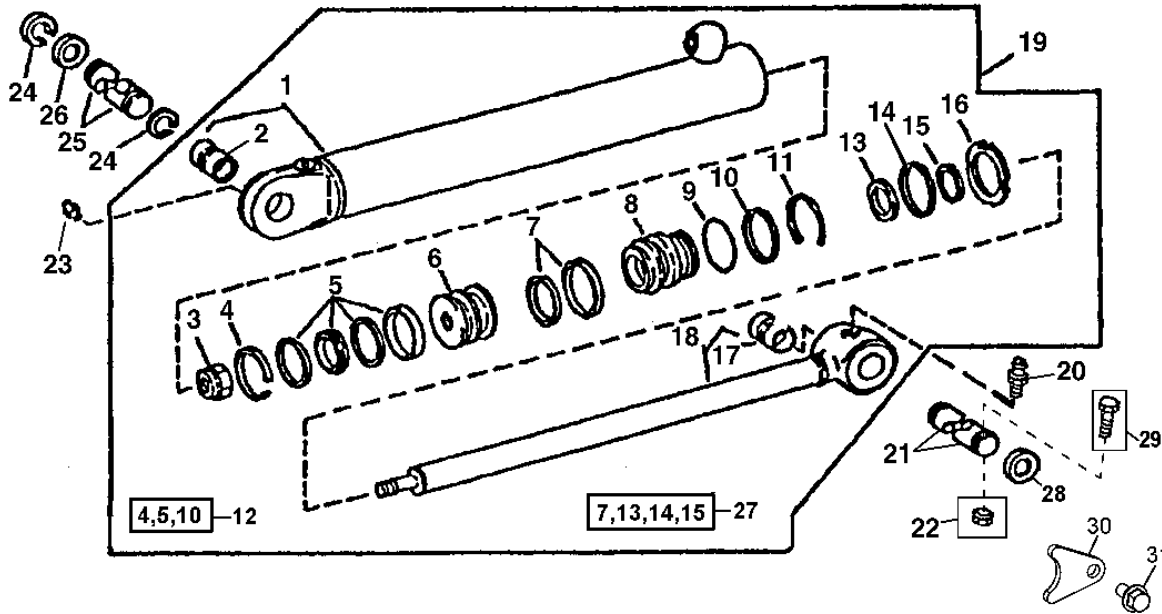
LOADER 31

HYDRAULIC CYLINDERS 3165

BOOM CYLINDER AND REPAIR KITS (310SG AND 315SG) (SN -910491)
VERIN DE FLECHE ET KITS DE REPARATION (310SG ET 315SG) (SN -910491)
CILINDRO DE AGUILON Y JUEGOS DE REPARACION (310SG Y 315SG) (SN -91049 1)

T148462

-UN-28NOV01



T148462

THIS PARTS LISTING IS CONTINUED

3165-7

LOADER 31

HYDRAULIC CYLINDERS 3165

BOOM CYLINDER AND REPAIR KITS (310SG AND 315SG) (SN -910491)
 VERIN DE FLECHE ET KITS DE REPARATION (310SG ET 315SG) (SN -910491)
 CILINDRO DE AGUILON Y JUEGOS DE REPARACION (310SG Y 315SG) (SN -91049 1)

KEY	PART NO.	PART NAME	QTY.	SERIAL NO.	3 3 3 1 1 1 0 5 0 S S G G G	REMARKS
1	AH146876	HYDRAULIC CYLINDER BARREL	1		X X	
2	H159941	BUSHING	1		X X	
3	H170538	NUT	1		X X	
4	R81777	WEAR RING	1		X X	
5	RE20345	SEAL	1		X X	
6	H145359	PISTON	1		X X	
7	AH146561	SEAL	1		X X	
8	H152345	HYDR. CYLINDER ROD GUIDE	1		X X	
9	T12582	O-RING	1		X X	
10	R81864	BACK-UP RING	1		X X	
11	R81789	RING	1		X X	
12	AH212091	HYDRAULIC CYLINDER KIT	1		X X	(CYLINDER BORE REPAIR) (SUB FOR AH149842)
13	H152203	SEAL	1		X X	
14	H152794	WEAR RING	1		X X	
15	AH146557	SEAL	1		X X	
16	R81795	NUT	1		X X	
17	H151542	BUSHING	1		X X	
18	AH146875	HYDRAULIC CYLINDER ROD	1		X X	
19	HYDRAULIC CYLINDER	1		X X	(AH146874 NLA) (SUB AH211206)
20	T162396	LUBRICATION FITTING	1		X X	
21	T186354	PIN	2	-896864	X X	
	T187275	PIN FASTENER	2	896865-	X X	
22	14M7168	LOCK NUT	2	-896864	X X	M12
23	T162396	LUBRICATION FITTING	1		X X	
24	T61226	SNAP RING	4		X X	
25	T158132	PIN	1		X X	
26	T75815	WASHER	AR		X X	1.988" X 2.953" X 0.197"
27	AH210484	HYDRAULIC CYLINDER KIT	1		X X	(CYLINDER ROD REPAIR) (SUB FOR AH148164)
28	24H1577	WASHER	8	-896864	X X	
29	19M7949	CAP SCREW	2	-896864	X X	M12 X 100
30	T187276	PLATE	1	896865-	X X	(RETAINER)
31	19M7784	SCREW	1	896865-	X X	

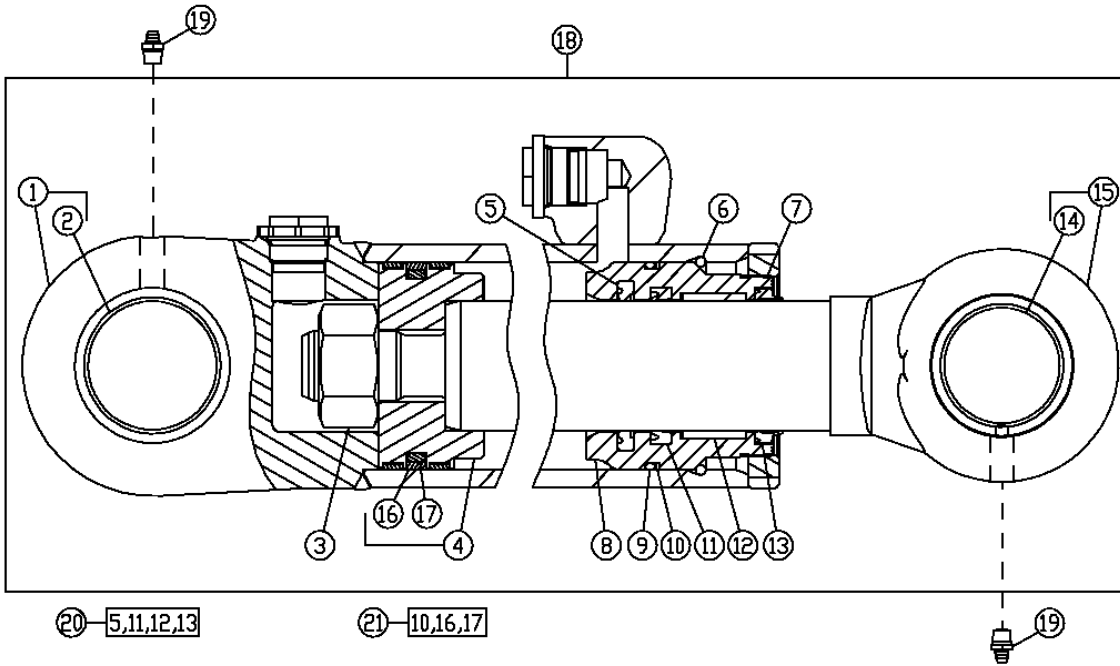
3165-8

LOADER 31

HYDRAULIC CYLINDERS 3165

BOOM CYLINDER AND REPAIR KITS (310SG AND 315SG) (SN 910492-926248)
VERIN DE FLECHE ET KITS DE REPARATION (310SG ET 315SG) (SN 910492-926248)
CILINDRO DE AGUILON Y JUEGOS DE REPARA (310SG Y 315SG) (SN 910492-926248)

T212490 -UN-06JUL05



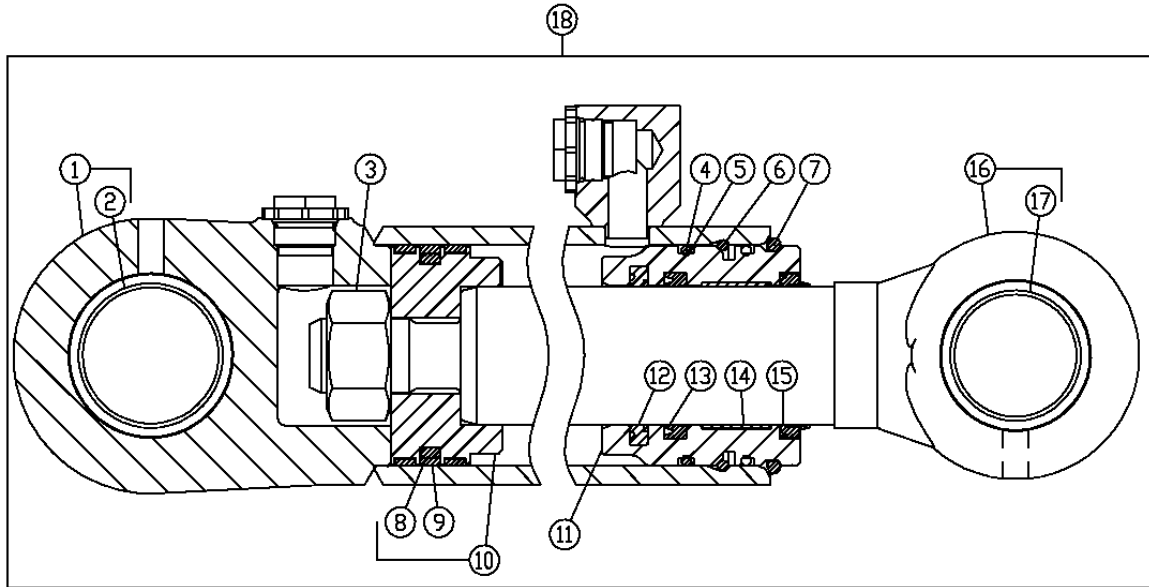
T212490

KEY	PART NO.	PART NAME	QTY.	SERIAL NO.	3 3 3 1 1 1 0 5 0 S S G G G	REMARKS
1	AH146876	HYDRAULIC CYLINDER BARREL	1		X X	
2	H159941	BUSHING	1		X X	
3	H170538	NUT	1		X X	
4	AH165826	PISTON	1		X X	
5	AH146561	SEAL	1		X X	
6	R81789	RING	1		X X	
7	R81795	NUT	1		X X	
8	H152345	HYDR. CYLINDER ROD GUIDE	1		X X	
9	T12582	O-RING	1		X X	
10	R81864	BACK-UP RING	1		X X	
11	H152203	SEAL	1		X X	
12	H152794	WEAR RING	1		X X	
13	AH146557	SEAL	1		X X	
14	H151542	BUSHING	1		X X	
15	AH146875	HYDRAULIC CYLINDER ROD	1		X X	
16	R98322	SEAL	1		X X	
17	R98323	SEAL	1		X X	
18	HYDRAULIC CYLINDER	1		X X	(AH207401 NLA) (SUB AH211206)
19	T162396	LUBRICATION FITTING	2		X X	
20	AH210484	HYDRAULIC CYLINDER KIT	1		X X	(ROD SEAL) (SUB FOR AH148164)
21	AH212092	HYDRAULIC CYLINDER KIT	1		X X	(BORE SEAL) (SUB FOR AH202080)

3165-9

BOOM CYLINDER AND REPAIR KITS (310SG AND 315SG) (SN 926249-)
 VERIN DE FLECHE ET KITS DE REPARATION (310SG ET 315SG) (SN 926249-)
 CILINDRO DE AGUILON Y JUEGOS DE REPARACION (310SG Y 315SG) (SN 926249-)

T196129 -UN-10NOV03



19-12,13,14,15

20-5,8,9

T196129

KEY	PART NO.	PART NAME	QTY.	SERIAL NO.	3 3 3 1 1 1 0 5 0 S S G G G	REMARKS
1	AH211204	HYDRAULIC CYLINDER BARREL	1		X X	
2	H159941	BUSHING	1		X X	
3	H170538	NUT	1		X X	
4	T12582	O-RING	2		X X	
5	R81864	BACK-UP RING	1		X X	
6	H170216	SNAP RING	1		X X	
7	H180787	SNAP RING	1		X X	
8	R98323	SEAL	1		X X	
9	R98322	SEAL	1		X X	
10	AH165826	PISTON	1		X X	
11	H209221	HYDR. CYLINDER ROD GUIDE	1		X X	
12	AH146561	SEAL	1		X X	(SUB FOR AH149842)
13	H152203	SEAL	1		X X	
14	H208987	WEAR RING	1		X X	
15	AH146557	SEAL	1		X X	
16	AH146875	HYDRAULIC CYLINDER ROD	1		X X	
17	H151542	BUSHING	1		X X	
18	AH211206	HYDRAULIC CYLINDER	1		X X	
19	AH210484	HYDRAULIC CYLINDER KIT	1		X X	(ROD SEAL)
20	AH212092	HYDRAULIC CYLINDER KIT	1		X X	(BORE SEAL)

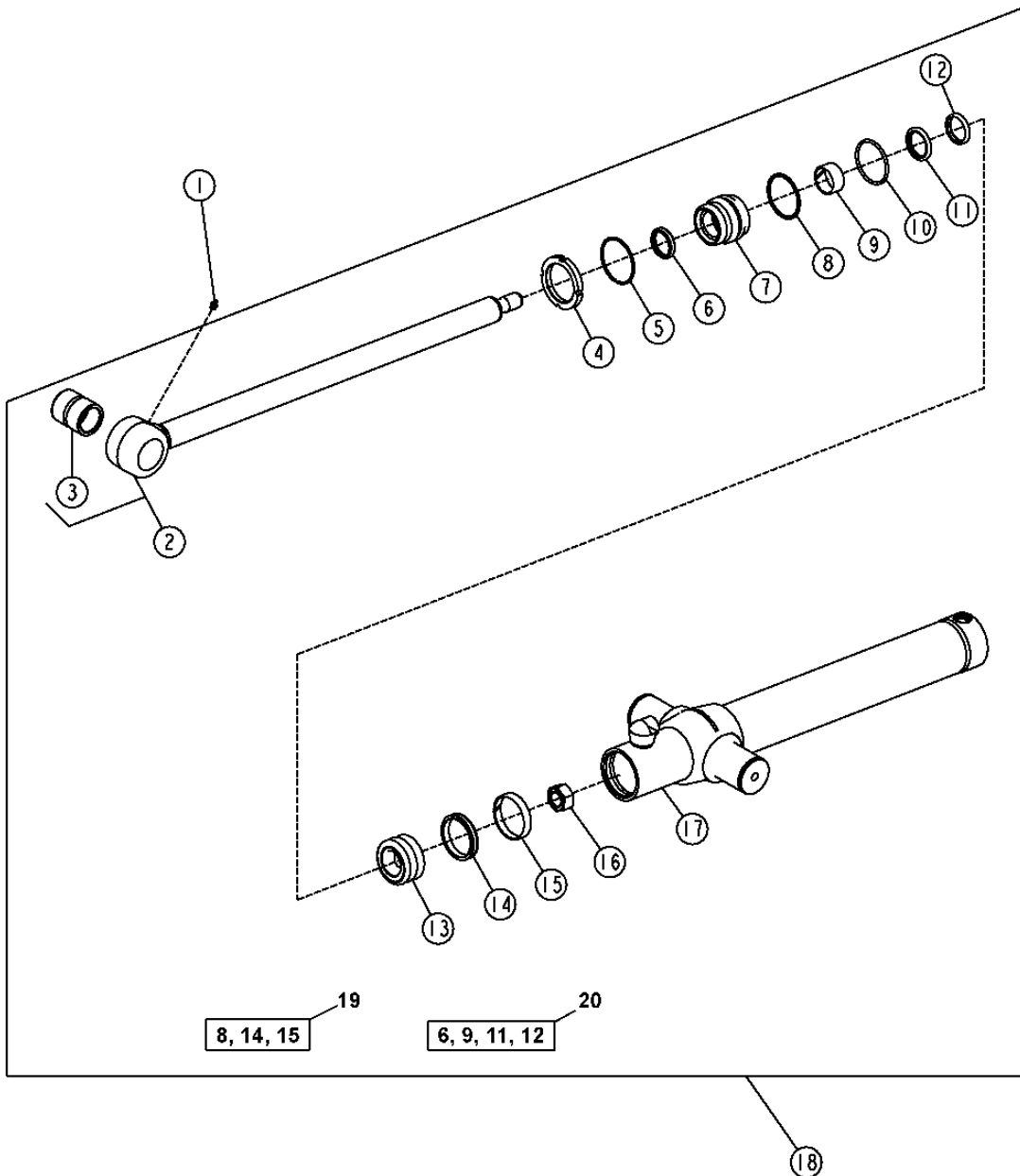
3165-10

LOADER 31

HYDRAULIC CYLINDERS 3165

LOADER BUCKET CYLINDER AND REPAIR KIT (SN -941225)
VERIN DE BENNE DE CHARGEUR ET KIT DE REPARATION (SN -941225)
CILINDRO DE CUCHARON DE CARGADORA Y JUEGO DE REPARACION (SN -941225)

TP62470 -UN-26SEP00



TP62470

3165-11

LOADER 31

HYDRAULIC CYLINDERS 3165

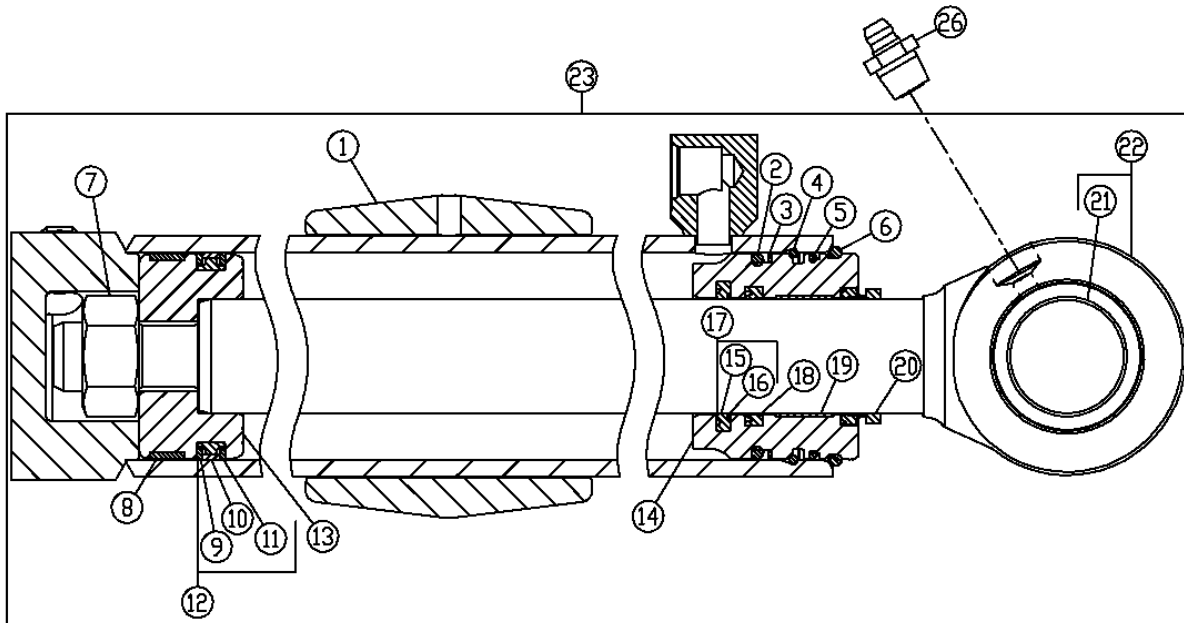
LOADER BUCKET CYLINDER AND REPAIR KIT (SN -941225)
 VERIN DE BENNE DE CHARGEUR ET KIT DE REPARATION (SN -941225)
 CILINDRO DE CUCHARON DE CARGADORA Y JUEGO DE REPARACION (SN -941225)

KEY	PART NO.	PART NAME	QTY.	SERIAL NO.	REMARKS
					3 3
					3 1 1
					1 0 5
					0 S S
					G G G
1	T162396	LUBRICATION FITTING	1		X X X
2	AH162040	END	1		X X X
3	H151594	BUSHING	1		X X X
4	R81794	NUT	1		X X X
5	R81788	RING	1		X X X
6	AH146557	SEAL	1		X X X
7	H154352	HYDR. CYLINDER ROD GUIDE	1		X X X
8	R79101	BACK-UP RING	1		X X X
9	H152794	WEAR RING	1		X X X
10	F1430R	O-RING	1		X X X
11	AH146561	SEAL	1		X X X
12	H152203	SEAL	1		X X X
13	H142090	PISTON	1		X X X
14	RE20344	SEAL	1		X X X
15	R81776	WEAR RING	1		X X X
16	H170539	NUT	1		X X X
17	AH173568	HYDRAULIC CYLINDER BARREL	1		X X X (SUB FOR AH171229)
18	HYDRAULIC CYLINDER	1		X X X (AH173567 NLA) (SUB AH220550)
19	AH212096	HYDRAULIC CYLINDER KIT	1		X X X (BORE REPAIR) (SUB FOR AH149843)
20	AH210484	HYDRAULIC CYLINDER KIT	1		X X X (ROD REPAIR) (SUB FOR AH148164)

3165-12

LOADER BUCKET CYLINDER AND REPAIR KIT (SN 941226-)
VERIN DE BENNE DE CHARGEUR ET KIT DE REPARATION (SN 941226-)
CILINDRO DE CUCHARON DE CARGADORA Y JUEGO DE REPARACION (SN 941226-)

TX1013554 -UN-



TX1013554

24 17,18,19,20

25 3,5,8,12

3165-13

LOADERS 31

HYDRAULIC CYLINDERS 3165

LOADER BUCKET CYLINDER AND REPAIR KIT (SN 941226-)
 VERIN DE BENNE DE CHARGEUR ET KIT DE REPARATION (SN 941226-)
 CILINDRO DE CUCHARON DE CARGADORA Y JUEGO DE REPARACION (SN 941226-)

KEY	PART NO.	PART NAME	QTY.	SERIAL NO.	REMARKS
					3 3
					3 1 1
					1 0 5
					0 S S
					G G G
1	AH216339	HYDRAULIC CYLINDER BARREL	1		X X X
2	F1430R	O-RING	1		X X X
3	R79101	BACK-UP RING	1		X X X
4	H180103	SNAP RING	1		X X X
5	O-RING	1		X X X
6	H206859	SNAP RING	1		X X X
7	H170539	NUT	1		X X X
8	R81776	WEAR RING	1		X X X
9	SEAL	1		X X X
10	BACK-UP RING	1		X X X
11	SEAL	1		X X X
12	RE20344	SEAL	1		X X X
13	H142090	PISTON	1		X X X
14	H208631	HYDR. CYLINDER ROD GUIDE	1		X X X
15	SEAL	1		X X X
16	SEAL	1		X X X
17	AH146561	SEAL	1		X X X
18	H152203	SEAL	1		X X X
19	H208987	WEAR RING	1		X X X
20	AH146557	SEAL	1		X X X
21	H151594	BUSHING	1		X X X
22	AH162040	END	1		X X X
23	HYDRAULIC CYLINDER	1		X X X (AH216338 NLA) (SUB AH220550)
24	AH210484	HYDRAULIC CYLINDER KIT	1		X X X (ROD REPAIR)
25	AH212096	HYDRAULIC CYLINDER KIT	1		X X X (BORE REPAIR)
26	T162396	LUBRICATION FITTING	1		X X X

3165-14

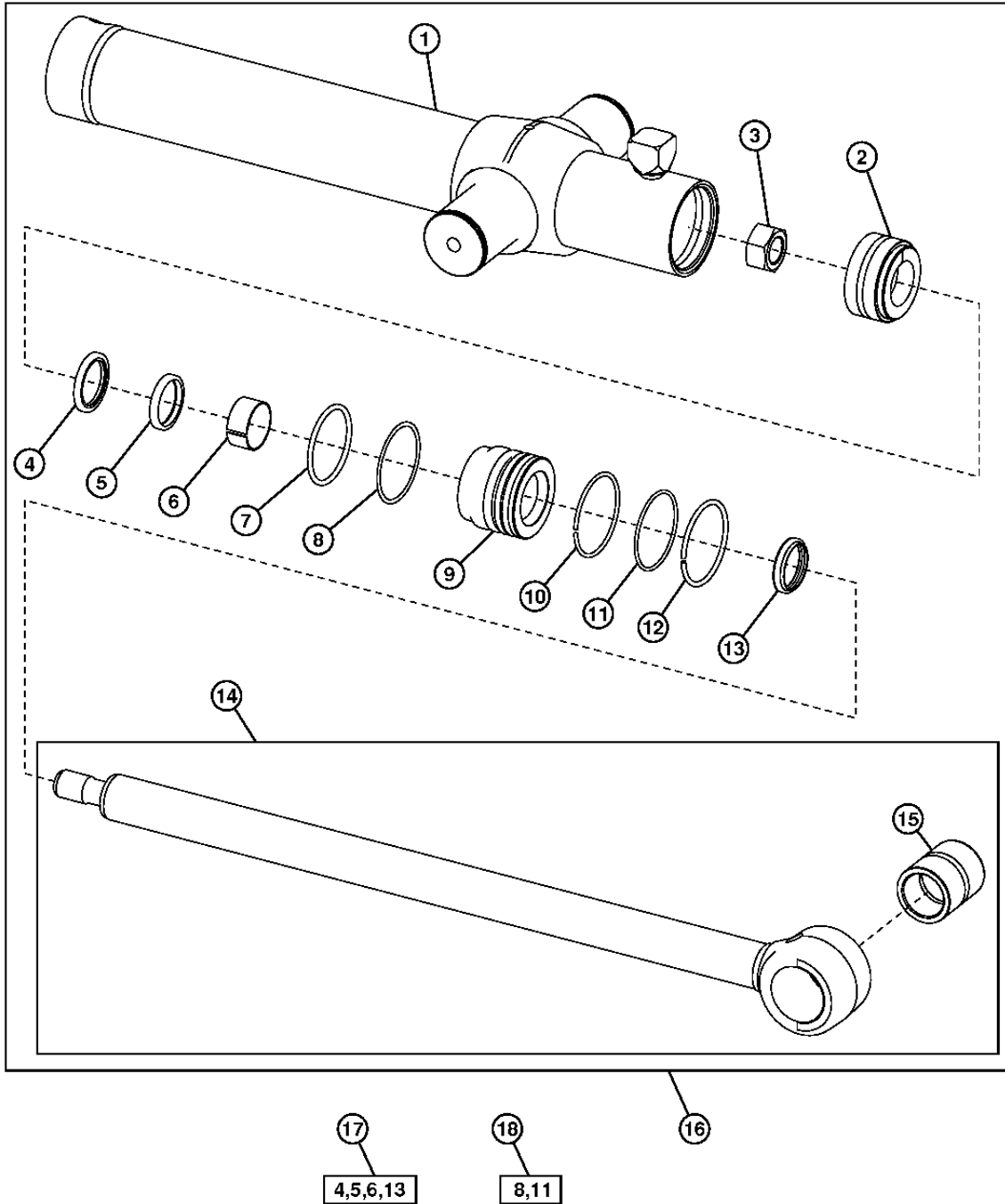
LOADER 31

HYDRAULIC CYLINDERS 3165

LOADER BUCKET CYLINDER AND REPAIR KIT (SN. 941226-)
VERIN DE BENNE DE CHARGEUR ET KIT DE REPARATION (SN. 941226-)
CILINDRO DE CUCHARON DE CARGADORA Y JUEGO DE REPARACION (SN. 941226-)
(REPLACEMENT CYLINDER)
CYLINDRE RECHANGE
CILINDRO REPUESTO

TX1008161

-UN-



TX1008161

3165-15

LOADER 31

HYDRAULIC CYLINDERS 3165

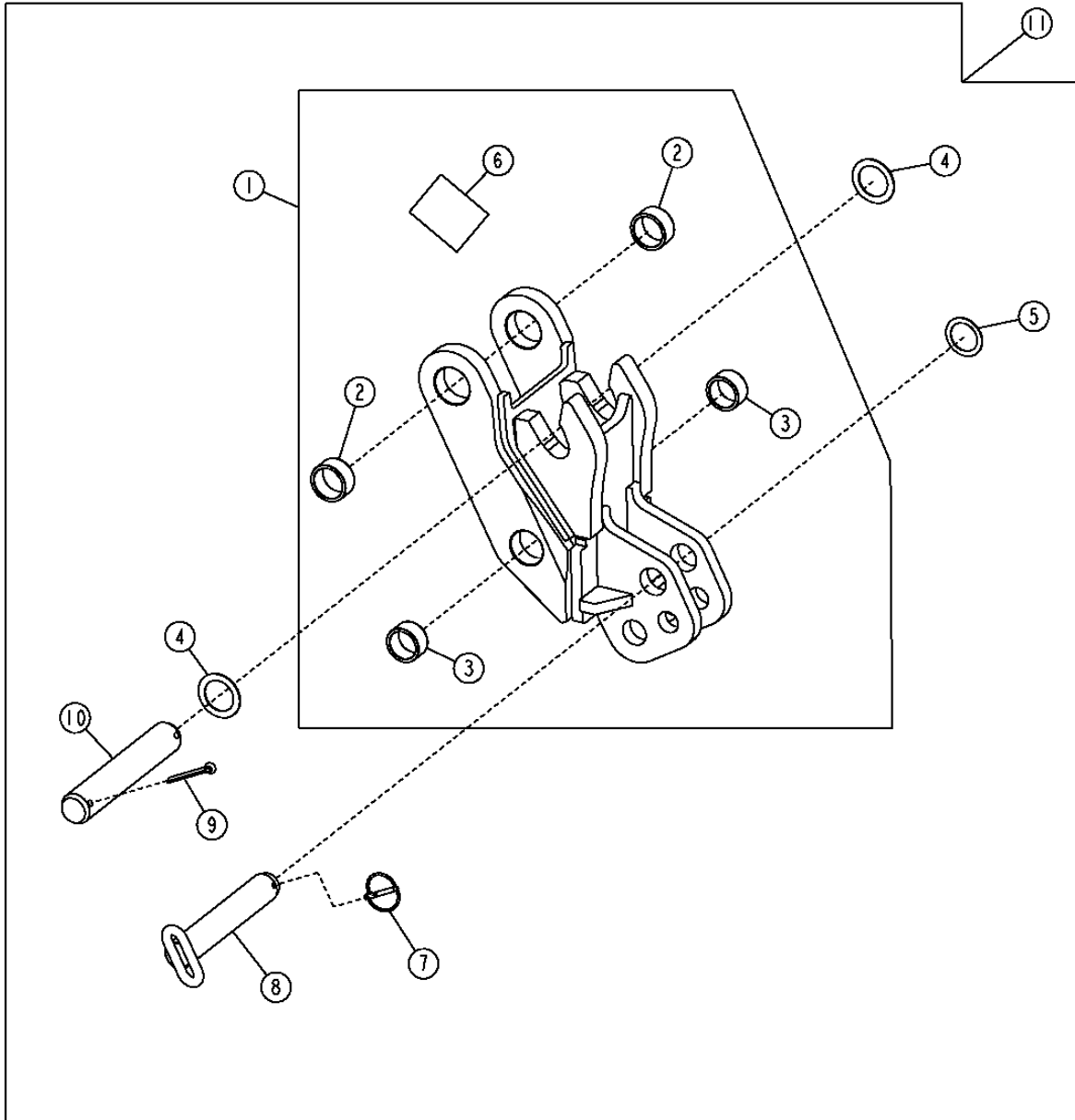
LOADER BUCKET CYLINDER AND REPAIR KIT (SN. 941226-)
VERIN DE BENNE DE CHARGEUR ET KIT DE REPARATION (SN. 941226-)
CILINDRO DE CUCHARON DE CARGADORA Y JUEGO DE REPARACION (SN. 941226-)
(REPLACEMENT CYLINDER)
CYLINDRE RECHANGE
CILINDRO REPUESTO

KEY	PART NO.	PART NAME	QTY.	SERIAL NO.	REMARKS
1	AH220551	HYDRAULIC CYLINDER BARREL	1		
2	AH205060	PISTON	1		
3	H170539	NUT	1		
4	AH146561	SEAL	1		
5	H152203	SEAL	1		
6	H208987	WEAR RING	1		
7	F1430R	O-RING	1		
8	R79101	BACK-UP RING	1		
9	H208631	HYDR. CYLINDER ROD GUIDE	1		
10	H180103	SNAP RING	1		
11	H181114	O-RING	1		
12	H206859	SNAP RING	1		
13	AH146557	SEAL	1		
14	AH162040	END	1		
15	H151594	BUSHING	1		
16	AH220550	HYDRAULIC CYLINDER	1		
17	AH210484	HYDRAULIC CYLINDER KIT	1		ROD SEAL
18	AH212097	HYDRAULIC CYLINDER KIT	1		BORE SEAL

3302-2

QUICK COUPLER (UNIVERSAL) (310SG AND 315SG)
ACCOUPLMENT RAPIDE (UNIVERSEL) (310SG ET 315SG)
ACOPLAMIENTO RAPIDO (UNIVERSAL) (310SG Y 315SG)

T151499 -UN-14FEB02



T151499

3302-3

BACKHOE 33

BUCKET WITH TEETH 3302

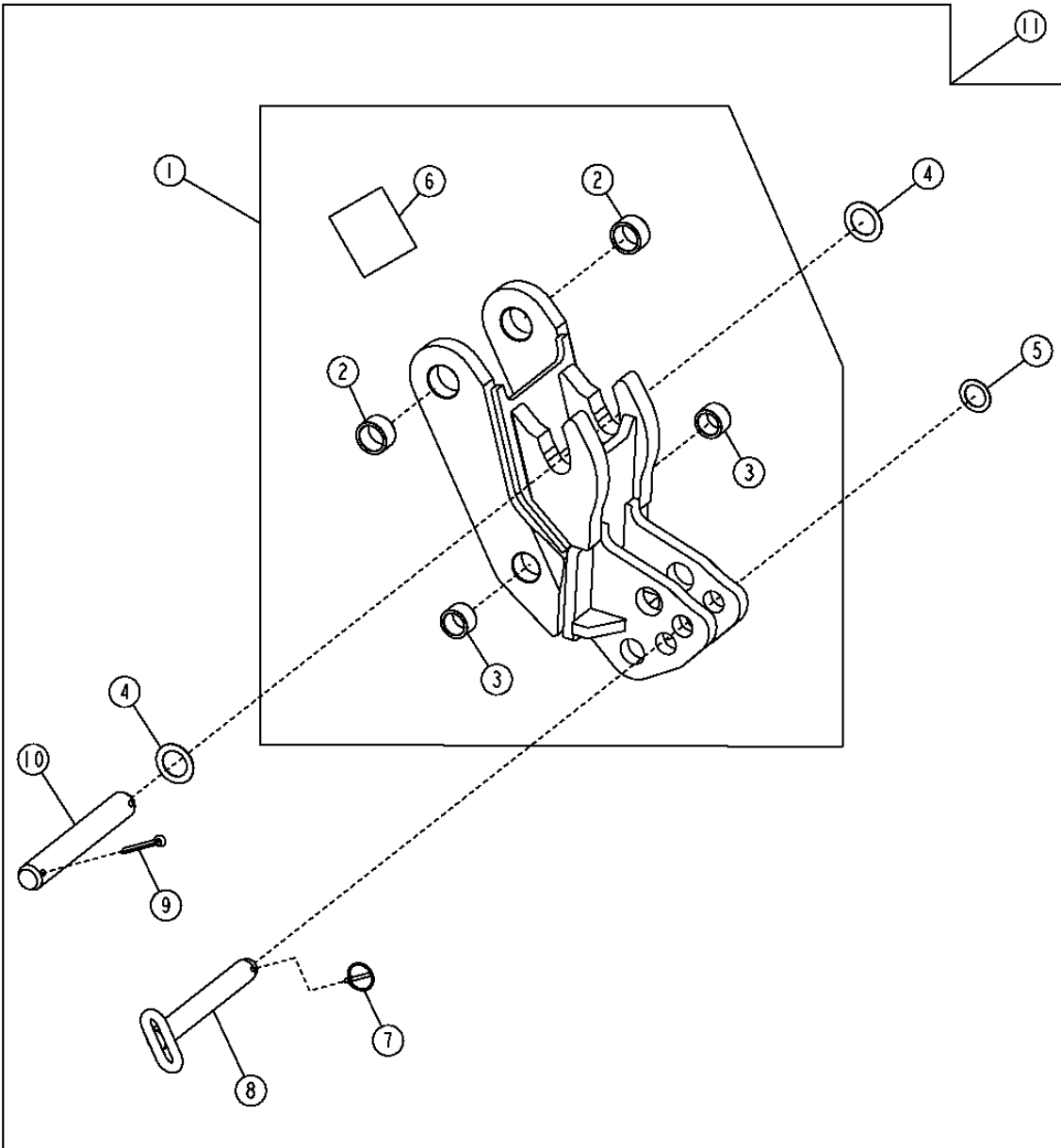
**QUICK COUPLER (UNIVERSAL) (310SG AND 315SG)
 ACCOUPLEMENT RAPIDE (UNIVERSEL) (310SG ET 315SG)
 ACOPLAMIENTO RAPIDO (UNIVERSAL) (310SG Y 315SG)**

KEY	PART NO.	PART NAME	QTY.	SERIAL NO.	3 3 3 1 1 1 0 5 0 S S G G G	REMARKS
1	AT192106	QUICK COUPLER	1		X X	
2	T187117	BUSHING	2		X X	
3	T187116	BUSHING	2		X X	
4	T161036	WASHER	2		X X	
5	24H1683	WASHER	1		X X	
6	T162847	LABEL	1		X X	
7	AR83396	QUICK LOCK PIN	1		X X	
8	AT192111	PIN	1		X X	
9	11H227	COTTER PIN	2		X X	
10	T185832	PIN FASTENER	1		X X	
11	AT192092	QUICK COUPLER	1		X X (WHOLE GOODS)	

3302-4

QUICK COUPLER (UNIVERSAL) (310G)
ACCOUPLMENT RAPIDE (UNIVERSEL) (310G)
ACOPLAMIENTO RAPIDO (UNIVERSAL) (310G)

T151498 -UN-14FEB02



T151498

3302-5

BACKHOE 33

BUCKET WITH TEETH 3302

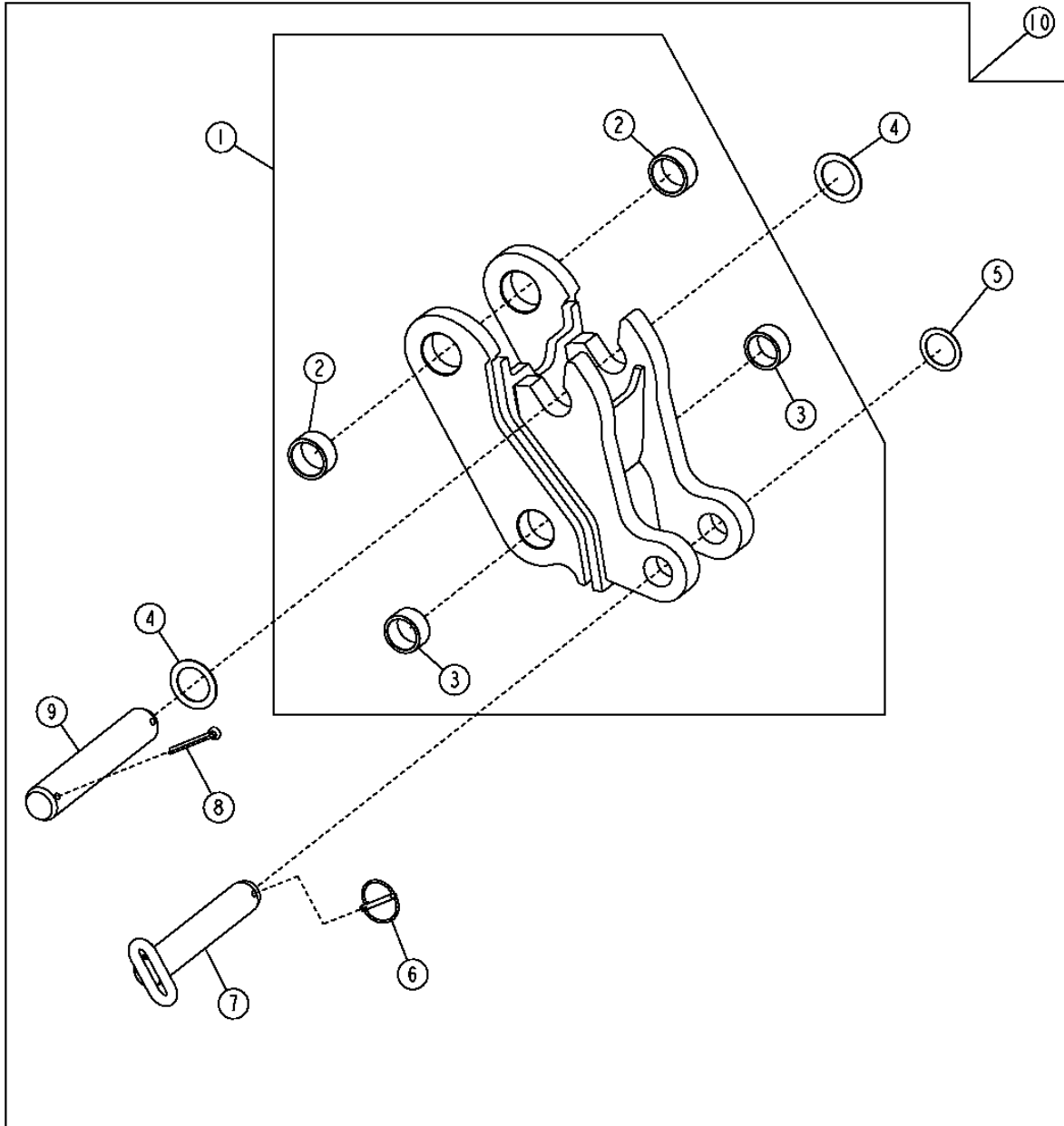
QUICK COUPLER (UNIVERSAL) (310G)
 ACCOUPLEMENT RAPIDE (UNIVERSEL) (310G)
 ACOPLAMIENTO RAPIDO (UNIVERSAL) (310G)

KEY	PART NO.	PART NAME	QTY.	SERIAL NO.	REMARKS
					3 3
					3 1 1
					1 0 5
					0 S S
					G G G
1	AT192104	QUICK COUPLER	1		X
2	T187115	BUSHING	2		X
3	T187114	BUSHING	2		X
4	24H1574	WASHER	2		X
5	24H1536	WASHER	1		X
6	T162848	LABEL	1		X
7	AA21292	QUICK LOCK PIN	1		X
8	AT178072	PIN	1		X
9	11H221	COTTER PIN	2		X
10	T185830	PIN FASTENER	1		X
11	AT192088	QUICK COUPLER	1		X (WHOLE GOODS)

3302-6

QUICK COUPLER (STANDARD) (310SG AND 315SG)
ACCOUPLMENT RAPIDE (STANDARD) (310SG ET 315SG)
ACOPLAMIENTO RAPIDO (ESTANDAR) (310SG Y 315SG)

T151505 -UN-14FEB02



T151505

3302-7

BACKHOE 33

BUCKET WITH TEETH 3302

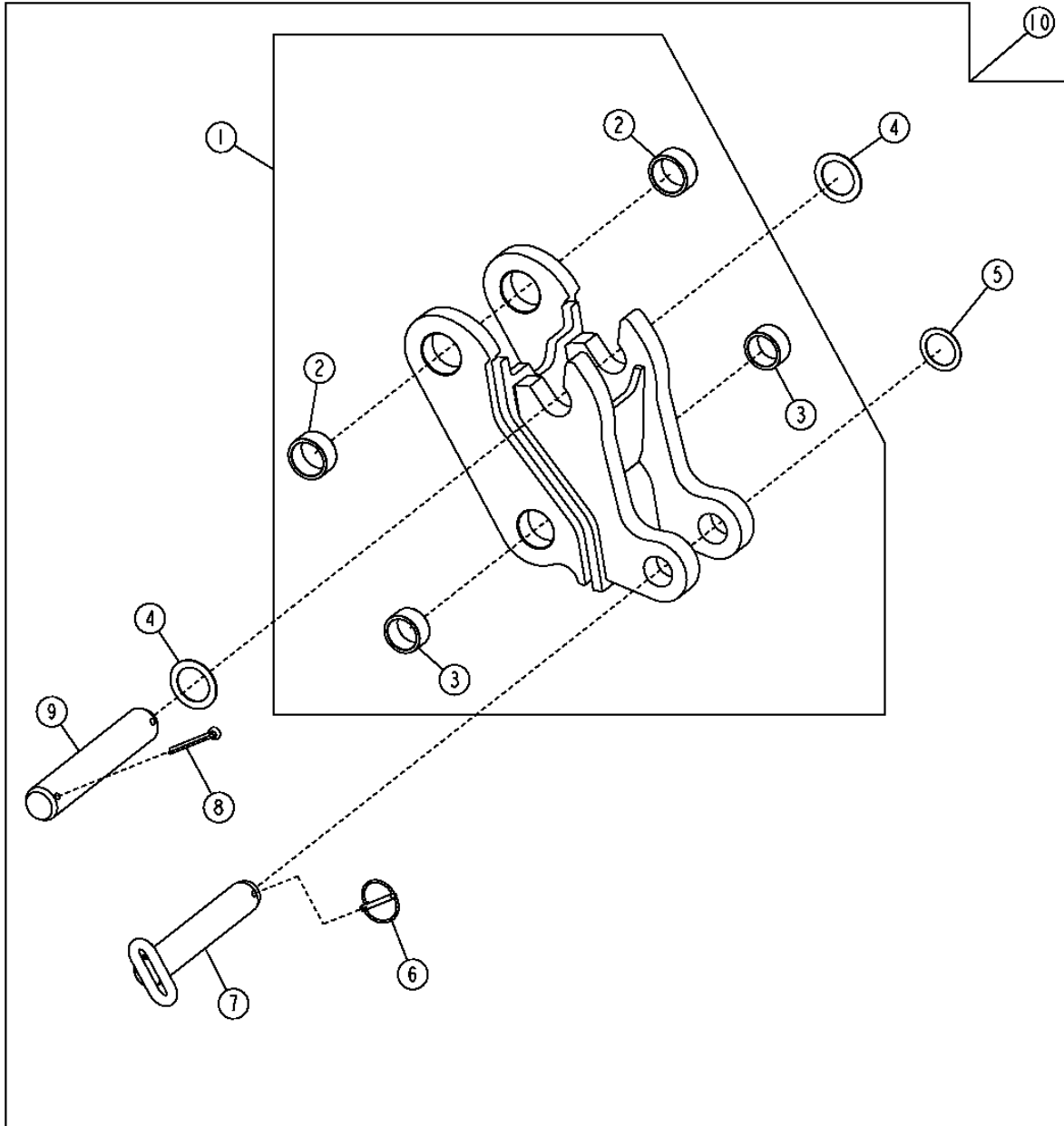
QUICK COUPLER (STANDARD) (310SG AND 315SG)
 ACCOUPLEMENT RAPIDE (STANDARD) (310SG ET 315SG)
 ACOPLAMIENTO RAPIDO (ESTANDAR) (310SG Y 315SG)

KEY	PART NO.	PART NAME	QTY.	SERIAL NO.	REMARKS
					3 3
					3 1 1
					1 0 5
					0 S S
					G G G
1	AT192107	QUICK COUPLER	1		X X
2	T187117	BUSHING	2		X X
3	T187116	BUSHING	2		X X
4	T161036	WASHER	2		X X
5	24H1683	WASHER	1		X X
6	AR83396	QUICK LOCK PIN	1		X X
7	AT192111	PIN	1		X X
8	11H227	COTTER PIN	2		X X
9	T185832	PIN FASTENER	1		X X
10	AT192093	QUICK COUPLER	1		X X (WHOLE GOODS)

3302-8

QUICK COUPLER (STANDARD) (310G)
ACCOUPLMENT RAPIDE (STANDARD) (310G)
ACOPLAMIENTO RAPIDO (ESTANDAR) (310G)

T151505 -UN-14FEB02



T151505

3302-9

BACKHOE 33

BUCKET WITH TEETH 3302

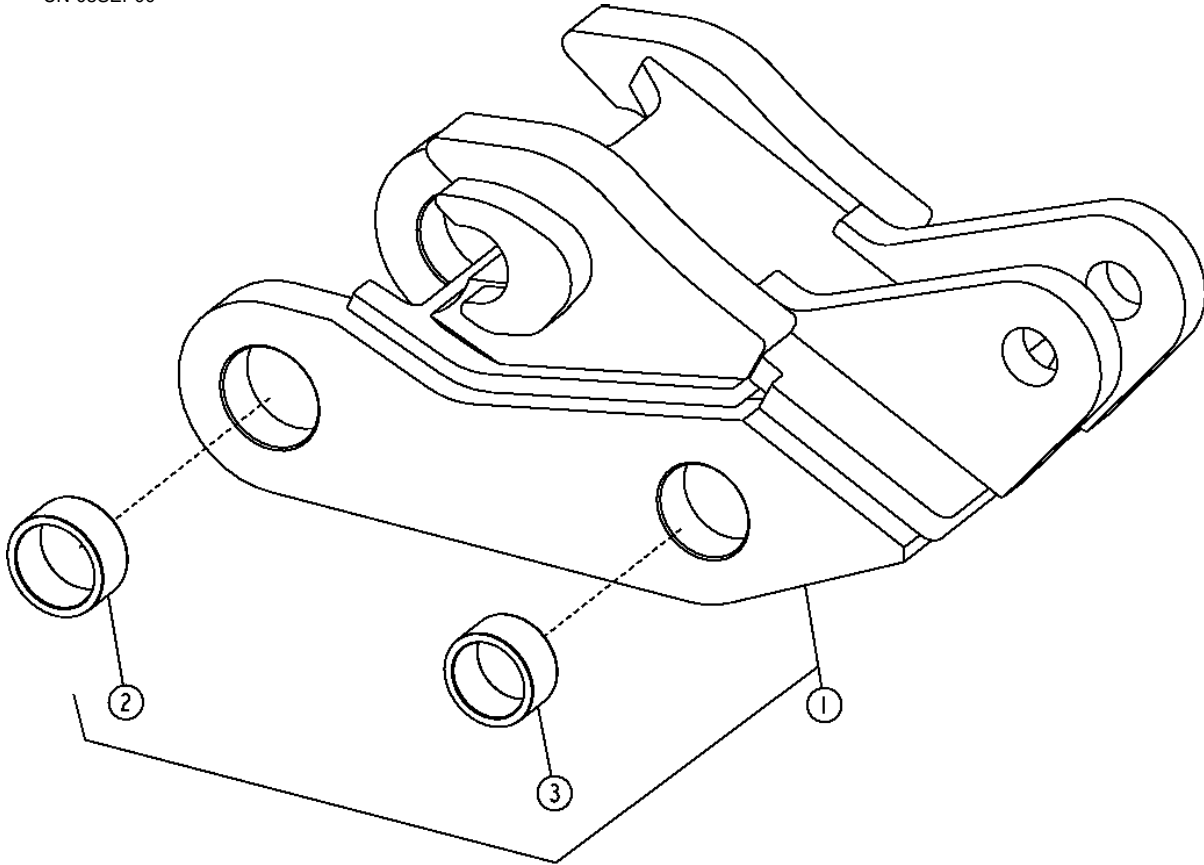
QUICK COUPLER (STANDARD) (310G)
 ACCOUPLEMENT RAPIDE (STANDARD) (310G)
 ACOPLAMIENTO RAPIDO (ESTANDAR) (310G)

KEY	PART NO.	PART NAME	QTY.	SERIAL NO.	3 3 3 1 1 1 0 5 0 S S G G G	REMARKS
1	QUICK COUPLER	1		X	(ORDER AT192090)
2	T187115	BUSHING	2		X	
3	T187114	BUSHING	2		X	
4	24H1574	WASHER	2		X	
5	24H1536	WASHER	1		X	
6	AA21292	QUICK LOCK PIN	1		X	
7	AT178072	PIN	1		X	
8	11H221	COTTER PIN	2		X	
9	T185830	PIN FASTENER	1		X	
10	AT192090	QUICK COUPLER	1		X	(WHOLE GOODS)

3302-10

QUICK COUPLER (CASE)
ACCOUPLMENT RAPIDE (CASE)
ACOPLAMIENTO RAPIDO (CASE)

TP69671 -UN-05SEP00



TP69671

3302-11

BACKHOE 33

BUCKET WITH TEETH 3302

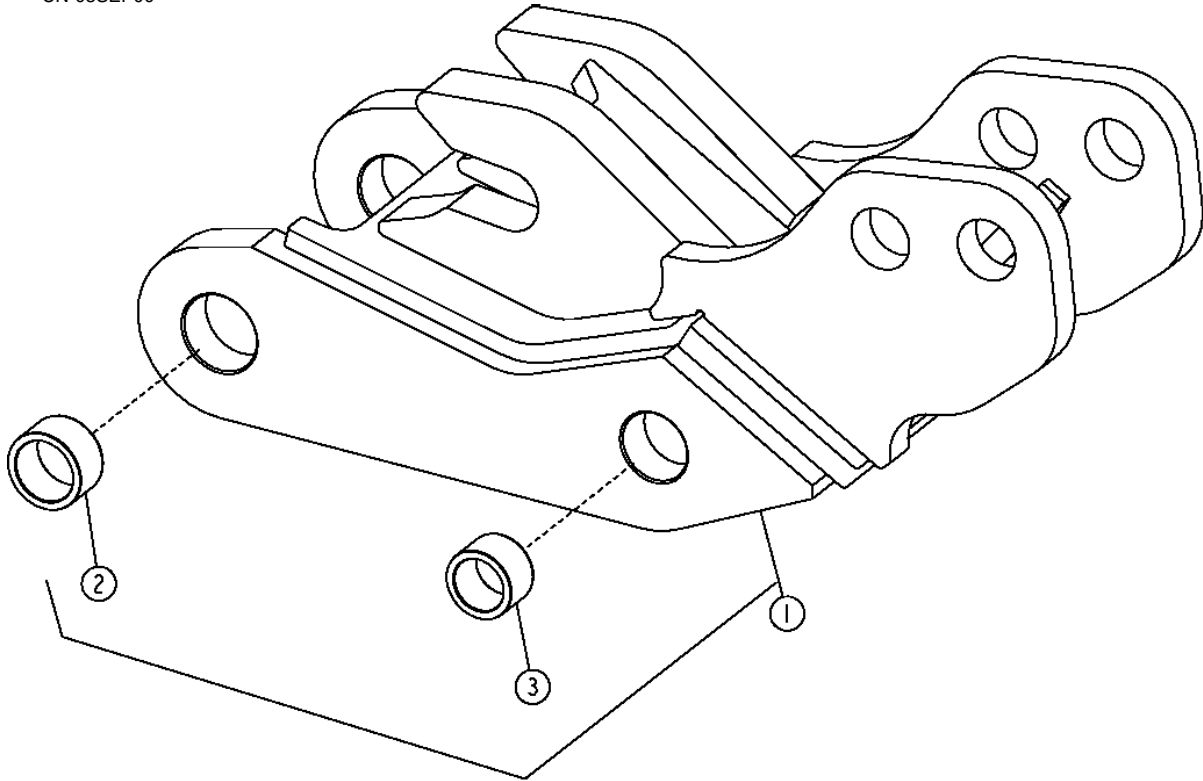
QUICK COUPLER (CASE)
 ACCOUPLEMENT RAPIDE (CASE)
 ACOPLAMIENTO RAPIDO (CASE)

KEY	PART NO.	PART NAME	QTY.	SERIAL NO.	REMARKS
					3 3
					3 1 1
					1 0 5
					0 S S
					G G G
1	QUICK COUPLER	1		X (WHOLE GOODS)(AT192091 NLA)
	QUICK COUPLER	1		X X (WHOLE GOODS)(AT192094 NLA)
2	T187115	BUSHING	2		X
	T187117	BUSHING	2		X X
3	T187114	BUSHING	2		X
	T187116	BUSHING	2		X X

3302-12

QUICK COUPLER (FORD)
ACCOUPLMENT RAPIDE (FORD)
ACOPLAMIENTO RAPIDO (FORD)

TP69672 -UN-05SEP00



TP69672

3302-13

BACKHOE 33

BUCKET WITH TEETH 3302

QUICK COUPLER (FORD)
ACCOUPLMENT RAPIDE (FORD)
ACOPLAMIENTO RAPIDO (FORD)

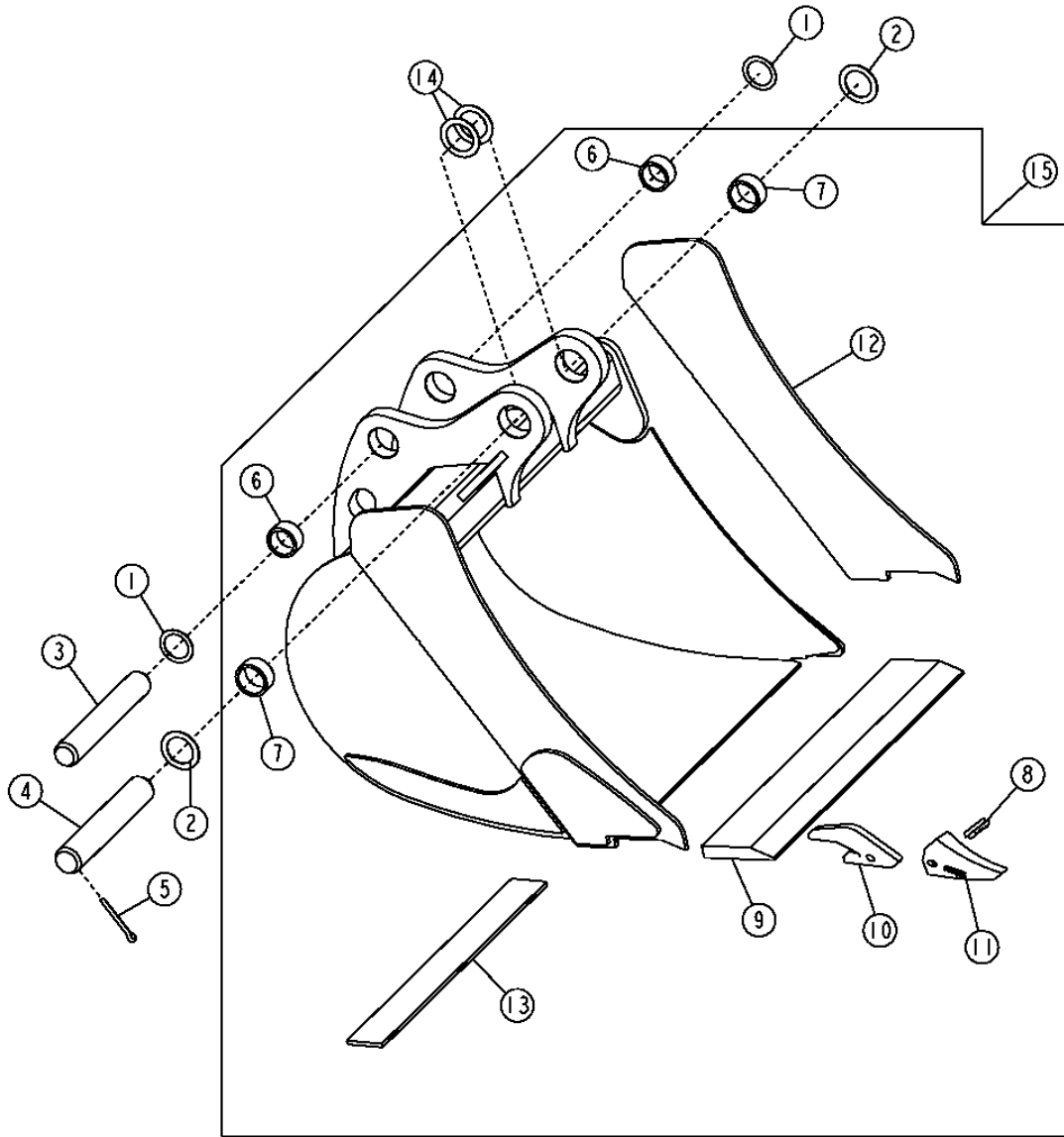
KEY	PART NO.	PART NAME	QTY.	SERIAL NO.	3 3 3 1 1 1 0 5 0 S S G G G	REMARKS
1	QUICK COUPLER	1		X	(WHOLE GOODS)(AT192089 NLA)
2	T187115	BUSHING	2		X	
3	T187114	BUSHING	2		X	

3302-14

BACKHOE BUCKETS
GOGETS DE RETROPELLE
CUCHARONES DE RETROEXCAVADORA

T214797

-UN-22SEP05



T214797

3302-15

BACKHOE BUCKETS GODETS DE RETROPELLE CUCHARONES DE RETROEXCAVADORA

KEY	PART NO.	PART NAME	QTY.	SERIAL NO.	REMARKS
					3 3 3 1 1 1 0 5 0 S S G G G
1	24H1683	WASHER	2		X X
	24H1536	WASHER	2		X
	T161036	WASHER	3		X X 2.205" X 3.150" X 0.079"
3	T185831	PIN FASTENER	1		X X 49.475 X 320 MM
	T185829	PIN FASTENER	1		X 38.100 X 320 MM
4	T185832	PIN FASTENER	1		X X 54.475 X 320 MM
	T185830	PIN FASTENER	1		X 44.475 X 320 MM
5	11H227	COTTER PIN	4		X X
	11H221	COTTER PIN	4		X
6	T187114	BUSHING	2		X
	T187116	BUSHING	2		X X
7	T187115	BUSHING	2		X
	T187117	BUSHING	2		X X
8	TF23P	PIN	AR		X X X (FLEX)
9	T161279	CUTTING EDGE	1		X X X (CTL) USE WITH PARTS MARKED (A)
	T161759	CUTTING EDGE	1		X (CTL) USE WITH PARTS MARKED (B)
	T161319	CUTTING EDGE	1		X X X (CTL) USE WITH PARTS MARKED (C)
10	U43792	BUCKET TOOTH ADAPTER	AR		X X X
11	TF23D	TOOTH	AR		X X X (TIP)
12	T159197	PLATE	2		X
	T162535	PLATE	2		X X X
	T162553	PLATE	2		X X
	T162569	PLATE	2		X X X
13	WEAR PLATE	AR		X X (USE WITH SEVERE DUTY BUCKETS) 692 X 76 X 8 MM
14	24H1679	WASHER	3		X X 2-17/64" X 3-1/4" X 0.060"
	24H1574	WASHER	2		X 1-13/16" X 2-3/4" X 0.060"
15	AT192004	BACKHOE BUCKET	1		X (A) (E) 304MM (12") 3.3 CUBIC FEET, (CONTAINS (2) T162535) (WHOLE GOODS)
	AT192011	BACKHOE BUCKET	1		X X (A) (E) 304MM (12") 3.3 CUBIC FEET, (CONTAINS (2) T162535) (WHOLE GOODS)
	AT192005	BACKHOE BUCKET	1		X (B) (D) 457MM (18") 4.6 CUBIC FEET, (CONTAINS (2) T159197) (WHOLE GOODS)
	AT192006	BACKHOE BUCKET	1		X (A) (E) 457MM (18") 5.1 CUBIC FEET, (CONTAINS (2) T162535) (WHOLE GOODS)
	AT192012	BACKHOE BUCKET	1		X X (A) (E) 457MM (18") 5.1 CUBIC FEET, (CONTAINS (2) T162535) (WHOLE GOODS)
	AT192013	BACKHOE BUCKET	1		X X (C) (F) 457MM (18") 5.1 CUBIC FEET, (CONTAINS (2) T162553) (WHOLE GOODS)

(D) STANDARD DUTY
(D) USAGE STANDARD
(D) SERVICIO NORMAL

(E) HEAVY DUTY
(E) USAGE INTENSIF
(E) SERVICIO SEVERO

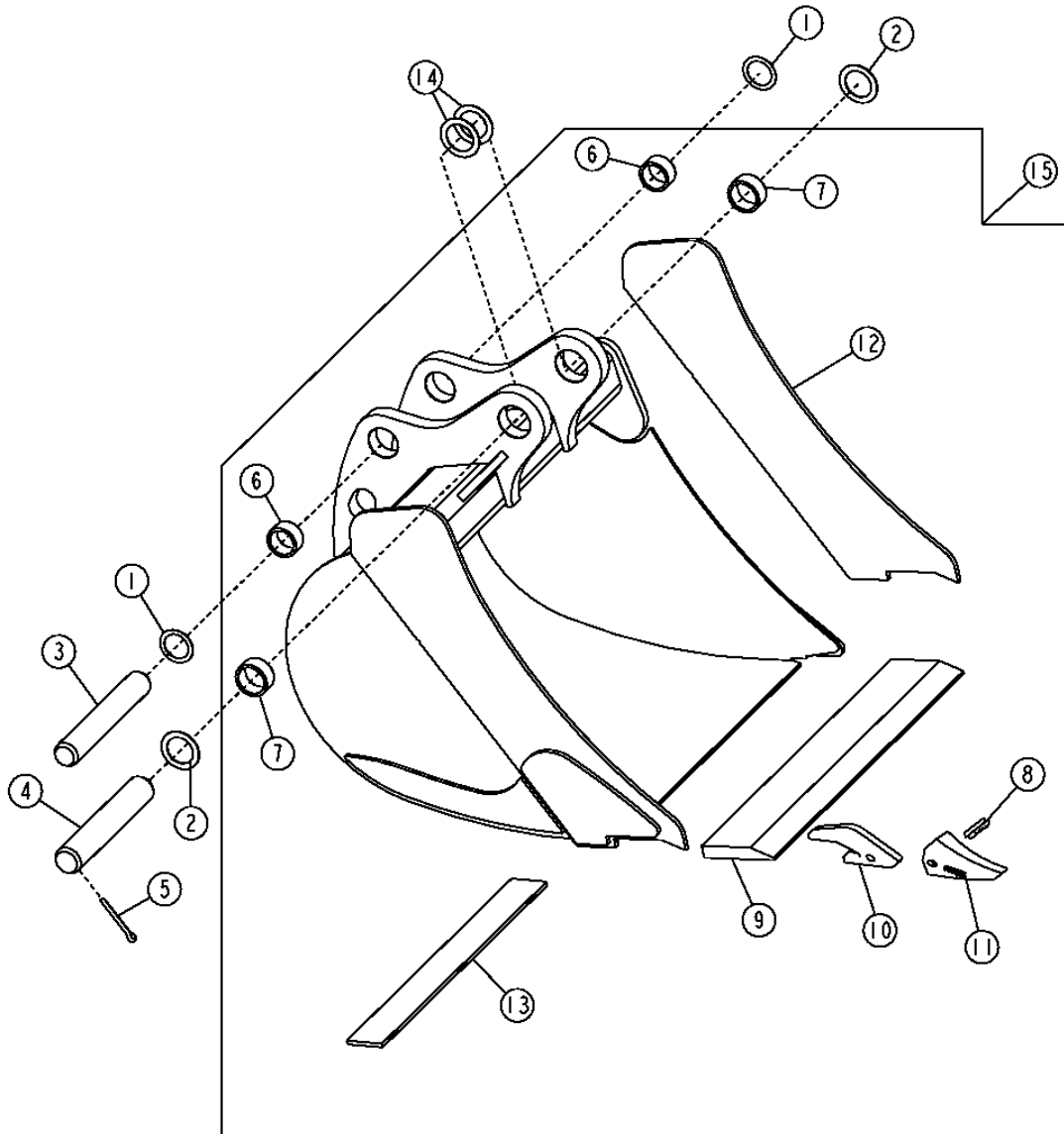
(F) SEVERE DUTY
(F) CONDITIONS DIFFICILES
(F) SERVICIO SEVERO

THIS PARTS LISTING IS CONTINUED

3302-16

BACKHOE BUCKETS (CONTINUED)
GOGETS DE RETROPELLE (SUITE)
CUCHARONES DE RETROEXCAVADORA (CONTINUACION)

T214797 -UN-22SEP05



T214797

3302-17

BACKHOE 33

BUCKET WITH TEETH 3302

**BACKHOE BUCKETS (CONTINUED)
GOSETS DE RETROPELLE (SUITE)
CUCHARONES DE RETROEXCAVADORA (CONTINUACION)**

KEY	PART NO.	PART NAME	QTY.	SERIAL NO.	REMARKS
					3 3 3 1 1 1 0 5 0 S S G G G
15	AT192007	BACKHOE BUCKET	1	X	(D) (B) 610MM (24") 6.5 CUBIC FEET (WHOLE GOODS) (CONTAINS (2) T159197)
	AT192014	BACKHOE BUCKET	1	X X	(D) (A) 610MM (24") 7.5 CUBIC FEET (WHOLE GOODS) (CONTAINS (2) T162535)
	AT192015	BACKHOE BUCKET	1	X X	(E) (A) 610MM (24") 7.5 CUBIC FEET (WHOLE GOODS) (CONTAINS (2) T162535)
	AT192016	BACKHOE BUCKET	1	X X	(F) (A) 610MM (24") 7.5 CUBIC FEET (WHOLE GOODS) (CONTAINS (2) T162553)
	AT192008	BACKHOE BUCKET	1	X	(E) (A) 610MM (24") 7.5 CUBIC FEET (WHOLE GOODS) (CONTAINS (2) T162535)
	AT192009	BACKHOE BUCKET	1	X	(E) (A) 610MM (24") 8.8 CUBIC FEET (WHOLE GOODS) (CONTAINS (2) T162569)
	AT192017	BACKHOE BUCKET	1	X X	(E) (A) 610MM (24") 8.8 CUBIC FEET (WHOLE GOODS) (CONTAINS (2) T162569)
	AT192018	BACKHOE BUCKET	1	X X	(F) (A) 610MM (24") 8.8 CUBIC FEET (WHOLE GOODS) (CONTAINS (2) T162569)
	AT192010	BACKHOE BUCKET	1	X	(E) (C) 762MM (30") 10.0 CUBIC FEET (WHOLE GOODS) (CONTAINS (2) T162535)
	AT192019	BACKHOE BUCKET	1	X X	(E) (C) 762MM (30") 10.0 CUBIC FEET (WHOLE GOODS) (CONTAINS (2) T162535)
	AT192020	BACKHOE BUCKET	1	X X	(F) (C) 762MM (30") 10.0 CUBIC FEET (WHOLE GOODS) (CONTAINS (2) T162553)
	AT192022	BACKHOE BUCKET	1	X X	(C) 914MM (36") 12.5 CUBIC FEET (WHOLE GOODS) (CONTAINS (2) T162553)
	AT192021	BACKHOE BUCKET	1	X X	(E) (C) 914MM (36") 12.5 CUBIC FEET (WHOLE GOODS) (CONTAINS (2) T162553)

(D) STANDARD DUTY
(D) USAGE STANDARD
(D) SERVICIO NORMAL

(E) HEAVY DUTY
(E) USAGE INTENSIF
(E) SERVICIO SEVERO

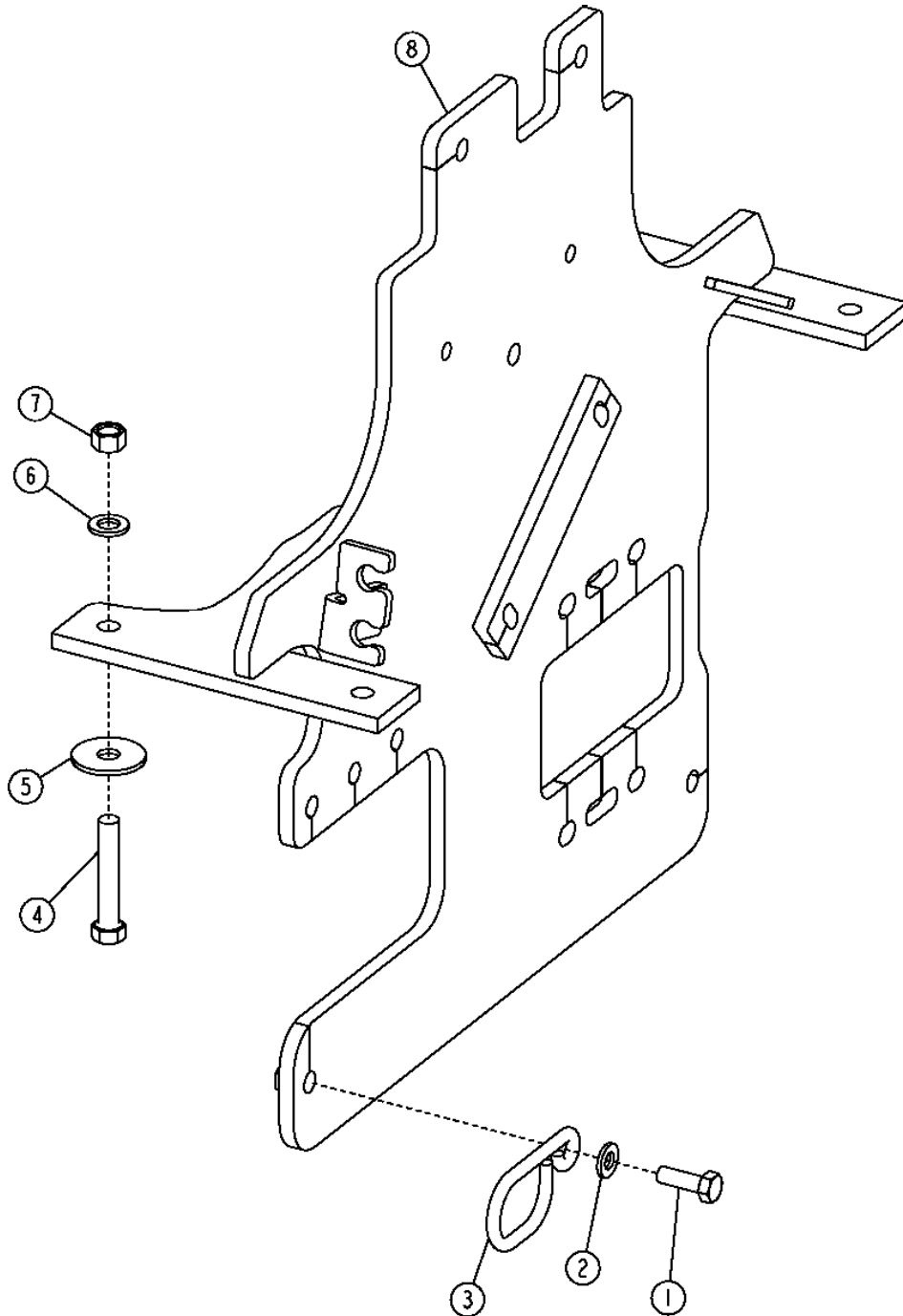
(F) SEVERE DUTY
(F) CONDITIONS DIFFICILES
(F) SERVICIO SEVERO

3315-2

BACKHOE 33
CONTROLS LINKAGE 3315

BACKHOE VALVE MOUNTING PLATE (310G AND 310SG)
PLAQUE DE MONTAGE DE SOUPEPE DE RETROPELLE (310G ET 310SG)
PLACA DE MONTAJE DE VALVULA DE RETROEXCAVADORA (310G Y 310SG)

T134496 -UN-10OCT00



T134496

3315-3

BACKHOE 33

CONTROLS LINKAGE 3315

**BACKHOE VALVE MOUNTING PLATE (310G AND 310SG)
 PLAQUE DE MONTAGE DE SOUPAPE DE RETROPELLE (310G ET 310SG)
 PLACA DE MONTAJE DE VALVULA DE RETROEXCAVADORA (310G Y 310SG)**

KEY	PART NO.	PART NAME	QTY.	SERIAL NO.	3 3 3 1 1 1 0 5 0 S S G G G	REMARKS
1	19M7662	CAP SCREW	2		X X	M10 X 30
2	24M7239	WASHER	2		X X	10.700 X 21 X 2.500 MM
3	T166223	GUIDE	2		X X	
4	19M8348	CAP SCREW	4		X X	M12 X 65, (SUB FOR 19M7753, THIS APPLICATION)
5	T187044	WASHER	4		X X	
6	24M7345	WASHER	4		X X	13.500 X 24 X 2.500 MM
7	14M7275	NUT	4		X X	M12
8	AT184404	SUPPORT	1	-913416	X X	
	AT197134	SUPPORT	1	913417-940475	X X	
	AT309864	SUPPORT	1	940476-	X X	

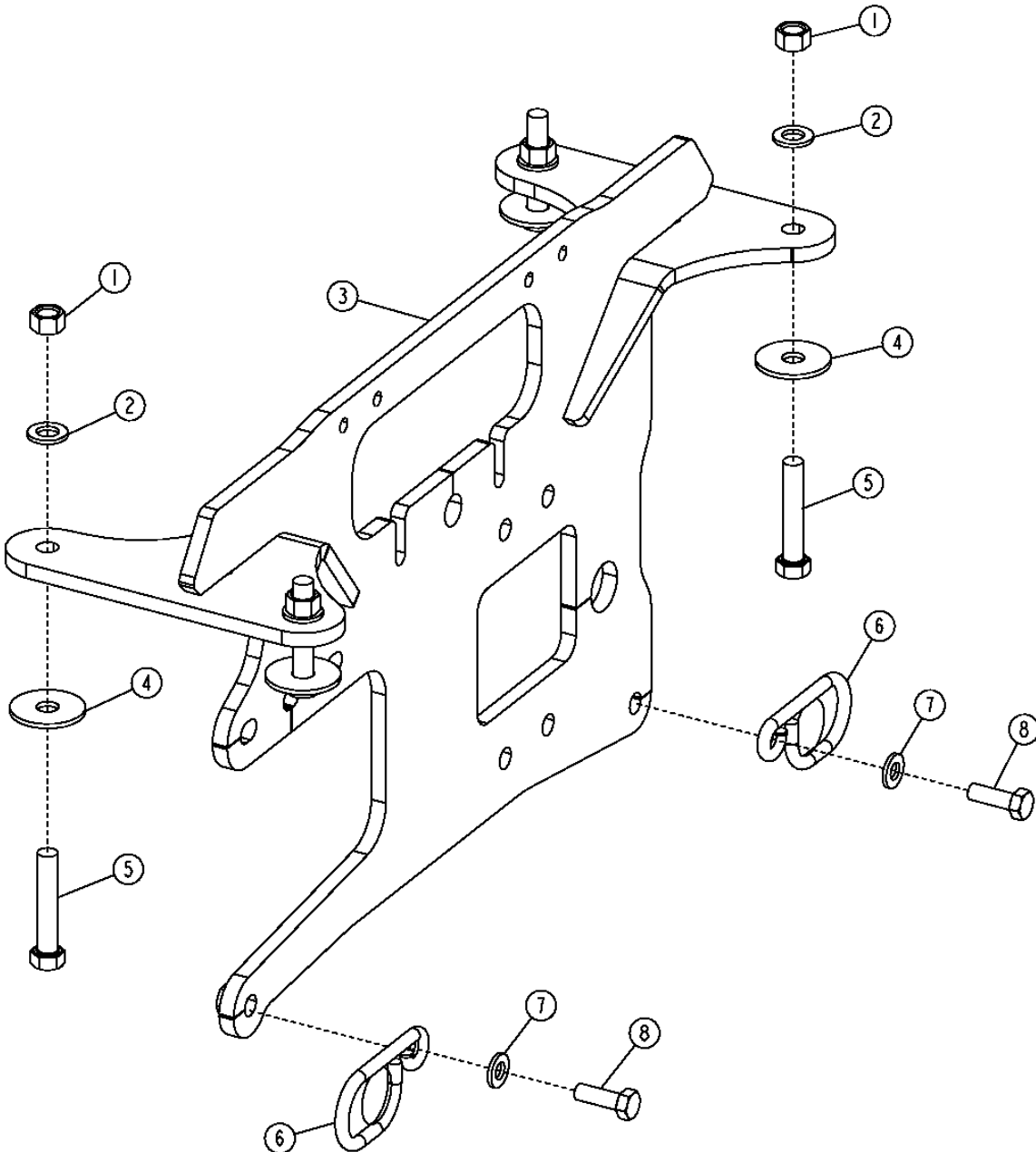
3315-3A

BACKHOE 33

CONTROLS LINKAGE 3315

BACKHOE VALVE MOUNTING PLATE (PILOT CONTROL)
PLAQUE DE MONTAGE DE SOUPAPE DE RETROPELLE (COMMANDE PILOTE)
PLACA DE MONTAJE DE VALVULA DE RETROEXCAVADORA (CONTROL PILOTO)

T165712 -UN-20FEB03



T165712

3315-3B

BACKHOE 33

CONTROLS LINKAGE 3315

**BACKHOE VALVE MOUNTING PLATE (PILOT CONTROL)
 PLAQUE DE MONTAGE DE SOUPAPE DE RETROPELLE (COMMANDE PILOTE)
 PLACA DE MONTAJE DE VALVULA DE RETROEXCAVADORA (CONTROL PILOTO)**

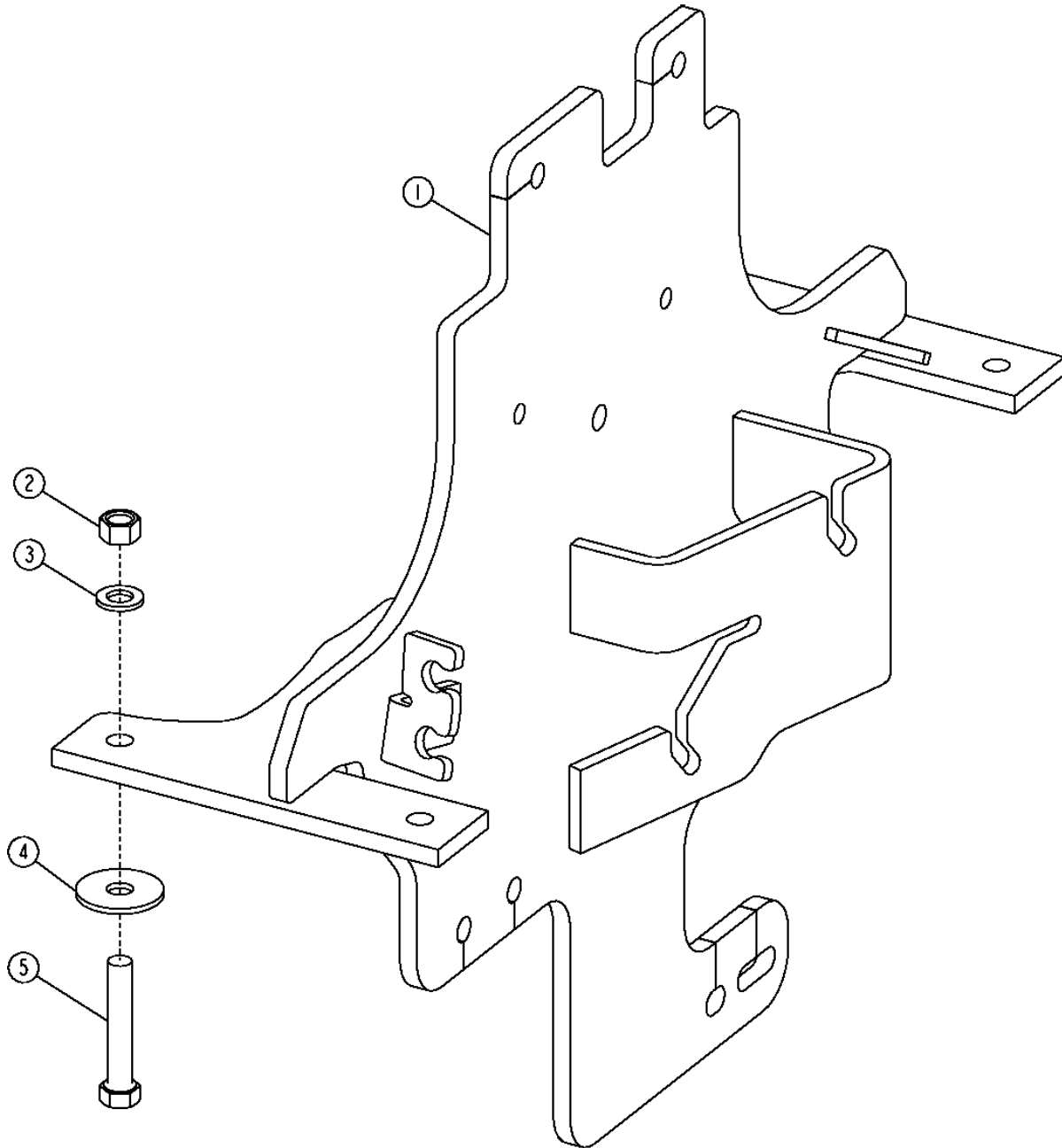
KEY	PART NO.	PART NAME	QTY.	SERIAL NO.	REMARKS
					3 3
					3 1 1
					1 0 5
					0 S S
					G G G
1	14M7275	NUT	4		X X M12
2	24M7345	WASHER	4		X X 13.500 X 24 X 2.500 MM
3	AT314672	BRACKET	1		X X (SUB FOR AT300045)
4	T187044	WASHER	4		X X
5	19M8348	CAP SCREW	4		X X M12 X 65
6	T166223	GUIDE	2		X X
7	24M7239	WASHER	2		X X 10.700 X 21 X 2.500 MM
8	19M7662	CAP SCREW	2		X X M10 X 30

3315-4

BACKHOE 33
CONTROLS LINKAGE 3315

BACKHOE VALVE MOUNTING PLATE (315SG)
PLAQUE DE MONTAGE DE SOUPAPE DE RETROPELLE (315SG)
PLACA DE MONTAJE DE VALVULA DE RETROEXCAVADORA (315SG)

TP69668 -UN-07SEP00



TP69668

3315-5

BACKHOE 33

CONTROLS LINKAGE 3315

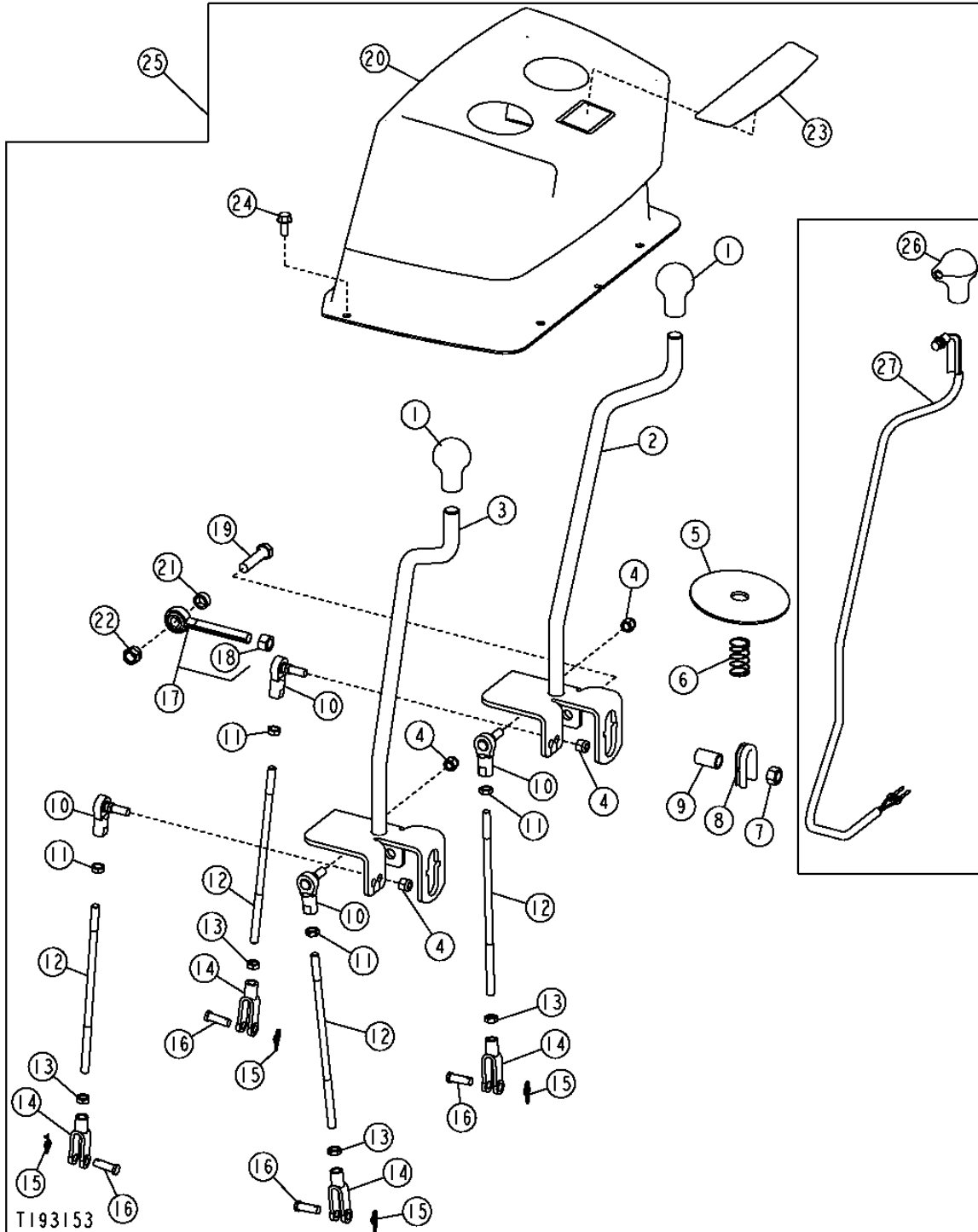
**BACKHOE VALVE MOUNTING PLATE (315SG)
PLAQUE DE MONTAGE DE SOUPEPE DE RETROPELLE (315SG)
PLACA DE MONTAJE DE VALVULA DE RETROEXCAVADORA (315SG)**

KEY	PART NO.	PART NAME	QTY.	SERIAL NO.	3 3 3 1 1 1 0 5 0 S S G G G	REMARKS
1	AT189093	SUPPORT	1		X	
2	14M7275	NUT	4		X M12	
3	24M7345	WASHER	4		X 13.500 X 24 X 2.500 MM	
4	24H1346	WASHER	4		X 17/32" X 1-3/4" X 0.120"	
5	19M7753	CAP SCREW	4		X M12 X 70	

3315-6

TWO LEVER BACKHOE CONTROL LEVER VALVE CONVERSION KIT (310G AND 310SG)
KIT DE CONVERSION DE SOUPAPE DE LEVIER DE COMMANDE DE RETROPELLE A DEUX LEVIERS (310G ET 310SG)
JUEGO DE CONVERSION DE VALV. PALANCA DOS PALANCAS DE CONTROL DE RETROEXCAVADORA (310G Y 310SG)

T193153 -UN-15JUL03



3315-7

BACKHOE 33

CONTROLS LINKAGE 3315

TWO LEVER BACKHOE CONTROL LEVER VALVE CONVERSION KIT (310G AND 310SG)
KIT DE CONVERSION DE SOUPAPE DE LEVIER DE COMMANDE DE RETROPELLE A DEUX LEVIERS (310G ET 310SG)
JUEGO DE CONVERSION VALV. DE PALANCA A DOS PALANCAS CONTROL DE RETROEXCAVADORA (310G Y 310SG)

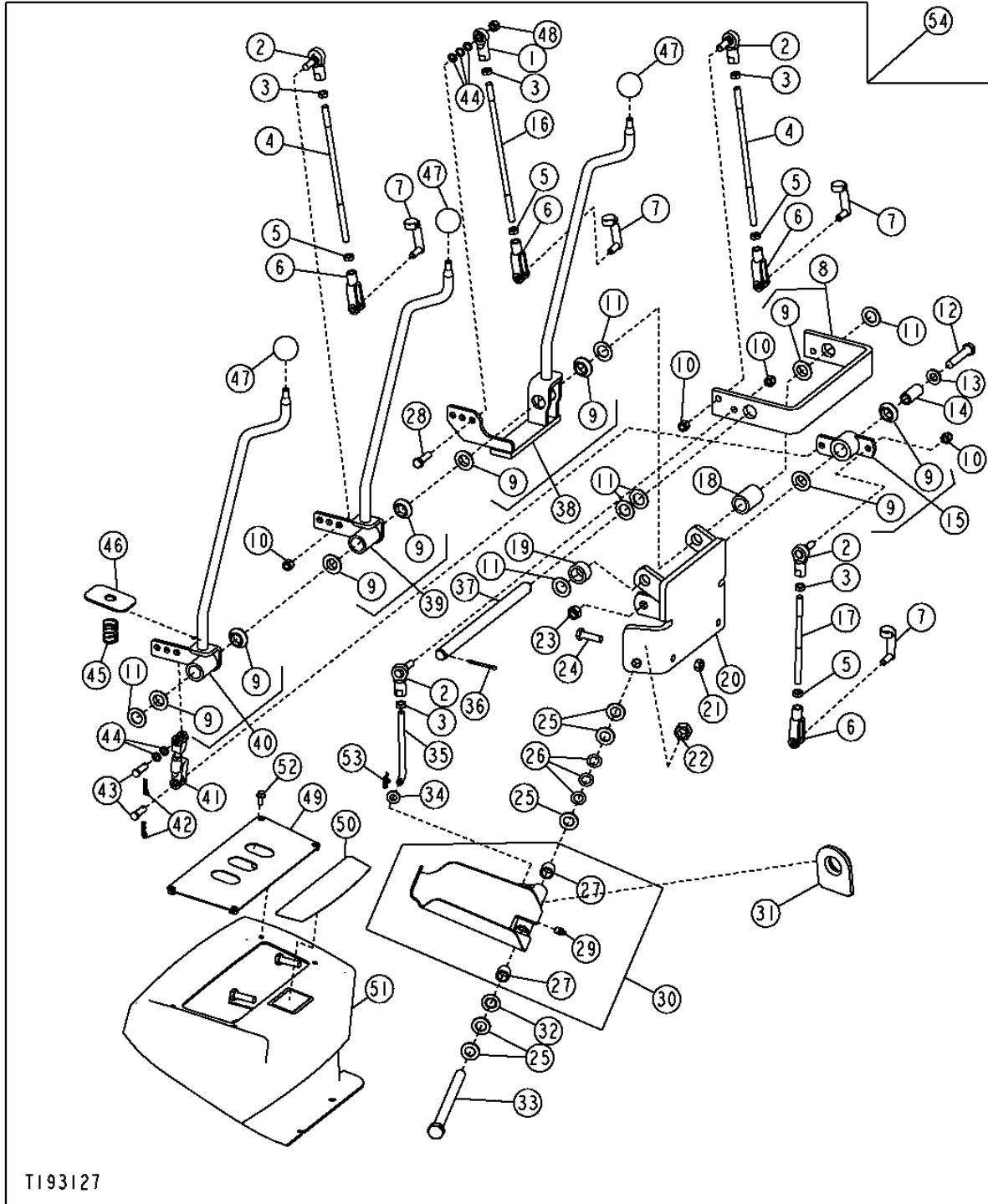
KEY	PART NO.	PART NAME	QTY.	SERIAL NO.	REMARKS
					3 3
					3 1 1
					1 0 5
					0 S S
					G G G
1	T133291	KNOB	2		X X X
2	AT184599	LEVER	1		X X X (RH)
3	AT184598	LEVER	1		X X X (LH)
4	M68954	LOCK NUT	4		X X X 3/8"
5	T165590	DUST SHIELD	2		X X X
6	T185085	SPRING	2		X X X
7	14H865	NUT	2		X X X 1/2"
8	T188639	GROMMET	2		X X X (SUB FOR T166749)
9	T166772	SPACER	2		X X X
10	AT169087	BALL JOINT	4		X X X
11	14H774	NUT	4		X X X 3/8"
12	T165697	ROD	4		X X X
13	14H913	NUT	4		X X X 3/8"
14	T140328	YOKE	4		X X X
15	T202956	RETAINER	4		X X X (SUB FOR R46528, THIS APPLICATION)
16	R65563	PIN FASTENER	4		X X X
17	AT300152	LINK END	2		X X X (SUB FOR AT186382)
18	14H865	NUT	1		X X X 1/2"
19	19M7361	CAP SCREW	2		X X X M12 X 50
20	AT189269	COVER	1		X X X
21	T166773	WASHER	2		X X X
22	14M7313	LOCK NUT	2		X X X M12
23	T165584	LABEL	1		X X X
24	19M7866	SCREW	4		X X X M8 X 20
25	AT185624	LINKAGE	1		X X X (WHOLE GOODS)
26	AT157986	KNOB	1		X
27	AT145984	SWITCH	1		X

3315-8

THREE LEVER CONTROL LEVER VALVE CONVERSION KIT (310G AND 310SG)
KIT DE CONVERSION DE SOUPAPE DE LEVIER DE COMMANDE A TROIS LEVIERS (310G ET 310SG)
JUEGO DE CONVERSION DE VALV. DE PALANCA A TRES PALANCAS DE CONTROL (310G Y 310SG)

T193127

-UN-15JUL03



T193127

THIS PARTS LISTING IS CONTINUED

3315-9

BACKHOE 33

CONTROLS LINKAGE 3315

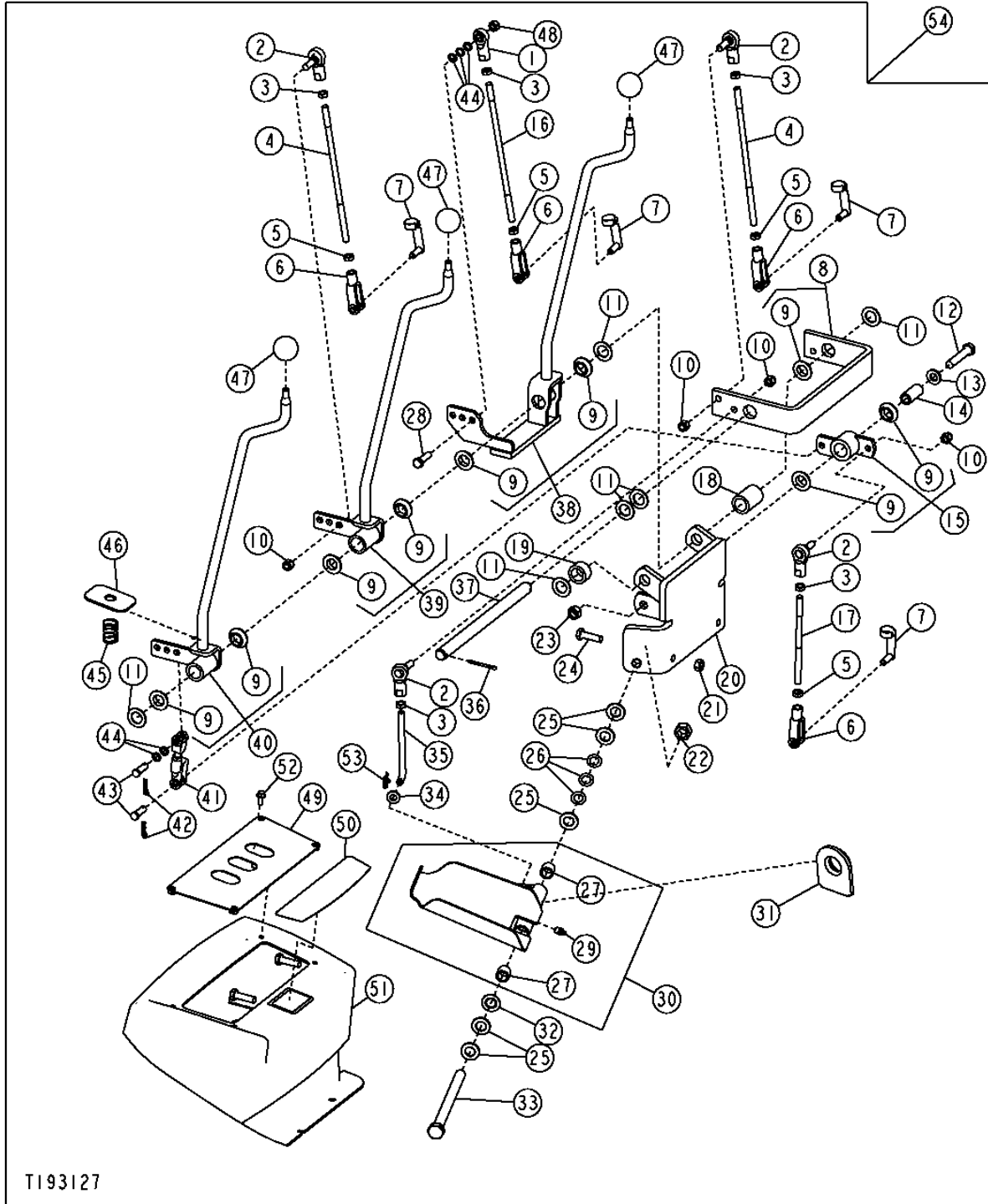
**THREE LEVER CONTROL LEVER VALVE CONVERSION KIT (310G AND 310SG)
 KIT DE CONVERSION DE SOUPAPE DE LEVIER DE COMMANDE A TROIS LEVIERS (310G ET 310SG)
 JUEGO DE CONVERSION DE VALV. DE PALANCA A TRES PALANCAS DE CONTROL (310G Y 310SG)**

KEY	PART NO.	PART NAME	QTY.	SERIAL NO.	REMARKS
					3 3
					3 1 1
					1 0 5
					0 S S
					G G G
1	AE37072	LINK END	2		X X
2	AT169087	BALL JOINT	4		X X
3	14H774	NUT	5		X X 3/8"
4	T165697	ROD	2		X X
5	14H913	NUT	4		X X 3/8"
6	T140328	YOKE	4		X X
7	T183617	PIN FASTENER	4	-940440	X X
8	AT185340	BRACKET	1		X X
9	T166097	BEARING	6		X X
10	M68954	LOCK NUT	7		X X 9.525 MM
11	24H1391	WASHER	5		X X 25/32" X 1-5/16" X 0.060"
12	19M7363	CAP SCREW	1		X X M12 X 60
13	24M7240	WASHER	1		X X 13 X 25 X 3 MM
14	T166031	SPACER	1		X X
15	AT186043	BELLCRANK	1	-940584	X X
	AT309186	BELLCRANK	1	940585-	X X
16	T165788	ROD	1		X X
17	T165787	ROD	1		X X
18	T185648	SPACER	1	-940584	X X
	T207484	SPACER	2	940585-	X X
19	T167247	SPACER	1		X X
20	AT185339	SUPPORT	1	-940440	X X
	AT317091	SUPPORT	1	940441-	X X
21	14M7274	NUT	2		X X M10
22	U14555	LOCK NUT	2		X X 5/8"
23	14M7275	NUT	1		X X M12
24	19M7550	CAP SCREW	2		X X M10 X 35
25	24M7053	WASHER	10		X X 17 X 30 X 3 MM
26	M87534	SPRING WASHER	6		X X
27	T58109	BUSHING	2		X X
28	19H3239	CAP SCREW	2		X X 3/8" X 1-1/4"
29	T162396	LUBRICATION FITTING	1		X X
30	AT185749	PEDAL	1		X X LH
	AT185750	PEDAL	1		X X RH
31	T166224	GROMMET	2		X X
32	AT48016	SEAL	2		X X
33	19H3323	CAP SCREW	2		X X 5/8" X 8"
34	24M7239	WASHER	1		X X 10.700 X 21 X 2.500 MM
35	T165785	HOOK BOLT	1		X X

3315-9A

THREE LEVER CONTROL LEVER VALVE CONVERSION KIT (310G AND 310SG)(CONTINUED)
KIT DE CONVERSION DE SOUPAPE DE LEVIER DE COMMANDE A TROIS LEVIERS (310G ET 310SG) (SUITE)
JUEGO DE CONVERSION DE VALV. DE PALANCA A TRES PALANCAS DE CONTROL (310G Y 310SG) (CONTINUACION)

T193127 -UN-15JUL03



T193127

3315-9B

BACKHOE 33

CONTROLS LINKAGE 3315

THREE LEVER CONTROL LEVER VALVE CONVERSION KIT (310G AND 310SG)(CONTINUED)
KIT DE CONVERSION DE SOUPAPE DE LEVIER DE COMMANDE A TROIS LEVIERS (310G ET 310SG) (SUITE)
JUEGO DE CONVERSION DE VALV. DE PALANCA A TRES PALANCAS DE CONTROL (310G Y 310SG) (CONTINACION)

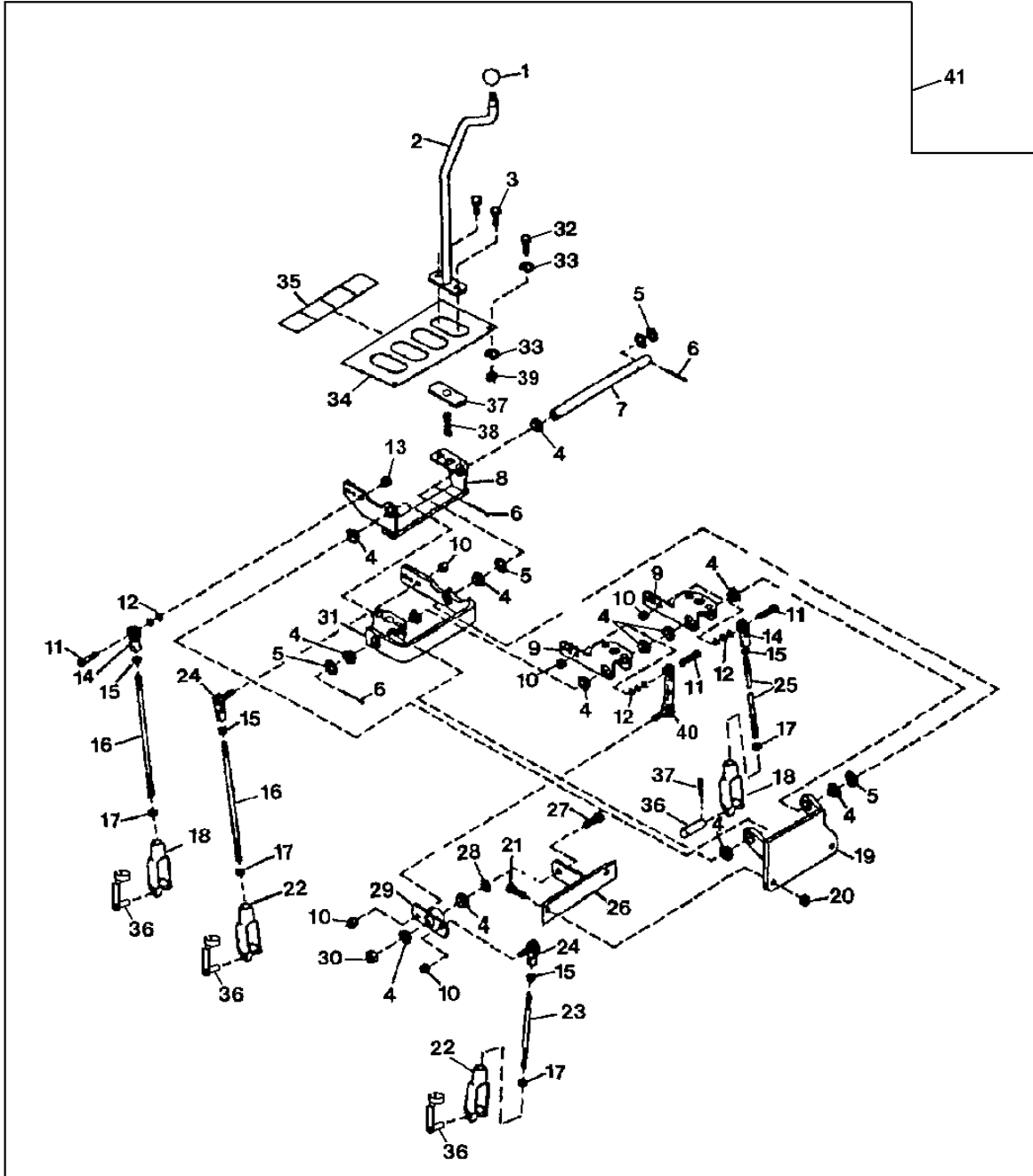
KEY	PART NO.	PART NAME	QTY.	SERIAL NO.	3 3 3 1 1 1 0 5 0 S S G G G	REMARKS
36	11M7087	COTTER PIN	1	-940584	X X	4 X 40 MM
	U17408	RING	2	940585-	X X	
37	T167248	PIN	1	-940584	X X	
	T207309	PIN	1	940585-	X X	
38	AT185338	CONTROL LEVER	1	-940584	X X	
	AT309185	CONTROL LEVER	1	940585-	X X	
39	AT185337	LEVER	1	-940584	X X	
	AT309184	CONTROL LEVER	1	940585-	X X	
40	AT187885	CONTROL LEVER	1	-940584	X X	
	AT309184	CONTROL LEVER	1	940585-	X X	
41	AT188077	LINK	1	-940584	X X	
	AT309413	LINK	1	940585-	X X	
42	R46528	SPRING LOCKING PIN	3		X X	
43	R65563	PIN FASTENER	5		X X	
44	M359T	WASHER	4		X X	
45	T165591	SPRING	1		X X	
46	T183149	COVER	1		X X	
	T209588	COVER	1	940441-	X X	
47	39M1709	KNOB	3		X X	
48	LOCK NUT	1		X X	
49	AT186045	COVER	1	-952137	X X	
	AT312121	COVER	1	952138-	X X	
50	T165585	LABEL	1		X X	
51	AT189272	COVER	1		X X	
52	19M7775	SCREW	4		X X	M6 X 16
53	T202956	RETAINER	4		X X	(SUB FOR R46528, THIS APPLICATION)
54	KIT	1	-940584	X X	(AT185626 NLA) (SUB AT309739)
	AT309739	KIT	1	940585-	X X	(WHOLE GOODS)

3315-10

BACKHOE 33
CONTROLS LINKAGE 3315

FOUR LEVER CONTROL VALVE LINKAGE
TRINGLERIE DE DISTRIBUTEURS A QUATRE LEVIERS
VARILLAJE DE VALVULA DE CONTROL DE CUATRO PALANCAS

T198881 -UN-08APR04



T198881

3315-11

BACKHOE 33

CONTROLS LINKAGE 3315

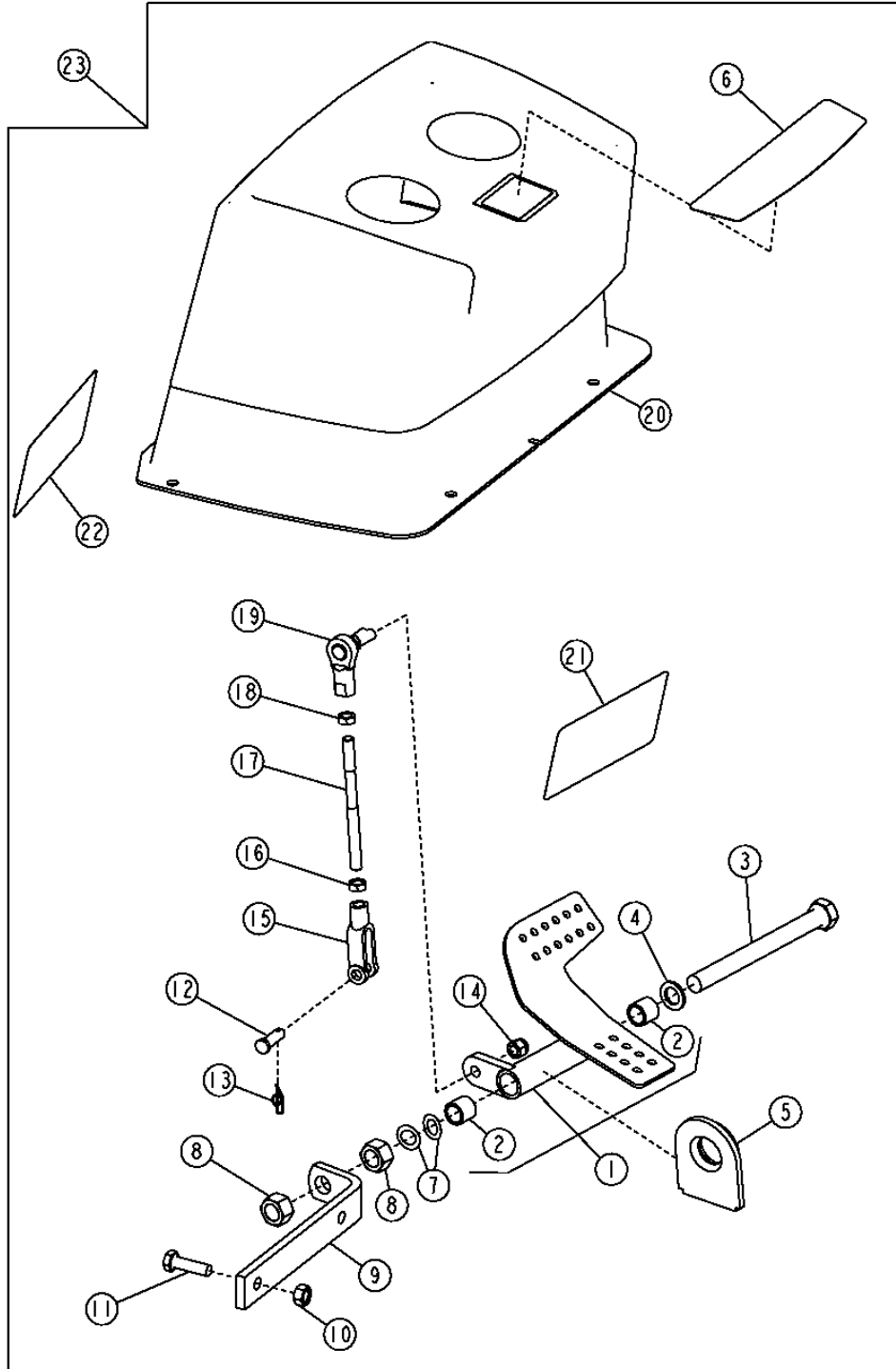
**FOUR LEVER CONTROL VALVE LINKAGE
TRINGLERIE DE DISTRIBUTEURS A QUATRE LEVIERS
VARILLAJE DE VALVULA DE CONTROL DE CUATRO PALANCAS**

KEY	PART NO.	PART NAME	QTY.	SERIAL NO.	REMARKS
					3 3
					3 1 1
					1 0 5
					0 S S
					G G G
1	T35233	GRIP	4		X X
2	AT169512	LEVER	4		X X
3	19M7402	CAP SCREW	8		X X M10 X 25
4	T125808	BUSHING	11		X X
5	24H1746	WASHER	4		X X
6	11M7087	COTTER PIN	2		X X 4 X 40 MM
7	T188268	SHAFT	1		X X (SUB FOR T140650, THIS APPLICATION)
8	AT150763	BASE	1		X X
9	AT150762	BASE	2		X X
10	M68954	LOCK NUT	4		X X 3/8"
11	19H3239	CAP SCREW	2		X X 3/8" X 1-1/4"
12	M359T	WASHER	10		X X
13	H129201	LOCK NUT	2		X X 3/8"
14	AE37072	LINK END	2		X X
15	14H774	NUT	4		X X 3/8"
16	T148741	ROD	2		X X 266MM (10.50 IN)
	T165788	ROD	2		X X 256MM (10.0 IN)
17	14H913	NUT	4		X X 3/8"
18	T140328	YOKE	2		X X
19	AT194686	SUPPORT	1		X X
20	14M7274	NUT	2		X X M10
21	19M8600	CAP SCREW	2		X X M10 X 50
22	T140328	YOKE	2		X X
23	T187530	ROD	1		X X 170MM (6.70 IN)
	T158812	ROD	1		X X 152MM (6.0 IN)
24	AT169087	BALL JOINT	2		X X
25	T165697	ROD	1		X X 250MM (9.84 IN)
	T158810	ROD	1		X X 250MM (9.84 IN)
26	AT194684	SUPPORT	1		X X 69MM (2.72 IN) (FROM RIGHT END TO TAB)
	AT196839	SUPPORT	1		X X 79MM (3.11 IN) (FROM RIGHT END TO TAB)
27	19H3030	CAP SCREW	1		X X 1/2" X 1-1/4"
28	24M7047	WASHER	1		X X
29	AT158197	BELLCRANK	1		X X
30	T141126	SPACER	1		X X
31	AT195877	BASE	1		X X (SUB FOR AT150764, THIS APPLICATION)
32	T133674	SELF-LOCKING SCREW	4		X X M6 X 16
33	24H1646	WASHER	8		X X
34	AT196419	PANEL	4		X X (SUB FOR T187505)
35	T165604	LABEL	1		X X (CONTROL LEVER)
36	T183617	PIN FASTENER	4		X X
37	T183149	COVER	4		X X
38	T165591	SPRING	4		X X
39	14M7272	NUT	4		X X M6
40	AT158198	LINK	1		X X
41	AT185628	KIT	1		X X (WHOLE GOODS)

3315-12

FIFTH FUNCTION PEDAL PEDALE DE CINQUIEME FONCTION PEDAL DE QUINTA FUNCION

T193181 -UN-16JUL03



T193181

3315-13

BACKHOE 33

CONTROLS LINKAGE 3315

FIFTH FUNCTION PEDAL
 PEDALE DE CINQUIEME FONCTION
 PEDAL DE QUINTA FUNCION

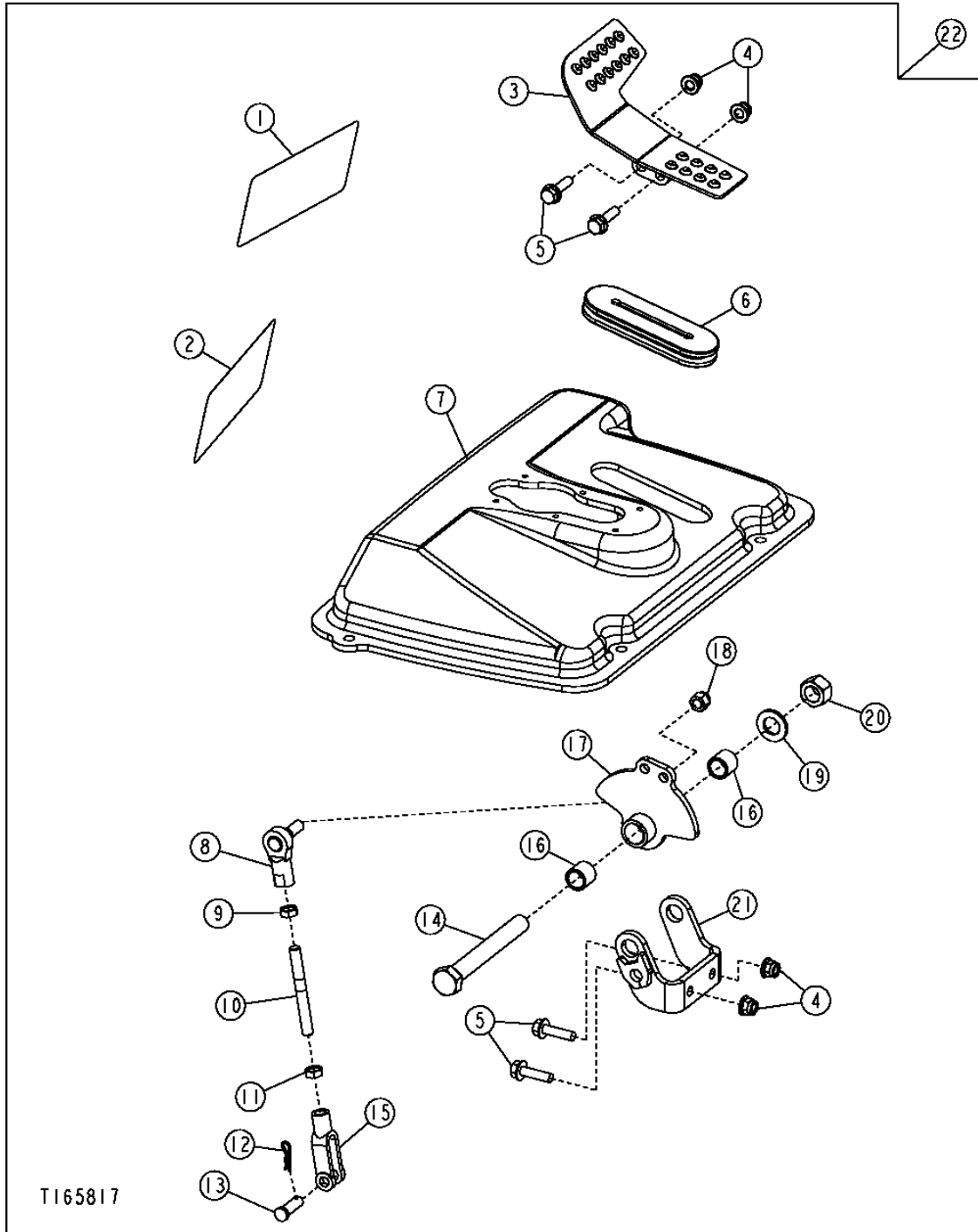
KEY	PART NO.	PART NAME	QTY.	SERIAL NO.	REMARKS
					3 3
					3 1 1
					1 0 5
					0 S S
					G G G
1	AT191446	PEDAL	1		X X X
2	T58109	BUSHING	2		X X X
3	19H3450	CAP SCREW	1		X X X 5/8" X 6-3/4"
4	N119479	WASHER	1		X X X (SUB FOR R64059)
5	T166224	GROMMET	1		X X X
6	T165584	LABEL	1		X X X
7	M87534	SPRING WASHER	2		X X X
8	14H1039	NUT	2		X X X 5/8"
9	T183548	ANGLE	1		X X X
10	14M7274	NUT	2		X X X M10
11	19M7550	CAP SCREW	2		X X X M10 X 35
12	R65563	PIN FASTENER	1		X X X
13	T202956	RETAINER	1		X X X (SUB FOR R46528, THIS APPLICATION)
14	M68954	LOCK NUT	1		X X X 3/8"
15	T140328	YOKE	1		X X X
16	14H913	NUT	1		X X X 3/8"
17	T184129	STUD	1		X X X
18	14H774	NUT	1		X X X 3/8"
19	AT169087	BALL JOINT	1		X X X
20	AT189270	COVER	1		X X X
21	T185691	LABEL	1		X X X (WITH EXTENDABLE DIPPERSTICK)
22	T185692	LABEL	1		X X X (WITHOUT EXTENDABLE DIPPERSTICK)
23	AT185625	KIT	1		X X X (WHOLE GOODS)

3315-13A

BACKHOE 33
CONTROLS LINKAGE 3315

FIFTH FUNCTION PEDAL (PILOT CONTROL)
PEDALE DE CINQUIEME FONCTION (COMMANDE PILOTE)
PEDAL DE QUINTA FUNCION (CONTROL PILOTO)

T165817 -UN-25FEB03



T165817

3315-13B

BACKHOE 33

CONTROLS LINKAGE 3315

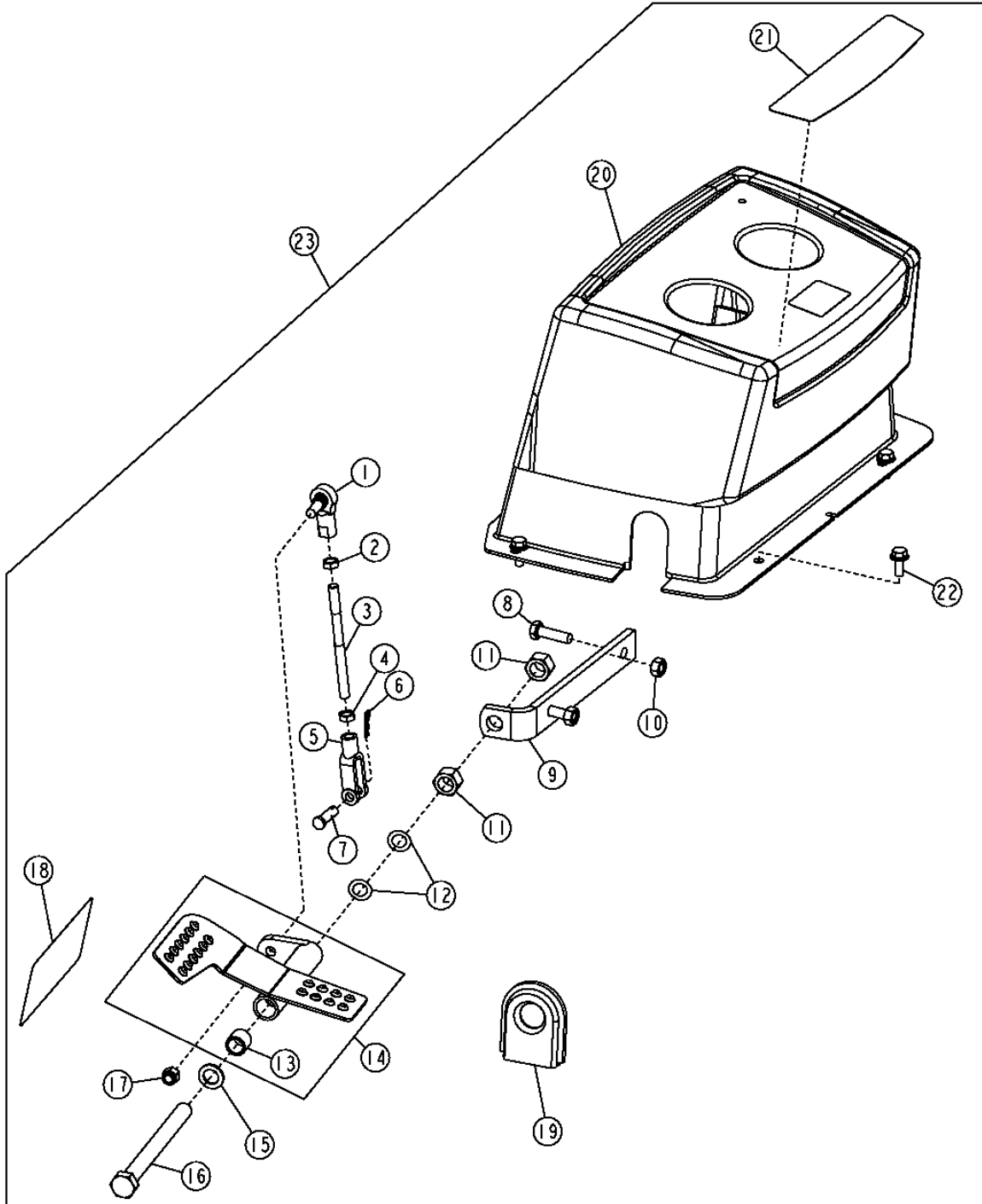
FIFTH FUNCTION PEDAL (PILOT CONTROL)
 CINQUIEME FONCTION (COMMANDE PILOTE)
 QUINTA FUNCION (CONTROL PILOTO)

KEY	PART NO.	PART NAME	QTY.	SERIAL NO.	REMARKS
					3 3
					3 1 1
					1 0 5
					0 S S
					G G G
1	T185691	LABEL	1		X X
2	T185692	LABEL	1		X X
3	AT300058	PEDAL	1		X X
4	14M7396	LOCK NUT	4		X X M8
5	19M7868	SCREW	4		X X M8 X 30
6	T200095	GROMMET	1		X X
7	T200093	COVER	1		X X
8	AT169087	BALL JOINT	1		X X
9	14H774	NUT	1		X X 3/8"
10	T200078	STUD	1		X X
11	14H913	NUT	1		X X 3/8"
12	T202956	RETAINER	1		X X (SUB FOR R46528, THIS APPLICATION)
13	R65563	PIN FASTENER	1		X X
14	19H3353	CAP SCREW	1		X X 5/8" X 5"
15	T140328	YOKE	1		X X
16	T58109	BUSHING	2		X X
17	AT300056	PIVOT	1		X X
18	M68954	LOCK NUT	1		X X 3/8"
19	24M7053	WASHER	1		X X
20	U14555	LOCK NUT	1		X X 5/8"
21	AT300060	BRACKET	1		X X
22	AT301484	KIT	1		X X (WHOLE GOODS)

3315-14

SIXTH FUNCTION PEDAL (310G AND 310SG)
PEDALE DE SIXIEME FONCTION (310G ET 310SG)
PEDAL DE SEXTA FUNCION (310G Y 310SG)

T193198 -UN-21JUL03



T193198

3315-15

BACKHOE 33

CONTROLS LINKAGE 3315

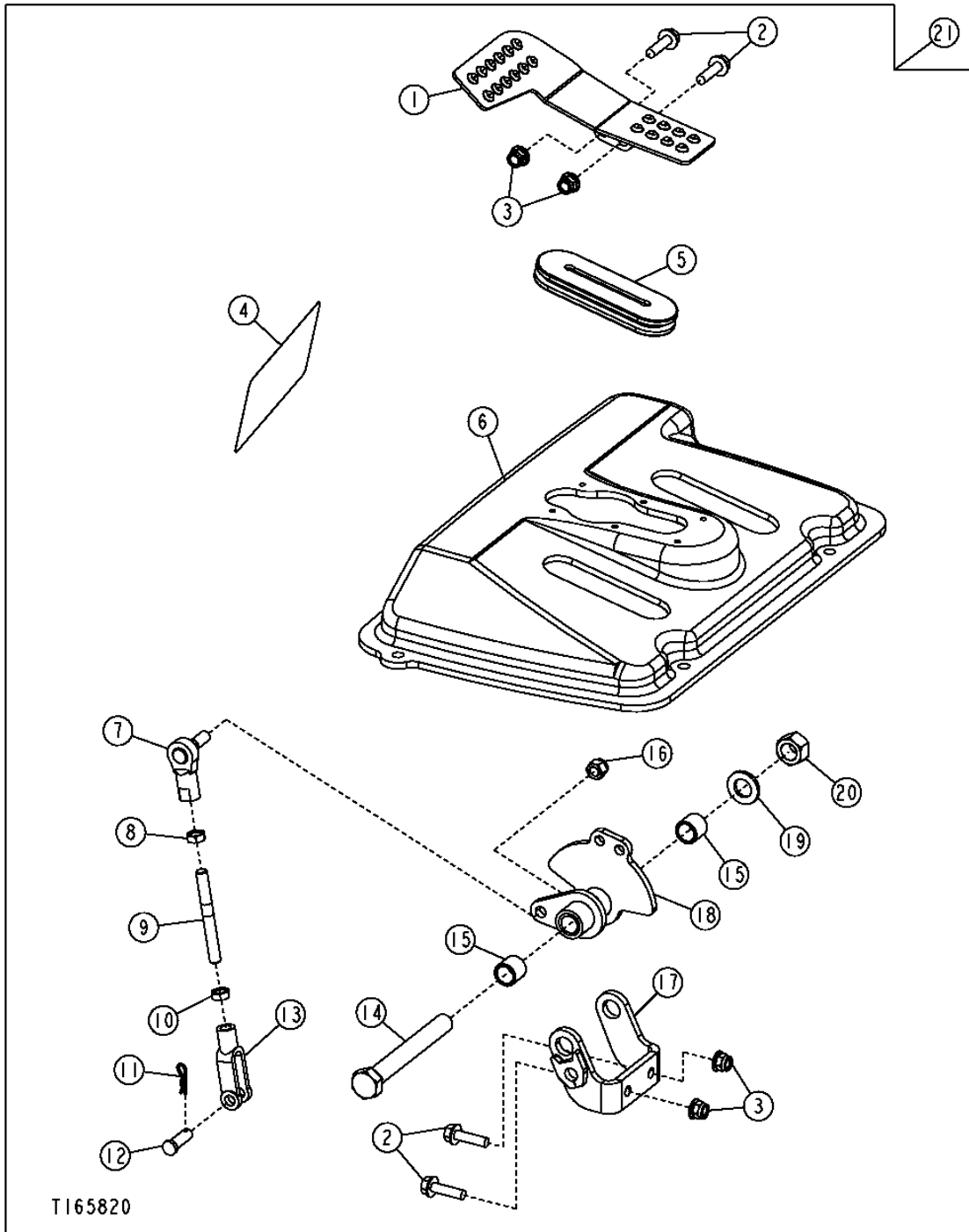
SIXTH FUNCTION PEDAL (310G AND 310SG)
 PEDALE DE SIXIEME FONCTION (310G ET 310SG)
 PEDAL DE SEXTA FUNCION (310G Y 310SG)

KEY	PART NO.	PART NAME	QTY.	SERIAL NO.	REMARKS
					3 3
					3 1 1
					1 0 5
					0 S S
					G G G
1	AT169087	BALL JOINT	1		X X (WHOLE GOODS)
2	14H774	NUT	1		X X 3/8"
3	T184129	STUD	1		X X
4	14H913	NUT	1		X X 3/8"
5	T140328	YOKE	1		X X
6	T202956	RETAINER	1		X X (SUB FOR R46528, THIS APPLICATION)
7	R65563	PIN FASTENER	1		X X
8	19M7550	CAP SCREW	2		X X M10 X 35
9	T184133	ANGLE	1		X X
10	14M7274	NUT	2		X X M10
11	14H1039	NUT	2		X X 5/8"
12	M87534	SPRING WASHER	2		X X
13	T58109	BUSHING	2		X X
14	AT190073	PEDAL	1		X X
15	N119479	WASHER	1		X X (SUB FOR R64059)
16	19H3450	CAP SCREW	1		X X 5/8" X 6-3/4"
17	M68954	LOCK NUT	1		X X 3/8"
18	T185692	LABEL	1		X X
19	T166224	GROMMET	1		X X
20	AT189271	COVER	1		X X
21	T165584	LABEL	1		X X
22	19M7866	SCREW	4		X X M8 X 20
23	AT185629	KIT	1		X X (WHOLE GOODS)

3315-15A

SIXTH FUNCTION PEDAL (PILOT CONTROL)
PEDALE DE SIXIEME FONCTION (COMMANDE PILOTE)
PEDAL DE SEXTA FUNCION (CONTROL PILOTO)

T165820 -UN-25FEB03



3315-15B

BACKHOE 33

CONTROLS LINKAGE 3315

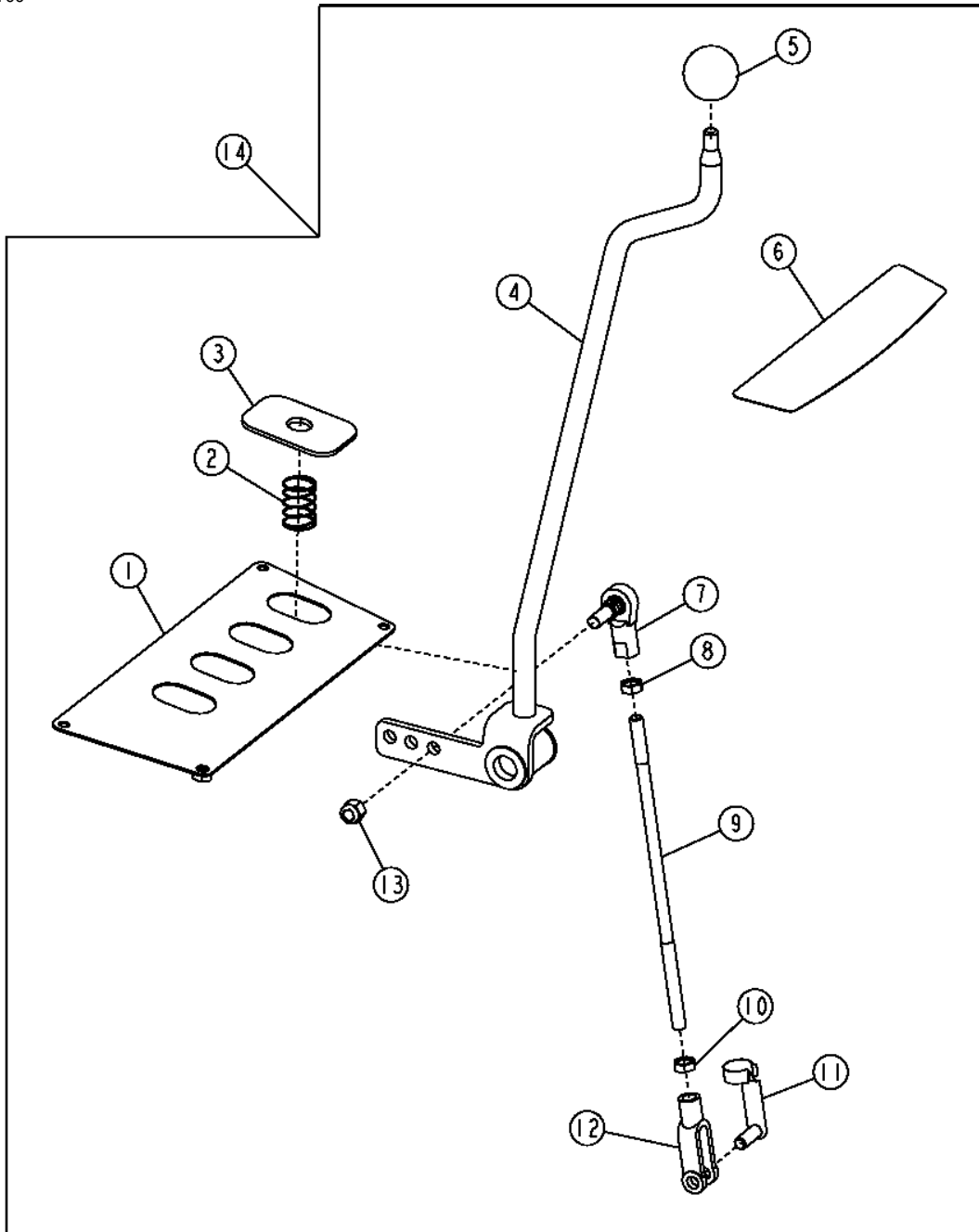
SIXTH FUNCTION PEDAL (PILOT CONTROL)
 PEDALE DE SIXIEME FONCTION (COMMANDE PILOTE)
 PEDAL DE SEXTA FUNCION (CONTROL PILOTO)

KEY	PART NO.	PART NAME	QTY.	SERIAL NO.	3 3 3 1 1 1 0 5 0 S S G G G	REMARKS
1	AT300057	PEDAL	1		X X	
2	19M7868	SCREW	4		X X	M8 X 30
3	14M7396	LOCK NUT	4		X X	M8
4	T185692	LABEL	1		X X	
5	T200095	GROMMET	1		X X	
6	T200094	COVER	1		X X	
7	AT169087	BALL JOINT	1		X X	
8	14H774	NUT	1		X X	3/8"
9	T200078	STUD	1		X X	
10	14H913	NUT	1		X X	3/8"
11	R46528	SPRING LOCKING PIN	1		X X	
12	R65563	PIN FASTENER	1		X X	
13	T140328	YOKE	1		X X	
14	19H3353	CAP SCREW	1		X X	5/8" X 5"
15	T58109	BUSHING	2		X X	
16	M68954	LOCK NUT	1		X X	3/8"
17	AT300060	BRACKET	1		X X	
18	AT300055	PIVOT	1		X X	
19	24M7053	WASHER	1		X X	
20	U14555	LOCK NUT	1		X X	5/8"
21	AT301485	KIT	1		X X	(WHOLE GOODS)

3315-16

FIFTH FUNCTION LEVER FOR THREE LEVER CONTROLS CONVERSION KIT
LEVIER DE CINQUIEME FONCTION POUR KIT DE CONVERSION DES COMMANDES A TROIS LEVIERS
PALANCA DE QUINTA FUNCION PARA JUEGO DE CONVERSION A CONTROLES CON TRES PALANCAS

TP69704 -UN-02OCT00



TP69704

3315-17

BACKHOE 33

CONTROLS LINKAGE 3315

**FIFTH FUNCTION LEVER FOR THREE LEVER CONTROLS CONVERSION KIT
 LEVIER DE CINQUIEME FONCTION POUR KIT DE CONVERSION DES COMMANDES A TROIS LEVIERS
 PALANCA DE QUINTA FUNCION PARA JUEGO DE CONVERSION A CONTROLES CON TRES PALANCAS**

KEY	PART NO.	PART NAME	QTY.	SERIAL NO.	3 3 3 1 1 1 0 5 0 S S G G G	REMARKS
1	AT186050	COVER	1	-944916	X X X	
	AT311929	COVER	1	944917-	X X X	
2	T165591	SPRING	1		X X X	
3	T209588	COVER	1		X X X	(SUB FOR T183149, THIS APPLICATION)
4	AT189580	CONTROL LEVER	1	-940584	X X X	
	AT309190	CONTROL LEVER	1	940585-	X X X	
5	39M1709	KNOB	1		X X X	
6	T165586	LABEL	1		X X X	
7	AT169087	BALL JOINT	1		X X X	(SUB FOR AT49300)
8	14H774	NUT	1		X X X	3/8"
9	T165697	ROD	1		X X X	
10	14H913	NUT	1		X X X	3/8"
11	T183617	PIN FASTENER	1		X X X	
12	T140328	YOKE	1		X X X	
13	M68954	LOCK NUT	1		X X X	
14	AT185627	CONTROL LEVER	1	-940584	X X X	(WHOLE GOODS)
	AT309740	CONTROL LEVER	1	940585-	X X X	(WHOLE GOODS)

3315-18

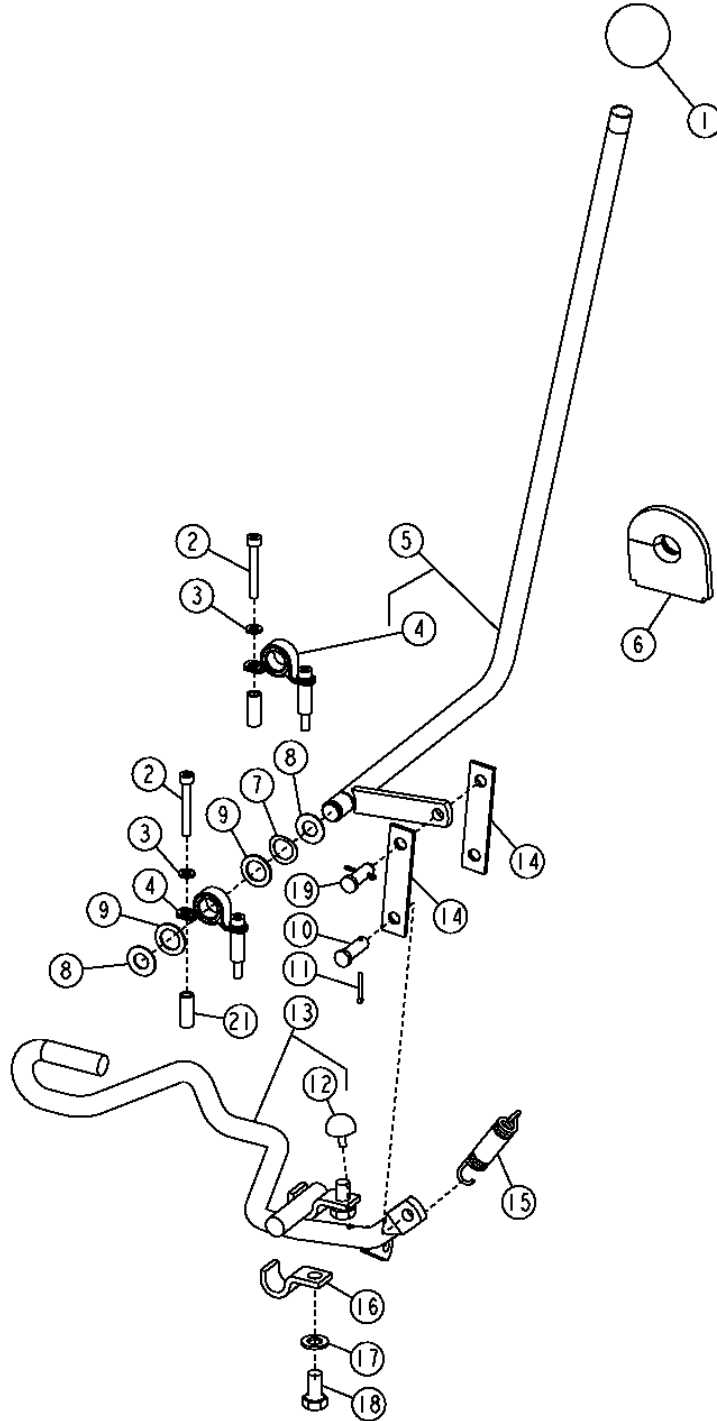
BACKHOE 33

CONTROLS LINKAGE 3315

BACKHOE BOOM LOCK CONTROL LEVER AND LINKAGE (310G AND 310SG)
TRINGLERIE ET LEVIER DE COMMANDE DE VERROUILLAGE DE FLECHE DE RETROPELLE (310G ET 310SG)
PALANCA DE CONTROL DE BLOQUEO DE AGUILON DE RETROEXCAVADORA Y VARILLAJE (310G Y 310SG)

T160156

-UN-03OCT02



T160156

3315-19

BACKHOE 33

CONTROLS LINKAGE 3315

**BACKHOE BOOM LOCK CONTROL LEVER AND LINKAGE (310G AND 310SG)
 TRINGLERIE ET LEVIER DE COMMANDE DE VERROUILLAGE DE FLECHE DE RETROPELLE (310G ET 310SG)
 PALANCA DE CONTROL DE BLOQUEO DE AGUILON DE RETROEXCAVADORA Y VARILLAJE (310G Y 310SG)**

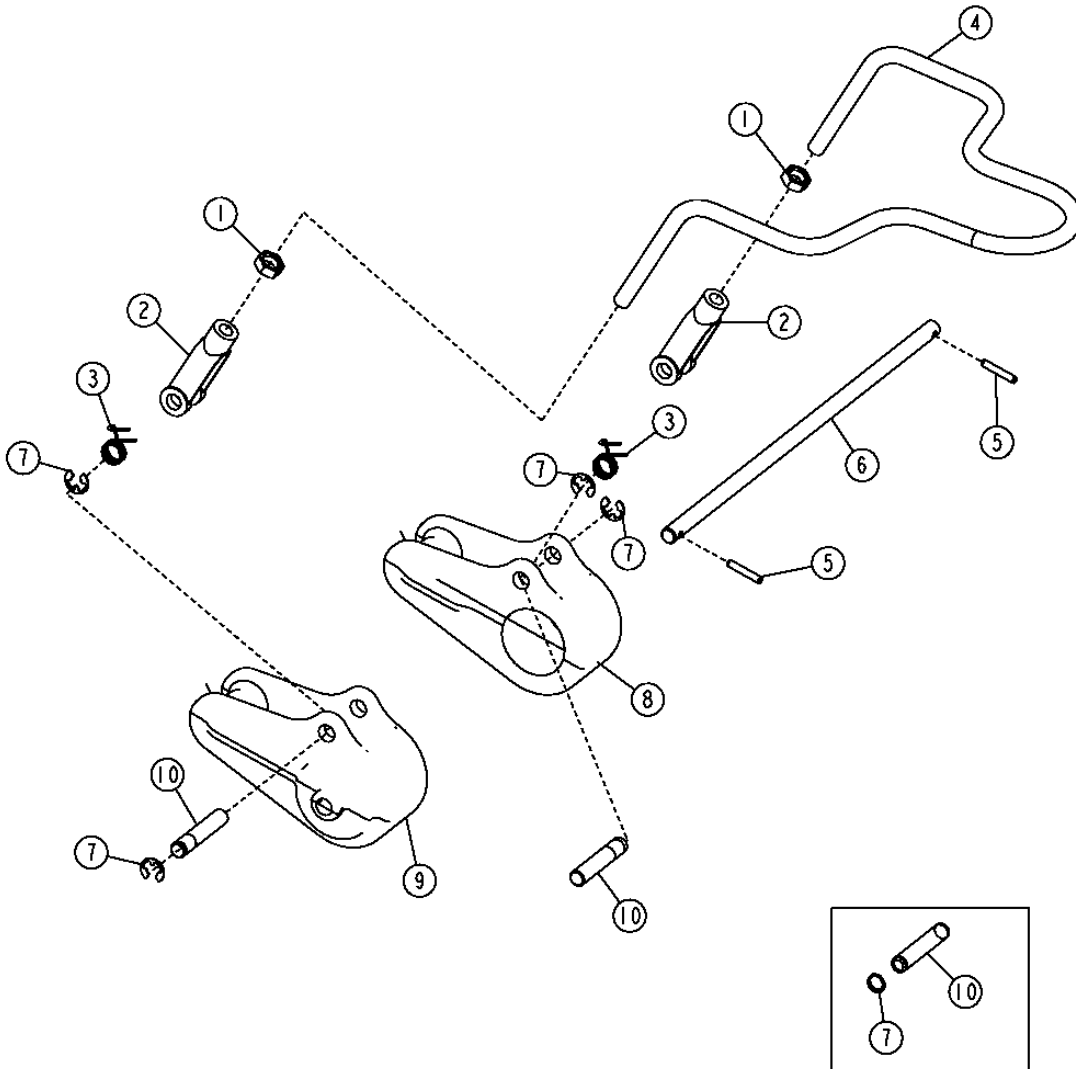
KEY	PART NO.	PART NAME	QTY.	SERIAL NO.	3 3 3 1 1 1 0 5 0 S S G G G	REMARKS
1	T185309	KNOB	1		X X	MANUAL CONTROL
	T133291	KNOB	1		X X	PILOT CONTROL
2	19M7603	SCREW	4	-911194	X X	M6 X 20, (SUB FOR 19M8627, THIS APPLICATION)
	19M8713	SCREW	4	911195-	X X	M6 X 45
3	24M7054	WASHER	4		X X	
4	AT195620	BEARING WITH HOUSING	2		X X	(SUB FOR AT185317)
5	AT195623	LEVER	1		X X	STD CONTROLS, (SUB FOR AT185311)
	AT196387	LEVER	1		X X	PILOT CONTROLS
6	T177623	GROMMET	1		X X	
7	T166237	SPRING WASHER	1		X X	
8	F2863R	SNAP RING	2		X X	
9	24H1658	WASHER	1		X X	STD CONTROLS
	24H1658	WASHER	3		X X	PILOT CONTROLS
10	M40569	PIN FASTENER	1		X X	(SUB FOR R65563, THIS APPLICATION)
11	11M7081	COTTER PIN	2		X X	(SUB FOR R46528 AND 11M7078, THIS APPLICATION)
12	AT185847	BUMPER	1		X X	
13	AT185315	ROD	1		X X	
14	LINK	1	-903254	X X	(AT191528 NLA) (SUB (2) T188356) (ALSO ORDER (2) M40569 AND (2) 11M7078)
	T188356	STRAP	2	903255-	X X	
15	T24509	SPRING	1		X X	
16	T157785	CLAMP	2		X X	
17	24M7040	WASHER	2		X X	11 X 20 X 2 MM
18	19M7938	CAP SCREW	2		X X	M10 X 20
19	M40569	PIN FASTENER	1		X X	(SUB FOR R65563, THIS APPLICATION)
20	24H1658	WASHER	1	-903254	X X	
21	28H1921	BUSHING	4	911195-	X X	

3315-20

BACKHOE 33
CONTROLS LINKAGE 3315

BACKHOE BOOM LOCK (310G AND 310SG)
VERROUILLAGE DE FLECHE DE RETROPELLE (310G ET 310SG)
BLOQUEO DE AGUILON DE RETROEXCAVADORA (310G Y 310SG)

T157614 -UN-17JUL02



T157614

3315-21

BACKHOE 33

CONTROLS LINKAGE 3315

**BACKHOE BOOM LOCK (310G AND 310SG)
 VERROUILLAGE DE FLECHE DE RETROPELLE (310G ET 310SG)
 BLOQUEO DE AGUILON DE RETROEXCAVADORA (310G Y 310SG)**

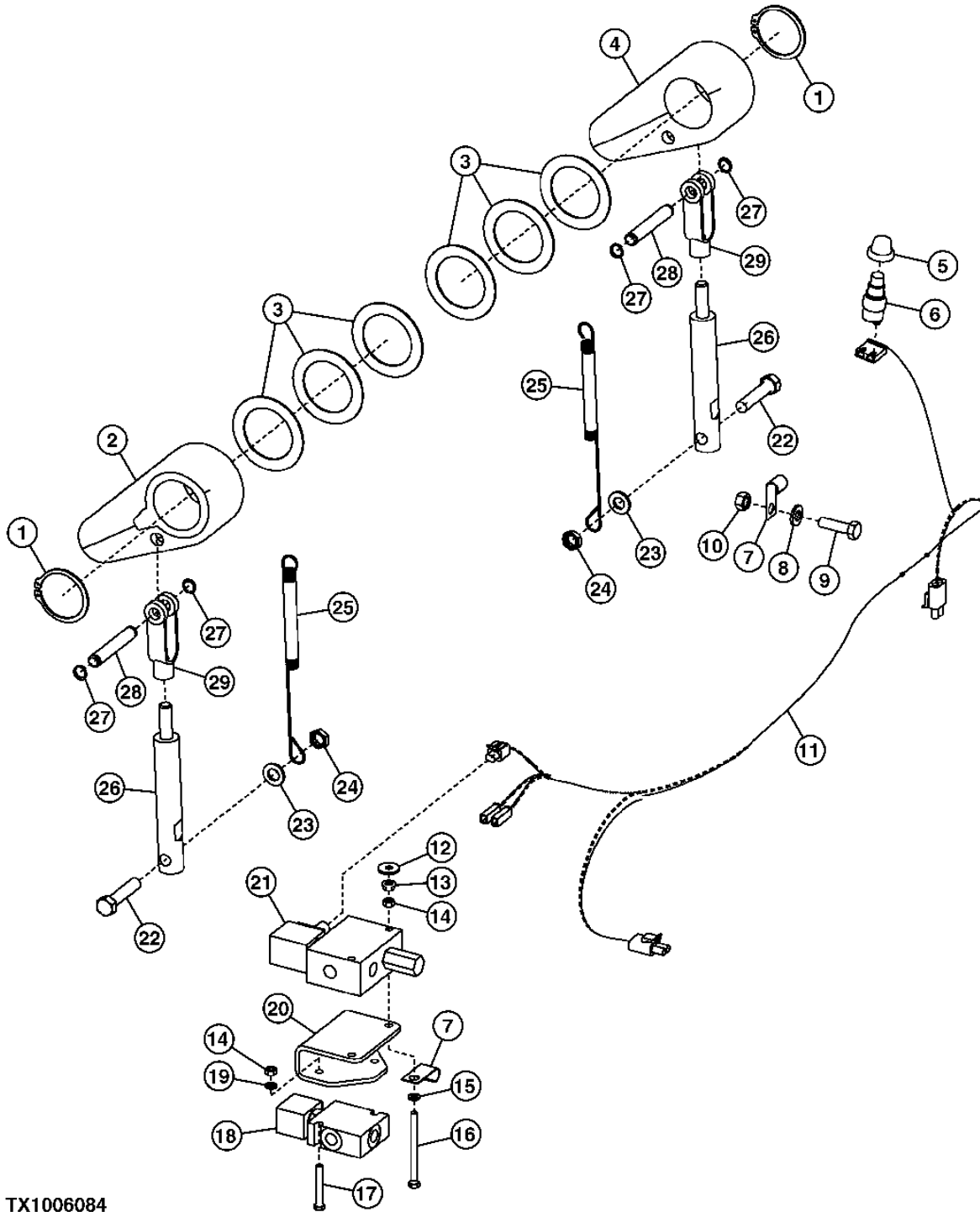
KEY	PART NO.	PART NAME	QTY.	SERIAL NO.	3 3 3 1 1 1 0 5 0 S S G G G	REMARKS
1	14H856	NUT	2		X X	1/2"
2	T121474	YOKE	2		X X	
3	T160589	SPRING	2		X X	
4	T157762	ROD	1		X X	
5	34M7141	SPRING PIN	2		X X	
6	T160515	PIN	1		X X	
7	T161598	SNAP RING	4	-910310	X X	
	R26871	SNAP RING	4	910311-	X X	
	24M7047	WASHER	AR	910311-	X	13 X 24 X 2.500 MM
8	T186005	LOCK	1		X X	LH, (SUB FOR T160638)
9	T186006	LOCK	1		X X	RH, (SUB FOR T160639)
10	PIN	2	-910310	X X	(T158397 NLA) (SUB (2) T186000) (ALSO ORDER (4) R26871)
	T186000	PIN	2	910311-	X X	

3315-22

BACKHOE BOOM LOCK CONTROL LEVER AND LINKAGE (315SG)
TRINGLERIE ET LEVIER DE COMMANDE DE VERROUILLAGE DE FLECHE DE RETROPELLE (315SG)
PALANCA DE CONTROL DE BLOQUEO DE AGUILON DE RETROEXCAVADORA Y VARILLAJE (315SG)

TX1006084

-UN-26APR06



TX1006084

3315-23

BACKHOE 33

CONTROLS LINKAGE 3315

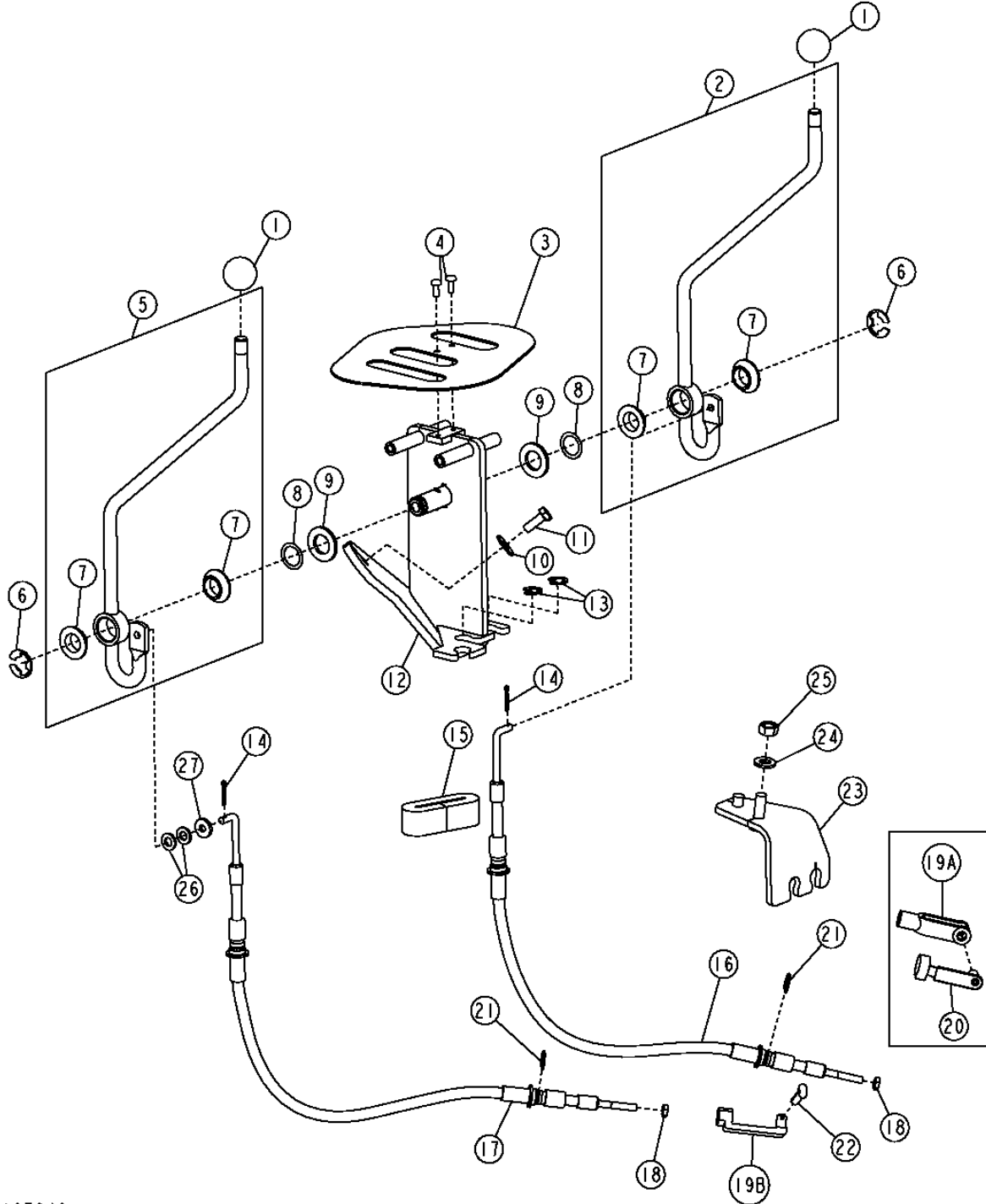
**BACKHOE BOOM LOCK CONTROL LEVER AND LINKAGE (315SG)
 TRINGLERIE ET LEVIER DE COMMANDE DE VERROUILLAGE DE FLECHE DE RETROPELLE (315SG)
 PALANCA DE CONTROL DE BLOQUEO DE AGUILON DE RETROEXCAVADORA Y VARILLAJE (315SG)**

KEY	PART NO.	PART NAME	QTY.	SERIAL NO.	3 3 3 1 1 1 0 5 0 S S G G G	REMARKS
1	40M7066	SNAP RING	2		X	
2	T161012	LOCK	1		X	
3	24H1679	WASHER	6	-200449	X	
	24H1679	WASHER	2	200450-	X	
4	T161011	LOCK	1		X	
5	AR47374	CAP	1		X	
6	R39554	SWITCH	1		X	
7	AH89557	CLIP	2		X	
8	24M7239	WASHER	1		X	
9	19M7550	CAP SCREW	1		X	M10 X 35
10	14M7274	NUT	1		X	M10
11	AT194343	WIRING HARNESS	1		X	
12	24H1288	WASHER	2		X	
13	14M7303	FLANGE NUT	2		X	M6
14	14M7272	NUT	4		X	M6
15	24M7088	WASHER	2		X	
16	19M8880	CAP SCREW	2		X	M6 X 80
17	19M8321	SCREW	2		X	M6 X 45
18	AT179029	SOLENOID VALVE	1		X	(BACKHOE BOOM LOCK)
19	24M7088	WASHER	2		X	
20	T184957	BRACKET	1		X	
21	AT183556	SOLENOID HYDRAULIC VALVE	1		X	(SIDE SHIFT SLIDE LOCKING)
22	19M7362	CAP SCREW	2		X	M12 X 55
23	24M7047	WASHER	2		X	
24	14M7415	NUT	2		X	M12
25	T160590	SPRING	2		X	
26	AH171683	HYDRAULIC CYLINDER	2		X	
27	T161598	SNAP RING	4		X	
28	T161013	PIN	2		X	
29	T121474	YOKE	2		X	

3315-24

STABILIZER VALVE LINKAGE
TRINGLERIE DE SOUPAPE DE STABILISATEUR
VARILLAJE DE VALVULA ESTABILIZADORA

T197646 -UN-20FEB04



T197646

3315-25

BACKHOE 33

CONTROLS LINKAGE 3315

**STABILIZER VALVE LINKAGE
TRINGLERIE DE SOUPAPE DE STABILISATEUR
VARILLAJE DE VALVULA ESTABILIZADORA**

KEY	PART NO.	PART NAME	QTY.	SERIAL NO.	3 3 3 1 1 1 0 5 0 S S G G G	REMARKS
1	T185766	KNOB	2		X X X	
2	AT185851	CONTROL LEVER	1	-913416	X X X	
	AT300770	CONTROL LEVER	1	913417-	X X X	
3	T185496	PLATE	1		X X X	
4	21H1316	SCREW	2		X X X	0.190" X 1/2", (SUB FOR 21H1406, THIS APPLICATION)
5	AT185851	CONTROL LEVER	1	-913416	X X X	
	AT300771	CONTROL LEVER	1	913417-	X X X	
6	R27434	SNAP RING	2		X X X	
7	T166097	BEARING	4		X X X	
8	R26081	WASHER	2		X X X	
9	24H1392	WASHER	2		X X X	
10	24M7207	WASHER	2		X X X	
11	19M7376	CAP SCREW	2		X X X	M8 X 22
12	AT186983	BRACKET	1	-913416	X X X	
	AT300769	BRACKET	1	913417-	X X X	
13	R26871	SNAP RING	2		X X X	(SUB FOR R106466, THIS APPLICATION)
14	11M7081	COTTER PIN	2		X X X	2.500 X 20 MM
15	T183905	SEAL	1		X X X	
16	AT196336	PUSH PULL CABLE	1	-913416	X X X	(RH) (STABILIZER) (SUB FOR AT185855)
	AT196606	PUSH PULL CABLE	1	913417-	X X X	
17	AT196337	PUSH PULL CABLE	1	-913416	X X X	(LH) (STABILIZER) (SUB FOR AT185856)
	AT196606	PUSH PULL CABLE	1	913417-	X X X	
18	14H649	NUT	2		X X X	1/4"
19A	T166102	YOKE	2	-913416	X X X	
19B	T191245	SWIVEL	2	913417-	X X X	
20	T183617	PIN FASTENER	2	-913416	X X X	
21	R26871	SNAP RING	4		X X X	(SUB FOR R106466)
22	11M7081	COTTER PIN	1	913417-	X X X	
23	AT280363	BRACKET	1	913417-	X X X	
24	24M7239	WASHER	1	913417-	X X X	
25	14M7274	NUT	1	913417-	X X X	M10
26	24M7238	WASHER	2		X X X	
27	24H1923	WASHER	1		X X X	

3315-26

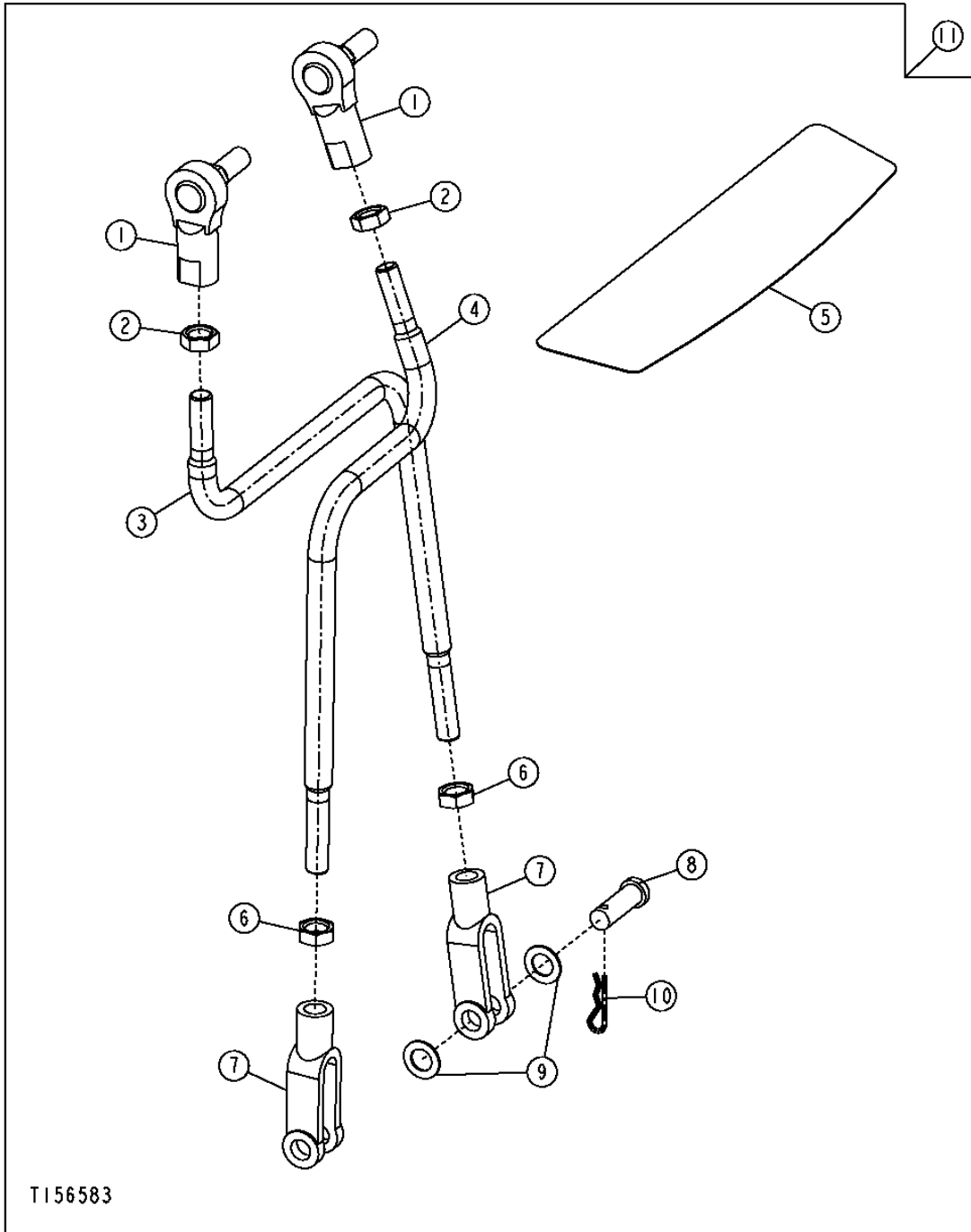
BACKHOE 33

CONTROLS LINKAGE 3315

SAE BACKHOE CONTROL LINKAGE PATTERN KIT
KIT DE CONFIGURATION DE TRINGLERIE DE COMMANDE DE RETROPELLE SAE
JUEGO DE PATRON DE VARILLAJE DE CONTROL DE RETROEXCAVADORA SAE

T156583

-UN-25JUN02



3315-27

BACKHOE 33

CONTROLS LINKAGE 3315

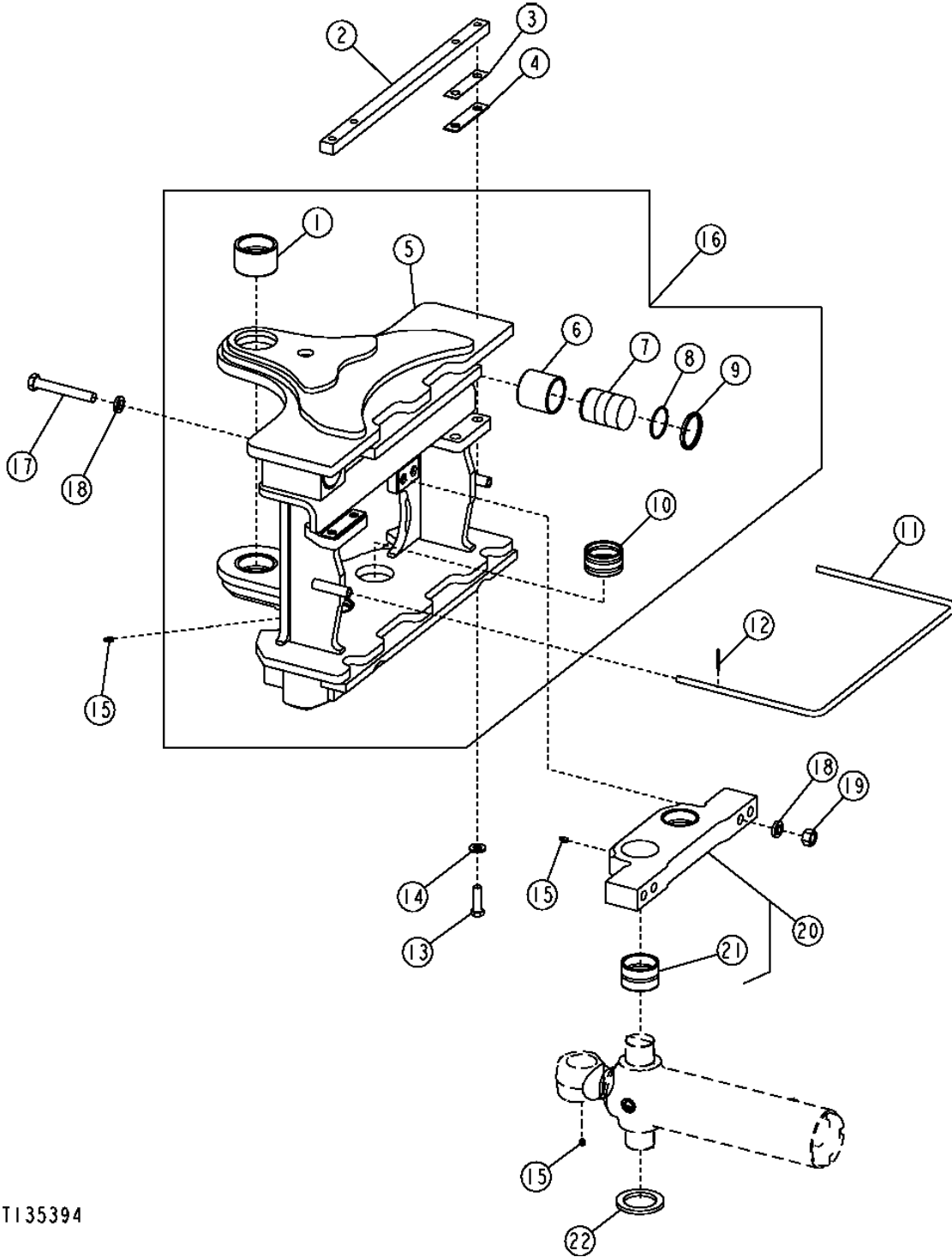
SAE BACKHOE CONTROL LINKAGE PATTERN KIT
 KIT DE CONFIGURATION DE TRINGLERIE DE COMMANDE DE RETROPELLE SAE
 JUEGO DE PATRON DE VARILLAJE DE CONTROL DE RETROEXCAVADORA SAE

KEY	PART NO.	PART NAME	QTY.	SERIAL NO.	REMARKS
					3 3
					3 1 1
					1 0 5
					0 S S
					G G G
1	AT169087	BALL JOINT	1		X X (SUB FOR AT49300)
2	14H774	NUT	1		X X 3/8"
3	T191445	ROD	1		X X (T183884 NLA)
4	T183885	STUD	1		X X
5	T165595	LABEL	1		X X
6	14H913	NUT	1		X X 3/8"
7	T140328	YOKE	1		X X
8	R65563	PIN FASTENER	2		X X
9	24H1302	WASHER	6		X X 13/32" X 11/16" X 0.035"
10	T202956	RETAINER	2		X X (SUB FOR R46528, THIS APPLICATION)
11	AT301434	KIT	1		X X (WHOLE GOODS)

3342-2

SLIDING FRAME (315SG)
CHASSIS COULISSANT (315SG)
BASTIDOR DESLIZANTE (315SG)

T135394 -UN-11JAN01



T135394

3342-3

BACKHOE 33

SUBFRAME AND TIE BARS 3342

SLIDING FRAME (315SG)
 CHASSIS COULISSANT (315SG)
 BASTIDOR DESLIZANTE (315SG)

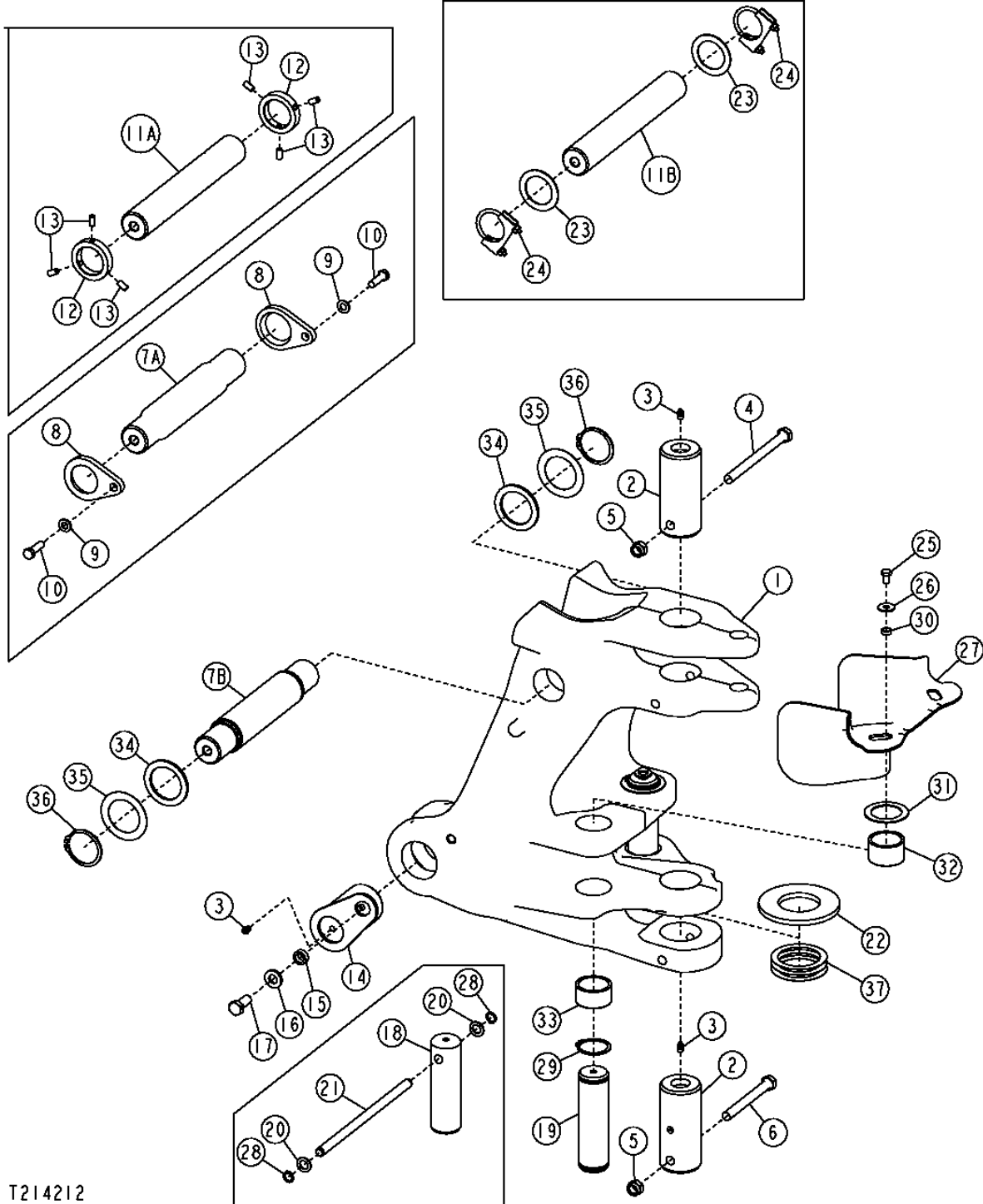
KEY	PART NO.	PART NAME	QTY.	SERIAL NO.	REMARKS
					3 3
					3 1 1
					1 0 5
					0 S S
					G G G
1	T154621	BUSHING	2		X SWING FRAME MOUNTING
2	T106066	BAR	1		X LOCK BAR
3	T106399	STRAP	2		X 1 MM (.042" THICK) LOCKBAR
4	T106398	STRAP	6		X 3.2 MM (.125" THICK) LOCKBAR
5	FRAME	1		X SLIDING (WITH BUSHINGS)
6	T161813	BUSHING	4		X LOCK CYLINDER BORES
7	T166535	PISTON	4		X LOCKING CYLINDER
8	AT186563	SEAL KIT	4		X
9	T157277	SEAL	4		X LOCK CYLINDER BORE
10	T147070	BUSHING	2		X SWING CYLINDER MOUNTING
11	T161770	ROD	1		X PROTECTION
12	11M7012	COTTER PIN	4		X PROTECTION ROD
13	19M8295	CAP SCREW	4		X M16 X 55
14	24M7241	WASHER	4		X
15	T162396	LUBRICATION FITTING	4		X LOWER GREASE PASSAGE
16	AT182935	FRAME	1		X SLIDING WITH PISTON
17	19M7907	SCREW	4		X M20 X 140
18	T83426	WASHER	8		X
19	14M7277	NUT	4		X M20
20	AT175921	PLATE	1		X
21	T153303	BUSHING	2		X
22	T148387	WASHER	2		X

3343-2

BACKHOE 33
MOVEABLE FRAME 3343

SWING FRAME (310G AND 310SG) CHASSIS DE PIVOTEMENT (310G ET 310SG) BASTIDOR DE GIRO (310G Y 310SG)

T214212 -UN-19SEP05



T214212

THIS PARTS LISTING IS CONTINUED

3343-3

**SWING FRAME (310G AND 310SG)
CHASSIS DE PIVOTEMENT (310G ET 310SG)
BASTIDOR DE GIRO (310G Y 310SG)**

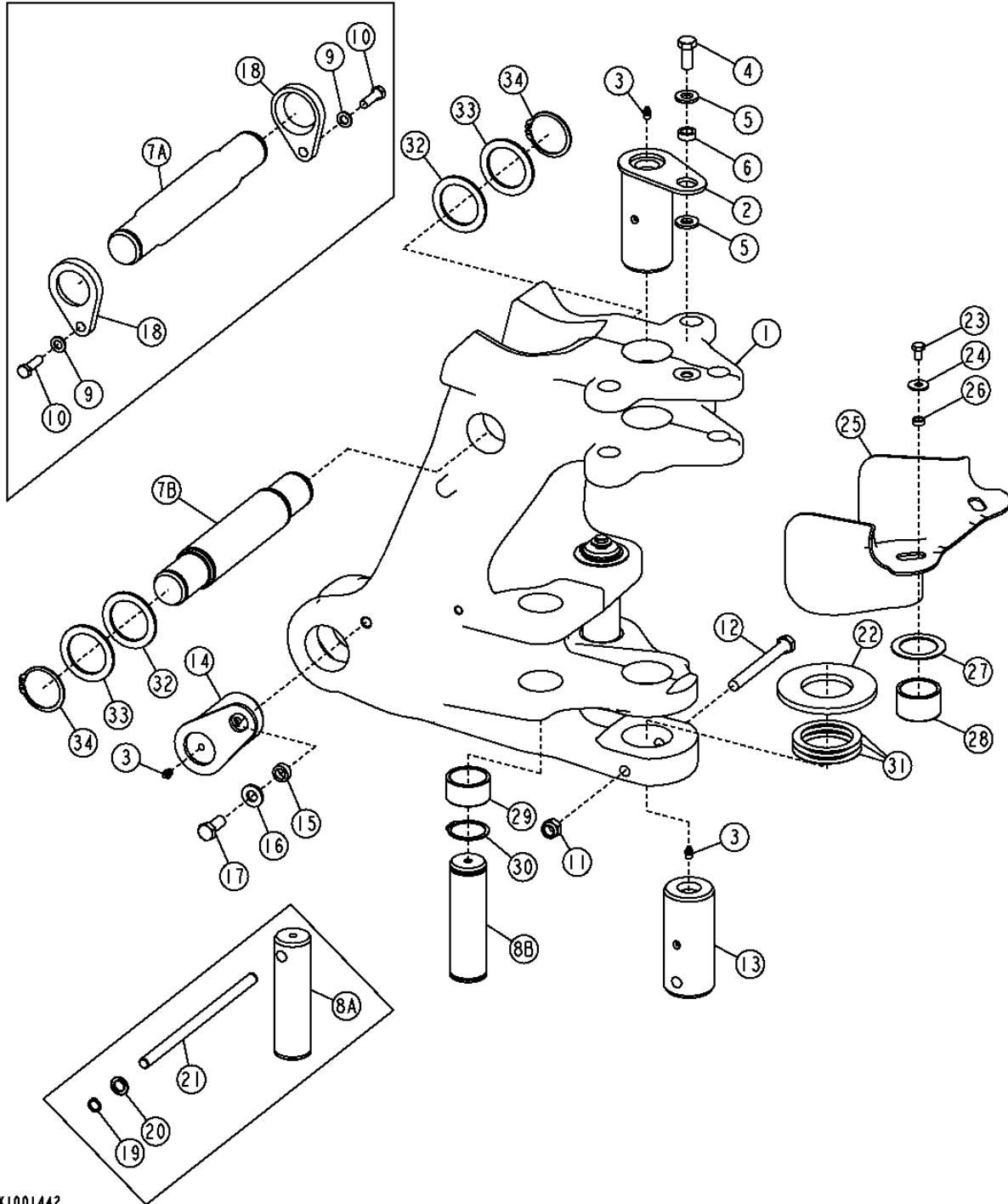
KEY	PART NO.	PART NAME	QTY.	SERIAL NO.	3 3 3 1 1 1 0 5 0 S S G G G	REMARKS
1	AT334604	FRAME FRAME	1 1	-928871	X X	(SUB FOR T161594, THIS APPLICATION) (T161593 NLA) (SUB AT334603) (ALSO ORDER (2) T201971, (4) 40M7066, (2) T161036 AND (2) AT306499)
	AT334603	FRAME	1	928872-	X	(INCLUDES (2) T201361 AND (2) T201362)
2	T159118	PIN FASTENER	2		X	STD
	T153531	PIN FASTENER	2		X	STD
	T165563	PIN	2		X	OS
	T205810	PIN FASTENER	2		X	
3	T162396	LUBRICATION FITTING	4		X X	
4	19M8021	CAP SCREW	1		X X	M16 X 200
5	14M7328	LOCK NUT	2		X X	M16
6	19M7954	CAP SCREW	1		X X	M16 X 150
7A	PIN FASTENER	1	-952166	X	(T160567 NLA) (SUB T217548) (ALSO ORDER (2) 24H1616, (2) 24H1615 AND (2) 40M7120)
7B	T217548	PIN	1	952167-	X	
8	T159986	RETAINER	2	-952166	X	
9	24M7047	WASHER	2	-952166	X	
10	19M7493	CAP SCREW	2	-952166	X	M12 X 40
11A	T160568	PIN	1	-912528	X	
11B	T186001	PIN	1	912529-	X	
12	T160067	SPACER	2	-912528	X	
13	T161608	SCREW	6	-912528	X	3/8" X 3/4"
14	AT176115	PIN	2	-928871	X	STD
	AT306500	PIN	2	928872-	X	
	AT170043	PIN	2	-928871	X	STD
	AT184058	PIN FASTENER	2	-928871	X	OS
	AT306499	PIN	2	928872-	X	
15	T215678	BUSHING	2		X X	(SUB FOR M2649DN, THIS APPLICATION)
16	24M7241	WASHER	2		X X	
17	19M8035	CAP SCREW	2		X X	M16 X 35
18	T154821	PIN	2	-911128	X X	STD
	T200240	PIN FASTENER	2	911129-	X	STD
	T200240	PIN FASTENER	2	-928871	X	
	T164669	PIN FASTENER	2	-911128	X X	OS
	T200853	PIN FASTENER	2	911129-	X	OS
	T200853	PIN FASTENER	2	-928871	X	
19	T201971	PIN	2	928872-	X	
20	24M7097	WASHER	2		X	
	24M7097	WASHER	2	-928871	X	
21	T159800	PIN	1		X	
	T159800	PIN	1	-928871	X	
22	T205873	THRUST WASHER	1		X	(SUB FOR (2) T159119)
	T205875	THRUST WASHER	1		X	(SUB FOR (2) T154712)
23	T161036	WASHER	2	912529-	X	
24	AM118997	CLAMP	2	912529-	X	
25	19M8324	CAP SCREW	2	911129-	X X	M10 X 16
26	24M7296	WASHER	2	911129-	X X	
27	T190925	HOSE GUARD	1	911129-	X X	
28	N105572	SNAP RING	2		X	
	N105572	SNAP RING	2	-928871	X	
29	40M7066	SNAP RING	4	928872-	X	(SUB FOR T116400)
30	H140456	WASHER	2	924055-	X X	
31	T161036	WASHER	2	928872-	X	
32	T201361	BUSHING	2	928872-	X	
33	T201362	BUSHING	2	928872-	X	
34	24H1615	WASHER	2	952167-	X	2-9/16" X 3-1/2" X 0.180", (SUB FOR 24H1616, THIS APPLICATION)
35	24H1615	WASHER	2	952167-	X	2-9/16" X 3-1/2" X 0.180"
36	40M7120	SNAP RING	2	952167-	X	
37	T161497	SHIM	3		X	0.508 MM (0.020")

3343-4

BACKHOE 33
MOVEABLE FRAME 3343

SWING FRAME (315SG)
CHASSIS DE PIVOTEMENT (315SG)
BASTIDOR DE GIRO (315SG)

TX1001442 -UN-20DEC05



TX1001442

3343-5

**SWING FRAME (315SG)
CHASSIS DE PIVOTEMENT (315SG)
BASTIDOR DE GIRO (315SG)**

KEY	PART NO.	PART NAME	QTY.	SERIAL NO.	REMARKS
					3 3 3 1 1 1 0 5 0 S S G G G
1	FRAME	1	-932609	X (T160218 NLA) (SUB AT334606) (ALSO ORDER (2) T201971, (4) 40M7066, (2) T161036) (ALSO ORDER T223076, (2) 24H1616, (2) 24H1615 AND (2) 40M7120)
	FRAME	1	932610-200449	X (AT303155 NLA) (SUB AT334606, T223076, (2) 24H1616, (2) 24H1615 AND (2) 40M7120)
	AT334606	FRAME	1	200450-	X (SUB FOR AT329694, THIS APPLICATION) (INCLUDES (2) T201361 AND (2) T201362)
2	AT177790	PIN FASTENER	1		X STD
3	T162396	LUBRICATION FITTING	4		X
4	19M8035	CAP SCREW	1		X M16 X 35
5	24M7241	WASHER	2		X
6	T215678	BUSHING	1		X (SUB FOR M2649DN, THIS APPLICATION)
7A	PIN	1	-200449	X (T154708 NLA) (SUB T223076, (2) 24H1616, (2) 24H1615 AND (2) 40M7120)
7B	T223076	PIN	1	200450-	X
8A	T154821	PIN	2	-911128	X
	T200240	PIN FASTENER	2	911129-932609	X
8B	T201971	PIN	2	928610-	X
9	24M7047	WASHER	2	-200449	X
10	19M7493	CAP SCREW	2	-200449	X M12 X 40
11	14M7328	LOCK NUT	1		X M16, (SUB FOR M2649DN, THIS APPLICATION)
12	19M7954	CAP SCREW	1		X M16 X 150
13	T153531	PIN FASTENER	1		X STD
	T205810	PIN FASTENER	1		X
14	AT170043	PIN	2	-932609	X
	AT306499	PIN	2	932610-	X
15	T215678	BUSHING	2		X
16	24M7241	WASHER	2		X
17	19M8035	CAP SCREW	2		X M16 X 35
18	T159986	RETAINER	2	-200449	X
19	N105572	SNAP RING	2	-928871	X
20	24M7097	WASHER	2	-928871	X
21	T159800	PIN	1	-928871	X
22	T205875	THRUST WASHER	1		X (SUB FOR (2) T154712 AND (2) T159188)
23	19M8324	CAP SCREW	2	911129-	X M10 X 16
24	24M7296	WASHER	2	911129-	X
25	T190925	HOSE GUARD	1	911129-	X
26	H140456	WASHER	2	924055-	X
27	T161036	WASHER	2	928872-	X
28	T201361	BUSHING	2	928872-	X
29	T201362	BUSHING	2	928872-	X
30	40M7066	SNAP RING	4	928872-	X (SUB FOR T116400)
31	T161497	SHIM	3		X 0.508 MM (0.020")
32	24H1616	WASHER	2	200450-	X
33	24H1615	WASHER	2	200450-	X
34	40M7120	SNAP RING	2	200450-	X

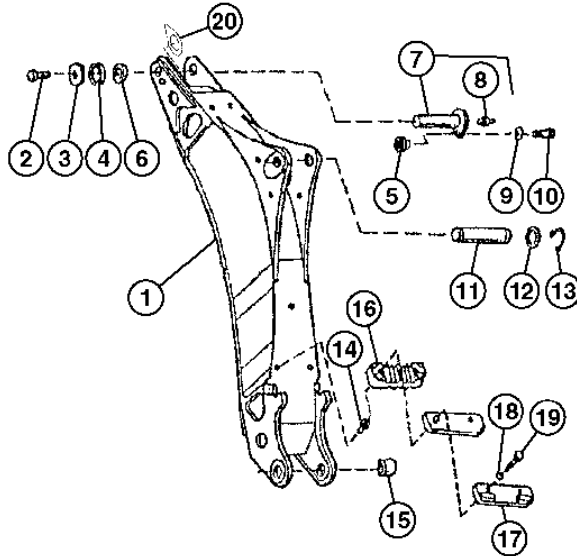
3344-2

BACKHOE 33

BOOM 3344

BACKHOE BOOM
FLECHE DE RETROPELLE
AGUILON DE RETROEXCAVADORA

TX1006085 -UN-17APR06



TX1006085

KEY	PART NO.	PART NAME	QTY.	SERIAL NO.	REMARKS
				3 3	
				3 1 1	
				1 0 5	
				0 S S	
				G G G	
1	AT184993	BACKHOE BOOM	1	X	(ALSO ORDER (5) T148409)
	AT184989	BACKHOE BOOM	1	X	(ALSO ORDER (5) T148410)
	AT190358	BACKHOE BOOM	1	X	(ALSO ORDER (5) T148410)
2	19M7597	CAP SCREW	1	X X X	M20 X 50, (SUB FOR 19M8224, THIS APPLICATION)
3	T101807	WASHER	1	X X X	
4	T22826	SHIM	AR	X X	0.762 MM (0.030") (0.030 IN)
5	T188568	BUSHING	1	X X X	(SUB FOR T157922)
6	T48613	SHIM	4	X	0.762 MM (0.030") (0.030 IN)
	24H1616	WASHER	AR	X X	2-9/16" X 3-3/4" X 0.036"
7	AT196407	PIN	1	X	(SUB FOR AT176075)
	AT197726	PIN	1	X X	(SUB FOR AT171702)
8	T162396	LUBRICATION FITTING	1	X X X	1/8"
9	T29342	WASHER	1	X X X	
10	19M8935	CAP SCREW	1	X X X	M12 X 16
11	T159089	PIN	1	X	54.475 X 267 MM
	T153608	PIN	1	X X	64.475 X 267 MM
12	T161036	WASHER	2	X	56 X 80 X 2 MM
	24H1635	WASHER	2	X X	2-5/8" X 3-3/8" X 0.120"
	24H1616	WASHER	AR	X X	65.075 X 95.250 X 0.914 MM
13	40M7066	SNAP RING	2	X	
	40M7120	SNAP RING	2	X X	
14	T148409	NUT	5	X	M10, (GOLD NO.6 FOR 6 MM PLATE)
	T148410	NUT	5	X X	M10, (RED NO.8 FOR 8 MM PLATE)
15	T164182	BUSHING	2	X	
	T164183	BUSHING	2	X X	
16	AT178025	CLAMP	1	X X X	
17	AT176635	STOP	1	X	
	AT175993	STOP	1	X X	
18	24M7239	WASHER	2	X X X	
19	19M8183	CAP SCREW	2	X X X	
20	T208510	WASHER	2	X X	

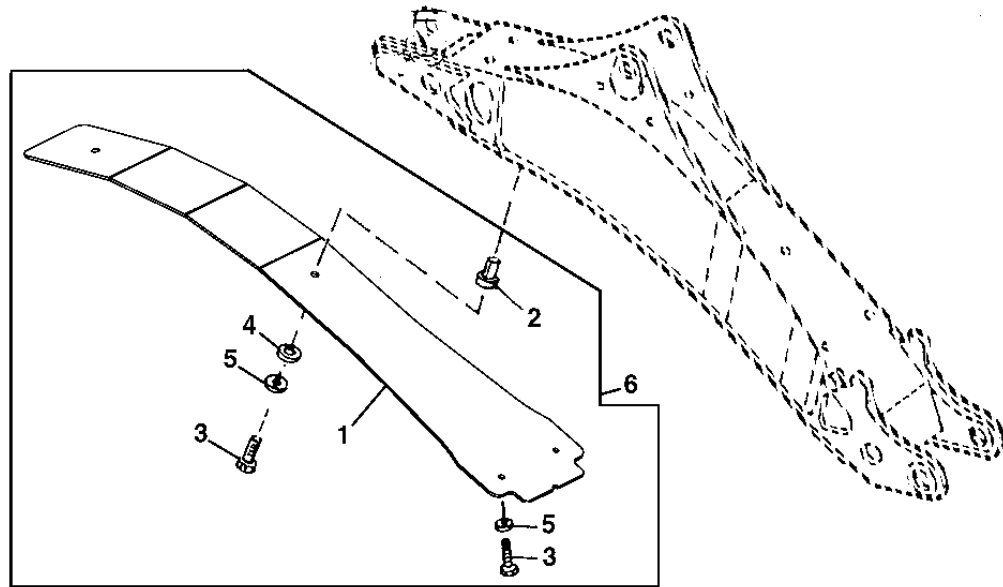
3344-3

BACKHOE 33

BOOM 3344

BACKHOE BOOM PROTECTION KIT
KIT DE PROTECTION DE FLECHE DE RETROPELLE
JUEGO DE PROTECCION DE AGUILON DE RETROEXCAVADORA

T145191 -UN-07SEP01



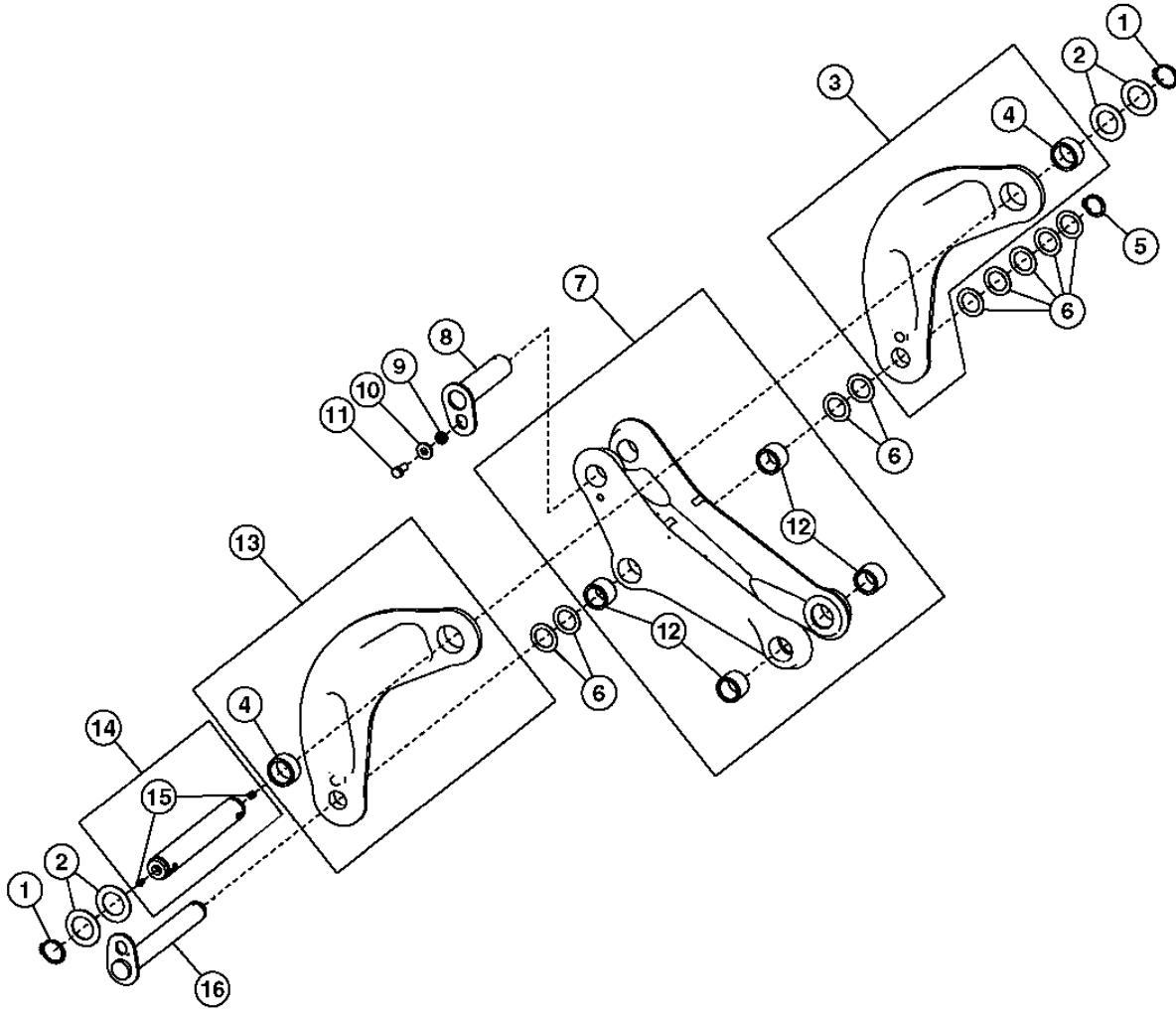
T145191

KEY	PART NO.	PART NAME	QTY.	SERIAL NO.	REMARKS
					3 3
					3 1 1
					1 0 5
					0 S S
					G G G
1	PLATE	1		X (AT179448 NLA) (SUB AT311060)
	PLATE	1		X X (AT179465 NLA) (SUB AT310062)
2	T148409	NUT	4		X X X M10. (GOLD NO.6 FOR 6 MM PLATE)
3	19M8637	CAP SCREW	4		X X X M10 X 40
4	28H1519	WASHER	2		X X X 0.493" X 0.675" X 3/8"
5	24M7296	WASHER	4		X X X 10.500 X 30 X 2.500 MM
6	AT311060	KIT	1		X (AT178411 NLA) (WHOLE GOODS)
	AT310062	KIT	1		X X (AT179464 NLA) (WHOLE GOODS)

3345-2

BACKHOE BUCKET LINKS (310G)
TRINGLERIES DE GODET DE RETROPELLE (310G)
BRAZOS DE CUCHARON DE RETROEXCAVADORA (310G)

TX1006086 -UN-17APR06



TX1006086

3345-3

BACKHOE 33

BUCKET LINKAGE 3345

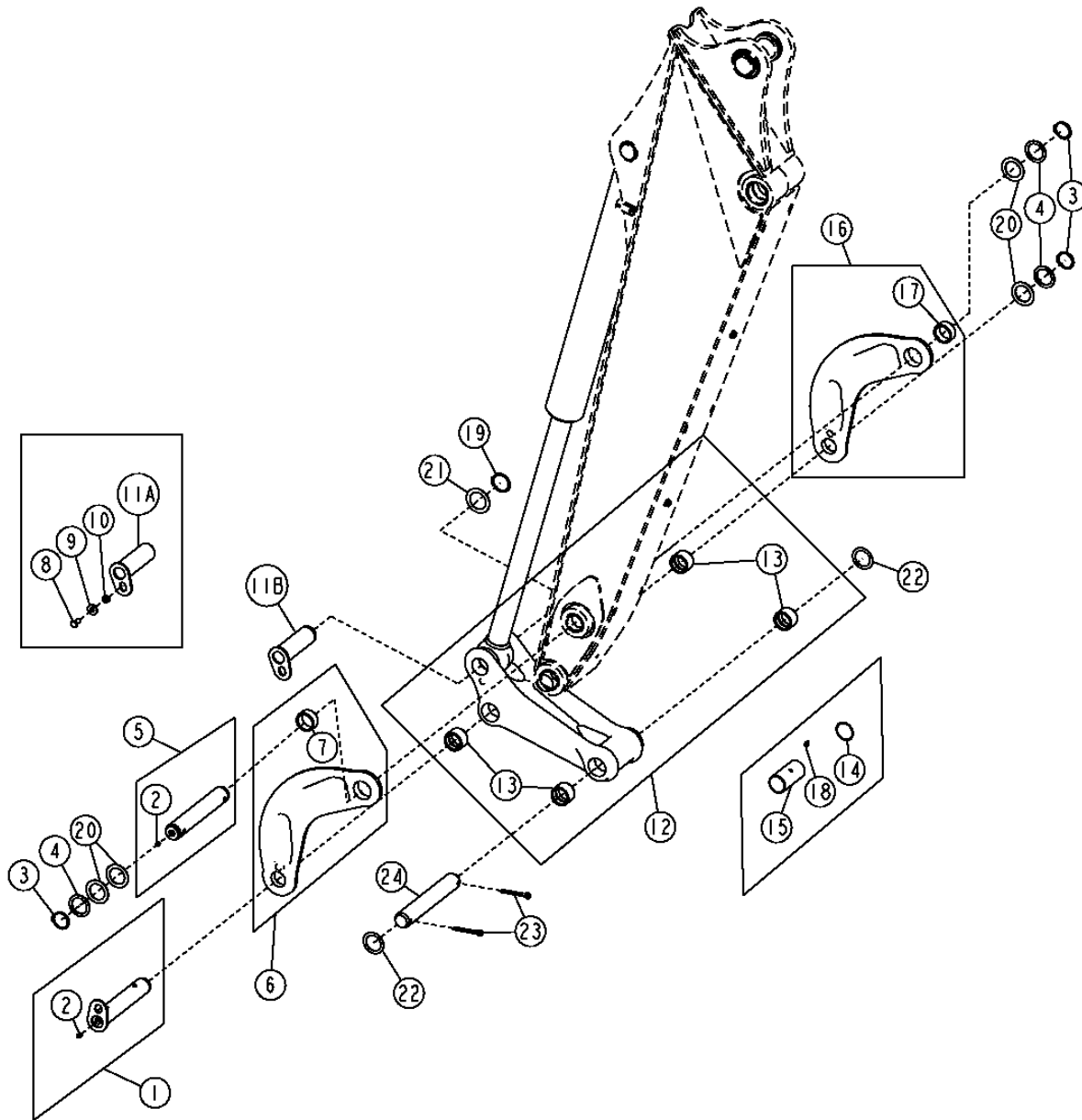
BACKHOE BUCKET LINKS (310G)
 TRINGLERIES DE GODET DE RETROPELLE (310G)
 BRAZOS DE CUCHARON DE RETROEXCAVADORA (310G)

KEY	PART NO.	PART NAME	QTY.	SERIAL NO.	3 3 3 1 1 1 0 5 0 S S G G G	REMARKS
1	40M7180	SNAP RING	2		X	
2	24H1576	WASHER	4		X	
3	AT181713	LINK	1		X	
4	T166714	BUSHING	2		X	
5	T161583	SNAP RING	1		X	
6	24H1536	WASHER	9		X	
7	AT183068	LINK	1		X	
8	AT176537	PIN	1		X	
9	28H3418	WASHER	1		X	
10	T29342	WASHER	1		X	
11	19M7872	CAP SCREW	1		X	M12 X 25
12	T105988	BUSHING	4		X	
13	AT181712	LINK	1		X	
14	AT176538	PIN	1		X	
15	T162396	LUBRICATION FITTING	2		X	
16	AT176536	PIN	1		X	

3345-4

BACKHOE BUCKET LINKS (310SG AND 315SG)
TRINGLERIES DE GODET DE RETROPELLE (310SG ET 315SG)
BRAZOS DE CUCHARON DE RETROEXCAVADORA (310SG Y 315SG)

T214079 -UN-03NOV05



T214079

3345-5

**BACKHOE BUCKET LINKS (310SG AND 315SG)
TRINGLIERIES DE GODET DE RETROPELLE (310SG ET 315SG)
BRAZOS DE CUCHARON DE RETROEXCAVADORA (310SG Y 315SG)**

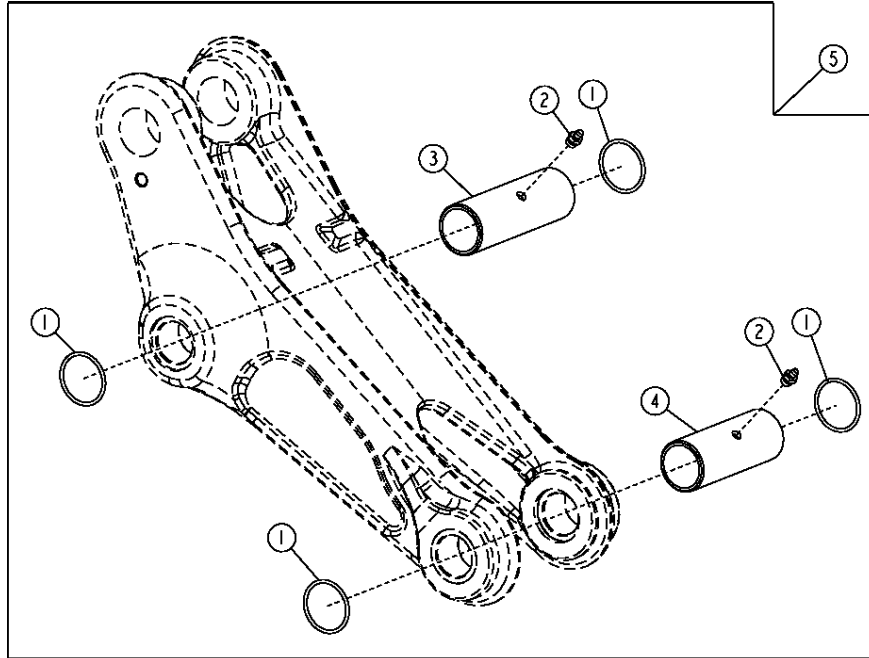
KEY	PART NO.	PART NAME	QTY.	SERIAL NO.	REMARKS
					3 3
					3 1 1
					1 0 5
					0 S S
					G G G
1	AT171077	PIN	1		X X
2	T162396	LUBRICATION FITTING	4		X X
3	40M7166	SNAP RING	3		X X
4	24H1594	WASHER	AR		X X
	24H1595	WASHER	AR		X X
5	AT171079	PIN	1		X X
6	AT181714	LINK	1		X X
7	T166715	BUSHING	1		X X
8	19M7872	CAP SCREW	1		X X M12 X 25
9	T29342	WASHER	1		X X
10	28H3418	WASHER	1		X X
11A	PIN	1	-952235	X X (AT171078 NLA) (SUB AT324237)
11B	AT324237	PIN FASTENER	1	952236-	X X
12	LINK	1	-927744	X X (AT192121 NLA) (SUB AT324138) (ALSO ORDER AT324237, T161036 AND 40M7066)
	LINK	1	927945-953789	X X (AT192121 NLA) (SUB AT324138) (ALSO ORDER AT324237, T161036 AND 40M7066)
	AT324138	LINK	1	953790-	X X
13	T154273	BUSHING	4		X X
14	R30916	O-RING	2	-927744	X X
15	T187184	STRUCTURAL TUBING	1	-927744	X X (SUB FOR T185904)
16	AT181715	LINK	1		X X
17	T166715	BUSHING	1		X X
18	JD7798	LUBRICATION FITTING	2		X X
19	40M7066	SNAP RING	1	952236-	
20	24H1595	WASHER	3	952236-	
21	T161036	WASHER	1	952236-	
22	24H1683	WASHER	2	952236-	
23	11H227	COTTER PIN	4		
24	T185831	PIN FASTENER	1	952236-	49.475 X 320 MM

3345-6

BACKHOE 33
 BUCKET LINKAGE 3345

BACKHOE BUCKET GREASE KIT (310G)
KIT DE GRAISSAGE DE GODET DE RETROPELLE (310G)
JUEGO DE ENGRASE DE CUCHARON DE RETROEXCAVADORA (310G)

T138386 -UN-22FEB01



T138386

KEY	PART NO.	PART NAME	QTY.	SERIAL NO.	REMARKS
1	R26773	O-RING	4		
2	T162396	LUBRICATION FITTING	4		
3	STRUCTURAL TUBING	1		(SUB AT194493)
4	STRUCTURAL TUBING	1		(SUB AT194493)
5	AT194493	KIT	1		WHOLE GOODS, (SUB FOR AT190174)

3 3
 3 1 1
 1 0 5
 0 S S
 G G G

3345-7

BACKHOE 33
BUCKET LINKAGE 3345

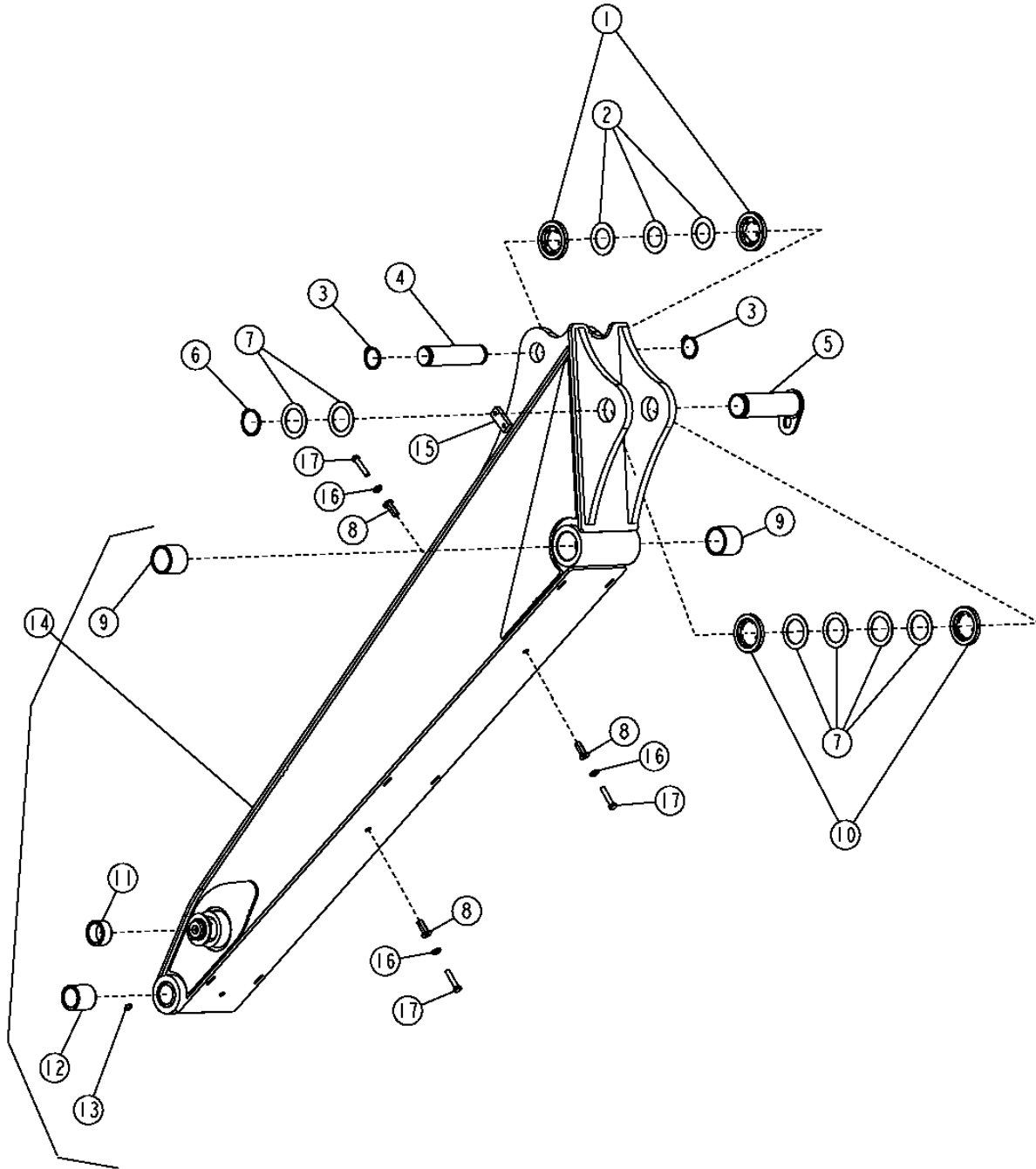
MEMORANDA
MEMORANDA
MEMORANDA

3346-2

BACKHOE 33
DIPPERSTICK 3346

STANDARD ARM
BRAS STANDARD
BRAZO ESTANDAR

T199816 -UN-11MAY04



T199816

3346-3

BACKHOE 33
DIPPERSTICK 3346

STANDARD ARM
BRAS STANDARD
BRAZO ESTANDAR

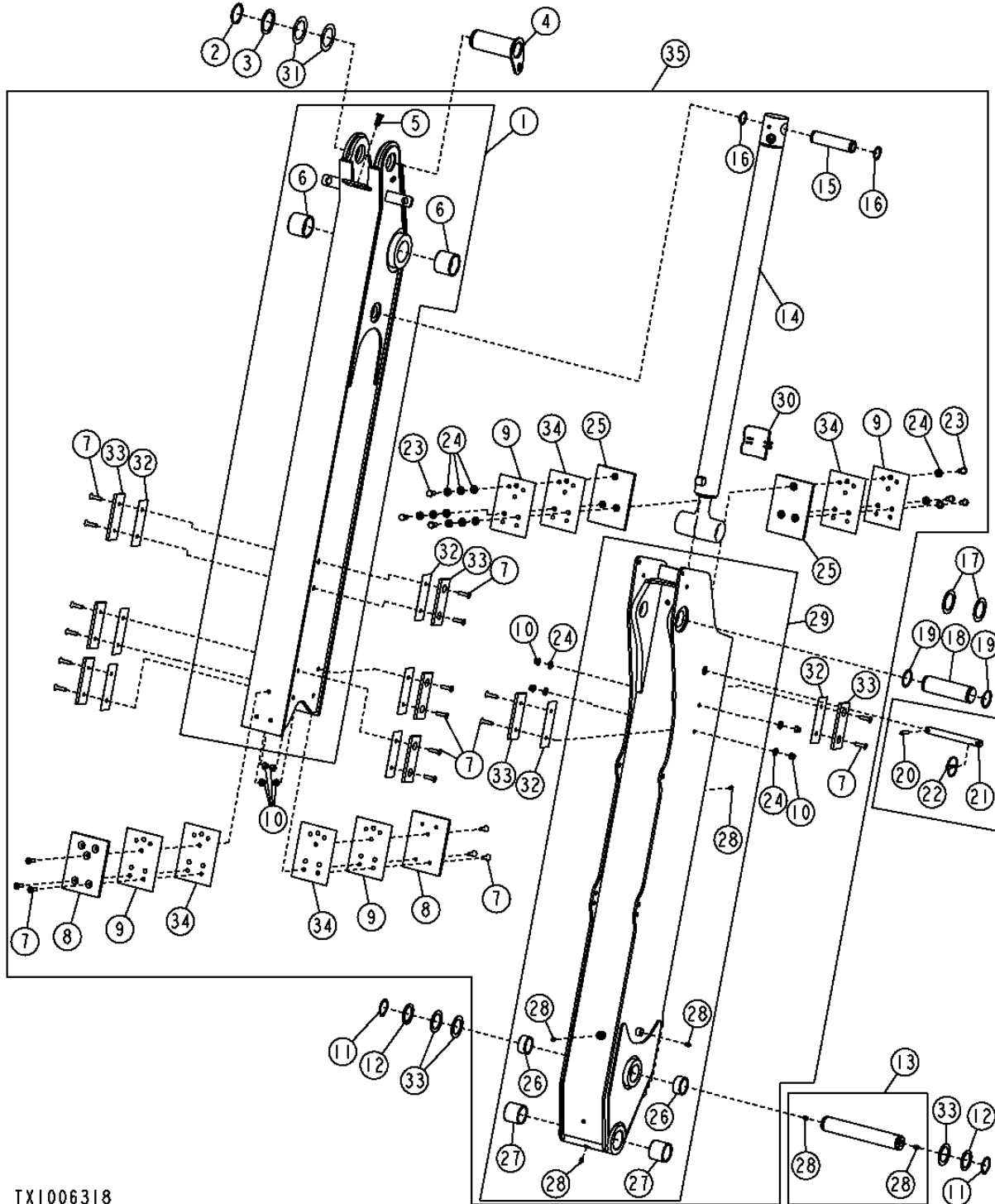
KEY	PART NO.	PART NAME	QTY.	SERIAL NO.	REMARKS
					3 3
					3 1 1
					1 0 5
					0 S S
					G G G
1	T160304	SPACER	2		X
	T160300	WEAR PLATE	2		X X
	T161036	WASHER	AR		X X X
	24H1679	WASHER	AR		X X
2	24H1576	WASHER	4		X
3	40M7180	SNAP RING	2		X
	40M7066	SNAP RING	2		X X
4	T159281	PIN	1		X STD
	T153567	PIN	1		X X STD
5	AT176533	PIN	1		X
	AT169831	PIN	1		X X
6	40M7066	SNAP RING	1		X
	40M7120	SNAP RING	1		X X
7	T161036	WASHER	AR		X
	24H1635	WASHER	AR		X X 2-5/8" X 3-3/8" X 0.120"
8	T148410	NUT	8		X X X M10
	T148409	NUT	2		X X X M10
9	T162582	BUSHING	2		X
	T162581	BUSHING	2		X X
10	T160303	SPACER	2		X
	T160302	SPACER	2		X X
	T160299	WEAR PLATE	2		X
11	T166714	BUSHING	2		X
	T166715	BUSHING	2		X X
12	T166716	BUSHING	2		X
	T166686	BUSHING	2		X X
13	T162396	LUBRICATION FITTING	1		X X X
14	AT330781	ARM	1		X (SUB FOR AT176405, AT195463 AND AT303024)
	AT171019	ARM	1		X
	AT175820	ARM	1		X
15	T222442	STRAP	1		X X X (SUB FOR T159853, THIS APPLICATION)
16	24M7239	WASHER	10		X X X
17	19M8600	CAP SCREW	10		X X X M10 X 50

3346-4

BACKHOE 33
DIPPERSTICK 3346

EXTENDABLE ARM AND LOCKING PIN BRAS TELESCOPIQUE ET AXE DE BLOQUE BRAZO EXTENSIBLE Y PASADOR DE BLOQUEO

TX1006318 -UN-03MAY06



TX1006318

3346-5

BACKHOE 33
DIPPERSTICK 3346

**EXTENDABLE ARM AND LOCKING PIN
BRAS TELESCOPIQUE ET AXE DE BLOCAGE
BRAZO EXTENSIBLE Y PASADOR DE BLOQUEO**

KEY	PART NO.	PART NAME	QTY.	SERIAL NO.	3 3 3 1 1 1 0 5 0 S S G G G	REMARKS
1	AT176579	DIPPERSTICK	1		X	(STATIONARY MEMBER)
	AT175284	DIPPERSTICK	1	-954400	X	(STATIONARY MEMBER)
	AT318335	DIPPERSTICK	1	954401-	X	
	AT175812	DIPPERSTICK	1	-200311	X	(STATIONARY MEMBER)
	AT324533	DIPPERSTICK	1	200312-	X	
2	40M7066	SNAP RING	1		X	
	40M7120	SNAP RING	1		X X	
3	24H1679	WASHER	1		X	
	24H1635	WASHER	2		X X	
4	AT176533	PIN	1		X	
	AT169831	PIN	1		X X	
5	T148410	NUT	1		X X X	M10
6	T162582	BUSHING	2		X	
	T162581	BUSHING	2		X X	
7	19M7666	SCREW	12	-954400	X X	M10 X 40
	19M7666	SCREW	12	-200311	X	M10 X 40
	19M7666	SCREW	18	954401-	X X	M10 X 40
	19M7666	SCREW	18	200312-	X	M10 X 40
8	T157792	WEAR PLATE	4	-954400	X X	
	T157792	WEAR PLATE	4	-200311	X	
	T157792	WEAR PLATE	2	954401-	X X	
	T157792	WEAR PLATE	2	200312-	X	
9	T216970	SHIM	AR		X X X	(SUB FOR T157796)
10	14M7400	LOCK NUT	12	-954400	X X	M10
	14M7400	LOCK NUT	18	-200311	X	M10
	14M7400	LOCK NUT	18	954401-	X X	M10
	14M7400	LOCK NUT	18	200312-	X	M10
11	40M7066	SNAP RING	2		X	
	40M7166	SNAP RING	2		X X	
12	24H1576	WASHER	2		X	
	24H1594	WASHER	2		X X	
13	AT176538	PIN	1		X	
	AT171079	PIN	1		X X	
14	HYDRAULIC CYLINDER	1		X	(AH175181 NLA) (SUB FOR AH152472) (SUB AH218606)
	HYDRAULIC CYLINDER	1		X X	(AH152473, AH175182, AH207281 NLA) (SUB AH211361)
15	T160384	SPACER	1		X	
	T160384	SPACER	1		X X	
16	40M7179	SNAP RING	2		X X X	
17	T160304	SPACER	2		X	(SYNTHETIC)
	T160300	WEAR PLATE	AR		X X	(SYNTHETIC)
	24H1679	WASHER	AR		X X	
18	T159281	PIN	1		X	
	T153567	PIN	1		X X	
19	40M7180	SNAP RING	2		X	
	40M7066	SNAP RING	2		X X	
20	34M7054	SPRING PIN	1		X X X	10 X 50 MM
21	T153322	PIN	1		X X X	
22	AR83396	QUICK LOCK PIN	1		X X X	
23	19H2472	CAP SCREW	6		X X X	1/2" X 1"
24	24M7240	WASHER	12	-954400	X X	13 X 25 X 3 MM
	24M7240	WASHER	12	-200311	X	13 X 25 X 3 MM
	24M7240	WASHER	16	954401-	X X	13 X 25 X 3 MM
	24M7240	WASHER	16	200312-	X	13 X 25 X 3 MM

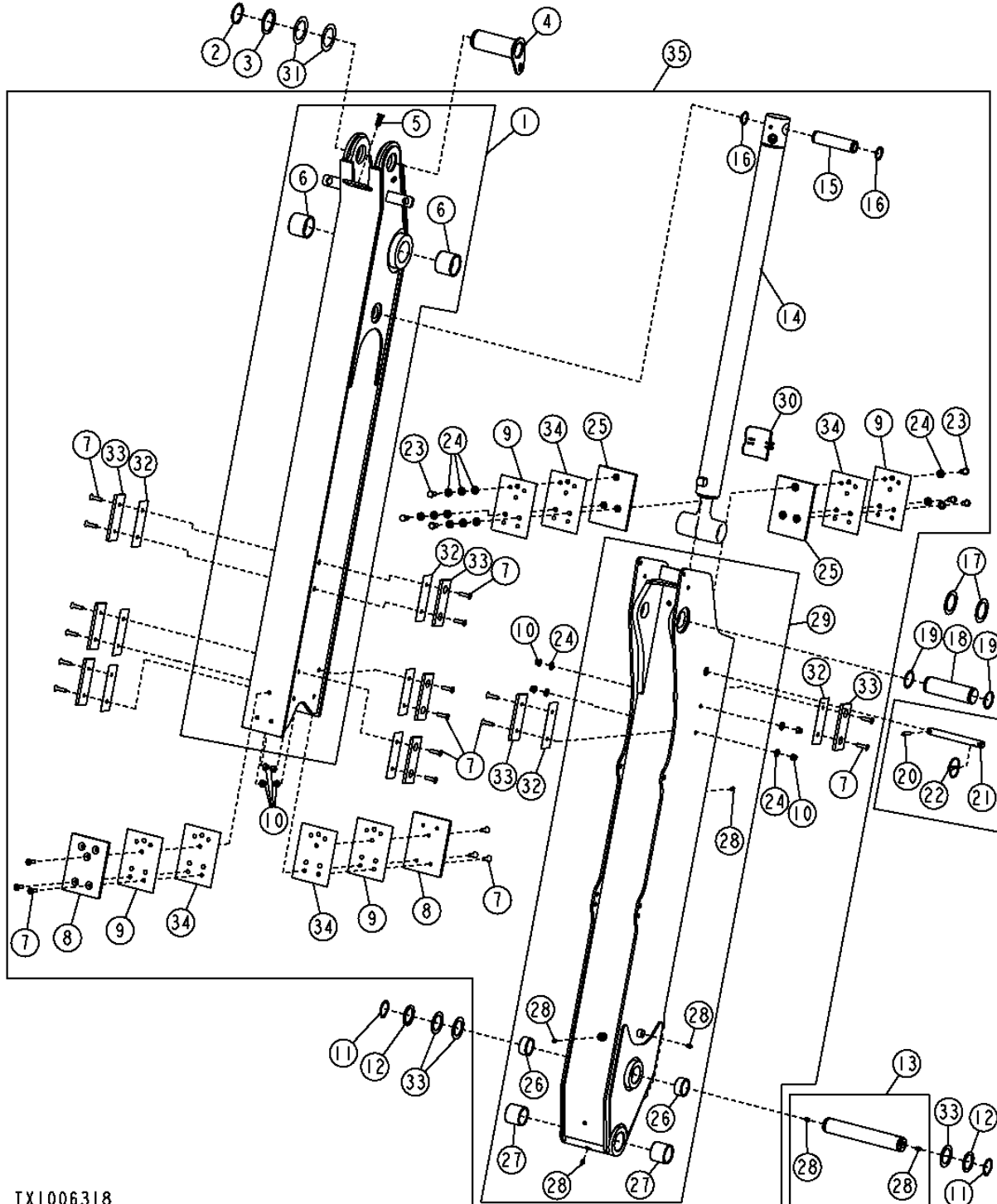
THIS PARTS LISTING IS CONTINUED

3346-6

BACKHOE 33
DIPPERSTICK 3346

EXTENDABLE ARM AND LOCKING PIN (CONTINUED) BRAS TELESCOPIQUE ET AXE DE BLOCAGE (SUITE) BRAZO EXTENSIBLE Y PASADOR DE BLOQUEO (CONTINUACION)

TX1006318 -UN-03MAY06



TX1006318

3346-7

BACKHOE 33
DIPPERSTICK 3346

EXTENDABLE ARM AND LOCKING PIN (CONTINUED)
BRAS TELESCOPIQUE ET AXE DE BLOPAGE (SUITE)
BRAZO EXTENSIBLE Y PASADOR DE BLOQUEO (CONTINUACION)

KEY	PART NO.	PART NAME	QTY.	SERIAL NO.	3 3 3 1 1 1 0 5 0 S S G G G	REMARKS
25	AT173933	WEAR PLATE	2		X X X	
26	T166714	BUSHING	2		X	
	T166715	BUSHING	2		X X	
27	T166716	BUSHING	2		X	
	T166686	BUSHING	2		X X	
28	T162396	LUBRICATION FITTING	7		X X X	
29	AT176578	DIPPERSTICK	1		X	(EXTENDING MEMBER)
	AT322950	DIPPERSTICK	1		X X	(EXTENDING MEMBER) (SUB FOR AT175283)
30	AT191241	GUIDE	1	-950663	X X X	
31	24H1616	WASHER	2		X X X	
32	T216812	SHIM	AR	954401-	X X	
	T216812	SHIM	AR	200312-	X	
33	T213705	WEAR PLATE	8	954401-	X X	
	T213705	WEAR PLATE	8	200312-	X	
34	T215257	SHIM	AR		X X X	
35	AT179903	ARM	1		X	(K) (WHOLE GOODS)
	AT179902	ARM	1		X	(K) (WHOLE GOODS)
	AT179905	ARM	1		X	(K) (WHOLE GOODS)

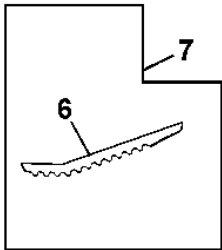
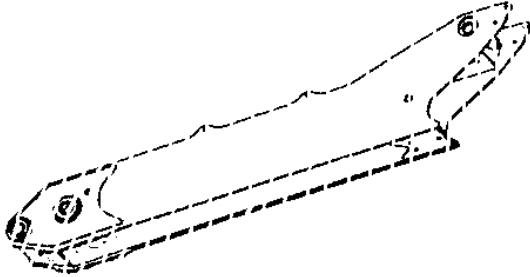
(K) INCLUDES HOSES, FITTINGS, CLAMPS AND HARDWARE INSIDE ARM
(K) COMPREND FLEXIBLES, RACCORDS, COLLIERS, BOULONNERIE DANS BRAS
(K) INCLUYE MANGUERAS, ADAPTADORES, PINZAS Y TORNILLERIA DENTRO DE BRAZO

3346-8

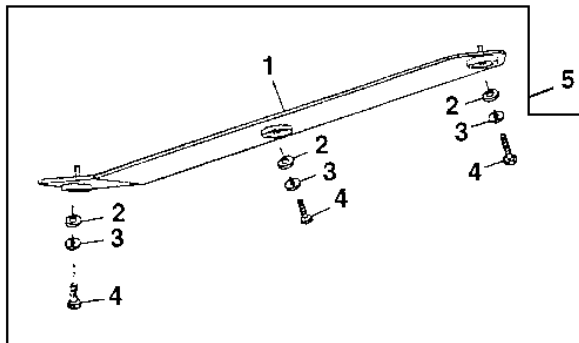
BACKHOE 33
DIPPERSTICK 3346

PROTECTION AND ARM GRIP KIT (EXTENDABLE DIPPERSTICK)
PROTECTION ET KIT DE POIGNEE DE BRAS (ESCUDOS LATERALES DEL MOTOR)
JUEGO DE PROTECCION Y EMPUNADURA DE BRAZO (BRAZO EXTENSIBLE)

TP57776 -UN-30SEP97



TP57776



3 3
3 1 1
1 0 5
0 S S
G G G

KEY	PART NO.	PART NAME	QTY.	SERIAL NO.	REMARKS
1	PLATE	1		X X X (AT179617 NLA)
2	T188568	BUSHING	3		X X X (SUB FOR T157922)
3	24M7180	WASHER	3		X X X 13 X 37 X 3 MM
4	19M8935	CAP SCREW	3		X X X M12 X 16
5	AT179105	KIT	1		X X X (WHOLE GOODS)
6	GRIP	2		X (ORDER AT182190)
	GRIP	2		X X (ORDER AT182193)
7	AT182190	KIT	1		X (WHOLE GOODS)
	AT182193	KIT	1		X X (WHOLE GOODS)

3346-9

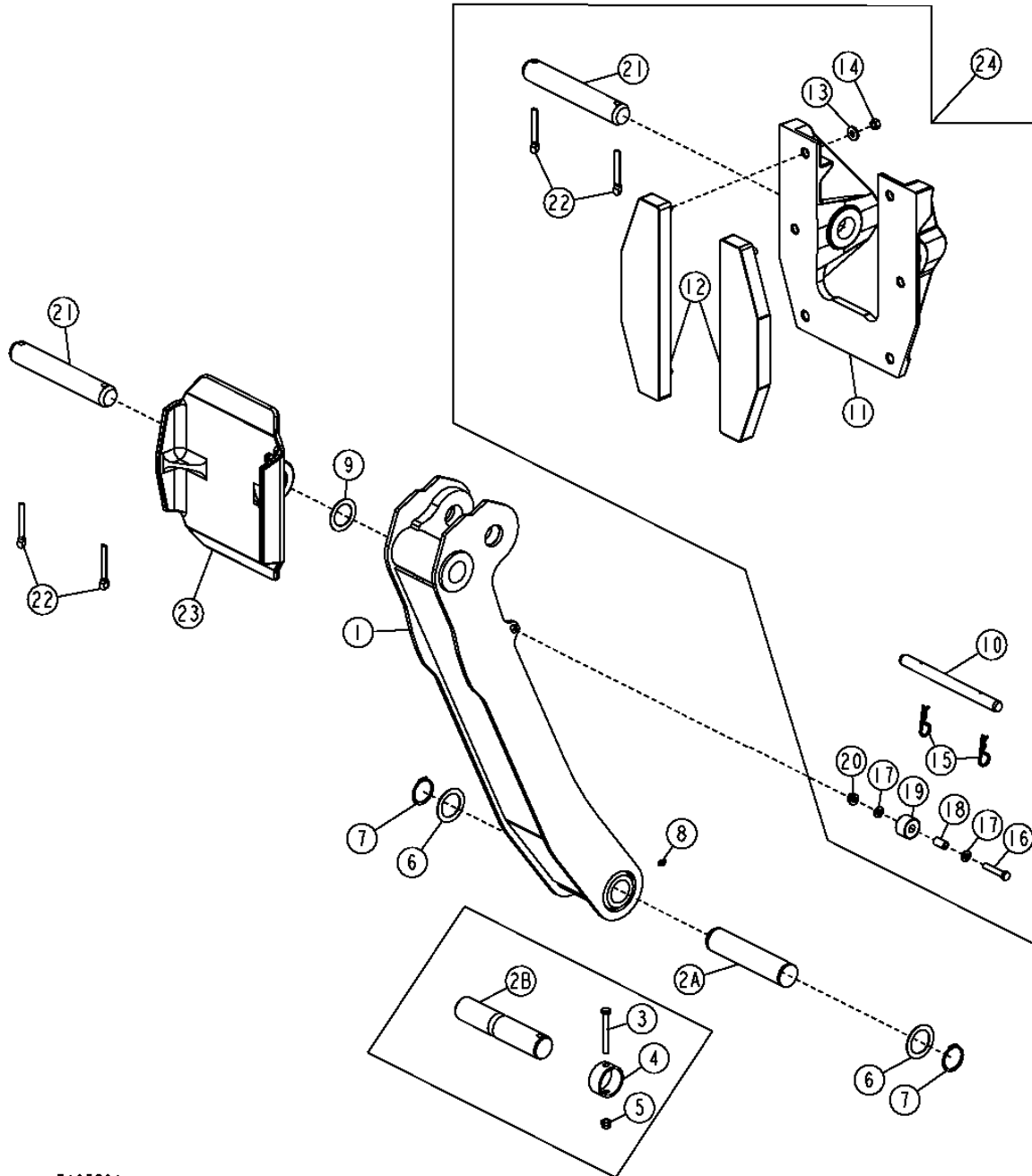
BACKHOE 33
DIPPERSTICK 3346

MEMORANDA
MEMORANDA
MEMORANDA

3348-2

STABILIZER ARMS AND FEET (310G AND 310SG)
BRAS ET PIEDS DE STABILISATEUR (310G ET 310SG)
BRAZOS Y PATAS ESTABILIZADORES (310G Y 310SG)

T195391 -UN-08OCT03



T195391

3348-3

BACKHOE 33
STABILIZERS 3348

**STABILIZER ARMS AND FEET (310G AND 310SG)
BRAS ET PIEDS DE STABILISATEUR (310G ET 310SG)
BRAZOS Y PATAS ESTABILIZADORES (310G Y 310SG)**

KEY	PART NO.	PART NAME	QTY.	SERIAL NO.	3 3 3 1 1 1 0 5 0 S S G G G	REMARKS
1	AT193495	STABILIZER	2	-916460	X	
	AT196190	STABILIZER	2	916461-	X	(SUB FOR AT190828)
	AT196190	STABILIZER	2		X	
	AT196204	STABILIZER	2		X	(EXTENDED) (SUB FOR AT185062)
2A	T201909	PIN FASTENER	2		X X	(SUB FOR T163109, THIS APPLICATION)
2B	T204869	PIN	2		X X	(D)
3	19M7949	CAP SCREW	2		X X	(D) M12 X 100
4	T205897	SPACER	2		X X	(D)
5	14M7313	LOCK NUT	2		X X	(D) M12
6	T161036	WASHER	4		X X	
7	40M7066	SNAP RING	4		X X	
8	T162396	LUBRICATION FITTING	2		X X	
9	24H1595	WASHER	4		X X	2-1/16" X 3" X 0.075"
10	T184988	PIN FASTENER	2	-916460	X	
	T184988	PIN FASTENER	2		X	
11	T206569	STABILIZER FOOT	2		X X	(SUB FOR T166258, THIS APPLICATION)
12	AT195669	STREET PAD	4		X X	(SUB FOR AT192120)
13	T29342	WASHER	12		X X	
14	14H1040	NUT	12		X X	1/2", (SUB FOR 14H826, THIS APPLICATION)
15	A3581R	SPRING LOCKING PIN	4	-916460	X	
	A3581R	SPRING LOCKING PIN	4		X	
16	19M8348	CAP SCREW	2	916461-	X	M12 X 65
17	24M7240	WASHER	4	916461-	X	
18	28H3387	BUSHING	2	916461-	X	
19	AT197876	STOP	2	916461-	X	
20	14M7401	LOCK NUT	2	916461-	X	
21	T69472	PIN FASTENER	2		X X	
22	11H270	COTTER PIN	4		X X	12.700 X 76.200 MM
23	T126867	STABILIZER FOOT	2		X X	
24	AT157327	KIT	1		X X	(WHOLE GOODS) (REVERSIBLE STREET PAD)

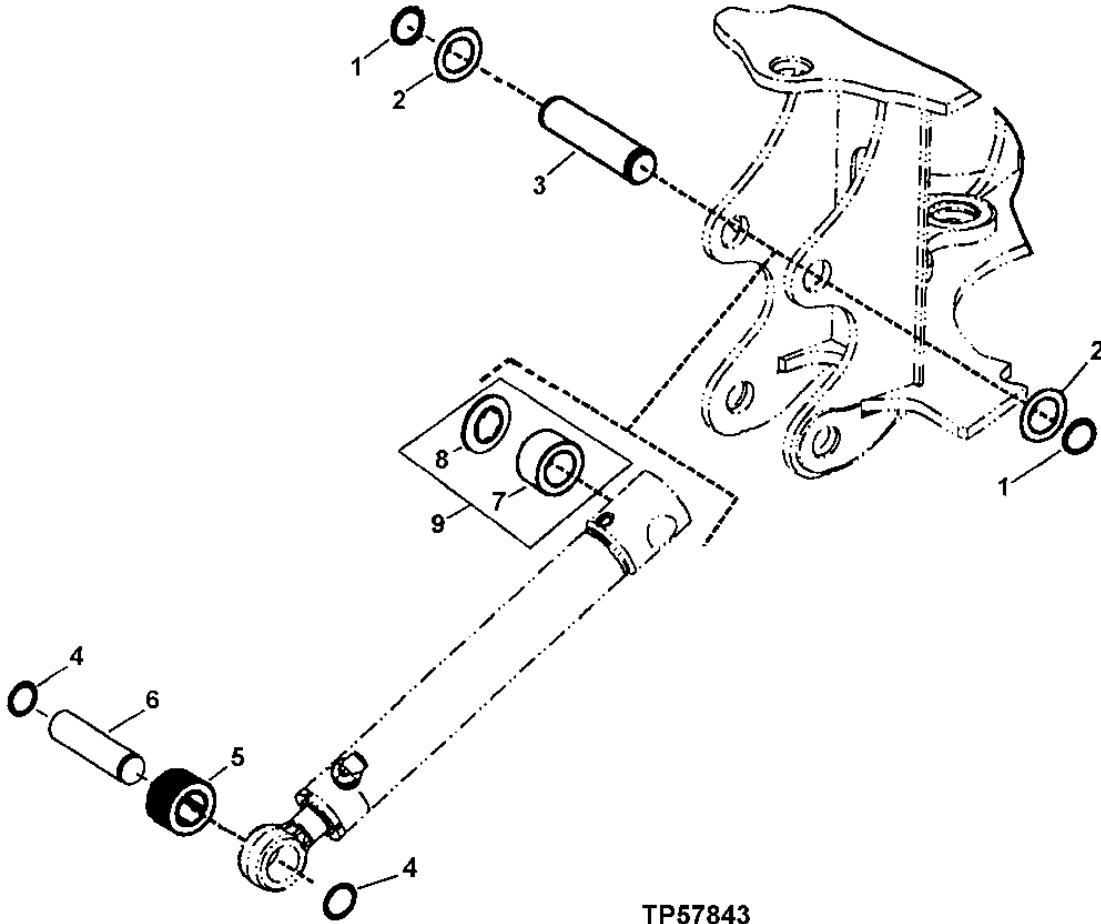
(D) SEE DTAC SOL 61248
(D) MENTIONNER SOLUTION DTAC 61248
(D) CONSULTAR SOLUCION DTAC 61248

3348-4

BACKHOE 33
STABILIZERS 3348

STABILIZER CYLINDER PINS AND SPACERS
AXES DE VERIN DE STABILISATEUR ET PIECES D'ECARTEMENT
PASADORES Y ESPACIADORES DE CILINDRO DE ESTABILIZADOR

TP57843 -UN-25MAR98



TP57843

3348-5

BACKHOE 33
STABILIZERS 3348

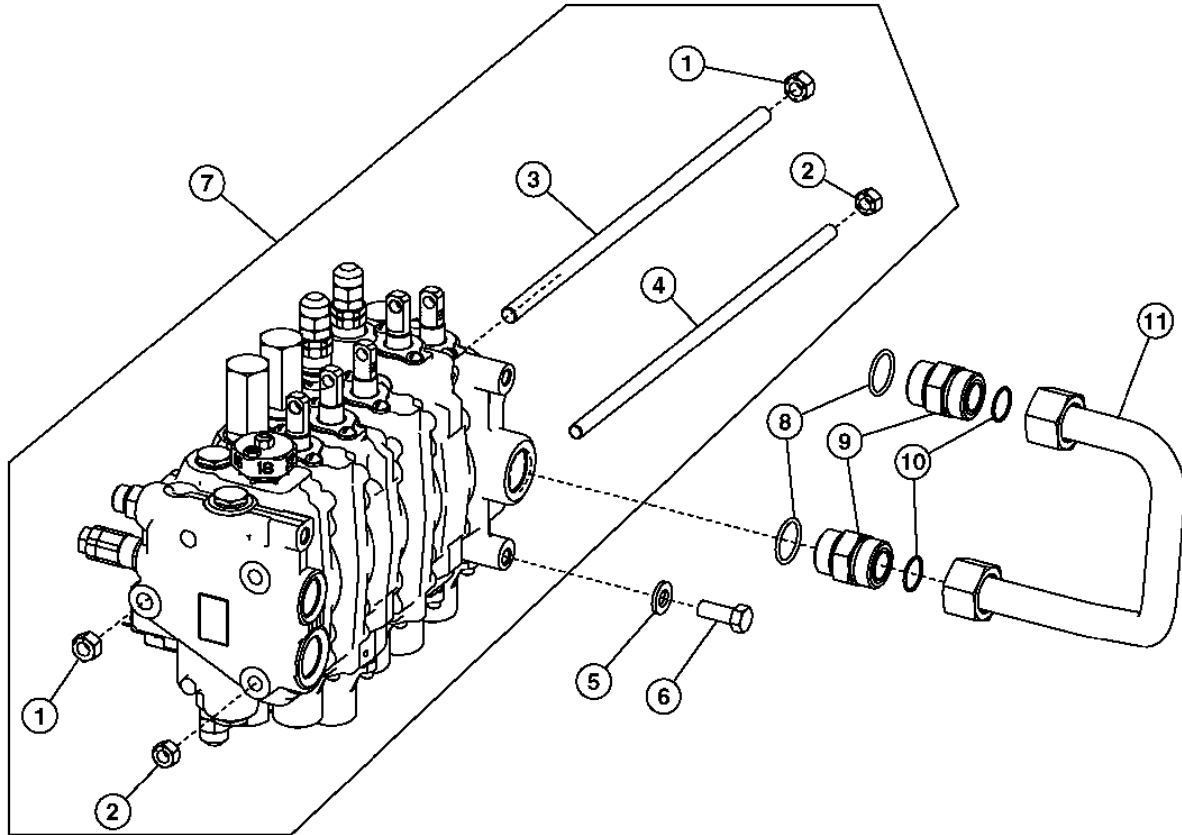
**STABILIZER CYLINDER PINS AND SPACERS
AXES DE VERIN DE STABILISATEUR ET PIECES D'ECARTEMENT
PASADORES Y ESPACIADORES DE CILINDRO DE ESTABILIZADOR**

KEY	PART NO.	PART NAME	QTY.	SERIAL NO.	3 3 3 1 1 1 0 5 0 S S G G G	REMARKS
1	40M7066	SNAP RING	2		X X	
2	T161036	WASHER	2		X X	
3	T161027	PIN	1	-902115	X	
	T163109	PIN FASTENER	1	902116-	X	
	T163109	PIN FASTENER	1		X	
4	40M7166	SNAP RING	2		X X	
5	T188777	SPACER	1		X X	(HOSE SEGMENT) (SUB FOR T164087, T164086 AND T189080)
6	T127437	PIN FASTENER	1		X X	
7	WEAR PLATE	1	-902508	X X	
8	T160303	SPACER	1	-902508	X X	
9	AT181327	KIT	1	-902508	X X	(BARREL END)

3362-4

BACKHOE CONTROL VALVE (310G) (HUSCO)
DISTRIBUTEUR DE RETROPPELLE (310G) (HUSCO)
VALVULA DE CONTROL DE RETROEXCAVADORA (310G) (HUSCO)

TX1006087 -UN-17APR06



TX1006087

3362-5

**BACKHOE CONTROL VALVE (310G) (HUSCO)
DISTRIBUTEUR DE RETROPELLE (310G) (HUSCO)
VALVULA DE CONTROL DE RETROEXCAVADORA (310G) (HUSCO)**

KEY	PART NO.	PART NAME	QTY.	SERIAL NO.	3 3 3 1 1 1 0 5 0 S S G G G	REMARKS
1	14H865	NUT	2		X	1/2"
2	14H807	NUT	4		X	7/16"
3	T160628	STUD	1		X	(A)
	T140699	ROD	1		X	(B)
	T140700	ROD	1		X	(C)
	T159264	STUD	1		X	(D)
4	T160629	STUD	2		X	(A)
	T118695	ROD	2		X	(B)
	T118697	ROD	2		X	(C)
	T159263	STUD	2		X	(D)
5	24M7240	WASHER	3		X	
6	19M8011	CAP SCREW	3		X	M12 X 30
7	AT300570	CONTROL VALVE	1		X	(A) CONVENIENCE ASSEMBLY, (SUB FOR AT186069)
	AT317783	CONTROL VALVE	1		X	(A) (PILOT CONTROL) CONVENIENCE ASSEMBLY
	AT300574	CONTROL VALVE	1		X	(B) CONVENIENCE ASSEMBLY (WITH MANUAL AUXILIARY) (SUB FOR AT186070)
	AT317784	CONTROL VALVE	1		X	(A) (PILOT CONTROL) CONVENIENCE ASSEMBLY (WITH SELECTIVE FLOW AUXILIARY)
	AT304502	CONTROL VALVE	1		X	(B) CONVENIENCE ASSEMBLY (WITH SELECTIVE FLOW AUXILIARY)
	AT317786	CONTROL VALVE	1		X	(B) (PILOT CONTROL) CONVENIENCE ASSEMBLY (WITH SELECTIVE FLOW AUXILIARY)
	AT300575	CONTROL VALVE	1		X	(C) CONVENIENCE ASSEMBLY (WITH SELECTIVE FLOW AUXILIARY) (SUB FOR AT186071)
	AT317785	CONTROL VALVE	1		X	(C) (PILOT CONTROL) CONVENIENCE ASSEMBLY (WITH SELECTIVE FLOW AUXILIARY) (SUB FOR AT186071)
	CONTROL VALVE	1		X	(C) (WITH MANUAL AUXILIARY) (AT300577 NLA) (SUB FOR AT186998)
	CONTROL VALVE	1		X	(D) (AT300579 NLA) (SUB FOR AT188353)
8	R29936	O-RING	2	-913416	X	
9	38H1164	ADAPTER FITTING	2	-913416	X	
10	T76938	O-RING	2	-913416	X	
11	AT186298	OIL LINE	1	-913416	X	(A)
	AT186297	OIL LINE	1	-913416	X	(B) (C) (D)

(A) 4 FUNCTION
(A) FONCTION 4
(A) 4 FUNCION

(B) 5 FUNCTION
(B) FONCTION 5
(B) 5 FUNCION

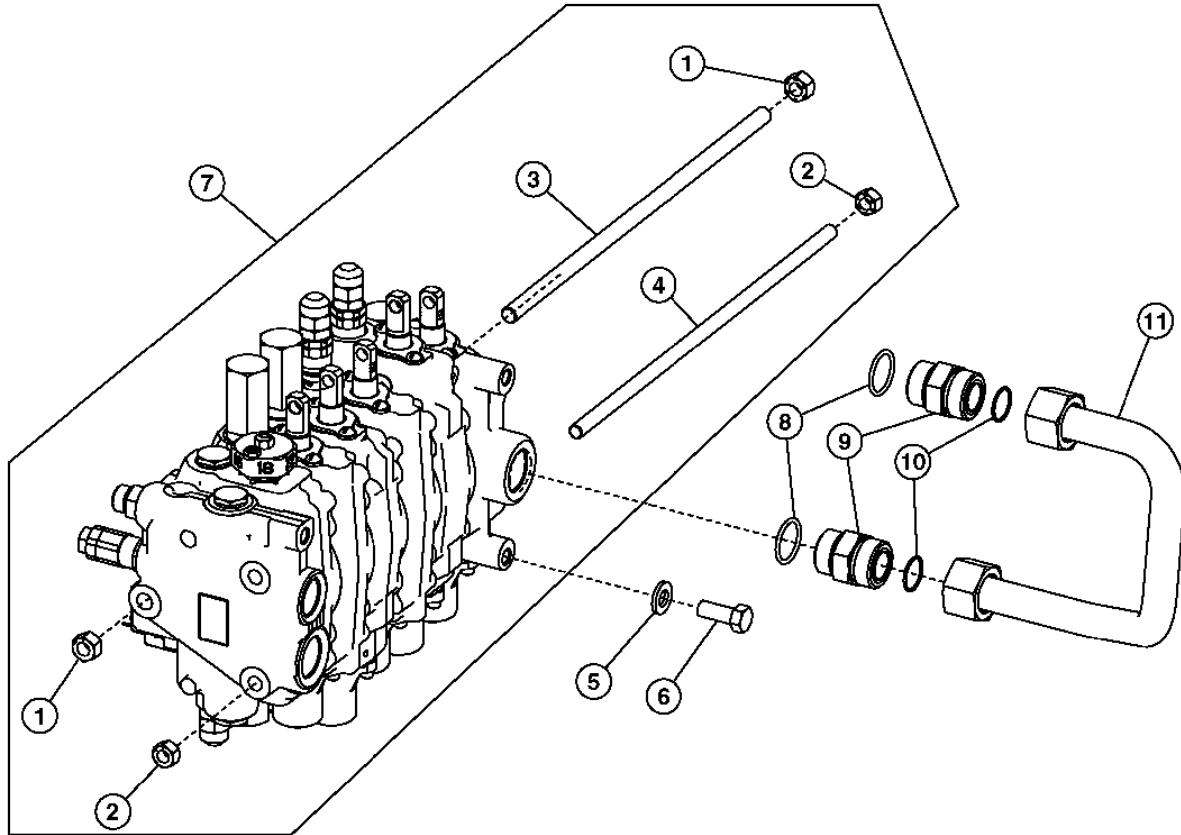
(C) 6 FUNCTION
(C) FONCTION 6
(C) 6 FUNCION

(D) 7 FUNCTION
(D) FONCTION 7
(D) 7 FUNCION

3362-6

CONTROL & LOAD HOLDING VALVES 3362
BACKHOE CONTROL VALVE (310SG AND 315SG) (HUSCO)
DISTRIBUTEUR DE RETROPELLE (310SG ET 315SG) (HUSCO)
VALVULA DE CONTROL DE RETROEXCAVADORA (310SG Y 315SG) (HUSCO)

TX1006087 -UN-17APR06



TX1006087

3362-7

CONTROL & LOAD HOLDING VALVES 3362

BACKHOE CONTROL VALVE (310SG AND 315SG) (HUSCO)
DISTRIBUTEUR DE RETROPELLE (310SG ET 315SG) (HUSCO)
VALVULA DE CONTROL DE RETROEXCAVADORA (310SG Y 315SG) (HUSCO)

KEY	PART NO.	PART NAME	QTY.	SERIAL NO.	REMARKS
					3 3 3 1 1 1 0 5 0 S S G G G
1	14H865	NUT	2		X X 1/2"
2	14H807	NUT	4		X X 7/16"
3	T160628	STUD	1		X X (A)
	T140699	ROD	1		X X (B)
	T140700	ROD	1		X X (C)
	T159264	STUD	1		X X (D)
4	T160629	STUD	2		X X (A)
	T118695	ROD	2		X X (B)
	T118697	ROD	2		X X (C)
	T118679	TUBE	2		X
	T159263	STUD	2		X X (D)
5	24M7240	WASHER	3		X X
6	19M8011	CAP SCREW	3		X X M12 X 30
7	AT300583	CONTROL VALVE	1		X X (A) CONVENIENCE ASSEMBLY, (SUB FOR AT183997)
	AT196633	CONTROL VALVE	1		X (A) (PILOT CONTROL) CONVENIENCE ASSEMBLY
.....	CONTROL VALVE		1	-913424	X X (B) CONVENIENCE ASSEMBLY (AT183999 NLA) (SUB AT300585)
	AT300585	CONTROL VALVE	1	913425-	X X (B) CONVENIENCE ASSEMBLY
	AT196634	CONTROL VALVE	1		X (B) (PILOT CONTROL) CONVENIENCE ASSEMBLY
.....	CONTROL VALVE		1	-913424	X X (C) (WITH SELECTIVE FLOW) (AT184001 NLA) (SUB AT300587)
	AT300587	CONTROL VALVE	1	913425-	X X (C) CONVENIENCE ASSEMBLY (WITH SELECTIVE FLOW)
.....	CONTROL VALVE		1		X (C) (WITH MANUAL AUXILIARY) (AT300589 NLA) (SUB FOR AT186073)
.....	CONTROL VALVE		1		X (C) (PILOT CONTROL) CONVENIENCE ASSEMBLY (WITH MANUAL AUXILIARY) (AT196636 NLA)
	AT196635	CONTROL VALVE	1		X (C) (PILOT CONTROL) CONVENIENCE ASSEMBLY (WITH SELECTIVE FLOW)
.....	CONTROL VALVE		1	-913424	X (D) CONVENIENCE ASSEMBLY (AT188350 NLA) (SUB AT300591)
	AT300591	CONTROL VALVE	1	913425-	X (D) CONVENIENCE ASSEMBLY
	AT196637	CONTROL VALVE	1		X (D) (PILOT CONTROL) CONVENIENCE ASSEMBLY
8	R29936	O-RING	2	-913416	X X
9	38H1164	ADAPTER FITTING	2	-913416	X X
10	T76938	O-RING	2	-913416	X X
11	AT186298	OIL LINE	1	-913416	X (A)
	AT191036	OIL LINE	1	-913416	X (A)
	AT186297	OIL LINE	1	-913416	X (B) (C) (D)
	AT191037	OIL LINE	1	-913416	X (B) (C)

(A) 4 FUNCTION
 (A) FONCTION 4
 (A) 4 FUNCION

(B) 5 FUNCTION
 (B) FONCTION 5
 (B) 5 FUNCION

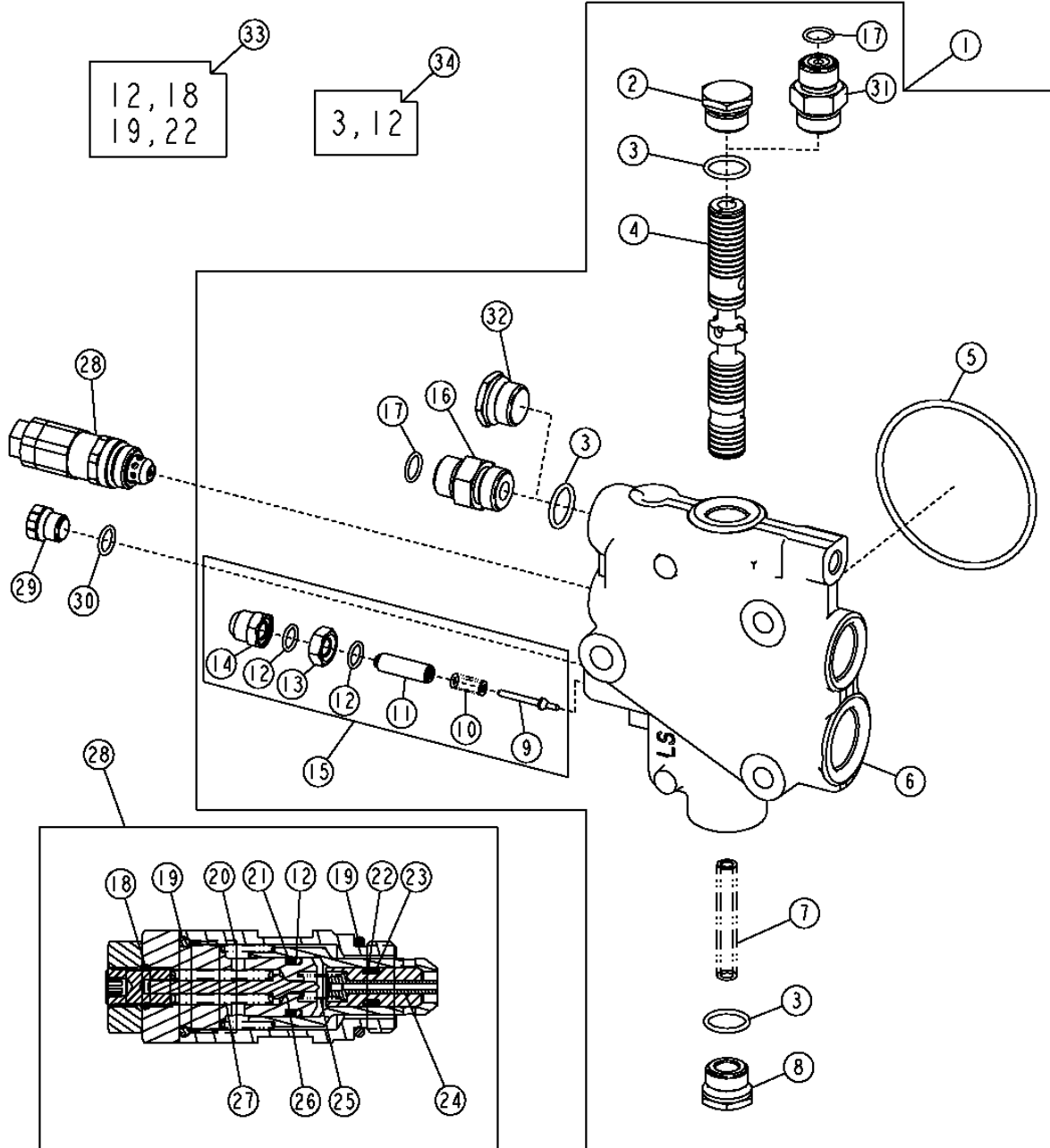
(C) 6 FUNCTION
 (C) FONCTION 6
 (C) 6 FUNCION

(D) 7 FUNCTION
 (D) FONCTION 7
 (D) 7 FUNCION

3362-8

PRIORITY INLET SECTION SECTION D'ENTREE PRIORITAIRE SECCION DE ENTRADA PRIORITARIA

T196617 -UN-24NOV03



T196617

3362-9

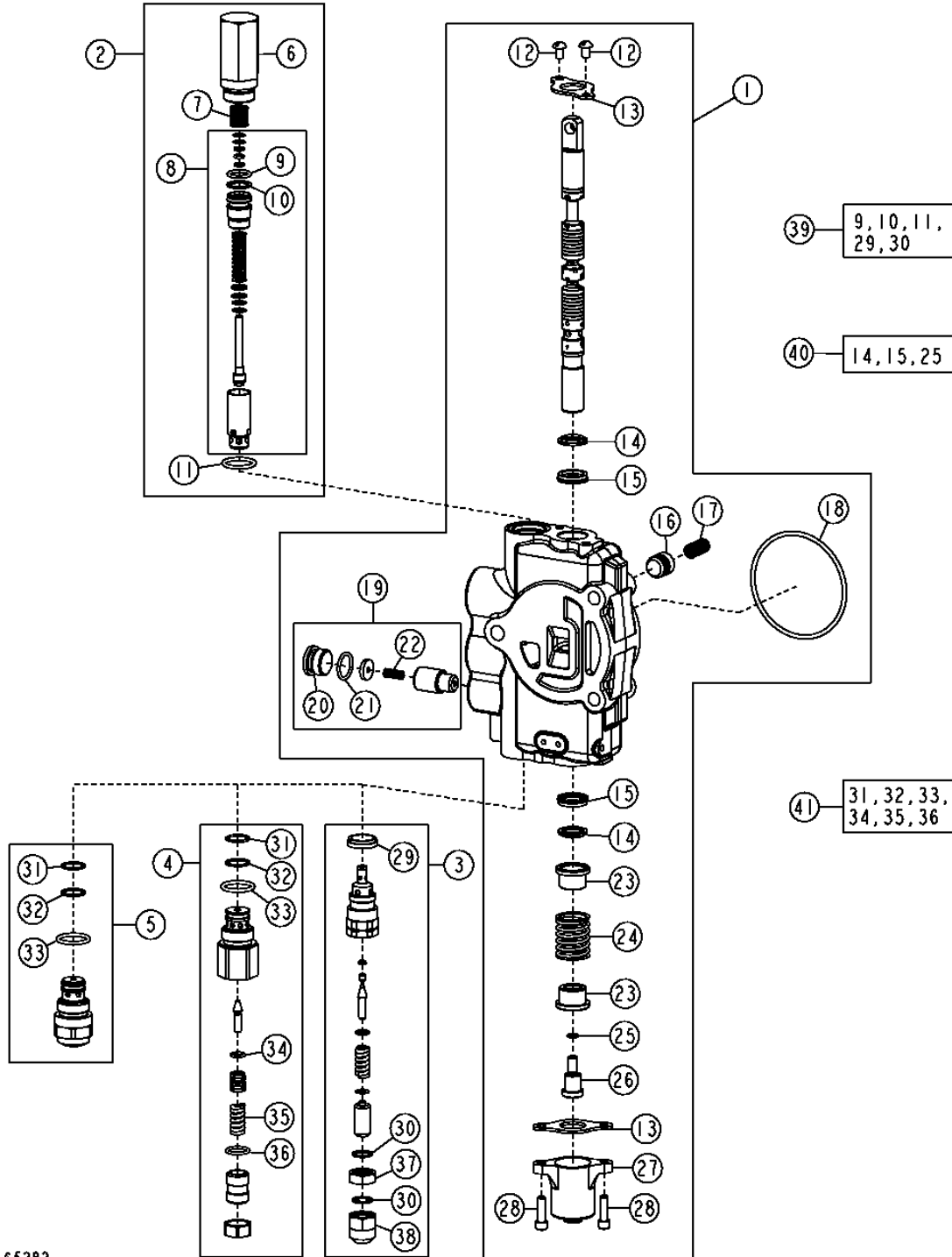
PRIORITY INLET SECTION
SECTION D'ENTREE PRIORITAIRE
SECCION DE ENTRADA PRIORITARIA

KEY	PART NO.	PART NAME	QTY.	SERIAL NO.	REMARKS
					3 3
					3 1 1
					1 0 5
					0 S S
					G G G
1	AT191768	VALVE SPOOL	1		X X X
2	T76502	FITTING	1		X X
3	R26906	O-RING	3		X X X
4	SPOOL VALVE	1		X X X
5	T118685	O-RING	1		X X X
6	HOUSING	1		X X X
7	T152374	SPRING	1		X X X
8	T160613	PLUG	1		X X X
9	POPPET	1		X X X
10	COMPRESSION SPRING	1		X X X
11	SCREW	1		X X X
12	RING	2		X X X
13	NUT	1		X X X
14	NUT	1		X X X
15	AT168671	PRESSURE RELIEF VALVE	1		X X X (LOAD SENSE)
16	38H1174	ADAPTER FITTING	1		X X (SUB FOR T164387, THIS APPLICATION)
17	T77857	O-RING	2		X X X
18	O-RING	1		X X X
19	O-RING	1		X X X
20	SPRING	1		X X X
21	BACK-UP RING	1		X X X
22	O-RING	1		X X X
23	BACK-UP RING	1		X X X
24	PISTON	1		X X X
25	SPRING	1		X X X
26	POPPET	1		X X X
27	SPRING	1		X X X
28	AT316302	PRESSURE RELIEF VALVE	1		X X X (3625 PSI) (SUB FOR AT178471)
29	R27218	FITTING PLUG	1		X X X
30	R26448	O-RING	1		X X X
31	T164387	FITTING	1		X (ORIFICE)
32	T76502	FITTING	1		X
33	AT314538	SEAL KIT	1		X X X 22.23 MM (7/8") RELIEF VALVE, (SUB FOR AT189413)
34	AT280406	SEAL KIT	1		X X X SPOOL, (SUB FOR AT178372)

3362-10

BOOM SECTION
SECTION DE FLECHE
SECCION DE AGUILON

T165282 -UN-13FEB03



T165282

THIS PARTS LISTING IS CONTINUED

3362-11

**BOOM SECTION
SECTION DE FLECHE
SECCION DE AGUILON**

KEY	PART NO.	PART NAME	QTY.	SERIAL NO.	3 3 3 1 1 1 0 5 0 S S G G G	REMARKS
1	AT301789	HYD ACTUATED CONTROL VALVE	1		X	(SUB FOR AT191719)
	AT301783	HYD ACTUATED CONTROL VALVE	1		X X	(SUB FOR AT191716)
	AT171403	PRESSURE RELIEF VALVE	1		X X X	(2150 PSI)
3	AT174217	PRESSURE RELIEF VALVE	1	-913416	X	(A) (5000 PSI) (7/8" PORT)
	AT182248	PRESSURE RELIEF VALVE	1	-913416	X X	(A) (5500 PSI) (7/8" PORT) (SUB FOR AT174217, THIS APPLICATION)
4	AT300803	PRESSURE RELIEF VALVE	1	913417-	X	(A) (5000 PSI) (1-1/16" PORT)
	AT301447	PRESSURE RELIEF VALVE	1	913417-	X X	(A) (5500 PSI) (1-1/16" PORT)
5	AT301128	PRESSURE RELIEF VALVE	1	913417-	X	(B) (5000 PSI) (1-1/16" PORT)
	AT301487	PRESSURE RELIEF VALVE	1	913417-	X X	(B) (5500 PSI) (1-1/16" PORT)
6	T118866	HOUSING	1		X X X	
7	T118867	SPRING	1		X X X	
8	AT178363	PRESSURE RELIEF VALVE	1		X X X	
9	O-RING	1		X X X	
10	BACK-UP RING	1		X X X	
11	T118681	O-RING	1		X X X	
12	21H1352	SCREW	2		X X X	1/4" X 3/8"
13	T81524	PLATE	2		X X X	
14	SEAL	2		X X X	
15	SEAL	2		X X X	
16	T81538	POPPET	1		X X X	
17	T81539	SPRING	1		X X X	
18	T118685	O-RING	1		X X X	
19	AT178371	SEAL KIT	1		X X X	(DRIFT CHECK)
20	T201424	PLUG	1		X X X	
21	R26906	O-RING	1		X X X	
22	R111238	SPRING	1		X X X	
23	T81540	RETAINER	2		X X X	
24	T160518	COMPRESSION SPRING	1		X X X	
25	R30903	O-RING	1		X X X	
26	T160519	SCREW	1		X X X	
27	T118808	CAP	1		X X X	
28	19H3554	SCREW	2		X X X	
29	T183756	SEAL	1		X X X	
30	O-RING	2		X X X	
31	T107887	O-RING	2		X X X	
32	BACK-UP RING	2		X X X	
33	T118681	O-RING	2		X X X	
34	R63548	O-RING	1		X X X	
35	SPRING	1		X X X	
36	O-RING	1		X X X	
37	T67424	NUT	1		X X X	
38	T67425	NUT	1		X X X	
39	AT314538	SEAL KIT	1		X X X	22.23 MM (7/8") RELIEF VALVE, (SUB FOR AT189413)
	AT314539	SEAL KIT	1		X X X	27.0 MM (1-1/16") RELIEF VALVE, (SUB FOR AT189413)
40	AT280406	SEAL KIT	1		X X X	SPOOL, (SUB FOR AT178372)
41	AT300801	SEAL KIT	1		X X X	(SEAL AND SPRING)

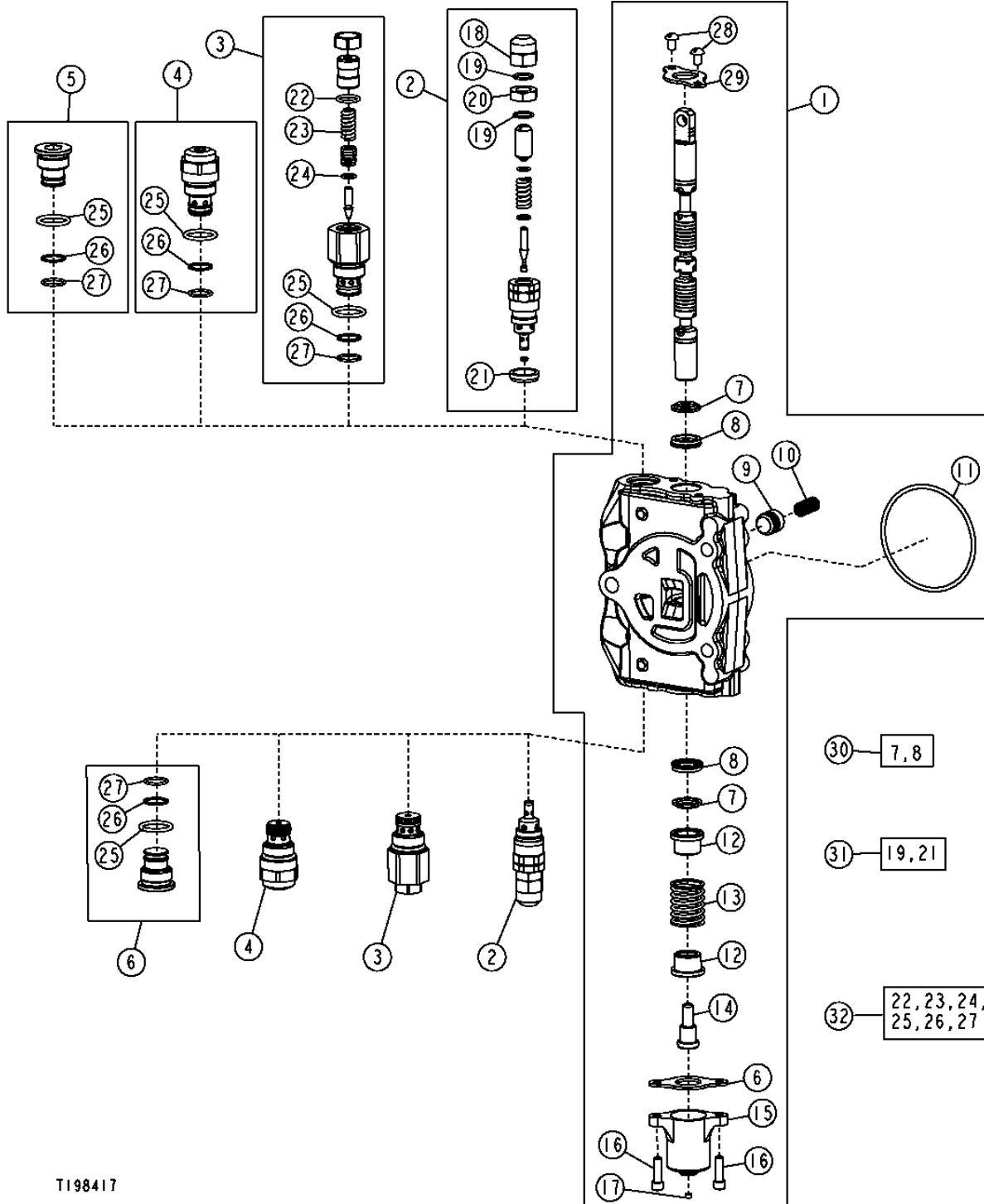
(A) NOT ANTI-CAVITATION
(A) NON ANTI-CAVITATION
(A) SIN FUNCION ANTICAVITACION

(B) ANTI-CAVITATION
(B) ANTI-CAVITATION
(B) ANTICAVITACION

3362-12

BUCKET SECTION
SECTION DE GODET
SECCION DE CUCHARON

T198417 -UN-10MAR04



T198417

3362-13

**BUCKET SECTION
SECTION DE GODET
SECCION DE CUCHARON**

KEY	PART NO.	PART NAME	QTY.	SERIAL NO.	3 3 3 1 1 1 0 5 0 S S G G G	REMARKS
1 AT301786	HYD ACTUATED CONTROL VALVE HYD ACTUATED CONTROL VALVE	1 1	-913416 913417-	X X	(AT191705 NLA) (SUB AT301786)
	HYD ACTUATED CONTROL VALVE	1	-913416	X X X	(AT170232 NLA) (SUB AT301782)
	AT301782	HYD ACTUATED CONTROL VALVE	1	913417-	X X	
2	AT172937	PRESSURE RELIEF VALVE	2	-913416	X X X	(A) (7/8" PORT) (4600 PSI)
3	AT301526	PRESSURE RELIEF VALVE	2	913417-925502	X X X	(A) (1-1/16" PORT) (4 AND 5 FUNCTION) (4600 PSI)
	AT301526	PRESSURE RELIEF VALVE	2	913417-	X X X	(A) (1-1/16" PORT) (6 AND 7 FUNCTION) (4600 PSI)
	AT301526	PRESSURE RELIEF VALVE	1	927954-	X X X	(A) (1-1/16" PORT) (4 AND 5 FUNCTION) (4600 PSI)
4	AT301527	PRESSURE RELIEF VALVE	2	913417-925502	X X X	(B) (1-1/16" PORT) (4 AND 5 FUNCTION) (4600 PSI) (SUB FOR AT301127)
	AT301527	PRESSURE RELIEF VALVE	2	913417-	X X X	(B) (1-1/16" PORT) (6 AND 7 FUNCTION) (4600 PSI)
	AT301527	PRESSURE RELIEF VALVE	1	927954-	X X X	(B) (1-1/16" PORT) (4 AND 5 FUNCTION) (4600 PSI)
5	PLUG	1	925503-927953	X X X	(4 AND 5 FUNCTION) (SUB AT301526 OR AT301527)
6	AT307332	PLUG	2	925503-	X X X	(4 AND 5 FUNCTION)
7	SEAL	2		X X X	
8	SEAL	2		X X X	
9	T81538	POPPET	1		X X X	
10	T81539	SPRING	1		X X X	
11	T118685	O-RING	1		X X X	
12	T81540	RETAINER	2		X X X	
13	T160518	COMPRESSION SPRING	1		X X X	
14	T81541	SCREW	1		X X X	
15	T118808	CAP	1		X X X	
16	19H3554	SCREW	2		X X X	1/4" X 0.880"
17	T118799	FILTER	1	-906011	X X X	
18	T67425	NUT	1		X X X	
19	O-RING	2		X X X	
20	T67424	NUT	2		X X X	
21	T183756	SEAL	1		X X X	
22	O-RING	2		X X X	
23	SPRING	2		X X X	
24	R63548	O-RING	2		X X X	
25	T118681	O-RING	4		X X X	
26	BACK-UP RING	4		X X X	
27	T107887	O-RING	4		X X X	
28	21H1352	SCREW	2		X X X	1/4" X 3/8"
29	T81524	PLATE	2		X X X	
30	AT280406	SEAL KIT	1		X X X	SPOOL, (SUB FOR AT178372)
31	AT314538	SEAL KIT	1		X X X	22.23 MM (7/8") RELIEF VALVE, (SUB FOR AT189413)
	AT314539	SEAL KIT	1		X X X	27.0 MM (1-1/16") RELIEF VALVE, (SUB FOR AT189413)
32	AT300801	SEAL KIT	1		X X X	

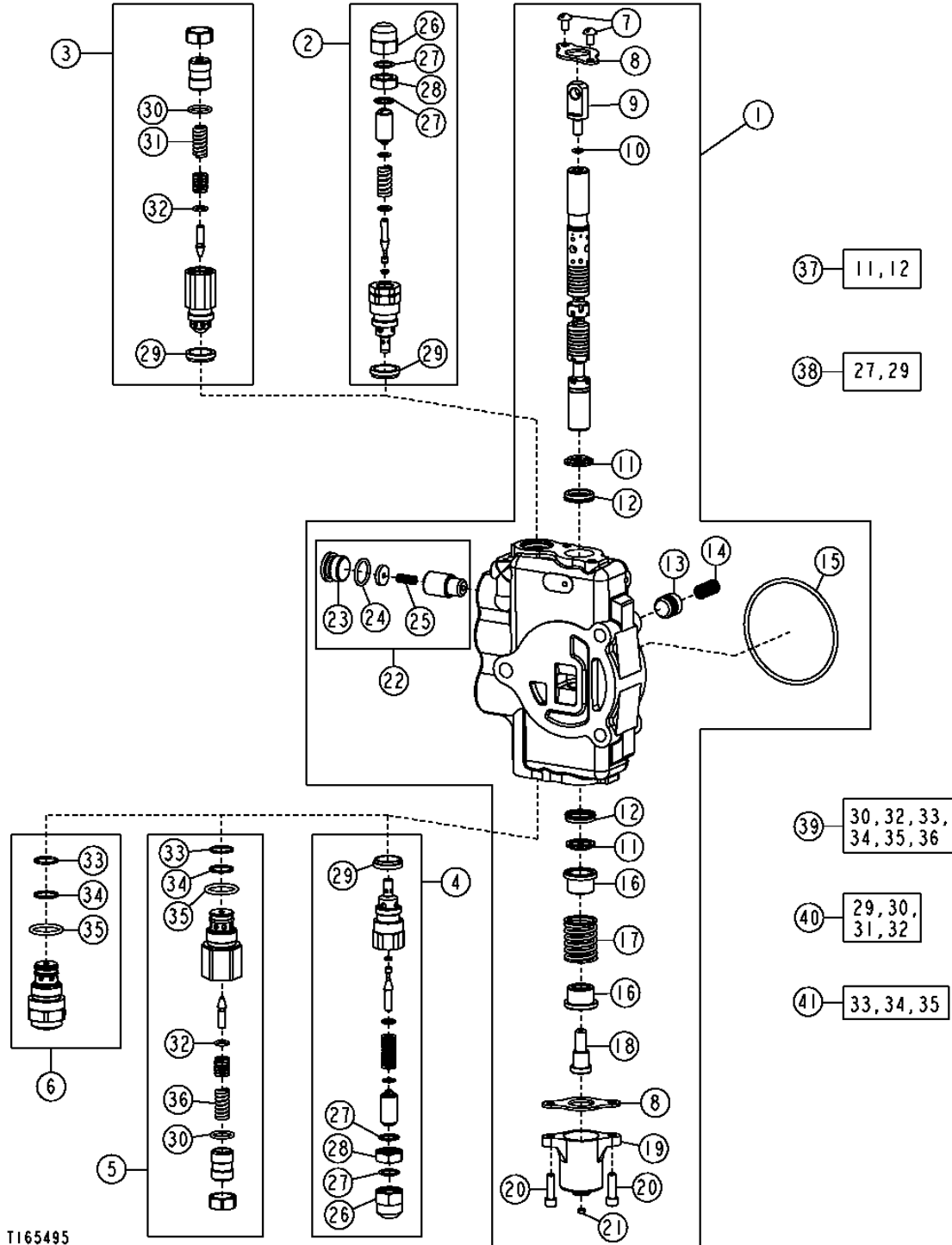
(A) NOT ANTI-CAVITATION
(A) NON ANTI-CAVITATION
(A) SIN FUNCION ANTICAVITACION

(B) ANTI-CAVITATION
(B) ANTI-CAVITATION
(B) ANTICAVITACION

3362-14

CROWD SECTION
SECTION DE CAVAGE
SECCION DE EMPUJE

T165495 -UN-19FEB03



T165495

THIS PARTS LISTING IS CONTINUED

3362-15

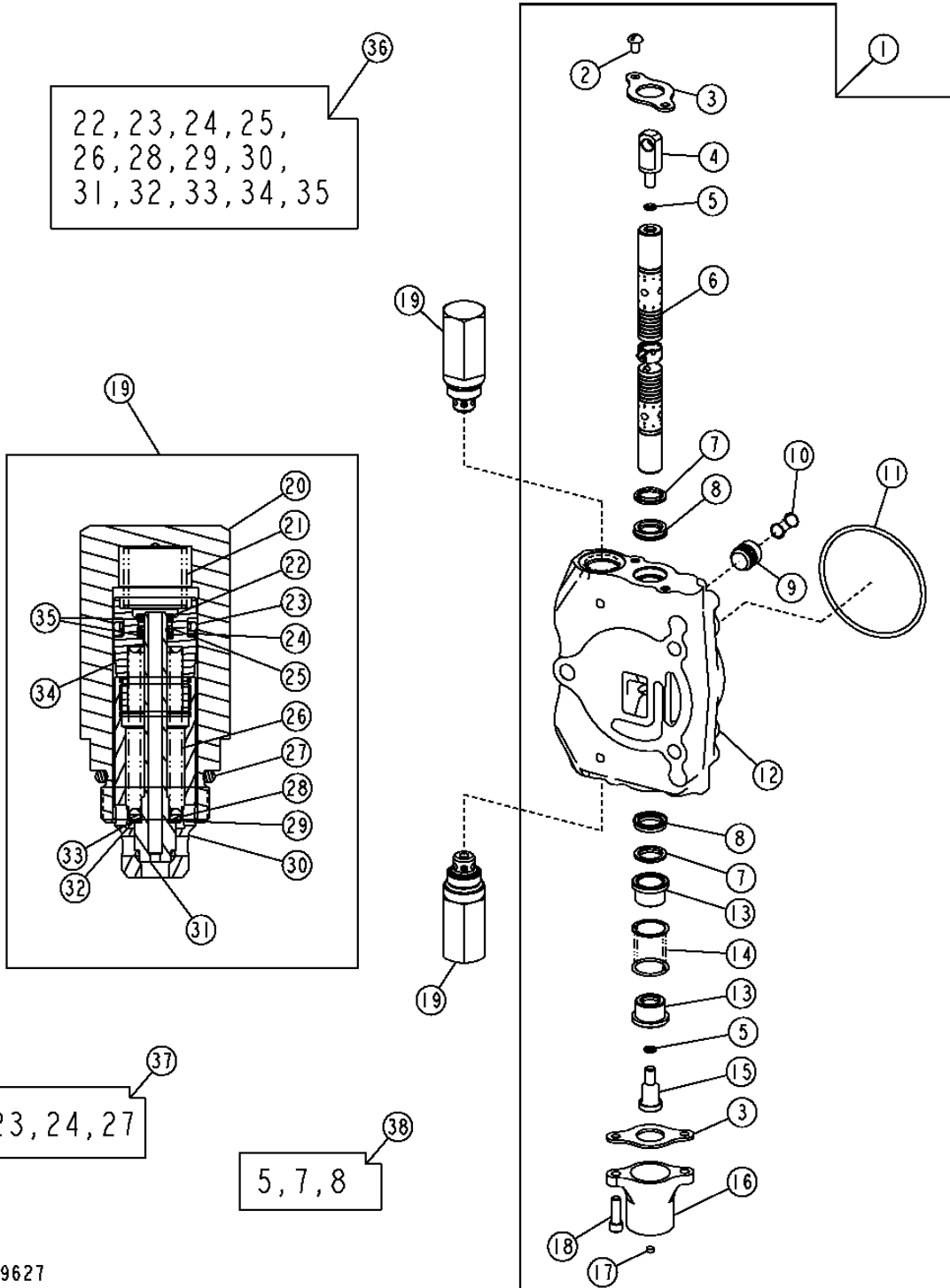
**CROWD SECTION
SECTION DE CAVAGE
SECCION DE EMPUJE**

KEY	PART NO.	PART NAME	QTY.	SERIAL NO.	3 3 3 1 1 1 0 5 0 S S G G G	REMARKS
1	AT301788	VALVE SPOOL	1		X	(4 FUNCTION) (5 FUNCTION WITH SELECTIVE FLOW AND/OR LH MANUAL AUXILIARY) (SUB FOR AT191713)
	AT301776	VALVE SPOOL	1		X X	(4 FUNCTION) (SUB FOR AT191718)
	AT301787	VALVE SPOOL	1		X	(5, 6 AND 7 FUNCTION WITH EXT. DIPPERSTICK OR RH MANUAL AUXILIARY) (SUB FOR AT191706)
2	AT301784	VALVE SPOOL	1		X X	(5,6 AND 7 FUNCTION) (SUB FOR AT191717)
	AT171404	PRESSURE RELIEF VALVE	1	-913416	X X X	(4750 PSI) (7/8" PORT)
	AT171404	PRESSURE RELIEF VALVE	1	915641-	X X X	(4750 PSI) (7/8" PORT)
3	AT302113	PRESSURE RELIEF VALVE	1	913417-915640	X X X	(4750 PSI) (7/8" PORT) (NOT ANTI-CAVITATION)
4	AT171405	PRESSURE RELIEF VALVE	1	-913416	X X X	(3800 PSI) (7/8" PORT)
5	PRESSURE RELIEF VALVE	1	913417-915640	X X X	(3800 PSI) (1-1/16" PORT) (NOT ANTI-CAVITATION) (AT301750 NLA) (SUB AT303954)
	AT303954	PRESSURE RELIEF VALVE	1	915641-	X X X	(3800 PSI) (1-1/16" PORT) (NOT ANTI-CAVITATION)
6	AT301751	PRESSURE RELIEF VALVE	1	913417-	X X X	(3800 PSI) (1-1/16" PORT) (ANTI-CAVITATION)
7	21H1352	SCREW	2		X X X	1/4" X 3/8"
8	T81524	PLATE	2		X X X	
9	T160702	END	1		X X X	
10	R30903	O-RING	1		X X X	
11	SEAL	2		X X X	
12	SEAL	2		X X X	
13	T152406	POPPET	1		X X X	(4 FUNCTION)
	T81538	POPPET	1		X X X	
14	T152407	SPRING	1		X X X	(4 FUNCTION)
	T81539	SPRING	1		X X X	
15	T118685	O-RING	1		X X X	
16	T81540	RETAINER	2		X X X	
17	T160518	COMPRESSION SPRING	1		X X X	
18	T81541	SCREW	1		X X X	
19	T118808	CAP	1		X X X	
20	19H3554	SCREW	2		X X X	1/4" X 0.880"
21	T118799	FILTER	1	-906011	X X X	
22	AT194687	KIT	1		X X X	(DRIFT CHECK) (SUB FOR AT178371, THIS APPLICATION)
23	T201424	PLUG	1		X X X	
24	R26906	O-RING	1		X X X	
25	R111238	SPRING	1		X X X	
26	T67425	NUT	2		X X X	
27	O-RING	4		X X X	
28	T67424	NUT	2		X X X	
29	T183756	SEAL	3		X X X	
30	O-RING	2		X X X	
31	SPRING	1		X X X	
32	R63548	O-RING	2		X X X	
33	T107887	O-RING	2		X X X	
34	BACK-UP RING	2		X X X	
35	T118681	O-RING	2		X X X	
36	SPRING	1		X X X	
37	AT280406	SEAL KIT	1		X X X	SPOOL, (SUB FOR AT178372)
38	AT314538	SEAL KIT	1		X X X	22.23 MM (7/8") RELIEF VALVE, (SUB FOR AT189413)
	AT314539	SEAL KIT	1		X X X	27.0 MM (1-1/16") RELIEF VALVE, (SUB FOR AT189413)
39	AT301749	SEAL KIT	1	913417-915640	X X X	(USE WITH AT301750)
	AT300801	SEAL KIT	1	915641-	X X X	(USE WITH AT303954)
40	AT302108	SEAL KIT	1		X X X	
41	AT301749	SEAL KIT	1		X X X	

3362-16

SWING SECTION
SECTION DE PIVOTEMENT
SECCION DE GIRO

TP69627 -UN-02OCT00



TP69627

THIS PARTS LISTING IS CONTINUED

3362-17

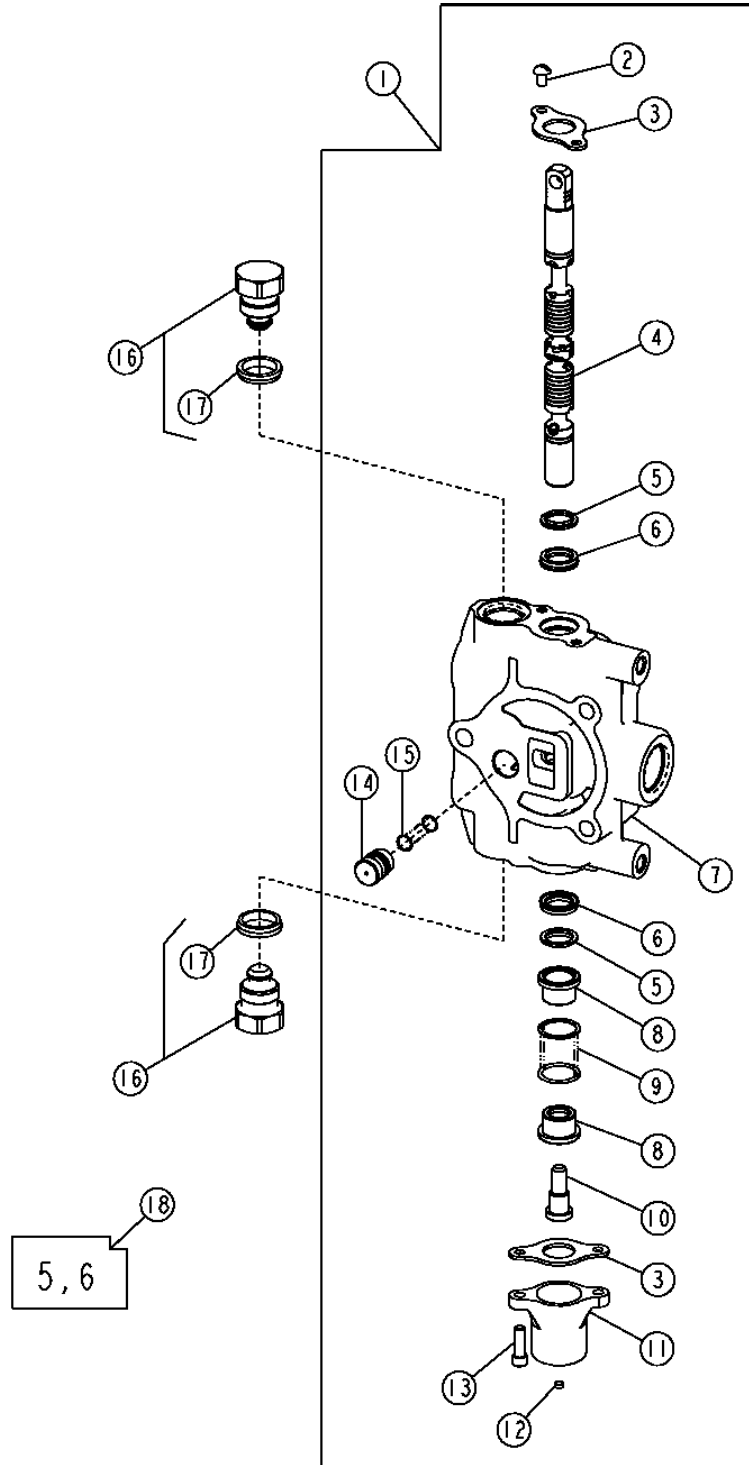
SWING SECTION
SECTION DE PIVOTEMENT
SECCION DE GIRO

KEY	PART NO.	PART NAME	QTY.	SERIAL NO.	REMARKS
					3 3
					3 1 1
					1 0 5
					0 S S
					G G G
1	AT191709	VALVE SPOOL	1		X (4,5 AND 6 FUNCTION)
	AT191708	VALVE SPOOL	1		X (6 AND 7 FUNCTION WITH MANUAL AUXILIARY)
	AT170221	VALVE SPOOL	1		X X (4,5 AND 6 FUNCTION)
	AT179109	SPOOL VALVE	1		X (6 AND 7 FUNCTION WITH MANUAL AUXILIARY)
2	21H1352	SCREW	2		X X X 1/4" X 3/8"
3	T81524	PLATE	2		X X X
4	T160702	END	1		X X X
5	R30903	O-RING	2		X X X
6	SPOOL VALVE	1		X X X
7	SEAL	2		X X X
8	SEAL	2		X X X
9	T81539	SPRING	1		X X X
10	T118685	O-RING	1		X X X
11	T81538	POPPET	1		X X X
12	HOUSING	1		X X X
13	T81540	RETAINER	2		X X X
14	T160518	COMPRESSION SPRING	1		X X X
15	T160519	SCREW	1		X X X
16	T118808	CAP	1		X X X
17	T118799	FILTER	1	-906011	X X X
18	19H3554	SCREW	2		X X X 1/4" X 0.880"
19	CHECK VALVE	2		X X X (3800 PSI) (SUB FOR AT182377, THIS APPLICATION) (ORDER AT178362, T118866, T118867 AND T118681)
20	T118866	HOUSING	1		X X X
21	T118867	SPRING	1		X X X
22	SNAP RING	1		X X X
23	O-RING	1		X X X
24	BACK-UP RING	1		X X X
25	O-RING	1		X X X
26	SPRING	1		X X X
27	T118681	O-RING	1		X X X
28	WASHER	1		X X X
29	WASHER	1		X X X
30	SLEEVE	1		X X X
31	POPPET	1		X X X
32	WASHER	1		X X X
33	WASHER	1		X X X
34	SCREW	1		X X X
35	BACK-UP RING	1		X X X
36	AT178362	SEAL KIT	1		X X X RELIEF VALVE
37	AT314538	SEAL KIT	1		X X X 22.23 MM (7/8") RELIEF VALVE, (SUB FOR AT189413)
	AT314539	SEAL KIT	1		X X X 27.0 MM (1-1/16") RELIEF VALVE, (SUB FOR AT189413)
38	AT280406	SEAL KIT	1		X X X SPOOL, (SUB FOR AT178372)

3362-18

EXTENDABLE SECTION SECTION TELESCOPIQUE SECCION EXTENSIBLE

TP69638 -UN-02OCT00



TP69638

THIS PARTS LISTING IS CONTINUED

3362-19

BACKHOE 33

CONTROL& LOAD:HOLDING:VALVES 3362

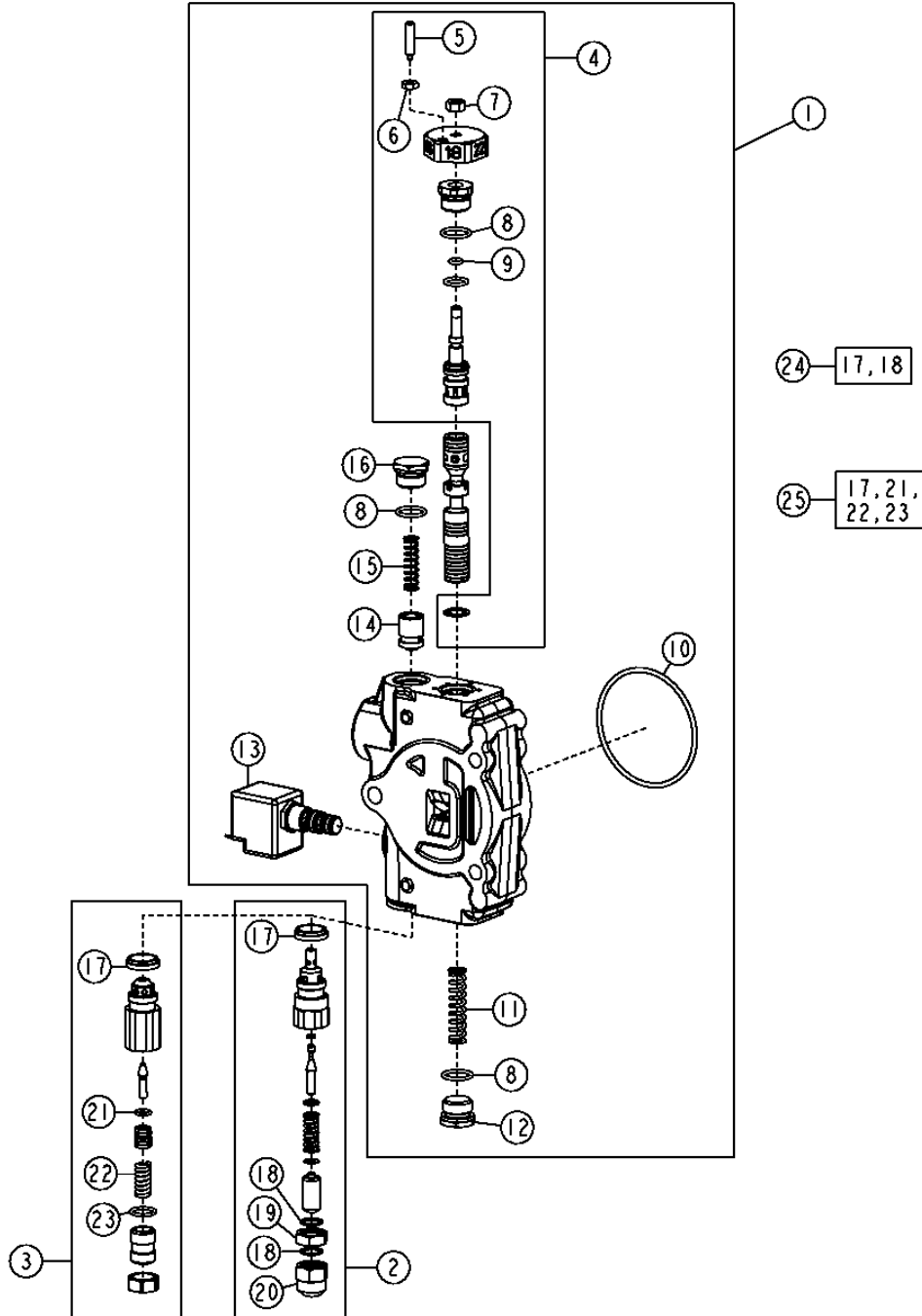
EXTENDABLE SECTION
SECTION TELESCOPIQUE
SECCION EXTENSIBLE

KEY	PART NO.	PART NAME	QTY.	SERIAL NO.	3 3 3 1 1 1 0 5 0 S S G G G	REMARKS
1	AT191712	VALVE SPOOL	1		X	(5,6 AND 7 FUNCTION)
	AT191704	VALVE SPOOL	1		X X	(5,6 AND 7 FUNCTION)
2	21H1352	SCREW	2		X X X	1/4" X 3/8"
3	T81524	PLATE	2		X X X	
4	SPOOL VALVE	1		X X X	
5	SEAL	2		X X X	
6	SEAL	2		X X X	
7	HOUSING	1		X X X	
8	T81540	RETAINER	2		X X X	
9	T160518	COMPRESSION SPRING	1		X X X	
10	T81541	SCREW	1		X X X	
11	T118808	CAP	1		X X X	
12	T118799	FILTER	1	-906011	X X X	
13	19H3554	SCREW	2		X X X	1/4" X 0.880"
14	T152406	POPPET	1		X X X	
15	T152407	SPRING	1		X X X	
16	AT83174	FITTING PLUG	2		X X X	
17	T183757	SEAL	1		X X X	
18	AT280406	SEAL KIT	1		X X X	SPOOL, (SUB FOR AT178372)

3362-20

SELECTIVE FLOW SECTION
SECTION DE DEBIT SELECTIF
SECCION DE CAUDAL SELECTIVO

T165707 -UN-20FEB03



T165707

3362-21

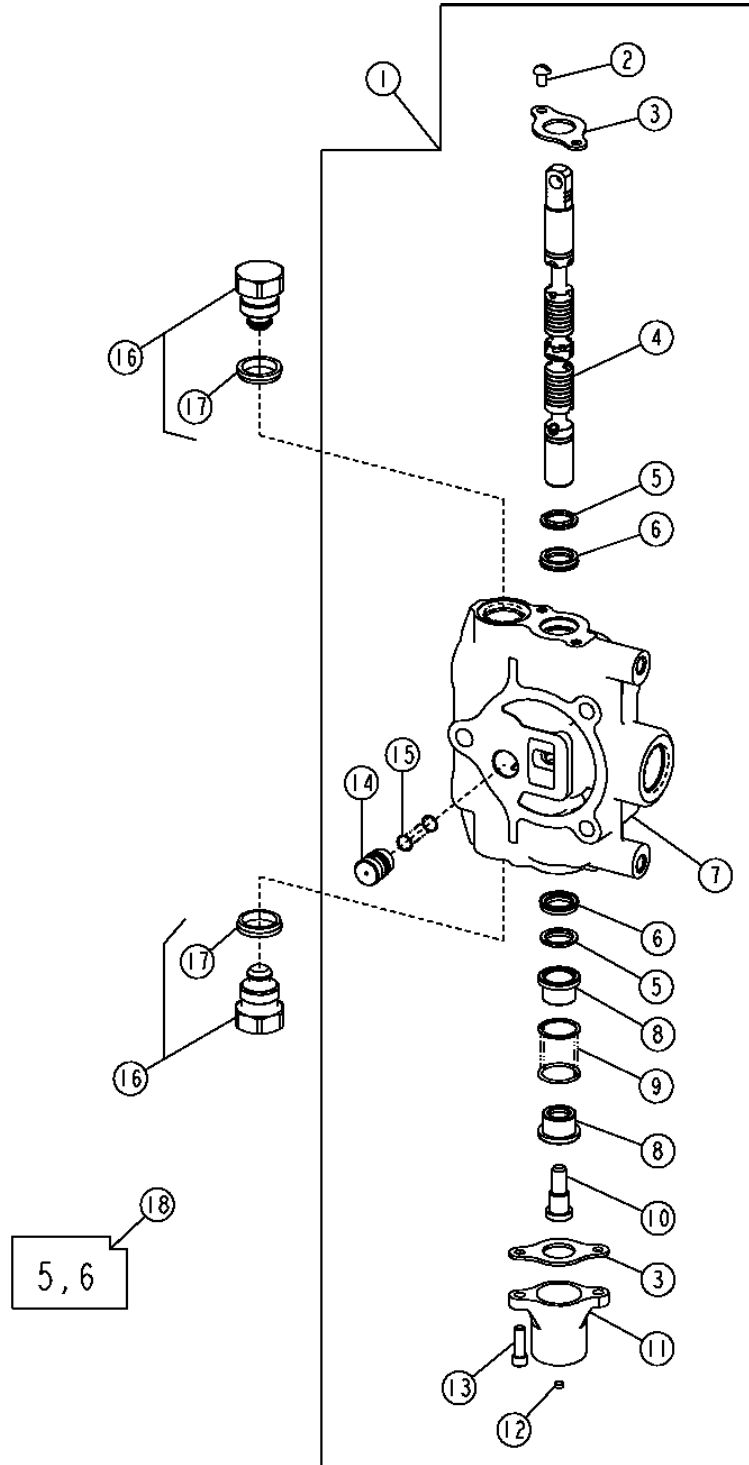
**SELECTIVE FLOW SECTION
SECTION DE DEBIT SELECTIF
SECCION DE CAUDAL SELECTIVO**

KEY	PART NO.	PART NAME	QTY.	SERIAL NO.	3 3 3 1 1 1 0 5 0 S S G G G	REMARKS
1	AT192384	VALVE SPOOL	1		X X X	
2	AT190234	PRESSURE RELIEF VALVE	1	-913416	X X X	(2900 PSI)
	AT190234	PRESSURE RELIEF VALVE	1	915641-	X X X	(2900 PSI)
3	AT301748	PRESSURE RELIEF VALVE	1	913417-915640	X X X	(2900 PSI)
4	AT192385	HAND OPERATED VALVE	1		X X X	(FLOW ADJUSTMENT)
5	T160663	PLUNGER	1		X X X	
6	14H786	NUT	1		X X X	1/4"
7	14H785	NUT	1		X X X	5/16"
8	R26906	O-RING	3		X X X	
9	R10093	O-RING	1		X X X	
10	T118685	O-RING	1		X X X	
11	T184356	SPRING	1		X X X	
12	T76502	FITTING	1		X X X	
13	AT174923	HYD ACTUATED CONTROL VALVE	1		X X X	
	AT178475	SEAL KIT	1		X X X	(SOLENOID VALVE)
14	T184271	POPPET	1		X X X	
15	T160520	SPRING	1		X X X	
16	T160613	PLUG	1		X X X	
17	T183756	SEAL	1		X X X	
18	O-RING	2		X X X	
19	T67424	NUT	1		X X X	
20	T67425	NUT	1		X X X	
21	R63548	O-RING	1		X X X	
22	SPRING	1		X X X	
23	O-RING	1		X X X	
24	AT314538	SEAL KIT	1		X X X	22.3 MM (7/8") RELIEF VALVE, (SUB FOR AT189413)
	AT314539	SEAL KIT	1		X X X	27.0 MM (1-1/16") RELIEF VALVE, (SUB FOR AT189413)
25	AT301227	SEAL KIT	1		X X X	(RELIEF VALVE SEAL AND SPRING)

3362-22

AUXILIARY SECTION SECTION AUXILIAIRE SECCION AUXILIAR

TP69638 -UN-02OCT00



TP69638

3362-23

BACKHOE 33

CONTROL& LOAD:HOLDING:VALVES 3362

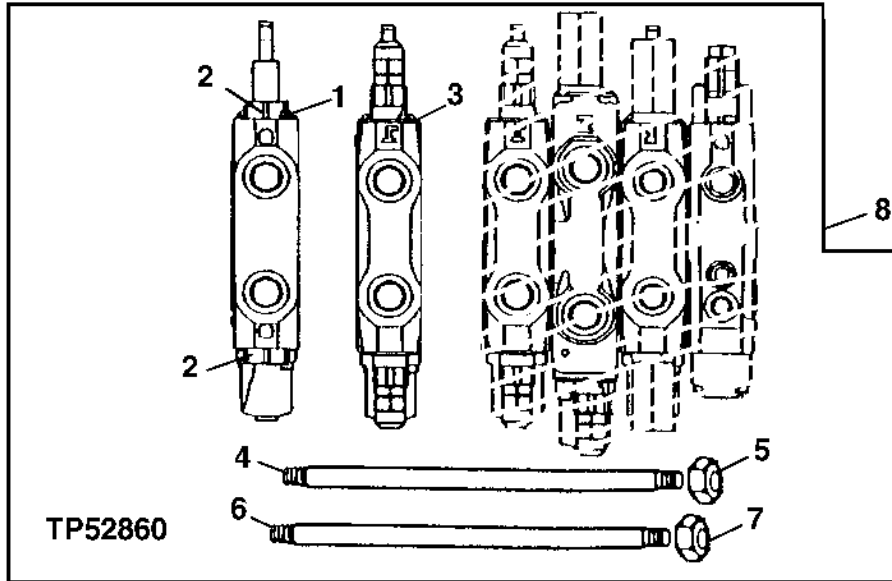
**AUXILIARY SECTION
SECTION AUXILIAIRE
SECCION AUXILIAR**

KEY	PART NO.	PART NAME	QTY.	SERIAL NO.	3 3 3 1 1 1 0 5 0 S S G G G	REMARKS
1	AT191710	SPOOL VALVE	1		X	
	AT189168	SPOOL VALVE	1		X	
2	21H1352	SCREW	2		X X	1/4" X 3/8"
3	T81524	PLATE	2		X X	
4	SPOOL VALVE	1		X X	
5	SEAL	2		X X	
6	SEAL	2		X X	
7	HOUSING	1		X X	
8	T81540	RETAINER	2		X X	
9	T160518	COMPRESSION SPRING	1		X X	
10	T81541	SCREW	1		X X	
11	T118808	CAP	1		X X	
12	T118799	FILTER	1	-906011	X X	
13	19H3554	SCREW	2		X X	1/4" X 0.880"
14	T152406	POPPET	1		X X	
15	T152407	SPRING	1		X X	
16	AT83174	FITTING PLUG	2		X X	
17	T183757	SEAL	1		X X	
18	R26906	O-RING	2		X X	
19	R27175	PLUG	2		X X	(SUB FOR R27474)
20	AT280406	SEAL KIT	1		X X	SPOOL, (SUB FOR AT178372)

3362-24

FIFTH FUNCTION MANUAL VALVE KIT (310G)
 KIT DE SOUPAPE MANUELLE DE CINQUIEME FONCTION (310G)
 JUEGO DE VALVULA MANUAL DE QUINTA FUNCION (310G)

TP52860 -UN-22NOV96

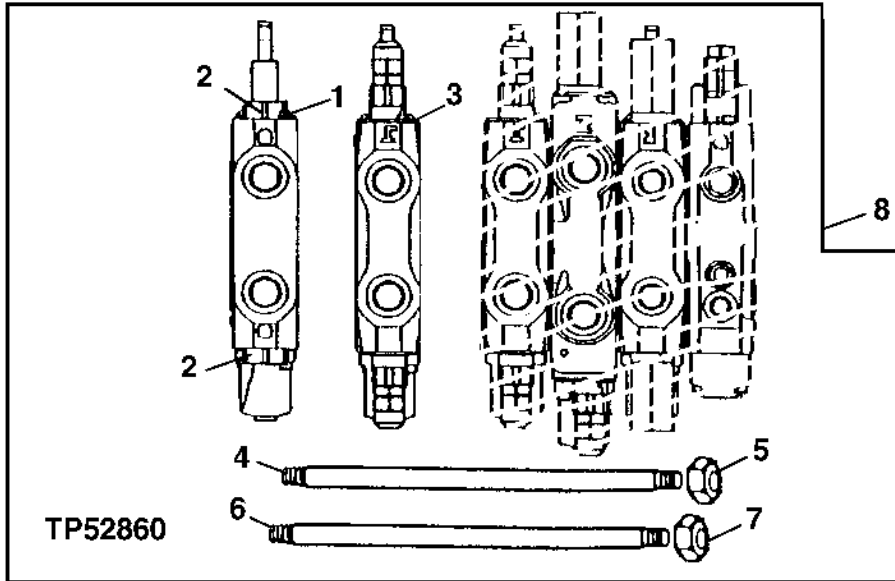


KEY	PART NO.	PART NAME	QTY.	SERIAL NO.	REMARKS
1	AT191712	VALVE	1	X	(EXTENDABLE DIPPERSTICK) (COMPONENTS ON ANOTHER PAGE)
2	AT83174 T183757	FITTING PLUG SEAL	2 2	X X	
3	VALVE	1	X	(CROWD) (COMPONENTS ON ANOTHER PAGE)
4	T118695	ROD	2	X	
5	14H807	NUT	4	X	7/16"
6	T140699	ROD	1	X	
7	14H865	NUT	2	X	1/2"
8	AT192247	KIT	1	X	(WHOLE GOODS) (INCLUDES AT186297)

3362-25

FIFTH FUNCTION MANUAL VALVE KIT (310SG AND 315SG)
 KIT DE SOUPAPE MANUELLE DE CINQUIEME FONCTION (310SG ET 315SG)
 JUEGO DE VALVULA MANUAL DE QUINTA FUNCION (310SG Y 315SG)

TP52860 -UN-22NOV96



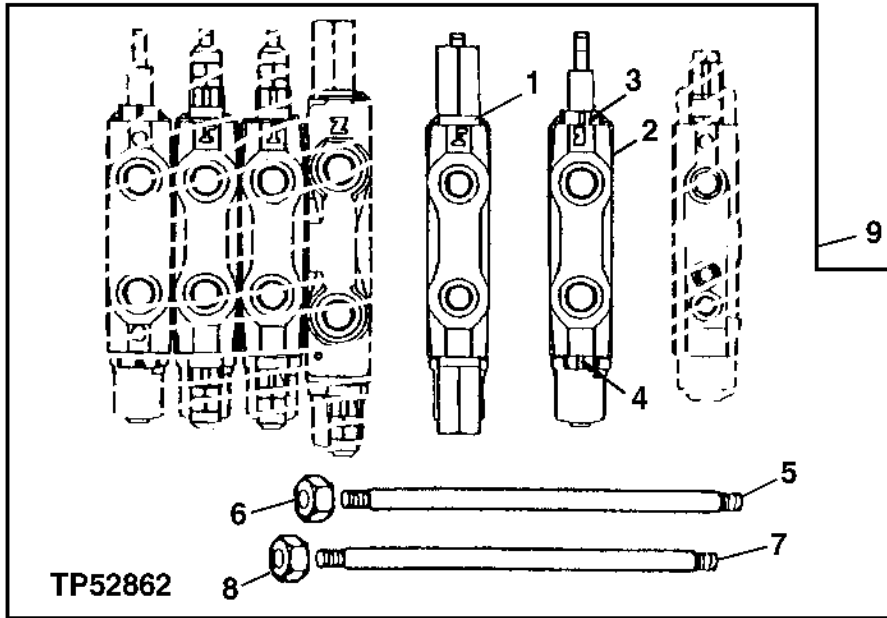
KEY	PART NO.	PART NAME	QTY.	SERIAL NO.	REMARKS
				3 3	
				3 1 1	
				1 0 5	
				0 S S	
				G G G	
1	AT191704	HYD ACTUATED CONTROL VALVE	1		X X (EXTENDABLE DIPPERSTICK) (COMPONENTS ON ANOTHER PAGE)
2	AT83174	FITTING PLUG	2		X X
	T183757	SEAL	2		X X
3	VALVE	1		X X (CROWD) (COMPONENTS ON ANOTHER PAGE) (AT191717 NLA) (SUB AT301784)
4	T118695	ROD	2		X X
5	14H807	NUT	4		X X 7/16"
6	T140699	ROD	1		X X
7	14H865	NUT	2		X X 1/2"
8	AT192189	KIT	1		X X (WHOLE GOODS) (INCLUDES AT186297 AND AT191037)

3362-26

CONTROL & LOAD HOLDING VALVES 3362

SIXTH FUNCTION MANUAL AND PILOT CONTROL KITS (310G)
 KITS DE COMMANDES PILOTE ET MANUELLE DE SIXIEME FONCTION (310G)
 JUEGOS DE CONTROL MANUAL DE SEXTA FUNCION Y CONTROL PILOTO (310G)

TP52862 -UN-22NOV96



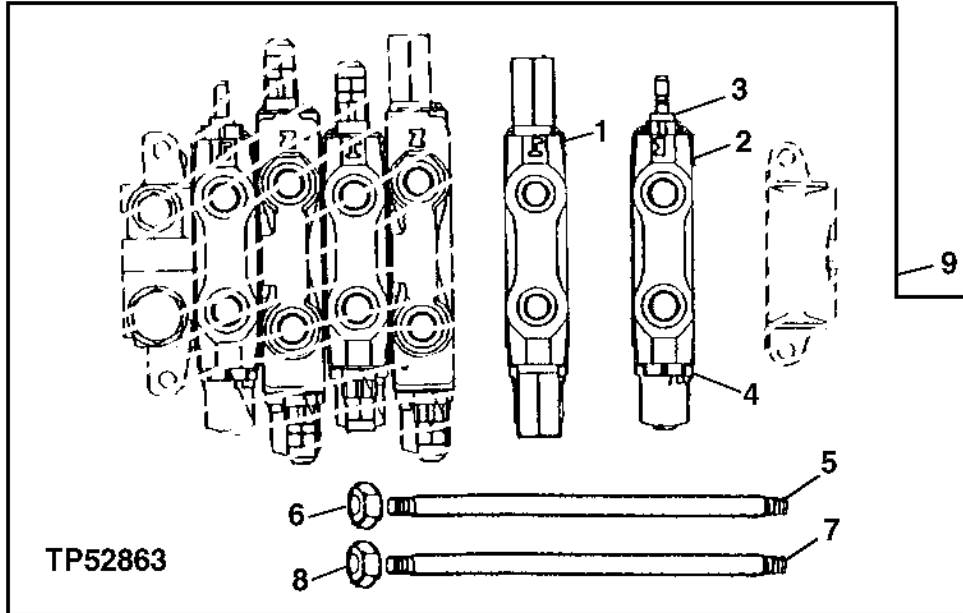
KEY	PART NO.	PART NAME	QTY.	SERIAL NO.	REMARKS
				3 3	
				3 1 1	
				1 0 5	
				0 S S	
				G G G	
1	AT191708	HYD ACTUATED CONTROL VALVE	1	X	(SWING) MANUAL CONTROLS
	AT323398	HYD ACTUATED CONTROL VALVE	1	X	(SWING) PILOT CONTROLS
2	AT191710	VALVE	1	X	(AUXILIARY)
3	AT83174	FITTING PLUG	3	X	
	T183757	SEAL	1	X	
4	AT83174	FITTING PLUG	1	X	
5	T118695	ROD	2	X	(USED WHEN ADDING TO 4-FUNCTION VALVE)
	T118697	ROD	2	X	(USED WHEN ADDING TO 5-FUNCTION VALVE)
6	14H807	NUT	4	X	7/16"
7	T140699	ROD	1	X	(USED WHEN ADDING TO 4-FUNCTION VALVE)
	T140700	ROD	1	X	(USED WHEN ADDING TO 5-FUNCTION VALVE)
8	14H865	NUT	2	X	1/2"
9	AT192334	KIT	1	X	(WHOLE GOODS) (INCLUDES AT186297)
	AT320497	KIT	1	X	(WHOLE GOODS) (FOR PILOT APPLICATION)

3362-27

CONTROL & LOAD HOLDING VALVES 3362

SIXTH FUNCTION MANUAL AND PILOT CONTROL KIT (310SG AND 315SG)
KITS DE COMMANDES PILOTE ET MANUELLE DE SIXIEME FONCTION (310SG ET 315SG)
JUEGOS DE CONTROL MANUAL DE SEXTA FUNCION Y CONTROL PILOTO (310SG Y 315SG)

TP52863 -UN-22NOV96

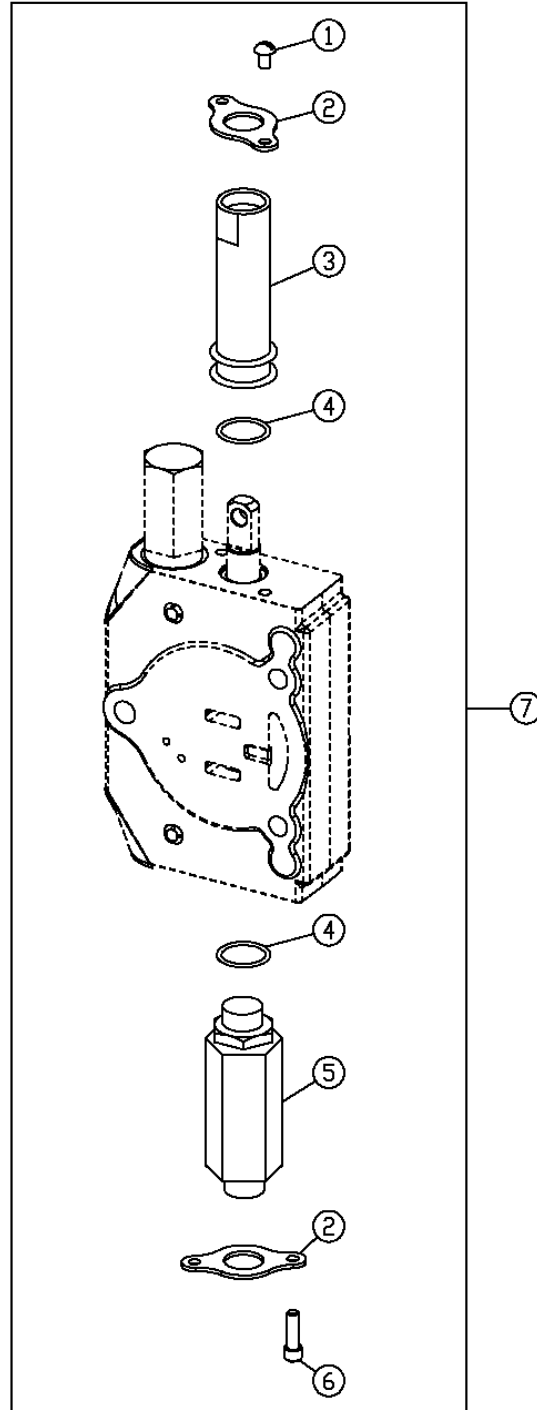


KEY	PART NO.	PART NAME	QTY.	SERIAL NO.	REMARKS
				3 3	
				3 1 1	
				1 0 5	
				0 S S	
				G G G	
1	AT179109	SPOOL VALVE	1		X X (SWING) MANUAL CONTROLS
	AT300805	SPOOL VALVE	1		X X (SWING) PILOT CONTROLS
2	AT189168	VALVE	1		X X (AUXILIARY)
3	AT83174	FITTING PLUG	1		X X
4	AT83174	FITTING PLUG	1		X X
	T183757	SEAL	1		X X
5	T118695	ROD	2		X X (USED WHEN ADDING TO 4-FUNCTION VALVE)
	T118697	ROD	2		X X (USED WHEN ADDING TO 5-FUNCTION VALVE)
6	14H807	NUT	4		X X 7/16"
7	T140699	ROD	1		X X (USED WHEN ADDING TO 4-FUNCTION VALVE)
	T140700	ROD	1		X X (USED WHEN ADDING TO 5-FUNCTION VALVE)
8	14H865	NUT	2		X X 1/2"
9	AT192239	KIT	1		X X (WHOLE GOODS) (MANUAL CONTROL) (INCLUDES AT186297)
	AT307664	KIT	1		X X (WHOLE GOODS) (PILOT CONTROL)

3362-28

HYDRAULIC REMOTE KIT KIT DE COMMANDE HYDRAULIQUE A DISTANCE JUEGO REMOTO HIDRAULICO

T143055 -UN-19JUN01



T143055

3362-29

BACKHOE 33

CONTROL& LOAD:HOLDING:VALVES 3362

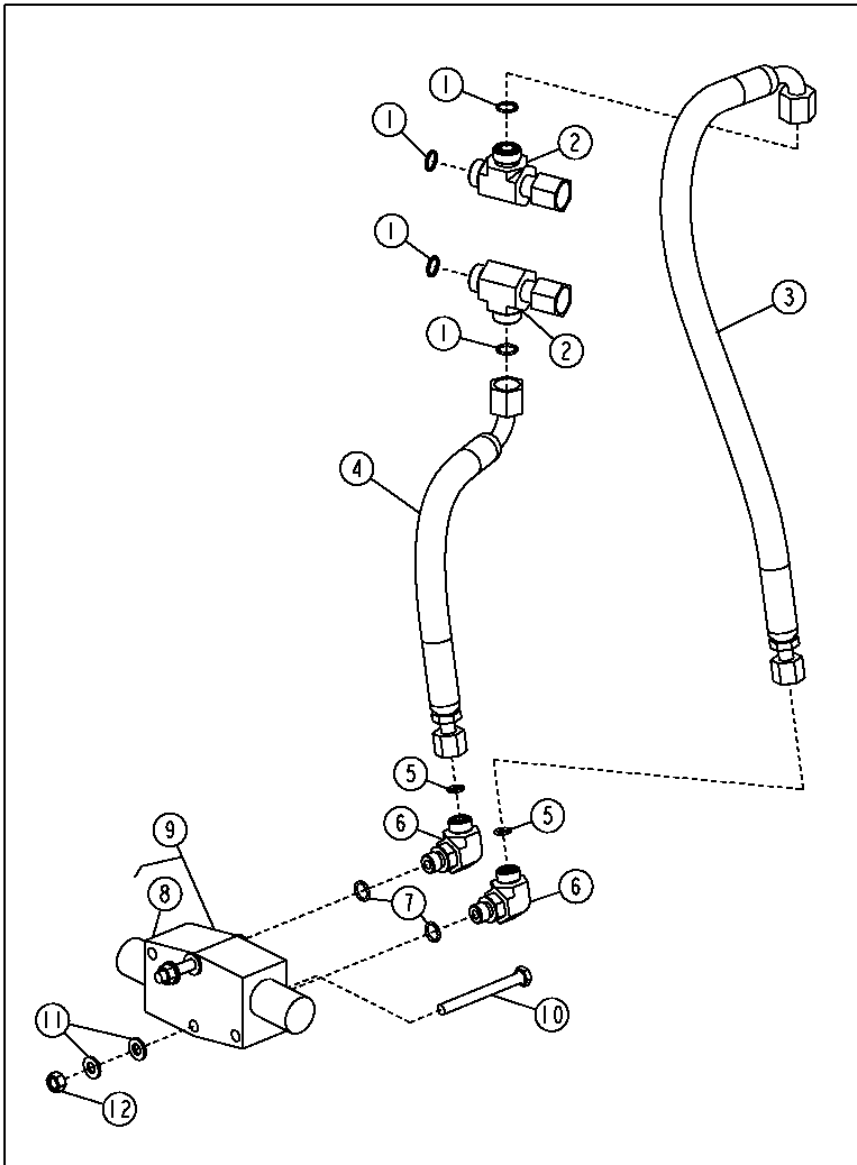
HYDRAULIC REMOTE KIT
 KIT DE COMMANDE HYDRAULIQUE A DISTANCE
 JUEGO REMOTO HIDRAULICO

KEY	PART NO.	PART NAME	QTY.	SERIAL NO.	3 3 3 1 1 1 0 5 0 S S G G G	REMARKS
1	SCREW	2		X X X	
2	PLATE	2		X X X	
3	SLEEVE	1		X X X	
4	U15192	O-RING	2		X X X	
5	HOUSING	1		X X X	
6	SCREW	2		X X X	
7	AT181856	KIT	1		X X X	(REQUIRES ADDITIONAL CUSTOM COMPONENTS)

3362-29A

ACCU-SWING VALVE
SOUPAPE ACCU-SWING
VALVULA ACCU-SWING

T201568 -UN-07JUL04



T201568

3362-29B

BACKHOE 33

CONTROL& LOAD:HOLDING:VALVES 3362

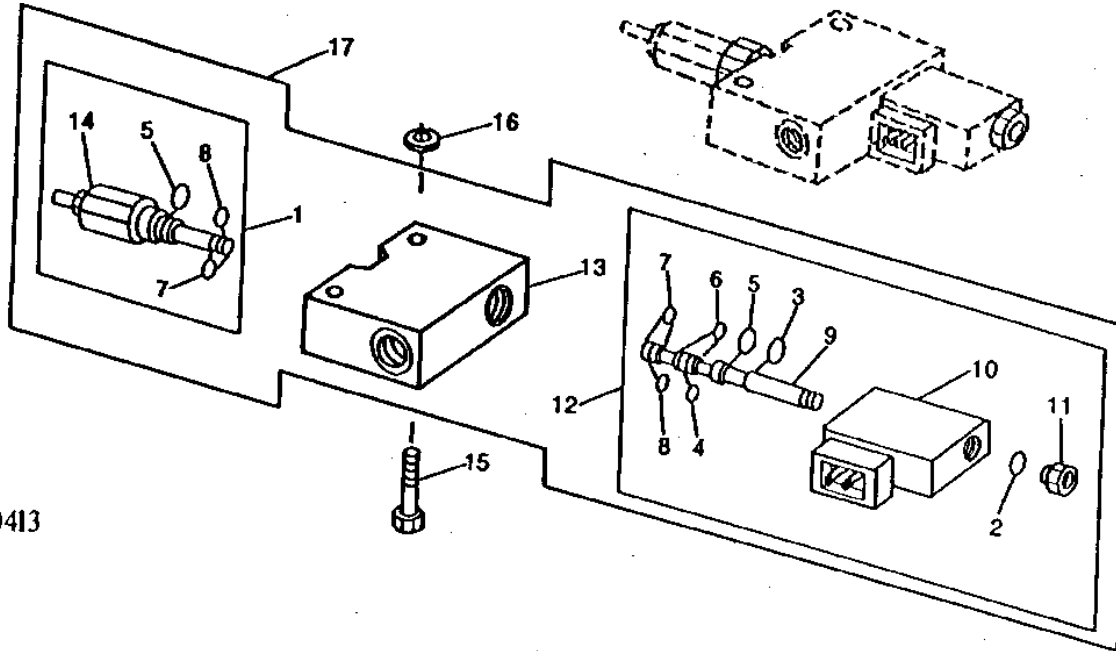
ACCU-SWING VALVE
SOUPAPE ACCU-SWING
VALVULA ACCU-SWING

KEY	PART NO.	PART NAME	QTY.	SERIAL NO.	REMARKS
					3 3
					3 1 1
					1 0 5
					0 S S
					G G G
1	T77857	O-RING	4		X X
2	38H1031	TEE FITTING	2		X X
3	AT312919	HYDRAULIC HOSE	1		X X
4	AT312918	HYDRAULIC HOSE	1		X X
5	T77613	O-RING	2		X X
6	38H1004	ELBOW FITTING	2		X X
7	R26448	O-RING	2		X X
8	AT314127	SEAL KIT	1		X X
9	AT312944	VALVE	1		X X
10	19M7663	CAP SCREW	2		X X
11	24M7238	WASHER	4		X X
12	14M7273	NUT	2		X X
13	AT312949	KIT	1		X X
					M8 X 70
					8.700 X 17 X 2 MM
					M8
					(WHOLE GOODS) (INCLUDES AT312918 AND AT312919)

3362-30

LOCKING CONTROL VALVE (315SG)
 DISTRIBUTEUR VERROUILLABLE (315SG)
 VALVULA DE CONTROL DE BLOQUEO (315SG)

TP40413 -UN-01JAN94



TP40413

KEY	PART NO.	PART NAME	QTY.	SERIAL NO.	REMARKS
				3 3	
				3 1 1	
				1 0 5	
				0 S S	
				G G G	
1	AT183592	PRESSURE RELIEF VALVE	1		X
2	R26375	O-RING	1		X
3	P50883	RING	1		X
4	R33259	O-RING	1		X
5	R26906	O-RING	2		X
6	T101764	BACK-UP RING	2		X
7	T101763	SHIM	4		X
8	R28776	O-RING	3		X
9	SPOOL VALVE	1		X
10	HOUSING	1		X
11	FITTING	1		X
12	SOLENOID VALVE	1		X (12-VOLT)
13	HOUSING	1		X
14	RELIEF VALVE	1		X
15	19M7529	CAP SCREW	2		X M6 X 55
16	24M7293	WASHER	2		X
17	AT183556	SOLENOID HYDRAULIC VALVE	1		X

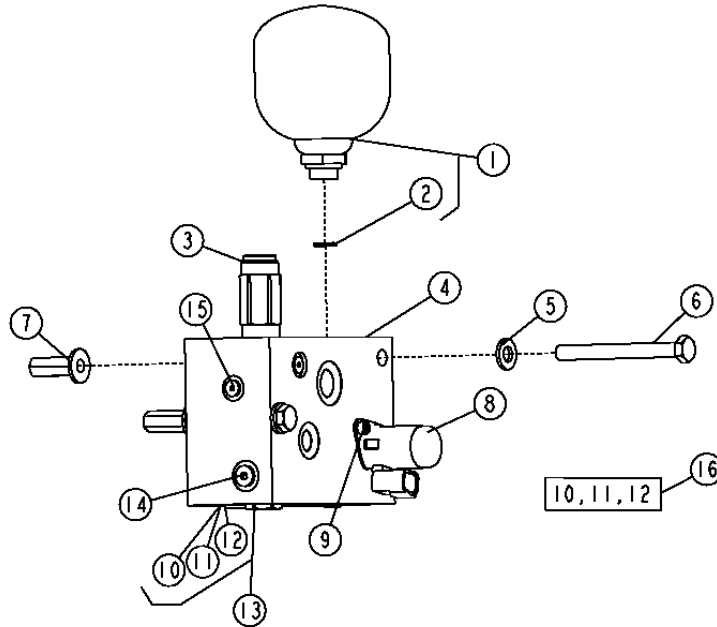
3362-31

BACKHOE 33

CONTROL & LOAD HOLDING VALVES 3362

PILOT CONTROL MANIFOLD
COLLECTEUR DE COMMANDE PILOTE
COLECTOR DE CONTROL PILOTO

T198598 -UN-22MAR04



T198598

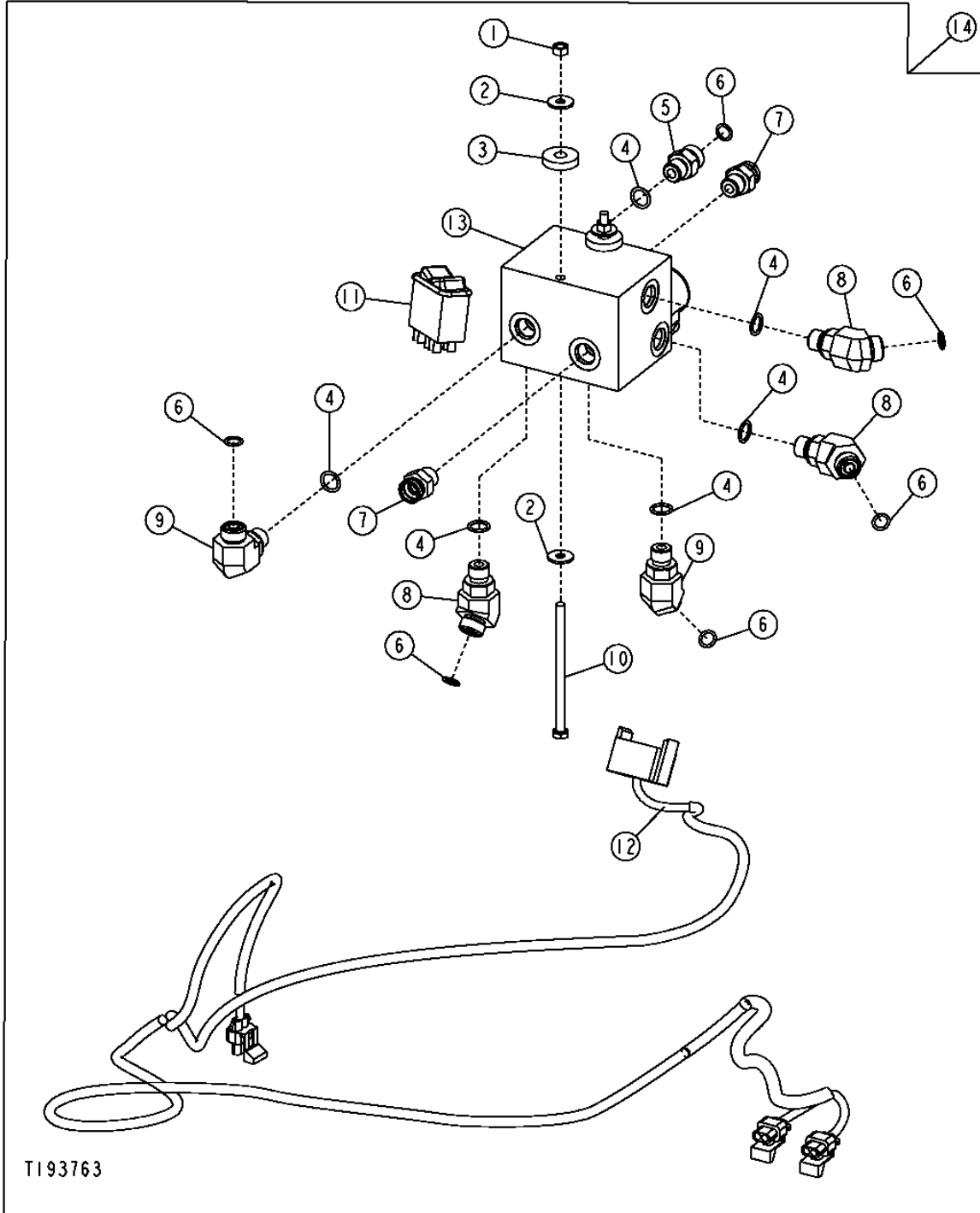
KEY	PART NO.	PART NAME	QTY.	SERIAL NO.		REMARKS
					3 3	
					3 1 1	
					1 0 5	
					0 S S	
					G G G	
1	AT195957	PNEUMATIC ACCUMULATOR	1		X X	
2	R26448	O-RING	1		X X	
3	AT332497	HYDRAULIC PRESSURE VALVE	1		X X	(SUB FOR AT313708, THIS APPLICATION) (SUB FOR AT300230)
4	AT196943	SEAL KIT	1			
	FLOW CONTROL HYD. VALVE	1	-943092	X X	(AT197769 NLA) (INCLUDES AT224570, AT300230, AT49216, KV25678 AND (6) T105368) (SUB AT306550) (ALSO ORDER AT187669 AND AT317350)
	AT306550	FLOW CONTROL HYD. VALVE	1	943093-	X X	(INCLUDES AT224570, AT332497, AT49216, KV25678, 0344046 AND (6) T105368)
5	24M7239	WASHER	2		X X	
6	19M8093	CAP SCREW	2		X X	M10 X 100
7	T148410	NUT	2		X X	M10
8	KV25678	SOLENOID VALVE	1		X X	(SUB FOR AT300254)
9	0344046	BOLT	2		X X	(SUB FOR AT121123)
10	BACK-UP RING	1		X X	
11	O-RING	1		X X	
12	O-RING	1		X X	
13	AT224570	CHECK VALVE	1		X X	(MARKED CV08)
14	AT49216	FITTING PLUG	1		X X	(INCLUDES R26448)
15	T105368	FITTING PLUG	6		X X	
16	AT300255	SEAL KIT	1		X X	

3362-32

PATTERN SELECTOR VALVE (PILOT CONTROL)
SOUPAPE DE SELECTION DE CONFIGURATION (COMMANDE PILOTE)
VALVULA SELECTORA DE PATRON (CONTROL PILOTO)

T193763

-UN-06AUG03



T193763

3362-33

BACKHOE 33

CONTROL& LOAD:HOLDING:VALVES 3362

PATTERN SELECTOR VALVE (PILOT CONTROL)
SOUPAPE DE SELECTION DE CONFIGURATION (COMMANDE PILOTE)
VALVULA SELECTORA DE PATRON (CONTROL PILOTO)

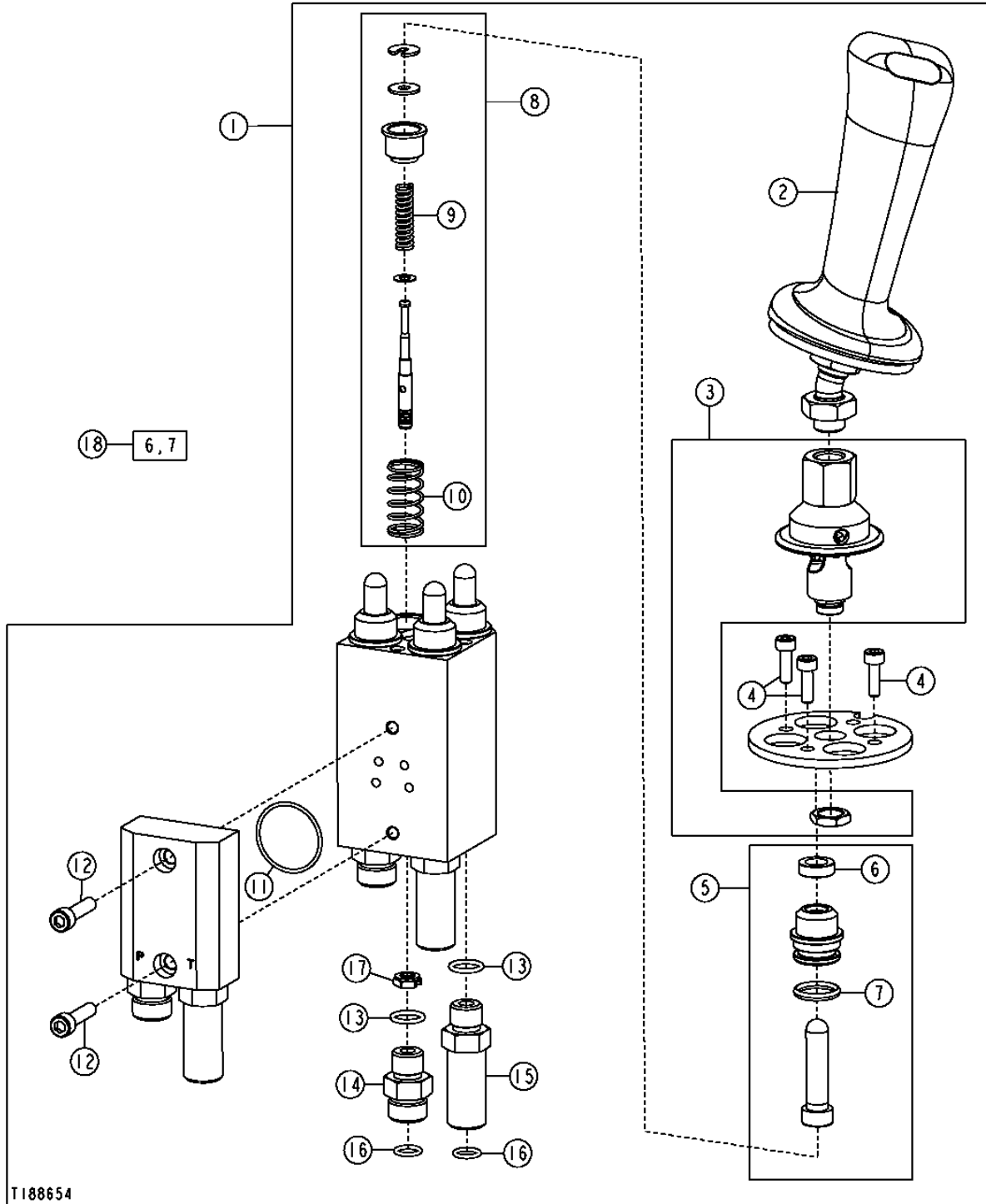
KEY	PART NO.	PART NAME	QTY.	SERIAL NO.	3 3 3 1 1 1 0 5 0 S S G G G	REMARKS
1	14M7272	NUT	2		X X	M6
2	24M7139	WASHER	4		X X	
3	24H1621	WASHER	2		X X	
4	R26448	O-RING	6		X X	
5	38H1160	ADAPTER FITTING	4		X X	
6	T77613	O-RING	6		X X	
7	AT187666	ADAPTER FITTING	2		X X	
	AT193365	KIT	2		X X	STC REPAIR
8	38H1045	ELBOW FITTING	3		X X	
9	38H1004	ELBOW FITTING	4		X X	90°
10	19M9090	CAP SCREW	2		X X	
11	AT199633	TOGGLE/ROCKER SWITCH	1		X X	
12	AT198847	WIRING HARNESS	1		X X	
13	AT199065	FLOW CONTROL HYD. VALVE	1		X X	
	AT195144	SOLENOID VALVE COIL	2		X X	
	AT195922	HYD ACTUATED CONTROL VALVE	2		X X	
14	AT197165	KIT	1		X X	(WHOLE GOODS)

3362-34

PILOT CONTROLLER VALVE (LEFT HAND) VANNE DE COMMANDE PILOTE (GAUCHE) VALVULA DE PALANCA DE CONTROL PILOTO (IZQUIERDO)

CONTROL & LOAD HOLDING VALVES 3362

T188654 -UN-18MAR03



3362-35

BACKHOE 33

CONTROL& LOAD;HOLDING;VALVES 3362

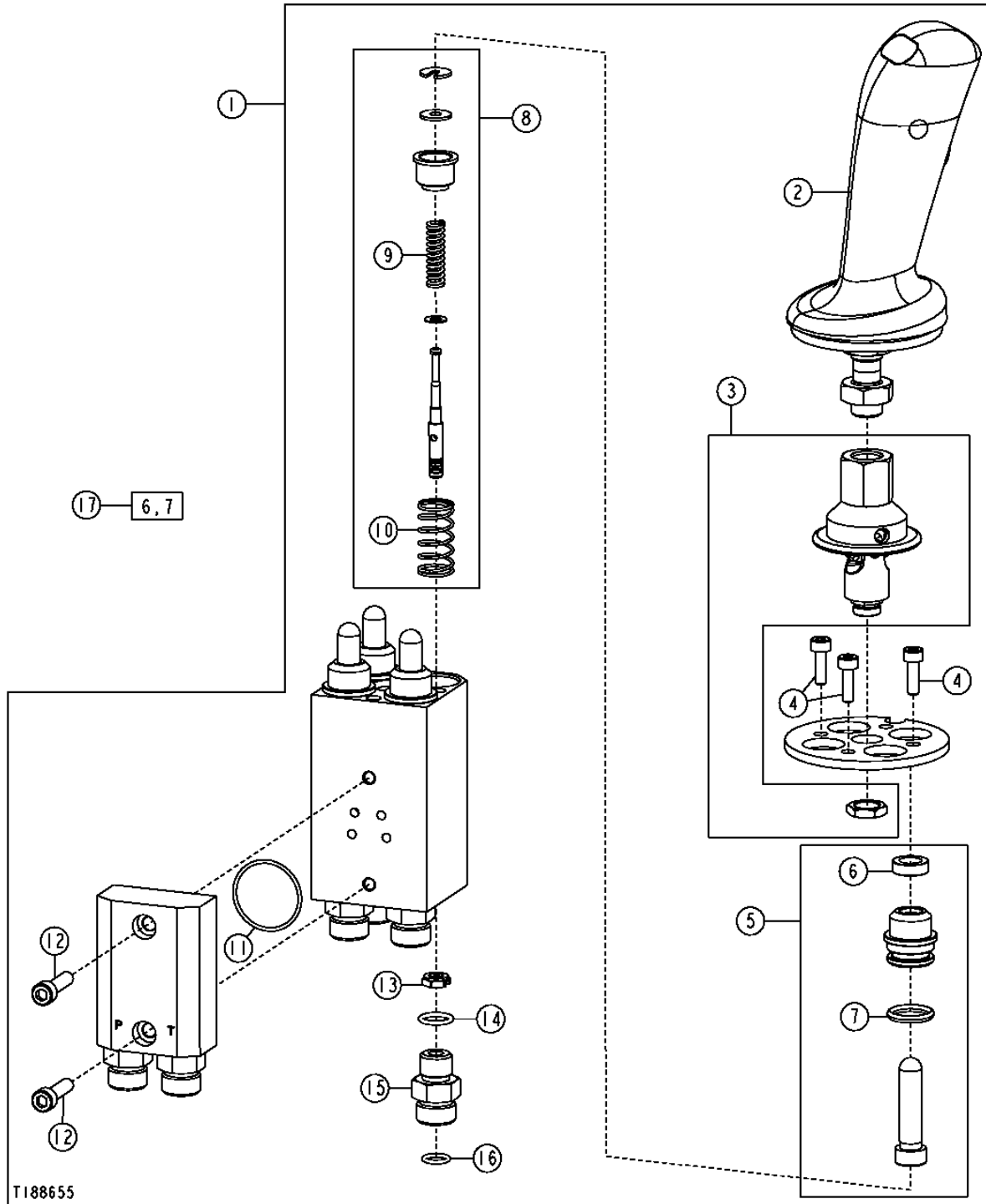
PILOT CONTROLLER VALVE (LEFT HAND)
 VANNE DE COMMANDE PILOTE (GAUCHE)
 VALVULA DE PALANCA DE CONTROL PILOTO (IZQUIERDO)

KEY	PART NO.	PART NAME	QTY.	SERIAL NO.	REMARKS
					3 3
					3 1 1
					1 0 5
					0 S S
					G G G
1	AT303890	HYDR./PILOT CONTROL VALVE	1		X X (LH) (SUB FOR AT198617)
	T190825	BOOT	1		X X (NOT ILLUSTRATED)
2	AT198768	HANDLE	1		X X
3	AT198773	KIT	1		X X
4	T190824	SCREW	3		X X
5	AT198770	KIT	4		X X
6	SEAL	4		X X (A)
7	O-RING	4		X X (A)
8	AT307187	SPOOL VALVE	4		X X (SUB FOR AT198772) (SUB FOR AT303892)
9	SPRING	4		X X
10	SPRING	4		X X
11	T190819	O-RING	1		X X
12	T190820	CAP SCREW	2		X X
13	R26448	O-RING	6		X X
14	38H1160	ADAPTER FITTING	3		X X
15	38H1212	ADAPTER FITTING	3		X X
16	T77613	O-RING	6		X X
17	T200956	ORIFICE	1		X X (ONLY USED IN PORT 4, BOOM DOWN FUNCTION)
18	AT198771	KIT	4		X X (INCL ALL PARTS MARKED (A))

3362-36

PILOT CONTROLLER VALVE (RIGHT HAND) VANNE DE COMMANDE PILOTE (DROIT) VALVULA DE PALANCA DE CONTROL PILOTO (DERECHO)

T188655 -UN-18MAR03



3362-37

BACKHOE 33

CONTROL& LOAD:HOLDING:VALVES 3362

PILOT CONTROLLER VALVE (RIGHT HAND)
 VANNE DE COMMANDE PILOTE (DROIT)
 VALVULA DE PALANCA DE CONTROL PILOTO (DERECHO)

KEY	PART NO.	PART NAME	QTY.	SERIAL NO.	REMARKS
					3 3
					3 1 1
					1 0 5
					0 S S
					G G G
1	AT303891	HYDR./PILOT CONTROL VALVE	1		X X (RH) (SUB FOR AT198618)
	T190825	BOOT	1		X X (NOT ILLUSTRATED)
2	AT198774	HANDLE	1		X X
3	AT198773	KIT	1		X X
4	T190824	SCREW	3		X X
5	AT198770	KIT	4		X X
6	SEAL	4		X X (A)
7	O-RING	4		X X (A)
8	AT307187	SPOOL VALVE	4		X X (SUB FOR AT198772) (SUB FOR AT303892)
9	SPRING	4		X X
10	SPRING	4		X X
11	T190819	O-RING	1		X X
12	T190820	CAP SCREW	2		X X
13	T200956	ORIFICE	1		X X (ONLY USED IN PORT 2, CROWD OUT FUNCTION)
14	R26448	O-RING	6		X X
15	38H1160	ADAPTER FITTING	6		X X
16	T77613	O-RING	6		X X
17	AT198771	KIT	4		X X (INCL ALL PARTS MARKED (A))

3362-38

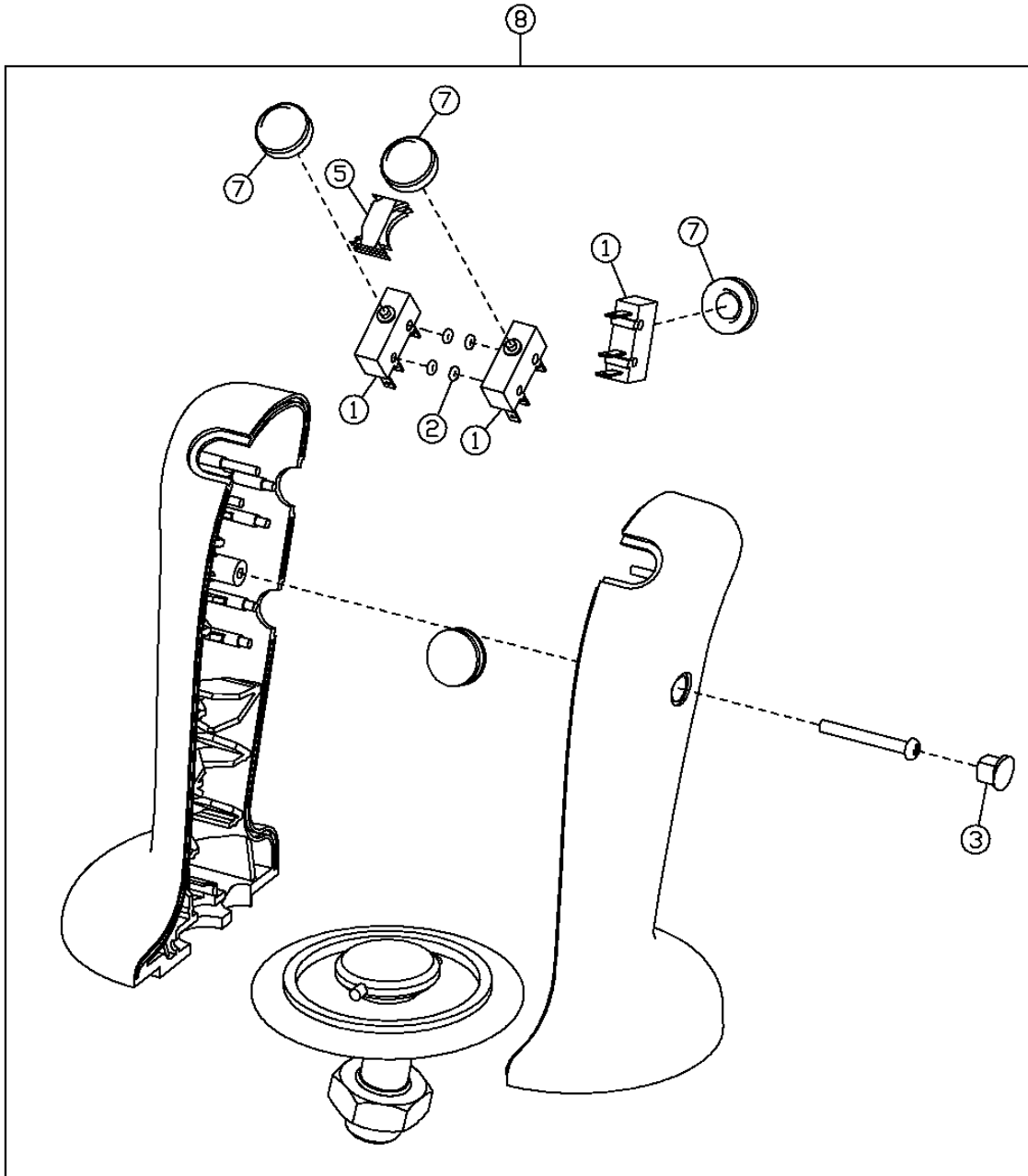
BACKHOE 33

CONTROL & LOAD HOLDING VALVES 3362

PILOT CONTROL HANDLE BUTTON FUNCTION KIT
KIT DE FONCTION DE BOUTON DE POIGNEE DE COMMANDE PILOTE
JUEGO DE FUNCION DE BOTON DE PALANCA DE CONTROL PILOTO

T202931

-UN-30SEP04



T202931

THIS PARTS LISTING IS CONTINUED

3362-38

310G, 310SG AND 315SG BACKHOE LOADERS PC2755 (23-AUG-06) PN=778

3362-39

BACKHOE 33

CONTROL& LOAD:HOLDING:VALVES 3362

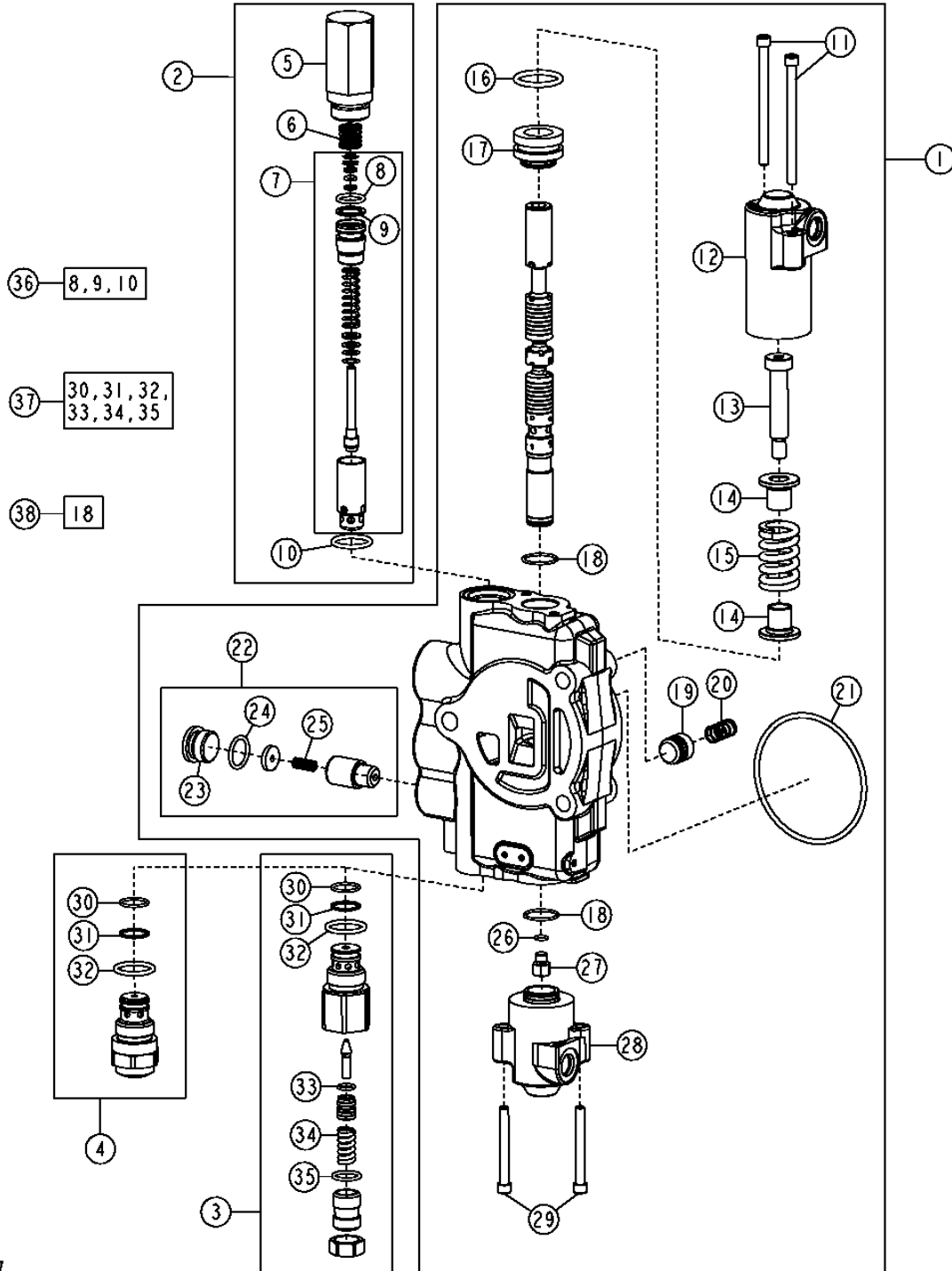
**PILOT CONTROL HANDLE BUTTON FUNCTION KIT
 KIT DE FONCTION DE BOUTON DE POIGNEE DE COMMANDE PILOTE
 JUEGO DE FUNCION DE BOTON DE PALANCA DE CONTROL PILOTO**

KEY	PART NO.	PART NAME	QTY.	SERIAL NO.	REMARKS
					3 3
					3 1 1
					1 0 5
					0 S S
					G G G
1	SWITCH	4		X X
2	O-RING	4		X X
3	PLUG	1		X X
4	TIE BAND	1		X X
5	SPACER	1		X X
6	WIRING HARNESS	1		X X
7	PUSH BUTTON	4		X X
8	AT314668	KIT	1		X X

3362-40

BOOM SECTION, PILOT
SECTION DE FLECHE, SOUPAPE PILOTE
SECCION DE AGUILON, PILOTO

T188687 -UN-19MAR03



T188687

THIS PARTS LISTING IS CONTINUED

3362-41

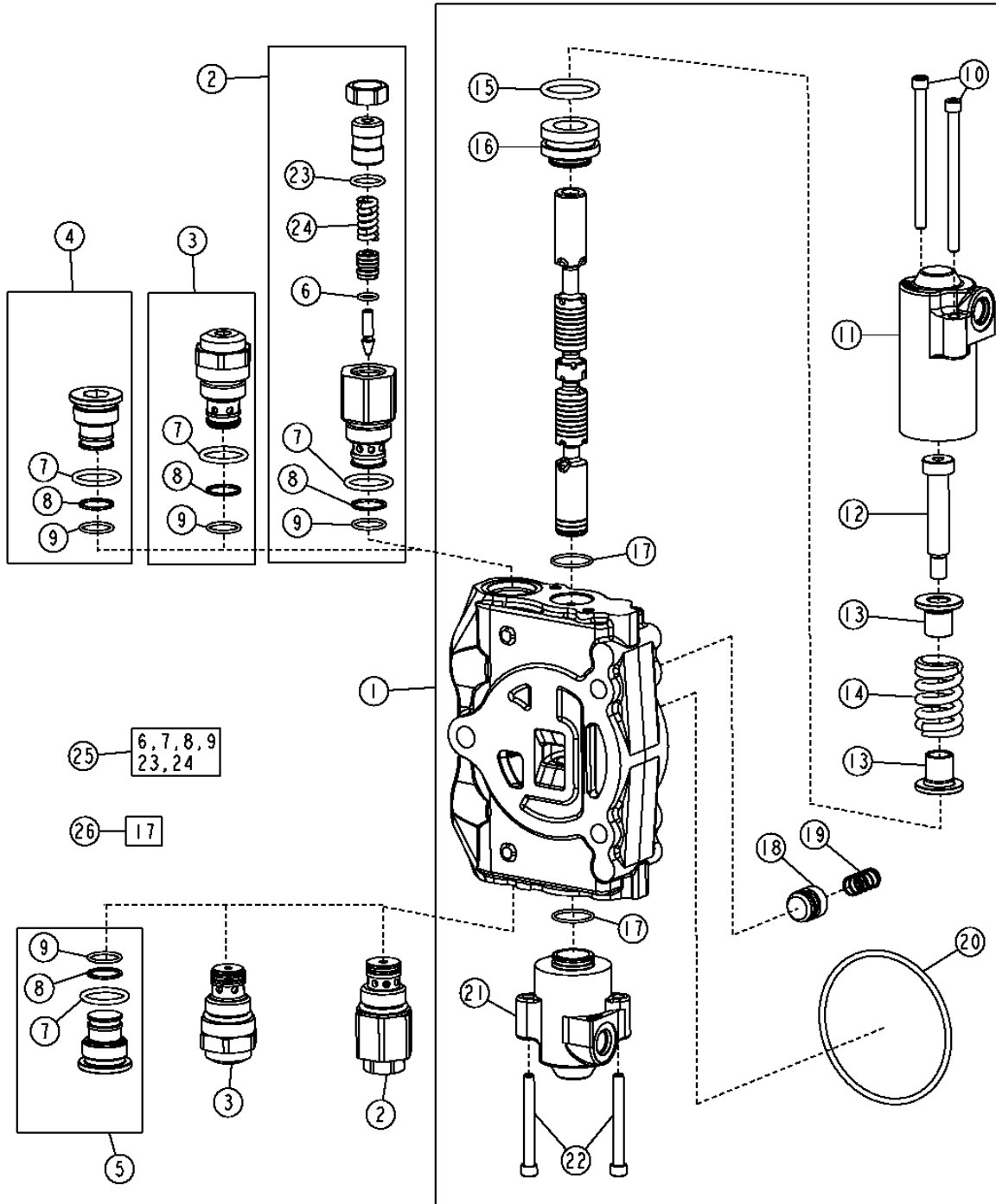
**BOOM SECTION, PILOT
SECTION DE FLECHE, SOUPAPE PILOTE
SECCION DE AGUILON, PILOTO**

KEY	PART NO.	PART NAME	QTY.	SERIAL NO.	3 3 3 1 1 1 0 5 0 S S G G G	REMARKS
1	AT320370	VALVE	1		X	
	AT300827	VALVE	1		X X	
2	AT171403	PRESSURE RELIEF VALVE	1		X X	(2150 PSI)
3	AT300803	PRESSURE RELIEF VALVE	1		X	(5000 PSI) (NOT ANTI-CAVITATION)
	AT301447	PRESSURE RELIEF VALVE	1		X	(5500 PSI) (NOT ANTI-CAVITATION)
4	AT301128	PRESSURE RELIEF VALVE	1		X	(5000 PSI) (ANTI-CAVITATION)
	AT301487	PRESSURE RELIEF VALVE	1		X	(5500 PSI) (ANTI-CAVITATION)
5	T118866	HOUSING	1		X X	
6	T118867	SPRING	1		X X	
7	AT178363	PRESSURE RELIEF VALVE	1		X X	
8	O-RING	1		X X	(A)
9	BACK-UP RING	1		X X	(A)
10	T118681	O-RING	1		X X	(A)
11	T191335	SCREW	2		X X	
12	T201072	CAP	1		X X	
13	790107100	SCREW	1		X X	
14	T201306	RETAINER	2		X X	
15	T201071	COMPRESSION SPRING	1		X X	
16	T191346	O-RING	1		X X	
17	790106800	RETAINER	1		X X	
18	T213059	O-RING	2		X X	(C)
19	T81538	POPPET	1		X X	
20	T81539	SPRING	1		X X	
21	T118685	O-RING	1		X X	
22	AT178371	SEAL KIT	1		X X	(DRIFT CHECK)
23	T201424	PLUG	1		X X	
24	R26906	O-RING	1		X X	
25	R111238	SPRING	1		X X	
26	R30903	O-RING	1		X X	
27	T191336	PLUG	1		X X	
28	T201069	CAP	1		X X	
29	T191334	SCREW	2		X X	
30	T107887	O-RING	2		X X	(B)
31	BACK-UP RING	2		X X	(B)
32	T118681	O-RING	2		X X	(B)
33	R63548	O-RING	1		X X	(B)
34	SPRING	1		X X	(B)
35	O-RING	1		X X	(B)
36	AT314538	SEAL KIT	1		X X	23.3 MM (7/8 IN) RELIEF VALVE (INCL ALL PARTS MARKED (A)) (SUB FOR AT189413)
	AT314539	SEAL KIT	1		X X	27.0 MM (1-1/16 IN) RELIEF VALVE (INCL ALL PARTS MARKED (A)) (SUB FOR AT189413)
37	AT300801	SEAL KIT	1		X X	(SEAL AND SPRING) (INCL ALL PARTS MARKED (B))
38	AT280406	SEAL KIT	1		X X	(SPOOL) (INCL ALL PARTS MARKED (C)) (SUB FOR AT178372)

3362-42

BUCKET SECTION, PILOT SECTION DE BENNE, SOUPAPE PILOTE SECCION DE CUCHARON, PILOTO

T198418 -UN-10MAR04



T198418

3362-43

**BUCKET SECTION, PILOT
SECTION DE BENNE, SOUPAPE PILOTE
SECCION DE CUCHARON, PILOTO**

KEY	PART NO.	PART NAME	QTY.	SERIAL NO.	G G G	REMARKS
					3 3 3 1 1 1 0 5 0 S S G G G	
1	AT320369	VALVE	1		X	
	AT300825	VALVE	1		X	
2	AT301526	PRESSURE RELIEF VALVE	2	-926295	X	(A) (1-1/16" PORT) (4600 PSI) (4 AND 5 FUNCTION)
	AT301526	PRESSURE RELIEF VALVE	2		X X	(A) (1-1/16" PORT) (4600 PSI) (6 AND 7 FUNCTION)
	AT301526	PRESSURE RELIEF VALVE	1	927954-	X X X	(A) (1-1/16" PORT) (4 AND 5 FUNCTION) (4600 PSI)
3	AT301527	PRESSURE RELIEF VALVE	2	-926295	X	(B) (1-1/16" PORT) (4600 PSI) (4 AND 5 FUNCTION) (SUB FOR AT301127)
	AT301527	PRESSURE RELIEF VALVE	2		X X	(B) (1-1/16" PORT) (4600 PSI) (6 AND 7 FUNCTION) (SUB FOR AT301127)
	AT301527	PRESSURE RELIEF VALVE	1	927954-	X X X	(B) (1-1/16" PORT) (4 AND 5 FUNCTION) (4600 PSI)
4	PLUG	2	926296-927953	X	(4 AND 5 FUNCTION) (SUB AT301526 OR AT301527)
5	AT307332	PLUG	2	925503-	X X X	(4 AND 5 FUNCTION)
6	R63548	O-RING	2		X X	(C)
7	T118681	O-RING	4		X X	(C)
8	BACK-UP RING	4		X X	(C)
9	T107887	O-RING	4		X X	(C)
10	T191335	SCREW	2		X X	
11	T201072	CAP	1		X X	
12	790107100	SCREW	1		X X	
13	T201306	RETAINER	2		X X	
14	T201071	COMPRESSION SPRING	1		X X	
15	T191346	O-RING	1		X X	
16	790106800	RETAINER	1		X X	
17	O-RING	2		X X	(D)
18	T81538	POPPET	1		X X	
19	T81539	SPRING	1		X X	
20	T118685	O-RING	1		X X	
21	T201069	CAP	1		X X	
22	T191334	SCREW	2		X X	
23	O-RING	2		X X	(C)
24	SPRING	2		X X	(C)
25	AT300801	SEAL KIT	1		X X	(SEAL AND SPRING) (INCL ALL PARTS MARKED (C))
26	AT280406	SEAL KIT	1		X X	(SPOOL) (INCL ALL PARTS MARKED (D)) (SUB FOR AT178372)

(A) NOT ANTI-CAVITATION
 (A) NON ANTI-CAVITATION
 (A) SIN FUNCION ANTICAVITACION

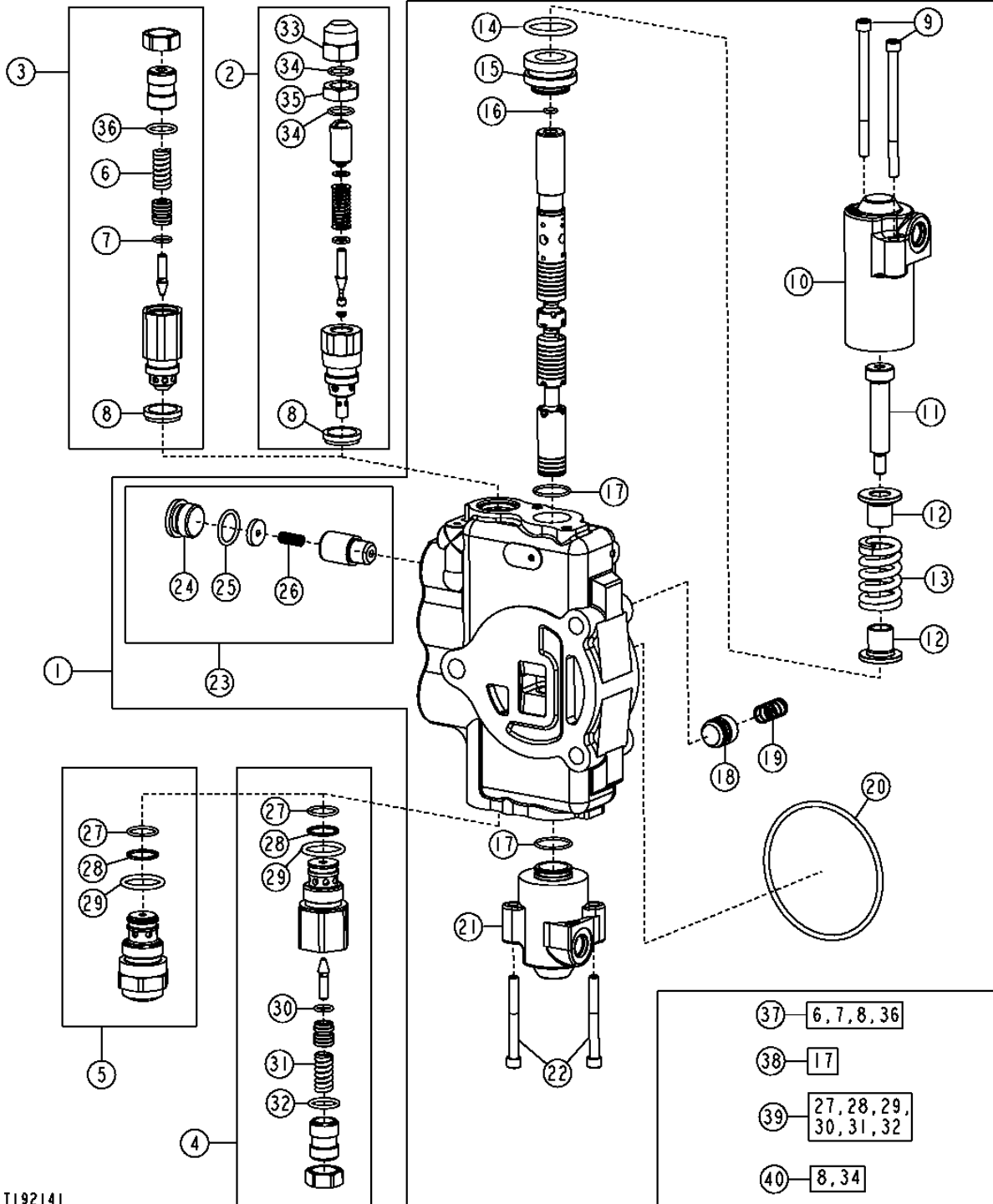
(B) ANTI-CAVITATION
 (B) ANTI-CAVITATION
 (B) ANTICAVITACION

3362-44

BACKHOE VALVE, CROWD SECTION, PILOT
SECTION DE CAVAGE, SOUPAPE PILOTE
SECCION DE EMPUJE, PILOTO

CONTROL & LOAD HOLDING VALVES 3362

T192141 -UN-02SEP03



T192141

3362-45

CONTROL & LOAD HOLDING VALVES 3362
 BACKHOE VALVE, CROWD SECTION, PILOT
 SECTION DE CAVAGE, SOUPAPE PILOTE
 SECCION DE EMPUJE, PILOTO

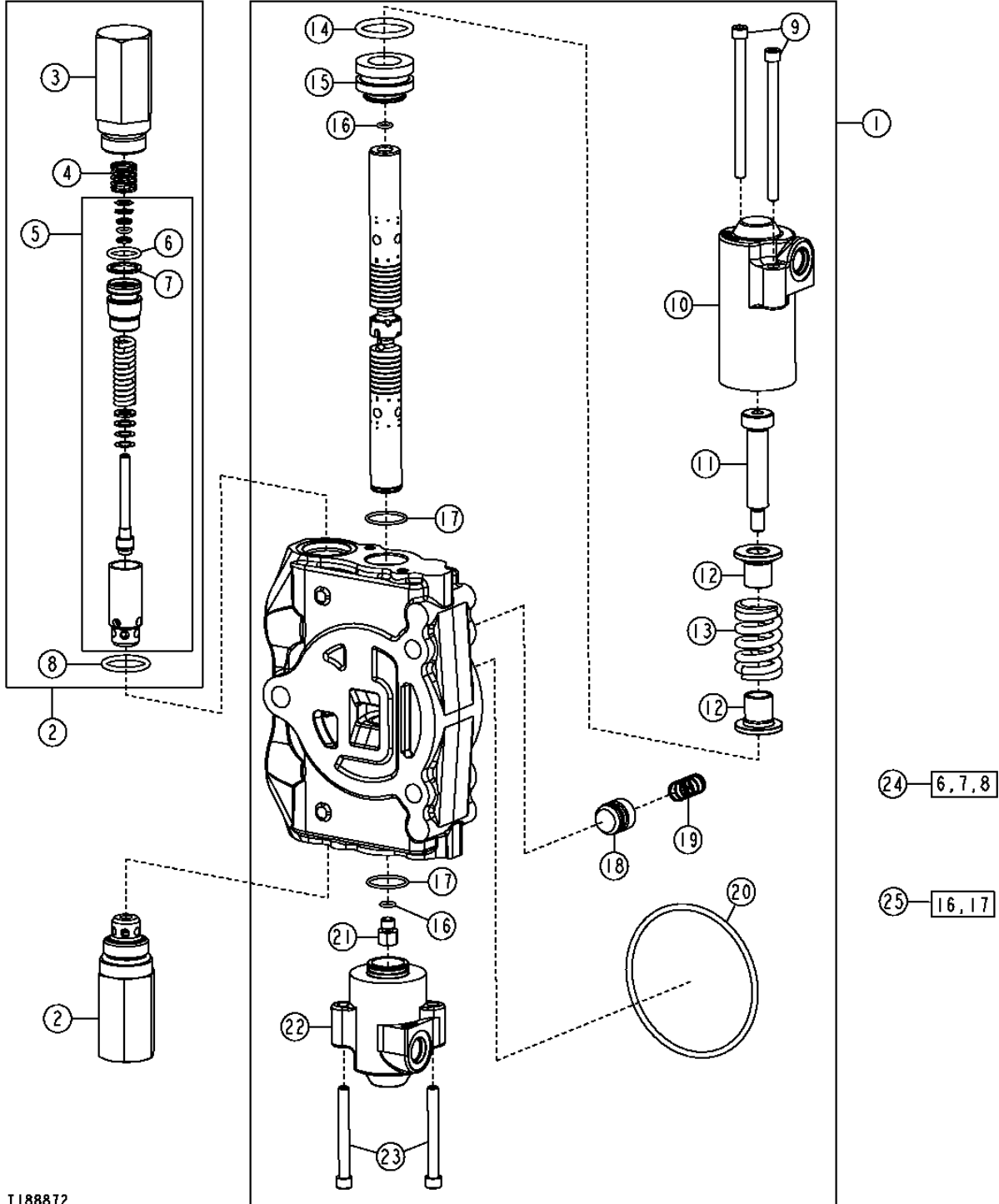
KEY	PART NO.	PART NAME	QTY.	SERIAL NO.	3 3 3 1 1 1 0 5 0 S S G G G	REMARKS
1	AT320372	VALVE	1		X	(4 FUNCTION)
	AT320378	VALVE	1		X	(5 AND 6 FUNCTION WITH SELECTIVE FLOW AUXILIARY)
	AT302103	VALVE	1		X	(4 FUNCTION)
	AT300828	VALVE	1		X	(5,6 AND 7 FUNCTION)
2	AT171404	PRESSURE RELIEF VALVE	1	915641-	X X	(4750 PSI) (7/8" PORT) (NOT ANTI-CAVITATION)
3	AT302113	PRESSURE RELIEF VALVE	1	-915640	X	(4750 PSI) (7/8" PORT) (NOT ANTI-CAVITATION)
4	PRESSURE RELIEF VALVE	1	-915640	X	(AT301750 NLA) (3800 PSI) (1-1/16" PORT) (NOT ANTI-CAVITATION) (SUB AT303954)
	AT303954	PRESSURE RELIEF VALVE	1	915641-	X X	(3800 PSI) (1-1/16" PORT) (NOT ANTI-CAVITATION)
5	AT301751	PRESSURE RELIEF VALVE	1		X X	(3800 PSI) (1-1/16" PORT) (ANTI-CAVITATION)
6	SPRING	1		X X	(A)
7	R63548	O-RING	1		X X	(A)
8	T183756	SEAL	2		X X	(A) (B)
9	T191335	SCREW	2		X X	
10	T201072	CAP	1		X X	
11	T191337	SCREW	1		X X	
12	T201306	RETAINER	2		X X	
13	T201071	COMPRESSION SPRING	1		X X	(4 FUNCTION) (SUB FOR T191338)
	T201071	COMPRESSION SPRING	1		X X	(5,6 AND 7 FUNCTION)
14	T191346	O-RING	1		X X	
15	790106800	RETAINER	1		X X	
16	R30903	O-RING	1		X X	
17	O-RING	2		X X	(B)
18	T152406	POPPET	1		X X	(4 FUNCTION)
	T81538	POPPET	1		X X	(5,6 AND 7 FUNCTION)
19	T152407	SPRING	1		X X	(4 FUNCTION)
	T81539	SPRING	1		X X	(5,6 AND 7 FUNCTION)
20	T118685	O-RING	1		X X	
21	T201069	CAP	1		X X	
22	T191334	SCREW	2		X X	
23	AT178371	SEAL KIT	1		X X	(DRIFT CHECK)
24	T201424	PLUG	1		X X	
25	R26906	O-RING	1		X X	
26	R111238	SPRING	1		X X	
27	T107887	O-RING	2		X X	
28	BACK-UP RING	2		X X	
29	T118681	O-RING	2		X X	
30	R63548	O-RING	1		X X	
31	SPRING	1		X X	
32	O-RING	1		X X	
33	T67425	NUT	1		X X	
34	O-RING	2		X X	
35	T67424	NUT	1		X X	
36	RING	1		X X	
37	AT302108	SEAL KIT	1		X X	
38	AT280406	SEAL KIT	1		X X	(SUB FOR AT178372)
39	AT301749	SEAL KIT	1	-915640	X	(USE WITH AT301750)
	AT300801	SEAL KIT	1	915641-	X X	(USE WITH AT303954)
40	AT314538	SEAL KIT	1		X X	22.3 MM (7/8 INCH) RELIEF VALVE, (SUB FOR AT189413, THIS APPLICATION)
	AT314539	SEAL KIT	1		X X	27.0 MM (1-1/16 INCH) RELIEF VALVE, (SUB FOR AT189413, THIS APPLICATION)

THIS PARTS LISTING IS CONTINUED

3362-46

SWING SECTION, PILOT
SECTION DE PIVOTEMENT, SOUPAPE PILOTE
SECCION DE GIRO, PILOTO

T188872 -UN-22MAR03



T188872

3362-47

BACKHOE 33

CONTROL& LOAD;HOLDING;VALVES 3362

SWING SECTION, PILOT
SECTION DE PIVOTEMENT, SOUPAPE PILOTE
SECCION DE GIRO, PILOTO

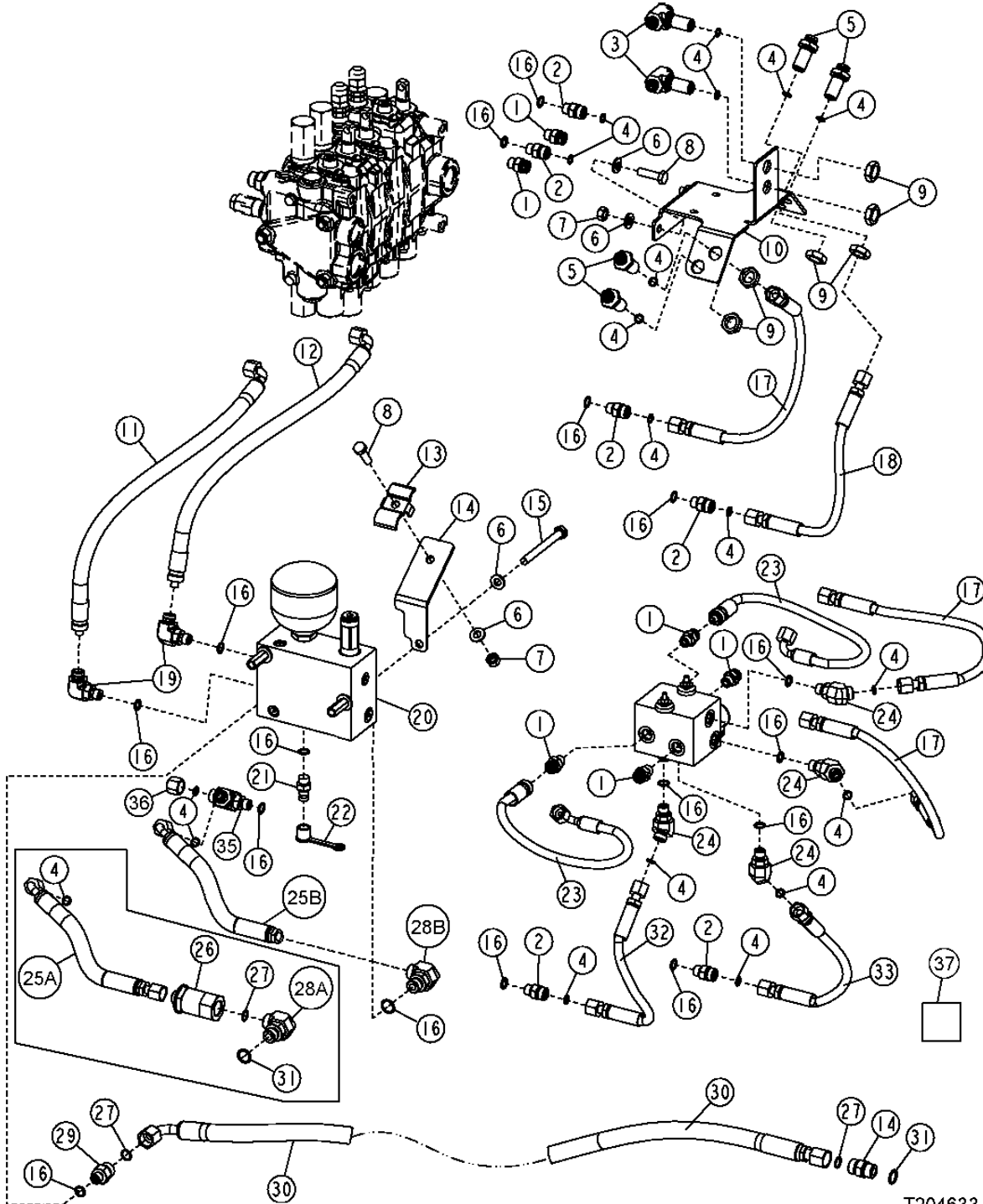
KEY	PART NO.	PART NAME	QTY.	SERIAL NO.	3 3 3 1 1 1 0 5 0 S S G G G	REMARKS
1	AT320371	VALVE	1		X	4,5 FUNCTION AND 4,6 FUNCTION (W/FLOW CONTROL AUX.)
	AT323398	VALVE	1		X	6 FUNCTION
	AT301763	VALVE	1		X	4,5,AND 6 FUNCTION (W/FLOW CONTROL AUX.)
2	AT300805	VALVE	1		X	6 AND 7 FUNCTION (W/MANUAL AUX.)
	CHECK VALVE	2		X X	(3800 PSI) (SUB FOR AT182377, THIS APPLICATION) (ORDER AT178362, T118866, T118867 AND T118681)
3	T118866	HOUSING	2		X X	
4	T118867	SPRING	2		X X	
5	AT178362	SEAL KIT	2		X X	(RELIEF VALVE)
6	O-RING	2		X X	(A)
7	BACK-UP RING	2		X X	(A)
8	T118681	O-RING	2		X X	(A)
9	T191335	SCREW	2		X X	
10	T201072	CAP	1		X X	
11	T191337	SCREW	1		X X	
12	T201306	RETAINER	2		X X	
13	T201071	COMPRESSION SPRING	1		X X	4,5 AND 6 FUNCTION (W/FLOW CONTROL AUX.) (SUB FOR T191338)
	T201071	SPRING	1		X X	6 FUNCTION (W/ MANUAL AUX.) AND 7 FUNCTION
14	T191346	O-RING	1		X X	
15	790106800	RETAINER	1		X X	
16	R30903	O-RING	2		X X	(B)
17	T213059	O-RING	2		X X	(B)
18	T81538	POPPET	1		X X	
19	T81539	SPRING	1		X X	
20	T118685	O-RING	1		X X	
21	T191336	PLUG	1		X X	
22	T201069	CAP	1		X X	
23	T191334	SCREW	2		X X	
24	AT314538	SEAL KIT	1		X X	22.30 MM (7/8") RELIEF VALVE (INCL PARTS MARKED (A)) (SUB FOR AT189413)
	AT314539	SEAL KIT	1		X X	27.0 MM (1-1/16") RELIEF VALVE (INCL PARTS MARKED (B)) (SUB FOR AT189413)
25	AT280406	SEAL KIT	1		X X	SPOOL, (SUB FOR AT178372)

3363-1A

PILOT CONTROL HYDRAULICS WITH SELECTOR VALVE
CIRCUIT HYDRAULIQUE DE COMMANDE PILOTE AVEC LE CLAPET SELECTEUR
SISTEMA HIDRAULICO DE CONTROL PILOTO CON LA VALVULA DE SELECTOR

T204633

-UN-18NOV04



T204633

3363-1B

BACKHOE 33

LINES, HOSES AND FITTINGS 3363

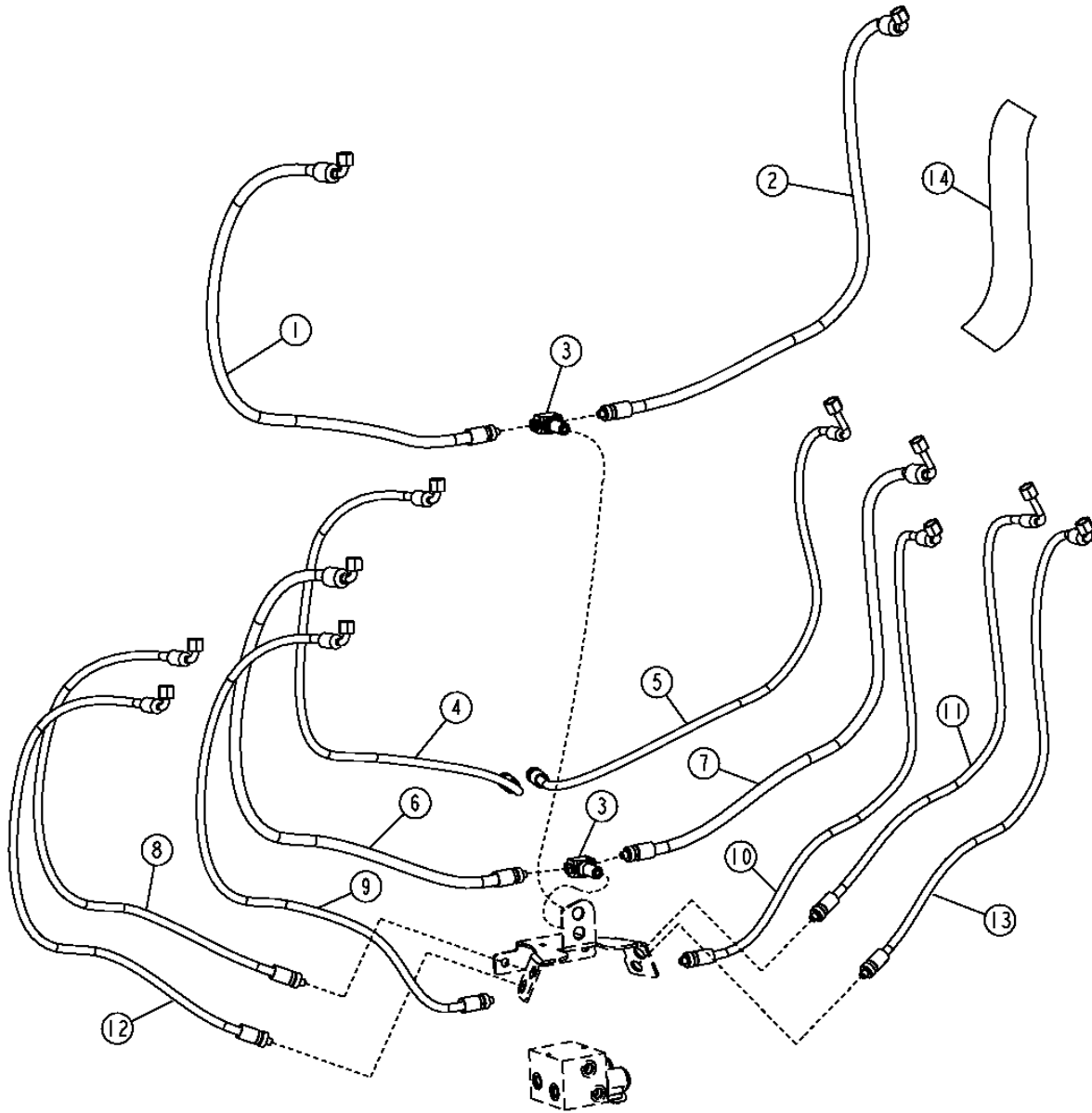
**PILOT CONTROL HYDRAULICS WITH SELECTOR VALVE
CIRCUIT HYDRAULIQUE DE COMMANDE PILOTE AVEC LE CLAPET SELECTEUR
SISTEMA HIDRAULICO DE CONTROL PILOTO CON LA VALVULA DE SELECTOR**

KEY	PART NO.	PART NAME	QTY.	SERIAL NO.	REMARKS
					3 3 3 1 1 1 0 5 0 S S G G G
1	AT187666	ADAPTER FITTING	6		X X
2	38H1160	ADAPTER FITTING	6		X X
3	AT199496	TEE FITTING	2		X X
4	T77613	O-RING	18		X X
5	AT199495	FITTING	4		X X
6	24M7239	WASHER	6		X X
7	14M7274	NUT	3		X X
8	19M7550	CAP SCREW	3		X X
9	T81029	NUT	6		X X
10	T190311	BRACKET	1		X X
11	AT197210	HYDRAULIC HOSE - FABRICATE	1		X X (ALSO ORDER 62H1042 AND T77613)
12	AT197211	HYDRAULIC HOSE - FABRICATE	1		X X (ALSO ORDER 62H1042 AND T77613)
13	T160548	CLAMP	1		X X
14	T190993	BRACKET	1		X X
15	19M8093	CAP SCREW	1		X X M10 X 100
16	R26448	O-RING	12		X X
17	AT197208	HYDRAULIC HOSE - FABRICATE	3		X X
18	AT197209	HYDRAULIC HOSE - FABRICATE	1		X X
19	AT187669	ADAPTER FITTING	2		X X
20	FLOW CONTROL HYD. VALVE	1	-943092	X X (AT197769 NLA) (SUB AT306550) (ALSO ORDER AT187669, AT317350, 62H1042 AND T77613)
	AT306550	FLOW CONTROL HYD. VALVE	1	943093-	X X
21	AH125760	HYD. QUICK-CONNECT COUPLER	1		X X
22	R77175	COVER	1		X X
23	AT280200	HYDRAULIC HOSE - FABRICATE	2		X X (ALSO ORDER 62H1042 AND T77613)
24	38H1045	ELBOW FITTING	4		X X
25A	AT305773	HYDRAULIC HOSE - FABRICATE	1	-943092	X (SUB FOR AT197212, THIS APPLICATION)
25B	AT317350	HYDRAULIC HOSE - FABRICATE	1	093043-	X
26	AT183869	FILTER ELEMENT	1	-943092	X (USE WITH AT197769)
27	T77857	O-RING	3		X X
28A	38H1005	ELBOW FITTING	1	-943092	X
28B	AT187669	ADAPTER FITTING	1	943093-	X X
29	38H1173	ADAPTER FITTING	1		X X
30	AT300742	HYDRAULIC HOSE - FABRICATE	1		X X
31	R26375	O-RING	2		X X
32	AT198417	HYDRAULIC HOSE - FABRICATE	1		X X
33	AT198416	HYDRAULIC HOSE - FABRICATE	1		X X
34	38H1161	ADAPTER FITTING	1		X X
35	38H1023	TEE FITTING	1		X X (SUB FOR 38H1160, THIS APPLICATION)
36	38H1415	FITTING	1		X X
37	AT193365	KIT	1		X X STC REPAIR (-06)
	AT193366	PUMP REPAIR KIT	1		X X STC REPAIR (-08)

3363-1C

PILOT CONTROL HYDRAULICS
CIRCUIT HYDRAULIQUE DE COMMANDE PILOTE
SISTEMA HIDRAULICO DE CONTROL PILOTO

T165883 -UN-27FEB03



T165883

3363-1D

BACKHOE 33

LINES, HOSES AND FITTINGS 3363

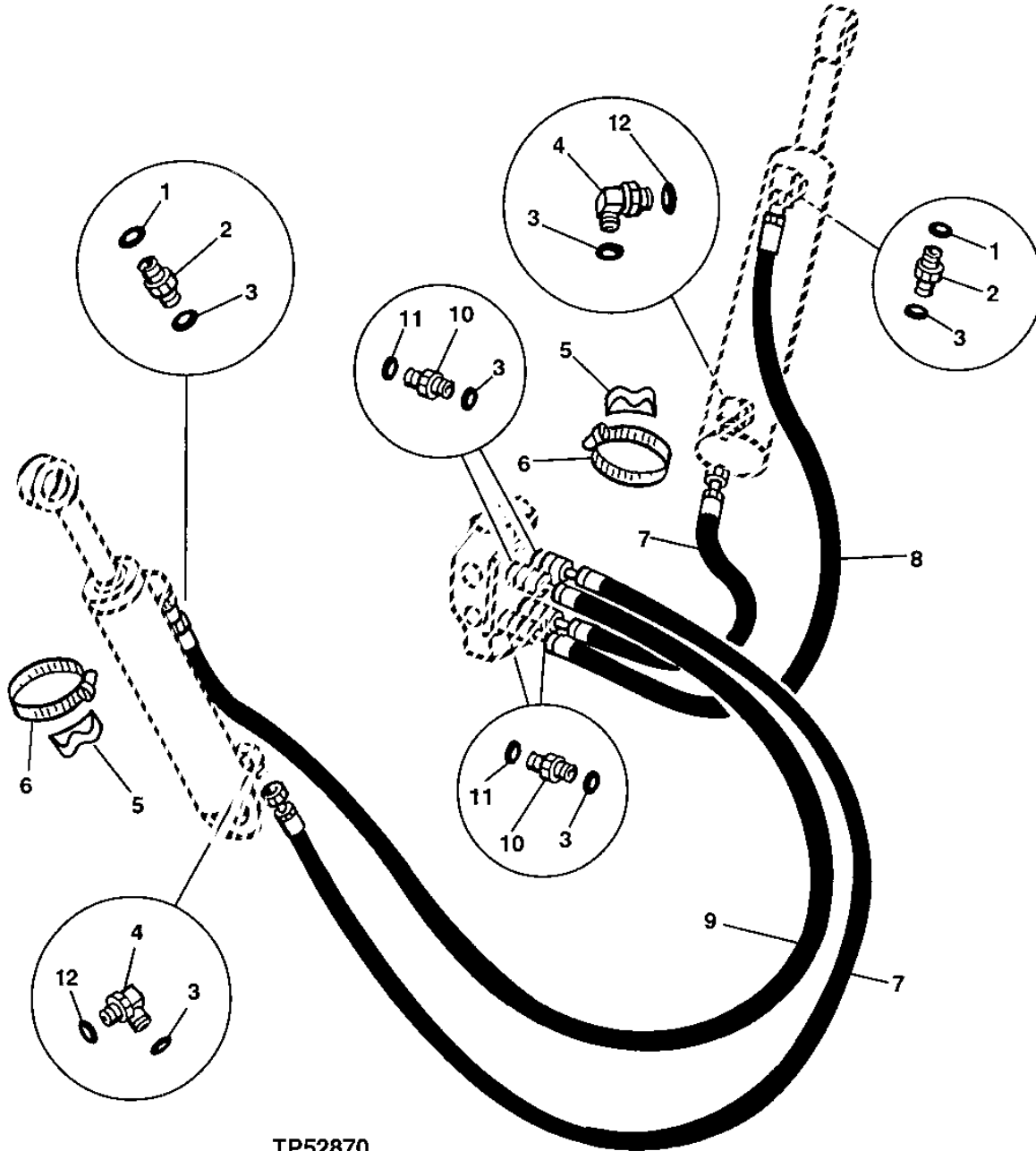
**PILOT CONTROL HYDRAULICS
CIRCUIT HYDRAULIQUE DE COMMANDE PILOTE
SISTEMA HIDRAULICO DE CONTROL PILOTO**

KEY	PART NO.	PART NAME	QTY.	SERIAL NO.	REMARKS
				3 3	
				3 1 1	
				1 0 5	
				0 S S	
				G G G	
1	AT198350	HYDRAULIC HOSE - FABRICATE	1	X X	(ALSO ORDER 62H1042 AND T77613)
2	AT198355	HYDRAULIC HOSE - FABRICATE	1	X X	(ALSO ORDER 62H1042 AND T77613)
3	AT199496	TEE FITTING	2	X X	
4	AT198351	HYDRAULIC HOSE - FABRICATE	1	X X	(ALSO ORDER 62H1042 AND T77613)
5	AT198360	HYDRAULIC HOSE - FABRICATE	1	X X	(ALSO ORDER 62H1042 AND T77613)
6	AT198349	HYDRAULIC HOSE - FABRICATE	1	X X	(ALSO ORDER 62H1042 AND T77613)
7	AT198356	HYDRAULIC HOSE - FABRICATE	1	X X	(ALSO ORDER 62H1042 AND T77613)
8	AT198352	HYDRAULIC HOSE - FABRICATE	1	X X	(ALSO ORDER 62H1042 AND T77613)
9	AT198354	HYDRAULIC HOSE - FABRICATE	1	X X	(ALSO ORDER 62H1042 AND T77613)
10	AT198358	HYDRAULIC HOSE - FABRICATE	1	X X	(ALSO ORDER 62H1042 AND T77613)
11	AT198357	HYDRAULIC HOSE - FABRICATE	1	X X	(ALSO ORDER 62H1042 AND T77613)
12	AT198353	HYDRAULIC HOSE - FABRICATE	1	X X	(ALSO ORDER 62H1042 AND T77613)
13	AT198359	HYDRAULIC HOSE - FABRICATE	1	X X	(ALSO ORDER 62H1042 AND T77613)
14	T201656	HOSE GUARD	1	X X	

3363-2

STABILIZER CYLINDER HYDRAULICS (310G, 310SG) (SN -913416)
FLEXIBLES HYDRAULIQUES DE VERIN DE STABILISATEUR (310G, 310SG) (SN -913416)
MANGUERAS HIDRAULICAS DE CILINDRO DE ESTABILIZADOR (310G, 310SG) (SN -913416)

TP52870 -UN-02DEC96



TP52870

THIS PARTS LISTING IS CONTINUED

3363-3

BACKHOE 33

LINES, HOSES AND FITTINGS 3363

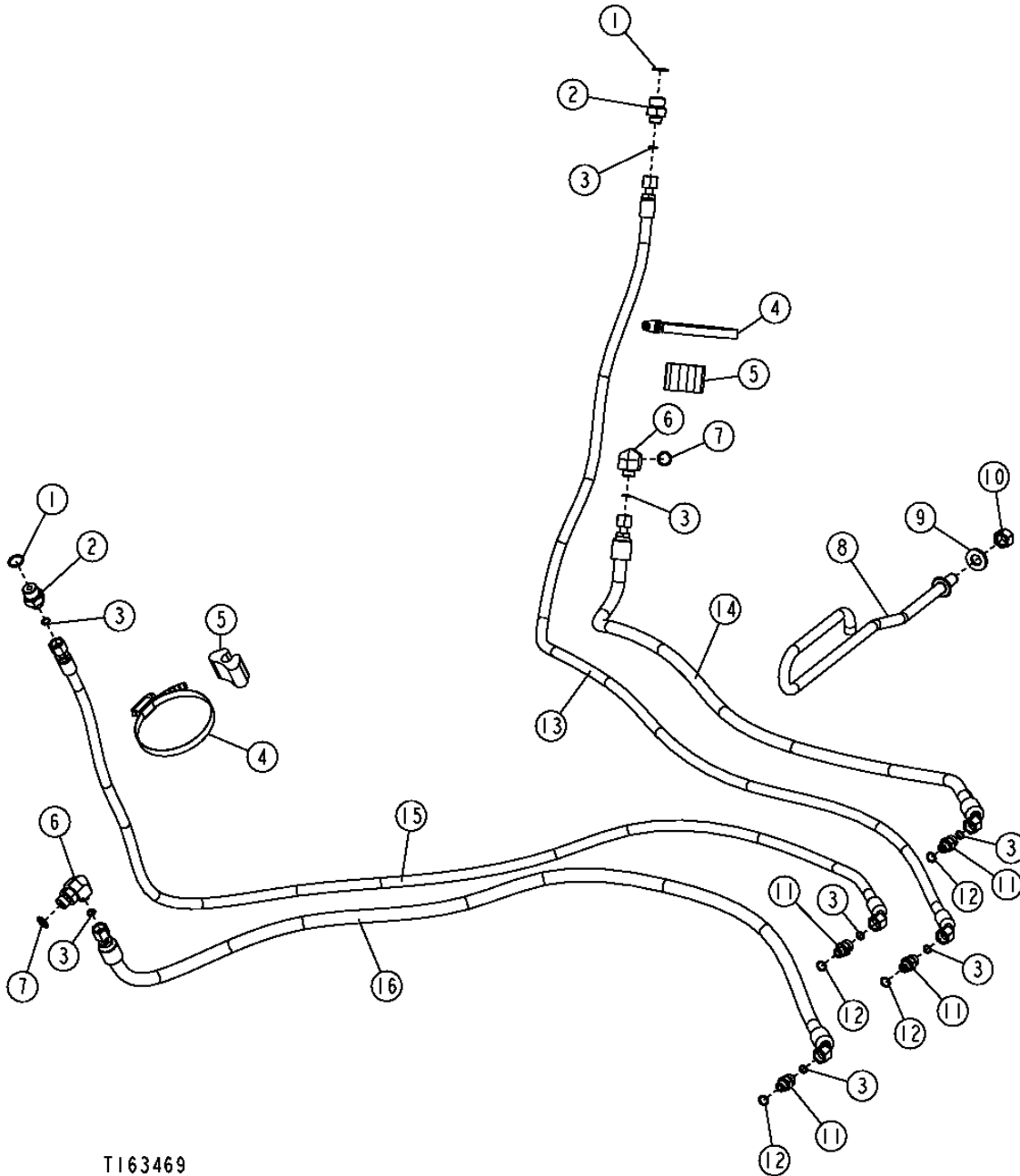
STABILIZER CYLINDER HYDRAULICS (310G, 310SG) (SN -913416)
 FLEXIBLES HYDRAULIQUES DE VERIN DE STABILISATEUR (310G, 310SG) (SN -913416)
 MANGUERAS HIDRAULICAS DE CILINDRO DE ESTABILIZADOR (310G, 310SG) (SN -913416)

KEY	PART NO.	PART NAME	QTY.	SERIAL NO.	REMARKS
					3 3
					3 1 1
					1 0 5
					0 S S
					G G G
1	R26906	O-RING	2		X X
2	38H1172	ADAPTER FITTING	2		X X
3	T77613	O-RING	8		X X
4	38H1010	ELBOW FITTING	2		X X
5	T105774	GUIDE	2		X X
6	AR21842	CLAMP	2		X
	C16054	CLAMP	2		X
7	AT175446	HYDRAULIC HOSE - FABRICATE	2		X X
8	AT176478	HYDRAULIC HOSE - FABRICATE	1		X X
9	AT172610	HYDRAULIC HOSE - FABRICATE	1		X X
10	38H1171	ADAPTER FITTING	4		X X
11	R26906	O-RING	4		X X
12	R26375	O-RING	2		X X

3363-3A

STABILIZER CYLINDER HYDRAULICS (310G, 310SG) (SN 913417-)
FLEXIBLES HYDRAULIQUES DE VERIN DE STABILISATEUR (310G, 310SG) (SN 913417-)
MANGUERAS HIDRAULICAS DE CILINDRO DE ESTABILIZADOR (310G, 310SG) (SN 913417-)

T163469 -UN-06JAN03



T163469

3363-3B

BACKHOE 33

LINES, HOSES AND FITTINGS 3363

STABILIZER CYLINDER HYDRAULICS (310G, 310SG) (SN 913417-)
 FLEXIBLES HYDRAULIQUES DE VERIN DE STABILISATEUR (310G, 310SG) (SN 913417-)
 MANGUERAS HIDRAULICAS DE CILINDRO DE ESTABILIZADOR (310G, 310SG) (SN 93417-)

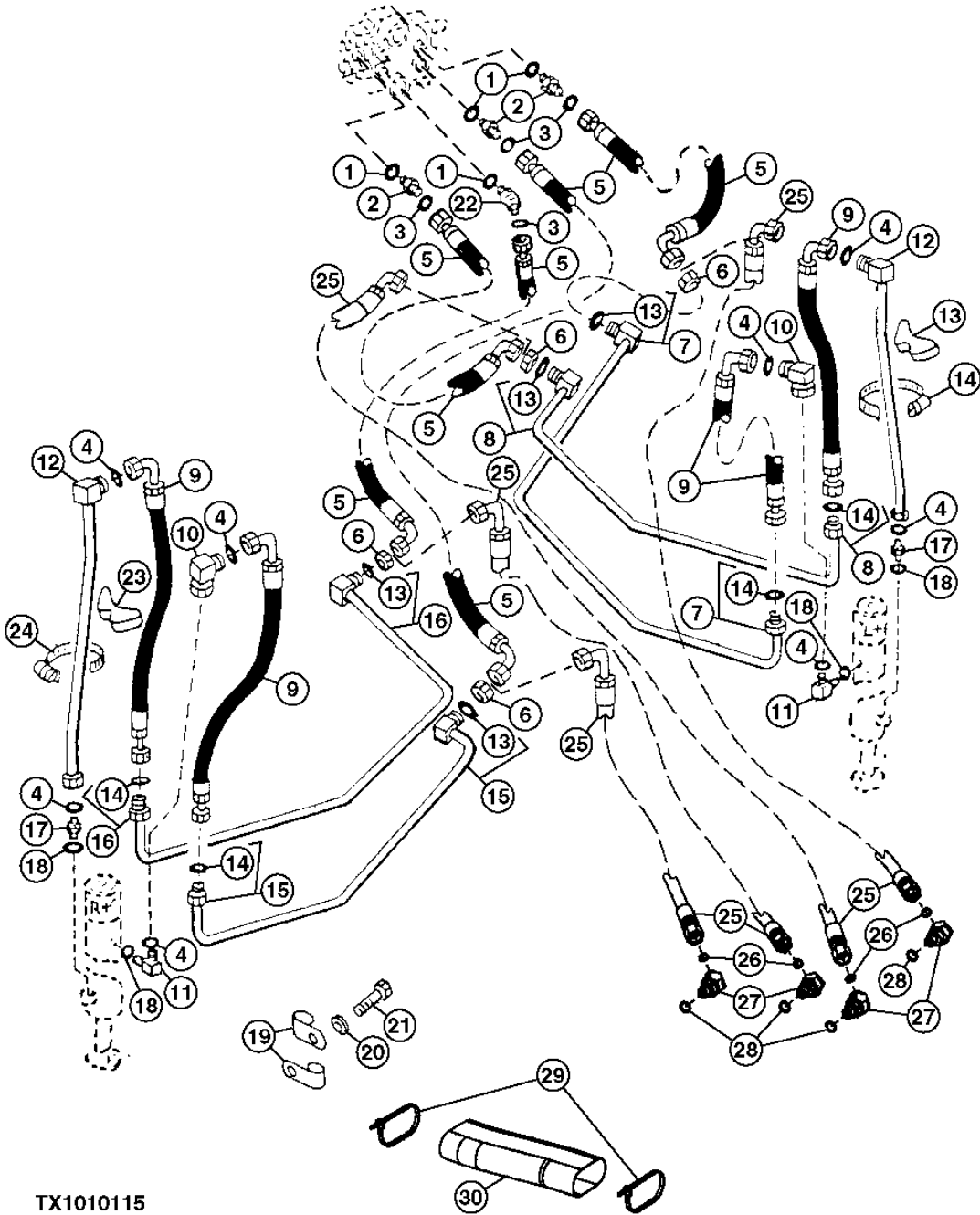
KEY	PART NO.	PART NAME	QTY.	SERIAL NO.	3 3 3 1 1 1 0 5 0 S S G G G	REMARKS
1	R26906	O-RING	2	-951995	X X	
	R26448	O-RING	2	951996-	X X	
2	38H1172	ADAPTER FITTING	2	-951995	X X	
	38H1160	ADAPTER FITTING	2	951996-	X X	
3	T77613	O-RING	8		X X	
4	AR21842	CLAMP	2		X	(SUB FOR C16054, THIS APPLICATION)
	C16054	CLAMP	2		X	
5	T105774	GUIDE	2		X X	
6	38H1010	ELBOW FITTING	2	-951995	X X	
	38H1004	ELBOW FITTING	2	951996-	X X	
7	R26375	O-RING	2	-951995	X X	
	R26448	O-RING	2	951996-	X X	
8	T200362	HOSE SUPPORT	1		X X	
9	24M7241	WASHER	1		X X	
10	14M7276	NUT	1		X X	
11	38H1160	ADAPTER FITTING	4		X X	
12	R26448	O-RING	4		X X	
13	AT197068	HYDRAULIC HOSE - FABRICATE	1		X X	
14	AT197067	HYDRAULIC HOSE - FABRICATE	1		X X	
15	AT196525	HYDRAULIC HOSE - FABRICATE	1		X X	
16	AT196526	HYDRAULIC HOSE - FABRICATE	1		X X	

3363-4

STABILIZER CYLINDER HYDRAULICS (315SG)
FLEXIBLES HYDRAULIQUES DE VERIN DE STABILISATEUR (315SG)
MANGUERAS HIDRAULICAS DE CILINDRO DE ESTABILIZADOR (315SG)

TX1010115

-UN-13JUL06



TX1010115

3363-5

BACKHOE 33

LINES, HOSES AND FITTINGS 3363

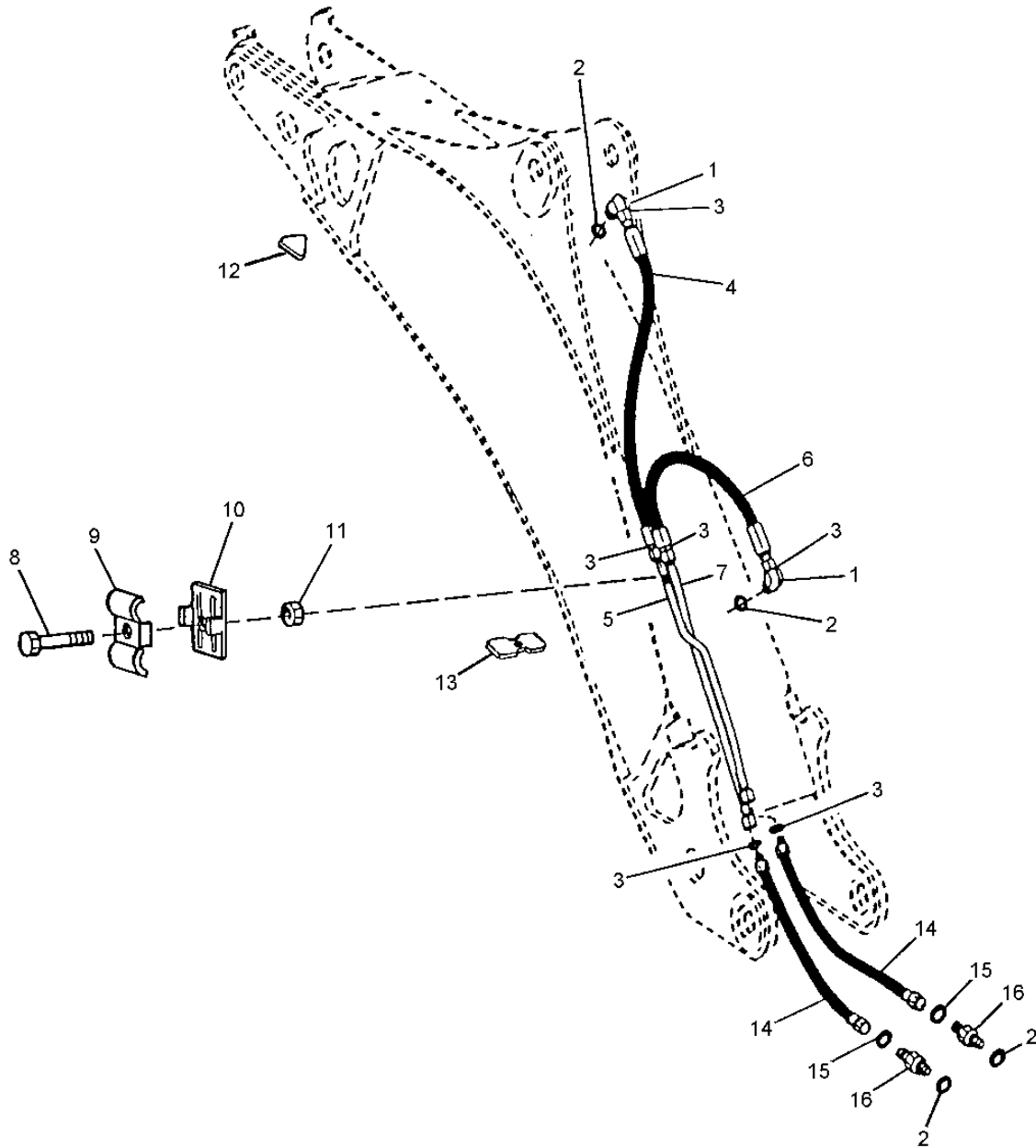
**STABILIZER CYLINDER HYDRAULICS (315SG)
 FLEXIBLES HYDRAULIQUES DE VERIN DE STABILISATEUR (315SG)
 MANGUERAS HIDRAULICAS DE CILINDRO DE ESTABILIZADOR (315SG)**

KEY	PART NO.	PART NAME	QTY.	SERIAL NO.	3 3 3 1 1 1 0 5 0 S S G G G	REMARKS
1	R26375	O-RING	4	-913416	X	
2	38H1445	ADAPTER FITTING	3	-913416	X	
3	T77814	O-RING	4	-913416	X	
4	T77613	O-RING	8		X	
5	AT191252	HYDRAULIC HOSE - FABRICATE	4	-913416	X	
6	14H832	NUT	4		X	9/16"
7	AT196755	OIL LINE	1		X	(SUB FOR AT176542)
8	AT196754	OIL LINE	1		X	(SUB FOR AT176540)
9	AT171098	HYDRAULIC HOSE - FABRICATE	4		X	
10	38H1094	ELBOW FITTING	2		X	
11	38H1004	ELBOW FITTING	2		X	
12	AT178683	LINE	2		X	
13	T77814	O-RING	4		X	
14	T77613	O-RING	4		X	
15	AT196756	OIL LINE	1		X	(SUB FOR AT176543)
16	AT196757	OIL LINE	1		X	(SUB FOR AT176544)
17	38H1160	ADAPTER FITTING	2	-944155	X	
	38H1212	ADAPTER FITTING	2	944156-	X	
18	R26448	O-RING	4		X	
19	T38545	CLAMP	4		X	
20	24M7055	WASHER	2		X	8.400 X 16 X 1.600 MM
21	19M7932	CAP SCREW	2		X	M8 X 16
22	38H1582	ELBOW FITTING	1	-913416	X	45°
23	T181801	CLAMP	2		X	(SUB FOR T101624, THIS APPLICATION)
24	AR21842	CLAMP	2		X	
25	AT196527	HYDRAULIC HOSE - FABRICATE	4	913417-	X	
26	T77613	O-RING	4	913417-	X	
27	38H1045	ELBOW FITTING	4	913417-	X	
28	R26448	O-RING	4	913417-	X	
29	N198516	TIE BAND	2	913417-	X	
30	HOSE GUARD	2	913417-	X	(SUB FOR T161463, THIS APPLICATION) (MAKE FROM T78606) (CTL 254MM) (10.0")

3363-6

BOOM CYLINDER, HYDRAULIC HOSES AND FITTINGS
CYLINDRE DE FLECHE, FLEXIBLES ET RACCORDS HYDRAULIQUES
CILINDRO DEL AGUILON, MANGUERAS HIDRAULICAS Y ADAPTADORES

T136774 -UN-27DEC00



T136774

3363-7

BACKHOE 33

LINES, HOSES AND FITTINGS 3363

**BOOM CYLINDER, HYDRAULIC HOSES AND FITTINGS
CYLINDRE DE FLECHE, FLEXIBLES ET RACCORDS HYDRAULIQUES
CILINDRO DEL AGUILON, MANGUERAS HIDRAULICAS Y ADAPTADORES**

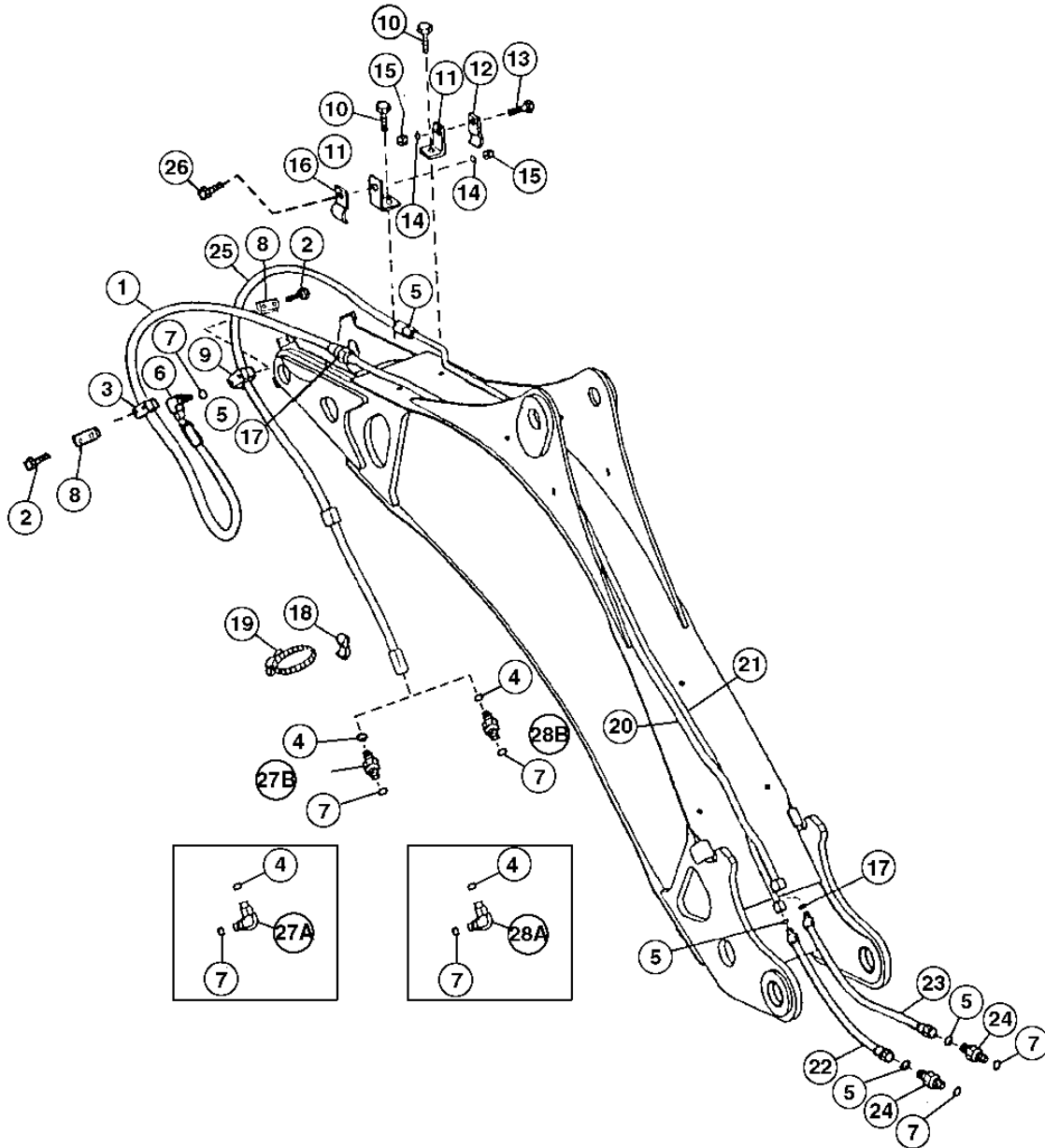
KEY	PART NO.	PART NAME	QTY.	SERIAL NO.	3 3 3 1 1 1 0 5 0 S S G G G	REMARKS
1	38H1006	ELBOW FITTING	2		X X X	
2	R26906	O-RING	4		X X X	
3	T77932	O-RING	6		X X X	
4	AT174355	HYDRAULIC HOSE - FABRICATE	1		X X X	
5	AT174208	OIL LINE	1		X X X	
6	AT179083	HYDRAULIC HOSE - FABRICATE	1		X X X	
7	AT174209	OIL LINE	1		X X X	
8	19M7550	CAP SCREW	1		X X X	M10 X 35
9	T159954	CLAMP	1		X X X	
10	T159956	CLAMP	1		X X X	
11	14M7274	NUT	1		X X X	
12	T165742	ISOLATOR	1		X X X	
13	T165740	ISOLATOR	2		X X X	
14	AT177603	HYDRAULIC HOSE - FABRICATE	2	-911128	X X	
	AT280343	HYDRAULIC HOSE - FABRICATE	2	911129-	X X	
	AT180152	HYDRAULIC HOSE - FABRICATE	2	-911128	X	
	AT280346	HYDRAULIC HOSE - FABRICATE	2	911129-	X	
15	T77932	O-RING	2		X X	
	T77857	O-RING	2		X	
16	38H1162	ADAPTER FITTING	2		X X	
	38H1174	ADAPTER FITTING	2		X	

3363-8

LINES, HOSES AND FITTINGS 3363
BUCKET CYLINDER HYDRAULIC HOSES, LINES AND FITTINGS (STANDARD DIPPERSTICK)
CYLINDRE DE GODET, FLEXIBLES ET RACCORDS HYDRAULIQUES (BRAS STANDARD)
CILINDRO DE CUCHARON, MANGUERAS HIDRAULICAS Y ADAPTADORES (BRAZO ESTANDAR)

TX1001365

-UN-15DEC05



TX1001365

3363-9

BACKHOE 33

LINES, HOSES AND FITTINGS 3363

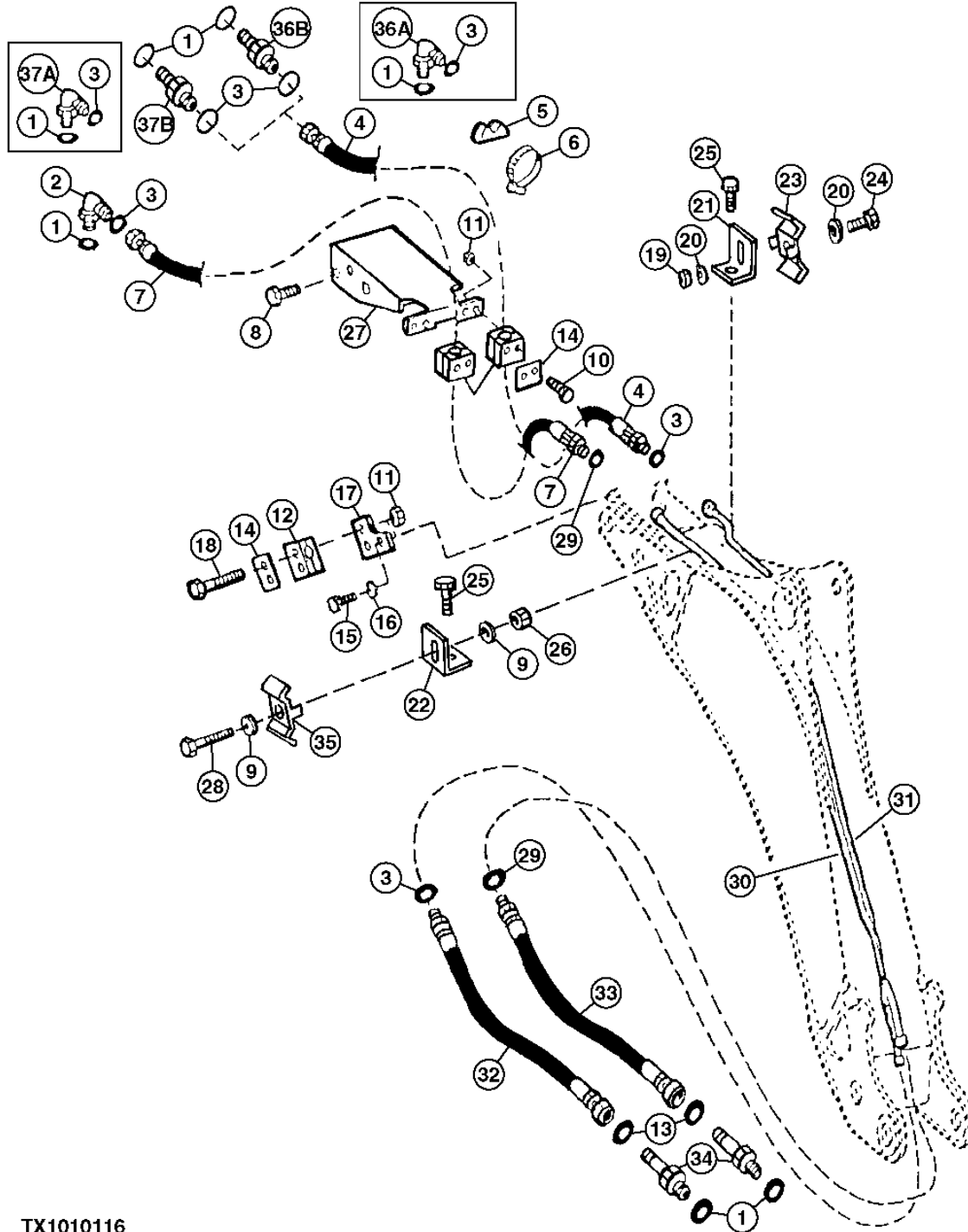
**BUCKET CYLINDER HYDRAULIC HOSES, LINES AND FITTINGS (STANDARD DIPPERSTICK)
CYLINDRE DE GODET, FLEXIBLES ET RACCORDS HYDRAULIQUES (BRAS STANDARD)
CILINDRO DE CUCHARON, MANGUERAS HIDRAULICAS Y ADAPTADORES (BRAZO ESTANDAR)**

KEY	PART NO.	PART NAME	QTY.	SERIAL NO.	3 3 3 1 1 1 0 5 0 S S G G G	REMARKS
1	AT174393	HYDRAULIC HOSE - FABRICATE	1		X X X	1" X 1 600 MM (63") X 1-3/16"
2	19M7981	CAP SCREW	4	-953591	X X X	M8 X 55
	19M7802	SCREW	4	953592-	X X X	
	14M7426	LOCK NUT	4	953592-	X X X	
3	T162004	CLAMP	2		X X X	
4	T77932	O-RING	2		X X X	
5	T77932	O-RING	4		X X X	
6	38H1006	ELBOW FITTING	1		X X X	
	38H1404	ELBOW FITTING	1		X X X	USE WITH HEAVY DUTY CYLINDER
7	R26906	O-RING	4		X X X	
	U12547	O-RING	1		X X	USE WITH HEAVY DUTY CYLINDER
8	T162005	STRAP	2		X X X	
9	T162003	CLAMP	2		X X X	
10	19M7550	CAP SCREW	2		X X X	M10 X 35
11	T202050	ANGLE	2		X X X	(SUB FOR T159829, THIS APPLICATION)
12	R46919	HALF CLAMP	1		X X	
	U12288	CLAMP	1		X	
13	19M7550	CAP SCREW	1		X X X	M10 X 35
14	24M7239	WASHER	2		X X X	
15	14M7274	NUT	2		X X X	M10
16	T160376	CLAMP	1		X X X	
17	T77858	O-RING	2		X X X	
18	T105773	GUIDE	1		X X X	
19	AR21842	CLAMP	1		X	
	C16054	CLAMP	1		X X	
20	AT176968	OIL LINE	1		X	
	AT174330	OIL LINE	1		X X	
21	AT176969	OIL LINE	1		X	
	AT174336	OIL LINE	1		X X	
22	AT177603	HYDRAULIC HOSE - FABRICATE	1	-911128	X X	1" X 1 080 MM (42-1/2") X 1", LOWER TUBE
	AT280343	HYDRAULIC HOSE - FABRICATE	1	911129-	X X	1" X 1 080 MM (42-1/2") X 1"
	AT180152	HYDRAULIC HOSE - FABRICATE	1	-911128	X	13/16" X 1 056 MM (41-1/2") X 1", LOWER TUBE / ROD END
	AT280346	HYDRAULIC HOSE - FABRICATE	1	911129-	X	1" X 1 056 MM (41-1/2") X 1"
23	AT177604	HYDRAULIC HOSE - FABRICATE	1	-911128	X X	1" X 1 080 MM (42-1/2") X 1-3/16", UPPER TUBE
	AT280344	HYDRAULIC HOSE - FABRICATE	1	911129-	X X	1" X 1 080 MM (42-1/2") X 1-3/16", UPPER TUBE
	AT181591	HYDRAULIC HOSE - FABRICATE	1	-911128	X	1" X 1 140 MM (45") X 1-3/16", UPPER TUBE / HEAD END
	AT280347	HYDRAULIC HOSE - FABRICATE	1	911129-	X	1" X 1 140 MM (45") X 1-3/16"
24	38H1214	ADAPTER FITTING	2		X X	
25	AT174394	HYDRAULIC HOSE - FABRICATE	1		X X X	1" X 1 734 MM (68-1/4") X 1"
26	19M7550	CAP SCREW	1		X X X	M10 X 35
	28H3394	BUSHING	1		X	
27A	38H1006	ELBOW FITTING	1	-910900	X	
27B	38H1162	ADAPTER FITTING	1	910901-	X	
28A	38H1006	ELBOW FITTING	1	-926129	X X	
28B	38H1162	ADAPTER FITTING	1	926130-	X X	

3363-10

LINES, HOSES AND FITTINGS 3363
BUCKET CYLINDER HYDRAULIC HOSES AND FITTINGS (EXTENDABLE DIPPERSTICK)
CYLINDRE DE GODET, FLEXIBLES ET RACCORDS HYDRAULIQUES (BRAS TELESCOPIQUE)
CILINDRO DE CUCHARON, MANGUERAS HIDRAULICAS Y ADAPTADORES (BRAZO EXTENSIBLE)

TX1010116 -UN-13JUL06



TX1010116

3363-11

BACKHOE 33

LINES, HOSES AND FITTINGS 3363

BUCKET CYLINDER HYDRAULIC HOSES AND FITTINGS (EXTENDABLE DIPPERSTICK)
CYLINDRE DE GODET, FLEXIBLES ET RACCORDS HYDRAULIQUES (BRAS TELESCOPIQUE)
CILINDRO DE CUCHARON, MANGUERAS HIDRAULICAS Y ADAPTADORES (BRAZO EXTENSIBLE)

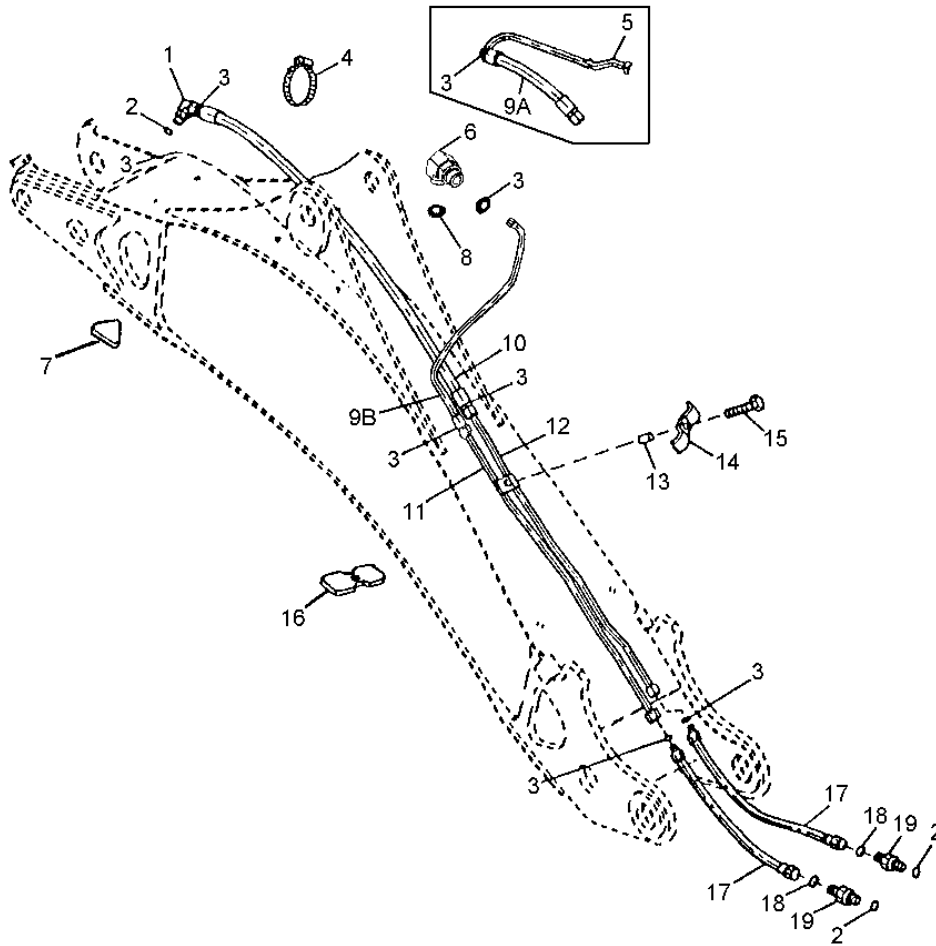
KEY	PART NO.	PART NAME	QTY.	SERIAL NO.	REMARKS
					3 3 3 1 1 1 0 5 0 S S G G G
1	R26906	O-RING	4		X X X
2	38H1006	ELBOW FITTING	1		X X X
3	T77932	O-RING	6		X X X
4	AT170172	HYDRAULIC HOSE - FABRICATE	1		X X X 1" X 2 892 MM (113-3/4") X 1"
5	T105773	GUIDE	1		X X X
6	AR21842	CLAMP	1		X
	C16054	CLAMP	1		X X
7	AT170173	HYDRAULIC HOSE - FABRICATE	1		X X X 1" X 2 000 MM (78-3/4") X 1-3/16"
8	T165889	SCREW	4		X X X M10 X 30
9	24M7239	WASHER	2		X X X 10.700 X 21 X 2.500 MM
10	19M7185	CAP SCREW	4		X X X M8 X 60
11	14M7426	LOCK NUT	4		X X X
12	T162004	CLAMP	8		X X X
13	T77932	O-RING	2		X X X
14	T162005	STRAP	4		X X X
15	19M7932	CAP SCREW	2		X X X M8 X 16
16	24M7238	WASHER	2		X X X
17	T161342	PLATE	2		X X X
18	19M7185	CAP SCREW	2		X X X M8 X 60
19	14M7274	NUT	2		X X X M10
20	24M7239	WASHER	4		X X X
21	T202050	ANGLE	1		X X X (SUB FOR T159829, THIS APPLICATION)
22	T202050	ANGLE	1		X X X (SUB FOR T159829, THIS APPLICATION)
23	T159954	CLAMP	1		X X X
24	19M7550	CAP SCREW	2		X X X M10 X 35
25	19M7550	CAP SCREW	2		X X X M10 X 35
26	14M7274	NUT	2		X X X M10
27	AT179233	BRACKET	1		X
	AT179046	HOSE SUPPORT	1		X X
28	19M7662	CAP SCREW	2		X X X M10 X 30
29	T77858	O-RING	2		X X X
30	AT176968	OIL LINE	1		X
	AT174330	OIL LINE	1		X X
31	AT176969	OIL LINE	1		X
	AT174336	OIL LINE	1		X X
32	AT177603	HYDRAULIC HOSE - FABRICATE	1	-911128	X X 1" X 1 080 MM (42-1/2") X 1", LOWER TUBE
	AT280343	HYDRAULIC HOSE - FABRICATE	1	911129-	X X 1" X 1 080 MM (42-1/2") X 1", LOWER TUBE
	AT180152	HYDRAULIC HOSE - FABRICATE	1	-911128	X 13/16" X 1 056 MM (41-1/2") X 1", LOWER TUBE/ROD END
	AT280346	HYDRAULIC HOSE - FABRICATE	1	911129-	X 1" X 1 056 MM (41-1/2") X 1", LOWER TUBE/ROD END
33	AT177604	HYDRAULIC HOSE - FABRICATE	1	-911128	X X 1" X 1 080 MM (42-1/2") X 1-3/16", UPPER TUBE
	AT280344	HYDRAULIC HOSE - FABRICATE	1	911129-	X X 1" X 1 080 MM (42-1/2") X 1-3/16", UPPER TUBE
	AT181591	HYDRAULIC HOSE - FABRICATE	1	-911128	X 1" X 1 140 MM (45") X 1-3/16", UPPER TUBE/HEAD END. (SUB FOR AT180153)
	AT280347	HYDRAULIC HOSE - FABRICATE	1	911129-	X 1" X 1 140 MM (45") X 1-3/16", UPPER TUBE/HEAD END
34	38H1214	ADAPTER FITTING	2		X X
35	T160554	CLAMP	1		X X
36A	38H1006	ELBOW FITTING	1	-910900	X
36B	38H1162	ADAPTER FITTING	1	910901-	X
37A	38H1006	ELBOW FITTING	1	-926129	X X
37B	38H1162	ADAPTER FITTING	1	926130-	X X

3363-12

CROWD CYLINDER HYDRAULIC HOSES AND FITTINGS
VERIN DE CAVAGE, FLEXIBLES ET RACCORDS HYDRAULIQUES
CILINDRO DE EMPUJE, MANGUERAS HIDRAULICAS Y ADAPTADORES

T196761

-UN-18DEC03



T196761

3363-13

BACKHOE 33

LINES, HOSES AND FITTINGS 3363

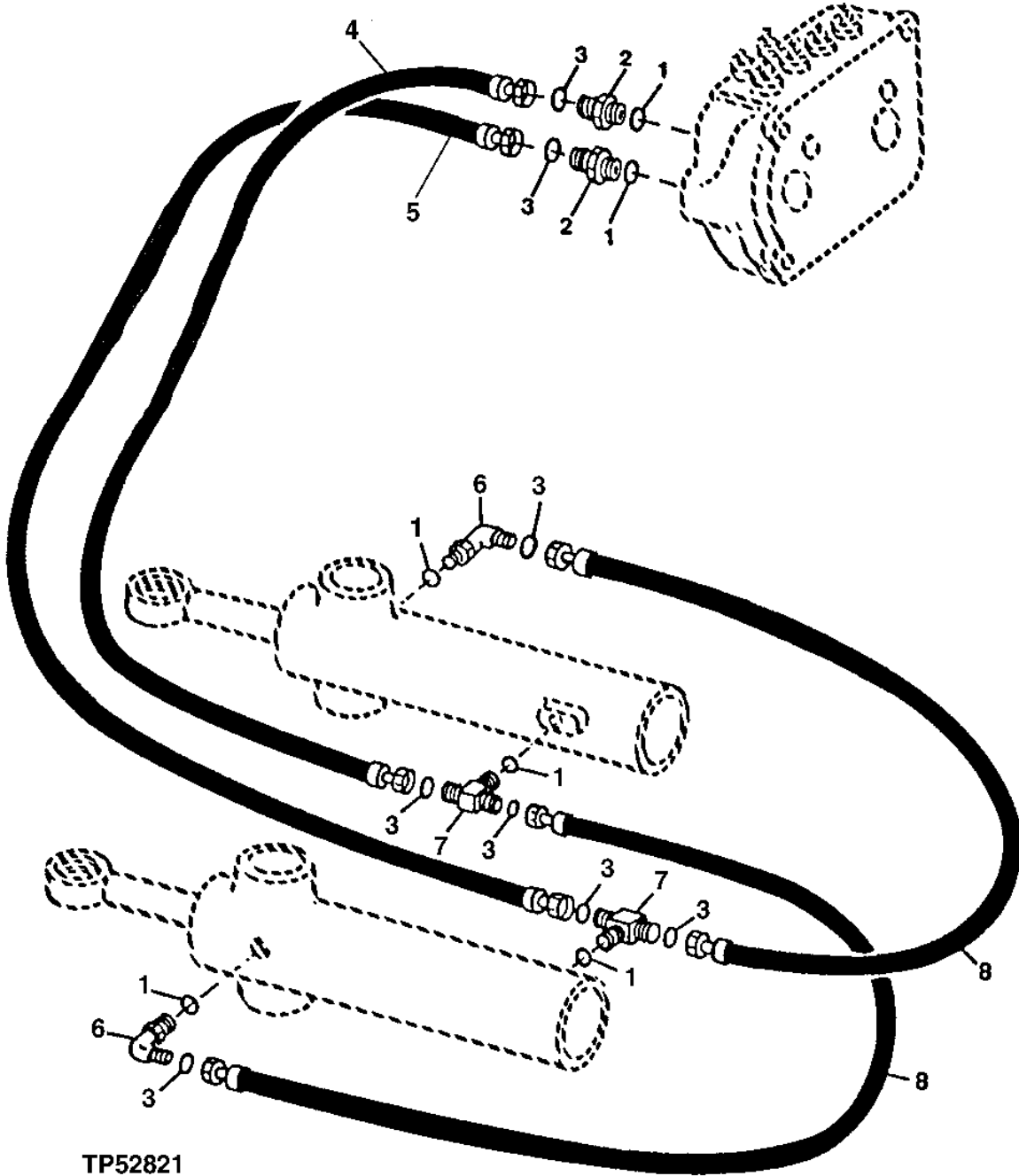
**CROWD CYLINDER HYDRAULIC HOSES AND FITTINGS
VERIN DE CAVAGE, FLEXIBLES ET RACCORDS HYDRAULIQUES
CILINDRO DE EMPUJE, MANGUERAS HIDRAULICAS Y ADAPTADORES**

KEY	PART NO.	PART NAME	QTY.	SERIAL NO.	3 3 3 1 1 1 0 5 0 S S G G G	REMARKS
1	38H1006	ELBOW FITTING	1		X X X	
2	R26906	O-RING	3		X X X	
3	T77932	O-RING	7		X X X	
4	C16054	CLAMP	1	-925501	X X X	
	R76477	TIE BAND	1		X X X	(SUB FOR A49232)
5	AT177540	OIL LINE	1	-925501	X X X	
6	38H1404	ELBOW FITTING	1		X X X	
7	T165742	ISOLATOR	2		X X X	
8	U12547	O-RING	1		X X X	
9A	HYDRAULIC HOSE - FABRICATE	1	-925501	X X X	(AT179835 NLA) (SUB AT179083)
9B	AT179083	HYDRAULIC HOSE - FABRICATE	1	925502-	X X X	1" X 850 MM (33-1/2") X 1"
10	AT174353	HYDRAULIC HOSE - FABRICATE	1		X X X	1" X 1 245 MM (49") X 1"
11	AT174268	OIL LINE	1		X X X	
12	AT174269	OIL LINE	1		X X X	
13	28H3421	SPACER	1		X X X	
14	T159954	CLAMP	1		X X X	
15	19M7572	CAP SCREW	1		X X X	M10 X 45
16	T165740	ISOLATOR	2		X X X	
17	AT177603	HYDRAULIC HOSE - FABRICATE	2	-811128	X X	1" X 1 080 MM (42-1/2") X 1"
	AT280343	HYDRAULIC HOSE - FABRICATE	2	811129-	X X	1" X 1 080 MM (42-1/2") X 1"
	AT180152	HYDRAULIC HOSE - FABRICATE	2	-811128	X	13/16" X 1 056 MM (41-1/2") X 1"
	AT280346	HYDRAULIC HOSE - FABRICATE	2	811129-	X	1" X 1 056 MM (41-1/2") X 1"
18	T77932	O-RING	2		X X	
	T77857	O-RING	2		X	
19	38H1214	ADAPTER FITTING	2		X X	
	38H1174	ADAPTER FITTING	2		X	

3363-14

LINES, HOSES AND FITTINGS 3363
SWING CYLINDER HYDRAULIC HOSES AND FITTINGS (310G, 310SG)
CYLINDRE OSCILLANT, FLEXIBLES ET RACCORDS HYDRAULIQUES (310G, 310SG)
CILINDRE GIRATORIO, MANGUERAS HIDRAULICAS Y ADAPTADORES (310G, 310SG)

TP52821 -UN-01OCT96



TP52821

3363-15

BACKHOE 33

LINES, HOSES AND FITTINGS 3363

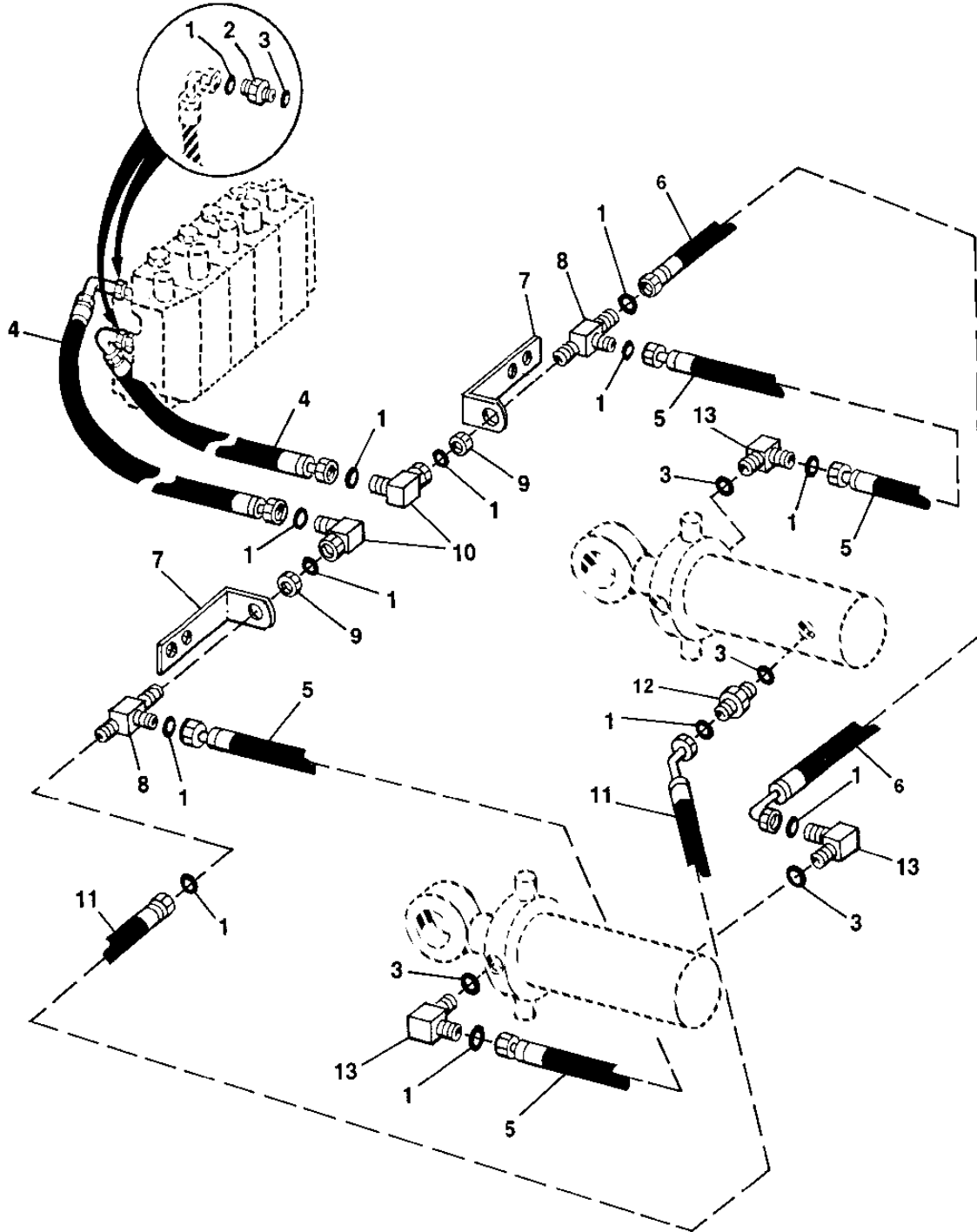
SWING CYLINDER HYDRAULIC HOSES AND FITTINGS (310G, 310SG)
 CYLINDEUR OSCILLANT, FLEXIBLES ET RACCORDS HYDRAULIQUES (310G, 310SG)
 CILINDRE GIRATORIO, MANGUERAS HIDRAULICAS Y ADAPTADORES (310G, 310SG)

KEY	PART NO.	PART NAME	QTY.	SERIAL NO.	REMARKS
					3 3
					3 1 1
					1 0 5
					0 S S
					G G G
1	R26375	O-RING	6		X X
2	38H1161	ADAPTER FITTING	2		X X
3	T77857	O-RING	8		X X
4	AT176157	HYDRAULIC HOSE - FABRICATE	1		X X 13/16" X 880 MM (34-3/4") X 13/16"
5	AT171758	HYDRAULIC HOSE - FABRICATE	1		X X 13/16" X 813 MM (32") X 13/16"
6	38H1005	ELBOW FITTING	2		X X
7	38H1017	TEE FITTING	2		X X
8	AT171759	HYDRAULIC HOSE - FABRICATE	2		X X 13/16" X 914 MM (36") X 13/16"

3363-16

SWING CYLINDER HYDRAULIC HOSES AND FITTINGS (315SG)
CYLINDRE OSCILLANT, FLEXIBLES ET RACCORDS HYDRAULIQUES (315SG)
CILINDRO GIRATORIO, MANGUERAS HIDRAULICAS Y ADAPTADORES (315SG)

T136725 -UN-03JAN01



T136725

3363-17

BACKHOE 33

LINES, HOSES AND FITTINGS 3363

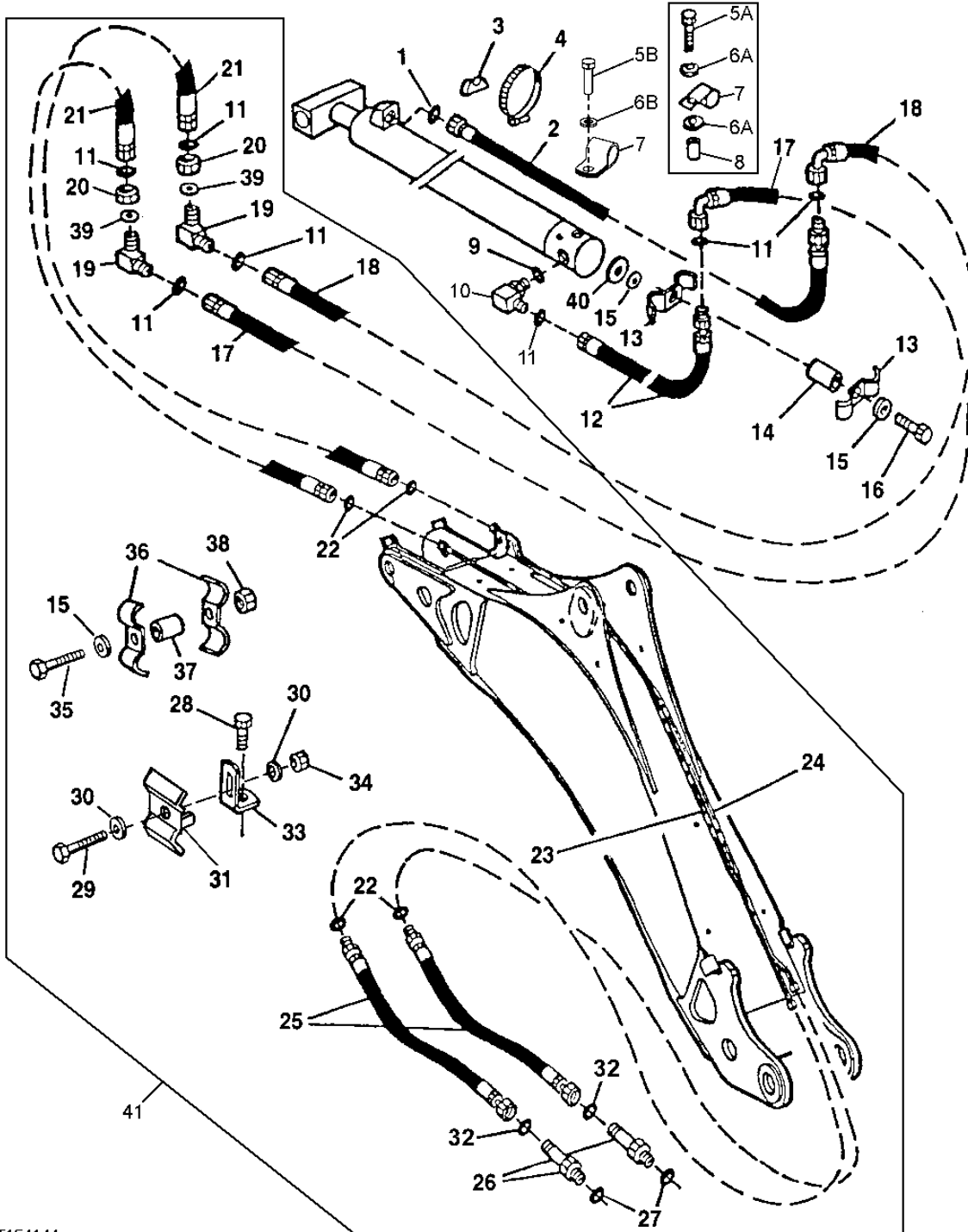
**SWING CYLINDER HYDRAULIC HOSES AND FITTINGS (315SG)
 CYLINDEUR OSCILLANT, FLEXIBLES ET RACCORDS HYDRAULIQUES (315SG)
 CILINDRE GIRATORIO, MANGUERAS HIDRAULICAS Y ADAPTADORES (315SG)**

KEY	PART NO.	PART NAME	QTY.	SERIAL NO.	REMARKS
					3 3
					3 1 1
					1 0 5
					0 S S
					G G G
1	T77613	O-RING	16		X
2	38H1171	ADAPTER FITTING	2		X
3	R26375	O-RING	6		X
4	AT191140	HYDRAULIC HOSE - FABRICATE	2		X 11/16" X 2 285 MM (90") X 11/16"
5	AT182599	HYDRAULIC HOSE - FABRICATE	2		X 11/16" X 525 MM (20-3/4") X 11/16"
6	AT182598	HYDRAULIC HOSE - FABRICATE	1		X 11/16" X 735 MM (29") X 11/16"
7	T163455	BRACKET	2		X
8	38H1503	TEE FITTING	2		X
9	T81029	NUT	2		X 11/16"
10	38H1094	ELBOW FITTING	2		X
11	AT182597	HYDRAULIC HOSE - FABRICATE	1		X 11/16" X 775 MM (30-1/2") X 11/16"
12	38H1171	ADAPTER FITTING	1		X
13	38H1010	ELBOW FITTING	3		X

3363-18

LINES, HOSES AND FITTINGS 3363
EXTENSION CYLINDER HYDRAULIC HOSES AND FITTINGS (EXTENDABLE DIPPERSTICK)
VERIN D'EXTENSION, FLEXIBLES ET RACCORDS HYDRAULIQUES (BRAS TELESCOPIQUE)
CILINDRO DE EXTENSION, MANGUERAS HIDRAULICAS Y ADAPTADORES (BRAZO EXTENSIBLE)

T154144 -UN-18APR02



T154144

3363-19

BACKHOE 33

LINES, HOSES AND FITTINGS 3363

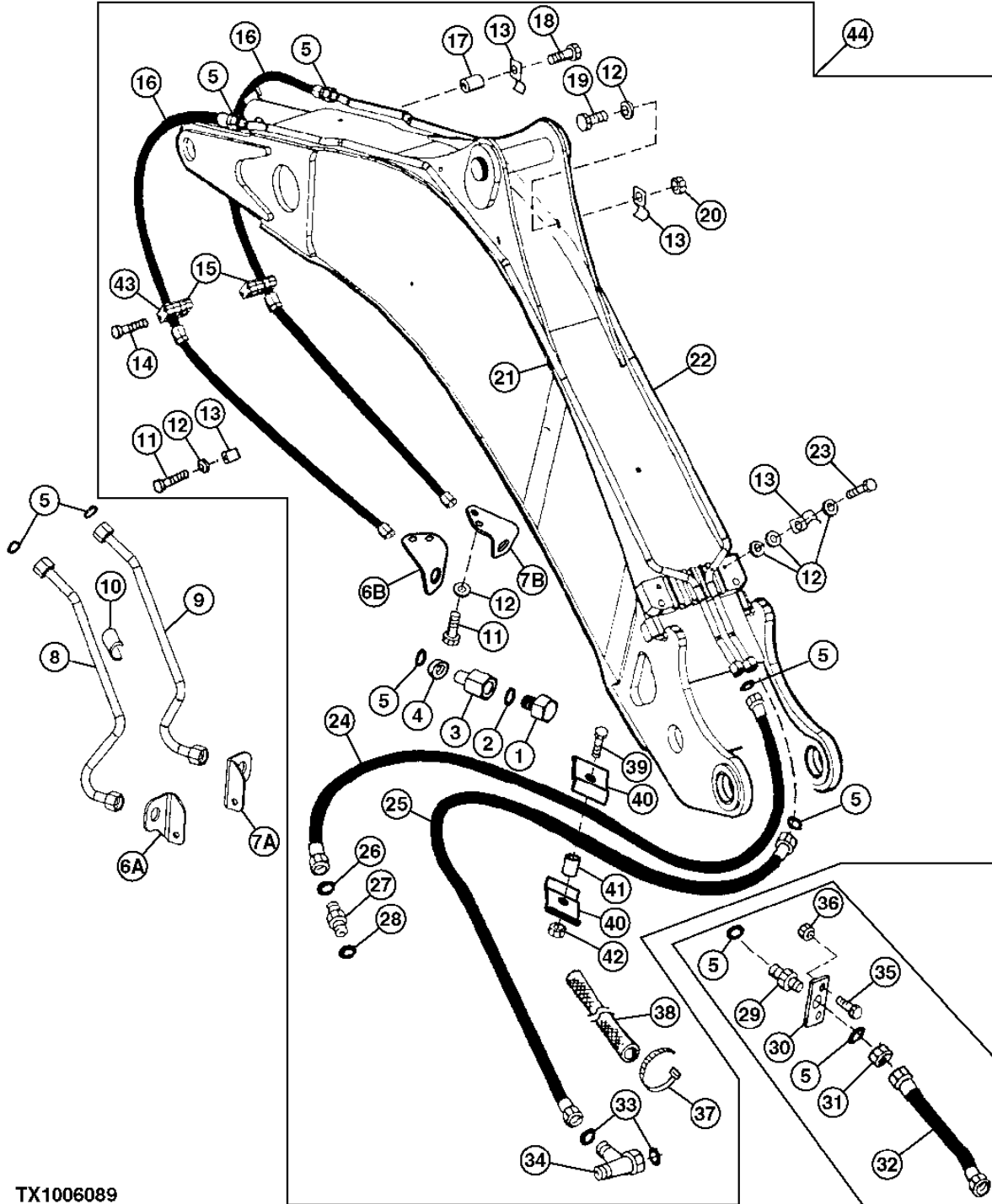
**EXTENSION CYLINDER HYDRAULIC HOSES AND FITTINGS (EXTENDABLE DIPPERSTICK)
VERIN D'EXTENSION, FLEXIBLES ET RACCORDS HYDRAULIQUES (BRAS TELESCOPIQUE)
CILINDRO DE EXTENSION, MANGUERAS HIDRAULICAS Y ADAPTADORES (BRAZO EXTENSIBLE)**

KEY	PART NO.	PART NAME	QTY.	SERIAL NO.	3 3 3 1 1 1 0 5 0 S S G G G	REMARKS
1	R26448	O-RING	1		X X X	
2	AT172255	HYDRAULIC HOSE - FABRICATE	2		X X X	9/16" X 1 815 MM (71-1/2") X 13/16"
3	T105774	GUIDE	1		X X X	
4	AR21841	CLAMP	1		X X X	
5A	19M7513	CAP SCREW	1	-906309	X X X	M8 X 30
5B	M86877	BOLT	1	906310-	X X X	M8 X 20
6A	24M7238	WASHER	2	-906309	X X X	
6B	24M7238	WASHER	1	906310-	X X X	
7	T24959	CLAMP	1		X X X	
8	R54701	SPACER	1	-906309	X X X	
9	R26375	O-RING	1		X X X	
10	38H1005	ELBOW FITTING	1		X X X	
11	T77857	O-RING	7		X X X	
12	AT172256	HYDRAULIC HOSE - FABRICATE	1		X X X	13/16" X 590 MM (23-1/4") X 13/16"
13	R46919	HALF CLAMP	2		X X X	
14	T126052	SPACER	1		X X X	
15	24M7239	WASHER	4		X X X	
16	19M7935	CAP SCREW	1		X X X	M10 X 55
17	AT179238	HYDRAULIC HOSE	1		X X X	13/16" X 460 MM (18") X 13/16"
18	AT179238	HYDRAULIC HOSE	1		X X X	13/16" X 460 MM (18") X 13/16"
19	38H1323	ELBOW FITTING	2		X X X	
20	T78716	NUT	2		X X X	13/16"
21	AT178413	HYDRAULIC HOSE - FABRICATE	2		X X X	13/16" X 1 200 MM (47-1/4") X 1", (SUB FOR AT178405)
22	T77932	O-RING	4		X X X	
23	AT176982	OIL LINE	1		X	UPPER TUBE
	AT174339	OIL LINE	1		X X	UPPER TUBE
24	AT176983	LINE	1		X	LOWER TUBE
	AT174340	OIL LINE	1		X X	LOWER TUBE
25	AT177603	HYDRAULIC HOSE - FABRICATE	2	-911128	X X	1" X 1 080 MM (42-1/2") X 1"
	AT280343	HYDRAULIC HOSE - FABRICATE	2	911129-	X X	1" X 1 080 MM (42-1/2") X 1"
	AT180152	HYDRAULIC HOSE - FABRICATE	2	-911128	X	13/16" X 1 056 MM (41-1/2") X 1"
	AT280346	HYDRAULIC HOSE - FABRICATE	2	911129-	X	1" X 1 056 MM (41-1/2") X 1"
26	38H1214	ADAPTER FITTING	2		X X	
	38H1174	ADAPTER FITTING	2		X	
27	R26906	O-RING	2		X X X	
28	19M7550	CAP SCREW	2		X X X	M10 X 35
29	19M7550	CAP SCREW	2		X X X	M10 X 35
30	24M7239	WASHER	4		X X X	
31	T160554	CLAMP	1		X X X	LH
	T159954	CLAMP	1		X X X	RH
32	T77932	O-RING	2		X X	
	T77857	O-RING	2		X	
33	T202050	ANGLE	2		X X X	(SUB FOR T159829, THIS APPLICATION)
34	14M7274	NUT	2		X X X	M10
35	19M8637	CAP SCREW	2		X X X	M10 X 40
36	R46919	HALF CLAMP	4		X X X	
37	28H3381	SPACER	2		X X X	
38	14M7274	NUT	2		X X X	M10
39	24M7396	WASHER	4		X X X	21 X 34 X 3 MM
40	T29342	WASHER	1		X X X	13.487 X 31.750 X 4.572 MM
41	AT178784	KIT	1		X	(WHOLE GOODS) (INCLUDES AT170172, AT170173, (8) T147187 AND AT179233) (ALSO INCLUDES BUCKET CYLINDER CLAMPS AND HARDWARE)
	AT191548	KIT	1		X X	(WHOLE GOODS) (INCLUDES AT170172, AT170173, (8) T147187 AND AT179046) (ALSO INCLUDES BUCKET CYLINDER CLAMPS AND HARDWARE)

3363-20

LINES, HOSES AND FITTINGS 3363
AUXILIARY EQUIPMENT HYDRAULIC HOSES AND FITTINGS (STANDARD DIPPERSTICK) (310G, 310SG)
EQUIPEMENT AUXILIAIRE, FLEXIBLES ET RACCORDS HYDRAULIQUES (BRAS STANDARD) (310G, 310SG)
EQUIPO AUXILIAR, MANGUERAS HIDRAULICAS (BRAZO ESTANDAR) (310G, 310SG)

TX1006089 -UN-17APR06



TX1006089

3363-21

BACKHOE 33

LINES, HOSES AND FITTINGS 3363

AUXILIARY EQUIPMENT HYDRAULIC HOSES AND FITTINGS (STANDARD DIPPERSTICK) (310G, 310SG)
EQUIPEMENT AUXILIAIRE, FLEXIBLES ET RACCORDS HYDRAULIQUES (BRAS STANDARD) (310G, 310SG)
EQUIPO AUXILIAR, MANGUERAS HIDRAULICAS (BRAZO ESTANDAR) (310G, 310SG)

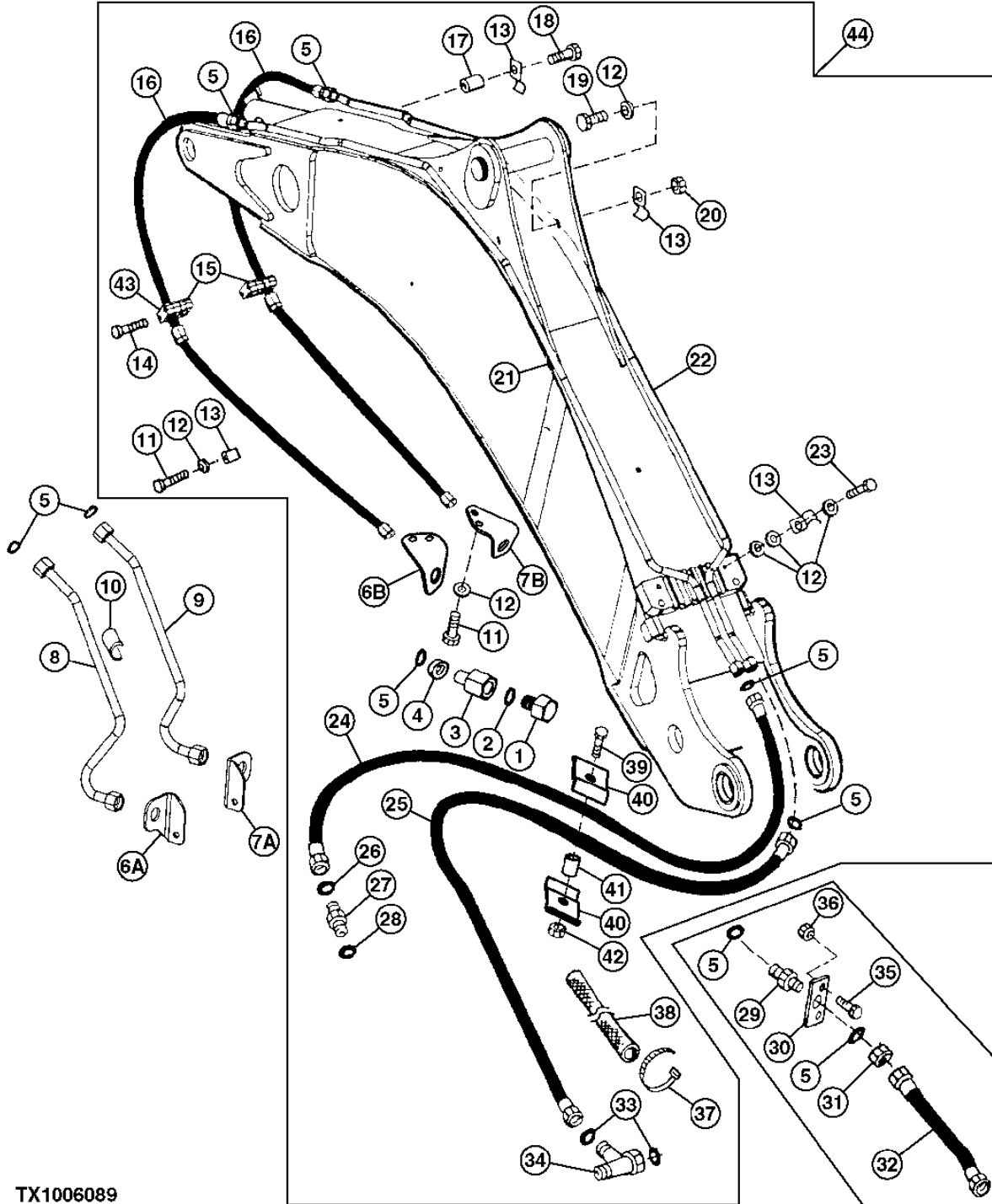
KEY	PART NO.	PART NAME	QTY.	SERIAL NO.	3 3 3 1 1 1 0 5 0 S S G G G	REMARKS
1	R27175	DRAIN PLUG	2		X X	
2	U12547	O-RING	2		X X	
3	T163702	REDUCER	2		X X	
4	T78707	NUT	2		X X	
5	T77858	O-RING	10		X X	
6A	T162682	BRACKET	1	-940475	X X	
6B	T205636	BRACKET	1	940476-	X X	
7A	T162681	BRACKET	1	-940475	X X	
7B	T205637	BRACKET	1	940476-	X X	
8	AT181680	OIL LINE	1	-940475	X	
	AT181885	OIL LINE	1	-940475	X	
9	AT181679	OIL LINE	1	-940475	X	
	AT181884	OIL LINE	1	-940475	X	
10	T107029	CONDUIT	2		X X	.812 MAX X .500 ID
11	19M7662	CAP SCREW	AR		X X	M10 X 30
12	24M7239	WASHER	AR		X X	
13	T160376	CLAMP	12		X X	
14	19M8456	CAP SCREW	4	-952642	X X	M8 X 100
	24M7238	WASHER	4	-952642	X X	
	19M7873	SCREW	4	952643-	X X	M8 X 110
	14M7426	LOCK NUT	4	952643-	X X	M8
15	T162004	CLAMP	4		X X	
16	AT179036	HYDRAULIC HOSE - FABRICATE	2	-940475	X X	1-3/16" X 1 092 MM (43") X 1-3/16"
	AT310257	HYDRAULIC HOSE - FABRICATE	2	940476-	X X	13/16" X 1 691 MM (66-1/2") X 13/16"
17	T126052	SPACER	2		X X	
18	19M7572	CAP SCREW	2		X X	M10 X 45
19	03M7192	BOLT	4		X X	M10 X 30
20	14M7274	NUT	4		X X	
21	AT329520	HYDRAULIC LINE	1		X	(SUB FOR AT179031)
	AT178376	HYDRAULIC LINE	1		X	
22	AT179030	HYDRAULIC LINE	1	-952642	X	
	AT329519	HYDRAULIC LINE	1	953643-	X	
	AT178375	HYDRAULIC LINE	1		X	
23	19M8183	CAP SCREW	2		X X	M10 X 90
24	AT179033	HYDRAULIC HOSE - FABRICATE	1	-911128	X X	1" X 1 207 MM (47-1/2") X 1-3/16", TO BACKHOE VALVE
	AT280350	HYDRAULIC HOSE - FABRICATE	1	911129-	X X	1" X 1 207 MM (47-1/2") X 1-3/16", TO BACKHOE VALVE
25	AT191859	HYDRAULIC HOSE - FABRICATE	1	-911128	X X	1-3/16" X 1 321 MM (52") X 1"
	AT280345	HYDRAULIC HOSE - FABRICATE	1	911129-940475	X X	1-3/16" X 1 321 MM (52") X 1-3/16"
	AT309710	HYDRAULIC HOSE - FABRICATE	1	940476-	X X	13/16" X 2 057 MM (81") X 13/16"

THIS PARTS LISTING IS CONTINUED

3363-21A

LINES, HOSES AND FITTINGS 3363
AUX EQUIPMENT HYD HOSES AND FITTINGS (STANDARD DIPPERSTICK) (310G, 310SG) (CONTINUED)
EQUIPEMENT AUX. FLEXIBLES ET RACCORDS HYD (BRAS STANDARD) (310G, 310SG) (SUITE)
EQUIPO AUX. MANGUERAS HID. (BRAZO ESTÁNDAR) (310G, 310SG) (CONTINUE)

TX1006089 -UN-17APR06



TX1006089

3363-21B

BACKHOE 33

LINES, HOSES AND FITTINGS 3363

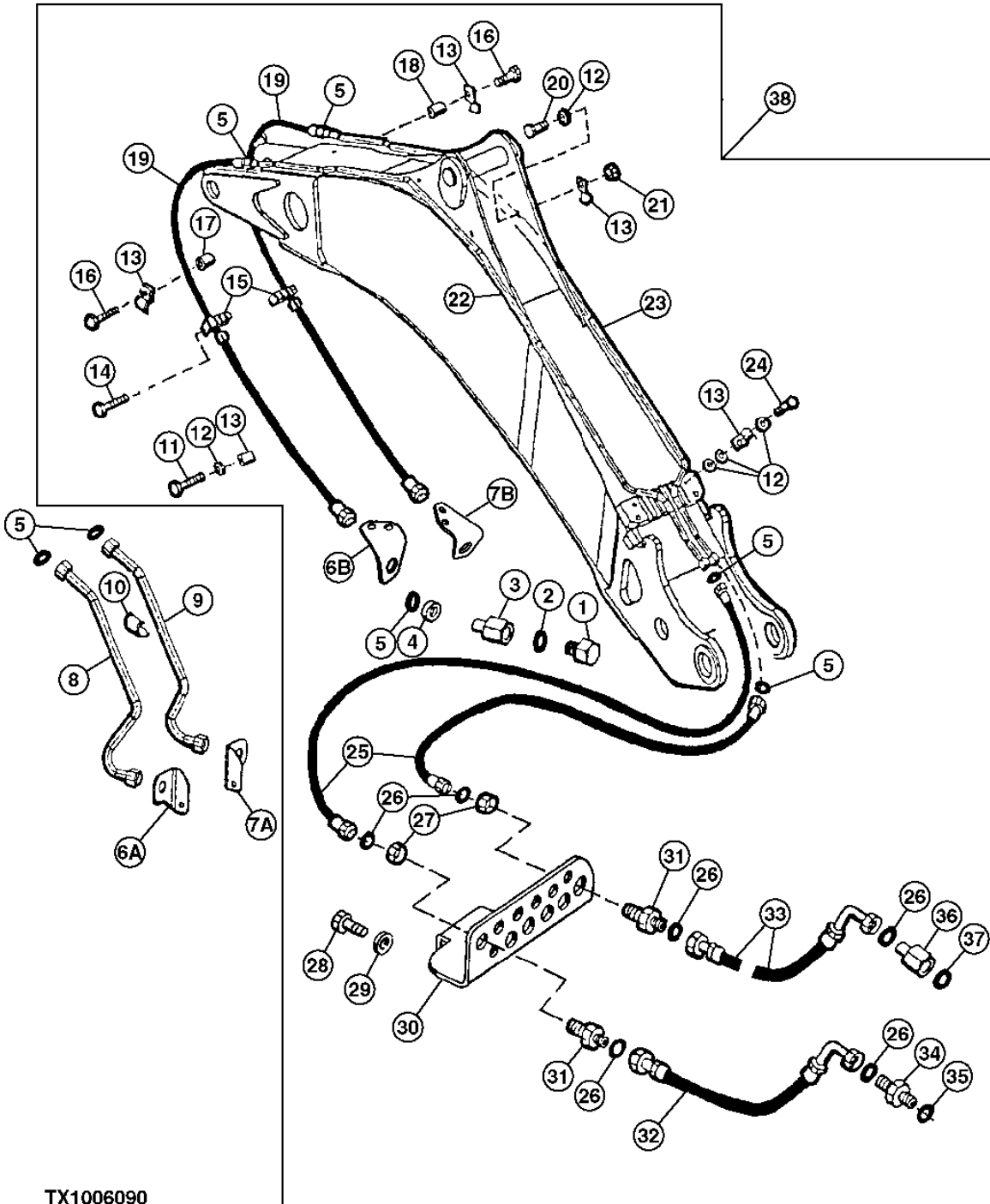
AUX EQUIPMENT HYD HOSES AND FITTINGS (STANDARD DIPPERSTICK) (310G, 310SG) (CONTINUED)
EQUIPEMENT AUX, FLEXIBLES ET RACCORDS HYD (BRAS STANDARD) (310G, 310SG) (SUITE)
EQUIPO AUX, MANGUERAS HID. (BRAZO ESTÁNDAR) (310G, 310SG) (CONTINUE)

KEY	PART NO.	PART NAME	QTY.	SERIAL NO.	REMARKS
					3 3 3 1 1 1 0 5 0 S S G G G
26	T77932	O-RING	1		X X
27	38H1329	ADAPTER FITTING	1		X X
28	U12547	O-RING	1		X X
29	38H1276	ADAPTER FITTING	1	-940475	X X
30	T184579	STRAP	1	-913416	X X
31	T78707	NUT	1	-940475	X X 1-3/16"
32	AT190762	HYDRAULIC HOSE - FABRICATE	1	-940475	X X 1-3/16" X 710 MM (28") X 1-7/16"
33	T76938	O-RING	2		X X
34	38H1002	TEE FITTING	1		X X TO FILTER TEE
35	19M7662	CAP SCREW	2	-913416	X X
36	14M7274	NUT	2	-913416	X X
37	H77698	TIE BAND	2	940476-	X X
38	CONDUIT	1	940476-	X X CTL 360.4MM (14.190") (MAKE FROM T107029)
39	19M8637	CAP SCREW	1	940476-	X X M10 X 40
40	R46919	HALF CLAMP	2	940476-	X X
41	28H3416	BUSHING	1	940476-	X X 0.493" X 0.675" X 13/16"
42	14M7274	NUT	1	940476-	X X M10
43	T162005	STRAP	2		X X
44	KIT	1	-940475	X (AT197243 NLA) (SUB FOR AT190653) (SUB AT329662)
	AT329662	KIT	1	940476-	X (WHOLE GOODS) (SUB FOR AT309706)
	AT197253	KIT	1	-940475	X (WHOLE GOODS) (SUB FOR AT191838)
	AT309567	KIT	1	940476-	X (WHOLE GOODS)

3363-22

LINES, HOSES AND FITTINGS 3363
AUXILIARY EQUIPMENT HYDRAULIC HOSES AND FITTINGS (STANDARD DIPPERSTICK) (315SG)
EQUIPEMENT AUXILIAIRE, FLEXIBLES ET RACCORDS HYDRAULIQUES (BRAS STANDARD) (315SG)
EQUIPO AUXILIAR, MANGUERAS HIDRAULICAS Y ADAPTADORES (BRAZO ESTANDAR) (315SG)

TX1006090 -UN-17APR06



TX1006090

3363-23

LINES, HOSES AND FITTINGS 3363

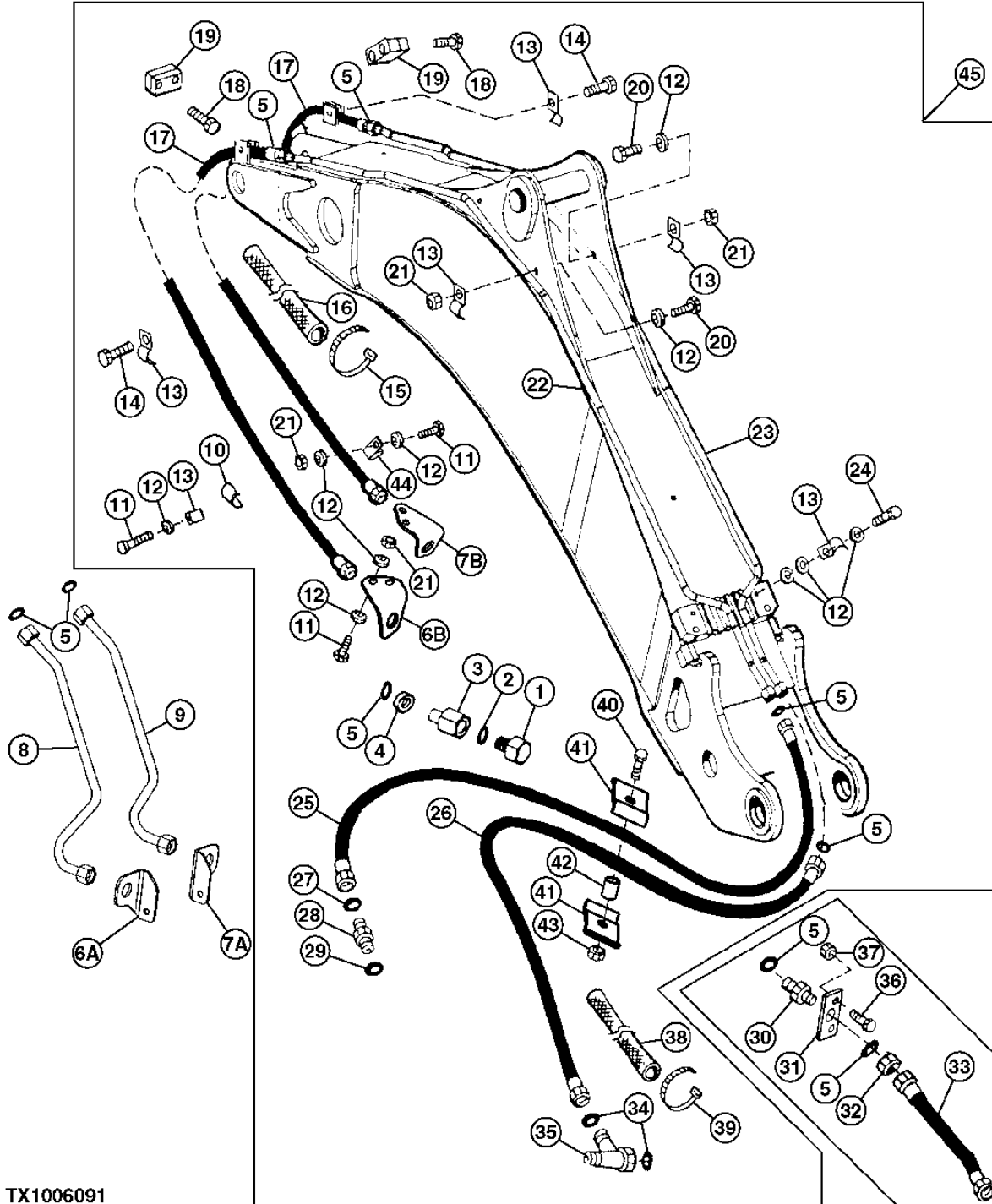
AUXILIARY EQUIPMENT HYDRAULIC HOSES AND FITTINGS (STANDARD DIPPERSTICK) (315SG)
EQUIPEMENT AUXILIAIRE, FLEXIBLES ET RACCORDS HYDRAULIQUES (BRAS STANDARD) (315SG)
EQUIPO AUXILIAR, MANGUERAS HIDRAULICAS Y ADAPTADORES (BRAZO ESTANDAR) (315SG)

KEY	PART NO.	PART NAME	QTY.	SERIAL NO.	REMARKS
					3 3
					3 1 1
					1 0 5
					0 S S
					G G G
1	R27175	PLUG	2		X
2	U12547	O-RING	2		X
3	T163702	REDUCER	2		X
4	T78707	NUT	2		X
5	T77858	O-RING	8		X
6A	T162682	BRACKET	1	-940475	X
6B	T205636	BRACKET	1	940476-	X
7A	T162681	BRACKET	1	-940475	X
7B	T205637	BRACKET	1	940476-	X
8	AT181885	HYDRAULIC LINE	1	-940475	X
9	AT181884	HYDRAULIC LINE	1	-940475	X
10	ISOLATOR	2		X .812 MAX X .500 ID
11	19M7662	CAP SCREW	4		X M10 X 30
12	24M7239	WASHER	AR		X
13	T160376	CLAMP	10		X
14	19M8456	CAP SCREW	4	-940475	X M8 X 100
	19M7873	SCREW	4	940476-	X M8 X 110
	14M7426	LOCK NUT	4	940476-	X M8
15	T162004	CLAMP	4		X
16	19M7572	CAP SCREW	2		X M10 X 45
17	28H3383	SPACER	1		X
18	T126052	SPACER	1		X
19	AT179036	HYDRAULIC HOSE - FABRICATE	2	-940475	X 1-3/16" X 1 092 MM (43") X 1-3/16"
	AT310257	HYDRAULIC HOSE - FABRICATE	2	940476-	X 13/16" X 1 691 MM (66-1/2") X 13/16"
20	03M7192	BOLT	4		X M10 X 30
21	14M7274	NUT	4		X M10
22	AT178376	OIL LINE	1		X
23	AT178375	OIL LINE	1		X
24	19M8183	CAP SCREW	2		X M10 X 90
25	AT181591	HYDRAULIC HOSE - FABRICATE	2	-911128	X 1" X 1 140 MM (45") X 1-3/16"
	AT280347	HYDRAULIC HOSE - FABRICATE	2	911129-	X 1" X 1 140 MM (45") X 1-3/16"
26	T77932	O-RING	6		X
27	T80306	NUT	2		X 1"
28	19M7872	CAP SCREW	2		X M12 X 25
29	24M7047	WASHER	2		X
30	T163225	PLATE	1		X NOT INCLUDED IN AT197259 OR AT309577
31	38H1286	ADAPTER FITTING	2		X
32	AT191146	HYDRAULIC HOSE - FABRICATE	1		X 1" X 2 400 MM (94-1/2") X 1", TO SELECTIVE FLOW CONTROL VALVE PORT
33	AT191147	HYDRAULIC HOSE - FABRICATE	1		X 1" X 1 885 MM (74-1/4") X 1", TO AUXILIARY RETURN PORT
34	38H1162	ADAPTER FITTING	1		X
35	R26906	O-RING	1		X
36	38H1476	REDUCER	1		X
37	R29936	O-RING	1		X
38	AT197259	KIT	1	-940475	X (WHOLE GOODS) (SUB FOR AT191545)
	AT309577	KIT	1	940476-	X (WHOLE GOODS)

3363-24

LINES, HOSES AND FITTINGS 3363
AUXILIARY EQUIPMENT HYDRAULIC HOSES AND FITTINGS (EXTENDABLE DIPPERSTICK) (310G, 310SG)
EQUIPEMENT AUXILIAIRE, FLEXIBLES ET RACCORDS HYDRAULIQUES (BRAS TELESCOPIQUE) (310G, 310SG)
EQUIPO AUXILIAR, MANGUERAS HIDRAULICAS Y ADAPTADORES (BRAZO EXTENSIBLE) (310G, 310SG)

TX1006091 -UN-17APR06



TX1006091

3363-25

**AUXILIARY EQUIPMENT HYDRAULIC HOSES AND FITTINGS (EXTENDABLE DIPPERSTICK) (310G, 310SG)
EQUIPEMENT AUXILIAIRE, FLEXIBLES ET RACCORDS HYDRAULIQUES (BRAS TELESCOPIQUE) (310G, 310SG)
EQUIPO AUXILIAR, MANGUERAS HIDRAULICAS Y ADAPTADORES (BRAZO EXTENSIBLE) (310G, 310SG)**

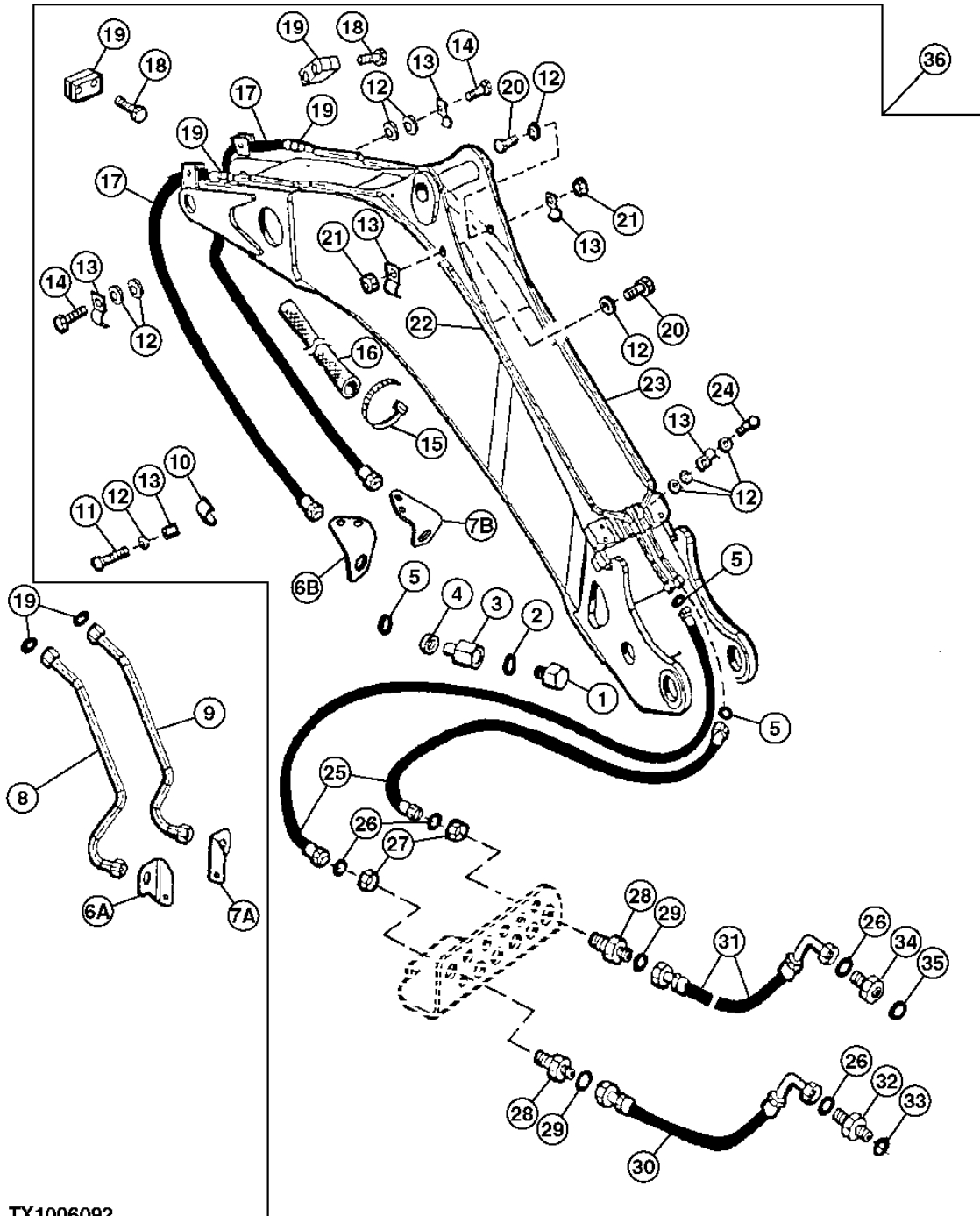
KEY	PART NO.	PART NAME	QTY.	SERIAL NO.	REMARKS
					3 3 3 1 1 1 0 5 0 S S G G G
1	R27175	PLUG	2		X X
2	U12547	O-RING	2		X X
3	T163702	REDUCER	2		X X
4	T78707	NUT	2		X X
5	T77858	O-RING	10		X X
6A	T166781	BRACKET	1	-940475	X X
6B	T205636	BRACKET	1	940476-	X X
7A	T166780	BRACKET	1	-940475	X X
7B	T205637	BRACKET	1	940476-	X X
8	AT186920	HYDRAULIC LINE	1	-940475	X X
9	AT186915	HYDRAULIC LINE	1	-940475	X X
10	T189065	HOSE	2	-940475	X X (SUB FOR T153193, THIS APPLICATION)
11	19M7662	CAP SCREW	AR		X X M10 X 30
12	24M7239	WASHER	AR		X X
13	T160376	CLAMP	10		X X
14	19M7572	CAP SCREW	2		X X M10 X 45
15	H77698	TIE BAND	4		X X
16	T161365	SLEEVE	2		X X FABRIC
17	AT179399	HYDRAULIC HOSE - FABRICATE	2	-940475	X X
	AT308466	HYDRAULIC HOSE - FABRICATE	2	940476-	X X
18	19M8456	CAP SCREW	8		X X M8 X 100
19	T162004	CLAMP	8		X X
20	03M7192	BOLT	4		X X M10 X 30
21	14M7274	NUT	AR		X X M10
22	AT329520	OIL LINE	1		X (SUB FOR AT179031)
	AT178376	OIL LINE	1		X
23	AT179030	OIL LINE	1	-952642	X
	AT329519	OIL LINE	1	952643-	X
	AT178375	OIL LINE	1		X
24	19M8093	CAP SCREW	2		X X M10 X 100, (SUB FOR 19M8183, THIS APPLICATION)
25	AT179033	HYDRAULIC HOSE - FABRICATE	1	-911128	X X 1" X 1 207 MM (47-1/2") X 1-3/16", TO BACKHOE VALVE
	AT280350	HYDRAULIC HOSE - FABRICATE	1	911129-	X X 1" X 1 207 MM (47-1/2") X 1-3/16", TO BACKHOE VALVE
26	AT191859	HYDRAULIC HOSE - FABRICATE	1	-911128	X X 1-3/16" X 1 321 MM (52") X 1"
	AT280345	HYDRAULIC HOSE - FABRICATE	1	911129-940475	X X 1-3/16" X 1 321 MM (52") X 1-3/16"
	AT309710	HYDRAULIC HOSE - FABRICATE	1	940476-	X X 13/16" X 2 057 MM (81") X 13/16"
27	T77932	O-RING	3		X X
28	38H1329	ADAPTER FITTING	1		X X
29	U12547	O-RING	1		X X
30	38H1276	ADAPTER FITTING	1	-940475	X X
31	T184579	STRAP	1	-913416	X X
32	T78707	NUT	1	-940475	X X 1-3/16"
33	AT190762	HYDRAULIC HOSE - FABRICATE	1	-940475	X X
34	T76938	O-RING	2		X X
35	38H1002	TEE FITTING	1		X X TO FILTER TEE
36	19M7662	CAP SCREW	2	-913416	X X
37	14M7274	NUT	2	-913416	X X
38	CONDUIT	1	940476-	X X CTL, (MAKE FROM T107029)
39	H77698	TIE BAND	2	940476-	X X
40	19M8637	CAP SCREW	1	940476-	X X M10 X 40
41	R46919	HALF CLAMP	2	940476-	X X
42	28H3416	BUSHING	1	940476-	X X 0.493" X 0.675" X 13/16"
43	14M7274	NUT	1	940476-	X X M10
44	T102934	CLAMP	2	940476-	X X
45	KIT	1	-940475	X (AT197245 NLA) (SUB FOR AT190655) (SUB AT329663)
	AT329663	KIT	1	940476-	X (WHOLE GOODS) (SUB FOR AT309707)
	AT197254	KIT	1	-940475	X (WHOLE GOODS) (SUB FOR AT191839)
	AT309568	KIT	1	940476-	X (WHOLE GOODS)

3363-26

AUXILIARY EQUIPMENT HYDRAULIC HOSES AND FITTINGS (EXTENDABLE DIPPERSTICK) (315SG) LINES, HOSES AND FITTINGS 3363
EQUIPEMENT AUXILIAIRE, FLEXIBLES ET RACCORDS HYDRAULIQUES (BRAS TELESCOPIQUE) (315SG)
EQUIPO AUXILIAR, MANGUERAS HIDRAULICAS Y ADAPTADORES (BRAZO EXTENSIBLE) (315SG)

TX1006092

-UN-17APR06



TX1006092

THIS PARTS LISTING IS CONTINUED

3363-27

LINES, HOSES AND FITTINGS 3363

AUXILIARY EQUIPMENT HYDRAULIC HOSES AND FITTINGS (EXTENDABLE DIPPERSTICK) (315SG)
EQUIPEMENT AUXILIAIRE, FLEXIBLES ET RACCORDS HYDRAULIQUES (BRAS TELESCOPIQUE) (315SG)
EQUIPO AUXILIAR, MANGUERAS HIDRAULICAS Y ADAPTADORES (BRAZO EXTENSIBLE) (315SG)

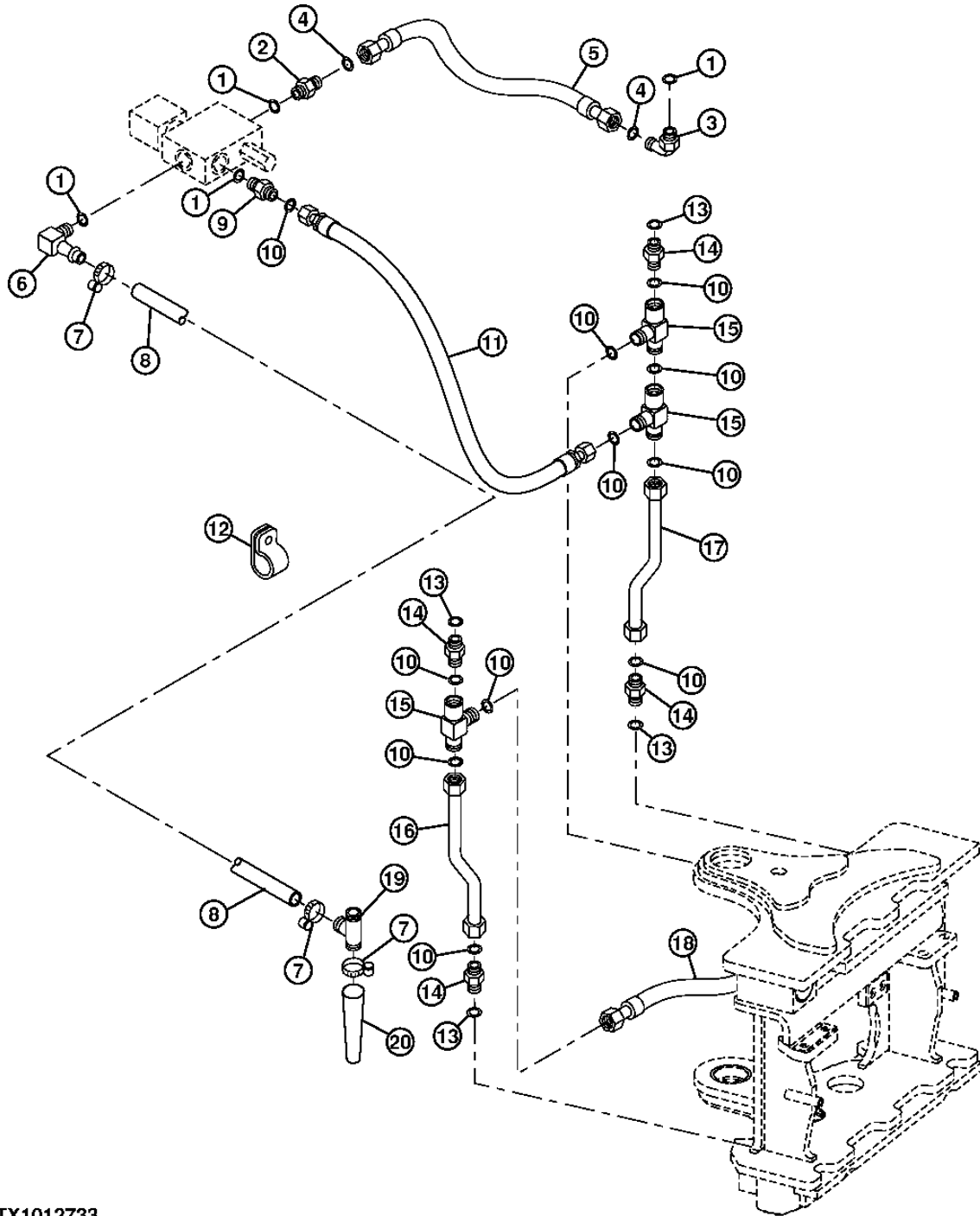
KEY	PART NO.	PART NAME	QTY.	SERIAL NO.	REMARKS
					3 3 3 1 1 1 0 5 0 S S G G G
1	R27175	PLUG	2		X
2	U12547	O-RING	2		X
3	T163702	REDUCER	2		X
4	T78707	NUT	2		X
5	T77858	O-RING	8		X TO BACKHOE VALVE
6A	T166781	BRACKET	1	-940475	X
6B	T205636	BRACKET	1	940476-	X
7A	T166780	BRACKET	1	-940475	X
7B	T205637	BRACKET	1	940476-	X
8	AT186915	HYDRAULIC LINE	1	-940475	X
9	AT186920	HYDRAULIC LINE	1	-940475	X
10	ISOLATOR	2		X .812 MAX X .500 ID
11	19M7662	CAP SCREW	4		X M10 X 30
12	24M7239	WASHER	AR		X
13	T160376	CLAMP	10		X
14	19M7572	CAP SCREW	2		X M10 X 45
15	H77698	TIE BAND	4		X
16	T161365	SLEEVE	2		X FABRIC
17	AT179399	HYDRAULIC HOSE - FABRICATE	2	-940475	X 1-3/16" X 2 443 MM (96-1/4") X 1-3/16"
	AT308466	HYDRAULIC HOSE - FABRICATE	2	940476-	X 1-3/16" X 3 322 MM (130-3/4") X 1-3/16"
18	19M8456	CAP SCREW	8		X M8 X 100
19	T162004	CLAMP	8		X FROM BRAKE VALVE
20	03M7192	BOLT	4		X M10 X 30, TO RESERVOIR
21	14M7274	NUT	4		X M10
22	AT178376	OIL LINE	1		X
23	AT178375	OIL LINE	1		X
24	19M8183	CAP SCREW	2		X M10 X 90
25	AT181591	HYDRAULIC HOSE - FABRICATE	2	-911128	X 1" X 1 140 MM (45") X 1-3/16"
	AT280347	HYDRAULIC HOSE - FABRICATE	2	911129-	X 1" X 1 140 MM (45") X 1-3/16"
26	T77932	O-RING	4		X
27	T80306	NUT	2		X 1"
28	38H1286	ADAPTER FITTING	2		X
29	R26906	O-RING	2		X
30	AT191146	HYDRAULIC HOSE - FABRICATE	1		X 1" X 2 400 MM (94-1/2") X 1", TO SELECTIVE FLOW CONTROL VALVE PORT
31	AT191147	HYDRAULIC HOSE - FABRICATE	1		X 1" X 1 885 MM (74-1/4") X 1", TO AUXILIARY RETURN PORT
32	38H1162	ADAPTER FITTING	1		X
33	R26906	O-RING	1		X
34	38H1476	REDUCER	1		X
35	T76938	O-RING	1		X
36	AT197260	KIT	1	-940475	X (WHOLE GOODS) (SUB FOR AT191546)
	AT309579	KIT	1	940476-	X (WHOLE GOODS)

3363-28

SIDE SHIFT LOCK HYDRAULICS (315SG)
CIRCUIT HYDRAULIQUE DE VERROUILLAGE DE DEPLACEMENT LATERAL (315SG)
SISTEMA HIDRAULICO DE BLOQUEO DE DESPLAZAMIENTO LATERAL (315SG)

TX1012733

-UN-



TX1012733

3363-29

BACKHOE 33

LINES, HOSES AND FITTINGS 3363

SIDE SHIFT LOCK HYDRAULICS (315SG)
CIRCUIT HYDRAULIQUE DE VERROUILLAGE DE DEPLACEMENT LATERAL (315SG)
SISTEMA HIDRAULICO DE BLOQUEO DE DESPLAZAMIENTO LATERAL (315SG)



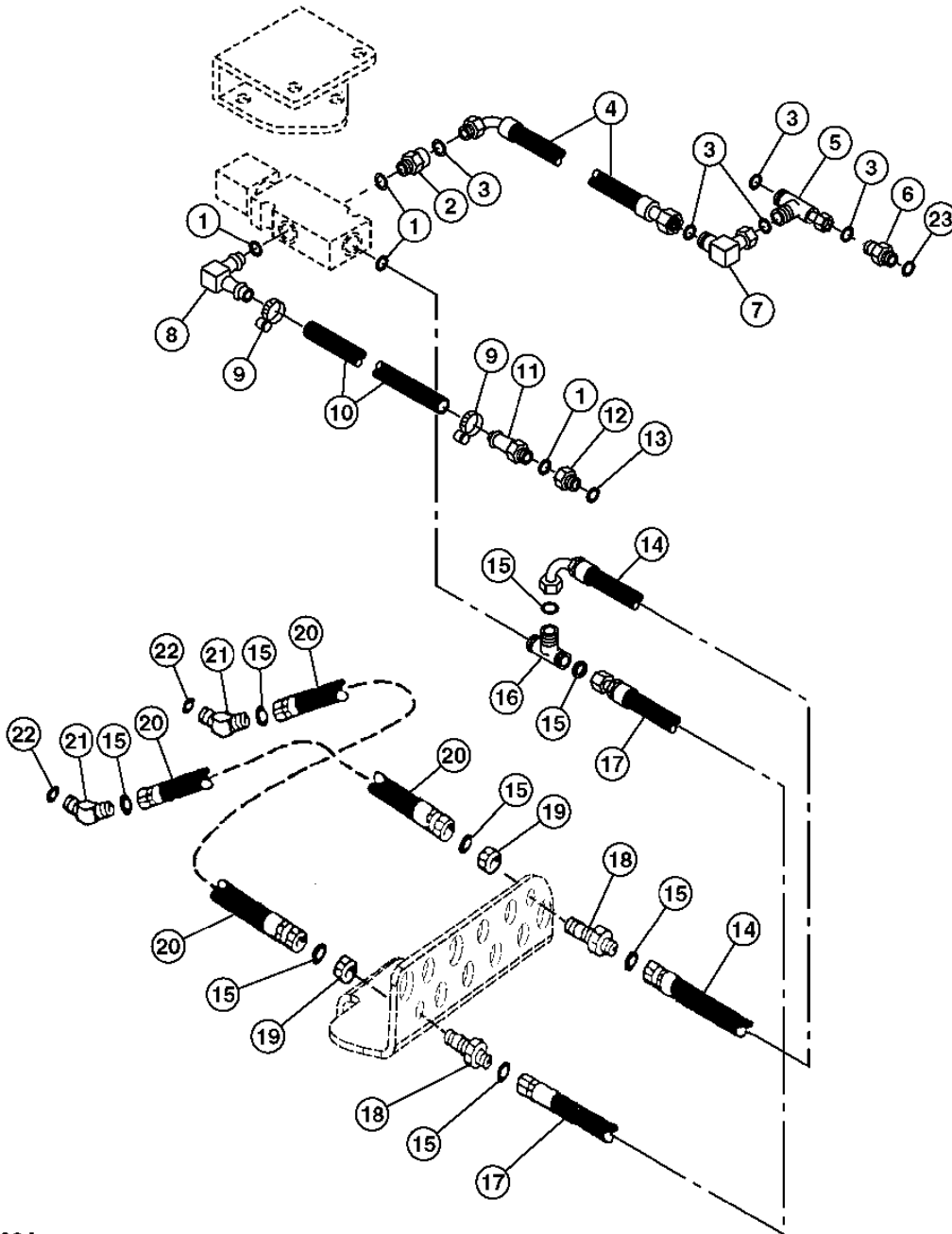
KEY	PART NO.	PART NAME	QTY.	SERIAL NO.	3 3 3 1 1 1 0 5 0 S S G G G	REMARKS
1	R26448	O-RING	4		X	
2	AT81867	CHECK VALVE	1		X	
3	38H1004	ELBOW FITTING	1		X	
4	T77613	O-RING	2		X	
5	AT189408	HYDRAULIC HOSE - FABRICATE	1		X	11/16" X 500 MM (19-3/4") X 11/16", TO BACKHOE VALVE
6	AR64705	ELBOW FITTING	1	-911132	X	
	AT68978	ELBOW FITTING	1	911133-	X	
7	TY22462	CLAMP	4	-911132	X	(SUB FOR AR48236)
	AR21836	CLAMP	4	911133-	X	
8	HOSE	AR	-911132	X	(MAKE FROM M87571) CTL 2590.8MM (8'6")
	HOSE	AR	911133-	X	CTL 2565.4MM (8'5") (MAKE FROM T168383)
9	38H1168	ADAPTER FITTING	1		X	
10	T77814	O-RING	12		X	
11	AT189407	HYDRAULIC HOSE - FABRICATE	1		X	9/16" X 2 465 MM (97") X 9/16"
12	T74416	CLAMP	1		X	
13	R28782	O-RING	4		X	
14	38H1159	ADAPTER FITTING	4		X	
15	38H1029	TEE FITTING	3		X	
16	AT176522	LINE	1		X	
17	AT176521	LINE	1		X	
18	AT177433	LINE	1		X	
19	XN8TUB8	TEE FITTING	1		X	(SUB FOR M86863, THIS APPLICATION) FROM BRAKE VALVE
20	HOSE	AR		X	(MAKE FROM M87571) CTL 152.4MM (6") (TO RESERVOIR)

3363-30

BACKHOE BOOM LOCK VALVE HYDRAULICS (315SG)
CIRCUIT HYDRAULIQUE DE SOUPE DE VERROUILLAGE DE FLECHE DE RETROPELLE (315SG)
SISTEMA HIDRAULICO DE VALVULA DE BLOQUEO DE AGUILON DE RETROEXCAVADORA (315SG)

TX1006094

-UN-17APR06



TX1006094

3363-31

BACKHOE 33

LINES, HOSES AND FITTINGS 3363

BACKHOE BOOM LOCK VALVE HYDRAULICS (315SG)
CIRCUIT HYDRAULIQUE DE SOUPAPE DE VERROUILLAGE DE FLECHE DE RETROPELLE (315SG)
SISTEMA HIDRAULICO DE VALVULA DE BLOQUEO DE AGUILON DE RETROEXCAVADORA (315SG)

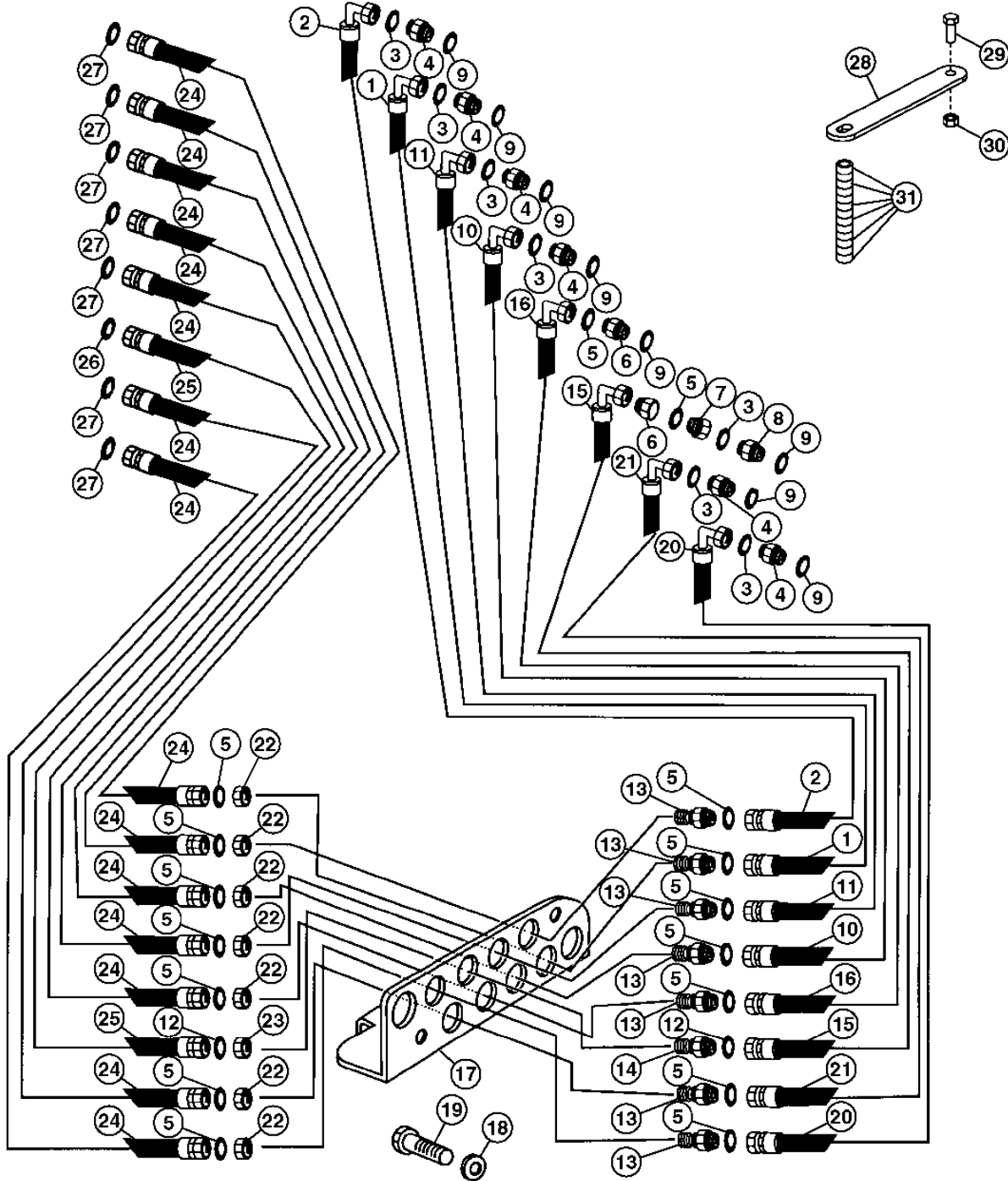
KEY	PART NO.	PART NAME	QTY.	SERIAL NO.	3 3 3 1 1 1 0 5 0 S S G G G	REMARKS
1	R26448	O-RING	4		X	
2	38H1160	ADAPTER FITTING	1		X	
3	T77613	O-RING	5		X	
4	AT189403	HYDRAULIC HOSE - FABRICATE	1		X	11/16" X 1 930 MM (76") X 11/16"
5	38H1030	TEE FITTING	1		X	TO BRAKE VALVE BOOST PLUMBING
6	38H1170	ADAPTER FITTING	1		X	TO TRANSMISSION
7	38H1094	ELBOW FITTING	1		X	
8	AR64705	ELBOW FITTING	1		X	
9	TY22462	CLAMP	2		X	(SUB FOR AR48236)
10	HOSE	AR		X	(MAKE FROM M87571) CTL 1800MM (70.87")
11	T65295	HOSE FITTING	1		X	
12	R32247	ADAPTER FITTING	1		X	TO TRANSMISSION
13	R26906	O-RING	1		X	
14	AT189405	HYDRAULIC HOSE - FABRICATE	1		X	9/16" X 2 250 MM (88-1/2") X 9/16"
15	T77814	O-RING	8		X	
16	38H1425	TEE FITTING	1		X	
17	AT189404	HYDRAULIC HOSE - FABRICATE	1		X	9/16" X 2 250 MM (88-1/2") X 9/16"
18	38H1284	ADAPTER FITTING	2		X	
19	14H832	NUT	2		X	9/16"
20	AT180147	HYDRAULIC HOSE - FABRICATE	2	-911128	X	9/16" X 610 MM (24") X 9/16", TO BOOM LOCK CYLINDERS
	AT280348	HYDRAULIC HOSE - FABRICATE	2	911129-	X	9/16" X 610 MM (24") X 9/16", TO BOOM LOCK CYLINDERS
21	38H1044	ELBOW FITTING	2		X	45°
22	R28782	O-RING	2		X	
23	R26286	O-RING	1		X	

3363-32

BACKHOE CYLINDER HYDRAULICS (315SG)
CIRCUIT HYDRAULIQUE DE VERIN DE RETROPELLE (315SG)
SISTEMA HIDRAULICO DE CILINDRO DE RETROEXCAVADORA (315SG)

TX1006095

-UN-17APR06



TX1006095

THIS PARTS LISTING IS CONTINUED

3363-33

BACKHOE 33

LINES, HOSES AND FITTINGS 3363

**BACKHOE CYLINDER HYDRAULICS (315SG)
CIRCUIT HYDRAULIQUE DE VERIN DE RETROPELLE (315SG)
SISTEMA HIDRAULICO DE CILINDRO DE RETROEXCAVADORA (315SG)**

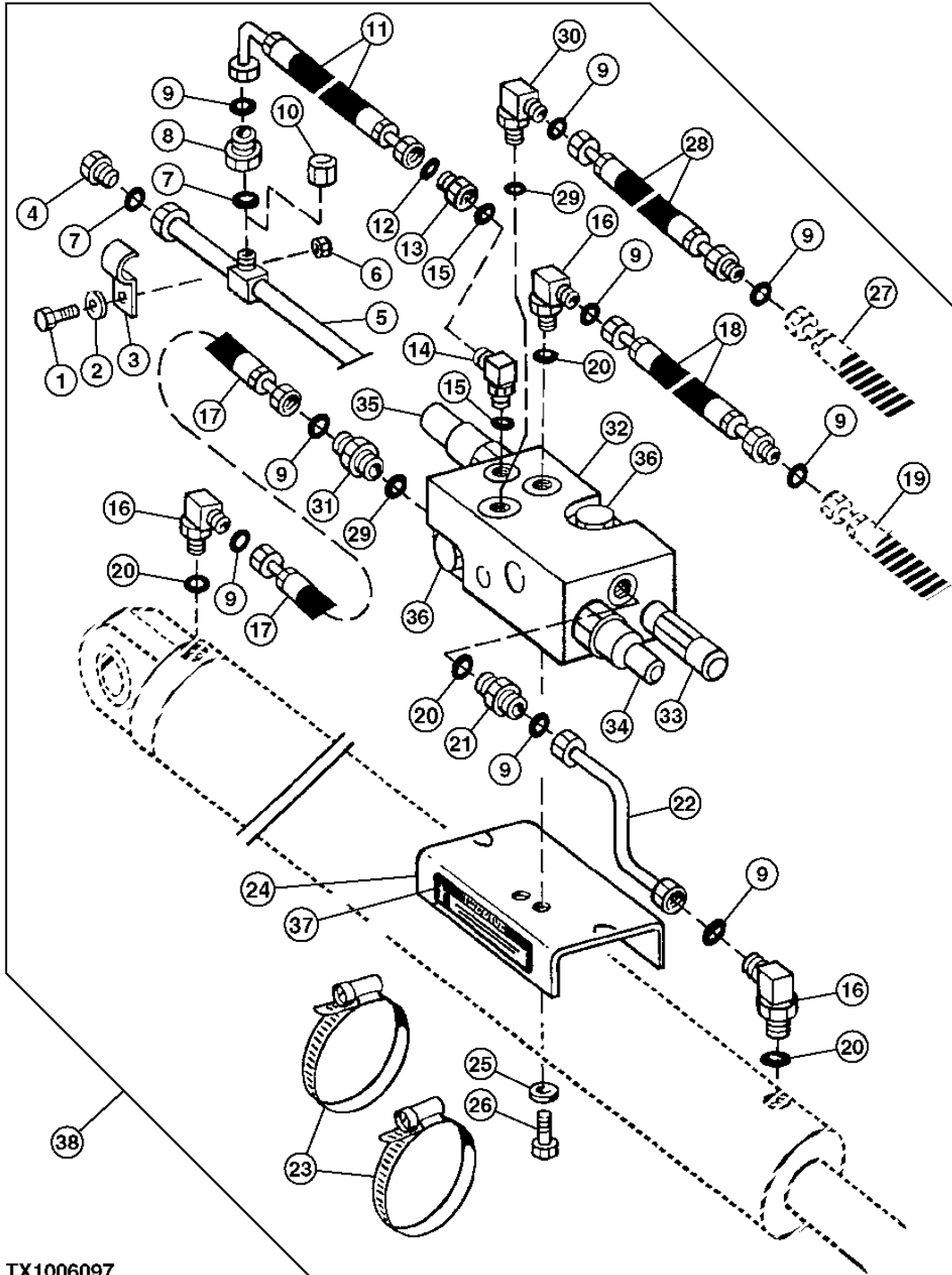
KEY	PART NO.	PART NAME	QTY.	SERIAL NO.	REMARKS
					3 3
					3 1 1
					1 0 5
					0 S S
					G G G
1	AT191143	HYDRAULIC HOSE - FABRICATE	1		X 13/16" X 2 400 MM (94-1/2") X 13/16", TO EXTENDABLE VALVE
2	AT191143	HYDRAULIC HOSE - FABRICATE	1		X 13/16" X 2 400 MM (94-1/2") X 13/16", TO EXTENDABLE VALVE
3	T77932	O-RING	8		X
4	38H1174	ADAPTER FITTING	6		X
5	T77857	O-RING	15		X
6	38H1162	ADAPTER FITTING	1		X
7	38H1471	REDUCER	1		X
8	38H1162	ADAPTER FITTING	1		X
9	R26906	O-RING	8		X
10	AT191143	HYDRAULIC HOSE - FABRICATE	1		X 13/16" X 2 400 MM (94-1/2") X 13/16", TO CROWD VALVE
11	AT191143	HYDRAULIC HOSE - FABRICATE	1		X 13/16" X 2 400 MM (94-1/2") X 13/16", TO CROWD VALVE
12	T77932	O-RING	2		X
13	38H1275	ADAPTER FITTING	7		X
14	38H1286	ADAPTER FITTING	1		X
15	AT191143	HYDRAULIC HOSE - FABRICATE	1		X 13/16" X 2 400 MM (94-1/2") X 13/16", TO BUCKET VALVE
16	AT191146	HYDRAULIC HOSE - FABRICATE	1		X 1" X 2 400 MM (94-1/2") X 1", TO BUCKET VALVE
17	T163225	PLATE	1		X
18	24M7047	WASHER	2		X
19	19M7872	CAP SCREW	2		X M12 X 25
20	AT191143	HYDRAULIC HOSE - FABRICATE	1		X 13/16" X 2 400 MM (94-1/2") X 13/16", TO BOOM VALVE
21	AT191143	HYDRAULIC HOSE - FABRICATE	1		X 13/16" X 2 400 MM (94-1/2") X 13/16", TO BOOM VALVE
22	T78716	NUT	7		X 13/16"
23	T80306	NUT	1		X 1"
24	AT180152	HYDRAULIC HOSE - FABRICATE	7	-911128	X 13/16" X 1 056 MM (41-1/2") X 1", TO BOOM
	AT280346	HYDRAULIC HOSE - FABRICATE	7	911129-	X 1" X 1 056 MM (41-1/2") X 1", TO BOOM
25	AT181591	HYDRAULIC HOSE - FABRICATE	1	-911128	X 1" X 1 140 MM (45") X 1-3/16", TO BOOM
	AT280347	HYDRAULIC HOSE - FABRICATE	1	911129-	X 1" X 1 140 MM (45") X 1-3/16", TO BOOM
26	T77858	O-RING	1		X
27	T77932	O-RING	7		X
28	T185681	STRAP	1		X
29	19M7402	CAP SCREW	1		X M10 X 25
30	14M7274	NUT	1		X M10
31	T185682	SPACER	13		X

3363-34

CONTROLLED LOAD LOWERING DEVICE KIT (BOOM CYLINDER)
KIT DE DISPOSITIF D'ABAISEMENT DE CHARGE CONTROLÉ (CYLINDRE DE FLECHE)
JUEGO DE DISPOSITIVO DE BAJADA CONTROLADA DE CARGAS (CILINDRO DEL AGUILÓN)

TX1006097

-UN-17APR06



TX1006097

THIS PARTS LISTING IS CONTINUED

3363-35

**CONTROLLED LOAD LOWERING DEVICE KIT (BOOM CYLINDER)
KIT DE DISPOSITIF D'ABAISSEMENT DE CHARGE CONTROLE (CYLINDRE DE FLECHE)
JUEGO DE DISPOSITIVO DE BAJADA CONTROLADA DE CARGAS (CILINDRO DEL AGUILÓN)**

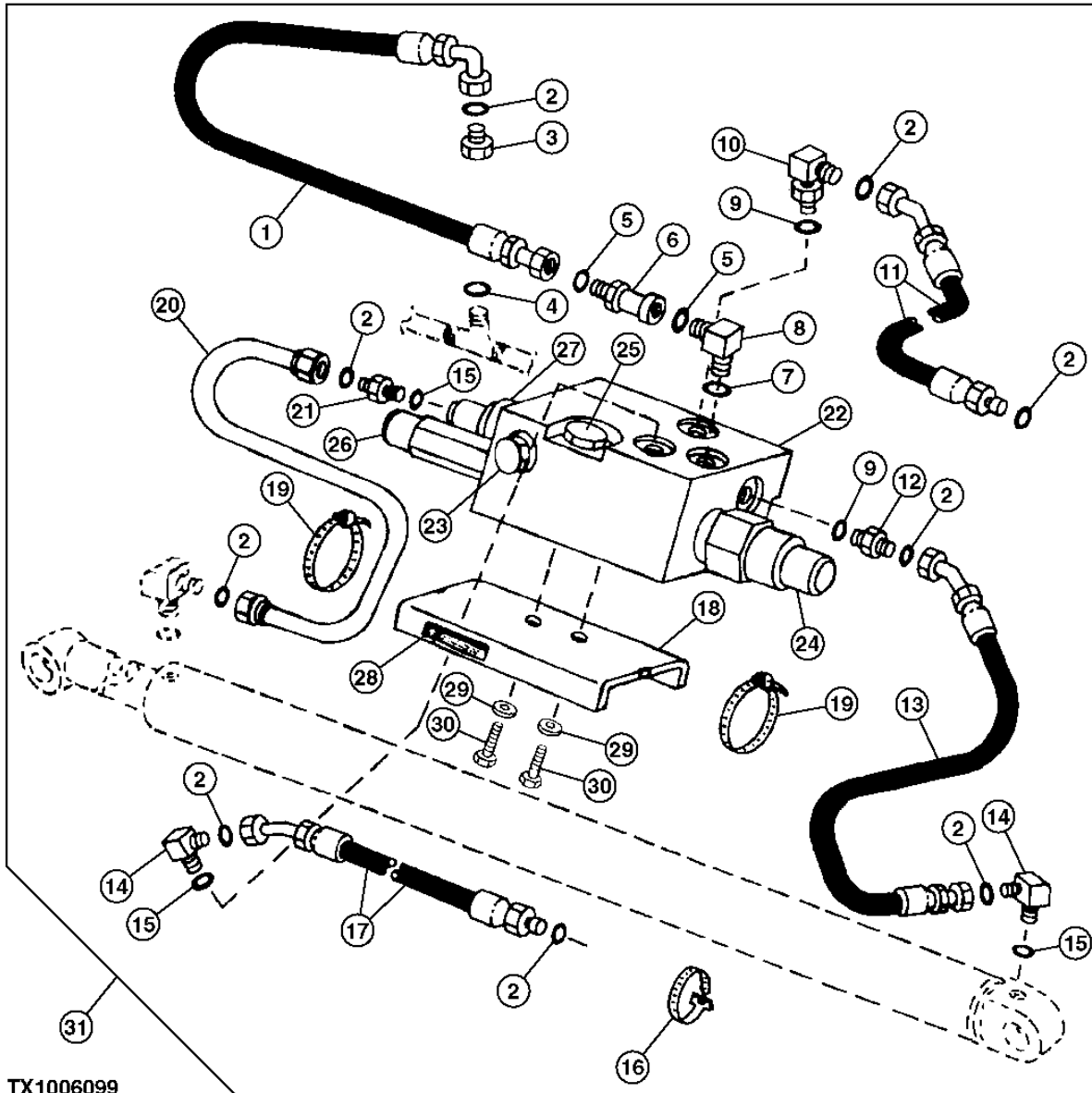
KEY	PART NO.	PART NAME	QTY.	SERIAL NO.	REMARKS
					3 3
					3 1 1
					1 0 5
					0 S S
					G G G
1	03M7192	BOLT	2		X X X M10 X 30, (RETURN LINE)
2	24M7239	WASHER	2		X X X (MOUNTING BRACKET SCREWS)
3	T160376	CLAMP	4		X X X (RIGHT SIDE BOOM LINE)
4	38H1149	FITTING PLUG	1		X X X (RETURN LINE)
5	AT180204	OIL LINE	1		X (RIGHT SIDE OF BOOM)
	AT180667	OIL LINE	1		X X (RIGHT SIDE OF BOOM)
6	14M7274	NUT	4		X X X M10, (RETURN LINE)
7	T77858	O-RING	6		X X X
8	38H1482	REDUCER	1		X X X (RETURN LINE)
9	T77932	O-RING	11		X X X
10	38H1418	FITTING	1		X X X (TEE CAP WHEN CROWD CLLD IS NOT REQUIRED)
11	AT180208	HYDRAULIC HOSE - FABRICATE	1		X X X 13/16" X 803 MM (31-1/2") X 1", (PORT "M")
12	T77857	O-RING	2		X X X (PORT "M")
13	38H1161	ADAPTER FITTING	1		X X X (PORT "M")
14	38H1095	ELBOW FITTING	1		X X X (PORT "M")
15	R26375	O-RING	1		X X X
16	38H1006	ELBOW FITTING	1		X X X (PORT "B")
17	AT180209	HYDRAULIC HOSE - FABRICATE	1		X X X (PORT "FB")
18	AT180212	HYDRAULIC HOSE - FABRICATE	1		X X X 1" X 825 MM (32-1/2") X 1", (PORT "B")
19	OIL LINE	1		X X X (TO BOOM ROD TUBE)
20	R26906	O-RING	2		X X X (PORT "B" (1) - PORT "M" (1))
21	38H1162	ADAPTER FITTING	1		X X X (PORT "ANN")
22	AT180205	OIL LINE	1		X X X (PORT "ANN")
23	AR85327	CLAMP	2		X (MOUNTING PLATE)
	TY22493	HOSE CLAMP	2		X X (SUB FOR AR89602, THIS APPLICATION)
24	T161769	PLATE	1		X X X (TO BOOM CYLINDER)
25	24M7239	WASHER	6		X X X (RETURN LINE)
26	19H1134	CAP SCREW	2		X X X 3/8" X 3/4", (MOUNTING BRACKET)
27	OIL LINE	1		X X X (TO BOOM CAP TUBE)
28	AT180212	HYDRAULIC HOSE - FABRICATE	1		X X X 1" X 825 MM (32-1/2") X 1", (PORT "A")
29	U12547	O-RING	2		X X X (PORT "FB" (1) - PORT "A" (1))
30	38H1404	ELBOW FITTING	1		X X X (PORT "A")
31	38H1329	ADAPTER FITTING	1		X X X (PORT "FB")
32	AT175125	HYD ACTUATED CONTROL VALVE	1		X X X
33	AT180076	PRESSURE RELIEF VALVE	1		X X X RELIEF (5000 PSI)
	AT180081	SEAL KIT	1		X X X
34	AT180077	HYD ACTUATED CONTROL VALVE	1		X X X SEQUENCE (550 PSI)
	AT180082	SEAL KIT	1		X X X
35	AT180078	HYD ACTUATED CONTROL VALVE	1		X X X LOAD CONTROL (325 PSI)
	AT180083	SEAL KIT	1		X X X
36	AT180079	CHECK VALVE	1		X X X
	AT180086	SEAL KIT	1		X X X
37	T161665	LABEL	1		X X X (SERVICE VALVE)
38	AT194444	KIT	1		X (WHOLE GOODS) (SUB FOR AT178788) (ALSO INCLUDES ADDITIONAL HYDRAULIC HOSES, FITTINGS AND MISCELLANEOUS PARTS)
	AT194445	KIT	1		X X (WHOLE GOODS) (SUB FOR AT178768) (ALSO INCLUDES ADDITIONAL HYDRAULIC HOSES, FITTINGS AND MISCELLANEOUS PARTS)

3363-36

CONTROLLED LOAD LOWERING DEVICE KIT (CROWD CYLINDER)
KIT DE DISPOSITIF D'ABAISSEMENT DE CHARGE CONTROLÉ (VERIN DE CAVAGE)
JUEGO DE DISPOSITIVO DE BAJADA CONTROLADA DE CARGAS (CILINDRO DE EMPUJE)

TX1006099

-UN-17APR06



TX1006099

3363-37

BACKHOE 33

LINES, HOSES AND FITTINGS 3363

**CONTROLLED LOAD LOWERING DEVICE KIT (CROWD CYLINDER)
KIT DE DISPOSITIF D'ABAISSEMENT DE CHARGE CONTROLÉ (VERIN DE CAVAGE)
JUEGO DE DISPOSITIVO DE BAJADA CONTROLADA DE CARGAS (CILINDRO DE EMPUJE)**

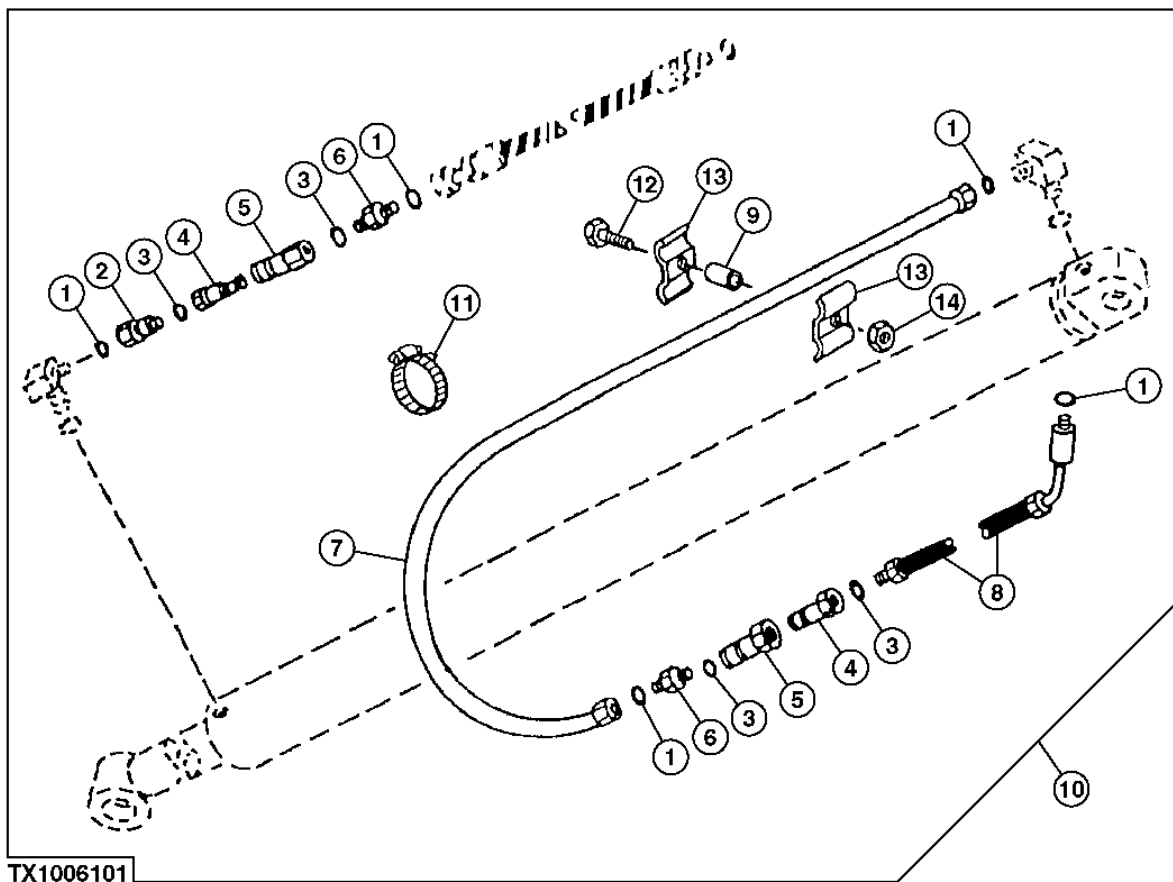
KEY	PART NO.	PART NAME	QTY.	SERIAL NO.	REMARKS
					3 3
					3 1 1
					1 0 5
					0 S S
					G G G
1	AT180210	HYDRAULIC HOSE - FABRICATE	1		X X X 13/16" X 592 MM (23-1/4") X 1", (PORT "M")
2	T77932	O-RING	9		X X X
3	38H1482	REDUCER	1		X X X (RETURN LINE)
4	T77858	O-RING	1		X X X (RETURN LINE)
5	T77857	O-RING	2		X X X (PORT "M" HOSE ENDS)
6	38H1095	ELBOW FITTING	1		X X X (PORT "M")
7	R26375	O-RING	1		X X X (PORT "M")
8	38H1161	ADAPTER FITTING	1		X X X (PORT "M")
9	U12547	O-RING	2		X X X (PORT "FB" (1) - PORT "A" (1))
10	38H1404	ELBOW FITTING	1		X X X (PORT "A")
11	AT180213	HYDRAULIC HOSE - FABRICATE	1		X X X (PORT "A") TO CROWD CAP TUBE
12	38H1329	ADAPTER FITTING	1		X X X (PORT "FB")
13	AT180211	HYDRAULIC HOSE - FABRICATE	1		X 1" X 310 MM (12-1/4") X 1", (PORT "FB")
	AT180658	HYDRAULIC HOSE - FABRICATE	1		X X X 1" X 368 MM (14-1/2") X 1", (PORT "FB")
14	38H1006	ELBOW FITTING	1		X X X (PORT "B")
	38H1006	ELBOW FITTING	1		X (CROWD HEAD END)
15	R26906	O-RING	2		X X X (PORT "B" (1) - PORT "ANN" (1))
	R26906	O-RING	1		X (HEAD END OF CROWD CYLINDER)
16	R44302	TIE BAND	1		X X X (PORT "A" AND PORT "B" HOSES)
17	AT180214	HYDRAULIC HOSE - FABRICATE	1		X X X (PORT "B") TO CROWD CAP TUBE
18	T161769	PLATE	1		X X X (TO CROWD CYLINDER)
19	AR85327	CLAMP	2		X (MOUNTING PLATE)
	TY22493	HOSE CLAMP	2		X X (SUB FOR AR89602, THIS APPLICATION)
20	AT180206	OIL LINE	1		X X X (PORT "ANN")
21	38H1162	ADAPTER FITTING	1		X X X (PORT "ANN")
22	AT175126	HYD ACTUATED CONTROL VALVE	1		X X X
23	SCREW	1		X X X ADJUSTABLE (CLLD)
	SEAL	1		X X X LOCK NUT (CLLD VALVE)
24	AT180088	HYD ACTUATED CONTROL VALVE	1		X X X LOAD CONTROL (400 PSI)
	AT180083	SEAL KIT	1		X X X
25	AT180087	HYD ACTUATED CONTROL VALVE	1		X X X
	AT180082	SEAL KIT	1		X X X
26	AT180076	PRESSURE RELIEF VALVE	1		X X X RELIEF (5000 PSI)
	AT180081	SEAL KIT	1		X X X
27	AT180079	CHECK VALVE	1		X X X SEQUENCE (450 PSI)
	AT180086	SEAL KIT	1		X X X
28	T161665	LABEL	1		X X X (SERVICE VALVE)
29	24M7239	WASHER	2		X X X (MOUNTING BRACKET SCREWS)
30	19H1134	CAP SCREW	2		X X X (MOUNTING BRACKET)
31	AT178789	KIT	1		X (AT178789 NLA)
	AT178769	KIT	1		X X (WHOLE GOODS) (ALSO INCLUDES ADDITIONAL HYDRAULIC HOSES, FITTINGS AND MISCELLANEOUS PARTS)

3363-38

BACKHOE 33

LINES, HOSES AND FITTINGS 3363
AUGER HYDRAULIC OIL LINES AND HOSES (EXTENDABLE DIPPERSTICK)
FLEXIBLES ET CONDUITES HYDRAULIQUES DE VIS (BRAS TELESCOPIQUE)
LINEAS Y MANGUERAS HIDRAULICAS DE SINFIN (BRAZO EXTENSIBLE)

TX1006101 -UN-17APR06



3363-39

BACKHOE 33

LINES, HOSES AND FITTINGS 3363

AUGER HYDRAULIC OIL LINES AND HOSES (EXTENDABLE DIPPERSTICK)
FLEXIBLES ET CONDUITES HYDRAULIQUES DE VIS (BRAS TELESCOPIQUE)
LINEAS Y MANGUERAS HIDRAULICAS DE SINFIN (BRAZO EXTENSIBLE)

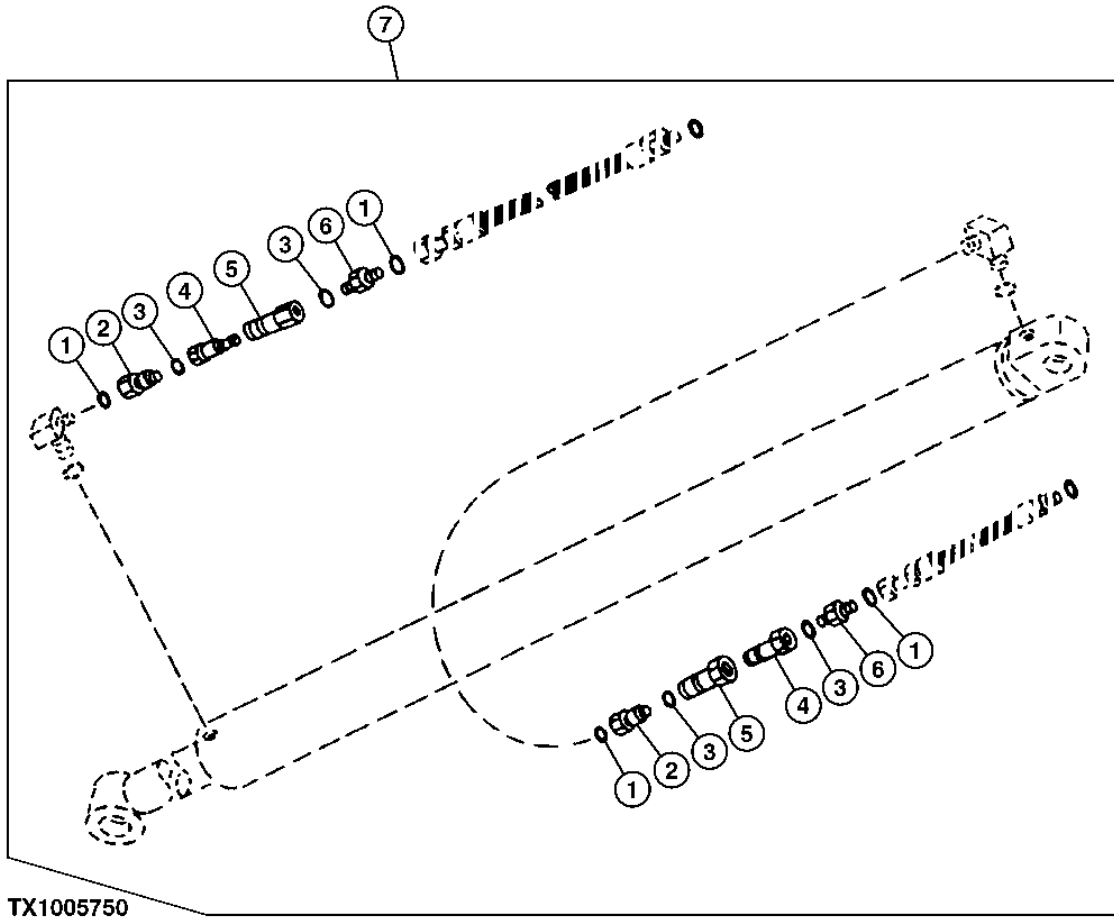
KEY	PART NO.	PART NAME	QTY.	SERIAL NO.	REMARKS
					3 3
					3 1 1
					1 0 5
					0 S S
					G G G
1	T77932	O-RING	5		X X X 15.596 X 1.778 MM (0.614" X 0.070")
2	38H1069	FITTING	1		X X X (SWIVEL)
3	R26906	O-RING	4		X X X 19.177 X 2.464 MM (0.755" X 0.097")
4	XH4-63-T10	HYDR.QUICK COUPLER SOCKET	2		X X X
5	XH4-62-T10	HYDR.QUICK COUPLER PLUG	2		X X X
6	38H1162	ADAPTER FITTING	2		X X X (STRAIGHT)
7	AT177540	OIL LINE	1		X X X
8	AT184494	HYDRAULIC HOSE - FABRICATE	1		X X
9	28H3383	BUSHING	1		X X 0.493" X 0.675" X 3/4"
10	AT180828	KIT	1		X X X (WHOLE GOODS)
11	AR21842	CLAMP	1		X X X
12	19M7550	CAP SCREW	1		X X M10 X 35
13	R46919	HALF CLAMP	2		X X X
14	14M7274	NUT	1		X X X M10

3363-40

AUGER HYDRAULICS (STANDARD DIPPERSTICK)
CIRCUIT HYDRAULIQUE DE VIS (BRAS STANDARD)
SISTEMA HIDRAULICO DE SINFIN (BRAZO ESTANDAR)

TX1005750

-UN-10APR06



3363-41

BACKHOE 33

LINES, HOSES AND FITTINGS 3363

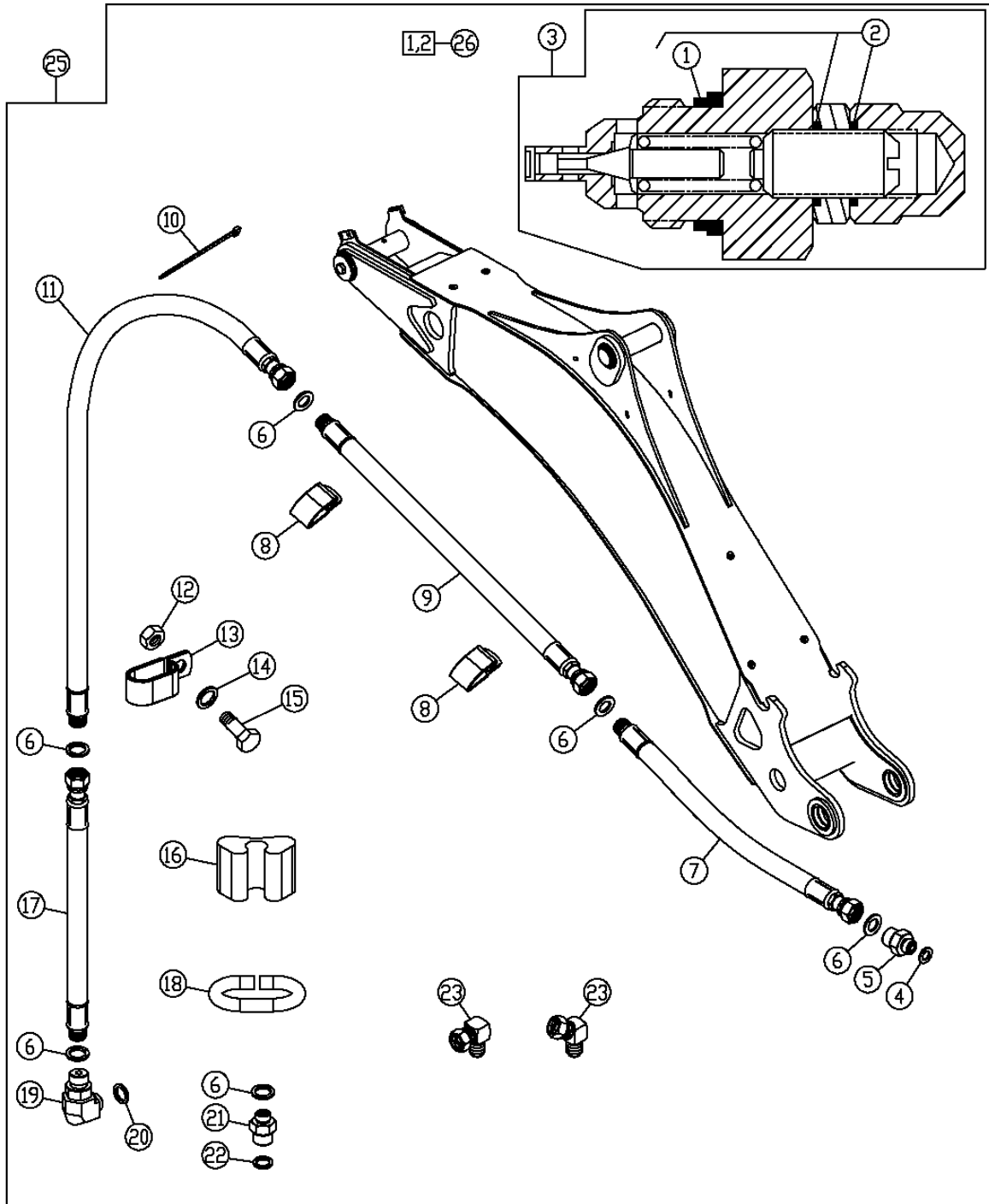
**AUGER HYDRAULICS (STANDARD DIPPERSTICK)
CIRCUIT HYDRAULIQUE DE VIS (BRAS STANDARD)
SISTEMA HIDRAULICO DE SINFIN (BRAZO ESTANDAR)**

KEY	PART NO.	PART NAME	QTY.	SERIAL NO.	REMARKS
					3 3
					3 1 1
					1 0 5
					0 S S
					G G G
1	T77932	O-RING	4		X X X 15.596 X 1.778 MM (0.614" X 0.070")
2	38H1069	FITTING	2		X X X (SWIVEL)
3	R26906	O-RING	4		X X X 19.177 X 2.464 MM (0.755" X 0.097")
4	XH4-63-T10	HYDR.QUICK COUPLER SOCKET	2		X X X
5	XH4-62-T10	HYDR.QUICK COUPLER PLUG	2		X X X
6	38H1162	ADAPTER FITTING	2		X X X
7	AT181192	KIT	1		X X X (WHOLE GOODS)

3363-42

ATTACHMENT PLUMBING KIT KIT DE CONDUITES HYDRAULIQUES D'ACCESSOIRE JUEGO DE TUBERIA DE ACCESORIO

T141784 -UN-02MAY01



T141784

THIS PARTS LISTING IS CONTINUED

3363-43

BACKHOE 33

LINES, HOSES AND FITTINGS 3363

**ATTACHMENT PLUMBING KIT
KIT DE CONDUITES HYDRAULIQUES D'ACCESSOIRE
JUEGO DE TUBERIA DE ACCESORIO**

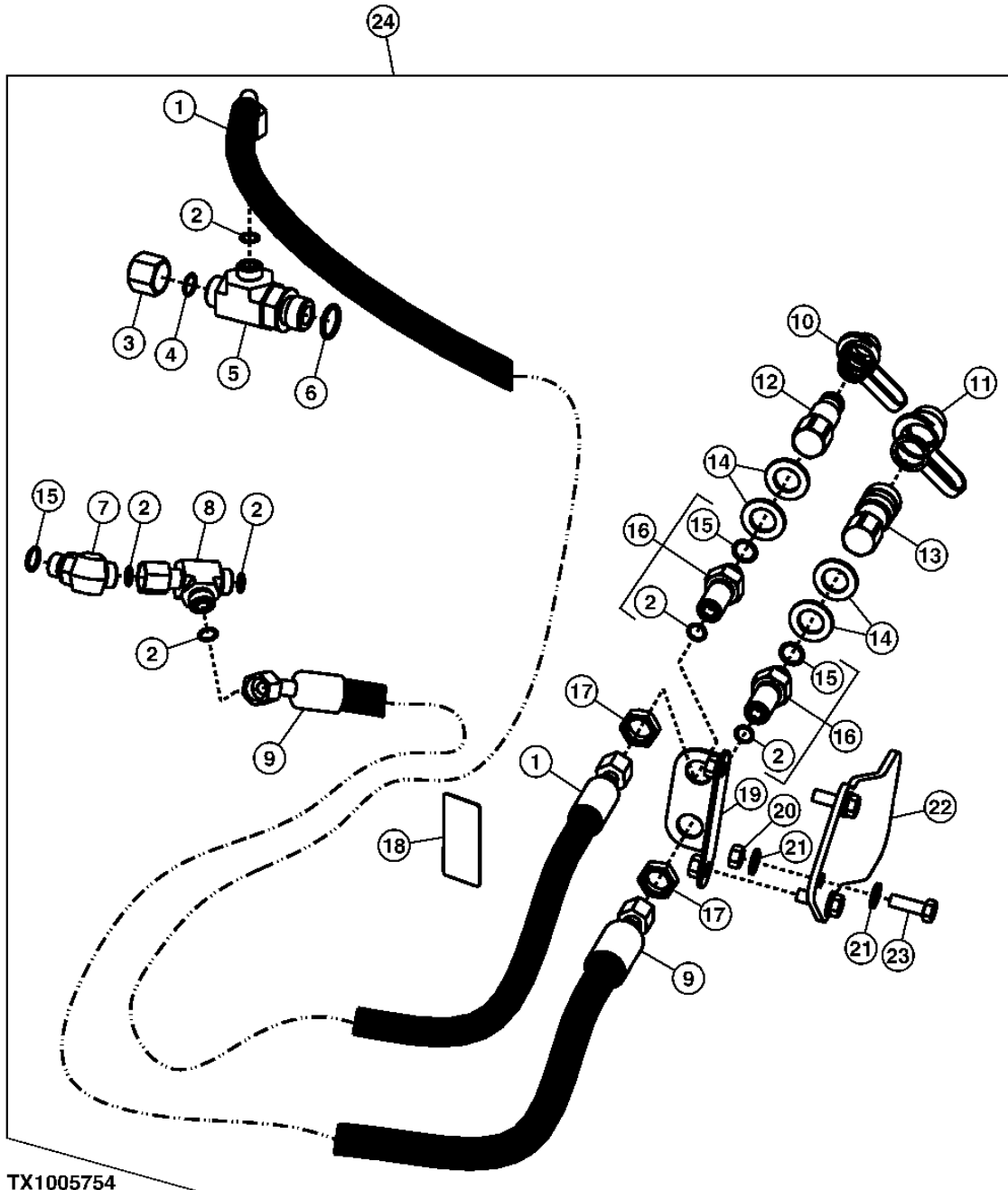
KEY	PART NO.	PART NAME	QTY.	SERIAL NO.	REMARKS
					3 3 3 1 1 1 0 5 0 S S G G G
1	T183757	SEAL	2		X X
2	T150961	O-RING	4		X X
3	AT170061	PRESSURE RELIEF VALVE	2		X X
4	R26906	O-RING	2		X X
5	38H1172	ADAPTER FITTING	2		X X
6	T77613	O-RING	10		X X
7	AT194378	HYDRAULIC HOSE - FABRICATE	2		X X 11/16" X 1 156 MM (45-1/2") X 11/16"
8	T24959	CLAMP	14		X X
9	AT194379	HYDRAULIC HOSE - FABRICATE	2		X 11/16" X 2 146 MM (84-1/2") X 11/16"
	AT194393	HYDRAULIC HOSE - FABRICATE	2		X 11/16" X 2 235 MM (88") X 11/16"
10	R44302	TIE BAND	10		X X
11	AT194398	HYDRAULIC HOSE - FABRICATE	2		X 11/16" X 1 778 MM (70") X 11/16", (STANDARD DIPPERSTICK)
	AT194394	HYDRAULIC HOSE - FABRICATE	2		X 11/16" X 1 905 MM (75") X 11/16", (STANDARD DIPPERSTICK)
	AT194395	HYDRAULIC HOSE - FABRICATE	2		X X 11/16" X 2 794 MM (110") X 11/16", (EXTENDABLE DIPPERSTICK)
12	14M7400	LOCK NUT	4		X X M10
13	R49921	CLAMP	2		X X
14	24M7040	WASHER	4		X X
15	19M7938	CAP SCREW	4		X X M10 X 20
16	T105774	GUIDE	4		X X
17	AT194397	HYDRAULIC HOSE - FABRICATE	2		X X 11/16" X 1 778 MM (70") X 11/16", (STANDARD AND EXTENDABLE) (THUMB OR CLAMP)
	AT194396	HYDRAULIC HOSE - FABRICATE	2		X 1/4" X 1 651 MM (65") X 11/16", (STANDARD DIPPERSTICK) (SWINGER)
	AT194392	HYDRAULIC HOSE - FABRICATE	2		X 1/4" X 1 613 MM (63-1/2") X 11/16", (EXTENDABLE DIPPERSTICK) (SWINGER)
18	T159976	GUIDE	2		X X
19	38H1010	ELBOW FITTING	1		X X (THUMB OR CLAMP)
20	R26375	O-RING	1		X X
21	38H1172	ADAPTER FITTING	1		X X (THUMB OR CLAMP)
22	R26906	O-RING	1		X X
23	AP22688	HOSE FITTING	2		X X (SWINGER)
24	AM3762T	ELBOW FITTING	1		X X (SWINGER)
25	AT194368	KIT	1		X X (WHOLE GOODS)

3363-44

HAND HELD HYDRAULIC TOOL KIT (SERIAL NO. -913416)
KIT D'OUTILS A MAIN HYDRAULIQUES (SN -913416)
JUEGO DE HERRAMIENTAS HIDRAULICAS DE MANO (SN -913416)

TX1005754

-UN-10APR06



3363-45

BACKHOE 33

LINES, HOSES AND FITTINGS 3363

HAND HELD HYDRAULIC TOOL KIT (SERIAL NO. -913416)
 KIT D'OUTILS A MAIN HYDRAULIQUES (SN -913416)
 JUEGO DE HERRAMIENTAS HIDRAULICAS DE MANO (SN -913416)

KEY	PART NO.	PART NAME	QTY.	SERIAL NO.	REMARKS
					3 3 3 1 1 1 0 5 0 S S G G G
1	AT192154	HYDRAULIC HOSE - FABRICATE	1		X X 13/16" X 3 560 MM (140-1/4") X 13/16"
2	T77857	O-RING	7		X X
3	38H1417	FITTING	1		X X
4	T77932	O-RING	2		X X
5	38H1390	TEE FITTING	1		X X TO BACKHOE VALVE
6	U12547	O-RING	1		X X
7	38H1032	TEE FITTING	1		X X TO STABILIZER VALVE
8	38H1471	REDUCER	1		X X TO STABILIZER RETURN HOSE
9	AT192155	HYDRAULIC HOSE - FABRICATE	1		X X 13/16" X 2 890 MM (113-3/4") X 13/16"
10	COVER	1		X X PARKER HANNIFIN NR-37 (PRESSURE)
11	COVER	1		X X PARKER HANNIFIN NR-50
12	HYD. QUICK-CONNECT COUPLER	1		X X PARKER HANNIFIN FF-372-870
13	HYD. QUICK-CONNECT COUPLER	1		X X PARKER HANNIFIN FF-371-870
14	24M7090	WASHER	4		X X
15	R26375	O-RING	2		X X
16	ADAPTER FITTING	2		X X (ORDER M135646, R26375 AND T77857)
17	T78716	NUT	2		X X 13/16"
18	T162404	LABEL	1		X X (HAND HELD HYDRAULICS)
19	T186282	BRACKET	1		X X
20	14M7274	NUT	3		X X M10
21	24M7239	WASHER	6		X X
22	T186474	GUARD	1		X X
23	19M7662	CAP SCREW	3		X X M10 X 30
24	KIT	1		X X (AT190118 NLA)

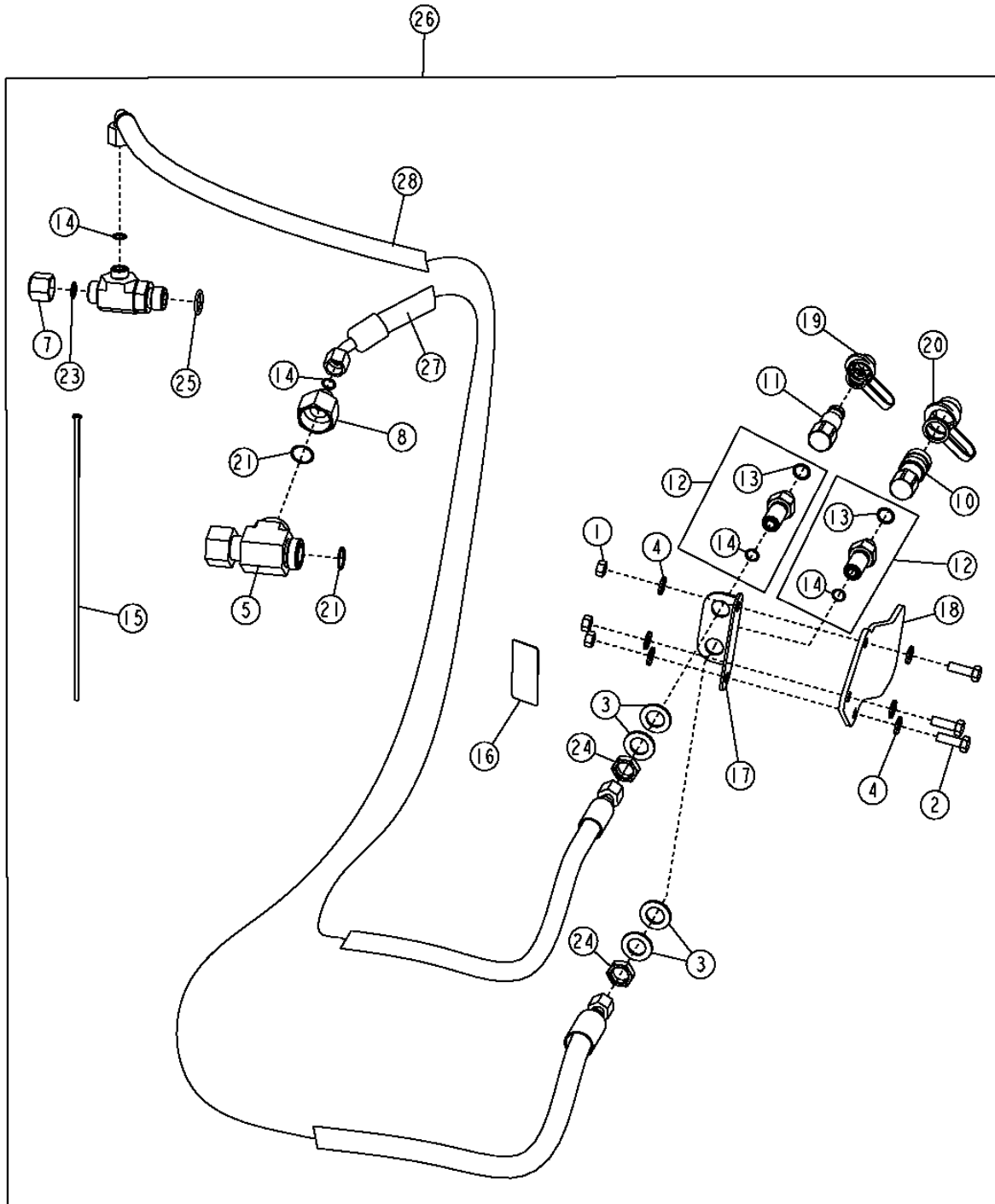
3363-46

HAND HELD HYDRAULIC TOOL KIT (SERIAL NO. 913417-)
KIT D'OUTILS A MAIN HYDRAULIQUES (SN 913417-)
JUEGO DE HERRAMIENTAS HIDRAULICAS DE MANO (SN 913417-)

LINES, HOSES AND FITTINGS 3363

T189646

-UN-29APR03



T189646

3363-47

BACKHOE 33

HAND HELD HYDRAULIC TOOL KIT (SERIAL NO. 913417-)
 KIT D'OUTILS A MAIN HYDRAULIQUES (SN 913417-)
 JUEGO DE HERRAMIENTAS HIDRAULICAS DE MANO (SN 913417-)

LINES, HOSES AND FITTINGS 3363

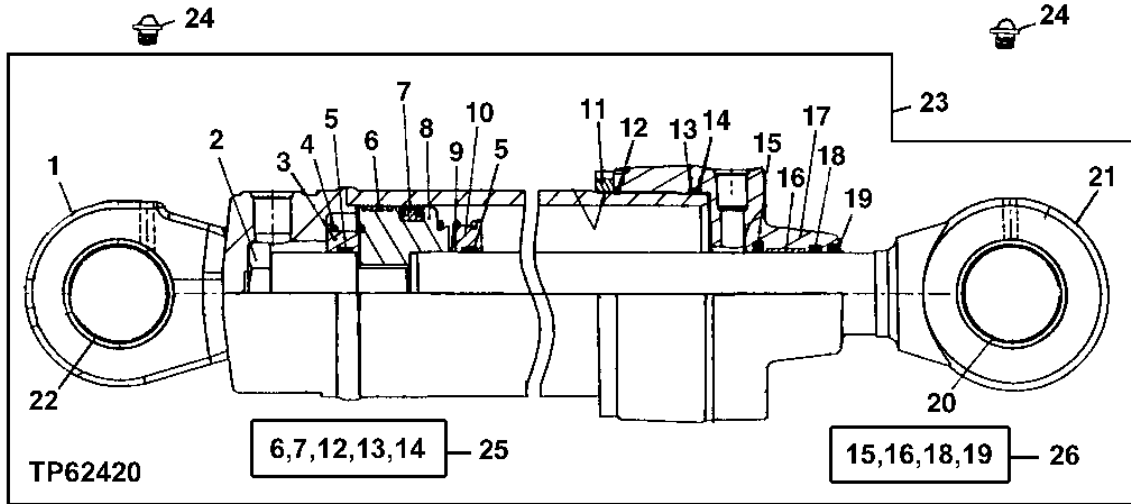
KEY	PART NO.	PART NAME	QTY.	SERIAL NO.	REMARKS
					3 3
					3 1 1
					1 0 5
					0 S S
					G G G
1	14M7274	NUT	3		X X
2	19M7662	CAP SCREW	3		X X
3	24M7090	WASHER	4		X X
4	24M7239	WASHER	6		X X
5	38H1002	TEE FITTING	1		X
	38H1532	TEE FITTING	1		X
6	38H1358	TUBE NUT	1		X X
7	38H1417	FITTING	1		X X
8	38H1475	REDUCER	1		X X
	38H1358	TUBE NUT	1		X X
10	AT181185	HYD. QUICK-CONNECT COUPLER	1		X X
11	AT181186	HYD. QUICK-CONNECT COUPLER	1		X X
12	AT192637	ADAPTER FITTING	2		X X
13	R26375	O-RING	2		X X
14	T77857	O-RING	4		X X
15	H77698	TIE BAND	15		X X
16	T162404	LABEL	1		X X
17	T186282	BRACKET	1		X X
18	T186474	GUARD	1		X X
19	COVER	1		X X
20	COVER	1		X X
					PROTECTIVE COVER 3/8 (ORDER XNR-37 THRU JD SERVICE PARTS)
					PROTECTIVE COVER 1/2 (ORDER XNR-50 THRU JD SERVICE PARTS)
21	T76938	O-RING	2		X
	T77858	O-RING	1		X
23	T77932	O-RING	1		X X
24	T78716	NUT	2		X X
25	U12547	O-RING	1		X X
26	AT197246	KIT	1		X X
					WHOLE GOODS
27	AT192155	HYDRAULIC HOSE - FABRICATE	1		X X
28	AT192154	HYDRAULIC HOSE - FABRICATE	1		X X

3365-2

BOOM CYLINDER (310G) (SN -926129)
CYLINDRE DE FLECHE (310G) (SN -926129)
CILINDRO DEL AGUILON (310G) (SN -926129)

TP62420

-UN-05JUN00



3365-3

BACKHOE 33

HYDRAULIC CYLINDERS 3365

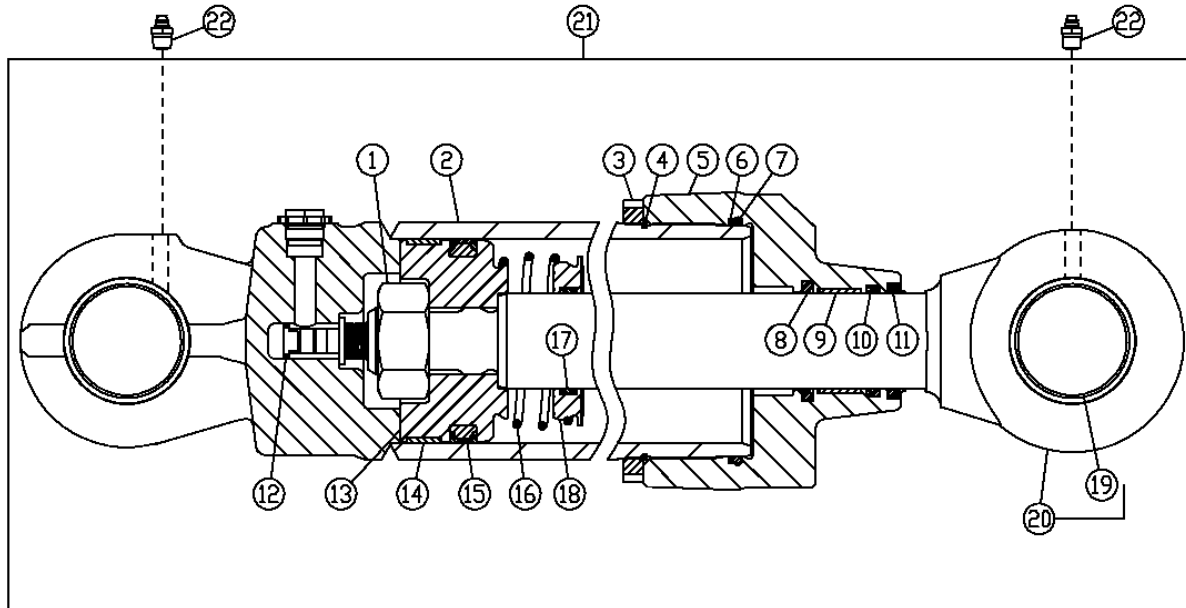
BOOM CYLINDER (310G) (SN -926129)
 CYLINDRE DE FLECHE (310G) (SN -926129)
 CILINDRO DEL AGUILON (310G) (SN -926129)

KEY	PART NO.	PART NAME	QTY.	SERIAL NO.	REMARKS
					3 3
					3 1 1
					1 0 5
					0 S S
					G G G
1	AH149750	HYDRAULIC CYLINDER BARREL	1		X
2	H151833	NUT	1		X
3	H151832	PISTON	1		X CUSHION
4	H140818	SPRING	1		X
5	H151831	RING	2		X
6	H155543	SCRAPER RING	1		X (A)
7	AH138082	SEAL	1		X (A)
8	H157081	PISTON	1		X
9	H169161	SPRING	1		X
10	H151830	PISTON	1		X CUSHION
11	H180431	NUT	1		X (SUB FOR H155483, THIS APPLICATION)
12	C11884	O-RING	1		X (A)
13	H155540	BACK-UP RING	1		X (A)
14	T41356	O-RING	1		X (A) (SUB FOR H155539)
15	AH146562	SEAL	1		X (B)
16	H152795	WEAR RING	1		X (B)
17	H155423	HYDR. CYLINDER ROD GUIDE	1		X
18	H152204	SEAL	1		X (B)
19	AH146558	SEAL	1		X (B)
20	H155420	BUSHING	1		X
21	AH149751	HYDRAULIC CYLINDER ROD	1		X (INCLUDES H155420)
22	H158062	BUSHING	2		X
23	HYDRAULIC CYLINDER	1		X (AH149625 NLA) (SUB AH211131)
24	T162396	LUBRICATION FITTING	3		X
25	AH149845	KIT	1		X (BORE REPAIR) INCLUDES ALL PARTS MARKED (A)
26	AH149814	HYDRAULIC CYLINDER KIT	1		X (ROD REPAIR) INCLUDES ALL PARTS MARKED (B)

3365-4

BOOM CYLINDER (310G) (SN 926130-)
CYLINDRE DE FLECHE (310G) (SN 926130-)
CILINDRO DEL AGUILON (310G) (SN 926130-)

T195656 -UN-07NOV03



23 8,9,10,11

24 4,14,15

T195656

3365-5

BACKHOE 33

HYDRAULIC CYLINDERS 3365

BOOM CYLINDER (310G) (SN 926130-)
 CYLINDRE DE FLECHE (310G) (SN 926130-)
 CILINDRO DEL AGUILON (310G) (SN 926130-)

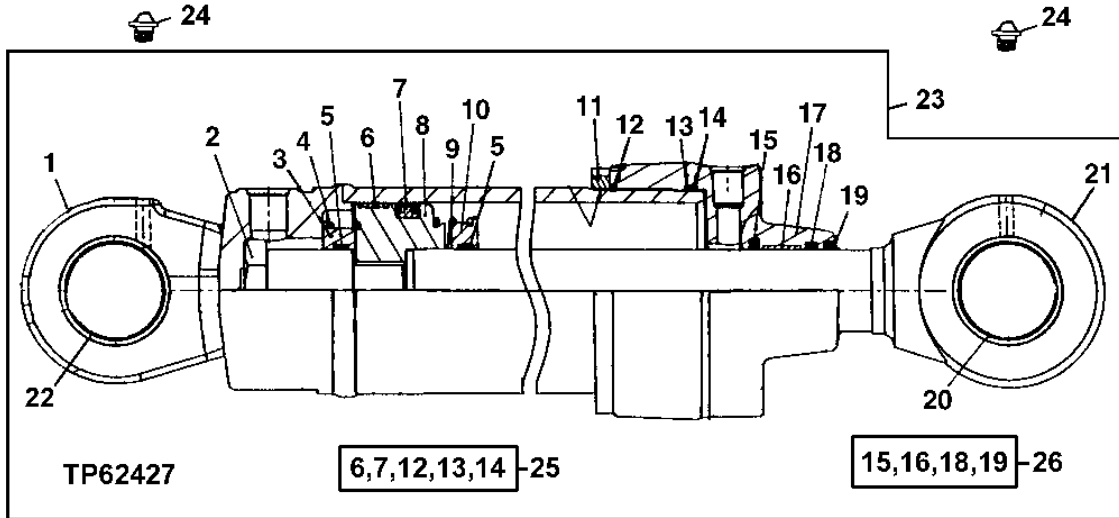
KEY	PART NO.	PART NAME	QTY.	SERIAL NO.	REMARKS
					3 3
					3 1 1
					1 0 5
					0 S S
					G G G
1	H209712	NUT	1		X
2	AH211133	HYDRAULIC CYLINDER BARREL	1		X
3	H180431	NUT	1		X
4	C11884	O-RING	1		X (B)
5	H155423	HYDR. CYLINDER ROD GUIDE	1		X
6	H155540	BACK-UP RING	1		X
7	T41356	O-RING	1		X
8	AH146562	SEAL	1		X (A)
9	H152795	WEAR RING	1		X (A)
10	H152204	SEAL	1		X (A)
11	AH146558	SEAL	1		X (A)
12	AH216853	SCREW	1		X (SUB FOR AH210719)
13	H157081	PISTON	1		X
14	H155543	SCRAPER RING	1		X (B)
15	AH138082	SEAL	1		X (B)
16	H169161	SPRING	1		X
17	H151831	RING	1		X
18	H151830	PISTON	1		X
19	H155420	BUSHING	1		X
20	AH211135	ROD	1		X
21	AH211131	HYDRAULIC CYLINDER	1		X
22	T162396	LUBRICATION FITTING	2		X
23	AH149814	KIT	1		X (ROD SEAL) INCLUDES ALL PARTS MARKED (A)
24	AH149845	KIT	1		X (BORE SEAL) INCLUDES ALL PARTS MARKED (B)

3365-6

BOOM CYLINDER (310SG, 315SG) (SN -926129)
CYLINDRE DE FLECHE (310SG, 315SG) (SN -926129)
CILINDRO DEL AGUILON (310SG, 315SG) (SN -926129)

TP62427

-UN-13JUN00



3365-7

**BOOM CYLINDER (310SG, 315SG) (SN -926129)
 CYLINDRE DE FLECHE (310SG, 315SG) (SN -926129)
 CILINDRO DEL AGUILON (310SG, 315SG) (SN -926129)**

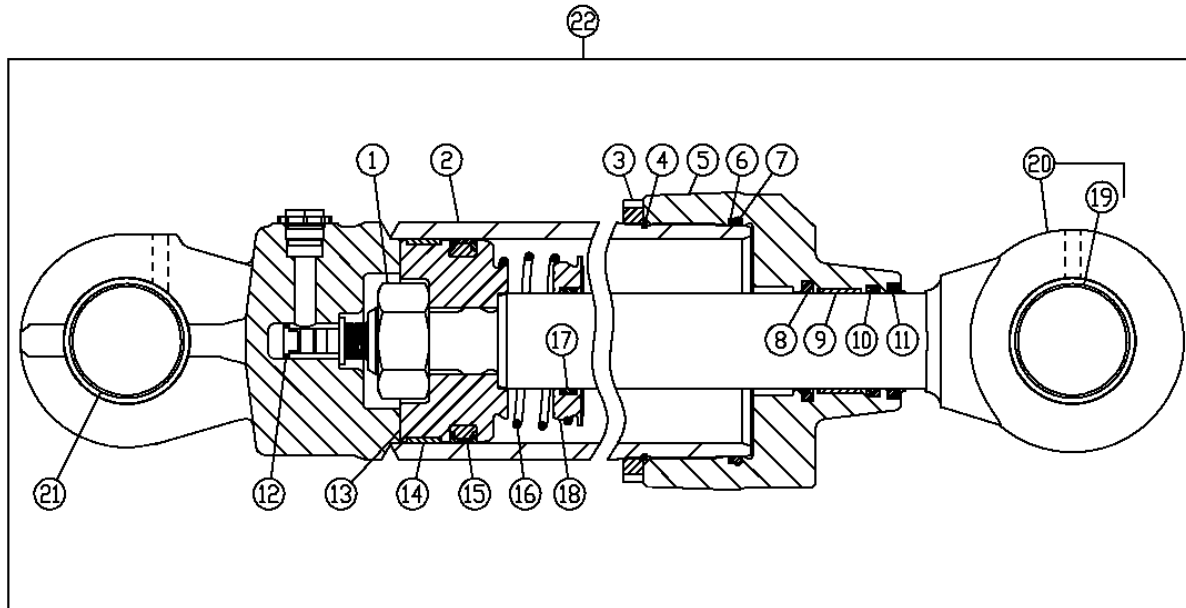
KEY	PART NO.	PART NAME	QTY.	SERIAL NO.	REMARKS
					3 3
					3 1 1
					1 0 5
					0 S S
					G G G
1	AH149662	HYDRAULIC CYLINDER BARREL	1		X X
2	H151833	NUT	1		X X
3	H151832	PISTON	1		X X CUSHION
4	H140818	SPRING	1		X X
5	H151831	RING	2		X X
6	H154900	SCRAPER RING	1		X X (A)
7	AH138083	SEAL	1		X X (A)
8	H157083	PISTON	1		X X
9	H169161	SPRING	1		X X
10	H151830	PISTON	1		X X CUSHION
11	H180433	NUT	1		X X (SUB FOR H154901, THIS APPLICATION)
12	T105469	O-RING	1		X X (A)
13	H154898	BACK-UP RING	1		X X (A)
14	R77857	RING	1		X X (A) (SUB FOR H154897)
15	AH146562	SEAL	1		X X (B)
16	H152795	WEAR RING	1		X X (B)
17	H155738	HYDR. CYLINDER ROD GUIDE	1		X X
18	H152204	SEAL	1		X X (B)
19	AH146558	SEAL	1		X X (B)
20	H152140	BUSHING	1		X X
21	AH175515	HYDRAULIC CYLINDER ROD	1		X X (SUB FOR AH148174, THIS APPLICATION)
22	H150964	BUSHING	2		X X
23	HYDRAULIC CYLINDER	1		X X (AH175513 NLA) (SUB AH211132) (SUB FOR AH149624)
24	T162396	LUBRICATION FITTING	3		X X
25	AH149847	KIT	1		X X (BORE REPAIR) INCLUDES ALL PARTS MARKED (A)
26	AH149814	HYDRAULIC CYLINDER KIT	1		X X (ROD REPAIR) INCLUDES ALL PARTS MARKED (B)

3365-8

BOOM CYLINDER (310SG, 315SG) (SN 926130-)
CYLINDRE DE FLECHE (310SG, 315SG) (SN 926130-)
CILINDRO DEL AGUILON (310SG, 315SG) (SN 926130-)

T195686

-UN-07NOV03



23 8,9,10,11

24 4,6,7,14,15

T195686

3365-9

BACKHOE 33

HYDRAULIC CYLINDERS 3365

BOOM CYLINDER (310SG, 315SG) (SN 926130-)
 CYLINDRE DE FLECHE (310SG, 315SG) (SN 926130-)
 CILINDRO DEL AGUILON (310SG, 315SG) (SN 926130-)

KEY	PART NO.	PART NAME	QTY.	SERIAL NO.	REMARKS
					3 3
					3 1 1
					1 0 5
					0 S S
					G G G
1	H209712	NUT	1		X X
2	AH211134	HYDRAULIC CYLINDER BARREL	1		X X (INCLUDES (2) H150964)
3	H180433	NUT	1		X X
4	T105469	O-RING	1		X X (B)
5	H155738	HYDR. CYLINDER ROD GUIDE	1		X X
6	H154898	BACK-UP RING	1		X X (B)
7	R77857	RING	1		X X (B)
8	AH146562	SEAL	1		X X (A)
9	H152795	WEAR RING	1		X X (A)
10	H152204	SEAL	1		X X (A)
11	AH146558	SEAL	1		X X (A)
12	AH216869	SCREW	1		X X (SUB FOR AH210719)
13	H180397	PISTON	1		X X
14	H154900	SCRAPER RING	1		X X (B)
15	AH138083	SEAL	1		X X (B)
16	H169161	SPRING	1		X X
17	H151831	RING	1		X X
18	H151830	PISTON	1		X X
19	H152140	BUSHING	1		X X
20	AH211138	HYDRAULIC CYLINDER ROD	1		X X
21	H150964	BUSHING	2		X X
22	AH211132	HYDRAULIC CYLINDER	1		X X
23	AH149814	KIT	1		X X (ROD SEAL) INCLUDES ALL PARTS MARKED (A)
24	AH149847	KIT	1		X X (BORE SEAL) INCLUDES ALL PARTS MARKED (B)

3365-10

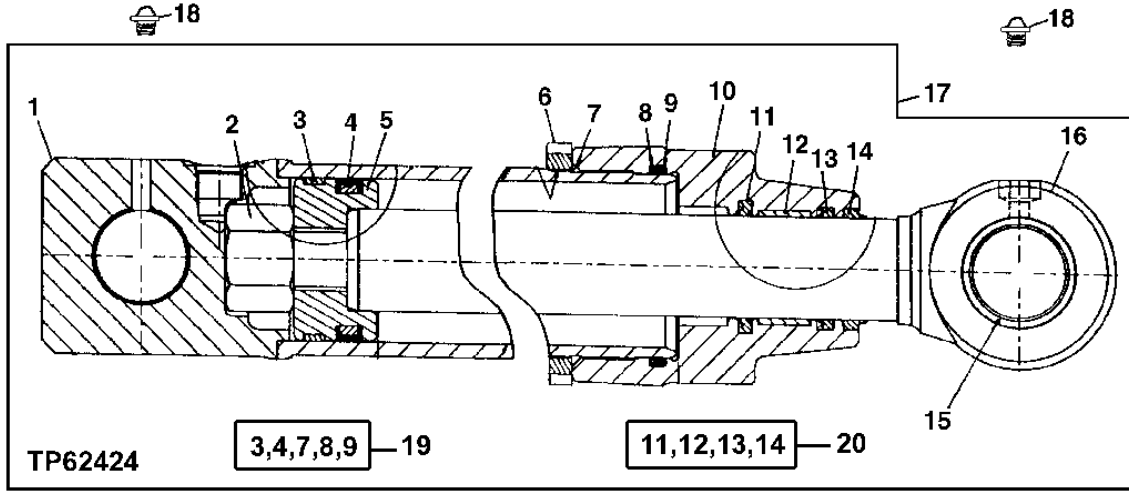
BACKHOE 33

HYDRAULIC CYLINDERS 3365

BUCKET CYLINDER (310G) (SN -910900)
 CYLINDRE DE GODET (310G) (SN -910900)
 CILINDRE DE CUCHARON (310G) (SN -910900)

TP62424

-UN-08JUN00

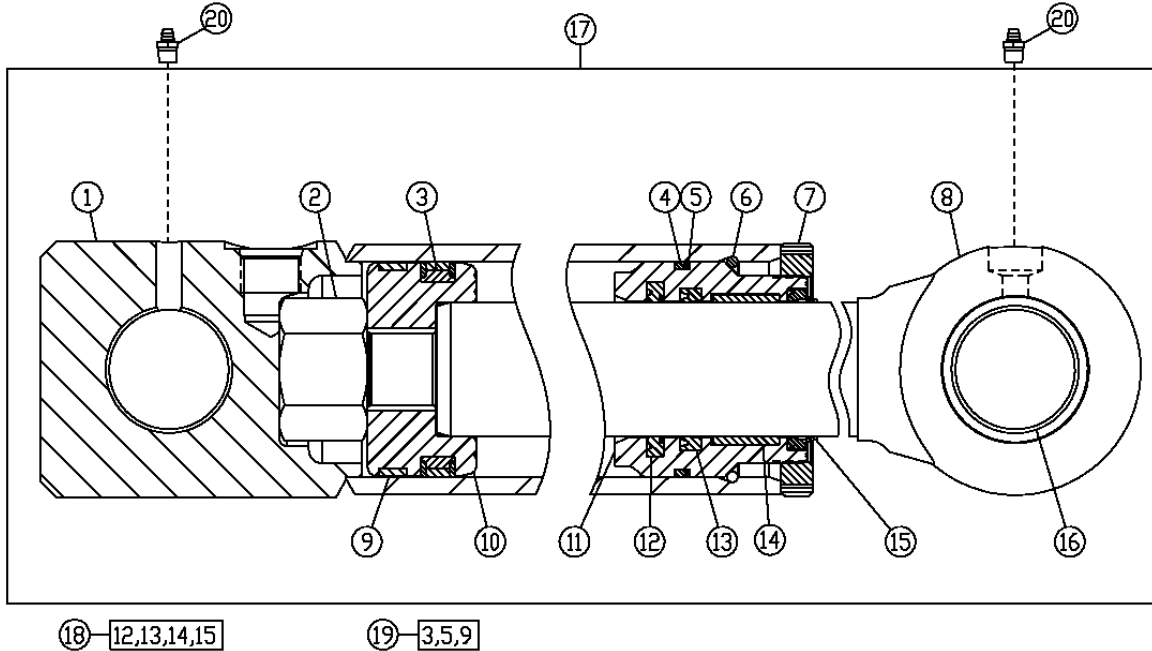


KEY	PART NO.	PART NAME	QTY.	SERIAL NO.	REMARKS
					3 3 3 1 1 1 0 5 0 S S G G G
1	AH148551	HYDRAULIC CYLINDER BARREL	1	X	
2	H155513	NUT	1	X	
3	R81777	WEAR RING	1	X	(A)
4	RE20345	SEAL	1	X	(A)
5	H155520	PISTON	1	X	
6	H180569	NUT	1	X	(SUB FOR H155512, THIS APPLICATION)
7	P48403	O-RING	1	X	(A)
8	H155548	BACK-UP RING	1	X	(A)
9	F950R	O-RING	1	X	(A) (SUB FOR H155547)
10	H155424	HYDR. CYLINDER ROD GUIDE	1	X	
11	AH146561	SEAL	1	X	(B)
12	H152794	WEAR RING	1	X	(B)
13	H152203	SEAL	1	X	(B)
14	AH146557	SEAL	1	X	(B)
15	H155419	BUSHING	1	X	
16	AH148553	HYDRAULIC CYLINDER ROD	1	X	
17	HYDRAULIC CYLINDER	1	X	(AH148437 NLA) (SUB AH209080)
18	T162396	LUBRICATION FITTING	2	X	
19	AH212091	HYDRAULIC CYLINDER KIT	1	X	(BORE REPAIR) INCLUDES ALL PARTS MARKED (A) (SUB FOR AH149842)
20	AH210484	HYDRAULIC CYLINDER KIT	1	X	(ROD REPAIR) INCLUDES ALL PARTS MARKED (B) (SUB FOR AH148164)

3365-11

BUCKET CYLINDER (310G) (SN 910901-925926)
CYLINDRE DE GODET (310G) (SN 910901-925926)
CILINDRO DE CUCHARON (310G) (SN 910901-925926)

T161609 -UN-18NOV02



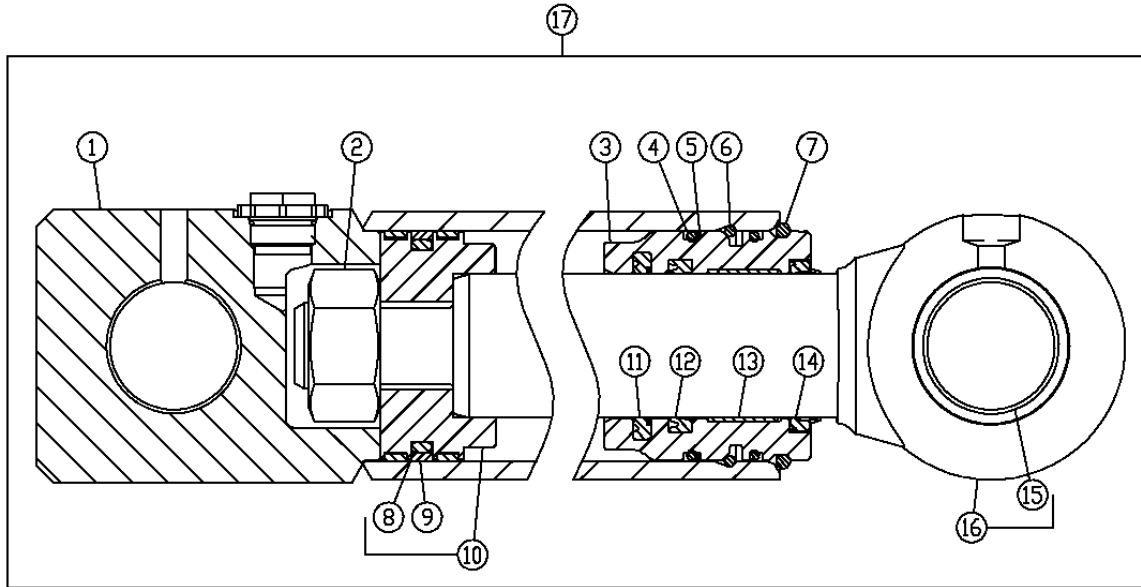
T161609

KEY	PART NO.	PART NAME	QTY.	SERIAL NO.	3 3 3 1 1 1 0 5 0 S S G G G	REMARKS
1	AH207411	HYDRAULIC CYLINDER BARREL	1		X	
2	H155513	NUT	1		X	
3	RE20345	SEAL	1		X	(B)
4	T12582	O-RING	1		X	
5	R81864	BACK-UP RING	1		X	(B)
6	R81789	RING	1		X	
7	R81795	NUT	1		X	
8	AH148553	HYDRAULIC CYLINDER ROD	1		X	
9	R81777	WEAR RING	1		X	(B)
10	H155520	PISTON	1		X	
11	H152345	HYDR. CYLINDER ROD GUIDE	1		X	
12	AH146561	SEAL	1		X	(A)
13	H152203	SEAL	1		X	(A)
14	H152794	WEAR RING	1		X	(A)
15	AH146557	SEAL	1		X	(A)
16	H155419	BUSHING	1		X	
17	HYDRAULIC CYLINDER	1		X	(AH206649 NLA) (SUB AH209080)
18	AH210484	HYDRAULIC CYLINDER KIT	1		X	INCLUDES ALL PARTS MARKED (A) (SUB FOR AH148164)
19	AH212091	HYDRAULIC CYLINDER KIT	1		X	INCLUDES ALL PARTS MARKED (B) (SUB FOR AH149842)
20	T162396	LUBRICATION FITTING	2		X	

3365-12

BUCKET CYLINDER (310G) (SN 925927-)
 CYLINDRE DE GODET (310G) (SN 925927-)
 CILINDRO DE CUCHARÓN (310G) (SN 925927-)

T199107 -UN-13APR04



18-11,12,13,14

19-5,8,9

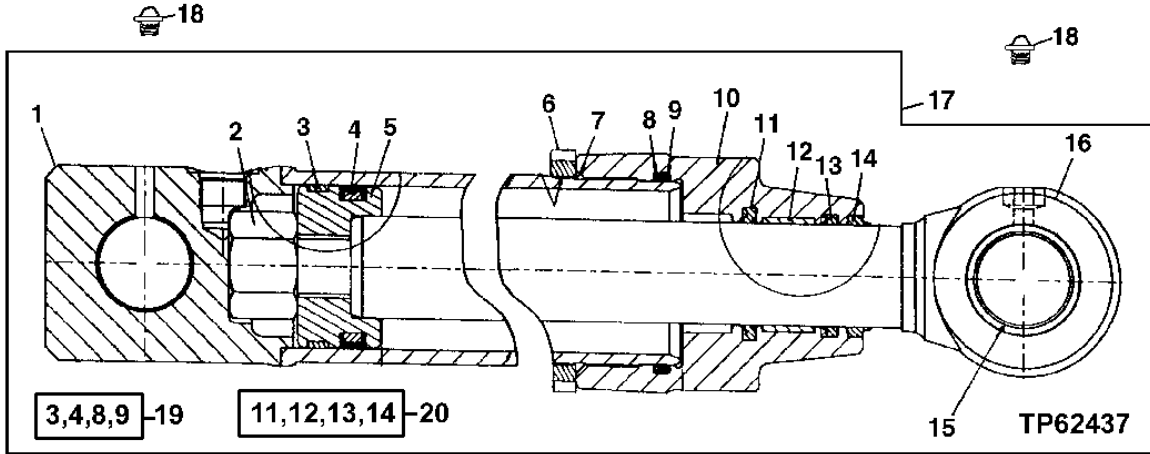
T199107

KEY	PART NO.	PART NAME	QTY.	SERIAL NO.	REMARKS
				3 3	
				3 1 1	
				1 0 5	
				0 S S	
				G G G	
1	AH209081	HYDRAULIC CYLINDER BARREL	1	X	
2	H170539	NUT	1	X	
3	H209221	HYDR. CYLINDER ROD GUIDE	1	X	
4	T12582	O-RING	1	X	
5	R81864	BACK-UP RING	1	X	(B)
6	H170216	SNAP RING	1	X	
7	H180787	SNAP RING	1	X	
8	R98323	SEAL	1	X	(B)
9	R98322	SEAL	1	X	(B)
10	AH173410	PISTON	1	X	
11	AH146561	SEAL	1	X	(A)
12	H152203	SEAL	1	X	(A)
13	H208987	WEAR RING	1	X	(A)
14	AH146557	SEAL	1	X	(A)
15	H155419	BUSHING	1	X	
16	AH209082	HYDRAULIC CYLINDER ROD	1	X	
17	AH209080	HYDRAULIC CYLINDER	1	X	
18	AH210484	HYDRAULIC CYLINDER KIT	1	X	(ROD) INCLUDES ALL PARTS MARKED (A)
19	AH212092	HYDRAULIC CYLINDER KIT	1	X	(BORE) INCLUDES ALL PARTS MARKED (B)

3365-13

BUCKET CYLINDER (310SG, 315SG) (SN -926129)
 CYLINDRE DE GODET (310SG, 315SG) (SN -926129)
 CILINDRO DE CUCHARON (310SG, 315SG) (SN -926129)

TP62437 -UN-29JUN00



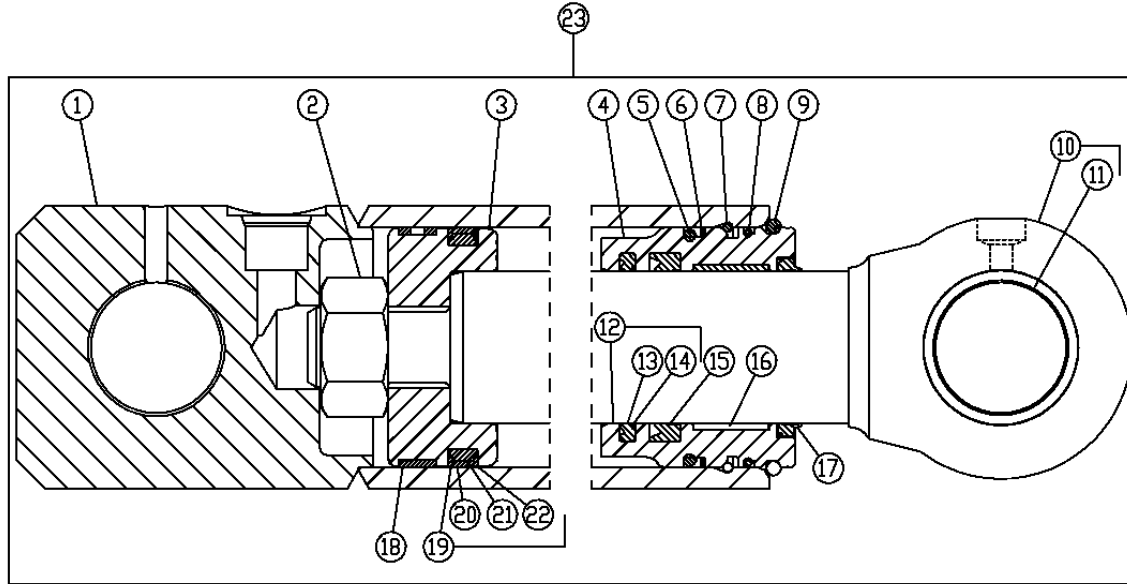
KEY	PART NO.	PART NAME	QTY.	SERIAL NO.	3 3 3 1 1 1 0 5 0 S S G G G	REMARKS
1	AH150209	HYDRAULIC CYLINDER BARREL	1		X X	
2	H151815	NUT	1		X X	
3	R81776	WEAR RING	1		X X (A)	
4	RE20344	SEAL	1		X X (A)	
5	H150976	PISTON	1		X X	
6	H151816	NUT	1		X X	
7	H154380	O-RING	1		X X	
8	H151889	BACK-UP RING	1		X X (A)	
9	R74657	O-RING	1		X X (A)	(SUB FOR H154381)
10	H155718	HYDR. CYLINDER ROD GUIDE	1		X X	
11	AH146562	SEAL	1		X X (B)	
12	H152795	WEAR RING	1		X X (B)	
13	H152204	SEAL	1		X X (B)	
14	AH146558	SEAL	1		X X (B)	
15	H154269	BUSHING	1		X X	
16	AH146271	HYDRAULIC CYLINDER ROD	1		X X	
17	HYDRAULIC CYLINDER	1		X X	(AH149790 NLA) (SUB AH208379)
18	T162396	LUBRICATION FITTING	2		X X	
19	AH212096	HYDRAULIC CYLINDER KIT	1		X X	(BORE REPAIR) INCLUDES ALL PARTS MARKED (A) (SUB FOR AH149843)
20	AH149814	HYDRAULIC CYLINDER KIT	1		X X	(ROD REPAIR) INCLUDES ALL PARTS MARKED (B)

3365-14

BUCKET CYLINDER AND REPAIR KIT (310SG, 315SG) (SN 926130-)
VERIN DE BENNE ET KIT DE REPARATION (310SG, 315SG) (SN 926130-)
CILINDRO DE CUCHARON Y JUEGO DE REPARACION (310SG, 315SG) (SN 926130-)

T202327

-UN-27AUG04



24 — 12,13,14,15,16,17

25 — 6,8,18,19,20,21,22

T202327

KEY	PART NO.	PART NAME	QTY.	SERIAL NO.	3 3 3 1 1 1 0 5 0 S S G G G	REMARKS
1	AH209078	HYDRAULIC CYLINDER BARREL	1		X X	
2	H170540	LOCK NUT	1		X X	
3	H150976	PISTON	1		X X	
4	H209264	HYDR. CYLINDER ROD GUIDE	1		X X	
5	F1430R	O-RING	1		X X	
6	R79101	BACK-UP RING	1		X X (B)	
7	H180103	SNAP RING	1		X X	
8	O-RING	1		X X (B)	
9	H206859	SNAP RING	1		X X	
10	AH209079	HYDRAULIC CYLINDER ROD	1		X X	
11	H180402	BUSHING	1		X X	
12	AH146562	SEAL	1		X X (A)	
13	SEAL	1		X X (A)	
14	BACK-UP RING	1		X X (A)	
15	H152204	SEAL	1		X X (A)	
16	H152795	WEAR RING	1		X X (A)	
17	AH146558	SEAL	1		X X (A)	
18	R81776	WEAR RING	1		X X (B)	
19	RE20344	SEAL	1		X X (B)	
20	SEAL	1		X X (B)	
21	SEAL	1		X X (B)	
22	BACK-UP RING	2		X X (B)	
23	AH208379	HYDRAULIC CYLINDER	1		X X	
24	AH149814	HYDRAULIC CYLINDER KIT	1		X X	(ROD REPAIR) INCLUDES ALL PARTS MARKED (A)
25	AH212096	HYDRAULIC CYLINDER KIT	1		X X	(BORE REPAIR) INCLUDES ALL PARTS MARKED (B)

3365-15

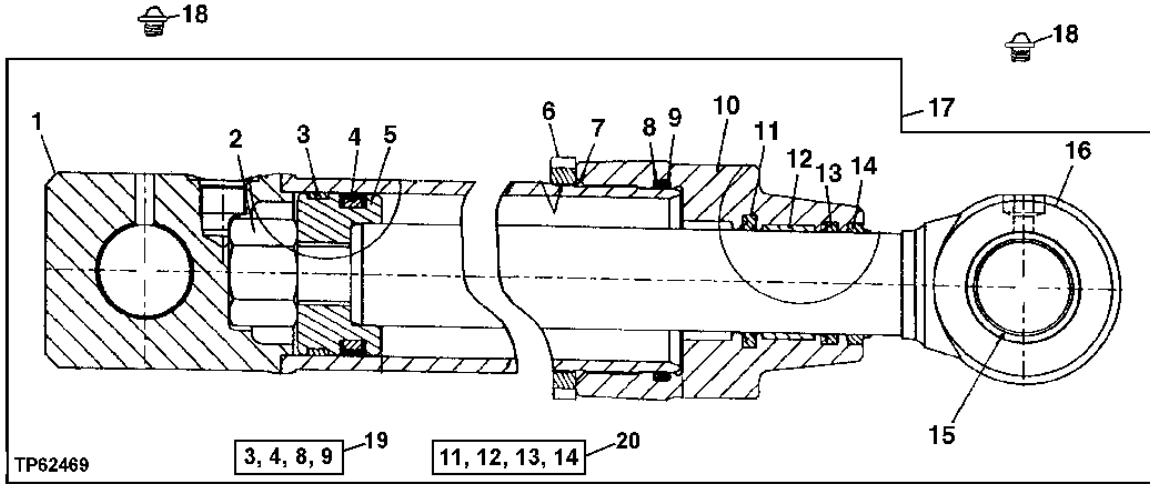
BACKHOE 33

HYDRAULIC CYLINDERS 3365

BUCKET CYLINDER AND REPAIR KIT (HEAVY DUTY) (310SG, 315SG) (SN -926788)
 VERIN DE BENNE ET KIT DE REPARATION (POUR SERVICE SEVERE) (310SG, 315SG) (SN -926788)
 CILINDRO DE CUCHARON Y JUEGO DE REPARACION (SERVICIO SEVERO) (310SG, 315SG) (SN -926788)

TP62469

-UN-26SEP00



KEY	PART NO.	PART NAME	QTY.	SERIAL NO.	3 3 1 1 0 5 0 S S G G G	REMARKS
1	AH150211	HYDRAULIC CYLINDER BARREL	1		X X	
2	H151815	NUT	1		X X	
3	R81775	WEAR RING	1		X X (A)	
4	RE20343	SEAL	1		X X (A)	
5	H151893	PISTON	1		X X	
6	H180430	NUT	1		X X (SUB FOR H151892, THIS APPLICATION)	
7	H154382	O-RING	1		X X	
8	H152065	BACK-UP RING	1		X X (A)	
9	E49244	O-RING	1		X X (A) (SUB FOR H154383)	
10	H155740	HYDR. CYLINDER ROD GUIDE	1		X X	
11	AH146563	SEAL	1		X X (B)	
12	H152796	WEAR RING	1		X X (B)	
13	H152205	SEAL	1		X X (B)	
14	AH146559	SEAL	1		X X (B)	
15	H154269	BUSHING	1		X X	
16	AH146318	HYDRAULIC CYLINDER ROD	1		X X	
17	AH149791	HYDRAULIC CYLINDER	1		X X	
18	T162396	LUBRICATION FITTING	2		X X	
19	AH212101	HYDRAULIC CYLINDER KIT	1		X X (BORE REPAIR) INCLUDES ALL PARTS MARKED (A) (SUB FOR AH149844)	
20	AH149815	HYDRAULIC CYLINDER KIT	1		X X (ROD REPAIR) INCLUDES ALL PARTS MARKED (B)	

3365-16

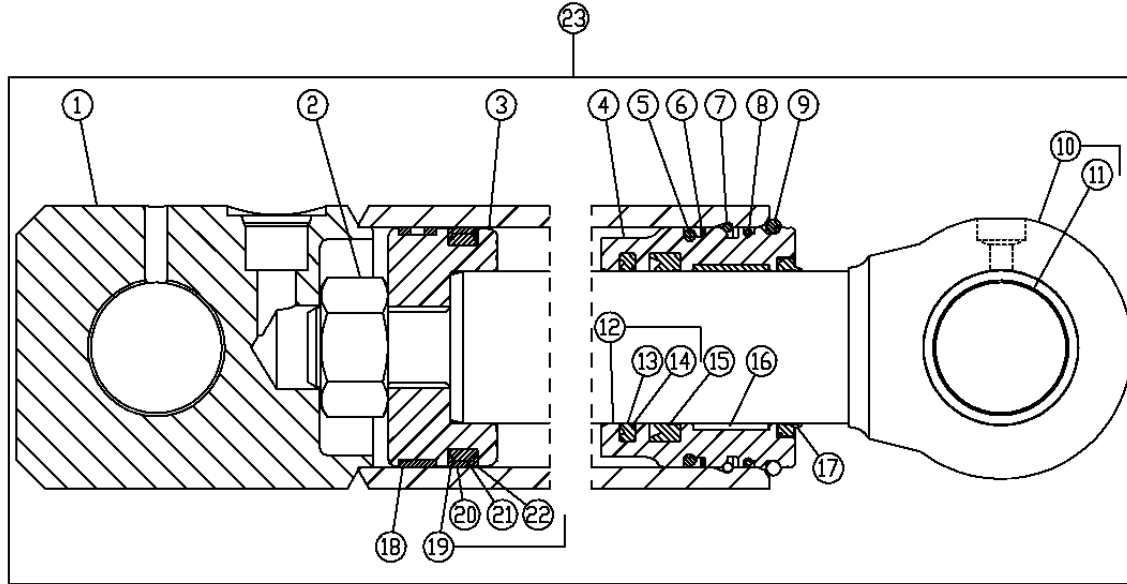
BACKHOE 33

HYDRAULIC CYLINDERS 3365

BUCKET CYLINDER AND REPAIR KIT (HEAVY DUTY) (310SG, 315SG) (SN 926789-)
VERIN DE BENNE ET KIT DE REPARATION (POUR SERVICE SEVERE) (310SG, 315SG) (SN 926789-)
CILINDRO DE CUCHARON Y JUEGO DE REPARACION (SERVICIO SEVERO) (310SG, 315SG) (SN 926789-)

T202327

-UN-27AUG04



24 12,13,14,15,16,17

25 6,8,18,19,20,21,22

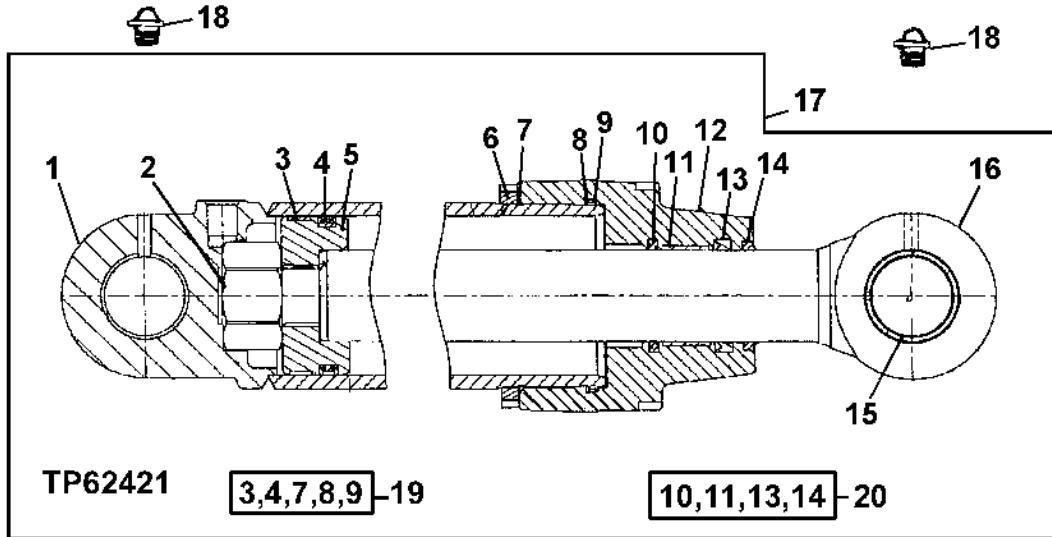
T202327

KEY	PART NO.	PART NAME	QTY.	SERIAL NO.	3 3 3 1 1 1 0 5 0 S S G G G	REMARKS
1	AH220523	HYDRAULIC CYLINDER BARREL	1		X X	(SUB FOR AH206725)
2	H170540	LOCK NUT	1		X X	
3	H151893	PISTON	1		X X	
4	H206792	HYDR. CYLINDER ROD GUIDE	1		X X	
5	F950R	O-RING	1		X X	
6	R81862	BACK-UP RING	1		X X	(B)
7	H180094	SNAP RING	1		X X	
8	O-RING	1		X X	(B)
9	H180080	SNAP RING	1		X X	
10	AH209083	HYDRAULIC CYLINDER ROD	1		X X	
11	H180402	BUSHING	1		X X	
12	AH146563	SEAL	1		X X	(A)
13	SEAL	1		X X	(A)
14	BACK-UP RING	1		X X	(A)
15	H152205	SEAL	1		X X	(A)
16	H152796	WEAR RING	1		X X	(A)
17	AH146559	SEAL	1		X X	(A)
18	R81775	WEAR RING	1		X X	(B)
19	RE20343	SEAL	1		X X	(B)
20	SEAL	1		X X	(B)
21	SEAL	1		X X	(B)
22	BACK-UP RING	2		X X	(B)
23	AH220526	HYDRAULIC CYLINDER	1		X X	(SUB FOR AH206726)
24	AH149815	HYDRAULIC CYLINDER KIT	1		X X	(ROD REPAIR) INCLUDES ALL PARTS MARKED (A)
25	AH212101	HYDRAULIC CYLINDER KIT	1		X X	(BORE REPAIR) INCLUDES ALL PARTS MARKED (B) (SUB FOR AH212102, THIS APPLICATION)

3365-17

CROWD CYLINDER AND REPAIR KIT (310G)
VERIN DE CAVAGE ET KIT DE REPARATION (310G)
CILINDRO DE EMPUJE Y JUEGO DE REPARACION (310G)

TP62421 -UN-05JUN00



KEY	PART NO.	PART NAME	QTY.	SERIAL NO.	REMARKS
				3 3	
				3 1 1	
				1 0 5	
				0 S S	
				G G G	
1	AH157977	HYDRAULIC CYLINDER BARREL	1	X	
2	H151894	NUT	1	X	
3	H155543	SCRAPER RING	1	X	(A)
4	AH138082	SEAL	1	X	(A)
5	H164464	PISTON	1	X	
6	H180431	NUT	1	X	(SUB FOR H155483, THIS APPLICATION)
7	C11884	O-RING	1	X	(A)
8	H155540	BACK-UP RING	1	X	(A)
9	T41356	O-RING	1	X	(A) (SUB FOR H155539)
10	AH146563	SEAL	1	X	(B)
11	H152796	WEAR RING	1	X	(B)
12	H156929	HYDR. CYLINDER ROD GUIDE	1	X	
13	H152205	SEAL	1	X	(B)
14	AH146559	SEAL	1	X	(B)
15	H158947	BUSHING	1	X	
16	AH157979	HYDRAULIC CYLINDER ROD	1	X	
17	AH157980	HYDRAULIC CYLINDER	1	X	
18	T162396	LUBRICATION FITTING	2	X	
19	AH149845	KIT	1	X	(BORE REPAIR) INCLUDES ALL PARTS MARKED (A)
20	AH149815	HYDRAULIC CYLINDER KIT	1	X	(ROD REPAIR) INCLUDES ALL PARTS MARKED (B)

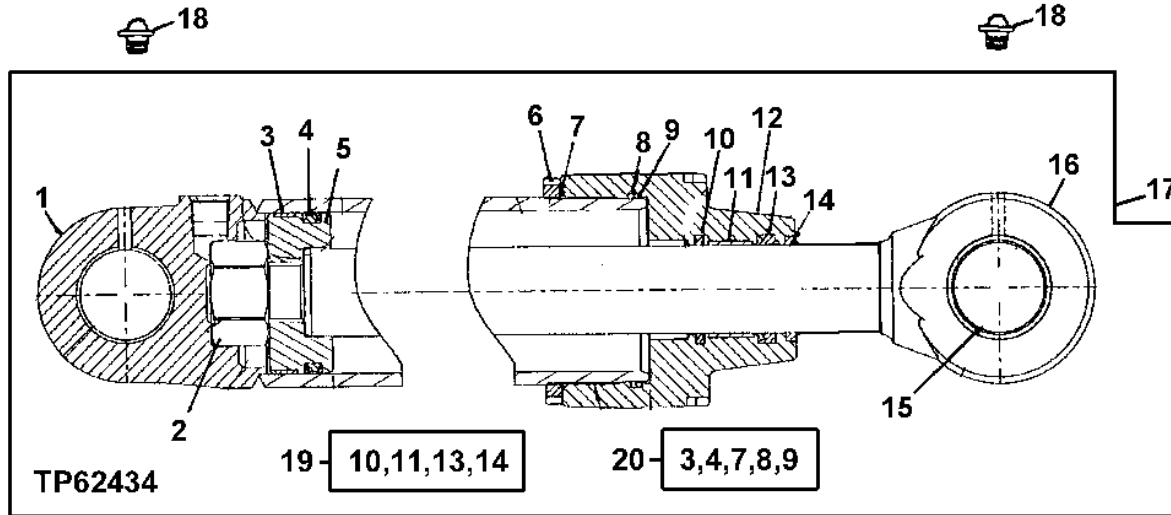
3365-18

BACKHOE 33

HYDRAULIC CYLINDERS 3365

CROWD CYLINDER AND REPAIR KIT (310SG, 315SG)
VERIN DE CAVAGE ET KIT DE REPARATION (310SG, 315SG)
CILINDRO DE EMPUJE Y JUEGO DE REPARACION (310SG, 315SG)

TP62434 -UN-22JUN00

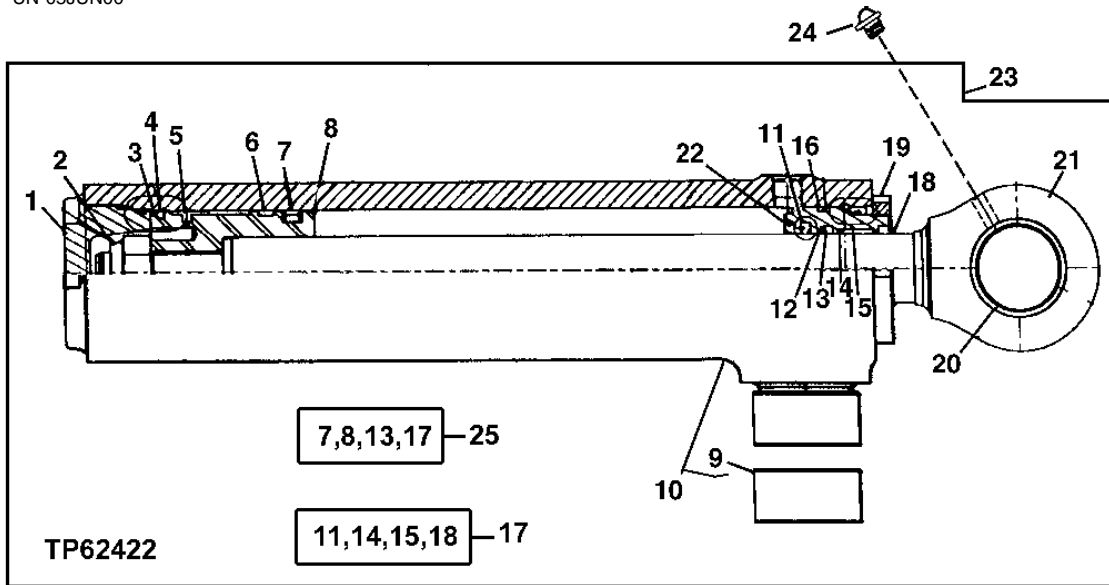


KEY	PART NO.	PART NAME	QTY.	SERIAL NO.	REMARKS
				3 3	
				3 1 1	
				1 0 5	
				0 S S	
				G G G	
1	AH158576	HYDRAULIC CYLINDER BARREL	1		X X
2	H170372	NUT	1		X X
3	R82095	WEAR RING	1		X X (B)
4	RE20809	SEAL	1		X X (B)
5	H170371	PISTON	1		X X
6	H151781	NUT	1		X X
7	T12275	O-RING	1		X X (B)
8	H151891	BACK-UP RING	1		X X (B)
9	T38485	O-RING	1		X X (B) (SUB FOR H154385)
10	AH146563	SEAL	1		X X (A)
11	H152796	WEAR RING	1		X X (A)
12	H155769	HYDR. CYLINDER ROD GUIDE	1		X X
13	H152205	SEAL	1		X X (A)
14	AH146559	SEAL	1		X X (A)
15	H151820	BUSHING	1		X X
16	AH162394	ROD	1		X X
17	AH164137	CYLINDER	1		X X
18	T162396	LUBRICATION FITTING	2		X X
19	AH149815	HYDRAULIC CYLINDER KIT	1		X X (ROD REPAIR) INCLUDES ALL PARTS MARKED (A)
20	AH212103	HYDRAULIC CYLINDER KIT	1		X X (BORE REPAIR) INCLUDES ALL PARTS MARKED (B) (SUB FOR AH149846)

3365-19

SWING CYLINDER AND REPAIR KIT (310G) (SN -957128)
 VERIN DE PIVOTEMENT ET KIT DE REPARATION (310G) (SN -957128)
 CILINDRO DE GIRO Y JUEGO DE REPARACION (310G) (SN -957128)

TP62422 -UN-05JUN00



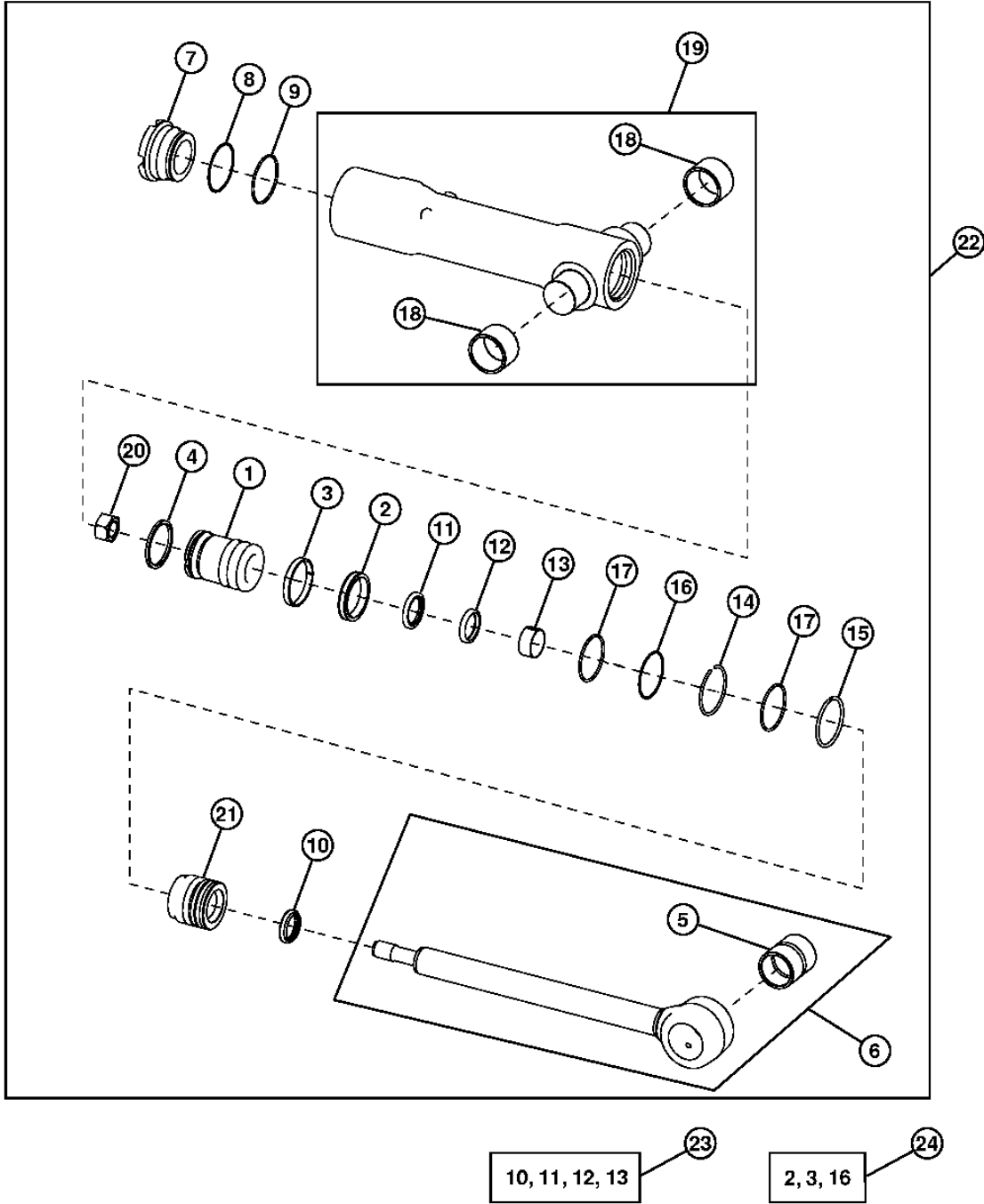
KEY	PART NO.	PART NAME	QTY.	SERIAL NO.	REMARKS
					3 3
					3 1 1
					1 0 5
					0 S S
					G G G
1	H158090	HYDRAULIC CYLINDER CAP	1	X	
2	H170538	NUT	1	X	
3	H168275	BACK-UP RING	1	X	
4	M4237T	O-RING	1	X	
5	R81797	RING	1	X	
6	R81777	WEAR RING	1	X	
7	RE20345	SEAL	1	X	(B)
8	H151641	PISTON	1	X	(B)
9	H151328	BUSHING	2	X	
10	AH146065	HYDRAULIC CYLINDER BARREL	1	X	
11	AH146560	SEAL	1	X	(A)
12	T12582	O-RING	1	X	
13	R81864	BACK-UP RING	1	X	(B)
14	H152202	SEAL	1	X	(A)
15	H152793	BACK-UP RING	1	X	(A)
16	R81789	RING	1	X	
17	AH149813	HYDRAULIC CYLINDER KIT	1	X	(ROD REPAIR) INCLUDES ALL PARTS MARKED (A)
18	AH146556	SEAL	1	X	(A)
19	R81795	NUT	1	X	
20	H154269	BUSHING	1	X	
21	AH146062	HYDRAULIC CYLINDER ROD	1	X	
22	H157510	HYDR. CYLINDER ROD GUIDE	1	X	
23	AH172882	HYDRAULIC CYLINDER	1	X	(SUB FOR AH145994) (SUB AH220099)
	AH220099	HYDRAULIC CYLINDER	1	X	
24	T162396	LUBRICATION FITTING	3	X	
25	AH149842	HYDRAULIC CYLINDER KIT	1	X	(BORE REPAIR) INCLUDES ALL PARTS MARKED (B)

3365-19A

SWING CYLINDER AND REPAIR KIT (310G) (SN 957129-)
VERIN DE PIVOTEMENT ET KIT DE REPARATION (310G) (SN 957129-)
CILINDRO DE GIRO Y JUEGO DE REPARACION (310G) (SN 957129-)

T214926

-UN-27SEP05



T214926

3365-19B

BACKHOE 33

HYDRAULIC CYLINDERS 3365

SWING CYLINDER AND REPAIR KIT (310G) (SN 957129-)
 VERIN DE PIVOTEMENT ET KIT DE REPARATION (310G) (SN 957129-)
 CILINDRO DE GIRO Y JUEGO DE REPARACION (310G) (SN 957129-)

KEY	PART NO.	PART NAME	QTY.	SERIAL NO.	REMARKS
					3 3
					3 1 1
					1 0 5
					0 S S
					G G G
1	H151641	PISTON	1		X
2	RE20345	SEAL	1		X
3	R81777	WEAR RING	1		X
4	R81797	RING	1		X
5	H180402	BUSHING	1		X
6	AH146062	HYDRAULIC CYLINDER ROD	1		X
7	H158090	HYDRAULIC CYLINDER CAP	1		X
8	H168275	BACK-UP RING	1		X
9	M4237T	O-RING	1		X
10	AH146556	SEAL	1		X
11	AH146560	SEAL	1		X
12	H152202	SEAL	1		X
13	H157898	WEAR RING	1		X
14	H170216	SNAP RING	1		X
15	H180787	SNAP RING	1		X
16	R81864	BACK-UP RING	1		X
17	T12582	O-RING	1		X
18	H151328	BUSHING	1		X
19	AH220101	HYDRAULIC CYLINDER BARREL	1		X
20	H170538	NUT	1		X M27
21	H210731	HYDR. CYLINDER ROD GUIDE	1		X
22	AH220099	HYDRAULIC CYLINDER	1		X
23	AH149813	HYDRAULIC CYLINDER KIT	1		X (ROD SEAL)
24	AH212091	HYDRAULIC CYLINDER KIT	1		X (BORE SEAL)

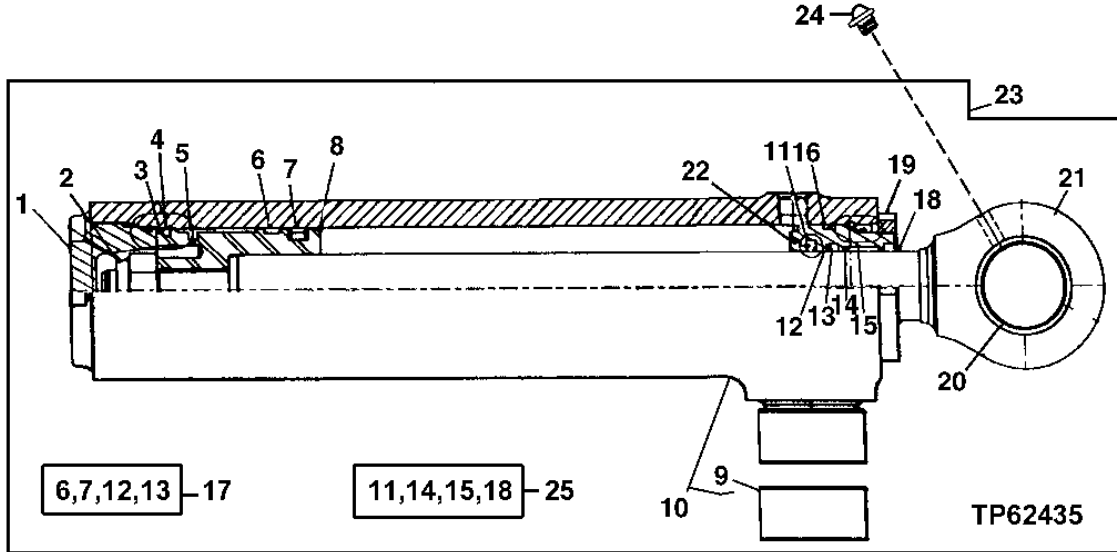
3365-19C

BACKHOE 33

HYDRAULIC CYLINDERS 3365

SWING CYLINDER AND REPAIR KIT (310SG, 315SG) (SN -957114)
 VERIN DE PIVOTEMENT ET KIT DE REPARATION (310SG, 315SG) (SN -957114)
 CILINDRO DE GIRO Y JUEGO DE REPARACION (310SG, 315SG) (SN -957114)
 SWING CYLINDER AND REPAIR KIT (315SG) (SN -200413)
 VERIN DE PIVOTEMENT ET KIT DE REPARATION (315SG) (SN -200413)
 CILINDRO DE GIRO Y JUEGO DE REPARACION (315SG) (SN -200413)

TP62435 -UN-27JUN00



KEY	PART NO.	PART NAME	QTY.	SERIAL NO.	REMARKS
				3 3	
				3 1 1	
				1 0 5	
				0 S S	
				G G G	
1	H156486	HYDRAULIC CYLINDER CAP	1		X X
2	H170539	NUT	1		X X
3	H154373	BACK-UP RING	1		X X
4	P48403	O-RING	1		X X
5	H150947	PISTON RING	1		X X
6	R81776	WEAR RING	1		X X
7	RE20344	SEAL	1		X X
8	H154372	PISTON	1		X X
9	H151328	BUSHING	2		X X
10	AH147889	HYDRAULIC CYLINDER BARREL	1		X X
11	AH146561	SEAL	1		X X
12	R83576	O-RING	1		X X
13	R79101	BACK-UP RING	1		X X
14	H152203	SEAL	1		X X
15	H152794	WEAR RING	1		X X
16	R81788	RING	1		X X
17	AH212096	HYDRAULIC CYLINDER KIT	1		X X (BORE REPAIR) (SUB FOR AH149843)
18	AH146557	SEAL	1		X X
19	R81794	NUT	1		X X
20	H180402	BUSHING	1		X X (SUB FOR H142209)
21	AH147893	HYDRAULIC CYLINDER ROD	1		X X
22	H154352	HYDR. CYLINDER ROD GUIDE	1		X X
23	HYDRAULIC CYLINDER	1		X X (AH173163 NLA) (SUB AH220108)
24	T162396	LUBRICATION FITTING	3		X X
25	AH210484	HYDRAULIC CYLINDER KIT	1		X X (ROD REPAIR) (SUB FOR AH148164)

3365-19D

BACKHOE 33

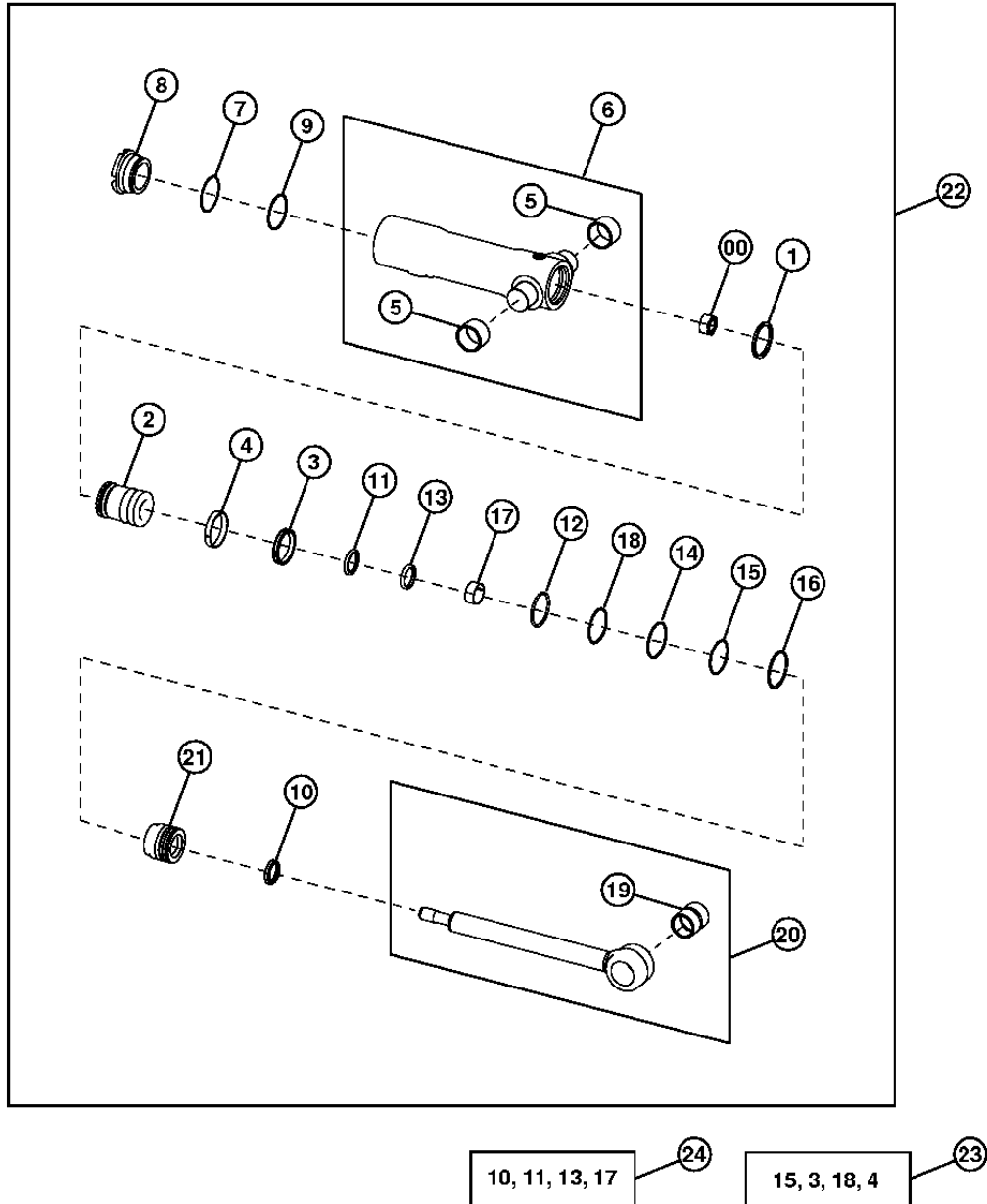
HYDRAULIC CYLINDERS 3365

MEMORANDA
MEMORANDA
MEMORANDA

3365-20

SWING CYLINDER AND REPAIR KIT (310SG) (SN 957115-)
 VERIN DE PIVOTEMENT ET KIT DE REPARATION (310SG) (SN 957115-)
 CILINDRO DE GIRO Y JUEGO DE REPARACION (310SG) (SN 957115-)
 SWING CYLINDER AND REPAIR KIT (315SG) (SN 200414-)
 VERIN DE PIVOTEMENT ET KIT DE REPARATION (315SG) (SN 200414-)
 CILINDRO DE GIRO Y JUEGO DE REPARACION (315SG) (SN 200414-)

T214927 -UN-



T214927

3365-21

BACKHOE 33

HYDRAULIC CYLINDERS 3365

SWING CYLINDER AND REPAIR KIT (310SG) (SN 957115-)
 VERIN DE PIVOTEMENT ET KIT DE REPARATION (310SG) (SN 957115-)
 CILINDRO DE GIRO Y JUEGO DE REPARACION (310SG) (SN 957115-)
 SWING CYLINDER AND REPAIR KIT (315SG) (SN 200414-)
 VERIN DE PIVOTEMENT ET KIT DE REPARATION (315SG) (SN 200414-)
 CILINDRO DE GIRO Y JUEGO DE REPARACION (315SG) (SN 200414-)

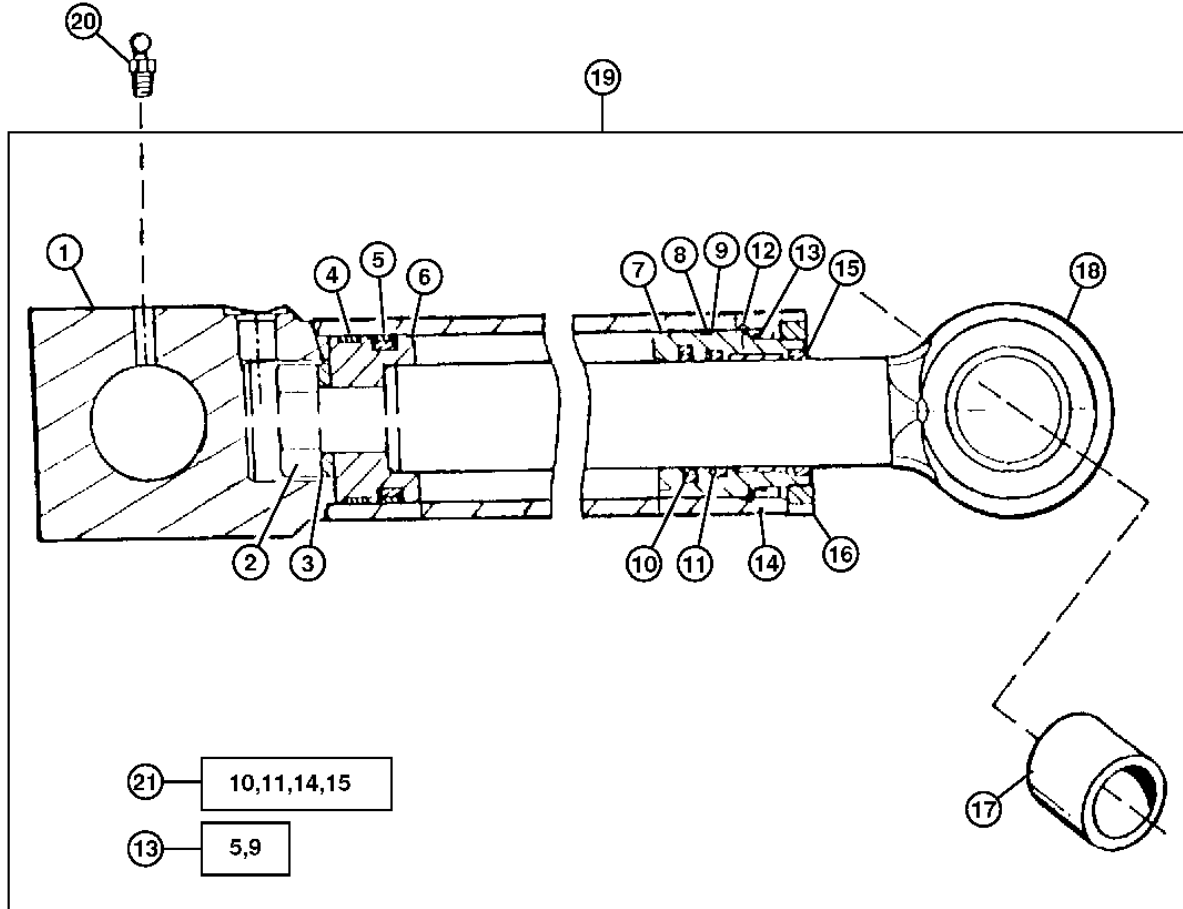
KEY	PART NO.	PART NAME	QTY.	SERIAL NO.	3 3 3 1 1 1 0 5 0 S S G G G	REMARKS
0	H170539	NUT	1		X X	
1	H150947	PISTON RING	1		X X	
2	H154372	PISTON	1		X X	
3	RE20344	SEAL	1		X X	
4	R81776	WEAR RING	1		X X	
5	H151328	BUSHING	1		X X	
6	AH220114	HYDRAULIC CYLINDER BARREL	1		X X	
7	H154373	BACK-UP RING	1		X X	
8	H156486	HYDRAULIC CYLINDER CAP	1		X X	
9	P48403	O-RING	1		X X	
10	AH146557	SEAL	1		X X	
11	AH146561	SEAL	1		X X	
12	F1430R	O-RING	1		X X	
13	H152203	SEAL	1		X X	
14	H180103	SNAP RING	1		X X	
15	H181114	O-RING	1		X X	
16	H206859	SNAP RING	1		X X	
17	H208987	WEAR RING	1		X X	
18	R79101	BACK-UP RING	1		X X	
19	H180402	BUSHING	1		X X	
20	AH147893	HYDRAULIC CYLINDER ROD	1		X X	
21	H208631	HYDR. CYLINDER ROD GUIDE	1		X X	
22	AH220108	HYDRAULIC CYLINDER	1		X X	
23	AH212096	HYDRAULIC CYLINDER KIT	1		X X	(BORE SEAL)
24	AH210484	HYDRAULIC CYLINDER KIT	1		X X	(ROD SEAL)

3365-21A

STABILIZER CYLINDER AND REPAIR KIT (310G) (SERIAL NO. -925946)
VERIN DE STABILISATEUR ET KIT DE REPARATION (310G) (SN -925946)
CILINDRO DE ESTABILIZADOR Y JUEGO DE REPARACION (310G) (SN -925946)

TX1001642

-UN-28DEC05



TX1001642

3365-21B

**STABILIZER CYLINDER AND REPAIR KIT (310G) (SERIAL NO. -925946)
 VERIN DE STABILISATEUR ET KIT DE REPARATION (310G) (SN -925946)
 CILINDRO DE ESTABILIZADOR Y JUEGO DE REPARACION (310G) (SN -925946)**

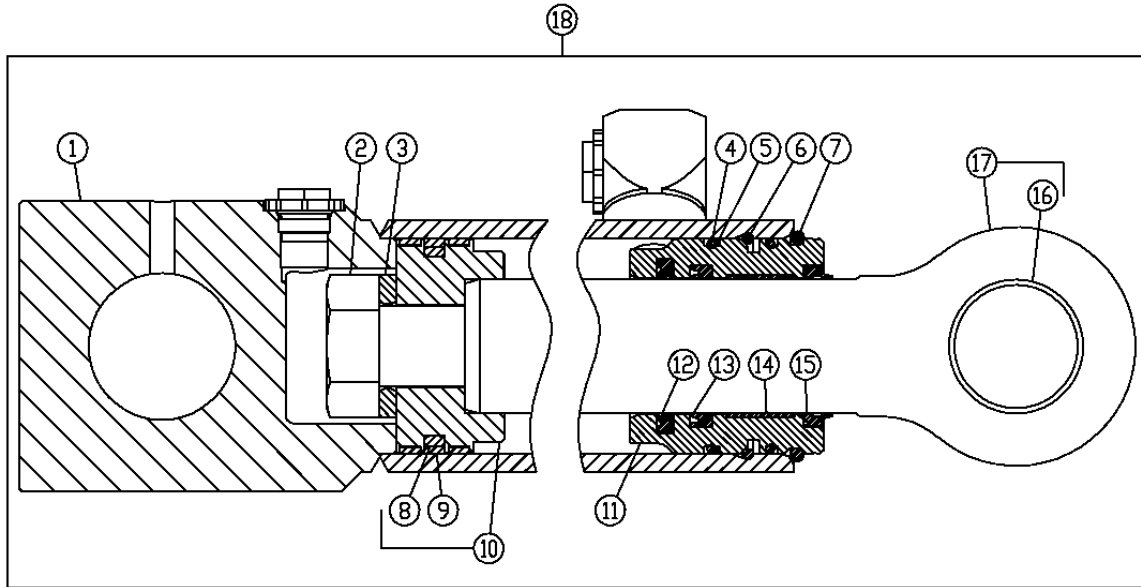
KEY	PART NO.	PART NAME	QTY.	SERIAL NO.	3 3 3 1 1 1 0 5 0 S S G G G	REMARKS
1	AH149974	HYDRAULIC CYLINDER BARREL	1		X	(L.H.)
	AH149975	HYDRAULIC CYLINDER BARREL	1		X	(R.H.)
2	19M8353	CAP SCREW	1		X	M30 X 80
3	H145175	WASHER	1		X	
4	R81777	WEAR RING	1	-902497	X	
5	RE20345	SEAL	1	-902497	X	(A)
	R98322	SEAL	1	902498-	X	(A)
	R98323	SEAL	1	902498-	X	(A)
6	H155520	PISTON	1	-902497	X	
	AH173410	PISTON	1	902498-	X	(C) (INCLUDES WEAR RINGS AND SEALS)
7	H152345	HYDR. CYLINDER ROD GUIDE	1		X	
8	T12582	O-RING	1		X	
9	R81864	BACK-UP RING	1		X	(A)
10	AH146561	SEAL	1		X	(B)
11	H152203	SEAL	1		X	(B)
12	R81789	RING	1		X	
13	AH212091	HYDRAULIC CYLINDER KIT	1	-902497	X	(BORE REPAIR) INCLUDES ALL PARTS MARKED (A)
	AH212092	HYDRAULIC CYLINDER KIT	1	902498-	X	(BORE REPAIR) INCLUDES ALL PARTS MARKED (A) (SUB FOR AH202080)
14	H152794	WEAR RING	1		X	(B)
15	AH146557	SEAL	1		X	(B)
16	R81795	NUT	1		X	
17	H154404	BUSHING	1	-902497	X	
18	AH147902	HYDRAULIC CYLINDER ROD	1		X	
19	HYDRAULIC CYLINDER	1	-902497	X	(L.H.) (SUB AH176122)
	HYDRAULIC CYLINDER	1	902498-	X	(L.H.) (AH176122 NLA) (SUB AH219499) (ALSO ORDER 38H1160, 38H1004, (2) T77613 AND (2) R26448)
	HYDRAULIC CYLINDER	1	-902497	X	(R.H.) (SUB AH173202)
	HYDRAULIC CYLINDER	1	902498-	X	(R.H.) (SUB AH219500) (ALSO ORDER 38H1160, 38H1004, (2) T77613 AND (2) R26448)
20	T162396	LUBRICATION FITTING	1		X	
21	AH210484	HYDRAULIC CYLINDER KIT	1		X	(ROD REPAIR) INCLUDES ALL PARTS MARKED (B) (SUB FOR AH148164)

(C) SEE DTAC SOLUTION 69663 IF SN IS BETWEEN 913417 - 952532
 (C) VOIR LA SOLUTION 69663 DE DTAC SI LE SN EST ENTRE 913417 - 952532
 (C) VEA LA SOLUCION 69663 DEL DTAC SI EL SN ESTA ENTRE 913417 - 952532

3365-22

STABILIZER CYLINDER AND REPAIR KIT (310G) (SN 925947-951995)
VERIN DE STABILISATEUR ET KIT DE REPARATION (310G) (SN 925947-951995)
CILINDRO DE ESTABILIZADOR Y JUEGO DE REPARACION (310G) (SN 925947-951995)

T196166 -UN-10NOV03



19-12,13,14,15

20-5,8,9

T196166

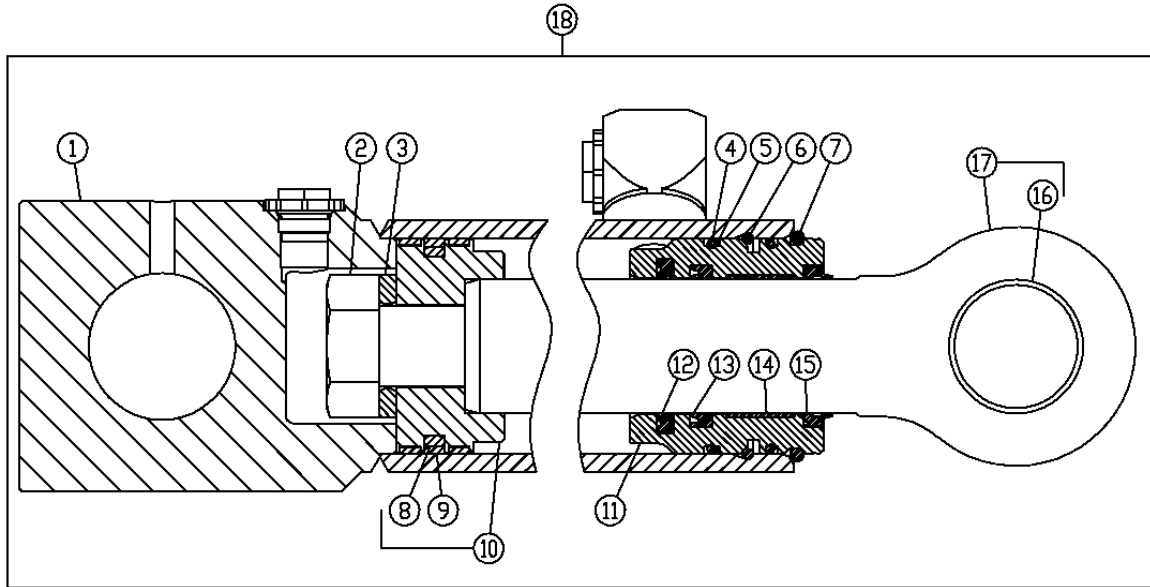
KEY	PART NO.	PART NAME	QTY.	SERIAL NO.	REMARKS
					3 3 3 1 1 1 0 5 0 S S G G G
1	AH211197	HYDRAULIC CYLINDER BARREL	1	X	(L.H.)
	AH211199	HYDRAULIC CYLINDER BARREL	1	X	(R.H.)
2	19M8353	CAP SCREW	1	X	M30 X 80
3	H145175	WASHER	1	X	
4	T12582	O-RING	1	X	
5	R81864	BACK-UP RING	1	X	(B)
6	H170216	SNAP RING	1	X	
7	H180787	SNAP RING	1	X	
8	R98323	SEAL	1	X	(B)
9	R98322	SEAL	1	X	(B)
10	AH173410	PISTON	1	X	(C)
11	H209221	HYDR. CYLINDER ROD GUIDE	1	X	
12	AH146561	SEAL	1	X	(A)
13	H152203	SEAL	1	X	(A)
14	H208987	WEAR RING	1	X	(A)
15	AH146557	SEAL	1	X	(A)
16	H154404	BUSHING	1	X	
17	AH147902	HYDRAULIC CYLINDER ROD	1	X	
18	HYDRAULIC CYLINDER	1	X	(L.H.) (AH211196 NLA) (SUB AH219499) (ALSO ORDER 38H1160, 38H1004, (2) T77613 AND (2) R26448)
	HYDRAULIC CYLINDER	1	X	(R.H.) (AH211198 NLA) (SUB AH219500) (ALSO ORDER 38H1160, 38H1004, (2) T77613 AND (2) R26448)
19	AH210484	HYDRAULIC CYLINDER KIT	1	X	(ROD REPAIR) INCLUDES ALL PARTS MARKED (A)
20	AH212092	HYDRAULIC CYLINDER KIT	1	X	(BORE REPAIR) INCLUDES ALL PARTS MARKED (B)

(C) SEE DTAC SOLUTION 69663 IF SN IS BETWEEN 913417 - 952532
 (C) VOIR LA SOLUTION 69663 DE DTAC SI LE SN EST ENTRE 913417 - 952532
 (C) VEA LA SOLUCION 69663 DE DTAC SI EL SN ESTA ENTRE 913417 - 952532

3365-22A

STABILIZER CYLINDER AND REPAIR KIT (310G) (SN 951996-)
 VERIN DE STABILISATEUR ET KIT DE REPARATION (310G) (SN 951996-)
 CILINDRO DE ESTABILIZADOR Y JUEGO DE REPARACION (310G) (SN 951996-)

T196166 -UN-10NOV03



19 12,13,14,15

20 5,8,9

T196166

KEY	PART NO.	PART NAME	QTY.	SERIAL NO.	3 3 3 1 1 1 0 5 0 S S G G G	REMARKS
1	AH219503	HYDRAULIC CYLINDER BARREL	1		X	(L.H.)
	AH219504	HYDRAULIC CYLINDER BARREL	1		X	(R.H.)
2	19M8353	CAP SCREW	1		X	M30 X 80
3	H145175	WASHER	1		X	
4	T12582	O-RING	1		X	
5	R81864	BACK-UP RING	1		X	(B)
6	H170216	SNAP RING	1		X	
7	H180787	SNAP RING	1		X	
8	R98323	SEAL	1		X	(B)
9	R98322	SEAL	1		X	(B)
10	AH173410	PISTON	1		X	(C)
11	H209221	HYDR. CYLINDER ROD GUIDE	1		X	
12	AH146561	SEAL	1		X	(A)
13	H152203	SEAL	1		X	(A)
14	H208987	WEAR RING	1		X	(A)
15	AH146557	SEAL	1		X	(A)
16	H154404	BUSHING	1		X	
17	AH147902	HYDRAULIC CYLINDER ROD	1		X	
18	AH219499	HYDRAULIC CYLINDER	1		X	(C) (L.H.)
	AH219500	HYDRAULIC CYLINDER	1		X	(C) (R.H.)
19	AH210484	HYDRAULIC CYLINDER KIT	1		X	(ROD REPAIR) INCLUDES ALL PARTS MARKED (A)
20	AH212092	HYDRAULIC CYLINDER KIT	1		X	(BORE REPAIR) INCLUDES ALL PARTS MARKED (B)

(C) SEE DTAC SOLUTION 69663 IF SN IS BETWEEN 913417 - 952532
 (C) VOIR LA SOLUTION 69663 DE DTAC SI LE SN EST ENTRE 913417 - 952532
 (C) VEA LA SOLUCION 69663 DE DTAC SI EL SN ESTA ENTRE 913417 - 952532

3365-22B

BACKHOE 33

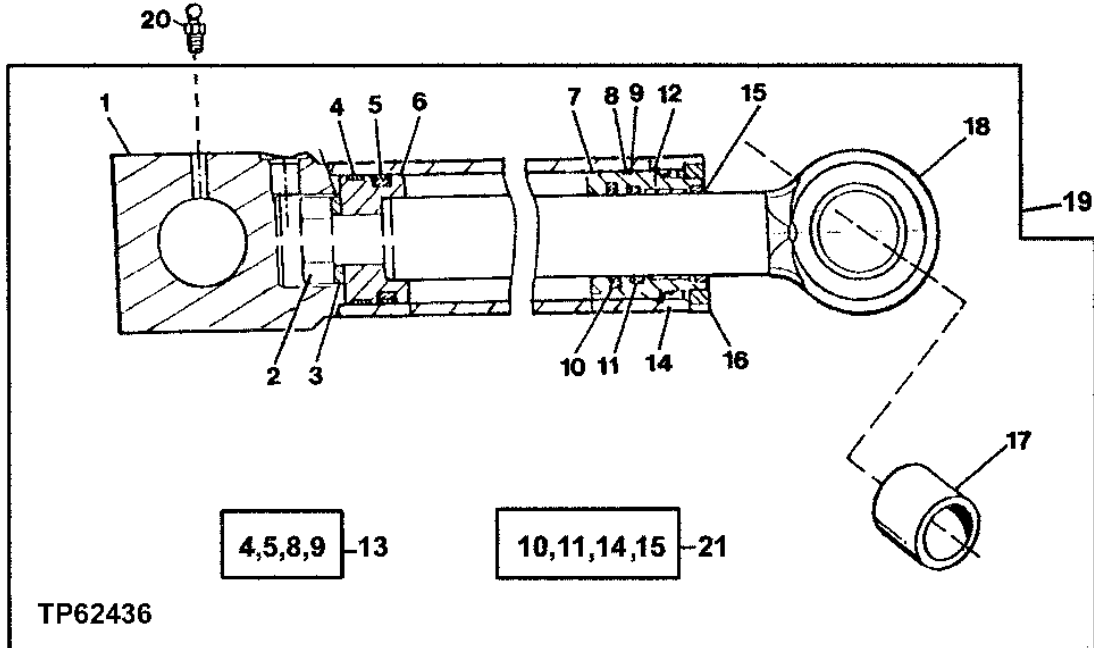
HYDRAULIC CYLINDERS 3365

MEMORANDA
MEMORANDA
MEMORANDA

3365-23

STABILIZER CYLINDER AND REPAIR KIT (STANDARD STABILIZER) (310SG) (SN -926206)
VERIN DE STABILISATEUR ET KIT DE REPARATION (CARTER D'ESSIEU AVANT STANDARD) (310SG) (SN -926206)
CILINDRO DE ESTABILIZADOR Y JUEGO DE REPARACION(CAJA DE EJE DELANTERO ESTANDAR)(310SG)(SN -926206)

TP62436 -UN-27JUN00



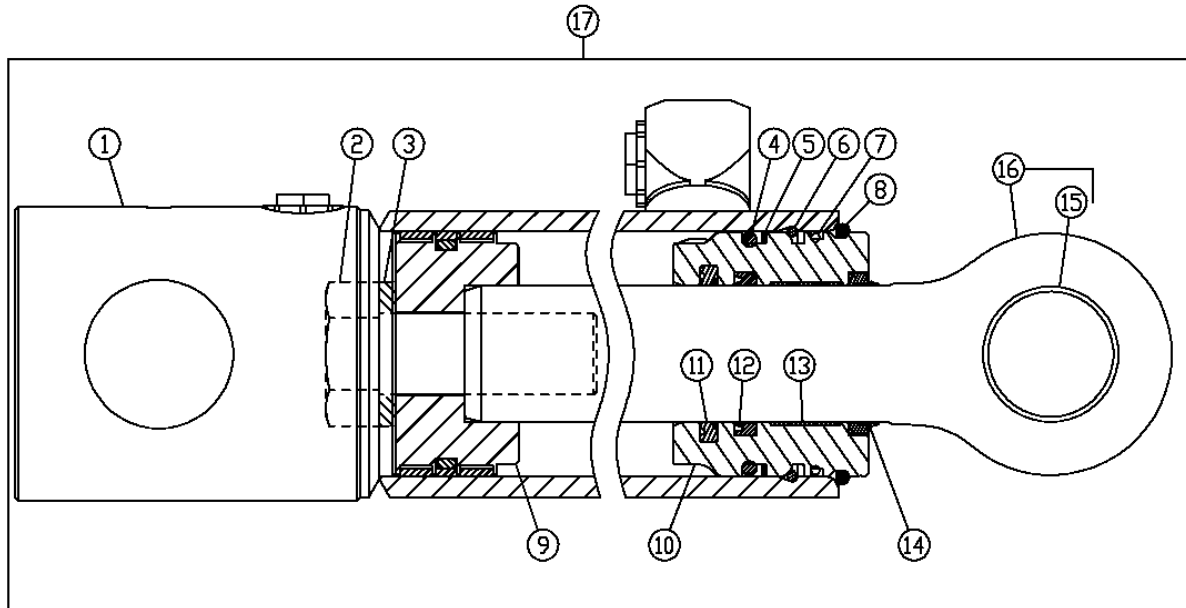
KEY	PART NO.	PART NAME	QTY.	SERIAL NO.	REMARKS
				3 3	
				3 1 1	
				1 0 5	
				0 S S	
				G G G	
1	AH147901	HYDRAULIC CYLINDER BARREL	1		X (L.H.)
	AH147900	HYDRAULIC CYLINDER BARREL	1		X (R.H.)
2	19M8353	CAP SCREW	1		X M30 X 80
3	H145175	WASHER	1		X
4	R81776	WEAR RING	1		X (A)
5	RE20344	SEAL	1		X (A)
6	H142090	PISTON	1		X
7	H154352	HYDR. CYLINDER ROD GUIDE	1		X
8	R83576	O-RING	1		X (A)
9	R79101	BACK-UP RING	1		X (A)
10	AH146561	SEAL	1		X (B)
11	H152203	SEAL	1		X (B)
12	R81788	RING	1		X
13	AH212096	HYDRAULIC CYLINDER KIT	1		X (BORE REPAIR) INCLUDES ALL PARTS MARKED (A) (SUB FOR AH149843)
14	H152794	WEAR RING	1		X (B)
15	AH146557	SEAL	1		X (B)
16	R81794	NUT	1		X
17	H154404	BUSHING	1	-910855	X
18	AH147902	HYDRAULIC CYLINDER ROD	1		X
19	HYDRAULIC CYLINDER	1		X (L.H.) (AH207327 NLA) (SUB FOR AH147863) (SUB AH210901)
	HYDRAULIC CYLINDER	1		X (R.H.) (AH207328 NLA) (SUB FOR AH147864) (SUB AH210902)
20	T162396	LUBRICATION FITTING	1		X
21	AH210484	HYDRAULIC CYLINDER KIT	1		X (ROD REPAIR) INCLUDES ALL PARTS MARKED (B) (SUB FOR AH148164)

3365-24

STABILIZER CYLINDER AND REPAIR KIT (STANDARD STABILIZER) (310SG)
VERIN DE STABILISATEUR ET KIT DE REPARATION (CARTER D'ESSIEU AVANT STANDARD) (310SG)
CILINDRO DE ESTABILIZADOR Y JUEGO DE REPARACION (CAJA DE EJE DELANTERO ESTANDAR) (310SG)

T195668

-UN-07NOV03



18-11,12,13,14

19-5,7

T195668

3365-24A

BACKHOE 33

HYDRAULIC CYLINDERS 3365

**STABILIZER CYLINDER AND REPAIR KIT (STANDARD STABILIZER) (310SG)
 VERIN DE STABILISATEUR ET KIT DE REPARATION (CARTER D'ESSIEU AVANT STANDARD) (310SG)
 CILINDRO DE ESTABILIZADOR Y JUEGO DE REPARACION (CAJA DE EJE DELANTERO ESTANDAR) (310SG)**

KEY	PART NO.	PART NAME	QTY.	SERIAL NO.		REMARKS
					3 3	
					3 1 1	
					1 0 5	
					0 S S	
					G G G	
1	AH210999	HYDRAULIC CYLINDER BARREL	1	926207-952148	X	(L.H.)
	AH211000	HYDRAULIC CYLINDER BARREL	1	926207-952148	X	(R.H.)
2	19M8353	CAP SCREW	1	926207-952148	X	M30 X 80
3	H145175	WASHER	1	926207-952148	X	
4	F1430R	O-RING	1	926207-952148	X	
5	R79101	BACK-UP RING	1	926207-952148	X	(B)
6	H180103	SNAP RING	1	926207-952148	X	
7	H181114	O-RING	1	926207-952148	X	(B)
8	H206859	SNAP RING	1	926207-952148	X	
9	AH205060	PISTON	1	926207-952148	X	
10	H208631	HYDR. CYLINDER ROD GUIDE	1	926207-952148	X	
11	AH146561	SEAL	1	926207-952148	X	(A)
12	H152203	SEAL	1	926207-952148	X	(A)
13	H208987	WEAR RING	1	926207-952148	X	(A)
14	AH146557	SEAL	1	926207-952148	X	(A)
15	H154404	BUSHING	1	926207-952148	X	
16	AH147902	HYDRAULIC CYLINDER ROD	1	926207-952148	X	
17	HYDRAULIC CYLINDER	1	926207-952148	X	(L.H.) (AH210901 NLA) (SUB AH219537) (ALSO ORDER 38H1004, 38H1160, (2) T77613 AND (2) R26448)
	HYDRAULIC CYLINDER	1	926207-952148	X	(R.H.) (AH210902 NLA) (SUB AH219538) (ALSO ORDER 38H1004, 38H1160, (2) T77613 AND (2) R26448)
18	AH210484	HYDRAULIC CYLINDER KIT	1	926207-952148	X	(ROD REPAIR) INCLUDES ALL PARTS MARKED (A)
19	AH212097	HYDRAULIC CYLINDER KIT	1	926207-952148	X	(BORE REPAIR) INCLUDES ALL PARTS MARKED (B)

(C) SEE DTAC SOLUTION 69663 IF SN IS BETWEEN 913417 - 952532
 (C) VOIR LA SOLUTION 69663 DE DTAC SI LE SN EST ENTRE 913417 - 952532
 (C) VEA LA SOLUCION 69663 DE DTAC SI EL SN ESTA ENTRE 913417 - 952532

3365-24B

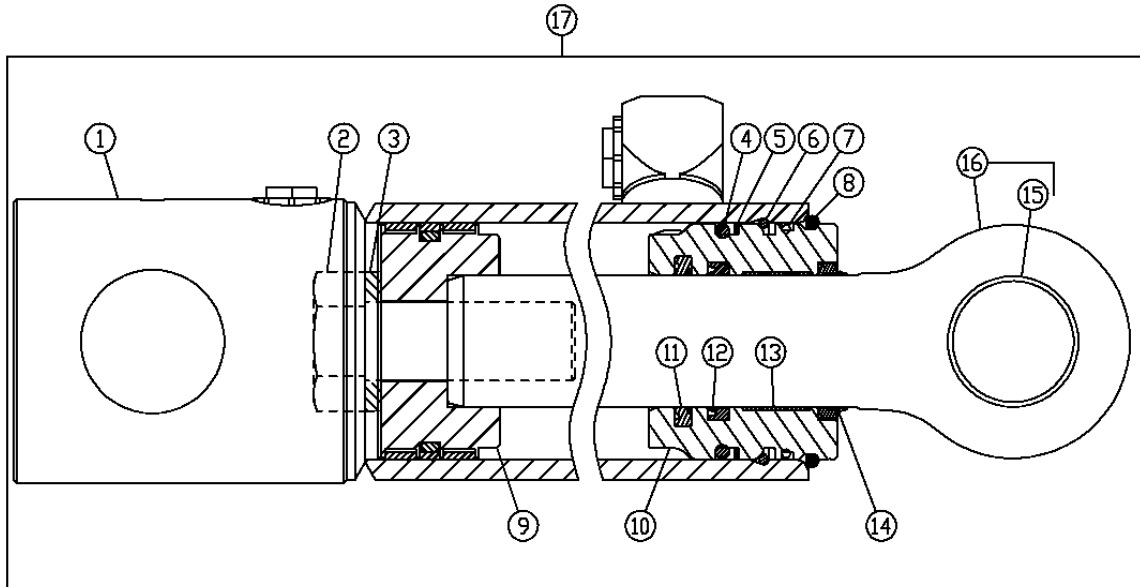
BACKHOE 33

HYDRAULIC CYLINDERS 3365

STABILIZER CYLINDER AND REPAIR KIT (STANDARD STABILIZER) (310SG)
 VERIN DE STABILISATEUR ET KIT DE REPARATION (CARTER D'ESSEIU AVANT STANDARD) (310SG)
 CILINDRO DE ESTABILIZADOR Y JUEGO DE REPARACION (CAJA DE EJE DELANTERO ESTANDAR) (310SG)

T195668

-UN-07NOV03



18-11,12,13,14

19-5,7

T195668

KEY	PART NO.	PART NAME	QTY.	SERIAL NO.	3 3 3 1 1 1 0 5 0 S S G G G	REMARKS
1	AH219539	HYDRAULIC CYLINDER BARREL	1	952149-	X	(L.H.)
	AH219540	HYDRAULIC CYLINDER BARREL	1	952149-	X	(R.H.)
2	19M8353	CAP SCREW	1	952149-	X	M30 X 80
3	H145175	WASHER	1	952149-	X	
4	F1430R	O-RING	1	952149-	X	
5	R79101	BACK-UP RING	1	952149-	X	(B)
6	H180103	SNAP RING	1	952149-	X	
7	H181114	O-RING	1	952149-	X	(B)
8	H206859	SNAP RING	1	952149-	X	
9	AH205060	PISTON	1	952149-	X	(C)
10	H208631	HYDR. CYLINDER ROD GUIDE	1	952149-	X	
11	AH146561	SEAL	1	952149-	X	(A)
12	H152203	SEAL	1	952149-	X	(A)
13	H208987	WEAR RING	1	952149-	X	(A)
14	AH146557	SEAL	1	952149-	X	(A)
15	H154404	BUSHING	1	952149-	X	
16	AH147902	HYDRAULIC CYLINDER ROD	1	952149-	X	
17	AH219537	HYDRAULIC CYLINDER	1	952149-	X	(C) (L.H.)
	AH219538	HYDRAULIC CYLINDER	1	952149-	X	(C) (R.H.)
18	AH210484	HYDRAULIC CYLINDER KIT	1	952149-	X	(ROD REPAIR) INCLUDES ALL PARTS MARKED (A)
19	AH212097	HYDRAULIC CYLINDER KIT	1	952149-	X	(BORE REPAIR) INCLUDES ALL PARTS MARKED (B)

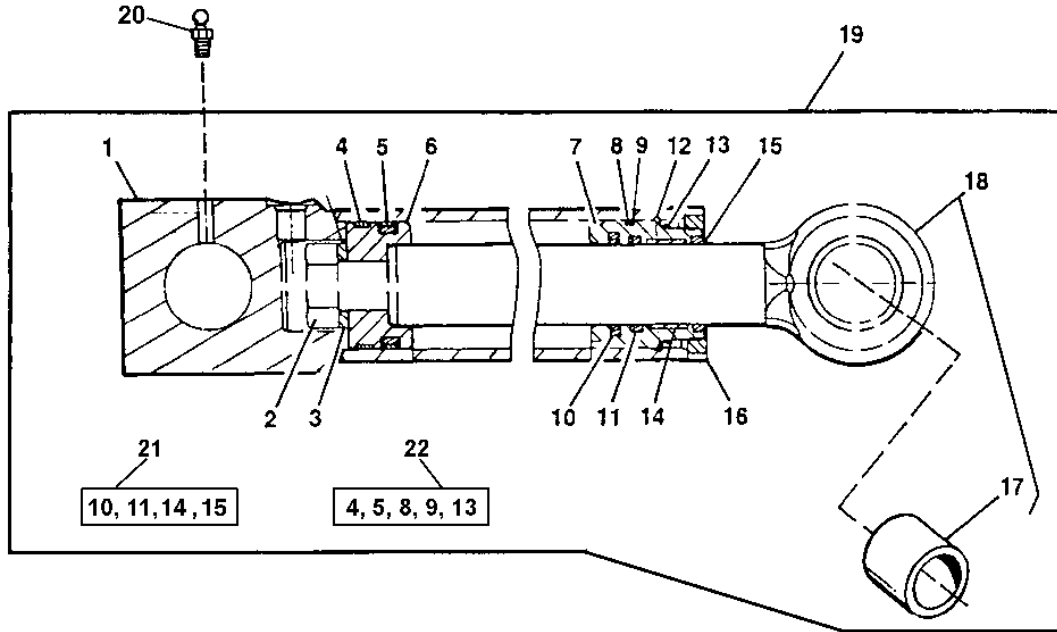
(C) SEE DTAC SOLUTION 69663 IF SN IS BETWEEN 913417 - 952532
 (C) VOIR LA SOLUTION 69663 DE DTAC SI LE SN EST ENTRE 913417 - 952532
 (C) VEA LA SOLUCION 69663 DE DTAC SI EL SN ESTA ENTRE 913417 - 952532

3365-25

EXTENDED STABILIZER CYLINDER AND REPAIR KIT (310SG) (SN -925993)
VERIN DE STABILISATEUR ET KIT DE REPARATION (STABILISATEUR ETENDU) (310SG) (SN -925993)
CILINDRO DE ESTABILIZADOR Y JUEGO DE REPARACION (ESTABILIZADOR EXTENDIDO) (310SG) (SN -925993)

T213908

-UN-26AUG05



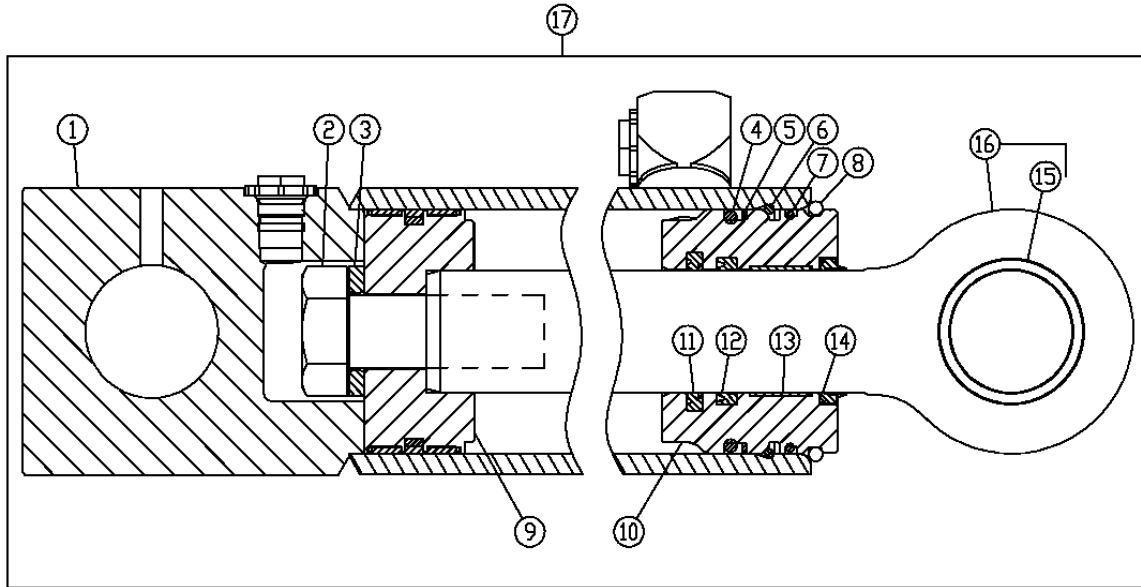
T213908

KEY	PART NO.	PART NAME	QTY.	SERIAL NO.	REMARKS
				3 3	
				3 1 1	
				1 0 5	
				0 S S	
				G G G	
1	AH148676	HYDRAULIC CYLINDER BARREL	1	X	(L.H.)
	AH148677	HYDRAULIC CYLINDER BARREL	1	X	(R.H.)
2	19M8353	CAP SCREW	1	X	M30 X 80
3	H145175	WASHER	1	X	
4	R81775	WEAR RING	1	X	(B)
5	RE20343	SEAL	1	X	(B)
6	H145456	PISTON	1	X	
7	H157978	HYDR. CYLINDER ROD GUIDE	1	X	
8	R83577	O-RING	1	X	(B)
9	R81862	BACK-UP RING	1	X	(B)
10	AH146561	SEAL	1	X	(A)
11	H152203	SEAL	1	X	(A)
12	R81787	RING	1	X	
13	R91731	RING	AR	X	(B)
14	H152794	WEAR RING	1	X	(A)
15	AH146557	SEAL	1	X	(A)
16	R81793	NUT	1	X	
17	H154404	BUSHING	1	X	
18	AH147902	HYDRAULIC CYLINDER ROD	1	X	
19	HYDRAULIC CYLINDER	1	X	(L.H.) (AH148674 NLA) (SUB AH219541)
	HYDRAULIC CYLINDER	1	X	(R.H.) (AH148675 NLA) (SUB AH219542)
					(ALSO ORDER 38H1004, 38H1160, (2) T77613 AND (2) R26448)
20	T162396	LUBRICATION FITTING	1	X	
21	AH210484	HYDRAULIC CYLINDER KIT	1	X	(ROD REPAIR) INCLUDES ALL PARTS MARKED (A) (SUB FOR AH148164)
22	AH212101	HYDRAULIC CYLINDER KIT	1	X	(BORE REPAIR) INCLUDES ALL PARTS MARKED (B) (SUB FOR AH149844)

3365-26

STABILIZER CYLINDER AND REPAIR KIT (EXTENDED STABILIZER) (310SG)
VERIN DE STABILISATEUR ET KIT DE REPARATION (STABILISATEUR ETENDU) (310SG)
CILINDRO DE ESTABILIZADOR Y JUEGO DE REPARACION (ESTABILIZADOR EXTENDIDO) (310SG)

T196176 -UN-10NOV03



18 11,12,13,14 19 5,7

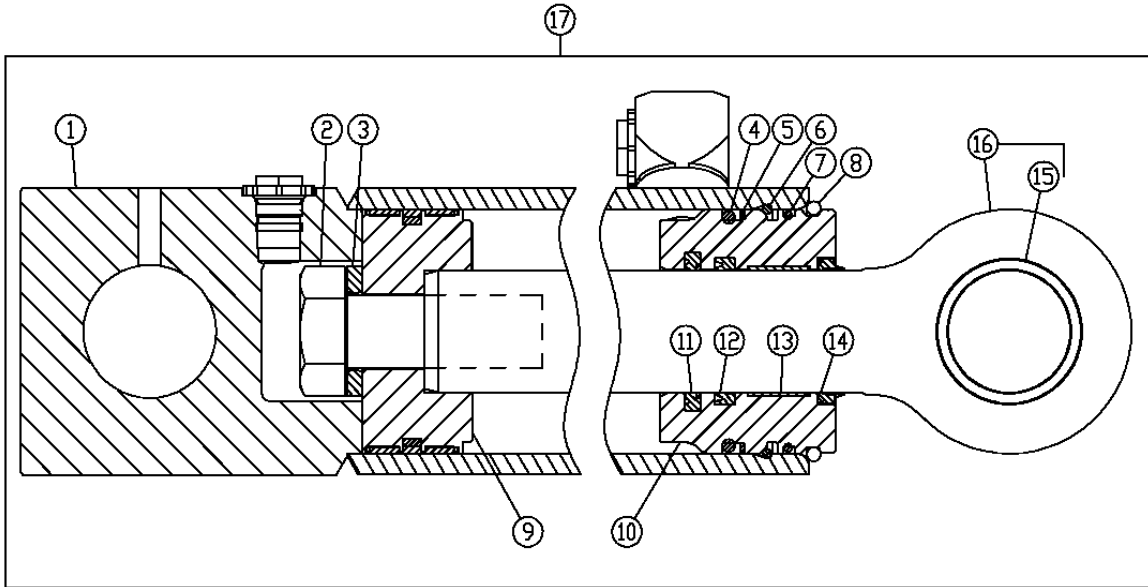
T196176

KEY	PART NO.	PART NAME	QTY.	SERIAL NO.	3 3 1 1 1 0 5 0 S S G G G	REMARKS
1	AH209134	HYDRAULIC CYLINDER BARREL	1	925994-952006	X	(L.H.)
	AH209140	HYDRAULIC CYLINDER BARREL	1	925994-952006	X	(R.H.)
2	19M8353	CAP SCREW	1	925994-952006	X	M30 X 80
3	H145175	WASHER	1	925994-952006	X	
4	F950R	O-RING	1	925994-952006	X	
5	R81862	BACK-UP RING	1	925994-952006	X	(B)
6	H180094	SNAP RING	1	925994-952006	X	
7	O-RING	1	925994-952006	X	(B)
8	H180080	SNAP RING	1	925994-952006	X	
9	AH205062	PISTON	1	925994-952006	X	
10	H208995	HYDR. CYLINDER ROD GUIDE	1	925994-952006	X	
11	AH146561	SEAL	1	925994-952006	X	(A)
12	H152203	SEAL	1	925994-952006	X	(A)
13	H208987	WEAR RING	1	925994-952006	X	(A)
14	AH146557	SEAL	1	925994-952006	X	(A)
15	H154404	BUSHING	1	925994-952006	X	
16	AH147902	HYDRAULIC CYLINDER ROD	1	925994-952006	X	
17	HYDRAULIC CYLINDER	1	925994-952006	X	(L.H.) (AH209133 NLA) (SUB AH219541) (ALSO ORDER 38H1004, 38H1160, (2) T77613 AND (2) R26448)
.....		HYDRAULIC CYLINDER	1	925994-952006	X	(R.H.) (AH209138 NLA) (SUB AH219542) (ALSO ORDER 38H1004, 38H1160, (2) T77613 AND (2) R26448)
18	AH210484	HYDRAULIC CYLINDER KIT	1	925994-952006	X	(ROD REPAIR) INCLUDES ALL PARTS MARKED (A)
19	AH212102	HYDRAULIC CYLINDER KIT	1	925994-952006	X	(BORE REPAIR) INCLUDES ALL PARTS MARKED (B)

3365-26A

**STABILIZER CYLINDER AND REPAIR KIT (EXTENDED STABILIZER) (310SG)
 VERIN DE STABILISATEUR ET KIT DE REPARATION (STABILISATEUR ETENDU) (310SG)
 CILINDRO DE ESTABILIZADOR Y JUEGO DE REPARACION (ESTABILIZADOR EXTENDIDO) (310SG)**

T196176 -UN-10NOV03



18-11,12,13,14

19-5,7

T196176

KEY	PART NO.	PART NAME	QTY.	SERIAL NO.	3 3 3 1 1 1 0 5 0 S S G G G	REMARKS
1	AH219543	HYDRAULIC CYLINDER BARREL	1	952007-	X	(L.H.)
	AH219544	HYDRAULIC CYLINDER BARREL	1	952007-	X	(R.H.)
2	19M8353	CAP SCREW	1	952007-	X	M30 X 80
3	H145175	WASHER	1	952007-	X	
4	F950R	O-RING	1	952007-	X	
5	R81862	BACK-UP RING	1	952007-	X	(B)
6	H180094	SNAP RING	1	952007-	X	
7	O-RING	1	952007-	X	(B)
8	H180080	SNAP RING	1	952007-	X	
9	AH205062	PISTON	1	952007-	X	
10	H208995	HYDR. CYLINDER ROD GUIDE	1	952007-	X	
11	AH146561	SEAL	1	952007-	X	(A)
12	H152203	SEAL	1	952007-	X	(A)
13	H208987	WEAR RING	1	952007-	X	(A)
14	AH146557	SEAL	1	952007-	X	(A)
15	H154404	BUSHING	1	952007-	X	
16	AH147902	HYDRAULIC CYLINDER ROD	1	952007-	X	
17	AH219541	HYDRAULIC CYLINDER	1	952007-	X	(L.H.)
	AH219542	HYDRAULIC CYLINDER	1	952007-	X	(R.H.)
18	AH210484	HYDRAULIC CYLINDER KIT	1	952007-	X	(ROD REPAIR) INCLUDES ALL PARTS MARKED (A)
19	AH212102	HYDRAULIC CYLINDER KIT	1	952007-	X	(BORE REPAIR) INCLUDES ALL PARTS MARKED (B)

3365-26B

BACKHOE 33

HYDRAULIC CYLINDERS 3365

MEMORANDA
MEMORANDA
MEMORANDA

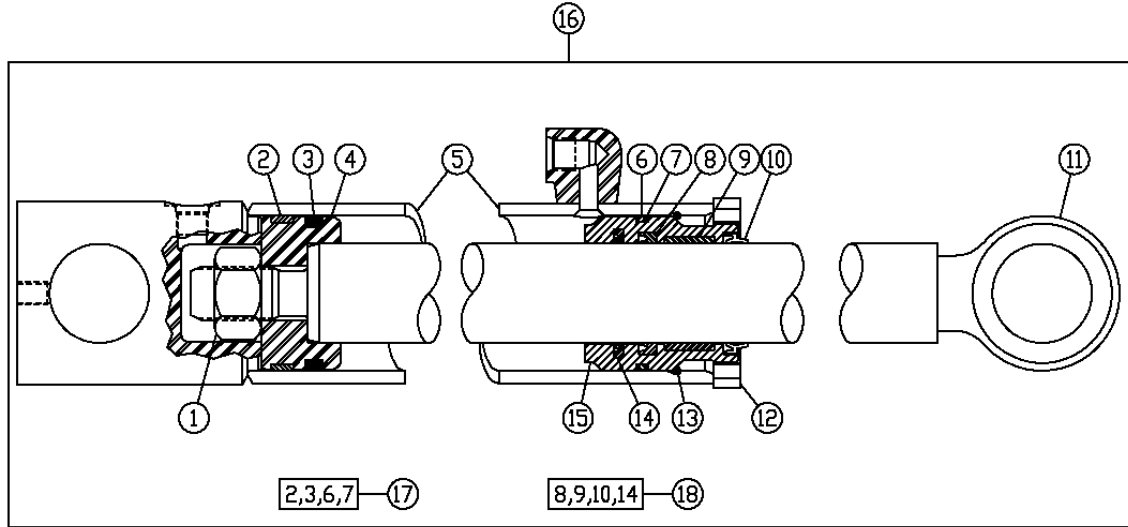
3365-27

BACKHOE 33

HYDRAULIC CYLINDERS 3365

STABILIZER CYLINDER AND REPAIR KIT (315SG) (SN -944155)
VERIN DE STABILISATEUR ET KIT DE REPARATION (315SG) (SN -944155)
CILINDRO DE ESTABILIZADOR Y JUEGO DE REPARACION (315SG) (SN -944155)

T145457 -UN-18SEP01



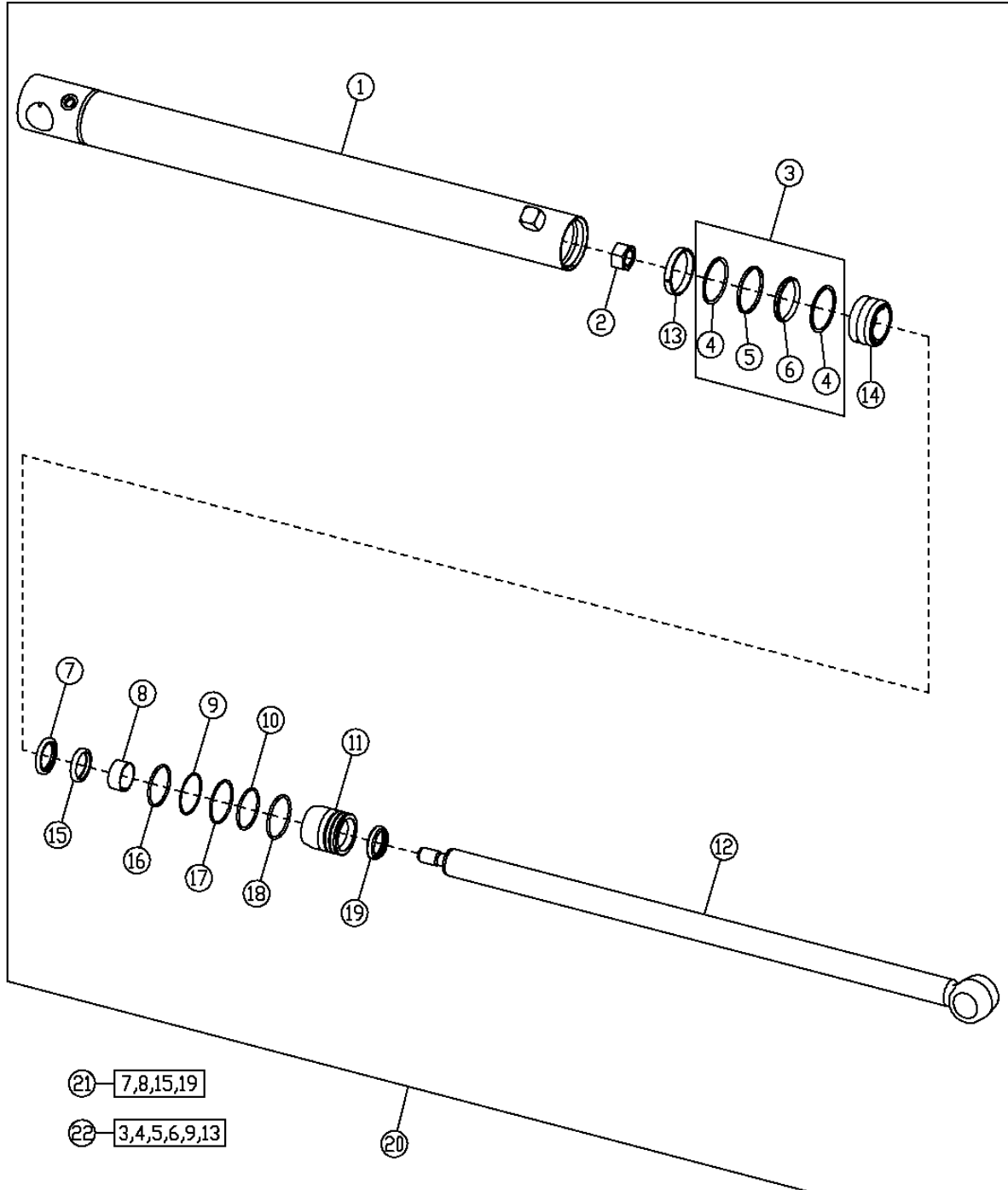
T145457

KEY	PART NO.	PART NAME	QTY.	SERIAL NO.	3 3 3 1 1 1 0 5 0 S S G G G	REMARKS
1	H170537	NUT	1		X	M24
2	R81774	SCRAPER RING	1		X	(A)
3	RE20342	SEAL	1		X	(A)
4	R86380	PISTON	1		X	
5	RE32173	HYDRAULIC CYLINDER BARREL	1		X	
6	R83469	O-RING	1		X	(A)
7	R81195	BACK-UP RING	1		X	(A)
8	H152202	SEAL	1		X	(B)
9	H152793	BACK-UP RING	1		X	(B)
10	AH146556	SEAL	1		X	(B)
11	RE32175	HYDRAULIC CYLINDER ROD	1		X	
12	R81792	NUT	1		X	
13	R81786	RING	1		X	
14	AH146560	SEAL	1		X	(B)
15	H154402	HYDR. CYLINDER ROD GUIDE	1		X	
16	HYDRAULIC CYLINDER	1		X	(AH154788 NLA) (SUB AH211348)
17	AH212089	HYDRAULIC CYLINDER KIT	1		X	(BORE REPAIR) INCLUDES ALL PARTS MARKED (A) (SUB FOR RE20428)
18	AH149813	HYDRAULIC CYLINDER KIT	1		X	(ROD REPAIR) INCLUDES ALL PARTS MARKED (B)

3365-28

STABILIZER CYLINDER AND REPAIR KIT (315SG) (SN 944156-)
VERIN DE STABILISATEUR ET KIT DE REPARATION (315SG) (SN 944156-)
CILINDRO DE ESTABILIZADOR Y JUEGO DE REPARACION (315SG) (SN 944156-)

T209067 -UN-10MAR05



T209067

3365-29

BACKHOE 33

HYDRAULIC CYLINDERS 3365

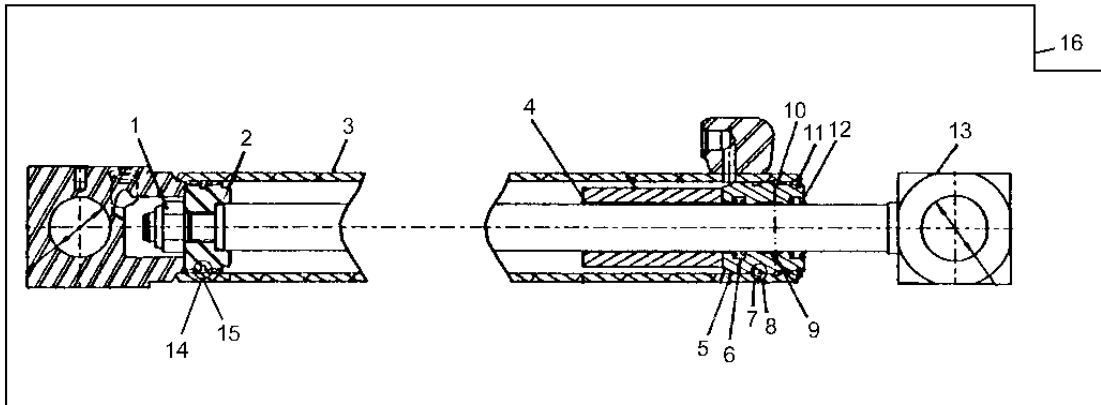
STABILIZER CYLINDER AND REPAIR KIT (315SG) (SN 944156-)
VERIN DE STABILISATEUR ET KIT DE REPARATION (315SG) (SN 944156-)
CILINDRO DE ESTABILIZADOR Y JUEGO DE REPARACION (315SG) (SN 944156-)

KEY	PART NO.	PART NAME	QTY.	SERIAL NO.	3 3 3 1 1 1 0 5 0 S S G G G	REMARKS
1	AH211349	HYDRAULIC CYLINDER BARREL	1		X	
2	H170537	NUT	1		X	
3	RE20342	SEAL	1		X (B)	
4	BACK-UP RING	2		X (B)	
5	SEAL	1		X (B)	
6	SEAL	1		X (B)	
7	AH146560	SEAL	1		X (A)	
8	H157898	WEAR RING	1		X (A)	
9	R81195	BACK-UP RING	1		X (A)	
10	U12198	O-RING	1		X	
11	H210941	HYDR. CYLINDER ROD GUIDE	1		X	
12	RE32175	HYDRAULIC CYLINDER ROD	1		X	
13	R81774	SCRAPER RING	1		X (B)	
14	R86380	PISTON	1		X	
15	H152202	SEAL	1		X (A)	
16	R83469	O-RING	1		X	
17	H178765	SNAP RING	1		X	
18	H179657	SNAP RING	1		X	
19	AH146556	SEAL	1		X (A)	
20	AH211348	HYDRAULIC CYLINDER	1		X	
21	AH149813	HYDRAULIC CYLINDER KIT	1		X	(ROD REPAIR) INCLUDES ALL PARTS MARKED (A)
22	AH212089	HYDRAULIC CYLINDER KIT	1		X	(BORE REPAIR) INCLUDES ALL PARTS MARKED (B)

3365-30

EXTENDABLE DIPPERSTICK CYLINDER (310G) (SN -928456)
VERIN DE BRAS TELESCOPIQUE (310G) (SN -928456)
CILINDRO DE BRAZO EXTENSIBLE (310G) (SN -928456)

T194037 -UN-22AUG03



6, 9, 12 — 17

18 — 7, 8, 14, 15

T194037

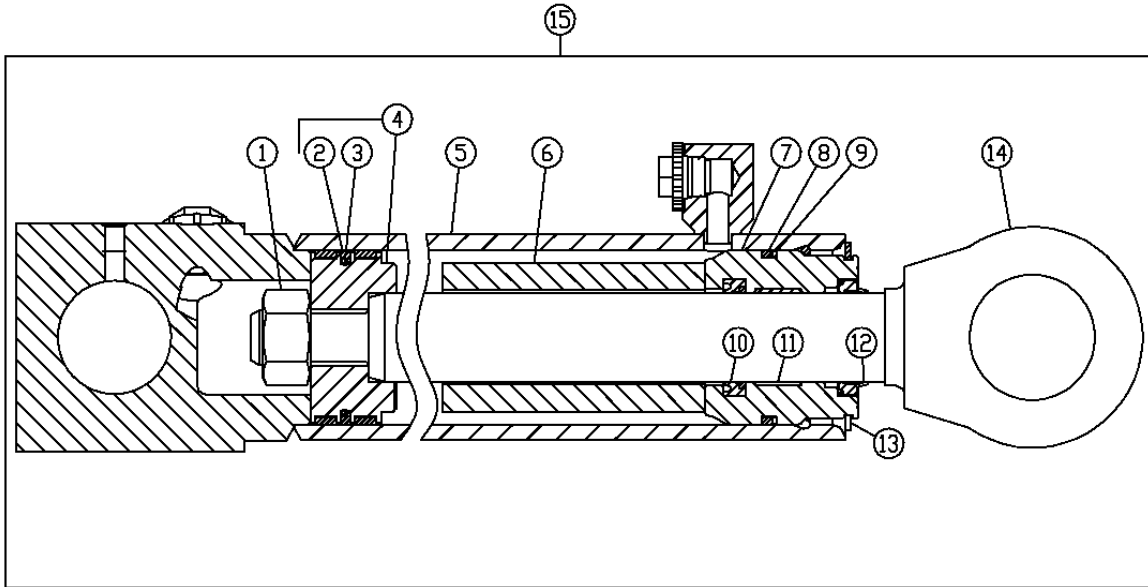
3 3
 3 1 1
 1 0 5
 0 S S
 G G G

KEY	PART NO.	PART NAME	QTY.	SERIAL NO.	REMARKS
1	H170535	NUT	1	X	
2	AH142159	PISTON	1	X	
3	AH152475	HYDRAULIC CYLINDER BARREL	1	X	
4	H150291	BUSHING	1	X	
5	H154109	HYDR. CYLINDER ROD GUIDE	1	X	
6	AH148643	SEAL	1	X	(A)
7	R93633	O-RING	1	X	(B)
8	U13461	BACK-UP RING	1	X	(B)
9	H156058	WEAR RING	1	X	(A)
10	R86387	SNAP RING	1	X	
11	R90265	SNAP RING	1	X	
12	AH150452	SEAL	1	X	(A)
13	AH175518	HYDRAULIC CYLINDER ROD	1	X	(SUB FOR AH148620)
14	R90237	RING	1	X	(B)
15	U40708	O-RING	1	X	(B)
16	HYDRAULIC CYLINDER	1	X	(AH175181 NLA) (SUB FOR AH152472) (SUB AH218606)
17	AH168286	HYDRAULIC CYLINDER KIT	1	X	(ROD REPAIR) INCLUDES ALL PARTS MARKED (A)
18	AH212088	HYDRAULIC CYLINDER KIT	1	X	(BORE REPAIR) INCLUDES ALL PARTS MARKED (B) (SUB FOR RE33412)

3365-31

EXTENDABLE DIPPERSTICK CYLINDER (310G) (SN 928457-953470)
VERIN DE BRAS TELESCOPIQUE (310G) (SN 928457-953470)
CILINDRO DE BRAZO EXTENSIBLE (310G) (SN 928457-953470)

T209542 -UN-14MAR05



①⑥-10,11,12

①⑦-2,3,8,9

T209542

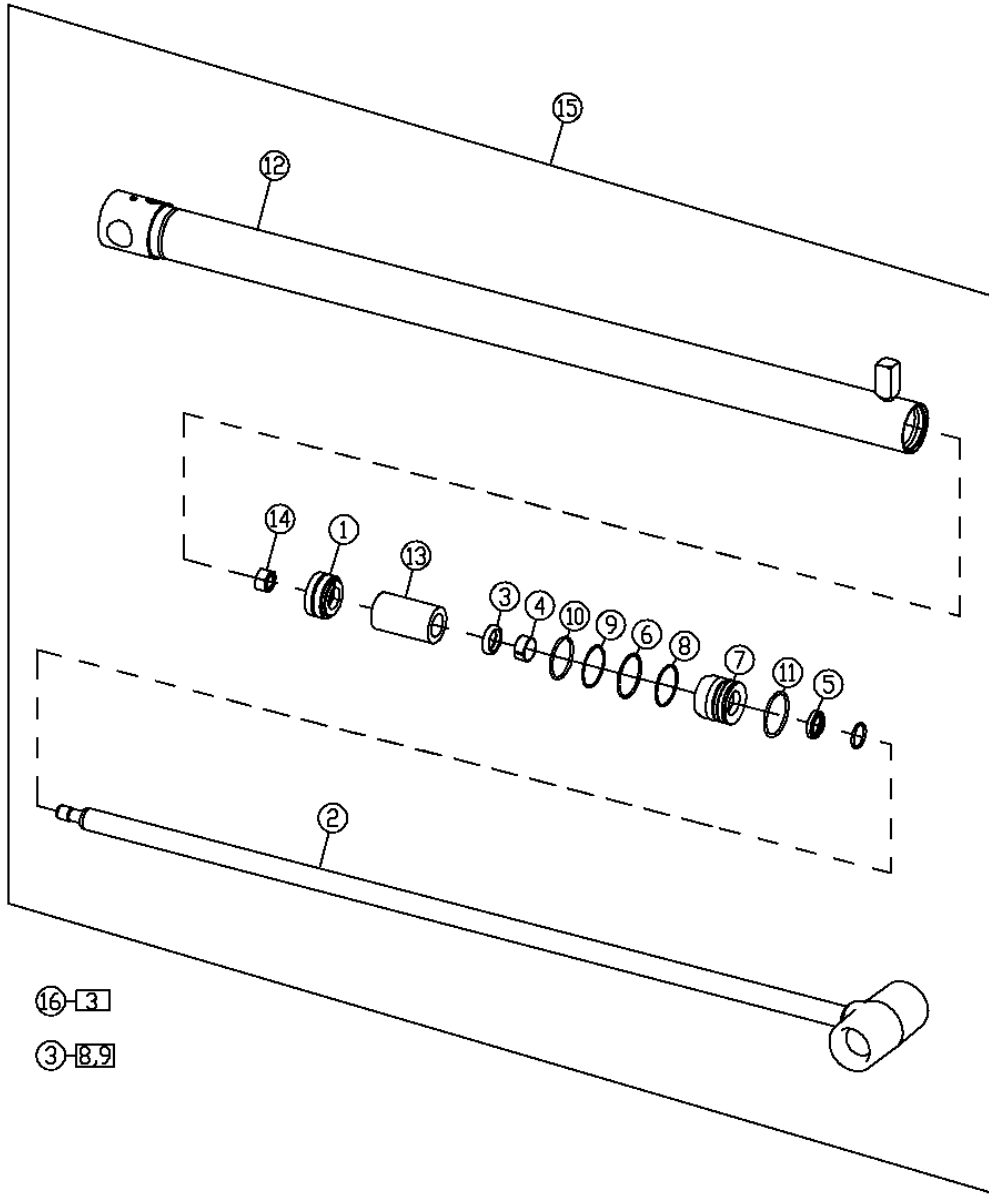
KEY	PART NO.	PART NAME	QTY.	SERIAL NO.	3 3 1 1 1 0 5 0 S S G G G	REMARKS
1	H170535	NUT	1		X	
2	U40708	O-RING	1		X	(B)
3	R90237	RING	1		X	(B)
4	AH142159	PISTON	1		X	
5	AH211332	HYDRAULIC CYLINDER BARREL	1		X	
6	H150291	BUSHING	1		X	
7	H154109	HYDR. CYLINDER ROD GUIDE	1		X	
8	R93633	O-RING	1		X	(B)
9	U13461	BACK-UP RING	1		X	(B)
10	AH148643	SEAL	1		X	(A)
11	H156058	WEAR RING	1		X	(A)
12	AH150452	SEAL	1		X	(A)
13	R90265	SNAP RING	1		X	
14	AH175518	HYDRAULIC CYLINDER ROD	1		X	
15	HYDRAULIC CYLINDER	1		X	(AH211331 NLA) (SUB AH218606)
16	AH168286	HYDRAULIC CYLINDER KIT	1		X	(ROD REPAIR) INCLUDES ALL PARTS MARKED (A)
17	AH212088	HYDRAULIC CYLINDER KIT	1		X	(BORE REPAIR) INCLUDES ALL PARTS MARKED (B)

3365-32

EXTENDABLE DIPPERSTICK CYLINDER (310G) (SN 953471-)
VERIN DE BRAS TELESCOPIQUE (310G) (SN 953471-)
CILINDRO DE BRAZO EXTENSIBLE (310G) (SN 953471-)

T214591

-UN-22SEP05



16-3

3-8,9

T214591

THIS PARTS LISTING IS CONTINUED

3365-33

BACKHOE 33

HYDRAULIC CYLINDERS 3365

EXTENDABLE DIPPERSTICK CYLINDER (310G) (SN 953471-)
 VERIN DE BRAS TELESCOPIQUE (310G) (SN 953471-)
 CILINDRO DE BRAZO EXTENSIBLE (310G) (SN 953471-)

KEY	PART NO.	PART NAME	QTY.	SERIAL NO.	REMARKS
					3 3
					3 1 1
					1 0 5
					0 S S
					G G G
1	AH142159	PISTON	1		X
2	AH175518	HYDRAULIC CYLINDER ROD	1		X
3	H154514	SEAL	1		X (A)
4	H156058	WEAR RING	2		X
5	H156586	SEAL	1		X
6	H164982	SNAP RING	1		X
7	H210874	HYDR. CYLINDER ROD GUIDE	1		X
8	H63262	O-RING	1		X (B)
9	U13461	BACK-UP RING	1		X (B)
10	SEAL	1		X
11	H211156	SNAP RING	1		X
12	AH218608	HYDRAULIC CYLINDER BARREL	1		X
13	H150291	BUSHING	1		X
14	H170535	NUT	1		X
15	AH218606	HYDRAULIC CYLINDER	1		X
16	AH148823	KIT	1		X (ROD REPAIR) INCLUDES ALL PARTS MARKED (A)
17	AH212088	KIT	1		X (BORE REPAIR) INCLUDES ALL PARTS MARKED (B)

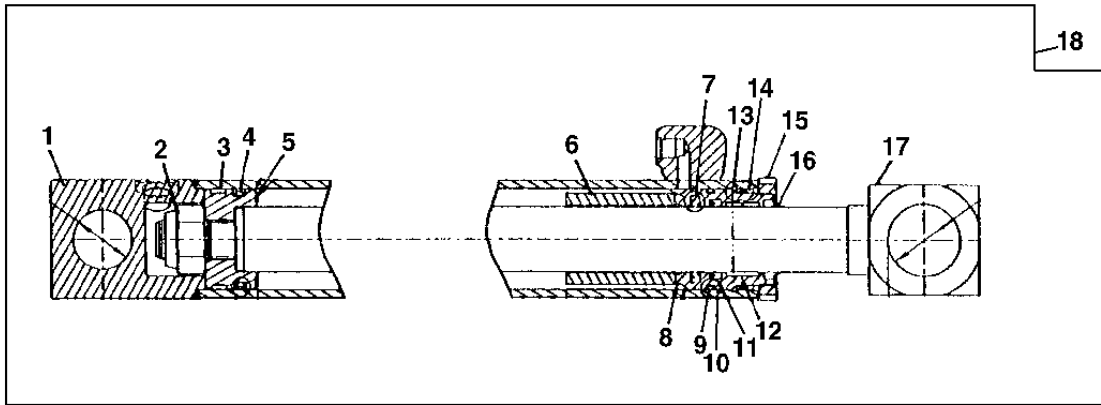
3365-34

BACKHOE 33

HYDRAULIC CYLINDERS 3365

EXTENDABLE DIPPERSTICK CYLINDER (310SG, 315SG) (SN -910900)
 VERIN DE BRAS TELESCOPIQUE (310SG, 315SG) (SN -910900)
 CILINDRO DE BRAZO EXTENSIBLE (310SG, 315SG) (SN -910900)

T136793 -UN-29DEC00



7,11,12,16-19

3,4,9,10,14-20

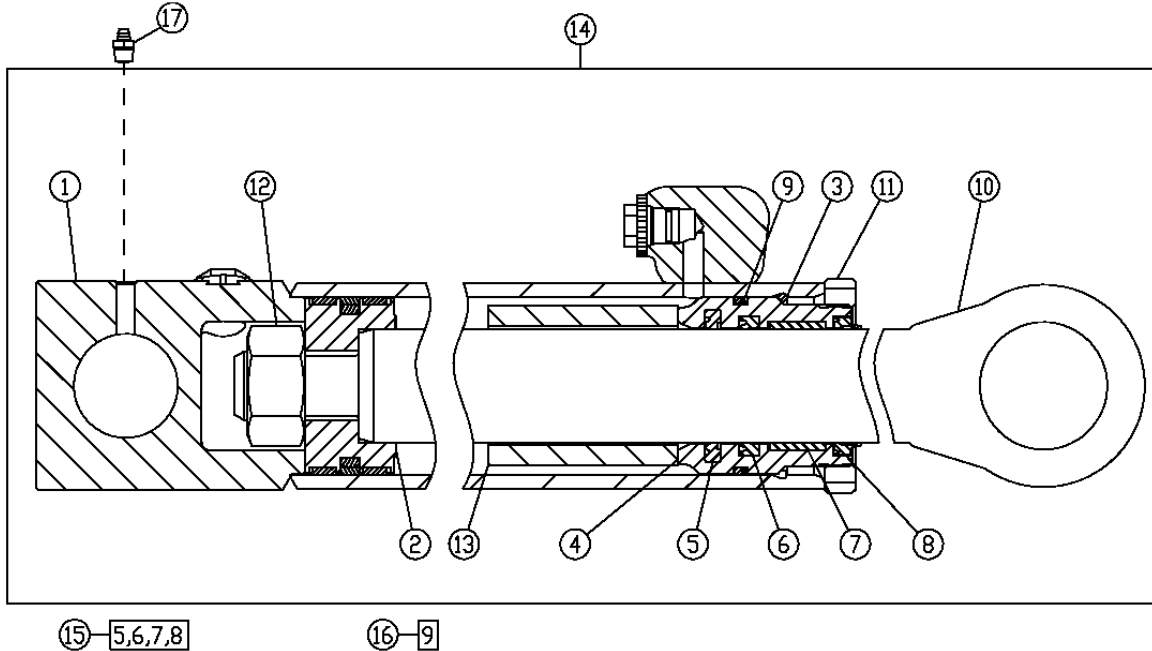
T136793

KEY	PART NO.	PART NAME	QTY.	SERIAL NO.	3 3 3 1 1 1 0 5 0 S S G G G	REMARKS
1	AH152476	HYDRAULIC CYLINDER BARREL	1		X X	
2	R81866	NUT	1		X X	
3	R81774	SCRAPER RING	1		X X (B)	
4	RE20342	SEAL	1		X X (B)	
5	R86085	PISTON	1		X X	
6	H151790	BUSHING	1		X X	
7	AH146560	SEAL	1		X X (A)	
8	H154402	HYDR. CYLINDER ROD GUIDE	1		X X	
9	R83469	O-RING	1		X X (B)	
10	R81195	BACK-UP RING	1		X X (B)	
11	H152202	SEAL	1		X X (A)	
12	H152793	BACK-UP RING	1		X X (A)	
13	R81786	RING	1		X X	
14	R91728	BACK-UP RING	AR		X X (B)	
15	R81792	NUT	1		X X	
16	AH146556	SEAL	1		X X (A)	
17	AH146248	ROD	1	-903324	X X	
	AH175519	HYDRAULIC CYLINDER ROD	1	903325-	X X	
18	HYDRAULIC CYLINDER	1		X X	(AH152473 AND AH175182 NLA) (SUB AH211361)
19	AH149813	HYDRAULIC CYLINDER KIT	1		X X	(ROD REPAIR) INCLUDES ALL PARTS MARKED (A)
20	AH212089	HYDRAULIC CYLINDER KIT	1		X X	(BORE REPAIR) INCLUDES ALL PARTS MARKED (B) (SUB FOR RE20428)

3365-35

EXTENDABLE DIPPERSTICK CYLINDER (310SG, 315SG) (SN 910901-926427)
 VERIN DE BRAS TELESCOPIQUE (310SG, 315SG) (SN 910901-926427)
 CILINDRO DE BRAZO EXTENSIBLE (310SG, 315SG) (SN 910901-926427)

T161774 -UN-18NOV02



T161774

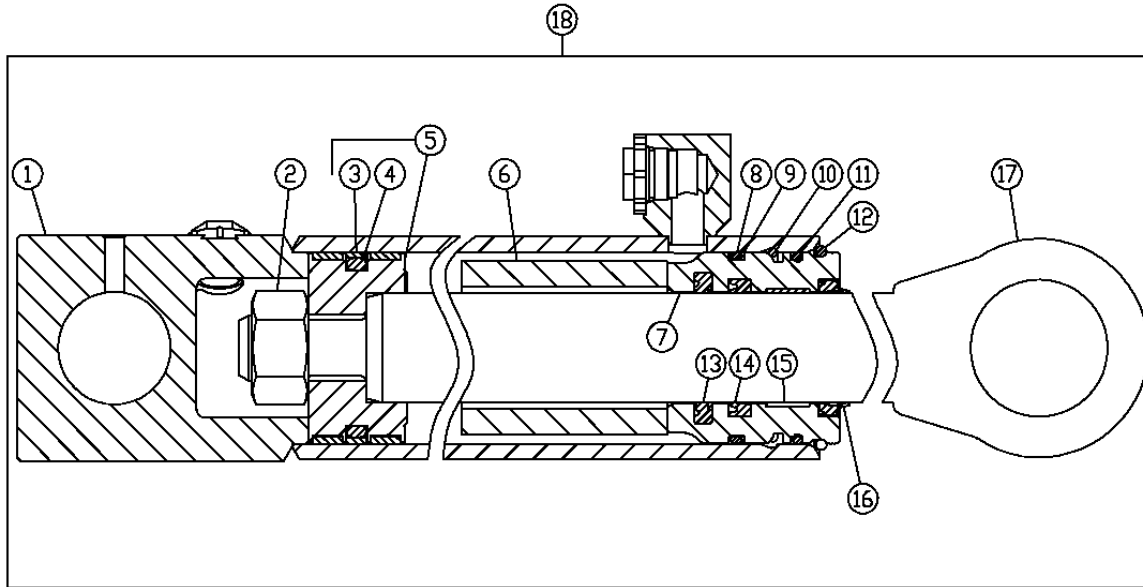
KEY	PART NO.	PART NAME	QTY.	SERIAL NO.	3 3 3 1 1 1 0 5 0 S S G G G	REMARKS
1	AH152476	HYDRAULIC CYLINDER BARREL	1		X X	
2	AH165962	PISTON	1		X X	
3	R81786	RING	1		X X	
4	H154402	HYDR. CYLINDER ROD GUIDE	1		X X	
5	AH146560	SEAL	1		X X (A)	
6	H152202	SEAL	1		X X (A)	
7	H152793	BACK-UP RING	1		X X (A)	
8	AH146556	SEAL	1		X X (A)	
9	R81195	BACK-UP RING	1		X X (B)	
10	AH175519	HYDRAULIC CYLINDER ROD	1		X X	
11	R81792	NUT	1		X X	
12	H170538	NUT	1		X X	
13	H151790	BUSHING	1		X X	
14	HYDRAULIC CYLINDER	1		X X	(AH207281 NLA) (SUB AH211361)
15	AH149813	HYDRAULIC CYLINDER KIT	1		X X	(ROD REPAIR) INCLUDES ALL PARTS MARKED (A)
16	AH212090	HYDRAULIC CYLINDER KIT	1		X X	(BORE REPAIR) INCLUDES ALL PARTS MARKED (B) (SUB FOR AH202070)
17	T162396	LUBRICATION FITTING	1		X X	

THIS PARTS LISTING IS CONTINUED

3365-36

EXTENDABLE DIPPERSTICK CYLINDER (310SG, 315SG) (SN 926428-)
 VERIN DE BRAS TELESCOPIQUE (310SG, 315SG) (SN 926428-)
 CILINDRO DE BRAZO EXTENSIBLE (310SG, 315SG) (SN 926428-)

T195663 -UN-07NOV03



19-13,14,16

20-3,4,8,9,11

T195663

KEY	PART NO.	PART NAME	QTY.	SERIAL NO.	3 3 3 1 1 1 0 5 0 S S G G G	REMARKS
1	AH211362	HYDRAULIC CYLINDER BARREL	1		X X	
2	H170537	NUT	1		X X	
3	R98325	SEAL	1		X X (B)	
4	R98324	SEAL	1		X X (B)	
5	AH158623	PISTON	1		X X	
6	SPACER	1		X X	
7	H210939	HYDR. CYLINDER ROD GUIDE	1		X X	
8	R83469	O-RING	1		X X (B)	
9	R81195	BACK-UP RING	1		X X (B)	
10	H178765	SNAP RING	1		X X	
11	U12198	O-RING	1		X X (B)	
12	H179657	SNAP RING	1		X X	
13	AH148608	SEAL	1		X X (A)	
14	H156655	SEAL	1		X X (A)	
15	H157897	WEAR RING	1		X X (SUB FOR H157947)	
16	AH150453	SEAL	1		X X (A)	
17	AH211926	HYDRAULIC CYLINDER ROD	1		X X	
18	AH211361	HYDRAULIC CYLINDER	1		X X	
19	AH149194	HYDRAULIC CYLINDER KIT	1		X X (ROD REPAIR) INCLUDES ALL PARTS MARKED (A)	
20	AH212090	HYDRAULIC CYLINDER KIT	1		X X (BORE REPAIR) INCLUDES ALL PARTS MARKED (B)	

THIS PARTS LISTING IS CONTINUED

9995-1

310G, 310SG AND 315SG BACKHOE LOADERS

NUMERICAL INDEX

PART NO.	KEY	PAGE	PART NO.	KEY	PAGE	PART NO.	KEY	PAGE
AA21292	7	3302-5	AH146558	19	3365-3	AH147902	17	3365-22A
AA21292	6	3302-9	AH146558	11	3365-5	AH147902	18	3365-23
AA34134	18	3115-3	AH146558	19	3365-7	AH147902	16	3365-24A
AA34134	34	3115-3	AH146558	11	3365-9	AH147902	16	3365-24B
AB2599R	1	1314-3	AH146558	14	3365-13	AH147902	18	3365-25
AD2062R	2	1673-5	AH146558	17	3365-14	AH147902	16	3365-26
AE37072	5A	3115-11	AH146559	14	3365-15	AH147902	16	3365-26A
AE37072	5B	3115-11	AH146559	17	3365-16	AH148164	27	3165-3
AE37072	14	3115-11	AH146559	14	3365-17	AH148164	27	3165-7
AE37072	1	3315-9	AH146559	14	3365-18	AH148164	20	3165-8
AE37072	14	3315-11	AH146560	11	3365-19	AH148164	20	3165-11
AE44436	1	1674-5D	AH146560	11	3365-19B	AH148164	20	3365-10
AH104837	7	0520-3	AH146560	14	3365-27	AH148164	18	3365-11
AH105968	18	2160-7	AH146560	7	3365-29	AH148164	25	3365-19C
AH105968	34	2160-9	AH146560	7	3365-34	AH148164	21	3365-21B
AH105968	44	2160-9	AH146560	5	3365-35	AH148164	21	3365-23
AH105968	17	2160-9B	AH146561	7	3165-3	AH148164	21	3365-25
AH125760	21	3363-1B	AH146561	12	3165-4	AH148174	21	3365-7
AH137883	3	1672-3	AH146561	7	3165-7	AH148437	17	3365-10
AH137883	3	1672-5	AH146561	5	3165-8	AH148551	1	3365-10
AH138082	7	3365-3	AH146561	12	3165-9	AH148553	16	3365-10
AH138082	15	3365-5	AH146561	11	3165-11	AH148553	8	3365-11
AH138082	4	3365-17	AH146561	17	3165-13	AH148608	13	3365-36
AH138083	7	3365-7	AH146561	4	3165-15	AH148620	13	3365-30
AH138083	15	3365-9	AH146561	11	3365-10	AH148643	6	3365-30
AH138200	7	0960-14	AH146561	12	3365-11	AH148643	10	3365-31
AH138200	6	0960-17	AH146561	11	3365-12	AH148674	19	3365-25
AH140044	2	0520-5	AH146561	11	3365-19C	AH148675	19	3365-25
AH142159	2	3365-30	AH146561	11	3365-21	AH148676	1	3365-25
AH142159	4	3365-31	AH146561	10	3365-21B	AH148677	1	3365-25
AH142159	1	3365-33	AH146561	12	3365-22	AH148823	16	3365-33
AH144020	60	1830-7B	AH146561	12	3365-22A	AH149194	19	3365-36
AH145994	23	3365-19	AH146561	10	3365-23	AH149624	23	3365-7
AH146062	21	3365-19	AH146561	11	3365-24A	AH149625	23	3365-3
AH146062	6	3365-19B	AH146561	11	3365-24B	AH149662	1	3365-7
AH146065	10	3365-19	AH146561	10	3365-25	AH149750	1	3365-3
AH146248	17	3365-34	AH146561	11	3365-26	AH149751	21	3365-3
AH146271	16	3365-13	AH146561	11	3365-26A	AH149790	17	3365-13
AH146318	16	3365-15	AH146562	15	3365-3	AH149791	17	3365-15
AH146556	18	3365-19	AH146562	8	3365-5	AH149810	19	0960-14
AH146556	10	3365-19B	AH146562	15	3365-7	AH149810	21	0960-17
AH146556	10	3365-27	AH146562	8	3365-9	AH149813	17	3365-19
AH146556	19	3365-29	AH146562	11	3365-13	AH149813	23	3365-19B
AH146556	16	3365-34	AH146562	12	3365-14	AH149813	18	3365-27
AH146556	8	3365-35	AH146563	11	3365-15	AH149813	21	3365-29
AH146557	15	3165-3	AH146563	12	3365-16	AH149813	19	3365-34
AH146557	15	3165-4	AH146563	10	3365-17	AH149813	15	3365-35
AH146557	15	3165-7	AH146563	10	3365-18	AH149814	26	3365-3
AH146557	13	3165-8	AH146874	19	3165-3	AH149814	23	3365-5
AH146557	15	3165-9	AH146874	19	3165-7	AH149814	26	3365-7
AH146557	6	3165-11	AH146875	18	3165-3	AH149814	23	3365-9
AH146557	20	3165-13	AH146875	16	3165-4	AH149814	20	3365-13
AH146557	13	3165-15	AH146875	18	3165-7	AH149814	24	3365-14
AH146557	14	3365-10	AH146875	15	3165-8	AH149815	20	3365-15
AH146557	15	3365-11	AH146875	16	3165-9	AH149815	24	3365-16
AH146557	14	3365-12	AH146876	1	3165-3	AH149815	20	3365-17
AH146557	18	3365-19C	AH146876	1	3165-7	AH149815	19	3365-18
AH146557	10	3365-21	AH146876	1	3165-8	AH149842	12	3165-3
AH146557	15	3365-21B	AH147863	19	3365-23	AH149842	12	3165-7
AH146557	15	3365-22	AH147864	19	3365-23	AH149842	12	3165-9
AH146557	15	3365-22A	AH147889	10	3365-19C	AH149842	19	3365-10
AH146557	15	3365-23	AH147893	21	3365-19C	AH149842	19	3365-11
AH146557	14	3365-24A	AH147893	20	3365-21	AH149842	25	3365-19
AH146557	14	3365-24B	AH147900	1	3365-23	AH149843	19	3165-11
AH146557	15	3365-25	AH147901	1	3365-23	AH149843	19	3365-13
AH146557	14	3365-26	AH147902	18	3365-21B	AH149843	17	3365-19C
AH146557	14	3365-26A	AH147902	17	3365-22	AH149843	13	3365-23

9995-2

310G, 310SG AND 315SG BACKHOE LOADERS

NUMERICAL INDEX - CONTINUED

PART NO.	KEY	PAGE	PART NO.	KEY	PAGE	PART NO.	KEY	PAGE
AH149844	19	3365-15	AH175518	13	3365-30	AH210737	14	3102-12
AH149844	22	3365-25	AH175518	14	3365-31	AH210737	18	3102-13
AH149845	25	3365-3	AH175518	2	3365-33	AH210737	20	3102-19
AH149845	24	3365-5	AH175519	17	3365-34	AH210901	19	3365-23
AH149845	19	3365-17	AH176122	10	3365-35	AH210901	17	3365-24A
AH149846	20	3365-18	AH176230	19	3365-21B	AH210902	19	3365-23
AH149847	25	3365-7	AH176230	1	3104-5	AH210902	17	3365-24A
AH149847	24	3365-9	AH176230	2	3104-5	AH210999	1	3365-24A
AH149974	1	3365-21B	AH176230	3	3104-5	AH211000	1	3365-24A
AH149975	1	3365-21B	AH176272	17	3104-5	AH211131	23	3365-3
AH150209	1	3365-13	AH202070	16	3365-35	AH211131	21	3365-5
AH150211	1	3365-15	AH202080	21	3165-8	AH211132	23	3365-7
AH150452	12	3365-30	AH202080	13	3365-21B	AH211132	22	3365-9
AH150452	12	3365-31	AH205060	2	3165-15	AH211133	2	3365-5
AH150453	16	3365-36	AH205060	9	3365-24A	AH211134	2	3365-9
AH151380	13	0960-14	AH205060	9	3365-24B	AH211135	20	3365-5
AH151380	16	0960-17	AH205062	9	3365-26	AH211138	20	3365-9
AH151381	11	0960-14	AH205062	9	3365-26A	AH211196	18	3365-22
AH151381	13	0960-17	AH206649	17	3365-11	AH211197	1	3365-22
AH152472	14	3346-5	AH206725	1	3365-16	AH211198	18	3365-22
AH152472	16	3365-30	AH206726	23	3365-16	AH211199	1	3365-22
AH152473	14	3346-5	AH207281	14	3346-5	AH211203	19	3165-3
AH152473	18	3365-34	AH207281	14	3365-35	AH211203	18	3165-4
AH152475	3	3365-30	AH207327	19	3365-23	AH211204	1	3165-4
AH152476	1	3365-34	AH207328	19	3365-23	AH211204	1	3165-9
AH152476	1	3365-35	AH207401	18	3165-8	AH211206	19	3165-7
AH154780	17	0960-14	AH207411	1	3365-11	AH211206	18	3165-8
AH154788	16	1740-5	AH208379	17	3365-13	AH211206	18	3165-9
AH154788	16	3365-27	AH208379	23	3365-14	AH211331	15	3365-31
AH156144	4	1674-9F	AH209022	19	3102-13	AH211332	5	3365-31
AH157977	1	3365-17	AH209078	1	3365-14	AH211348	16	1740-5
AH157979	16	3365-17	AH209079	10	3365-14	AH211348	16	3365-27
AH157980	17	3365-17	AH209080	17	3365-10	AH211348	20	3365-29
AH158576	1	3365-18	AH209080	17	3365-11	AH211349	1	3365-29
AH158623	5	3365-36	AH209080	17	3365-12	AH211361	14	3346-5
AH162040	2	3165-11	AH209081	1	3365-12	AH211361	18	3365-34
AH162040	22	3165-13	AH209082	16	3365-12	AH211361	14	3365-35
AH162040	14	3165-15	AH209083	10	3365-16	AH211361	18	3365-36
AH162394	16	3365-18	AH209133	17	3365-26	AH211362	1	3365-36
AH162914	38	0560-7	AH209134	1	3365-26	AH211926	17	3365-36
AH164137	17	3365-18	AH209138	17	3365-26	AH212088	18	3365-30
AH165826	6	3165-3	AH209140	1	3365-26	AH212088	17	3365-31
AH165826	10	3165-4	AH210484	27	3165-3	AH212088	17	3365-33
AH165826	4	3165-8	AH210484	19	3165-4	AH212089	17	3365-27
AH165826	10	3165-9	AH210484	27	3165-7	AH212089	22	3365-29
AH165962	2	3365-35	AH210484	20	3165-8	AH212089	20	3365-34
AH167552	18	0960-14	AH210484	19	3165-9	AH212090	16	3365-35
AH167552	22	0960-17	AH210484	20	3165-11	AH212090	20	3365-36
AH168286	17	3365-30	AH210484	24	3165-13	AH212091	12	3165-3
AH168286	16	3365-31	AH210484	17	3165-15	AH212091	12	3165-7
AH171229	17	3165-11	AH210484	20	3365-10	AH212091	19	3365-10
AH171683	26	3315-23	AH210484	18	3365-11	AH212091	19	3365-11
AH172882	23	3365-19	AH210484	18	3365-12	AH212091	24	3365-19B
AH173163	23	3365-19C	AH210484	25	3365-19C	AH212091	13	3365-21B
AH173202	19	3365-21B	AH210484	24	3365-21	AH212092	20	3165-4
AH173410	10	3365-12	AH210484	21	3365-21B	AH212092	21	3165-8
AH173410	6	3365-21B	AH210484	19	3365-22	AH212092	20	3165-9
AH173410	10	3365-22	AH210484	19	3365-22A	AH212092	19	3365-12
AH173410	10	3365-22A	AH210484	21	3365-23	AH212092	13	3365-21B
AH173567	18	3165-11	AH210484	18	3365-24A	AH212092	20	3365-22
AH173568	17	3165-11	AH210484	18	3365-24B	AH212092	20	3365-22A
AH174222	19	3165-3	AH210484	21	3365-25	AH212096	19	3165-11
AH175181	14	3346-5	AH210484	18	3365-26	AH212096	25	3165-13
AH175181	16	3365-30	AH210484	18	3365-26A	AH212096	19	3365-13
AH175182	14	3346-5	AH210719	12	3365-5	AH212096	25	3365-14
AH175513	23	3365-7	AH210719	12	3365-9	AH212096	17	3365-19C
AH175515	21	3365-7	AH210737	3	3102-11	AH212096	23	3365-21

9995-3

310G, 310SG AND 315SG BACKHOE LOADERS

NUMERICAL INDEX - CONTINUED

PART NO.	KEY	PAGE	PART NO.	KEY	PAGE	PART NO.	KEY	PAGE
AH212096	13	3365-23	AH89557	12	1674-9B	AR48236	14	1060-9
AH212097	18	3165-15	AH89557	42	1830-7B	AR48236	8	1060-11
AH212097	19	3365-24A	AH89557	14	1830-13	AR48236	8	2160-11
AH212097	19	3365-24B	AH89557	7	3315-23	AR48236	7	3363-29
AH212101	19	3365-15	AH96317	8	0560-3	AR48236	9	3363-31
AH212101	25	3365-16	AH96317	28	0560-7	AR62936	17	1830-5
AH212101	22	3365-25	AL111096	5	0250-13	AR64705	6	3363-29
AH212102	25	3365-16	AL113451	3	0250-5	AR64705	8	3363-31
AH212102	19	3365-26	AL113460	5	0250-5	AR65005	1	1674-22
AH212102	19	3365-26A	AL118173	1	0960-3	AR65006	2	1674-22
AH212103	20	3365-18	AL118173	1	0960-5	AR65294	12	0510-3
AH216338	23	3165-13	AL153661	8	1814-11	AR65294	25	2160-11
AH216339	1	3165-13	AL155227	1	0960-3	AR65507	9	0403-2
AH216821	17	0960-14	AL155227	1	0960-5	AR65507	9	0403-2A
AH216821	20	0960-17	AL32877	16	0201-3	AR65507	9	0403-2B
AH216822	1	0960-17	AL79794	5	0210-5	AR65507	9	0403-3A
AH216853	12	3365-5	AL79794	2	0250-13	AR67069	8	1671-7
AH216869	12	3365-9	AL79797	6	0250-13	AR73144	9	1674-3
AH217348	2	3104-3	AL79808	12	0250-5	AR77962	25	0560-3
AH217348	12	3104-5	AL79843	4	0250-8A	AR77962	30	0560-7
AH217348	16	3104-5	AL79901	2	0250-7	AR77962	46	1830-7B
AH218606	14	3346-5	AL79901	29	0250-7	AR77962	37	2160-11
AH218606	16	3365-30	AL79902	1	0250-7	AR77962	4	2160-13
AH218606	15	3365-31	AL79904	6	0250-8A	AR83396	7	3302-3
AH218606	15	3365-33	AL79950	21	0250-7	AR83396	6	3302-7
AH218608	12	3365-33	AL79951	11	0250-7	AR83396	22	3346-5
AH219499	19	3365-21B	AL80542	2	0250-5	AR85327	23	3363-35
AH219499	18	3365-22	AL81853	4	0250-8A	AR85327	19	3363-37
AH219499	18	3365-22A	AL81854	6	0250-8A	AR85328	7	0520-3
AH219500	19	3365-21B	AM102062	1	1814-3	AR85329	9	0520-3
AH219500	18	3365-22	AM102062	11	1816-15	AR85519	1	0413-5
AH219500	18	3365-22A	AM102062	33	1816-17	AR85519	30	0413-7
AH219503	1	3365-22A	AM107314	7	0560-7	AR85519	1	0413-9
AH219504	1	3365-22A	AM118928	6	1816-11	AR85519	30	0413-11
AH219537	17	3365-24A	AM118997	24	3343-3	AR89602	23	3363-35
AH219537	17	3365-24B	AM3762T	24	3363-43	AR89602	19	3363-37
AH219538	17	3365-24A	AN132749	2	0110-2	AR91793	42	1674-19
AH219538	17	3365-24B	AN132749	2	0110-3	AR91896	5	0520-3
AH219539	1	3365-24B	AN132749	2	0120-1	AR91896	10	1814-3
AH219540	1	3365-24B	AN205068	14	0510-3	AR91896	16	1910-3
AH219541	19	3365-25	AP22688	23	3363-43	AR94101	3	1674-9B
AH219541	17	3365-26	AR21836	2	0960-9	AR94101	4	3163-11
AH219541	17	3365-26A	AR21836	2	0960-11	AT101565	20	2160-13
AH219542	19	3365-25	AR21836	7	3363-29	AT101779	6	2160-11
AH219542	17	3365-26	AR21837	14	0560-7	AT103399	34	1674-9D
AH219542	17	3365-26A	AR21837	1	1369-7	AT103919	1	2002-3
AH219543	1	3365-26A	AR21839	6	0408-5	AT106397	6	1821-9
AH219544	1	3365-26A	AR21839	31	3163-11	AT106397	3	1821-10
AH220099	23	3365-19	AR21841	4	3363-19	AT106397	9	1821-10
AH220099	22	3365-19B	AR21842	18	1740-5	AT107512	7	0510-3
AH220101	19	3365-19B	AR21842	24	1830-5	AT112810	2	1830-10
AH220108	23	3365-19C	AR21842	45B	1830-15	AT113921	6	0250-13
AH220108	22	3365-21	AR21842	19	3163-5	AT118766	22	1814-3
AH220114	6	3365-21	AR21842	29	3163-11	AT120461	1	2004-3
AH220523	1	3365-16	AR21842	6	3363-3	AT121123	9	3362-31
AH220526	23	3365-16	AR21842	4	3363-3B	AT124107	13	3115-7
AH220550	18	3165-11	AR21842	24	3363-5	AT124107	8	3115-9
AH220550	23	3165-13	AR21842	19	3363-9	AT124371	1	0110-2
AH220550	16	3165-15	AR21842	6	3363-11	AT125801	2	1821-9
AH220551	1	3165-15	AR21842	11	3363-39	AT125805	18	1821-9
AH61472	30	2160-11	AR21999	1	0505-7	AT125829	19	1821-9
AH64349	34	0341-3	AR26480	1	0230-4	AT130104	8	1673-5
AH64349	7	2160-17	AR40418	7	0520-5	AT130104	10	1673-5
AH64349	8	2160-19	AR44361	16	0520-3	AT130104	14	1673-5
AH89557	23	0510-3	AR47374	5	3315-23	AT130104	10	1673-7
AH89557	7	0560-3	AR48041	5	1673-5	AT130208	1	1369-5
AH89557	27	0560-7	AR48236	2	0560-3	AT132864	13	1671-3

9995-4

310G, 310SG AND 315SG BACKHOE LOADERS

NUMERICAL INDEX - CONTINUED

PART NO.	KEY	PAGE	PART NO.	KEY	PAGE	PART NO.	KEY	PAGE
AT132864	13	1671-5	AT169087	1	3315-27	AT172763	4	0350-1
AT135084	15	1740-5	AT169175	6	1830-9	AT172937	12	3162-13
AT135767	17	3162-25	AT169175	3	1830-10	AT172937	2	3362-13
AT13740	4	0404-3	AT169175	5	1830-10	AT172945	8	3162-5
AT13740	32	0510-3	AT169175	15	1830-10	AT172945	6	3162-7
AT139694	5	0960-3	AT169180	1	1830-10	AT173120	38	3163-7
AT139694	5	0960-5	AT169304	2	0315-7	AT173120	28	3163-9
AT141011	8	1674-9B	AT169373	24	3162-9	AT173128	15	3163-7
AT141444	1	0110-2	AT169373	29	3162-11	AT173193	2	1814-13
AT141527	29A	0960-9	AT169512	2	3315-11	AT173254	9	0230-5
AT141527	21A	0960-11	AT169550	1	0110-3	AT173254	3	1370-2
AT145792	13	1814-3	AT169804	12	1740-3	AT173254	4	1370-2
AT145849	4	1740-5	AT169831	5	3346-3	AT173313	19	1821-17
AT145929	22	1674-7	AT169831	4	3346-5	AT173314	4	1821-17
AT145931	22	1674-7	AT169929	4	1830-10	AT173315	5	1821-17
AT145984	27	3315-7	AT170043	14	3343-3	AT173321	9	1821-17
AT150725	25	1811-3	AT170043	14	3343-5	AT173321	14	1821-17
AT150762	9	3315-11	AT170052	5	2160-3	AT173385	7	0505-7
AT150763	8	3315-11	AT170052	5	2160-5	AT173400	5	0540-3
AT150764	31	3315-11	AT170053	12	2160-5	AT173411	30	0960-9
AT151036	3	1830-5	AT170061	3	3363-43	AT173411	30	0960-11
AT152180	14	1369-7	AT170172	4	3363-11	AT173610	10	0510-3
AT156431	9	1674-11	AT170172	41	3363-19	AT173624	3	1672-3
AT156440	4	1830-10	AT170173	7	3363-11	AT173624	3	1672-5
AT156445	11	0560-3	AT170173	41	3363-19	AT173933	25	3346-7
AT157327	24	3348-3	AT170204	1	0250-5	AT174208	5	3363-7
AT157986	26	3315-7	AT170205	1	0250-5	AT174209	7	3363-7
AT158197	29	3315-11	AT170206	6	0250-5	AT174217	25	3162-9
AT158198	40	3315-11	AT170208	6	0250-5	AT174217	3	3362-11
AT159264	10	1674-11	AT170209	4	0250-5	AT174268	11	3363-13
AT159811	29	1674-9D	AT170218	1	3162-13	AT174269	12	3363-13
AT161527	1	2160-25	AT170221	1	3362-17	AT174330	20	3363-9
AT161528	1	2160-25	AT170232	1	3362-13	AT174330	30	3363-11
AT161638	13	0560-3	AT171019	14	3346-3	AT174336	21	3363-9
AT161638	2	2160-13	AT171077	1	3345-5	AT174336	31	3363-11
AT162180	1	0315-7	AT171078	11A	3345-5	AT174339	23	3363-19
AT162180	4	3115-7	AT171079	5	3345-5	AT174340	24	3363-19
AT162180	4	3115-9	AT171079	13	3346-5	AT174348	7	1814-13
AT162848	44	1830-15	AT171098	9	3363-5	AT174353	10	3363-13
AT163088	19	1674-3B	AT171134	8	0250-1	AT174355	4	3363-7
AT164442	4	0230-3	AT171162	2	0505-7	AT174365	2A	0341-5
AT164442	3	0230-5	AT171403	2	3362-11	AT174393	1	3363-9
AT164442	4	0250-1	AT171403	2	3362-41	AT174394	25	3363-9
AT164803	10	1811-3	AT171404	2	3362-15	AT174697	26	1830-9
AT164804	8	1811-3	AT171404	2	3362-45	AT174743	1	2160-13
AT165288	15	1811-3	AT171405	4	3362-15	AT174898	1	0341-5
AT165288	4	1811-5	AT171539	5	0505-7	AT174923	13	3362-21
AT167118	3	0250-7	AT171541	9	0341-5	AT175069	5	1674-3
AT167119	3	0250-7	AT171544	9	0341-5	AT175070	4	1674-3
AT167332	13	0960-13	AT171550	5	3115-7	AT175071	2	1674-3
AT167399	27	1674-9D	AT171550	5	3115-9	AT175072	2	1674-3
AT168397	9	0341-5	AT171637	1	0210-6	AT175072	13	1814-13
AT168400	9	0341-5	AT171644	1	0210-5	AT175125	32	3363-35
AT168632	7	0960-6	AT171702	7	3344-2	AT175126	22	3363-37
AT168671	15	3362-9	AT171758	5	3363-15	AT175198	26	3102-11
AT169087	18	3115-7	AT171759	8	3363-15	AT175283	29	3346-7
AT169087	14	3115-9	AT171853	14	0520-3	AT175284	1	3346-5
AT169087	9	3115-11	AT171854	15	0520-3	AT175300	1	1674-3
AT169087	4	3115-13	AT171855	12	0520-3	AT175353	16	1821-9
AT169087	10	3315-7	AT172179	15	2160-25	AT175374	10	0540-3
AT169087	2	3315-9	AT172255	2	3363-19	AT175436	3	1821-9
AT169087	24	3315-11	AT172256	12	3363-19	AT175446	7	3363-3
AT169087	19	3315-13	AT172386	26	3102-11	AT175603	5	1673-3
AT169087	8	3315-13B	AT172386	48	3102-21	AT175604	1	1674-11
AT169087	1	3315-15	AT172419	25	1740-5	AT175733	8	0350-3
AT169087	7	3315-15B	AT172420	26	1740-5	AT175734	8	0350-5
AT169087	7	3315-17	AT172610	9	3363-3	AT175748	12	0350-9

9995-5

310G, 310SG AND 315SG BACKHOE LOADERS

NUMERICAL INDEX - CONTINUED

PART NO.	KEY	PAGE	PART NO.	KEY	PAGE	PART NO.	KEY	PAGE
AT175748	12	0350-10	AT178362	5	3362-47	AT179053	15	1369-7
AT175750	20	0315-3	AT178363	8	3362-11	AT179063	2	0325-2
AT175812	1	3346-5	AT178363	7	3362-41	AT179083	6	3363-7
AT175820	14	3346-3	AT178371	19	3362-11	AT179083	9A	3363-13
AT175921	20	3342-3	AT178371	22	3362-15	AT179083	9B	3363-13
AT175993	17	3344-2	AT178371	22	3362-41	AT179105	5	3346-8
AT176075	7	3344-2	AT178371	23	3362-45	AT179109	1	3362-17
AT176080	2	0325-2	AT178372	40	3162-9	AT179109	1	3362-27
AT176115	14	3343-3	AT178372	32	3162-11	AT179153	3	0360-5
AT176157	4	3363-15	AT178372	36	3162-13	AT179233	27	3363-11
AT176216	7	0230-3	AT178372	27	3162-15	AT179233	41	3363-19
AT176405	14	3346-3	AT178372	35	3162-17	AT179238	17	3363-19
AT176478	8	3363-3	AT178372	24	3162-21	AT179238	18	3363-19
AT176491	2	0210-5	AT178372	34	3362-9	AT179287	7	0110-2
AT176521	17	3363-29	AT178372	40	3362-11	AT179312	3	0350-1
AT176522	16	3363-29	AT178372	30	3362-13	AT179314	7	0350-6
AT176533	5	3346-3	AT178372	37	3362-15	AT179314	7	0350-13
AT176533	4	3346-5	AT178372	38	3362-17	AT179316	2	0341-1
AT176536	16	3345-3	AT178372	18	3362-19	AT179316	8	0341-3
AT176537	8	3345-3	AT178372	20	3362-23	AT179317	7	0341-1
AT176538	14	3345-3	AT178372	38	3362-41	AT179318	5	0350-7
AT176538	13	3346-5	AT178372	26	3362-43	AT179318	4	0360-4A
AT176540	8	3363-5	AT178372	38	3362-45	AT179318	10	0360-11
AT176542	7	3363-5	AT178372	25	3362-47	AT179319	5	0350-7
AT176543	15	3363-5	AT178375	22	3363-21	AT179319	4	0360-4A
AT176544	16	3363-5	AT178375	23	3363-23	AT179319	10	0360-11
AT176578	29	3346-7	AT178375	23	3363-25	AT179320	5	0350-7
AT176579	1	3346-5	AT178375	23	3363-27	AT179320	4	0360-4A
AT176635	17	3344-2	AT178376	21	3363-21	AT179320	10	0360-11
AT176968	20	3363-9	AT178376	22	3363-23	AT179323	11	0360-5
AT176968	30	3363-11	AT178376	22	3363-25	AT179399	17	3363-25
AT176969	21	3363-9	AT178376	22	3363-27	AT179399	17	3363-27
AT176969	31	3363-11	AT178387	4	0250-2	AT179423	21	1821-3B
AT176982	23	3363-19	AT178389	4	0250-2	AT179447	41	0360-3
AT176983	24	3363-19	AT178389	1	0325-2	AT179448	1	3344-3
AT177204	6	2160-19	AT178394	7	0510-3	AT179464	6	3344-3
AT177227	10	1830-5	AT178394	55	1830-15	AT179465	1	3344-3
AT177433	18	3363-29	AT178405	21	3363-19	AT179466	2	0350-8
AT177540	5	3363-13	AT178411	6	3344-3	AT179466	2	0350-27
AT177540	7	3363-39	AT178413	21	3363-19	AT179467	4	0350-7
AT177603	14	3363-7	AT178471	28	3362-9	AT179468	3	0350-7
AT177603	22	3363-9	AT178475	13	3362-21	AT179468	3	0350-8
AT177603	32	3363-11	AT178499	1	0110-3	AT179468	4	0350-27
AT177603	17	3363-13	AT178526	11	1674-5	AT179469	14	0350-3
AT177603	25	3363-19	AT178542	17	0520-3	AT179469	14	0350-5
AT177604	23	3363-9	AT178608	8	2160-5	AT179469	5	0350-19
AT177604	33	3363-11	AT178683	14	1740-5	AT179469	13	0350-23
AT177701	19	0350-9	AT178683	12	3363-5	AT179469	13	0350-25
AT177701	20	0350-19	AT178693	2	2160-19	AT179470	21	0350-3
AT177703	5	0350-7	AT178745	1	1313-3	AT179470	21	0350-5
AT177703	4	0360-4A	AT178768	38	3363-35	AT179470	3	0350-19
AT177703	10	0360-11	AT178769	31	3363-37	AT179470	15	0350-23
AT177790	2	3343-5	AT178784	41	3363-19	AT179470	15	0350-25
AT178002	1	0250-13	AT178788	38	3363-35	AT179471	22	0350-3
AT178025	16	3344-2	AT178789	31	3363-37	AT179471	22	0350-5
AT178065	21	1821-3B	AT178930	28	1830-13	AT179471	1	0350-7
AT178072	8	3302-5	AT179029	18	3315-23	AT179471	17	0350-21
AT178072	7	3302-9	AT179030	22	3363-21	AT179471	17	0350-23
AT178112	1	0250-13	AT179030	23	3363-25	AT179471	17	0350-25
AT178113	8	0250-1	AT179031	21	3363-21	AT179472	2	0350-3
AT178315	3	1746-5	AT179031	22	3363-25	AT179472	2	0350-5
AT178326	8	3162-13	AT179033	24	3363-21	AT179472	18	0350-8
AT178362	34	3162-17	AT179033	25	3363-25	AT179472	1	0350-9
AT178362	19	3162-21	AT179036	16	3363-21	AT179472	18	0350-10
AT178362	19	3362-17	AT179036	19	3363-23	AT179472	1	0350-15
AT178362	36	3362-17	AT179046	27	3363-11	AT179472	1	0350-17
AT178362	2	3362-47	AT179046	41	3363-19	AT179472	1	0350-25

9995-6

310G, 310SG AND 315SG BACKHOE LOADERS

NUMERICAL INDEX - CONTINUED

PART NO.	KEY	PAGE	PART NO.	KEY	PAGE	PART NO.	KEY	PAGE
AT179472	20	0350-27	AT180082	34	3363-35	AT182193	6	3346-8
AT179473	17	0350-3	AT180082	25	3363-37	AT182193	7	3346-8
AT179473	17	0350-5	AT180083	35	3363-35	AT182248	3	3362-11
AT179473	9	0350-23	AT180083	24	3363-37	AT182257	9	0505-7
AT179473	9	0350-25	AT180086	36	3363-35	AT182377	18	3162-17
AT179481	17	0350-9	AT180086	27	3363-37	AT182377	8	3162-19
AT179481	19	0350-19	AT180087	25	3363-37	AT182377	19	3362-17
AT179482	4	0350-9	AT180088	24	3363-37	AT182377	2	3362-47
AT179482	15	0350-10	AT180147	20	3363-31	AT182390	22	0230-3
AT179483	13	0350-9	AT180152	14	3363-7	AT182391	29	0230-3
AT179483	5	0350-10	AT180152	22	3363-9	AT182520	1	0315-5
AT179485	16	0350-9	AT180152	32	3363-11	AT182587	31	1740-5
AT179485	1	0350-10	AT180152	17	3363-13	AT182588	30	1740-5
AT179490	6	0350-10	AT180152	25	3363-19	AT182597	11	3363-17
AT179491	17	0360-3	AT180152	24	3363-33	AT182598	6	3363-17
AT179491	10	0360-7	AT180153	33	3363-11	AT182599	5	3363-17
AT179491	5	0360-9	AT180204	5	3363-35	AT182735	9	0250-2
AT179492	8	0360-3	AT180205	22	3363-35	AT182935	16	3342-3
AT179492	9	0360-7	AT180206	20	3363-37	AT182947	21	0360-3
AT179498	14	0210-3	AT180208	11	3363-35	AT182947	14	0360-7
AT179499	7	0201-3	AT180209	17	3363-35	AT182954	19	1821-17
AT179499	2	0210-1	AT180210	1	3363-37	AT183068	7	3345-3
AT179500	5	0201-3	AT180211	13	3363-37	AT183219	3	0530-5
AT179501	9	0201-3	AT180212	18	3363-35	AT183222	11	0505-7
AT179502	4	0201-3	AT180212	28	3363-35	AT183246	4	1674-14
AT179503	2	1011-3	AT180213	11	3363-37	AT183282	8	0315-3
AT179504	19	0210-3	AT180214	17	3363-37	AT183411	6	1913-3
AT179504	13	1011-3	AT180350	23	1830-13	AT183426	7	0530-5
AT179505	21	0210-3	AT180485	14	1674-5	AT183428	2	1913-3
AT179505	21	1011-3	AT180530	7	2160-5	AT183556	21	3315-23
AT179537	6	0210-5	AT180658	13	3363-37	AT183556	17	3362-30
AT179537	19	1111-3	AT180667	5	3363-35	AT183590	8	2160-25
AT179537	20	1111-5	AT180680	13	0520-3	AT183590	8	3162-13
AT179538	4	0210-1	AT180705	31	1674-9D	AT183590	39	3162-13
AT179590	8	0250-2	AT180706	38	1674-9D	AT183592	1	3362-30
AT179596	1	0250-2	AT180828	10	3363-39	AT183664	13	2160-5
AT179617	1	3346-8	AT180838	8	3102-5	AT183717	23	3163-3
AT179686	31	1821-5	AT180839	8	3102-5	AT183718	24	3163-3
AT179686	22	1821-7	AT180916	1	0315-5	AT183721	15	3163-3
AT179687	19	1821-7	AT181185	10	3363-47	AT183722	16	3163-3
AT179688	14	1821-5	AT181186	11	3363-47	AT183810	15	1821-17
AT179691	22	1821-5	AT181192	7	3363-41	AT183823	23	1674-9B
AT179691	27	1821-5	AT181292	1	3163-11	AT183869	26	3363-1B
AT179692	26	1821-5	AT181327	9	3348-5	AT183874	15	0560-3
AT179692	18	1821-7	AT181422	9A	3163-11	AT183881	4	0560-3
AT179693	32	1821-9	AT181530	3	1830-13	AT183881	31	0560-7
AT179694	27	1821-9	AT181582	6	0505-7	AT183899	8	1740-3
AT179699	13	1821-9	AT181591	23	3363-9	AT183972	42	0360-7
AT179714	6	1821-13	AT181591	33	3363-11	AT183973	15	0360-9
AT179792	6	2160-3	AT181591	25	3363-23	AT183995	29	0341-3
AT179835	9A	3363-13	AT181591	25	3363-27	AT183997	7	3362-7
AT179899	26	1111-3	AT181591	25	3363-33	AT183999	7	3362-7
AT179899	25	1111-5	AT181679	9	3363-21	AT184001	7	3362-7
AT179902	35	3346-7	AT181680	8	3363-21	AT184003	1	3162-3
AT179903	35	3346-7	AT181712	13	3345-3	AT184005	1	3162-3
AT179905	35	3346-7	AT181713	3	3345-3	AT184007	14	0360-9
AT179926	9	1671-7	AT181714	6	3345-5	AT184042	1	0350-21
AT179995	3	1369-7	AT181715	16	3345-5	AT184042	1	0350-23
AT179996	5	1369-7	AT181856	7	3362-29	AT184043	3	0350-23
AT180076	33	3363-35	AT181884	9	3363-21	AT184045	3	0350-25
AT180076	26	3363-37	AT181884	9	3363-23	AT184048	3	0350-15
AT180077	34	3363-35	AT181885	8	3363-21	AT184052	17	0350-15
AT180078	35	3363-35	AT181885	8	3363-23	AT184052	17	0350-17
AT180079	36	3363-35	AT181937	6	2160-5	AT184052	1	0350-19
AT180079	27	3363-37	AT182078	6	2160-3	AT184053	3	0350-17
AT180081	33	3363-35	AT182190	6	3346-8	AT184055	16	0350-19
AT180081	26	3363-37	AT182190	7	3346-8	AT184056	18	0350-19

9995-7

310G, 310SG AND 315SG BACKHOE LOADERS

NUMERICAL INDEX - CONTINUED

PART NO.	KEY	PAGE	PART NO.	KEY	PAGE	PART NO.	KEY	PAGE
AT184057	3	0350-21	AT184965	7	1814-11	AT185793	15	0350-17
AT184058	14	3343-3	AT184966	8	1814-11	AT185793	15	0350-21
AT184059	14	0341-3	AT184968	4	1814-15	AT185797	21	3163-3
AT184060	4	0341-3	AT184969	2	1814-15	AT185798	25	3163-3
AT184061	5	0341-3	AT184970	1	1814-15	AT185799	5	3163-3
AT184062	6	0341-3	AT184972	15	1673-5	AT185836	24	0515-3
AT184064	7	3140-5	AT184989	1	3344-2	AT185836	25	0515-5
AT184082	16	2160-13	AT184993	1	3344-2	AT185847	12	3315-19
AT184089	1	1814-9	AT185004	1	1921-3	AT185848	12	0515-3
AT184156	7	3115-7	AT185062	1	3348-3	AT185849	31	0515-3
AT184161	15	2160-25	AT185077	11	2160-11	AT185851	2	3315-25
AT184304	1A	0520-3	AT185078	6	2160-11	AT185851	5	3315-25
AT184335	24	1674-7	AT185085	3	0530-3	AT185855	16	3315-25
AT184335	28	2160-27	AT185311	5	3315-19	AT185856	17	3315-25
AT184341	20	3115-3	AT185315	13	3315-19	AT185876	5A	3163-11
AT184397	6	0960-5	AT185317	4	3315-19	AT185877	3	3163-11
AT184404	8	3315-3	AT185337	39	3315-9B	AT185939	1	3162-7
AT184406	25	0201-5	AT185338	38	3315-9B	AT185950	27	2160-25
AT184407	2	1814-3	AT185339	20	3315-9	AT185957	2	3115-3
AT184494	8	3363-39	AT185340	8	3315-9	AT185976	8	3163-7
AT184503	9	0510-3	AT185366	1	2001-3	AT185977	9	3163-7
AT184519	1	2160-21	AT185396	17	1816-13	AT185978	22	3163-7
AT184522	37	1830-13	AT185440	18	3115-3	AT185979	23	3163-7
AT184524	40	1814-5	AT185451	15	1673-5	AT185980	16	1674-3
AT184530	40	1830-7	AT185498	7	1811-5	AT185980	4	1674-5
AT184547	6	3162-7	AT185499	7	1811-5	AT185981	16	1674-3
AT184578	7	1060-3	AT185499	21	2001-3	AT185981	4	1674-5
AT184578	30	1060-5	AT185500	9	1811-5	AT186043	15	3315-9
AT184579	14	1060-3	AT185500	19	2001-3	AT186045	6	1816-5
AT184590	24	1816-13	AT185513	1	1060-7	AT186045	49	3315-9B
AT184592	11	1060-3	AT185519	8	3102-5	AT186050	7	1816-5
AT184598	3	3315-7	AT185519	6A	3102-7	AT186050	1	3315-17
AT184599	2	3315-7	AT185522	1	3102-3	AT186069	7	3362-5
AT184609	1	1821-13	AT185522	6A	3102-7	AT186070	7	3362-5
AT184609	2	1821-15	AT185524	1	3102-3	AT186071	7	3362-5
AT184646	11	3140-5	AT185524	6A	3102-7	AT186073	7	3362-7
AT184647	4	3140-5	AT185526	8	3102-5	AT186150	21	1821-9
AT184651	48	1814-5	AT185526	6A	3102-7	AT186152	5	1821-3
AT184652	19	1814-3	AT185537	24	1910-3	AT186155	12	2002-3
AT184682	6	3115-3	AT185538	42	1910-5	AT186156	6	1821-3
AT184682	9	3115-5	AT185539	33	1910-5	AT186167	9	0360-5
AT184716	1	0530-3	AT185586	30	2160-9	AT186170	26	2160-11
AT184716	1	0530-5	AT185609	24	2160-7	AT186204	1	1821-15
AT184719	19	1814-3	AT185624	25	3315-7	AT186213	5	1671-8
AT184728	6	0960-3	AT185625	23	3315-13	AT186224	19	1821-17
AT184736	1	1673-5	AT185626	54	3315-9B	AT186236	25	0341-1
AT184737	4	1673-5	AT185627	14	3315-17	AT186237	33	0341-3
AT184738	1	3102-3	AT185628	41	3315-11	AT186254	5	1740-5
AT184738	6A	3102-7	AT185629	23	3315-15	AT186263	27	1830-13
AT184744	11	3115-11	AT185634	1	3102-9	AT186281	10	0520-3
AT184761	1	1811-5	AT185634	1	3102-11	AT186289	57	1830-7B
AT184767	13	1814-3	AT185635	37	3163-11	AT186289	30	1830-9
AT184777	8	1740-3	AT185639	1	3102-9	AT186297	10	1674-11
AT184843	8	3140-3	AT185639	1	3102-11	AT186297	11	3362-5
AT184848	1	0530-5	AT185677	1	1674-9	AT186297	11	3362-7
AT184853	3	0530-3	AT185678	1	1674-9	AT186297	8	3362-24
AT184894	2	1060-7	AT185680	13	1910-3	AT186297	8	3362-25
AT184900	1	0960-9	AT185683	5	1910-3	AT186297	9	3362-26
AT184900	1	0960-11	AT185689	1	1671-3	AT186297	9	3362-27
AT184902	8	0960-11	AT185690	9	1671-3	AT186298	11	3362-5
AT184903	7	0960-11	AT185691	4	1671-5	AT186298	11	3362-7
AT184907	7	0960-9	AT185749	30	3315-9	AT186304	47	1830-7B
AT184908	8	0960-9	AT185750	30	3315-9	AT186307	2	2007-3
AT184951	2	2160-7	AT185757	12	1811-3	AT186312	3	0210-3
AT184951	4	2160-9B	AT185791	18	0341-3	AT186321	11	1812-3
AT184952	1	2160-7	AT185791	25	0341-3	AT186357	15	2160-7
AT184952	3	2160-9B	AT185793	15	0350-15	AT186358	19	2160-7

9995-8

310G, 310SG AND 315SG BACKHOE LOADERS

NUMERICAL INDEX - CONTINUED

PART NO.	KEY	PAGE	PART NO.	KEY	PAGE	PART NO.	KEY	PAGE
AT186359	25	2160-7	AT188009	20	0960-9	AT189413	38	3362-15
AT186370	1	3102-9	AT188009	25	0960-11	AT189413	37	3362-17
AT186370	1	3102-11	AT188010	24	0960-9	AT189413	24	3362-21
AT186382	17	3315-7	AT188010	28	0960-11	AT189413	36	3362-41
AT186427	24	2160-7	AT188011	26	0960-9	AT189413	40	3362-45
AT186428	19	2160-7	AT188011	27	0960-11	AT189413	24	3362-47
AT186452	10	1671-7	AT188077	41	3315-9B	AT189423	1	3163-3
AT186563	8	3342-3	AT188182	27	0960-9	AT189473	5	1674-7
AT186625	16	1674-3	AT188182	23	0960-11	AT189473	8	1674-7
AT186625	4	1674-5	AT188306	11	1830-3	AT189492	9	0520-5
AT186626	16	1674-3	AT188307	1	1830-3	AT189549	4	0315-7
AT186626	4	1674-5	AT188343	3	1060-5	AT189549	15	0315-7
AT186630	24	1740-5	AT188350	7	3362-7	AT189580	4	3315-17
AT186689	10	1674-11	AT188353	7	3362-5	AT189630	10	1674-7
AT186701	20	1821-7	AT188368	1	1830-13	AT189639	16	1830-7
AT186740	10	1060-9	AT188369	22	1830-13	AT189661	47	1910-5
AT186740	3	1060-11	AT188401	20	2160-25	AT189692	25	1674-7
AT186747	21	0510-3	AT188560	12A	3163-9	AT189699	6A	3102-7
AT186839	1	1060-3	AT188560	12B	3163-9	AT189702	6A	3102-7
AT186856	6	3163-7	AT188759	9	2001-3	AT189703	6A	3102-7
AT186858	31	3163-7	AT188766	12	1814-13	AT189797	6	0315-7
AT186858	46	3163-7	AT188819	1	2160-25	AT189801	4	1674-11
AT186898	11	2160-25	AT188965	12	1811-3	AT189819	11	3102-11
AT186899	25	2160-25	AT189030	8	1821-3	AT189822	9	3102-11
AT186906	6	0510-3	AT189041	18	1674-3B	AT189822	15	3102-11
AT186913	11	1814-15	AT189043	2	1814-13	AT189822	21	3102-19
AT186915	9	3363-25	AT189059	7	1821-3	AT189924	1	2160-15
AT186915	8	3363-27	AT189088	7	1674-7	AT190073	14	3315-15
AT186920	8	3363-25	AT189090	12	1921-3	AT190118	24	3363-45
AT186920	9	3363-27	AT189091	11	1921-3	AT190174	5	3345-6
AT186925	15	0510-3	AT189093	1	3315-5	AT190191	10	1814-9
AT186927	10	0201-3	AT189103	1	1814-11	AT190192	17	1814-9
AT186927	13	0210-1	AT189145	26	1674-7	AT190193	4	1814-9
AT186929	4	2160-23	AT189145	19	1821-17	AT190194	3	1814-9
AT186983	12	3315-25	AT189168	1	3362-23	AT190234	10	1674-11
AT186998	7	3362-5	AT189168	2	3362-27	AT190234	2	3362-21
AT187036	21	1814-9	AT189174	15	1674-5	AT190330	1	3162-23
AT187096	1	1811-5	AT189174	28	2160-27	AT190330	3	3162-25
AT187229	10	1814-15	AT189175	18	1814-9	AT190330	13	3162-25
AT187439	55	1830-15	AT189176	15	1814-9	AT190330	31	3162-25
AT187440	55	1830-15	AT189210	23	2160-25	AT190333	8	3162-25
AT187442	55	1830-15	AT189210	22	2160-27	AT190333	9	3162-25
AT187666	6	1060-3	AT189269	3	1816-3	AT190333	11	3162-25
AT187666	25A	1060-3	AT189269	20	3315-7	AT190333	15	3162-25
AT187666	35	3163-13	AT189270	3	1816-3	AT190333	16	3162-25
AT187666	7	3362-33	AT189270	20	3315-13	AT190334	4	3162-25
AT187666	1	3363-1B	AT189271	3	1816-3	AT190334	8	3162-25
AT187668	23	0960-9	AT189271	20	3315-15	AT190334	9	3162-25
AT187668	20	0960-11	AT189272	1	1816-5	AT190334	11	3162-25
AT187669	4	3362-31	AT189272	51	3315-9B	AT190334	12	3162-25
AT187669	19	3363-1B	AT189400	10	0520-5	AT190358	1	3344-2
AT187669	20	3363-1B	AT189400	21	1910-3	AT190490	11	1814-9
AT187669	28B	3363-1B	AT189403	4	3363-31	AT190490	12	1814-9
AT187707	12	1314-3	AT189404	17	3363-31	AT190490	13	1814-9
AT187708	6	1314-3	AT189405	14	3363-31	AT190490	14	1814-9
AT187709	30	2160-9	AT189407	11	3363-29	AT190531	14	0315-7
AT187710	1	1814-13	AT189408	5	3363-29	AT190531	15	0315-7
AT187711	6	0350-6	AT189413	20	3162-5	AT190561	39	2160-9
AT187711	6	0350-13	AT189413	41	3162-9	AT190595	9	0510-3
AT187779	10	2160-11	AT189413	34	3162-11	AT190628	9	3102-11
AT187797	5	1674-11	AT189413	35	3162-13	AT190628	21	3102-19
AT187812	1A	0520-3	AT189413	29	3162-15	AT190653	44	3363-21B
AT187815	9	1673-3	AT189413	33	3162-17	AT190655	45	3363-25
AT187816	1	1673-3	AT189413	25	3162-21	AT190658	8	1830-13
AT187868	8	1673-5	AT189413	33	3362-9	AT190701	15	3102-11
AT187869	2	2160-17	AT189413	39	3362-11	AT190701	22	3102-19
AT187885	40	3315-9B	AT189413	31	3362-13	AT190702	15	3102-11

9995-9

310G, 310SG AND 315SG BACKHOE LOADERS

NUMERICAL INDEX - CONTINUED

PART NO.	KEY	PAGE	PART NO.	KEY	PAGE	PART NO.	KEY	PAGE
AT190702	22	3102-19	AT191707	2	3162-19	AT192093	10	3302-7
AT190741	30	3162-25	AT191708	1	3362-17	AT192094	1	3302-11
AT190748	32	3163-7	AT191708	1	3362-26	AT192104	1	3302-5
AT190758	8	2160-23	AT191709	1	3362-17	AT192106	1	3302-3
AT190762	11	2160-9B	AT191710	1	3362-23	AT192107	1	3302-7
AT190762	32	3363-21B	AT191710	2	3362-26	AT192111	8	3302-3
AT190762	33	3363-25	AT191711	1	3162-17	AT192111	7	3302-7
AT190828	1	3348-3	AT191711	1	3162-19	AT192120	12	3348-3
AT190829	15	2160-7	AT191712	1	3362-19	AT192121	12	3345-5
AT190880	3	3102-11	AT191712	1	3362-24	AT192122	7	1816-11
AT190880	14	3102-12	AT191713	1	3362-15	AT192151	22	1060-5
AT190881	1	3102-12	AT191715	1	3162-9	AT192153	14	0505-7
AT190898	15	3102-12	AT191716	1	3362-11	AT192154	1	3363-45
AT190900	6	3102-11	AT191717	1	3362-15	AT192154	28	3363-47
AT190900	23	3102-19	AT191717	3	3362-25	AT192155	9	3363-45
AT190929	9	1674-9F	AT191718	1	3362-15	AT192155	27	3363-47
AT191023	34	3115-3	AT191719	1	3362-11	AT192168	35	1830-13
AT191036	11	3362-7	AT191747	12	1674-5	AT192185	30	3115-11
AT191037	10	1674-11	AT191759	12	2160-23	AT192185	8	3162-19
AT191037	11	3362-7	AT191760	40	1910-5	AT192188	5	1746-2
AT191037	8	3362-25	AT191768	1	3362-9	AT192189	8	3362-25
AT191046	15	2160-7	AT191817	1	1671-5	AT192200	32	1830-9
AT191102	16	1816-13	AT191826	18	1816-9	AT192217	16	2001-3
AT191140	4	3363-17	AT191838	44	3363-21B	AT192239	9	3362-27
AT191143	1	3363-33	AT191839	45	3363-25	AT192242	19	1673-5
AT191143	2	3363-33	AT191859	25	3363-21	AT192247	8	3362-24
AT191143	10	3363-33	AT191859	26	3363-25	AT192261	3	3115-11
AT191143	11	3363-33	AT191861	4	1674-7	AT192278	16	0960-5
AT191143	15	3363-33	AT191868	4A	1060-9	AT192279	17	0960-5
AT191143	20	3363-33	AT191873	17	1673-5	AT192280	18	0960-5
AT191143	21	3363-33	AT191875	9	1673-5	AT192334	9	3362-26
AT191146	32	3363-23	AT191876	21	1816-9	AT192367	6	1313-3
AT191146	30	3363-27	AT191877	17	1816-9	AT192372	39	3162-9
AT191146	16	3363-33	AT191884	23	2160-11	AT192372	18	3162-11
AT191147	33	3363-23	AT191919	24	1816-9	AT192373	8	2160-15
AT191147	31	3363-27	AT191953	19	1674-5	AT192374	11	2160-15
AT191153	11	0520-5	AT191976	12	1812-3	AT192384	10	1674-11
AT191176	15	2160-25	AT191990	28	1830-7	AT192384	1	3362-21
AT191236	15	2160-7	AT191993	9	1830-7	AT192385	4	3362-21
AT191237	25	2160-7	AT191994	12	1830-7	AT192414	13	1811-5
AT191241	30	3346-7	AT192004	15	3302-15	AT192415	1	1060-11
AT191252	5	3363-5	AT192005	15	3302-15	AT192416	1	1060-11
AT191266	3	0520-5	AT192006	15	3302-15	AT192416	2	1060-11
AT191407	16	1673-5	AT192007	15	3302-17	AT192417	5	1060-11
AT191408	11	1673-5	AT192008	15	3302-17	AT192419	31	1060-5
AT191408	14	1673-5	AT192009	15	3302-17	AT192455	8	2160-5
AT191409	8	1673-5	AT192010	15	3302-17	AT192456	10	0520-5
AT191446	1	3315-13	AT192011	15	3302-15	AT192457	13	3162-13
AT191507	31	1830-9	AT192012	15	3302-15	AT192457	3	3162-15
AT191528	14	3315-19	AT192013	15	3302-15	AT192460	14	1673-5
AT191545	38	3363-23	AT192014	15	3302-17	AT192509	35	1830-7
AT191546	36	3363-27	AT192015	15	3302-17	AT192550	6	0360-4A
AT191548	41	3363-19	AT192016	15	3302-17	AT192550	7	0360-4A
AT191557	14	1910-3	AT192017	15	3302-17	AT192550	8	0360-4A
AT191575	6	2001-3	AT192018	15	3302-17	AT192550	9	0360-4A
AT191619	3	1821-10	AT192019	15	3302-17	AT192552	3	0360-11
AT191620	30	1821-5	AT192020	15	3302-17	AT192552	4	0360-11
AT191629	11	1816-9	AT192021	15	3302-17	AT192552	5	0360-11
AT191631	4	0515-3	AT192022	15	3302-17	AT192552	6	0360-11
AT191631	5	0515-5	AT192032	26	1811-3	AT192553	13	0360-11
AT191688	19	1816-9	AT192033	25	1830-7	AT192553	14	0360-11
AT191701	6	1674-3	AT192074	5	1830-3	AT192553	15	0360-11
AT191704	1	3362-19	AT192088	11	3302-5	AT192553	16	0360-11
AT191704	1	3362-25	AT192090	1	3302-9	AT192587	1	1814-11
AT191705	1	3362-13	AT192090	10	3302-9	AT192627	25	0201-5
AT191706	1	3362-15	AT192091	1	3302-11	AT192637	12	3363-47
AT191707	1	3162-9	AT192092	11	3302-3	AT192656	55	1830-15

9995-10

310G, 310SG AND 315SG BACKHOE LOADERS

NUMERICAL INDEX - CONTINUED

PART NO.	KEY	PAGE	PART NO.	KEY	PAGE	PART NO.	KEY	PAGE
AT192656	1	2160-21	AT194396	17	3363-43	AT195550	41	0515-3
AT192684	5A	3115-11	AT194397	17	3363-43	AT195550	12	1811-3
AT192687	27	1821-9	AT194398	11	3363-43	AT195550	1	1811-5
AT192689	19	1821-17	AT194407	63	1814-5	AT195570	2	0960-13
AT192716	27	1674-7	AT194410	37	3163-11	AT195570	3	0960-13
AT192769	17	1674-3B	AT194412	6	1060-9	AT195570	4	0960-13
AT192776	44	0515-5	AT194412	9	1060-9	AT195570	13	0960-13
AT192956	11	2001-3	AT194416	8	1060-9	AT195573	4	0960-13
AT193365	33	0960-9	AT194417	5	1060-9	AT195620	4	3315-19
AT193365	33	0960-11	AT194444	38	3363-35	AT195623	5	3315-19
AT193365	6	1060-3	AT194445	38	3363-35	AT195669	27	1740-5
AT193365	7	3362-33	AT194487	20	3115-3	AT195669	12	3348-3
AT193365	37	3363-1B	AT194487	34	3115-3	AT195686	19	0960-5
AT193366	33	0960-9	AT194488	20	3115-3	AT195731	40	1830-7
AT193366	33	0960-11	AT194491	4	1674-7	AT195752	41	0360-3
AT193366	37	3363-1B	AT194493	3	3345-6	AT195753	42	0360-7
AT193375	3	1816-3	AT194493	4	3345-6	AT195814	10	2002-3
AT193495	1	3348-3	AT194493	5	3345-6	AT195815	10	2002-3
AT193499	42	1830-15	AT194627	20	1814-3	AT195851	25	0201-5
AT193500	24	1830-7	AT194628	20	1814-3	AT195862	13A	3163-11
AT193500	16	1830-9	AT194684	26	3315-11	AT195862	14A	3163-11
AT193526	3	1816-3	AT194686	19	3315-11	AT195872	1	1921-3
AT193621	2	1814-3	AT194687	22	3362-15	AT195877	31	3315-11
AT193699	3	3163-11	AT194718	2	1814-3	AT195894	4	1811-3
AT193699	5A	3163-11	AT194718	63	1814-5	AT195907	6	0510-3
AT193699	5B	3163-11	AT194784	13A	3163-11	AT195910	4	1671-5
AT193704	9	0350-3	AT194784	14A	3163-11	AT195911	1	1671-5
AT193704	10	0350-3	AT194785	15	3163-11	AT195915	1	2160-15
AT193704	11	0350-3	AT194786	16	3163-11	AT195922	5	3162-29
AT193704	9	0350-5	AT194821	9	1673-3	AT195922	13	3362-33
AT193704	10	0350-5	AT194822	1	1673-3	AT195929	25	0201-5
AT193704	11	0350-5	AT194862	1	1674-9	AT195957	1	3362-31
AT193704	4	0350-15	AT194864	1	1674-9	AT195995	9	1671-3
AT193704	5	0350-15	AT194865	16	1674-3	AT195996	1	1671-3
AT193704	6	0350-15	AT194865	18	1674-3B	AT196169	2	0230-8
AT193704	4	0350-17	AT194865	4	1674-5	AT196190	1	3348-3
AT193704	5	0350-17	AT194866	16	1674-3	AT196204	1	3348-3
AT193704	6	0350-17	AT194866	4	1674-5	AT196242	1B	0520-3
AT193704	12	0350-19	AT194867	16	1674-3	AT196245	8	3162-13
AT193704	13	0350-19	AT194867	18	1674-3B	AT196245	13	3162-15
AT193704	14	0350-19	AT194867	4	1674-5	AT196246	1	1674-9
AT193704	4	0350-21	AT194868	16	1674-3	AT196246	38	3162-13
AT193704	5	0350-21	AT194868	4	1674-5	AT196246	12	3162-15
AT193704	6	0350-21	AT195140	12	3162-29	AT196258	2	0408-5
AT193704	4	0350-23	AT195141	13	3162-29	AT196261	1	1674-9
AT193704	5	0350-23	AT195142	8	2160-5	AT196262	9	0505-7
AT193704	6	0350-23	AT195142	13	2160-5	AT196262	1	1674-9
AT193704	4	0350-25	AT195142	17B	2160-5	AT196286	1	1821-19
AT193704	5	0350-25	AT195143	17B	2160-5	AT196294	11	1812-3
AT193704	6	0350-25	AT195144	7	3162-29	AT196314	7	0422-2
AT193881	10	1674-11	AT195144	13	3362-33	AT196314	7	0422-3
AT193881	12	1812-3	AT195201	20	0960-9	AT196314	2	0422-7
AT193881	27	2160-25	AT195201	25	0960-11	AT196318	22	2160-9B
AT193881	28	2160-27	AT195202	26	0960-9	AT196319	25	2160-9B
AT193927	24	0341-1	AT195202	27	0960-11	AT196320	11	2160-9B
AT193981	11	1060-9	AT195203	27	0960-9	AT196321	27	2160-9B
AT194279	4	1814-15	AT195203	23	0960-11	AT196333	20	3115-3
AT194343	11	3315-23	AT195203	22A	1060-3	AT196333	34	3115-3
AT194368	25	3363-43	AT195244	1	1313-3	AT196336	16	3315-25
AT194369	30	3115-11	AT195301	22	1674-7	AT196337	17	3315-25
AT194369	8	3162-19	AT195302	22	1674-7	AT196338	12	0515-3
AT194378	7	3363-43	AT195339	21	1910-3	AT196338	10	0515-5
AT194379	9	3363-43	AT195421	29	0515-5	AT196351	1	2160-25
AT194392	17	3363-43	AT195456	3	0530-3	AT196351	18	2160-27
AT194393	9	3363-43	AT195461	7	1673-3	AT196355	24	1910-3
AT194394	11	3363-43	AT195462	8	1673-3	AT196358	58	1910-5
AT194395	11	3363-43	AT195463	14	3346-3	AT196387	5	3315-19

9995-11

310G, 310SG AND 315SG BACKHOE LOADERS

NUMERICAL INDEX - CONTINUED

PART NO.	KEY	PAGE	PART NO.	KEY	PAGE	PART NO.	KEY	PAGE
AT196390	17	1674-3B	AT197212	25A	3363-1B	AT198768	2	3362-35
AT196391	6	1814-9	AT197231	8	1740-3	AT198770	5	3362-35
AT196397	25	2160-9B	AT197232	8	1740-3	AT198770	5	3362-37
AT196398	27	2160-9B	AT197236	13	3115-13	AT198771	18	3362-35
AT196399	22	2160-9B	AT197238	28	2160-27	AT198771	17	3362-37
AT196400	11	2160-9B	AT197243	44	3363-21B	AT198772	8	3362-35
AT196407	7	3344-2	AT197245	45	3363-25	AT198772	8	3362-37
AT196419	34	3315-11	AT197246	26	3363-47	AT198773	3	3362-35
AT196427	1	2002-2	AT197247	8	1740-3	AT198773	3	3362-37
AT196428	2	0230-5	AT197248	8	1740-3	AT198774	2	3362-37
AT196428	7	0230-6	AT197253	44	3363-21B	AT198776	29	1816-17
AT196428	18	0230-7	AT197254	45	3363-25	AT198777	28	1816-15
AT196428	10	0230-8	AT197255	24	1740-5	AT198778	27	1816-15
AT196446	1	1671-3	AT197256	24	1740-5	AT198844	6	1674-5B
AT196447	4	1671-5	AT197259	30	3363-23	AT198847	12	3362-33
AT196496	31	2160-11	AT197259	38	3363-23	AT198865	32	1816-17
AT196496	18	2160-17	AT197260	36	3363-27	AT199016	1	1674-5B
AT196496	20	2160-19	AT197381	4	1674-7	AT199060	9	0505-7
AT196496	16	2160-21	AT197479	12	1812-3	AT199060	1	1674-9
AT196522	22	1814-3	AT197542	16	2160-13	AT199065	13	3362-33
AT196525	15	3363-3B	AT197645	15	3163-5	AT199081	27	1830-13
AT196526	16	3363-3B	AT197646	21	3163-5	AT199334	19	2160-7
AT196527	25	3363-5	AT197647	9	3163-5	AT199335	19	3115-5
AT196559	1	1821-19	AT197648	11	3163-9	AT199372	16	1674-3
AT196561	1	1821-19	AT197649	20	3163-9	AT199372	4	1674-5
AT196590	17	3115-9	AT197654	4	3163-5	AT199388	1	2001-3
AT196591	7	3115-9	AT197726	7	3344-2	AT199495	5	3363-1B
AT196596	3	3115-13	AT197760	12A	3163-9	AT199496	3	3363-1B
AT196606	16	3315-25	AT197769	4	3362-31	AT199496	3	3363-1D
AT196606	17	3315-25	AT197769	20	3363-1B	AT199541	5	2160-13
AT196622	1	3162-5	AT197769	26	3363-1B	AT199591	1	1816-15
AT196624	12	3115-13	AT197852	7	0230-3	AT199592	32	1816-15
AT196624	1	3162-5	AT197852	7	0960-11	AT199594	1	1816-17
AT196633	7	3362-7	AT197876	19	3348-3	AT199595	31	1816-17
AT196634	7	3362-7	AT197922	9	1671-7	AT199633	10	1674-7
AT196635	7	3362-7	AT198089	30	0960-9	AT199633	11	3362-33
AT196636	7	3362-7	AT198089	30	0960-11	AT199639	7	2160-27
AT196637	7	3362-7	AT198090	30	0960-9	AT199640	27	2160-27
AT196754	8	3363-5	AT198090	30	0960-11	AT199641	26	2160-27
AT196755	7	3363-5	AT198096	10	1671-7	AT199642	6	2160-27
AT196756	15	3363-5	AT198196	18	2160-7	AT199643	2	2160-27
AT196757	16	3363-5	AT198251	23	3163-9	AT199644	8	2160-27
AT196760	1	2160-25	AT198253	22	3163-9	AT199645	5	2160-27
AT196760	19	2160-27	AT198254	19	3163-9	AT199646	15	2160-25
AT196793	27	1821-9	AT198258	7	3163-9	AT199646	1	2160-27
AT196803	4	0350-1	AT198260	18	3163-9	AT199652	5	3162-27
AT196813	16	2160-13	AT198349	6	3363-1D	AT199654	6	3162-27
AT196814	23	2160-11	AT198350	1	3363-1D	AT199656	1	3162-27
AT196815	7	1910-3	AT198351	4	3363-1D	AT199657	4	3162-27
AT196815	14	1910-3	AT198352	8	3363-1D	AT199714	9	0505-7
AT196815	24	1910-3	AT198353	12	3363-1D	AT199734	1	1811-5
AT196815	60	1910-5	AT198354	9	3363-1D	AT199735	1	1811-5
AT196839	26	3315-11	AT198355	2	3363-1D	AT199740	8	3140-3
AT196853	38	3163-7	AT198356	7	3363-1D	AT199908	7	0560-4
AT196853	28	3163-9	AT198357	11	3363-1D	AT199930	5	2160-3
AT196924	23	3162-27	AT198358	10	3363-1D	AT199930	5	2160-5
AT196943	3	3362-31	AT198359	13	3363-1D	AT199931	12	2160-5
AT197001	1	1921-3	AT198360	5	3363-1D	AT199938	8	2160-5
AT197067	14	3363-3B	AT198416	33	3363-1B	AT208483	12	1821-17
AT197068	13	3363-3B	AT198417	32	3363-1B	AT208485	19	1821-17
AT197105	1	3115-5	AT198598	8	0230-7	AT208486	12	1821-17
AT197134	8	3315-3	AT198602	3	0230-7	AT208491	14	1821-17
AT197165	14	3362-33	AT198617	1	3362-35	AT208493	19	1821-17
AT197208	17	3363-1B	AT198618	1	3362-37	AT209020	4	1821-7
AT197209	18	3363-1B	AT198694	13	1821-17	AT209024	8	1821-5
AT197210	11	3363-1B	AT198760	15	2160-25	AT209025	14	1821-3
AT197211	12	3363-1B	AT198760	14	2160-27	AT209026	6	1821-5

9995-12

310G, 310SG AND 315SG BACKHOE LOADERS

NUMERICAL INDEX - CONTINUED

PART NO.	KEY	PAGE	PART NO.	KEY	PAGE	PART NO.	KEY	PAGE
AT209225	13	1821-3	AT280406	34	3362-9	AT300801	39	3362-45
AT210515	7	1830-7	AT280406	40	3362-11	AT300803	1	3162-11
AT219940	9	0960-5	AT280406	30	3362-13	AT300803	4	3362-11
AT220317	35	1814-5	AT280406	37	3362-15	AT300803	3	3362-41
AT220393	3	1672-3	AT280406	38	3362-17	AT300805	1	3362-27
AT220393	3	1672-5	AT280406	18	3362-19	AT300805	1	3362-47
AT220394	3	1672-3	AT280406	20	3362-23	AT300825	1	3362-43
AT220394	3	1672-5	AT280406	38	3362-41	AT300827	1	3362-41
AT220930	1	0520-5	AT280406	26	3362-43	AT300828	1	3362-45
AT221015	2	1821-3	AT280406	38	3362-45	AT300853	37	3163-11
AT221016	1	1821-3	AT280406	25	3362-47	AT300855	9B	3163-11
AT221019	2	1821-3	AT280440	14	2160-27	AT300857	3	3163-11
AT221020	1	1821-3	AT280441	14	2160-27	AT300857	5B	3163-11
AT222150	12	1816-13	AT280459	22B	1060-3	AT300860	13B	3163-11
AT222276	5	2004-7	AT280509	7	2160-27	AT300860	14B	3163-11
AT222276	4	2004-8	AT280583	10	1821-5	AT300885	11	1816-17
AT222333	1	2002-2	AT280598	18	2160-7	AT300928	10	1674-11
AT224570	10	3162-29	AT280598	43	2160-9	AT300928	12	1812-3
AT224570	4	3362-31	AT280598	16	2160-9B	AT300928	28	2160-27
AT224570	13	3362-31	AT280598	11	2160-11	AT300958	15	0560-3
AT224862	9	3162-29	AT280674	10	1816-15	AT300958	15	0560-7
AT224865	9B	3163-11	AT280674	19	1816-17	AT301016	9B	3163-11
AT224949	11	0230-5	AT280742	27	2160-25	AT301017	9B	3163-11
AT225952	4	1674-5D	AT280866	1	0230-8	AT301019	9B	3163-11
AT226281	1	1674-9F	AT280869	9	0230-7	AT301020	9B	3163-11
AT226281	5	2004-7	AT300045	3	3315-3B	AT301127	4	3362-13
AT226281	4	2004-8	AT300055	18	3315-15B	AT301127	3	3362-43
AT227063	31	1816-15	AT300056	17	3315-13B	AT301128	2	3162-11
AT227063	10	1816-17	AT300057	1	3315-15B	AT301128	5	3362-11
AT228474	1	2160-15	AT300058	3	3315-13B	AT301128	4	3362-41
AT25226	2	0110-2	AT300060	21	3315-13B	AT301227	25	3362-21
AT280200	23	3363-1B	AT300060	17	3315-15B	AT301427	3	1674-5B
AT280234	2	0560-4	AT300131	4	1674-7	AT301434	11	3315-27
AT280255	2	1816-13	AT300152	17	3315-7	AT301447	4	3362-11
AT280268	2	0230-7	AT300153	30	2160-9B	AT301447	3	3362-41
AT280343	14	3363-7	AT300153	16	2160-13	AT301476	8	3163-9
AT280343	22	3363-9	AT300153	19	2160-17	AT301484	22	3315-13B
AT280343	32	3363-11	AT300159	15	3115-5	AT301485	21	3315-15B
AT280343	17	3363-13	AT300165	1	0110-2	AT301487	5	3362-11
AT280343	25	3363-19	AT300230	3	3362-31	AT301487	4	3362-41
AT280344	23	3363-9	AT300230	4	3362-31	AT301526	1	3162-15
AT280344	33	3363-11	AT300254	8	3362-31	AT301526	3	3362-13
AT280345	25	3363-21	AT300255	16	3362-31	AT301526	5	3362-13
AT280345	26	3363-25	AT300570	7	3362-5	AT301526	2	3362-43
AT280346	14	3363-7	AT300574	7	3362-5	AT301526	4	3362-43
AT280346	22	3363-9	AT300575	7	3362-5	AT301527	2	3162-15
AT280346	32	3363-11	AT300577	7	3362-5	AT301527	4	3362-13
AT280346	17	3363-13	AT300579	7	3362-5	AT301527	5	3362-13
AT280346	25	3363-19	AT300583	7	3362-7	AT301527	3	3362-43
AT280346	24	3363-33	AT300585	7	3362-7	AT301527	4	3362-43
AT280347	23	3363-9	AT300587	7	3362-7	AT301748	3	3362-21
AT280347	33	3363-11	AT300589	7	3362-7	AT301749	39	3362-15
AT280347	25	3363-23	AT300591	7	3362-7	AT301749	41	3362-15
AT280347	25	3363-27	AT300742	30	3363-1B	AT301749	39	3362-45
AT280347	25	3363-33	AT300750	22	1816-15	AT301750	5	3362-15
AT280348	20	3363-31	AT300759	11	2160-9B	AT301750	39	3362-15
AT280350	24	3363-21	AT300768	4	0515-3	AT301750	4	3362-45
AT280350	25	3363-25	AT300769	12	3315-25	AT301750	39	3362-45
AT280363	23	3315-25	AT300770	2	3315-25	AT301751	6	3362-15
AT280396	16	2160-13	AT300771	5	3315-25	AT301751	5	3362-45
AT280406	40	3162-9	AT300801	33	3162-11	AT301763	1	3362-47
AT280406	32	3162-11	AT300801	28	3162-15	AT301765	2	3162-29
AT280406	36	3162-13	AT300801	41	3362-11	AT301766	6	3162-29
AT280406	27	3162-15	AT300801	32	3362-13	AT301767	4	3162-29
AT280406	35	3162-17	AT300801	39	3362-15	AT301776	1	3362-15
AT280406	24	3162-21	AT300801	37	3362-41	AT301782	1	3362-13
AT280406	24	3162-27	AT300801	25	3362-43	AT301783	1	3362-11

9995-13

310G, 310SG AND 315SG BACKHOE LOADERS

NUMERICAL INDEX - CONTINUED

PART NO.	KEY	PAGE	PART NO.	KEY	PAGE	PART NO.	KEY	PAGE
AT301784	1	3362-15	AT304825	1	1674-9	AT308188	6B	3102-7
AT301784	3	3362-25	AT304826	1	1674-9	AT308191	1	3102-9
AT301786	1	3362-13	AT304837	15	0560-3	AT308191	2	3102-9
AT301787	1	3362-15	AT304837	1	1674-9	AT308191	19	3102-9
AT301788	1	3362-15	AT304887	12	1811-3	AT308191	1	3102-11
AT301789	1	3362-11	AT304891	2	1816-13	AT308193	1	3102-9
AT301917	7	2160-11	AT304913	19	2160-17	AT308193	2	3102-9
AT301917	31	2160-11	AT304971	4	1674-7	AT308193	19	3102-9
AT301917	9	2160-17	AT305073	5	1746-2	AT308193	1	3102-11
AT301917	18	2160-17	AT305685	13	1814-15	AT308199	21	1821-3B
AT301917	9	2160-19	AT305766	16	2160-13	AT308208	16	1674-3
AT301917	20	2160-19	AT305773	25A	3363-1B	AT308208	4	1674-5
AT301917	5	2160-21	AT306499	1	3343-3	AT308237	1	1674-5D
AT301917	16	2160-21	AT306499	14	3343-3	AT308274	1	2160-15
AT301917	7	2160-23	AT306499	14	3343-5	AT308319	1	1674-9
AT302103	1	3362-45	AT306500	14	3343-3	AT308322	1	1674-9
AT302108	40	3362-15	AT306550	4	3362-31	AT308380	18	1674-3B
AT302108	37	3362-45	AT306550	20	3363-1B	AT308440	1	1674-5D
AT302113	3	3362-15	AT306684	3	0230-5	AT308466	17	3363-25
AT302113	3	3362-45	AT306684	4	0250-1	AT308466	17	3363-27
AT302258	2B	0341-5	AT307106	3	3104-3	AT308473	1	1674-5D
AT302625	1	1674-5B	AT307187	8	3362-35	AT308475	1	1674-5D
AT302628	6	1674-5B	AT307187	8	3362-37	AT308506	11	3163-13
AT302727	12	1674-5	AT307260	6	1313-3	AT308555	12	0510-3
AT302803	5	1910-3	AT307315	8	3162-29	AT308555	25	2160-11
AT302812	1	1814-9	AT307332	6	3362-13	AT308795	2	1821-3
AT302812	21	1814-9B	AT307332	5	3362-43	AT308796	1	1821-3
AT302813	13	1814-9B	AT307345	6	0960-3	AT308797	1	1821-3
AT302815	12	1814-9B	AT307632	8	3102-5	AT308910	2	3103-3
AT302816	11	1814-9B	AT307664	9	3362-27	AT308925	1	3103-3
AT302817	9	1814-9B	AT307691	40	1830-7	AT308926	1	3103-3
AT303024	14	3346-3	AT307737	8	0250-1	AT308966	8	3102-17
AT303065	22	2160-9B	AT307738	30	0960-9	AT308968	1	3102-15
AT303066	22	2160-9B	AT307738	30	0960-11	AT308970	8	3102-17
AT303155	1	3343-5	AT307739	8	0250-1	AT308972	7	3102-19
AT303214	25	1830-7	AT307741	7	0230-3	AT308972	24	3102-19
AT303575	16	1674-3	AT307741	2	0230-5	AT308972	53	3102-21
AT303575	4	1674-5	AT307741	7	0230-6	AT308974	7	3102-19
AT303579	16	1674-3	AT307741	18	0230-7	AT308974	24	3102-19
AT303579	18	1674-3B	AT307741	10	0230-8	AT308974	53	3102-21
AT303579	4	1674-5	AT307770	10	1814-9B	AT309100	1	0110-2
AT303580	16	1674-3	AT307916	1	3104-3	AT309100	4	0110-2
AT303580	18	1674-3B	AT307916	27	3104-3	AT309102	1	0110-2
AT303580	4	1674-5	AT308040	1	3102-3	AT309104	1	0110-3
AT303853	23	1816-15	AT308040	6B	3102-7	AT309105	1	0110-3
AT303853	13	1816-17	AT308042	1	3102-9	AT309110	1	0110-2
AT303890	1	3362-35	AT308042	2	3102-9	AT309111	1	0120-1
AT303891	1	3362-37	AT308042	19	3102-9	AT309184	39	3315-9B
AT303892	8	3362-35	AT308042	1	3102-11	AT309184	40	3315-9B
AT303892	8	3362-37	AT308049	6B	3102-7	AT309185	38	3315-9B
AT303954	5	3362-15	AT308049	1	3102-9	AT309186	15	3315-9
AT303954	39	3362-15	AT308067	1	3103-3	AT309190	4	3315-17
AT303954	4	3362-45	AT308071	8	3102-5	AT309208	1	3102-15
AT303954	39	3362-45	AT308071	6B	3102-7	AT309303	1	0250-5
AT304075	11	1060-9	AT308076	1	3102-3	AT309304	1	0250-5
AT304324	3	1816-11	AT308076	6B	3102-7	AT309305	6	0250-5
AT304502	7	3362-5	AT308080	8	3102-5	AT309306	6	0250-5
AT304561	28	1674-7	AT308080	6B	3102-7	AT309307	4	0250-5
AT304593	4	1816-11	AT308095	6B	3102-7	AT309347	6	1814-9
AT304593	1	1830-9	AT308095	1	3102-9	AT309385	27	2160-25
AT304631	1	1814-15	AT308099	6B	3102-7	AT309385	28	2160-27
AT304761	7	1060-3	AT308099	1	3102-9	AT309413	41	3315-9B
AT304761	10	1060-5	AT308138	3	3103-3	AT309458	1	3162-29
AT304761	30	1060-5	AT308139	3	3103-3	AT309567	44	3363-21B
AT304775	27	1821-9	AT308148	16	1674-3	AT309568	45	3363-25
AT304776	27	1821-9	AT308148	4	1674-5	AT309577	38	3363-23
AT304824	1	1674-9	AT308188	1	3102-3	AT309579	36	3363-27

9995-14

310G, 310SG AND 315SG BACKHOE LOADERS

NUMERICAL INDEX - CONTINUED

PART NO.	KEY	PAGE	PART NO.	KEY	PAGE	PART NO.	KEY	PAGE
AT309662	4	3163-13	AT314538	25	3162-21	AT320371	1	3362-47
AT309663	3	3163-13	AT314538	33	3362-9	AT320372	1	3362-45
AT309679	15	3163-13	AT314538	39	3362-11	AT320378	1	3362-45
AT309682	16	3163-13	AT314538	31	3362-13	AT320497	9	3362-26
AT309683	1	0210-6	AT314538	38	3362-15	AT320544	7	1811-5
AT309690	18	3163-13	AT314538	37	3362-17	AT320544	9	1811-5
AT309694	9	3163-13	AT314538	24	3362-21	AT320544	19	2001-3
AT309696	17	3163-13	AT314538	36	3362-41	AT320544	21	2001-3
AT309706	44	3363-21B	AT314538	40	3362-45	AT321004	7	1811-5
AT309707	45	3363-25	AT314538	24	3362-47	AT321005	7	1811-5
AT309710	25	3363-21	AT314539	20	3162-5	AT321005	21	2001-3
AT309710	26	3363-25	AT314539	41	3162-9	AT321040	1	1747-7
AT309739	54	3315-9B	AT314539	34	3162-11	AT321280	6	1672-7
AT309740	14	3315-17	AT314539	35	3162-13	AT321365	13	1673-7
AT309746	4	3104-3	AT314539	29	3162-15	AT322232	22	0560-3
AT309747	5	3104-3	AT314539	33	3162-17	AT322232	1	0560-7
AT309864	8	3315-3	AT314539	25	3162-21	AT322234	1C	0520-3
AT309934	48	3102-21	AT314539	39	3362-11	AT322742	9	1921-5
AT309934	41	3163-9	AT314539	31	3362-13	AT322743	7	1921-5
AT309986	48	3102-21	AT314539	38	3362-15	AT322950	29	3346-7
AT309986	40	3163-9	AT314539	37	3362-17	AT323012	7	1814-11
AT309994	4	1674-7	AT314539	24	3362-21	AT323013	2	1814-15
AT310062	1	3344-3	AT314539	36	3362-41	AT323014	1	1814-11
AT310062	6	3344-3	AT314539	40	3362-45	AT323015	4	1814-15
AT310257	16	3363-21	AT314539	24	3362-47	AT323022	1	1814-11
AT310257	19	3363-23	AT314668	8	3362-39	AT323022	4	1814-15
AT310291	1	0120-1	AT314672	3	3315-3B	AT323124	6	1921-5
AT310630	4	1674-7	AT314739	8	3140-3	AT323301	9	1673-7
AT310650	1	1673-3	AT314909	7	0530-7	AT323348	20	1740-3
AT310728	16	1674-3	AT315189	8	3140-3	AT323348	37	1740-5
AT310728	4	1674-5	AT315227	6	1814-15	AT323398	1	3362-26
AT310730	16	1674-3	AT315228	2	1814-11	AT323398	1	3362-47
AT310730	4	1674-5	AT315263	16	1740-3	AT323593	4	0560-7
AT310818	15	2160-25	AT315263	33	1740-5	AT323744	9	1673-7
AT310818	14	2160-27	AT316227	1	1921-5	AT324138	12	3345-5
AT310980	18	1674-3B	AT316249	30	0960-9	AT324237	11A	3345-5
AT311060	1	3344-3	AT316249	30	0960-11	AT324237	11B	3345-5
AT311060	6	3344-3	AT316301	8	3162-5	AT324237	12	3345-5
AT311143	41	3102-21	AT316301	9	3162-5	AT324533	1	3346-5
AT311334	40	1910-5	AT316301	6	3162-7	AT324938	11	1673-7
AT311598	3	1674-5D	AT316302	28	3362-9	AT326166	13	1673-7
AT311651	10	3163-13	AT317091	20	3315-9	AT326356	7	1811-5
AT311785	42	1910-5	AT317121	1	1060-11	AT326356	9	1811-5
AT311786	33	1910-5	AT317350	4	3362-31	AT326356	12	1811-5
AT311787	24	1910-3	AT317350	20	3363-1B	AT326356	19	2001-3
AT311929	7	1816-5	AT317350	25B	3363-1B	AT326356	21	2001-3
AT311929	1	3315-17	AT317385	6	2160-5	AT326356	22	2001-3
AT312121	6	1816-5	AT317442	8	2160-5	AT326622	12	1673-7
AT312121	49	3315-9B	AT317640	13	2160-5	AT326922	15	3115-5
AT312470	49	3102-21	AT317783	7	3362-5	AT326932	13	1673-7
AT312728	6	1821-3	AT317784	7	3362-5	AT327441	16	1674-3
AT312730	5	1821-3	AT317785	7	3362-5	AT327441	4	1674-5
AT312876	47	3163-9	AT317786	7	3362-5	AT328231	6	3162-27
AT312918	4	3362-29B	AT317805	22	0560-3	AT328623	25	3162-27
AT312918	13	3362-29B	AT317805	1	0560-7	AT329519	22	3363-21
AT312919	3	3362-29B	AT318113	9	1060-9	AT329519	23	3363-25
AT312919	13	3362-29B	AT318271	30	0960-9	AT329520	21	3363-21
AT312944	9	3362-29B	AT318271	30	0960-11	AT329520	22	3363-25
AT312949	13	3362-29B	AT318335	1	3346-5	AT329524	12	1673-7
AT313708	3	3362-31	AT318374	6	1672-7	AT329662	44	3363-21B
AT314127	8	3362-29B	AT318530	6	3162-7	AT329663	45	3363-25
AT314538	20	3162-5	AT318551	4	0960-13	AT329694	1	3343-5
AT314538	41	3162-9	AT318647	25	2160-9B	AT330781	14	3346-3
AT314538	34	3162-11	AT320204	1	0110-2	AT330860	6	3162-27
AT314538	35	3162-13	AT320235	2	0560-7	AT331223	13	2160-5
AT314538	29	3162-15	AT320369	1	3362-43	AT332084	2	1913-3
AT314538	33	3162-17	AT320370	1	3362-41	AT332110	1	1674-9

9995-15

310G, 310SG AND 315SG BACKHOE LOADERS

NUMERICAL INDEX - CONTINUED

PART NO.	KEY	PAGE	PART NO.	KEY	PAGE	PART NO.	KEY	PAGE
AT332114	1	1674-9	A3581R	15	3348-3	H135156	12	3102-11
AT332118	4	1674-7	A3606R	1	1369-5	H135156	44	3102-21
AT332153	4	1913-3	A364R	7	0417-3	H140456	30	3343-3
AT332462	8	2160-5	A364R	7	0417-4	H140456	26	3343-5
AT332497	3	3362-31	A36518	8	3163-11	H140818	4	3365-3
AT332497	4	3362-31	A3917R	6	0960-6	H140818	4	3365-7
AT332597	6	1913-3	A3917R	1	1369-5	H141836	12	2160-11
AT333053	8	2160-5	A4365R	39	0515-5	H142090	13	3165-11
AT333053	13	2160-5	A4365R	1	1369-5	H142090	13	3165-13
AT333053	18	2160-5	A4730R	1	1369-5	H142090	6	3365-23
AT333060	29	0250-7	A4827R	14	0402-4A	H142209	20	3365-19C
AT333453	3	1913-3	A4827R	14	0402-6A	H144094	3	1672-3
AT333807	17B	2160-5	A4827R	17	0452-5	H144094	3	1672-5
AT334603	1	3343-3	A48970	24	1814-3	H144095	3	1672-3
AT334604	1	3343-3	A49232	4	3363-13	H144095	3	1672-5
AT334606	1	3343-5	BP12214	1	1821-10	H144342	4	0960-17
AT334722	6	1672-7	B177R	12	1060-3	H145175	3	3365-21B
AT337941	5	3162-27	B2762R	1	1369-5	H145175	3	3365-22
AT339941	3	0560-7	B28851	3	2160-17	H145175	3	3365-22A
AT340155	2	1814-3	B3690R	2	0960-6	H145175	3	3365-23
AT340856	10	1814-15	B3690R	1	1369-5	H145175	3	3365-24A
AT34210	2	1314-3	CD16284	7	0409-3	H145175	3	3365-24B
AT34211	1	1314-3	CV08	13	3362-31	H145175	3	3365-25
AT36635	8	1812-5	C11884	12	3365-3	H145175	3	3365-26
AT41188	5	1671-7	C11884	4	3365-5	H145175	3	3365-26A
AT48016	32	3315-9	C11884	7	3365-17	H145359	6	3165-3
AT49216	4	3362-31	C15104	1	0960-6	H145359	6	3165-7
AT49216	14	3362-31	C15107	3	0960-6	H145456	6	3365-25
AT49300	7	3315-17	C16054	8	3163-3	H146457	1	2160-23
AT49300	1	3315-27	C16054	19	3163-5	H150291	4	3365-30
AT51878	1	0120-1	C16054	6	3363-3	H150291	6	3365-31
AT65241	15	0560-3	C16054	4	3363-3B	H150291	13	3365-33
AT65241	16	0560-3	C16054	19	3363-9	H150947	5	3365-19C
AT65241	16	0560-7	C16054	6	3363-11	H150947	1	3365-21
AT66805	1	0110-2	C16054	4	3363-13	H150964	22	3365-7
AT68978	6	3363-29	E12379	7	0230-5	H150964	2	3365-9
AT73296	1	0505-3	E12379	5	1370-2	H150964	21	3365-9
AT74940	6	0505-3	E49244	9	3365-15	H150976	5	3365-13
AT75311	53	1814-5	E64052	3	1671-8	H150976	3	3365-14
AT75769	5	1674-5	E67574	4	1821-10	H151328	9	3365-19
AT75769	5	1674-5B	E71998	14	2160-27	H151328	18	3365-19B
AT75769	3	1674-11	E87197	4	0560-3	H151328	9	3365-19C
AT78527	19	3162-5	E87197	32	0560-7	H151328	5	3365-21
AT78527	7	3162-7	F1056R	1	1369-5	H151542	17	3165-3
AT78534	1	2004-4	F1430R	10	3165-11	H151542	17	3165-4
AT78633	17	1674-5	F1430R	2	3165-13	H151542	17	3165-7
AT79754	11	0230-1	F1430R	7	3165-15	H151542	14	3165-8
AT79755	10	0230-1	F1430R	5	3365-14	H151542	17	3165-9
AT79756	9	0230-1	F1430R	12	3365-21	H151594	3	3165-11
AT81867	2	3363-29	F1430R	4	3365-24A	H151594	21	3165-13
AT82210	6	1674-11	F1430R	4	3365-24B	H151594	15	3165-15
AT83174	16	3162-17	F1870R	1	1369-5	H151641	8	3365-19
AT83174	7	3162-21	F2863R	20	1060-3	H151641	1	3365-19B
AT83174	16	3362-19	F2863R	10	3115-11	H151781	6	3365-18
AT83174	16	3362-23	F2863R	8	3315-19	H151790	6	3365-34
AT83174	2	3362-24	F3353R	1	1369-5	H151790	13	3365-35
AT83174	2	3362-25	F37030242	9	2160-3	H151815	2	3365-13
AT83174	3	3362-26	F37030242	14	2160-5	H151815	2	3365-15
AT83174	4	3362-26	F950R	9	3365-10	H151816	6	3365-13
AT83174	3	3362-27	F950R	5	3365-16	H151820	15	3365-18
AT83174	4	3362-27	F950R	4	3365-26	H151830	10	3365-3
AT85174	24	1674-9B	F950R	4	3365-26A	H151830	18	3365-5
AT85174	5	1674-9F	H104855	9	1674-17	H151830	10	3365-7
AU12450	17	3163-7	H113924	8	0960-3	H151830	18	3365-9
AU12450	16	3163-9	H121168	20	3102-11	H151831	5	3365-3
AW24539	1	1814-3	H121168	43	3102-21	H151831	17	3365-5
A24073	3	3102-11	H129201	13	3315-11	H151831	5	3365-7

9995-16

310G, 310SG AND 315SG BACKHOE LOADERS

NUMERICAL INDEX - CONTINUED

PART NO.	KEY	PAGE	PART NO.	KEY	PAGE	PART NO.	KEY	PAGE
H151831	17	3365-9	H152794	14	3365-11	H155520	6	3365-21B
H151832	3	3365-3	H152794	15	3365-19C	H155539	14	3365-3
H151832	3	3365-7	H152794	14	3365-21B	H155539	9	3365-17
H151833	2	3365-3	H152794	14	3365-23	H155540	13	3365-3
H151833	2	3365-7	H152794	14	3365-25	H155540	6	3365-5
H151889	8	3365-13	H152795	16	3365-3	H155540	8	3365-17
H151891	8	3365-18	H152795	9	3365-5	H155543	6	3365-3
H151892	6	3365-15	H152795	16	3365-7	H155543	14	3365-5
H151893	5	3365-15	H152795	9	3365-9	H155543	3	3365-17
H151893	3	3365-16	H152795	12	3365-13	H155547	9	3365-10
H151894	2	3365-17	H152795	16	3365-14	H155548	8	3365-10
H152065	8	3365-15	H152796	12	3365-15	H155655	14	3365-36
H152140	20	3365-7	H152796	16	3365-16	H155718	10	3365-13
H152140	19	3365-9	H152796	11	3365-17	H155738	17	3365-7
H152202	14	3365-19	H152796	11	3365-18	H155738	5	3365-9
H152202	12	3365-19B	H154109	5	3365-30	H155740	10	3365-15
H152202	8	3365-27	H154109	7	3365-31	H155769	12	3365-18
H152202	15	3365-29	H154269	15	3365-13	H156058	9	3365-30
H152202	11	3365-34	H154269	15	3365-15	H156058	11	3365-31
H152202	6	3365-35	H154269	20	3365-19	H156058	4	3365-33
H152203	16	3102-13	H154352	7	3165-11	H156486	1	3365-19C
H152203	13	3165-3	H154352	22	3365-19C	H156486	8	3365-21
H152203	13	3165-4	H154352	7	3365-23	H156586	5	3365-33
H152203	13	3165-7	H154372	8	3365-19C	H156929	12	3365-17
H152203	11	3165-8	H154372	2	3365-21	H157081	8	3365-3
H152203	13	3165-9	H154373	3	3365-19C	H157081	13	3365-5
H152203	12	3165-11	H154373	7	3365-21	H157083	8	3365-7
H152203	18	3165-13	H154380	7	3365-13	H157510	22	3365-19
H152203	5	3165-15	H154381	9	3365-13	H157662	14	0960-14
H152203	13	3365-10	H154382	7	3365-15	H157662	14	0960-17
H152203	13	3365-11	H154383	9	3365-15	H157897	15	3365-36
H152203	12	3365-12	H154385	9	3365-18	H157898	13	3365-19B
H152203	14	3365-19C	H154402	15	3365-27	H157898	8	3365-29
H152203	13	3365-21	H154402	8	3365-34	H157947	15	3365-36
H152203	11	3365-21B	H154402	4	3365-35	H157978	7	3365-25
H152203	13	3365-22	H154404	17	3365-21B	H158062	22	3365-3
H152203	13	3365-22A	H154404	16	3365-22	H158090	1	3365-19
H152203	11	3365-23	H154404	16	3365-22A	H158090	7	3365-19B
H152203	12	3365-24A	H154404	17	3365-23	H158596	3	1921-5
H152203	12	3365-24B	H154404	15	3365-24A	H158674	11	0960-17
H152203	11	3365-25	H154404	15	3365-24B	H158675	12	0960-17
H152203	12	3365-26	H154404	17	3365-25	H158676	12	0960-14
H152203	12	3365-26A	H154404	15	3365-26	H158676	17	0960-17
H152204	18	3365-3	H154404	15	3365-26A	H158676	7	3104-5
H152204	10	3365-5	H154514	3	3365-33	H158942	8	0960-14
H152204	18	3365-7	H154897	14	3365-7	H158942	7	0960-17
H152204	10	3365-9	H154898	13	3365-7	H158947	15	3365-17
H152204	13	3365-13	H154898	6	3365-9	H159941	2	3165-3
H152204	15	3365-14	H154900	6	3365-7	H159941	2	3165-4
H152205	13	3365-15	H154900	14	3365-9	H159941	2	3165-7
H152205	15	3365-16	H154901	11	3365-7	H159941	2	3165-8
H152205	13	3365-17	H155419	15	3365-10	H159941	2	3165-9
H152205	13	3365-18	H155419	16	3365-11	H162312	6	3104-5
H152345	8	3165-3	H155419	15	3365-12	H164359	9	0960-17
H152345	8	3165-7	H155420	20	3365-3	H164464	5	3365-17
H152345	8	3165-8	H155420	21	3365-3	H164925	10	3104-5
H152345	11	3365-11	H155420	19	3365-5	H164982	6	3365-33
H152345	7	3365-21B	H155423	17	3365-3	H168275	3	3365-19
H152793	15	3365-19	H155423	5	3365-5	H168275	8	3365-19B
H152793	9	3365-27	H155424	10	3365-10	H169161	9	3365-3
H152793	12	3365-34	H155483	11	3365-3	H169161	16	3365-5
H152793	7	3365-35	H155483	6	3365-17	H169161	9	3365-7
H152794	14	3165-3	H155512	6	3365-10	H169161	16	3365-9
H152794	14	3165-7	H155513	2	3365-10	H170216	6	3165-9
H152794	12	3165-8	H155513	2	3365-11	H170216	6	3365-12
H152794	9	3165-11	H155520	5	3365-10	H170216	14	3365-19B
H152794	12	3365-10	H155520	10	3365-11	H170216	6	3365-22

9995-17

310G, 310SG AND 315SG BACKHOE LOADERS

NUMERICAL INDEX - CONTINUED

PART NO.	KEY	PAGE	PART NO.	KEY	PAGE	PART NO.	KEY	PAGE
H170216	6	3365-22A	H180787	7	3365-12	H77698	36	3163-11
H170371	5	3365-18	H180787	15	3365-19B	H77698	37	3363-21B
H170372	2	3365-18	H180787	7	3365-22	H77698	15	3363-25
H170534	4	0960-14	H180787	7	3365-22A	H77698	39	3363-25
H170534	3	0960-17	H180927	6	3102-13	H77698	15	3363-27
H170535	1	3365-30	H181114	11	3165-15	H77698	15	3363-47
H170535	1	3365-31	H181114	15	3365-21	H80753	2	0429-3
H170535	14	3365-33	H181114	7	3365-24A	H81744	23	0341-1
H170537	1	3365-27	H181114	7	3365-24B	H81744	22	0341-3
H170537	2	3365-29	H206792	4	3365-16	H85092	11	1830-7
H170537	2	3365-36	H206859	6	3165-13	JD10063	5	0230-8
H170538	3	3165-3	H206859	12	3165-15	JD10249	22	0250-7
H170538	3	3165-4	H206859	9	3365-14	JD10250	5	0250-8
H170538	3	3165-7	H206859	16	3365-21	JD10250	5	0250-8B
H170538	3	3165-8	H206859	8	3365-24A	JD10373	36	1816-15
H170538	3	3165-9	H206859	8	3365-24B	JD10373	26	1816-17
H170538	2	3365-19	H207036	18	3104-5	JD126	8	2008-2
H170538	20	3365-19B	H208631	14	3165-13	JD21	3	0120-1
H170538	12	3365-35	H208631	9	3165-15	JD27	3	0120-1
H170539	16	3165-11	H208631	21	3365-21	JD3216	1	0120-1
H170539	7	3165-13	H208631	10	3365-24A	JD5404	4	2008-2
H170539	3	3165-15	H208631	10	3365-24B	JD5621	9A	1320-3
H170539	2	3365-12	H208987	14	3165-4	JD5694	10A	1320-3
H170539	2	3365-19C	H208987	14	3165-9	JD5694	19	1814-9
H170539	0	3365-21	H208987	19	3165-13	JD5717	10B	1320-3
H170540	2	3365-14	H208987	6	3165-15	JD5750	9B	1320-3
H170540	2	3365-16	H208987	13	3365-12	JD5750	10B	1320-3
H173199	14	3104-5	H208987	17	3365-21	JD5750	19	1814-9
H173205	4	3104-5	H208987	14	3365-22	JD5750	18	1814-9B
H173206	8	3104-5	H208987	14	3365-22A	JD5761	10B	1320-3
H173207	9	3104-5	H208987	13	3365-24A	JD5761	2	1921-5
H173411	35	1816-15	H208987	13	3365-24B	JD5836	7	1320-3
H173411	34	1816-17	H208987	13	3365-26	JD5920	5	1314-3
H177854	4	3102-13	H208987	13	3365-26A	JD5920	12	1320-3
H178765	17	3365-29	H208995	10	3365-26	JD5930	3	2008-2
H178765	10	3365-36	H208995	10	3365-26A	JD5933	26	0560-3
H179657	18	3365-29	H209221	11	3165-4	JD5933	10	0560-7
H179657	12	3365-36	H209221	11	3165-9	JD5933	11	1913-3
H179692	8	3102-13	H209221	3	3365-12	JD7797	7	0230-1
H180080	9	3365-16	H209221	11	3365-22	JD7797	8	0230-5
H180080	8	3365-26	H209221	11	3365-22A	JD7797	3	0250-2
H180080	8	3365-26A	H209264	4	3365-14	JD7797	4	3102-9
H180094	7	3365-16	H209712	1	3365-5	JD7797	4	3102-11
H180094	6	3365-26	H209712	1	3365-9	JD7797	11	3102-12
H180094	6	3365-26A	H210731	21	3365-19B	JD7797	38	3102-21
H180103	4	3165-13	H210874	7	3365-33	JD7798	18	3345-5
H180103	10	3165-15	H210939	7	3365-36	JD7838	25	0230-3
H180103	7	3365-14	H210941	11	3365-29	JD7838	10	0230-5
H180103	14	3365-21	H211156	11	3365-33	JD7838	9	0250-1
H180103	6	3365-24A	H217543	12	3104-5	JD7838	6	0960-14
H180103	6	3365-24B	H23125	1	0402-3	JD7838	1	1370-2
H180397	13	3365-9	H23196	9	1369-7	JD7838	2	1370-2
H180402	11	3365-14	H29619	2	3102-12	JD7844	4	3102-11
H180402	11	3365-16	H35244	1	1369-5	JD7844	45	3102-21
H180402	5	3365-19B	H63262	8	3365-33	JD8251	6	0230-4
H180402	20	3365-19C	H77698	23	0560-3	JD8929	7	0230-4
H180402	19	3365-21	H77698	34	0560-7	JD9041	3	0230-4
H180430	6	3365-15	H77698	11	1314-3	JD9170	4	0230-4
H180431	11	3365-3	H77698	4	1671-8	JD9954	10	3115-5
H180431	3	3365-5	H77698	21	1674-5	J16931	2	1313-3
H180431	6	3365-17	H77698	1	1674-5D	KV11304	50	3102-21
H180433	11	3365-7	H77698	54	1830-7B	KV11305	49	3102-21
H180433	3	3365-9	H77698	17	1830-13	KV11305	44	3163-9
H180569	6	3365-10	H77698	33	2160-9	KV12858	10	3162-5
H180778	1	3104-5	H77698	22	3163-5	KV14216	50	3102-21
H180782	2	3104-5	H77698	37	3163-7	KV16429	14	0520-3
H180787	7	3165-9	H77698	39	3163-9	KV22121	36	3102-21

9995-18

310G, 310SG AND 315SG BACKHOE LOADERS

NUMERICAL INDEX - CONTINUED

PART NO.	KEY	PAGE	PART NO.	KEY	PAGE	PART NO.	KEY	PAGE
KV22609	11	3163-3	L38730	18	0315-3	M40569	14	3315-19
KV22609	1	3163-5	L40014	16	0250-5	M40569	19	3315-19
KV25678	4	3362-31	L40276	10	0250-7	M41029	4	0403-2
KV25678	8	3362-31	L40306	10	0250-5	M41029	4	0403-2A
K40006	14	3102-9	L40317	25	0250-7	M41029	4	0403-2B
K40006	39	3102-21	L40982	3	0250-13	M41029	4	0403-3A
L100057	4	0250-13	L40985	3	0250-13	M41029	26	1060-5
L100060	4	0250-13	L40988	3	0250-13	M4125T	5	3104-5
L100063	4	0250-13	L40991	3	0250-13	M4237T	1	1369-5
L100066	4	0250-13	L40994	3	0250-13	M4237T	4	3365-19
L100069	4	0250-13	L41159	4	0250-8	M4237T	9	3365-19B
L100074	4	0250-13	L41159	4	0250-8B	M43835	2	1674-17
L100077	4	0250-13	L4694T	4	3115-11	M453T	31	1821-3B
L100080	4	0250-13	L4694T	5	3115-13	M47031	5	1821-7
L100083	4	0250-13	L53816	14	0341-1	M47031	12	1821-7
L100086	4	0250-13	L55580	14	0201-3	M47031	24	1821-9
L100089	4	0250-13	L55580	19	0250-5	M47031	4	1821-13
L100092	4	0250-13	L55580	9	0250-8	M48534	1	0515-3
L100096	4	0250-13	L55580	9	0250-8A	M48534	4	0515-5
L100102	16	0250-7	L55580	9	0250-8B	M63200	3	1913-3
L100106	16	0250-7	L55580	12	1011-3	M63200	4	1913-3
L100109	16	0250-7	L55598	23	0250-7	M63431	16	1674-7
L100141	11	0250-5	L55605	1	0250-5	M68954	8	3115-7
L100145	11	0250-5	L55605	4	0250-5	M68954	9	3115-9
L100150	4	0250-11	L55605	6	0250-5	M68954	7	3115-11
L100151	4	0250-11	L55606	3	0250-13	M68954	4	3315-7
L100152	4	0250-11	L55610	3	0250-13	M68954	10	3315-9
L100153	5	0250-11	L56822	17	0201-3	M68954	10	3315-11
L100154	6	0250-11	L56822	17	0250-5	M68954	14	3315-13
L100158	10	0250-9	L57881	58	1830-7B	M68954	18	3315-13B
L100158	2	0250-11	L57881	11	1830-9	M68954	17	3315-15
L100168	7	0250-8	L60103	7	0250-9	M68954	16	3315-15B
L100168	7	0250-8B	L60103	8	0250-11	M68954	13	3315-17
L100169	3	0250-8A	L60104	5	0250-9	M72598	13	1816-11
L100230	7	0250-13	L60104	10	0250-11	M84972	8	1811-5
L100238	24	0250-7	L61263	11	0250-5	M84972	31	1816-13
L100239	20	0250-7	L61267	11	0250-5	M84972	44	1830-7B
L100240	10	0250-8	L61271	11	0250-5	M84972	18	2001-3
L100240	10	0250-8A	L61275	11	0250-5	M85517	7	1674-3
L100240	10	0250-8B	L75379	2	2002-2	M86533	26	1830-13
L100241	5	0250-8A	L78069	16	0350-8	M86863	19	3363-29
L100242	7	0250-8A	L78069	18	0350-27	M86877	11	0510-3
L100632	7	0250-7	L79728	6	0250-8	M86877	1	2004-7
L100633	8	0250-7	L79728	6	0250-8B	M86877	3	2004-8
L100635	5	0250-7	L79729	1	0250-8A	M86877	5B	3363-19
L100636	4	0250-7	MG272321	20	3162-25	M87261	9	1821-7
L110233	18	0250-5	MT2485	31	0510-3	M87534	62	1814-5
L110235	1	0250-8	MT2485	28	1674-9D	M87534	20	1816-15
L110235	1	0250-8B	MT2485	11	1811-5	M87534	6	1816-17
L110729	7	0210-1	MT2485	15	1816-15	M87534	26	3315-9
L112197	1	0250-9	MT2485	35	1816-17	M87534	7	3315-13
L112197	11	0250-9	MT2485	1	1834-3	M87534	12	3315-15
L112197	11	0250-11	MT2485	17	2001-3	M87571	1	0560-4
L114558	14	0250-5	M1036T	2	3162-27	M87571	3	2160-13
L11698	3	0360-3	M115279	17	1673-7	M87571	19	2160-13
L11698	4	0360-3	M115279	3	1674-3	M87571	8	3363-29
L11698	29	0360-3	M132832	11	1814-13	M87571	20	3363-29
L11698	30	0360-3	M1340T	23	1821-9	M87571	10	3363-31
L11698	6	0360-7	M135646	16	3363-45	M87733	3	0416-3
L11698	23	0360-7	M2649DN	15	3343-3	M87733	3	0416-5
L11698	11	0360-9	M2649DN	6	3343-5	M87733	2	0416-7
L11698	23	0360-11	M2649DN	11	3343-5	M87733	2	0416-9
L2646N	17	0560-7	M359T	44	3315-9B	N105572	28	3343-3
L33993	3	1672-3	M359T	12	3315-11	N105572	19	3343-5
L33993	3	1672-5	M40333	7	1671-3	N115096	11	1674-17
L3483N	33	1830-13	M40333	10	1671-5	N117290	3	2160-19
L35714	9	0250-13	M40569	10	3315-19	N117290	3	2160-23

9995-19

310G, 310SG AND 315SG BACKHOE LOADERS

NUMERICAL INDEX - CONTINUED

PART NO.	KEY	PAGE	PART NO.	KEY	PAGE	PART NO.	KEY	PAGE
N119316	2	0250-2	RE19799	9	0413-11	RE48786	8	0413-1
N119316	5	0325-2	RE198074	60	1830-7B	RE48786	10	0413-1
N119479	4	3315-13	RE20342	3	3365-27	RE48786	8	0413-3
N119479	15	3315-15	RE20342	3	3365-29	RE48786	10	0413-3
N131838	1	1369-5	RE20342	4	3365-34	RE49778	16	1673-7
N189220	18	0520-3	RE20343	4	3365-15	RE500000	3	0403-2
N189220	28	2160-9	RE20343	19	3365-16	RE500000	3	0403-2A
N189220	20	2160-9B	RE20343	5	3365-25	RE500000	3	0403-2B
N198516	13	2160-17	RE20344	14	3165-11	RE500000	3	0403-3A
N198516	13	2160-19	RE20344	12	3165-13	RE500002	3	0403-2
N198516	13	2160-21	RE20344	4	3365-13	RE500002	3	0403-2A
N198516	29	3363-5	RE20344	19	3365-14	RE500002	3	0403-2B
N203255	15	2160-25	RE20344	7	3365-19C	RE500002	3	0403-3A
N231749	19	0201-3	RE20344	3	3365-21	RE500005	4	0407-2
N275275	2	2004-4	RE20344	5	3365-23	RE500133	4	0407-13
N30256	2	3163-11	RE20345	5	3165-3	RE500133	4	0407-17
N30405	18	0560-7	RE20345	5	3165-7	RE500137	4	0433-2
PML377	6	1673-3	RE20345	4	3365-10	RE500448	11	0415-3
PM37465	8	0520-5	RE20345	3	3365-11	RE500449	12	0415-3
PM37485	16	0560-3	RE20345	7	3365-19	RE500539	8	0429-3
PM37485	1	1330-2	RE20345	2	3365-19B	RE500631	15	0401-1B
PM38655	24	0404-3	RE20345	5	3365-21B	RE500631	15	0401-5
PM38655	1	1330-2	RE20428	17	3365-27	RE500737	16	0417-3
PM797NA	57	1674-19	RE20428	20	3365-34	RE501260	12	0416-7
PT11778	17	1830-7	RE20809	4	3365-18	RE501260	12	0416-9
P10456	23	3115-3	RE21730	5	1674-22	RE501298	13	0422-5
P45750	11	3104-5	RE21731	5	1674-22	RE501377	5	0407-2
P46051	1	1369-5	RE21732	6	1674-22	RE501455	12	0452-3
P48347	33	0515-5	RE21790	2	0505-5	RE501767	7	0422-2
P48403	1	1369-5	RE22413	3	0960-14	RE501938	3	0402-4A
P48403	7	3365-10	RE22415	5	0960-14	RE501938	3	0402-5A
P48403	4	3365-19C	RE22415	18	0960-17	RE501938	13	0402-5A
P48403	9	3365-21	RE31617	13	0409-3	RE501938	3	0402-6A
P50631	2	0960-3	RE32173	5	3365-27	RE501938	3	0402-7A
P50631	2	0960-5	RE32175	11	3365-27	RE501938	13	0402-7A
P50631	1	1369-5	RE32175	12	3365-29	RE502377	22	0413-9
P50883	3	3362-30	RE32530	17A	2160-5	RE502378	22	0413-9
RE11154	57	1674-19	RE33412	18	3365-30	RE502380	22	0413-5
RE11156	36	1674-19	RE33636	7	0505-5	RE502903	4	0414-1
RE11157	37	1674-19	RE36133	26	1830-7	RE502969	5	0402-3
RE12330	14	1674-21	RE40048	5	0410-2	RE504233	4	0421-2
RE12331	12	1674-21	RE40049	2	1814-11	RE504244	13	0422-5
RE12332	18	1674-21	RE40049	3	1814-11	RE504543	10	0407-14
RE12333	21	1674-21	RE40049	5	1814-15	RE504543	10	0407-18
RE12334	8	1674-21	RE40049	6	1814-15	RE504564	3	0407-14
RE12362	4	1674-21	RE42139	5	0505-3	RE504564	3	0407-18
RE12363	10	0315-7	RE43497	20	1674-7	RE504638	4	0401-1B
RE12363	3	1674-14	RE43637	1	1674-13	RE504638	4	0401-3
RE12363	11	1674-21	RE44574	4	0433-3	RE504638	4	0401-5
RE12363	15	3115-7	RE44574	4	0433-4	RE504638	4	0401-7
RE12363	20	3115-9	RE44574	18	0452-5	RE504741	13	0415-3
RE12364	16	1674-21	RE45896	5	0230-6	RE504836	4	0407-14
RE12365	20	1674-21	RE46534	5	1674-13	RE504836	4	0407-18
RE12366	25	1674-21	RE46609	25	1830-13	RE504914	6	0407-21
RE14246	4	1811-3	RE46684	7	0418-3	RE505047	4	0416-3
RE155938	5A	1830-7	RE46684	15	0418-3	RE505047	4	0416-5
RE157329	5B	1830-7	RE46685	5	0407-7	RE505047	3	0416-9
RE174764	16	1830-7	RE46685	5	0407-9	RE505047	4	0416-9
RE179976	19	0560-7	RE46685	5	0407-11	RE505047	5	0416-9
RE190139	11	2001-3	RE46685	10	0417-3	RE505110	10	0403-2
RE19797	5	0413-5	RE46685	10	0417-4	RE505110	10	0403-2A
RE19797	3	0413-7	RE46685	7	0419-3	RE505111	7	0403-2B
RE19797	5	0413-9	RE46686	6	0419-3	RE505111	8	0403-2B
RE19797	3	0413-11	RE46686	5	0420-7	RE505111	10	0403-2B
RE19799	15	0413-5	RE46686	5	0420-13	RE505264	10	0429-3
RE19799	9	0413-7	RE46742	21	1674-7	RE505264	40	1830-15
RE19799	15	0413-9	RE48310	6	0505-5	RE505400	10	0422-2

9995-20

310G, 310SG AND 315SG BACKHOE LOADERS

NUMERICAL INDEX - CONTINUED

PART NO.	KEY	PAGE	PART NO.	KEY	PAGE	PART NO.	KEY	PAGE
RE505400	10	0422-3	RE509794	3	0420-5	RE52087	2	0530-5
RE505400	7	0422-5	RE509794	5	0420-5	RE521822	1	0413-12B
RE505501	14	0402-5A	RE509794	3	0420-11	RE521822	1	0413-13B
RE505501	14	0402-7A	RE509794	5	0420-11	RE521822	3	1674-9F
RE505501	30	0404-3	RE515372	1	0450-3	RE521823	2	0413-12B
RE505515	11	0402-4A	RE515428	2	0422-2	RE521823	2	0413-13B
RE505515	11	0402-5A	RE515428	2	0422-3	RE521824	3	0413-12B
RE505515	11	0402-6A	RE515464	10	0413-7	RE521824	3	0413-13B
RE505515	11	0402-7A	RE515464	10	0413-11	RE521825	4	0413-12B
RE505515	19	0452-5	RE515684	1	0413-3B	RE521825	4	0413-13B
RE505981	16	0417-3	RE515688	11	0422-2	RE522076	3	0418-3
RE505981	16	0417-4	RE515688	11	0422-3	RE522077	3	0408-5
RE506105	7	0422-2	RE515978	2	0402-4A	RE522078	2	0407-5
RE506105	7	0422-3	RE515978	15	0402-5A	RE522079	4	0408-5
RE506105	13	0422-5	RE515978	2	0402-6A	RE522109	5	0413-12B
RE506105	2	0422-7	RE515978	15	0402-7A	RE522109	5	0413-13B
RE50618	4	0401-1B	RE516099	3	0404-3	RE522242	2	0407-13
RE50618	4	0401-5	RE516099	1	0404-5	RE52242	1	0407-14
RE506300	3	0418-3	RE516100	3	0404-3	RE52242	2	0407-17
RE506662	7	0414-1	RE516100	1	0404-5	RE52242	1	0407-18
RE506949	3	0414-2	RE516340	4	0401-1B	RE522527	14	0413-7
RE50752	9	0420-3	RE516340	25	0401-1B	RE522527	14	0413-11
RE50752	10	0420-5	RE516340	4	0401-5	RE522766	3	0408-5
RE50752	9	0420-9	RE516340	25	0401-5	RE522820	2	0419-3
RE50752	10	0420-11	RE516340	11	0402-4A	RE52346	11	0402-4A
RE507595	1	0402-1B	RE516340	11	0402-5A	RE52346	11	0402-5A
RE507597	7	0420-7	RE516340	11	0402-6A	RE52346	11	0402-6A
RE507597	7	0420-13	RE516340	11	0402-7A	RE52346	11	0402-7A
RE507598	1	0413-7	RE516340	19	0452-5	RE52346	19	0452-5
RE507598	1	0413-11	RE51648	22	0420-3	RE526670	12	0452-1
RE507637	2	0422-2	RE51648	1	0420-5	RE526670	33	0452-5
RE507637	2	0422-3	RE51648	22	0420-9	RE526671	17	0452-1
RE507638	11	0422-2	RE51648	1	0420-11	RE526671	34	0452-5
RE507638	11	0422-3	RE51649	19	0420-3	RE527042	12	0452-3
RE507646	4	0413-7	RE51649	2	0420-5	RE52722	14	0418-3
RE507646	7	0413-11	RE51649	19	0420-9	RE52722	20	1674-9B
RE507647	5	0413-7	RE51649	2	0420-11	RE527298	12	0452-3
RE507647	6	0413-11	RE51650	11	0420-5	RE527299	1	0450-3
RE507648	6	0413-7	RE51650	11	0420-11	RE527299	12	0452-3
RE507648	5	0413-11	RE516512	23	0420-3	RE531116	1	0413-2
RE507649	7	0413-7	RE516512	4	0420-5	RE531116	25	0413-7
RE507649	4	0413-11	RE516512	12	0420-5	RE531116	25	0413-11
RE507766	1	0413-2	RE516512	23	0420-9	RE54885	8	0416-7
RE507766	25	0413-7	RE516512	4	0420-11	RE54885	8	0416-9
RE507766	25	0413-11	RE516512	12	0420-11	RE56165	32	0515-5
RE507852	6	0403-3A	RE516513	23	0420-3	RE56165	8	1674-9F
RE507920	7	0403-3A	RE516513	12	0420-5	RE56313	15	0401-3
RE507920	8	0403-3A	RE516513	23	0420-9	RE56313	15	0401-7
RE507920	10	0403-3A	RE516513	12	0420-11	RE56323	5	0420-3
RE508185	22	0404-3	RE516553	9	0420-3	RE56323	5	0420-9
RE508185	25	0404-3	RE516553	10	0420-5	RE56369	21	0401-1B
RE508195	13	0402-5A	RE516553	9	0420-9	RE56369	21	0401-3
RE508195	13	0402-7A	RE516553	10	0420-11	RE56369	21	0401-5
RE508566	20	0402-5A	RE517370	13	0402-5A	RE56369	21	0401-7
RE508566	20	0402-7A	RE517370	13	0402-7A	RE56375	1	0402-1
RE508566	16	0417-3	RE518087	10	0413-7	RE56375	1	0402-1A
RE508566	17	0417-4	RE518087	10	0413-11	RE57234	15	0409-3
RE508716	2	0413-2	RE518097	14	0429-3	RE57471	15	0230-7
RE508716	21	0413-7	RE518176	14	0413-7	RE57472	17	0230-7
RE508716	21	0413-11	RE518176	14	0413-11	RE57619	10	0407-21
RE509031	8	0420-5	RE519144	13	0402-5A	RE57836	29	0404-3
RE509031	8	0420-11	RE519144	13	0402-7A	RE57836	6	0433-3
RE509555	4	0416-9	RE519144	6	1674-9F	RE59296	2	0419-3
RE509572	4	0416-5	RE520023	1	0404-7	RE59439	2	0407-7
RE509572	3	0416-9	RE520031	1	0404-7	RE59439	2	0407-9
RE509572	4	0416-9	RE520539	1	0452-3	RE59447	7	0413-5
RE509572	5	0416-9	RE52087	2	0530-3	RE59447	7	0413-9

9995-21

310G, 310SG AND 315SG BACKHOE LOADERS

NUMERICAL INDEX - CONTINUED

PART NO.	KEY	PAGE	PART NO.	KEY	PAGE	PART NO.	KEY	PAGE
RE59448	8	0413-5	RE65165	7	0401-7	RE69243	1	0407-5
RE59448	8	0413-9	RE65168	10	0401-1B	RE70073	10	0407-21
RE59449	9	0413-5	RE65168	10	0401-3	RE70358	11	0420-3
RE59449	9	0413-9	RE65168	10	0401-5	RE70358	18	0420-3
RE59450	10	0413-5	RE65168	10	0401-7	RE70358	11	0420-9
RE59450	10	0413-9	RE65908	11	0403-2	RE70358	18	0420-9
RE59487	17	0413-5	RE65908	11	0403-2A	RE70486	5	0422-5
RE59487	18	0413-5	RE65908	11	0403-2B	RE70487	3	0422-5
RE59487	17	0413-9	RE65908	11	0403-3A	RE70535	14	0429-3
RE59487	18	0413-9	RE65909	11	0403-2	RE70756	9	0422-5
RE59487	3	0420-3	RE65909	11	0403-2A	RE70756	12	0422-5
RE59487	4	0420-3	RE65909	11	0403-2B	RE70848	4	0413-5
RE59487	3	0420-7	RE65909	11	0403-3A	RE70848	4	0413-9
RE59487	4	0420-7	RE65911	7	0401-1B	RE70962	15	0417-4
RE59487	3	0420-9	RE65911	7	0401-3	RE71240	15	0417-3
RE59487	4	0420-9	RE65911	7	0401-5	RE71256	8	0422-5
RE59487	4	0420-13	RE65911	7	0401-7	R100369	14	0417-3
RE59545	2	0407-11	RE65912	10	0401-1B	R100369	14	0417-4
RE59547	4	0416-7	RE65912	10	0401-3	R100377	2	0423-3
RE59547	4	0416-9	RE65912	10	0401-5	R10093	5	0960-6
RE59754	7	0407-13	RE65912	10	0401-7	R10093	1	1369-5
RE59754	7	0407-17	RE65951	1	0404-5	R10093	21	1830-7
RE59810	11	0402-4A	RE65953	1	0404-5	R10093	5	1830-13
RE59810	11	0402-5A	RE65966	7	0403-2	R10093	9	3362-21
RE59810	11	0402-6A	RE65966	8	0403-2	R101225	11	0401-1B
RE59810	11	0402-7A	RE65966	10	0403-2	R101225	14	0401-1B
RE59810	19	0452-5	RE65966	7	0403-2A	R101225	14	0401-3
RE59811	22	0401-1B	RE65966	8	0403-2A	R101225	11	0401-5
RE59811	4	0401-3	RE65966	10	0403-2A	R101225	14	0401-5
RE59811	22	0401-3	RE65978	5	0408-5	R101225	14	0401-7
RE59811	22	0401-5	RE65978	6	0416-7	R104592	5	0404-3
RE59811	4	0401-7	RE65978	6	0416-9	R104592	5	0409-3
RE59811	22	0401-7	RE65978	12	1369-7	R104846	15	0560-3
RE60005	3	0409-3	RE65978	7	2160-11	R104846	1	1674-9
RE60025	12	0420-3	RE65978	31	2160-11	R105812	6	0515-3
RE60025	12	0420-9	RE65978	9	2160-17	R105812	7	0515-5
RE60029	17	0413-5	RE65978	19	2160-17	R106466	9	0515-5
RE60029	18	0413-5	RE65978	9	2160-19	R106466	30	3115-3
RE60029	17	0413-9	RE65978	5	2160-21	R106466	5	3162-23
RE60029	18	0413-9	RE65978	7	2160-23	R106466	13	3315-25
RE60029	3	0420-3	RE66082	12	0452-1	R106466	21	3315-25
RE60029	4	0420-3	RE66082	33	0452-5	R107731	11	0402-2
RE60029	3	0420-7	RE66084	17	0452-1	R109863	12	0401-1B
RE60029	4	0420-7	RE66084	34	0452-5	R109863	12	0401-5
RE60029	3	0420-9	RE66153	2	0421-2	R110531	1	0414-1
RE60029	4	0420-9	RE66271	6	0403-2	R110531	1	0414-2
RE60029	3	0420-13	RE66271	6	0403-2A	R111137	10	0404-3
RE60029	4	0420-13	RE66271	6	0403-2B	R111238	22	3362-11
RE60037	2	0420-3	RE67231	1	0419-3	R111238	25	3362-15
RE60037	2	0420-7	RE67238	1	0407-2	R111238	25	3362-41
RE60037	2	0420-9	RE67238	6	0407-13	R111238	26	3362-45
RE60037	2	0420-13	RE67238	8	0407-14	R111493	1	3162-21
RE60062	10	0413-3A	RE67238	6	0407-17	R11151	14	3162-27
RE60071	4	0414-1	RE67238	8	0407-18	R111632	12	1674-7
RE60071	5	0414-2	RE67238	14	0419-3	R112857	1	1369-5
RE60854	17	0420-3	RE67239	5	0402-4A	R113050	15	1830-7
RE60854	9	0420-5	RE67239	5	0402-5A	R113050	30	1830-13
RE60854	17	0420-9	RE67239	5	0402-6A	R113562	6	0420-3
RE60854	9	0420-11	RE67239	5	0402-7A	R113562	7	0420-3
RE60888	6	1830-7	RE67239	6	0407-2	R113562	6	0420-5
RE61812	8	0414-2	RE67764	7	0407-17	R113562	7	0420-5
RE61812	2	1674-9F	RE68695	9	0402-2	R113562	6	0420-9
RE62418	10	0420-3	RE68748	3	0413-5	R113562	7	0420-9
RE62418	10	0420-9	RE68748	26	0413-7	R113562	6	0420-11
RE65165	7	0401-1B	RE68748	3	0413-9	R113562	7	0420-11
RE65165	7	0401-3	RE68748	26	0413-11	R113563	7	0420-3
RE65165	7	0401-5	RE69243	1	0407-4A	R113563	7	0420-5

9995-22

310G, 310SG AND 315SG BACKHOE LOADERS

NUMERICAL INDEX - CONTINUED

PART NO.	KEY	PAGE	PART NO.	KEY	PAGE	PART NO.	KEY	PAGE
R113563	7	0420-9	R120638	13	0407-21	R123562	6	0401-7
R113563	7	0420-11	R120641	12	0401-3	R123563	8	0401-1B
R113565	21	0420-3	R120641	12	0401-7	R123563	8	0401-3
R113565	21	0420-9	R120653	8	1814-13	R123563	8	0401-5
R113596	4	0401-1B	R121036	1	0417-4	R123563	8	0401-7
R113596	4	0401-3	R121038	1	0417-2	R123564	9	0401-1B
R113596	4	0401-5	R121039	7	0433-3	R123564	9	0401-3
R113596	4	0401-7	R121039	5	0433-4	R123564	9	0401-5
R113780	4	0230-6	R121043	9	0404-3	R123564	9	0401-7
R114193	20	0401-1B	R121079	9	0230-8	R123565	10	0402-2
R114193	20	0401-3	R121376	7	0407-21	R123569	1	0414-3
R114193	20	0401-5	R121402	14	0409-3	R123570	3	0416-7
R114193	20	0401-7	R121402	15	0409-3	R123570	3	0416-9
R114194	23	0401-1B	R121411	8	0402-4A	R123570	6	0452-1
R114194	23	0401-3	R121411	8	0402-5A	R123570	6	0452-3
R114194	23	0401-5	R121411	8	0402-6A	R123572	7	0530-3
R114194	23	0401-7	R121411	8	0402-7A	R123574	2	0402-3
R114241	17	0404-3	R121424	7	0402-4A	R123575	3	0402-3
R115081	3	0404-3	R121424	7	0402-5A	R123575	7	0452-1
R115081	1	0404-5	R121424	7	0402-6A	R123575	7	0452-3
R115119	13	0250-7	R121424	7	0402-7A	R123584	18	0402-4A
R115252	10	0419-3	R121593	3	0230-6	R123584	18	0402-5A
R115299	12	0404-3	R121594	6	0230-6	R123584	18	0402-6A
R115299	1	0415-3	R121634	4	0417-2	R123584	18	0402-7A
R115350	43	1830-15	R121897	18	0429-3	R123593	2	0413-5
R115390	15	0404-3	R122218	15	0230-7	R123593	19	0413-7
R116031	5	3162-25	R123161	7	0402-2	R123593	2	0413-9
R116089	6	1814-13	R123174	11	0401-3	R123593	19	0413-11
R116115	9	0407-13	R123174	11	0401-7	R123616	28	0404-3
R116115	5	0407-14	R123178	5	0403-2	R123616	28	1830-9
R116115	9	0407-17	R123178	5	0403-2A	R123960	2	0403-2
R116115	5	0407-18	R123178	5	0403-2B	R123960	2	0403-2A
R116116	12	0413-5	R123178	5	0403-3A	R123960	2	0403-2B
R116116	12	0413-9	R123226	9	0417-3	R123960	2	0403-3A
R116116	15	0420-3	R123226	9	0417-4	R125223	18	1830-7
R116116	10	0420-7	R123226	9	0418-3	R128660	5	0429-3
R116116	15	0420-9	R123226	4	0452-1	R128660	2	0510-3
R116116	10	0420-13	R123226	4	0452-3	R130574	8	0401-1B
R116296	2	0407-2	R123246	3	0410-2	R130574	8	0401-3
R116324	4	0402-3	R123271	5	0402-2	R130574	8	0401-5
R116366	5	0413-1	R123273	3	0421-2	R130574	8	0401-7
R116366	5	0413-3	R123273	20	0452-5	R130575	9	0401-1B
R116366	5	0413-3A	R123323	1	0418-3	R130575	9	0401-3
R116366	2	0413-3B	R123324	11	0418-3	R130575	9	0401-5
R116386	20	0413-5	R123345	5	0452-1	R130575	9	0401-7
R116386	17	0413-7	R123345	5	0452-3	R130576	5	0401-1B
R116386	20	0413-9	R123353	13	0452-1	R130576	5	0401-3
R116386	17	0413-11	R123353	35	0452-5	R130576	5	0401-5
R116466	2	0404-3	R123417	13	0417-3	R130576	5	0401-7
R116515	12	0409-3	R123417	13	0417-4	R130577	6	0401-1B
R116515	8	0452-1	R123417	21	0452-5	R130577	6	0401-3
R116515	8	0452-3	R123471	5	0419-3	R130577	6	0401-5
R117721	56	1830-7B	R123501	3	0419-3	R130577	6	0401-7
R117721	9	1830-9	R123501	23	0452-5	R131016	5	0418-3
R117892	3	1816-7	R123513	2	0402-2	R131182	21	0404-3
R117892	8	2001-3	R123521	2	0433-2	R131206	16	0401-3
R119874	6	0404-3	R123525	25	0452-5	R131206	16	0401-7
R120013	7	0416-7	R123542	6	0402-3	R131283	16	0401-1B
R120013	7	0416-9	R123542	1	0452-1	R131283	19	0401-1B
R120160	25	1816-13	R123542	1	0452-3	R131283	19	0401-3
R120332	5	1816-15	R123561	5	0401-1B	R131283	16	0401-5
R120467	1	0408-3	R123561	5	0401-3	R131283	19	0401-5
R120467	7	0408-5	R123561	5	0401-5	R131283	19	0401-7
R120631	3	0401-1B	R123561	5	0401-7	R131425	13	0402-4A
R120631	3	0401-3	R123562	6	0401-1B	R131425	13	0402-6A
R120631	3	0401-5	R123562	6	0401-3	R131671	18	1674-5
R120631	3	0401-7	R123562	6	0401-5	R131769	3	0433-3

9995-23

310G, 310SG AND 315SG BACKHOE LOADERS

NUMERICAL INDEX - CONTINUED

PART NO.	KEY	PAGE	PART NO.	KEY	PAGE	PART NO.	KEY	PAGE
R131769	2	0433-4	R26286	3	0420-9	R26448	14	3362-37
R132006	2	0433-3	R26286	3	0420-13	R26448	16	3363-1B
R132166	4	0423-3	R26286	13	1060-9	R26448	1	3363-3B
R132186	20	0404-3	R26286	7	1060-11	R26448	7	3363-3B
R132261	1	0410-1	R26286	1	1369-5	R26448	12	3363-3B
R132267	23	0413-5	R26286	23	3363-31	R26448	18	3363-5
R132267	23	0413-9	R26287	1	1369-5	R26448	28	3363-5
R132518	7	0404-3	R26375	22	0960-9	R26448	1	3363-19
R132690	21	1830-13	R26375	34	0960-9	R26448	1	3363-29
R132874	24	0413-5	R26375	19	0960-11	R26448	1	3363-31
R132874	12	0413-7	R26375	34	0960-11	R26448	19	3365-21B
R132874	24	0413-9	R26375	27	1060-3	R26448	18	3365-22
R132874	12	0413-11	R26375	28	1111-3	R26448	17	3365-24A
R133187	15	0505-7	R26375	27	1111-5	R26448	19	3365-25
R133295	16	0429-3	R26375	1	1369-5	R26448	17	3365-26
R133303	14	0415-3	R26375	26	1674-9D	R26491	12	1814-3
R133405	5	0421-2	R26375	17A	2160-5	R26493	11	0404-3
R133893	10A	0452-1	R26375	11	2160-7	R26552	17	1060-5
R133893	10	0452-3	R26375	12	2160-13	R26632	2	0230-4
R133978	5	0423-3	R26375	15	2160-13	R26650	13	0404-3
R134518	19	0402-4A	R26375	7	2160-15	R26773	1	1369-5
R134518	19	0402-5A	R26375	14	2160-25	R26773	1	3345-6
R134518	19	0402-6A	R26375	10	2160-27	R26863	1	1369-5
R134518	19	0402-7A	R26375	7	3163-5	R26871	38	0515-3
R134527	2	0404-1	R26375	3	3163-9	R26871	44	1910-5
R134531	2	0402-4A	R26375	12A	3163-9	R26871	30	3115-3
R134531	2	0402-6A	R26375	37	3163-9	R26871	5	3162-23
R135177	11A	0419-3	R26375	24	3163-13	R26871	7	3315-21
R135431	3	0422-2	R26375	2	3362-30	R26871	10	3315-21
R135431	3	0422-3	R26375	31	3363-1B	R26871	13	3315-25
R135431	18	1674-9B	R26375	12	3363-3	R26871	21	3315-25
R135432	4	0422-2	R26375	7	3363-3B	R26906	21	0341-1
R135432	4	0422-3	R26375	1	3363-5	R26906	6	0409-3
R135432	37	1674-9D	R26375	1	3363-15	R26906	16	0409-3
R135439	1	0402-1	R26375	3	3363-17	R26906	4	1060-5
R135439	1	0402-1A	R26375	9	3363-19	R26906	23	1111-3
R135439	1	0402-1B	R26375	15	3363-35	R26906	22	1111-5
R135509	6	0422-5	R26375	7	3363-37	R26906	1	1369-5
R135510	4	0422-5	R26375	20	3363-43	R26906	13	1369-7
R135896	4	0418-3	R26375	15	3363-45	R26906	7	2160-5
R135896	3	0452-1	R26375	16	3363-45	R26906	42	2160-11
R135918	3	0433-2	R26375	13	3363-47	R26906	6	2160-17
R135918	10	0433-3	R26448	6	0210-6	R26906	7	2160-19
R135918	8	0433-4	R26448	13	0960-9	R26906	9	2160-23
R136052	2	0422-5	R26448	13	0960-11	R26906	15	3162-11
R136475	3	0404-1	R26448	28	1060-3	R26906	22	3162-15
R136495	3	0407-2	R26448	5	1060-7	R26906	11	3162-21
R136515	22	0452-5	R26448	1	1369-5	R26906	9	3162-27
R136516	1	0402-4A	R26448	11	1740-5	R26906	4	3163-3
R136516	1	0402-5A	R26448	7	2160-7	R26906	13	3163-5
R136516	1	0402-6A	R26448	7	2160-9B	R26906	14	3163-7
R136516	1	0402-7A	R26448	9	2160-15	R26906	20	3163-7
R136516	22	0452-5	R26448	22	2160-25	R26906	40	3163-7
R137851	29	1830-13	R26448	14	3102-11	R26906	28	3163-9
R140070	13	0230-7	R26448	2	3102-19	R26906	38	3163-9
R151507	10	1814-13	R26448	19	3104-3	R26906	3	3362-9
R20255	21	0230-3	R26448	4	3162-7	R26906	21	3362-11
R204271	4	0230-6	R26448	28	3162-25	R26906	24	3362-15
R206883	4	0505-3	R26448	10	3163-11	R26906	8	3362-21
R26081	8	3315-25	R26448	34	3163-11	R26906	18	3362-23
R26125	4	0409-3	R26448	27	3163-13	R26906	5	3362-30
R26286	10	0360-4A	R26448	30	3362-9	R26906	24	3362-41
R26286	21	0360-11	R26448	7	3362-29B	R26906	25	3362-45
R26286	17	0413-5	R26448	2	3362-31	R26906	1	3363-3
R26286	17	0413-9	R26448	14	3362-31	R26906	11	3363-3
R26286	3	0420-3	R26448	4	3362-33	R26906	1	3363-3B
R26286	3	0420-7	R26448	13	3362-35	R26906	2	3363-7

9995-24

310G, 310SG AND 315SG BACKHOE LOADERS

NUMERICAL INDEX - CONTINUED

PART NO.	KEY	PAGE	PART NO.	KEY	PAGE	PART NO.	KEY	PAGE
R26906	7	3363-9	R32025	4	1674-22	R46919	31	0960-9
R26906	1	3363-11	R32026	48	1674-19	R46919	31	0960-11
R26906	2	3363-13	R32247	12	3363-31	R46919	8	1060-7
R26906	27	3363-19	R32548	8	1060-3	R46919	13	2160-11
R26906	35	3363-23	R33259	1	1369-5	R46919	24	3104-3
R26906	29	3363-27	R33259	14	1830-7	R46919	10	3163-3
R26906	33	3363-27	R33259	7	1830-13	R46919	6	3163-5
R26906	13	3363-31	R33259	4	3362-30	R46919	4	3163-9
R26906	9	3363-33	R33976	5	0515-3	R46919	25	3163-11
R26906	20	3363-35	R33976	6	0515-5	R46919	33	3163-13
R26906	15	3363-37	R36424	22	0560-7	R46919	12	3363-9
R26906	3	3363-39	R36636	13	2160-13	R46919	13	3363-19
R26906	3	3363-41	R375R	1	1369-5	R46919	36	3363-19
R26906	4	3363-43	R39112	1	0433-3	R46919	40	3363-21B
R26906	22	3363-43	R39112	13	2160-13	R46919	41	3363-25
R27094	11	0360-4A	R39112	14	2160-13	R46919	13	3363-39
R27094	22	0360-11	R394R	1	1369-5	R46973	5	0230-3
R27166	1	1369-5	R39554	12	0505-7	R46973	1	0230-5
R27175	19	3362-23	R39554	18	1674-7	R46973	5	0250-1
R27175	1	3363-21	R39554	6	3315-23	R47151	14	2160-27
R27175	1	3363-23	R41440	18	1673-5	R47160	9	0505-5
R27175	1	3363-25	R41920	11	0515-3	R47693	4	0505-3
R27175	1	3363-27	R41920	14	0515-5	R47998	1	0960-3
R27218	26	1060-3	R43409	9	0409-3	R47998	1	0960-5
R27218	10	2160-15	R44165	17	1674-7	R48000	8	0413-1
R27218	5	3162-7	R44302	24	0560-3	R48000	8	0413-3
R27218	29	3362-9	R44302	35	0560-7	R48000	8	0413-3A
R27434	6	3315-25	R44302	16	0960-9	R48523	19	1060-5
R27474	22A	0341-1	R44302	16	0960-11	R48568	11	0520-3
R27474	7	2160-5	R44302	6	1671-7	R48638	1	1369-5
R27474	43	2160-11	R44302	22	1673-5	R48685	1	0401-1B
R27474	19	3362-23	R44302	15	1673-7	R48685	1	0401-3
R27491	4	0960-9	R44302	20	1674-5	R48685	1	0401-5
R27491	31	0960-9	R44302	7	1674-5B	R48685	1	0401-7
R27491	4	0960-11	R44302	2	1674-5D	R48685	1	0404-3
R27491	31	0960-11	R44302	9	1674-9B	R48808	2	1672-3
R27928	1	1369-5	R44302	5	1674-14	R48808	2	1672-5
R28776	1	1369-5	R44302	61	1814-5	R48887	17	1674-17
R28776	14	2160-27	R44302	4	1814-13	R495R	1	1369-5
R28776	8	3362-30	R44302	4	1821-19	R49841	5	0230-4
R28782	5	0210-6	R44302	52	1830-7B	R49921	13	3363-43
R28782	25	0960-9	R44302	2	1830-13	R500096	4	0433-2
R28782	29	0960-11	R44302	11	2160-17	R500265	2	0415-3
R28782	1	1369-5	R44302	15	2160-19	R500270	1	0421-2
R28782	13	3363-29	R44302	9	2160-21	R500271	6	0421-2
R28782	22	3363-31	R44302	20	3163-13	R500304	1	0429-3
R28811	1	0433-2	R44302	16	3363-37	R500304	8	0429-3
R29463	1	1369-5	R44302	10	3363-43	R500320	9	0429-3
R29936	1	1369-5	R44342	22	1674-7	R500320	41	1830-15
R29936	8	2160-7	R44342	29	1674-7	R500322	10	0423-3
R29936	32	2160-9	R459R	1	1369-5	R50034	16	1060-3
R29936	18	2160-9B	R460R	1	1369-5	R500363	15	0401-1B
R29936	23	2160-9B	R463R	20	0560-3	R500363	15	0401-5
R29936	12	2160-13	R46528	23	3115-5	R500374	1	0407-13
R29936	8	3362-5	R46528	25	3115-7	R500374	9	0407-14
R29936	8	3362-7	R46528	2	3162-5	R500374	1	0407-17
R29936	37	3363-23	R46528	15	3315-7	R500374	9	0407-18
R30378	43	1674-19	R46528	42	3315-9B	R500374	32	0452-5
R30903	1	1369-5	R46528	53	3315-9B	R500390	8	0413-1
R30903	25	3362-11	R46528	13	3315-13	R500390	4	0413-2
R30903	10	3362-15	R46528	12	3315-13B	R500390	8	0413-3
R30903	5	3362-17	R46528	6	3315-15	R500390	8	0413-3A
R30903	26	3362-41	R46528	11	3315-15B	R500390	4	0413-3B
R30903	16	3362-45	R46528	11	3315-19	R500394	2	0414-3
R30903	16	3362-47	R46528	10	3315-27	R500401	16	0417-3
R30916	14	3345-5	R46667	21	1830-9	R500531	12	0423-3
R32024	3	1674-22	R46667	4	2160-11	R500563	15	0401-3

9995-25

310G, 310SG AND 315SG BACKHOE LOADERS

NUMERICAL INDEX - CONTINUED

PART NO.	KEY	PAGE	PART NO.	KEY	PAGE	PART NO.	KEY	PAGE
R500563	15	0401-7	R504734	18	0419-3	R63548	33	3362-41
R500596	2	0414-1	R504734	29	0452-5	R63548	6	3362-43
R500596	2	0414-2	R505462	2	0402-4A	R63548	7	3362-45
R500598	4	0429-3	R505462	2	0402-6A	R63548	30	3362-45
R500649	17	0429-3	R505472	18	0413-7	R64059	4	3315-13
R501124	1	0403-2	R505472	18	0413-11	R64059	15	3315-15
R501124	1	0403-2A	R505609	2	0401-1B	R64525	3	0423-3
R501124	1	0403-2B	R505609	2	0401-3	R64525	13	1672-3
R501124	1	0403-3A	R505609	2	0401-5	R64525	13	1672-5
R501144	10	0418-3	R505609	2	0401-7	R65563	26	3115-7
R501373	9	0452-1	R50879	17	1060-3	R65563	16	3315-7
R501373	9	0452-3	R50992	12	0230-4	R65563	43	3315-9B
R501428	8	0419-3	R516623	14	0429-3	R65563	12	3315-13
R501428	31	0452-5	R517471	24	0401-7	R65563	13	3315-13B
R501472	7	0414-2	R519244	8	0408-5	R65563	7	3315-15
R501486	7	1672-3	R519273	9	0408-5	R65563	12	3315-15B
R501486	7	1672-5	R519274	10	0408-5	R65563	10	3315-19
R501489	24	0401-3	R519275	11	0408-5	R65563	19	3315-19
R501489	24	0401-7	R519286	12	0408-5	R65563	8	3315-27
R502076	29	0413-5	R51936	3	0413-5	R65602	49	1674-19
R502076	11	0413-7	R51936	4	0413-5	R65607	46	1674-19
R502076	29	0413-9	R51936	20	0413-7	R66320	24	1674-17
R502076	11	0413-11	R51936	3	0413-9	R66321	24	1674-17
R502079	11	0429-3	R51936	4	0413-9	R67364	26	0413-5
R502079	39	1830-13	R51936	20	0413-11	R67364	26	0413-9
R502505	3	0407-14	R521439	2	0452-1	R70210	41	1674-19
R502505	3	0407-18	R521439	2	0452-3	R70211	40	1674-19
R502513	4	0407-14	R521493	1	0407-7	R70212	41	1674-19
R502513	11	0407-14	R521493	1	0407-9	R70213	40	1674-19
R502513	4	0407-18	R521493	1	0407-11	R70214	41	1674-19
R502513	11	0407-18	R522030	13	0452-1	R70215	40	1674-19
R502604	2	0407-4A	R522030	13	0452-5	R70216	41	1674-19
R502725	3	0407-4A	R52725	23	1674-7	R70217	40	1674-19
R50279	8	1830-7	R52921	57	1814-5	R70218	41	1674-19
R50279	61	1830-7B	R53108	1	0422-5	R70219	40	1674-19
R502811	11A	0419-3	R53108	26	0452-5	R70220	50	1674-19
R502811	11B	0419-3	R53543	1	1369-5	R70221	39	1674-19
R502814	4	0418-3	R54123	2	0505-3	R70222	38	1674-19
R502814	3	0452-1	R54124	3	0110-2	R71732	1	1369-5
R502814	3	0452-3	R54565	1	0402-2	R71963	2	0413-1
R502864	24	0452-5	R54701	8	3363-19	R71963	2	0413-3
R502867	6	0407-21	R55326	5	1811-3	R71963	2	0413-3A
R502902	7	0407-2	R56101	17	0510-3	R72328	2	0408-3
R503419	9	0422-2	R56461	1	1369-5	R72328	13	0408-5
R503419	9	0422-3	R56463	1	1369-5	R72328	27	0452-5
R503419	16	0422-5	R56464	10	3162-25	R72328	7	3162-25
R503449	1	0433-4	R56751	1	1369-5	R72655	13	0520-5
R503451	2	0433-3	R60332	1	1369-5	R72655	13	1821-5
R503509	2	0417-4	R60746	3	0413-3B	R72655	21	1821-5
R503509	16	0417-4	R61105	9	0419-3	R72655	5	1821-7
R503520	28	0413-7	R61467	2	0433-3	R72659	3	0408-3
R503520	28	0413-11	R61467	11	0433-3	R72700	2	0960-14
R503891	3	0416-9	R61467	3	0433-4	R72700	19	0960-17
R503891	6	0452-1	R61871	9	0407-21	R72855	3	3115-3
R503891	6	0452-3	R61871	16	0452-1	R72855	4	3115-5
R504022	13	0429-3	R61871	16	0452-5	R73530	23	3162-25
R504022	1	0510-3	R63548	2	0416-3	R74012	1	0420-3
R504023	13	0429-3	R63548	2	0416-5	R74012	1	0420-7
R504023	1	0510-3	R63548	1	0416-7	R74012	1	0420-9
R504023	31	1830-13	R63548	1	0416-9	R74012	1	0420-13
R504191	21	1830-13	R63548	10	0416-9	R74657	9	3365-13
R504191	23	1830-13	R63548	9	3162-11	R75382	2	0201-3
R504192	23	1830-13	R63548	16	3162-15	R75383	2	0201-3
R504725	2	0402-4A	R63548	34	3362-11	R75384	2	0201-3
R504725	2	0402-5A	R63548	24	3362-13	R75385	2	0201-3
R504725	2	0402-6A	R63548	32	3362-15	R75892	16	0404-3
R504725	2	0402-7A	R63548	21	3362-21	R75892	14	0452-1

9995-26

310G, 310SG AND 315SG BACKHOE LOADERS

NUMERICAL INDEX - CONTINUED

PART NO.	KEY	PAGE	PART NO.	KEY	PAGE	PART NO.	KEY	PAGE
R75892	14	0452-5	R78060	9	1674-21	R81777	4	3365-21B
R76477	4	3363-13	R78061	6	1674-21	R81786	13	3365-27
R77175	22	3363-1B	R78061	23	1674-21	R81786	13	3365-34
R77456	27	1674-17	R78062	1	1674-21	R81786	3	3365-35
R77457	29	1674-17	R78063	1	1674-21	R81787	12	3365-25
R77458	28	1674-17	R78063	7	1674-21	R81788	5	3165-11
R77459	28	1674-17	R78064	27	1674-21	R81788	16	3365-19C
R77460	28	1674-17	R78065	1	1674-5B	R81788	12	3365-23
R77461	28	1674-17	R78065	1B	1674-5B	R81789	11	3165-3
R77462	25	1674-17	R78065	3	1674-23	R81789	11	3165-7
R77463	30	1674-17	R78066	1	1674-5B	R81789	6	3165-8
R77464	26	1674-17	R78066	2	1674-23	R81789	6	3365-11
R77465	31	1674-17	R78067	3	1674-23	R81789	16	3365-19
R77466	33	1674-17	R78068	2	1674-23	R81789	12	3365-21B
R77467	34	1674-17	R78069	1	1674-23	R81792	12	3365-27
R77468	32	1674-17	R79033	3	1811-3	R81792	15	3365-34
R77469	35	1674-19	R79060	15	3162-5	R81792	11	3365-35
R77470	45	1674-19	R79101	8	3165-11	R81793	16	3365-25
R77471	45	1674-19	R79101	3	3165-13	R81794	4	3165-11
R77472	45	1674-19	R79101	8	3165-15	R81794	19	3365-19C
R77473	45	1674-19	R79101	6	3365-14	R81794	16	3365-23
R77474	44	1674-19	R79101	13	3365-19C	R81795	16	3165-3
R77475	13	1674-17	R79101	18	3365-21	R81795	16	3165-7
R77476	3	1674-17	R79101	9	3365-23	R81795	7	3165-8
R77477	4	1674-17	R79101	5	3365-24A	R81795	7	3365-11
R77478	15	1674-17	R79101	5	3365-24B	R81795	19	3365-19
R77479	5	1674-17	R79117	9	0960-14	R81795	16	3365-21B
R77480	6	1674-17	R79117	8	0960-17	R81797	5	3365-19
R77481	7	1674-17	R79132	3	0201-3	R81797	4	3365-19B
R77482	8	1674-17	R79604	4	0413-1	R81854	1	0960-14
R77483	16	1674-17	R79604	4	0413-3	R81854	2	0960-17
R77484	19	1674-17	R79604	4	0413-3A	R81862	6	3365-16
R77485	21	1674-17	R79605	3	0413-1	R81862	9	3365-25
R77486	22	1674-17	R79605	3	0413-3	R81862	5	3365-26
R77487	23	1674-17	R79605	3	0413-3A	R81862	5	3365-26A
R77488	51	1674-19	R80632	1	1369-5	R81864	10	3165-3
R77489	51	1674-19	R81195	7	3365-27	R81864	5	3165-4
R77490	51	1674-19	R81195	9	3365-29	R81864	10	3165-7
R77491	54	1674-19	R81195	10	3365-34	R81864	10	3165-8
R77492	54	1674-19	R81195	9	3365-35	R81864	5	3165-9
R77493	51	1674-19	R81195	9	3365-36	R81864	5	3365-11
R77494	55	1674-19	R81275	6	0414-1	R81864	5	3365-12
R77495	52	1674-19	R81275	6	0414-2	R81864	13	3365-19
R77496	52	1674-19	R81275	7	0414-2	R81864	16	3365-19B
R77497	53	1674-19	R81275	11	0414-2	R81864	9	3365-21B
R77498	24	1674-17	R81275	3	0414-3	R81864	5	3365-22
R77499	24	1674-17	R81275	10	0452-1	R81864	5	3365-22A
R77500	24	1674-17	R81275	10	0452-3	R81866	2	3365-34
R77501	24	1674-17	R81774	2	3365-27	R82095	3	3365-18
R77502	56	1674-19	R81774	13	3365-29	R82571	10	0960-14
R77503	56	1674-19	R81774	3	3365-34	R82571	15	0960-17
R77857	14	3365-7	R81775	3	3365-15	R83169	12	0402-4A
R77857	7	3365-9	R81775	18	3365-16	R83169	12	0402-6A
R78047	3	1674-21	R81775	4	3365-25	R83469	6	3365-27
R78048	10	1674-21	R81776	15	3165-11	R83469	16	3365-29
R78049	15	1674-21	R81776	8	3165-13	R83469	9	3365-34
R78050	19	1674-21	R81776	3	3365-13	R83469	8	3365-36
R78051	24	1674-21	R81776	18	3365-14	R83576	12	3365-19C
R78052	5	1674-21	R81776	6	3365-19C	R83576	8	3365-23
R78053	13	1674-21	R81776	4	3365-21	R83577	8	3365-25
R78054	17	1674-21	R81776	4	3365-23	R85363	1	0409-3
R78055	22	1674-21	R81777	4	3165-3	R85687	8	0409-3
R78056	26	1674-21	R81777	4	3165-7	R86085	5	3365-34
R78057	2	1674-21	R81777	3	3365-10	R86380	4	3365-27
R78058	23	1674-21	R81777	9	3365-11	R86380	14	3365-29
R78059	1	1674-21	R81777	6	3365-19	R86387	10	3365-30
R78060	2	1674-21	R81777	3	3365-19B	R86457	36	0515-5

9995-27

310G, 310SG AND 315SG BACKHOE LOADERS

NUMERICAL INDEX - CONTINUED

PART NO.	KEY	PAGE	PART NO.	KEY	PAGE	PART NO.	KEY	PAGE
R87732	4	0410-2	SE500769	22	0413-9	T101763	7	3362-30
R89944	5	0417-2	SE500826	10	0413-1	T101764	6	3362-30
R89944	28	0452-5	SE500826	10	0413-3	T101807	16	1811-3
R90237	14	3365-30	SE500828	10	0413-3A	T101807	5	1811-5
R90237	3	3365-31	SE500830	1	0413-2	T101807	3	3344-2
R90265	11	3365-30	SE500830	25	0413-7	T101975	20	1830-9
R90265	13	3365-31	SE500830	25	0413-11	T102780	27	1674-3B
R90565	16	0960-14	SE501101	10	0413-1	T102934	5	0341-5
R90658	2	0410-1	SE501101	10	0413-3	T102934	7	1674-5
R90658	2	0452-1	SE501103	1	0413-2	T102934	19	2160-11
R90658	2	0452-3	SE501103	25	0413-7	T102934	44	3363-25
R90692	10	0409-3	SE501103	25	0413-11	T103461	11	0560-3
R91360	25	0413-5	SE501155	4	0416-5	T103834	23	1674-3B
R91360	13	0413-7	SE501177	1	0413-3B	T105368	4	3362-31
R91360	25	0413-9	SE501178	1	0413-3B	T105368	15	3362-31
R91360	13	0413-11	SE501235	10	0413-7	T105469	12	3365-7
R91692	15	0402-4A	SE501235	10	0413-11	T105469	4	3365-9
R91692	15	0402-6A	SE501342	3	1672-3	T105720	27	3163-7
R91728	14	3365-34	SE501342	3	1672-5	T105720	26	3163-9
R91731	13	3365-25	SE501387	3	1672-3	T105740	20	0520-3
R91889	2	0409-3	SE501387	3	1672-5	T105740	16	1814-3
R92097	6	0416-3	TF23D	11	3302-15	T105740	21	1821-3B
R92097	6	0416-5	TF23P	8	3302-15	T105740	22	1821-3B
R92097	11	0452-1	TY15969	16	0560-3	T105740	20	1910-3
R92097	11	0452-3	TY15969	1	1330-2	T105773	7	3163-3
R92097	7	0530-3	TY16285	1	1330-2	T105773	24	3163-5
R92352	7	0413-1	TY21766	13	1671-3	T105773	16	3163-7
R92352	3	0413-2	TY21766	13	1671-5	T105773	15	3163-9
R92352	7	0413-3	TY22388	6	1369-7	T105773	18	3363-9
R92352	7	0413-3A	TY22388	11	1369-7	T105773	5	3363-11
R93219	6	1674-22	TY22462	2	0560-3	T105774	5	3363-3
R93220	6	1674-22	TY22462	29	0560-7	T105774	5	3363-3B
R93221	6	1674-22	TY22462	14	1060-9	T105774	3	3363-19
R93222	6	1674-22	TY22462	8	1060-11	T105774	16	3363-43
R93633	7	3365-30	TY22462	8	2160-11	T105988	12	3345-3
R93633	8	3365-31	TY22462	7	3363-29	T106066	2	3342-3
R93910	8	0409-3	TY22462	9	3363-31	T106398	4	3342-3
R96703	10	0422-5	TY22464	1	0408-5	T106399	3	3342-3
R97021	4	0560-4	TY22464	2	0960-9	T107029	10	3363-21
R97185	8	0407-21	TY22464	2	0960-11	T107029	38	3363-21B
R97185	15	0452-1	TY22487	7	0520-3	T107029	38	3363-25
R97185	15	0452-5	TY22489	9	0520-3	T107116	7	1671-5
R98062	11	0409-3	TY22490	18	1830-3	T107117	3	1671-3
R98063	8	0409-3	TY22493	23	3363-35	T107117	6	1671-5
R98322	6	3165-3	TY22493	19	3363-37	T10745	4	1672-3
R98322	9	3165-4	TY22556	31	2160-9B	T10745	4	1672-5
R98322	16	3165-8	TY22556	16	2160-13	T107887	12	3162-11
R98322	9	3165-9	TY22559	3	0560-3	T107887	19	3162-15
R98322	9	3365-12	TY22559	5	0560-7	T107887	31	3362-11
R98322	5	3365-21B	TY22559	33	0560-7	T107887	27	3362-13
R98322	9	3365-22	TY24401	5	0408-3	T107887	33	3362-15
R98322	9	3365-22A	TY24485	3	1672-3	T107887	30	3362-41
R98323	6	3165-3	TY24485	3	1672-5	T107887	9	3362-43
R98323	8	3165-4	TY24867	4	0520-5	T107887	27	3362-45
R98323	17	3165-8	TY26194	57	1674-19	T108357	24	1674-3B
R98323	8	3165-9	TY6128	13	1671-3	T11234	16	0230-3
R98323	8	3365-12	TY6128	13	1671-5	T11234	4	2002-3
R98323	5	3365-21B	TY6304	24	0404-3	T113128	7	0250-2
R98323	8	3365-22	TY6750	3	1672-3	T113128	4	0325-2
R98323	8	3365-22A	TY6750	3	1672-5	T114774	11	1830-10
R98324	4	3365-36	TY6764	25	1830-13	T114774	12	1830-10
R98325	3	3365-36	TY6799	3	1672-3	T115030	5	2002-3
R98335	8	0409-3	TY6799	3	1672-5	T116290	7	0230-7
SE500683	22	0413-9	T100787	2	1812-5	T116400	29	3343-3
SE500685	22	0413-5	T100813	10	0230-3	T116400	30	3343-5
SE500711	1	0404-5	T101624	17	1740-5	T116851	6	0250-9
SE500716	1	0404-5	T101624	23	3363-5	T116851	9	0250-11

9995-28

310G, 310SG AND 315SG BACKHOE LOADERS

NUMERICAL INDEX - CONTINUED

PART NO.	KEY	PAGE	PART NO.	KEY	PAGE	PART NO.	KEY	PAGE
T116918	4	0341-1	T118799	19	3162-9	T12582	4	3365-11
T116918	10	0341-3	T118799	28	3162-11	T12582	4	3365-12
T118679	4	3362-7	T118799	14	3162-17	T12582	12	3365-19
T118681	38	3162-9	T118799	17	3362-13	T12582	17	3365-19B
T118681	10	3162-11	T118799	21	3362-15	T12582	8	3365-21B
T118681	27	3162-13	T118799	17	3362-17	T12582	4	3365-22
T118681	17	3162-15	T118799	12	3362-19	T12582	4	3365-22A
T118681	26	3162-17	T118799	12	3362-23	T126013	20	1740-5
T118681	18	3162-21	T118808	13	3162-17	T126052	14	2160-11
T118681	11	3362-11	T118808	16	3162-21	T126052	11	3163-7
T118681	33	3362-11	T118808	21	3162-27	T126052	14	3363-19
T118681	25	3362-13	T118808	27	3362-11	T126052	17	3363-21
T118681	35	3362-15	T118808	15	3362-13	T126052	18	3363-23
T118681	19	3362-17	T118808	19	3362-15	T126867	23	3348-3
T118681	27	3362-17	T118808	16	3362-17	T127257	14	3162-25
T118681	10	3362-41	T118808	11	3362-19	T127260	22	3162-25
T118681	32	3362-41	T118808	11	3362-23	T127261	19	3162-25
T118681	7	3362-43	T118866	30	3162-17	T127263	18	3162-25
T118681	29	3362-45	T118866	23	3162-21	T127264	21	3162-25
T118681	2	3362-47	T118866	6	3362-11	T127265	1	3162-25
T118681	8	3362-47	T118866	19	3362-17	T127268	2	3162-25
T118683	19	3162-27	T118866	20	3362-17	T127437	6	3348-5
T118685	3	3162-7	T118866	5	3362-41	T128437	2	2002-3
T118685	23	3162-9	T118866	2	3362-47	T128533	5	3102-9
T118685	11	3162-13	T118866	3	3362-47	T128533	28	3102-19
T118685	7	3162-19	T118867	19	3162-17	T128538	10	3102-9
T118685	5	3362-9	T118867	22	3162-21	T128538	27	3102-19
T118685	18	3362-11	T118867	7	3362-11	T129165	1	0422-7
T118685	11	3362-13	T118867	19	3362-17	T129165	2	1671-3
T118685	15	3362-15	T118867	21	3362-17	T129165	5	1671-5
T118685	10	3362-17	T118867	6	3362-41	T129732	20	0515-3
T118685	10	3362-21	T118867	2	3362-47	T129732	16	0515-5
T118685	21	3362-41	T118867	4	3362-47	T13119	1	1369-5
T118685	20	3362-43	T118879	11	3162-17	T131938	13	1320-3
T118685	20	3362-45	T118879	14	3162-21	T13254	7	1369-7
T118685	20	3362-47	T118884	15	3162-9	T133291	2	3115-11
T118692	16	3162-11	T118884	24	3162-11	T133291	2	3115-13
T118692	23	3162-15	T119153	23	1814-3	T133291	1	3315-7
T118692	12	3162-21	T119912	2	0230-3	T133291	1	3315-19
T118693	14	3162-11	T119912	5	0230-5	T133487	9	1814-3
T118693	21	3162-15	T119912	2	0250-1	T133487	8	1910-3
T118693	10	3162-21	T119912	2	1749-3	T133674	6	1812-3
T118694	13	3162-11	T120543	12	1821-3	T133674	6	1814-3
T118694	20	3162-15	T120544	36	1821-3B	T133674	66	1814-5
T118694	9	3162-21	T120545	9	1821-3	T133674	3	1816-9
T118695	4	3362-5	T121238	5	3162-3	T133674	5	1816-11
T118695	4	3362-7	T121238	5	3162-19	T133674	5	1816-13
T118695	4	3362-24	T121288	6	1671-3	T133674	21	1830-5
T118695	4	3362-25	T121288	12	1671-5	T133674	32	3315-11
T118695	5	3362-26	T121474	2	3315-21	T134104	2	1671-8
T118695	5	3362-27	T121474	29	3315-23	T134586	13	1816-9
T118697	4	3362-5	T122075	4	0419-3	T134874	6	1816-9
T118697	4	3362-7	T122075	30	0452-5	T134874	1	1816-11
T118697	5	3362-26	T12275	1	1369-5	T134874	15	1816-11
T118697	5	3362-27	T12275	7	3365-18	T134874	3	1816-13
T118708	14	3162-9	T125615	7	0230-3	T134874	9	1816-13
T118708	23	3162-11	T125615	2	0230-5	T134874	11	1816-13
T118709	16	3162-9	T125615	7	0230-6	T134874	2	1816-15
T118709	25	3162-11	T125615	18	0230-7	T134874	2	1816-17
T118711	17	3162-9	T125615	10	0230-8	T134874	13	1830-5
T118711	26	3162-11	T125615	8	0250-1	T134881	37	3162-13
T118712	20	3162-9	T125808	4	3315-11	T134881	11	3162-15
T118712	27	3162-11	T12582	9	3165-3	T134895	24	1811-3
T118715	12	3162-9	T12582	4	3165-4	T134895	10	1811-5
T118715	21	3162-11	T12582	9	3165-7	T134895	30	1814-3
T118768	1	3102-5	T12582	9	3165-8	T134895	17	1816-11
T118768	1	3102-17	T12582	4	3165-9	T134895	7	1816-13

9995-29

310G, 310SG AND 315SG BACKHOE LOADERS

NUMERICAL INDEX - CONTINUED

PART NO.	KEY	PAGE	PART NO.	KEY	PAGE	PART NO.	KEY	PAGE
T134895	30	1816-15	T141093	2	1320-7	T148410	8	3346-3
T134895	4	1816-17	T141096	3	1320-7	T148410	5	3346-5
T134895	8	1830-5	T141126	30	3315-11	T148410	7	3362-31
T134895	21	1830-5	T141234	22	1811-3	T148411	2	1740-3
T134895	20	2001-3	T141689	5	0360-5	T148411	2	1740-5
T134895	1	2007-3	T142748	16	0515-3	T148411	2	3140-3
T134896	12	1816-11	T143169	20	1830-7	T148467	22	0230-3
T13518	5	0433-3	T143169	6	1830-13	T148468	29	0230-3
T135342	36	0515-3	T143802	15	3102-9	T148741	16	3315-11
T135342	49	0515-5	T143804	37	3102-21	T148817	3	2002-3
T135583	14	1814-3	T144486	20	0360-3	T149199	21	1320-3
T135675	21	1814-3	T144486	11	0360-7	T149199	7	1674-11
T135675	2	1814-7	T144486	7	0360-9	T150487	2	3102-3
T135675	26	1814-9	T144487	19	0360-3	T150487	1	3102-5
T135675	16	1814-9B	T144487	12	0360-7	T150487	2	3102-15
T13630	3	0960-3	T144493	19	0360-11	T150487	1	3102-17
T13630	3	0960-5	T144494	18	0360-11	T150517	6	3102-5
T137318	25	0515-3	T145560	16	1320-3	T150517	9	3102-9
T137318	24	0515-5	T145560	18	1830-13	T150517	6	3102-17
T137321	21	0515-3	T146080	17	1320-3	T150517	27	3102-19
T137321	17	0515-5	T146089	4	1320-7	T150517HD	6	3102-5
T137322	22	0515-3	T146095	4	1320-7	T150517HD	9	3102-9
T137322	18	0515-5	T146097	18	1320-3	T150517HD	6	3102-17
T13814	36	1830-7	T146098	5	1320-7	T150958	24	3162-15
T139165	1	1320-7	T146099	5	1320-7	T150961	2	3363-43
T139167	1	1320-7	T146102	6	0422-2	T151065	2	0250-8
T140207	11	0230-3	T146102	6	0422-3	T151065	2	0250-8B
T140211	6	0230-3	T146102	11	0422-5	T151072	8	0250-13
T140211	2	0230-6	T146102	19	1320-3	T151074	17	0250-7
T140211	7	0250-1	T146102	8	1740-3	T151075	4	0250-9
T140283	14	1320-3	T146102	15	1740-3	T151075	7	0250-11
T140311	15	1320-3	T146102	24	1740-5	T151077	8	0250-9
T140328	31	3115-7	T146102	32	1740-5	T151077	3	0250-11
T140328	26	3115-9	T146104	6	1320-7	T151080	1	0250-9
T140328	23	3115-11	T146106	6	1320-7	T151080	11	0250-9
T140328	10	3115-13	T146481	1	2160-25	T151080	11	0250-11
T140328	14	3315-7	T146757	4	3115-3	T151085	2	0250-8A
T140328	6	3315-9	T146757	2	3115-5	T151087	15	0250-7
T140328	18	3315-11	T147070	5	1740-3	T151088	15	0250-7
T140328	22	3315-11	T147070	10	3342-3	T151089	13	0250-5
T140328	15	3315-13	T147187	41	3363-19	T151261	15	0250-5
T140328	15	3315-13B	T147269	20	0201-3	T151262	9	0250-5
T140328	5	3315-15	T147296	3	3102-5	T151264	14	0250-7
T140328	13	3315-15B	T147296	3	3102-17	T151797	5	1749-3
T140328	12	3315-17	T148182	5	3115-3	T152288	4	0960-6
T140328	7	3315-27	T148182	3	3115-5	T152374	7	3362-9
T14050	13	0413-5	T148313	6	1740-3	T152398	18	3162-9
T14050	13	0413-9	T148313	7	1740-3	T152401	10	3162-9
T14050	14	0420-3	T148387	14	1740-3	T152401	20	3162-11
T14050	9	0420-7	T148387	22	3342-3	T152404	9	3162-9
T14050	14	0420-9	T148409	4	1740-3	T152404	19	3162-11
T14050	9	0420-13	T148409	3	1740-5	T152406	21	3162-9
T14065	2	3102-13	T148409	2	1747-3	T152406	9	3162-17
T140650	7	3315-11	T148409	6	2160-25	T152406	13	3362-15
T140699	3	3362-5	T148409	17	2160-27	T152406	14	3362-19
T140699	3	3362-7	T148409	16	3162-29	T152406	14	3362-23
T140699	6	3362-24	T148409	1	3344-2	T152406	18	3362-45
T140699	6	3362-25	T148409	14	3344-2	T152407	22	3162-9
T140699	7	3362-26	T148409	2	3344-3	T152407	8	3162-17
T140699	7	3362-27	T148409	8	3346-3	T152407	14	3362-15
T140700	3	3362-5	T148410	1	1740-3	T152407	15	3362-19
T140700	3	3362-7	T148410	17	1740-3	T152407	15	3362-23
T140700	7	3362-26	T148410	1	1740-5	T152407	19	3362-45
T140700	7	3362-27	T148410	34	1740-5	T152648	5	1313-3
T14083	3	1313-3	T148410	34	1816-15	T152996	8	1320-7
T141075	2	1320-7	T148410	1	3344-2	T152997	8	1320-7
T141078	3	1320-7	T148410	14	3344-2	T153193	10	3363-25

9995-30

310G, 310SG AND 315SG BACKHOE LOADERS

NUMERICAL INDEX - CONTINUED

PART NO.	KEY	PAGE	PART NO.	KEY	PAGE	PART NO.	KEY	PAGE
T153303	13	1740-3	T158437	22	1111-3	T158762	9	0350-27
T153303	21	3342-3	T158476	18	2160-11	T158775	12	0350-3
T153322	21	3346-5	T158481	14	1821-9	T158775	12	0350-5
T153531	2	3343-3	T158579	2	3140-5	T158775	7	0350-15
T153531	13	3343-5	T158584	6	1672-3	T158775	7	0350-17
T153567	4	3346-3	T158584	6	1672-5	T158775	7	0350-19
T153567	18	3346-5	T158648	11	0540-3	T158775	7	0350-21
T153608	11	3344-2	T158714	2	0350-7	T158775	7	0350-23
T153680	22	1320-3	T158717	8	0350-6	T158775	7	0350-25
T153720	9	0250-7	T158717	8	0350-13	T158777	6	0350-9
T153721	6	0250-7	T158718	9	0350-6	T158777	13	0350-10
T153722	6	0250-7	T158718	2	0350-9	T158778	19	0350-3
T153723	2	0960-13	T158718	17	0350-10	T158778	19	0350-5
T153742	3	0960-13	T158718	9	0350-13	T158778	13	0350-15
T153743	4	0960-13	T158720	2	0350-6	T158778	13	0350-17
T153744	14	0960-13	T158720	2	0350-13	T158778	8	0350-19
T154058	9	3140-3	T158722	7	0350-8	T158778	13	0350-21
T154128	10	0341-1	T158722	7	0350-27	T158778	11	0350-23
T154129	5	0341-1	T158732	2	0360-5	T158778	11	0350-25
T154130	16	0341-1	T158734	17	0315-3	T158784	3	0315-3
T154165	1	3140-3	T158735	12	0315-3	T158785	2	0315-3
T154166	3	3140-3	T158739	9	0350-3	T158786	5	0315-3
T154187	6	3162-25	T158739	9	0350-5	T158789	11	0350-3
T154273	13	3345-5	T158739	4	0350-15	T158789	11	0350-5
T154352	4	3140-3	T158739	4	0350-17	T158789	6	0350-15
T154360	6A	3102-7	T158739	14	0350-19	T158789	6	0350-17
T154361	19	1674-7	T158739	4	0350-21	T158789	12	0350-19
T154449	9	0540-3	T158739	4	0350-23	T158789	6	0350-21
T154621	6	1740-3	T158739	4	0350-25	T158789	6	0350-23
T154621	7	1740-3	T158740	10	0350-6	T158789	6	0350-25
T154621	1	3342-3	T158740	10	0350-13	T158801	16	0350-3
T154708	7A	3343-5	T158742	1	0350-3	T158801	16	0350-5
T154712	22	3343-3	T158742	1	0350-5	T158801	10	0350-15
T154712	22	3343-5	T158742	19	0350-8	T158801	10	0350-17
T154764	3	3140-3	T158742	2	0350-15	T158801	11	0350-19
T154769	4	3140-3	T158742	2	0350-17	T158801	10	0350-21
T154821	18	3343-3	T158742	15	0350-19	T158801	8	0350-23
T154821	8A	3343-5	T158742	2	0350-21	T158801	8	0350-25
T154828	6	0315-3	T158742	2	0350-23	T158802	20	0350-3
T154951	1	0201-3	T158742	2	0350-25	T158802	20	0350-5
T154952	12	0210-1	T158742	14	0350-27	T158805	2	0350-10
T155259	11	0350-6	T158743	10	0350-3	T158806	3	0350-10
T155259	11	0350-13	T158743	10	0350-5	T158810	25	3315-11
T155324	2	0350-1	T158743	5	0350-15	T158811	15	0350-9
T155826	13	0510-3	T158743	5	0350-17	T158812	23	3315-11
T155827	20	0510-3	T158743	13	0350-19	T158815	3	0315-1
T155858	10	0505-5	T158743	5	0350-21	T158816	5	0315-1
T157277	9	3342-3	T158743	5	0350-23	T158817	1	0315-1
T157762	4	3315-21	T158743	5	0350-25	T158818	4	0315-1
T157785	16	3315-19	T158744	12	0350-8	T158819	13	0315-3
T157792	8	3346-5	T158744	11	0350-27	T158820	7	0315-3
T157796	9	3346-5	T158745	11	0350-8	T158828	7	0230-3
T157922	5	3344-2	T158745	12	0350-27	T158855	8	0350-8
T157922	2	3346-8	T158747	4	0350-10	T158855	8	0350-27
T158081	41	1814-5	T158748	3	0350-9	T158858	13	0350-8
T158132	25	3165-3	T158748	16	0350-10	T158859	10	0350-8
T158132	25	3165-7	T158749	4	0360-5	T158859	10	0350-27
T158181	7	3140-3	T158754	10	0360-5	T158860	14	0350-8
T158245	11	1060-7	T158756	13	0350-3	T158861	6	0350-8
T158358	44	1814-5	T158756	13	0350-5	T158864	17	0350-8
T158397	10	3315-21	T158756	6	0350-19	T159028	23	1320-3
T158424	32	1830-13	T158756	12	0350-23	T159089	11	3344-2
T158424	1	2160-17	T158756	12	0350-25	T159118	2	3343-3
T158424	1	2160-19	T158758	4	0315-3	T159119	22	3343-3
T158424	2	2160-23	T158760	15	0350-8	T159188	22	3343-5
T158428	10	1812-5	T158760	17	0350-27	T159197	12	3302-15
T158437	7	0210-5	T158762	9	0350-8	T159197	15	3302-15

9995-31

310G, 310SG AND 315SG BACKHOE LOADERS

NUMERICAL INDEX - CONTINUED

PART NO.	KEY	PAGE	PART NO.	KEY	PAGE	PART NO.	KEY	PAGE
T159197	15	3302-17	T159440	22	1011-3	T159502	18	1111-5
T159263	10	1674-11	T159441	18	0210-3	T159518	8	0210-1
T159263	4	3362-5	T159441	22	1011-3	T159519	10	0210-1
T159263	4	3362-7	T159442	18	0210-3	T159522	9	0210-1
T159264	3	3362-5	T159442	22	1011-3	T159523	9	0210-1
T159264	3	3362-7	T159443	18	0210-3	T159525	9	0210-1
T159281	4	3346-3	T159443	22	1011-3	T159564	9	0341-1
T159281	18	3346-5	T159444	18	0210-3	T159565	15	0341-1
T159307	3	0210-5	T159444	22	1011-3	T159565	22B	0341-1
T159308	3	0210-5	T159445	18	0210-3	T159565	23	0341-3
T159309	3	0210-5	T159445	22	1011-3	T159567	11	0341-1
T159310	3	0210-5	T159446	18	0210-3	T159567	19	0341-3
T159311	3	0210-5	T159446	22	1011-3	T159568	19	0350-3
T159313	3	0210-5	T159447	18	0210-3	T159568	19	0350-5
T159314	3	0210-5	T159447	22	1011-3	T159568	13	0350-15
T159315	3	0210-5	T159448	18	0210-3	T159568	13	0350-17
T159316	8	0210-5	T159448	22	1011-3	T159568	8	0350-19
T159317	9	0210-5	T159449	18	0210-3	T159568	13	0350-21
T159322	4	0210-5	T159449	22	1011-3	T159568	11	0350-23
T159323	4	0210-5	T159450	18	0210-3	T159568	11	0350-25
T159324	4	0210-5	T159450	22	1011-3	T159569	19	0350-3
T159325	4	0210-5	T159451	18	0210-3	T159569	19	0350-5
T159326	4	0210-5	T159451	22	1011-3	T159569	13	0350-15
T159327	4	0210-5	T159452	18	0210-3	T159569	13	0350-17
T159329	4	0210-5	T159452	22	1011-3	T159569	8	0350-19
T159330	4	0210-5	T159453	18	0210-3	T159569	13	0350-21
T159331	4	0210-5	T159453	22	1011-3	T159569	11	0350-23
T159332	4	0210-5	T159457	18	0210-3	T159569	11	0350-25
T159334	4	0210-5	T159457	22	1011-3	T159570	19	0350-3
T159337	4	0210-5	T159459	18	0210-3	T159570	19	0350-5
T159338	4	0210-5	T159459	22	1011-3	T159570	13	0350-15
T159341	11	0210-3	T159461	18	0210-3	T159570	13	0350-17
T159343	16	0210-3	T159461	22	1011-3	T159570	8	0350-19
T159344	15	0210-3	T159463	18	0210-3	T159570	13	0350-21
T159346	17	0210-3	T159463	22	1011-3	T159570	11	0350-23
T159348	5	0210-3	T159471	13	1111-3	T159570	11	0350-25
T159350	7	0210-3	T159472	10	1111-3	T159571	4	0350-8
T159351	6	0210-3	T159473	6	1111-3	T159572	1	0350-8
T159358	2	0210-3	T159474	9	1111-3	T159572	1	0350-27
T159359	1	0210-3	T159474	10	1111-5	T159574	6	0350-9
T159359	6	1111-5	T159475	8	1111-3	T159574	13	0350-10
T159362	12	0201-3	T159475	9	1111-5	T159575	6	0350-9
T159362	25	1011-3	T159476	5	1111-3	T159575	13	0350-10
T159371	11	0201-3	T159477	7	1111-3	T159576	6	0350-9
T159373	8	0201-3	T159477	4	1111-5	T159576	13	0350-10
T159373	24	1011-3	T159478	4	1111-3	T159577	6	0350-9
T159386	23	0201-3	T159478	8	1111-5	T159577	13	0350-10
T159388	22	0201-3	T159479	1	1111-3	T159578	2	0315-1
T159389	24	0201-3	T159480	1	1111-3	T159582	28	0360-3
T159396	9	1011-3	T159481	1	1111-3	T159582	22	0360-7
T159397	10	1011-3	T159482	1	1111-3	T159583	34	0360-7
T159398	17	1011-3	T159483	1	1111-3	T159583 #T16	12	0360-3
T159399	6	1011-3	T159484	2	1111-3	T159584	10	0360-3
T159400	7	1011-3	T159485	3	1111-3	T159584	36	0360-7
T159401	8	1011-3	T159486	11	1111-3	T159586	36	0360-3
T159402	4	1011-3	T159487	12	1111-3	T159586	31	0360-7
T159403	23	1011-3	T159487	17	1111-5	T159587	32	0360-3
T159406	16	1011-3	T159490	17	1111-3	T159587	26	0360-7
T159407	14	1011-3	T159491	15	1111-3	T159588	33	0360-3
T159408	15	1011-3	T159492	16	1111-3	T159588	27	0360-7
T159409	1	1011-3	T159493	16	1111-3	T159589	31	0360-3
T159425	20	1011-3	T159494	16	1111-3	T159589	25	0360-7
T159427	20	1011-3	T159495	16	1111-3	T159591	37	0360-3
T159429	20	1011-3	T159496	16	1111-3	T159591	30	0360-7
T159431	20	1011-3	T159497	16	1111-3	T159592	38	0360-3
T159435	20	1011-3	T159499	21	1111-3	T159592	29	0360-7
T159440	18	0210-3	T159502	20	1111-3	T159593	1	0360-3

9995-32

310G, 310SG AND 315SG BACKHOE LOADERS

NUMERICAL INDEX - CONTINUED

PART NO.	KEY	PAGE	PART NO.	KEY	PAGE	PART NO.	KEY	PAGE
T159593	40	0360-3	T160067	12	3343-3	T161013	28	3315-23
T159593	1	0360-7	T160218	1	3343-5	T161027	3	3348-5
T159593	28	0360-7	T160299	10	3346-3	T161036	2	3102-7
T159595	22	0360-3	T160300	1	3346-3	T161036	4	3302-3
T159596	23	0360-3	T160300	17	3346-5	T161036	4	3302-7
T159596	16	0360-7	T160302	10	3346-3	T161036	2	3302-15
T159596	9	0360-9	T160303	10	3346-3	T161036	1	3343-3
T159597	26	0360-3	T160303	8	3348-5	T161036	23	3343-3
T159597	21	0360-7	T160304	1	3346-3	T161036	31	3343-3
T159598	25	0360-3	T160304	17	3346-5	T161036	1	3343-5
T159598	20	0360-7	T160315	2	1821-9	T161036	27	3343-5
T159599	24	0360-3	T160376	16	3363-9	T161036	12	3344-2
T159599	17	0360-7	T160376	13	3363-21	T161036	12	3345-5
T159600	27	0360-3	T160376	13	3363-23	T161036	21	3345-5
T159600	18	0360-7	T160376	13	3363-25	T161036	1	3346-3
T159604	9	0360-3	T160376	13	3363-27	T161036	7	3346-3
T159604	3	0360-7	T160376	3	3363-35	T161036	6	3348-3
T159607	6	0360-3	T160384	15	3346-5	T161036	2	3348-5
T159607	12	0360-4A	T160492	55	1830-7B	T161093	8	1369-7
T159607	7	0360-7	T160492	23	1830-9	T161144	5	0350-7
T159607	3	0360-11	T160508	3	0510-3	T161144	4	0360-4A
T159607	4	0360-11	T160515	6	3315-21	T161144	10	0360-11
T159607	5	0360-11	T160518	24	3362-11	T161147	18	0350-3
T159607	6	0360-11	T160518	13	3362-13	T161147	18	0350-5
T159607	9	0360-11	T160518	17	3362-15	T161147	12	0350-15
T159607	13	0360-11	T160518	14	3362-17	T161147	12	0350-17
T159607	14	0360-11	T160518	9	3362-19	T161147	9	0350-19
T159607	15	0360-11	T160518	9	3362-23	T161147	12	0350-21
T159607	16	0360-11	T160519	26	3362-11	T161147	10	0350-23
T159611	7	0360-4A	T160519	15	3362-17	T161147	10	0350-25
T159611	9	0360-4A	T160520	15	3362-21	T161181	19	0341-1
T159612	3	0360-11	T160548	4	3163-7	T161181	16	0341-3
T159612	6	0360-11	T160548	43	3163-7	T161182	15	0341-3
T159613	13	0360-4A	T160548	13	3363-1B	T161183	19	0350-3
T159613	7	0360-11	T160549	33	3163-7	T161183	13	0350-15
T159683	20	0341-1	T160550	11	3163-3	T161183	13	0350-17
T159683	12	0341-3	T160550	1	3163-5	T161183	8	0350-19
T159683	26	0341-3	T160554	35	3363-11	T161183	13	0350-21
T159684	2	0360-4A	T160554	31	3363-19	T161183	11	0350-23
T159684	5	0360-4A	T160567	7A	3343-3	T161183	11	0350-25
T159684	11	0360-11	T160568	11A	3343-3	T161186	15	0350-3
T159800	21	3343-3	T160589	3	3315-21	T161186	15	0350-5
T159800	21	3343-5	T160590	25	3315-23	T161186	2	0350-19
T159815	8	1320-3	T160613	8	3362-9	T161186	16	0350-23
T159829	11	3363-9	T160613	16	3362-21	T161186	16	0350-25
T159829	21	3363-11	T160628	3	3362-5	T161187	15	0350-3
T159829	22	3363-11	T160628	3	3362-7	T161187	15	0350-5
T159829	33	3363-19	T160629	4	3362-5	T161187	2	0350-19
T159832	7	1740-3	T160629	4	3362-7	T161187	16	0350-23
T159853	15	3346-3	T160638	8	3315-21	T161187	16	0350-25
T159950	30	3163-7	T160639	9	3315-21	T161188	15	0350-3
T159952	10	3163-7	T160663	5	3362-21	T161188	15	0350-5
T159952	21	3163-9	T160702	9	3362-15	T161188	2	0350-19
T159954	14	3163-3	T160702	4	3362-17	T161188	16	0350-23
T159954	36	3163-9	T160720	14	3115-3	T161188	16	0350-25
T159954	9	3363-7	T160720	24	3115-5	T161189	15	0350-3
T159954	23	3363-11	T160759	24	1320-3	T161189	15	0350-5
T159954	14	3363-13	T160759	29	3102-11	T161189	2	0350-19
T159954	31	3363-19	T160761	9	1320-7	T161189	16	0350-23
T159956	10	3363-7	T160762	10	1320-7	T161189	16	0350-25
T159976	18	3363-43	T160763	9	1320-7	T161190	15	0350-3
T159980	9	3115-3	T160769	10	1320-7	T161190	15	0350-5
T159980	7	3115-5	T160895	25	1821-3B	T161190	2	0350-19
T159981	7	3115-3	T160896	24	1821-3B	T161190	16	0350-23
T159981	5	3115-5	T161002	2	1369-7	T161190	16	0350-25
T159986	8	3343-3	T161011	4	3315-23	T161191	15	0350-3
T159986	18	3343-5	T161012	2	3315-23	T161191	15	0350-5

9995-33

310G, 310SG AND 315SG BACKHOE LOADERS

NUMERICAL INDEX - CONTINUED

PART NO.	KEY	PAGE	PART NO.	KEY	PAGE	PART NO.	KEY	PAGE
T161191	2	0350-19	T161249	9	0210-1	T162396	11	3115-3
T161191	16	0350-23	T161279	9	3302-15	T162396	27	3115-5
T161191	16	0350-25	T161319	9	3302-15	T162396	10	3140-3
T161192	15	0350-3	T161342	17	3363-11	T162396	5	3140-5
T161192	15	0350-5	T161365	16	3363-25	T162396	20	3165-3
T161192	2	0350-19	T161365	16	3363-27	T162396	23	3165-3
T161192	16	0350-23	T161368	5	2004-3	T162396	20	3165-7
T161192	16	0350-25	T161373	11	1814-3	T162396	23	3165-7
T161193	15	0350-3	T161373	9	1910-3	T162396	19	3165-8
T161193	15	0350-5	T161380	31	0510-3	T162396	1	3165-11
T161193	2	0350-19	T161380	28	1674-9D	T162396	26	3165-13
T161193	16	0350-23	T161380	15	1816-15	T162396	29	3315-9
T161193	16	0350-25	T161380	35	1816-17	T162396	15	3342-3
T161194	3	0360-3	T161380	1	1834-3	T162396	3	3343-3
T161194	29	0360-3	T161380	17	2001-3	T162396	3	3343-5
T161194	5	0360-7	T161463	14	2160-17	T162396	8	3344-2
T161194	24	0360-7	T161463	20	2160-17	T162396	15	3345-3
T161194	12	0360-9	T161463	12	2160-19	T162396	2	3345-5
T161194	24	0360-11	T161463	14	2160-21	T162396	2	3345-6
T161196	35	0360-7	T161463	30	3363-5	T162396	13	3346-3
T161197	35	0360-3	T161464	17	2160-17	T162396	28	3346-7
T161197	32	0360-7	T161464	19	2160-19	T162396	8	3348-3
T161198	35	0360-3	T161464	15	2160-21	T162396	24	3365-3
T161198	32	0360-7	T161497	1	3115-3	T162396	22	3365-5
T161199	35	0360-3	T161497	13	3115-5	T162396	24	3365-7
T161199	32	0360-7	T161497	6	3140-5	T162396	18	3365-10
T161200	35	0360-3	T161497	37	3343-3	T162396	20	3365-11
T161200	32	0360-7	T161497	31	3343-5	T162396	18	3365-13
T161202	15	0360-3	T161583	5	3345-3	T162396	18	3365-15
T161202	37	0360-7	T161593	1	3343-3	T162396	18	3365-17
T161203	14	0360-3	T161594	1	3343-3	T162396	18	3365-18
T161203	38	0360-7	T161598	7	3315-21	T162396	24	3365-19
T161204	2	0360-3	T161598	27	3315-23	T162396	24	3365-19C
T161204	39	0360-3	T161608	13	3343-3	T162396	20	3365-21B
T161204	2	0360-7	T161615	4	1369-7	T162396	20	3365-23
T161204	8	0360-11	T161665	25	1320-3	T162396	20	3365-25
T161204	25	0360-11	T161665	37	3363-35	T162396	17	3365-35
T161204	26	0360-11	T161665	28	3363-37	T162404	27	1320-5
T161207	7	0360-3	T161678	26	1320-5	T162404	18	3363-45
T161207	8	0360-7	T161759	9	3302-15	T162404	16	3363-47
T161207	13	0360-9	T161769	24	3363-35	T162439	28	3163-11
T161208	3	0360-4A	T161769	18	3363-37	T162446	7	0360-5
T161208	12	0360-11	T161770	11	3342-3	T162517	19	1011-3
T161218	3	0341-3	T161813	6	3342-3	T162535	12	3302-15
T161218	4	0350-7	T162003	9	3363-9	T162535	15	3302-15
T161233	3	1011-3	T162004	3	3363-9	T162535	15	3302-17
T161238	20	0210-3	T162004	12	3363-11	T162553	12	3302-15
T161238	20	1011-3	T162004	15	3363-21	T162553	15	3302-15
T161239	20	0210-3	T162004	15	3363-23	T162553	15	3302-17
T161239	20	1011-3	T162004	19	3363-25	T162557	4	1830-13
T161240	20	0210-3	T162004	19	3363-27	T162569	12	3302-15
T161240	20	1011-3	T162005	8	3363-9	T162569	15	3302-17
T161241	20	0210-3	T162005	14	3363-11	T162581	9	3346-3
T161241	20	1011-3	T162005	43	3363-21B	T162581	6	3346-5
T161242	20	0210-3	T162043	2	0250-9	T162582	9	3346-3
T161242	20	1011-3	T162044	2	0250-9	T162582	6	3346-5
T161243	20	0210-3	T162045	2	0250-9	T162675	7	1674-5
T161243	20	1011-3	T162046	3	0250-9	T162681	7A	3363-21
T161244	20	0210-3	T162238	27	2160-25	T162681	7A	3363-23
T161244	20	1011-3	T162380	1	1674-3	T162682	6A	3363-21
T161245	20	0210-3	T162396	12	0230-3	T162682	6A	3363-23
T161245	20	1011-3	T162396	24	0230-3	T162847	28	1320-5
T161246	20	0210-3	T162396	15	0960-14	T162847	6	3302-3
T161246	20	1011-3	T162396	11	1740-3	T162848	29	1320-5
T161247	20	0210-3	T162396	5	3102-7	T162848	6	3302-5
T161247	20	1011-3	T162396	13	3102-19	T162935	8	0360-5
T161248	9	0210-1	T162396	6	3104-3	T162947	13	0360-3

9995-34

310G, 310SG AND 315SG BACKHOE LOADERS

NUMERICAL INDEX - CONTINUED

PART NO.	KEY	PAGE	PART NO.	KEY	PAGE	PART NO.	KEY	PAGE
T162947	39	0360-7	T164595	6	0360-11	T164695	4	1814-7
T163109	2A	3348-3	T164596	5	0360-11	T164696	5	1814-7
T163109	3	3348-5	T164596	6	0360-11	T164697	3	1814-7
T163116	7	3102-12	T164597	13	0360-11	T164698	2	1814-9
T163117	5	3102-12	T164597	16	0360-11	T164701	29	0510-3
T163118	12	3102-12	T164598	14	0360-11	T164702	2	0360-9
T16318	29	0413-5	T164598	16	0360-11	T164703	27	0341-3
T16318	29	0413-9	T164599	15	0360-11	T164704	28	0341-3
T163225	30	3363-23	T164599	16	0360-11	T164705	27	1814-9
T163225	17	3363-33	T164609	10	0360-9	T164705	14	1814-9B
T163309	3	1674-3	T164610	8	0360-9	T164706	54	1814-5
T163309	9	1674-7	T164611	3	0360-9	T164707	45	1814-5
T163309	2	1816-13	T164612	4	0360-9	T164708	28	1814-9
T163374	4	0210-3	T164618	45	1830-7B	T164708	15	1814-9B
T163375	10	0210-3	T164619	4	1830-7	T164709	55	1814-5
T163455	7	3363-17	T164620	23	1816-13	T164710	55	1814-5
T163702	3	3363-21	T164621	26	1816-13	T164711	14	0350-23
T163702	3	3363-23	T164626	11	0350-15	T164711	14	0350-25
T163702	3	3363-25	T164626	11	0350-17	T164712	8	0350-15
T163702	3	3363-27	T164626	10	0350-19	T164712	8	0350-17
T163810	9	0210-3	T164626	11	0350-21	T164712	8	0350-21
T163867	14	0315-3	T164628	2	0350-19	T164714	16	1821-17
T163868	11	0315-3	T164628	16	0350-23	T164844	10	0201-3
T163869	10	0315-3	T164628	16	0350-25	T164844	13	0210-1
T163870	21	0315-3	T164629	2	0350-19	T164909	11	1111-5
T163962	25	1821-3B	T164629	16	0350-23	T164911	5	1111-5
T164034	8	0520-3	T164629	16	0350-25	T164912	14	1111-5
T164075	6	2160-5	T164630	2	0350-19	T164913	15	1111-5
T164086	5	3348-5	T164630	16	0350-23	T164914	7	1111-5
T164087	5	3348-5	T164630	16	0350-25	T164915	3	1111-5
T164088	6	3162-3	T164640	16	0350-15	T164916	2	1111-5
T164124	30	1320-5	T164643	16	0350-17	T164917	1	1111-5
T164124	2	2160-25	T164646	17	0350-19	T164918	16	1111-5
T164124	20	2160-27	T164647	16	0350-21	T164922	19	1111-5
T164128	11	1320-7	T164648	1	0341-3	T164953	35	3115-3
T164129	11	1320-7	T164648	30	0341-3	T164998	15	0201-3
T164182	15	3344-2	T164654	3	0350-6	T164999	31	1320-5
T164183	15	3344-2	T164654	3	0350-13	T165095	8	1814-3
T164257	21	3115-7	T164655	4	0350-6	T165096	8	1814-3
T164259	21	3115-11	T164655	4	0350-13	T165158	34	1814-3
T164387	16	3362-9	T164657	12	0341-3	T165169	1	1830-7
T164387	31	3362-9	T164658	18	0341-3	T165188	11	0960-5
T164420	31	1320-5	T164659	9	0341-3	T165256	13	0960-5
T164431	8	0210-3	T164660	7	0341-3	T165282	19	1060-3
T164572	5	0350-27	T164660	21	0341-3	T165290	1	1913-3
T164573	2	0341-3	T164661	20	0341-3	T165292	14	0560-3
T164574	13	0350-27	T164662	17	0341-3	T165292	3	0560-7
T164575	15	0350-27	T164665	3	0341-1	T165292	20	0560-7
T164576	6	0350-27	T164665	11	0341-3	T165295	17	0560-3
T164577	16	0360-3	T164666	13	0341-3	T165299	14	3115-7
T164577	40	0360-7	T164669	18	3343-3	T165314	12	3140-5
T164577	20	0360-11	T164671	35	0341-3	T165332	10	3102-7
T164578	15	0360-7	T164682	6	0360-4A	T165333	3	3102-7
T164579	34	0360-3	T164682	7	0360-4A	T165336	34	1814-3
T164579	33	0360-7	T164682	8	0360-4A	T165357	58	1814-5
T164581	14	0360-3	T164682	9	0360-4A	T165399	5	0350-9
T164581	38	0360-7	T164682	3	0360-11	T165400	14	0350-9
T164582	14	0360-3	T164682	4	0360-11	T165401	14	0350-10
T164582	38	0360-7	T164682	5	0360-11	T165423	8	0520-3
T164583	14	0360-3	T164682	13	0360-11	T165431	8	3115-11
T164583	38	0360-7	T164682	14	0360-11	T165525	1	1749-3
T164584	14	0360-3	T164682	15	0360-11	T165533	10	0960-5
T164584	38	0360-7	T164686	17	0360-11	T165542	3	1673-5
T164585	19	0360-7	T164693	18	0360-3	T165543	6	1673-5
T164591	2	0360-11	T164693	13	0360-7	T165561	7	1814-9
T164592	1	0360-11	T164693	6	0360-9	T165563	2	3343-3
T164595	4	0360-11	T164694	1	1814-7	T165584	33	1320-5

9995-35

310G, 310SG AND 315SG BACKHOE LOADERS

NUMERICAL INDEX - CONTINUED

PART NO.	KEY	PAGE	PART NO.	KEY	PAGE	PART NO.	KEY	PAGE
T165584	2	1816-3	T166065	4	0350-19	T166714	26	3346-7
T165584	23	3315-7	T166066	1	0360-9	T166715	7	3345-5
T165584	6	3315-13	T166077	1	0360-5	T166715	17	3345-5
T165584	21	3315-15	T166078	3	0350-27	T166715	11	3346-3
T165585	34	1320-5	T166084	1	0210-1	T166715	26	3346-7
T165585	3	1816-5	T166085	11	0210-1	T166716	12	3346-3
T165585	50	3315-9B	T166091	19	0520-3	T166716	27	3346-7
T165586	35	1320-5	T166097	10	3115-5	T166749	8	3315-7
T165586	4	1816-5	T166097	9	3315-9	T166761	3	2160-25
T165586	6	3315-17	T166097	7	3315-25	T166761	13	2160-27
T165590	5	3315-7	T166102	19A	3315-25	T166772	9	3315-7
T165591	45	3315-9B	T166145	16	0250-7	T166773	32	0960-9
T165591	38	3315-11	T166146	16	0250-7	T166773	32	0960-11
T165591	2	3315-17	T166147	16	0250-7	T166773	21	3315-7
T165595	36	1320-5	T166148	16	0250-7	T166780	7A	3363-25
T165595	5	3315-27	T166149	16	0250-7	T166780	7A	3363-27
T165604	34	1320-5	T166150	16	0250-7	T166781	6A	3363-25
T165604	35	3315-11	T166157	14	0515-3	T166781	6A	3363-27
T165697	12	3315-7	T166171	18	1060-3	T166874	6	1816-13
T165697	4	3315-9	T166174	28	0515-3	T166875	4	1816-11
T165697	25	3315-11	T166174	42	0515-5	T166881	22	1814-9
T165697	9	3315-17	T166211	4	1816-7	T166881	23	1814-9
T165739	6	1749-3	T166213	2	1816-7	T166896	37	1320-5
T165739	7	1749-3	T166215	2	1816-7	T166896	12	1811-3
T165740	13	3363-7	T166223	3	3315-3	T166898	10	2002-3
T165740	16	3363-13	T166223	6	3315-3B	T166899	3	3115-7
T165742	7	0560-4	T166224	31	3315-9	T166899	3	3115-9
T165742	12	3363-7	T166224	5	3315-13	T166900	1	3115-11
T165742	7	3363-13	T166224	19	3315-15	T166900	1	3115-13
T165785	35	3315-9	T166226	10	1821-3	T166901	2	1320-3
T165787	17	3315-9	T166227	11	1821-3	T166904	1	1320-3
T165788	16	3315-9	T166237	7	3315-19	T166958	3	1320-3
T165788	16	3315-11	T166244	8	1674-3	T166997	1	1812-5
T165808	18	1816-13	T166245	3	3163-7	T167059	12	3102-9
T165864	19	3163-3	T166258	11	3348-3	T167059	40	3102-21
T165864	17	3163-5	T166297	29	1830-7	T167065	14	1674-7
T165870	5	1927-3	T166300	38	1320-5	T167082	10	1816-9
T165889	8	3363-11	T166300	15	1674-7	T167083	2	1816-9
T165896	6	1921-3	T166322	30	1816-13	T167104	10	3115-7
T165911	35	1910-5	T166329	1	1747-3	T167119	10	1816-9
T165915	53	1910-5	T166331	6	1927-3	T167142	29	2160-9
T165916	31	1910-3	T166332	7	1927-3	T167142	21	2160-9B
T165940	29	2160-9	T166336	13	0210-3	T167149	9	1816-9
T165948	15	1812-3	T166344	10	1674-5	T167150	8	1816-9
T165950	1	1749-3	T166360	18	0315-7	T167192	11	3115-7
T165951	14	2001-3	T166368	5	1814-9	T167192	12	3115-9
T165969	5	1812-3	T166369	16	1814-9	T167192	28	3115-11
T165973	10	1910-3	T166370	9	1814-9	T167214	3	1673-3
T165975	52	1910-5	T166371	8	1814-9	T167232	2A	2001-3
T165976	15	1910-3	T166371	9	1814-9B	T167247	19	3315-9
T165977	41	1910-5	T166419	10	3102-9	T167248	37	3315-9B
T165978	46	1910-5	T166433	3	3102-9	T167319	10	0960-3
T165981	43	1910-5	T166433	2	3102-11	T167324	16	1830-3
T165982	4	1910-3	T166433	29	3102-19	T167325	7	1830-3
T165985	23	1910-3	T166437	9	3102-9	T167328	10	2160-23
T165997	37	1910-5	T166454	15	3102-9	T167328	11	2160-23
T165999	4	1320-3	T166454	37	3102-21	T167416	9	0960-3
T166000	4	1812-3	T166455	10	3102-9	T16752	1	1369-5
T166001	5	1320-3	T166455	27	3102-19	T168383	8	3363-29
T166002	6	1320-3	T166531	1	1913-5	T170783	1	0540-3
T166031	14	3315-9	T166535	7	3342-3	T170784	4	0540-3
T166035	37	1814-5	T166538	39	1320-5	T17148	4	0960-3
T166051	37	1320-5	T166538	8	1674-11	T17148	4	0960-5
T166060	54	1814-5	T166686	12	3346-3	T171686	1	1821-3
T166062	18	0350-15	T166686	27	3346-7	T172353	1	1671-8
T166062	18	0350-17	T166714	4	3345-3	T174398	15	1111-3
T166062	18	0350-21	T166714	11	3346-3	T174530	3	1671-8

9995-36

310G, 310SG AND 315SG BACKHOE LOADERS

NUMERICAL INDEX - CONTINUED

PART NO.	KEY	PAGE	PART NO.	KEY	PAGE	PART NO.	KEY	PAGE
T175641	29	1814-3	T183516	4	0250-13	T184271	14	3362-21
T175642	28	1814-3	T183517	4	0250-13	T184319	18	0960-9
T175643	32	1814-3	T183518	11	0250-5	T184319	18	0960-11
T175644	31	1814-3	T183519	11	0250-5	T184320	19	0960-9
T175645	27	1814-3	T183520	11	0250-5	T184320	24	0960-11
T175646	33	1814-3	T183521	11	0250-5	T184328	6	0960-9
T176553	6	0520-5	T183522	11	0250-5	T184328	6	0960-11
T177187	1	1927-3	T183523	11	0250-5	T184345	6	1674-5
T177623	6	3315-19	T183524	11	0250-5	T184345	13	1674-5
T178251	43	1830-7B	T183525	11	0250-5	T184345	4	1674-5B
T178971	62	1830-7B	T183526	11	0250-5	T184345	2	1674-11
T179055	3	1814-13	T183527	11	0250-5	T184345	12	1816-9
T181306	3	3162-29	T183528	11	0250-5	T184345	20	1816-9
T181306	9B	3163-11	T183548	9	3315-13	T184345	8	1816-11
T18145	3	0230-3	T183560	7	1830-5	T184345	38	1816-13
T18145	4	0230-5	T183600	14	1674-3	T184356	11	3362-21
T18145	3	0250-1	T183617	30	3115-7	T184368	41	1830-7B
T181522	13	1830-7	T183617	27	3115-9	T184369	10	1830-7
T181801	17	1740-5	T183617	24	3115-11	T184370	32	1816-13
T181801	23	3363-5	T183617	11	3115-13	T184393	25	1910-3
T183149	46	3315-9B	T183617	7	3315-9	T184401	10	0201-3
T183149	37	3315-11	T183617	36	3315-11	T184401	13	0210-1
T183149	3	3315-17	T183617	11	3315-17	T184414	50	1830-7B
T183151	14	1816-11	T183617	20	3315-25	T184415	51	1830-7B
T183217	37	0515-3	T183664	6	1814-11	T184502	13	1320-7
T183217	11	0515-5	T183664	3	1814-15	T184506	13	1320-7
T183268	1	1060-5	T183669	26	0510-3	T184514	42	1320-5
T183268	2	1060-5	T183706	1	1816-9	T184519	11	1320-3
T183269	21	1060-5	T183756	16	3162-5	T184528	7	1812-5
T183270	13	1060-5	T183756	28	3162-9	T184579	30	3363-21B
T183271	11	1060-5	T183756	17	3162-13	T184579	31	3363-25
T183272	9	1060-5	T183756	29	3362-11	T184586	1	0360-4A
T183273	7	1060-5	T183756	21	3362-13	T184620	22	1816-13
T183274	6	1060-5	T183756	29	3362-15	T184620	2	1830-7
T183276	16	1060-5	T183756	17	3362-21	T184620	3	1830-7
T183310	28	1060-5	T183756	8	3362-45	T184657	9	2160-13
T183344	5	1814-13	T183757	17	3162-17	T184676	2	1674-9B
T183356	10	3140-5	T183757	8	3162-21	T184759	7	1320-3
T183357	24	1060-5	T183757	17	3362-19	T184787	54	1910-5
T183362	20	1060-5	T183757	17	3362-23	T184788	38	1910-5
T183482	4	0210-5	T183757	2	3362-24	T184789	43	1320-5
T183483	4	0210-5	T183757	2	3362-25	T184816	15	0230-3
T183484	4	0210-5	T183757	3	3362-26	T184821	24	3115-7
T183485	4	0210-5	T183757	4	3362-27	T184870	22	3115-3
T183486	4	0210-5	T183757	1	3363-43	T184873	19	3115-3
T183487	4	0210-5	T183768	40	1320-5	T184892	11	1811-5
T183489	4	0210-5	T183768	20	1814-9	T184892	17	2001-3
T183490	4	0210-5	T183768	19	1814-9B	T184918	19	0350-27
T183491	4	0210-5	T183773	29	1910-3	T184924	23	1830-7
T183492	4	0210-5	T183780	50	1910-5	T184957	20	3315-23
T183493	4	0210-5	T183781	36	1910-5	T184988	10	3348-3
T183494	4	0210-5	T183884	3	3315-27	T185004	27	3115-7
T183495	4	0210-5	T183885	4	3315-27	T185019	44	1320-5
T183496	2	0201-3	T183905	15	3315-25	T185041	17	3102-11
T183500	22	1011-3	T183913	15	2160-11	T185078	18	1060-5
T183502	22	1011-3	T183921	6	0210-1	T185085	6	3315-7
T183505	22	1011-3	T183922	3	0210-1	T185089	3	0560-4
T183506	22	1011-3	T183923	5	0210-1	T185089	17	2160-19
T183507	22	1011-3	T184008	4	1816-9	T185089	12	2160-21
T183508	4	0250-13	T184009	5	1816-9	T185089	12	3163-13
T183509	4	0250-13	T184116	41	1320-5	T185090	16	2160-19
T183510	4	0250-13	T184116	39	1910-5	T185145	45	1320-5
T183511	4	0250-13	T184129	17	3315-13	T185145	26	2160-25
T183512	4	0250-13	T184129	3	3315-15	T185146	46	1320-5
T183513	4	0250-13	T184133	9	3315-15	T185154	2	2160-21
T183514	4	0250-13	T184164	21	1816-13	T185189	12	2160-17
T183515	4	0250-13	T184214	35	1816-13	T185189	20	2160-17

9995-37

310G, 310SG AND 315SG BACKHOE LOADERS

NUMERICAL INDEX - CONTINUED

PART NO.	KEY	PAGE	PART NO.	KEY	PAGE	PART NO.	KEY	PAGE
T185309	1	3315-19	T185691	1	3315-13B	T185904	15	3345-5
T185328	1	1811-7	T185692	55	1320-5B	T185905	11	1816-11
T185329	1	1811-7	T185692	22	3315-13	T185926	5	1060-5
T185330	47	1320-5	T185692	2	3315-13B	T185933	3	0505-7
T185338	17	3115-11	T185692	18	3315-15	T185949	50	1830-15
T185360	4	1913-3	T185692	4	3315-15B	T185982	2	3162-3
T185377	25	1814-9	T185695	21	1320-9	T185985	5	3162-3
T185378	24	1814-9	T185696	21	1320-9	T185989	1	1746-2
T185387	1	0505-5	T185699	4	2004-7	T185990	1	1746-2
T185443	5	1011-3	T185700	31	3115-3	T186000	10	3315-21
T185444	11	0201-3	T185710	22	3115-7	T186001	11B	3343-3
T185465	14	1812-5	T185710	24	3115-9	T186005	8	3315-21
T185466	13	1812-5	T185710	20	3115-11	T186006	9	3315-21
T185469	48	1320-5	T185710	8	3115-13	T186016	47	1814-5
T185469	5	1913-3	T185711	20	3115-7	T186017	46	1814-5
T185478	16	1830-5	T185713	20	1673-5	T186018	56	1814-5
T185479	15	1830-5	T185714	20	1673-5	T186022	23	1816-9
T185480	19	1830-5	T185742	16	1816-9	T186024	2	1674-13
T185481	20	1830-5	T185743	25	1816-9	T186029	1	1811-3
T185482	18	1830-5	T185743	26	1830-5	T186030	2	1811-3
T185485	22	1816-9	T185744	1	1830-5	T186041	2	0360-4A
T185491	7	0515-3	T185748	35	3115-7	T186062	9	1314-3
T185491	8	0515-5	T185757	6	1812-5	T186082	27	3115-3
T185493	8	1816-13	T185762	5	1830-9	T186083	28	3115-3
T185494	2	1816-13	T185763	1	1830-9	T186123	57	1320-5B
T185495	10	1816-13	T185766	1	3315-25	T186124	58	1320-5B
T185496	3	3315-25	T185769	21	1673-5	T186125	23	1320-9
T185524	3	1812-3	T185769	26	1816-9	T186128	23	1320-9
T185540	1	1830-5	T185769	6	1830-5	T186154	4	2160-15
T185545	14	1320-7B	T185770	15	1816-13	T186238	6	1060-11
T185546	15	1320-7B	T185773	7	1812-3	T186282	19	3363-45
T185547	16	1320-7B	T185774	8	1812-3	T186282	17	3363-47
T185548	17	1320-7B	T185775	14	1812-3	T186319	2	3162-3
T185549	18	1320-7B	T185779	13	1830-3	T186319	3	3162-19
T185552	19	1320-7B	T185780	14	1830-3	T186354	21	3165-3
T185553	20	1320-7B	T185782	20	1811-3	T186354	21	3165-7
T185556	49	1320-5	T185783	21	1811-3	T186360	59	1320-5B
T185567	14	1320-7B	T185784	19	1811-3	T186391	61	1320-5B
T185568	15	1320-7B	T185785	18	1811-3	T186392	24	1320-9
T185569	16	1320-7B	T185789	22	1830-7	T186393	24	1320-9
T185570	17	1320-7B	T185826	33	2160-11	T186400	62	1320-5B
T185571	18	1320-7B	T185826	40	2160-11	T186400	1	1674-7
T185573	19	1320-7B	T185829	3	3302-15	T186401	63	1320-5B
T185577	20	1320-7B	T185830	10	3302-5	T186401	2	1674-7
T185606	5	0360-3	T185830	9	3302-9	T186402	64	1320-5B
T185606	4	0360-7	T185830	4	3302-15	T186439	25	1320-9
T185619	3	1816-11	T185831	3	3302-15	T186440	25	1320-9
T185640	50	1320-5	T185831	24	3345-5	T186441	26	1320-9
T185646	51	1320-5B	T185832	10	3302-3	T186442	26	1320-9
T185648	18	3315-9	T185832	9	3302-7	T186443	7	2001-3
T185651	36	1816-13	T185832	4	3302-15	T186444	15	2001-3
T185652	37	1816-13	T185840	6	1830-3	T186474	22	3363-45
T185653	16	1816-11	T185841	2	1830-3	T186474	18	3363-47
T185654	10	1816-11	T185842	8	1830-3	T186552	65	1320-5B
T185663	3	1834-3	T185843	9	1830-3	T186552	18	1816-11
T185664	18	1673-7	T185844	27	1816-13	T186560	2	0360-11
T185664	3	1811-7	T185845	48	1830-7B	T186760	13	1830-7
T185666	13	1812-3	T185846	25	1830-5	T186766	53	1830-7B
T185673	19	1830-3	T185847	23	1830-5	T186793	30	0515-5
T185675	52	1320-5B	T185848	11	1830-5	T186793	68	1320-5B
T185676	53	1320-5B	T185849	12	1830-5	T186793	14	1674-3
T185678	43	1814-5	T185850	10	1830-3	T186793	1	1674-5D
T185681	28	3363-33	T185866	15	1830-3	T186859	9	1060-7
T185682	31	3363-33	T185867	12	1830-3	T186873	4	1830-5
T185683	6	2160-13	T185896	14	1816-13	T187044	5	3315-3
T185691	54	1320-5B	T185902	4	1313-3	T187044	4	3315-3B
T185691	21	3315-13	T185902	56	1320-5B	T187072	10	3115-7

9995-38

310G, 310SG AND 315SG BACKHOE LOADERS

NUMERICAL INDEX - CONTINUED

PART NO.	KEY	PAGE	PART NO.	KEY	PAGE	PART NO.	KEY	PAGE
T187072	11	3115-9	T188642	63	1910-5	T191142	8	1812-3
T187072	27	3115-11	T188707	4	1910-3	T191226	22	3115-5
T187110	33	1816-13	T188726	4	1812-3	T191245	19B	3315-25
T187114	3	3302-5	T188777	5	3348-5	T191285	12	3115-5
T187114	3	3302-9	T188806	6	1814-3	T191313	18	2160-7
T187114	3	3302-11	T188806	22	1814-3	T191313	41	2160-9
T187114	3	3302-13	T188817	60	1320-5B	T191313	15	2160-9B
T187114	6	3302-15	T188818	25	1320-9	T191318	17	3102-11
T187115	2	3302-5	T188819	25	1320-9	T191318	14	3102-12
T187115	2	3302-9	T188879	15	3102-19	T191318	46	3102-21
T187115	2	3302-11	T188879	42	3163-9	T191334	29	3362-41
T187115	2	3302-13	T188880	18	3102-19	T191334	22	3362-43
T187115	7	3302-15	T188880	43	3163-9	T191334	22	3362-45
T187116	3	3302-3	T18891	26	0404-3	T191334	23	3362-47
T187116	3	3302-7	T188976	21	3115-9	T191335	11	3362-41
T187116	3	3302-11	T188976	22	3115-9	T191335	10	3362-43
T187116	6	3302-15	T188976	7	3115-13	T191335	9	3362-45
T187117	2	3302-3	T189065	10	3363-25	T191335	9	3362-47
T187117	2	3302-7	T189080	5	3348-5	T191336	27	3362-41
T187117	2	3302-11	T190177	29	1830-13	T191336	21	3362-47
T187117	7	3302-15	T190197	29	1674-3B	T191337	11	3362-45
T187184	15	3345-5	T190198	30	1674-3B	T191337	11	3362-47
T187272	23	1910-3	T190199	31	1674-3B	T191338	13	3362-45
T187275	8	3140-3	T190296	7	3162-5	T191338	13	3362-47
T187275	21	3165-3	T190300	3	3162-5	T191346	16	3362-41
T187275	21	3165-7	T190311	10	3363-1B	T191346	15	3362-43
T187276	8	3140-3	T190357	21	3115-5	T191346	14	3362-45
T187276	30	3165-3	T190438	45A	1830-15	T191346	14	3362-47
T187276	30	3165-7	T190438	56	1830-15	T191425	18	0960-9
T187394	20	1673-5	T190473	23	3115-9	T191425	18	0960-11
T187505	34	3315-11	T190658	2	1671-7	T191427	6	0230-7
T187530	23	3315-11	T190669	29	2160-9	T191428	4	0230-7
T187571	1	0540-3	T190669	21	2160-9B	T191430	10	0230-7
T187606	55	1830-15	T190745	1	0230-7	T191445	3	3315-27
T187765	9	1814-9	T190746	16	0230-7	T191469	10	2160-17
T187780	23	1814-9	T190749	3	0230-8	T19687	1	1369-5
T187815	17B	2160-5	T190750	1	0230-6	T19854	6	0360-5
T187815	1	3162-29	T190795	7	3162-15	T19935	11	1674-9B
T187920	34	0515-5	T190819	11	3362-35	T19935	14	1830-13
T188018	20	1320-7B	T190819	11	3362-37	T200078	10	3315-13B
T188019	20	1320-7B	T190820	12	3362-35	T200078	9	3315-15B
T188172	12	0360-3	T190820	12	3362-37	T200093	7	3315-13B
T188172	34	0360-7	T190824	4	3362-35	T200094	6	3315-15B
T188172	35	0360-7	T190824	4	3362-37	T200095	6	3315-13B
T188173	11	0360-3	T190825	1	3362-35	T200095	5	3315-15B
T188173	34	0360-7	T190825	1	3362-37	T200240	18	3343-3
T188173	35	0360-7	T190868	17	1816-15	T200240	8A	3343-5
T188173	41	0360-7	T190868	25	1816-17	T20034	24	0401-1B
T188229	7	0210-5	T190892	41	2160-11	T20034	24	0401-5
T188229	21	1111-5	T190912	24	1816-15	T200362	8	3363-3B
T188234	12	1111-5	T190925	27	3343-3	T200424	2	1674-5B
T188268	7	3315-11	T190925	25	3343-5	T200540	8	3163-11
T188279	15	0201-3	T190956	21	1816-15	T200658	38	1816-17
T188356	14	3315-19	T190956	12	1816-17	T200659	27	1320-9
T188360	1	1747-3	T190960	29	1816-15	T200660	27	1320-9
T188360	1A	1747-5	T190964	36	1816-17	T200781	39	1816-17
T188397	17	0250-7	T190979	14	3163-13	T200853	18	3343-3
T188441	4	0230-8	T190992	16	3115-5	T200895	28	1320-9
T188442	6	0230-8	T190993	14	3363-1B	T200896	28	1320-9
T188448	8	0230-8	T190998	6	1816-15	T200956	17	3362-35
T188565	13	1812-3	T190999	7	1816-15	T200956	13	3362-37
T188568	5	3344-2	T190999	30	1816-17	T200990	47	1320-5
T188568	2	3346-8	T191000	5	1816-17	T201069	28	3362-41
T188573	36	2160-11	T191071	1	1814-7	T201069	21	3362-43
T188639	8	3315-7	T191072	4	1814-7	T201069	21	3362-45
T188642	24	1910-3	T191073	5	1814-7	T201069	22	3362-47
T188642	60	1910-5	T191101	3	1834-3	T201071	15	3362-41

9995-39

310G, 310SG AND 315SG BACKHOE LOADERS

NUMERICAL INDEX - CONTINUED

PART NO.	KEY	PAGE	PART NO.	KEY	PAGE	PART NO.	KEY	PAGE
T201071	14	3362-43	T204869	2B	3348-3	T213059	17	3362-47
T201071	13	3362-45	T204908	1	3102-3	T213143	36	3102-21
T201071	13	3362-47	T204908	8	3102-5	T213143	11	3104-3
T201072	12	3362-41	T204908	6B	3102-7	T213225	27	0515-3
T201072	11	3362-43	T204908	1	3102-9	T213225	21	0515-5
T201072	10	3362-45	T204908	1	3102-11	T213244	12	1816-15
T201072	10	3362-47	T204992	29	2160-9B	T213288	21	3104-3
T201285	22	1320-9	T205017	10	3104-3	T213333	61	1320-5B
T201286	22	1320-9	T205636	6B	3363-21	T213334	24	1320-9
T201293	61	1320-5B	T205636	6B	3363-23	T213335	24	1320-9
T201294	24	1320-9	T205636	6B	3363-25	T213705	33	3346-7
T201295	24	1320-9	T205636	6B	3363-27	T213799	2	0960-13
T201306	14	3362-41	T205637	7B	3363-21	T213800	3	0960-13
T201306	13	3362-43	T205637	7B	3363-23	T213801	14	0960-13
T201306	12	3362-45	T205637	7B	3363-25	T214270	37	0560-7
T201306	12	3362-47	T205637	7B	3363-27	T214321	42	1320-5
T201361	1	3343-3	T205810	2	3343-3	T214322	13	1320-7
T201361	32	3343-3	T205810	13	3343-5	T214323	13	1320-7
T201361	1	3343-5	T205873	22	3343-3	T214677	1A	1747-5
T201361	28	3343-5	T205875	22	3343-3	T214677	1B	1747-5
T201362	1	3343-3	T205875	22	3343-5	T215257	34	3346-7
T201362	33	3343-3	T205897	4	3348-3	T215293	19	1674-3B
T201362	1	3343-5	T205969	4	1830-7	T215364	1C	0520-3
T201362	29	3343-5	T206432	9	0250-5	T215367	11	0560-7
T201424	20	3362-11	T206457	8	1816-9	T215487	19	1673-7
T201424	23	3362-15	T206457	9	1816-9	T215487	1	1811-7
T201424	23	3362-41	T206491	14	1674-3	T215678	15	3343-3
T201424	24	3362-45	T206520	1	0230-6	T215678	6	3343-5
T201591	21	1910-3	T206525	1	1913-5	T215678	15	3343-5
T201656	14	3363-1D	T206569	11	3348-3	T216397	3	3140-5
T20168	18	0404-3	T206695	1	1674-5D	T216812	32	3346-7
T201909	2A	3348-3	T206908	1	1913-5	T216970	9	3346-5
T201952	4	1814-9B	T206951	2	1320-3	T217001	6	1921-3
T201953	3	1814-9B	T206952	1	1320-3	T217548	7A	3343-3
T201954	2	1814-9B	T206954	3	1320-3	T217548	7B	3343-3
T201955	1	1814-9B	T207040	60	1320-5B	T221X230	23	3102-9
T201956	6	1814-9B	T207041	25	1320-9	T22150	34	0515-3
T201957	5	1814-9B	T207042	25	1320-9	T22150	48	0515-5
T201957	21	1814-9B	T207060	3	1674-3	T22240	32	0515-3
T201958	7	1814-9B	T207060	9	1674-7	T22240	45	0515-5
T201968	8	1814-9B	T207060	2	1816-13	T22241	29	0515-3
T201971	1	3343-3	T207191	20	1320-3	T222442	15	3346-3
T201971	19	3343-3	T207309	37	3315-9B	T223008	10	2002-3
T201971	1	3343-5	T207484	18	3315-9	T223009	10	2002-3
T201971	8B	3343-5	T207885	35	2160-9	T223076	1	3343-5
T202050	3	3163-7	T208007	29	1320-9	T223076	7A	3343-5
T202050	11	3363-9	T208008	29	1320-9	T223076	7B	3343-5
T202050	21	3363-11	T208077	21	1814-9B	T223289	9	1814-9B
T202050	22	3363-11	T208077	22	1814-9B	T224200	21	0560-7
T202050	33	3363-19	T208467	29	2160-9B	T224227	7	1672-7
T202499	2	0230-6	T208467	16	2160-13	T224283	42	1320-5
T202720	14	1816-17	T208510	20	3344-2	T224284	13	1320-7
T202956	15	3315-7	T209212	5	1674-5D	T224285	13	1320-7
T202956	53	3315-9B	T209334	4	1910-3	T224750	3	0360-11
T202956	13	3315-13	T209529	61	1320-5B	T224751	8	0360-4A
T202956	12	3315-13B	T209530	24	1320-9	T224751	9	0360-4A
T202956	6	3315-15	T209531	24	1320-9	T224751	5	0360-11
T202956	10	3315-27	T209588	46	3315-9B	T224776	13	0360-11
T20314	4	0402-2	T209588	3	3315-17	T224777	15	0360-11
T20316	3	0402-2	T209627	14	1673-7	T224778	6	0360-4A
T203361	1	1746-2	T210077	6	0210-3	T224778	9	0360-4A
T203362	1	1746-2	T210078	8	0210-3	T224857	13	3140-5
T203374	2	1060-5	T210544	2	1921-5	T225291	17B	2160-5
T203385	1	1060-5	T212039	4B	1060-9	T225374	30	1320-5
T203458	3	1812-3	T212304	12	1913-3	T225374	1	2160-25
T203949	39	2160-11	T212352	56	1830-15	T225374	2	2160-25
T204635	2B	2001-3	T213059	18	3362-41	T225374	18	2160-27

9995-40

310G, 310SG AND 315SG BACKHOE LOADERS

NUMERICAL INDEX - CONTINUED

PART NO.	KEY	PAGE	PART NO.	KEY	PAGE	PART NO.	KEY	PAGE
T225374	20	2160-27	T55224	20	1821-17	T74553	19	0315-3
T225375	11	1320-7	T55501	11	1674-7	T74952	4	1673-3
T225375	1	2160-25	T55585	13	0505-7	T74952	5	2001-3
T225375	18	2160-27	T55585	13	1674-7	T75197	22	1674-9B
T225376	11	1320-7	T57374	17A	2160-5	T75506	10	0230-4
T225376	1	2160-25	T58056	1	1816-13	T75815	3	1746-2
T225376	18	2160-27	T58056	2	1830-9	T75815	6	3140-3
T225494	13	0429-3	T58056	10	1921-3	T75815	26	3165-3
T225494	1	0510-3	T58056	8	1921-5	T75815	26	3165-7
T225495	13	0429-3	T58109	27	3315-9	T75816	6	3140-3
T225495	1	0510-3	T58109	2	3315-13	T76252	7	0560-3
T227945	5	1913-3	T58109	16	3315-13B	T76252	15	1674-9B
T22826	4	3344-2	T58109	13	3315-15	T76502	2	3362-9
T22828	10	0960-17	T58109	15	3315-15B	T76502	32	3362-9
T23P	25	3102-9	T58477	6	0409-3	T76502	12	3362-21
T230SP	24	3102-9	T58739	14	1830-9	T76830	52	1814-5
T23474	19	0404-3	T60811	30	1830-7	T76832	42	1814-5
T24472	9	0413-1	T60811	31	1830-7	T76833	57	1814-5
T24472	5	0413-2	T60811	10	1830-9	T76833	59	1814-5
T24472	9	0413-3	T60811	15	1830-9	T76938	6	0341-5
T24472	9	0413-3A	T60811	17	1830-9	T76938	10	2160-7
T24472	5	0413-3B	T60811	24	1830-9	T76938	18	2160-7
T24509	15	3315-19	T60811	25	1830-9	T76938	38	2160-9
T24959	7	3363-19	T60811	30	3163-11	T76938	42	2160-9
T24959	8	3363-43	T60920	6	2002-3	T76938	10	2160-9B
T25335	1	1369-5	T61226	7	3140-3	T76938	12	2160-9B
T25838	3	1812-5	T61226	24	3165-3	T76938	10	3362-5
T26955	5	0341-5	T61226	24	3165-7	T76938	10	3362-7
T27022	23	3102-11	T61861	27	2160-11	T76938	33	3363-21B
T27860	28	0413-5	T61861	15	3115-3	T76938	34	3363-25
T27860	28	0413-9	T63798	12	1821-9	T76938	35	3363-27
T28583	1	1674-17	T65295	11	3363-31	T76938	21	3363-47
T28585	12	1674-17	T66701	1	0560-3	T77165	33	0515-3
T28586	14	1674-17	T66701	36	0560-7	T77165	46	0515-5
T29342	6	0540-3	T66860	5	0110-2	T77613	11	0416-7
T29342	28	1740-5	T67424	26	3162-9	T77613	11	0416-9
T29342	8	1921-3	T67424	14	3162-13	T77613	7	0960-9
T29342	9	3344-2	T67424	37	3362-11	T77613	8	0960-9
T29342	10	3345-3	T67424	20	3362-13	T77613	14	0960-9
T29342	9	3345-5	T67424	28	3362-15	T77613	7	0960-11
T29342	13	3348-3	T67424	19	3362-21	T77613	8	0960-11
T29342	40	3363-19	T67424	35	3362-45	T77613	14	0960-11
T34067	18	1674-17	T67425	35	3162-9	T77613	1	1060-7
T34248	1	1369-5	T67425	23	3162-13	T77613	2	1060-7
T35233	1	3315-11	T67425	38	3362-11	T77613	3	1060-7
T35887	27	0515-3	T67425	18	3362-13	T77613	3	1060-9
T35887	21	0515-5	T67425	26	3362-15	T77613	6	1060-9
T38485	9	3365-18	T67425	20	3362-21	T77613	9	1060-9
T38545	19	3363-5	T67425	33	3362-45	T77613	10	1060-9
T39155	12	0560-3	T68098	7	0416-5	T77613	1	1060-11
T40308	17A	2160-5	T69027	13	0230-3	T77613	2	1060-11
T41356	14	3365-3	T69354	30	0230-3	T77613	3	1060-11
T41356	7	3365-5	T69355	17	0230-3	T77613	4	1060-11
T41356	9	3365-17	T69360	3	0230-1	T77613	13	1740-5
T42199	67	1320-5B	T69363	19	0230-3	T77613	2	2160-7
T42199	1	1671-7	T69364	18	0230-3	T77613	5	2160-7
T43512	1	1330-2	T69472	21	3348-3	T77613	5	2160-9B
T43513	1	1330-2	T69938	6	0250-2	T77613	6	2160-11
T43514	1	1330-2	T69938	3	0325-2	T77613	11	2160-11
T48613	6	3344-2	T70177	2	3162-21	T77613	20	3104-3
T54568	8	3102-11	T70177	7	3162-27	T77613	18	3163-7
T54568	47	3102-21	T70341	27	2160-25	T77613	28	3163-9
T54967	29	3162-25	T70341	2	3163-11	T77613	32	3163-9
T55208	1	1821-9	T70659	37	1830-7	T77613	24	3163-11
T55214	17	1821-9	T74416	25	1674-9B	T77613	32	3163-11
T55222	5	1821-9	T74416	12	3363-29	T77613	25	3163-13
T55224	15	1821-9	T74553	9	0315-3	T77613	28	3163-13

9995-41

310G, 310SG AND 315SG BACKHOE LOADERS

NUMERICAL INDEX - CONTINUED

PART NO.	KEY	PAGE	PART NO.	KEY	PAGE	PART NO.	KEY	PAGE
T77613	5	3362-29B	T77857	17	3362-9	T77932	23	3363-47
T77613	6	3362-33	T77857	1	3362-29B	T78313	1	1369-5
T77613	16	3362-35	T77857	27	3363-1B	T78497	1	2160-11
T77613	16	3362-37	T77857	15	3363-7	T78497	29	2160-11
T77613	4	3363-1B	T77857	18	3363-13	T78497	39	2160-11
T77613	11	3363-1B	T77857	3	3363-15	T78497	8	2160-17
T77613	12	3363-1B	T77857	11	3363-19	T78497	15	2160-17
T77613	20	3363-1B	T77857	32	3363-19	T78497	16	2160-17
T77613	23	3363-1B	T77857	5	3363-33	T78497	10	2160-19
T77613	1	3363-1D	T77857	12	3363-35	T78497	11	2160-19
T77613	2	3363-1D	T77857	5	3363-37	T78497	14	2160-19
T77613	4	3363-1D	T77857	2	3363-45	T78497	18	2160-19
T77613	5	3363-1D	T77857	16	3363-45	T78497	19	2160-19
T77613	6	3363-1D	T77857	14	3363-47	T78497	4	2160-21
T77613	7	3363-1D	T77858	10	2160-7	T78497	6	2160-21
T77613	8	3363-1D	T77858	27	2160-9	T78497	7	2160-21
T77613	9	3363-1D	T77858	10	2160-9B	T78497	8	2160-21
T77613	10	3363-1D	T77858	34	2160-11	T78593	8	0505-5
T77613	11	3363-1D	T77858	17	3363-9	T78593	10	0505-7
T77613	12	3363-1D	T77858	29	3363-11	T78606	17	0960-9
T77613	13	3363-1D	T77858	5	3363-21	T78606	17	0960-11
T77613	3	3363-3	T77858	5	3363-23	T78606	17	2160-17
T77613	3	3363-3B	T77858	5	3363-25	T78606	15	2160-21
T77613	4	3363-5	T77858	5	3363-27	T78606	20	3163-5
T77613	14	3363-5	T77858	26	3363-33	T78606	28	3163-7
T77613	26	3363-5	T77858	7	3363-35	T78606	35	3163-7
T77613	1	3363-17	T77858	4	3363-37	T78606	17	3163-9
T77613	4	3363-29	T77858	21	3363-47	T78606	13	3163-13
T77613	3	3363-31	T77932	25	1111-3	T78606	30	3363-5
T77613	6	3363-43	T77932	24	1111-5	T78612	6	0341-5
T77613	19	3365-21B	T77932	13	2160-7	T78707	4	3363-21
T77613	18	3365-22	T77932	27	2160-9	T78707	31	3363-21B
T77613	17	3365-24A	T77932	21	2160-11	T78707	4	3363-23
T77613	19	3365-25	T77932	34	2160-11	T78707	4	3363-25
T77613	17	3365-26	T77932	7	2160-25	T78707	32	3363-25
T77814	2	0210-6	T77932	9	2160-25	T78707	4	3363-27
T77814	12	3163-11	T77932	48	3102-21	T78716	20	3363-19
T77814	3	3363-5	T77932	49	3102-21	T78716	22	3363-33
T77814	13	3363-5	T77932	2	3163-3	T78716	17	3363-45
T77814	10	3363-29	T77932	12	3163-7	T78716	24	3363-47
T77814	15	3363-31	T77932	41	3163-7	T78787	11	1830-13
T77857	1	0960-9	T77932	9	3163-9	T79786	5	0230-1
T77857	28	0960-9	T77932	45	3163-9	T80027	6	0250-1
T77857	34	0960-9	T77932	17	3163-11	T80306	49	3102-21
T77857	1	0960-11	T77932	22	3163-11	T80306	46	3163-9
T77857	22	0960-11	T77932	3	3363-7	T80306	27	3363-23
T77857	34	0960-11	T77932	15	3363-7	T80306	27	3363-27
T77857	23	1060-3	T77932	4	3363-9	T80306	23	3363-33
T77857	27	1060-3	T77932	5	3363-9	T81029	9	3363-1B
T77857	1	2160-7	T77932	3	3363-11	T81029	9	3363-17
T77857	3	2160-7	T77932	13	3363-11	T81524	3	3162-9
T77857	1	2160-9B	T77932	3	3363-13	T81524	4	3162-11
T77857	12	2160-25	T77932	18	3363-13	T81524	3	3162-13
T77857	3	2160-27	T77932	22	3363-19	T81524	5	3162-15
T77857	10	3102-11	T77932	32	3363-19	T81524	3	3162-17
T77857	28	3102-11	T77932	26	3363-21B	T81524	4	3162-21
T77857	1	3102-19	T77932	26	3363-23	T81524	13	3162-27
T77857	8	3163-5	T77932	27	3363-25	T81524	13	3362-11
T77857	7	3163-7	T77932	26	3363-27	T81524	29	3362-13
T77857	45	3163-7	T77932	3	3363-33	T81524	8	3362-15
T77857	1	3163-9	T77932	12	3363-33	T81524	3	3362-17
T77857	12A	3163-9	T77932	27	3363-33	T81524	3	3362-19
T77857	13	3163-9	T77932	9	3363-35	T81524	3	3362-23
T77857	35	3163-9	T77932	2	3363-37	T81535	13	3162-9
T77857	48	3163-9	T77932	1	3363-39	T81535	22	3162-11
T77857	19	3163-11	T77932	1	3363-41	T81538	21	3162-9
T77857	21	3163-13	T77932	4	3363-45	T81538	9	3162-13

9995-42

310G, 310SG AND 315SG BACKHOE LOADERS

NUMERICAL INDEX - CONTINUED

PART NO.	KEY	PAGE	PART NO.	KEY	PAGE	PART NO.	KEY	PAGE
T81538	16	3362-11	U12547	32	2160-11	790106800	15	3362-47
T81538	9	3362-13	U12547	38	2160-11	790107100	13	3362-41
T81538	13	3362-15	U12547	6	3102-19	790107100	12	3362-43
T81538	11	3362-17	U12547	7	3363-9			
T81538	19	3362-41	U12547	8	3363-13			
T81538	18	3362-43	U12547	2	3363-21			
T81538	18	3362-45	U12547	28	3363-21B			
T81538	18	3362-47	U12547	2	3363-23			
T81539	22	3162-9	U12547	2	3363-25			
T81539	10	3162-13	U12547	29	3363-25			
T81539	17	3362-11	U12547	2	3363-27			
T81539	10	3362-13	U12547	29	3363-35			
T81539	14	3362-15	U12547	9	3363-37			
T81539	9	3362-17	U12547	6	3363-45			
T81539	20	3362-41	U12547	25	3363-47			
T81539	19	3362-43	U12857	12	3115-11			
T81539	19	3362-45	U13461	8	3365-30			
T81539	19	3362-47	U13461	9	3365-31			
T81540	10	3162-17	U13461	9	3365-33			
T81540	13	3162-21	U13639	18	0341-3			
T81540	18	3162-27	U13639	24	0341-3			
T81540	23	3362-11	U13639	8	0341-5			
T81540	12	3362-13	U13639	23	0404-3			
T81540	16	3362-15	U13639	3	0505-3			
T81540	13	3362-17	U13639	29	1060-5			
T81540	8	3362-19	U13639	1	1369-5			
T81540	8	3362-23	U13639	29	1830-9			
T81541	12	3162-17	U13639	17	2160-7			
T81541	15	3162-21	U13639	18	2160-7			
T81541	20	3162-27	U13639	36	2160-9			
T81541	14	3362-13	U13639	40	2160-9			
T81541	18	3362-15	U13639	14	2160-9B			
T81541	10	3362-19	U14555	8	0230-1			
T81541	10	3362-23	U14555	22	3315-9			
T81963	4	0230-1	U14555	20	3315-13B			
T82791	3	1674-7	U14555	20	3315-15B			
T83061	2	3115-7	U15192	4	3362-29			
T83061	2	3115-9	U15415	1	1369-5			
T83061	26	3115-11	U15973	5	0960-17			
T83426	10	1740-3	U15973	1	1369-5			
T83426	18	3342-3	U17408	36	3315-9B			
T84194	6	3102-5	U17409	1	1369-5			
T84194	9	3102-9	U17409	22	2160-7			
T84194	6	3102-17	U17409	8	2160-9B			
T84194	27	3102-19	U40398	23	3102-11			
T84194HD	6	3102-5	U40708	15	3365-30			
T84194HD	9	3102-9	U40708	2	3365-31			
T84194HD	6	3102-17	U42111	1	1369-5			
U10289	1	1369-5	U42208	11	0315-7			
U10516	24	3163-7	U42208	15	0315-7			
U10516	29	3163-9	U43792	10	3302-15			
U10516	6	3163-13	U46370	20	1674-17			
U10746	1	1369-5	U46662	10	1674-17			
U10776	1	1369-5	U46664	47	1674-19			
U11326	1	1369-5	W23122	23	1816-17			
U11343	1	1369-5	XH4-62-T10	5	3363-39			
U12037	1	1369-5	XH4-62-T10	5	3363-41			
U12167	7	1740-5	XH4-63-T10	4	3363-39			
U12198	1	1369-5	XH4-63-T10	4	3363-41			
U12198	10	3365-29	XN8TUB8	19	3363-29			
U12198	11	3365-36	0344046	4	3362-31			
U12288	12	3363-9	0344046	9	3362-31			
U12331	1	1369-5	5787YT	12	3115-3			
U12547	1	1369-5	5787YT	26	3115-5			
U12547	32	2160-9	790106800	17	3362-41			
U12547	23	2160-9B	790106800	16	3362-43			
U12547	9	2160-11	790106800	15	3362-45			

