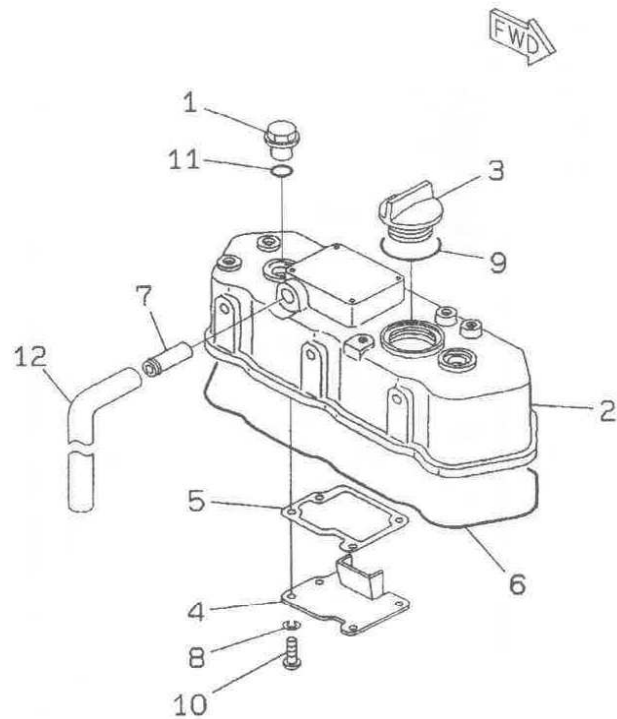


シリンダヘッドカバー
 FIG. A1110-A0A1 CYLINDER HEAD COVER



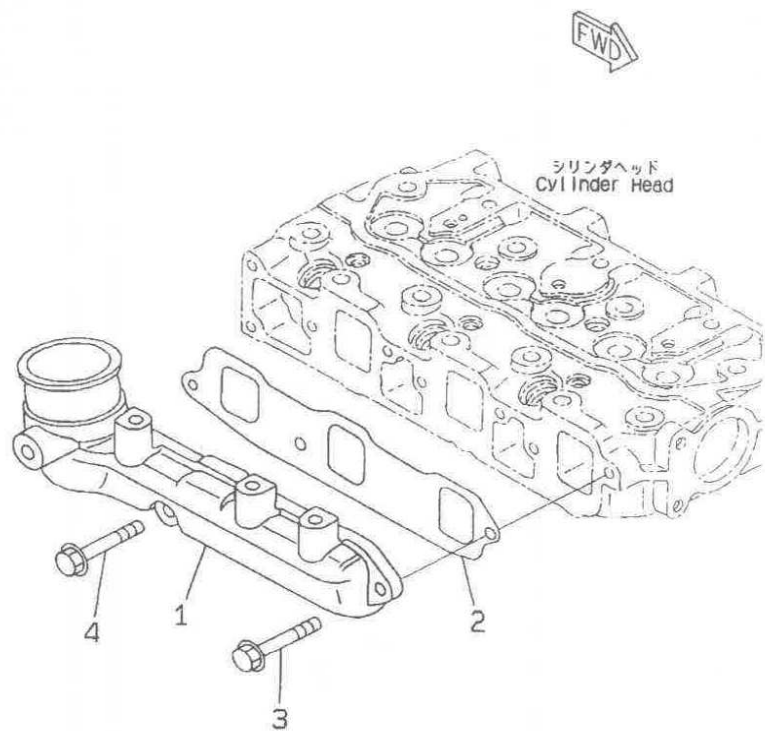
PGD1301

FIG. NO. : A1110-A0A1

INDEX	PART NO.	DESCRIPTION	QTY	SERIAL NO.
1	YM124160-11360	BOLT	2	03402-
2	YM719260-11520	COVER ASS'Y	1	03402-
3	YM124160-01751	CAP	1	03402-
4	YM119260-03020	BAFFLE	1	03402-
5	YM119260-03031	GASKET (KIT)	1	03402-
6	YM119260-11310	GASKET (KIT)	1	03402-
7	YM119620-11390	JOINT	1	03402-
8	YM22217-050000	WASHER SPRING	4	03402-
9	YM24311-000320	O-RING (KIT)	1	03402-
10	YM26557-050102	SCREW	4	03402-
11	YM24311-000120	O-RING (KIT)	2	03402-
12	YM23065-120650	PIPE	1	03402-

エア インテーク マニホールド オビ コネクション
 FIG. A1310-A0A1 AIR INTAKE MANIFOLD AND CONNECTION

FIG. NO. A1310-A0A1



INDEX	PART NO.	DESCRIPTION	QTY	SERIAL NO.
1	YM119270-12100	MANIFOLD INTAKE.....	1	03402-
2	YM119270-12110	GASKET..... (KIT).....	1	03402-
3	YM26106-060162	BOLT.....	2	03402-
4	YM26106-060282	BOLT.....	1	03402-

PGD1302

エアークリーナ オヨビ マウンティング
 FIG. A1410-A0A1 AIR CLEANER AND MOUNTING

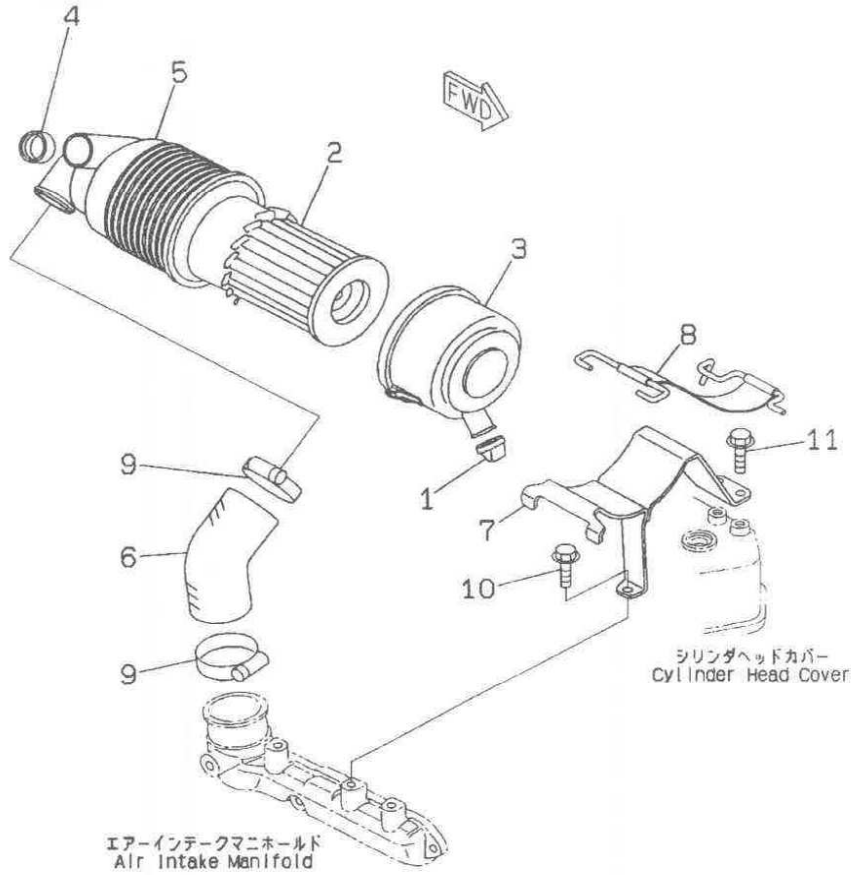
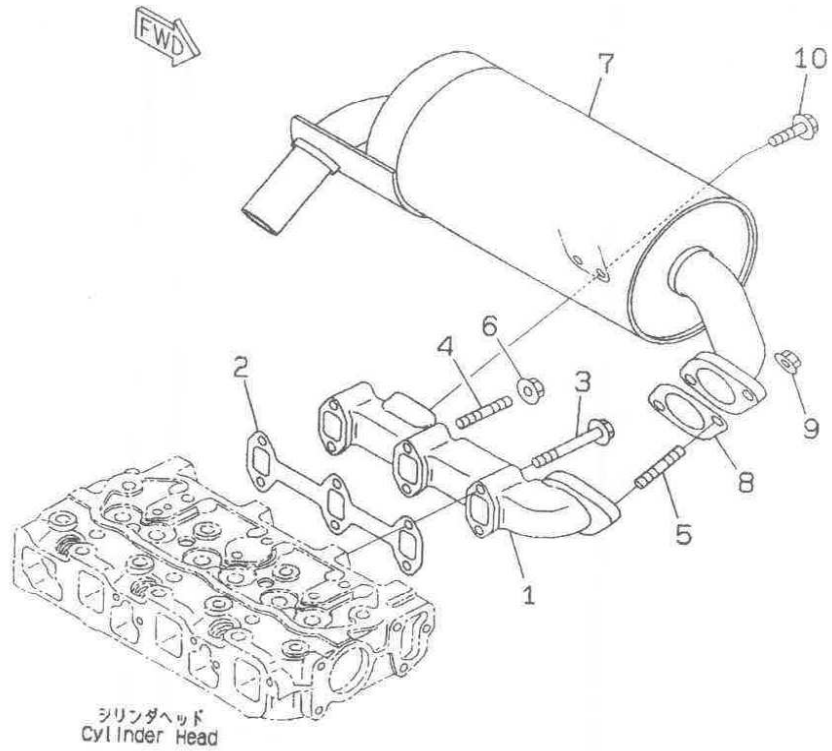


FIG NO. : A1410-A0A1

INDEX	PART NO.	DESCRIPTION	Q'TY	SERIAL NO.
	YM119233-12540	AIR CLEANER ASS'Y.	1	03402-
1	YM119808-12540	VALVE	1	03402-
2	YM119653-12560	ELEMENT	1	03402-
3	YM105027-12570	COVER	1	03402-
4	YM105027-12580	RING	1	03402-
5	YM119233-12670	BODY	1	03402-
6	YM119662-12550	PIPE	1	03402-
7	YM119233-12580	SUPPORT	1	03402-
8	YM119865-12600	BAND	1	03402-
9	YM23000-054000	CLAMP	2	03402-
10	YM26106-060122	BOLT	1	03402-
11	YM26106-080142	BOLT	2	03402-

PGD1303

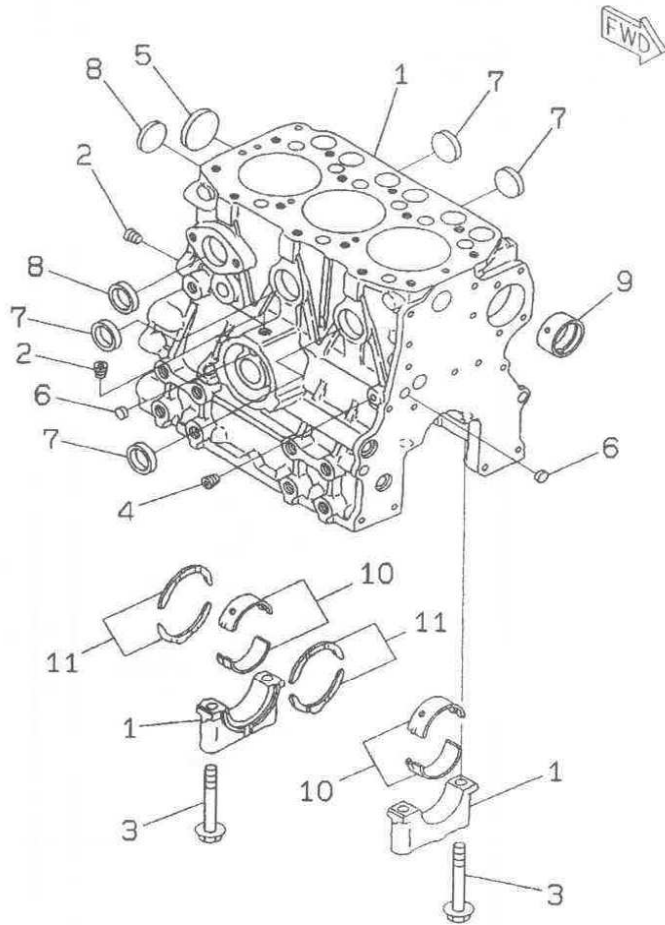


PGD1304

3D68E-1

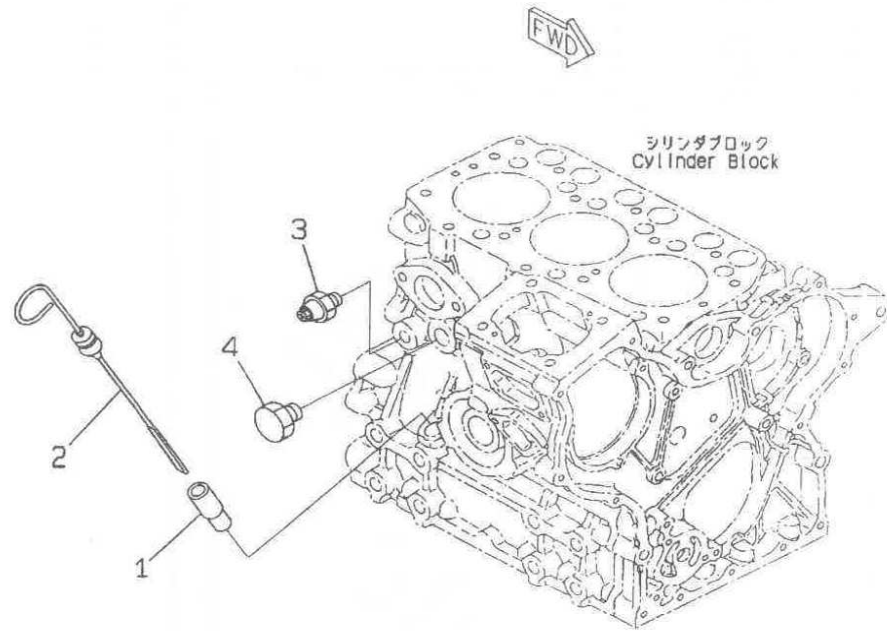
INDEX	PART NO.	DESCRIPTION	QTY	SERIAL NO.
1	YM119263-13100	MANIFOLD, EXHAUST	1	03402-
2	YM119260-13110	GASKET	1	03402-
3	YM26106-060402	BOLT	4	03402-
4	YM26216-060402	STUD	2	03402-
5	YM26216-080222	STUD	2	03402-
6	YM26366-060002	NUT	2	03402-
7	YM119233-13560	MUFFLER	1	03402-
8	YM119263-13540	GASKET	1	03402-
9	YM134990-22050	NUT	2	03402-
10	YM26106-080122	BOLT	2	03402-

3D68E-3



PGD1305

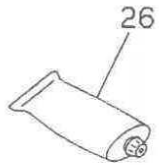
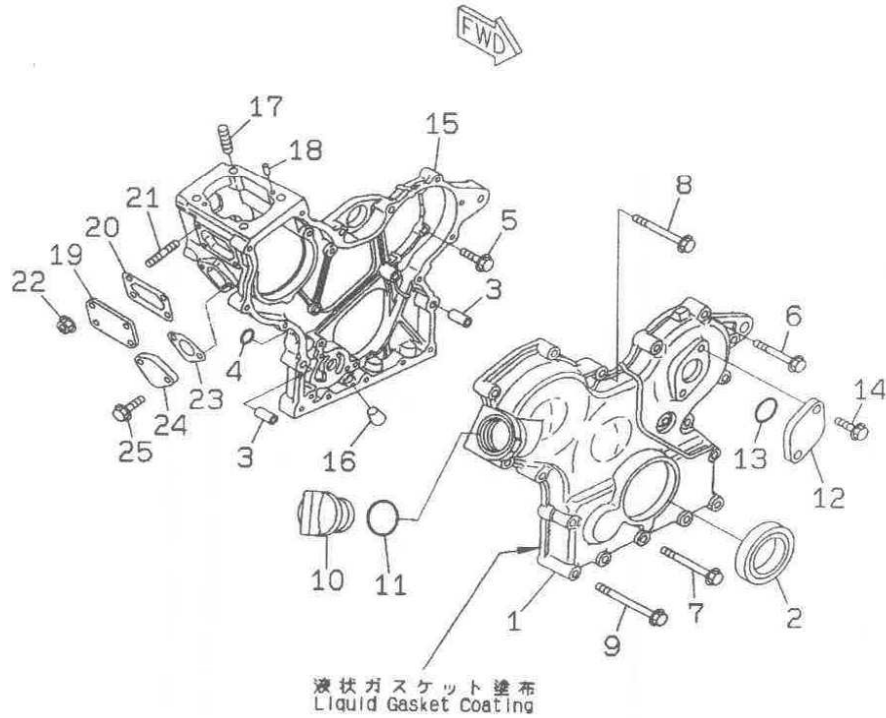
INDEX	PART NO.	DESCRIPTION	Q'TY	SERIAL NO.
1	YM719263-01560	CYLINDER BLOCK ASS'Y.	1	03402-
2	YM124080-01050	PLUG	2	03402-
3	YM119260-02020	BOLT	8	03402-
4	YM27221-060100	PLUG	1	03402-
5	YM27231-400000	PLUG	1	03402-
6	YM27241-100000	PLUG	2	03402-
7	YM27241-250000	PLUG	4	03402-
8	YM27241-300000	PLUG	2	03402-
9	YM119260-02410	BUSHING	1	03402-
10	YM719260-02800	MAIN METAL ASS'Y. (STD)	4	03402-
	YM719260-02870	MAIN METAL ASS'Y. 0.25MM (US)	4	03402-
11	YM719260-02930	THRUST METAL ASS'Y.	2	03402-



PGD1306

INDEX	PART NO.	DESCRIPTION	Q'TY	SERIAL NO.
1	YM121520-34810	GUIDE GAUGE	1	03402-
2	YM129132-34800	GAUGE OIL	1	03402-
3	YM121252-39450	SWITCH OIL PRESSURE	1	03402-
4	YM171056-49120	PLUG DRAIN	1	03402-

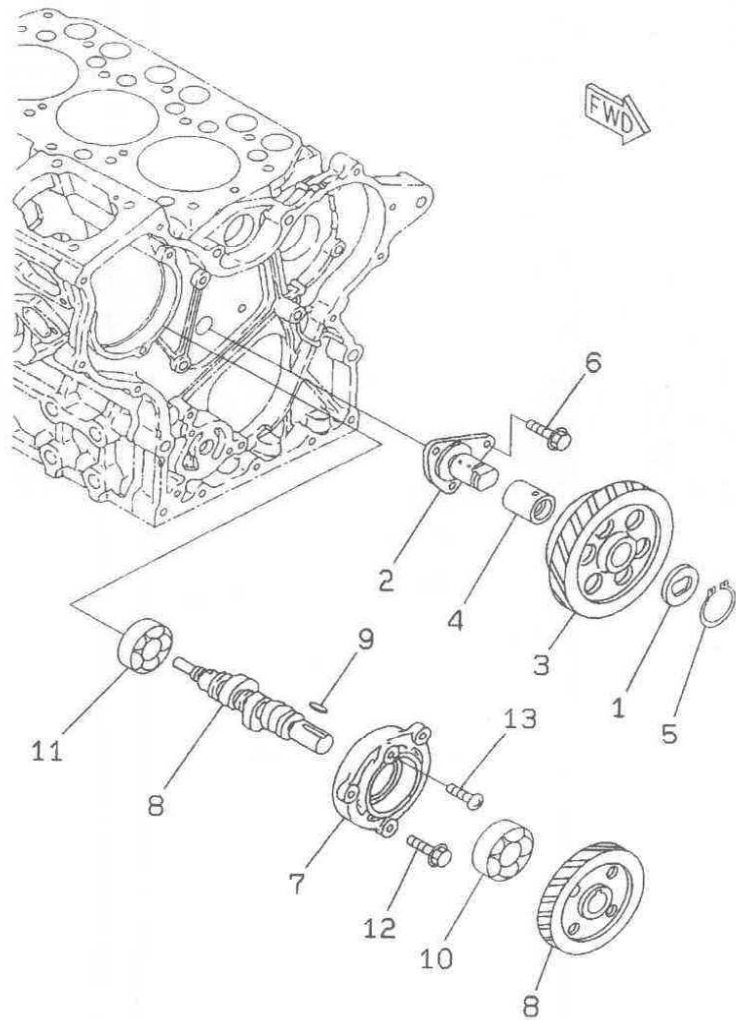
フロントカバー
FIG. A2040-A0A1 FRONT COVER



PGD1307

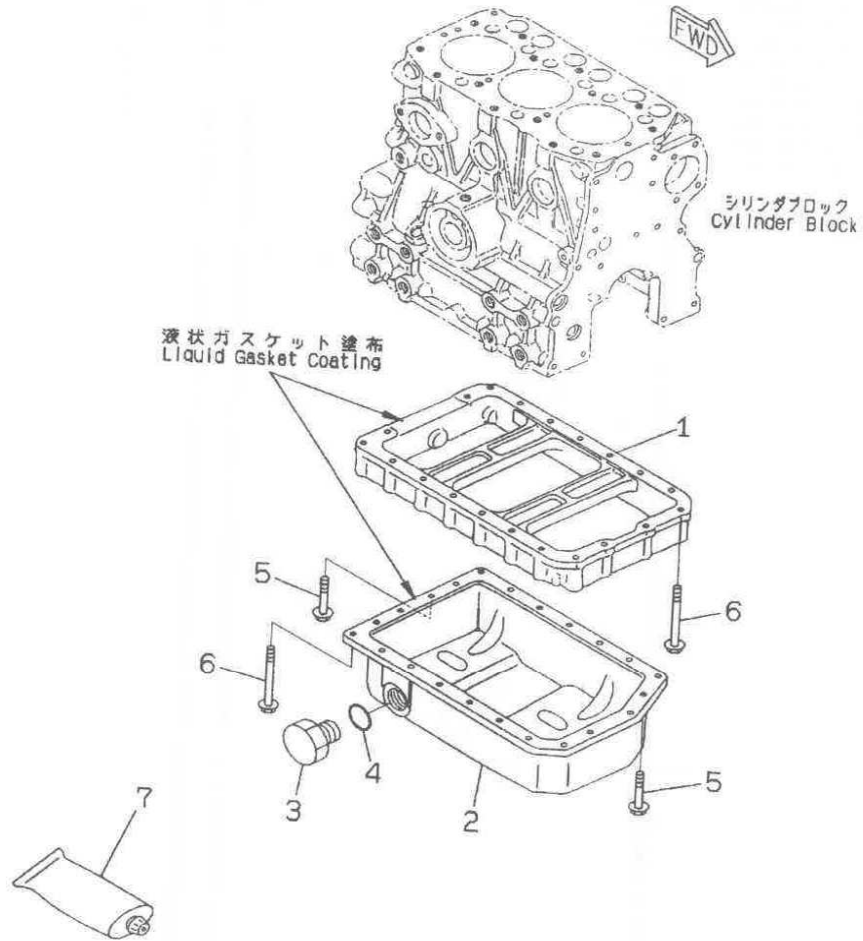
FIG. NO. : A2040-A0A1

INDEX	PART NO.	DESCRIPTION	QTY	SERIAL NO.
1	YM119260-01590	COVER	1	03402-
2	YM119620-01800	SEAL FRONT	1	03402-
3	YM119660-01911	PIPE	4	03402-
4	YM24311-000120	O-RING (KIT)	2	03402-
5	YM26106-060162	BOLT	5	03402-
6	YM26106-060302	BOLT	5	03402-
7	YM26106-060402	BOLT	3	03402-
8	YM26106-060502	BOLT	4	03402-
9	YM26106-060652	BOLT	6	03402-
10	YM124160-01751	CAP	1	03402-
11	YM24311-000320	O-RING (KIT)	1	03402-
12	YM121023-01550	COVER	1	03402-
13	YM24341-000240	O-RING (KIT)	1	03402-
14	YM26106-060182	BOLT	2	03402-
15	YM119260-01490	CASE	1	03402-
16	YM119260-01510	PLUG	1	03402-
17	YM121450-01560	STUD	4	03402-
18	YM22351-040010	PIN SPRING	2	03402-
19	YM119660-01551	COVER	1	03402-
20	YM119660-01562	GASKET (KIT)	1	03402-
21	YM119660-01570	STUD	4	03402-
22	YM26366-060002	NUT	4	03402-
23	YM121520-01851	GASKET (KIT)	1	03402-
24	YM121520-01860	COVER	1	03402-
25	YM26106-060162	BOLT	2	03402-
26	YM977770-01212	LIQUID GASKET	AR	03402-



PGD1308

INDEX	PART NO.	DESCRIPTION	QTY	SERIAL NO.
1	YM119660-25022	PLATE	1	03402-
2	YM119660-25052	SHAFT	1	03402-
3	YM119260-25100	IDLER GEAR ASS'Y.	1	03402-
4	YM119620-25912	BUSHING	1	03402-
5	YM22242-000200	RING, SNAP	1	03402-
6	YM26106-060122	BOLT	3	03402-
7	YM119660-01821	BEARING	1	03402-
8	YM119225-14200	CAM ASS'Y.	1	03402-
9	YM22512-040120	KEY	1	03402-
10	YM24102-063034	BEARING	1	03402-
11	YM24101-062034	BEARING	1	03402-
12	YM26106-060162	BOLT	3	03402-
13	YM26587-080102	SCREW	1	03402-



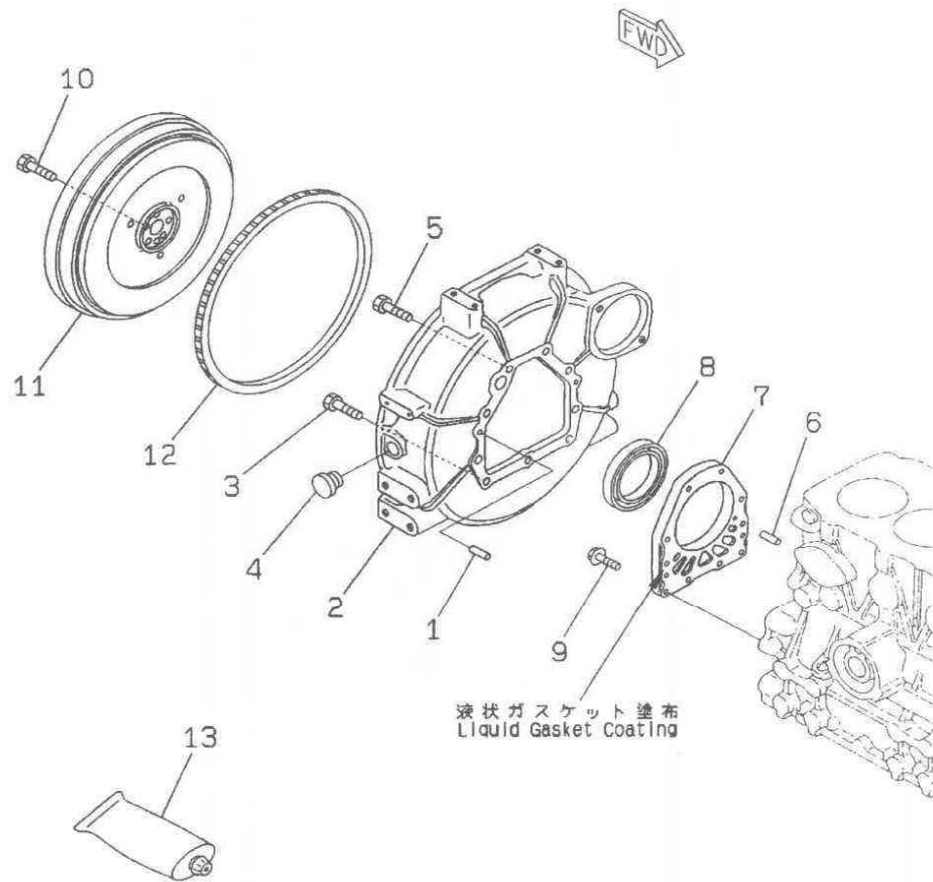
PGD1309

3D88E-3

INDEX	PART NO.	DESCRIPTION	QTY	SERIAL NO.
1	YM119454-01721	SPACER	1	03402-
2	YM119233-01770	OIL PAN ASS'Y.	1	03402-
3	YM121400-01640	PLUG	1	03402-
4	YM243111-000180	O-RING	1	03402-
5	YM26106-060102	BOLT	1	03402-
6	YM26106-060452	BOLT	3	03402-
7	(YM977770-01212)	LIQUID GASKET	20 AR	03402-

3D88E-3

FIG. A2210-A0A1 FLYWHEEL AND FLYWHEEL HOUSING

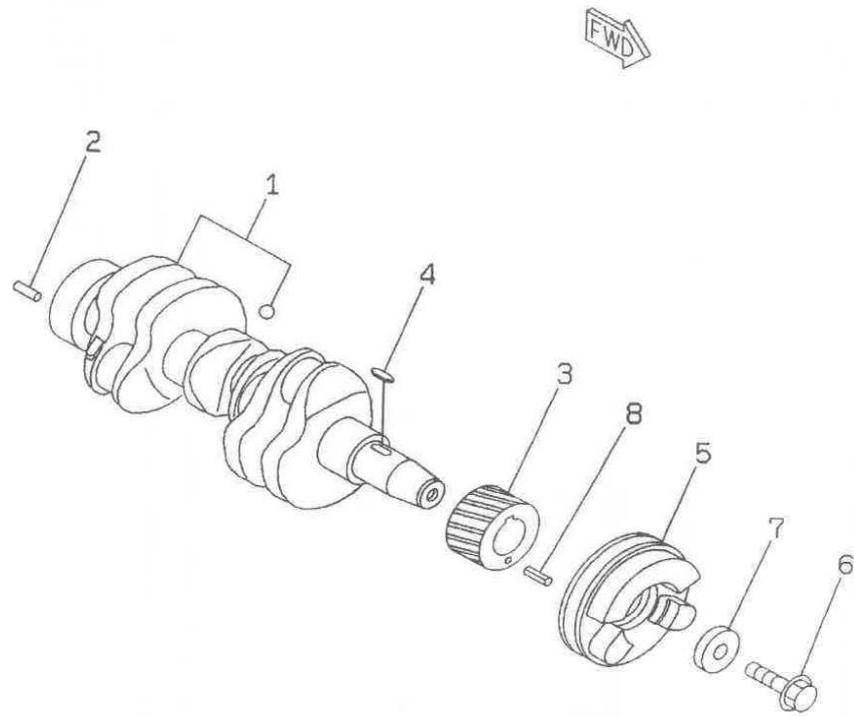


PGD1310

FIG. NO. : A2210-A0A1

INDEX	PART NO.	DESCRIPTION	Q'TY	SERIAL NO.
1	YM129100-01580	PIN.....	2	03402-
2	YM119260-01800	HOUSING FLYWHEEL.....	1	03402-
3	YM121120-01620	BOLT.....	3	03402-
4	YM119620-01750	CAP.....	1	03402-
5	YM26206-100252	BOLT.....	6	03402-
6	YM119620-01620	PIN.....	2	03402-
7	YM119660-01640	COVER ASS'Y.....	1	03402-
8	YM124085-02220	SEAL REAR.....	1	03402-
9	YM26106-060222	BOLT.....	10	03402-
10	YM119620-21500	BOLT.....	5	03402-
11	YM119325-21580	FLYWHEEL ASS'Y.....	1	03402-
12	YM124950-21600	GEAR RING.....	1	03402-
13	(YM977770-01212)	LIQUID GASKET.....	AR	03402-

クランクシャフト
FIG. A2310-A0A1 CRANKSHAFT

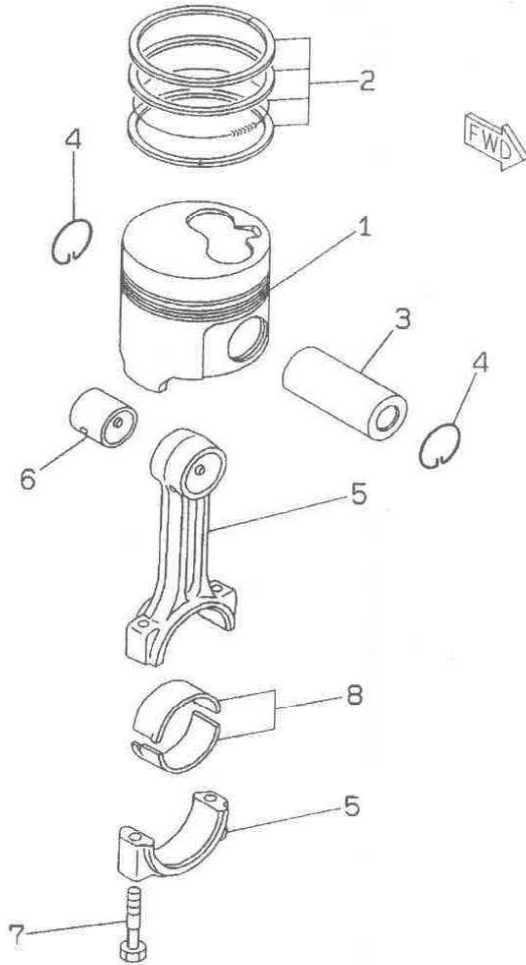


PGD1311

FIG NO. : A2310-A0A1

INDEX	PART NO.	DESCRIPTION	QTY	SERIAL NO.
1	YM119265-21700	CRANKSHAFT ASS'Y.	1	03402-
2	YM129100-01580	PIN.	1	03402-
3	YM119260-21200	GEAR.	1	03402-
4	YM22512-040120	KEY.	1	03402-
5	YM119233-21680	PULLEY.	1	03402-
6	YM119621-21680	BOLT.	1	03402-
7	YM119620-21941	WASHER.	1	03402-
8	YM22351-030010	PIN SPRING.	1	03402-

ピストン オヨビ コネクティング ロッド
 FIG. A2350-A0A1 PISTON AND CONNECTING ROD

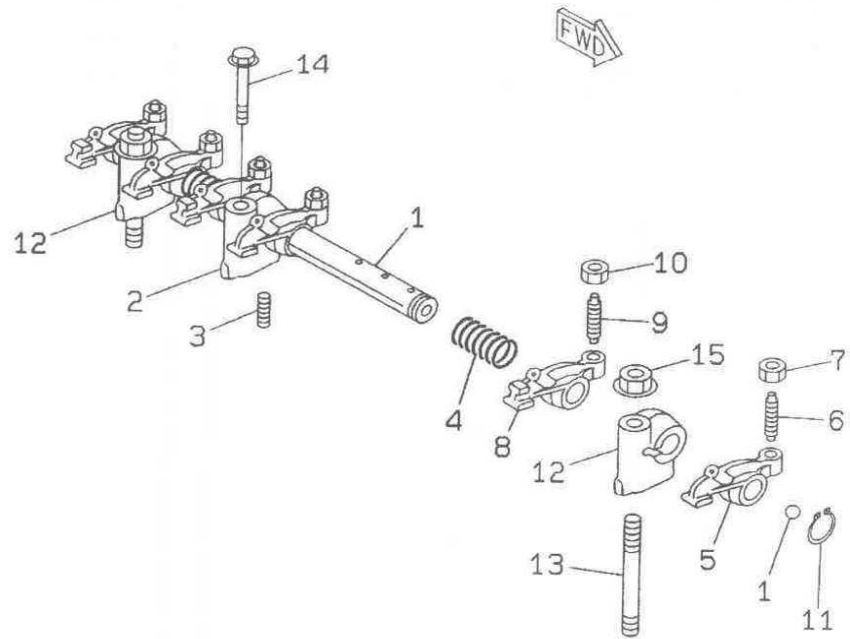


PGD1287

FIG. NO. : A2350-A0A1

INDEX	PART NO.	DESCRIPTION	Q'TY	SERIAL NO.
1	YM119265-22080	STANDARD PISTON.....	3	03402-
2	YM119265-22500	PISTON RING ASS'Y.....	1	03402-
1	YM119265-22900	PISTON.....	3	03402-
2	YM119265-22950	PISTON RING ASS'Y.....	1	03402-
3	YM119265-22300	PIN.....	3	03402-
4	YM22252-000200	RING SNAP.....	6	03402-
5	YM119265-23100	CONNECTING ROD ASS'Y.....	3	03402-
6	YM119620-23910	BUSHING.....	1	03402-
7	YM119265-23200	BOLT.....	2	03402-
8	YM719260-23600	STANDARD CRANK PIN METAL A.....	1	03402-
8	YM719260-23610	UNDERSIZE 0.25MM CRANK PIN METAL A.....	1	03402-

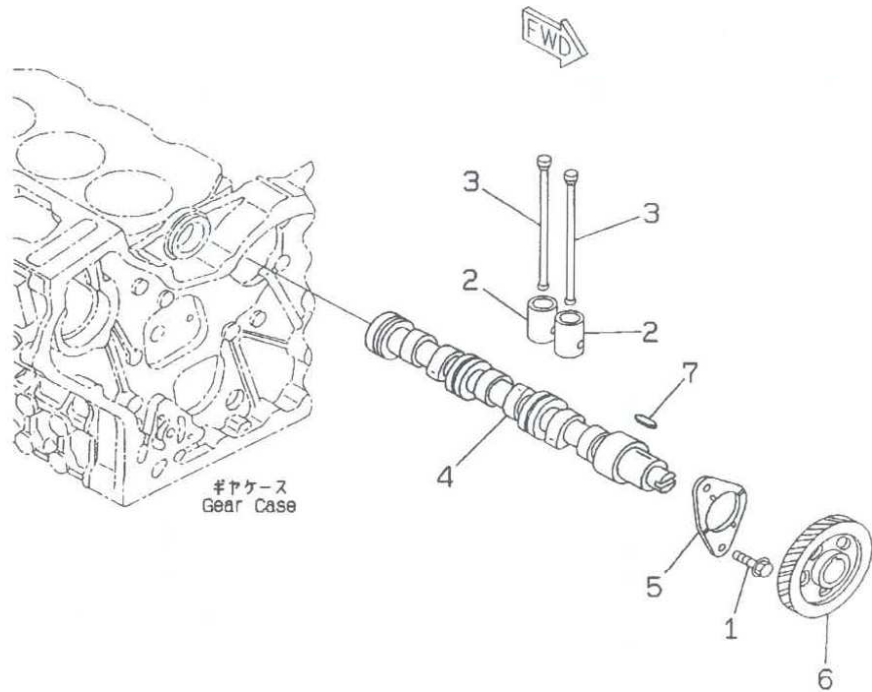
ロッカ アーム
FIG. A2410-A0A1 ROCKER ARM



PGD1312

FIG. NO. : A2410-A0A1

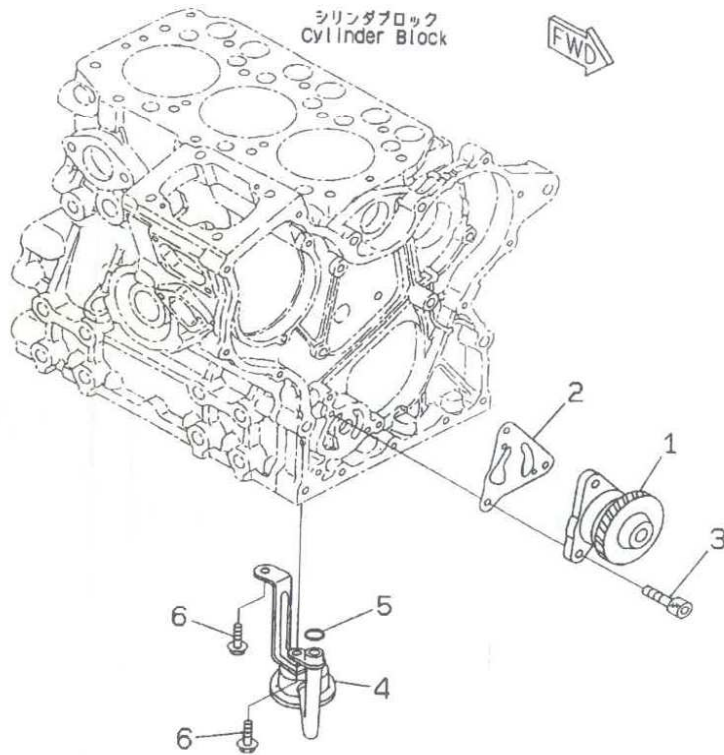
INDEX	PART NO.	DESCRIPTION	QTY	SERIAL NO.
	YM119260-11200	ROCKER ARM ASS'Y.	1	03402-
1	YM119260-11240	SHAFT	1	03402-
2	YM119260-11260	SUPPORT	1	03402-
3	YM119260-11270	SCREW SET	1	03402-
4	YM119260-11280	SPRING	2	03402-
5	YM719260-11650	ROCKER ARM ASS'Y.	3	03402-
6	YM105010-11230	SCREW	1	03402-
7	YM26756-060002	NUT	1	03402-
8	YM719260-11660	ROCKER ARM ASS'Y.	3	03402-
9	YM105010-11230	SCREW	1	03402-
10	YM26756-060002	NUT	1	03402-
11	YM22242-000100	RING	2	03402-
12	YM119265-11260	SUPPORT	2	03402-
13	YM119620-11350	STUD	2	03402-
14	YM26106-080452	BOLT	1	03402-
15	YM26366-080002	NUT	2	03402-



PGD1289

INDEX	PART NO.	DESCRIPTION	QTY	SERIAL NO.
1	YM26106-060122	BOLT.....	2	03402-
2	YM119260-14200	TAPPET.....	6	03402-
3	YM119260-14400	ROD.....	6	03402-
4	YM119260-14580	CAMSHAFT.....	1	03402-
5	YM119620-02450	METAL.....	1	03402-
6	YM119260-14100	GEAR.....	1	03402-
7	YM22512-040120	KEY.....	1	03402-

ループリケータインクオイルポンプ
 FIG A3010-A0A1 LUBRICATING OIL PUMP

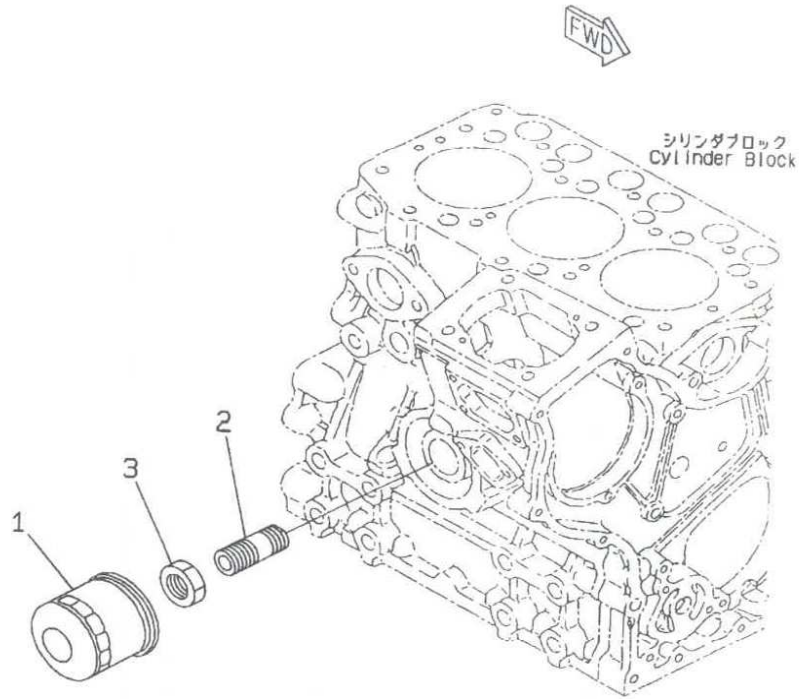


PGD1313

3D68E-3

FIG NO : A3010-A0A1

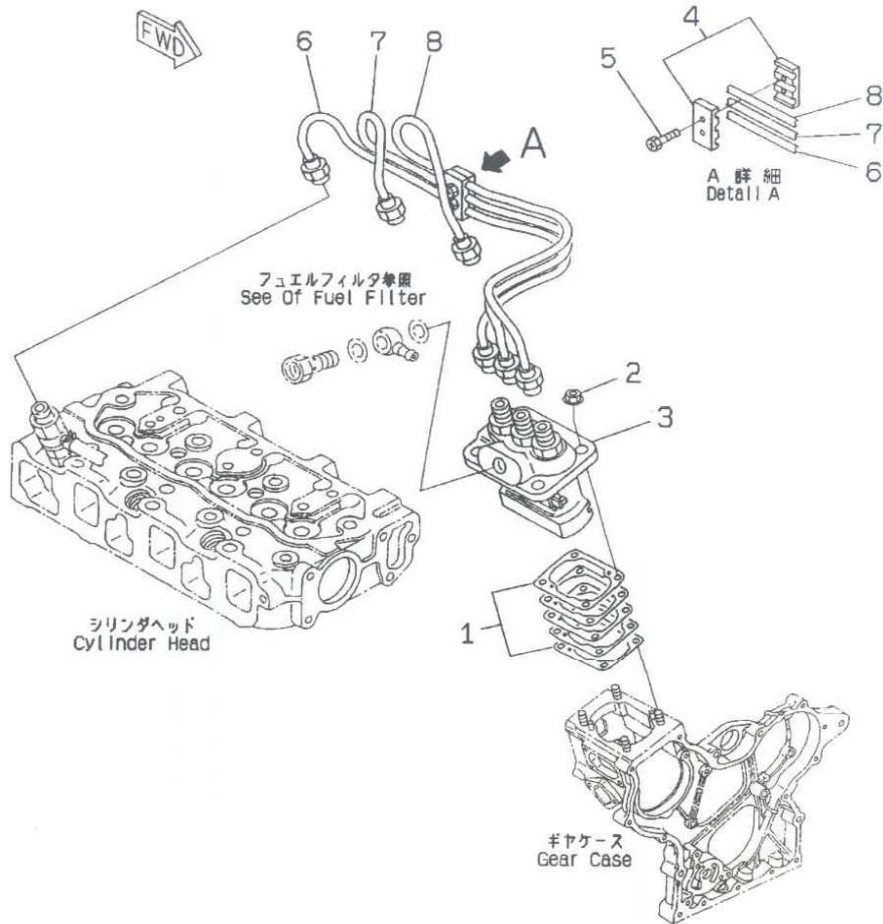
INDEX	PART NO.	DESCRIPTION	QTY	SERIAL NO.
1	YM119260-32000	OIL PUMP ASS'Y.....	1	03402-
2	YM119660-32020	GASKET..... (KIT).....	1	03402-
3	YM26450-060202	BOLT.....	3	03402-
4	YM119260-35081	PIPE.....	1	03402-
5	YM24311-000120	O-RING..... (KIT).....	1	03402-
6	YM26106-060122	BOLT.....	2	03402-



PGD1314

INDEX	PART NO.	DESCRIPTION	Q'TY	SERIAL NO.
1	YM119305-35150	OIL FILTER ASS'Y. OIL.....	1	03402-
2	YM119225-35300	VALVE ASS Y.....	1	03402-
3	YM129150-35350	NUT.....	1	03402-

FIG. A4010-A0A1 FUEL INJECTION PUMP AND PIPING
 フュエル インジェクション ポンプ オイル ハイポンク

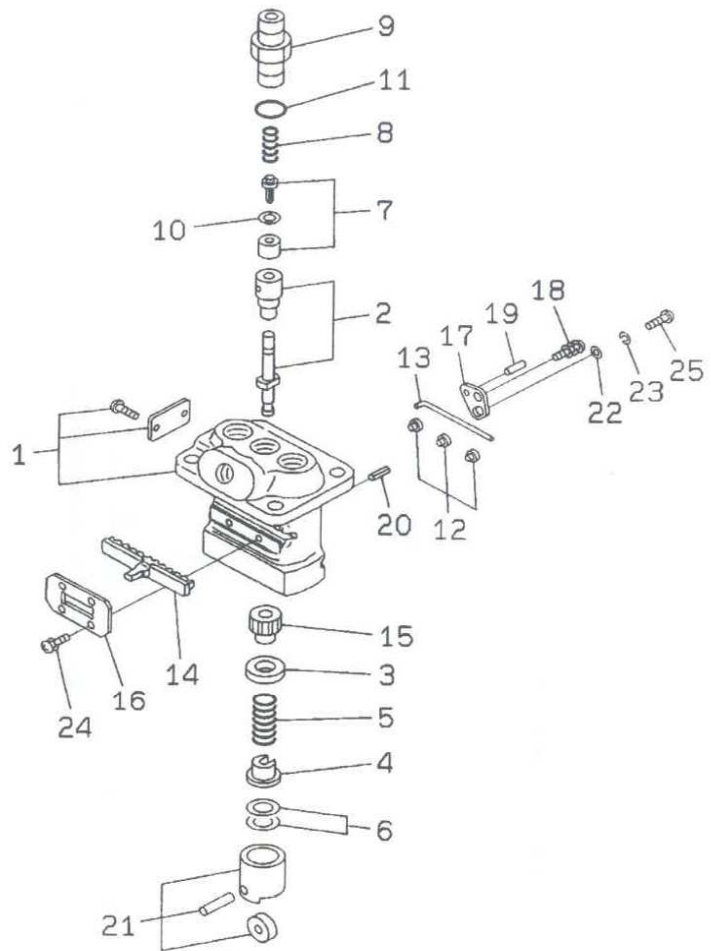


PGD1315

FIG NO. : A4010-A0A1

INDEX	PART NO.	DESCRIPTION	Q'TY	SERIAL NO.
1	YM119623-01950	SHIM ASS'Y.....	1	03402-
2	YM194990-22050	NUT.....	4	03402-
3	(YM719233-51100)	INJECTION PUMP ASS'Y.....	1	03402-
4	YM129150-59120	CLAMP ASS'Y.....	1	03402-
5	YM129150-59131	BOLT.....	2	03402-
6	YM119209-59810	PIPE, INJECTION, NO. 1.....	1	03402-
7	YM119209-59820	PIPE, INJECTION, NO. 2.....	1	03402-
8	YM119209-59830	PIPE, INJECTION, NO. 3.....	1	03402-

FIG. A4010-BOA1 FUEL INJECTION PUMP (PUMP) (INNER PARTS)

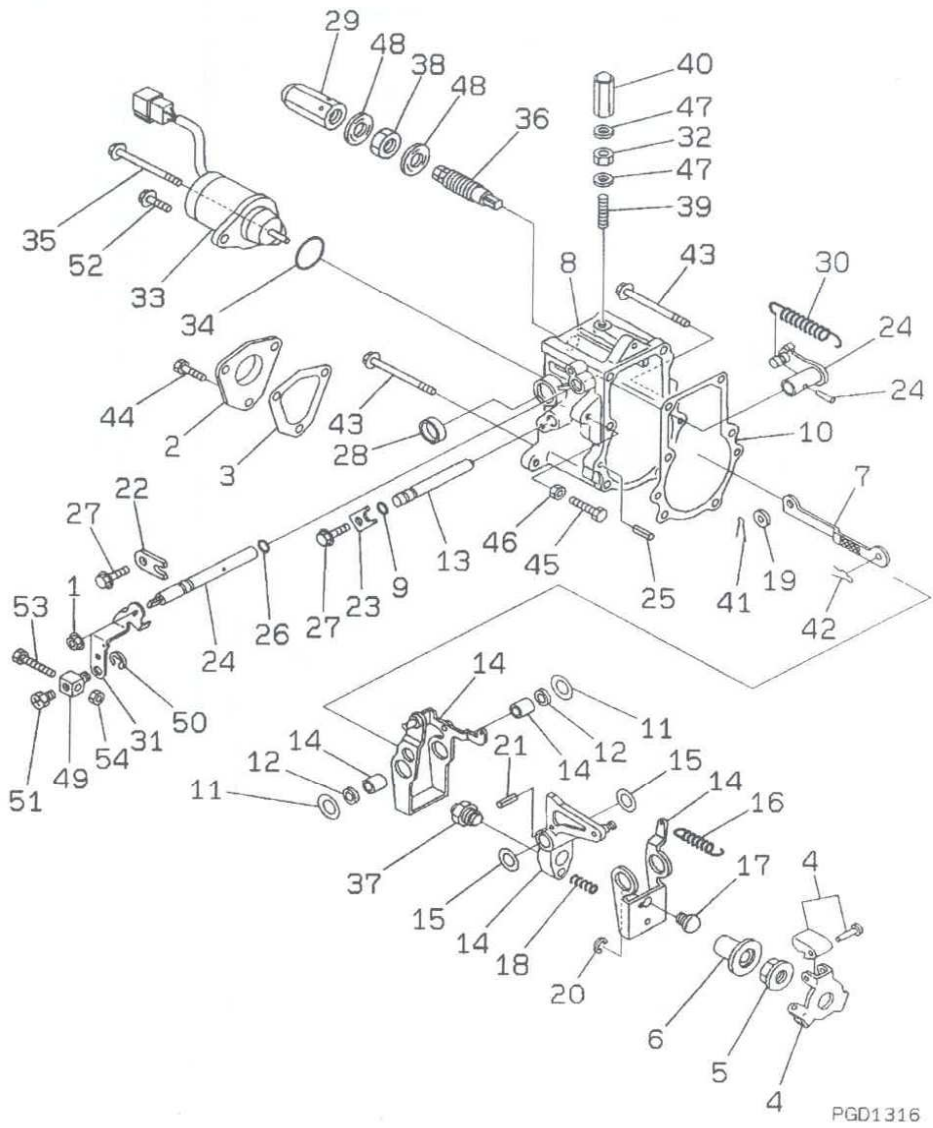


PG3P813

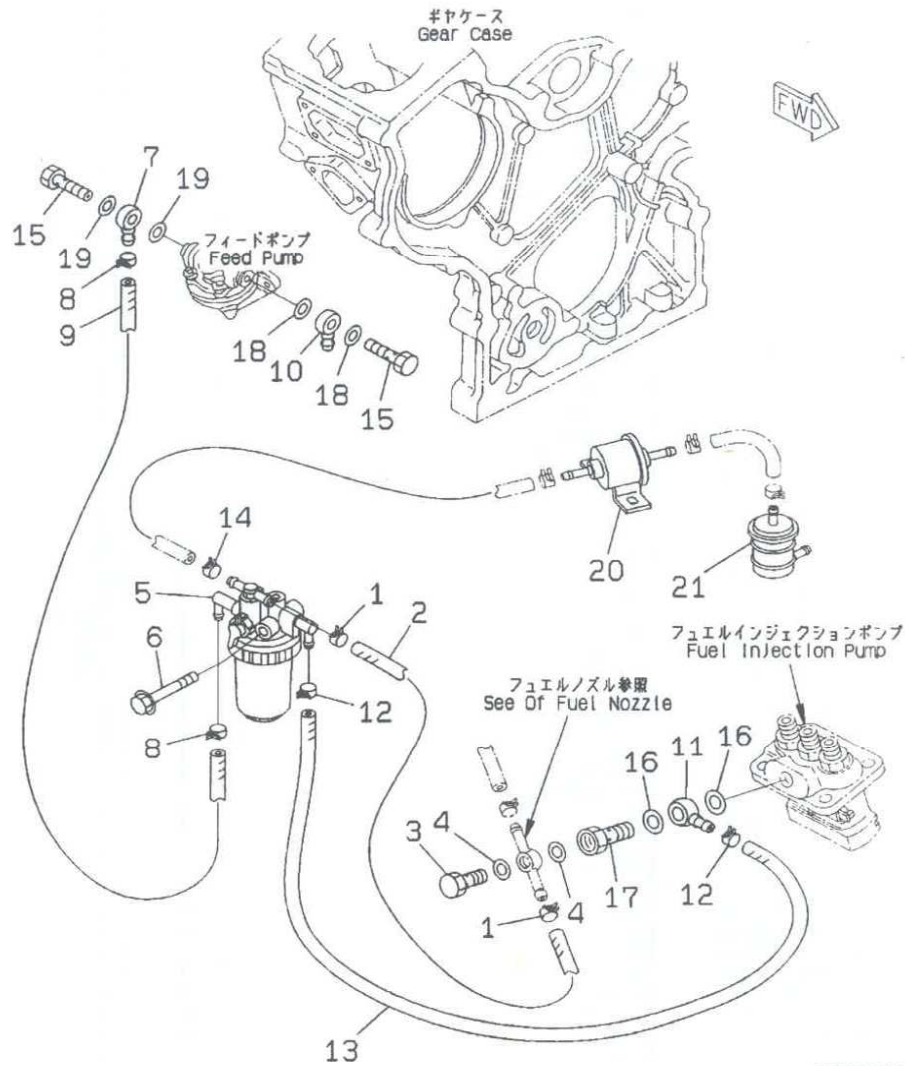
3D68E-3

FIG. NO. : A4010-BOA1

INDEX	PART NO.	DESCRIPTION	Q'TY	SERIAL NO.
1	YM719233-51100	INJECTION PUMP ASS'Y.....	1	03402-
2	YM119225-51100	PLUNGER.....	3	03402-
3	YM119620-51170	SEAT.....	3	03402-
4	YM119620-51180	SEAT.....	3	03402-
5	YM119620-51190	SPRING.....	3	03402-
6	YM119620-51250	SHIM ASS'Y.....	3	03402-
7	YM119225-51300	VALVE.....	3	03402-
8	YM105546-51330	SPRING.....	3	03402-
9	YM119620-51340	HOLDER.....	3	03402-
10	YM119620-51350	GASKET.....	3	03402-
11	YM119620-51370	O-RING.....	3	03402-
12	YM119620-51450	PIECE.....	3	03402-
13	YM119620-51461	PIN.....	1	03402-
14	YM119660-51500	RACK.....	1	03402-
15	YM119620-51510	PINION.....	3	03402-
16	YM119660-51530	RETAINER.....	1	03402-
17	YM119620-51650	PLATE.....	2	03402-
18	YM119620-51660	SCREW.....	2	03402-
19	YM119620-51370	O-RING.....	2	03402-
20	YM119620-51680	PIN.....	1	03402-
21	YM119620-51700	TAPPET ASS'Y.....	3	03402-
22	YM22137-040000	WASHER.....	2	03402-
23	YM22217-040000	WASHER SPRING.....	2	03402-
24	YM26022-040082	SCREW.....	4	03402-
25	YM26587-040102	SCREW.....	2	03402-



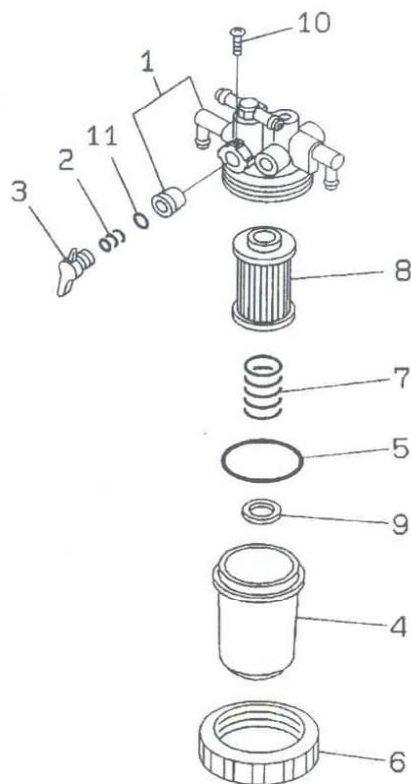
INDEX	PART NO	DESCRIPTION	QTY	SERIAL NO.
1	YM134930-22050	NUT	1	03402-
2	YM119660-61060	COVER	1	03402-
3	YM119660-61071	GASKET	1	03402-
	YM119600-61100	WEIGHT ASS'Y	1	03402-
4	YM119600-61200	WEIGHT ASS'Y	1	03402-
5	YM119660-61300	NUT	1	03402-
6	YM119660-61341	SLEEVE	1	03402-
7	YM119660-61121	LINK 88.8MM	1	03402-
	YM119660-61140	LINK 88.6MM	1	03402-
	YM119660-61150	LINK 89.0MM	1	03402-
8	YM119632-61200	CASE ASS'Y	1	03402-
9	YM129155-51280	O-RING	1	03402-
10	YM119660-61052	GASKET	1	03402-
11	YM119660-61460	SHIM ASS'Y	1	03402-
12	YM129155-61480	SPACER	2	03402-
13	YM119660-61491	SHAFT	1	03402-
14	YM119232-61510	LEVER ASS'Y	1	03402-
15	YM174307-51700	SHIM ASS'Y	2	03402-
16	YM119232-61540	SPRING	1	03402-
17	YM119600-61541	SHIFTER	1	03402-
18	YM119660-61651	SPRING	1	03402-
19	YM22117-040000	WASHER	1	03402-
20	YM22272-000040	RING SNAP	1	03402-
21	YM22351-030014	PIN SPRING	1	03402-
22	YM119600-61900	PLATE	1	03402-
23	YM119660-61901	PLATE	1	03402-
24	YM119285-66080	SHAFT ASS'Y	1	03402-
25	YM22351-040010	PIN SPRING	2	03402-
26	YM24341-000070	O-RING	1	03402-
27	YM26106-060102	BOLT	2	03402-
28	YM119640-61400	PLUG	1	03402-
29	YM129100-61930	NUT	1	03402-
30	YM119600-66020	SPRING	1	03402-
31	YM119640-66051	HANDLE	1	03402-
32	YM124550-66370	NUT	1	03402-
33	YM119233-66510	SOLENOID ASS'Y	1	03402-
34	YM24341-000280	O-RING	1	03402-
35	YM26106-060952	BOLT	1	03402-
36	YM119640-66510	LIMITER	1	03402-
37	YM119610-66700	ANGLEICH ASS'Y	1	03402-
38	YM26776-120002	NUT	1	03402-
39	YM121575-66830	SCREW	1	03402-
40	YM119600-66840	NUT	1	03402-
41	YM22360-040000	PIN SNAP	1	03402-
42	YM22360-060000	PIN SNAP	5	03402-
43	YM26106-060702	BOLT	1	03402-
44	YM26116-050102	BOLT	3	03402-
45	YM26116-060304	BOLT	1	03402-
46	YM26756-060002	NUT LOCK	1	03402-
47	YM22190-060003	WASHER	2	03402-
48	YM22190-120002	GASKET	2	03402-
49	YM124066-03770	STOPPER	1	03402-
50	YM22272-000050	RING SNAP	1	03402-
51	YM26116-040088	BOLT	1	03402-
52	YM121465-59950	BOLT	1	03402-
53	YM102100-67080	BOLT ADJUST	1	03402-
54	YM26756-060002	NUT SNAP	1	03402-



PGD1318

INDEX	PART NO.	DESCRIPTION	QTY	SERIAL NO.
1	YM124766-59050	CLAMP	2	03402-
2	YM119233-59560	HOSE	1	03402-
3	YM124550-59820	BOLT	1	03402-
4	YM23414-080012	GASKET	2	03402-
5	(YM129053-55620)	FUEL FILTER ASS'Y. (SEE FIG. A4110-B0A1)	1	03402-
6	YM26106-080652	BOLT	1	03402-
	YM119244-59020	HOSE ASS'Y.	1	03402-
7	YM104264-59030	JOINT	1	03402-
8	YM124766-59050	CLAMP	2	03402-
9	YM121522-59100	HOSE	1	03402-
10	YM104264-59030	JOINT	1	03402-
	YM119230-59031	HOSE ASS'Y.	1	03402-
11	YM101304-59020	JOINT	1	03402-
12	YM124766-59050	CLAMP	2	03402-
13	YM119230-59080	HOSE	1	03402-
14	YM124766-59050	CLAMP	1	03402-
15	YM105582-59150	BOLT	2	03402-
16	YM104200-59170	GASKET (KIT)	2	03402-
17	YM119462-59190	BOLT	1	03402-
18	YM22190-080002	GASKET	2	03402-
19	YM22190-080002	GASKET	2	03402-
20	YM119225-52102	PUMP	1	03402-
21	YM129052-55630	FILTER	1	03402-

FIG. A4110-BOA1 FUEL FILTER
 フュエル フィルタ

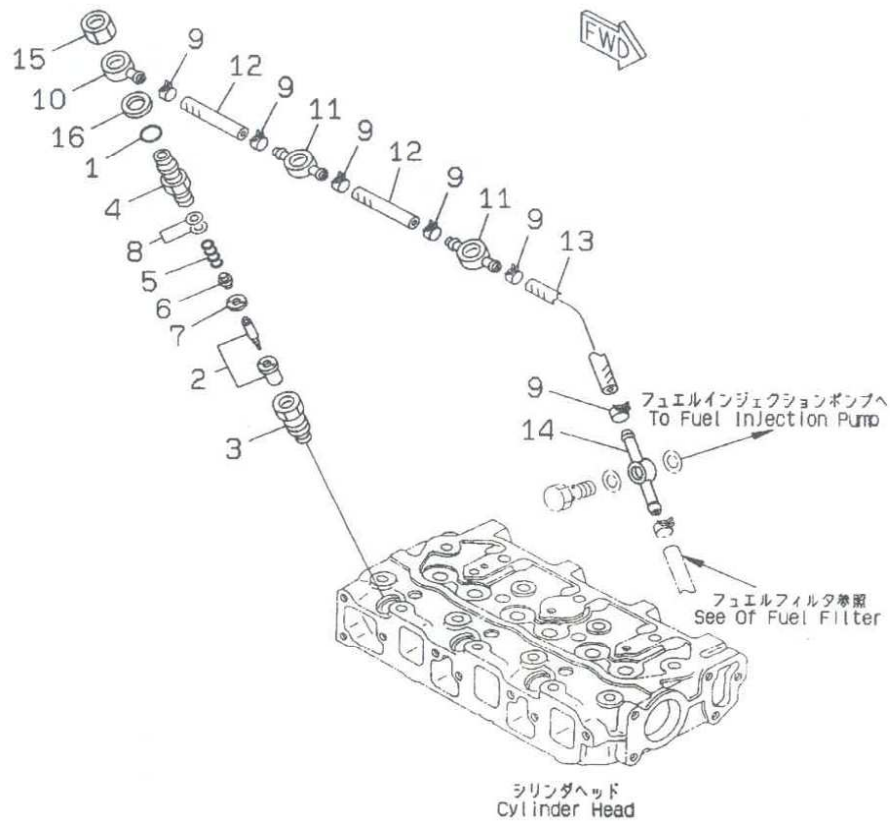


PGD1296

FIG NO. : A4110-BOA1

INDEX	PART NO.	DESCRIPTION	QTY	SERIAL NO.
1	YM129053-55620	FUEL FILTER ASS'Y.	1	03402-
2	YM104200-55330	. SCREW	1	03402-
3	YM119810-55340	. LEVER	1	03402-
4	YM129107-55510	. CUP	1	03402-
5	YM102103-55520	. O-RING	1	03402-
6	YM110250-55610	. RING	1	03402-
7	YM121250-55620	. SPRING	1	03402-
8	YM119810-55650	. ELEMENT	1	03402-
9	YM121257-55731	. FLOAT	1	03402-
10	YM104200-55750	. SCREW	1	03402-
11	YM24311-240100	. O-RING	1	03402-

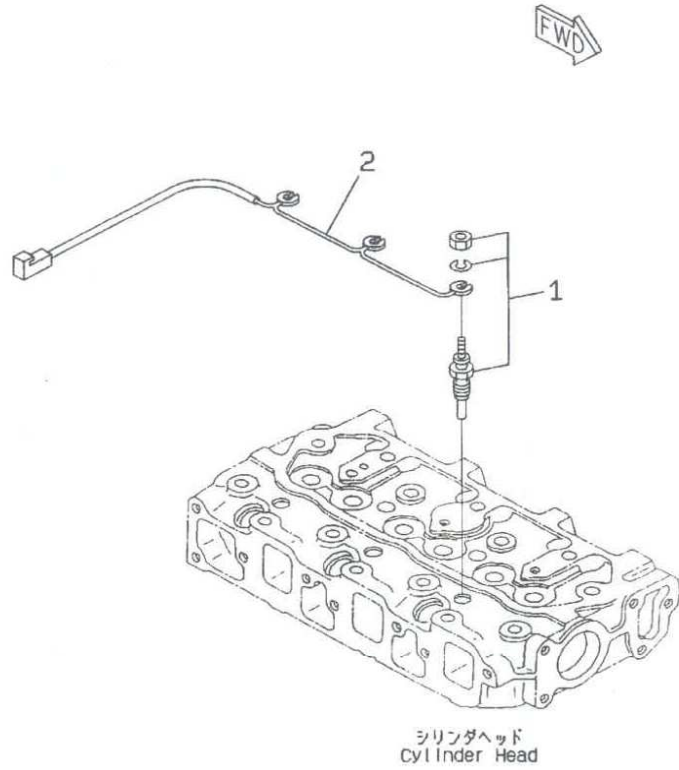
FIG. A4210-A0A1 FUEL NOZZLE AND SPILL HOSE



PGD1319

FIG. NO. : A4210-A0A1

INDEX	PART NO.	DESCRIPTION	Q'TY	SERIAL NO.
	YM719255-53100	FUEL NOZZLE ASS'Y.....	3	03402-
1	YM129155-61830	O-RING..... (KIT).....	1	03402-
2	YM119620-53000	NOZZLE.....	1	03402-
3	YM119620-53080	NUT.....	1	03402-
4	YM119255-53100	HOLDER.....	1	03402-
5	YM119620-53120	SPRING.....	1	03402-
6	YM114250-53130	RETAINER.....	1	03402-
7	YM119620-53140	SEAT.....	1	03402-
8	YM114250-53400	SHIM ASS'Y.....	1	03402-
	YM119642-59540	SPILL HOSE ASS'Y.....	1	03402-
9	YM124066-59100	CLAMP.....	6	03402-
10	YM119260-59520	JOINT.....	1	03402-
11	YM119260-59530	JOINT.....	2	03402-
12	YM105025-59550	HOSE.....	2	03402-
13	YM119642-59550	HOSE.....	1	03402-
14	YM119642-59570	JOINT.....	1	03402-
15	YM119620-59700	NUT.....	3	03402-
16	YM23414-140000	GASKET..... (KIT).....	3	03402-

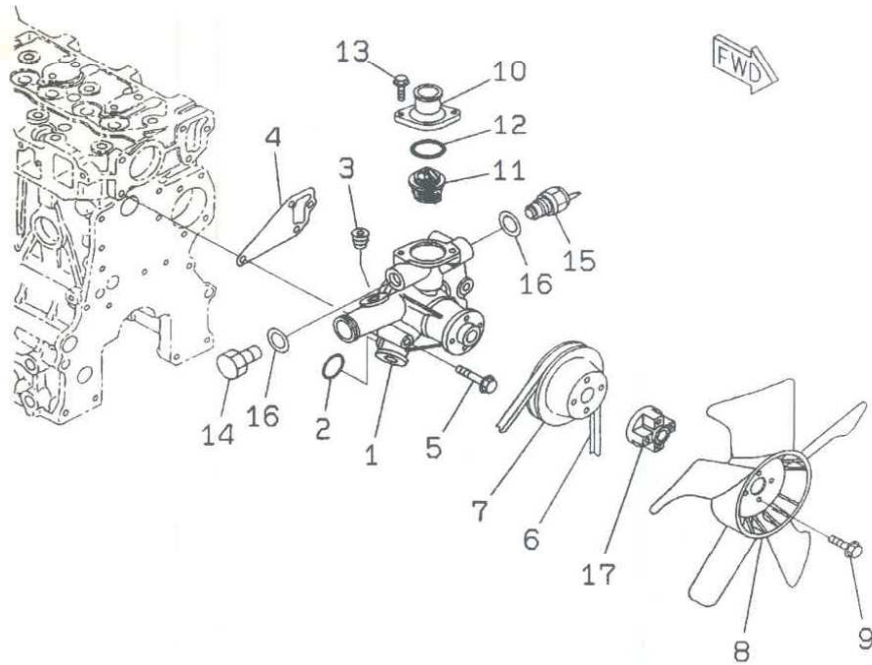


PGD1317

INDEX	PART NO.	DESCRIPTION	Q'TY	SERIAL NO.
1	YM129795-77800	GLOW PLUG.....	3	03402-
2	YM119645-77820	CONNECTOR.....	1	03402-

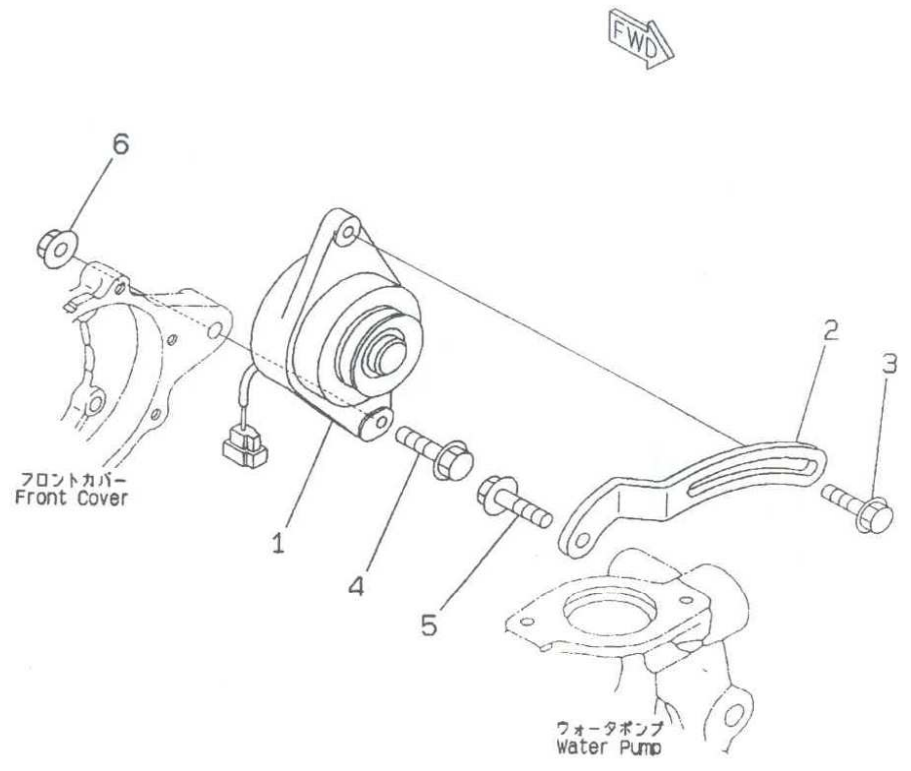
FIG. A5010-A0A1 WATER PUMP AND COOLING FAN
 ウォータ ポンプ オヨビ クーリング ファン

FIG. NO. : A5010-A0A1



PGD1320

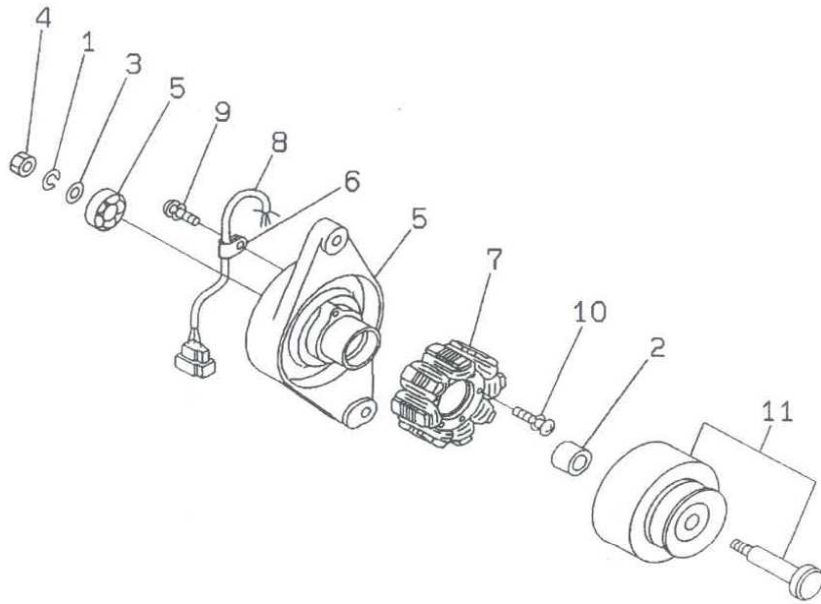
INDEX	PART NO.	DESCRIPTION	QTY	SERIAL NO.
1	YM119244-42001	WATER PUMP ASS'Y.	1	03402-
2	YM119225-42320	O-RING	1	03402-
3	YM23871-030000	PLUG	1	03402-
4	YM119260-42020	GASKET (KIT)	1	03402-
5	YM26106-080452	BOLT	3	03402-
6	YM119225-42290	V-BELT	1	03402-
7	YM119247-42350	PULLEY	1	03402-
8	YM129335-44740	FAN COOLING	1	03402-
9	YM26014-060302	BOLT	4	03402-
10	YM119260-49530	COVER	1	03402-
11	YM119260-49800	THERMOSTAT	1	03402-
12	YM24321-000350	O-RING (KIT)	1	03402-
13	YM26106-060182	BOLT	2	03402-
14	YM121450-42450	PLUG	1	03402-
15	YM121250-44901	SWITCH THERMOSTAT	1	03402-
16	YM124465-44950	GASKET (KIT)	2	03402-
17	YM121267-44760	SPACER	1	03402-



PGD1321

INDEX	PART NO.	DESCRIPTION	QTY	SERIAL NO.
1	(YM129150-77202)	ALTERNATOR A. (20A), (SEE FIG. A6010-BCA1)	1	03402-
2	YM119650-77330	PLATE, ADJUST.	1	03402-
3	YM26014-080252	BOLT	1	03402-
4	YM119233-77250	BOLT	1	03402-
5	YM26106-080202	BOLT	1	03402-
6	YM26366-080002	NUT	1	03402-

オルタネータ (インナ パーツ)
 FIG. A6010-BOA1 ALTERNATOR (INNER PARTS)

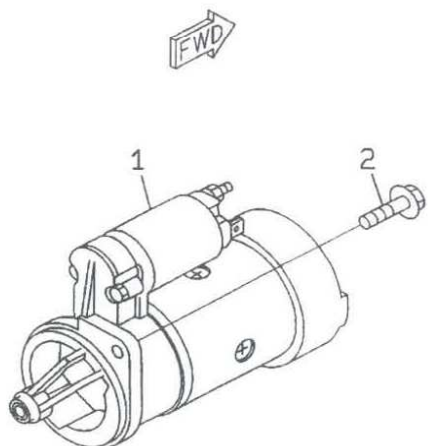


PG3A114

FIG. NO. : A6010-BOA1

INDEX	PART NO.	DESCRIPTION	Q'TY	SERIAL NO.
	YM129150-77202	ALTERNATOR A. (20A).....	1	03402-
1	YMXM219230000	WASHER SPRING.....	1	03402-
2	YMXM329830000	COLLAR.....	1	03402-
3	YMXM860250000	WASHER.....	1	03402-
4	YMXM863720000	NUT.....	1	03402-
5	YM129150-77210	PLATE ASS'Y.....	1	03402-
6	YMXM069000000	CLAMP.....	1	03402-
7	YMXM081780000	STATOR ASS'Y.....	1	03402-
8	YMXM178780000	COUPLER.....	1	03402-
9	YMXYS400800	SCREW ASS'Y.....	1	03402-
10	YMXYS402400	SCREW ASS'Y.....	2	03402-
11	YM123150-77230	FLYWHEEL.....	1	03402-

スターティング モータ オヨビ マウンティング (0.8KW)
 FIG. A6210-A0A1 STARTING MOTOR AND MOUNTING (0.8KW)



PGD1322

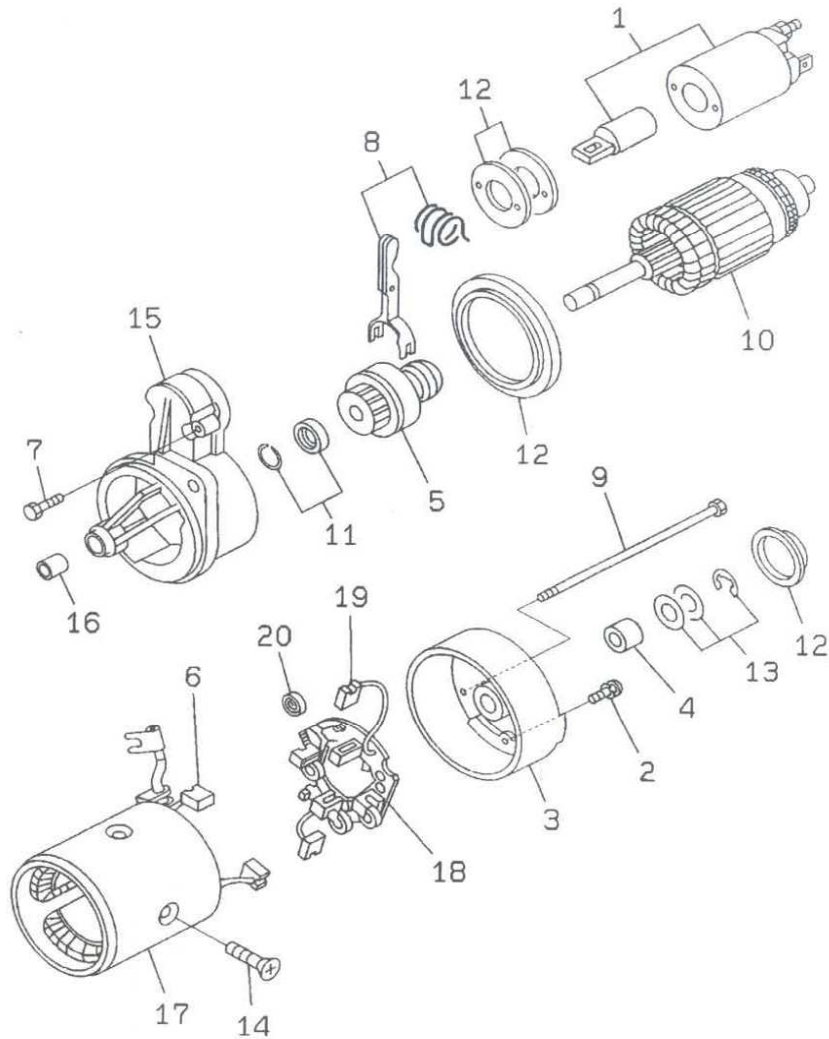
3D68E-3

FIG. NO. : A6210-A0A1

INDEX	PART NO.	DESCRIPTION	Q'TY	SERIAL NO.
1	(YM119225-77011)	STARTING MOTOR ASS'Y..... (SEE FIG. A6210-B0A1)	1	03402-
2	YM26106-100252	BOLT.....	2	03402-

3D68E-3

スターティング モータ (0.8KW) (インナ パーツ)
 FIG. A6210-BOA1 STARTING MOTOR (0.8KW) (INNER PARTS)



PG3S154

FIG NO : A6210-BOA1

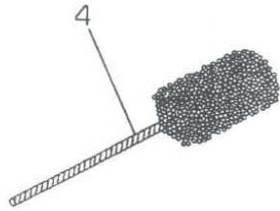
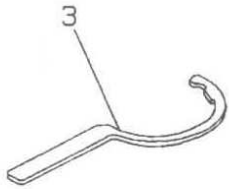
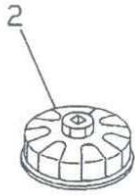
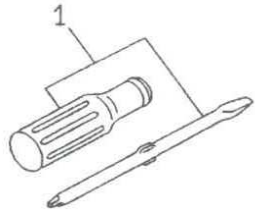
INDEX	PART NO.	DESCRIPTION	Q'TY	SERIAL NO.
	YM119225-77011	STARTING MOTOR ASS'Y.	1	03402-
1	YMX2114275070	MAGNETIC SWITCH A.	1	03402-
2	YMX2114283500	SCREW	1	03402-
3	YMX2114430010	COVER ASS'Y.	1	03402-
4	YMX2114535200	METAL	1	03402-
5	YMX2114455040	PINION ASS'Y.	1	03402-
6	YMX2114531200	BRUSH	2	03402-
7	YMX2114586700	BOLT	2	03402-
8	YMX2114660130	LEVER ASS'Y.	1	03402-
9	YMX2114680050	BOLT	2	03402-
10	YMX2114710080	ARMATURE ASS'Y.	1	03402-
11	YMX2114715500	STOPPER SET	1	03402-
12	YMX2114780060	DUST COVER ASS'Y.	1	03402-
13	YMX2114811000	WASHER SET	1	03402-
14	YMX2114821500	SCREW	4	03402-
15	YMX2114866060	GEAR CASE ASS'Y.	1	03402-
16	YMX2114535200	METAL	1	03402-
17	YMX2114921040	FIELD COIL ASS'Y.	1	03402-
18	YMX2114990010	HOLDER ASS'Y.	1	03402-
19	YMX2114831300	BRUSH	1	03402-
20	YMX2114931400	SPRING	3	03402-

KIT 詳細については次のページを参照して下さい。
See subsequent pages for details.

K-1 YM719265-92610 ガasket キット
GASKET KIT

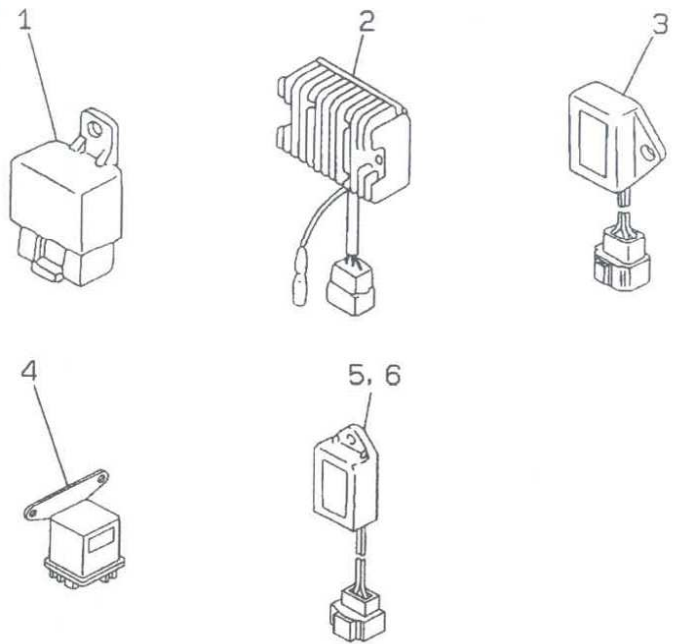
PFY0264

INDEX	PART NO.	DESCRIPTION	Q'TY	SERIAL NO.
1	YM719265-92610	GASKET KIT.....	1	03402-
	YM119265-01340	GASKET.....	1	03402-
	YM24311-000120	O-RING.....	5	03402-
	YM24311-000320	O-RING.....	2	03402-
	YM24341-000240	O-RING.....	1	03402-
	YM119660-01562	GASKET.....	1	03402-
	YM24311-000180	O-RING.....	1	03402-
	YM119260-11340	SEAT.....	6	03402-
	YM119600-11450	PROTECTOR.....	3	03402-
	YM119600-11460	GASKET.....	6	03402-
	YM119260-03031	GASKET.....	1	03402-
	YM119260-11310	GASKET.....	1	03402-
	YM119270-12110	GASKET.....	1	03402-
	YM119260-13110	GASKET.....	1	03402-
	YM119263-13540	GASKET.....	1	03402-
	YM119660-32020	GASKET.....	1	03402-
	YM24321-000350	O-RING.....	1	03402-
	YM119260-42020	GASKET.....	1	03402-
	YM124465-44950	GASKET.....	2	03402-
	YM129155-61830	O-RING.....	3	03402-
	YM23414-140000	GASKET.....	3	03402-
	YM121520-01851	GASKET.....	1	03402-
	YM104200-59170	GASKET.....	2	03402-



PGD1323

INDEX	PART NO.	DESCRIPTION	QTY	SERIAL NO.
1	YM119640-93110	TOOL ASS Y.	1	03402-
	YM104200-92350	DRIVER	1	03402-
2	YM119332-92751	WRENCH	1	03402-
3	YM171051-92760	WRENCH	1	03402-
4	YM129400-92400	HORN	1	03402-



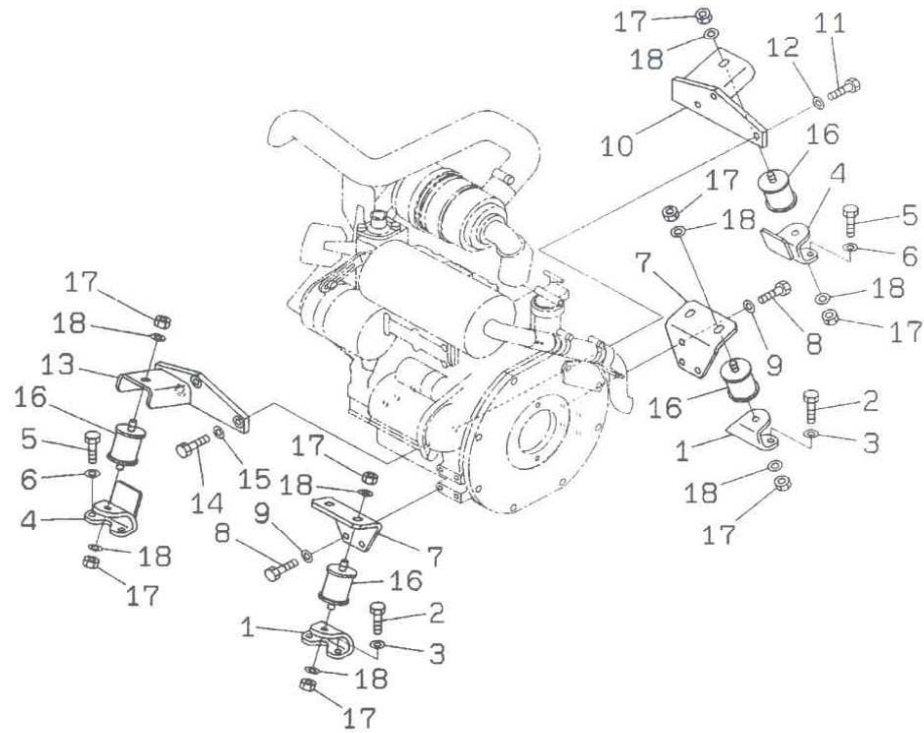
PGD1248A

3D68E-3

INDEX	PART NO.	DESCRIPTION	Q'TY	SERIAL NO.
1	YM119247-77100	RELAY, SAFETY.....	1	03402-
2	YM119640-77711	LIMITER, SAFETY.....	1	03402-
3	YM121522-77721	INDICATOR, CHARGE.....	1	03402-
4	YM119650-77910	RELAY, GLOW.....	1	03402-
5	YM119632-77920	TIMER.....	1	03402-
6	YM128300-77920	TIMER, GLOW LAMP.....	1	03402-

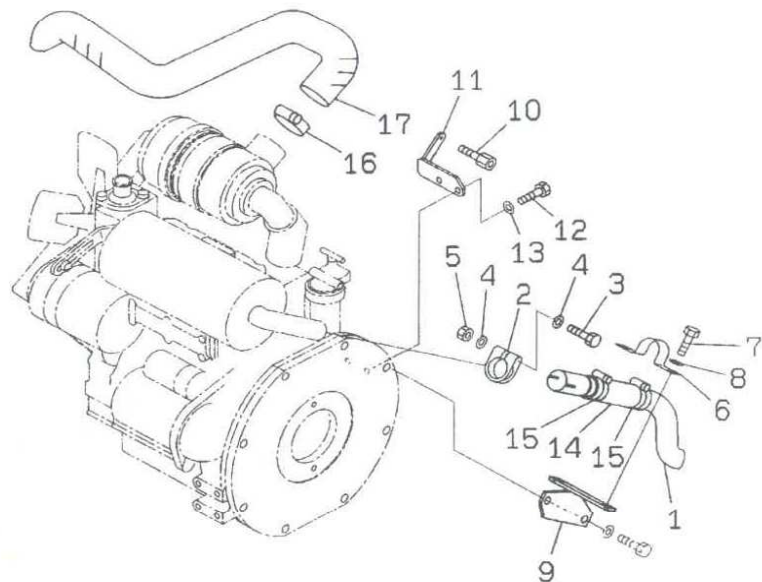
3D68E-3

ENGINE RELATED PARTS



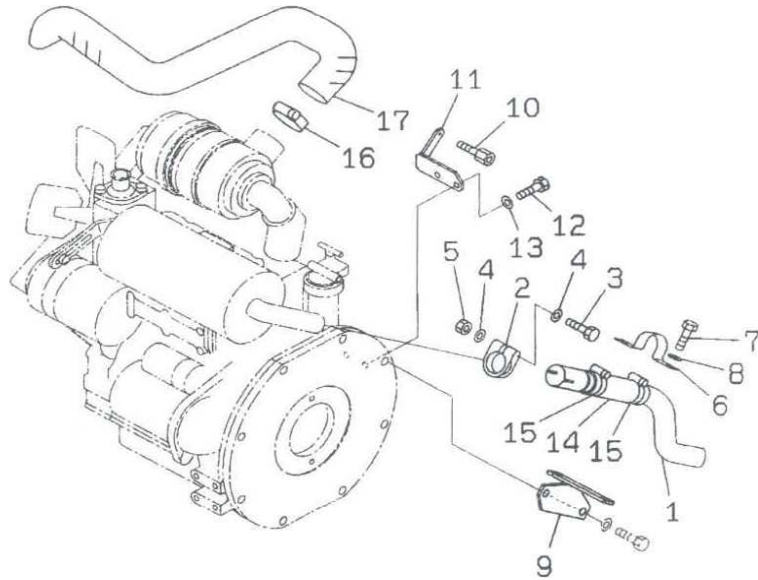
PK63192

INDEX	PART NO.	DESCRIPTION	Q'TY	SERIAL NO.
1	20M-01-82112	BRACKET	2	10001-
2	01010-81030	BOLT	4	10001-
3	01643-31032	WASHER	4	10001-
4	20M-01-82160	BRACKET	2	10001-
5	01010-81030	BOLT	4	10001-
6	01643-31032	WASHER	4	10001-
7	20M-01-82121	BRACKET	2	10001-
8	01010-81025	BOLT	6	10001-
9	01643-31032	WASHER	6	10001-
10	20M-01-82132	BRACKET	1	10001-
11	01010-81030	BOLT	3	10001-
12	01643-31032	WASHER	3	10001-
13	20M-01-82142	BRACKET	1	10001-
14	01010-81030	BOLT	3	10001-
15	01643-31032	WASHER	3	10001-
16	20M-01-82831	CUSHION	4	10001-
17	01380-11008	NUT	8	10001-
18	01643-30823	WASHER	8	10001-



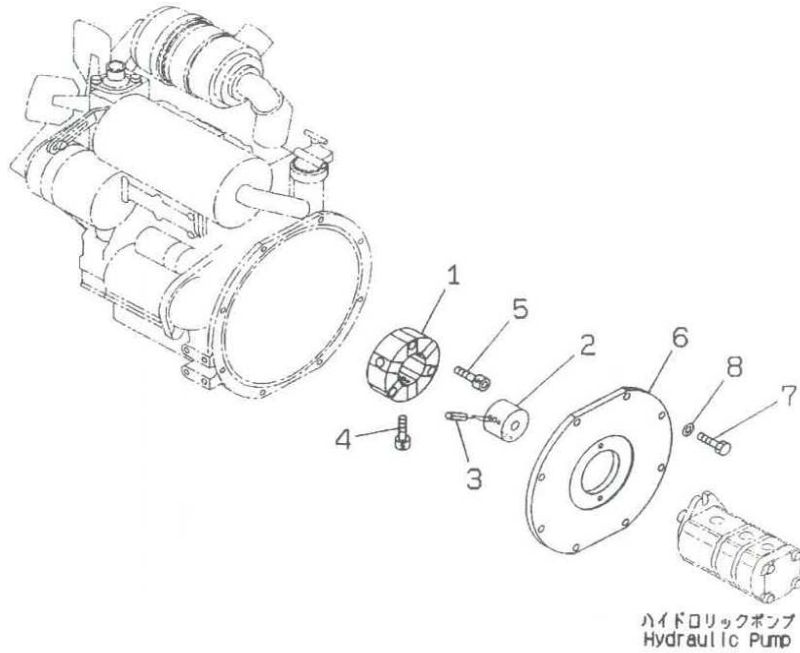
PK63193

INDEX	PART NO	DESCRIPTION	Q'TY	SERIAL NO
1	20M-02-81112	PIPE	1	10001-
2	20M-02-71140	CLAMP	1	10001-
3	01010-81065	BOLT	1	10001-
4	01643-31032	WASHER	2	10001-
5	01580-11008	NUT	1	10001-
6	20M-02-81130	PLATE	1	10001-
7	01010-81020	BOLT	2	10001-
8	01643-31032	WASHER	2	10001-
9	20M-02-81121	BRACKET	1	10001-
10	YM12112-01358	CLAMP	1	10001-
11	20M-01-82220	CLAMP	1	10001-
12	01010-80820	BOLT	2	10001-
13	01643-30823	WASHER	2	10001-
14	20M-54-72710	SLEEVE	1	10001-
15	07280-03826	CLAMP	2	10001-
16	07280-05429	CLAMP	1	10001-
17	20M-01-82310	HOSE	1	10001-



PK63408

INDEX	PART NO.	DESCRIPTION	Q'TY	SERIAL NO.
1	20M-970-8510	PIPE	1	10001-
2	20M-02-71140	CLAMP	1	10001-
3	01010-81065	BOLT	1	10001-
4	01643-31032	WASHER	2	10001-
5	01580-11008	NUT	1	10001-
6	20M-02-81130	PLATE	1	10001-
7	01010-81020	BOLT	2	10001-
8	01643-31032	WASHER	2	10001-
9	20M-02-81121	BRACKET	1	10001-
10	YM12112-01358	CLAMP	1	10001-
11	20M-01-82220	CLAMP	1	10001-
12	01010-80820	BOLT	2	10001-
13	01643-30823	WASHER	2	10001-
14	20M-54-72710	SLEEVE	1	10001-
15	07280-03826	CLAMP	2	10001-
16	07280-05429	CLAMP	1	10001-
17	20M-01-82310	HOSE	1	10001-

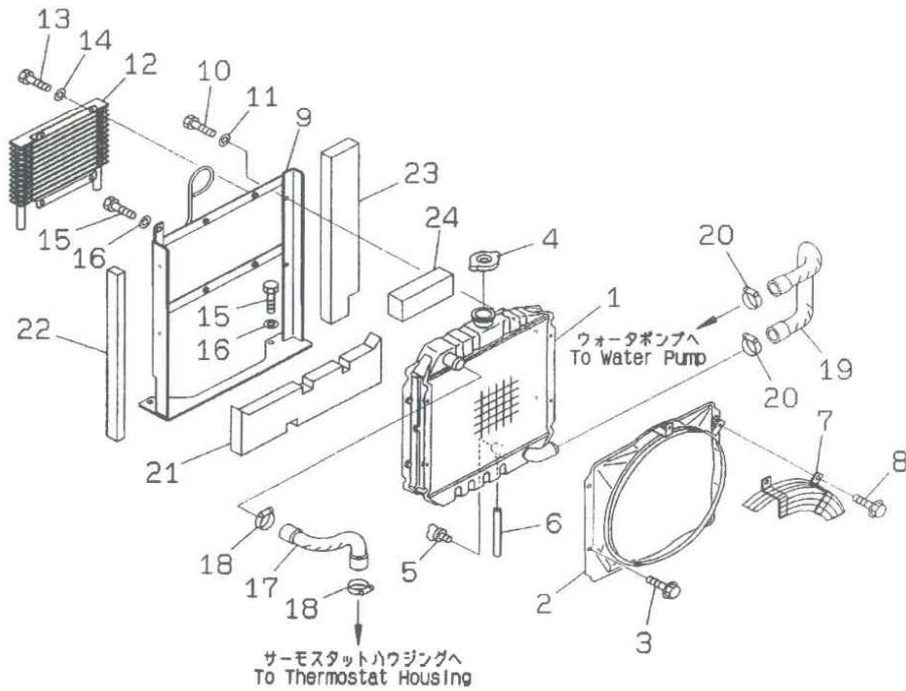


PK63194

INDEX	PART NO	DESCRIPTION	QTY	SERIAL NO
	20N-01-43700	COUPLING ASS'Y.....	1	10001-
1	20R-01-11210	RUBBER.....	1	10001-
2	20N-01-43710	BOSS.....	1	10001-
3	04025-00408	PIN.....	6	10001-
4	20M-01-16630	BOLT.....	3	10001-
5	20N-01-43251	BOLT.....	1	10001-
6	20M-01-82211	COVER.....	1	10001-
7	01010-81030	BOLT.....	8	10001-
8	01643-31032	WASHER.....	8	10001-

COOLING SYSTEM

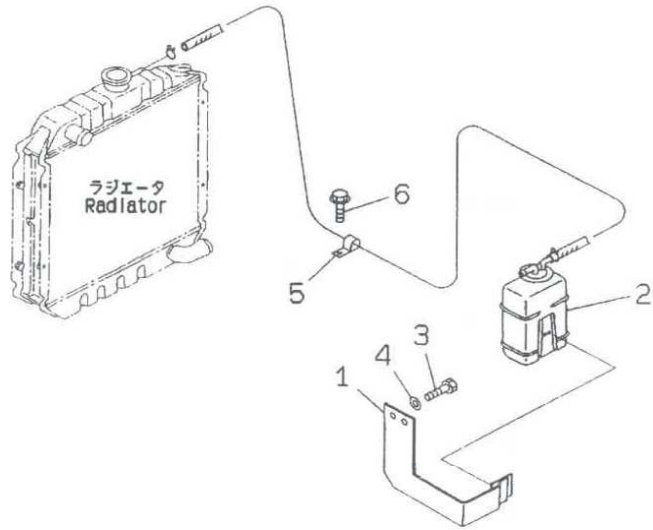
ラジエータ オイル ハイピンク
 FIG. C0100-01A0 RADIATOR AND PIPING



PL63195

FIG. NO. : C0100-01A0

INDEX	PART NO.	DESCRIPTION	Q'TY	SERIAL NO.
	20M-03-81101	RADIATOR ASS'Y.	1	10001-
1	20L-03-11110	RADIATOR CORE ASS'Y.	1	10001-
2	20N-03-71211	SHROUD	1	10001-
3	01435-20814	BOLT	4	10001-
4	201-03-51310	CAP.	1	10001-
5	205-03-62660	PLUG	1	10001-
6	07270-00824	TUBE	1	10001-
7	20M-03-81410	NET	1	10001-
8	01435-00814	BOLT	2	10001-
9	20M-03-81132	BRACKET	1	10001-
10	01010-80816	BOLT	4	10001-
11	01643-30823	WASHER	4	10001-
12	20M-03-81120	OIL COOLER	1	10001-
13	01010-80612	BOLT	4	10001-
14	01643-30623	WASHER	4	10001-
15	01010-81025	BOLT	3	10001-
16	01643-31032	WASHER	3	10001-
17	20M-03-71120	HOSE	1	10001-
18	07280-03826	CLAMP	2	10001-
19	20M-03-71131	HOSE	1	10001-
20	07280-03826	CLAMP	2	10001-
21	20M-03-81211	SHEET	1	10001-
22	20M-03-81221	SHEET	2	10001-
23	20M-03-81231	SHEET	1	10001-
24	20M-03-81260	SHEET	1	10001-

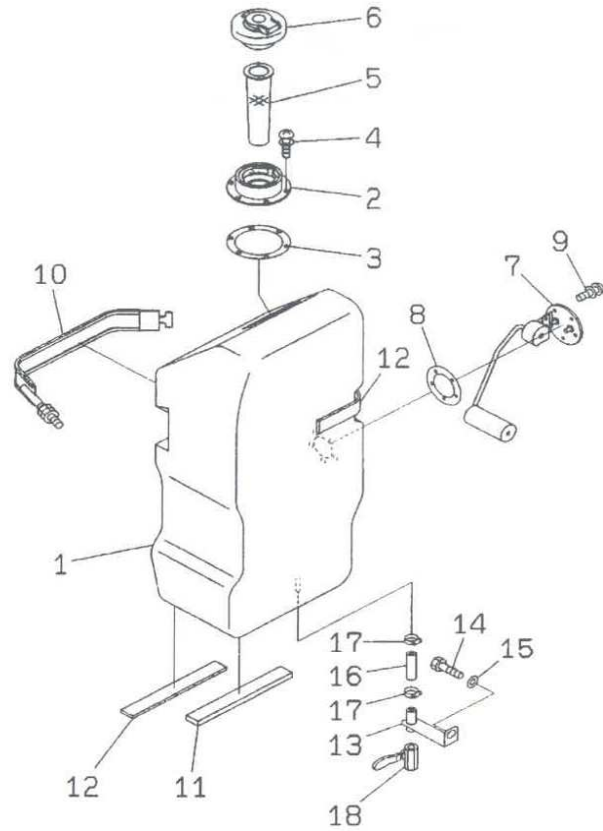


PL63196

PC12R-8

INDEX	PART NO.	DESCRIPTION	Q'TY	SERIAL NO.
1	20M-03-81311	BRACKET.....	1	10001-
2	20M-03-71201	TANK RESERVOIR.....	1	10001-
3	01010-81020	BOLT.....	2	10001-
4	01643-31032	WASHER.....	2	10001-
5	08036-03014	CLIP.....	1	10001-
6	01435-01020	BOLT.....	1	10001-

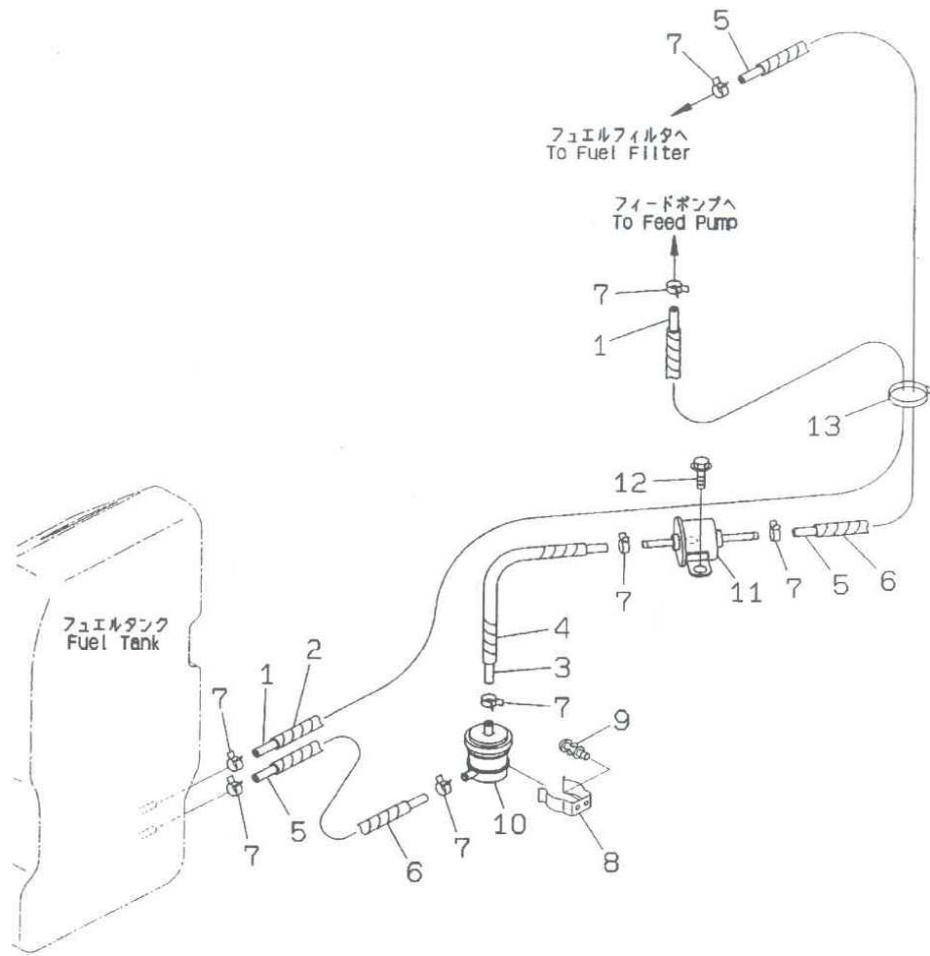
FUEL TANK AND RELATED
PARTS



PK63146

PC12R-8

INDEX	PART NO.	DESCRIPTION	QTY	SERIAL NO.
1	20M-04-81112	TANK	1	10001-
2	20M-04-81221	FILLER	1	10001-
3	20M-04-81230	PACKING	1	10001-
4	01023-10516	SCREW	6	10001-
5	07056-10045	STRAINER	1	10001-
6	20M-04-71160	CAP	1	10001-
7	20M-06-82311	GAUGE	1	10001-
8	20M-06-72140	PACKING	1	10001-
9	01023-10516	SCREW	5	10001-
10	20M-04-81240	BAND	1	10001-
11	20M-04-81260	CUSHION	1	10001-
12	20M-04-81270	CUSHION	2	10001-
13	20M-04-81251	JOINT	1	10001-
14	01010-81020	BOLT	1	10001-
15	01643-31032	WASHER	1	10001-
16	20M-04-81280	HOSE	1	10001-
17	07281-00229	CLAMP	2	10001-
18	07700-40240	VALVE	1	10001-

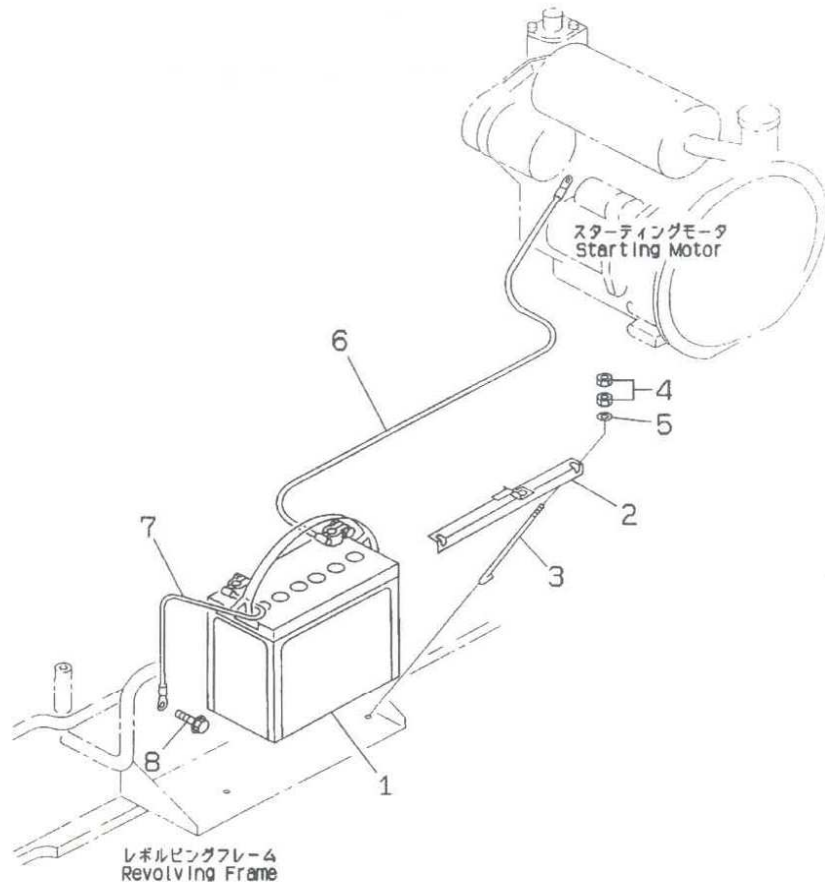


PK63147

PC12R-8

INDEX	PART NO.	DESCRIPTION	Q'TY	SERIAL NO.
1	07288-00712	HOSE.....	1	10001-
2	08017-31312	CONDUIT.....	1	10001-
3	07288-00701	HOSE.....	1	10001-
4	08017-31301	CONDUIT.....	1	10001-
5	07288-00705	HOSE.....	2	10001-
6	08017-31305	CONDUIT.....	2	10001-
7	07285-00115	CLIP.....	8	10001-
8	20N-04-81340	CLIP.....	1	10001-
9	01023-60516	SCREW.....	2	10001-
10	YM123052-55630	FILTER.....	1	10001-
11	YM119225-52102	PUMP FEED.....	1	10001-
12	01435-00620	BOLT.....	2	10001-
13	08034-00519	BAND.....	1	10001-

ELECTRICAL SYSTEM



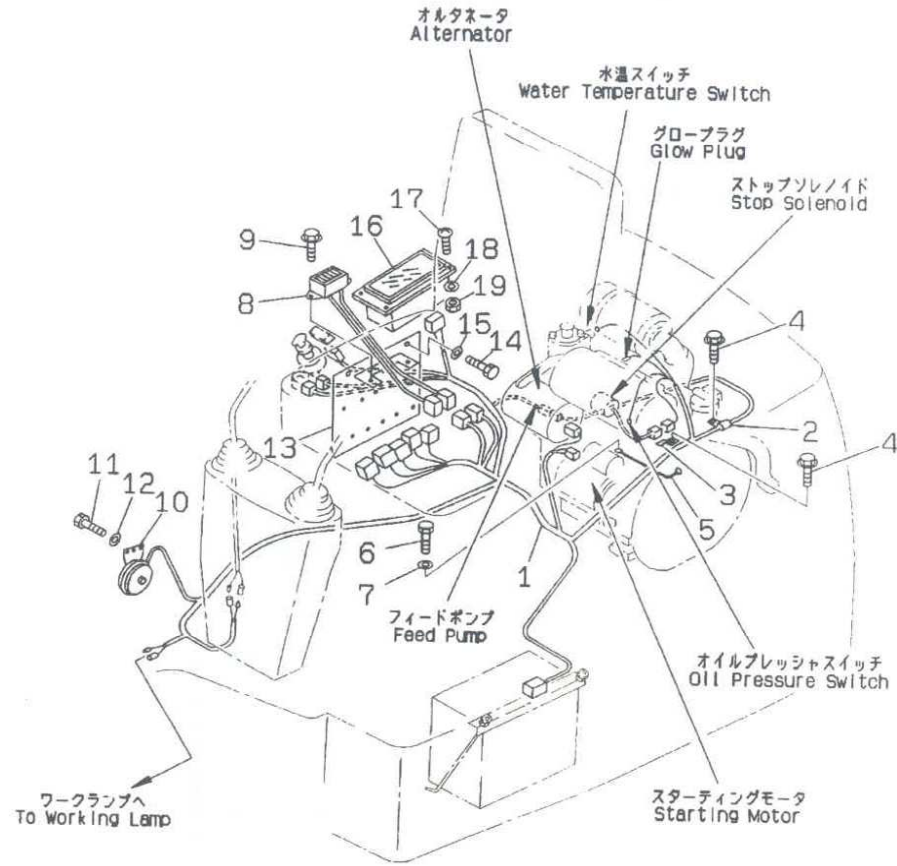
PL6314B

PC12R-8

INDEX	PART NO.	DESCRIPTION	Q'TY	SERIAL NO.
1	20M-06-82210	BATTERY.....	1	10001-
2	20M-06-82220	HOLDER.....	1	10001-
3	20N-06-71262	ROD.....	2	10001-
4	01580-10605	NUT.....	4	10001-
5	01643-30823	WASHER.....	2	10001-
6	20C-06-11240	WIRE ASS'Y.....	1	10001-
7	20M-06-72220	CABLE.....	1	10001-
	08030-01510	TERMINAL.....	1	10001-
8	01435-00812	BOLT.....	1	10001-

PC12R-8

E- 3

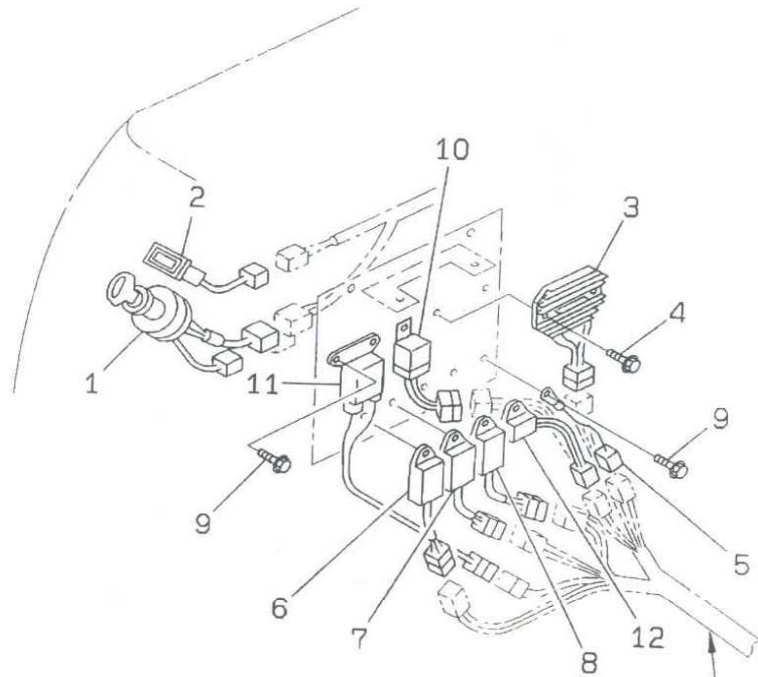


PL63149

PC12R-8

INDEX	PART NO.	DESCRIPTION	Q'TY	SERIAL NO.
1	20M-06-83113	WIRING HARNESS.....	1	10001-
2	08036-01414	CLIP.....	1	10001-
3	08053-01510	CLIP.....	1	10001-
4	01435-01016	BOLT.....	2	10001-
5	21U-06-21350	CABLE.....	1	10001-
6	01010-81016	BOLT.....	1	10001-
7	01643-31032	WASHER.....	1	10001-
8	20M-06-73132	FUSE BOX ASS'Y.....	1	10001-
9	01435-00616	BOLT.....	2	10001-
10	08160-61200	HORN.....	1	10001-
11	01010-81020	BOLT.....	1	10001-
12	01643-31032	WASHER.....	1	10001-
13	20M-06-81112	PLATE.....	1	10001-
14	01010-80816	BOLT.....	2	10001-
15	01643-30823	WASHER.....	2	10001-
16	20M-06-71132	PANEL.....	1	10001-
17	01023-20420	SCREW.....	4	10001-
18	01641-20405	WASHER.....	4	10001-
19	01580-10403	NUT.....	4	10001-

PC12R-8



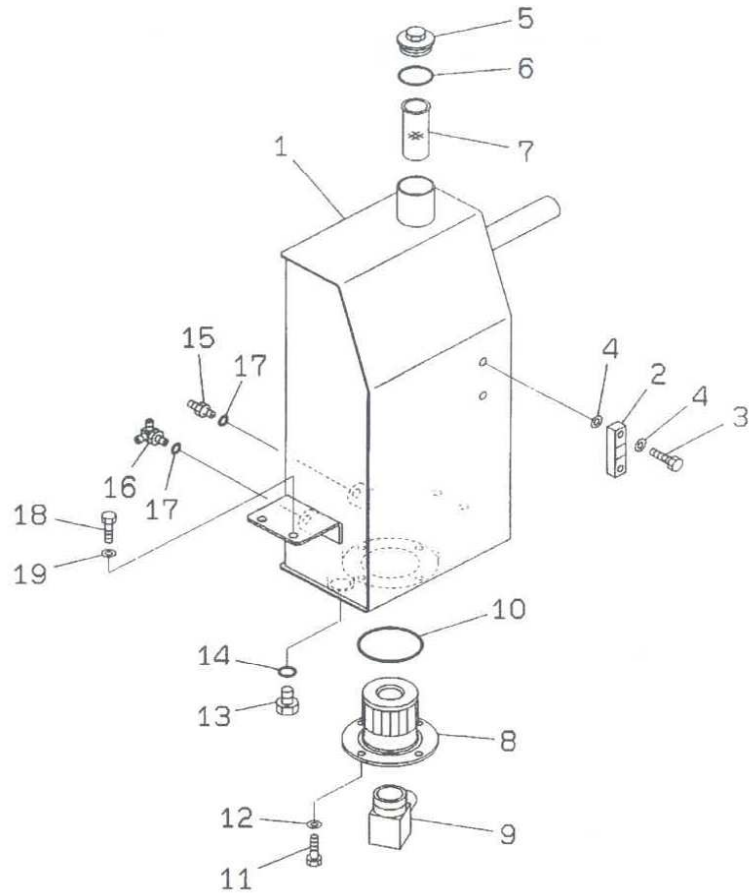
第E0200-01A0図参照
See Fig. E0200-01A0

PL63150

PC12R-8

INDEX	PART NO.	DESCRIPTION	Q'TY	SERIAL NO.
1	20M-06-73122	WIRING HARNESS.....	1	10001-
2	20M-06-72120	SWITCH.....	1	10001-
3	YM119640-77711	LIMITER.....	1	10001-
4	01435-00620	BOLT.....	2	10001-
5	20M-06-73151	WIRE ASS'Y.....	1	10001-
6	20M-06-71210	TIMER.....	1	10001-
7	YM128300-77920	TIMER.....	1	10001-
8	YM119632-77920	TIMER.....	1	10001-
9	01435-00612	BOLT.....	8	10001-
10	YM119247-77100	RELAY.....	1	10001-
11	YM119650-77910	RELAY.....	1	10001-
12	YM121522-77721	INDICATOR.....	1	10001-

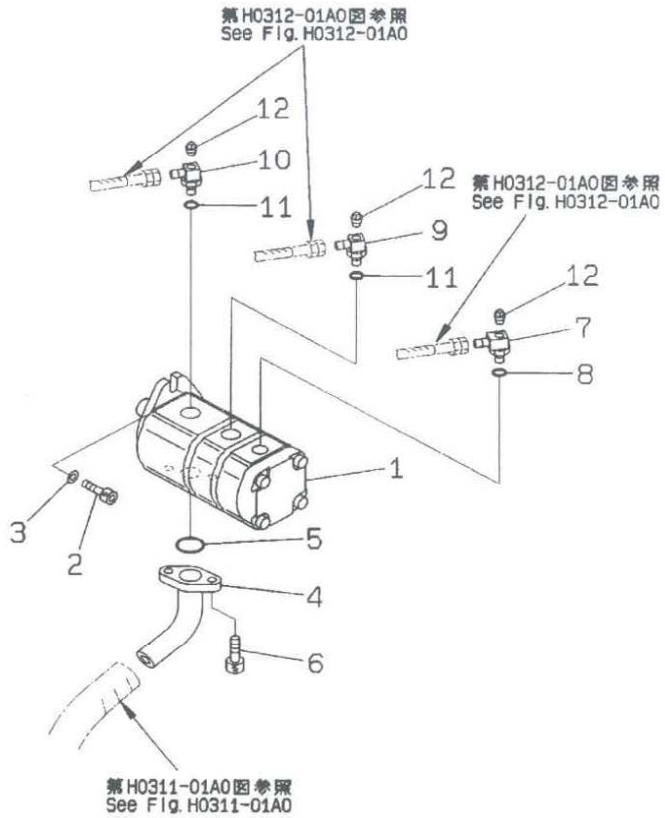
HYDRAULIC SYSTEM



PK63151

PC12R-8

INDEX	PART NO.	DESCRIPTION	QTY	SERIAL NO.
	20M-60-81101	TANK ASS Y.	1	10001-
1	20M-60-81113	TANK	1	10001-
2	20M-60-81140	GAUGE O.L.	1	10001-
3	20N-60-41360	BOLT	2	10001-
4	20N-60-41371	GASKET	4	10001-
5	20M-60-81130	PLUG	1	10001-
6	07002-04234	O-RING	1	10001-
7	20M-60-71140	STRAINER	1	10001-
8	21U-60-21130	FILLER	1	10001-
9	20M-60-71121	TUBE	1	10001-
10	07000-02100	O-RING	1	10001-
11	01010-81025	BOLT	4	10001-
12	01643-31032	WASHER	4	10001-
13	07044-12412	PLUG	1	10001-
14	07002-02434	O-RING	1	10001-
15	07230-20210	UNION	1	10001-
16	208-62-17550	TEE	1	10001-
17	07002-11423	O-RING	2	10001-
18	01010-81020	BOLT	4	10001-
19	01643-31032	WASHER	4	10001-

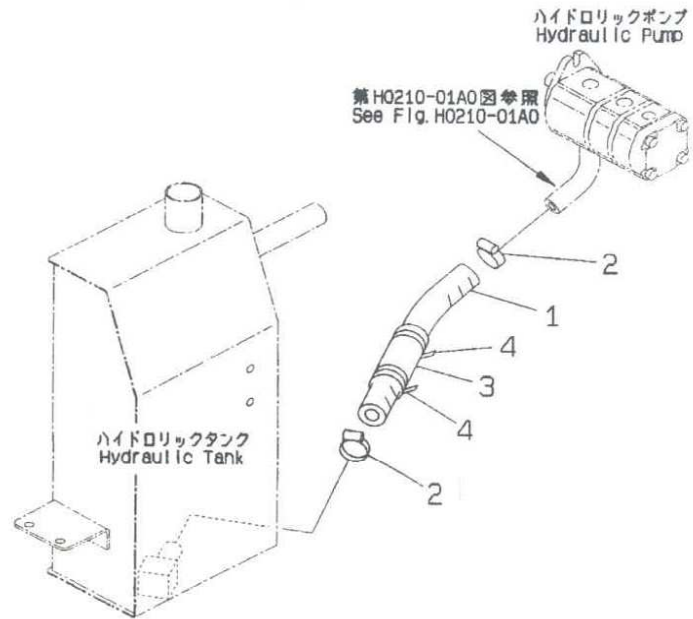


PK63152

PC12R-8

INDEX	PART NO.	DESCRIPTION	Q'TY	SERIAL NO.
1	(20M-60-84100)	PUMP ASS'Y.....	1	10001-
2	01252-41025	BOLT.....	2	10001-
3	01643-31032	WASHER.....	2	10001-
4	20M-62-82851	TUBE.....	1	10001-
5	07000-03025	O-RING.....	1	10001-
6	01252-41020	BOLT.....	2	10001-
7	20M-62-82811	ELBOW.....	1	10001-
8	07002-11823	O-RING.....	1	10001-
9	20M-62-82821	ELBOW.....	1	10001-
10	20M-62-82831	ELBOW.....	1	10001-
11	07000-12018	O-RING.....	2	10001-
12	07042-30108	PLUG.....	3	10001-

PC12R-8

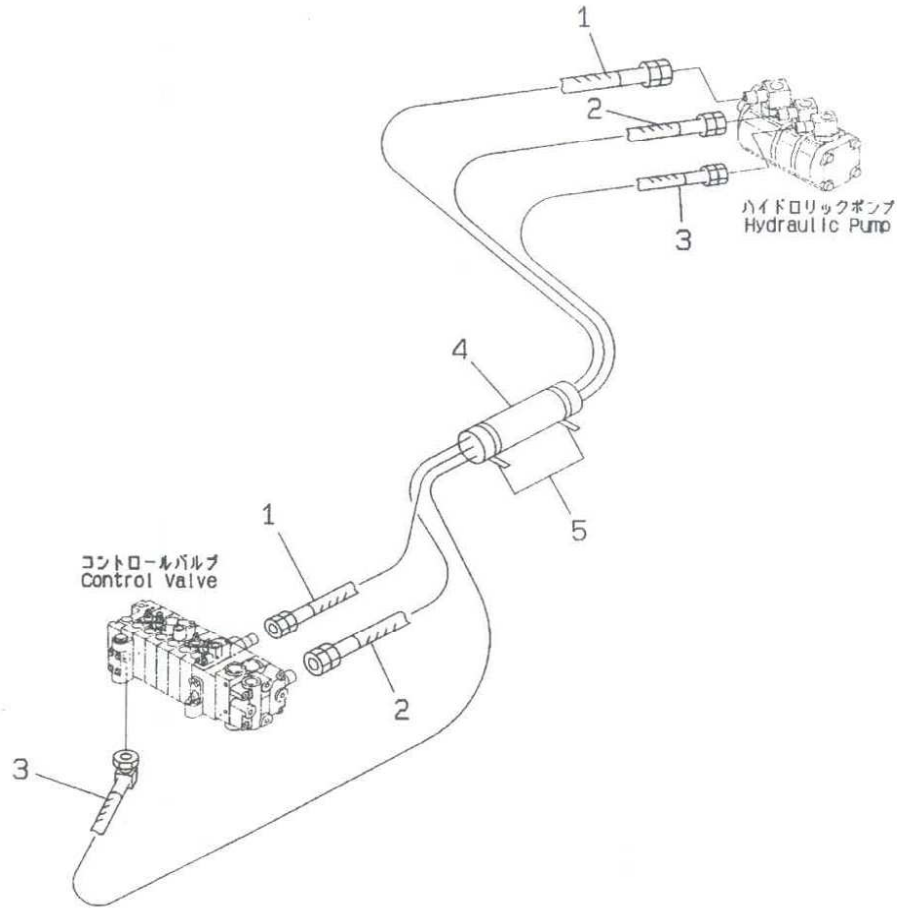


PK63153

PC12R-8

INDEX	PART NO.	DESCRIPTION	Q'TY	SERIAL NO.
1	07260-22628	HOSE.....	1	10001-
2	07281-00419	CLAMP.....	2	10001-
3	20N-62-72670	SHEET.....	1	10001-
4	08034-00823	BAND.....	2	10001-

PC12R-8



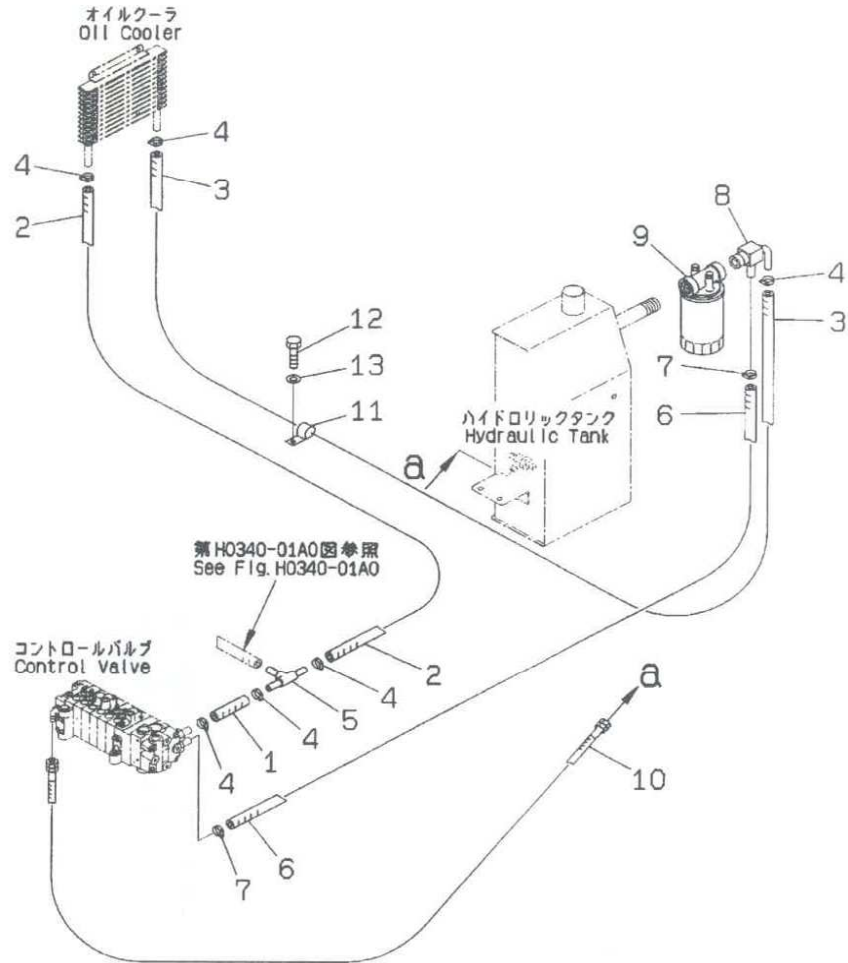
PK63154

PC12R-8

INDEX	PART NO.	DESCRIPTION	QTY	SERIAL NO.
1	20M-62-82212	HOSE	1	10001-
2	07086-00309	HOSE	1	10001-
3	20M-62-82232	HOSE	1	10001-
4	20N-62-44451	SHEET	1	10001-
5	08034-00834	BAND	2	10001-

PC12R-8

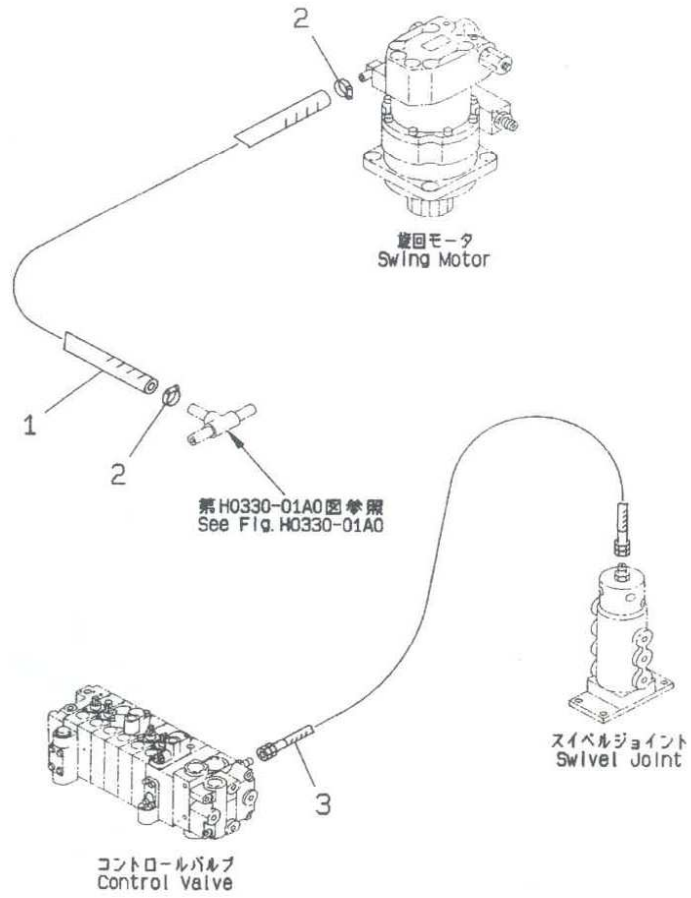
リターンライン
 FIG. H0330-01A0 RETURN LINE



PK63155

FIG. NO. : H0330-01A0

INDEX	PART NO.	DESCRIPTION	QTY	SERIAL NO.
1	07260-21415	HOSE	1	10001-
2	07261-21411	HOSE	1	10001-
3	07261-21417	HOSE	1	10001-
4	07281-00259	CLAMP	6	10001-
5	20M-62-82360	TEE	1	10001-
6	07261-22015	HOSE	1	10001-
7	07281-00359	CLAMP	2	10001-
8	20M-62-82151	TEE	1	10001-
9	21U-60-11300	FILTER ASS'Y.	1	10001-
	21U-60-11310	HEAD	1	10001-
	21U-60-11320	CARTRIDGE	1	10001-
10	20P-62-72565	HOSE	1	10001-
11	04434-32511	CLIP	1	10001-
12	01010-81020	BOLT	1	10001-
13	01643-31032	WASHER	1	10001-

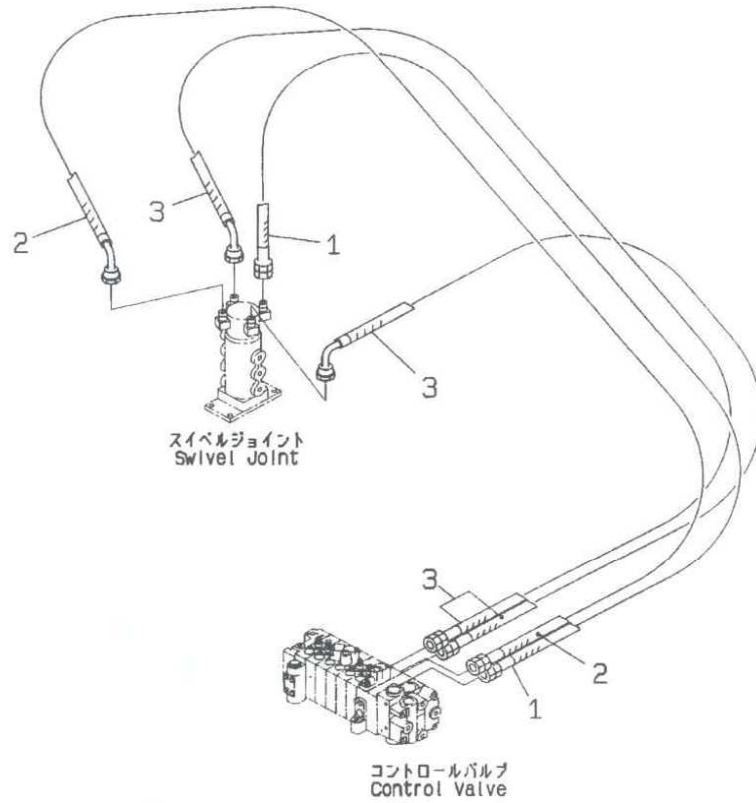


PK63156

PC12R-8

INDEX	PART NO.	DESCRIPTION	QTY	SERIAL NO.
1	07260-21435	HOSE.....	1	10001-
2	07281-00259	CLAMP.....	2	10001-
3	20M-62-73230	HOSE.....	1	10001-

PC12R-8

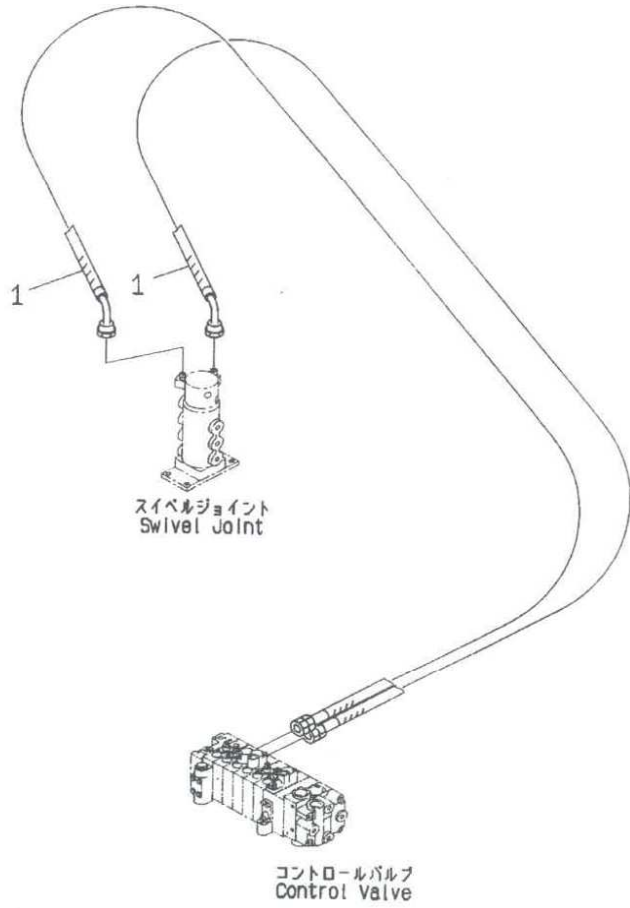


PK63157

PC12R-8

INDEX	PART NO.	DESCRIPTION	Q'TY	SERIAL NO.
1	20C-62-22591	HOSE	1	10001-
2	20M-62-82760	HOSE	1	10001-
	20M-62-82761	HOSE (QUICK BREAKER ARM SPEC.)	1	10001-
3	20M-62-82770	HOSE	2	10001-
	20M-62-82770	HOSE (QUICK BREAKER ARM SPEC.)	1	10001-
	21U-62-22170	HOSE (QUICK BREAKER ARM SPEC.)	1	10001-

PC12R-8

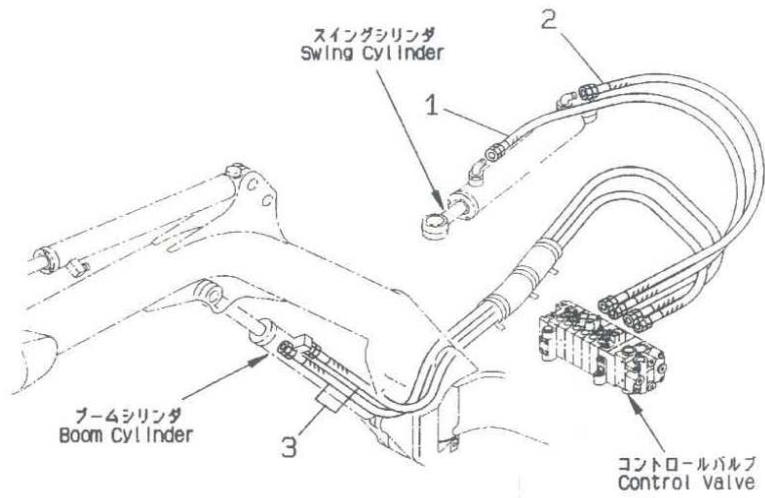


PK63284

INDEX	PART NO.	DESCRIPTION	Q'TY	SERIAL NO.
1	20P-62-72871	HOSE.....	2	10001-

FIG. H1100-03A0 HYDRAULIC PIPING (BOOM CYLINDER AND BOOM SWING CYLINDER LINE)
 ハイドリックパイピング (ブームシリンダ オボヒブームスイングシリンダライン)

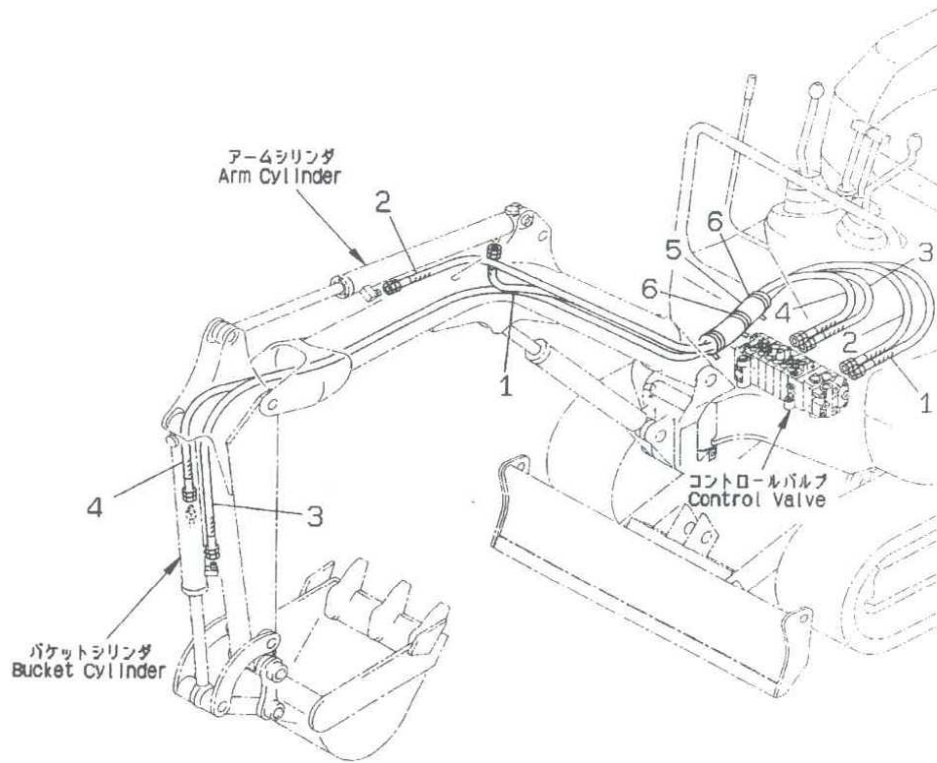
FIG. NO. : H1100-03A0



PK63285

INDEX	PART NO.	DESCRIPTION	Q'TY	SERIAL NO.
1	20M-62-82751	HOSE.....	1	10001-
2	20M-62-82741	HOSE.....	1	10001-
3	20M-62-82442	HOSE.....	2	10001-

FIG. H1100-04A0 HYDRAULIC PIPING (ARM AND BUCKET CYLINDER LINE)
 ハイドリックパイピング (アーム オブ ビケット シリンダ ライン)

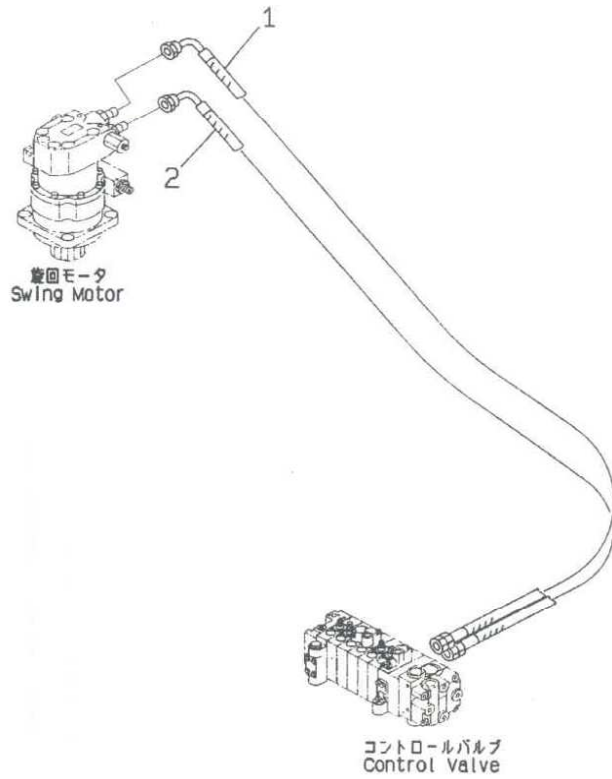


PL63286

FIG. NO. : H1100-04A0

INDEX	PART NO.	DESCRIPTION	Q'TY	SERIAL NO.
1	20M-62-82451	HOSE.....	1	10001-
2	20M-62-82461	HOSE.....	1	10001-
3	20M-62-82471	HOSE.....	1	10001-
	20M-970-8450	HOSE (QUICK BREAKER ARM SPEC.).....	1	10001-
4	20M-62-82481	HOSE.....	1	10001-
	20M-970-8430	HOSE (QUICK BREAKER ARM SPEC.).....	1	10001-
5	20M-62-82790	TUBE.....	1	10001-
6	08034-00536	BAND.....	3	10001-

FIG. H1100-05A0 HYDRAULIC PIPING (SWING MOTOR LINE)
 ハイドリックパイピング (スイングモータライン)



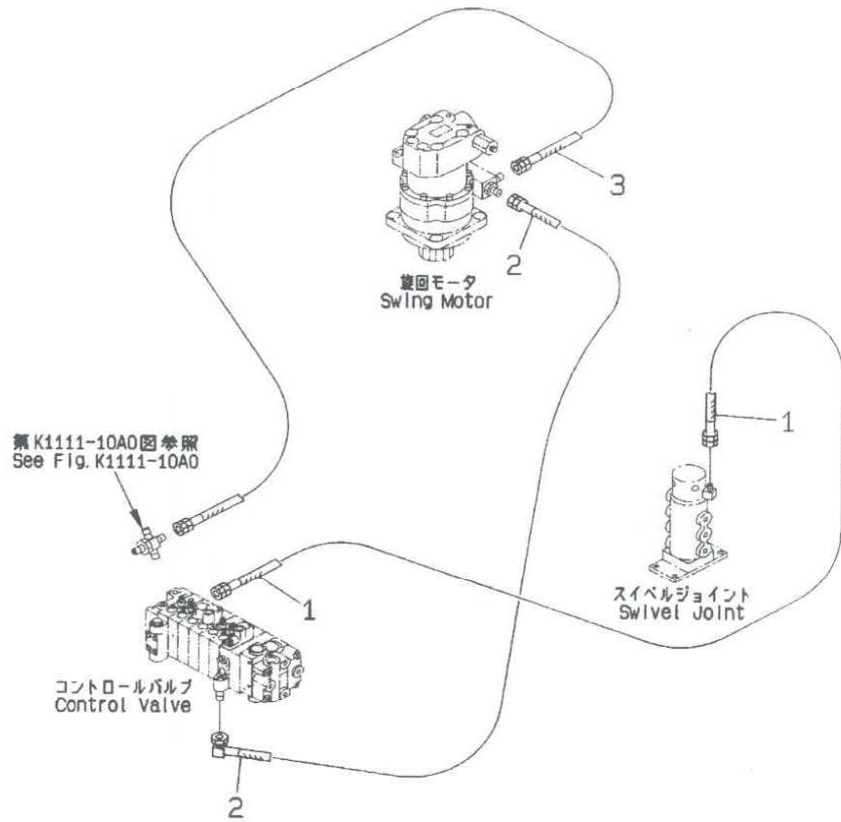
PK63287

PC12R-8

FIG. NO. : H1100-05A0

INDEX	PART NO.	DESCRIPTION	QTY	SERIAL NO.
1	20P-62-72581	HOSE.....	1	10001-
	20M-973-8210	HOSE (QUICK BREAKER ARM SPEC.).....	1	10001-
2	20A-62-12330	HOSE.....	1	10001-

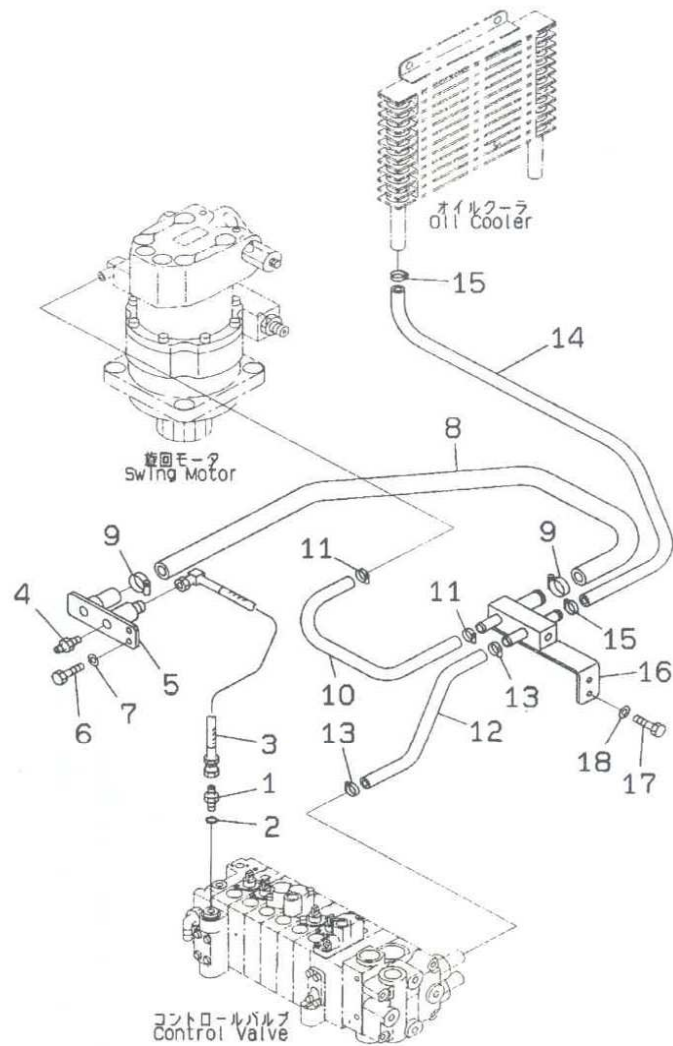
PC12R-8



PK63288

INDEX	PART NO.	DESCRIPTION	Q'TY	SERIAL NO.
1	20M-62-82410	HOSE.....	1	10001-
2	20M-62-82720	HOSE.....	1	10001-
3	20P-62-72575	HOSE.....	1	10001-

FIG. H1270-01A0 ハイット ロリック バイピンク (アタッチメント ライン) (レボ ルビ ンク フレーム ナイ)
 HYDRAULIC PIPING (ATTACHMENT LINE)(IN REVOLVING FRAME)



PC63470

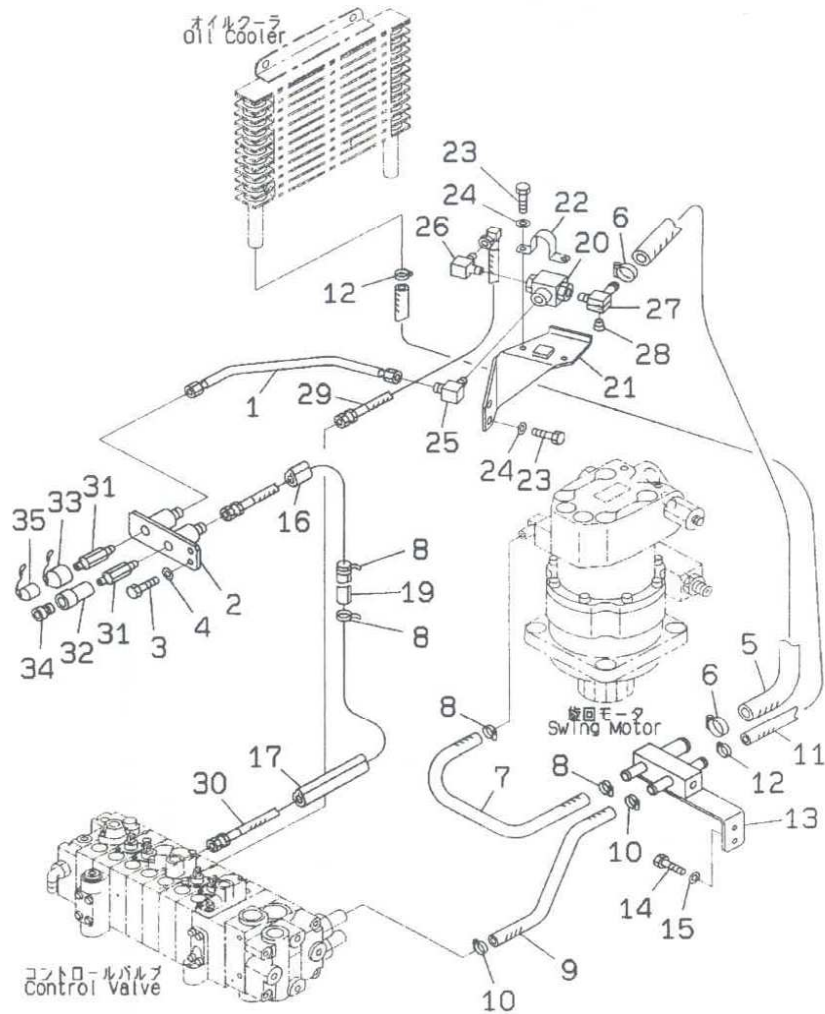
PC12R-8

FIG. NO. : H1270-01A0

INDEX	PART NO.	DESCRIPTION	QTY	SERIAL NO.
1	20T-62-71150	UNION.....	1	10001-
2	07002-11823	O-RING.....	1	10001-
3	20M-973-8631	TUBE.....	1	10001-
4	07238-10422	CONNECTOR.....	1	10001-
5	20M-973-8322	JOINT.....	1	10001-
6	01010-80820	BOLT.....	2	10001-
7	01643-30823	WASHER.....	2	10001-
8	07261-22012	HOSE.....	1	10001-
9	07281-00359	CLAMP.....	2	10001-
10	07260-21440	HOSE.....	1	10001-
11	07281-00259	CLAMP.....	2	10001-
12	07260-21432	HOSE.....	1	10001-
13	07281-00259	CLAMP.....	2	10001-
14	07261-21411	HOSE.....	1	10001-
15	07281-00259	CLAMP.....	2	10001-
16	20M-973-8361	TUBE.....	1	10001-
17	01010-81030	BOLT.....	2	10001-
18	01643-31032	WASHER.....	2	10001-

PC12R-8

FIG H1270-01A1 ハイット ロリック バイヒ'ンク' (アタッチメント ライン) (2 WAY) (レボ'ルビ'ンク' フレーム ナイ)
 HYDRAULIC PIPING (ATTACHMENT LINE) (2-WAY) (IN REVOLVING FRAME)

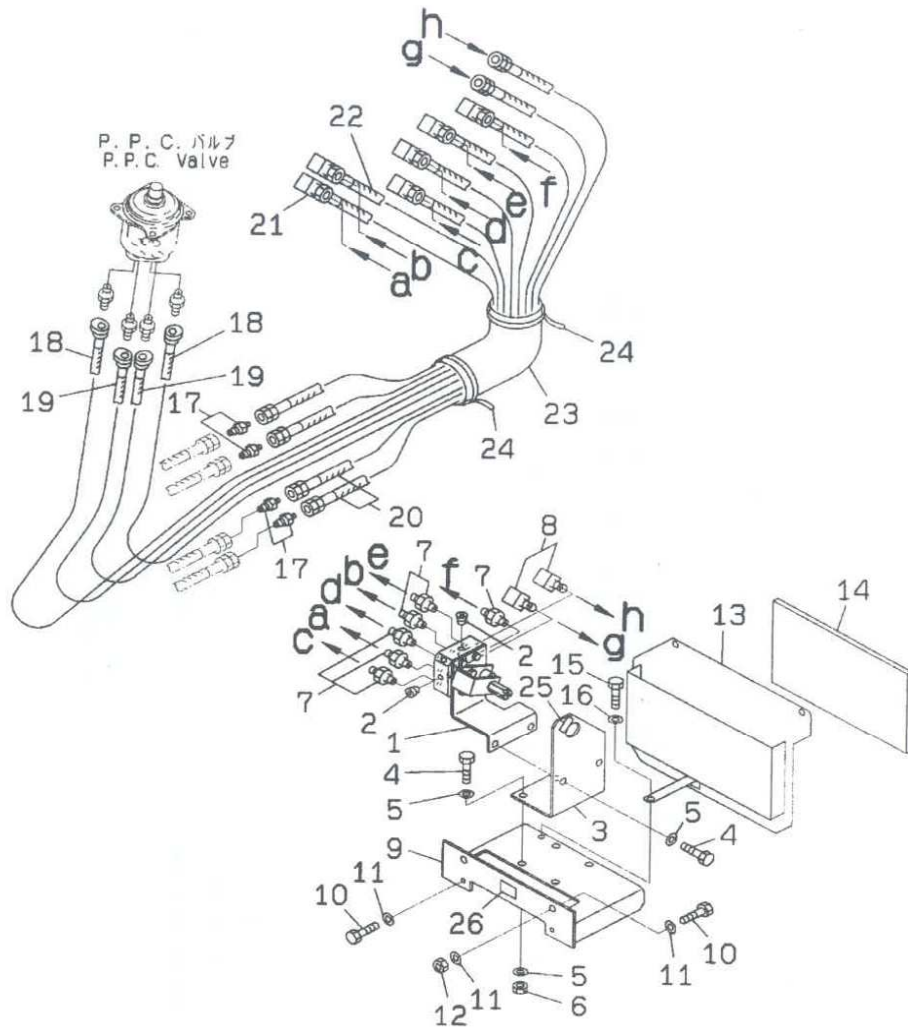


PC63455

FIG NO. : H1270-01A1

INDEX	PART NO.	DESCRIPTION	Q'TY	SERIAL NO.
1	20M-973-8830	TUBE	1	10001-
2	20M-973-8860	JOINT	1	10001-
3	01010-80820	BOLT	2	10001-
4	01643-30823	WASHER	2	10001-
5	07260-22080	HOSE	1	10001-
6	07281-00359	CLAMP	2	10001-
7	07260-21440	HOSE	1	10001-
8	07281-00259	CLAMP	2	10001-
9	07260-21432	HOSE	1	10001-
10	07281-00259	CLAMP	2	10001-
11	07261-21411	HOSE	1	10001-
12	07281-00259	CLAMP	2	10001-
13	20M-973-8361	TUBE	1	10001-
14	01010-81030	BOLT	2	10001-
15	01643-31032	WASHER	2	10001-
16	202-98-11360	BUSHING	2	10001-
17	21U-970-2760	BUSHING	2	10001-
18	08034-00536	BAND	6	10001-
19	20N-62-72670	SHEET	1	10001-
20	20M-973-1600	VALVE ASS V	1	10001-
21	20M-973-8810	BRACKET	1	10001-
22	20M-973-8820	CLAMP	1	10001-
23	01010-81020	BOLT	4	10001-
24	01643-31032	WASHER	4	10001-
25	20M-973-1730	ELBOW	1	10001-
26	20N-62-49490	ELBOW	1	10001-
27	20A-973-1260	ELBOW	1	10001-
28	07043-70312	PLUG	1	10001-
29	20M-973-8840	HOSE	1	10001-
30	20M-62-82212	HOSE	1	10001-
31	21R-973-1350	NIPPLE	2	10001-
32	21S-973-1330	COUPLING	1	10001-
33	21S-973-1340	CAP	1	10001-
34	21S-973-1350	COUPLING	1	10001-
35	21S-973-1360	CAP	1	10001-

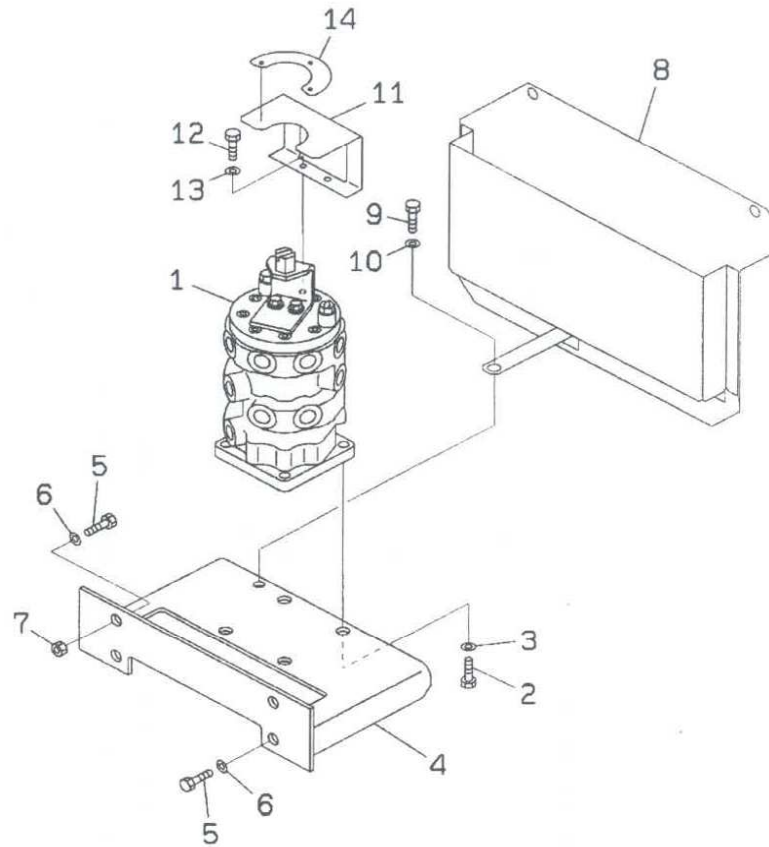
ハイドロリックパイピング (2WAYセレクトババルブライン)
 FIG. H1270-01A2 HYDRAULIC PIPING (2-WAY SELECTOR VALVE LINE)



PC63480

FIG. NO. : H1270-01A2

INDEX	PART NO.	DESCRIPTION	QTY	SERIAL NO.
1	(20P-62-86100)	VALVE ASS'Y.	1	10001-
2	07043-70108	PLUG	8	10001-
3	20M-916-8110	BRACKET	1	10001-
4	01010-81025	BOLT	4	10001-
5	01643-31032	WASHER	6	10001-
6	01580-11008	NUT	2	10001-
7	20C-62-25150	NIPPLE	6	10001-
8	21A-62-11220	ELBOW	2	10001-
9	20M-62-83121	BRACKET	1	10001-
10	01010-81025	BOLT	4	10001-
11	01643-31032	WASHER	6	10001-
12	01580-11008	NUT	2	10001-
13	20M-62-83160	COVER	1	10001-
14	20M-57-81161	SHEET	1	10001-
15	01010-80820	BOLT	2	10001-
16	01643-30823	WASHER	2	10001-
17	20M-62-83410	JOINT	4	10001-
18	20M-916-8120	HOSE	2	10001-
19	20M-916-8130	HOSE	2	10001-
20	20M-916-8140	HOSE	2	10001-
21	20M-62-82410	HOSE	1	10001-
22	21U-62-25610	HOSE	1	10001-
23	20N-62-72670	SHEET	2	10001-
24	08034-00536	BAND	4	10001-
25	20T-62-74950	PLATE	1	10001-
26	20Y-00-11310	PLATE OPERATING	1	10001-



PC63471

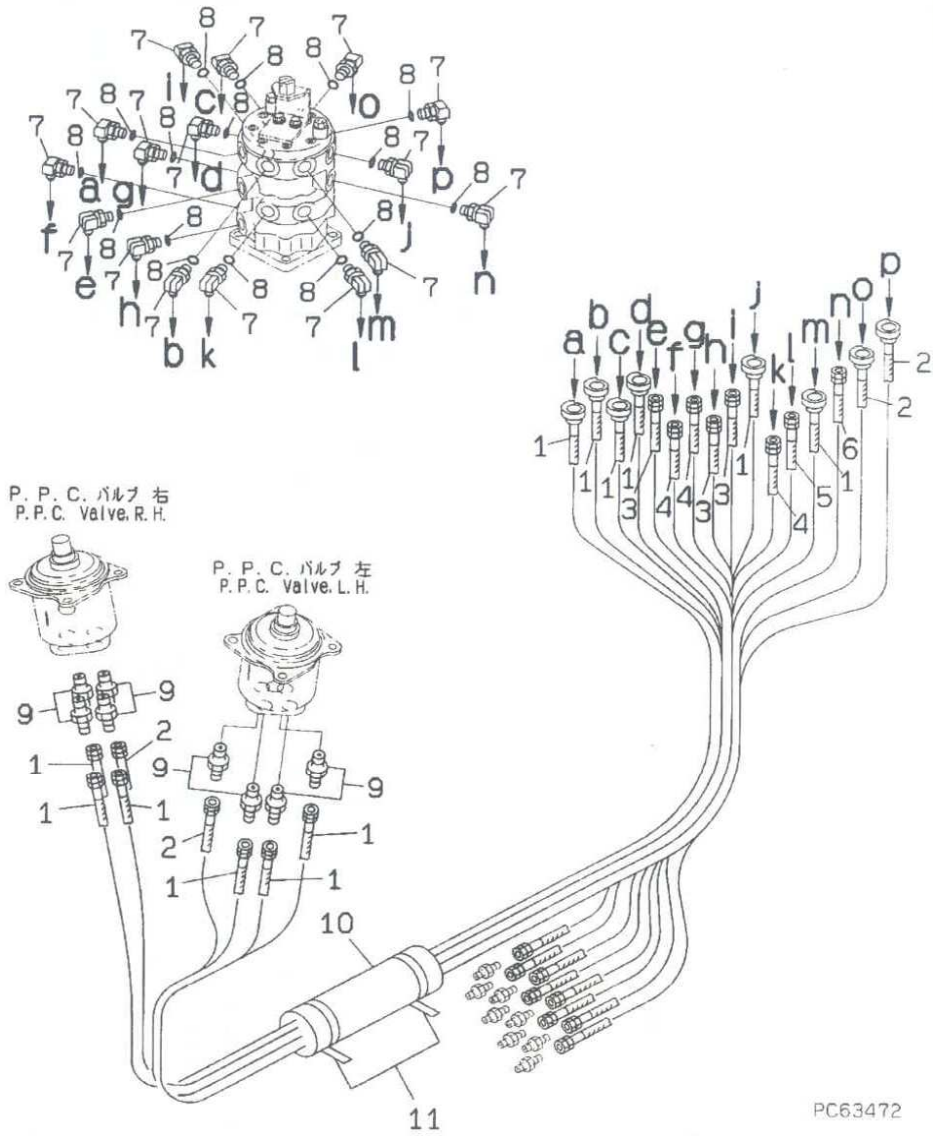
PC12R-8

INDEX	PART NO.	DESCRIPTION	Q'TY	SERIAL NO.
1	20N-62-78501	VALVE ASS'Y.....	1	10001-
2	01010-81025	BOLT.....	4	10001-
3	01643-31032	WASHER.....	4	10001-
4	20M-62-83121	BRACKET.....	1	10001-
5	01010-81025	BOLT.....	4	10001-
6	01643-31032	WASHER.....	4	10001-
7	01580-01008	NUT.....	2	10001-
8	20M-62-83160	COVER.....	1	10001-
9	01010-80820	BOLT.....	2	10001-
10	01643-30823	WASHER.....	2	10001-
11	20M-62-83170	BRACKET.....	1	10001-
12	01010-80612	BOLT.....	2	10001-
13	01643-30623	WASHER.....	2	10001-
14	20N-54-72520	PLATE, OPERATING, MULTI PATTERN.....	1	10001-
	203-916-5130	PLATE, OPERATING, MITSUBISHI PATTERN.....	1	10001-
	203-916-5150	PLATE, OPERATING, SHINKO PATTERN.....	1	10001-
	20Y-00-11310	PLATE, OPERATING, KOMATSU PATTERN.....	1	10001-

PC12R-8

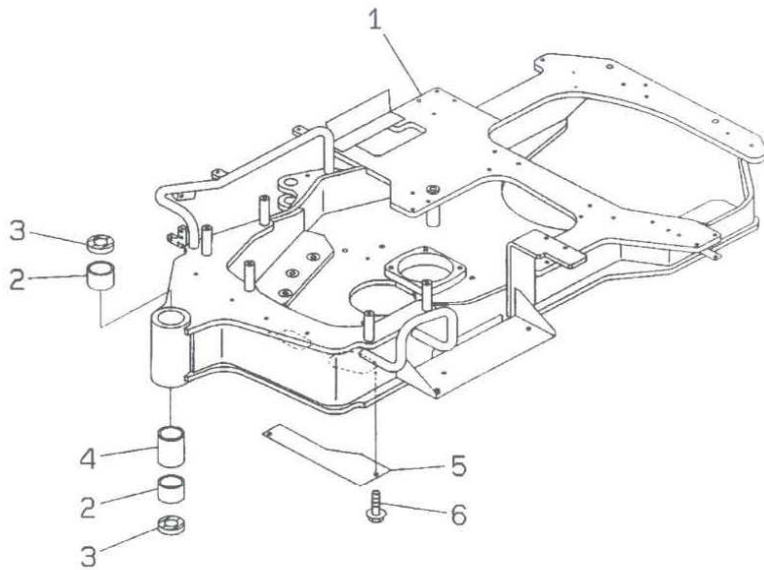
FIG. H1280-02A0 HYDRAULIC PIPING (MULTI PATTERN CONTROL VALVE LINE)

FIG. NO. : H1280-02A0



INDEX	PART NO.	DESCRIPTION	Q'TY	SERIAL NO.
1	20P-62-84520	HOSE	6	10001-
2	20M-62-83210	HOSE	2	10001-
3	20N-62-74520	HOSE	3	10001-
4	21U-62-25720	HOSE	3	10001-
5	21U-62-24440	HOSE	1	10001-
	21U-62-24460	MARK 9	2	10001-
6	20M-62-83250	HOSE	1	10001-
7	21U-62-24110	ELBOW	16	10001-
8	07002-11423	O-RING	16	10001-
9	20M-62-83410	JOINT	8	10001-
10	20N-62-72670	SHEET	1	10001-
11	08034-00536	BAND	2	10001-

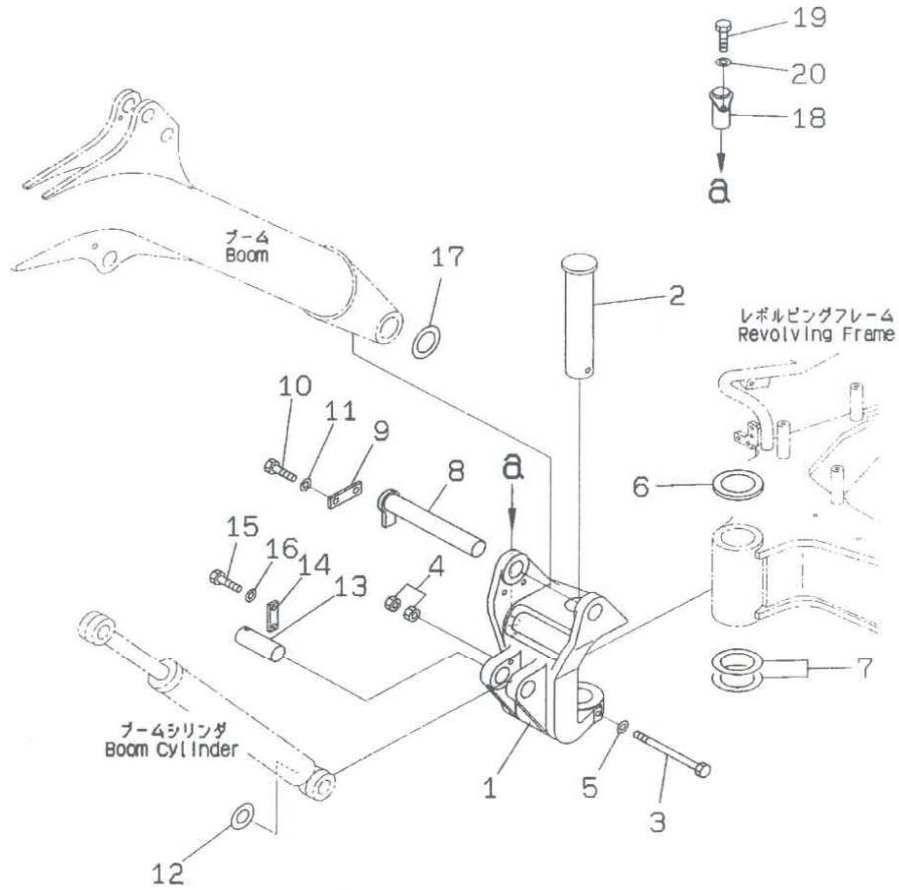
MAIN/REVOLVING FRAME AND
RELATED PARTS



PK63159

INDEX	PART NO.	DESCRIPTION	Q'TY	SERIAL NO.
1	20M-46-81113	FRAME REVOLVING.....	1	10001-
2	20M-46-81211	BUSHING.....	2	10001-
3	20M-46-81220	SEAL.....	2	10001-
4	20M-46-81230	COLLAR.....	1	10001-
5	20M-46-81310	PLATE.....	1	10001-
6	01435-00816	BOLT.....	2	10001-

FIG. J1210-01A0
 フーム スイング フラケット
 BOOM SWING BRACKET



PK63160

PC12R-8

FIG. NO. : J1210-01A0

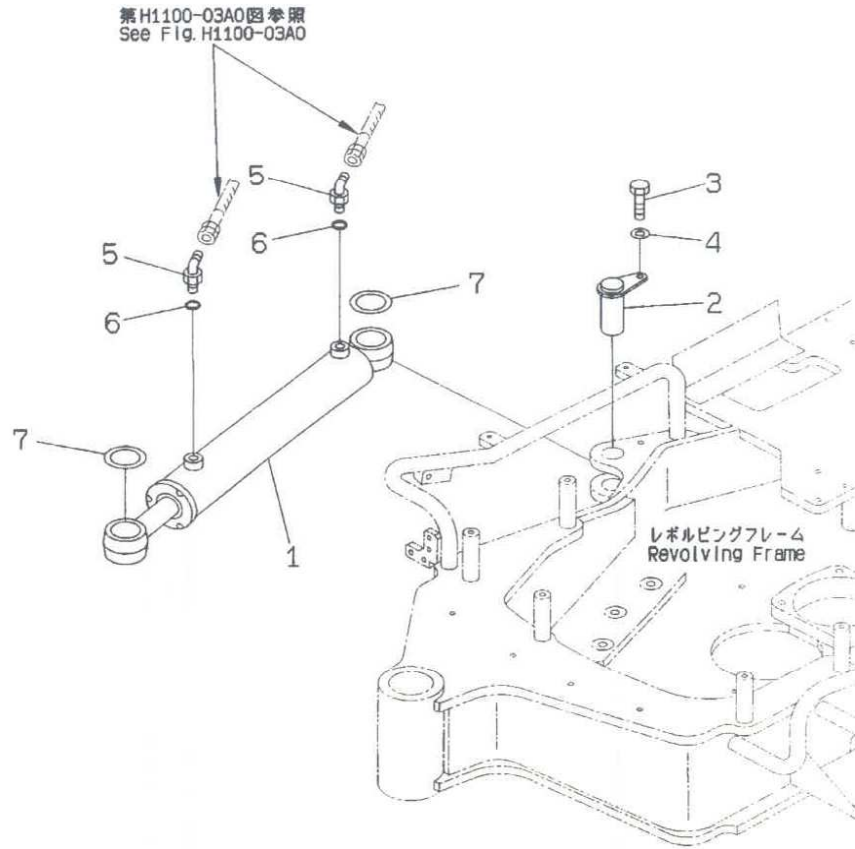
INDEX	PART NO	DESCRIPTION	QTY	SERIAL NO
1	20M-70-81112	BRACKET	1	10001-
2	20M-70-81121	PIN	1	10001-
3	01011-51030	BOLT	1	10001-
4	01580-11008	NUT	2	10001-
5	01643-31032	WASHER	1	10001-
6	20M-70-81130	PLATE	1	10001-
7	21U-70-11720	SPACER 1.0MM	2	10001-
8	20M-70-81140	PIN	1	10001-
9	20M-70-61120	PLATE	1	10001-
10	01010-81020	BOLT	2	10001-
11	01643-31032	WASHER	2	10001-
12	20N-70-41270	SPACER 1.0MM	1	10001-
13	20M-70-81151	PIN	1	10001-
14	04082-00110	LOCK	1	10001-
15	01010-81020	BOLT	2	10001-
16	01643-31032	WASHER	2	10001-
17	20N-70-41270	SPACER 1.0MM	1	10001-
18	20M-71-81120	PIN	1	10001-
19	01010-81020	BOLT	1	10001-
20	01643-31032	WASHER	1	10001-

PC12R-8

J- 5

J- 4

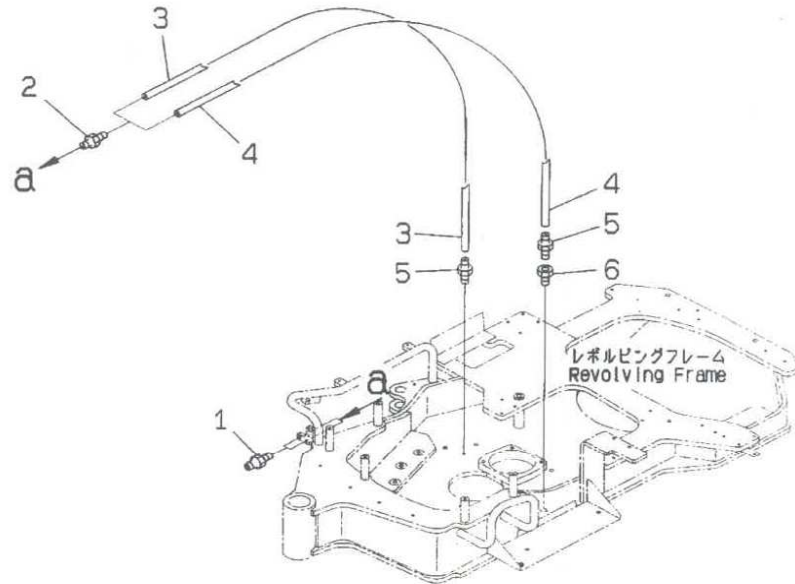
ブーム スイング シリンダ



PK63161

INDEX	PART NO.	DESCRIPTION	Q'TY	SERIAL NO.
1	(20M-63-02140)	CYLINDER, SWING.....	1	10001-
2	20M-71-81120	PIN.....	1	10001-
3	01010-81020	BOLT.....	1	10001-
4	01643-31032	WASHER.....	1	10001-
5	21U-62-24110	ELBOW.....	2	10001-
6	07002-11423	O-RING.....	2	10001-
7	20N-70-11280	SPACER 1.0MM.....	1	10001-

FIG. J1410-01A0 ルーフリケーティングライン
LUBRICATING LINE

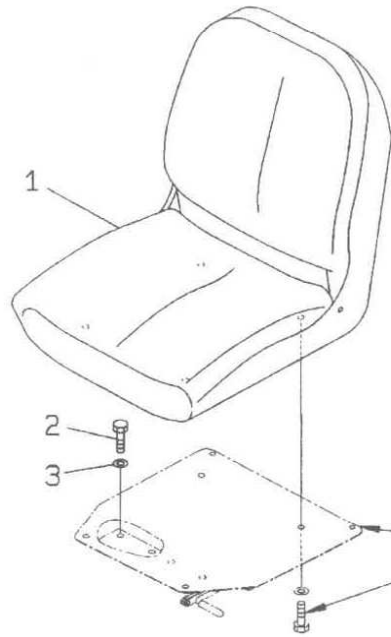


PK63162

FIG. NO. J1410-01A0

INDEX	PART NO.	DESCRIPTION	QTY	SERIAL NO.
1	07020-00000	FITTING	2	10001-
2	21R-46-11411	NIPPLE	2	10001-
3	21U-46-21640	TUBE	1	10001-
4	20M-46-81410	TUBE	1	10001-
5	21R-46-11411	NIPPLE	2	10001-
6	20P-46-71320	ADAPTER	1	10001-

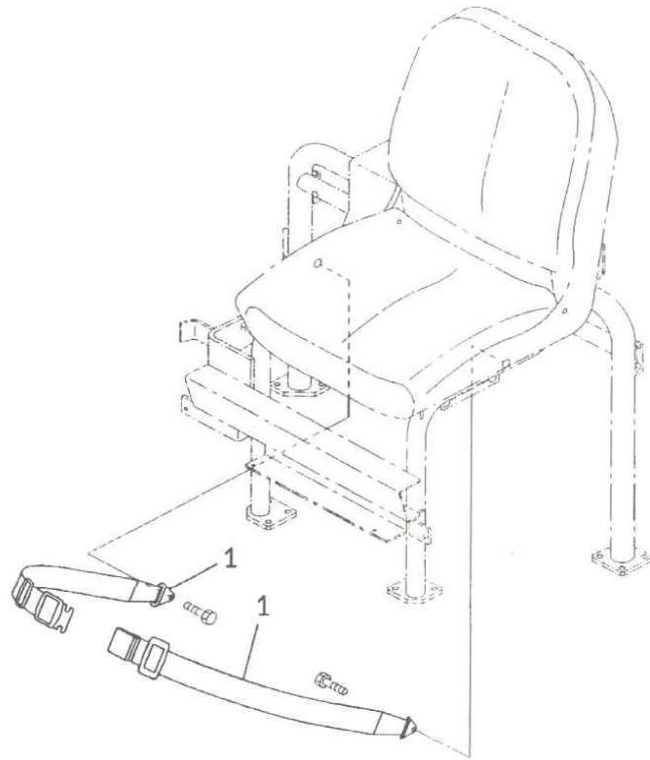
OPERATOR'S COMPARTMENT
AND CONTROL SYSTEM



第 K1110-01A0 図 参照
See Fig. K1110-01A0

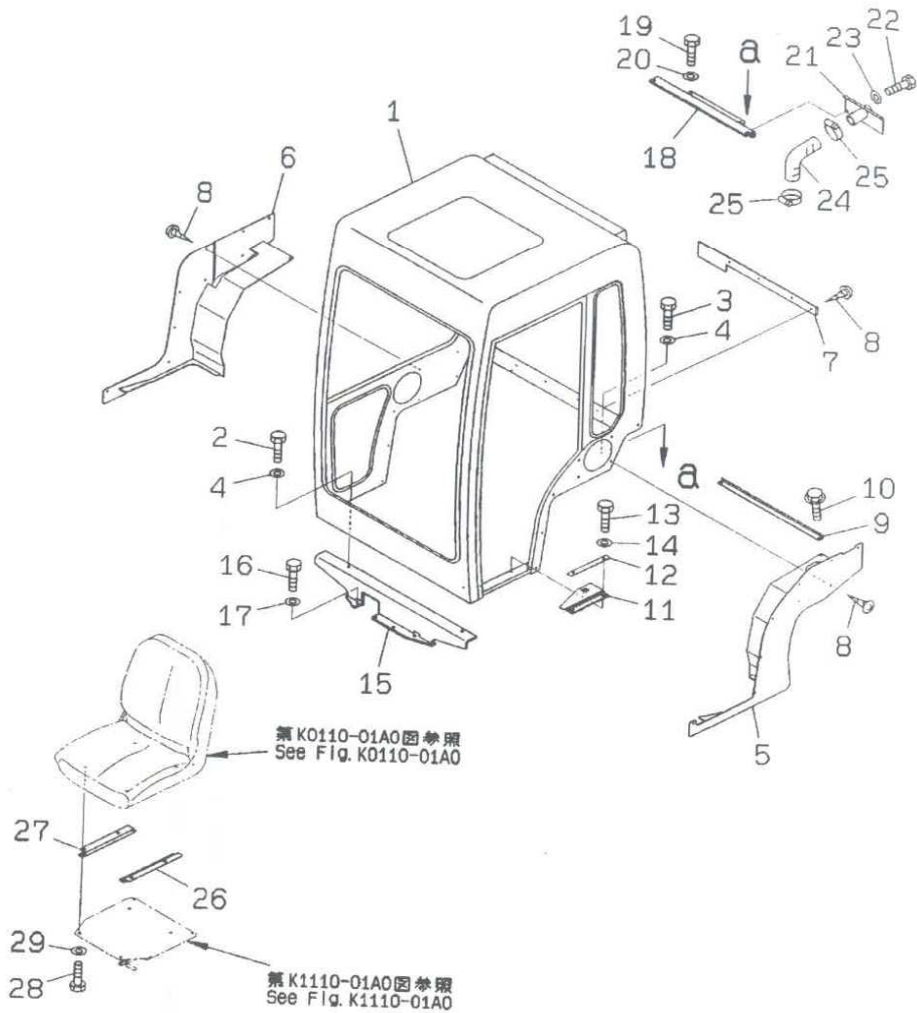
PK63163

INDEX	PART NO.	DESCRIPTION	QTY	SERIAL NO.
1	20M-57-81100	SEAT ASS'Y.....	1	10001-
2	01010-80820	BOLT.....	4	10001-
3	01643-30823	WASHER.....	4	10001-



PC63453

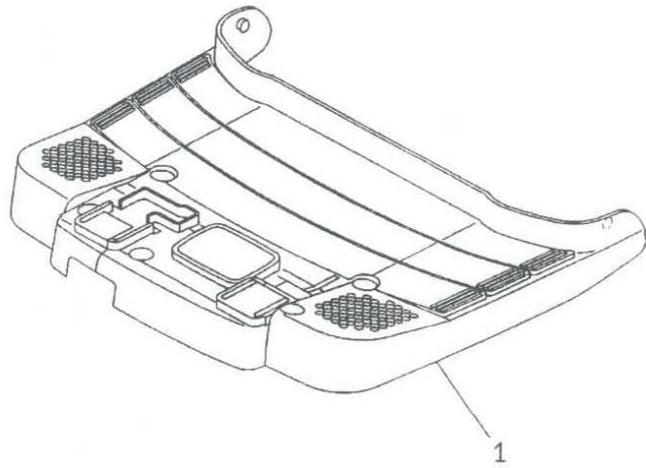
INDEX	PART NO	DESCRIPTION	QTY	SERIAL NO.
1	09409-60000	BELT.....	1	10001-



PK63164

INDEX	PART NO	DESCRIPTION	Q'TY	SERIAL NO.
1	20M-54-84161	CAB ASS Y.	1	10001-
2	01010-81055	BOLT	2	10001-
3	01010-81030	BOLT	2	10001-
4	01643-31032	WASHER	4	10001-
5	20M-54-84131	COVER	1	10001-
6	20M-54-84141	COVER	1	10001-
7	20M-54-84170	PLATE	1	10001-
8	01370-00510	SCREW	22	10001-
9	20M-54-84151	BRACKET	1	10001-
10	01435-00612	BOLT	2	10001-
11	20M-54-84190	COVER	1	10001-
12	20M-54-84230	PLATE	1	10001-
13	01010-80825	BOLT	2	10001-
14	01643-30823	WASHER	2	10001-
15	20M-54-84111	BRACKET	1	10001-
16	01010-81025	BOLT	4	10001-
17	01643-31032	WASHER	4	10001-
18	20M-54-84121	BRACKET	1	10001-
19	01010-81230	BOLT	2	10001-
20	01643-31232	WASHER	2	10001-
21	20M-54-84180	TUBE	1	10001-
22	01010-80825	BOLT	2	10001-
23	01643-30823	WASHER	2	10001-
24	07260-24725	HOSE	1	10001-
25	07281-00709	CLAMP	2	10001-
26	20M-54-84211	BRACKET	1	10001-
27	20M-54-84221	BRACKET	1	10001-
28	01010-80825	BOLT	4	10001-
29	01643-30823	WASHER	4	10001-

FIG K0310-01A0
 フロア マット (キャノピー 用)
 FLOOR MAT (FOR CANOPY)



PK63165

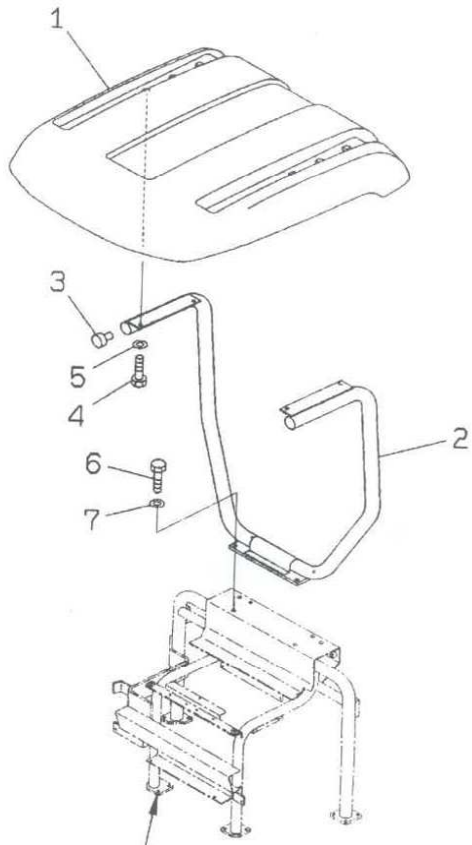
PC12R-8

FIG NO. : K0310-01A0

INDEX	PART NO.	DESCRIPTION	QTY	SERIAL NO.
1	20M-54-81514	MAT.....	1	10001-

PC12R-8

FIG. K0410-01A0 カノピー CANOPY



第 K1110-01A0 図 参照
See Fig. K1110-01A0

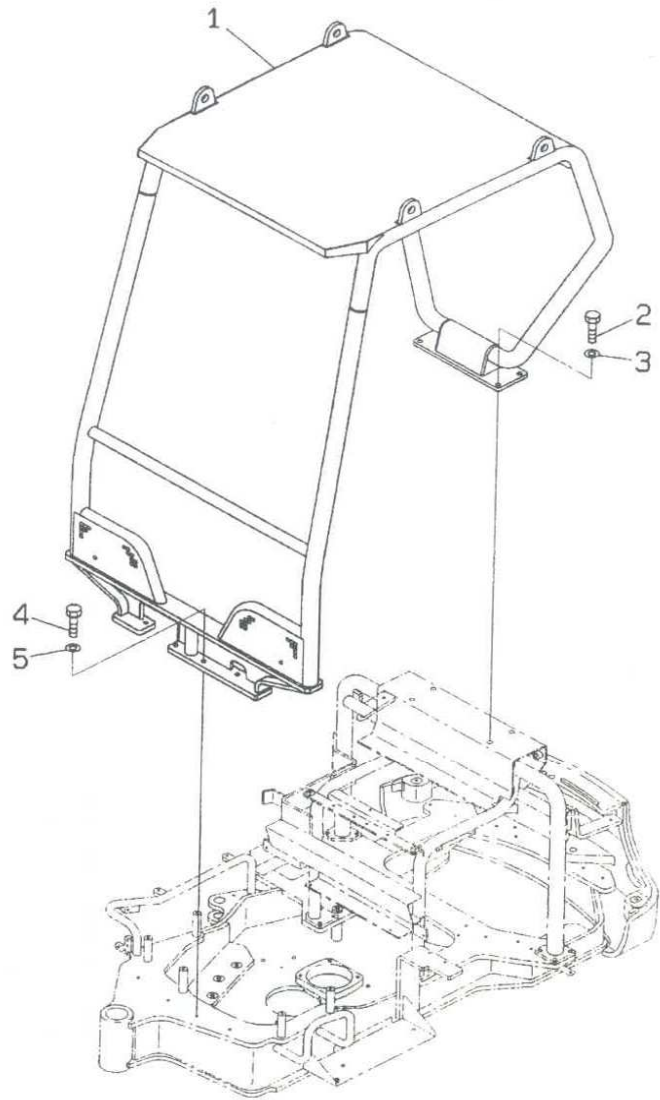
PK63167

PC12R-8

FIG NO : K0410-01A0

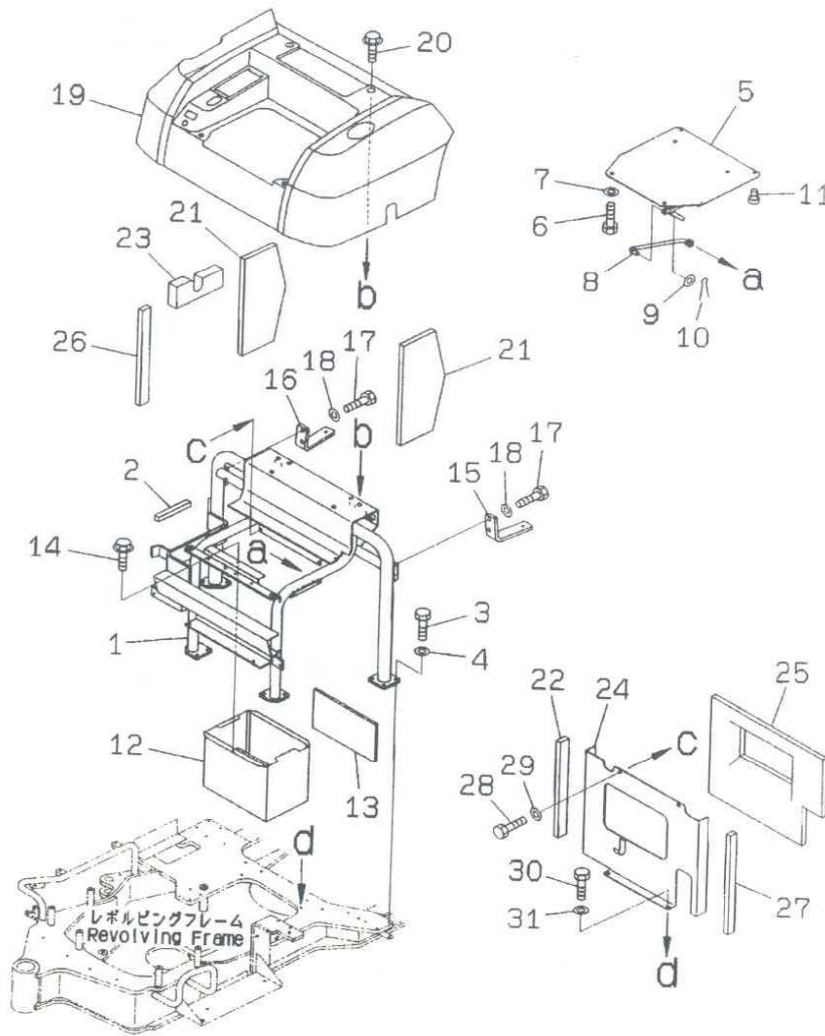
INDEX	PART NO.	DESCRIPTION	Q'TY	SERIAL NO.
1	20T-54-73121	ROOF CANOPY.....	1	10001-
2	20M-54-81412	POLE.....	1	10001-
3	20N-54-71880	CAP.....	2	10001-
4	01010-81025	BOLT.....	4	10001-
5	01643-31032	WASHER.....	4	10001-
6	01010-81230	BOLT.....	4	10001-
7	01643-31232	WASHER.....	4	10001-

PC12R-8



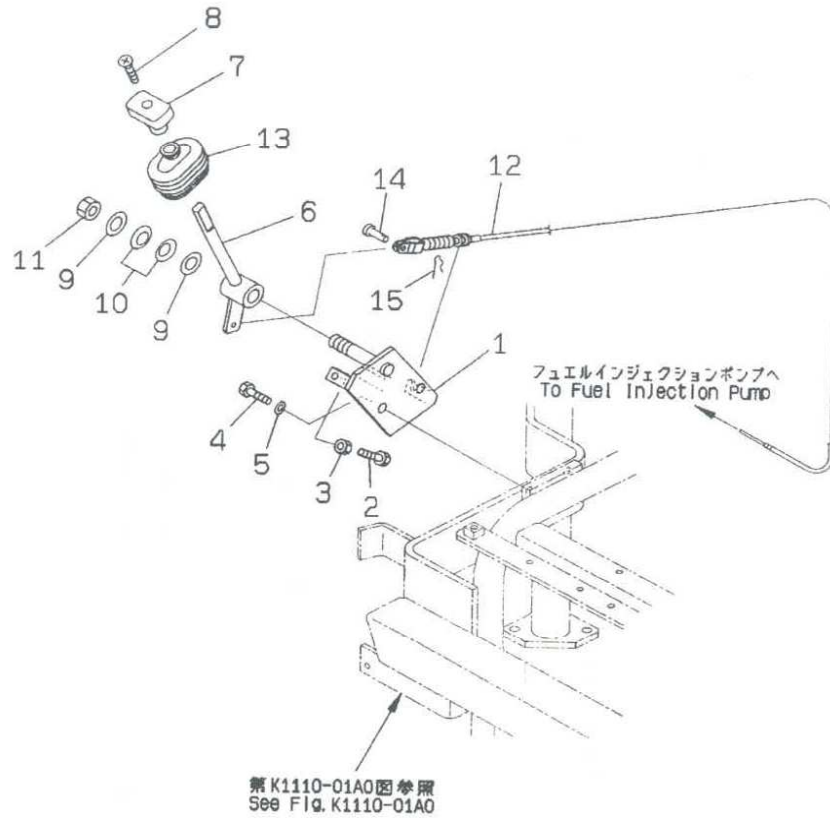
PC63457

INDEX	PART NO.	DESCRIPTION	Q'TY	SERIAL NO.
1	20M-54-83111	CANOPY.....	1	10001-
2	01010-81230	BOLT.....	4	10001-
3	01643-31232	WASHER.....	4	10001-
4	01010-81035	BOLT.....	4	10001-
5	01643-31032	WASHER.....	4	10001-



PK6316B

INDEX	PART NO.	DESCRIPTION	QTY	SERIAL
1	20M-57-81113	BRACKET.....	1	10001-
2	20M-54-81360	SHEET.....	2	10001-
3	01010-81030	BOLT.....	12	10001-
4	01643-31032	WASHER.....	12	10001-
5	20M-57-81122	BRACKET.....	1	10001-
6	01010-80816	BOLT.....	4	10001-
7	01643-30823	WASHER.....	4	10001-
8	20M-57-81171	ROD.....	1	10001-
9	01643-30823	WASHER.....	1	10001-
10	04050-11615	PIN, COTTER.....	1	10001-
11	203-54-32260	STOPPER.....	2	10001-
12	20M-57-81192	BOX.....	1	10001-
13	20M-57-81161	SHEET.....	1	10001-
14	01435-00612	BOLT.....	1	10001-
15	20M-46-82181	BRACKET, L. H.....	1	10001-
16	20M-46-82191	BRACKET, R. H.....	1	10001-
17	01010-81230	BOLT.....	4	10001-
18	01643-31232	WASHER.....	4	10001-
19	20M-54-81232	COVER.....	1	10001-
20	01435-00816	BOLT.....	4	10001-
21	20M-54-81270	SHEET.....	2	10001-
22	20M-57-81230	SHEET.....	1	10001-
23	20M-54-81330	SHEET.....	1	10001-
24	20M-57-81211	COVER.....	1	10001-
25	20M-03-81221	SHEET.....	1	10001-
26	20M-57-81230	SHEET.....	1	10001-
27	20M-57-81240	SHEET.....	1	10001-
28	01010-80816	BOLT.....	2	10001-
29	01643-30823	WASHER.....	2	10001-
30	01010-81020	BOLT.....	2	10001-
31	01643-31032	WASHER.....	2	10001-

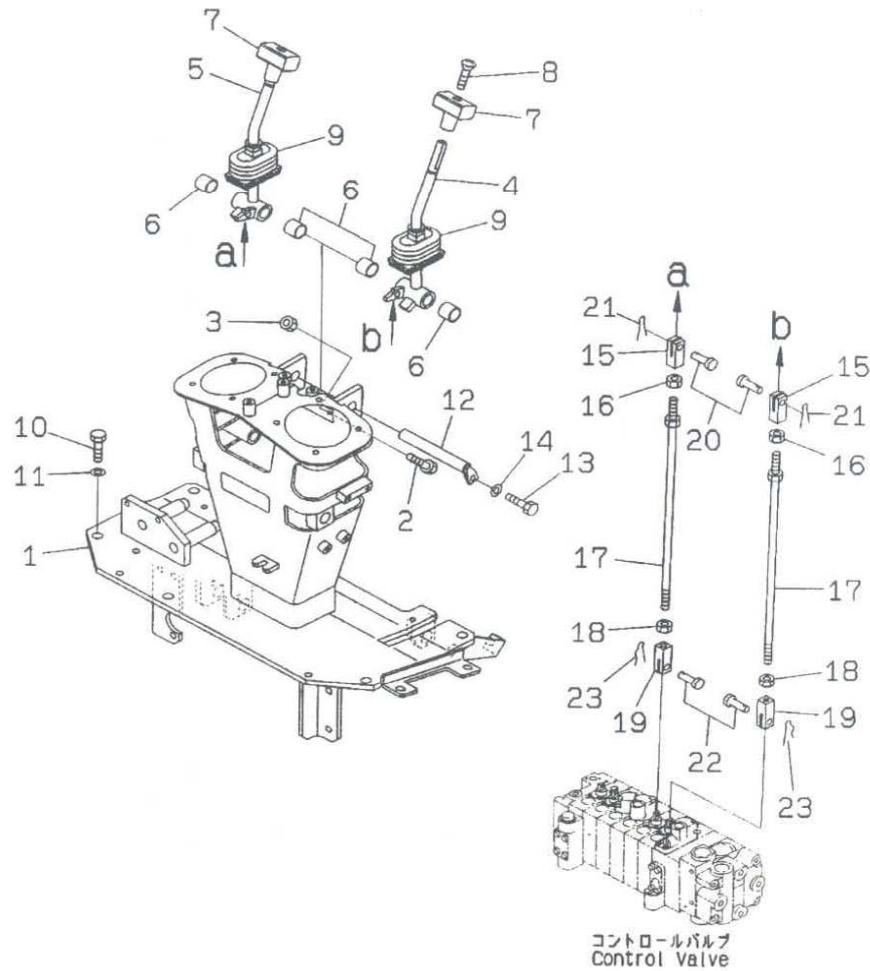


PK63169

PC: 2R-8

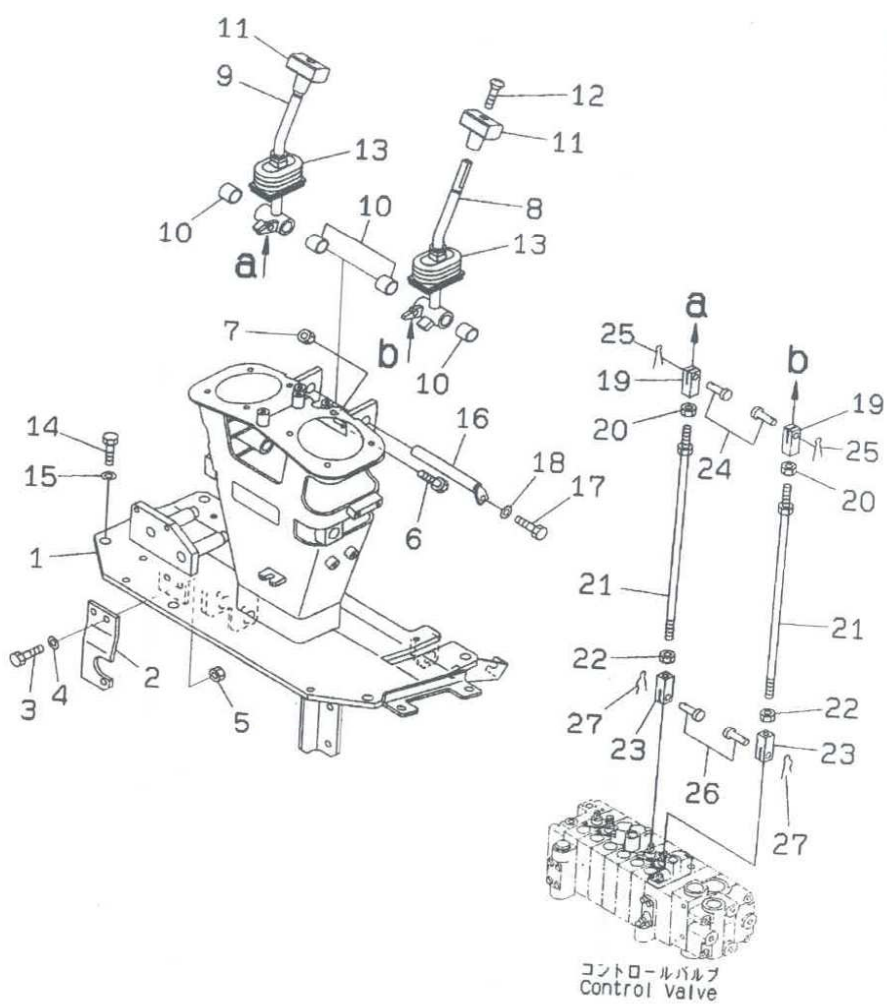
INDEX	PART NO.	DESCRIPTION	Q'TY	SERIAL NO.
1	20M-43-81821	BRACKET.....	1	10001-
2	01010-80825	BOLT.....	1	10001-
3	01580-10806	NUT.....	1	10001-
4	01010-81020	BOLT.....	2	10001-
5	01643-31032	WASHER.....	2	10001-
6	20M-43-81811	LEVER.....	1	10001-
7	201-43-62120	KNOB.....	1	10001-
8	01225-40620	SCREW.....	1	10001-
9	Z8733-44530	WASHER.....	2	10001-
10	101-854-9355	SPRING.....	2	10001-
11	01583-11610	NUT.....	2	10001-
12	20M-43-81830	CABLE.....	1	10001-
13	20M-43-71222	BOOT.....	1	10001-
14	04205-10616	PIN.....	1	10001-
15	04052-10633	PIN, SNAP.....	1	10001-

PC12R-8



PK63170

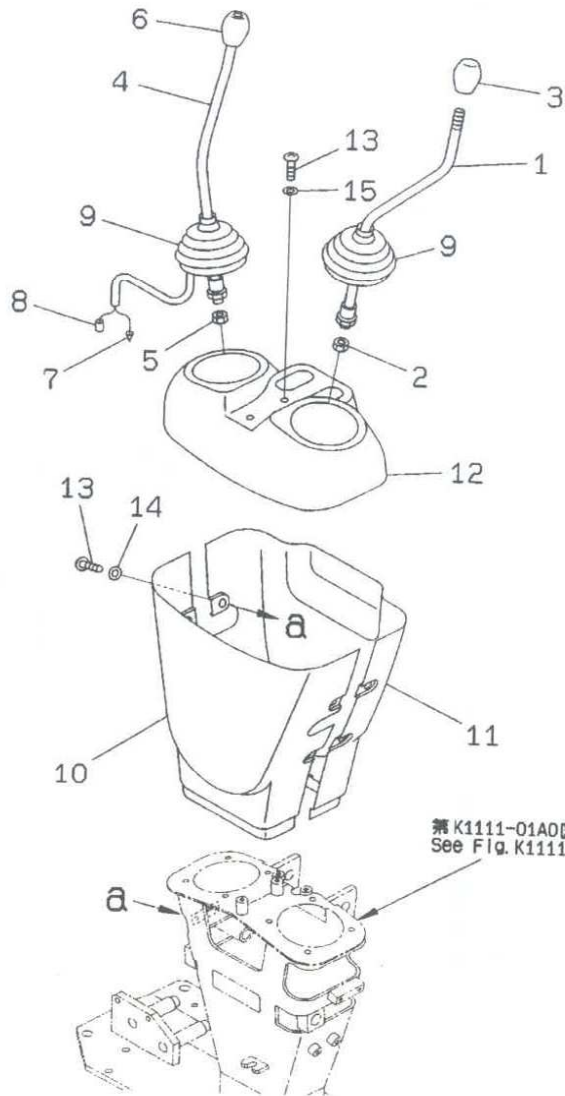
INDEX	PART NO.	DESCRIPTION	Q'TY	SERIAL NO.
1	20M-43-81112	STAND.....	1	10001-
2	01010-80620	BOLT.....	4	10001-
3	01580-10605	NUT.....	4	10001-
4	20M-43-81121	LEVER L. H.....	1	10001-
5	20M-43-81131	LEVER R. H.....	1	10001-
6	09350-01620	BUSHING.....	4	10001-
7	20N-43-73310	KNOB.....	2	10001-
8	01225-40625	SCREW.....	2	10001-
9	20M-43-71222	BOOT.....	2	10001-
10	01010-81025	BOLT.....	5	10001-
11	01643-31032	WASHER.....	5	10001-
12	20P-43-81140	SHAFT.....	1	10001-
13	01010-80816	BOLT.....	1	10001-
14	01643-30823	WASHER.....	1	10001-
15	20M-43-81150	YOKE.....	2	10001-
16	01508-40603	NUT L. H. THREAD.....	2	10001-
17	20M-43-81141	ROD.....	2	10001-
18	01580-10806	NUT.....	2	10001-
19	20C-43-11320	YOKE.....	2	10001-
20	04205-10820	PIN.....	2	10001-
21	04050-12015	PIN COTTER.....	2	10001-
22	04205-10520	PIN.....	2	10001-
23	04052-10633	PIN SNAP.....	2	10001-



PC12R-8

INDEX	PART NO.	DESCRIPTION	Q'TY	SERIAL NO.
1	20M-973-8880	STAND.....	1	10001-
2	20M-973-8870	BRACKET.....	1	10001-
3	01010-81025	BOLT.....	2	10001-
4	01643-31032	WASHER.....	2	10001-
5	01580-10806	NUT.....	2	10001-
6	01010-80620	BOLT.....	4	10001-
7	01580-10805	NUT.....	4	10001-
8	20M-43-81122	LEVER L. H.....	1	10001-
9	20M-43-81132	LEVER R. H.....	1	10001-
10	09350-01620	BUSHING.....	4	10001-
11	20N-43-73310	KNOB.....	2	10001-
12	01225-40625	SCREW.....	2	10001-
13	20M-43-71222	BOOT.....	2	10001-
14	01010-81025	BOLT.....	5	10001-
15	01643-31032	WASHER.....	5	10001-
16	20P-43-81140	SHAFT.....	1	10001-
17	01010-80816	BOLT.....	1	10001-
18	01643-30823	WASHER.....	1	10001-
19	20M-43-81150	YOKE.....	2	10001-
20	01508-40603	NUT, L. H. THREAD.....	2	10001-
21	20M-43-81141	ROD.....	2	10001-
22	01580-10806	NUT.....	2	10001-
23	20C-43-11320	YOKE.....	2	10001-
24	04205-10820	PIN.....	2	10001-
25	04050-12015	PIN, COTTER.....	2	10001-
26	04205-10520	PIN.....	2	10001-
27	04050-11210	PIN, SNAP.....	2	10001-

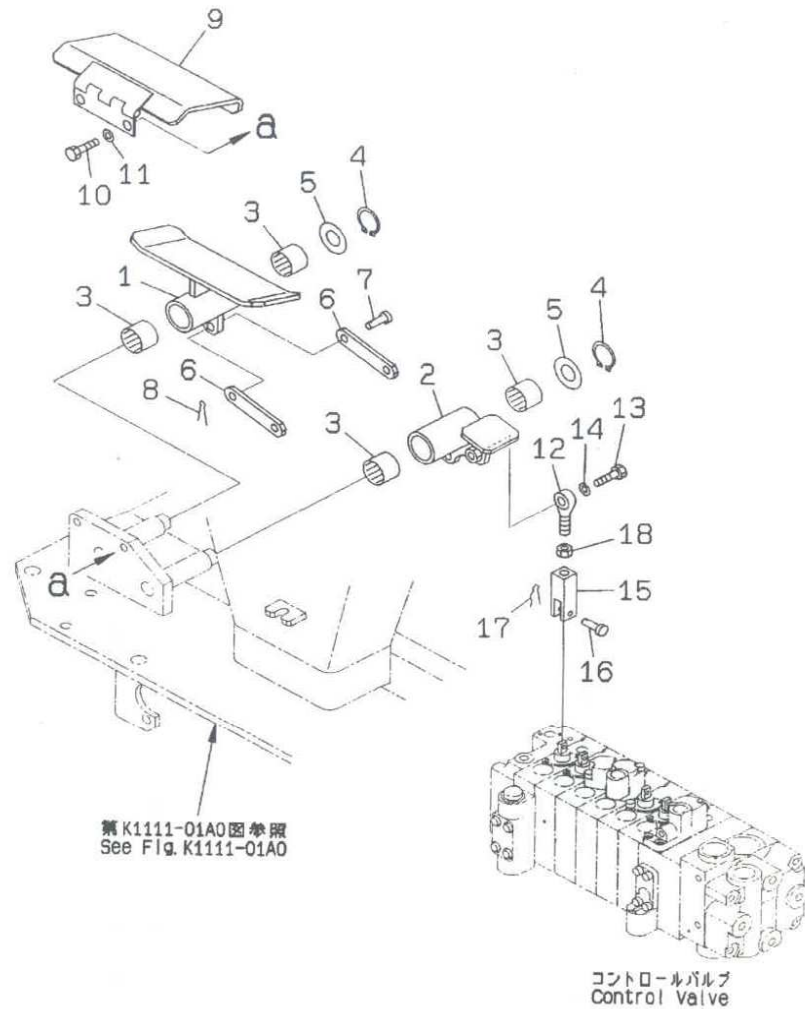
PC12R-8



PK63171

INDEX	PART NO	DESCRIPTION	QTY	SERIAL NO.
1	21U-43-21311	LEVER	1	10001-
2	01582-11411	NUT	1	10001-
3	203-43-41910	KNOB	1	10001-
4	21U-43-21331	LEVER	1	10001-
5	01582-11411	NUT	1	10001-
6	20N-06-71331	SWITCH	1	10001-
7	08021-00400	CONNECTOR	1	10001-
8	08022-04001	CONNECTOR	1	10001-
9	20M-43-71422	BOOT	2	10001-
10	20P-43-81711	COVER	1	10001-
11	20M-43-81721	COVER	1	10001-
12	20P-43-81731	COVER	1	10001-
13	21U-43-25210	SCREW	10	10001-
14	21U-43-25220	WASHER	8	10001-
15	01642-40608	WASHER	2	10001-

FIG. K1111-03A0 BOOM SWING PEDAL AND LINKAGE

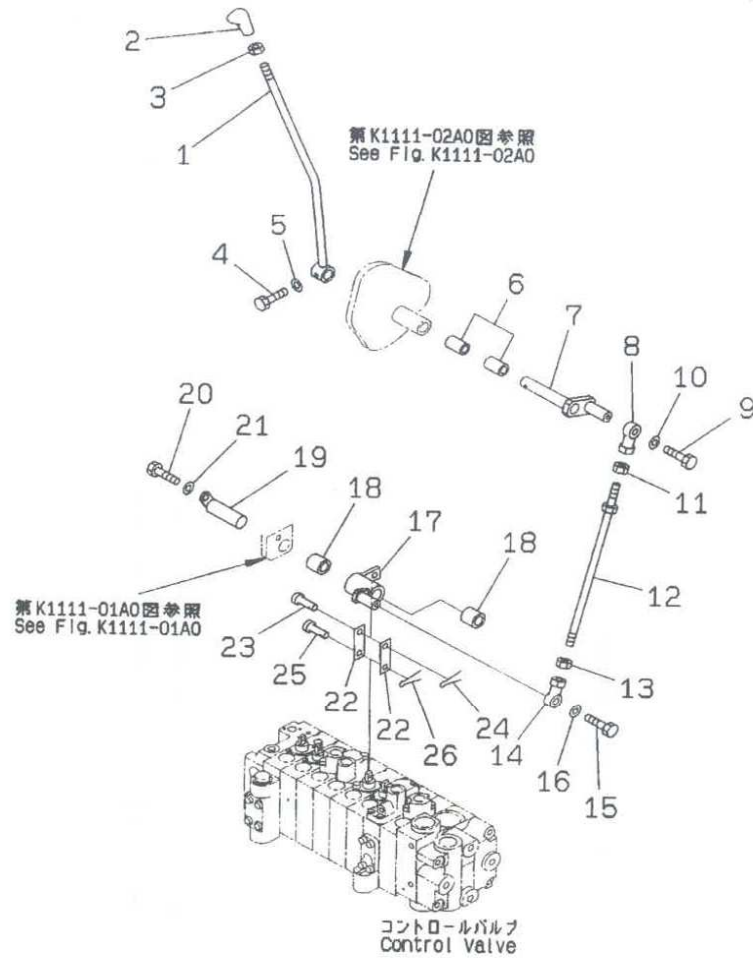


PK63172

FIG. NO. : K1111-03A0

INDEX	PART NO.	DESCRIPTION	Q'TY	SERIAL NO.
1	20M-43-81312	PEDAL	1	10001-
2	20M-43-81321	LEVER	1	10001-
3	06124-02020	BEARING	4	10001-
4	04064-01410	RING	2	10001-
5	01643-31445	WASHER	2	10001-
6	20M-43-81330	PLATE	2	10001-
7	04205-10822	PIN	2	10001-
8	04050-12015	PIN COTTER	2	10001-
9	20M-43-81342	LOCK	1	10001-
10	01010-80820	BOLT	2	10001-
11	01643-30823	WASHER	2	10001-
12	04252-20853	END	1	10001-
13	01010-80830	BOLT	1	10001-
14	01643-30823	WASHER	1	10001-
15	20M-43-81360	YOKE	1	10001-
16	04205-10520	PIN	1	10001-
17	04050-11210	PIN SNAP	1	10001-
18	01580-10806	NUT	1	10001-

FIG. K1111-04A0 BLADE CONTROL LEVER AND LINKAGE



PK63173

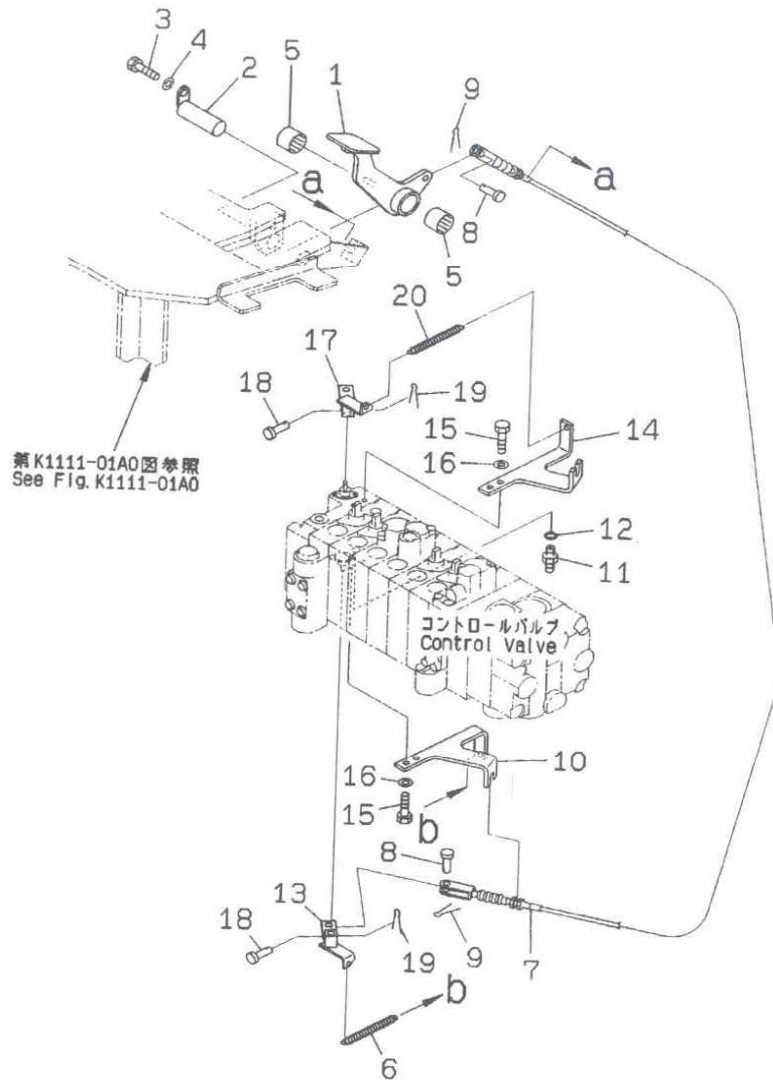
PC12R-8

FIG. NO. K1111-04A0

INDEX	PART NO.	DESCRIPTION	QTY	SERIAL NO.
1	20M-43-81211	LEVER	1	10001-
2	20T-43-71110	KNOB	1	10001-
3	20T-43-71190	NUT	1	10001-
4	01010-80620	BOLT	1	10001-
5	01643-30623	WASHER	1	10001-
6	09350-01620	BUSHING	2	10001-
7	20M-43-81221	LEVER	1	10001-
8	04250-80847	END ROD	1	10001-
9	01010-80825	BOLT	1	10001-
10	01643-30823	WASHER	1	10001-
11	01580-10806	NUT	1	10001-
12	04248-30823	ROD	1	10001-
13	01508-40805	NUT	1	10001-
14	04250-90847	END ROD	1	10001-
15	01010-80825	BOLT	1	10001-
16	01643-30823	WASHER	1	10001-
17	20M-43-81231	LEVER	1	10001-
18	09350-02020	BUSHING	2	10001-
19	20M-43-81241	SHAFT	1	10001-
20	01010-80816	BOLT	1	10001-
21	01643-30823	WASHER	1	10001-
22	Z7830-91130	PLATE	2	10001-
23	04205-10820	PIN	1	10001-
24	04050-12015	PIN COTTER	1	10001-
25	04205-10518	PIN	1	10001-
26	04052-10530	PIN	1	10001-

PC12R-8

2ソク コントロールバルブ オモビ リンケージ
 FIG. K1111-05AO SECOND CONTROL PEDAL AND LINKAGE

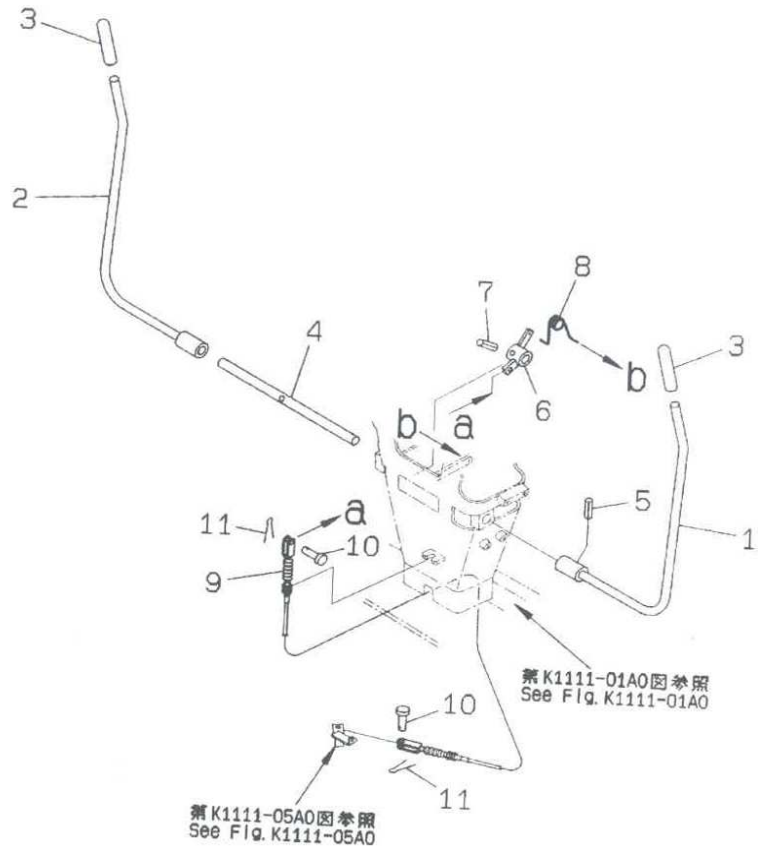


PK63174

PC12R-8

FIG. NO. : K1111-05AO

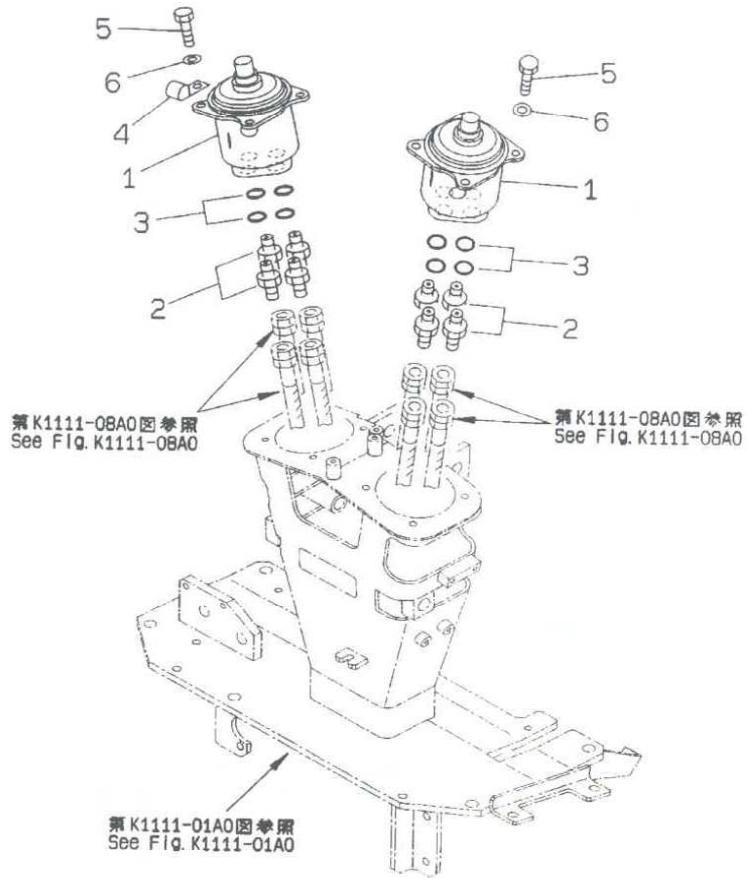
INDEX	PART NO.	DESCRIPTION	QTY	SERIAL NO.
1	20M-43-81511	PEDAL	1	10001-
2	20M-43-81241	SHAFT	1	10001-
3	01010-80816	BOLT	1	10001-
4	01643-30823	WASHER	1	10001-
5	06124-02020	BEARING	2	10001-
6	20P-43-81990	SPRING	1	10001-
7	20M-43-81351	CABLE	1	10001-
8	04205-10820	PIN	2	10001-
9	04050-12015	PIN COTTER	2	10001-
10	20P-43-81561	BRACKET	1	10001-
11	07230-20210	UNION	1	10001-
12	07002-11423	O-RING	1	10001-
13	20P-43-81551	LEVER	1	10001-
14	20P-43-81651	BRACKET	1	10001-
15	01010-80616	BOLT	4	10001-
16	01643-30623	WASHER	4	10001-
17	20P-43-81641	LEVER	1	10001-
18	04205-10418	PIN	2	10001-
19	04050-11210	PIN	2	10001-
20	20P-43-81990	SPRING	1	10001-



PK63175

PC12R-8

INDEX	PART NO.	DESCRIPTION	QTY	SERIAL NO.
1	20M-43-81611	LEVER L.H.	1	10001-
2	20M-43-81621	LEVER R.H.	1	10001-
3	20P-43-81680	CAP.	2	10001-
4	20P-43-81632	SHAFT	1	10001-
5	04025-00532	PIN SPRING	2	10001-
6	20P-43-81672	LEVER	1	10001-
7	04025-00532	PIN SPRING	1	10001-
8	09467-00002	SPRING	1	10001-
9	20M-43-81351	CABLE	1	10001-
10	04205-10820	PIN	2	10001-
11	04050-12015	PIN COTTER	2	10001-

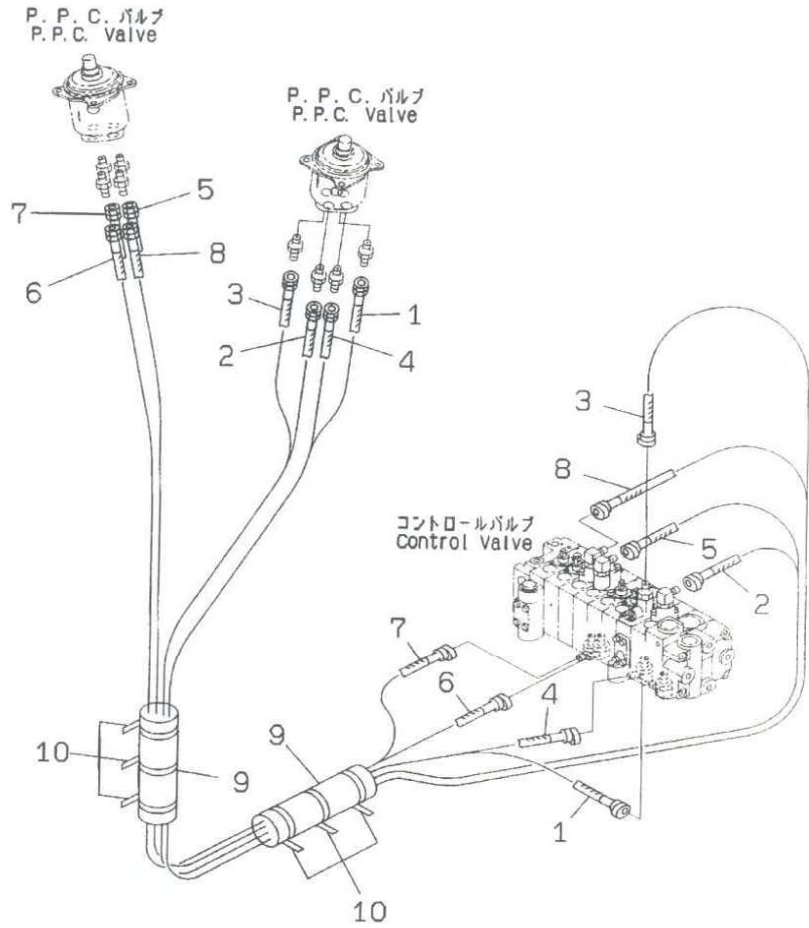


PK63176

PC12R-8

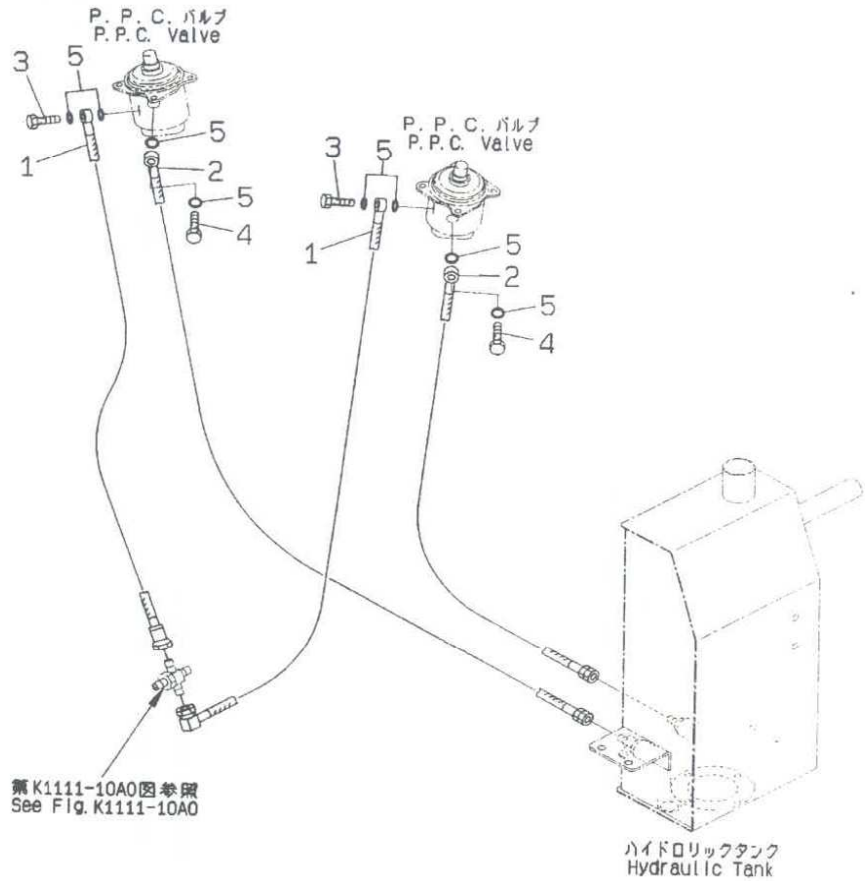
INDEX	PART NO.	DESCRIPTION	QTY	SERIAL NO.
1	702-16-01091	PILOT VALVE ASS'Y.....	2	10001-
2	20Y-62-16630	NIPPLE.....	8	10001-
3	07002-01423	O-RING.....	8	10001-
4	08036-10810	CLIP.....	1	10001-
5	01010-80820	BOLT.....	8	10001-
6	01643-30823	WASHER.....	8	10001-

PC12R-8



PK63379

INDEX	PART NO	DESCRIPTION	Q'TY	SERIAL NO
1	20M-62-82610	HOSE.....	1	10001-
2	20M-62-82540	HOSE.....	1	10001-
3	20M-62-82531	HOSE.....	1	10001-
4	20M-62-82610	HOSE.....	1	10001-
5	20M-62-82540	HOSE.....	1	10001-
6	20M-62-82610	HOSE.....	1	10001-
7	20M-62-82610	HOSE.....	1	10001-
8	20M-62-82540	HOSE.....	1	10001-
9	20N-62-72670	SHEE.....	2	10001-
10	08034-00536	BAND.....	6	10001-



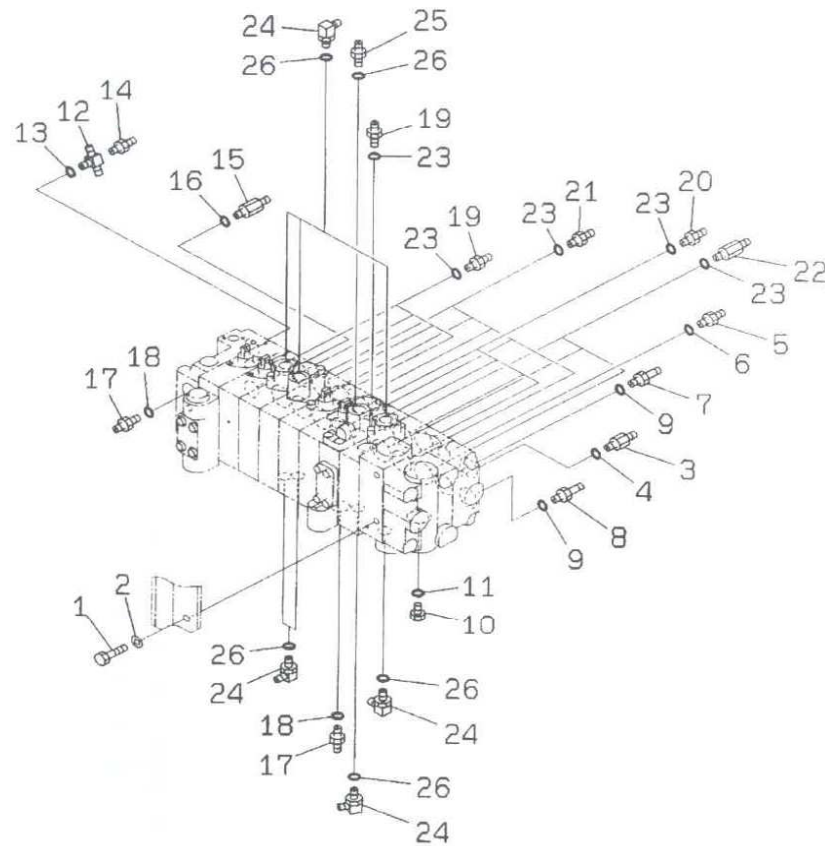
PK63360

PC12R-8

INDEX	PART NO.	DESCRIPTION	Q'TY	SERIAL NO.
1	20M-62-82511	HOSE.....	2	10001-
2	20M-62-82522	HOSE.....	2	10001-
3	702-16-53240	PLUG.....	2	10001-
4	203-62-57730	BOLT.....	2	10001-
5	07000-02018	O-RING.....	8	10001-

PC12R-8

K- 37



PK63177

PC12R-8

INDEX	PART NO.	DESCRIPTION	Q'TY	SERIAL NO.
1	01010-80820	BOLT.....	3	10001-
2	01643-30823	WASHER.....	3	10001-
3	20M-62-82280	NIPPLE.....	1	10001-
4	07002-12434	O-RING.....	1	10001-
5	20M-62-48410	NIPPLE.....	1	10001-
6	07002-11823	O-RING.....	1	10001-
7	20M-62-82260	NIPPLE.....	1	10001-
8	20M-62-82270	NIPPLE.....	1	10001-
9	07002-12434	O-RING.....	2	10001-
10	07040-11409	PLUG.....	1	10001-
11	07002-11423	O-RING.....	1	10001-
12	21N-62-17960	TEE.....	1	10001-
13	07002-11423	O-RING.....	1	10001-
14	208-06-11220	NIPPLE.....	1	10001-
15	21A-62-12360	NIPPLE.....	1	10001-
16	07002-11423	O-RING.....	1	10001-
17	07230-20210	UNION.....	2	10001-
18	07002-11423	O-RING.....	2	10001-
19	20M-62-48410	NIPPLE.....	5	10001-
20	20N-62-31270	NIPPLE.....	3	10001-
21	20M-62-32760	NIPPLE.....	5	10001-
22	20M-62-32730	NIPPLE.....	3	10001-
23	07002-11823	O-RING.....	16	10001-
24	21U-62-24110	ELBOW.....	7	10001-
25	21A-62-12360	NIPPLE.....	1	10001-
26	07002-11423	O-RING.....	8	10001-

PC12R-8