

SERIAL NO. J9K3-3427
MODEL RTC-8065XP II

CRANE SERIAL NUMBER

The crane serial number is on the Crane Rating Manual or Capacity Plate which is located inside the operator's cab. The serial number should always be furnished when ordering parts for the crane or when corresponding with the distributor or factory concerning the crane. Providing the serial number is the only way of ensuring the correct parts and/or information can be furnished.

In the event the serial number is not readable, a number is stamped on the upper revolving frame which can be used to identify the crane. On cable cranes this number is on the right hand boom foot mounting lug. On hydraulic cranes the number is stamped just below the boom hoist cylinder mounting lugs.



General Keysheet Information

Keysheet And General Information

The keysheet is the heart of the Parts Manual. It is purposely designed to simplify the process of locating assemblies and their respective part numbers.

General Information

At the top of the keysheet is the General Information area (Refer to the example of a typical keysheet). General Information will usually include the following:

1. Order Number – For internal use only.
2. Model Number
3. Machine Serial Number
4. Selling Distributor
5. Sales Order Number
6. Engine Model
7. Engine Serial Number
8. Engine Book Number
9. Safety Book Number
10. Transmission Model Number
11. Transmission Serial Number
12. Transmission Book Number
13. Addendums

14. Tech Bulletins
15. Miscellaneous


This area may also include specific to a certain model and/or application.

How To Use The Keysheet

The keysheet is a list identifying all major components divided into General Area, Specific Area, and Specific Illustration.

Each major installation or assembly is broken down to its detail serviceable parts on the parts page. Each of these consists of illustrations and/or text.

- A. Locate on the keysheet by general area, the parts page which will show the parts needed.
- B. Note the parts page code opposite the parts list title identified in Step A.
- C. Go to the parts page code identified in Step B. Each parts page is identified in the upper right hand corner.
- D. Find the part needed on the illustration.
- E. Using the reference number of the part on the illustration, refer to the same reference number on the parts list to identify the part number.



KEYSHEET AND GENERAL INFORMATION

DATE 6/06/01
PAGE 1

ORDER NO. - F8HL060 MODEL - HTC-8640HL SERIAL NO. - F8J1-5718

DISTRIBUTOR - CRW CORP.	SALES ORDER - 015718
ENGINE MODEL - CUMMINS ISL SERIES	ENGINE S/N - 46086910
TRANSMISSION MODEL - RTX-11609B	TRANSMISSION S/N - T0204748
ENGINE BOOK - 3666399	TRANS. BOOK - TRDR-0400
BOOK: SAFETY - LA334E	CIMA - C-70-2 E/H - MQ681D
ADDENDUMS - NONE	
TECH. BULLETINS - A/H/H/R #22, HTC #50	
MISCELLANEOUS - "CIMA CRANE SAFETY VIDEO #V-CR"	

PARTS PAGE	DESCRIPTION	PARTS PAGE	DESCRIPTION
01	RUBBER TIRE LOWER	01	RUBBER TIRE LOWER

01-001-290.00	CARRIER MIRRORS	01-029-155.00	REAR AXLES, WHEELS & SUSPENSION
01-001-392.00	LEFT SIDE STORAGE BOX INSTALLATION	01-037-024.00	O/R BEAM CYLINDER ASSY
01-001-395.00	HOOK BLOCK STORAGE BOX INSTALLATION	01-038-222.00	OUTRIGGER SELECTOR VALVES & LINES

Example of Typical Keysheet

Parts List

0701

General Keysheet Information

General Area Descriptions

- 1 – Rubber Tire Lower
- 2 – Crawler Lower
- 3 – Upper Revolving Frame & Machinery
- 4 – Vertical Shafts
- 5 – Horizontal Shafts
- 6 – Upper Engine
- 7 – Hydraulic Power Supply
- 8 – Angle Boom
- 9 – Tubular Boom
- 10 – Tagline Winder
- 11 – Fairleader
- 12 – Shovel Attachment
- 13 – Trench Hoe, Logger & Scrapper Attachment
& Prop Handler (Discontinued)
- 14 – Cab & House Assembly
- 15 – Rotascope Attachment (Discontinued)
- 16 – Wire Rope Requirements
- 17 – Hydraulic Attachment
- 18 – Special Attachments
- 19 – Diesel Pile Hammer (Discontinued)
- 20 – Tower, Climbing Assembly, Traveling Base
& Gantry (Discontinued)
- 21 – Log Skidder (Discontinued)
- 22 – Hydraulic Hammer (Discontinued)

Parts Ordering Instructions

1. Always give machine model and serial number.
2. Always order parts from authorized distributors. By doing so one is assured of prompt service and guaranteed quality.
3. Give full instructions for shipment. State whether air express, truck, parcel post, freight, etc., stock or emergency order and to whom and where the parts are to be shipped.
4. Do not specify quantity by sets. Indicate specifically how many are desired.
5. If a part on an illustration does not coincide with a part on your machine, describe fully.
6. Prices on parts listed in the Parts Manual may be obtained from any Link-Belt distributor.

KEYSHEET AND GENERAL INFORMATION

DATE 6/10/13
PAGE 1

ORDER NO. - J9XP015 MODEL - RTC-8065XP II SERIAL NO. - J9K3-3427

DISTRIBUTOR: PARAMOUNT TRANSPORT & TRADING
ENGINE:
MODEL- CAT C6.6 SERIES
S/N- 66622460
OPERATION- SEBU8120
PARTS- SEBP4314

SALES ORDER: 023427
TRANSMISSION:
MODEL- DANA 32000
S/N- RBEA-428527
OPERATION- NONE

O/M BOOK- 1241062212
ADDENDUMS - NONE
TECH BULLETINS - NONE
MISCELLANEOUS - HOIST ROPE CAUTION

AEM: BOOK- C-70-2
VIDEO- DVD-CR

PARTS PAGE	DESCRIPTION	PARTS PAGE	DESCRIPTION
01	RUBBER TIRE LOWER	01	RUBBER TIRE LOWER

01-001-330.00	TOWING SHACKLES	01-067-222.00	CARRIER WIRE HARNESS
01-001-382.00	MIRROR INSTALLATION	01-069-303.00	TIRES & RIMS
01-001-511.00	FRONT STORAGE BOX INSTALL	01-070-021.00	PINTLE HOOK ASSY
01-001-518.00	SAND STRIP INSTALLATION	01-070-022.00	PINTLE HOOK INSTALLATION
01-001-543.00	FENDER & LADDER INSTALL	01-071-384.00	HOOD INSTALLATION
01-002-233.00	FRONT AXLE ASSY	01-076-131.00	COLLECTOR RING ASSY
01-004-131.00	FRONT & REAR AXLE INSTALL	01-077-099.00	AIR INTAKE & EXHAUST INSTALLATION
01-007-045.00	STEER CYLINDER ASSY	01-077-121.00	SURGE TANK ASSY
01-009-080.00	REAR STEER INDICATOR	01-077-139.00	RADIATOR, AIR & OIL COOLER ASSY
01-010-061.00	STEER PUMP ASSY	01-077-154.00	ENGINE, TRANSMISSION, & PUMPS
01-012-234.00	FUEL TANK INSTALLATION	01-077-160.00	RADIATOR INSTALLATION
01-012-237.00	FUEL TANK ASSY	01-078-067.00	OSCILLATION LOCKOUT MANIFOLD ASSY
01-018-165.00	MAIN TRANSMISSION ASSY	01-078-070.00	LOCKOUT CYLINDER ASSY
01-022-291.00	DRIVE TRAIN	01-079-196.00	LOWER SUCTION & PRESSURE LINES
01-024-343.00	REAR AXLE ASSY	01-079-203.00	LOWER MAIN HYDRAULICS
01-027-310.00	AIR CLEANER ASSY	01-080-180.00	PUMP DISCONNECT INSTALL
01-030-027.00	PARK BRAKE ASSY	01-081-102.00	2 SECTION GEAR PUMP ASSY
01-037-040.00	O/R BEAM CYLINDER ASSY	03	UPPER FRAME & MACHY
01-039-100.00	FILTER ASSY	*****	
01-039-110.00	HYDRAULIC RESERVOIR INSTALLATION	03-002-056.00	SEAT ASSY
01-043-047.00	2 WAY VALVE STACK ASSY	03-003-246.00	MAIN COUNTERWEIGHT INSTALLATION
01-043-050.00	4 WAY SOLENOID VALVE ASSY	03-006-150.00	2 POSITION SWING LOCK
01-043-056.00	2 SECT STEER VALVE ASSY	04	VERTICAL SHAFTS
01-043-065.00	4 WAY SOLENOID VALVE ASSY	*****	
01-045-171.00	O/R BEAM, CYLINDERS, & LINES	04-010-084.00	SWING REDUCTION & TT BRG INSTALLATION
01-046-088.00	JACK CYLINDER ASSY	04-010-096.00	SWING REDUCTION UNIT ASSY
01-048-228.00	ROTATING JOINT & CENTER SECTION		
01-049-057.00	PONTOON INSTALLATION		
01-050-040.00	TRANSMISSION OIL COOLER INSTALLATION		
01-066-212.00	BATTERY SPECIFICATIONS		
01-067-219.00	CARRIER WIRING		

KEYSHEET AND GENERAL INFORMATION

DATE 6/10/13
PAGE 2

ORDER NO. - J9XP015 MODEL - RTC-8065XP II SERIAL NO. - J9K3-3427

PARTS PAGE	DESCRIPTION	PARTS PAGE	DESCRIPTION
05	HORIZONTAL SHAFTS	14	CAB & HOUSE ASSEMBLY

05-006-171.00	WINCH ASSY	14-001-692.00	MIRROR INSTALLATION
05-006-173.00	TWO WINCH INSTALLATION	14-001-721.00	CAB MOUNTING
05-018-031.00	2 DRUM WINCH ROLLER INSTALLATION	14-001-794.00	UPPER CAB ASSY
		14-001-930.00	UPPER SHEET METAL INSTALL
		14-005-097.00	UPPER PLATFORM & RAILS INSTALLATION
06	UPPER ENGINE		

06-025-264.00	DIESEL COOLANT HEATER ASSY	16	WIRE ROPE REQUIREMENTS
06-047-202.00	UPPER WIRING	*****	
06-048-066.00	UPPER CAB WIRE HARNESS	16-000-001.00	WIRE ROPE SPECIFICATIONS
		16-000-171.00	TERMINATOR SOCKET & WEDGE & DRUM WEDGE
07	UPPER HYDRAULICS & AIR	16-004-150.00	WIRE ROPE - TYPE DB -500'

07-003-059.00	3 WAY SOLENOID VALVE ASSY	16-004-152.00	WIRE ROPE - TYPE DB -600'
07-003-060.00	3 WAY SOLENOID VALVE ASSY	17	HYDRAULIC BOOM
07-003-062.00	SOLENOID VALVE ASSY	*****	
07-003-063.00	4 WAY SOLENOID VALVE ASSY	17-001-166.00	BOOM FOOT PIN & BEARING
07-004-545.00	UPPER MAIN HYDRAULICS	17-001-190.00	BASE SECTION
07-006-397.00	SWING MOTOR ASSY	17-001-191.00	INNER MID SECTION
07-006-472.00	WINCH MOTOR ASSY	17-001-192.00	OUTER MID SECTION
07-006-481.00	TWO WINCH PLUMBING	17-001-193.00	TIP SECTION
07-008-450.00	SELECTABLE FLOW DIVIDER VALVE ASSY	17-001-368.00	4 SECTION BOOM ASSY
07-008-486.00	CONTROLLER VALVE ASSY	17-002-199.00	BOOM TELESCOPE CYLINDERS
07-008-497.00	BOOM TELESCOPE FOOT PEDAL	17-002-207.00	BOOM TELESCOPE CYLINDER ASSY
07-008-498.00	PILOT OIL SUPPLY VALVE ASSY	17-003-168.00	BOOM HOIST CYLINDER ASSY
07-008-499.00	SWING/TELESCOPE CONTROL VALVE ASSY	17-003-169.00	BOOM HOIST CYL & LINES
07-008-500.00	BOOM HOIST CONTROL VALVE ASSY	17-009-109.00	4 SHEAVE HEAD MACHINERY
07-008-510.00	COUNTERBALANCE VALVE ASSY	17-009-110.00	AUXILIARY LIFTING SHEAVE
07-008-519.00	PRIORITY VALVE ASSY	17-010-396.00	35 FT FLY BASE
07-008-521.00	2 SECTION CONTROL VALVE ASSY	17-010-398.00	23 FT FLY TIP
07-010-384.00	SEAT & JOYSTICK CONTROLS	17-010-401.00	FLY BASE ASSY
07-022-059.00	STEERING VALVE ASSY	17-010-402.00	FLY TIP ASSY
07-022-063.00	STEERING COLUMN ASSY	17-010-409.00	FLY TIP STORAGE BRACKETS
		17-010-508.00	FLY BASE STORAGE BRACKETS
14	CAB & HOUSE ASSEMBLY	18	SPECIAL ATTACHMENTS

14-001-628.00	REAR SLIDING WINDOW ASSY	18-004-014.00	8.5 TON SWIVEL HOOKBALL
14-001-629.00	RIGHT SIDE SLIDING WINDOW	18-004-111.00	60 TON 4 SHV HOOK BLOCK
14-001-689.00	TOP HATCH WINDOW ASSY	18-004-130.00	HOOK BLOCK TIE BACK CABLE INSTALLATION
		18-005-104.00	UPPER CAB STROBE LIGHT INSTALLATION

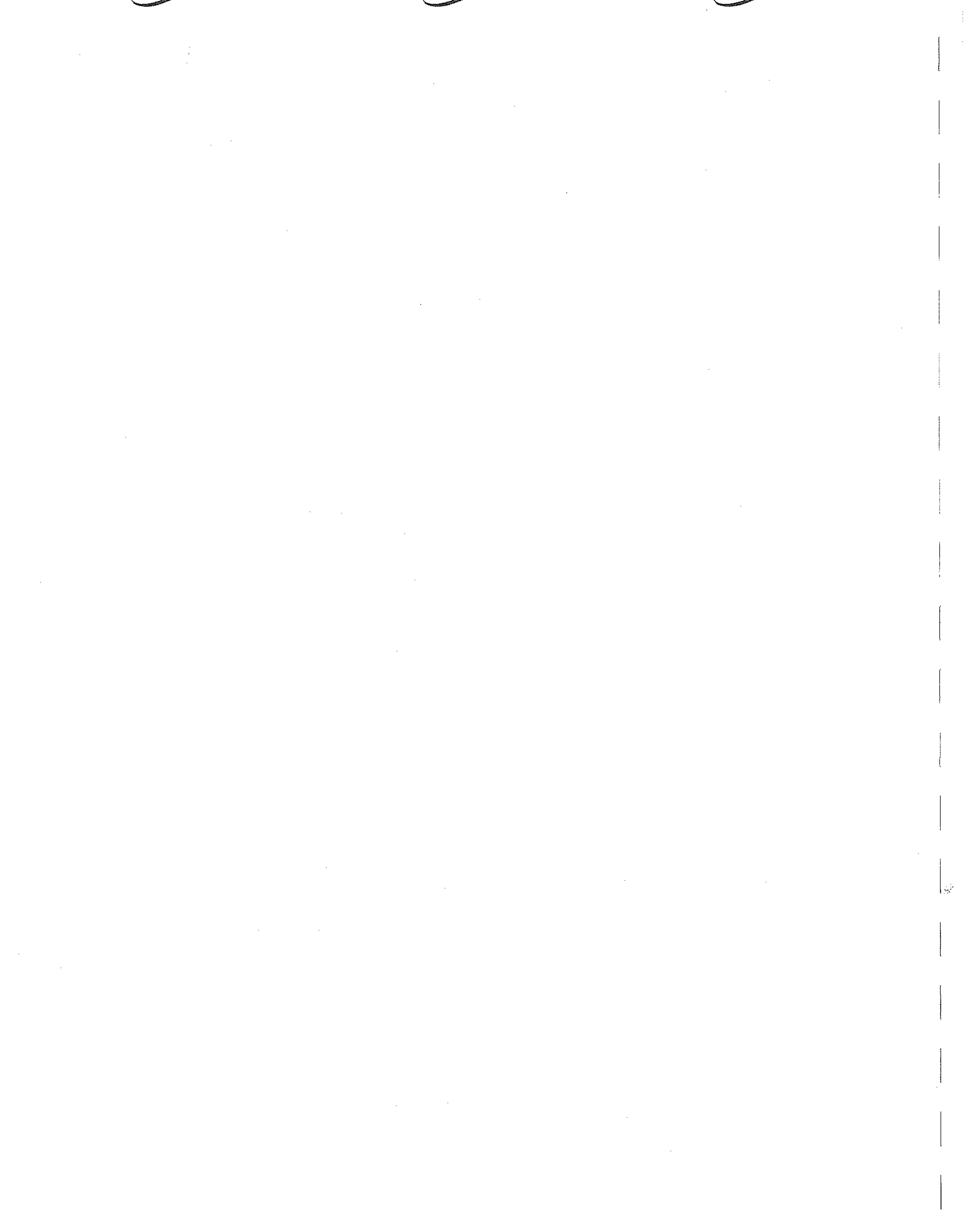
KEYSHEET AND GENERAL INFORMATION

DATE 6/10/13
PAGE 3

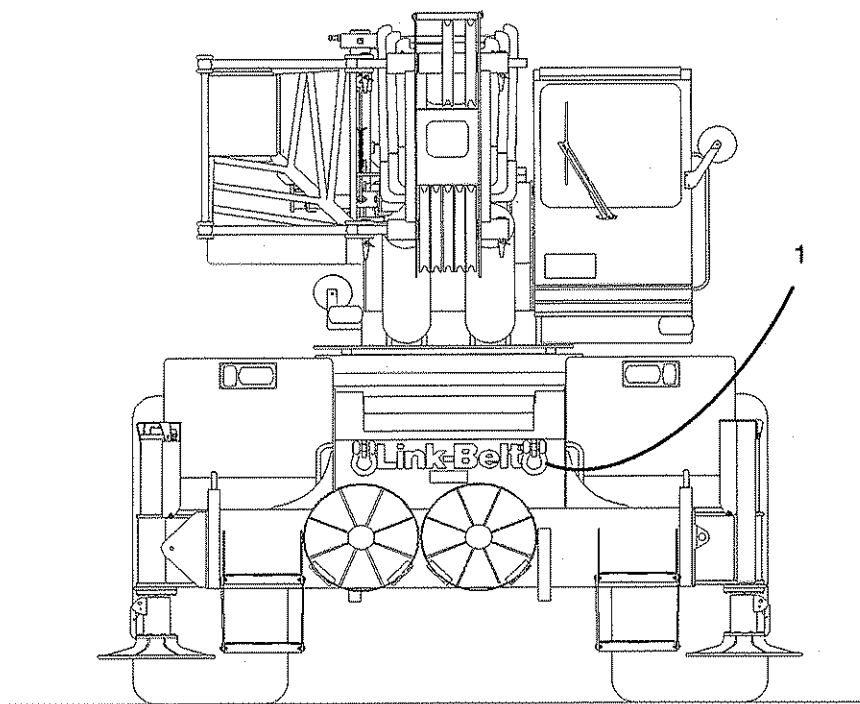
ORDER NO.- J9XP015 MODEL - RTC-8065XP II SERIAL NO. - J9K3-3427

PARTS PAGE	DESCRIPTION	PARTS PAGE	DESCRIPTION
18	SPECIAL ATTACHMENTS		

18-005-112.00	BOOM FLOODLIGHT INSTALL		
18-007-258.00	ATB WEIGHT ASSY		
18-007-259.00	ATTACHMENT ATB SWITCH ASSY		
18-007-260.00	REELING DRUM ASSY		
18-007-261.00	ATB SWITCH ASSY		
18-007-276.00	REELING DRUM ASSY		
18-009-955.00	FLY LABELS		
18-009-976.00	LINK-BELT GRILLE LABEL		
18-013-395.00	RCL BAR GRAPH INSTALL		
18-013-398.00	EXTERNAL RCL DISPLAY INSTALLATION		
18-013-447.00	RCL SYSTEM & BOOM ANGLE INDICATOR INSTALLATION		
18-013-471.00	WIRELESS WIND SPEED SYS INSTALLATION		
18-013-494.00	RCL SYSTEM & BOOM ANGLE INDICATOR INSTALLATION		
18-013-501.00	WIRELESS WIND SPEED SYSTEM INSTALLATION		
18-014-007.00	FIRE EXTINGUISHER		
18-014-105.00	BOOM WRENCH		
18-014-129.00	KEY RING & CRANE RATING MANUAL INSTALLATION		
18-018-049.00	COMPRESSOR ASSY		
18-018-095.00	GEAR MOTOR ASSY		
18-018-098.00	UPPER HEATER & EVAPORATOR ASSY		
18-018-105.00	CONDENSER ASSY		
18-018-187.00	UPPER AIR CONDITIONING & HEATER INSTALLATION		
18-020-172.00	SCHEMATICS		
18-024-109.00	LINK-BELT LABELS & STRIPES		
18-024-131.00	LABELS		
18-024-132.00	CRANE RATING MANUAL & ID LABEL		



Towing Shackles

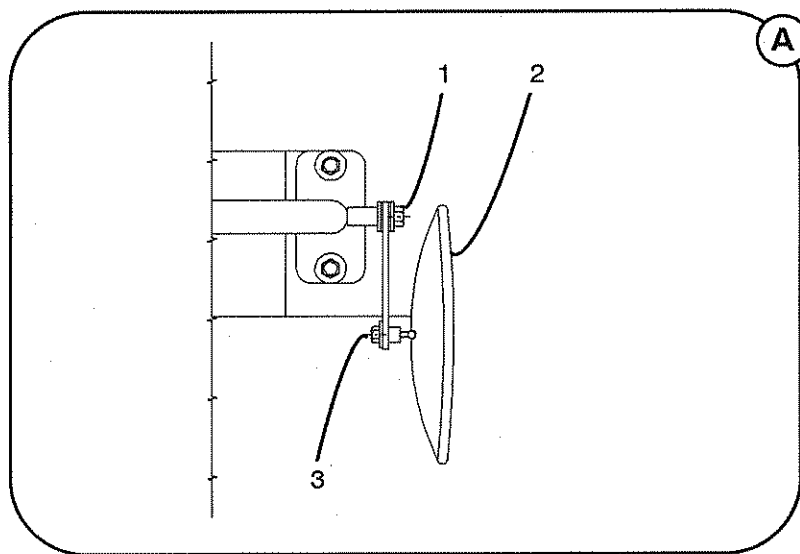
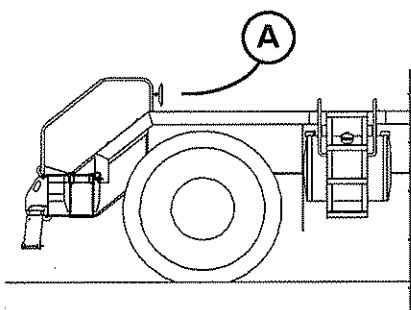


Parts List

0606

Towing Shackles				
REF	PART NO.	QTY	DESCRIPTION	REMARKS
1	36A0789	2	Shackle, Anchor	

Mirror Installation

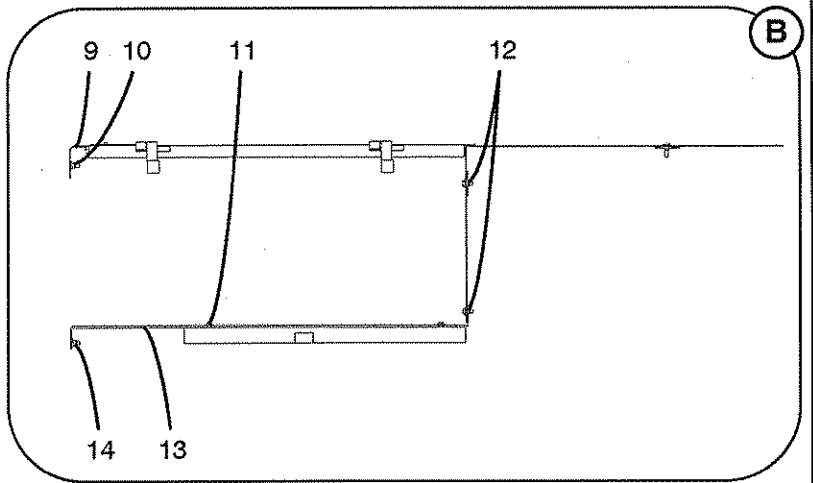
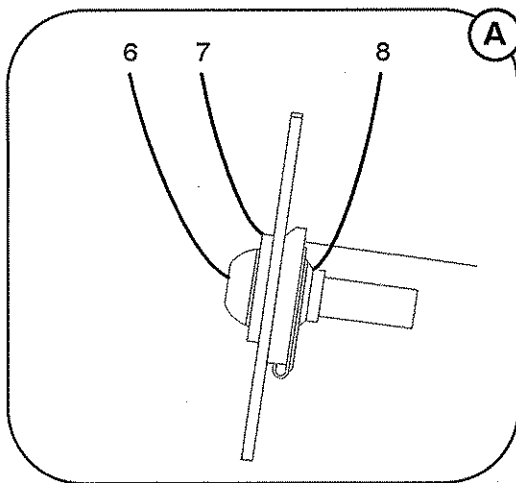
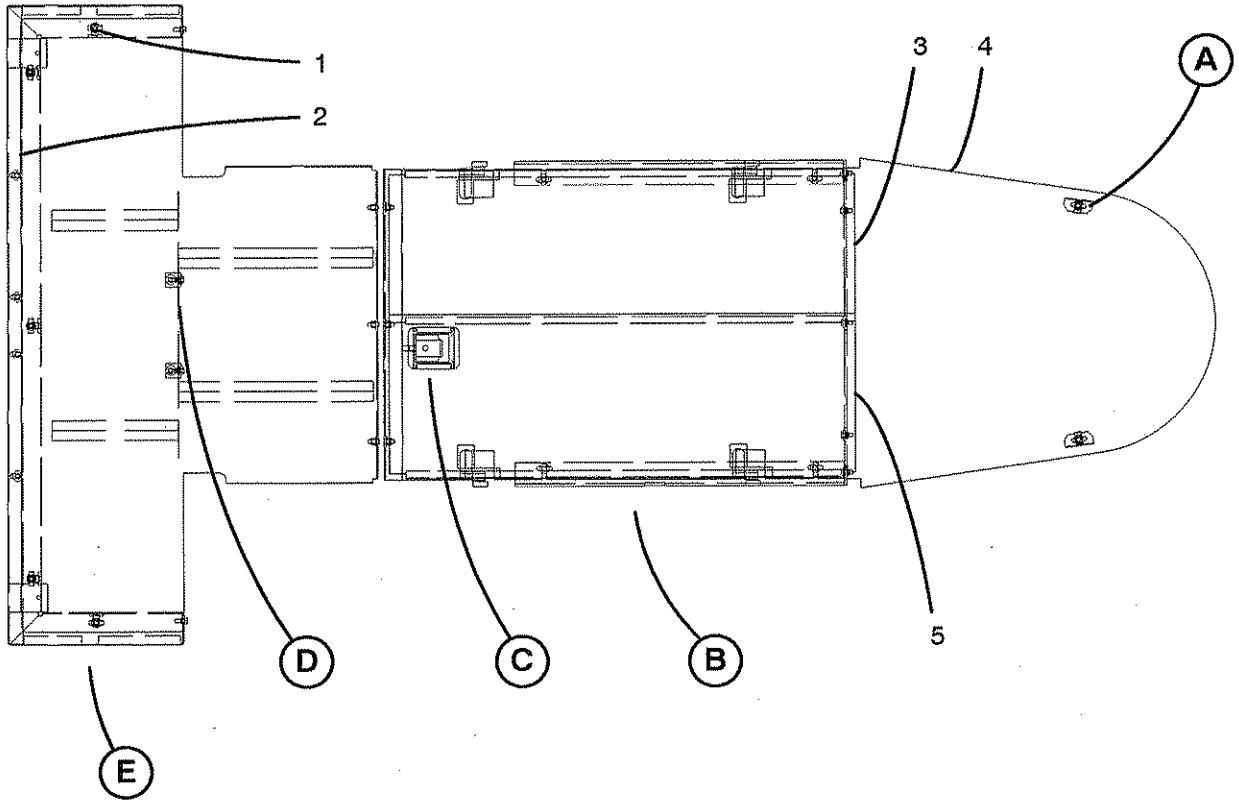


Parts List

0606

Mirror Installation				
REF	PART NO.	QTY	DESCRIPTION	REMARKS
1	F7A0747	2	Plate	
	126009013	2	Capscrew	
	128003002	1	Washer	
	46L0026	1	Washer, Nylon	
2	53A0455	2	Mirror	
3	128003002	2	Washer	

Front Storage Box Installation

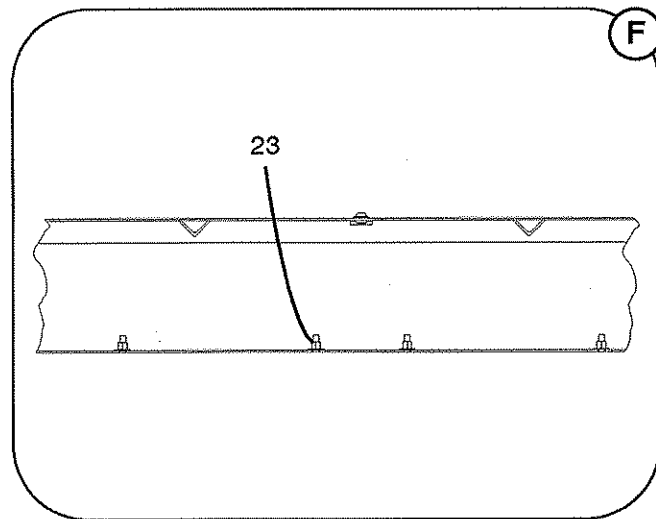
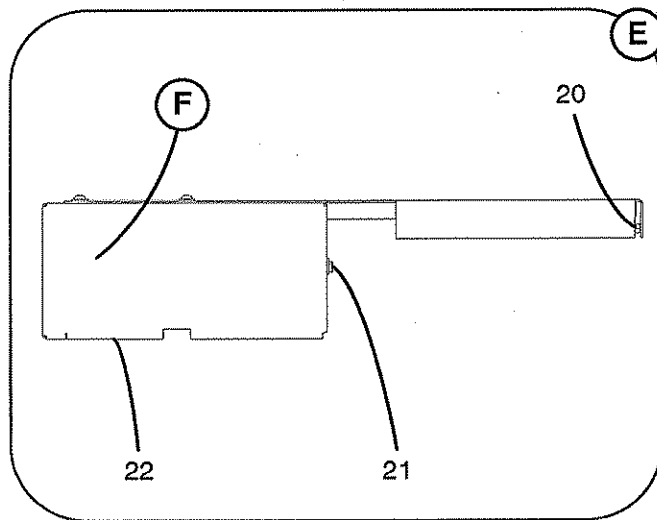
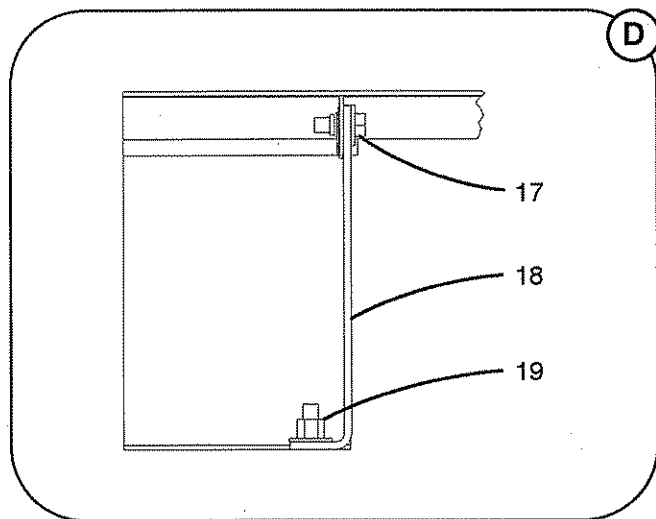
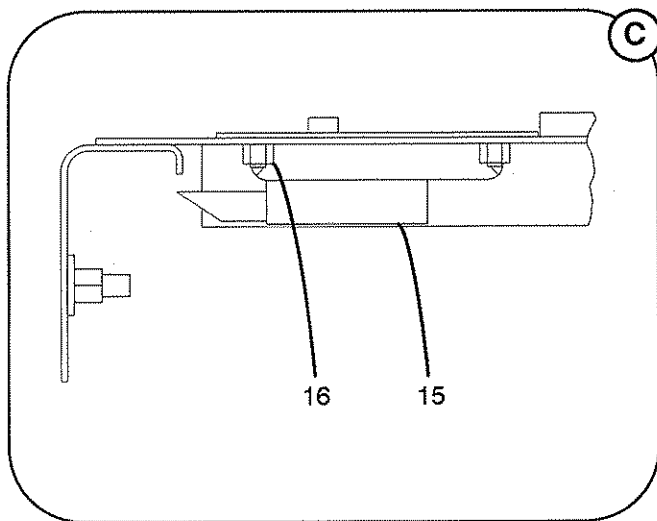


Parts List

0606

Front Storage Box Installation				
REF	PART NO.	QTY	DESCRIPTION	REMARKS
1	F6A0076	5	Screw	
	128003004	5	Washer	
	65A0568	5	Nut, Retainer	
2	J6A0103	1	Cover, Front	
3	F7A0714	1	Lid, Right Side	
	69A0261	2	Pin, Hinge	
4	J9A0262	1	Cover, Front Deck	
5	F7A0715	1	Lid, Left Side	
	69A0261	2	Pin, Hinge	
6	F6A0076	2	Screw	
7	128003004	2	Washer	
8	65A0568	2	Nut, Retainer	
9	F7A0719	1	Sheet	
10	128003004	3	Washer	
	127004003	3	Locknut	
11	126009014	4	Capscrew	
	128003004	8	Washer	
	127004003	4	Locknut	
12	126009013	5	Capscrew	
	128003004	5	Washer	
	65A0568	5	Nut, Retainer	
13	J9A0269	1	Sheet	
14	128003004	3	Washer	
	127004003	3	Locknut	

Front Storage Box Installation

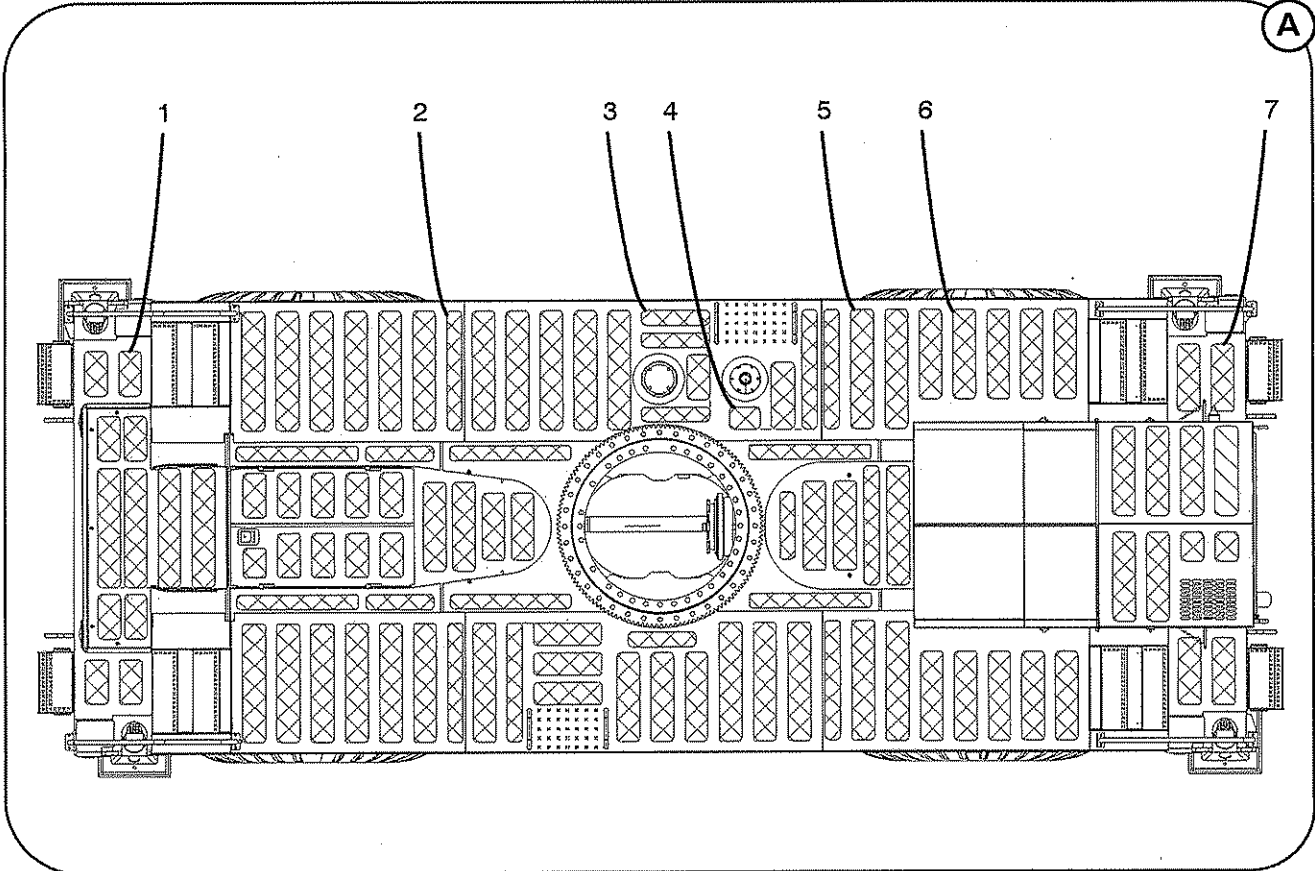
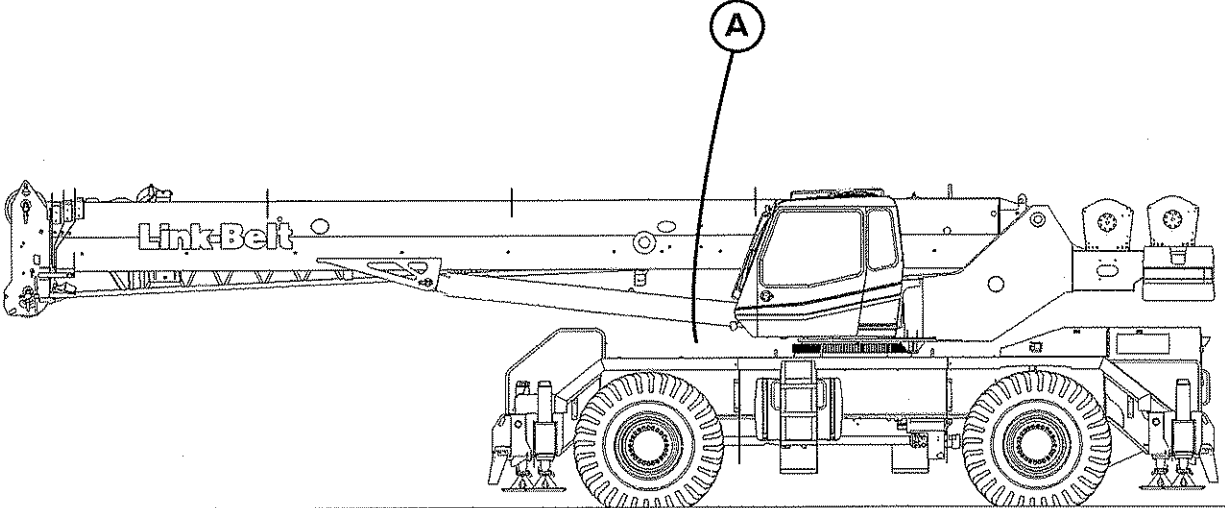


Parts List

0606

Front Storage Box Installation				
REF	PART NO.	QTY	DESCRIPTION	REMARKS
15	59A1750	1	Lock, Flush	
	3P 0586	1	Key	
16	127004001	4	Locknut	
17	126009013	2	Capscrew	
	128003004	2	Washer	
	65A0568	2	Nut, Retainer	
18	J6A0221	2	Sheet	
19	128003004	2	Washer	
	127004003	2	Locknut	
20	128003004	3	Washer	
	127004003	3	Locknut	
21	126009013	2	Capscrew	
	128003004	2	Washer	
	65A0568	2	Nut, Retainer	
22	J9A0254	1	Housing	
23	128003004	4	Washer	
	127004003	4	Locknut	

Sand Strip Installation

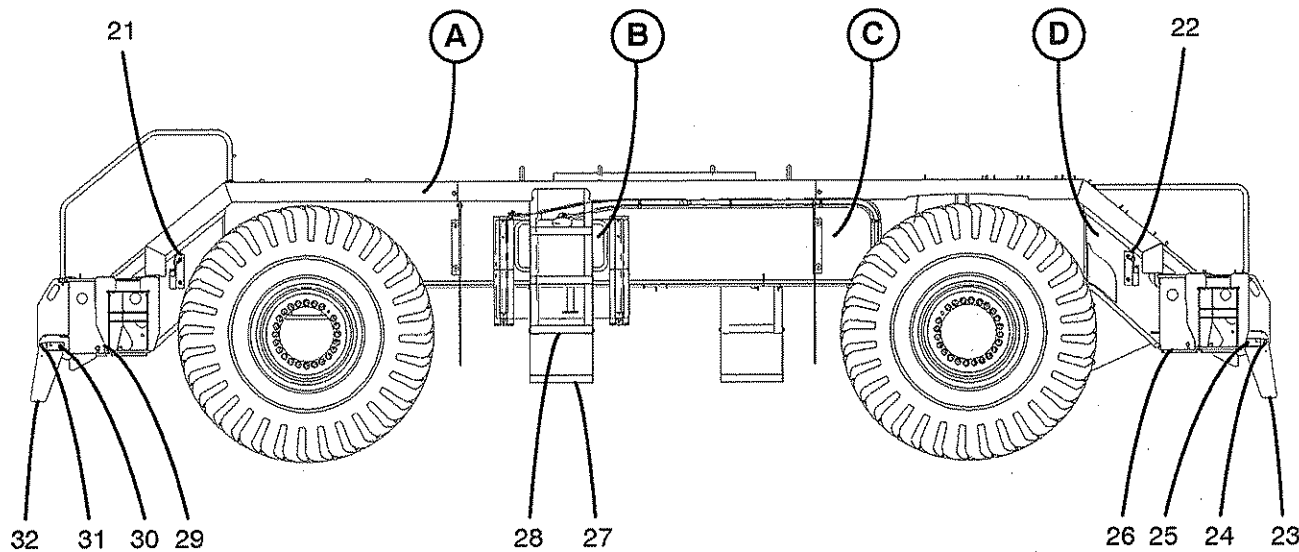
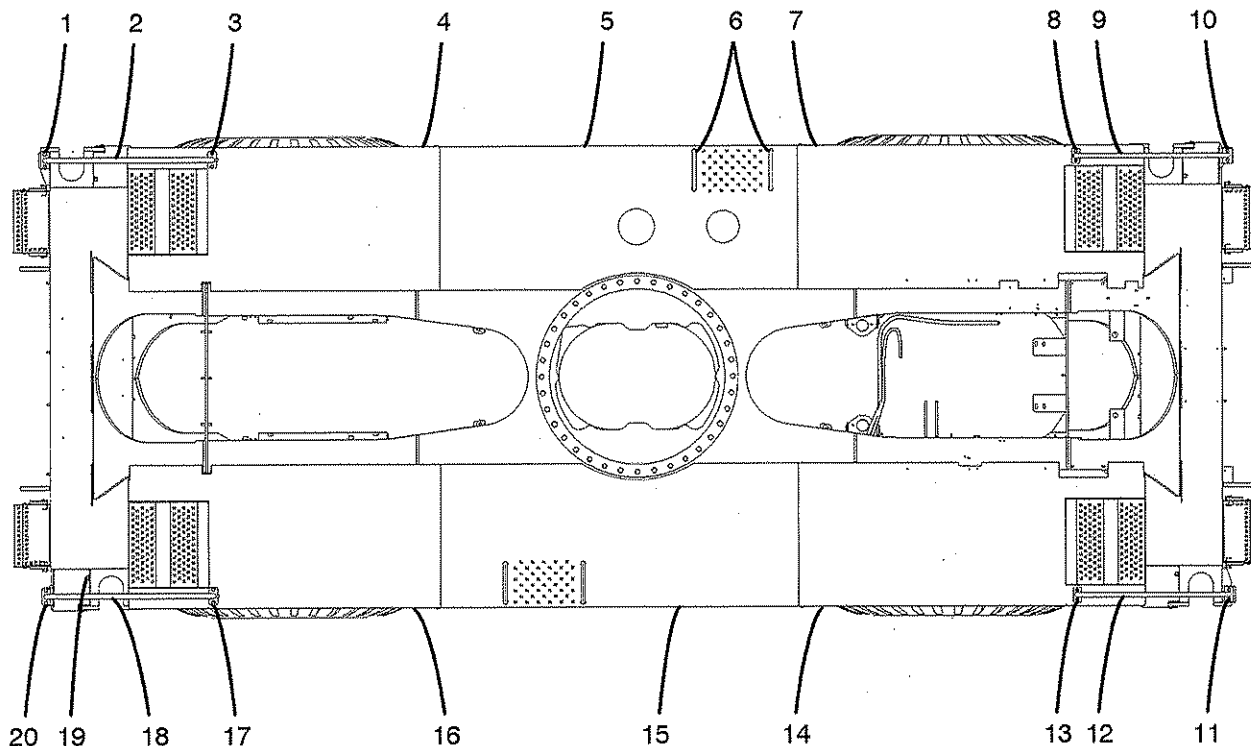


Parts List

0905

Sand Strip Installation				
REF	PART NO.	QTY	DESCRIPTION	REMARKS
1	KHP0026	18	Tape, Non-Slip	
2	850040011	13	Safety-Walk	
3	850040012	7	Safety-Walk	
4	KHP0403	4	Tape, Non-Slip	
5	D6P0094	30	Strip, Sand	
6	850040005	23	Safety-Walk	
7	850040013	10	Safety-Walk	

Fender & Ladder Installation

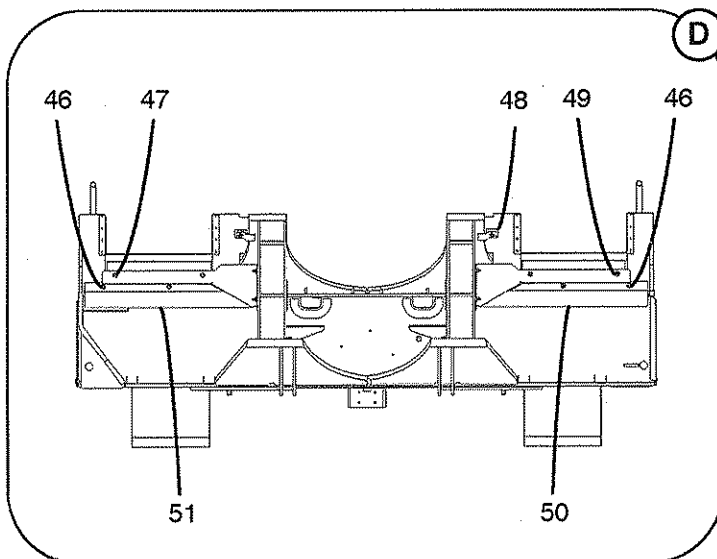
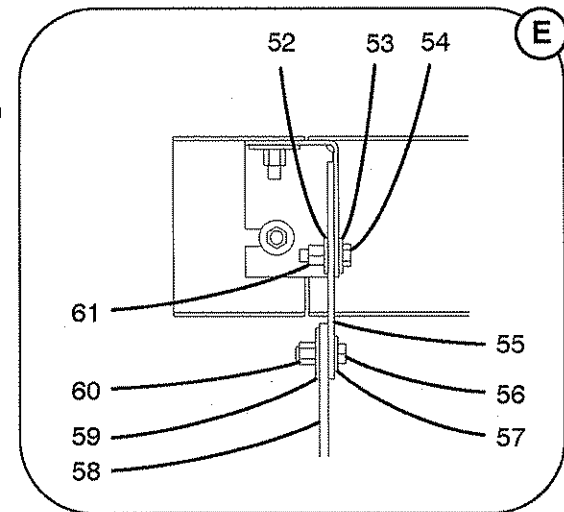
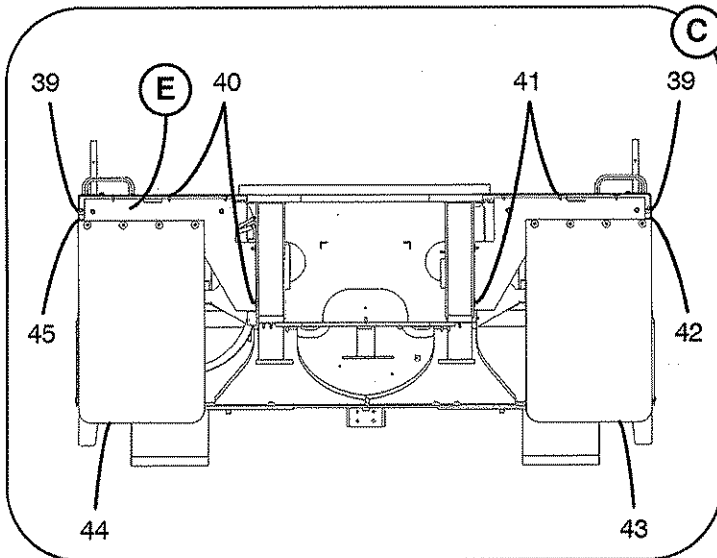
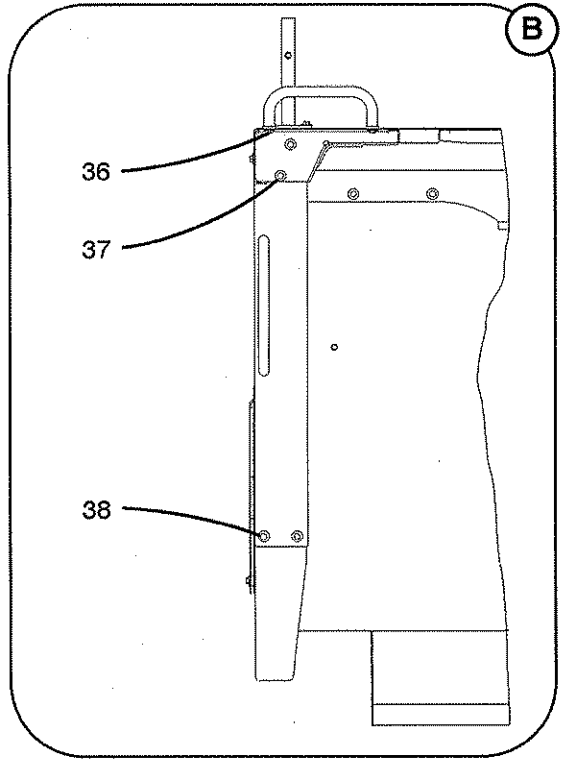
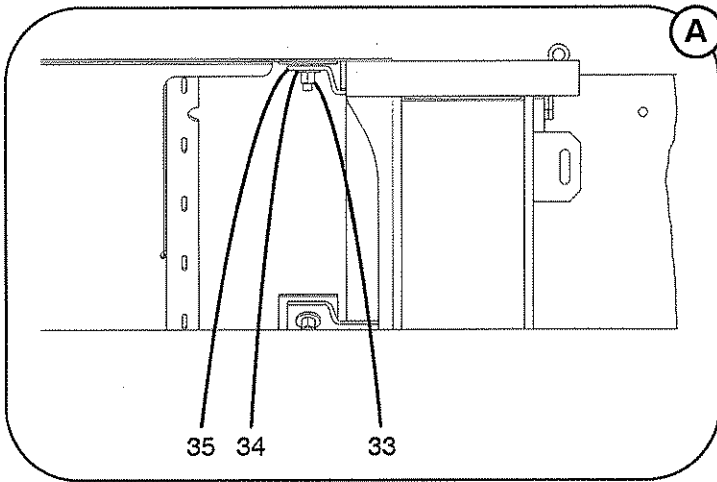


Parts List

0707

Fender & Ladder Installation				
REF	PART NO.	QTY	DESCRIPTION	REMARKS
1	126009015	2	Capscrew	
	128003004	4	Washer	
	127004003	2	Locknut	
2	J9A0247	1	Handle, Grab	
3	126009015	2	Capscrew	
	128003004	4	Washer	
	127004003	2	Locknut	
4	J9A0223	1	Fender, Right Front	
5	J9A0369	1	Fender, Right Center	
6	J9A0250	4	Handle, Grab	
7	J9A0225	1	Fender, Right Rear	
8	126009015	2	Capscrew	
	128003004	4	Washer	
	127004003	2	Locknut	
9	J9A0245	1	Handle, Grab	
10	126009015	2	Capscrew	
	128003004	4	Washer	
	127004003	2	Locknut	
11	126009015	2	Capscrew	
	128003004	4	Washer	
	127004003	2	Locknut	
12	J9A0245	1	Handle, Grab	
13	126009015	2	Capscrew	
	128003004	4	Washer	
	127004003	2	Locknut	
14	J9A0410	1	Fender, Left Rear	
15	J9A0367	1	Fender, Left Center	
16	J9A0212	1	Fender, Left Front	
17	126009015	2	Capscrew	
	128003004	4	Washer	
	127004003	2	Locknut	
18	J9A0247	1	Handle, Grab	
19	126009013	4	Capscrew	
	128003004	4	Washer	
20	126009015	2	Capscrew	
	128003004	4	Washer	
	127004003	2	Locknut	
21	J9A0431	2	Bracket, Fender Support	
	128003004	4	Washer	
	127004003	4	Locknut	
22	J9A0430	2	Bracket, Fender Support	
	128003004	4	Washer	
	127004003	4	Locknut	
23	J6A0279	2	Step	
24	126009096	4	Capscrew	
	128003002	8	Washer	
	46L0026	12	Washer, Nylon	
	127004002	4	Locknut	
25	18M0273	4	Pin, Lock	
26	J9A0449	2	Bracket, Marker Light	
	126009013	2	Capscrew	
	128003004	2	Washer	
27	J7A0194	2	Step	
28	J9A0372	2	Ladder	

Fender & Ladder Installation

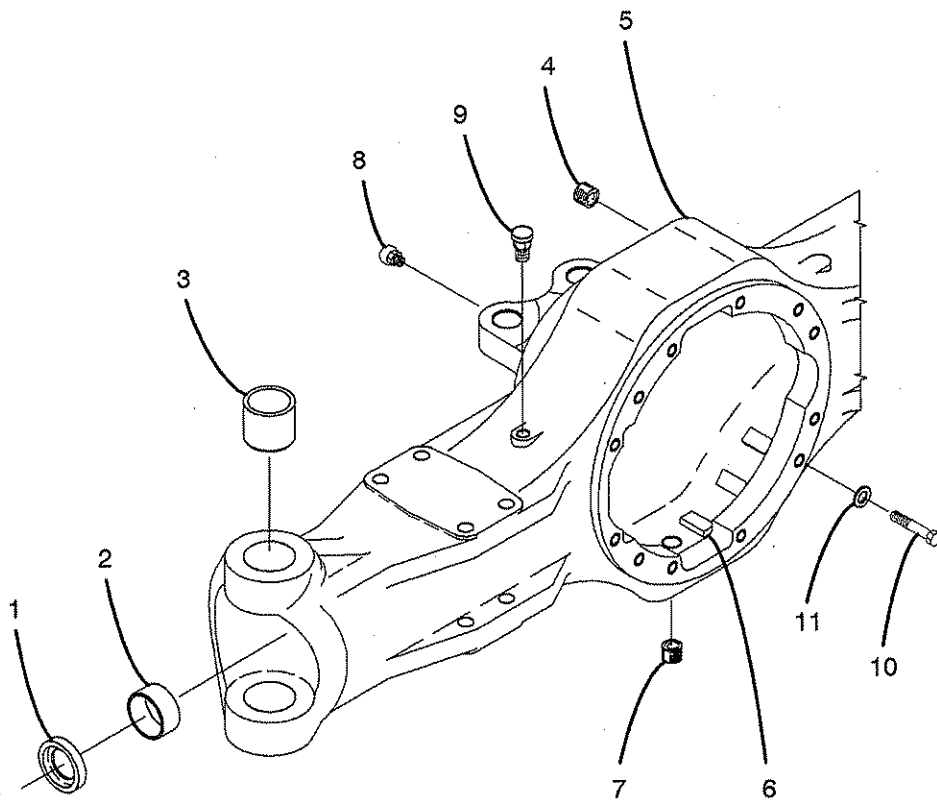


Parts List

0707

Fender & Ladder Installation				
REF	PART NO.	QTY	DESCRIPTION	REMARKS
29	J9A0449	2	Bracket, Marker Light	
	126009013	2	Capscrew	
	128003004	2	Washer	
30	18M0273	4	Pin, Lock	
31	126009096	4	Capscrew	
	128003002	8	Washer	
	46L0026	12	Washer, Nylon	
	127004002	4	Locknut	
32	J6A0279	2	Step	
33	127004003	17	Locknut	
34	128003004	17	Washer	
35	J9A0268	17	Bracket, Fender Mounting	
36	126009014	8	Capscrew	
	128003004	8	Washer	
37	126009014	8	Capscrew	
	128003004	16	Washer	
	127004003	8	Locknut	
38	126009014	16	Capscrew	
	128003004	32	Washer	
	127004003	16	Locknut	
39	126009014	4	Capscrew	
	128003004	4	Washer - 1.0" OD	
	F7A0658	4	Washer - 1.5" OD	
	127004003	4	Locknut	
40	F7A0658	10	Washer	
	127004003	10	Locknut	
41	F7A0658	10	Washer	
	127004003	10	Locknut	
42	J9A0226	2	Bracket, Fender Support	
43	J9A0230	2	Flap, Mud	
44	J9A0230	2	Flap, Mud	
45	F7A0819	2	Bracket	
46	128003004	12	Washer	
	127004003	12	Locknut	
47	126009014	4	Capscrew	
	128003004	8	Washer	
	127004003	4	Locknut	
48	F7A0659	4	Bracket	
	128003004	4	Washer	
	127004003	4	Locknut	
49	126009014	4	Capscrew	
	128003004	8	Washer	
	127004003	4	Locknut	
50	J9A0317	2	Guard, Fender	
51	J9A0317	2	Guard, Fender	
52	128003004	8	Washer - 1.0" OD	
53	F7A0658	8	Washer - 1.5" OD	
54	126009014	8	Capscrew	
55	REF		Fender Support Bracket	
56	126009014	16	Capscrew	
57	128003004	16	Washer	
58	REF		Mud Flap	
59	F7A0658	16	Washer	
60	127004003	16	Locknut	
61	127004003	8	Locknut	

Front Axle Assy



Parts List

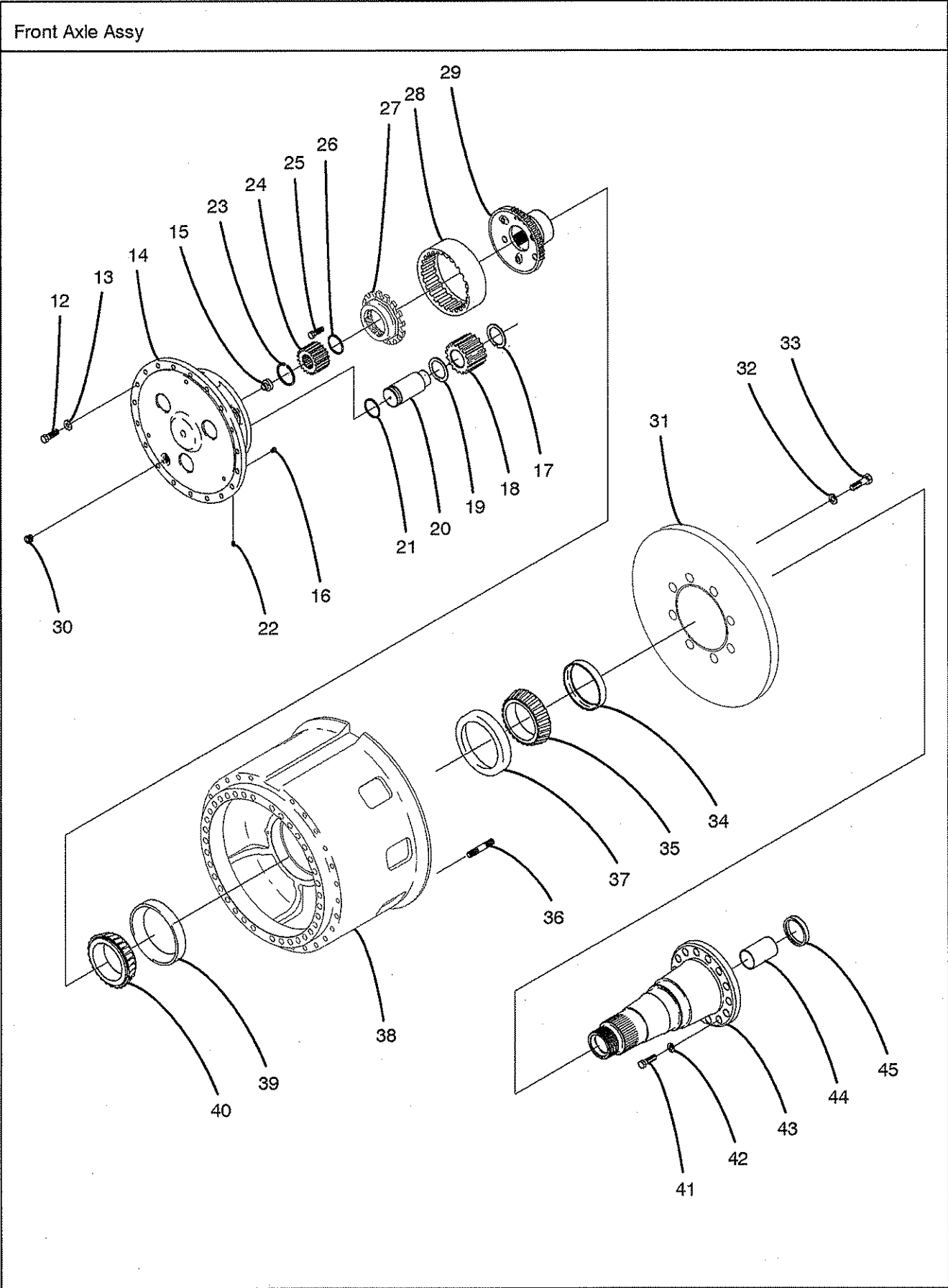
0507

Front Axle Assy				
REF	PART NO.	QTY	DESCRIPTION	REMARKS
	J9A0445	1	Front Axle Assy	
	3A 25117	1	Axle Housing Assy	
	3A 25118	1	Housing Assy	
1	3A 25120	2	Seal, Oil	
2	3A 25119	2	Bushing	
3	3A 24391	4	Bushing	
4	3A 25121	1	Plug	
5	REF	1	Housing	NSS
6	3A 19123	6	Magnet	
7	3A 25121	1	Plug	
8	3A 25122	2	Fitting, Grease	
9	3A 24983	1	Breather	
10	3A 19480	12	Capscrew – Short	
	3A 24984	4	Capscrew – Long	
11	3A 10410	16	Washer	
	3A 25123	1	Hub & Shaft Assy	
12	3A 24395	60	Capscrew	
13	3A 16177	60	Washer	
	3A 23780	2	Planetary Spider Assy	
	3A 23820	1	Spider Assy	
14	REF	1	Spider, Planetary	NSS
15	3A 14432	1	Button, Thrust	
16	3A 7395	3	Button, Thrust	
17	3A 7400	3	Washer, Thrust	
18	3A 10730	3	Pinion	
19	3A 7398	3	Washer, Thrust	
	3A 12176	3	Pinion Shaft Assy	
20	REF	1	Shaft, Pinion	NSS
21	3A 12178	1	O–ring	
22	3A 10702	3	Setscrew	
23	3A 0427	2	Ring, Snap	
24	3A 10703	2	Gear, Planetary Sun	
25	3A 23779	2	Screw	
26	3A 15450	2	Washer, Thrust	
27	3A 23778	2	Nut	
28	3A 22230	2	Gear, Planetary Ring	
29	3A 23817	2	Hub, Planetary Ring Gear	
30	3A 10650	2	Plug, Fill/Drain Magnetic	
31	3A 23775	2	Disc, Brake	
32	3A 18294	32	Washer, Flat	
33	3A 10410	32	Capscrew	
34	3A 25126	2	Seal, Oil	
35	3A 12778	2	Cone, Bearing	
36	3A 22233	46	Stud, Wheel	
	3A 25127	2	Hub & Cup Assy	
37	3A 1119	1	Cup, Bearing	
38	REF	1	Hub	NSS
39	3A 1119	1	Cup, Bearing	
40	3A 1118	2	Cone, Bearing	

Parts List

0507

01-002-233.00

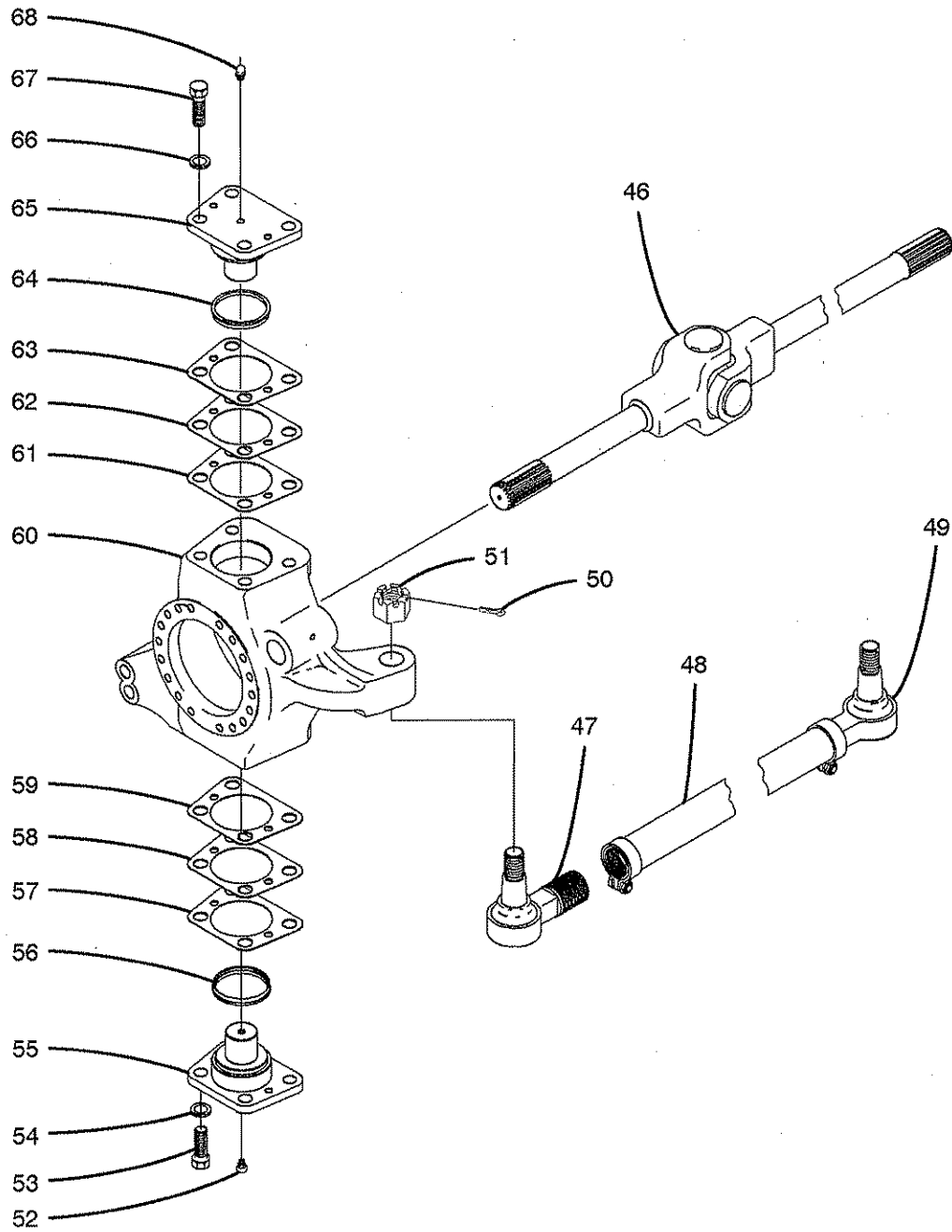


Parts List

0507

Front Axle Assy				
REF	PART NO.	QTY	DESCRIPTION	REMARKS
41	3A 24963	36	Capscrew	
42	3A 10755	36	Washer	
	3A 25125	2	Spindle Assy	
43	REF	1	Spindle	NSS
44	3A 25119	1	Bushing	
45	3A 25120	1	Seal, Oil	
46	3A 23773	1	U-joint Assy - RH	
	3A 23772	1	U-joint Assy - LH	
	3A 20193	1	Kit, Center Parts	
	3A 24394	1	Shaft, U-joint - RH & LH Outer	
	3A 20187	1	Shaft, U-joint - RH Inner	
	3A 20189	1	Shaft, U-joint - LH Inner	
	3A 23781	1	Tie Rod Assy	
47	3A 22247	1	Tie Rod End Assy - LH	
48	3A 23782	1	Clamp & Tie Rod Assy	
49	3A 22248	1	Tie Rod End Assy - RH	
50	3A 16186	2	Pin, Cotter	
51	3A 16185	2	Nut, Slotted	
52	3A 25124	2	Fitting, Grease	
53	3A 7268	8	Capscrew	
54	3A 12581	8	Washer	
55	3A 23770	2	Cap, King Pin	
56	3A 22928	2	Seal, Grease	
57	3A 22931	2	Shim - 0.020 - AR	
58	3A 22930	4	Shim - 0.005 - AR	
59	3A 22929	6	Shim - 0.003 - AR	
60	3A 23769	1	Knuckle, Steering - RH	
	3A 23768	1	Knuckle, Steering - LH	
61	3A 22929	6	Shim - 0.003 - AR	
62	3A 22930	4	Shim - 0.005 - AR	
63	3A 22931	2	Shim - 0.020 - AR	
64	3A 22928	2	Seal, Grease	
65	3A 23770	2	Cap, King Pin	
66	3A 12581	8	Washer	
67	3A 7268	8	Capscrew	
68	3A 25124	2	Fitting, Grease	
	3A 24991	1	Differential Carrier Assy	
69	3A 24974	1	Differential Carrier & Cap Assy	
70	3A 18131	12	Locknut	KA
71	3A 10410	12	Washer, Flat	KA
	3A 24989	1	Differential Case & Nest Assy	
	3A 24990	1	Differential Case Assy	
72	REF	1	Case, Differential - Flange Half	NSS
73	3A 20151	16	Washer	
74	3A 19537	16	Capscrew	
75	REF	1	Case, Differential - Plain Half	NSS

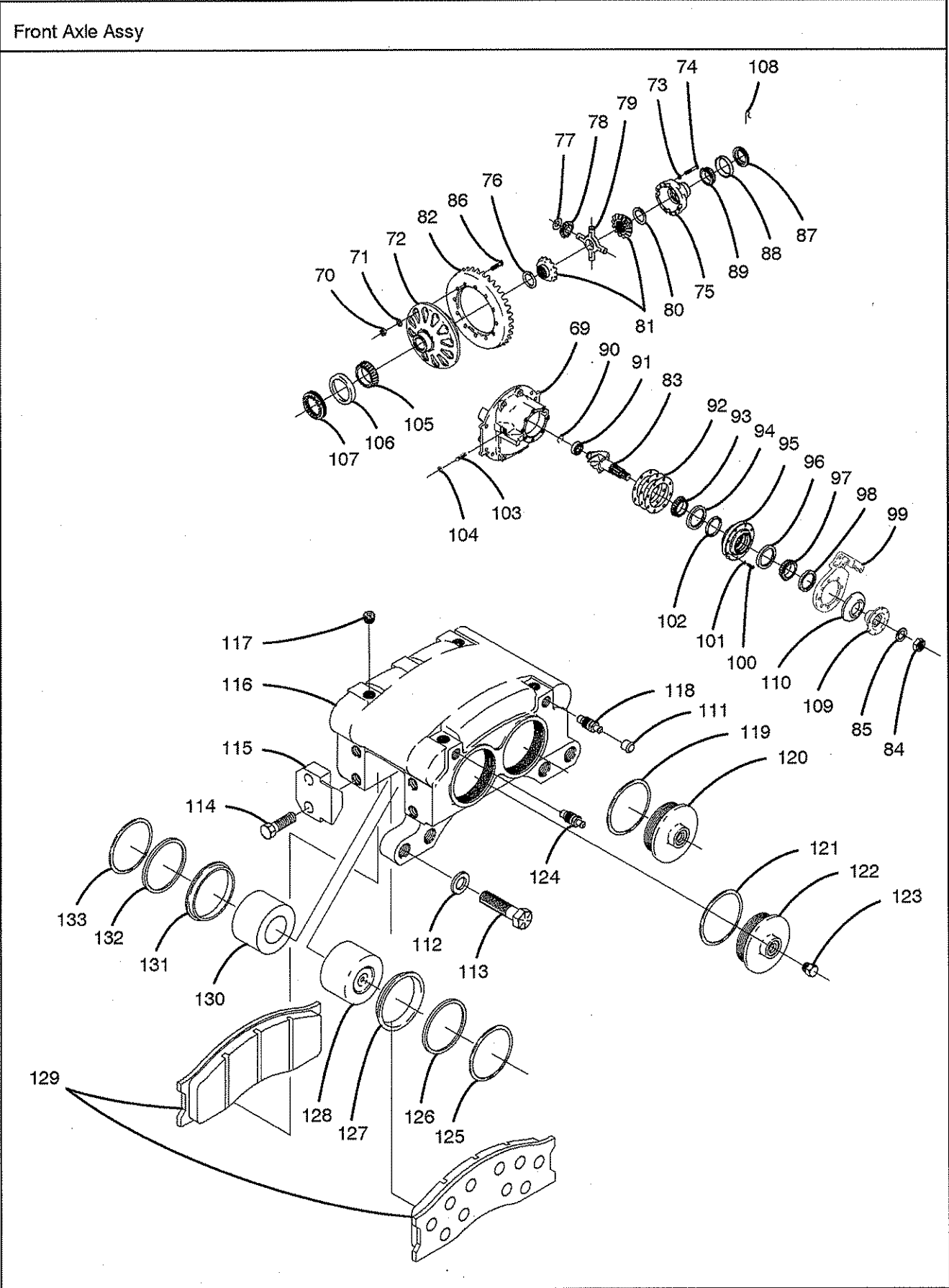
Front Axle Assy



Parts List

0507

Front Axle Assy				
REF	PART NO.	QTY	DESCRIPTION	REMARKS
	3A 24978	1	Differential Kit	
76	3A 24979	1	Washer, Thrust	
77	3A 24980	4	Washer, Thrust	
78	3A 19541	4	Pinion, Differential	
79	3A 20161	1	Spider, Differential	
80	3A 24979	1	Washer, Thrust	
81	3A 19540	2	Gear, Differential Side	
	3A 24383	1	Gear & Pinion Assy	
82	REF	1	Gear, Bevel	NSS
83	REF	1	Pinion	NSS
84	3A 20150	1	Locknut	
85	3A 6429	1	Washer, Flat	
86	3A 19543	12	Capscrew	KA
87	3A 19593	1	Ring, Bearing Adjustor	
88	3A 22946	1	Cup, Bearing	KB
89	3A 22945	1	Cone, Bearing	KB
90	3A 3702	1	Ring, Lock	KB
91	3A 7378	1	Bearing, Roller	KB
92	3A 24972	1	Kit, Minor Repair	KB
93	3A 6390	1	Cone, Bearing	KB
	3A 24489	1	Pinion Cage Assy	
94	3A 4402	1	Cup, Bearing	KB
95	REF	1	Cage, Pinion	NSS
96	1X 2616	1	Cup, Bearing	KB
97	3A 19510	1	Cone, Bearing	KB
98	3A 24973	1	Seal, Oil	KB
99	3A 24480	1	Adaptor	
100	3A 19180	8	Capscrew	
101	3A 20151	8	Washer	
102	3A 19512	1	Kit, Shim	KB
103	3A 19547	1	Screw, Thrust	
104	3A 20153	1	Nut, Jam	
105	3A 22945	1	Cone, Bearing	KB
106	3A 22946	1	Cup, Bearing	KB
107	3A 19593	1	Ring, Bearing Adjustor	
108	3A 24488	2	Screw	
	3A 24478	1	Yoke & Deflector Assy	
109	REF	1	Yoke	NSS
110	3A 24479	1	Deflector	

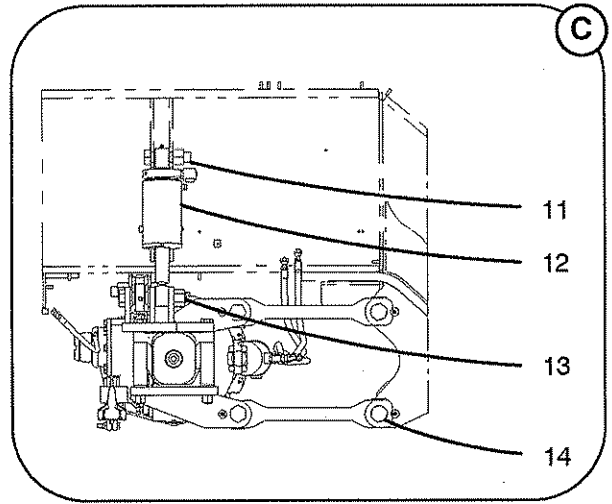
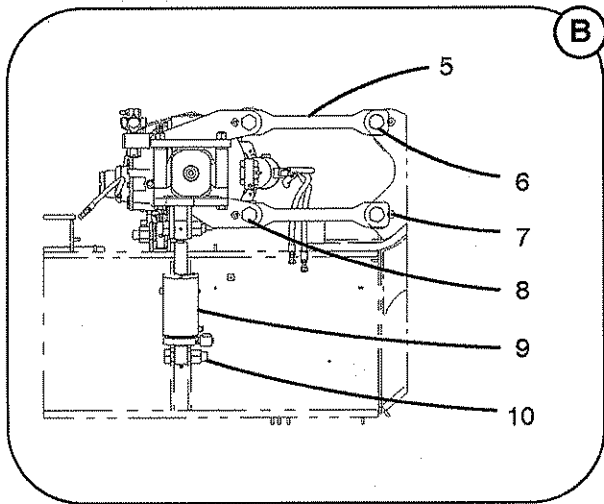
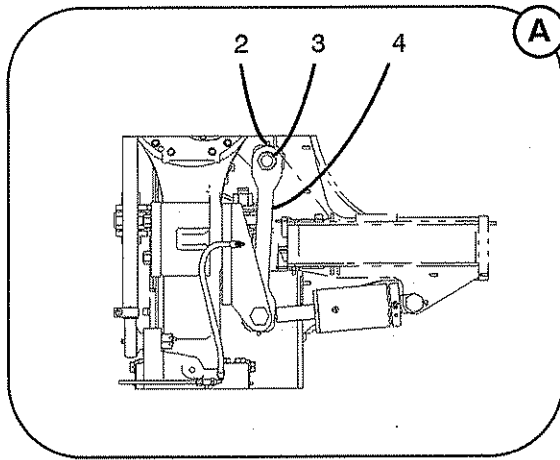
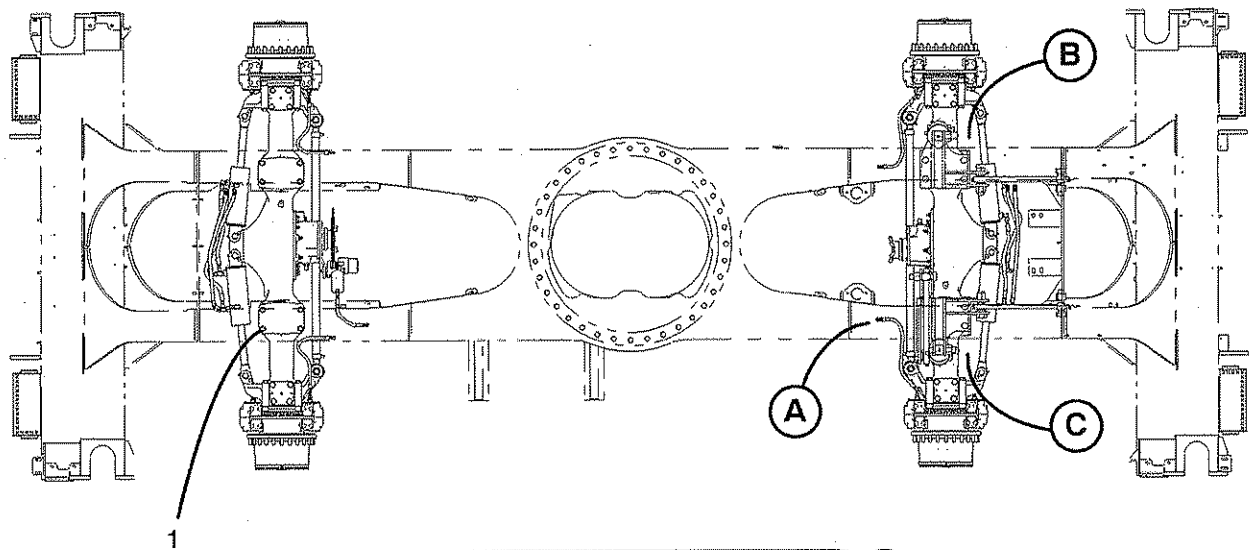


Parts List

0507

Front Axle Assy				
REF	PART NO.	QTY	DESCRIPTION	REMARKS
	3A 24396	2	Brake Assy	
111	3A 22943	4	Cap	
112	3A 12581	8	Washer	
113	3A 19588	8	Capscrew	
	3A 22942	2	Disc Brake Assy	
114	3A 19586	8	Capscrew	
115	3A 21173	4	Plate	
116	3A 22947	1	Housing, Brake	
117	3A 19584	4	Plug	
118	3A 19576	1	Screw, Bleeder	
119	3A 22268	1	O-ring	
120	3A 19582	1	Cap	
121	3A 22268	1	O-ring	
122	3A 19582	1	Cap	
123	3A 19583	1	Plug	
124	3A 19576	1	Screw, Bleeder	
125	3A 22265	2	O-ring	
126	3A 19579	2	Ring, Back Up	
127	3A 19577	2	Seal, Dust	
128	3A 19578	2	Piston	
129	3A 19587	2	Brake Shoe & Lining Assy	
130	3A 19578	2	Piston	
131	3A 19577	2	Seal, Dust	
132	3A 19579	2	Ring, Back Up	
133	3A 22265	2	O-ring	
	3A 7274	2	Setscrew, Steering Stop – Not Shown	
	3A 5977	4	Nut – Not Shown	
	3A 19542	1	Kit, Hardware – All Items Marked KA	
	3A 24971	1	Kit, Carrier Service – All Items Marked KB	

Front & Rear Axle Installation

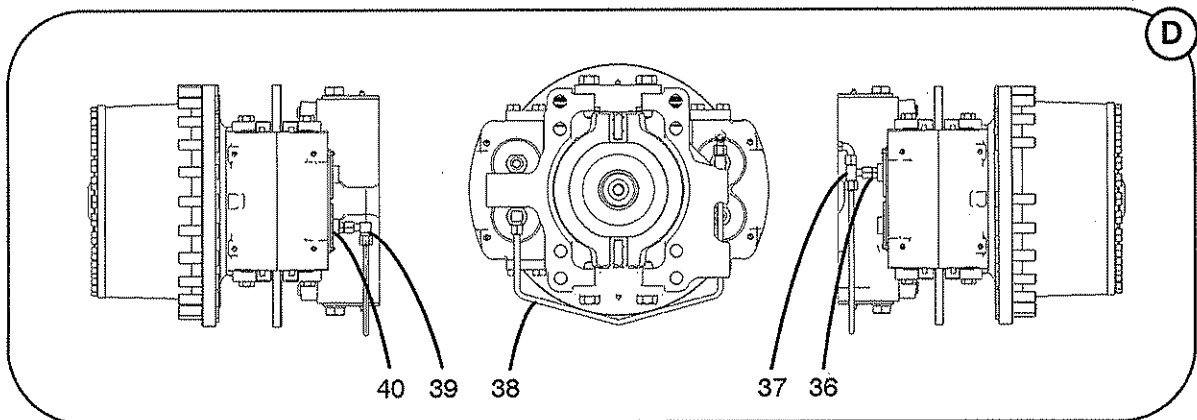
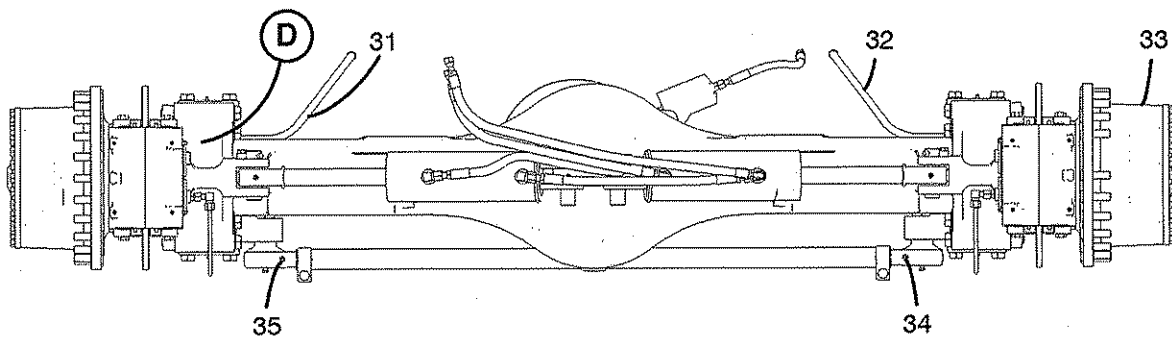
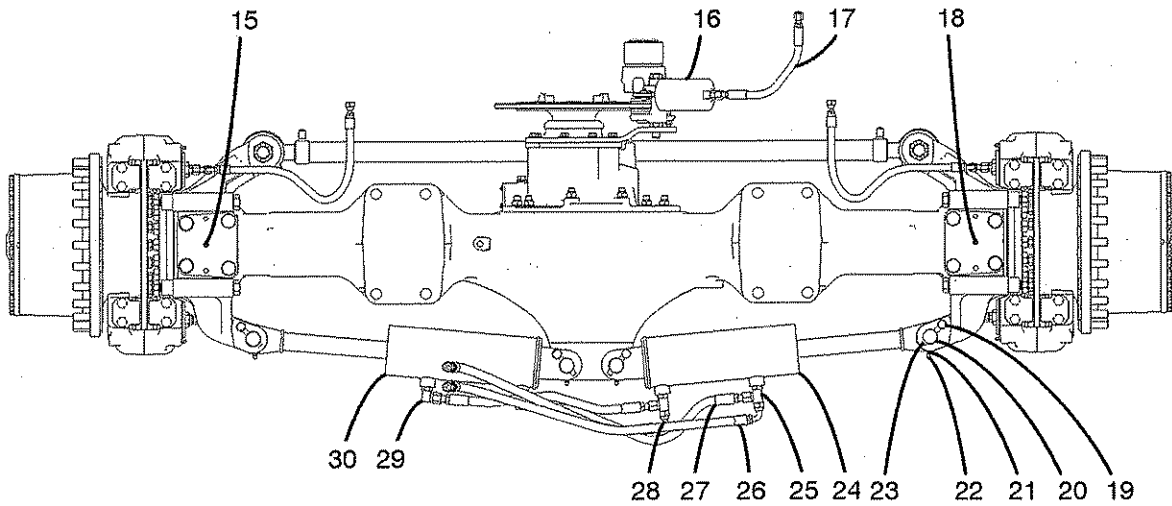


Parts List

1208

Front & Rear Axle Installation				
REF	PART NO.	QTY	DESCRIPTION	REMARKS
1	1X 6934	8	Capscrew	NSS
	1X 4927	8	Locknut	
2	1X 8002	2	Cap	
3	126009138	1	Capscrew	
	127004009	1	Locknut	
4	F7A0785	1	Suspension Link Assy	
	1X 1800	2	Fitting, Grease	
	F7A0784	2	Bearing	
	F7A0416	1	Link	
5	F7A0785	2	Suspension Link Assy	
	1X 1800	2	Fitting, Grease	
	F7A0784	2	Bearing	
	F7A0416	1	Link	
6	126009138	2	Capscrew	
	127004009	2	Locknut	
7	1X 8002	4	Cap	
8	126009138	2	Capscrew	
	127004009	2	Locknut	
9	REF	1	Lockout Cylinder Assy – See Keysheet 01-078	
10	126009138	2	Capscrew	
	127004009	2	Locknut	
11	126009138	1	Capscrew	
	127004009	1	Locknut	
12	REF	1	Lockout Cylinder Assy – See Keysheet 01-078	
13	126009174	1	Capscrew	
	127004009	1	Locknut	
14	126009138	2	Capscrew	
	127004009	2	Locknut	
	J9A0457	1	Front Axle S/A	
15	1X 8002	2	Cap	
16	REF	1	Park Brake Assy – See Keysheet 01-030	
	1X 7367	1	Connector	
17	65J0475	1	Hose Assy	
18	1X 8002	2	Cap	
19	1X 6485	4	Capscrew	
20	46A1106	4	Pin	
21	1X 0812	4	Fitting, Grease	
22	1X 8002	4	Cap	
23	12V0119	4	End, Rod	
24	REF	1	Steer Cylinder Assy – See Keysheet 01-007	
25	1X 7399	2	Tee	
26	H9J0063	1	Hose Assy	
27	H9J0039	1	Hose Assy	
28	H9J0064	1	Hose Assy	
29	H9J0039	1	Hose Assy	
	1X 7388	2	Elbow	
30	REF	1	Steer Cylinder Assy – See Keysheet 01-007	
31	D7J0174	1	Hose Assy	
32	D7J0174	1	Hose Assy	
33	REF	1	Front Axle Assy – See Keysheet 01-002	
34	1X 8002	1	Cap	
35	1X 8002	1	Cap	

Front & Rear Axle Installation

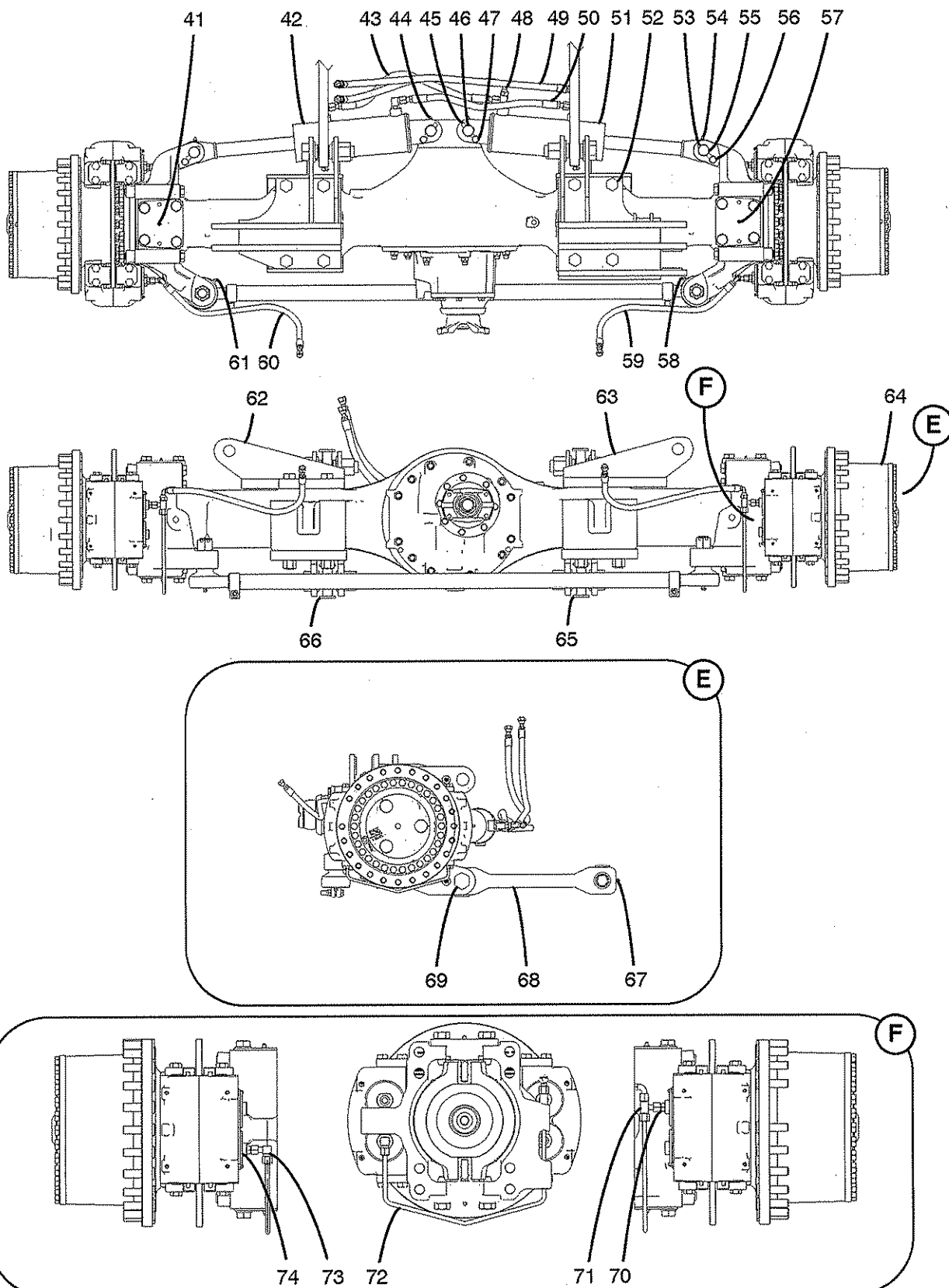


Parts List

1208

Front & Rear Axle Installation				
REF	PART NO.	QTY	DESCRIPTION	REMARKS
36	1X 7464	2	Connector	
37	1X 7410	2	Tee	
38	D7J0514	2	Tube Assy	
39	1X 7404	2	Elbow	
40	1X 7464	2	Connector	
	J9A0448	1	Rear Axle S/A	NSS
41	1X 8002	2	Cap	
42	REF	1	Steer Cylinder Assy – See Keysheet 01–007	
43	H9J0039	1	Hose Assy	
	1X 7388	2	Elbow	
44	1X 0812	2	Fitting, Grease	
	1X 8002	2	Cap	
45	12V0119	2	End, Rod	
46	46A1106	2	Pin	
47	1X 6485	2	Capscrew	
48	H9J0064	1	Hose Assy	
49	H9J0063	1	Hose Assy	
50	H9J0039	1	Hose Assy	
	1X 7399	2	Tee	
51	REF	1	Steer Cylinder Assy – See Keysheet 01–007	
52	1X 6912	8	Capscrew	
	1X 4927	8	Locknut	
53	12V0119	2	End, Rod	
54	1X 0812	2	Fitting, Grease	
	1X 8002	2	Cap	
55	46A1106	2	Pin	
56	1X 6485	2	Capscrew	
57	1X 8002	2	Cap	
58	1X 8002	1	Cap	
59	D3J0112	1	Hose Assy	
60	D3J0112	1	Hose Assy	
61	1X 8002	1	Cap	
62	J9A0360	1	Bracket, Top Right Suspension	
63	J9A0473	1	Bracket, Top Left Suspension	
64	REF	1	Rear Axle Assy – See Keysheet 01–024	
65	J9A0290	1	Bracket, Bottom Right Suspension	
66	J9A0284	1	Bracket, Bottom Left Suspension	
67	1X 8002	4	Cap	
68	F7A0785	2	Suspension Link Assy	
	1X 1800	2	Fitting, Grease	
	F7A0784	2	Bearing	
	F7A0416	1	Link	
69	126009145	2	Capscrew	
	127004009	2	Locknut	

Front & Rear Axle Installation



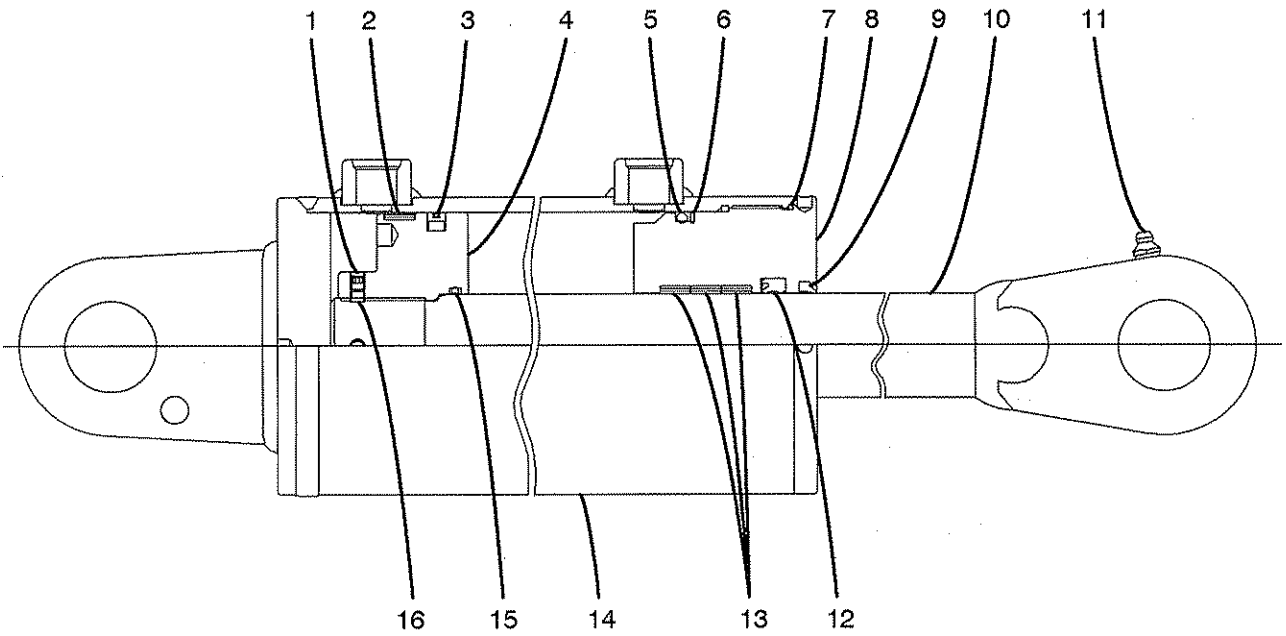
Parts List

1208

Front & Rear Axle Installation

REF	PART NO.	QTY	DESCRIPTION	REMARKS
70	1X 7464	2	Connector	
71	1X 7410	2	Tee	
72	D7J0514	2	Tube Assy	
73	1X 7404	2	Elbow	
74	1X 7464	2	Connector	

Steer Cylinder Assy

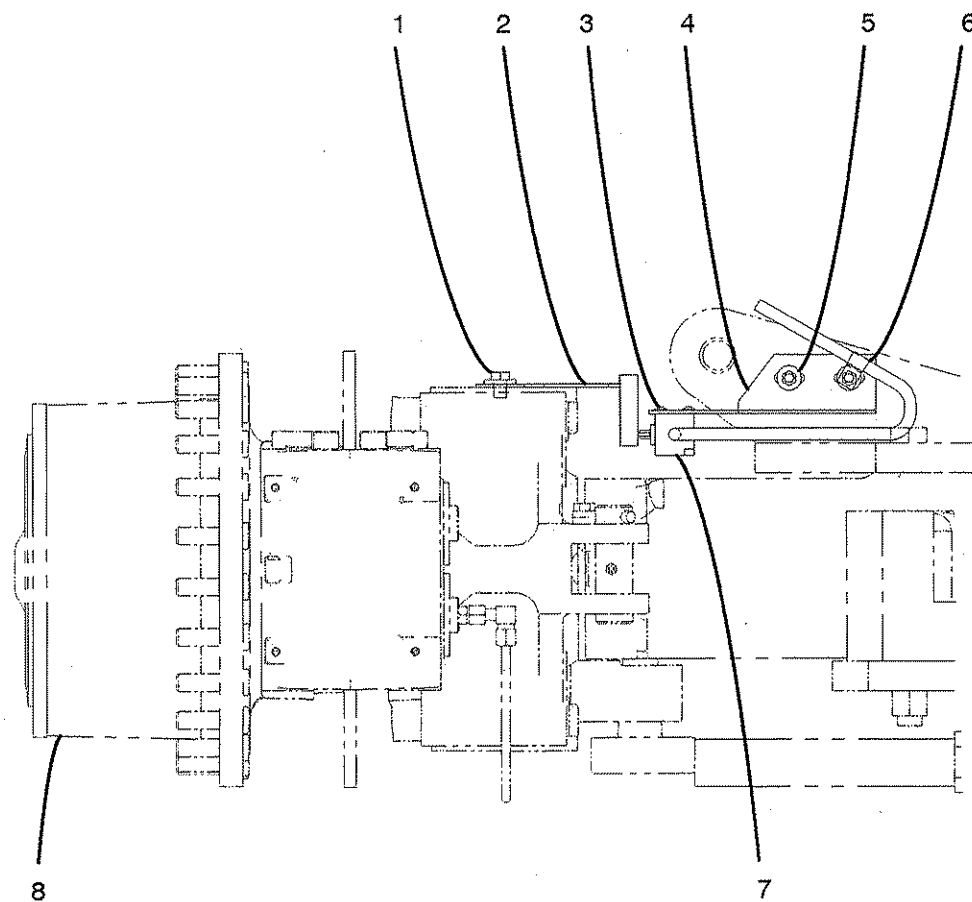


Parts List

1104

Steer Cylinder Assy				
REF	PART NO.	QTY	DESCRIPTION	REMARKS
	J9J0037	1	Steer Cylinder Assy	
1	3J 12773	2	Setscrew	
2	3A 15082	1	Ring, Wear	KA
3	3A 15083	1	Seal	KA
4	3J 17393	1	Piston	
5	3A 8767	1	O-ring	KA
6	3A 8770	1	Ring, Back Up	KA
7	3J 17392	1	O-ring	KA
8	3J 17394	1	Head	
9	3J 12613	1	Wiper	KA
10	3J 17395	1	Rod	
11	3A 9349	1	Fitting, Lube	
12	3J 12612	1	Seal	KA
13	3J 12610	3	Ring, Wear	KA
14	3J 17396	1	Case	
15	3J 17391	1	O-ring	KA
16	3J 12558	1	Plug, Nylon	
	3J 17390	1	Kit, Seal - All Items Marked KA	

Rear Steer Indicator

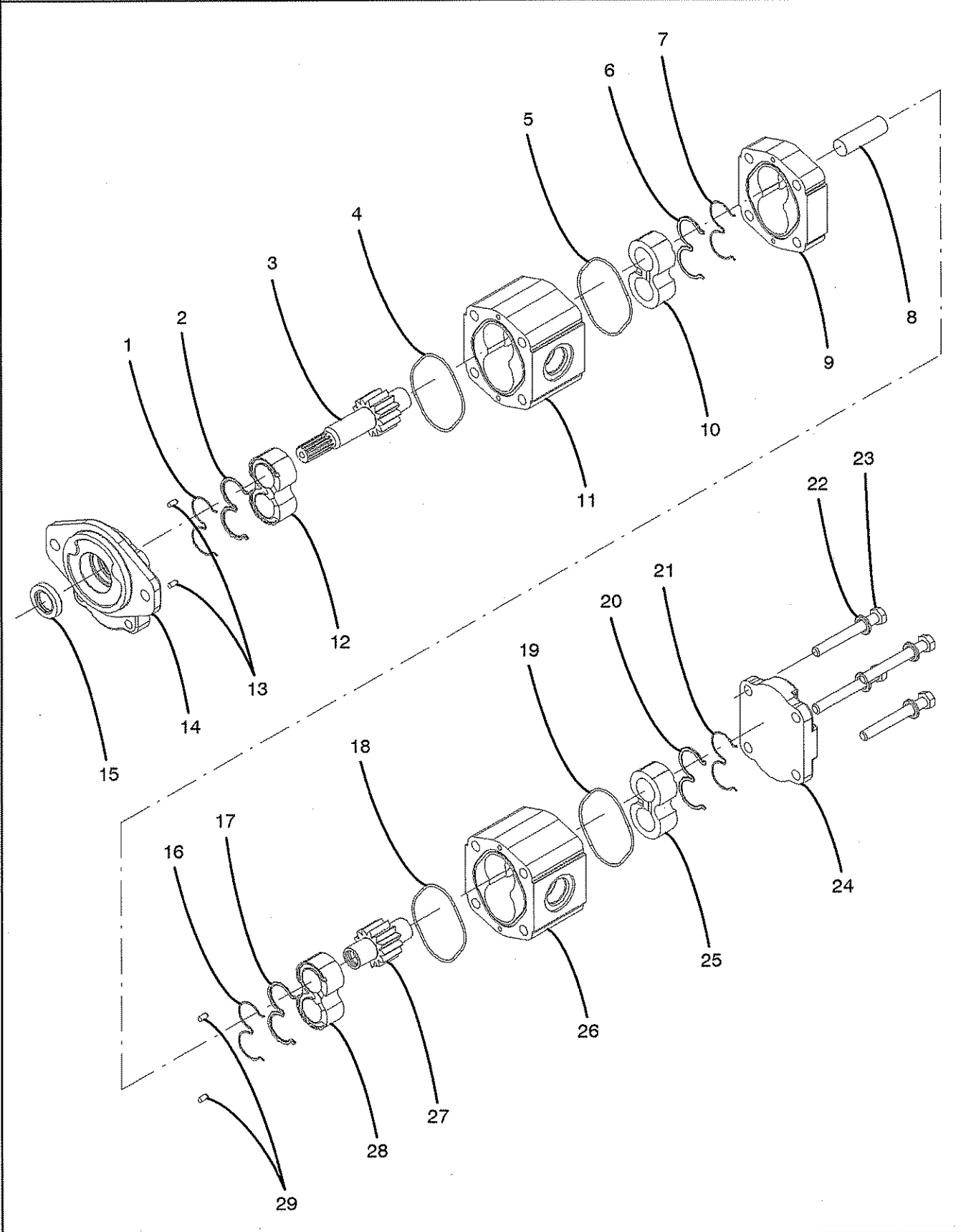


Parts List

0605

Rear Steer Indicator				
REF	PART NO.	QTY	DESCRIPTION	REMARKS
1	126009107	2	Capscrew	
	128003006	2	Washer	
2	D7A0707	1	Bracket	
3	1X 7307	2	Capscrew	
	1X 1776	2	Washer	
4	J9A0259	1	Bracket, Rear Steer Indicator	
5	128003004	2	Washer	
	127004003	2	Locknut	
6	5Z 0621	1	Clamp	
7	69R0092	1	Switch, Limit	
8	REF		Left Rear Wheel & Axle Assy	

Steer Pump Assy

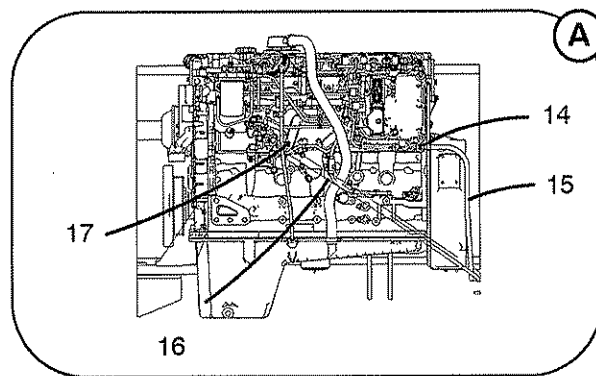
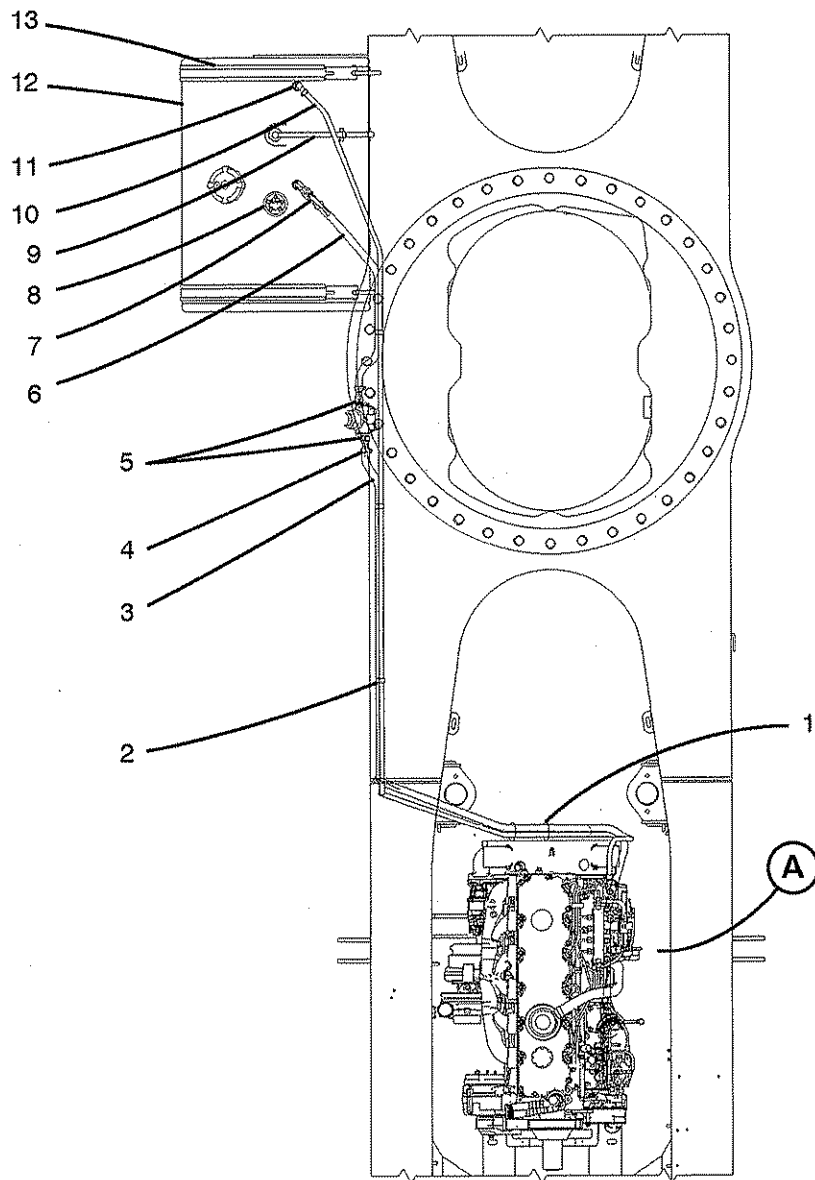


Parts List

0606

Steer Pump Assy				
REF	PART NO.	QTY	DESCRIPTION	REMARKS
	J9J0212	1	Steer Pump Assy	
1	3A 20484	1	Seal, Back Up	KA
2	3A 20483	1	Seal, Channel	KA
3	3J 17442	1	Set, Gear Shaft	
4	3A 20488	1	Seal, Section	KA
5	3A 20488	1	Seal, Section	KA
6	3A 20483	1	Seal, Channel	KA
7	3A 20484	1	Seal, Back Up	KA
8	3J 6939	1	Shaft, Connecting	
9	3A 20473	1	Plate, Mid	
10	3A 20482	1	Bushing	
11	3J 17440	1	Housing, Gear	
12	3A 20482	1	Bushing	
13	3A 20487	2	Pin, Dowel	
14	3A 20470	1	Housing, Shaft End	
15	3J 2272	1	Seal, Lip	KA
16	3A 20484	1	Seal, Back Up	KA
17	3A 20483	1	Seal, Channel	KA
18	3A 20488	1	Seal, Section	KA
19	3A 20488	1	Seal, Section	KA
20	3A 20483	1	Seal, Channel	KA
21	3A 20484	1	Seal, Back Up	KA
22	3A 20479	4	Washer	
23	3A 17493	4	Capscrew	
24	3A 20471	1	Housing, Port End	
25	3A 20482	1	Bushing	
26	3J 17494	1	Housing, Gear	
27	3A 21136	1	Set, Gear Shaft	
28	3A 20482	1	Bushing	
29	3A 20485	2	Pin, Dowel	
	3J 17495	1	Kit, Seal -- All Items Marked KA	

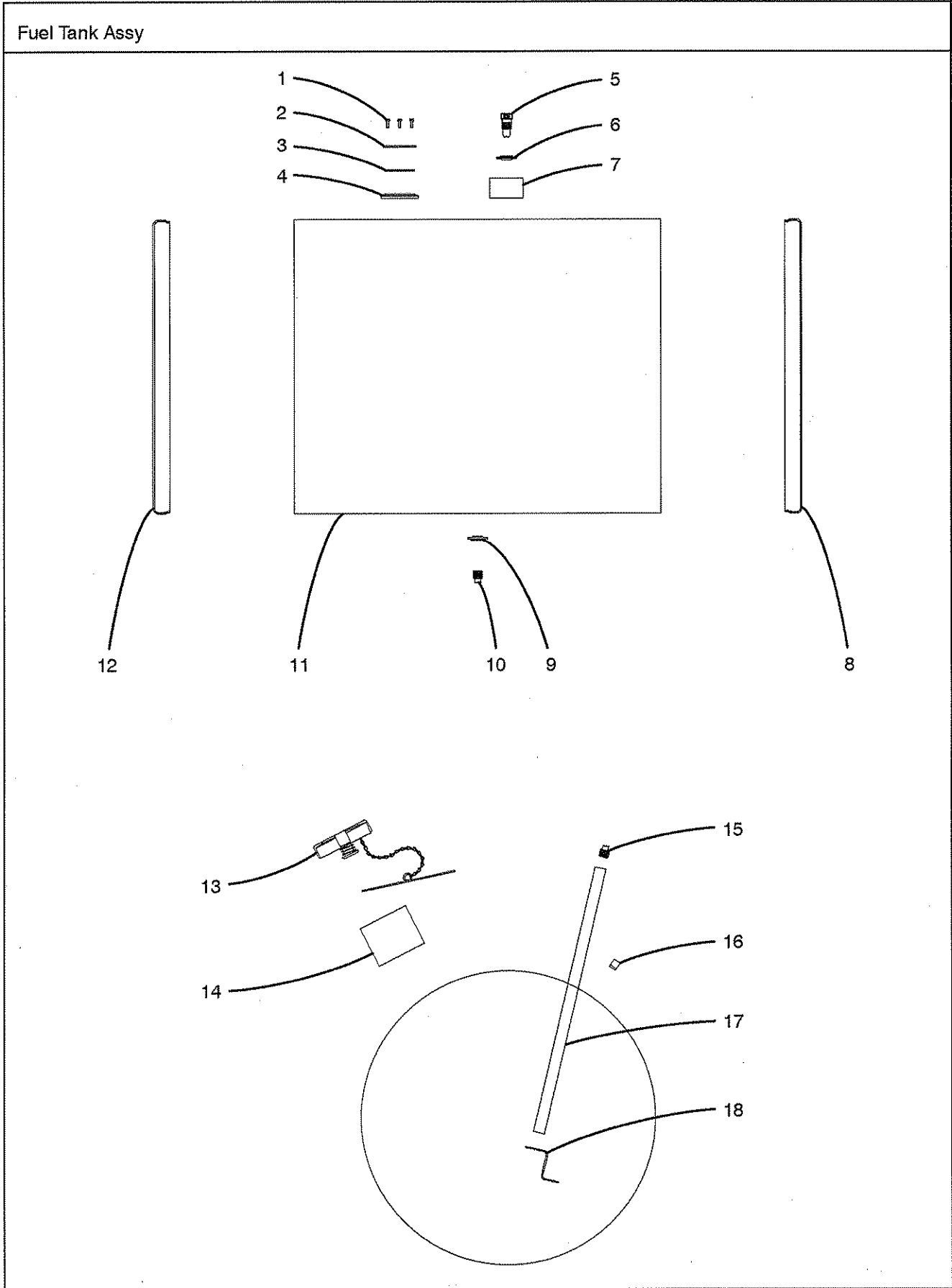
Fuel Tank Installation



Parts List

0710

Fuel Tank Installation				
REF	PART NO.	QTY	DESCRIPTION	REMARKS
1	71J0005	5	Tie, Cable	
2	1X 6511	5	Clamp – 0.62" Dia	
	1X 6407	5	Clamp – 1.0" Dia	
	126009013	2	Capscrew	
	127004003	5	Locknut	
3	822013008	1	Hose – 11.9' (Supply)	
4	18A2838	2	Clamp	
5	REF		Fuel Filter	
	J9A0463	2	Connector	
6	822013008	1	Hose – 2.5'	
	18A2838	1	Clamp	
7	53A0155	1	Valve, Fuel Shutoff	
	1X 5244	1	Stem, Hose	
	1X 7665	1	Elbow	
8	J8A0831	1	Unit, Fuel Sending	
9	822013003	1	Hose – 2.5'	
10	822013003	1	Hose – 14.9' (Return)	
	1X 5056	1	Clamp	
11	1X 7503	1	Stem, Hose	
	1X 2743	1	Bushing, Pipe	
12	REF	1	Fuel Tank Assy – See Keysheet 01-012	
13	J9A0203	2	Strap, Fuel Tank	
	J9A0207	2	Insulator – 3.33' Lg	
	J9A0211	2	Insulator – 2' Lg	
14	1X 5056	1	Clamp	
15	REF		Return Line	
16	REF		Supply Line	
17	18A2838	1	Clamp	

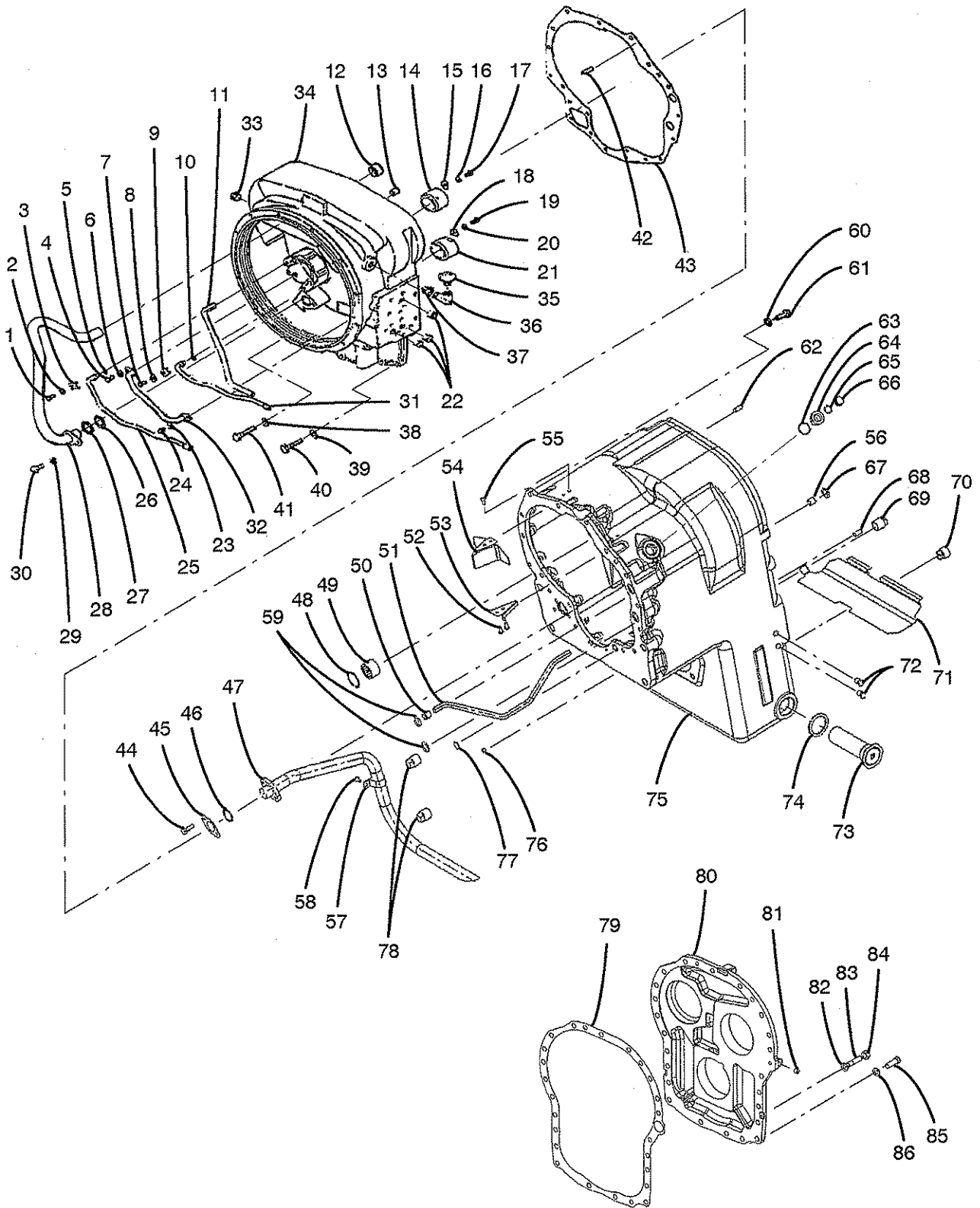


Parts List

0811

Fuel Tank Assy				
REF	PART NO.	QTY	DESCRIPTION	REMARKS
	J9A0472	1	Fuel Tank Assy	
1	3A 24322	5	Screw	
2	3A 24321	1	Cover	
3	3A 24320	1	Gasket	
4	3A 24319	1	Flange	
5	3A 24324	1	Vent	
6	3A 24325	2	Flange	
7	3H 2285	1	Guard, Vent	
8	3A 24318	1	Head	
9	3A 24325	2	Flange	
10	3H 2283	2	Plug	
11	REF	1	Tank, Fuel	NSS
12	3A 24318	1	Head	
13	3A 25534	1	Cap, Fuel – With Safety Release Valve	
	3A 25223	1	Key	
14	3A 24329	1	Neck, Fill	
15	3H 2283	1	Plug	
16	3A 24330	1	Clip, Tube	
17	3H 2284	1	Tube, Draw	
18	3A 24326	1	Clip, Tube	

Main Transmission Assy

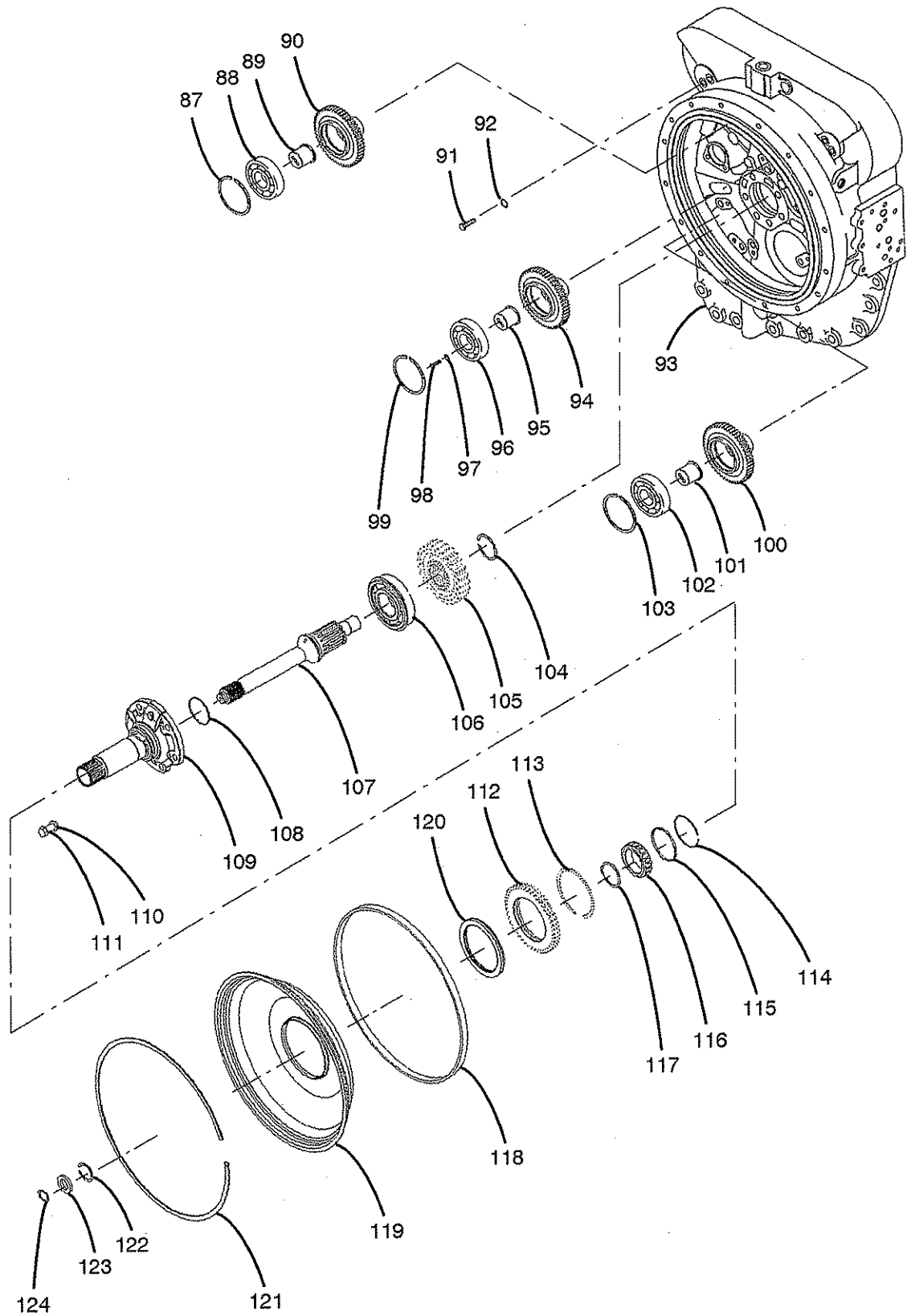


Parts List

1011

Main Transmission Assy				
REF	PART NO.	QTY	DESCRIPTION	REMARKS
	N4A0461	1	Main Transmission Assy	
	3A 24455	1	Convertor Housing & Tube Assy	
1	1X 3818	1	Capscrew	
2	3A 23424	1	Lockwasher	
3	3A 7816	1	Clip	
4	1X 3818	1	Capscrew	
5	3A 7814	1	O-ring	
6	3A 23424	1	Lockwasher	
7	1X 3818	1	Capscrew	
8	3A 23424	1	Lockwasher	
9	3A 7816	1	Clip	
10	3A 7814	1	O-ring	
11	3A 7813	1	Tube - Valve Oil Supply	
12	3A 7804	1	Sleeve	
13	3A 7805	1	Sleeve	
14	3A 9371	1	Sleeve	
15	3A 7807	1	Lock	
16	3A 23424	1	Lockwasher	
17	1X 3818	1	Capscrew	
18	3A 7807	1	Lock	
19	1X 3818	1	Capscrew	
20	3A 23424	1	Lockwasher	
21	3A 9371	1	Sleeve	
22	3A 7805	3	Sleeve	
23	3A 23424	1	Lockwasher	
24	1X 3818	1	Capscrew	
25	3A 7818	1	Tube - Reverse	
26	3A 7819	1	O-ring	
27	3A 7803	1	Ring, Spacer	
28	3A 7802	1	Tube - Suction	
29	1X 0028	1	Lockwasher	
30	1X 6479	1	Capscrew	
31	3A 7815	1	Tube - 3rd Speed	
32	3A 7817	1	Tube - Lube	
33	3A 1448	1	Plug	
34	REF	1	Housing, Convertor	NSS
35	3A 7808	1	Breather	
36	3A 24456	1	Elbow	
37	3A 24457	1	Bushing	
38	1X 0029	4	Lockwasher	
39	1X 0029	4	Lockwasher	
40	3A 7811	4	Capscrew	
41	3A 7812	4	Capscrew	
42	3A 7824	2	Pin, Dowel	
43	3A 7823	1	Gasket	
	3A 26677	1	Transmission Case & Tube Assy	
44	3A 26679	2	Capscrew	
45	3A 7843	1	Retainer	
46	3A 23320	1	O-ring	
47	3A 7838	1	Tube - Suction	
48	3A 26680	1	Ring, Snap	
49	3A 26681	1	Bearing	
50	3A 7805	1	Sleeve	
51	3A 7825	1	Tube - Low Speed Clutch Pressure	

Main Transmission Assy

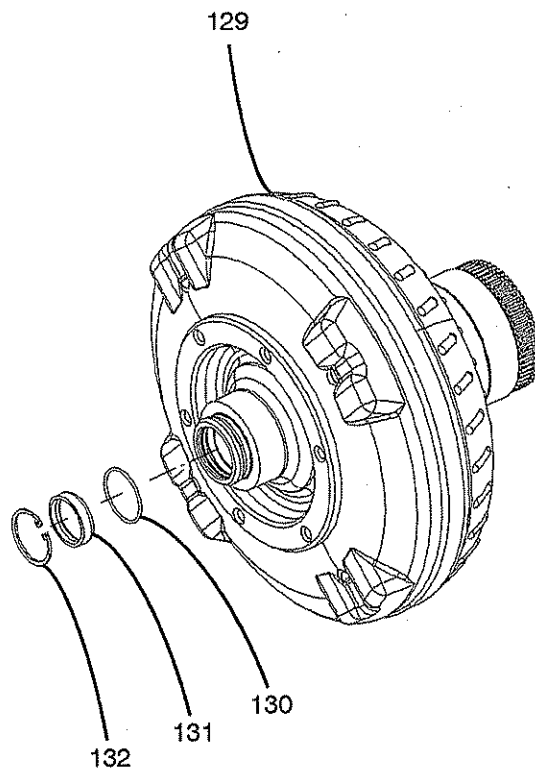
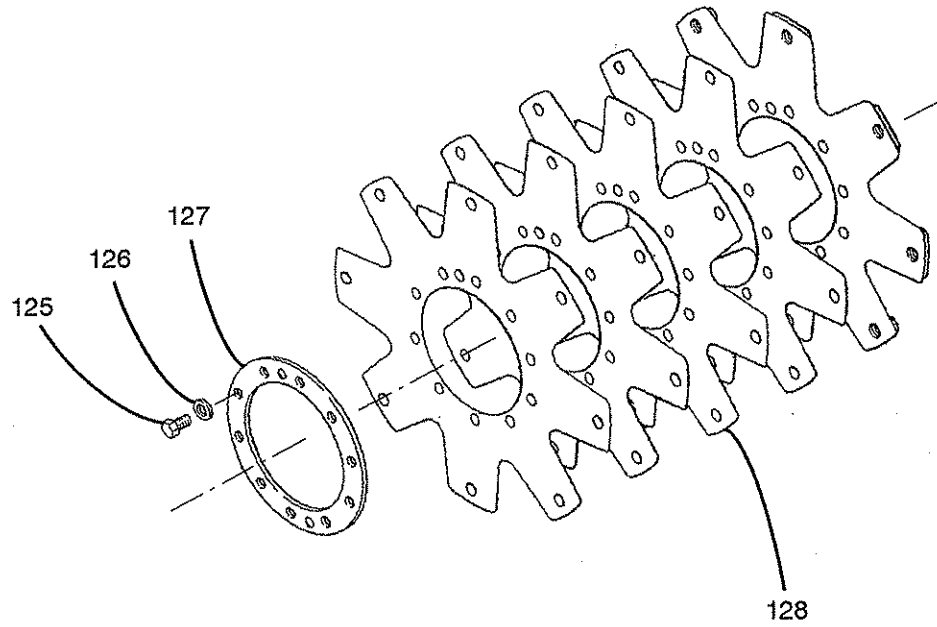


Parts List

1011

Main Transmission Assy				
REF	PART NO.	QTY	DESCRIPTION	REMARKS
52	3A 23252	2	Rivet	
53	3A 23254	1	Baffle, Oil	
54	3A 23253	1	Baffle, Oil	
55	3A 23252	2	Rivet	
56	3A 7805	1	Sleeve	
57	3A 23249	1	Clip	
58	3A 23252	1	Rivet	
59	3A 7747	2	O-ring	
60	1X 0029	10	Lockwasher	
61	3A 9377	10	Capscrew	
62	3A 7827	1	Pin, Dowel	
63	3A 23256	1	Shim - AR	
64	3A 23255	1	Bushing	
65	3A 23258	1	O-ring	
66	3A 23257	1	Plug	
67	3A 7747	1	O-ring	
68	3A 7827	1	Pin, Dowel	
69	3A 7841	1	Plug	
70	3A 7834	1	Plug, Magnetic Drain	
71	3A 7833	1	Baffle, Oil	
72	3A 25454	2	Plug	
73	3A 7837	1	Screen	
74	3A 7836	1	Gasket	
75	REF	1	Case	NSS
76	3A 25455	1	Plug	
77	3A 7845	1	Plug	
78	3A 7841	2	Plug	
79	3A 7828	1	Gasket	
80	3A 23222	1	Cover, Rear	
81	3W 0118	1	Plug	
82	1X 0029	2	Lockwasher	
83	3A 7832	2	Stud	
84	3A 1704	2	Nut	
85	3A 9377	21	Capscrew	
86	1X 0029	21	Lockwasher	
87	3A 25472	1	Ring, Snap	
88	3A 7737	1	Bearing	
89	3A 7738	1	Support, Bearing	
90	3A 7739	1	Gear	
91	3W 0143	4	Capscrew	
92	1X 0029	4	Lockwasher	
93	REF		Convertor Housing	
94	3A 25473	1	Gear	
95	3A 25474	1	Support, Idler	
96	3A 25475	1	Bearing	
97	1X 0029	2	Lockwasher	
98	3W 0143	2	Capscrew	
99	3A 25476	1	Ring, Snap	
100	3A 7734	1	Gear	
101	3A 7738	1	Support, Bearing	
102	3A 7737	1	Bearing	
103	3A 25472	1	Ring, Snap	
104	3A 7759	1	Ring, Snap	
105	3A 23243	1	Gear	

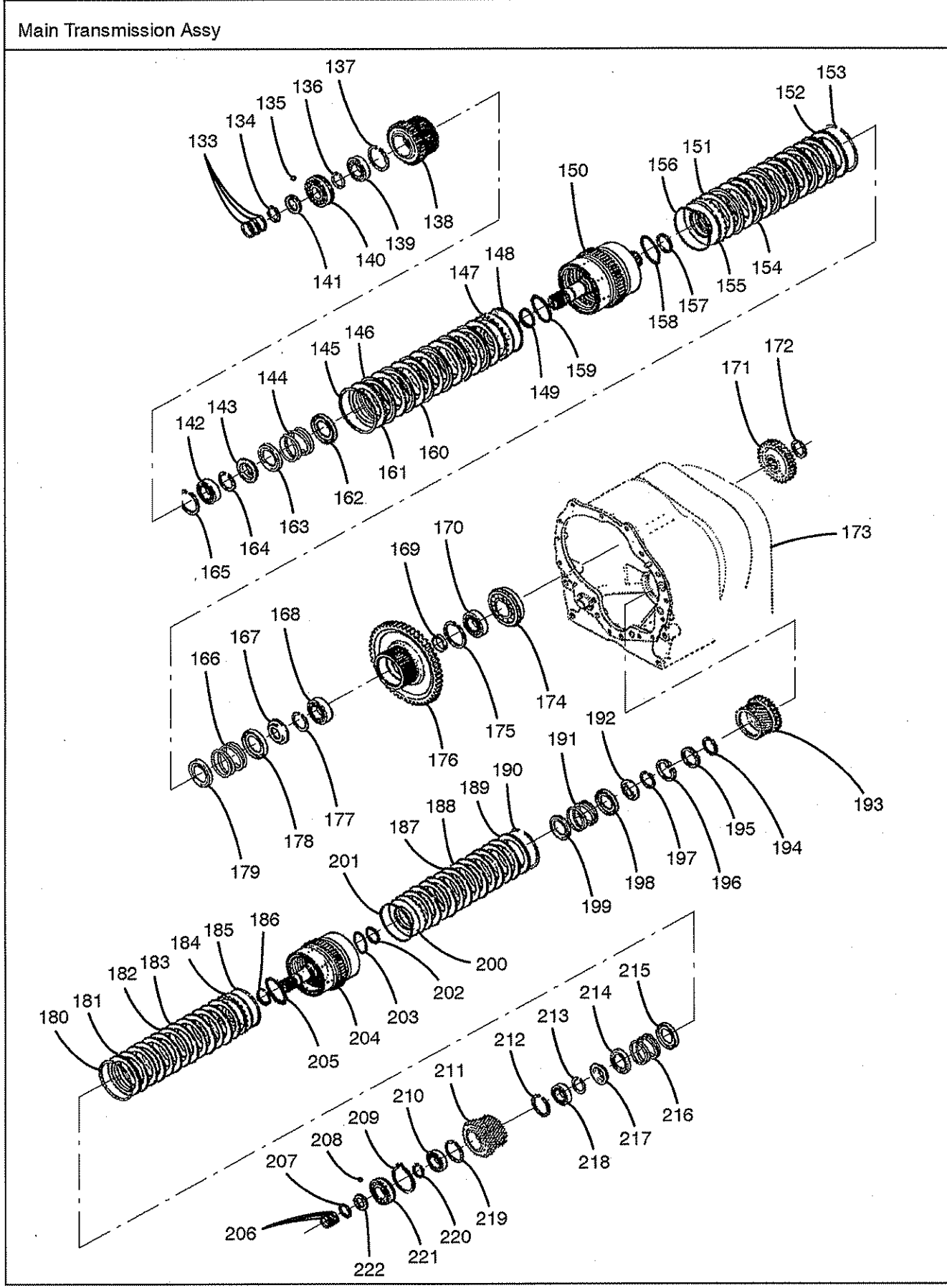
Main Transmission Assy



Parts List

1011

Main Transmission Assy				
REF	PART NO.	QTY	DESCRIPTION	REMARKS
106	3A 25470	1	Bearing	
107	3A 26690	1	Shaft, Turbine	
108	3A 26691	1	Ring, Piston	
109	3A 26692	1	Support, Stator	
110	1X 0030	6	Lockwasher	
111	3A 26693	6	Capscrew	
112	3A 7748	1	Gear	
113	3A 7749	1	Ring, Snap	
114	3A 26695	1	Spring	
115	3A 17565	1	Ring, Piston	
116	3A 17574	1	Bearing	
117	3A 26697	1	Ring, Snap	
118	3A 7768	1	Ring, Seal	
119	3A 17571	1	Oil Baffle Assy	
120	3A 22039	1	Seal, Oil	
121	3A 7766	1	Ring, Retaining	
122	3W 0826	1	Ring, Snap	
123	3A 26696	1	Spacer	
124	3A 26698	1	Ring, Snap	
	3A 26688	1	Drive Plate Assy	
125	3A 26689	6	Capscrew	
126	1X 0028	6	Lockwasher	
127	3A 16926	1	Ring, Backing	
128	REF	4	Plate, Drive	NSS
129	3A 26699	1	Convertor, Torque	
	3A 26700	1	Kit, Torque Convertor Plug	
130	3A 27603	1	O-ring	
131	3A 26701	1	Plug	
132	3A 26702	1	Ring, Snap	
133	3A 24904	3	Ring, Piston	
134	3A 7847	1	Ring, Retainer	
135	3A 26706	1	Ball	
136	3A 7847	1	Ring, Retainer	
137	3A 7850	1	Ring, Snap	
138	3A 23260	1	Gear, Clutch Driven	
139	3A 7849	1	Bearing	
140	3A 23326	1	Bearing	
141	3A 23324	1	Plate, End	
142	3A 7853	1	Bearing	
143	3A 10355	1	Retainer, Spring	
144	3A 7856	1	Spring, Piston Return	
145	3A 7934	1	Ring, Retainer	
146	3A 23328	6	Disc, Inner	
147	3A 25478	1	Reverse Clutch Piston Assy	
148	3A 7939	1	Seal	
149	3W 0461	1	Seal	
150	3A 24447	1	Drum, Reverse & 3rd Clutch	
151	3A 7937	7	Drive, Clutch	
152	3A 23327	1	Plate, End	
153	3A 7934	1	Ring, Retainer	
154	3A 23328	7	Disc, Inner	

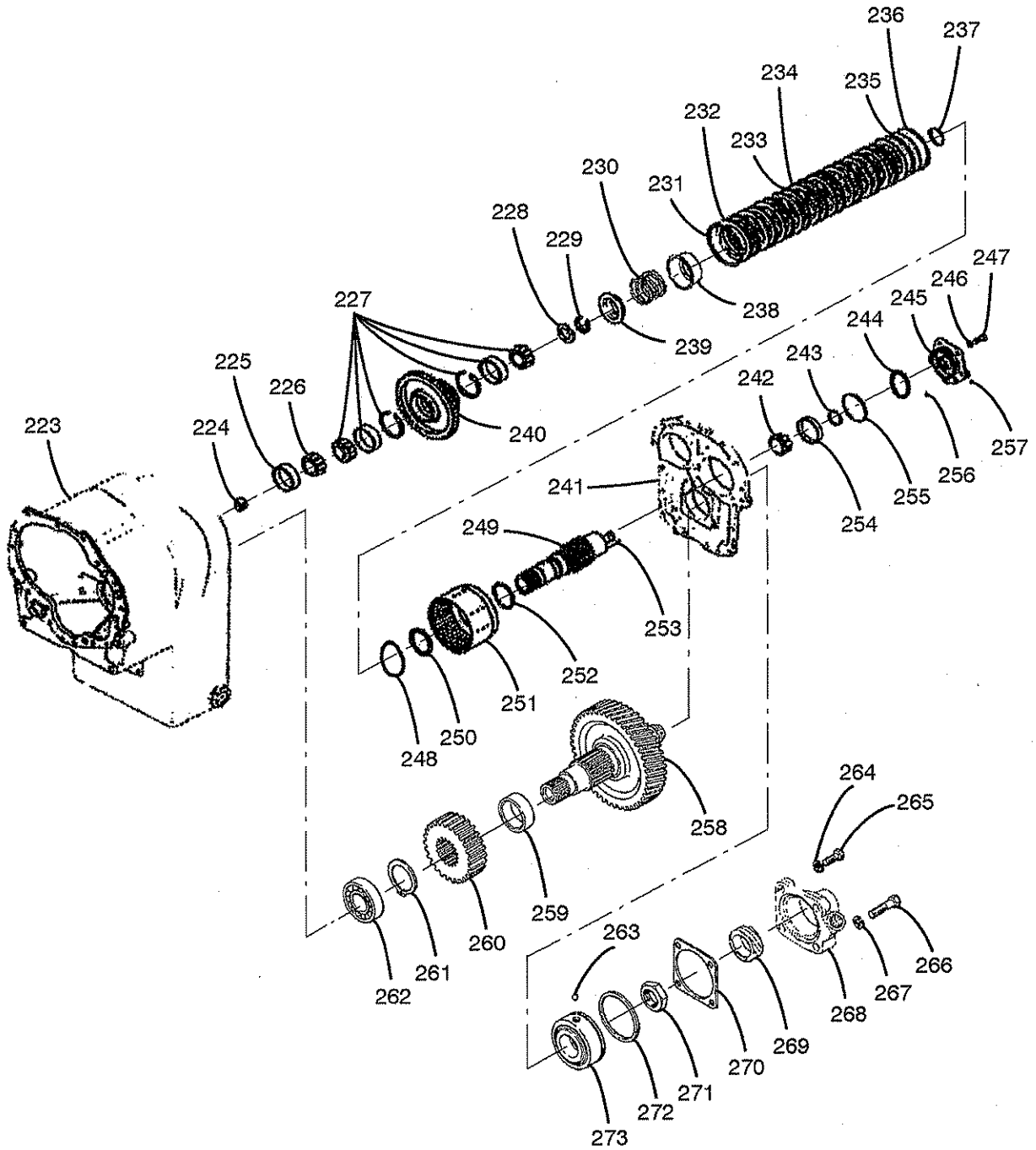


Parts List

1011

Main Transmission Assy				
REF	PART NO.	QTY	DESCRIPTION	REMARKS
155	3A 25477	1	3rd Clutch Piston Assy	
156	3A 7939	1	Seal	
157	3W 0461	1	Seal	
158	3A 24446	1	Seal, Metering	
159	3A 24446	1	Seal, Metering	
160	3A 7937	6	Disc, Outer	
161	3A 7935	1	Plate, End	
162	3A 7857	1	Retainer, Spring	
163	3A 7855	1	Retainer, Spring	
164	3A 10356	1	Ring, Snap	
165	3A 7850	1	Ring, Snap	
166	3A 7856	1	Spring	
167	3A 10355	1	Retainer	
168	3A 7858	1	Bearing	
169	3A 7861	1	Spacer	
170	3A 7862	1	Bearing	
171	3A 23315	1	Gear, Low Clutch Drive	
172	3A 7874	1	Ring, Retaining	
173	REF		Case	
174	3A 23333	1	Bearing	
175	3A 7859	1	Ring, Snap	
176	3A 7860	1	Gear	
177	3A 10356	1	Ring, Snap	
178	3A 7855	1	Retainer, Spring	
179	3A 7857	1	Retainer, Spring	
180	3A 7934	1	Ring, Retainer	
181	3A 7935	1	Plate, End	
182	3A 23328	6	Disc, Inner	
183	3A 7937	6	Disc, Outer	
184	3A 25478	1	Forward Clutch Piston Assy	
185	3A 7939	1	Seal	
186	3W 0461	1	Seal	
187	3A 23328	7	Disc, Inner	
188	3A 7937	7	Disc, Outer	
189	3A 23327	1	Plate, End	
190	3A 7934	1	Ring, Retainer	
191	3A 7856	1	Spring	
192	3A 10355	1	Retainer, Spring	
193	3A 7866	1	Gear	
194	3A 10356	1	Ring, Retainer	
195	3A 23335	1	Retainer	
196	3A 9142	1	Ring, Snap	
197	3A 10356	1	Ring, Snap	
198	3A 7855	1	Retainer, Spring	
199	3A 7857	1	Retainer, Spring	
200	3A 25477	1	2nd Clutch Piston Assy	
201	3A 7939	1	Seal	
202	3W 0461	1	Seal	
203	3A 24446	1	Seal, Metering	
204	3A 24449	1	Forward & 2nd Shaft, Hub, Drum & Plug Assy	
205	3A 24446	1	Seal, Metering	
206	3A 24904	3	Ring, Piston	
207	3A 7847	1	Ring, Retainer	
208	3A 23325	1	Ball	

Main Transmission Assy

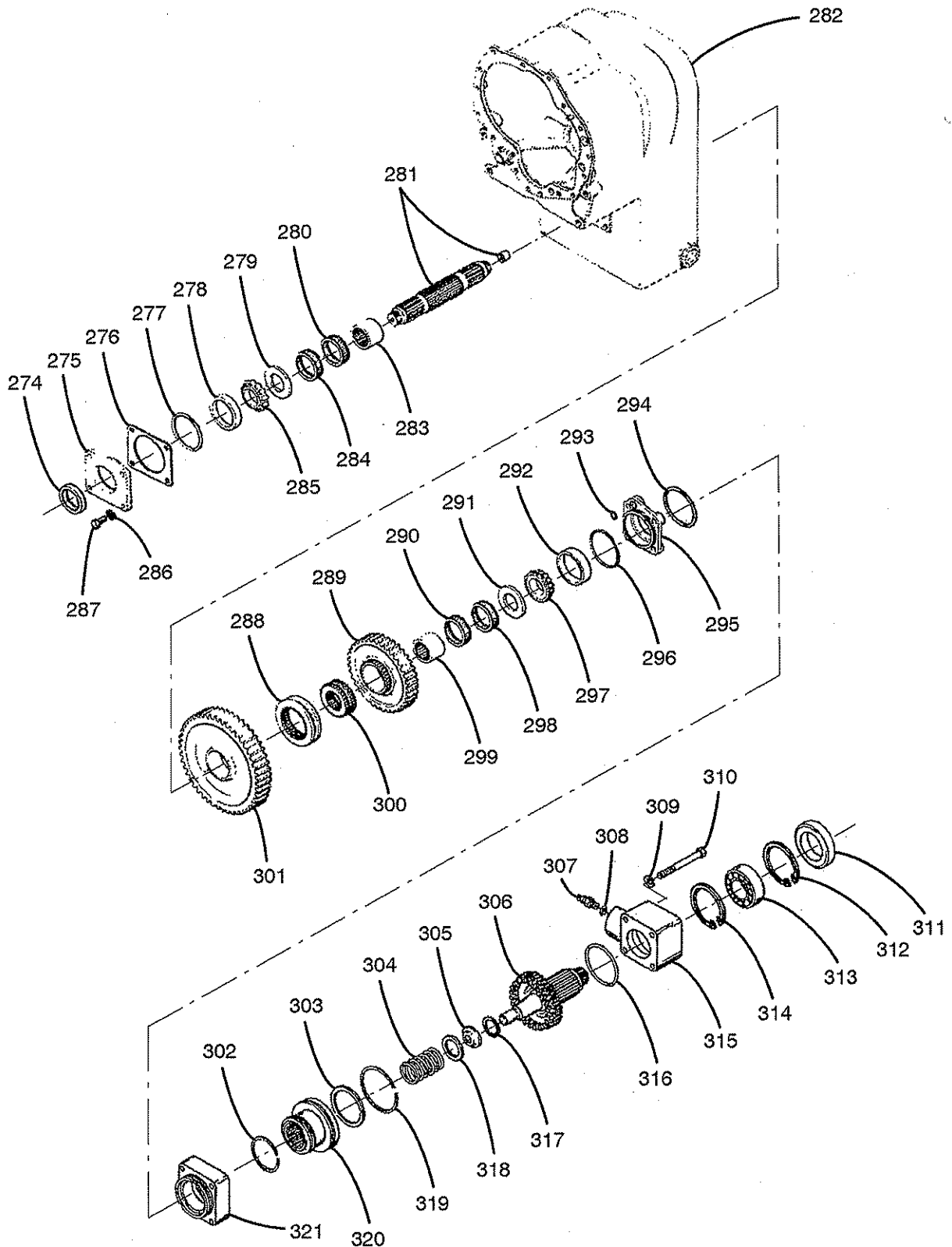


Parts List

1011

Main Transmission Assy				
REF	PART NO.	QTY	DESCRIPTION	REMARKS
209	3A 7865	1	Ring, Locating	
210	3A 7849	1	Bearing	
211	3A 23260	1	Gear, Forward Clutch Driven	
212	3A 7850	1	Ring, Snap	
213	3A 10356	1	Ring, Snap	
214	3A 7855	1	Retainer, Spring	
215	3A 7857	1	Retainer, Spring	
216	3A 7856	1	Spring	
217	3A 10355	1	Retainer	
218	3A 7853	1	Bearing	
219	3A 7850	1	Ring, Snap	
220	3A 7847	1	Ring, Retainer	
221	3A 23326	1	Bearing	
222	3A 23324	1	Plate, End	
223	REF		Case	
224	3A 7867	1	Bearing, Pilot	
225	3A 23344	1	Cup, Bearing	
226	3A 23343	1	Cone, Bearing	
227	3A 23341	1	Low Speed Gear Bearing Assy	
228	3A 23339	1	Retainer	
	3A 23340	1	Washer, Bearing Spacer	
229	3A 7759	1	Ring, Retaining	
230	3A 23337	1	Spring, Wave	
231	3A 7934	1	Ring, Retainer	
232	3A 7935	1	Plate, End	
233	3A 7943	9	Disc, Inner	
234	3A 7937	9	Disc, Outer	
235	3A 25478	1	Clutch Piston Assy	
236	3A 7939	1	Seal	
237	3W 0461	1	Seal	
238	3A 13428	1	Retainer, Spring	
239	3A 23338	1	Retainer, Spring	
240	3A 23342	1	Gear, Low Speed	
241	REF		Rear Cover	
242	3A 17031	1	Cone, Bearing	
243	3A 22091	1	Ring, Piston	
244	3A 23353	1	Shim - 0.004 - AR	
	3A 23354	1	Shim - 0.007 - AR	
	3A 23355	1	Shim - 0.010 - AR	
	3A 23356	1	Shim - 0.020 - AR	
245	3A 23351	1	Cap, Bearing	
246	1X 0028	5	Lockwasher	
247	3A 7880	5	Capscrew	
248	3A 24446	1	Seal, Metering	
	3A 24451	1	Low Shaft & Drum Assy	
249	3A 23346	1	Shaft	
250	3A 4478	1	Ring, Retaining	
251	3A 24450	1	Low Clutch Hub & Drum Assy	
252	3A 23347	1	O-ring	
253	3A 23348	1	Plug	
254	3A 17029	1	Cup, Bearing	
255	3A 23350	1	O-ring	
256	3A 23352	1	O-ring	
257	3W 0118	1	Plug	

Main Transmission Assy

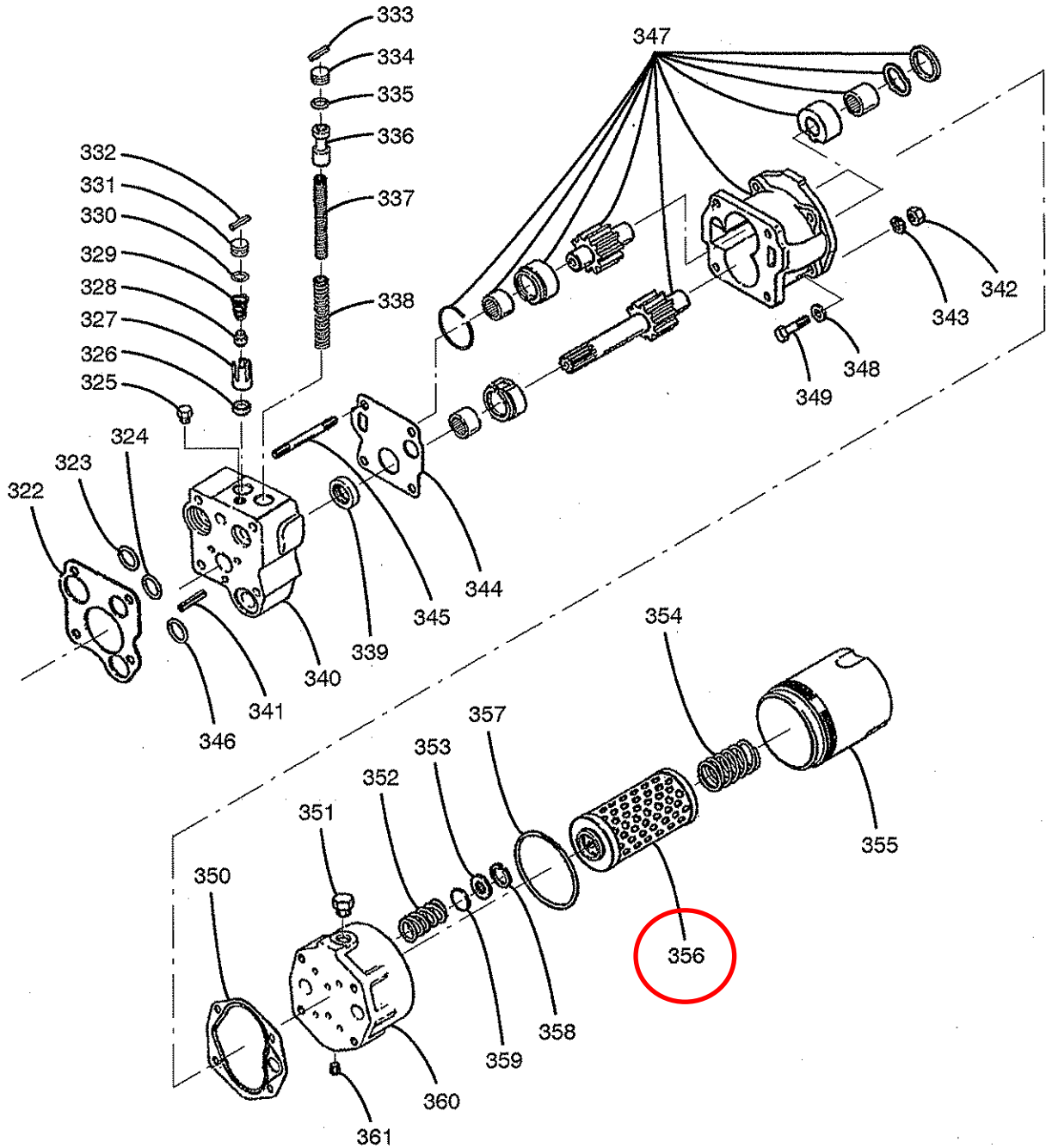


Parts List

1011

Main Transmission Assy				
REF	PART NO.	QTY	DESCRIPTION	REMARKS
258	3A 23362	1	Gear	
259	3A 23361	1	Spacer	
260	3A 23360	1	Gear, Idler Shaft Low Range	
261	3A 23359	1	Ring, Retaining	
262	3A 23357	1	Bearing	
	3A 23358	1	Spacer	
	3A 10356	1	Ring, Retaining	
263	3A 7882	1	Ball	
264	1X 2995	2	Lockwasher	
265	3A 17791	2	Capscrew	
266	3A 17791	2	Capscrew	
267	1X 2995	2	Lockwasher	
268	3A 25479	1	Cap, Bearing	
269	3A 23316	1	Spacer	
270	3A 17629	1	Gasket	
271	3A 7886	1	Nut	
272	3A 7884	1	Ring, Locating	
273	3A 23363	1	Bearing	
274	3A 7931	1	Seal, Oil	
275	3A 9379	1	Cap, Bearing	
276	3A 7914	1	Shim - 0.004 - AR	
	3A 7915	1	Shim - 0.007 - AR	
	3A 7916	1	Shim - 0.010 - AR	
	3A 7917	1	Shim - 0.020 - AR	
277	3A 7918	1	O-ring	
278	3A 17028	1	Cup, Bearing	
279	3A 7906	1	Washer, Thrust	
280	3A 7907	1	Bearing	
281	3A 23486	1	Output Shaft & Bushing Assy	
	3A 23487	1	Bushing	
282	REF		Case	
283	3A 7908	1	Race, Bearing	
284	3A 7907	1	Bearing	
285	3A 17523	1	Cone, Bearing	
286	1X 2995	4	Lockwasher	
287	3A 9378	4	Capscrew	
288	3A 7920	1	Hub, High/Low Shift	
289	3A 23367	1	Gear, High Range	
290	3A 7907	1	Bearing	
291	3A 7906	1	Washer, Thrust	
292	3A 17029	1	Cup, Bearing	
293	3A 7927	2	O-ring	
294	3A 7918	1	O-ring	
295	3A 23488	1	Adaptor	
296	3A 7926	1	O-ring	
297	3A 17031	1	Cone, Bearing	
298	3A 7907	1	Bearing	
299	3A 7908	1	Race, Inner	
300	3A 7921	1	Sleeve	
301	3A 7919	1	Gear, Low Range	
302	3A 23490	1	Ring, Piston	
303	3A 23492	1	Expander	
304	3A 23494	1	Spring	
305	3A 10355	1	Retainer	

Main Transmission Assy

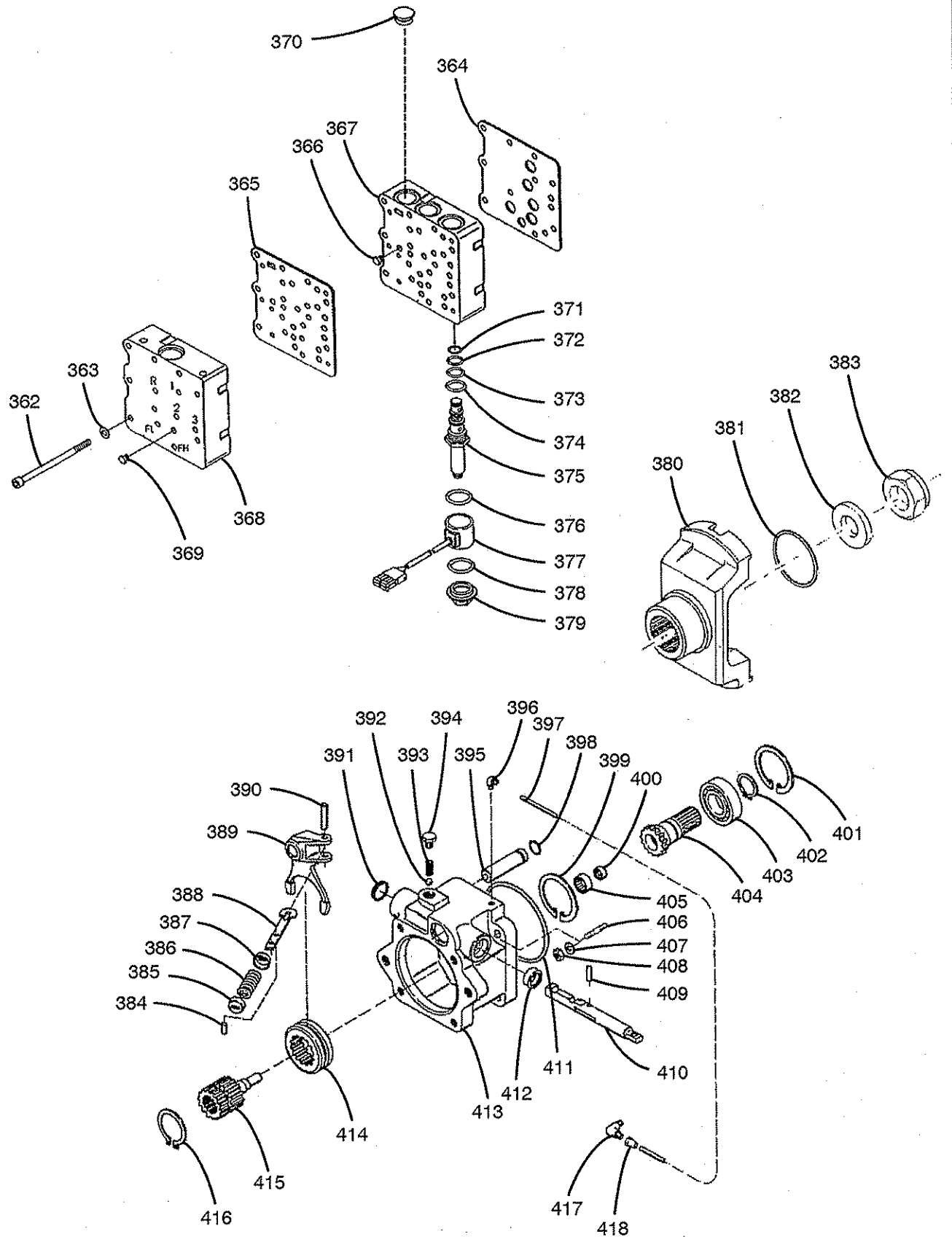


Parts List

1011

Main Transmission Assy				
REF	PART NO.	QTY	DESCRIPTION	REMARKS
306	3A 23496	1	Shaft, Disconnect	
307	3A 17563	1	Plug	
308	3A 18979	1	O-ring	
309	1X 2995	4	Lockwasher	
310	3A 9366	4	Capscrew	
311	3A 7913	1	Seal, Oil	
312	3A 7975	1	Ring, Retainer	
313	3A 7762	1	Bearing	
314	3A 7975	1	Ring, Retainer	
315	3A 23498	1	Housing, Disconnect	
316	3A 23497	1	O-ring	
317	3A 10356	1	Ring, Snap	
318	3A 23495	1	Washer, Thrust	
319	3A 23493	1	Ring, Piston	
320	3A 23491	1	Piston	
321	3A 23489	1	Cap, Bearing	
322	3W 0145	1	Gasket	
323	3A 7745	1	O-ring	
324	3A 7747	1	O-ring	
	3A 7994	1	Pressure Regulator Valve Assy	
325	3A 7835	1	Plug	
326	3A 7976	1	Seat	
327	3A 7977	1	Spacer	
328	3A 7978	1	Plunger	
329	3A 7979	1	Spring	
330	3W 0025	1	O-ring	
331	3A 7980	1	Stop, Valve	
332	3A 7950	1	Pin, Roll	
333	3A 7950	1	Pin, Roll	
334	3A 7983	1	Stop, Valve	
335	3A 9119	1	O-ring	
336	3A 24466	1	Piston	
337	3A 7985	1	Spring - Inner	
338	3A 7986	1	Spring - Outer	
339	3A 7993	1	Seal, Oil	
340	REF	1	Body, Valve	NSS
341	3A 7995	3	Pin, Roll	
342	3A 24468	4	Nut	
343	1X 0029	4	Lockwasher	
344	3A 7988	1	Gasket	
345	3A 7987	4	Stud	
346	3A 7746	1	O-ring	
347	3A 25481	1	Charging Pump Assy	
348	3A 24469	4	Lockwasher	
349	3A 24470	4	Screw	
350	3A 7996	1	Gasket	
351	3W 0724	1	Plug	
352	3W 0029	1	Spring	
353	3W 0031	1	Seat, Disc	
354	3W 0035	1	Spring	
355	3W 0036	1	Housing	
356	3A 25482	1	Element, Filter	
357	3W 0034	1	O-ring	
358	3W 0032	1	Ring, Retainer	

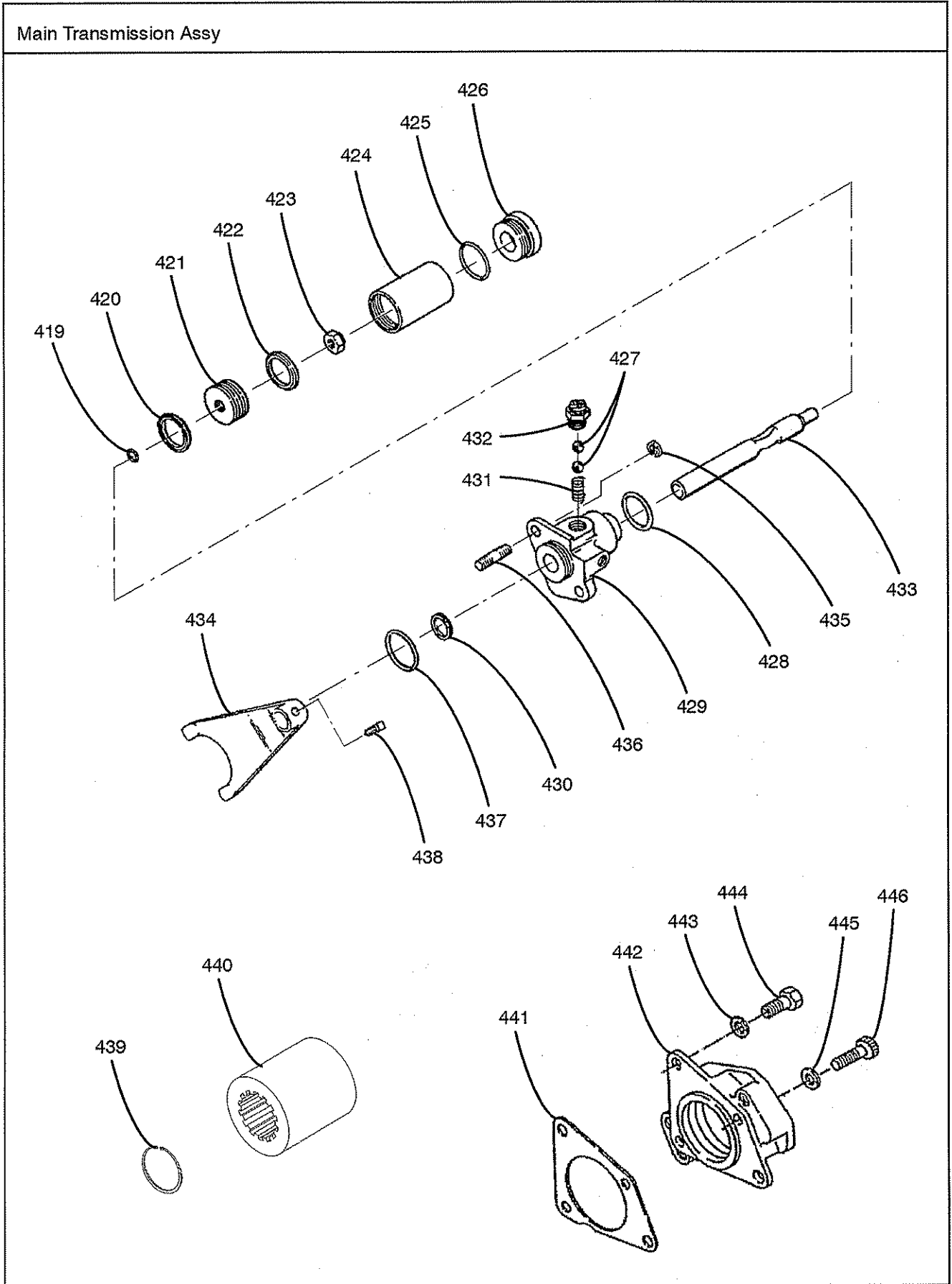
Main Transmission Assy



Parts List

1011

Main Transmission Assy				
REF	PART NO.	QTY	DESCRIPTION	REMARKS
359	3W 0030	1	Disc	
360	3A 24471	1	Adaptor, Filter	
361	3W 0724	1	Plug	
362	3A 23387	7	Capscrew	
363	1X 0028	7	Lockwasher	
364	3A 23374	1	Gasket	
	3A 23375	1	Control Valve Housing Assy	
365	3A 23385	1	Gasket	
366	3A 23390	1	Plug	
367	REF	1	Housing, Valve	NSS
368	3A 23387	2	Capscrew	
	1X 0028	2	Lockwasher	
	3A 23388	1	Cover	
369	3A 24475	6	Plug	
370	3A 17535	1	Plug	
	3A 16824	1	O-ring	
	3A 26740	4	Solenoid Cartridge Assy	
371	3A 17803	1	O-ring	
372	3A 23376	1	O-ring	
373	3A 23377	1	O-ring	
374	3A 23378	1	O-ring	
375	REF	1	Cartridge	NSS
376	3A 23380	1	O-ring	
377	REF	1	Coil, Solenoid	NSS
378	3A 23382	1	O-ring	
379	REF	1	Nut	NSS
380	3A 25071	1	Flange, Output	
381	3A 25485	1	O-ring	
382	3A 7910	1	Washer	
383	3A 7909	1	Nut	
384	3A 9177	1	Pin, Roll	
385	3A 15183	1	Retainer, Spring	
386	3A 7947	1	Spring	
387	3A 15183	1	Retainer, Spring	
388	3A 7948	1	Link, Actuating	
389	3A 7949	1	Fork, Shift	
390	3A 7950	1	Pin, Roll	
391	3A 7897	1	Seal, Oil	
392	3A 7900	1	Ball	
393	3A 15184	1	Spring	
394	3A 23241	1	Plug	
395	3A 7955	1	Rail	
396	3A 11351	1	Elbow	
397	3A 25518	1	Tube Assy	
398	3A 9119	1	O-ring	
399	3A 7957	1	Ring, Snap	
400	3A 7961	1	Bearing	
401	3A 7957	1	Ring, Snap	
402	3A 7960	1	Ring, Snap	
403	3A 7959	1	Bearing	
404	3A 7958	1	Shaft	
405	3A 7962	1	Bearing	
406	3A 9186	4	Stud	

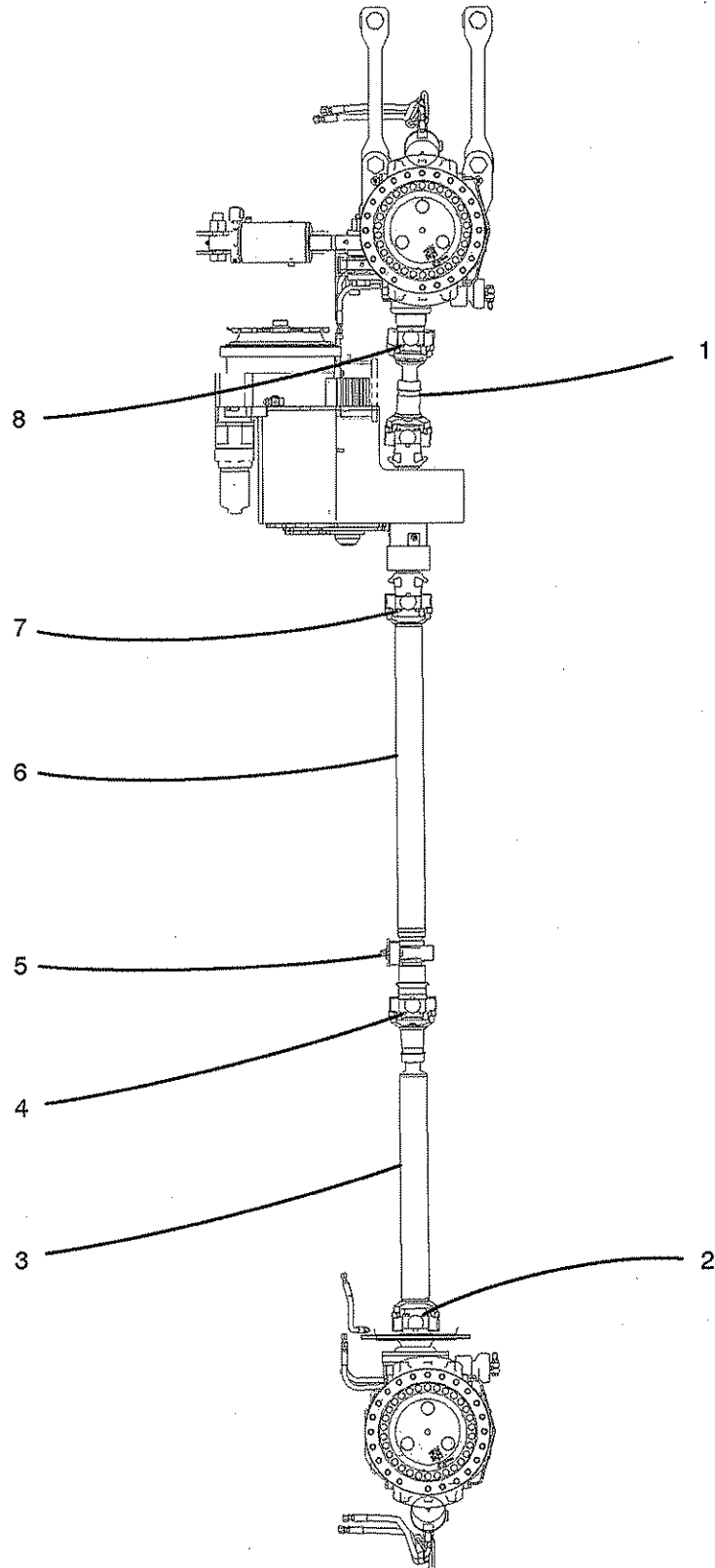


Parts List

1011

Main Transmission Assy				
REF	PART NO.	QTY	DESCRIPTION	REMARKS
407	1X 0030	4	Lockwasher	
408	3A 9187	4	Nut	
409	3A 25520	1	Pin, Roll	
410	3A 21843	1	Rail, Shift	
411	3A 10017	1	O-ring	
412	3A 7897	1	Seal, Oil	
413	3A 7964	1	Housing, Pump Disconnect	
414	3A 7965	1	Hub	
415	3A 7966	1	Shaft	
416	3A 7967	1	Ring, Snap	
417	3A 11351	1	Elbow	
418	3A 25519	1	Bushing, Reducer	
419	3W 0134	1	Seal	
420	3A 12106	1	Seal, Piston	
421	3A 23500	1	Piston	
422	3A 12106	1	Seal, Piston	
423	3A 12108	1	Nut	
424	3A 16300	1	Tube	
425	3A 22121	1	O-ring	
426	3A 16298	1	Cap, End	
427	3A 7900	2	Ball, Detent	
428	3A 12102	1	O-ring	
429	3A 23501	1	Body	
430	3A 12104	1	Seal, Rod	
431	3A 7899	1	Ball, Detent	
432	3A 8002	1	Switch, Neutral	
433	3A 23502	1	Rail, Shift	
434	3A 7929	1	Fork, Shift	
435	1X 0028	2	Lockwasher	
436	3A 7880	2	Screw	
437	3A 9147	1	O-ring	
438	3A 7930	1	Lockscrew	
439	3A 7743	1	Ring, Snap	
440	3A 25484	1	Sleeve	
441	3W 0021	1	Gasket	
442	3W 0022	1	Adaptor, Pump	
443	1X 0029	2	Lockwasher	
444	3W 0023	2	Screw	
445	1X 0028	2	Lockwasher	
446	3W 0024	2	Screw	
	3A 23255	1	Bushing - Not Shown - Converter Housing Group	
	3A 23256	1	Shim - AR - Not Shown - Converter Housing Group	
	3A 11353	1	Plug - Not Shown - Converter Housing Group	
	3A 7956	1	O-ring - Not Shown - Output Shaft Group	
	3A 25480	1	Plug - Not Shown - Output Shaft Group	
	3W 0070	1	Plug - Not Shown - Output Shaft Group	
	3A 25454	2	Plug - Not Shown - Airshift Cylinder Group	
	3W 0118	1	Plug - Not Shown - Control Valve Assy	
	3A 24794	1	Tee - Not Shown	

Drive Train

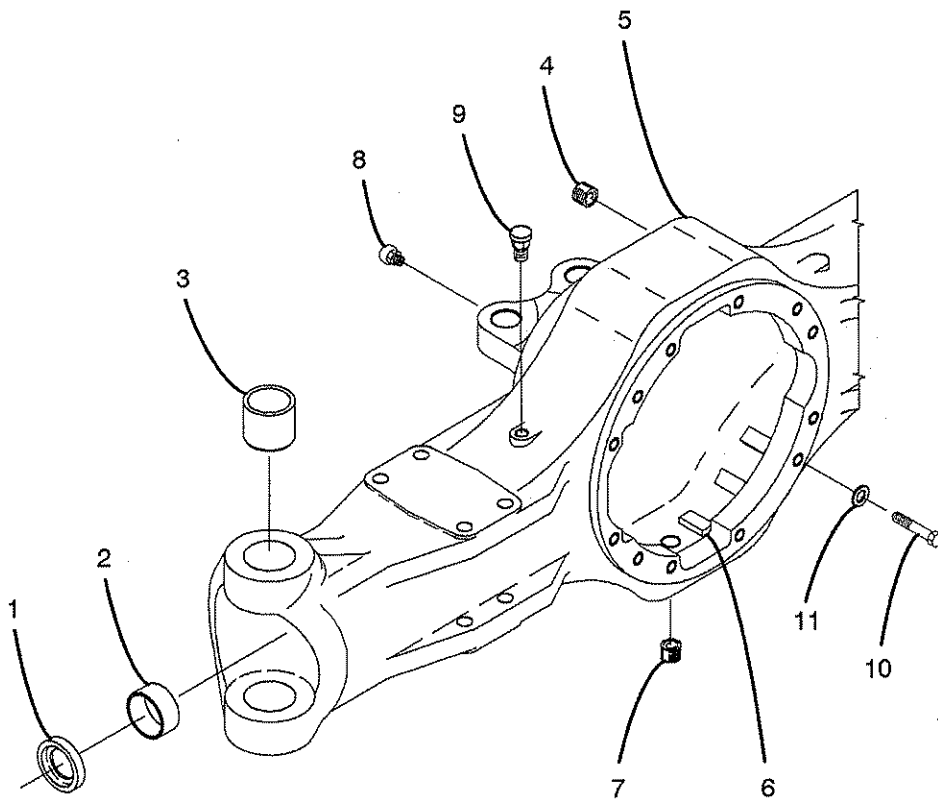


Parts List

0508

Drive Train				
REF	PART NO.	QTY	DESCRIPTION	REMARKS
1	J9A0112	1	Tube, Drive	
	3A 24788	1	Kit, Cross & Bearing	
2	18A2582	4	Capscrew	
3	J9A0114	1	Tube, Drive	
	3A 24788	1	Kit, Cross & Bearing	
4	126004082	4	Capscrew	
5	126009034	2	Capscrew	
	128003007	4	Washer	
	127004005	2	Locknut	
6	J9A0113	1	Tube, Drive	
	3A 24788	1	Kit, Cross & Bearing	
7	18A2582	8	Capscrew	
8	18A2582	4	Capscrew	

Rear Axle Assy



Parts List

0507

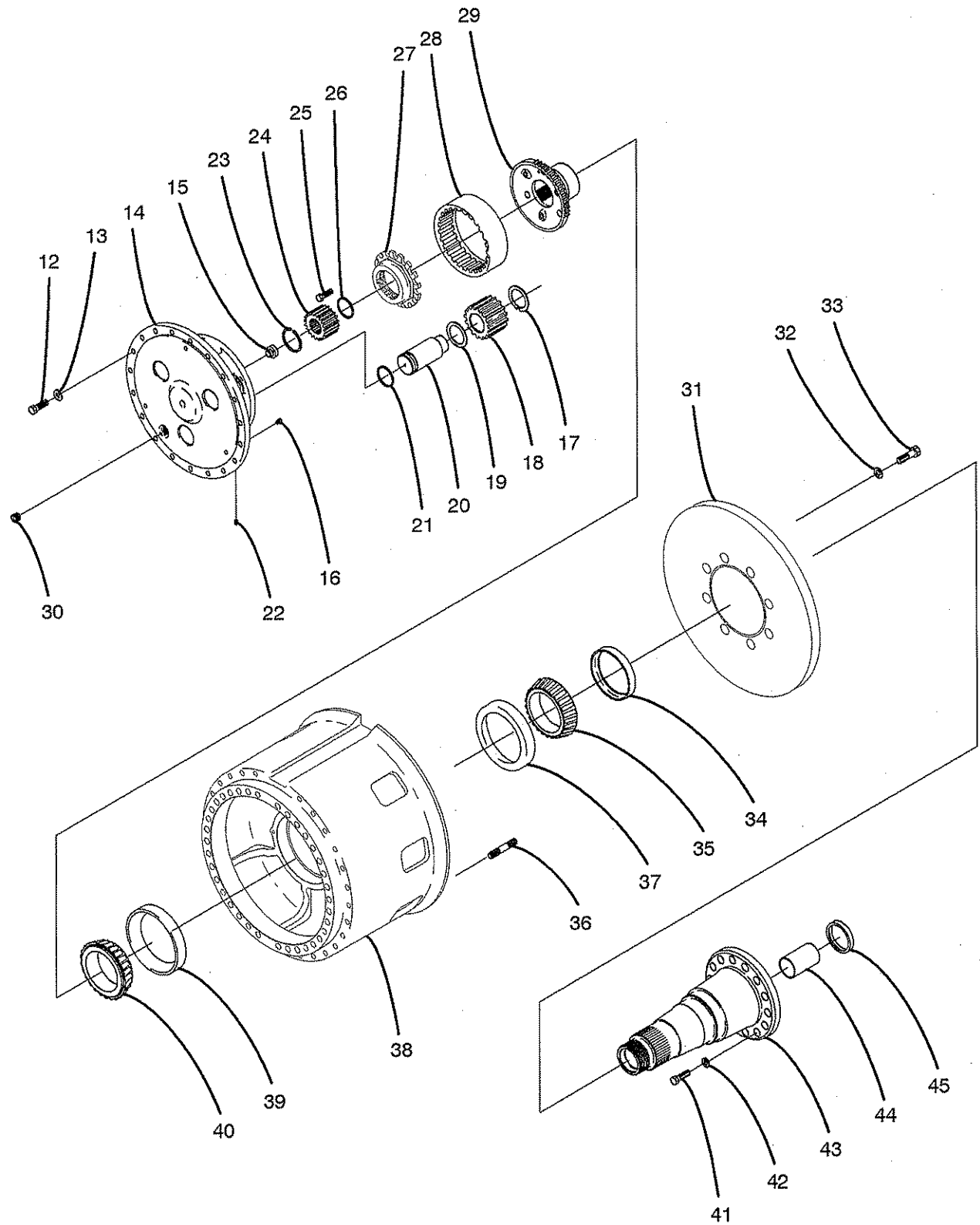
Rear Axle Assy				
REF	PART NO.	QTY	DESCRIPTION	REMARKS
	J9A0447	1	Rear Axle Assy	
	3A 25128	1	Axle Housing Assy	
	3A 25129	1	Housing Assy	
1	3A 25120	2	Seal, Oil	
2	3A 25119	2	Bushing	
3	3A 24391	4	Bushing	
4	3A 3527	1	Plug	
5	REF	1	Housing	NSS
6	3A 19123	6	Magnet	
7	3A 10650	1	Plug, Fill/Drain Magnetic	
8	3A 25122	2	Fitting, Grease	
9	3A 24983	1	Breather	
10	3A 19480	12	Capscrew – Short	
	3A 24984	4	Capscrew – Long	
11	3A 10410	16	Washer	
	3A 25130	1	Hub & Shaft Assy	
12	3A 24395	60	Capscrew	
13	3A 16177	60	Washer	
	3A 23780	2	Planetary Spider Assy	
	3A 23820	1	Spider Assy	
14	REF	1	Spider, Planetary	NSS
15	3A 14432	1	Button, Thrust	
16	3A 7395	3	Button, Thrust	
17	3A 7400	3	Washer, Thrust	
18	3A 10730	3	Pinion	
19	3A 7398	3	Washer, Thrust	
	3A 12176	3	Pinion Shaft Assy	
20	REF	1	Shaft, Pinion	NSS
21	3A 12178	1	O-ring	
22	3A 10702	3	Setscrew	
23	3A 0427	2	Ring, Snap	
24	3A 10703	2	Gear, Planetary Sun	
25	3A 23779	2	Screw	
26	3A 15450	2	Washer, Thrust	
27	3A 23778	2	Nut	
28	3A 22230	2	Gear, Planetary Ring	
29	3A 23817	2	Hub, Planetary Ring Gear	
30	3A 10650	2	Plug, Fill/Drain Magnetic	
31	3A 23775	2	Disc, Brake	
32	3A 10410	32	Washer, Flat	
33	3A 18294	32	Capscrew	
34	3A 25126	2	Seal, Oil	
35	3A 12778	2	Cone, Bearing	
36	3A 22233	46	Stud, Wheel	
	3A 25127	2	Hub & Cup Assy	
37	3A 1119	1	Cup, Bearing	
38	REF	1	Hub	NSS
39	3A 1119	1	Cup, Bearing	
40	3A 1118	2	Cone, Bearing	

Parts List

0507

01-024-343.00

Rear Axle Assy

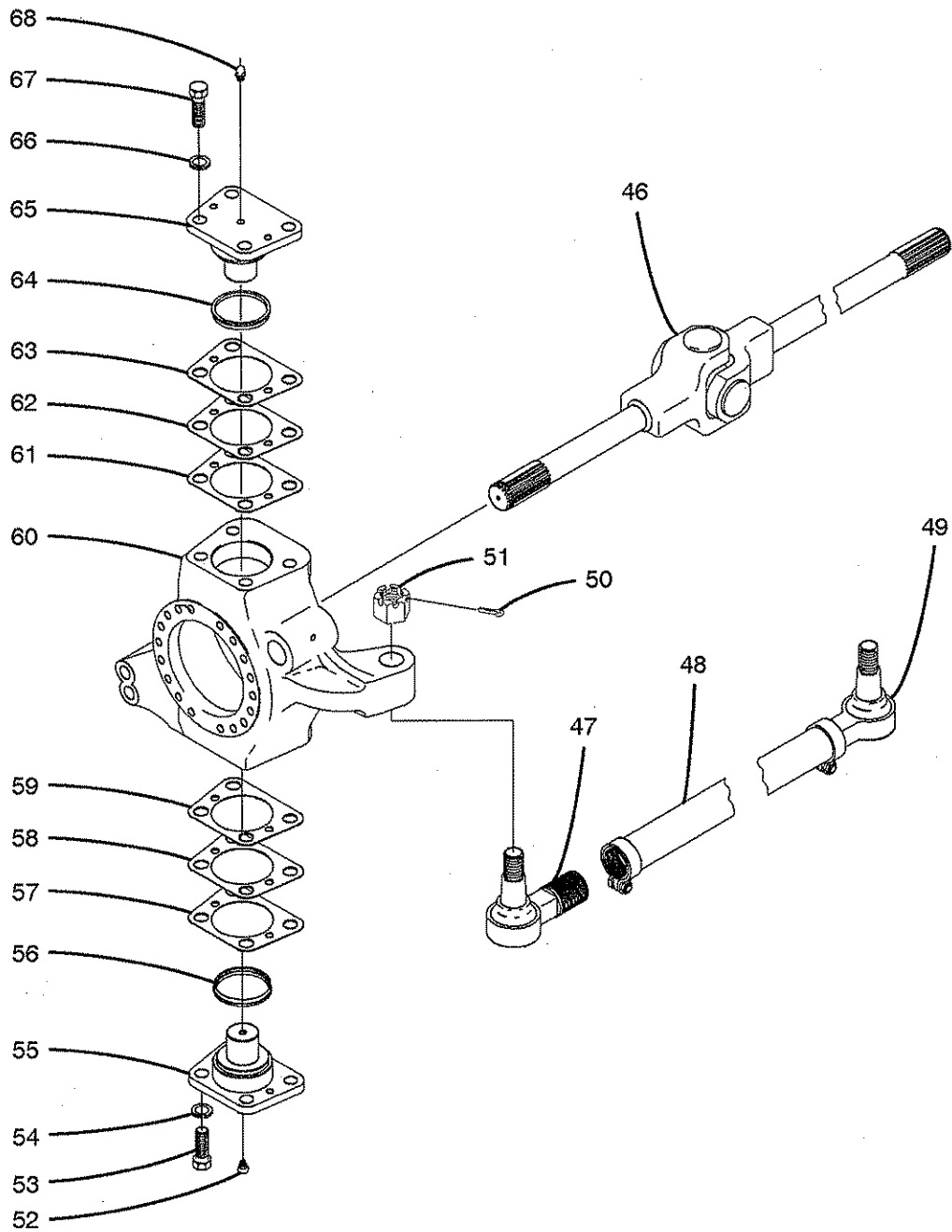


Parts List

0507

Rear Axle Assy				
REF	PART NO.	QTY	DESCRIPTION	REMARKS
41	3A 24963	36	Capscrew	
42	3A 10755	36	Washer	
	3A 25125	2	Spindle Assy	
43	REF	1	Spindle	NSS
44	3A 25119	1	Bushing	
45	3A 25120	1	Seal, Oil	
46	3A 23773	1	U-joint Assy - RH	
	3A 23772	1	U-joint Assy - LH	
	3A 20193	1	Kit, Center Parts	
	3A 24394	1	Shaft, U-joint - Outer	
	3A 20189	1	Shaft, U-joint - RH Inner	
	3A 20187	1	Shaft, U-joint - LH Inner	
	3A 23781	1	Tie Rod Assy	
47	3A 22247	1	Tie Rod End Assy - LH	
48	3A 23782	1	Clamp & Tie Rod Assy	
49	3A 22248	1	Tie Rod End Assy - RH	
50	3A 16186	2	Pin, Cotter	
51	3A 16185	2	Nut, Slotted	
52	3A 25124	2	Fitting, Grease	
53	3A 7268	8	Capscrew	
54	3A 12581	8	Washer	
55	3A 23770	2	Cap, King Pin	
56	3A 22928	2	Seal, Grease	
57	3A 22931	2	Shim - 0.020 - AR	
58	3A 22930	4	Shim - 0.005 - AR	
59	3A 22929	6	Shim - 0.003 - AR	
60	3A 23769	1	Knuckle, Steering - RH	
	3A 23768	1	Knuckle, Steering - LH	
61	3A 22929	6	Shim - 0.003 - AR	
62	3A 22930	4	Shim - 0.005 - AR	
63	3A 22931	2	Shim - 0.020 - AR	
64	3A 22928	2	Seal, Grease	
65	3A 23770	2	Cap, King Pin	
66	3A 12581	8	Washer	
67	3A 7268	8	Capscrew	
68	3A 25124	2	Fitting, Grease	
	3A 24988	1	Differential Carrier Assy	
	3A 24974	1	Differential Carrier & Cap Assy	
69	REF	1	Carrier, Differential	NSS
70	REF	4	Capscrew	NSS
71	REF	4	Washer	NSS
72	REF	2	Cap, Bearing	NSS
73	3A 18131	12	Locknut	KB
74	3A 10410	12	Washer, Flat	KB
	3A 24989	1	Differential Case & Nest Assy	
	3A 24990	1	Case Assy	
75	REF	1	Case, Differential - Flange Half	NSS
76	3A 20151	16	Washer	
77	3A 19537	16	Capscrew	
78	REF	1	Case, Differential - Plain Half	NSS

Rear Axle Assy

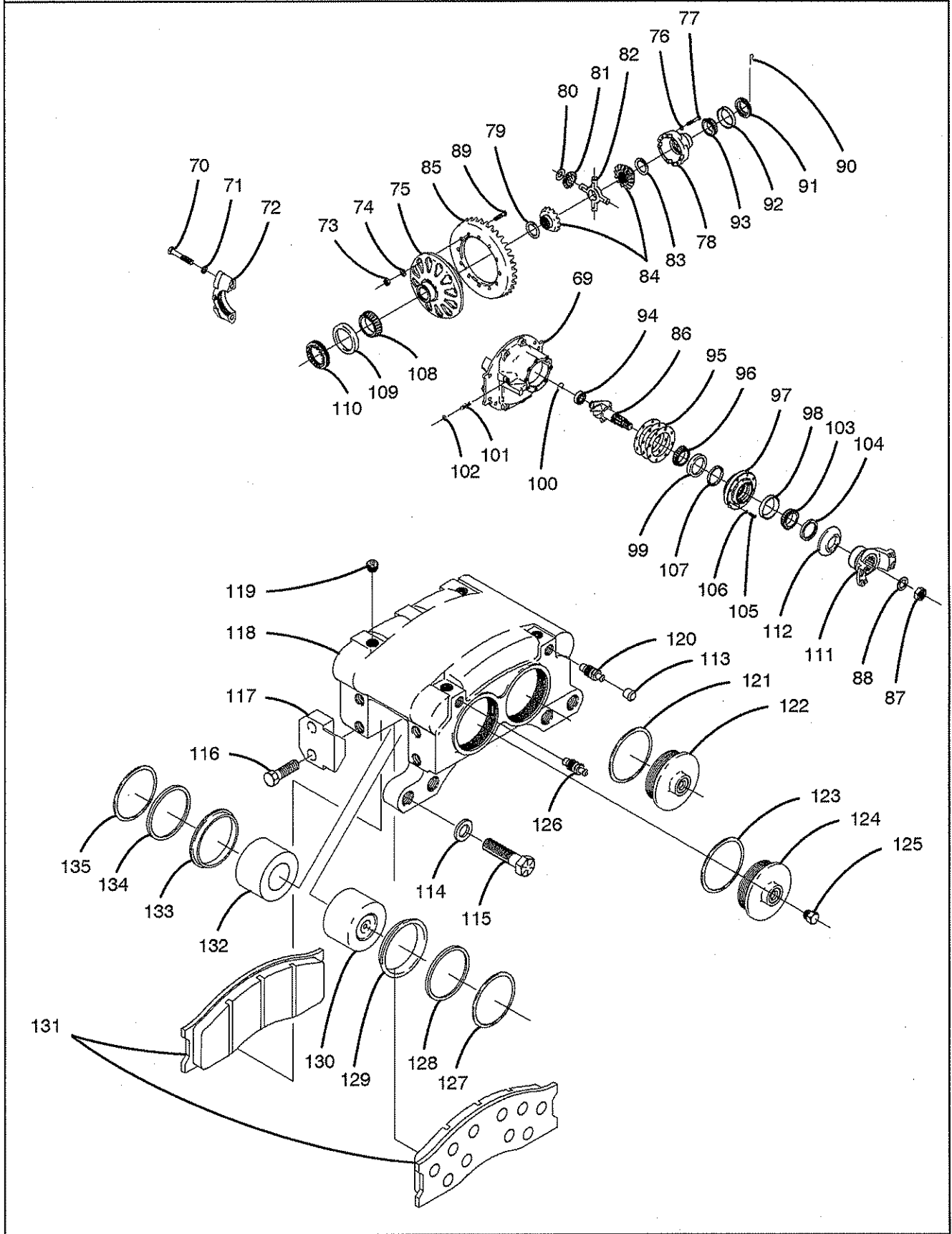


Parts List

0507

Rear Axle Assy				
REF	PART NO.	QTY	DESCRIPTION	REMARKS
	3A 24978	1	Differential Kit	
79	3A 19540	1	Gear, Differential Side	
80	3A 24980	4	Washer, Thrust	
81	3A 19541	4	Pinion, Differential	
82	3A 20161	1	Spider, Differential	
83	3A 24979	2	Washer, Thrust	
84	3A 19540	1	Gear, Differential Side	
	3A 24383	1	Gear & Pinion Assy	
85	REF	1	Gear, Bevel	NSS
86	REF	1	Pinion	NSS
87	3A 20150	1	Locknut	
88	3A 6429	1	Washer, Flat	
89	3A 19543	12	Capscrew	KB
90	3A 24488	2	Screw	
91	3A 19593	1	Ring, Bearing Adjustor	
92	3A 22946	1	Cup, Bearing	KA
93	3A 22945	1	Cone, Bearing	KA
94	3A 7378	1	Bearing, Roller	KA
95	3A 24972	1	Kit, Minor Repair	KA
96	3A 6390	1	Cone, Bearing	KA
	3A 24489	1	Pinion Cage Assy	
97	REF	1	Cage, Pinion	NSS
98	1X 2616	1	Cup, Bearing	KA
99	3A 4402	1	Cup, Bearing	KA
100	3A 3702	1	Ring, Lock	KA
101	3A 19547	1	Screw, Thrust	
102	3A 20153	1	Nut, Jam	
103	3A 19510	1	Cone, Bearing	KA
104	3A 24973	1	Seal, Oil	KA
105	3A 19180	8	Capscrew	
106	3A 20151	8	Washer	
107	3A 19512	1	Kit, Shim	KA
108	3A 22945	1	Cone, Bearing	KA
109	3A 22946	1	Cup, Bearing	KA
110	3A 19593	1	Ring, Bearing Adjustor	
	3A 24385	1	Yoke & Deflector Assy	
111	REF	1	Yoke	NSS
112	3A 22686	1	Deflector	

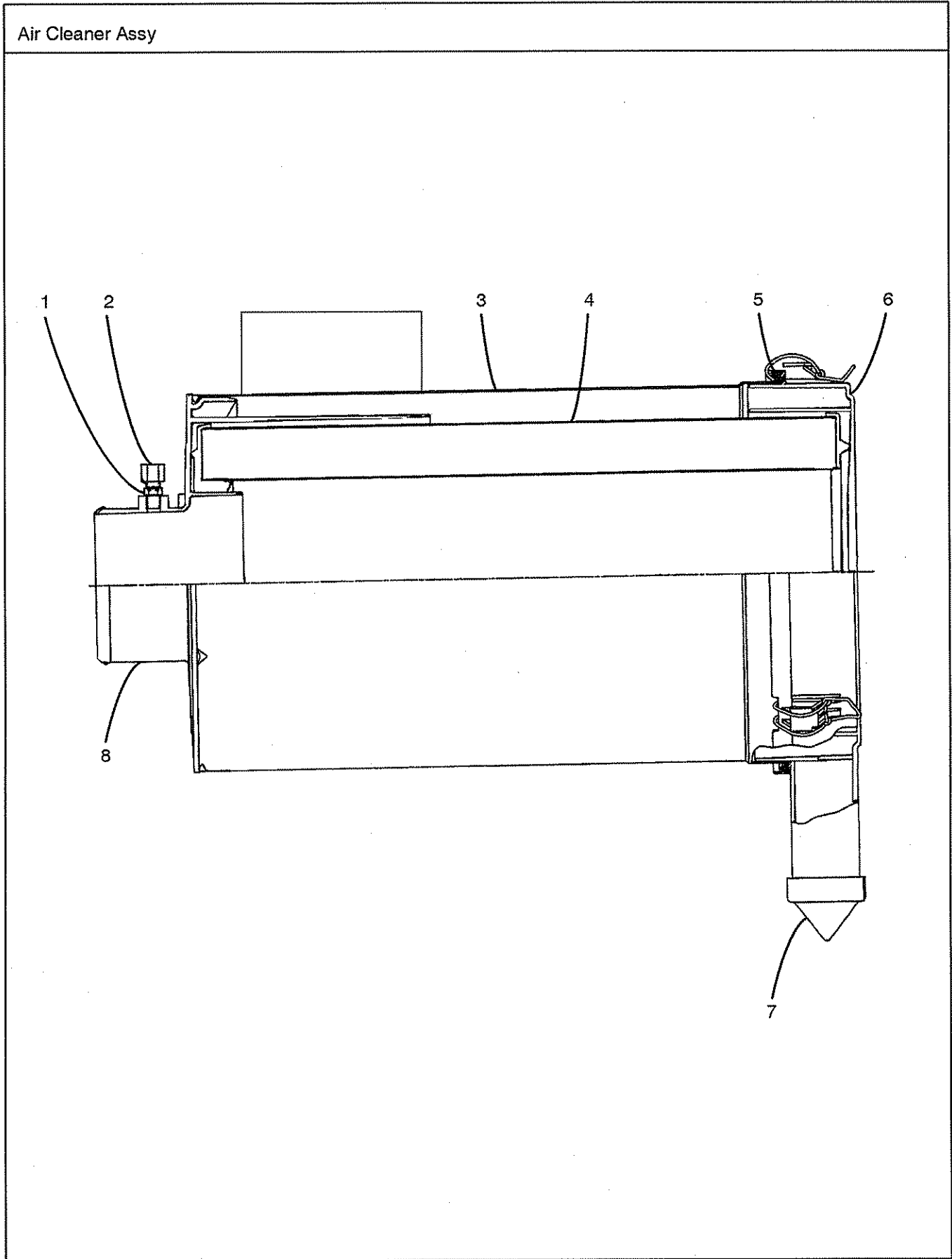
Rear Axle Assy



Parts List

0507

Rear Axle Assy				
REF	PART NO.	QTY	DESCRIPTION	REMARKS
	3A 24396	4	Brake Assy	
113	3A 22943	8	Cap	
114	3A 12581	8	Washer	
115	3A 19588	8	Capscrew	
	3A 22942	2	Disc Brake Assy	
116	3A 19586	8	Capscrew	
117	3A 21173	4	Plate	
118	3A 22947	1	Housing, Brake	
119	3A 19584	4	Plug	
120	3A 19576	1	Screw, Bleeder	
121	3A 22268	1	O-ring	
122	3A 19582	1	Cap	
123	3A 22268	1	O-ring	
124	3A 19582	1	Cap	
125	3A 19583	1	Plug	
126	3A 19576	1	Screw, Bleeder	
127	3A 22265	2	O-ring	
128	3A 19579	2	Ring, Back Up	
129	3A 19577	2	Seal, Dust	
130	3A 19578	2	Piston	
131	3A 19587	2	Brake Shoe & Lining Assy	
132	3A 19578	2	Piston	
133	3A 19577	2	Seal, Dust	
134	3A 19579	2	Ring, Back Up	
135	3A 22265	2	O-ring	
	3A 7274	2	Setscrew, Steering Stop -- Not Shown	
	3A 5977	4	Nut -- Not Shown	
	3A 24971	1	Kit, Carrier Service -- All Items Marked KA	
	3A 19542	1	Kit, Housing Hardware -- All Items Marked KB	



Parts List

0105

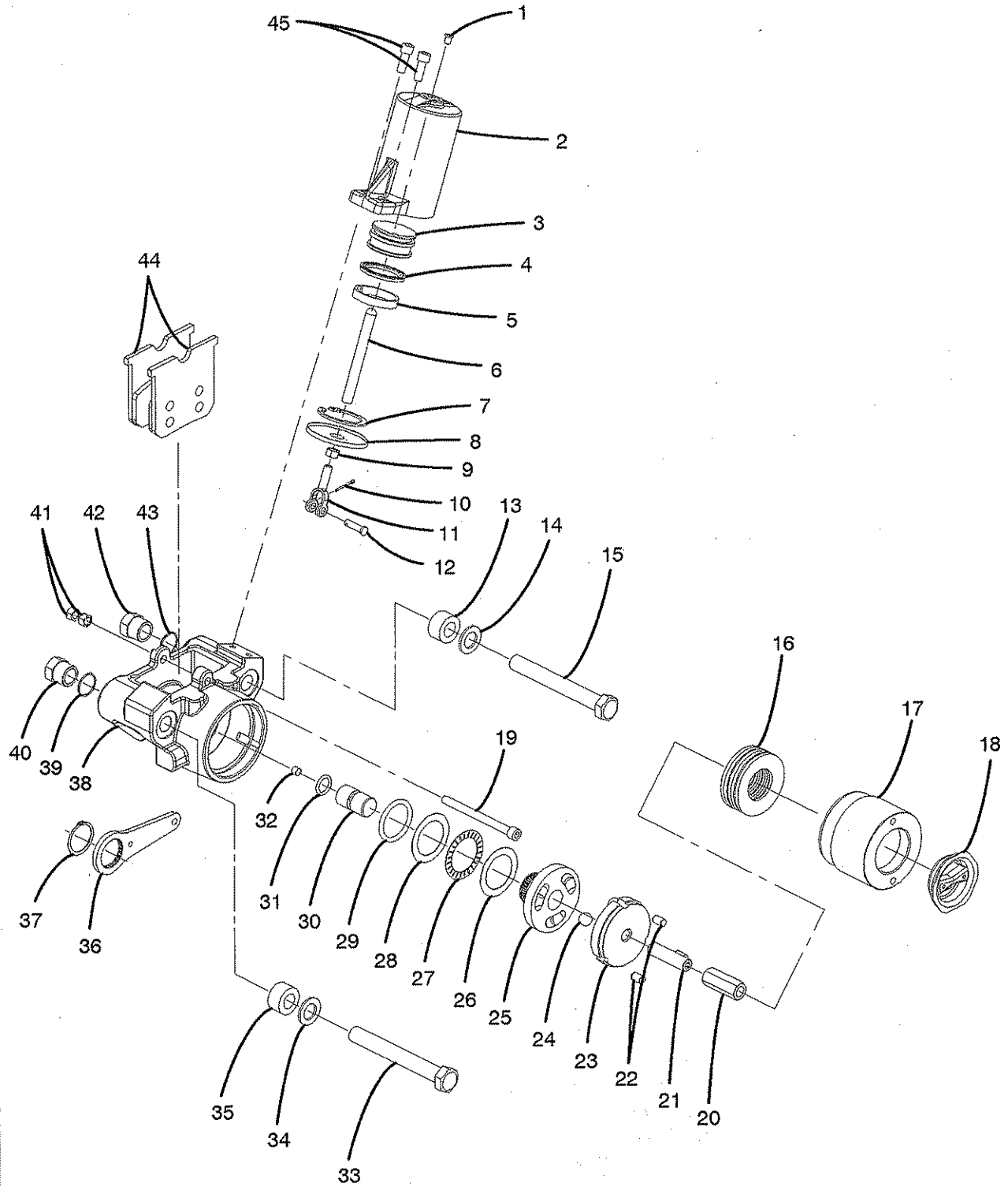
Air Cleaner Assy				
REF	PART NO.	QTY	DESCRIPTION	REMARKS
	D3A0349	1	Air Cleaner Assy	
1	3A 20142	1	Cap	
2	3A 20140	1	Adaptor	
3	3A 24631	1	Body Assembly	NSS
4	F1A0153	1	Element, Primary	
5	3A 20138	1	O-ring	
6	3A 23449	1	Cover Assy	NSS
7	3A 20139	1	Valve, Vacuator	
8	3A 20141	1	Cover, Outlet	

Parts List

0408

01-030-027.00

Park Brake Assy

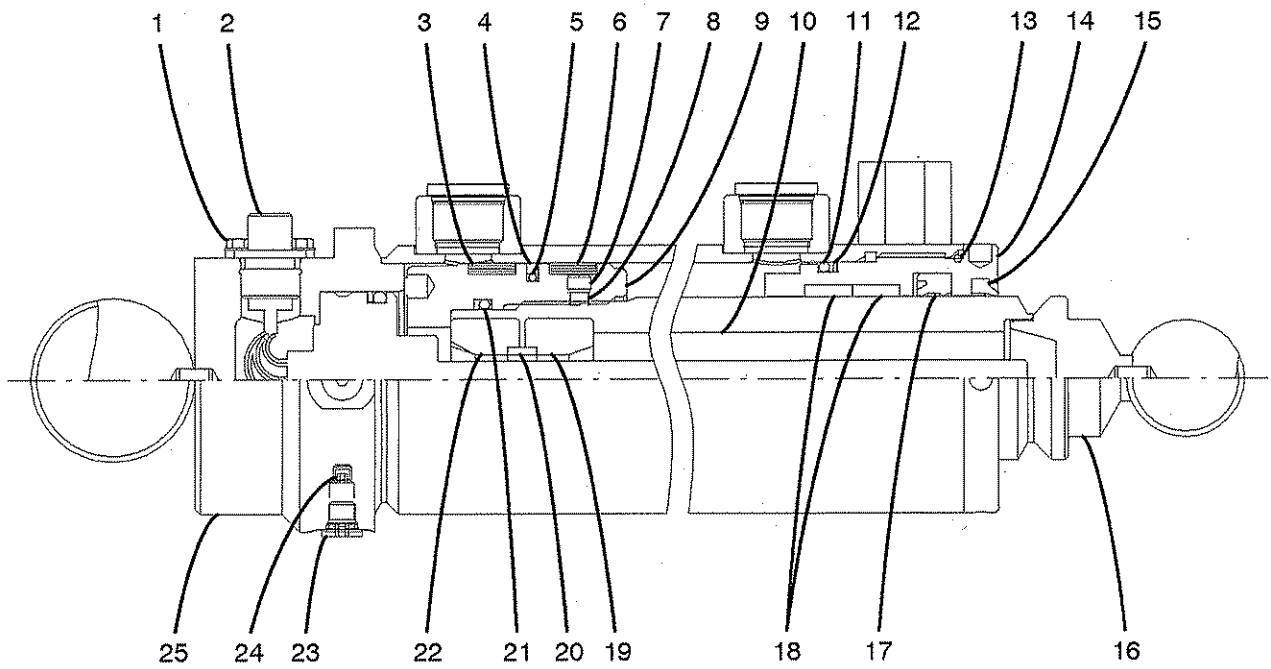


Parts List

0408

Park Brake Assy				
REF	PART NO.	QTY	DESCRIPTION	REMARKS
	J9A0456	1	Park Brake Assy	
1	3A 25233	1	Plug, Cap	
2	3A 24424	1	Cylinder, Hydraulic	KF
3	3A 24426	1	Piston	KF
4	3A 24427	1	Seal	KF,KH
5	3A 24428	1	Ring, Sliding	KF,KH
6	3A 24429	1	Rod	KF
7	3A 24430	1	Ring, Retaining	KF
8	3A 24431	1	Excluder, Rod	KF,KH
9	3A 24421	1	Nut	KF
10	3A 24422	1	Pin, Cotter	KF
11	3A 24433	1	Clevis	KF
12	3A 24434	1	Pin, Clevis	KF
13	3A 24436	1	Spring	KB,KC
14	3A 24437	1	Washer	KB
15	3A 24404	1	Bolt	
16	3A 24409	5	Spring, Disc	KB,KD
17	3A 25234	1	Housing, Spring	
18	3A 24406	1	Plug, Screw-In	
19	3A 24420	1	Capscrew	KG
20	3A 25235	1	Nut, Coupling	KB
21	3A 25236	1	Setscrew	KB
22	3A 24435	3	Pin, Dowel	KA
23	3A 24410	1	Cam	KA
24	3A 24411	3	Bearing, Ball	KA
25	3A 24412	1	Cam	KA
26	3A 24414	1	Washer	KB
27	3A 24413	1	Bearing, Needle	KB
28	3A 24414	1	Washer	KB
29	3A 25239	1	O-ring	
30	3A 25238	1	Piston	KB
31	3A 24417	1	O-ring	KB,KH
32	3A 25237	1	Magnet	
33	3A 24404	1	Bolt	
34	3A 24437	1	Washer	KB
35	3A 24436	1	Spring	KB,KC
36	3A 24418	1	Lever	KF
37	3A 24419	1	Ring, Retaining	KB,KF
38	3A 25240	1	Plate, Torque	
39	3A 25232	1	O-ring	KB,KH
40	3A 24405	1	Nut, Sleeve/Jam	
41	3A 24421	2	Nut	KG
42	3A 24405	1	Nut, Sleeve/Jam	
43	3A 25232	1	O-ring	KB,KH
44	3A 24423	2	Lining & Carrier Assy	KG
45	3A 24425	2	Bolt	KF
	3A 24400	1	Kit, Cam Overhaul - All Items Marked KA	
	3A 25231	1	Kit, Overhaul - All Items Marked KB	
	3A 25230	1	Kit, Spring - All Items Marked KC	KE
	3A 25229	1	Kit, Disc Spring - All Items Marked KD	KE
	3A 25228	1	Kit, Brake Overhaul - All Items Marked KE	
	3A 24402	1	Kit, Cylinder Overhaul - All Items Marked KF	
	3A 24403	1	Kit, Lining - All Items Marked KG	KE
	3A 25227	1	Kit, Seal - All Items Marked KH	KE

Outrigger Beam Cylinder Assy

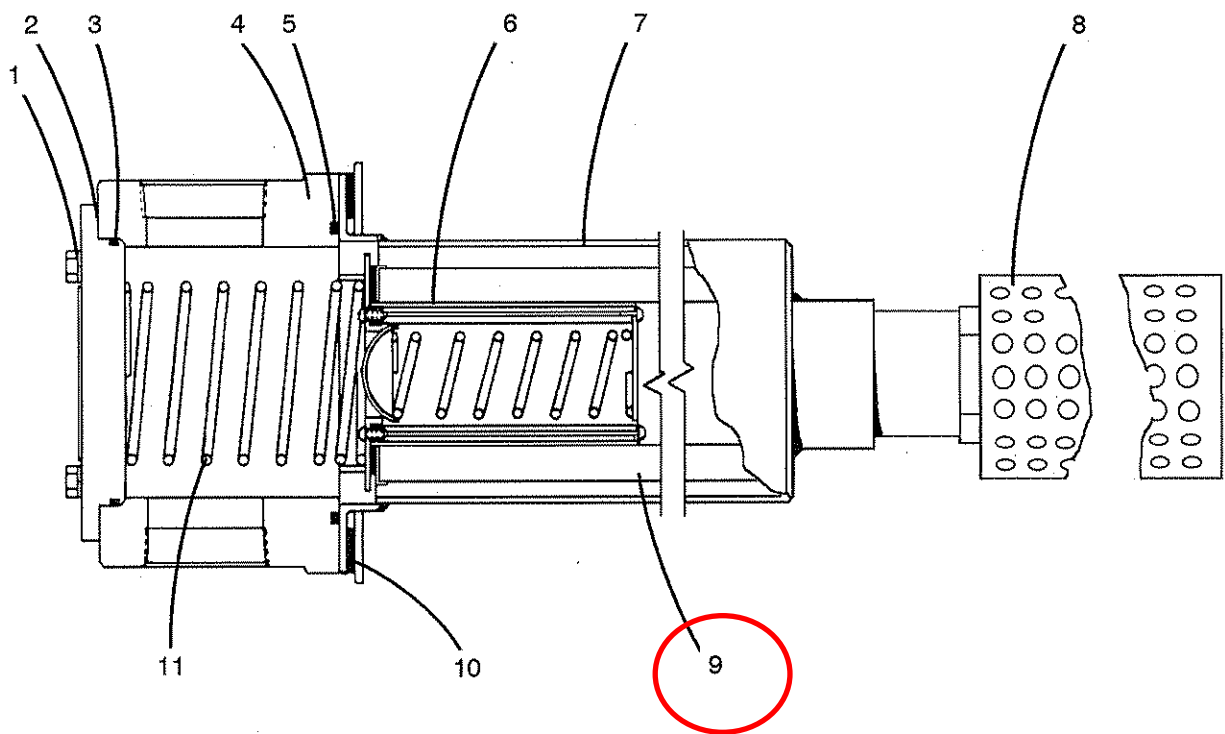


Parts List

0811

Outrigger Beam Cylinder Assy				
REF	PART NO.	QTY	DESCRIPTION	REMARKS
	J9J0306	1	Outrigger Beam Cylinder Assy	
1	3J 19203	4	Screw, Self-Tapping	
2	3J 19200	1	Connector	
3	3J 16878	1	Ring, Wear	KA
4	3J 16882	1	Seal	KA
5	3J 16881	1	O-ring	KA
6	3J 16878	1	Ring, Wear	KA
7	3J 12575	2	Setscrew	
8	3J 12558	2	Plug	
9	3J 19196	1	Piston	
10	3J 19295	1	Sensor	
11	3A 9430	1	O-ring	KA
12	3A 9432	1	Ring, Back Up	KA
13	3J 12547	1	O-ring	KA
14	3J 17162	1	Head	
15	3J 12613	1	Wiper, Rod	KA
16	3J 19293	1	Rod	
17	3J 12612	1	Seal	KA
18	3J 12610	2	Ring, Wear	KA
19	3J 19195	1	Retainer, Magnet	
20	3J 19201	1	Magnet, Ring	
21	3J 19194	1	O-ring	KA
22	3J 19195	1	Retainer, Magnet	
23	3J 19202	2	Plug	
24	3J 19204	2	Setscrew	
25	3J 19294	1	Case	
	3J 19193	1	Kit, Seal -- All Items Marked KA	

Filter Assy

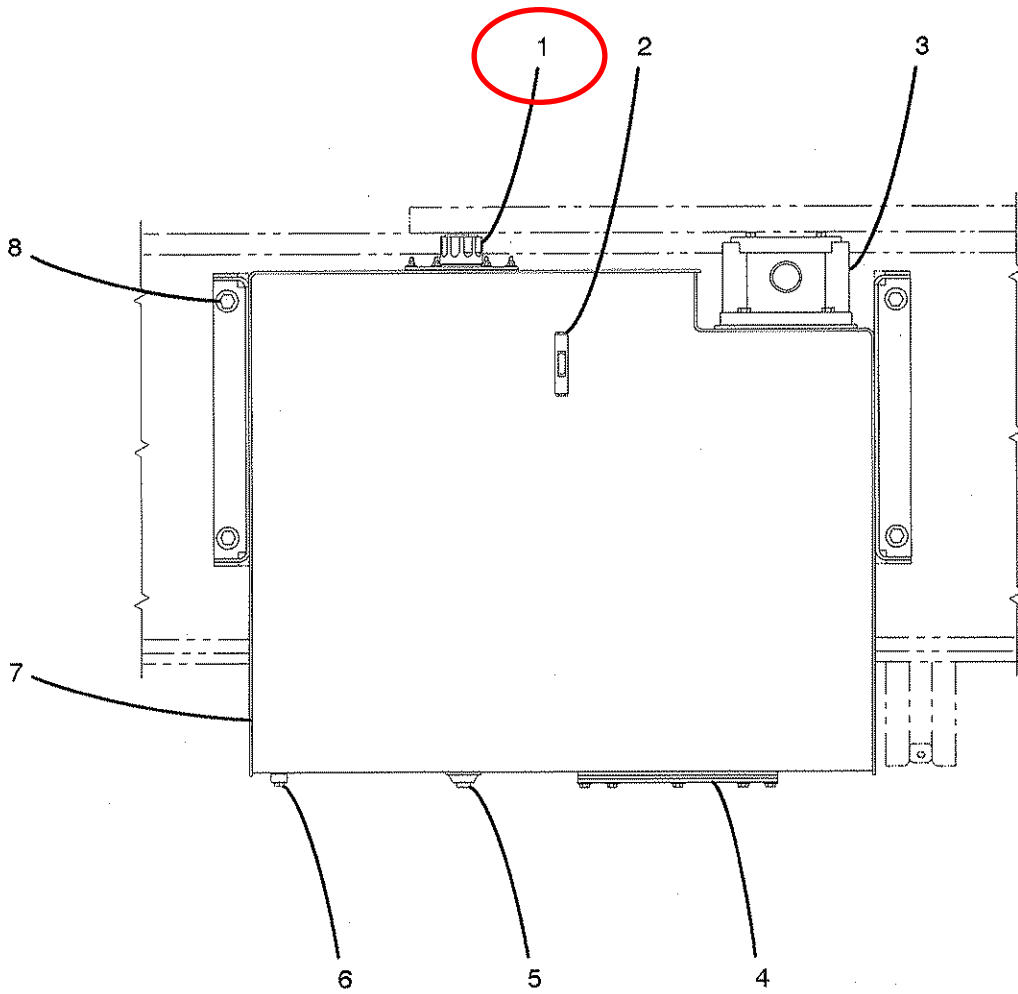


Parts List

0511

Filter Assy				
REF	PART NO.	QTY	DESCRIPTION	REMARKS
	F2J0261	1	Filter Assy	
	3J 13368	1	Cap Assy	
1	3J 13380	4	Capscrew	
	3J 13372	4	Lockwasher	
2	3J 18663	1	Cap	
3	3J 13379	1	O-ring	KA
4	REF	1	Head Assy	NSS
5	3J 13375	1	O-ring	KA
6	3J 13371	1	By-Pass Valve Assy	
7	3J 13369	1	Can Assy	
8	REF	1	Diffuser	NSS
9	D7J0149	1	Element, Filter	
10	3J 13376	1	Gasket	KA
11	3J 13370	1	Spring	
	3W 0957	1	Alarm, Dirt – Not Shown	
	3J 13373	1	Switch, Pressure – Not Shown	
	3J 13374	1	Plug, Pipe – Not Shown	
	3J 13377	1	Kit, Seal – Items Marked KA	

Hydraulic Reservoir Installation

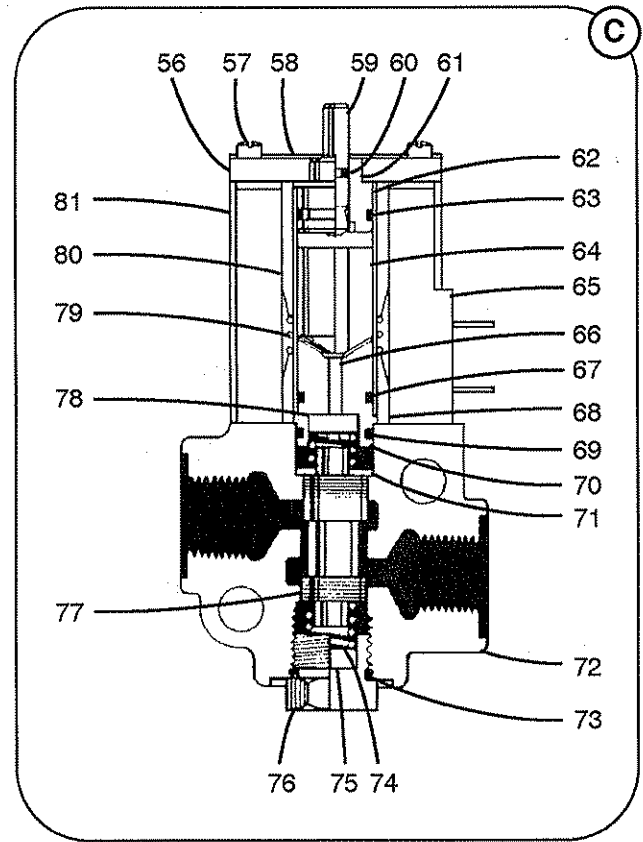
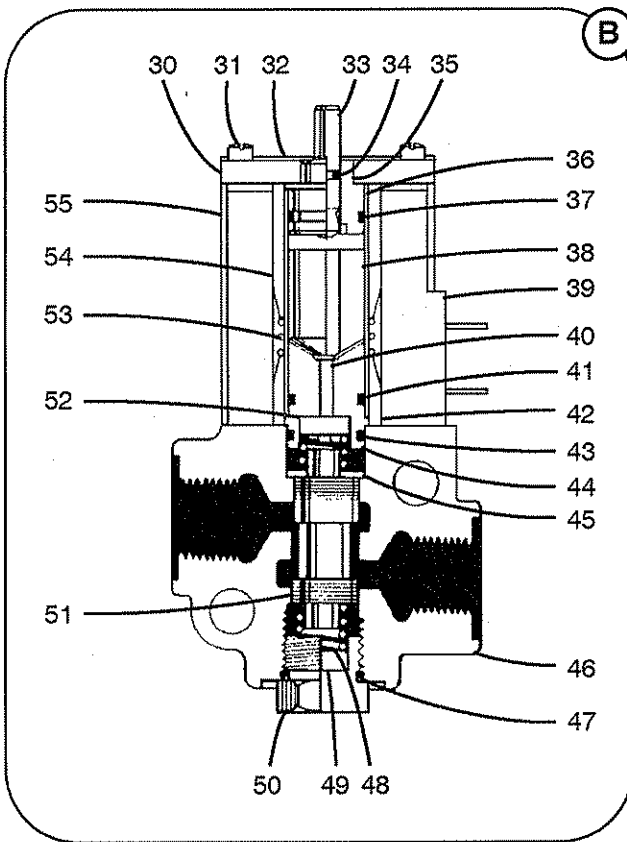
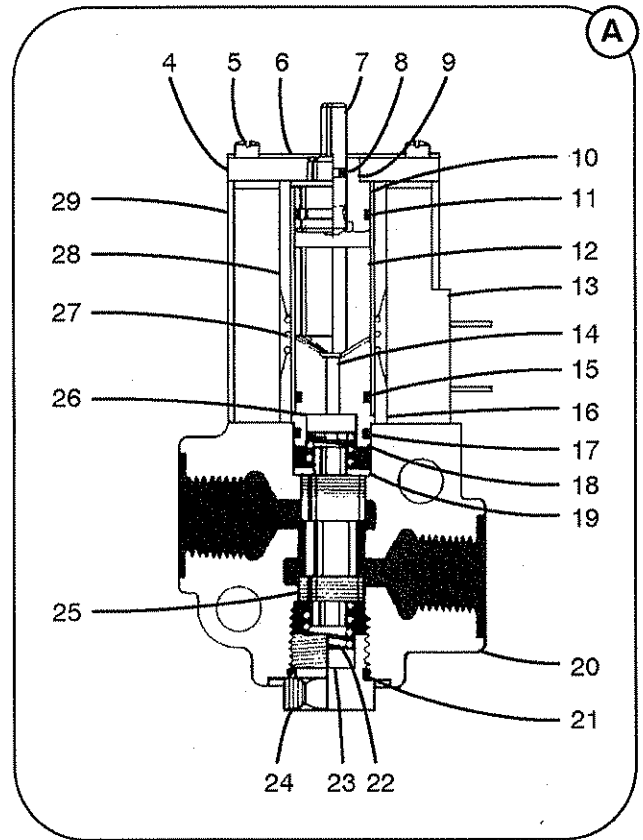
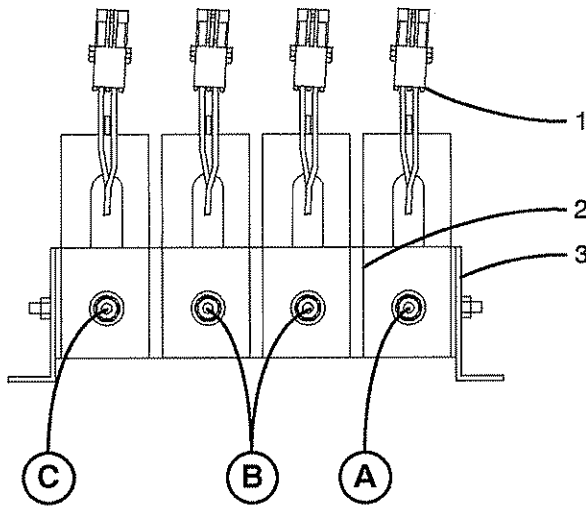


Parts List

1105

Hydraulic Reservoir Installation				
REF	PART NO.	QTY	DESCRIPTION	REMARKS
1	N4J0106	1	Hydraulic Reservoir S/A	NSS
	69J0611	1	Filler, Tank	
2	69J0603	1	Gasket	
	J7J0225	1	Cap, Filler/Breather	
	128003001	6	Washer	
3	127004001	6	Locknut	
	F7J0081	1	Gauge, Site	
4	REF	1	Filter Assy – See Keysheet 01–039	
	126009028	4	Capscrew	
5	46J1189	1	Plate, Cover	
	46J1187	1	Gasket	
	126009013	8	Capscrew	
6	128003004	8	Washer	
	GC 0160	1	Plug, Magnetic Drain	
7	22A2567	1	Plug, Bleed	
	1J 2700	1	O–ring	
8	N4J0105	1	Reservoir, Hydraulic	
	1X 5262	4	Capscrew	
	128003008	8	Washer	
	1X 4988	4	Locknut	

2 Way Valve Stack Assy

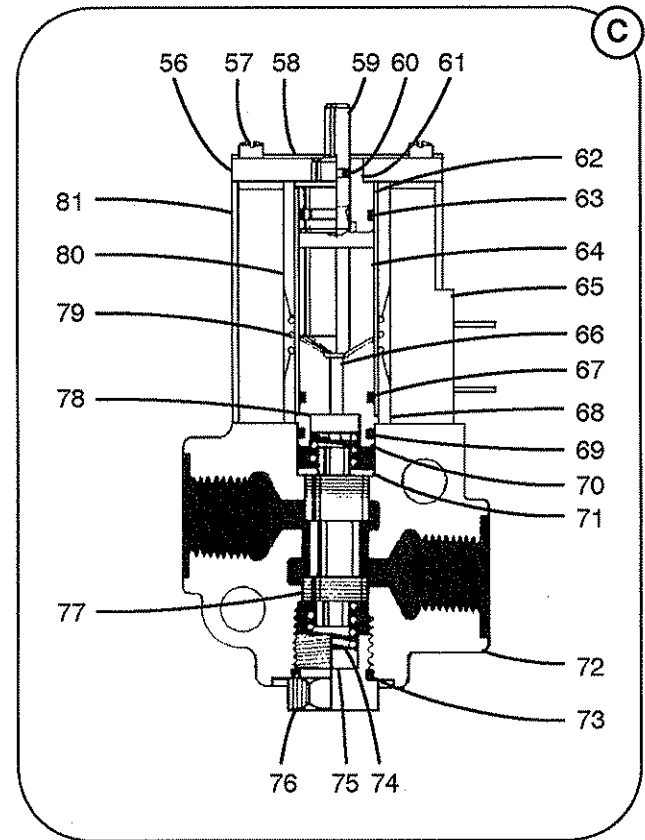
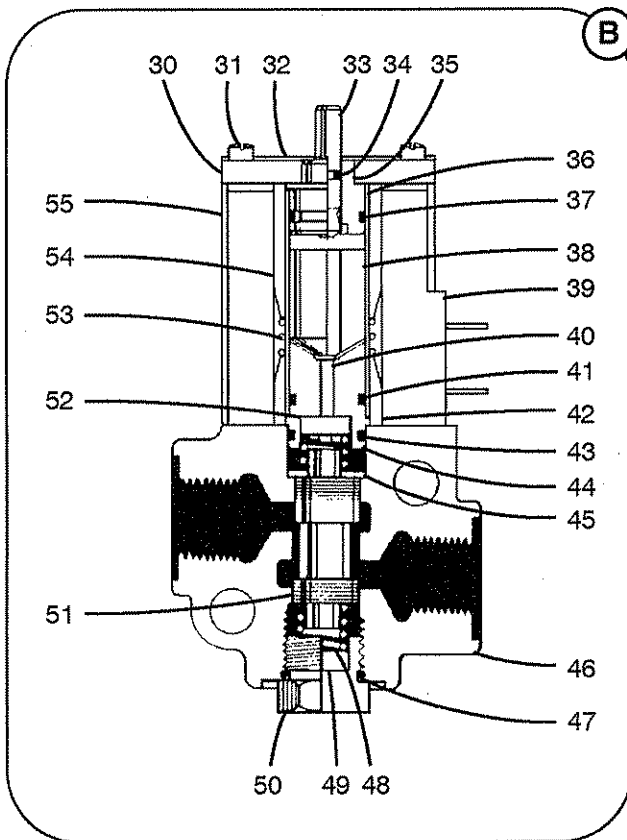
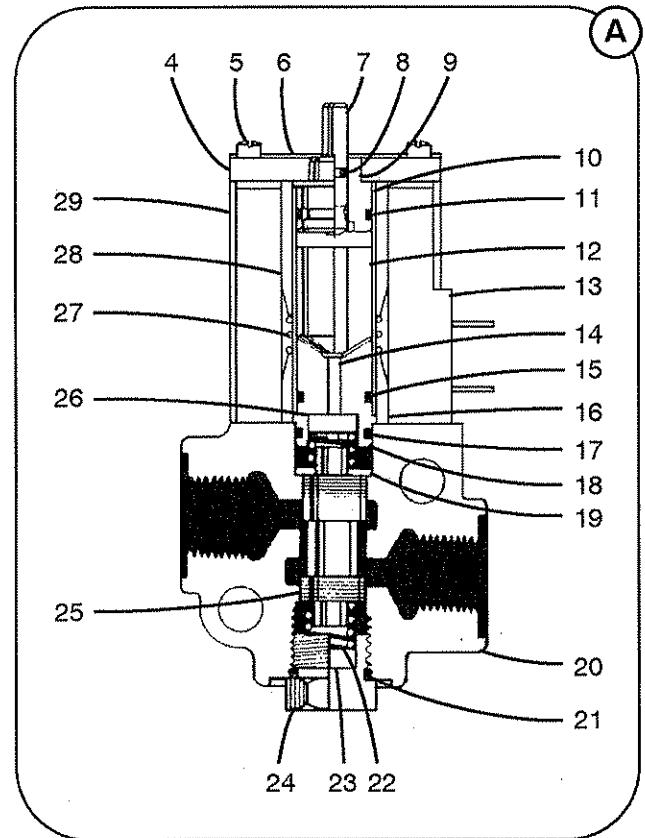
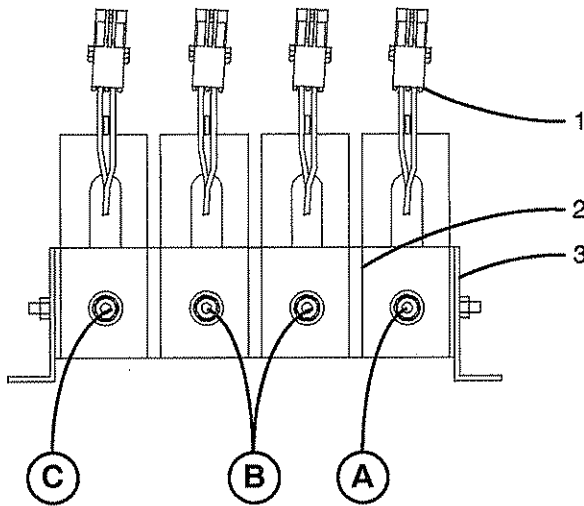


Parts List

1212

2 Way Valve Stack Assy				
REF	PART NO.	QTY	DESCRIPTION	REMARKS
	F1J0079	1	2 Way Valve Stack Assy	
1	155058001	4	Connector, 2 Way	
	155063001	8	Terminal	
	155064006	8	Seal, Cable	
2	3A 13687	3	Plate, Seal	
	3A 0521	3	O-ring	
3	3J 13942	2	Bracket Assy	
	3J 13907	1	Section, End	
4	3J 13910	1	Plate, End	
5	3J 13915	4	Screw	
6	3J 13904	1	Plate, Name	
7	3J 13924	1	Pin	
8	3J 13916	1	Ring	
9	3J 13923	1	Guide	
10	3J 13917	1	Tube, Guide	
11	3J 13922	1	O-ring	
12	3J 13919	1	Plunger	
13	3J 14104	1	Coil	
14	3J 13918	1	Pin, Push	
15	3J 13922	1	O-ring	
16	3J 13912	1	Sleeve, Inner Flux	
17	3J 13921	1	O-ring	
18	3J 13920	1	Cone	
19	3J 13674	1	Washer	
20	REF	1	Body	NSS
21	3J 13908	1	O-ring	
22	3J 13673	2	Spring	
23	3J 13925	1	Spacer, Spring	
24	3J 13909	1	Plug	
25	3J 13903	1	Spool	
26	3J 13925	1	Spacer, Spring	
27	3J 13914	1	Spring	
28	3J 13913	1	Sleeve, Outer Flux	
29	3J 13911	1	Case, Solenoid	
	3J 13906	2	Section, Mid	
30	3J 13910	1	Plate, End	
31	3J 13915	4	Screw	
32	3J 13904	1	Plate, Name	
33	3J 13924	1	Pin	
34	3J 13916	1	Ring	
35	3J 13923	1	Guide	
36	3J 13917	1	Tube, Guide	
37	3J 13922	1	O-ring	
38	3J 13919	1	Plunger	
39	3J 14104	1	Coil	
40	3J 13918	1	Pin, Push	
41	3J 13922	1	O-ring	
42	3J 13912	1	Sleeve, Inner Flux	
43	3J 13921	1	O-ring	
44	3J 13920	1	Cone	
45	3J 13674	1	Washer	

2 Way Valve Stack Assy

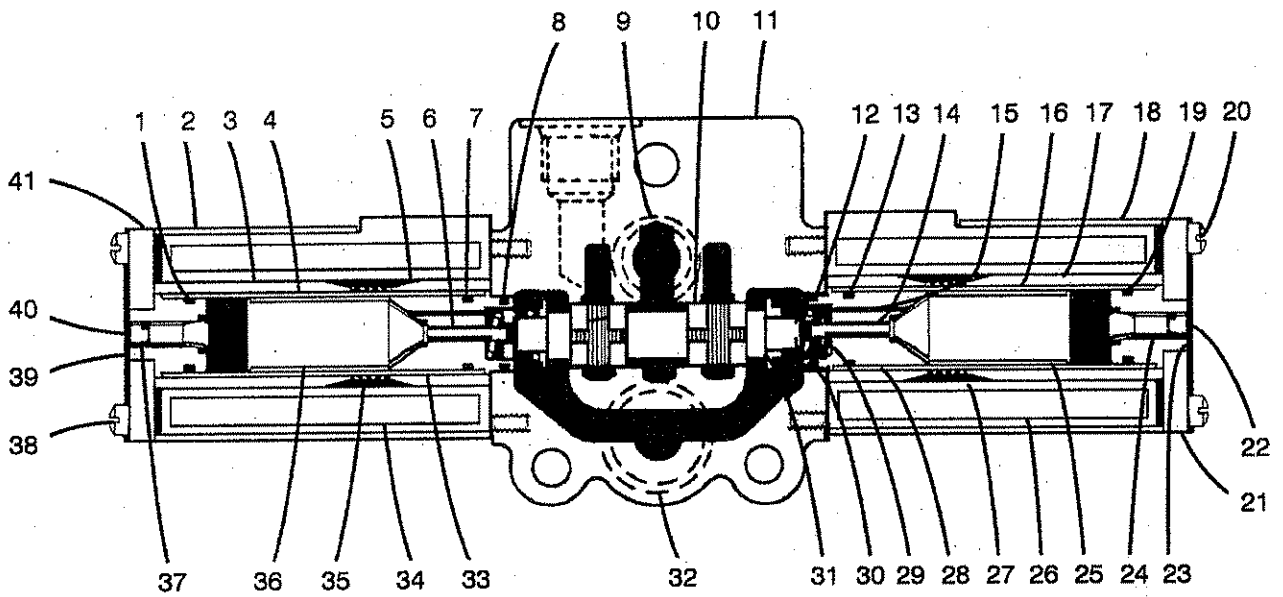


Parts List

1212

2 Way Valve Stack Assy					
REF	PART NO.	QTY	DESCRIPTION	REMARKS	
46	REF	1	Body	NSS	
47	3J 13908	1	O-ring		
48	3J 13673	2	Spring		
49	3J 13925	1	Spacer, Spring		
50	3J 13909	1	Plug		
51	3J 13903	1	Spool		
52	3J 13925	1	Spacer, Spring		
53	3J 13914	1	Spring		
54	3J 13913	1	Sleeve, Outer Flux		
55	3J 13911	1	Case, Solenoid		
	3J 13905	1	Section, Inlet		
56	3J 13910	1	Plate, End		
57	3J 13915	4	Screw		
58	3J 13904	1	Plate, Name		
59	3J 13924	1	Pin		
60	3J 13916	1	Ring		
61	3J 13923	1	Guide		
62	3J 13917	1	Tube, Guide		
63	3J 13922	1	O-ring		
64	3J 13919	1	Plunger		
65	3J 14104	1	Coil		
66	3J 13918	1	Pin, Push		
67	3J 13922	1	O-ring		
68	3J 13912	1	Sleeve, Inner Flux		
69	3J 13921	1	O-ring		
70	3J 13920	1	Cone		
71	3J 13674	1	Washer		
72	REF	1	Body		NSS
73	3J 13908	1	O-ring		
74	3J 13673	2	Spring		
75	3J 13925	1	Spacer, Spring		
76	3J 13909	1	Plug		
77	3J 13903	1	Spool		
78	3J 13925	1	Spacer, Spring		
79	3J 13914	1	Spring		
80	3J 13913	1	Sleeve, Outer Flux		
81	3J 13911	1	Case, Solenoid		

4 Way Solenoid Valve Assy

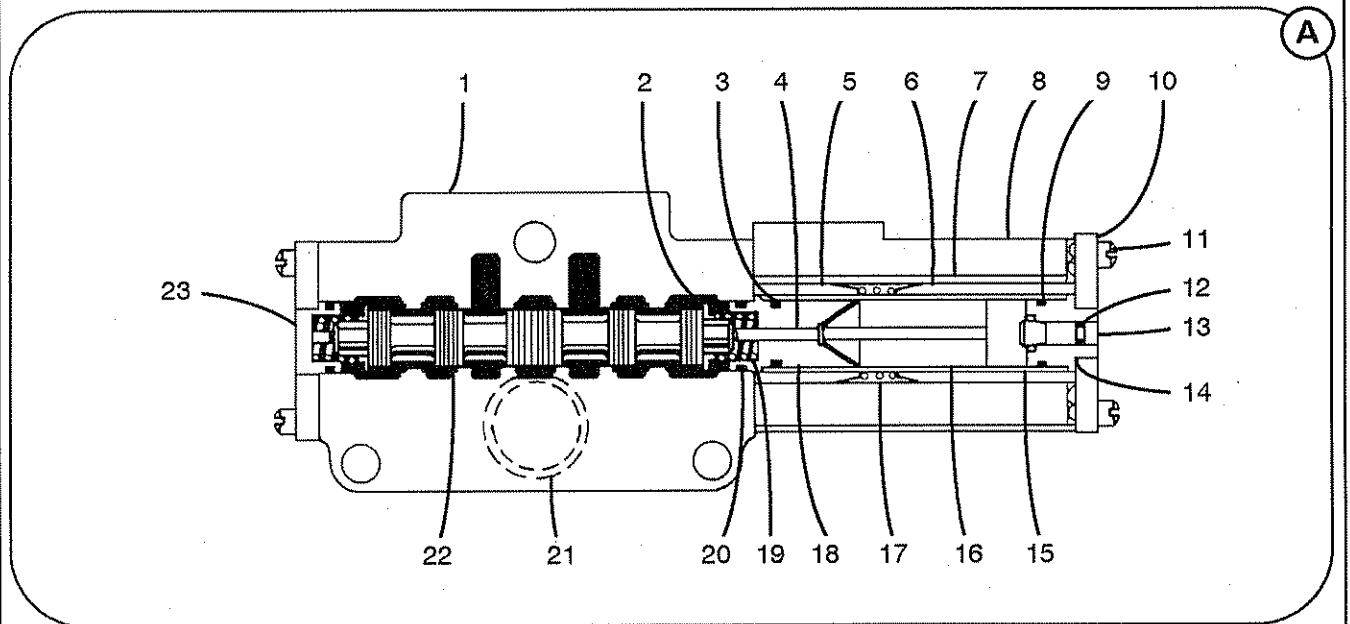
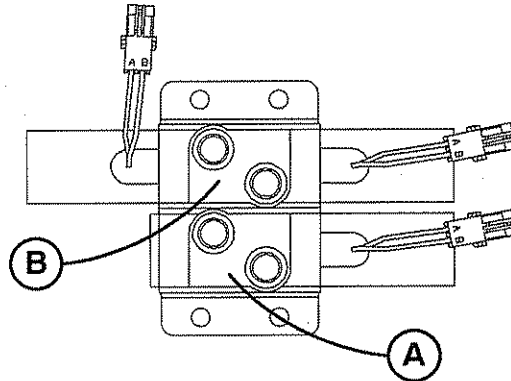


Parts List

0499

4 Way Solenoid Valve Assy				
REF	PART NO.	QTY	DESCRIPTION	REMARKS
	D7J0438	1	4 Way Solenoid Valve Assy	
1	3J 13922	1	O-ring	KA
2	3J 13936	1	Case, Solenoid	
3	3J 13937	1	Sleeve, Outer Flux	
4	3J 13938	1	Tube, Guide	
5	3J 13939	1	Sleeve, Inner Flux	
6	3J 13918	1	Pin, Push	
7	3J 13922	1	O-ring	KA
8	3J 13921	1	O-ring	KA
9	3J 13682	1	O-ring	KA
10	REF	1	Spool	NSS
11	REF	1	Body	NSS
12	3J 13921	1	O-ring	KA
13	3J 13922	1	O-ring	KA
14	3J 13918	1	Pin, Push	
15	3J 13939	1	Sleeve, Inner Flux	
16	3J 13938	1	Tube, Guide	
17	3J 13937	1	Sleeve, Outer Flux	
18	3J 13936	1	Case, Solenoid	
19	3J 13922	1	O-ring	KA
20	3J 13933	4	Screw	
21	3J 13910	1	Plate, End	
22	3J 13934	1	Pin, Actuator	
23	3J 13923	1	Guide, Push Pin	
24	3J 13916	1	Ring, Quad	KA
25	3J 13932	1	Plunger	
26	3J 14649	1	Coil	
27	3J 13914	1	Spring	
28	3J 13931	1	Cone	
29	3J 13683	2	Spring	
30	3J 13921	1	O-ring	KA
31	3J 13684	2	Washer, Hat	
32	3J 13677	1	O-ring	KA
33	3J 13931	1	Cone	
34	3J 14649	1	Coil	
35	3J 13914	1	Spring	
36	3J 13932	1	Plunger	
37	3J 13916	1	Ring, Quad	KA
38	3J 13933	4	Screw	
39	3J 13923	1	Guide, Push Pin	
40	3J 13934	1	Pin, Actuator	
41	3J 13910	1	Plate, End	
	3J 13940	1	Kit, Seal - All Items Marked KA	

2 Section Steer Valve Assy

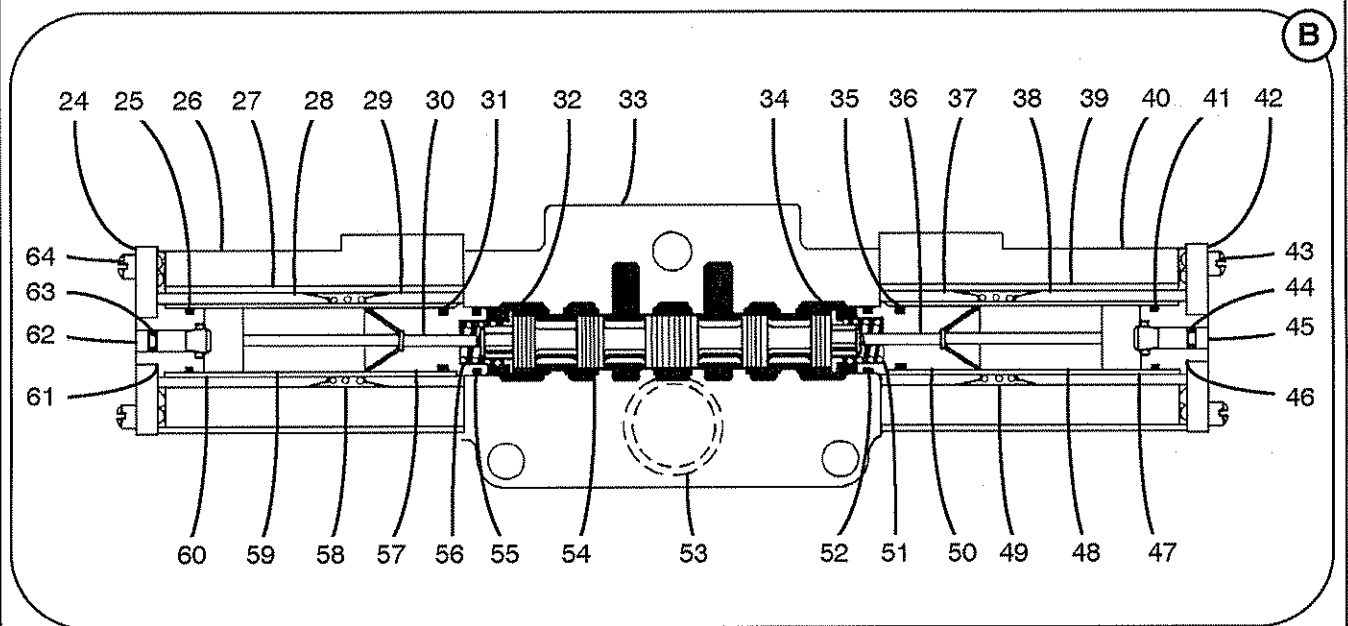


Parts List

0703

2 Section Steer Valve Assy				
REF	PART NO.	QTY	DESCRIPTION	REMARKS
	F7J0355	1	2 Section Steer Valve Assy	
	3J 14690	1	Valve Assy	
1	3J 13927	1	Body	
2	3J 13674	1	Washer	
3	3J 13922	1	O-ring	
4	3J 13918	1	Pin	
5	3J 13939	1	Sleeve, Inner Flux	
6	3J 13937	1	Sleeve, Outer Flux	
7	3J 14687	1	Coil	
8	3J 13936	1	Case, Solenoid	
9	3J 13922	1	O-ring	
10	3J 13910	1	Plate, End	
11	3J 13933	4	Screw	
12	3J 13916	1	Ring, Quad	
13	3J 13934	1	Pin, Actuator	
14	3J 13923	1	Guide	
15	3J 14688	1	Tube, Guide	
16	3J 13932	1	Plunger	
17	3J 13914	1	Spring	
18	3J 13931	1	Cone	
19	3J 13673	1	Spring	
20	3J 13921	1	O-ring	
21	3J 13677	1	O-ring	
22	3J 13676	1	Spool	
23	3J 13930	1	Plug	
	3J 14689	1	Valve Assy	
24	3J 13910	1	Plate, End	
25	3J 13922	1	O-ring	
26	3J 13936	1	Case, Solenoid	
27	3J 14687	1	Coil	
28	3J 13937	1	Sleeve, Outer Flux	
29	3J 13939	1	Sleeve, Inner Flux	
30	3J 13918	1	Pin	
31	3J 13922	1	O-ring	
32	3J 13674	1	Washer	
33	3J 13927	1	Body	
34	3J 13674	1	Washer	
35	3J 13922	1	O-ring	
36	3J 13918	1	Pin	
37	3J 13939	1	Sleeve, Inner Flux	
38	3J 13937	1	Sleeve, Outer Flux	
39	3J 14687	1	Coil	
40	3J 13936	1	Case, Solenoid	
41	3J 13922	1	O-ring	
42	3J 13910	1	Plate, End	
43	3J 13933	4	Screw	
44	3J 13916	1	Ring, Quad	
45	3J 13934	1	Pin, Actuator	
46	3J 13923	1	Guide	
47	3J 13680	1	Tube, Guide	
48	3J 13932	1	Plunger	
49	3J 13914	1	Spring	

2 Section Steer Valve Assy



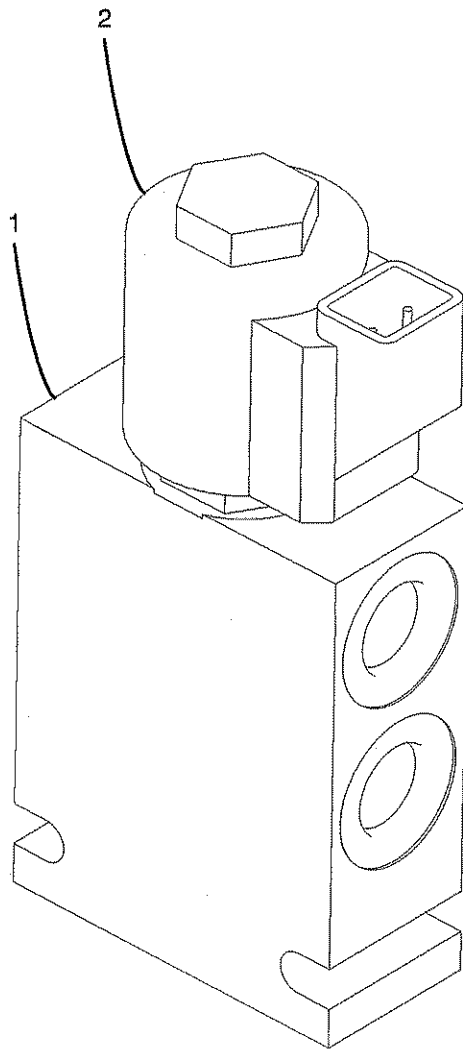
Parts List

0703

2 Section Steer Valve Assy

REF	PART NO.	QTY	DESCRIPTION	REMARKS
50	3J 13931	1	Cone	
51	3J 13673	1	Spring	
52	3J 13921	1	O-ring	
53	3J 13677	1	O-ring	
54	3J 13676	1	Spool	
55	3J 13921	1	O-ring	
56	3J 13673	1	Spring	
57	3J 13931	1	Cone	
58	3J 13914	1	Spring	
59	3J 13932	1	Plunger	
60	3J 13680	1	Tube, Guide	
61	3J 13923	1	Guide	
62	3J 13934	1	Pin, Actuator	
63	3J 13916	1	Ring, Quad	
64	3J 13933	4	Screw	

4 Way Solenoid Valve Assy



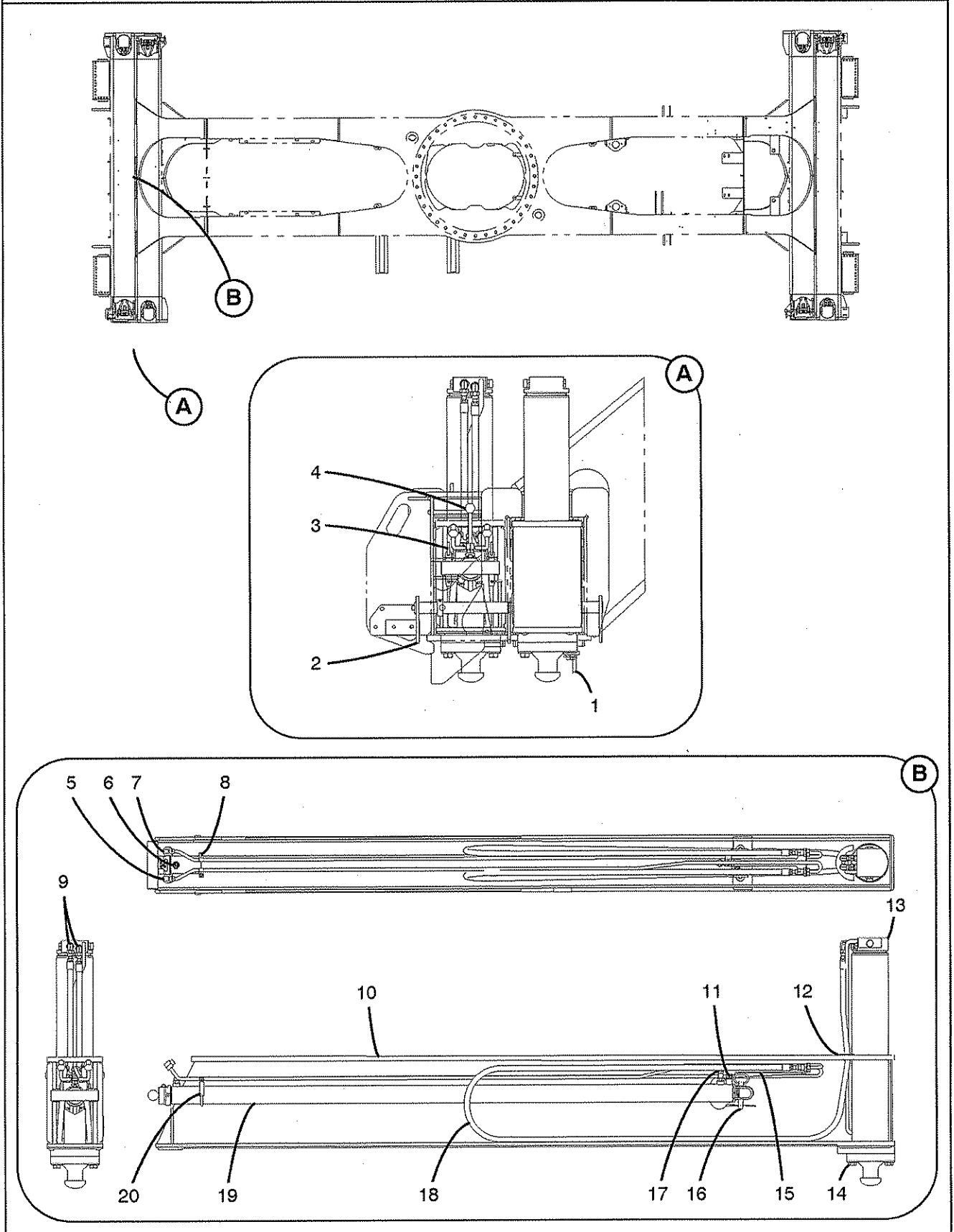
Parts List

0910

4 Way Solenoid Valve Assy

REF	PART NO.	QTY	DESCRIPTION	REMARKS
1	N4J0069	1	4 Way Solenoid Valve Assy	NSS
	REF	1	Body	
2	3J 13194	1	Cartridge	
	3J 12278	1	Kit, Seal	
	3J 18230	1	Coil	
	3J 18144	1	Nut, Coil	

Outrigger Beam, Cylinders, & Lines

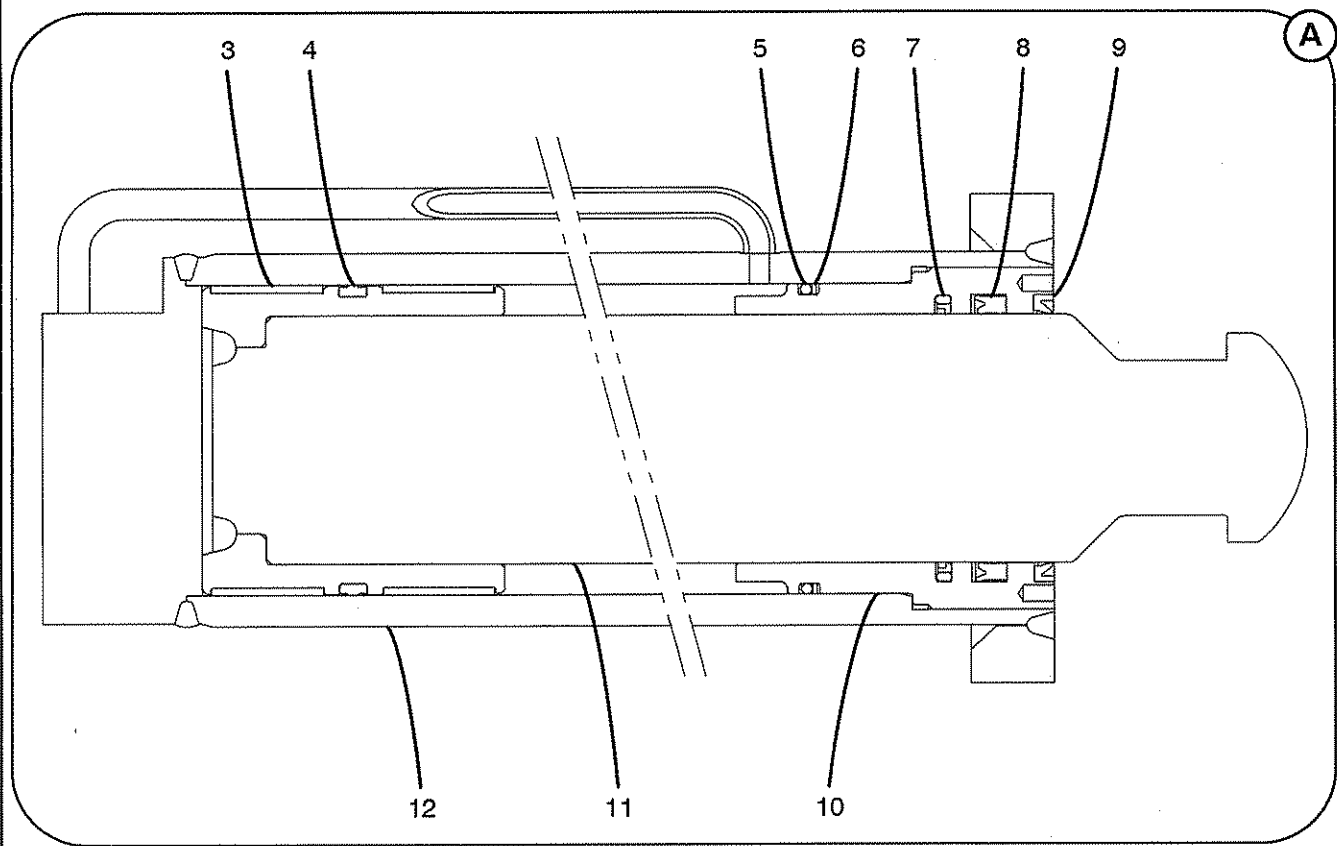
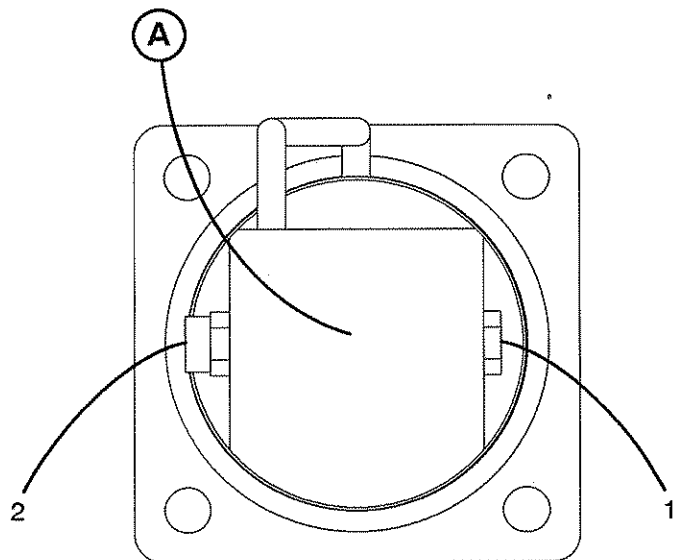


Parts List

1211

Outrigger Beam, Cylinders, & Lines				
REF	PART NO.	QTY	DESCRIPTION	REMARKS
1	J9A0342	1	Kicker	
2	D6D0016	4	Collar	
	J9A0164	4	Pin	
3	E8A0102	8	Pin, Hitch	
4	J6J0284	4	Tube Assy	
	J9J0303	4	Outrigger Beam S/A	NSS
5	N4J0314	1	Tube Assy	
6	1X 7371	1	Connector	
7	N4J0315	1	Tube Assy	
8	5Z 0621	2	Clamp	
	127004003	2	Locknut	
9	1X 7405	2	Elbow	
	1X 7371	2	Connector	
10	REF	1	Beam, Outrigger	
11	1X 5790	1	Clamp	
	126009107	1	Capscrew	
12	824025010	1	Trim - 0.54'	
13	REF	1	Jack Cylinder Assy - See Keysheet 01-046	
14	1X 5501	4	Capscrew	
	1X 3650	4	Washer	
15	J6J0031	1	Bracket	
16	E8A0102	2	Pin, Hitch	
17	1X 7463	1	Connector	
18	70J0117	2	Hose Assy	
19	REF	1	Outrigger Beam Cylinder Assy - See Keysheet 01-037	
20	112015005	1	Clamp	

Jack Cylinder Assy

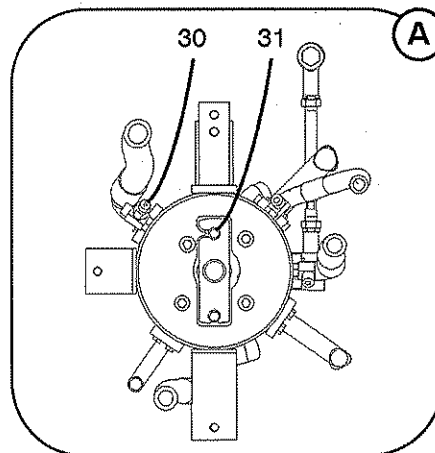
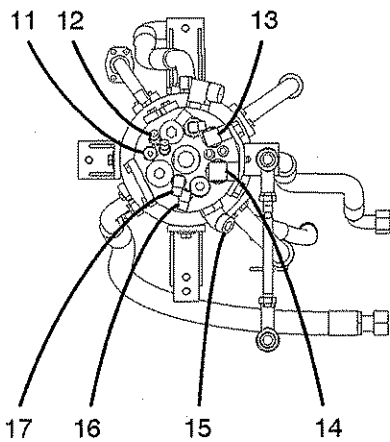
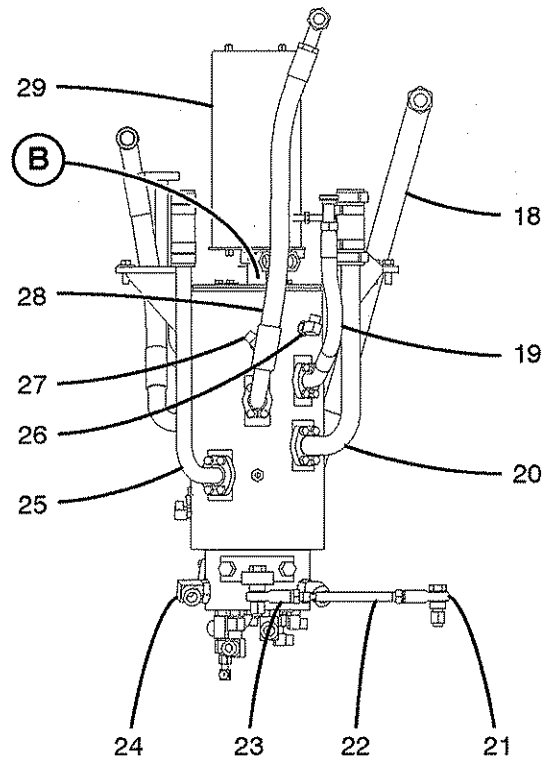
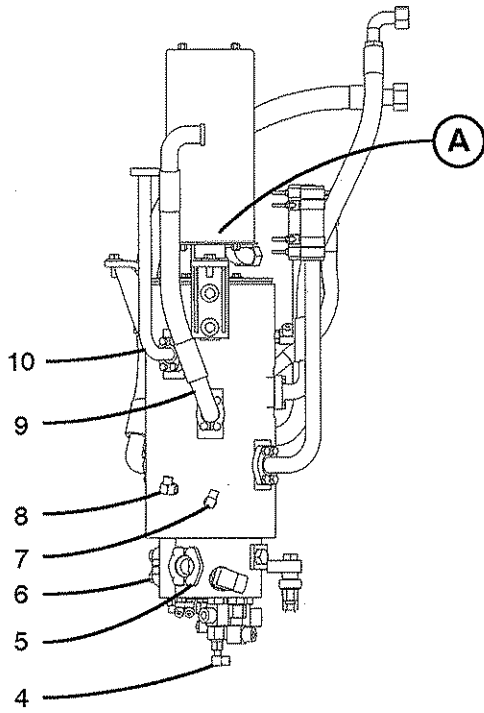
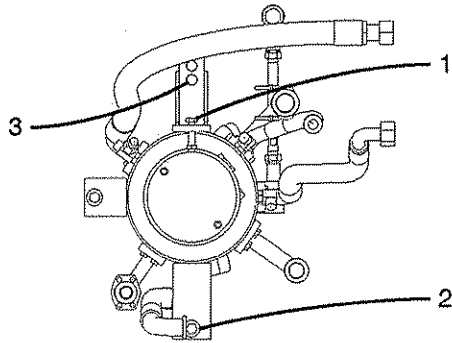


Parts List

0904

Jack Cylinder Assy				
REF	PART NO.	QTY	DESCRIPTION	REMARKS
1	J9J0002	1	Jack Cylinder Assy	
	F7J0192	1	Valve, Check	
	F7J0195	1	Piston	
2	F7J0193	1	Valve, Check	
3	J9J0012	2	Ring, Wear	KA
4	J9J0011	1	T-seal, Piston	KA
5	1X 6820	1	O-ring	KA
6	62W3210	1	Ring, Back Up	KA
7	58J0604	1	Seal	KA
8	53J0369	1	Seal, Rod	KA
9	E9J0108	1	Wiper, Rod	KA
10	J9J0010	1	Gland	
11	J9J0007	1	Rod, Piston	
12	J9J0003	1	Body, Cylinder	
	3J 17342	1	Kit, Seal - All Items Marked KA	

Rotating Joint & Center Section

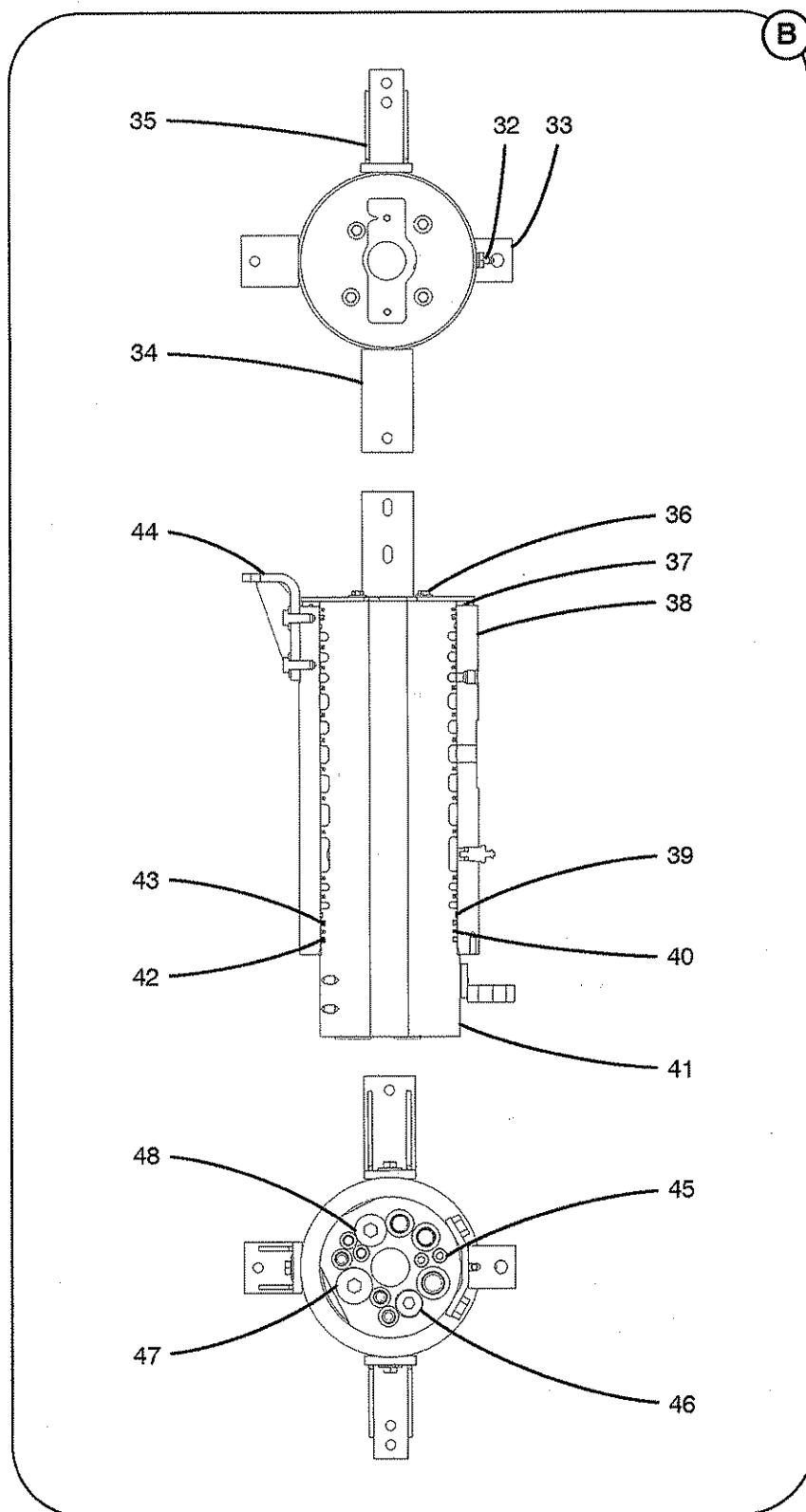


Parts List

0811

Rotating Joint & Center Section				
REF	PART NO.	QTY	DESCRIPTION	REMARKS
1	126009034	1	Capscrew	
	1X 0183	1	Nut, Jam	
2	18A2955	2	Capscrew	
	128003006	2	Washer	
3	18A2955	2	Capscrew	
	1X 5186	2	Washer	
4	1X 7404	1	Elbow	
	1X 7400	1	Tee	
	1X 7441	1	Reducer	
	1X 7364	1	Nut, Tube	
5	20J0084	2	Flange, Split	
	20J0771	1	O-ring	
	126009102	4	Capscrew	
6	20J1948	2	Flange, Split	
	20J3041	1	O-ring	
	126009027	4	Capscrew	
7	1X 7385	1	Elbow	
8	1X 7385	1	Elbow	
9	J9J0153	1	Hose Assy	
	16J0201	2	Flange, Split	
	20J0990	1	O-ring	
	126009014	4	Capscrew	
10	J9J0128	1	Tube Assy	
	20J0990	1	O-ring	
	126009014	4	Capscrew	
11	1X 7447	1	Connector	
12	1X 7382	2	Elbow	
13	1X 7407	1	Elbow	
	1X 7374	1	Connector	
14	1X 7392	1	Elbow	
15	1X 7705	1	Elbow	
16	1X 7388	1	Elbow	
17	1X 7405	1	Elbow	
	1X 7371	1	Connector	
	J9J0152	1	Hose Assy	
18	20J0084	2	Flange, Split	
	20J0771	1	O-ring	
	126009102	4	Capscrew	
	J9J0189	1	Hose Assy	
19	16J0201	2	Flange, Split	
	20J0990	1	O-ring	
	126009014	4	Capscrew	
	J9J0200	1	Tube Assy	
20	20J0771	1	O-ring	
	126009102	4	Capscrew	
	822026002	1	Hose - 0.5'	
	1X 4958	4	Clamp	
	J6J0074	1	End, Rod	
21	1X 6900	1	Capscrew	
	D6A1436	1	Spacer	
	J6J0096	1	Nut, Jam	
	1X 4989	1	Locknut	
	J6J0076	1	Rod	

Rotating Joint & Center Section

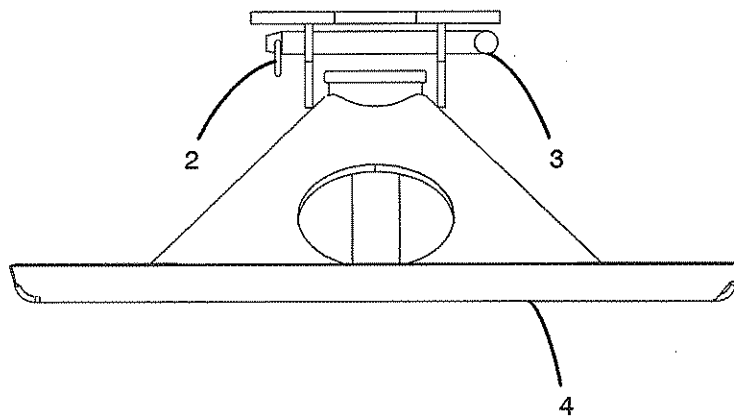
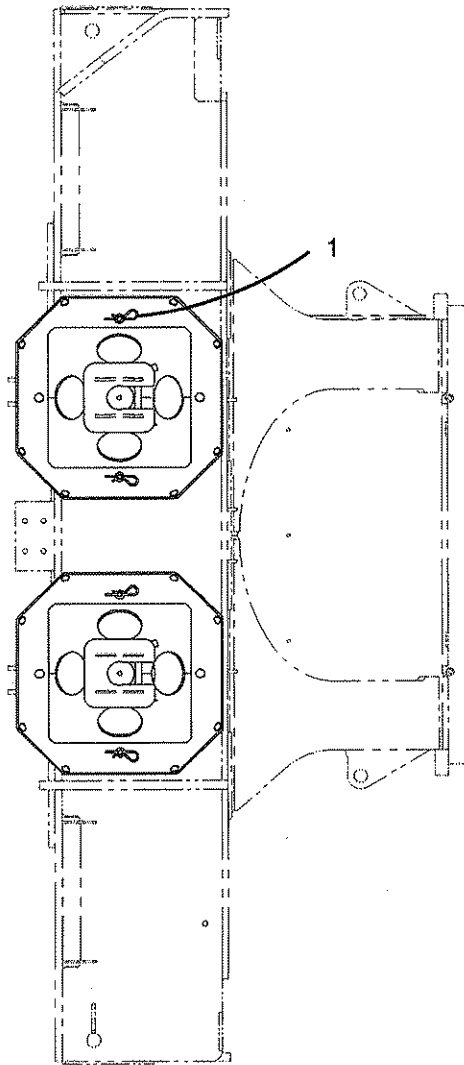


Parts List

0811

Rotating Joint & Center Section				
REF	PART NO.	QTY	DESCRIPTION	REMARKS
23	D6A1435	1	End, Rod	
	1X 6930	1	Capscrew	
	D6A1436	1	Spacer	
	1X 0199	1	Nut, Jam	
	1X 4989	1	Locknut	
24	1X 7392	1	Elbow	
25	J9J0132	1	Tube Assy	
	20J0771	1	O-ring	
	126009102	4	Capscrew	
	822026001	1	Hose - 0.5'	
	1X 5582	4	Clamp	
26	1X 7388	1	Elbow	
27	1X 7388	1	Elbow	
28	J9J0154	1	Hose Assy	
	16J0201	2	Flange, Split	
	20J0990	1	O-ring	
	126009014	4	Capscrew	
29	REF	1	Collector Ring Assy - See Keysheet 01-076	
30	1X 7399	1	Tee	
	1X 7498	1	Reducer	
31	1X 6793	2	Capscrew	
	J9J0302	1	13 Way Rotating Joint Assy	
32	47R0122	1	Sender, Temperature	
33	J6J0078	1	Bracket	
	1X 6906	2	Capscrew	
34	N3J0202	1	Bracket	
	1X 5472	2	Capscrew	
	128003006	2	Washer	
35	P9J0102	1	Bracket	
	1X 5472	2	Capscrew	
	128003006	2	Washer	
36	E8J0151	1	Plate, End	
	126009014	4	Capscrew	
	128003004	4	Washer	
37	47J1395	1	Ring, Wear	KA
38	J9J0079	1	Housing, Rotating Joint	
39	65J0148	2	Bearing	KA
40	47J2188	12	Seal, Square Ring	KA
	J6J0095	12	Ring, Piston	KA
41	J9J0078	1	Rotor	
42	47J1873	1	Seal, Rotor	KA
43	D7J0446	2	Seal, U-cup	KA
44	L8J0275	1	Bracket	
	1X 5472	2	Capscrew	
	128003006	2	Washer	
45	1X 1779	2	Plug, Pipe	
46	1X 4469	1	Plug, O-ring Boss	
47	1X 6028	1	Plug, O-ring Boss	
48	1X 4718	1	Plug	
	3J 15728	1	Kit, Seal - All Items Marked KA	

Pontoon Installation

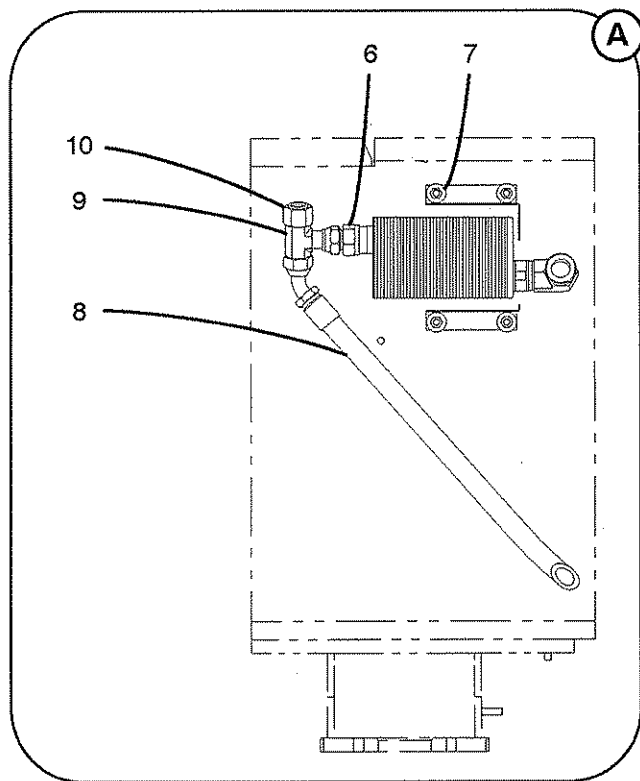
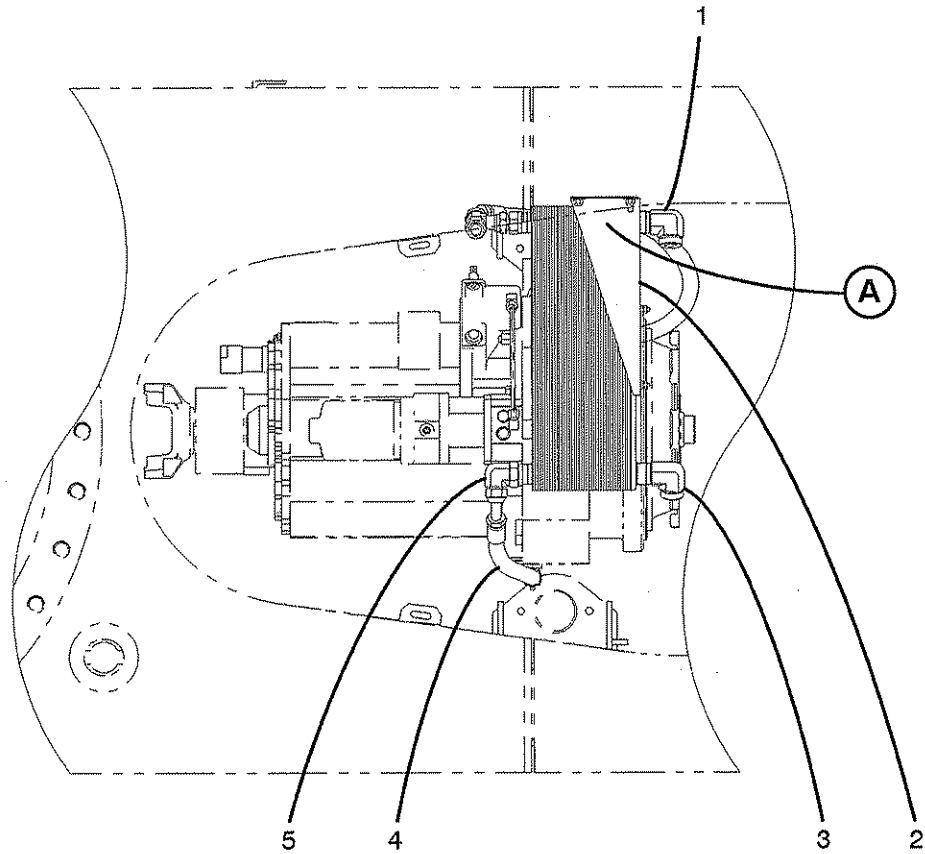


Parts List

0605

Pontoon Installation				
REF	PART NO.	QTY	DESCRIPTION	REMARKS
1	32M1529	8	Pin, Hair	
	J9A0348	4	Pontoon Assy	
2	32M1529	1	Pin, Hair	
3	F8A1279	1	Pin, Hitch	
4	J9A0345	1	Pontoon	

Transmission Oil Cooler Installation



Parts List

0212

Transmission Oil Cooler Installation				
REF	PART NO.	QTY	DESCRIPTION	REMARKS
1	1X 8268	1	Elbow	
2	J9A0119	1	Cooler, Transmission Oil	
3	1X 8268	1	Elbow	
4	J9J0067	1	Hose Assy	
5	1X 7744	1	Elbow	
6	1X 7375	1	Connector	
7	128003004	4	Washer	
	127004003	4	Locknut	
8	L8J0249	1	Hose Assy	
9	1X 7413	1	Tee	
10	1X 7838	1	Cap	

Battery Specifications

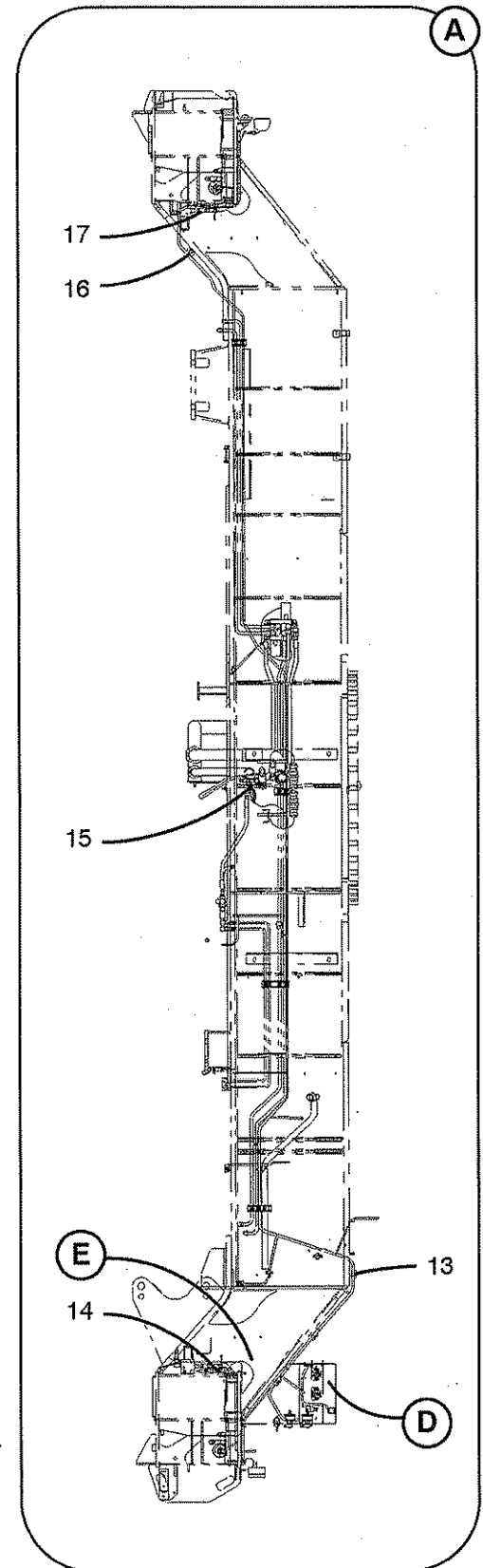
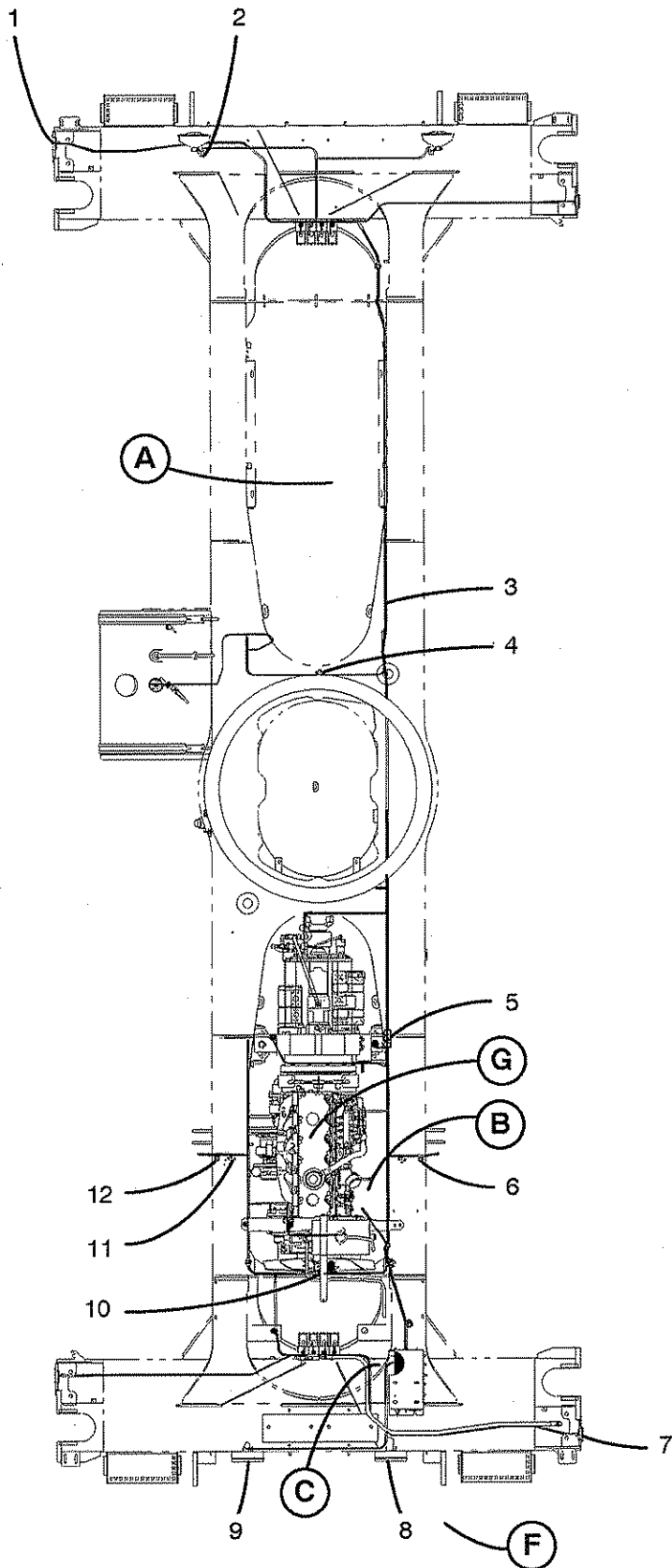
Voltage 12 Volts
Cold Cranking Amps @ 0°F 1000 Amps
Length 12.93" (328.42mm)
Width 6.74" (171.2mm)
Height 9.29" (235.97mm)
Approximate Weight 58 lb (26.31kg)

Parts List

0605

Battery Specifications				
REF	PART NO.	QTY	DESCRIPTION	REMARKS
	J7R0069	1	Battery, 12 Volt Heavy Duty	

Carrier Wiring

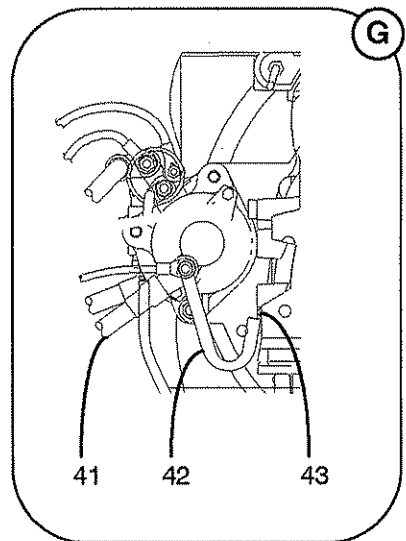
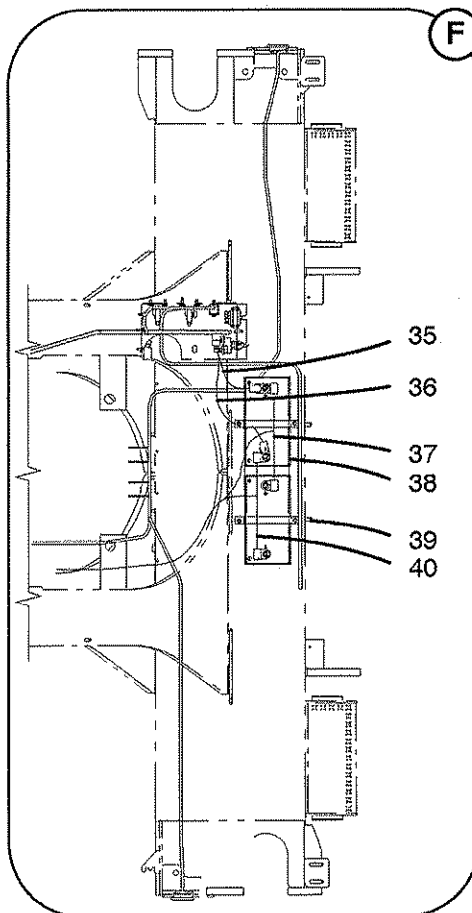
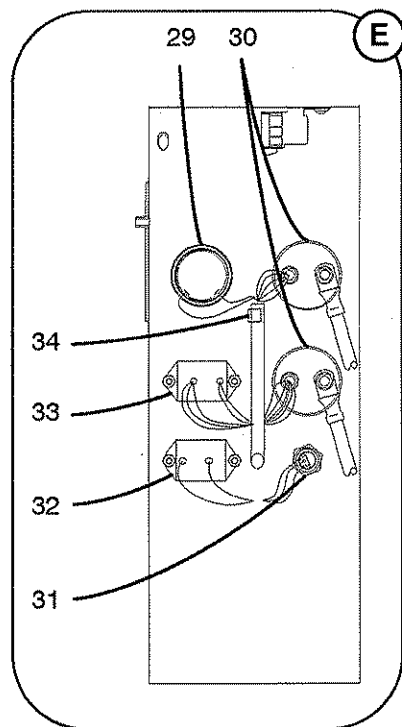
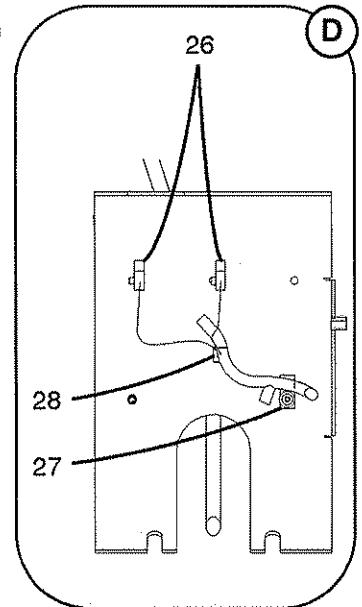
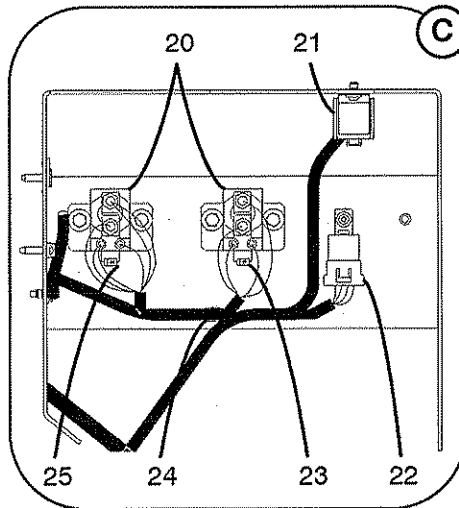
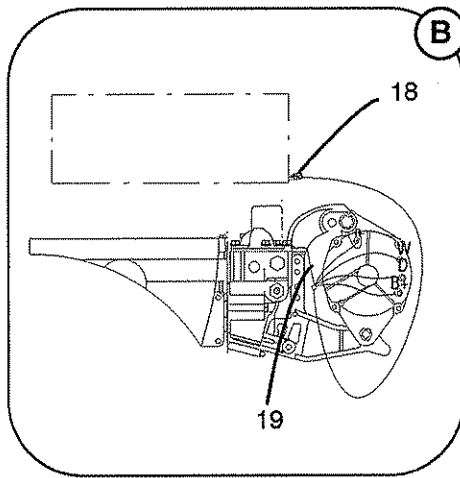


Parts List

1009

Carrier Wiring				
REF	PART NO.	QTY	DESCRIPTION	REMARKS
1	F7R0083	2	Light, Yellow Marker	
	F7R0084	2	Grommet, Light	
	F7R0088	2	Harness, Marker Light Wire	
2	D3R0138	2	Light, Drive	
	E9R0008	2	Light, Yellow Turn/Park	
	E9R0005	2	Grommet	
	F2R0049	2	Harness, Pigtail	
3	REF	1	Carrier Wire Harness -- See Keysheet 01-067	
	71J0005	37	Tie, Cable	
4	155323001	1	Mount, Fastener	
	71J0005	3	Tie, Cable	
5	155323001	1	Mount, Fastener	
	71J0005	1	Tie, Cable	
6	155323001	2	Mount, Fastener	
	71J0005	2	Tie, Cable	
7	F7R0084	2	Grommet, Light	
	F7R0088	2	Harness, Marker Light Wire	
8	J6R0060	1	Taillight, Right	
9	J6R0061	1	Taillight, Left	
10	155323001	3	Mount, Fastener	
	71J0005	3	Tie, Cable	
11	155323001	2	Mount, Fastener	
	71J0005	2	Tie, Cable	
12	126009014	1	Capscrew	
	128003003	1	Washer	
13	155323001	4	Mount, Fastener	
	71J0005	4	Tie, Cable	
14	126009014	1	Capscrew	
	128003003	1	Washer	
15	126009014	1	Capscrew	
	128003003	1	Washer	
16	155323001	1	Mount, Fastener	
	71J0005	1	Tie, Cable	
17	126009014	1	Capscrew	
	128003003	4	Washer	
18	REF		Coolant Level Sensor	
	71J0005	1	Tie, Cable	
19	REF		Engine Water Temp Sensor	
20	F8R0005	2	Relay, 100 Amp	
	126009002	4	Capscrew	
	128003001	4	Washer	
21	D6R0346	1	Relay, Sealed	
	1X 7904	1	Screw, Machine	
	1X 1776	1	Washer	
22	D6R0346	1	Relay, Sealed	
	1X 7904	1	Screw, Machine	
	1X 1776	1	Washer	
23	F2R0094	1	Diode Assy	
24	L8R0049	1	Mount, Cable Tie	
	71J0005	1	Tie, Cable	
25	F2R0094	1	Diode Assy	
26	155364001	2	Clip	

Carrier Wiring

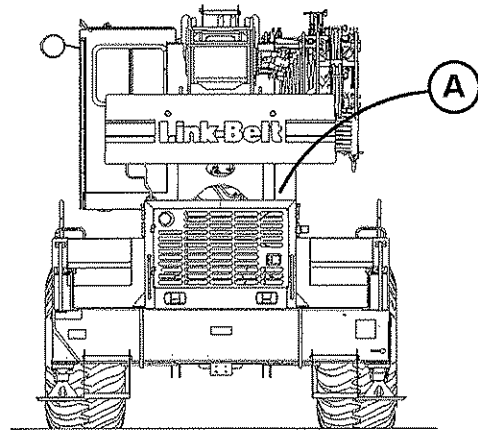
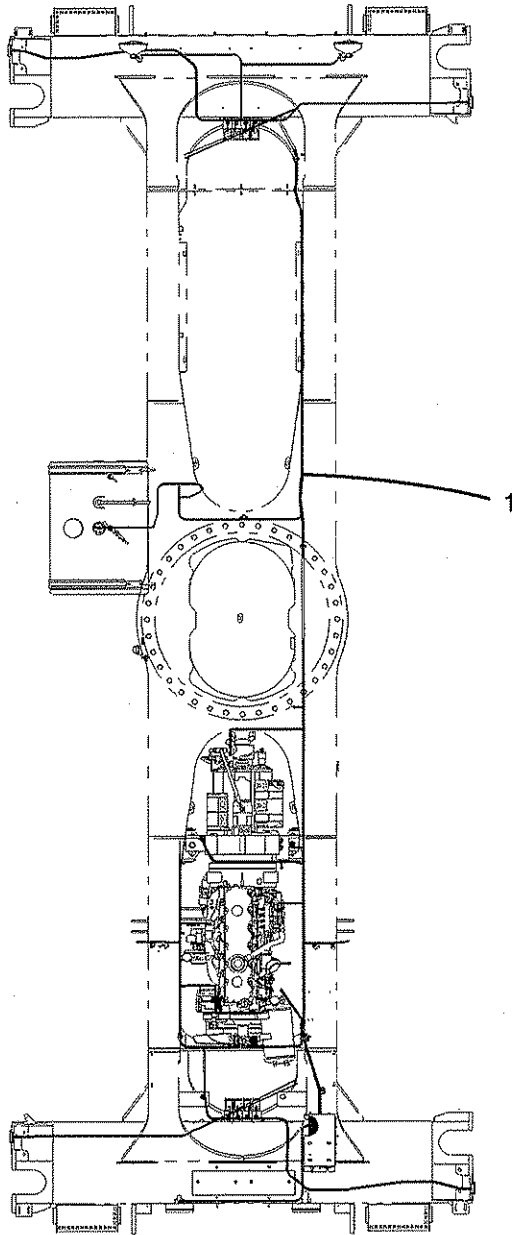


Parts List

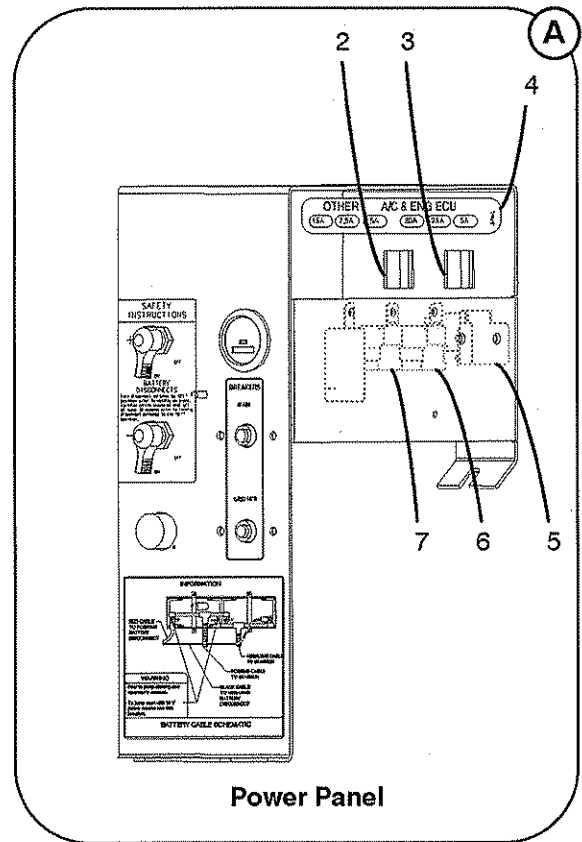
1009

Carrier Wiring				
REF	PART NO.	QTY	DESCRIPTION	REMARKS
27	1X 2817	1	Clamp	
	1X 7905	1	Screw, Machine	
	1X 1776	1	Washer	
28	L8R0049	1	Mount, Cable Tie	
	71J0005	1	Tie, Cable	
29	J6R0087	1	Meter, Hour	
30	C4A0459	2	Switch, Battery Disconnect	
31	N4R0096	1	Sensor, Ambient Air	
	1X 0199	1	Nut, Jam	
32	N4R0003	1	Breaker, 50 Amp Circuit	
	126009003	2	Capscrew	
	128003001	2	Washer	
	127004001	2	Locknut	
33	D7R0041	1	Breaker, 105 Amp Circuit	
	126009003	2	Capscrew	
	128003001	2	Washer	
	127004001	2	Locknut	
34	L8R0049	1	Mount, Cable Tie	
	71J0005	1	Tie, Cable	
35	J6R0029	1	Cable, Positive Battery Disconnect	
36	J6R0015	1	Cable, Negative Battery Disconnect	
37	N4R0031	1	Cable, Positive Battery	
38	N4R0049	1	Mat, Battery	
	REF	2	Battery Specifications – See Keysheet 01–066	
	F3R0042	4	Nut	
39	J6R0027	2	Bracket, Battery Hold–Down	
	824033015	2	Weatherstrip – 0.55'	
	128003003	4	Washer	
	127004003	4	Locknut	
40	N4R0030	1	Cable, Negative Battery	
41	N4R0040	1	Cable, Battery	
42	R8R0046	1	Cable	
43	126004010	1	Capscrew	
	128001002	1	Washer	

Carrier Wire Harness



Rear View Of Crane



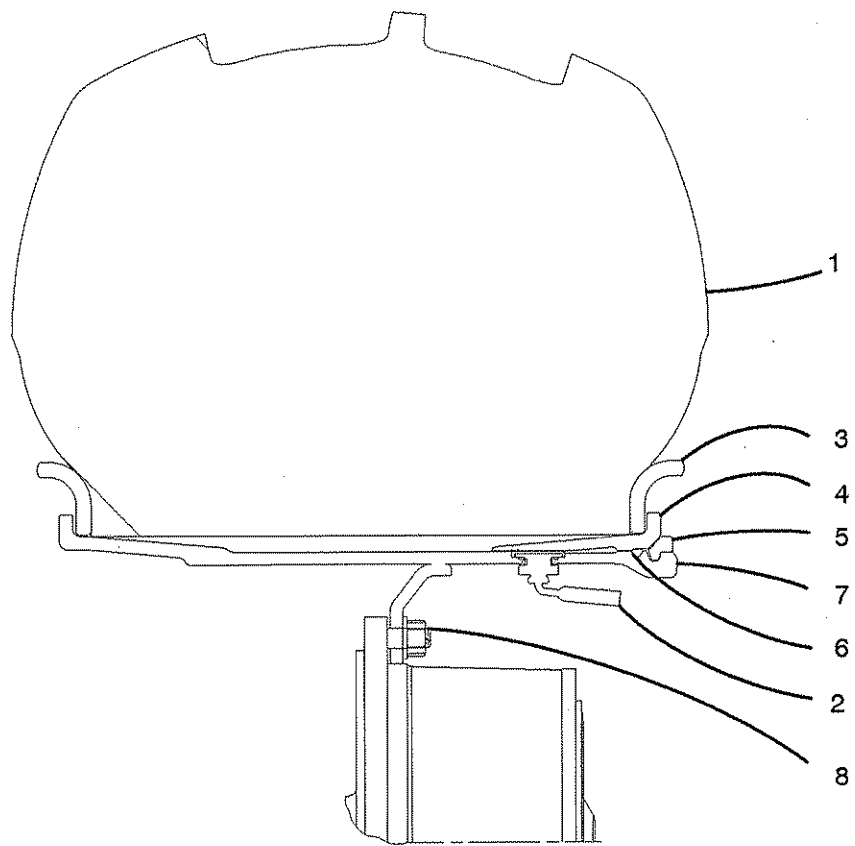
Power Panel

Parts List

0308

Carrier Wire Harness				
REF	PART NO.	QTY	DESCRIPTION	REMARKS
1	J9R0044	1	Harness, Carrier Wire	
	J9R0050	1	Harness, Carrier Wire	
	D3R0154	1	Module, 2 Diode	
	D6R0346	2	Relay, Sealed	
2	F8R0039	1	Fuse, 5 Amp – Hour Meter	
	F8R0038	1	Fuse, 7.5 Amp – Brake Light Switch	
	E9R0128	1	Fuse, 15 Amp – 1st & 2nd Gear Relays & Run Relay	
3	F8R0039	1	Fuse 5 Amp – ECU	
	E9R0130	1	Fuse 25 Amp – ECU	
	71R0270	1	Fuse, 30 Amp Mini – Upper Fuses	
4	REF		Label, Fuse	
5	REF		100 Amp Run Relay	
6	REF		Start Relay	
7	REF		A/C Relay	

Tires & Rims

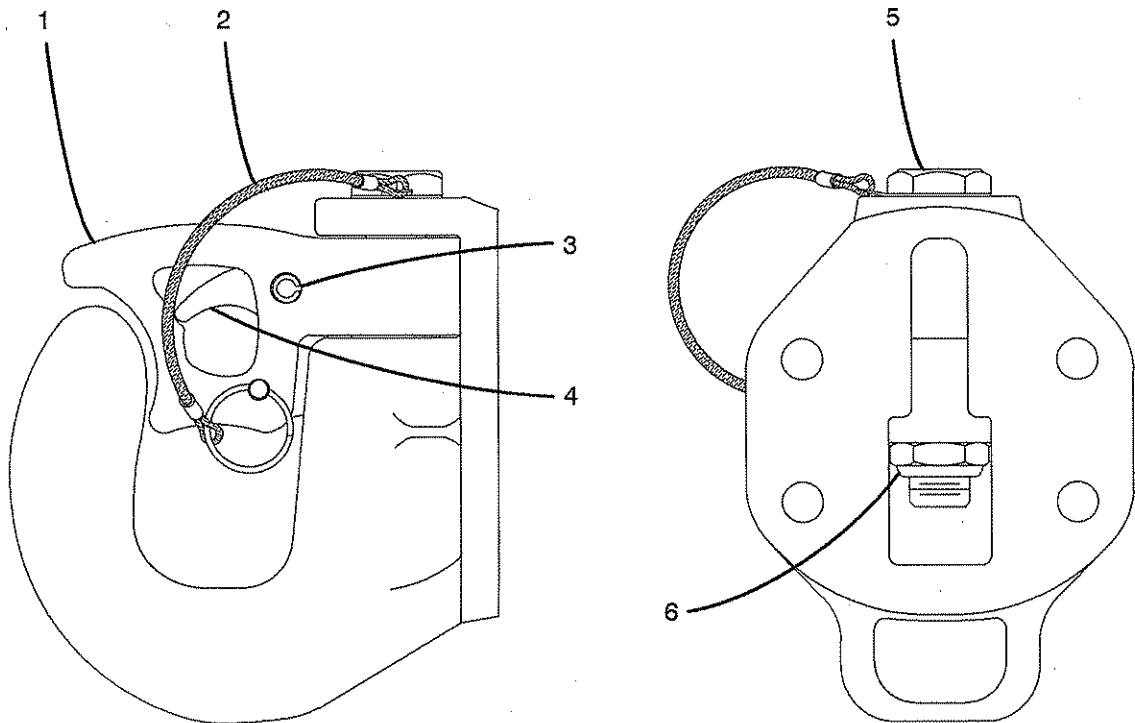


Parts List

0809

Tires & Rims				
REF	PART NO.	QTY	DESCRIPTION	REMARKS
	J9A0765	4	Tire & Rim Assy	
1	J9A0764	1	Tire	
2	45A0172	1	Valve, Tire	
	J9A0063	1	Wheel Kit Assy	
3	3A 8077	2	Ring, Side	
4	3A 8082	1	Bead, Seat	
5	3A 8079	1	Ring, Lock	
6	3A 8081	1	O-ring	
7	3A 24743	1	Wheel, Disc	
8	F7A0492	92	Nut, Wheel	
	128003009	92	Washer	

Pintle Hook Assy

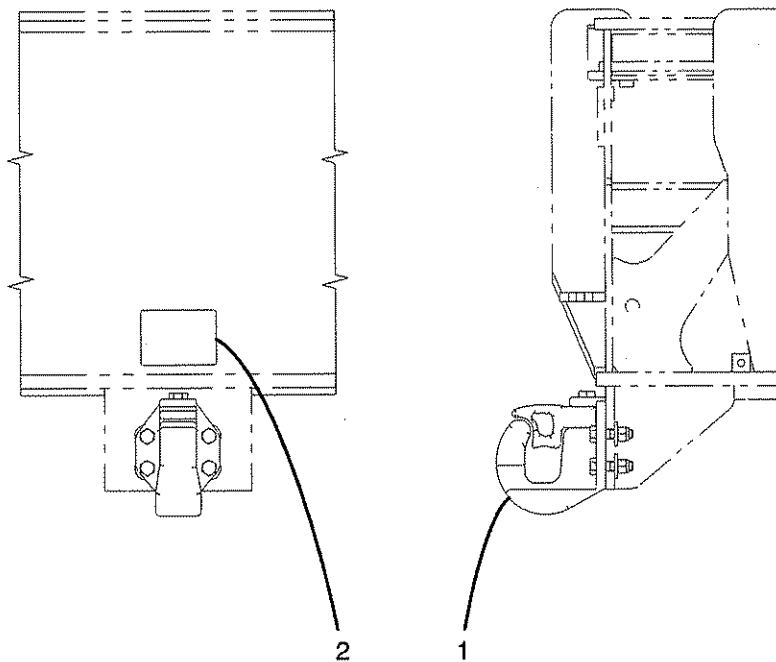


Parts List

0208

Pintle Hook Assy				
REF	PART NO.	QTY	DESCRIPTION	REMARKS
	P9A0550	1	Pintle Hook Assy	
1	3A 25216	1	Latch	
2	3A 25215	1	Pin, Latch	
3	3A 25219	1	Pin, Roll	
4	3A 25214	1	Trigger	
5	3A 25220	1	Bolt	
6	3A 25221	1	Locknut	
	3A 25218	1	Spring – Not Shown	
	3A 25217	1	Bushing – Not Shown	

Pintle Hook Installation

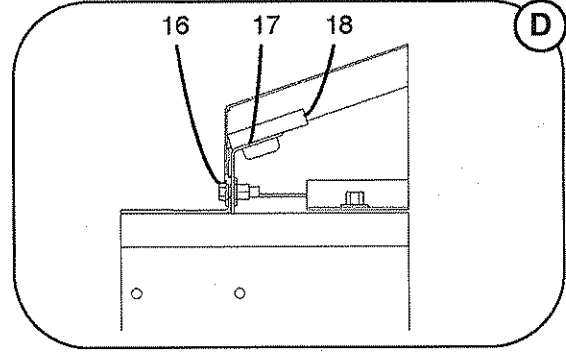
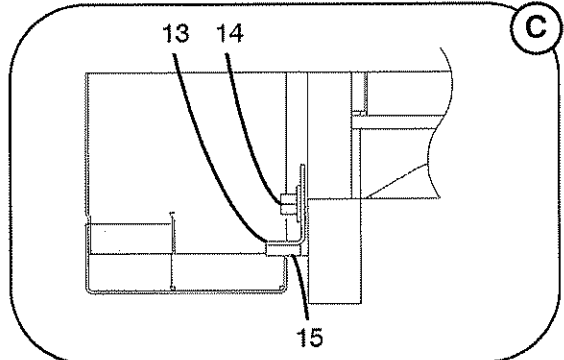
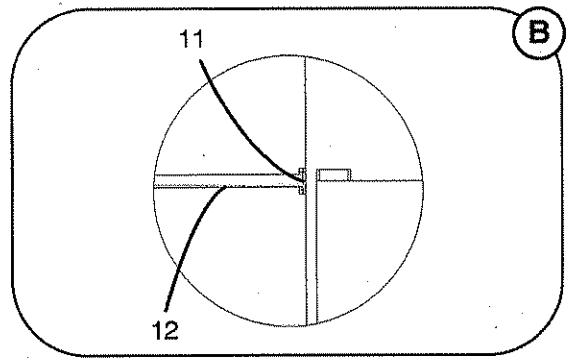
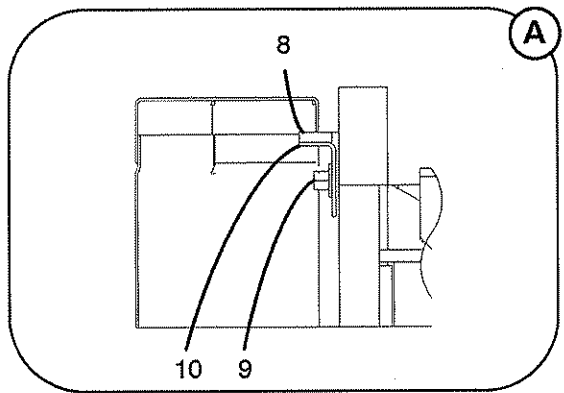
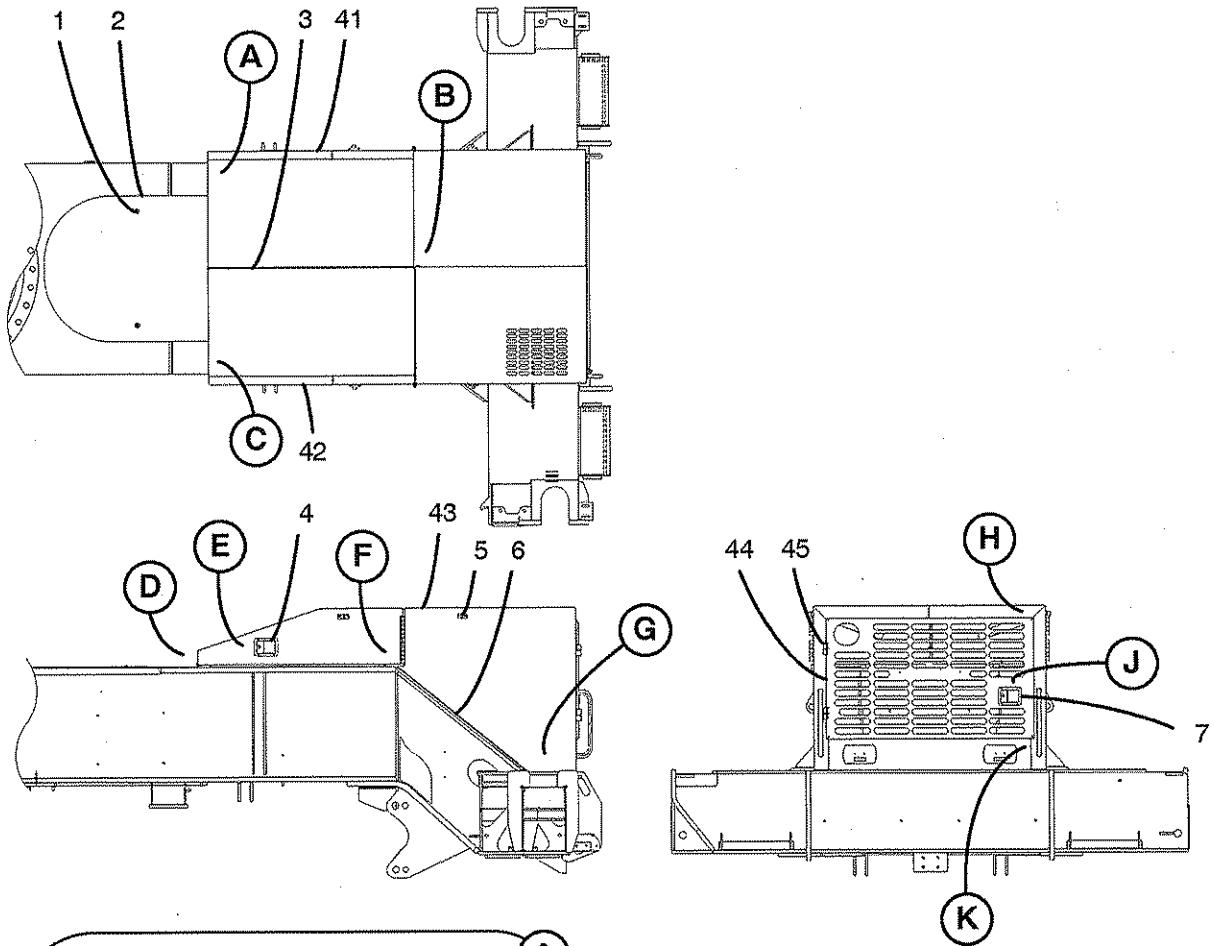


Parts List

0208

Pintle Hook Installation				
REF	PART NO.	QTY	DESCRIPTION	REMARKS
1	REF	1	Pintle Hook Assy – See Keysheet 01-070	
	126009030	4	Capscrew	
	128003006	4	Washer	
	127004005	4	Locknut	
2	F1P0075	1	Label, Pintle Hook Load	

Hood Installation

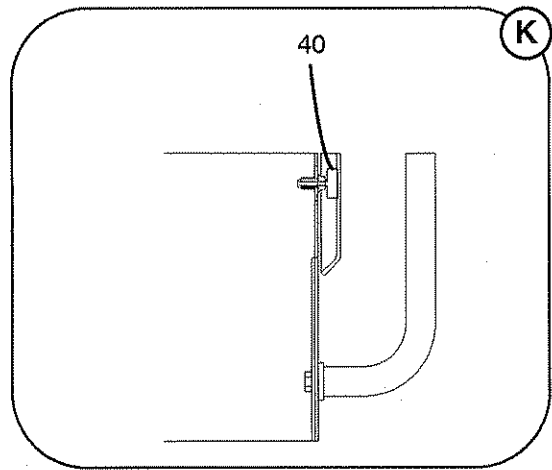
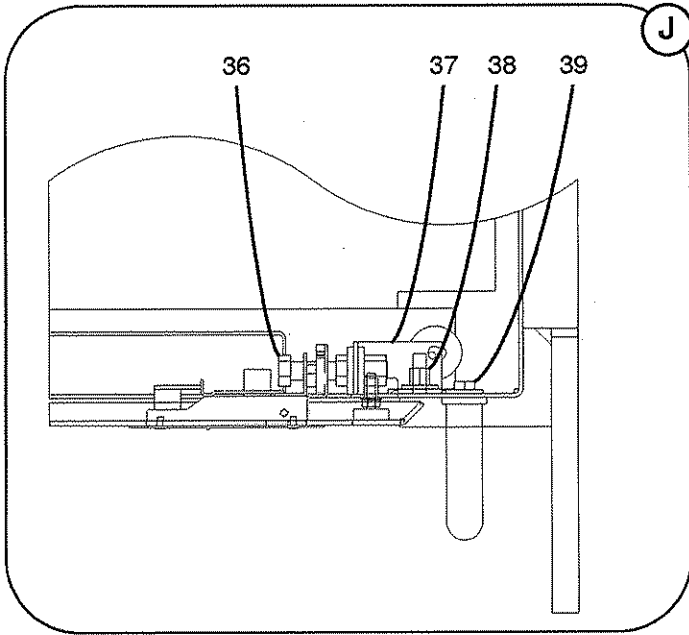
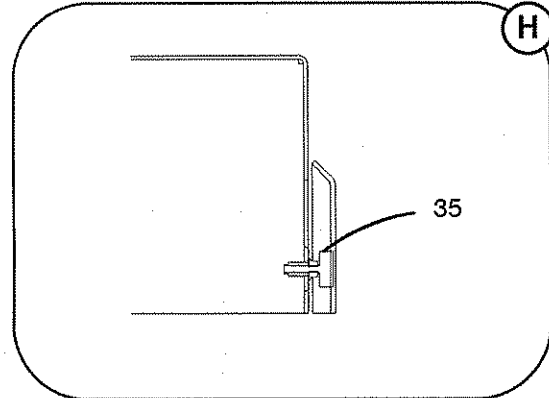
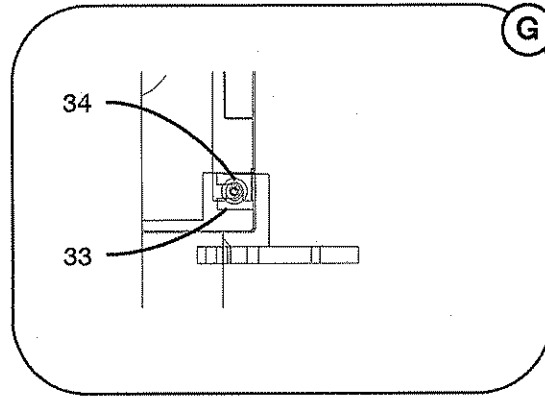
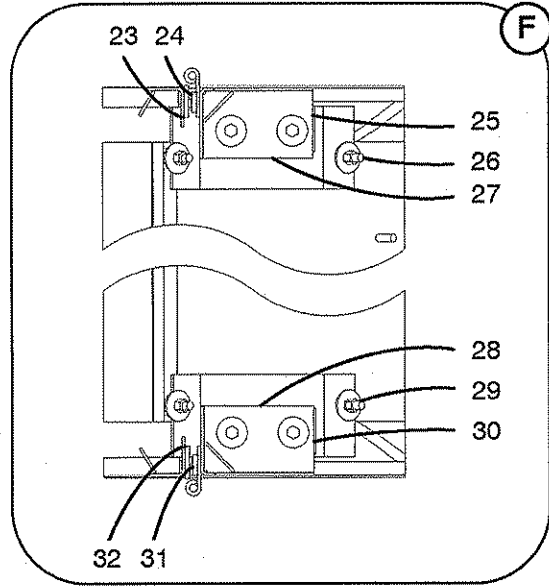
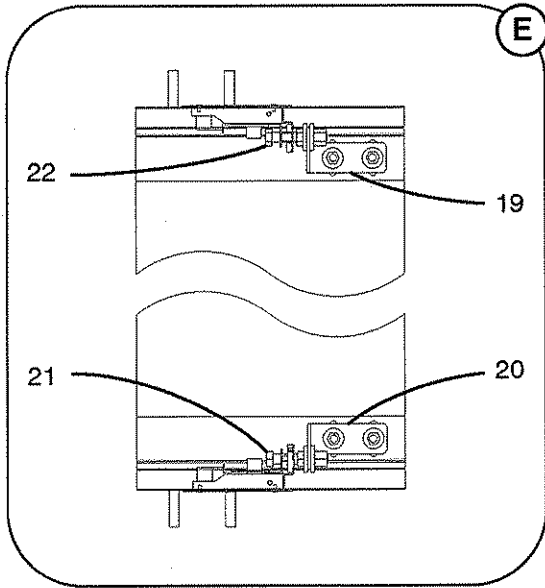


Parts List

0509

Hood Installation				
REF	PART NO.	QTY	DESCRIPTION	REMARKS
1	F6A0076	2	Screw	
	128003004	2	Washer	
	65A0568	2	Nut, Retainer	
2	J9A0218	1	Cover, Deck	
3	824033010	1	Weatherstrip – 2.6'	
4	F7A0778	2	Latch, Door	
	3A 18945	1	Key	
	1X 6199	8	Rivet	
5	F6N0014	2	Holder, Two Piece Door	
	1X 6712	8	Screw	
6	824047001	2	Weatherstrip – 3.3'	
7	F7A0778	1	Latch, Door	
	3A 18945	1	Key	
	1X 6199	4	Rivet	
8	824033010	1	Weatherstrip – 3.3'	
9	128003004	2	Washer	
	127004003	2	Locknut	
10	N4A0289	1	Bracket	
11	824033010	1	Weatherstrip – 4.6'	
12	824033010	1	Weatherstrip – 1.6'	
13	N4A0289	1	Bracket	
14	128003004	2	Washer	
	127004003	2	Locknut	
15	824033010	1	Weatherstrip – 3.3'	
16	126009014	1	Capscrew	
	128003004	2	Washer	
	127004003	1	Locknut	
17	J9A0320	1	Bracket, Door Support	
18	824025005	2	Trim – 0.25'	
19	E8A0426	1	Bracket	
	128003004	2	Washer	
	127004003	2	Locknut	
20	E8A0365	1	Bracket	
	128003004	2	Washer	
	127004003	2	Locknut	
21	126009033	1	Capscrew	
	128003006	2	Washer	
	127004005	1	Locknut	
22	1X 0183	1	Nut, Jam	
	126009033	1	Capscrew	
	128003006	2	Washer	
23	127004005	1	Locknut	
	1X 0183	1	Nut, Jam	
	J6A0308	2	Shim	
24	824033010	1	Weatherstrip – 1.0'	
25	C6B0094	2	Shim	
26	F7A0658	2	Washer	
	127004003	2	Locknut	
27	J6A0177	1	Bracket, Right Hood Mounting	
	126009014	2	Capscrew	
	F7A0658	2	Washer	

Hood Installation

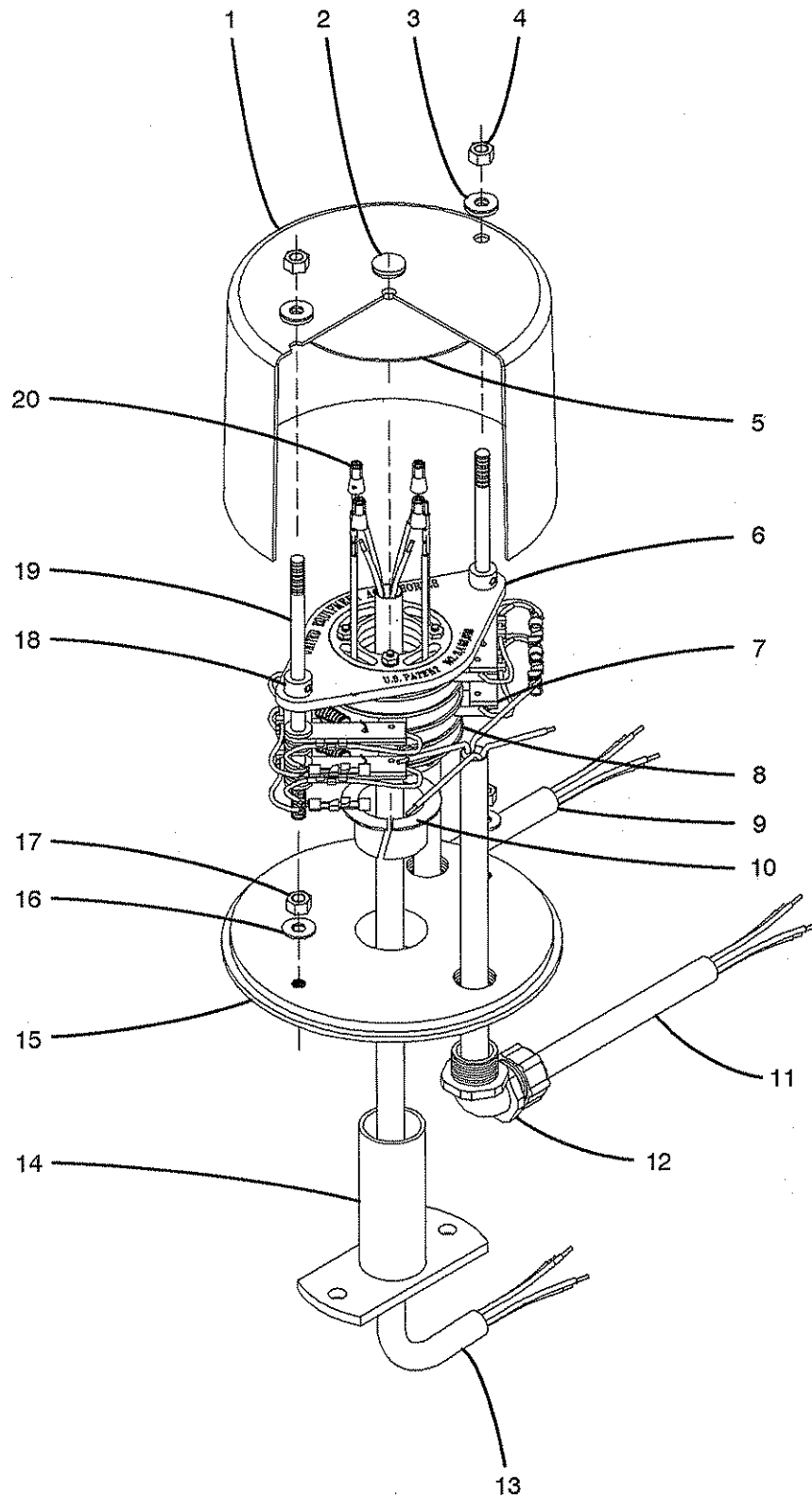


Parts List

0509

Hood Installation				
REF	PART NO.	QTY	DESCRIPTION	REMARKS
28	J6A0176	1	Bracket, Left Hood Mounting	
	126009014	2	Capscrew	
	F7A0658	2	Washer	
29	F7A0658	2	Washer	
	127004003	2	Locknut	
30	C6B0094	2	Shim	
31	824033010	1	Weatherstrip -- 1.0'	
32	J6A0308	2	Shim	
33	C6B0094	2	Shim -- AR	
34	F7A0658	2	Washer	
	127004003	2	Locknut	
35	J9A0319	1	Bumper, Rubber	
	1X 6785	1	Nut	
36	126009033	1	Capscrew	
	128003006	2	Washer	
	127004005	1	Locknut	
	1X 0183	1	Nut, Jam	
37	J9A0217	1	Bracket, Door Striker	
38	128003004	2	Washer	
	127004003	2	Locknut	
39	F7A0567	2	Handle, Grab	
	126009014	4	Capscrew	
	128003004	4	Washer	
40	J9A0319	1	Bumper, Rubber	
	1X 6785	1	Nut	
	J9A0537	1	Hood & Door S/A	NSS
41	J9A0402	1	Door, Right	
42	J9A0190	1	Door, Left	
43	J9A0381	1	Hood	
	126009014	8	Capscrew	
	128003004	8	Washer	
44	J9A0476	1	Grille	
45	69A0261	2	Pin, Hinge	

Collector Ring Assy

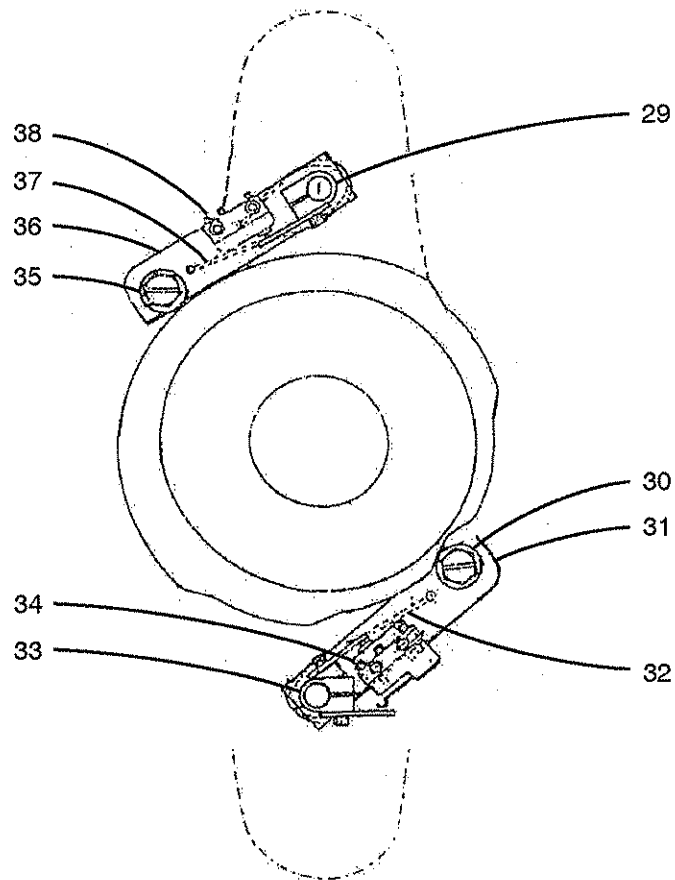
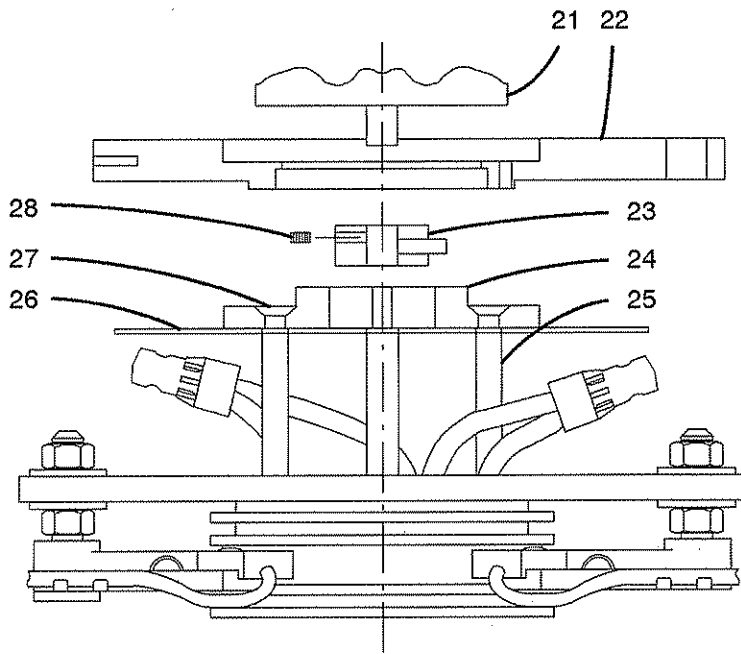


Parts List

0911

Collector Ring Assy				
REF	PART NO.	QTY	DESCRIPTION	REMARKS
	N4R0228	1	Collector Ring Assy	
1	3R 1805	1	Cover	
2	3R 1771	1	Seal	
3	3R 1459	2	Washer, Sealing	
4	3R 1458	4	Locknut	
5	3R 1735	1	Disk, Rub	
6	3R 1386	1	Bearing, Outboard	
7	3R 1396	4	Brush & Arm Assy – 75 Amp	
	3R 0632	1	Spring	
	3R 1400	2	Disconnect, Knife	
	3R 1090	1	Sleeve	
	3R 1922	1	Brush & Arm Assy – 45 Amp	
	3R 0632	1	Spring	
	3R 0628	2	Disconnect, Knife	
	3R 1090	1	Sleeve	
	3H 0660	4	Brush & Arm Assy – 15 Amp	
	3R 1286	1	Spring	
	3R 1282	2	Disconnect, Knife	
	3R 1086	1	Sleeve	
	3R 1904	3	Brush & Arm Assy – 7.5 Amp	
	3R 1009	1	Spring	
	3R 1282	2	Disconnect, Knife	
	3R 1086	1	Sleeve	
	3R 1008	30	Brush & Arm Assy – 7.5 Amp	
	3R 1009	1	Spring	
	3R 1282	2	Disconnect, Knife	
	3R 1086	1	Sleeve	
	3R 1569	10	Brush & Arm Assy – 7.5 Amp	
	3R 1009	1	Spring	
	3R 1282	2	Disconnect, Knife	
	3R 1086	1	Sleeve	
8	N4R0234	1	Collector Ring Core Assy	
9	3R 2047	1	Harness, Front Brush Wire	
	3R 2002	1	Connector	
	3R 2049	1	Locknut	
10	3R 1872	2	Bearing, Nylon	
11	N4R0225	1	Harness, Upper Wire	
12	3R 1773	2	Connector	
	3R 1866	2	Locknut	
13	N4R0226	1	Harness, Lower Wire	
14	3R 1806	1	Tube, Mounting	
15	3R 2045	1	Bracket, Base	
16	3R 1461	9	Washer	
17	3R 1538	9	Nut, Jam	
18	3R 1772	2	Collar, Set	
19	3R 2046	2	Stud, Brush Holding	
20	3R 0623	5	Connector – Use On 75 & 45 Amp Circuits	
	3R 0622	4	Connector – Use On 15 Amp Circuits	
	3R 1387	43	Connector – Use On 7.5 Amp Circuits	

Collector Ring Assy

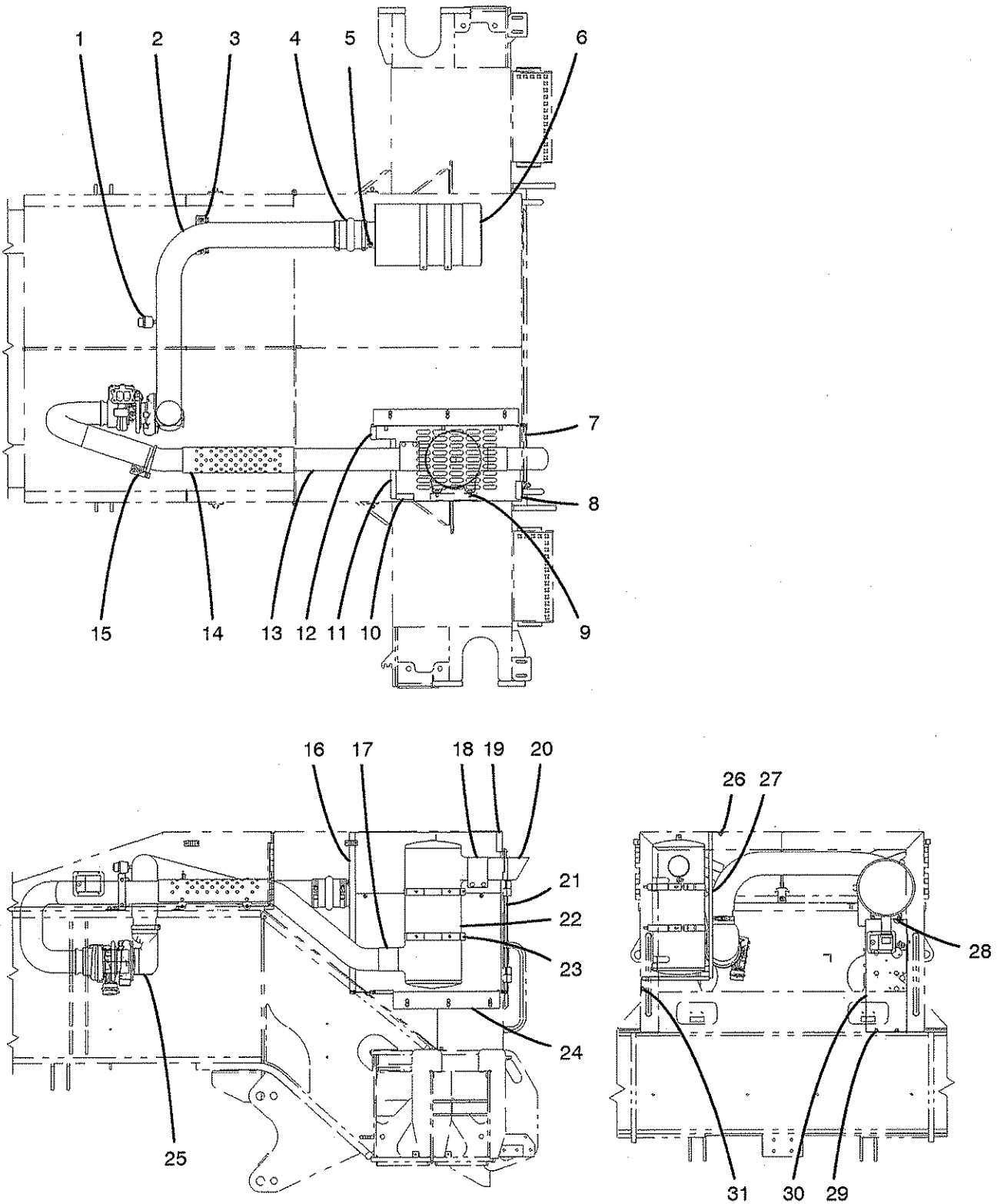


Parts List

0911

Collector Ring Assy				
REF	PART NO.	QTY	DESCRIPTION	REMARKS
21	3R 1728	1	Potentiometer, Slew	
22	3R 1736	1	Plate, Mounting	
23	3R 1734	1	Drive, Shaft	
24	3R 1733	1	Plate, Torque	
25	3R 1732	4	Spacer, Stand-Off	
26	3R 1735	1	Disk, Rub	
27	3R 1809	4	Screw	
28	3R 1774	2	Setscrews	
29	3R 1953	1	Collar, Stop	
	3R 1952	1	Spacer - 0.031" Thick	
	3R 1946	1	Spacer - 0.062" Thick	
30	3R 1995	1	Screw	
	3R 1948	1	Roller	
	3R 1951	1	Bushing, Roller	
31	3R 1996	1	Arm, Cam Roller	
32	3R 1930	1	Spring, Hairpin	
33	3R 1953	1	Collar, Stop	
	3R 1952	1	Spacer - 0.031" Thick	
	3R 1946	1	Spacer - 0.062" Thick	
34	3R 1991	1	Switch Assy	
	3R 1992	1	Switch	
	3R 1989	2	Lead, Kinkless - Yellow	
	3R 1993	2	Disconnect, Knife	
	3R 1086	2	Sleeve, Vinyl	
	3R 1994	4	Tie, Cable	
35	3R 1995	1	Screw	
	3R 1948	1	Roller	
	3R 1951	1	Bushing, Roller	
36	3R 1996	1	Arm, Cam Roller	
37	3R 1930	1	Spring, Hairpin	
38	3R 1990	1	Switch Assy	
	3R 1949	1	Switch	
	3R 1988	2	Lead, Kinkless - Red	
	3R 1993	2	Disconnect, Knife	
	3R 1086	2	Sleeve, Vinyl	
	3R 1994	4	Tie, Cable	
	3R 1213	1	Collar, Set - Not Shown	
	3R 2048	1	Stud, Leveling - 14.19" - Not Shown	
	3R 1864	1	Capscrew - 5/16-18 - Not Shown	
	3R 1737	3	Clamp, Servo Mounting - Not Shown	

Air Intake & Exhaust Installation

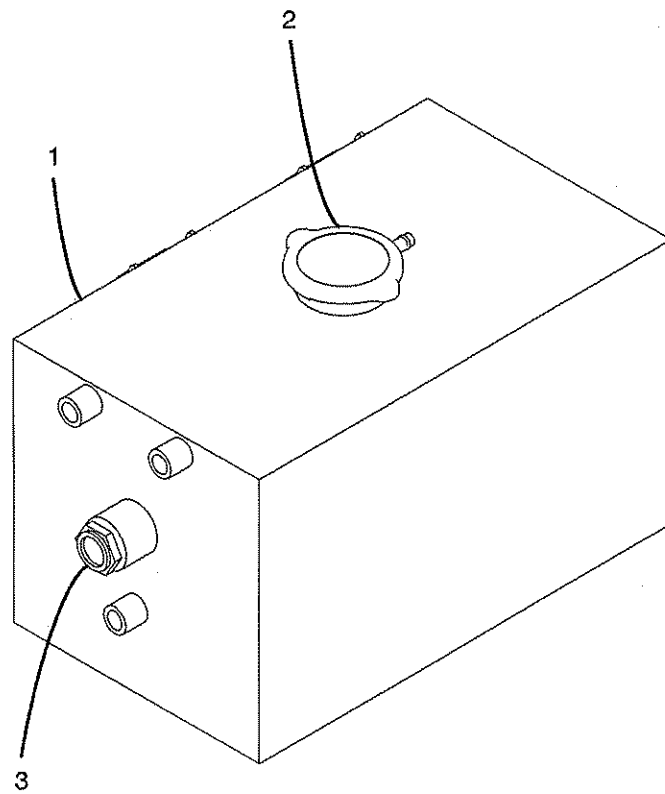


Parts List

0809

Air Intake & Exhaust Installation				
REF	PART NO.	QTY	DESCRIPTION	REMARKS
1	J9A0750	1	Indicator, Air Filter	
2	J9A0379	1	Tube, Exhaust	
3	N4A0267	1	Bracket	
	824045001	1	Weatherstrip – 0.89'	
	128003004	2	Washer	
	127004003	2	Locknut	
4	29A0058	1	Hose, Hump	
	1X 5900	2	Clamp	
5	1X 0823	1	Plug, Pipe	
6	REF	1	Air Cleaner Assy – See Keysheet 01 –027	
	1X 5638	2	Band, Mounting	
7	824045001	1	Weatherstrip – 0.82'	
8	824045001	1	Weatherstrip – 0.28'	
9	126009013	4	Capscrew	
	128003004	4	Washer	
10	824045001	1	Weatherstrip – 0.27'	
11	824045001	1	Weatherstrip – 0.83'	
12	824045001	1	Weatherstrip – 0.2'	
13	J9A0378	1	Tube, Exhaust	
14	J9A0329	1	Guard, Muffler	
15	J9A0173	1	Bracket	
	112015003	1	Clamp	
	128003004	2	Washer	
	127004003	2	Locknut	
16	824045001	1	Weatherstrip – 2.4'	
17	19H0340	1	Clamp	
18	19H0340	1	Clamp	
19	824045001	1	Weatherstrip – 0.29'	
20	J9A0321	1	Tube, Exhaust	
21	824045001	1	Weatherstrip – 2.07'	
22	J9A0331	1	Muffler	
23	J9A0337	2	Clamp	
24	J9A0389	1	Baffle, Lower Muffler	
	57J0240	3	Nutsert	
	J9A0391	1	Baffle, Upper Muffler	
25	J7H0071	1	Elbow	
	N4A0261	1	Reducer	
	19A1223	2	Clamp	
26	128003004	3	Washer	
	127004003	3	Locknut	
27	126009013	3	Capscrew	
	128003004	3	Washer	
28	126009013	4	Capscrew	
	128003004	4	Washer	
	127004003	4	Locknut	
29	128003004	4	Washer	
	127004003	4	Locknut	
30	N4A0380	1	Bracket	
31	128003004	3	Washer	
	127004003	3	Locknut	

Surge Tank Assy

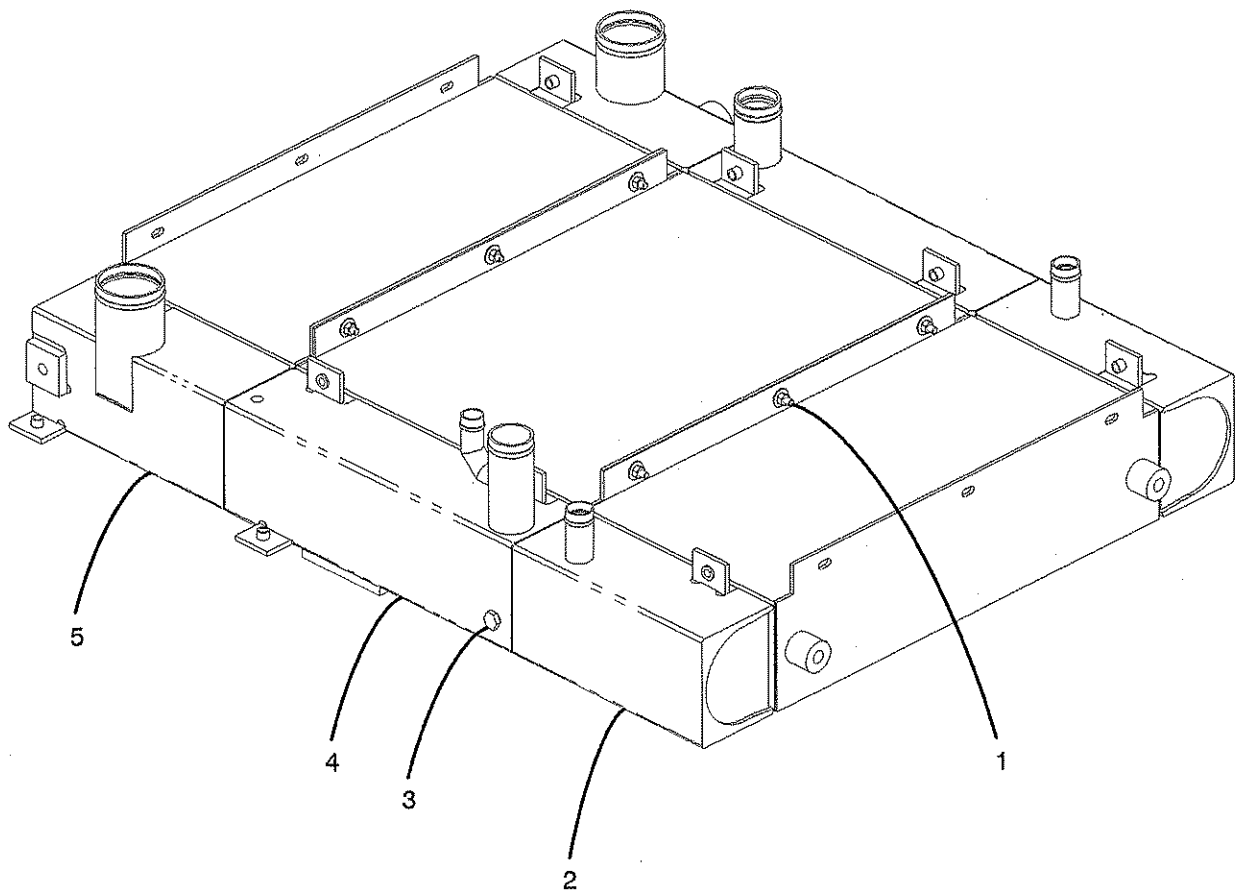


Parts List

1107

Surge Tank Assy				
REF	PART NO.	QTY	DESCRIPTION	REMARKS
1	J8A0142	1	Surge Tank Assy	
1	3A 25181	1	Tank, Surge	
2	3A 25180	1	Cap, Radiator	
3	3A 25179	2	Gauge, Sight	

Radiator, Air & Oil Cooler Assy



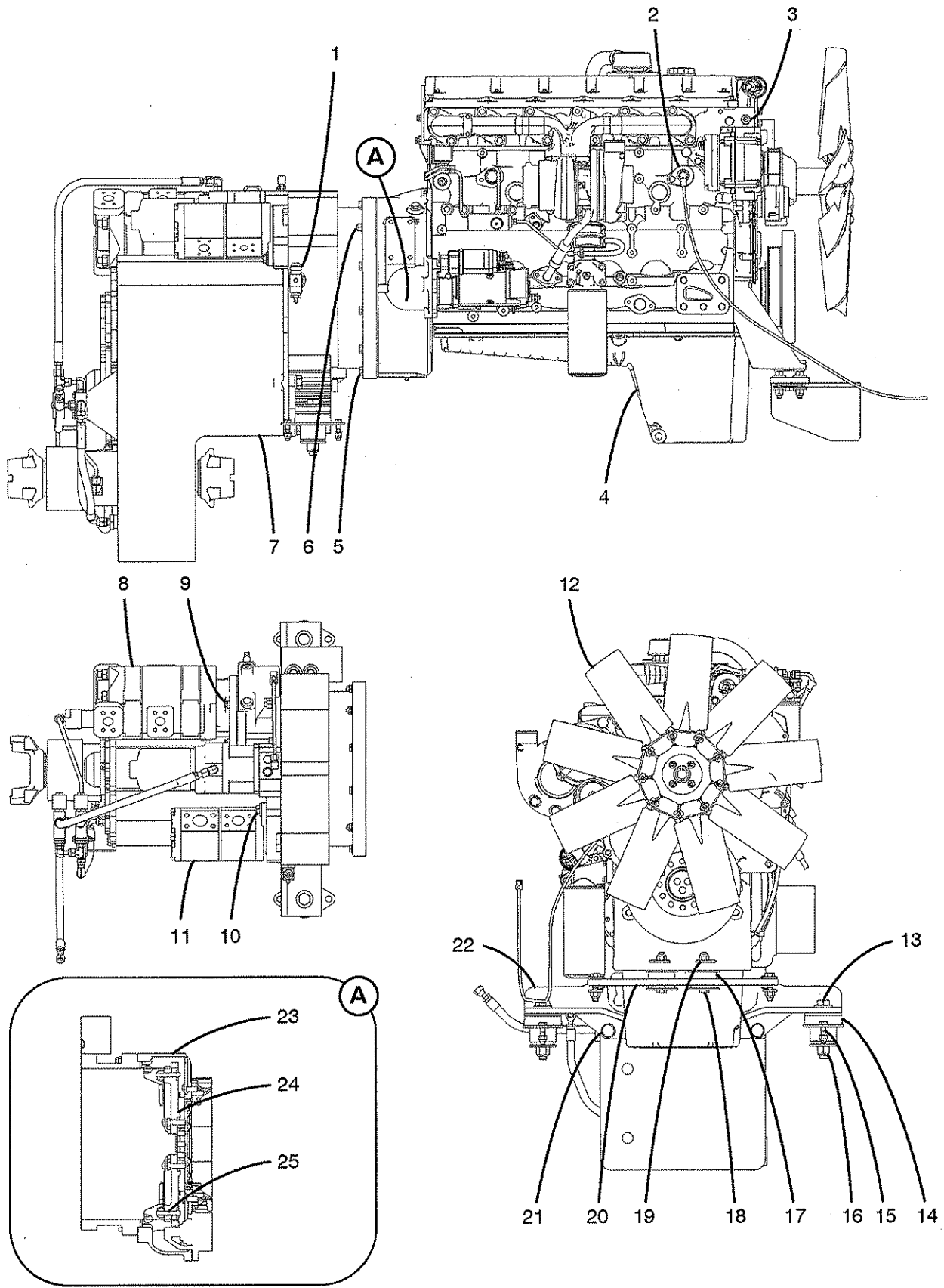
Parts List

0608

Radiator, Air & Oil Cooler Assy

REF	PART NO.	QTY	DESCRIPTION	REMARKS
1	J8H0035	1	Radiator, Air & Oil Cooler Assy	
	3A 25014	12	Capscrew	
	3A 25012	24	Washer	
	3A 25013	12	Nut, Flange	
2	3A 24452	1	Cooler, Hydraulic Oil	
3	3A 25142	1	Plug	
4	3H 2282	1	Radiator	
5	3H 2281	1	Cooler, Charge Air	

Engine, Transmission, & Pumps

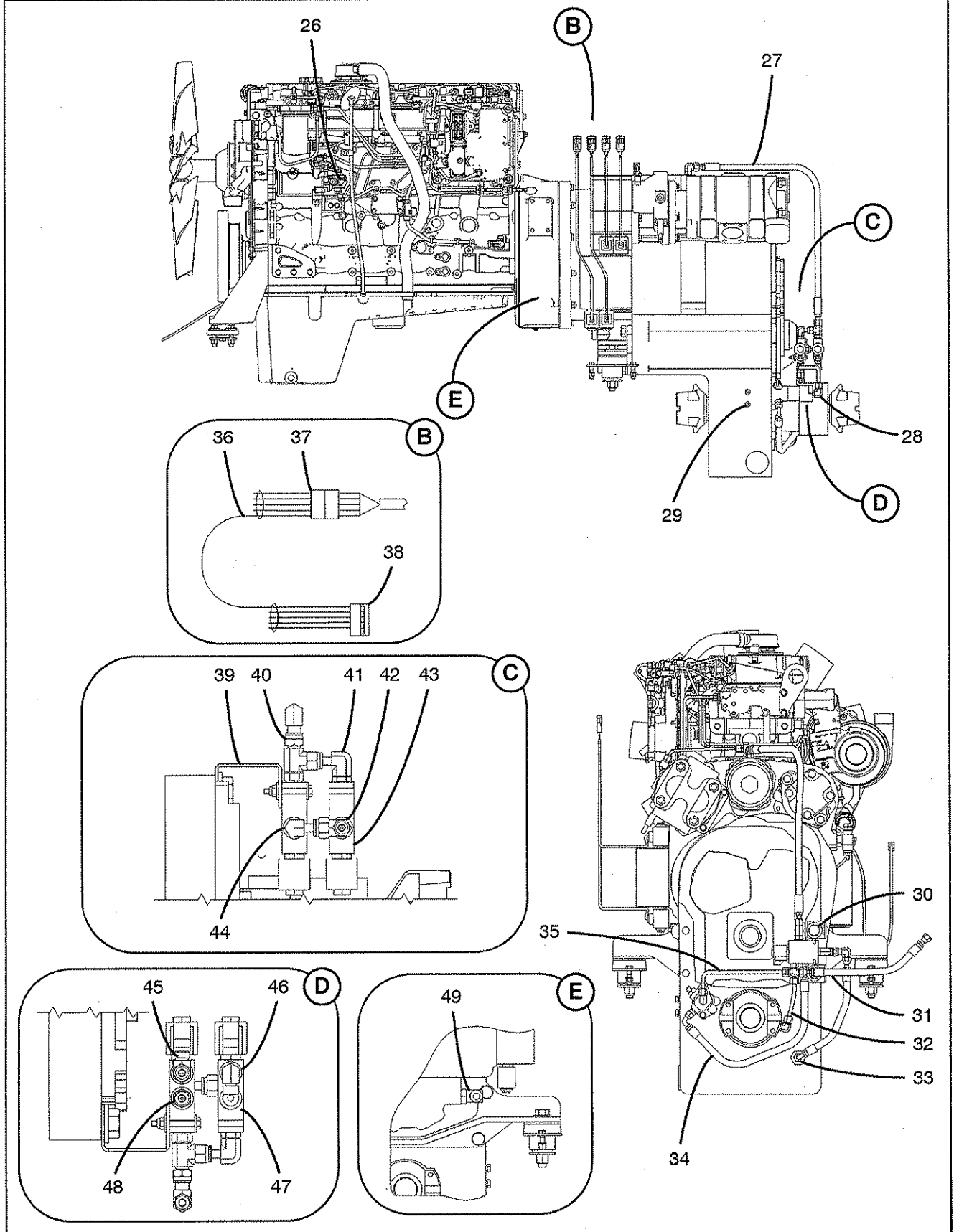


Parts List

0411

Engine, Transmission, & Pumps				
REF	PART NO.	QTY	DESCRIPTION	REMARKS
1	47R0122	1	Sender, Temperature	
	1X 0826	1	Plug	
2	N4A0383	1	Heater, Engine Block	
	126006012	1	Capscrew	
3	N4A0370	1	Sender, Temperature	
	N4A0371	1	O-ring	
4	REF	1	Engine	
5	126004138	8	Capscrew	
	128001002	8	Washer	
6	N4A0171	4	Stud	
	128001002	4	Washer	
	127003003	4	Locknut	
7	REF	1	Main Transmission Assy - See Keysheet 01-018	
8	REF	1	2 Section Gear Pump Assy - See Keysheet 01-081	
	32H0245	1	Gasket	
9	1X 2685	4	Capscrew	
10	18A2955	2	Capscrew	
	128003006	2	Washer	
11	REF	1	Steer Pump Assy - See Keysheet 01-010	
	46A1329	1	Gasket	
12	N4A0252	1	Fan	
	128002006	4	Washer	
	127003007	4	Locknut	
13	1X 6244	2	Capscrew	
	1X 3650	2	Washer	
14	C6H0030	2	Isolator	
15	1X 6706	4	Capscrew	
	1X 5963	4	Washer	
	1X 6952	4	Locknut	
16	C6H0050	2	Washer	
	1X 4989	2	Locknut	
17	65A0128	2	Mount	
	17H0159	4	Spacer	
18	1X 6221	2	Capscrew	
19	128003006	2	Washer	
	1X 4987	2	Locknut	
20	N4A0281	1	Mount, Front Engine	
	1X 6923	4	Capscrew	
	128003006	8	Washer	
	1X 4987	4	Locknut	
21	1X 4332	4	Plug	
	1X 5188	4	Washer	
22	J9A0123	1	Mount, Transmission	
23	REF		Flywheel Housing	
24	REF		Engine Flywheel	
25	1X 8304	8	Capscrew	
26	J8H0028	1	Connector	
27	65J0478	1	Hose Assy	
	1X 7385	1	Elbow	
28	1X 7460	1	Elbow	
29	J9A0111	2	Gauge, Sight	
30	1X 6906	2	Capscrew	
	128003009	2	Washer	

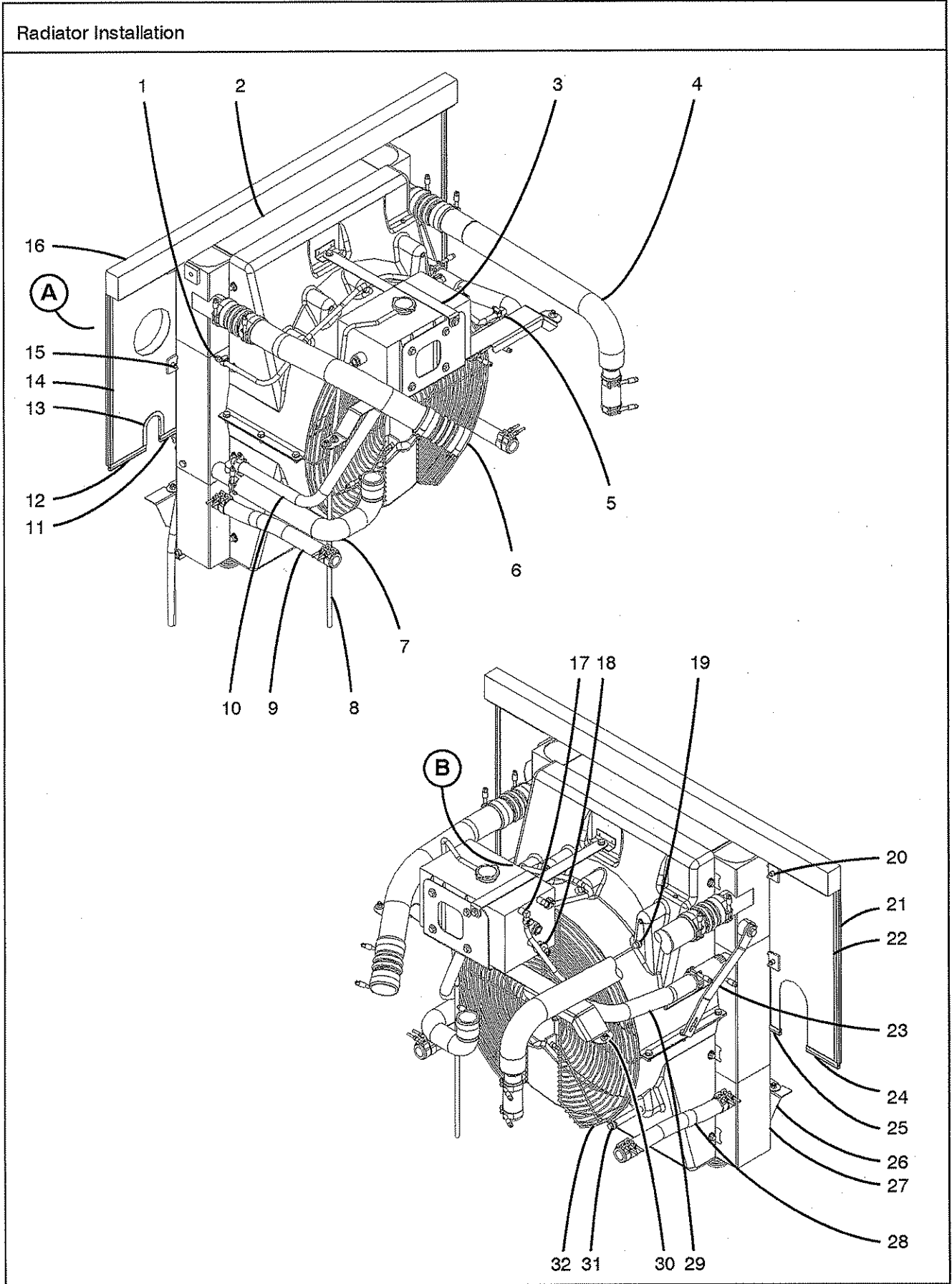
Engine, Transmission, & Pumps



Parts List

0411

Engine, Transmission, & Pumps				
REF	PART NO.	QTY	DESCRIPTION	REMARKS
31	69J0393	1	Hose Assy	
32	J9J0062	1	Tube Assy	
	1X 7385	1	Elbow	
33	69J0274	1	Hose Assy	
	1X 6577	1	Bushing	
	1X 8265	1	Connector	
34	D7J0174	1	Hose Assy	
	1X 7446	1	Connector	
35	J9J0061	1	Tube Assy	
36	829025001	1	Wire, 16 Gauge Black – 1.0'	
37	155125001	1	Connector	
	155133001	1	Lock, Secondary	
	155100002	4	Terminal, Male – 20–22 Ga	
	155064005	5	Seal, Cable	
	155100001	1	Terminal, Male – 18–20 Ga	
38	155129001	1	Connector	
	155130001	1	Terminal, Bus–Bar	
	155131001	1	Cover, Connector	
	155153001	1	Lock, Secondary	
	155073003	5	Terminal, Female	
	155064006	4	Seal, Cable – 2.42mm	
	155064001	1	Seal, Cable – 2.85mm	
	155065001	1	Plug	
39	J9A0146	1	Bracket	
	126009007	2	Capscrew	
	128003001	4	Washer	
	127004001	2	Locknut	
40	1X 7404	1	Elbow	
	1X 7398	1	Tee	
41	1X 7559	1	Elbow	
42	1X 7398	1	Tee	
43	N4J0069	2	4 Way Solenoid Valve Assy – See Keysheet 01–043–065.00	
44	1X 7559	1	Elbow	
45	1X 7398	1	Tee	
46	1X 7385	1	Elbow	
47	1X 4526	1	Plug	
48	1X 7368	1	Connector	
49	1X 7390	1	Elbow	
	71J0005	1	Tie, Cable – Not Shown	

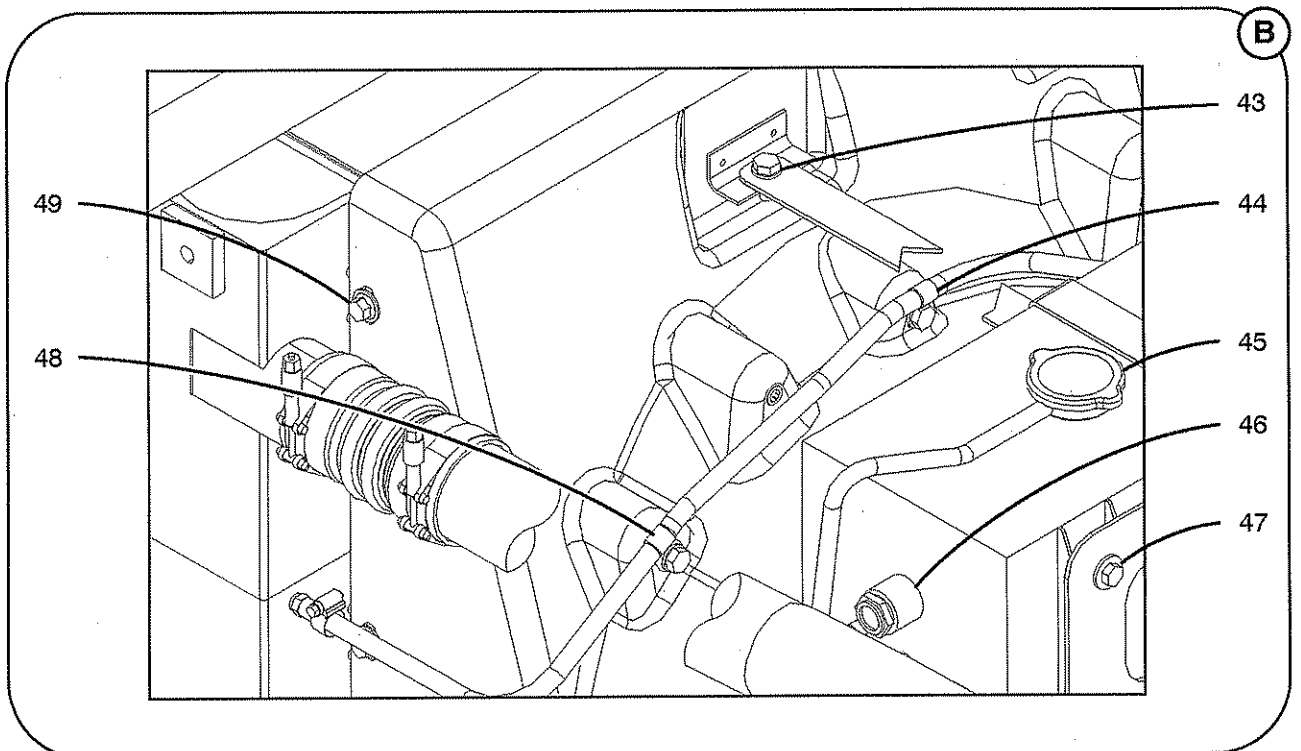
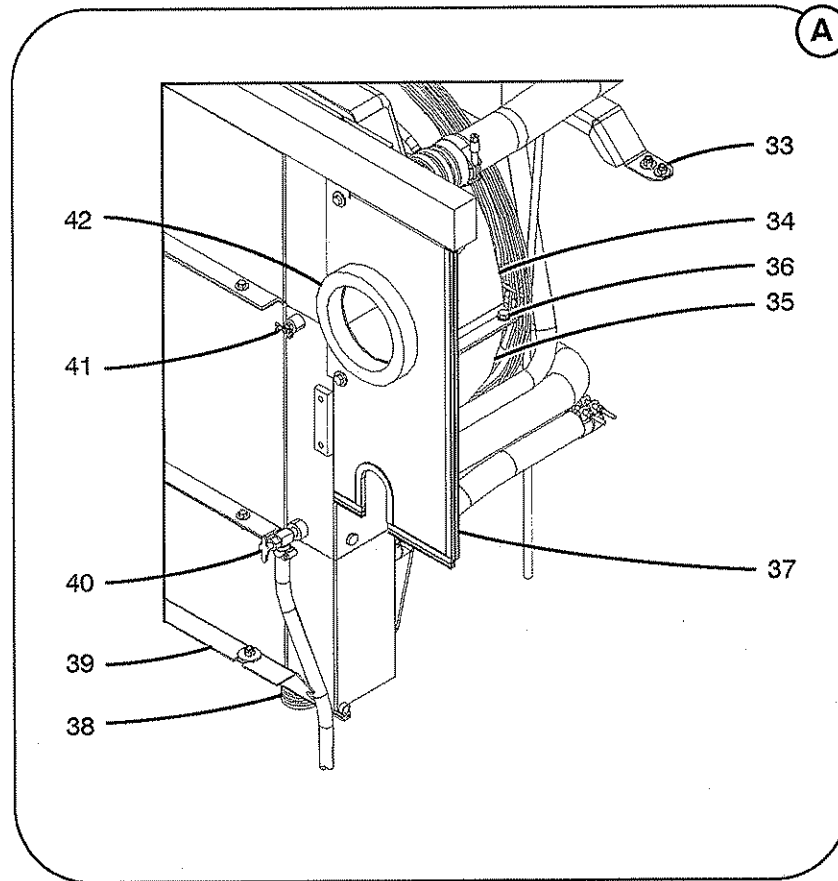


Parts List

0612

Radiator Installation				
REF	PART NO.	QTY	DESCRIPTION	REMARKS
1	5Z 0118	1	Barb, Hose	
	1X 5056	1	Clamp	
	822033009	1	Hose - 3.0'	
2	824033018	2	Strip - 2.17'	
3	J9A0467	1	Support, Surge Tank	
4	N4A0156	1	Tube	
	71A0735	2	Clamp	
	D7A0611	1	Hose	
	71A1293	2	Clamp	
	822032006	1	Hose - 0.42'	
	822033009	1	Hose - 1.16'	
5	1X 6938	1	Barb, Hose	
	1X 5056	1	Clamp	
	N4A0140	1	Tube	
6	D7A0611	2	Hose	
	71A0735	4	Clamp	
	N4A0255	1	Clamp, Hose	
7	D7A0653	1	Clamp	
	N4A0173	1	Hose, Radiator	
	822014005	1	Hose - 4.0'	
8	71J0005	5	Tie, Cable	
	822026001	1	Hose - 1.63'	
9	1X 5582	4	Clamp	
	822035005	1	Hose - 2.63'	
10	F6A0322	2	Clamp	
	824046001	1	Weatherstrip - 0.2'	
11	824046001	1	Weatherstrip - 0.48'	
12	824025005	1	Trim - 0.7'	
13	J9A0469	1	Baffle, Right Top	
14	126009013	2	Capscrew	
	128003004	2	Washer	
15	F7A0884	1	Baffle, Foam	
16	1X 6938	2	Barb, Hose	
	1X 5056	2	Clamp	
17	71A1150	1	Sensor, Coolant Level	
18	126006027	1	Capscrew	
	128002007	1	Washer	
19	126009013	2	Capscrew	
	128003004	2	Washer	
20	824046001	1	Weatherstrip - 2.0'	
21	J9A0468	1	Baffle, Left Top	
22	N4A0282	1	Support, Radiator	
	126009027	1	Capscrew	
	128003006	1	Washer	
	126009119	1	Capscrew	
	128003004	1	Washer	
	824046001	1	Weatherstrip - 0.42'	
23	824046001	1	Weatherstrip - 0.13'	
24	J9A0386	1	Baffle, Left Bottom	
	F7A0658	2	Washer	
	127004003	2	Locknut	
	824009001	1	Weatherstrip - 2.63'	

Radiator Installation

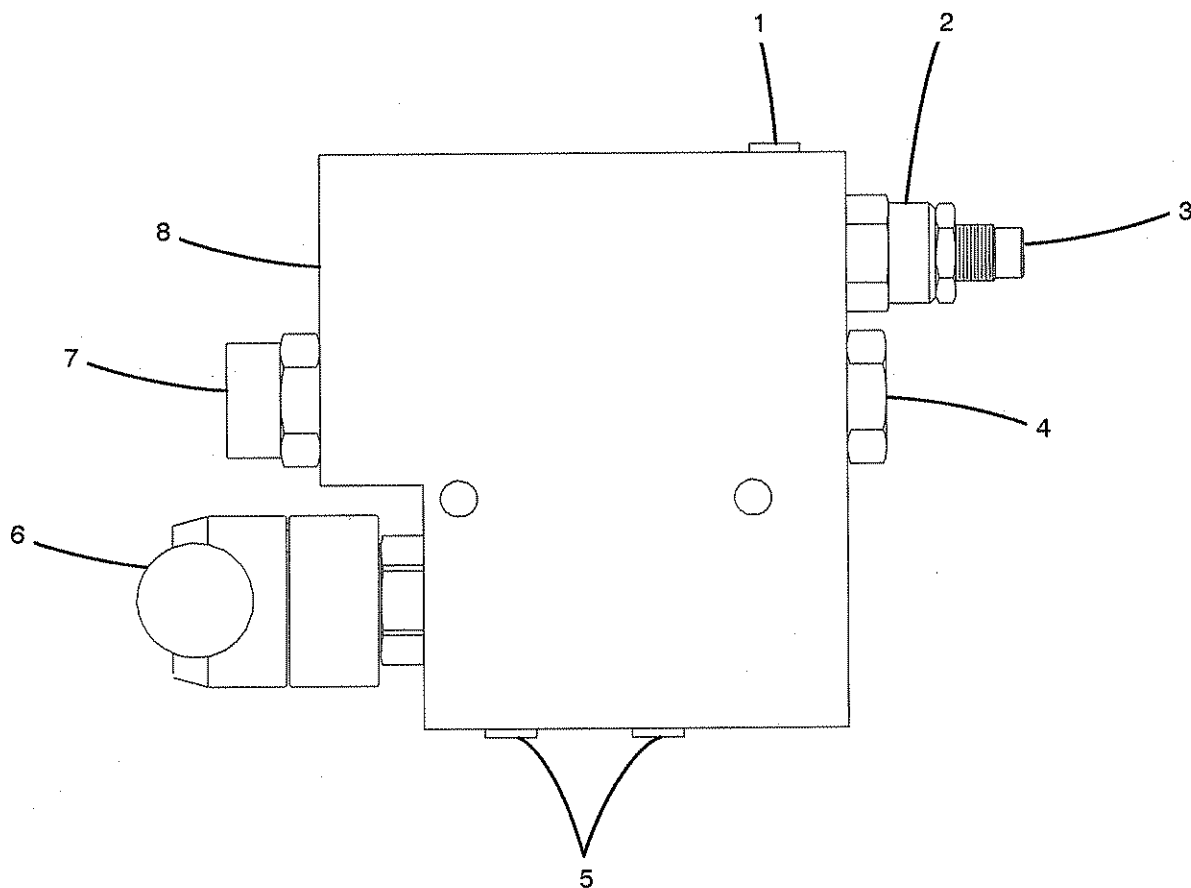


Parts List

0612

Radiator Installation				
REF	PART NO.	QTY	DESCRIPTION	REMARKS
27	REF	1	Radiator, Air, & Oil Cooler Assy – See Keysheet 01–077	
28	822026001	1	Hose – 1.5'	
	1X 5582	4	Clamp	
29	N4A0247	1	Tube, Radiator	
	822036005	1	Hose – 0.42'	
	D7A0653	4	Clamp	
	822036005	1	Hose – 0.42'	
30	J9A0466	1	Bracket, Surge Tank	
	128003004	1	Washer	
	127004003	1	Locknut	
31	J6A0302	2	Spacer	
	126006092	2	Capscrew	
	128002007	2	Washer	
32	J6A0301	1	Guard, Fan	
33	128003004	2	Washer	
	127004003	2	Locknut	
	F7A0166	1	Fan Shroud Assy	
34	F7A0288	1	Shroud, Top	
35	F7A0167	1	Shroud, Bottom	
36	126006001	6	Capscrew	
	128002007	6	Washer	
37	824046001	1	Weatherstrip – 2.0'	
38	AC 3328	4	Plate	
	59A0324	2	Damper, Vibration	
	128003015	4	Washer	
	127004005	2	Locknut	
	1X 7972	2	Stud	
39	J9A0385	1	Baffle, Right Bottom	
	F7A0658	2	Washer	
	127004003	2	Locknut	
40	AC 4257	1	Valve, Shutoff	
	822035003	1	Hose – 2.0'	
	18A2838	1	Clamp	
41	12A0966	1	Valve, Drain	
42	F7A0366	1	Baffle, Foam	
43	126006001	1	Capscrew	
	128002007	1	Washer	
44	1X 6038	1	Clamp	
	126006001	1	Capscrew	
	128002007	1	Washer	
45	REF	1	Surge Tank Assy – See Keysheet 01–077	
46	1X 0824	1	Plug, Pipe	
47	126009012	5	Capscrew	
	128003004	5	Washer	
	65A0568	5	Nut, Retainer	
48	1X 6038	1	Clamp	
	126006027	1	Capscrew	
	128002007	2	Washer	
49	1X 6794	8	Capscrew	
	46L0026	8	Washer, Nylon	

Oscillation Lockout Manifold Assy

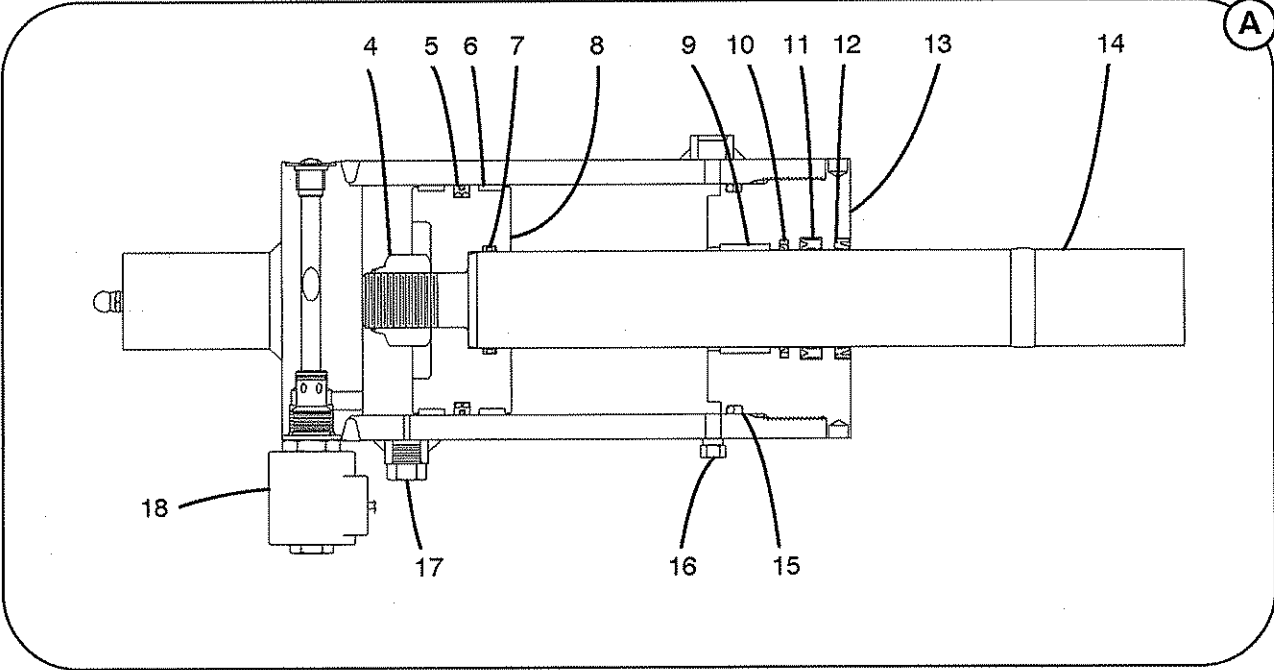
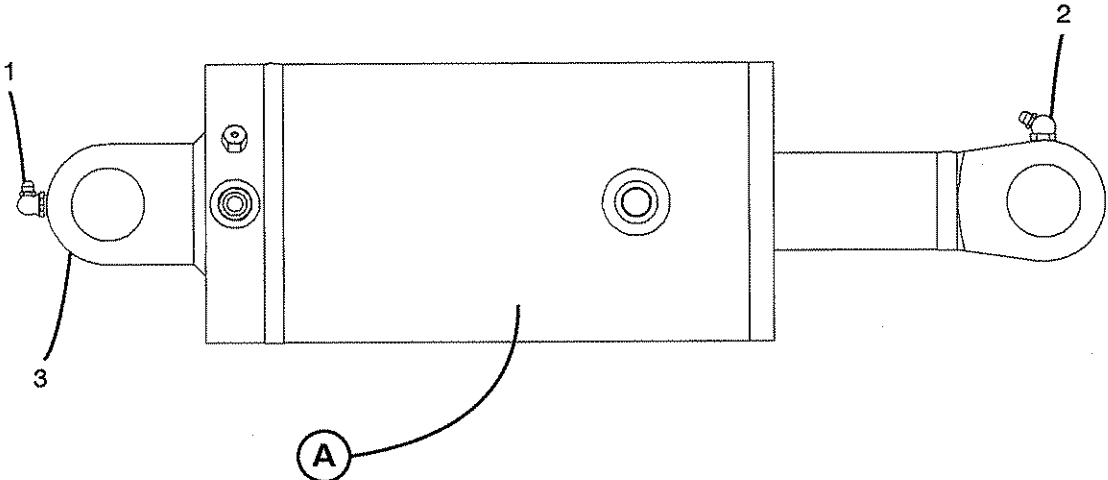


Parts List

0205

Oscillation Lockout Manifold Assy				
REF	PART NO.	QTY	DESCRIPTION	REMARKS
	F7J0437	1	Oscillation Lockout Manifold Assy	
1	1X 5922	1	Plug	
2	3J 14832	1	Cartridge, Needle Valve	
	3J 13994	1	Kit, Seal	
3	3J 14695	1	Disc, Orifice	
4	F7J0192	1	Cartridge, Check Valve	
	3J 14691	1	Kit, Seal	
	F7J0195	1	Piston, Pilot	
5	1X 5922	2	Plug	
6	3J 14692	1	Cartridge, Motor Spool Valve	
	3J 13664	1	Kit, Seal	
	3J 14693	1	Handle, Ball	
7	F7J0193	1	Cartridge, Check Valve W/Thermal Relief	
	3J 11667	1	Kit, Seal	
8	REF	1	Body	

Lockout Cylinder Assy

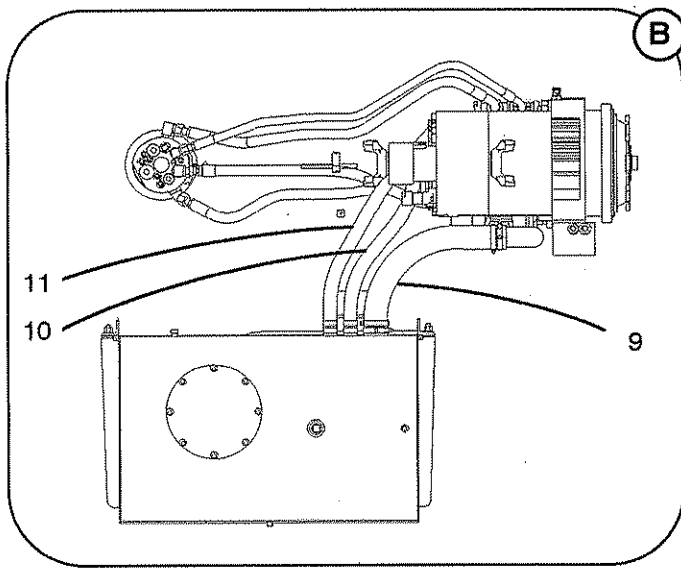
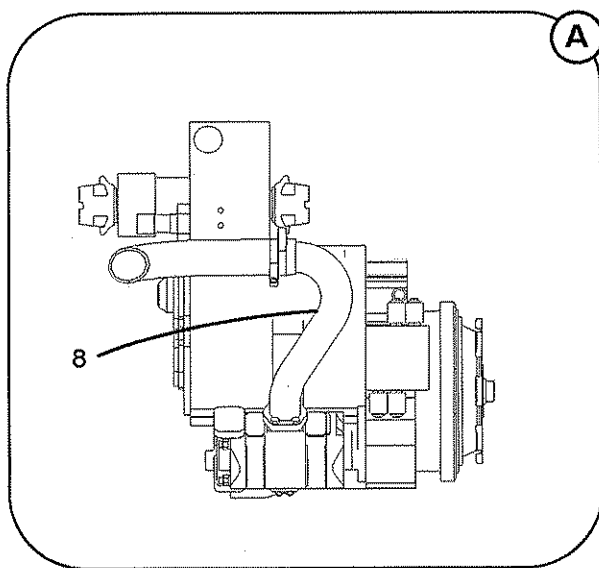
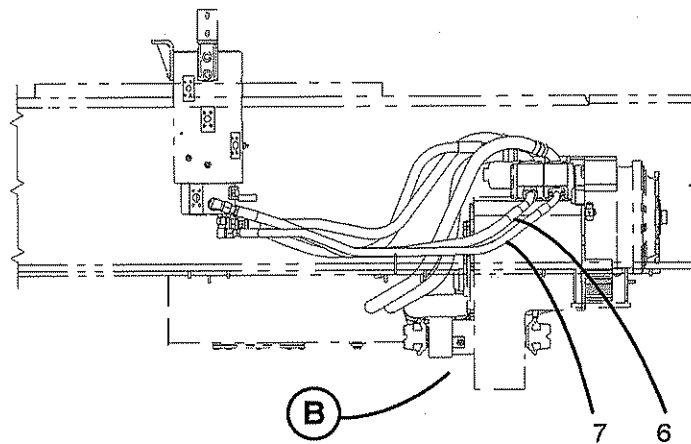
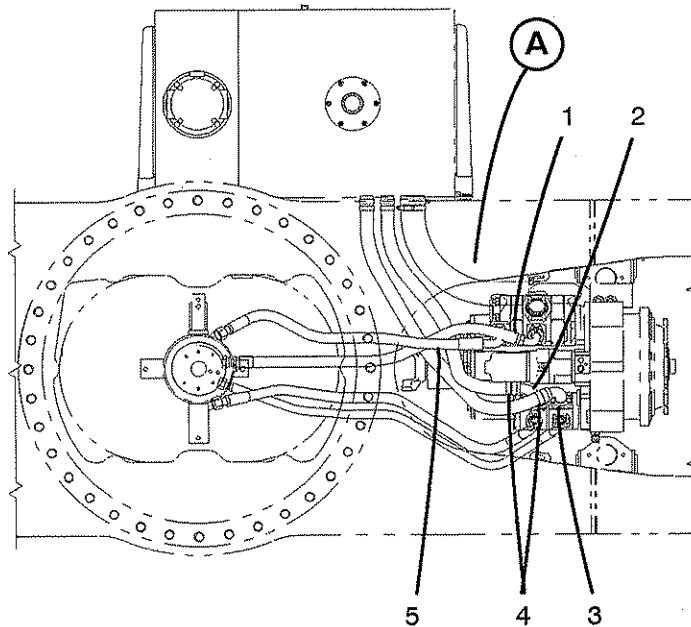


Parts List

0106

Lockout Cylinder Assy				
REF	PART NO.	QTY	DESCRIPTION	REMARKS
	F7J0474	1	Lockout Cylinder Assy	
1	1X 1800	1	Fitting, Grease	
2	1X 0816	1	Fitting, Grease	
3	F7J0473	1	Case, Cylinder	
4	F7J0357	1	Locknut	
5	F7J0103	1	Seal, Piston	KA
6	F7J0102	2	Ring, Wear	KA
7	1X 8015	1	O-ring	KA
	F7J0113	2	Ring, Back Up	KA
8	F7J0076	1	Piston	
9	F7J0106	1	Ring, Wear	KA
10	D6J0440	1	Seal, Stepseal	KA
11	F7J0105	1	Seal, Double Lip	KA
12	F7J0104	1	Rod, Wiper	KA
13	F7J0075	1	Gland	
14	F7J0100	1	Rod	
15	1X 5510	1	O-ring	KA
	1A 0790	1	Ring, Back Up	KA
16	69J0092	2	Valve, Bleeder	
17	1J 2700	1	O-ring	KA
	1X 3581	1	Plug, O-ring	
18	F7J0452	1	Valve, Holding Cartridge	
	3J 11667	1	Kit, Seal	
	3J 11666	1	Cartridge	
	3J 14754	1	Kit, Seal - All Items Marked KA	

Lower Section & Pressure Lines

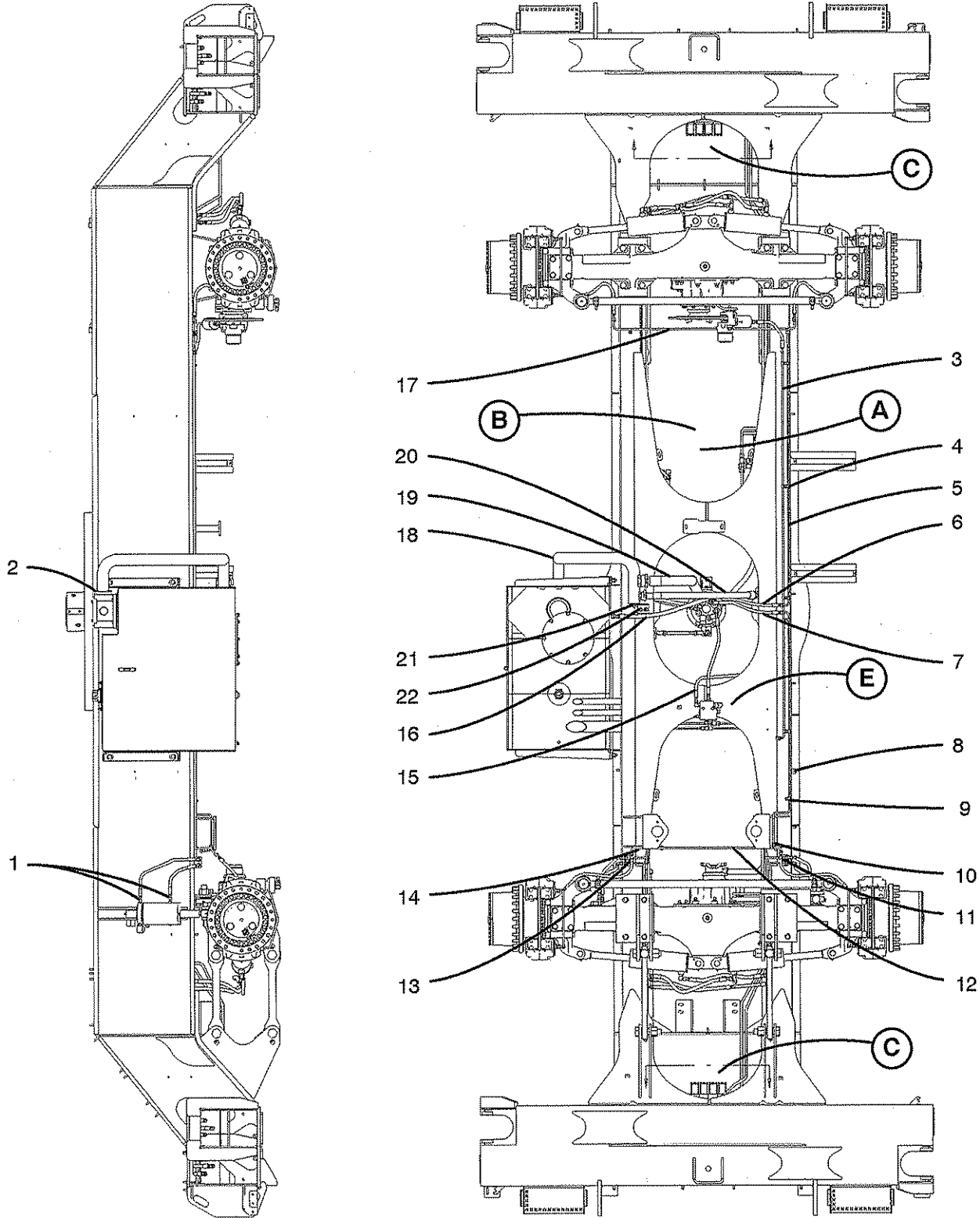


Parts List

0507

Lower Section & Pressure Lines				
REF	PART NO.	QTY	DESCRIPTION	REMARKS
1	J9J0167	1	Hose Assy	
	16J0201	2	Flange, Split	
	20J0990	1	O-ring	
	126009014	4	Capscrew	
2	1X 6067	1	Stem, Hose	
	20J3148	2	Flange, Split	
	20J0770	1	O-ring	
	126009028	4	Capscrew	
3	1X 7555	1	Stem, Hose	
	20J0084	2	Flange, Split	
	20J0771	1	O-ring	
	126009102	4	Capscrew	
4	1X 8017	4	Clamp	
5	J9J0165	1	Hose Assy	
	16J0201	2	Flange, Split	
	20J0990	1	O-ring	
	126009014	4	Capscrew	
6	70J0071	1	Hose Assy	
	16J0201	2	Flange, Split	
	20J0990	1	O-ring	
	126009014	4	Capscrew	
7	J9J0166	1	Hose Assy	
	16J0203	2	Flange, Split	
	1X 5740	1	O-ring	
	126009014	4	Capscrew	
8	J9J0195	1	Tube	
	126009029	4	Capscrew	
	31J0179	1	O-ring	
9	822034012	1	Hose - 2.25'	
	1X 5144	4	Clamp	
10	822034004	1	Hose - 4.17'	
	1X 8017	2	Clamp	
11	822034004	1	Hose - 4.83'	
	1X 8017	2	Clamp	

Lower Main Hydraulics

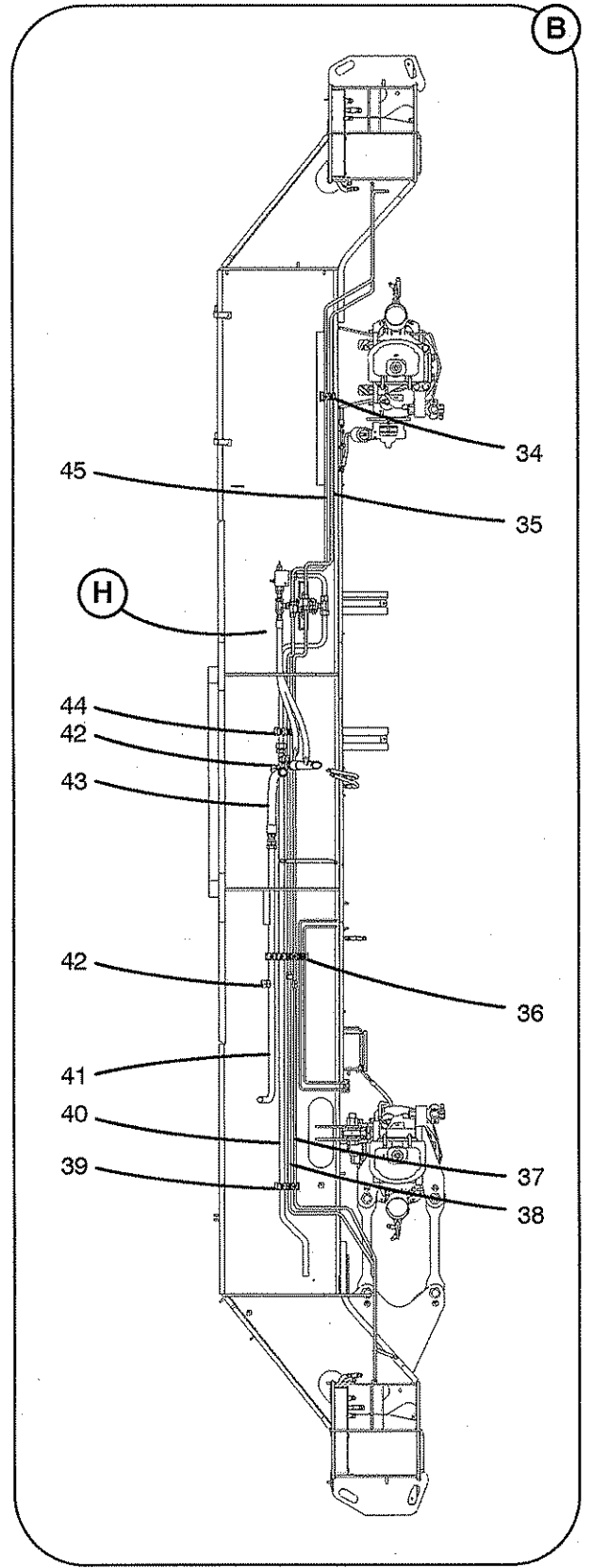
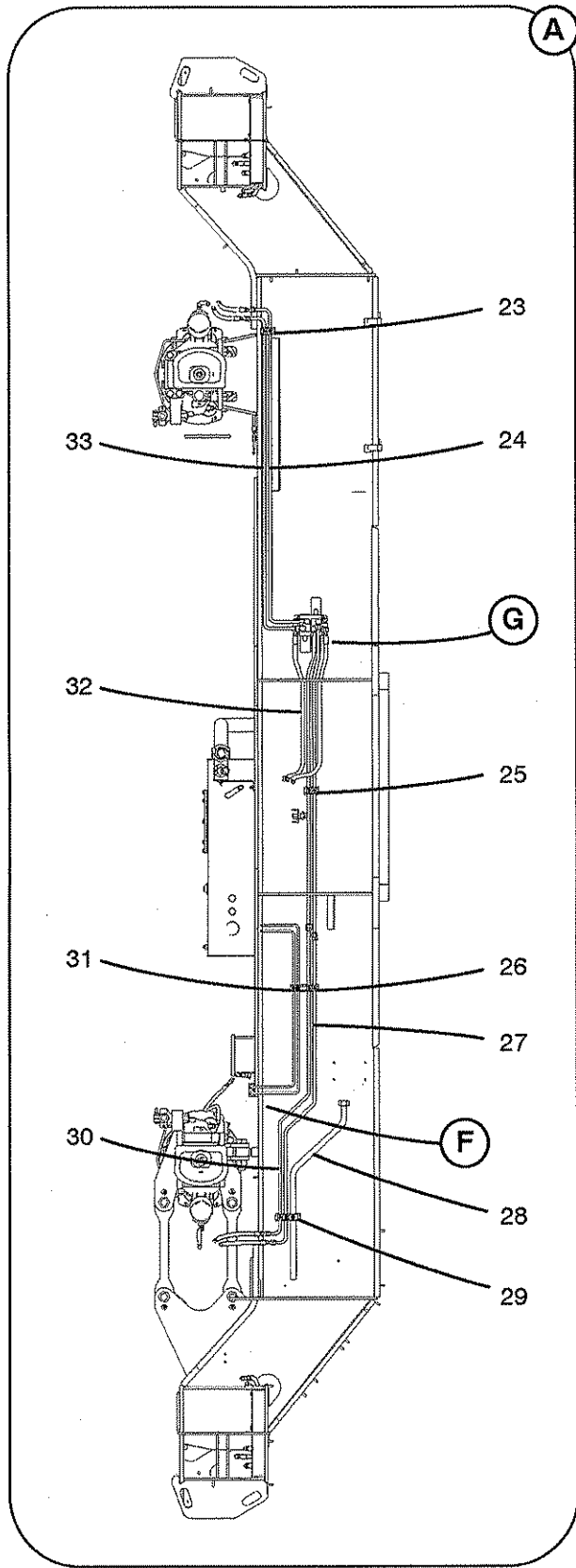


Parts List

0210

Lower Main Hydraulics				
REF	PART NO.	QTY	DESCRIPTION	REMARKS
1	1X 7368	4	Connector	
2	31J0179	1	O-ring	
	126009028	4	Capscrew	
3	J9J0090	1	Tube Assy	
4	39J0218	10	Clamp	
	127004003	5	Locknut	
5	J9J0086	1	Tube Assy	
6	69J0196	1	Hose Assy	
7	69J0196	1	Hose Assy	
8	39J0218	1	Clamp	
	127004003	1	Locknut	
9	N4J0136	1	Tube Assy	
10	39J0218	1	Clamp	
	127004003	1	Locknut	
11	128003004	1	Washer	
	127004003	1	Locknut	
12	N4J0151	1	Tube Assy	
13	128003004	1	Washer	
	127004003	1	Locknut	
14	39J0218	1	Clamp	
	127004003	1	Locknut	
15	E8J0362	1	Hose Assy	
	1X 7386	1	Elbow	
16	71J0292	1	Hose Assy	
	1X 7326	1	O-ring	
17	J9J0158	1	Tube Assy	
	39J0218	1	Clamp	
	127004003	1	Locknut	
	J9J0107	1	Return Line S/A	NSS
18	J9J0108	1	Tube Assy	
19	J9J0194	1	Hose Assy	
	20J1948	2	Flange, Split	
	20J3041	1	O-ring	
	126009028	4	Capscrew	
20	J9J0111	1	Hose Assy	
	20J0084	2	Flange, Split	
	20J0771	1	O-ring	
	126009103	4	Capscrew	
21	128003004	1	Washer	
	127004003	1	Locknut	
	L8J0138	1	Plate	
22	128003004	2	Washer	
	127004003	2	Locknut	
23	29A0124	2	Clamp Assy	
24	J9J0091	1	Tube Assy	
25	29A0124	2	Clamp Assy	
26	29A0124	2	Clamp Assy	
27	J9J0087	1	Tube Assy	
28	J9J0103	1	Tube Assy	
29	25J0640	1	Clamp Assy	
	29A0124	2	Clamp Assy	
30	J9J0087	1	Tube Assy	

Lower Main Hydraulics

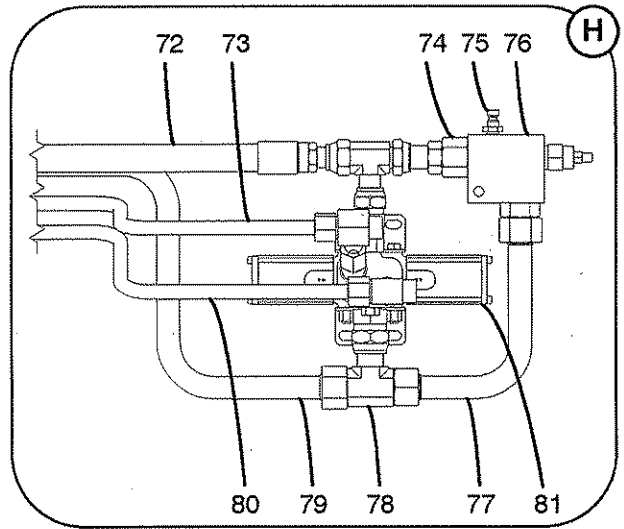
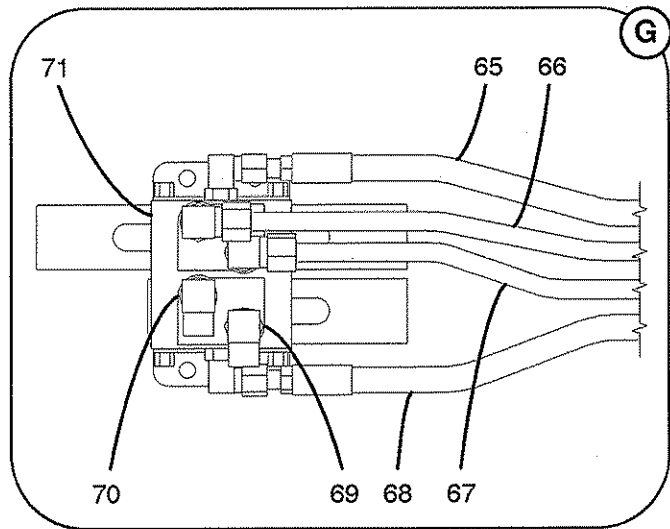
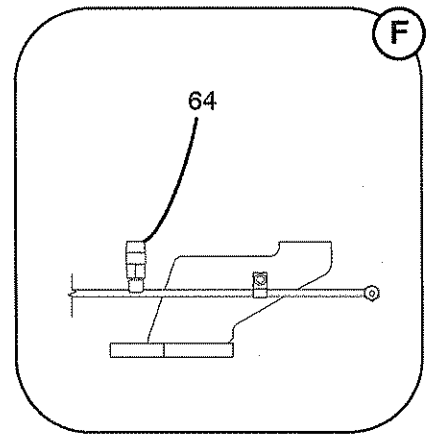
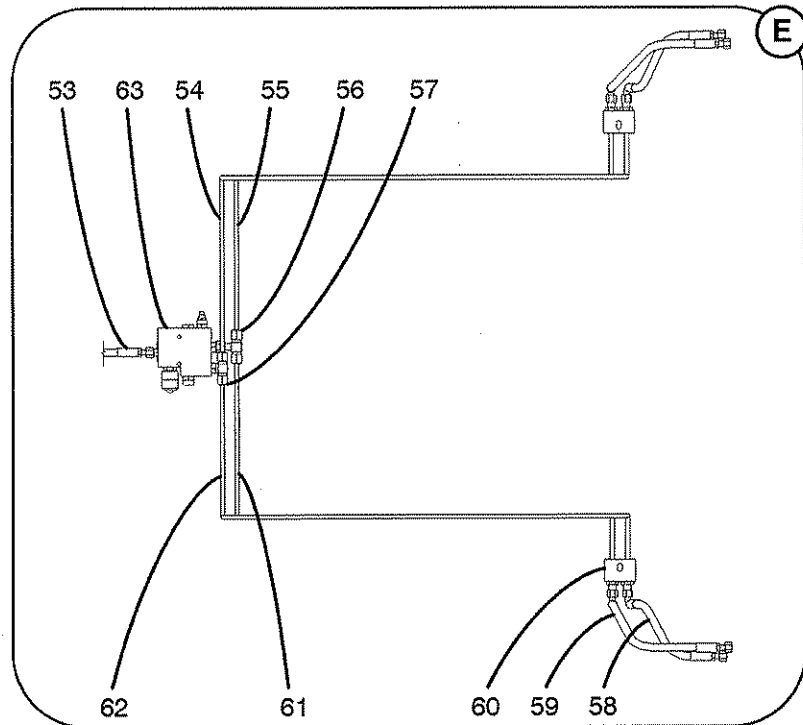
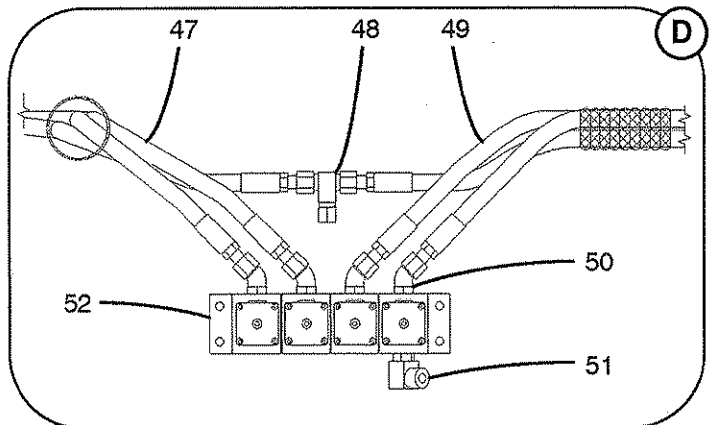
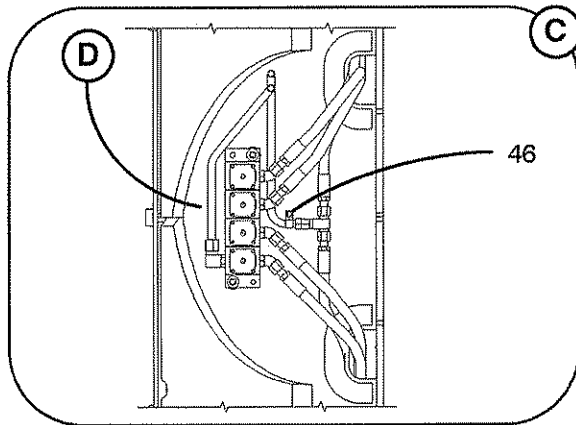


Parts List

0210

Lower Main Hydraulics				
REF	PART NO.	QTY	DESCRIPTION	REMARKS
31	22A2501	2	Clamp Assy	
32	71J0005	5	Tie, Cable	
33	J9J0092	1	Tube Assy	
34	29A0124	2	Clamp Assy	
35	J9J0191	1	Tube Assy	
36	22A2501	2	Clamp Assy - .375"	
	25J0640	2	Clamp Assy - 1.25"	
	29A0124	2	Clamp Assy - .625"	
37	J9J0192	1	Tube Assy	
38	J9J0193	1	Tube Assy	
39	25J0640	1	Clamp Assy - 1.25"	
	29A0124	2	Clamp Assy - .625"	
40	N4J0121	1	Tube Assy	
41	N4J0122	1	Tube Assy	
42	1X 8092	2	Cap	
43	J9J0110	1	Hose Assy	
44	29A0124	2	Clamp Assy - .625"	
	20J2909	1	Clamp Assy - 1.0"	
45	J9J0159	1	Tube Assy	
46	1X 6511	2	Clamp	
	127004003	2	Locknut	
	J9J0156	1	Front Outrigger Selector Valve S/A	NSS
	J9J0157	1	Rear Outrigger Selector Valve S/A	NSS
47	65J0555	3	Hose Assy	
	850065004	1	Wrap, Spiral - 8"	
48	1X 7411	1	Tee	
49	H9J0038	3	Hose Assy	
	850065004	1	Wrap, Spiral - 8"	
50	1X 7384	4	Elbow	
51	1X 7389	1	Elbow	
52	REF	1	2 Way Valve Stack Assy - See Keysheet 01-043	
	128003004	4	Washer - .38"	
	128003006	4	Washer - .5"	
	127004003	4	Locknut	
	J9J0105	1	Oscillation Suspension Lockout Valve S/A	NSS
53	65J0476	1	Hose Assy	
	1X 7368	1	Connector	
54	J9J0186	1	Tube Assy	
55	J9J0185	1	Tube Assy	
56	1X 7411	1	Tee	
	1X 7405	1	Elbow	
	1X 7371	1	Connector	
57	1X 7411	1	Tee	
	1X 7388	1	Elbow	
58	D7J0175	2	Hose Assy	
59	D7J0174	2	Hose Assy	
60	D7J0171	2	Plate	
61	J9J0183	1	Tube Assy	
62	J9J0184	1	Tube Assy	
63	REF	1	Oscillation Lockout Manifold Assy - See Keysheet 01-078	
	126009006	2	Capscrew	
	128003001	2	Washer	

Lower Main Hydraulics

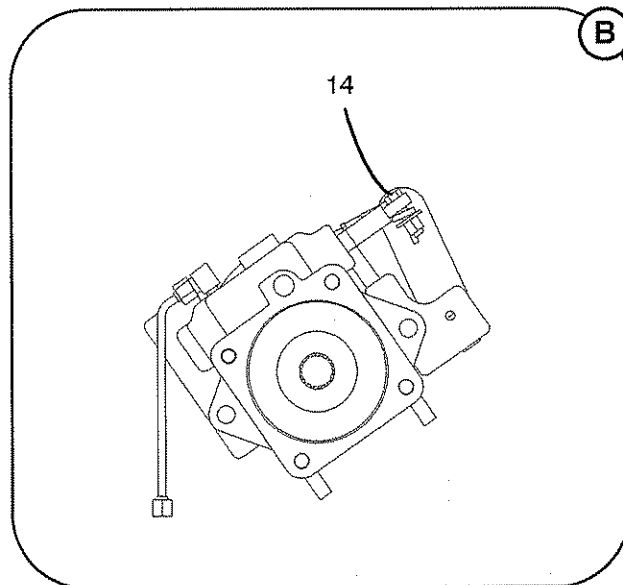
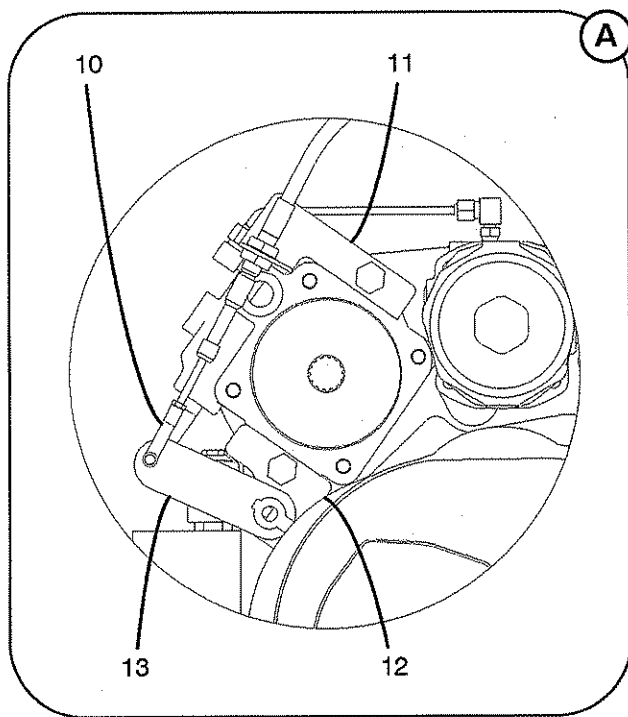
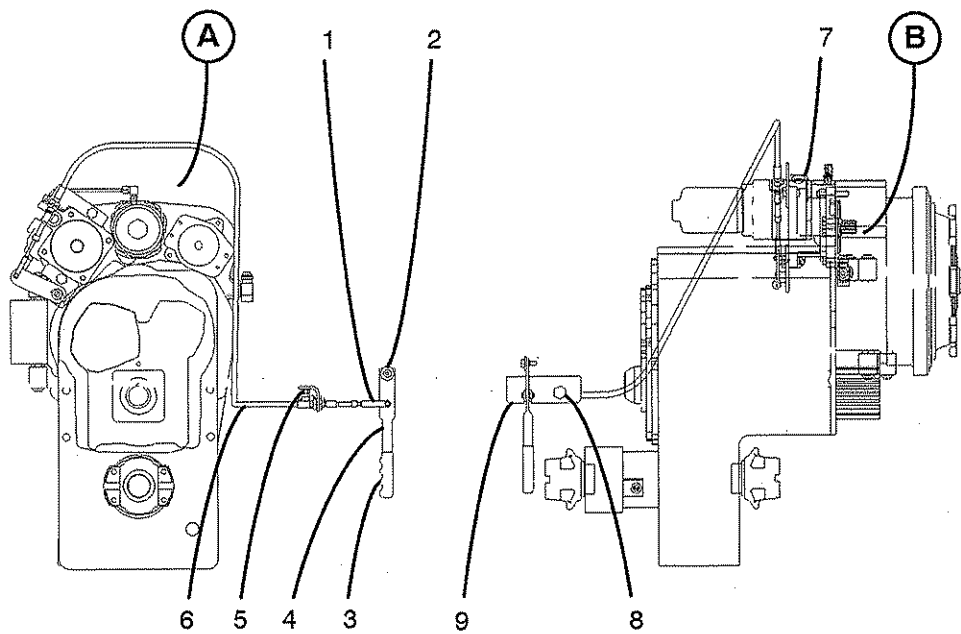


Parts List

0210

Lower Main Hydraulics				
REF	PART NO.	QTY	DESCRIPTION	REMARKS
64	D3R0116	1	Switch, Pressure	
	J9J0106	1	Power Steering Valve S/A	NSS
65	D6J0221	1	Hose Assy	
	1X 7388	1	Elbow	
66	J9J0093	1	Tube Assy	
	1X 7447	1	Connector	
	1X 7406	1	Elbow	
67	J9J0094	1	Tube Assy	
	1X 7389	1	Elbow	
68	D6J0221	1	Hose Assy	
	1X 7388	1	Elbow	
69	1X 7447	1	Connector	
	1X 7406	1	Elbow	
70	1X 7389	1	Elbow	
71	REF	1	2 Section Steer Valve Assy – See Keysheet 01-043	
	128003004	2	Washer – .38"	
	128003006	2	Washer – .5"	
	127004003	2	Locknut	
	N4J0090	1	Directional Valve S/A	NSS
72	65J0887	1	Hose Assy	
	1X 7413	1	Tee	
	1X 7373	1	Connector	
	1X 4384	1	Reducer	
73	J9J0100	1	Tube Assy	
	1X 7560	1	Elbow	
	1X 7412	1	Tee	
74	1X 7605	1	Connector	
	1X 5630	1	Reducer	
75	43J2551	1	Disconnect, Quick	
76	D7J0393	1	Valve, Relief	
	3J 13570	1	Cartridge	
	3J 13571	1	Kit, Seal	
77	N4J0092	1	Tube Assy	
	1X 7377	1	Connector	
78	1X 7482	1	Tee	
	1X 7967	1	Connector	
79	J9J0112	1	Tube Assy	
80	J9J0099	1	Tube Assy	
	1X 7412	1	Tee	
	1X 7447	1	Connector	
81	D7J0438	1	4 Way Solenoid Valve Assy – See Keysheet 01-043-050.00	
	128003004	2	Washer – .38"	
	128003006	2	Washer – .5"	
	127004003	2	Locknut	

Pump Disconnect Installation

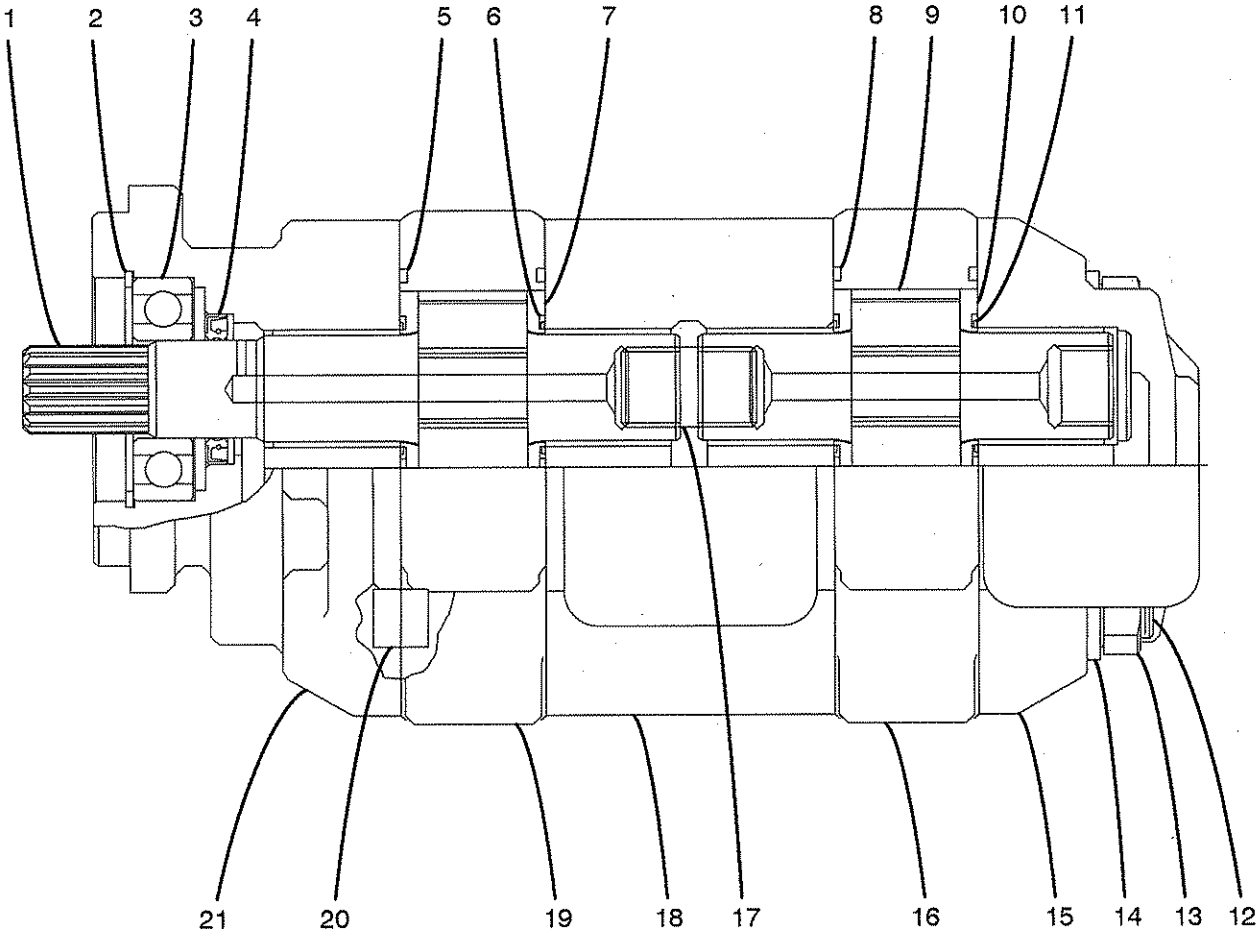


Parts List

0409

Pump Disconnect Installation				
REF	PART NO.	QTY	DESCRIPTION	REMARKS
1	16A0165	1	End, Yoke	
	HB 0173	1	Pin, Yoke	
	1X 1083	1	Pin, Cotter	
	1X 0193	1	Nut, Jam	
2	1X 2143	1	Screw	
	128003006	1	Washer	
3	38A0920	1	Grip	
4	46A1480	1	Tube	
5	128003004	2	Washer	
	127004003	2	Locknut	
6	47J2025	1	Cable, Control	
7	REF		Pump Disconnect Assy	
8	HC 2273	1	Switch	
9	J9A0251	1	Bracket	
10	HC 0104	1	End, Yoke	
	HC 0105	1	Pin, Yoke	
	150007001	1	Pin, Cotter	
	1X 0193	1	Nut, Jam	
11	J9A0252	1	Bracket	
	126009041	1	Capscrew	
12	J9A0261	1	Plate	
	126009041	1	Capscrew	
13	J9A0264	1	Lever, Pump Disconnect	
	1X 1749	1	Screw, Shoulder	
14	126009015	1	Capscrew	
	128003004	1	Washer	
	127004003	1	Locknut	

2 Section Gear Pump Assy

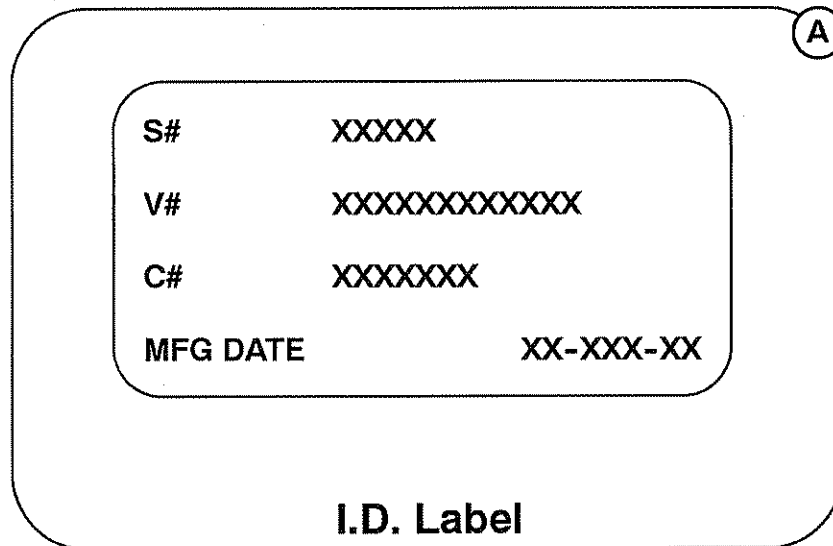
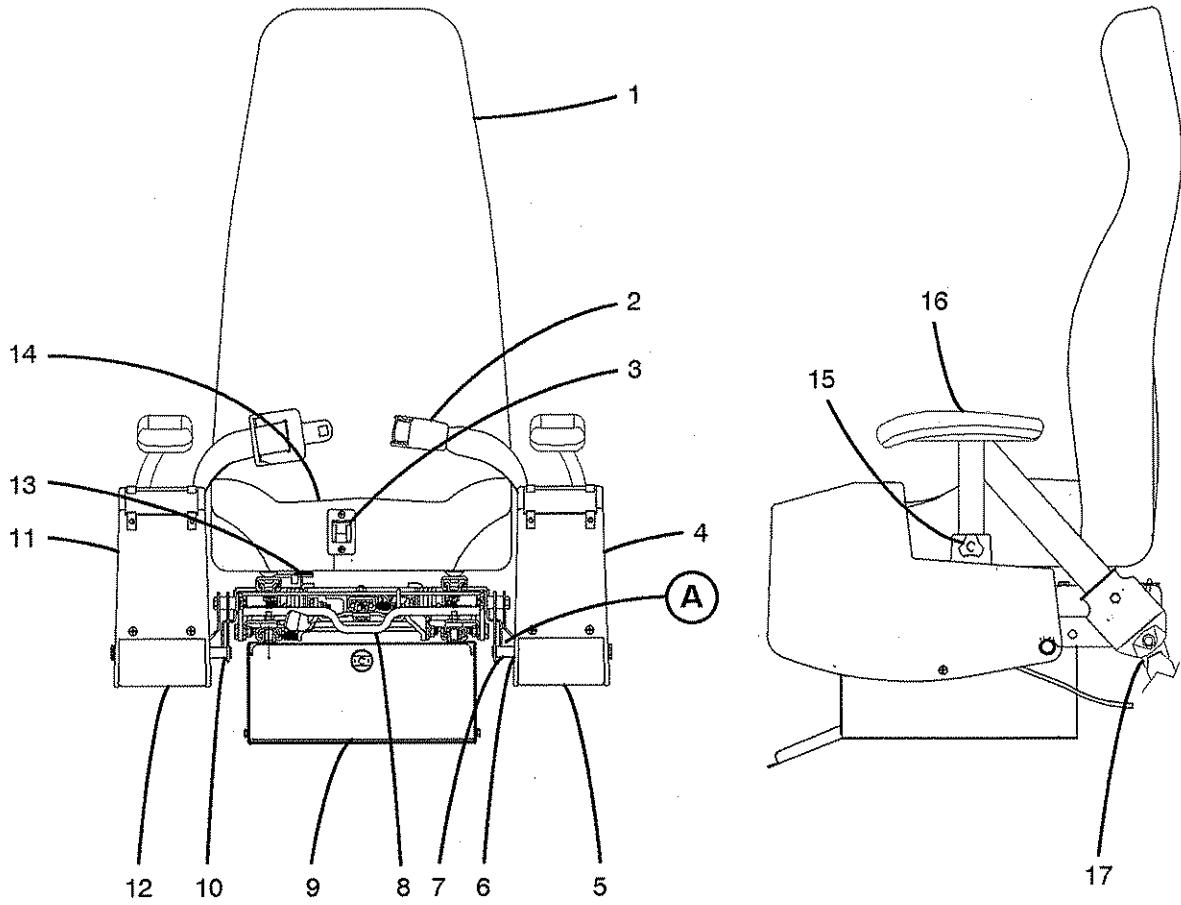


Parts List

0904

2 Section Gear Pump Assy				
REF	PART NO.	QTY	DESCRIPTION	REMARKS
	J9J0048	1	2 Section Gear Pump Assy	
1	3J 9456	1	Set, Gear Shaft	
2	3A 5086	1	Ring, Snap	
3	3F 0046	1	Bearing, Ball	
4	3A 5084	1	Seal, Lip	
5	3J 16013	2	Seal, Square Ring	
6	3J 16011	2	Seal, Channel	
	3J 16012	2	Seal, Back Up	
7	3J 8977	2	Plate, Thrust	
8	3J 6949	2	Seal, Square Ring	
9	3J 17065	1	Set, Gear	
10	3J 8977	2	Plate, Thrust	
11	3J 16011	2	Seal, Channel	
	3J 16012	2	Seal, Back Up	
12	3J 1703	4	Stud	
13	3J 0760	4	Nut	
14	3J 0764	4	Washer	
15	3J 9457	1	Housing, Port End	
16	3J 14699	1	Housing, Gear	
17	3J 8973	1	Shaft, Connecting	
18	3J 16005	1	Housing, Bearing Carrier	
19	3J 16004	1	Housing, Gear	
20	3J 8974	16	Pin, Dowel	
21	3J 8241	1	Housing, Shaft End	

Seat Assy

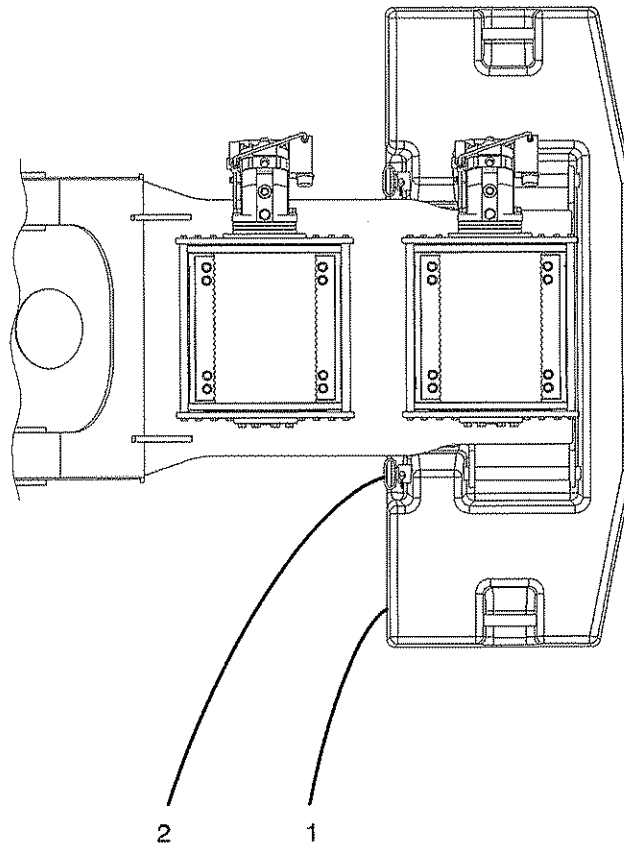


Parts List

0312

Seat Assy				
REF	PART NO.	QTY	DESCRIPTION	REMARKS
	N3N0064	1	Seat Assy	
1	3N 1221	1	Cover, Highback	
2	3N 0576	1	Belt, Seat	
3	3N 1222	1	Cable & Control Assy	F1
	3N 0802	2	Screw	F1
	3N 1311	1	Cable & Control Assy	F2
	3N 1440	2	Screw	F2
4	3N 1455	1	Kit, LH Joystick Arm	
5	3N 0718	1	Cover, LH Joystick Arm	
6	D3R0049	1	Switch, Controls Lockout	
	E8L0005	1	Relief, Strain	
	829046002	1	Cord, Service	
7	3N 1107	1	Bracket, Control Arm	
8	3N 1129	1	Seat Riser Assy	
9	3N 1224	1	Box, Tool	
10	3N 1106	1	Bracket, Control Arm	
11	3N 1456	1	Kit, RH Joystick Arm	
12	3N 0717	1	Cover, RH Joystick Arm	
13	3N 0715	1	Seat Adjustment Track Assy	
14	3N 1103	1	Cover, Cushion	
15	3N 0586	1	Knob, Arm Adjustment	
16	3N 1453	1	Armrest, Adjustable	
	3N 1441	1	Pad, Arm	
17	3N 1223	1	Kit, Tether	
	F1		Order This Part Number For Seats Manufactured Prior To August 1, 2005. The Manufacturing Date (MFG DATE) Can Be Found On The I.D. Label As Illustrated In View A.	
	F2		Order This Part Number For Seats Manufactured On Or After August 1, 2005. The Manufacturing Date (MFG DATE) Can Be Found On The I.D. Label As Illustrated In View A.	

Main Counterweight Installation



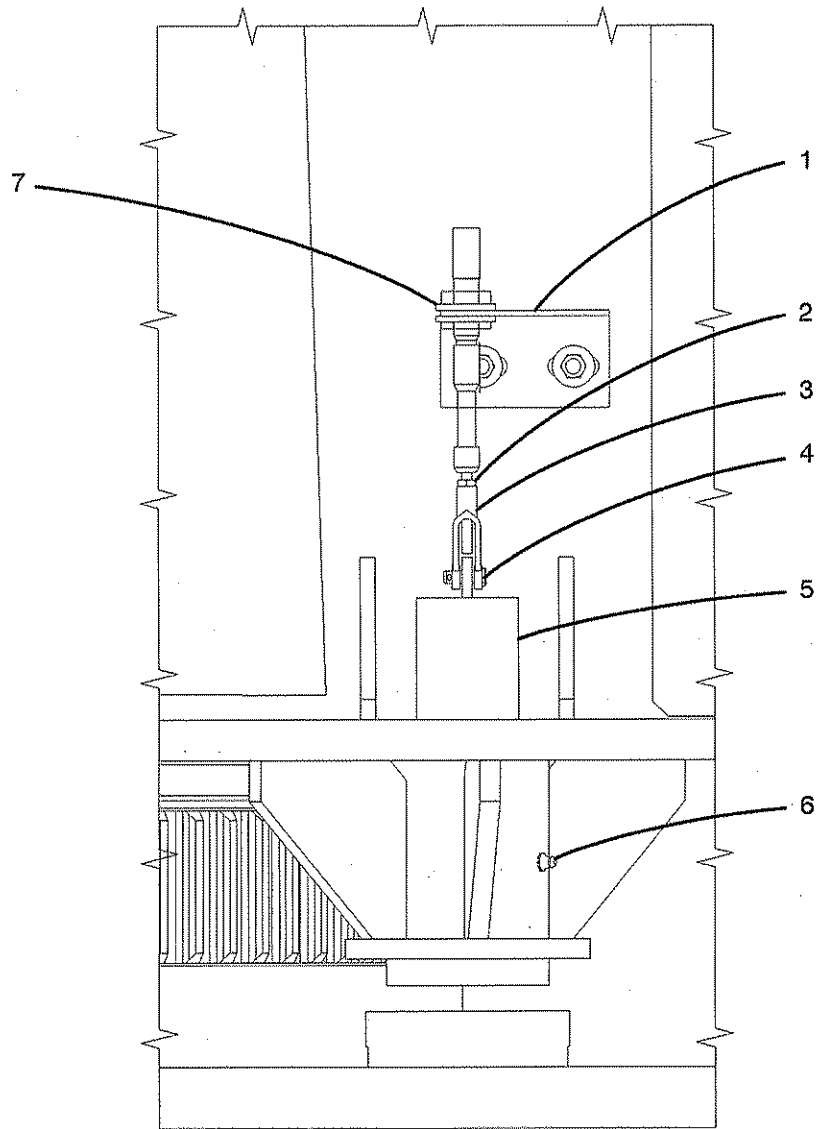
Parts List

0805

Main Counterweight Installation

REF	PART NO.	QTY	DESCRIPTION	REMARKS
1	J9B0022	1	Counterweight, 12,000 Lb	
2	J9B0029	2	Pin	
	28M0648	2	Pin, Lock	

2 Position Swing Lock



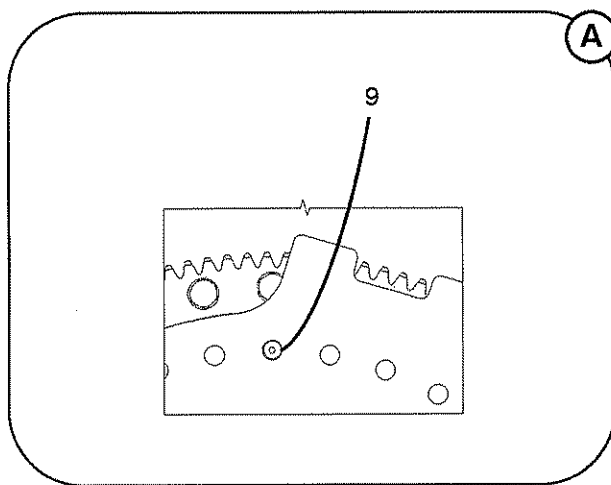
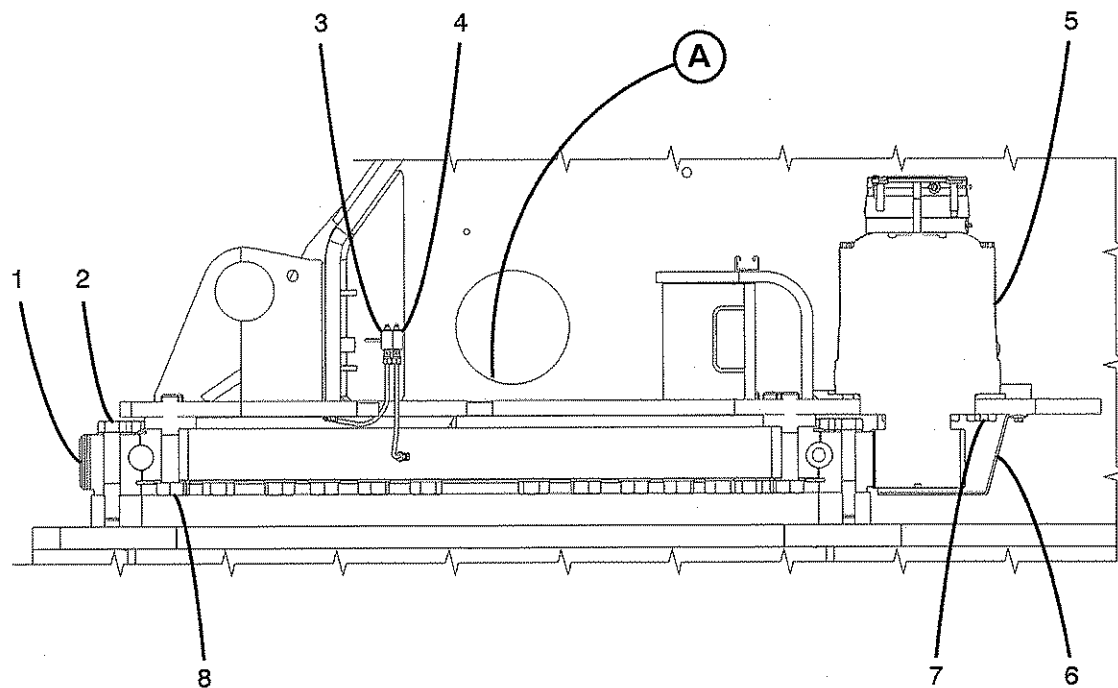
Parts List

0312

2 Position Swing Lock

REF	PART NO.	QTY	DESCRIPTION	REMARKS
1	J9F0008	1	Bracket	
	128003004	2	Washer	
	127004003	2	Locknut	
2	1X 0193	1	Nut, Jam	
3	47F0034	1	End, Yoke	
4	HC 0115	1	Pin	
	150007003	1	Pin, Cotter	
5	J9F0007	1	Plunger	
6	1X 0812	1	Fitting, Grease	
7	128003008	2	Washer	

Swing Reduction & Turntable Bearing Installation

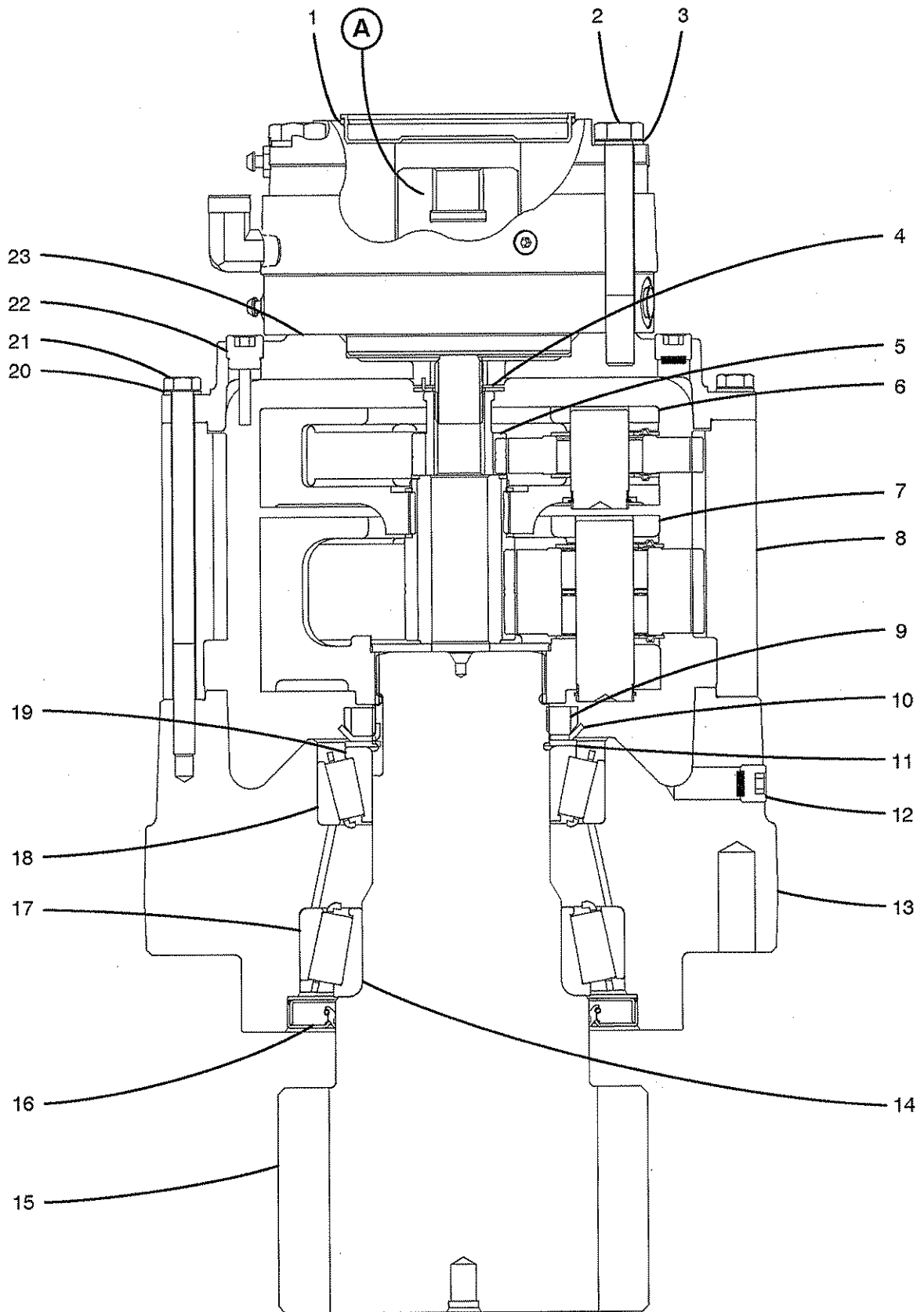


Parts List

0912

Swing Reduction & Turntable Bearing Installation				
REF	PART NO.	QTY	DESCRIPTION	REMARKS
1	J9F0001	1	Bearing, Turntable	
	3B 0289	80	Ball	
	3B 0290	80	Spacer	
	E2B0276	1	Seal - 25'	
	3B 0288	2	Fitting, Grease	
2	1X 3929	36	Capscrew	
	1X 5191	36	Washer	
3	810040005	1	Tubing, Air Brake - 3.7'	
	1X 4772	1	Connector	
	1X 0812	1	Fitting, Grease	
	1X 6907	1	Clamp	
	126009012	1	Capscrew	
	1X 7337	1	Elbow	
4	810040005	1	Tubing, Air Brake - 1'	
	1X 4772	1	Connector	
	1X 0812	1	Fitting, Grease	
	1X 6907	1	Clamp	
	126009012	1	Capscrew	
5	1X 7337	1	Elbow	
	REF	1	Swing Reduction Unit Assy - See Keysheet 04-010	
6	AC 1788	1	O-ring	
	F7F0002	1	Cover, Pinion	
7	126009012	3	Capscrew	
	128003004	3	Washer	
8	1X 5501	10	Capscrew	
9	1X 4314	31	Capscrew	
	1X 5938	31	Washer	
	1X 7740	1	Setscrew	

Swing Reduction Unit Assy

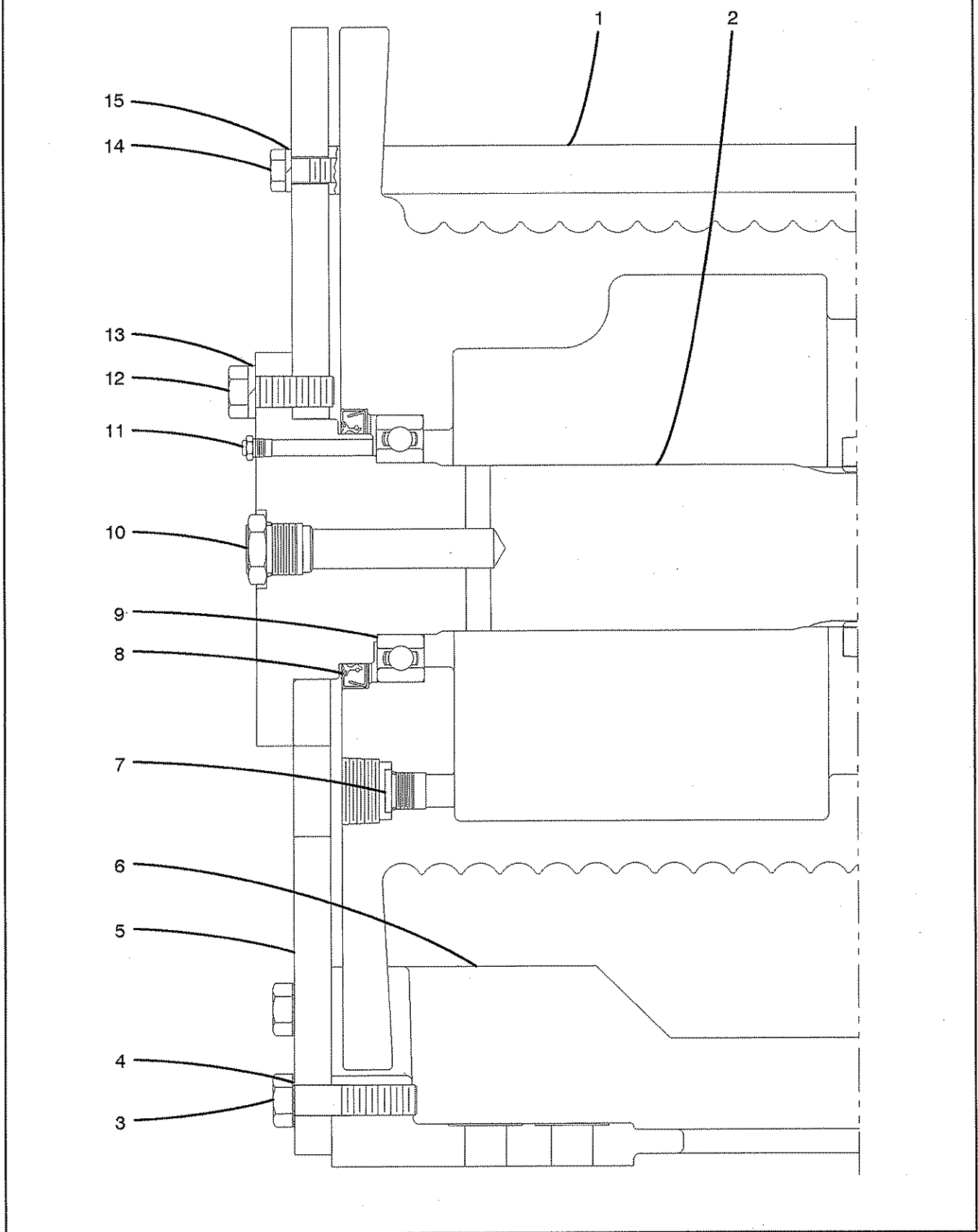


Parts List

0111

Swing Reduction Unit Assy				
REF	PART NO.	QTY	DESCRIPTION	REMARKS
	3F 0992	1	Brake Assy	
24	3F 0996	1	O-ring	
25	3D 0197	1	Bleeder	
26	3F 0912	3	Plug	
27	3F 0894	1	Housing	
28	3F 0903	11	Spring	
29	3F 0911	4	Pin, Torque	
30	3F 0994	1	Seal, Oil	
31	3F 0902	1	Bearing, Ball	
32	3F 0910	2	Spring	
33	3F 0898	1	Ring, Retaining	
34	3F 0893	1	Gasket	
35	3F 0892	1	Plate, Power	
36	3D 0197	1	Bleeder	
37	3F 0891	2	Capscrew	
38	3F 0890	2	Washer	
39	3F 0899	1	Shaft	
40	3F 0900	1	Ring, Retaining	
41	3F 0995	1	Ring, Retaining	
42	3F 0896	1	Piston, Service	
43	3F 0895	1	O-ring	
44	3F 0897	1	O-ring	
45	3F 0905	1	Disc, Primary	
46	3F 0906	1	Disc, Secondary	
47	3F 0908	4	Disc, Rotating	
48	3F 0907	5	Disc, Stationary	
49	3F 0909	1	Piston	
50	3J 9497	1	Ring, Back Up	
51	3J 9499	1	Ring, Back Up	
52	3J 9498	1	O-ring	
53	3J 9500	1	O-ring	
	3F 0997	1	Elbow - Not Shown	

Winch Assy

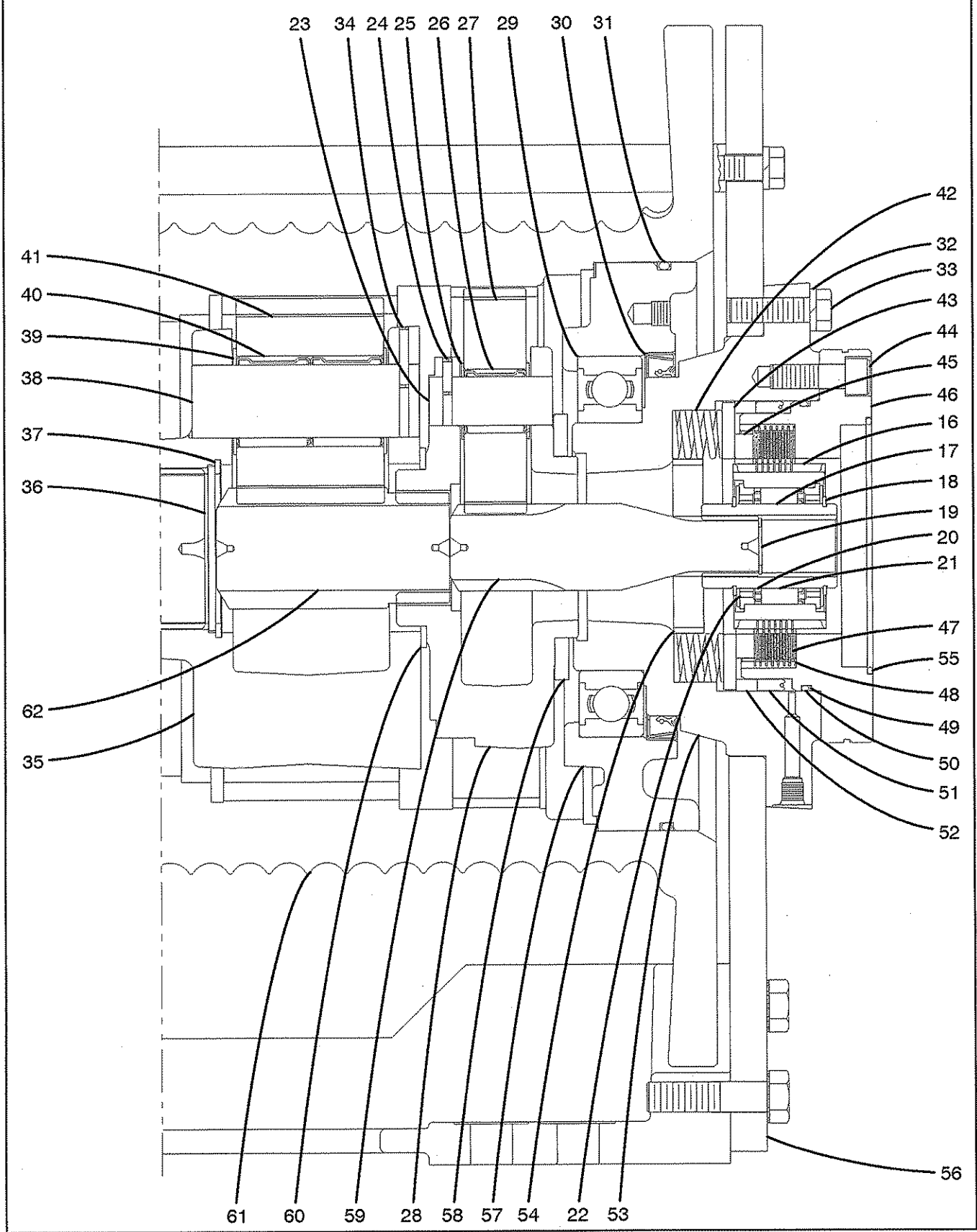


Parts List

0307

Winch Assy				
REF	PART NO.	QTY	DESCRIPTION	REMARKS
	J9D0012	1	Winch Assy	
1	3D 2086	2	Bar, Tie	
2	3D 2078	1	Support, Bearing	
3	3D 2092	16	Capscrew	
4	3D 2093	16	Washer	
5	3D 2091	1	Plate, Support Side	
6	3D 2077	1	Base	
7	3J 11392	1	Plug	
8	3D 2081	1	Seal, Oil	
9	3D 2089	1	Bearing, Ball	
10	3D 0967	1	Gauge, Sight	
11	3D 0841	1	Valve, Relief	
12	3D 2088	8	Lockwasher	
13	3D 2094	8	Capscrew	
14	3D 2097	6	Capscrew	
15	3D 0364	6	Lockwasher	
	3J 11339	1	Sprag Clutch Assy	
16	3D 0785	1	Race, Outer Brake	
17	3J 11340	1	Race, Inner Brake	
18	3J 11342	2	Ring, Snap	
19	3D 0350	1	Ring, Retaining	
20	3D 0331	1	Clutch, Sprag	
21	3J 11341	2	Bearing, Sprag	
22	3D 0478	2	Bearing, Thrust	
	3D 2143	1	Primary Planet Carrier Assy	
23	3D 0994	3	Pin	
24	3D 0333	3	Pin, Spirol	
25	3J 11374	6	Race, Bearing	
26	3D 0995	3	Bearing, Roller	
27	3D 2074	3	Gear	
28	3D 2073	1	Carrier	
29	3D 0343	1	Bearing, Ball	
30	3D 0347	1	Seal	
31	3D 0376	1	O-ring	
32	3D 0364	6	Lockwasher	
33	3D 2097	6	Capscrew	

Winch Assy

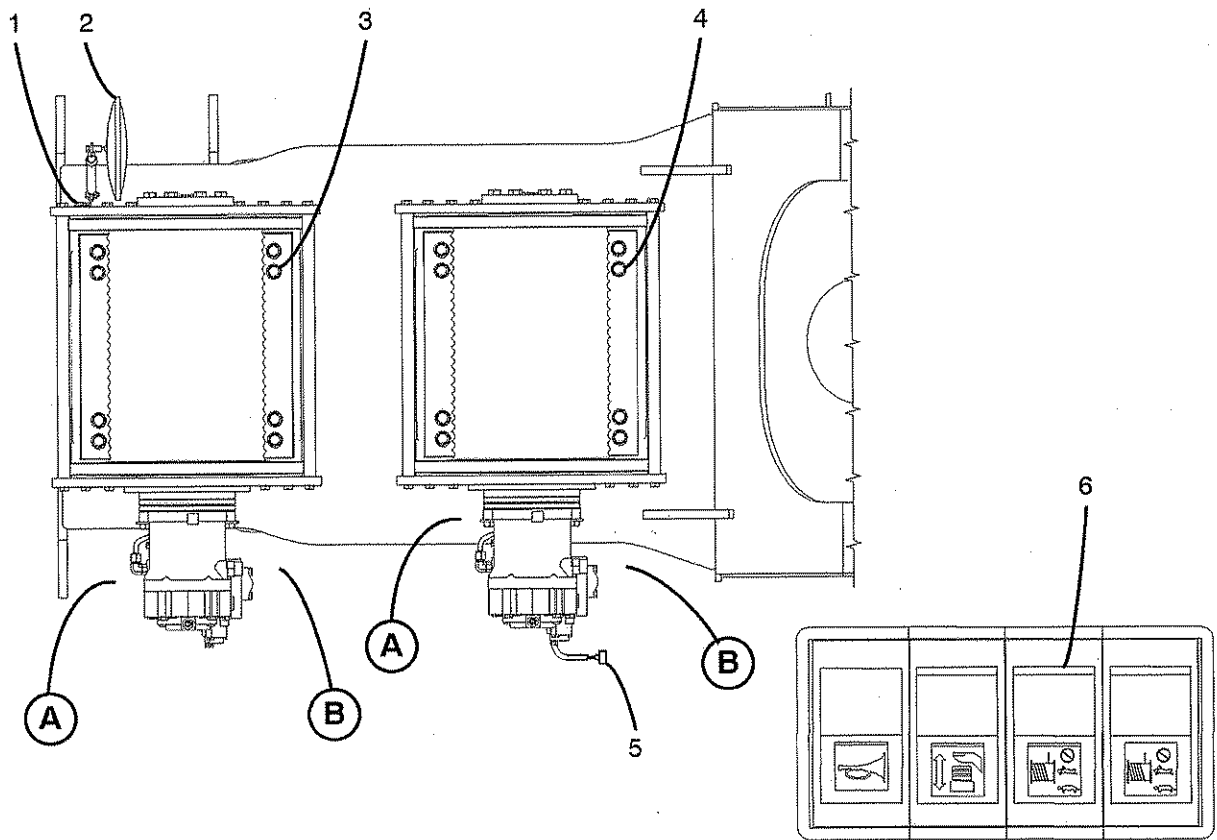


Parts List

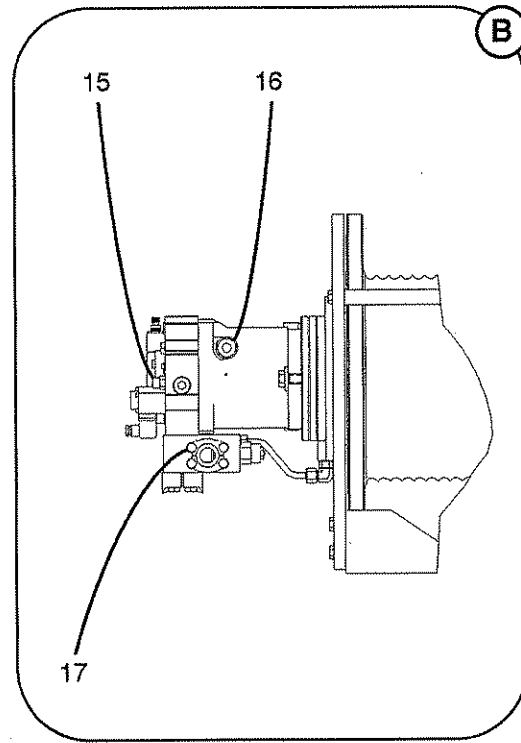
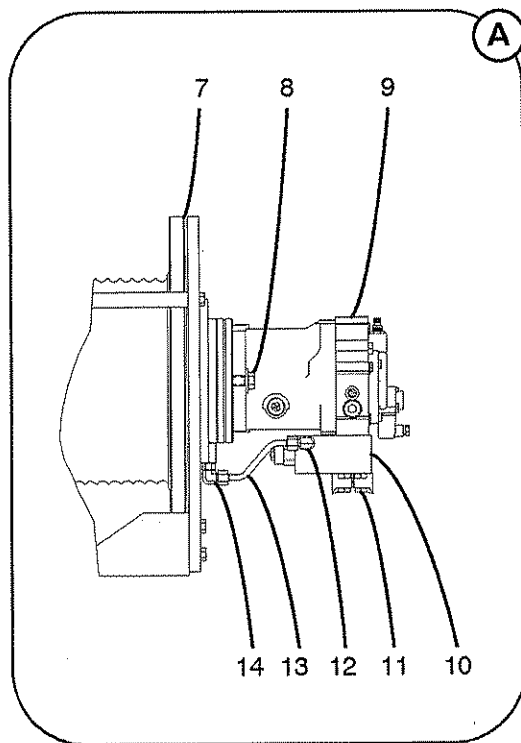
0307

Winch Assy				
REF	PART NO.	QTY	DESCRIPTION	REMARKS
	3D 2144	1	Output Planet Carrier Assy	
34	3D 0484	3	Pin, Spirol	
35	3D 2075	1	Carrier	
36	3D 2085	1	Plate, Thrust	
37	3D 2082	1	Ring, Internal Retaining	
38	3D 0481	3	Shaft, Gear	
39	3D 2076	6	Race, Thrust	
40	3D 0483	6	Bearing, Roller	
41	3D 0480	3	Gear	
	3D 2145	1	Brake Cylinder Assy	
42	3J 11371	12	Spring	
43	3J 11370	1	Plate, Pressure	
44	3D 0980	4	Capscrew	
45	3J 11387	1	Spacer	
46	3D 2083	1	Support, Motor	
47	3D 0766	7	Disc, Friction	
48	3D 1099	8	Disc, Brake	
49	3J 11348	1	Ring, Back Up	
50	3J 11347	1	O-ring	
51	3J 11344	1	Seal	
52	3J 11345	1	Ring, Back Up	
53	3D 2072	1	Cylinder, Brake	
54	3D 1195	1	Spacer, Spring	
55	3J 7064	1	O-ring	
56	3D 2090	1	Plate, Motor Side	
57	3D 2080	1	Closure, Drum	
58	3D 0978	1	Washer, Thrust	
59	3D 2084	1	Gear, Primary Sun	
60	3D 0371	1	Washer, Thrust	
61	3D 2079	1	Drum	
62	3D 0491	1	Gear, Output Sun	

Two Winch Installation



RH Controller Switch Panel

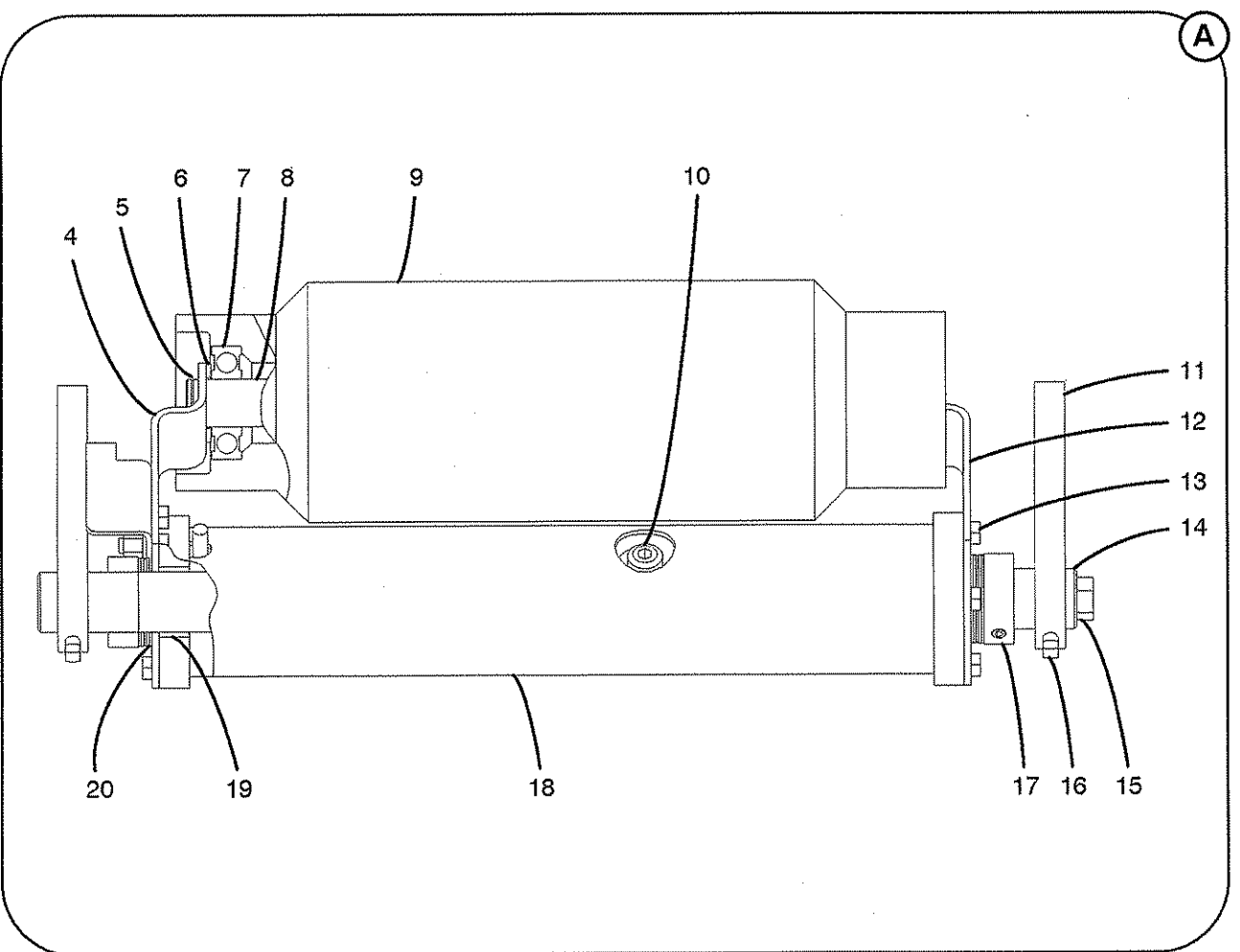
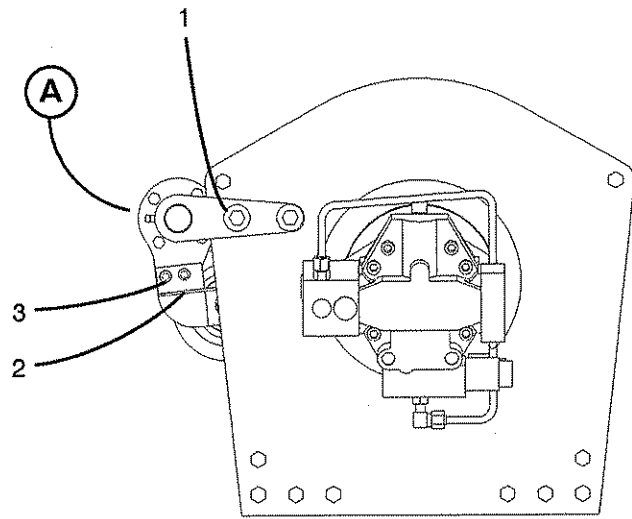


Parts List

0312

Two Winch Installation				
REF	PART NO.	QTY	DESCRIPTION	REMARKS
1	126009012	1	Capscrew	NSS
2	53A0455	1	Mirror	
	45P0168	1	Arm, Adjustable Mirror	
	126009094	1	Capscrew	
	128003002	2	Washer	
	127004002	1	Locknut	
3	1X 8068	8	Capscrew	
	1X 5188	8	Washer	
4	1X 8068	8	Capscrew	
	1X 5188	8	Washer	
5	E1R0041	1	Harness, Solenoid Wire	
	E1R0043	1	Gasket	
6	C5A1558	1	Switch	
	N3R0056	1	Lens, Winch Control	
	J9J0217	2	Winch Assy	
7	REF	1	Winch Assy – See Keysheet 05–006	
8	1X 6924	2	Capscrew	
	1X 5000	2	Washer	
9	REF	1	Winch Motor Assy – See Keysheet 07–006	
10	REF	1	Counterbalance Valve Assy – See Keysheet 07–008	
	126006047	4	Capscrew	
11	KTJ0168	2	Flange, Split	
	20J0990	1	O–ring	
	126006065	4	Capscrew	
12	1X 7385	1	Elbow	
13	J9J0238	1	Tube Assy	
14	1X 7404	1	Elbow	
	1X 7367	1	Connector	
15	J7J0507	1	Adaptor, Metric	
16	J7J0424	1	Adaptor, Metric	
17	16J0201	2	Flange, Split	
	20J0990	1	O–ring	
	126009014	4	Capscrew	

Two Drum Winch Roller Installation

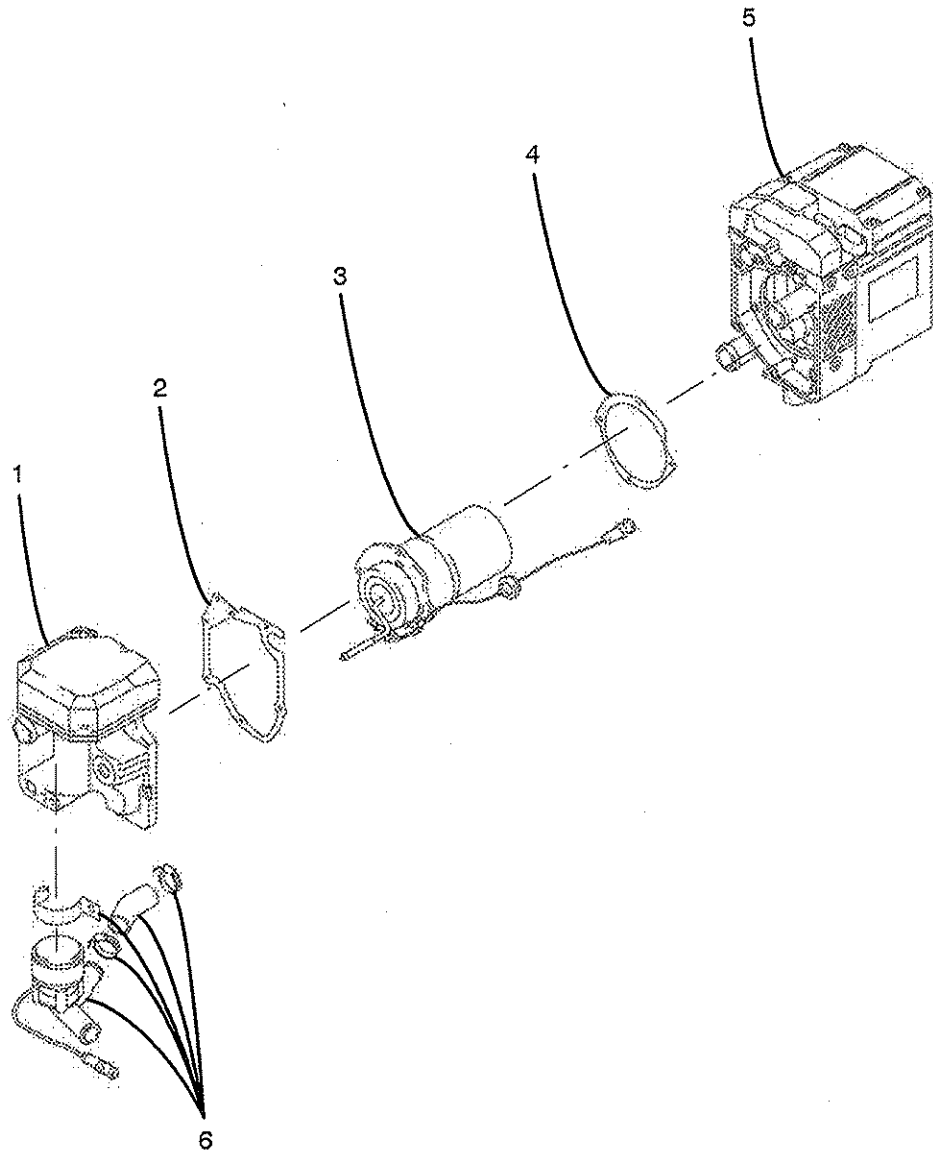


Parts List

0808

Two Drum Winch Roller Installation				
REF	PART NO.	QTY	DESCRIPTION	REMARKS
1	126009028	8	Capscrew	
	128003007	8	Washer	
	J9D0002	2	Winch Roller S/A	NSS
2	J9D0009	1	Bracket	
3	126009013	2	Capscrew	
	128003003	2	Washer	
	127004003	2	Locknut	
4	F8D0010	1	Follower, Left Side	
5	1X 4045	2	Ring, Snap	
6	1X 5191	2	Washer	NSS
	J9D0008	1	Roller S/A	
7	1X 3268	2	Bearing, Ball	
8	J9D0006	1	Shaft	
9	J9D0007	1	Roller, Nylon	
10	D6D0010	1	Spacer	
	1X 7599	1	Screw, Shoulder	
11	69B0079	2	Mount	
12	F8D0009	1	Follower, Right Side	
13	126009012	8	Capscrew	
14	J9D0005	1	Shaft	
15	126009108	1	Capscrew	
16	1X 1270	2	Setscrew	
17	D6D0016	2	Collar	
18	J9D0003	1	Tube, Torque	
19	68D0144	2	Bushing	
20	68D0159	4	Washer, Thrust	
	1X 7474	2	Bearing, Thrust	

Diesel Coolant Heater Assy

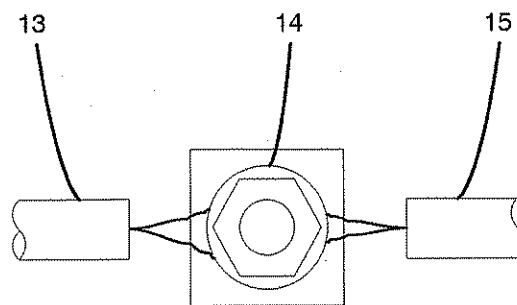
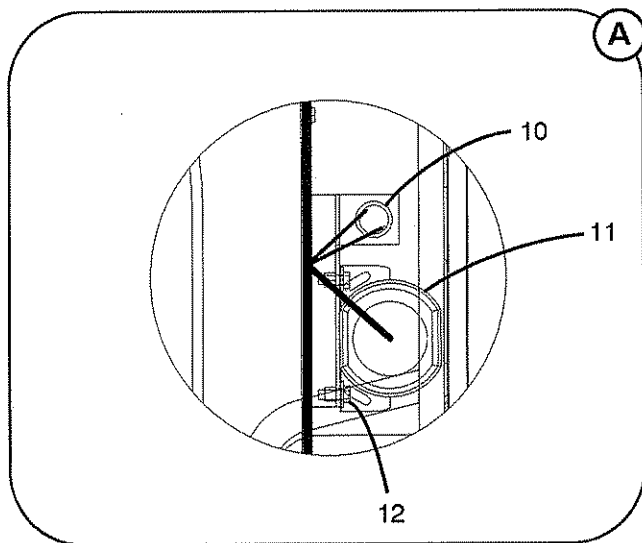
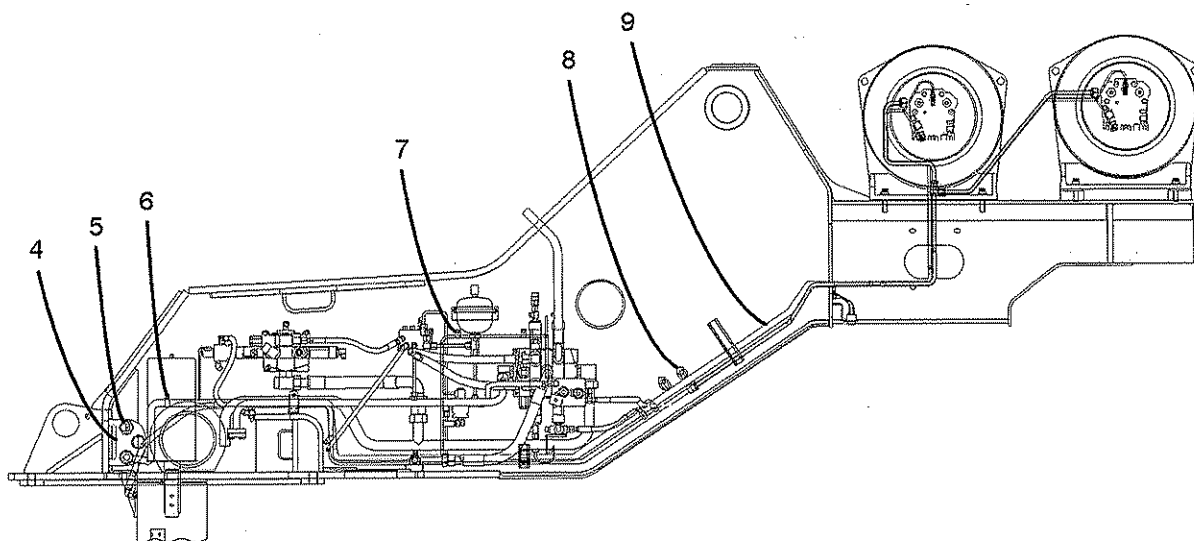
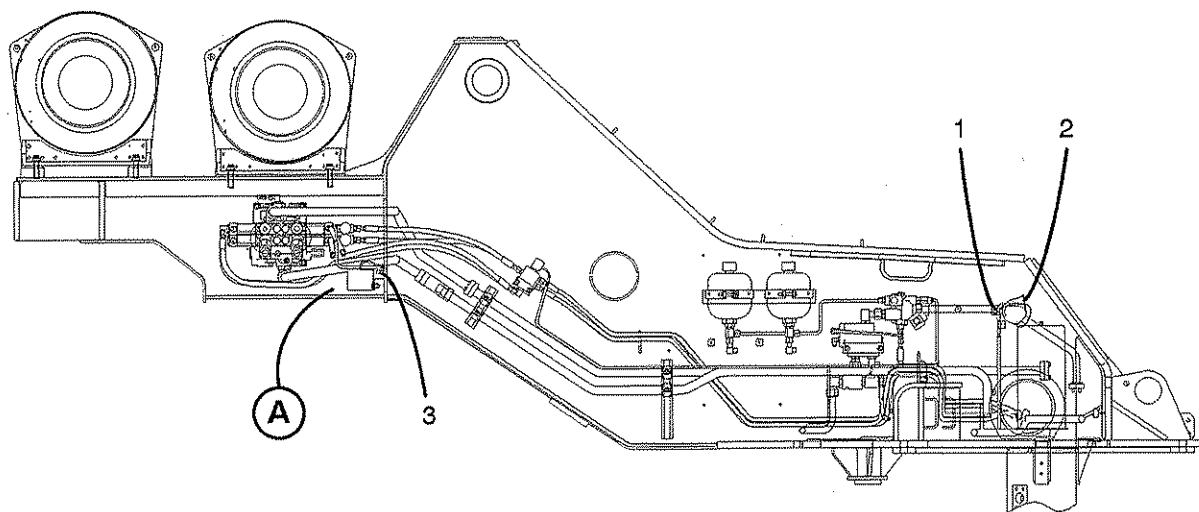


Parts List

0109

Diesel Coolant Heater Assy				
REF	PART NO.	QTY	DESCRIPTION	REMARKS
	N4N0043	1	Diesel Coolant Heater Assy	
1	3N 1326	1	Fan, Combustion Air	
2	REF	1	Gasket	KA
3	3N 1325	1	Burner	
4	REF	1	Gasket	KA
5	3N 1328	1	Unit, Burner Head/Heat Exchanger/Control	
6	3N 1327	1	Pump, Circulation	
	3N 1329	1	Kit, Seal – All Items Marked KA	
			<p>Note: The Following Parts Are Available To Be Purchased Separately For Diagnostic Purposes On The Diesel Coolant Heater.</p>	
	3N 1330	1	Kit, PC Diagnostics Interface	
	3N 1331	1	Adapter	
	N4R0150	1	Wire Assy, Diagnostic	

Upper Wiring



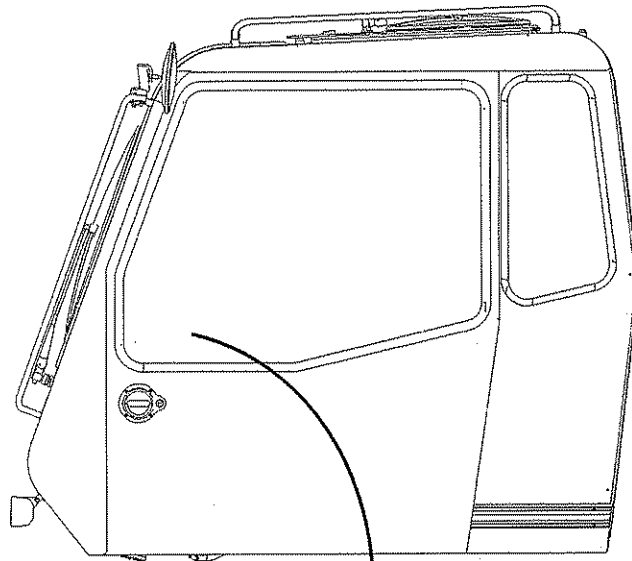
Collector Ring Ground

Parts List

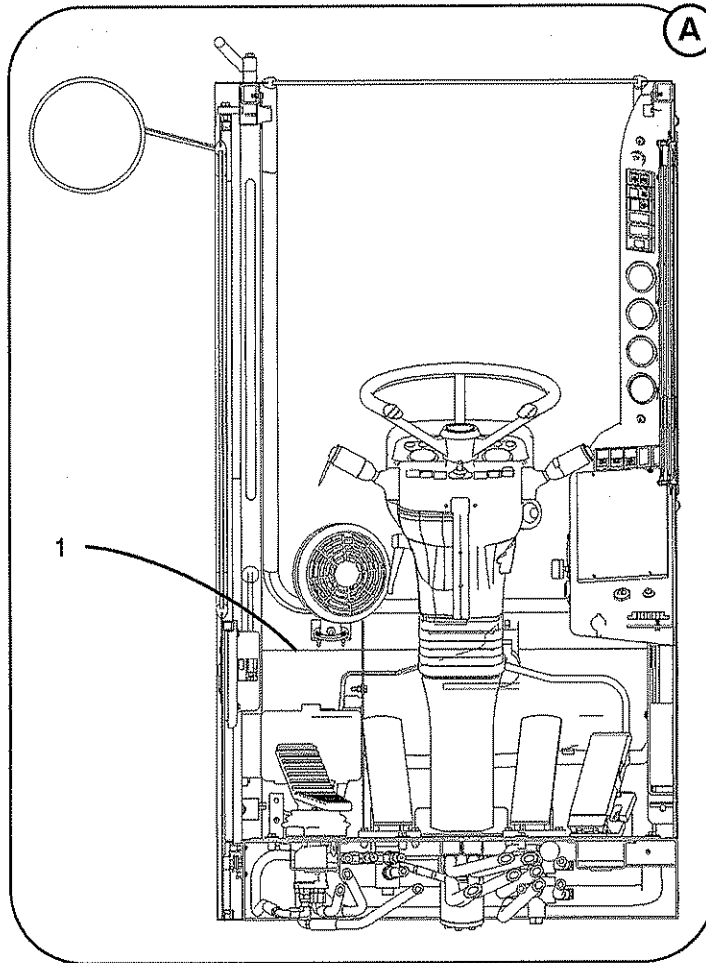
0907

Upper Wiring				
REF	PART NO.	QTY	DESCRIPTION	REMARKS
1	126009001	1	Capscrew	
	128003001	1	Washer	
2	E8R0038	1	Horn	
3	39J0218	2	Clamp	
	127004003	2	Locknut	
4	J9R0012	1	Bracket	
	128003004	2	Washer	
	127004003	2	Locknut	
5	155286002	3	Lockwasher	
	155285002	3	Nut	
6	1X 6407	1	Clamp	
	127004003	1	Locknut	
7	39J0218	2	Clamp	
	127004003	2	Locknut	
8	126009013	2	Capscrew	
	128003004	2	Washer	
9	J9R0046	1	Harness, Upper Frame Wire	
	E1R0042	1	Connector With Diode	
	71J0005	32	Tie, Cable	
10	65R0203	1	Alarm, Audio	
11	E1R0028	1	Back Up Alarm S/A	NSS
	E1R0027	1	Alarm, Back Up	
	155064005	2	Seal, Cable	
	155106001	2	Terminal	
	155108001	1	Connector	
	155140001	1	Lock, 2 Way	
12	126009013	2	Capscrew	
	128003004	2	Washer	
	127004003	2	Locknut	
13	REF		Upper Cab Wire Harness	
14	126009013	1	Capscrew	
	128003004	1	Washer	
15	REF		Upper Frame Wire Harness	

Upper Cab Wire Harness



A



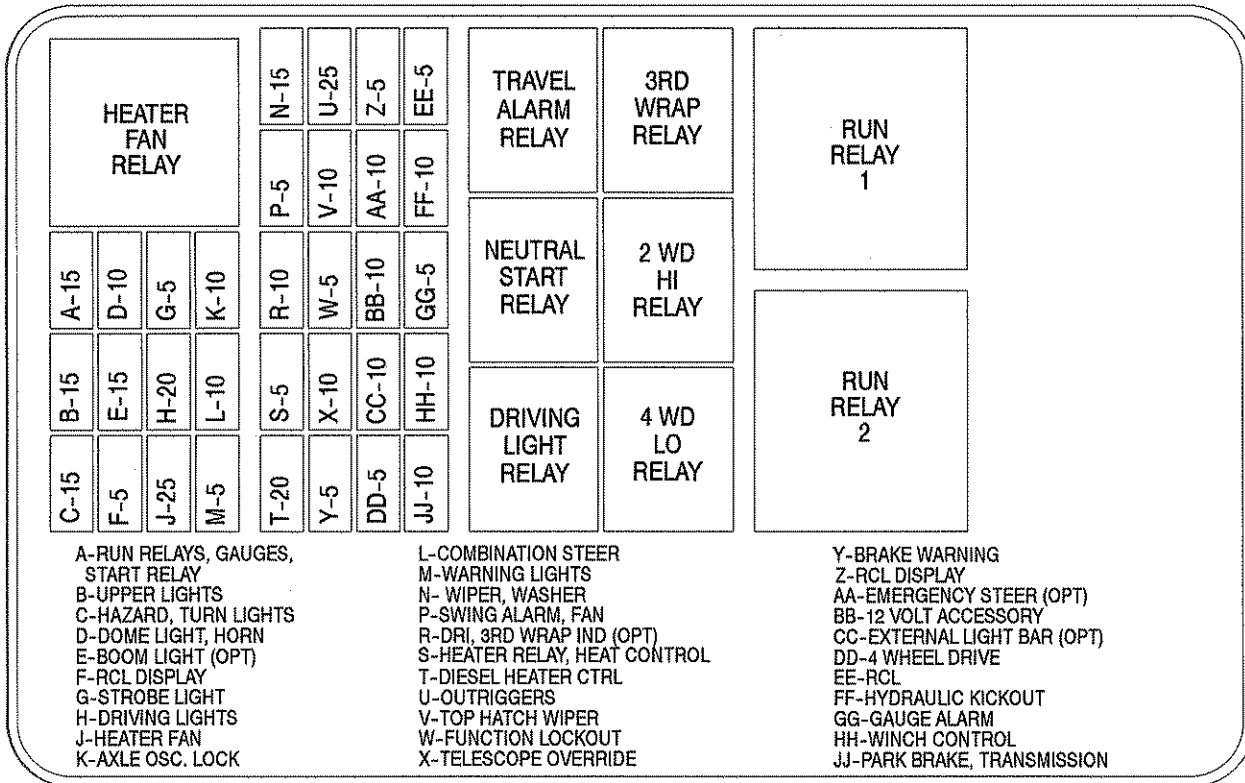
A

1

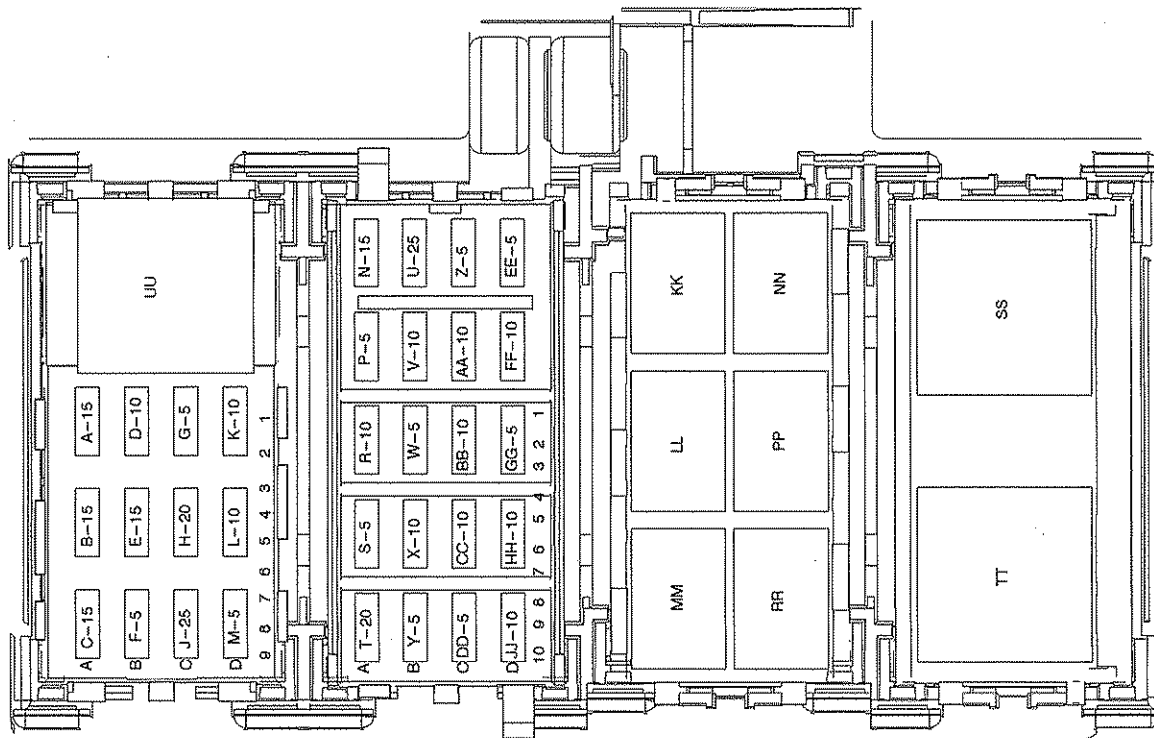
Parts List

0710

Upper Cab Wire Harness



Fuse ID Label



Fuse Panel

Upper Cab Wire Harness

CHART #1		
LBCE PART NUMBER	FUSE RATING	FUSE LOCATION
F8R0039	5	F,G,M,P,S,W,Y,Z,DD,EE,GG
F8R0037	10	D,K,L,R,V,X,AA,BB,CC,FF,HH,JJ
E9R0128	15	A,B,C,E,N
E9R0129	20	H,T
E9R0130	25	J,U

CHART #2						
RELAY MODULE LOCATION	LBCE PART NUMBER	TERMINAL AND WIRE LOCATION				
		85	86	87	87A	30
KK	N3R0066	A1	A2	A5	A4	A3
		430E	430F	-	430B	430A
LL	N3R0066	B1	B2	B5	B4	B3
		525A	201D	201C	-	201A
MM	N3R0066	C1	C2	C5	C4	C3
		401C	401B	401E	-	401D
NN	N3R0066	F1	F2	F5	F4	F3
		360V	360W	136N	-	136L
PP	N3R0066	E1	E2	E5	E4	E3
		525C	524B	231C	-	524C
RR	N3R0066	D1	D2	D5	D4	D3
		525C	525B	-	231C	231B
SS	F3R0008	A2	A1	A5	A4	A3
		121B	121D	111A	-	104B
TT	F3R0008	B2	B1	B5	B4	B3
		121C	121E	112A	-	105B
UU	E9R0127	B3	C1	B1	B2	C3
		602C	602D	602G	-	602F

Parts List

0710

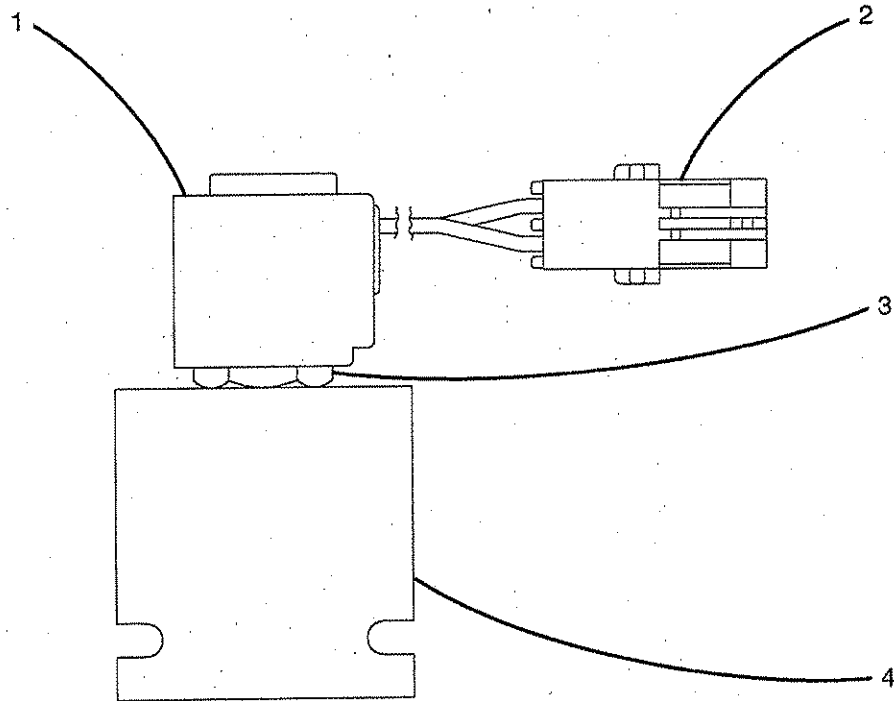
Upper Cab Wire Harness				
REF	PART NO.	QTY	DESCRIPTION	REMARKS
	J9R0048	1	Upper Cab Wire Harness	
	D3R0155	3	Module, 1 Diode	
	D3R0154	4	Module, 2 Diode	
	E9R0127	1	Relay, 40 Amp	
	F3R0008	2	Relay, Suppressed Coil	
	N3R0066	6	Relay	
	E9R0130	2	Fuse, 25 Amp	
	E9R0129	2	Fuse, 20 Amp	
	E9R0128	5	Fuse, 15 Amp	
	F8R0037	12	Fuse, 10 Amp	
	F8R0039	11	Fuse, 5 Amp	
1	REF		Fuse Panel	

Parts List

0198

7-3-59.0

3 Way Solenoid Valve Assy



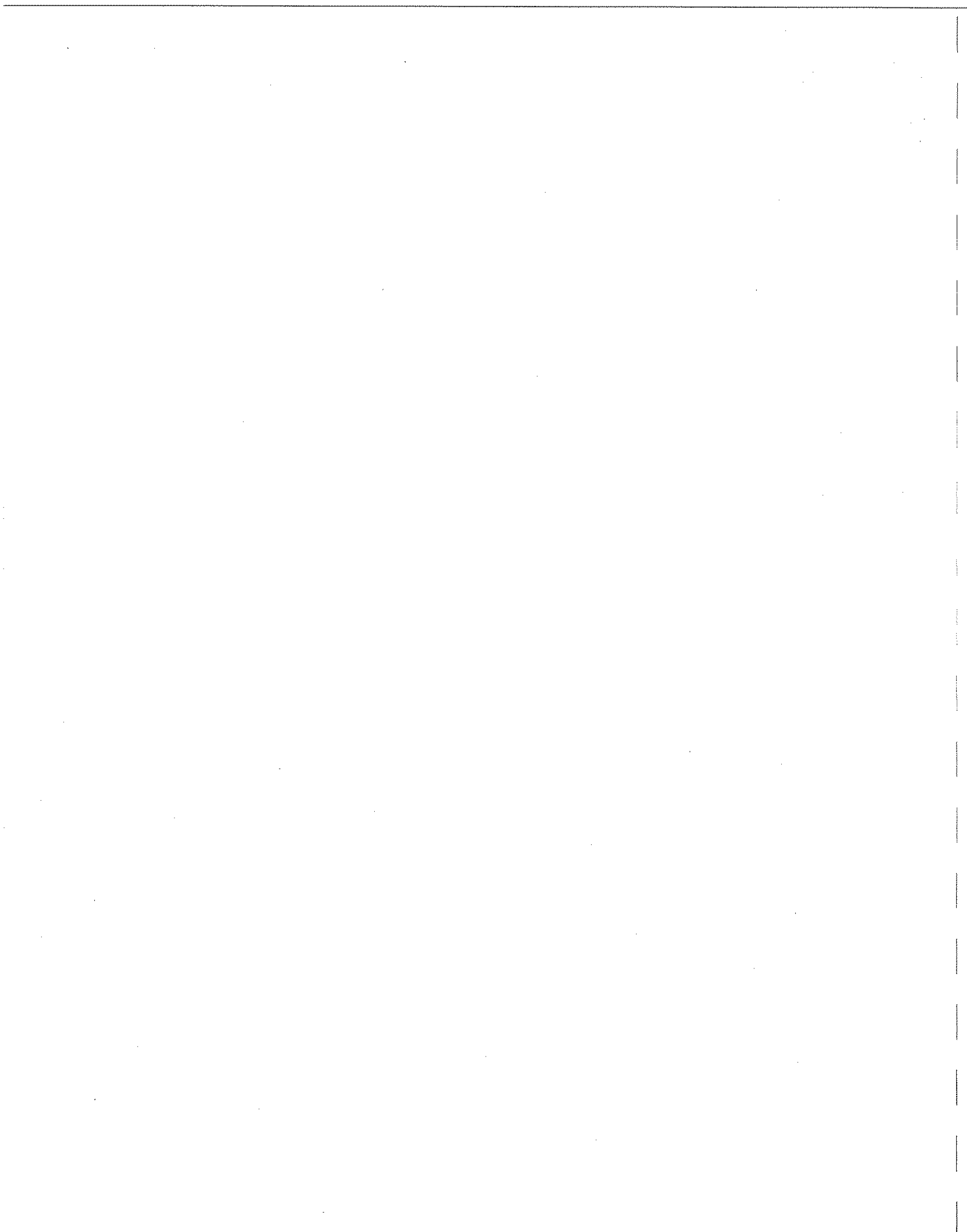
CD01126

REF	PART NO.	QTY	DESCRIPTION	REMARKS
	69J0575	1	3 Way Solenoid Valve Assy	
1	3J 14638	1	Coil	
2	155063001	2	Terminal	
	155064001	2	Seal	
3	155058001	1	Connector	
	3J 13943	1	Cartridge	
	3J 12817	1	Kit, Seal	
4	3J 12816	1	Body	

U

U

U

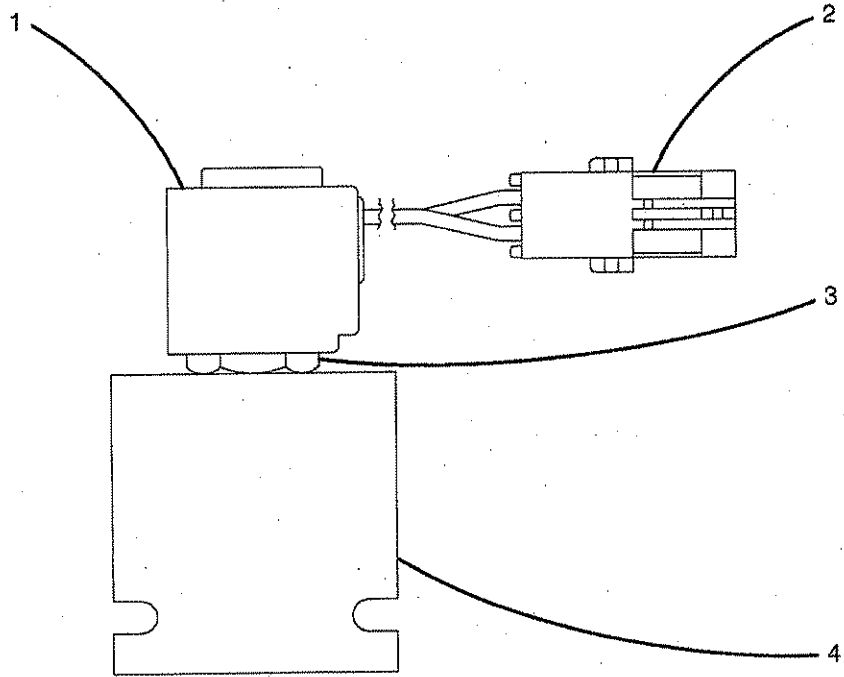


Parts List

0996

7-3-60.0

3 Way Solenoid Valve Assy



CD01126

REF	PART NO.	QTY	DESCRIPTION	REMARKS
	69J0577	1	3 Way Solenoid Valve Assy	
1	3J 12813	1	Coil	
2	155063001	2	Terminal	
	155064001	2	Seal	
3	155058001	1	Connector	
	3J 12929	1	Cartridge	
	3J 12931	1	Kit, Seal	
4	3J 12930	1	Body	

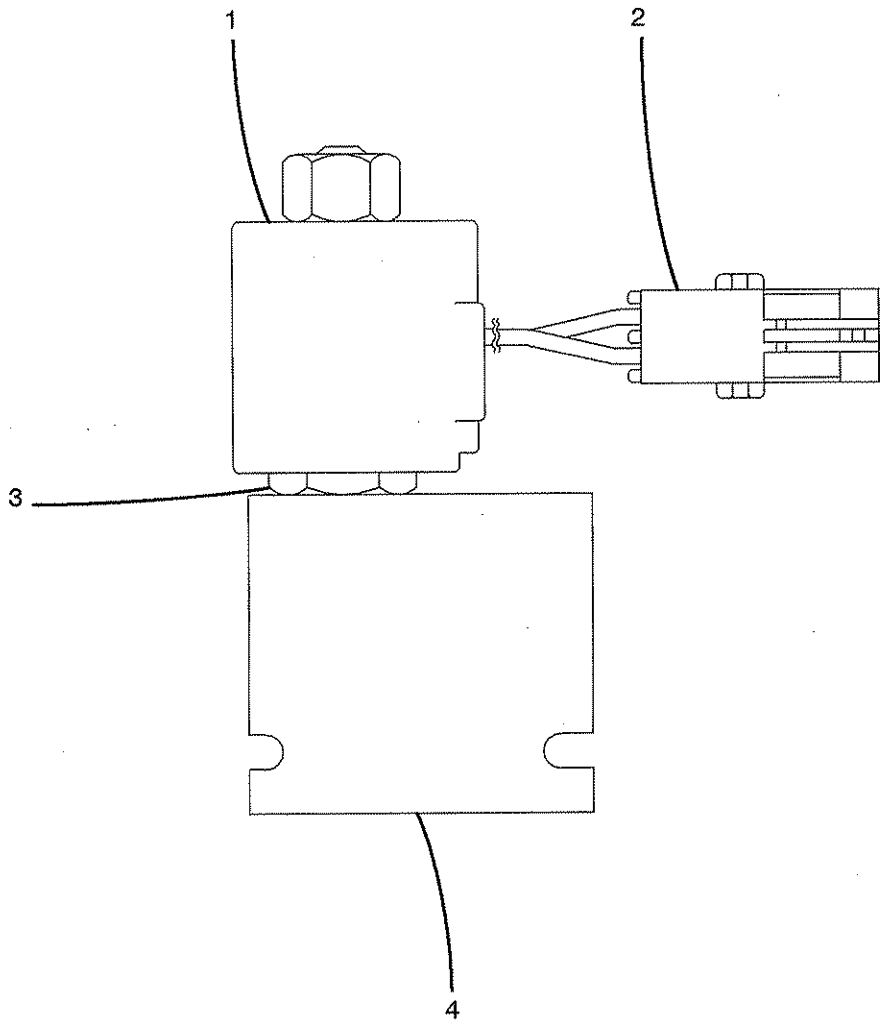
U

U

U



Solenoid Valve Assy



Parts List

0202

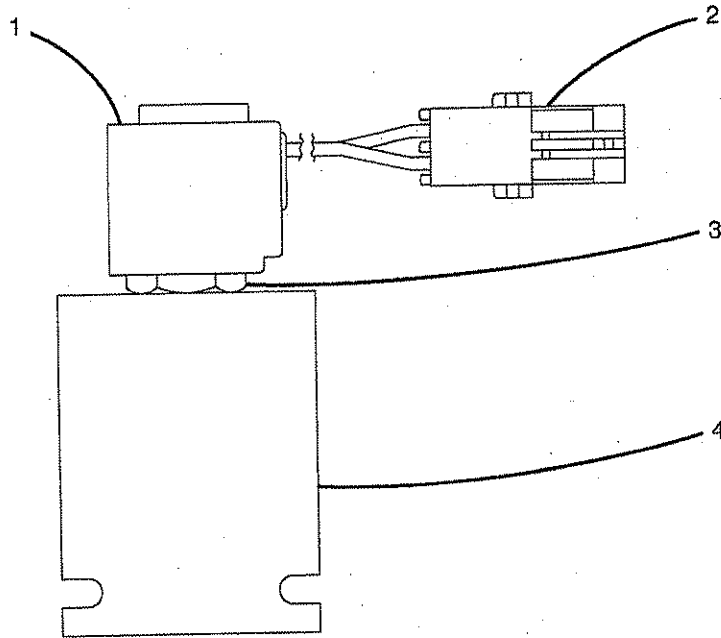
Solenoid Valve Assy				
REF	PART NO.	QTY	DESCRIPTION	REMARKS
	E1J0357	1	Solenoid Valve Assy	
1	3J 12813	1	Coil	
2	155063002	2	Terminal	
	155064001	2	Seal	
	155058001	1	Connector	
3	3J 13323	1	Cartridge	
	3J 11665	1	Kit, Seal	
4	3J 13324	1	Body	

Parts List

0996

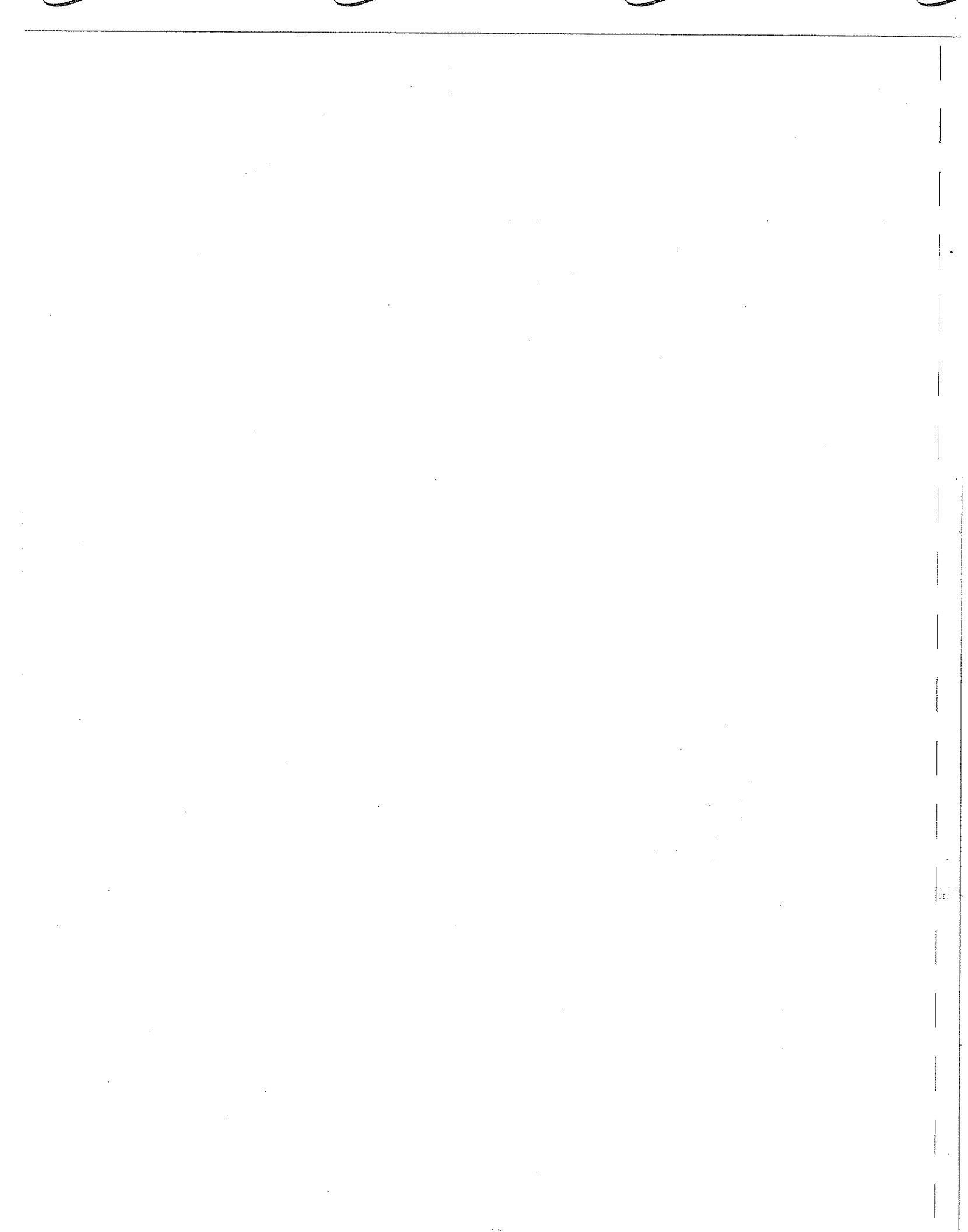
7-3-63.0

4 Way Solenoid Valve Assy

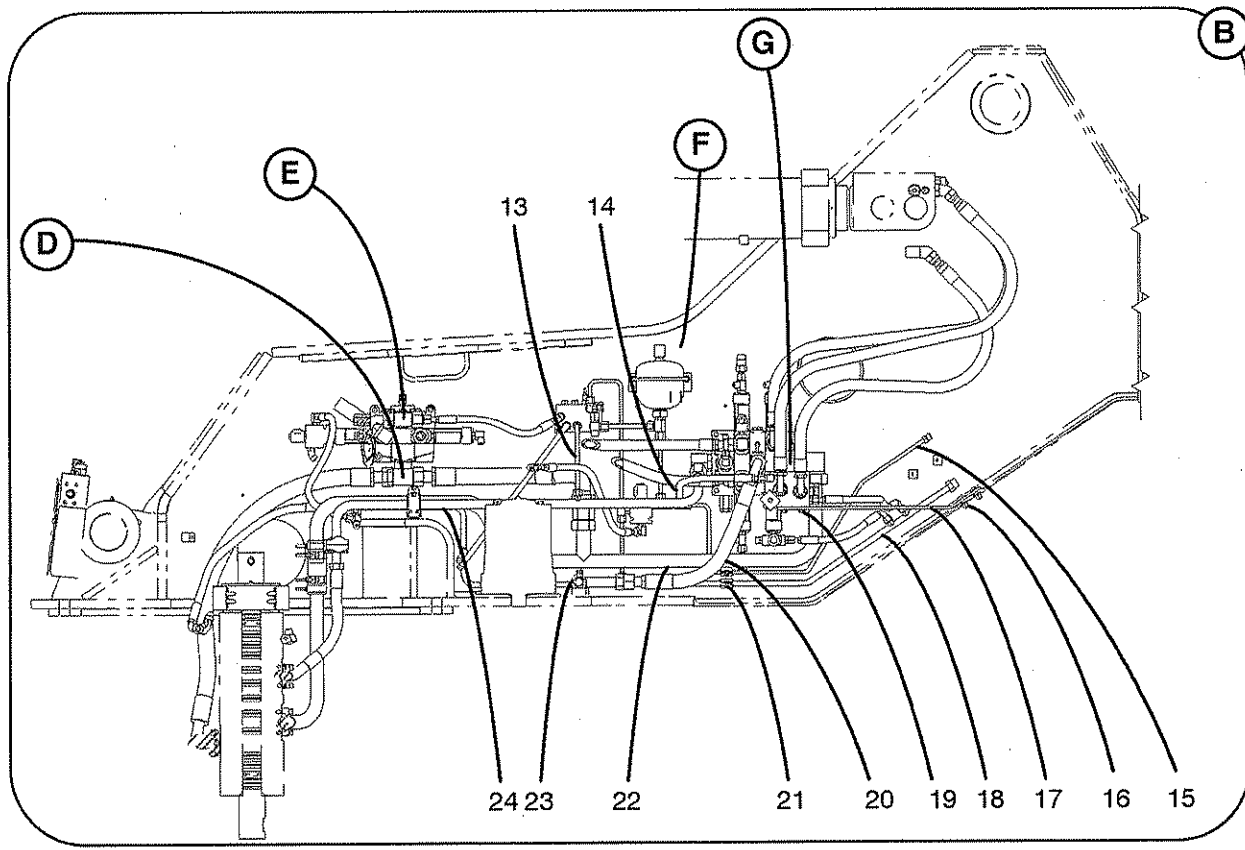
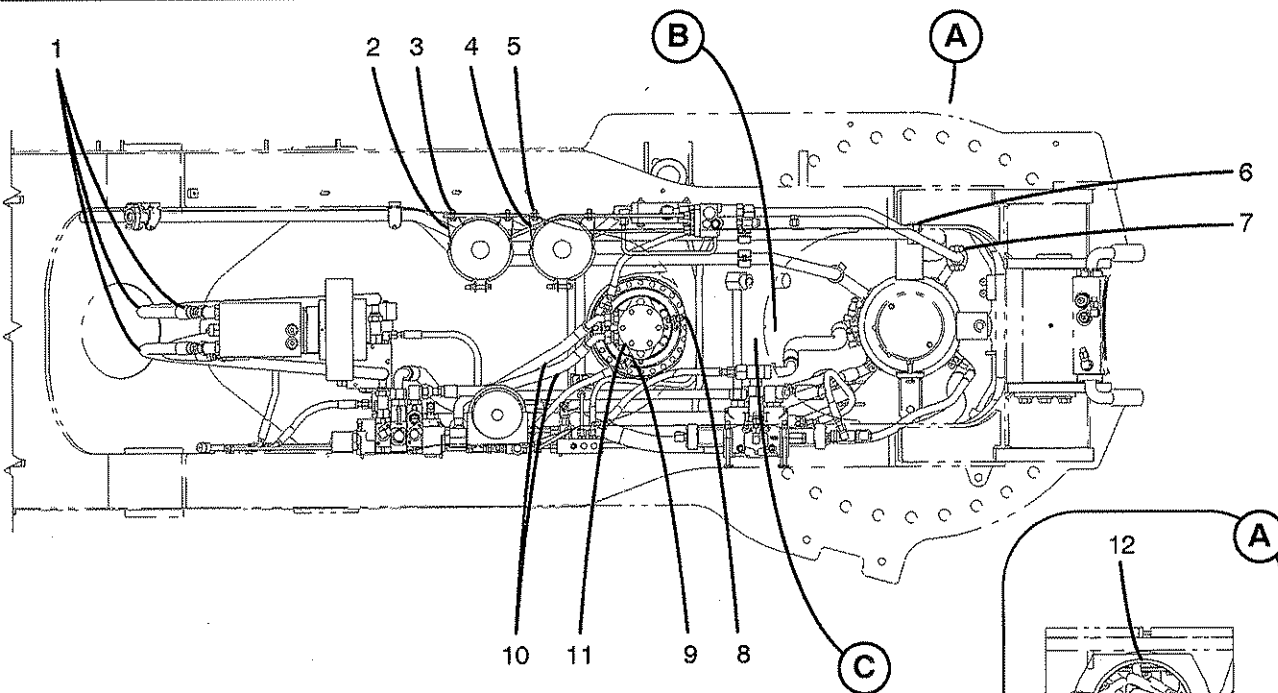


CD01127

REF	PART NO.	QTY	DESCRIPTION	REMARKS
	69J0576	1	4 Way Solenoid Valve Assy	
1.	3J 12814	1	Coil	
2	155063001	2	Terminal	
	155064001	2	Seal	
	155058001	1	Connector	
3	3J 12809	1	Cartridge	
	3J 12278	1	Kit, Seal	
4	3J 12810	1	Body	



Upper Main Hydraulics

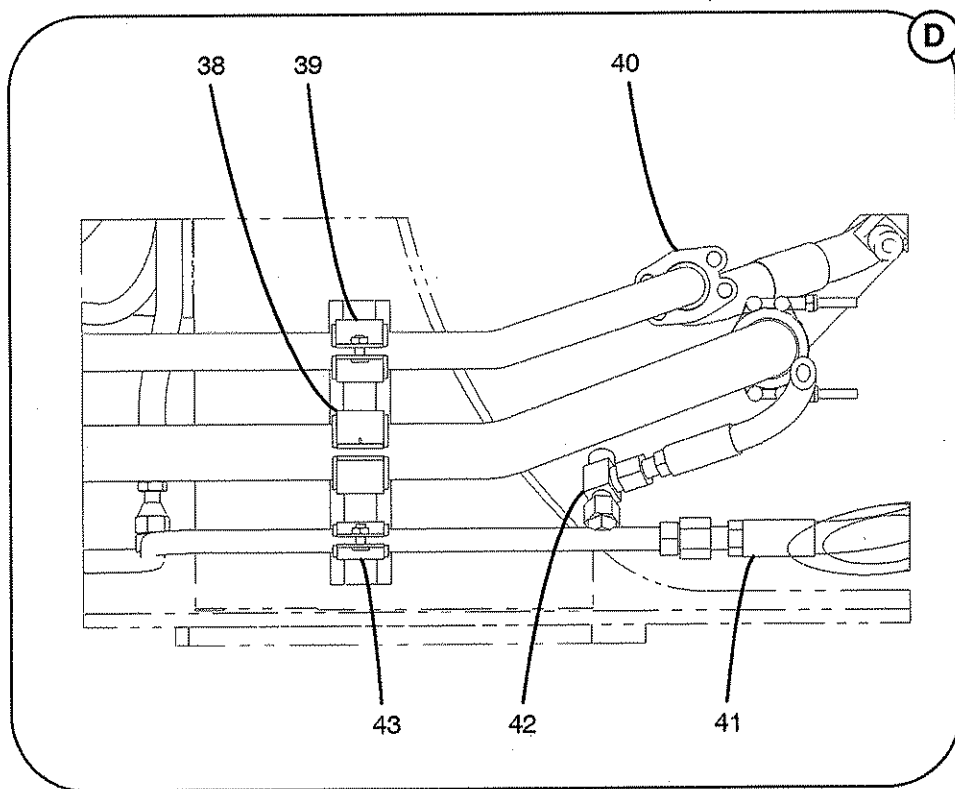
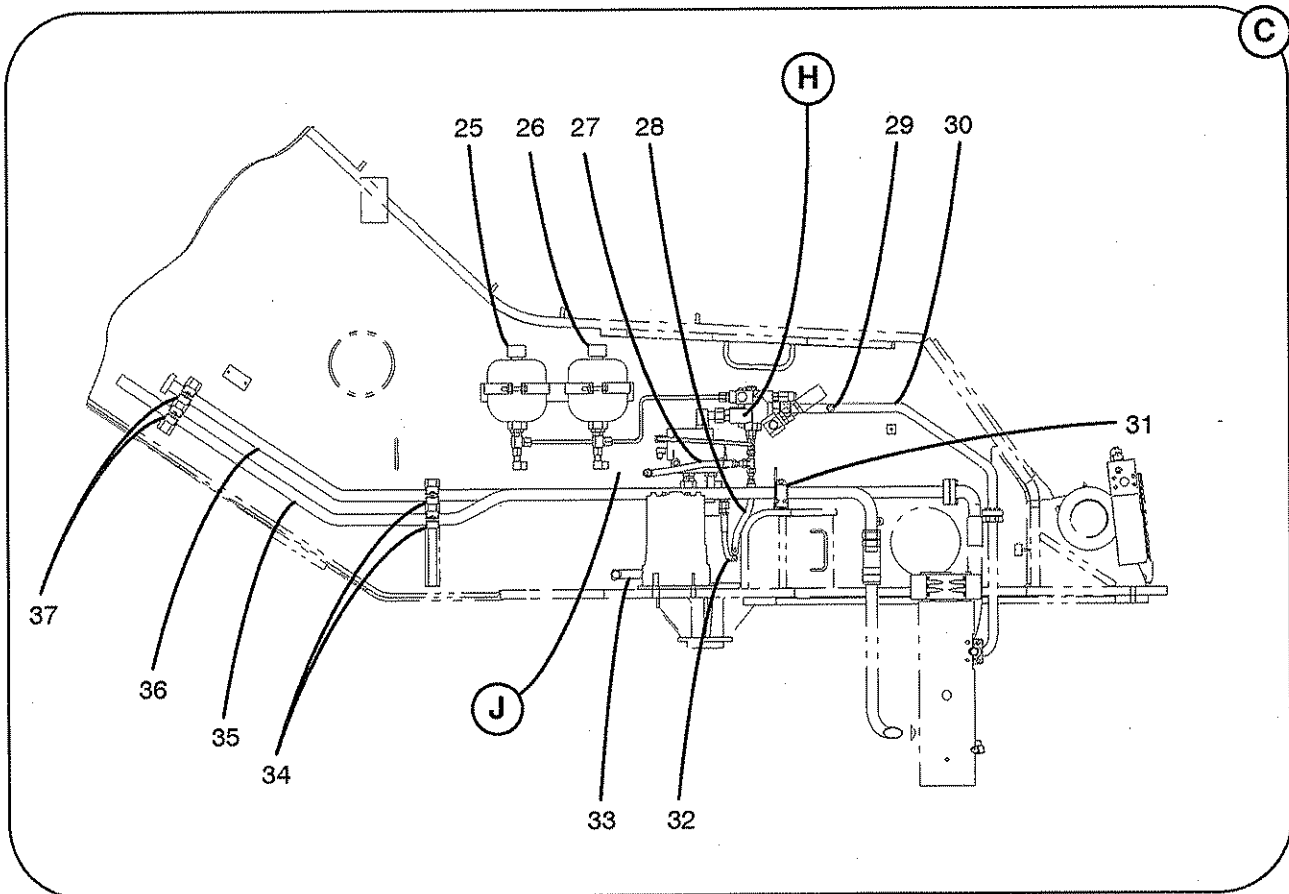


Parts List

0508

Upper Main Hydraulics				
REF	PART NO.	QTY	DESCRIPTION	REMARKS
1	J9J0181	3	Hose Assy	NSS
2	D7J0518	1	Bracket, Mounting	
3	126009095	2	Capscrew	
	128003002	4	Washer	
	127004002	2	Locknut	
4	D7J0518	1	Bracket, Mounting	
5	126009095	2	Capscrew	
	128003002	4	Washer	
	127004002	2	Locknut	
6	16J0201	2	Flange, Split	
	20J0990	1	O-ring	
	126009014	4	Capscrew	
7	20J0990	1	O-ring	
	126009014	4	Capscrew	
8	1X 7536	1	Elbow	
9	1X 7536	1	Elbow	
	J9J0149	1	Swing Motor S/A	
10	L8J0316	2	Hose Assy	
	1X 7468	2	Connector	
11	REF	1	Swing Motor Assy -- See Keysheet 07-006	
	126009040	2	Capscrew	
12	824025010	1	Trim -- 2.07'	
13	J9J0133	1	Tube Assy	
14	65J0519	1	Hose Assy	
15	J9J0226	1	Tube Assy	
	22A2501	1	Clamp	
16	126009014	2	Capscrew	
	128003004	4	Washer	
	127004003	2	Locknut	
17	J9J0182	1	Bar	
18	J9J0124	1	Tube Assy	
19	126009013	2	Capscrew	
	128003004	2	Washer	
20	D7J0456	1	Hose Assy	
21	29A0124	1	Clamp	
22	J9J0201	1	Tube Assy	
23	20J2909	1	Clamp	
24	J9J0215	1	Tube Assy	
25	D7J0504	1	Accumulator	
26	D7J0504	1	Accumulator	
27	E8J0273	1	Hose Assy	
	1X 7446	1	Connector	
	1X 7414	1	Tee	
28	65J0478	1	Hose Assy	
29	1X 7513	1	Cap	
30	J9J0127	1	Tube Assy	
31	25J0640	2	Clamp	
32	N3J0268	1	Hose Assy	
33	J9J0117	1	Tube Assy	
34	25J0640	2	Clamp	
35	J9J0131	1	Tube Assy	
36	J9J0187	1	Tube Assy	

Upper Main Hydraulics

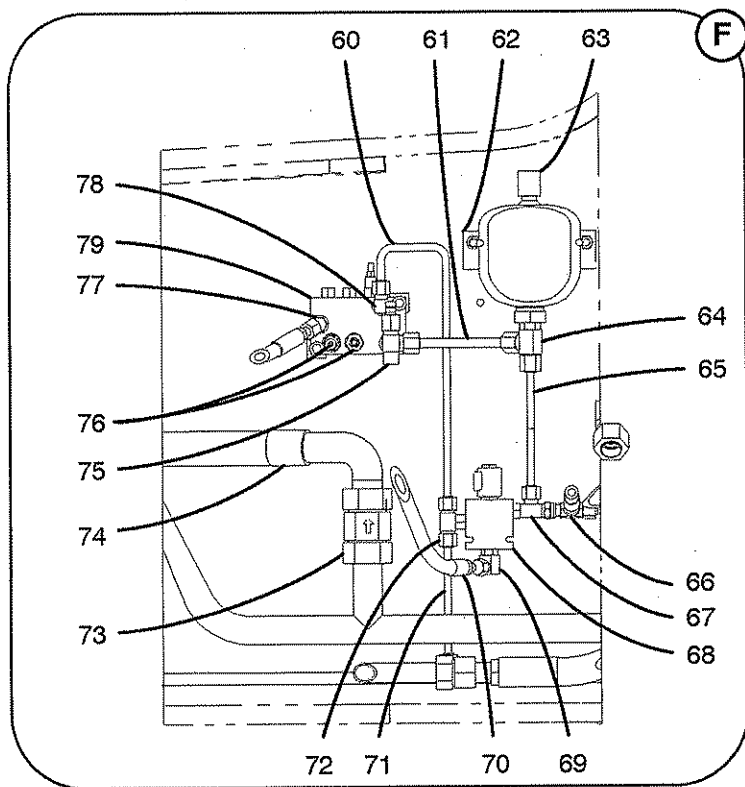
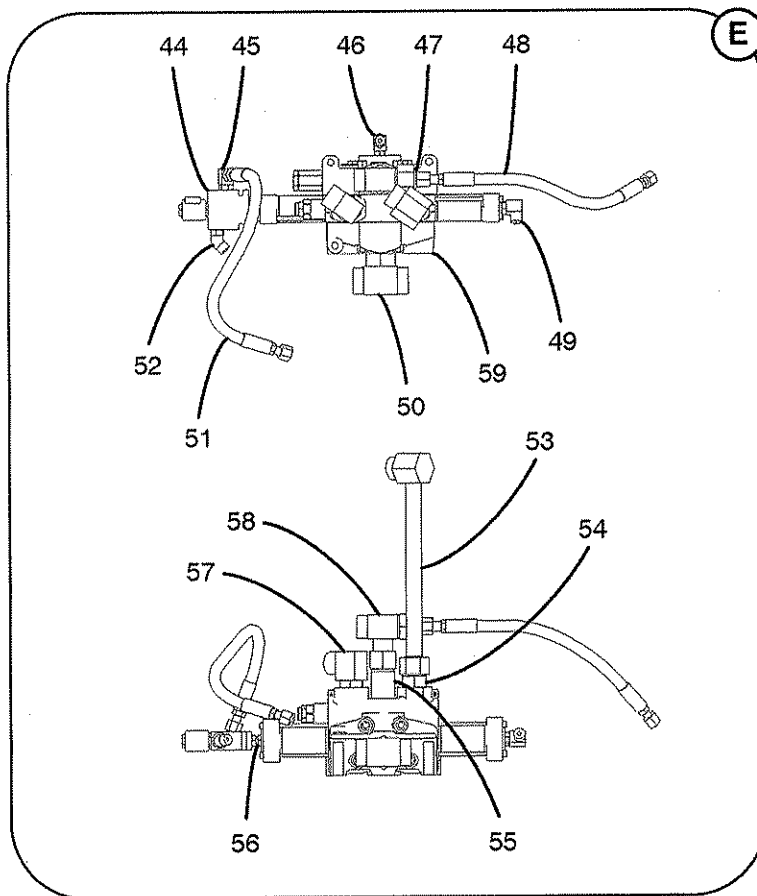


Parts List

0508

Upper Main Hydraulics				
REF	PART NO.	QTY	DESCRIPTION	REMARKS
37	25J0640	2	Clamp	
38	20J2910	1	Clamp	
39	20J2909	1	Clamp	
40	1X 8316	2	Flange, Split	
	1X 5740	1	O-ring	
	126009014	4	Capscrew	
41	H9J0033	1	Hose Assy	
42	1X 7414	1	Tee	
43	29A0124	1	Clamp	
	J9J0073	1	Boom Hoist Valve S/A	NSS
44	69J0575	1	3 Way Solenoid Valve Assy – See Keysheet 07-003-059.00	
45	1X 7385	1	Elbow	
46	D6J0690	1	Disconnect, Quick	
	1X 7458	1	Elbow	
47	1X 7365	1	Nut, Tube	
	1X 7492	1	Reducer	
48	J7J0690	1	Hose Assy	
49	1X 7385	1	Elbow	
50	1X 8270	1	Tee	
51	65J0519	1	Hose Assy	
52	1X 7382	1	Elbow	
53	J9J0129	1	Tube Assy	
54	1X 7376	1	Connector	
55	1X 7591	1	Connector	
56	1X 5170	1	Union	
57	1X 7391	1	Elbow	
58	1X 7482	1	Tee	
59	REF	1	Boom Hoist Control Valve Assy – See Keysheet 07-008	
	126009090	3	Capscrew	
	128003004	3	Washer	
	127004003	3	Locknut	
60	J9J0120	1	Tube Assy	
61	J9J0118	1	Tube Assy	
62	112015006	1	Clamp	
63	D6J1130	1	Accumulator	
64	1X 7399	1	Tee	
65	J9J0119	1	Tube Assy	
66	1X 7414	1	Tee	
	J9J0076	1	Swing Park Brake Valve S/A	NSS
67	1X 7398	1	Tee	
68	69J0575	1	3 Way Solenoid Valve Assy – See Keysheet 07-003-059.00	
69	1X 7385	1	Elbow	
70	65J1115	1	Hose Assy	
71	J9J0125	1	Tube Assy	
72	1X 7394	1	Tee	
73	E1J0295	1	Valve, Check	
74	J9J0151	1	Hose Assy	
	J9J0075	1	Pilot Oil Supply Valve S/A	NSS
75	65J0530	1	Disconnect, Quick	
	1X 7411	1	Tee, Branch	
	1X 7399	1	Tee, Run	

Upper Main Hydraulics

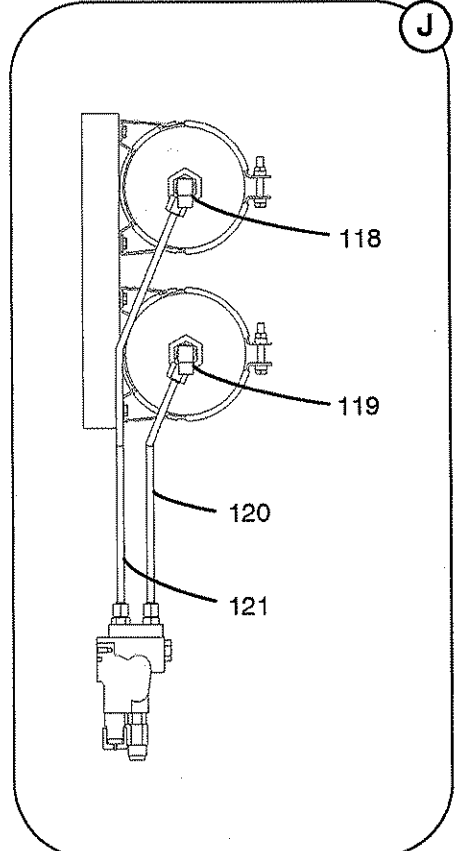
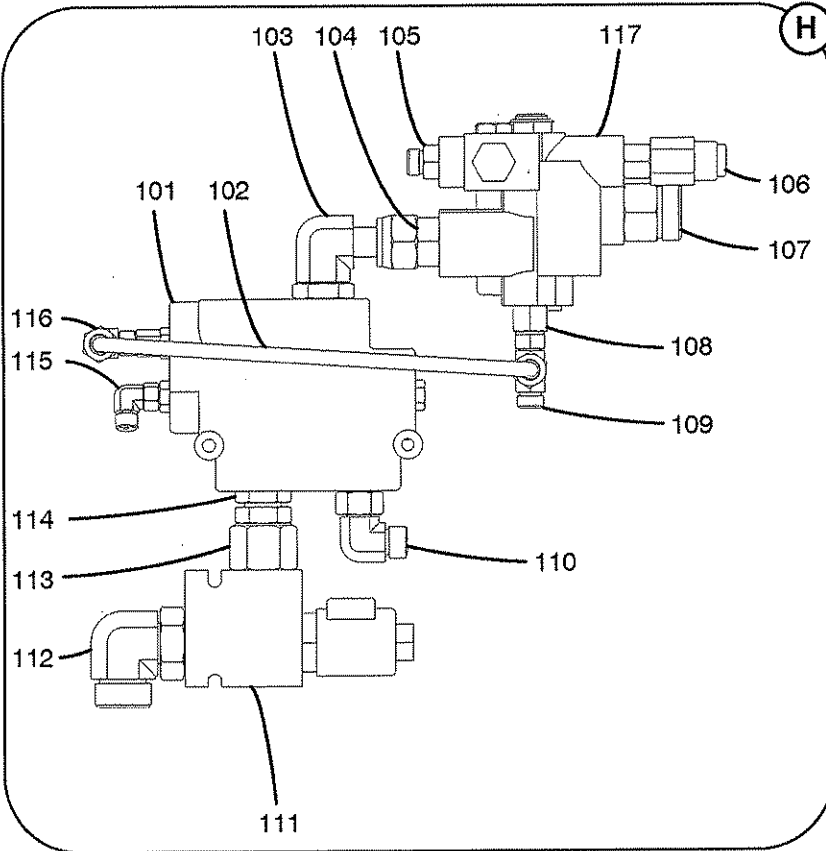
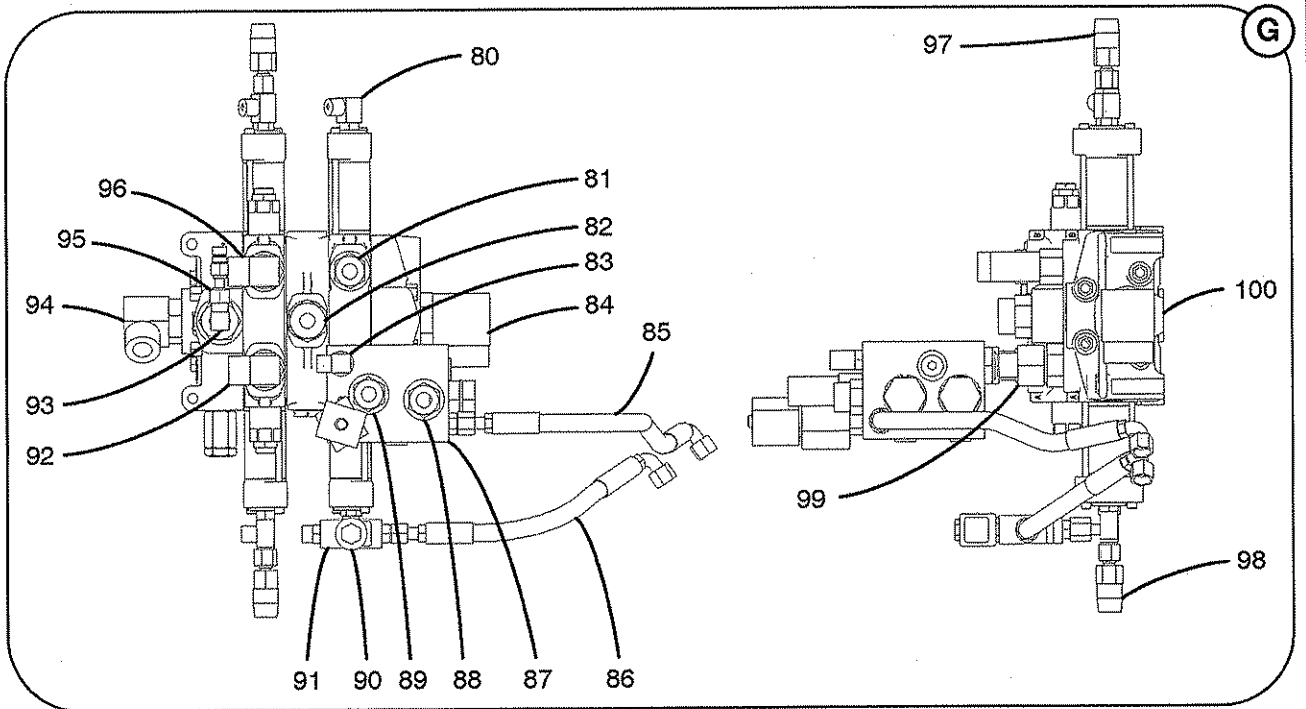


Parts List

0508

Upper Main Hydraulics				
REF	PART NO.	QTY	DESCRIPTION	REMARKS
76	1X 7368	2	Connector	
77	1X 7382	1	Elbow	
78	1X 7385	1	Elbow	
79	REF	1	Pilot Oil Supply Valve Assy – See Keysheet 07–008	
	126009007	2	Capscrew	
	128003001	2	Washer	
	J9J0074	1	Swing/Telescope Valve S/A	NSS
80	1X 7385	1	Elbow	
81	1X 7381	1	Connector	
82	1X 7376	1	Connector	
83	1X 7385	1	Elbow	
84	1X 7844	1	Elbow	
85	E8J0273	1	Hose Assy	
	1X 7368	1	Connector	
86	D3J0310	1	Hose Assy	
87	REF	1	Selectable Flow Divider Valve Assy – See Keysheet 07–008	
88	1X 7374	1	Connector	
89	1X 7381	1	Connector	
90	1X 7559	1	Elbow	
	1X 7368	1	Connector	
91	69J0575	1	3 Way Solenoid Valve Assy – See Keysheet 07–003–059.00	
	1X 7368	2	Connector	
92	1X 7390	1	Elbow	
93	1X 7458	1	Elbow	
94	1X 7392	1	Elbow	
95	D6J0690	1	Disconnect, Quick	
96	1X 7390	1	Elbow	
97	D3R0116	1	Switch, Pressure	
	1X 7361	1	Nut, Tube	
	70J0172	1	Adaptor	
	1X 7398	1	Tee	
98	D3R0116	1	Switch, Pressure	
	1X 7361	1	Nut, Tube	
	70J0172	1	Adaptor	
	1X 7398	1	Tee	
99	1X 7376	1	Connector – 1 x .75	
	1X 7623	1	Connector – 1 x 1	
100	REF	1	Swing/Telescope Control Valve Assy – See Keysheet 07–008	
	126009123	3	Capscrew	
	J9J0239	1	Accumulator Charge Valve S/A	NSS
101	REF	1	Priority Valve Assy – See Keysheet 07–008	
102	J9J0240	1	Tube Assy	
103	1X 7729	1	Elbow	
104	1X 7374	1	Connector	
105	1X 7369	2	Connector	
106	F7R0008	1	Switch, Pressure	
	1X 5596	1	Reducer	

Upper Main Hydraulics



Parts List

0508

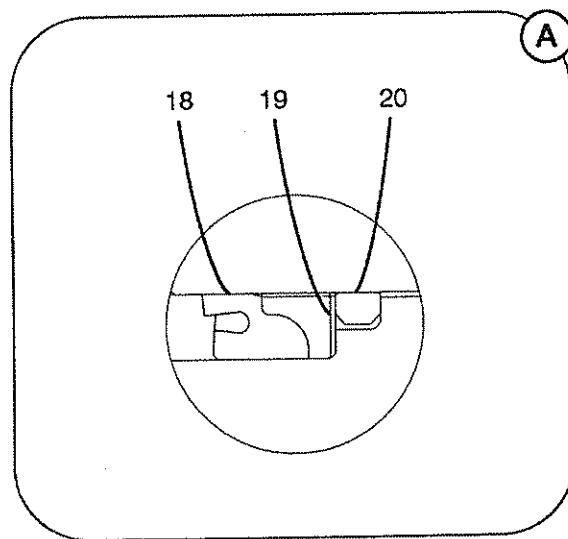
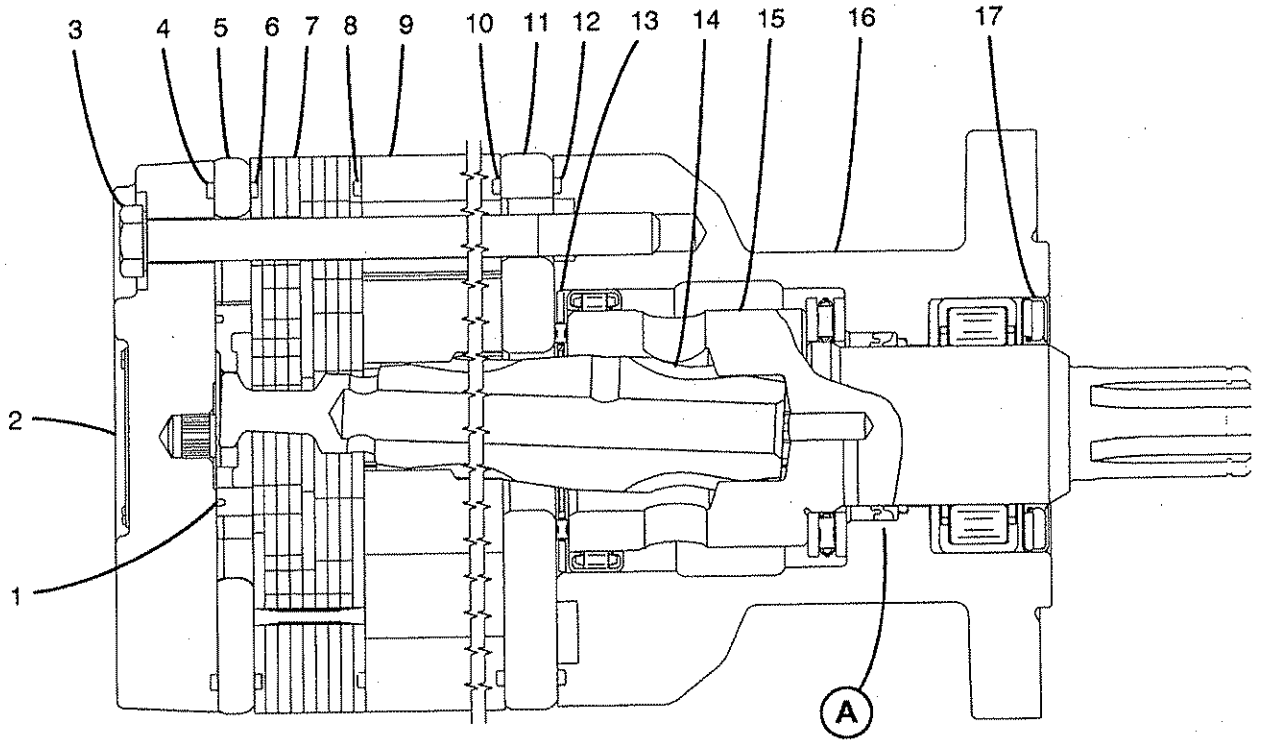
Upper Main Hydraulics				
REF	PART NO.	QTY	DESCRIPTION	REMARKS
107	1X 7376	1	Connector	
108	1X 5596	1	Reducer	
109	1X 7398	1	Tee	
110	1X 7455	1	Elbow	
111	E1J0357	1	Solenoid Valve Assy – See Keysheet 07-003-062.00	
112	1X 7392	1	Elbow	
113	1X 5630	1	Reducer	
114	1X 6027	1	Union	
115	1X 7576	1	Elbow	
116	1X 7458	1	Elbow	
117	F7J0136	1	Valve, Accumulator Charge	
	3J 14494	1	Kit, Rebuild	
	126009122	2	Capscrew	
	128003002	2	Washer	
118	1X 7405	1	Elbow	
	1X 7399	1	Tee	
	1X 4919	1	Reducer	
119	1X 7405	1	Elbow	
	1X 7399	1	Tee	
	1X 4919	1	Reducer	
120	J9J0122	1	Tube Assy	
121	J9J0121	1	Tube Assy	

Parts List

0300

7-6-397.0

Swing Motor Assy

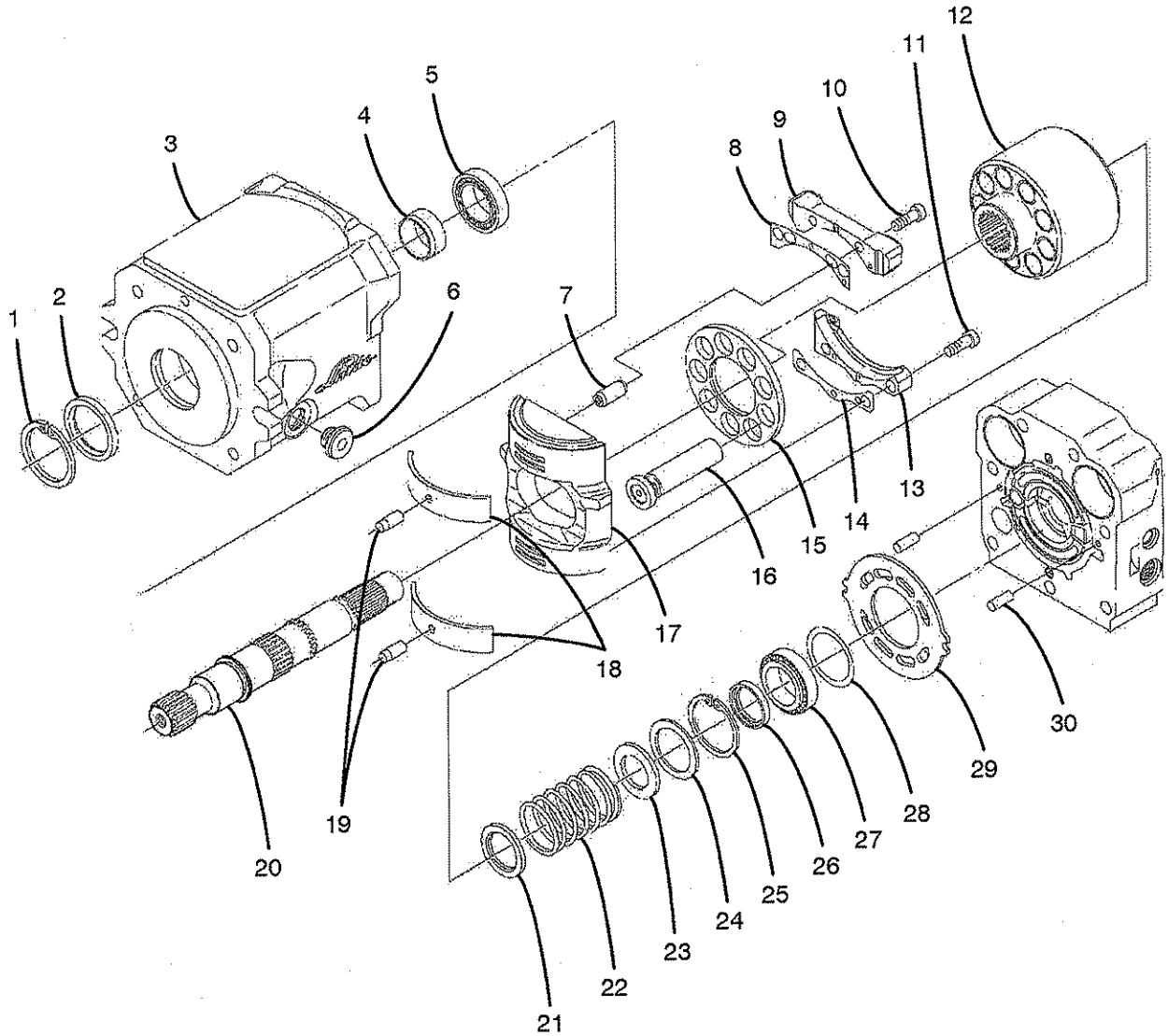


Parts List

0300

Swing Motor Assy				
REF	PART NO.	QTY	DESCRIPTION	REMARKS
	E8J0320	1	Swing Motor Assy	
1	3J 15346	1	Seal, Commutator	
2	3J 15347	1	Cover, End	
3	3J 15348	7	Bolt	
4	3J 15340	1	Ring, Seal	
5	3J 15345	1	Commutator	
6	3J 15340	1	Ring, Seal	
7	3J 15344	1	Manifold	
8	3J 15340	1	Ring, Seal	
9	3J 15343	1	Rotor	
10	3J 15340	1	Ring, Seal	
11	3J 15341	1	Plate, Wear	
12	3J 15340	1	Ring, Seal	
13	3J 15338	1	Bearing, Thrust	
14	3J 15342	1	Link, Drive	
15	3J 15339	1	Shaft, Coupling	
16	3J 15337	1	Housing	
17	3J 15349	1	Seal	
18	3J 15352	1	Seal, Shaft	
19	3J 15351	1	Washer	
20	3J 15350	1	Ring, Back Up	

Winch Motor Assy

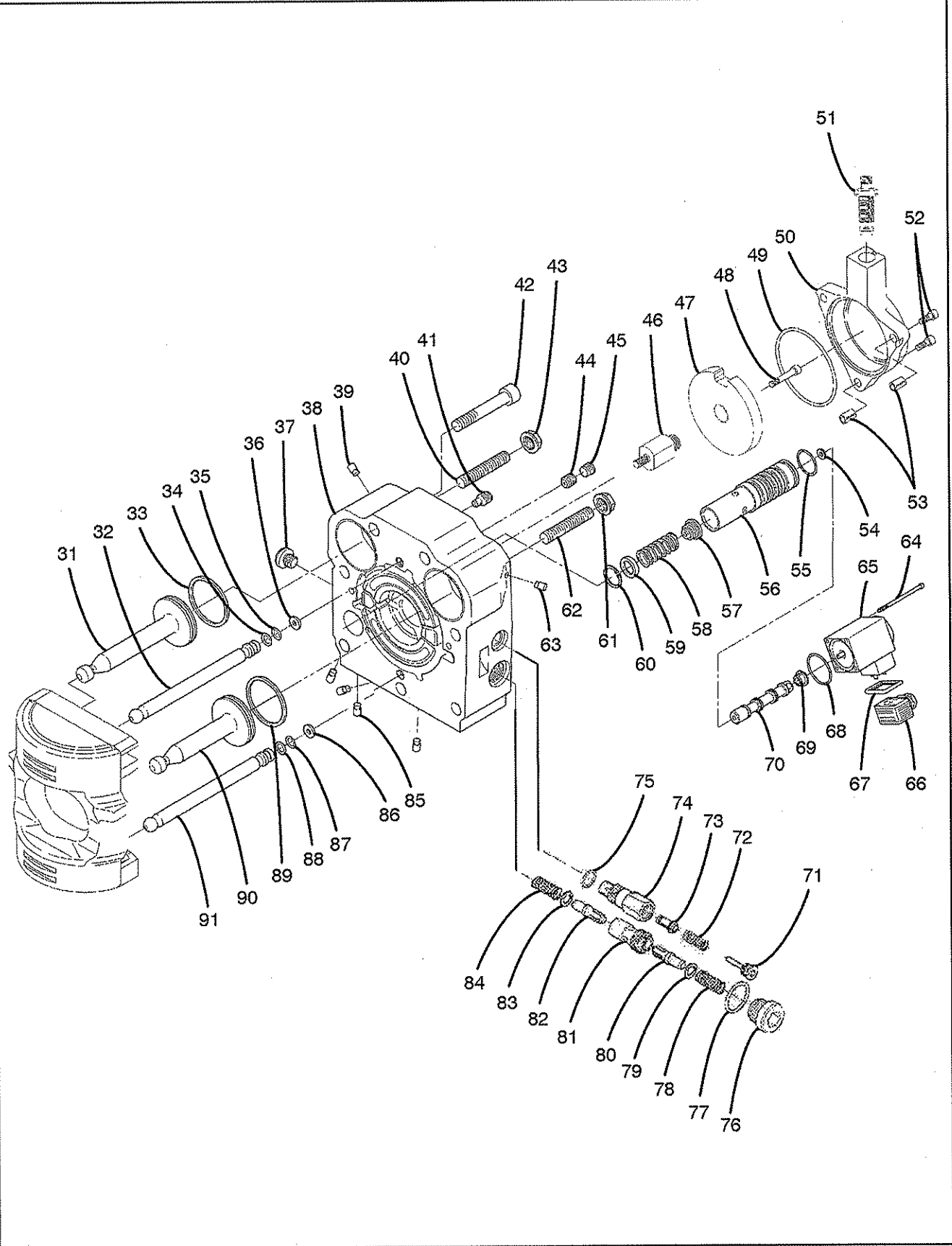


Parts List

0909

Winch Motor Assy				
REF	PART NO.	QTY	DESCRIPTION	REMARKS
	J9J0216	1	Winch Motor Assy	
1	3J 16077	1	Ring, Retaining	
2	3J 16078	1	Seal, Shaft	
3	3J 17892	1	Housing	
4	3J 17893	1	Race, Seal	
5	3J 16082	1	Bearing, Roller	
6	3J 6534	1	Plug	
7	3J 15915	4	Bushing	
8	3J 17898	1	Shim - 0.050" - AR	
	3J 17899	1	Shim - 0.075" - AR	
	3J 17900	1	Shim - 1.100" - AR	
9	3J 17902	1	Plate	
10	3J 16092	2	Capscrew	
11	3J 16092	2	Capscrew	
12	3J 17903	1	Barrel, Cylinder	
13	3J 17897	1	Plate	
14	3J 15918	1	Shim - 0.050" - AR	
	3J 15919	1	Shim - 0.075" - AR	
	3J 15920	1	Shim - 0.100" - AR	
15	3J 17896	1	Plate, Retaining	
16	3J 17895	9	Piston	
17	3J 17894	1	Cradle	
18	3J 16084	2	Bearing, Slide	
19	3J 15912	2	Pin, Guide	
20	3J 16083	1	Shaft	
21	3J 16098	1	Washer	
22	3J 16099	1	Spring	
23	3J 16100	1	Washer	
24	3J 16101	1	Shim - 0.100" - AR	
	3J 16102	1	Shim - 0.300" - AR	
	3J 17904	1	Shim - 1.000" - AR	
25	3J 16829	1	Ring, Retaining	
26	3J 16106	1	Washer	
27	3J 16107	1	Bearing, Roller	
28	3J 16108	1	Shim - 1.000" - AR	
	3J 16109	1	Shim - 1.050" - AR	
	3J 16110	1	Shim - 1.100" - AR	
	3J 16111	1	Shim - 1.150" - AR	
	3J 16112	1	Shim - 1.200" - AR	
	3J 16113	1	Shim - 1.250" - AR	
	3J 16114	1	Shim - 1.500" - AR	
	3J 16115	1	Shim - 1.750" - AR	
29	3J 15942	1	Plate, Port	
30	3J 15943	2	Pin, Guide	
31	3J 17906	1	Piston, Servo	
32	3J 17905	1	Tube, Lube	
33	3J 16140	1	Ring, Seal	
34	3J 15952	1	Ring, Support	
35	3J 15951	1	O-ring	

Winch Motor Assy

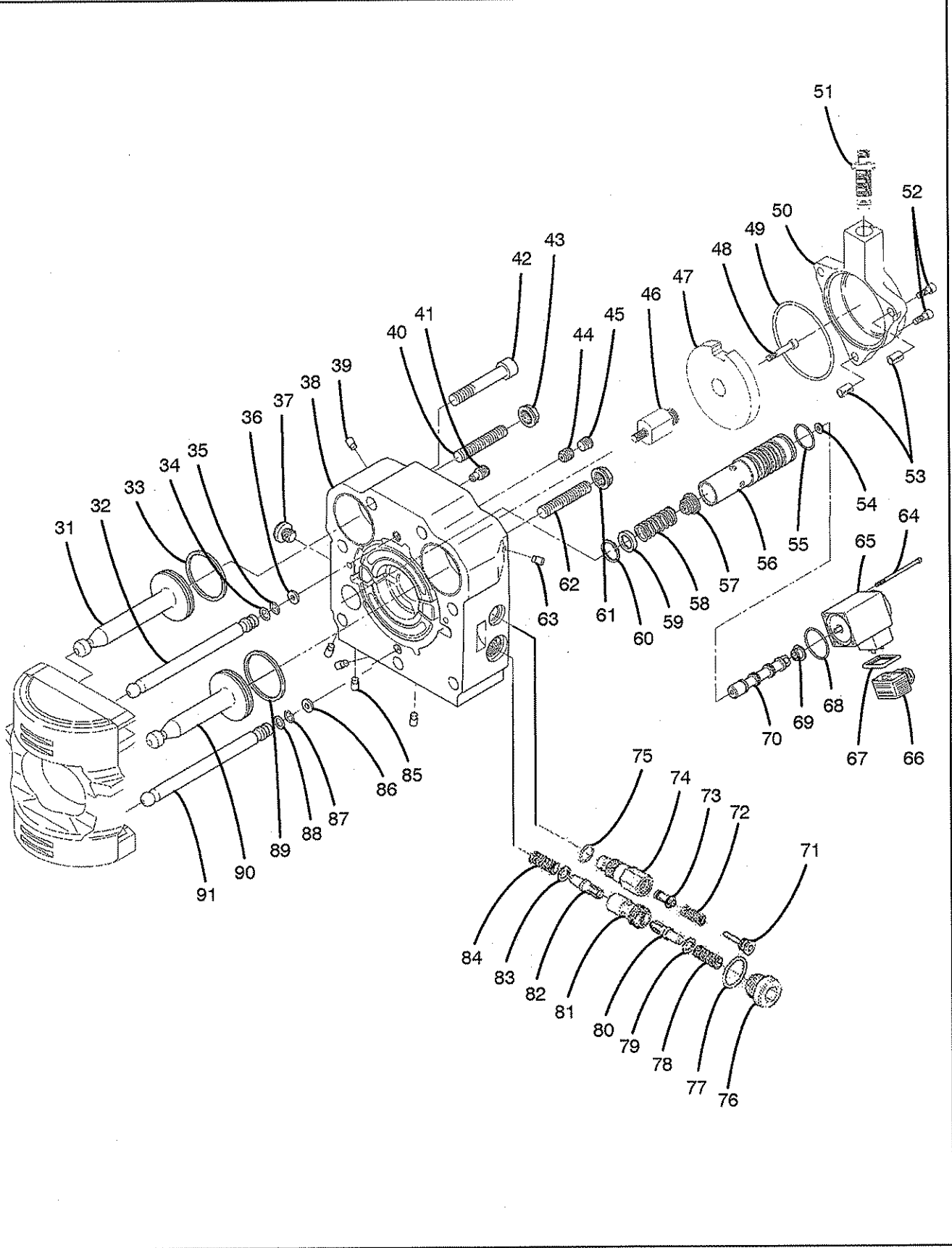


Parts List

0909

Winch Motor Assy				
REF	PART NO.	QTY	DESCRIPTION	REMARKS
36	3J 16118	1	Washer - 1.95 - AR	NSS
	3J 16119	1	Washer - 2.02 - AR	
	3J 16120	1	Washer - 2.10 - AR	
	3J 16121	1	Washer - 2.17 - AR	
	3J 16124	1	Washer - 2.24 - AR	
	3J 16122	1	Washer - 2.25 - AR	
	3J 16132	1	Washer - 2.30 - AR	
	3J 16123	1	Washer - 2.32 - AR	
	3J 16125	1	Washer - 2.47 - AR	
	3J 16126	1	Washer - 2.55 - AR	
	3J 16127	1	Washer - 2.62 - AR	
	3J 16128	1	Washer - 2.70 - AR	
	3J 16129	1	Washer - 2.77 - AR	
	3J 16130	1	Washer - 2.85 - AR	
	3J 16131	1	Washer - 2.92 - AR	
	3J 16133	1	Washer - 3.07 - AR	
	3J 16134	1	Washer - 3.15 - AR	
	3J 16135	1	Washer - 3.22 - AR	
	3J 16136	1	Washer - 3.30 - AR	
	3J 16137	1	Washer - 3.37 - AR	
	3J 16138	1	Washer - 3.45 - AR	
37	3J 6137	1	Plug	
38	REF	1	Housing	
39	3J 15944	1	Plug	
40	3J 15957	1	Stud	
41	3J 15989	1	Orifice	
42	3J 17908	7	Capscrew	
43	3J 15958	1	Nut, Seal	
44	3J 16840	1	Orifice	
45	3J 15987	1	Plug	
46	3J 17913	1	Extension, Shaft	
47	3J 17625	1	Wheel, Impulse	
48	3J 17912	1	Capscrew	
49	3J 15993	1	O-ring	
50	3J 17627	1	Housing, Sensor	
51	3J 16612	1	Sensor, Speed	
52	3J 15997	3	Capscrew	
53	3J 15996	2	Pin, Spring	
54	3J 15979	1	Washer, Support	
55	3J 15978	1	O-ring	
56	3J 15976	1	Bushing	
57	3J 17910	1	Washer	
58	3J 15973	1	Spring	
59	3J 15972	1	Washer	
60	3J 15971	1	Ring, Retaining	
61	3J 15958	1	Nut, Seal	
62	3J 15957	1	Stud	
63	3J 15944	1	Plug	
64	3J 15986	4	Capscrew	
65	3J 15983	1	Magnet	
66	3J 15985	1	Solenoid	

Winch Motor Assy

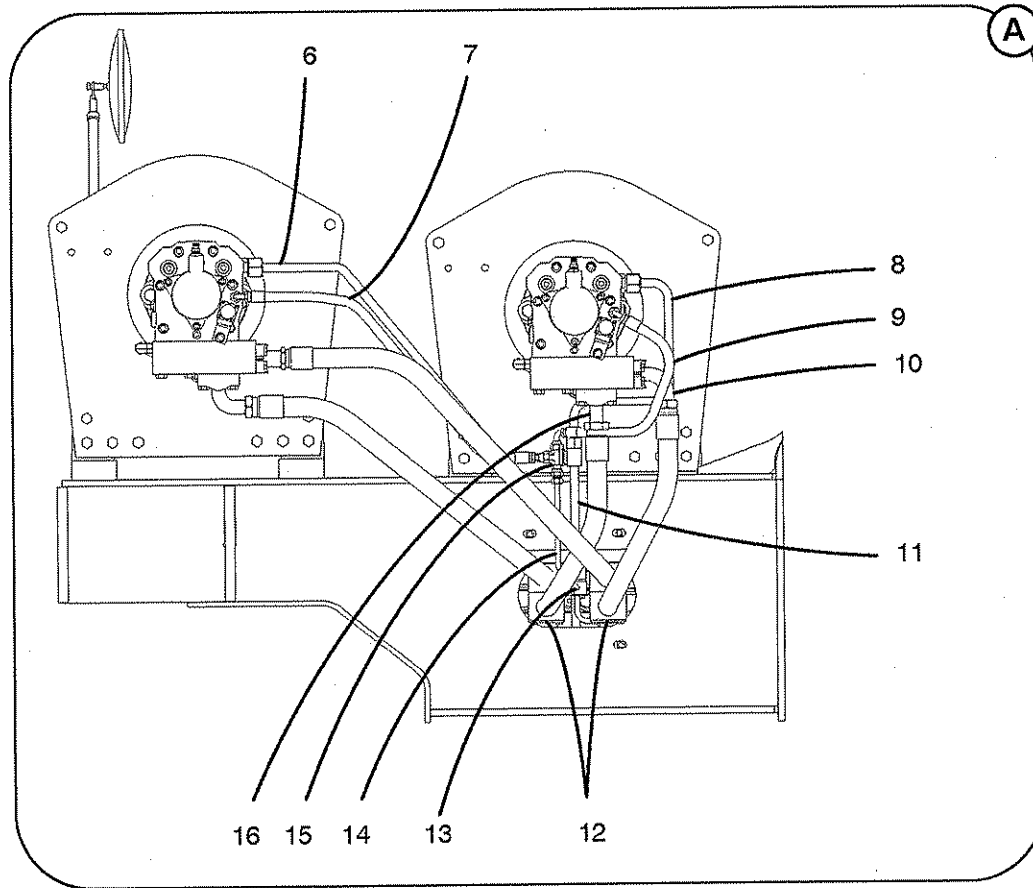
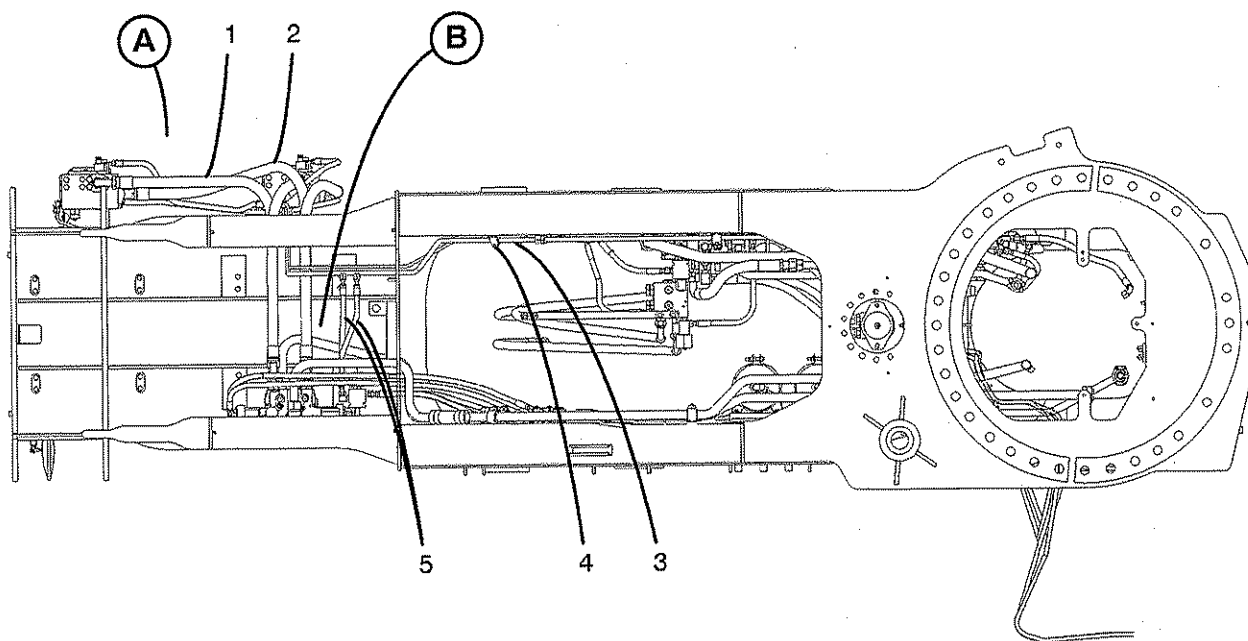


Parts List

0909

Winch Motor Assy				
REF	PART NO.	QTY	DESCRIPTION	REMARKS
67	3J 15984	1	Seal	
68	3J 15969	1	O-ring	
69	3J 15981	1	Bushing	
70	3J 17911	1	Spool	
	3J 17909	1	Cavity Plug Assy	
71	3J 17341	1	Cap	
72	3J 15963	1	Spring	
73	3J 17340	1	Plug	
74	3J 15960	1	Housing	
75	3J 15961	1	O-ring	
76	3J 15970	1	Plug Assy	
77	3J 15969	1	O-ring	
	3J 15966	1	Shuttle Valve Assy	
78	3J 15968	1	Spring	
79	3J 15967	1	Shim	
80	REF	1	Spool	NSS
81	REF	1	Housing	NSS
82	REF	1	Spool	NSS
83	3J 15967	1	Shim	
84	3J 15968	1	Spring	
85	3J 15944	4	Plug	
86	3J 16118	1	Washer - 1.95 - AR	
	3J 16119	1	Washer - 2.02 - AR	
	3J 16120	1	Washer - 2.10 - AR	
	3J 16121	1	Washer - 2.17 - AR	
	3J 16124	1	Washer - 2.24 - AR	
	3J 16122	1	Washer - 2.25 - AR	
	3J 16132	1	Washer - 2.30 - AR	
	3J 16123	1	Washer - 2.32 - AR	
	3J 16125	1	Washer - 2.47 - AR	
	3J 16126	1	Washer - 2.55 - AR	
	3J 16127	1	Washer - 2.62 - AR	
	3J 16128	1	Washer - 2.70 - AR	
	3J 16129	1	Washer - 2.77 - AR	
	3J 16130	1	Washer - 2.85 - AR	
	3J 16131	1	Washer - 2.92 - AR	
	3J 16133	1	Washer - 3.07 - AR	
	3J 16134	1	Washer - 3.15 - AR	
	3J 16135	1	Washer - 3.22 - AR	
	3J 16136	1	Washer - 3.30 - AR	
	3J 16137	1	Washer - 3.37 - AR	
	3J 16138	1	Washer - 3.45 - AR	
87	3J 15951	1	O-ring	
88	3J 15952	1	Ring, Support	
89	3J 16140	1	Ring, Seal	
90	3J 17907	1	Piston, Servo	
91	3J 17905	1	Tube, Lube	

Two Winch Plumbing

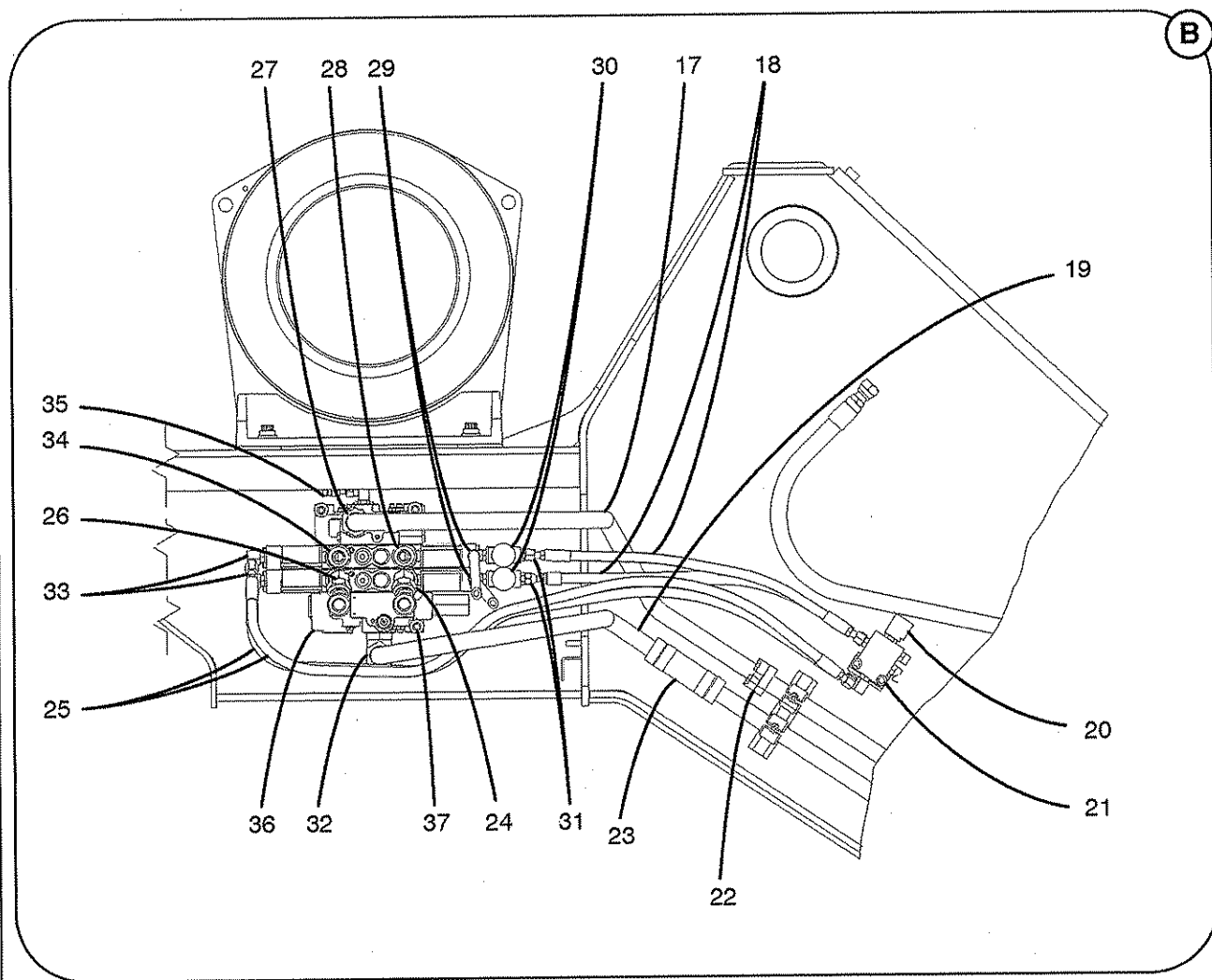


Parts List

1107

Two Winch Plumbing				
REF	PART NO.	QTY	DESCRIPTION	REMARKS
1	J9J0221	1	Hose Assy	
2	J9J0220	1	Hose Assy	
3	22A2501	1	Clamp	
4	29A0124	1	Clamp	
5	69J0393	2	Hose Assy	
6	J9J0222	1	Tube Assy	
7	E8J0248	1	Hose Assy	
8	J9J0223	1	Tube Assy	
9	J9J0229	1	Hose Assy	
10	J9J0224	1	Hose Assy	
11	J9J0143	1	Tube Assy	
12	E8J0349	4	Clamp, Tube	
	E8J0364	4	Nut, Rail	
	E8J0350	2	Plate, Cover	
	126009009	4	Capscrew	
	J6J0136	4	Bolt	
13	E8J0351	1	Clamp, Tube	
	E8J0364	2	Nut, Rail	
	E8J0366	1	Cover	
	126009005	1	Capscrew – 1.5" Lg	
	E8J0365	1	Plate, Cover	
	E8J0352	1	Clamp	
	126009010	1	Capscrew – 2.75" Lg	
14	J9J0228	1	Tube Assy	
15	1X 7414	1	Tee	
16	J9J0233	1	Hose Assy	
17	J9J0188	1	Tube Assy	
18	65J0446	2	Hose Assy	
19	J9J0147	1	Tube Assy	
20	F7J0220	2	Winch Disable Valve S/A	NSS
	69J0576	1	4 Way Solenoid Valve Assy – See Keysheet 07-003-063.00	
	1X 7385	1	Elbow	
	1X 7368	3	Connector	
	17S0455	1	Keeper	
21	126009011	2	Capscrew	
	128003001	2	Washer	
22	20J0990	1	O-ring	
	126009014	4	Capscrew	
23	822026001	1	Hose – 0.50'	
	1X 5582	4	Clamp	
24	1X 7781	1	Elbow	
25	70J0112	2	Hose Assy	
26	1X 7781	1	Elbow	

Two Winch Plumbing

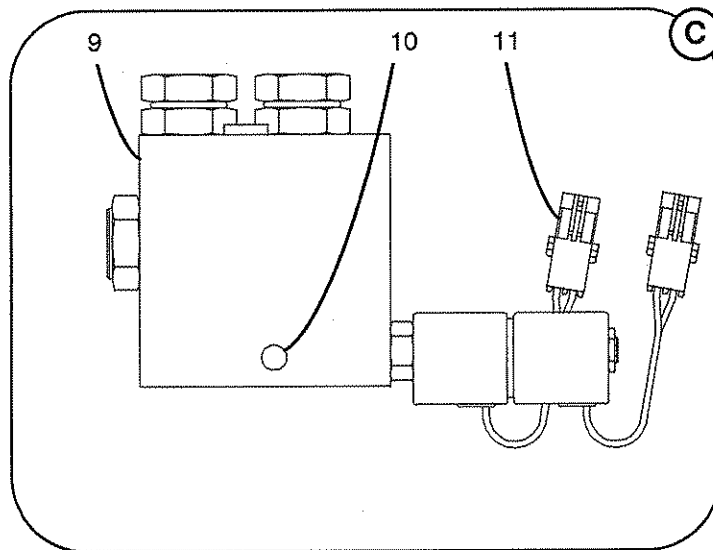
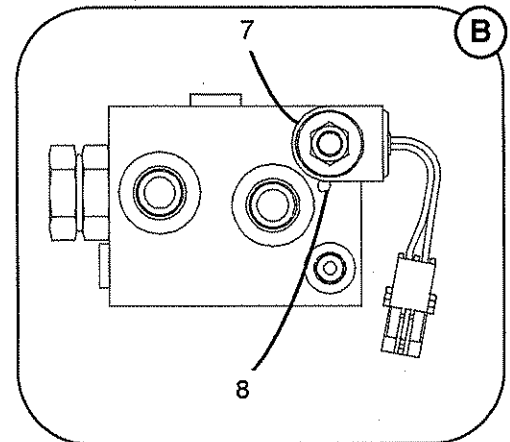
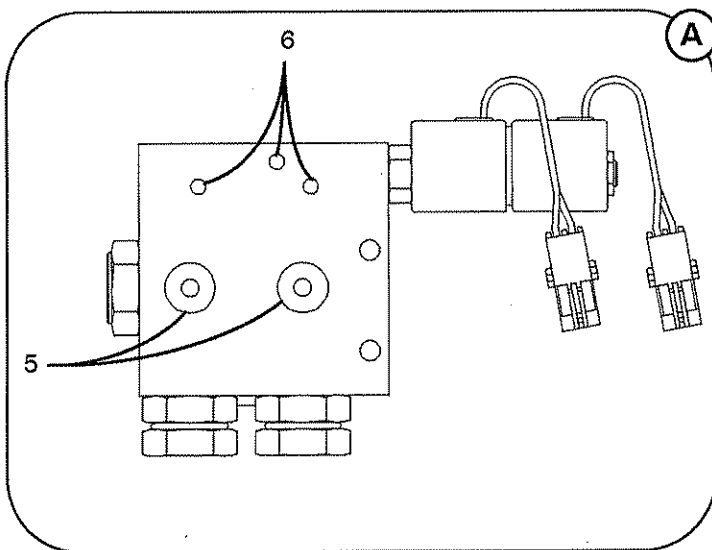
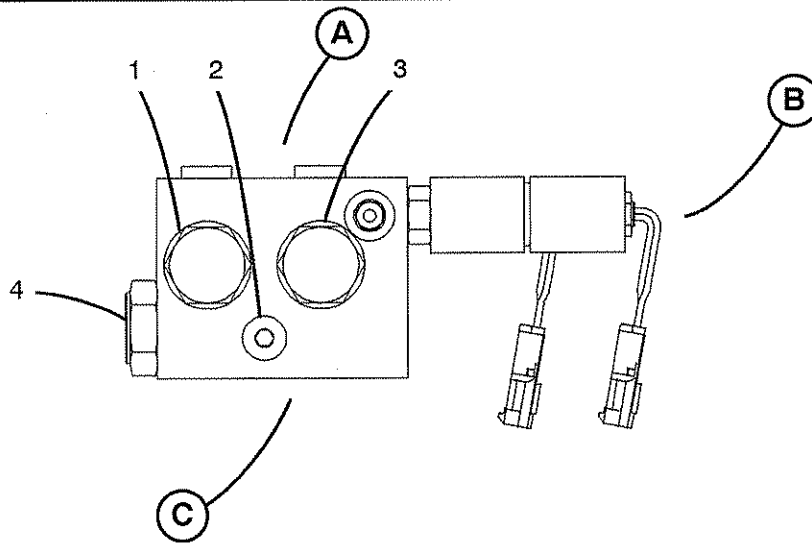


Parts List

1107

Two Winch Plumbing				
REF	PART NO.	QTY	DESCRIPTION	REMARKS
	J9J0242	1	Winch Valve S/A	NSS
27	1X 7378	1	Connector	
28	1X 7376	1	Connector	
29	1X 7385	2	Elbow	
30	69J0577	2	3 Way Solenoid Valve Assy – See Keysheet 07–003–060.00	
	1X 7559	2	Elbow	
	1X 7368	2	Connector	
31	1X 7368	2	Connector	
32	1X 7450	1	Elbow	
33	1X 7385	2	Elbow	
34	1X 7376	1	Connector	
35	D6J0690	1	Disconnect, Quick	
	1X 7385	1	Elbow	
36	REF	1	2 Section Control Valve Assy – See Keysheet 07–008	
37	126009020	3	Capscrew	
	128003004	6	Washer	
	127004003	3	Locknut	

Selectable Flow Divider Valve Assy

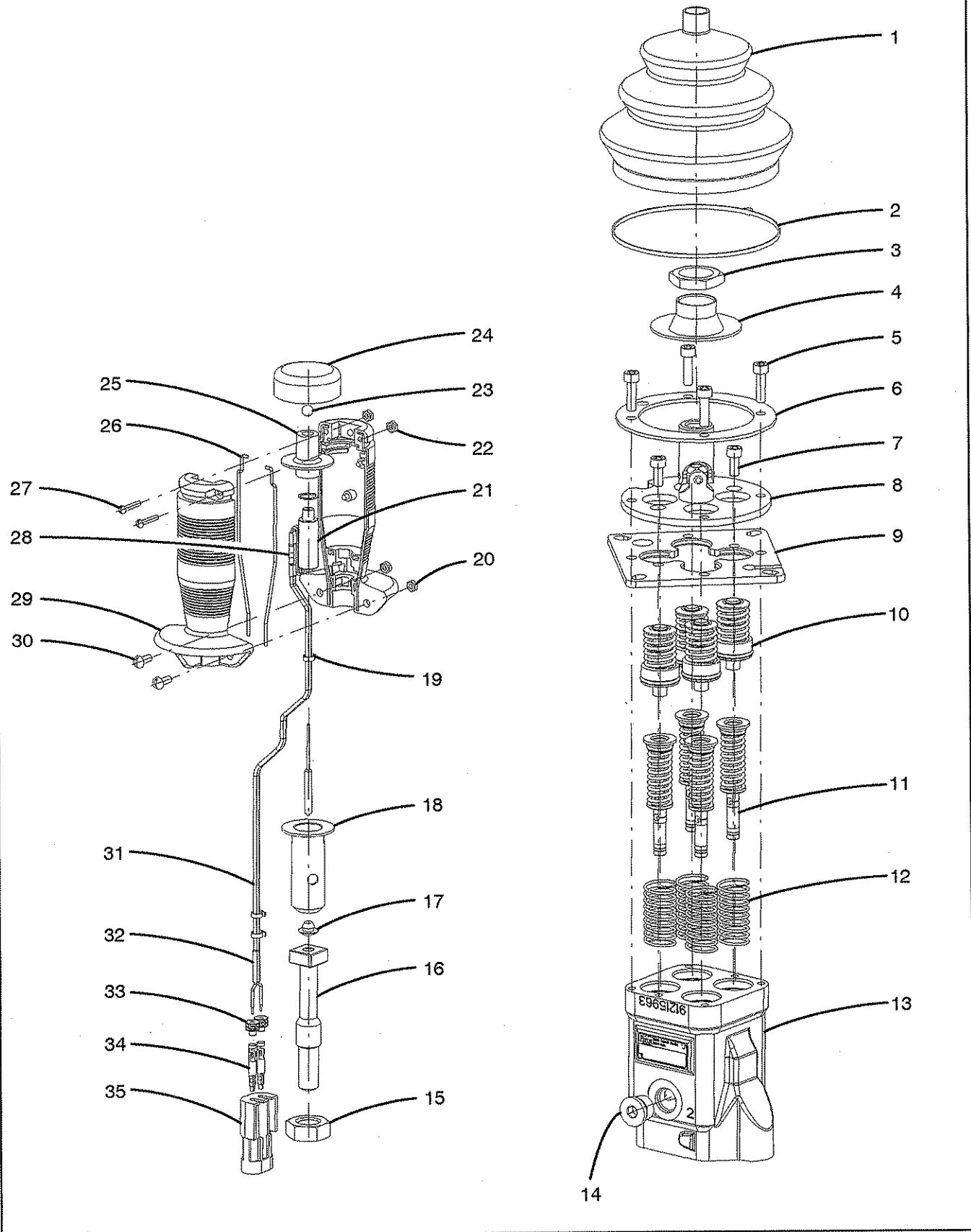


Parts List

0112

Selectable Flow Divider Valve Assy				
REF	PART NO.	QTY	DESCRIPTION	REMARKS
	F1J0076	1	Selectable Flow Divider Valve Assy	
1	3J 14003	1	Valve, Directional	
	3J 17719	1	Kit, Seal	
2	3J 14005	1	Plug	
3	3J 14001	1	Valve, Directional	
	3J 17719	1	Kit, Seal	
4	3J 14000	1	Divider/Combiner, Flow	
	3J 17719	1	Kit, Seal	
5	3J 14005	2	Plug	
6	3J 14006	3	Plug, Expander	
7	3J 14002	1	Valve, Solenoid	
	3J 15177	2	Coil	
	3J 15178	1	Spacer	
	3J 18602	1	Kit, Seal	
8	3J 14006	1	Plug, Expander	
9	3J 14004	1	Manifold	
10	3J 14007	1	Plug, Expander	
11	155063001	2	Terminal	
	155064001	2	Seal, Cable	
	155058001	1	Connector	

Controller Valve Assy

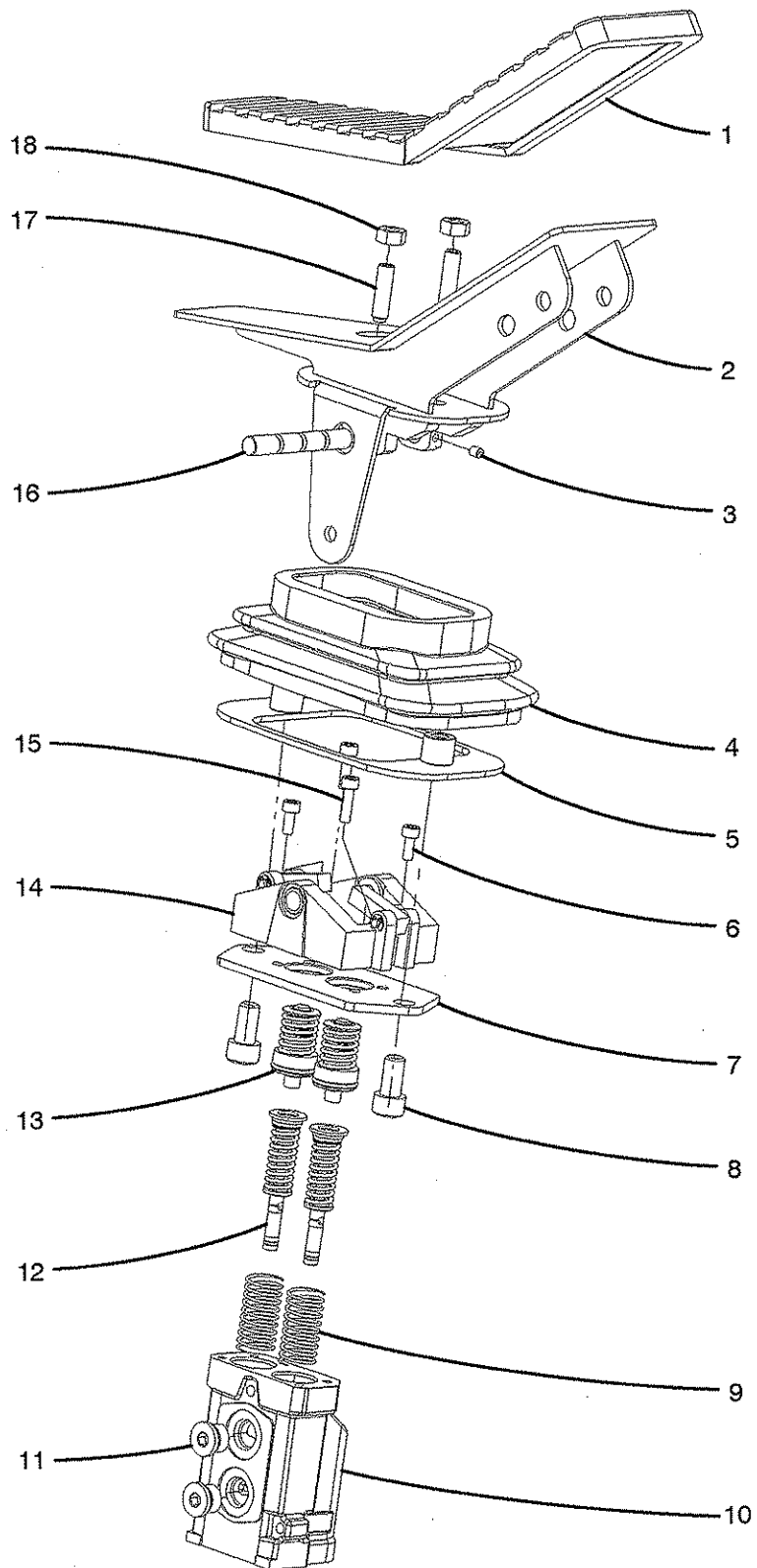


Parts List

0104

Controller Valve Assy				
REF	PART NO.	QTY	DESCRIPTION	REMARKS
	L8J0196	1	Controller Valve Assy	
1	3J 17184	1	Boot	
2	3J 17173	1	Tie, Cable	
3	3J 17185	1	Nut	
4	3J 17186	1	Plate, Swivel	
5	3J 17187	4	Screw	
6	3J 17188	1	Plate, Retainer	
7	3J 17189	2	Screw	
8	3J 17190	1	Plate, Pivot	
9	3J 17191	1	Plate, Mounting	
10	3J 17192	4	Plunger Assy	
11	3J 17193	4	Spool Assy	
12	3J 17195	4	Spring	
13	3J 17196	1	Housing	
14	3J 17194	1	Plug	
15	3J 17183	1	Nut	
16	3J 17182	1	Lever	
17	3J 12541	1	Grommet	
18	3J 12542	1	Tube	
19	3J 17179	3	Tie, Cable	
20	3J 17177	2	Nut	
21	3J 12544	1	Solenoid	
22	3J 17175	2	Nut	
23	41V0219	1	Ball	
24	3J 12342	1	Cap	
25	3J 12543	1	Tube	
26	3J 12538	2	Cord, Foam	
27	3J 17176	2	Screw	
28	3J 17181	1	Wrap, Shrink -- .50" Lg.	
29	3J 12341	2	Handle	
30	3J 17178	2	Screw	
31	3J 17172	1	Cable -- 18" Lg.	
32	3J 17180	1	Wrap, Shrink -- .75" Lg.	
33	3J 17174	2	Grommet	
34	3A 19452	2	Terminal, Male	
35	3J 15480	1	Connector	

Boom Telescope Foot Pedal Assy

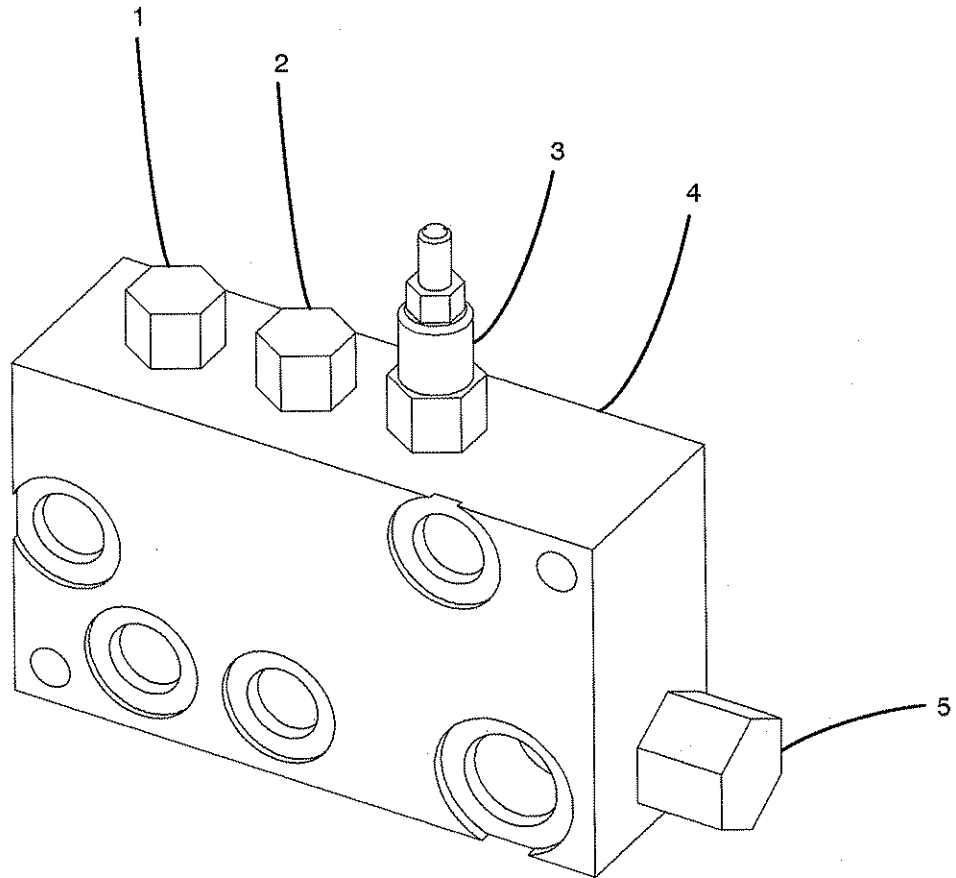


Parts List

0504

Boom Telescope Foot Pedal Assy				
REF	PART NO.	QTY	DESCRIPTION	REMARKS
	J6J0152	1	Boom Telescope Foot Pedal Assy	
1	3J 17278	1	Cover, Rubber	
2	3J 17283	1	Pedal Assy	
3	3J 17276	1	Setscrew	
4	3J 17279	1	Boot	
5	3J 17285	1	Plate	
6	3J 17189	2	Screw	
7	3J 17287	1	Plate	
8	3J 17284	2	Capscrew	
9	3J 17195	2	Spring	
10	3J 17212	1	Housing	
11	3J 17277	2	Plug	
12	REF	2	Spool Assy	NSS
13	3J 17288	2	Plunger Assy	
14	3J 17286	1	Lever Axle Assy	
15	3J 17187	2	Screw	
16	3J 17282	1	Shaft	
17	3J 17281	2	Screw	
18	3J 17280	2	Nut	

Pilot Oil Supply Valve Assy

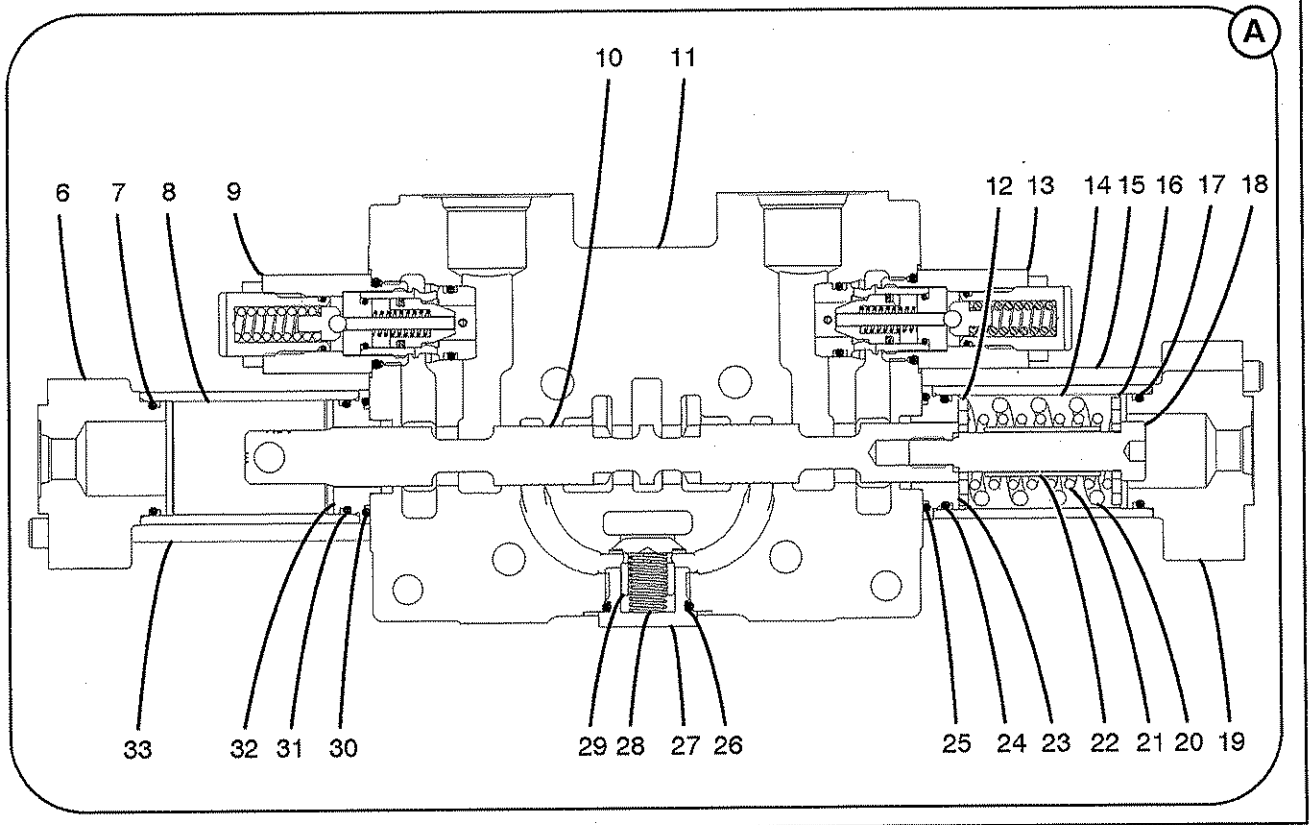
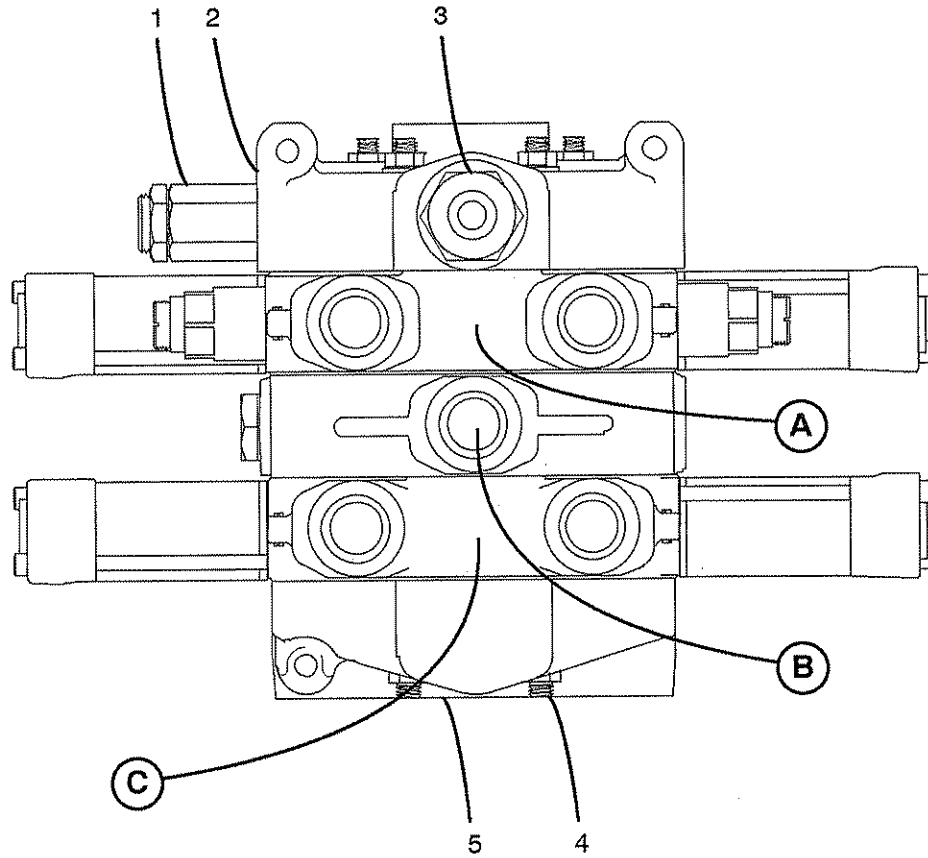


Parts List

1104

Pilot Oil Supply Valve Assy				
REF	PART NO.	QTY	DESCRIPTION	REMARKS
	J9J0169	1	Pilot Oil Supply Valve Assy	
1	3J 11687	1	Valve, Shuttle	KA
2	3J 11687	1	Valve, Shuttle	KA
3	3J 11686	1	Valve, Reducing	KA
4	REF	1	Body	NSS
5	3J 11688	1	Valve, Check	KB
	3J 11689	3	Kit, Seal – All Items Marked KA	F1
	3J 11690	1	Kit, Seal – All Items Marked KB	
	F1		Seal Kit Will Service One Valve Per Kit	

Swing/Telescope Control Valve Assy

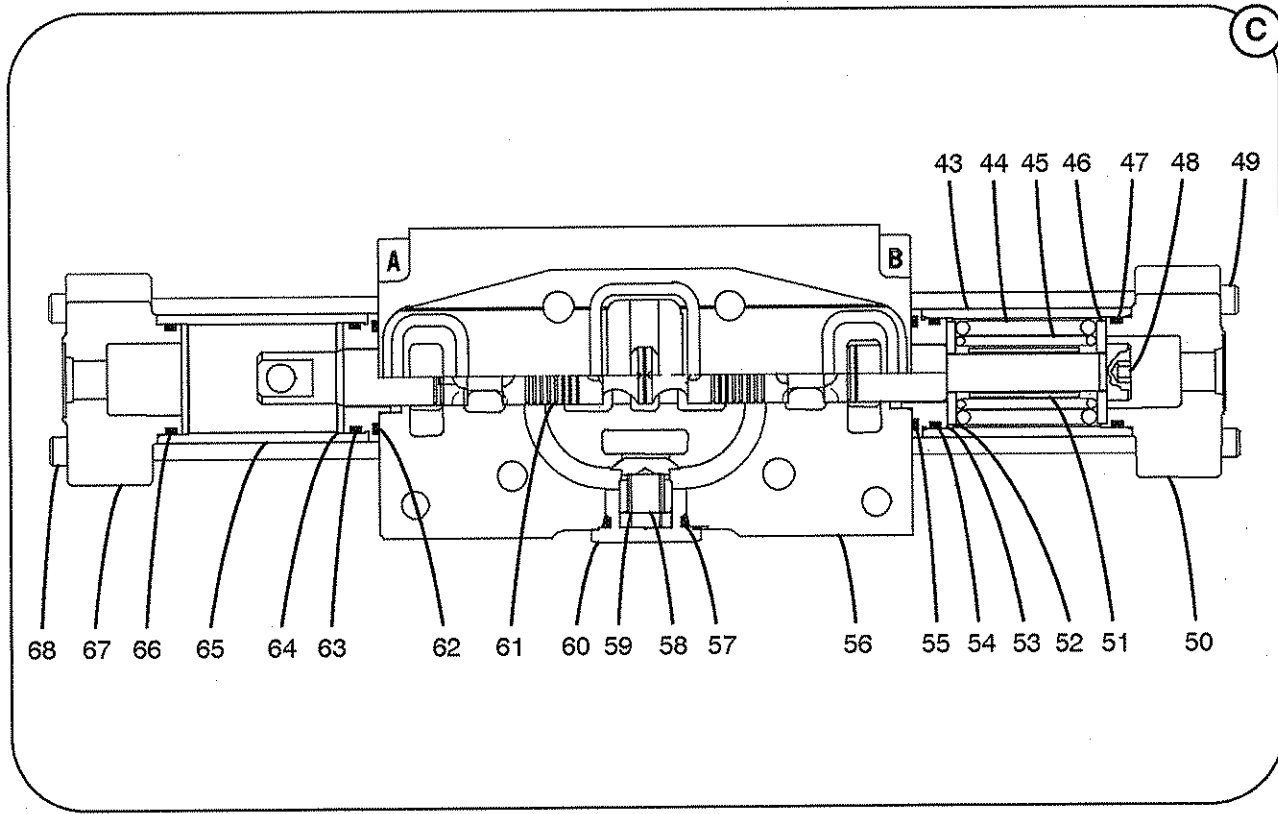
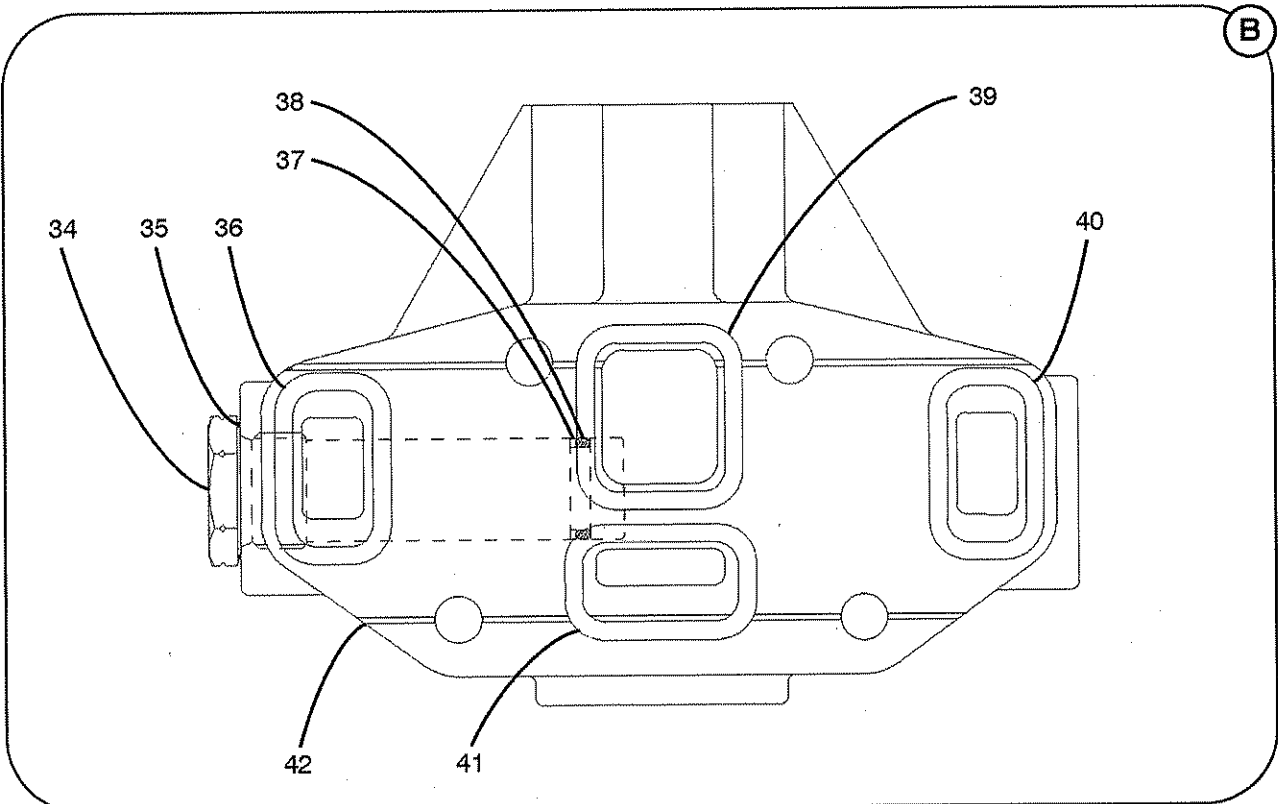


Parts List

0513

Swing/Telescope Control Valve Assy				
REF	PART NO.	QTY	DESCRIPTION	REMARKS
	J9J0064	1	Swing/Telescope Control Valve Assy	
	3J 17449	1	Inlet Section	
1	3J 17454	1	Valve, Relief	
2	3J 17453	1	Housing	
	3W 0980	3	Seal, Square Ring Section	
	3D 0148	1	Seal, Square Ring Section	
3	3J 10133	1	Plug	
	3J 8433	1	O-ring	
4	3J 17463	1	Kit, Stud	
	3J 17451	1	Outlet Section	
5	3J 17459	1	Housing	
	3J 17460	1	Work Section - Swing	
6	3J 17458	1	Cap, End	
7	3J 11635	1	O-ring	
8	3J 11634	1	Tube	
9	3J 11646	1	Valve, Relief	
10	3J 17465	1	Spool	
11	3J 17464	1	Housing	
	3W 0980	3	Seal, Square Ring Section	
	3D 0148	1	Seal, Square Ring Section	
12	3J 11639	1	Washer	
13	3J 11646	1	Valve, Relief	
14	3J 11634	1	Tube	
15	3J 11637	2	Capscrew	
16	3J 11639	1	Washer	
17	3J 11635	1	O-ring	
18	3J 11643	1	Bolt, Shoulder	
19	3J 17458	1	Cap, End	
20	3J 11641	1	Spring - Outer	
21	3J 11642	1	Spring - Inner	
22	3J 11636	1	Tube	
23	3J 11644	1	Retainer, Seal	
24	3J 11635	1	O-ring	
25	3J 11645	1	O-ring	
26	3J 9605	1	O-ring	
27	3J 11651	1	Plug	
28	3J 11652	1	Spring	
29	3J 11653	1	Poppet	
30	3J 11645	1	O-ring	
31	3J 11635	1	O-ring	
32	3J 11644	1	Retainer, Seal	
33	3J 11637	2	Capscrew	

Swing/Telescope Control Valve Assy

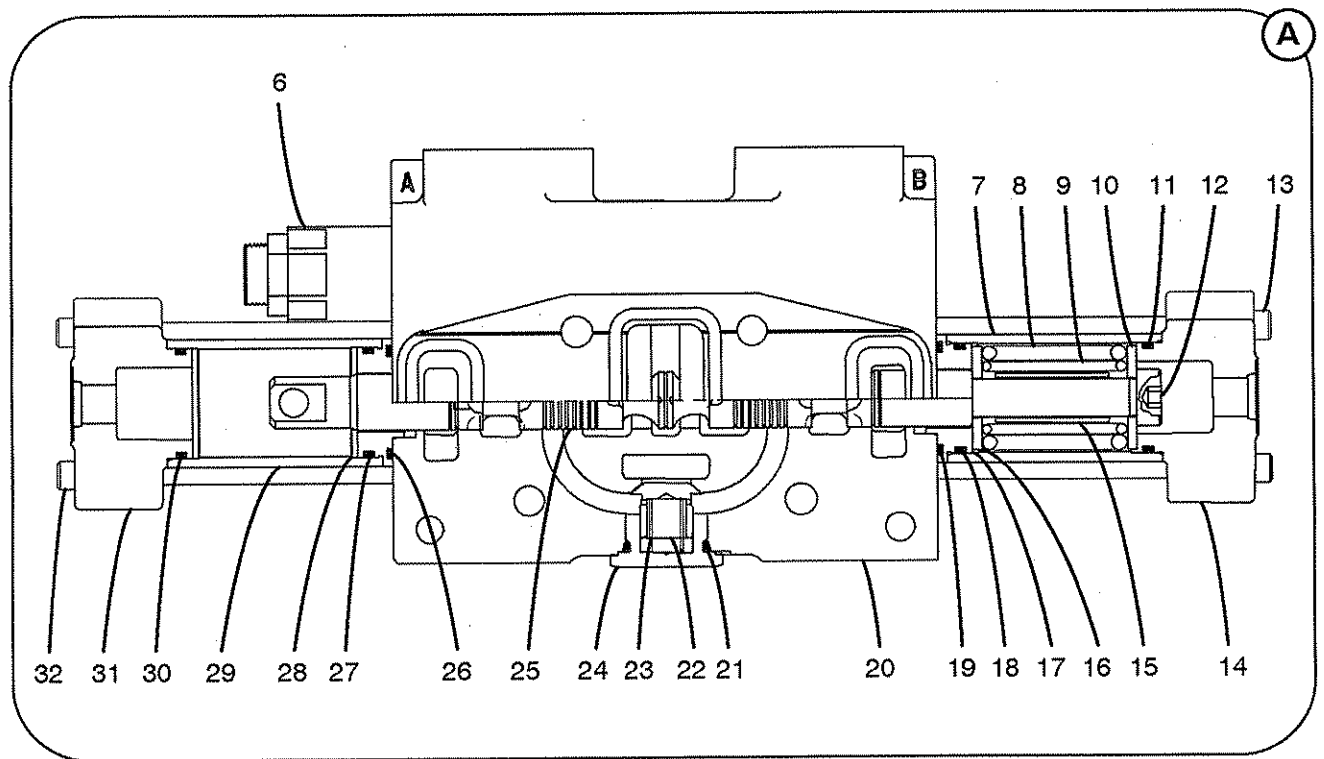
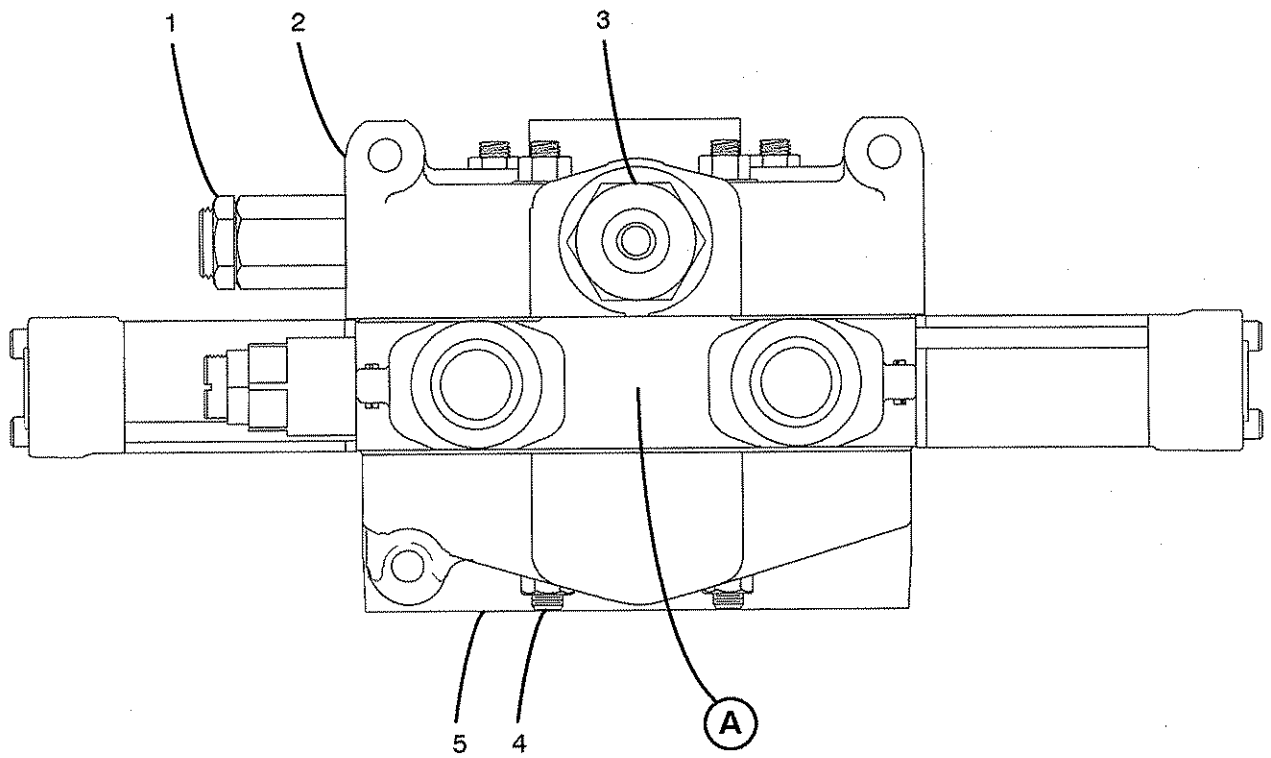


Parts List

0513

Swing/Telescope Control Valve Assy				
REF	PART NO.	QTY	DESCRIPTION	REMARKS
	3J 17461	1	Mid-Inlet Section	
34	3J 17467	1	Plug	
35	3W 1437	1	Gasket	
36	3W 0980	1	Seal, Square Ring Section	
37	3J 17468	1	Ring, Back Up	
38	3W 1440	1	O-ring	
39	3D 0148	1	Seal, Square Ring Section	
40	3W 0980	1	Seal, Square Ring Section	
41	3W 0980	1	Seal, Square Ring Section	
42	3J 17466	1	Housing	
	3J 17462	1	Work Section - Telescope	
43	3J 11634	1	Tube	
44	3J 11641	1	Spring - Outer	
45	3J 11642	1	Spring - Inner	
46	3J 11639	1	Washer	
47	3J 11635	1	O-ring	
48	3J 11643	1	Bolt, Shoulder	
49	3J 11637	2	Capscrew	
50	3J 17458	1	Cap, Valve	
51	3J 11636	1	Tube, Stop	
52	3J 11639	1	Washer	
53	3J 11644	1	Retainer, Seal	
54	3J 11635	1	O-ring	
55	3J 11645	1	O-ring	
56	3J 17469	1	Housing	
	3W 0980	3	Seal, Square Ring Section	
	3D 0148	1	Seal, Square Ring Section	
57	3J 9605	1	O-ring	
58	3J 11653	1	Poppet	
59	3J 11652	1	Spring	
60	3J 11651	1	Plug	
61	3J 17470	1	Spool	
62	3J 11645	1	O-ring	
63	3J 11635	1	O-ring	
64	3J 11644	1	Retainer, Seal	
65	3J 11634	1	Tube	
66	3J 11635	1	O-ring	
67	3J 17458	1	Cap, Valve	
68	3J 11637	2	Capscrew	

Boom Hoist Control Valve Assy

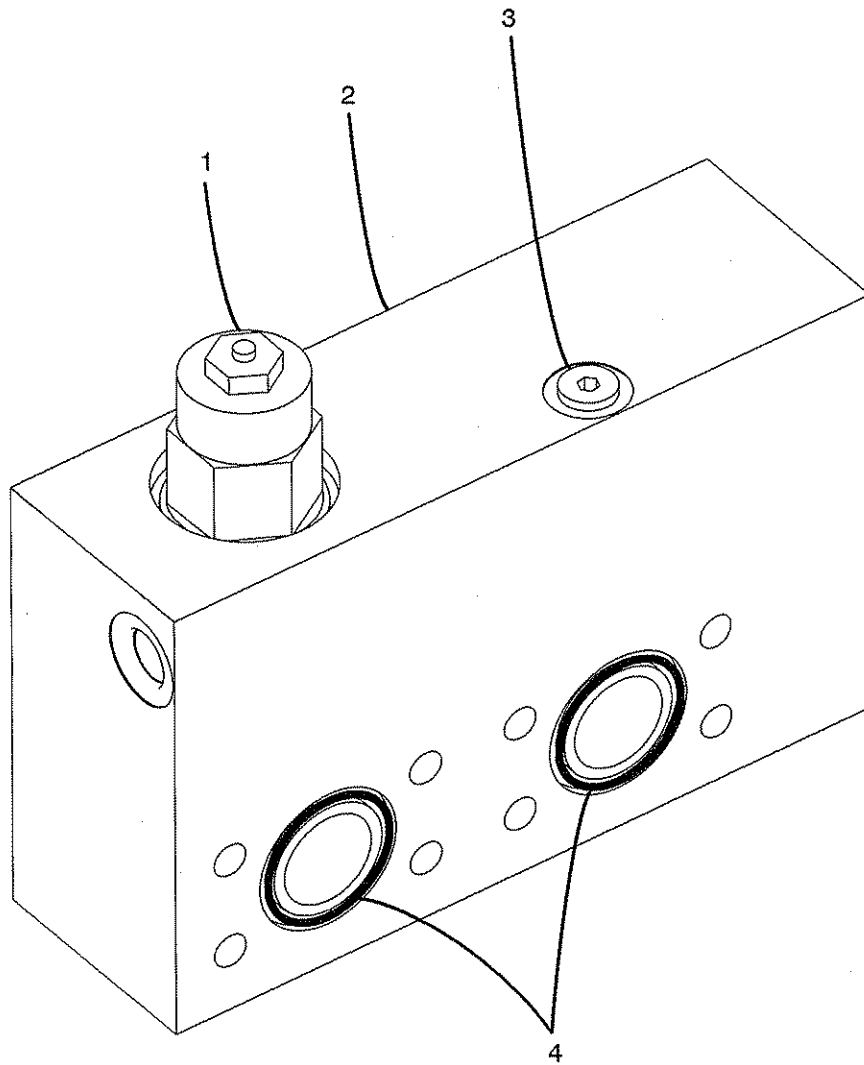


Parts List

0805

Boom Hoist Control Valve Assy				
REF	PART NO.	QTY	DESCRIPTION	REMARKS
	J9J0065	1	Boom Hoist Control Valve Assy	
	3J 17449	1	Inlet Section	
1	3J 17454	1	Valve, Relief	
2	3J 17453	1	Housing, Inlet	
	3W 0980	3	Seal, Square Ring Section	
	3D 0148	1	Seal, Square Ring Section	
3	3J 10133	1	Plug	
	3J 8433	1	O-ring	
4	3J 17452	1	Kit, Stud	
	3J 17451	1	Outlet Section	
5	3J 17459	1	Housing, Outlet	
	3J 17450	1	Work Section	
6	3J 11646	1	Valve, Relief	
7	3J 11634	1	Tube	
8	3J 11641	1	Spring - Outer	
9	3J 17457	1	Spring - Inner	
10	3J 11639	1	Washer	
11	3J 11635	1	O-ring	
12	3J 11643	1	Bolt, Shoulder	
13	3J 11637	2	Screw	
14	3J 17458	1	Cap, Valve	
15	3J 11636	1	Tube, Stop	
16	3J 11639	1	Washer	
17	3J 11644	1	Tube	
18	3J 11635	1	O-ring	
19	3J 11645	1	O-ring	
20	3J 17455	1	Housing	
	3W 0980	3	Seal, Square Ring Section	
	3D 0148	1	Seal, Square Ring Section	
21	3J 9605	1	O-ring	
22	3J 11653	1	Poppet	
23	3J 11652	1	Spring, Check	
24	3J 11651	1	Cap, Check	
25	3J 17456	1	Spool	
26	3J 11645	1	O-ring	
27	3J 11635	1	O-ring	
28	3J 11644	1	Tube	
29	3J 11634	1	Tube	
30	3J 11635	1	O-ring	
31	3J 17458	1	Cap, Valve	
32	3J 11637	2	Screw	

Counterbalance Valve Assy

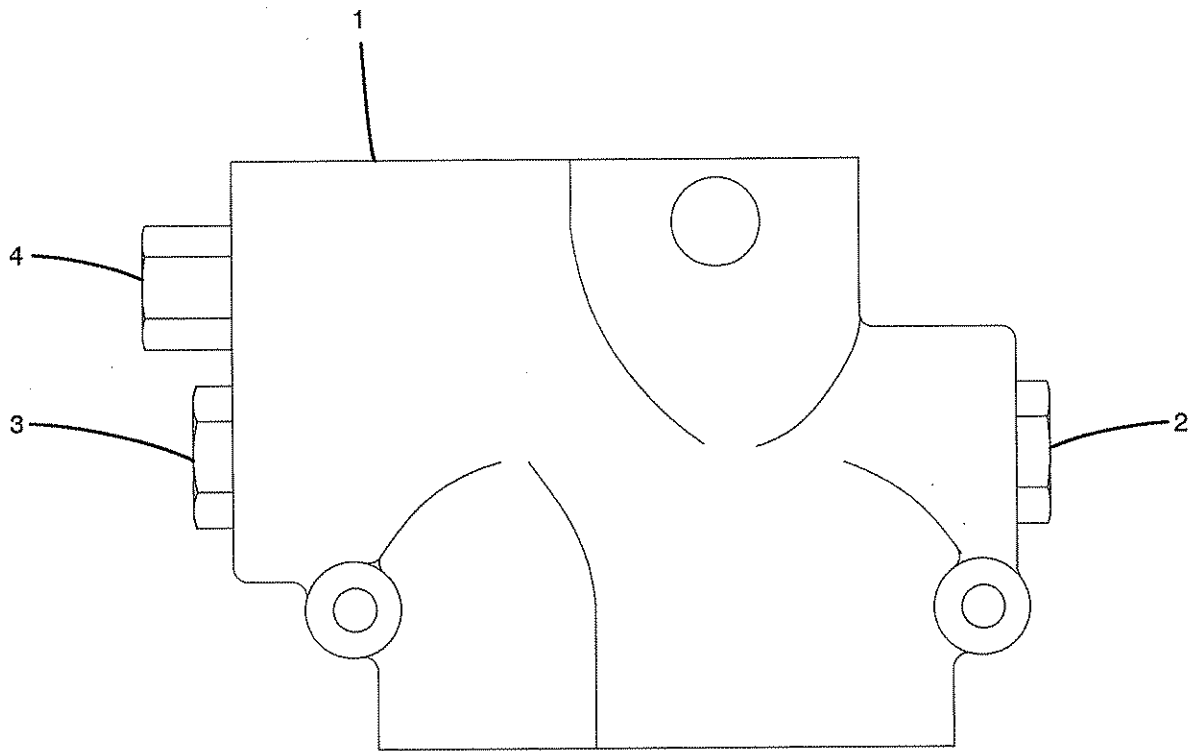


Parts List

0107

Counterbalance Valve Assy				
REF	PART NO.	QTY	DESCRIPTION	REMARKS
1	L8J0393	1	Counterbalance Valve Assy	
	N3J0081	1	Cartridge, Counterbalance	
	3J 12641	1	Kit, Seal	
2	REF	1	Body	
3	1X 4448	1	Plug	
4	20J0990	2	O-ring	

Priority Valve Assy

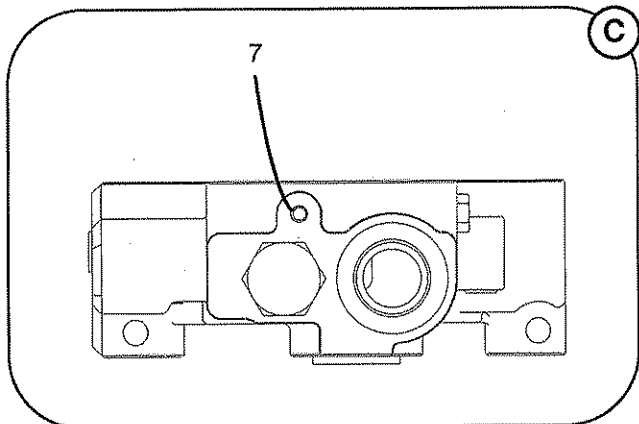
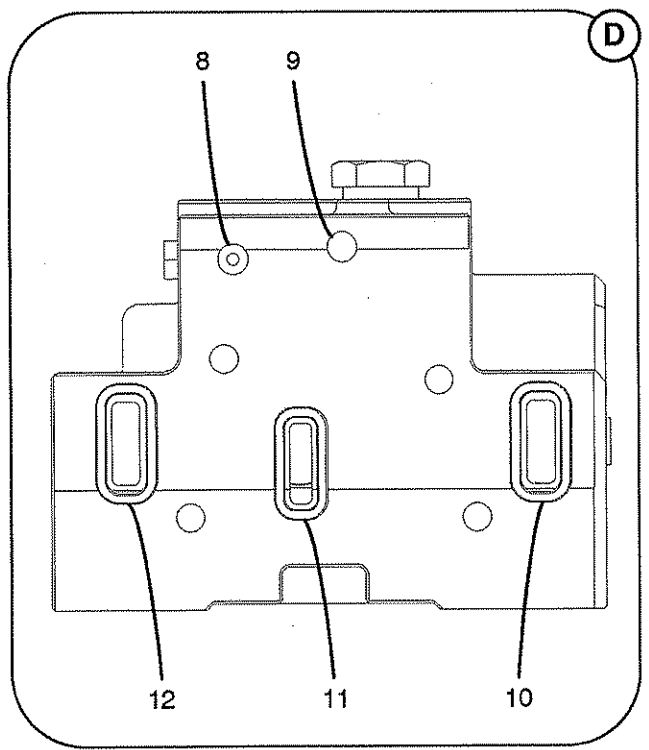
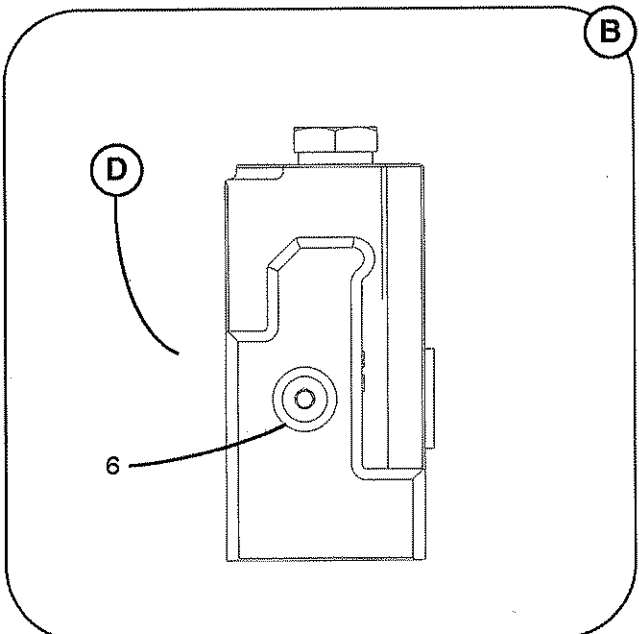
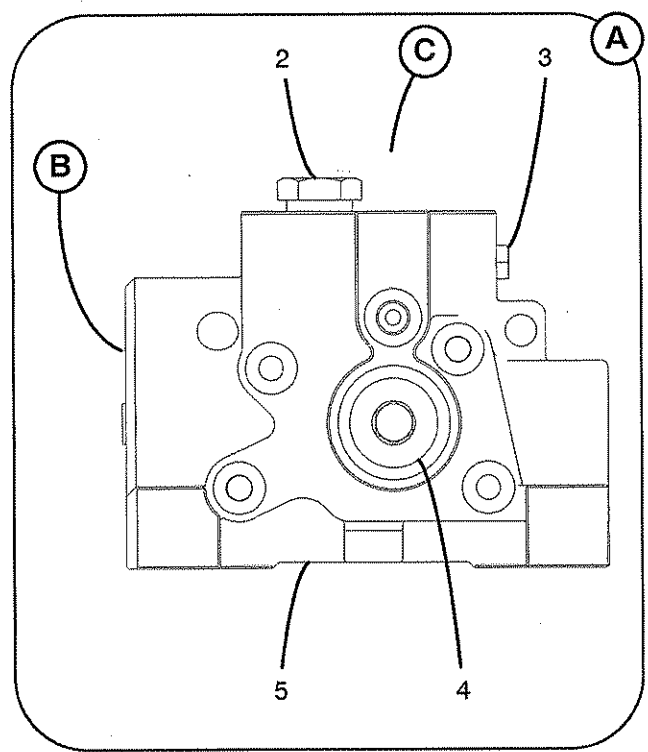
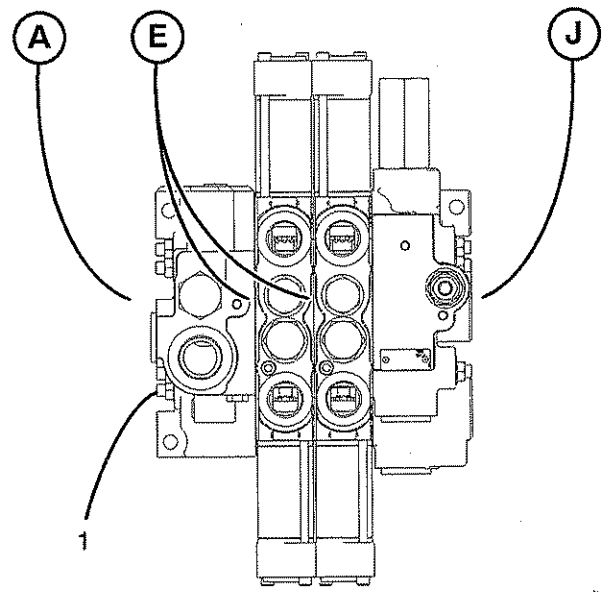


Parts List

0907

Priority Valve Assy				
REF	PART NO.	QTY	DESCRIPTION	REMARKS
1	69J0627	1	Priority Valve Assy	
1	3J 6647	1	Housing	
2	3J 6663	1	Plug	
	3J 12009	1	Setscrew	
3	3J 11506	1	Plug	
	3A 21156	1	O-ring	
4	3J 18021	1	Valve, Relief	
	3J 18020	1	Spool	
	3J 12010	1	Spring	
	3J 12008	1	Setscrew	

2 Section Control Valve Assy

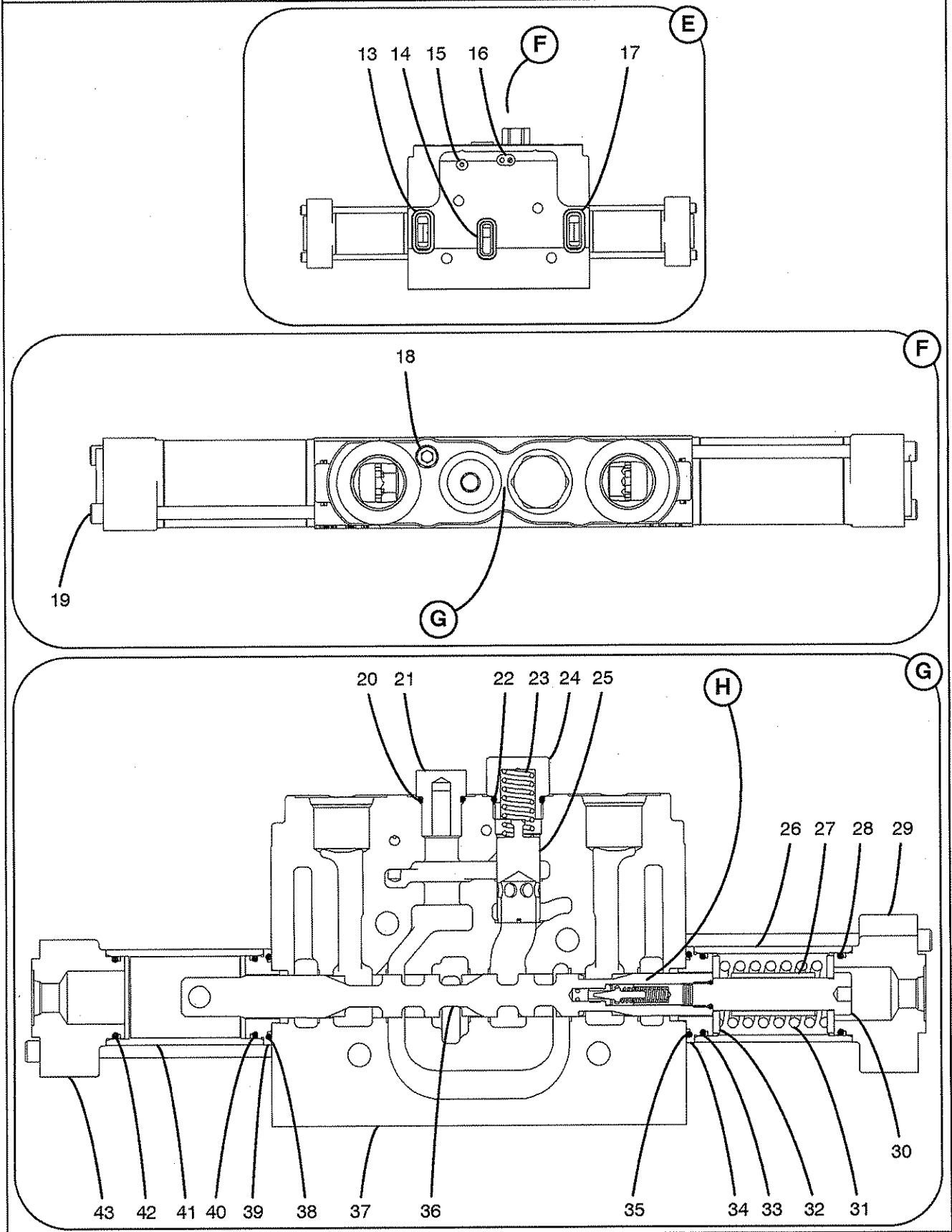


Parts List

1107

2 Section Control Valve Assy				
REF	PART NO.	QTY	DESCRIPTION	REMARKS
1	J9J0241	1	2 Section Control Valve Assy	
	3J 17463	4	Stud Assy	
	3J 17534	1	Inlet Section Assy	
2	3J 17540	1	Plug	
3	3J 17538	1	Orifice/Screen Assy	
4	3J 17535	1	Plug	
5	3J 17541	1	Housing	
6	3J 8122	1	Plug	
7	3J 17539	2	Plug, Expander	
8	3J 17537	1	O-ring	
9	3J 17537	1	O-ring	
10	3W 0980	1	Seal, Section	
11	3J 17536	1	O-ring	
12	3W 0980	1	Seal, Section	
	3J 17533	2	Work Section Assy	
13	3W 0980	1	Seal, Section	
14	3J 17536	1	O-ring	
15	3J 17537	1	O-ring	
16	3J 17551	1	O-ring	
17	3W 0980	1	Seal, Section	
18	3J 17552	1	Check Assy	
19	3J 11637	4	Capscrew	
20	3W 0982	1	O-ring	
21	3J 18078	1	Cap	
22	3J 17553	1	O-ring	
23	3J 17555	1	Spring	
24	3J 17554	1	Cap	
25	3J 17556	1	Poppet	
26	3J 11634	1	Tube	
27	3J 17558	1	Limiter, Stroke	
28	3J 11635	1	O-ring	
29	3J 17458	1	Cap, End	
30	3J 17561	1	Bolt, Stripper	
31	3J 17557	1	Spring	
32	3J 17559	2	Retainer, Spring	
33	3J 11635	1	O-ring	
34	3J 11644	1	Retainer, Seal	
35	3J 11645	1	O-ring	
36	3J 17567	1	Spool	
37	3J 17568	1	Housing	
38	3J 11645	1	O-ring	
39	3J 11644	1	Retainer, Seal	
40	3J 11635	1	O-ring	
41	3J 11634	1	Tube	
42	3J 11635	1	O-ring	
43	3J 17458	1	Cap, End	
44	3J 17566	1	Seat	
45	3J 17565	1	Poppet	
46	3J 17564	1	Spring	
47	3J 17563	1	Guide, Spring	
48	3J 17562	3	Shim	
49	3J 17560	1	O-ring	

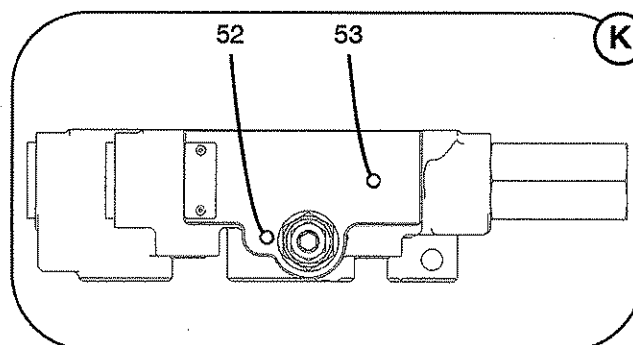
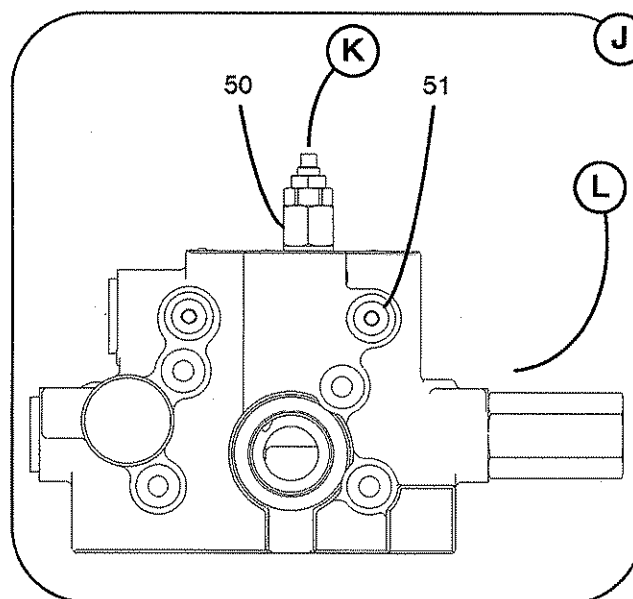
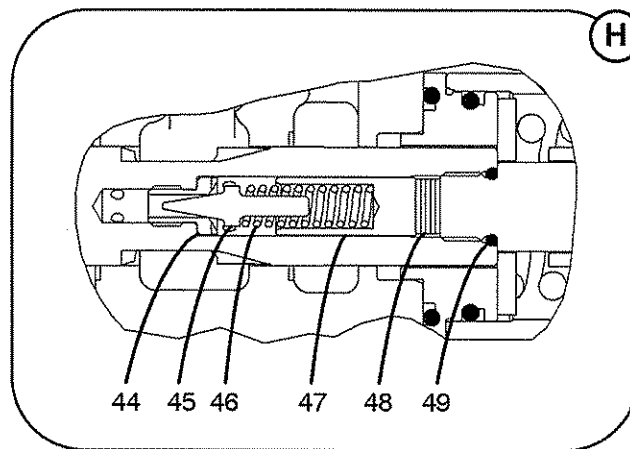
2 Section Control Valve Assy



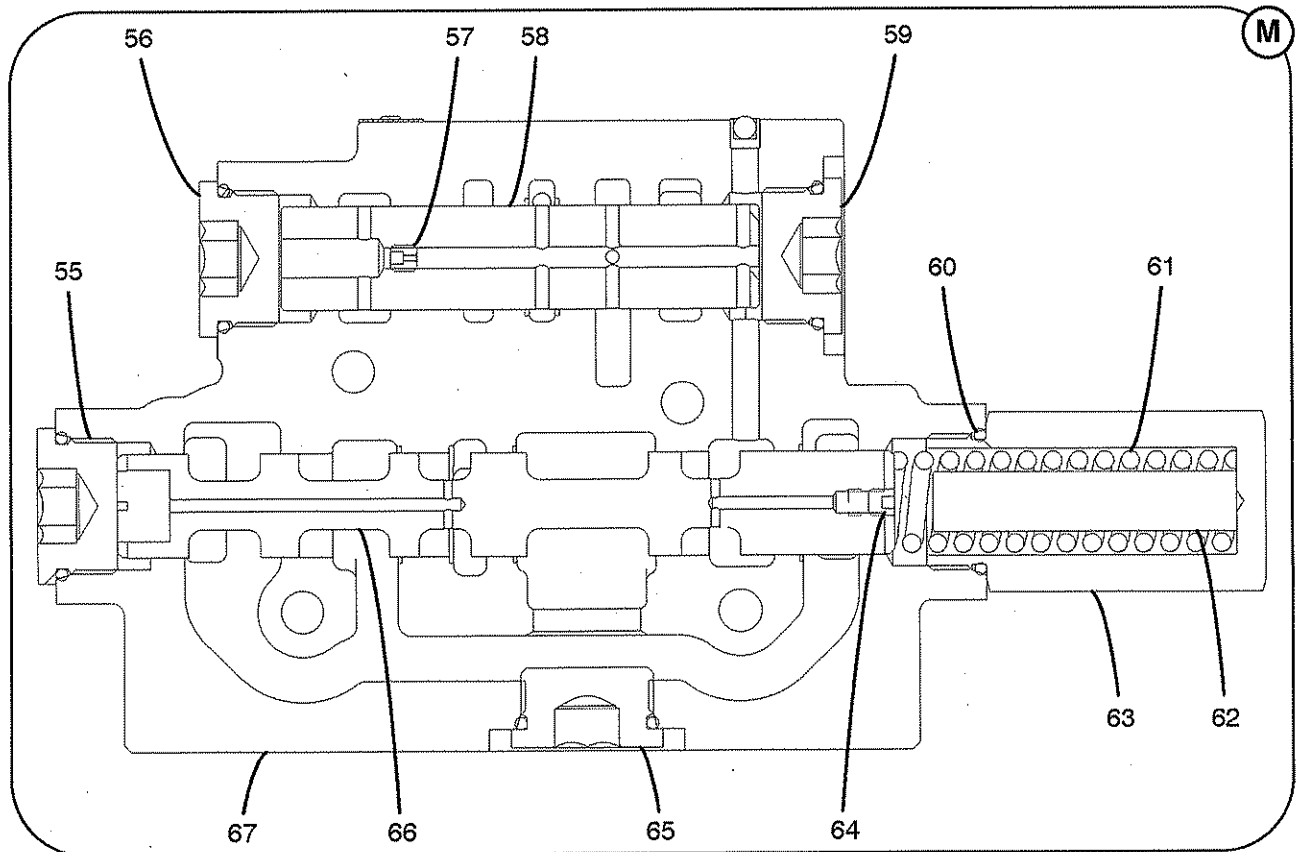
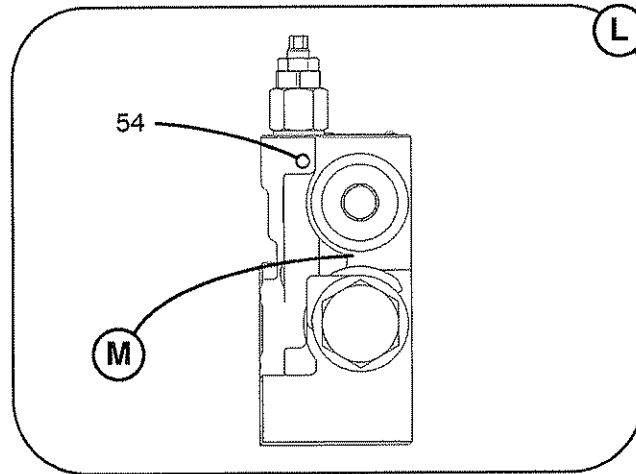
Parts List

1107

2 Section Control Valve Assy



2 Section Control Valve Assy

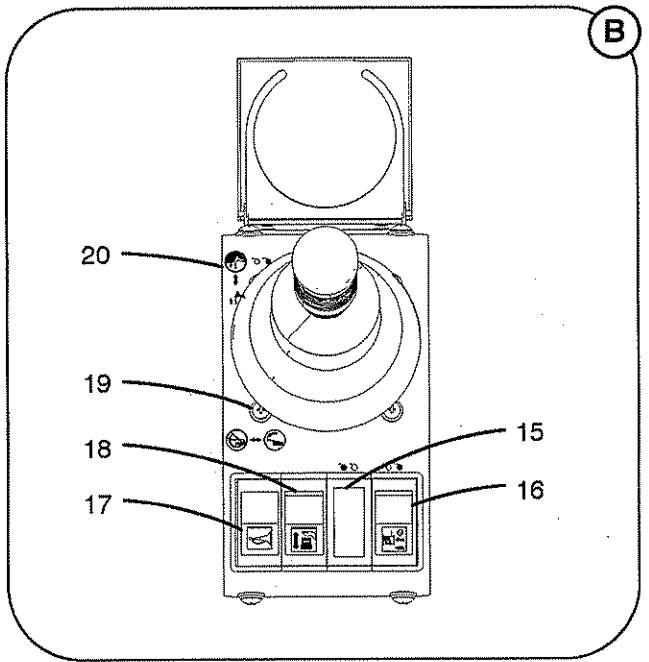
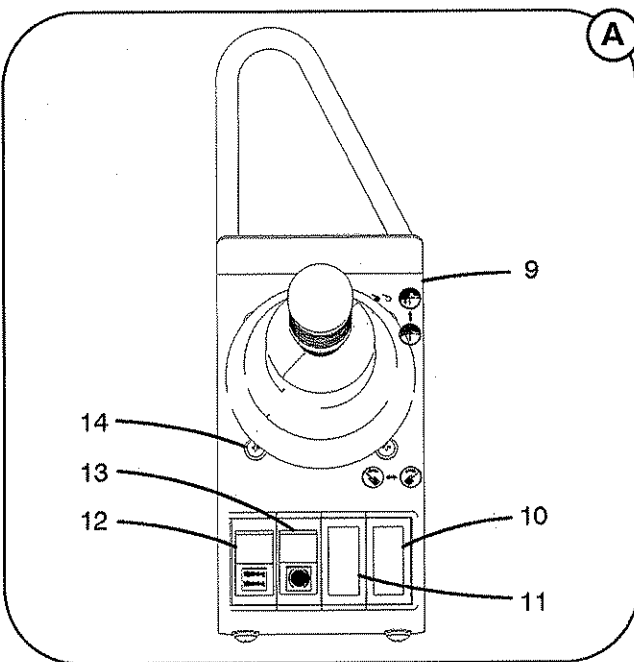
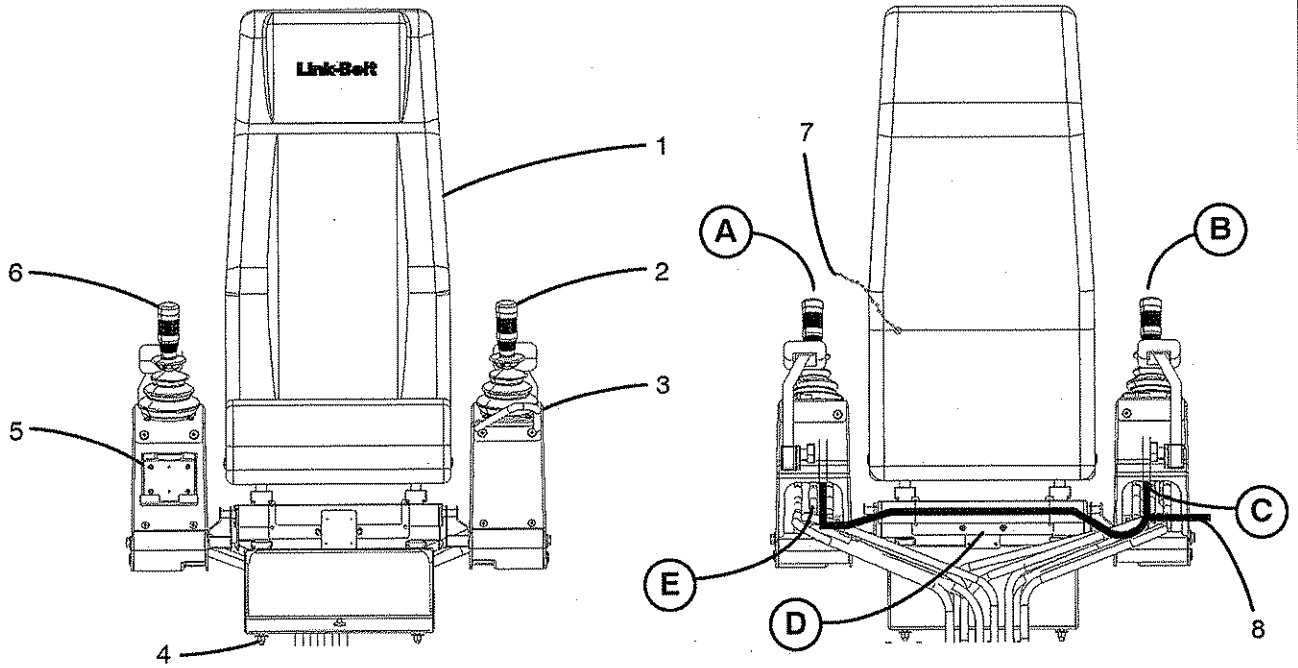


Parts List

1107

2 Section Control Valve Assy				
REF	PART NO.	QTY	DESCRIPTION	REMARKS
	3J 18077	1	Outlet Section Assy	
50	3J 17543	1	Valve, Relief	
51	3J 8122	2	Plug	
52	3J 17539	1	Plug, Expander	
53	3J 17539	1	Plug, Expander	
54	3J 17539	1	Plug, Expander	
55	3J 17535	1	Plug	
56	3J 17535	1	Plug	
57	3J 17546	1	Plug	
58	3J 17547	1	Spool	
59	3J 17535	1	Plug	
60	3J 18080	1	O-ring	
61	3J 17545	1	Spring	
62	3J 17544	1	Limiter, Stroke	
63	3J 17548	1	Cap	
64	3J 18079	1	Orifice	
65	3J 17535	1	Plug	
66	3J 17549	1	Spool	
67	3J 18081	1	Housing	

Seat & Joystick Controls

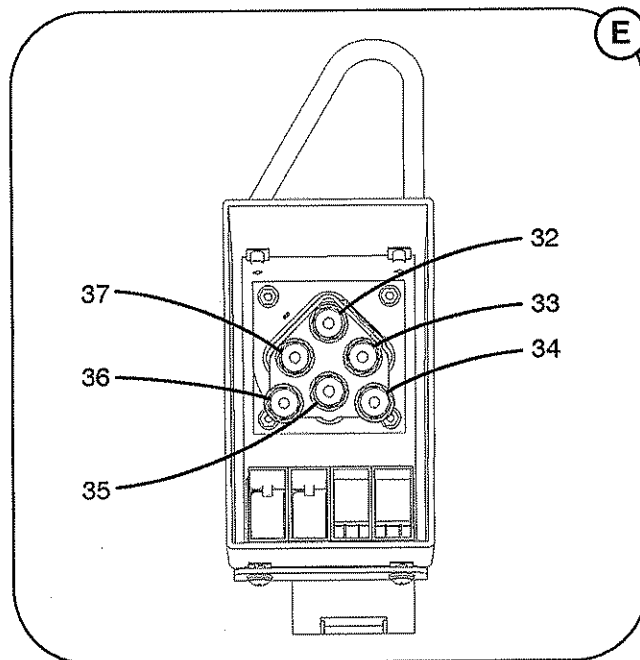
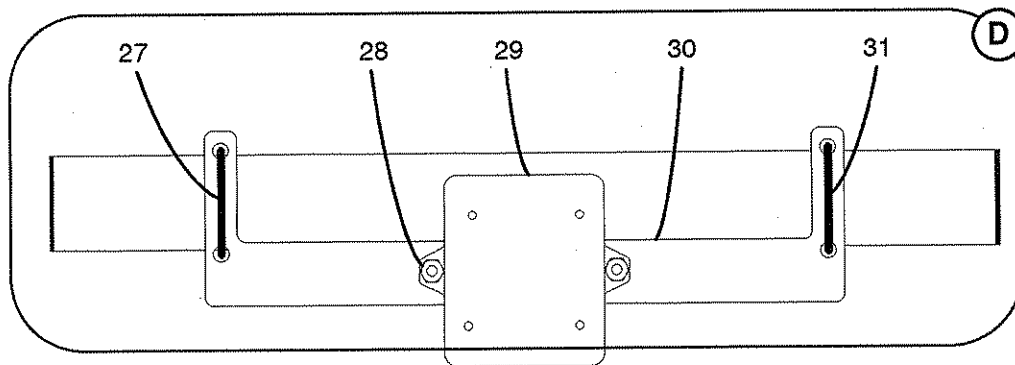
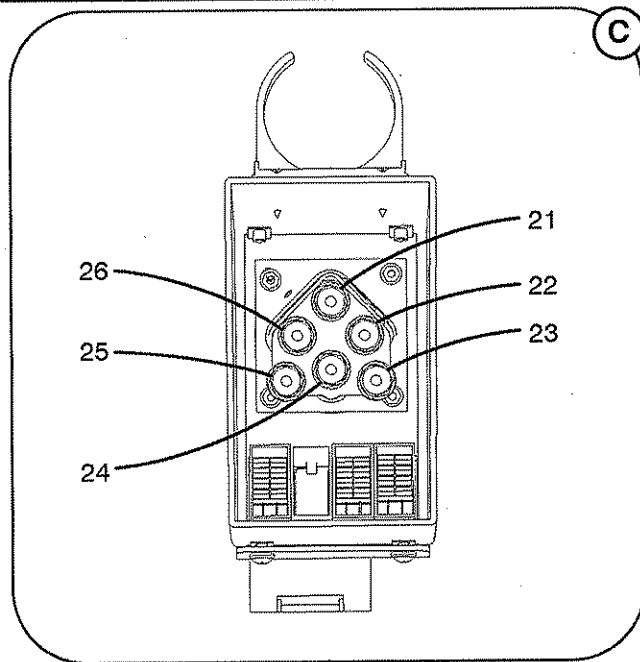


Parts List

1208

Seat & Joystick Controls				
REF	PART NO.	QTY	DESCRIPTION	REMARKS
1	REF	1	Seat Assy – See Keysheet 03–002	
2	REF	1	Controller Valve Assy – See Keysheet 07–008	
3	J7N0023	1	Gate	
4	126009095	4	Capscrew	
	128003002	8	Washer	
	127004002	4	Locknut	
5	E1N0222	1	Holder, Cup	
	1X 8111	4	Screw	
6	REF	1	Controller Valve Assy – See Keysheet 07–008	
7	1P 1413	1	Chain, Ball	
	F7N0085	1	Sleeve, Coupling	
8	J9R0047	1	Harness, Seat Wire	
	155064005	2	Seal, Cable	
	155106001	2	Terminal	
	155108001	1	Connector	
	155140001	1	Lock, 2 Way	
9	P9N0005	1	Panel, LH Joystick	
	1X 5314	2	Screw – 0.62" Long	
	1X 6044	2	Screw – 1" Long	
10	28A5060	1	Cover, Switch	
	28A5062	1	Housing, Switch End	
11	28A5060	1	Cover, Switch	
	28A5061	1	Housing, Switch Intermediate	
12	E9R0135	1	Switch	
	L8R0133	1	Lens, Telescope Override	
	28A5062	1	Housing, Switch End	
13	N3R0070	1	Switch, Rocker	
	N3R0046	1	Lens, Swing Lock	
	28A5061	1	Housing, Switch Intermediate	
14	1X 6543	4	Screw	
	1X 1776	4	Washer	
	1X 4638	4	Locknut	
15	28A5060	1	Cover, Switch	
	28A5061	1	Housing, Switch Intermediate	
16	C5A1558	1	Switch	
	N3R0056	1	Lens, Winch Control	
	28A5062	1	Housing, Switch End	
17	D6R0273	1	Switch, Rocker	
	N3R0055	1	Lens, Horn	
	28A5062	1	Housing, Switch End	
18	D6R0424	1	Switch, Rocker	
	N3R0057	1	Lens, DRI	
	28A5061	1	Housing, Switch Intermediate	
19	1X 6543	4	Screw	
	1X 1776	4	Washer	
	1X 4638	4	Locknut	
20	P9N0004	1	Panel, RH Joystick	
	1X 5314	4	Screw	

Seat & Joystick Controls

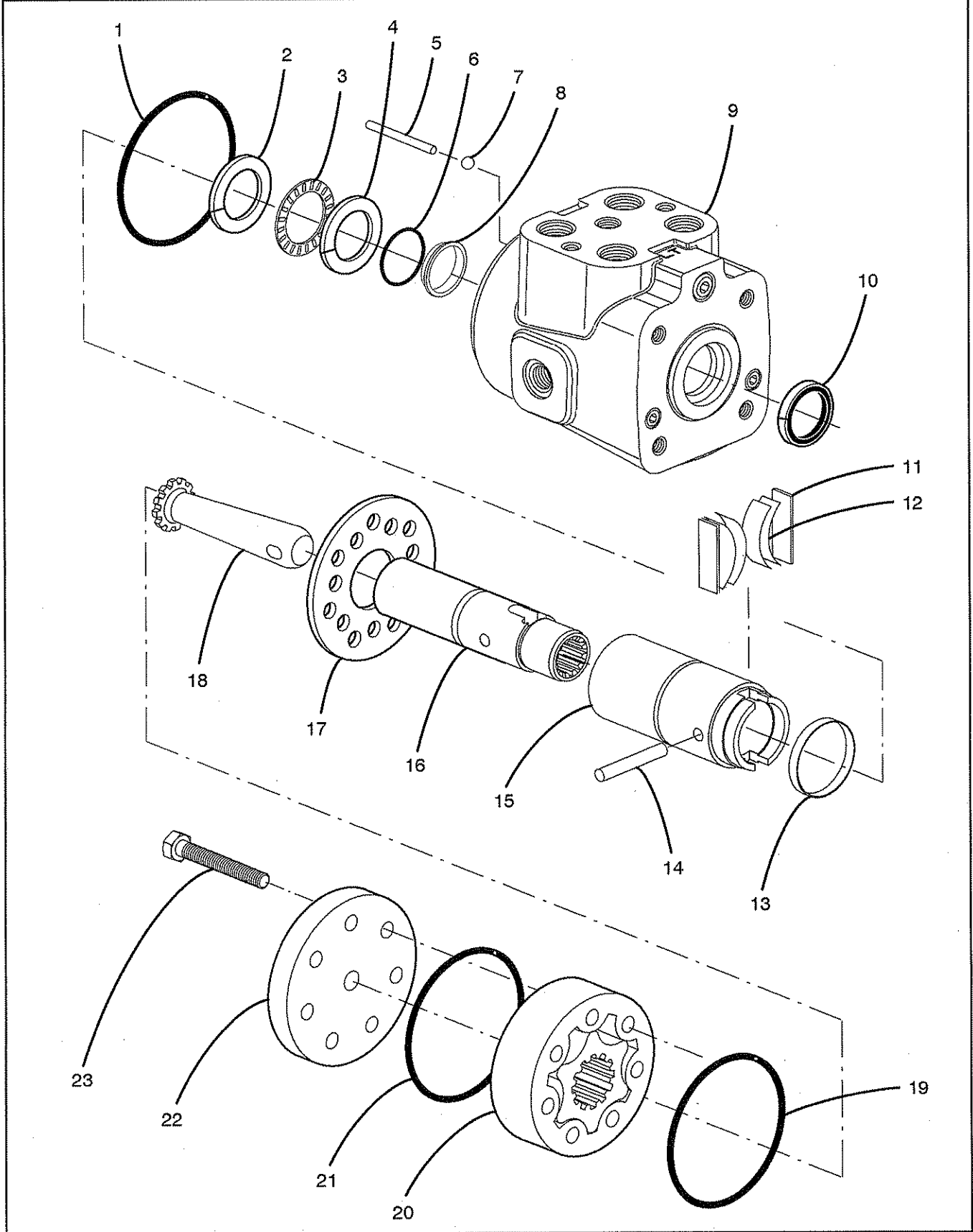


Parts List

1208

Seat & Joystick Controls				
REF	PART NO.	QTY	DESCRIPTION	REMARKS
21	N3J0273	1	Hose Assy	
	1X 7368	1	Connector	
22	L8J0323	1	Hose Assy	
	1X 7368	1	Connector	
23	J6J0170	1	Hose Assy	
	1X 7368	1	Connector	
24	N3J0273	1	Hose Assy	
	1X 7368	1	Connector	
25	J6J0169	1	Hose Assy	
	1X 7368	1	Connector	
26	L8J0323	1	Hose Assy	
	1X 7368	1	Connector	
27	71J0005	1	Tie, Cable	
28	1X 7347	2	Screw	
	1X 5064	2	Locknut	
29	P9R0174	1	Controller, DRI	
30	P9N0019	1	Bracket	
31	71J0005	1	Tie, Cable	
32	N3J0273	1	Hose Assy	
	1X 7368	1	Connector	
33	E8J0220	1	Hose Assy	
	1X 7368	1	Connector	
34	J6J0170	1	Hose Assy	
	1X 7368	1	Connector	
35	N3J0273	1	Hose Assy	
	1X 7368	1	Connector	
36	J6J0169	1	Hose Assy	
	1X 7368	1	Connector	
37	N3J0273	1	Hose Assy	
	1X 7368	1	Connector	

Steering Valve Assy

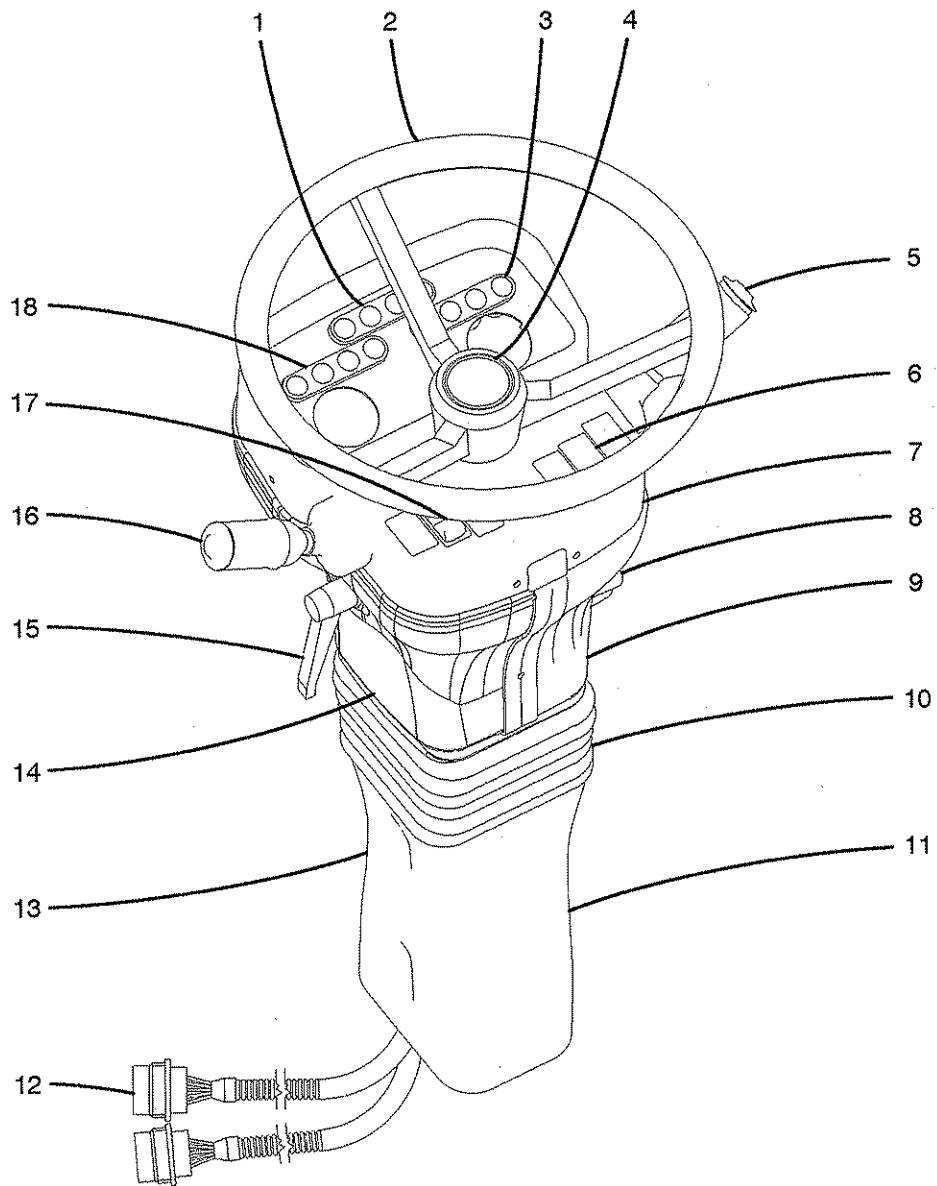


Parts List

0505

Steering Valve Assy				
REF	PART NO.	QTY	DESCRIPTION	REMARKS
	J9J0199	1	Steering Valve Assy	
1	3J 17366	1	O-ring	KA
2	3J 17376	1	Race, Bearing	
3	3J 17377	1	Bearing, Needle	
4	3J 17376	1	Race, Bearing	
5	3J 17380	1	Pin, Roll	
6	3J 17382	1	O-ring	KA
7	3J 15610	1	Ball	
8	3J 17378	1	Seal	KA
9	REF	1	Housing	NSS
10	3J 17379	1	Seal, Dust	KA
11	3J 17373	2	Spacer, Spring	
12	3J 17374	4	Spring, Centering	
13	3J 17375	1	Retainer, Spring	
14	3J 17372	1	Pin	
15	REF	1	Sleeve	NSS
16	REF	1	Spool	NSS
17	3J 17368	1	Plate, Spacer	
18	3J 17369	1	Drive	
19	3J 17366	1	O-ring	KA
20	3J 13563	1	Gerotor	
21	3J 17366	1	O-ring	KA
22	3J 13566	1	Cap, End	
23	3J 17423	7	Capscrew	
	3J 17381	1	Valve, Check - Not Shown	
	3J 15637	1	Insert - Not Shown	
	3J 17383	1	Kit, Seal - All Items Marked KA	

Steering Column Assy

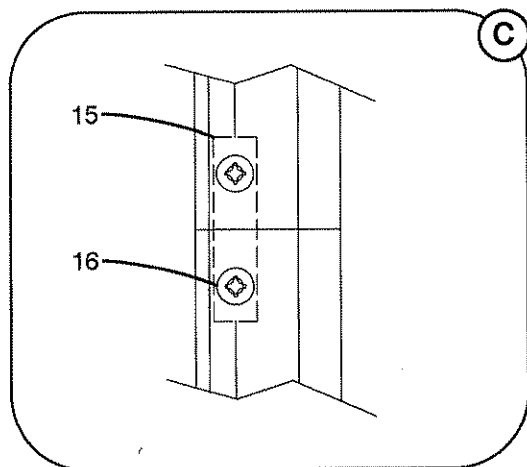
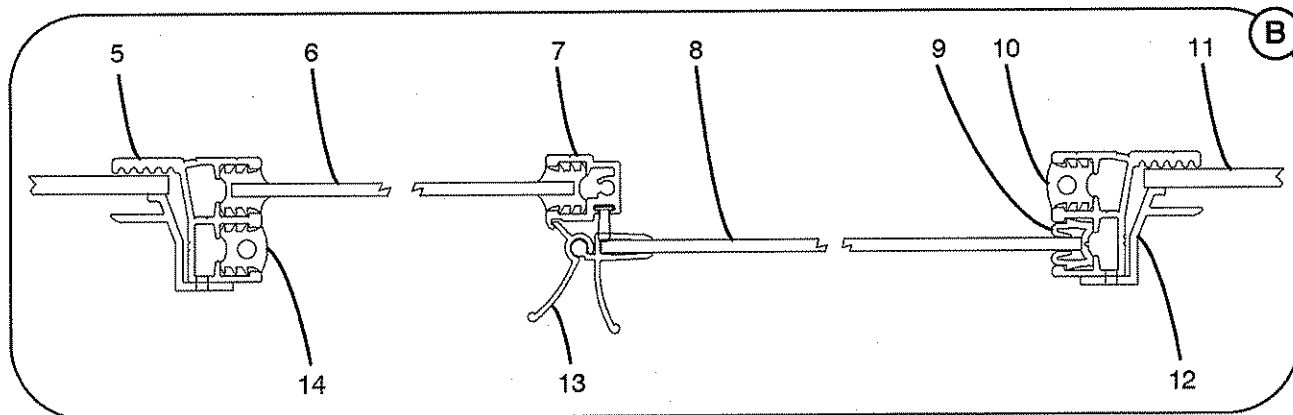
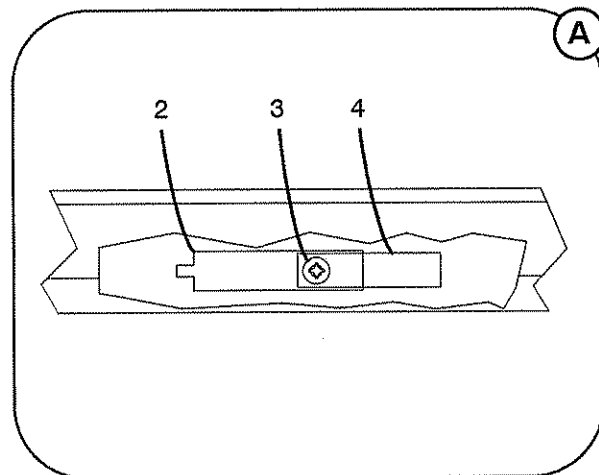
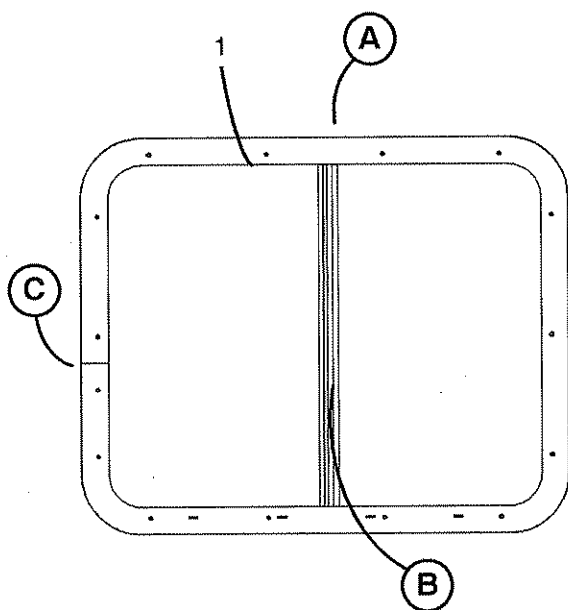


Parts List

0809

Steering Column Assy				
REF	PART NO.	QTY	DESCRIPTION	REMARKS
	D7N0179	1	Steering Column Assy	
1	3N 1259	1	Light, Indicator	
2	3N 1279	1	Wheel, Steering	
3	3N 1260	1	Light, Indicator	
4	3N 1280	1	Cover, Hub	
5	3N 1262	1	Lever, Transmission	
6	3N 1268	1	Plug	
7	3N 1272	1	Console	
8	3N 1277	1	Plate, Cover	
9	3N 1274	1	Housing, Upper Pedestal – RH	
10	3N 1271	1	Boot	
11	3N 1276	1	Housing, Lower Pedestal – RH	
12	3N 1278	1	Harness, Wire	
13	3N 1275	1	Housing, Lower Pedestal – LH	
14	3N 1273	1	Housing, Upper Pedestal – LH	
15	3N 1477	1	Lever, Tilt/Telescope	
16	3N 1261	1	Lever, Turn Signal	
17	3N 1263	1	Switch, Travel/Park Brake	
	3N 1264	1	Rocker	
18	3N 1258	1	Light, Indicator	
	3N 1269	1	Switch, Hazard – Not Shown	
	3N 1452	1	Board, Circuit – Not Shown	
	3N 1270	1	Shaft, Main – Not Shown	

Rear Sliding Window Assy

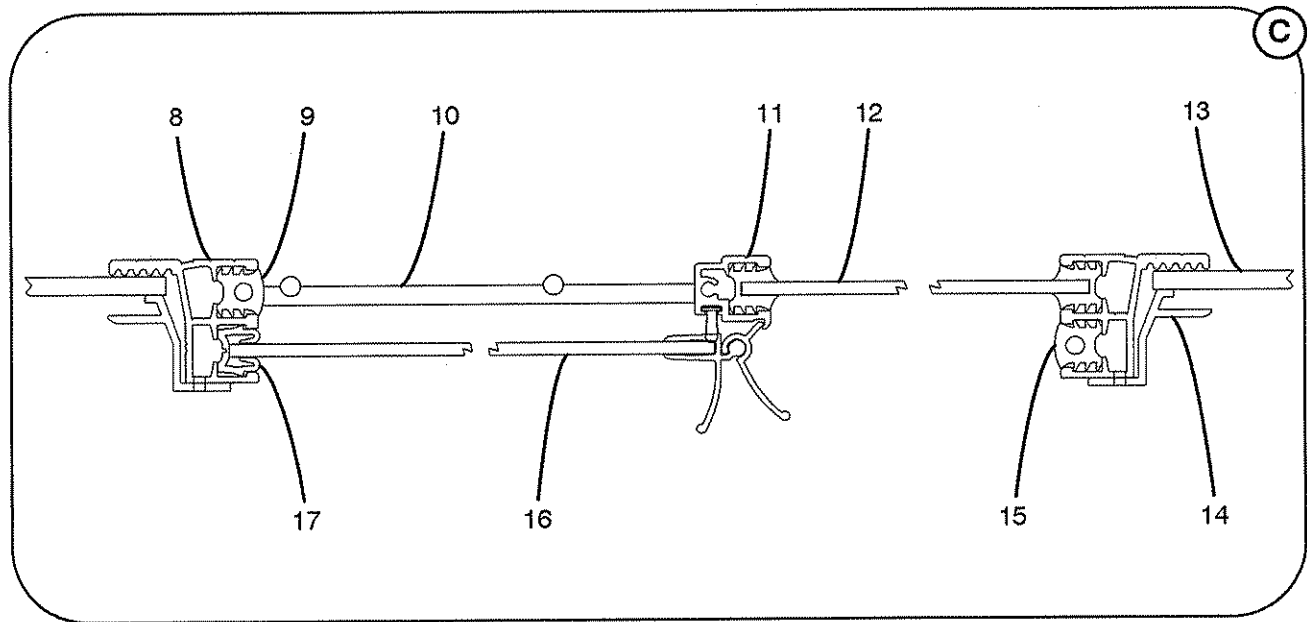
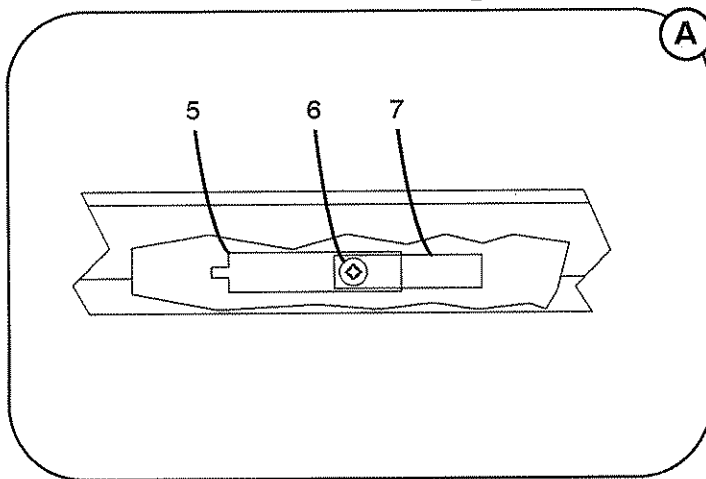
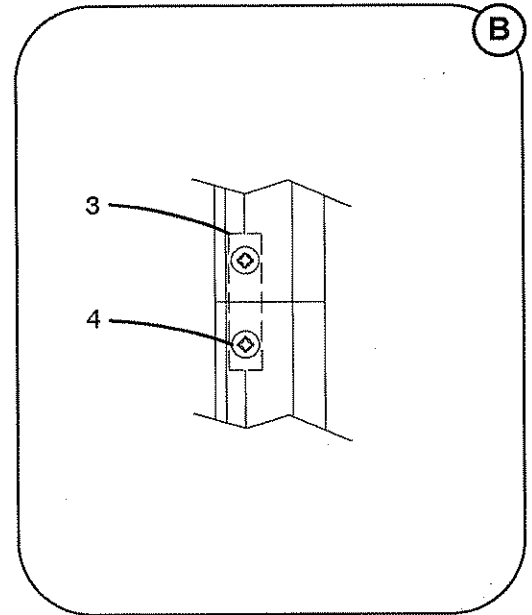
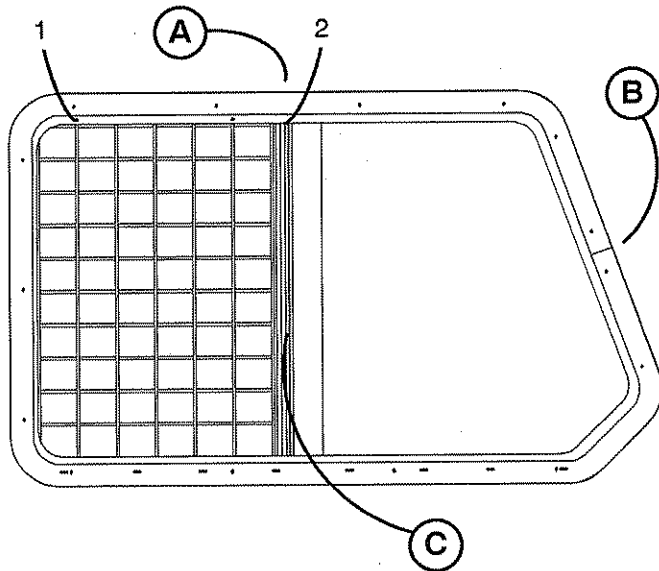


Parts List

1112

Rear Sliding Window Assy				
REF	PART NO.	QTY	DESCRIPTION	REMARKS
	J7N0039	1	Rear Sliding Window Assy	
1	3N 1084	1	Rubber, Flocked	
2	3N 0682	2	Retainer, Keeper	
3	3N 1087	2	Screw	
4	3N 0681	2	Nut, Tinnerman	
5	3N 1080	1	Frame, Main	
6	3N 1077	1	Glass, Stationary	
7	3N 1079	1	Rail, Keeper	
8	3N 1078	1	Sliding Glass Assy	
	3N 1379	1	Rail, Locking	
	3N 1380	1	Glass	
9	3N 1085	1	Rubber, Flocked	
10	3N 1083	1	Trim, Cover	
11	3N 1086	1	Tape, Butyl	
12	3N 1081	1	Liner, Inner	
13	3N 1379	1	Latch, Locking Rail	
14	3N 1082	1	Trim, Stop	
15	3N 0314	1	Nut, Tinnerman	
16	3N 0855	2	Screw	

Right Side Sliding Window Assy

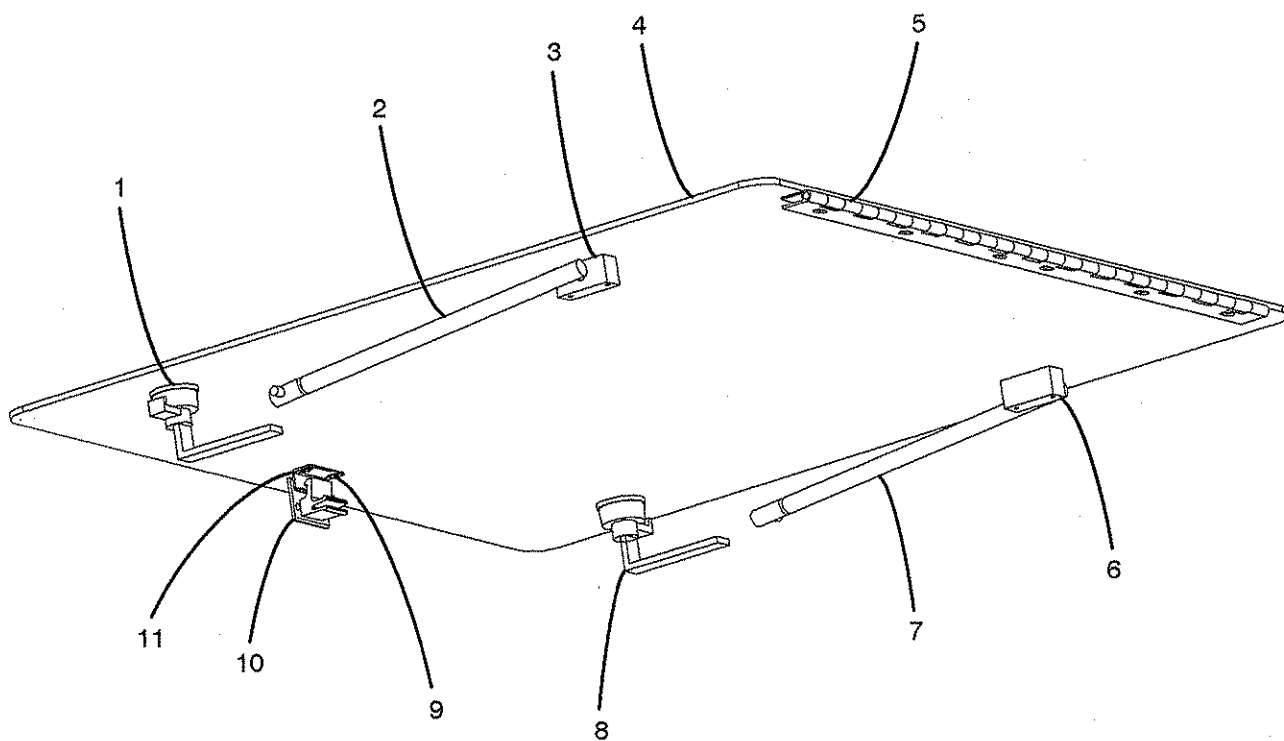


Parts List

1102

Right Side Sliding Window Assy				
REF	PART NO.	QTY	DESCRIPTION	REMARKS
	J7N0040	1	Right Side Sliding Window Assy	
1	3N 0855	2	Screw	
2	3N 0340	1	Rubber, Flocked	
3	3N 0314	1	Nut, Tinnerman	
4	3N 0855	2	Screw	
5	3N 0681	2	Retainer, Rail	
6	3N 0991	2	Screw	
7	3N 0682	2	Retainer, Keeper	
8	3N 1090	1	Frame, Main	
9	3N 1093	1	Trim, Side	
10	3N 1095	1	Guard	
11	3N 0789	1	Rail, Keeper	
12	3N 1088	1	Glass, Stationary	
13	3N 0762	1	Tape, Butyl	
14	3N 1091	1	Liner, Inner	
15	3N 1092	1	Trim, Stop	
16	3N 1089	1	Glass, Sliding	
17	3N 1094	1	Rubber, Flocked	

Top Hatch Window Assy

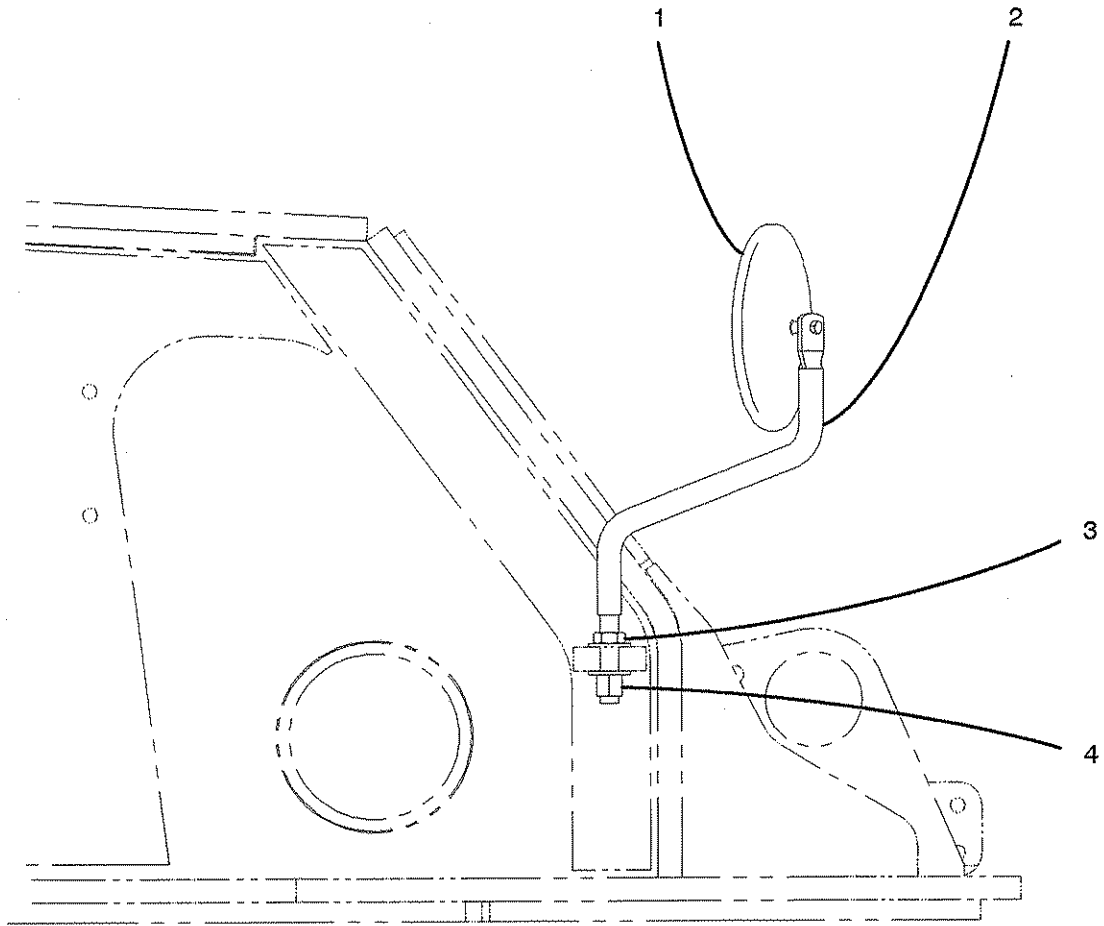


Parts List

0505

Top Hatch Window Assy				
REF	PART NO.	QTY	DESCRIPTION	REMARKS
	N3N0036	1	Top Hatch Window Assy	
1	3N 0652	1	Latch, LH	
	3N 0642	1	Latch Plate Assy	
2	3N 1295	1	Shock, Gas	
	3N 1296	1	Stud, Ball	
	3N 0647	1	Nut	
3	3N 0658	1	Plate Assy	
	3N 0659	1	Block Assy	
4	3N 1287	1	Glass	
5	3N 1288	1	Hinge	
	3N 1289	1	Urethane -- AR	
6	3N 0658	1	Plate Assy	
	3N 0659	1	Block Assy	
7	3N 1295	1	Shock, Gas	
	3N 1296	1	Stud, Ball	
	3N 0647	1	Nut	
8	3N 0651	1	Latch, RH	
	3N 0642	1	Latch Plate Assy	
9	3N 1291	2	Screw	
	3N 1294	2	Washer	
	3N 1293	2	Bushing	
	3N 1290	2	Nut, Acorn	
10	3N 1297	1	Latch Assy	
11	3N 1292	1	Keeper, Latch	
	3N 0656	8	Washer, Rubber -- Not Shown	

Mirror Installation

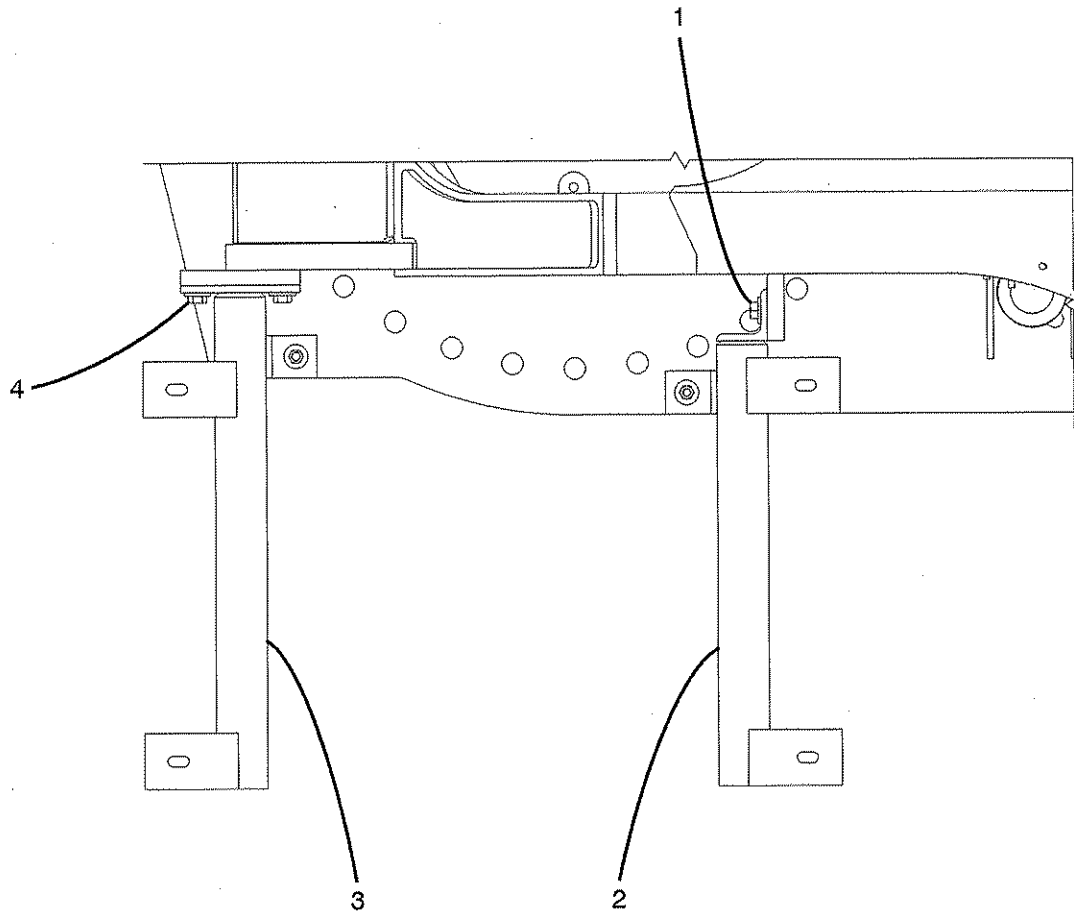


Parts List

0805

Mirror Installation				
REF	PART NO.	QTY	DESCRIPTION	REMARKS
1	53A0455	1	Mirror	
2	N3B0152	1	Bracket, Mirror	
3	128003009	2	Washer	
	1X 0185	1	Nut, Jam	
4	128003009	2	Washer	
	127004007	1	Locknut	

Cab Mounting

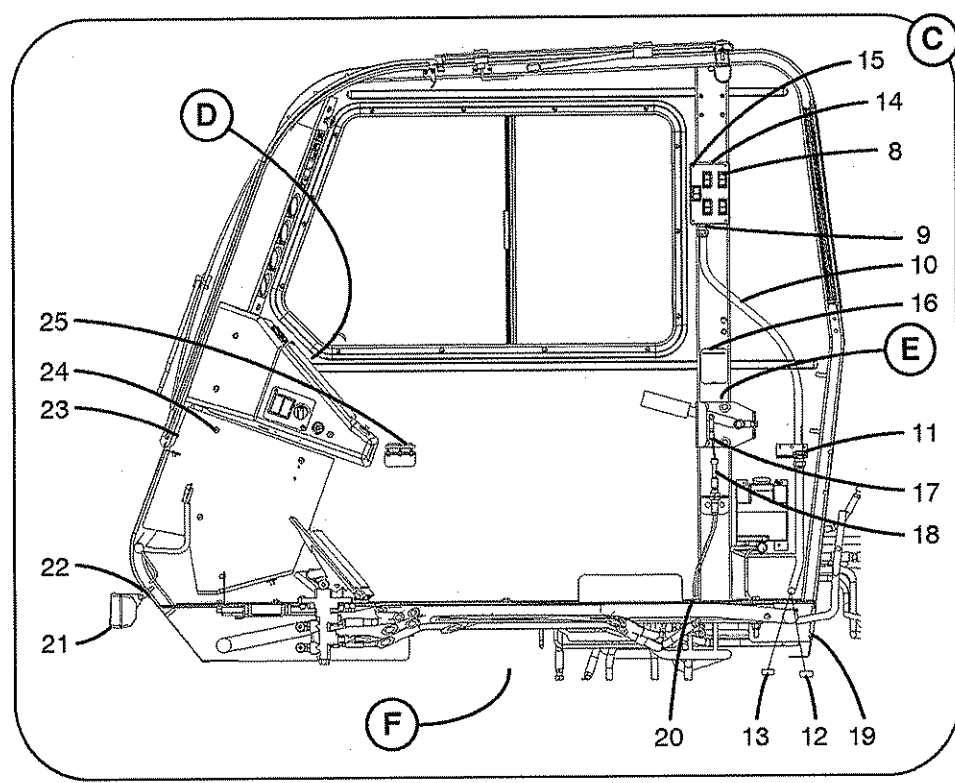
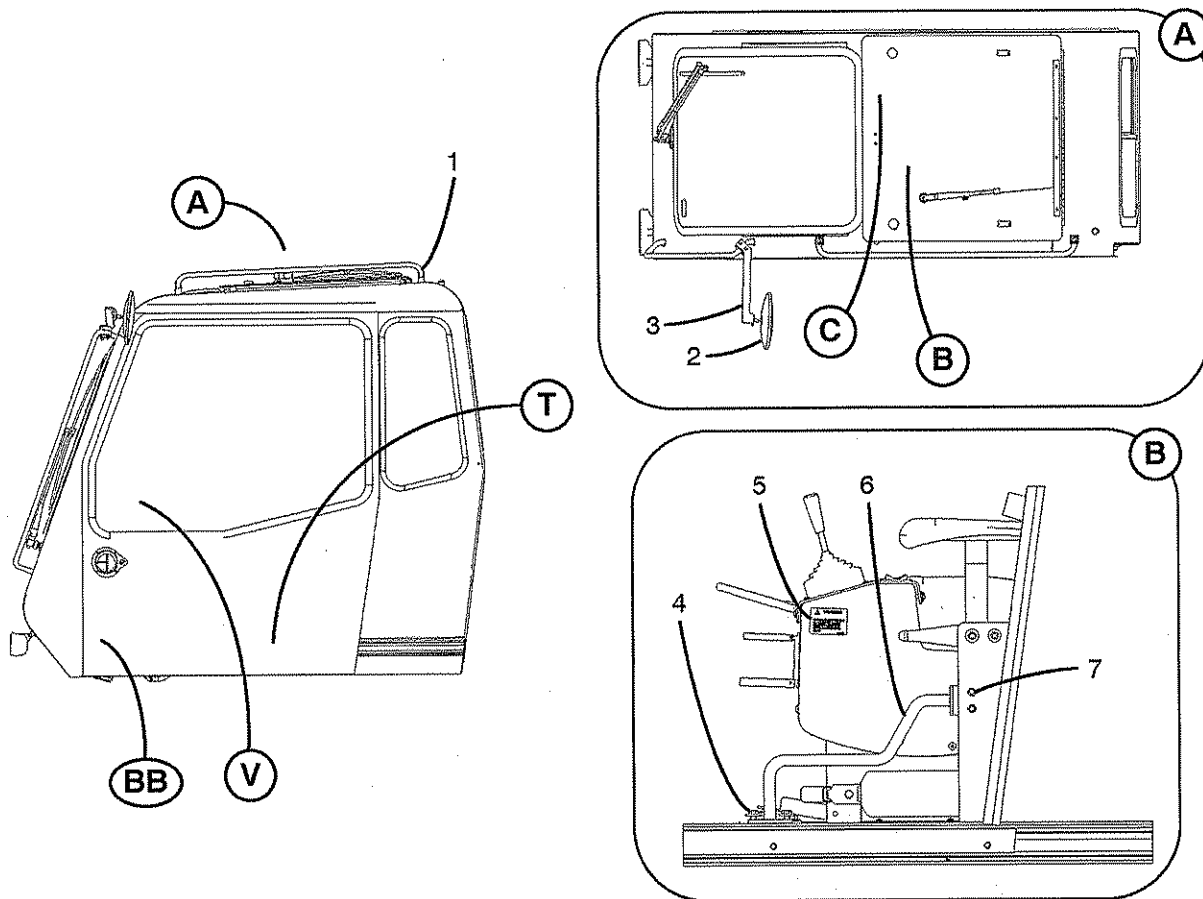


Parts List

0112

Cab Mounting				
REF	PART NO.	QTY	DESCRIPTION	REMARKS
1	126009042	2	Capscrew	
	128003008	2	Washer	
2	P9B0014	1	Mount, Rear	
	128003007	1	Washer	
	127004005	1	Locknut	
3	P9B0015	1	Mount, Front	
	128003007	1	Washer	
	127004005	1	Locknut	
4	126009041	4	Capscrew	
	128003008	4	Washer	

Upper Cab Assy

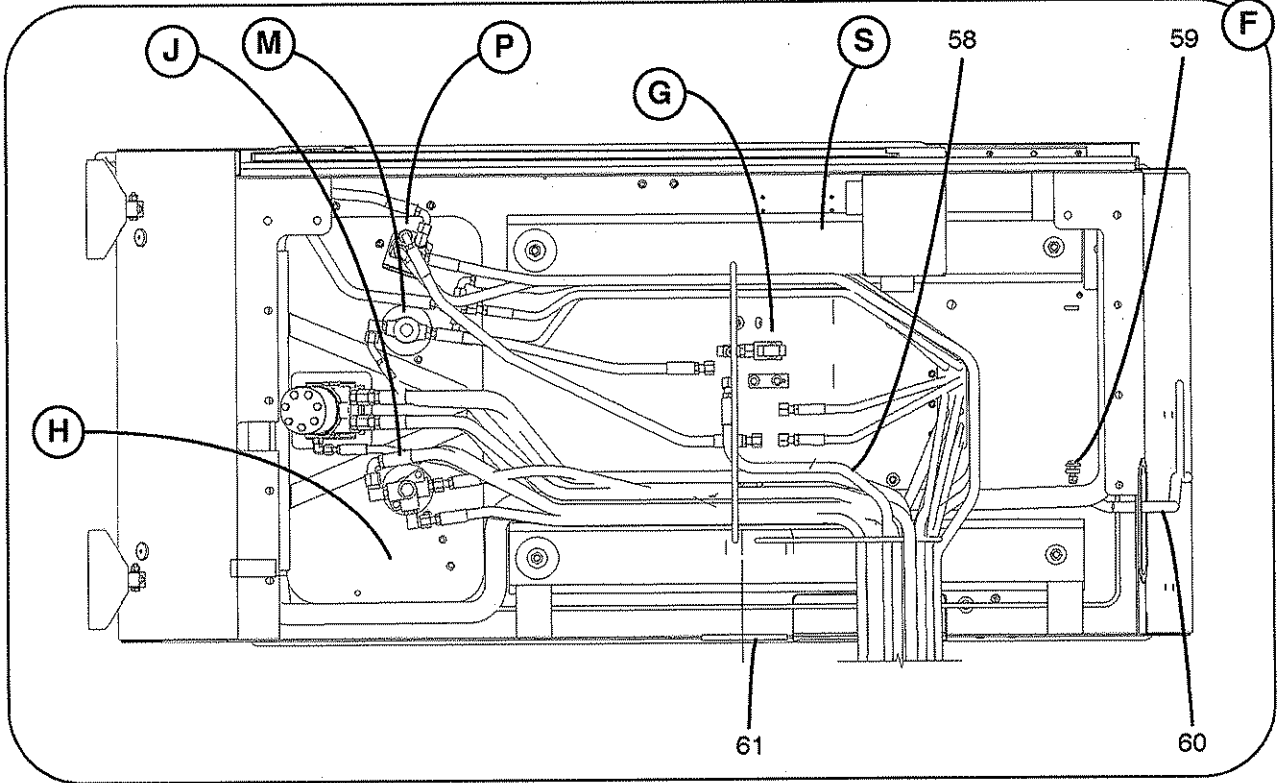
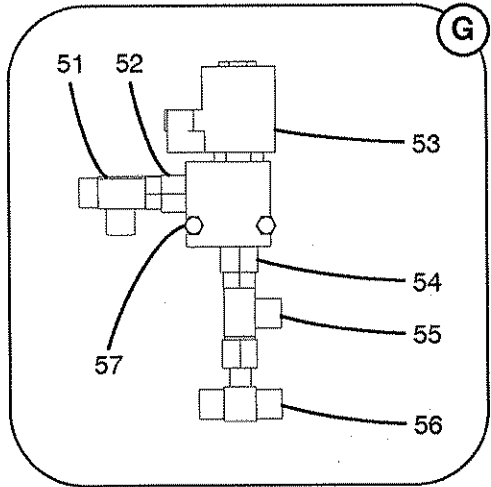
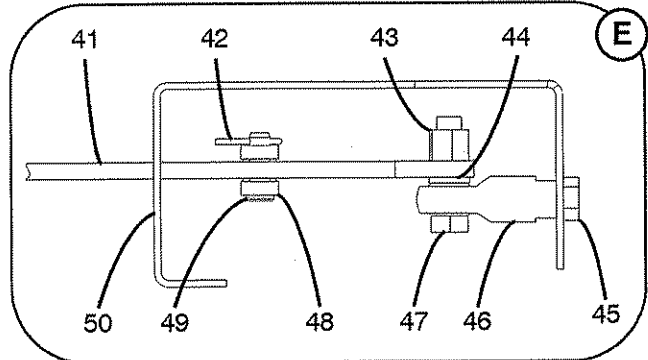
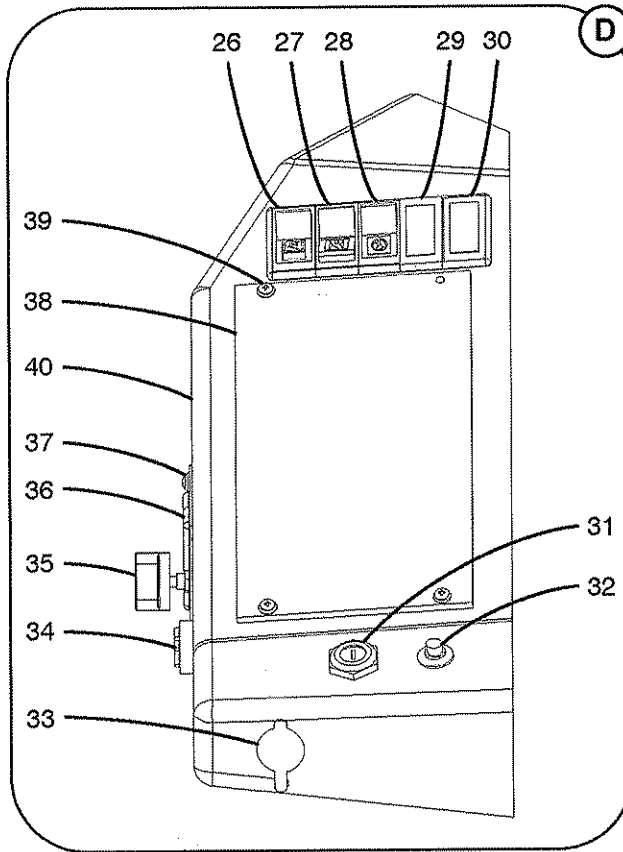


Parts List

0312

Upper Cab Assy				
REF	PART NO.	QTY	DESCRIPTION	REMARKS
1	J7N0104	1	Handle, Grab	
	126009017	2	Capscrew	
	128003004	2	Washer	
2	53A0455	1	Mirror	
3	N3N0170	1	Bracket	
	F8J0220	1	Plate, Cover	
	N3J0332	1	Clamp	
	126009008	2	Capscrew	
	127004001	2	Locknut	
4	126009013	2	Capscrew	
	128003004	2	Washer	
5	70N0167	1	Label, Raise Console Warning	
6	J8N0154	1	Handle, Grab	
7	126009014	2	Capscrew	
	128003004	2	Washer	
	F7R0065	1	Outrigger Remote Control S/A	NSS
8	F7R0072	5	Switch	
9	F7R0066	1	Relief, Strain	
10	F7R0064	1	Harness, Outrigger Box Wire	
11	F7R0066	1	Relief, Strain	
12	155064005	7	Seal, Cable	
	155106001	7	Terminal	
	155103001	1	Connector	
	155146001	1	Lock, Secondary	
	155065003	1	Plug	
13	155064005	6	Seal, Cable	
	155100001	6	Terminal	
	155113001	1	Connector	
	155136001	1	Lock, 6 Way	
14	F7R0080	1	Box, Outrigger Remote Control	
15	F7R0068	1	Hanger, Outrigger Controls	
	1X 7750	2	Capscrew	
16	J9N0018	1	Label, Travel Swing Lock	
17	1X 0193	1	Nut, Jam	
18	47J2025	1	Cable, Control	
19	824025005	1	Weatherstrip - 1.62'	
20	16H0024	1	Grommet, Rubber	
21	D3R0138	2	Light, Drive	
22	N3N0144	2	Grommet	
23	N3N0039	1	Holder, Flip Chart	
24	1X 5314	4	Screw	
25	J9N0005	1	Level, Circular	
	J9N0034	1	RCL Display S/A	NSS
26	D6R0424	1	Switch	
	28A5061	1	Housing, Switch Intermediate	
	N3R0043	1	Lens, Throttle Lock	
27	28A5054	1	Switch	
	28A5061	1	Housing, Switch Intermediate	
	L8R0144	1	Lens, Set/Resume	
28	N3R0070	1	Switch	
	28A5061	1	Housing, Switch Intermediate	
	N3R0044	1	Lens, Function Lockout	

Upper Cab Assy

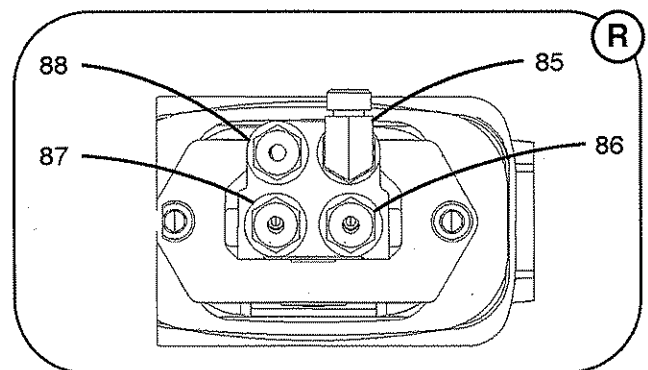
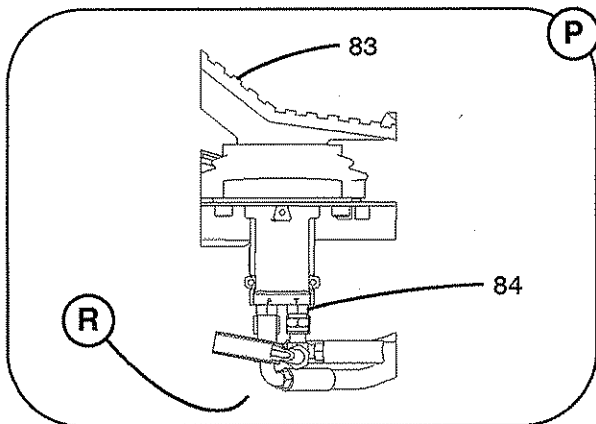
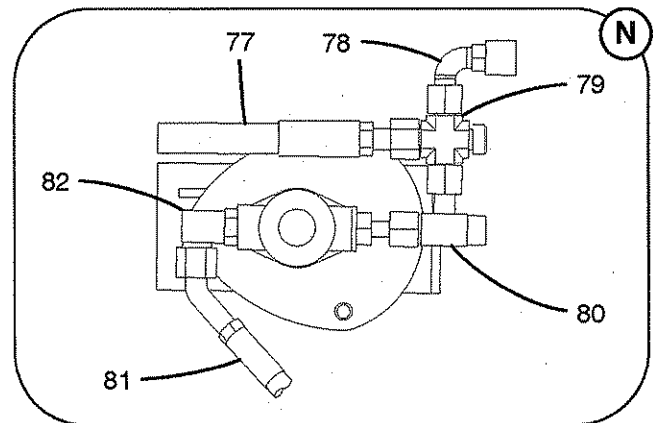
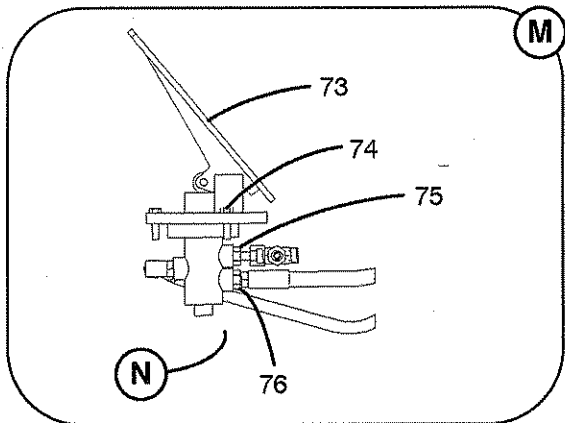
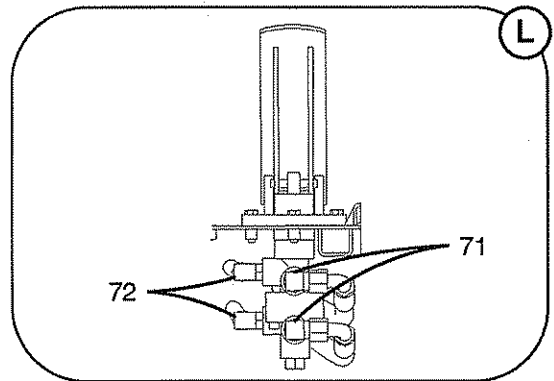
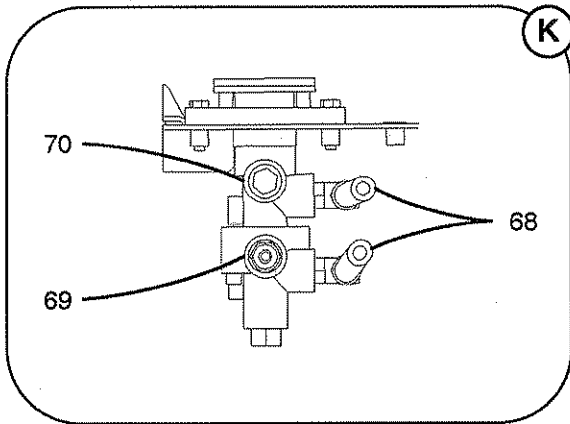
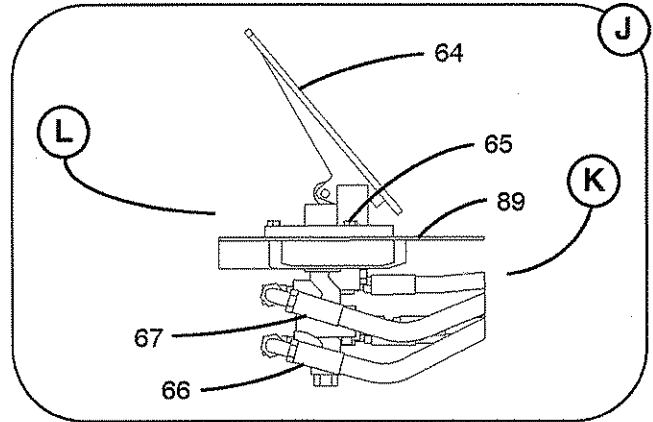
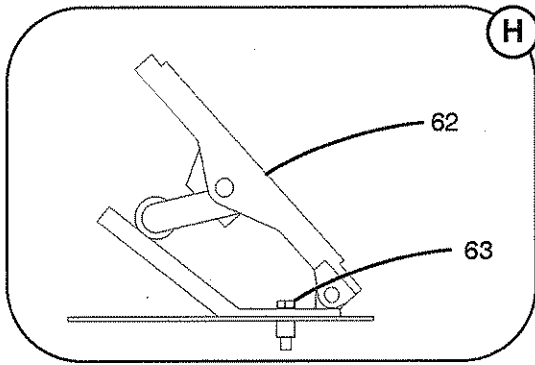


Parts List

0312

Upper Cab Assy				
REF	PART NO.	QTY	DESCRIPTION	REMARKS
29	28A5060	1	Cover, Switch	
	28A5062	1	Housing, Switch End	
30	28A5060	1	Cover, Switch	
	28A5062	1	Housing, Switch End	
31	57R0027	1	Switch, Ignition	
	57R0050	1	Cylinder, Ignition Lock	
	3P 0521	1	Key	
32	F2R0025	1	Button, Horn	
33	F7R0058	1	Outlet, 12 Volt	
34	D3R0081	1	Alarm, Audio	
35	L8R0031	1	Knob, Heater Control	
	L8R0084	1	Potentiometer	
36	28A5062	2	Housing, Switch End	
37	J6N0078	1	Panel, Heater	
	1X 7347	2	Screw	
	F7N0030	2	Insert, Threaded	
38	J9L0027	1	Display	
39	1X 8117	3	Screw	
	F7N0030	3	Insert, Threaded	
40	N4N0036	1	Panel, RCL Display	
	1X 5314	3	Screw	
	J9N0004	1	Swing Lock Lever S/A	NSS
41	J9N0003	1	Lever, Swing Lock	
	N4N0042	1	Grip, Handle	
42	150007003	1	Pin, Cotter	
43	127004003	1	Locknut	
44	128003003	1	Washer	
45	1X 7502	1	Capscrew	
46	39J0293	1	End, Rod	
47	126009015	1	Capscrew	
48	47F0034	1	End, Yoke	
49	HC 0115	1	Pin	
50	J9N0019	1	Bracket, Swing Lock	
	126009119	4	Capscrew	
	128003004	4	Washer	
	L8N0134	1	Function Kickout Valve S/A	NSS
51	1X 7398	1	Tee	
52	1X 5596	1	Reducer	
53	J7J0900	1	Valve, 2 Way Solenoid	
	3J 17141	1	Cartridge	
	3J 13193	1	Kit, Seal	
54	1X 5596	1	Reducer	
55	1X 7398	1	Tee	
56	1X 7410	1	Tee	
57	126009006	2	Capscrew	
	128003001	2	Washer	
58	J9J0179	1	Hose Assy	
59	126009100	1	Capscrew	
	128003004	1	Washer	
	127004003	1	Locknut	
60	REF	1	Upper Cab Wire Harness -- See Keysheet 06-048	
61	824025005	1	Weatherstrip -- 0.5'	

Upper Cab Assy

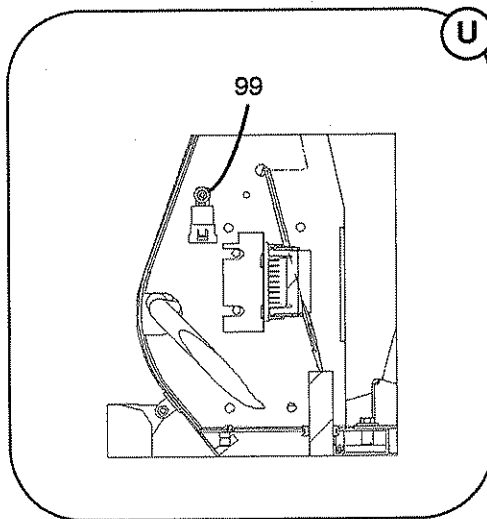
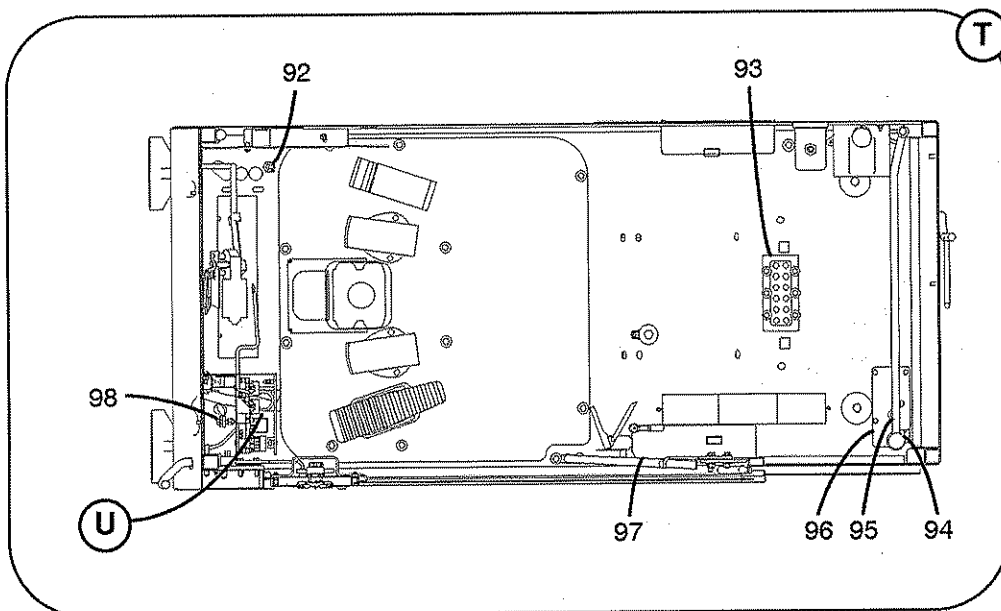
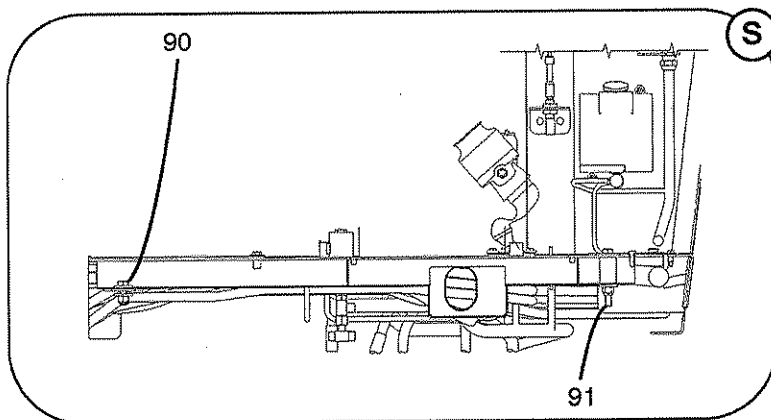


Parts List

0312

Upper Cab Assy				
REF	PART NO.	QTY	DESCRIPTION	REMARKS
	J9N0011	1	Floor Plate S/A	NSS
62	L8R0062	1	Pedal, Throttle	
63	126009096	2	Capscrew	
64	F7J0365	1	Pedal, Modulating Valve	
	3J 14495	1	Pedal & Base Assy	
	3J 14681	1	Valve Assy	
	3J 14496	1	Kit, Rebuild	
65	126009096	3	Capscrew	
66	J7J0668	1	Hose Assy	
67	J7J0517	1	Hose Assy	
68	69J0310	2	Hose Assy	
69	70J0104	1	Hose Assy	
	1X 7368	1	Connector	
70	1X 3581	1	Plug	
71	1X 7387	2	Elbow	
72	1X 7385	2	Elbow	
73	N3J0125	1	Pedal, Modulating Valve	
	3J 17290	1	Kit, Seal	
74	126009096	3	Capscrew	
75	1X 7462	1	Connector	
76	1X 7368	1	Connector	
77	65J0519	1	Hose Assy	
78	E8J0251	1	Hose Assy	
79	1X 8275	1	Cross	
80	1X 7410	1	Tee	
81	E8J0224	1	Hose Assy	
82	1X 7385	1	Elbow	
83	REF	1	Boom Telescope Foot Pedal Assy -- See Keysheet 07-008	
84	1X 7368	1	Connector	
85	J7J0498	1	Hose Assy	
	1X 7404	1	Elbow	
86	J7J0534	1	Hose Assy	
	1X 7368	1	Connector	
87	L8J0324	1	Hose Assy	
	1X 7368	1	Connector	
88	D3J0112	1	Hose Assy	
	1X 7379	1	Connector	
89	J9N0021	1	Plate, Floor	
	126009013	10	Capscrew	
	128003004	10	Washer	
90	126009028	2	Capscrew	
	128003007	4	Washer - 1.38" OD	
	HC 2418	2	Washer - 3" OD	
	127004005	2	Locknut	
91	126009038	2	Capscrew	
	128003007	2	Washer - 1.38" OD	
	HC 2418	2	Washer - 3" OD	
	127004005	2	Locknut	
92	N3N0105	2	Bracket, Heater Mounting	
	126009095	2	Capscrew	
	128003002	2	Washer	
93	N3N0086	1	Sheet	
	N3N0085	1	Seal, Rubber	
	126009095	6	Capscrew	
	128003002	6	Washer	
94	23A0376	1	Grommet, Rubber	

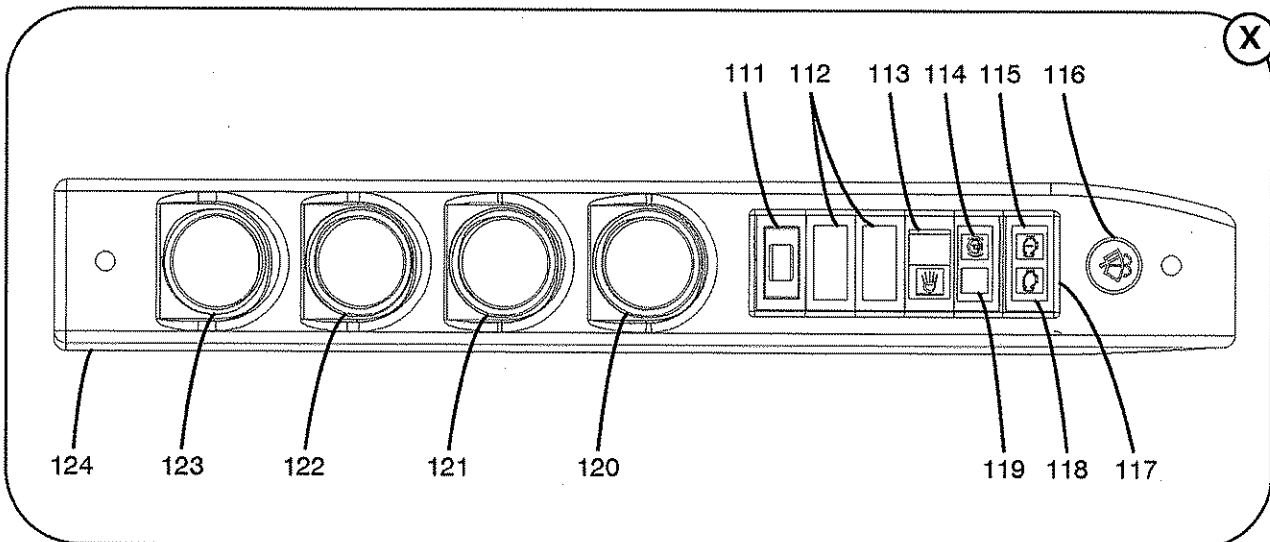
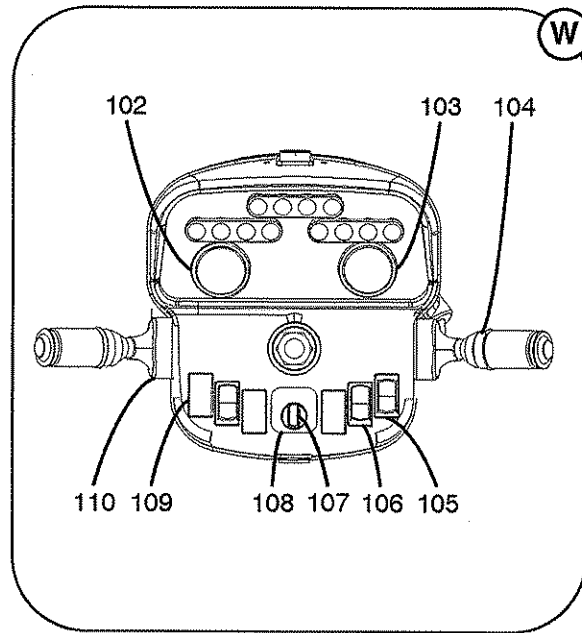
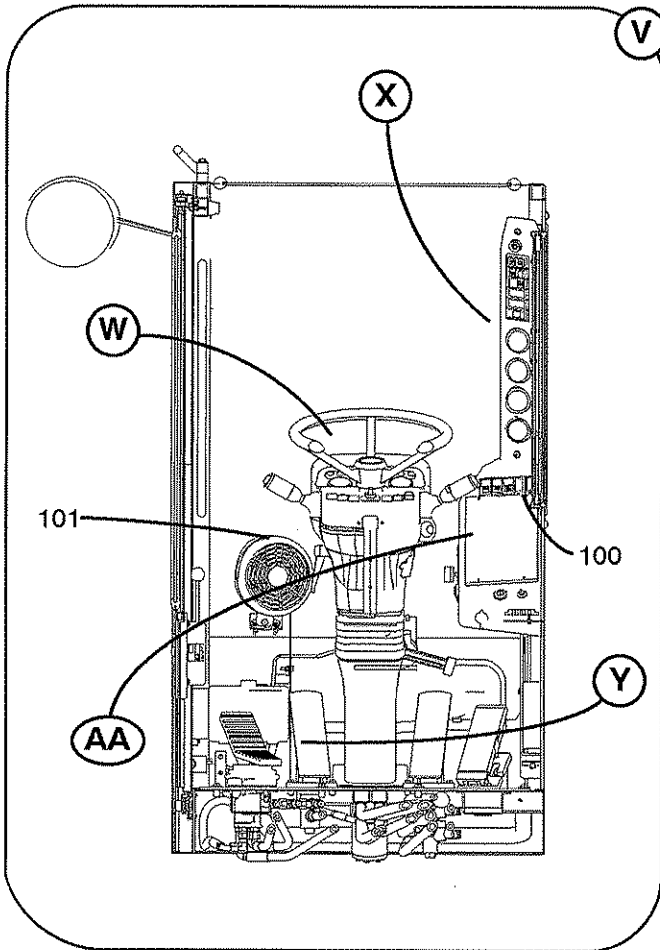
Upper Cab Assy



Parts List

0312

Upper Cab Assy



Parts List

0312

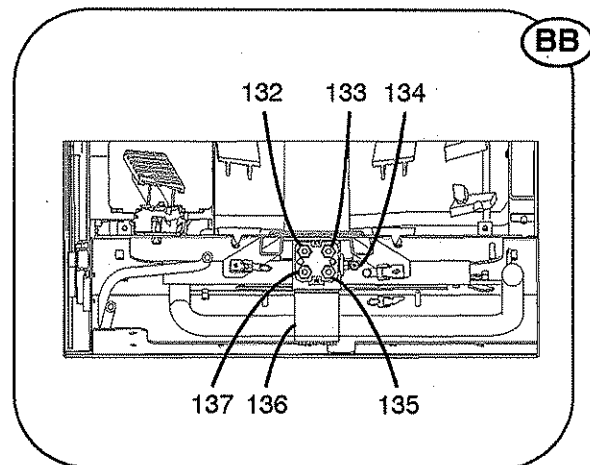
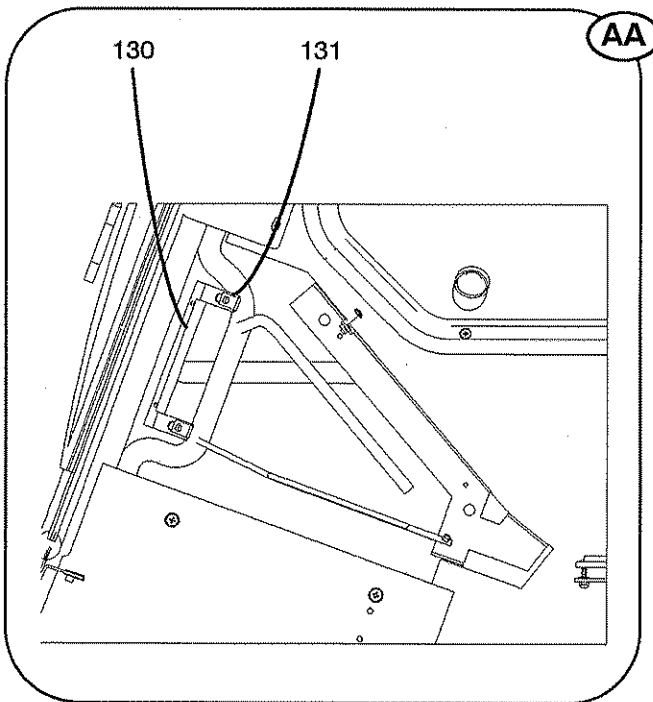
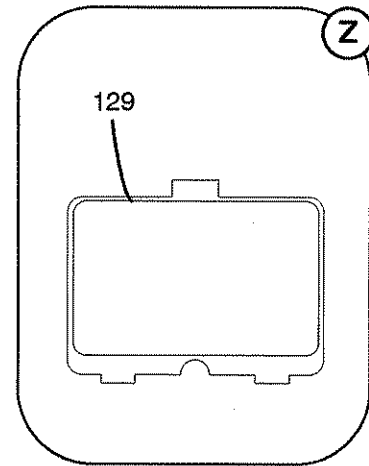
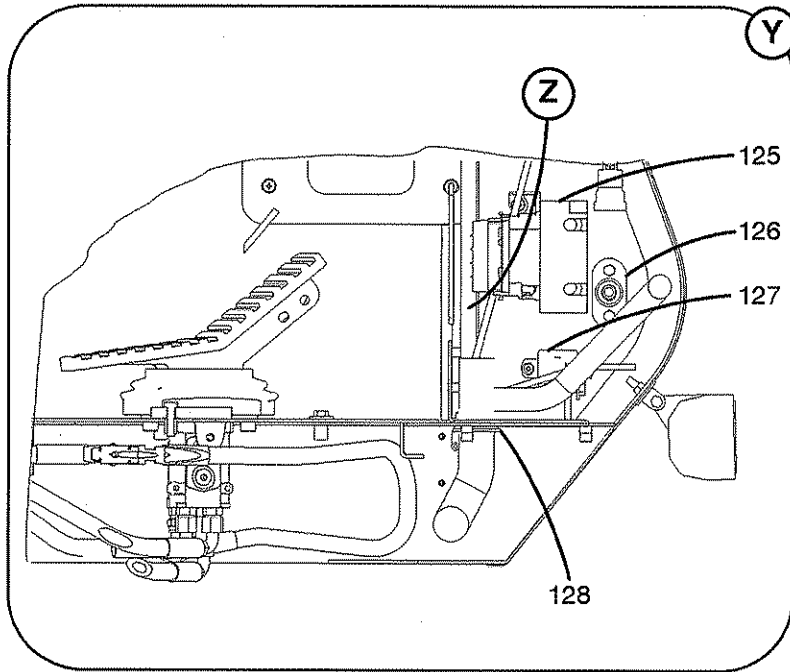
14-001-794.00

Upper Cab Assy				
REF	PART NO.	QTY	DESCRIPTION	REMARKS
95	36J0772	1	Grommet, Rubber	
96	P9N0102	1	Sheet	
97	126009003	3	Capscrew	
	REF	1	Fire Extinguisher - See Keysheet 18-014	
98	1X 7347	4	Screw	
	126009015	1	Capscrew	
	128003004	1	Washer	
99	127004003	1	Locknut	
	126009003	1	Capscrew	
	128003001	2	Washer	
	127004001	1	Locknut	
100	1X 8117	1	Screw	
101	D3R0090	1	Fan S/A	NSS
	155064005	2	Seal, Cable	
	155106001	2	Terminal	
	155108001	1	Connector	
	155140001	1	Lock, 2 Way	
	810008006	1	Tubing, Heat Shrink - 0.66'	
	D3R0074	1	Fan, Cab	
	1X 8117	3	Screw	
	N4N0026	1	Steering Column S/A	NSS
102	E8R0015	1	Gauge, Transmission Oil Temperature	
	E8R0019	1	Light	
	D3R0035	1	Connector	
	37R0064	1	Terminal	
103	E8R0012	1	Voltmeter	
	E8R0019	1	Light	
	D3R0035	1	Connector	
104	J9P0039	1	Label, Transmission Shift	
105	J9R0002	1	Switch, 3 Position	
106	J6R0057	1	Switch, 2 Position	
107	N4R0004	1	Switch, Rotary	
108	N4N0037	1	Panel	
109	J6R0059	2	Cover, Switch	
110	REF	1	Steering Column Assy - See Keysheet 07-022	
	126009013	4	Capscrew	
	128003004	4	Washer	
	N4N0065	1	Gauge Panel S/A	NSS
111	28A5052	1	Switch, Dimmer	
112	28A5060	2	Cover, Switch	
113	28A5053	1	Switch	
	N3R0039	1	Lens, Upper Light	
114	N3N0303	1	Lens, Swing Brake	
115	N3N0278	1	Lens, Stop Engine	
	F2R0077	1	Light, Indicator	
116	N3N0290	1	Switch, Wiper/Washer	
117	28A5062	2	Housing, Switch End	
	28A5061	4	Housing, Switch Intermediate	
118	N3N0277	1	Lens, Check Engine	
	F2R0077	1	Light, Indicator	
119	J7R0092	1	Lens, Solid Black	
120	E8R0014	1	Gauge, Hydraulic Oil Temperature	
	E8R0019	1	Light	

Parts List

0312

Upper Cab Assy



Parts List

0312

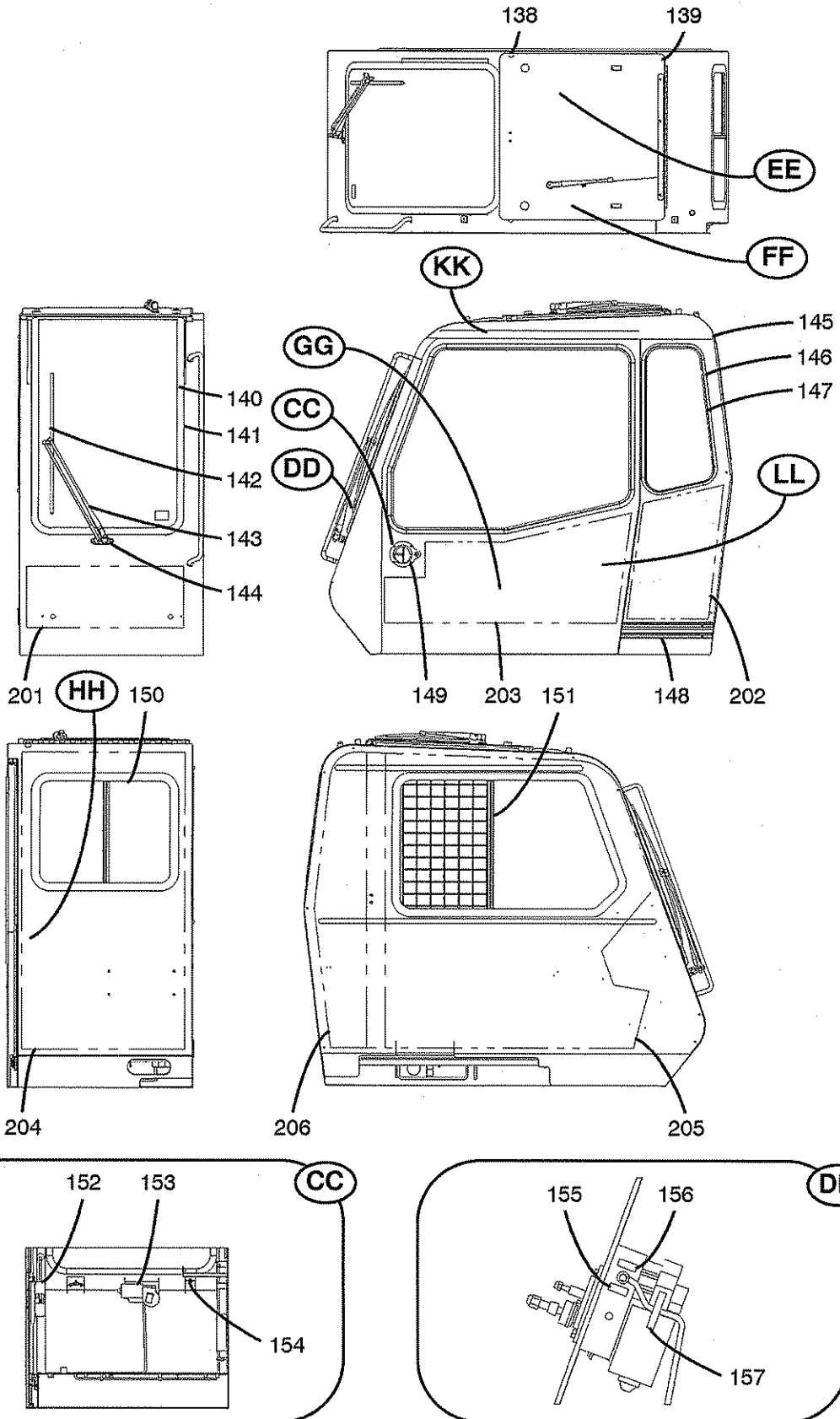
14-001-794.00

Upper Cab Assy				
REF	PART NO.	QTY	DESCRIPTION	REMARKS
121	E8R0011	1	Gauge, Fuel	
	E8R0019	1	Light	
122	E8R0013	1	Gauge, Water Temperature	
	E8R0019	1	Light	
123	N4R0041	1	Tachometer	
124	P9N0080	1	Panel, Gauge	
	1X 5314	2	Screw	
125	N3N0227	1	Bracket, Fuse Panel	
	126009013	2	Capscrew	
	128003004	2	Washer	
126	C4A0458	1	Block, Junction	
	126009003	2	Capscrew	
127	F2R0067	1	Flasher	
	1X 7905	2	Screw, Machine	
	1X 1776	2	Washer	
128	824025005	1	Weatherstrip - 0.5'	
129	J9P0070	1	Label, Upper Fuse ID	
130	824025005	1	Weatherstrip - 0.75'	
131	58A0796	2	Retainer, Nut	
132	65J0555	1	Hose Assy	
	1X 7371	1	Connector	
133	65J0555	1	Hose Assy	
	1X 7371	1	Connector	
134	E8J0250	1	Hose Assy	
	1X 7576	1	Elbow	
135	D7J0250	1	Hose Assy	
	1X 7371	1	Connector	
136	REF	1	Steering Valve Assy - See Keysheet 07-022	
	126004064	4	Capscrew	
137	D6J0859	1	Hose Assy	
	1X 7371	1	Connector	
	J8N0110	1	Cab, Window & Vinyl Assy	
138	N3N0205	2	Bumper, Rubber	
139	REF	1	Top Hatch Window Assy - See Keysheet 14-001	
140	J8N0152	1	Windshield	
141	824015022	1	Weatherstrip - 13.0'	
142	D3N0028	1	Blade, Wiper	
143	N3N0201	1	Arm, Wiper	
144	N3N0206	1	Adaptor	
	1X 7226	2	Capscrew	
145	J8N0112	1	Shell, Cab	
146	824015007	1	Weatherstrip - 6.04'	
147	N3N0128	1	Window	
148	N3N0134	1	Track, Door	
	1X 7905	8	Screw	
149	28N0157	1	Handle, Door	
	0001250	1	Key	
	1X 7904	4	Screw	
	1X 4638	4	Locknut	
150	REF	1	Rear Sliding Window Assy - See Keysheet 14-001	
	1X 7797	15	Screw	
151	REF	1	Right Side Sliding Window Assy - See Keysheet 14-001	
	1X 7797	15	Screw	

Parts List

0312

Upper Cab Assy



Parts List

0312

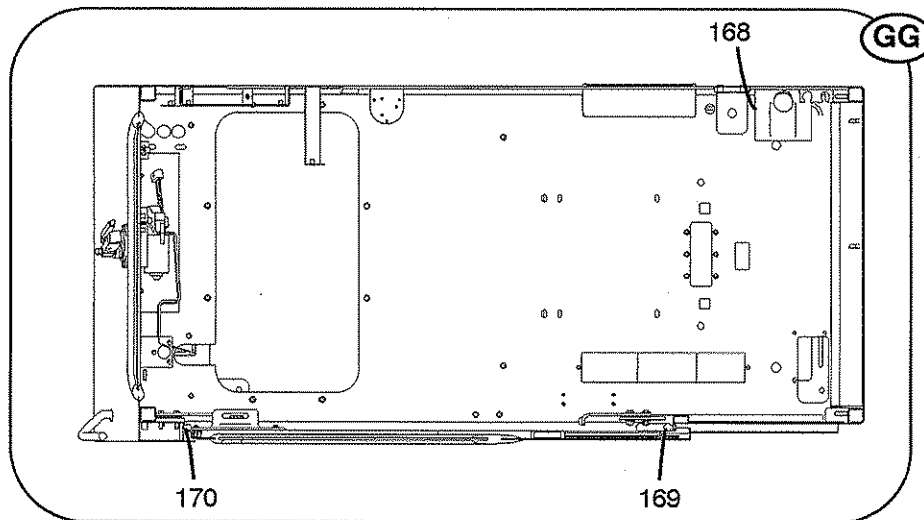
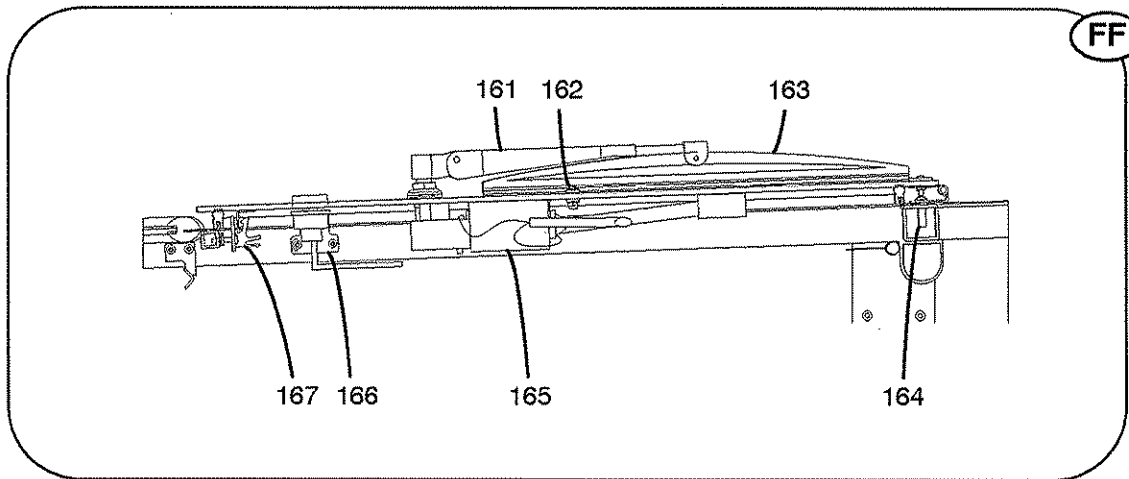
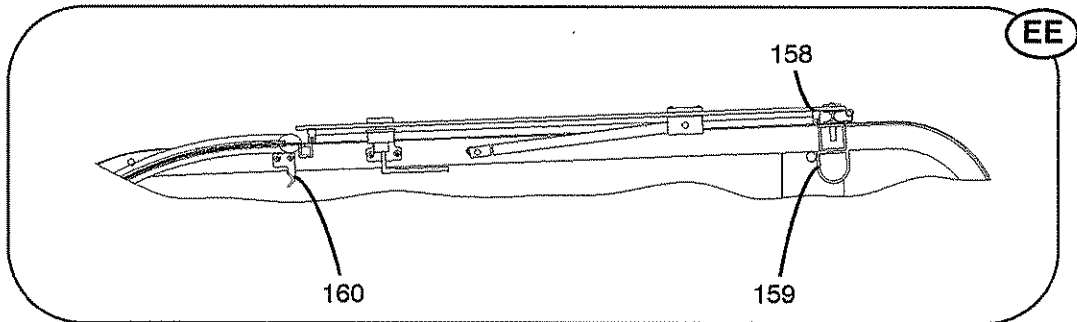
14-001-794.00

Upper Cab Assy				
REF	PART NO.	QTY	DESCRIPTION	REMARKS
152	J8N0036	1	Cover, Door Latch	
	1X 6044	4	Screw	
153	D3N0050	1	Motor, Wiper	
154	58A0796	1	Retainer, Nut	
155	824033003	1	Weatherstrip - 0.08'	
156	824033003	1	Weatherstrip - 0.08'	
157	824033003	1	Weatherstrip - 0.17'	
158	824046001	1	Weatherstrip - 11.25'	
159	N3N0138	1	Blind, Sunscreen	
160	N3N0137	1	Bracket	
	1X 7905	2	Screw	
161	N3N0200	1	Arm, Wiper	
162	1X 6712	1	Screw	
	68N0039	1	Grommet	
	1X 1776	1	Washer	
	1X 6049	1	Lockwasher	
	1X 4638	1	Locknut	
163	N3N0199	1	Blade, Wiper	
164	N3N0179	2	Bar	
	1X 7906	6	Screw	
	1X 1776	6	Washer	
165	47N0446	1	Motor, Wiper	
166	N3N0204	2	Bracket	
	1X 7906	4	Screw	
	1X 1776	12	Washer	
167	1X 7906	2	Screw	
	1X 1776	6	Washer	
168	28A1649	1	Kit, Reservoir	
	822014002	1	Hose - 15'	
	128003001	2	Washer	
	127004001	2	Locknut	
169	824009001	1	Weatherstrip - 4.57'	
170	824047001	1	Weatherstrip - 5.19'	
171	126006018	1	Capscrew	
172	N3R0064	1	Harness, Cab Accessories	
173	1X 2817	1	Clamp	
174	N3N0136	1	Bracket	
	1X 7905	2	Screw	
175	F8R0167	1	Light, Dome	
	3R 1760	1	Bulb	
	1X 7902	2	Screw	
176	D3N0120	1	Knob	
	N3N0190	1	Lever	
177	N3N0082	1	Plate, Striker	
	F7N0054	1	Stop, Rubber	
	D3N0311	1	Shim	
	126009096	2	Capscrew	
	128003002	4	Washer	
	127004002	2	Locknut	
178	16H0024	3	Grommet, Rubber	
179	N3N0082	1	Plate, Striker	
	D3N0311	2	Shim	
	126009109	2	Capscrew	

Parts List

0312

Upper Cab Assy

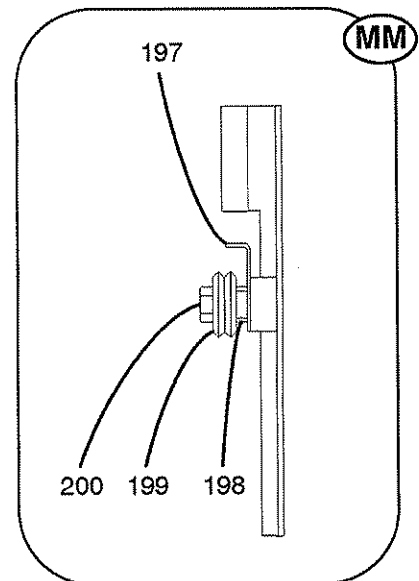
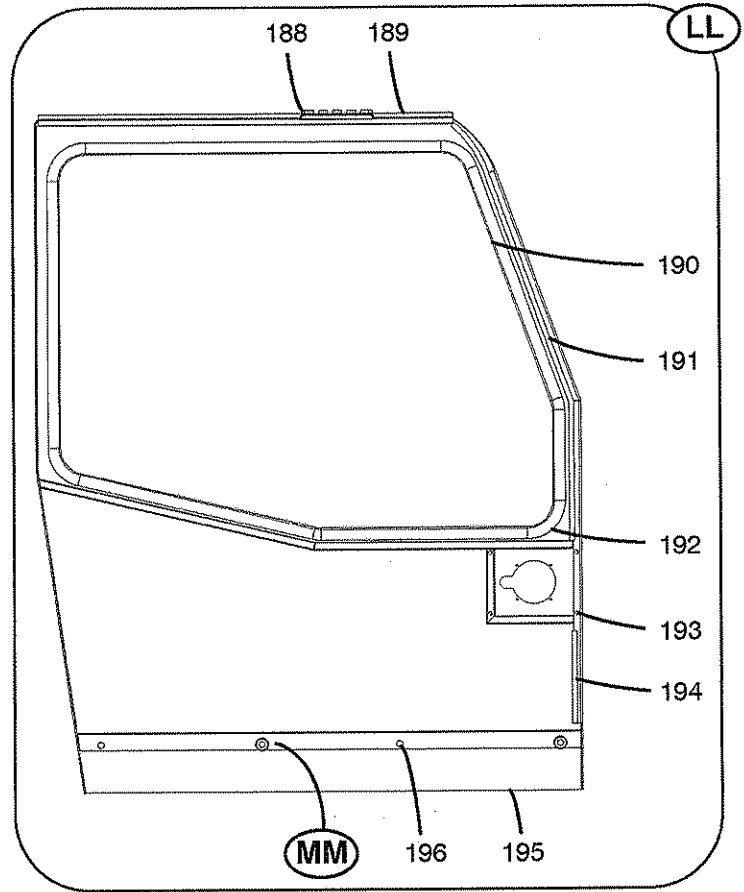
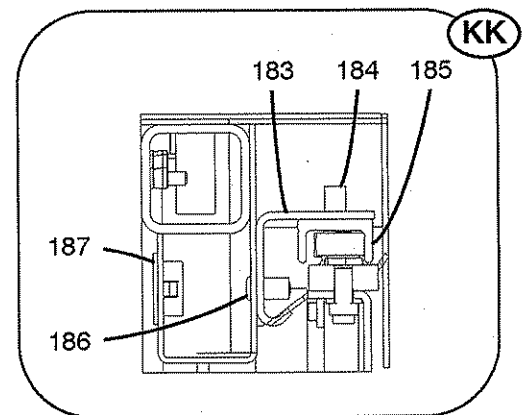
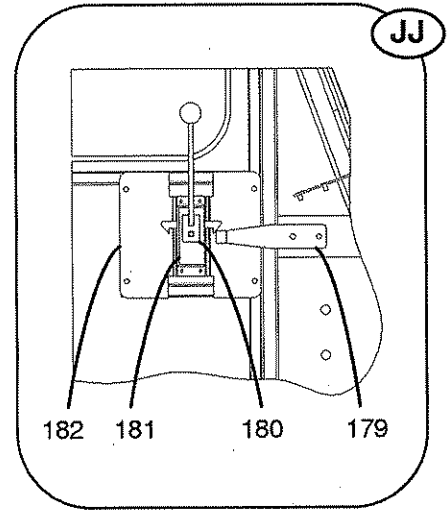
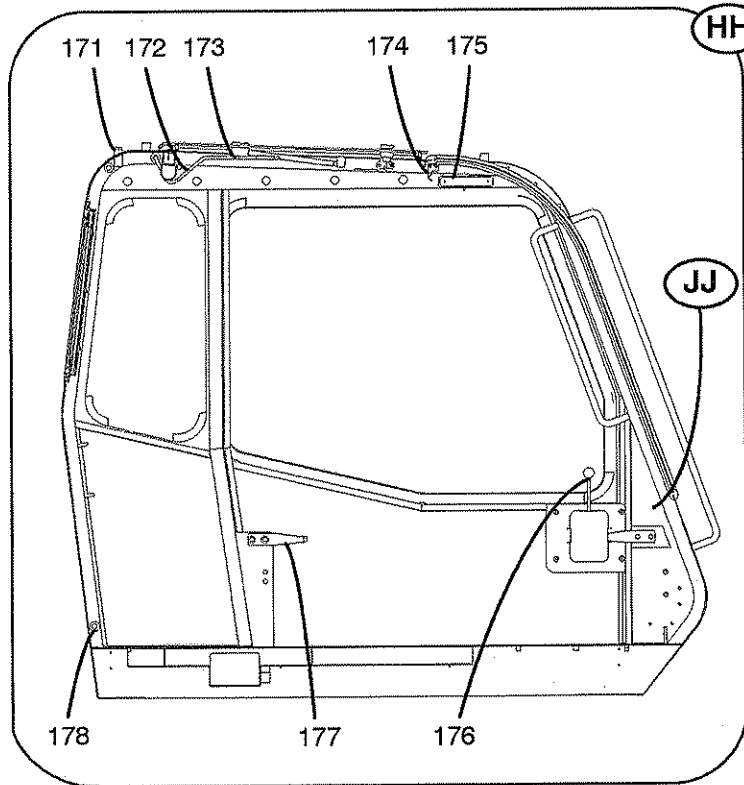


Parts List

0312

14-001-794.00

Upper Cab Assy

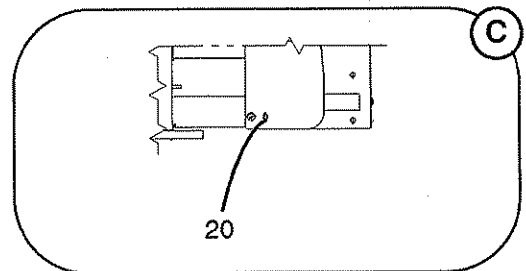
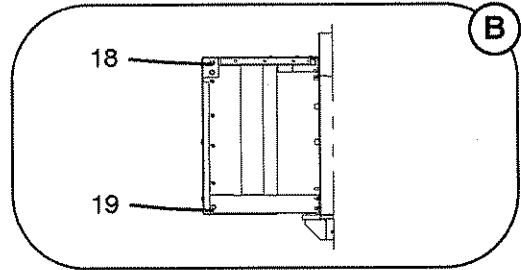
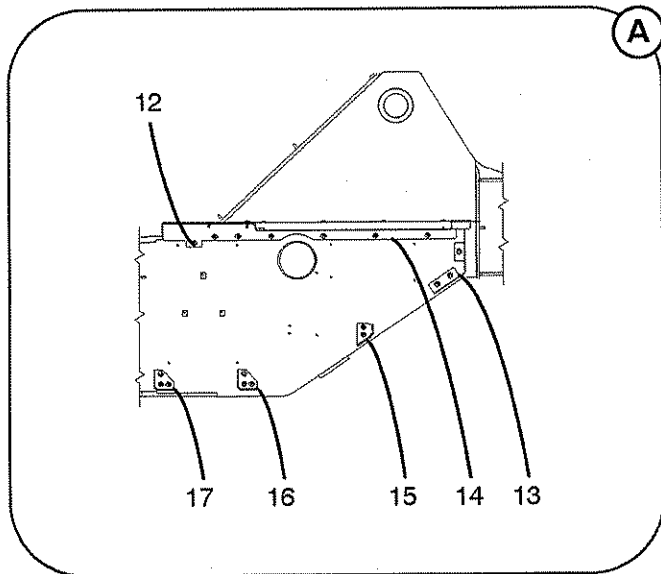
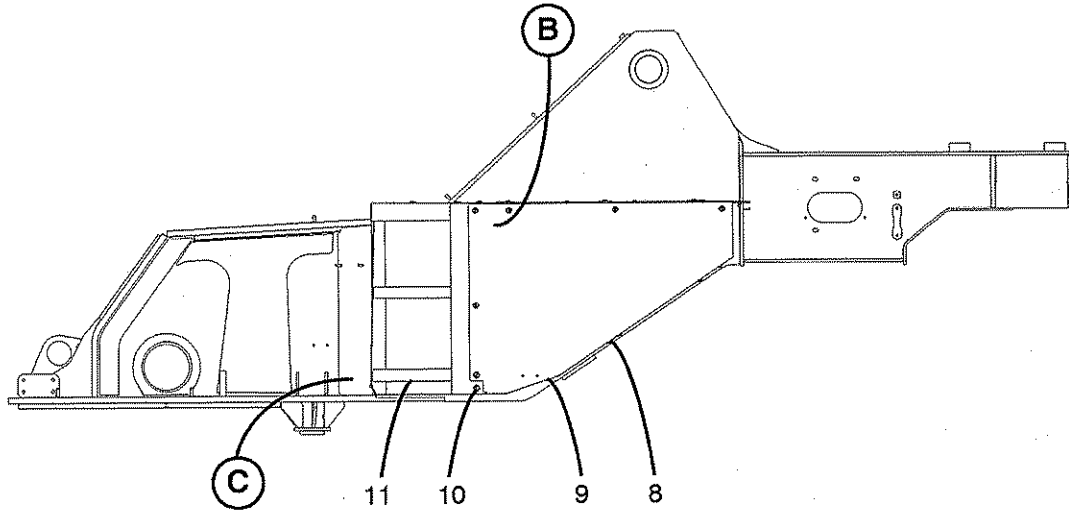
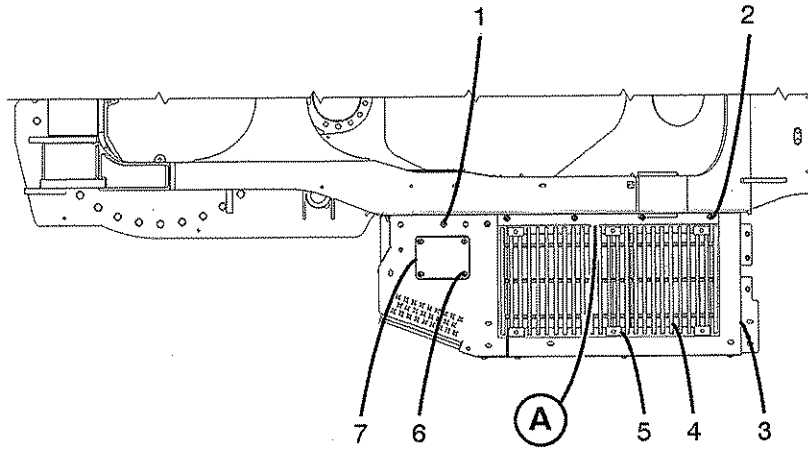


Parts List

0312

Upper Cab Assy				
REF	PART NO.	QTY	DESCRIPTION	REMARKS
180	1X 7907	1	Screw	
	1X 4638	1	Locknut	
181	18N1071	1	Lock, Sliding Door	
	1X 7905	4	Screw	
	1X 1776	4	Washer	
	1X 4638	4	Locknut	
182	N3N0081	1	Bracket	
183	R8N0093	1	Bracket Assy	
184	1X 7904	6	Screw, Machine	
185	R8N0092	1	Roller, Track	
186	1X 7904	6	Screw, Machine	
187	R8N0095	5	Cover	
	J8N0111	1	Upper Cab Door Assy	
188	R8N0091	1	Roller, Carriage	
	126006024	4	Capscrew	
	128002005	4	Washer	
189	J8N0124	1	Guide, Door	
	1X 7904	7	Screw, Machine	
190	N3N0129	1	Window, Door	
191	824009004	1	Weatherstrip - 3.29'	
192	824015022	1	Weatherstrip - 12'	
193	71N0005	4	Nutsert	
194	824009004	1	Weatherstrip - 0.69'	
195	J8N0113	1	Door	
196	126009099	2	Capscrew	
197	J8N0129	1	Seal, Sheet	
198	D3N0042	2	Spacer	
199	D7N0060	2	Guide, Wheel	
200	126009013	2	Capscrew	
	J6N0077	1	Kit, Vinyl	
201	N3N0155	1	Vinyl, Front Wall	
202	N3N0159	1	Vinyl, Left Side	
203	N3N0160	1	Vinyl, Door	
204	N3N0156	1	Vinyl, Back Wall	
205	J6N0076	1	Vinyl, Right Side Front	
206	N3N0185	1	Vinyl, Right Side Rear	

Upper Sheet Metal Installation

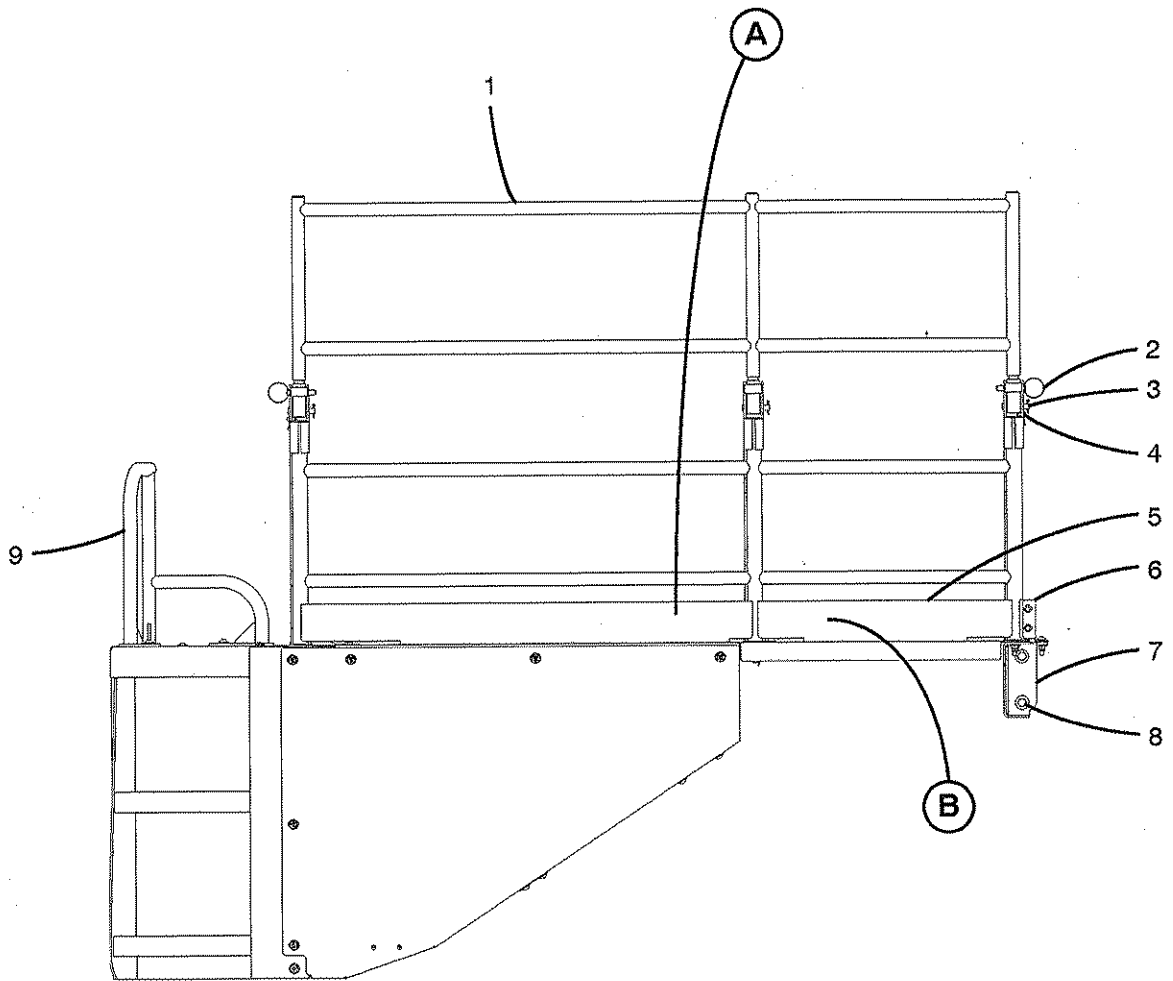


Parts List

0712

Upper Sheet Metal Installation				
REF	PART NO.	QTY	DESCRIPTION	REMARKS
1	65A0568	1	Nut, Retainer	
2	126018002	5	Screw, Machine	
	C5A1044	5	Washer	
	46L0026	5	Washer, Nylon	
	65A0568	5	Nut, Retainer	
3	J9B0145	1	Platform	KA
4	J9B0127	1	Grating, Fiberglass	
5	J8B0551	6	Clip, Grate	KA
	126009019	6	Capscrew	
6	126018002	4	Screw, Machine	
	C5A1044	4	Washer	
	46L0026	4	Washer, Nylon	
7	N4B0132	1	Sheet	KA
8	126018002	4	Screw, Machine	
	C5A1044	4	Washer	
	46L0026	4	Washer, Nylon	
9	J9B0141	1	Cover	KA
10	126018002	7	Screw, Machine	
	C5A1044	7	Washer	
	46L0026	7	Washer, Nylon	
11	N4B0129	1	Platform, Step	KA
12	128003004	7	Washer	
	127004003	7	Locknut	
	C6B0094	2	Shim	
13	N4B0167	1	Bracket, Support	KA
	128003004	3	Washer	
	127004003	3	Locknut	
14	J9B0169	1	Bracket	KA
15	N4B0166	1	Bracket	KA
	128003004	2	Washer	
	127004003	2	Locknut	
16	N4B0176	1	Bracket	KA
	N4B0175	1	Plate	KA
	128003004	3	Washer	
	127004003	3	Locknut	
17	N4B0164	1	Bracket	KA
	128003004	3	Washer	
	127004003	3	Locknut	
18	126009014	2	Capscrew	
	128003004	2	Washer	
	46L0026	2	Washer, Nylon	
19	126009014	1	Capscrew	
	128003004	2	Washer	
	46L0026	2	Washer, Nylon	
	127004003	1	Locknut	
20	126018002	2	Screw, Machine	
	C5A1044	2	Washer	
	46L0026	2	Washer, Nylon	
	J9B0161	1	Kit, Upper Sheet Metal – All Items Marked KA	

Upper Platform & Rails Installation

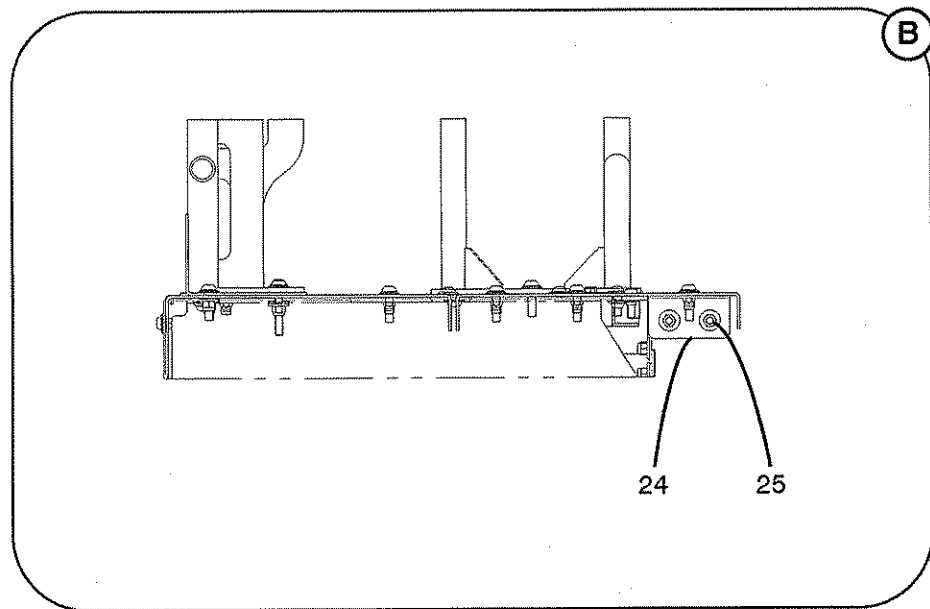
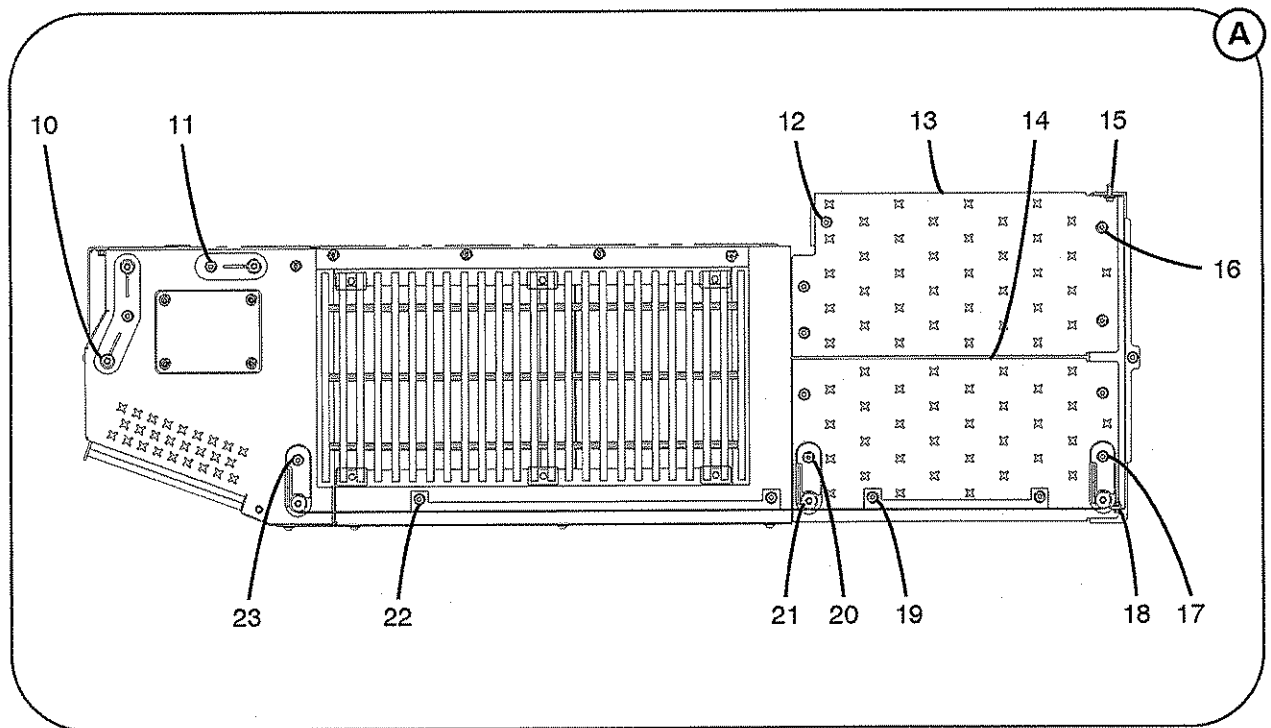


Parts List

0812

Upper Platform & Rails Installation				
REF	PART NO.	QTY	DESCRIPTION	REMARKS
	J9B0166	1	Handrail S/A	NSS, KA
1	J9B0152	1	Rail, Top	
2	S1B0501	2	Pin	
3	R8V0040	3	Pin	
	150007008	3	Pin, Cotter	
4	1X 7905	2	Screw, Machine	
	1X 1776	2	Washer	
5	J9B0146	1	Rail, Bottom	
6	J9B0164	1	Bracket	KA
7	J9B0162	1	Bracket	KA
8	126009027	2	Capscrew	
	128003006	2	Washer	
9	N4B0141	1	Guard, Cab	KA
10	F6A0076	4	Screw	
	C5A1044	4	Washer	
	46L0026	4	Washer, Nylon	

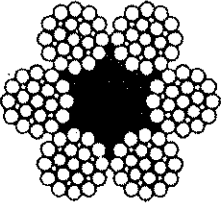
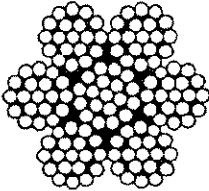
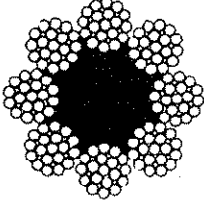
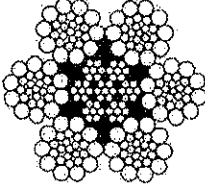
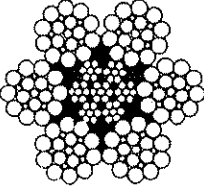
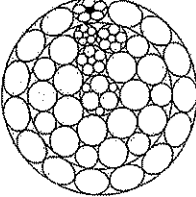
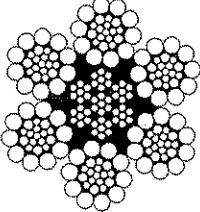
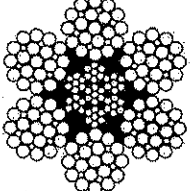
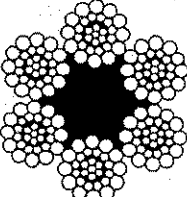
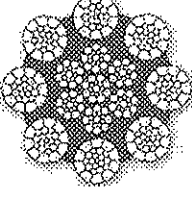
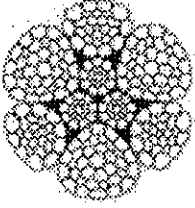
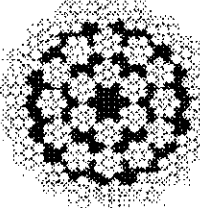
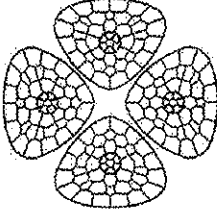
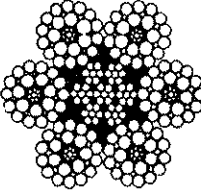
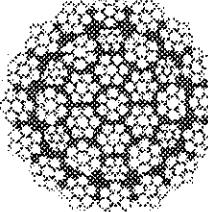
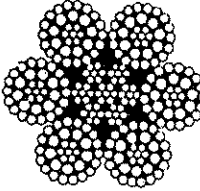
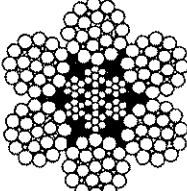
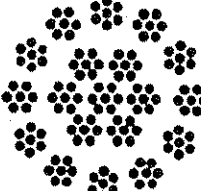
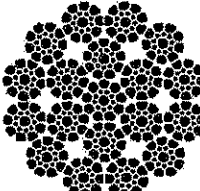
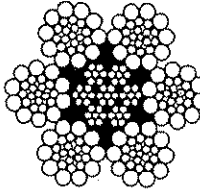
Upper Platform & Rails Installation



Parts List

0812

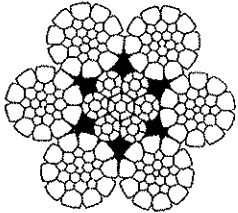
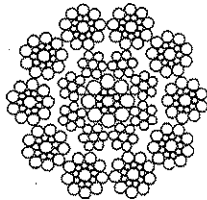
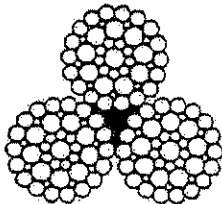
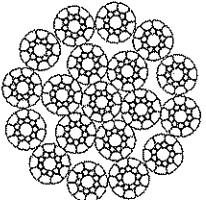
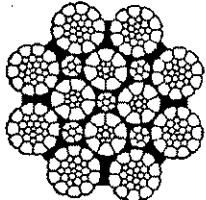
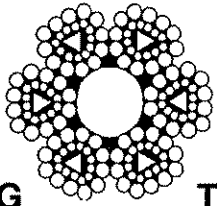
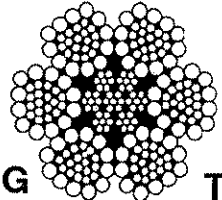
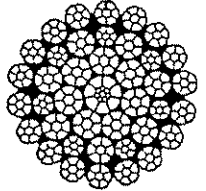
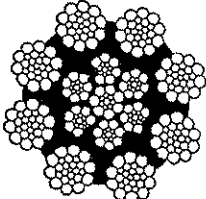
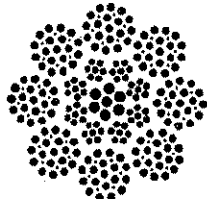
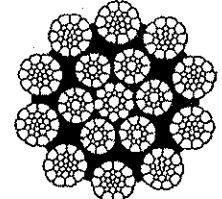
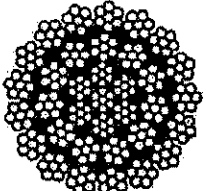
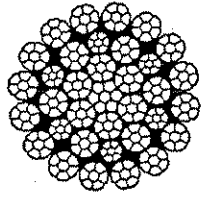
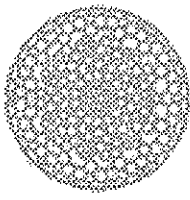
Upper Platform & Rails Installation				
REF	PART NO.	QTY	DESCRIPTION	REMARKS
11	F6A0076	2	Screw	KA KA
	C5A1044	2	Washer	
	46L0026	2	Washer, Nylon	
12	F6A0076	3	Screw	
	C5A1044	3	Washer, Stainless Steel	
	46L0026	6	Washer, Nylon	
	128003004	3	Washer, Zinc	
	127004003	3	Locknut	
13	J9B0125	1	Platform	
14	J9B0126	1	Platform	
15	126009013	1	Capscrew	
	C5A1044	1	Washer, Stainless Steel	
	46L0026	1	Washer, Nylon	
16	F6A0076	4	Screw	
	C5A1044	4	Washer, Stainless Steel	
	46L0026	8	Washer, Nylon	
	128003004	4	Washer, Zinc	
	127004003	4	Locknut	
17	F6A0076	1	Screw	
	C5A1044	2	Washer, Stainless Steel	
	46L0026	3	Washer, Nylon	
	128003004	1	Washer, Zinc	
	127004003	1	Locknut	
18	126009003	2	Capscrew	
	128003001	4	Washer	
	127004001	2	Locknut	
19	F6A0076	2	Screw	
	C5A1044	2	Washer, Stainless Steel	
	46L0026	4	Washer, Nylon	
	128003004	2	Washer, Zinc	
	127004003	2	Locknut	
20	126018004	1	Screw, Machine	
	C5A1044	1	Washer, Stainless Steel	
	46L0026	2	Washer, Nylon	
	128003004	1	Washer, Zinc	
	127004003	1	Locknut	
21	F6A0076	1	Screw	
	C5A1044	1	Washer	
	46L0026	1	Washer, Nylon	
22	F6A0076	2	Screw	
	C5A1044	2	Washer, Stainless Steel	
	46L0026	4	Washer, Nylon	
	128003004	2	Washer, Zinc	
	127004003	2	Locknut	
23	F6A0076	2	Screw	
	C5A1044	2	Washer, Stainless Steel	
	46L0026	3	Washer, Nylon	
	128003004	1	Washer, Zinc	
	127004003	1	Locknut	
24	J9B0155	1	Bracket	KA
25	46L0026	2	Washer, Nylon	
	128003004	2	Washer, Zinc	
	127004003	2	Locknut	
	J9B0144	1	Kit, Upper Platform & Rails – All Items Marked KA	

Wire Rope Specifications			
			
A	Aircord	B	BC
			
C,D,F,M,N	CC	DB	DC
			
E	EC	FC	GB
			
GC	H,R,S	HC	J
			
JB,W	K,P	KB,RB	L

Parts List

0408

Wire Rope Specifications

 <p>LB</p>	 <p>MB</p>	 <p>NB,Z</p>	 <p>PB</p>
 <p>SB,TB</p>	 <p>Style B</p>	 <p>Style V</p>	 <p>VB</p>
 <p>WB</p>	 <p>X</p>	 <p>XB</p>	 <p>Y</p>
 <p>YB</p>	 <p>ZB</p>		



Right Regular Lay Left Regular Lay

Right Lang Lay

Left Lang Lay

Alternate (Reverse) Lay

Parts List

0408

16-000-001.00

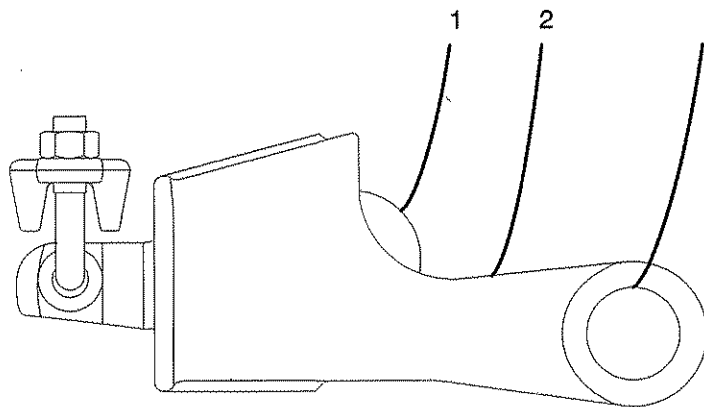
Wire Rope Specifications	
TYPE	DESCRIPTION
A	Use Type "N"
Aircord	7 X 19, Preformed, Carbon Steel, Galvanized
B	8 X 25 (8 X 19 Class), Filler Wire, I.P.S., Preformed, Fiber Center, Right Lay, Regular Lay
BC	6 X 26 (6 X 19 Class), E.E.I.P.S., Preformed, Right Regular Lay, I.W.R.C.
C	6 X 25 (6 X 19 Class), Filler Wire, I.P.S., I.W.R.C., Regular Lay
CC	36 X 7 Non-Rotating, E.E.I.P.S., Right Regular Lay, Compacted
D	Use Type "M"
DB	6 X 26 (6 X 19 Class), Warrington Seale, E.I.P.S., Preformed, Right Regular Lay, I.W.R.C.
DC	6 X 25 (6 X 19 Class), Filler Wire, E.E.I.P.S., XXIP, Preformed, I.W.R.C., Right Lay, Regular Lay
E	6 X 31 (6 X 37 Class), Flexible Seale, I.P.S., Fiber Center, Regular Lay
EC	6 Strand, Compacted Strand, Swaged, Preformed, I.W.R.C., Right Lay, Regular Lay
F	Use Type "N"
FC	6 Strand, Compacted Strand, Swaged, Preformed, I.W.R.C., Right Lay, Regular Lay
G, Style B	6 X 25 Flattened Strand, I.P.S., I.W.R.C., Lang Lay, Up to 3/4" Dia.
G, Style V	6 X 31 Flattened Strand, E.I.P.S., Preformed, I.W.R.C., Right Lay, Lang Lay, 7/8" Dia. & Larger
GB	36 X 7 Rotation Resistant, Core Strand: Left Lay, Center Layer of 6 Strands: Left Lay, Intermediate Layer of 12 Strands: Left Regular Lay, Outer Layer of 17 Strands: Right Regular Lay
GC	4 Strand, Compacted Strand, Swaged, Preformed, Right Lay, Regular Lay
H	6 X 36 (6 X 37 Class), Filler Wire, I.P.S., I.W.R.C., Regular Lay
HC	35 X 7 Rotation Resistant, Compacted Outer Strands, I.W.R.C., Right Lang Lay
J	6 X 43 (6 X 37 Class), Filler Wire, I.P.S., I.W.R.C., Regular Lay
JB	6 X 26 (6 X 19 Class), Preformed, I.W.R.C., Right Lay, Alternate Lay
K	19 X 7 Non-Rotating, I.P.S., Wire Center Core
KB	Rotation Resistant, Wire Strand Core (WSC)
L	6 X 21 (6 X 19 Class), Filler Wire, E.I.P.S., I.W.R.C., Lang Lay
LB	6 Strand, Compacted Strand, Seale or Warrington Seale, I.W.R.C., Preformed, Right Lay, Regular Lay
M	6 X 25 (6 X 19 Class), Filler Wire, E.I.P.S., Preformed, I.W.R.C., Right Lay, Lang Lay
MB	10 X 19 Rotation Resistant, E.I.P.S.
N	6 X 25 (6 X 19 Class), Filler Wire, E.I.P.S., Preformed, I.W.R.C., Right Lay, Regular Lay
NB	3 X 46, Torque Balanced, No Core, E.I.P.S., Preformed, Pretensioned, Right Regular Lay
P	19 X 7 Rotation Resistant, E.I.P.S., Preformed, Wire Strand Core (WSC)
PB	19 X 19 Rotation Resistant, E.I.P.S., Preformed, Right Lay, Regular Lay, Swaged, Inner 7 Strands: Left Lang Lay, Outer 12 Strands: Right Regular Lay
R	6 X 36 (6 X 37 Class), Filler Wire, E.I.P.S., I.W.R.C., Regular Lay
RB	18 X 19 Rotation Resistant, E.E.I.P.S., Preformed, Right Lay, Regular Lay, Swaged
S	6 X 36 (6 X 37 Class), Filler Wire, E.I.P.S., I.W.R.C., Lang Lay
SB	8 Strand, Preformed, Right Lay, Regular Lay

Parts List

0408

Wire Rope Specifications	
TYPE	DESCRIPTION
T, Style B	6 X 25 Flattened Strand, E.I.P.S., I.W.R.C., Lang Lay, Up To 3/4" Dia.
T, Style V	6 X 31 Flattened Strand, E.I.P.S., Preformed, I.W.R.C., Right Lay, Lang Lay, 7/8" Dia. & Larger
TB	8 Strand, Preformed, Right Lay, Regular Lay
VB	28 mm Diameter, Flexible, Rotation Resistant, Regular Lay
W	6 X 26 (6 X 19 Class), E.I.P.S., Preformed, I.W.R.C., Right Lay, Alternate Lay
WB	8 Strand, Preformed, Regular Lay
X	8 X 25 (8 X 19 Class), E.I.P.S., I.W.R.C., Regular Lay
XB	10 Strand, Preformed, Regular Lay
Y	35 X 7 Non-Rotating, Special Tensile Formset, Core Strand: Left Direction, Center Layer of 6 Strands: Left Direction, Intermediate Layer of 11 Strands: Left Direction, Outer Layer of 17 Strands: Right Direction
YB	34 X 7 (6/1) Rotation Resistant, Wire Rope Core 34 X 19 (9/9/1) Wire Strand Core (WSC) (1-1/2" Dia. Rope)
Z	3 X 46 E.I.P.S., No Core, Pretensioned, Regular Lay
ZB	34 X 7 Non-Rotating, E.I.P.S., Right Regular Lay or Right Lang Lay
<p>NOTE: All Types Are Right Lay & Preformed Except K, P, & Y Where Inner 7 Strands Are Left Lang Lay And Outer 12 Are Right Regular Lay.</p> <p>I.P.S. = Improved Plow Steel. I.W.R.C. = Independent Wire Rope Core E.I.P.S. = Extra Improved Plow Steel E.E.I.P.S. = Extra Extra Improved Plow Steel</p>	

Terminator Socket & Wedge & Drum Wedge



Parts List

0606

Terminator Socket & Wedge & Drum Wedge				
REF	PART NO.	QTY	DESCRIPTION	REMARKS
1	N3Y0001	1	Terminator Socket & Wedge Assy	
2	N3Y0002	1	Wedge, Terminator	
3	N3Y0003	1	Socket, Terminator	
	D6Y0002	1	Pin	
	150007009	1	Pin, Cotter	
	J7Y0001	1	Wedge, Drum – Not Shown	

Wire Rope – Type DB – 500 Ft

No Illustration Required

Parts List

0805

Wire Rope – Type DB – 500 Ft

REF	PART NO.	QTY	DESCRIPTION	REMARKS
	990775368	1	Rope, Type DB Wire – .75" Dia x 500'	

Wire Rope – Type DB – 600 Ft

No Illustration Required

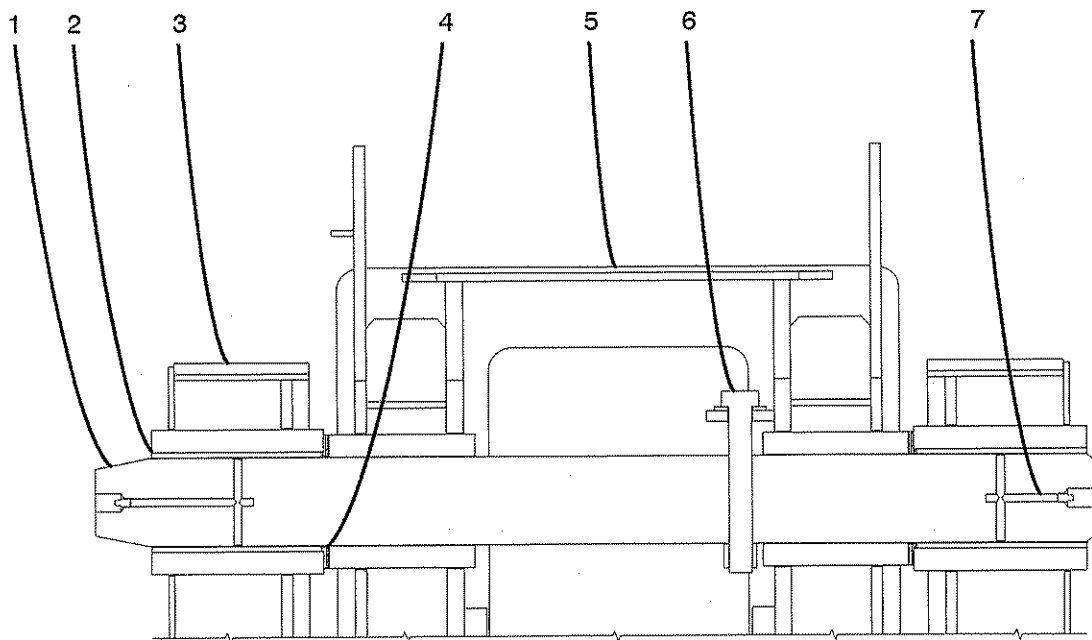
Parts List

0805

Wire Rope – Type DB – 600 Ft

REF	PART NO.	QTY	DESCRIPTION	REMARKS
	990775366	1	Rope, Type DB Wire – .75" Dia x 600'	

Boom Foot Pin & Bearing

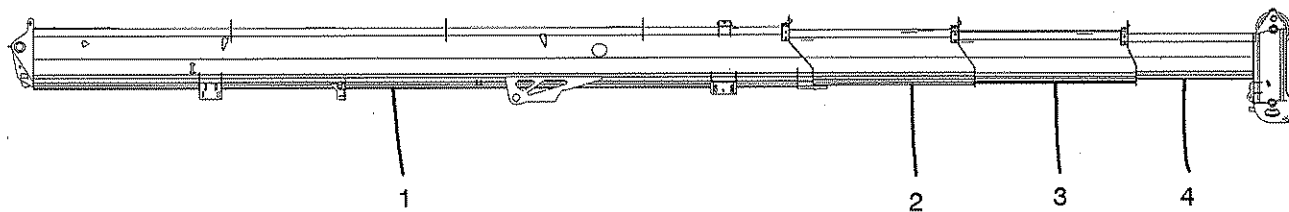


Parts List

0404

Boom Foot Pin & Bearing				
REF	PART NO.	QTY	DESCRIPTION	REMARKS
1	N3M0235	1	Pin, Boom Foot	
2	D6B0257	2	Bearing	
3	REF		Upper Frame	
4	46M0440	8	Washer, Thrust	
5	REF		Boom Base Section	
6	1X 4032	1	Capscrew	
	128003012	1	Washer	
	127004008	1	Locknut	
7	1X 0812	2	Fitting, Grease	

Base Section

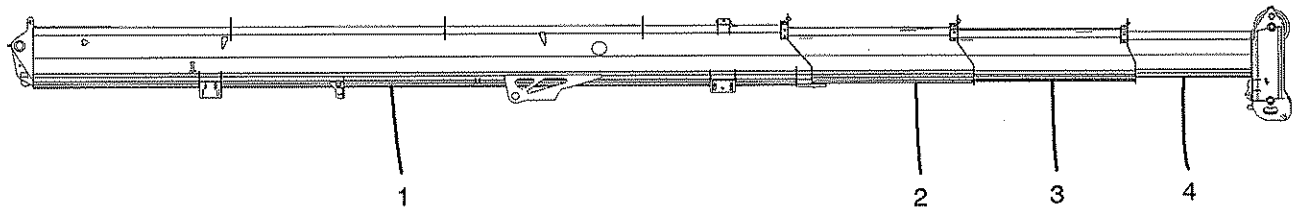


Parts List

0805

Base Section				
REF	PART NO.	QTY	DESCRIPTION	REMARKS
1	J9M0192	1	Base Section	
2	REF		Inner Mid Section	
3	REF		Outer Mid Section	
4	REF		Tip Section	

Inner Mid Section

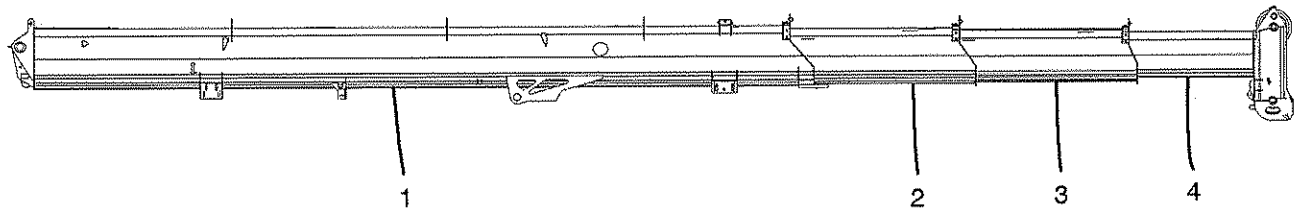


Parts List

0805

Inner Mid Section				
REF	PART NO.	QTY	DESCRIPTION	REMARKS
1	REF		Base Section	
2	J9M0193	1	Inner Mid Section	
3	REF		Outer Mid Section	
4	REF		Tip Section	

Outer Mid Section

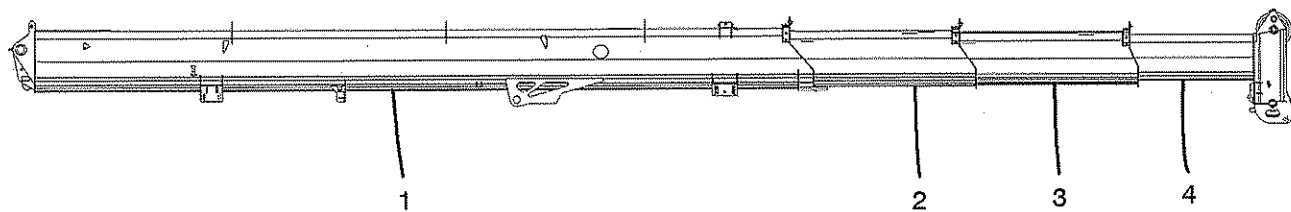


Parts List

0805

Outer Mid Section				
REF	PART NO.	QTY	DESCRIPTION	REMARKS
1	REF		Base Section	
2	REF		Inner Mid Section	
3	J9M0194	1	Outer Mid Section	
4	REF		Tip Section	

Tip Section

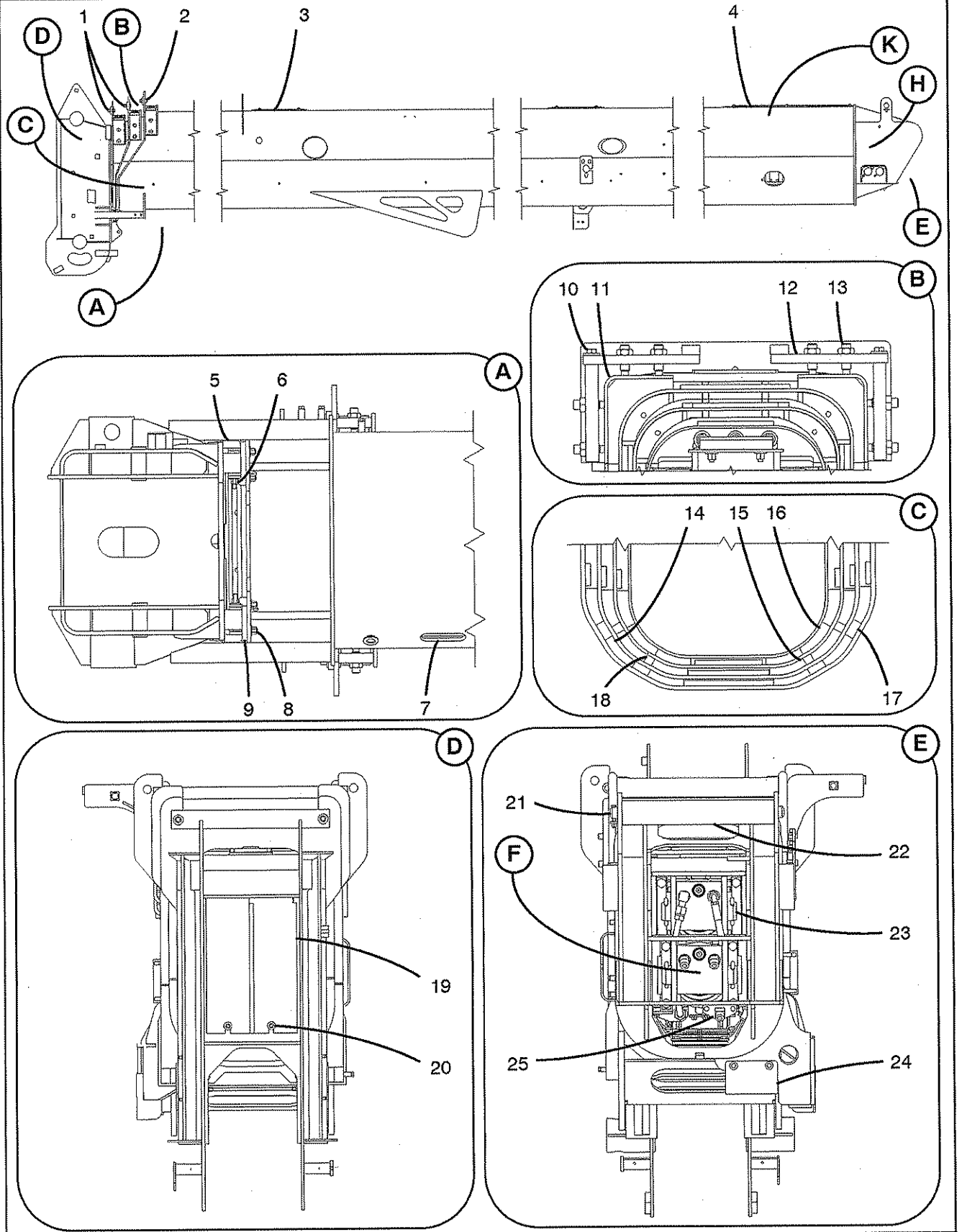


Parts List

0805

Tip Section				
REF	PART NO.	QTY	DESCRIPTION	REMARKS
1	REF		Base Section	
2	REF		Inner Mid Section	
3	REF		Outer Mid Section	
4	J9M0195	1	Tip Section	

4 Section Boom Assy

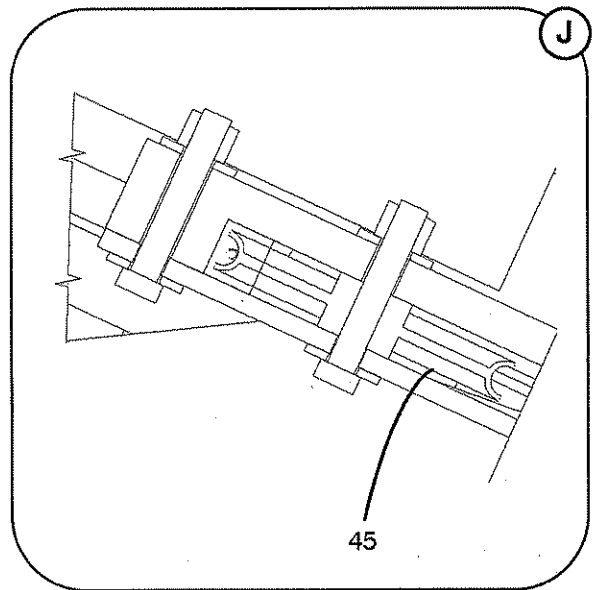
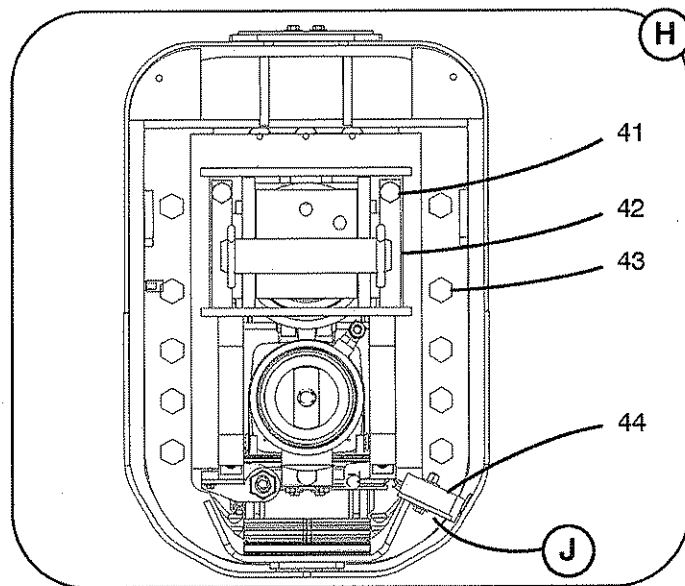
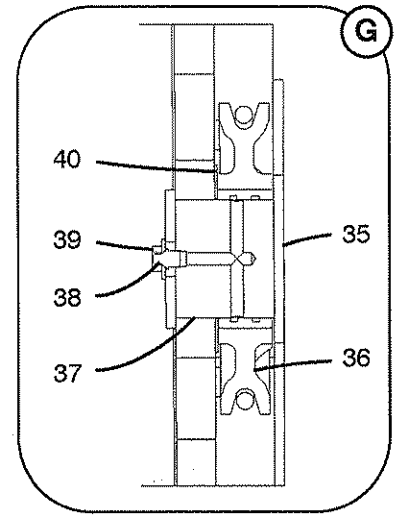
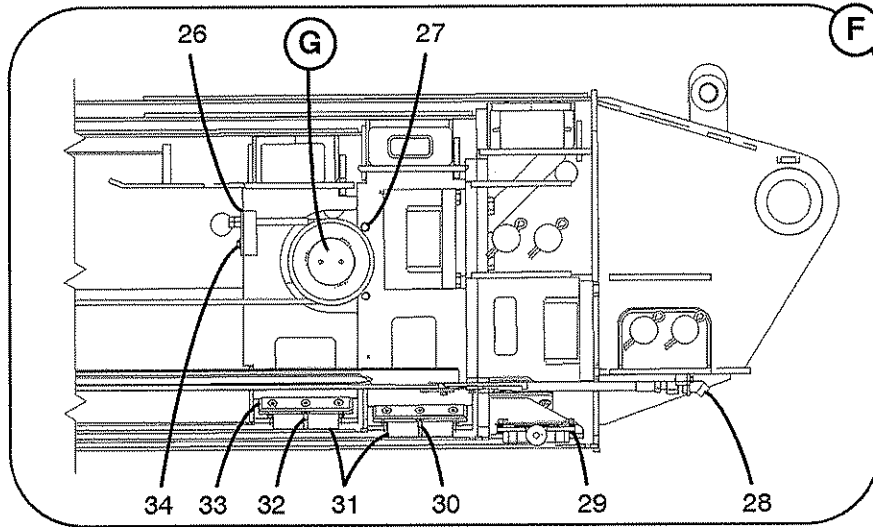


Parts List

0811

4 Section Boom Assy				
REF	PART NO.	QTY	DESCRIPTION	REMARKS
1	N3M0460	2	Pad, Wear	
	126009030	4	Capscrew	
	128003006	8	Washer	
	127004005	4	Locknut	
2	N3M0459	1	Pad, Wear	
	126009030	2	Capscrew	
	128003006	4	Washer	
	127004005	2	Locknut	
3	J9M0245	2	Sheet	
	126009012	4	Capscrew	
	128003004	4	Washer	
4	J9M0141	1	Sheet	
	126009012	4	Capscrew	
	128003004	4	Washer	
5	N3M0322	2	Plate -- .75" Thick -- AR	
	N3M0319	6	Plate -- .25" Thick -- AR	
	N3M0321	4	Plate -- .13" Thick -- AR	
6	126009089	4	Capscrew	
	128003004	4	Washer	
	127004003	4	Locknut	
7	824025008	1	Trim -- 12"	
8	126009017	4	Capscrew	
	128003004	4	Washer	
	127004003	4	Locknut	
9	N3M0322	2	Plate	
10	126009028	12	Capscrew	
	128003006	12	Washer	
11	N3M0258	6	Pad, Wear	
	N3M0457	6	Plate	
12	N3M0456	6	Plate	
13	1X 0730	24	Setscrew	
	1X 0185	24	Nut, Jam	
14	N3M0300	6	Pad, Wear	
	N3M0302	24	Insert, Teflon	
15	N3M0300	6	Pad, Wear	
	N3M0302	24	Insert, Teflon	
16	N3M0300	6	Pad, Wear	
	N3M0302	24	Insert, Teflon	
17	N3M0333	4	Spacer	
18	N3M0339	4	Spacer	
19	N3M0371	2	Cover	
20	128003004	2	Washer	
	127004003	2	Locknut	
21	J9M0119	1	Shaft	
	126009020	1	Capscrew	
	127004003	1	Locknut	
22	J9M0118	1	Tube	
23	D6M0501	2	Pin	
	150007007	4	Pin, Cotter	
24	N3M0236	1	Plate	
	126009014	4	Capscrew	
	128003004	8	Washer	
	127004003	4	Locknut	

4 Section Boom Assy

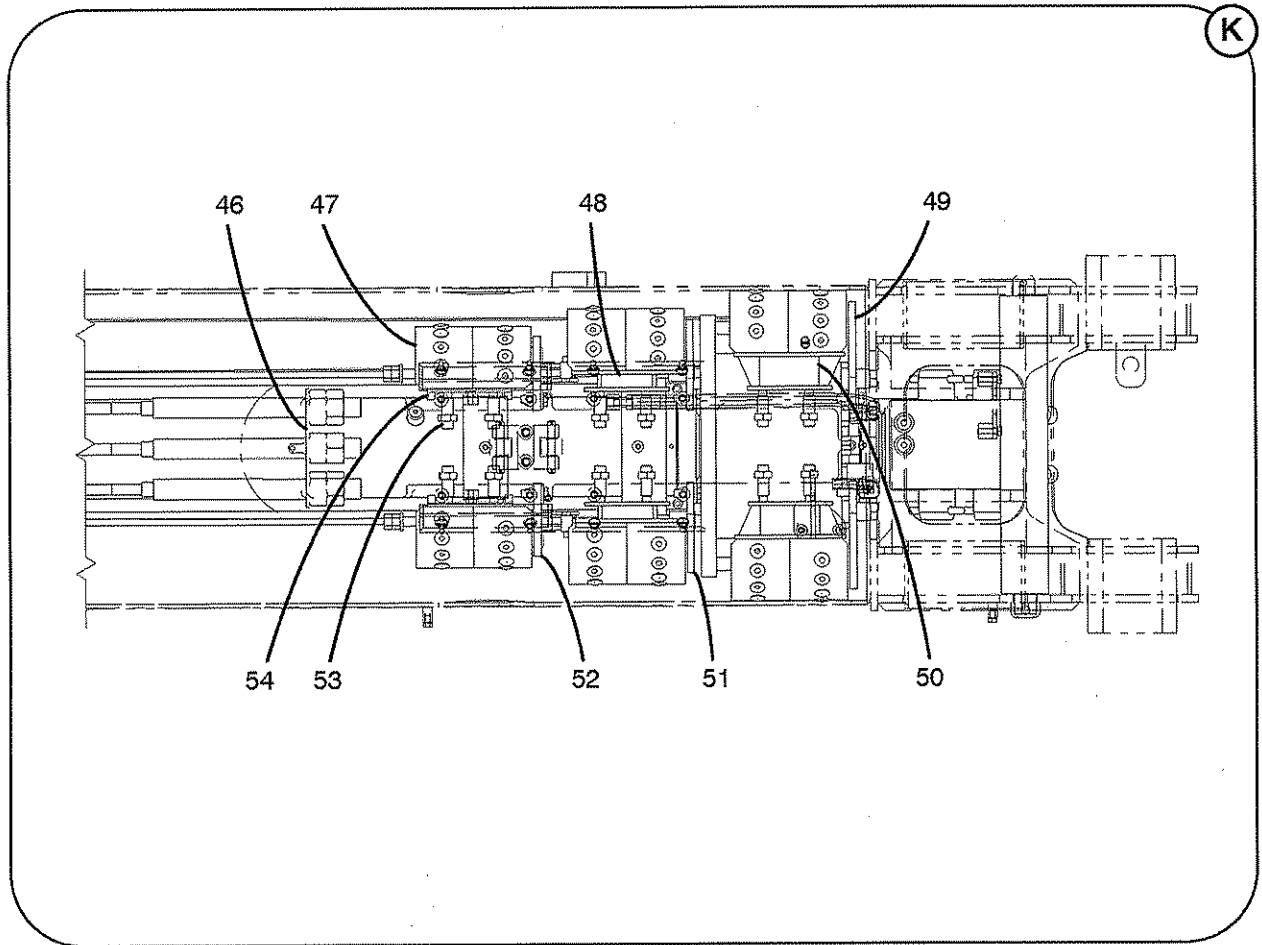


Parts List

0811

4 Section Boom Assy				
REF	PART NO.	QTY	DESCRIPTION	REMARKS
25	J9M0226	1	Plate	NSS
	126009100	2	Capscrew	
	128003003	2	Washer	
26	J9M0061	2	Plate	
	1X 6984	4	Nut, Hex	
27	J9M0092	4	Tube	
	126009015	4	Capscrew	
28	1X 8276	1	Elbow, Bulkhead	
29	N3M0252	4	Pad, Wear	
	N3M0692	8	Shim	
	128003006	4	Washer	
	N3M0700	1	Roller Bracket S/A	
	N3M0699	1	Bracket, Roller	
	J7M1244	3	Roller, Yoke	
	N3M0928	1	Pin	
	150007008	1	Pin, Cotter	
30	1X 7960	1	Capscrew	
31	N3M0547	2	Pad, Wear	
	N3M0315	6	Sheet	
	J9M0201	2	Plate	
	1X 8279	8	Capscrew	
32	1X 7960	1	Capscrew	
33	J9M0234	4	Pad, Wear	
	1X 7938	8	Screw	
34	126009013	2	Capscrew	
	128003004	2	Washer	
35	J9M0073	2	Plate	
36	E1M0306	2	Sheave Assy	
	E1M0229	1	Sheave	
	E1M0230	1	Bushing	
37	J9M0034	2	Pin	
38	1X 0812	2	Fitting, Grease	
39	126009022	4	Capscrew	
	128003004	4	Washer	
40	32H0180	2	Shim	
41	1X 5501	4	Capscrew	
42	E1M0116	2	Plate	
43	1X 7097	10	Capscrew	
44	J9M0246	1	Pad, Wear	
	126009018	2	Capscrew	
	128003004	4	Washer	
	127004003	2	Locknut	
45	J9M0101	1	Pulley	
46	E1M0369	1	Plate	
	1X 7939	6	Nut, Hex	
47	N3M0252	12	Pad, Wear	
	N3M0302	48	Insert, Teflon	
48	N3M0360	2	Spacer	
49	N3M0458	2	Plate	
	126009028	2	Capscrew	
	128003006	2	Washer	
50	N3M0334	2	Space	

4 Section Boom Assy

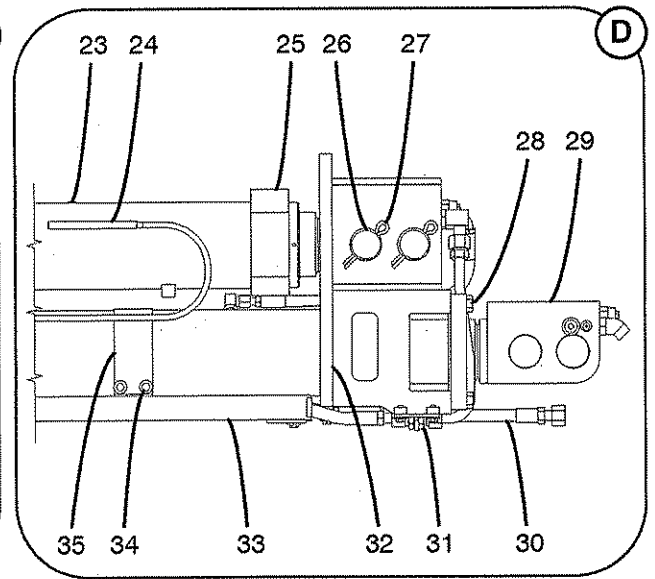
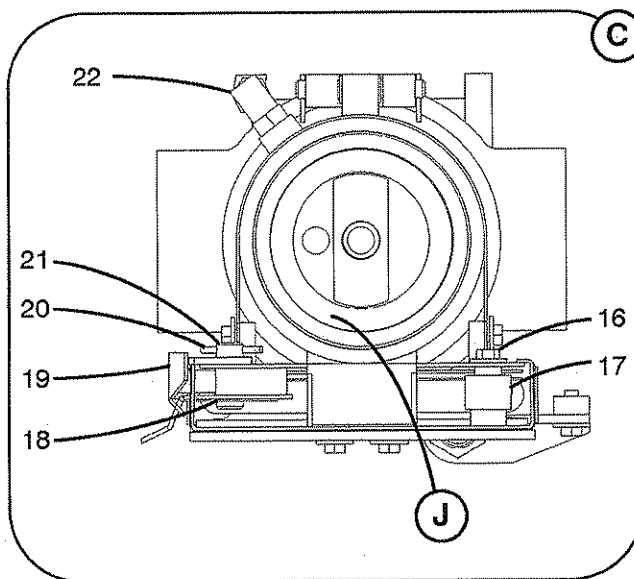
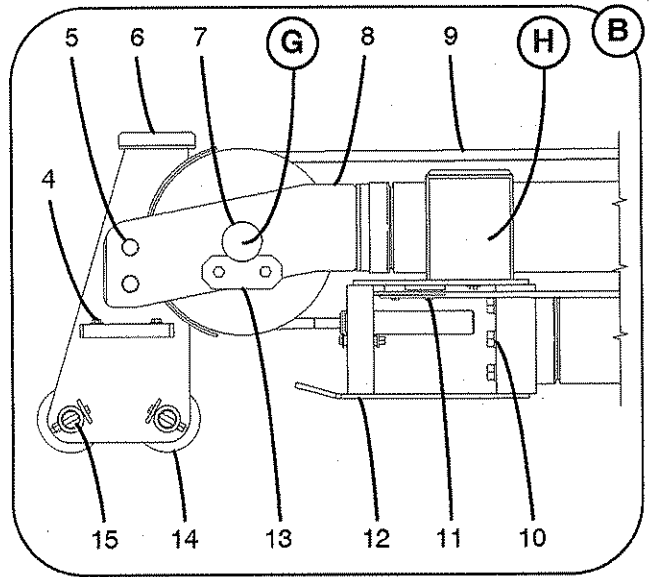
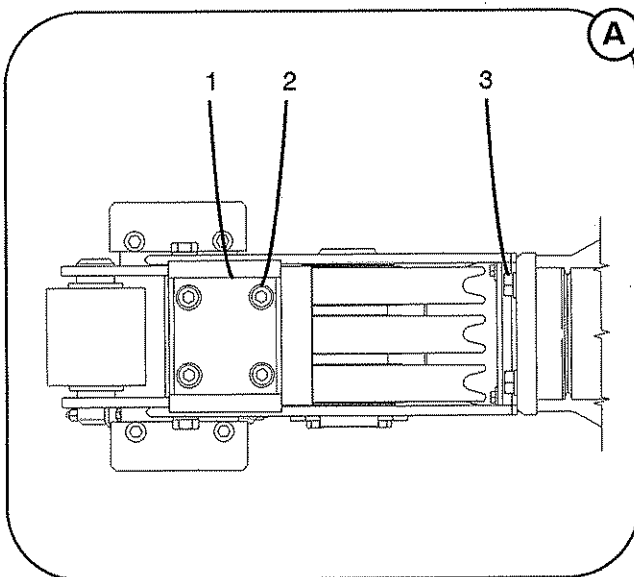
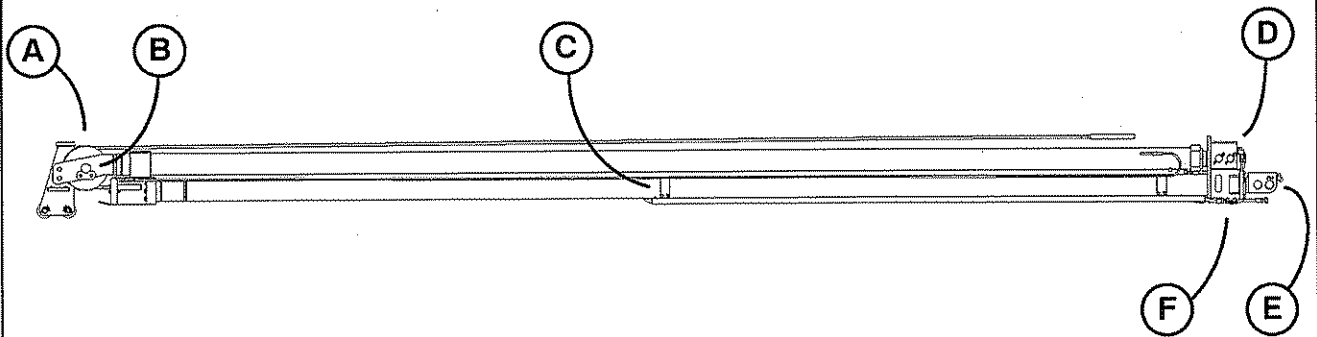


Parts List

0811

4 Section Boom Assy				
REF	PART NO.	QTY	DESCRIPTION	REMARKS
51	N3M0461	2	Plate	
	126009028	2	Capscrew	
	128003006	2	Washer	
52	N3M0650	2	Plate	
	126009028	2	Capscrew	
	128003006	2	Washer	
53	1X 0730	12	Setscrew	
	1X 0185	12	Nut, Jam	
54	N3M0377	2	Spacer	

Boom Telescope Cylinders

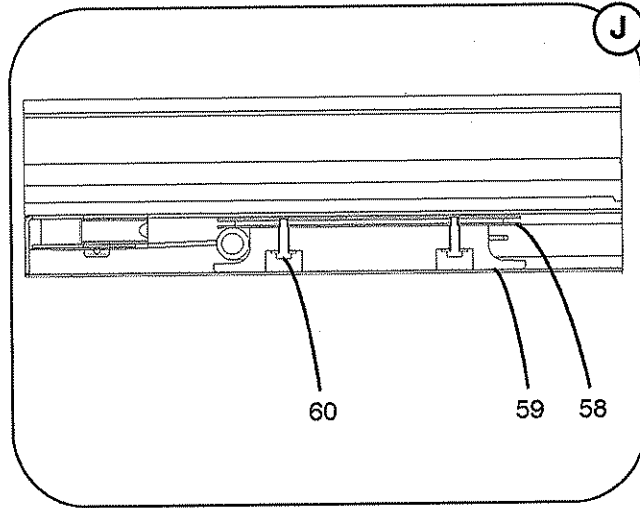
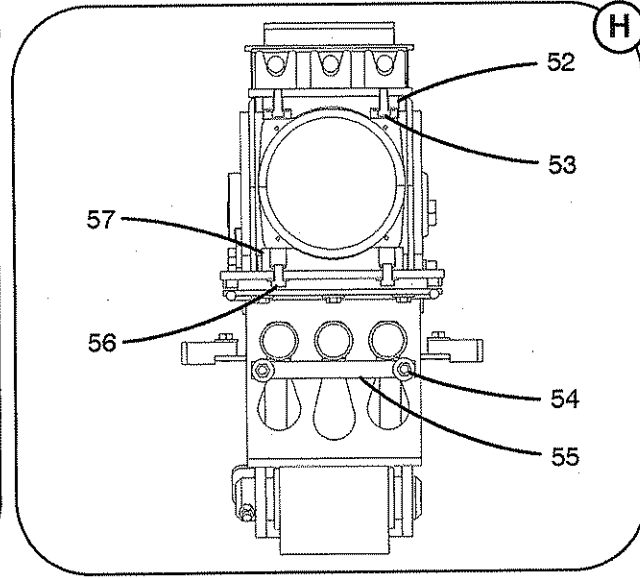
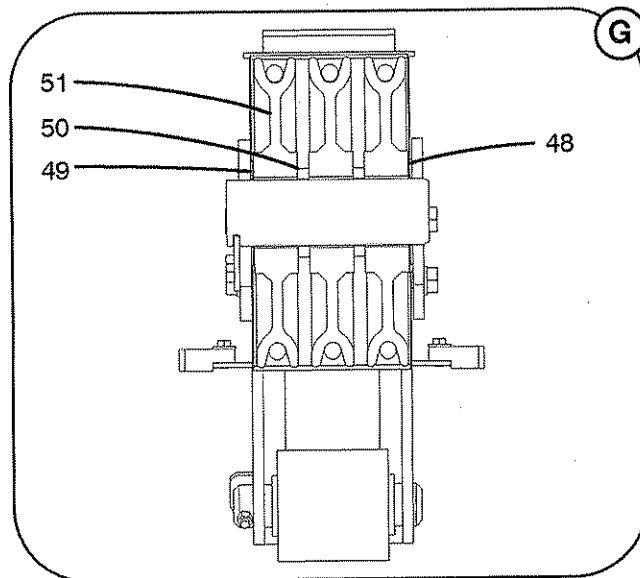
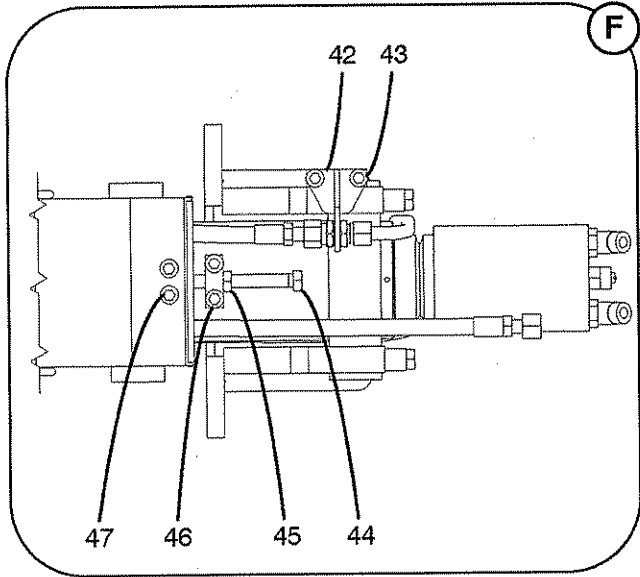
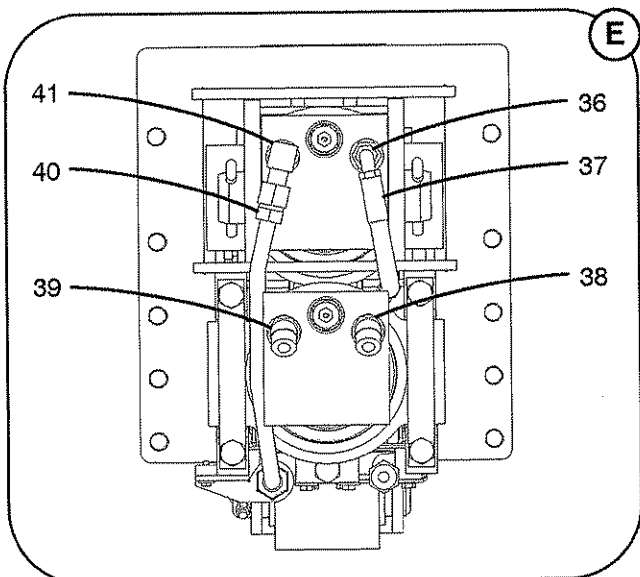


Parts List

0212

Boom Telescope Cylinders				
REF	PART NO.	QTY	DESCRIPTION	REMARKS
1	J9M0189	1	Pad, Wear	
2	126009015	4	Capscrew	
	128003004	8	Washer	
	127004003	4	Locknut	
3	1X 4332	6	Capscrew	
	1X 5188	6	Washer	
4	J9M0056	2	Pad, Wear	
	126009013	4	Capscrew	
	128003004	4	Washer	
5	1X 4332	4	Capscrew	
	1X 5188	4	Washer	
6	J9M0187	1	Bracket, Cylinder Support	
7	J9M0105	1	Pin	
8	J9M0057	1	Bracket, Sheave Support	
9	J9M0016	3	Cable, Extend	
10	1X 4138	6	Capscrew	
	1X 5188	6	Washer	
11	J9M0078	1	Plate	
	126009012	3	Capscrew	
	128003004	3	Washer	
12	J9M0069	1	Bracket, Extend/Retract	
13	F7M0366	1	Plate	
	1X 6979	2	Capscrew	
14	N3M0352	2	Wheel	
15	J9M0176	2	Pin	
	126009021	2	Capscrew	
	127004003	2	Locknut	
16	126009015	1	Capscrew	
	128003004	1	Washer	
17	J9M0116	1	Loop, Cable Hose	
	J9M0185	1	Spacer – 0.75" OD	
	J9M0186	1	Spacer – 1.25" OD	
18	68M0328	1	Pulley	
19	J9M0263	1	Bracket	
20	1X 1092	1	Pin, Cotter	
21	J9M0260	1	Pin	
22	1X 7388	1	Elbow	
23	1X 4194	1	Plug	
24	J9M0227	1	Cable, Retract	
25	REF	1	Boom Telescope Cylinder Assy – See Keysheet 17-002	
26	D6M0501	2	Pin	
27	150007007	4	Pin, Cotter	
28	E1M0116	2	Plate	
	1X 5501	4	Capscrew	
29	REF	1	Boom Telescope Cylinder Assy – See Keysheet 17-002	
30	J9J0178	1	Hose Assy	
31	1X 7679	1	Union	
32	J9M0271	1	Mount, Cylinder	
33	J9M0238	1	Tray, Hose Loop	
34	126009119	8	Capscrew	
	128003004	8	Washer	

Boom Telescope Cylinders

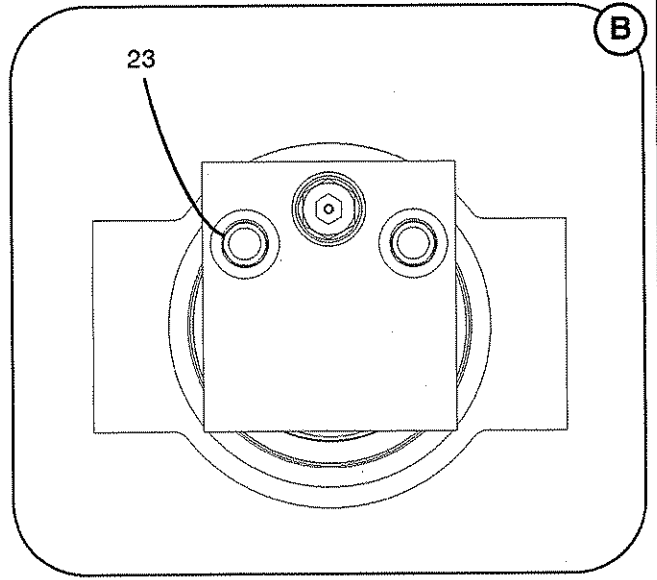
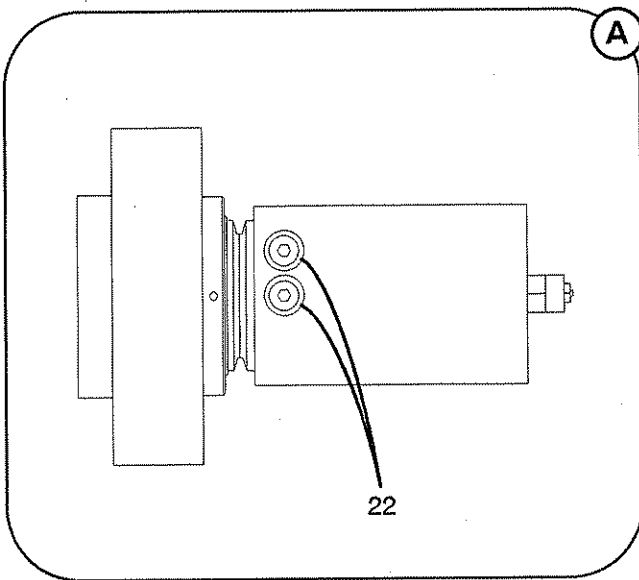
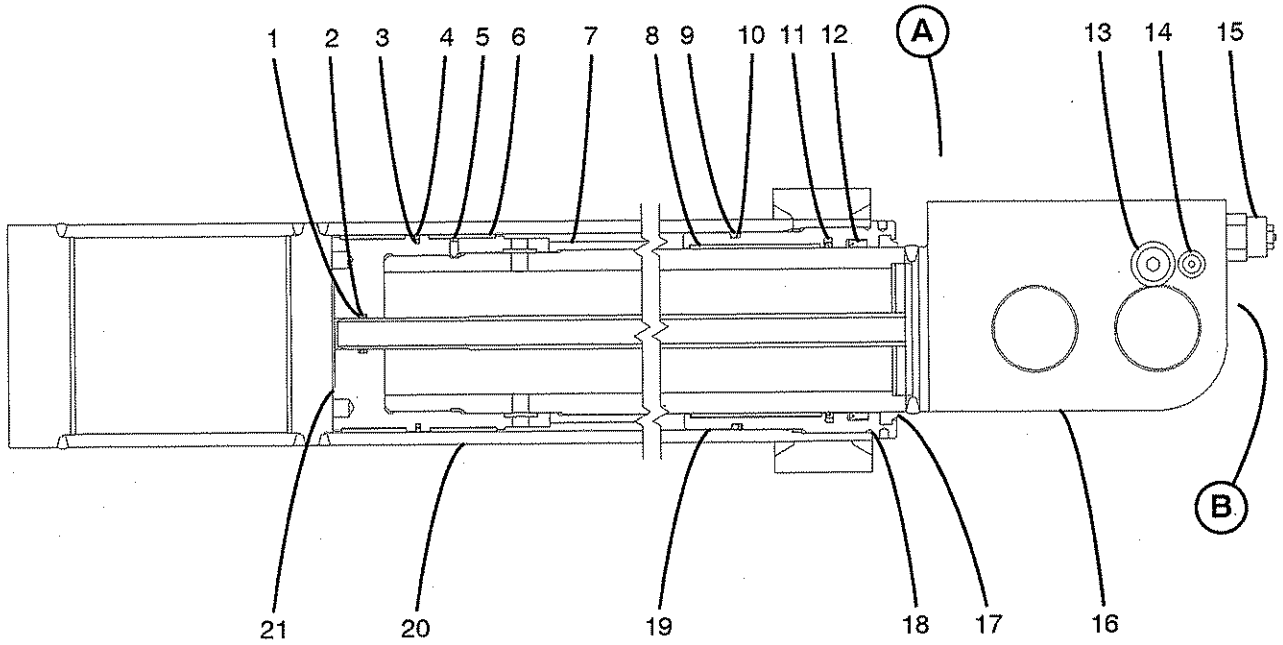


Parts List

0212

Boom Telescope Cylinders				
REF	PART NO.	QTY	DESCRIPTION	REMARKS
35	J9M0295	2	Strap, Mounting	
36	1X 7454	1	Connector	
37	J9J0207	1	Hose Assy	
38	1X 7537	1	Elbow	
39	1X 7537	1	Elbow	
40	J9J0208	1	Tube Assy	
41	1X 7729	1	Elbow	
42	J9M0270	1	Bracket	
43	126009013	2	Capscrew	
	128003004	2	Washer	
44	1X 8233	1	Bolt	
45	1X 0185	1	Nut, Jam	
46	J9M0097	1	Block, Tap	
	126009016	2	Capscrew	
	128003004	2	Washer	
47	J9M0247	1	Block, Tap	
	126009013	2	Capscrew	
	128003004	2	Washer	
48	32H0179	2	Shim - 22 Gauge	
	32H0180	1	Shim - 16 Gauge	
49	32H0180	2	Shim - 16 Gauge	
50	12M0038	2	Spacer	
51	J9M0103	3	Sheave Assy	
	J9M0102	1	Sheave	
	J9M0104	1	Bearing	
52	J9M0074	1	Pad, Wear	
53	126009013	4	Capscrew	
	128003004	4	Washer	
54	126009022	2	Capscrew	
	128003004	4	Washer	
	127004003	2	Locknut	
55	E9M0066	2	Bar	
56	126009012	2	Capscrew	
	128003004	2	Washer	
57	E1M0370	1	Pad, Nylon	
58	J9M0228	1	Pulley	
59	J9M0231	1	Loop, Hose	
60	126009003	6	Capscrew	
	128003001	6	Washer	

Boom Telescope Cylinder Assy

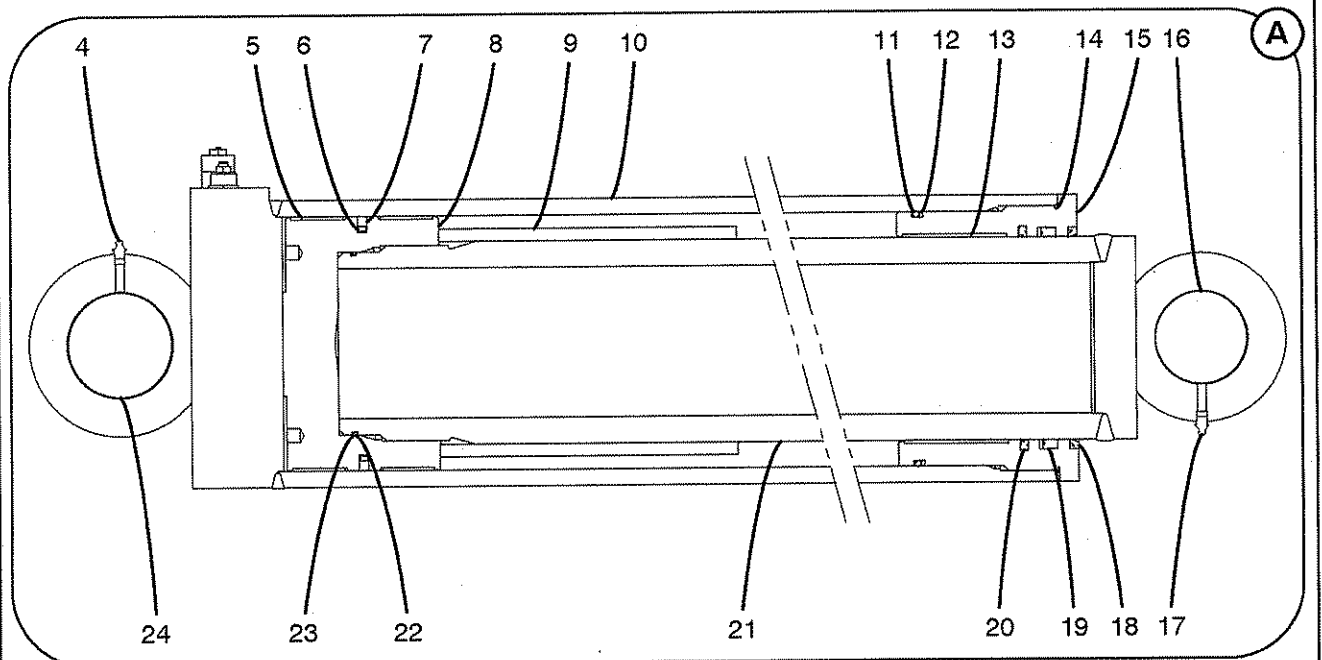
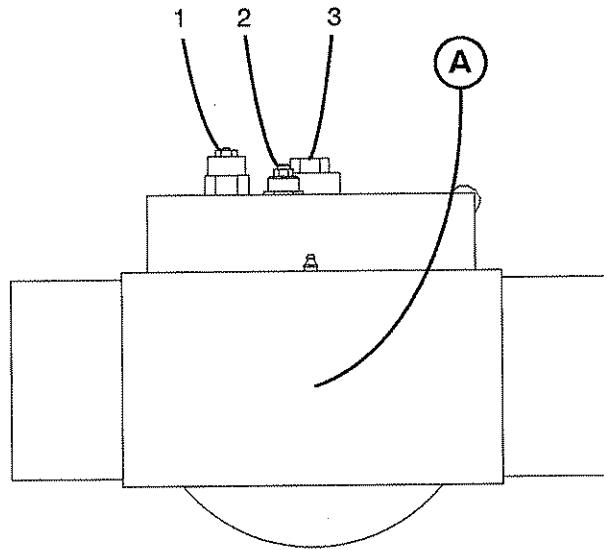


Parts List

1012

Boom Telescope Cylinder Assy				
REF	PART NO.	QTY	DESCRIPTION	REMARKS
	J9J0331	1	Boom Telescope Cylinder Assy	
1	36J0352	2	Ring, Back Up	KA
2	JC 1813	1	O-ring	KA
3	N3J0067	1	Seal, Square Ring	KA
4	53J0081	1	Seal, Teflon	KA
5	36J0356	1	Setscrew	
6	N4J0302	2	Ring, Wear	KA
7	N3J0080	1	Tube, Stop	
8	N4J0303	1	Ring, Wear	KA
9	1X 8065	1	O-ring	KA
10	F2J0202	1	Ring, Back Up	KA
11	F2J0206	1	Seal, Stepseal	KA
12	F2J0205	1	Seal, Double Lip	KA
13	1X 4631	1	Plug	
14	1X 4448	2	Plug	
15	N3J0081	1	Cartridge, Counterbalance	
	3J 12641	1	Kit, Seal	
16	J9J0054	1	Rod	
17	F2J0207	1	Wiper, Rod	KA
18	1X 8586	1	O-ring	KA
19	F2J0188	1	Gland	
20	J9J0332	1	Case, Cylinder	
21	F2J0189	1	Piston	
22	1X 4631	2	Plug	
23	1X 4454	1	Plug	
	3J 19568	1	Kit, Seal - All Items Marked KA	

Boom Hoist Cylinder Assy

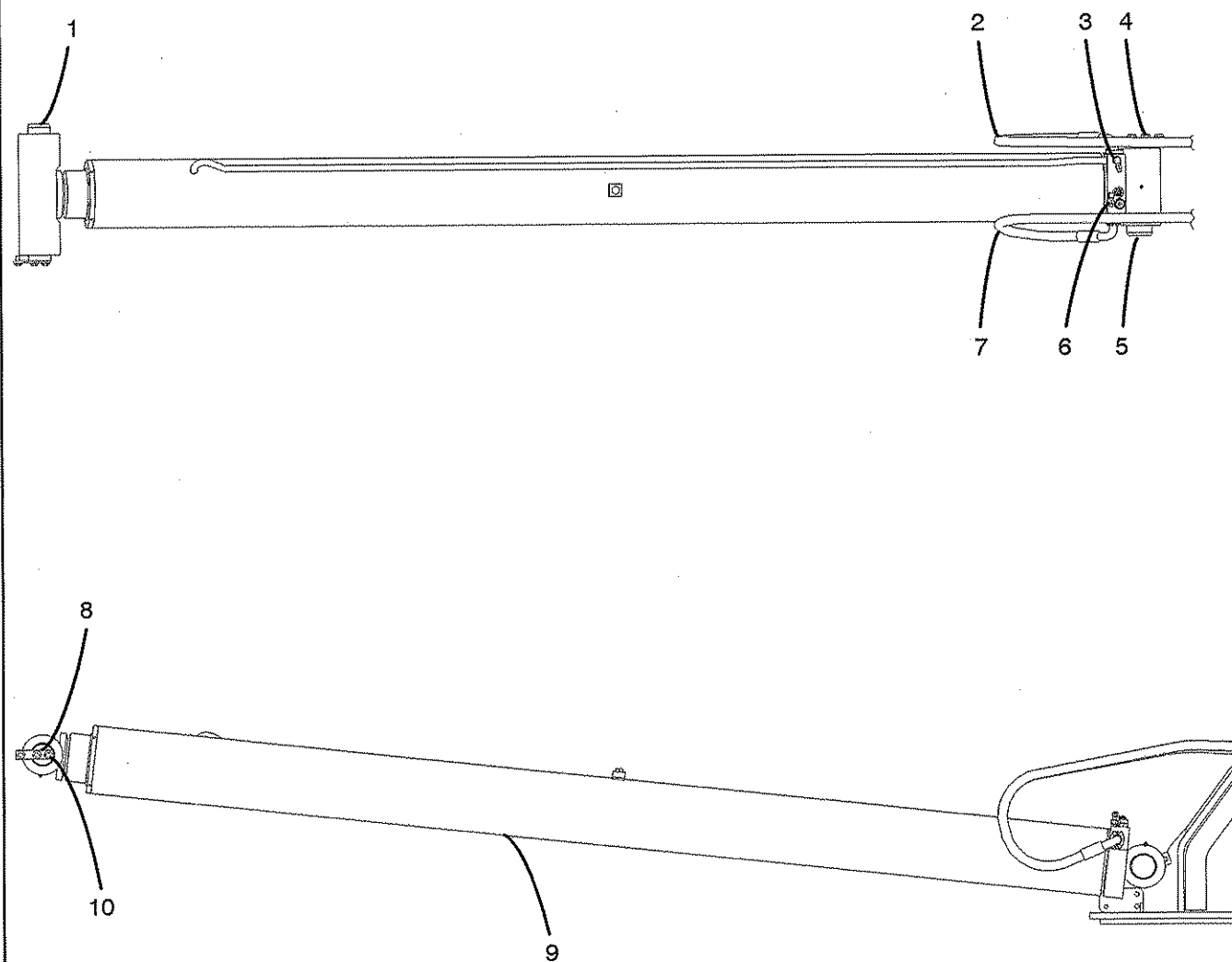


Parts List

0211

Boom Hoist Cylinder Assy				
REF	PART NO.	QTY	DESCRIPTION	REMARKS
	J9J0014	1	Boom Hoist Cylinder Assy	
1	J7J0783	1	Cartridge, Counterbalance	
	3J 12641	1	Kit, Seal	
2	J6J0055	1	Cartridge, Counterbalance	
	3J 14672	1	Kit, Seal	
3	126009092	1	Capscrew	
4	1X 0812	1	Fitting, Grease	
5	J9J0301	2	Ring, Wear	KA
6	D6J0313	1	Seal, Square Ring	KA
7	36J0098	1	Seal, Piston	KA
8	J9J0024	1	Piston	
9	J9J0026	1	Spacer	
10	J9J0015	1	Case	
11	31J1446	1	O-ring	KA
12	D6J0298	1	Seal, Back Up	KA
13	J9J0300	1	Ring, Wear	KA
14	1X 7742	1	O-ring	KA
15	J9J0025	1	Gland	
16	E8J0091	2	Bearing	
17	1X 0812	1	Fitting, Grease	
18	J9J0031	1	Wiper	KA
19	J9J0030	1	Seal	KA
20	J9J0029	1	Stepseal	KA
21	J9J0020	1	Rod, Piston	
22	1X 7222	1	O-ring	KA
23	J9J0032	1	Ring, Back Up	KA
24	N3J0072	2	Bearing	
	1X 5922	1	Plug - Not Shown	
	3J 17343	1	Kit, Seal - All Items Marked KA	

Boom Hoist Cylinder & Lines

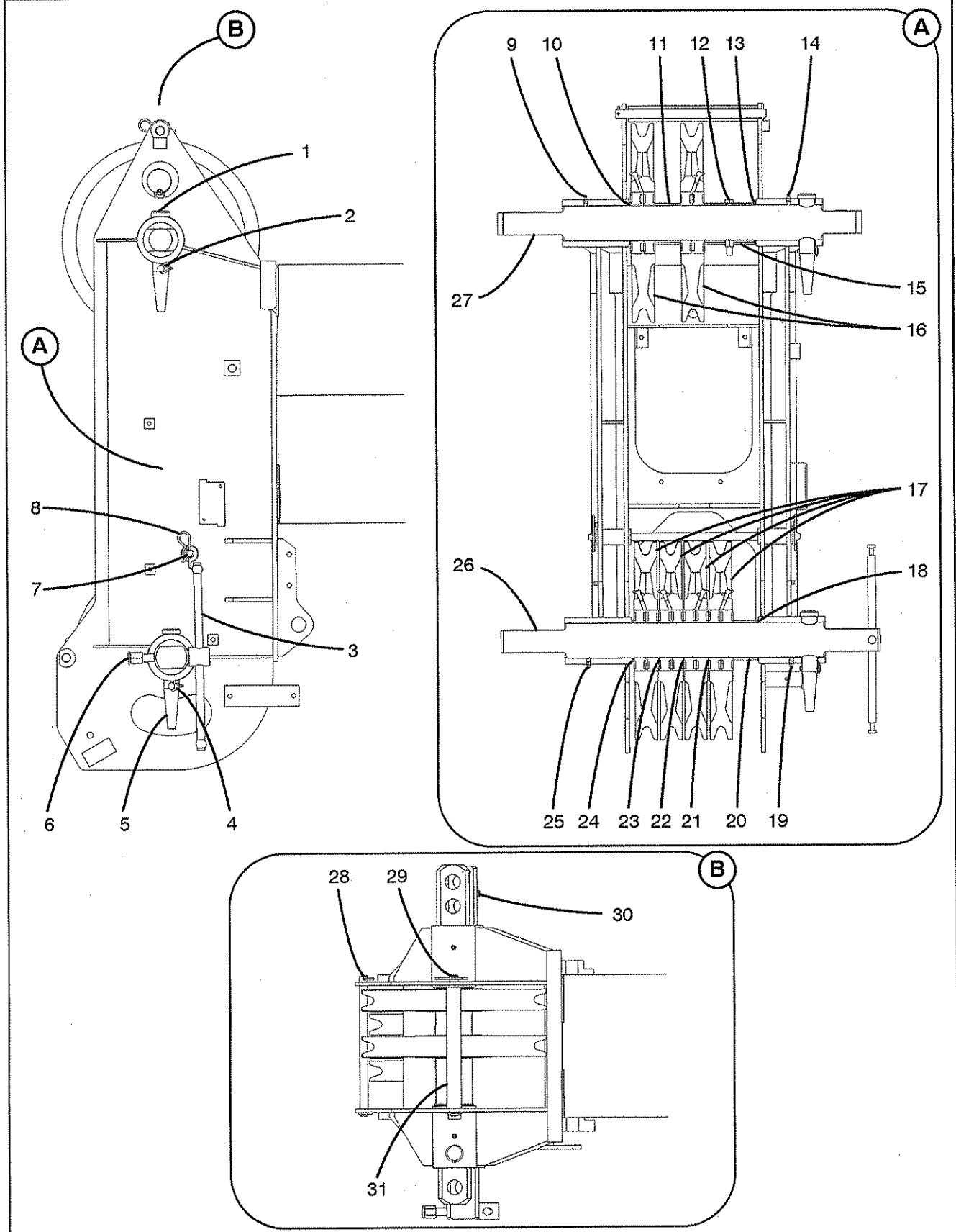


Parts List

0407

Boom Hoist Cylinder & Lines				
REF	PART NO.	QTY	DESCRIPTION	REMARKS
1	J9J0137	1	Shaft	
2	J9J0146	1	Hose Assy	
	16J0201	2	Flange, Split	
	20J0990	1	O-ring	
	126009014	4	Capscrew	
3	1X 7746	1	Elbow	
	1X 7561	1	Reducer	
4	F3J0098	1	Plate	
	126009057	3	Capscrew	
	128003009	3	Washer	
5	N3J0108	1	Pin	
6	N3J0519	1	Fuse, Velocity	
	1X 7404	1	Elbow	
	1X 7561	1	Reducer	
7	J9J0213	1	Hose Assy	
	16J0201	2	Flange, Split	
	20J0990	1	O-ring	
	126009014	4	Capscrew	
8	J9J0138	1	Bar	
9	REF	1	Boom Hoist Cylinder Assy – See Keysheet 17-003	
10	126009027	3	Capscrew	
	128003006	3	Washer	

4 Sheave Head Machinery

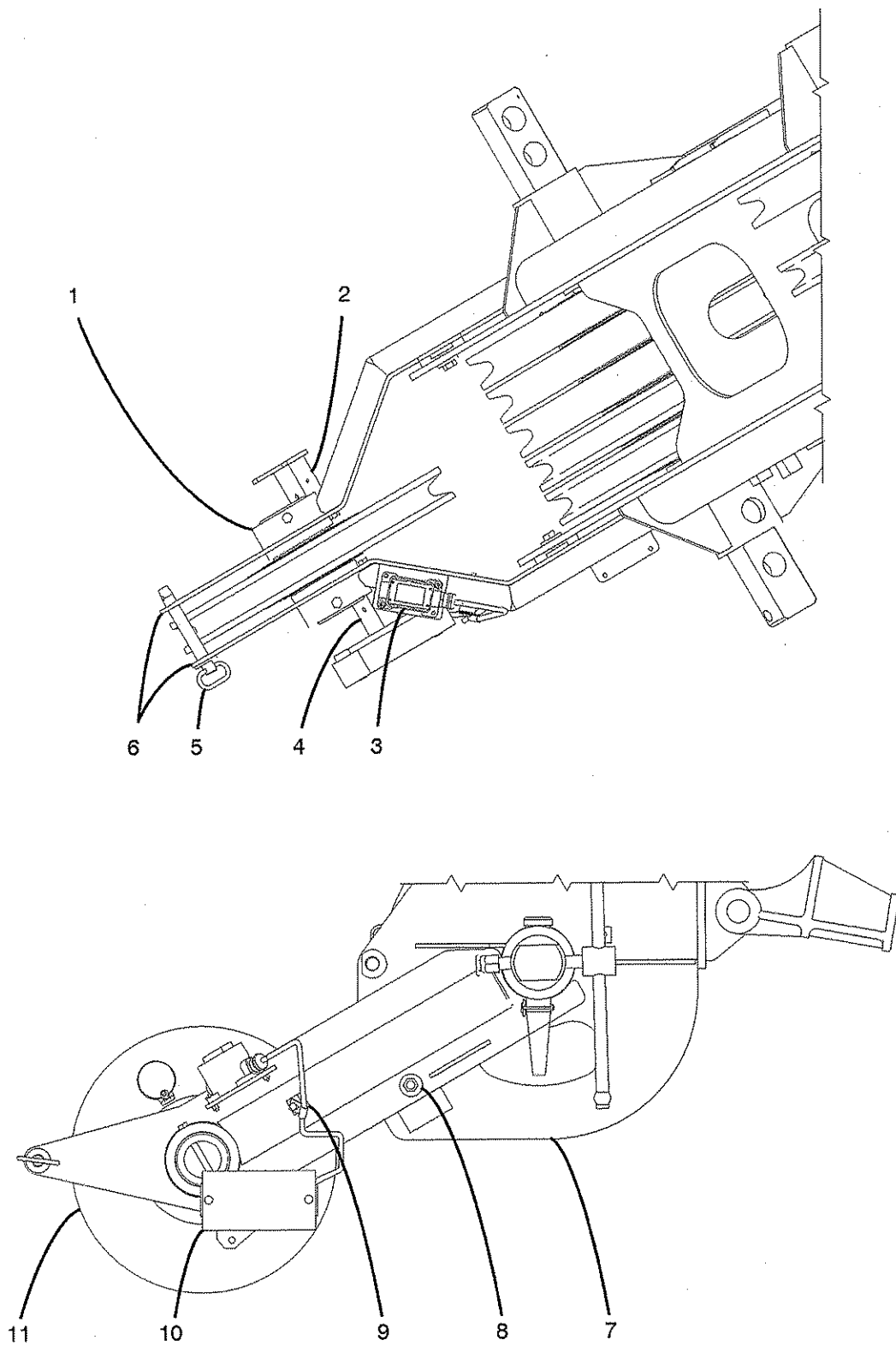


Parts List

0612

4 Sheave Head Machinery				
REF	PART NO.	QTY	DESCRIPTION	REMARKS
1	J7M1111	1	Pin	
2	18M0818	1	Pin, Lock	
3	J6M0100	1	T-Handle	
4	18M0818	1	Pin, Lock	
5	J7M1111	1	Pin	
6	D3M0222	1	Pad, Swivel	
7	N3M0239	1	Pin	
8	D6M0500	2	Pin, Hair	
9	1X 0812	1	Fitting, Grease	
10	D6M0329	2	Shim	
11	D6M0331	1	Spacer	
12	126009040	1	Capscrew	
	127004005	1	Locknut	
13	D6M0329	3	Shim	
14	1X 0812	1	Fitting, Grease	
15	D6M0330	1	Spacer	
16	F7M0374	2	Sheave Assy	
	F7M0376	1	Sheave, Nylon	
	GC 0225	2	Bearing, Ball	
	1X 3255	1	Fitting, Grease	
17	F7M0374	4	Sheave Assy	
	F7M0376	1	Sheave, Nylon	
	GC 0225	2	Bearing, Ball	
	1X 3255	1	Fitting, Grease	
18	D6M0329	1	Shim	
19	1X 0812	1	Fitting, Grease	
20	D6M0331	1	Spacer	
21	D6M0329	1	Shim	
22	D6M0329	1	Shim	
23	D6M0329	1	Shim	
24	D6M0329	3	Shim	
25	1X 0812	1	Fitting, Grease	
26	N3M0540	1	Shaft	
27	N3M0539	1	Shaft	
28	D6M0432	1	Pin	
	D6M0500	1	Pin, Hair	
29	D6M0432	1	Pin	
	D6M0500	1	Pin, Hair	
30	126009099	1	Capscrew	
31	E9M0115	1	Tube	

Auxiliary Lifting Sheave

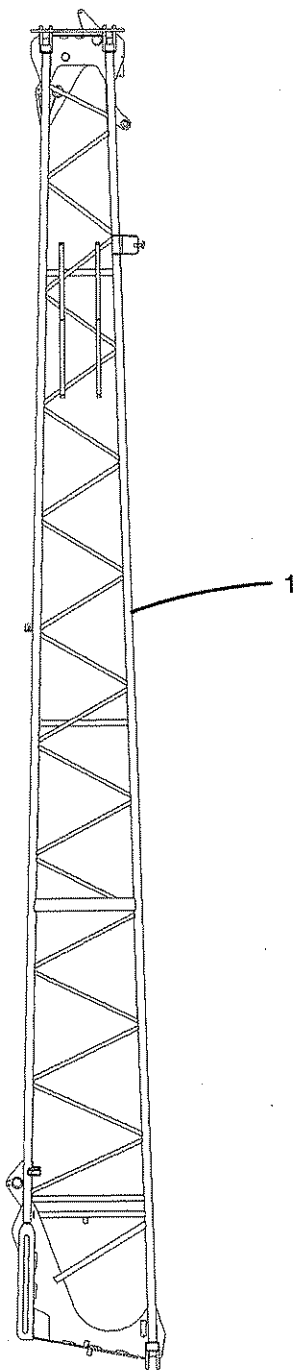


Parts List

0111

Auxiliary Lifting Sheave				
REF	PART NO.	QTY	DESCRIPTION	REMARKS
1	J9M0150	1	Auxiliary Lifting Sheave S/A	NSS
	E9M0105	1	Tube Assy	
	D6M0329	3	Shim	
	126009101	2	Capscrew	
	127004003	2	Locknut	
2	J9L0009	1	Bracket	
	126009014	2	Capscrew	
	128003004	2	Washer	
	127004003	2	Locknut	
3	E8L0038	1	ATB Receptacle Assy	
	1X 7906	2	Screw	
	1X 1776	2	Washer	
	1X 4638	2	Locknut	
4	J9L0008	1	Bracket	
	126009014	2	Capscrew	
	128003004	2	Washer	
	127004003	2	Locknut	
5	47M0295	1	Pin, Hitch	
6	N3M1030	1	Bracket, Auxiliary Arm	
7	REF		Boom Head	
8	126009031	2	Capscrew	
	36A2343	4	Washer	
	127004005	2	Locknut	
9	39J0218	1	Clamp	
	126009099	1	Capscrew	
10	REF	1	Attachment ATB Switch Assy – See Keysheet 18-007	
11	F7M0374	1	Sheave Assy	
	GC 0225	2	Bearing, Ball	
	1X 3255	1	Fitting, Grease	
	F7M0376	1	Sheave, Nylon	

35 Ft Fly Base

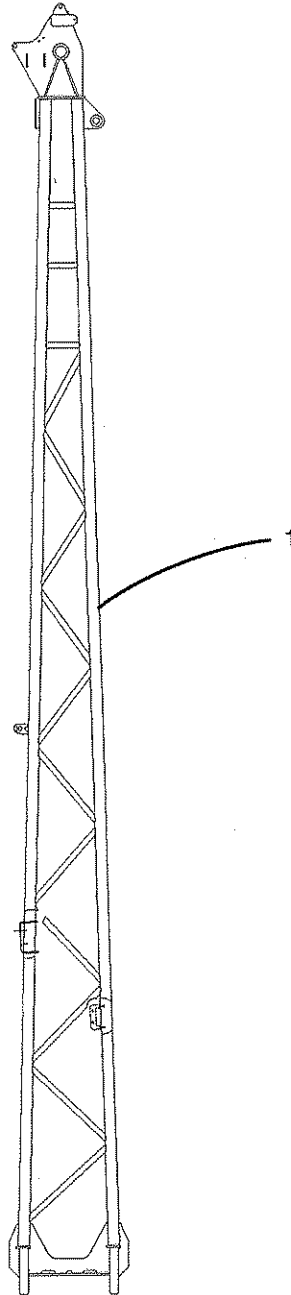


Parts List

0111

35 Ft Fly Base				
REF	PART NO.	QTY	DESCRIPTION	REMARKS
1	N3M1023	1	Base, 35 Ft Fly	

23 Ft Fly Tip

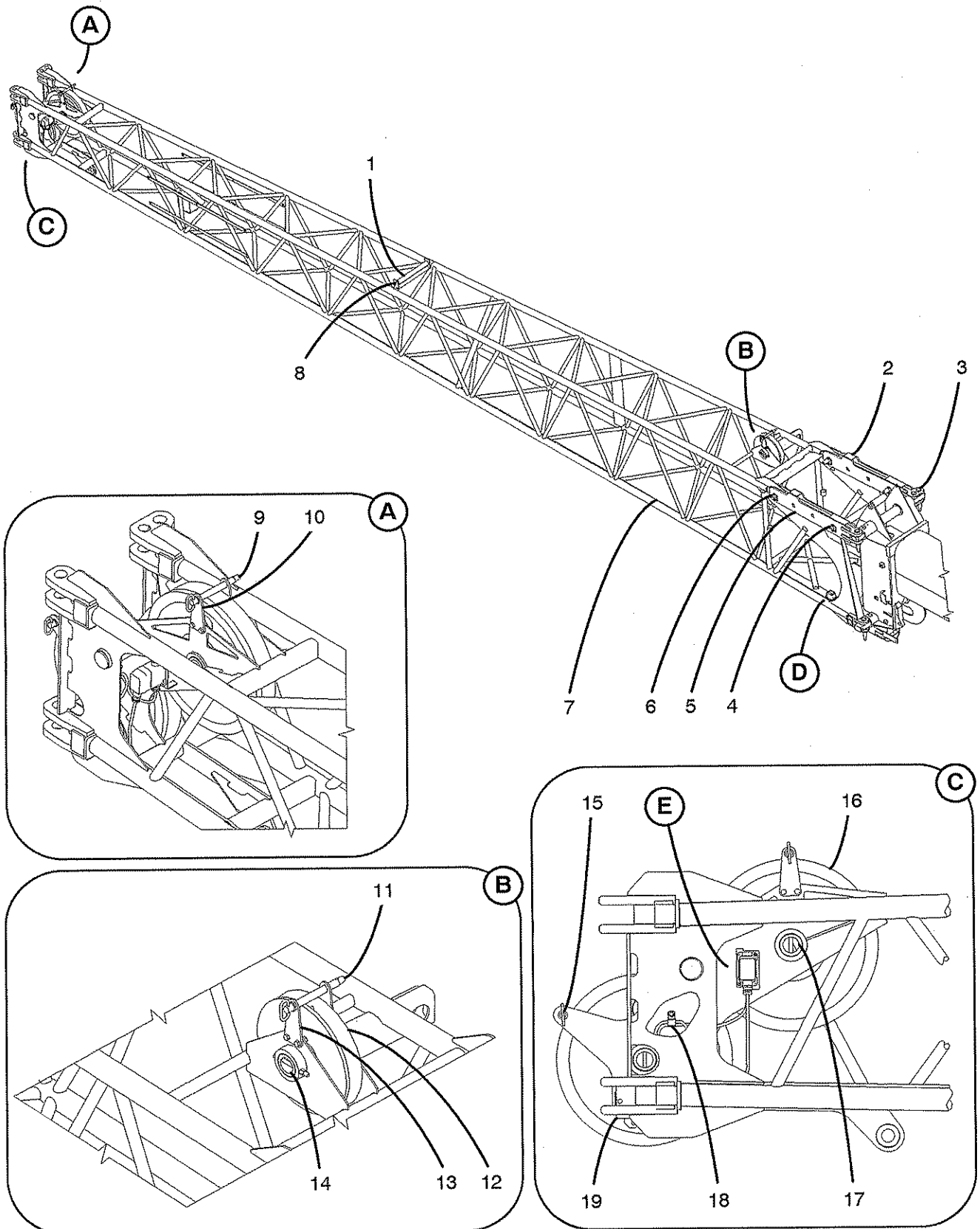


Parts List

0111

23 Ft Fly Tip				
REF	PART NO.	QTY	DESCRIPTION	REMARKS
1	N3M1024	1	Tip, 23 Ft Fly	

Fly Base Assy

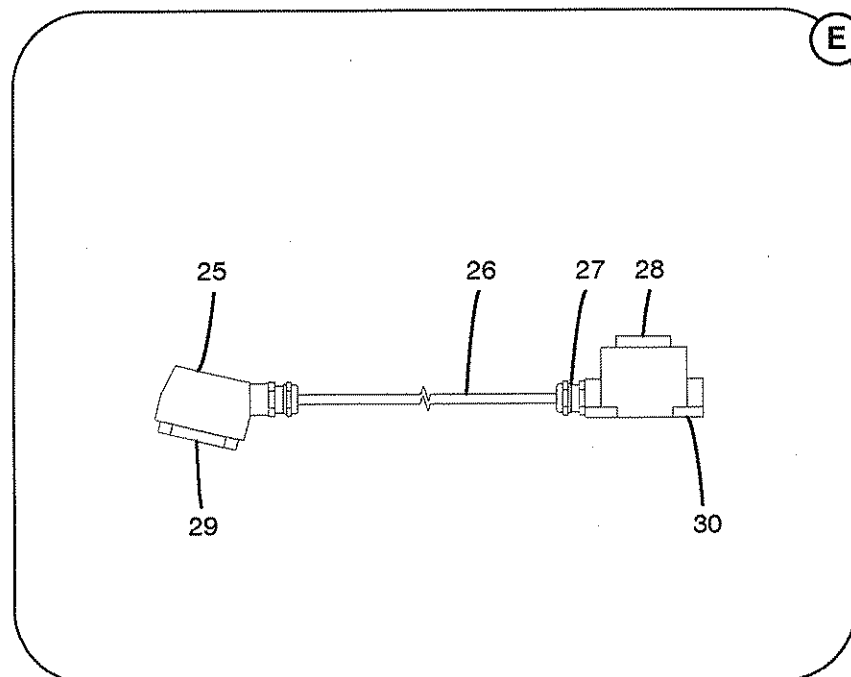
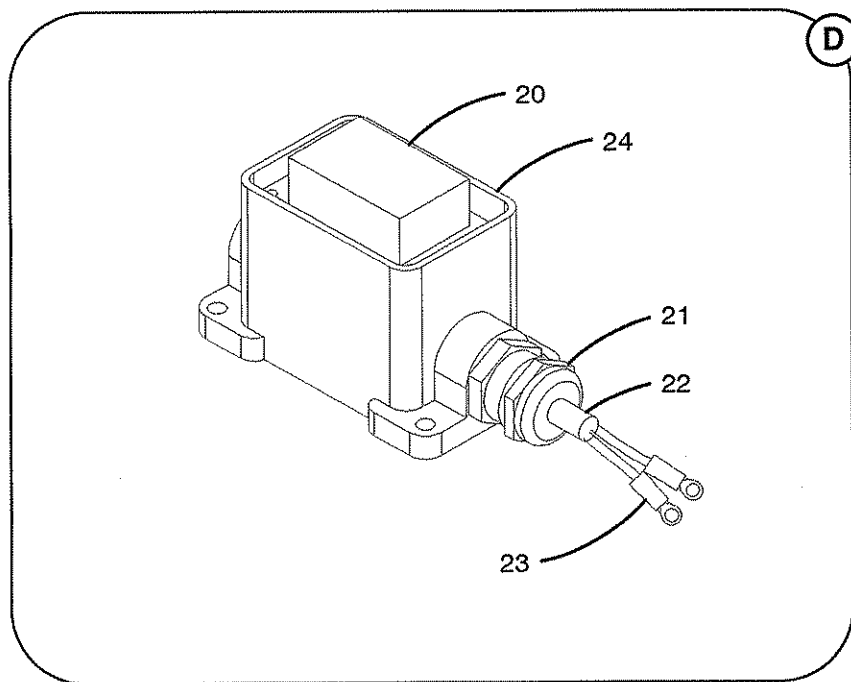


Parts List

0604

Fly Base Assy				
REF	PART NO.	QTY	DESCRIPTION	REMARKS
1	D6M0449	1	Tubing	
2	N3M0134	1	Lug, Offset	
3	J7M1111	4	Pin	
	18M0818	4	Pin, Lock	
4	J7M1394	2	Pin	
	18M0273	4	Pin, Lock	
5	N3M0135	1	Lug, Offset	
6	J7M1394	2	Pin	
	18M0273	4	Pin, Lock	
7	REF		37' ATB Cable	
	71J0005	23	Tie, Cable	
8	D6M0452	1	Pin	
	150007005	1	Pin, Cotter	
9	46A0584	1	Pin, Hitch	
10	69M0373	1	Plate	
	126009013	4	Capscrew	
	128003004	4	Washer	
	127004003	4	Locknut	
11	46A0584	1	Pin, Hitch	
12	F2M0207	1	Sheave Assy	
	F2M0208	1	Sheave	
	1X 1975	2	Bearing	
	1X 0812	1	Fitting, Grease	
	D3M0024	2	Spacer	
	1D 0235	6	Shim - AR	
13	69M0373	2	Plate	
	126009013	4	Capscrew	
	128003004	4	Washer	
	127004003	4	Locknut	
14	D6M0099	1	Pin	
	126009089	1	Capscrew	
	127004003	1	Locknut	
15	46A0584	1	Pin, Hitch	
16	F7M0375	2	Sheave Assy	
	F7M0377	1	Sheave, Nylon	
	1X 1979	2	Bearing, Ball	
	1X 0812	1	Fitting, Grease	
	1D 0235	4	Shim - AR	
17	D6M0099	1	Pin	
	126009089	2	Capscrew	
	127004003	2	Locknut	
18	1X 7821	1	Clamp	
	126009099	1	Capscrew	
19	REF	1	Attachment ATB Switch Assy - See Keysheet 18-007	

Fly Base Assy

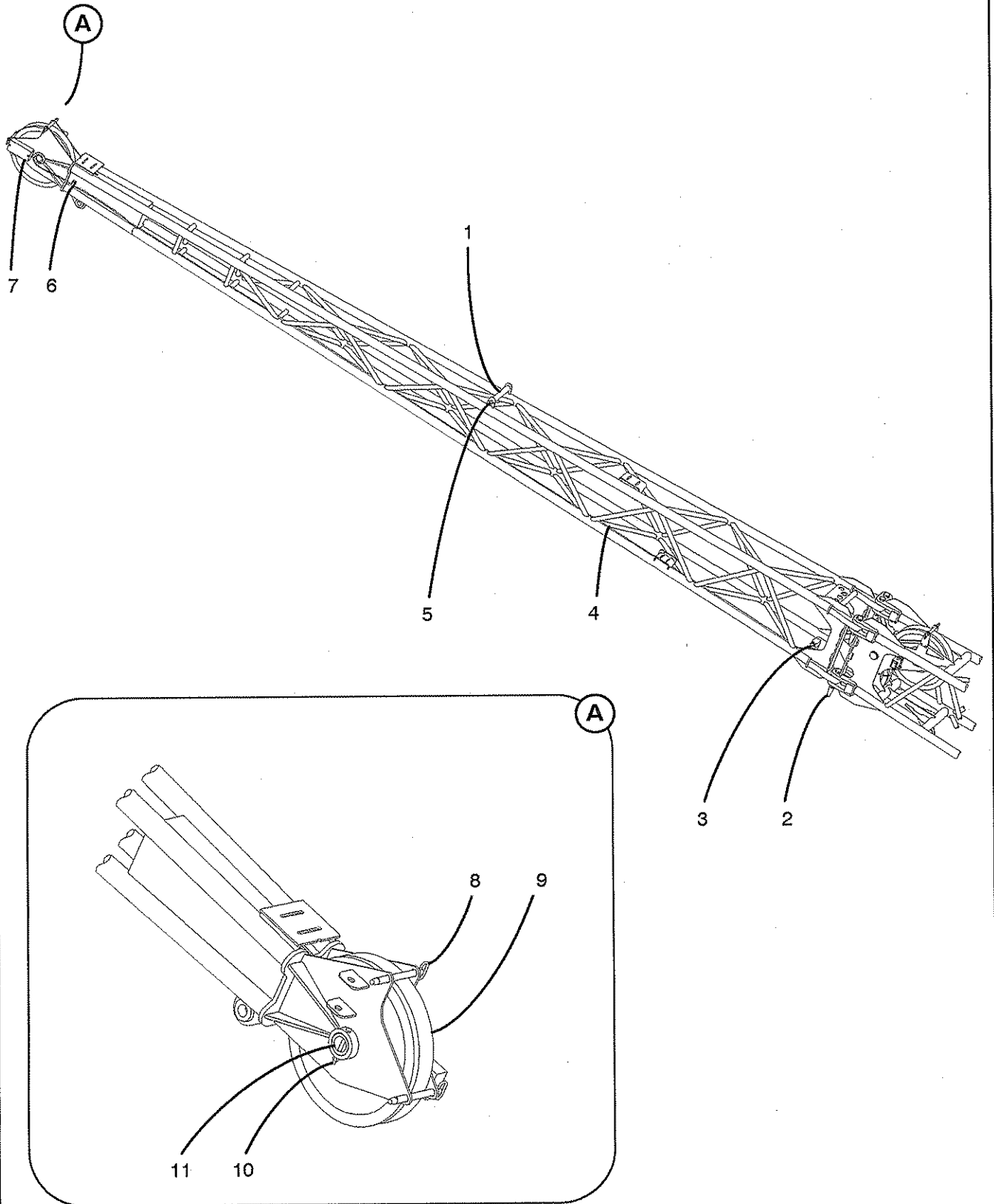


Parts List

0604

Fly Base Assy				
REF	PART NO.	QTY	DESCRIPTION	REMARKS
	E8L0009	1	ATB Receptacle Assy	
20	E8L0003	1	Receptacle, Terminal	
21	E8L0035	1	Relief, Metric	
22	829045041	1	Cord, Service – 2.33'	
23	E8R0034	2	Insulation, Terminal Ring	
24	E8L0001	1	Base, Receptacle	
	1X 7905	2	Screw	
	1X 1776	2	Washer	
	1X 4638	2	Locknut	
	N3L0004	1	ATB Connector Plug/Receptacle Assy	
25	E8L0002	1	Hood, Plug	
26	829045041	1	Cord, Service – 36.9'	
27	E8L0035	2	Relief, Metric	
28	E8L0003	1	Terminal, Receptacle	
29	E8L0004	1	Plug, Terminal	
30	E8L0001	1	Base, Receptacle	
	1X 7905	2	Screw	
	1X 1776	2	Washer	
	1X 4638	2	Locknut	

Fly Tip Assy

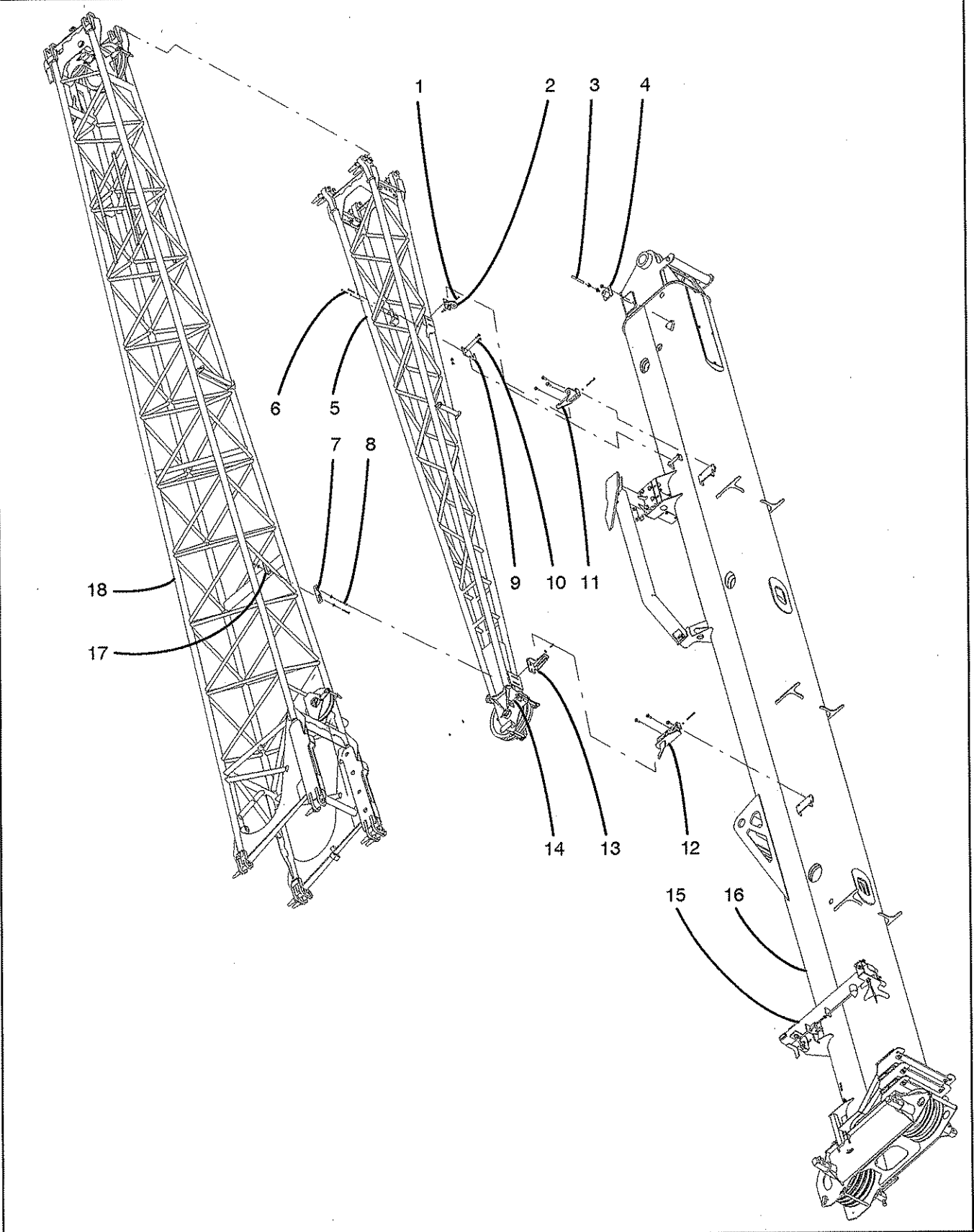


Parts List

0804

Fly Tip Assy				
REF	PART NO.	QTY	DESCRIPTION	REMARKS
1	D6M0410	1	Tube	
2	J7M1111	6	Pin	
	18M0818	6	Pin, Lock	
3	N3L0005	1	ATB Receptacle Assy	
	1X 7906	2	Screw	
	1X 1776	2	Washer	
	1X 4638	2	Locknut	
4	71J0005	14	Tie, Cable	
5	D6M0409	1	Pin	
	150007005	1	Pin, Cotter	
6	39J0218	1	Clamp	
	126009099	1	Capscrew	
7	REF	1	Attachment ATB Switch Assy – See Keysheet 18–007	
8	46A0584	2	Pin, Hitch	
9	F7M0375	1	Sheave Assy	
	F7M0377	1	Sheave, Nylon	
	1X 1979	2	Bearing, Ball	
	1X 0812	1	Fitting, Grease	
10	126009089	1	Capscrew	
	127004003	1	Locknut	
11	D6M0099	1	Pin	

Fly Tip Storage Brackets

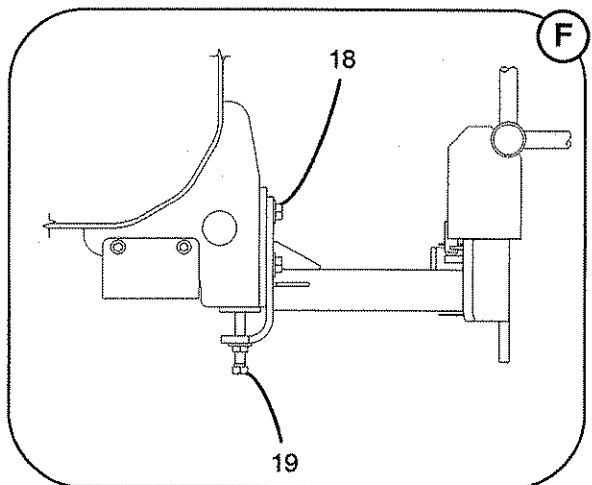
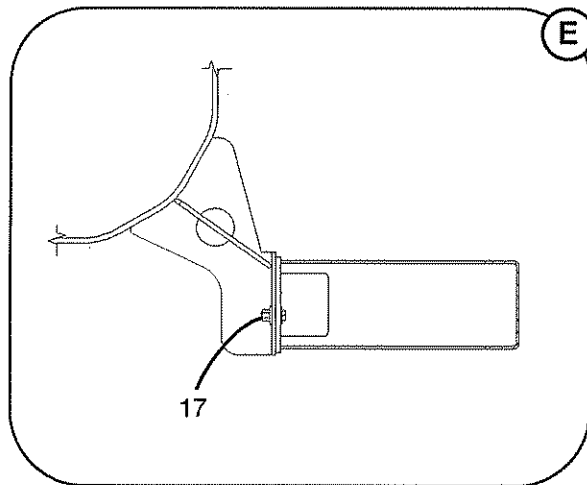
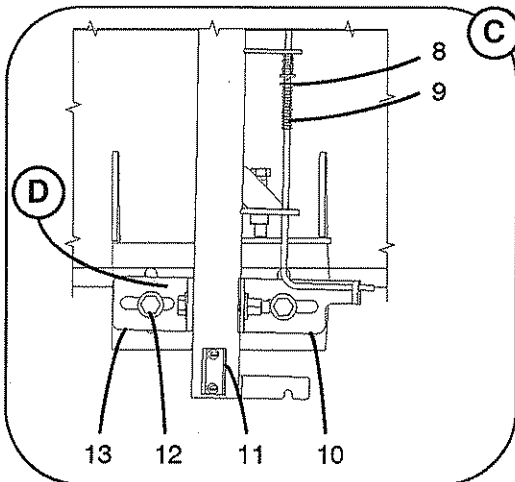
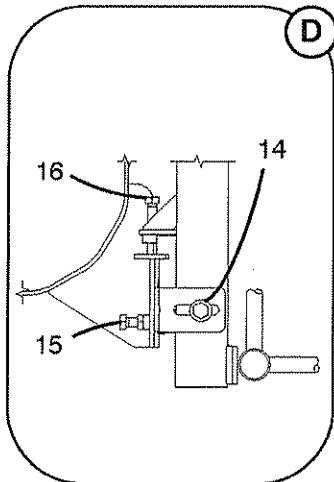
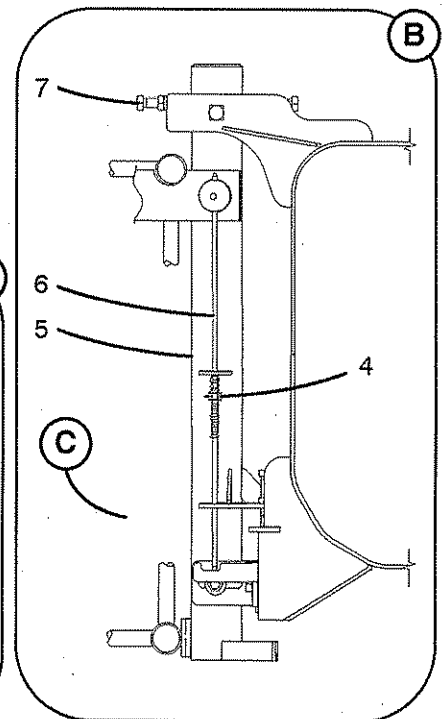
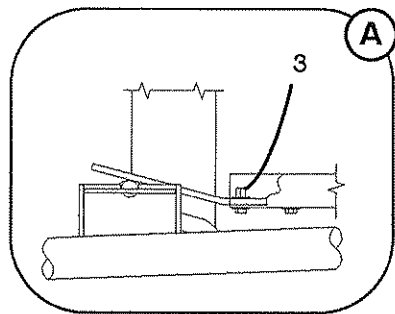
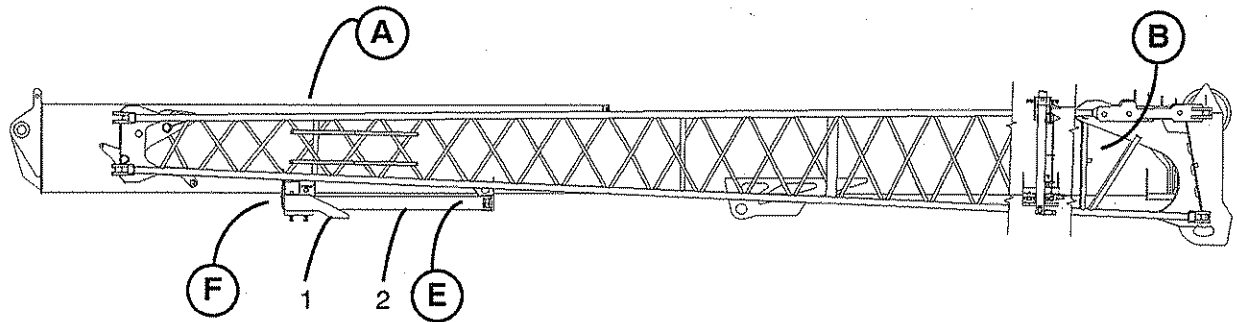


Parts List

0905

Fly Tip Storage Brackets				
REF	PART NO.	QTY	DESCRIPTION	REMARKS
1	126009015	2	Capscrew	
	128003004	4	Washer	
	127004003	2	Locknut	
2	D6M0147	1	Bracket, Storage	
3	D6M0463	1	Rod, Threaded	
	1X 0185	1	Nut, Jam	
4	J9M0134	1	Bracket, Storage	
	126009027	2	Capscrew	
	128003006	2	Washer	
5	REF		Fly Tip Section	
6	1X 7999	2	Bolt	
	1X 0182	2	Nut, Jam	
7	F2M0336	1	Bracket	
8	126009022	2	Capscrew	
	128003004	4	Washer	
	127004003	2	Locknut	
9	J9M0135	1	Plate	
10	126009015	2	Capscrew	
	128003004	4	Washer	
	127004003	2	Locknut	
11	F2M0327	1	Bracket, Storage	
	1X 8003	1	Bolt	
	1X 0182	1	Nut, Jam	
	126009029	3	Capscrew	
	128003006	3	Washer	
12	F2M0330	1	Bracket, Storage	
	1X 8003	1	Bolt	
	1X 0182	1	Nut, Jam	
	126009029	3	Capscrew	
	128003006	3	Washer	
13	F2M0365	1	Bracket, Storage	
	126009015	2	Capscrew	
	128003004	4	Washer	
	127004003	2	Locknut	
14	47M0295	1	Pin, Hitch	
15	REF		Front Storage Bracket	
16	REF		4 Section Boom Assy	
17	D6M0527	1	Angle	
18	REF		Fly Base Section	

Fly Base Storage Brackets



Parts List

0811

Fly Base Storage Brackets				
REF	PART NO.	QTY	DESCRIPTION	REMARKS
1	N3M0248	1	Bracket	
2	E1M0025	1	Bracket, Storage	
3	126009014	3	Capscrew	
	128003004	6	Washer	
	127004003	3	Locknut	
4	150007008	1	Pin, Cotter	
5	N3M0218	1	Bracket, Storage	
6	N3M0391	1	Bar	
7	1X 8000	4	Bolt	
	1X 0185	4	Nut, Jam	
8	128003004	2	Washer	
9	18A2732	2	Spring	
10	F2M0320	1	Bracket	
11	E9M0117	1	Pad, Nylon	
	1X 0650	2	Screw	
12	126009061	2	Capscrew	
	128003009	4	Washer	
	127004007	2	Locknut	
13	F2M0319	1	Bracket	
14	126009070	1	Capscrew	
	128003009	2	Washer	
	127004007	1	Locknut	
15	1X 8000	1	Bolt	
	1X 0185	1	Nut, Jam	
16	1X 8000	1	Bolt	
	1X 0185	1	Nut, Jam	
17	126009014	2	Capscrew	
	128003004	4	Washer	
	127004003	2	Locknut	
18	126009061	4	Capscrew	
	128003009	8	Washer	
	127004007	4	Locknut	
19	1X 8233	2	Bolt	
	128003009	2	Washer	
	1X 0185	2	Nut, Jam	

8.5 Ton Swivel Hookball

No Illustration Required

Parts List

0703

8.5 Ton Swivel Hookball

REF	PART NO.	QTY	DESCRIPTION	REMARKS
	46M0623	1	Hookball, 8.5 Ton Swivel	

60 Ton 4 Sheave Hook Block

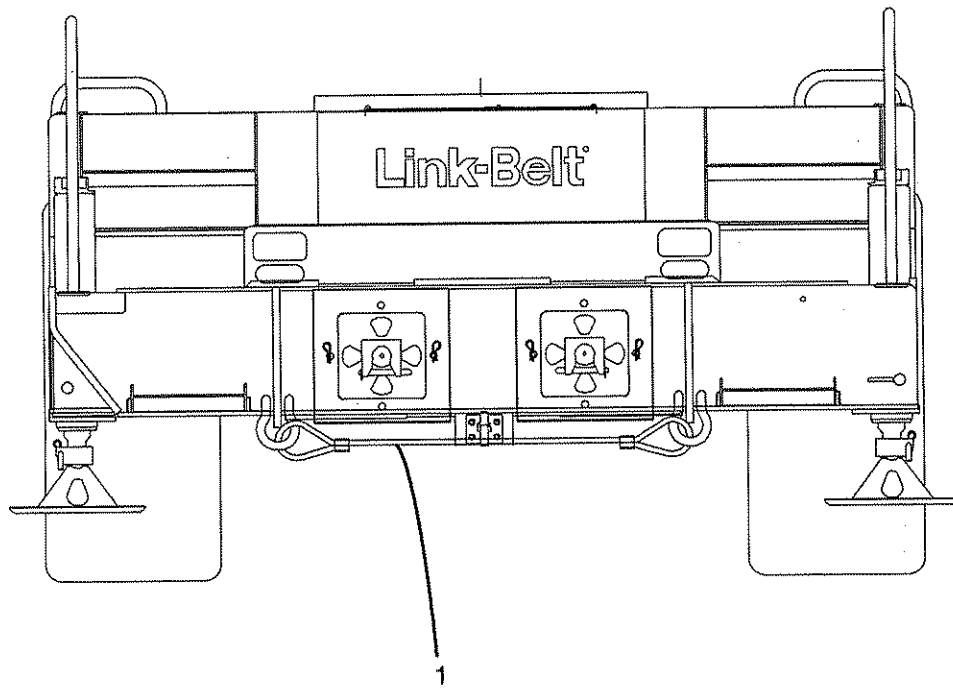
No Illustration Required

Parts List

0606

60 Ton 4 Sheave Hook Block				
REF	PART NO.	QTY	DESCRIPTION	REMARKS
	E9M0084	1	Hook Block, 60 Ton 4 Sheave	

Hook Block Tie Back Cable Installation

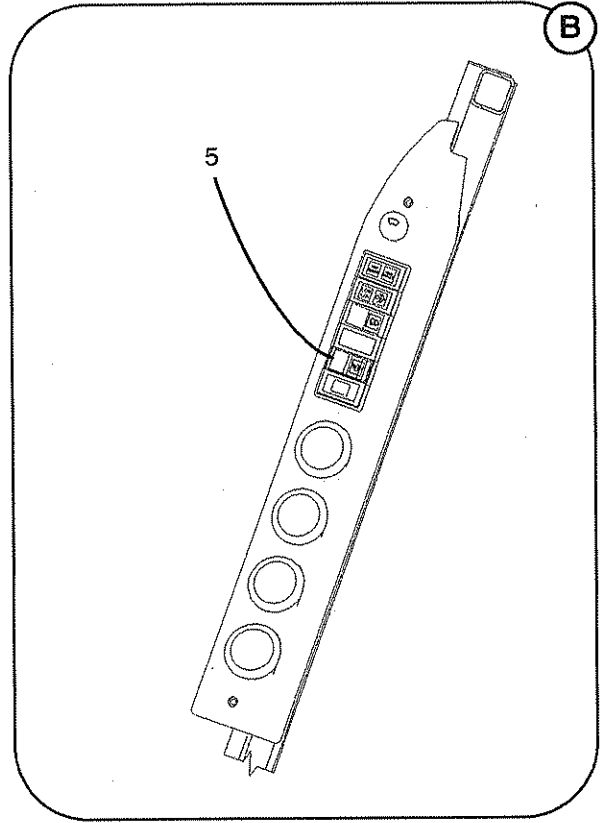
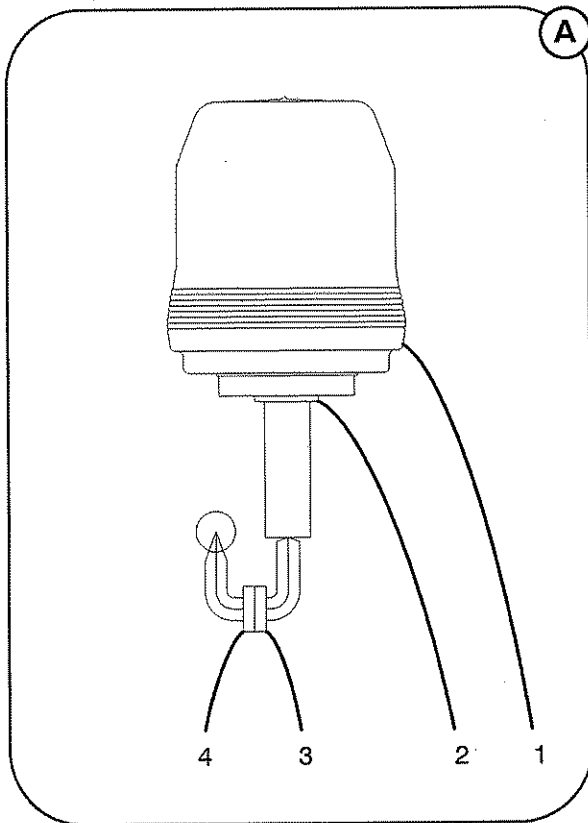
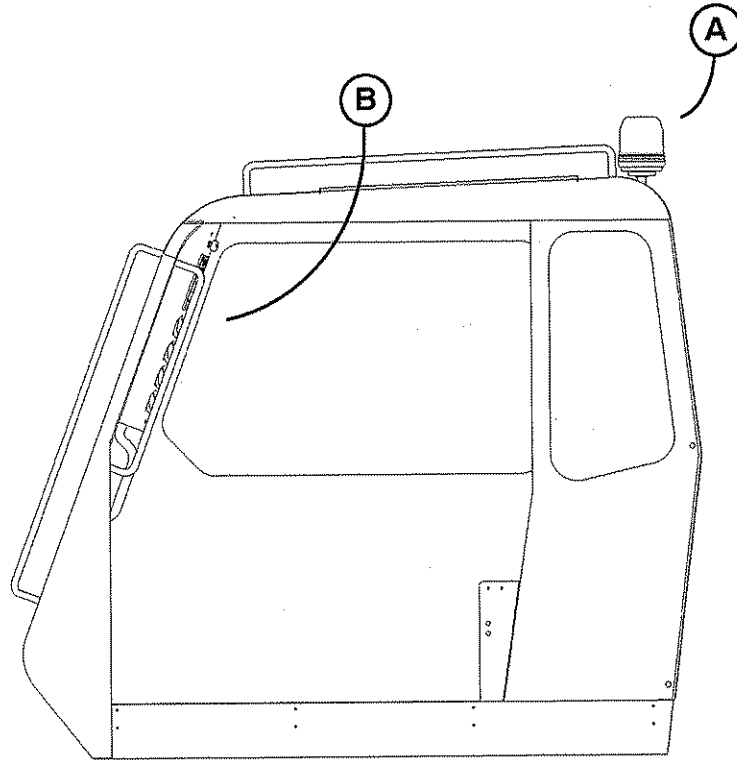


Parts List

0606

Hook Block Tie Back Cable Installation				
REF	PART NO.	QTY	DESCRIPTION	REMARKS
1	J6A0198	1	Cable	

Upper Cab Strobe Light Installation

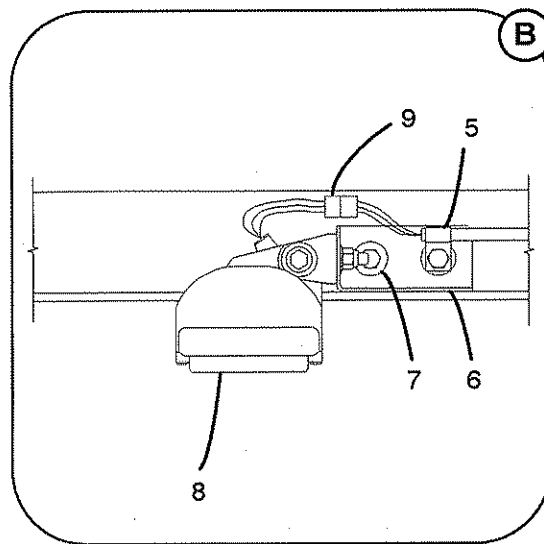
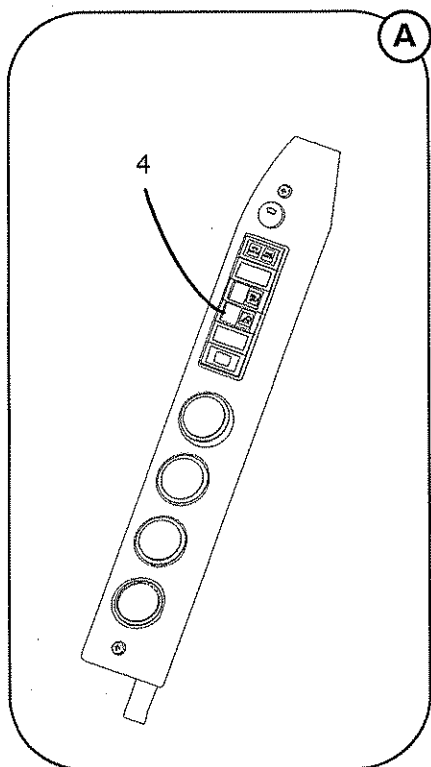
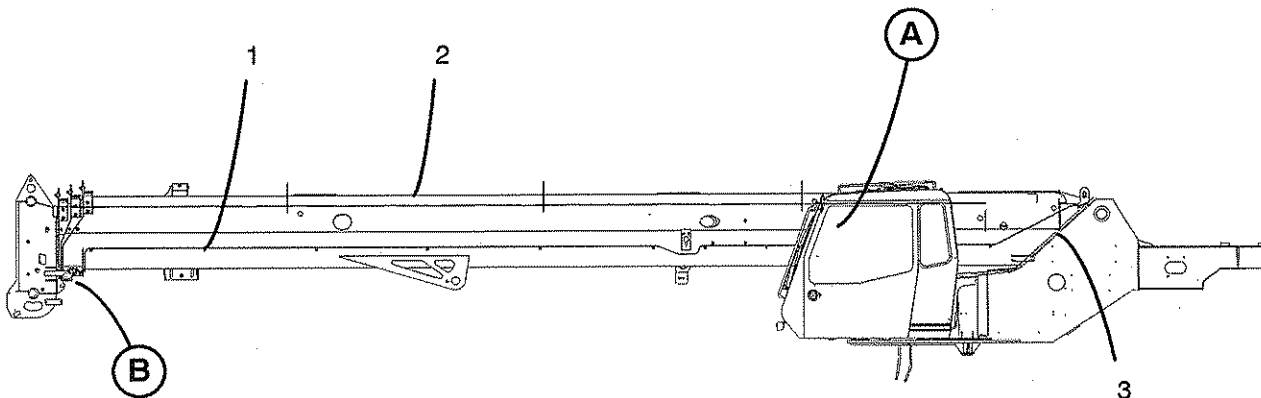


Parts List

0209

Upper Cab Strobe Light Installation				
REF	PART NO.	QTY	DESCRIPTION	REMARKS
1	N3R0051	1	Light, Strobe	
2	128003007	1	Washer	
3	155058001	1	Connector	
	155063002	2	Terminal	
	155064001	2	Seal, Cable	
4	155059001	1	Connector	
	155062001	2	Sleeve, Terminal	
	155064001	2	Seal, Cable	
5	28A5053	1	Switch	
	N3N0302	1	Lens, Strobe Light	

Boom Floodlight Installation

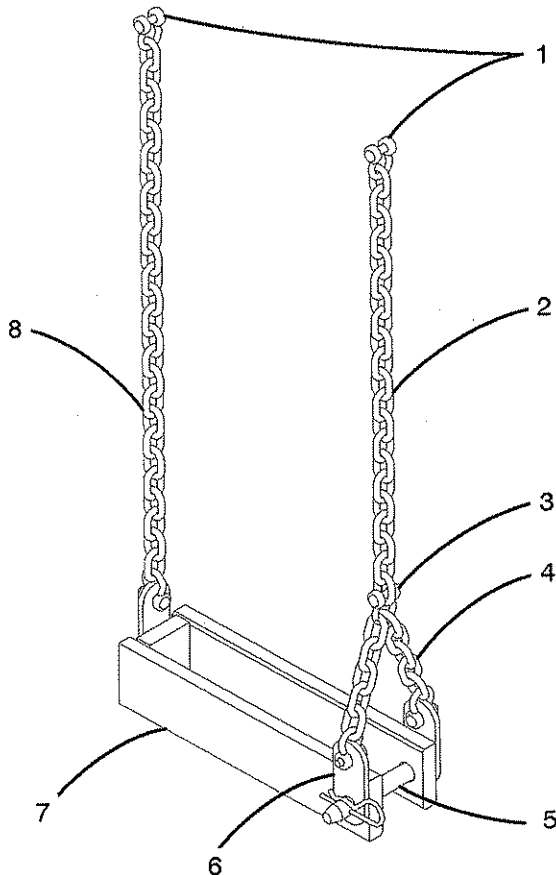


Parts List

0905

Boom Floodlight Installation				
REF	PART NO.	QTY	DESCRIPTION	REMARKS
1	N3R0068	1	Harness, Wire	NSS
	39J0218	6	Clamp	
2	REF		4 Section Boom Assy	
3	71J0005	10	Tie, Cable -- AR	
4	28A5053	1	Switch	
	N3R0040	1	Lens, Boom Lights	
5	39J0218	1	Clamp	
6	E1M0194	1	Bracket	
7	126009119	2	Capscrew	
	128003004	2	Washer	
	D3R0100	1	Boom Floodlight S/A	
8	D3R0099	1	Floodlight	
9	155073004	1	Terminal	
	155064007	1	Seal, Cable	
	155064001	2	Seal, Cable	
	155073003	2	Terminal, Female	
	155099001	1	Connector, 3-Way	
	155132001	1	Lock, Secondary	

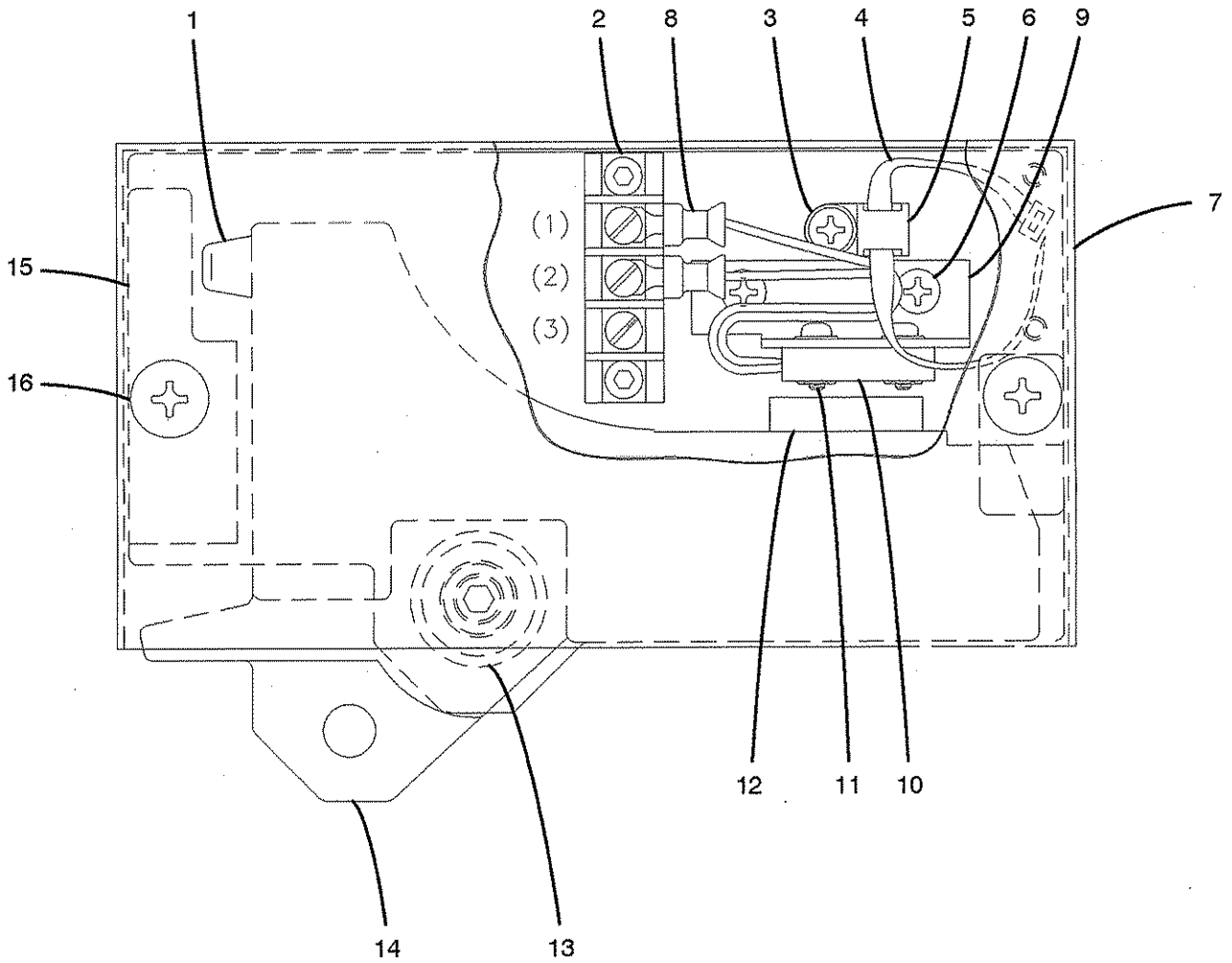
ATB Weight Assy



REF	PART NO.	QTY	DESCRIPTION	REMARKS
	E8L0039	1	ATB Weight Assy	
1	E8L0040	2	Shackle, Anchor	
2	999731002	1	Chain - 26.25"	
3	1X 8080	4	Shackle, Anchor	
4	999731002	2	Chain - 6.56"	
5	47M0295	1	Pin, Hitch	
6	E8L0026	2	Plate	
7	E8L0034	1	Weight	
8	999731002	1	Chain - 32"	
<p>Note: Quantities Shown Are For 1 Weight. For 2 Weights, Double the Quantities</p>				



Attachment ATB Switch Assy

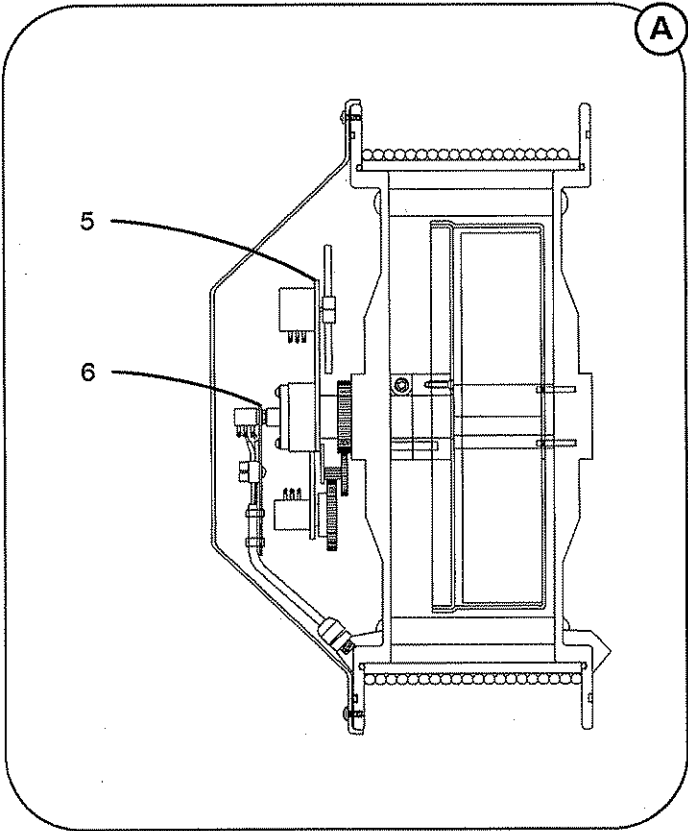
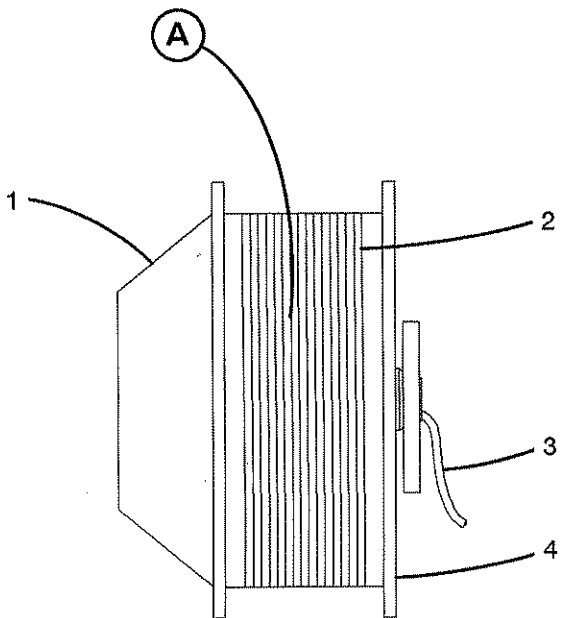


Parts List

0511

Attachment ATB Switch Assy				
REF	PART NO.	QTY	DESCRIPTION	REMARKS
	E8L0014	1	Attachment ATB Switch Assy	
1	3L 0517	1	Bumper	
	3L 0518	1	Screw	
2	3L 0763	1	Strip, Terminal	
	3L 0500	2	Screw	
	3L 0501	2	Spacer	
3	3L 0503	1	Screw	
	3L 0417	1	Washer	
4	3L 0760	1	Tie, Cable	
5	3L 0761	1	Base, Cable Tie	
6	3L 0503	2	Screw	
7	3L 0522	1	Cover	
	3L 0502	1	Magnetic Sensor Assy	
8	3L 0765	2	Ring, Terminal	
9	3L 0769	1	Bracket	
10	3L 0764	1	Switch, Contact	
11	3L 0768	2	Screw	
	3L 0766	4	Washer, Star	
	3L 0767	2	Nut	
12	3L 0506	1	Magnet	
	3L 0507	2	Screw	
	3L 0505	2	Washer	
13	3L 0509	1	Pin, Pivot	
	3L 0510	2	Bearing	
	3L 0762	1	Washer	
14	3L 0508	1	Arm, Swing	
15	3L 0512	1	Plate, Switch	
16	3L 0514	2	Screw	
	3L 0515	2	Spacer	
	3L 0516	2	Nut	

Reeling Drum Assy

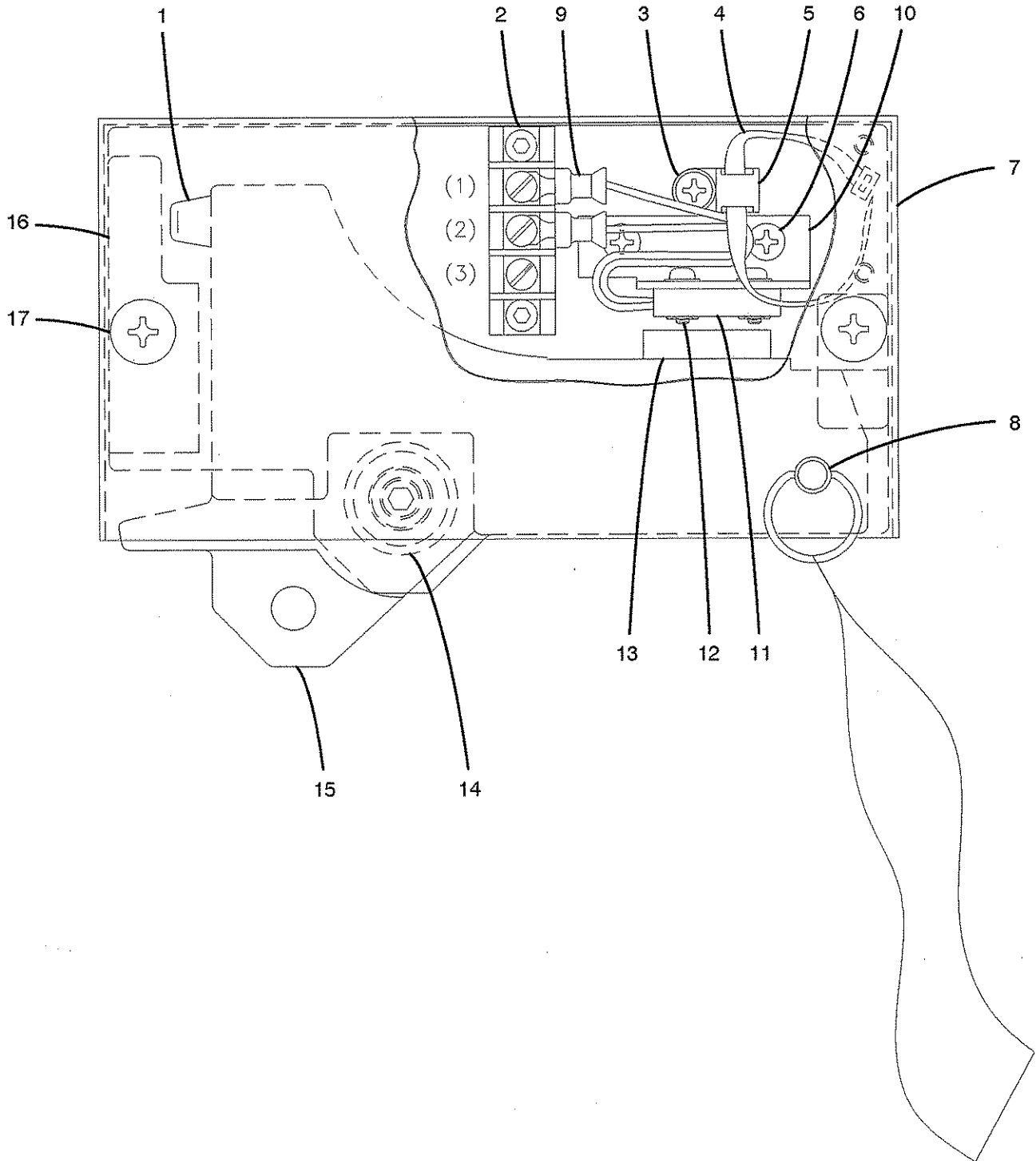


Parts List

0305

Reeling Drum Assy				
REF	PART NO.	QTY	DESCRIPTION	REMARKS
	E8L0011	1	Reeling Drum Assy	
1	3L 0494	1	Cover Assy	
2	3L 0498	1	Cable, Extension -- 125'	
	3L 0621	1	Clamp	
3	3L 0493	1	Cable, Signal	
	155103001	1	Connector	
	155146001	1	Lock, Secondary	
	155064005	7	Seal, Cable	
	155106001	7	Terminal	
	155065001	1	Weather Pack	
4	REF	1	Drum	NSS
5	3L 0492	1	Base Plate Assy	
6	3L 0491	1	Slip Ring Assy	

ATB Switch Assy

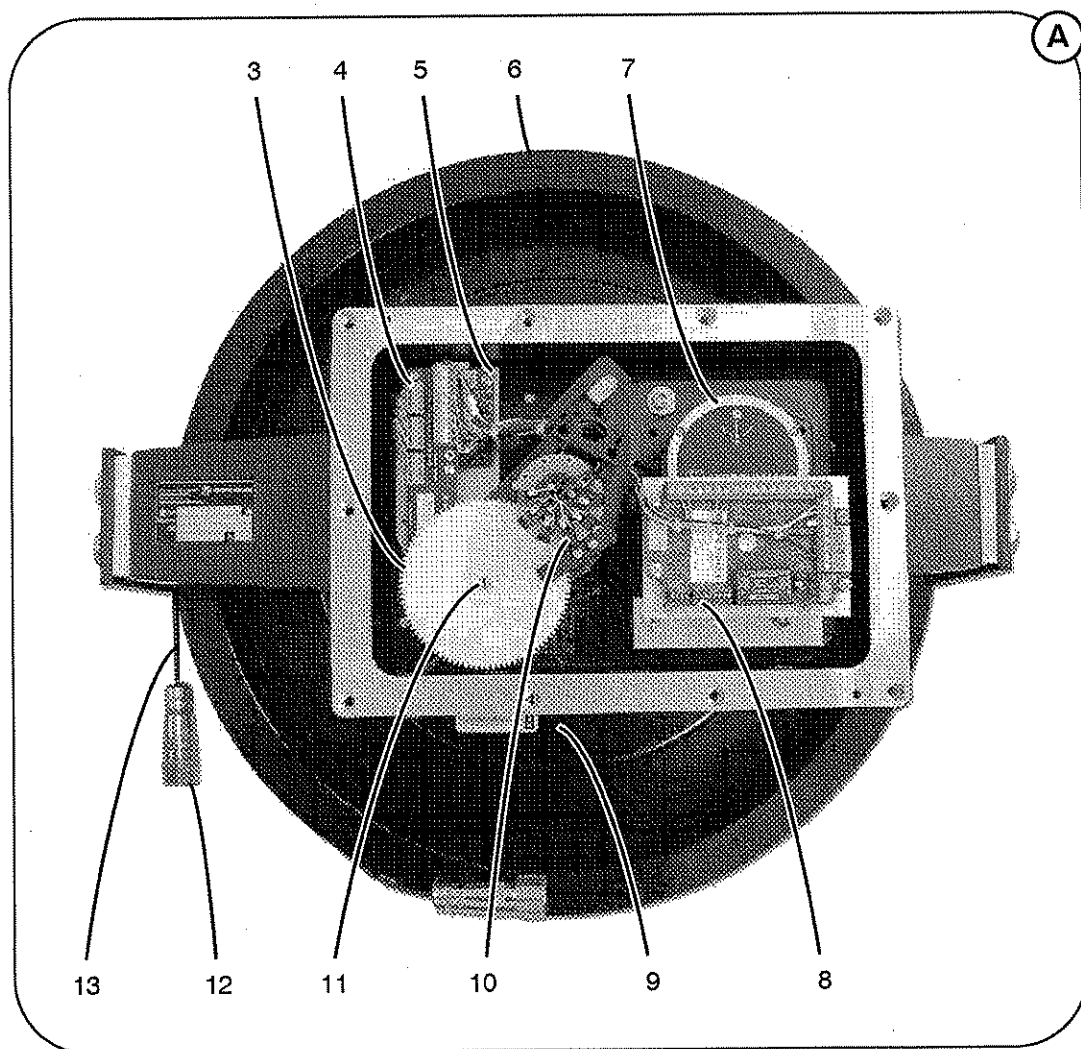
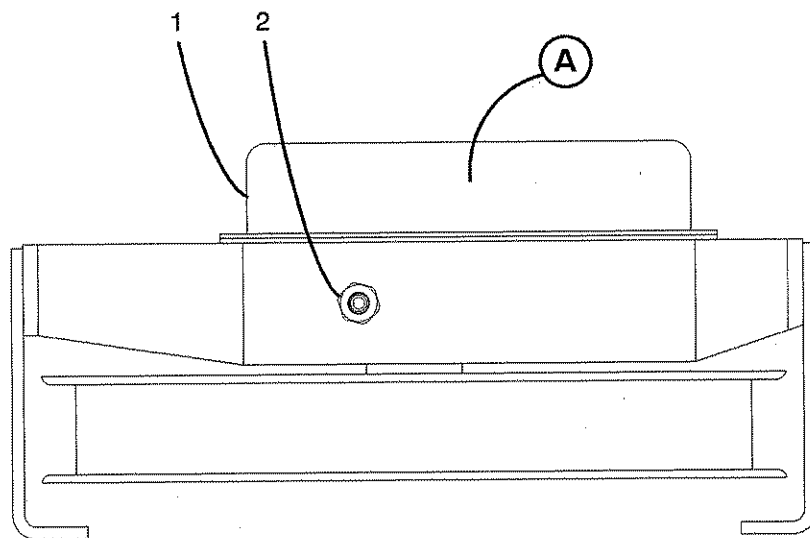


Parts List

0511

ATB Switch Assy				
REF	PART NO.	QTY	DESCRIPTION	REMARKS
	E8L0043	1	ATB Switch Assy	
1	3L 0517	1	Bumper	
	3L 0518	1	Screw	
2	3L 0763	1	Strip, Terminal	
	3L 0500	2	Screw	
	3L 0501	2	Spacer	
3	3L 0503	1	Screw	
	3L 0417	1	Washer	
4	3L 0760	1	Tie, Cable	
5	3L 0761	1	Base, Cable Tie	
6	3L 0503	2	Screw	
7	3L 0513	1	Cover	
8	3L 0519	1	Flag	
	3L 0520	1	Pin, Detent	
	3L 0502	1	Magnetic Sensor Assy	
9	3L 0765	2	Ring, Terminal	
10	3L 0769	1	Bracket	
11	3L 0764	1	Switch, Contact	
12	3L 0768	2	Screw	
	3L 0766	4	Washer, Star	
	3L 0767	2	Nut	
13	3L 0506	1	Magnet	
	3L 0507	2	Screw	
	3L 0505	2	Washer	
14	3L 0509	1	Pin, Pivot	
	3L 0510	2	Bearing	
	3L 0762	1	Washer	
15	3L 0508	1	Arm, Swing	
16	3L 0512	1	Plate, Switch	
17	3L 0514	2	Screw	
	3L 0515	2	Spacer	
	3L 0516	2	Nut	

Reeling Drum Assy

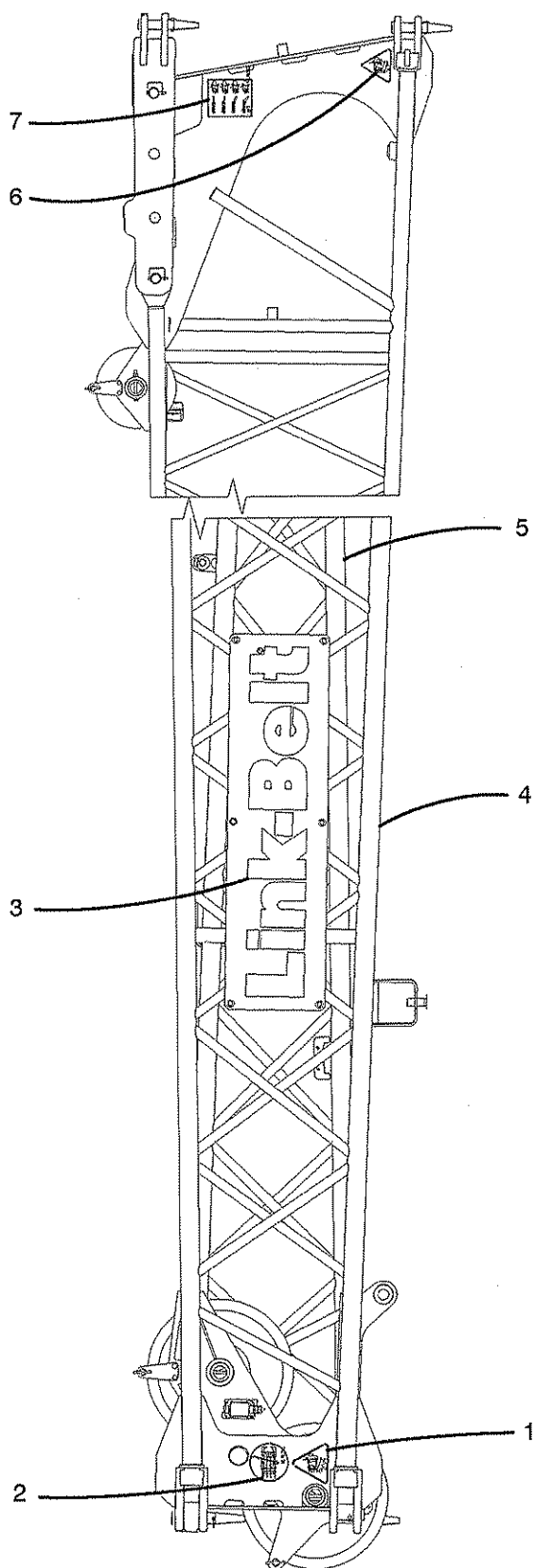


Parts List

0912

Reeling Drum Assy				
REF	PART NO.	QTY	DESCRIPTION	REMARKS
	J9L0031	1	Reeling Drum Assy	
1	3L 0736	1	Cover, Cable Reel – W/Seal	
2	3L 0807	1	Connector, M12 Male – W/Cable	
3	3L 0808	1	Wheel, Gear – W/Friction Clutch	
4	3L 0669	1	Board, Length/Angle Connection	
5	3L 0809	1	Board, Length Sensing	
6	3L 0739	1	Housing, Cable Reel – W/Spring	
7	3L 0726	1	Sensor, Angle	
8	3L 0805	1	Board, Analog Converter	
9	3L 0759	1	Plug	
10	3L 0695	1	Slip Ring Assy	
11	3L 0670	1	Sensor, Length Potentiometer	
12	3L 0806	1	Connector, M23/12	
13	3L 0810	1	Cable, Length Sensor – 99'	

Fly Labels

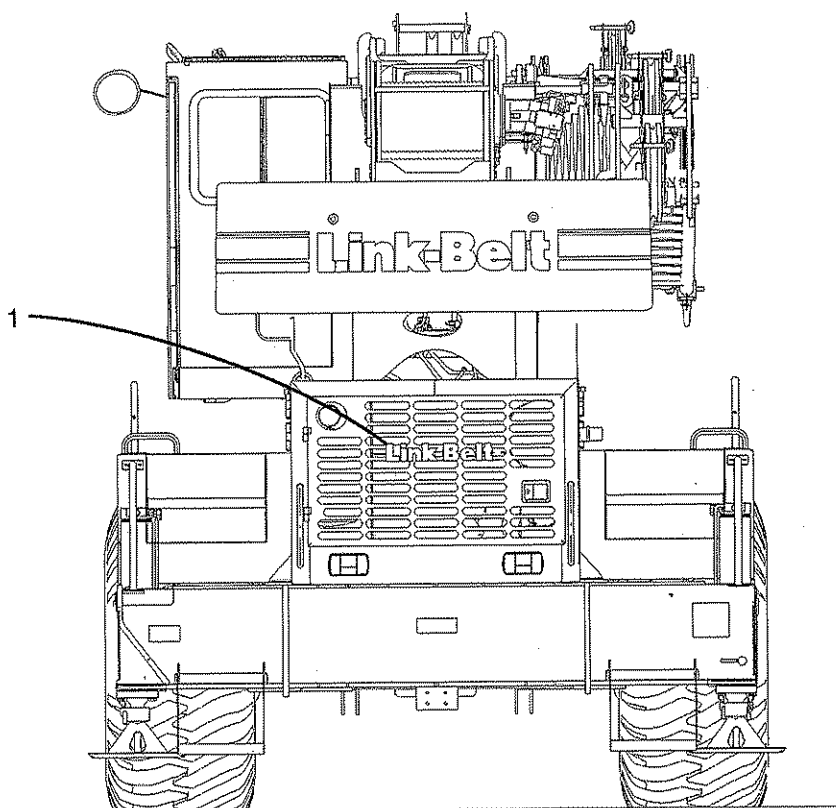


Parts List

0808

Fly Labels				
REF	PART NO.	QTY	DESCRIPTION	REMARKS
1	N3P0254	2	Label, Fly Falling Hazard	
2	N3P0253	2	Label, Fly Tip Connection	
3	R3P0022	2	Label, White Link – Belt	
	J7M1547	2	Nameplate	
	126009015	12	Capscrew	
	128003004	24	Washer	
	127004003	12	Locknut	
4	REF		Fly Base	
5	REF		Fly Tip	
6	N3P0254	2	Label, Fly Falling Hazard	
7	N3P0255	1	Label, LH Fly Offset – Near Side	
	N3P0256	1	Label, RH Fly Offset – Far Side	

Link-Belt Grille Label

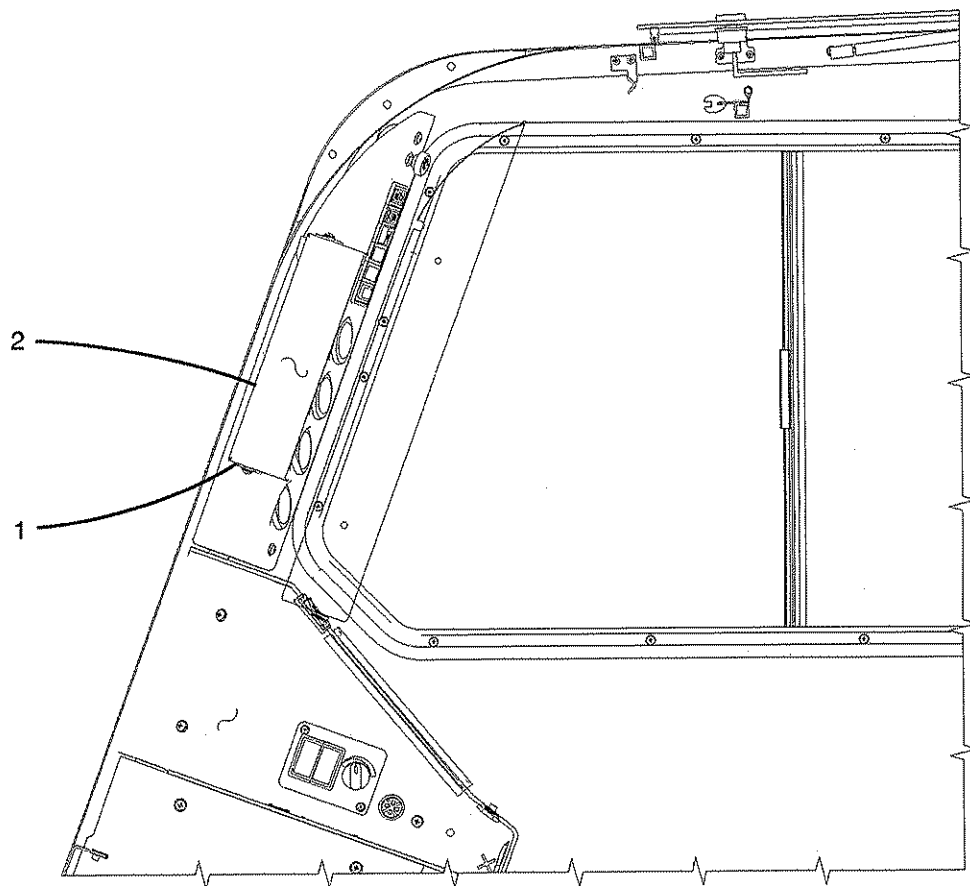


Parts List

0409

Link-Belt Grille Label				
REF	PART NO.	QTY	DESCRIPTION	REMARKS
1	P9P0145	1	Plate, Link-Belt Logo	

RCL Bar Graph Installation

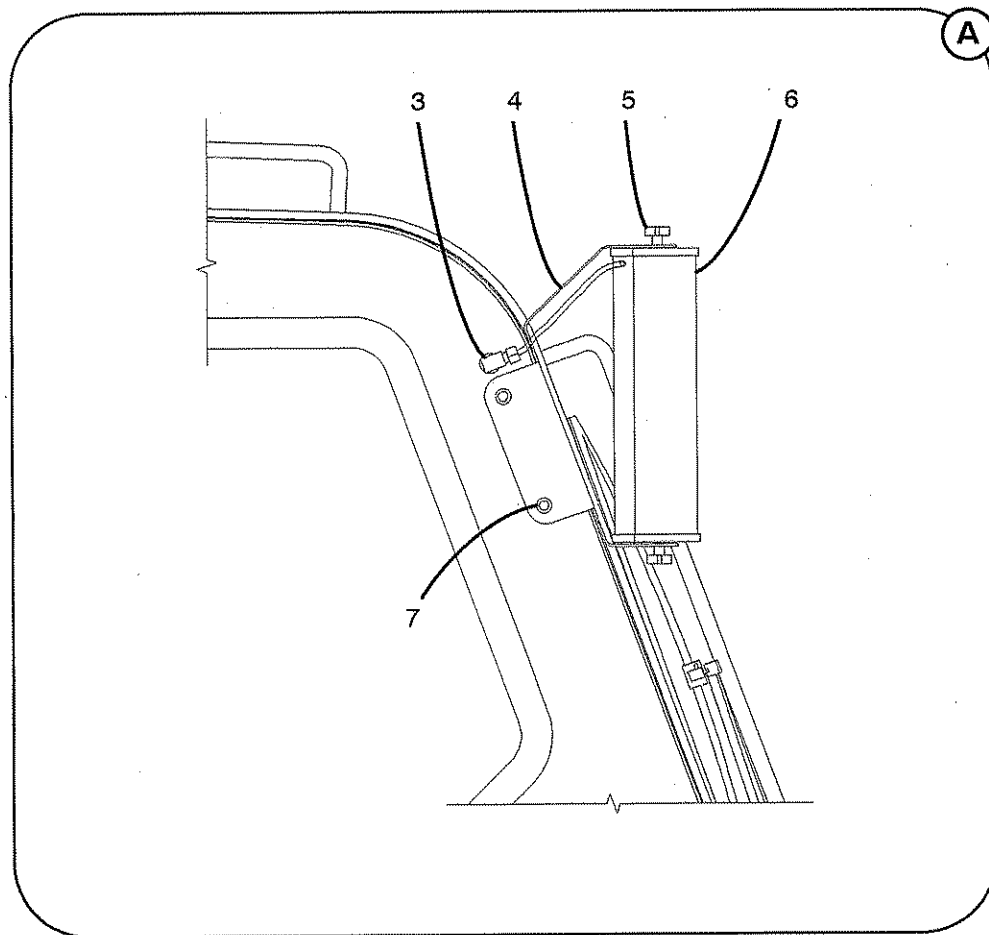
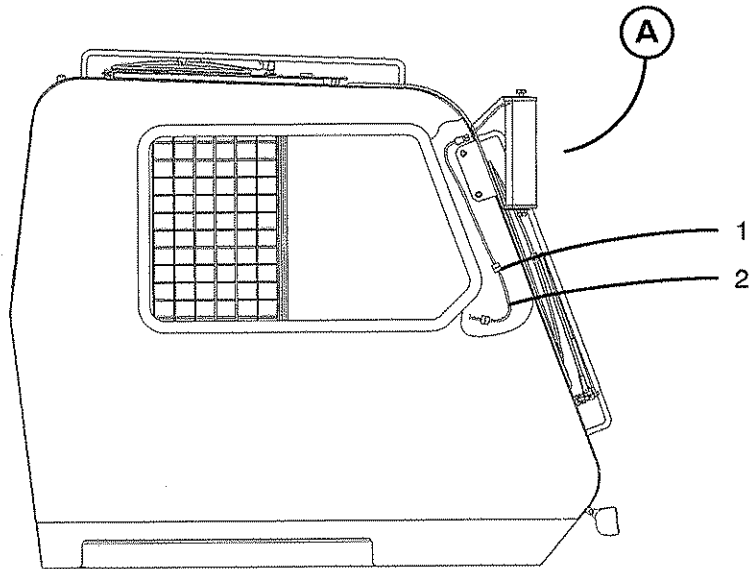


Parts List

0311

RCL Bar Graph Installation				
REF	PART NO.	QTY	DESCRIPTION	REMARKS
1	N3L0007	2	Bracket	
	1X 5314	2	Screw	
2	F7L0018	1	Graph, Bar	
	1X 7911	2	Screw, Machine	
	1X 4638	2	Locknut	

External RCL Display Installation

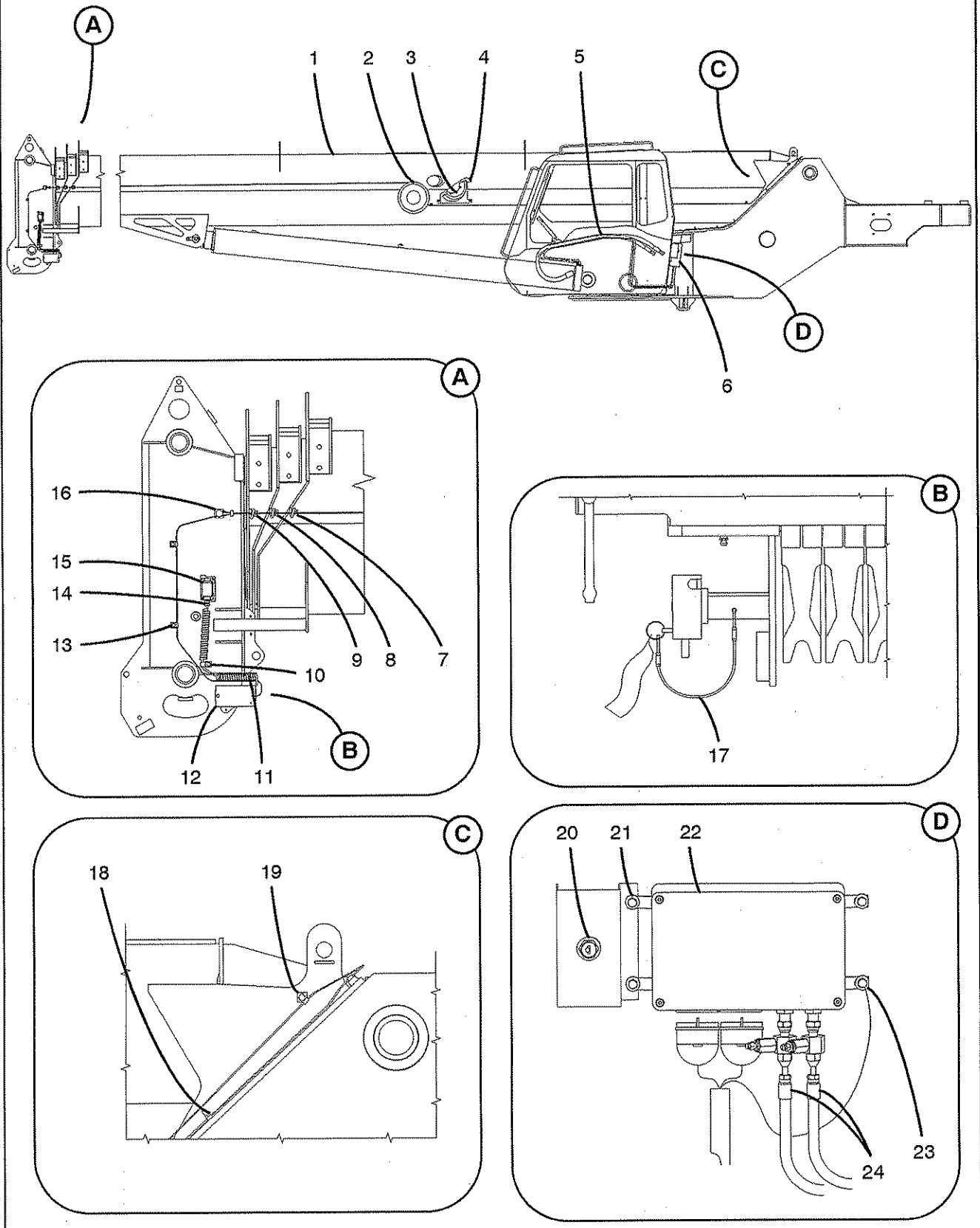


Parts List

0904

External RCL Display Installation				
REF	PART NO.	QTY	DESCRIPTION	REMARKS
1	155149001	1	Connector	
	155134001	1	Lock, Secondary	
	155100001	4	Terminal	
	155064005	4	Seal, Cable	
2	L8R0147	1	Harness, External Light Bar Wire	
3	F8N0032	1	Washer	
	F8R0034	1	Elbow, Strain Relief	
4	L8L0003	1	Bracket, External Light Bar	
5	F8N0031	2	Screw	
6	F8L0001	1	Display, External RCL	
7	126009003	2	Capscrew	
	128003001	2	Washer	
	127004001	2	Locknut	

RCL System & Boom Angle Indicator Installation

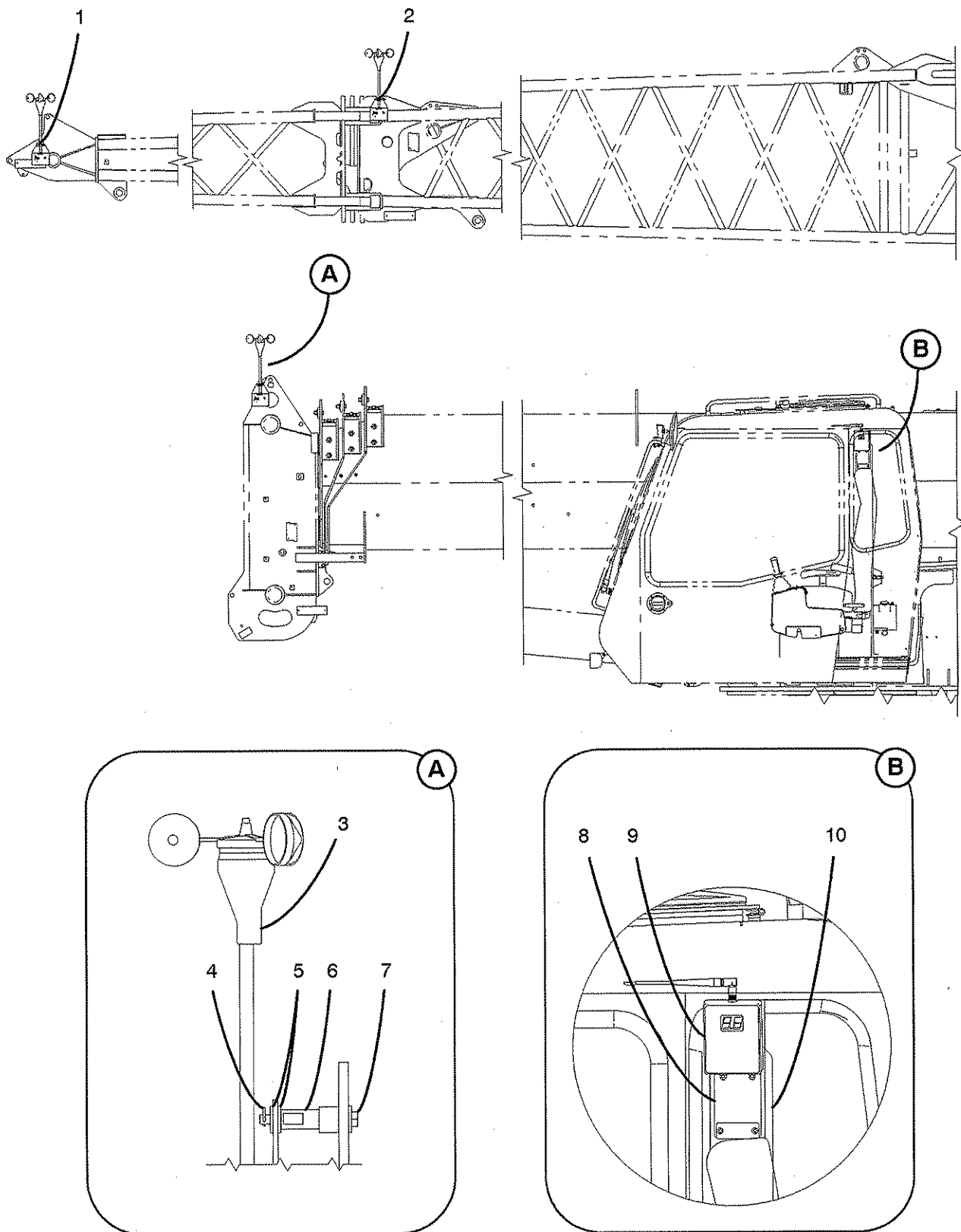


Parts List

0311

RCL System & Boom Angle Indicator Installation				
REF	PART NO.	QTY	DESCRIPTION	REMARKS
1	REF		4 Section Boom Assy	
2	REF	1	Reeling Drum Assy – See Keysheet 18-007	
	1X 6792	3	Capscrew	
3	F8M0022	1	Indicator, Boom Angle	
	1X 7905	2	Screw	
	1X 1776	2	Washer	
	1X 4638	2	Locknut	
4	R3M1100	1	Bracket	
	126009119	3	Capscrew	
	128003004	3	Washer	
5	71J0005	4	Tie, Cable	
6	F8L0003	1	Cover, RCL Box	
7	F7L0013	1	Bolt, Eye	
	1X 0182	1	Nut, Jam	
8	F7L0014	1	Bolt, Eye	
	1X 0182	1	Nut, Jam	
9	F7L0015	1	Bolt, Eye	
	1X 0182	1	Nut, Jam	
10	1X 7821	1	Clamp	
	126009099	1	Capscrew	
11	71J0005	2	Tie, Cable	
12	REF	1	ATB Switch Assy – See Keysheet 18-007	
13	1X 8088	2	Clamp	
	126009099	2	Capscrew	
14	E9L0006	1	ATB Connector Plug S/A	NSS
	E8L0002	1	Hood, ATB Plug	
	E8L0004	1	Terminal	
	E8L0035	1	Relief, Strain	
	E8L0042	1	Cable, Retractable	
	E8R0056	2	Terminal Spade	
15	E8L0008	1	Connector, ATB Jumper	
	1X 7905	2	Screw	
	1X 1776	2	Washer	
	1X 4638	2	Locknut	
16	126009140	1	Capscrew	
	1X 0185	1	Nut, Jam	
17	990701001	1	Aircord – 1.3'	
	46M0424	2	Loopsleeve	
18	1X 6907	4	Clamp	
	127004003	4	Locknut	
19	1X 6907	6	Clamp	
	126009099	6	Capscrew	
20	F7R0108	1	Switch, Key	
	3R 1861	1	Key	
	N3R0062	1	Bracket	
21	126009003	4	Capscrew	
	128003001	4	Washer	
	F7L0017	4	Spacer	
22	J9L0029	1	Computer	
23	1X 6051	1	Locknut	
24	E9J0263	2	Hose Assy	
	1X 8319	2	Tee	
	P9J0100	2	Adaptor	

Wireless Wind Speed System Installation

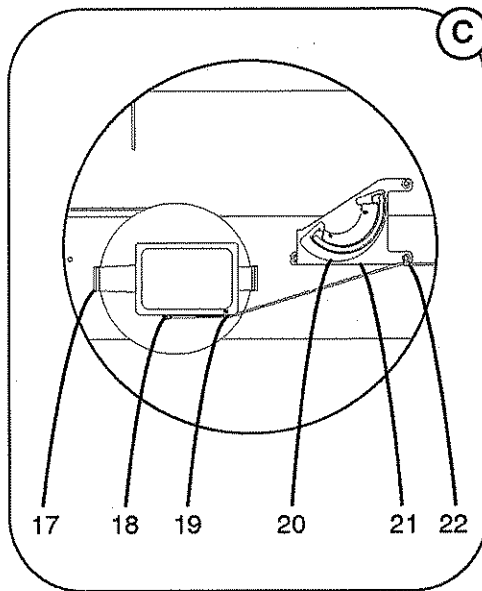
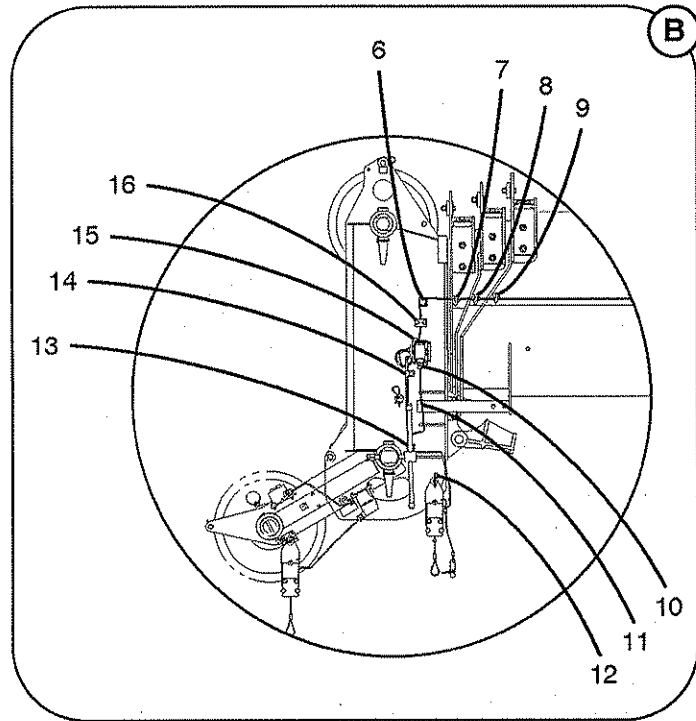
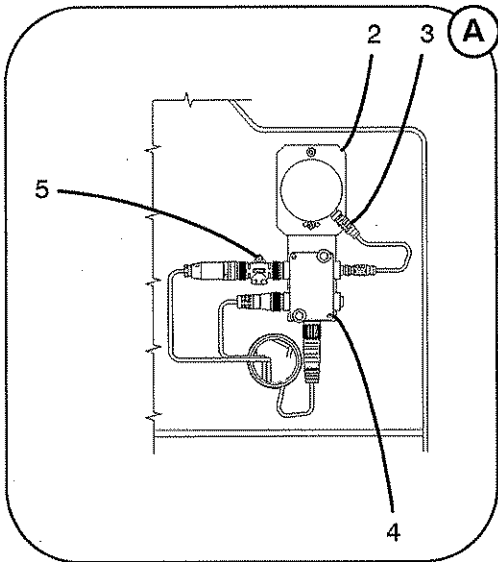
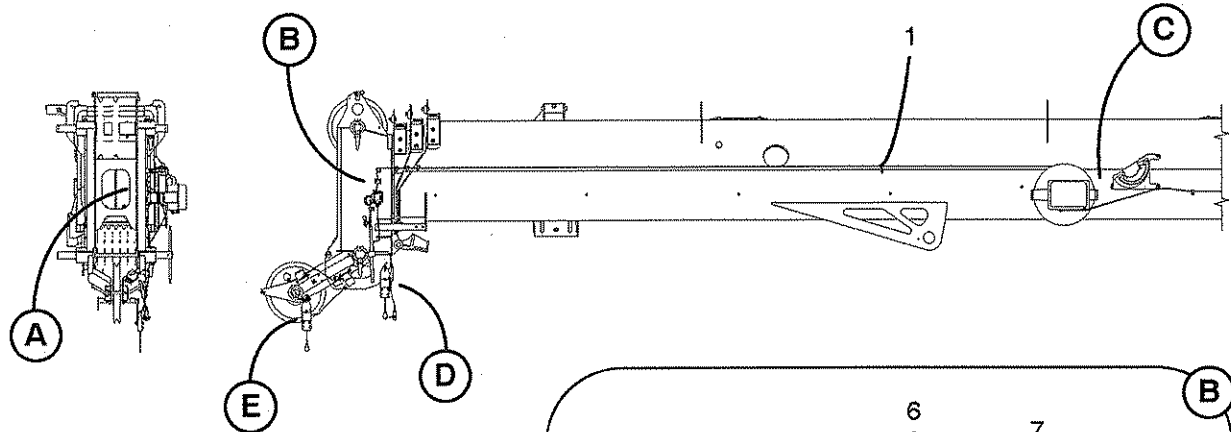


Parts List

1110

Wireless Wind Speed System Installation				
REF	PART NO.	QTY	DESCRIPTION	REMARKS
1	R3L0015	1	Rod	
	R3L0012	1	Pin, Bowtie Cotter	
	126009015	1	Capscrew	
	128003004	3	Washer	
2	R3L0015	1	Rod	
	R3L0012	1	Pin, Bowtie Cotter	
	126009015	1	Capscrew	
	128003004	3	Washer	
3	3L 0656	1	Sensor, Wind Speed	KA
4	R3L0012	1	Pin, Bowtie Cotter	
5	128003004	2	Washer	
6	R3L0015	1	Rod	
7	126009015	1	Capscrew	
	128003004	1	Washer	
8	J6L0006	1	Bracket, Wind Speed Display	
9	3L 0723	1	Display	KA
	1X 7347	2	Screw	
	1X 4438	2	Washer	
	1X 5064	2	Locknut	
10	3L 0676	1	Cable, Display Power – 20'	KA
	155020036	1	Terminal, Ring	
	155271001	1	Clip, Splice	
	810017001	1	Cap, Shrink	
	J9L0028	1	Kit, Wireless Wind Speed – All Items Marked KA	

RCL System & Boom Angle Indicator Installation

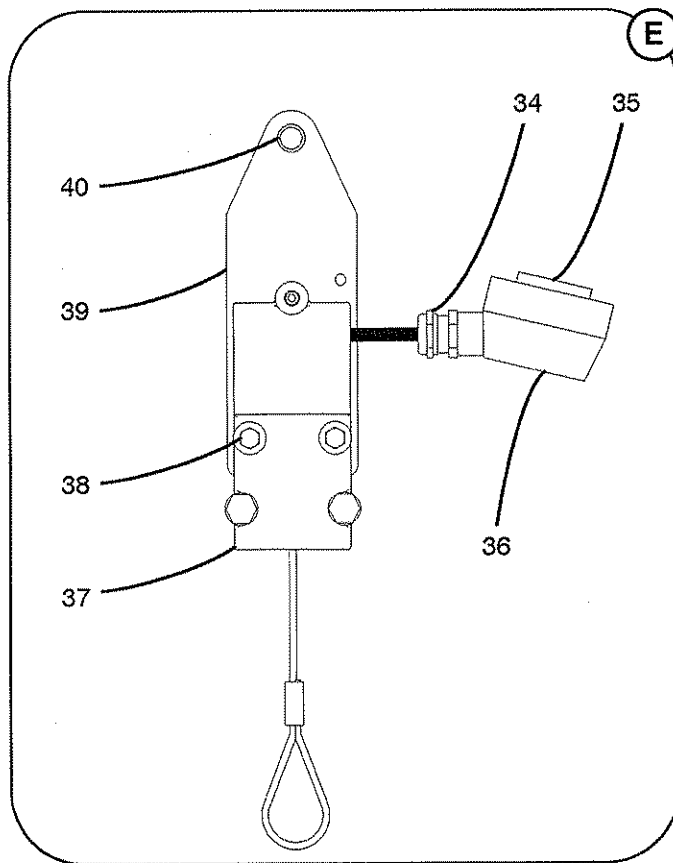
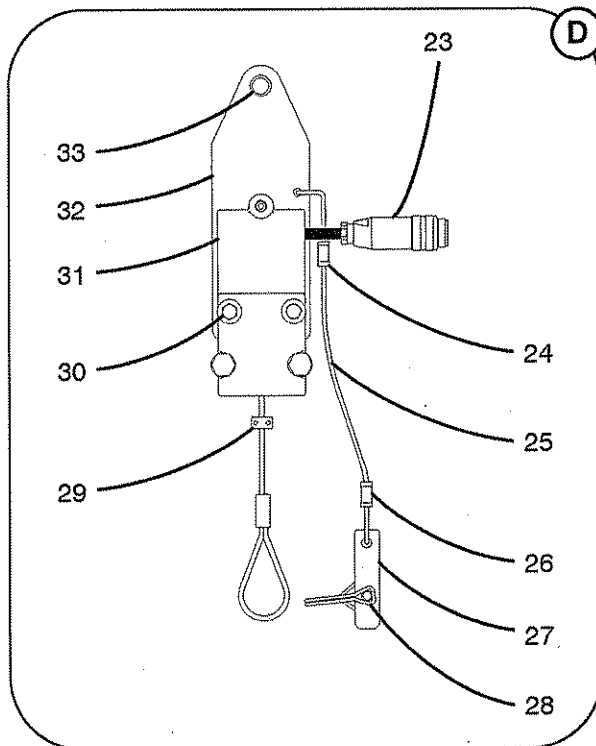


Parts List

0312

RCL System & Boom Angle Indicator Installation				
REF	PART NO.	QTY	DESCRIPTION	REMARKS
1	S2L0048	1	Eyebolt	
	1X 0182	1	Nut, Jam	
2	J8L0004	1	Sensor, Angle	
	1X 7904	2	Screw, Machine	
	1X 1776	2	Washer	
3	S2R0217	1	Cable	
4	J8L0031	1	Box, Junction	
	126009006	2	Capscrew	
	128003001	2	Washer	
5	S2R0190	1	Tee	
6	126009071	1	Capscrew	
	1X 0185	1	Nut, Jam	
7	R3L0008	1	Eyebolt	
	1X 0182	1	Nut, Jam	
8	R3L0007	1	Eyebolt	
	1X 0182	1	Nut, Jam	
9	R3L0006	1	Eyebolt	
	1X 0182	1	Nut, Jam	
	J8R0164	1	ATB Connector Plug S/A	NSS
10	E8L0002	1	Hood, ATB Plug	
	J8L0024	1	Terminal, ATB Plug	
	E8L0035	1	Relief, Metric Strain	
11	J8R0161	1	Cable	
12	D3A0107	1	Pin, Hair	
	128003006	1	Washer	
13	39J0218	1	Clamp	
14	1X 7821	1	Clamp	
15	J8L0035	1	Connector, ATB Jumper	
	1X 7906	2	Screw, Machine	
	1X 1776	2	Washer	
	1X 4638	2	Locknut	
16	S2M0862	1	Plate	
	126009002	2	Capscrew	
	128003001	2	Washer	
17	REF	1	Reeling Drum Assy – See Keysheet 18-007	
	126009014	3	Capscrew	
	128003004	3	Washer	
18	N4R0218	1	Cable, DeviceNet	
19	36L0067	1	Clamp	
	1X 7902	1	Screw, Machine	
	1X 4438	2	Washer	
	1X 5064	1	Locknut	
20	F8M0022	1	Indicator, Boom Angle	
	1X 7905	2	Screw, Machine	
	1X 4638	2	Locknut	
	1X 1776	2	Washer	
21	S2M1381	1	Bracket	
	126009119	3	Capscrew	
	128003004	3	Washer	
22	39J0218	7	Clamp	

RCL System & Boom Angle Indicator Installation

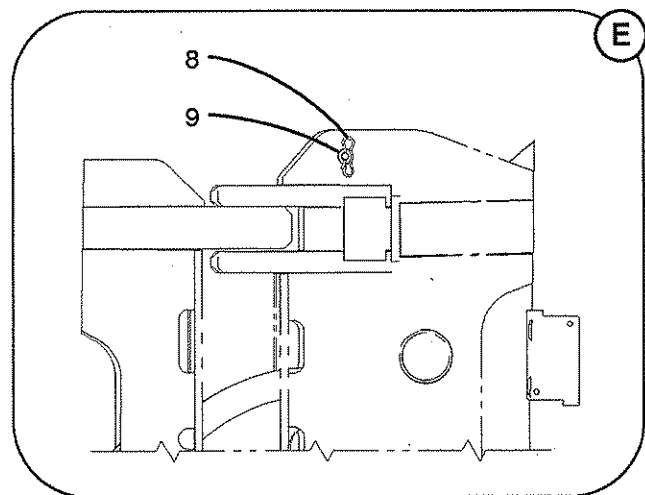
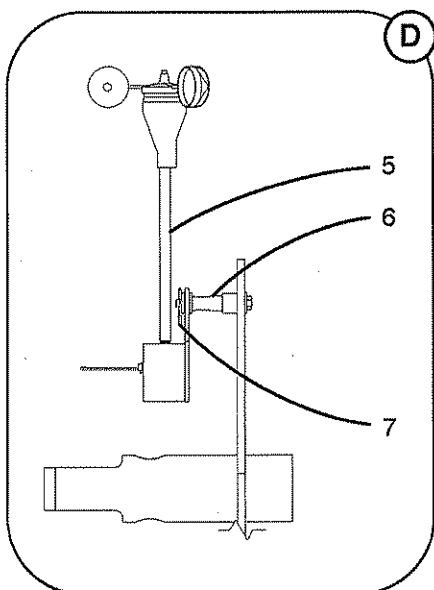
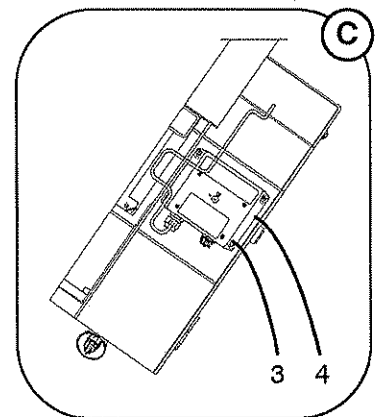
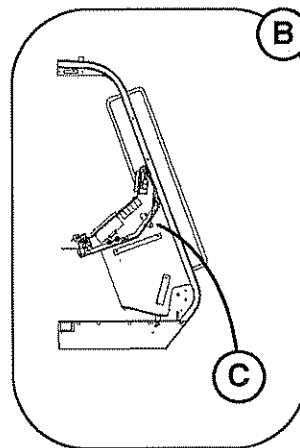
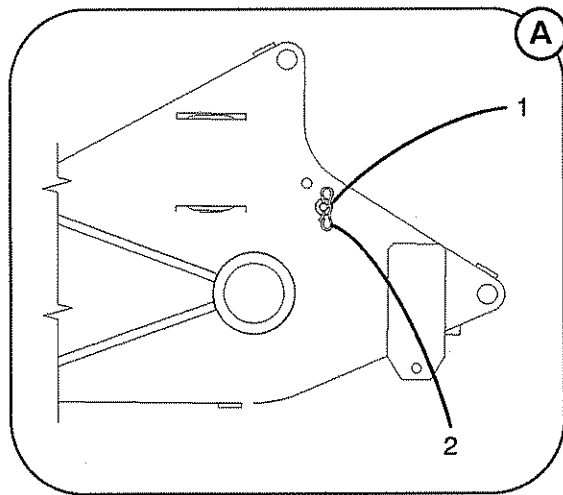
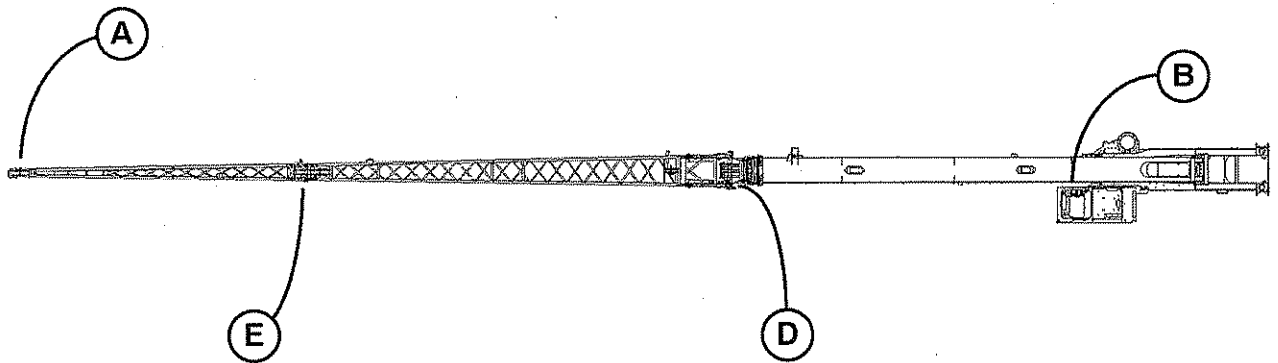


Parts List

0312

RCL System & Boom Angle Indicator Installation					
REF	PART NO.	QTY	DESCRIPTION	REMARKS	
	N4L0007	1	ATB Switch S/A	NSS	
23	N4R0216	1	Connector		
24	46M0424	1	Sleeve		
25	990701001	1	Rope, Aircord Wire – 1.25'		
26	46M0424	1	Sleeve		
27	S2L0039	1	Lockout, ATB		
28	76A0833	1	Pin, Snap Lock		
29	S2L0047	1	Collar, Shaft		
30	126009009	2	Capscrew		
	128003001	4	Washer		
	127004001	2	Locknut		
31	S2L0027	1	Switch, ATB		
32	S2L0035	1	Plate		
33	S2L0046	1	Bushing, Bronze		
	S2L0037	1	ATB Switch S/A		NSS
34	E8L0035	1	Relief, Metric Strain		
35	J8L0024	1	Terminal, ATB Plug		
36	E8L0002	1	Hood, ATB Plug		
37	S2L0027	1	Switch, ATB		
38	126009009	2	Capscrew		
	128003001	4	Washer		
	127004001	2	Locknut		
39	S2L0035	1	Plate		
40	S2L0046	1	Bushing, Bronze		

Wireless Wind Speed System Installation



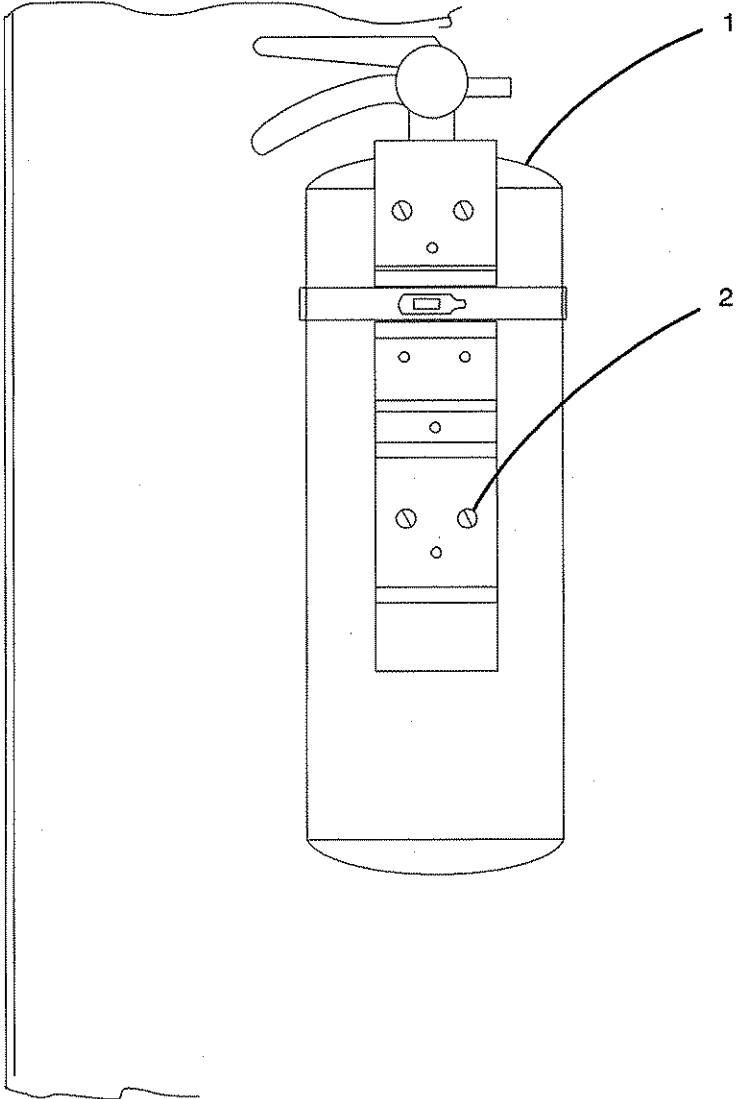
Parts List

0312

Wireless Wind Speed System Installation

REF	PART NO.	QTY	DESCRIPTION	REMARKS
1	R3L0015	1	Rod	
	126009015	1	Capscrew	
	128003004	1	Washer	
2	R3L0012	1	Pin, Bowtie Cotter	
3	1X 8556	4	Insert, Threaded	
	1X 7117	4	Capscrew	
	1X 2937	4	Washer	
	N4L0008	1	Kit, Wireless Wind Speed	
4	3L 0781	1	Receiver W/Power Cable	
5	3L 0656	1	Sensor, Wind Speed	
6	R3L0015	1	Rod	
	126009015	1	Capscrew	
	128003004	1	Washer	
7	R3L0012	1	Pin, Bowtie Cotter	
	128003004	2	Washer	
8	R3L0012	1	Pin, Bowtie Cotter	
9	R3L0015	1	Rod	
	126009015	1	Capscrew	
	128003004	1	Washer	

Fire Extinguisher



Parts List

1103

Fire Extinguisher				
REF	PART NO.	QTY	DESCRIPTION	REMARKS
1	47P0071	1	Extinguisher, Fire – With Bracket	
2	1X 0621	4	Screw, Round Head – #10 x .38" Lg	
	1X 3498	4	Nut – #10	
	1X 0625	4	Screw, Round Head – #10 x 1.25" Lg	
	38J1062	4	Spacer – .25" ID x 1" Lg	
	1X 3498	4	Nut – #10	
	1X 2730	4	Screw, Phillips Head – #10 x .5" Lg	
	1X 3317	4	Screw, Hex Head – #8 x .5" Lg	
	1X 4410	4	Rivet, Pop – .19" x .440"	
	1X 4135	4	Rivet, Pop – .19" x .690"	
	1X 8111	4	Screw, Flat Head – #8 x .75" Lg	
	1X 7820	4	Screw, Button Head – #10 x .38" Lg	
	1X 3498	4	Nut – #10	
	1X 6044	2	Screw, Pan – .25" x 1.0" Lg	
	1X 5314	2	Screw, Pan – .25" x .62" Lg	
			Note: There are a number of hardware options to mount the fire extinguisher. Match what was originally on the crane.	

Boom Wrench

No Illustration Required

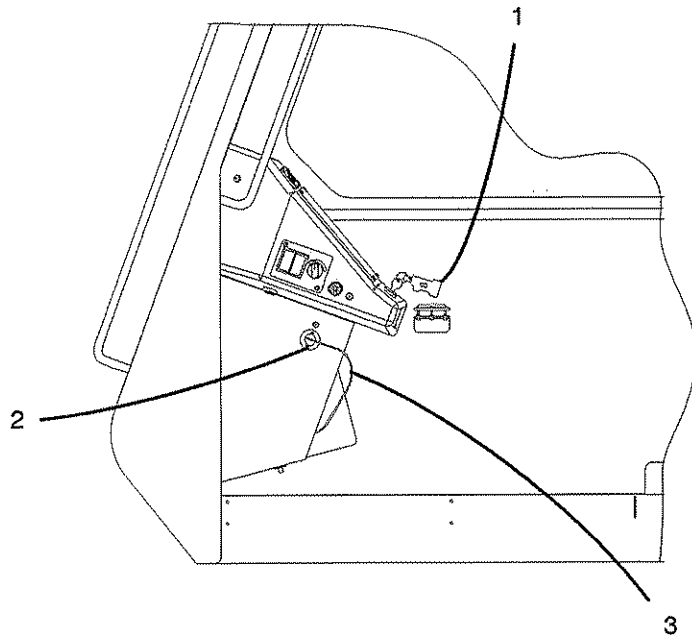
Parts List

0710

Boom Wrench

REF	PART NO.	QTY	DESCRIPTION	REMARKS
	D7M0199	1	Wrench, Crowfoot - 2"	

Key Ring & Crane Rating Manual Installation



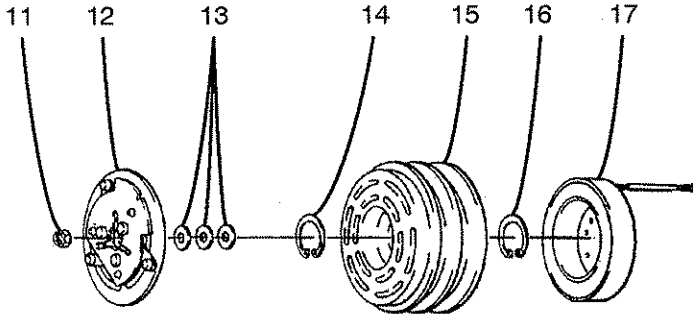
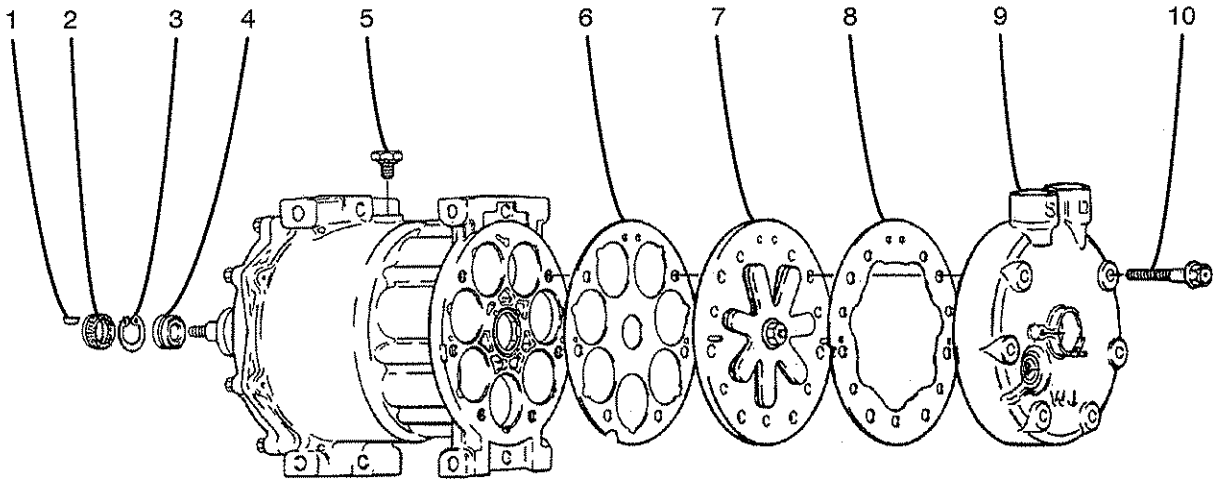
Parts List

0609

Key Ring & Crane Rating Manual Installation

REF	PART NO.	QTY	DESCRIPTION	REMARKS
1	E8N0052	1	Ring, Key	
2	D6A0750	2	Rivet	
3	REF		Crane Rating Manual Cable	

Compressor Assy

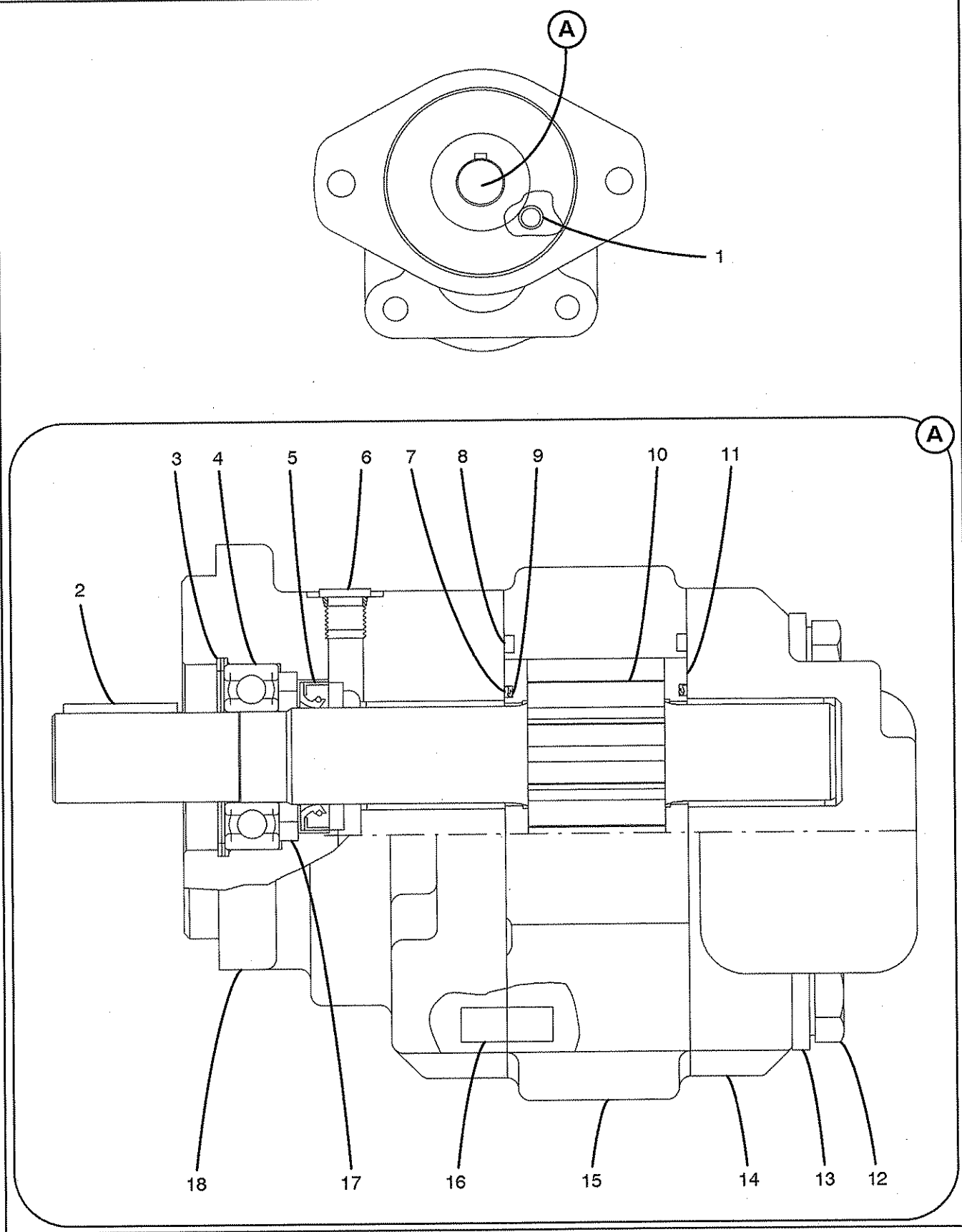


Parts List

0301

Compressor Assy				
REF	PART NO.	QTY	DESCRIPTION	REMARKS
	E8J0196	1	Compressor Assy	
1	REF	1	Key, Shaft	NSS, KD
2	REF	1	Ring, Felt	NSS, KE
3	REF	1	Ring, Snap	NSS, KE
4	REF	1	Seal, Lip	NSS, KE
5	REF	1	Plug, Oil	NSS
6	REF	1	Gasket, Block	NSS, KF, KG
7	REF	1	Plate, Valve	NSS, KF
8	REF	1	Gasket, Head	NSS, KA, KF, KG
9	REF	1	Head, Cylinder	NSS, KA
10	REF	5	Bolt, Cylinder Head	NSS
11	REF	1	Nut, Shaft	NSS, KB, KD
12	REF	1	Plate, Armature	NSS, KB, KC
13	REF	3	Shim	NSS, KB, KD
14	REF	1	Ring, Snap	NSS, KB, KD
15	REF	1	Rotor	NSS, KB, KC
16	REF	1	Ring, Snap	NSS, KB, KD
17	3A 22957	1	Coil, Field	NSS, KB
	3A 22954	1	Kit, Cylinder Head – All Items Marked KA	
	3A 22955	1	Kit, Clutch – All Items Marked KB	
	3A 22956	1	Kit, Armature & Rotor – All Items Marked KC	
	3A 22958	1	Kit, Accessory – All Items Marked KD	
	3A 22959	1	Kit, Shaft Seal – All Items Marked KE	
	3A 22960	1	Kit, Valve Plate – All Items Marked KF	
	3A 22961	1	Kit, Gasket – All Items Marked KG	

Gear Motor Assy

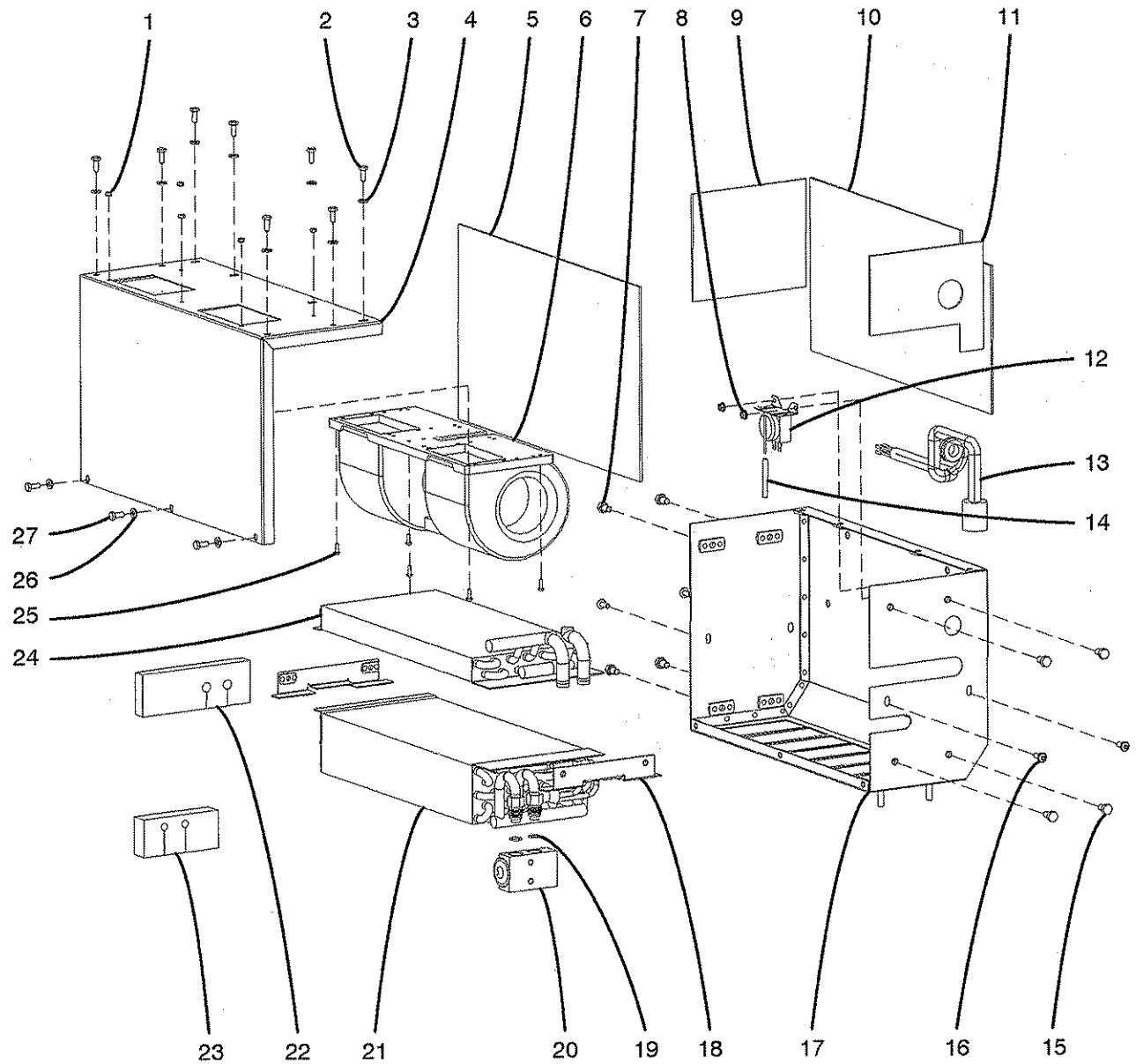


Parts List

0504

Gear Motor Assy				
REF	PART NO.	QTY	DESCRIPTION	REMARKS
	N3J0285	1	Gear Motor Assy	
1	3J 0754	2	Check Assy	
2	3J 13399	1	Key	
3	3A 12380	1	Ring, Snap	
4	3A 12379	1	Bearing, Ball	
5	3J 9087	1	Seal, Lip	
6	3J 6865	1	Plug	
7	3J 13396	4	Seal, End	
8	3J 13394	2	Seal, Square Ring	
9	3J 13398	2	Seal, Back Up	
	3J 13395	4	Seal, Side	
10	3J 17268	1	Set, Gear Shaft	
11	3J 13397	2	Plate, Thrust	
12	3J 4031	4	Capscrew	
13	3J 0764	4	Washer	
14	3J 17270	1	Housing, Port End	
15	3J 17269	1	Housing, Gear	
16	3J 2266	4	Pin, Dowel	
17	3J 9088	1	Retainer, Seal	
18	3J 17271	1	Housing, Shaft End	

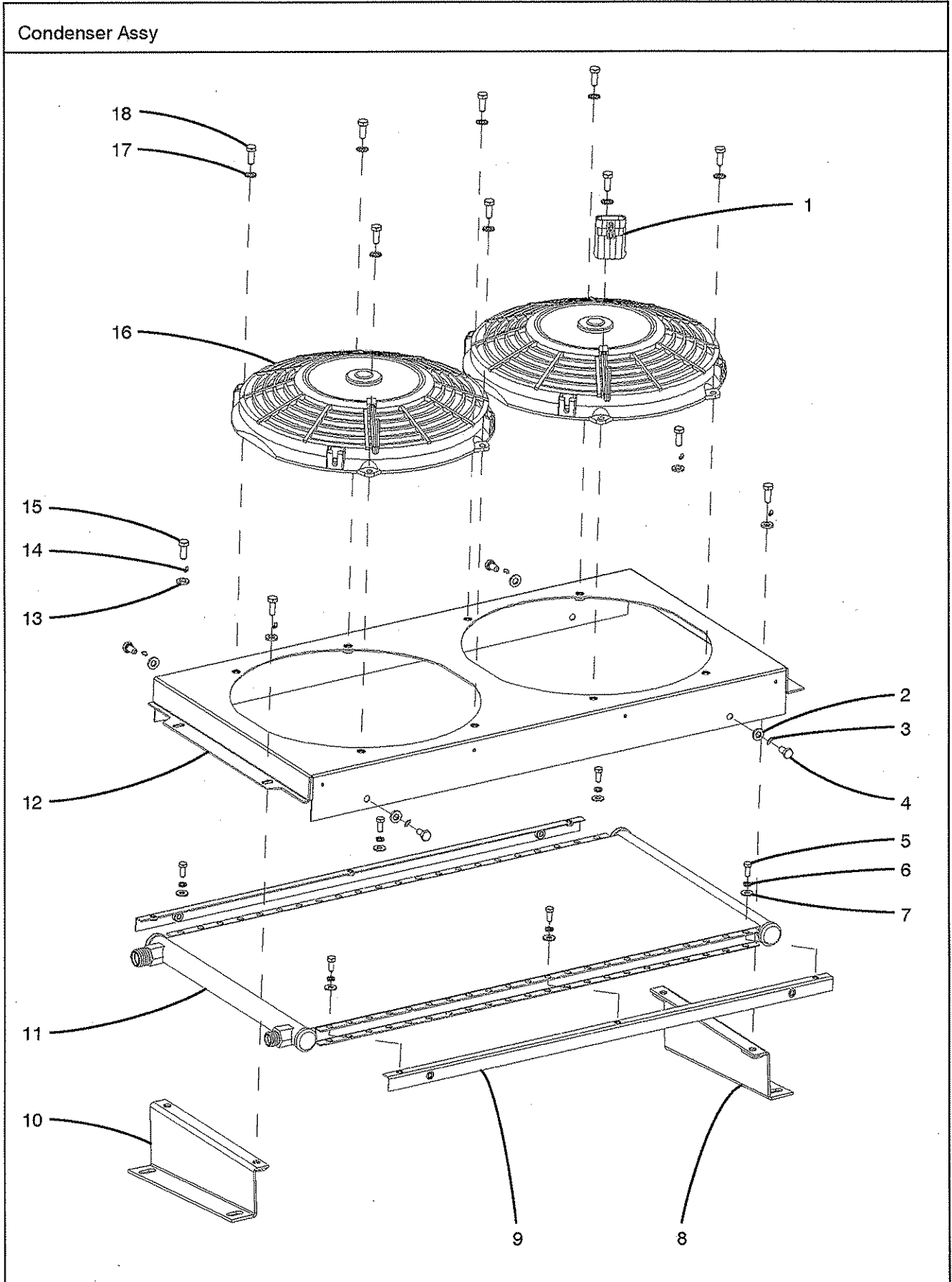
Upper Heater & Evaporator Assy



Parts List

0208

Upper Heater & Evaporator Assy				
REF	PART NO.	QTY	DESCRIPTION	REMARKS
	N3N0126	1	Heater & Evaporator Assy	
1	3N 1241	5	Nut	
2	3J 17221	8	Screw	
3	3J 17220	8	Washer	
4	3N 1244	1	Housing	
5	3N 1249	1	Foam	
6	3N 1236	1	Blower	
7	3N 1243	4	Capscrew	
8	3N 1240	2	Nut	
9	3N 1248	1	Foam	
10	3N 1249	1	Foam	
11	3N 1248	1	Foam	
12	3N 1238	1	Switch, Thermostat	
13	3N 1232	1	Harness, Wire	
14	3N 1251	1	Tubing - 12"	
15	3N 1243	4	Capscrew	
16	3N 1239	4	Screw	
17	3N 1246	1	Housing	
18	3N 1245	2	Bracket	
19	3N 1235	2	O-ring	
20	3N 1237	1	Block, Valve	
21	3N 1234	1	Coil, Evaporator	
22	3N 1247	1	Foam	
23	3N 1250	1	Foam	
24	3N 1233	1	Coil, Evaporator	
25	3N 1242	5	Screw	
26	3J 17220	3	Washer	
27	3J 17221	3	Screw	
	3N 1254	1	Bag, Parts - Not Shown	
	3N 1255	1	Hose, Drain - 72" - Not Shown	
	3N 1256	2	Valve, Condensate - Not Shown	
	3N 1257	2	Fitting - Not Shown	

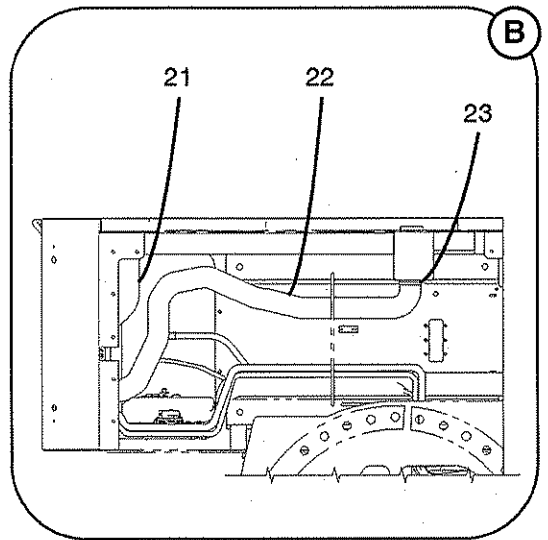
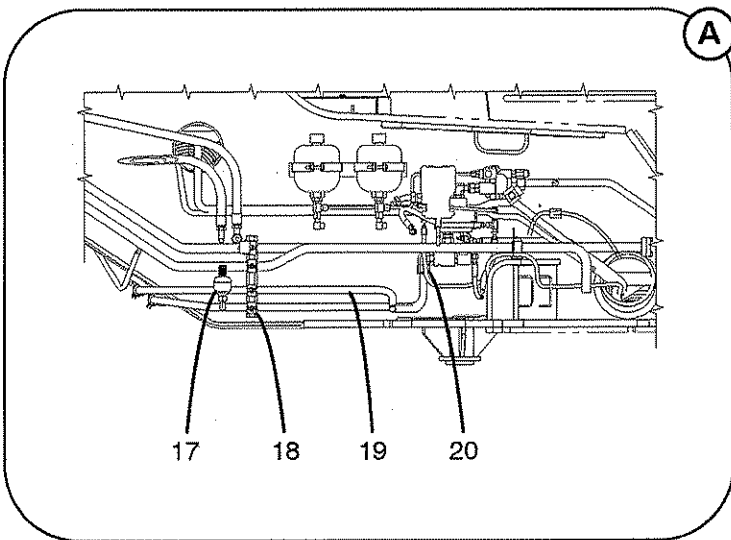
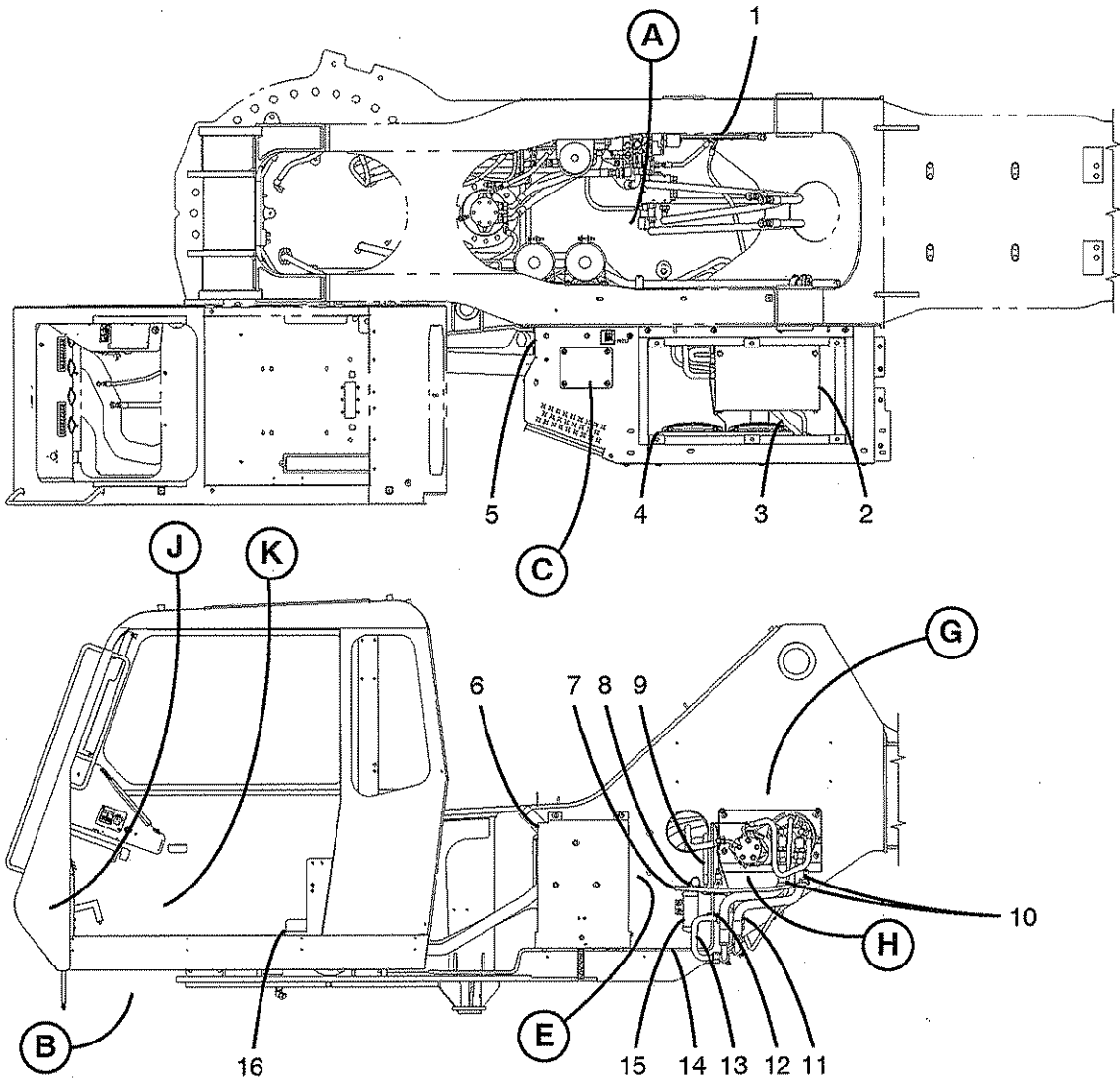


Parts List

0513

Condenser Assy				
REF	PART NO.	QTY	DESCRIPTION	REMARKS
	N3J0453	1	Condenser Assy	
1	155149001	1	Connector, 4 Way	
	155134001	1	Lock, Secondary	
	155100001	4	Terminal	
	155064005	4	Seal, Cable	
2	3J 17220	4	Washer	
3	3J 17219	4	Washer, Split	
4	3J 17429	4	Capscrew	
5	3J 17430	6	Capscrew	
6	3J 17431	6	Lockwasher	
7	3J 17432	6	Washer	
8	3J 17223	1	Bracket	
9	3J 17433	2	Bracket	
10	3J 17224	1	Bracket	
11	3J 17426	1	Coil	
12	3J 17434	1	Bracket	
13	3J 17220	4	Washer	
14	3J 17219	4	Washer, Split	
15	3J 17221	4	Capscrew	
16	3J 17425	2	Fan	
17	3J 17222	8	Lockwasher	
18	3J 17221	8	Capscrew	

Upper Air Conditioning & Heater Installation

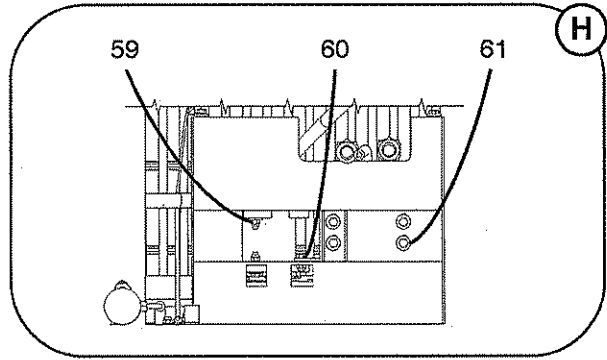
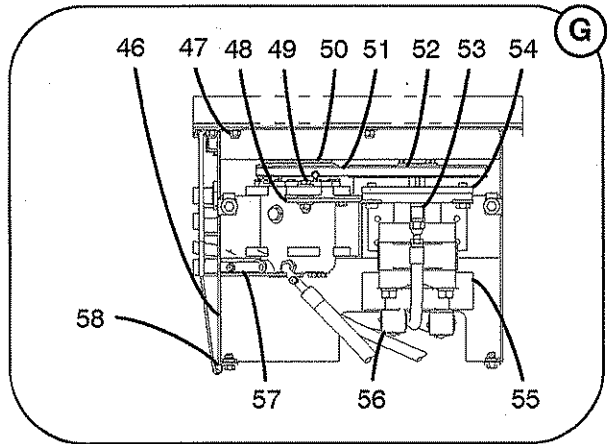
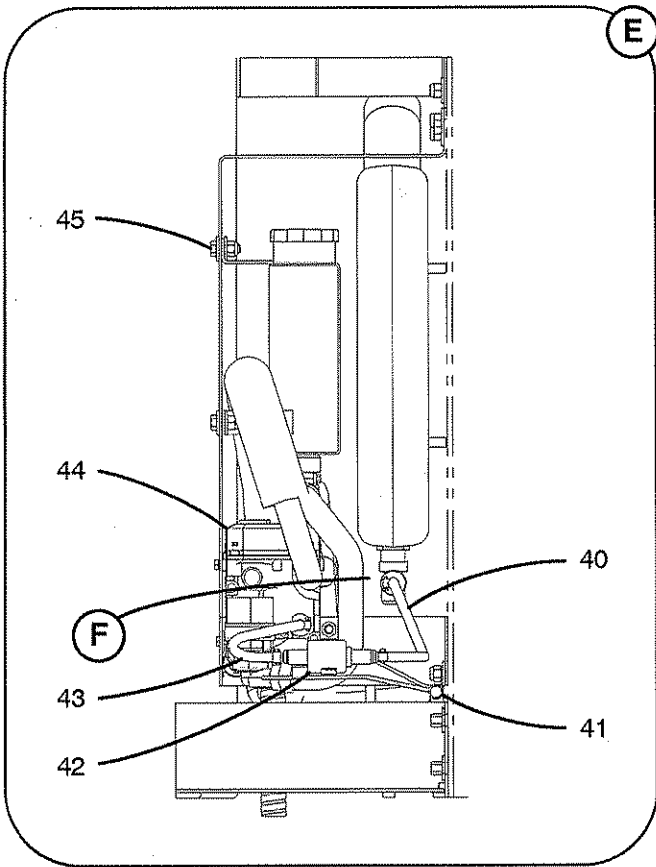
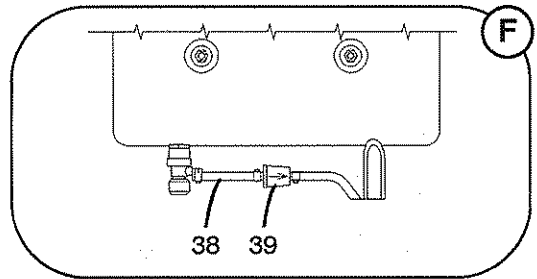
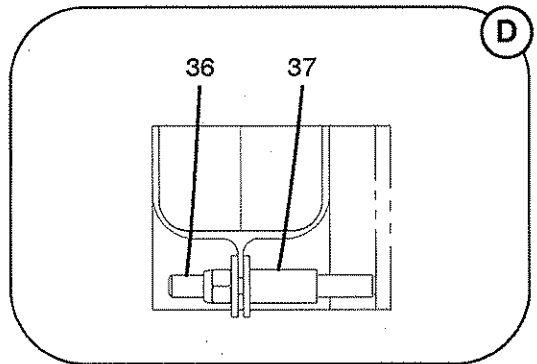
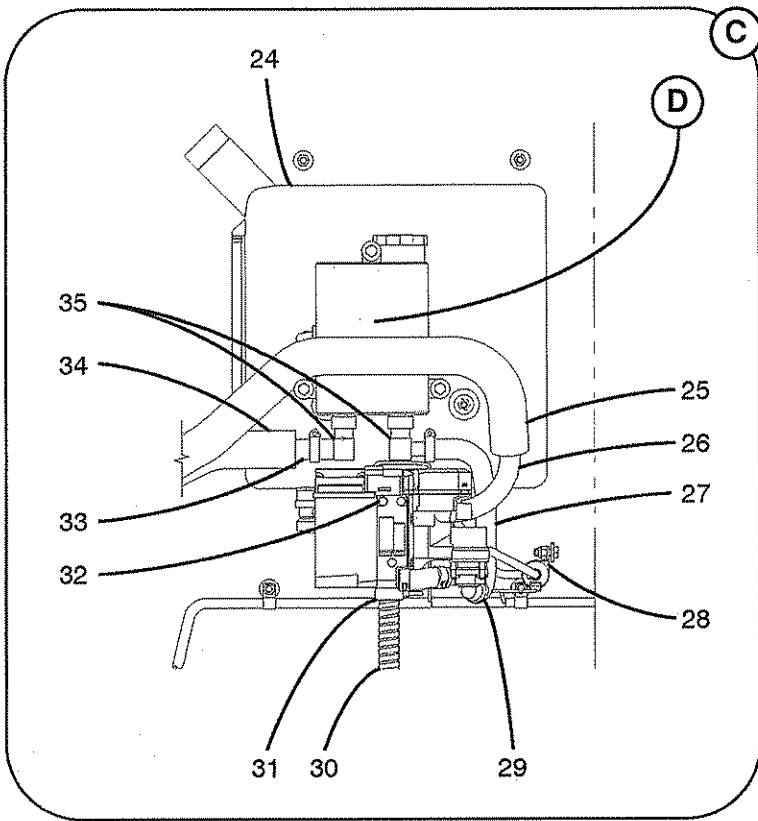


Parts List

0812

Upper Air Conditioning & Heater Installation				
REF	PART NO.	QTY	DESCRIPTION	REMARKS
1	1X 7414	1	Tee	
2	P9J0445	1	Cover, Power Unit	
	126009012	4	Capscrew	
	128003004	4	Washer	
	65A0568	4	Retainer, Nut	
3	N4J0342	1	Hose Assy	
4	REF	1	Condenser Assy – See Keysheet 18–018	
	126009013	4	Capscrew	
	128003004	4	Washer	
5	N3P0237	1	Label, Diesel Fuel Only	
6	N4B0112	1	Bracket, Heater	
	128003004	4	Washer	
	127004003	2	Locknut	
7	N4J0341	1	Hose Assy	
8	J7J0558	1	Switch, Binary	
9	N3J0326	1	Hose Assy	
10	D7J0456	2	Hose Assy	
	1X 7418	2	Tee	
	20J2909	2	Clamp	
11	E1J0357	1	Solenoid Valve Assy – See Keysheet 07–003–062.00	
	1X 7623	1	Connector, Swivel	
	1X 7377	1	Connector	
12	1X 6038	2	Clamp	
	127004003	2	Capscrew	
13	F8J0335	1	Tube Assy	
14	N4R0267	1	Harness, Diesel A/C & Heater Wire	
	D3R0346	1	Relay	
15	J7J0559	1	Drier	
	128003004	2	Washer	
	127004003	2	Locknut	
16	N3N0219	1	Filter	
	126009004	2	Capscrew	
	128003001	2	Washer – 0.75" OD	
	128003004	2	Washer – 1.0" OD	
	38J1064	2	Spacer	
17	F8J0306	1	Accumulator	
	1X 7559	1	Elbow	
18	20J2909	2	Clamp	
19	J9J0136	1	Tube Assy	
20	J9J0211	1	Tube Assy	
21	822025005	1	Hose – 4.5'	
22	822025005	1	Hose – 5.1'	
23	1X 5270	2	Clamp	
24	N4N0044	1	Tank, Diesel Fuel	KA
	3N 1383	1	Cap	
	3N 1384	1	Valve, Shut-off	
25	850075001	1	Sleeve, Insulation – 8.2'	
26	822001004	1	Hose – 9.4'	
27	822001004	1	Hose – 1.75'	
28	28J0920	1	Clamp	
	126009013	1	Capscrew	
	128003004	1	Washer	
	127004003	1	Locknut	
29	8A 4596	2	Clamp	
30	N4N0057	1	Tube	KA
31	N4N0051	1	Clamp	KA

Upper Air Conditioning & Heater Installation

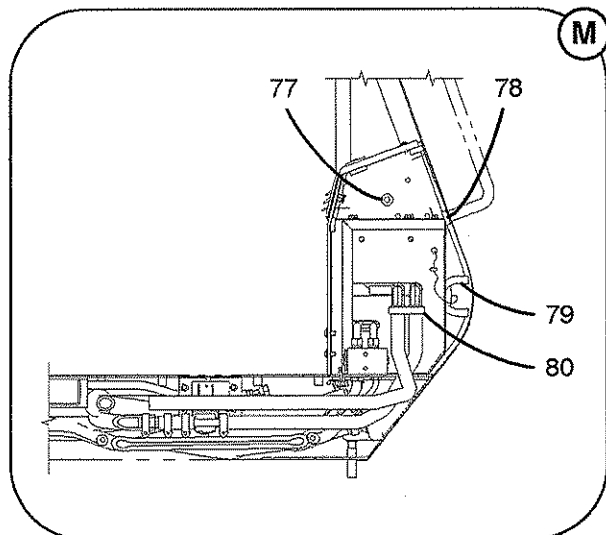
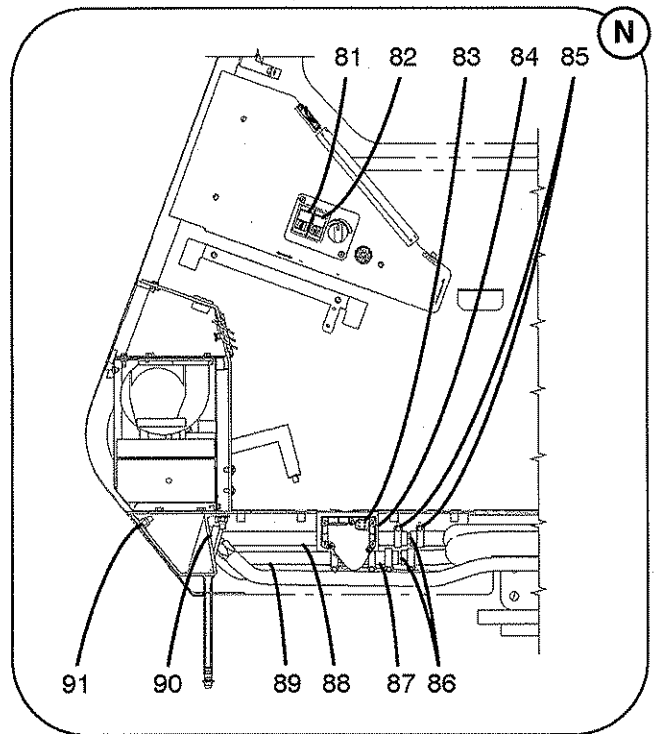
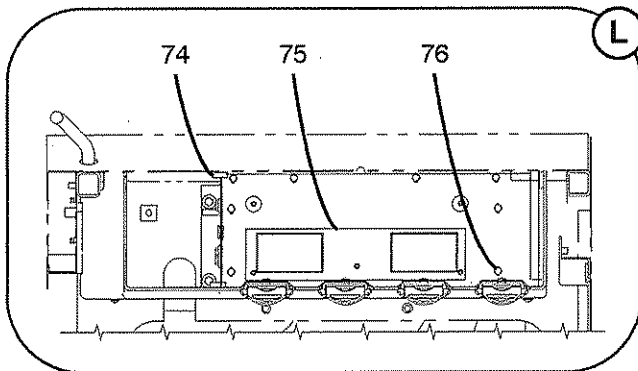
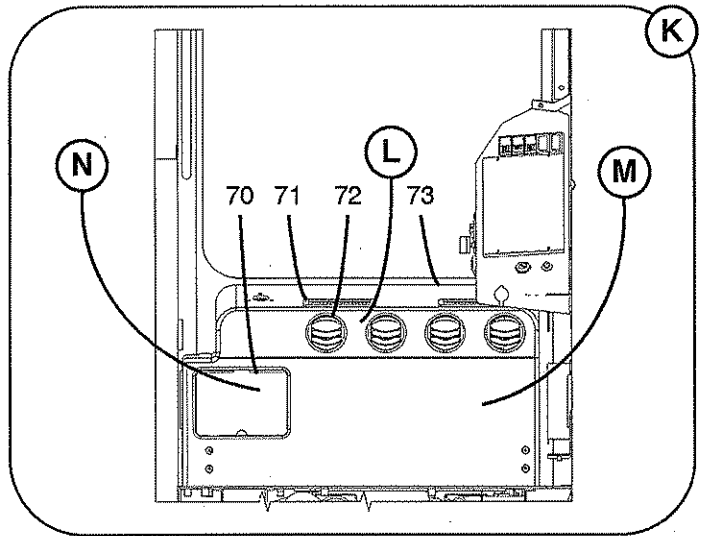
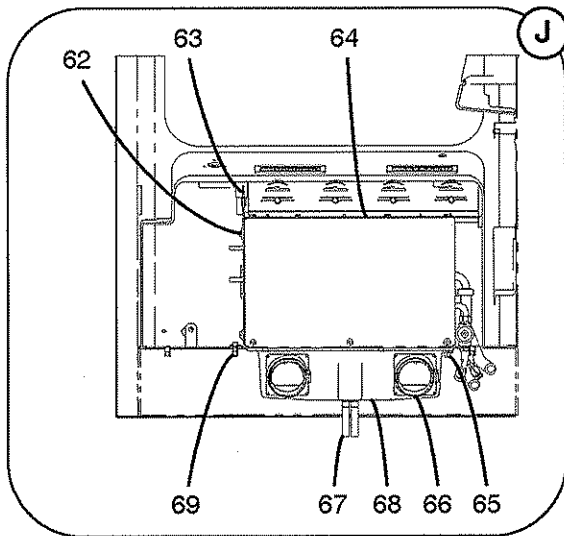


Parts List

0812

Upper Air Conditioning & Heater Installation				
REF	PART NO.	QTY	DESCRIPTION	REMARKS
32	N4N0056	3	Screw	KA
33	822001004	1	Hose - 9.9'	
34	850075001	1	Sleeve, Insulation - 8.0'	
35	1X 6222	2	Stem, Hose	
	8A 4596	2	Clamp	
36	C5A1751	3	Rod, Threaded	
37	1X 7549	3	Spacer	
	128003004	6	Washer	
	127004003	3	Locknut	
38	N4N0053	1	Hose - 0.29'	KA
	N4N0054	3	Clamp	KA
39	N4N0055	1	Filter, Fuel	KA
40	N4N0053	1	Hose - 0.92'	KA
	N4N0054	2	Clamp	KA
41	1X 6038	2	Clamp	
	127004003	2	Capscrew	
42	N4N0045	1	Pump, Fuel	KA
43	N4N0053	1	Hose - 0.83'	KA
	N4N0054	1	Clamp	KA
44	REF	1	Diesel Coolant Heater Assy - See Keysheet 06-025	KA
45	J6N0087	1	Tank, Coolant	
	126009013	3	Capscrew	
	128003004	6	Washer	
	127004003	3	Locknut	
46	P9J0443	1	Case, Power Unit	
47	128003004	4	Washer	
	127004003	4	Locknut	
48	N3J0402	1	Plate, Adjustable Bracket	
49	126009016	1	Capscrew	
	128003004	3	Washer	
	127004003	1	Locknut	
50	E8J0196	1	Compressor Assy - See Keysheet 18-018-049.00	
51	1X 8303	1	V-Belt	
52	N4J0317	1	Sheave	
	F7J0549	1	Bushing	
53	70J0111	1	Hose Assy	
	1X 7458	1	Elbow	
54	N3J0408	1	Bracket, Motor Mount	
	126009027	2	Capscrew	
	128003006	2	Washer	
55	REF	1	Gear Motor Assy - See Keysheet 18-018	
56	1X 7392	2	Elbow	
57	N3J0325	1	Hose Assy	
58	1X 6038	1	Clamp	
59	126009015	2	Capscrew	
	128003004	2	Washer	
	127004003	2	Locknut	
60	126009013	1	Capscrew	
	127004003	1	Locknut	
61	126009012	4	Capscrew	
	128003004	4	Washer	
62	126009095	4	Capscrew	
	128003002	8	Washer	

Upper Air Conditioning & Heater Installation



Parts List

0812

Upper Air Conditioning & Heater Installation				
REF	PART NO.	QTY	DESCRIPTION	REMARKS
63	N4N0062	1	Baffle	
64	N3N0180	1	Baffle, Top	
65	128003002	2	Washer	
	127004002	2	Locknut	
66	J9N0025	1	Air Duct Assy	
	N3N0212	2	Adaptor, Hose – 3"	
67	N3N0230	1	Adaptor, Hose – 0.5"	
68	J9N0024	1	Duct, Air	
	128003004	2	Washer	
	127004003	2	Locknut	
69	126009095	2	Capscrew	
	128003002	2	Washer	
	J9N0027	1	Heater Cover S/A	NSS
70	N3N0052	1	Door, Fuse	
71	N3N0089	2	Louver, Rectangle	
72	N3N0090	4	Louver, Round	
73	824033010	1	Weatherstrip – 5.34'	
	N3N0037	1	Panel, Heater Cover	
	1X 5314	5	Screw	
74	824033010	1	Weatherstrip – 0.46'	
75	REF	1	Upper Heater & Evaporator Assy – See Keysheet 18-018	
76	126006006	2	Capscrew	
	128002005	2	Washer	
77	36J0772	1	Grommet, Rubber	
78	824033010	1	Weatherstrip – 1.75'	
79	824025005	1	Trim – 0.38'	
80	8A 4596	2	Clamp	
81	C5A1558	1	Switch	
	N3N0267	1	Lens, Heater/AC	
82	C5A1558	1	Switch	
	N3N0268	1	Lens, Heater	
83	L8J0448	1	Water Valve S/A	NSS
	S2R0308	1	Valve	
	1X 7920	4	Screw, Machine	
	127004001	4	Locknut	
84	L8J0407	1	Bracket	
	128003004	1	Washer	
	127004003	1	Locknut	
85	8A 4596	6	Clamp	
86	N4N0058	2	Reducer	KA
87	822001003	1	Hose – 0.25'	
88	822001003	1	Hose – 2.33'	
89	822001003	1	Hose – 2.33'	
90	1X 5270	2	Clamp	
91	128003004	2	Washer	
	127004003	2	Locknut	
	71J0005	16	Tie, Cable – Not Shown	
	N4N0047	1	Kit, Diesel Coolant Heater – All Items Marked KA	

Schematics

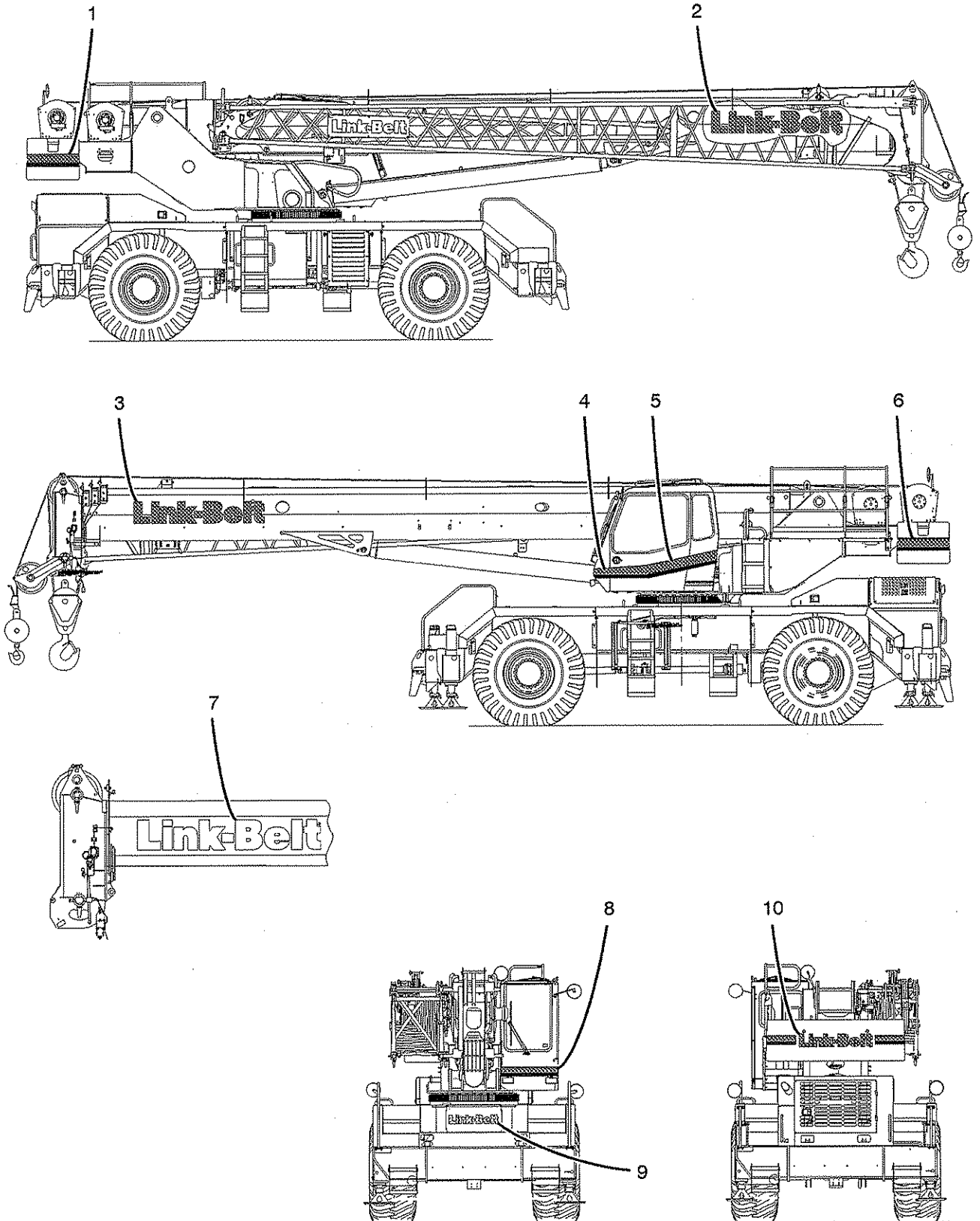
No Illustration Required

Parts List

0811

Schematics				
REF	PART NO.	QTY	DESCRIPTION	REMARKS
	J9J0244S	1	Schematic, Hydraulic	
	J9R0075S	1	Schematic, Electrical	
<p>NOTE: USE THE SCHEMATICS FOR TROUBLESHOOTING ONLY. DO NOT ORDER PARTS FROM THE INFORMATION ON THE SCHEMATIC DRAWINGS.</p> <p>The schematic drawings are available as a set (individual drawings are not available) from the Customer Information Center at LBCE. The crane serial number is required for ordering.</p>				

Link-Belt Labels & Stripes



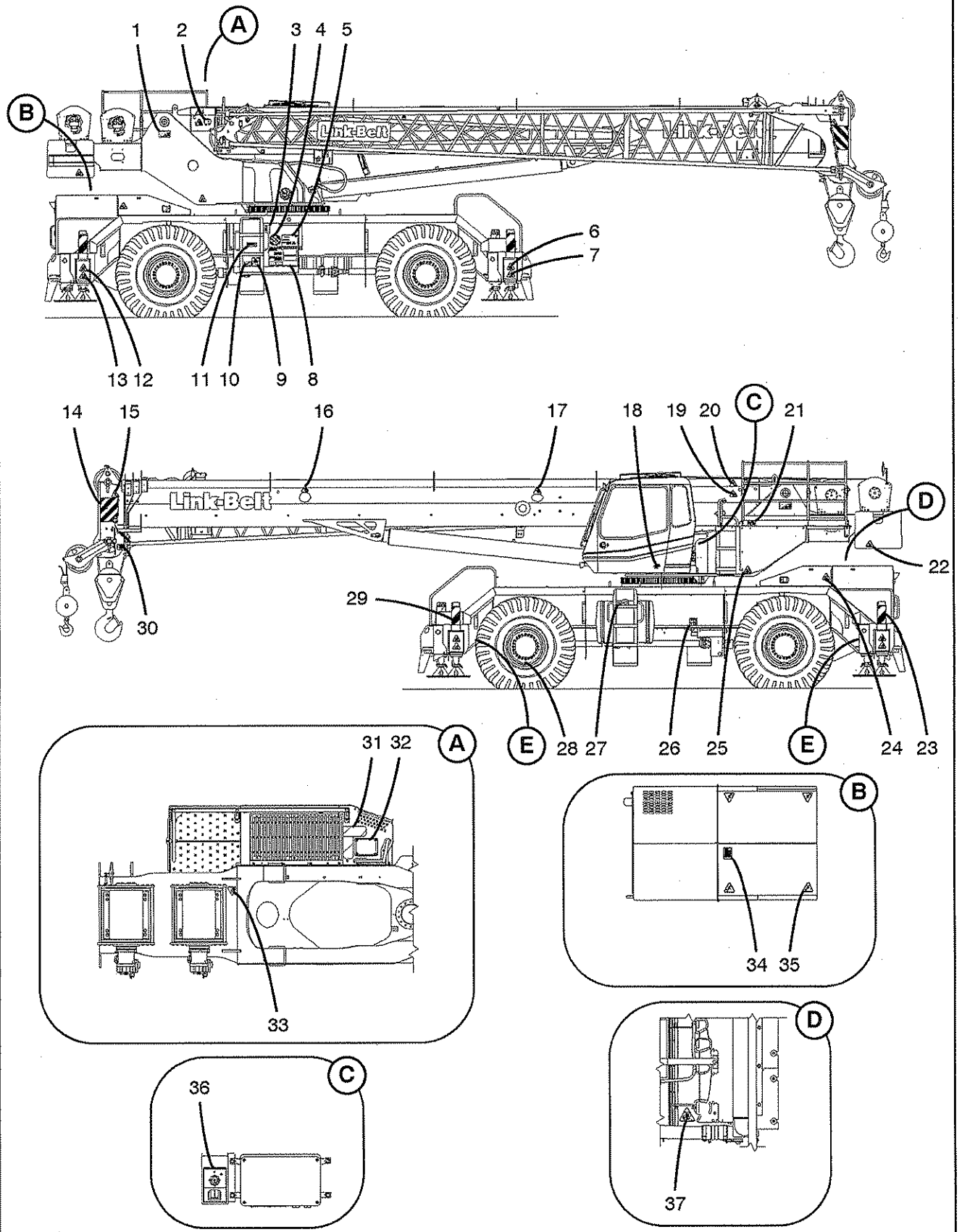
Parts List

0412

Link-Belt Labels & Stripes

REF	PART NO.	QTY	DESCRIPTION	REMARKS
1	876009016	1	Stripe - 3.83'	
2	S1P0035	1	Label, Red Link-Belt	
3	S1P0035	1	Label, Red Link-Belt	
4	N3P0024	1	Stripe, Cab	
5	N3P0020	1	Stripe, Cab	
6	876009016	1	Stripe - 3.83'	
7	R3P0026	2	Label, White Link-Belt	
8	876009014	1	Stripe - 3'	
9	R3P0013	1	Label, Gray Link-Belt	
10	R3P0019	1	Label, Red Link-Belt	

Labels

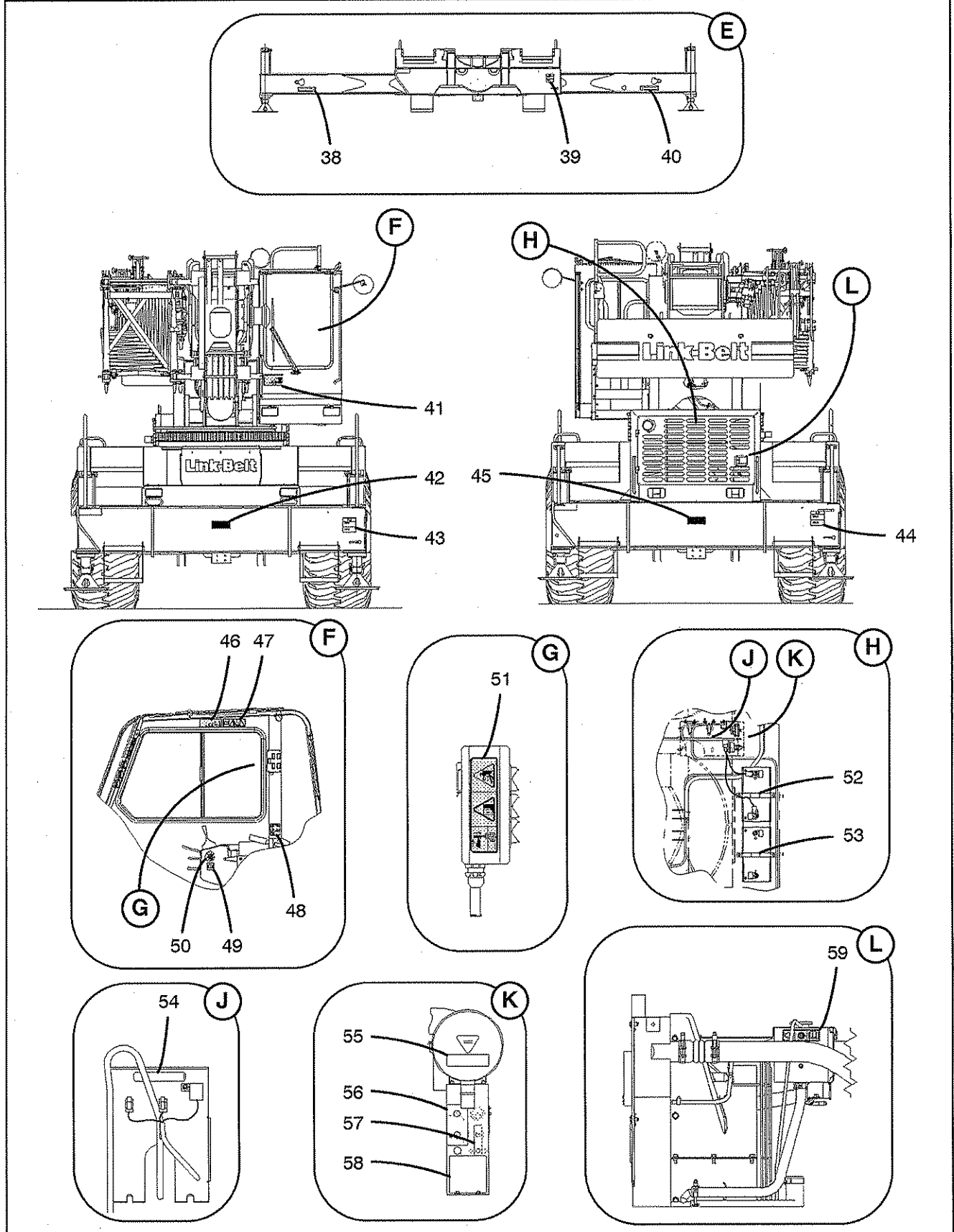


Parts List

0612

Labels				
REF	PART NO.	QTY	DESCRIPTION	REMARKS
1	N3P0217	2	Label, Electrical Power Line	
2	N3P0252	1	Label, Fly Storage	
3	R8P0004	1	Label, Oil Level	
4	D3P0054	1	Label, CALC	
5	J9P0099	1	Label, Lift	
6	N3P0276	2	Label, Body Crush	
7	N3P0277	2	Label, Foot Crush	
8	J9P0071	1	Label, Lube Chart	
9	43P0439	1	Label, PCSA Insignia	
10	R3P0096	1	Label, ASME	
11	J9P0124	1	Label, Tire Inflation	
12	N3P0276	2	Label, Body Crush	
13	N3P0277	2	Label, Foot Crush	
14	804020002	2	Tape, Reflective – 1.33'	
15	N3P0221	2	Label, No Walk	
16	N3P0223	2	Label, Hand Pinch Point	
17	N3P0223	2	Label, Hand Pinch Point	
18	E8P0047	1	Label, Series II	
19	N3P0223	2	Label, Hand Pinch Point	
20	N3P0221	2	Label, No Walk	
21	J9P0131	1	Label, Handrails	
22	N3P0218	2	Label, Swing Hazard	
23	804020002	2	Tape, Reflective – 1'	
24	N3P0218	2	Label, Swing Hazard	
25	N3P0218	2	Label, Swing Hazard	
26	J9P0097	1	Label, Pump Lever	
27	N3P0237	1	Label, Diesel Fuel Only	
28	N3P0214	4	Label, Tire Inflation	
29	804020002	2	Tape, Reflective – 1'	
30	N3P0246	1	Label, ATB Lockout Pin	
31	850040012	1	Walk, Safety	
32	KHP0403	1	Tape, Non-Slip	
33	R8P0095	1	Label, Rotating Parts Caution	
34	J9P0088	1	Label, Avoid Boom Contact	
35	N3P0221	4	Label, No Walk	
36	N3P0248	1	Label, RCL Bypass	
37	N3P0226	2	Label, Fan Hazard	

Labels

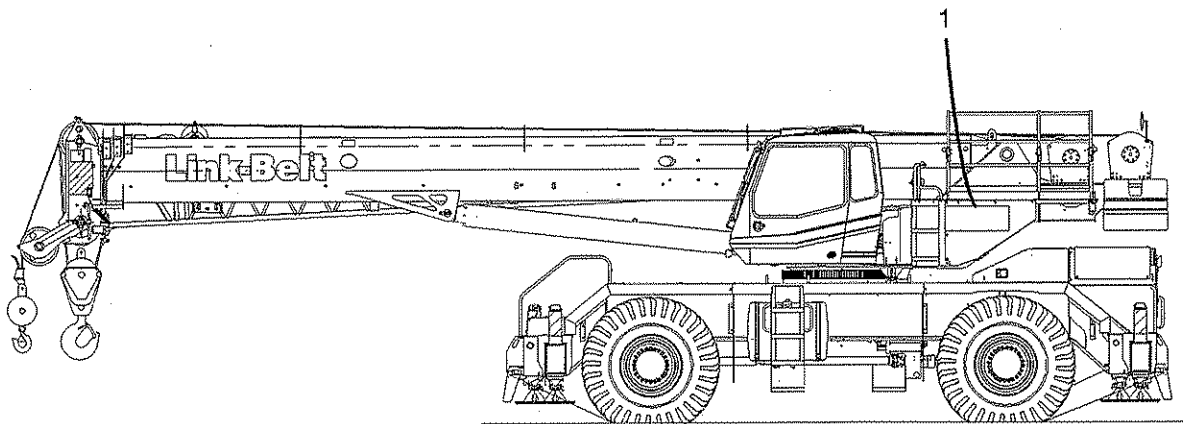


Parts List

0612

Labels				
REF	PART NO.	QTY	DESCRIPTION	REMARKS
38	D3P0064	2	Label, Arrow	
39	J9P0090	2	Label, Outrigger Positions	
40	D3P0064	2	Label, Arrow	
41	N3P0217	1	Label, Electrical Power Line	
42	J9P0092	1	Label, Load Radius	
43	J9P0090	1	Label, Outrigger Positions	
44	J9P0090	1	Label, Outrigger Positions	
45	J9P0092	1	Label, Load Radius	
46	N3P0216	1	Label, Power Line	
47	N3P0215	1	Label, Crane Stability	
48	N3P0244	1	Label, Swing Lock	
49	N3P0287	1	Label, Read Manual	
50	N3P0245	1	Label, No Access	
51	N3P0344	1	Label, Outrigger Safety Information	
52	J9P0101	1	Label, 12 Volt	
53	J9P0101	1	Label, 12 Volt	
54	J9P0072	1	Label, Fuse	
55	J9P0091	1	Label, Electric Heater	
56	J9P0093	1	Label, Battery Disconnect	
57	J9P0094	1	Label, Breakers	
58	J9P0095	1	Label, Battery Cable Schematic	
59	N3P0288	1	Label, Surge Tank	

Crane Rating Manual & ID Label



Parts List

0612

Crane Rating Manual & ID Label				
REF	PART NO.	QTY	DESCRIPTION	REMARKS
1	J9P0126	2	Label, RTC-8065	
	J9P0128	2	Label, RTC-8060	
	J9P0129	2	Label, RTC-8050	
	J9P0130	2	Label, RTC-8040	
	F2P0330	2	Label, XL	
	REF		1	Manual, Crane Rating - Located In Cab - Not Shown