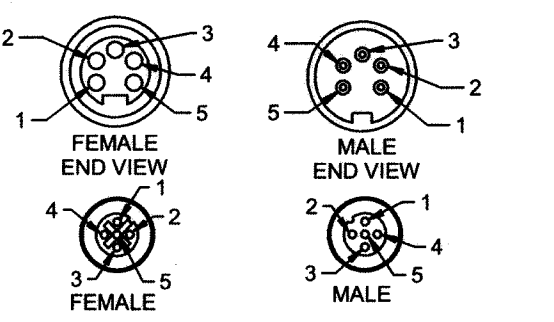


LETTER CODE	COLOR	FUNCTION
B	GRN	ENGINE
C	RED	RCL
D	BLU	BOOM
H	BRN	OVR LENGTH SENSOR

FUNCTION	PN	COLOR	PN	COLOR	PN	COLOR
CAN SHLD	1	BLK	1	BLK	1	BLK
V+	2	RED	N/A	N/A	N/A	N/A
V-	3	BLK	N/A	N/A	N/A	N/A
CAN H	4	WHT	4	BRN	A	YEL
CAN L	5	BLU	5	BLU	B	GRN



- ① UPPER FRAME GROUND BLOCK
- ② UPPER FRAME GROUND BLOCK
- ③ FLOOR PLATE GND BLOCK FRONT, INSIDE CAB
- ④ GND BLOCK UNDER REAR OF CAB
- ⑤ COLLECTOR RING GROUND

This drawing is the property of Link-Belt Construction Equipment Company and is transmitted in confidence. Reproduction, use or disclosure, in whole or part, of design and details contained herein is prohibited without written permission of Link-Belt Construction Equipment Company.

Unless otherwise specified dimensions are in inches. The tolerances below are applicable unless otherwise specified.

Drawn	Date	Scale	
Checked	12/20/2013	None	
Approval	DWG ELEC SCHEMATIC XP		
Material	EO Level	Rev	
Weight	M147402077	S4R0070 S	Sheet 3 of 5

BOOM/UPPER