

Introduction

The build list of your engine, found on the front pages of this parts book, provides a unique reference to the components fitted to your engine; therefore this parts book is only applicable to this particular engine.

Always quote your build list and engine serial number when contacting your outlet.

How to use your Parts Book

This parts book has been designed to provide you with all the information you need to identify parts to service your engine. There are several features within the book to make it easy to find the parts you require.

Front Page

This lists your build list number and the date of publication of this book

Symbol Descriptions



New for Old Part



Reference for Detailed Breakdown

Engine Breakdown

Use this to identify all the major sections of your engine and the relevant pages within the book.

Parts Lists & Illustrations

This section shows each major section of your engine broken down into individual part numbers along with an associated illustration for identifying the parts you require.

The illustrations used in this parts book are representational only and should only be used for identification purposes.

For fitting instructions please refer to your engine Service Manual.

Parts Index

Using either the part number or description of the part you require this section will help you locate the page within the **Parts Lists & Illustrations** section where the part appears.

Note: The relative changes of this manual due to improvement of the engine will not be specially informed.

For parts purchase, please provide your engine's model, production date and exact part number. You can purchase the parts only after getting confirmation from Our Parts Department.

绪论

您的发动机配套号为您在发动机上装配的零件提供了唯一的参考依据,同时在本零件手册封面上也可找此配套号。因此本零件手册仅仅适用于特定机型的发动机。

当与您的珀金斯销售商联系时,请提供您的配套号及发动机序列号。

使用说明

此零件手册为您在维护发动机时辨识零件提供所需的所有信息。为了容易的查到您所需的零件,此手册具有以下几个特点:

封面

列有您的配套号及此手册的发行日期。

符号描述



更换件



参考详细分类细目

发动机分类细目

使用此目录可确定您的发动机的所有主要部件及在本手册内的相关页数。

零件目录及插图

此部分列有拆分成单个零件号的您发动机的每个主要部件,同时配有关联的插图以便确认您所需的零件。

在此手册中使用的插图仅是示范性的,并仅用于确认的目的。
如需要安装指导,请参考您的发动机维修手册。

零件索引

使用零件号或您所需部件的零件描述将帮助您确定在零件目录及插图中零件所在的页数。

注: 由于机型的改进而引起的本手册的相应改动恕不另行通知
用户购买配件请提供您的发动机型号、出厂日期、零件号,经雷沃配件部确认后,再进行购买。

Section 部件		Section 部件	
Cylinder Block 气缸体 ACHA	1	Water Outlet 出水口 LDHA	45
Timing Gear& Camshaft 正时齿轮及凸轮轴 ACHA	3	Fan& Extension 风扇及隔圈 MDHA	47
Crankshaft, Pistons & Connecting Rods 曲轴, 活塞及连杆 ACHA	7	Alternator & Generator 交流发电机及发电机 NDHA	49
Cylinder Head 气缸盖 ACHA	9	Gear Drive Auxiliary Drive Option 齿轮驱动/转向助力选用 QDHA	51
Rocker shaft 摇臂轴 ACHA	13	Induction & Exhaust System 进、排气系统 SBHA	59
Lubricating Oil Pump 润滑油泵 ACHA	15	Low pressure fuel system 低压燃油系统 VBHA	65
Fuel Injection Equipment 燃油喷射系统 ACHA	17	Cooling Start Aid set 冷启动辅助装置 XBHA	69
Flywheel Housing 飞轮壳 CDHA	21	Engine Lifting 发动机提升 WDHA	71
Flywheel & Starter Ring 飞轮及启动齿圈 DDHA	23	Mounting 支撑 ZCHA	73
Start Generator 起动机 EDHA	25	Other 其它 ZZHA	75
Fan Drive 风扇驱动装置 FBHA	27	Joints & Gaskets-Top Service Kit 垫及垫片 SACA	77
Lubricating Oil Sump 润滑油底壳 GBHA	29	Joints & Gaskets-Bottom Service Kit 垫及垫片 SACA	79
Cylinder Head Cover 气缸盖罩 HBHA	33		
Lubricating Oil Filter 润滑油滤清器 JBHA	37		
Front End Drive Input 前端驱动输入 KBHA	39		
Water Pump & Thermostat 水泵及节温器 LBHA	41		

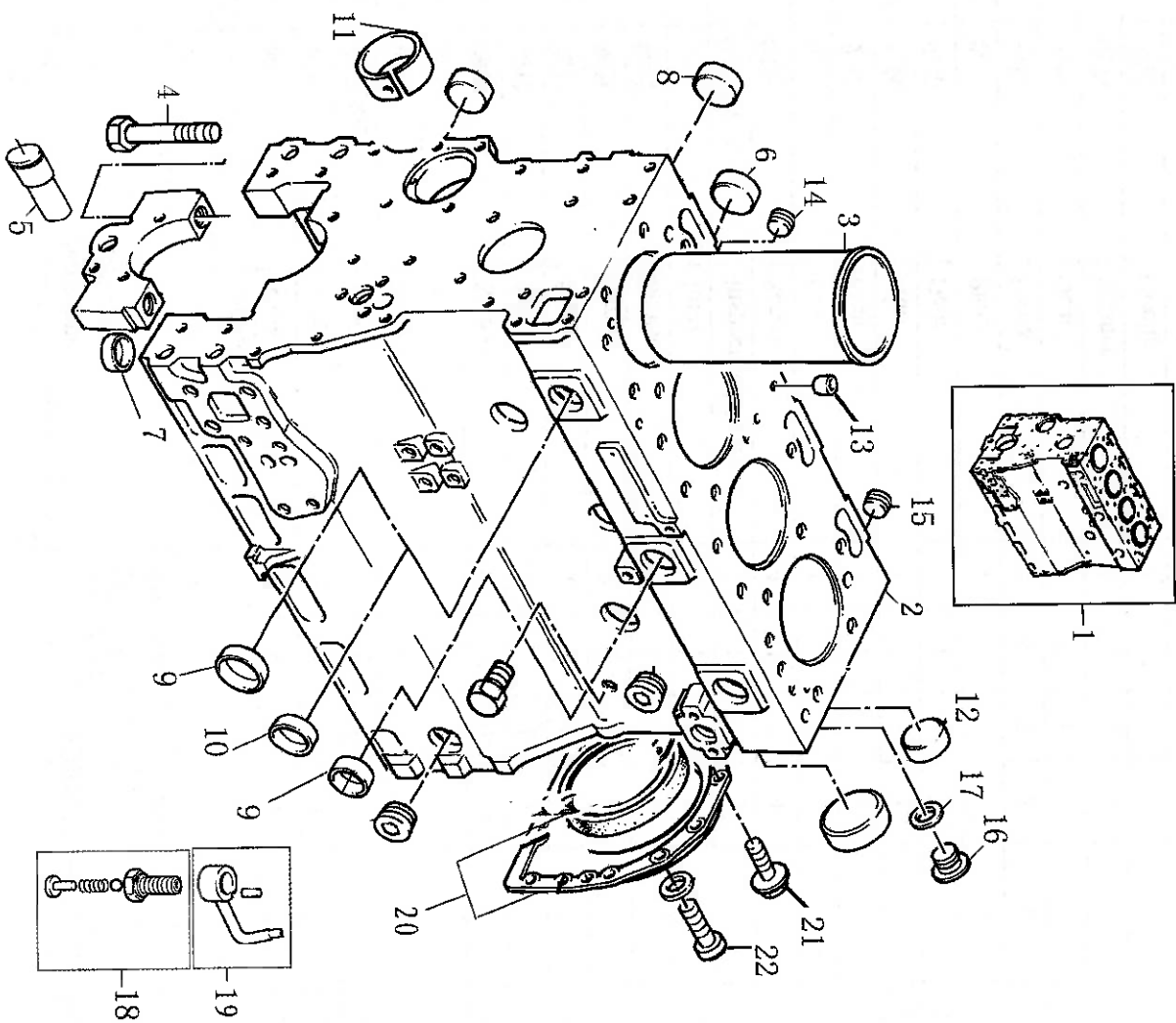
Cylinder Block
气缸体

ACHA

Item 图号	Family No. 组件号	Part No. 零件号	Part Name 零件名称	适用机型与数量 Application Type and Quantity															
				1004C-P4TWR100								1004-P4TWR100							
				N01	NA01	K01	KA01	---	---	N01	NA01	K01	KA01	---	---	N01	NA01	K01	KA01
1	AC10A 0004	TZZ50265	机体 (总成) Cylinder block assembly	1	1	1	1	1	1	---	---	1	1	1	1	1	1		
2		T721010069	机体 Cylinder block	1	1	1	1	1	1	---	---	1	1	1	1	1	1		
3		T3135X062	缸套 Liner	4	4	4	4	4	4	---	---	4	4	4	4	4	4		
4		T32166329	大瓦螺栓 Bolt	10	10	10	10	10	10	---	---	10	10	10	10	10	10		
5		T3271H004A	惰轮轴 Idler shaft	1	1	1	1	1	1	---	---	1	1	1	1	1	1		
6		T3774A004	挺杆腔堵 Plug	4	4	4	4	4	4	---	---	4	4	4	4	4	4		
7		T33142111	定位套 Thimble	10	10	10	10	10	10	---	---	10	10	10	10	10	10		
8		T32418122	碗堵 Plug	6	6	6	6	6	6	---	---	6	6	6	6	6	6		
9		T0650710	碗堵 Plug	6	6	6	6	6	6	---	---	6	6	6	6	6	6		
10		T32418124	碗堵 Plug	1	1	1	1	1	1	---	---	1	1	1	1	1	1		
11	AC10A 0064	T31134165	衬套 Bush	1	1	1	1	1	1	---	---	1	1	1	1	1	1		
12	AC10A 0115	T32416119	堵 Plug	1	1	1	1	1	1	---	---	1	1	1	1	1	1		
13	AC10A 0121	T32417134	堵 Plug	1	1	1	1	1	1	---	---	1	1	1	1	1	1		
14	AC10A 0124	T64404002	堵 Plug	1	1	1	1	1	1	---	---	1	1	1	1	1	1		
15	AC10A 0176	T0650588	堵 Plug	1	1	1	1	1	1	---	---	1	1	1	1	1	1		
16	AC10A 0325	T32168212	堵 Plug	1	1	1	1	1	1	---	---	1	1	1	1	1	1		
17	AC10A 0328	T714030009	垫圈 Washer	1	1	1	1	1	1	---	---	1	1	1	1	1	1		
18	AC20L 0500	T4138A017	冷却喷嘴阀 Jet valve	4	4	4	4	4	4	---	---	4	4	4	4	4	4		
19	AC20L 0456	T3861A027	冷却喷嘴 Piston cooling jet	4	4	4	4	4	4	---	---	4	4	4	4	4	4		
20	AC10A 0373	T721050003	后油封 Rear oil seal	1	1	1	1	1	1	---	---	1	1	1	1	1	1		
21	AC10A 0400	T3211C002	螺栓 Screw	6	6	6	6	6	6	---	---	6	6	6	6	6	6		
22	AC10A 0439	T3211C002	螺栓 Screw	4	4	4	4	4	4	---	---	4	4	4	4	4	4		

Cylinder Block
气缸体

ACHA



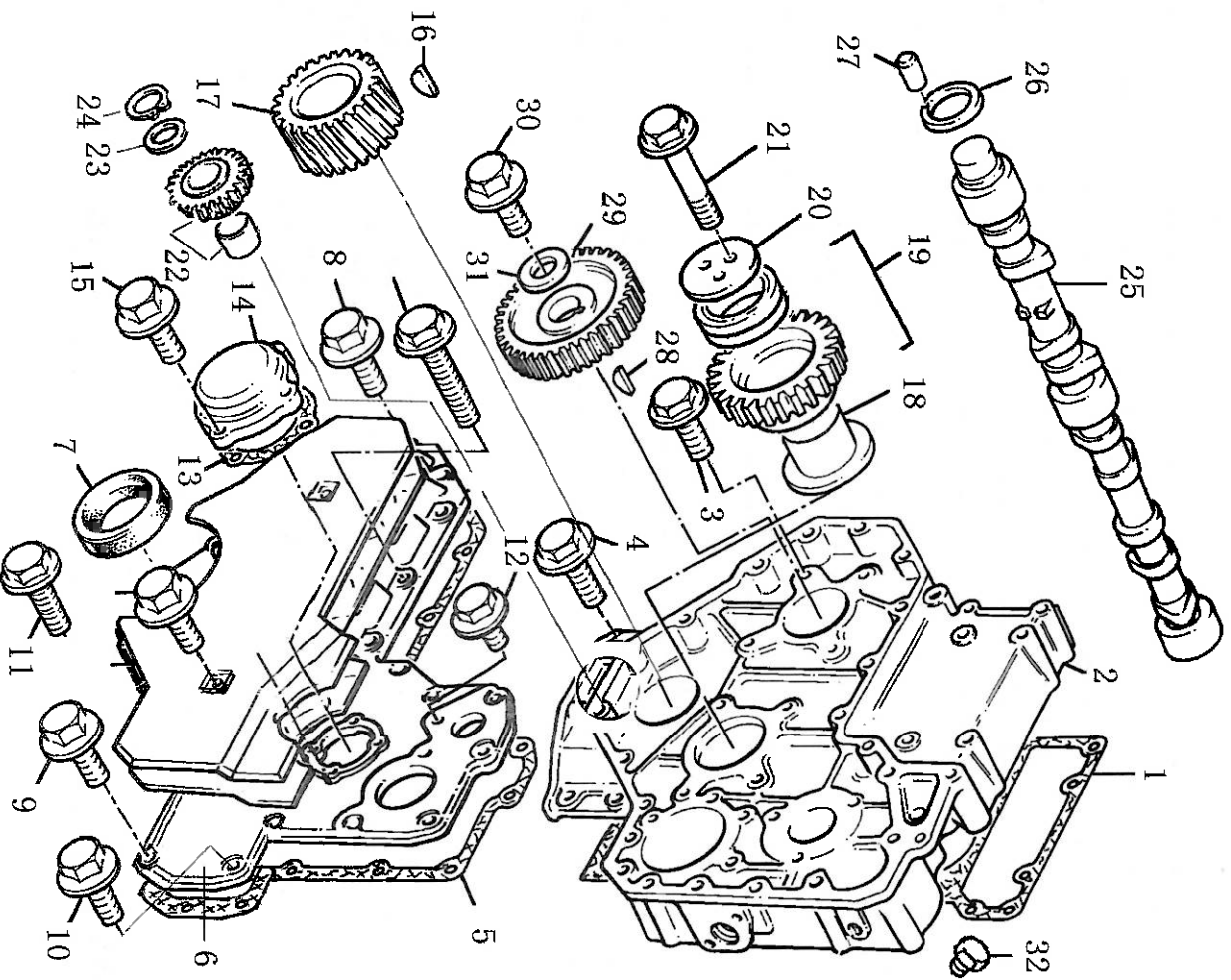
Timing Gear& Camshaft
正时齿轮及凸轮轴

ACHA

Item 图号	Family No. 组件号	Part No. 零件号	Part Name 零件名称	适用机型与数量 Application Type and Quantity									
				1004C-P4TWR100				1004-P4TWR100					
				N01	NA01	K01	KA01	N01	NA01	K01	KA01		
1	AC10B 0001	T3681P009	垫	1	1	1	1			1	1		
2	AC10B 0010	T3716C133A	正时齿轮室	1	1	1	1			1	1		
3	AC10B 0037	T2314H003	螺栓	8	8	8	8			8	8		
4	AC10B 0040	T2314H034	螺栓	4	4	4	4			4	4		
5	AC10B 0274	T3681P034	前盖垫	1	1	1	1			1	1		
6	AC10B 0277	T3716M091B	前盖	1	1	1	1			1	1		
7	AC10B 0278	T2418F436	油封	1	1	1	1			1	1		
8	AC10B 0316	T2314H005	螺栓	10	10	10	10			10	10		
9	AC10B 0320	T2314H034	螺栓	1	1	1	1			1	1		
10	AC10B 0325	T2314H004	螺栓	1	1	1	1			1	1		
11	AC10B 0350	T2314H004	螺栓	2	2	2	2			2	2		
12	AC10B 0436	T2314H013	螺栓	6	6	6	6			6	6		
13	AC10B 0505	T3682H003	垫	1	1	1	1			1	1		
14	AC10B 0505	T3753R211	检查盖	1	1	1	1			1	1		
15	AC10B 0511	T2314F036	螺栓	4	4	4	4			4	4		
16	AC10J 0004	T0500012	键	1	1	1	1			1	1		
17	AC10J 0007	T3117C061	齿轮	1	1	1	1			1	1		
18	AC10J 0013	T33426161A	轮毂	1	1	1	1			1	1		
19	AC10J 0031	T4111A013	齿轮	1	1	1	1			1	1		
20	AC10J 0054	T3241H009	板	1	1	1	1			1	1		
21	AC10J 0069	T2314J010	螺栓	3	3	3	3			3	3		
22	AC10J 0129	T4111A021	齿轮	1	1	1	1			1	1		
23	AC10J 0144	T33123125	垫圈	1	1	1	1			1	1		
24	AC10J 0150	T2722A206	卡簧	1	1	1	1			1	1		
25	AC10J 0180	T31415364	凸轮轴	1	1	1	1			1	1		
26	AC10J 0183	T33153121	板	1	1	1	1			1	1		

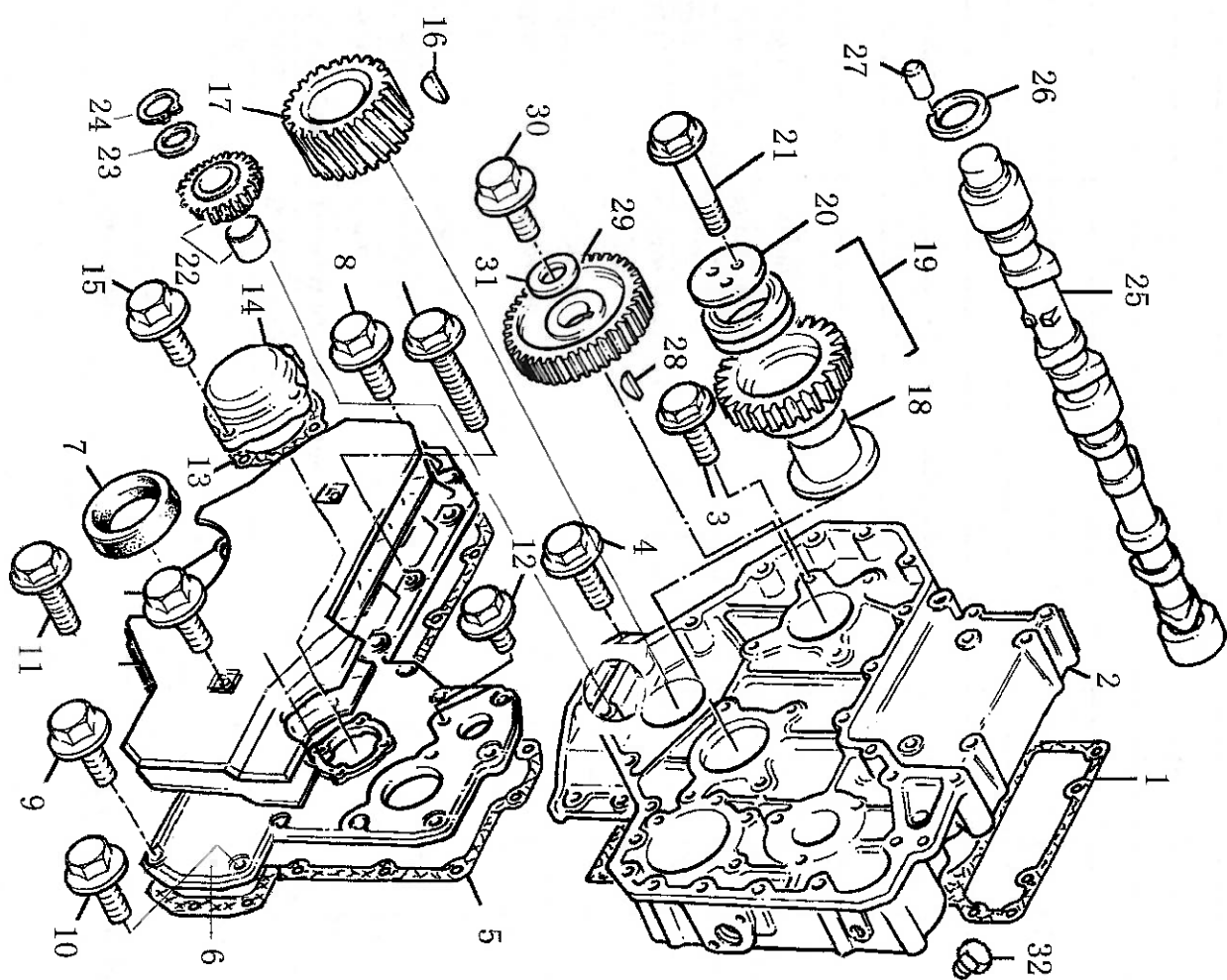
Timing Gear & Camshaft
正时齿轮及凸轮轴

ACHA



Timing Gear & Camshaft
正时齿轮及凸轮轴

ACHA



Crankshaft Pistons & Connecting Rods

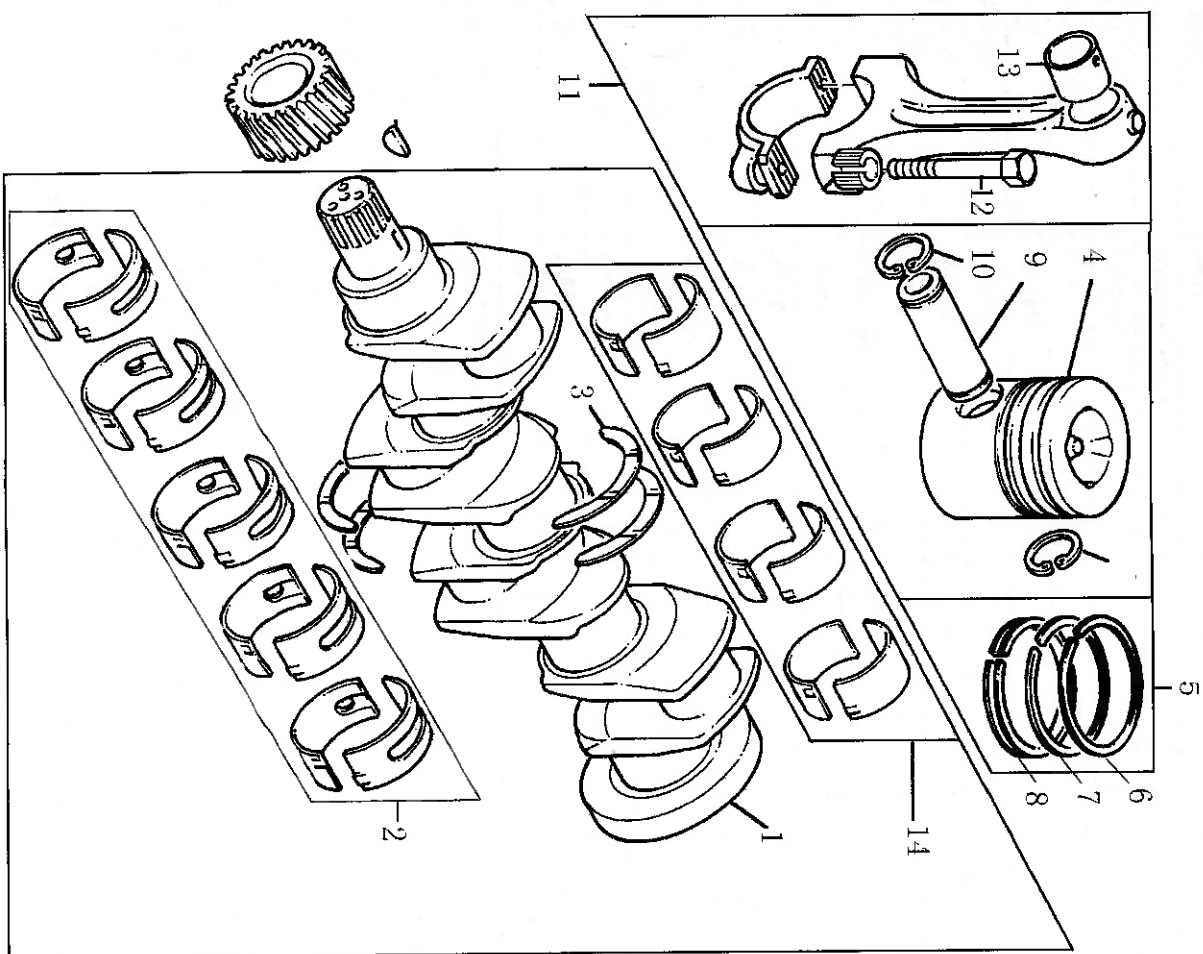
曲轴，活塞及连杆

ACHA

Item 图示号	Family No. 组件号	Part No. 零件号	Part Name 零件名称	适用机型与数量 Application Type and Quantity										
				1004C-P4TWR100					1004-P4TWR100					
				N01	NA01	K01	KA01	---	N01	NA01	K01	KA01	---	
1	AC10C 0005	T31315681	曲轴	1	1	1	1	---	1	1	1	---	---	---
2		T81558	主轴瓦	1	1	1	1	---	1	1	1	---	---	---
3		TZZ90001	止推片总成	1	1	1	1	---	1	1	1	---	---	---
4	AC10D 0005	T3135J186A	活塞	4	4	4	4	---	4	4	4	---	---	---
5	AC10D 0008	T4181A026	活塞环	4	4	4	4	---	4	4	4	---	---	---
6		T3136J051	气环	1	1	1	1	---	1	1	1	---	---	---
7		T3136X021	气环	1	1	1	1	---	1	1	1	---	---	---
8		T3137N021	油环	1	1	1	1	---	1	1	1	---	---	---
9	AC10D 0019	T3313T005	活塞销	4	4	4	4	---	4	4	4	---	---	---
10	AC10D 0022	T2721332	卡簧	8	8	8	8	---	8	8	8	---	---	---
11	AC10D 0028	T4115C211	连杆	4	4	4	4	---	4	4	4	---	---	---
12		T32186142	螺栓	2	2	2	2	---	2	2	2	---	---	---
13		T3112E005	小头衬套	1	1	1	1	---	1	1	1	---	---	---
14	AC10D 0056	T31132011	连杆瓦	8	8	8	8	---	8	8	8	---	---	---

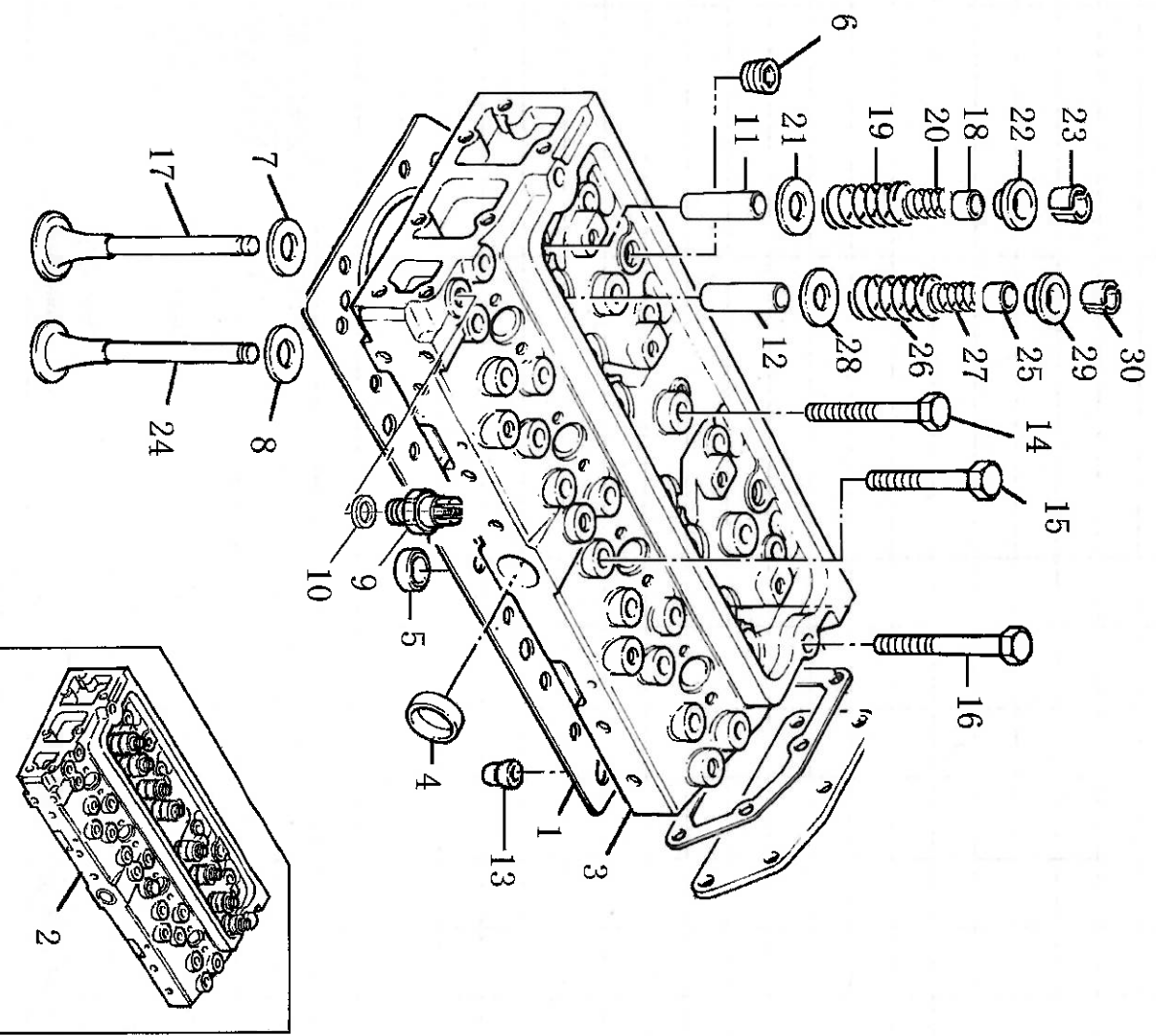
Crankshaft Pistons & Connecting Rods
曲轴，活塞及连杆

ACHA



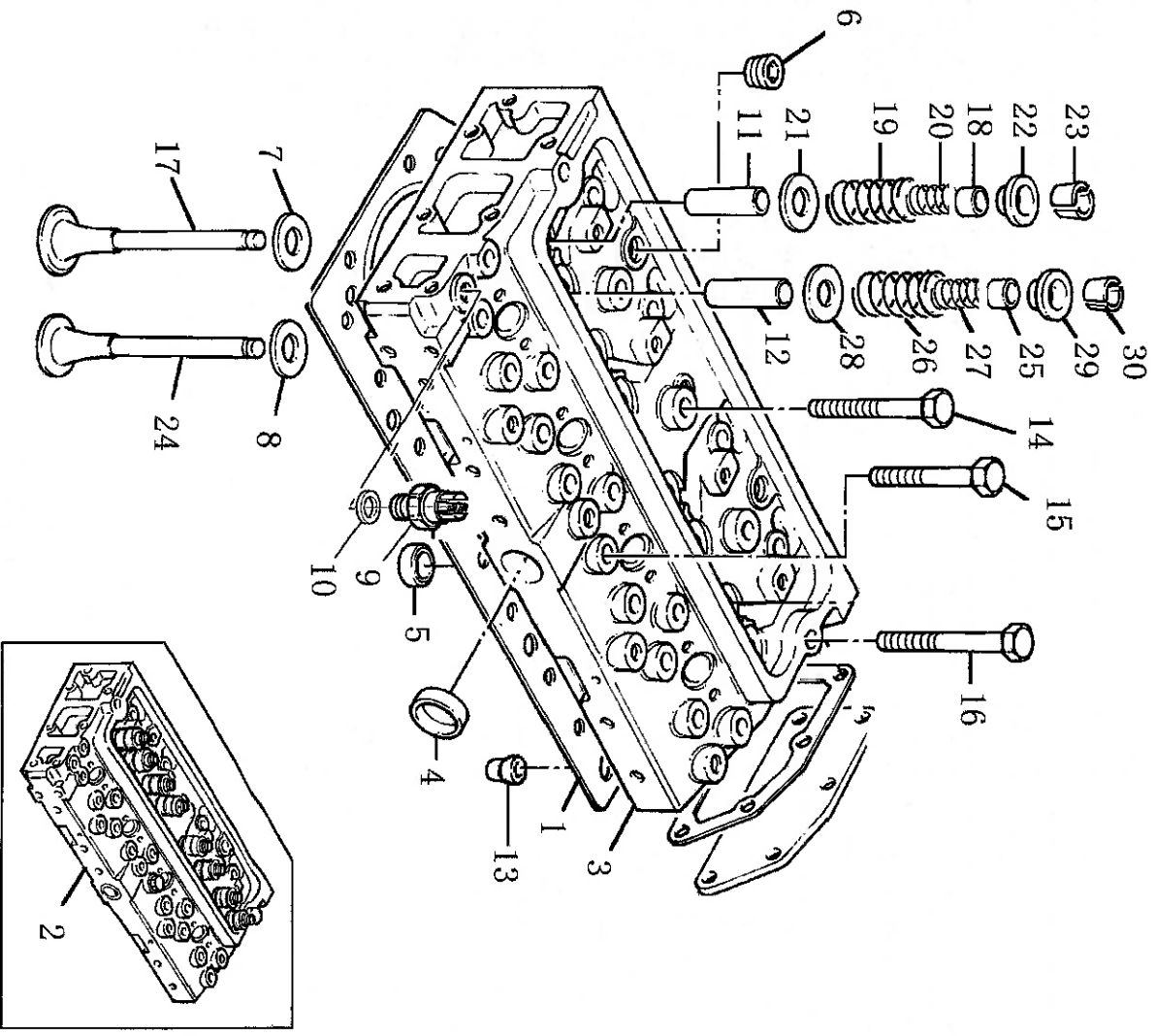
Cylinder Head
气缸盖

ACHA



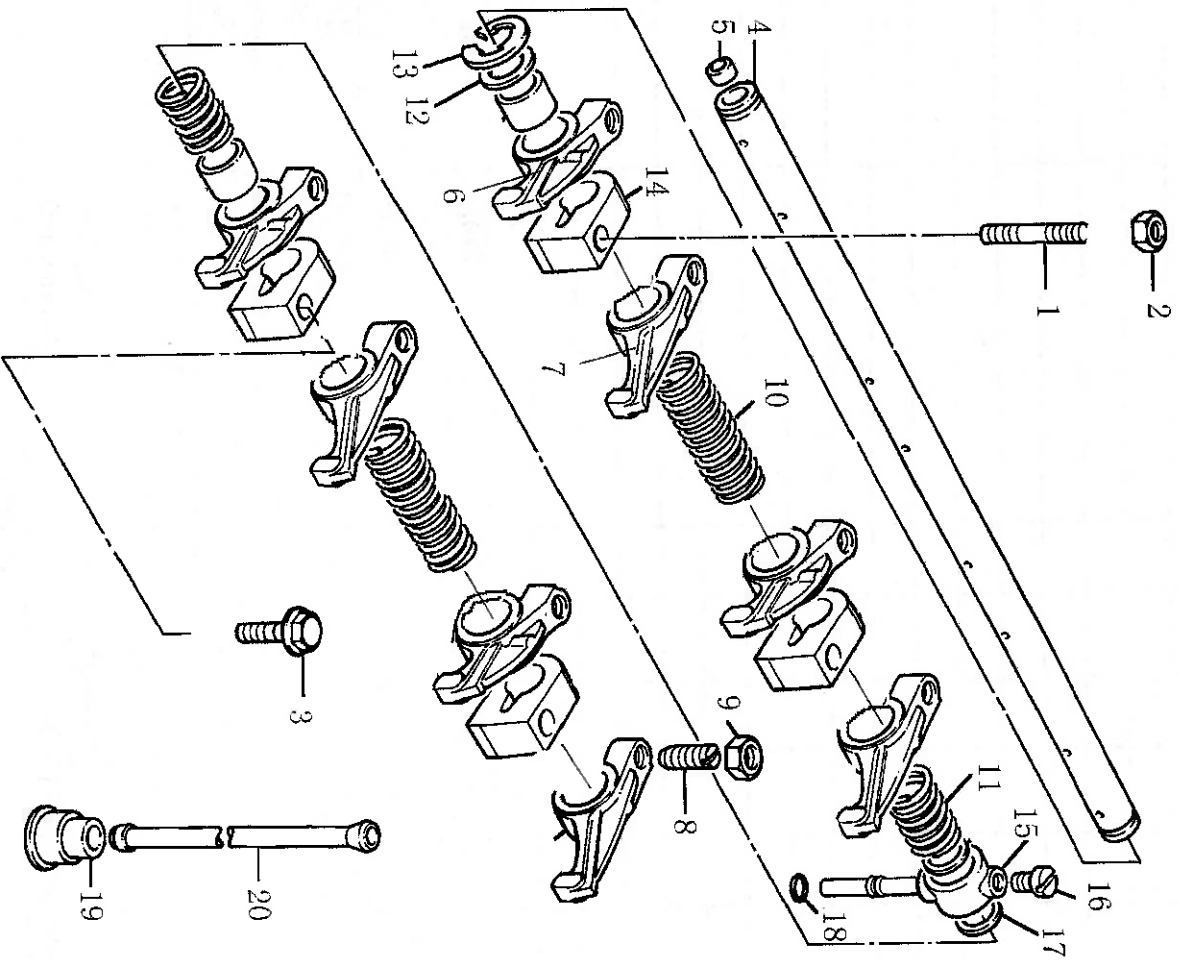
Cylinder Head
气缸盖

ACHA



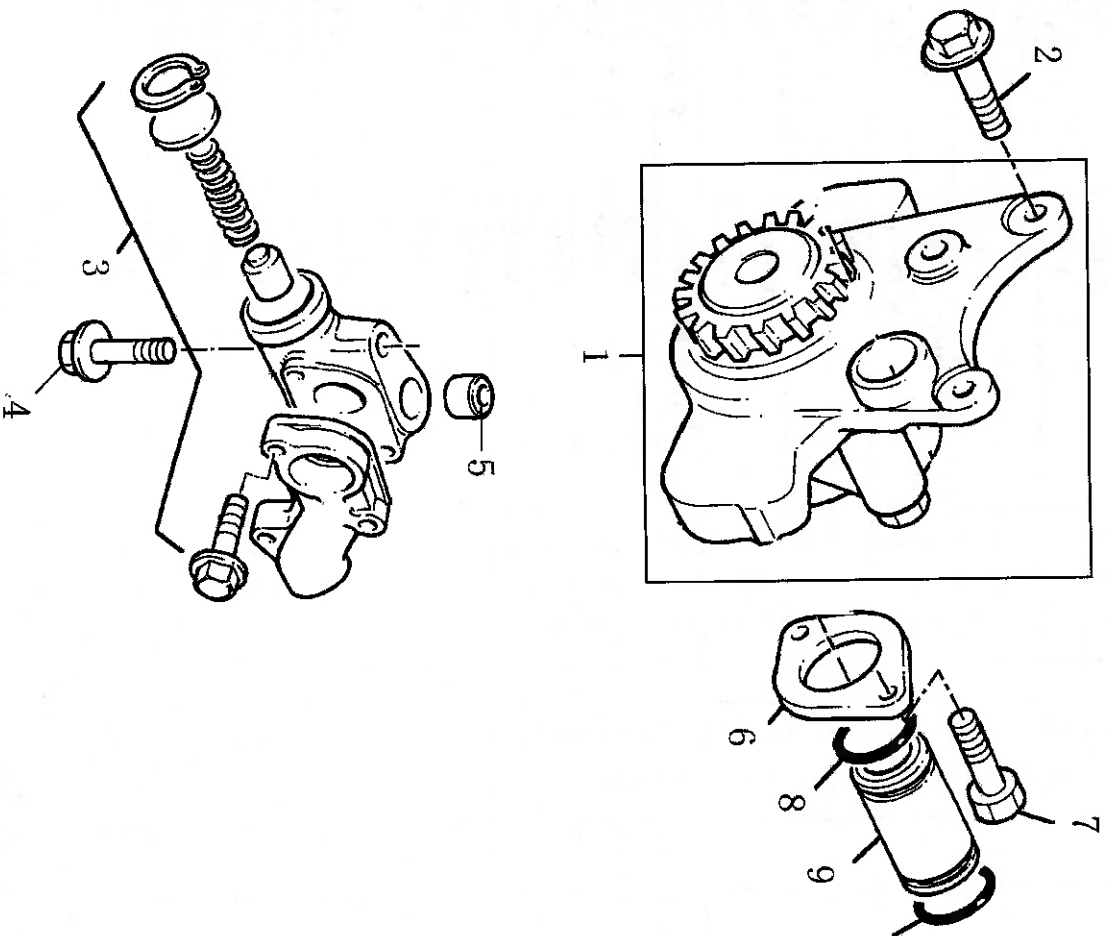
Rocker shaft
摇臂轴

ACHA



Lubricating Oil Pump
润滑油泵

ACHA

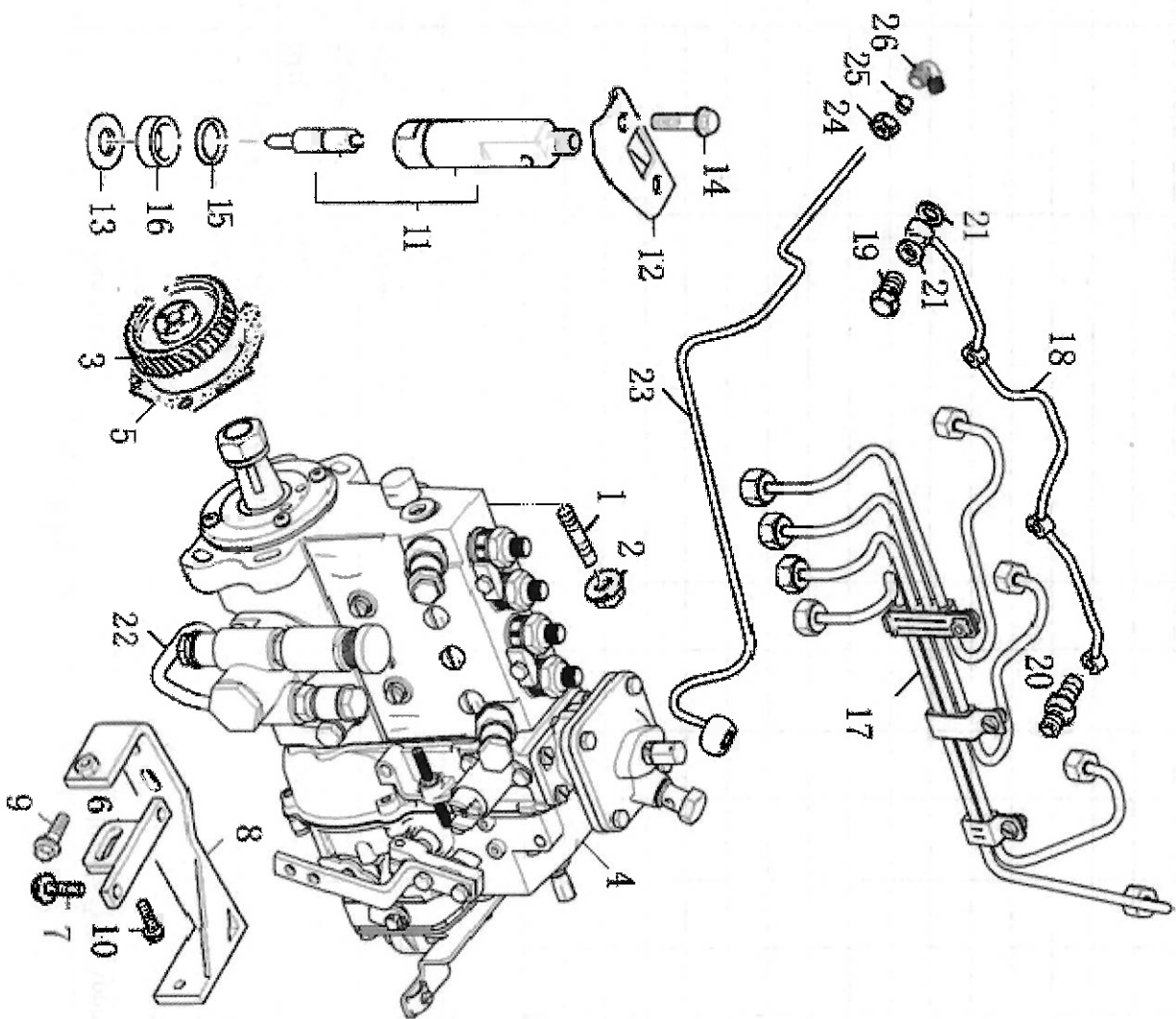


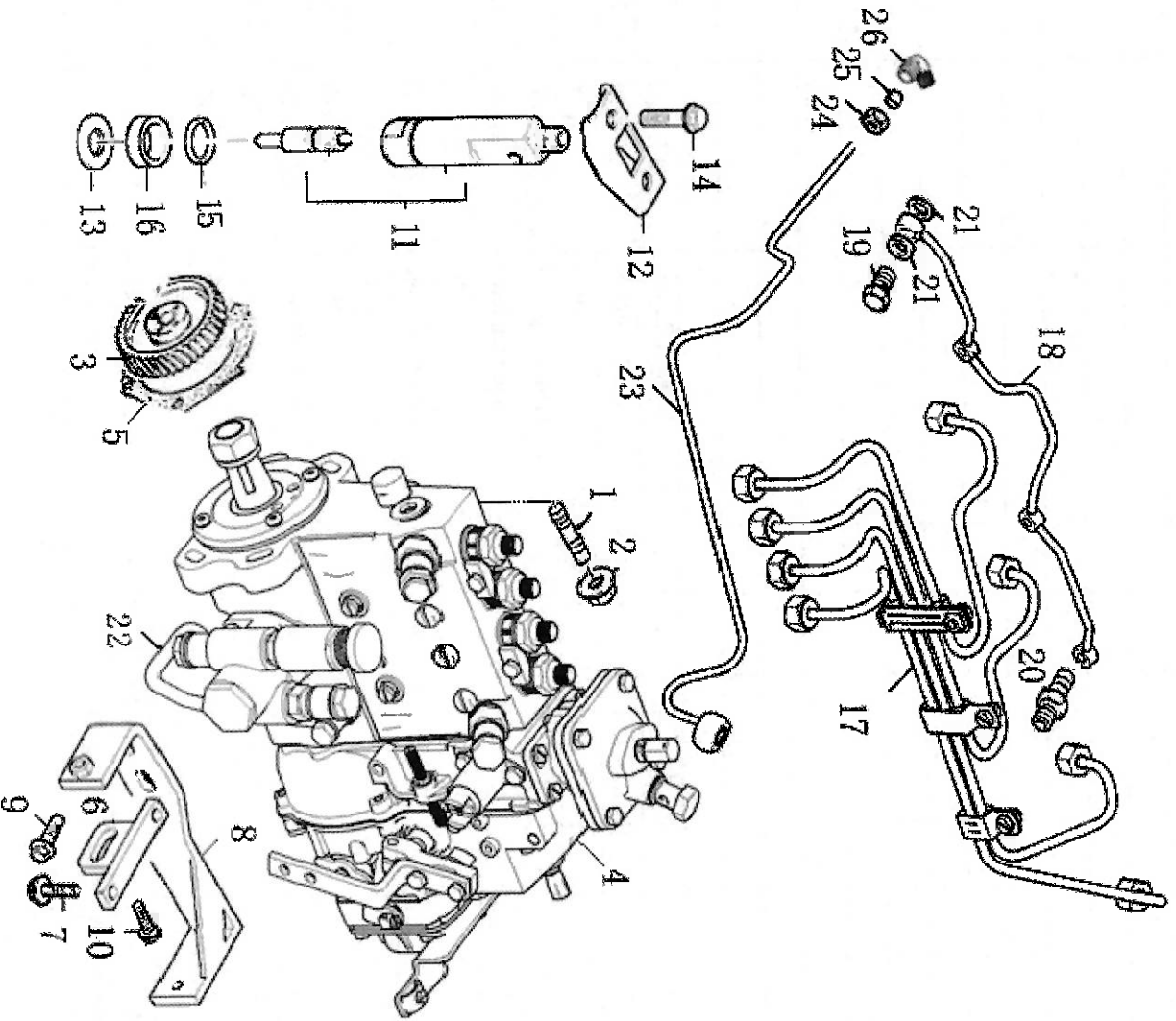
Fuel Injection Equipment

燃油喷射系统

ACHA

Item 图示号	Family No. 组件号	Part No. 零件号	Part Name 零件名称	适用机型与数量 Application Type and Quantity															
				1004C-P4TWRT100								1004-P4TWRT100							
				N01	NA01	K01	KA01	---	---	N01	NA01	K01	KA01	---	---				
1	AF17D 0004	Q1201040F3S	双头螺栓	4	4	4	4	4	4	---	---	4	4	---	---				
2	AF17D 0037	T2318A604	螺母	4	4	4	4	4	4	---	---	4	4	---	---				
3	AF17D 0058	T3117L113G	直列泵齿轮	1	1	1	1	1	1	---	---	1	1	---	---				
4	AF17D 0094	T832080148	喷油泵	1	1	1	1	1	1	---	---	1	1	---	---				
4	AF17D 0094	T832080149	喷油泵				1	1	1	---	---			---	---				
4	AF17D 0094	T832080092	喷油泵							---	---	1	1	---	---				
4	AF17D 0094	T832080097	喷油泵							---	---			---	---				
5	AF17D 0171	T33828118B	垫	1	1	1	1	1	1	---	---	1	1	---	---				
6	AF17D 0191	T3821A014A	支架	1	1	1	1	1	1	---	---	1	1	---	---				
7	AF17D 0192	T2314H003	螺栓	2	2	2	2	2	2	---	---	2	2	---	---				
8	AF17D 0194	T63274204	支架	1	1	1	1	1	1	---	---	1	1	---	---				
9	AF17D 0195	T2314J002	螺栓	2	2	2	2	2	2	---	---	2	2	---	---				
10	AF17D 0196	T2314H005	螺栓	1	1	1	1	1	1	---	---	1	1	---	---				
11	AF17E 0001	T63301009	喷油器总成	1	1	1	1	1	1	---	---	1	1	---	---				
12	AF17E 0004	T3662K002	压板	4	4	4	4	4	4	---	---	4	4	---	---				
13	AF17E 0007	T0921173	垫圈	4	4	4	4	4	4	---	---	4	4	---	---				
14	AF17E 0008	T2314H006	螺栓	8	8	8	8	8	8	---	---	8	8	---	---				
15	AF17E 035	T33813129	隔圈	4	4	4	4	4	4	---	---	4	4	---	---				
16	AF17E 037	T33813131	防尘盖	4	4	4	4	4	4	---	---	4	4	---	---				
17	AF17M 0002	T73208141	高压油管	1	1	1	1	1	1	---	---	1	1	---	---				
18	AF17N 0001	T3558X043	油管	1	1	1	1	1	1	---	---	1	1	---	---				
19	AF17N 0034	T3218R005	过油螺栓	3	3	3	3	3	3	---	---	3	3	---	---				
20	AF17N 0043	T3355V002	过油螺栓	1	1	1	1	1	1	---	---	1	1	---	---				
21	AF17N 0049	T2411I01	垫圈	8	8	8	8	8	8	---	---	8	8	---	---				





Flywheel Housing

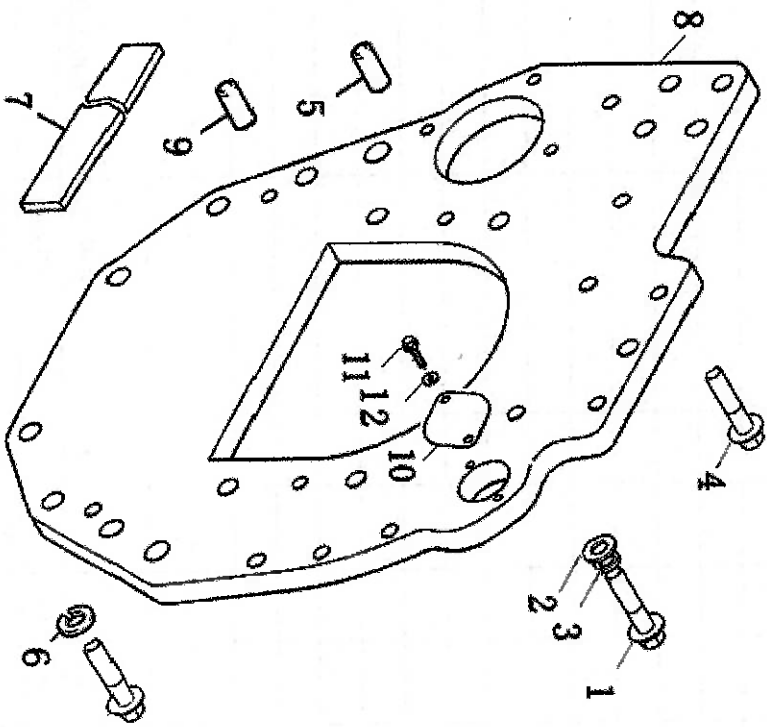
飞轮壳

CDHA

Item 图示号	Family No. 组件号	Part No. 零件号	Part Name 零件名称	适用机型与数量 Application Type and Quantity													
				1004C-P4TWR100						1004-P4TWR100							
				N01	NA01	K01	KA01	---	---	N01	NA01	K01	KA01	---	---		
1	CD30A 0255	Q150B1035TF3Q	螺栓 Screw	6	6	6	6					6	6				
2	CD30A 0257	Q40110T16F9	平垫圈 Washer	6	6	6	6					6	6				
3	CD30A 0258	Q40310	弹簧垫圈 Spring washer	6	6	6	6					6	6				
4	CD30A 0264	Q150B1245Q	螺栓 Screw	2	2	2	2					2	2				
5	CD30A 0294	T0350025	定位销 Dowel	2	2	2	2					2	2				
6	CD30A 0350	Q40312	弹簧垫圈 Spring washer	2	2	2	2					2	2				
7	CD30A 0358	T36843154	密封条 Seal	1	1	1	1					1	1				
8	CD30B 0001	T73631004C	飞轮板 Flywheel plate	1	1	1	1					1	1				
9	CD30B 0002	T736606004	飞轮板定位套 Flywheel plate thimble	2	2	2	2					2	2				
10	CD30B 0010	T73631005	盖板 Cover	1	1	1	1					1	1				
11	CD30B 0011	Q150B0610Q	螺栓 Screw	2	2	2	2					2	2				
12	CD30B 0012	Q40306	弹簧垫圈 Spring washer	2	2	2	2					2	2				

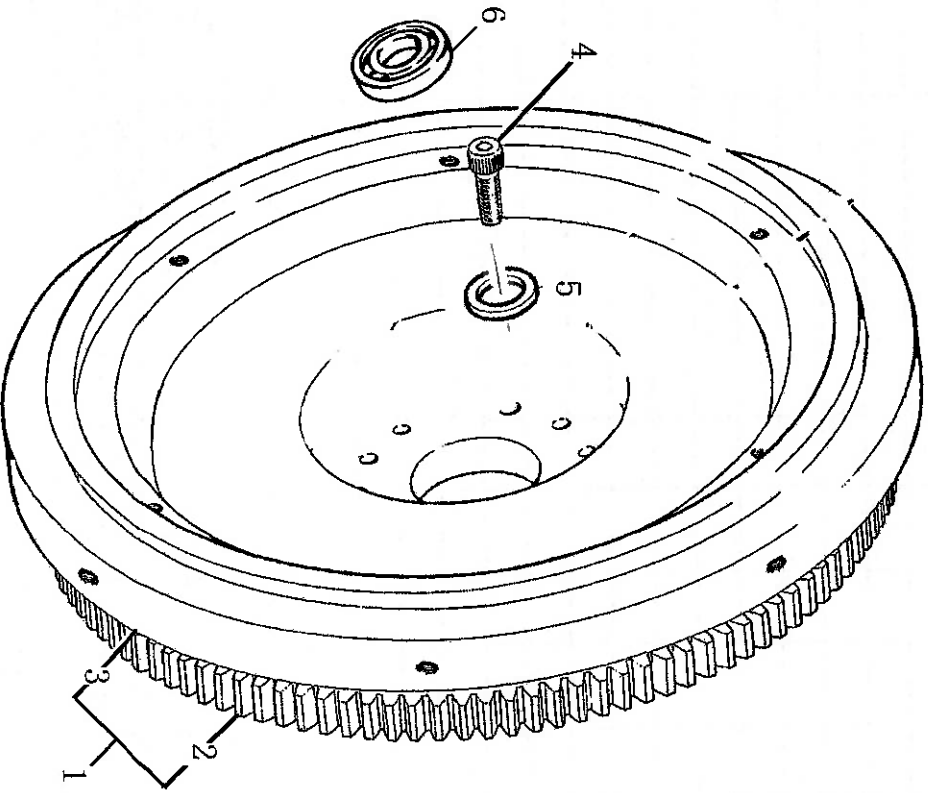
Flywheel Hosing
飞轮壳

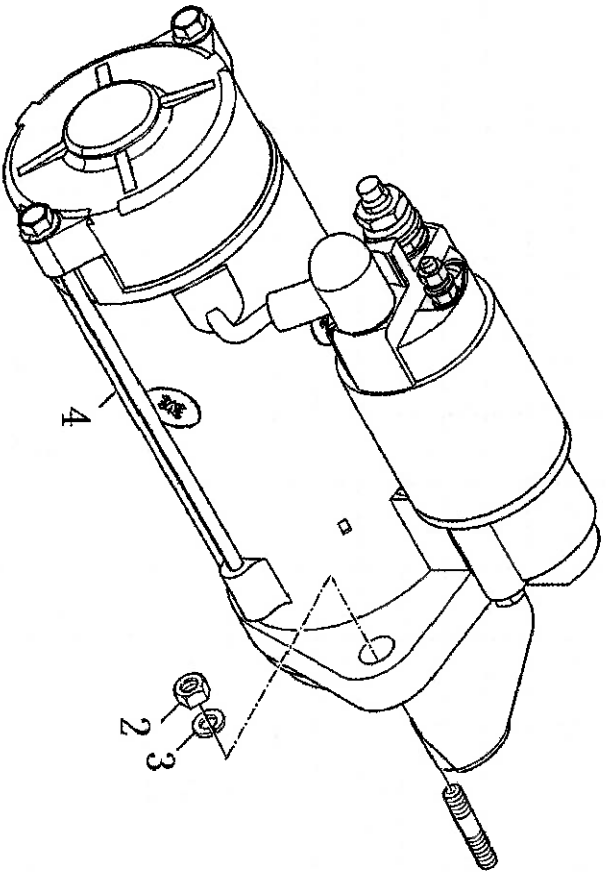
CDHA

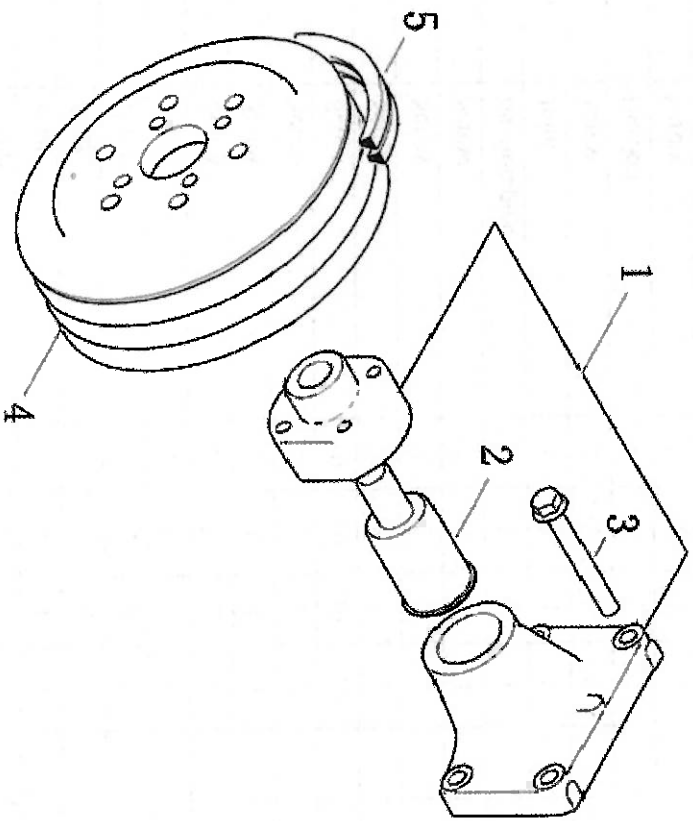


Flywheel & Starter Ring
飞轮及启动齿圈

DDHA







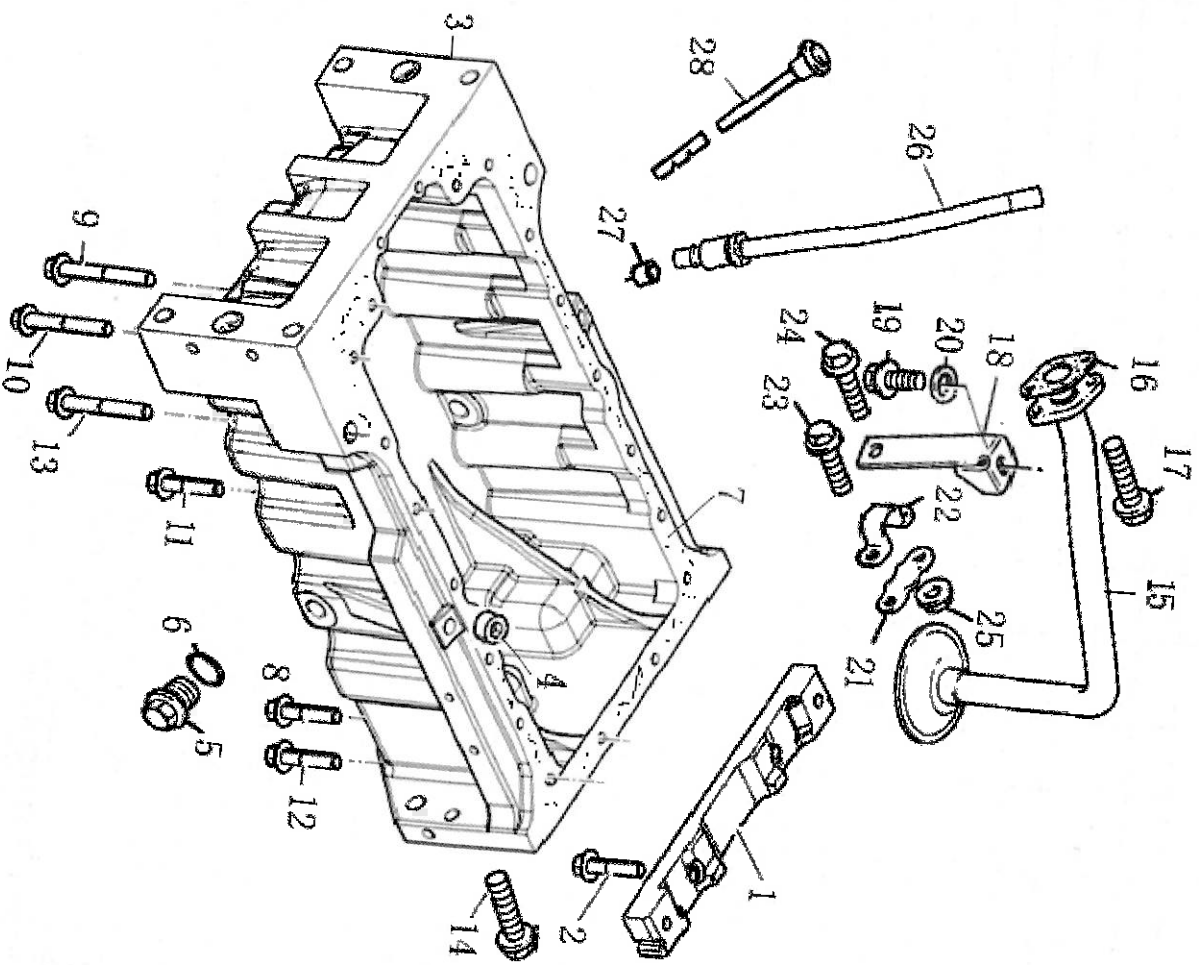
Lubricating Oil Sump

润滑油底壳

GBHA

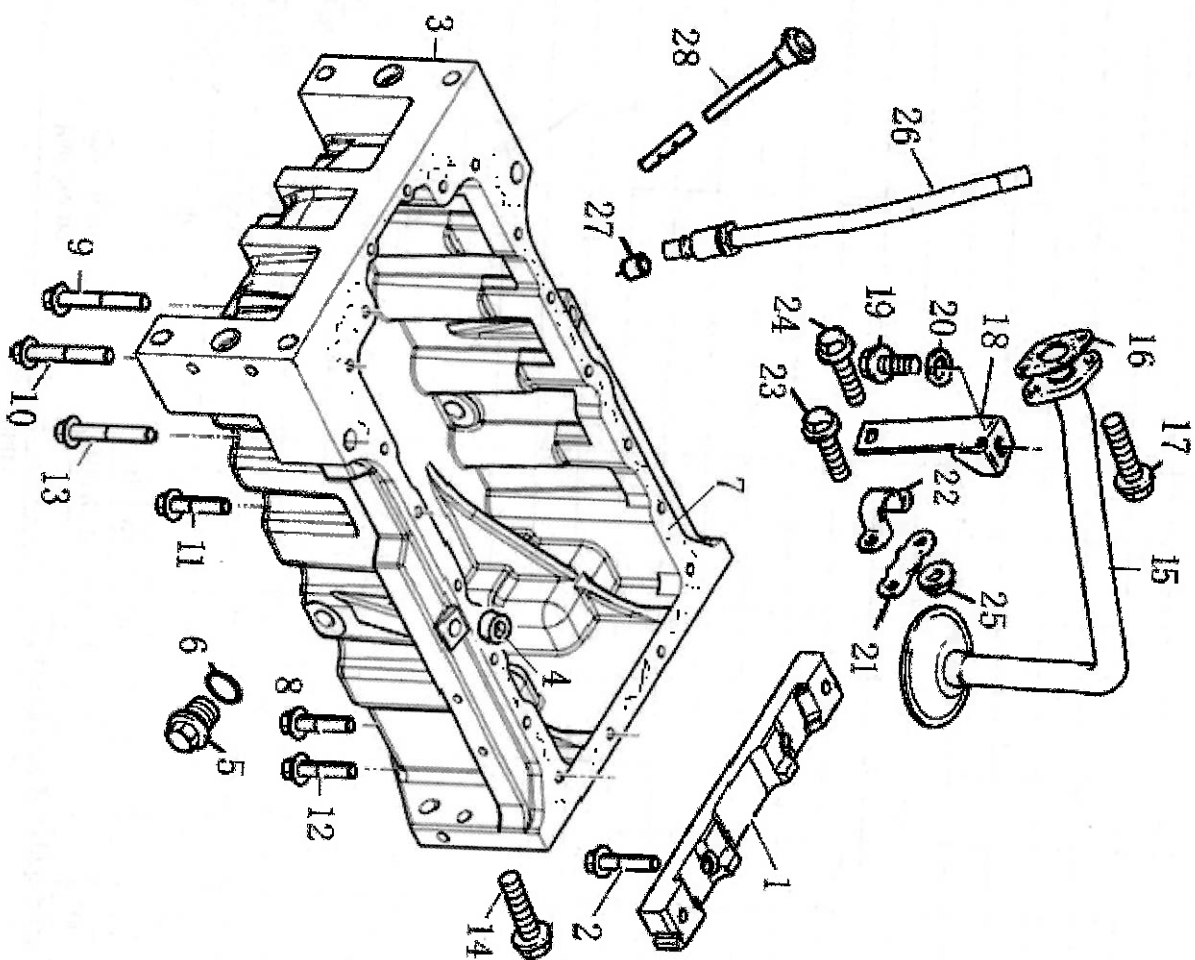
Item 图号	Family No. 组件号	Part No. 零件号	Part Name 零件名称	适用机型与数量 Application Type and Quantity															
				1004C-P4TWR1100								1004-P4TWR1100							
				NO1	NA01	K01	KA01	---	---	NO1	NA01	K01	KA01	---	---				
1	GB10A 0025	T738060002	桥架	1	1	1	1					1	1						
2	GB10A 0035	T2311D039	螺栓	2	2	2	2					2	2						
3	GB10A 0001	T63802001A	油底壳	1	1	1	1					1	1						
4	GB20A 0043	T2431A016	堵	1	1	1	1					1	1						
5	GB20A 0052	T712030027	油底堵	2	2	2	2					2	2						
6	GB20A 0059	T2415715	O型圈	2	2	2	2					2	2						
7	GB20A 0088	T36815736	油底垫	1	1	1	1					1	1						
8	GB20A 0160	T2314H055A	螺栓	2	2	2	2					2	2						
9	GB20A 0200	T2314H023A	螺栓	4	4	4	4					4	4						
10	GB20A 0205	T2314H023A	螺栓	2	2	2	2					2	2						
11	GB20A 0208	T2314H015A	螺栓	10	10	10	10					10	10						
12	GB20A 0215	T2314H012A	螺栓	2	2	2	2					2	2						
13	GB20A 0216	T2314K213	螺栓	2	2	2	2					2	2						
14	GB20A 0217	Q150B1645Q	螺栓	4	4	4	4					4	4						
15	GB20F 0013	T3575A046	吸油管	1	1	1	1					1	1						
16	GB20F 0025	T36832137	垫	1	1	1	1					1	1						
17	GB20F 0034	T2314H007	螺栓	2	2	2	2					2	2						
18	GB20F 0049	T3821D012	支架	1	1	1	1					1	1						
19	GB20F 0055	T2314H002	螺栓	1	1	1	1					1	1						
20	GB20F 0061	T0920484	隔圈	1	1	1	1					1	1						
21	GB20F 0248	T3661V002	支架	1	1	1	1					1	1						
22	GB20F 0252	T3661C002	卡箍	1	1	1	1					1	1						
23	GB20F 0256	T2314F002	螺栓	1	1	1	1					1	1						
24	GB20F 0257	T2314F004	螺栓	1	1	1	1					1	1						
25	GB20F 0259	T2318A602	螺母	2	2	2	2					2	2						

GBH4



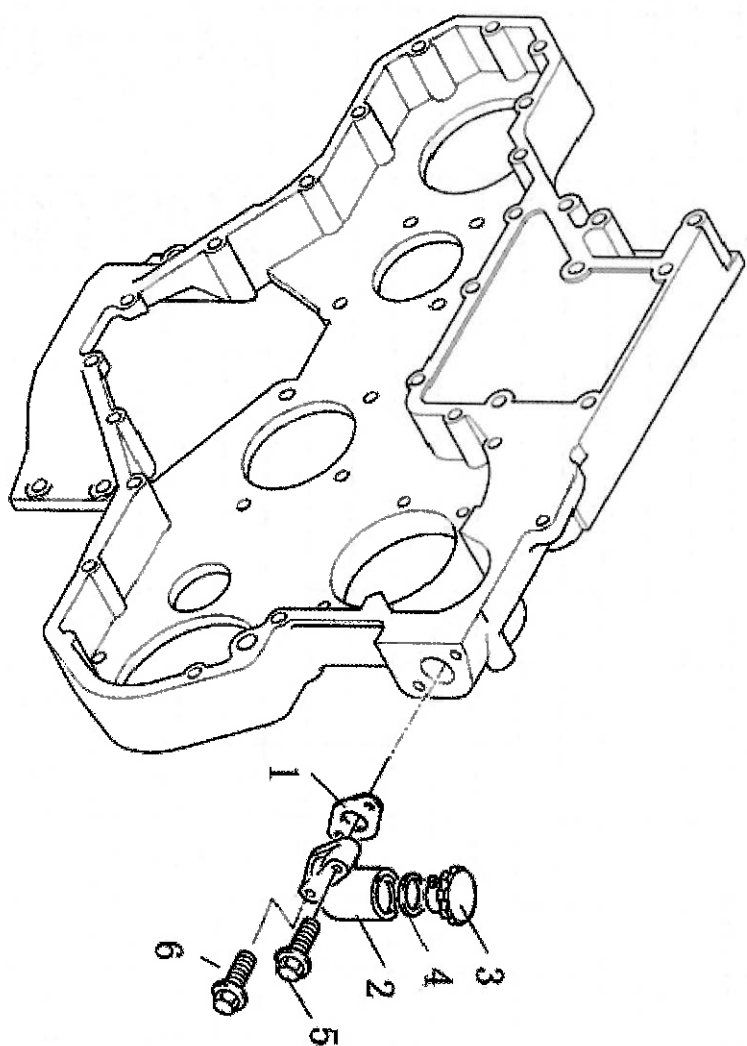
Lubricating Oil Sump
润滑油/底壳

GBHA



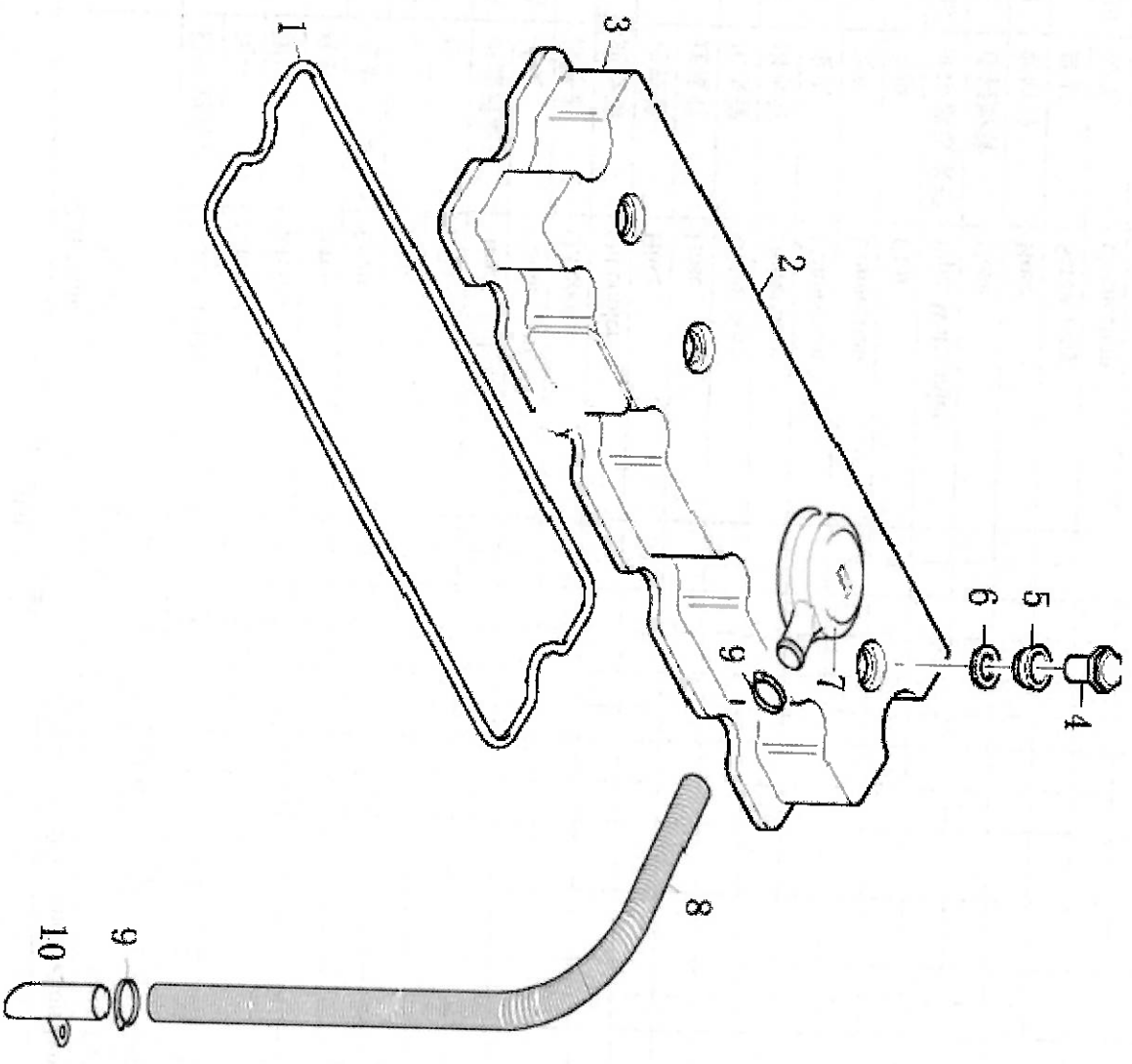
Cylinder Head Cover
气缸盖罩

HBHA



Cylinder Head Cover
气缸盖罩

HBHA



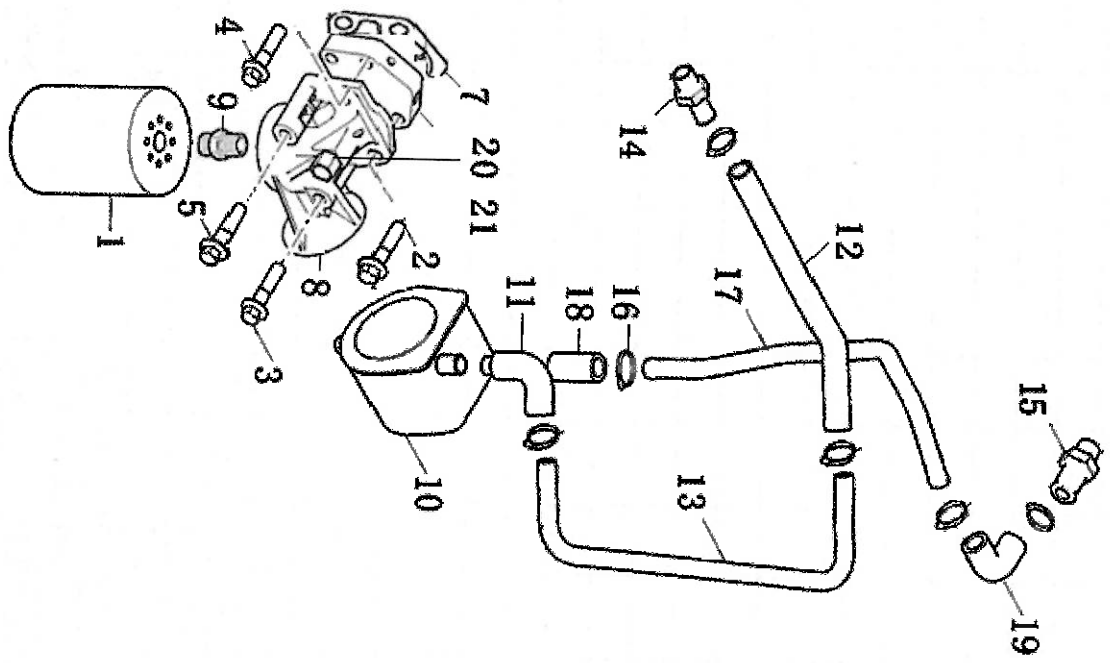
Lubricating Oil Filter

JBHA

Item 图示号	Family No. 组件号	Part No. 零件号	Part Name 零件名称	通用机型与数量 Application Type and Quantity										
				1004C-P4TWR1100					1004-P4TWR1100					
				N01	NA01	K01	KA01	---	N01	NA01	K01	KA01	---	
1	JB20C 0016	T64101001	机油滤清器	Lub. Oil filter	1	1	1	1			1	1		
2	JB22C 0120	T2314J008	螺栓	Screw	1	1	1	1			1	1		
3	JB22C 0124	T2314J018	螺栓	Screw	1	1	1	1			1	1		
4	JB22C 0128	T2314J040	螺栓	Screw	1	1	1	1			1	1		
5	JB22C 0132	T2314J048	螺栓	Screw	1	1	1	1			1	1		
6	JB20C 0154	T3773T101A	垫板	Joint	2	2	2	2			2	2		
7	JB20C 0064	T3686T006	垫	Joint	1	1	1	1			1	1		
8	JB20C 0079	T3773P312A	机滤器滤座	Head, Lub. oil	1	1	1	1			1	1		
9	JB20C 0296	T33554128A	接头	Connection	1	1	1	1			1	1		
10	JB22H 0002	T74202012	油冷器	Oil cooler	1	1	1	1			1	1		
10	JB22H 0002	T74202038	油冷器	Oil cooler	1	1	1	1			1	1		
11	JB22T 0017	T34821121	弯胶管	Hose	1	1	1	1			1	1		
12	JB22T 0017	T74202032	连接管	Hose	1	1	1	1			1	1		
13	JB22T 0018	T74202031	出水管	Outlet hose	1	1	1	1			1	1		
13	JB22T 0018	T74202039	出水管	Outlet hose	1	1	1	1			1	1		
14	JB22T 0022	T74202003	接头	Connection	1	1	1	1			1	1		
15	JB23A 0001	T64202014	接头	Connection	1	1	1	1			1	1		
16	JB23A 0010	T2481863	卡箍	Clip	8	8	8	8			8	8		
17	JB23A 0011	T4126E068G	油冷器进水管	Pipe, Water inlet	1	1	1	1			1	1		
18	JB23A 0013	T3385H001	连接胶管	Hose	1	1	1	1			1	1		
19	JB23A 0014	T34821121	弯胶管	Hose	1	1	1	1			1	1		
20	ZJ10A 0012	Q618B02	螺塞	Screw plug	1	1	1	1			1	1		
21	ZJ20C 0015	T712020030	接头	Connection	1	1	1	1			1	1		

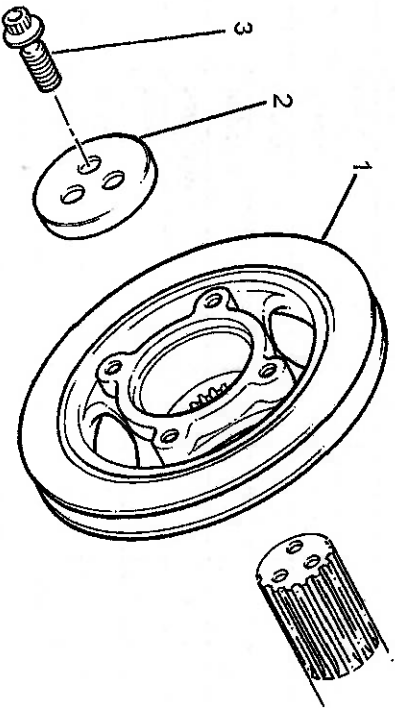
Lubricating Oil Filter
机油滤清器

JBHA



Front End Drive Input
前端驱动输入

KBHA



Water Pump & Thermostat

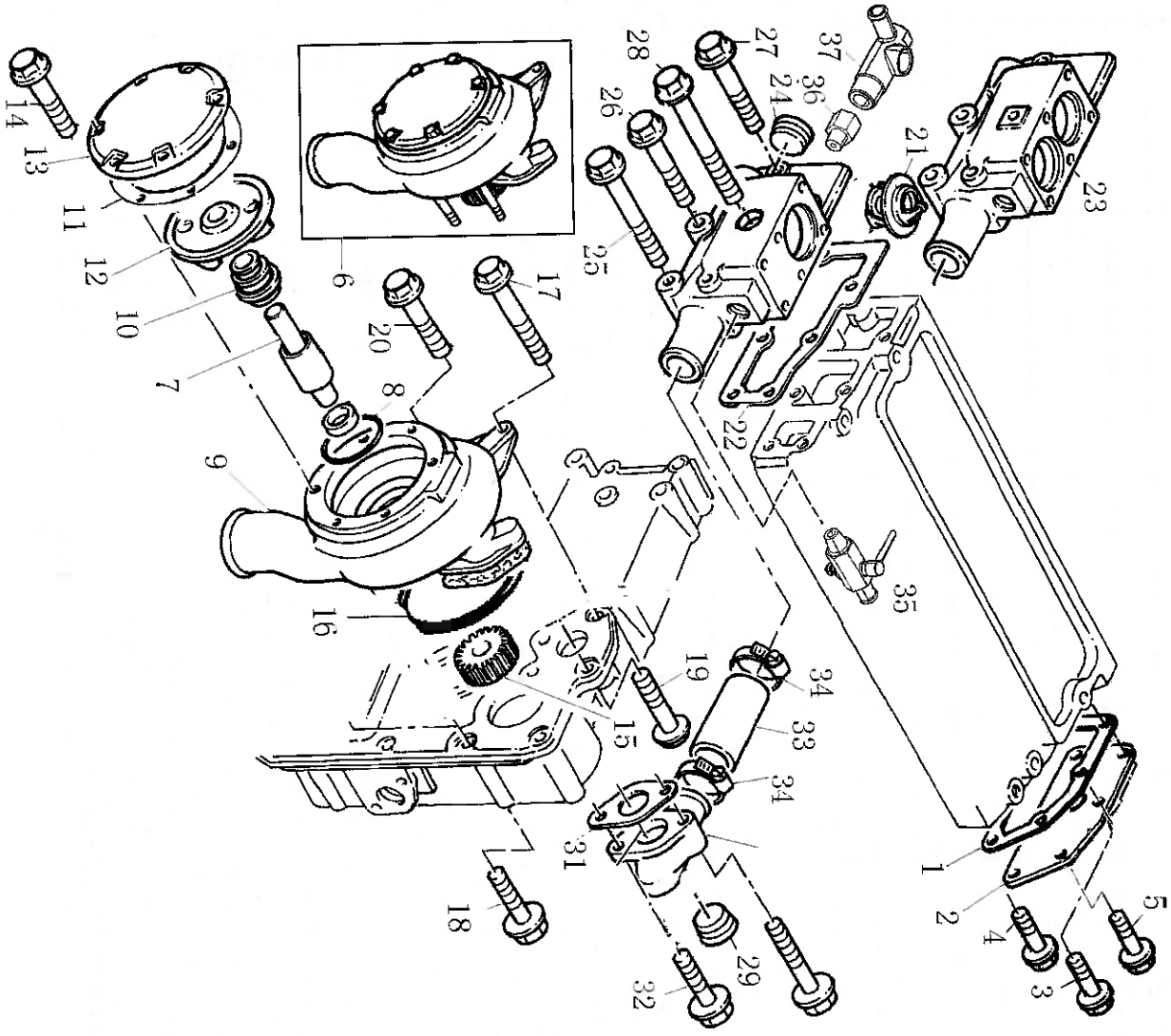
水泵及节温器

LBHV

Item 图示号	Family No. 组件号	Part No. 零件号	Part Name 零件名称	适用机型与数量 Application Type and Quantity											
				1004C-P4TWR1100					1004-P4TWR1100						
				NO1	NA01	K01	KA01	---	---	NO1	NA01	K01	KA01		
1	LB10E 0140	T3685R005	垫	1	1	1	1					1	1		
2	LB10E 0145	T3623K007	缸盖后盖板	1	1	1	1					1	1		
3	LB10E 0156	T2314H002	螺栓	3	3	3	3					3	3		
4	LB10E 0158	T2314H003	螺栓	1	1	1	1					1	1		
5	LB10E 0170	T2314J002	螺栓	2	2	2	2					2	2		
6	LB22C 0049	T4131E011C	水泵 (组件)	1	1	1	1					1	1		
7		T2531A112	轴	1	1	1	1					1	1		
8		T2415B155	O 型圈	1	1	1	1					1	1		
9		T3771D045	泵体	1	1	1	1					1	1		
10		T2418M006A	水封	1	1	1	1					1	1		
11		T3382P004	密封垫	1	1	1	1					1	1		
12		T3746X055A	叶轮	1	1	1	1					1	1		
13		T3243C002	盖	1	1	1	1					1	1		
14		T2314M033	螺栓	6	6	6	6					6	6		6
15		T3117A035	齿轮	1	1	1	1					1	1		1
16	LB22C 0143	T2415H494	O 型圈	1	1	1	1					1	1		1
17	LB22C 0145	T2314H015	螺栓	1	1	1	1					1	1		1
18	LB22C 0176	T2314N043	螺栓	3	3	3	3					3	3		3
19	LB22C 0177	T2314H006	螺栓	1	1	1	1					1	1		1
20	LB22C 0178	T2314H006	螺栓	1	1	1	1					1	1		1
21	LB22D 0007	T74405005	节温器	2	2	2	2					2	2		2
22	LB22D 0028	T3685F005	垫	1	1	1	1					1	1		1
23	LB22D 0040	T744030025	节温器壳体	1	1	1	1					1	1		1
23	LB22D 0040	T3771K121E	节温器壳体			1	1						1		1
24	LB22D 0056	Q618B03	堵	1	1		1					1	1		1
25	LB22D 0124	T2314J013	螺栓	2	2	2	2					2	2		2

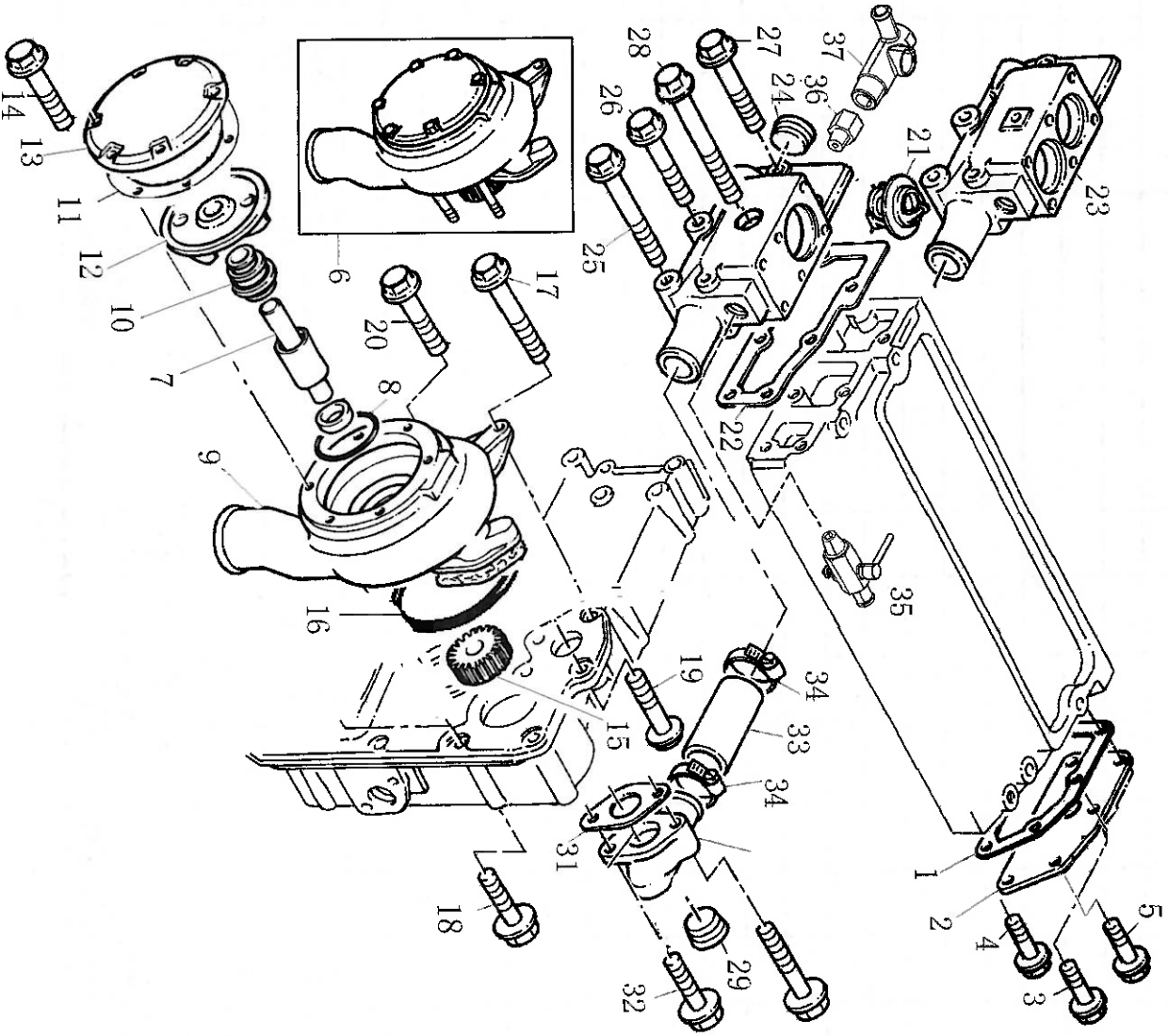
Water Pump & Thermostat
水泵及节温器

LBHY



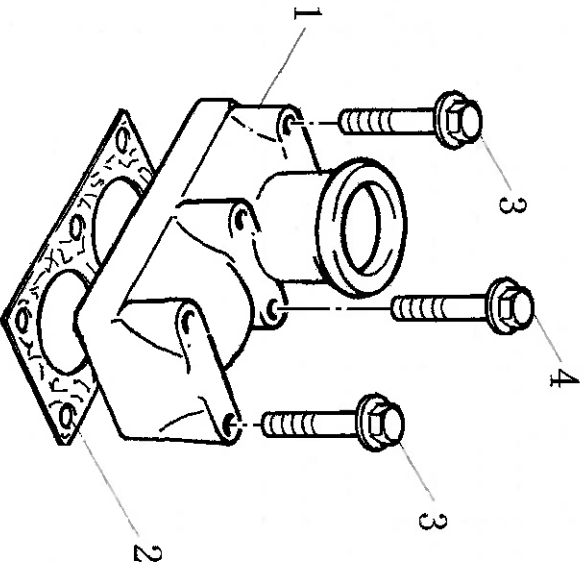
Water Pump & Thermostat
水泵及节温器

LBHV



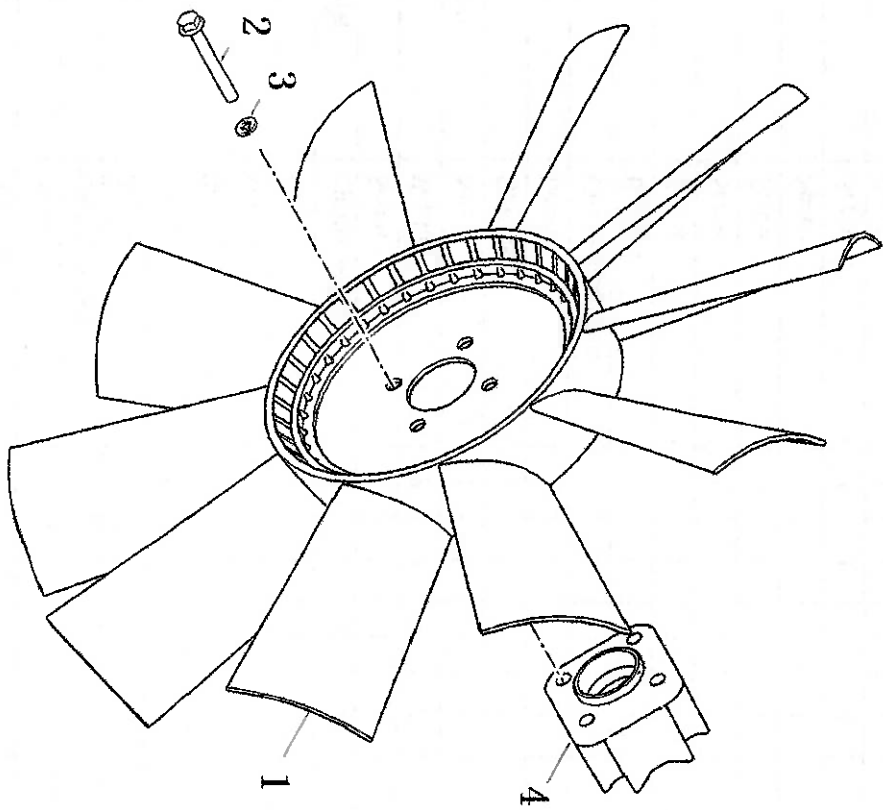
Water Outlet
出水口

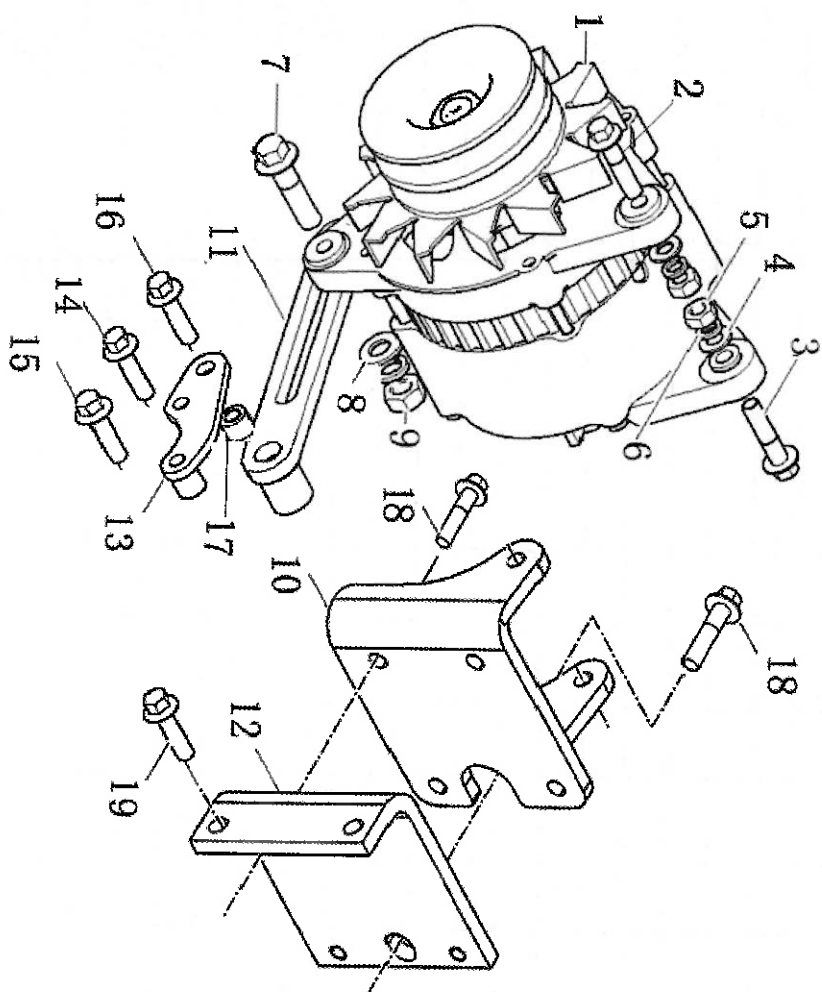
LDHA



Water Outlet
出水口

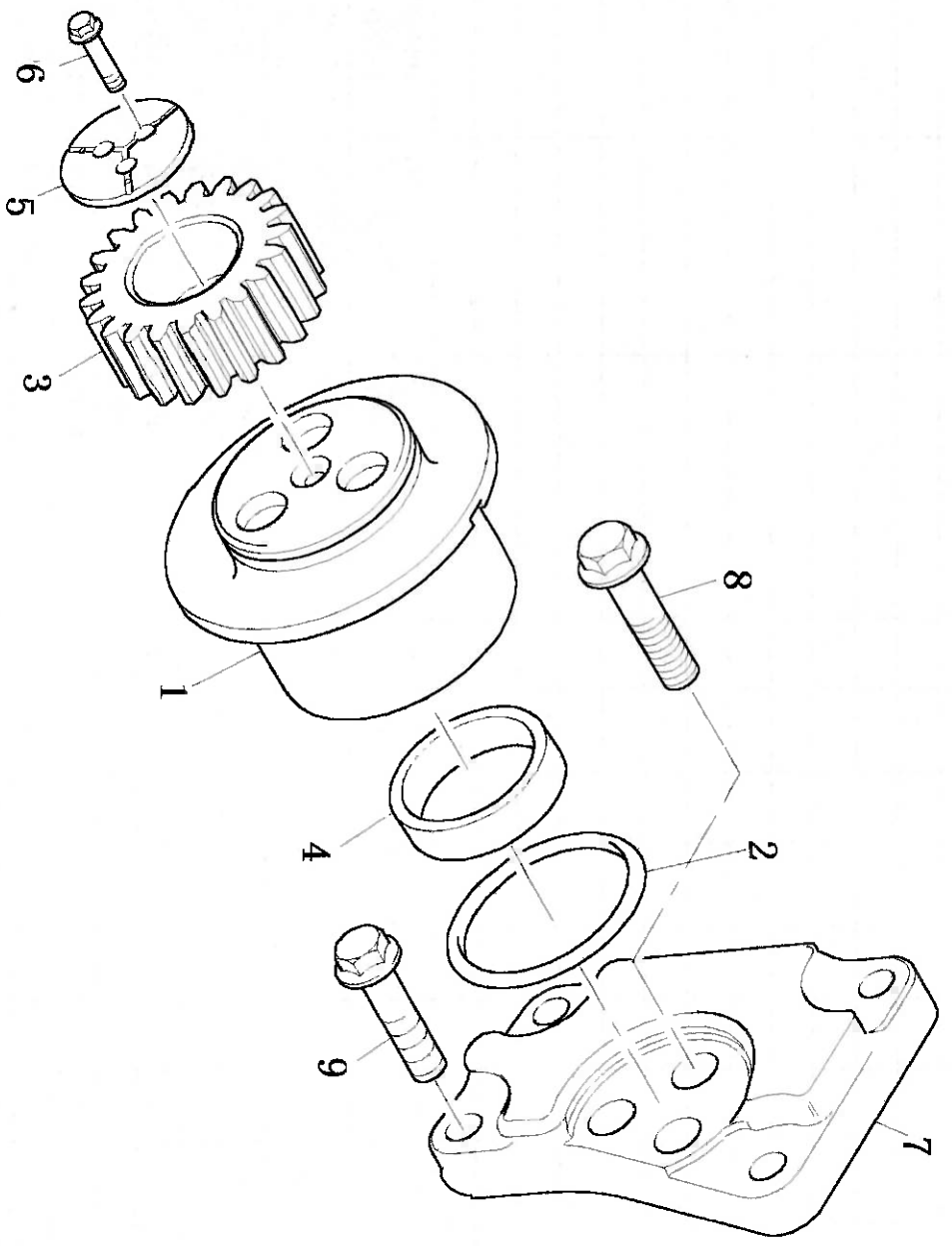
LDHA





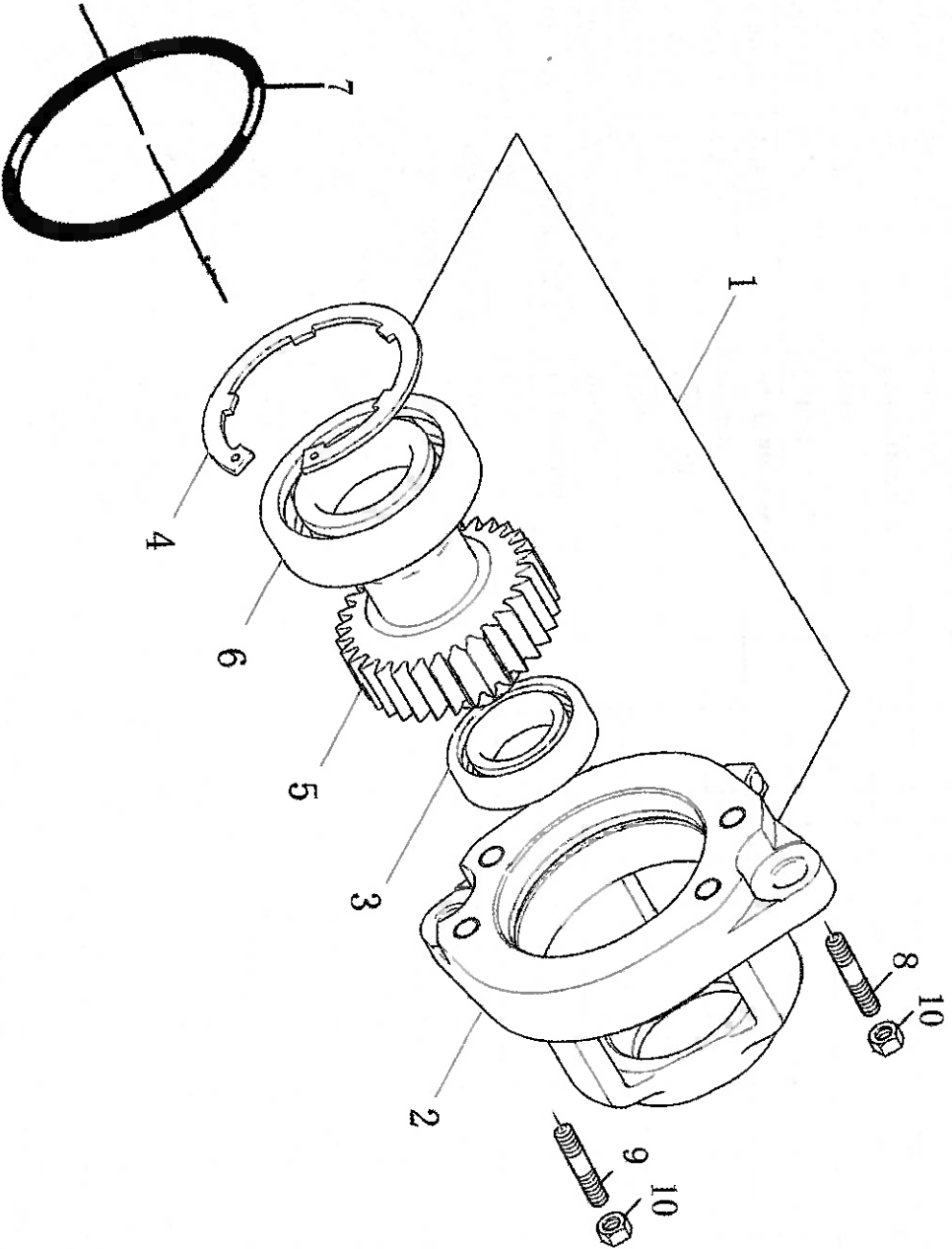
Gear Drive Auxiliary Drive Option
齿轮驱动/转向助力选用

QDHA



Gear Drive Auxiliary Drive Option
齿轮驱动/转向助力选用

QDHA



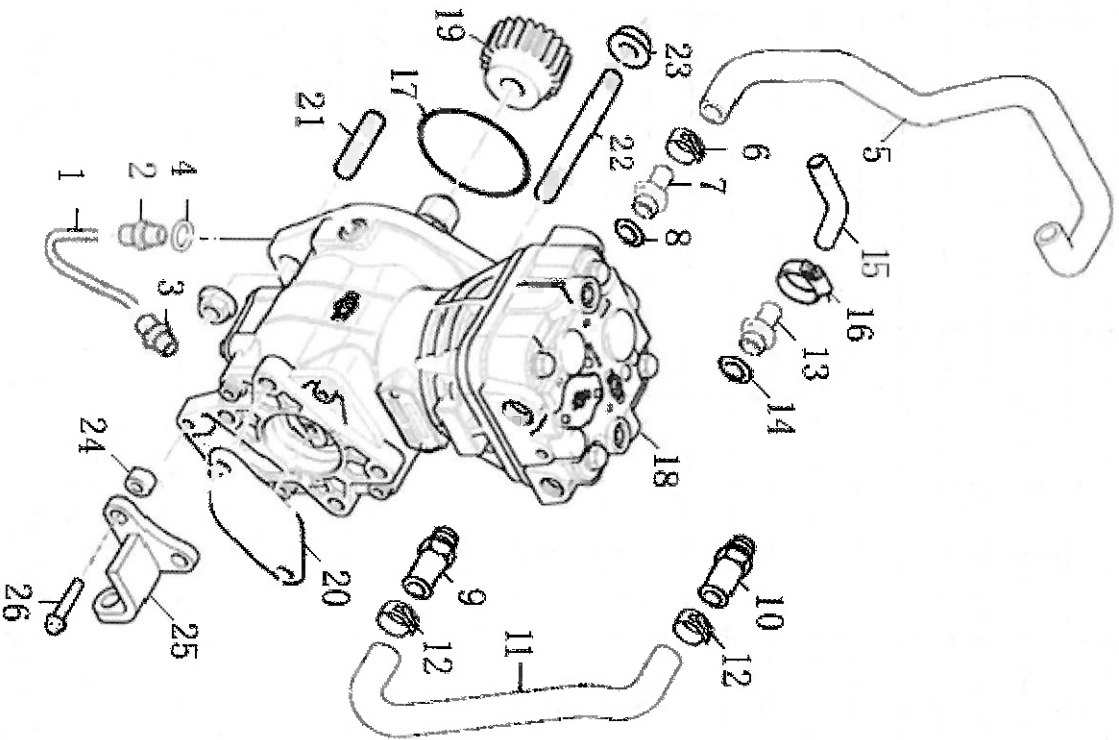
Gear Drive Auxiliary Drive Option
 齿轮驱动/转向助力选用

QDHA

Item 图示号	Family No. 组件号	Part No. 零件号	Part Name 零件名称	通用机型与数量 Application Type and Quantity																
				1004C-P4TWR100					1004-P4TWR100											
				N01	NA01	K01	KA01	---	N01	NA01	K01	KA01	---							
1	QD20U 0034	T3524A014	油管			1	1													
2	QD20U 0040	T0206002M	接头	Connection			1	1												
3	QD20U 0041	T3355M005A	接头	Connection			1	1												
4	QD20U 0052	T0920155	垫片	Washer			2	2												
5	QD23C 0003	T746050014	空压机进水胶管	Hose			1	1												
6	QD23C 0005	T715020020	卡箍	Clip			2	2												
7	QD23C 0014	T3355A017	接头	Connection			1	1												
8	QD23C 0018	T2411157	垫圈	Washer			2	2												
9	QD23E 0003	T3355A017	空压机出水接头	Connection			1	1												
10	QD23E 0004	T0470672	过水三通接头	Connection			1	1												
11	QD23E 0167	T3482V077	空压机回水胶管	Hose			1	1												
12	QD23E 0169	T715020020	卡箍	Clip			2	2												
13	QD23F 0001	T64612103	空压机进气接头	Connection				1												
14	QD23F 0003	T64704009	密封垫圈	Washer				1												
15	QD23F 0004	T64601110	胶管	Hose				1												
16	QD23F 0006	T2481877A	卡箍	Hose clip				1												
17	QD40L 0008	T2415H461	O型圈	O Ring			1	1												
18	QD40L 0010	T74600119	空压机	Air Compressor			1	1												
		T64600114	缸盖	Cylinder cover			1	1												
		TZZ90501	活塞	Piston			1	1												
		T64600117	活塞环总成	Piston ring assy.			1	1												
		T64600123	垫总成	Joint assy.			1	1												
		TZZ90502	阀片、板总成	Joint,plate assy.			1	1												
		TZZ90503	连杆铜套	Bush			1	1												
		TZZ90504	连杆瓦	Bearing			1	1												
19	QD40L 0019	T3117C151	齿轮	Gear			1	1												

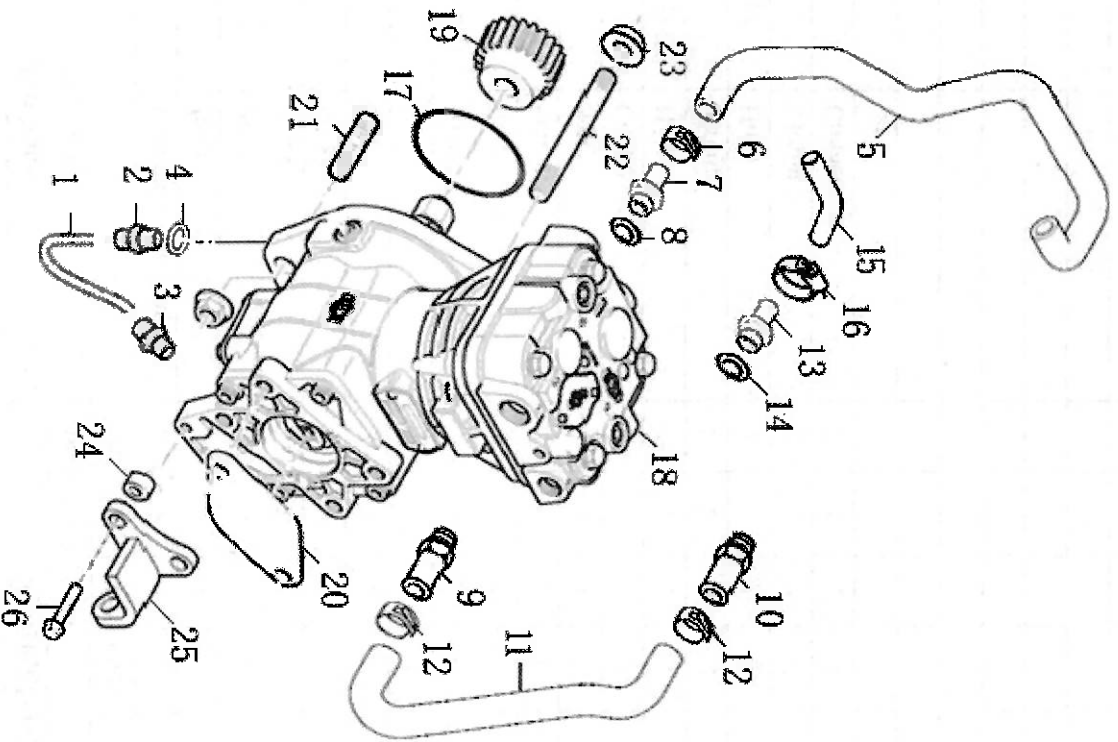
Gear Drive Auxiliary Drive Option
齿轮驱动/转向助力选用

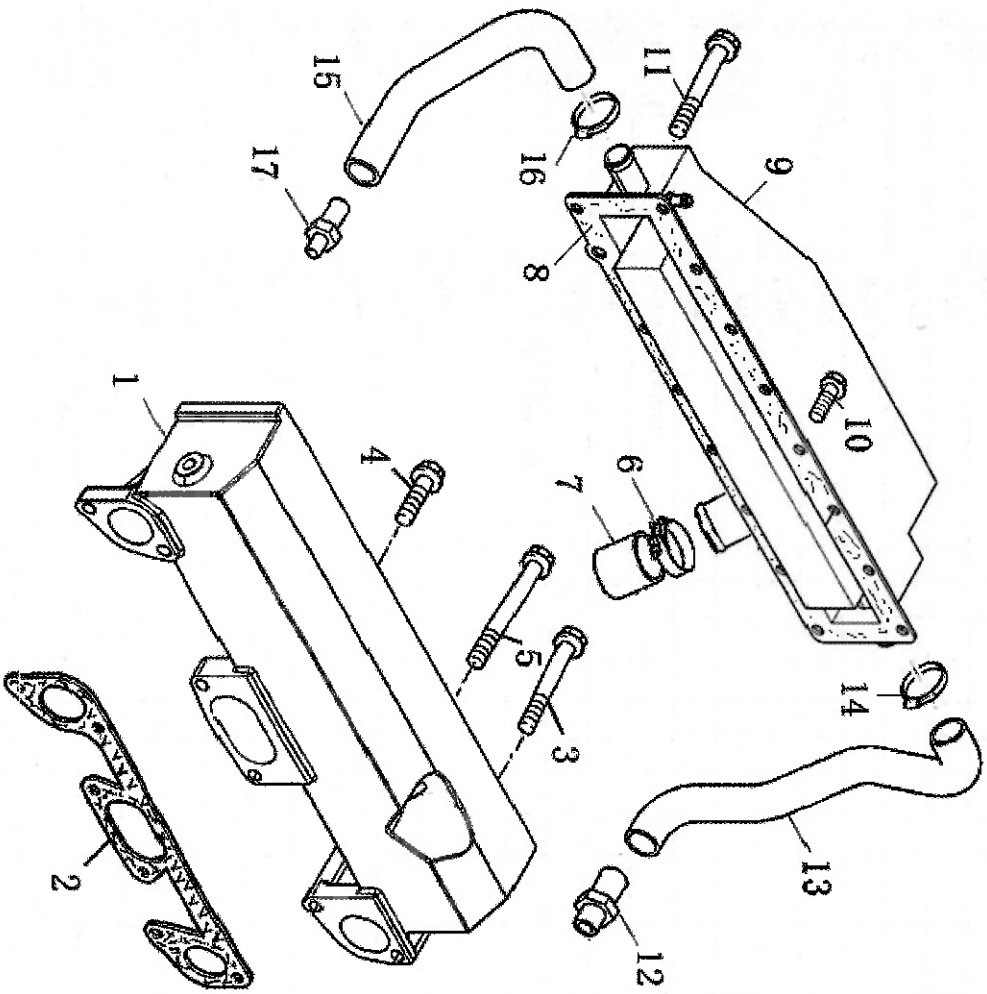
QDHA



Gear Drive Auxiliary Drive Option
齿轮驱动/转向助力选用

GDHA



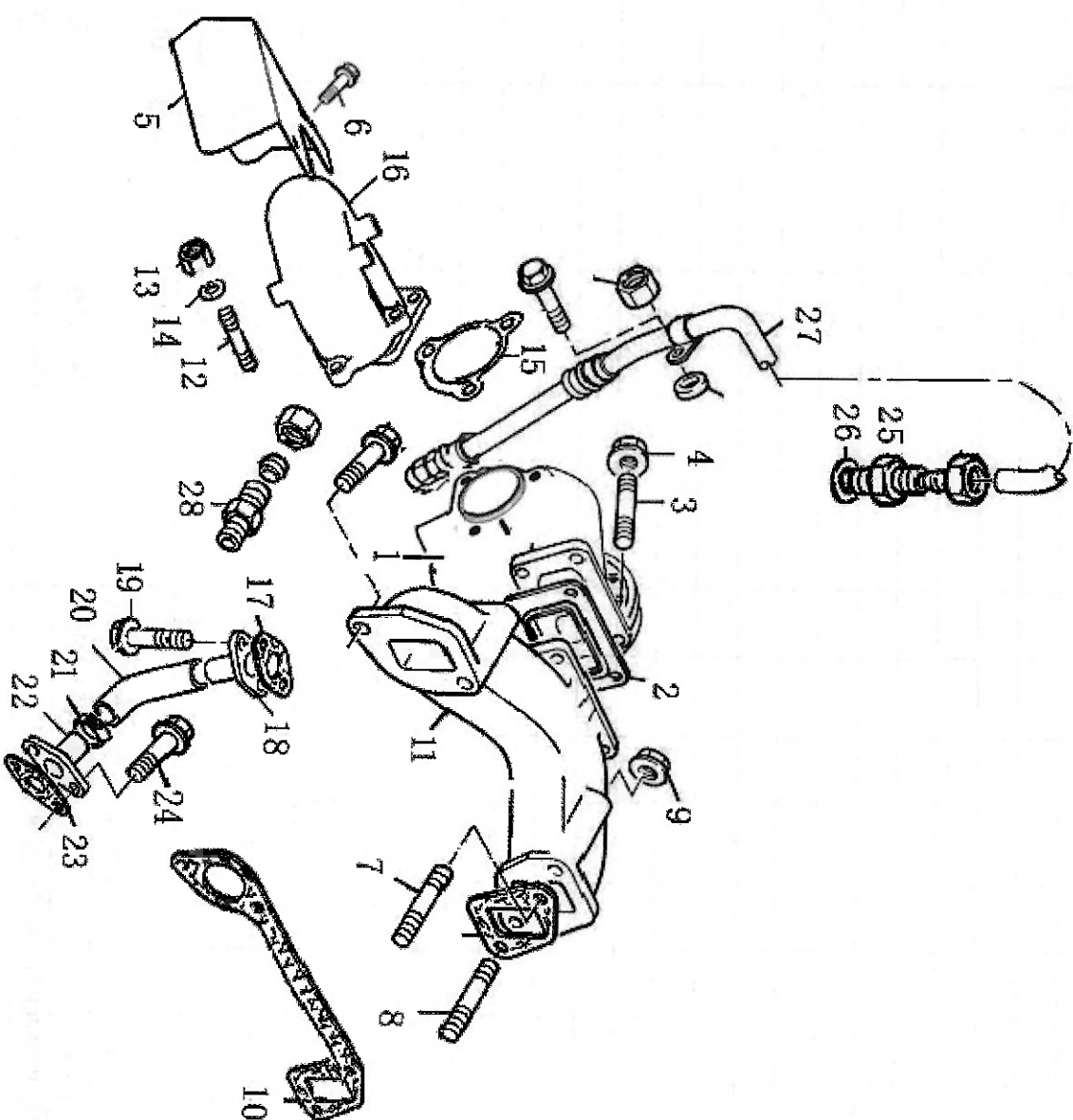


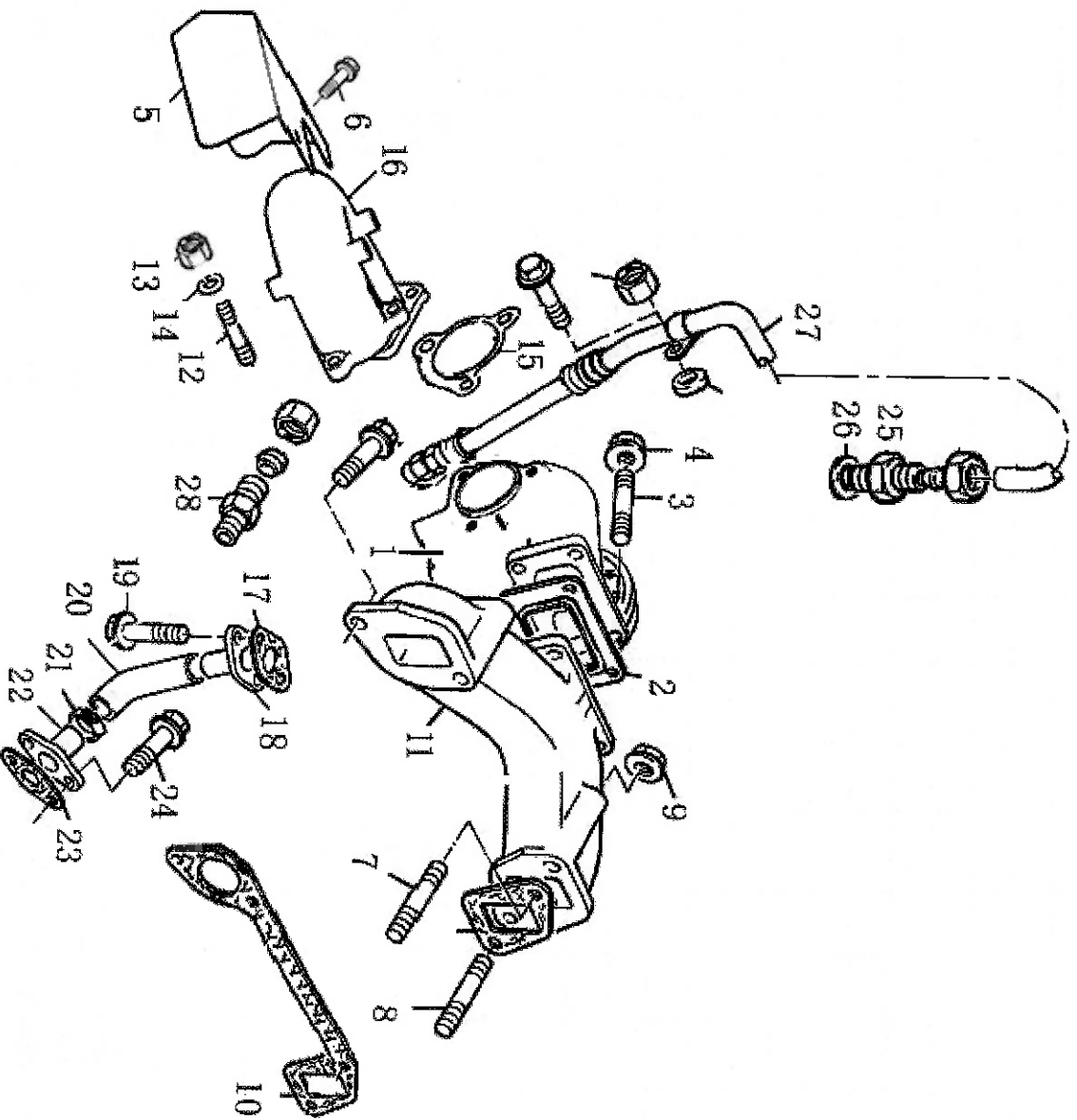
Induction & Exhaust System

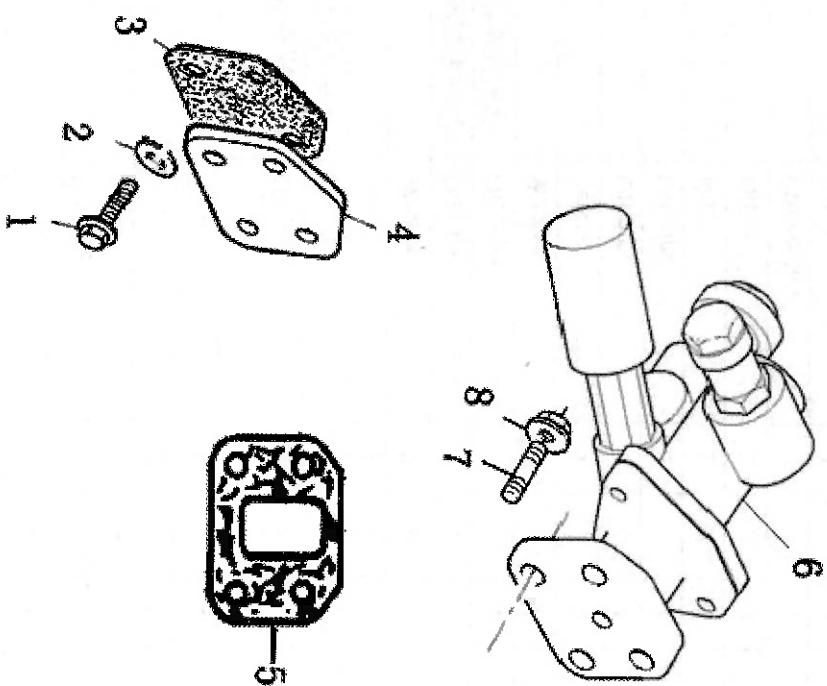
进、排气系统

SB11A

Item 图示号	Family No. 组件号	Part No. 零件号	Part Name 零件名称	适用机型与数量 Application Type and Quantity														
				1004C-P4TWRT100						1004-P4TWRT100								
				NO1	NA01	K01	KA01	---	---	NO1	NA01	K01	KA01	---	---			
1	SB15C 0003	T848010043	增压器	Turbocharger	1	1	1	1										
1	SB15C 0003	T74801003	增压器	Turbocharger														
2	SB15C 0004	TL681VF03	垫	Joint	1	1	1	1										
3	SB15C 0022	TL254HF03A	丝对	Stud	4	4	4	4										
4	SB15C 0031	T2318A633	螺母	Nut	4	4	4	4										
5	SB15C 0301	T748070053	防护罩	Protective cover	1	1	1	1										
6	SB15C 0321	T2314F001	螺栓	Screw	2	2	2	2										
7	SB16A 0001	T2313M387A	丝对	Stud	3	3	3	3										
8	SB16A 0002	T2313M388A	丝对	Stud	1	1	1	1										
9	SB16A 0004	T2318A634	螺母	Nut	4	4	4	4										
10	SB16A 0013	T3688C023	垫	Joint	1	1	1	1										
11	SB16A 0016	T3778H201A	排气管	Exhaust manifold	1	1	1	1										
12	SB16D 0001	T2313C078	双头螺栓	Stud	3	3	3	3										
13	SB16D 0004	Q340B10F2	螺母	Nut	3	3	3	3										
14	SB16D 0005	Q40310	弹簧垫圈	Spring washer	3	3	3	3										
15	SB16D 0010	T64703009	密封垫片	Joint	1	1	1	1										
16	SB16D 0022	T747160007	排气弯管	Exhaust elbow	1	1	1	1										
17	SB20K 0100	T3683D008	垫	Joint	1	1	1	1										
18	SB20K 0105	T3571N007	油管 (组件)	Pipe	1	1	1	1										
19	SB20K 0118	T2314H033	螺栓	Screw	2	2	2	2										
20	SB20K 0136	T3383A006	胶管	Hose	1	1	1	1										
21	SB20K 0139	T2481877	喉箍	Clip	1	1	1	1										
22	SB20K 0154	T3571N008	油管	Pipe	1	1	1	1										
23	SB20K 0157	T36832144	垫	Joint	1	1	1	1										
24	SB20K 0160	T2314H003	螺栓	Screw	2	2	2	2										
25	SB20L 0270	T0201502	接头	Connection	1	1	1	1										







Low pressure fuel system

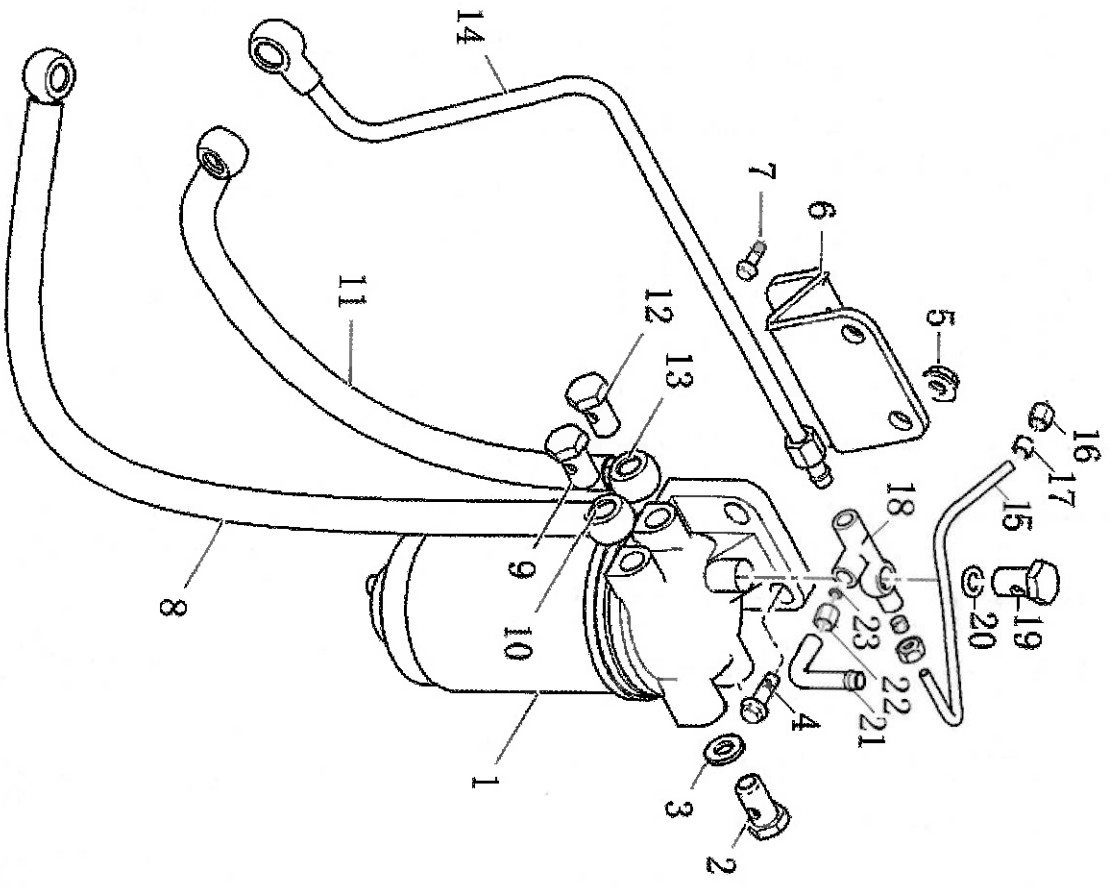
低压燃油系统

VBHA

Item 图示号	Family No. 组件号	Part No. 零件号	Part Name 零件名称	适用机型与数量 Application Type and Quantity													
				1004C-P4TWR100						1004-P4TWR100							
				N01	NA01	K01	KA01	---	---	N01	NA01	K01	KA01	---	---		
1	VB17C 0001	T64103002	滤清器 Fuel filter	1	1	1	1					1	1				
2	VB17C 0010	T0650204	堵 Plug	1	1	1	1					1	1				
3	VB17C 0018	T73274309	垫圈 Washer	1	1	1	1					1	1				
4	VB17C 0037	T2314J005	螺栓 Screw	2	2	2	2					2	2				
5	VB17C 0070	T2318A604	螺母 Nut	2	2	2	2					2	2				
6	VB17C 0221	T75004276	支架 Bracket	1	1	1	1					1	1				
7	VB17C 0295	T2314J002	螺栓 Screw	2	2	2	2					2	2				
8	VB17K 0004	T733150019	输油泵到柴油油管 Oil pipe	1	1		1					1	1				
8	VB17K 0004	T733150003	输油泵到柴油油管 Oil pipe				1										1
9	VB17K 0086	T711060022	过油螺栓 Screw	1	1	1	1					1	1				
10	VB17K 0087	T73274309	密封垫圈 Washer	2	2	2	2					2	2				
11	VB17L 0001	T733080001	柴滤器到喷油泵油管 Oil pipe	1	1							1	1				
11	VB17L 0001	T733090007	柴滤器到喷油泵油管 Oil pipe				1										1
12	VB17L 0155	T73274309	密封垫圈 Washer	2	2	2	2					2	2				
13	VB17L 0156	T711060022	过油螺栓 Screw	1	1	1	1					1	1				
14	VB17M 0002	T733100025	油管 Oil pipe	1	1	1	1					1	1				
15	VB17N 0094	T73306109	油管 Oil pipe	1	1	1	1					1	1				
16	VB17N 0118	T33225412	螺母 Nut	2	2	2	2					2	2				
17	VB17N 0121	T33811112	橄榄体 Olive	2	2	2	2					2	2				
18	VB17N 0148	T73217019	接头 Connection	1	1	1	1					1	1				
19	VB17N 0151	T0095344A	过油螺栓 Oil pass screw	1	1	1	1					1	1				
20	VB17N 0154	T73208144	垫圈 Washer	2	2	2	2					2	2				
21	VB17N 0282	T65005001A	回油管 Oil return pipe	1	1	1	1					1	1				
22	VB17N 0283	T0576113	螺母 Nut	1	1	1	1					1	1				
23	VB17N 0286	T0566004	橄榄体 Olive	1	1	1	1					1	1				

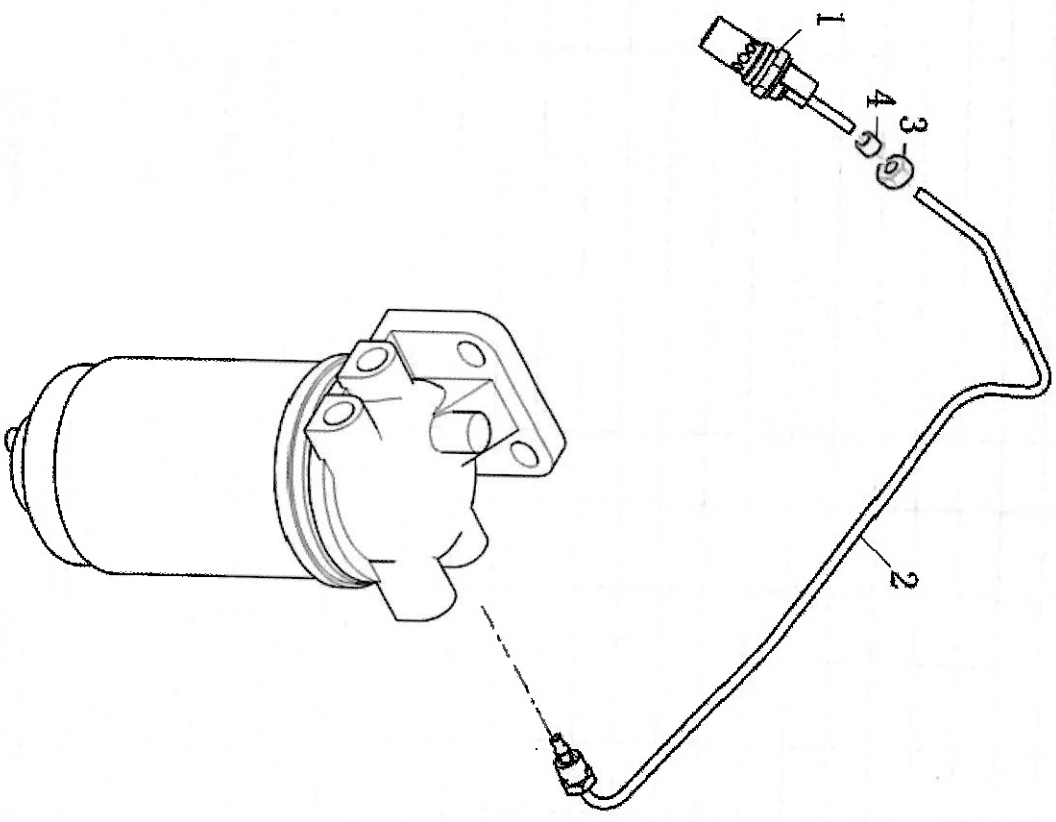
Low pressure fuel system
低压燃油系统

VBHA



Cooling Start Aid set
冷启动辅助装置

XBHA



Engine Lifting

发动机提升

WDHA

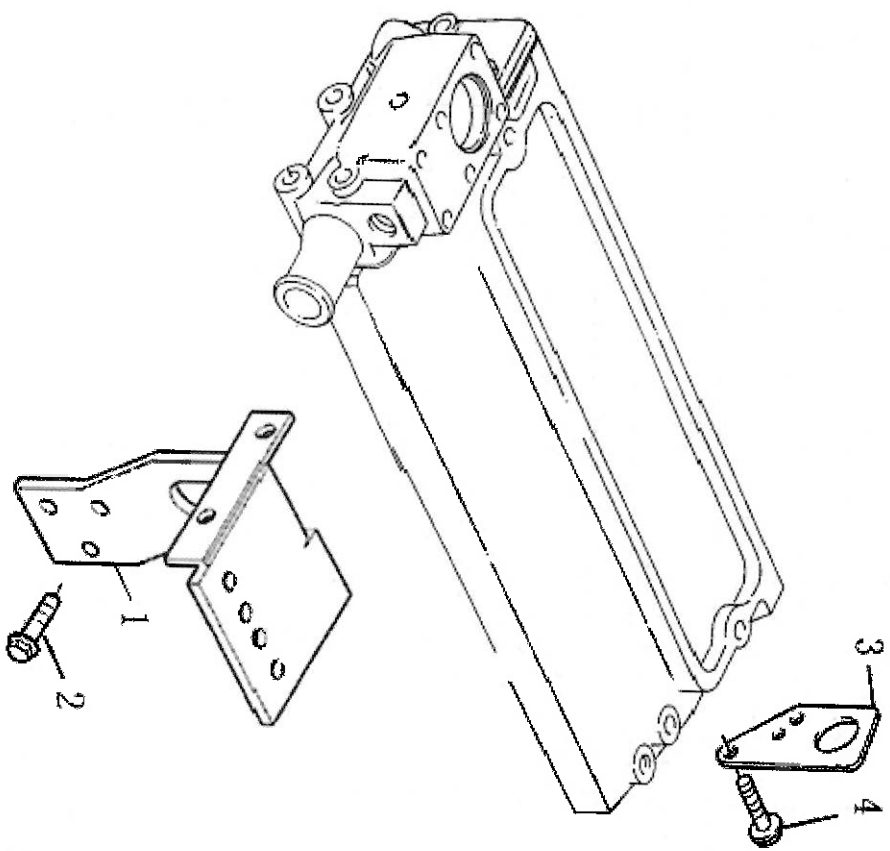
适用机型与数量 Application Type and Quantity

Item 图示号	Family No. 组件号	Part No. 零件号	Part Name 零件名称		1004C-P4TWR100								1004-P4TWR100							
					NO1		NA01		K01		KA01		NO1		NA01		K01		KA01	
1	XB31D 0001	T74502205A	吊耳	Lift bracket	1	1	1	1	1					1	1			1		
2	XB31D 0001	T2314J003	螺栓	Screw	3	3	3	3						3	3			3		
3	XB31E 0004	T3654W003	吊耳	Lift bracket	1	1	1	1						1	1			1		
4	XB31E 0013	T2314J003	螺栓	Screw	2	2	2	2						2	2			2		

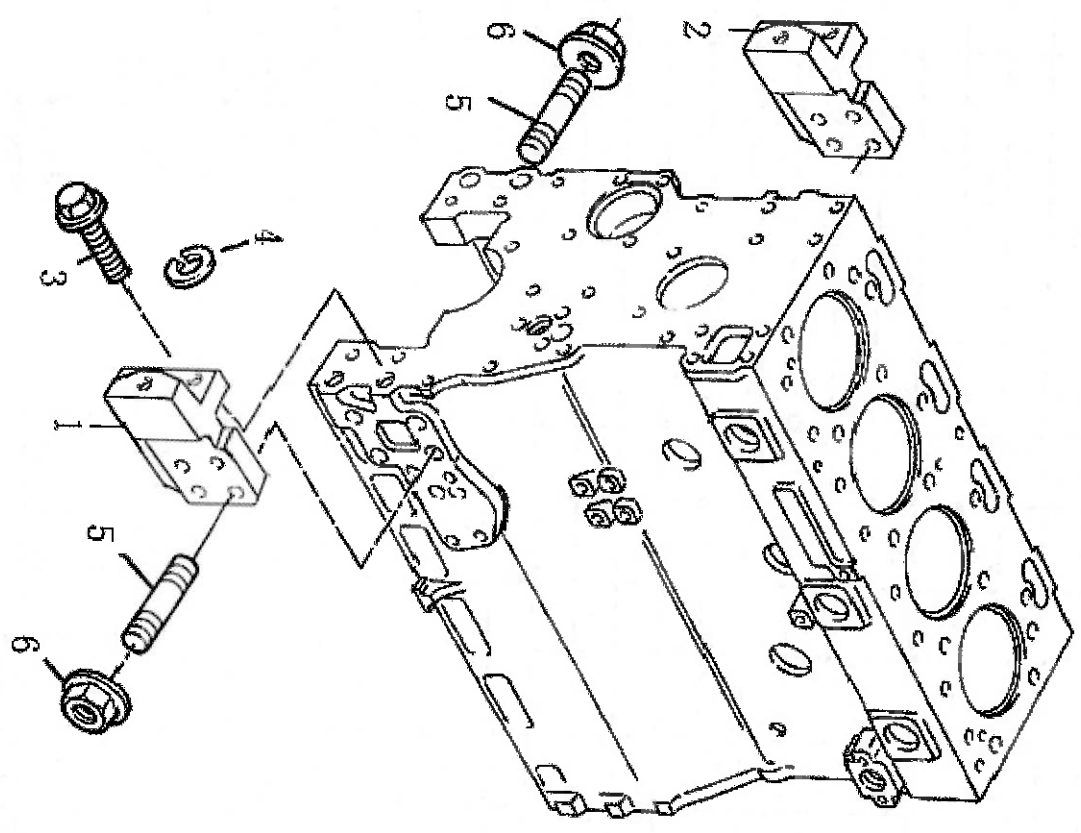


Engine Lifting
发动机提升

WDHA

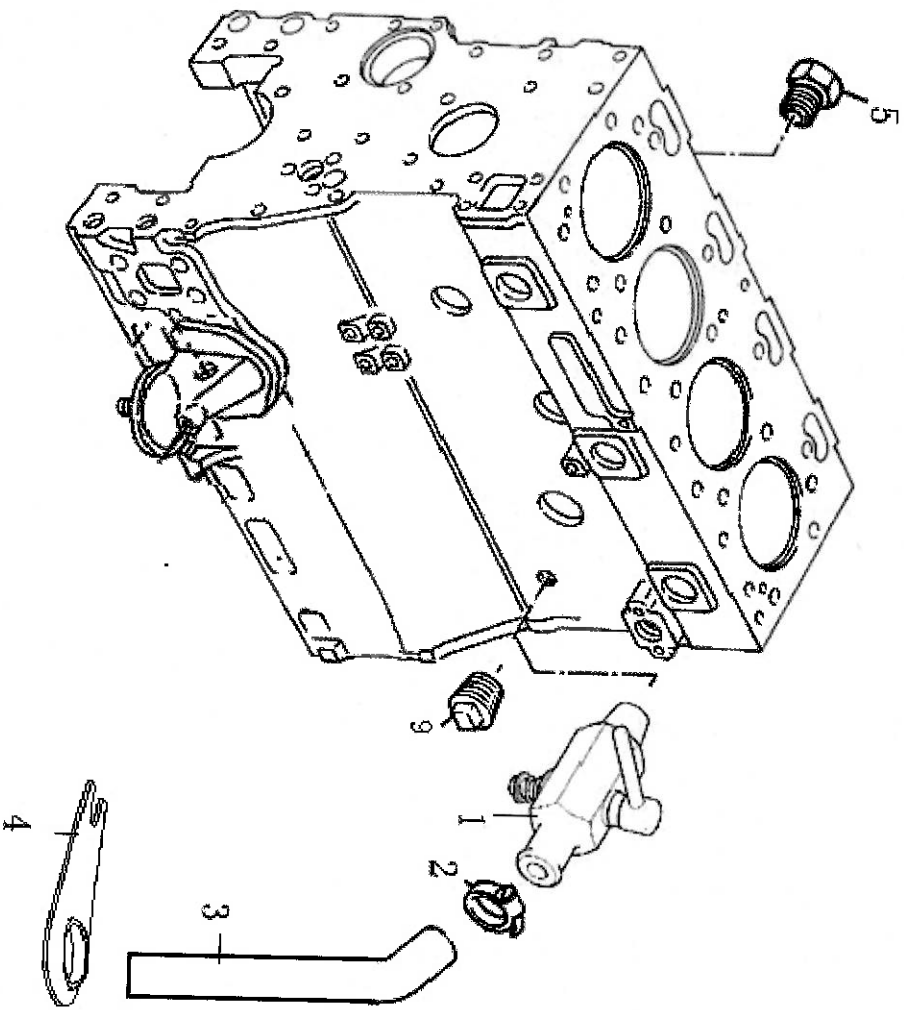


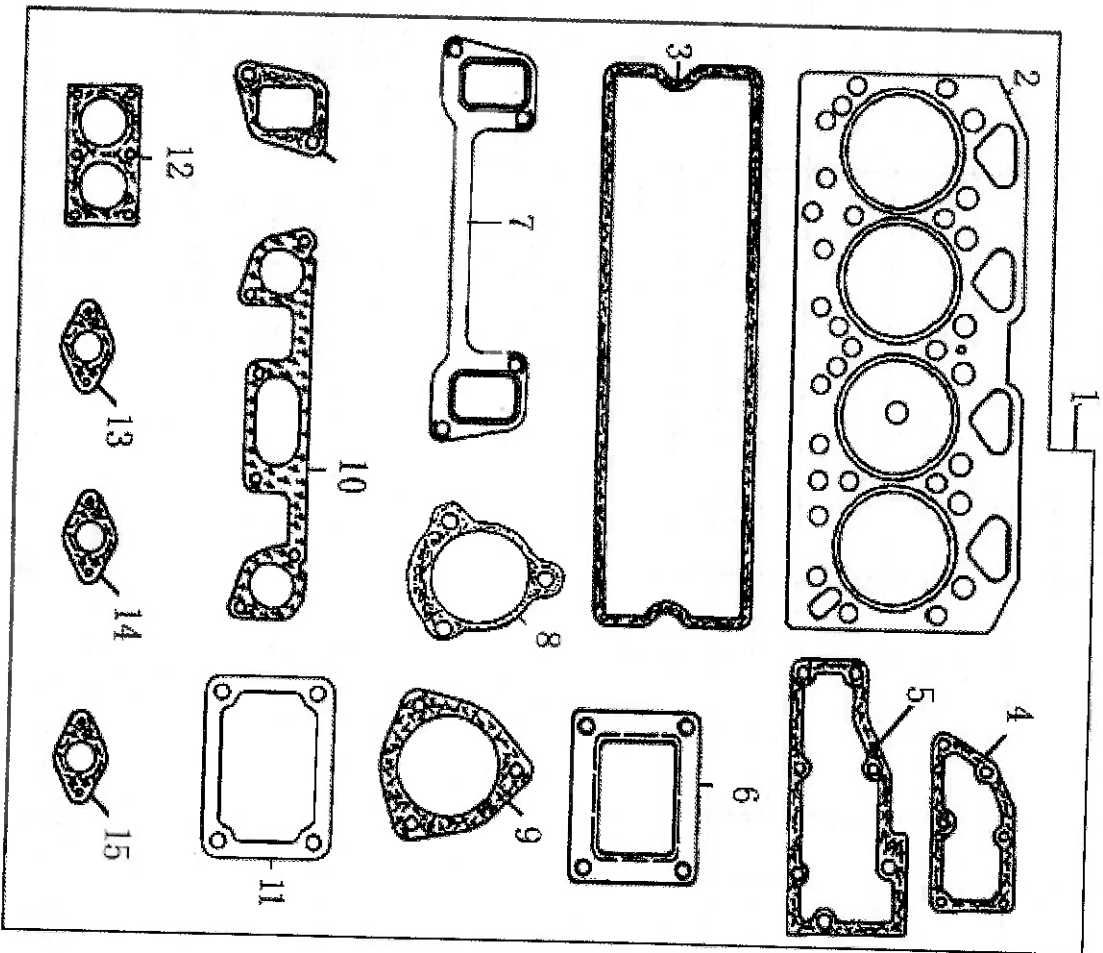
ZCHA



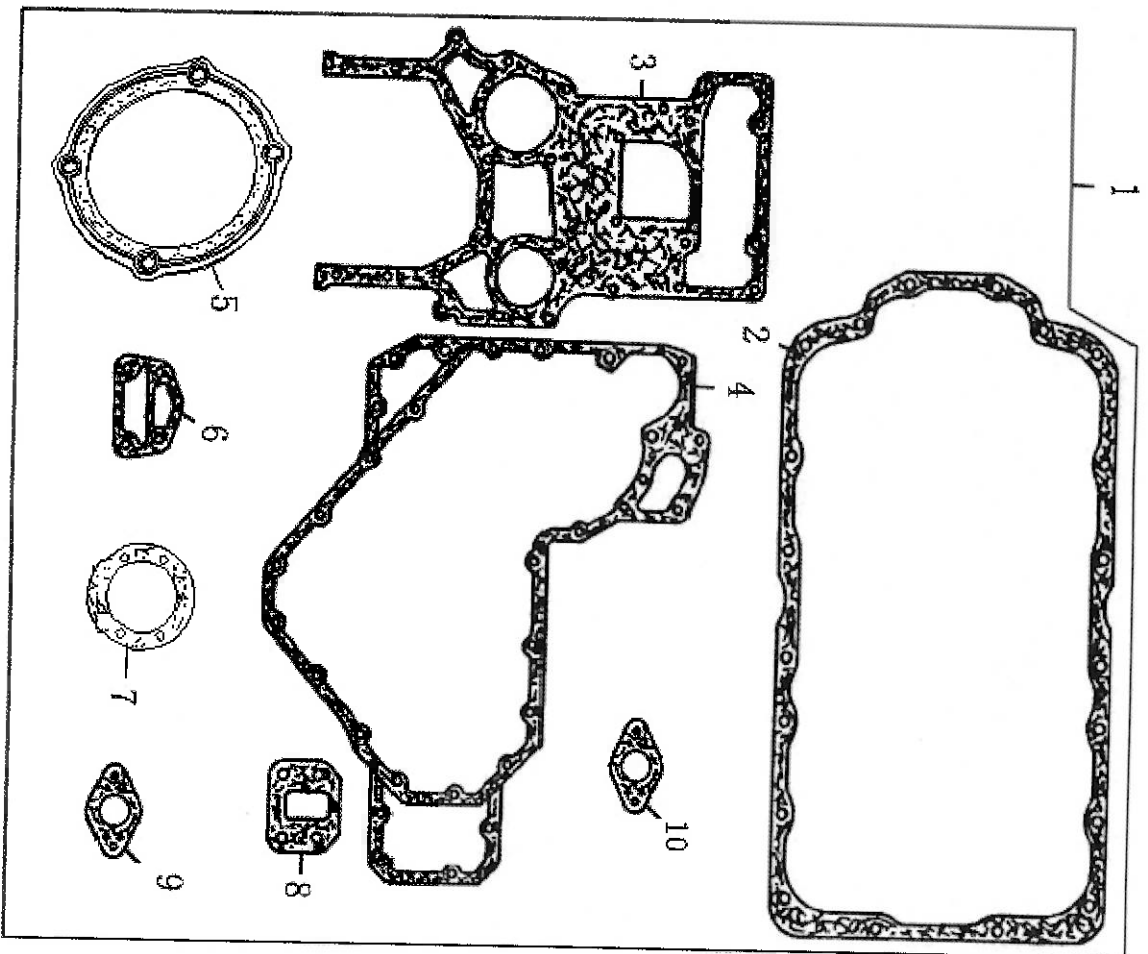
Other
其它

ZZHA





SACA





Handwritten text in a light, faded ink, possibly bleed-through from the reverse side of the page. The text is mostly illegible due to fading but appears to be organized into several lines or paragraphs. Some faint words or characters are visible, such as "1950" and "1951" in the upper portion, and "1952" in the lower portion. The handwriting is somewhat cursive and slanted.