



**PARTS MANUAL**  
**FOR**  
**MT17 SERIES**

**MARMON-HERRINGTON ALL-WHEEL DRIVE**

13001 Magisterial Drive • Louisville, KY 40223  
(502) 253-0277 • (800) 227-0727 • Fax (502) 253-0317  
E-mail: [info@marmon-herrington.com](mailto:info@marmon-herrington.com)

# TABLE OF CONTENTS

REPLACEMENT PARTS & WARRANTY CLAIM PROCEDURE .....	3
DIFFERENTIAL CARRIER HOUSING MT17/R/N/H .....	4-5
DIFFERENTIAL MT17/R/N/H .....	6-7
AXLE HOUSING MT17 .....	8-9
AXLE HOUSING MT17R .....	10-11
AXLE HOUSING MT17N/H .....	12-13
AXLE SHAFT ASSEMBLY MT17 .....	14-15
AXLE SHAFT ASSEMBLY MT17R/N/H .....	16-17
PLANETARY MT17 .....	18-19
PLANETARY MT17R/N/H .....	20-21
WHEEL HUB, BRAKE DRUM MT17/R .....	22-23
WHEEL HUB, BRAKE DRUM MT17N/H .....	24-25
BRAKE MT17/R .....	26-27
BRAKE MT17N/H .....	28-29
TIE-ROD MT17 .....	30-31
TIE-ROD MT17R/N/H .....	32-33



**MARMON-HERRINGTON ALL-WHEEL DRIVE**  
13001 Magisterial Drive • Louisville, KY 40223  
(502) 253-0277 • (800) 227-0727 • Fax (502) 253-0317  
E-mail: [info@marmon-herrington.com](mailto:info@marmon-herrington.com)

PM12/04

## REPLACEMENT PARTS

When ordering replacement parts for **MARMON-HERRINGTON LOW FLOOR** conversions, the following information should be given:

1. **FACTORY ORDER NUMBER** (found on I.D. Plate or small plate affixed to axle housing). This will be a six (6) digit number. (See illustrations this page.)
2. Component for which parts are required, i.e. front drive axle or transfer case/drop box.
3. Model of axle and/or transfer case/drop box, i.e. MT10, MVG 750, MDB500.
4. Give quantity and part number required.  
**NOTE:** Drivelines, shift linkage, etc., can be found on the computer printout of Bill of Material, which is included in the Service Manual.
5. Give complete billing and shipping address.

## WARRANTY CLAIM PROCEDURE

Before proceeding with repairs or ordering parts that you feel may be covered under warranty, you must first contact Marmon-Herrington Customer Service Department and obtain a Repair Authorization Number.


Please be prepared to supply all of the following information:

- **Factory Order Number** – This is located on an ID plate fixed to either the driver's door panel or the component (axle or transfer case) itself.
- **Model and Serial Number** (required) – Again located on the ID plate fixed to either the driver's door panel or the component itself.
- **Vehicle Year, Make and Model**
- **Vehicle Identification Number**
- **Mileage**
- **In Service Date**

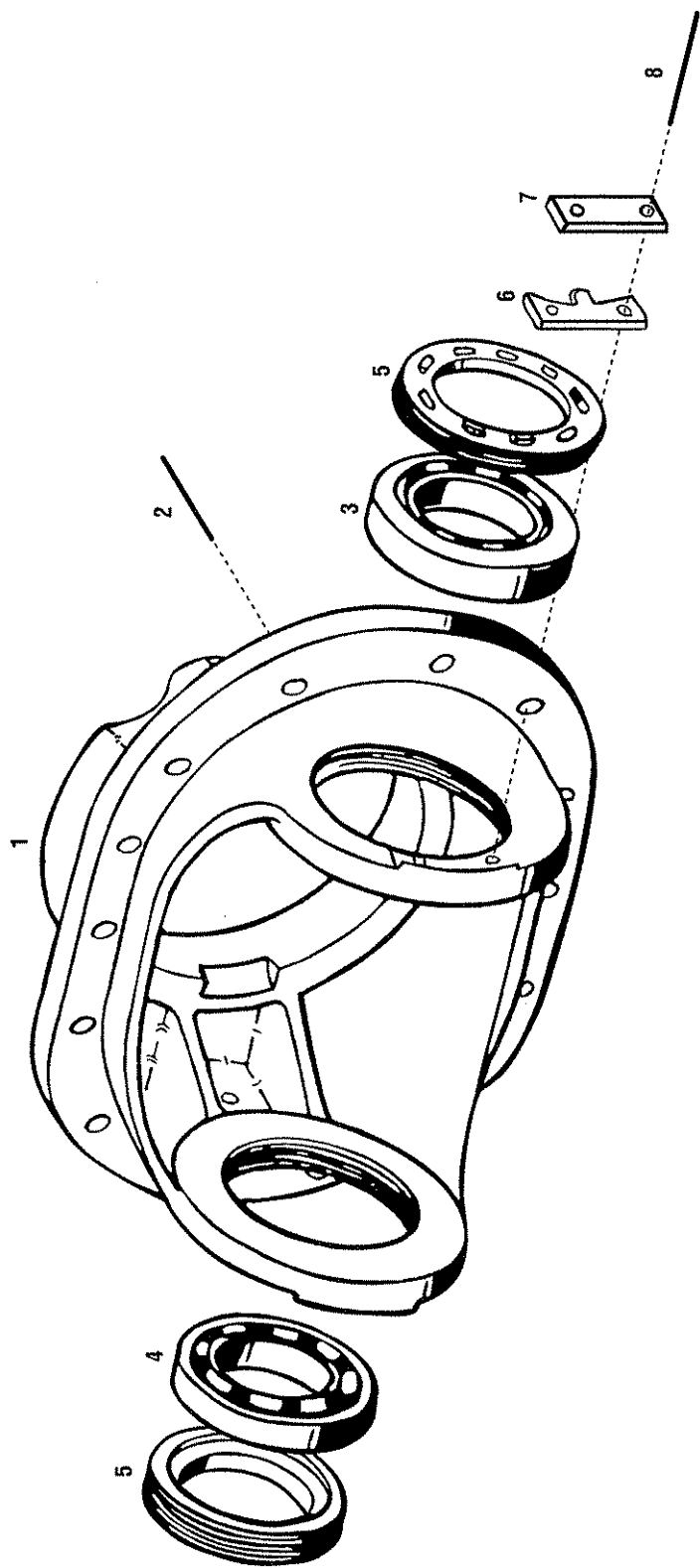
The information necessary for replacement parts and/or warranty claim procedures will be found on either plate design.

<b>MARMON-HERRINGTON</b>	
SALES ORDER	0000-00      RATIO
S/N	TYPE
CUST P/N	

<b>MARMON-HERRINGTON</b>	
SALES ORDER	0000-00
S/N	TYPE
CUST P/N	
COVERED BY ONE OR MORE OF THE FOLLOWING PATENTS: U.S. PATENTS 4,878,691; 4,934,733; 5,016,912; 5,275,430; 5,839,750; AND 6,398,251; AND CA PATENT 1,316,185. OTHER U.S. AND FOREIGN PATENTS PENDING.	

	
ALL-WHEEL DRIVE LOUISVILLE, KENTUCKY U.S.A.	
FACTORY ORDER NO.	0000-00
INSTALLED BY	
FRONT DRIVING AXLE	
MODEL	
CAPACITY	
SERIAL NO.	
RATIO	
TRANSFER CASE	
MODEL	
SERIAL NO.	

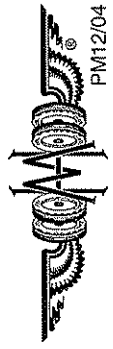
# DIFFERENTIAL CARRIER HOUSING MT17/R/N/H



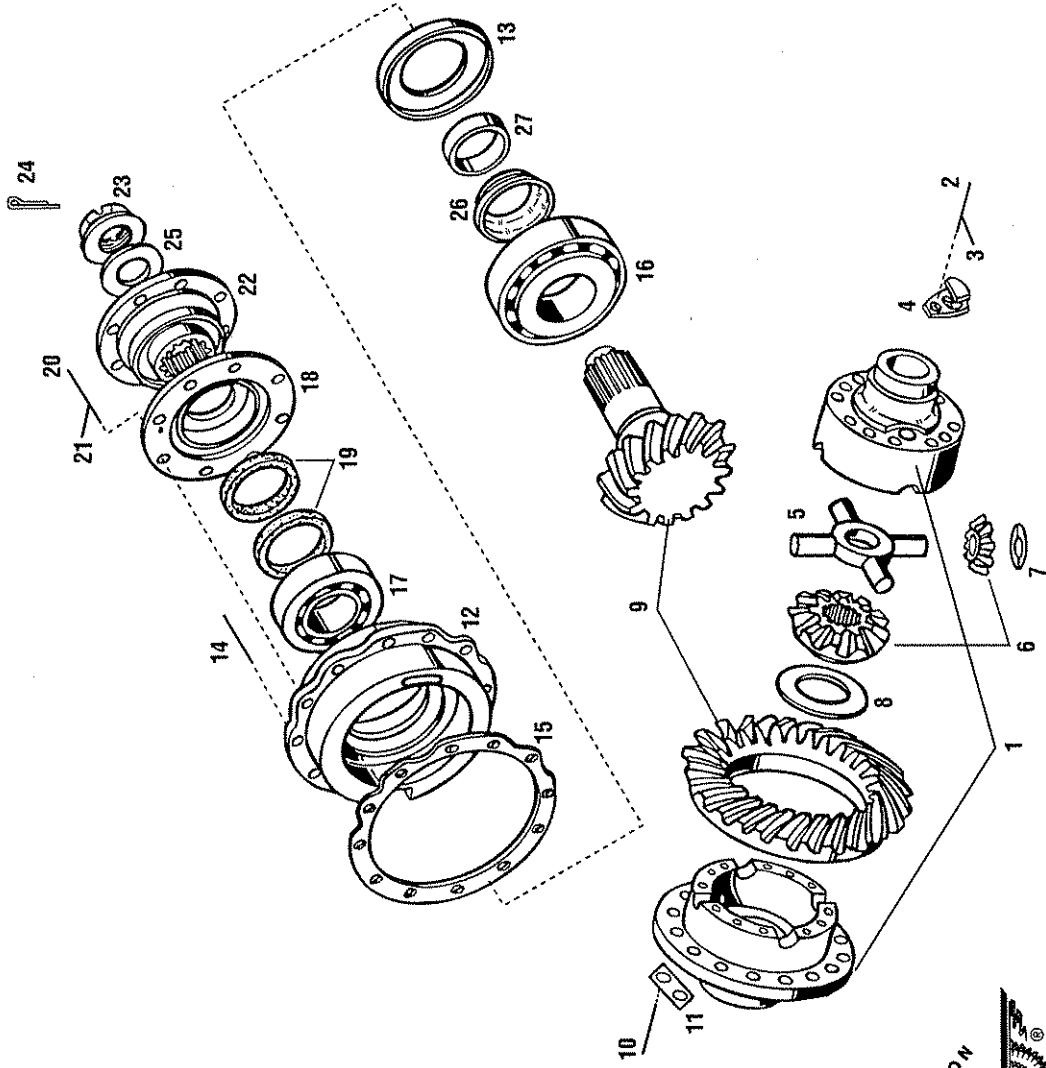
ITEM NO.	MH PART NO.	DESCRIPTION	QTY. REQ.	ITEM NO.	MH PART NO.	DESCRIPTION	QTY. REQ.
1	MT22-1076	Differential Carrier Housing Assy.	1				
2	MT22-1077	Flanged Bolt, Special	14				
3	MT22-1078	Differential Side Bearing Assy.	1				
4	MT22-1212	Differential Side Bearing Assy.	1				
5	MT22-1079	Bearing Adjuster	2				
6	MT22-1080	Lock Plate	2				
7	MT22-1081	Lock Plate	2				
8	11500773	Hex Bolt, M8x15-10.9	4				

**MARMON-HERRINGTON ALL-WHEEL DRIVE**  
 13001 Magisterial Drive • Louisville, KY 40223  
 (502) 253-0277 • (800) 227-0727 • Fax (502) 253-0317  
 E-mail: info@marmon-herrington.com

**DIFFERENTIAL CARRIER HOUSING**  
**MT17/R/N/H**



# DIFFERENTIAL MT17/R/N/H

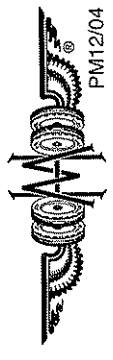


ALL-WHEEL DRIVE

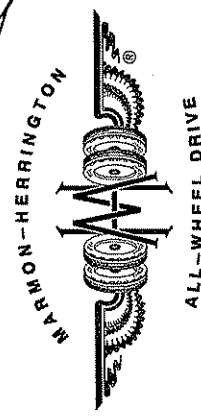
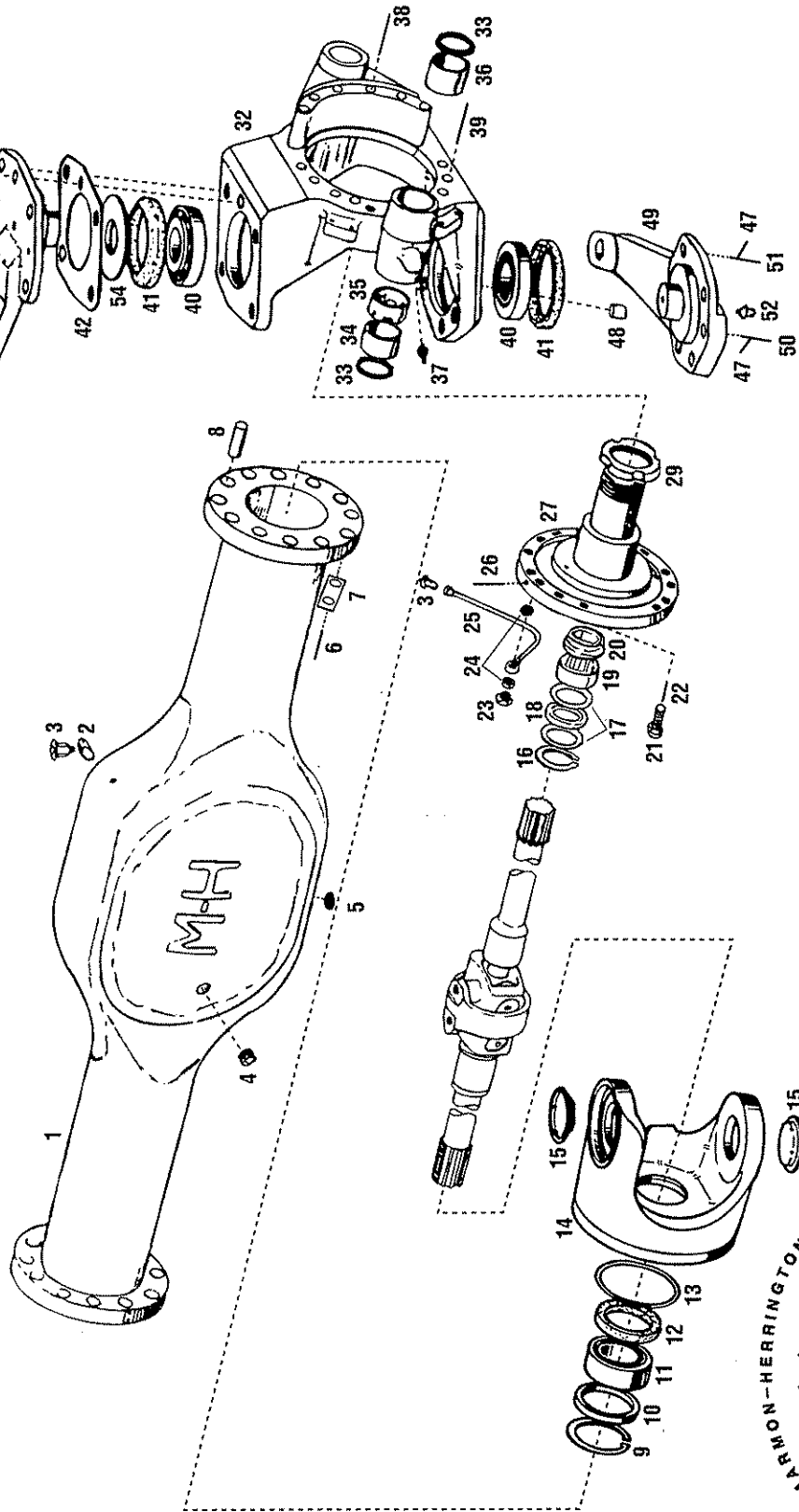
COMPLETE CARRIER ASSEMBLY							ITEM NO.	MH PART NO.	DESCRIPTION	QTY. REQ.
CARRIER P/N	PINION & RING GEAR RATIO	FINAL RATIO	DIFFERENTIAL CASE							
MT22-1001	1.227	4.25	MT22-1051			10	MT22-1050	Hex Bolt, Special	16	
MT22-1002	1.318	4.56	MT22-1051			11	MT22-1224	Lock Plate	8	
MT22-1003	1.422	4.92	MT22-1052			12	MT22-1068	Bearing Cage Assy.	1	
MT22-1004	1.526	5.29	MT22-1052			13	MT14-1078	Oil Baffle Plate	1	
MT22-1010	1.553	5.38	MT22-1052			14	MT22-1077	Flanged Bolt, Special	12	
MT22-1005	1.632	5.65	MT22-1052			15	MT22-1067A	Shim, 1.0 MM	AR	
MT22-1014	1.684	5.83	MT22-1052				MT22-1067B	Shim, .50 MM	AR	
MT22-1013	1.765	6.11	MT22-1052				MT22-1067C	Shim, .30 MM	AR	
MT22-1006	1.812	6.27	MT22-1052				MT22-1067D	Shim, .25 MM	AR	
MT22-1007	1.929	6.68	MT22-1052				MT22-1067E	Shim, .20 MM	AR	
MT22-1008	2.077	7.14	MT22-1445			16	MT14-1075	Pinion Bearing, Inner	1	
MT22-1009	2.231	7.72	MT22-1445			17	MT14-1079	Pinion Bearing, Outer	1	
MT22-1011	2.415	8.36	MT22-1445			18	MT22-1070	Cover	1	
MT22-1012	2.462	8.52	MT22-1445			19	MT22-1069	Oil Seal Kit, Pinion	1	
						20	11500713	Hex Bolt, M8x22	8	
						21	11500191	Flat Lock Washer, M8	8	
						22	MT17-1050	Companion Flange, 1610 Series	1	
						23	MT22-1073	Companion Flange, 1710 Series	1	
							MT22-1075	Pinion Lock Nut	1	
							MT14-1082	Pinion Castle Nut	1	
						24	103422	Cotter Pin	1	
						25	MT22-1074	Washer, Special	1	
						26	MT14-1076	Distance Sleeve	1	
						27*	MT14-1077A	Bearing Distance Ring, 6.90 MM	AR	
							MT14-1077B	Bearing Distance Ring, 7.00 MM	AR	
							MT14-1077C	Bearing Distance Ring, 7.02 MM	AR	
							MT14-1077D	Bearing Distance Ring, 7.04 MM	AR	
							MT14-1077E	Bearing Distance Ring, 7.06 MM	AR	
							MT14-1077F	Bearing Distance Ring, 7.08 MM	AR	
							MT14-1077G	Bearing Distance Ring, 7.10 MM	AR	
							MT14-1077H	Bearing Distance Ring, 7.20 MM	AR	
							MT14-1077I	Bearing Distance Ring, 7.32 MM	AR	
							MT14-1077J	Bearing Distance Ring, 7.44 MM	AR	
							MT14-1077K	Bearing Distance Ring, 7.56 MM	AR	
							MT14-1077L	Bearing Distance Ring, 7.68 MM	AR	
							MT14-1077M	Bearing Distance Ring, 7.80 MM	AR	
							MT14-1077N	Bearing Distance Ring, 7.92 MM	AR	
							AR = As Required			
							*Note: Choose 2 to produce proper bearing preload.			

**MARMON-HERRINGTON ALL-WHEEL DRIVE**  
 13001 Magisterial Drive • Louisville, KY 40223  
 (502) 253-0277 • (800) 227-0727 • Fax (502) 253-0317  
 E-mail: info@marmon-herrington.com

**DIFFERENTIAL  
 MT17/R/N/H**

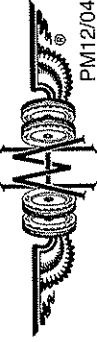


# AXLE HOUSING MT17

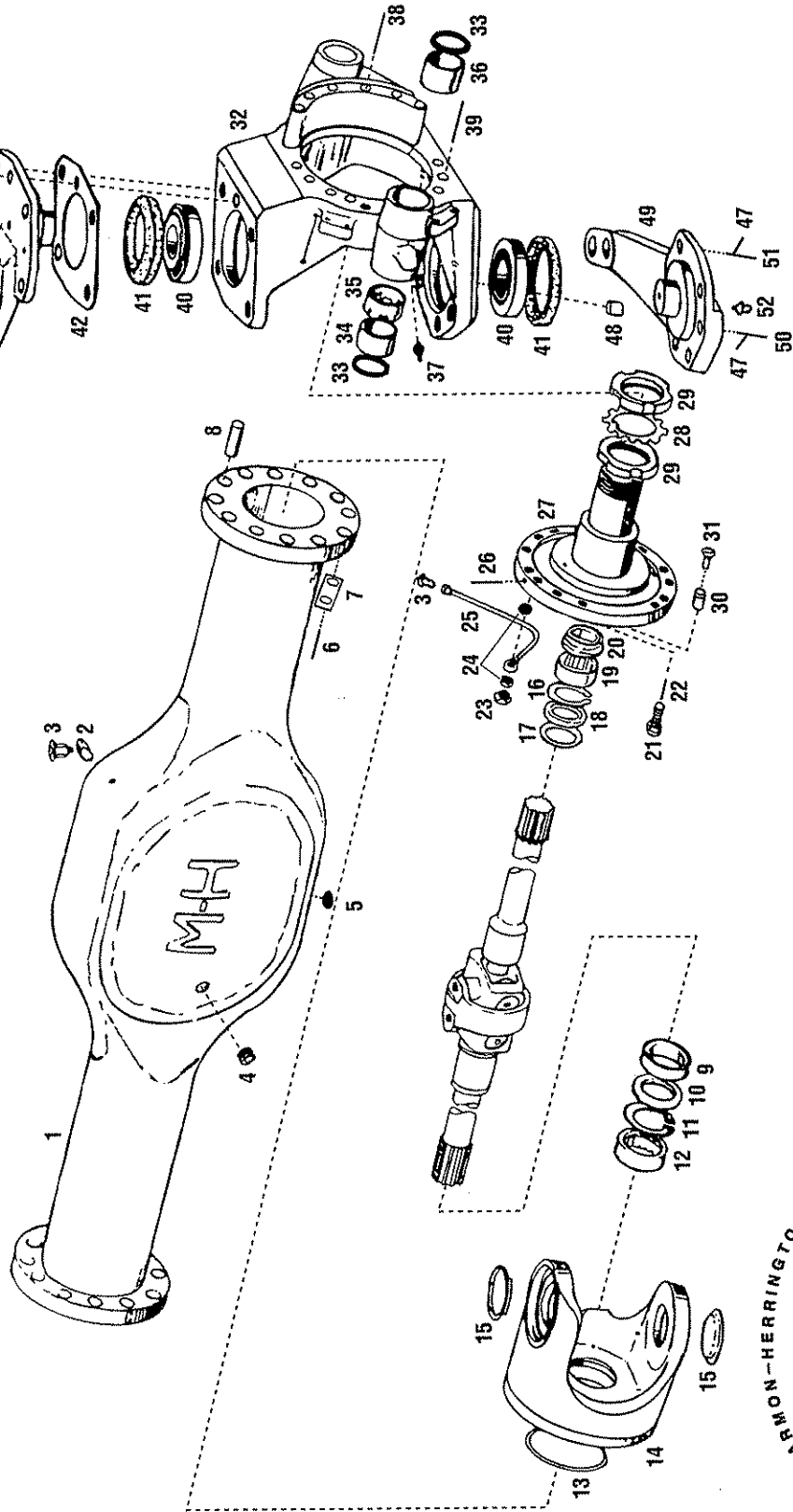




ITEM NO.	MH PART NO.	DESCRIPTION	QTY. REQ.	ITEM NO.	MH PART NO.	DESCRIPTION	QTY. REQ.
1	MT17-1049	Axle Housing	1	33	MT14-1109	Sealing Ring	4
2	MT22-1214	Threaded Extension	1	34	MT14-1110	Brake Spanner Bushing	2
3	MT14-1068	Vent	3	35	MT14-1111	Distance Ring	2
4	MT14-1070	Fill Plug, Carrier	1	36	MT14-1112	Brake Spanner Bushing	2
5	MT14-1071	Drain Plug, Carrier	1	37	191758	Grease Fitting	4
6	MT14-1072	Hex Bolt, M20x1.5x60	20	38	MT14-1105	Hex Bolt, M14x1.5x102	12
7	MT14-1073	Locking Plate	10	39	MT14-1106	Hex Bolt, M14x1.5x55	16
8	MT14-1222	Dowel Pin	4	40	MT14-1114	Trunnion Bearing Assy., 050/110x29.25	4
9	MT14-1084	Snap Ring	2	41	MT14-1115	Gasket	4
10	MT14-1085	Retainer Ring	2	42	MT14-1117A	Shim, Trunnion, 2.05 MM	AR
11	MT14-1086	Angular Contact Ball Bearing, 049,5x80x23	2		MT14-1117B	Shim, Trunnion, 2.00 MM	AR
12	MT14-1087	Oil Seal, Axle Shaft, Inner	2		MT14-1117C	Shim, Trunnion, 0.50 MM	AR
13	MT14-1088	Sealing Ring, Housing to Yoke, 119x5	2		MT14-1117D	Shim, Trunnion, 0.30 MM	AR
14	MT14-1022	Yoke Housing, L.H.	1		MT14-1117E	Shim, Trunnion, 0.20 MM	AR
15	MT14-1023	Yoke Housing, R.H. (Not Shown)	1	43	MT17-1009	Steering Arm, L.H.	1
16	MT14-1089	Lock Cap	4	44	MT14-1049	Cover for Right Steering Support Housing	1
17	MT14-1090	Snap Ring	2	45	MT14-1118	Extension, Fitting	2
18	MT14-1091	Retainer Ring	4	46	271285	Grease Fitting	2
19	MT14-1092	Oil Seal, Axle Shaft, Outer	2	47	MT14-1120	Brake Chamber Brk., L.H.	1
20	MT14-1093	Needle Roller Bearing, 50x65x22	2	48	MT14-1121	Brake Chamber Brk., R.H. (Not Shown)	1
21	MT14-1094	Distance Sleeve	2	49	85T-23	Lockwire	AR
22	MT14-1095	Turn Stop Bolt	2	50	MT-14-1124	Dowel Pin, 20m6x20-10.9	4
23	MT14-1096	Jam Nut	2	51	MT14-1020	Tie-Rod Arm, L.H.	1
24	MT14-1098	Hollow Screw	2	52	MT14-1021	Tie-Rod Arm, R.H.	1
25	MT14-1099	Bushing	4	54	MT14-1125	Hex Bolt, M22x1.5x50	16
26	MT14-1100	Vent Tube	2		MT14-1126	Hex Bolt, M22x1.5x32	4
27	MT14-1018	Spindle, L.H.	1		191758	Grease Fitting	2
29	MT14-1019	Spindle, R.H. (Not Shown)	1		MT14-1116	Washer	4
32	MT14-1010	Knuckle Hsg. Assy., L.H.	1			AR = As Required	
	MT14-1011	Knuckle Hsg. Assy., R.H. (Not Shown)	1				



# AXLE HOUSING MT17R

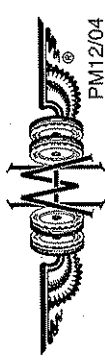


ALL-WHEEL DRIVE

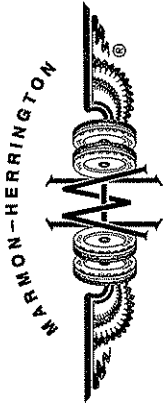
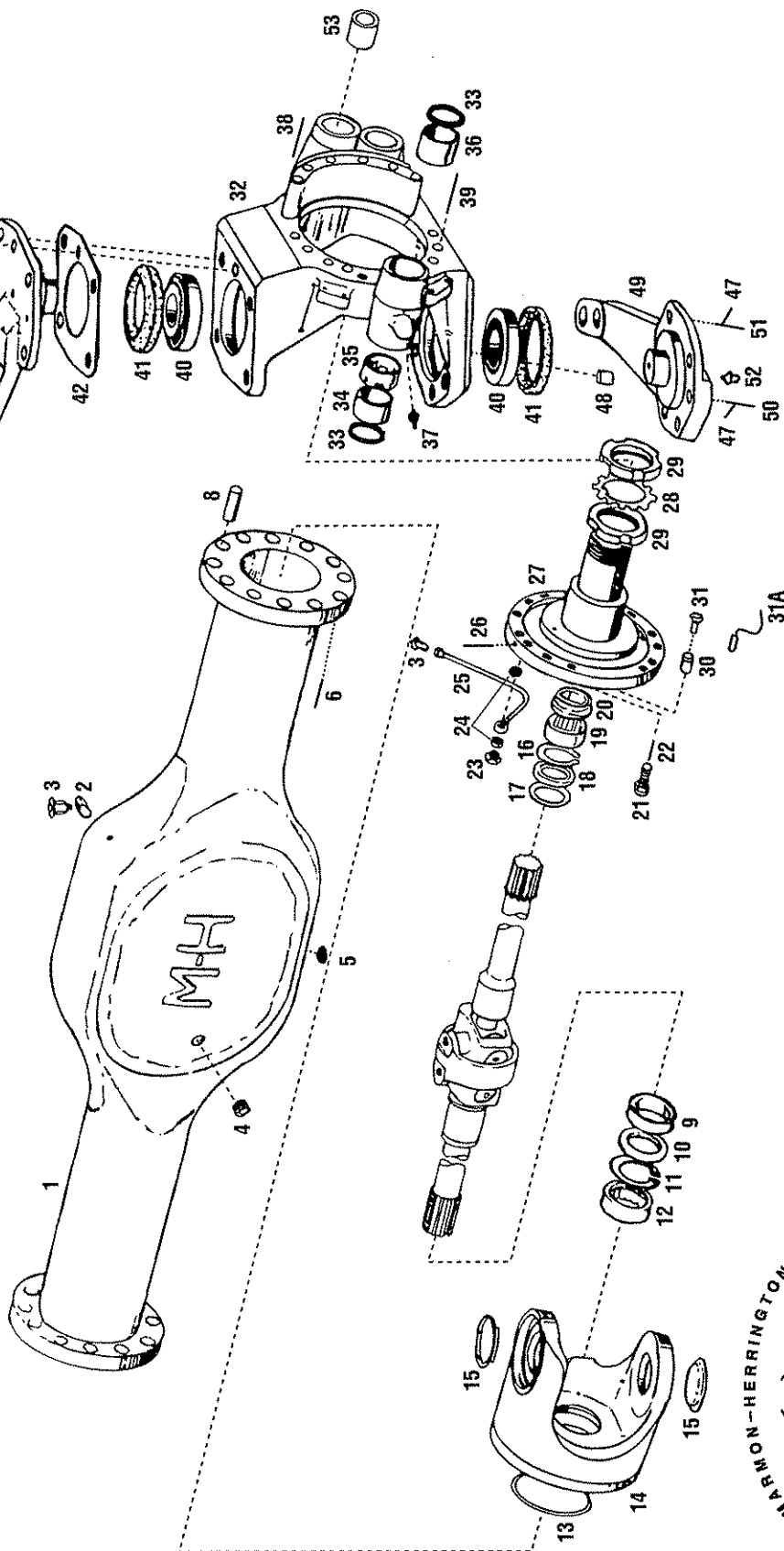
ITEM NO.	MH PART NO.	DESCRIPTION	QTY. REQ.	ITEM NO.	MH PART NO.	DESCRIPTION	QTY. REQ.
1	MT17R-1049	Axle Housing	1	31	MT17-1113	Anti-dust Plug	2
2	MT22-1214	Threaded Extension	1	32	MT14-1010	Knuckle Hsg. Assy., L.H.	1
3	MT14-1068	Vent	3	33	MT14-1011	Knuckle Hsg. Assy., R.H. (Not Shown)	1
4	MT14-1070	Fill Plug, Carrier	1	34	MT14-1109	Sealing Ring	4
5	MT14-1071	Drain Plug, Carrier	1	35	MT14-1110	Brake Spanner Bushing	2
6	MT14-1072	Hex Bolt, M20x1.5x60	20	36	MT14-1111	Distance Ring	2
7	MT14-1073	Locking Plate	10	37	MT14-1112	Brake Spanner Bushing	2
8	MT14-1222	Dowel Pin	4	38	191758	Grease Fitting	4
9	MT10-1079	Oil Seal Support Assy.	2	39	MT14-1105	Hex Bolt, M14x1.5x102	12
10	MT10-1080	Felt Wiper	2	40	MT14-1106	Hex Bolt, M14x1.5x55	16
11	MT22-1116	Oil Seal, Axle Shaft, Inner	2	41	MT14-1114	Trunnion Bearing Assy., 050/110x29.25	4
12	MT22-1115	Snap Ring	2	42	MT14-1115	Gasket	4
13	MT22-1114	Bearing, Axle Shaft, Inner	2	43	MT14-1117A	Shim, Trunnion, 2.05 MM	AR
14	MT14-1088	Sealing Ring, Housing to Yoke, 119x5	2	44	MT14-1117B	Shim, Trunnion, 2.00 MM	AR
15	MT17-1024	Yoke Housing, L.H.	1	45	MT14-1117C	Shim, Trunnion, 0.50 MM	AR
16	MT17-1025	Yoke Housing, R.H. (Not Shown)	1	46	MT14-1117D	Shim, Trunnion, 0.30 MM	AR
17	MT14-1089	Lock Cap	4	47	MT14-1117E	Shim, Trunnion, 0.20 MM	AR
18	MT14-1090	Snap Ring	2	48	MT17-1009	Steering Arm, L.H.	1
19	MT10-1080	Felt Wiper	2	49	MT17-1008	Cover for Right Steering Support Housing	1
20	MT14-1092	Oil Seal, Axle Shaft, Outer	2	50	MT14-1118	Extension, Fitting	2
21	MT14-1093	Needle Roller Bearing, 50x65x22	2	51	271285	Grease Fitting	2
22	MT14-1094	Distance Sleeve	2	52	MT14-1120	Brake Chamber Brk., L.H.	1
23	MT14-1095	Turn Stop Bolt	2	53	MT14-1121	Brake Chamber Brk., R.H. (Not Shown)	1
24	MT14-1096	Jam Nut	2	54	85T-23	Lockwire	AR
25	MT14-1098	Hollow Screw	2	55	MT-14-1124	Dowel Pin, 20m6x20-10.9	4
26	MT14-1099	Bushing	4	56	MT17-1022	Tie-Rod Arm, L.H.	1
27	MT14-1100	Vent Tube	2	57	MT17-1023	Tie-Rod Arm, R.H.	1
28	MT14-1101	Screw	2	58	MT14-1125	Hex Bolt, M22x1.5x50	16
29	MT17-1018	Spindle, L.H.	1	59	MT14-1126	Hex Bolt, M22x1.5x32	4
30	MT17-1019	Spindle, R.H. (Not Shown)	1	60	191758	Grease Fitting	2
31	MT17-1133	Locking Plate	2			AR = As Required	
32	MT17-1132	Spindle Nut, M70x2	4				
33	MT17-1112	Bushing	2				

**MARMON-HERRINGTON ALL-WHEEL DRIVE**  
 13001 Magisterial Drive • Louisville, KY 40223  
 (502) 253-0277 • (800) 227-0727 • Fax (502) 253-0317  
 E-mail: info@marmon-herrington.com

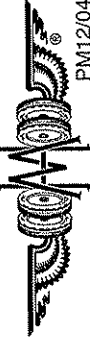
**AXLE HOUSING  
MT17R**



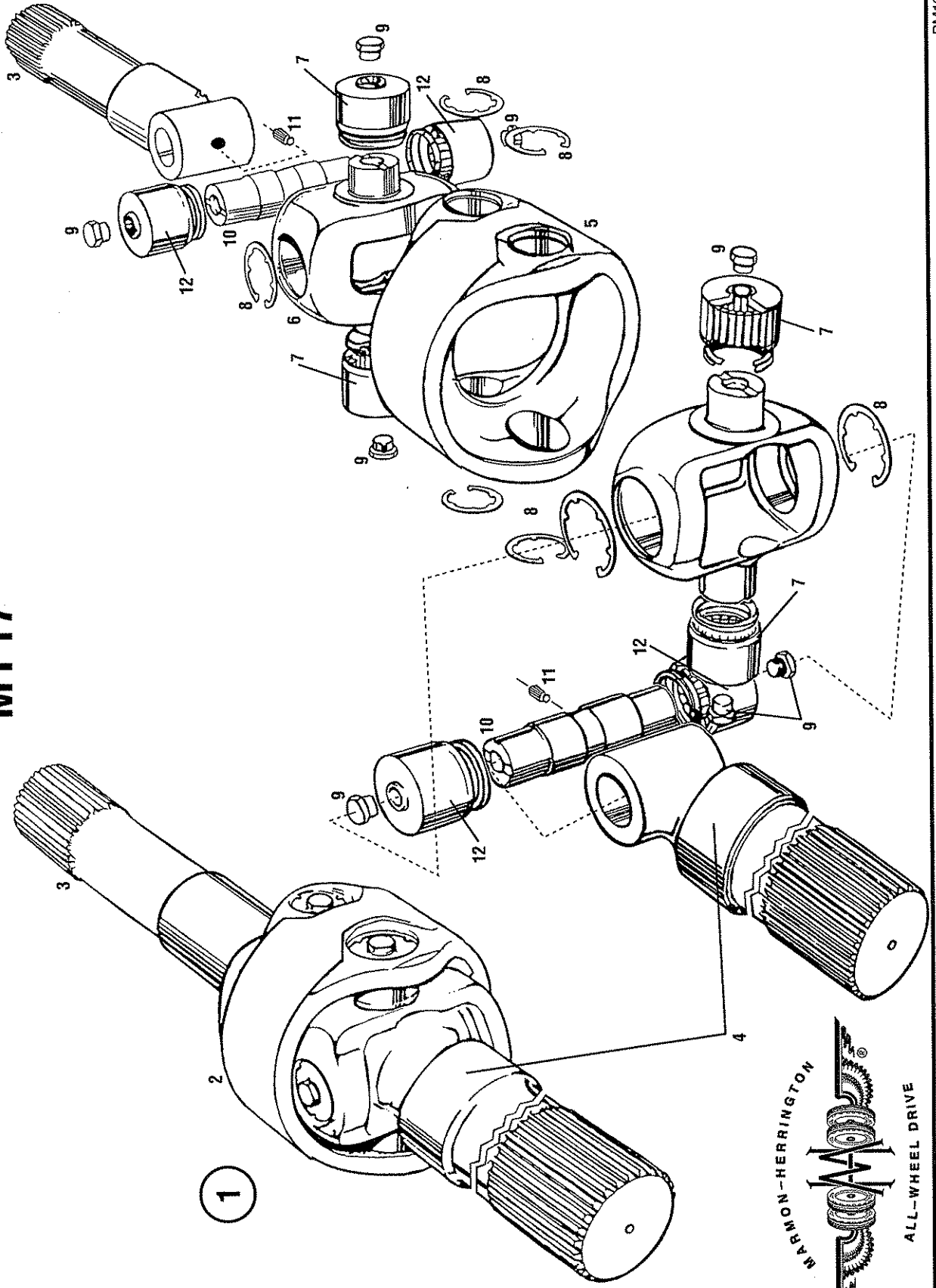
# AXLE HOUSING MT17N/H



ITEM NO.	MH PART NO.	DESCRIPTION	QTY. REQ.	ITEM NO.	MH PART NO.	DESCRIPTION	QTY. REQ.
1	MT17R-1049	Axle Housing	1	31A	MT93-1282	ABS Sensor (Wabco)	2
2	MT22-1214	Threaded Extension	1		MT93-2035	ABS Sensor (Bendix)	2
3	MT14-1068	Vent	3		MT93-1283	ABS Sensor Spring Clip	2
4	MT14-1070	Fill Plug, Carrier	1	32	MT17-1110	Knuckle Hsg. Assy., L.H.	1
5	MT14-1071	Drain Plug, Carrier	1		MT17-1111	Knuckle Hsg. Assy., R.H. (Not Shown)	1
6	MT14-1072	Hex Bolt, M20x1.5x60	20	33	MT14-1109	Sealing Ring	4
8	MT14-1222	Dowel Pin	4	34	MT14-1110	Brake Spanner Bushing	2
		Oversize Dowel Pin, 021m6x50-6.6	4	35	MT14-1111	Distance Ring	2
9	MT10-1079	Oil Seal Support Assy.	2	36	MT14-1112	Brake Spanner Bushing	2
		Felt Wiper	2	37	191758	Grease Fitting	4
10	MT22-1116	Oil Seal, Axle Shaft, Inner	2	38	MT17-1105	Hex Bolt, M14x1.5x102	12
11	MT22-1115	Snap Ring	2	39	MT17-1106	Hex Bolt, M14x1.5x55	16
12	MT22-1114	Bearing, Axle Shaft, Inner	2	40	MT14-1114	Trunnion Bearing Assy., 050/110x29.25	4
13	MT14-1088	Sealing Ring, Housing to Yoke, 119x5	2	41	MT14-1115	Gasket	4
14	MT17-1024	Yoke Housing, L.H.	1	42	MT14-1117A	Shim, Trunnion, 2.05 MM	AR
		Yoke Housing, R.H. (Not Shown)	1		MT14-1117B	Shim, Trunnion, 2.00 MM	AR
15	MT14-1089	Lock Cap	4		MT14-1117C	Shim, Trunnion, 0.50 MM	AR
16	MT14-1090	Snap Ring	2		MT14-1117D	Shim, Trunnion, 0.30 MM	AR
17	MT10-1080	Felt Wiper	2		MT14-1117E	Shim, Trunnion, 0.20 MM	AR
18	MT14-1092	Oil Seal, Axle Shaft, Outer	2	43	MT17-1009	Steering Arm, L.H.	1
19	MT14-1093	Needle Roller Bearing, 50x65x22	2		MT17-1008	Cover for Right Steering Support Housing	1
20	MT14-1094	Distance Sleeve	2	44	MT14-1118	Extension, Fitting	2
21	MT14-1095	Turn Stop Bolt	2	45	271285	Grease Fitting	2
22	MT14-1096	Jarn Nut	2	46	MT14-1120	Brake Chamber Brk., L.H.	1
23	MT14-1098	Hollow Screw	2		MT14-1121	Brake Chamber Brk., R.H. (Not Shown)	1
24	MT14-1099	Bushing	4	47	85T-23	Lockwire	AR
25	MT14-1100	Vent Tube	2	48	MT-14-1124	Dowel Pin, 20m6x20-10.9	4
26	MT14-1101	Screw	2	49	MT17-1022	Tie-Rod Arm, L.H.	1
27	MT17-1018	Spindle, L.H.	1		MT17-1023	Tie-Rod Arm, R.H.	1
		Spindle, R.H. (Not Shown)	1	50	MT14-1125	Hex Bolt, M22x1.5x50	16
28	MT17-1133	Locking Plate	2	51	MT14-1126	Hex Bolt, M22x1.5x32	4
29	MT17-1132	Spindle Nut, M70x2	4	52	191758	Grease Fitting	2
30	MT17-1112	Bushing	2	53	MT22-1241	Bushing	4
31	MT17-1113	Anti-dust Plug	2			AR = As Required	

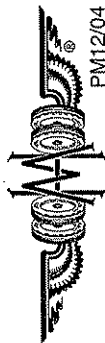


# AXLE SHAFT ASSEMBLY MT17



HARMON-HERRINGTON  
**ROMAN**  
ALL-WHEEL DRIVE

ITEM NO.	MH PART NO.	DESCRIPTION	QTY. REQ.	ITEM NO.	MH PART NO.	DESCRIPTION	QTY. REQ.
1	MT17-1051	Axle Shaft Assembly	2				
2	MT22-1147	Double Joint Assembly	2				
3	MT14-1198	Outer Axle Shaft	2				
4	MT17-1052	Inner Axle Shaft	2				
5	MT22-1225	Joint Hub	2				
6	MT22-1226	Spider	NSS				
7	MT22-1227	Needle Roller Bushing Assembly	NSS				
8	MT22-1228	Lock Ring	16				
9	MT22-1229	Taper Screw Plug, M12x1.5	16				
10	MT22-1230	Joint Pin	4				
11	MT22-1231	Threaded Pin	4				
12	MT22-1232	Needle Roller Bushing Assembly	NSS				
		NSS = Not Sold Separately					

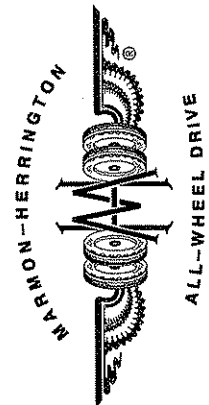
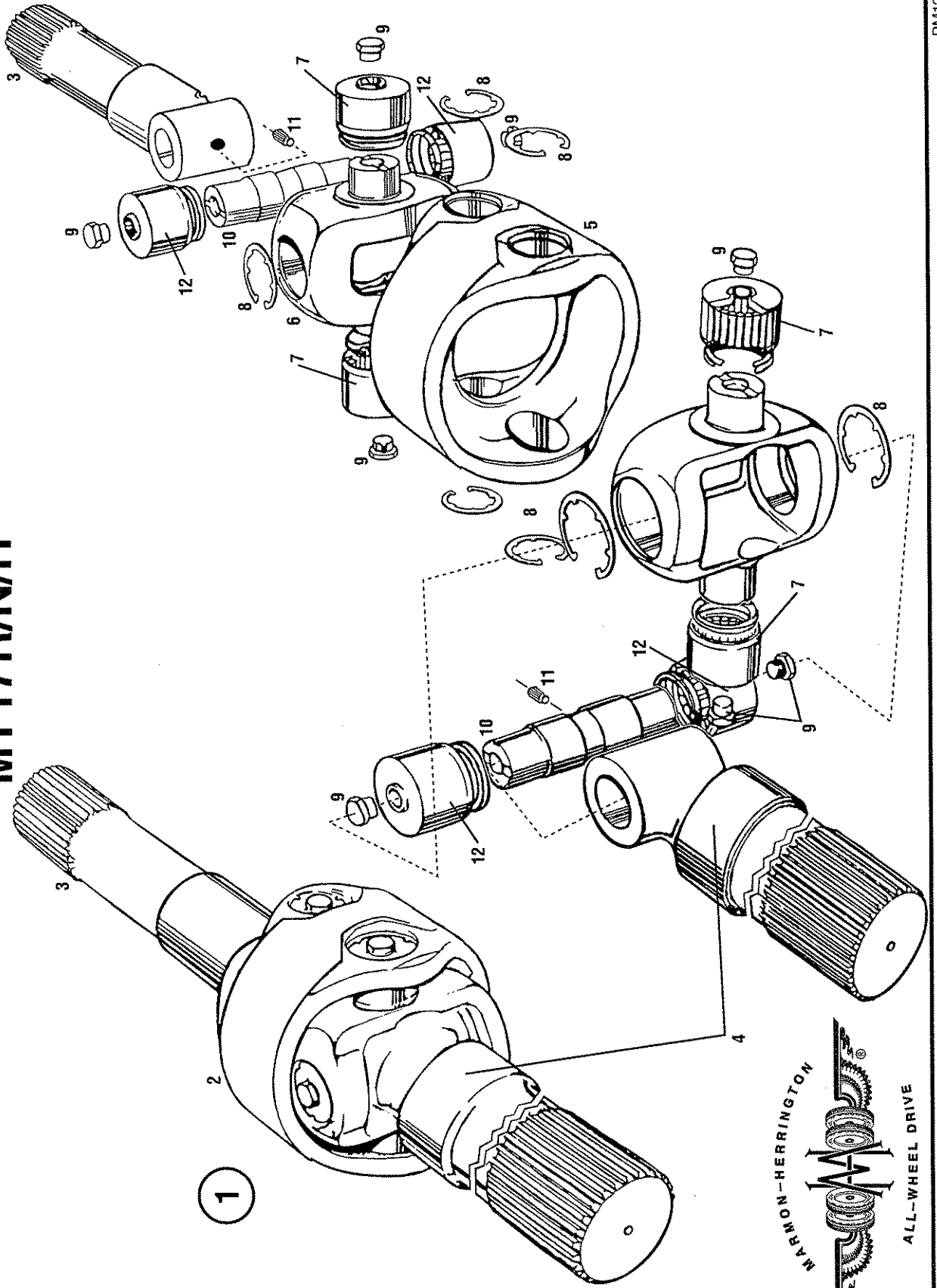


PM12/04

**AXLE SHAFT ASSEMBLY  
MT17**

MARMON-HERRINGTON ALL-WHEEL DRIVE  
13001 Magisterial Drive • Louisville, KY 40223  
(502) 253-0277 • (800) 227-0727 • Fax (502) 253-0317  
E-mail: info@marmon-herrington.com

# AXLE SHAFT ASSEMBLY MT17R/N/H



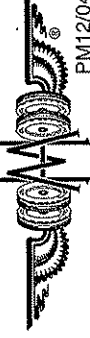


ITEM NO.	MH PART NO.	DESCRIPTION	QTY. REQ.	ITEM NO.	MH PART NO.	DESCRIPTION	QTY. REQ.
1	MT17-1151	Axle Shaft Assembly, L.H.	1				
	MT17-1152	Axle Shaft Assembly, R.H.	1				
2	MT22-1147	Double Joint Assembly	2				
3	MT17-1153	Outer Axle Shaft	2				
4	MT17-1154	Inner Axle Shaft, Left, Short Shaft	1				
	MT17-1155	Inner Axle Shaft, Right, Long Shaft	1				
5	MT22-1225	Joint Hub	2				
6	MT22-1226	Spider	NSS				
7	MT22-1227	Needle Roller Bushing Assembly	NSS				
8	MT22-1228	Lock Ring	16				
9	MT22-1229	Taper Screw Plug, M12x1.5	16				
10	MT22-1230	Joint Pin	4				
11	MT22-1231	Threaded Pin	4				
12	MT22-1232	Needle Roller Bushing Assembly	NSS				

NSS = Not Sold Separately

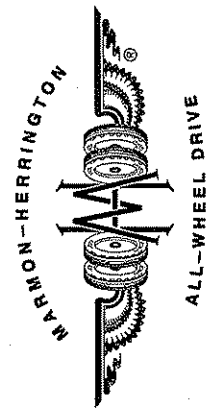
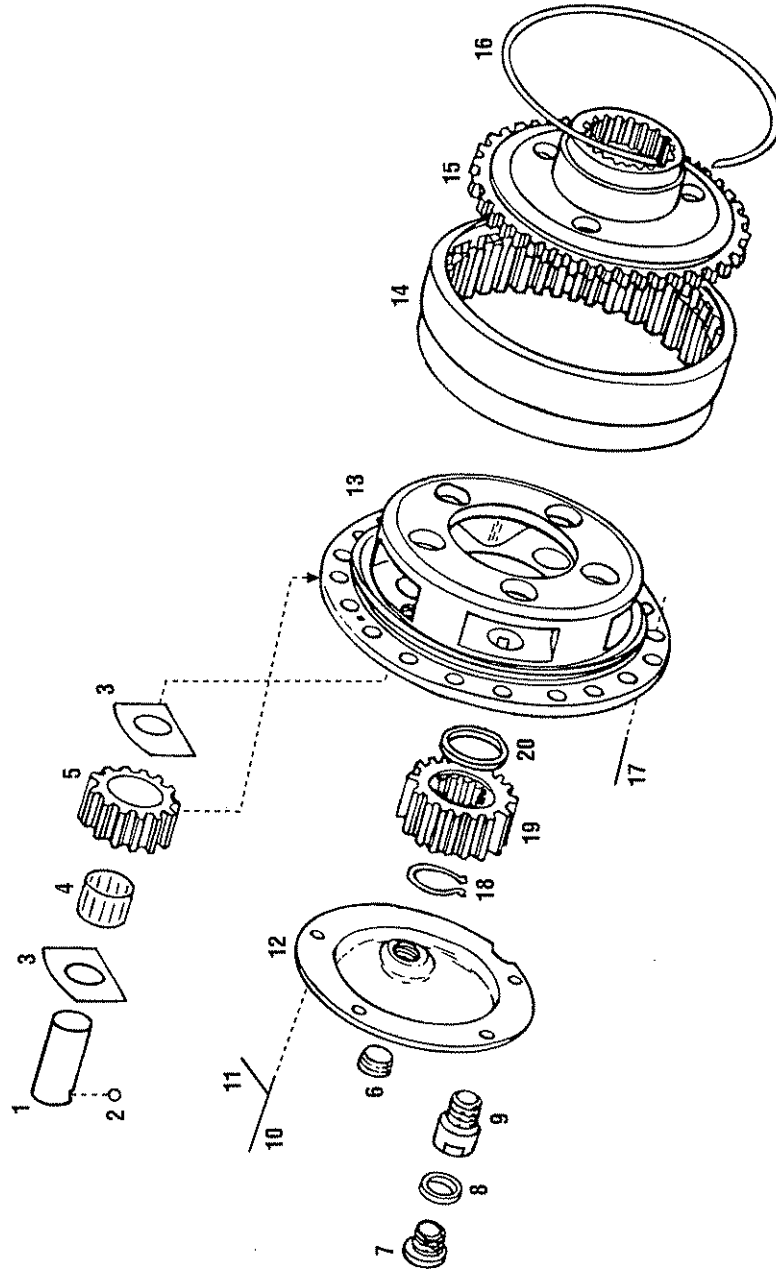
MARMON-HERRINGTON ALL-WHEEL DRIVE  
 13001 Magisterial Drive • Louisville, KY 40223  
 (502) 253-0277 • (800) 227-0727 • Fax (502) 253-0317  
 E-mail: info@marmon-herrington.com

**AXLE SHAFT ASSEMBLY**  
**MT17R/N/H**

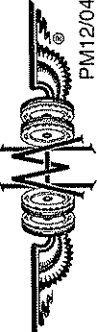


PM12/04

# PLANETARY MT17



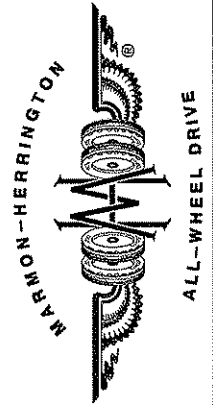
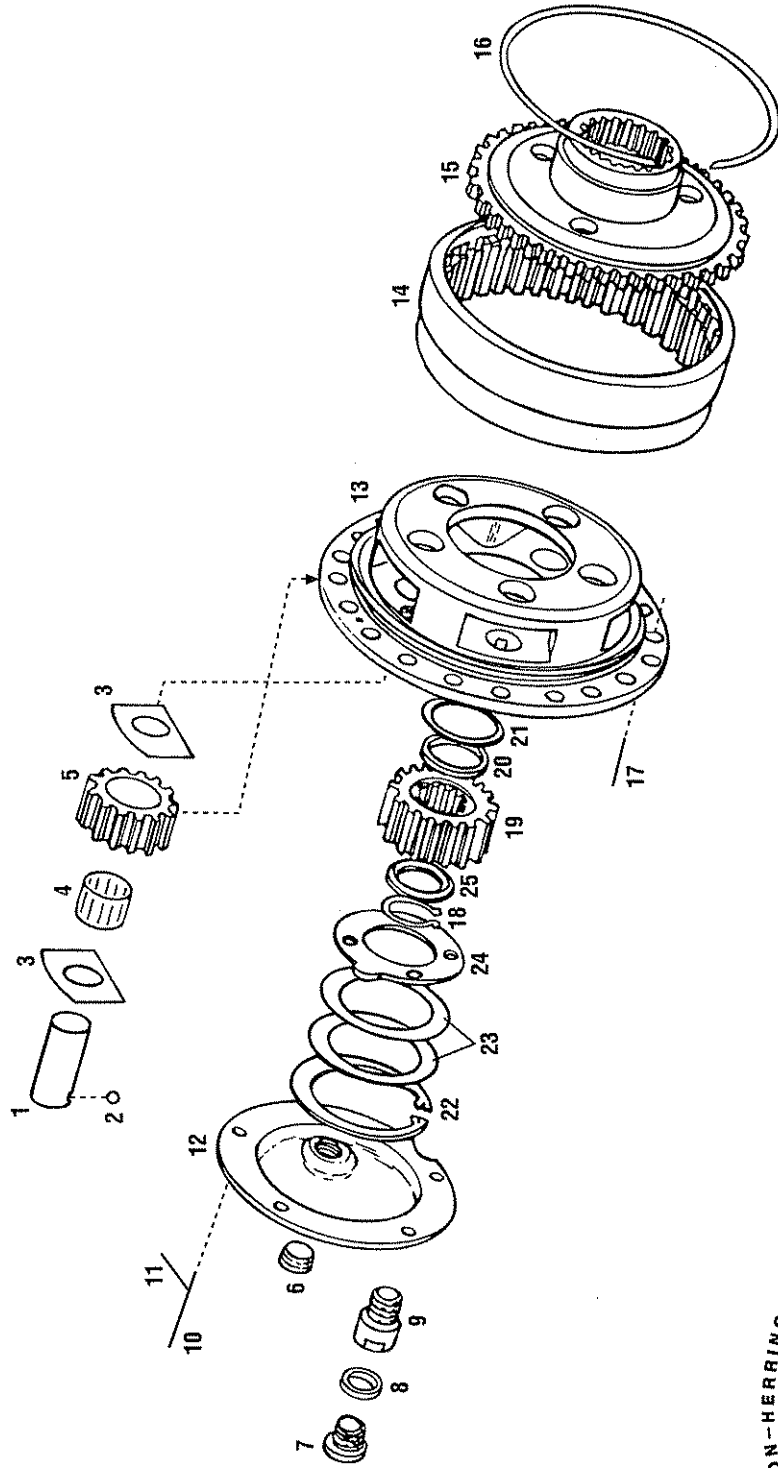
ITEM NO.	MH PART NO.	DESCRIPTION	QTY. REQ.	ITEM NO.	MH PART NO.	DESCRIPTION	QTY. REQ.
1	MT14-1217	Planet Gear Pin	10				
2	MT14-1218	Steel Ball	10				
3	MT14-1219	Distance Plate	20				
4	MT14-1220	Roller Bearing Assembly	20				
5	MT14-1028	Planet Gear	10				
6	MT14-1071	Fill Plug, Planetary Hub	2				
7	MT14-1213	Drain Plug, Planetary Hub	2				
8	MT14-1212	Sealing Ring	2				
9	MT14-1211	Threaded Stud	2				
10	11500773	Hex Bolt, M8x16-10.9	10				
11	11500191	Lockwasher, M8	10				
12	MT14-1029	End Cover	2				
13	MT14-1027	Planetary Gear Carrier	2				
14	MT14-1025	Planetary Ring Gear	2				
15	MT14-1026	Ring Gear Support Hub	2				
16	MT14-1207	Retaining Ring	2				
17	MT14-1225	Sunken Head Screw	8				
18	MT14-1200	Snap Ring	2				
19	MT14-1024	Sun Gear	2				
20	MT17-1156	Distance Ring	2				



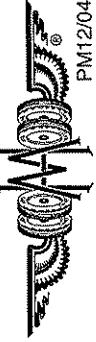
**PLANETARY  
MT17**

**MARMON-HERRINGTON ALL-WHEEL DRIVE**  
 13001 Magisterial Drive • Louisville, KY 40223  
 (502) 253-0277 • (800) 227-0727 • Fax (502) 253-0317  
 E-mail: info@mairmon-herrington.com

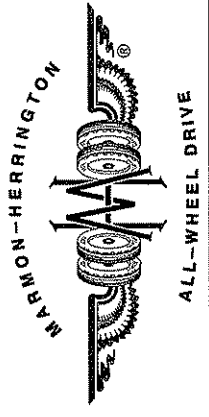
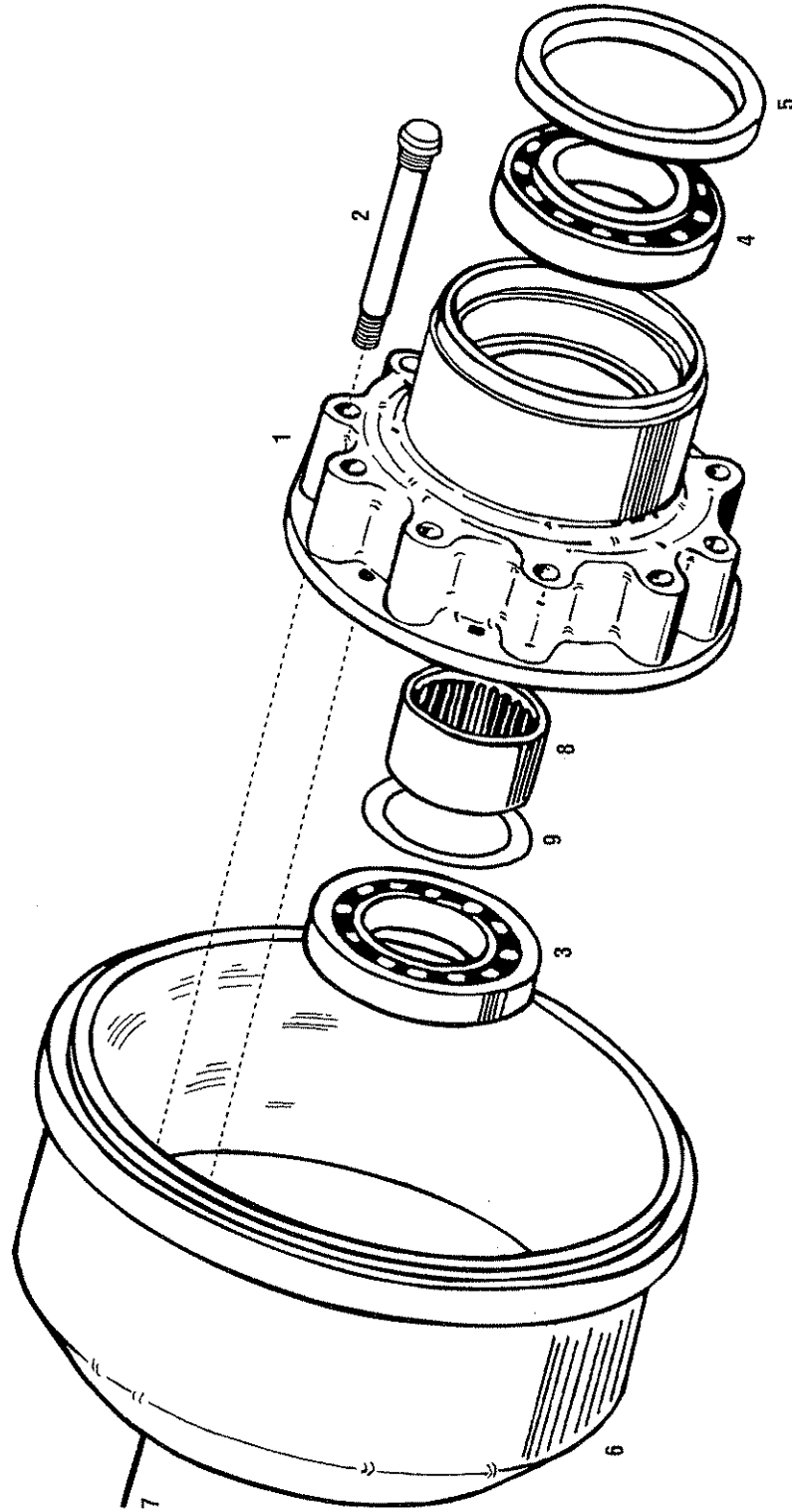
# PLANETARY MT17 R/N/H



ITEM NO.	MH PART NO.	DESCRIPTION	QTY. REQ.	ITEM NO.	MH PART NO.	DESCRIPTION	QTY. REQ.
1	MT14-1217	Planet Gear Pin	10				
2	MT14-1218	Steel Ball	10				
3	MT14-1219	Distance Plate	20				
4	MT14-1220	Roller Bearing Assembly	20				
5	MT14-1028	Planet Gear	10				
6	MT14-1071	Fill Plug, Planetary Hub	2				
7	MT17-1213	Drain Plug, Planetary Hub	2				
8	MT14-1212	Sealing Ring	2				
9	MT14-1211	Threaded Stud	2				
10	11500773	Hex Bolt, M8x16-10.9	10				
11	11500191	Lockwasher, M8	10				
12	MT14-1029	End Cover	2				
13	MT17-1128	Planetary Gear Carrier (MT17N/H Only)	2				
	MT17-1127	Planetary Gear Carrier (MT17R Only)	2				
14	MT14-1025	Planetary Ring Gear	2				
15	MT14-1026	Ring Gear Support Hub	2				
16	MT14-1207	Retaining Ring	2				
17	11500722	Hex Bolt, M10x25-1.5	8				
18	MT22-1154	Snap Ring	2				
19	MT14-1024	Sun Gear	2				
20	MT17-1156	Distance Ring	2				
21	MT17-1157	Friction Disc	2				
22	MT22-1157	Snap Ring	2				
23	MT22-1158A	Shim, .25 MM	AR				
	MT22-1158B	Shim, .50 MM					
	MT22-1158C	Shim, 2.00 MM					
24	MT22-1159	Friction Disc	2				
25	MT22-1153	Spacer	2				
		AR = As Required					



# WHEEL HUB, BRAKE DRUM MT17/R

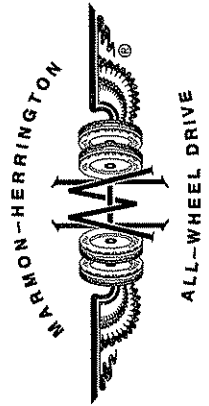
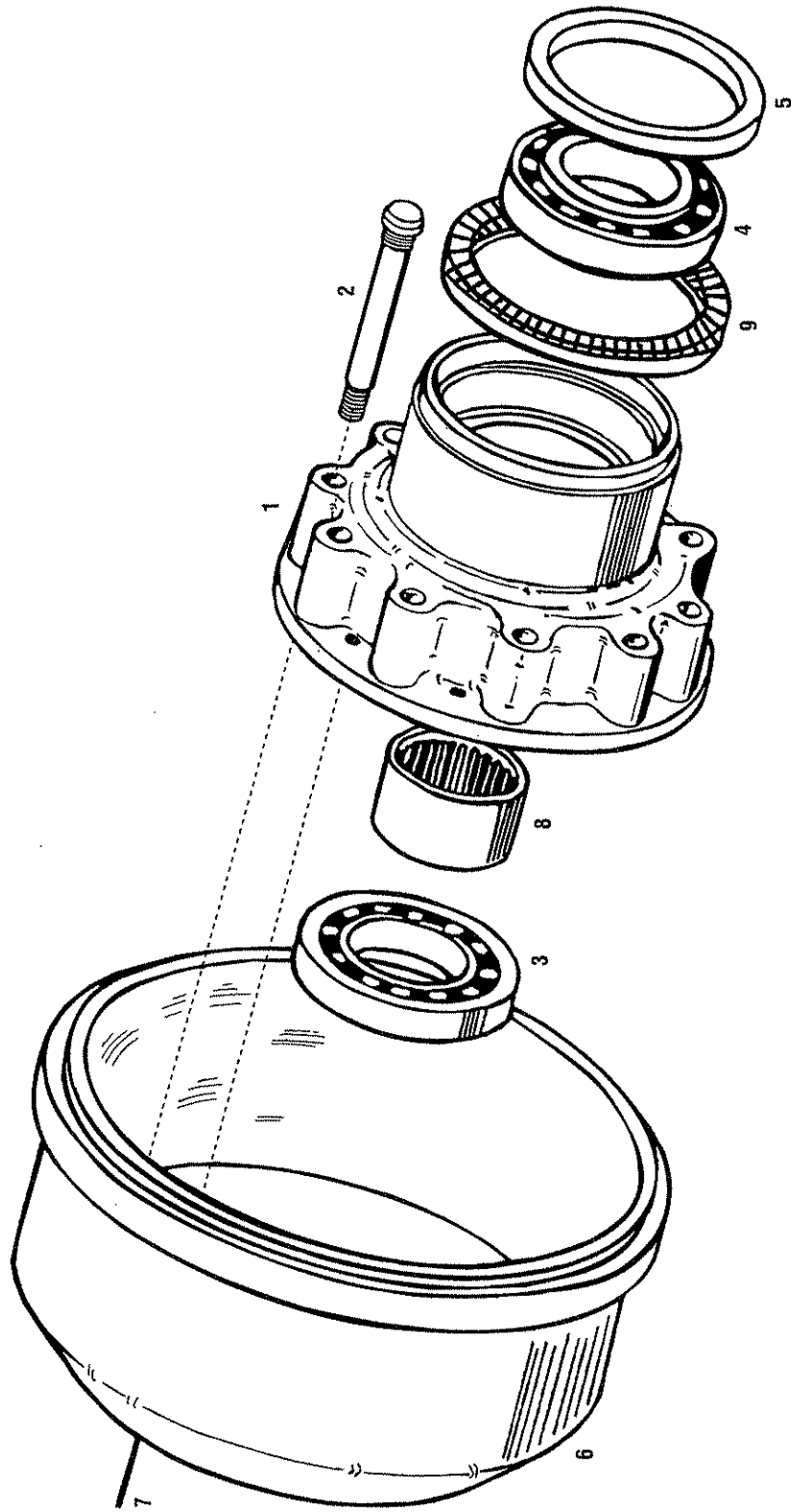


ITEM NO.	MH PART NO.	DESCRIPTION	QTY. REQ.	ITEM NO.	MH PART NO.	DESCRIPTION	QTY. REQ.
1	MT17-1017	Wheel Hub	2				
2	MT17-1228	Wheel Hub Assembly	2				
3	MT14-1203	Wheel Stud, R.H.	20				
4	MT14-1206	Taper Roller Bearing	2				
5	MT14-1202	Taper Roller Bearing	2				
6	MT14-1201	Oil Seal	2				
7	MT14-1016	Brake Drum	2				
8	11500725	Hex Bolt, M10x35-10.9	8				
9	MT14-1204	Distance Sleeve	2				
	MT14-1205A	Shim, Wheel Bearing, 0.25 MM	AR				
	MT14-1205B	Shim, Wheel Bearing, 2.00 MM	AR				
	MT14-1205C	Shim, Wheel Bearing, 0.50 MM	AR				
	MT14-1205D	Shim, Wheel Bearing, 0.30 MM	AR				
	MT14-1205E	Shim, Wheel Bearing, 0.20 MM	AR				
		AR = As Required					

WHEEL HUB, BRAKE DRUM  
 MT17/R

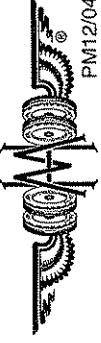


# WHEEL HUB, BRAKE DRUM MT17N/H

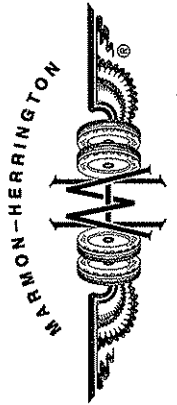
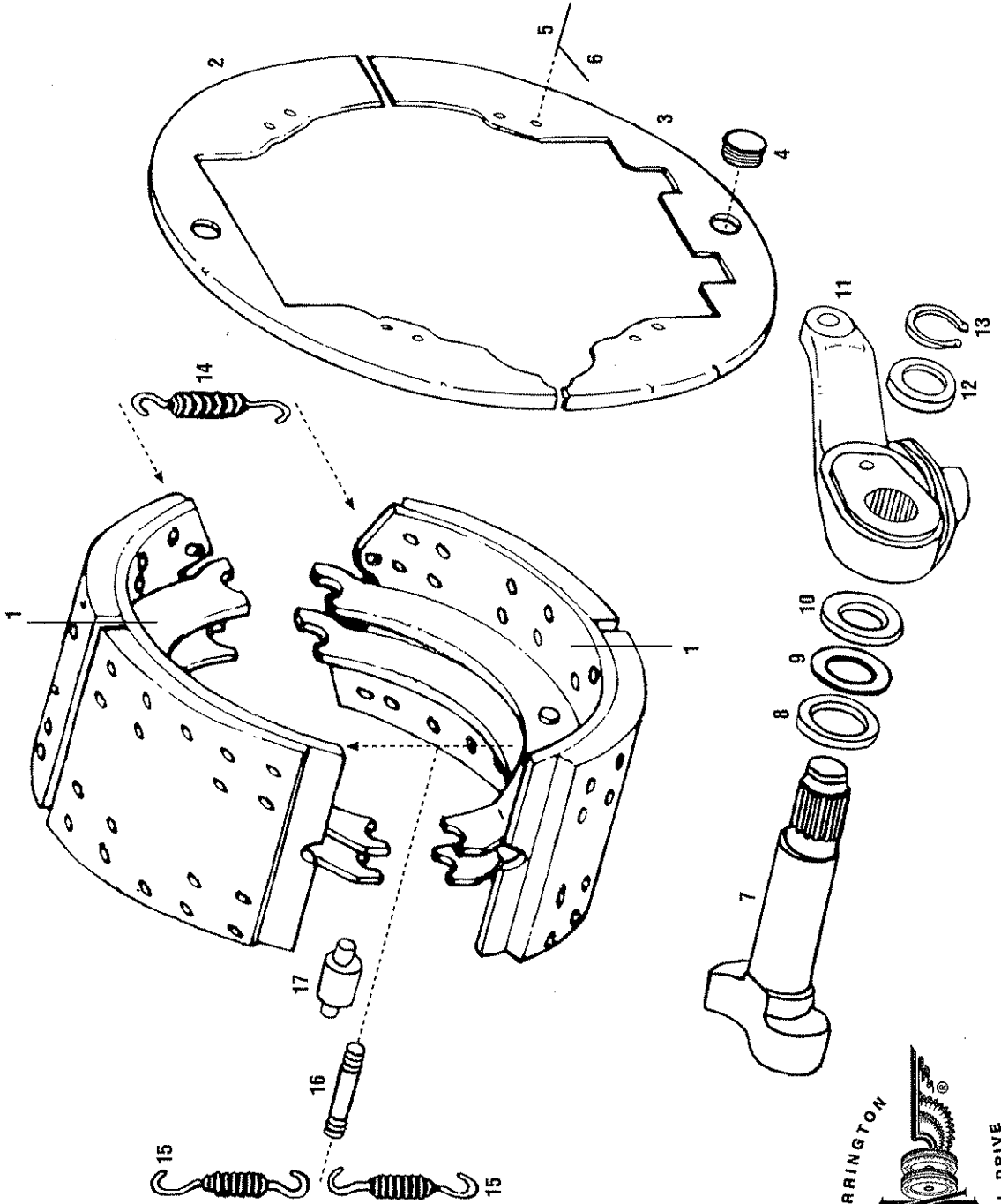




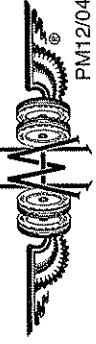
ITEM NO.	MH PART NO.	DESCRIPTION	QTY. REQ.	ITEM NO.	MH PART NO.	DESCRIPTION	QTY. REQ.
1	MT17-1229	Wheel Hub Assembly, Left (MT17N)	1				
	MT17-1230	Wheel Hub Assembly, Right (MT17N)	1				
	MT17-1231	Wheel Hub Assembly (MT17H)	1				
2	MT17-1026	Wheel Bolt, Left	10				
	MT17-1027	Wheel Bolt, Right	10				
	T15372	Nut, L.H.	10				
	T15371	Nut, R.H.	10				
	MT93-1251	Wheel Stud (ISO) Hub Mount (MT17/H)	20				
	MT93-1197	Flange Nut (ISO)	20				
	MT93-1631	Wheel Stud (ISO) Aluminum Wheel (MT17HX)	20				
	MT93-1838	Flange Nut (ISO) Aluminum Wheel (MT17HX)	20				
3	MT14-1206	Taper Roller Bearing	2				
4	MT14-1202	Taper Roller Bearing	2				
5	MT14-1201	Oil Seal	2				
6	MT17-1016	Brake Drum	2				
	MT17-1016W	Brake Drum	2				
7	11500725	Hex Bolt, M10x35-10.9	8				
8	MT14-1204	Distance Sleeve	2				
9	MT75-9625	Exciter Ring (ABS)	2				
		AR = As Required					



# BRAKE MT17/R



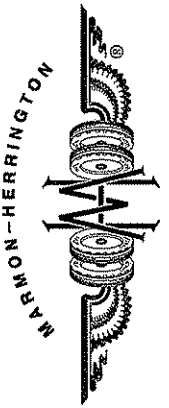
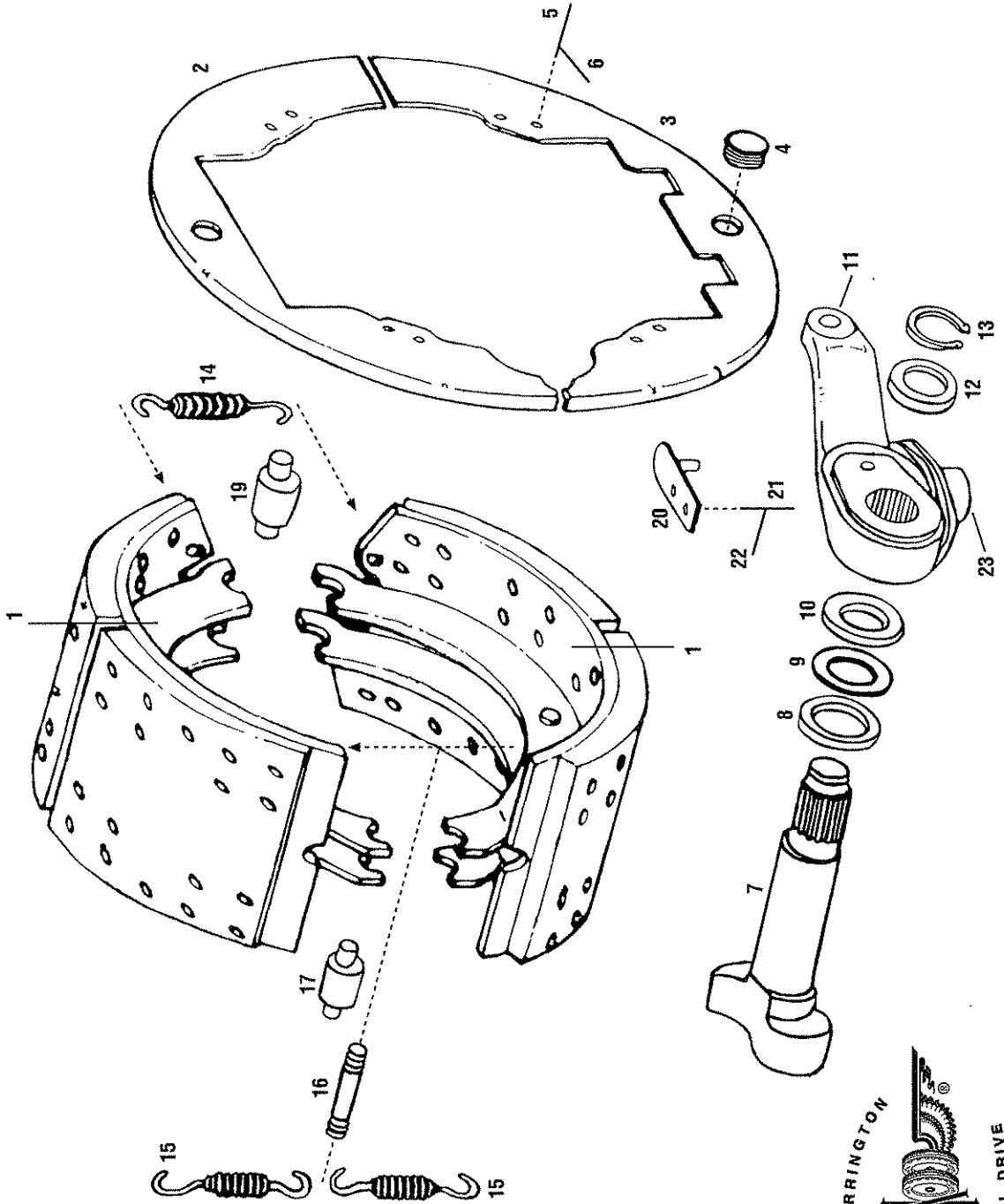
ITEM NO.	MH PART NO.	DESCRIPTION	QTY. REQ.	ITEM NO.	MH PART NO.	DESCRIPTION	QTY. REQ.
1	MT14-1155	Brake Shoe Assembly	4				
2	MT14-1151	Dust Cover, Upper Left	1				
	MT14-1152	Dust Cover, Upper Right (Not Shown)	1				
3	MT14-1153	Dust Cover, Lower Left	1				
	MT14-1154	Dust Cover, Lower Right (Not Shown)	1				
4	MT14-1150	Rubber Plug	4				
5	11500777	Hex Bolt, M10x15-5.6	16				
6	11500192	Flat Lock Washer	16				
7	MT14-1146	Brake Spanner, Left	1				
	MT14-1147	Brake Spanner, Right (Not Shown)	1				
8	MT14-1145	Spacer	2				
9	MT14-1143	Washer	2				
10	MT14-1144	Shim, 0.5 mm	AR				
11	MT17-1012	Slack Adj., L.H.	1				
	MT17-1013	Slack Adj., R.H.	1				
12	MT14-1142	Washer	2				
13	MT14-1141	Snap Ring	2				
14	MT14-1156	Brake Shoe Spring, Long	4				
15	MT14-1157	Brake Shoe Return Spring, Short	4				
16	MT14-1158	Spring Support Pin	4				
17	MT14-1149	Brake Shoe Roller	4				
		AR = As Required					



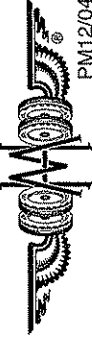
**BRAKE  
MT17/R**

**MARMON-HERRINGTON ALL-WHEEL DRIVE**  
 13001 Magisterial Drive • Louisville, KY 40223  
 (502) 253-0277 • (800) 227-0727 • Fax (502) 253-0317  
 E-mail: info@marmon-herrington.com

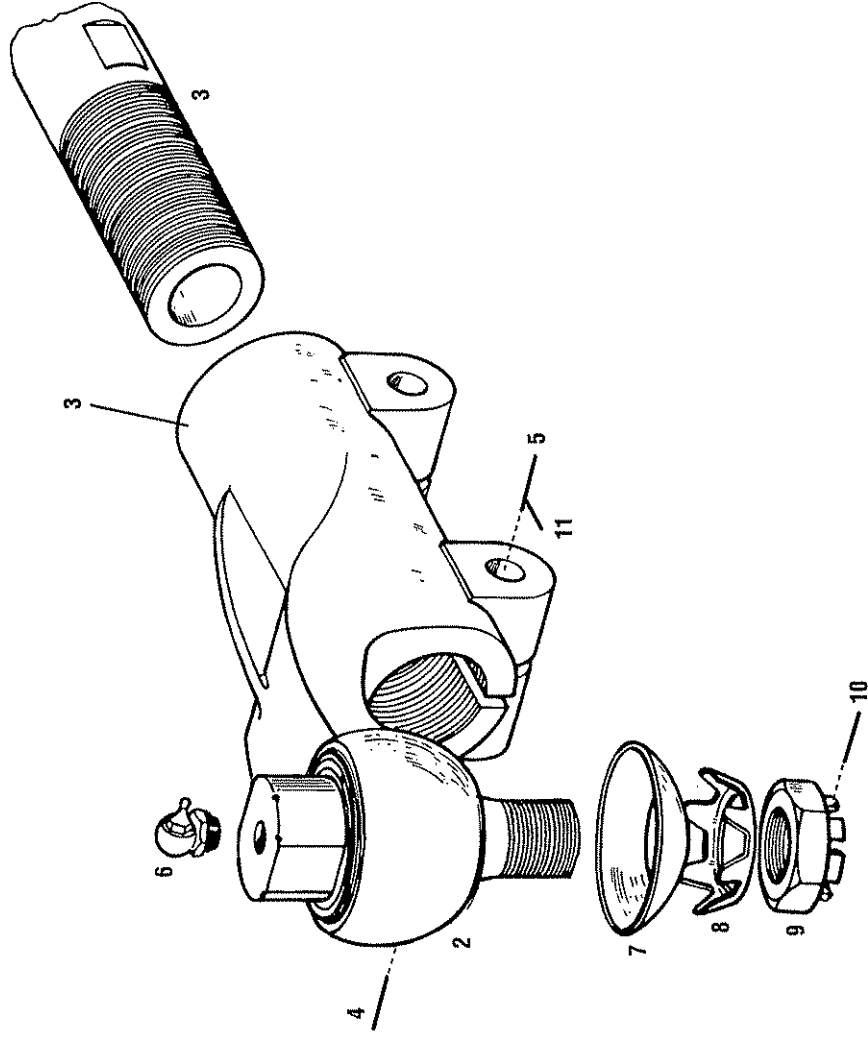
# BRAKE MT17N/H



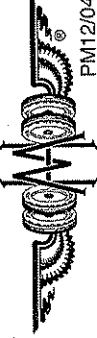
ITEM NO.	MH PART NO.	DESCRIPTION	QTY. REQ.	ITEM NO.	MH PART NO.	DESCRIPTION	QTY. REQ.
1	MT22-1164	Brake Shoe Assembly	4				
	MT22-1244	Brake Lining Kit	1				
2	MT14-1151	Dust Cover, Upper Left	1				
	MT14-1152	Dust Cover, Upper Right (Not Shown)	1				
3	MT14-1153	Dust Cover, Lower Left	1				
	MT14-1154	Dust Cover, Lower Right (Not Shown)	1				
4	MT14-1150	Rubber Plug	4				
5	11500777	Hex Bolt, M10x15-5.6	16				
6	11500192	Flat Lock Washer	16				
7	MT17-1146	Brake Spanner, Left	1				
	MT17-1147	Brake Spanner, Right (Not Shown)	1				
8	MT14-1145	Spacer	2				
9	MT14-1143	Washer	2				
10	MT22-1199	Shim, 0.5 mm	AR				
11	MT22-1237	Slack Adj., Left	1				
	MT22-1238	Slack Adj., Right (Not Shown)	1				
12	MT17-1142	Washer	4				
13	MT17-1141	Snap Ring	2				
14	MT22-1177	Brake Shoe Spring, Long	4				
15	MT14-1157	Brake Shoe Return Spring, Short	2				
16	MT14-1158	Spring Support Pin	4				
17	MT22-1178	Brake Shoe Roller	4				
19	MT22-1243	Brake Shoe Pin	4				
20	MT17-1143	Stop, Left	1				
	MT17-1144	Stop, Right	1				
21	11500773	Hex Bolt, M8x16-1.25	4				
22	11500191	Flat Lock Washer	4				
23	MT22-1246	Adjusting Cap, L.H.	1				
	MT22-1247	Adjusting Cap, R.H.	1				
		AR = As Required					



# TIE-ROD MT17



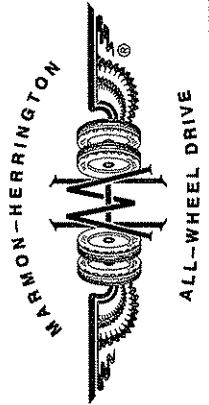
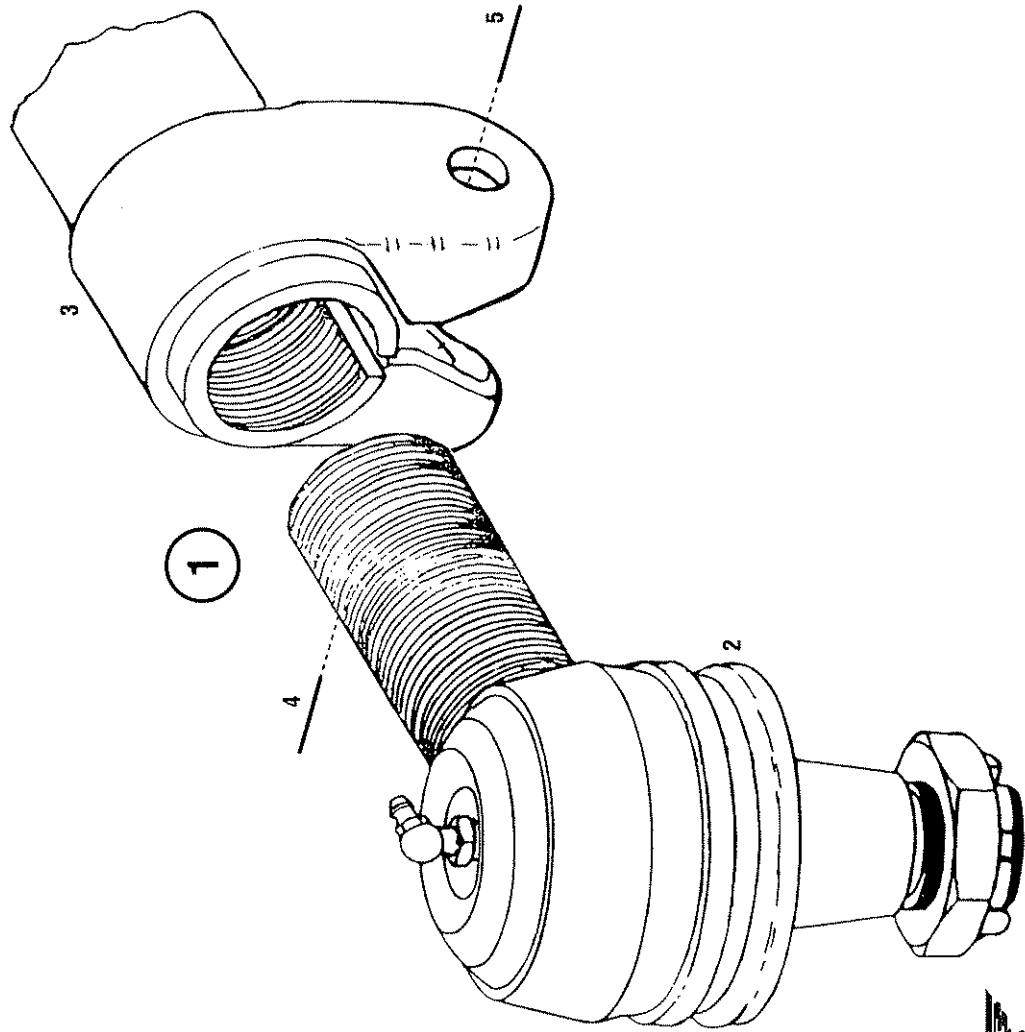
ITEM NO.	MH PART NO.	DESCRIPTION	QTY. REQ.	ITEM NO.	MH PART NO.	DESCRIPTION	QTY. REQ.
2	MT14-1250	Ball Joint Head, Left	1				
	MT14-1251	Ball Joint Head, Right	1				
3	MT14-1159	Tie-Rod, with Clamps	1				
4	MT14-1165	Hex Bolt, M12x1.25x65-10.9	2				
5	MT14-1160	Flanged Self-locking Nut, M12x1.25	2				
6	MT14-1174	Grease Fitting	2				
7	MT14-1164	Dust Cap	2				
8	MT14-1163	Belleville Spring	2				
9	MT14-1162	Castle Nut, M24x1.5	2				
10	103410	Cotter Pin	2				
11	10386	Cotter Pin	4				



**TIE-ROD  
MT17**

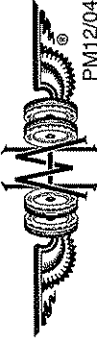
**MARMON-HERRINGTON ALL-WHEEL DRIVE**  
 13001 Magisterial Drive • Louisville, KY 40223  
 (502) 253-0277 • (800) 227-0727 • Fax (502) 253-0317  
 E-mail: info@marmon-herrington.com

# TIE-ROD MT17R/N/H





ITEM NO.	MH PART NO.	DESCRIPTION	QTY. REQ.	ITEM NO.	MH PART NO.	DESCRIPTION	QTY. REQ.
1	MT10-1127	Tie-Rod Assembly	1				
2	MT10-1128	Ball Joint Head, Left	1				
	MT10-1129	Ball Joint Head, Right	1				
3	MT10-1131	Tie-Rod, with Clamps	1				
4	11500735	Hex Bolt, M12x1.75x65-10.9	2				
5	11500756	Self-locking Nut, M12x1.75	2				





13001 Magisterial Drive • Louisville, KY 40223  
(502) 253-0277 • (800) 227-0727 • Fax (502) 253-0317  
E-mail: [info@marmon-herrington.com](mailto:info@marmon-herrington.com)