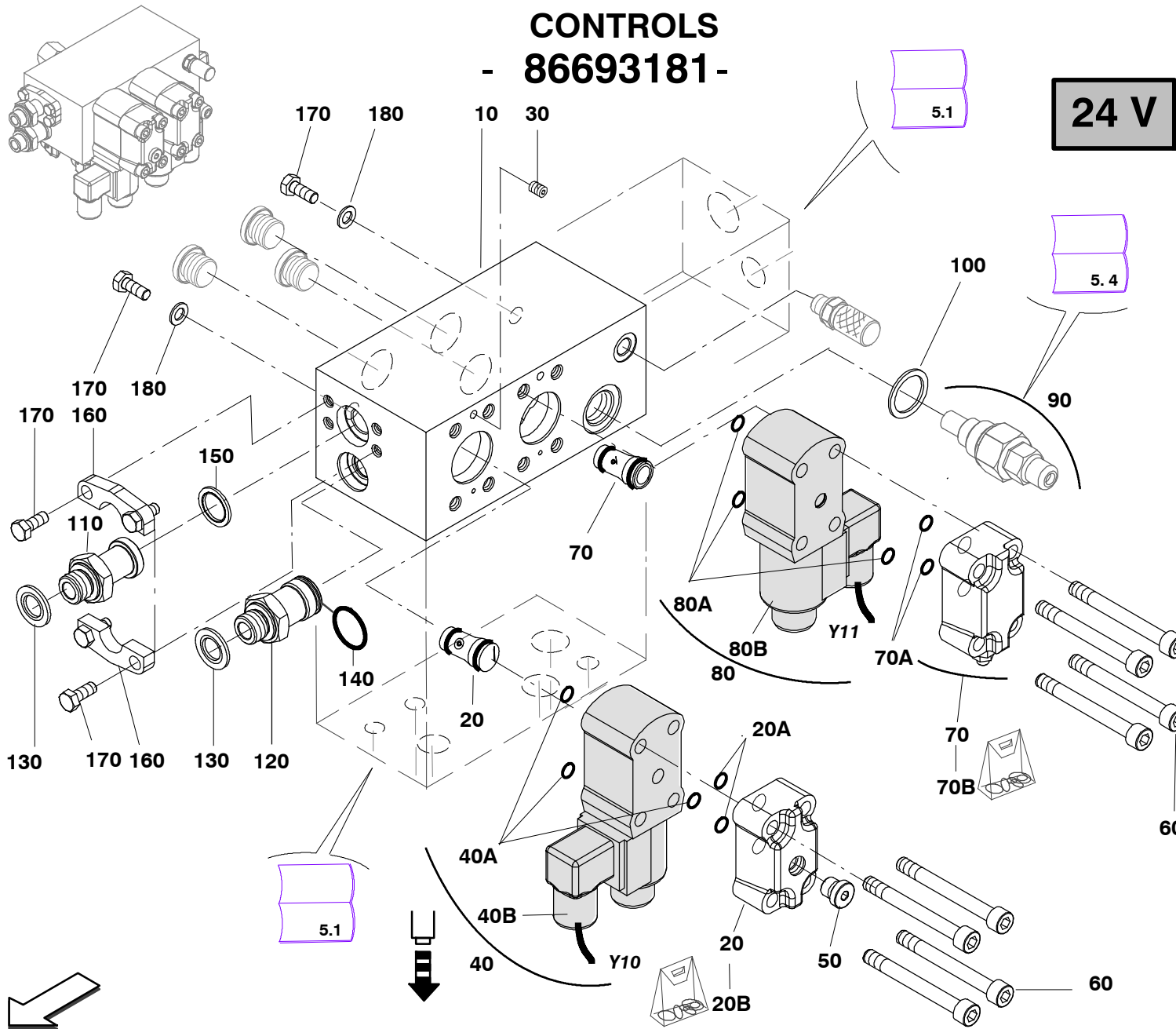


KIT - 24 Volt

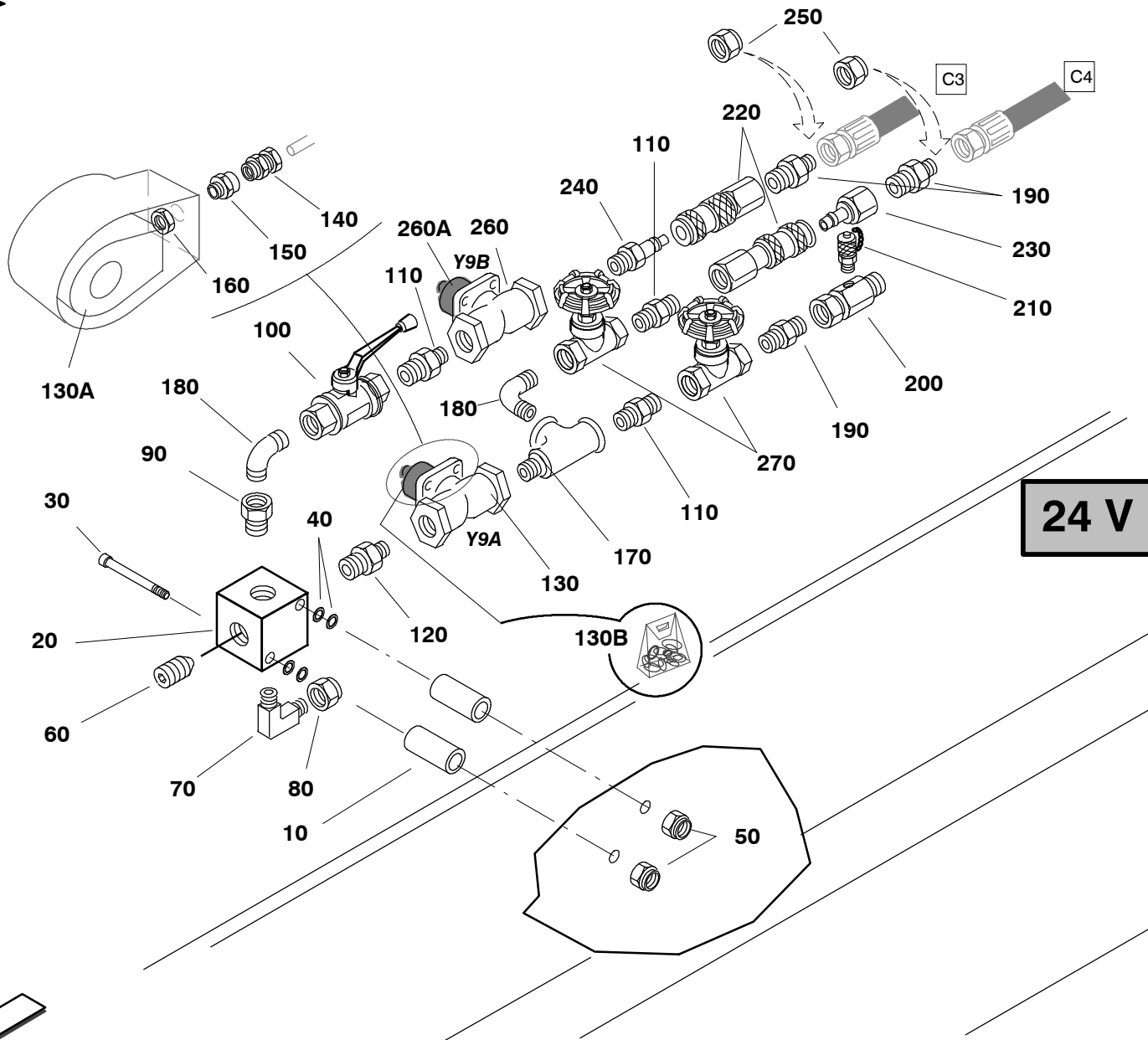
- 86797461 -

MICRO CPA

CONTROLS - 86693181 -



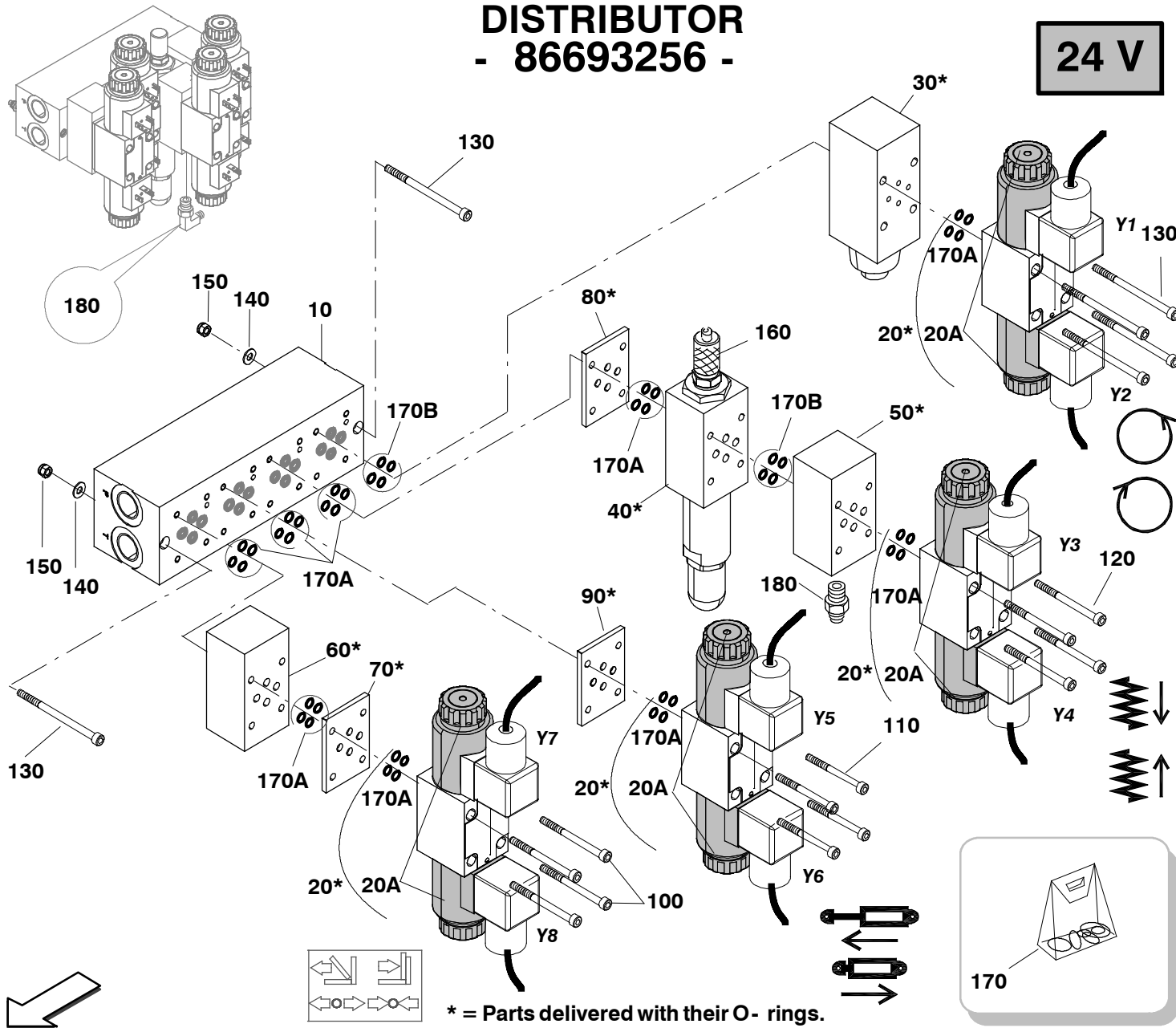
x ??	CPN	Description
10	1	86693132 Hydraulic manifold
20	1	86684990 Logic valve
20A	2	86691904 O'ring
20B	1	86691896 Seal package
30	1	86691938 Restrictor
40	1	86693199 Electro distributor
40A	3	86691904 O'ring
40B	1	86723335 Solenoid
50	1	86386885 Threaded plug
60	8	96716824 Scew
70	1	86684974 Pressure control valve
70A	2	86691904 O'ring
70B	1	86691896 Seal package
80	1	86684982 Electro distributor
80A	3	86691904 O'ring
80B	1	86723335 Solenoid
90	1	86685070 Flow regulator
100	1	86245768 Tight ring
110	1	86683141 Fitting
120	1	86683133 Fitting
130	2	86686730 Tight ring
140	1	86261187 O'ring
150	1	86252731 O'ring
160	2	86683158 Flange
170	6	86424462 Screw
180	2	86233962 Washer / shim



	x ??	CPN	Description	
	10	2	86680618	Ring
	20	1	86286754	Connector
	30	2	86489986	Screw
	40	4	86233962	Washer
	50	2	86236197	Nut
	60	1	86261781	Threaded plug
	70	1	95279402	Adaptor
	80	1	86250636	Threaded plug
	90	1	86302999	Nipple
	100	1	86677598	Cock
	110	3	86233665	Nipple
	120	1	86242765	Nipple
	130	1	86672649	Electro- distributor
	130A	1	86220183	(Solenoid
	130B	1	86703535	(Seal kit
	140	1	86423860	Gland plug
	150	1	86687480	Amplifier
	160	1	86687498	Nut
	170	1	86677614	T piece
	180	2	86514429	Elbow / swivel
	190	3	86448008	Adaptor
	200	1	86313376	T piece
	210	1	86246766	Pressure socket
	220	2	86687381	Coupling
	230	1	86687399	Air nipple
	240	1	86687407	Air nipple
	250	2	86247723	Threaded plug
	260	1	86764230	Electro- distributor
	260A	1	86220183	(Solenoid
	270	2	86764248	Cock

DISTRIBUTOR - 86693256 -

24 V



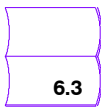
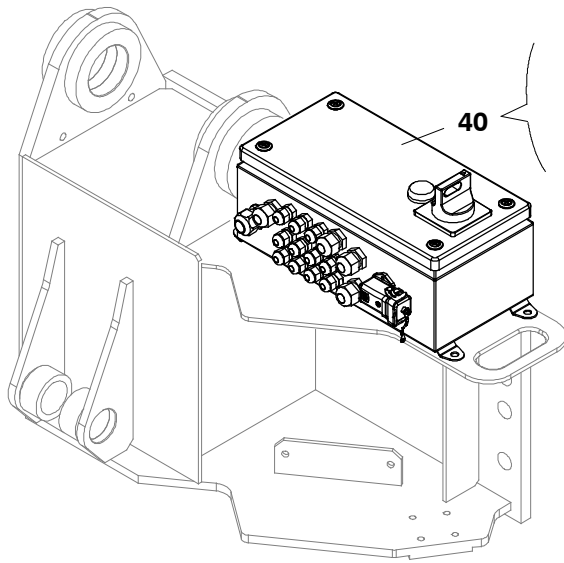
	x ??	CPN	Description	
	10	1	86677820	Base plate
	20	4	86707304	Electro- distributor
	20A	2	86728896	Solenoid
	30	1	86677986	Flow regulator valve
	40	1	86707338	Pressure reducer
	50	1	86707346	Selector
	60	1	86707353	Valve
	70	1	86707361	Nozzle plate
	80	1	86707379	Nozzle plate
	90	1	86707387	Nozzle plate
	100	4	86708039	Screw
	110	4	96716469	Screw
	120	4	86708021	Screw
	130	6	86485679	Screw
	140	2	86280203	Washer
	150	2	86547973	Nut
<hr/>				
	160	1	86386521	Pressure socket
<hr/>				
	170	1	86711413	Seal package incl:
	170A	36	9,25 x 1,75	(O-ring
	170B	8	8,73 x 1,75	(O-ring
	180	1	86331907	Adaptor

* = Parts delivered with their O- rings.

BEAM
- **86796521** -

24 V

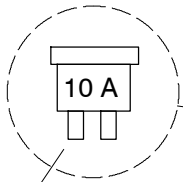
x ??	CPN	Description
10	1	86677895 Cable
20	1	86677903 Cable
30	1	86360591 Fuse 10 Amp
40	1	86693272 Electrical box



10

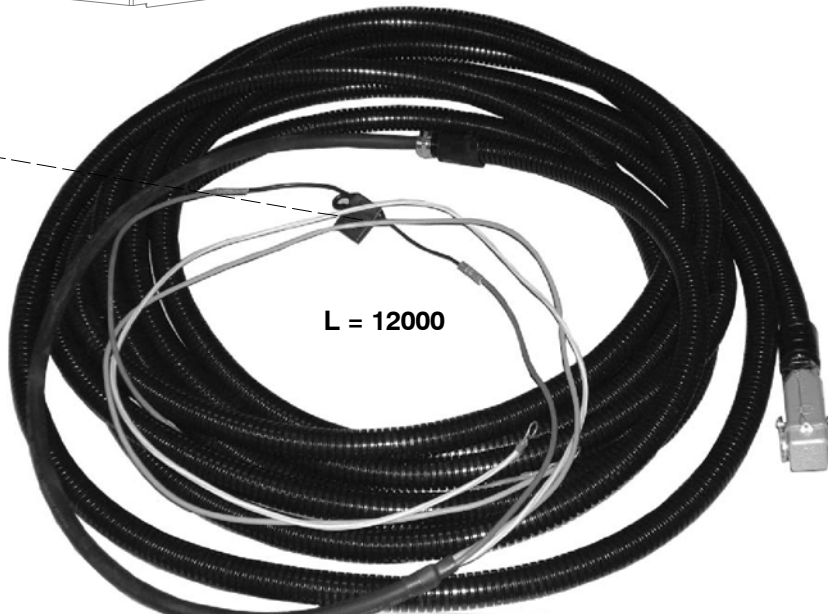


L = 2200



30

20



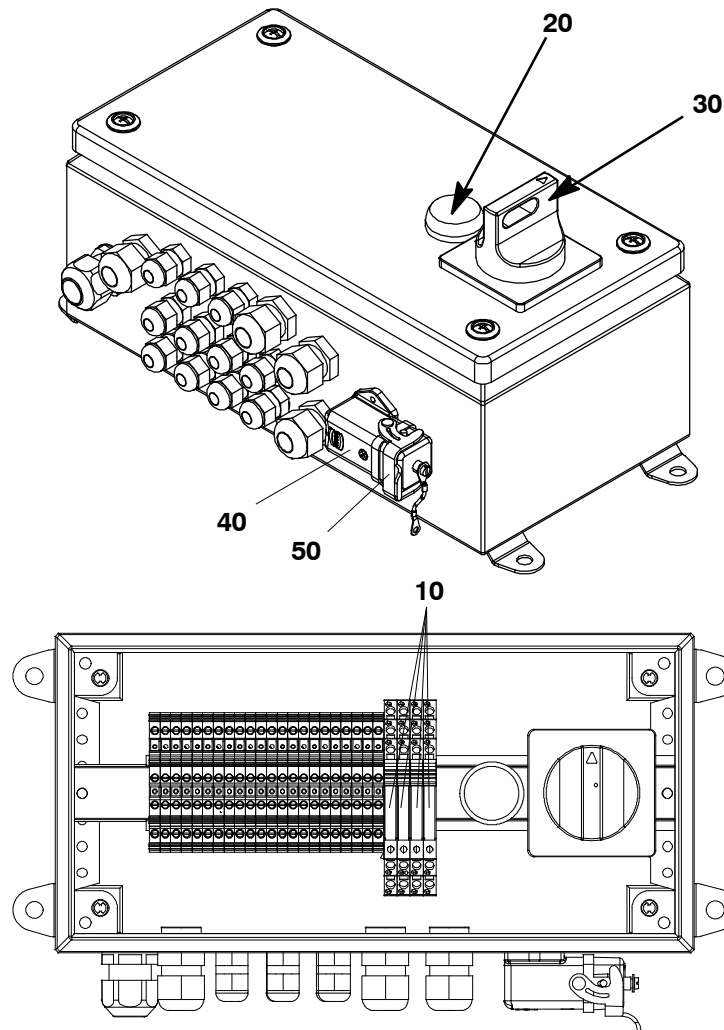
L = 12000



86797503 X 1

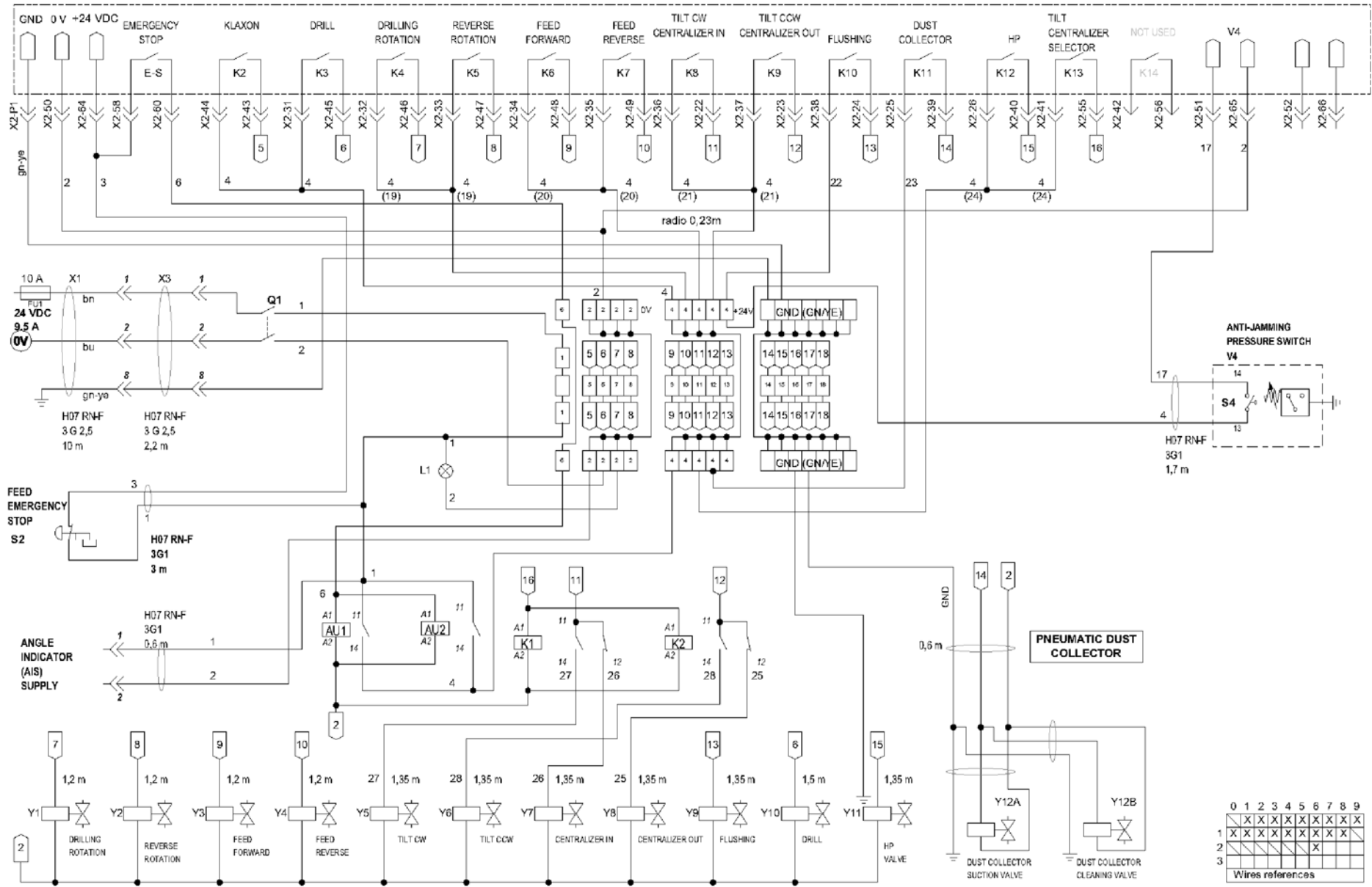
ELECTRICAL BOX - 86796539 -

24 V



x ??	CPN	Description
10	4	86797479 Relay
20	1	86797446 Warning light
30	1	86787934 Switch
40	1	86683216 Connector
50	1	86670668 Plug
60	1	86787942 Cable
70	10	86683224 Electric connector

ELECTRICAL DIAGRAM



Cable section 0,75 mm²
sauf indication

