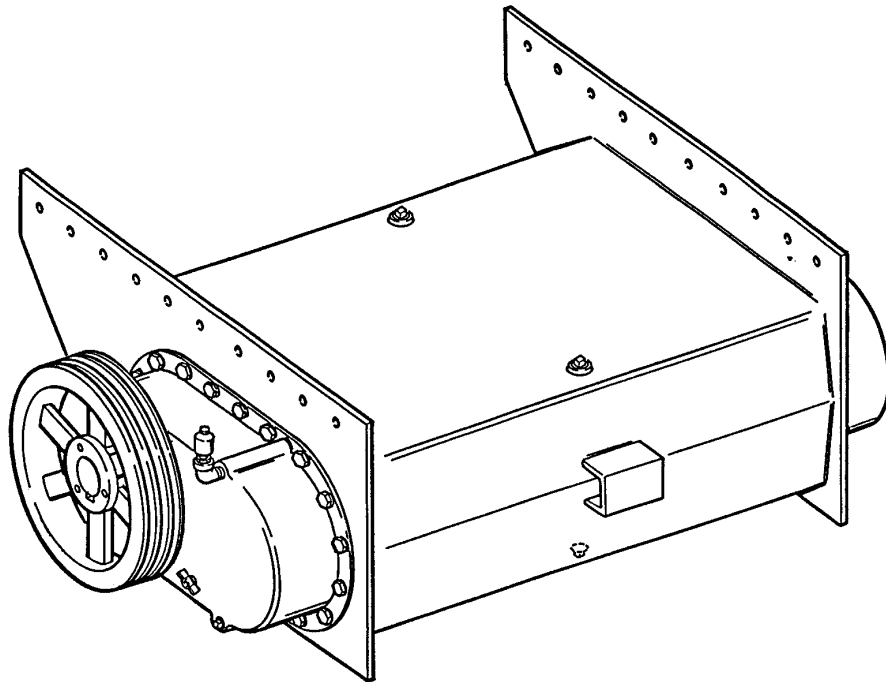


# Vibrating Unit Parts Catalog

Model 280HF



ISSUE DATE: 1/94

## SAFETY

Read and fully understand the precautions on the inside front cover of this manual before operating or servicing the vibrating unit. Also refer to the *Telsmith Quarry Equipment Safety Guide* for important quarry safety information.

**Important:** Refer to the *Telsmith Quarry Equipment Safety Guide* for important quarry safety information. If your copy of the *Safety Guide* is missing, contact Telsmith Parts Department at 1-800-688-6601 for a replacement copy.



All rotating power products are potentially dangerous and must be properly guarded. Placement of guards and other safety equipment is the user's responsibility. Such equipment must be installed wherever appropriate and maintained as required.

It is the responsibility of the purchaser to install and use quarry equipment in a safe and lawful manner. All quarry equipment must be operated in compliance with applicable health and safety laws and general standards of reasonable care.



Do not stand on, beside, or under the vibrating equipment while it is operating. Stay clear of springs and other pinch points. Never reach in-between the equipment and its supporting structure.



Before performing adjustments, maintenance or repairs to the vibrating unit:

- Lock out power and tag controls.
- Loosen and remove drive belts.
- Alert all personnel that the vibrating unit is being serviced.
- Read and understand the safety information in the *Telsmith Quarry Equipment Safety Guide*.

**Failure to follow these precautions may result in serious injury or death!**

## Telsmith "Safe Bet" Repair Parts

When you require parts for your Telsmith equipment, don't gamble with "will fits" or anything other than genuine Telsmith parts.

Nobody knows your Telsmith equipment better than Telsmith. And nobody makes better replacement parts for Telsmith equipment than Telsmith. Because only Telsmith tests each "Safe-Bet" part to make sure that it matches the exact specifications of your Telsmith equipment.

## Where To Buy "Safe-Bet" Repair Parts

Depending upon your location, you may find it more convenient to order parts from your local distributor or from one of Telsmith's factory parts distribution centers.

If in doubt, just call the Telsmith Parts Hotline at 1-800-688-6601, and we will guide you to the closest source.

BUY GENUINE TELSMITH PARTS  
FROM YOUR LOCAL DISTRIBUTOR  
OR  
CALL 1-800-688-6601

## How To Order "Safe Bet" Repair Parts

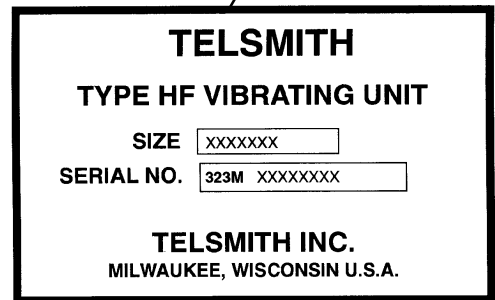
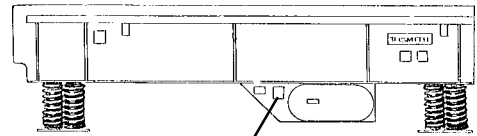
This parts catalog covers most replacement parts required for your vibrating unit. To insure accuracy and prompt service, please have the following information available when placing your order.

1. Identify the vibrating unit model number or size.
2. Identify the vibrating unit serial number.
3. Check for the part number and part name indicated in this parts catalog.
4. Check quantity required.
5. Order parts from Telsmith or your local Telsmith distributor. Advise preferred type of shipping service when calling.

## Transportation Damage or Loss Claims

All shipments are carefully inspected and delivered to the carrier in good order. However, upon receipt of shipment always check for any loss or damage that may have occurred during transit.

Refuse to accept any shipment with lost or damaged items until the carrier provides a written acknowledgment of the



problem. In the event of concealed damage, notify the carrier as soon as possible.

By following these suggestions you will encounter less difficulty in collecting your claim. Remember, with most carriers, freight claims must be filed with the destination carrier by the consignee.

## Return Of Parts

Telsmith cannot accept return of any parts unless the return is accompanied by a material return authorization (MRA) from the company.

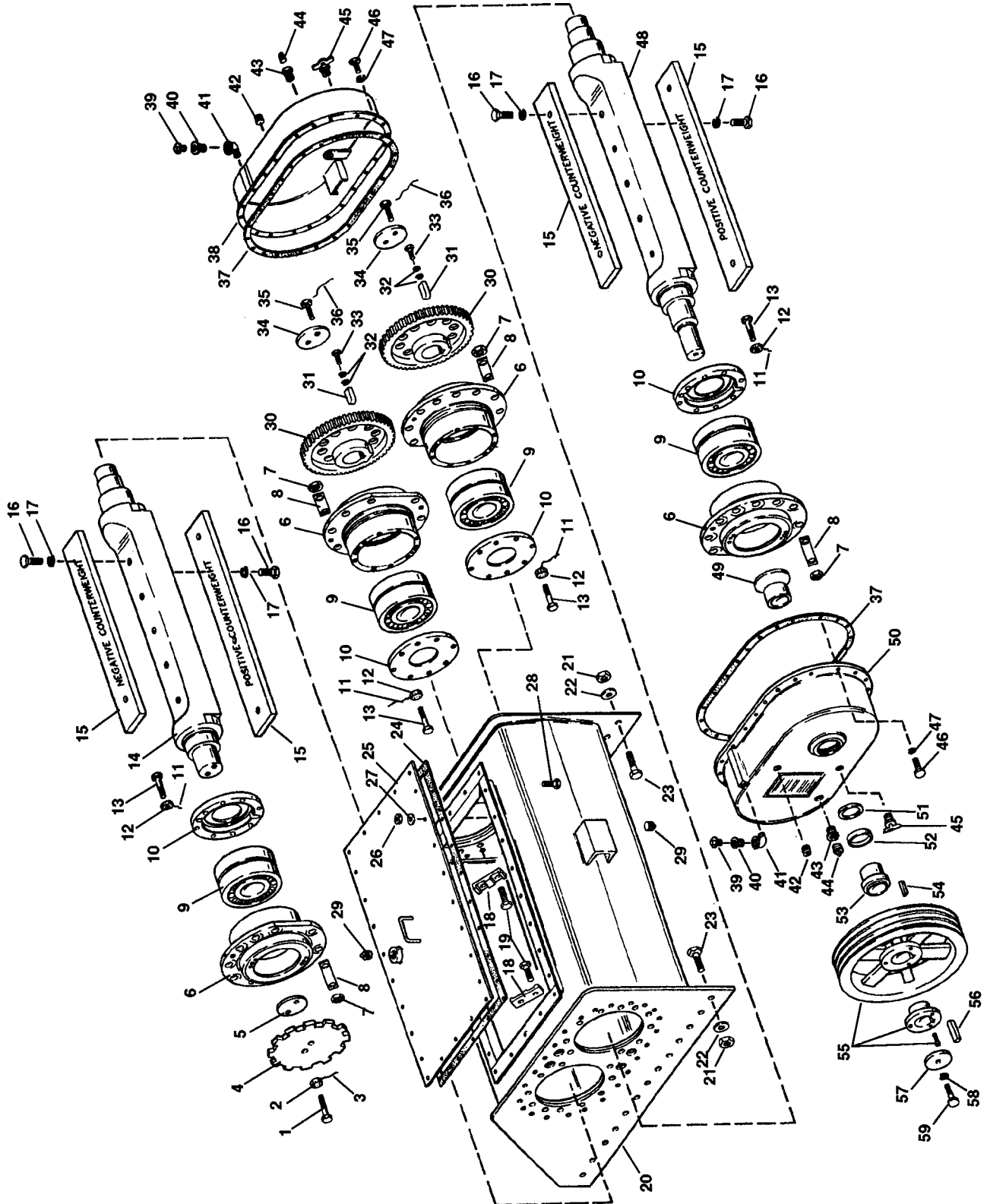
If you wish to return any item to the factory you must call the parts department to obtain an authorization form. This will serve to identify your shipment at our factory and assure proper disposition.

Careful attention to proper ordering procedures, with special emphasis on part numbers and machine model/serial numbers, will eliminate most errors and shipment of incorrect parts.

However, if incorrect parts are ordered or shipped, they may be returned upon receiving an authorization. As return parts must be totally inspected prior to resale, there may be a return charge which will be quoted when the authorization is given.

If a repair part design has been improved, or bears a revised part number other than ordered, such part will be interchanged with the part order. Orders for obsolete parts requiring fabrication are not subject to cancellation or return. Supplier items are specially ordered are not subject to cancellation or return.

Figure 1A



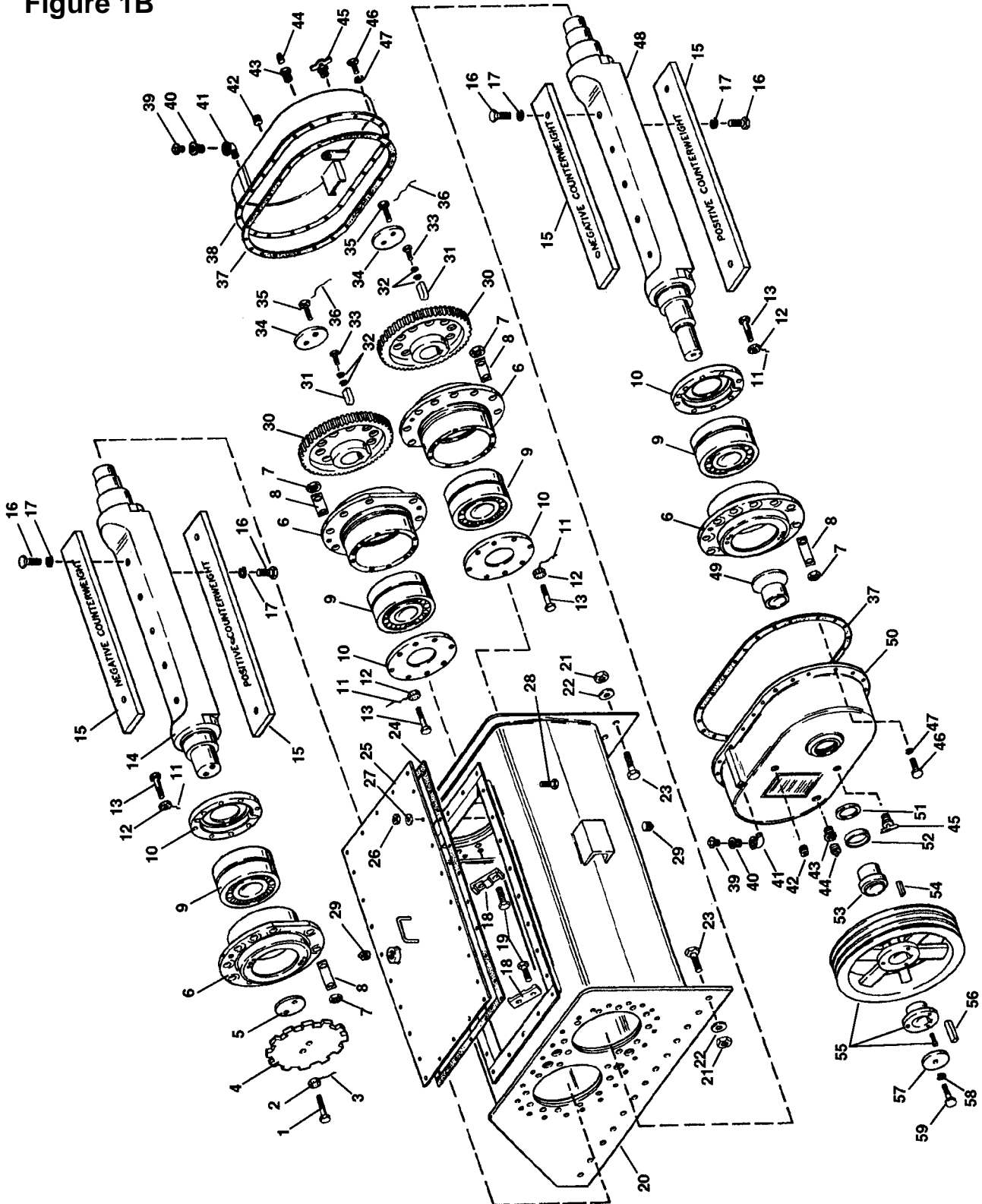
**ALWAYS INCLUDE SERIAL NUMBER WHEN ORDERING PARTS**

To be sure that you receive the correct parts, always include your machine's serial number when ordering. The actual parts used on your machine may be different than shown in this booklet due to fabrication variables, custom engineering, or product improvements.

Ref No.	Part No.	Part Name	Qty
<b>VIBRATING UNIT (Refer to Figure 1A)</b>			
1	13K38	SCREW, Hex Hd Cap, Grade 5, 5/8 x 2-1/4	2
2	16L48	CLIP, Locking, 5/8"	2
3	16R95	WIRE, Tie, 16"	2
4	AC-277-619	WHEEL, Oil	1
5	AB-277-619	CAP, Retaining	1
6	A-277-619	HOUSING, Bearing	4
7	26V48	NUT, Hex, Grade 5, 7/8"	40
8	HF-227-628	NUT, Lock, 7/8"	20
9	14T47	BEARING, Spherical Roller	4
10	AA-277-619	RETAINER, Bearing	4
11	16R95	WIRE, Tie, 20"	16
12	16L47	CLIP, Locking, 1/2"	32
13	26E29	SCREW, Hex Hd Cap, Grade 5, 1/2 x 1-1/2"	32
14	EA-277-622	SHAFT, Driven, 4 ft wide	1
14	CA-277-622	SHAFT, Driven, 5 ft wide	1
14	AA-277-622	SHAFT, Driven, 6 ft wide	1
15	**	COUNTERWEIGHT	**
16	**	SCREW, Hex Hd. Cap, Grade 5	**
17	**	WASHER, Case Hardened	**
18	JA-277-613	RETAINER, Bolt	20
19	15R24	SCREW, Hex Hd Cap, Grade 5, 7/8 x 3-1/4"	40
20	FA-277-618	HOUSING, Vibrator, 4 ft wide	1
20	EA-277-618	HOUSING, Vibrator, 5 ft wide	1
20	DA1-277-618	HOUSING, Vibrator, 6 ft wide	1
21	26A17	NUT, Lock 3/4"	32
22	10S89	WASHER, Case Hardened 1"	32
23	60C19	SCREW, Hex Hd Cap, Grade 5, 1 x 3-3/4"	32
24	JA-277-618	GASKET, Cover, Neoprene, 4 ft wide	1
24	HA-277-618	GASKET, Cover, Neoprene, 5 ft wide	1
24	GA-277-618	GASKET, Cover, Neoprene, 6 ft wide	1
25	JB-277-618W	PLATE, Cover, 4 ft wide	1
25	HB-277-618W	PLATE, Cover, 5 ft wide	1
25	GB-277-618W	PLATE, Cover, 6 ft wide	1
26	12Z45	NUT, Self Lock 1/2"	46
27	26D04	WASHER, Case Hardened 1/2"	46
28	26E29	SCREW, Hex Hd Cap, Grade 5, 1/2 x 1-1/2"	46
29	23D21	PLUG, Pipe 1-1/2"	3
30	B1-18-1179	GEAR, Cut - H.T.	2
31	11V66	KEY, Hugger 1-1/4 x 1-1/4 x 2-5/8"	2
32	27L81	WASHER, Lock 3/8"	A/R
33	23V93	SCREW, Hex Hd Cap, Grade 5, 3/8 X 3/4"	1

\*\* Contact the Telsmith Parts Department or your local Telsmith Distributor for part number and quantity required.

Figure 1B



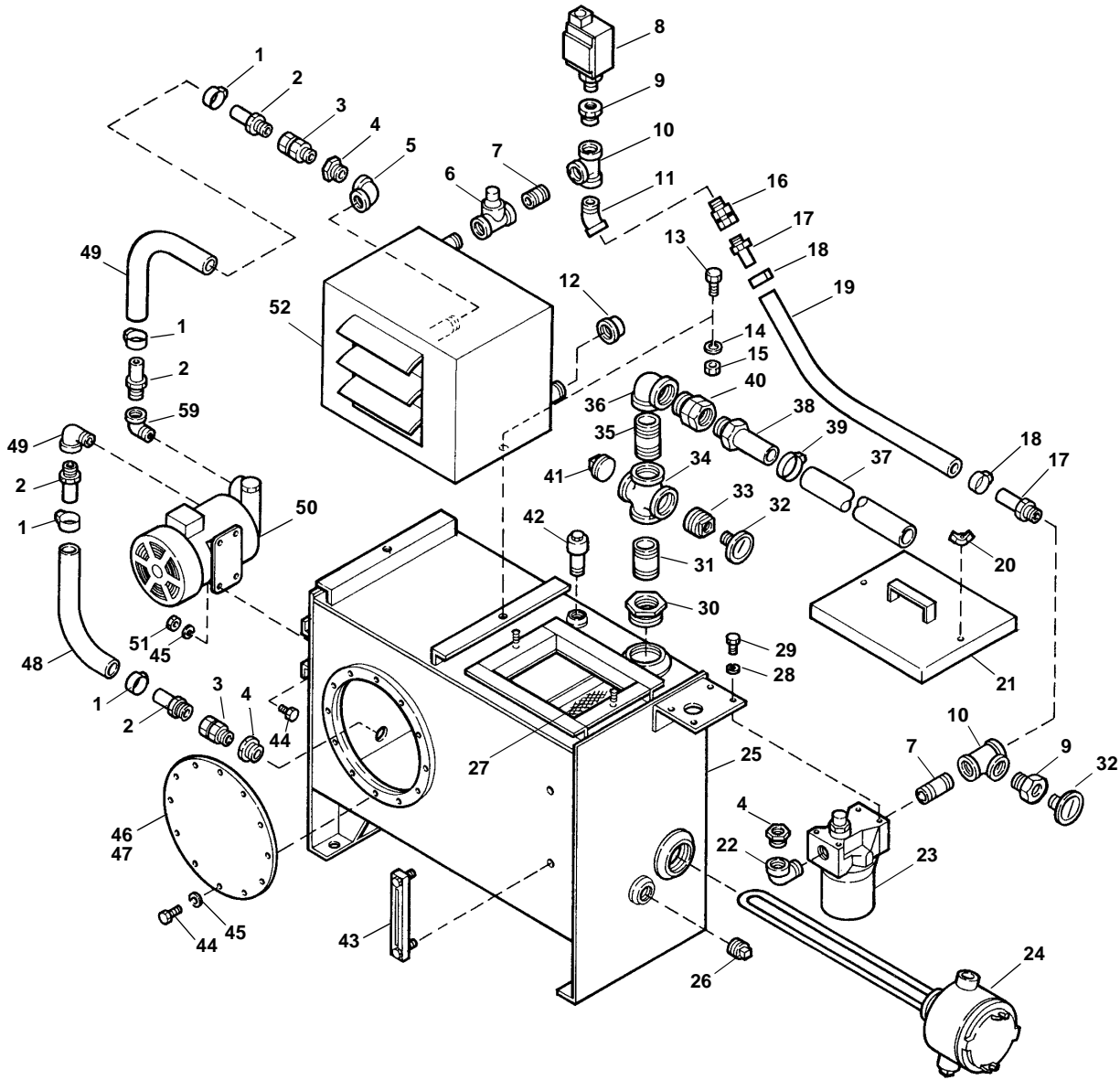
**ALWAYS INCLUDE SERIAL NUMBER WHEN ORDERING PARTS**

To be sure that you receive the correct parts, always include your machine's serial number when ordering. The actual parts used on your machine may be different than shown in this booklet due to fabrication variables, custom engineering, or product improvements.

Ref No.	Part No.	Part Name	Qty
<b>VIBRATING UNIT (Refer to Figure 1B)</b>			
34	CA-277-618	WASHER, Retaining	2
35	CY-17-59	SCREW, Hex Hd Cap, Grade 5, 5/8 x 1-3/4"	4
36	16R95	WIRE, Tie, 16"	2
37	A-277-596	GASKET, End Cover	2
38	BA-277-619	COVER, End, Gear (extension) End	1
39	26P65	BREATHER, 1/4" NPT	2
40	23A22	BUSHING, Reducer, Pipe 1 x 1/4"	2
41	23C48	ELBOW, Pipe, Street 1 x 90 Degrees	2
42	10W82	PLUG, Socket Hd Pipe 1/4"	2
43	23A27	BUSHING, Pipe Reducer 1 x 3/4"	2
44	23D07	PLUG, Magnetic Pipe 3/4"	2
45	15G35	DRAIN COOK, 1/4" MPT	2
46	10E10	SCREW, Hex Hd Cap, Grade 5, 3/8 x 1-1/4"	60
47	12K63	WASHER, Case Hardened 3/8"	60
48	DA-277-622	SHAFT, Drive, 4 ft wide	1
48	BA-277-622	SHAFT, Drive, 5 ft wide	1
48	A-277-622	SHAFT, Drive, 6 ft wide	1
49	B1-277-601	SPACER COLLAR	1
50	BB-277-619	COVER, End (Drive end)	1
51	13D18	SEAL, Oil 4-1/2"	1
52	50P31	SLEEVE, Wear	1
53	B3-277-605	COLLAR, Labyrinth Seal	1
54	H-17-32	KEY, Seal Collar 3/8 x 3/8 x 2-3/16"	1
55	**	SHEAVE ASSY, Stand. Groove (Horizontal Screens)	1
55	**	SHEAVE ASSY, Deep Groove (VF & VGF Feeder)	1
56	H-277-518	KEY, Sheave	1
57	F-277-518	WASHER, Retaining	1
58	26B48	WASHER, Case Hardened, 3/4"	1
59	15S88	SCREW, Hex Hd Cap, Grade 5, 3/4 x 1-3/4"	1

\*\* Contact the Telsmith Parts Department or your local Telsmith Distributor for part number.

**Figure 2**



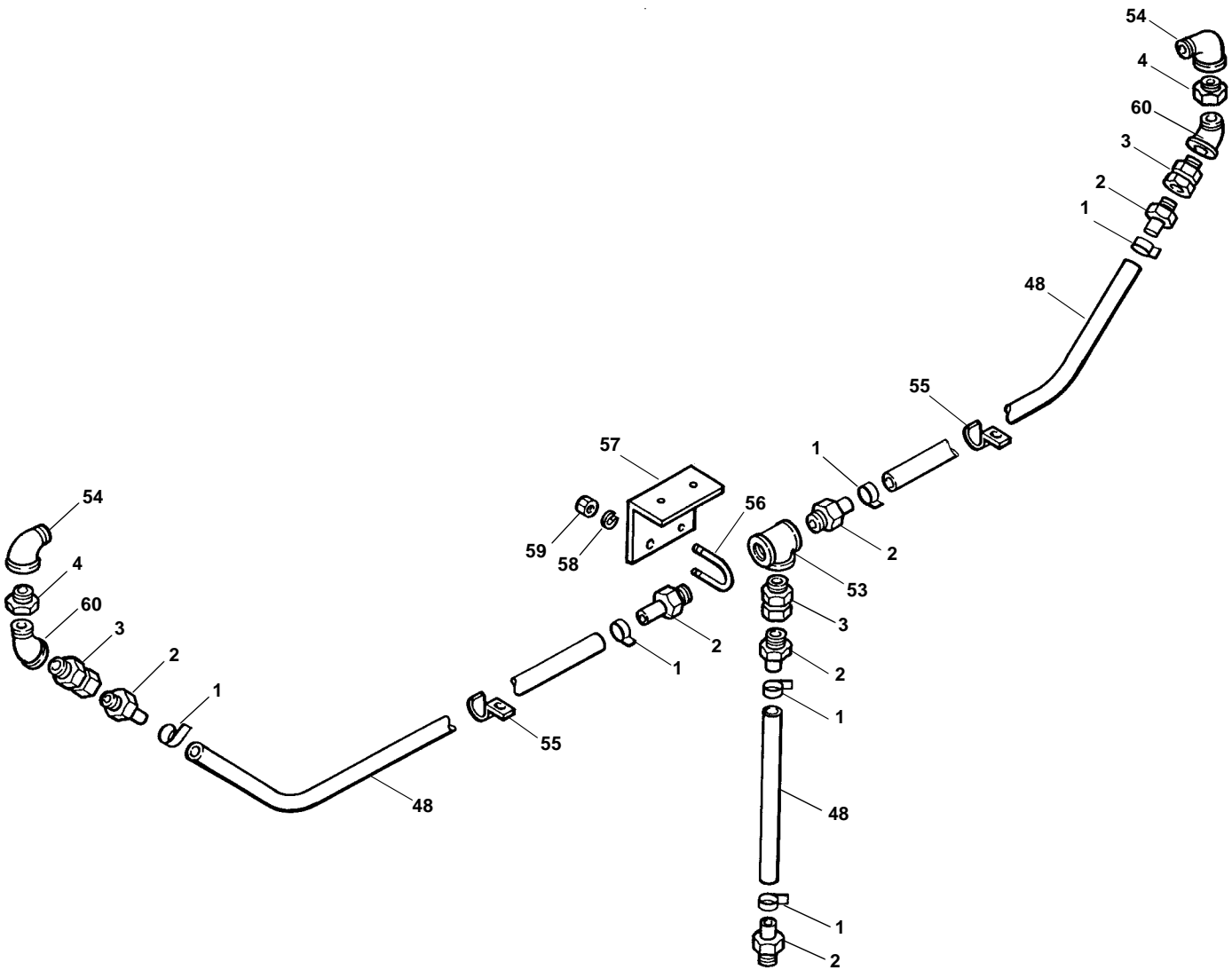
**ALWAYS INCLUDE SERIAL NUMBER WHEN ORDERING PARTS**

To be sure that you receive the correct parts, always include your machine's serial number when ordering. The actual parts used on your machine may be different than shown in this booklet due to fabrication variables, custom engineering, or product improvements.



Ref No.	Part No.	Part Name	Qty
<b>HYDRAULIC POWER UNIT AND OIL PIPING</b>			
<b>CIRCULATING OIL SYSTEM (Refer to Figures 2 &amp; 3)</b>			
1	23H05	CLAMP, Hose 1-1/2"	10
2	10G81	INSERT, Hose	10
3	23E28	CONNECTOR, Swivel 3/4" SWF x 3/4" Male	5
4	23A27	BUSHING, Pipe Reducer 1 x 3/4"	5
5	23F16	ELBOW, Pipe 90 degrees	1
6	60N67	SWITCH, Flow	1
7	A-17-124	NIPPLE, Close 1 x 1-1/2"	2
8	60G89	SWITCH, Temperature (for oil cooler)	1
9	23A26	BUSHING, Pipe Reducer 1 x 1/2"	2
10	23F13	TEE, Pipe	2
11	23F93	ELBOW, Street 1" x 45 degrees	1
12	12K84	CAP, Pipe 1"	1
13	26E28	SCREW, Hex Hd Cap, Grade 5, 1/2 x 1-1/4"	2
14	26D04	WASHER, Case Hardened 1/2"	2
15	27C95	NUT, Hex 1/2"	2
16	23K03	CONNECTOR, Swivel 1" SWF x 1" Male	1
17	10E27	INSERT, Hose, 1"	2
18	23H06	CLAMP, Hose 1-3/4"	2
19	11W81	HOSE, Wire Reinforced, 26"	3
20	60R12	NUT, Wing 3/8"	2
21	BA-276-847W	COVER, Tank	1
22	23C48	ELBOW, Street 1" x 90 degrees	1
23	60P20	FILTER, Oil (Includes 23A)	1
23A	60P21	ELEMENT, Filter	1
24	29C01	HEATER, Oil	1
25	BD-276-847W	TANK, Oil	1
26	23D19	PLUG, Square Hd Pipe 1"	1
27	27W64	SCREEN, Cloth - Brass	1
28	27L54	WASHER, Case Hardened 5/16"	4
29	26E25	SCREW, Hex Hd Cap, Grade 5, 5/16 x 3/4"	4
30	23A38	BUSHING, Reducing 2 x 1-1/2"	2
31	B-17-158	NIPPLE 1-1/2 x 2-1/2"	1
32	27S46	THERMOMETER, Dial	2
33	23A31	BUSHING, Reducer 1-1/2 x 1/2"	1
34	23M24	PIPE, Cross, Female 1-1/2"	1

Figure 3

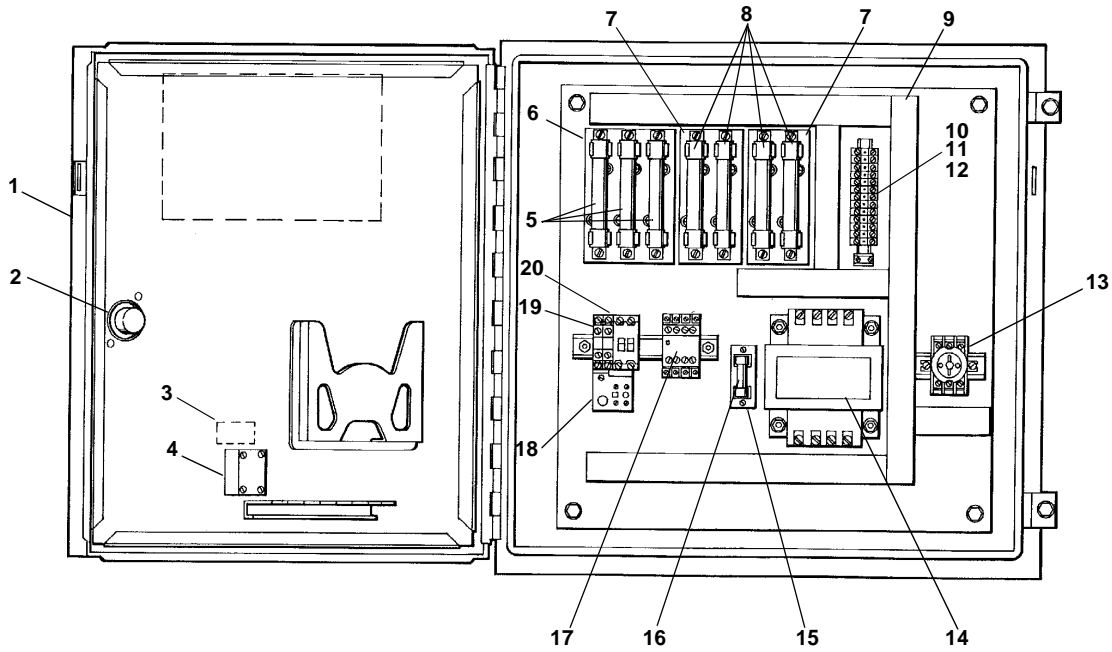


**ALWAYS INCLUDE SERIAL NUMBER WHEN ORDERING PARTS**

To be sure that you receive the correct parts, always include your machine's serial number when ordering. The actual parts used on your machine may be different than shown in this booklet due to fabrication variables, custom engineering, or product improvements.

Ref No.	Part No.	Part Name	Qty
<b>HYDRAULIC POWER UNIT AND OIL PIPING</b>			
<b>CIRCULATING OIL SYSTEM (Refer to Figures 2 &amp; 3)</b>			
35	C-17-184	NIPPLE, Heavy Duty 1-1/2 x 6"	1
36	13F99	ELBOW, 1-1/2" x 90 Degrees	1
37	16L44	HOSE, Wire Reinforced 43"	1
38	16L45	INSERT, Hose 1-1/2"	2
39	23H09	CLAMP, Hose 1-1/2"	2
40	14W29	CONNECTOR, Swivel 1-1/2" SWF x 1-1/2" Male	2
41	23D21	PLUG, Square Hd Pipe 1-1/2"	2
42	26P65	BREATHER	2
43	10E13	GAUGE, Oil Level	1
44	26C53	SCREW, Hex Hd Cap, Grade 5, 3/8 x 1"	16
45	12K63	WASHER, Case Hardened 3/8"	16
46	AD-276-847	COVER, Clean Out	1
47	11T02	SEALANT, Silicone (for cover)	1
48	11W80	HOSE, Wire Reinforced 3/4 x 24"	5
49	12J17	ELBOW, Reducing 3/4 x 1/2 x 90 Degrees	2
50	60P88	PUMP, Oil 1.8 GPM Complete with 1/2 hp Motor	1
51	27C90	NUT, Hex 3/8"	4
52	60D28	COOLER, Air to Oil	1
53	23P18	TEE, Pipe 3/4"	1
54	23C48	ELBOW, Street 1" X 90 Degrees	2
55	20G22	CLAMP, Conduit 1"	7
56	60R53	U-BOLT, 5/16"	2
57	LA-277-613	BRACKET, Feed Line	2
58	27L77	WASHER, Lock 5/16"	2
59	27C87	NUT, Hex 5/16"	2
60	13E08	ELBOW, Street 3/4" X 45 Degrees	2

Figure 4



**ALWAYS INCLUDE SERIAL NUMBER WHEN ORDERING PARTS**

To be sure that you receive the correct parts, always include your machine's serial number when ordering. The actual parts used on your machine may be different than shown in this booklet due to fabrication variables, custom engineering, or product improvements.

Ref No.	Part No.	Part Name	Qty
<b>ELECTRIC CONTROL BOX</b>			
<b>CIRCULATING OIL SYSTEM (Refer to Figure 4)</b>			
1	15D84	ENCLOSURE, NEMA 12	1
2	60R10	HANDLE, Enclosure Disconnect, Pistol Grip	1
3	14T79	NAMEPLATE, "Oil Pump"	1
4	28X98	PUSHBUTTON	1
5	20B77	FUSE, Cartridge, 3A, 600V (for Motor)	3
6	12G35	FUSE BLOCK, 2 Pole, 30A, 600V	1
7	12G34	FUSE BLOCK, 2 Pole, 30A, 600V	2
8	20J12	FUSE, Dual Element, 4A, 600V (for Heater and TXF)	4
9	15E15	PANEL	1
10	60C54	BARRIER, Terminal Block, End	4
11	60C56	CHANNEL, Mounting, Individual Pieces	2
12	60C55	BLOCK, Terminal 60A, 600V (2 spare)	7
13	60R09	DISCONNECT, Enclosure, 30A Non-fusible	1
14	16G57	TRANSFORMER, Control, 750VA, 230/460V Primary; 110V; Secondary; 60 Hz, Single Phase	1
15	16G33	FUSE BLOCK, 1 Pole, 30A, 250V	1
16	20W03	FUSE, Dual Element, 4A, 600V (for Transformer)	1
17	60R11	CONTACTOR, 60V Coil	1
18	61B64	RELAY, Overload 1.0/1.6A	2
19	61B85	CONTACT BLOCKS, Auxiliary	2
20	61B55	CONTACTOR, Magnetic, AC	2

***NOTES***