

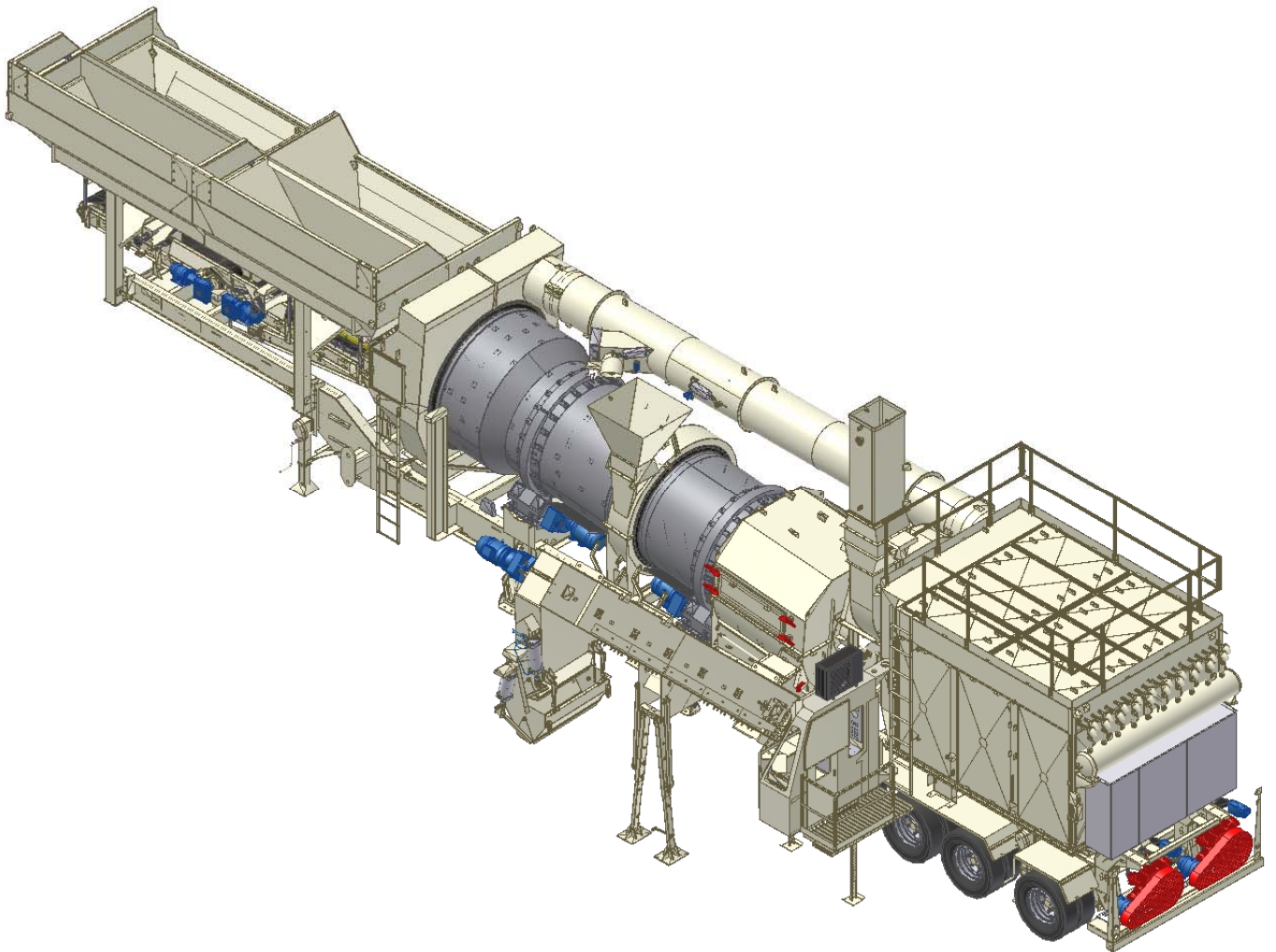
ASPHALT PLANT	5
1. Chassi – 34089780.....	10
1.1. Brace roller – 34079572	12
1.2. Roller of right front support – 34070795	14
1.3. Roller of left front support – 34070796	16
1.4. Roller of left back support – 34070915.....	18
1.5. Roller of right back support – 34070917.....	20
1.6. Drier drum drive	22
1.7. Brake kit – 34092565	24
2. Double front feed bin – 34093069	26
2.1. Right feeder belt – 34093071	28
2.1.1. Structure of the scale – 34039174	30
2.1.2. Right feeder belt drive	32
2.2. Left feeder belt – 34093070	34
2.2.1. Structure of the scale – 34039174	36
2.2.2. Left feeder belt drive	38
3. Double rear feed bin – 34093075.....	40
3.1. Left feeder belt – 34093070	42
3.1.1. Structure of the scale – 34039174	44
3.1.2. Left feeder belt drive	46
3.2. Right feeder belt – 34093071	48
3.2.1. Structure of the scale – 34039174	50
3.2.2. Right feeder belt drive	52
4. Conveyor – 34079092.....	54
4.1. Scale	56
4.2. Conveyor belt drive	58
5. Suction chamber – 34079095	60
5.1. Left side – 34080094c.....	62
5.1.1. Inspection door – 34080658.....	64
6. Dryer drum – SAE 1020.....	66
6.1. Drum mixer body – 34079565	68
7. Combustion chamber – 34080052.....	70
7.1. Top frame of the combustion chamber – 34096803c	72
8. Chute – 34110968	74
9. Drag conveyor – 34100430	76
9.1. Drag conveyor frame – 34099328.....	78
9.1.1. Drag conveyor drive	82
9.1.2. Pneumatic cylinder – 34080995.....	84
9.2. Weighing System	86
10. Hauck burner – 28079926	88
11. Hauck blower – 34089920	90
11.1. Hauck blower drive.....	92
12. Exhauster fan – 34090350.....	94
12.1. Exhauster fan drive	96
13. Compressors assembly – 34103743	98

13.1. Compressing unit 80pcm.....	100
14. Top module of the baghouse – 34090777.....	102
15. Bottom module of the baghouse – 34089788.....	108
15.1. Right rotor – 34089798.....	110
15.2. Bottom module of the baghouse drive.....	112
15.3. Left rotor – 34091280.....	114
16. Baghouse auger – 34098764.....	116
16.1. Baghouse auger drive.....	118
17. Tubing of exhaustion – 34094009.....	120
17.1. Tubing of exhaustion – 34089601.....	122
17.2. Pneumatic cylinder – 34022516.....	124
18. Inferior joint of the cabin – 34091754.....	126
19. Superior joint of the cabin – 34091751.....	128
20. Asphalt and fuel pipe set.....	130
20.1. Fuel pipe assembly – 34102265.....	132
20.1.1. Fuel heat regulator assembly.....	136
20.1.2. Fuel pump – 34102519.....	138
20.1.2.1. Fuel pump drive.....	140
20.2. Asphalt pipe assembly – 34102264.....	142
20.2.1. Asphalt pump assembly – 34102814.....	144
20.2.1.1. Asphalt pump.....	146
20.2.1.2. Sampling pipe – 34102537.....	148
20.2.2. Asphalt heat regulator assembly.....	150
20.3. Return fuel pipes – 34102494.....	152
20.4. Panel control to temperature regulators – 1 temp. regulator – 34094786 ..	154
20.5. Asphalt and fuel pipe sticker assembly – 34097910.....	156
21. Video camera set – 34114839.....	158
22. Vibrator for bin – 34101164.....	160
23. Cable for line-of-life C/ 9120mm – 34109403.....	162
24. Pneumatic horn – 34075278.....	164
24.1. Pneumatic diagram – 50070949.....	166
25. List of parts of pneumatic system – 34070823.....	168
26. Parts for signalling and road illumination – 34081296.....	169
OPTIONAL ITEMS OF THE PLANT.....	171
1. Scale – 34081938.....	174
1.1. Pneumatic diagram of the scale – 34081962.....	176
2. Dryer drum – AR-400.....	178
2.1. Dryer drum body – 34079565.....	180
3. Vibratory chute – 34092617.....	182
4. Weighing system – 34100426.....	186
4.1. Doser chute of material – 34080957.....	188
4.1.1. Pneumatic cylinder – 34080995.....	190
4.2. Transducers panel - scale – 34094776.....	192
5. Wear plate of the drag conveyor – AR-400 – 34100381.....	194
6. Recycling cover – 34080382.....	196

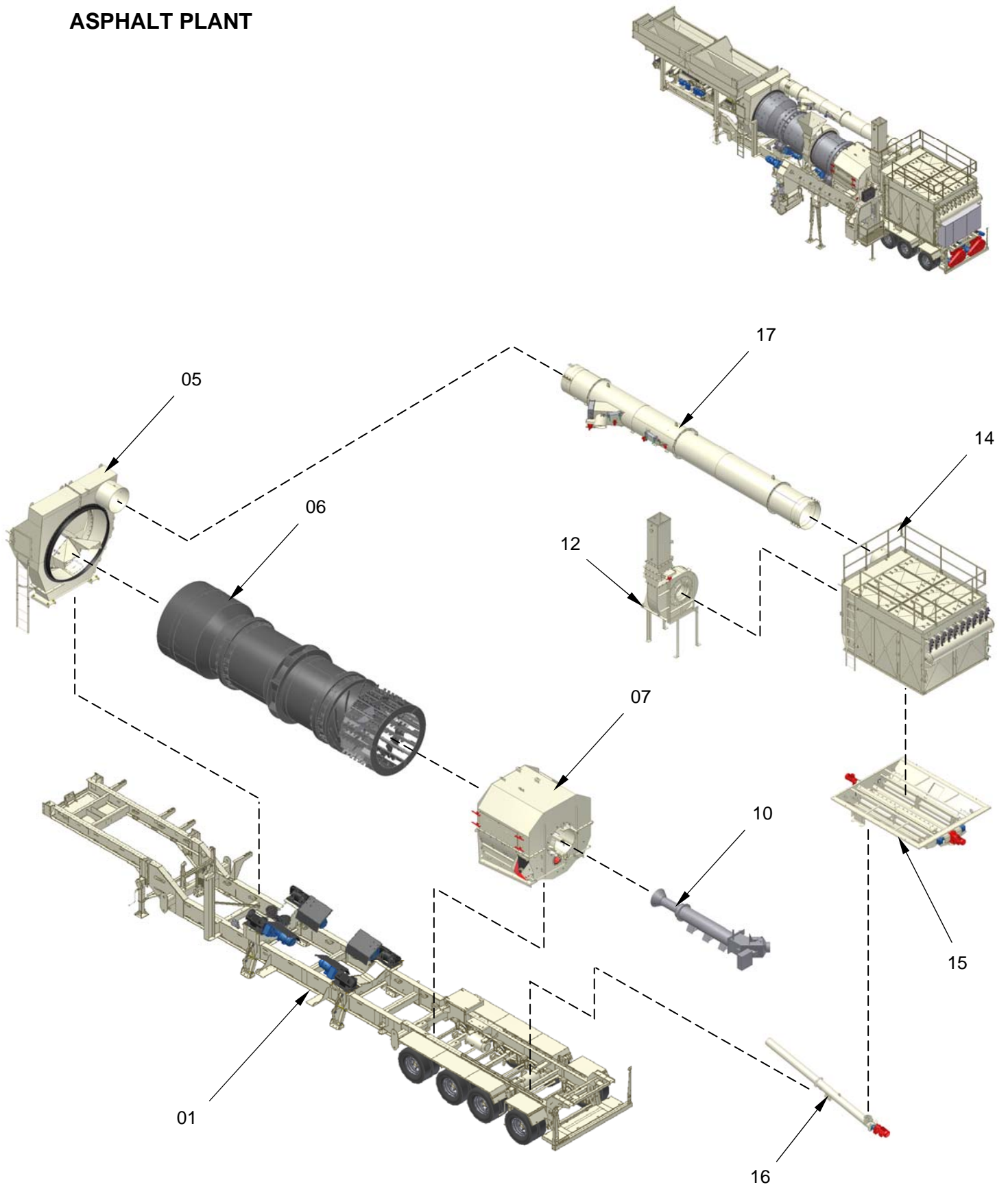
7. Fuel heat regulator assembly – 34102532	198
7.1. Pipe set of valve – 34104812	200
8. Asphalt heat regulator assembly – 34102535	202
9. Panel control to temp. regulators – 2 temp. regulators – 34094785	204
10. Video monitoring system – 34115304	206
DRIVES OF THE PLANT – 60HZ	209
1. Dryer drum drive – 34093082	212
2. Feeder belt drives	214
2.1. Right feeder belt drive – 34043707	216
2.2. Left feeder belt drive – 34069740.....	218
3. Conveyor belt drive – 34098779	220
4. Drag conveyor drive – 34100376	222
5. Hauck blower drive – 34101206	224
6. Exhauster drive – 34105558	226
7. Compressing unit 80pcm – 28098579	228
8. Bottom module of the baghouse drive	230
9. Auger of the baghouse drive – 26092737	232
10. Fuel pump drive – 22104062	234
11. Asphalt pump – 34044745	236
DRIVES OF THE PLANT – 50HZ	239
1. Dryer drum drive – 34095631	242
2. Feeder belt drives	244
2.1. Right feeder belt drive – 34075179	246
2.2. Left feeder belt drive – 34075180.....	248
3. Conveyor belt drive – 34098781	250
4. Drag conveyor drive – 34100377	252
5. Hauck blower drive – 34101207	254
6. Exhauster drive – 34105559	256
7. Compressing unit 80pcm – 28099003	258
8. Bottom module of the baghouse drive	260
9. Auger of the baghouse drive – 26090624	262
10. Fuel pump drive – 22104064	264
11. Asphalt pump – 34062123	266
ASSEMBLY OF ELECTRIC COMPONENTS – 60HZ 380V	269
1. Electric item of the back panel – 34098186c	272
2. Panel control – 34088801c	276
3. Automation – 34094772c	278
4. Computer and software – 34094777	280
5. Baghouse panel – 34094779c	282
6. Transducers panel - load cell – 34094773c	284
7. Sensor of flame – 34091554c	286
8. Sensors for temperature – 34094788	288
ASSEMBLY OF ELECTRIC COMPONENTS – 60HZ 440V	291
1. Electric item of the back panel – 34098188c	294
2. Panel control – 34088801c	298

3. Automation – 34094772c.....	300
4. Computer and software – 34094777	302
5. Baghouse panel – 34094779c.....	304
6. Transducers panel - load cell – 34094773c	306
7. Sensor of flame – 34091554c.....	308
8. Sensors for temperature – 34094788.....	310
ASSEMBLY OF ELECTRIC COMPONENTS – 50HZ 380V	313
1. Electric item of the back panel – 34098187c.....	316
2. Panel control – 34088801c.....	320
3. Automation – 34094772c.....	322
4. Computer and software – 34094777	324
5. Baghouse panel – 34094780.....	326
6. Transducers panel - load cell – 34094773c	328
7. Sensor of flame – 34091554c.....	330
8. Sensors for temperature – 34094788.....	332

ASPHALT PLANT



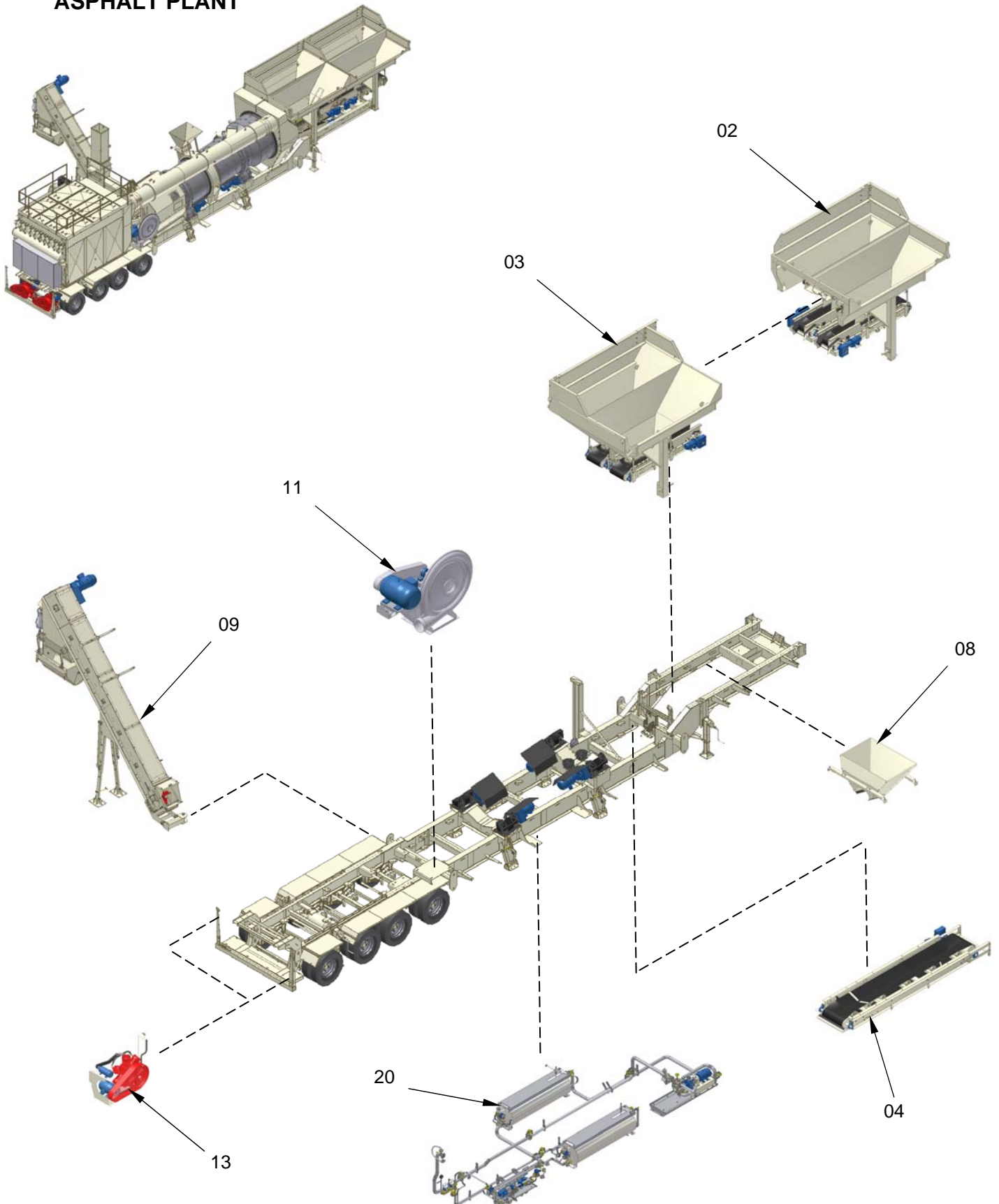
ASPHALT PLANT



ASPHALT PLANT

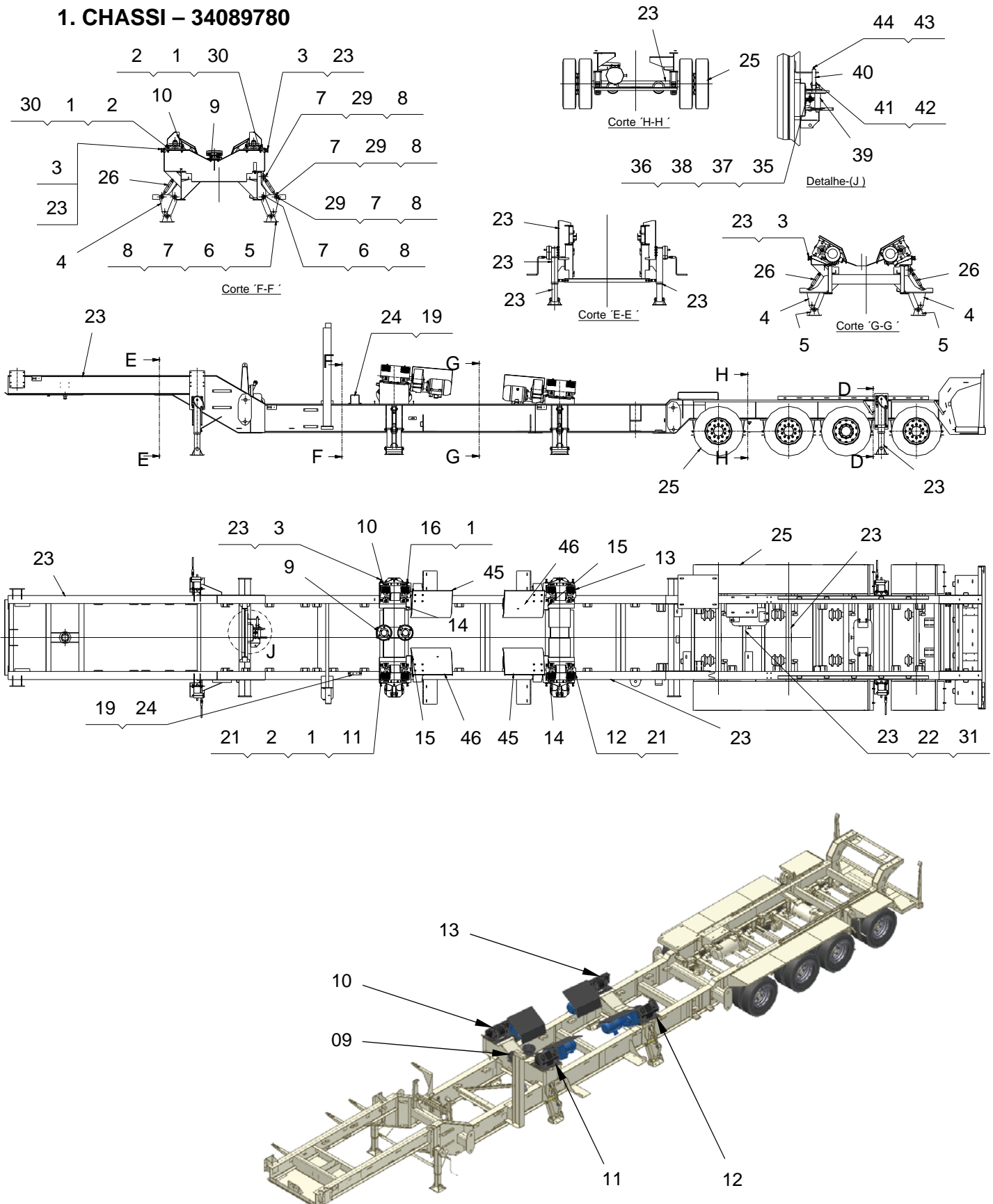
Item	Code	Description	Quantity
01	34089780	← Chassi	01
02	34093069	← Double front feed bin	01
03	34093075	← Double rear feed bin	01
04	34079092	← Conveyor	01
05	34079095	← Suction chamber	01
06	---	← Drier	01
07	34080052	← Combustion chamber	01
08	34110968	← Chute	01
09	34100430	← Drag conveyor	01
10	28079926	← Hauck burner	01
11	34089920	← Hauck blower	01
12	34090350	← Exhauster fan	01
13	34103743	← Compressors assembly	01
14	34090777	← Top module of the baghouse	01
15	34089788	← Bottom module of the baghouse	01
16	34098764	← Baghouse auger	01
17	34094009	← Tubing of exhaustion	01
18	34091754	← Inferior joint of the cabin	01
19	34091751	← Superior joint of the cabin	01
20	---	← Asphalt and fuel pipe set	01
21	34114839	← Video camera set	01
22	34101164	← Vibrator for bin	02
23	34109403	← Cable for line-of-life C/ 9120mm	01
24	34075278	← Pneumatic horn	01
25	34070823	← List of parts of pneumatic system	01
26	34081296	← Parts for signalling and road illumination	01

ASPHALT PLANT



ASPHALT PLANT

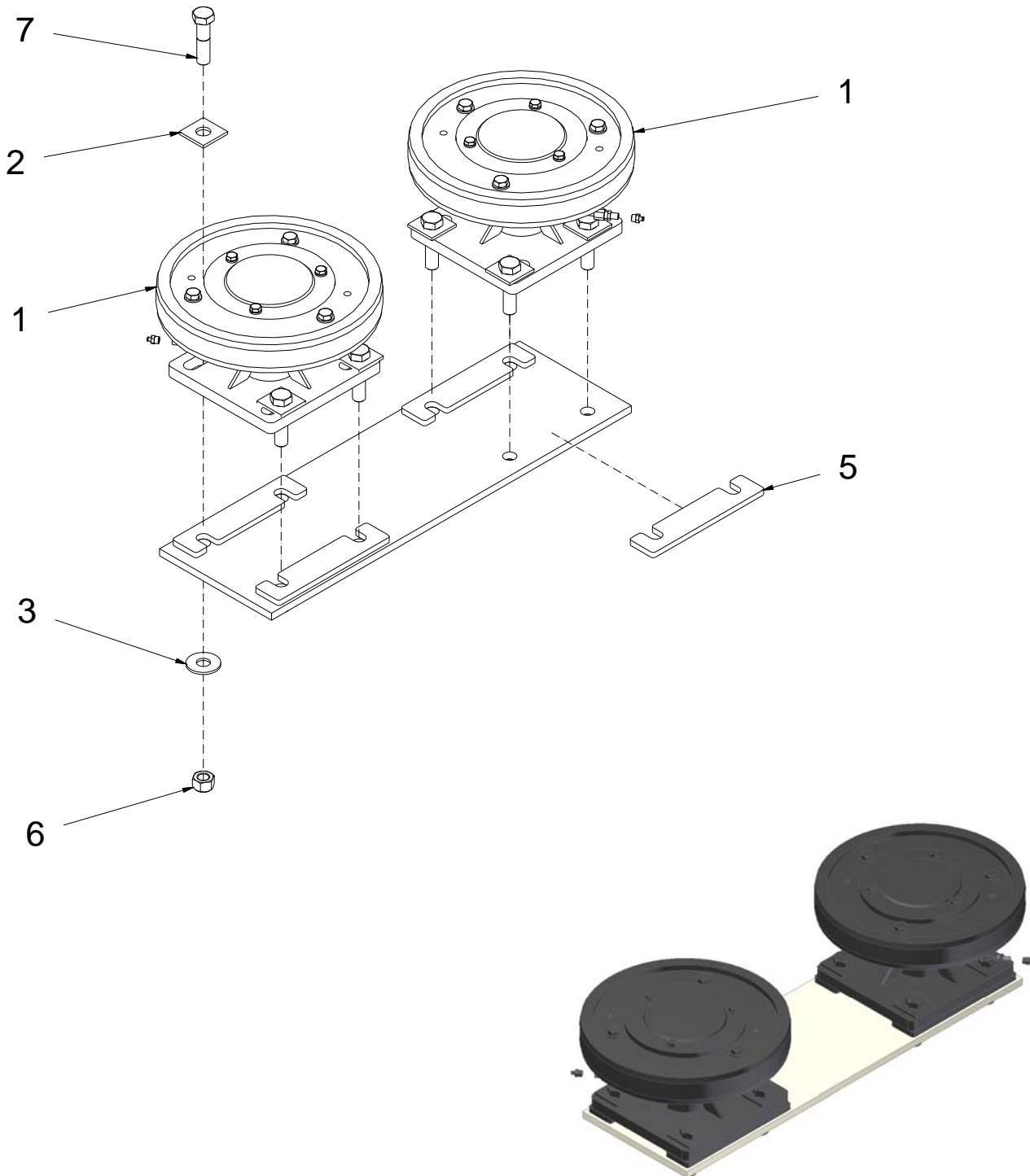
Item	Code	Description	Quantity
01	34089780	← Chassi	01
02	34093069	← Double front feed bin	01
03	34093075	← Double rear feed bin	01
04	34079092	← Conveyor	01
05	34079095	← Suction chamber	01
06	---	← Drier	01
07	34080052	← Combustion chamber	01
08	34110968	← Chute	01
09	34100430	← Drag conveyor	01
10	28079926	← Hauck burner	01
11	34089920	← Hauck blower	01
12	34090350	← Exhauster fan	01
13	34103743	← Compressors assembly	01
14	34090777	← Top module of the baghouse	01
15	34089788	← Bottom module of the baghouse	01
16	34098764	← Baghouse auger	01
17	34094009	← Tubing of exhaustion	01
18	34091754	← Inferior joint of the cabin	01
19	34091751	← Superior joint of the cabin	01
20	---	← Asphalt and fuel pipe set	01
21	34114839	← Video camera set	01
22	34101164	← Vibrator for bin	02
23	34109403	← Cable for line-of-life C/ 9120mm	01
24	34075278	← Pneumatic horn	01
25	34070823	← List of parts of pneumatic system	01
26	34081296	← Parts for signalling and road illumination	01

1. CHASSI – 34089780


1. CHASSI – 34089780

Item	Code	Description	Quantity
01	38046060	Washer	33
02	24038238	Bolt	14
03	24059254	Bolt	08
04	34080427	Arm	04
05	34080442	Shoe	04
06	30069969	Pin	08
07	24023111	Washer	32
08	24033539	Pin	32
09	34079572	◀ Brace roller	01
10	34070795	◀ Roller of right front support	01
11	34070796	◀ Roller of left front support	01
12	34070915	◀ Roller of left back support	01
13	34070917	◀ Roller of right back support	01
14	34070918	Support	02
15	34070921	Support	02
16	24033819	Bolt	06
17	24000352	Washer	08
18	24000313	Nut	04
19	24000277	Bolt	02
20	24000017	Washer	16
21	---	◀ Drier drum drive	04
22	24000275	Bolt	08
23	38090590	Chassis	01
24	30042431	Valve support	01
25	38075141	Double wheel set	16
26	38098580	Tensionner	04
27	24000274	Bolt	16
28	24000029	Washer	16
29	30080453	Pin	08
30	24006984	Nut	21
31	24006986	Nut	08
32	34092565	◀ Brake kit	01
35	30081887	Roller	01
36	24059393	Nut	01
37	24001108	Bolt	01
38	24005005	Washer	01
39	20080348	Pulley block	01
40	30097260	Crank extension	01
41	30097259	Pin	01
42	24009282	Cotter pin	02
43	24084474	Nut	01
44	24000273	Bolt	01
45	34081818	Right seal	02
46	34081823	Left seal	02
---	40009570	Steel cable AF 6X 7PS ¼"	8M
---	24027608	Crosby cable clamp ¼"	03

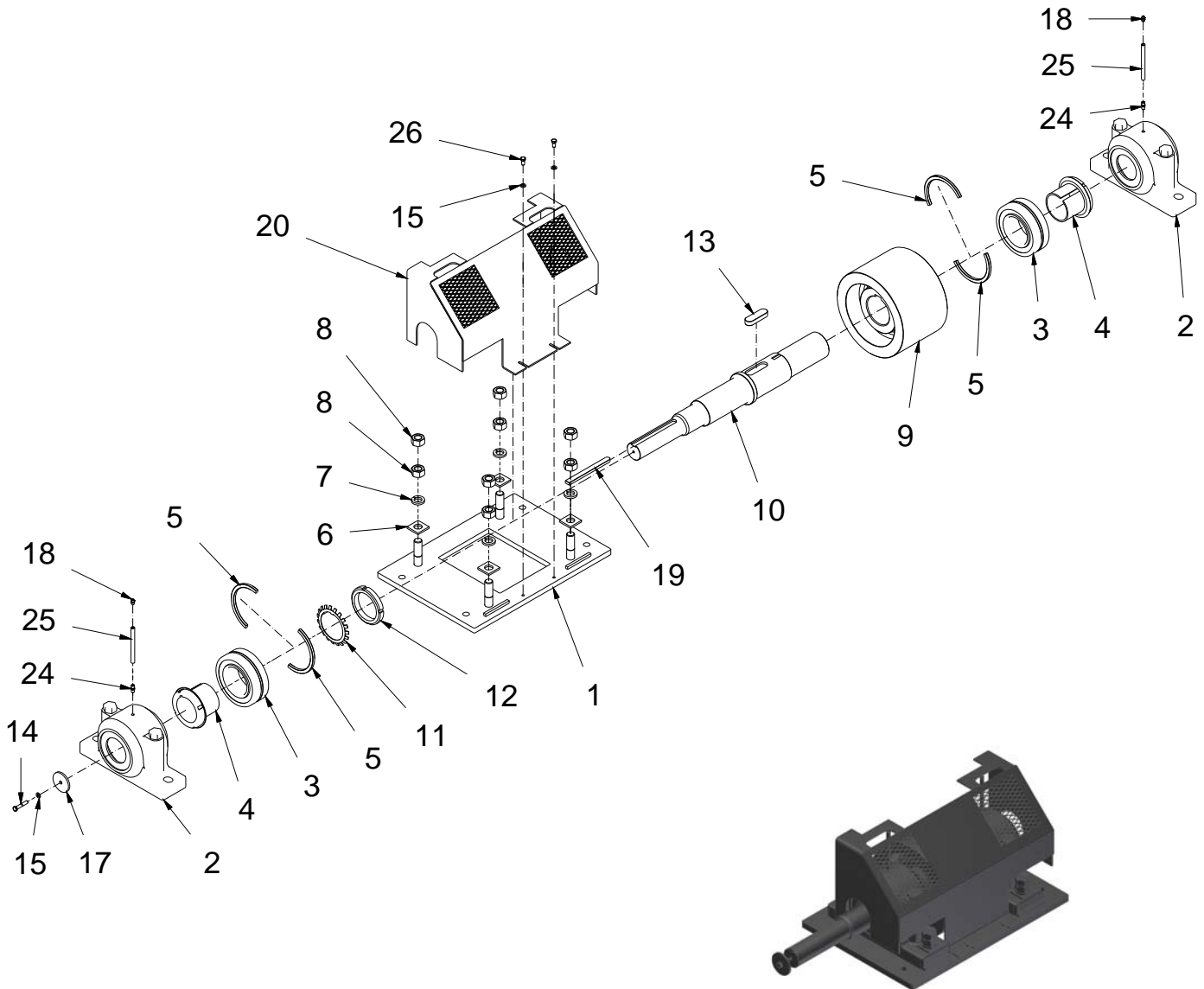
1.1. Brace roller – 34079572



1.1. Brace roller – 34079572

Item	Code	Description	Quantity
01	34015247	Roller	02
02	38046060	Washer	08
03	24000352	Washer	08
05	30080455	Spacer	04
06	24006984	Nut	08
07	24038238	Bolt	08

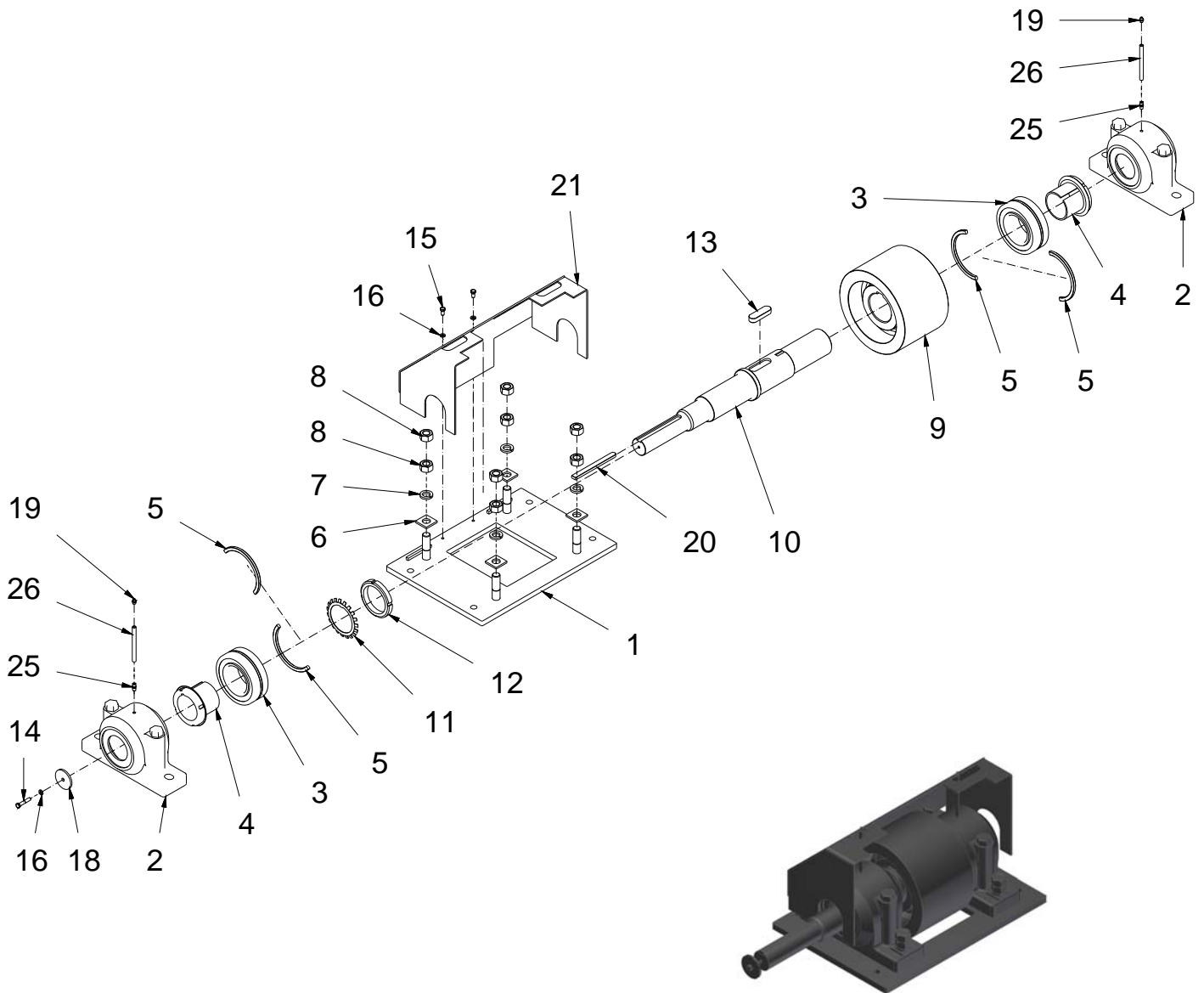
1.2. Roller of right front support – 34070795



1.2. Roller of right front support – 34070795

Item	Code	Description	Quantity
01	34039758	Sleeve bearing support	01
02	26000722	Sleeve bearing	02
03	26008977	Bearing	02
04	26009132	Bushing	02
05	38075575	Ring	04
06	38046061	Washer	04
07	24000358	Washer	04
08	24000317	Nut	08
09	30013265	Roller	01
10	30003833	Axle	01
11	24001166	Washer	01
12	24001165	Nut	01
13	26098249	Gib	01
14	24000273	Bolt	01
15	24000065	Washer	03
17	38054810	Washer	01
18	28011853	Grease nipple	02
19	26098802	Gib	01
20	34080667	Protection	01
24	28011859	Nipple	02
25	30089809c	Pipe	02
26	24007009	Bolt	02

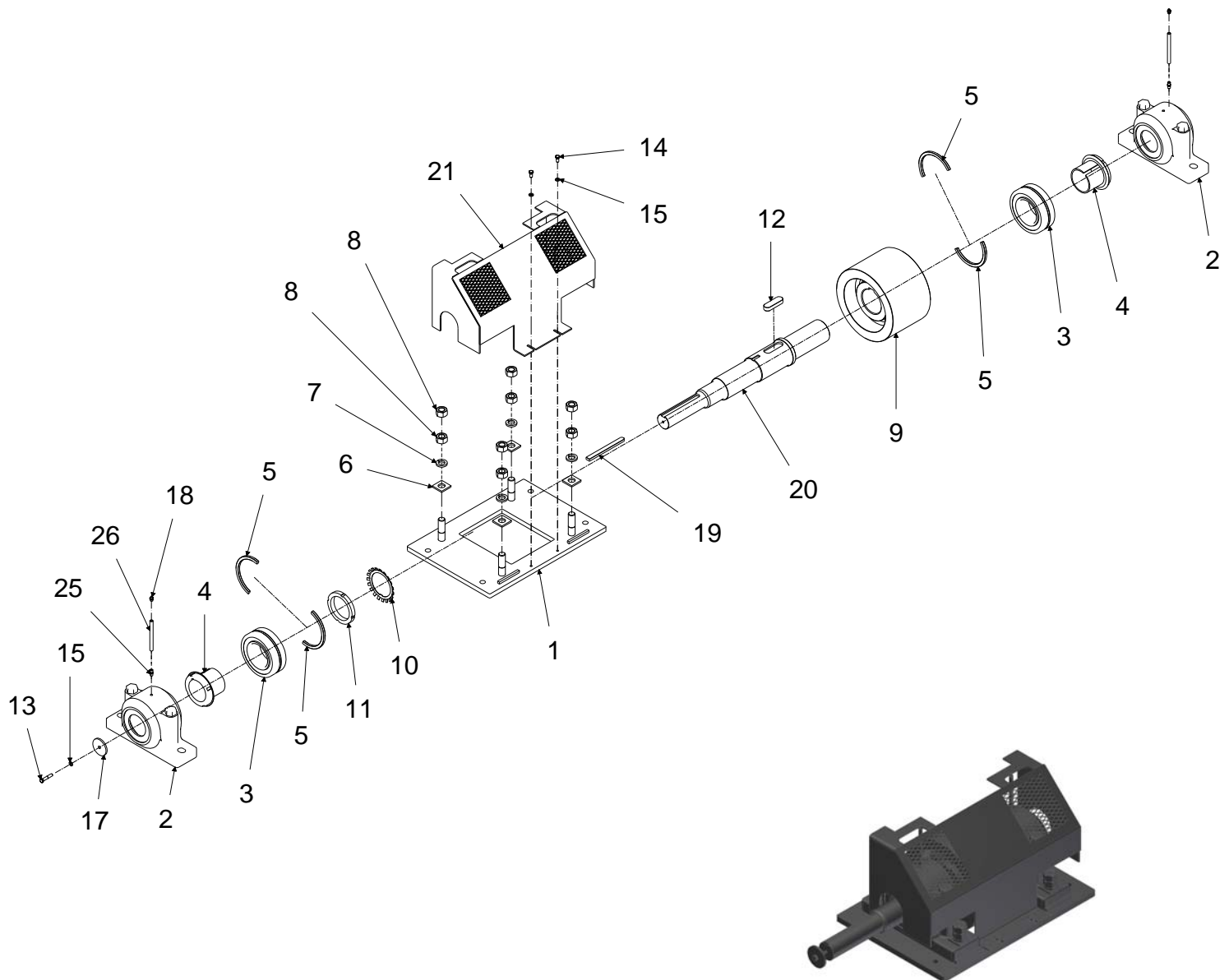
1.3. Roller of left front support – 34070796



1.3. Roller of left front support – 34070796

Item	Code	Description	Quantity
01	34039758	Sleeve bearing support	01
02	26000722	Sleeve bearing	02
03	26008977	Bearing	02
04	26009132	Bushing	02
05	38075575	Ring	04
06	38046061	Washer	04
07	24000358	Washer	04
08	24000317	Nut	08
09	30013265	Roller	01
10	30003833	Axle	01
11	24001166	Washer	01
12	24001165	Nut	01
13	26098249	Gib	01
14	24000273	Bolt	01
15	24007009	Bolt	02
16	24000065	Washer	01
18	38054810	Washer	01
19	28011853	Grease nipple	02
20	26098802	Gib	01
21	34080667	Protection	01
25	28011859	Nipple	02
26	30089809c	Pipe	02

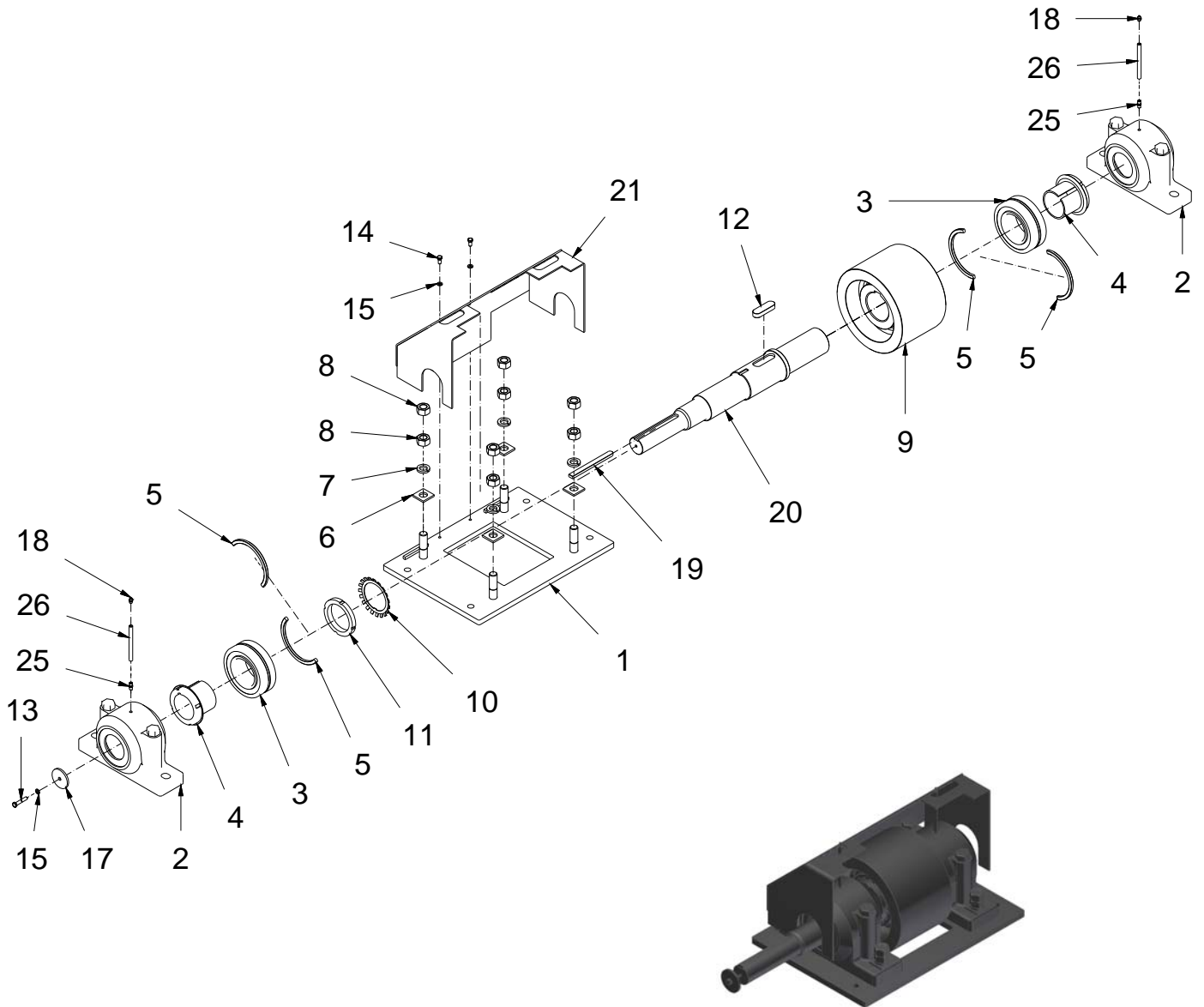
1.4. Roller of left back support – 34070915



1.4. Roller of left back support – 34070915

Item	Code	Description	Quantity
01	34039758	Sleeve bearing support	01
02	26000722	Sleeve bearing	02
03	26008977	Bearing	02
04	26009132	Bushing	02
05	38075575	Ring	04
06	38046061	Washer	04
07	24000358	Washer	04
08	24000317	Nut	08
09	30013265	Roller	01
10	24001166	Washer	01
11	24001165	Nut	01
12	26098249	Gib	01
13	24000273	Bolt	01
14	24007009	Bolt	02
15	24000065	Washer	01
17	38054810	Washer	01
18	28011853	Grease nipple	02
19	26098802	Gib	01
20	30070916	Axle	01
21	34080667	Protection	01
25	28011859	Nipple	02
26	30089809c	Pipe	02

1.5. Roller of right back support – 34070917



1.5. Roller of right back support – 34070917

Item	Code	Description	Quantity
01	34039758	Sleeve bearing support	01
02	26000722	Sleeve bearing	02
03	26008977	Bearing	02
04	26009132	Bushing	02
05	38075575	Ring	04
06	38046061	Washer	04
07	24000358	Washer	04
08	24000317	Nut	08
09	30013265	Roller	01
10	24001166	Washer	01
11	24001165	Nut	01
12	26098249	Gib	01
13	24000273	Bolt	01
14	24007009	Bolt	02
15	24000065	Washer	01
17	38054810	Washer	01
18	28011853	Grease nipple	02
19	26098802	Gib	01
20	30070916	Axle	01
21	34080667	Protection	01
25	28011859	Nipple	02
26	30089809c	Pipe	02

1.6. Drier drum drive



See catalog of drives

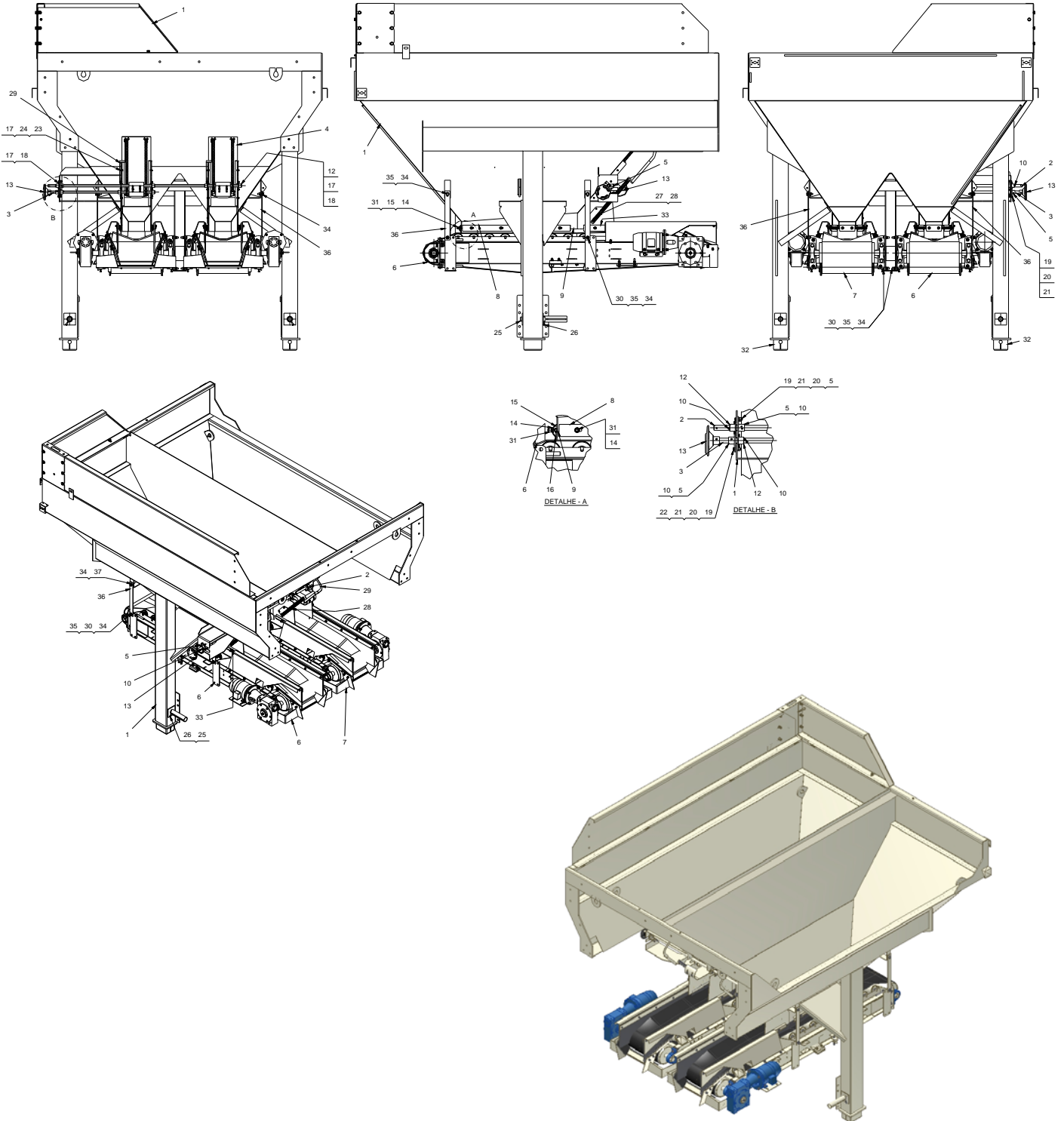
Page intentionally blank.

1.7. Brake kit – 34092565

Item	Code	Description	Quantity
01	30042431	Valve support	01
02	28011256	Air reservoir	02
03	28025549	Hose 3/8"x1100mm x M16	12
04	20026451	Drain valve M22x1,5 P/ TQE AR	02
05	20089810	Spring brake Kit	01
08	40025685	Pipe 10/7	50M
09	28092564	Connection 16x16	02
10	40025686	Pipe 16/12	50M

Page intentionally blank.

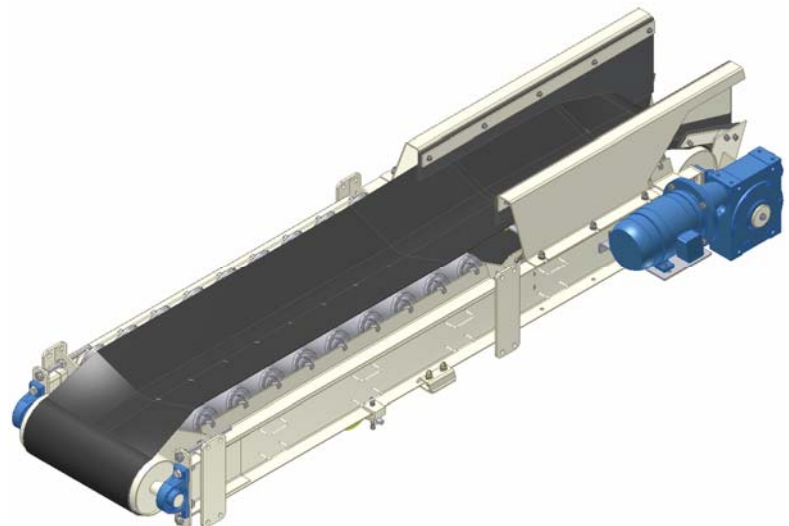
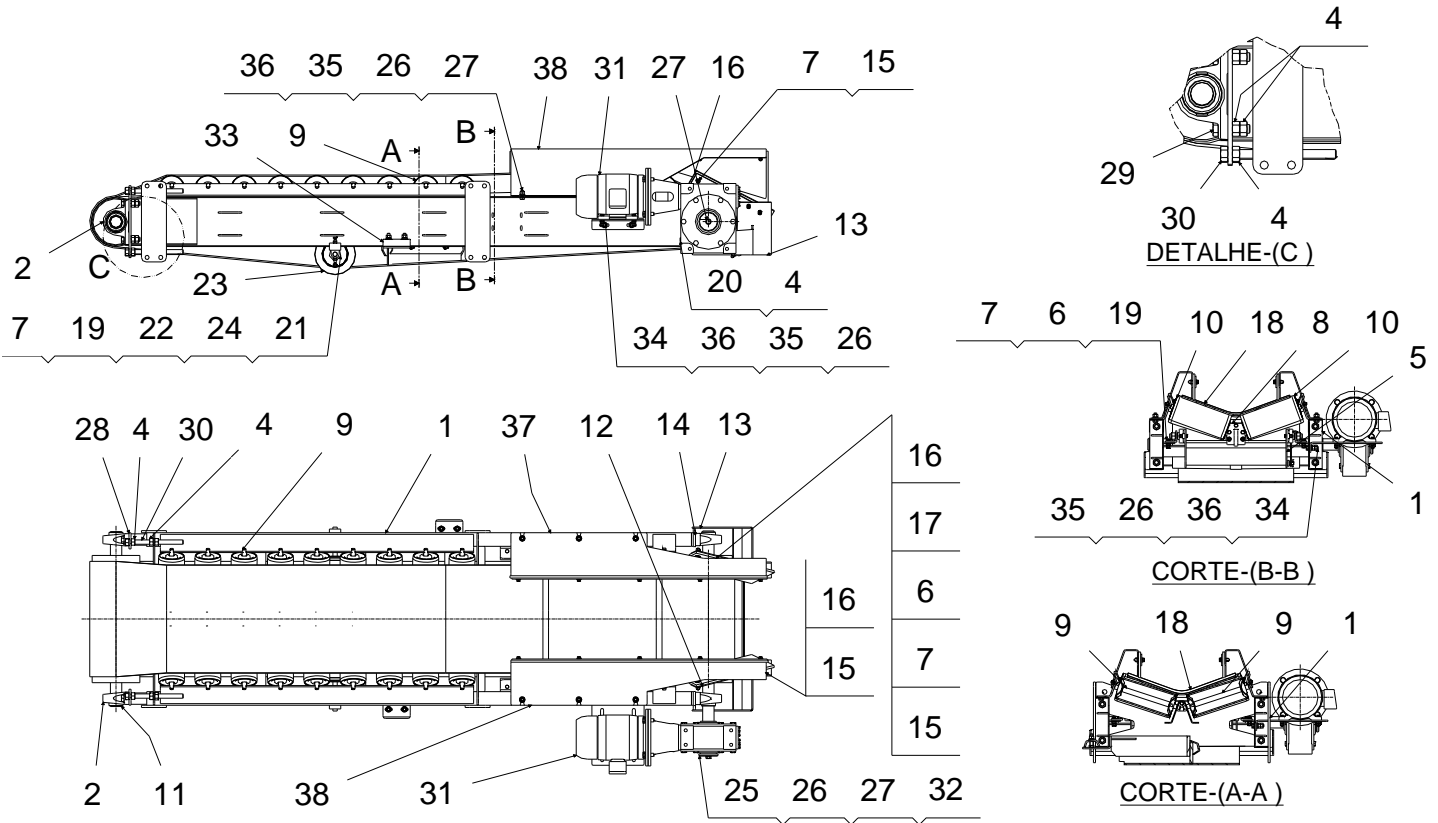
2. DOUBLE FRONT FEED BIN – 34093069



2. DOUBLE FRONT FEED BIN – 34093069

Item	Code	Description	Quantity
01	34079096c	Double front feed bin	01
02	34080153	Axle	01
03	34080142	Axle	01
04	34079606c	Doser floodgate	02
05	34094489c	Regulation of the floodgate	02
06	34093071	◀ Right feeder belt	01
07	34093070	◀ Left feeder belt	01
08	30016646c	Fastener	04
09	30094493	Rubber	04
10	24033539	Pin	05
11	30080163	Fastener	04
12	34080158c	Sleeve bearing	07
13	30080152	Steering wheel	01
14	24000017	Washer	24
15	30035793	Fastener	02
16	30080164	Rubber	02
17	24000072	Washer	36
18	24107322	Bolt	24
19	24006953	Bolt	02
20	24000350	Washer	02
21	24000065	Washer	02
22	24084474	Nut	02
23	24107323	Bolt	12
24	24107324	Nut	12
25	30080171	Pin	02
26	24000273	Bolt	02
27	24080173	Plate	02
28	30080174	Support	02
29	30080176	Pointer	02
30	24059393	Nut	20
31	24000345	Nut	24
32	34080460c	Foot	02
33	30039811c	Fastener	04
34	24051034	Bolt	24
35	24005005	Washer	24
36	30069739	Bar	04
37	24000355	Washer	04

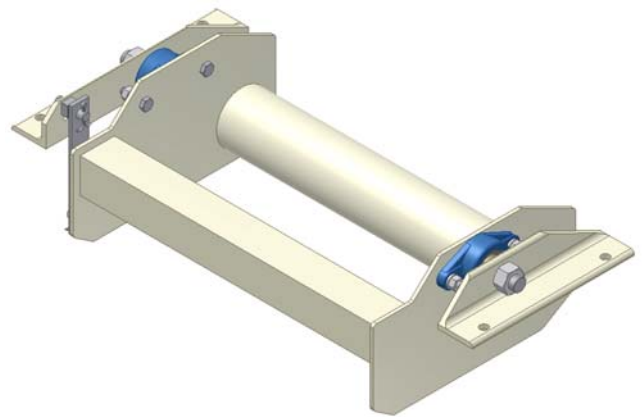
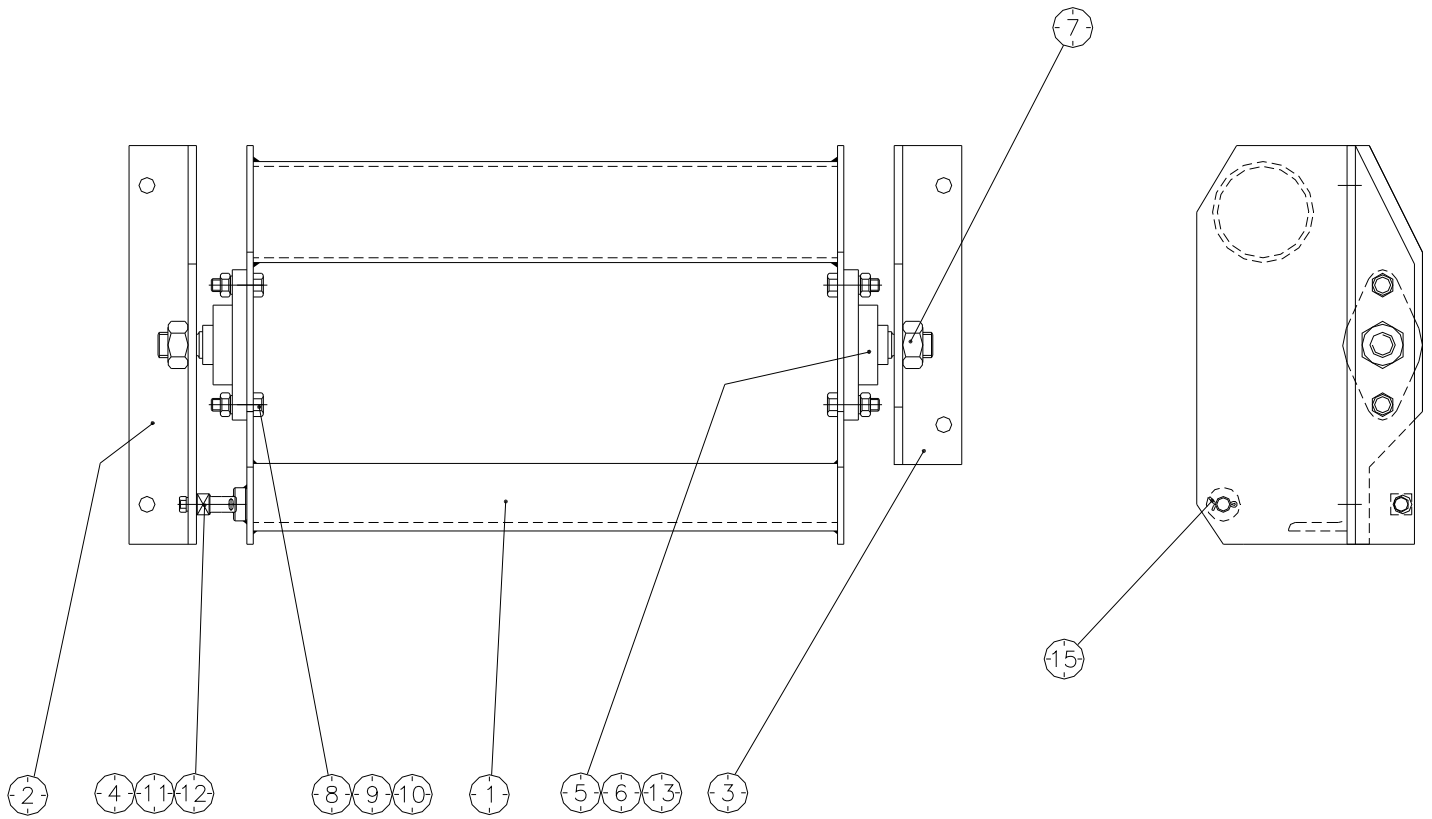
2.1. Right feeder belt – 34093071



2.1. Right feeder belt – 34093071

Item	Code	Description	Quantity
01	34069698	Chassis	01
02	26086835	Sleeve bearing	04
04	24000315	Nut	24
05	34039174	◀ Structure of the scale	01
06	24000350	Washer	10
07	24000022	Nut	24
08	38098575	Support	01
09	38075379	Load roller	20
10	38075377	Load roller	02
11	38088544	Drum	01
12	38088543	Drum	01
13	34040135	Chute	01
14	30020582	Washer	02
15	30034372	Fastener	02
16	30034371	Tarpaulin	02
17	24051028	Bolt	06
18	26040137	Conveyor 20"	01
19	24006953	Bolt	08
20	24033819	Bolt	04
21	38075378	Return roller	01
22	30004382	Sleeve bearing	02
23	30091078	Ring	02
24	24000290	Bolt	04
25	38075553	Lid / Cover	01
26	24000017	Washer	01
27	24000274	Bolt	01
28	34069732	Sliding	02
29	24000282	Bolt	04
30	38070779	Screw	04
31	---	◀ Right feeder belt drive	01
32	26032288	Gib	01
33	34083488	Scraper	01
34	24000276	Bolt	02
35	24000029	Washer	08
36	24000313	Nut	10
37	34081908	Scraper	01
38	34081907	Scraper	01
44	34083488	Scraper	01
45	34024206	Load cell	01

2.1.1. Structure of the scale – 34039174



2.1.1. Structure of the scale – 34039174

Item	Code	Description	Quantity
01	34039171	Structure of the scale	01
02	30039172	Support	01
03	30039173	Support	01
04	38075616	Pin	01
05	38075615	Axle	02
06	26039191	Sleeve bearing	02
07	24000315	Nut	02
08	24000205	Bolt	04
09	24000022	Nut	04
10	24000065	Washer	04
11	24000198	Bolt	01
12	24000072	Washer	01
13	26009003	Bearing	02
15	24001023	Cotter pin	02

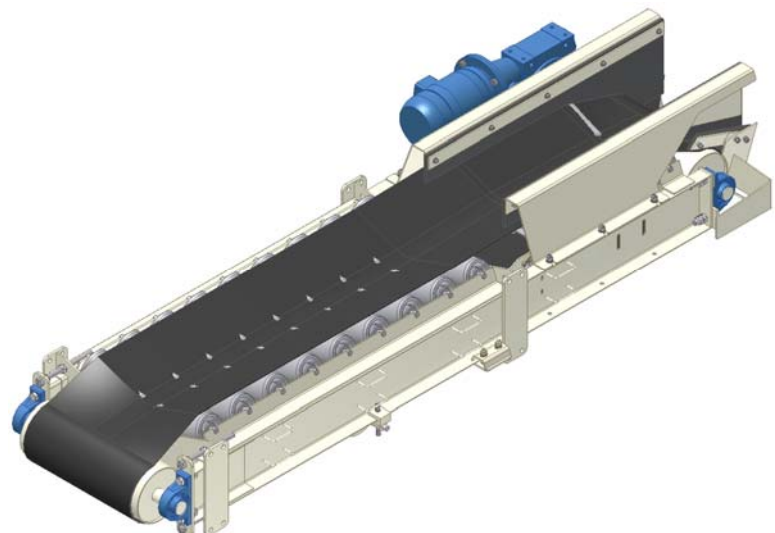
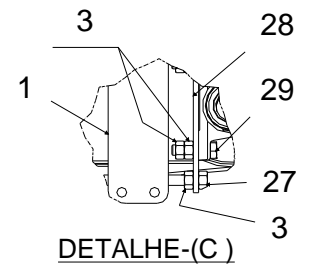
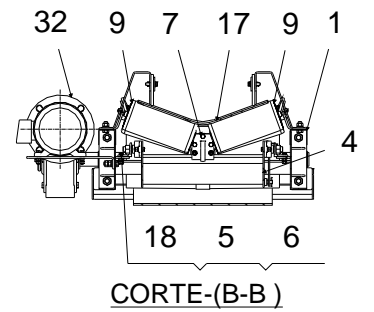
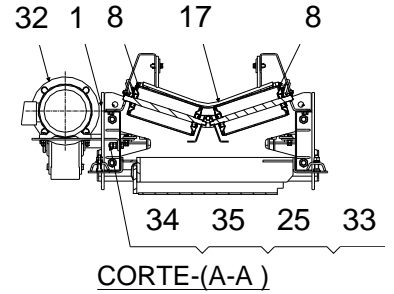
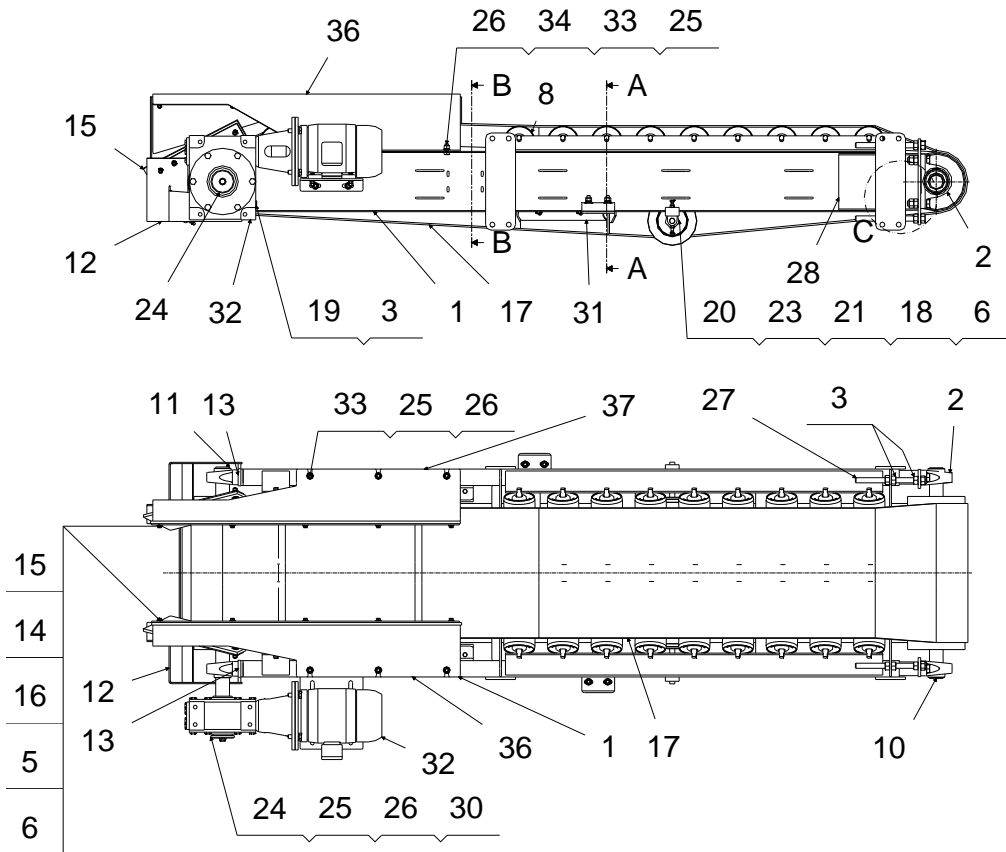
2.1.2. Right feeder belt drive



See catalog of drives

Page intentionally blank.

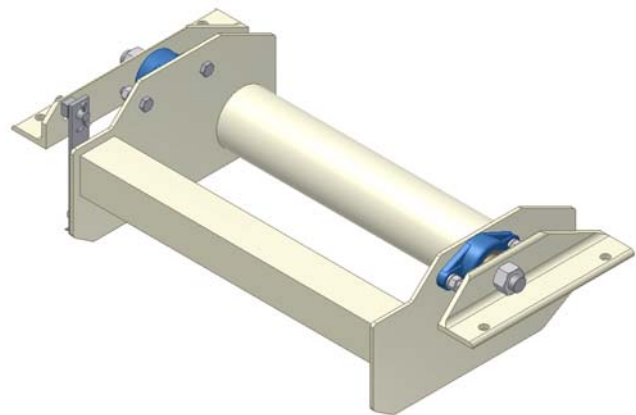
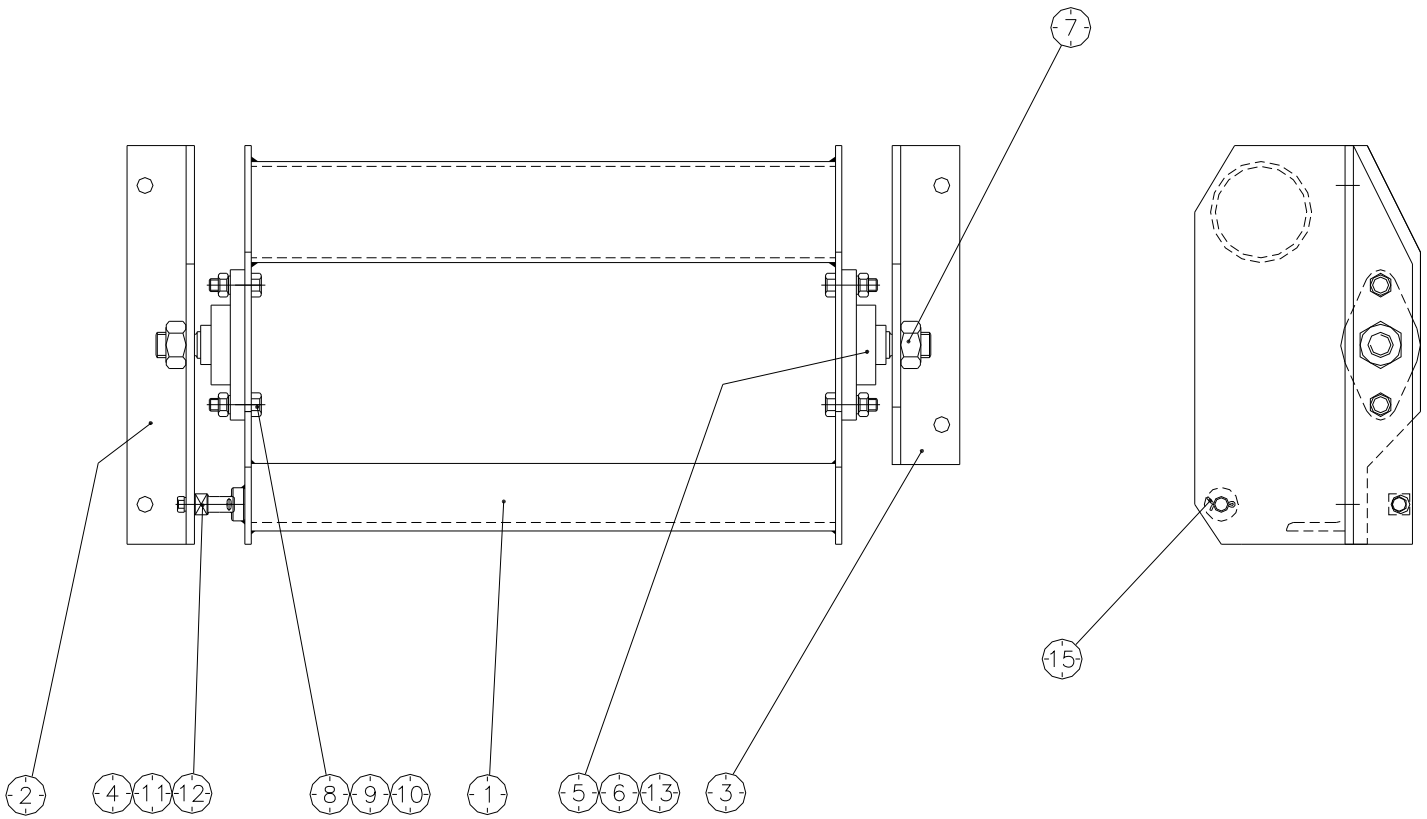
2.2. Left feeder belt – 34093070



2.2. Left feeder belt – 34093070

Item	Code	Description	Quantity
01	34069698	Chassis	01
02	26086835	Sleeve bearing	04
03	24000315	Nut	24
04	34039174	◀ Structure of the scale	01
05	24000350	Washer	10
06	24000022	Nut	24
07	38098575	Support	01
08	38075379	Load roller	20
09	38075377	Load roller	02
10	38088544	Drum	01
11	38088543	Drum	01
12	34040135	Chute	01
13	30020582	Washer	02
14	30034372	Fastener	02
15	30034371	Tarpaulin	02
16	24051028	Bolt	06
17	26040137	Conveyor 20"	01
18	24006953	Bolt	08
19	24033819	Bolt	04
20	38075378	Return roller	01
21	30004382	Sleeve bearing	02
22	30091078	Ring	02
23	24063306	Bolt	04
24	38075553	Lid / Cover	01
25	24000017	Washer	01
26	24000274	Bolt	01
27	38070779	Screw	04
28	34069732	Sliding	02
29	24000282	Bolt	04
30	26032288	Gib	01
31	34083483	Scraper	01
32	---	◀ Left feeder belt drive	01
33	24000029	Washer	08
34	24000313	Nut	10
35	24000276	Bolt	02
36	34081908	Scraper	01
37	34081907	Scraper	01

2.2.1. Structure of the scale – 34039174



2.2.1. Structure of the scale – 34039174

Item	Code	Description	Quantity
01	34039171	Structure of the scale	01
02	30039172	Support	01
03	30039173	Support	01
04	38075616	Pin	01
05	38075615	Axle	02
06	26039191	Sleeve bearing	02
07	24000315	Nut	02
08	24000205	Bolt	04
09	24000022	Nut	04
10	24000065	Washer	04
11	24000198	Bolt	01
12	24000072	Washer	01
13	26009003	Bearing	02
15	24001023	Cotter pin	02

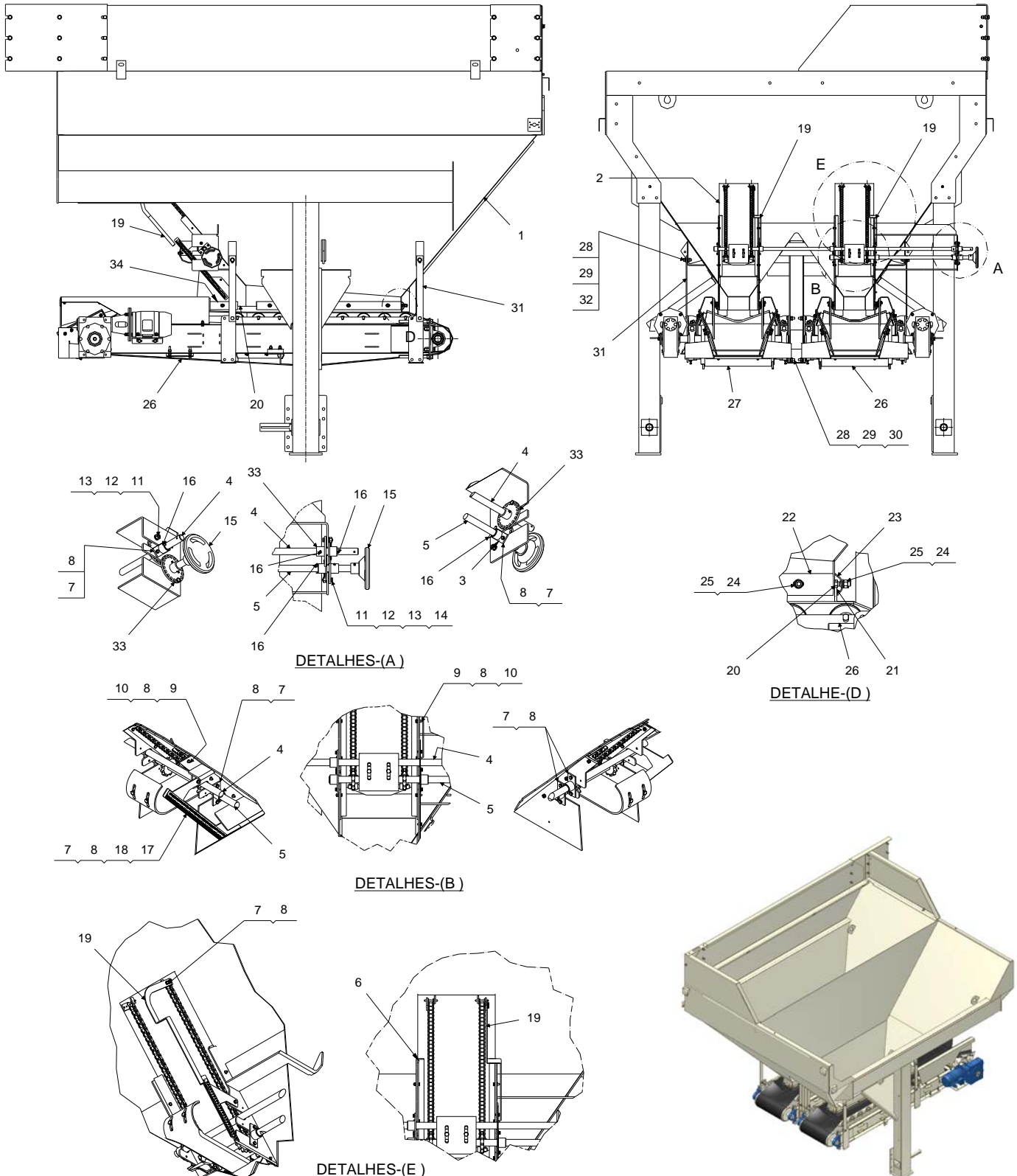
2.2.2. Left feeder belt drive



See catalog of drives

Page intentionally blank.

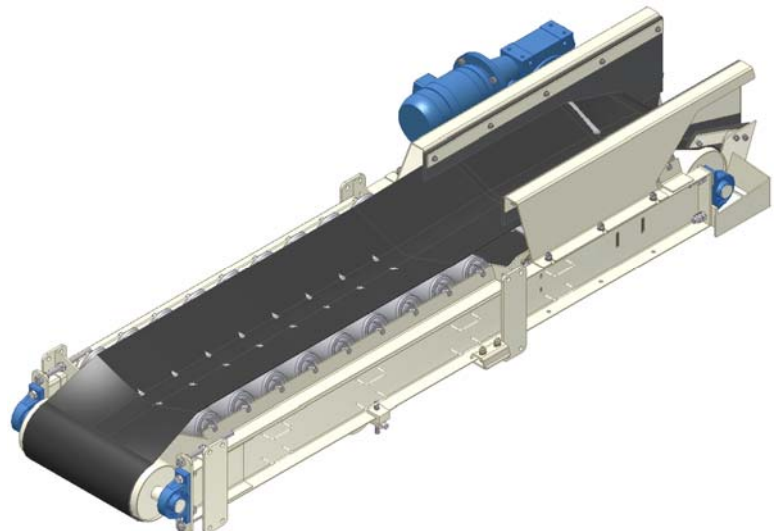
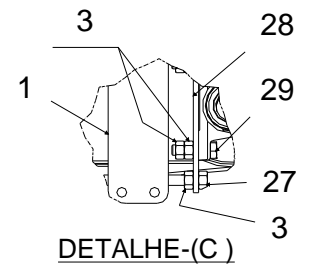
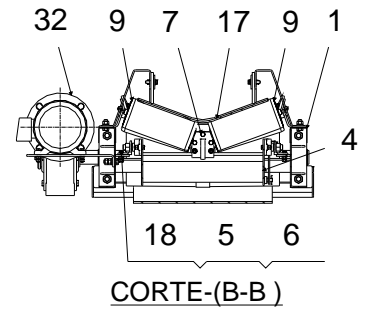
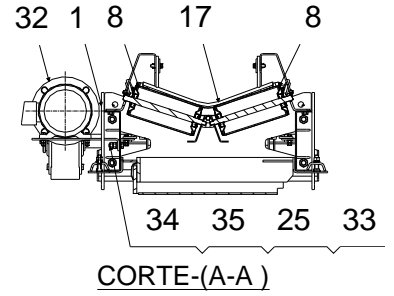
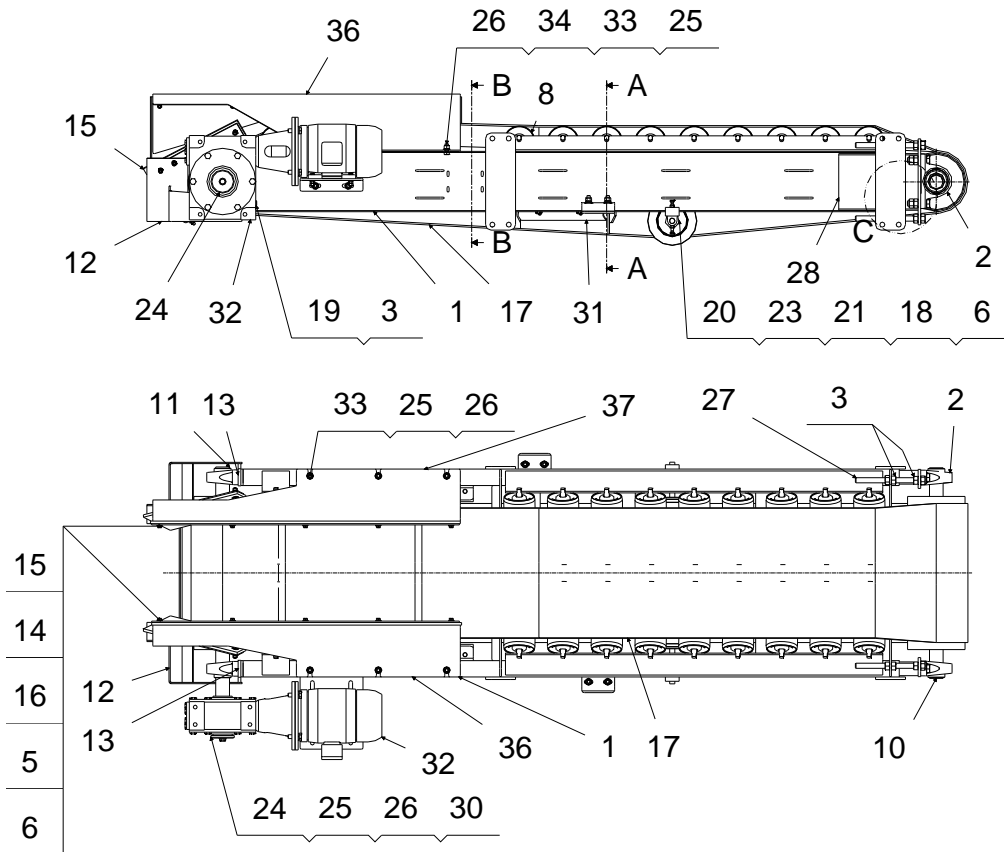
3. DOUBLE REAR FEED BIN – 34093075



3. DOUBLE REAR FEED BIN – 34093075

Item	Code	Description	Quantity
01	34079594c	Double rear feed bin	01
02	34079606c	Doser floodgate	02
03	34080158c	Sleeve bearing	07
04	34080153	Axle	01
05	34080142	Axle	01
06	30080163	Fastener	04
07	24107322	Bolt	24
08	24000072	Washer	36
09	24107323	Bolt	12
10	24107324	Nut	12
11	24006953	Bolt	02
12	24000350	Washer	02
13	24000065	Washer	02
14	24084474	Nut	02
15	30080152	Steering wheel	01
16	24033539	Pin	05
17	30080174	Support	02
18	24080173	Informative plate	02
19	30080182	Left pointer	02
20	30094493	Rubber	04
21	30080164	Rubber	02
22	30016646c	Fastener	04
23	30035793	Fastener	02
24	24000017	Washer	24
25	24000345	Nut	24
26	34093070	◀ Left feeder belt	01
27	34093071	◀ Right feeder belt	01
28	24051034	Bolt	24
29	24005005	Washer	24
30	24059393	Nut	20
31	30069739	Bar	04
32	24000355	Washer	04
33	34094489c	Regulation of the floodgate	02
34	30039811c	Fastener	04

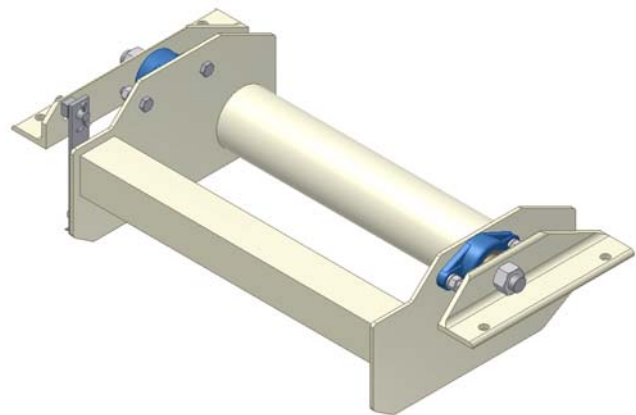
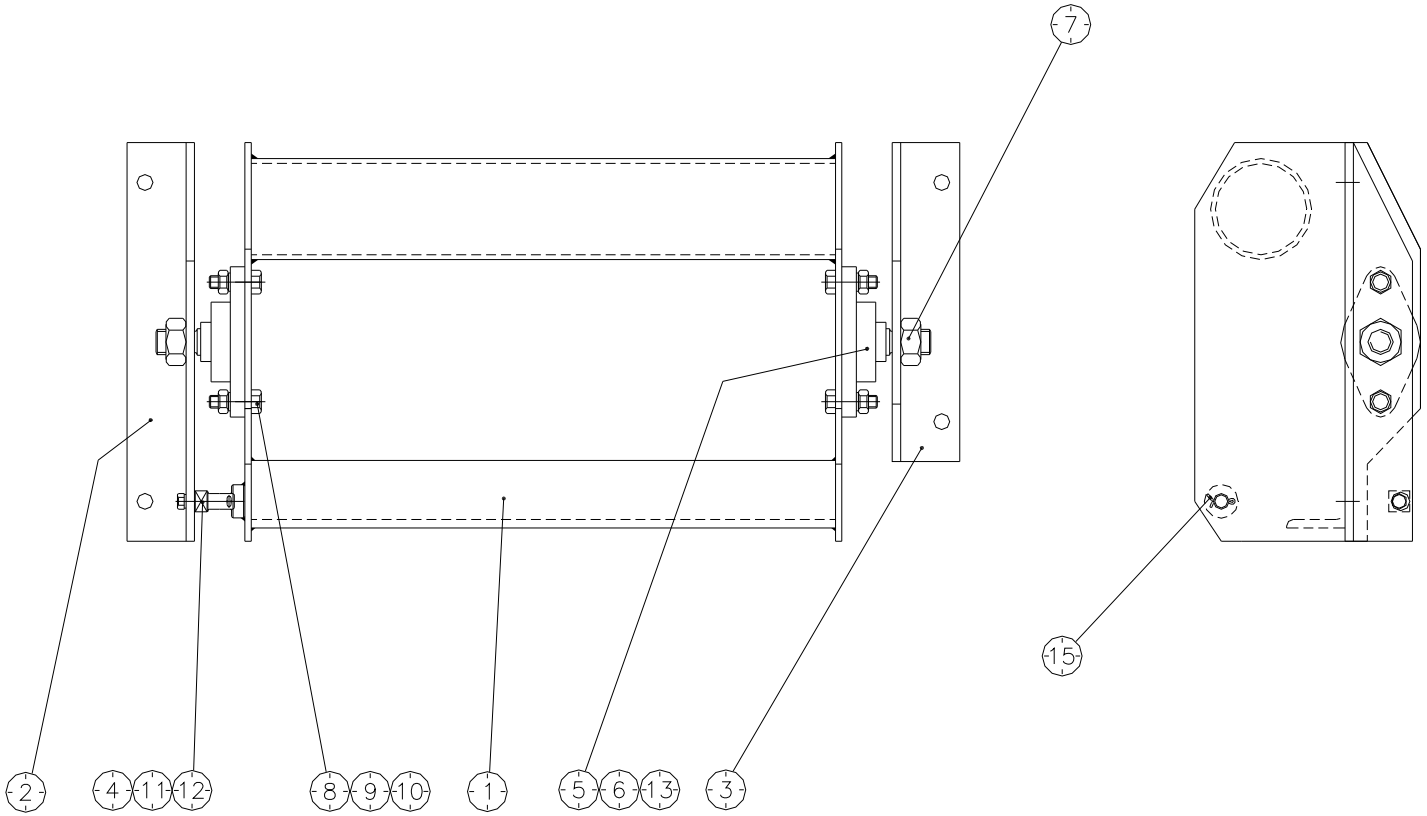
3.1. Left feeder belt – 34093070



3.1. Left feeder belt – 34093070

Item	Code	Description	Quantity
01	34069698	Chassis	01
02	26086835	Sleeve bearing	04
03	24000315	Nut	24
04	34039174	◀ Structure of the scale	01
05	24000350	Washer	10
06	24000022	Nut	24
07	38098575	Support	01
08	38075379	Load roller	20
09	38075377	Load roller	02
10	38088544	Drum	01
11	38088543	Drum	01
12	34040135	Chute	01
13	30020582	Washer	02
14	30034372	Fastener	02
15	30034371	Tarpaulin	02
16	24051028	Bolt	06
17	26040137	Conveyor 20"	01
18	24006953	Bolt	08
19	24033819	Bolt	04
20	38075378	Return roller	01
21	30004382	Sleeve bearing	02
22	30091078	Ring	02
23	24063306	Bolt	04
24	38075553	Lid / Cover	01
25	24000017	Washer	01
26	24000274	Bolt	01
27	38070779	Screw	04
28	34069732	Sliding	02
29	24000282	Bolt	04
30	26032288	Gib	01
31	34083483	Scraper	01
32	---	◀ Left feeder belt drive	01
33	24000029	Washer	08
34	24000313	Nut	10
35	24000276	Bolt	02
36	34081908	Scraper	01
37	34081907	Scraper	01

3.1.1. Structure of the scale – 34039174



3.1.1. Structure of the scale – 34039174

Item	Code	Description	Quantity
01	34039171	Structure of the scale	01
02	30039172	Support	01
03	30039173	Support	01
04	38075616	Pin	01
05	38075615	Axle	02
06	26039191	Sleeve bearing	02
07	24000315	Nut	02
08	24000205	Bolt	04
09	24000022	Nut	04
10	24000065	Washer	04
11	24000198	Bolt	01
12	24000072	Washer	01
13	26009003	Bearing	02
15	24001023	Cotter pin	02

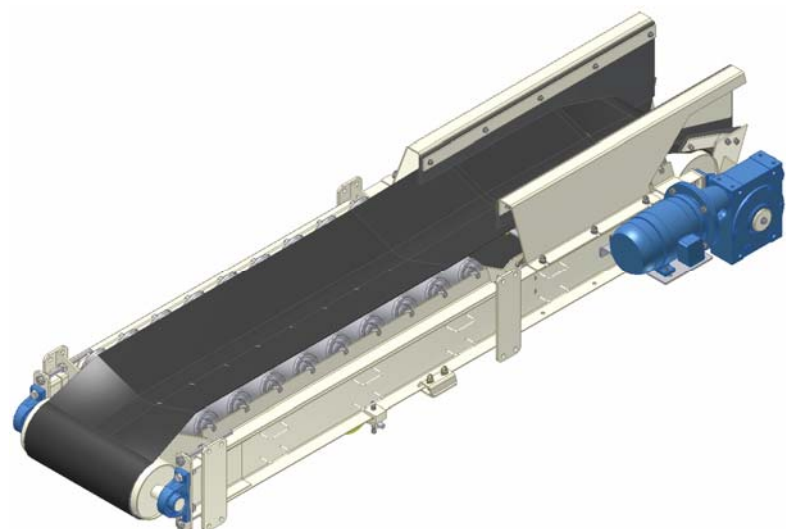
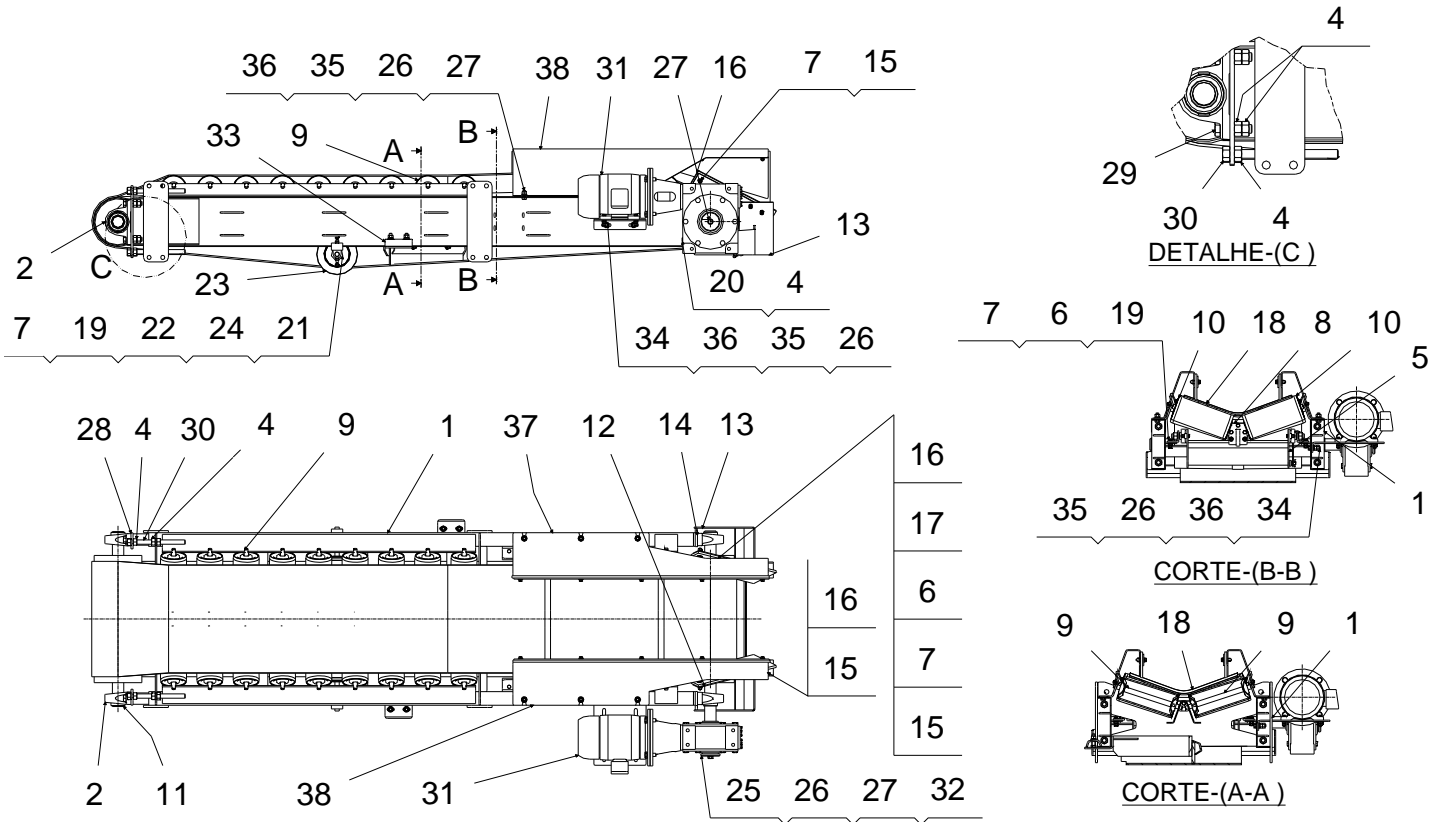
3.1.2. Left feeder belt drive



See catalog of drives

Page intentionally blank.

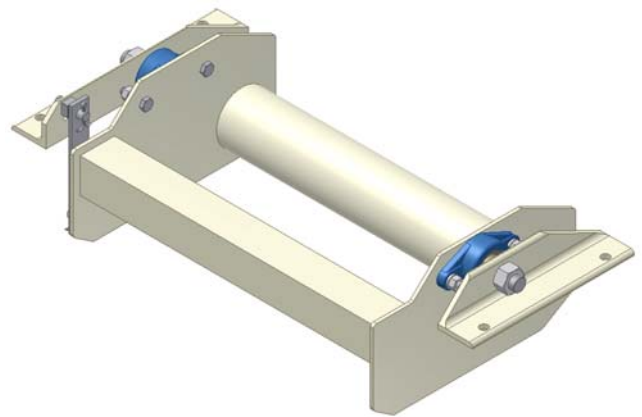
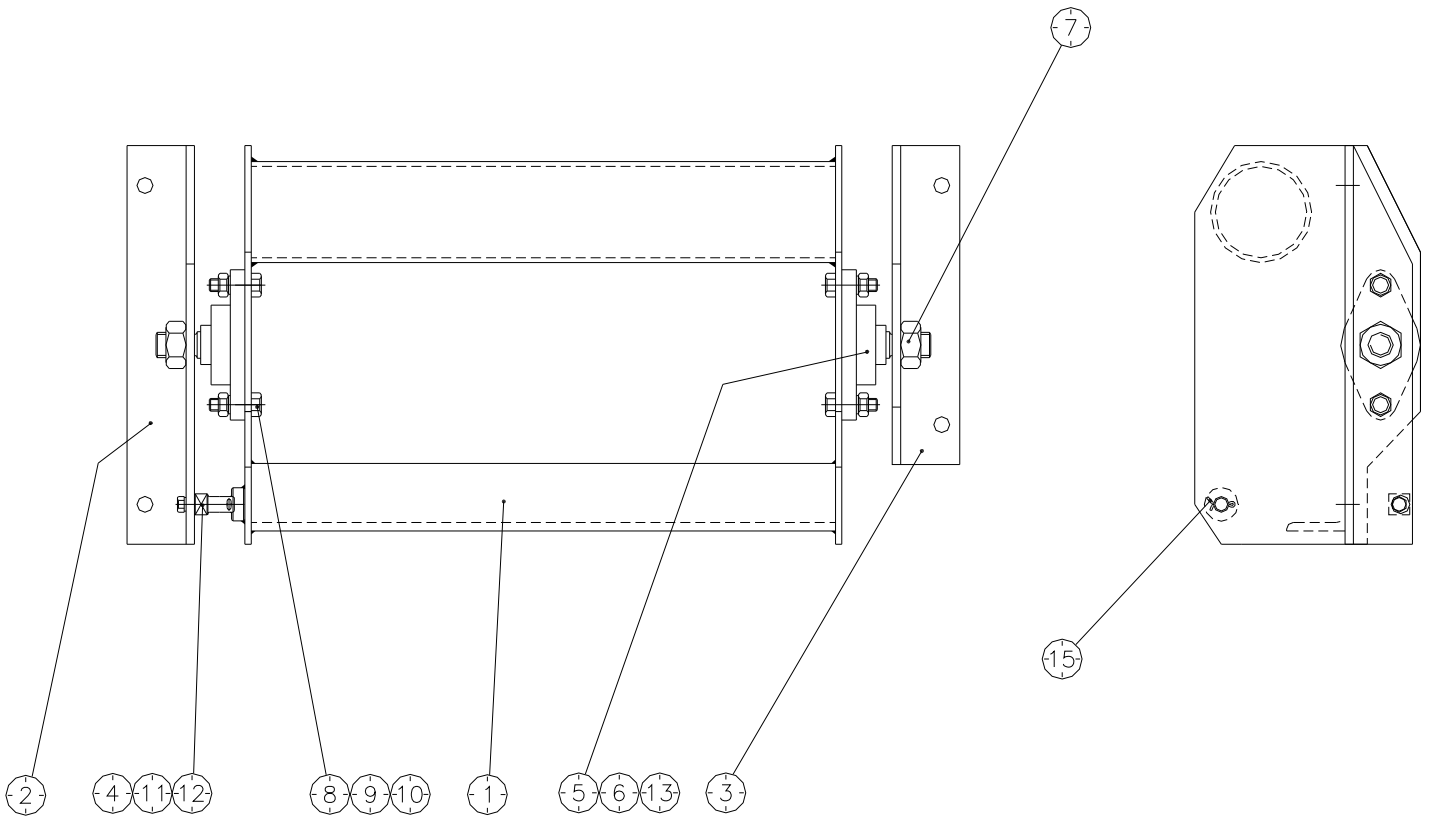
3.2. Right feeder belt – 34093071



3.2. Right feeder belt – 34093071

Item	Code	Description	Quantity
01	34069698	Chassis	01
02	26086835	Sleeve bearing	04
04	24000315	Nut	24
05	34039174	◀ Structure of the scale	01
06	24000350	Washer	10
07	24000022	Nut	24
08	38098575	Support	01
09	38075379	Load roller	20
10	38075377	Load roller	02
11	38088544	Drum	01
12	38088543	Drum	01
13	34040135	Chute	01
14	30020582	Washer	02
15	30034372	Fastener	02
16	30034371	Tarpaulin	02
17	24051028	Bolt	06
18	26040137	Conveyor 20"	01
19	24006953	Bolt	08
20	24033819	Bolt	04
21	38075378	Return roller	01
22	30004382	Sleeve bearing	02
23	30091078	Ring	02
24	24000290	Bolt	04
25	38075553	Lid / Cover	01
26	24000017	Washer	01
27	24000274	Bolt	01
28	34069732	Sliding	02
29	24000282	Bolt	04
30	38070779	Screw	04
31	---	◀ Right feeder belt drive	01
32	26032288	Gib	01
33	34083488	Scraper	01
34	24000276	Bolt	02
35	24000029	Washer	08
36	24000313	Nut	10
37	34081908	Scraper	01
38	34081907	Scraper	01
44	34083488	Scraper	01
45	34024206	Load cell	01

3.2.1. Structure of the scale – 34039174



3.2.1. Structure of the scale – 34039174

Item	Code	Description	Quantity
01	34039171	Structure of the scale	01
02	30039172	Support	01
03	30039173	Support	01
04	38075616	Pin	01
05	38075615	Axle	02
06	26039191	Sleeve bearing	02
07	24000315	Nut	02
08	24000205	Bolt	04
09	24000022	Nut	04
10	24000065	Washer	04
11	24000198	Bolt	01
12	24000072	Washer	01
13	26009003	Bearing	02
15	24001023	Cotter pin	02

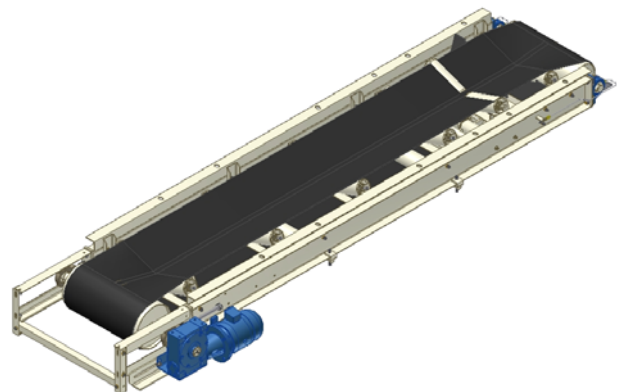
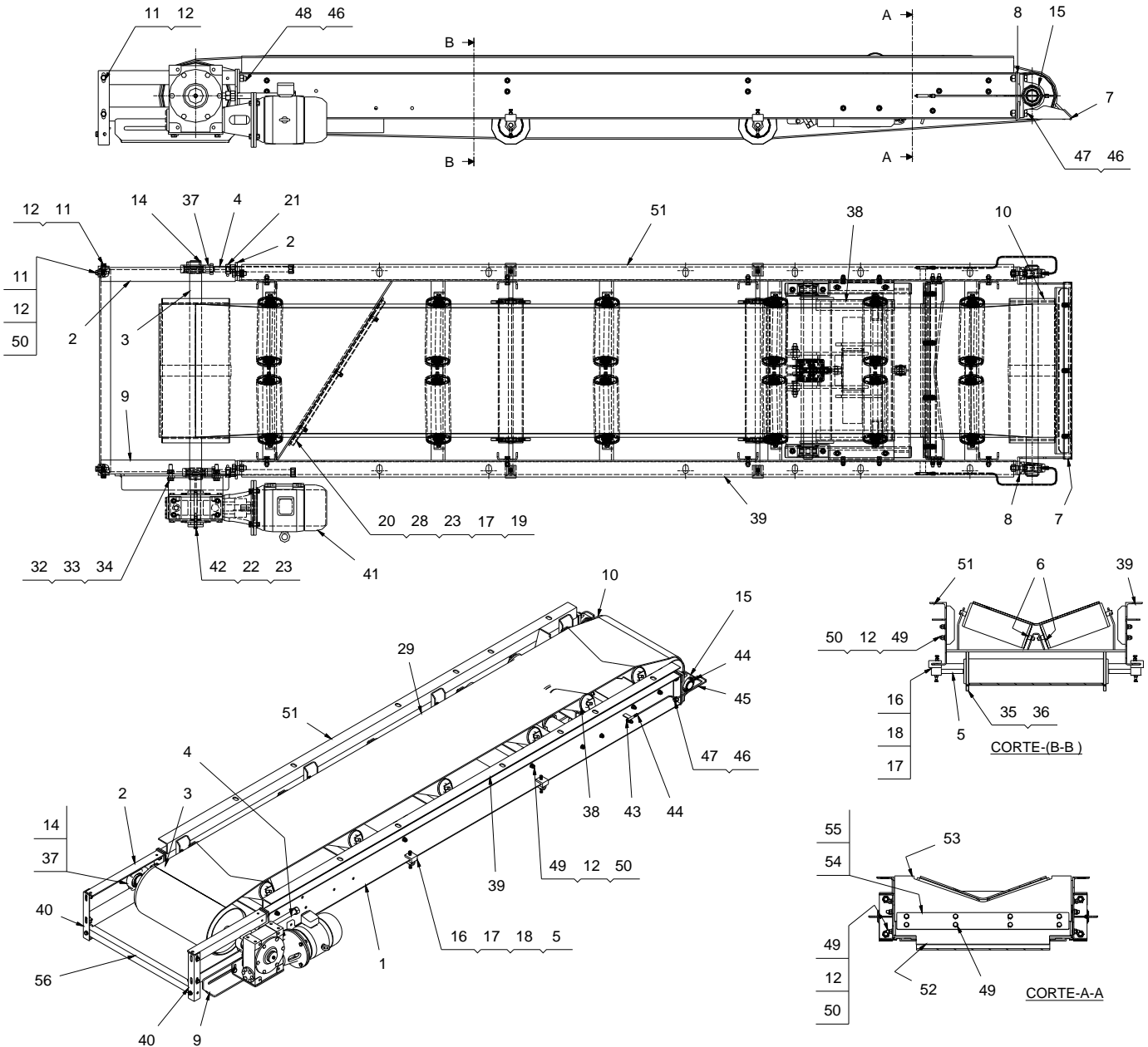
3.2.2. Right feeder belt drive



See catalog of drives

Page intentionally blank.

4. CONVEYOR – 34079092



4. CONVEYOR – 34079092

Item	Code	Description	Quantity
01	34080526	Chassis	01
02	34010330	Sliding	01
03	38088548	Rear drum	01
04	38053405	Screw	02
05	38075375	Return roller	02
06	38084870	Load roller	10
07	34104059	Scraper	01
08	30020582	Washer	02
09	34083695	Sliding	01
10	38089514	Front drum	01
11	24000036	Bolt	06
12	24000017	Washer	38
14	26000728	Bearing	02
15	26086835	Sleeve bearing	02
16	30004382	Sleeve bearing	04
17	24000022	Nut	11
18	24006953	Bolt	08
19	30024288	Rubber	01
20	30012951	Fastener	01
21	24000317	Nut	02
22	38051707	Washer	01
23	24000065	Washer	04
27	30043346	Gib	01
28	24000350	Washer	03
29	26072373	Conveyor 24"	01
32	24079573	Nut	02
33	24005005	Washer	04
34	24001108	Bolt	02
35	30091078	Limiter ring	04
36	24010870	Bolt	08
37	26000710	Sleeve bearing	02
38	---	← Scale	01
39	34080536	Guide	01
40	34098775	Support	02
41	---	← Conveyor belt drive	01
42	24000273	Bolt	01
43	28011853	Grease nipple	02
44	28008481	Joint	04
45	30030608	Pipe	02
46	24006984	Nut	08
47	24059254	Bolt	04
48	24000281	Bolt	04
49	24000275	Bolt	28
50	24006986	Nut	34
51	34080714	Guide	01
52	30080786	Scraper	01
53	30080787c	Scraper	01
54	30080792	Fastener	01
55	30080781	Support	01
57	30107850	Reinforcement	01

4.1. Scale



See catalog of optional items

Page intentionally blank.

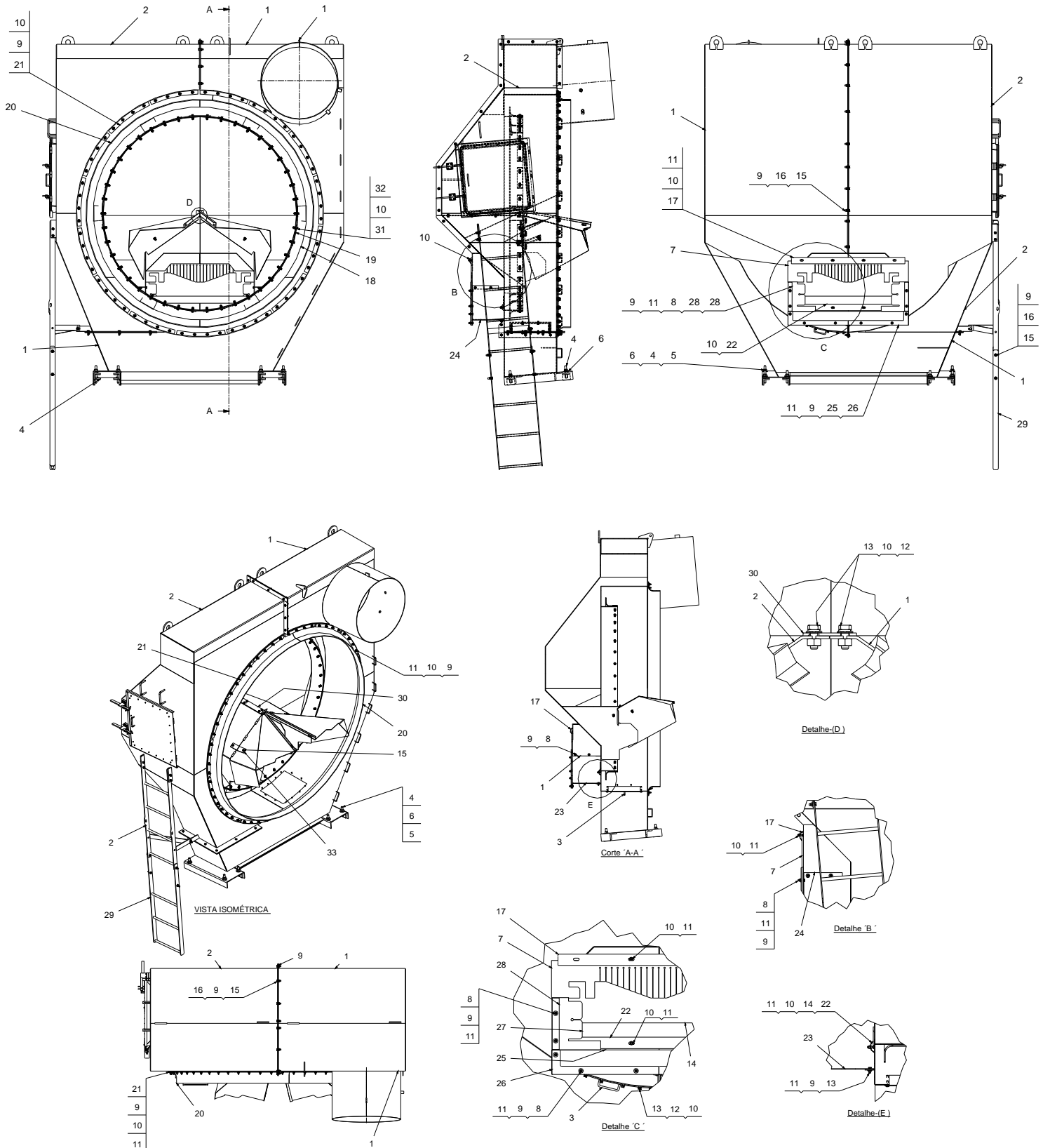
4.2. Conveyor belt drive



See catalog of drives

Page intentionally blank.

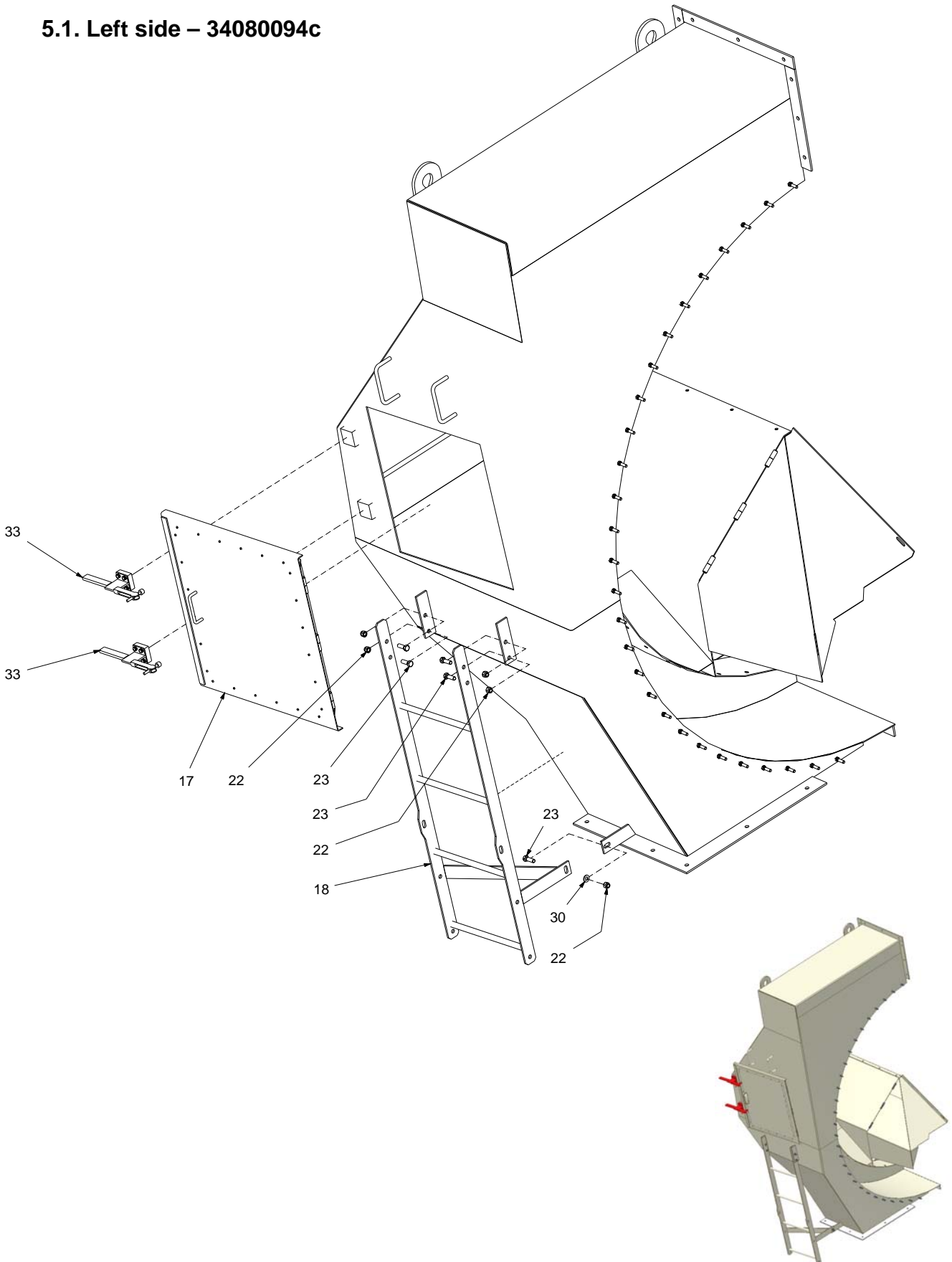
5. SUCTION CHAMBER – 34079095



5. SUCTION CHAMBER – 34079095

Item	Code	Description	Quantity
01	34080098c	Right side	01
02	34080094c	◀ Left side	01
03	34072136c	Cover for cleanness	01
04	38073843	Fastener	08
05	24006984	Nut	08
06	24000352	Washer	08
07	30089441	Scraper	01
08	24051028	Bolt	14
09	24000017	Washer	112
10	24000350	Washer	170
11	24080479	Nut	84
12	24000065	Washer	20
13	24000272	Bolt	24
14	30081465	Seal	01
15	24000275	Bolt	34
16	24006986	Nut	34
17	30016646c	Fastener	01
18	30104438	Seal	06
19	30104439	Fastener	21
20	30080095	Sealingstrip	01
21	30080096	Clamp	15
22	30081466	Fastener	01
23	30080782c	Support	01
24	30080788c	Support	01
25	30089438	Scraper	01
26	30080790	Fastener	02
27	30089439	Scraper	02
28	30080791	Fastener	02
29	34080672	Stair	01
30	30104025c	Closing	01
31	24051029	Bolt	42
32	24084474	Nut	84
33	30107711	Support	02

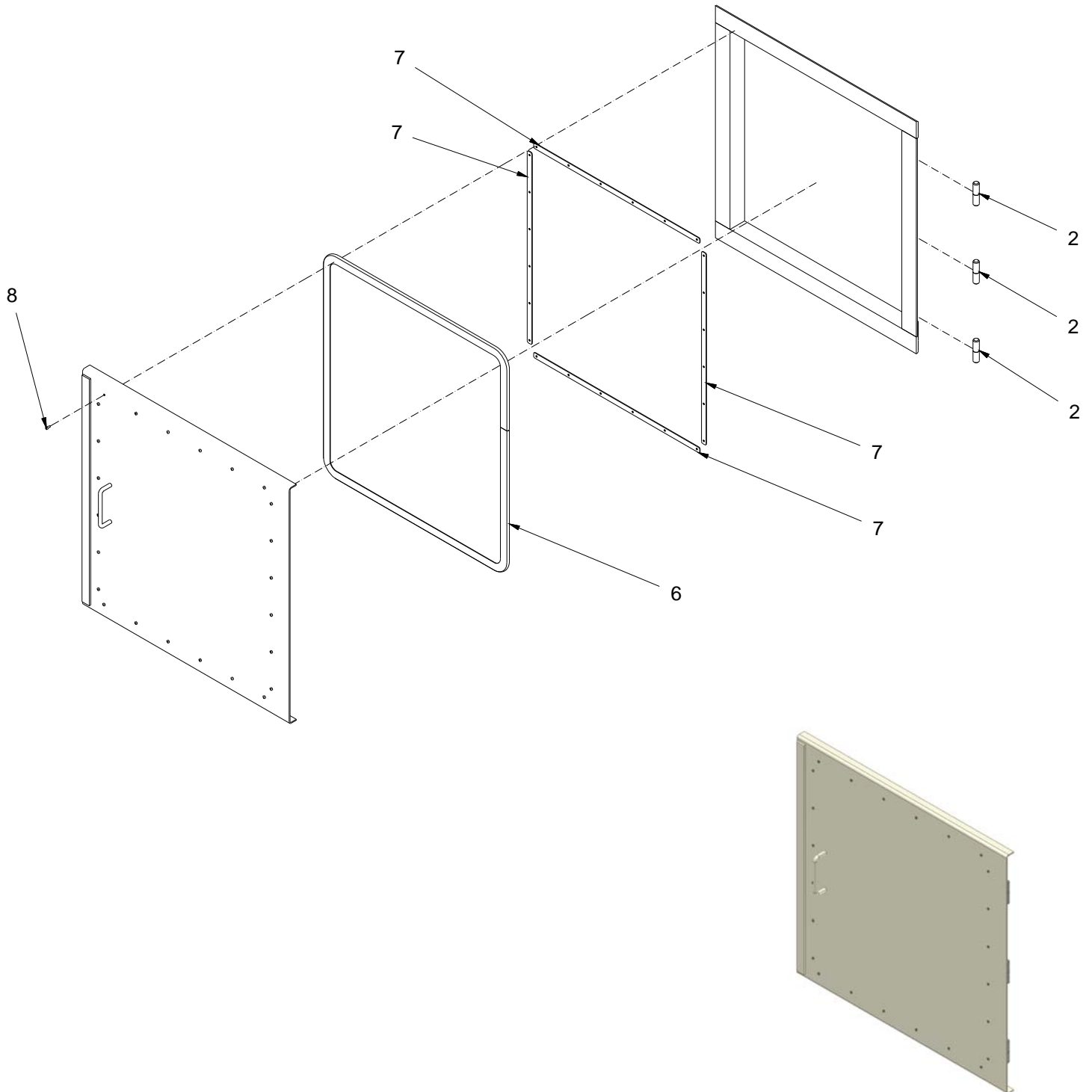
5.1. Left side – 34080094c



5.1. Left side – 34080094c

Item	Code	Description	Quantity
17	34080658	◀ Inspection door	01
18	34080675	Ladder	01
22	24006986	Nut	05
23	24000275	Bolt	05
30	24000017	Washer	01
33	34080680	Spring clamp	02

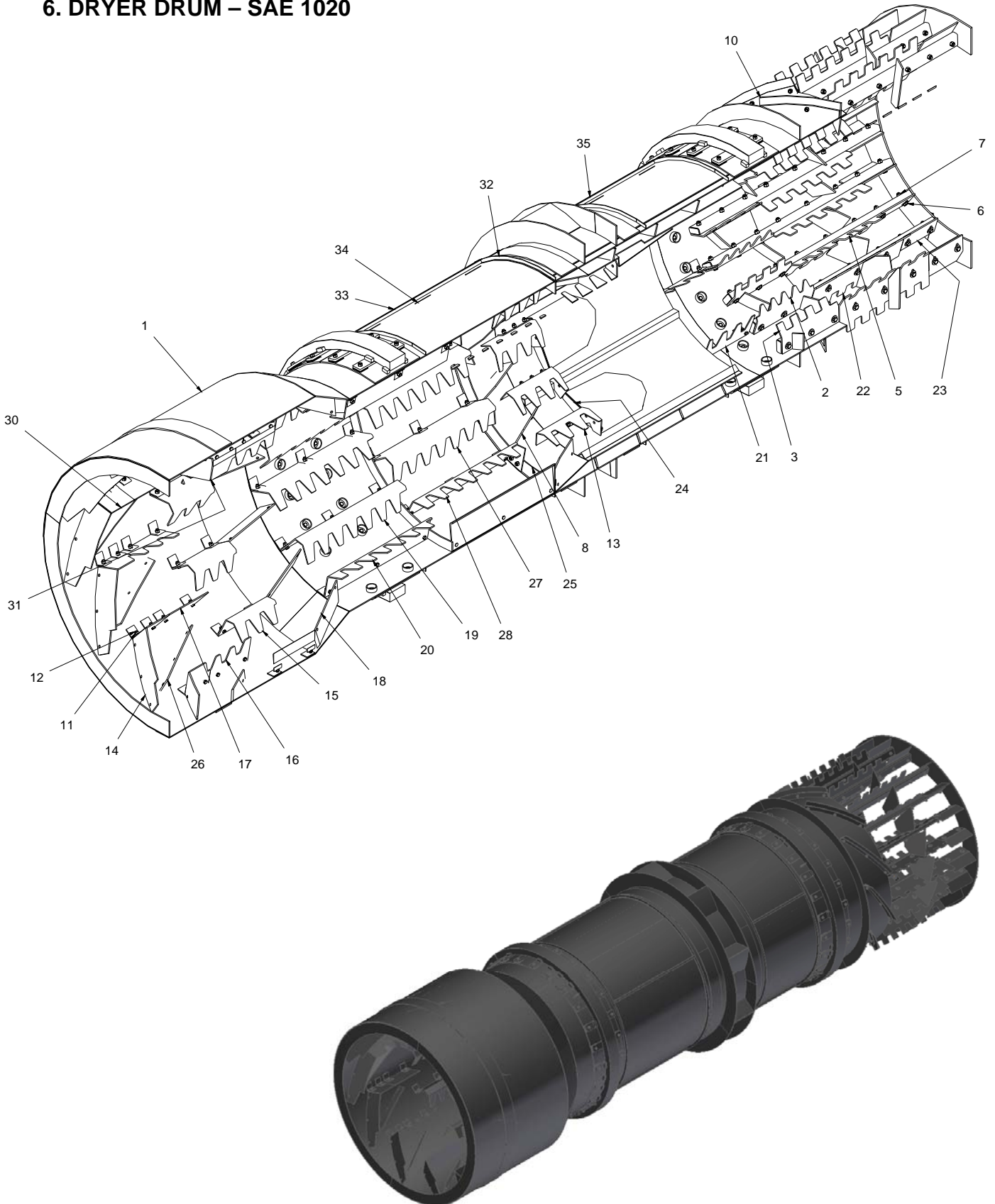
5.1.1. Inspection door – 34080658



5.1.1. Inspection door – 34080658

Item	Code	Description	Quantity
02	34027493	Hinge	03
06	30080718	Rubber	01
07	30080717	Fastener	04
08	24010985	Rivet	24

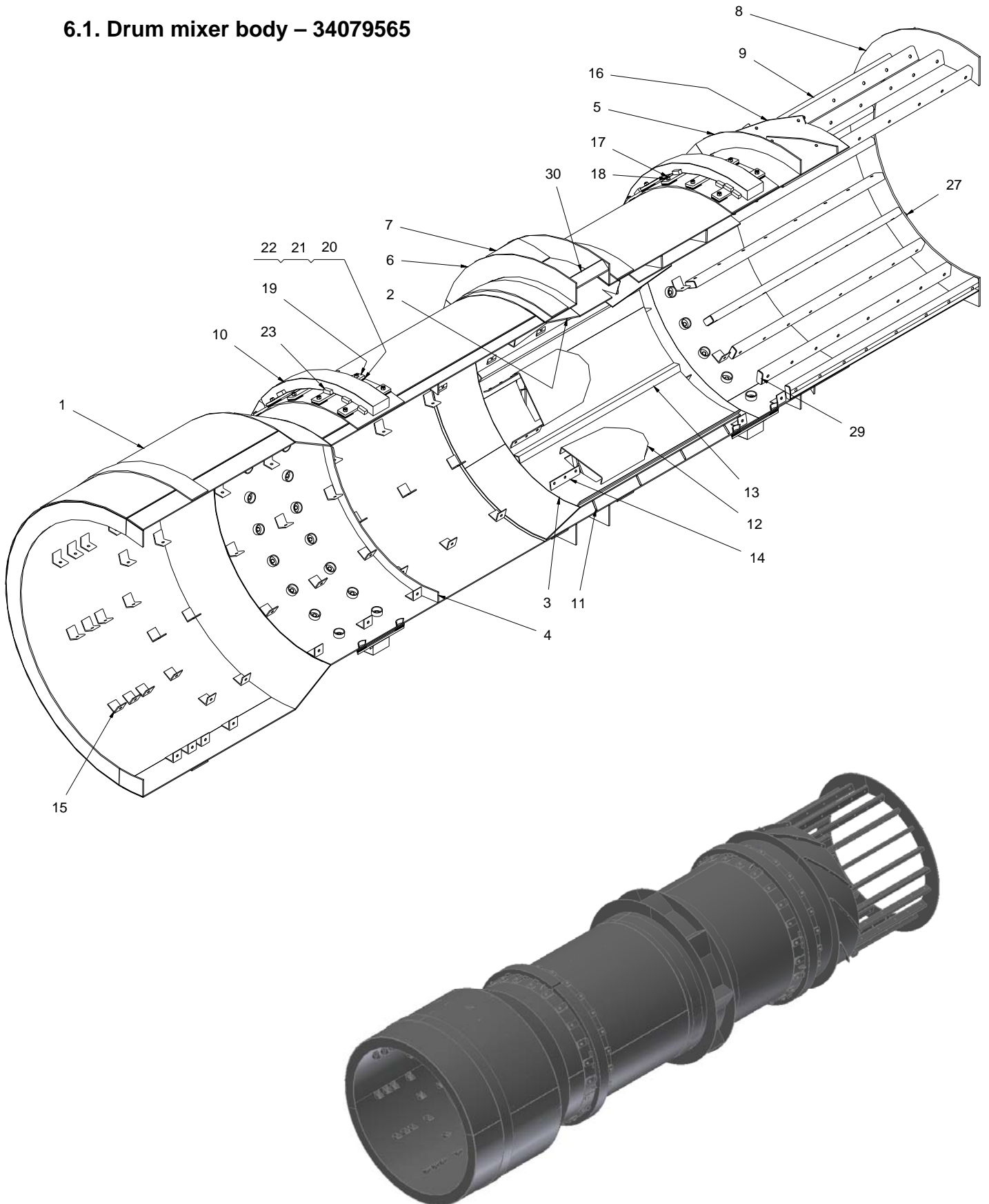
6. DRYER DRUM – SAE 1020



6. DRYER DRUM – SAE 1020

Item	Code	Description	Quantity
01	34079565	◀ Drum mixer body	01
02	34076936	Flight with teeth	10
03	34076934	Flight with teeth	10
04	24000352	Washer	52
05	34083544	Flight with teeth	10
06	24033819	Bolt	166
07	24006984	Nut	166
08	30079578	Union flight	12
10	40079582	External flight	10
11	24079573	Nut	254
12	24006981	Bolt	254
13	34089447	Flight with teeth	12
14	30089448	Flight of entry	12
15	30055398	Flight with teeth	12
16	30095049	Straight flight with teeth	06
17	30095050	Flight	06
18	30070707	Union flight	12
19	30020417	Flight with teeth	06
20	30059735	Flight with teeth	06
21	30057783	Straight flight with teeth	10
22	34083545	Flight with teeth	10
23	30075087	Flight of exit	20
24	30098790	Closing	08
25	30087754	Retainer flange	12
26	30087758	Flight of entry	12
27	34089445	Flight with teeth	06
28	34089446	Flight with teeth	06
30	30095006	Flight	06
31	30095007	Flight	06
32	30115200	Ring spacer	08
33	30118420	Angle	04
34	30116561	Wire	40
35	30065200	Angle	04

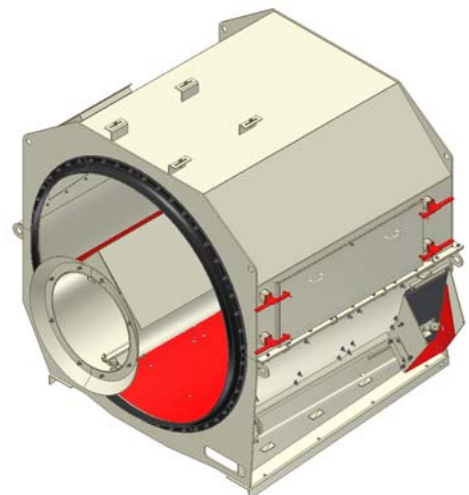
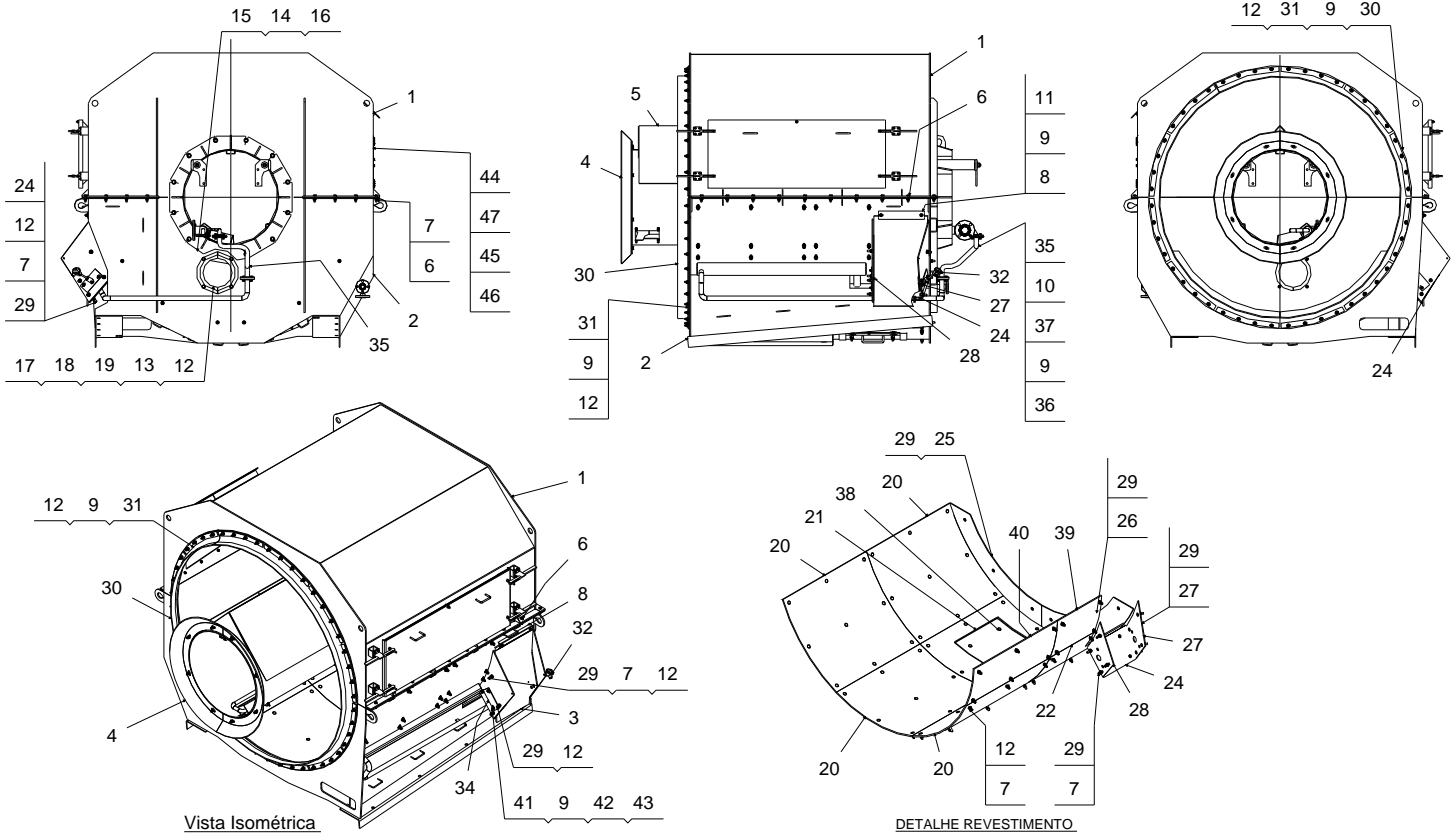
6.1. Drum mixer body – 34079565



6.1. Drum mixer body – 34079565

Item	Code	Description	Quantity
01	38079547	Frame	01
02	30072155	Internal cone	02
03	30072154	Entire body	02
04	30054029	Internal flange	03
05	30069418	Split flange	02
06	30072158	Flange	04
07	30072223	Closing	08
08	30075085	Split flange	02
09	30075086	Support	20
10	38079567	Ring of the drier	02
11	30072156	Flight	32
12	30072293	Box	08
13	30072294	Angle	08
14	30076937	Support	12
15	30079570	Support	164
16	30079577	Support	10
17	24001108	Bolt	96
18	24079573	Nut	96
19	30079568	Support	48
20	30072415c	Spacer	96
21	30072414c	Spacer	192
22	30072412	Washer	96
23	30072424	Bar	80
24	30110978	Plate	08
26	30097255	Support	16
27	30097254	Plate	03
29	30084059	Closing	20

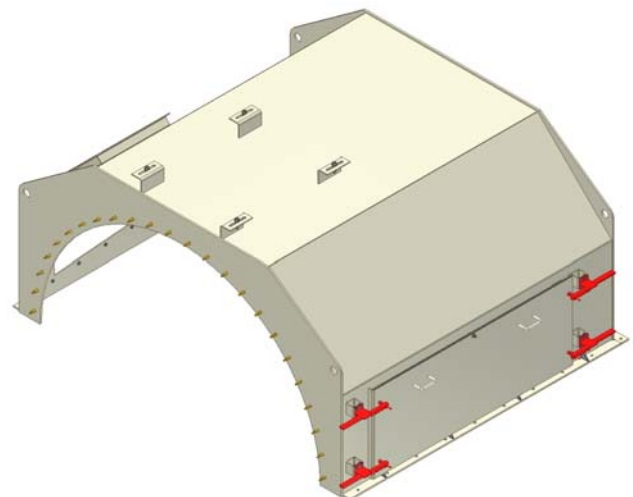
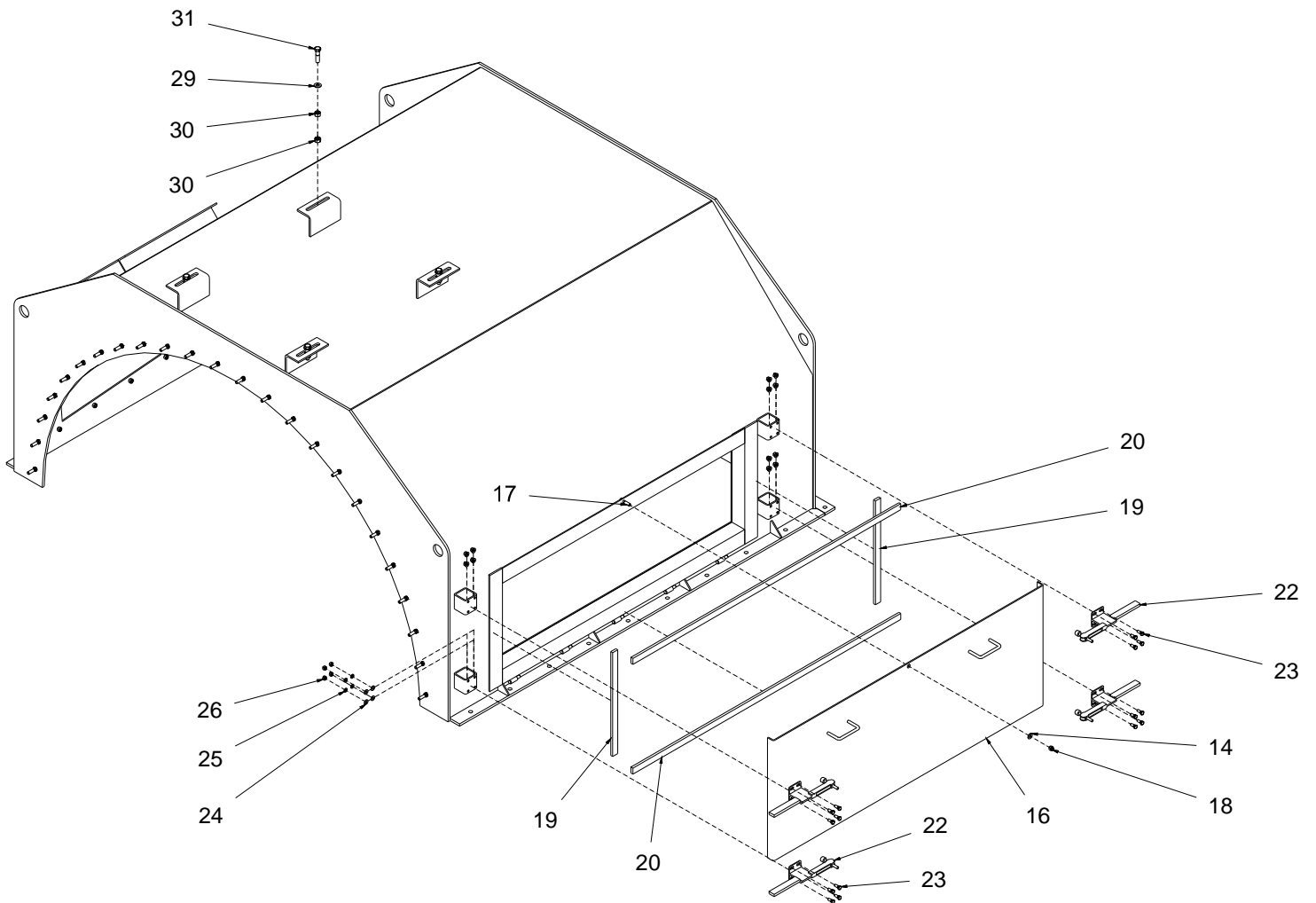
7. COMBUSTION CHAMBER – 34080052



7. COMBUSTION CHAMBER – 34080052

Item	Code	Description	Quantity
01	34096803c	◀ Top frame of the combustion chamber	01
02	34091250	Bottom frame	01
03	30083354	Lid	01
04	34060180	Cone	02
05	34091253	Duct	01
06	24000276	Bolt	26
07	24006986	Nut	108
08	30005377	Fastener	01
09	24000350	Washer	58
10	30018932	Seal	02
11	24080479	Nut	50
12	24000017	Washer	126
13	24000029	Washer	04
14	24000355	Washer	11
15	24005005	Washer	11
16	24051034	Bolt	11
17	30091255	Seal	01
18	30091256	Flange	01
19	24000277	Bolt	04
20	40080064	Wear Plate	04
21	40080066	Wear Plate	01
22	40080068	Wear Plate	01
23	40079661	Wear Plate	01
24	40080061	Wear Plate	01
25	40079663	Wear Plate	01
26	40079664	Wear Plate	01
27	40080059	Wear Plate	01
28	40080060	Wear Plate	01
29	24070111	Bolt	18
30	30079665	Sealingstrip	01
31	30080069	Clamp	12
32	34087799	PT-100	01
33	30080523	Support	03
34	30096811	Lid / Cover	01
35	28078961	Flexible metallic pipe 1" m/flange x 800	01
36	24000343	Nut	08
37	24006953	Bolt	08
38	24094939	Bolt	56
39	40096813	Wear Plate	01
40	40096814	Wear Plate	01
41	24006979	Bolt	04
42	24000080	Washer	04
43	24000312	Nut	04
44	30096812	Lid / Cover	01
45	24000065	Washer	10
46	24000272	Bolt	10
47	40085122	Band 3,0x 50,8	1,7M

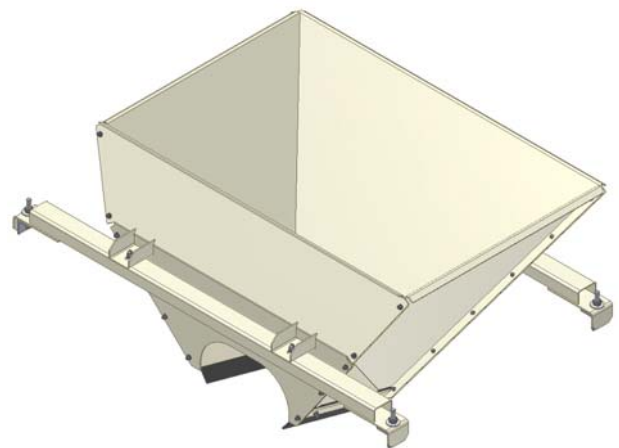
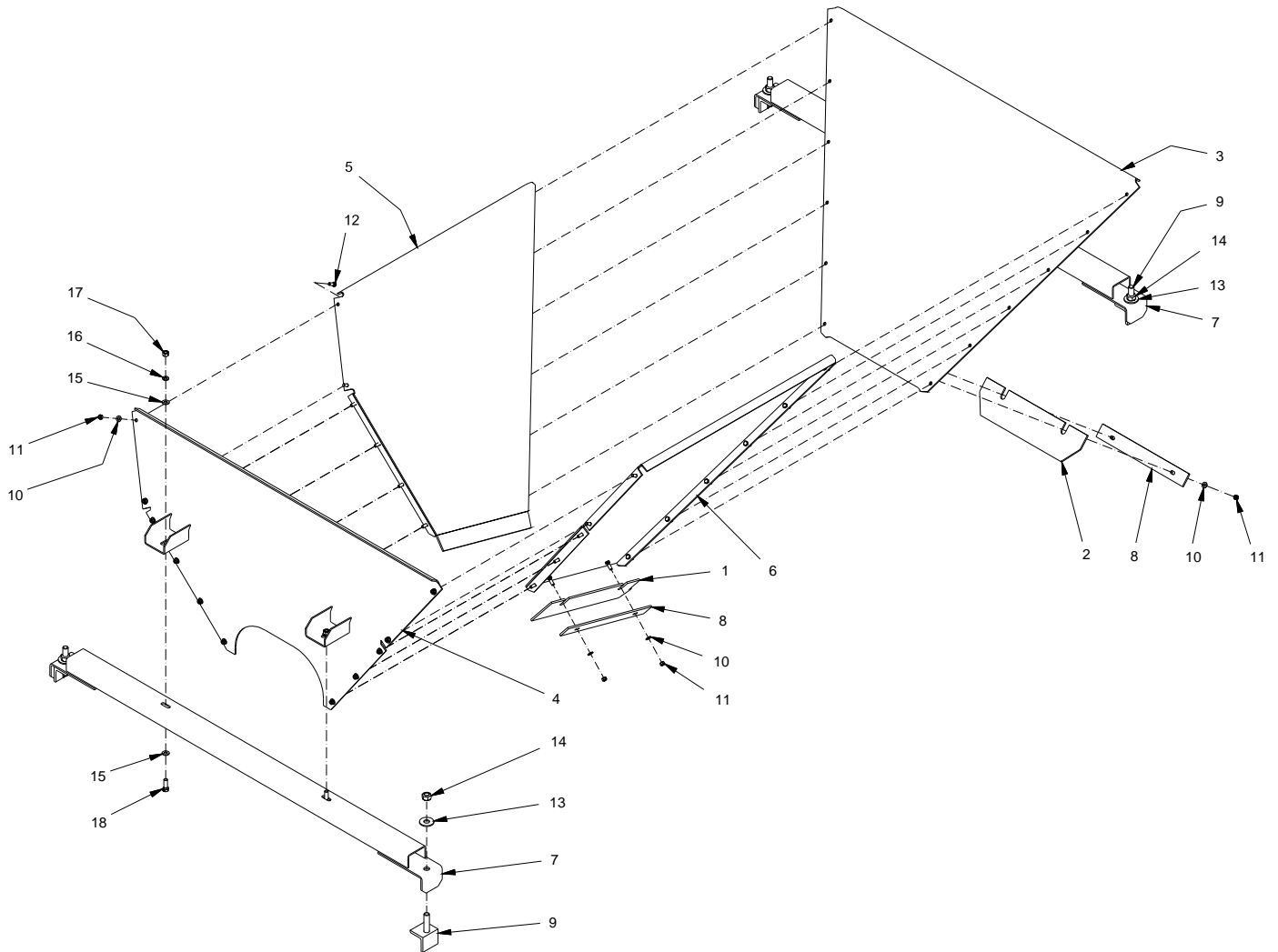
7.1. Top frame of the combustion chamber – 34096803c



7.1. Top frame of the combustion chamber – 34096803c

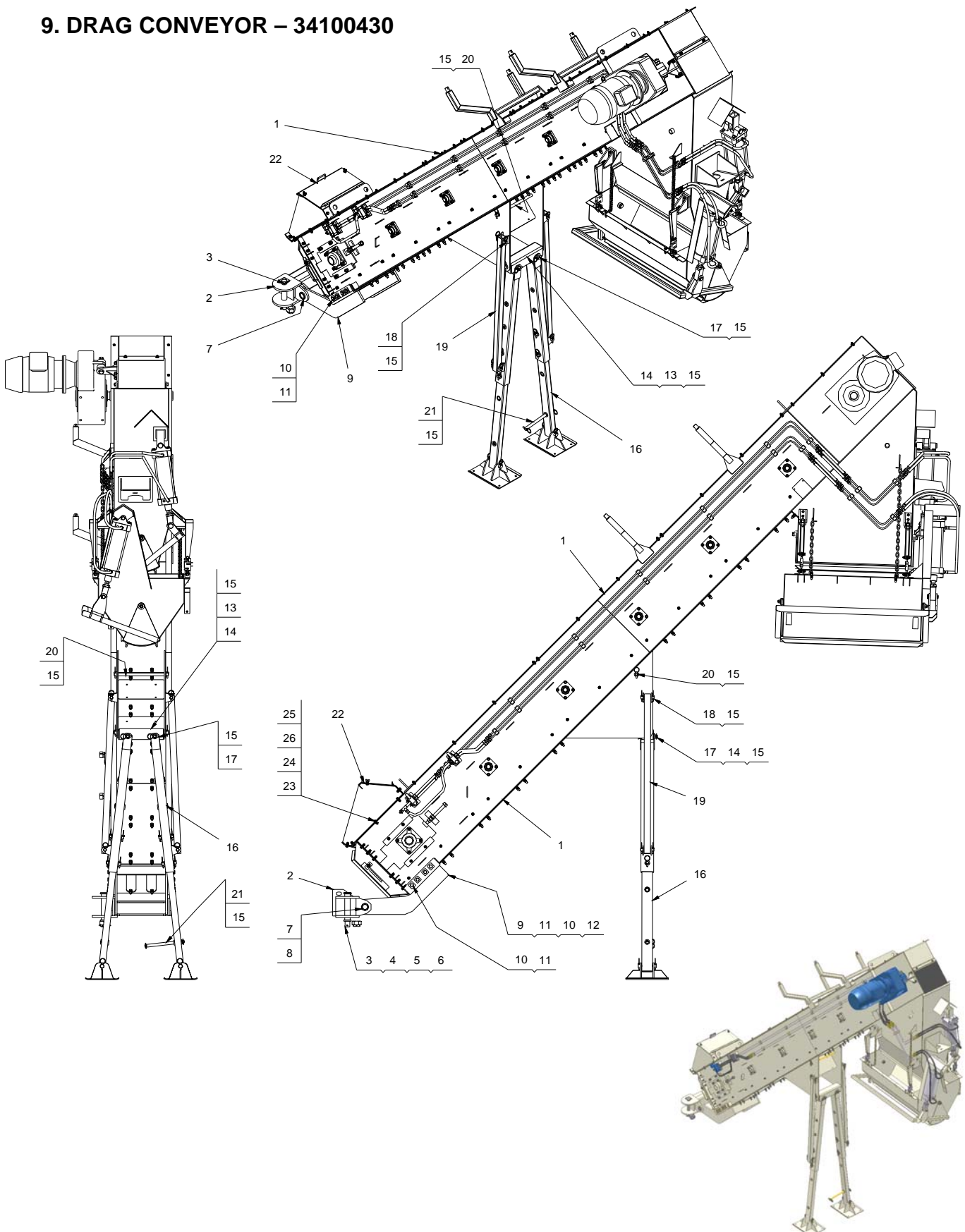
Item	Code	Description	Quantity
14	24000350	Washer	01
16	34080703	Lid / Cover	01
17	24051028	Bolt	01
18	24080479	Nut	01
19	30080729	Rubber section	02
20	30080728	Rubber section	02
22	24083433	Spring clamp	04
23	24000271	Bolt	16
24	24083238	Washer	16
25	24000080	Washer	16
26	24000312	Nut	16
29	24000017	Washer	04
30	24091821	Nut	08
31	24000277	Bolt	04

8. CHUTE – 34110968



8. CHUTE – 34110968

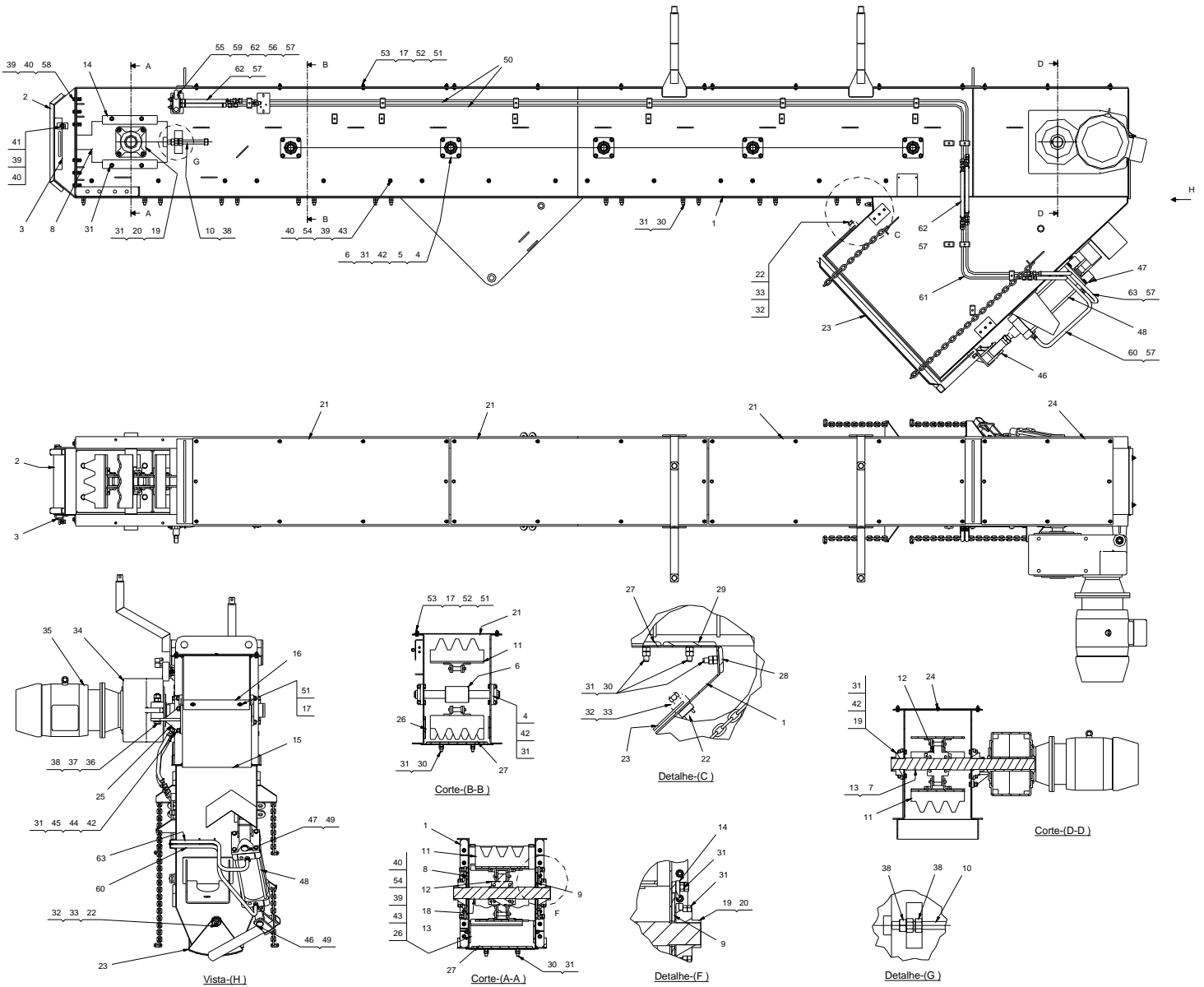
Item	Code	Description	Quantity
01	30111113	Lateral guide	02
02	30111114	Rear guide	01
03	34110969	Rear closing	01
04	34110971	Frontal closing	01
05	34110972	Right lateral closing	01
06	34110973	Left lateral closing	01
07	34110974	Cross bar	02
08	30111115	Fastener	03
09	34026501	Fastener	04
10	24000350	Washer	29
11	24000343	Nut	29
12	24000272	Bolt	23
13	24000352	Washer	04
14	24079864	Nut	04
15	24000017	Washer	08
16	24000029	Washer	04
17	24091821	Nut	04
18	24000275	Bolt	04

9. DRAG CONVEYOR – 34100430


9. DRAG CONVEYOR – 34100430

Item	Code	Description	Quantity
01	34099328	◀ Drag conveyor frame	01
02	34069934c	Support	01
03	34108239	Pin	01
04	30071191	Washer	01
05	24025266	Nut	01
06	24035648	Cotter pin	01
07	34071194	Pin	02
08	24029705	Cotter pin	02
09	34079827	Support	01
10	24038238	Bolt	08
11	38046060	Washer	16
12	24079864	Nut	08
13	30079973	Pin	01
14	34079980c	Joint	01
15	24079965	Pin	14
16	34079962	Foot	02
17	30079984	Pin	02
18	30080249	Pin	02
19	34079977c	Bar	02
20	30079971	Pin	01
21	30079976	Pin	01
22	34100202	Chute	01
23	24000275	Bolt	04
24	24000017	Washer	16
25	24091821	Nut	12
26	24000029	Washer	04
---	---	◀ Weighing System	01

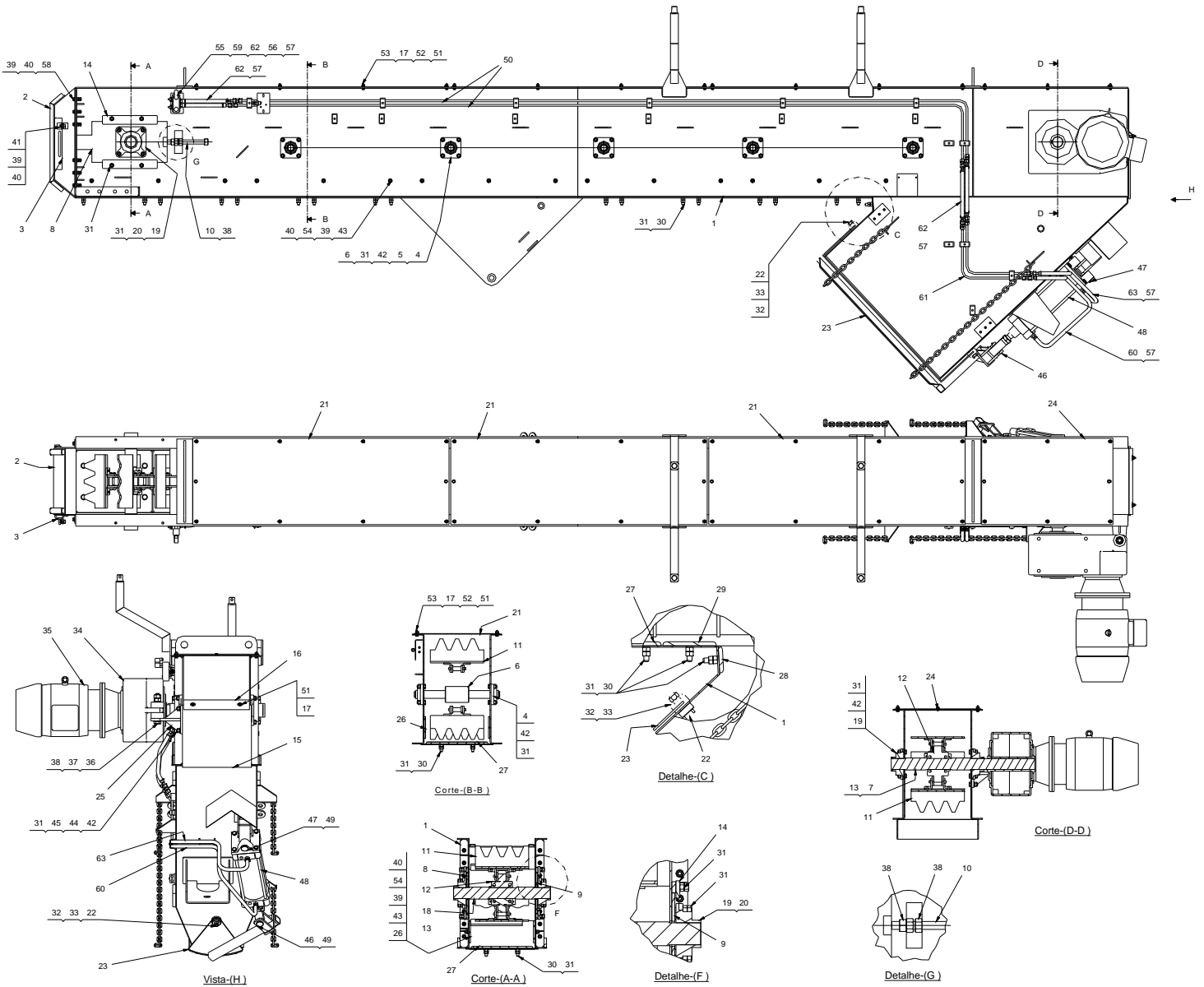
9.1. Drag conveyor frame – 34099328



9.1. Drag conveyor frame – 34099328

Item	Code	Description	Quantity
01	34089573	Structure	01
02	34079803	Guide	01
03	34079799	Lid / Cover	01
04	26000702	Sleeve bearing	10
05	26000726	Bearing	10
06	34079796	Axle	05
07	30079794	Axle	01
08	34107878	Tensionner	01
09	34107880	Tensionner	01
10	34013191	Screw	02
11	34079808	Chain drag mixer	01
12	26079810	Gear	02
13	30079870c	Gib	02
14	30013189c	Jamb	04
15	30080997	Rubber	01
16	38057088	Fastener	01
17	24000350	Washer	62
18	30079797	Axle	01
19	26085878	Sleeve bearing	04
20	26085877	Bearing	04
21	30079837	Lid / Cover	03
22	30079836	Pin	02
23	34079839	Gate	01
24	30079838	Lid / Cover	01
25	34079943	Pendulum	01
26	30096815	Wear Plate	10
27	40007912	Wear Plate	10
28	40089596	Wear Plate	01
29	40089595	Wear Plate	01
30	24007015	Bolt	44
31	24083175	Nut	172
32	24079864	Nut	02
33	24000352	Washer	02
35	---	◀ Drag conveyor drive	01
36	24086229	Bolt	01
37	24000353	Washer	02
38	24000317	Nut	06
39	24000017	Washer	55
40	24091821	Nut	55
41	24053991	Bolt	01
42	24051033	Bolt	52
43	24083267	Bolt	30
44	24005005	Washer	04
45	24000355	Washer	04
46	30080992	Pin	01
47	30080993	Pin	01
48	34080995	◀ Pneumatic cylinder	01
49	24001027	Cotter pin	02
50	34102816c	Air duct	02
Continued			

9.1. Drag conveyor frame – 34099328



9.1. Drag conveyor frame – 34099328

Item	Code	Description	Quantity
51	24084474	Nut	32
52	24000065	Washer	30
53	24006953	Bolt	30
54	24000029	Washer	30
55	28074416	Spool valve	01
56	28019390	Connector	03
57	24014577	Clamp	13
58	24000276	Bolt	12
59	28074415	Silencer	02
60	30102823	Hose	01
61	34102818c	Air duct	02
62	30102821	Hose	04
63	30102822	Hose	01

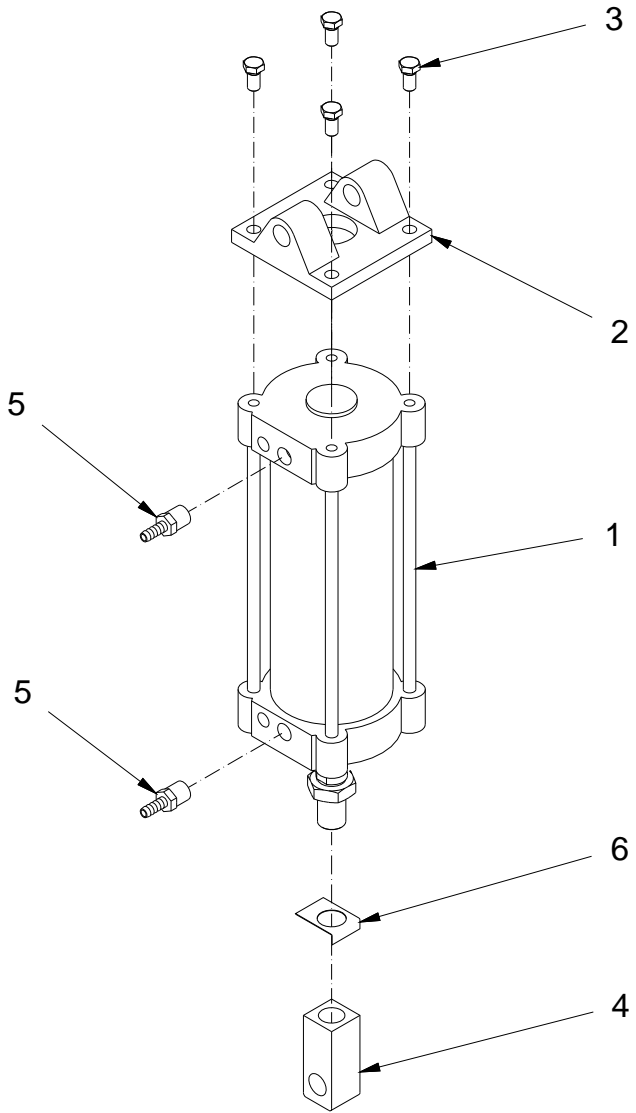
9.1.1. Drag conveyor drive



See catalog of drives

Page intentionally blank.

9.1.2. Pneumatic cylinder – 34080995



10 – Kit de reparo – 28046051
 (S) Kit de vedación
 (E) Seal kit



9.1.2. Pneumatic cylinder – 34080995

Item	Code	Description	Quantity
01	28080994	Pneumatic cylinder	01
02	26072398	Joint	01
03	24030609	Bolt	04
04	30072318	Ferrule	01
05	28019493	Connector	02
06	30108937	Locking device	02
07	28087432	Repair kit	---

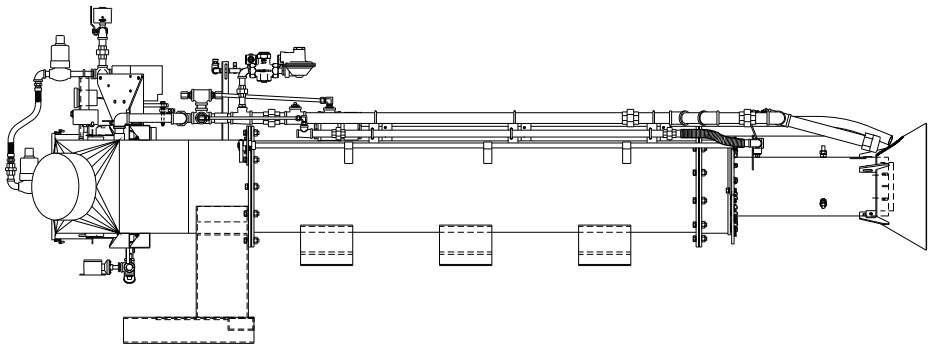
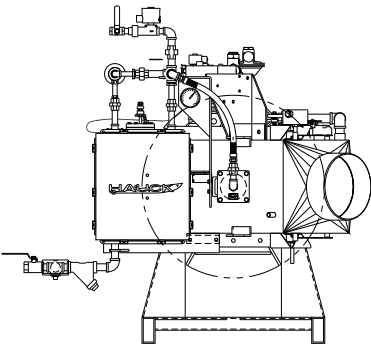
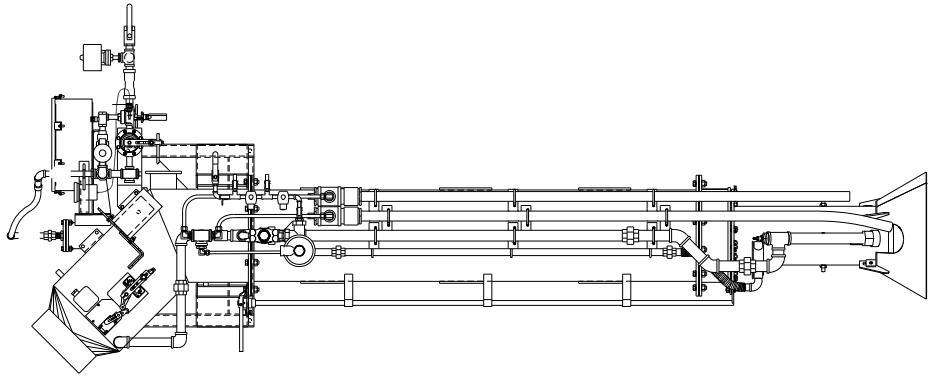
9.2. Weighing System



See catalog of optional items

Page intentionally blank.

10. HAUCK BURNER – 28079926



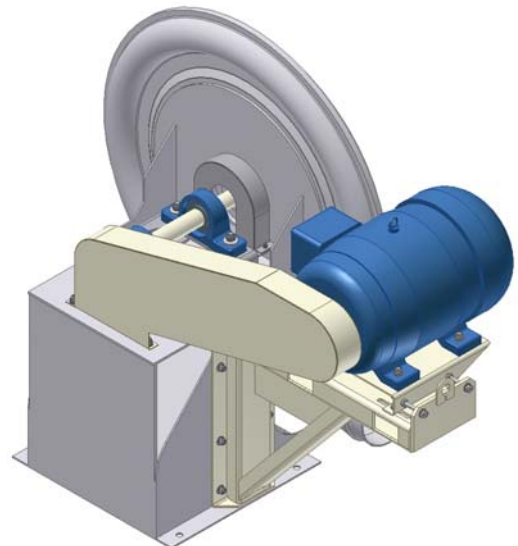
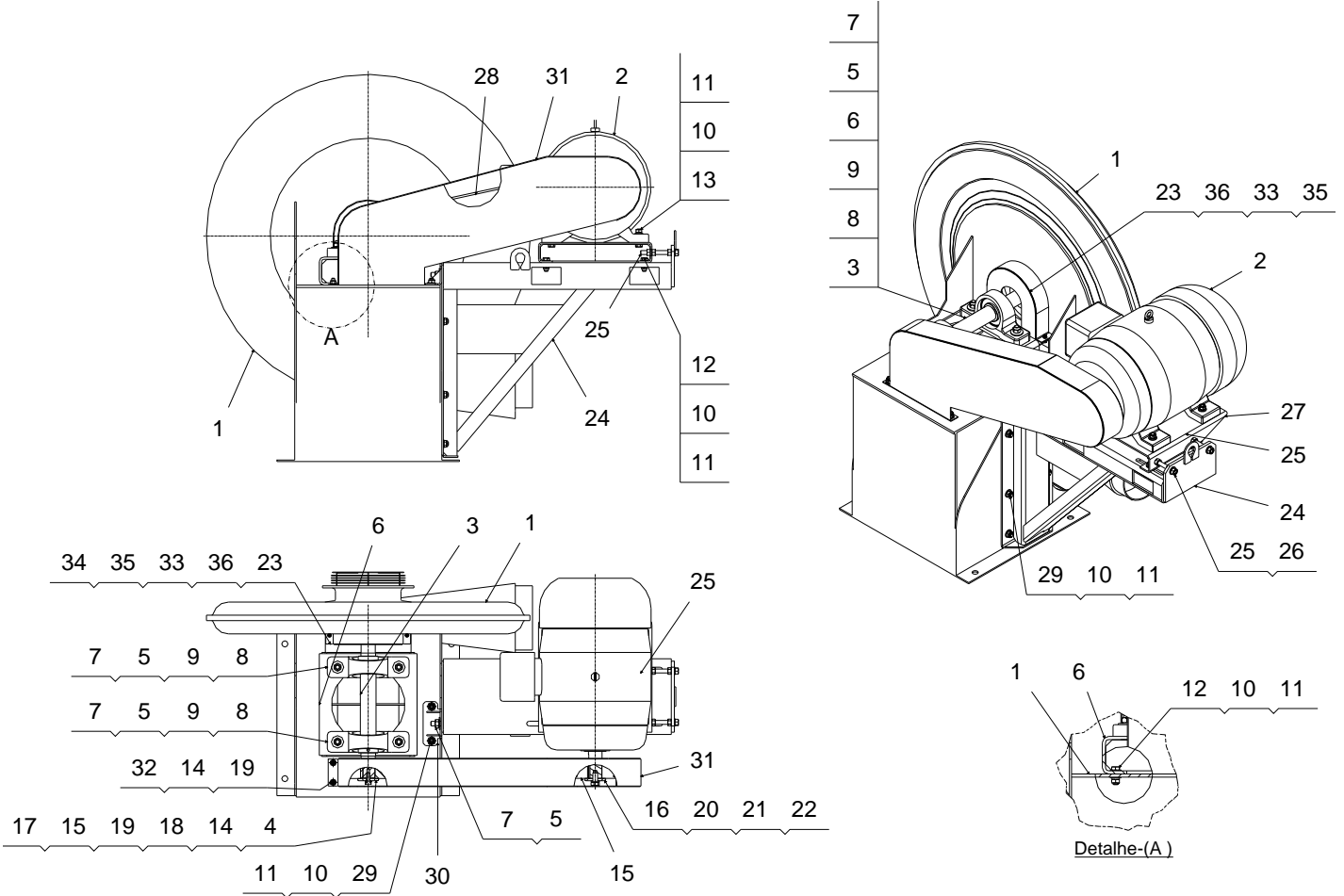
10. HAUCK BURNER – 28079926

Para mais informações consulte o manual do específico do queimador.

(S) Para más información consulta el manual específico del quemador.

(E) For more information, it consults the specific manual of burner.

11. HAUCK BLOWER – 34089920



11. HAUCK BLOWER – 34089920

Item	Code	Description	Quantity
01	26080107	Hauck Fan	01
02	---	◀ Hauck blower drive	01
03	30090524	Axle	01
04	38075553	Lid	01
05	24000352	Washer	05
06	34090521	Base	01
07	24079864	Nut	05
08	26085780	Sleeve bearing	02
09	26085781	Bearing	02
10	24005005	Washer	32
11	24059393	Nut	20
12	24051033	Bolt	08
13	24001108	Bolt	04
14	24000017	Washer	04
15	26085784	Pulley	01
16	30054748	Lid	01
17	30085785	Gib	01
18	24000029	Washer	01
19	24000275	Bolt	04
20	24006894	Washer	01
21	24073567	Washer	01
22	24085007	Bolt	01
23	34090525	Protection	01
24	34090528	Support	01
25	34080503	Screw	02
26	24000314	Nut	06
27	34090535	Base	01
28	26090539	Belt	05
29	24006981	Bolt	08
30	34090540	Support	01
31	34090542	Protection	01
32	24000345	Nut	03
33	24000071	Washer	02
34	24000072	Washer	01
35	24000111	Nut	02
36	24006685	Bolt	02

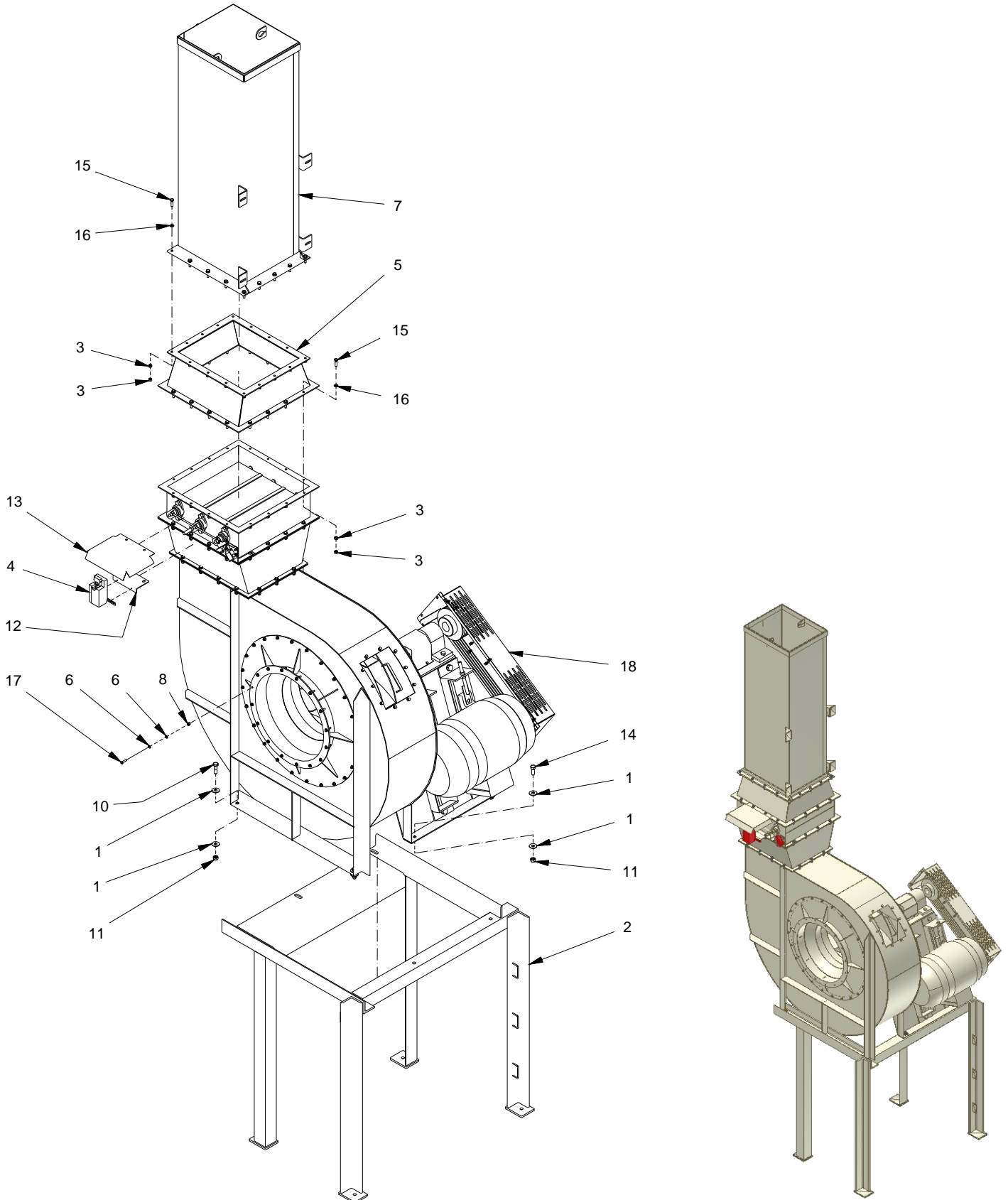
11.1. Hauck blower drive



See catalog of drives

Page intentionally blank.

12. EXHAUSTER FAN – 34090350



12. EXHAUSTER FAN – 34090350

Item	Code	Description	Quantity
01	24000352	Washer	12
02	34099307	Móbil base	01
03	24091821	Nut	64
04	22096077	Linear actuator	01
05	34078700	Joint	01
06	24000350	Washer	32
07	34068543	Chimney	01
08	24084474	Nut	16
10	24059254	Bolt	02
11	24052515	Nut	06
12	30081448	Support	01
13	30093900	Protection	01
14	24000281	Bolt	04
15	24000276	Bolt	32
16	24000017	Washer	32
17	24083072	Bolt	16
18	---	← Exhauster fan drive	01

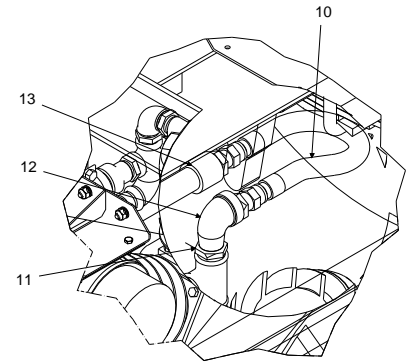
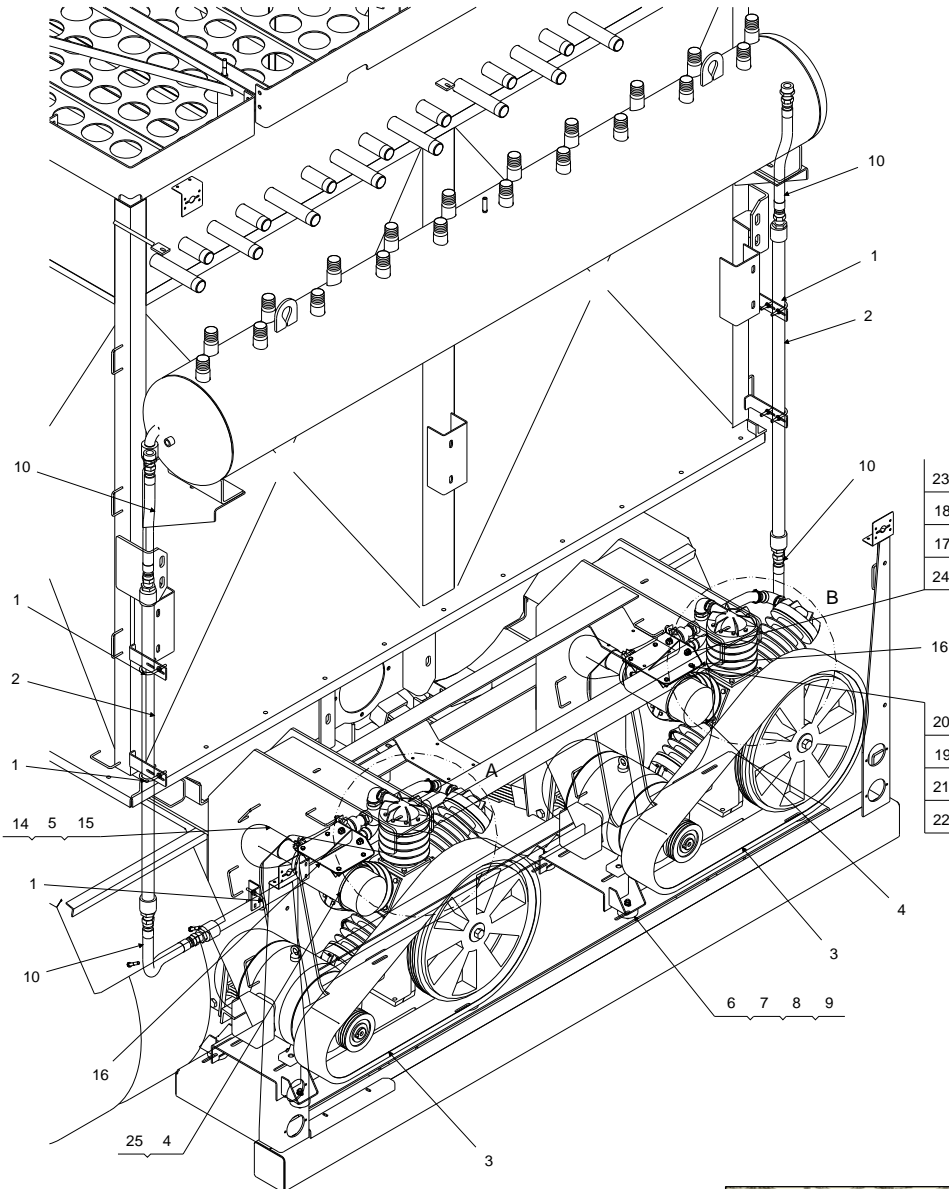
12.1. Exhauster fan drive



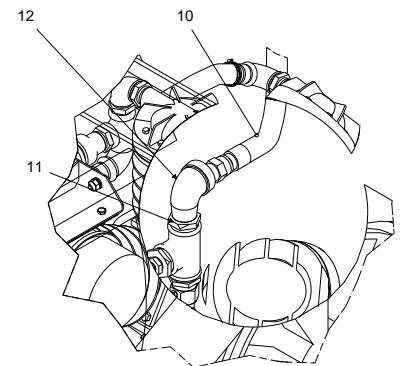
See catalog of drives

Page intentionally blank.

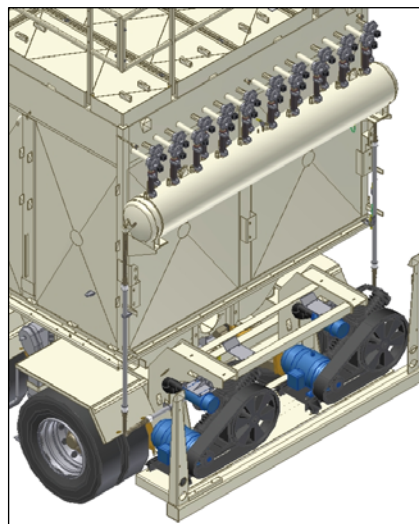
13. COMPRESSORS ASSEMBLY – 34103743



Detalhe-(A)



Detalhe-(B)



13. COMPRESSORS ASSEMBLY – 34103743

Item	Code	Description	Quantity
01	24097787	Clamp	06
02	34102181	Duct	02
03	---	◀ Compressing unit 80pcm	02
04	28062624	Air filter	02
05	24071818	Clamp	04
06	20108912	Pad	08
07	24010542	Washer	16
08	24006885	Washer	16
09	24000329	Nut	16
10	28089705	Flexible metallic pipe	05
11	28009144	Bushing	02
12	28095033	Elbow	02
13	34101774	Duct	01
14	30062755	Ferrule	02
15	28046641	Hose	02
16	34105561	Base	02
17	24000350	Washer	04
18	24000065	Washer	04
19	24083238	Washer	08
20	24000097	Bolt	08
21	24000080	Washer	08
22	24000312	Nut	08
23	24084474	Nut	04
24	24006953	Bolt	04
25	28062625	Filtering element	02

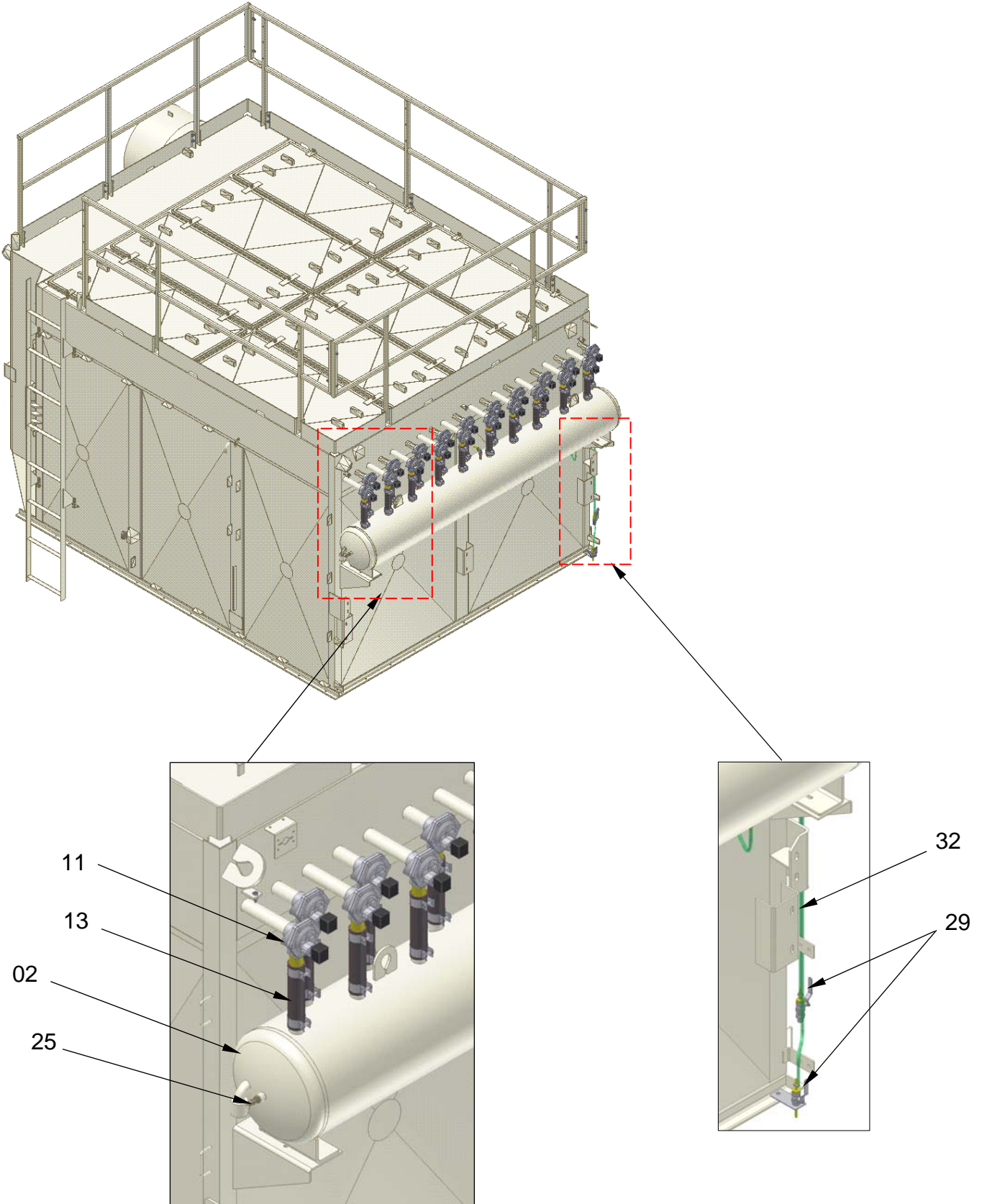
13.1. Compressing unit 80pcm



See catalog of drives

Page intentionally blank.

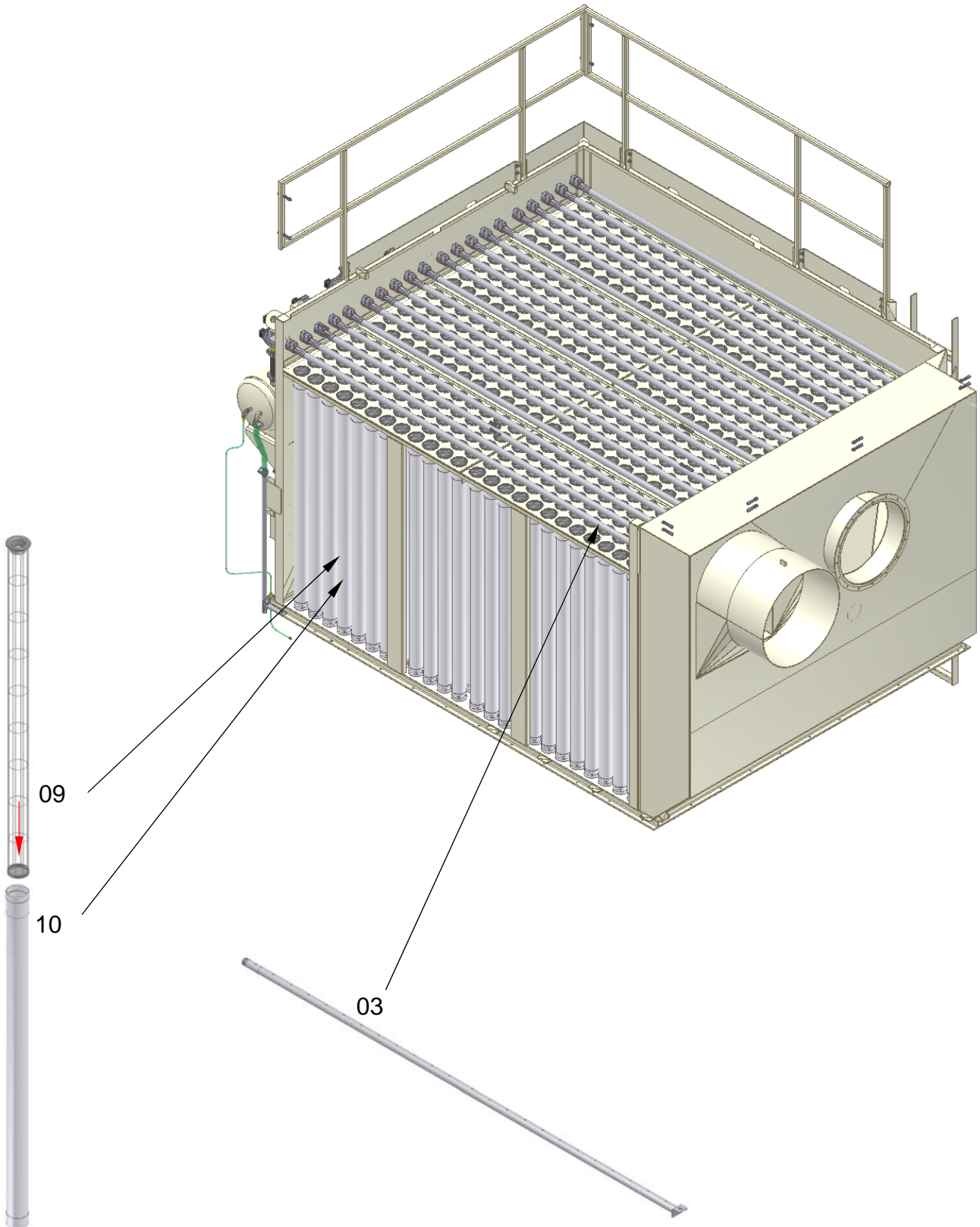
14. TOP MODULE OF THE BAGHOUSE – 34090777



14. TOP MODULE OF THE BAGHOUSE – 34090777

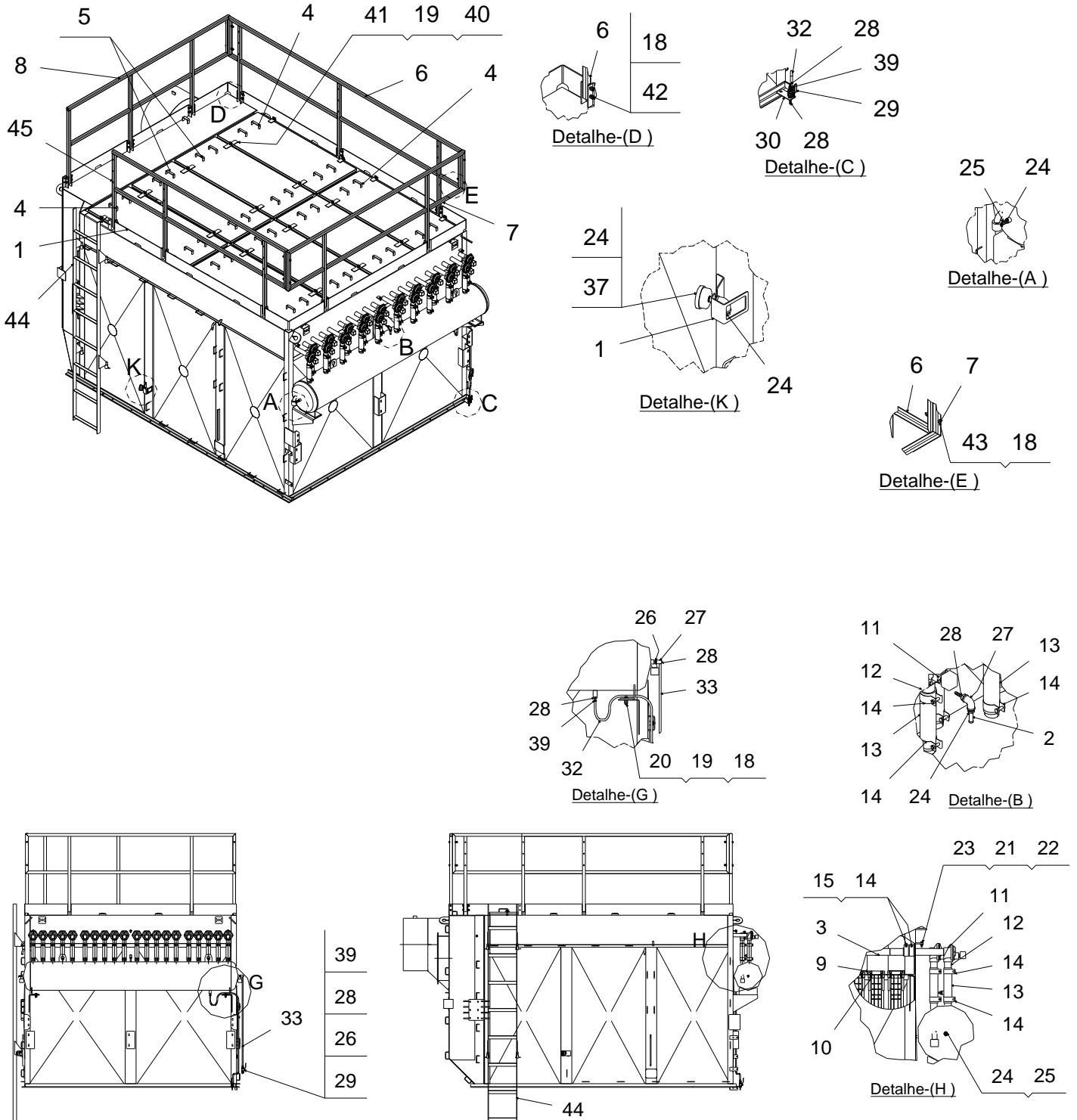
Item	Code	Description	Quantity
01	34090778	Frame	01
02	34091348	Air reservoir	01
03	34079332	Injector duct	20
04	34079334	Lid / Cover	04
05	34079423	Lid / Cover	04
06	34079485	Body protection	01
07	34079493	Body protection	01
08	34079499	Body protection	01
09	38092632	Cage and venturi set	480
10	28061280	Bag	480
11	28080047	Pulse valve	20
12	30033178	Connector	20
13	30068991	Hose	20
14	24027058	Clamp	80
15	30033187	Hose	20
18	24000313	Nut	100
19	24000017	Washer	44
20	24000277	Bolt	02
21	24000350	Washer	03
22	24000022	Nut	03
23	24006953	Bolt	03
24	28020013	Bushing	06
25	28066275	Safety valve	01
26	28001096	Nipple	02
27	28011230	Elbow	03
28	28024268	Connector	06
29	28043112	Ball valve	02
30	30051706	Support	01
32	30032261	Hose	01
33	30026310	Hose	01
37	28098981	Pressure gauge	01
39	24006852	Clamp	04
40	24000349	Nut	20
41	30024991	Clamp	12
42	24000279	Bolt	22
43	24006963	Bolt	06
44	34070975	Stair	01
45	34085826	Body protection	01

14. TOP MODULE OF THE BAGHOUSE – 34090777



14. TOP MODULE OF THE BAGHOUSE – 34090777

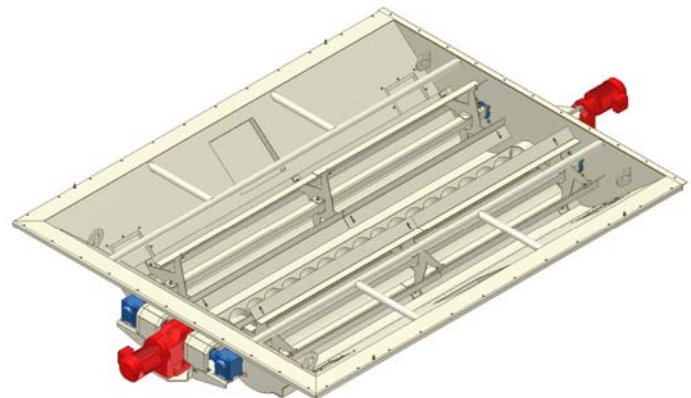
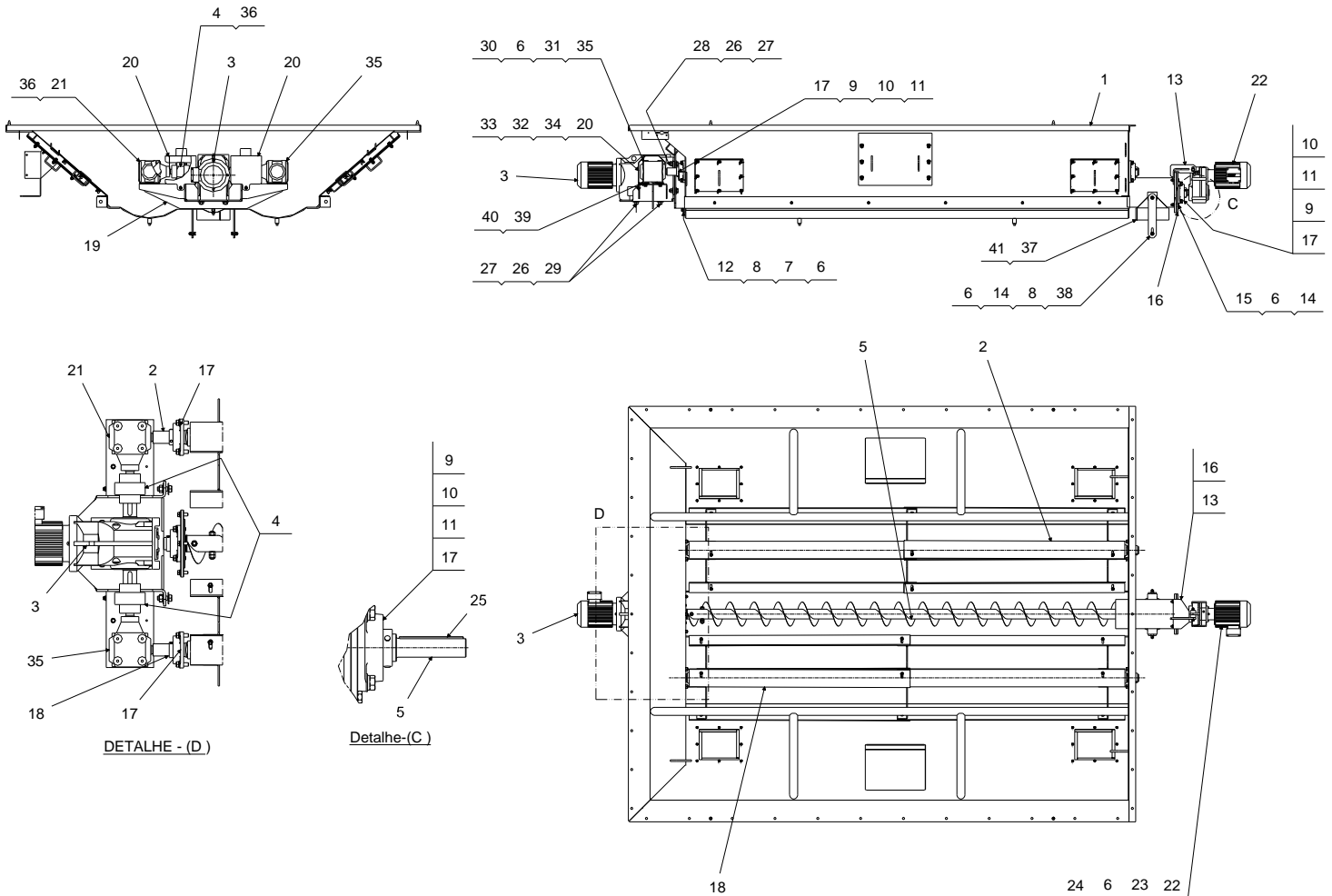
Item	Code	Description	Quantity
01	34090778	Frame	01
02	34091348	Air reservoir	01
03	34079332	Injector duct	20
04	34079334	Lid / Cover	04
05	34079423	Lid / Cover	04
06	34079485	Body protection	01
07	34079493	Body protection	01
08	34079499	Body protection	01
09	38092632	Cage and venturi set	480
10	28061280	Bag	480
11	28080047	Pulse valve	20
12	30033178	Connector	20
13	30068991	Hose	20
14	24027058	Clamp	80
15	30033187	Hose	20
18	24000313	Nut	100
19	24000017	Washer	44
20	24000277	Bolt	02
21	24000350	Washer	03
22	24000022	Nut	03
23	24006953	Bolt	03
24	28020013	Bushing	06
25	28066275	Safety valve	01
26	28001096	Nipple	02
27	28011230	Elbow	03
28	28024268	Connector	06
29	28043112	Ball valve	02
30	30051706	Support	01
32	30032261	Hose	01
33	30026310	Hose	01
37	28098981	Pressure gauge	01
39	24006852	Clamp	04
40	24000349	Nut	20
41	30024991	Clamp	12
42	24000279	Bolt	22
43	24006963	Bolt	06
44	34070975	Stair	01
45	34085826	Body protection	01

14. TOP MODULE OF THE BAGHOUSE – 34090777


14. TOP MODULE OF THE BAGHOUSE – 34090777

Item	Code	Description	Quantity
01	34090778	Frame	01
02	34091348	Air reservoir	01
03	34079332	Injector duct	20
04	34079334	Lid / Cover	04
05	34079423	Lid / Cover	04
06	34079485	Body protection	01
07	34079493	Body protection	01
08	34079499	Body protection	01
09	38092632	Cage and venturi set	480
10	28061280	Bag	480
11	28080047	Pulse valve	20
12	30033178	Connector	20
13	30068991	Hose	20
14	24027058	Clamp	80
15	30033187	Hose	20
18	24000313	Nut	100
19	24000017	Washer	44
20	24000277	Bolt	02
21	24000350	Washer	03
22	24000022	Nut	03
23	24006953	Bolt	03
24	28020013	Bushing	06
25	28066275	Safety valve	01
26	28001096	Nipple	02
27	28011230	Elbow	03
28	28024268	Connector	06
29	28043112	Ball valve	02
30	30051706	Support	01
32	30032261	Hose	01
33	30026310	Hose	01
37	28098981	Pressure gauge	01
39	24006852	Clamp	04
40	24000349	Nut	20
41	30024991	Clamp	12
42	24000279	Bolt	22
43	24006963	Bolt	06
44	34070975	Stair	01
45	34085826	Body protection	01

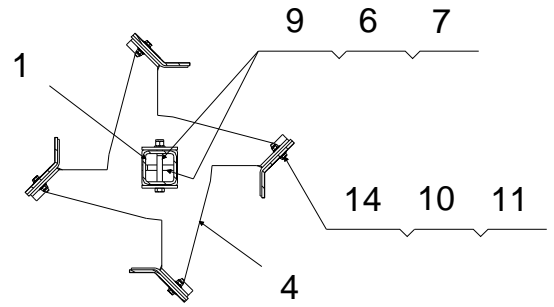
15. BOTTOM MODULE OF THE BAGHOUSE – 34089788



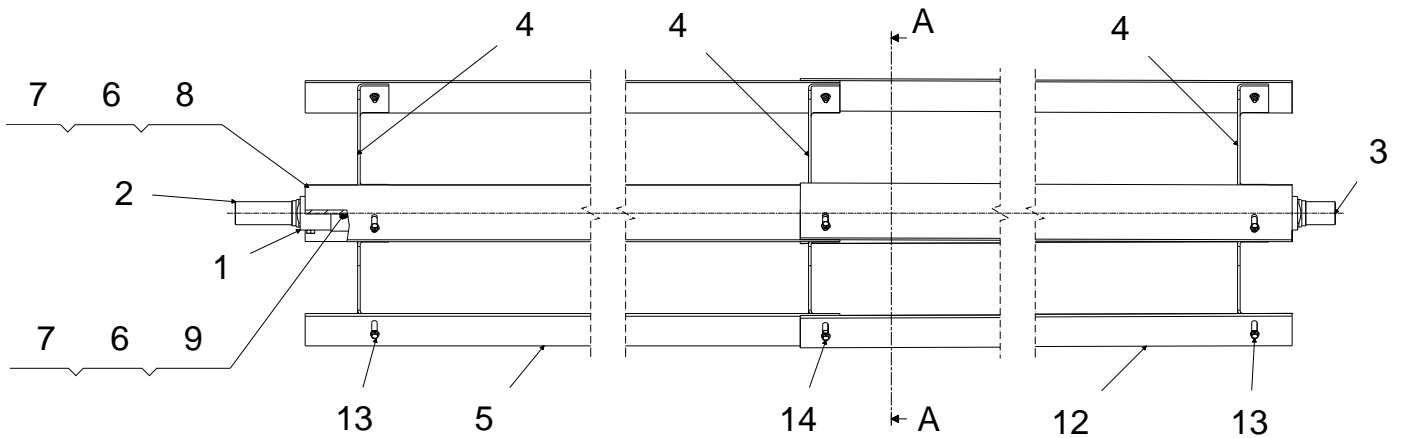
15. BOTTOM MODULE OF THE BAGHOUSE – 34089788

Item	Code	Description	Quantity
01	38094443	Bottom frame	01
02	34089798	◀ Right rotor	01
03	---	◀ Bottom module of the baghouse drive	01
04	30091027	Coupling	02
05	38094600	Auger frame	02
06	24000017	Washer	22
07	24000029	Washer	04
08	24000275	Bolt	08
09	24005005	Washer	24
10	24000355	Washer	24
11	24051033	Bolt	24
12	30091270	Lid	01
13	34091271	Support	01
14	24000345	Nut	08
15	24000277	Bolt	04
16	30091272	Lid	01
17	26090626	Sleeve bearing	06
18	34091280	◀ Left rotor	01
19	34091282	Base	01
20	34091286	Protection	02
21	26090628	Box of transmission	01
22	---	◀ Bottom module of the baghouse drive	01
23	24000279	Bolt	01
24	24006986	Nut	01
25	30091042	Gib	01
26	24000352	Washer	12
27	24079864	Nut	08
28	24000281	Bolt	04
29	24059254	Bolt	04
30	24006883	Washer	08
31	24000263	Bolt	08
32	24000350	Washer	04
33	24000065	Washer	04
34	24007009	Bolt	04
35	26089813	Box of transmission	01
36	30091368	Gib	04
37	38098222	Rubber	01
38	30098223	Bar	02
39	30098226	Block	12
40	30098227	Block	04
41	24081266	Clamp	02

15.1. Right rotor – 34089798



Corte-(A-A)



15.1. Right rotor – 34089798

Item	Code	Description	Quantity
01	30089799	Axle	01
02	30091275	Ferrule	01
03	30091276	Ferrule	01
04	34091277	Rotor	03
05	30098224	Frame	04
06	24000017	Washer	06
07	24000345	Nut	06
08	24000218	Bolt	02
09	24006963	Bolt	04
10	24000350	Washer	24
11	24000343	Nut	12
12	30098225	Frame	04
13	24006953	Bolt	08
14	24083072	Bolt	04

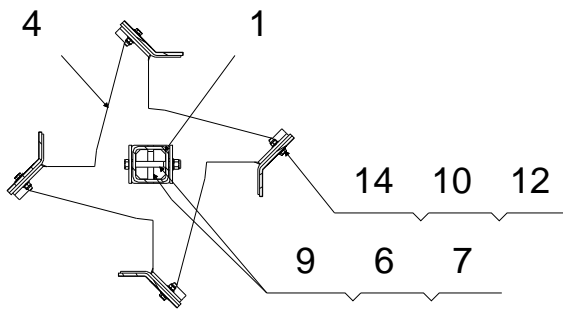
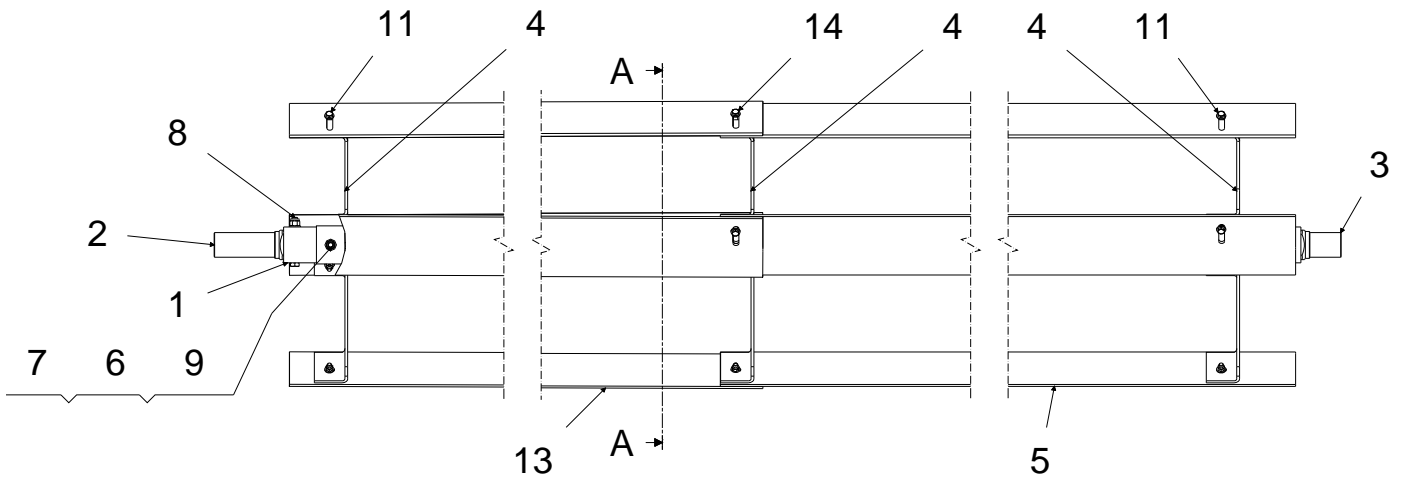
15.2. Bottom module of the baghouse drive



See catalog of drives

Page intentionally blank.

15.3. Left rotor – 34091280

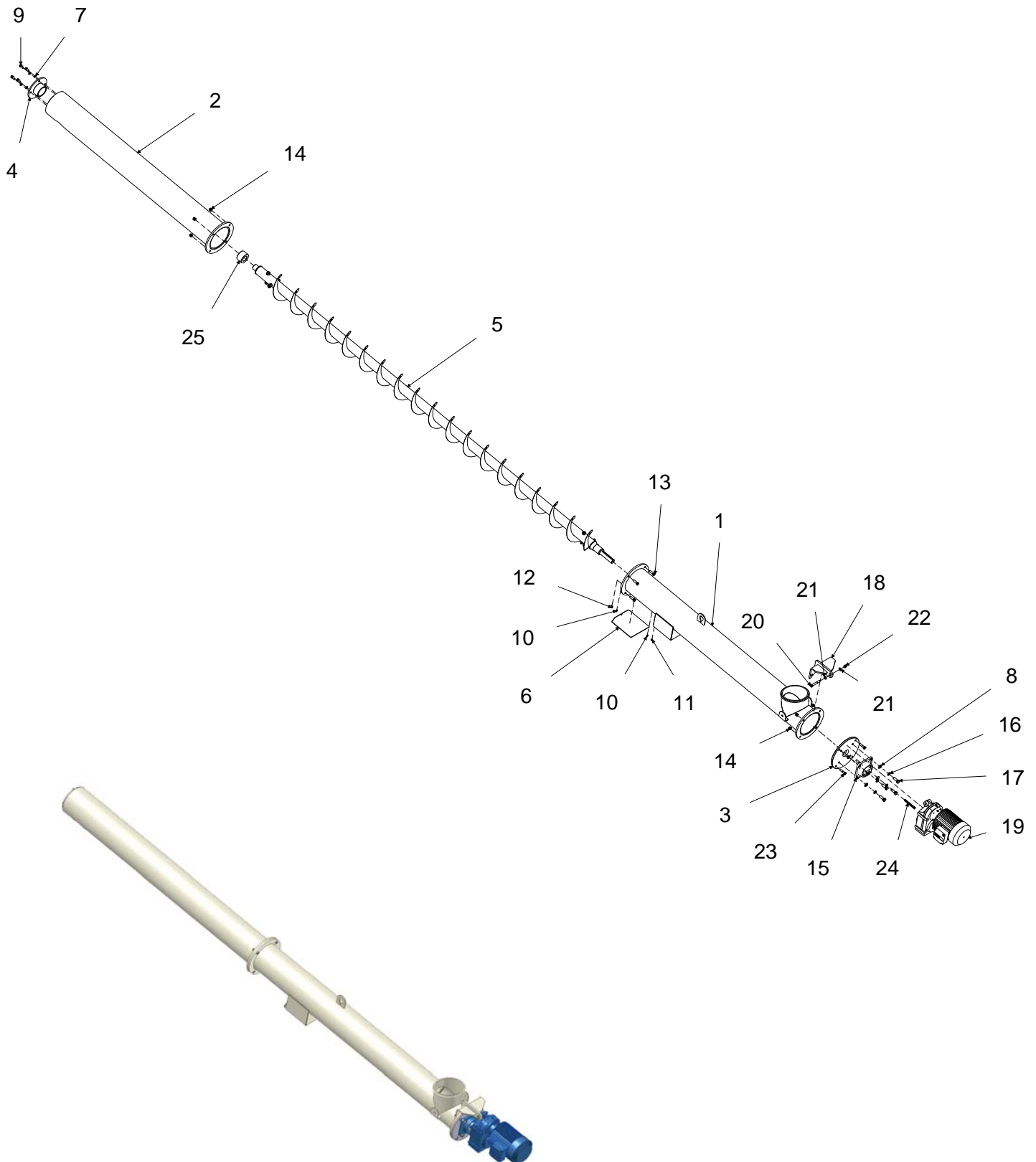


Corte-(A-A)



15.3. Left rotor – 34091280

Item	Code	Description	Quantity
01	30089799	Axle	01
02	30091275	Ferrule	01
03	30091276	Ferrule	01
04	34091277	Rotor	03
05	30098224	Frame	04
06	24000017	Washer	06
07	24000345	Nut	06
08	24000218	Bolt	02
09	24006963	Bolt	04
10	24000350	Washer	24
11	24006953	Bolt	08
12	24000343	Nut	12
13	30098225	Frame	04
14	24083072	Bolt	04

16. BAGHOUSE AUGER – 34098764


16. BAGHOUSE AUGER – 34098764

Item	Code	Description	Quantity
01	34091362	Lodging	01
02	34070759	Lodging	01
03	30091272	Lid / Cover	01
04	34053949	Lodging	01
05	34098765	Helical	01
06	30029553	Lid / Cover	01
07	24000029	Washer	04
08	24005005	Washer	04
09	24051031	Bolt	04
10	24000350	Washer	02
11	24000312	Nut	01
12	24010875	Nut	01
13	24000276	Bolt	04
14	24000345	Nut	08
15	26090626	Sleeve bearing	01
16	24000355	Washer	04
17	24051033	Bolt	04
18	34091271	Support	01
19	---	← Baghouse auger drive	01
20	24000279	Bolt	01
21	24000017	Washer	02
22	24006986	Nut	01
23	24000277	Bolt	04
24	30091042	Gib	01
25	30097786	Bushing	01

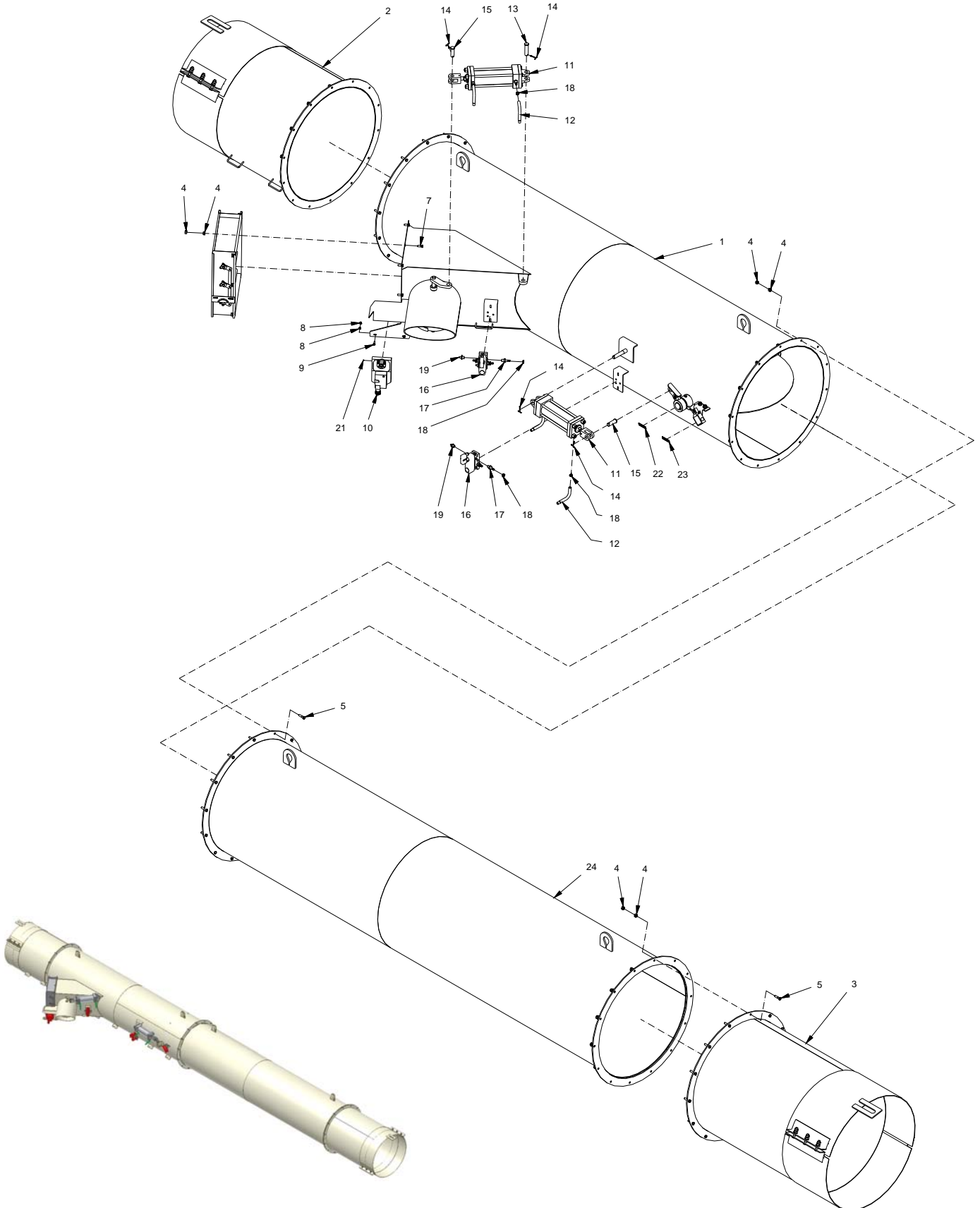
16.1. Baghouse auger drive



See catalog of drives

Page intentionally blank.

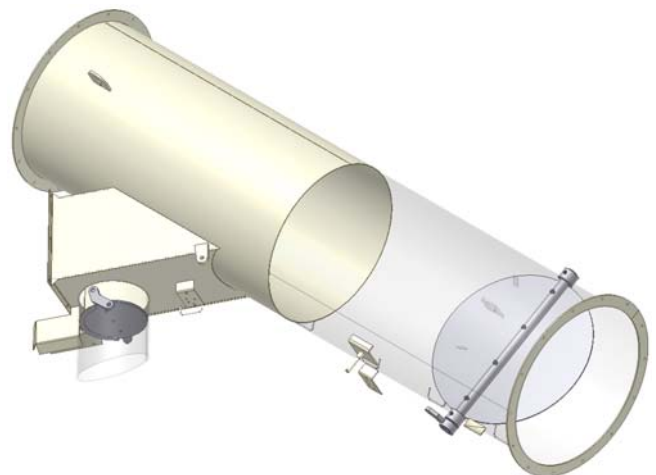
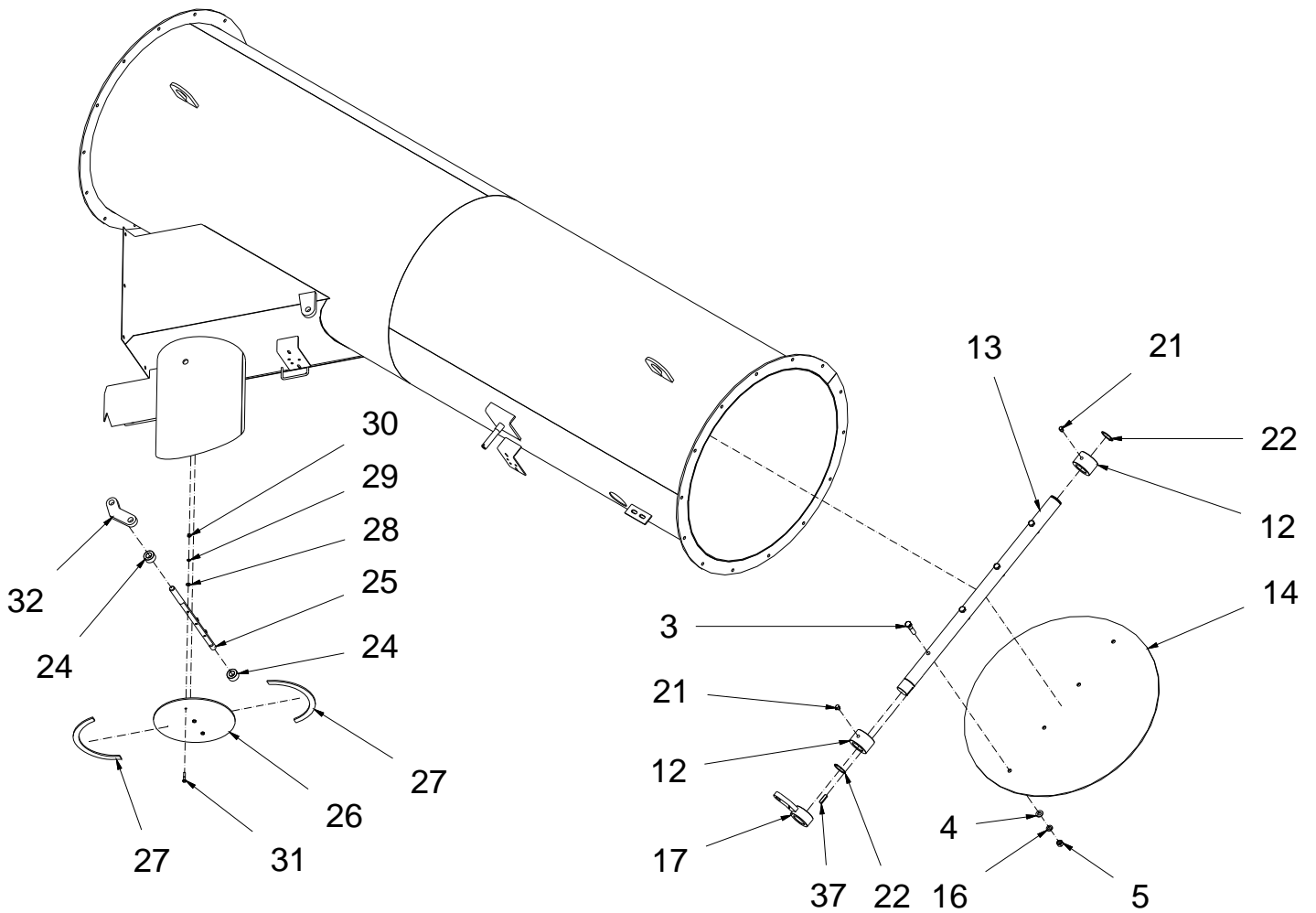
17. TUBING OF EXHAUSTION – 34094009



17. TUBING OF EXHAUSTION – 34094009

Item	Code	Description	Quantity
01	34089601	◀ Tubing of exhaustion	01
02	34089604	Pipe set	01
03	34089602	Pipe set	01
04	24084474	Nut	106
05	24051028	Bolt	45
06	28080634	Air inlet control	01
07	24000272	Bolt	08
08	24107324	Nut	04
09	24051026	Bolt	02
10	22096077	Linear actuator	01
11	34022516	◀ Pneumatic cylinder	02
12	30058590	Hose	04
13	38075560	Pin	01
14	24001027	Cotter pin	04
15	30003002	Pin	02
16	28075277	Spool valve	02
17	28021451	Connector	06
18	24006852	Clamp	10
19	28015177	Silencer	04
21	24024321	Bolt	01
22	24009911	Infor. plate "OPENED"	01
23	24009912	Infor. plate "CLOSED"	01

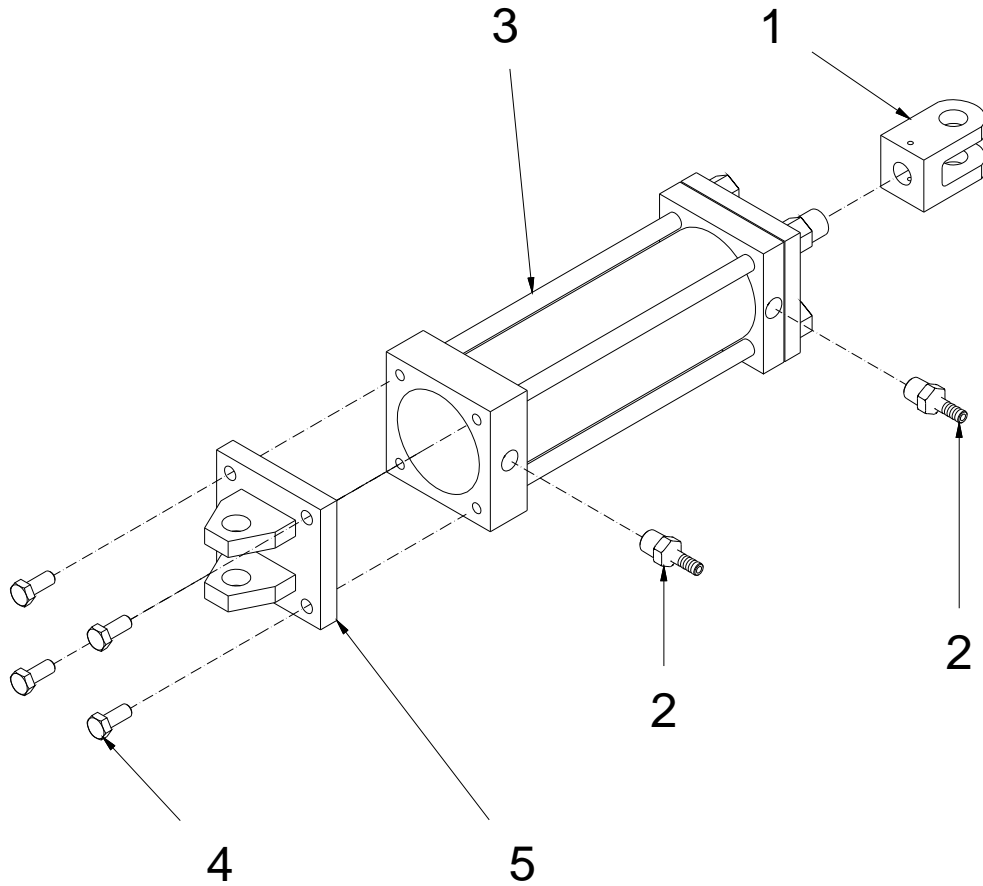
17.1. Tubing of exhaustion – 34089601



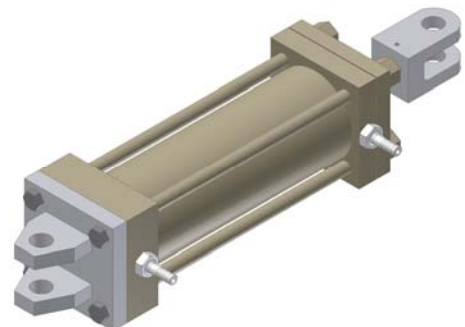
17.1. Tubing of exhaustion – 34089601

Item	Code	Description	Quantity
03	24039025	Bolt	04
04	24000017	Washer	04
05	24000313	Nut	01
12	30055591	Bushing	02
13	30083392	Axle	01
14	30083393	Butterfly valve	01
16	24000029	Washer	04
17	34055594	Connecting rod	01
21	28000068	Grease nipple	02
22	24010529	Retainer ring	02
24	30002215	Bushing	02
25	30002216	Axle	01
26	30002222	Butterfly valve	01
27	30062405	Limiter	02
28	24000071	Washer	03
29	24000072	Washer	03
30	24000111	Nut	03
31	24006685	Bolt	03
32	30002217	Support	01
37	30055600	Gib	01

17.2. Pneumatic cylinder – 34022516



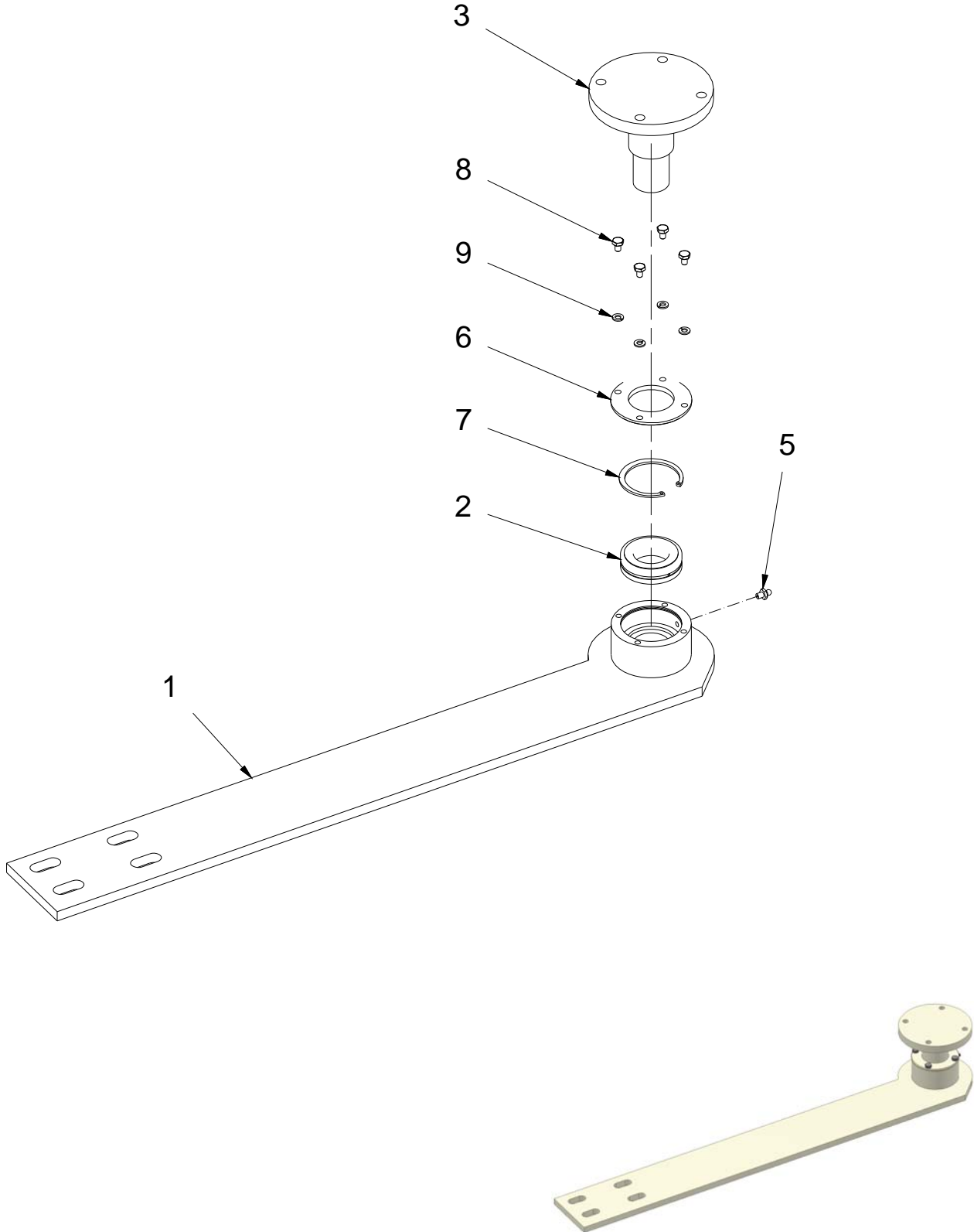
06 – Kit de reparo – 28046051
(S) *Kit de vedación*
(E) *Seal kit*



17.2. Pneumatic cylinder – 34022516

Item	Code	Description	Quantity
01	38075581	Ferrule	01
02	28029423	Ferrule	02
03	28022483	Cylinder	01
04	24000256	Socket hexagon cap bolt	04
05	30031153	Support lid	01
06	28046051	Repair kit	01

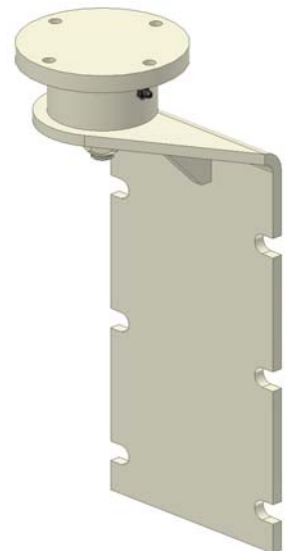
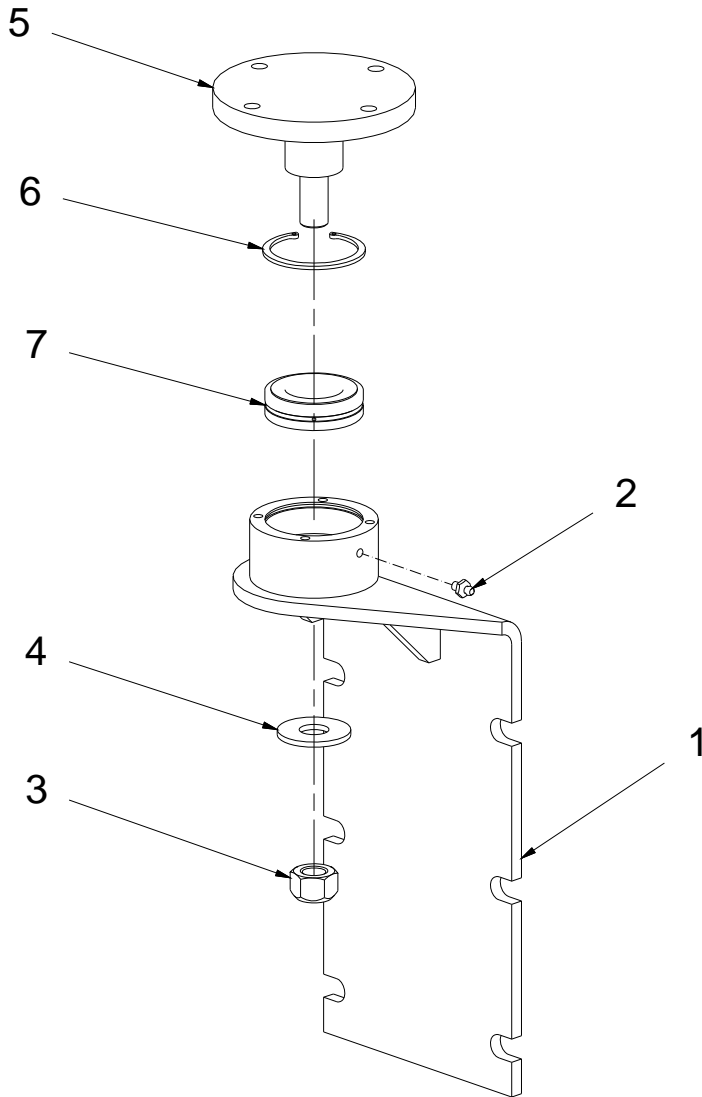
18. INFERIOR JOINT OF THE CABIN – 34091754



18. INFERIOR JOINT OF THE CABIN – 34091754

Item	Code	Description	Quantity
01	34091755	Base	01
02	26091762	Joint	01
03	30091756	Axle	01
05	28013443	Grease nipple	01
06	30091759	Lid / Cover	01
07	24071919	Retainer ring	01
08	24006700	Bolt	04
09	24000072	Washer	04

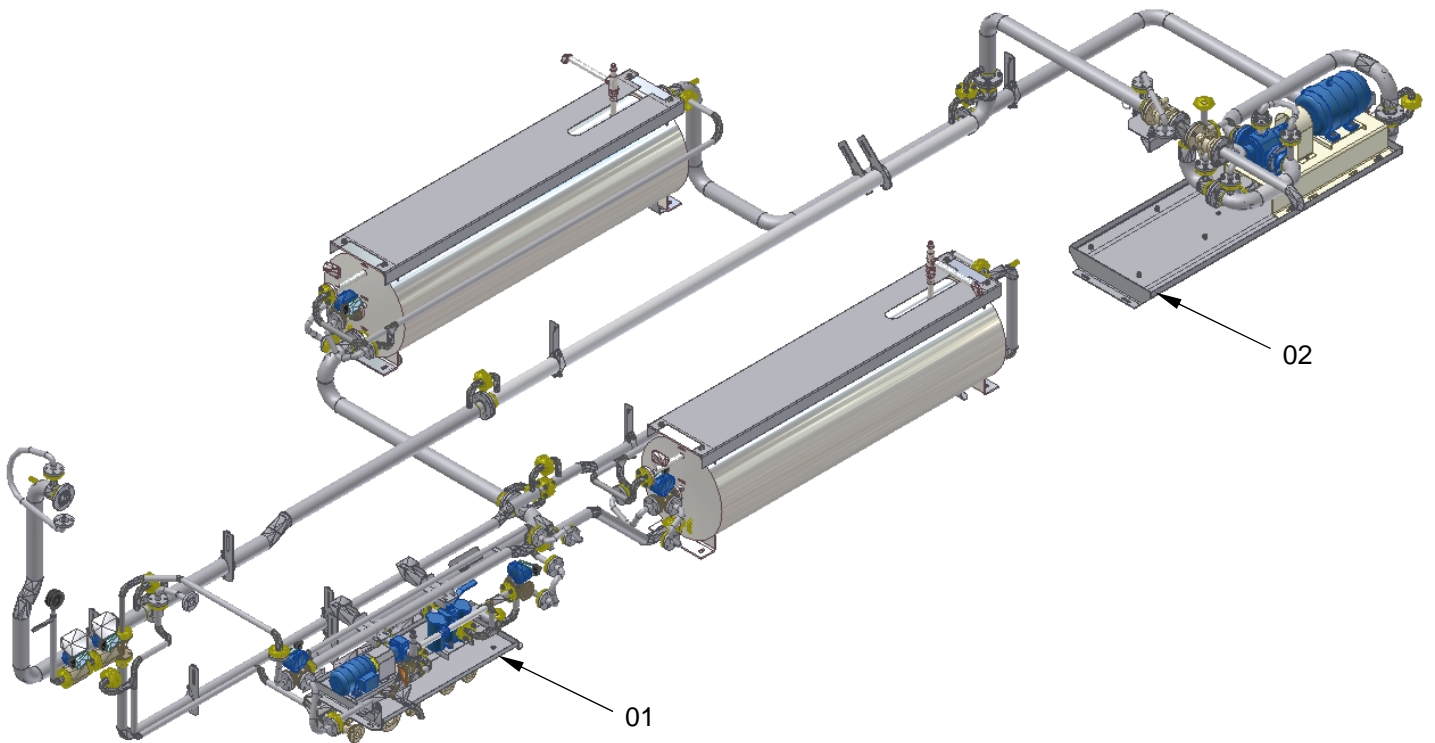
19. SUPERIOR JOINT OF THE CABIN – 34091751



19. SUPERIOR JOINT OF THE CABIN – 34091751

Item	Code	Description	Quantity
01	34091753	Base	01
02	28013443	Grease nipple	01
03	24006984	Nut	01
04	24000352	Washer	01
05	30091225	Axle	01
06	24095679	Retainer ring	01
07	26091762	Joint	01

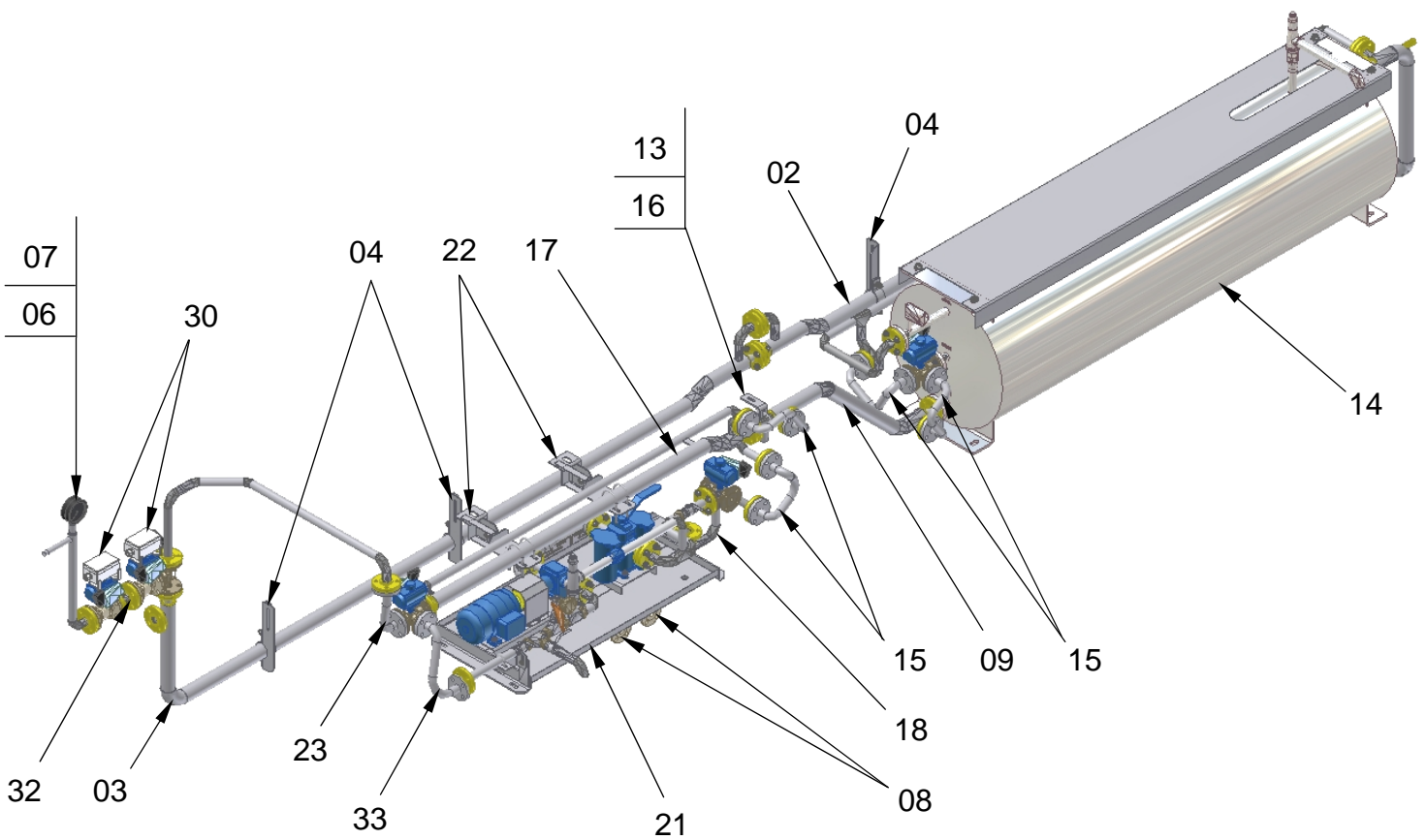
20. ASPHALT AND FUEL PIPE SET



20. ASPHALT AND FUEL PIPE SET

Item	Code	Description	Quantity
01	34102265	◀ Fuel pipe assembly	01
02	34102264	◀ Asphalt pipe assembly	01
03	34102494	◀ Return fuel pipes	01
04	34094786	◀ Panel control to temperature regulators – 1 temperature regulator	01
05	34097910	◀ Asphalt and fuel pipe stickers assembly	01

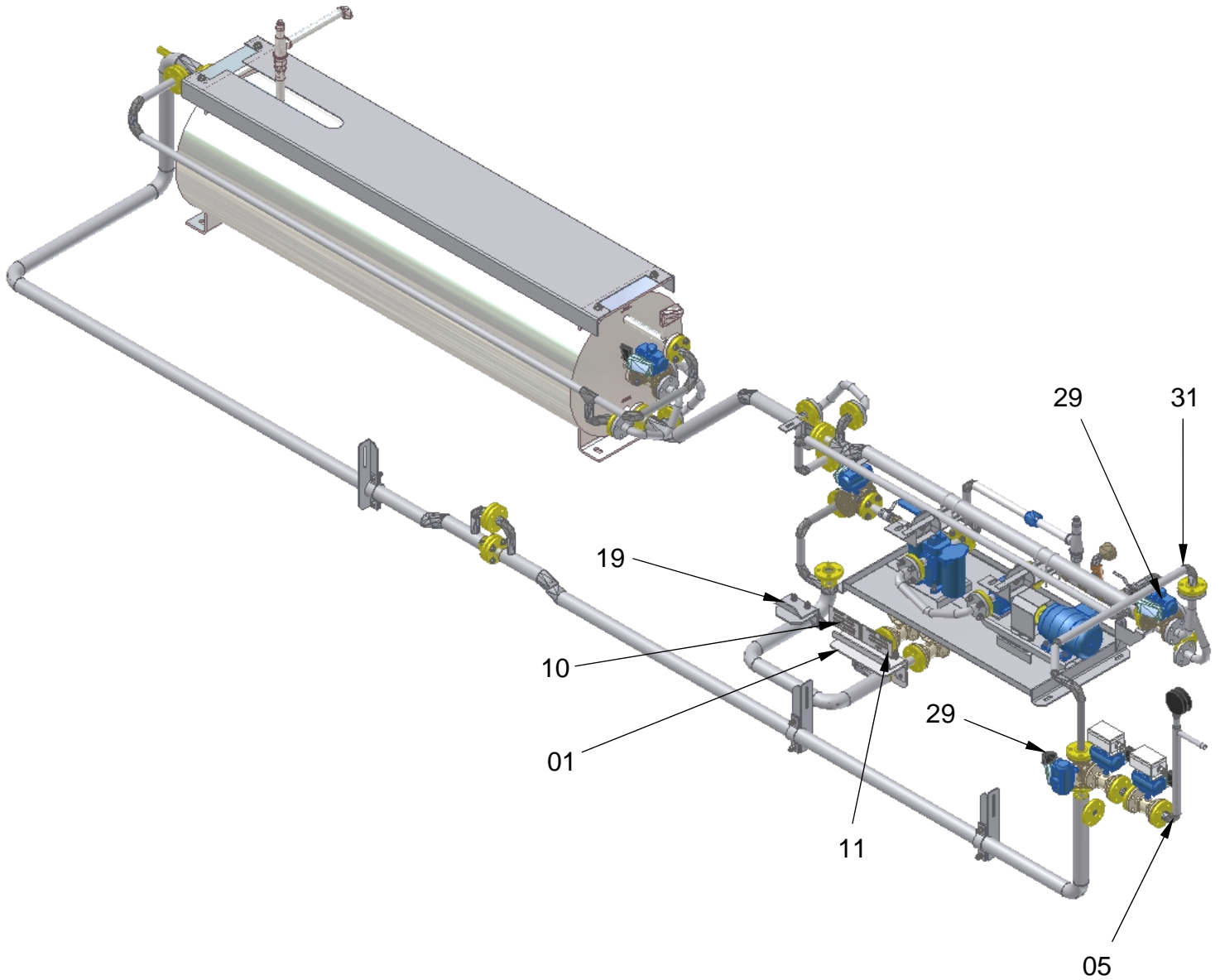
20.1. Fuel pipe assembly – 34102265



20.1. Fuel pipe assembly – 34102265

Item	Code	Description	Quantity
01	34076017c	Support	01
02	34102318c	Pipe set	01
03	34102850c	Pipe set	01
04	34081758c	Fixation	03
05	34102851c	Duct	01
06	22025902	Thermometer	01
07	28000081	Plug	01
08	28094668	Ball valve	02
09	34102501c	Pipe set	01
10	24095803	Informative plate	01
11	24095804	Informative plate	01
13	24088386	Clamp	01
14	---	◀ Fuel heat regulator assembly	01
15	28078960	Flexible metallic pipe	01
16	30102511c	Support	01
17	34101551c	Pipe set	01
18	34101552c	Pipe set	01
19	34101565c	Support	01
21	34102519	◀ Fuel pump	01
22	34101579c	Support	02
23	28099178	Flexible metallic pipe	02
24	30018932	Seal	29
25	24000017	Washer	250
26	24000029	Washer	125
27	24091821	Nut	125
28	24000278	Bolt	125
29	34076606	Dividing valve	02
30	34102855	Ball valve	02
31	34102853c	Pipe set	01
32	34102854c	Duct	01
33	28102856	Flexible metallic pipe	01
34	28009408	Plug	01

20.1. Fuel pipe assembly – 34102265



20.1. Fuel pipe assembly – 34102265

Item	Code	Description	Quantity
01	34076017c	Support	01
02	34102318c	Pipe set	01
03	34102850c	Pipe set	01
04	34081758c	Fixation	03
05	34102851c	Duct	01
06	22025902	Thermometer	01
07	28000081	Plug	01
08	28094668	Ball valve	02
09	34102501c	Pipe set	01
10	24095803	Informative plate	01
11	24095804	Informative plate	01
13	24088386	Clamp	01
14	---	◀ Fuel heat regulator assembly	01
15	28078960	Flexible metallic pipe	01
16	30102511c	Support	01
17	34101551c	Pipe set	01
18	34101552c	Pipe set	01
19	34101565c	Support	01
21	34102519	◀ Fuel pump	01
22	34101579c	Support	02
23	28099178	Flexible metallic pipe	02
24	30018932	Seal	29
25	24000017	Washer	250
26	24000029	Washer	125
27	24091821	Nut	125
28	24000278	Bolt	125
29	34076606	Dividing valve	02
30	34102855	Ball valve	02
31	34102853c	Pipe set	01
32	34102854c	Duct	01
33	28102856	Flexible metallic pipe	01
34	28009408	Plug	01

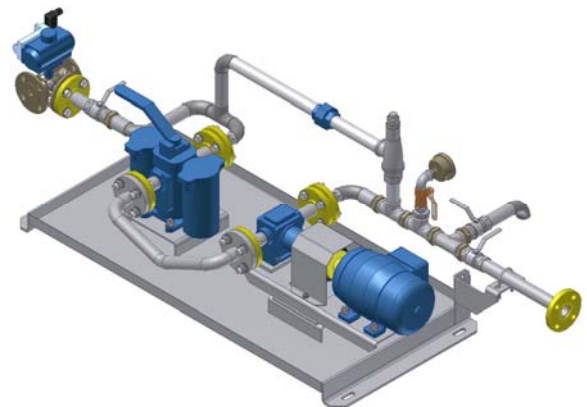
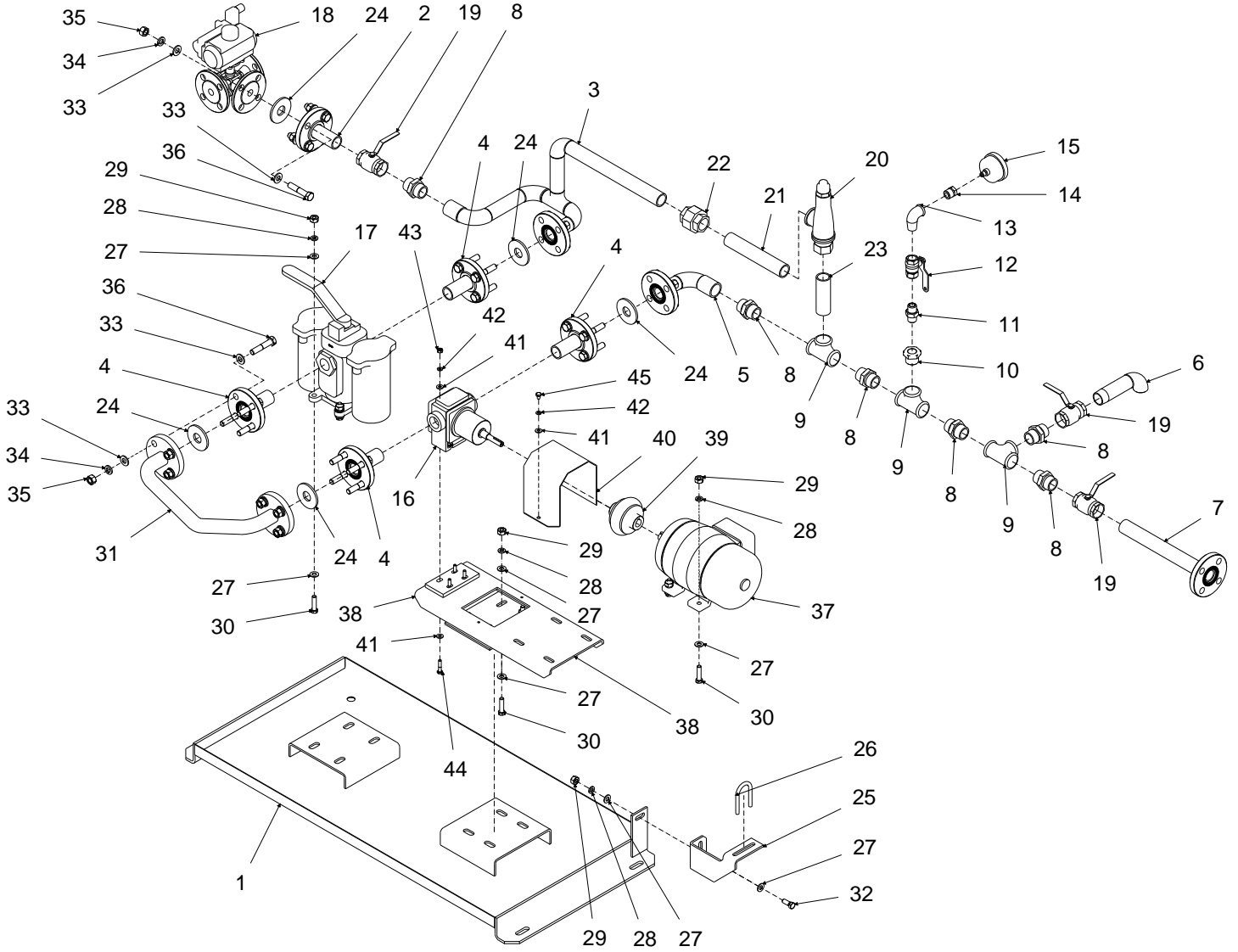
20.1.1. Fuel heat regulator assembly



See catalog of optional items

Page intentionally blank.

20.1.2. Fuel pump – 34102519



20.1.2. Fuel pump – 34102519

Item	Code	Description	Quantity
01	34101556	Base	01
02	34075959	Pipe	01
03	34102306	Pipe set	01
04	34102522	Pipe	04
05	34102274	Duct	01
06	34102504	Pipe set	01
07	34102505	Pipe	01
08	28014390	Nipple	06
09	28001122	Connection	03
10	28009138	Bushing	01
11	28001096	Nipple	01
12	28011258	Ball valve	01
13	28009422	Elbow	01
14	28009135	Bushing	01
15	28098982	Pressure gauge	01
16	28101589	Hauck pump	01
17	28101590	Filter	01
18	34076606	Dividing valve	01
19	28018298	Ball valve	03
20	28000979	Safety valve	01
21	30020118	Pipe	01
22	28008240	Joint	01
23	30027721	Pipe	01
24	30018932	Seal	05
25	30102508	Support	01
26	24088386	Clamp	01
27	24000350	Washer	18
28	24000065	Washer	09
29	24084474	Nut	09
30	24083072	Bolt	08
31	28078960	Flexible metallic pipe	01
32	24000272	Bolt	01
33	24000017	Washer	40
34	24000029	Washer	20
35	24091789	Nut	20
36	24000278	Bolt	20
37	---	◀ Fuel pump drive	01
38	34104030	Base	01
39	26104065	Coupling	01
40	30104034	Protection	01
41	24000071	Washer	10
42	24000072	Washer	06
43	24107324	Nut	04
44	24006685	Bolt	04
45	24006700	Bolt	02

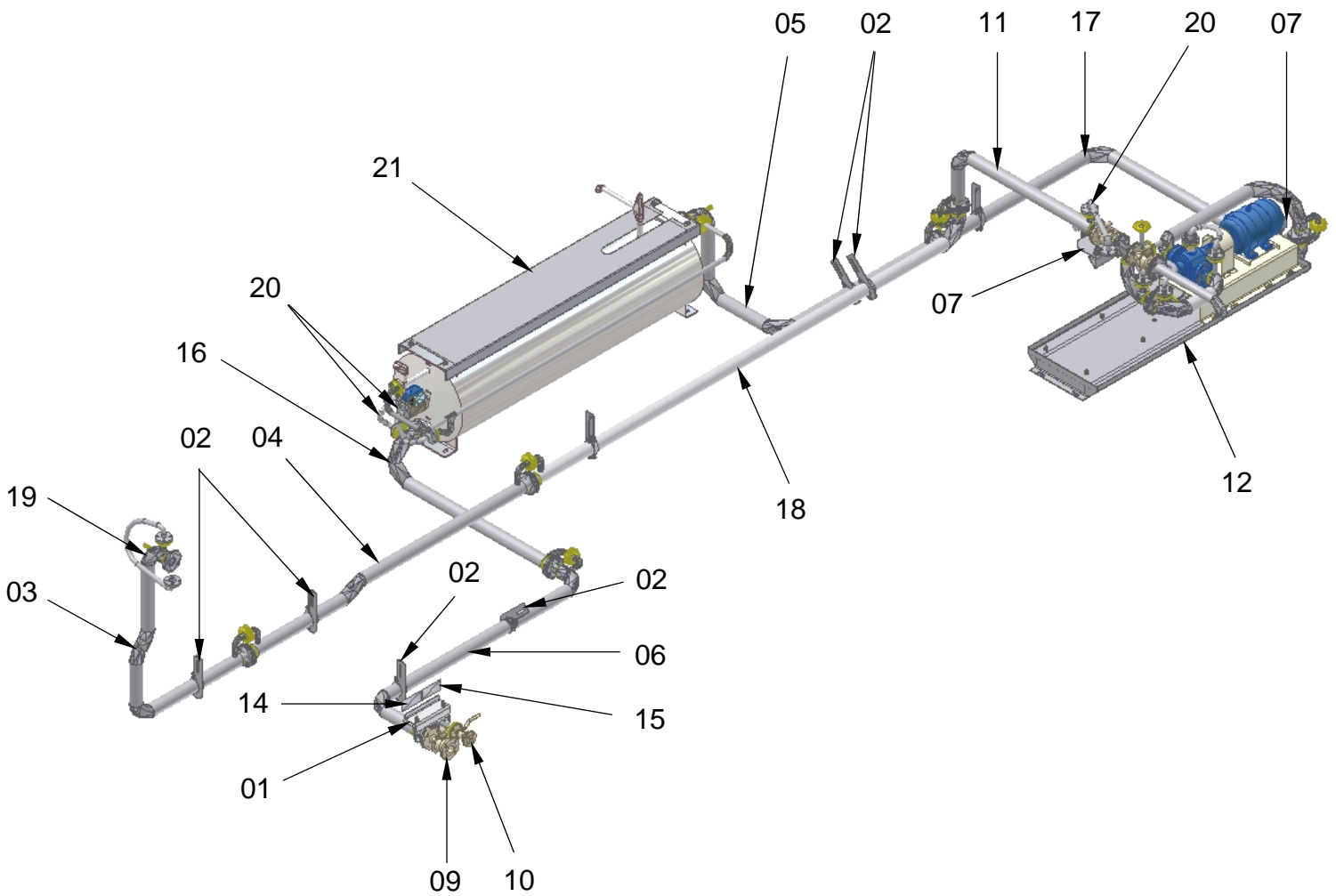
20.1.2.1. Fuel pump drive



See catalog of drives

Page intentionally blank.

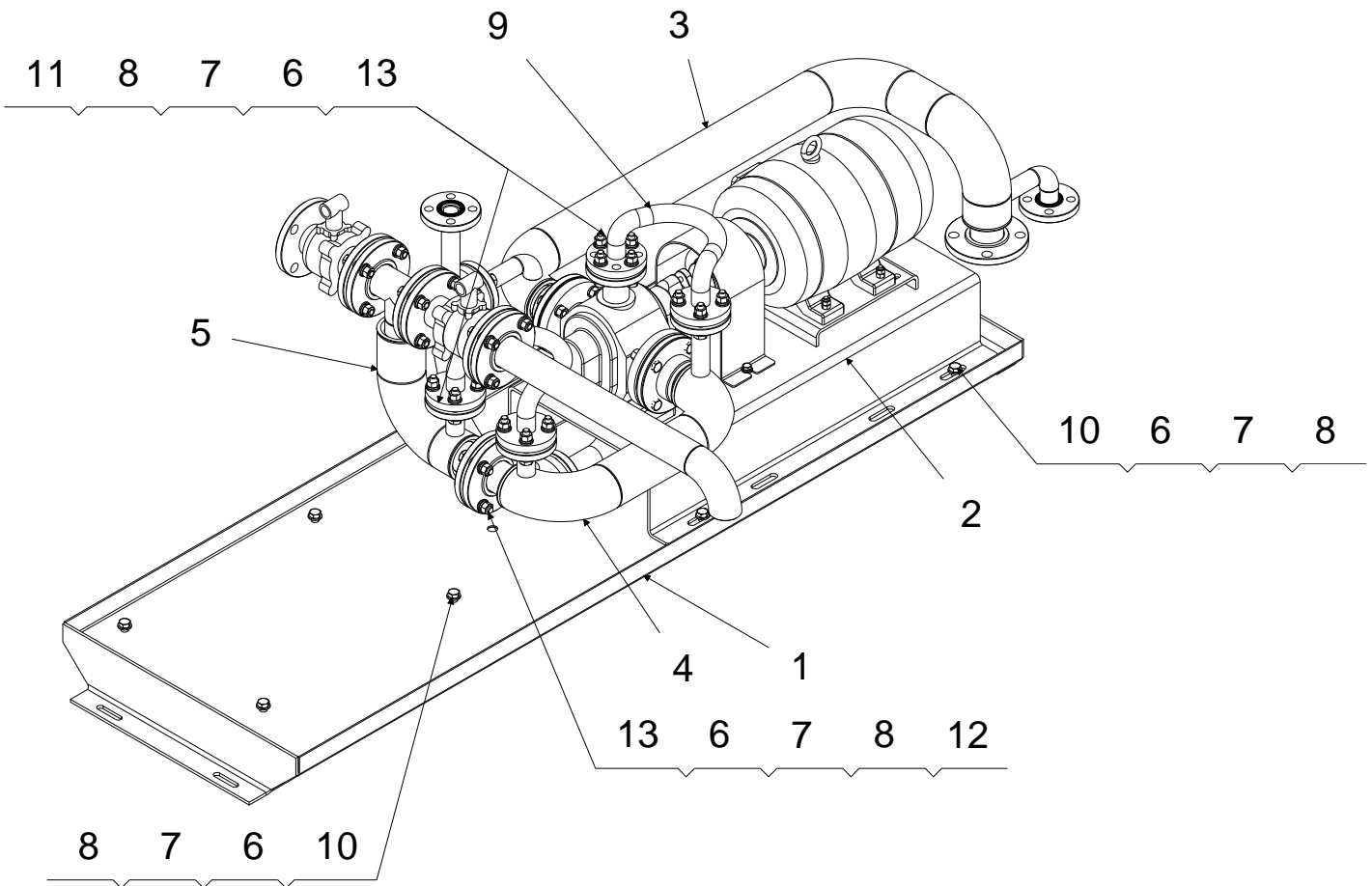
20.2. Asphalt pipe assembly – 34102264



20.2. Asphalt pipe assembly – 34102264

Item	Code	Description	Quantity
01	34076020c	Support	01
02	34081776c	Fixation	08
03	34102290c	Pipe set	01
04	34102291c	Pipe set	01
05	34102297c	Pipe set	01
06	34102300c	Pipe set	01
07	34101596c	Support	02
09	28094667	Ball valve	01
10	28094668	Ball valve	01
11	34102510c	Pipe set	01
12	34102814	◀ Asphalt pump assembly	01
14	24095802	Informative plate	01
15	24095803	Informative plate	01
16	34102528c	Pipe set	01
17	34102529c	Pipe set	01
18	34102530c	Pipe set	01
19	28078961	Flexible metallic pipe	01
20	28078960	Flexible metallic pipe	03
21	---	◀ Asphalt heat regulator assembly	01
25	30018931	Seal 2"	11
26	30018932	Seal 1"	15
27	24000017	Washer	208
28	24000029	Washer	104
29	24091821	Nut	104
30	24000278	Bolt	104

20.2.1. Asphalt pump assembly – 34102814



20.2.1. Asphalt pump assembly – 34102814

Item	Code	Description	Quantity
01	34102311	Base	01
02	---	◀ Asphalt pump	01
03	34102512	Pipe set	01
04	34102518	Pipe set	01
05	34102537	◀ Sampling pipe	01
06	24000017	Washer	64
07	24000029	Washer	32
08	24091821	Nut	32
09	28078960	Flexible metallic pipe	03
10	24000275	Bolt	08
11	30018932	Seal 1"	05
12	30018931	Seal 2"	03
13	24000278	Bolt	24

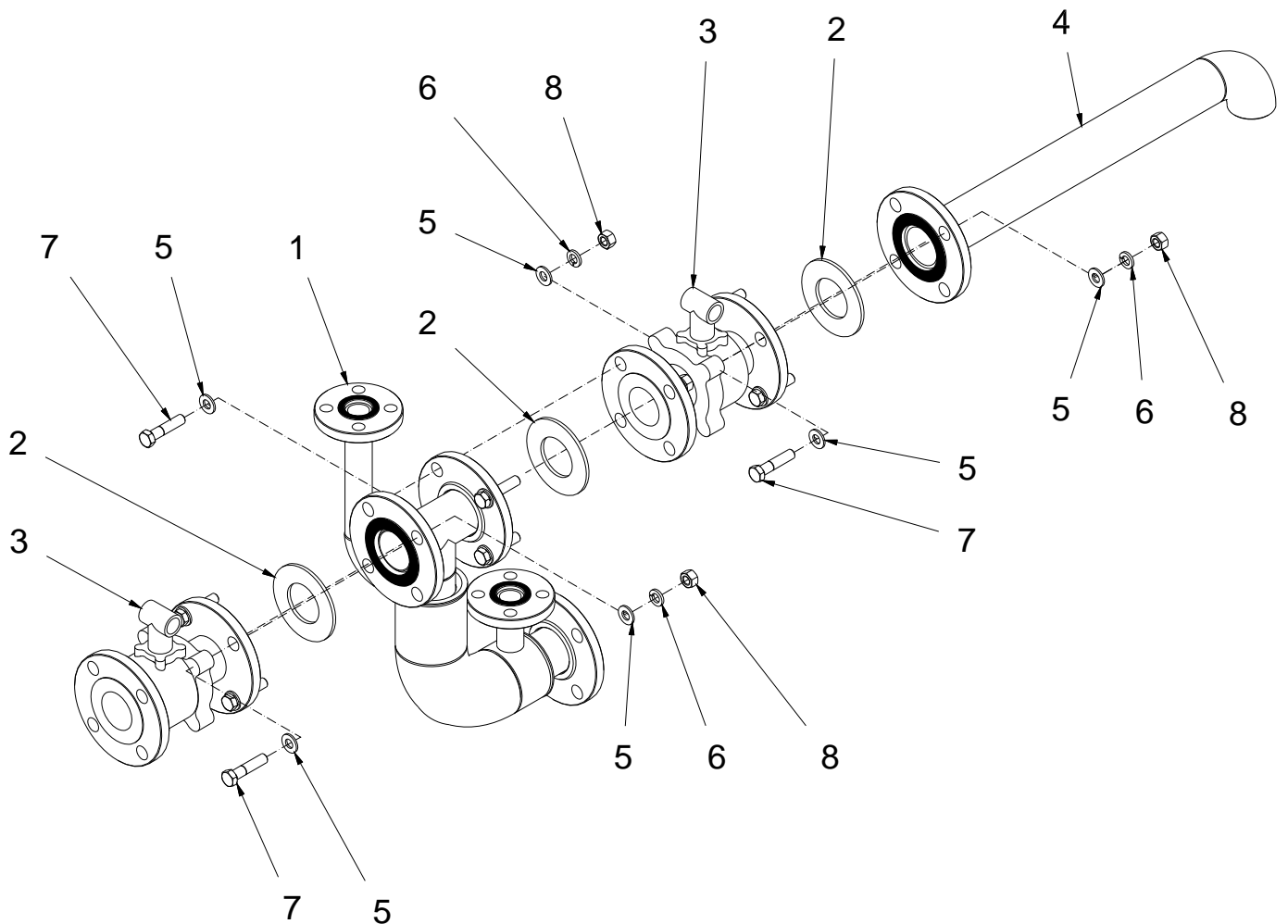
20.2.1.1. Asphalt pump



See catalog of drives

Page intentionally blank.

20.2.1.2. Sampling pipe – 34102537



20.2.1.2. Sampling pipe – 34102537

Item	Code	Description	Quantity
01	34102520	Pipe set	01
02	30018931	Seal	03
03	28094667	Ball valve	02
04	34102536	Pipe set	01
05	24000017	Washer	24
06	24000029	Washer	12
07	24039025	Bolt	12
08	24091821	Nut	12

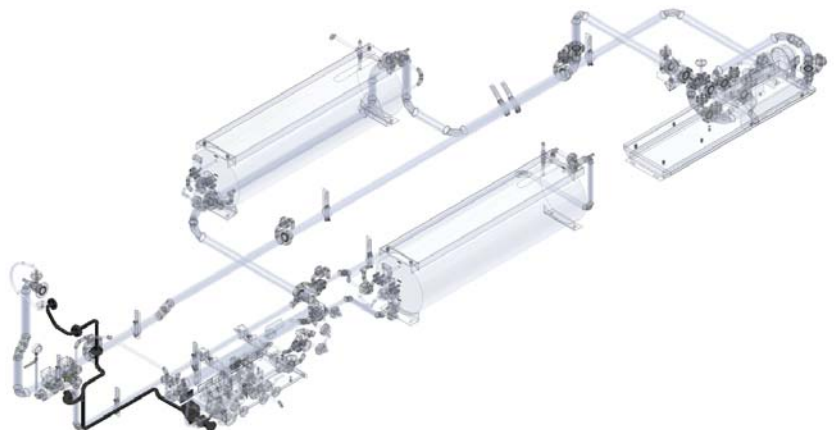
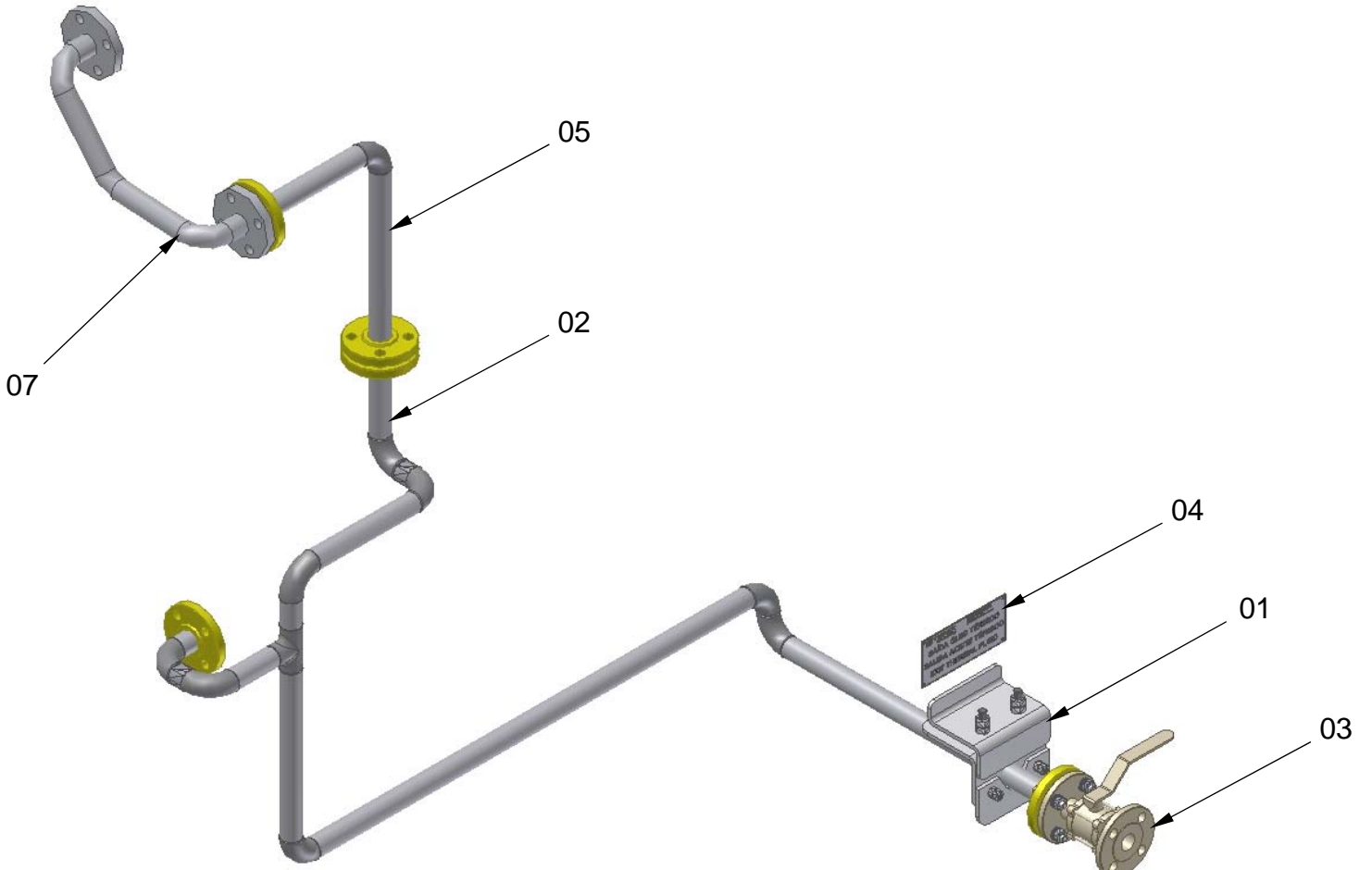
20.2.2. Asphalt heat regulator assembly



See catalog of optional items

Page intentionally blank.

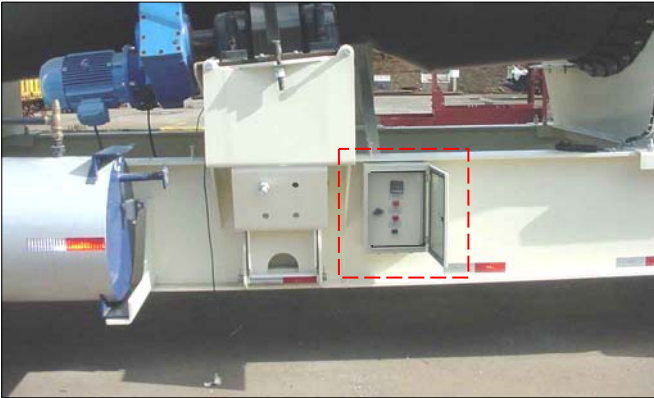
20.3. Return fuel pipes – 34102494



20.3. Return fuel pipes – 34102494

Item	Code	Description	Quantity
01	34076022	Support	01
02	34102852	Pipe set	01
03	28094668	Ball valve	01
04	24095811	Informative plate	01
05	34102495	Pipe set	01
07	28078960	Flexible metallic pipe	01
08	30018932	Seal 1"	05
09	24000350	Washer	40
10	24000065	Washer	20
11	24084474	Nut	20
12	24000273	Bolt	20

20.4. Panel control to temperature regulators – 1 temp. regulator – 34094786

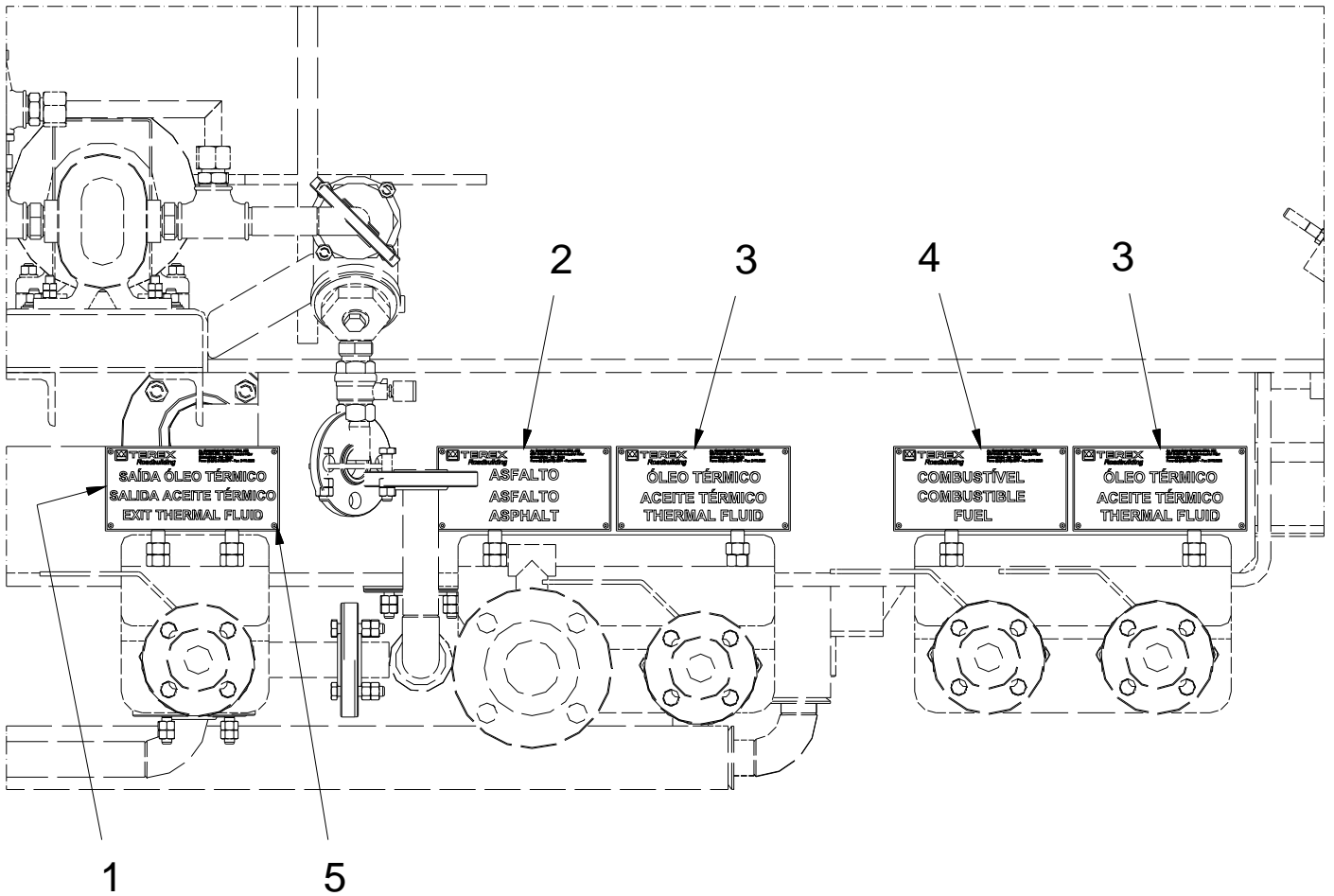


**Imagens meramente ilustrativas.
Imágenes solamente ilustrativas.
Only illustrative images.**

20.4. Panel control to temperature regulators – 1 temp. regulator – 34094786

Item	Code	Description	Quantity
01	22094714	Circuit breaker K32A 1P C6	01
02	22046050	Push button VSZ222/13	02
03	22070932	Lamp - Led Light bulb S1L/13 120V BA9S	02
04	22046125	Light socket light bulb L001	02
05	22046129	Short knob switch acz290	01
06	22022465	Block of contacts E-111	01
07	22013463	Connection passage 2,5mm ² wdu/2.5	06
10	22036354	Box	01
17	22010864	Cable press 5-10	05
18	22060088	Temperature Controller	01
19	22011441	Thermal resistors PT-100	01
23	20108913	Pad	06
24	22046045	Cable press 1"	01
25	22094751	Jamb EN/S35N	02
26	22096163	Conductor identifier	30
27	22094698	Connection passage ST2,5	20
28	24098199	Sticker "controle de montagem eletrica"	01
29	24110911	General sticker	01

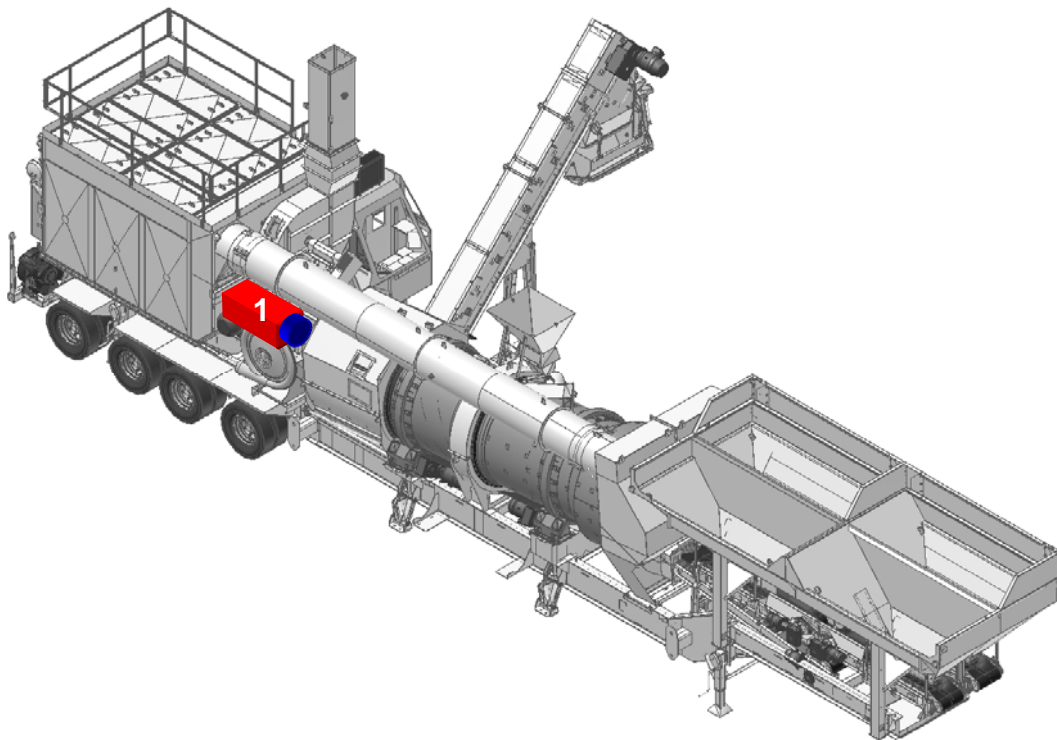
20.5. Asphalt and fuel pipe sticker assembly – 34097910



20.5. Asphalt and fuel pipe sticker assembly – 34097910

Item	Code	Description	Quantity
01	24095811	Informative plate "Thermal oil's exit"	01
02	24095802	Informative plate "Asphalt"	01
03	24095803	Informative plate "Thermal oil"	02
04	24095804	Informative plate "Fuel"	01
05	24078895	Rivet	20

21. VIDEO CAMERA SET – 34114839

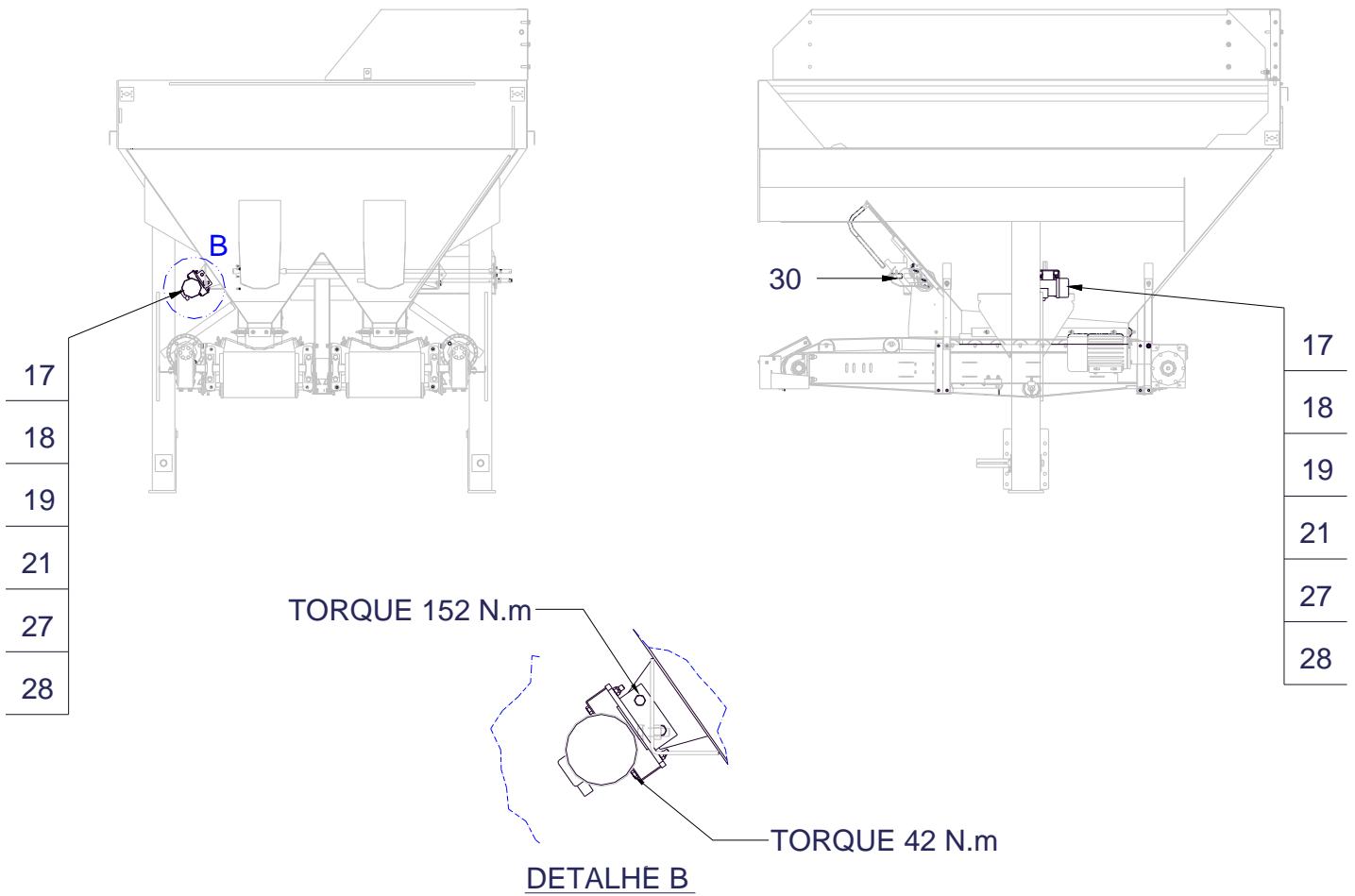


**Imagens meramente ilustrativas.
Imágenes solamente ilustrativas.
Only illustrative images.**

21. VIDEO CAMERA SET – 34114839

Item	Code	Description	Quantity
01	34114824c	Video camera set	01
02	34115020	Support	01
03	24006959	Bolt	03
04	24020524	Nut	03
05	24000354	Washer	03

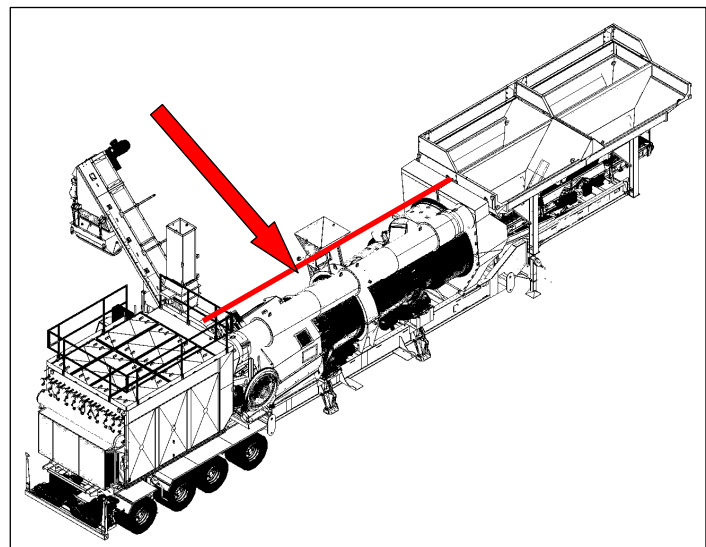
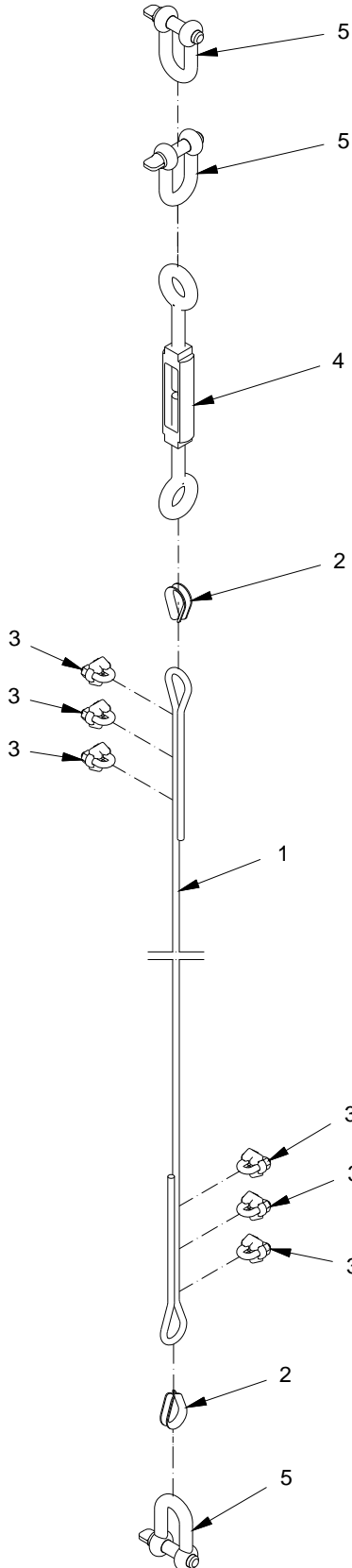
22. VIBRATOR FOR BIN – 34101164



22. VIBRATOR FOR BIN – 34101164

Item	Code	Description	Quantity
17	26093116	Vibrator	01
18	24000209	Washer	04
19	24080479	Bolt	04
21	34023991	Nut	01
27	24000277	Support	02
28	24006986	Bolt	02
30	22080637	Sensor mercúrio CM1000-50	01

23. CABLE FOR LINE-OF-LIFE C/ 9120MM – 34109403



23. CABLE FOR LINE-OF-LIFE C/ 9120MM – 34109403

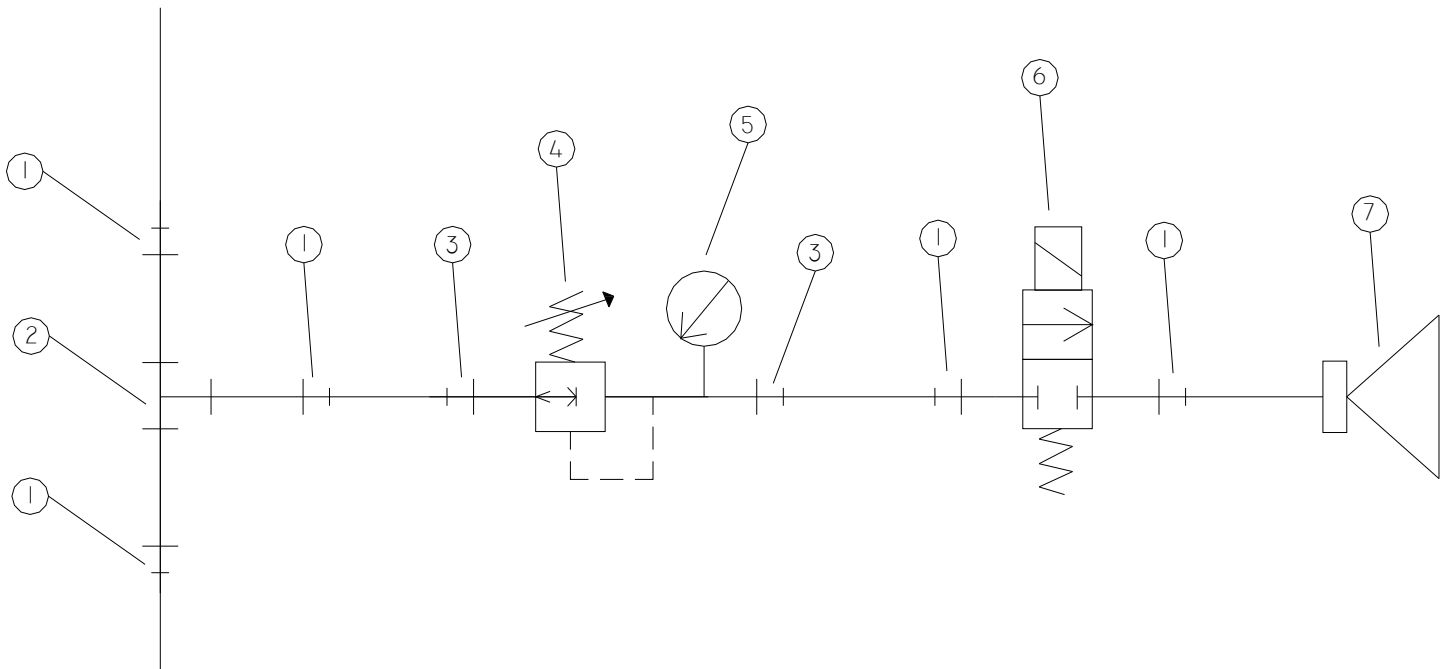
Item	Code	Description	Quantity
01	30109404	Steel cable	01
02	24088365	Cable Timble	02
03	24027608	Crosby cable clamp	06
04	24109006	Tensionner	01
05	28011247	Shackle	03

24. PNEUMATIC HORN – 34075278

Item	Code	Description	Quantity
01	20062427	Pneumatic horn	01
02	40057072	Hose 300 5/16"	3M
04	28045187	Hose connector 5/16" BSPT 1/4"	02
05	24023509	Clamp 9-13 AC MICRO	05
09	28075276	Solenoid valve 2V 1/2"NPT 16mm	01
12	28070934	Pressure regulating valve 1/4" PROAR	01
13	28070935	Pressure gauge 0 - 11bar DN52 1/8"BSP	01
14	50070949	◀ Pneumatic diagram	01
15	28030638	Hose connector 5/16" NPT 1/2"	02
16	30097426	Support	01

Page intentionally blank.

24.1. Pneumatic diagram – 50070949



24.1. Pneumatic diagram – 50070949

Item	Code	Description	Quantity
01	---	Connector	05
02	---	Connection	01
03	---	Connector	02
04	---	Valve	01
05	---	Pressure gauge	01
06	---	Solenoid	01
07	---	Horn	01

25. LIST OF PARTS OF PNEUMATIC SYSTEM – 34070823

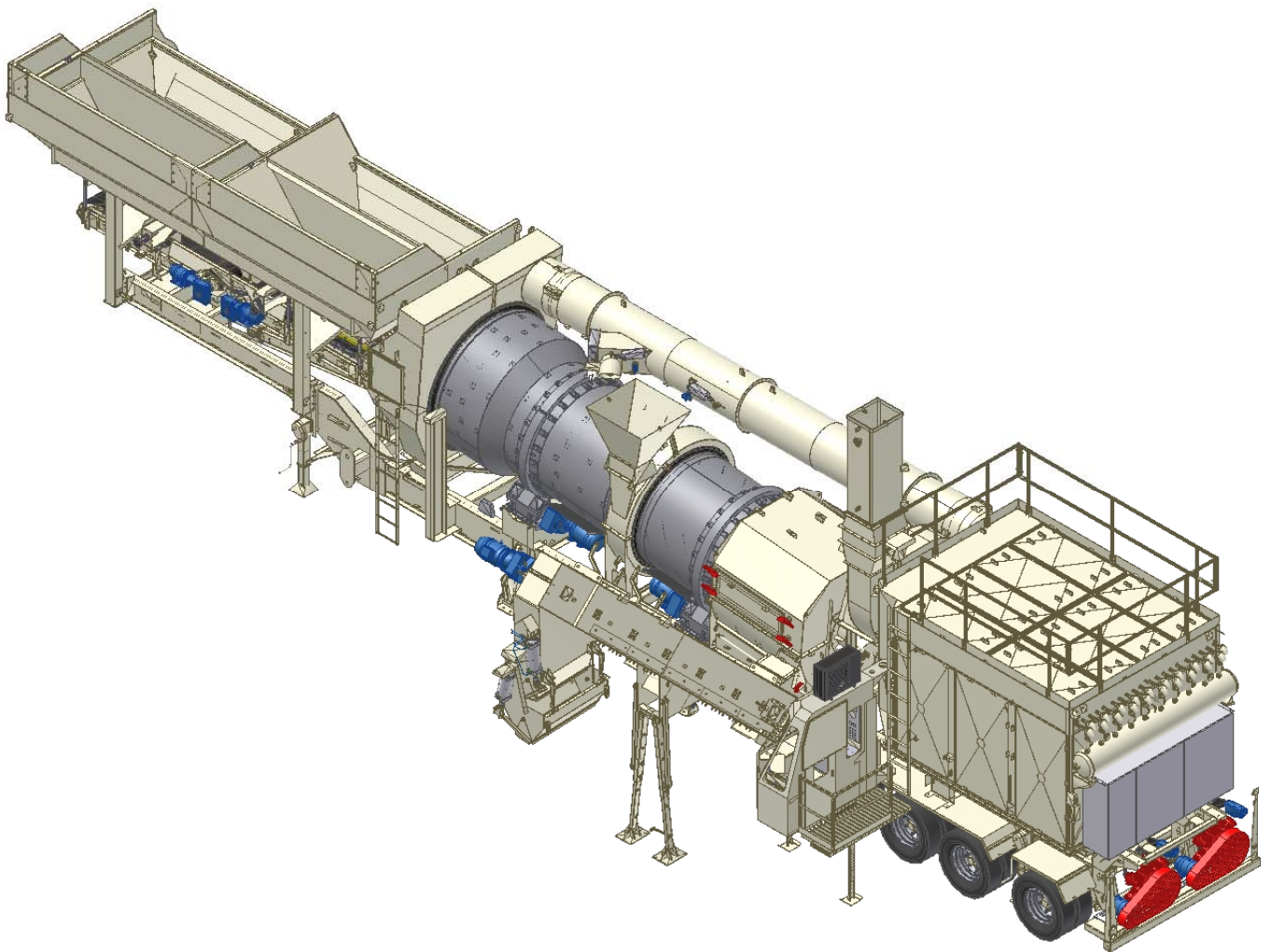
Item	Code	Description	Quantity
03	28012010	Line filter 1/2"BSP	01
04	28001096	Nipple BSP 1/2" fofo	05
05	28009436	Connection BSP 1/2" fofo	04
07	28024268	Hose connector 5/16" BSP 1/2"	12
09	24006852	Clamp 13-19 ac flexil	16
13	30036414	Hose 300 5/16"x50000	01
15	30079726	Support	02
16	30069016	Support	01
17	28001096	Nipple BSP 1/2" fofo	01
18	28024268	Hose connector 5/16" BSP 1/2"	01
20	28010718	Nut PA 10	06
21	28039367	Joint 10mm	04
22	30060064	Hose connector 5/16" PL 10	04
23	28009422	Elbow M/F BSP 1/2" fofo	02
24	28011230	Elbow BSP 1/2" fofo	01
25	30051706	Support	01
26	34104891	Support	01

26. PARTS FOR SIGNALLING AND ROAD ILLUMINATION – 34081296

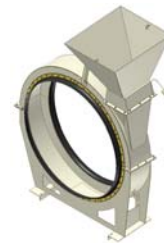
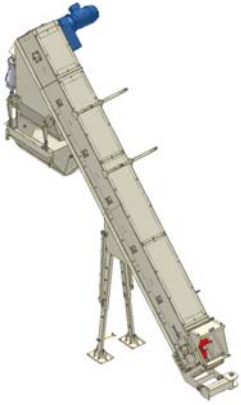
Item	Code	Description	Quantity
01	22098075	Tail lamp red	02
02	22073738	Lamp 21W/5W/24V 2P	04
07	22074051	Universal signal lens VM	02
10	22074052	Universal signal lens CR	02
11	22011131	21W/24V 1P light bulb	12
16	24000195	Bolt G2 UNC 3/16x1" geomet 2	20
18	24000354	Washer 3/16" geomet 2	20
19	24011852	Washer 3/16" geomet 2	20
20	22011088	Female fixed plug-in 6 p	01
21	22098074	Tail lamp yellow	02
22	22015064	Connector 3V nylon	04
23	22018715	Terminal 6,3- N/ISOL	12
24	22096115	Electrical whip / cable assembly 1167S	04
25	40073792	Flexible cable PP 4x 1,5 mm2	5M
26	22074050	Universal signal lens AM	02
27	22098073	Side lamp green	03
28	22098077	Tail lamp red triple	01
29	22098083	Plate lamp	01
30	22098069	Lamp 4W/24V	01
31	30097492	Support for three traffic lights	01

Page intentionally blank.

OPTIONAL ITEMS OF THE PLANT



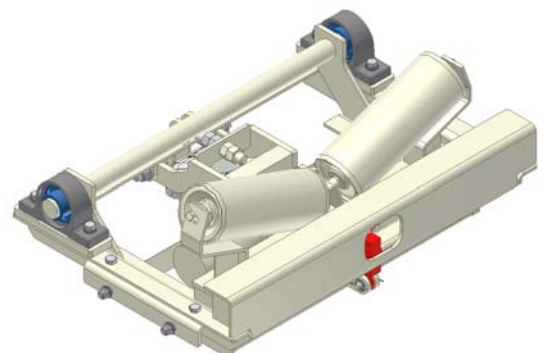
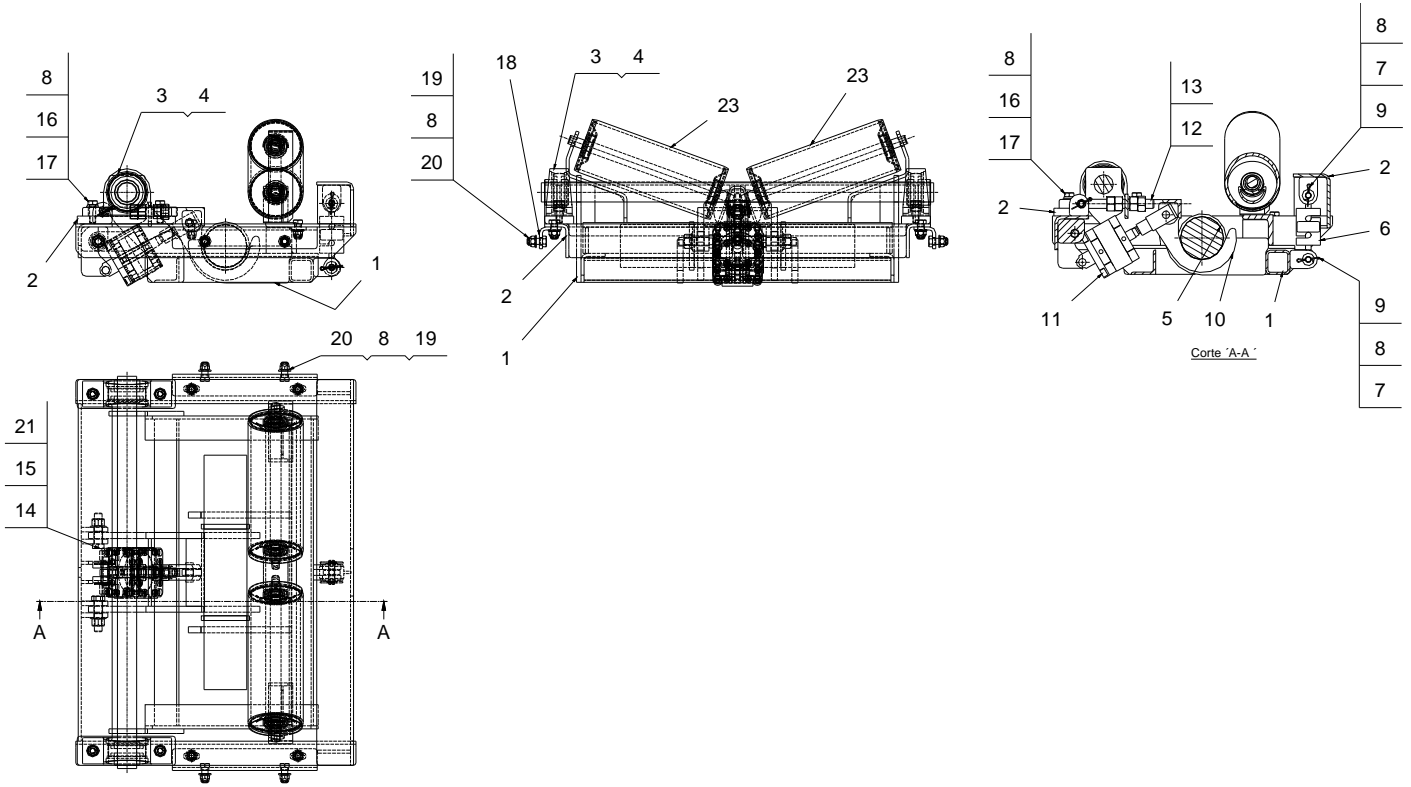
OPTIONAL ITEMS OF THE PLANT



OPTIONAL ITEMS OF THE PLANT

Item	Code	Description	Quantity
01	34081938	← Scale	01
02	---	← Dryer drum – AR-400	01
03	34092617	← Vibratory chute	01
04	34100426	← Weighing system	01
05	34100381	← Wear plate of the drag conveyor – AR-400	01
06	34080382	← Recycling cover	01
07	34102532	← Fuel heat regulator assembly	01
08	34102535	← Asphalt heat regulator assembly	01
09	34094785	← Panel control to temperature regulators – 2 temperature regulators	01
10	34115304	← Video monitoring system	01

1. SCALE – 34081938

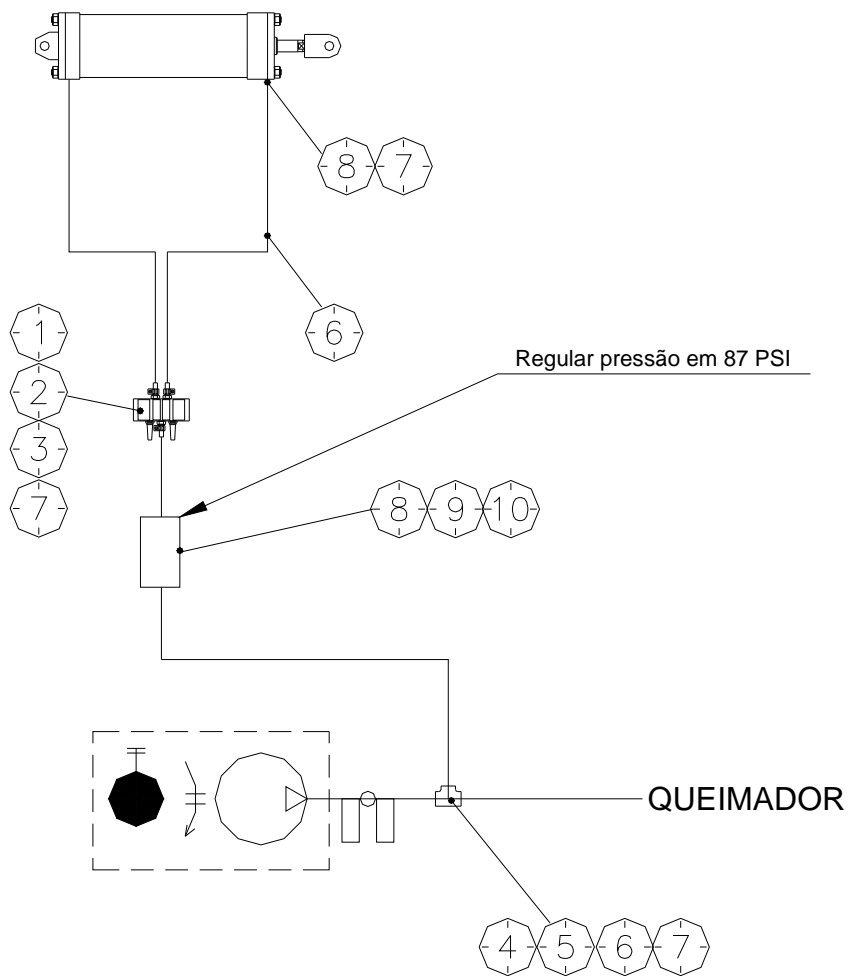


1. SCALE – 34081938

Item	Code	Description	Quantity
01	34081942	Scale	01
02	34081939	Support	01
03	26000713	Sleeve bearing	02
04	26000726	Bearing	02
05	34081932	Weight	01
06	34024206	Load cell	01
07	30078771	Pin	03
08	24000017	Washer	16
09	24009280	Cotter pin	06
10	34081950	Support	01
11	28103253	Pneumatic cylinder	01
12	30081958	Screw	01
13	24000315	Nut	04
14	24001108	Bolt	02
15	24005005	Washer	02
16	24000029	Washer	04
17	24000275	Bolt	04
18	30081961	Support	02
19	24000274	Bolt	08
20	24006986	Nut	08
21	24079573	Nut	02
22	34081962	◀ Pneumatic diagram of the scale	01
23	34103255	Load roller	01

1.1. Pneumatic diagram of the scale – 34081962

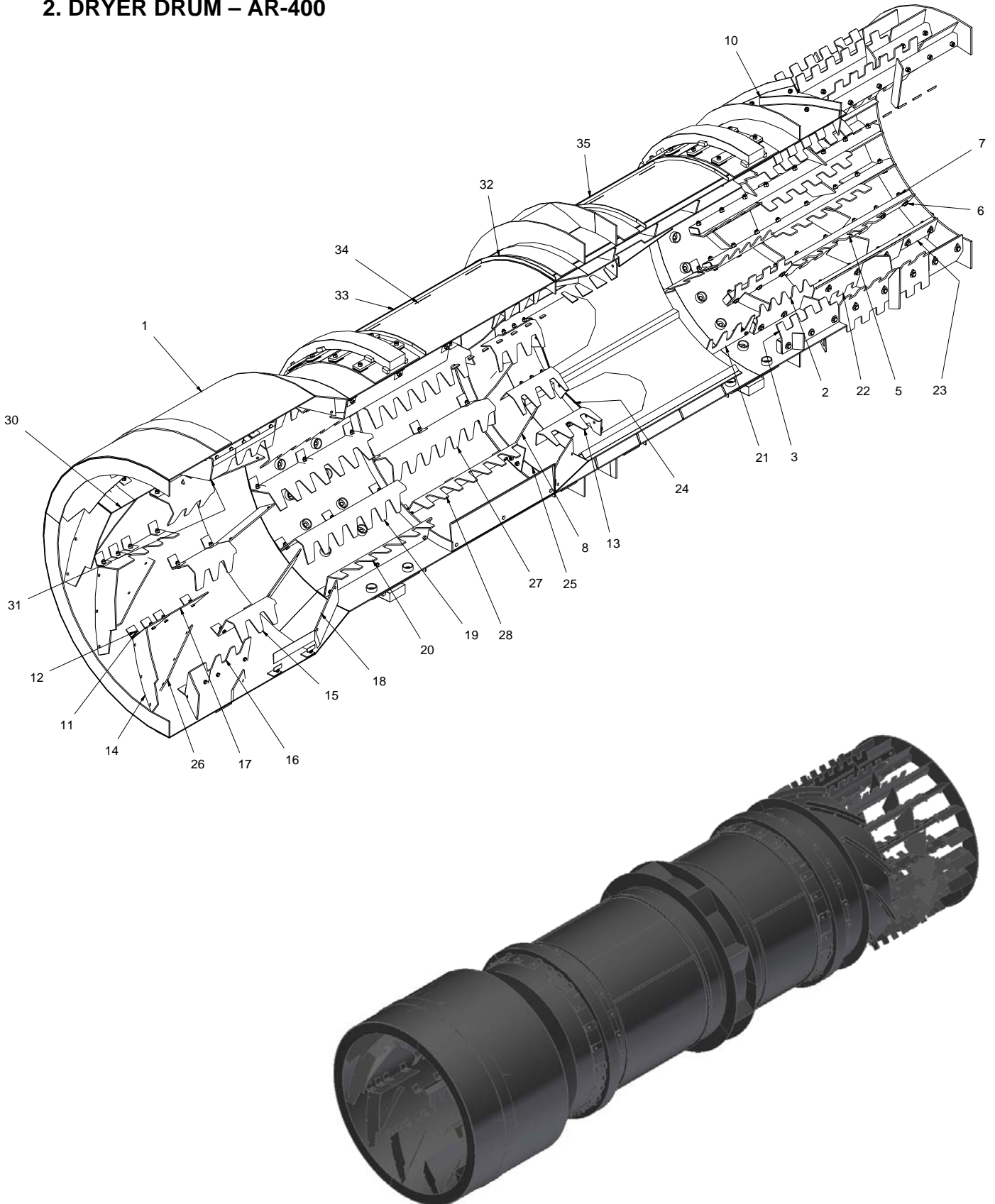
Cilindro da Ponte de pesagem



1.1. Pneumatic diagram of the scale – 34081962

Item	Code	Description	Quantity
01	28075277	Spool valve	01
02	28015177	Silencer	02
03	28021451	Connector	03
04	28009436	Connection	05
05	28024268	Connector	02
06	30057469	Hose	01
07	24006852	Clamp	10
08	28081963	Connector	02
09	28012010	Filter	01
10	28001096	Nipple	02

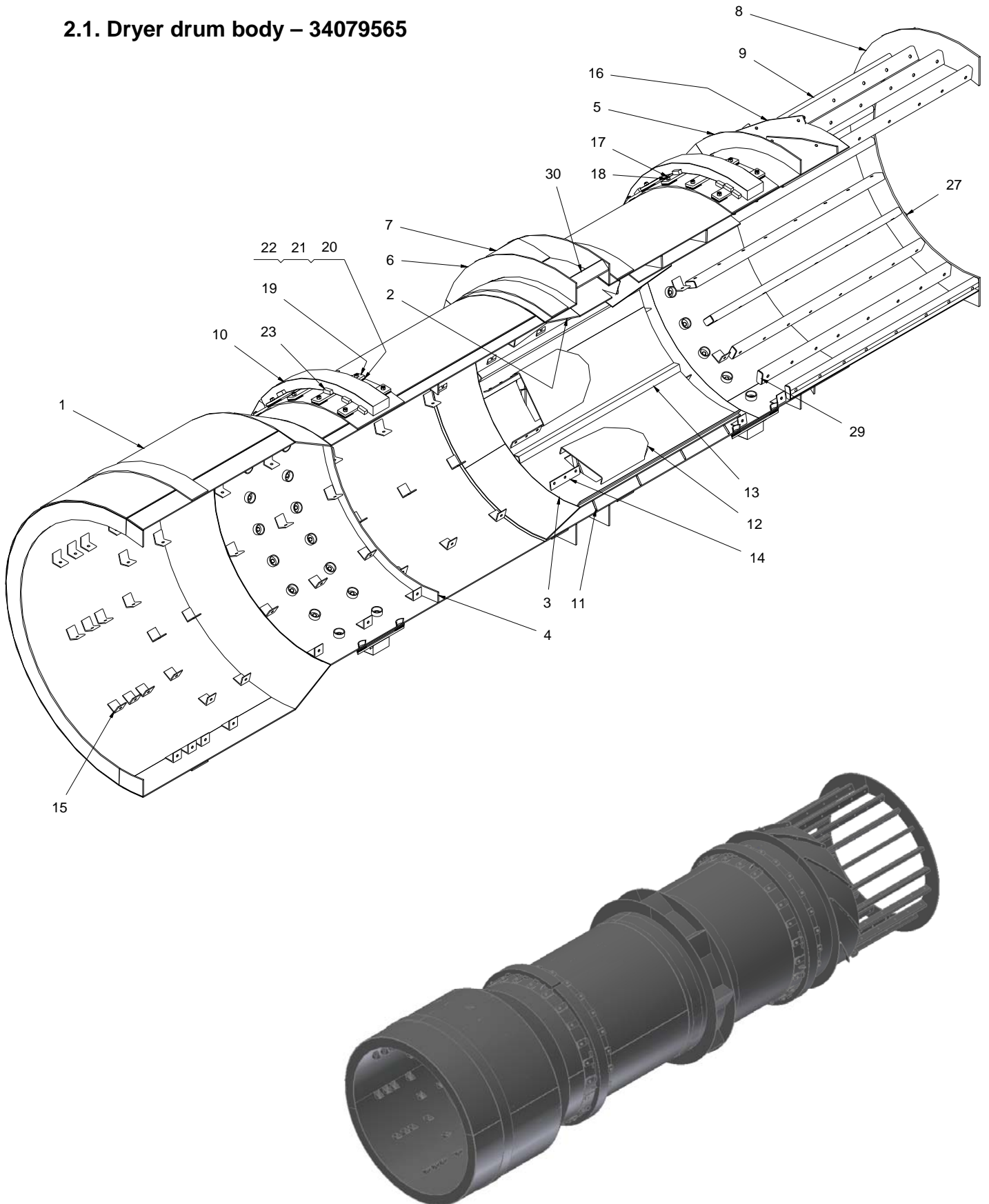
2. DRYER DRUM – AR-400



2. DRYER DRUM – AR-400

Item	Code	Description	Quantity
01	34079565	◀ Dryer drum body	01
02	38081334	Flight with teeth	10
03	38083398	Flight with teeth	10
04	24000352	Washer	52
05	38099317	Flight with teeth	10
06	24033819	Bolt	166
07	24006984	Nut	166
08	30099044	Union flight	12
10	40079582	External flight	10
11	24079573	Nut	254
12	24006981	Bolt	254
13	38099048	Flight with teeth	12
14	30099049	Flight of entry	12
15	30099050	Flight with teeth	12
16	30099051	Straight flight with teeth	06
17	30099052	Flight	06
18	30099053	Union flight	12
19	30099054	Flight with teeth	06
20	30099058	Flight with teeth	06
21	38083400	Straight flight with teeth	10
22	38099316	Flight with teeth	10
23	30081307	Flight of exit	20
24	30098790	Closing	08
25	30099062	Retainer flange	12
26	30099063	Flight of entry	12
27	38099057	Flight with teeth	06
28	38099061	Flight with teeth	06
30	30099064	Flight	06
31	30099065	Flight	06
32	30115200	Ring spacer	08
33	30118420	Angle	04
34	30116561	Wire	40
35	30065200	Angle	04

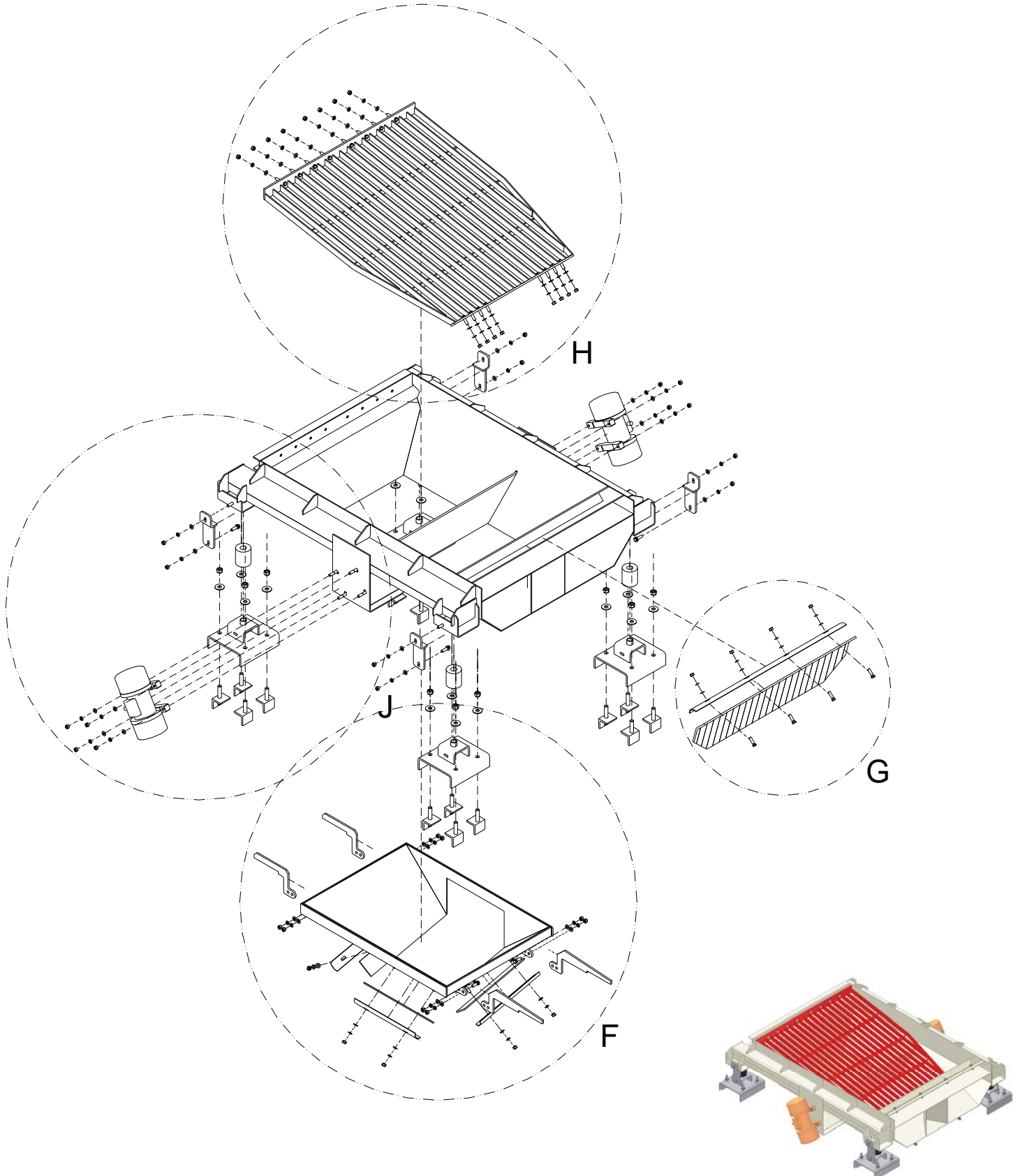
2.1. Dryer drum body – 34079565



2.1. Dryer drum body – 34079565

Item	Code	Description	Quantity
01	38079547	Frame	01
02	30072155	Internal cone	02
03	30072154	Entire body	02
04	30054029	Internal flange	03
05	30069418	Split flange	02
06	30072158	Flange	04
07	30072223	Closing	08
08	30075085	Split flange	02
09	30075086	Support	20
10	38079567	Ring of the drier	02
11	30072156	Flight	32
12	30072293	Box	08
13	30072294	Angle	08
14	30076937	Support	12
15	30079570	Support	164
16	30079577	Support	10
17	24001108	Bolt	96
18	24079573	Nut	96
19	30079568	Support	48
20	30072415c	Spacer	96
21	30072414c	Spacer	192
22	30072412	Washer	96
23	30072424	Bar	80
24	30110978	Plate	08
26	30097255	Support	16
27	30097254	Plate	03
29	30084059	Closing	20

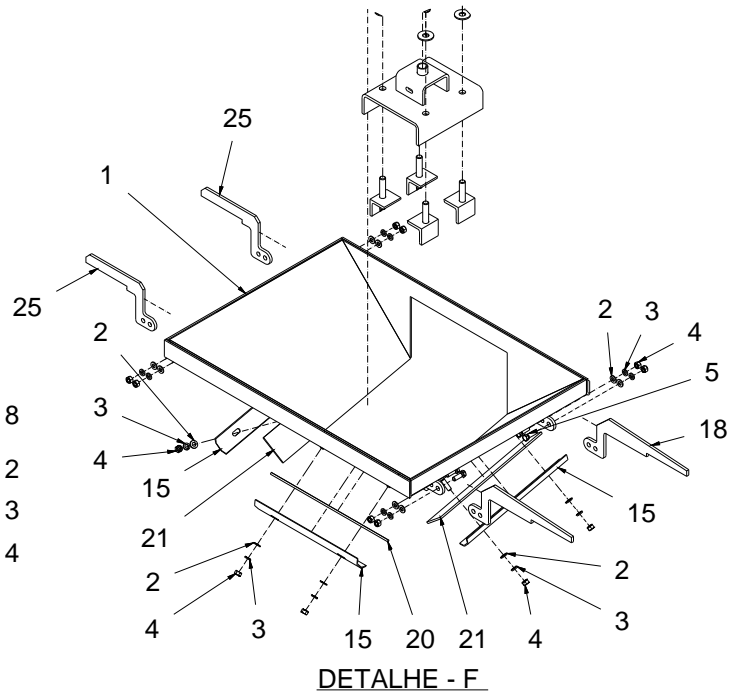
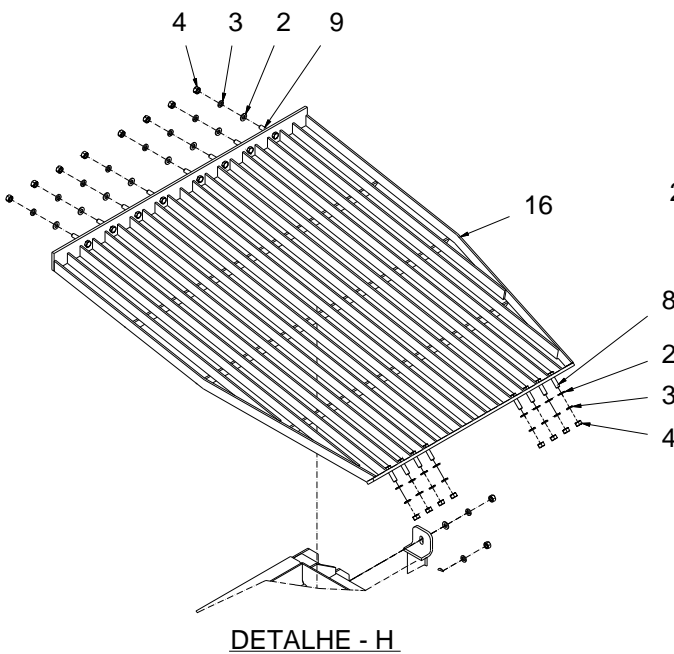
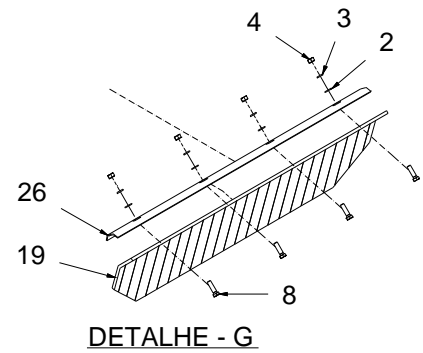
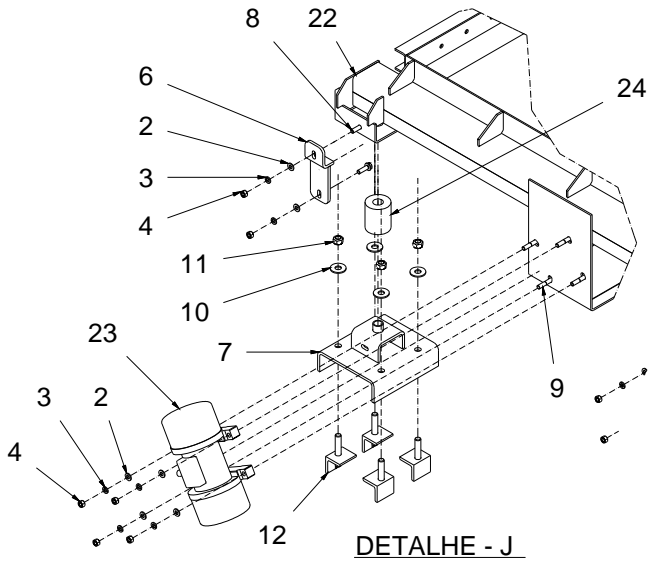
3. VIBRATORY CHUTE – 34092617



3. VIBRATORY CHUTE – 34092617

Item	Code	Description	Quantity
01	34093436	Funnel	01
02	24000017	Washer	66
03	24000029	Washer	50
04	24000313	Nut	50
05	24000214	Bolt	08
06	34081066	Locking device	04
07	34080719	Base	04
08	24000276	Bolt	20
09	24000278	Bolt	16
10	24000352	Washer	16
11	24079864	Nut	16
12	38073843	Fastener	16
15	30000675	Fastener	04
16	34089616	Grating	01
18	30091797	Plate	02
19	30091805	Rubber	01
20	30091804	Scraper	02
21	30071028	Rubber	01
22	34091811	Vibrating screens	01
23	26093115	Vibrator	02
24	26080728	Rubber spring	04
25	30093453	Plate	02
26	30089647	Fastener	01

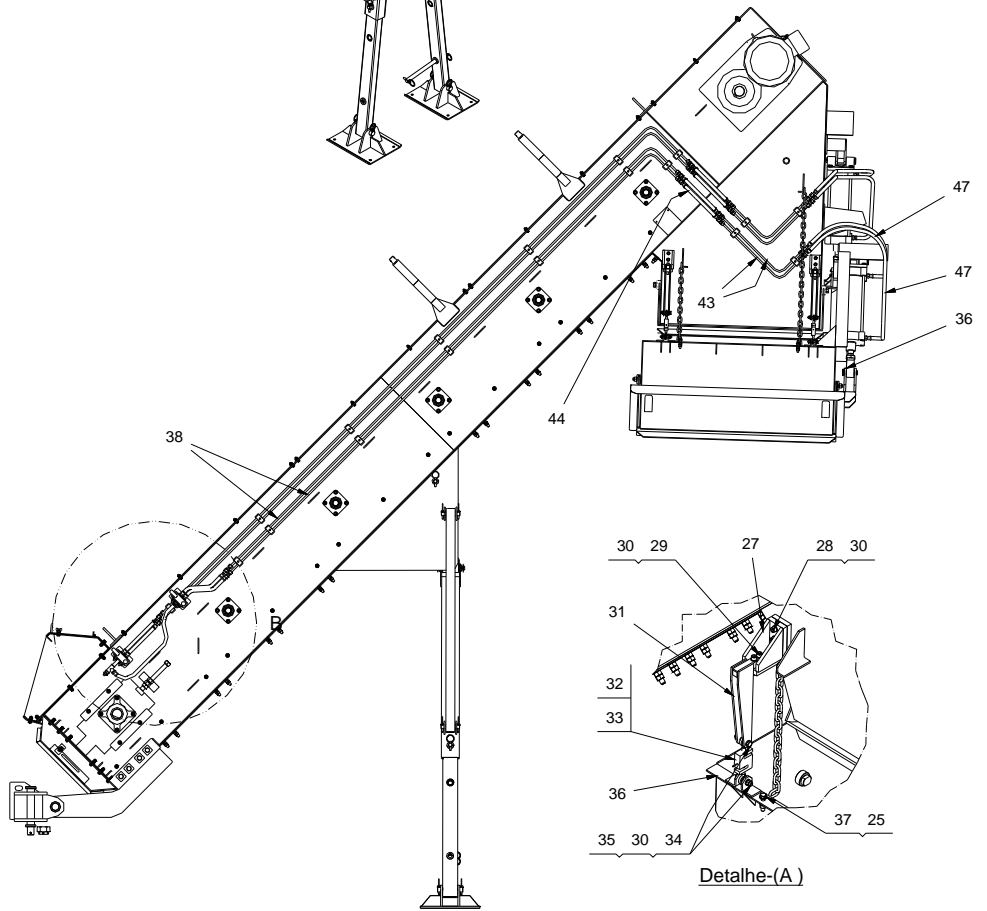
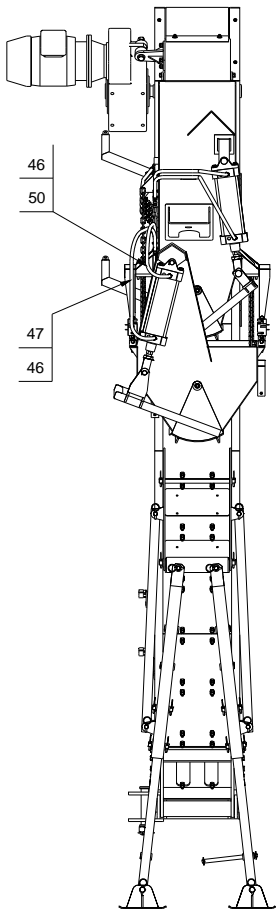
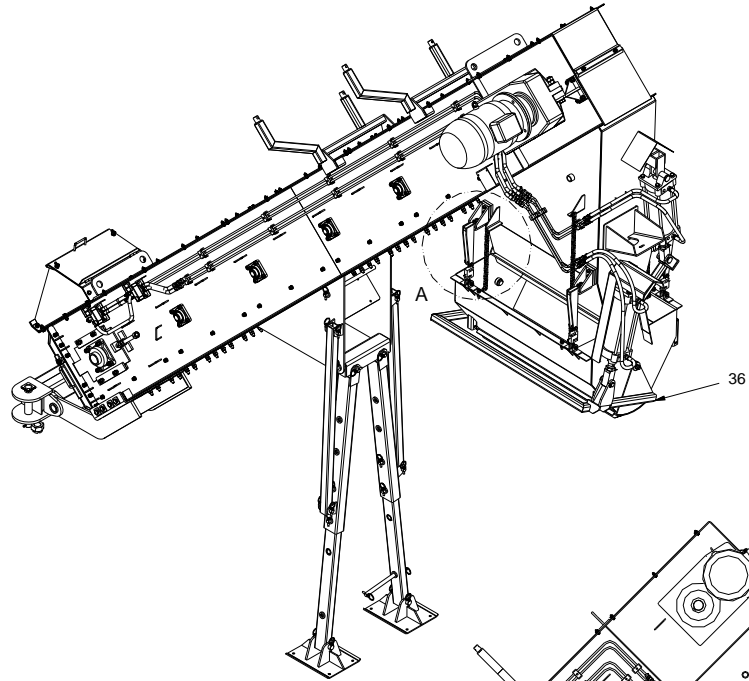
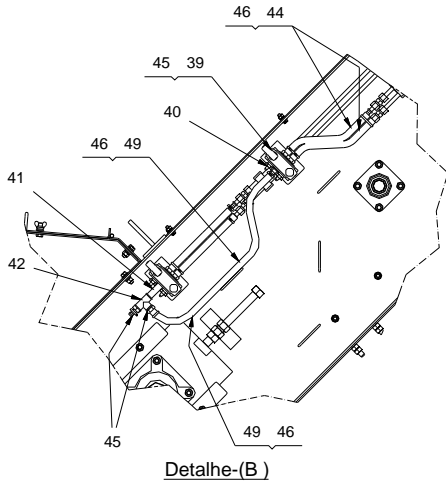
3. VIBRATORY CHUTE – 34092617



3. VIBRATORY CHUTE – 34092617

Item	Code	Description	Quantity
01	34093436	Funnel	01
02	24000017	Washer	66
03	24000029	Washer	50
04	24000313	Nut	50
05	24000214	Bolt	08
06	34081066	Locking device	04
07	34080719	Base	04
08	24000276	Bolt	20
09	24000278	Bolt	16
10	24000352	Washer	16
11	24079864	Nut	16
12	38073843	Fastener	16
15	30000675	Fastener	04
16	34089616	Grating	01
18	30091797	Plate	02
19	30091805	Rubber	01
20	30091804	Scraper	02
21	30071028	Rubber	01
22	34091811	Vibrating screens	01
23	26093115	Vibrator	02
24	26080728	Rubber spring	04
25	30093453	Plate	02
26	30089647	Fastener	01

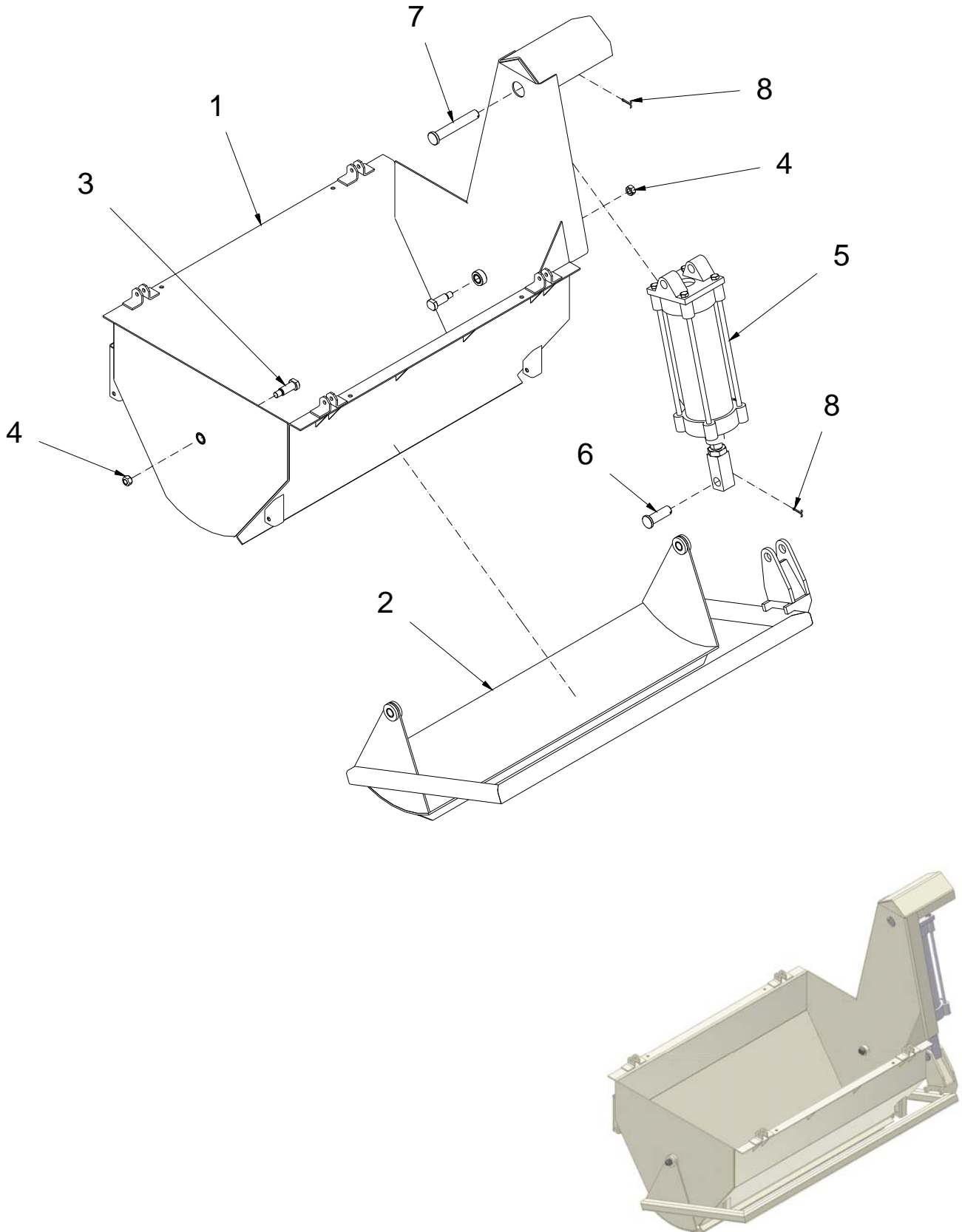
4. WEIGHING SYSTEM – 34100426



4. WEIGHING SYSTEM – 34100426

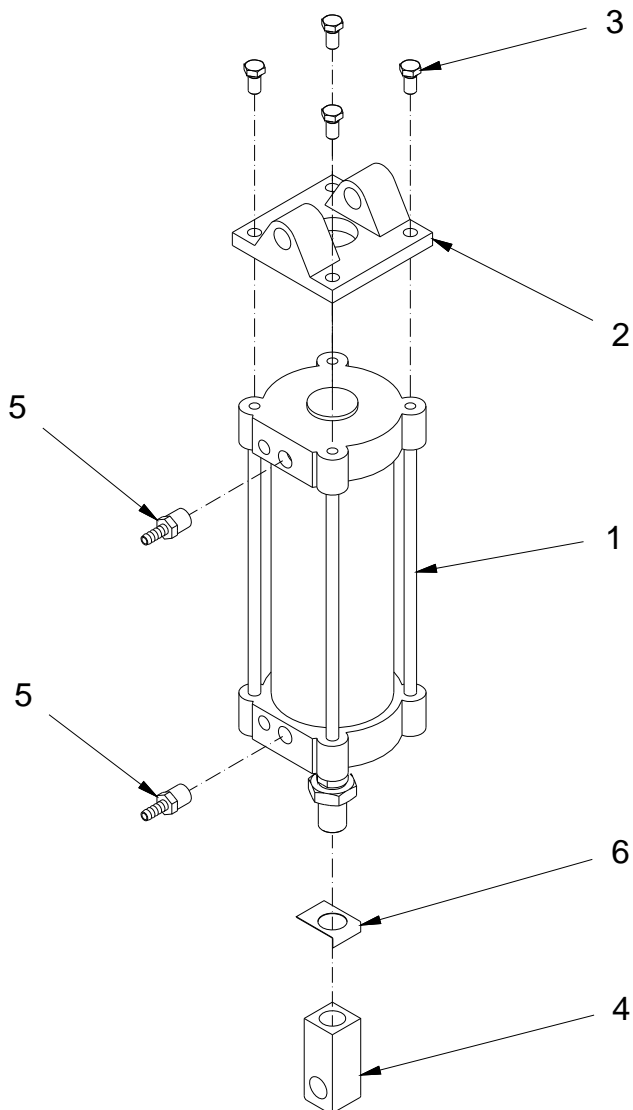
Item	Code	Description	Quantity
27	34079876	Support	04
28	24079884	Bolt	12
29	24079879	Bolt	08
30	24006883	Washer	36
31	34086252	Arm	04
32	22024192	Head of Joint	08
33	22030034	Load cell	04
34	24006998	Bolt	08
35	24001031	Nut	08
36	34080957	◀ Doser chute of material	01
37	24039025	Bolt	04
38	34102824c	Air duct	02
39	28074416	Spool valve	01
40	28074415	Silencer	02
41	30102830c	Pipe	01
42	28009436	Connection	01
43	34102826c	Air duct	02
44	30102821	Hose	04
45	28019390	Connector	04
46	24014577	Clamp	14
47	30102823	Hose	01
48	22080414	Box of the joint	01
49	30102828	Hose	01
50	30102822	Hose	01
---	34094776	◀ Transducers panel - scale	01

4.1. Doser chute of material – 34080957



4.1. Doser chute of material – 34080957

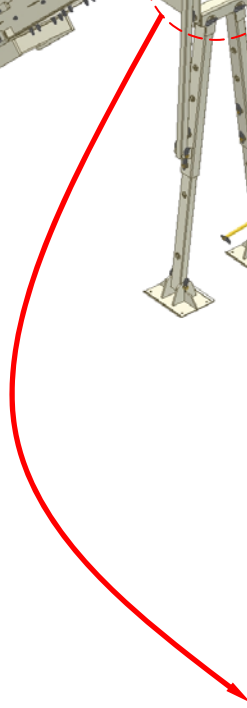
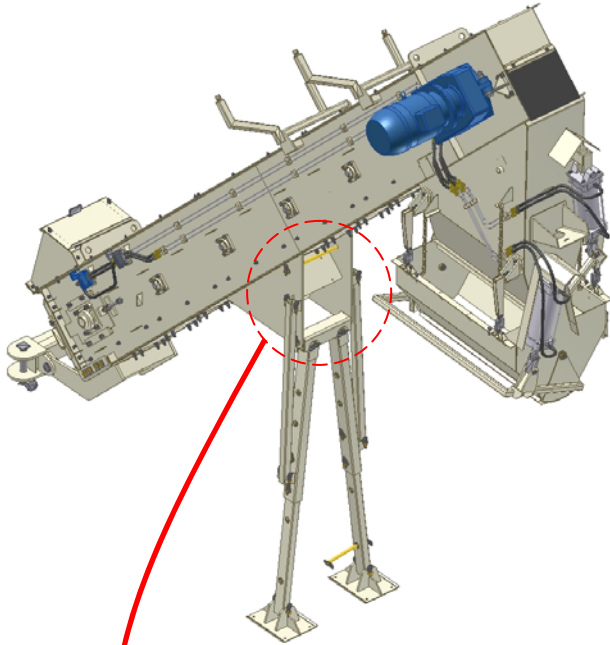
Item	Code	Description	Quantity
01	34079866	Frame	01
02	34079850	Floodgate	01
03	30079836	Pin	02
04	24079864	Nut	02
05	34080995	◀ Pneumatic cylinder	01
06	30080993	Pin	01
07	30080992	Pin	01
08	24001027	Cotter pin	02

4.1.1. Pneumatic cylinder – 34080995**07 – Kit de reparo – 28087432*****(S) Kit de vedación******(E) Seal kit***

4.1.1. Pneumatic cylinder – 34080995

Item	Code	Description	Quantity
01	28080994	Pneumatic cylinder	01
02	26072398	Joint	01
03	24030609	Bolt	04
04	30072318	Ferrule	01
05	28019493	Connector	02
06	30108937	Locking device	02
07	28087432	Repair kit	---

4.2. Transducers panel - scale – 34094776



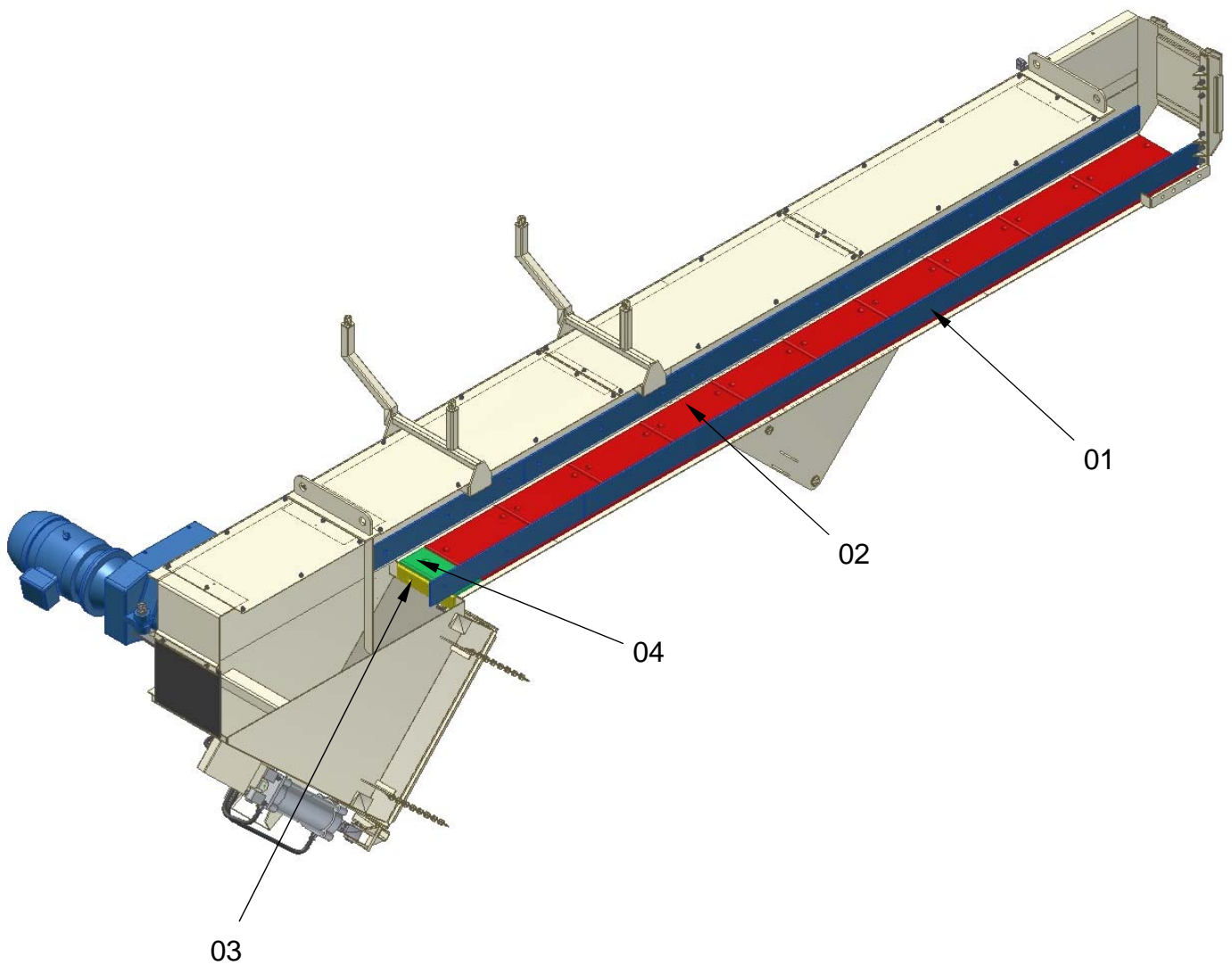
**Imagens meramente ilustrativas.
Imágenes solamente ilustrativas.
Only illustrative images.**

4.2. Transducers panel - scale – 34094776

Item	Code	Description	Quantity
01	22088701	Load cell transducer LC420SG-035	01
02	22013463	Connector PASS 2,5mm2 WDU/2.5	10
04	22088703	35x7.5 Duct for connectors	0,3M
05	22010864	Cable press Pg 11 5-10	01
06	22041275	Box 300 x200 x 200	01
07	22080414	Box 4134 - ALFA	01
08	22098103	Module XN-GWBR-CANOPEN	01
09	22098102	Base conection XN - XN-S3T-SBB	01
10	22098105	Module 0-10V XN-1AI-U	01
11	22094712	Circuit breaker C60N 1P C4	02

5. WEAR PLATE OF THE DRAG CONVEYOR – AR-400 – 34100381

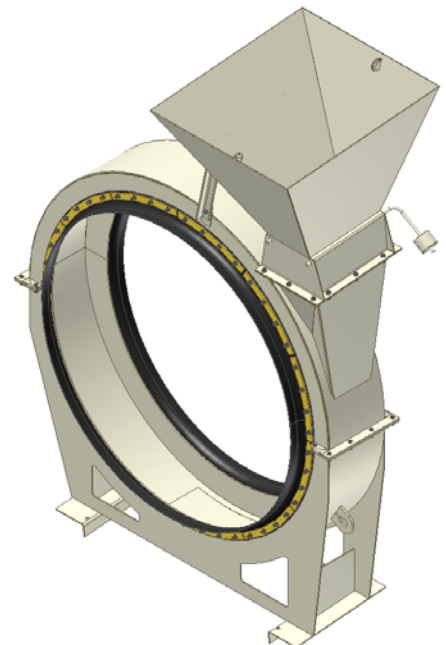
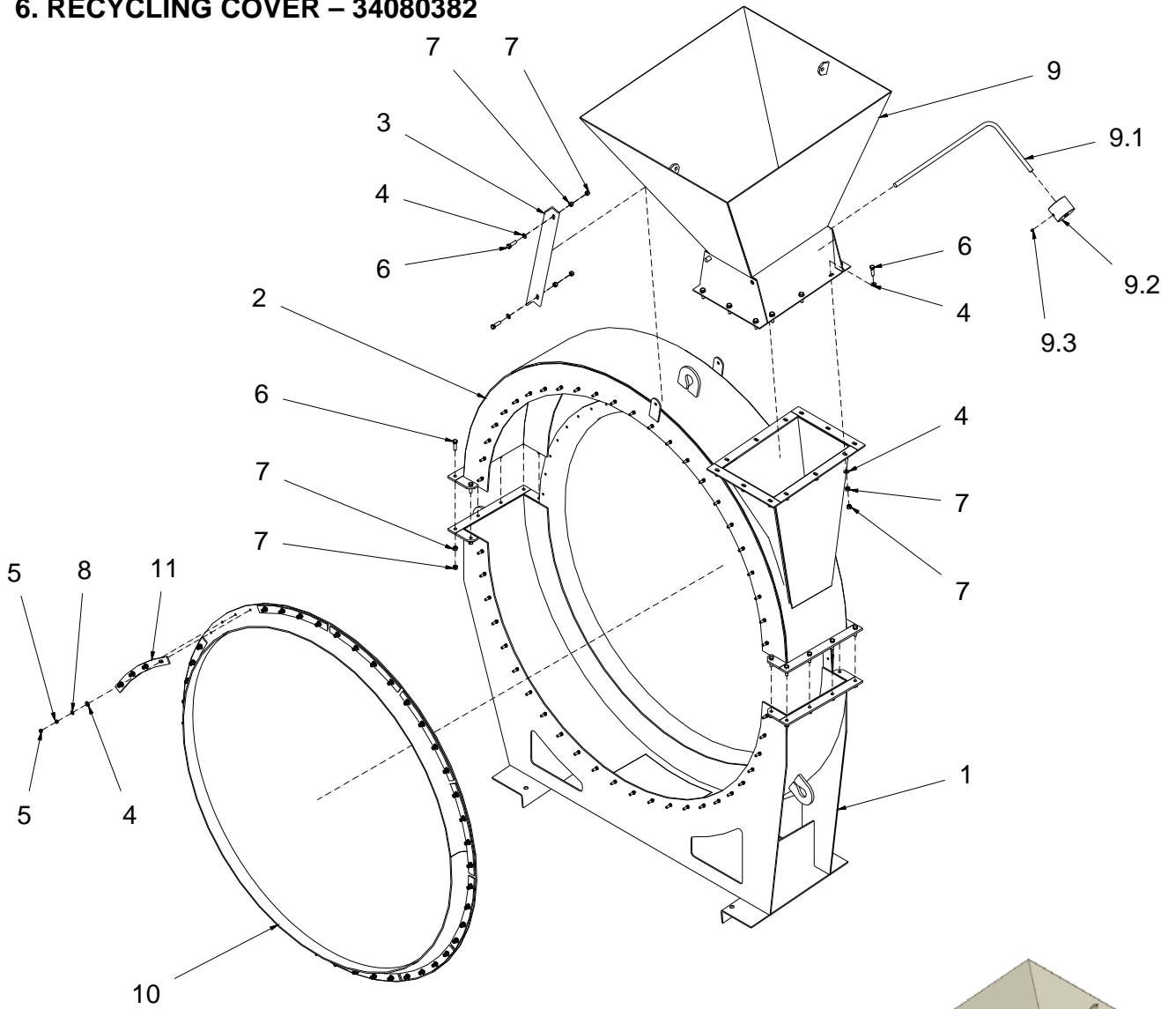
Internal view of the drag conveyor



5. WEAR PLATE OF THE DRAG CONVEYOR – AR-400 – 34100381

Item	Code	Description	Quantity
01	30089597	Wear Plate	10
02	40093884	Wear Plate	10
03	40093883	Wear Plate	01
04	40093882	Wear Plate	01

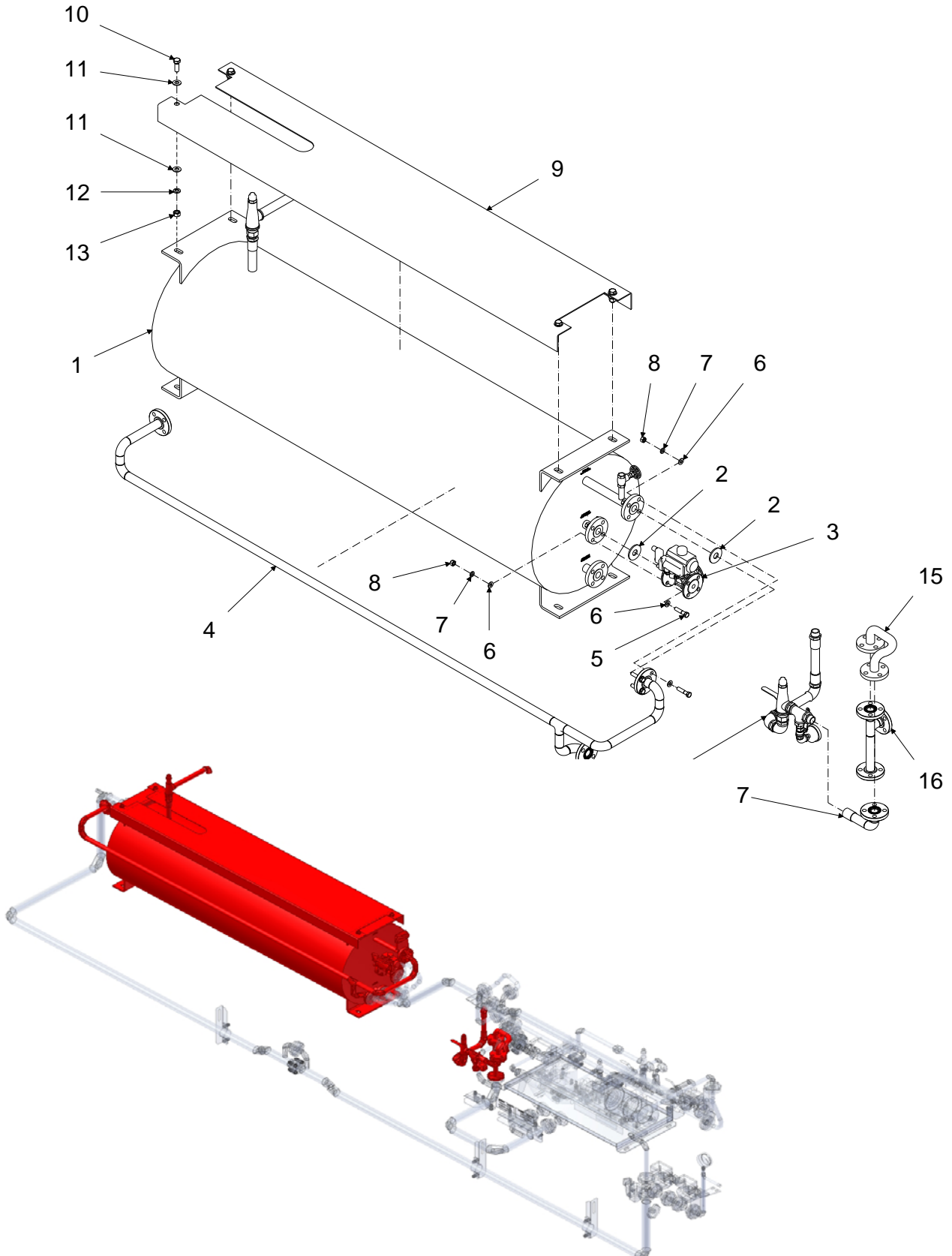
6. RECYCLING COVER – 34080382



6. RECYCLING COVER – 34080382

Item	Code	Description	Quantity
01	34080383	Bottom frame	01
02	34080384	Top frame	01
03	30079481	Bar	02
04	24000017	Washer	124
05	24000022	Nut	192
06	24000276	Bolt	28
07	24000313	Nut	56
08	24000350	Washer	96
09	34080390	Gutter of entrance	01
09.1	30072805	Lever	02
09.2	30072810	Counterweight	02
09.3	24010872	Bolt	01
10	30079665	Sealingstrip	02
11	30080069	Clamp	24

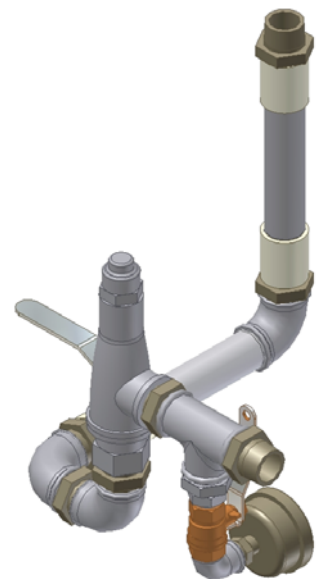
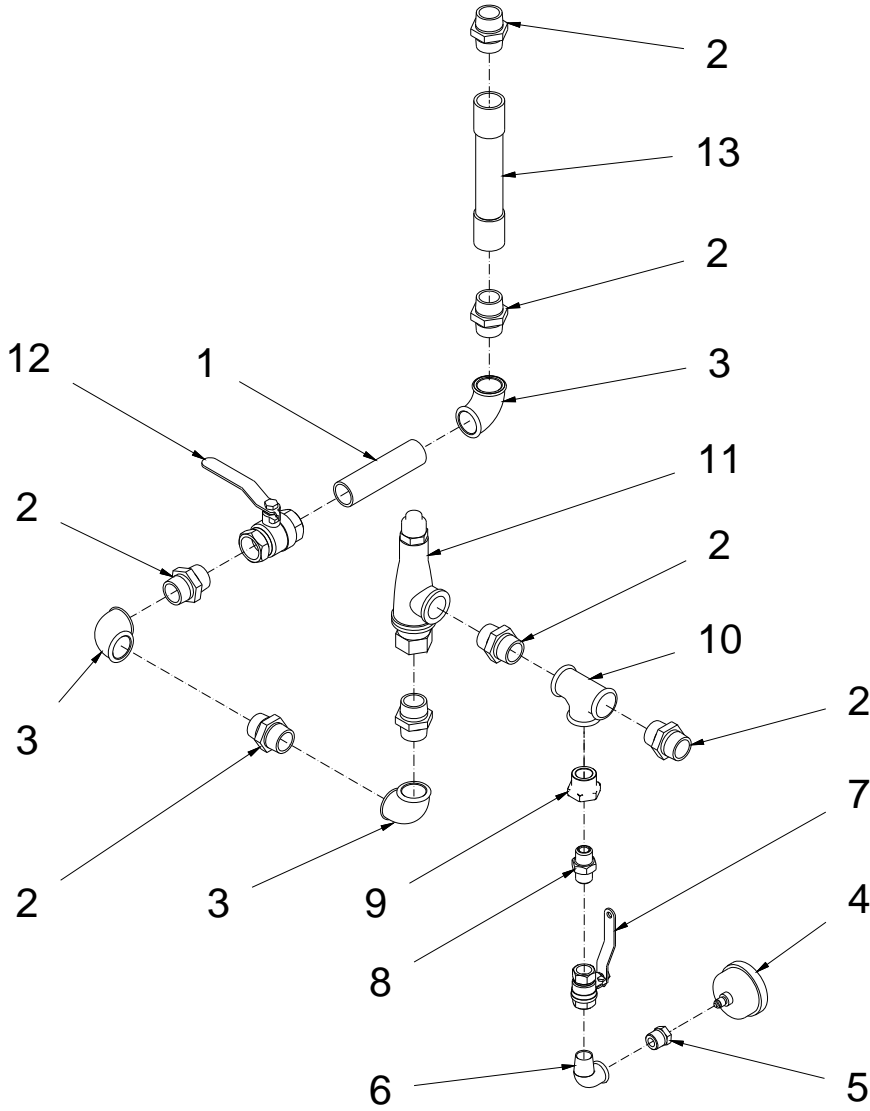
7. FUEL HEAT REGULATOR ASSEMBLY – 34102532



7. FUEL HEAT REGULATOR ASSEMBLY – 34102532

Item	Code	Description	Quantity
01	20098710	Fuel heat regulator	01
02	30018932	Seal	02
03	34076606	Dividing valve	01
04	34102490c	Pipe set	01
05	24039025	Bolt	08
06	24000017	Washer	16
07	24000029	Washer	08
08	24091821	Nut	08
09	30098660	Protection	01
10	24051033	Bolt	04
11	24005005	Washer	08
12	24000355	Washer	04
13	24083175	Nut	04
14	34104812	◀ Pipe set of valve	01
15	28078960	Flexible metallic pipe	01
16	34104810	Duct	01
17	34104811	Curve	01

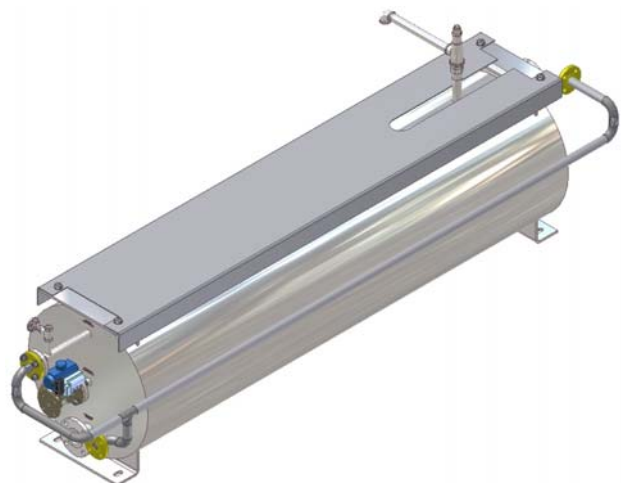
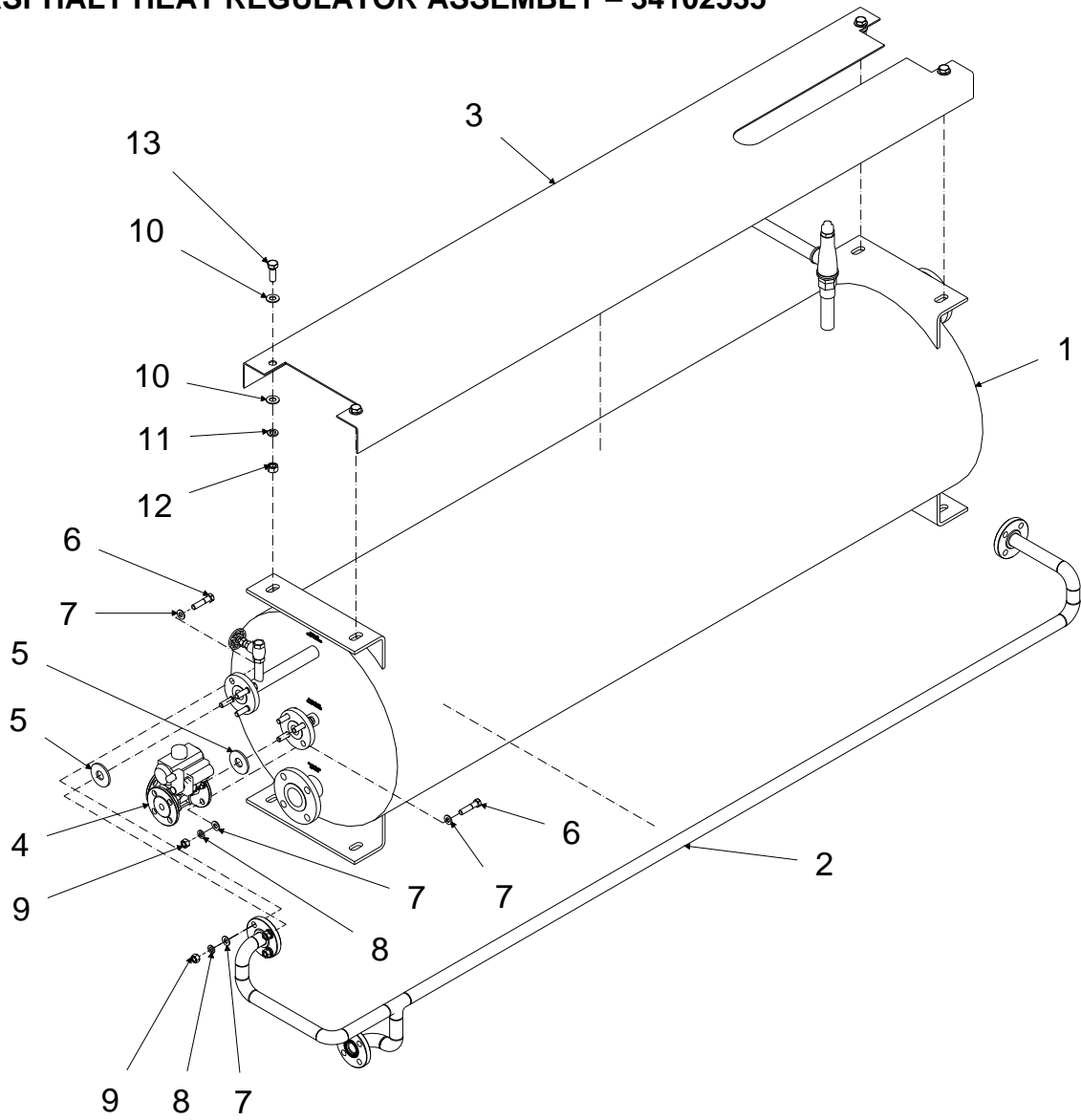
7.1. Pipe set of valve – 34104812



7.1. Pipe set of valve – 34104812

Item	Code	Description	Quantity
01	30039571	Pipe	01
02	28014390	Nipple	07
03	28001098	Elbow	03
04	28019842	Pressure gauge	01
05	28009135	Bushing	01
06	28009422	Elbow	01
07	28011258	Ball valve	01
08	28001096	Nipple	01
09	28009138	Bushing	01
10	28001122	Connection	01
11	28000979	Safety valve	---
12	28022555	Ball valve	01
13	34104813	Pipe	01

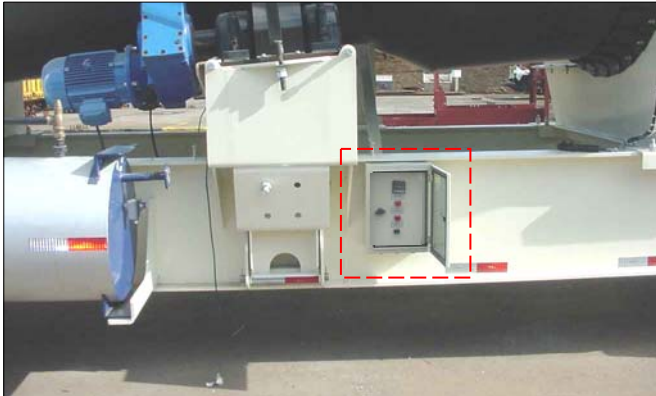
8. ASPHALT HEAT REGULATOR ASSEMBLY – 34102535



8. ASPHALT HEAT REGULATOR ASSEMBLY – 34102535

Item	Code	Description	Quantity
01	20098715	Asphalt heat regulator	01
02	34102304	Pipe set	01
03	30098660	Protection	01
04	34076606	Dividing valve	01
05	30018932	Seal	02
06	24039025	Bolt	08
07	24000017	Washer	16
08	24000029	Washer	08
09	24091821	Nut	08
10	24005005	Washer	08
11	24000355	Washer	04
12	24083175	Nut	04
13	24051033	Bolt	04

9. PANEL CONTROL TO TEMP. REGULATORS – 2 TEMP. REGULATORS – 34094785

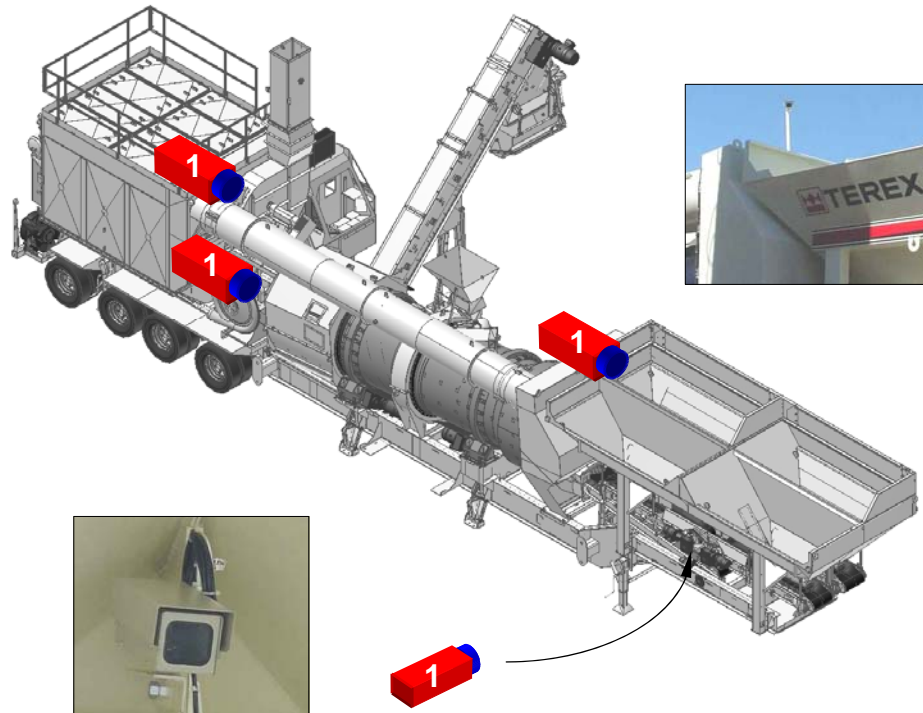


**Imagens meramente ilustrativas.
Imágenes solamente ilustrativas.
Only illustrative images.**

9. PANEL CONTROL TO TEMP. REGULATORS – 2 TEMP. REGULATORS – 34094785

Item	Code	Description	Quantity
01	22094714	Circuit breaker K32A 1P C6	01
02	22046050	Push button VSZ222/13	03
03	22070932	Lamp - Led Light bulb S1L/13 120V BA9S	03
04	22046125	Light socket light bulb L001	03
05	22046129	Short knob switch acz290	01
06	22022465	Block of contacts E-111	01
07	22013463	Connection passage 2,5mm ² wdu/2.5	06
10	22036354	Box	01
17	22010864	Cable press 5-10	05
18	22060088	Temperature Controller	02
19	22011441	Thermal resistors PT-100	02
23	20108913	Pad	04
24	22046045	Cable press 1"	01
25	22094751	Jamb EN/S35N	02
26	22096163	Conductor identifier	30
27	22094698	Connection passage ST2,5	20
28	24098199	Sticker "controle de montagem eletrica"	01
29	24110911	General sticker	01

10. VIDEO MONITORING SYSTEM – 34115304



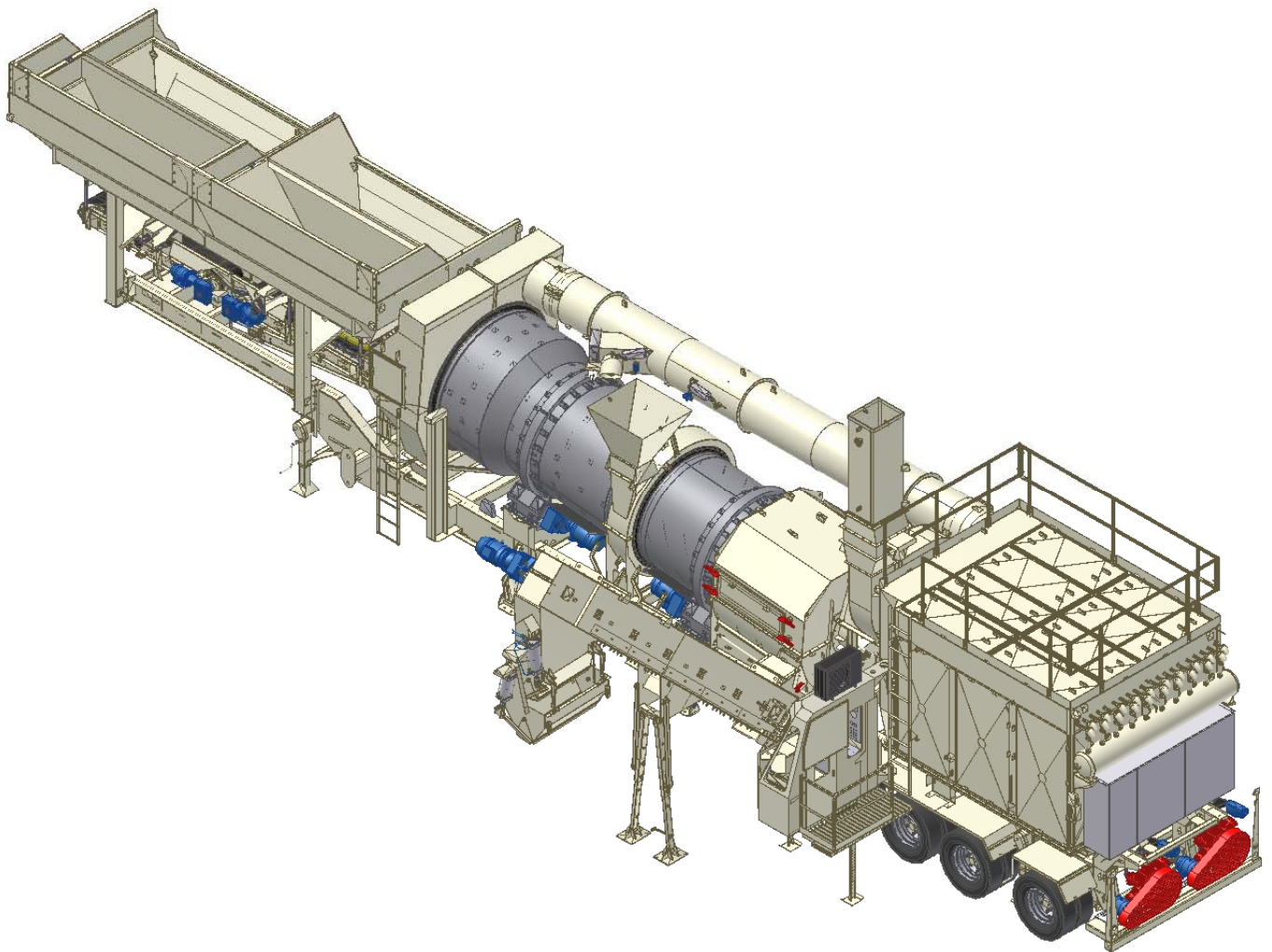
**Imagens meramente ilustrativas.
Imágenes solamente ilustrativas.
Only illustrative images.**

10. VIDEO MONITORING SYSTEM – 34115304

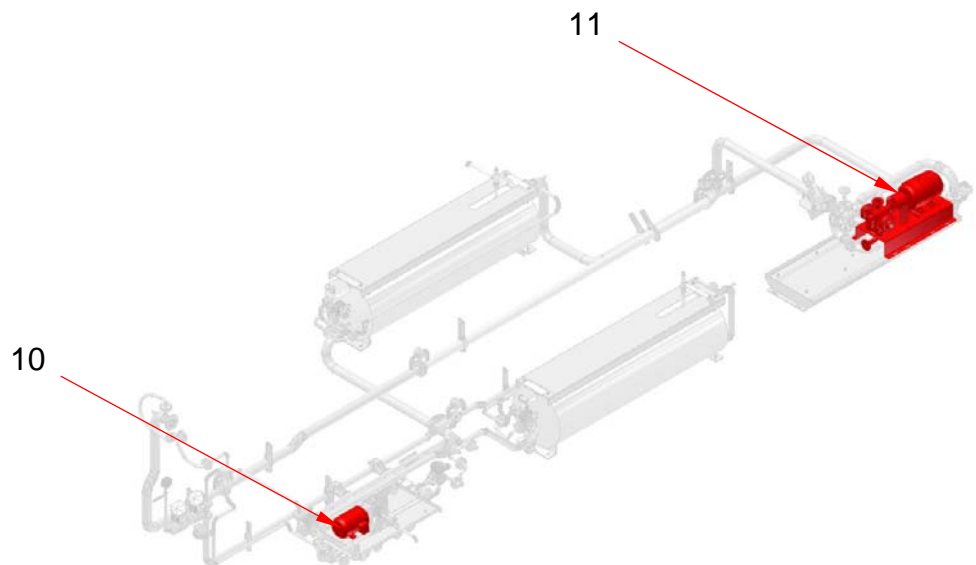
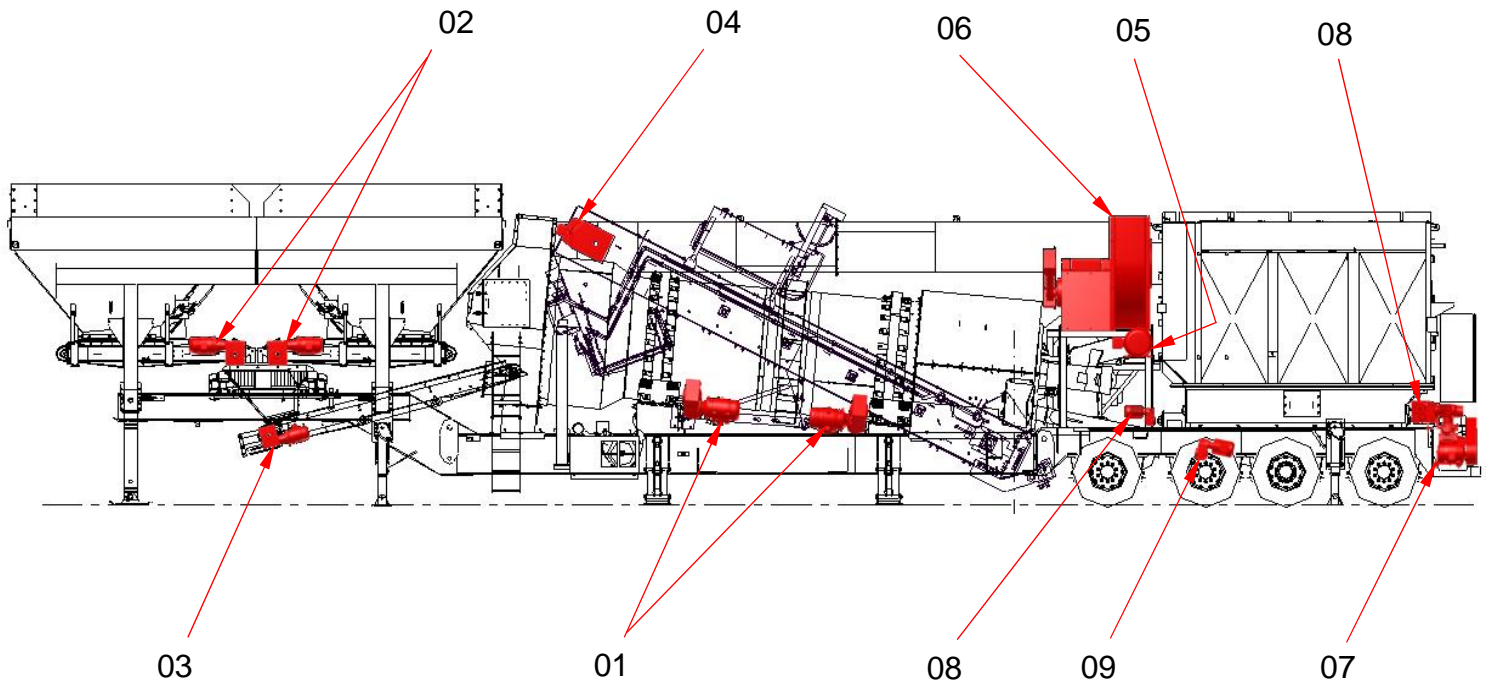
Item	Code	Description	Quantity
01	34114824c	Video camera set	04
02	34115020	Support	04
03	24006959	Bolt	12
04	24020524	Nut	12
05	24000354	Washer	12

Page intentionally blank.

DRIVES OF THE PLANT - 60HZ



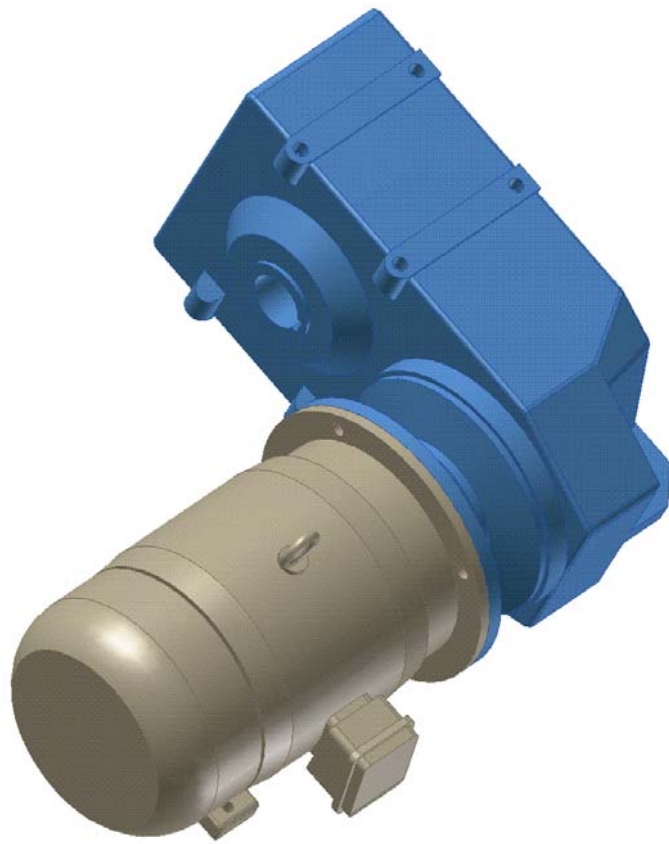
DRIVES OF THE PLANT – 60HZ



DRIVES OF THE PLANT – 60HZ

Item	Code	Description	Quantity
01	34093082	← Dryer drum drive	04
02	---	← Feeder belt drives	01
03	34098779	← Conveyor belt drive	01
04	34100376	← Drag conveyor drive	01
05	34101206	← Hauck blower drive	01
06	34105558	← Exhauster drive	01
07	28098579	← Compressing unit 80pcm	01
08	---	← Bottom module of the baghouse drive	01
09	26092737	← Auger of the baghouse drive	01
10	22104062	← Fuel pump drive	01
11	34044745	← Asphalt pump	01

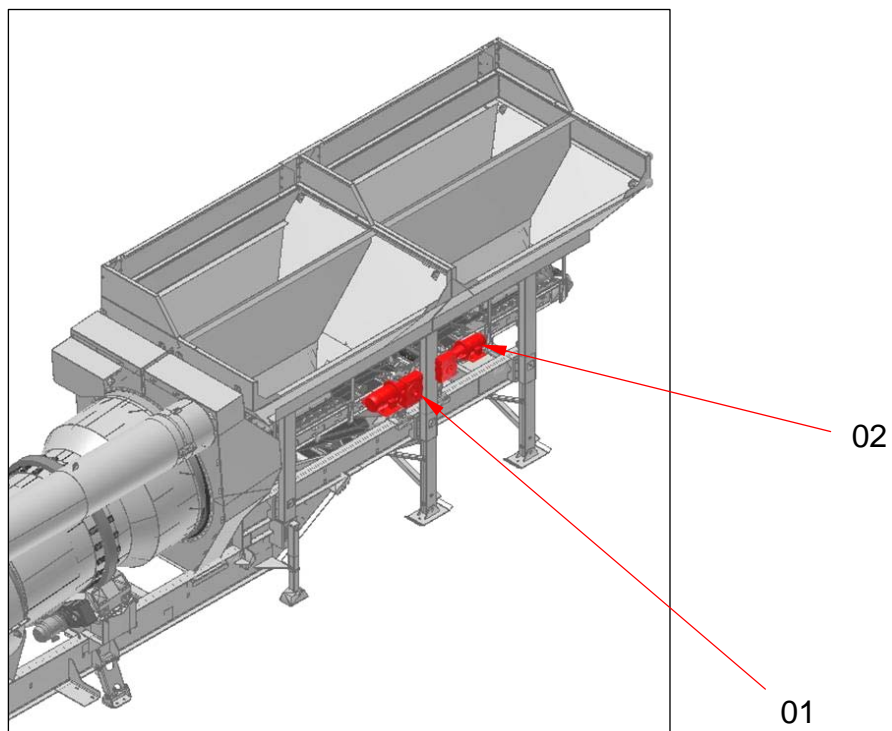
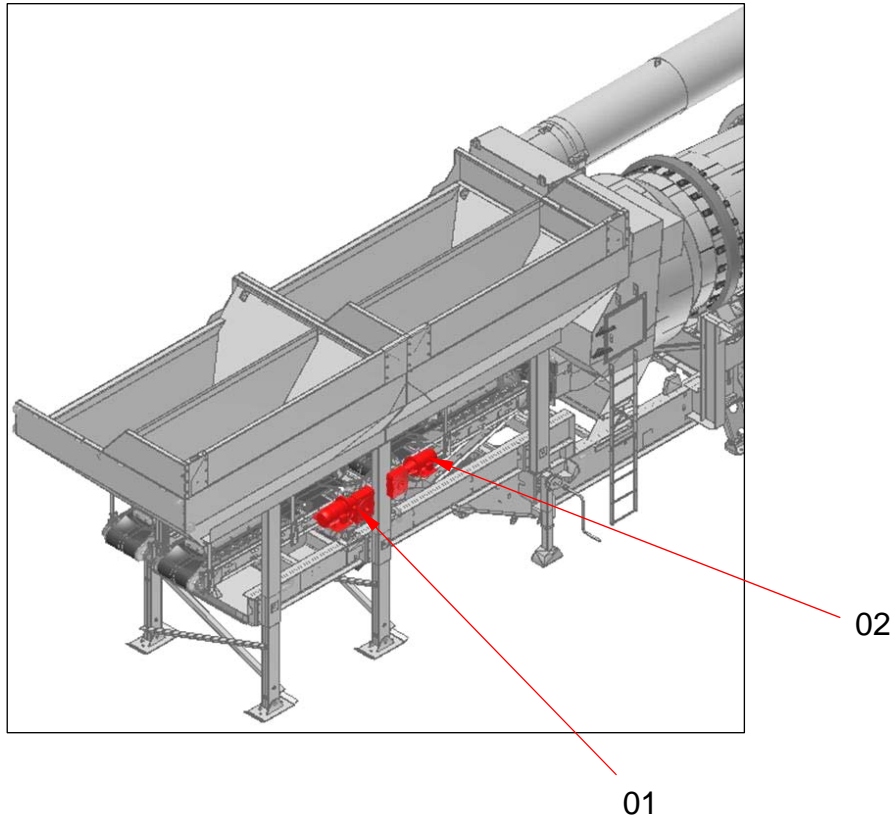
1. DRYER DRUM DRIVE – 34093082



1. DRYER DRUM DRIVE – 34093082

Item	Code	Description	Quantity
01	26070913	Gearbox	01
02	22060648	Electric motor 60Hz	01
03	24000315	Nut	08
04	24038238	Bolt	04
05	24000352	Washer	04

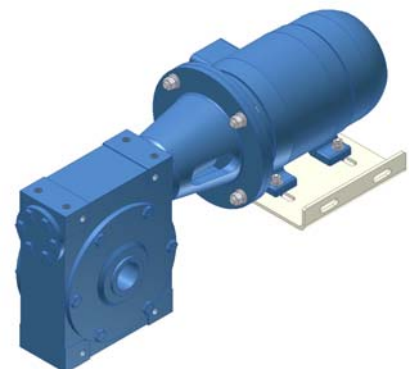
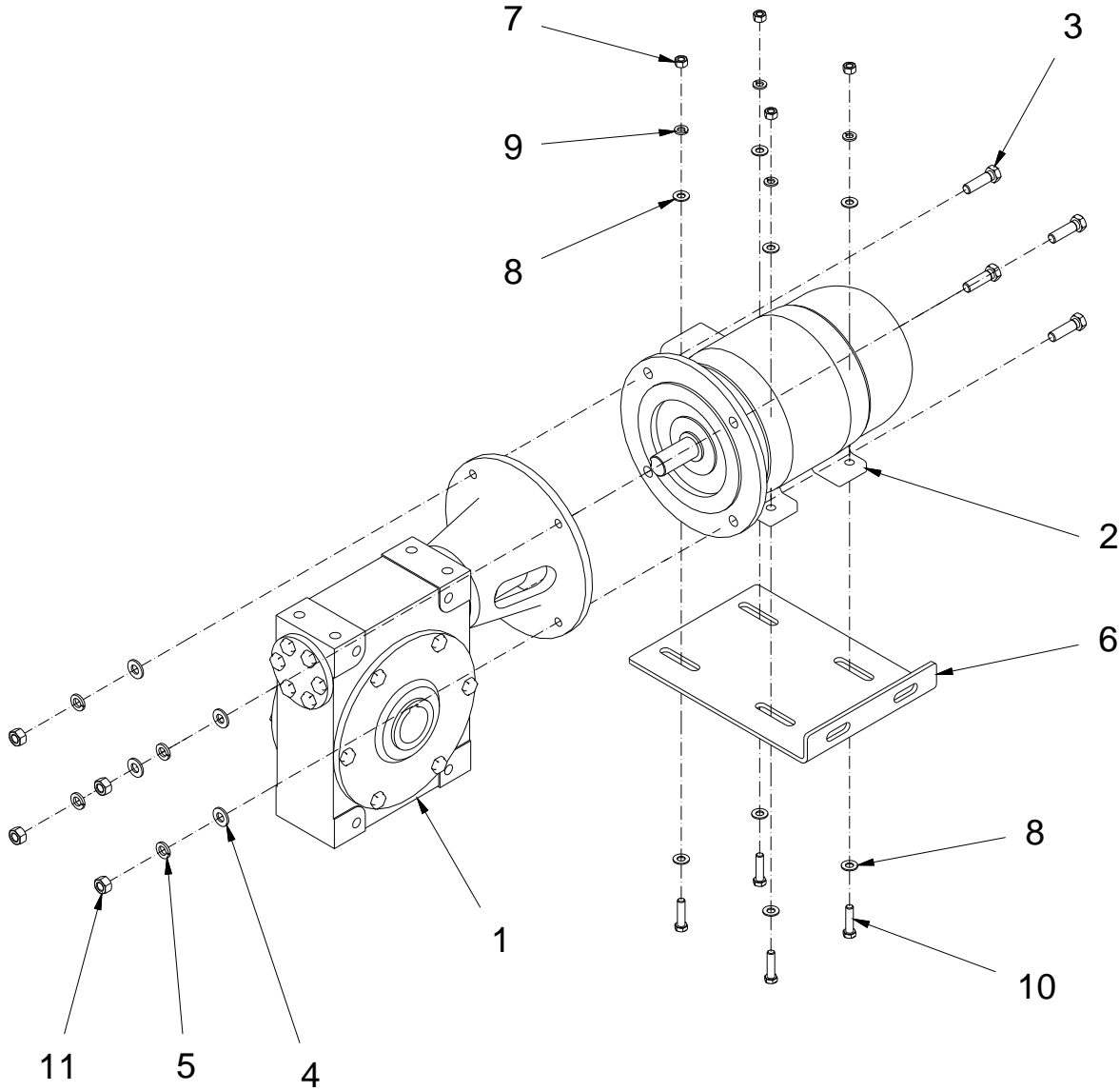
2. FEEDER BELT DRIVES



2. FEEDER BELT DRIVES

Item	Code	Description	Quantity
01	34043707	◀ Right feeder belt drive	02
02	34069740	◀ Left feeder belt drive	02

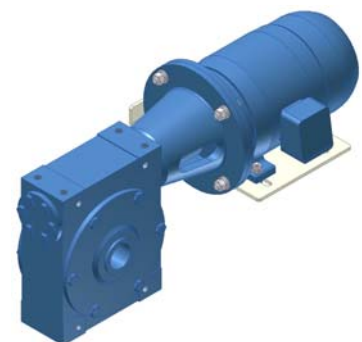
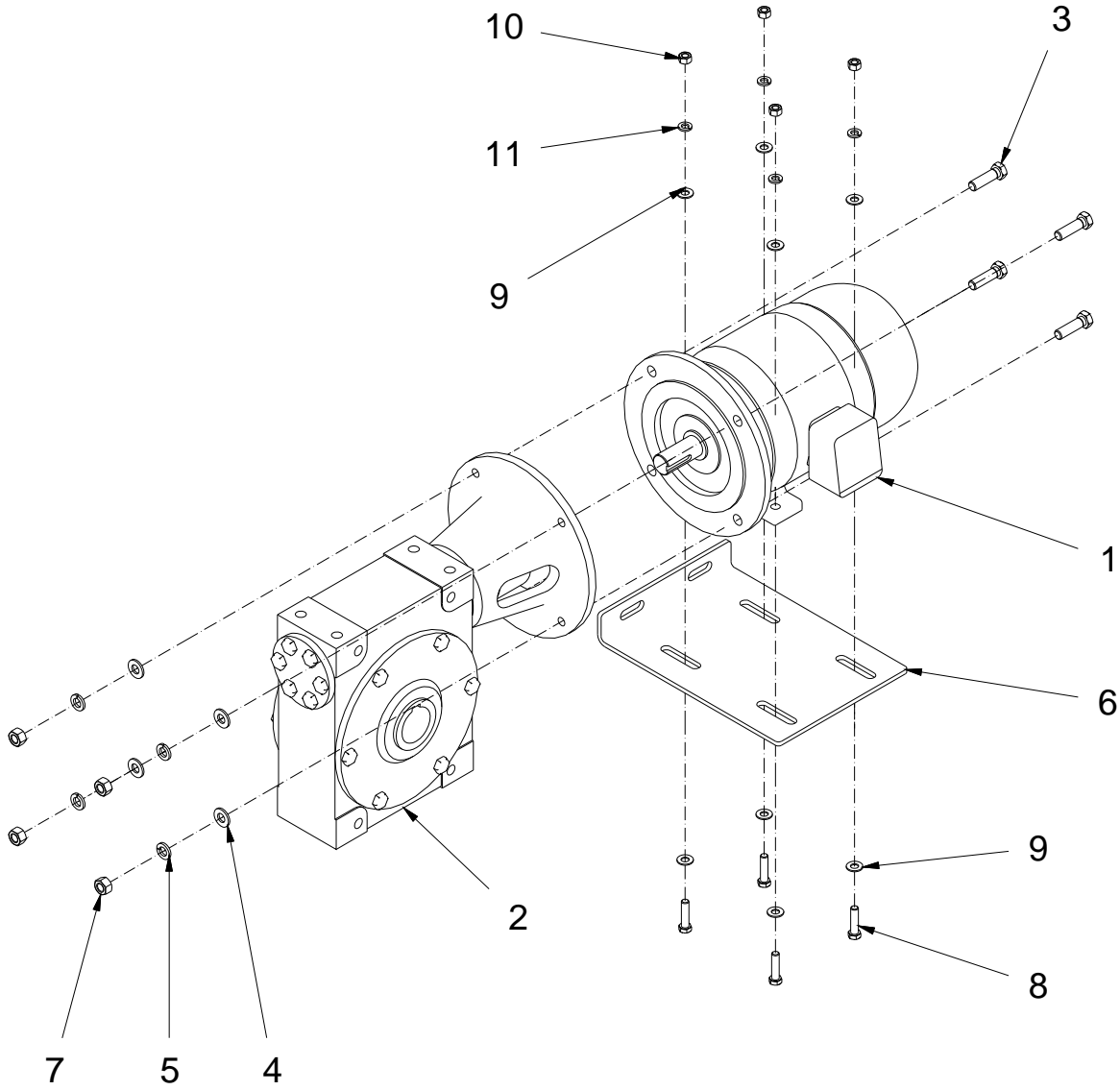
2.1. Right feeder belt drive – 34043707



2.1. Right feeder belt drive – 34043707

Item	Code	Description	Quantity
01	22012967	Electric motor 60Hz	01
02	26033344	Gearbox	01
03	24000276	Bolt	04
04	24000017	Washer	04
05	24000029	Washer	04
06	30050526	Support	01
07	24000022	Nut	04
08	24000350	Washer	08
09	24000065	Washer	04
10	24083072	Bolt	04
11	24000313	Nut	04

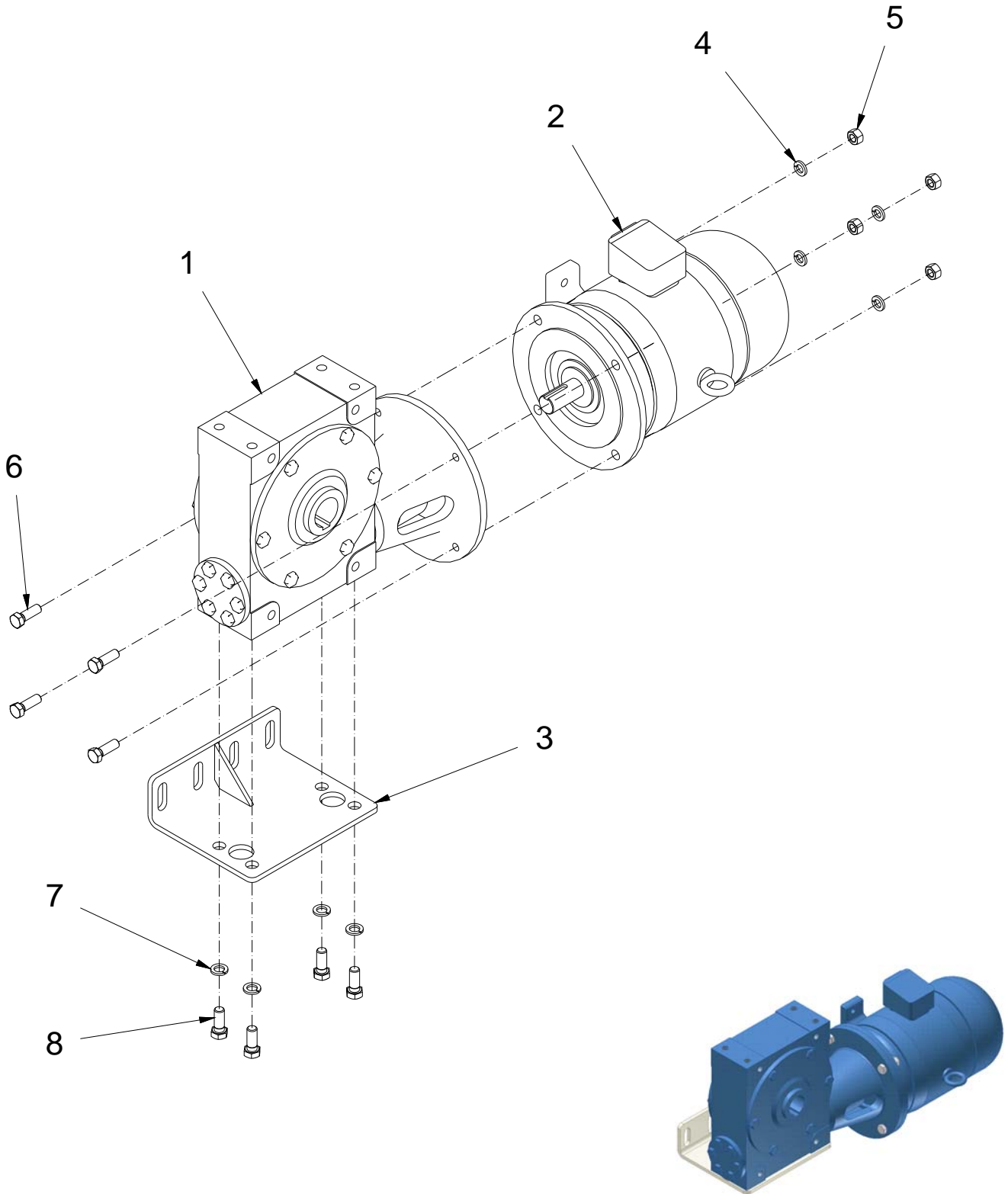
2.2. Left feeder belt drive – 34069740



2.2. Left feeder belt drive – 34069740

Item	Code	Description	Quantity
01	22070781	Electric motor 60Hz	01
02	26033344	Gearbox	01
03	24000276	Bolt	04
04	24000017	Washer	04
05	24000029	Washer	04
06	30050526	Support	01
07	24000313	Nut	04
08	24083072	Bolt	04
09	24000350	Washer	08
10	24000022	Nut	04
11	24000065	Washer	04

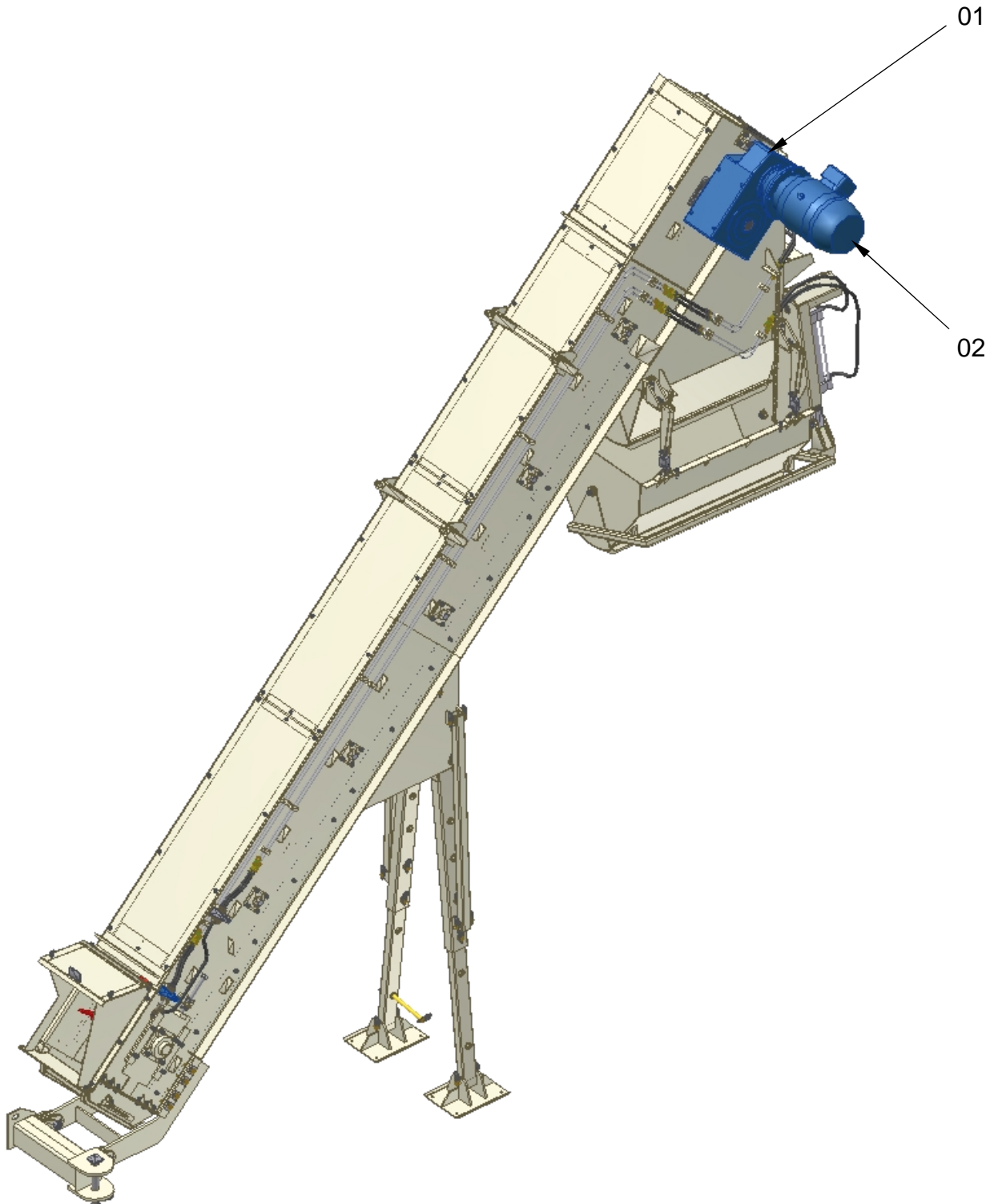
3. CONVEYOR BELT DRIVE – 34098779



3. CONVEYOR BELT DRIVE – 34098779

Item	Code	Description	Quantity
01	26066109	Gearbox	01
02	22013124	Electric motor 60Hz	01
03	34070910	Base	01
04	24000029	Washer	04
05	24000313	Nut	04
06	24000275	Bolt	04
07	24006888	Washer	04
08	24007005	Bolt	04

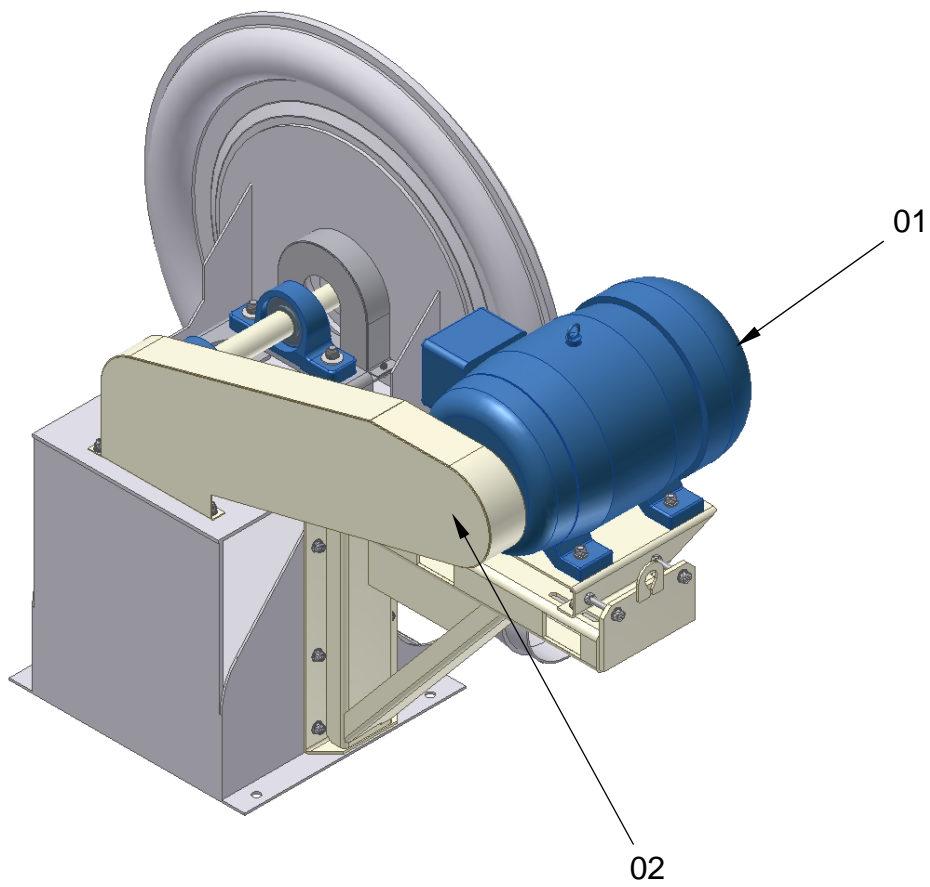
4. DRAG CONVEYOR DRIVE – 34100376



4. DRAG CONVEYOR DRIVE – 34100376

Item	Code	Description	Quantity
01	26082022	Gearbox	01
02	22085282	Electric motor 60Hz	01

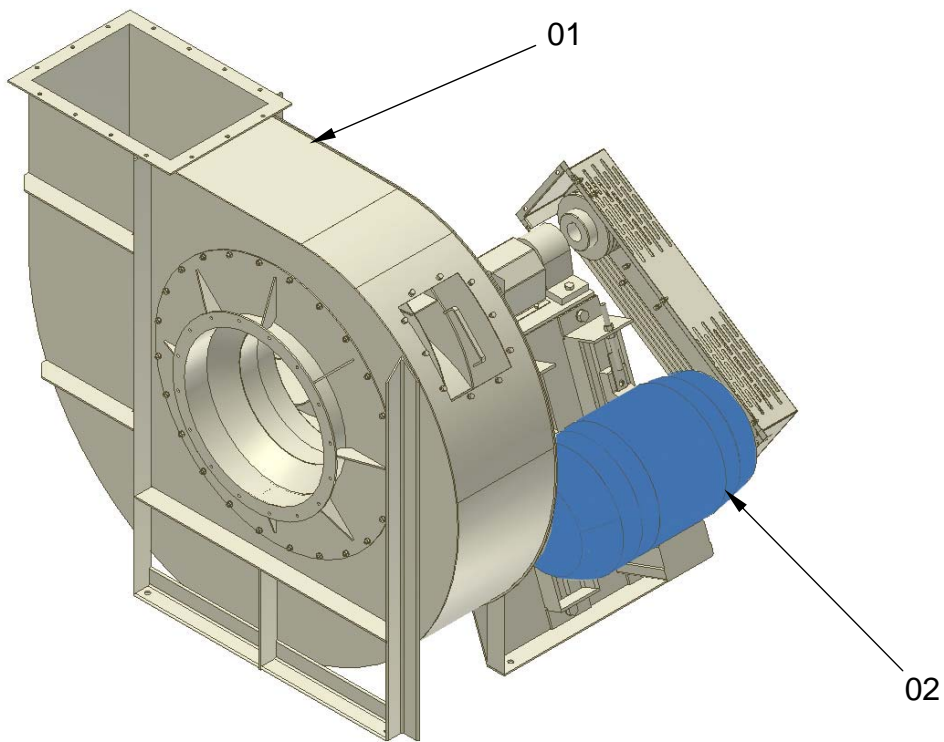
5. HAUCK BLOWER DRIVE – 34101206



5. HAUCK BLOWER DRIVE – 34101206

Item	Code	Description	Quantity
01	22060285	Electric motor 60Hz	01
02	26085784	Pulley	01

6. EXHAUSTER DRIVE – 34105558



6. EXHAUSTER DRIVE – 34105558

Item	Code	Description	Quantity
01	26075917	Exhauster fan	01
02	22012891	Electric motor 60Hz	01

7. COMPRESSING UNIT 80PCM – 28098579

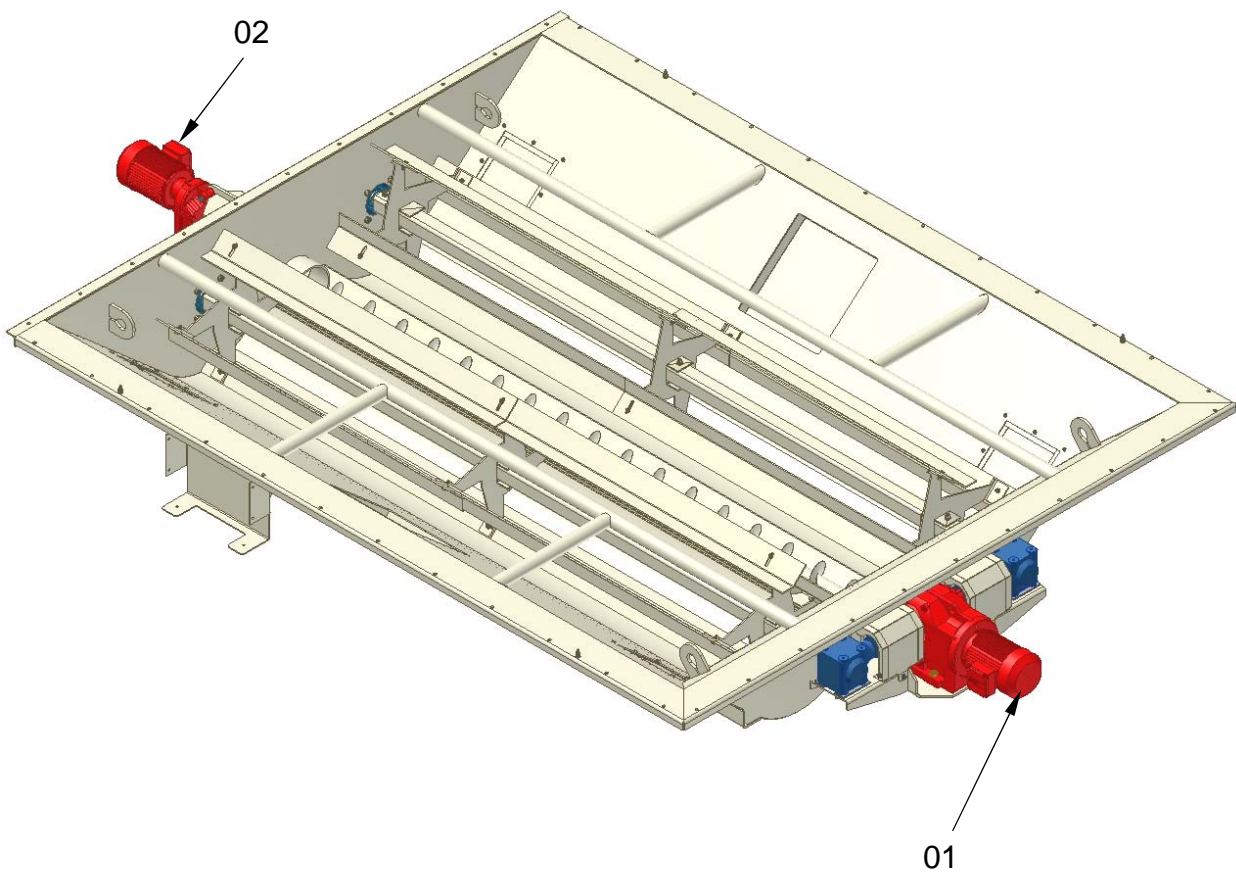


7. COMPRESSING UNIT 80PCM – 28098579



Para mais informações consulte o manual do específico do Compressor.
(S) Para más información consulta el manual específico del Compressor.
(E) For more information, it consults the specific manual of Compressor.

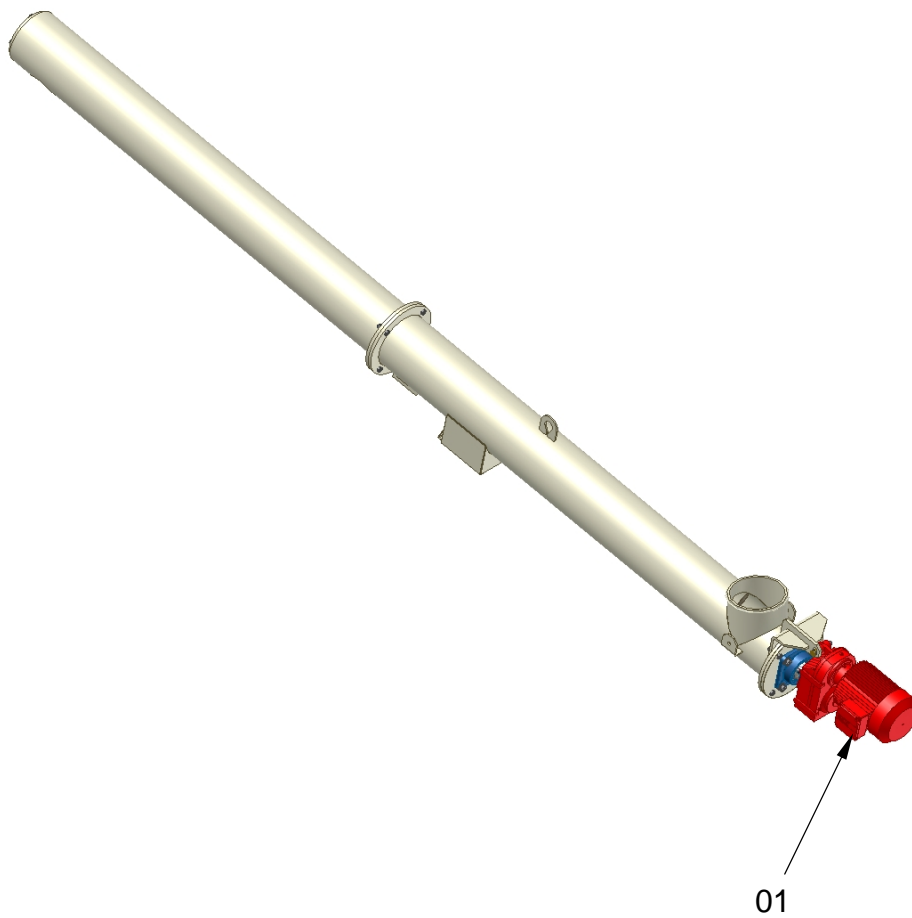
8. BOTTOM MODULE OF THE BAGHOUSE DRIVE



8. BOTTOM MODULE OF THE BAGHOUSE DRIVE

Item	Code	Description	Quantity
01	26093085	Gearmotor 60Hz	01
02	26092737	Gearmotor 60Hz	01

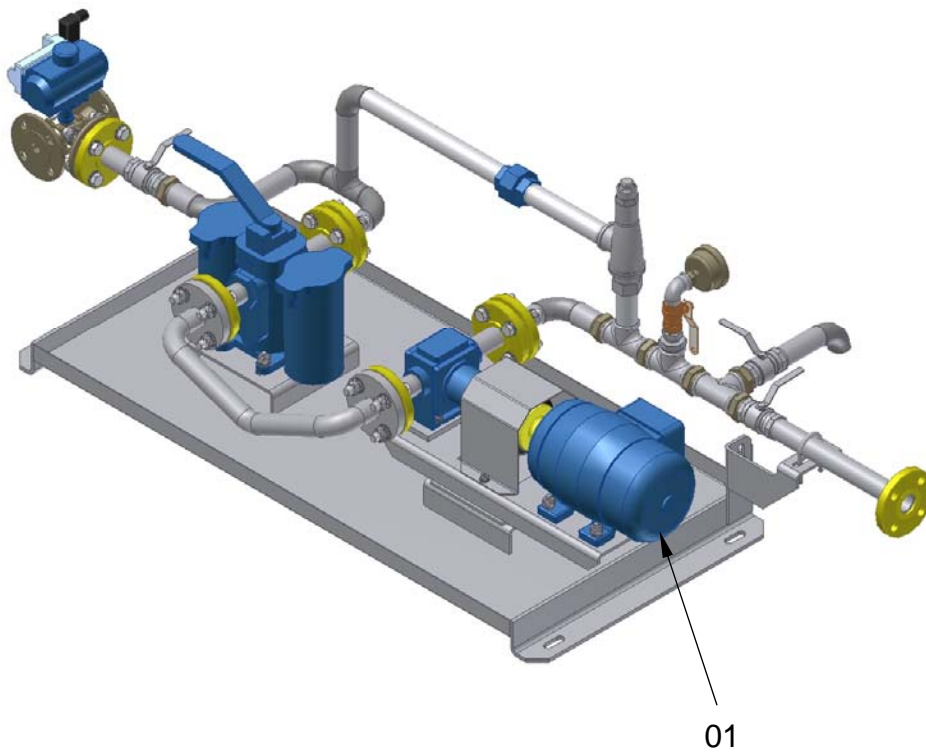
9. AUGER OF THE BAGHOUSE DRIVE – 26092737



9. AUGER OF THE BAGHOUSE DRIVE – 26092737

Item	Code	Description	Quantity
01	26092737	Gearmotor 60Hz	01

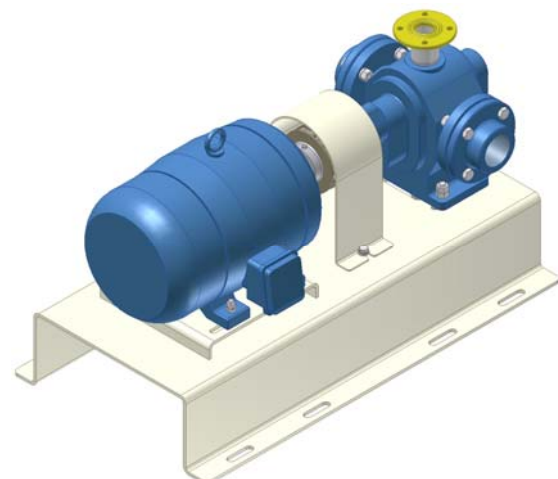
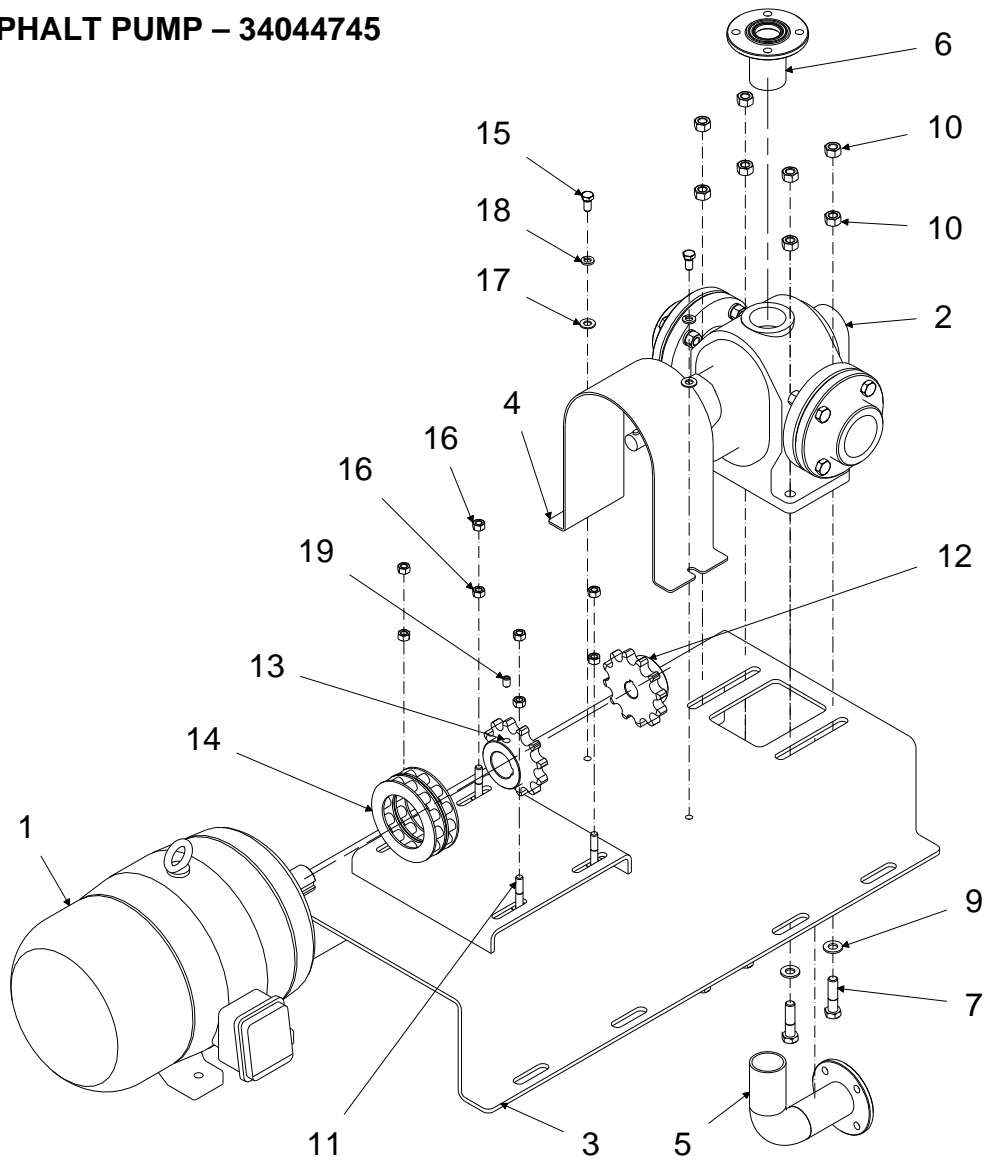
10. FUEL PUMP DRIVE – 22104062



10. FUEL PUMP DRIVE – 22104062

Item	Code	Description	Quantity
01	22104062	Electric motor 60Hz	01

11. ASPHALT PUMP – 34044745

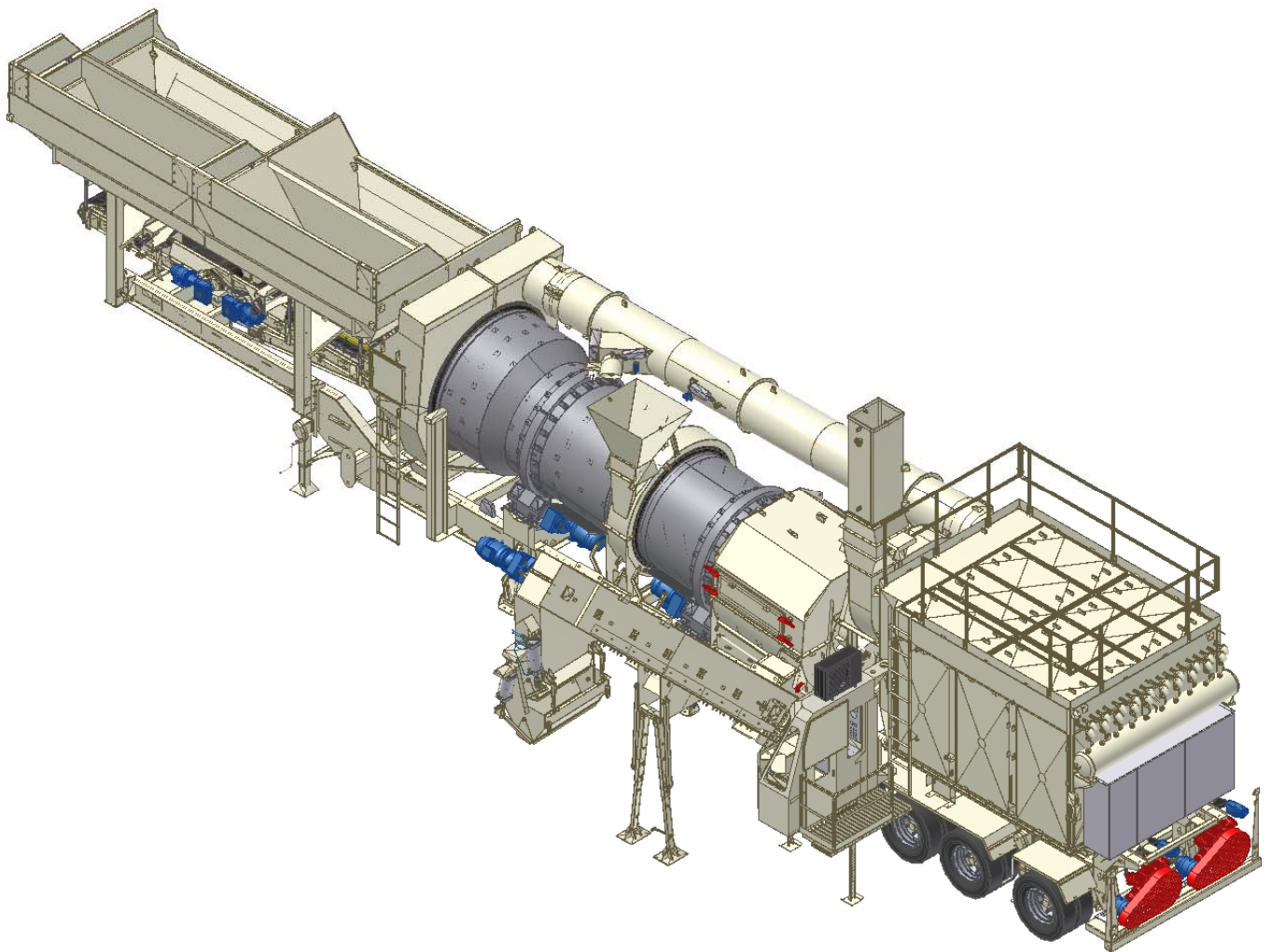


11. ASPHALT PUMP – 34044745

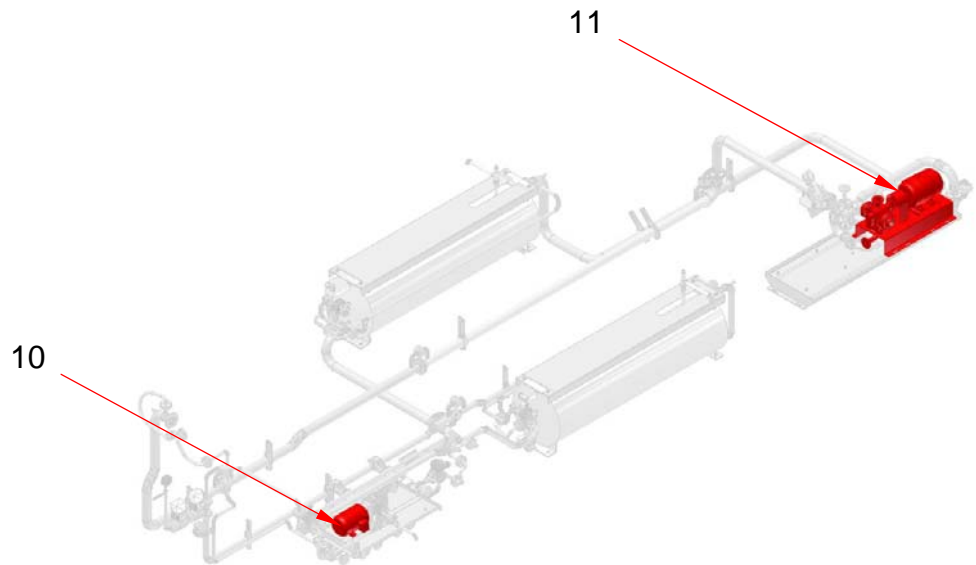
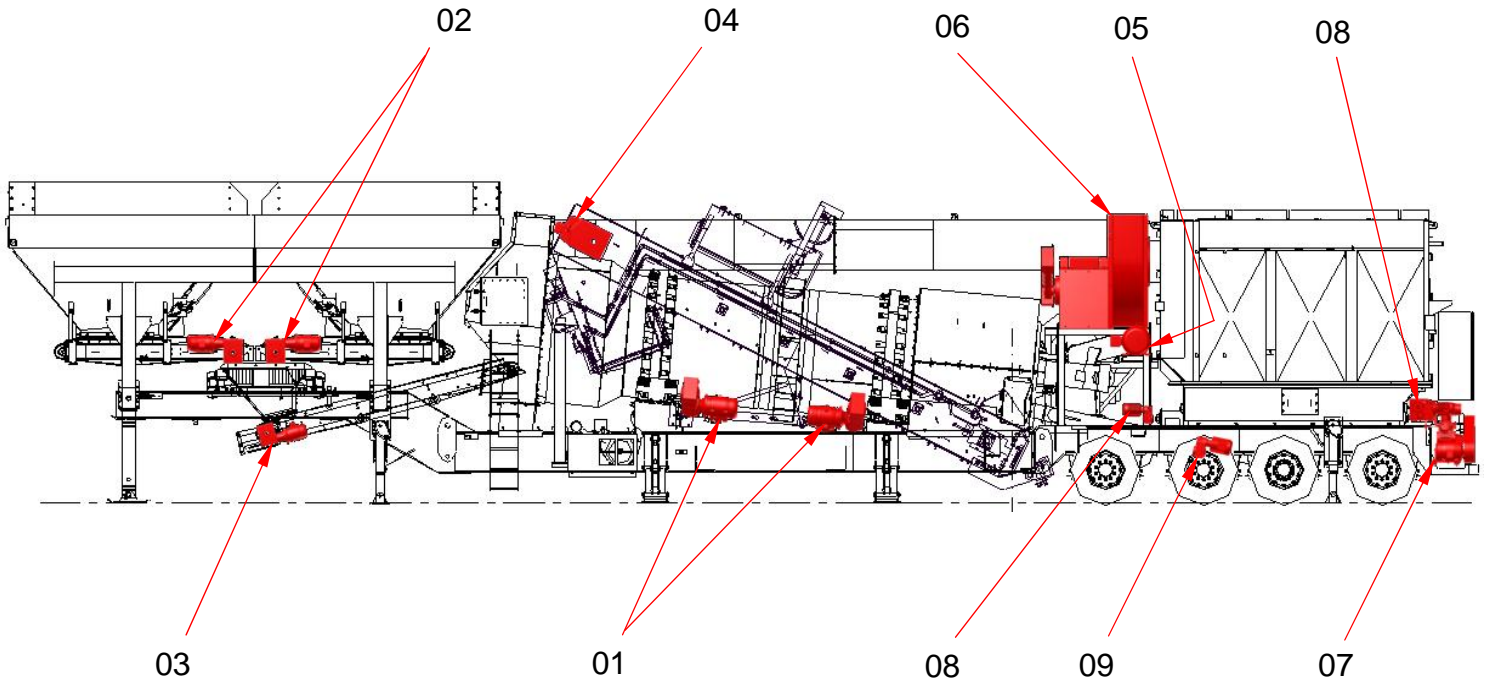
Item	Code	Description	Quantity
01	22012898	Electric motor 60hz	01
02	28011276	Gear pump	01
03	34075841	Base	01
04	30000556	Protection	01
05	34047967	Curve	01
06	34047969	Flange	01
07	24000277	Bolt	04
09	24000017	Washer	04
10	24000313	Nut	08
11	24000273	Bolt	04
12	30003501	Gear	01
13	30003502	Gear	01
14	26009209	Chain	01
15	24007009	Bolt	02
16	24000022	Nut	08
17	24000350	Washer	06
18	24000065	Washer	02
19	24015734	Bolt	02

Page intentionally blank.

DRIVES OF THE PLANT - 50HZ



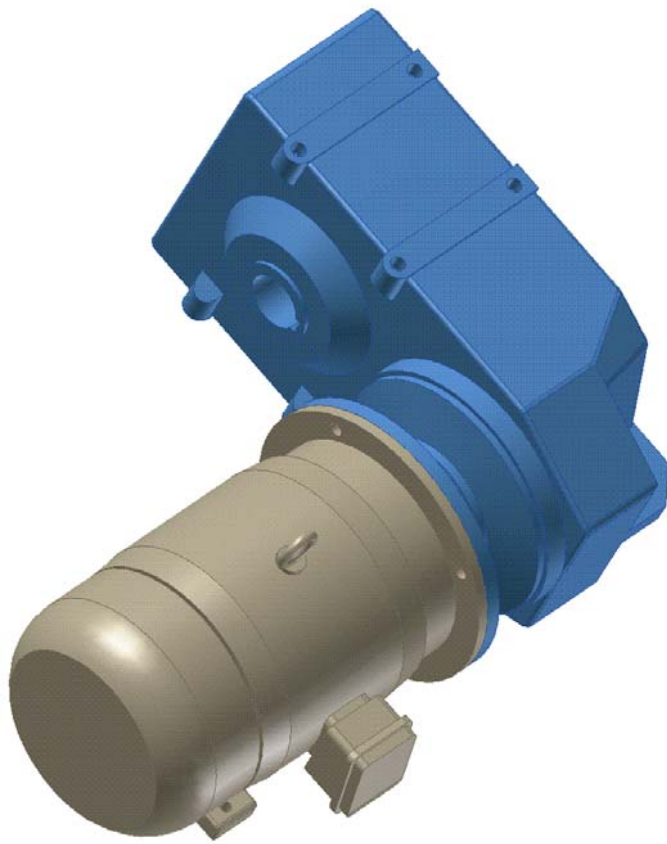
DRIVES OF THE PLANT – 50HZ



DRIVES OF THE PLANT – 50HZ

Item	Code	Description	Quantity
01	34095631	← Dryer drum drive	04
02	---	← Feeder belt drives	01
03	34098781	← Conveyor belt drive	01
04	34100377	← Drag conveyor drive	01
05	34101207	← Hauck blower drive	01
06	34105559	← Exhauster drive	01
07	28099003	← Compressing unit 80pcm	01
08	---	← Bottom module of the baghouse drive	01
09	26090624	← Auger of the baghouse drive	01
10	22104064	← Fuel pump drive	01
11	34062123	← Asphalt pump	01

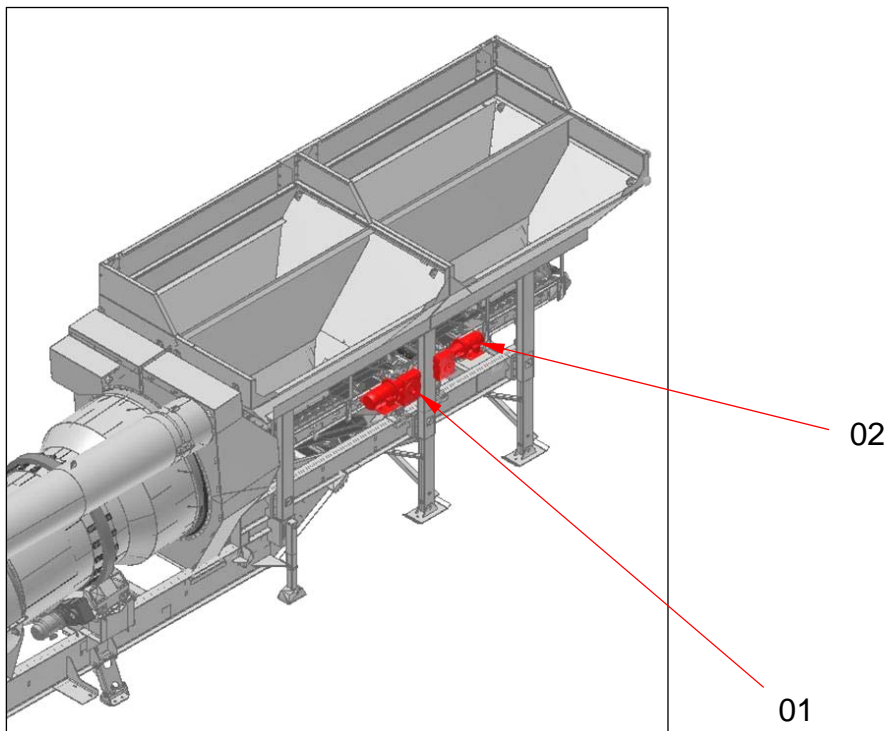
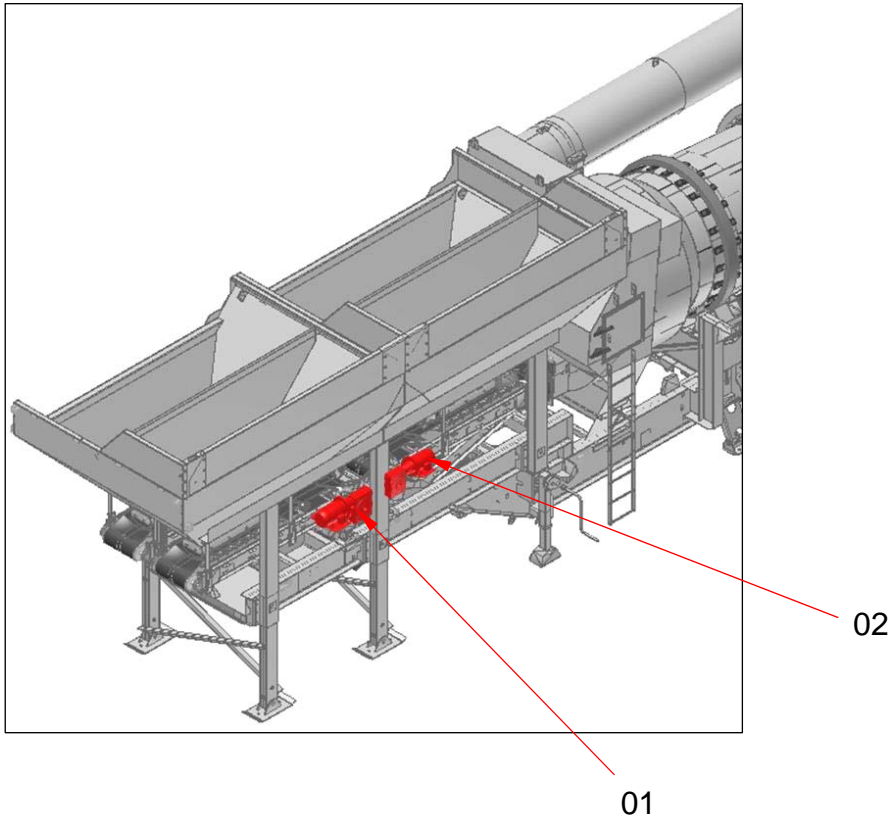
1. DRYER DRUM DRIVE – 34095631



1. DRYER DRUM DRIVE – 34095631

Item	Code	Description	Quantity
01	26073728	Gearbox	01
02	22073745	Electric motor 50Hz	01
03	24000315	Nut	08
04	24038238	Bolt	04
05	24000352	Washer	04

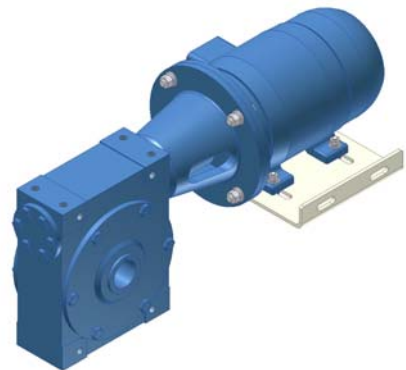
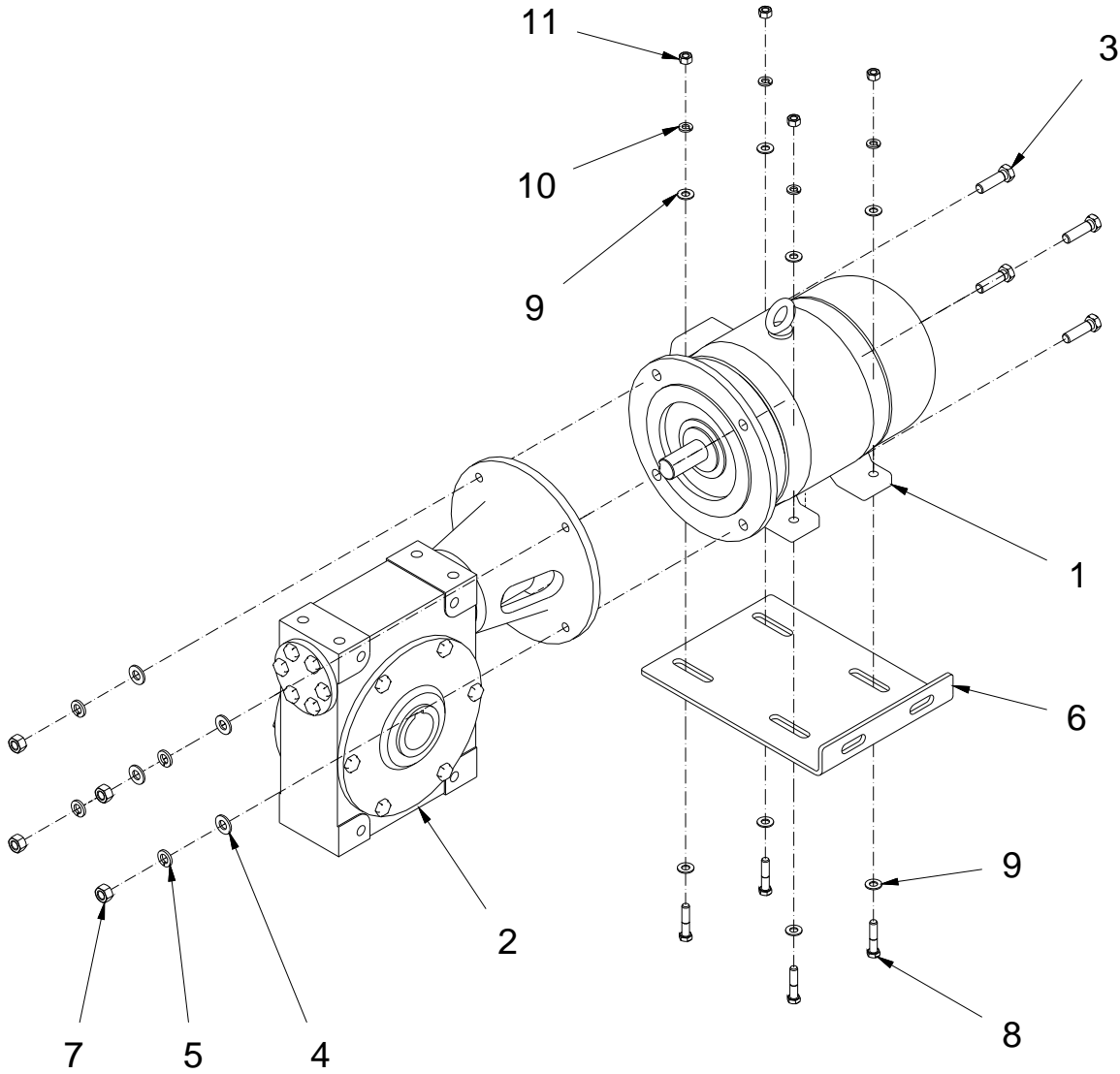
2. FEEDER BELT DRIVES



2. FEEDER BELT DRIVES

Item	Code	Description	Quantity
01	34075179	◀ Right feeder belt drive	01
02	34075180	◀ Left feeder belt drive	01

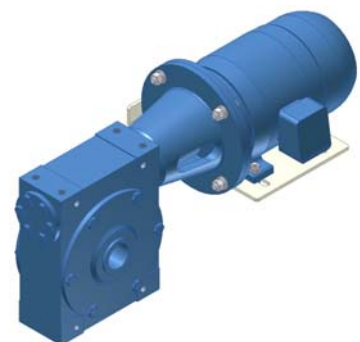
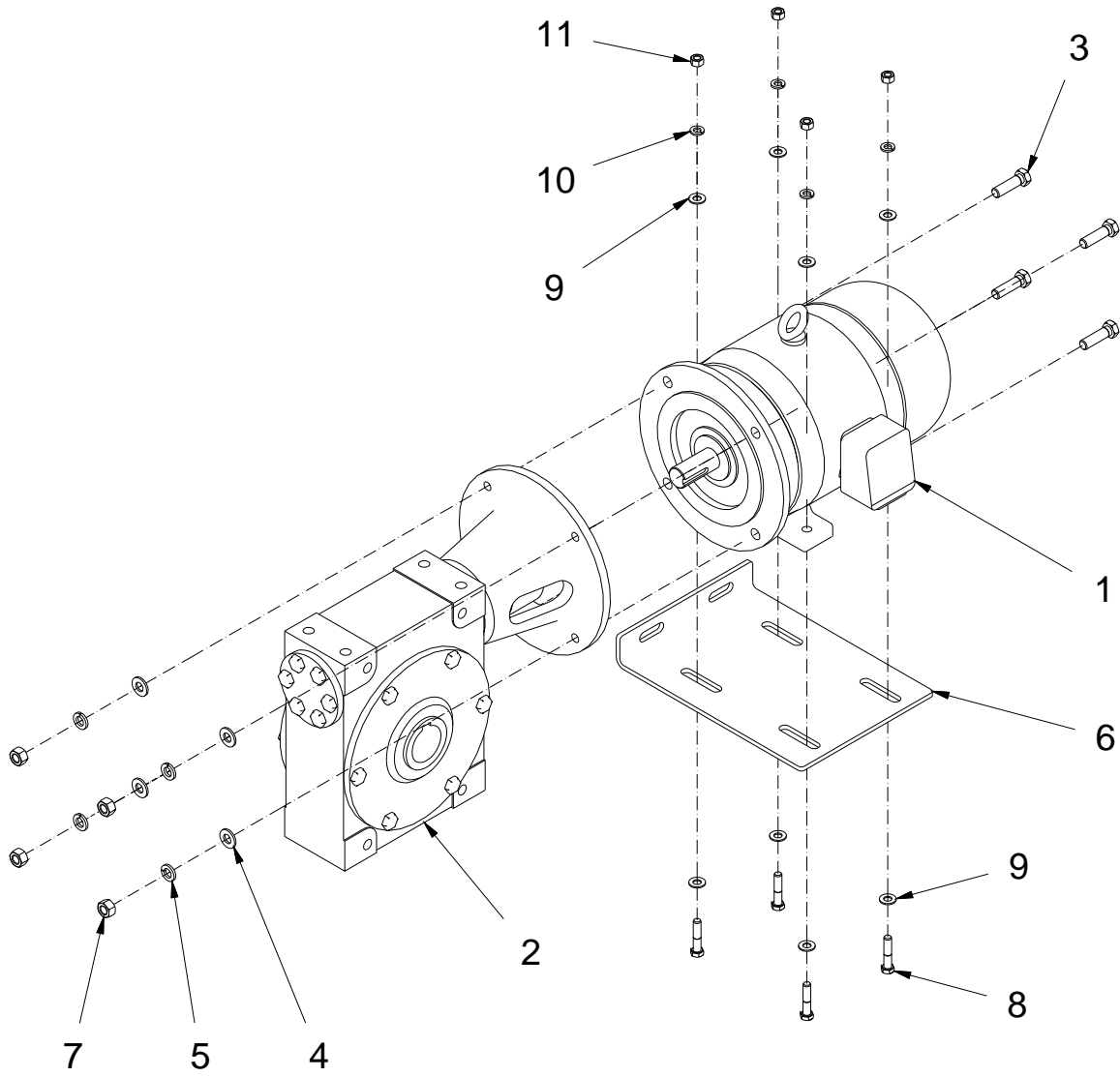
2.1. Right feeder belt drive – 34075179



2.1. Right feeder belt drive – 34075179

Item	Code	Description	Quantity
01	22061439	Electric motor 50Hz	01
02	26033344	Gearbox	01
03	24000276	Bolt	04
04	24000017	Washer	04
05	24000029	Washer	04
06	30050526	Support	01
07	24000313	Nut	04
08	24051029	Bolt	04
09	24000350	Washer	08
10	24000065	Washer	04
11	24000022	Nut	04

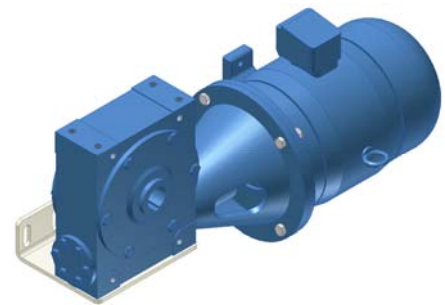
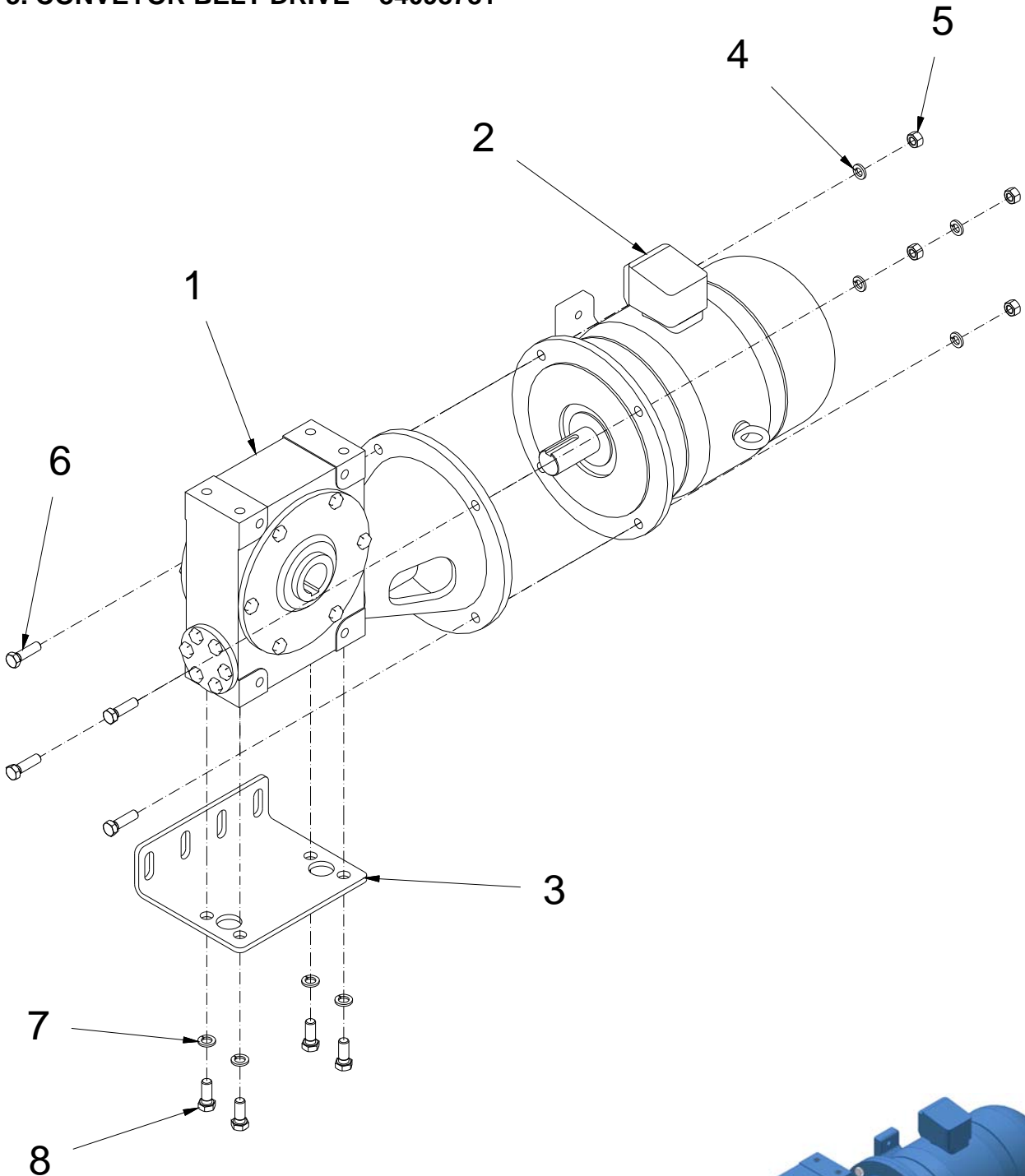
2.2. Left feeder belt drive – 34075180



2.2. Left feeder belt drive – 34075180

Item	Code	Description	Quantity
01	22073825	Electric motor 50Hz	01
02	26033344	Gearbox	01
03	24000276	Bolt	04
04	24000017	Washer	04
05	24000029	Washer	04
06	30050526	Support	01
07	24000313	Nut	04
08	24051029	Bolt	04
09	24000350	Washer	08
10	24000065	Washer	04
11	24000022	Nut	04

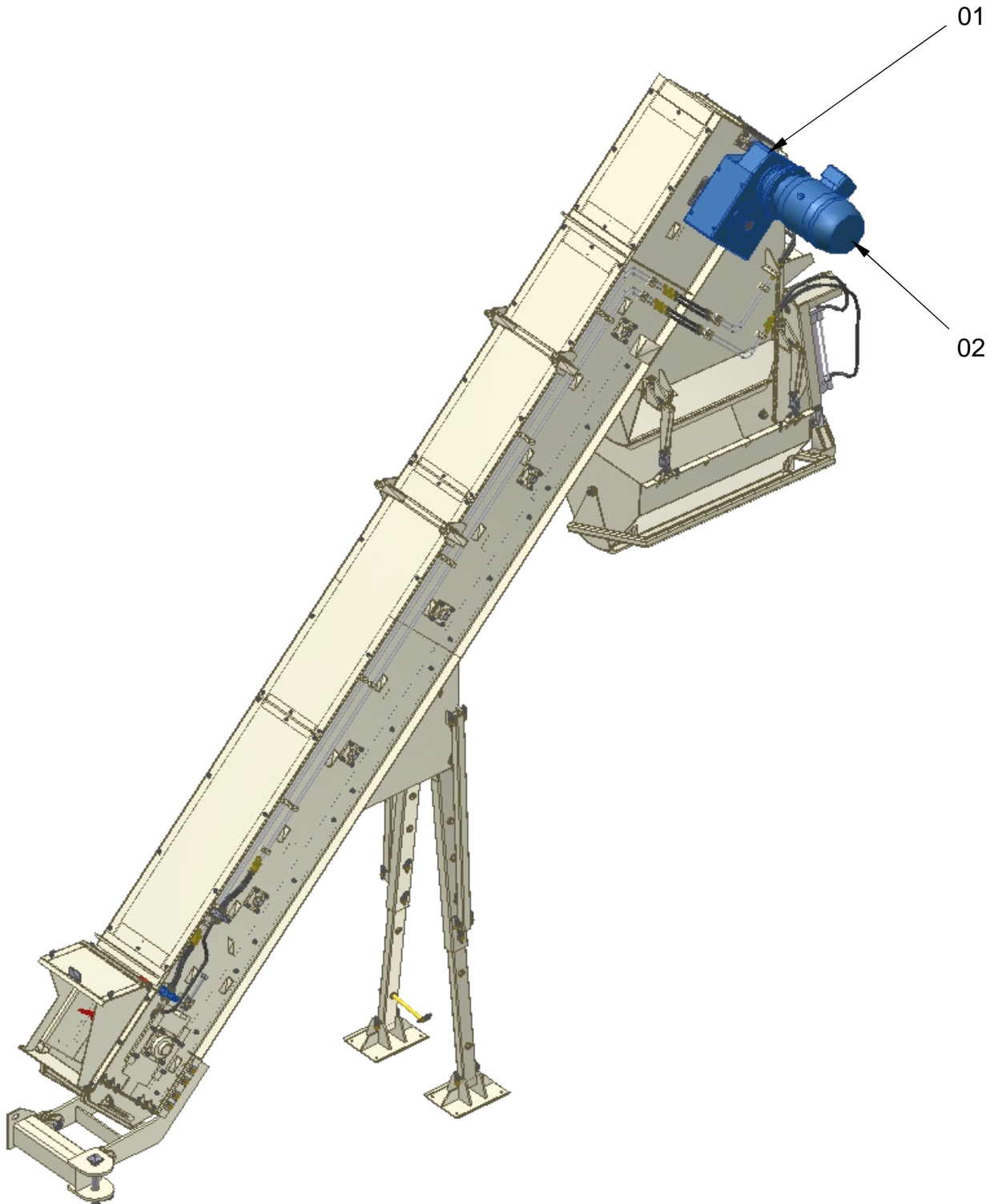
3. CONVEYOR BELT DRIVE – 34098781



3. CONVEYOR BELT DRIVE – 34098781

Item	Code	Description	Quantity
01	26094469	Gearbox	01
02	22072730	Electric motor 50Hz	01
03	34070910	Base	01
04	24000029	Washer	04
05	24000313	Nut	04
06	24000276	Bolt	04
07	24006888	Washer	04
08	24007005	Bolt	04

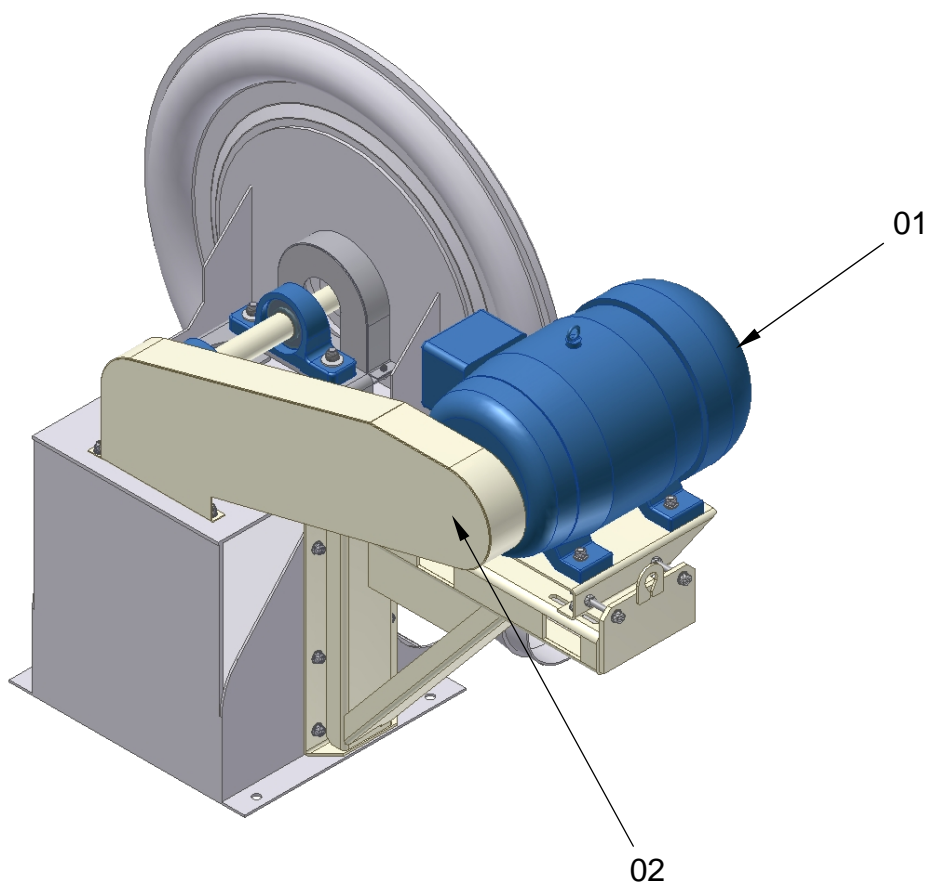
4. DRAG CONVEYOR DRIVE – 34100377



4. DRAG CONVEYOR DRIVE – 34100377

Item	Code	Description	Quantity
01	26090631	Gearbox	01
02	22085324	Electric motor 50Hz	01

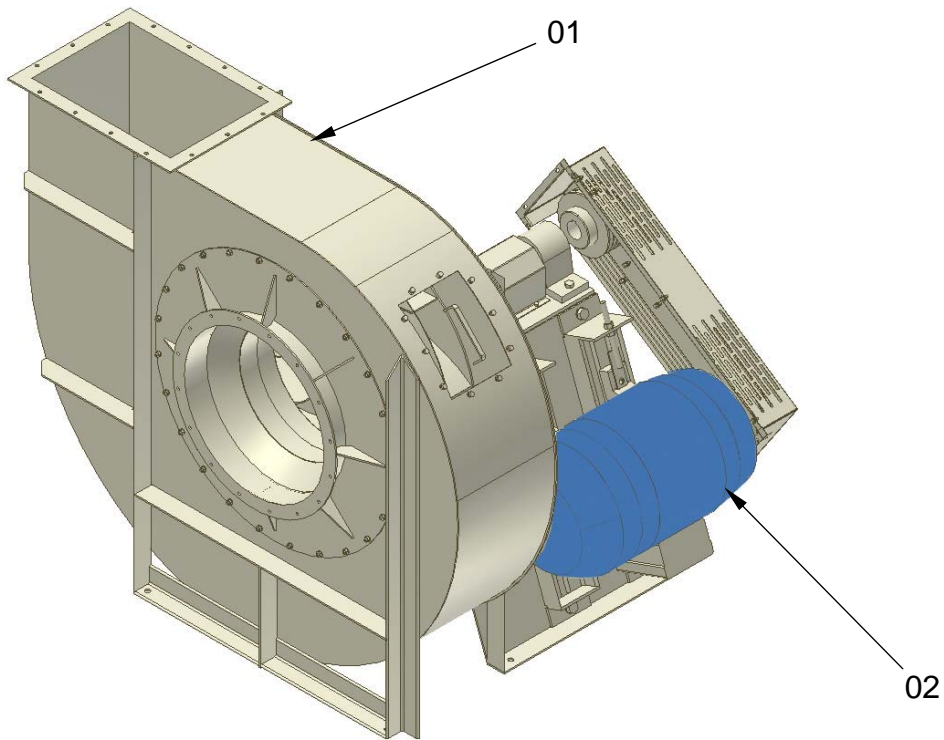
5. HAUCK BLOWER DRIVE – 34101207



5. HAUCK BLOWER DRIVE – 34101207

Item	Code	Description	Quantity
01	22012366	Electric motor 50Hz	01
02	26091054	Pulley	01

6. EXHAUSTER DRIVE – 34105559



6. EXHAUSTER DRIVE – 34105559

Item	Code	Description	Quantity
01	26078712	Exhauster fan	01
02	22061440	Electric motor 50Hz	01

7. COMPRESSING UNIT 80PCM – 28099003

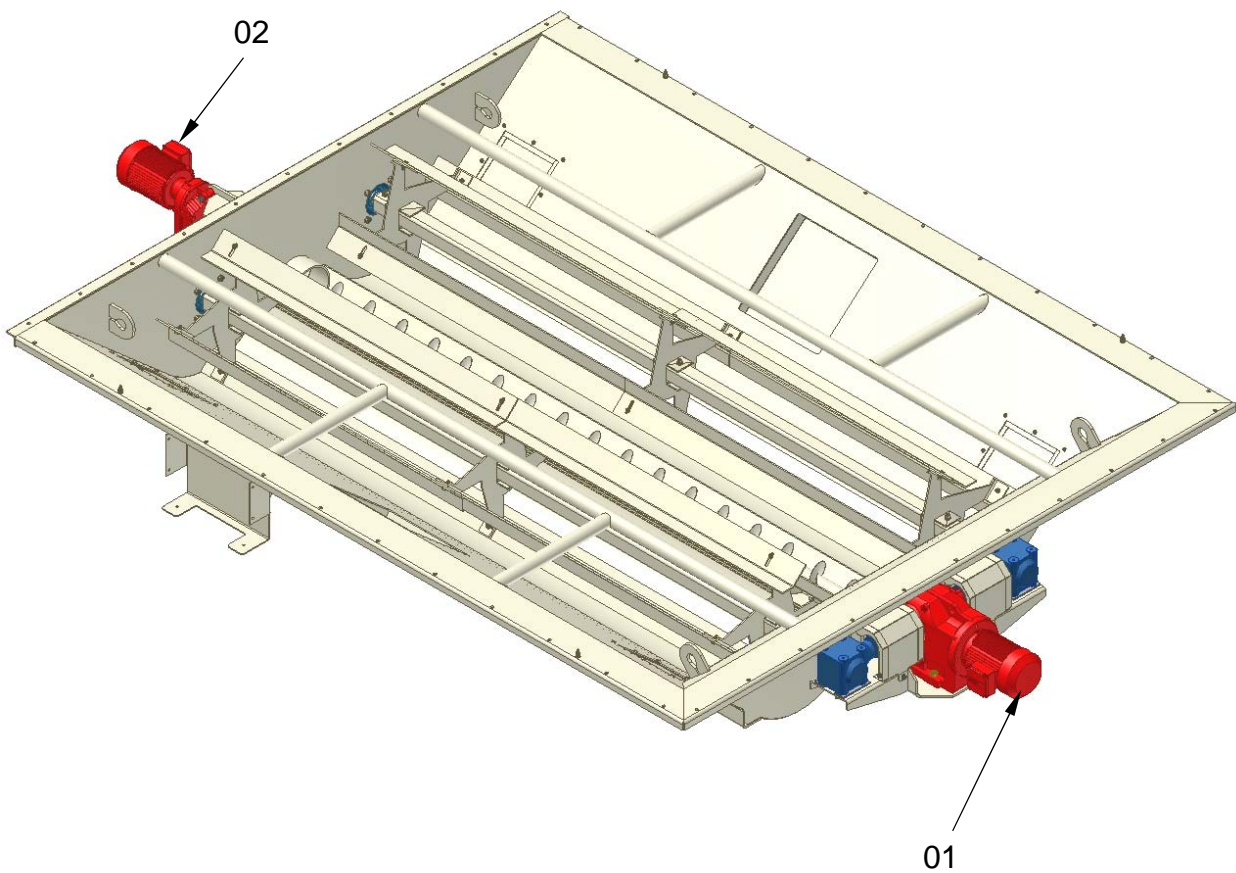


7. COMPRESSING UNIT 80PCM – 28099003



Para mais informações consulte o manual do específico do Compressor.
*(S) Para más información consulta el manual específico del Compressor.
(E) For more information, it consults the specific manual of Compressor.*

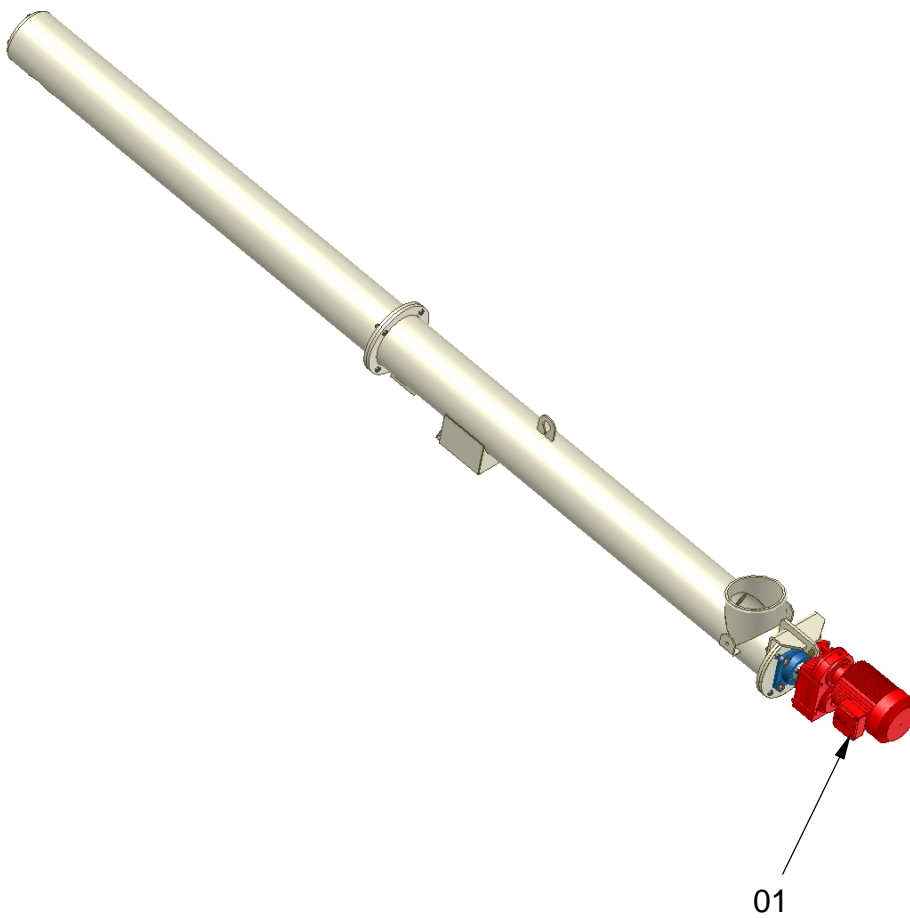
8. BOTTOM MODULE OF THE BAGHOUSE DRIVE



8. BOTTOM MODULE OF THE BAGHOUSE DRIVE

Item	Code	Description	Quantity
01	26090625	Gearmotor 50Hz	01
02	26090624	Gearmotor 50Hz	01

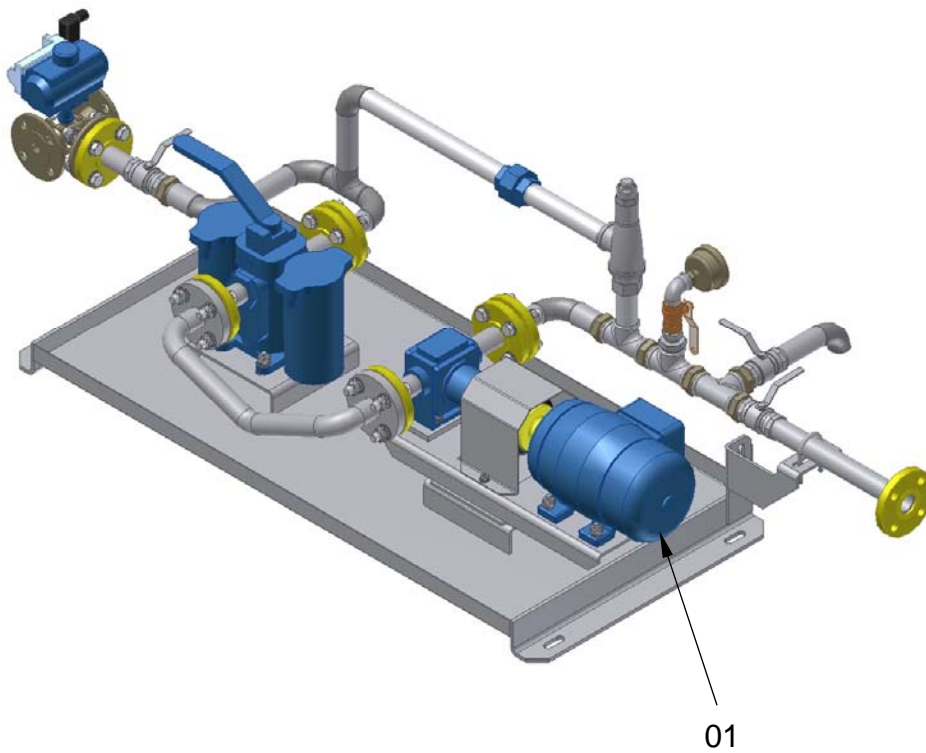
9. AUGER OF THE BAGHOUSE DRIVE – 26090624



9. AUGER OF THE BAGHOUSE DRIVE – 26090624

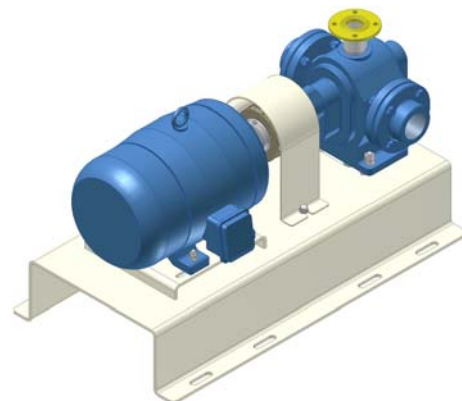
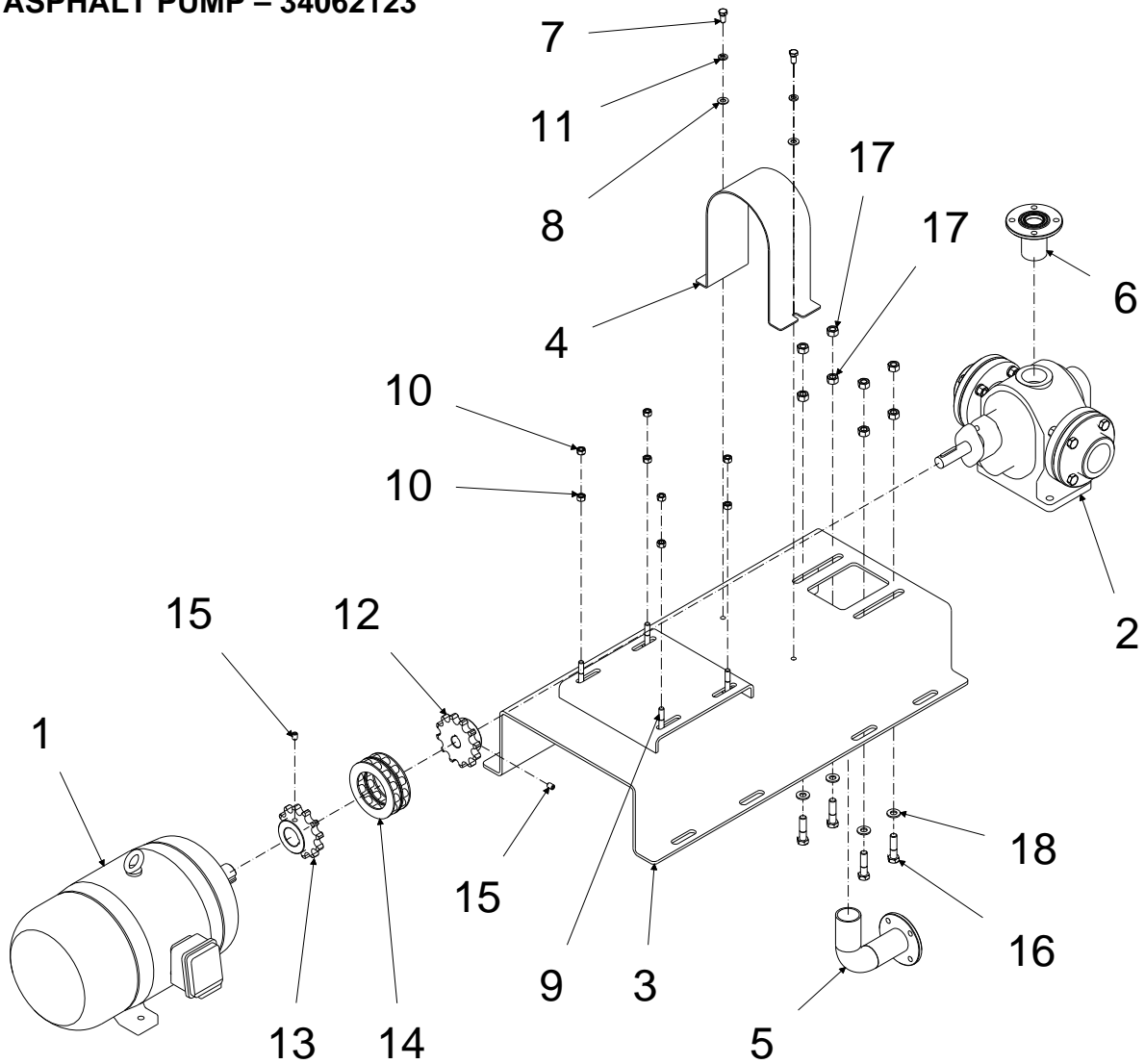
Item	Code	Description	Quantity
01	26090624	Gearmotor 50Hz	01

10. FUEL PUMP DRIVE – 22104064



10. FUEL PUMP DRIVE – 22104064

Item	Code	Description	Quantity
01	22104064	Electric motor 50Hz	01

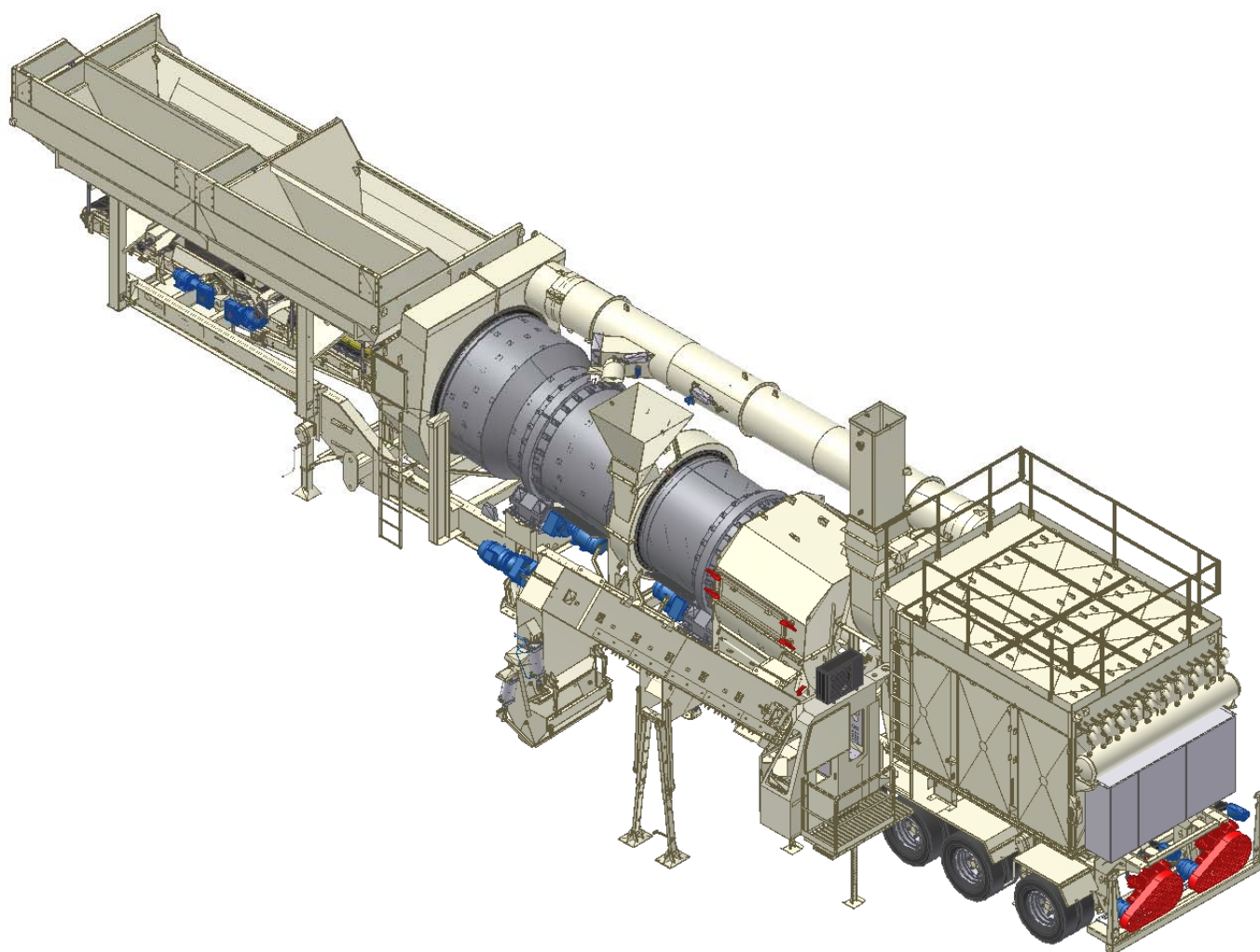
11. ASPHALT PUMP – 34062123


11. ASPHALT PUMP – 34062123

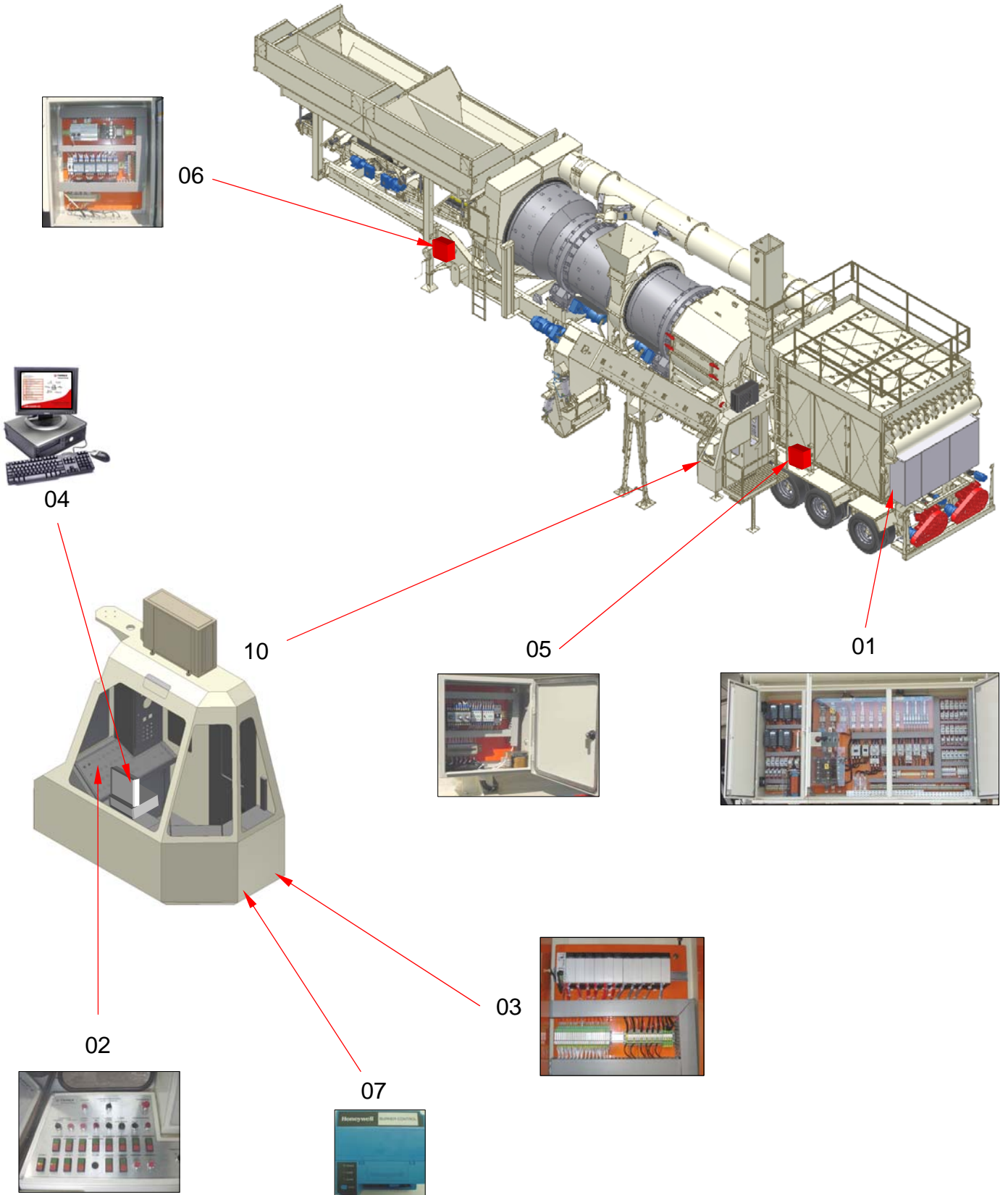
Item	Code	Description	Quantity
01	22061441	Electric motor 50Hz	01
02	28011276	Gear pump	01
03	34075841	Base	01
04	30000556	Protection	01
05	34047967	Curve	01
06	34047969	Flange	01
07	24007009	Bolt	02
08	24000350	Washer	06
09	24000273	Bolt	04
10	24000022	Nut	08
11	24000065	Washer	02
12	30003501	Gear	01
13	30003502	Gear	01
14	26009209	Chain	01
15	24015734	Bolt	02
16	24000277	Bolt	04
17	24000313	Nut	08
18	24000017	Washer	04

Page intentionally blank.

ASSEMBLY OF ELECTRIC COMPONENTS - 60HZ 380V



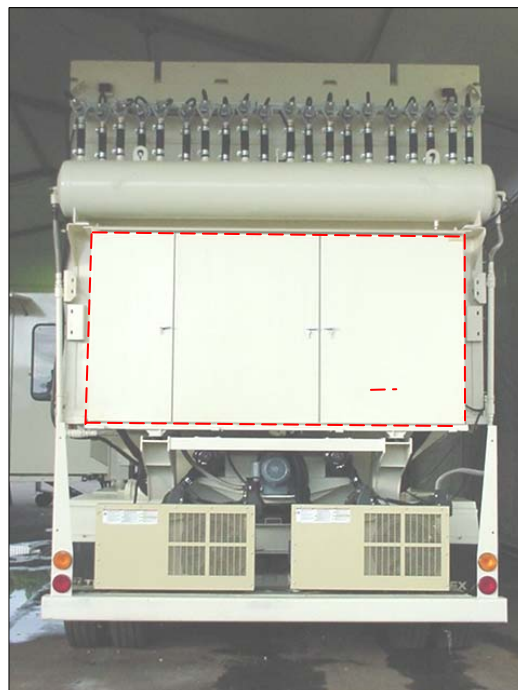
ASSEMBLY OF ELECTRIC COMPONENTS – 60HZ 380V



ASSEMBLY OF ELECTRIC COMPONENTS – 60HZ 380V

Item	Code	Description	Quantity
01	34098186c	⚡ Electric item of the back panel	01
02	34088801c	⚡ Panel control	01
03	34094772c	⚡ Automation	01
04	34094777	⚡ Computer and software	01
05	34094779c	⚡ Baghouse panel	01
06	34094773c	⚡ Transducers panel - load cell	01
07	34091554c	⚡ Sensor of flame	01
08	34094752	Kit of electric cables	01
09	34094788	⚡ Sensors for temperature	01
10	38085448	Control cabin	01

1. ELECTRIC ITEM OF THE BACK PANEL – 34098186C

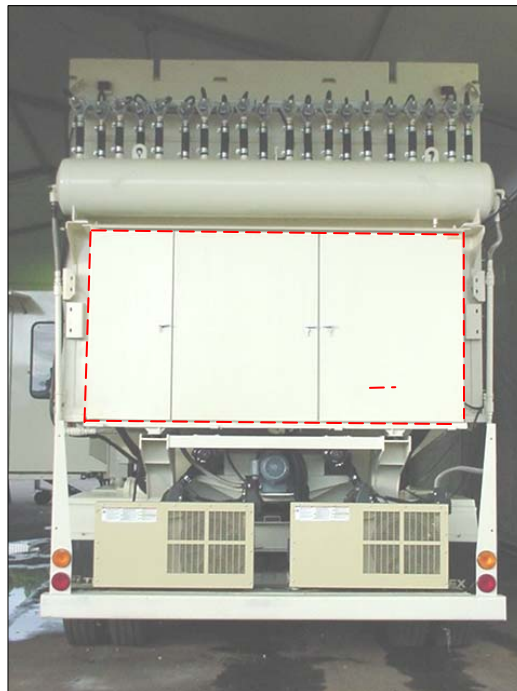


**Imagens meramente ilustrativas.
Imágenes solamente ilustrativas.
Only illustrative images.**

1. ELECTRIC ITEM OF THE BACK PANEL – 34098186C

Item	Code	Description	Quantity
01	22008573	Fuse NH 3 500A	03
02	22009242	Base of fuse NH 315-630A	03
03	22009273	Current transformer 600A 5VA (4NF)	03
04	22069825	Current transformer 3000VA	01
05	22023542	Current transformer 3F 100CV	01
06	34084805	Kit of the electric slide bar	01
07	22072755	Circuit-breaker box 1P 15A+plug-in NEMA 30A	01
08	22011101	Analogical thermometer	01
09	22011705	Parallel insulator 40x40 3/8" polyester	06
10	22010761	Conduit PVC 50x50 CZA (HD-4P)	2M
11	22010667	Conduit PVC 30x30 CZA (HD-2P)	2M
12	22053899	Conduit PVC 50x80 CZA (HD-9P)	3M
13	22066514	Conduit PVC 30x50 CZA (HD-3)	2M
14	22012037	Track 35x7,5	07
15	30075169	Support	01
16	40010654	Flexible cable BWF 1 mm2 white	1000M
17	40084926	Flexible cable BWF 1 mm2 blue	100M
18	40086996	Flexible cable BWF 2,5mm2 black	200M
19	40009578	Flexible cable BWF 16 mm2 black	2M
20	40009579	Flexible cable BWF 25 mm2 black	10M
21	40009581	Flexible cable BWF 50 mm2 black	10M
22	40009582	Flexible cable BWF 70 mm2 black	15M
23	40014742	Flexible cable 1x0,75 mm2	60M
24	40012472	Flexible cable 2x0,75 mm2	80M
25	40012473	Flexible cable 3x0,75 mm2	15M
26	40053054	Flexible cable 4x0,75 mm2	15M
27	40053061	Flexible cable 3x2,5mm 2	30M
28	22091179	Plug-ins	02
29	22090964	Electric slide bar	05
30	22090965	Terminal of the electric slide bar	05
31	22094766	Selecting switch INS630	01
32	22091180	Handle INS320 A 630 31052	01
33	22096217	Terminal P/ SEC INS 200-630	01
34	22094712	Circuit breaker C60N 1P C4	02
35	22094714	Circuit breaker K32A 1P C6	09
36	22094713	Circuit breaker C60N 2P C4	01
37	22094716	Circuit breaker K32A 2P C6	02
38	22094717	Circuit breaker K32A 2P C10	01
39	22094718	Circuit breaker K32A 2P C16	02
40	22094719	Circuit breaker K32A 3P C6	01
41	22069398	Danfoss Converter VLT2822 3CV-380/480V	04
42	22069397	Danfoss Converter VLT2840 5CV-380/480V	01
43	22088698	No fase, inverted relay RM4-TR32	01
44	22091177	Time relay 0,3-30s RE8TA31BU 120VCA	06
45	22086135	Contactoraux. CAD-50-F7	04
46	22091126	Circuit breaker 3P 1 - 1,6A GV2-ME06	05
47	22091127	Circuit breaker 3P 1,6 - 2,5A GV2-ME07	01
48	22091130	Circuit breaker 3P 6 - 10A GV2-ME14	01
49	22091131	Circuit breaker 3P 9 - 14A GV2-ME16	01
Continued			

1. ELECTRIC ITEM OF THE BACK PANEL – 34098186C



**Imagens meramente ilustrativas.
Imágenes solamente ilustrativas.
Only illustrative images.**

1. ELECTRIC ITEM OF THE BACK PANEL – 34098186C

Item	Code	Description	Quantity
50	22091129	Circuit breaker 3P 4,0 - 6,3A GV2-ME10	04
51	22091133	Circuit breaker 3P 17 - 23A GV2-ME21	01
52	22091134	Circuit breaker 3P 20 - 25A GV2-ME22	04
53	22091137	Circuit breaker 3P 48 - 65A GV3-P65	01
54	22091138	Circuit breaker 3P 56 - 80A GV3-ME80	01
55	22091142	Contactor pow. LC1-D09F7 (1-10A)	09
56	22091140	Circuit breaker 3P 90 - 150A GV7-RE150	02
57	22091143	Contactor pow. LC1-D12F7 (10 - 14A)	02
58	22091145	Contactor pow. LC1-D25F7 (17 - 25A)	03
59	22091146	Contactor pow. LC1-D32F7 (24 - 32A)	08
60	22091148	Contactor pow. LC1-D50F7 (40 - 50A)	01
61	22091149	Contactor pow. LC1-D65F7 (40 - 65A)	03
62	22091151	Contactor pow. LC1-D95F7 (60 - 95A)	01
63	22091150	Contactor pow. LC1-D80F7 (56 - 80A)	01
64	22091152	Contactor pow. LC1-D115F7 (90 - 115A)	01
65	22091153	Contactor pow. LC1-D150F7 (90-150A)	01
66	22091155	Block of contacts 2NA+2NF LAD-N22	05
67	22086136	Block 4NA LAD-N40 telemecanique	11
68	22091159	Block of contacts 0NA+4NF LAD-N04	03
69	22091163	Block of contacts 2NA+0NF lad-8N20	02
70	22091171	Block of contacts 1NA+1NF GV3-A01	03
71	22091169	Block of contacts 1NA+1NF GV-AE11	18
72	22091162	Block of contacts 1NA+1NF LAD-8N11	13
73	22091174	Block of contacts 1NA+1NF GV7-AE11	01
74	24096218	Plug-ins sticker kit	02
75	22080421	Box	01
76	22097305	Plug-ins 24PP	08
77	22098197	Plug-ins 48P	01
78	22091135	Circuit breaker 3P 24 - 32A GV2-ME32	02
79	22100600	Resistor 1K - 1/8 WATT	10
80	24100590	Sticker	01
81	22100509	Conduit PVC 110x80 CZA (HD-12P)	3M
82	30104837	Support	02

2. PANEL CONTROL – 34088801C



**Imagens meramente ilustrativas.
Imágenes solamente ilustrativas.
Only illustrative images.**

2. PANEL CONTROL – 34088801C

Item	Code	Description	Quantity
01	22080424	Potentiometer10K - MOELLER	06
02	22060088	Temperature Controller novus N440	02
03	22046126	Knob VD/VM DIAM.22 DP2	15
04	22012791	Block of contacts EL111	15
05	22070933	Lamp S1L/14 120V BA9S	15
06	22046040	Knob VMO BZ2/03	02
07	22046050	Warning light VSZ222/13	01
08	22046125	Socket light bulb L001	01
09	22070932	Lamp S1L/13 120V BA9S	01
10	22038340	Fan 44L/S-120/220V-60hz	02
11	22056977	Grate 150x150	02
12	22022465	Block of contacts E-111	03
14	22079408	Potentiometer BELIMO	02
15	22046128	Knob EZ2 36	01
17	22069587	Totalizer of hours 110V	01
18	22088715	Energy monitor POWERMETER 700	01
21	22046129	Short knob switch acz290	02

3. AUTOMATION – 34094772C



**Imagens meramente ilustrativas.
Imágenes solamente ilustrativas.
Only illustrative images.**

3. AUTOMATION – 34094772C

Item	Code	Description	Quantity
01	22098098	Memory card for CPU XC-101/201	01
02	22098099	Battery xcontrol XT-CPU-BAT1	01
03	22098116	CPU Moeller XC-CPU201-C256K-8DI-6DO	01
04	22098111	Module 24VCC XIOC-16DO	02
05	22098112	Module 24VCC XIOC-16DI	03
06	22098113	Module 0-10V XIOC-8AI-U1	01
07	22098114	Module 0-10V XIOC-4AO-U1	02
08	22098115	Module 0-10V/0-20MA XIOC-4A	02
09	22098106	Block 18T XIOC-TERM-18T	11
10	22098107	Backplane CPU CLP xcontrol+1XI/0 XIOC-BP-XC	01
11	22098110	Backplane P/ 2 módulo xcontrol XIOC-BP-2	02
12	22098109	Backplane P/ 3 módulo xcontrol XIOC-BP-3	01
13	22098108	Backplane xcontrol XIOC-BP-EXT	01
14	22098100	Cable of programming xcontrol XT-CAT5-X-5	01
15	22084915	Source of keyed feeding 24VCC 5A	01
16	22088742	Source of keyed feeding 24VCC 2A	01
17	22086135	Contactoraux. CAD-50-F7	09
18	22086136	Block 4NA LAD-N40 Telemecanique	07
19	22086137	Block LAD-R2 Telemecanique	02
20	22094693	Relay aux. 24VCC 1NANF PLC-RSC- 24DC/21	36
21	22094695	Bridge relay 24VCC blue FBST 500-PLC BU	01
23	22094714	Circuit breaker K32A 1P C6	01
24	40100504	Flexible Cable BWF 0,5 mm2 red	400M
25	40100505	Flexible Cable BWF 0,5 mm2 blue	100M
26	22091162	Block of contacts 1NA+1NF LAD-8N11	01

4. COMPUTER AND SOFTWARE – 34094777



Cod. 22086084



09



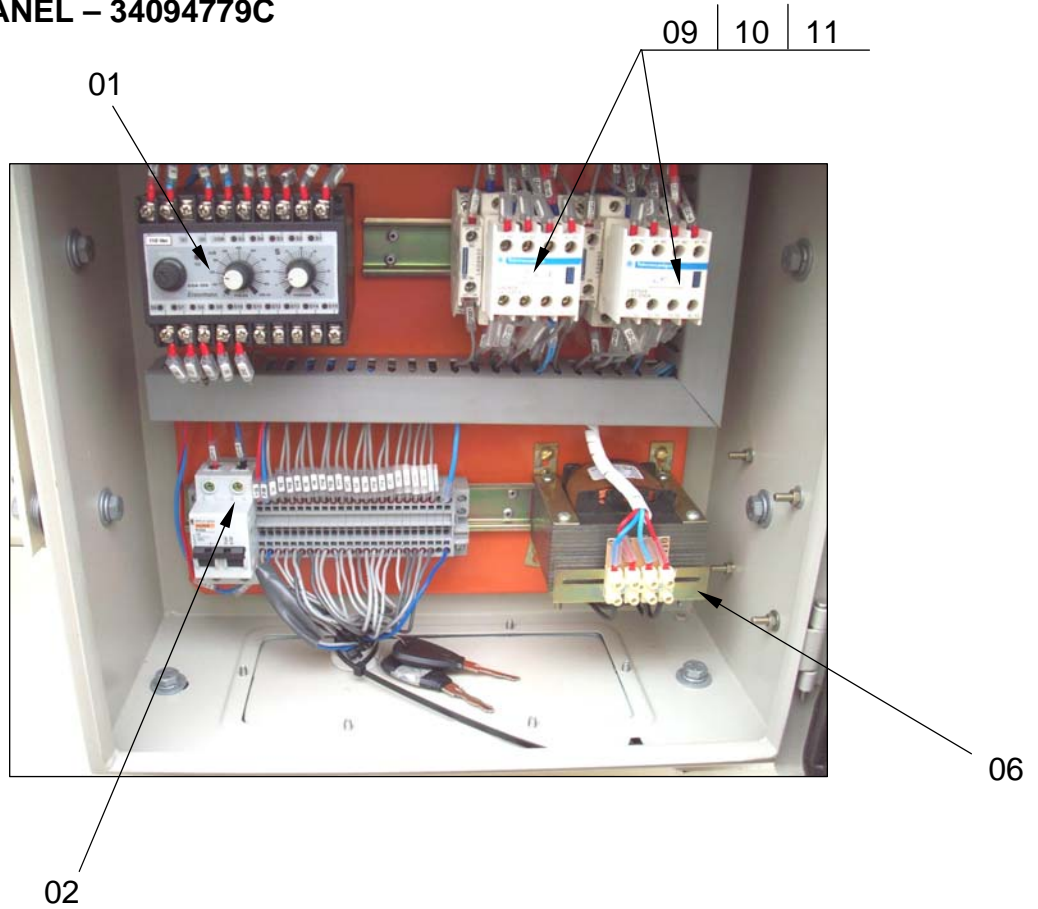
08

**Imagens meramente ilustrativas.
Imágenes solamente ilustrativas.
Only illustrative images.**

4. COMPUTER AND SOFTWARE – 34094777

Item	Code	Description	Quantity
02	22069821	Computer	01
03	22088661	Monitor	01
04	22060541	Video card	01
05	38071958	Guarantee service DELL	01
06	22071066	Keyboard	01
07	22071067	Mouse	01
08	22067885	Windows XP software	01
09	22069589	Stabilizer	01
12	22084916	Software elipse runtime MMI 32BIT	01
13	22098067	Optical disk of recovery	01
---	22086084	Air conditioning	01

5. BAGHOUSE PANEL – 34094779C



**Imagens meramente ilustrativas.
 Imágenes solamente ilustrativas.
 Only illustrative images.**

5. BAGHOUSE PANEL – 34094779C

Item	Code	Description	Quantity
01	22069594	Sequencer USA-300-30/120V-0/1s	01
02	22094716	Circuit breaker K32A 2P C6	01
03	22058974	Box 400 x400 x 200	01
06	22071165	Current Transformer 200VA	01
07	20108913	Pad	04
08	22046045	Cable press 1" PVC	01
09	22086135	Contactor aux. CAD-50-F7	02
10	22091159	Block of contacts 0NA+4NF LAD-N04	02
11	22091164	Block of contacts 0NA+2NF LAD-8N02	02
12	22094698	Connection passage ST2,5	25
13	22094751	Jamb EN/S35N	10
14	24098199	Sticker "controle de montagem eletrica"	01
15	22081645	Mounting bracket	01

6. TRANSDUCERS PANEL - LOAD CELL – 34094773C



**Imagens meramente ilustrativas.
Imágenes solamente ilustrativas.
Only illustrative images.**

6. TRANSDUCERS PANEL - LOAD CELL – 34094773C

Item	Code	Description	Quantity
02	22088701	Load cell transducer LC420SG-035	04
03	22066514	PVC chute 30x50 CZA (HD-3)	1,2M
04	22013463	Connector PASS 2,5mm2 WDU/2.5	22
05	40022039	Flexible cable PP 4x1.5mm2	7M
06	40084926	Flexible cable PP 4x1.5mm2 blue	1,5M
07	40083589	Flexible cable PP 4x1.5mm2 red	1M
08	40088702	Flexible cable PP 4x1.5mm2 gray	1M
09	22088703	35x7.5 Duct for connectors	0,84M
10	22010864	Cable press Pg 11 5-10	06
13	22058974	Box 400 x400 x 200	01
15	20108913	Pad	04
16	22046043	Cable press ¾" PVC	04
17	22098103	Module XN-GWBR-CANOPEN	01
18	22098101	Backplane XN XN-S6T-SBCSBC	01
19	22098104	Module 0-10V/0-20MA XN-AI-U/I	01
20	22094713	Circuit breaker C60N 2P C4	02
21	22094698	Connection passage ST2,5	25
22	22094751	Jamb EN/S35N	10
23	24098199	Sticker "controle de montagem eletrica"	01
24	22081645	Mounting bracket TSTW	01

7. SENSOR OF FLAME – 34091554C



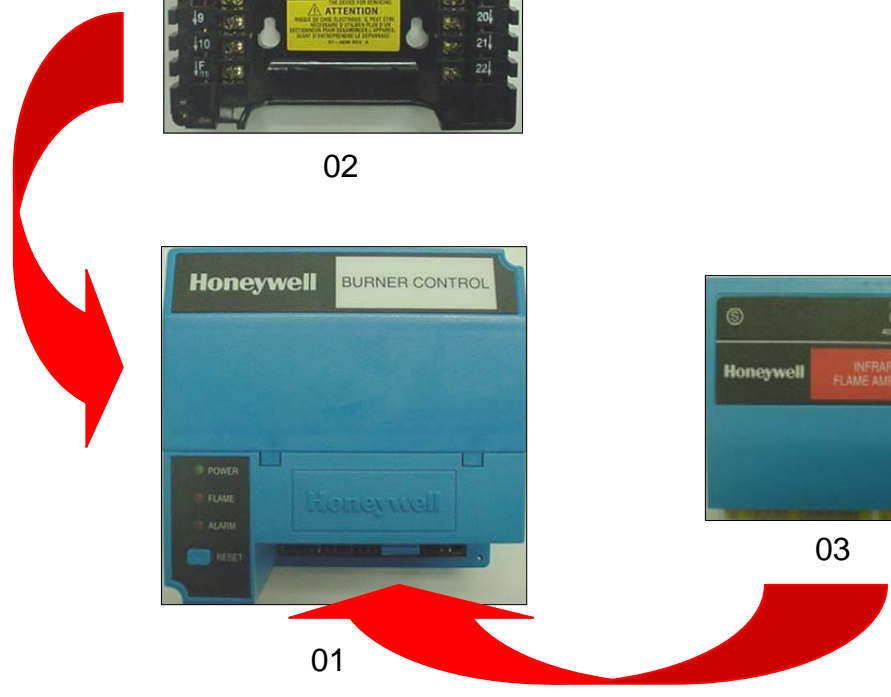
02



01



03

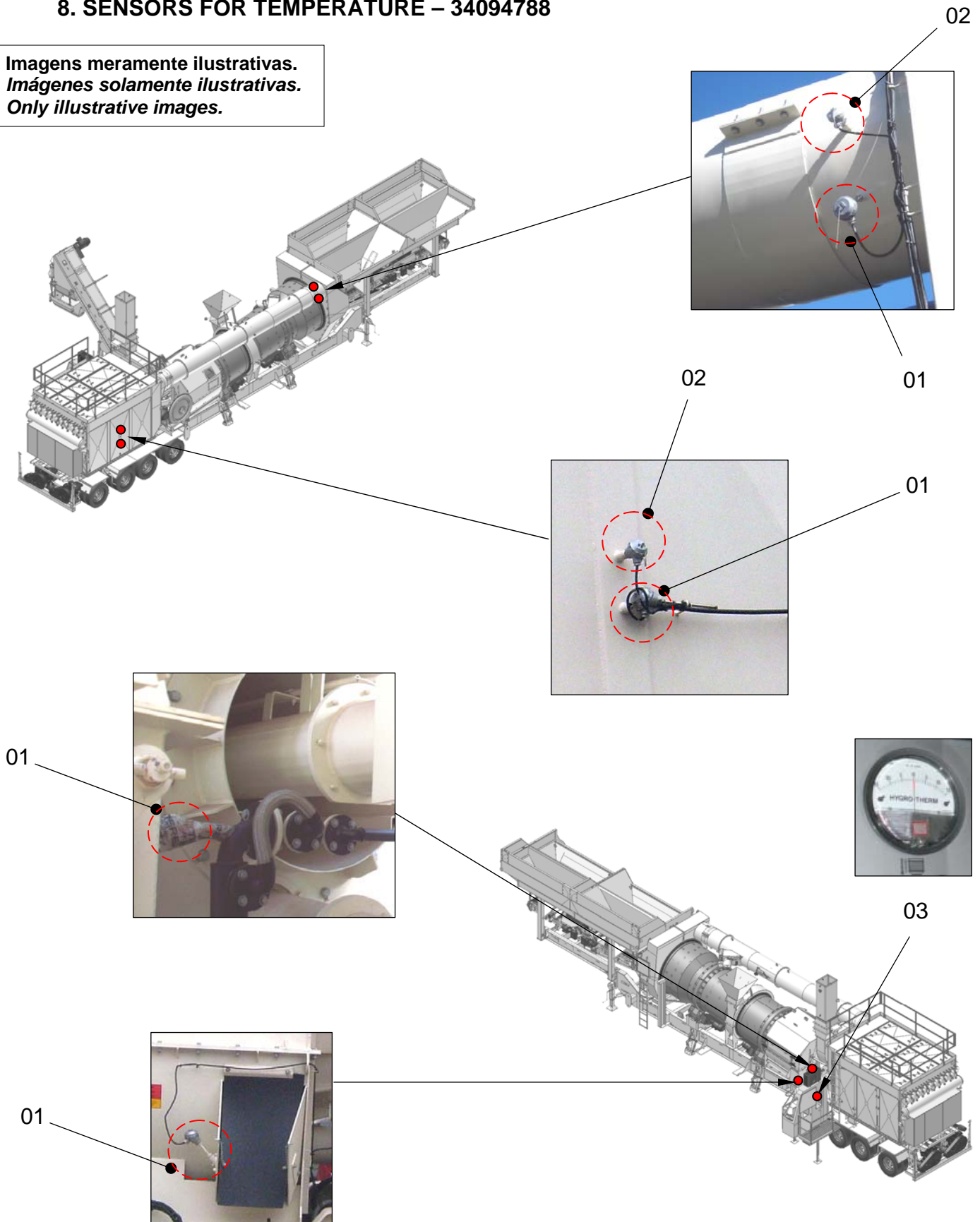


7. SENSOR OF FLAME – 34091554C

Item	Code	Description	Quantity
01	22091555	Relay	01
02	22088813	Base	01
03	22083629	Ultraviolet amplifier	01

8. SENSORS FOR TEMPERATURE – 34094788

Imagens meramente ilustrativas.
 Imágenes solamente ilustrativas.
 Only illustrative images.

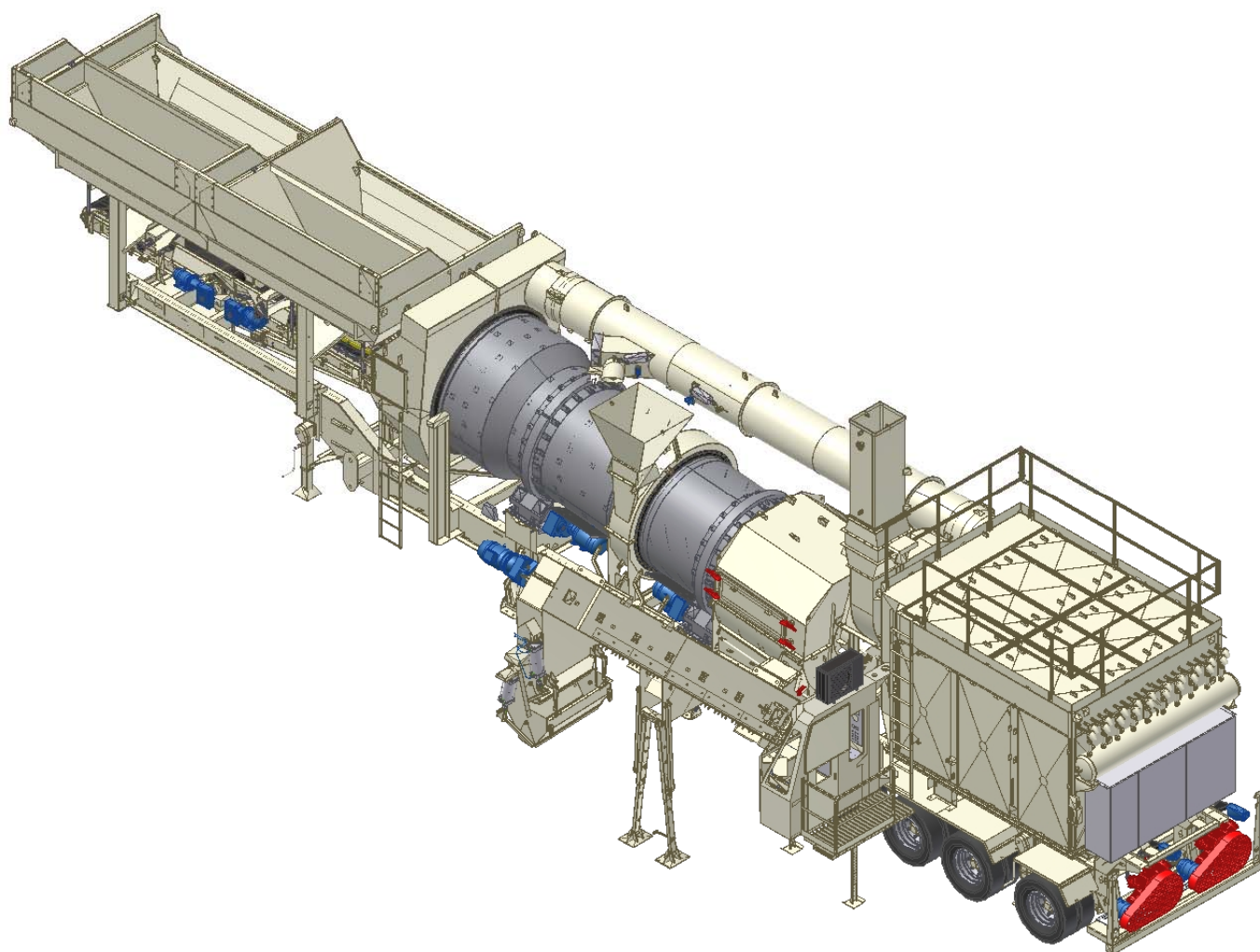


8. SENSORS FOR TEMPERATURE – 34094788

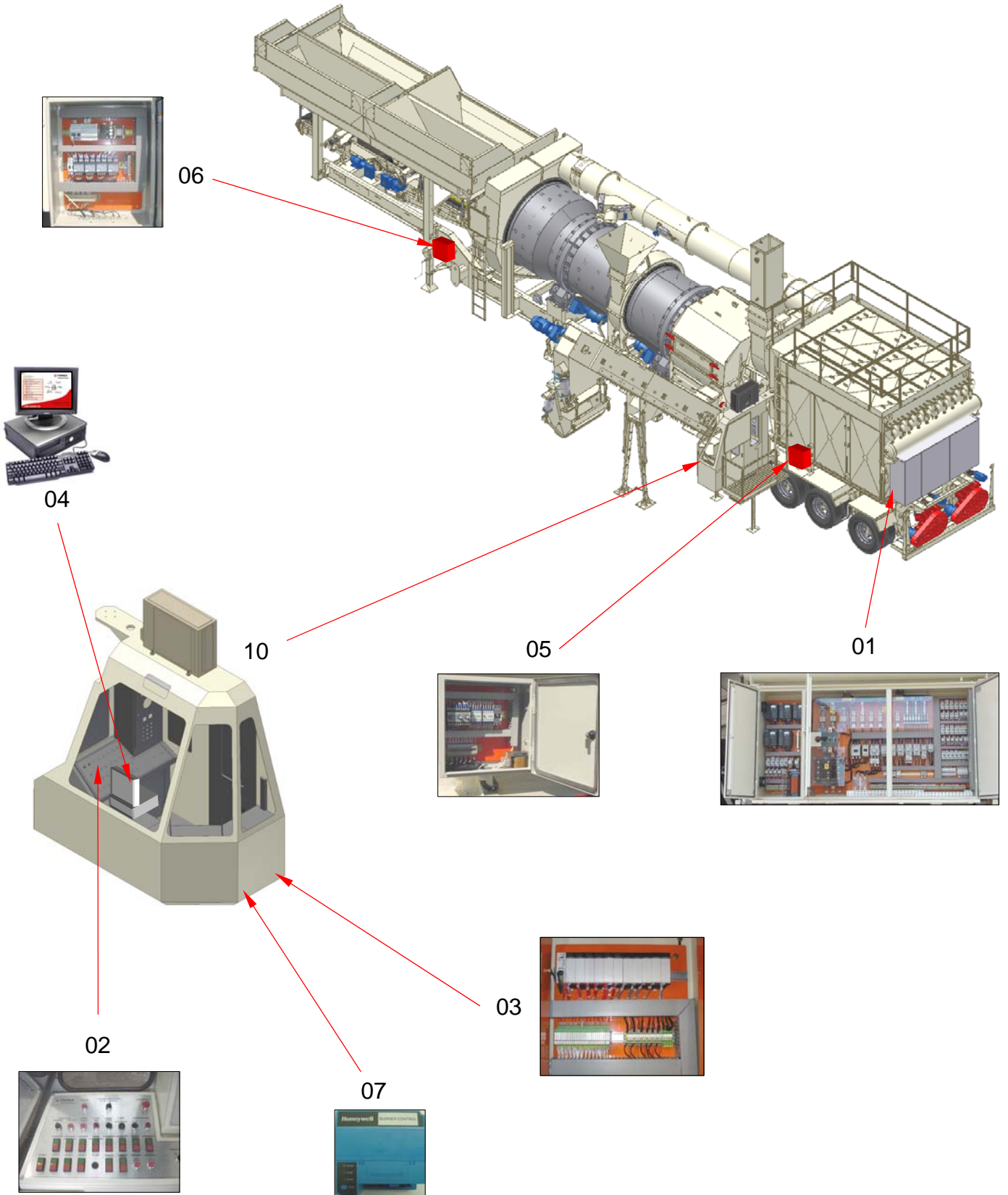
Item	Code	Description	Quantity
01	22090237	Thermal resistor PT-100-HASTE100	04
02	22011441	Thermal resistor PT-100 IRM12	02
03	28084898	Pressure gauge	01

Page intentionally blank.

ASSEMBLY OF ELECTRIC COMPONENTS - 60HZ 440V



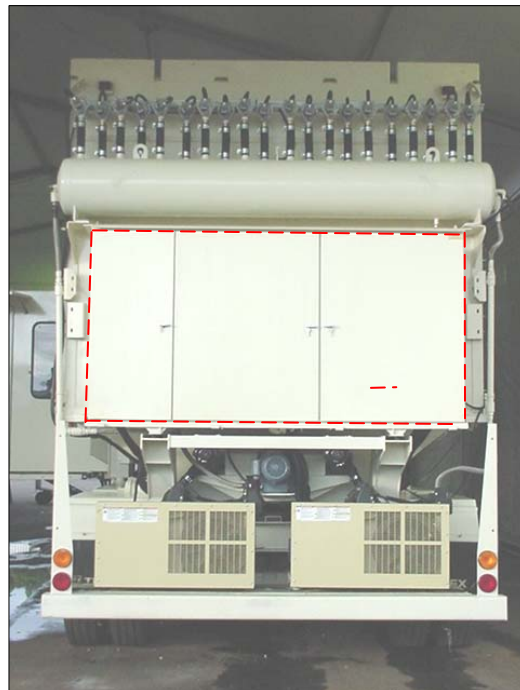
ASSEMBLY OF ELECTRIC COMPONENTS – 60HZ 440V



ASSEMBLY OF ELECTRIC COMPONENTS – 60HZ 440V

Item	Code	Description	Quantity
01	34098188c	⚡ Electric item of the back panel	01
02	34088801c	⚡ Panel control	01
03	34094772c	⚡ Automation	01
04	34094777	⚡ Computer and software	01
05	34094779c	⚡ Baghouse panel	01
06	34094773c	⚡ Transducers panel - load cell	01
07	34091554c	⚡ Sensor of flame	01
08	34094752	Kit of electric cables	01
09	34094788	⚡ Sensors for temperature	01
10	38085448	Control cabin	01

1. ELECTRIC ITEM OF THE BACK PANEL – 34098188C

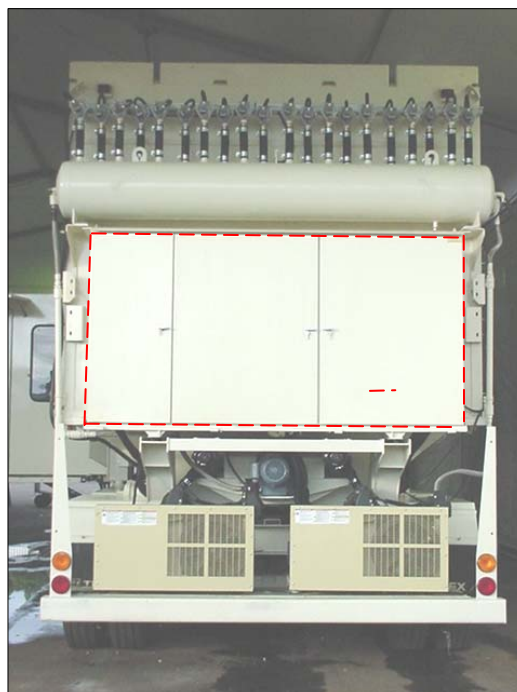


**Imagens meramente ilustrativas.
Imágenes solamente ilustrativas.
Only illustrative images.**

1. ELECTRIC ITEM OF THE BACK PANEL – 34098188C

Item	Code	Description	Quantity
01	22008573	Fuse NH 3 500A	03
02	22009242	Base of fuse NH 315-630A	03
03	22009273	Current transformer 600A 5VA (4NF)	03
04	22074471	Current transformer 3000VA	01
05	22052155	Current transformer 3F 100CV	01
06	34084805	Kit of the electric slide bar	01
07	22072755	Circuit-breaker box 1P 15A+plug-in NEMA 30A	01
08	22011101	Analogical thermometer	01
09	22011705	Parallel insulator 40x40 3/8" polyester	06
10	22010761	Conduit PVC 50x50 CZA (HD-4P)	2M
11	22010667	Conduit PVC 30x30 CZA (HD-2P)	2M
12	22053899	Conduit PVC 50x80 CZA (HD-9P)	3M
13	22066514	Conduit PVC 30x50 CZA (HD-3)	2M
14	22012037	Track 35x7,5	07
15	30075169	Support	01
16	40010654	Flexible cable BWF 1 mm2 white	1000M
17	40084926	Flexible cable BWF 1 mm2 blue	100M
18	40086996	Flexible cable BWF 2,5mm2 black	200M
19	40009578	Flexible cable BWF 16 mm2 black	2M
20	40009579	Flexible cable BWF 25 mm2 black	10M
21	40009581	Flexible cable BWF 50 mm2 black	10M
22	40009582	Flexible cable BWF 70 mm2 black	15M
23	40014742	Flexible cable 1x0,75 mm2	60M
24	40012472	Flexible cable 2x0,75 mm2	80M
25	40012473	Flexible cable 3x0,75 mm2	15M
26	40053054	Flexible cable 4x0,75 mm2	15M
27	40053061	Flexible cable 3x2,5mm 2	30M
28	22091179	Plug-ins	02
29	22090964	Electric slide bar	05
30	22090965	Terminal of the electric slide bar	05
31	22094766	Selecting switch INS630	01
32	22091180	Handle INS320 A 630 31052	01
33	22096217	Terminal P/ SEC INS 200-630	01
34	22094712	Circuit breaker C60N 1P C4	02
35	22094714	Circuit breaker K32A 1P C6	09
36	22094713	Circuit breaker C60N 2P C4	01
37	22094716	Circuit breaker K32A 2P C6	02
38	22094717	Circuit breaker K32A 2P C10	01
39	22094718	Circuit breaker K32A 2P C16	02
40	22094719	Circuit breaker K32A 3P C6	01
41	22069398	Danfoss Converter VLT2822 3CV-380/480V	04
42	22069397	Danfoss Converter VLT2840 5CV-380/480V	01
43	22088698	No fase, inverted relay RM4-TR32	01
44	22091177	Time relay 0,3-30s RE8TA31BU 120VCA	06
45	22086135	Contactoraux. CAD-50-F7	04
46	22091126	Circuit breaker 3P 1 - 1,6A GV2-ME06	05
47	22091127	Circuit breaker 3P 1,6 - 2,5A GV2-ME07	01
48	22091130	Circuit breaker 3P 6 - 10A GV2-ME14	01
49	22091131	Circuit breaker 3P 9 - 14A GV2-ME16	01
Continued			

1. ELECTRIC ITEM OF THE BACK PANEL – 34098188C



**Imagens meramente ilustrativas.
Imágenes solamente ilustrativas.
Only illustrative images.**

1. ELECTRIC ITEM OF THE BACK PANEL – 34098188C

Item	Code	Description	Quantity
50	22091129	Circuit breaker 3P 4,0 - 6,3A GV2-ME10	04
51	22091133	Circuit breaker 3P 17 - 23A GV2-ME21	01
52	22091134	Circuit breaker 3P 20 - 25A GV2-ME22	06
53	22091137	Circuit breaker 3P 48 - 65A GV3-P65	01
54	22091138	Circuit breaker 3P 56 - 80A GV3-ME80	01
55	22091142	Contactor pow. LC1-D09F7 (1-10A)	09
56	22091140	Circuit breaker 3P 90 - 150A GV7-RE150	02
57	22091143	Contactor pow. LC1-D12F7 (10 - 14A)	02
58	22091145	Contactor pow. LC1-D25F7 (17 - 25A)	05
59	22091146	Contactor pow. LC1-D32F7 (24 - 32A)	06
60	22091148	Contactor pow. LC1-D50F7 (40 - 50A)	01
61	22091149	Contactor pow. LC1-D65F7 (40 - 65A)	03
62	22091151	Contactor pow. LC1-D95F7 (60 - 95A)	01
63	22091150	Contactor pow. LC1-D80F7 (56 - 80A)	01
64	22091152	Contactor pow. LC1-D115F7 (90 - 115A)	01
65	22091153	Contactor pow. LC1-D150F7 (90-150A)	01
66	22091155	Block of contacts 2NA+2NF LAD-N22	05
67	22086136	Block 4NA LAD-N40 telemecanique	11
68	22091159	Block of contacts 0NA+4NF LAD-N04	03
69	22091163	Block of contacts 2NA+0NF lad-8N20	02
70	22091171	Block of contacts 1NA+1NF GV3-A01	03
71	22091169	Block of contacts 1NA+1NF GV-AE11	18
72	22091162	Block of contacts 1NA+1NF LAD-8N11	13
73	22091174	Block of contacts 1NA+1NF GV7-AE11	01
74	24096218	Plug-ins sticker kit	02
75	22080421	Box	01
76	22020485	Trafo 3500VA 440/220V 60Hz revers	01
77	22097305	Plug-ins 24PP	08
78	22098197	Plug-ins 48P	01
79	22091135	Circuit breaker 3P 24 - 32A GV2-ME32	02
80	22100600	Resistor 1K - 1/8 WATT	10
81	24100590	Sticker	01
82	22100509	Conduit PVC 110x80 CZA (HD-12P)	3M

2. PANEL CONTROL – 34088801C



**Imagens meramente ilustrativas.
Imágenes solamente ilustrativas.
Only illustrative images.**

2. PANEL CONTROL – 34088801C

Item	Code	Description	Quantity
01	22080424	Potentiometer10K - MOELLER	06
02	22060088	Temperature Controller novus N440	02
03	22046126	Knob VD/VM DIAM.22 DP2	15
04	22012791	Block of contacts EL111	15
05	22070933	Lamp S1L/14 120V BA9S	15
06	22046040	Knob VMO BZ2/03	02
07	22046050	Warning light VSZ222/13	01
08	22046125	Socket light bulb L001	01
09	22070932	Lamp S1L/13 120V BA9S	01
10	22038340	Fan 44L/S-120/220V-60hz	02
11	22056977	Grate 150x150	02
12	22022465	Block of contacts E-111	03
14	22079408	Potentiometer BELIMO	02
15	22046128	Knob EZ2 36	01
17	22069587	Totalizer of hours 110V	01
18	22088715	Energy monitor POWERMETER 700	01
21	22046129	Short knob switch acz290	02

3. AUTOMATION – 34094772C



**Imagens meramente ilustrativas.
Imágenes solamente ilustrativas.
Only illustrative images.**

3. AUTOMATION – 34094772C

Item	Code	Description	Quantity
01	22098098	Memory card for CPU XC-101/201	01
02	22098099	Battery xcontrol XT-CPU-BAT1	01
03	22098116	CPU Moeller XC-CPU201-C256K-8DI-6DO	01
04	22098111	Module 24VCC XIOC-16DO	02
05	22098112	Module 24VCC XIOC-16DI	03
06	22098113	Module 0-10V XIOC-8AI-U1	01
07	22098114	Module 0-10V XIOC-4AO-U1	02
08	22098115	Module 0-10V/0-20MA XIOC-4A	02
09	22098106	Block 18T XIOC-TERM-18T	11
10	22098107	Backplane CPU CLP xcontrol+1XI/0 XIOC-BP-XC	01
11	22098110	Backplane P/ 2 módulo xcontrol XIOC-BP-2	02
12	22098109	Backplane P/ 3 módulo xcontrol XIOC-BP-3	01
13	22098108	Backplane xcontrol XIOC-BP-EXT	01
14	22098100	Cable of programming xcontrol XT-CAT5-X-5	01
15	22084915	Source of keyed feeding 24VCC 5A	01
16	22088742	Source of keyed feeding 24VCC 2A	01
17	22086135	Contacteur aux. CAD-50-F7	09
18	22086136	Block 4NA LAD-N40 Telemecanique	07
19	22086137	Block LAD-R2 Telemecanique	02
20	22094693	Relay aux. 24VCC 1NANF PLC-RSC- 24DC/21	36
21	22094695	Bridge relay 24VCC blue FBST 500-PLC BU	01
23	22094714	Circuit breaker K32A 1P C6	01
24	40100504	Flexible Cable BWF 0,5 mm2 red	400M
25	40100505	Flexible Cable BWF 0,5 mm2 blue	100M
26	22091162	Block of contacts 1NA+1NF LAD-8N11	01

4. COMPUTER AND SOFTWARE – 34094777



Cod. 22086084



09



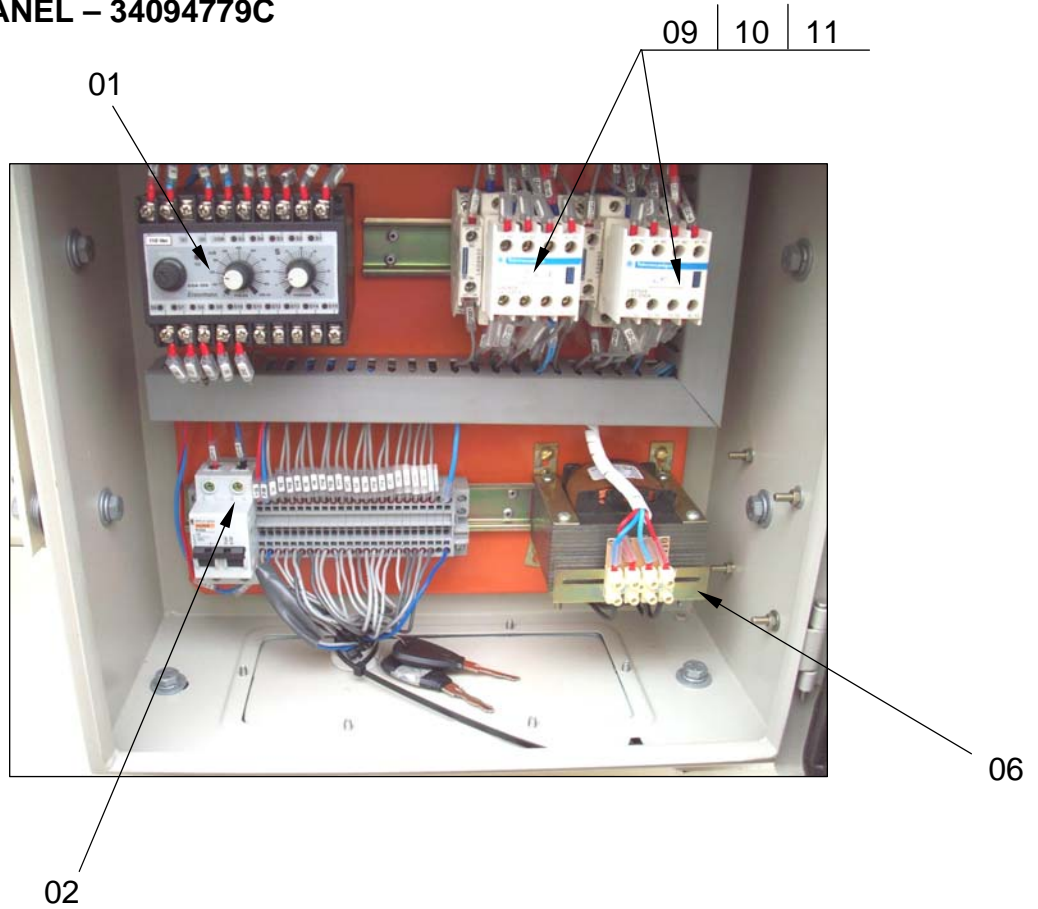
08

**Imagens meramente ilustrativas.
Imágenes solamente ilustrativas.
Only illustrative images.**

4. COMPUTER AND SOFTWARE – 34094777

Item	Code	Description	Quantity
02	22069821	Computer	01
03	22088661	Monitor	01
04	22060541	Video card	01
05	38071958	Guarantee service DELL	01
06	22071066	Keyboard	01
07	22071067	Mouse	01
08	22067885	Windows XP software	01
09	22069589	Stabilizer	01
12	22084916	Software elipse runtime MMI 32BIT	01
13	22098067	Optical disk of recovery	01
---	22086084	Air conditioning	01

5. BAGHOUSE PANEL – 34094779C



Imagens meramente ilustrativas.
 Imágenes solamente ilustrativas.
 Only illustrative images.

5. BAGHOUSE PANEL – 34094779C

Item	Code	Description	Quantity
01	22069594	Sequencer USA-300-30/120V-0/1s	01
02	22094716	Circuit breaker K32A 2P C6	01
03	22058974	Box 400 x400 x 200	01
06	22071165	Current Transformer 200VA	01
07	20108913	Pad	04
08	22046045	Cable press 1" PVC	01
09	22086135	Contactor aux. CAD-50-F7	02
10	22091159	Block of contacts 0NA+4NF LAD-N04	02
11	22091164	Block of contacts 0NA+2NF LAD-8N02	02
12	22094698	Connection passage ST2,5	25
13	22094751	Jamb EN/S35N	10
14	24098199	Sticker "controle de montagem eletrica"	01
15	22081645	Mounting bracket	01

6. TRANSDUCERS PANEL - LOAD CELL – 34094773C



**Imagens meramente ilustrativas.
Imágenes solamente ilustrativas.
Only illustrative images.**

6. TRANSDUCERS PANEL - LOAD CELL – 34094773C

Item	Code	Description	Quantity
02	22088701	Load cell transducer LC420SG-035	04
03	22066514	PVC chute 30x50 CZA (HD-3)	1,2M
04	22013463	Connector PASS 2,5mm2 WDU/2.5	22
05	40022039	Flexible cable PP 4x1.5mm2	7M
06	40084926	Flexible cable PP 4x1.5mm2 blue	1,5M
07	40083589	Flexible cable PP 4x1.5mm2 red	1M
08	40088702	Flexible cable PP 4x1.5mm2 gray	1M
09	22088703	35x7.5 Duct for connectors	0,84M
10	22010864	Cable press Pg 11 5-10	06
13	22058974	Box 400 x400 x 200	01
15	20108913	Pad	04
16	22046043	Cable press ¾" PVC	04
17	22098103	Module XN-GWBR-CANOPEN	01
18	22098101	Backplane XN XN-S6T-SBCSBC	01
19	22098104	Module 0-10V/0-20MA XN-AI-U/I	01
20	22094713	Circuit breaker C60N 2P C4	02
21	22094698	Connection passage ST2,5	25
22	22094751	Jamb EN/S35N	10
23	24098199	Sticker "controle de montagem eletrica"	01
24	22081645	Mounting bracket TSTW	01

7. SENSOR OF FLAME – 34091554C



02



01



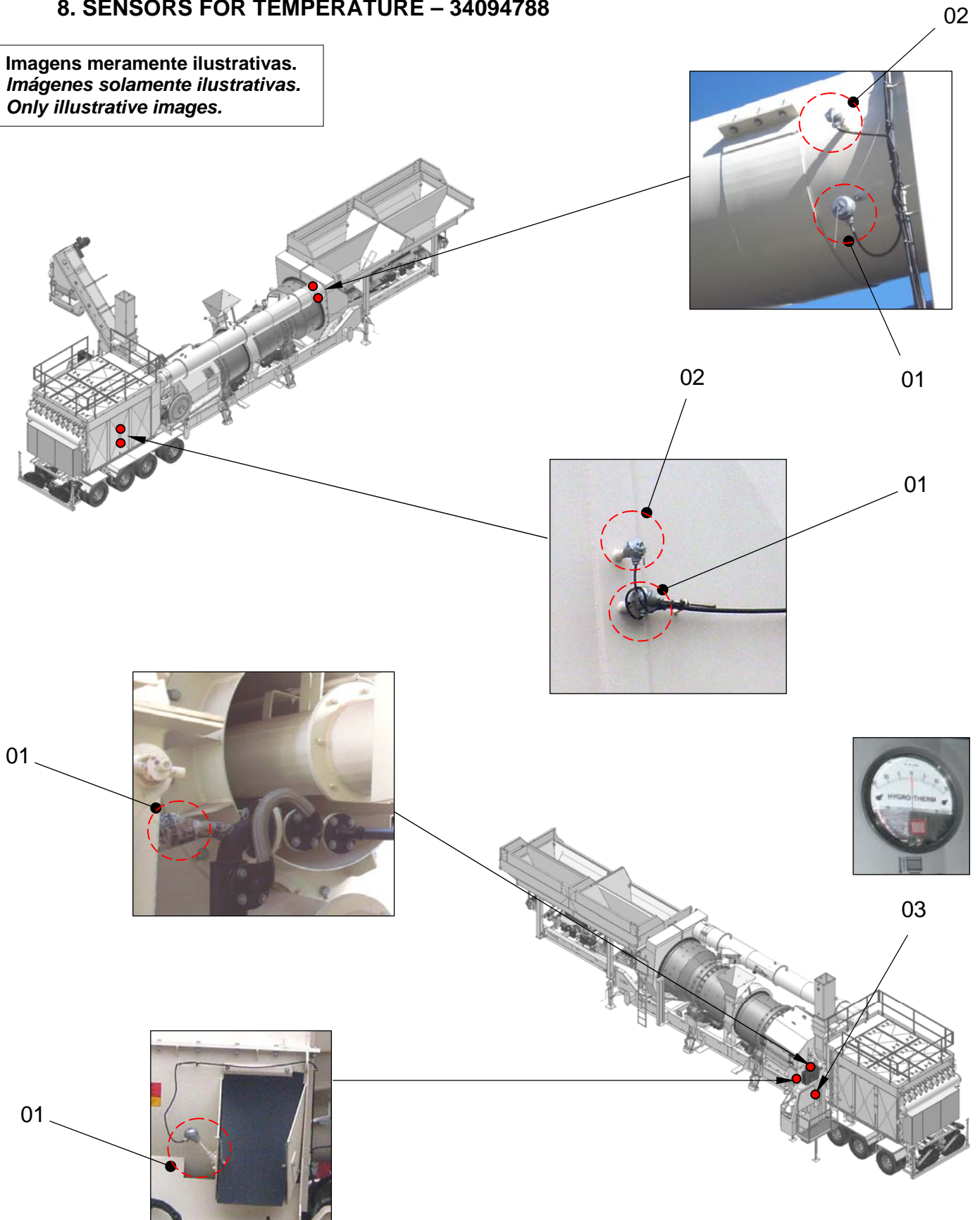
03

7. SENSOR OF FLAME – 34091554C

Item	Code	Description	Quantity
01	22091555	Relay	01
02	22088813	Base	01
03	22083629	Ultraviolet amplifier	01

8. SENSORS FOR TEMPERATURE – 34094788

Imagens meramente ilustrativas.
 Imágenes solamente ilustrativas.
 Only illustrative images.

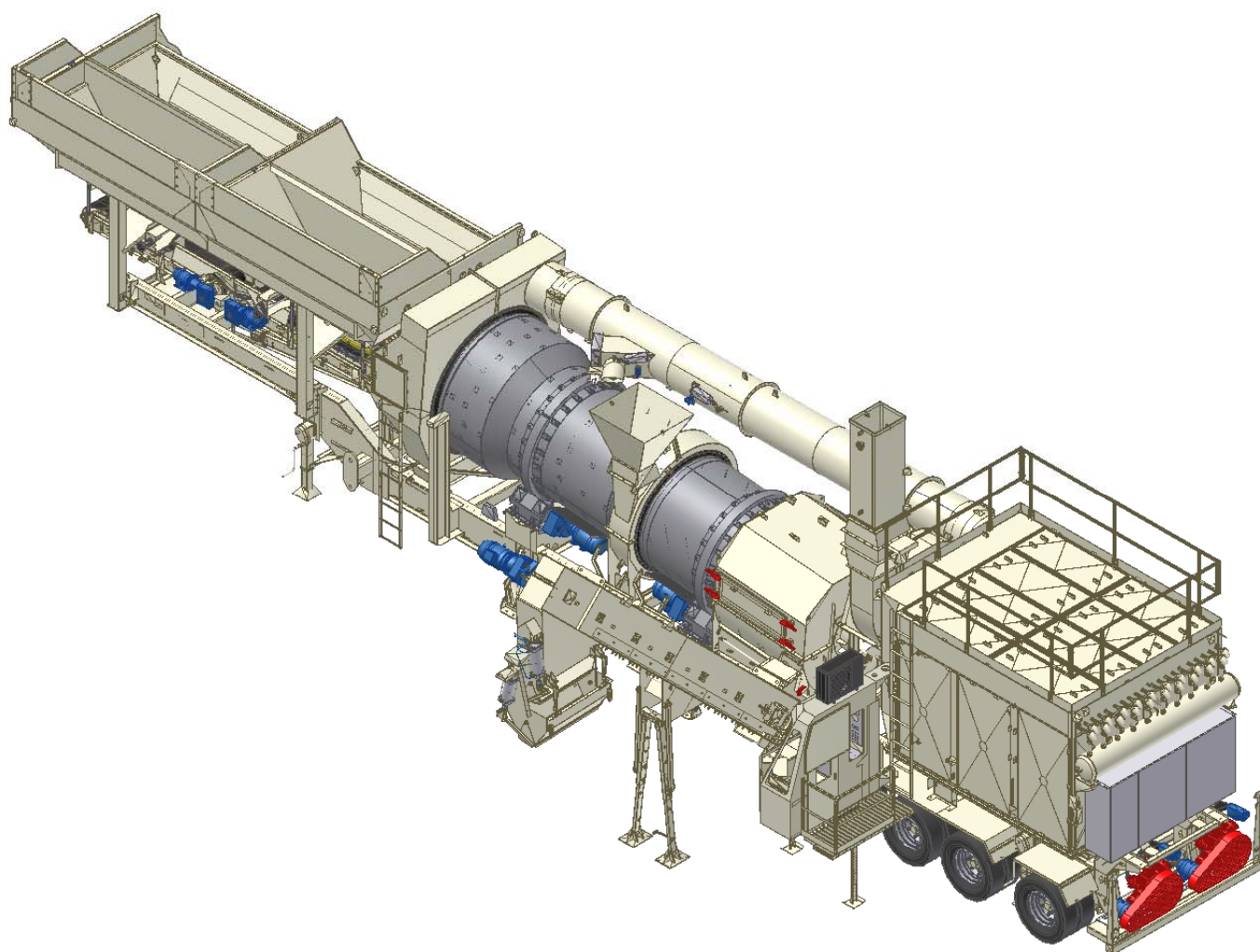


8. SENSORS FOR TEMPERATURE – 34094788

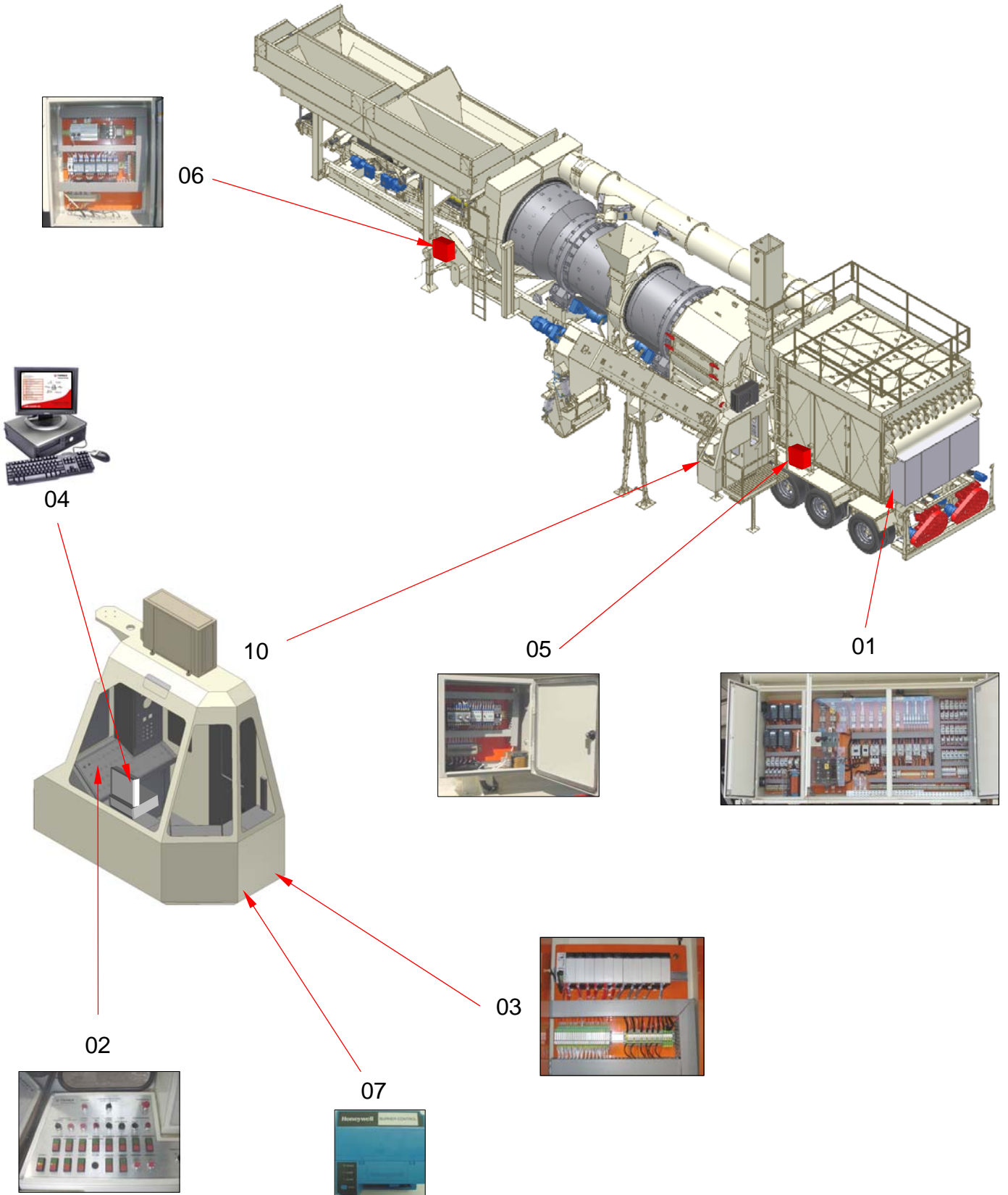
Item	Code	Description	Quantity
01	22090237	Thermal resistor PT-100-HASTE100	04
02	22011441	Thermal resistor PT-100 IRM12	02
03	28084898	Pressure gauge	01

Page intentionally blank.

ASSEMBLY OF ELECTRIC COMPONENTS - 50HZ 380V



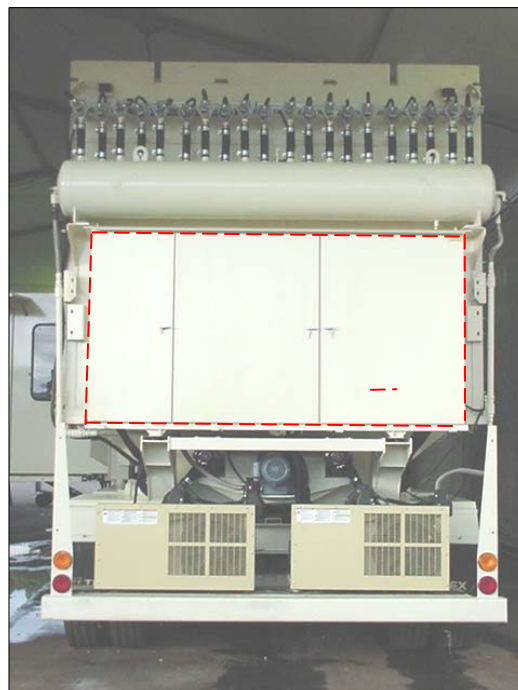
ASSEMBLY OF ELECTRIC COMPONENTS – 50HZ 380V



ASSEMBLY OF ELECTRIC COMPONENTS – 50HZ 380V

Item	Code	Description	Quantity
01	34098187c	⚡ Electric item of the back panel	01
02	34088801c	⚡ Panel control	01
03	34094772c	⚡ Automation	01
04	34094777	⚡ Computer and software	01
05	34094780c	⚡ Baghouse panel	01
06	34094773c	⚡ Transducers panel - load cell	01
07	34091554c	⚡ Sensor of flame	01
08	34098159	Kit of electric cables	01
09	34094788	⚡ Sensors for temperature	01
10	38085448	Control cabin	01

1. ELECTRIC ITEM OF THE BACK PANEL – 34098187C

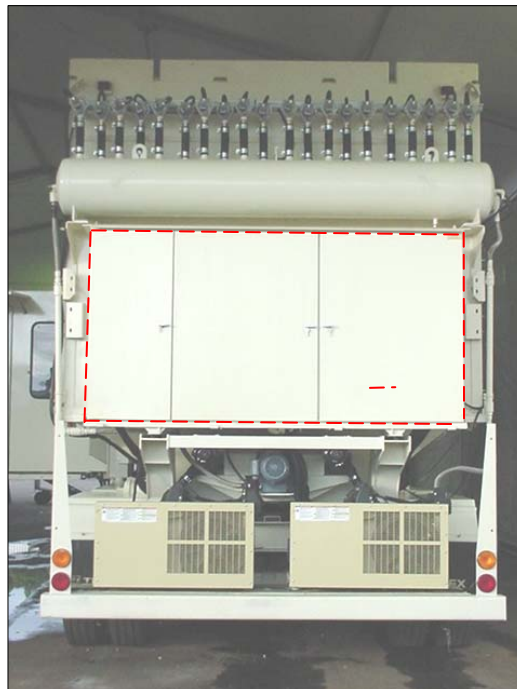


**Imagens meramente ilustrativas.
Imágenes solamente ilustrativas.
Only illustrative images.**

1. ELECTRIC ITEM OF THE BACK PANEL – 34098187C

Item	Code	Description	Quantity
01	22008573	Fuse NH 3 500A	03
02	22009242	Base of fuse NH 315-630A	03
03	22009273	Current transformer 600A 5VA (4NF)	03
04	22072267	Current transformer 3000VA	01
05	22063809	Current transformer 3F 100CV	01
06	34084805	Kit of the electric slide bar	01
07	22072755	Circuit-breaker box 1P 15A+plug-in NEMA 30A	01
08	22011101	Analogical thermometer	01
09	22011705	Parallel insulator 40x40 3/8" polyester	06
10	22010761	Conduit PVC 50x50 CZA (HD-4P)	2M
11	22010667	Conduit PVC 30x30 CZA (HD-2P)	2M
12	22053899	Conduit PVC 50x80 CZA (HD-9P)	3M
13	22066514	Conduit PVC 30x50 CZA (HD-3)	2M
14	22012037	Track 35x7,5	07
15	30075169	Support	01
16	40010654	Flexible cable BWF 1 mm2 white	1000M
17	40084926	Flexible cable BWF 1 mm2 blue	100M
18	40086996	Flexible cable BWF 2,5mm2 black	200M
19	40009578	Flexible cable BWF 16 mm2 black	2M
20	40009579	Flexible cable BWF 25 mm2 black	10M
21	40009581	Flexible cable BWF 50 mm2 black	10M
22	40009582	Flexible cable BWF 70 mm2 black	15M
23	40014742	Flexible cable 1x0,75 mm2	60M
24	40012472	Flexible cable 2x0,75 mm2	80M
25	40012473	Flexible cable 3x0,75 mm2	15M
26	40053054	Flexible cable 4x0,75 mm2	15M
27	40053061	Flexible cable 3x2,5mm 2	30M
28	22091179	Plug-ins	02
29	22090964	Electric slide bar	05
30	22090965	Terminal of the electric slide bar	05
31	22094766	Selecting switch INS630	01
32	22091180	Handle INS320 A 630 31052	01
33	22096217	Terminal P/ SEC INS 200-630	01
34	22094712	Circuit breaker C60N 1P C4	02
35	22094714	Circuit breaker K32A 1P C6	09
36	22094713	Circuit breaker C60N 2P C4	01
37	22094716	Circuit breaker K32A 2P C6	02
38	22094717	Circuit breaker K32A 2P C10	01
39	22094718	Circuit breaker K32A 2P C16	02
40	22094719	Circuit breaker K32A 3P C6	01
41	22069398	Danfoss Converter VLT2822 3CV-380/480V	04
42	22069397	Danfoss Converter VLT2840 5CV-380/480V	01
43	22088698	No fase, inverted relay RM4-TR32	01
44	22091177	Time relay 0,3-30s RE8TA31BU 120VCA	06
45	22086135	Contactora aux. CAD-50-F7	04
46	22091126	Circuit breaker 3P 1 - 1,6A GV2-ME06	05
47	22091127	Circuit breaker 3P 1,6 - 2,5A GV2-ME07	01
48	22091130	Circuit breaker 3P 6 - 10A GV2-ME14	01
49	22091131	Circuit breaker 3P 9 - 14A GV2-ME16	01
Continued			

1. ELECTRIC ITEM OF THE BACK PANEL – 34098187C



**Imagens meramente ilustrativas.
Imágenes solamente ilustrativas.
Only illustrative images.**

1. ELECTRIC ITEM OF THE BACK PANEL – 34098187C

Item	Code	Description	Quantity
50	22091129	Circuit breaker 3P 4,0 - 6,3A GV2-ME10	04
51	22091133	Circuit breaker 3P 17 - 23A GV2-ME21	01
52	22091134	Circuit breaker 3P 20 - 25A GV2-ME22	04
53	22091137	Circuit breaker 3P 48 - 65A GV3-P65	01
54	22091138	Circuit breaker 3P 56 - 80A GV3-ME80	01
55	22091142	Contactor pow. LC1-D09F7 (1-10A)	09
56	22091140	Circuit breaker 3P 90 - 150A GV7-RE150	02
57	22091143	Contactor pow. LC1-D12F7 (10 - 14A)	02
58	22091145	Contactor pow. LC1-D25F7 (17 - 25A)	03
59	22091146	Contactor pow. LC1-D32F7 (24 - 32A)	08
60	22091148	Contactor pow. LC1-D50F7 (40 - 50A)	01
61	22091149	Contactor pow. LC1-D65F7 (40 - 65A)	03
62	22091151	Contactor pow. LC1-D95F7 (60 - 95A)	01
63	22091150	Contactor pow. LC1-D80F7 (56 - 80A)	01
64	22091152	Contactor pow. LC1-D115F7 (90 - 115A)	01
65	22091153	Contactor pow. LC1-D150F7 (90-150A)	01
66	22091155	Block of contacts 2NA+2NF LAD-N22	05
67	22086136	Block 4NA LAD-N40 telemecanique	11
68	22091159	Block of contacts 0NA+4NF LAD-N04	03
69	22091163	Block of contacts 2NA+0NF lad-8N20	02
70	22091171	Block of contacts 1NA+1NF GV3-A01	03
71	22091169	Block of contacts 1NA+1NF GV-AE11	18
72	22091162	Block of contacts 1NA+1NF LAD-8N11	13
73	22091174	Block of contacts 1NA+1NF GV7-AE11	01
74	24096218	Plug-ins sticker kit	02
75	22080421	Box	01
76	22097305	Plug-ins 24PP	08
77	22098197	Plug-ins 48P	01
78	22091135	Circuit breaker 3P 24 - 32A GV2-ME32	02
79	22100600	Resistor 1K - 1/8 WATT	10
80	24100590	Sticker	01
81	22100509	Conduit PVC 110x80 CZA (HD-12P)	3M

2. PANEL CONTROL – 34088801C



**Imagens meramente ilustrativas.
Imágenes solamente ilustrativas.
Only illustrative images.**

2. PANEL CONTROL – 34088801C

Item	Code	Description	Quantity
01	22080424	Potentiometer10K - MOELLER	06
02	22060088	Temperature Controller novus N440	02
03	22046126	Knob VD/VM DIAM.22 DP2	15
04	22012791	Block of contacts EL111	15
05	22070933	Lamp S1L/14 120V BA9S	15
06	22046040	Knob VMO BZ2/03	02
07	22046050	Warning light VSZ222/13	01
08	22046125	Socket light bulb L001	01
09	22070932	Lamp S1L/13 120V BA9S	01
10	22038340	Fan 44L/S-120/220V-60hz	02
11	22056977	Grate 150x150	02
12	22022465	Block of contacts E-111	03
14	22079408	Potentiometer BELIMO	02
15	22046128	Knob EZ2 36	01
17	22069587	Totalizer of hours 110V	01
18	22088715	Energy monitor POWERMETER 700	01
21	22046129	Short knob switch acz290	02

3. AUTOMATION – 34094772C



**Imagens meramente ilustrativas.
Imágenes solamente ilustrativas.
Only illustrative images.**

3. AUTOMATION – 34094772C

Item	Code	Description	Quantity
01	22098098	Memory card for CPU XC-101/201	01
02	22098099	Battery xcontrol XT-CPU-BAT1	01
03	22098116	CPU Moeller XC-CPU201-C256K-8DI-6DO	01
04	22098111	Module 24VCC XIOC-16DO	02
05	22098112	Module 24VCC XIOC-16DI	03
06	22098113	Module 0-10V XIOC-8AI-U1	01
07	22098114	Module 0-10V XIOC-4AO-U1	02
08	22098115	Module 0-10V/0-20MA XIOC-4A	02
09	22098106	Block 18T XIOC-TERM-18T	11
10	22098107	Backplane CPU CLP xcontrol+1XI/0 XIOC-BP-XC	01
11	22098110	Backplane P/ 2 módulo xcontrol XIOC-BP-2	02
12	22098109	Backplane P/ 3 módulo xcontrol XIOC-BP-3	01
13	22098108	Backplane xcontrol XIOC-BP-EXT	01
14	22098100	Cable of programming xcontrol XT-CAT5-X-5	01
15	22084915	Source of keyed feeding 24VCC 5A	01
16	22088742	Source of keyed feeding 24VCC 2A	01
17	22086135	Contacteur aux. CAD-50-F7	09
18	22086136	Block 4NA LAD-N40 Telemecanique	07
19	22086137	Block LAD-R2 Telemecanique	02
20	22094693	Relay aux. 24VCC 1NANF PLC-RSC- 24DC/21	36
21	22094695	Bridge relay 24VCC blue FBST 500-PLC BU	01
23	22094714	Circuit breaker K32A 1P C6	01
24	40100504	Flexible Cable BWF 0,5 mm2 red	400M
25	40100505	Flexible Cable BWF 0,5 mm2 blue	100M
26	22091162	Block of contacts 1NA+1NF LAD-8N11	01

4. COMPUTER AND SOFTWARE – 34094777



Cod. 22086084



09



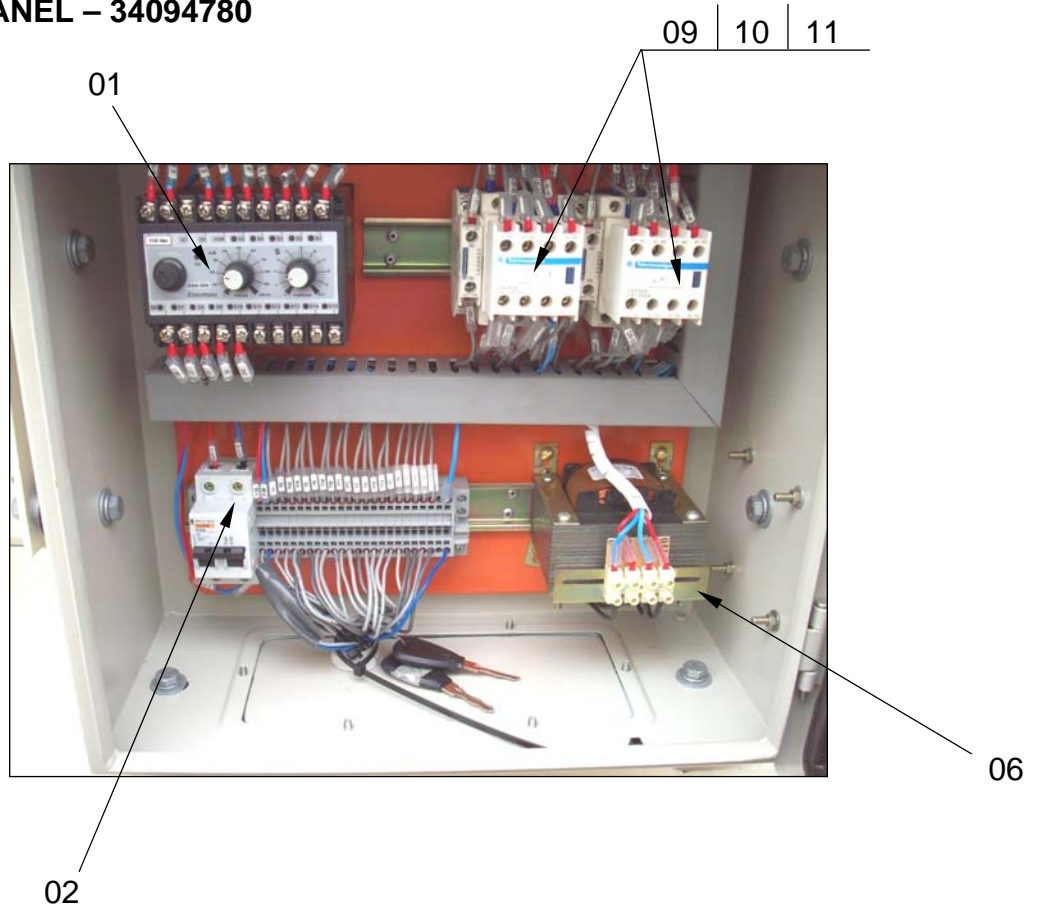
08

**Imagens meramente ilustrativas.
Imágenes solamente ilustrativas.
Only illustrative images.**

4. COMPUTER AND SOFTWARE – 34094777

Item	Code	Description	Quantity
02	22069821	Computer	01
03	22088661	Monitor	01
04	22060541	Video card	01
05	38071958	Guarantee service DELL	01
06	22071066	Keyboard	01
07	22071067	Mouse	01
08	22067885	Windows XP software	01
09	22069589	Stabilizer	01
12	22084916	Software elipse runtime MMI 32BIT	01
13	22098067	Optical disk of recovery	01
---	22086084	Air conditioning	01

5. BAGHOUSE PANEL – 34094780



Imagens meramente ilustrativas.
 Imágenes solamente ilustrativas.
 Only illustrative images.

5. BAGHOUSE PANEL – 34094780

Item	Code	Description	Quantity
01	22069594	Sequencer USA-300-30/120V-0/1s	01
02	22094716	Circuit breaker K32A 2P C6	01
03	22058974	Box 400 x400 x 200	01
05	22072752	Current Transformer 200VA 50Hz	01
07	20013880	Pad 40x30x3/8"UNC	04
08	22046045	Cable press 1" PVC	01
09	22086135	Contactor aux. CAD-50-F7	02
10	22091159	Block of contacts 0NA+4NF LAD-N04	02
11	22091164	Block of contacts 0NA+2NF LAD-8N02	02
12	22094698	Connection passage ST2,5	25
13	22094751	Jamb EN/S35N	10
14	24098199	Sticker "controle de montagem eletrica"	01
15	22081645	Mounting bracket	01

6. TRANSDUCERS PANEL - LOAD CELL – 34094773C



**Imagens meramente ilustrativas.
Imágenes solamente ilustrativas.
Only illustrative images.**

6. TRANSDUCERS PANEL - LOAD CELL – 34094773C

Item	Code	Description	Quantity
02	22088701	Load cell transducer LC420SG-035	04
03	22066514	PVC chute 30x50 CZA (HD-3)	1,2M
04	22013463	Connector PASS 2,5mm2 WDU/2.5	22
05	40022039	Flexible cable PP 4x1.5mm2	7M
06	40084926	Flexible cable PP 4x1.5mm2 blue	1,5M
07	40083589	Flexible cable PP 4x1.5mm2 red	1M
08	40088702	Flexible cable PP 4x1.5mm2 gray	1M
09	22088703	35x7.5 Duct for connectors	0,84M
10	22010864	Cable press Pg 11 5-10	06
13	22058974	Box 400 x400 x 200	01
15	20108913	Pad	04
16	22046043	Cable press ¾" PVC	04
17	22098103	Module XN-GWBR-CANOPEN	01
18	22098101	Backplane XN XN-S6T-SBCSBC	01
19	22098104	Module 0-10V/0-20MA XN-AI-U/I	01
20	22094713	Circuit breaker C60N 2P C4	02
21	22094698	Connection passage ST2,5	25
22	22094751	Jamb EN/S35N	10
23	24098199	Sticker "controle de montagem eletrica"	01
24	22081645	Mounting bracket TSTW	01

7. SENSOR OF FLAME – 34091554C



02



01



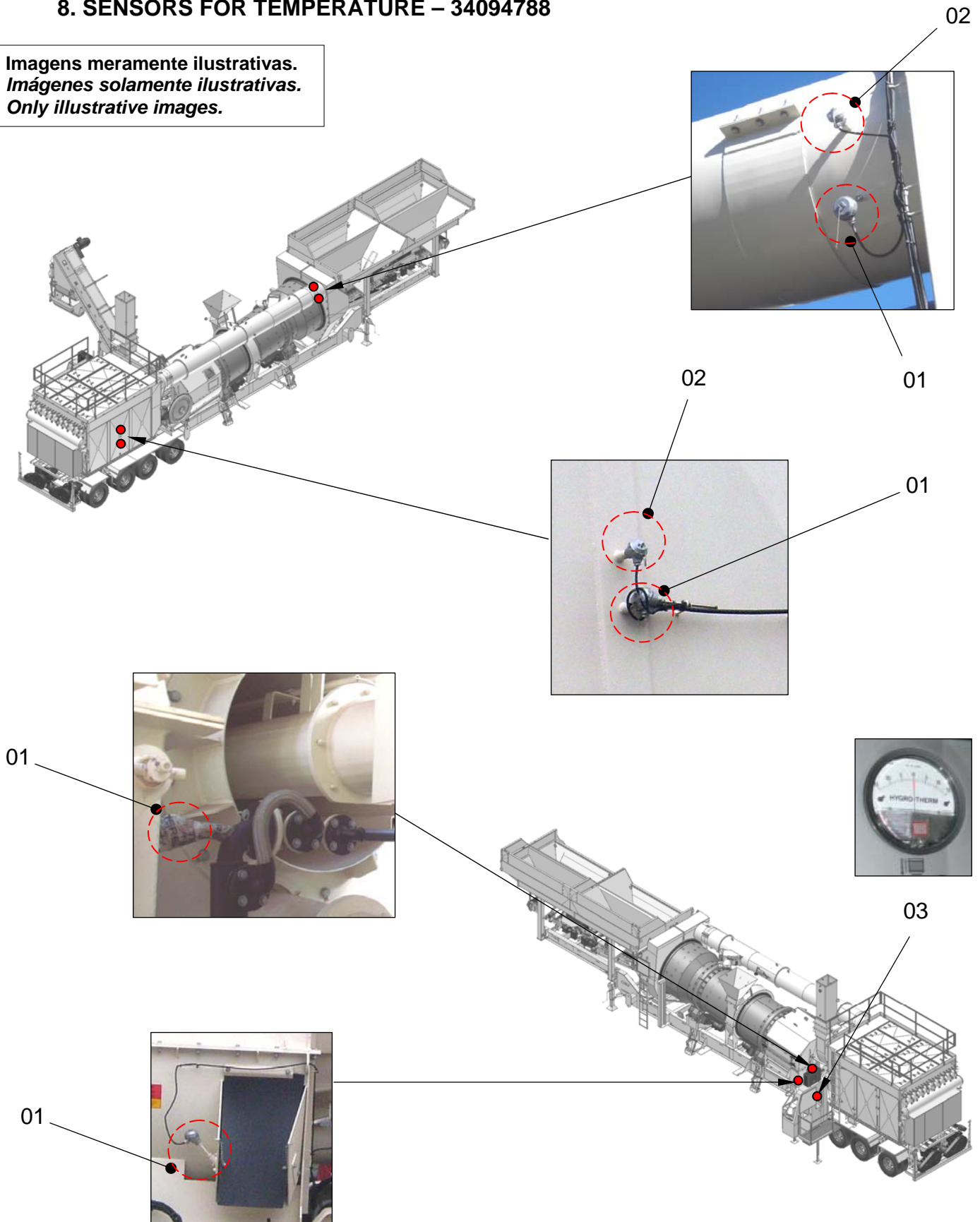
03

7. SENSOR OF FLAME – 34091554C

Item	Code	Description	Quantity
01	22091555	Relay	01
02	22088813	Base	01
03	22083629	Ultraviolet amplifier	01

8. SENSORS FOR TEMPERATURE – 34094788

Imagens meramente ilustrativas.
 Imágenes solamente ilustrativas.
 Only illustrative images.



8. SENSORS FOR TEMPERATURE – 34094788

Item	Code	Description	Quantity
01	22090237	Thermal resistor PT-100-HASTE100	04
02	22011441	Thermal resistor PT-100 IRM12	02
03	28084898	Pressure gauge	01