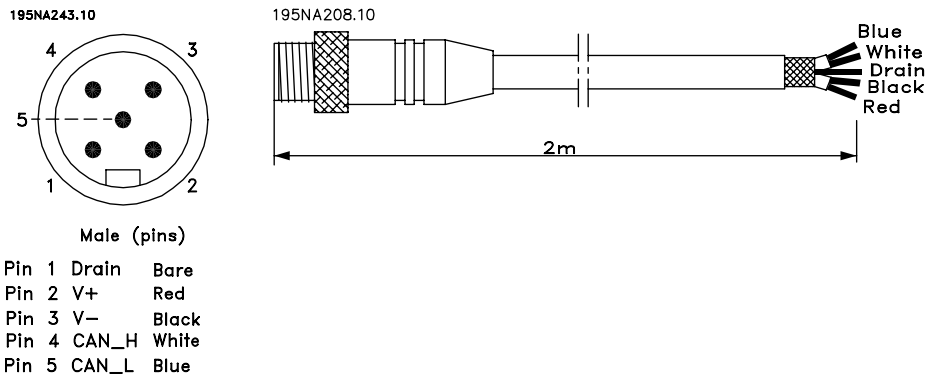


VLT[®] 2800 DeviceNet Cable Instruction



The cable has the following characteristics:

5 pins

Coupling nut male

Coupling nut thread M12 x 1 6G fit

Rotation required

Standard IEC 60947-5-2, figure D.2
intermateability requirements