

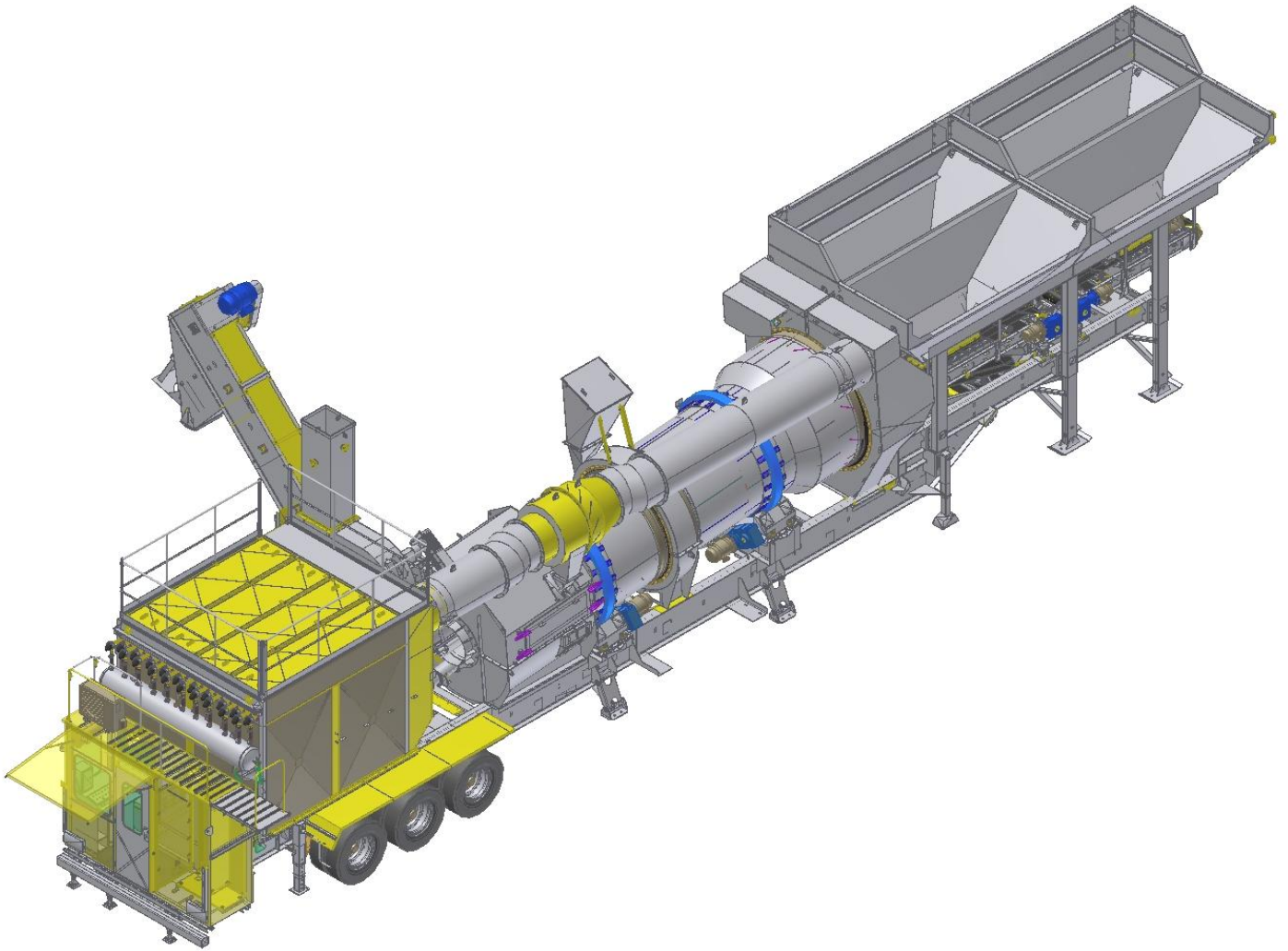
MAGNUM 140	5
1. Chassis assembly – 34074855	10
1.1. Chassis – 34074856c.....	12
1.1.1. Signalling and road illumination – 34118242.....	14
1.2. Roller of left back support – 34070915.....	16
1.3. Roller of left front support – 34070796	18
1.4. Roller of right front support – 34070795.....	20
1.5. Roller of right back support – 34070917	22
1.6. Brace roller – 34079572.....	24
1.7. Dryer drum drive	26
2. Double front feed bin – 34069957	28
2.1. Right feeder belt – 34069280	30
2.1.1. Scale – 34107997	32
2.1.2. Right feeder belt drive	34
2.2. Left feeder belt – 34069281	36
2.2.1. Scale – 34107997	38
2.2.2. Left feeder belt drive	40
3. Double rear feed bin – 34069958.....	42
3.1. Right feeder belt – 34069280	44
3.1.1. Scale – 34107997	46
3.1.2. Right feeder belt drive	48
3.2. Left feeder belt – 34069281	50
3.2.1. Scale – 34107997	52
3.2.2. Left feeder belt drive	54
4. Conveyor belt – 34072370.....	56
4.1. Conveyor belt drive	58
5. Suction chamber – 34071337	60
5.1. Pneumatic cylinder – 34022516.....	62
5.2. Left side – 34072089.....	64
5.2.1. Inspection door – 34080658.....	66
6. Dryer drum	68
6.1. Development drum mixer drawing - 34083543.....	70
6.1.1. Drying Blade	72
7. Combustion chamber – 34069293.....	84
7.1. Combustion Chamber Frame – 34118960c	86
7.1.1. Wear Plate	88
8. Chute – 34110968	94
9. Drag conveyor – 34069355	96
9.1. Drag conveyor frame – 34069356.....	98
9.1.1. Gearbox 3:90 – 34058809	102
9.1.2. Drag conveyor drive	104
10. Burner CF-04 – 34069476.....	106
10.1. Burner frame – 34069477	108
10.1.1. Oil valve – 34026497	112
10.1.2. Oil sprayer injector – 34075831	114

10.1.3. Articulation – 34084838	116
10.2. Burner drive.....	118
10.3. Sensor and detector of flame	120
11. Exhauster – 34078905	122
11.1. Exhauster drive	124
12. Top module of the baghouse – 34092593.....	126
13. Bottom module of the baghouse – 34098756.....	128
13.1. Bottom module of the baghouse drive.....	130
14. Tubing of the exhaustion – 34094005.....	132
15. Asphalt and fuel pipe assembly.....	134
15.1. Fuel pipe assembly – 34102265	136
15.1.1. Fuel heat regulator assembly.....	140
15.1.2. Fuel pump.....	141
15.1.2.1. Fuel pump 60HZ – 34104881	142
15.1.2.1. Drive fuel pump 60HZ.....	144
15.1.2.2. Fuel pump 50HZ – 34104885	146
15.1.2.2. Drive fuel pump 50HZ.....	148
15.2. Asphalt pipe assembly – 34102264	150
15.2.1. Asphalt pump assembly – 34102814	152
15.2.1.1. Asphalt pump.....	154
15.2.2. Asphalt heat regulator assembly.....	155
15.3. Return fuel pipes – 34102494	156
15.4. Panel control to temperature regulators – 1 temp. regulator – 34094786 ..	158
15.5. Asphalt and fuel pipe stickers assembly – 34097910.....	160
16. Video camera set – 34114839	162
17. Vibrator for bin – 34023950.....	164
17.1. Vibrator drive – 34098755.....	166
17.2. Electrical itens – 34100576c	168
19. Pneumatic system – 34118245	172
19.1. Air compressor assembly – 34118244	176
19.1.1. Compressing unit 80pcm	178
19.2. Pneumatic horn – 34061146	180
OPTIONAL ITEMS OF THE PLANT	183
1. Development drum mixer drawing – AR-400	186
2. Placas de desgaste do elevador	188
2. Wear plate of the drag conveyor	189
2.1. Wear plate of the drag conveyor AR-400 – 34099390	190
2.2. Wear plate of the drag conveyor - FOFO – 34099391	191
3. Output cone – Gas – 34040203.....	192
4. Nomex bag – 28061280	194
5. Fuel heat regulator assembly – 34102532	196
5.1. Pipe set of valve – 34104812	198
6. Asphalt heat regulator assembly – 34102535	200
7. Panel control to temperature regulators – 2 temp. reg. – 34094785	202
8. Combustion chamber with covering AR-400 – 34096802	204

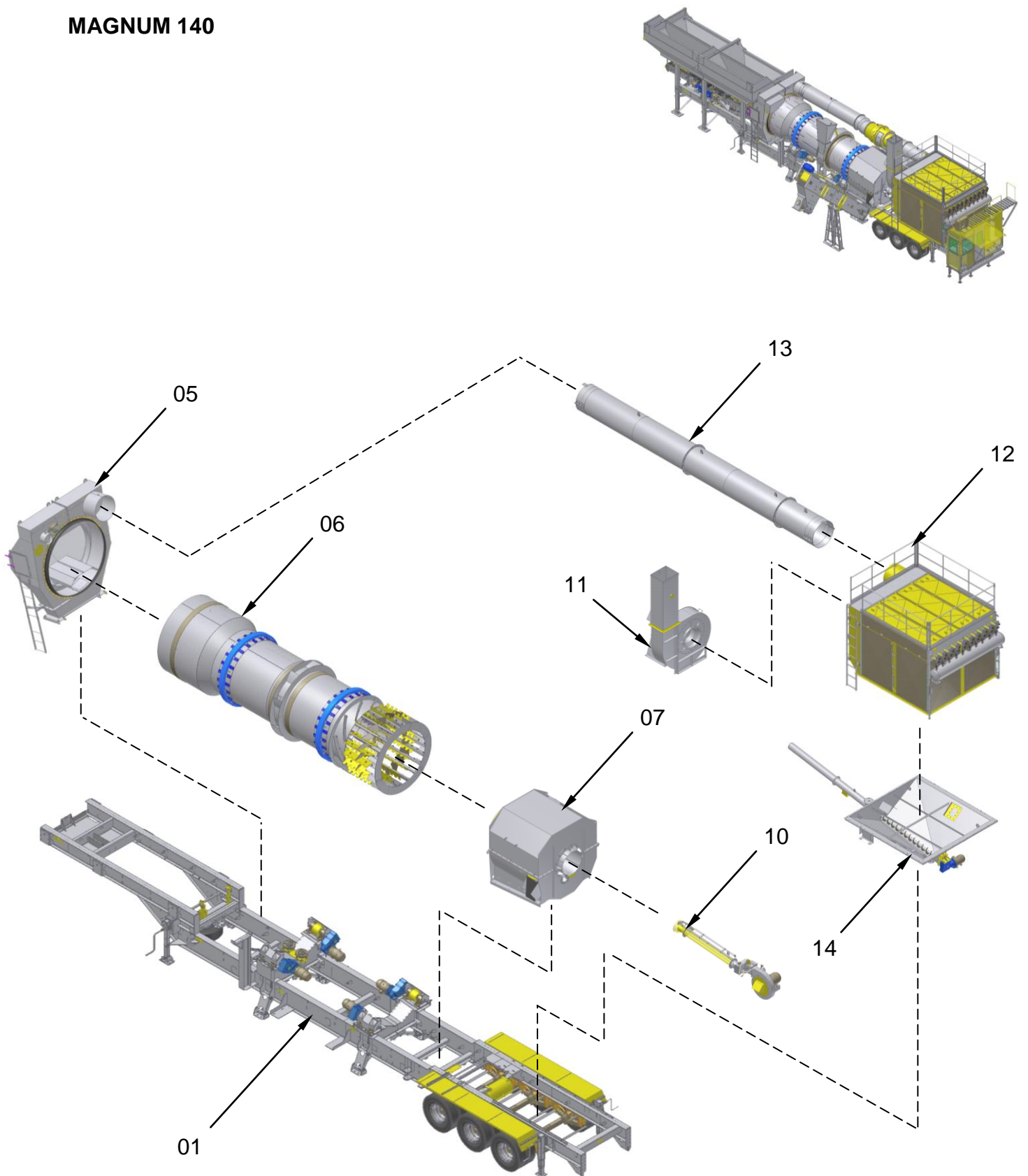
8.1. Top frame – 34096803	208
9. Video monitoring system – 34115304	210
10. Vibratory chute – 34092617	212
11. Recycling cover– 34117099	216
12. Sensor and detector of flame – 34103740	218
13. Sensor of flame – 34091568.....	220
14. Doser system drag conveyor - 34093955	222
14.1. Set cables - 34088164	224
14.2. Panel transducer scale XCONTROL - 34094776c.....	225
15. By - pass fuel retainer – 34105634	226
15.1. By – pass fuel retifier - 34102527.....	228
16. By – pass asphalt retifier – 34102307c	230
17. Lid and detour pipe set - 34095663	232
17.1. Pipe set - 34094006	233
18. Signalling - 34117339	235
DRIVES OF THE PLANT – 60HZ	237
1. Dryer drum drive – 34093082.....	240
2. Feeder belt drives.....	242
2.1. Right feeder belt drive – 34043707	244
2.2. Left feeder belt drive – 34069740.....	246
2.3. Feeder belt drive SEW 60HZ – 34112001	248
3. Conveyor belt drive – 34098253	250
4. Drag conveyor drive – 34098772.....	252
5. Burner drive – 34097031	254
6. Exhauster drive – 34105555.....	256
7. Bottom module of the baghouse drive – 34098759	258
8. Compressing unit 80pcm – 28098579.....	260
9. Fuel pump drive.....	262
10. Asphalt pump – 34044745.....	264
DRIVES OF THE PLANT – 50HZ	267
1. Dryer drum drive – 34095631.....	270
2. Feeder belt drives.....	272
2.1. Right feeder belt drive – 34075179	274
2.2. Left feeder belt drive – 34075180.....	276
2.3. Feeder belt drive SEW 50HZ – 34112003	278
3. Conveyor belt drive – 34098256	280
4. Drag conveyor drive – 34098773.....	282
5. Burner drive – 34097032	284
6. Exhauster drive – 34105556.....	286
7. Bottom module of the baghouse drive – 34098760	288
8. Compressing unit 80pcm – 28099003.....	290
9. Fuel pump drive.....	292
10. Asphalt pump – 34062123.....	294
ASSEMBLY OF ELECTRIC COMPONENTS – 60HZ 380V	297
1. Electric item of the cabin – 34098041	300

2. Automation – 34094772.....	304
3. Set of control – 34098127	306
4. Computer and software – 34094777.....	308
5. Baghouse panel – 34094779.....	310
6. Transducers panel – 34094773.....	312
7. Sensors for temperature – 34094787	314
ASSEMBLY OF ELECTRIC COMPONENTS – 60HZ 440V	317
1. Electric item of the cabin – 34098043	320
2. Automation – 34094772.....	324
3. Set of control – 34098127	326
4. Computer and software – 34094777.....	328
5. Baghouse panel – 34094779.....	330
6. Transducers panel – 34094773.....	332
7. Sensors for temperature – 34094787	334
ASSEMBLY OF ELECTRIC COMPONENTS – 50HZ 380V	337
1. Electric item of the cabin – 34098042	340
2. Automation – 34094772.....	344
3. Set of control – 34098127	346
4. Computer and software – 34094777.....	348
5. Baghouse panel – 34094780.....	350
6. Transducers panel – 34094773.....	352
7. Sensors for temperature – 34094787	354

MAGNUM 140



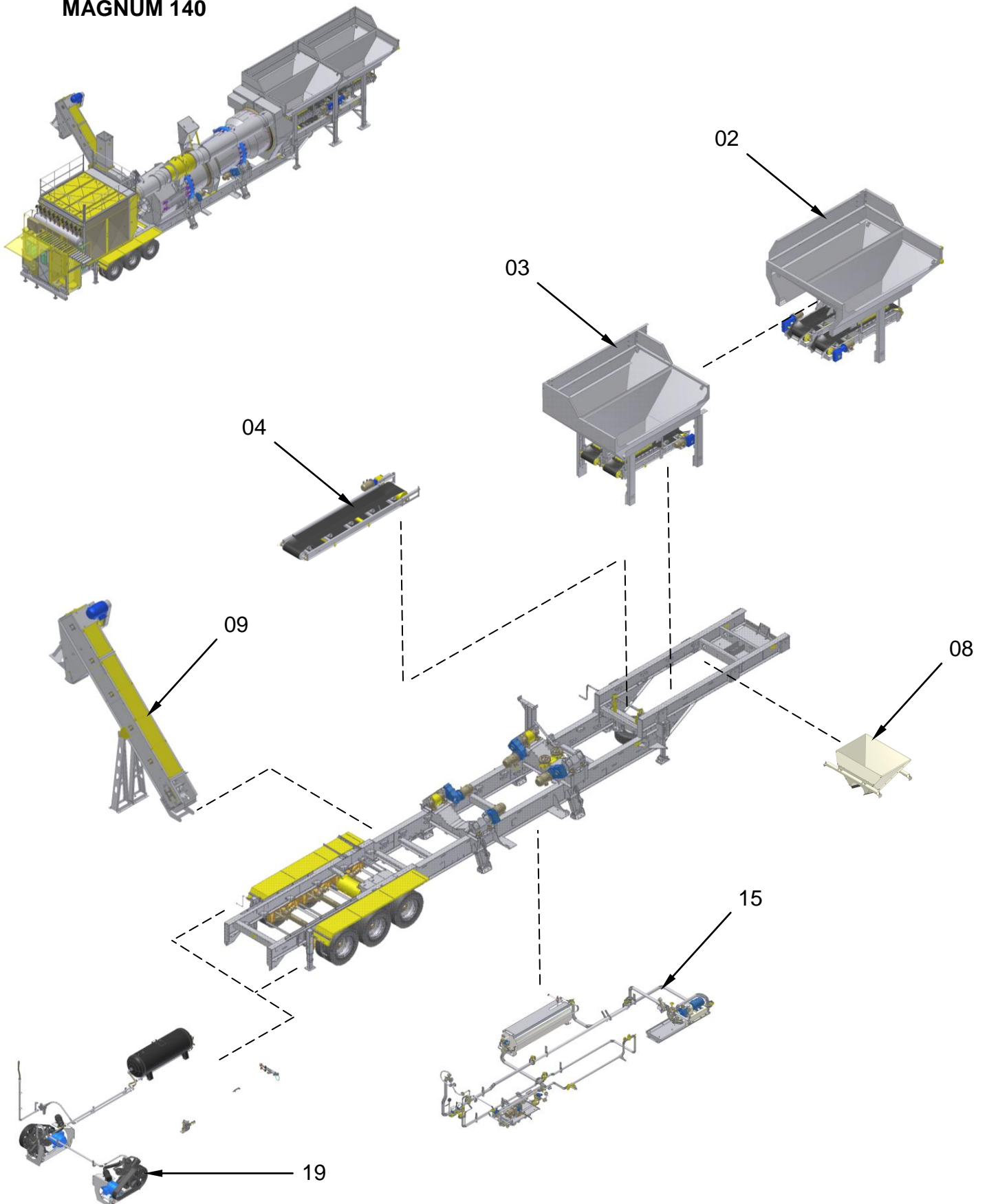
MAGNUM 140



MAGNUM 140

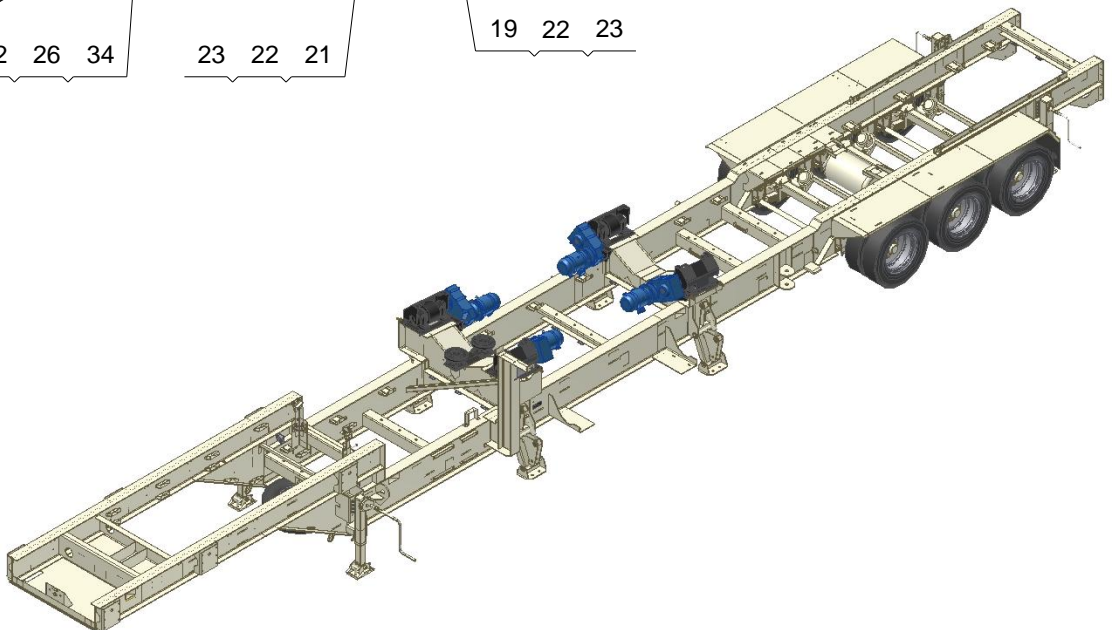
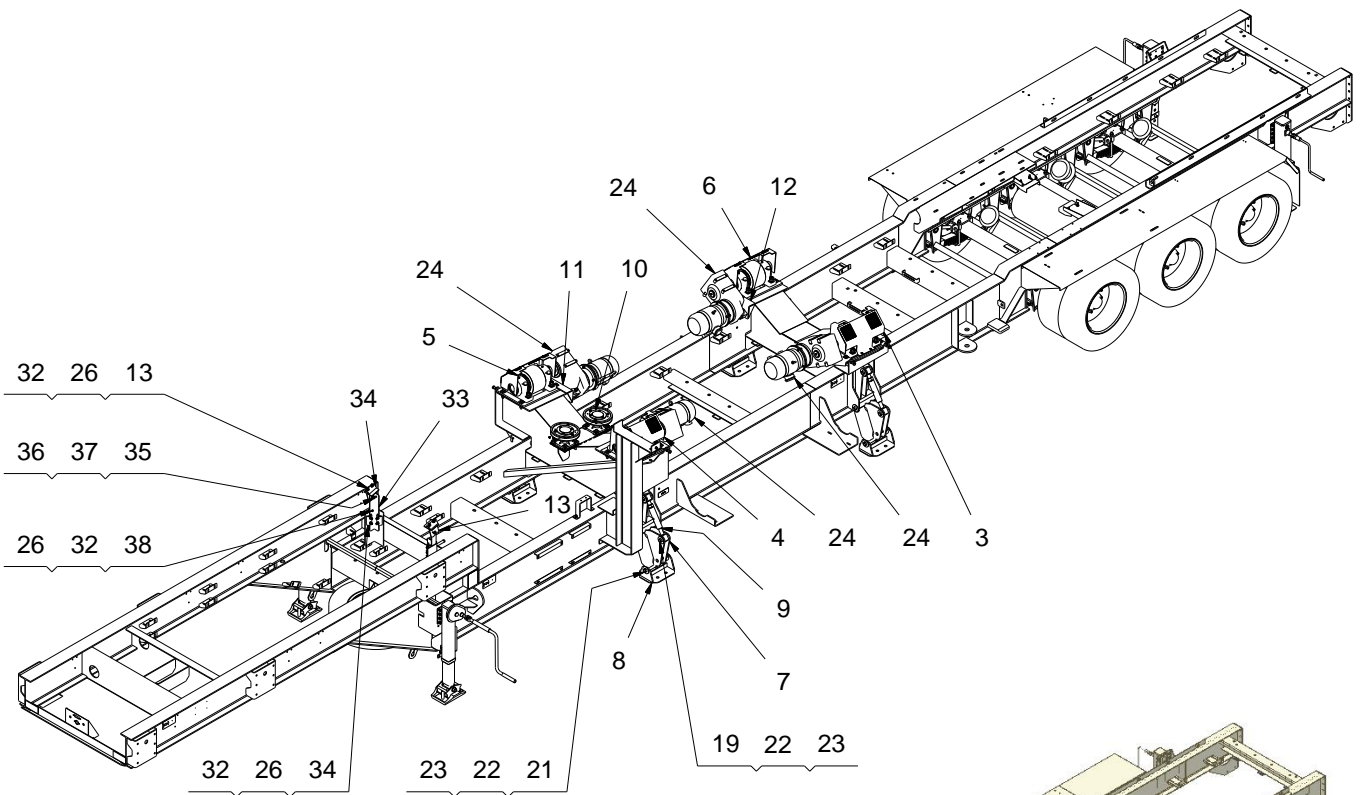
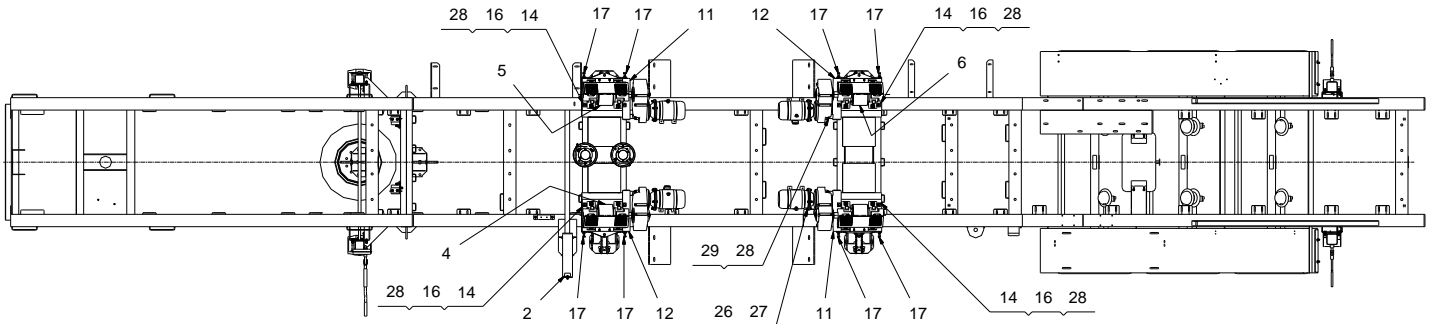
Item	Code	Description	Quantity
01	34074855	← Chassis assembly	01
02	34069957	← Double front feed bin	01
03	34069958	← Double rear feed bin	01
04	34072370	← Conveyor belt	01
05	34071337	← Suction chamber	01
06	---	← Dryer drum	01
07	34069293	← Combustion chamber	01
08	34110968	← Chute	01
09	34069355	← Drag conveyor	01
10	34069476	← Burner	01
11	34078905	← Exhauster	01
12	34092593	← Top module of the baghouse	01
13	34094005	← Tubing of the exhaustion	01
14	34098756	← Bottom module of the baghouse	01
15	---	← Asphalt and fuel pipe assembly	01
16	34114839	← Video camera assembly	01
17	34023950	← Vibrator for bin	02
18	34109403	← Cable for line-of-life C/ 9120mm	01
19	34118245	← Pneumatic system	01

MAGNUM 140



MAGNUM 140

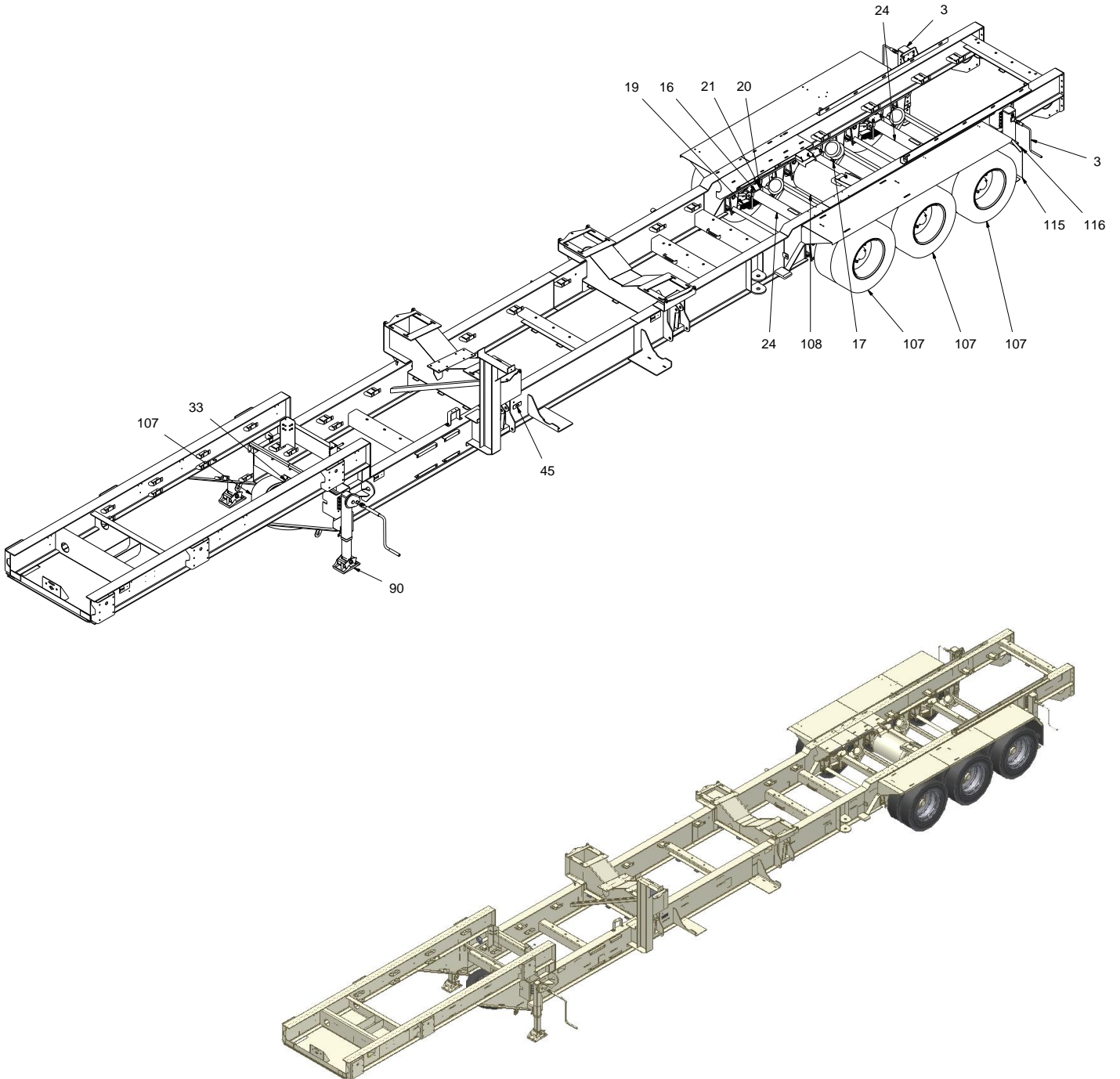
Item	Code	Description	Quantity
01	34074855	← Chassis assembly	01
02	34069957	← Double front feed bin	01
03	34069958	← Double rear feed bin	01
04	34072370	← Conveyor belt	01
05	34071337	← Suction chamber	01
06	---	← Dryer drum	01
07	34069293	← Combustion chamber	01
08	34110968	← Chute	01
09	34069355	← Drag conveyor	01
10	34069476	← Burner	01
11	34078905	← Exhauster	01
12	34092593	← Top module of the baghouse	01
13	34094005	← Tubing of the exhaustion	01
14	34098756	← Bottom module of the baghouse	01
15	---	← Asphalt and fuel pipe assembly	01
16	34114839	← Video camera assembly	01
17	34023950	← Vibrator for bin	02
18	34109403	← Cable for line-of-life C/ 9120mm	01
19	34118245	← Pneumatic system	01

1. CHASSIS ASSEMBLY – 34074855


1. CHASSIS ASSEMBLY – 34074855

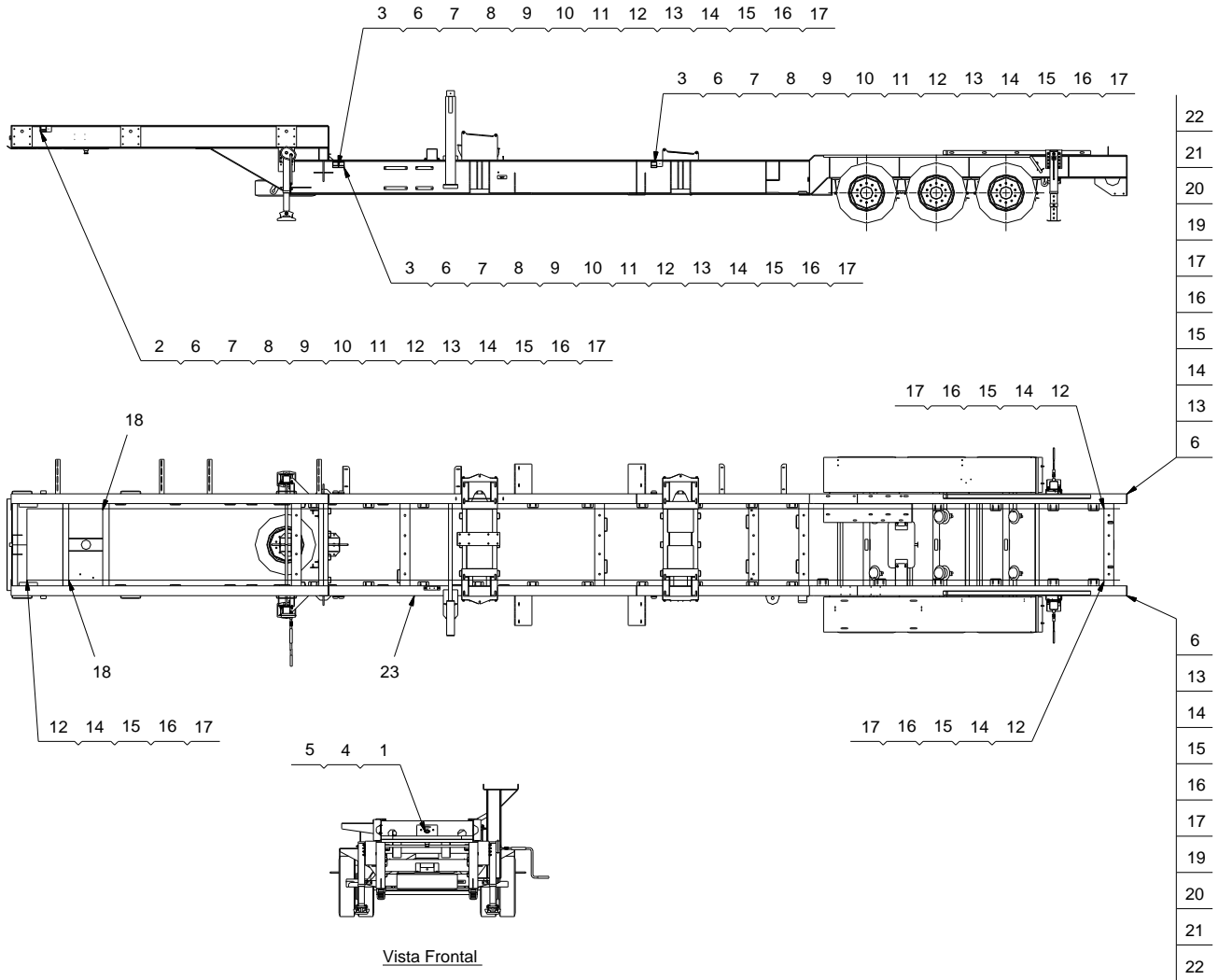
Item	Code	Description	Quantity
01	34074856c	◀ Chassis	01
02	30061215	Fastener	01
03	34070915	◀ Roller of left back support	01
04	34070796	◀ Roller of left front support	01
05	34070795	◀ Roller of right front support	01
06	34070917	◀ Roller of right back support	01
07	34080427	Arm	04
08	34080442	Shoe	04
09	38098580	Tensionner	04
10	34079572	◀ Brace roller	01
11	34070918	Support	02
12	34070921	Support	02
13	34035950c	Base	02
14	38046060	Washer	32
15	24000275	Bolt	01
16	24052515	Nut	40
17	24059254	Bolt	08
18	24000029	Washer	01
19	30080453	Pin	08
21	30069969	Pin	08
22	24023111	Washer	32
23	24033539	Pin	32
24	---	◀ Dryer drum drive	04
26	24091821	Nut	61
27	24000277	Bolt	16
28	24033819	Bolt	20
29	24000352	Washer	04
32	24000017	Washer	16
33	30035949	Column	02
34	24015531	Fastener	06
35	24051033	Bolt	02
36	24005005	Washer	04
37	24083175	Nut	04
38	24000276	Bolt	02

1.1. Chassis – 34074856c



1.1. Chassis – 34074856c

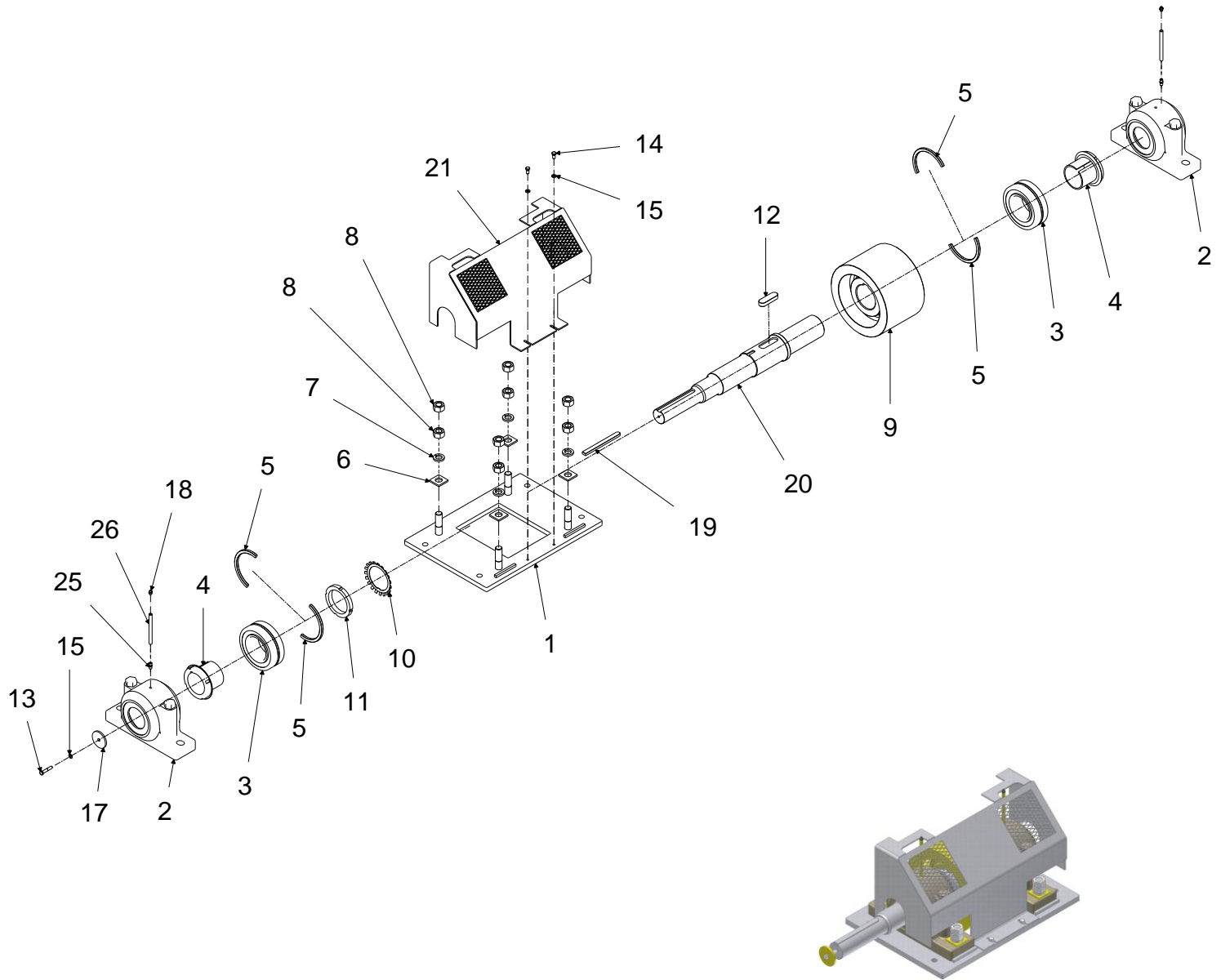
Item	Code	Description	Quantity
03	20079371	Mechanical foot	01
16	20037068	Suspension	03
17	20030063	Axle with Spring Brake	01
19	26009888	Leaf spring	06
20	24035978	Spring clamp	12
21	24013456	Double nut	24
24	34011556	Axle	02
33	20029105	Suspension	02
45	30026153	Chassis no. plate	03
90	34084068	Mechanical foot	01
101	20010767	Rigid extension	06
107	38100371	Wheel	13
108	20055327	Air reservoir	01
112	28025549	Hose	08
113	30025688	Pipe	01
114	30030280	Pipe	01
115	20054030	Mudguards	02
116	30053925c	Fastener	02
117	20026451	Drain valve	01
118	20058387	Spring brake Kit	01
119	34118242	◀ Signalling and road illumination	01

1.1.1. Signalling and road illumination – 34118242


1.1.1. Signalling and road illumination – 34118242

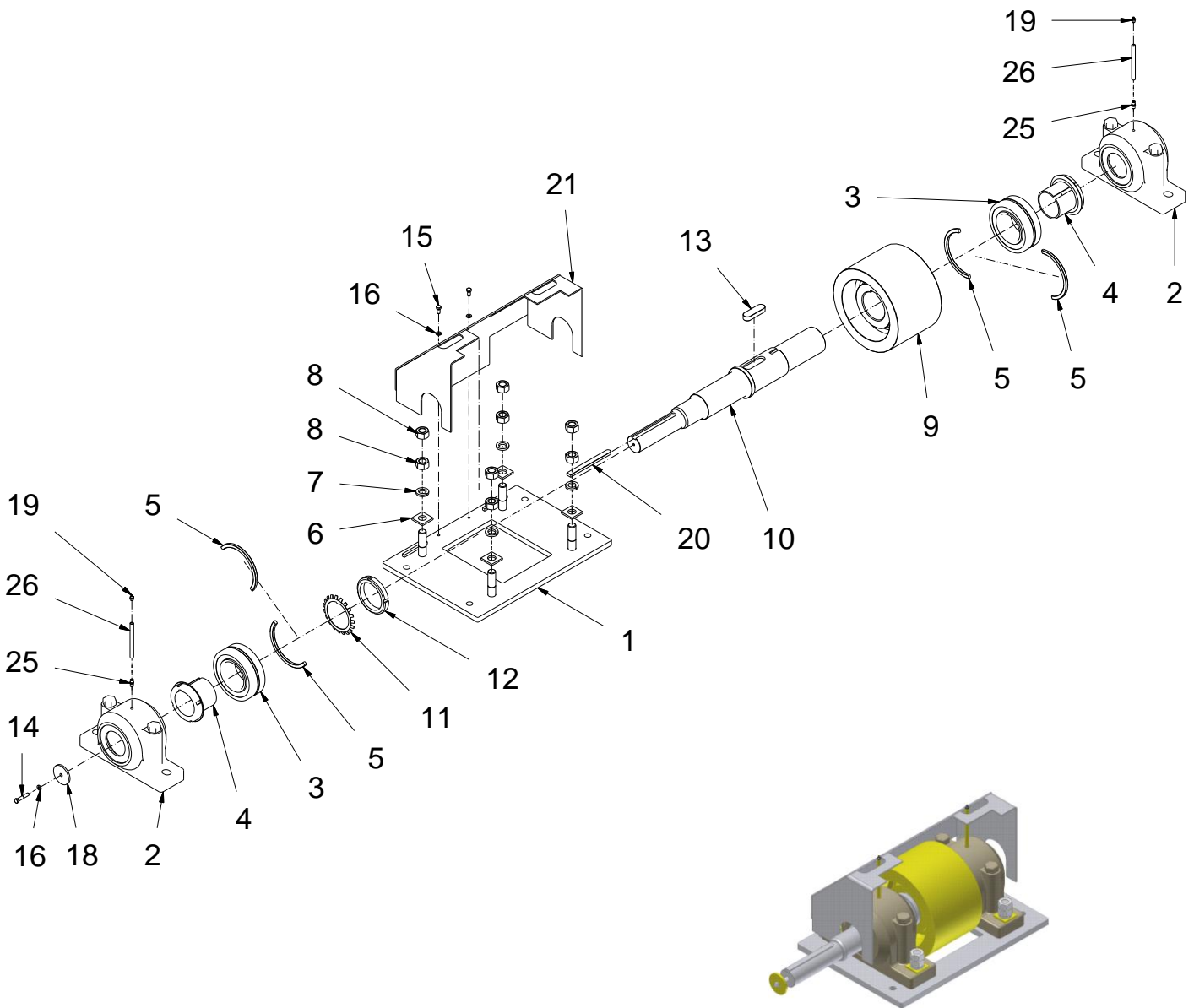
Item	Code	Description	Quantity
01	22025540	Fix plug-ins	01
02	22071249	Signal	02
03	22070631	Signal	06
04	24073791	Informative plate	01
05	22011088	Fix plug-ins	01
06	22011131	21W/24V 1P light bulb	10
07	24001036	Bolt G2 UNC 3/16x 5/8"	16
08	24011852	Washer 3/16" geomet 2	32
09	24000354	Spring washer 3/16" geomet 2	16
10	24000311	Nut G2 UNC 3/16" geomet 2	16
11	22081879	Connector delphi	08
12	22116523	Connector delphi	11
13	22098092	Terminal delphi	14
14	22098091	Terminal delphi	17
15	22100619	Terminal delphi	31
16	22010777	Helical cable bundler	14M
17	40010655	Flexible cable BWF 1,5 mm2 black	14M
18	40009586	Flexible cable PP 3x 1,5 mm2	45M
19	22116524	Connector delphi	02
20	20011040	Signal	02
21	22013267	21W/24V 1P light bulb	04
22	22084881	Connector delphi	02
23	20056158	Sticker VM/BR 50x300	60

1.2. Roller of left back support – 34070915



1.2. Roller of left back support – 34070915

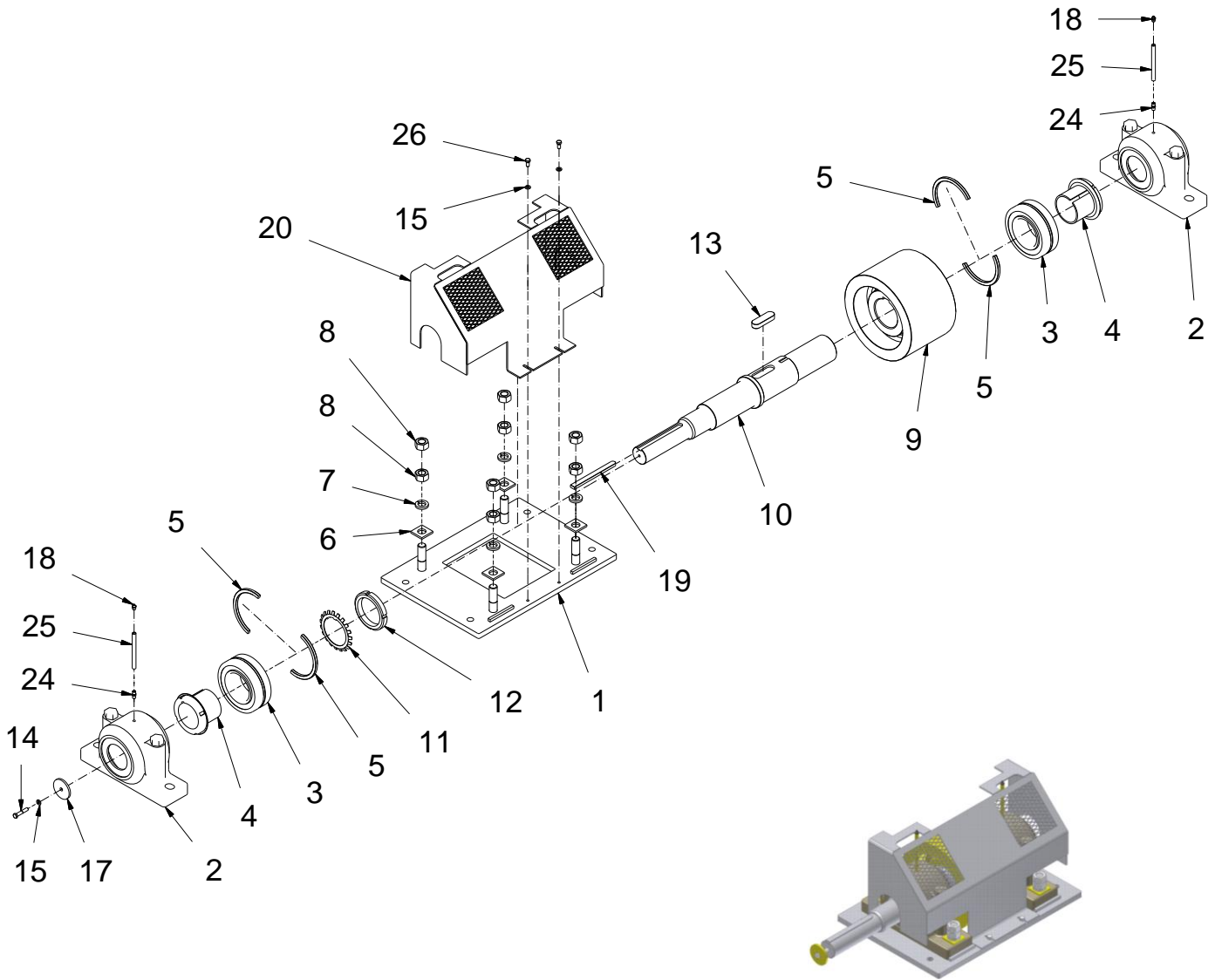
Item	Code	Description	Quantity
01	34039758	Sleeve bearing support	01
02	26000722	Sleeve bearing	02
03	26008977	Bearing	02
04	26009132	Bushing	02
05	38075575	Ring	04
06	38046061	Washer	04
07	24000358	Washer	04
08	24000317	Nut	08
09	30013265	Roller	01
10	24001166	Washer	01
11	24001165	Nut	01
12	26098249	Gib	01
13	24000273	Bolt	01
14	24007009	Bolt	02
15	24000065	Washer	01
17	38054810	Washer	01
18	28011853	Grease nipple	02
19	26098802	Gib	01
20	30070916	Axle	01
21	34080667	Protection	01
25	28011859	Nipple	02
26	30089809	Pipe	02

1.3. Roller of left front support – 34070796


1.3. Roller of left front support – 34070796

Item	Code	Description	Quantity
01	34039758	Sleeve bearing support	01
02	26000722	Sleeve bearing	02
03	26008977	Bearing	02
04	26009132	Bushing	02
05	38075575	Ring	04
06	38046061	Washer	04
07	24000358	Washer	04
08	24000317	Nut	08
09	30013265	Roller	01
10	30003833	Axle	01
11	24001166	Washer	01
12	24001165	Nut	01
13	26098249	Gib	01
14	24000273	Bolt	01
15	24007009	Bolt	02
16	24000065	Washer	01
18	38054810	Washer	01
19	28011853	Grease nipple	02
20	26098802	Gib	01
21	34080667	Protection	01
25	28011859	Nipple	02
26	30089809	Pipe	02

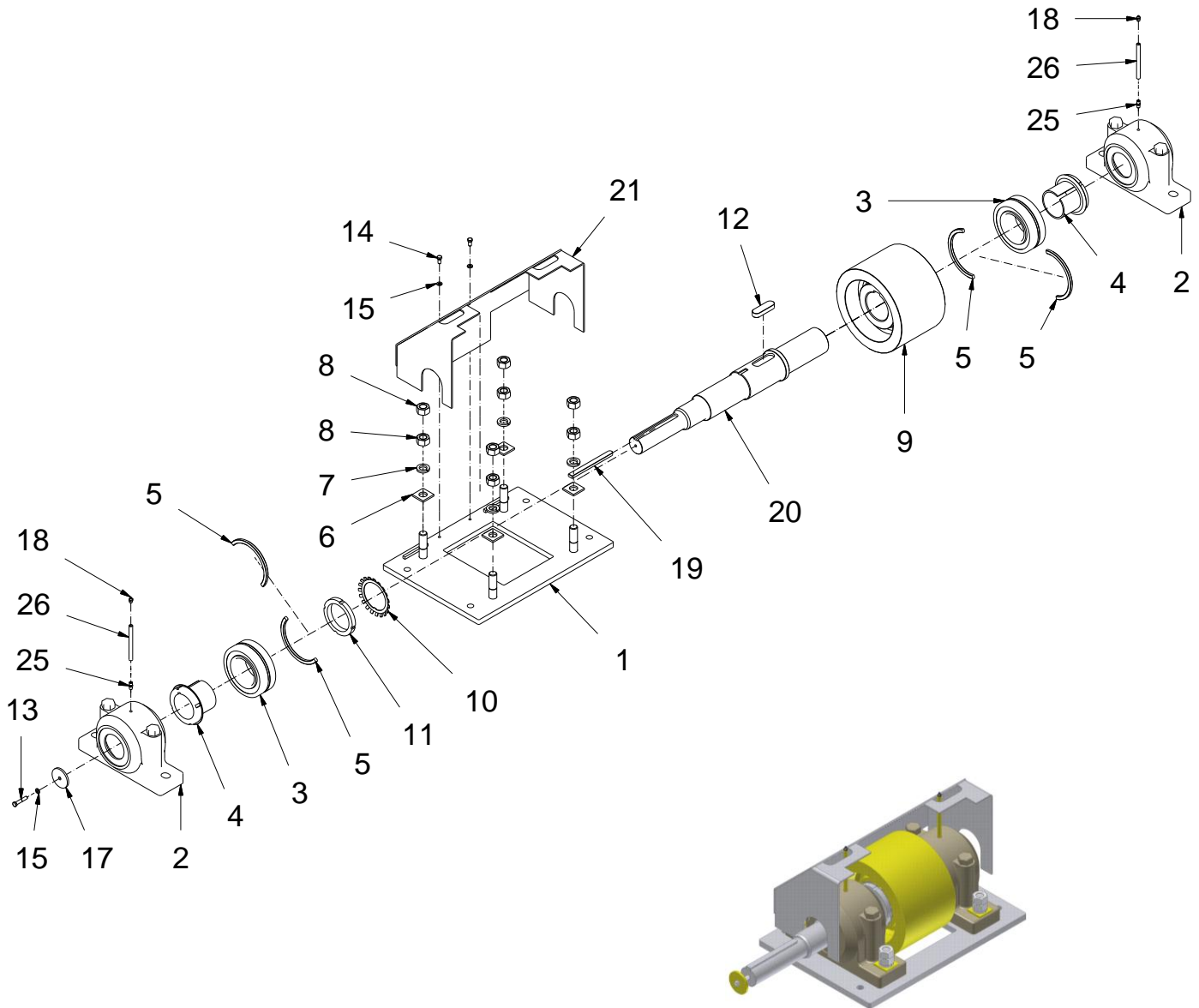
1.4. Roller of right front support – 34070795



1.4. Roller of right front support – 34070795

Item	Code	Description	Quantity
01	34039758	Sleeve bearing support	01
02	26000722	Sleeve bearing	02
03	26008977	Bearing	02
04	26009132	Bushing	02
05	38075575	Ring	04
06	38046061	Washer	04
07	24000358	Washer	04
08	24000317	Nut	08
09	30013265	Roller	01
10	30003833	Axle	01
11	24001166	Washer	01
12	24001165	Nut	01
13	26098249	Gib	01
14	24000273	Bolt	01
15	24000065	Washer	03
17	38054810	Washer	01
18	28011853	Grease nipple	02
19	26098802	Gib	01
20	34080667	Protection	01
24	28011859	Nipple	02
25	30089809	Pipe	02
26	24007009	Bolt	02

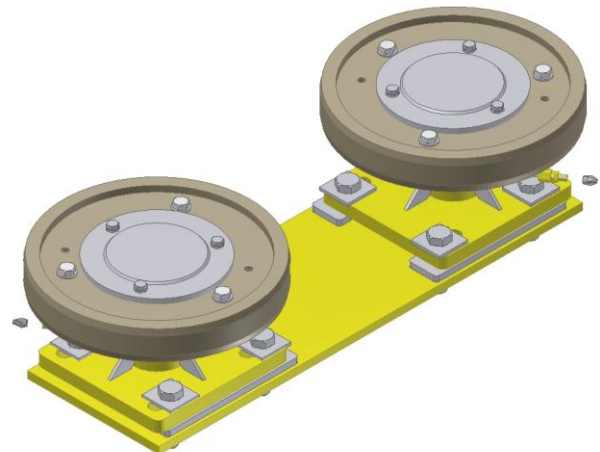
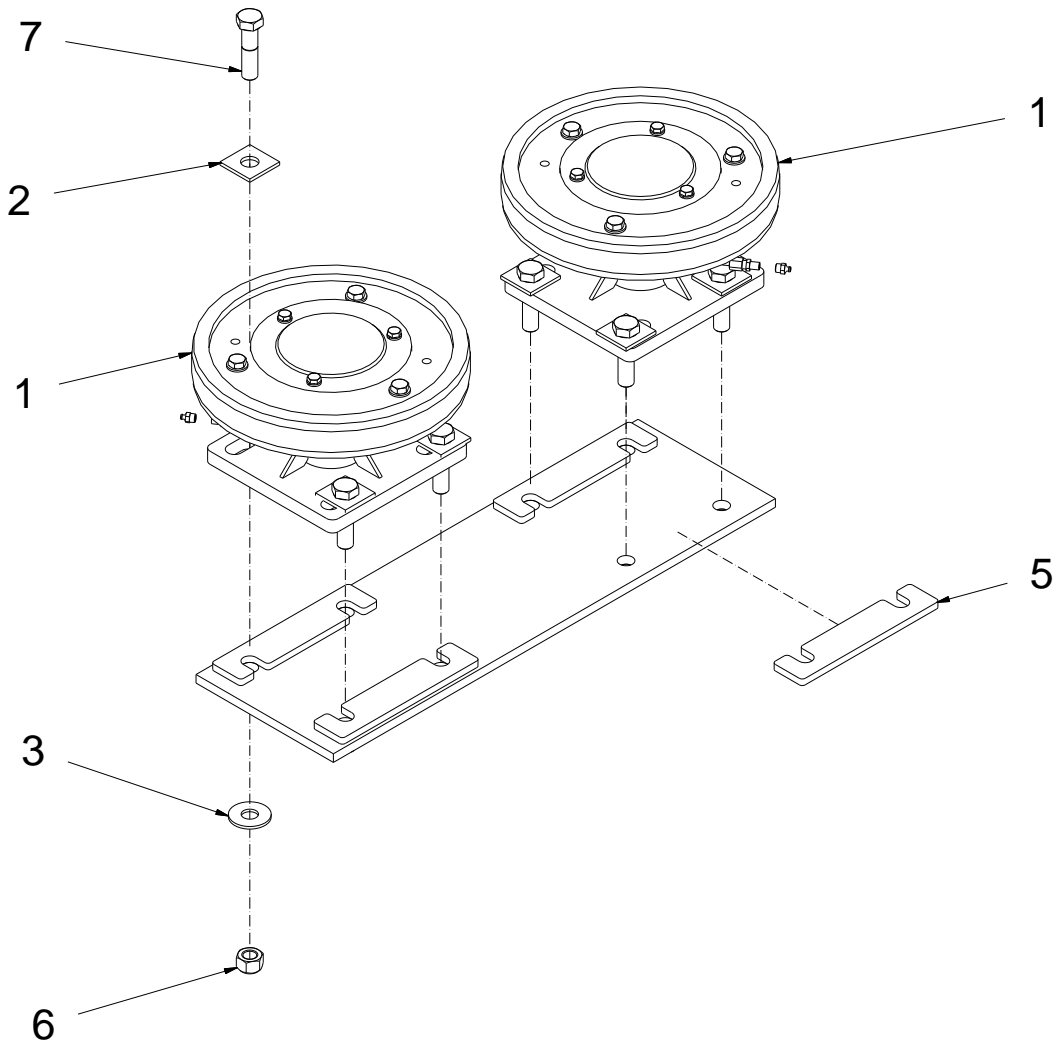
1.5. Roller of right back support – 34070917



1.5. Roller of right back support – 34070917

Item	Code	Description	Quantity
01	34039758	Sleeve bearing support	01
02	26000722	Sleeve bearing	02
03	26008977	Bearing	02
04	26009132	Bushing	02
05	38075575	Ring	04
06	38046061	Washer	04
07	24000358	Washer	04
08	24000317	Nut	08
09	30013265	Roller	01
10	24001166	Washer	01
11	24001165	Nut	01
12	26098249	Gib	01
13	24000273	Bolt	01
14	24007009	Bolt	02
15	24000065	Washer	01
17	38054810	Washer	01
18	28011853	Grease nipple	02
19	26098802	Gib	01
20	30070916	Axle	01
21	34080667	Protection	01
25	28011859	Nipple	02
26	30089809	Pipe	02

1.6. Brace roller – 34079572



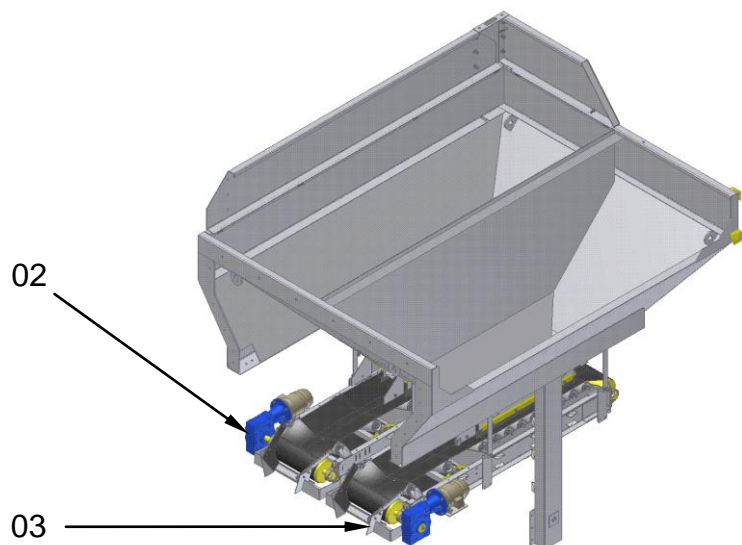
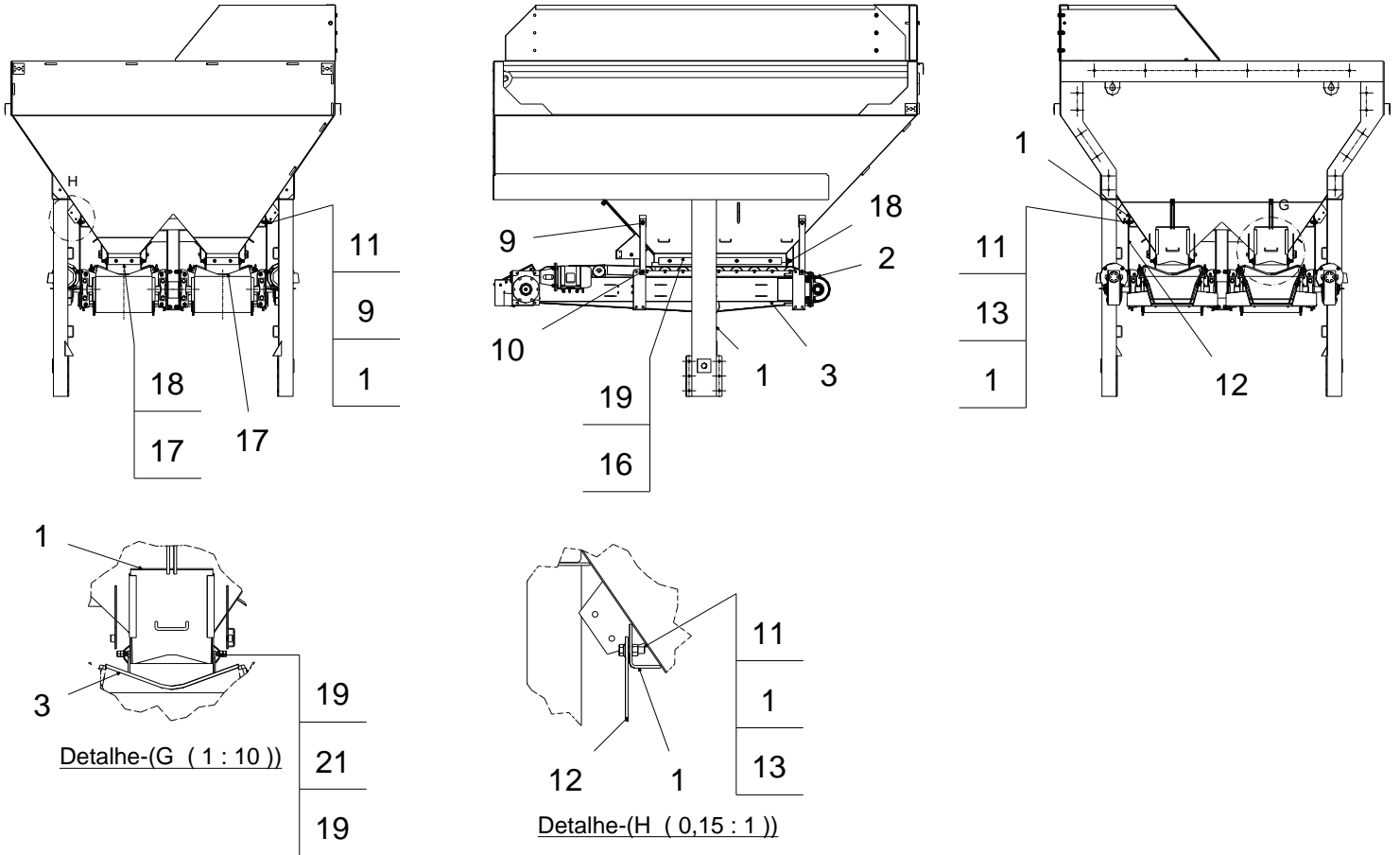
1.6. Brace roller – 34079572

Item	Code	Description	Quantity
01	34015247	Roller	02
02	38046060	Washer	08
03	24000352	Washer	08
05	30080455	Spacer	04
06	24006984	Nut	08
07	24038238	Bolt	08

1.7. Dryer drum drive

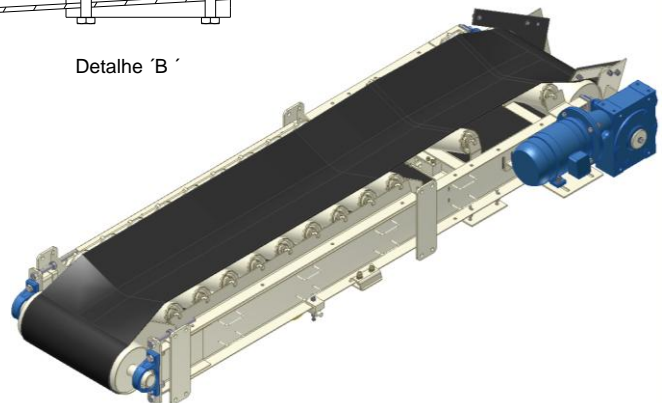
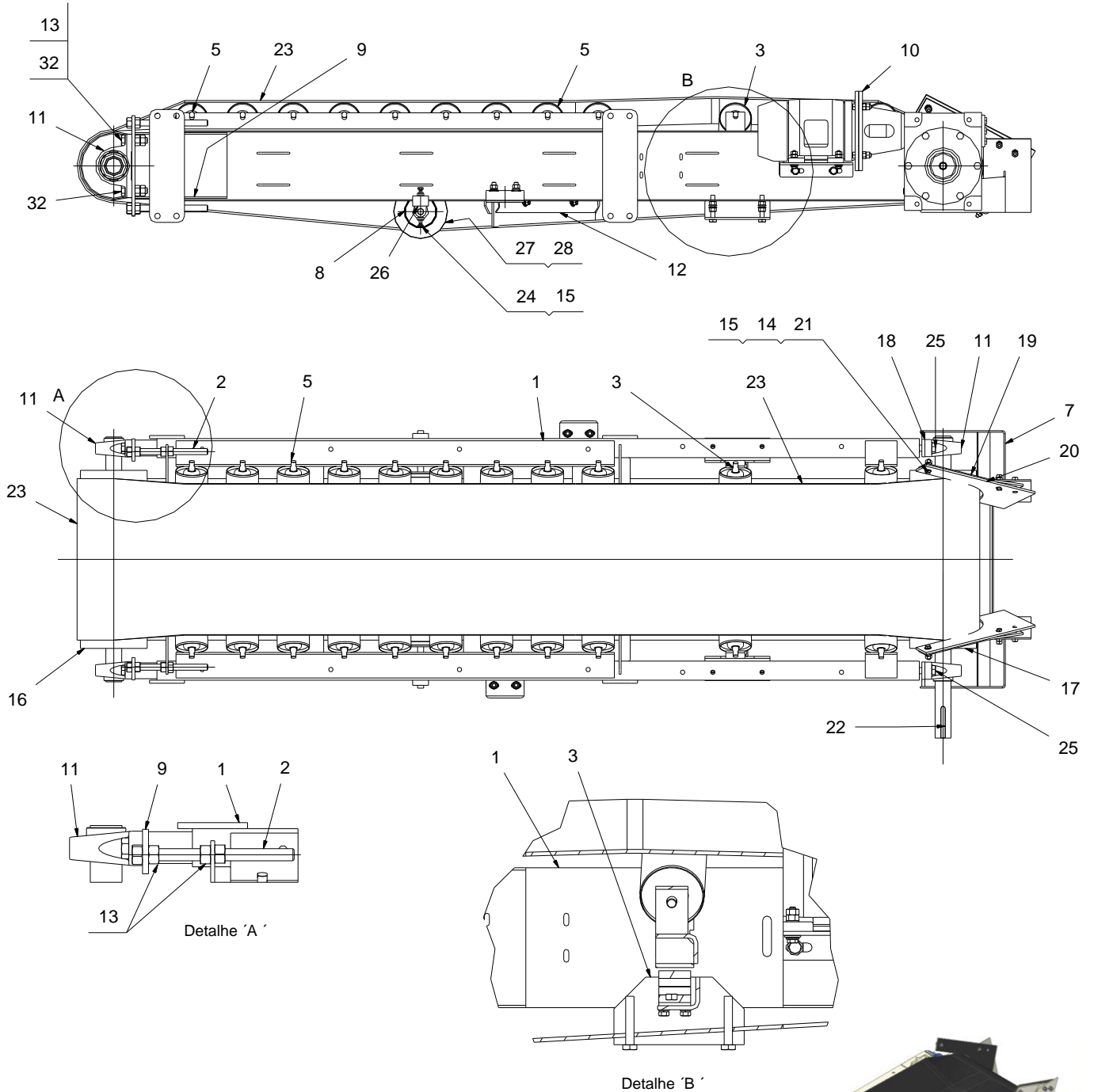
See catalog of drives

Page intentionally blank.

2. DOUBLE FRONT FEED BIN – 34069957


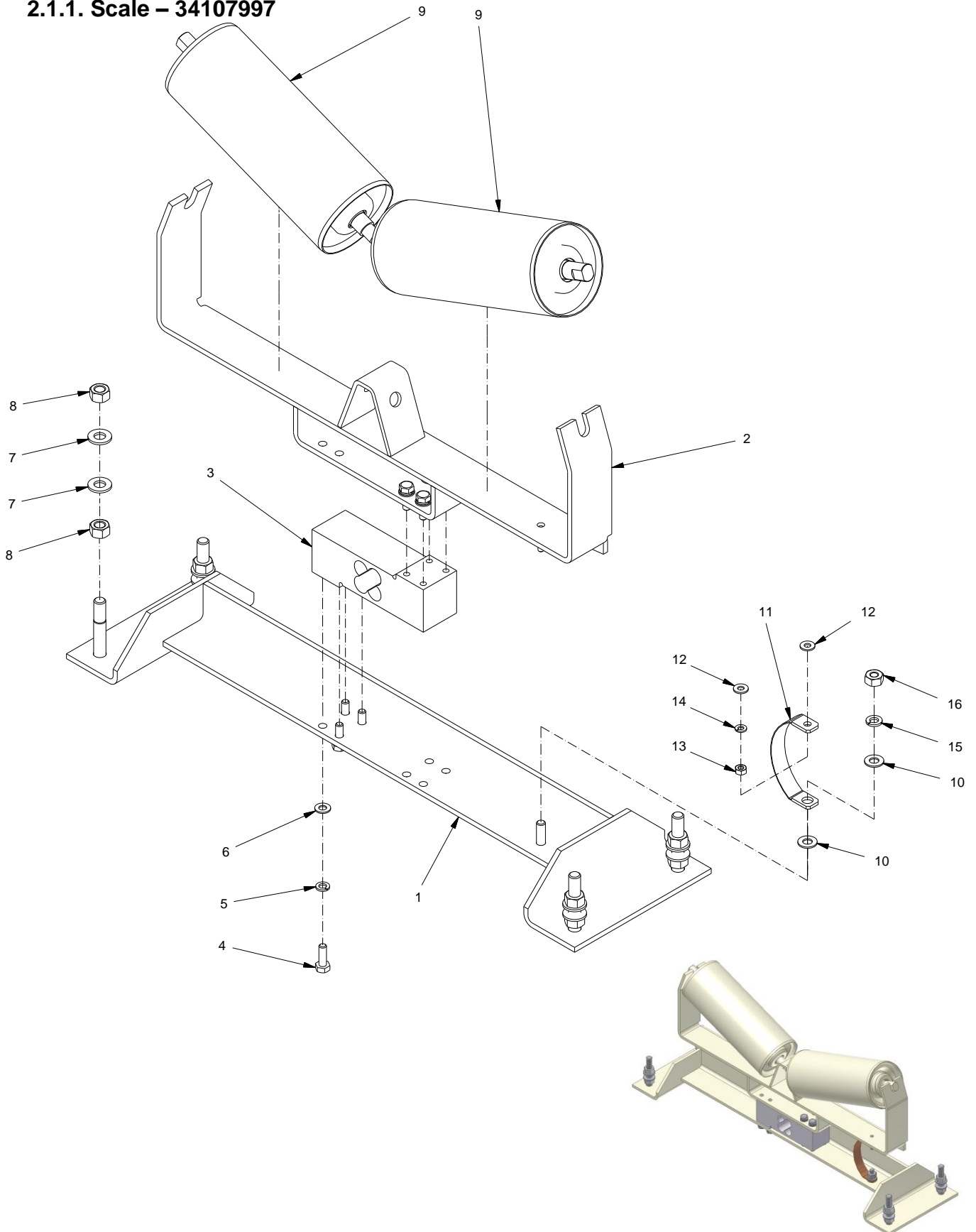
2. DOUBLE FRONT FEED BIN – 34069957

Item	Code	Description	Quantity
01	38075438	Doser	01
02	34069280	◀ Right feeder belt	01
03	34069281	◀ Left feeder belt	01
09	24005005	Washer	24
10	24000314	Nut	40
11	24051034	Bolt	24
12	30069739	Bar	04
13	24000355	Washer	04
16	30070537	Seal	04
17	30089820	Seal	02
18	30045009	Support	02
19	30016646	Fastener	04
20	24000313	Nut	40
21	24000017	Washer	20

2.1. Right feeder belt – 34069280


2.1. Right feeder belt – 34069280

Item	Code	Description	Quantity
01	34069698	Chassis	01
02	34069735c	Screw	04
03	34107997	◀ Scale	01
05	26111175	Load roller	20
07	34040135	Chute	01
08	26111178	Return roller	01
09	34069732	Sliding	02
10	---	◀ Right feeder belt drive	01
11	26086835	Sleeve bearing	04
12	34083488	Scraper	01
13	24052515	Nut	24
14	24000350	Washer	08
15	24084474	Nut	16
16	34040247c	Rear drum	01
17	38088543	Front drum	01
18	38053286	Washer	02
19	30034372	Fastener	02
20	30034371	Tarpaulin	02
21	24051028	Bolt	06
22	26032288	Gib	01
23	26040137	Conveyor 20"	01
24	24006953	Bolt	04
25	24033819	Bolt	04
26	30004382	Sleeve bearing	02
27	30111181c	Ring	02
28	24010870	Bolt	04
32	24000282	Bolt	04

2.1.1. Scale – 34107997


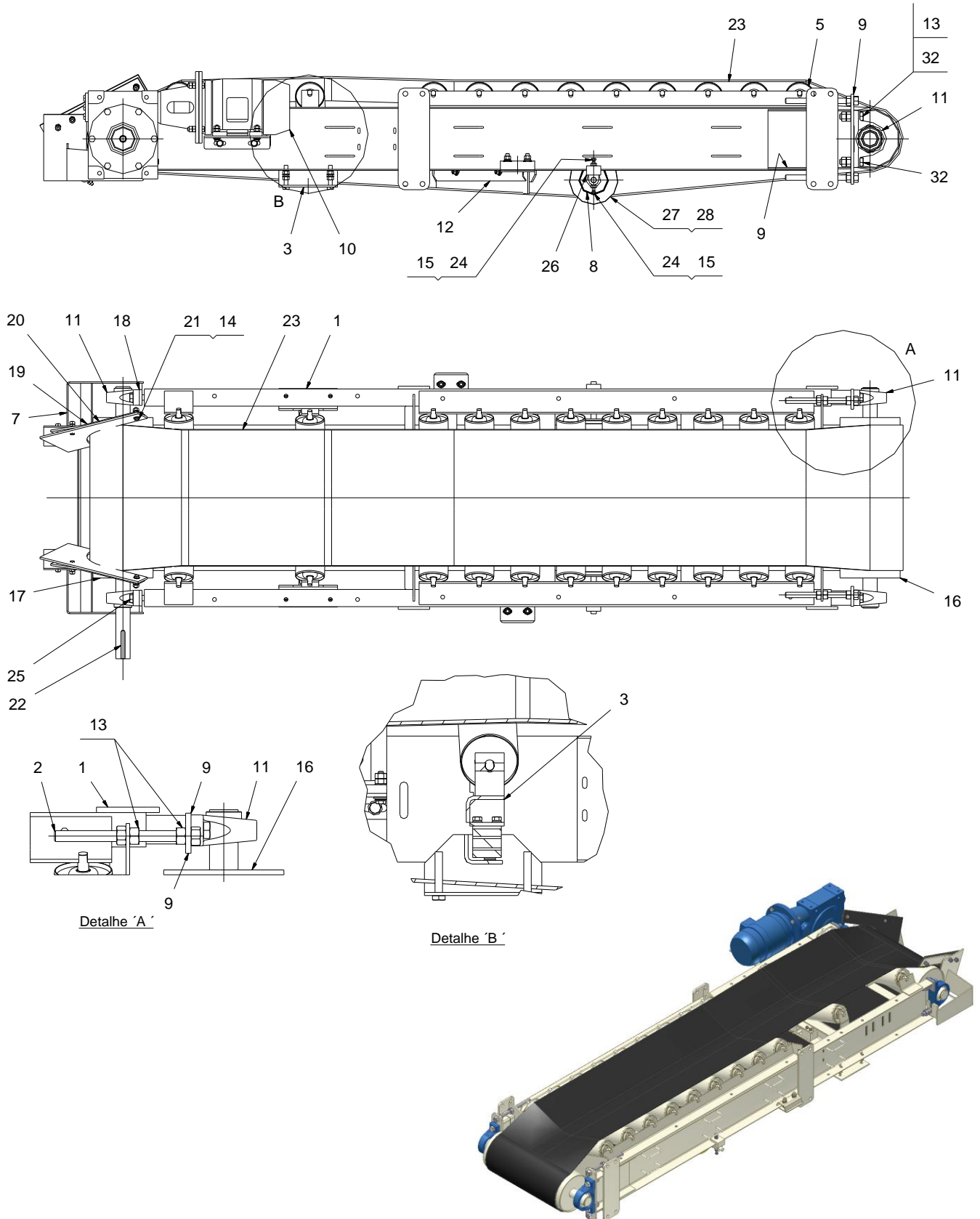
2.1.1. Scale – 34107997

Item	Code	Description	Quantity
01	34107998	Support	01
02	34108000	Bearing bracket	01
03	22100485	Load cell	01
04	24000253	Bolt	08
05	24006887	Washer	08
06	24081688	Washer	08
07	24000017	Washer	08
08	24091821	Nut	08
09	26111180	Roller	02
10	24000350	Washer	02
11	20059098	Cordage	01
12	24000071	Washer	02
13	24107324	Nut	01
14	24000072	Washer	01
15	24000065	Washer	01
16	24084474	Nut	01

2.1.2. Right feeder belt drive

See catalog of drives

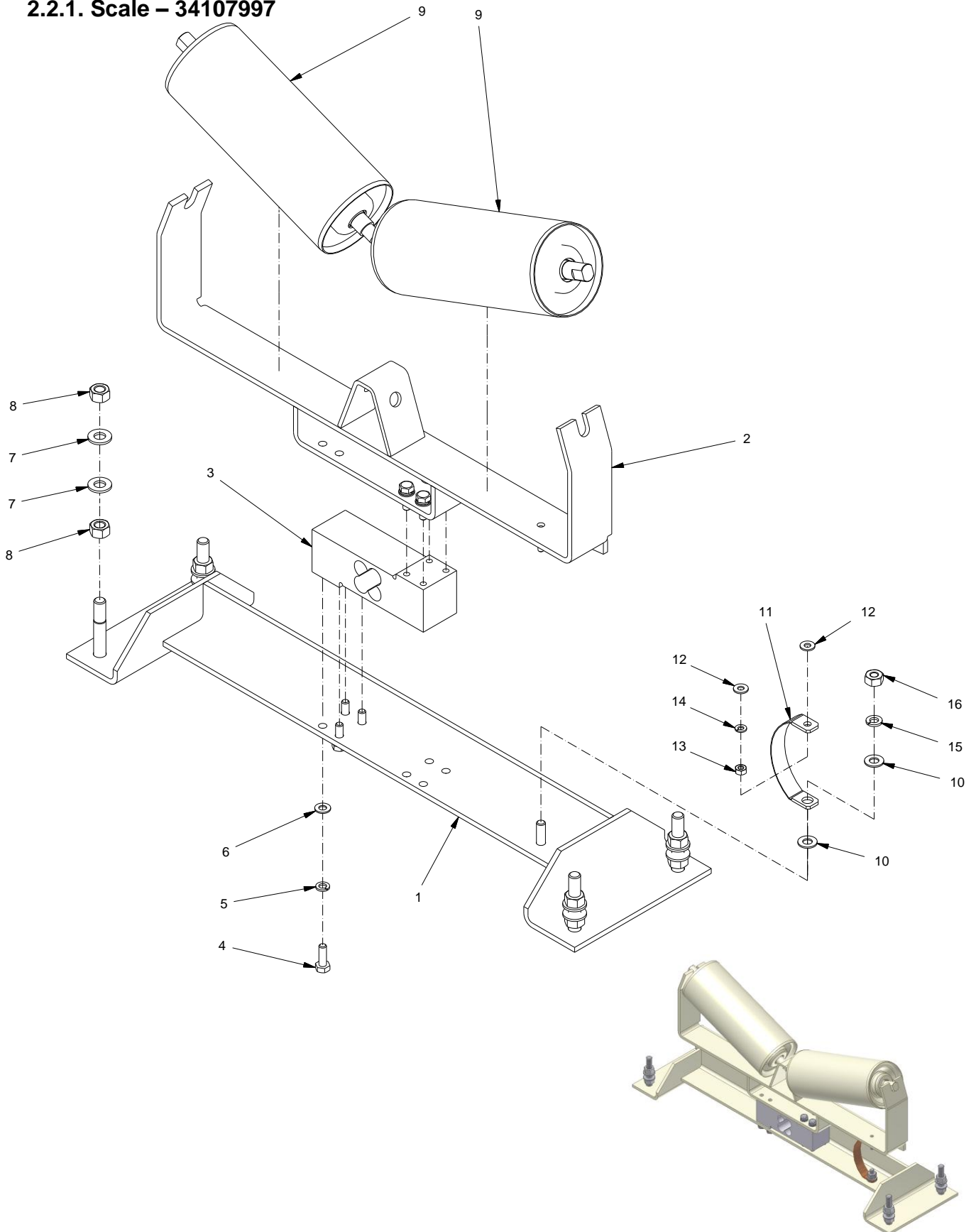
Page intentionally blank.

2.2. Left feeder belt – 34069281


2.2. Left feeder belt – 34069281

Item	Code	Description	Quantity
01	34069698	Chassis	01
02	34069735c	Screw	04
03	34107997	◀ Scale	01
05	26111175	Load roller	20
07	34040135	Chute	01
08	26111178	Return roller	01
09	34069732	Sliding	02
10	---	◀ Left feeder belt drive	01
11	26086835	Sleeve bearing	04
12	34083483	Scraper	01
13	24052515	Nut	24
14	24000350	Washer	08
15	24084474	Nut	16
16	34040247c	Rear drum	01
17	38088543	Front drum	01
18	38053286	Washer	02
19	30034372	Fastener	02
20	30034371	Tarpaulin	02
21	24051028	Bolt	06
22	26032288	Gib	01
23	26040137	Conveyor 20"	01
24	24006953	Bolt	04
25	24033819	Bolt	04
26	30004382	Sleeve bearing	02
27	30111181c	Ring	02
28	24010870	Bolt	04
32	24000282	Bolt	04

2.2.1. Scale – 34107997



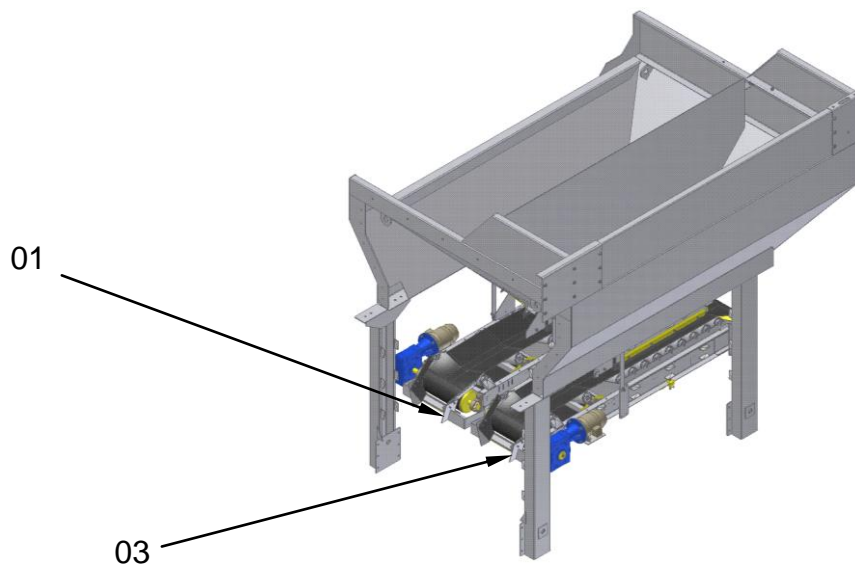
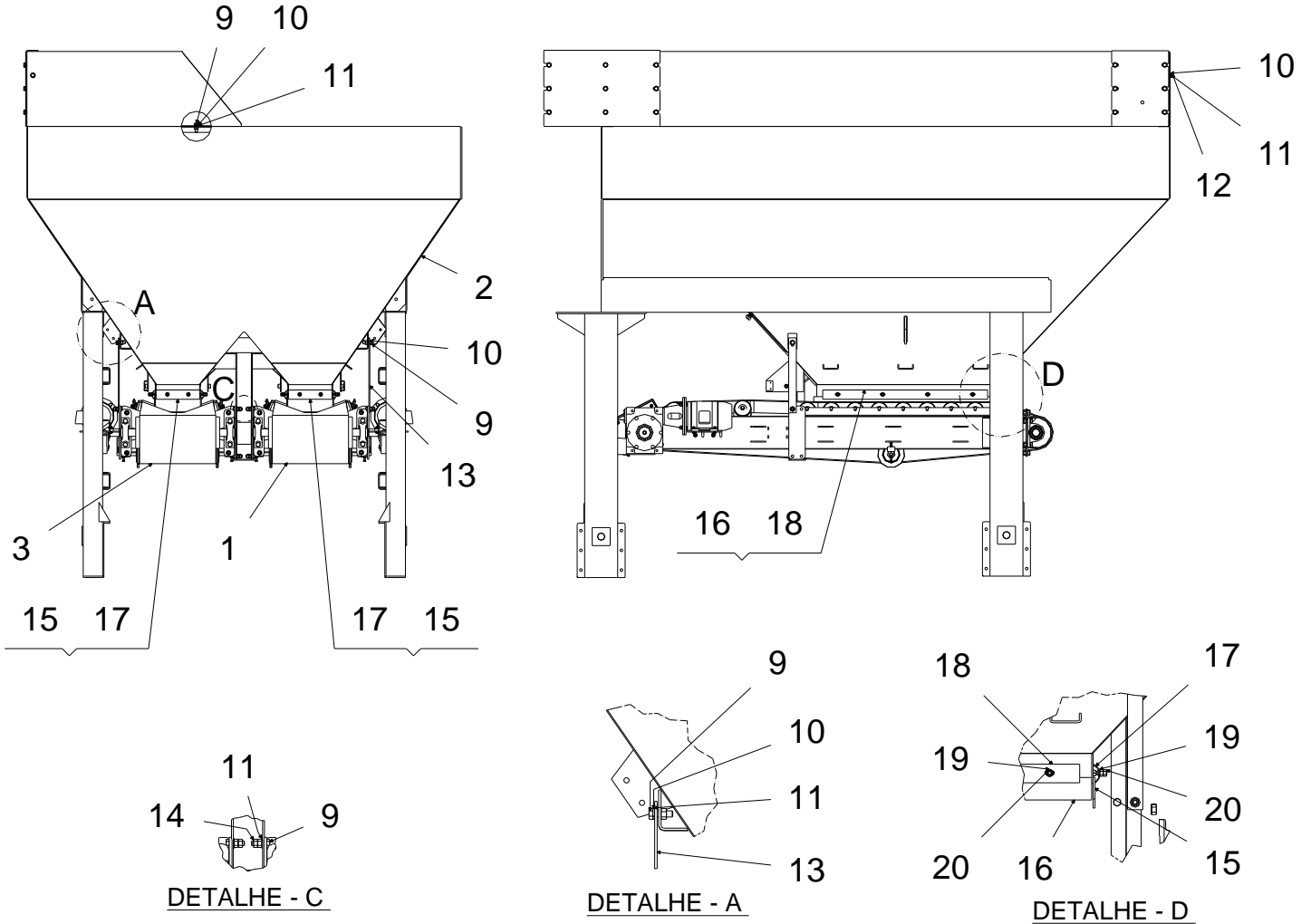
2.2.1. Scale – 34107997

Item	Code	Description	Quantity
01	34107998	Support	01
02	34108000	Bearing bracket	01
03	22100485	Load cell	01
04	24000253	Bolt	08
05	24006887	Washer	08
06	24081688	Washer	08
07	24000017	Washer	08
08	24091821	Nut	08
09	26111180	Roller	02
10	24000350	Washer	02
11	20059098	Cordage	01
12	24000071	Washer	02
13	24107324	Nut	01
14	24000072	Washer	01
15	24000065	Washer	01
16	24084474	Nut	01

2.2.2. Left feeder belt drive

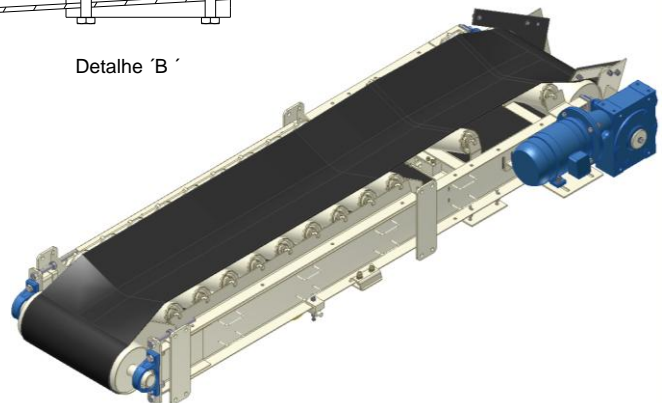
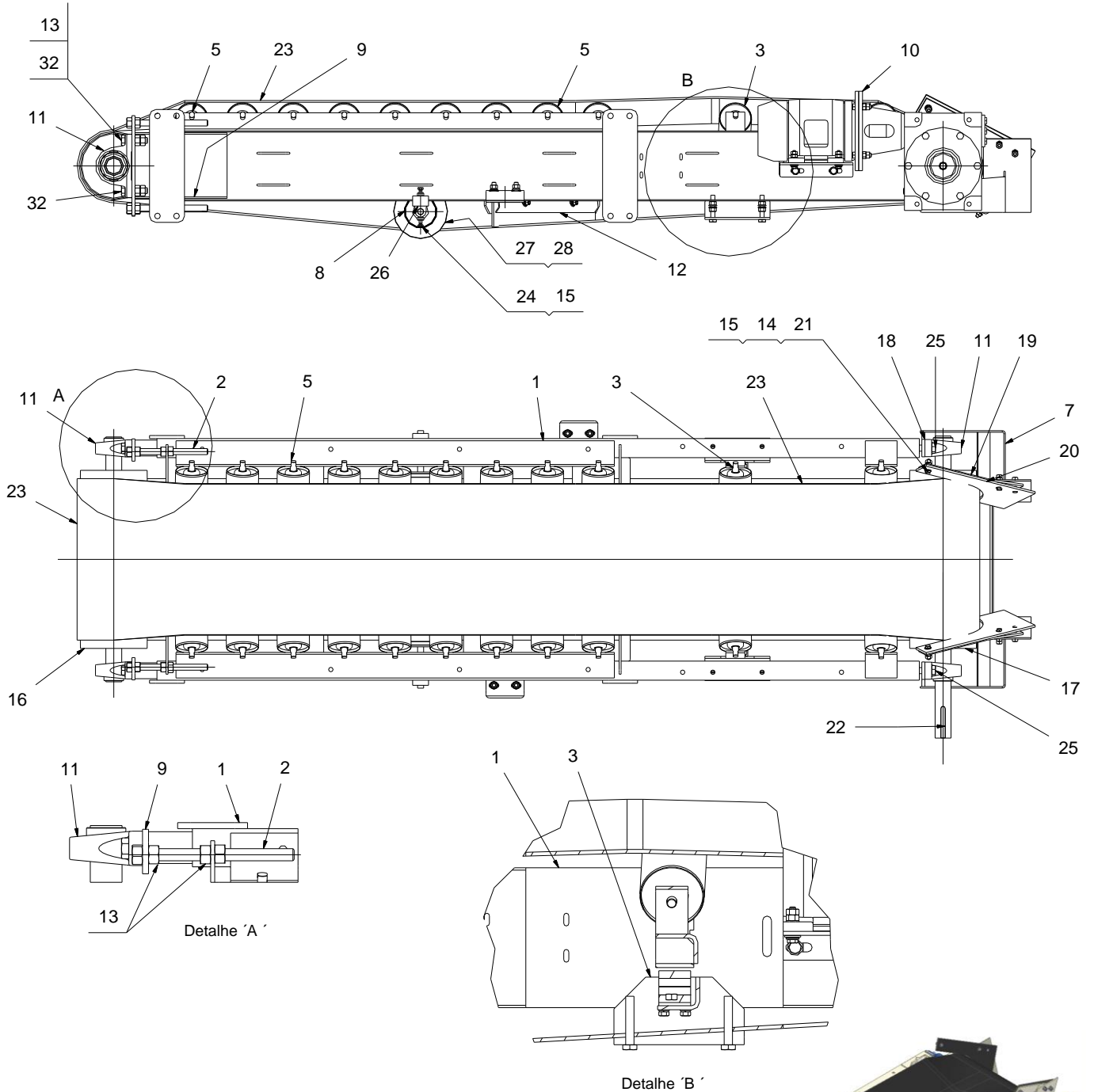
See catalog of drives

Page intentionally blank.

3. DOUBLE REAR FEED BIN – 34069958


3. DOUBLE REAR FEED BIN – 34069958

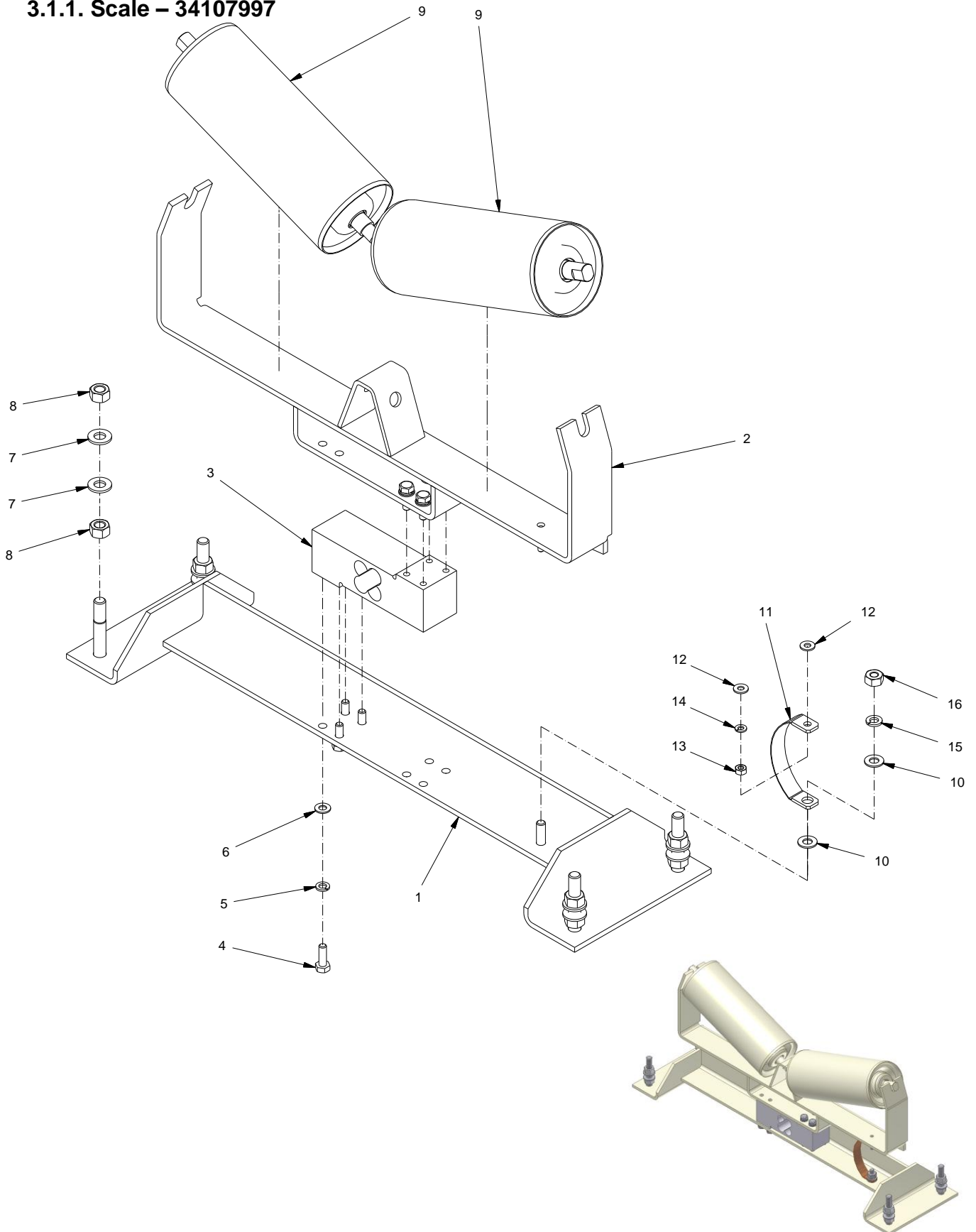
Item	Code	Description	Quantity
01	34069280	◀ Right feeder belt	01
02	38075439	Doser	01
03	34069281	◀ Left feeder belt	01
09	24051034	Bolt	25
10	24000355	Washer	07
11	24005005	Washer	27
12	24024587	Bolt	02
13	30069739	Bar	04
14	24000314	Nut	40
15	30089820	Seal	02
16	30070537	Seal	04
17	30045009	Support	02
18	30016646	Fastener	04
19	24000017	Washer	20
20	24000313	Nut	40

3.1. Right feeder belt – 34069280


3.1. Right feeder belt – 34069280

Item	Code	Description	Quantity
01	34069698	Chassis	01
02	34069735c	Screw	04
03	34107997	◀ Scale	01
05	26111175	Load roller	20
07	34040135	Chute	01
08	26111178	Return roller	01
09	34069732	Sliding	02
10	---	◀ Right feeder belt drive	01
11	26086835	Sleeve bearing	04
12	34083488	Scraper	01
13	24052515	Nut	24
14	24000350	Washer	08
15	24084474	Nut	16
16	34040247c	Rear drum	01
17	38088543	Front drum	01
18	38053286	Washer	02
19	30034372	Fastener	02
20	30034371	Tarpaulin	02
21	24051028	Bolt	06
22	26032288	Gib	01
23	26040137	Conveyor 20"	01
24	24006953	Bolt	04
25	24033819	Bolt	04
26	30004382	Sleeve bearing	02
27	30111181c	Ring	02
28	24010870	Bolt	04
32	24000282	Bolt	04

3.1.1. Scale – 34107997



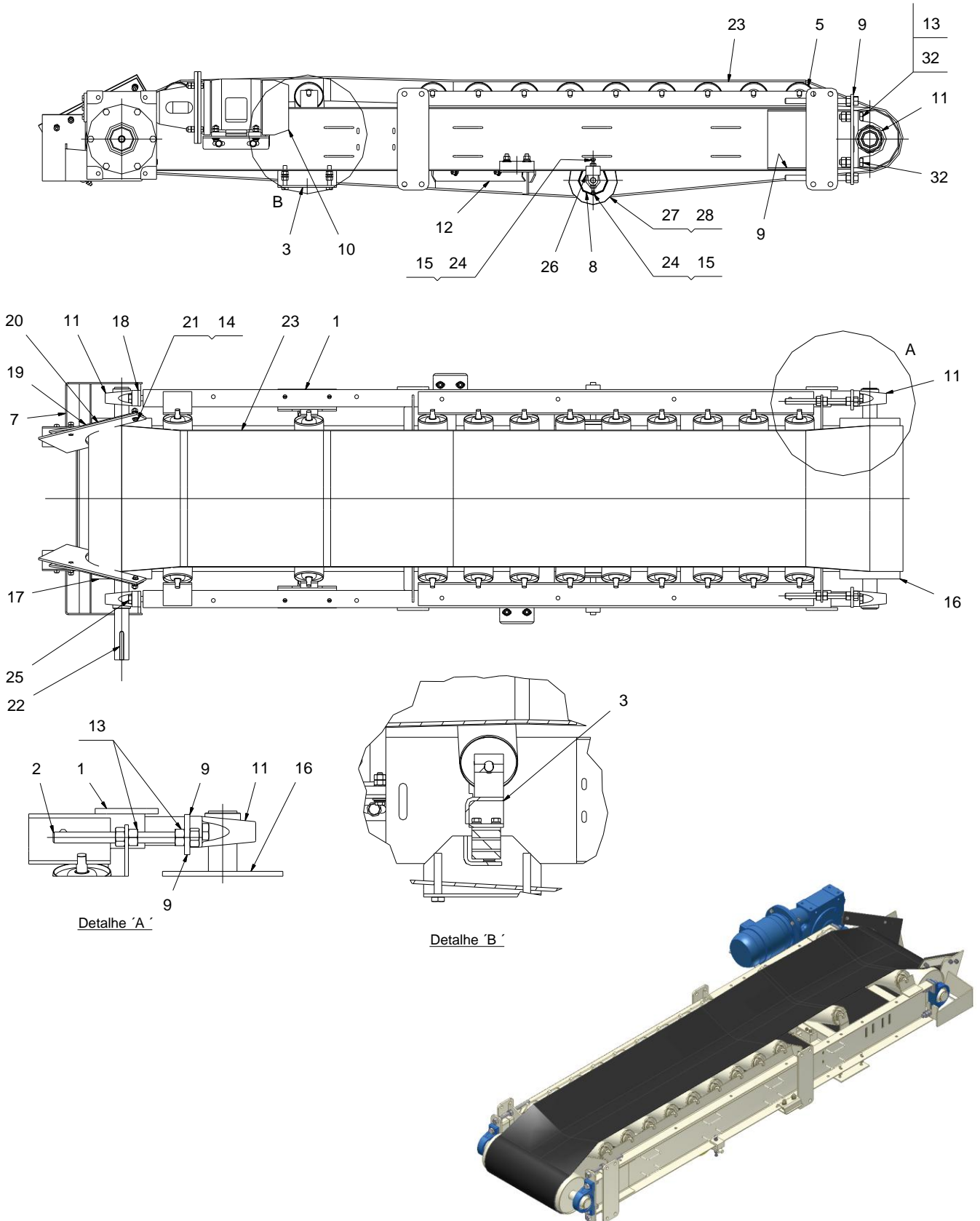
3.1.1. Scale – 34107997

Item	Code	Description	Quantity
01	34107998	Support	01
02	34108000	Bearing bracket	01
03	22100485	Load cell	01
04	24000253	Bolt	08
05	24006887	Washer	08
06	24081688	Washer	08
07	24000017	Washer	08
08	24091821	Nut	08
09	26111180	Roller	02
10	24000350	Washer	02
11	20059098	Cordage	01
12	24000071	Washer	02
13	24107324	Nut	01
14	24000072	Washer	01
15	24000065	Washer	01
16	24084474	Nut	01

3.1.2. Right feeder belt drive

See catalog of drives

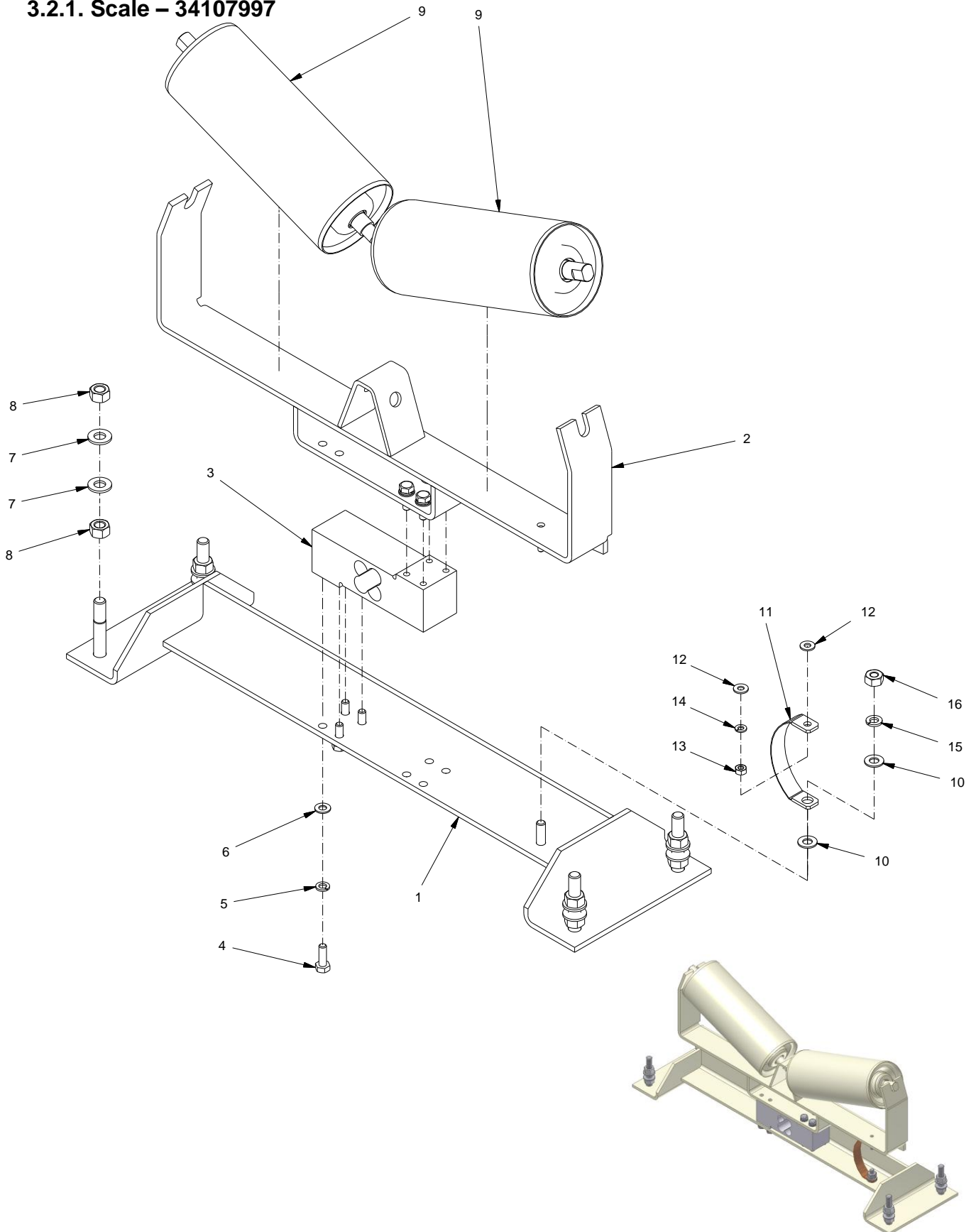
Page intentionally blank.

3.2. Left feeder belt – 34069281


3.2. Left feeder belt – 34069281

Item	Code	Description	Quantity
01	34069698	Chassis	01
02	34069735c	Screw	04
03	34107997	◀ Scale	01
05	26111175	Load roller	20
07	34040135	Chute	01
08	26111178	Return roller	01
09	34069732	Sliding	02
10	---	◀ Left feeder belt drive	01
11	26086835	Sleeve bearing	04
12	34083483	Scraper	01
13	24052515	Nut	24
14	24000350	Washer	08
15	24084474	Nut	16
16	34040247c	Rear drum	01
17	38088543	Front drum	01
18	38053286	Washer	02
19	30034372	Fastener	02
20	30034371	Tarpaulin	02
21	24051028	Bolt	06
22	26032288	Gib	01
23	26040137	Conveyor 20"	01
24	24006953	Bolt	04
25	24033819	Bolt	04
26	30004382	Sleeve bearing	02
27	30111181c	Ring	02
28	24010870	Bolt	04
32	24000282	Bolt	04

3.2.1. Scale – 34107997



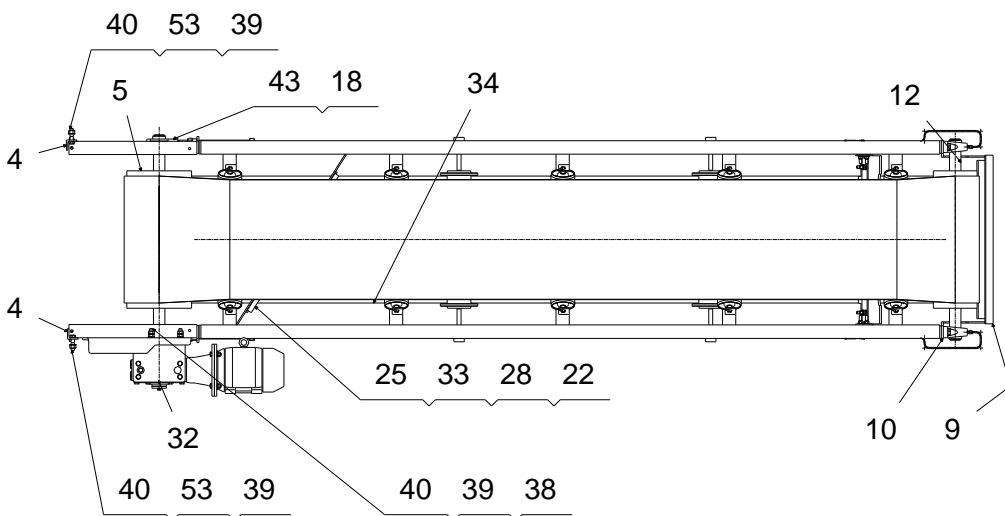
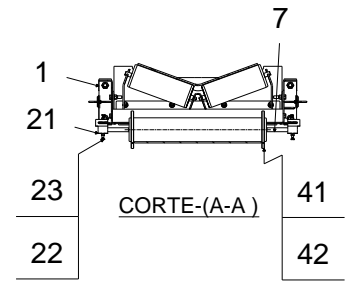
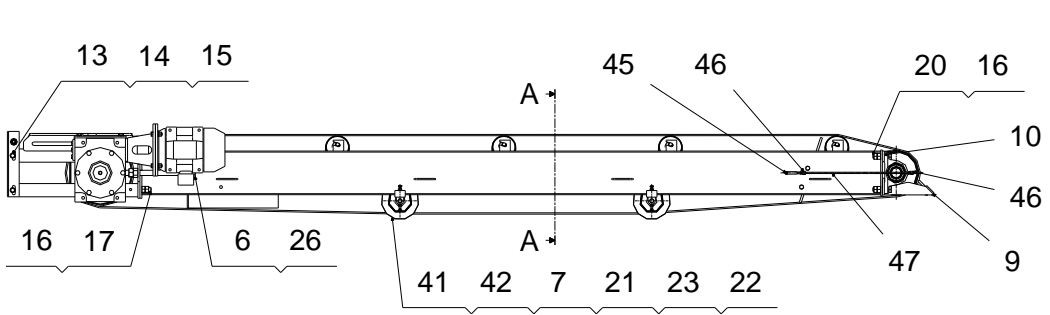
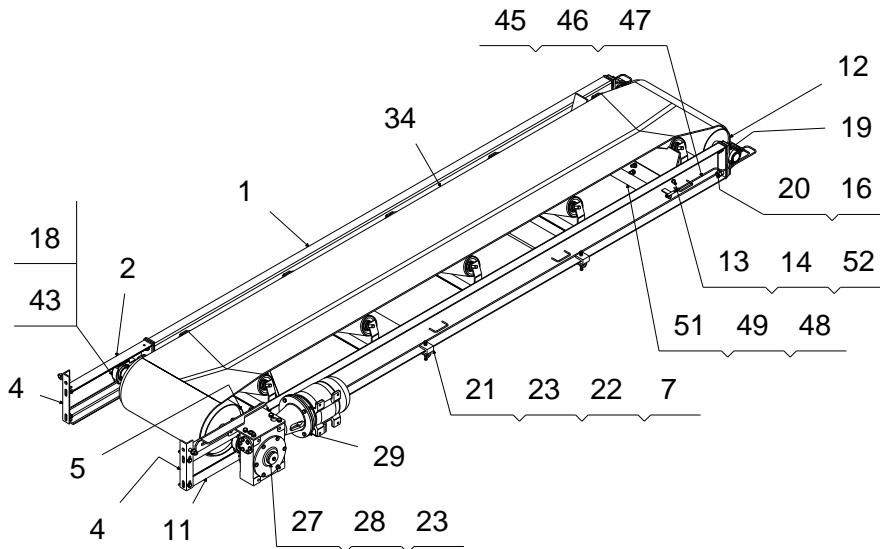
3.2.1. Scale – 34107997

Item	Code	Description	Quantity
01	34107998	Support	01
02	34108000	Bearing bracket	01
03	22100485	Load cell	01
04	24000253	Bolt	08
05	24006887	Washer	08
06	24081688	Washer	08
07	24000017	Washer	08
08	24091821	Nut	08
09	26111180	Roller	02
10	24000350	Washer	02
11	20059098	Cordage	01
12	24000071	Washer	02
13	24107324	Nut	01
14	24000072	Washer	01
15	24000065	Washer	01
16	24084474	Nut	01

3.2.2. Left feeder belt drive

See catalog of drives

Page intentionally blank.

4. CONVEYOR BELT – 34072370


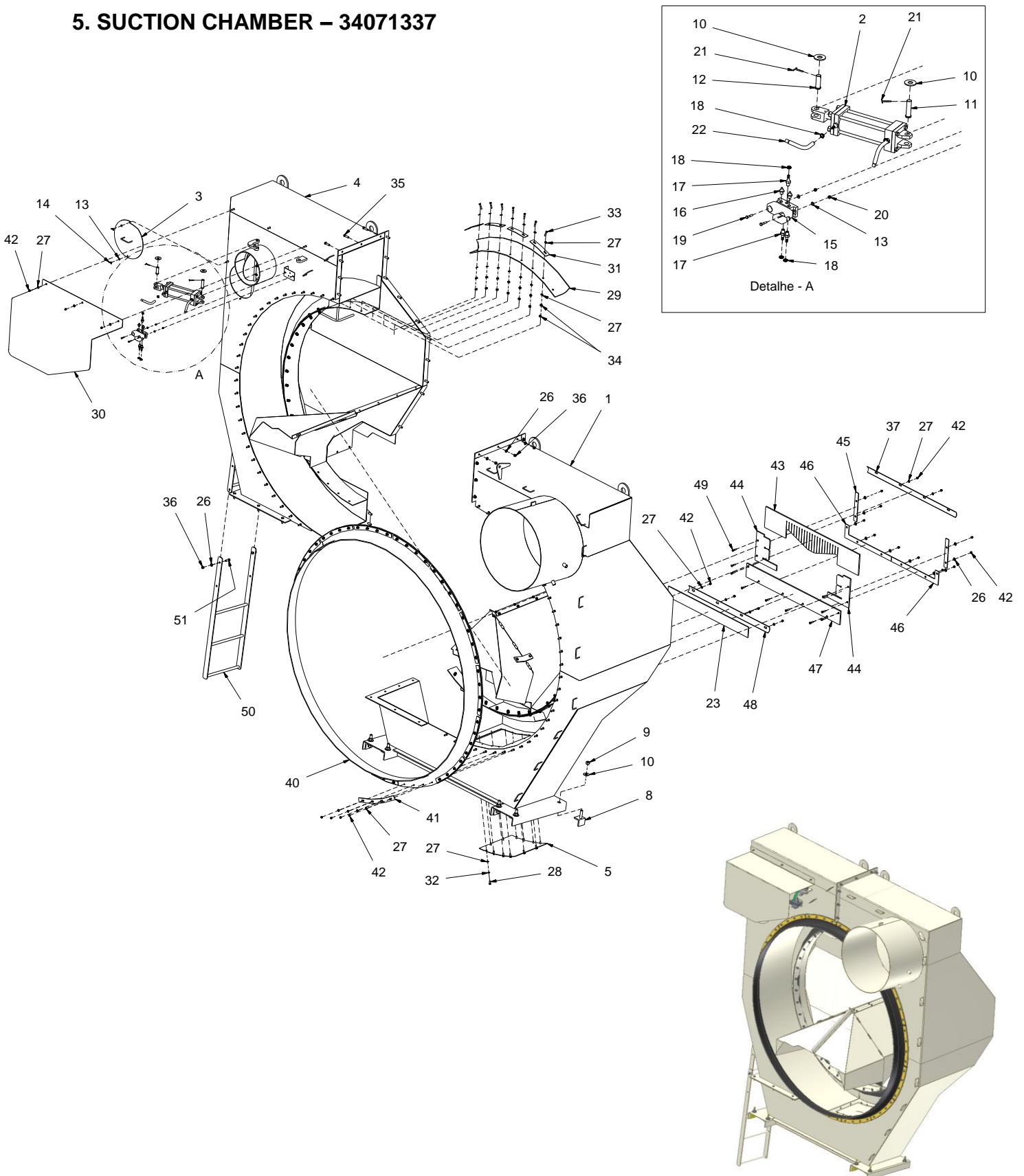
4. CONVEYOR BELT – 34072370

Item	Code	Description	Quantity
01	34072371	Chassis	01
02	34010330	Sliding	01
04	30087234	Closing	02
05	38088548	Drum	01
06	38053405	Tensionner	02
07	38075375	Return roller	02
08	38084870	Roller	10
09	34104059	Scraper	01
10	30020582	Washer	02
11	34070908	Sliding	01
12	38089514	Drum	01
13	24000036	Bolt	16
14	24000017	Washer	16
15	24000313	Nut	08
16	24000315	Nut	16
17	24059254	Bolt	04
18	26000728	Bearing	02
19	26086835	Sleeve bearing	02
20	24038238	Bolt	04
21	30004382	Sleeve bearing	04
22	24000022	Nut	11
23	24006953	Bolt	09
24	30024288	Seal	01
25	30012951	Fastener	01
26	24000317	Nut	02
27	38051707	Washer	01
28	24000065	Washer	04
29	---	◀ Conveyor belt drive	01
32	30043346	Gib	01
33	24000350	Washer	03
34	26072373	Conveyor 24"	01
38	24000314	Nut	04
39	24005005	Washer	08
40	24001108	Bolt	08
41	30091078	Ring	04
42	24010870	Bolt	08
43	26000710	Sleeve bearing	02
45	28011853	Grease nipple	02
46	28008481	Joint	04
47	30030608	Pipe	02
48	30080787	Rubbers seal	01
49	30080792	Fastener	01
50	30080781	Support	01
51	30080786	Rubbers seal	01
52	24006986	Nut	12
53	24079573	Nut	02

4.1. Conveyor belt drive

See catalog of drives

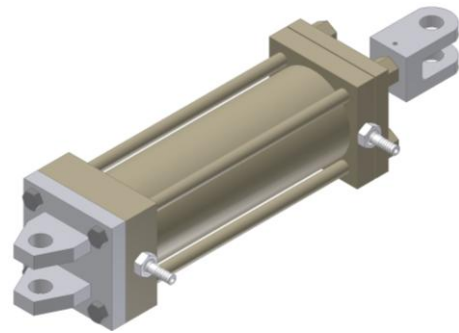
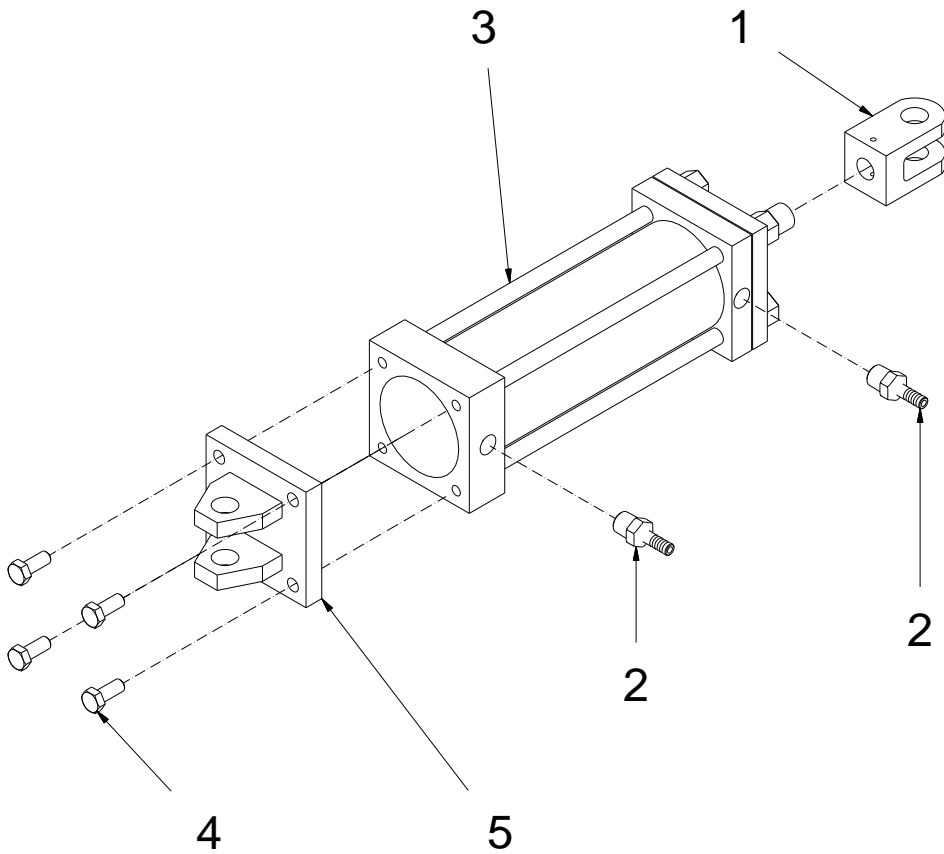
Page intentionally blank.

5. SUCTION CHAMBER – 34071337


5. SUCTION CHAMBER – 34071337

Item	Code	Description	Quantity
01	34071338c	Suction chamber	01
02	34022516	◀ Pneumatic cylinder	01
03	34044621c	Lid	01
04	34072089c	◀ Left side	01
05	34072136c	Lid	01
06	30104025	Closing	01
08	38073843	Fastener	08
09	24006984	Nut	08
10	24000352	Washer	10
11	38075560	Pin	01
12	30003002	Pin	01
13	24000071	Washer	04
14	24000348	Nut	02
15	28075277	Spool valve	01
16	28015177	Silencer	02
17	28021451	Connector	03
18	24006852	Clamp	05
19	24006685	Bolt	02
20	24083353	Nut	02
21	24001027	Cotter pin	02
22	30058590	Hose	02
23	30081465	Seal	01
24	30107711	Support	02
25	24006953	Bolt	04
26	24000017	Washer	42
27	24000350	Washer	174
28	24000272	Bolt	24
29	30104438	Seal	06
30	30072135	Protection	01
31	30104439	Support	21
32	24000065	Washer	20
33	24051029	Bolt	42
34	24084474	Nut	84
35	24000276	Bolt	30
36	24006986	Nut	32
37	30016646c	Fastener	01
40	30080095	Sealingstrip	01
41	30080096	Clamp	15
42	24080479	Nut	88
43	30089440	Scraper	01
44	30089439	Scraper	02
45	30080791	Fastener	02
46	30080790	Fastener	02
47	30089438	Scraper	01
48	30081466	Fastener	01
49	24051028	Bolt	10
50	34080672c	stair	01
51	24000275	Bolt	02
52	30080788c	Support	01
53	30080782c	Support	01

5.1. Pneumatic cylinder – 34022516

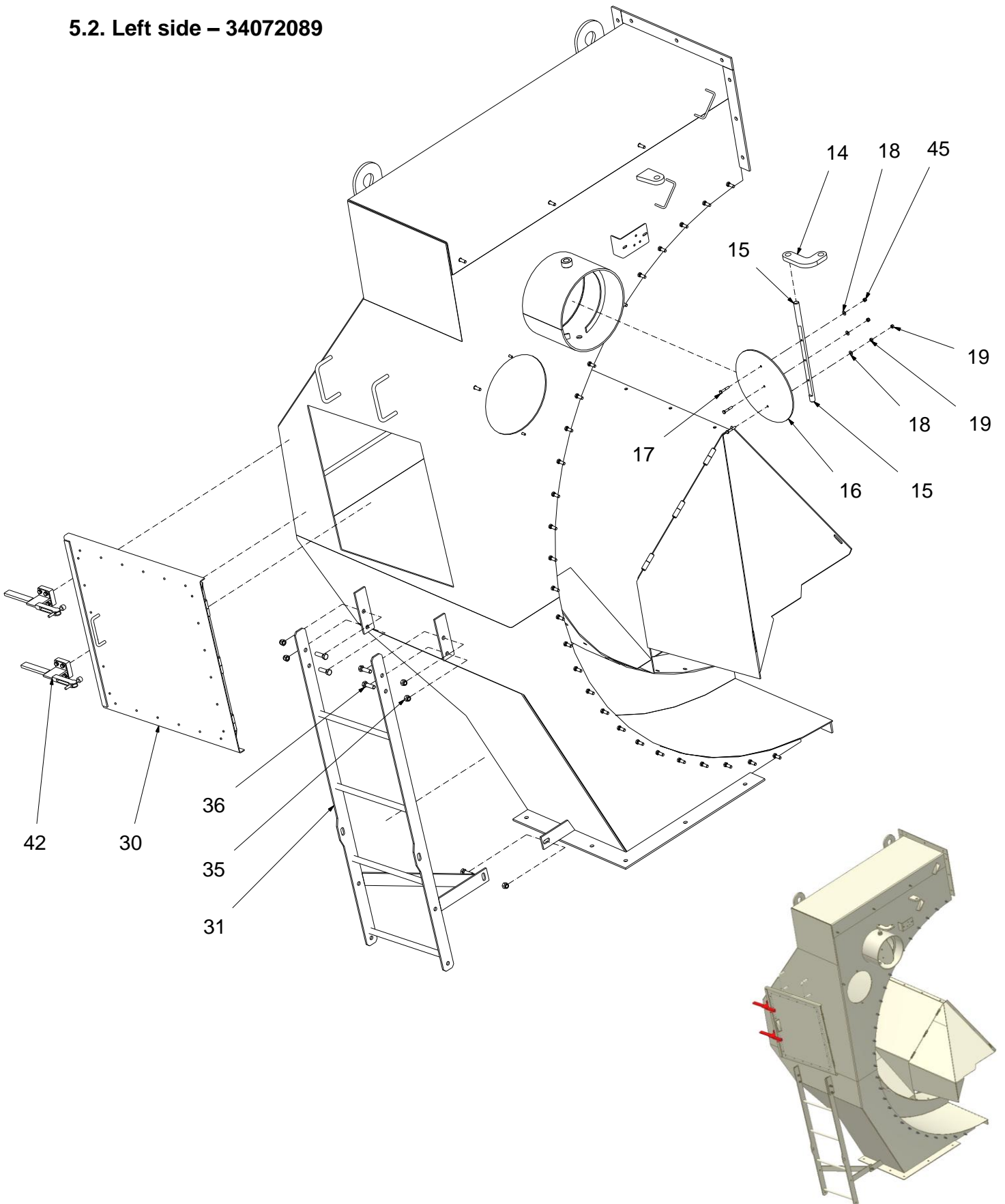


06 – Kit de reparo – 28046051
(S) Kit de vedación
(E) Seal kit

5.1. Pneumatic cylinder – 34022516

Item	Code	Description	Quantity
01	30015377	Ferrule	01
02	28029423	Ferrule	02
03	28022483	Cylinder	01
04	24000256	Socket hexagon cap bolt	04
05	30031153	Support lid	01
06	28046051	Repair kit	---

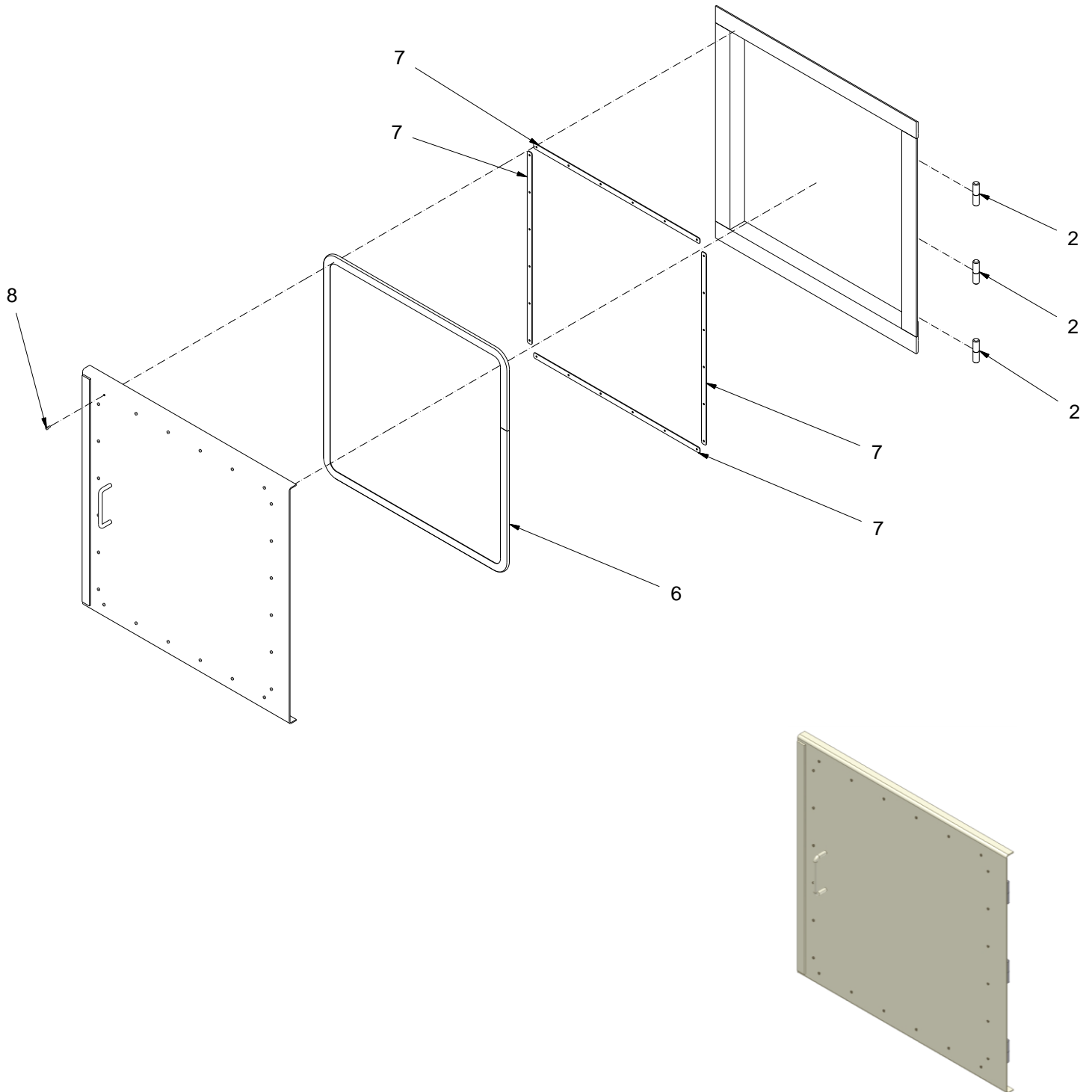
5.2. Left side – 34072089



5.2. Left side – 34072089

Item	Code	Description	Quantity
14	30097394	Lever	01
15	38075549	Axle	01
16	30002222	Butterfly valve	01
17	24022285	Bolt	03
18	24000071	Washer	03
19	24000111	Nut	02
30	34080658	◀ Inspection door	01
31	34080675	Dadder	01
35	24006986	Nut	05
36	24000276	Bolt	05
42	34080680	Spring clamp	02
45	24083353	Nut	02

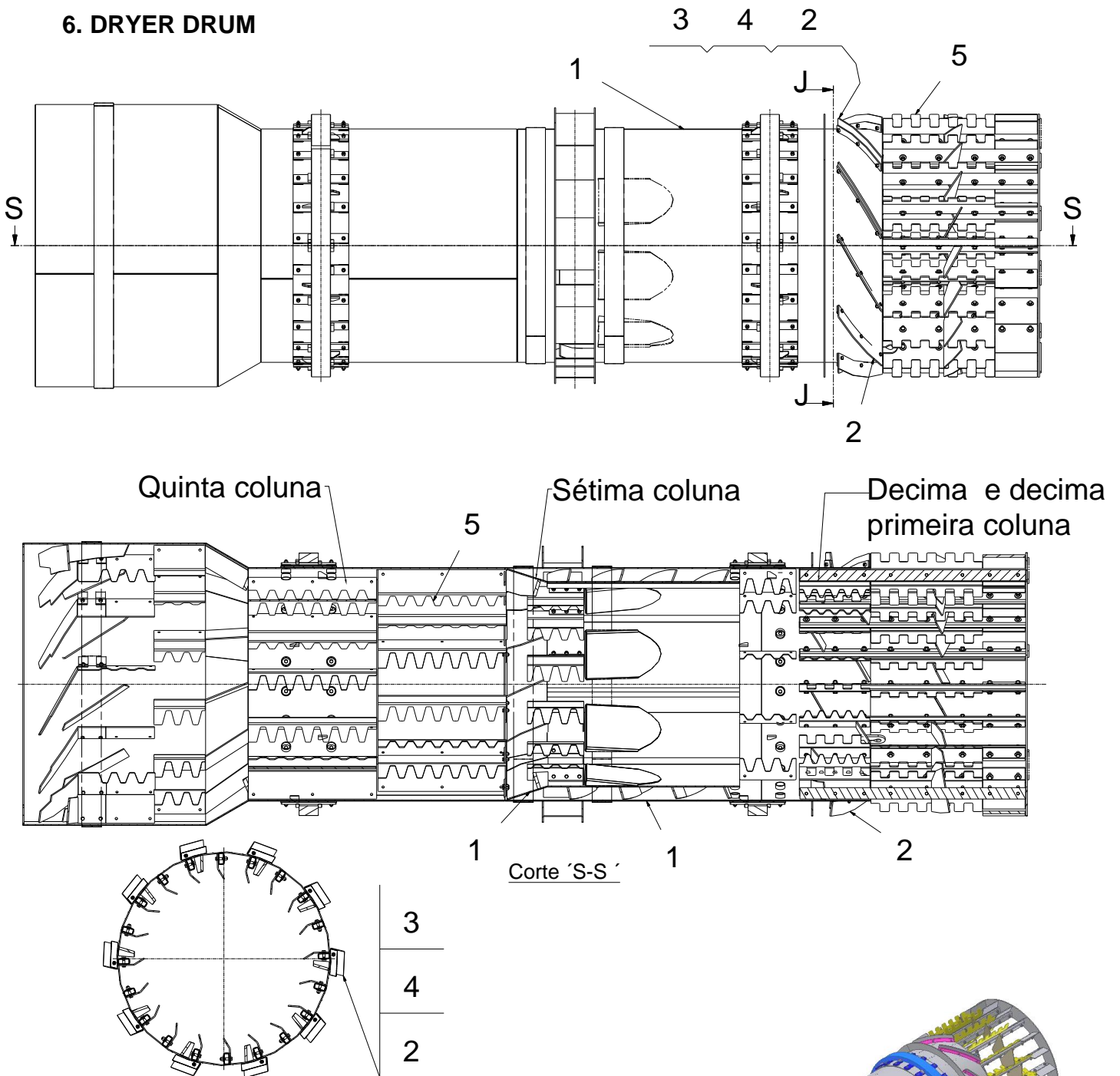
5.2.1. Inspection door – 34080658



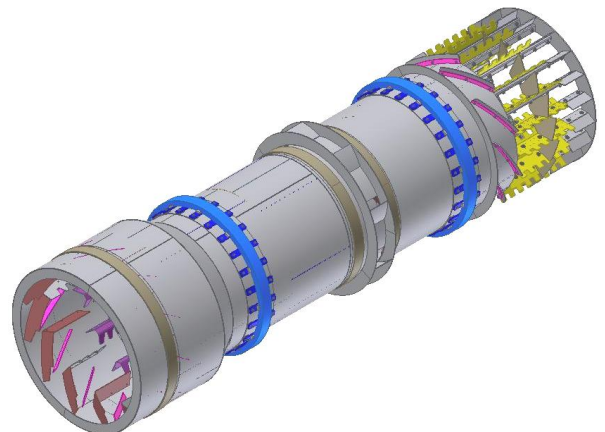
5.2.1. Inspection door – 34080658

Item	Code	Description	Quantity
02	34027493	Hinge	03
06	30080718	Rubber	01
07	30080717	Fastener	04
08	24010985	Rivet	24

6. DRYER DRUM



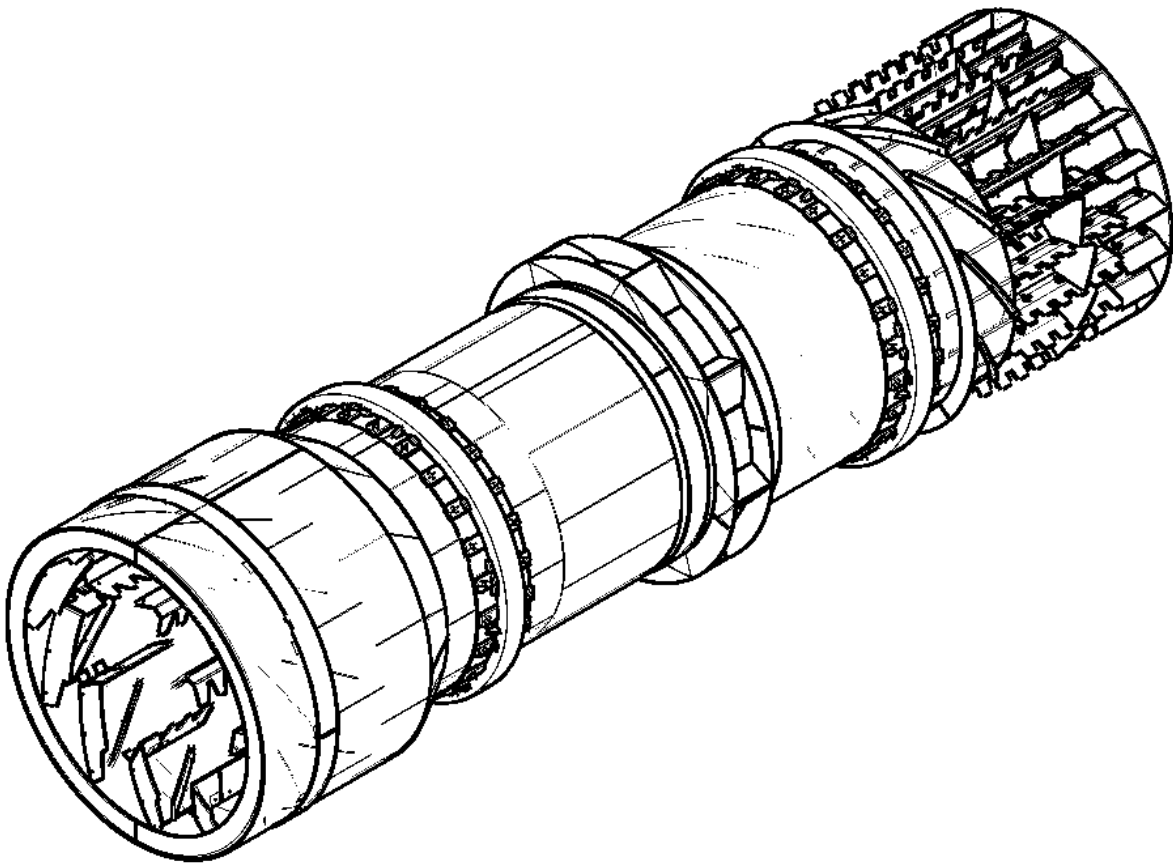
J-J - Decima e décima primeira coluna de palhetas



6. DRYER DRUM

Item	Code	Description	Quantity
01	34083542	Frame	01
02	40079582	Flight	10
03	24079573	Nut	30
04	24006981	Bolt	30
05	34083543	◀ Development drum mixer drawing	01

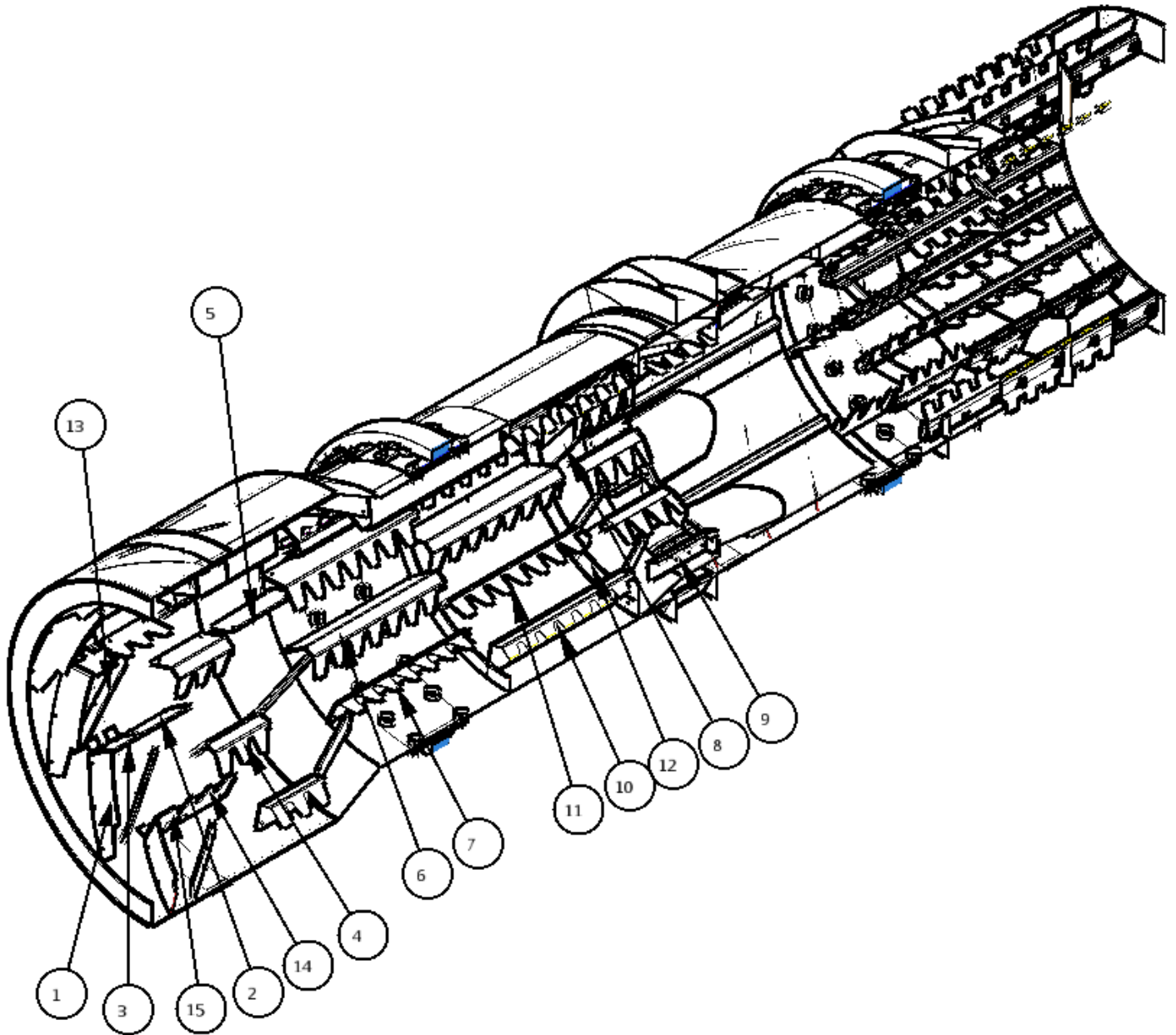
6.1. Development drum mixer drawing - 34083543



6.1. Development drum mixer drawing - 34083543

Item	Code	Description	Quantity
01	---	◀Drying blade	01
02	---	◀Mixing blade	01
10	24006981	Bolt	60
11	24079573	Nut	60
18	24033819	Bolt	160
19	24000352	Washer	260
20	24006984	Nut	160
24	30098790	Closing	08
26	30079570	Support	24
29	24006981	Bolt	24
30	24079573	Nut	24

6.1.1. Drying Blade



6.1.1. Drying Blade

Item	Code	Description	Quantity
01	34099078	←SAE 1020	01
02	34099079	←SAE 1045	01
03	34099080	←SS 400 AR	01

SAE 1020 - 34099078

Item	Código	Description	Quantity
01	30089448	Input blade dryer Ø 2200	12
02	30095050	Blade 8,0x25x380	06
03	30095006	Blade 8,0x225x220	06
04	30055398	Teethed blade L=400 Ø 1500	12
05	30070707	Unión blade Ø 2200/1800	12
06	30020417	Teethed blade Ø 1795	06
07	30059735	Teethed blade 267x1000	06
08	30079578	Union blade	12
09	34089447	Teethed blade 304X440	12
10	34089445	Teethed blade dryer Ø 1795	06
11	34089446	Teethed blade 267X1000	06
12	30087754	Flange	12
13	30087758	Blade input smallest	12
14	30095049	Blade straight line toothed 225x380	06
15	30095007	Blade straight line semi-toothed 225X220	06

SAE 1045 - 34099079

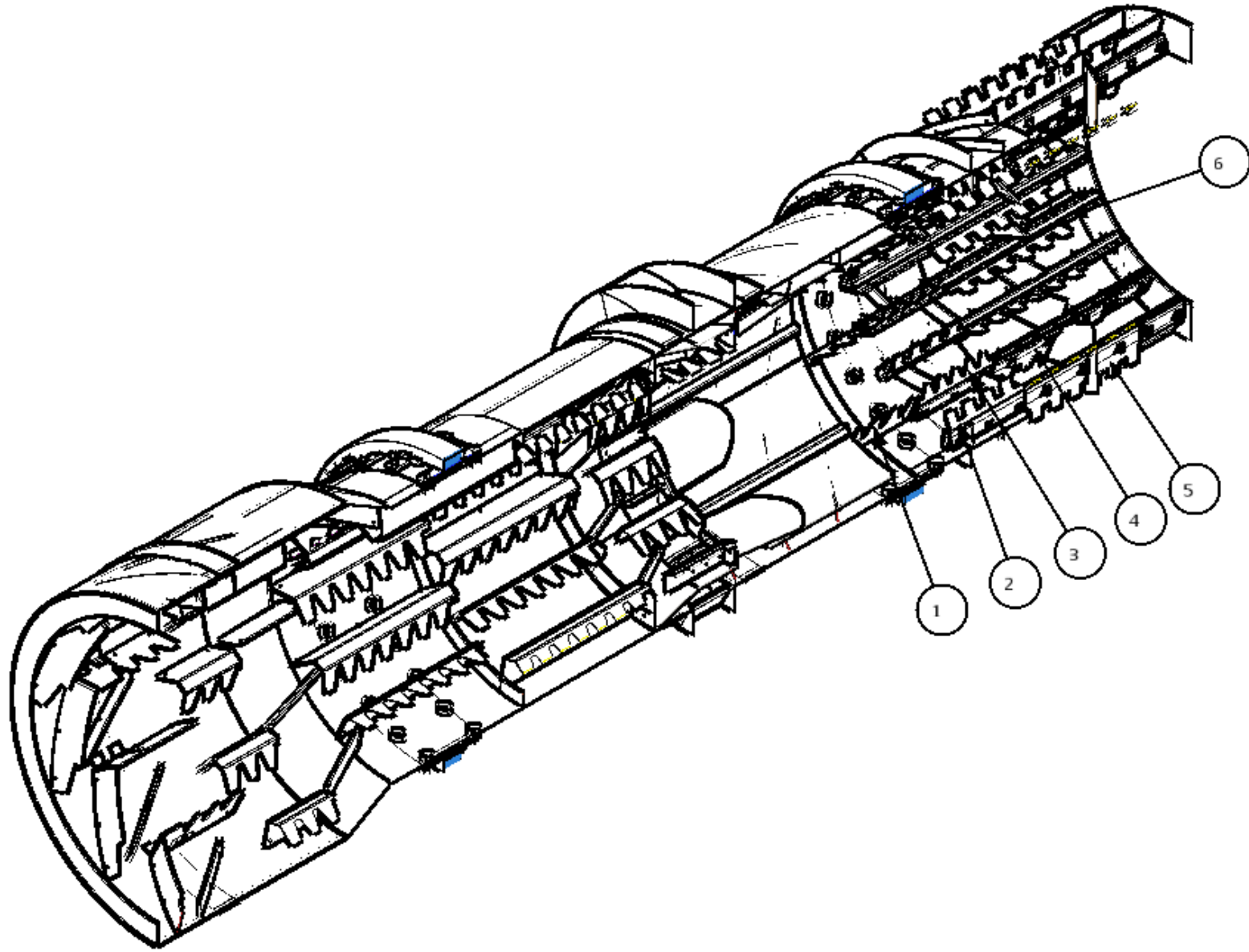
Item	Code	Description	Cantidad
01	30099030	Input blade dryer Ø 2200	12
02	30099032	Blade 8,0x25x380	06
03	30099042	Blade 8,0x225x220	06
04	30099029	Teethed blade L=400 Ø 1500	12
05	30099033	Unión blade Ø 2200/1800	12
06	30099035	Teethed blade Ø 1795	06
07	30099038	Teethed blade 267x1000	06
08	30098796	Union blade	12
09	34098797	Teethed blade 304X440	12
10	34099034	Teethed blade dryer Ø 1795	06
11	34099037	Teethed blade 267X1000	06
12	30099040	Flange	12
13	30099041	Blade input smallest	12
14	30099031	Blade straight line toothed 225x380	06
15	30099043	Blade straight line semi-toothed 225X220	06

SS 400 AR - 34099080

Item	Code	Description	Quantity
01	30099049	Input blade dryer Ø 2200	12
02	30099052	Blade 8,0x25x380	06
03	30099064	Blade 8,0x225x220	06
04	30099050	Teethed blade L=400 Ø 1500	12
05	30099053	Unión blade Ø 2200/1800	12
06	30099054	Teethed blade Ø 1795	06
07	30099058	Teethed blade 267x1000	06
08	30099044	Union blade	12
09	38099048	Teethed blade 304X440	12
10	38099057	Teethed blade dryer Ø 1795	06
11	38099061	Teethed blade 267X1000	06
12	30099062	Flange	12
13	30099063	Blade input smallest	12
14	30099051	Blade straight line toothed 225x380	06
15	30099065	Blade straight line semi-toothed 225X220	06

Page intentionally blank.

6.1.2. Aletas de Mezcla



6.1.2. Aletas de Mezcla

Item	Code	Description	Quantity
01	34099081	←SAE 1020	01
02	34099082	←SAE 1045	01
03	34099303	←SS 400 AR	01

**SAE 1020 - 34099081**

Item	Código	Description	Quantity
01	30057783	Blade straight line toothed 200x440	10
02	34076934	Shovel Toothed smaller rectangular	10
03	34076936	Shovel smallest chainring	10
04	34083545	Shovel Toothed right rectangular	10
05	34083544	Shovel Toothed left rectangular	10
06	30075087	Blade output	20

SAE 1045 - 34099082

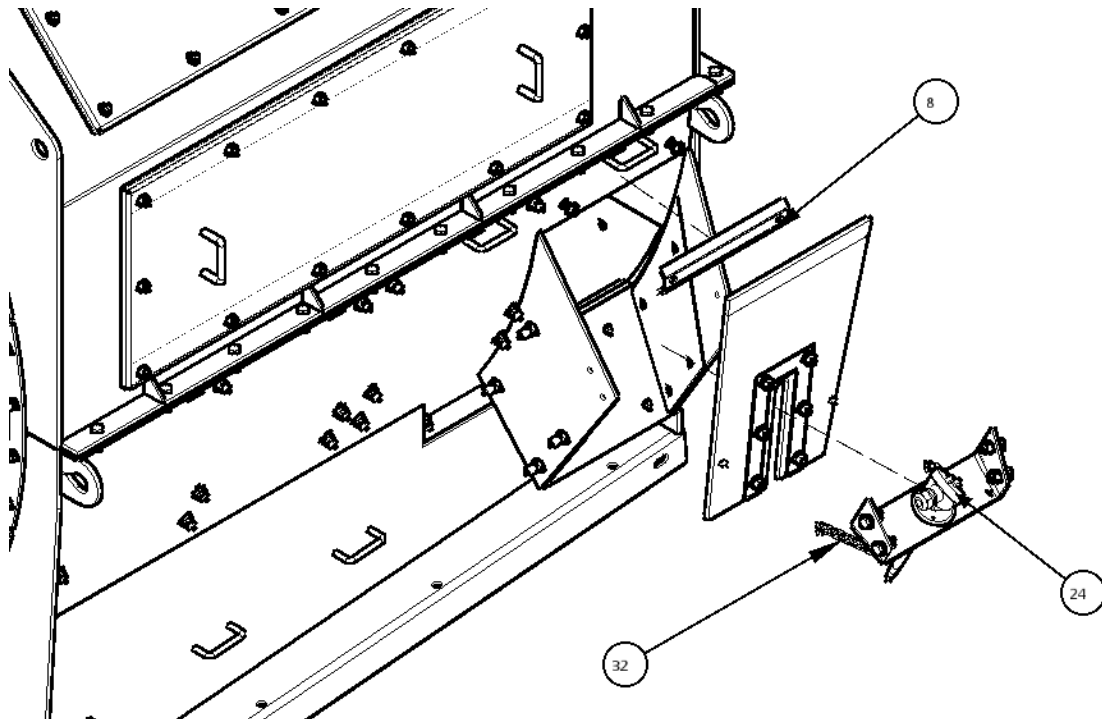
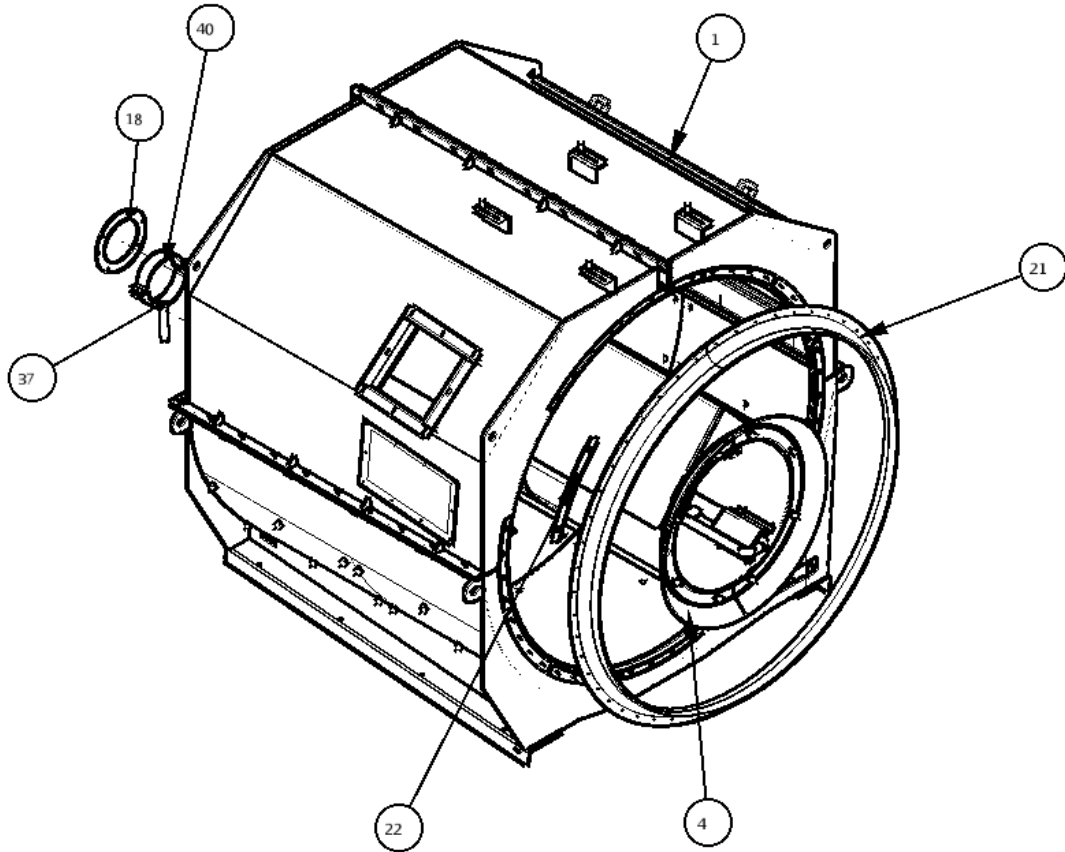
Item	Code	Description	Quantity
01	30099074	Blade straight line toothed 200x440	10
02	34099070	Shovel Toothed smaller rectangular	10
03	34099068	Shovel smallest chainring	10
04	34099076	Shovel Toothed right rectangular	10
05	34099073	Shovel Toothed left rectangular	10
06	30099077	Blade output	20

**SS 400 AR - 34099303**

Item	Código	Description	Quantity
01	38083400	Blade straight line toothed 200x440	10
02	38083398	Shovel Toothed smaller rectangular	10
03	38081334	Shovel smallest chainring	10
04	38099316	Shovel Toothed right rectangular	10
05	38099317	Shovel Toothed left rectangular	10
06	30081307	Blade output	20

Page intentionally blank.

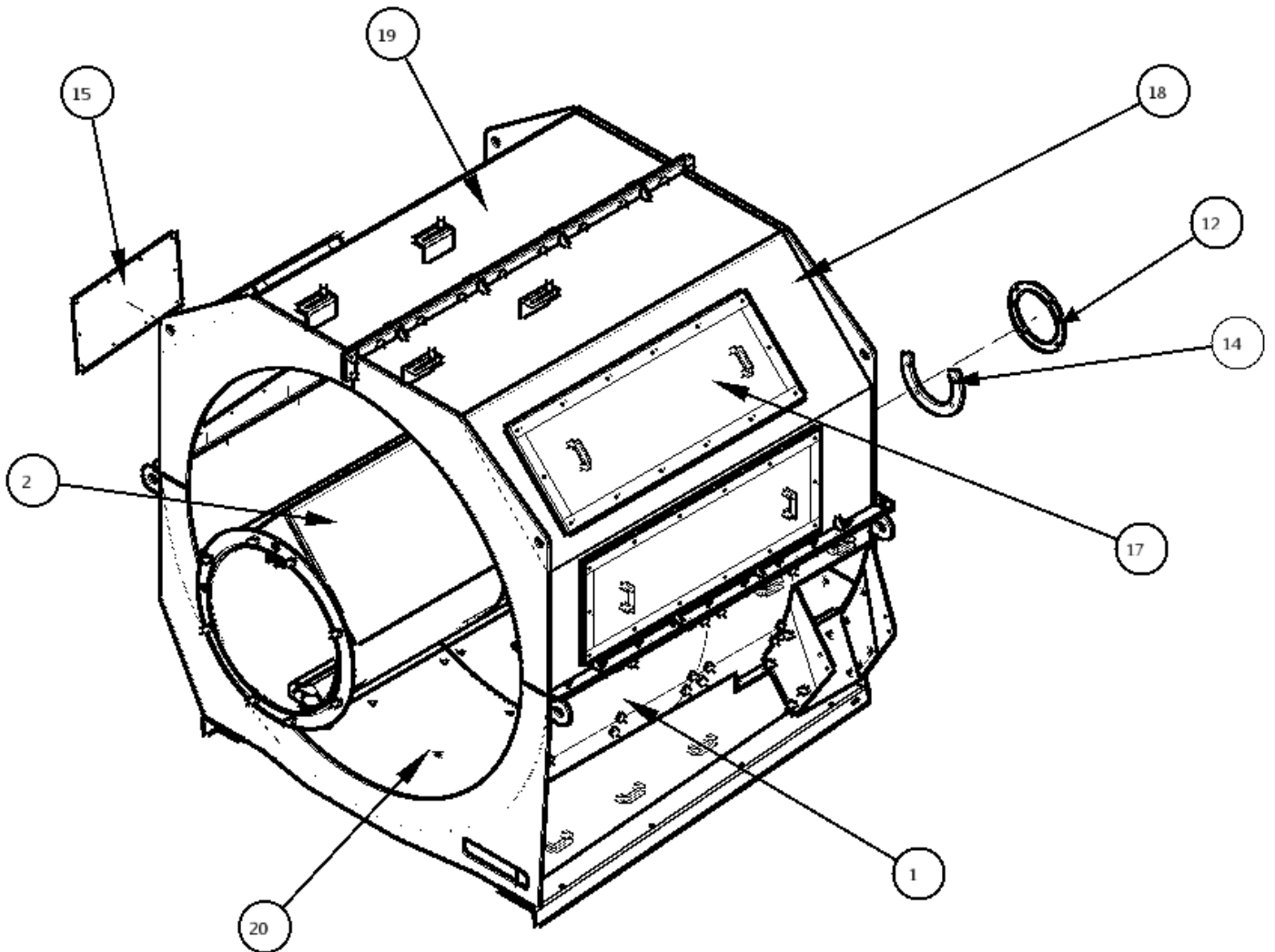
7. COMBUSTION CHAMBER – 34069293



7. Combustion Chamber – 34069293

Item	Code	Description	Quantity
01	34118960c	◀Combustion Chamber Frame	01
03	30083354	Lid / Cover	01
04	34060180c	Cone	02
07	24091821	Nut	16
08	30005377c	Fastener	01
09	24000350	Washer	82
18	30092602	Seal	01
21	30079665	Brace	01
22	30080069	Clamp	12
23	24080479	Nut	48
24	34087799	PT 100	01
25	24006979	Bolt	04
26	24000080	Washer	04
27	24117236	Nut	04
32	40011767	Chain	0,25m
33	24000195	Bolt	04
34	24011852	Washer	06
35	24000354	Washer	04
36	24000311	Nut	04
37	34112979	Support	01
38	24000317	Nut	02
39	24000353	Washer	02
40	30109605	Fastener	01
41	24000277	Bolt	02
42	24000029	Washer	02
43	24000017	Washer	02

7.1. Combustion Chamber Frame – 34118960c



7.1. Combustion Chamber Frame – 34118960c

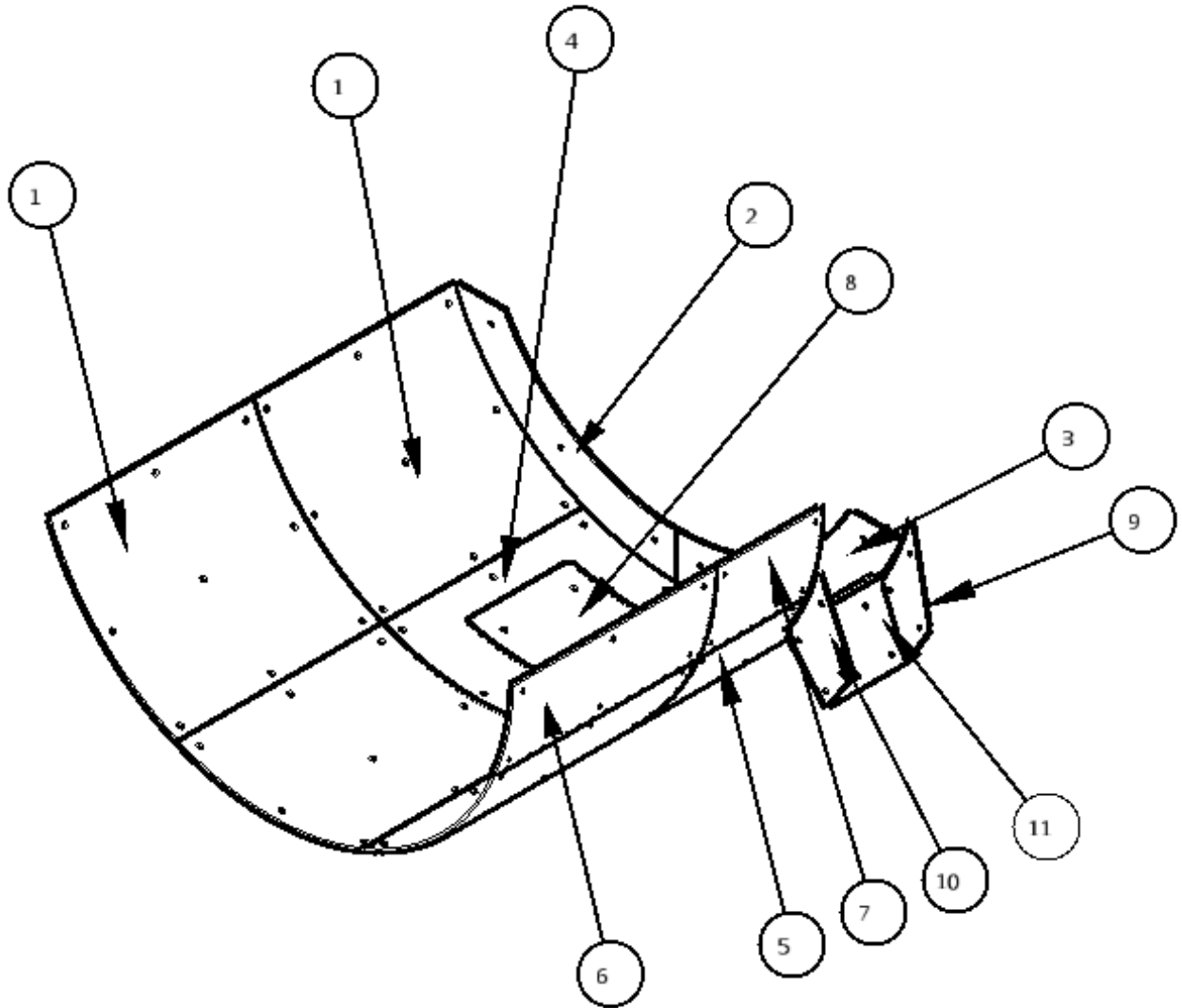
Item	Code	Description	Quantity
01	34069333	Bottom frame	01
02	34075819	Duct	01
03	24000276	Bolt	41
04	24091821	Nut	56
05	24000350	Washer	30
06	24000065	Washer	40
07	24000017	Washer	94
08	24000029	Washer	10
09	24000355	Washer	11
10	24005005	Washer	11
11	24051034	Bolt	11
12	30092601	Flange	01
13	24000277	Bolt	10
14	30092600	Flange	01
15	30096812	Lid / Cover	01
16	24000272	Bolt	10
17	34115911	Lid / Cover	02
18	34115916	Left Top frame	01
19	34115915	Right Top frame	01
20	---	◀Wear Plate	01
31	24070111	Bolt	18
32	24094939	Bolt	66
33	24006986	Nut	99
34	24006953	Bolt	28
35	24084474	Nut	30

7.1.1. Wear Plate

Item	Code	Description	Quantity
01	34119032	←SAE 1020	01
02	34119033	←SAE 1045	02
03	34119031	←SS 400 AR	03

Page intentionally blank.

7.1.1. Wear Plate



SAE 1020 – 34119032

Item	Code	Description	Quantity
01	30119011	Wear plate	04
02	30119012	Right internal wear plate	01
03	30119013	Left internal wear plate	01
04	30119014	Bigger wear plate inferior cover	01
05	30119015	Smaller wear plate	01
06	30119016	Wear plate	01
07	30119017	Wear plate	01
08	30119018	Inferior cover wear plate	01
09	30119019	Wear plate right side chute output	01
10	30119020	Wear plate right side chute output	01
11	30119035	Wear plate chute output	01

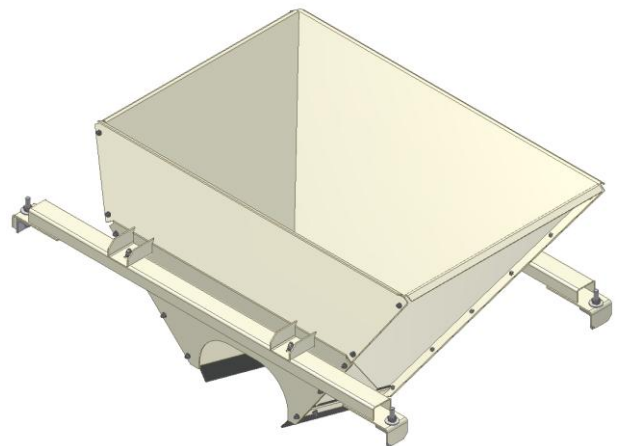
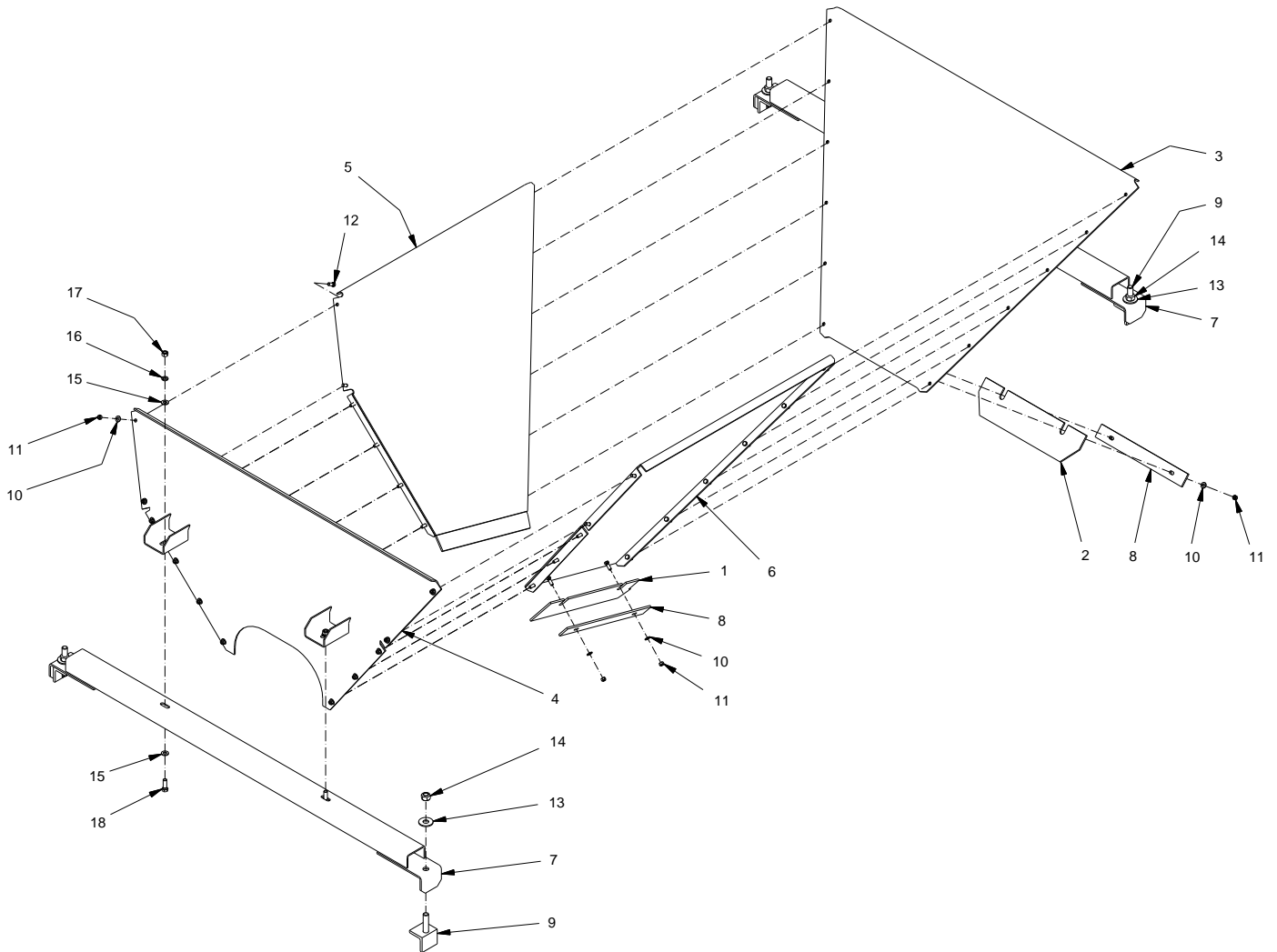
SAE 1045 – 34119033

Item	Code	Description	Quantity
01	30119021	Wear plate	04
02	30119022	Right internal wear plate	01
03	30119023	Left internal wear plate	01
04	30119024	Bigger wear plate inferior cover	01
05	30119025	Smaller wear plate	01
06	30119026	Wear plate	01
07	30119027	Wear plate	01
08	30119028	Inferior cover wear plate	01
09	30119029	Wear plate right side chute output	01
10	30119030	Wear plate right side chute output	01
11	30119034	Wear plate chute output	01

SS 400 AR - 34119031

Item	Code	Description	Quantity
01	30119001	Wear plate	04
02	30119002	Right internal wear plate	01
03	30119003	Left internal wear plate	01
04	30119004	Bigger wear plate inferior cover	01
05	30119005	Smaller wear plate	01
06	30119006	Wear plate	01
07	30119007	Wear plate	01
08	30119008	Inferior cover wear plate	01
09	30119009	Wear plate right side chute output	01
10	30119010	Wear plate right side chute output	01
11	30119036	Wear plate chute output	01

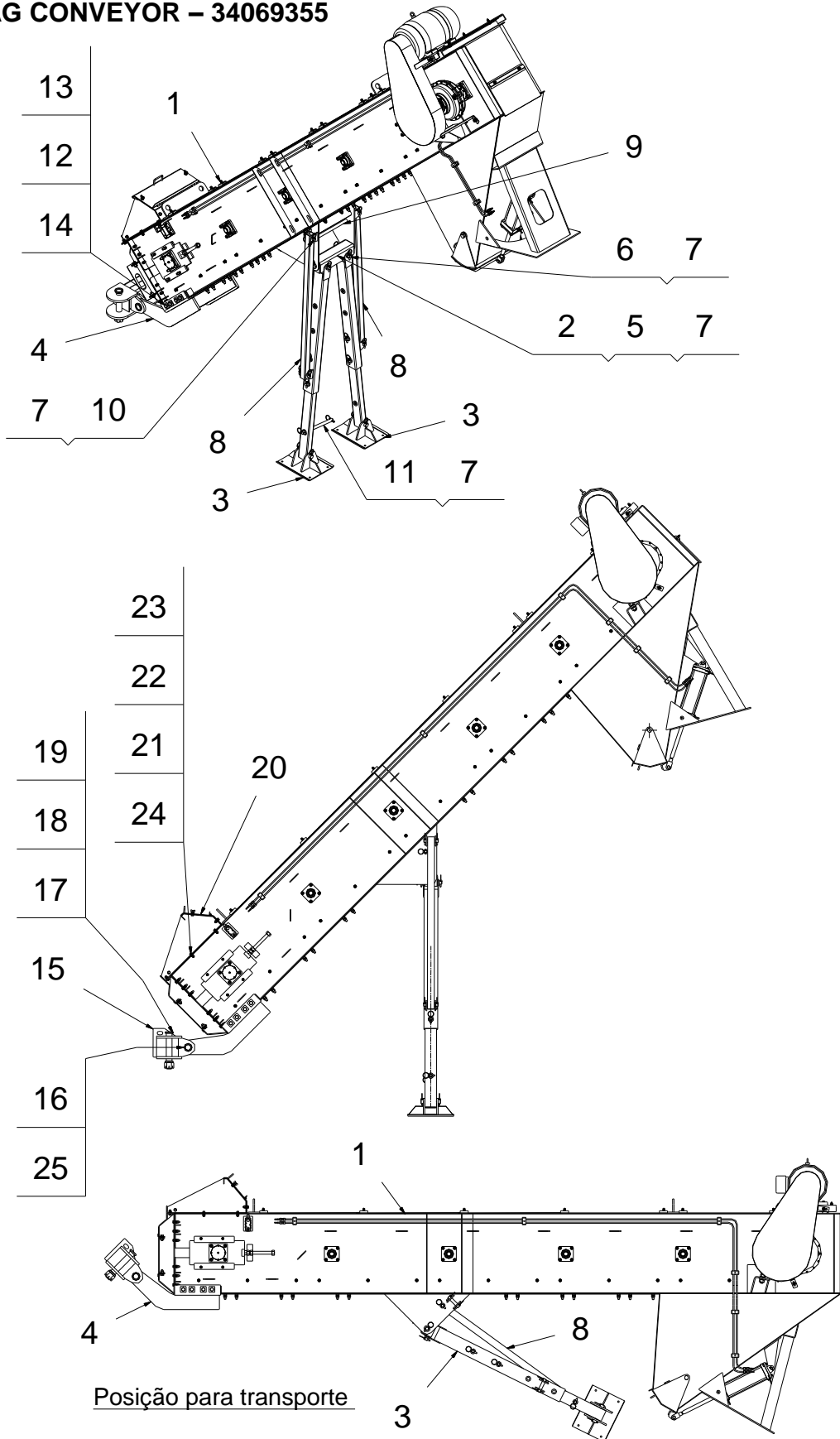
8. CHUTE – 34110968



8. CHUTE – 34110968

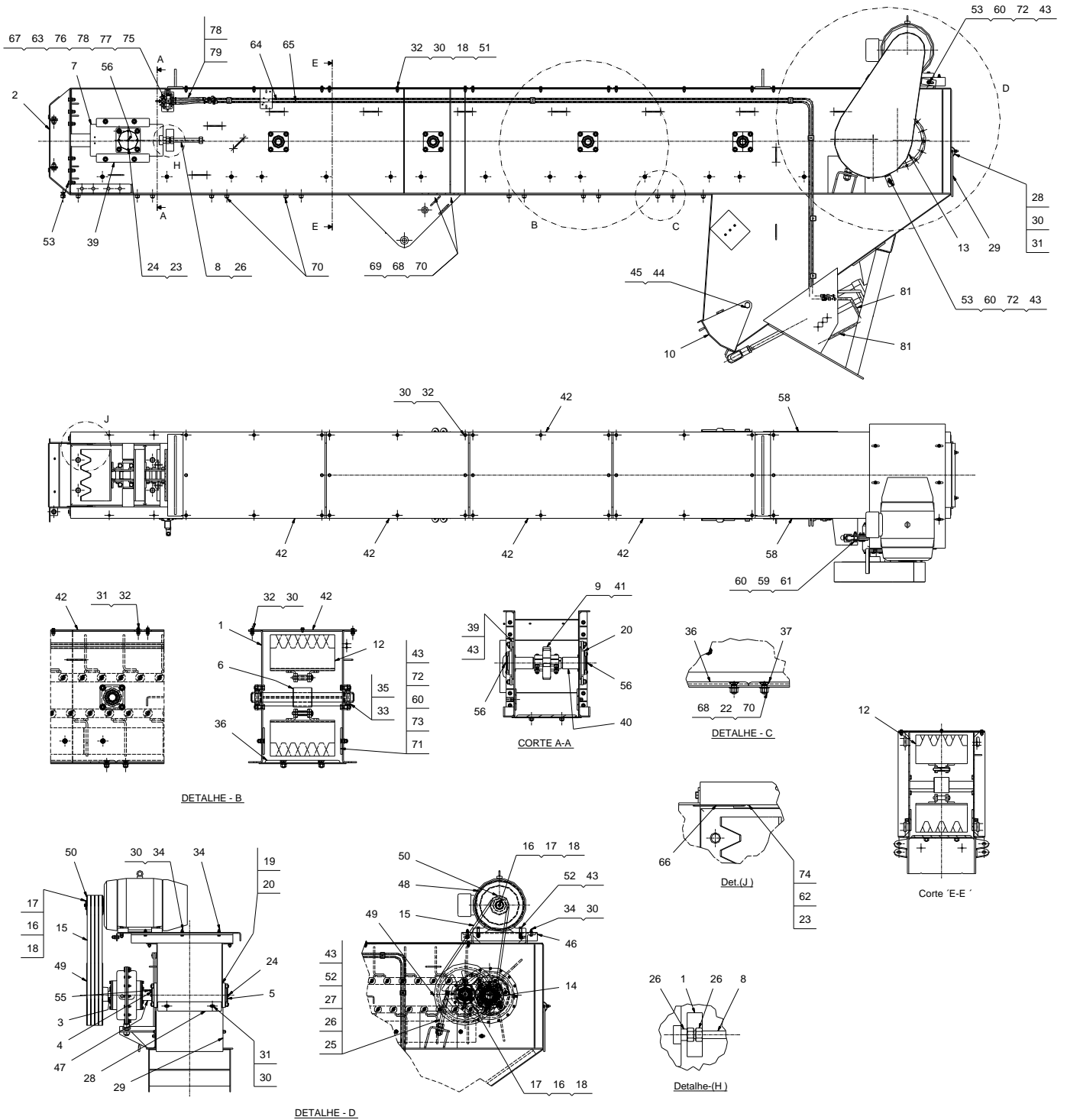
Item	Code	Description	Quantity
01	30111113	Lateral guide	02
02	30111114	Rear guide	01
03	34110969	Rear closing	01
04	34110971	Frontal closing	01
05	34110972	Right lateral closing	01
06	34110973	Left lateral closing	01
07	34110974	Cross bar	02
08	30111115	Fastener	03
09	34026501	Fastener	04
10	24000350	Washer	29
11	24000343	Nut	29
12	24000272	Bolt	23
13	24000352	Washer	04
14	24079864	Nut	04
15	24000017	Washer	08
16	24000029	Washer	04
17	24091821	Nut	04
18	24000275	Bolt	04

9. DRAG CONVEYOR – 34069355



9. DRAG CONVEYOR – 34069355

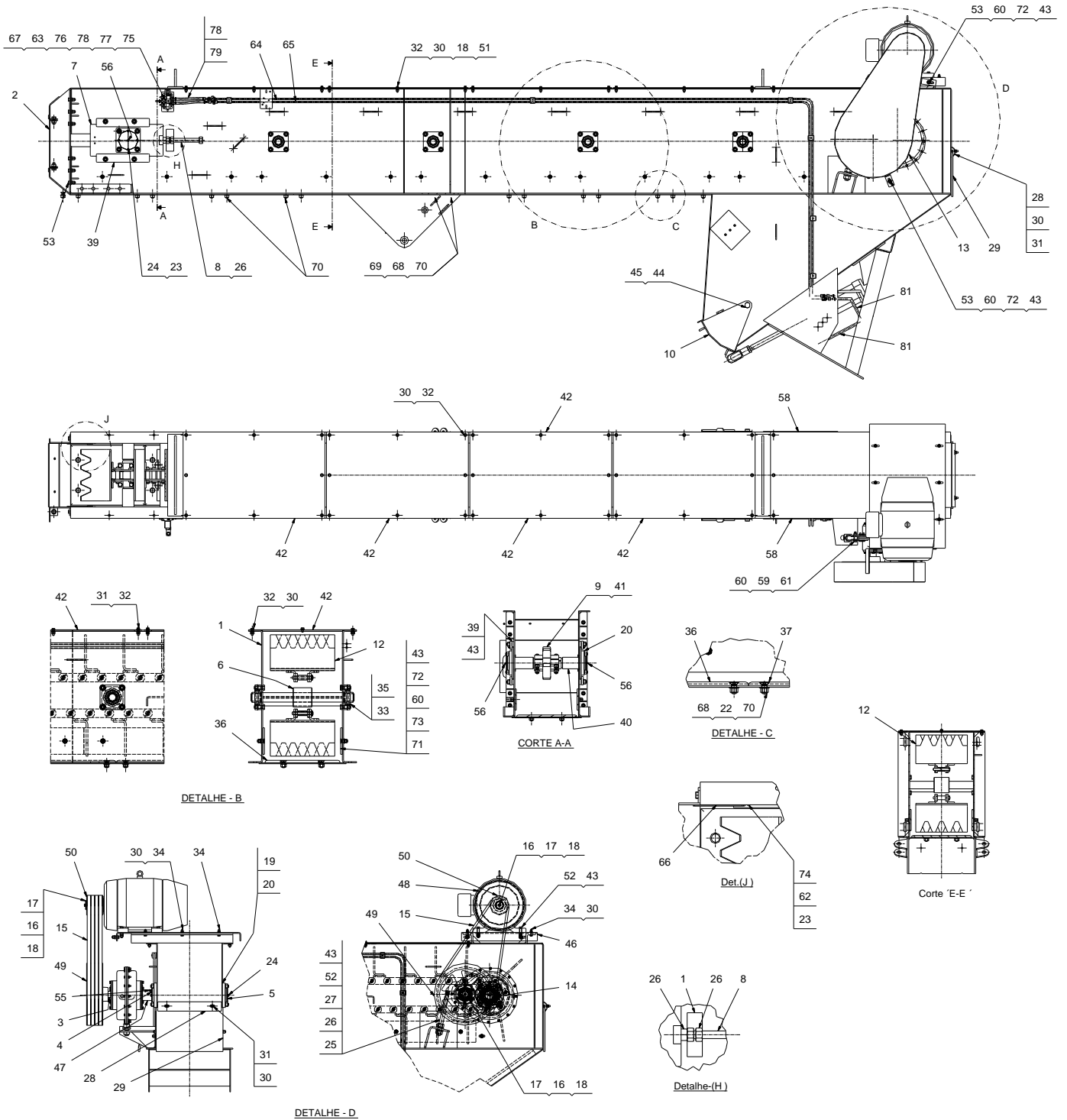
Item	Code	Description	Quantity
01	34069356	◀ Drag conveyor frame	01
02	34079980	Joint	01
03	34079962	Foot	02
04	34071079	Support	01
05	30079973	Pin	01
06	30079984	Pin	02
07	24079965	Pin	14
08	34079977	Bar	02
09	30079971	Pin	01
10	30080249	Pin	02
11	30079976	Pin	01
12	30026700	Washer	16
13	24079864	Nut	08
14	24038238	Bolt	08
15	34069934	Support	01
16	34071194	Pin	02
17	26100374	Pin	01
18	30071191	Washer	01
19	24025266	Nut	01
20	34100221	Chute	01
21	24000017	Washer	08
22	24000029	Washer	04
23	24000313	Nut	04
24	24000275	Bolt	04
25	24035648	Cotter pin	02

9.1. Drag conveyor frame – 34069356


9.1. Drag conveyor frame – 34069356

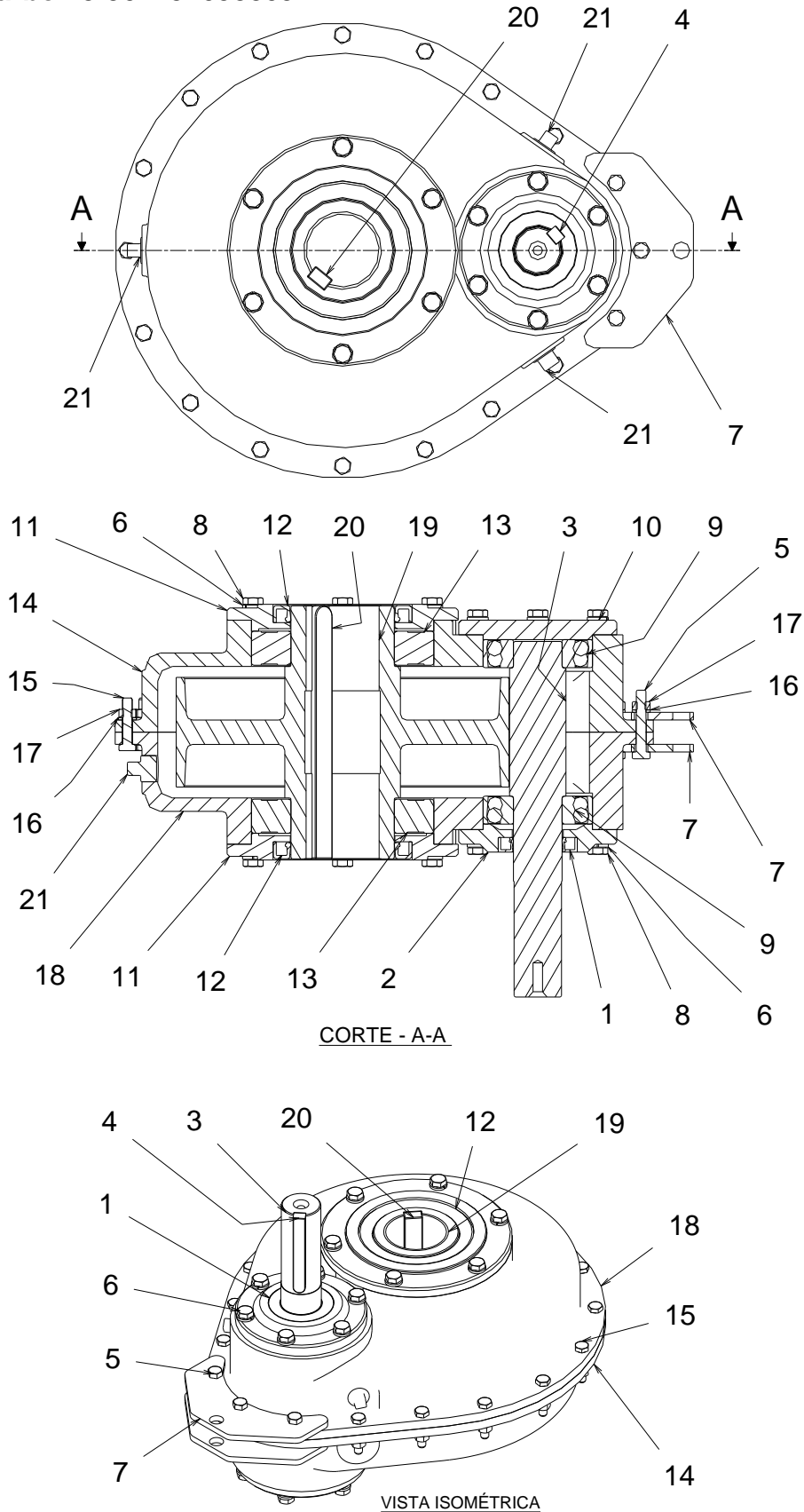
Item	Code	Description	Quantity
01	34069357c	Chassis	01
02	34087627	Chute	01
03	34058809	◀ Gearbox 3:90 axle 60mm	01
04	38075779	Lid	01
05	38075780	Lid	03
06	34005691	Axle	04
07	34013188c	Sleeve bearing support	02
08	34013191	Screw	02
09	38087455	Gear	02
10	34006789c	Floodgate	01
11	34111013	Pneumatic cylinder	01
12	34070540	Drag mixer	01
13	34070550c	Protection	01
14	38075778	Axle	01
15	---	◀ Drag conveyor drive	01
16	24000272	Bolt	02
17	30013568	Washer	02
18	24000065	Washer	02
19	26009000	Bearing	04
20	30074262	Sleeve bearing	04
21	24000221	Bolt	37
22	24079573	Nut	90
23	24000072	Washer	20
24	24006700	Bolt	16
25	38075545	Tensionner	01
26	24000317	Nut	06
27	38046061	Washer	02
28	38057088	Fastener	01
29	30013183c	Seal	01
30	24000350	Washer	24
31	24084474	Nut	38
32	24006953	Bolt	38
33	26000702	Sleeve bearing	08
34	24051028	Bolt	06
35	26000726	Bearing	08
36	40007912	Wear Plate	08
37	30070545	Wear Plate	01
38	24076943	Bolt	08
39	30013189c	Jamb	04
40	38075781	Axle	01
41	30074269c	Gib	02
42	30108923c	Lid	04
43	24091821	Nut	83
44	38075552	Pin	02
45	24052515	Nut	02
46	30070546c	Base	01
47	38075782	Bushing	01
48	---	◀ Drag conveyor drive	01
49	26030193	Pulley	01

Continued

9.1. Drag conveyor frame – 34069356


9.1. Drag conveyor frame – 34069356

Item	Code	Description	Quantity
50	---	◀ Drag conveyor drive	01
51	24084474	Nut	38
52	24000278	Bolt	04
53	24000275	Bolt	03
54	24000345	Nut	12
55	28000068	Grease nipple	01
56	28011853	Grease nipple	03
57	24000343	Nut	06
58	30108915c	Lid	01
59	24006986	Nut	01
60	24000017	Washer	37
61	24039025	Bolt	01
62	24000071	Washer	06
63	24083353	Nut	02
64	38098991	Duct	01
65	38098990	Duct	01
66	30097246c	Seal	02
67	24006685	Bolt	02
68	24005005	Washer	04
69	24059393	Nut	04
70	24083144	Bolt	38
71	30096815	Wear Plate	10
72	24000029	Washer	45
73	24083267	Bolt	30
74	24051026	Bolt	04
75	28075277	Spool valve	01
76	28015177	Silencer	02
77	28021451	Connector	03
78	24006852	Clamp	09
79	30058591	Hose	02
80	30058593	Hose	01
81	30058599	Hose	01
82	24000363	Bolt	10

9.1.1. Gearbox 3:90 – 34058809


9.1.1. Gearbox 3:90 – 34058809

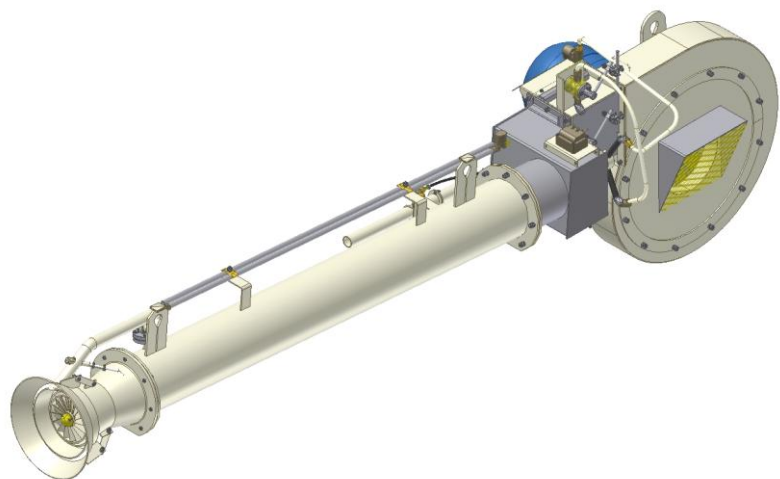
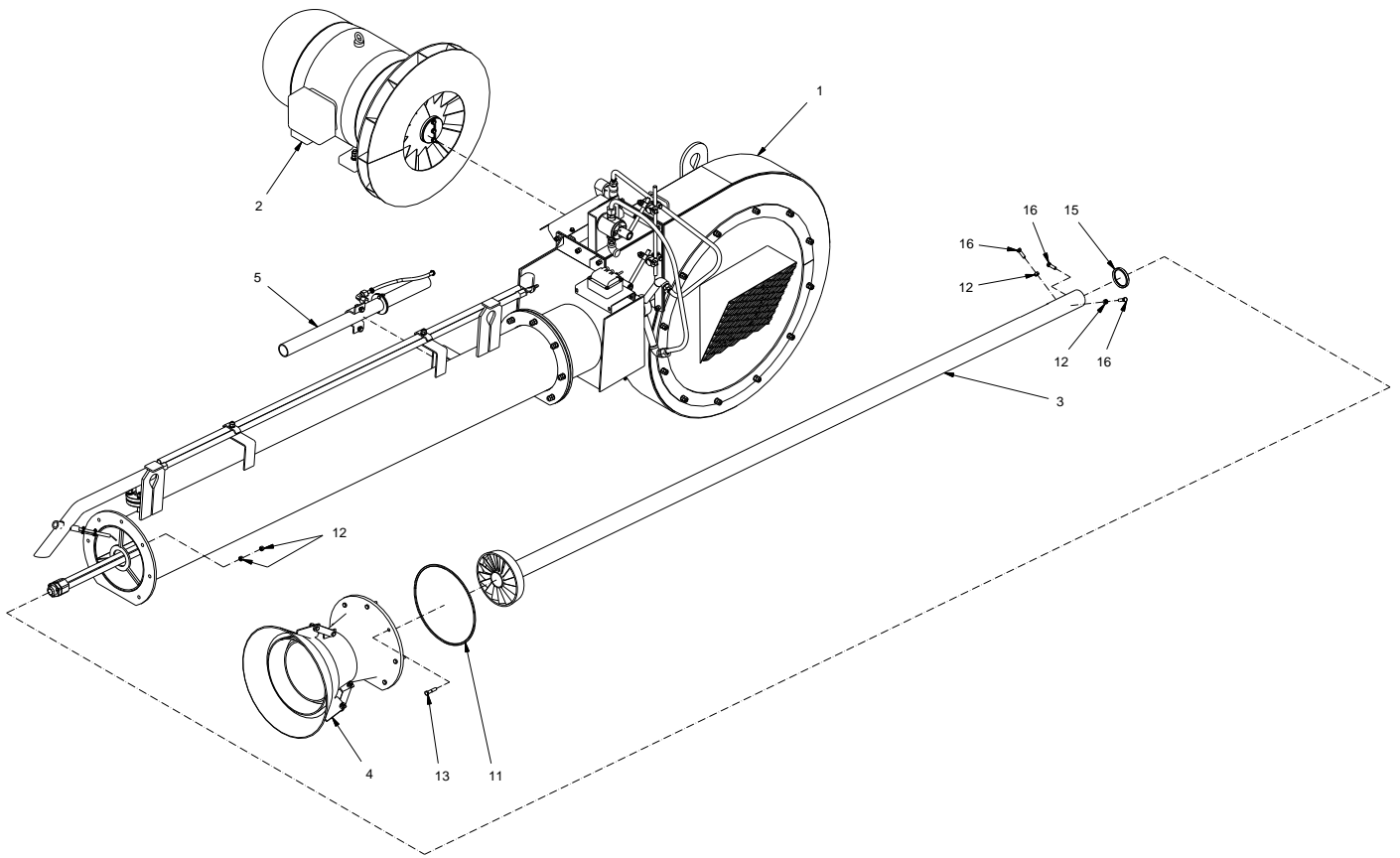
Item	Code	Description	Quantity
01	28058811	Retainer	01
02	30058806	Lid	01
03	30028681	Pinion (nut)	01
04	30000626	Gib	01
05	24011745	Bolt	03
06	24000065	Washer	24
07	30000625	Fastener	02
08	24000272	Bolt	24
09	26000744	Bearing	02
10	30000617	Lid	01
11	30058807	Lid	02
12	28058810	Retainer	02
13	26000738	Bearing	02
14	38071979	Lid	01
15	24044186	Bolt	15
16	24000080	Washer	15
17	24000312	Nut	18
18	38071978	Lid	01
19	38073814	Crown	01
20	30000627	Gib	01
21	28000081	Plug	03

9.1.2. Drag conveyor drive

See catalog of drives

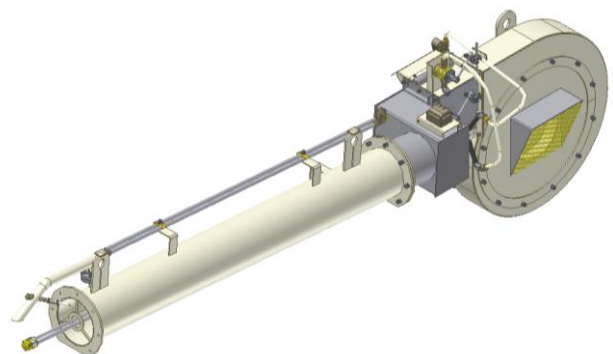
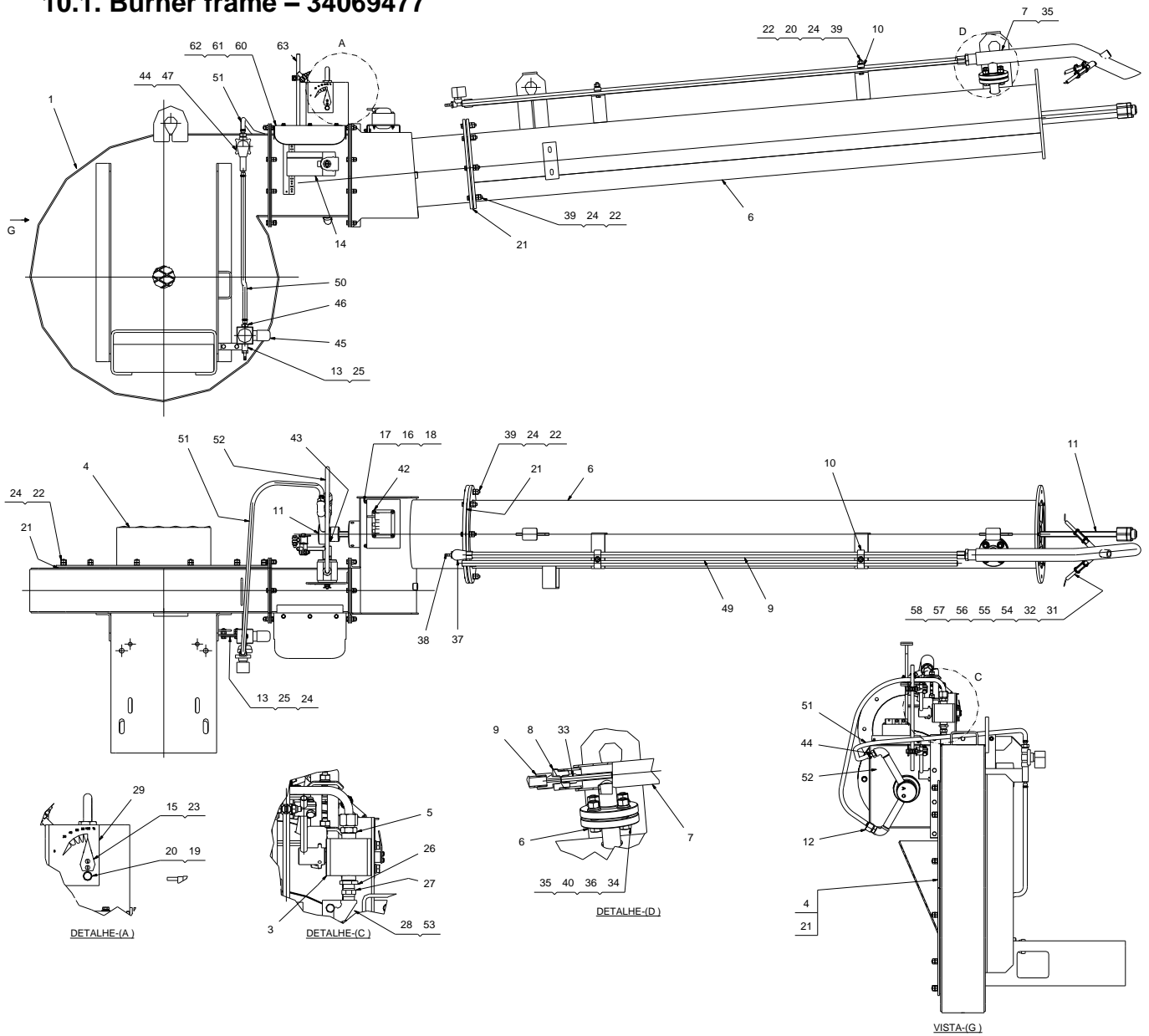
Page intentionally blank.

10. BURNER CF-04 – 34069476



**10. BURNER CF-04 – 34069476**

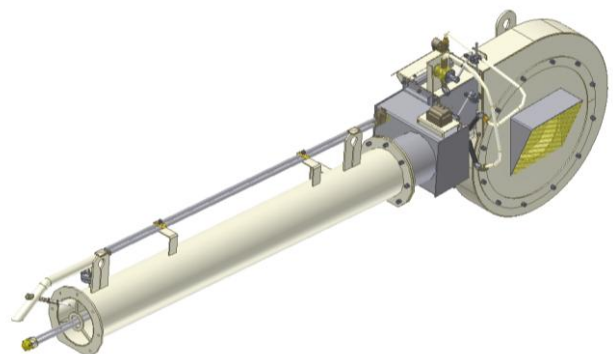
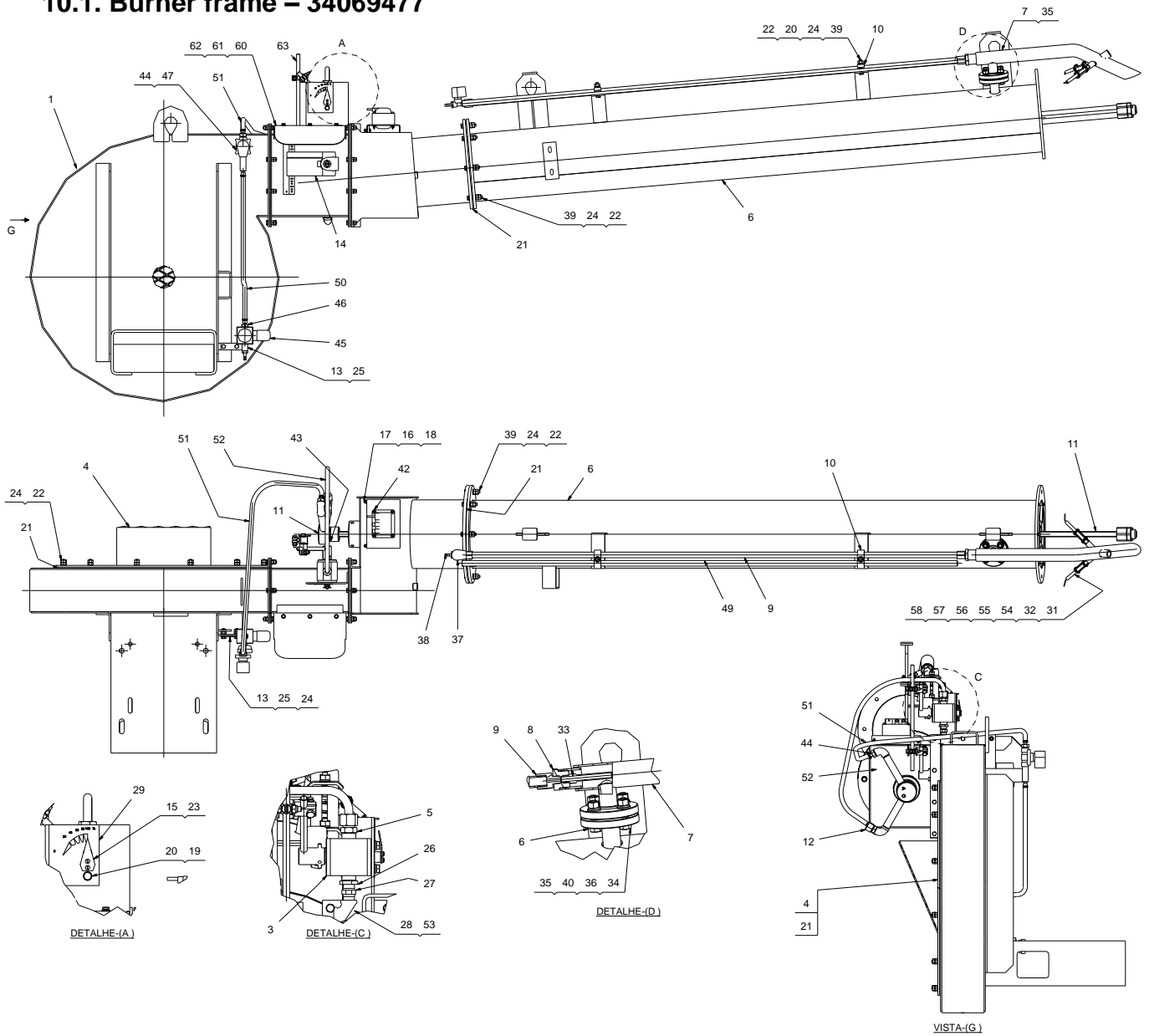
Item	Code	Description	Quantity
01	34069477	◀ Burner frame	01
02	---	◀ Burner drive	01
03	34075838	Turbo blower	01
04	34097250	Output cone – Fuel	01
05	---	◀ Sensor and detector of flame	01
11	30101258	Gasket	01
12	24000022	Nut	17
13	24051029	Bolt	07
15	28017058	Retainer	01
16	24006953	Bolt	03

10.1. Burner frame – 34069477


10.1. Burner frame – 34069477

Item	Code	Description	Quantity
01	34069478	Burner frame	01
03	34026497	◀ Oil valve	01
04	34099309	Lid	01
05	28008502	Joint	01
06	34075830	Prolongation	01
07	34060231	Duct	01
08	38066206	Adapter	01
09	34075832	Duct	01
10	24010512	Clamp	02
11	34075831	◀ Oil sprayer injector	01
12	28008500	Joint	01
13	34030677	Connection	01
14	22096077	Honeywell actuator	01
15	30026899	Ferrule	01
16	24006882	Washer	02
17	24000251	Bolt	02
18	24000327	Nut	02
19	24000272	Bolt	02
20	24000065	Washer	02
21	40085910	Gasket	---
22	24084474	Nut	44
23	24006959	Bolt	02
24	24000350	Washer	30
25	24006953	Bolt	02
26	28030774	Bushing	01
27	28009426	Nipple	01
28	28018303	Elbow	01
29	24026591	Informative plate	01
30	30018932	Seal	01
31	22055064	Electrode	02
32	24006923	Clamp	04
33	30002609	Peak	01
34	24000277	Bolt	04
35	24091821	Nut	04
36	24000017	Washer	04
37	28075275	Solenoid valve	01
38	38075572	Connector	01
39	24000273	Bolt	09
40	24000029	Washer	04
41	24051028	Bolt	02
42	34075927	Current Transformer	01
43	28026498	Ring	01
44	28019479	Connector	02
45	28030970	Pressure regulating valve	01
46	28019491	Connector	01
47	28075276	Solenoid valve	01
48	24006852	Clamp	04
49	30075834	Pipe	01
50	30067951	Hose	01

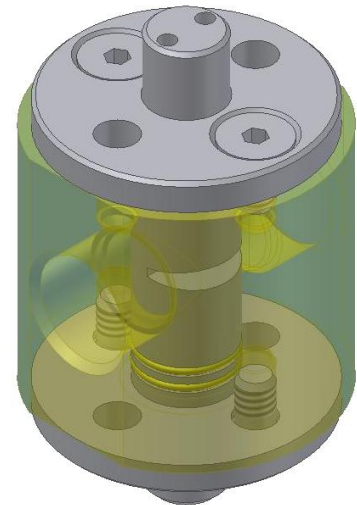
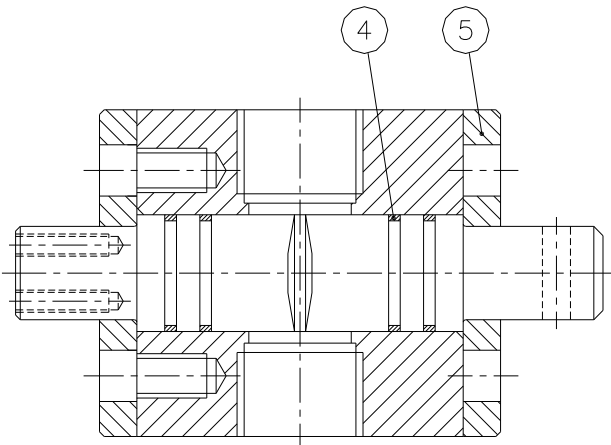
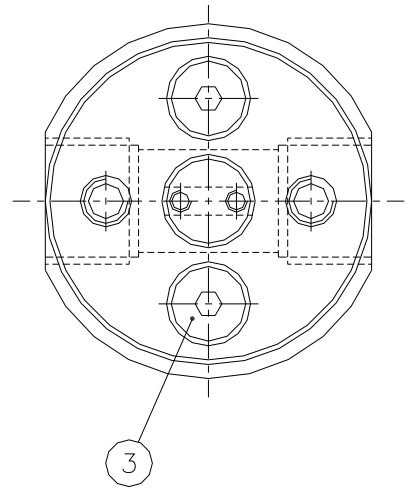
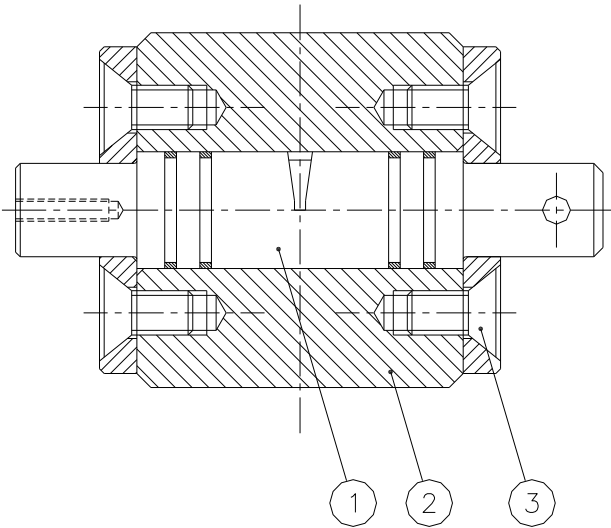
Continued

10.1. Burner frame – 34069477


10.1. Burner frame – 34069477

Item	Code	Description	Quantity
51	30070923	Hose	01
52	28016202	Hose	01
53	28010305	Pipe	01
54	20056847	Terminal	02
55	22011073	Terminal	02
56	20056848	Electric connection	02
57	22062062	Protection	1,2M
58	40056564	Cable	6M
59	30084841	Protection	01
60	24000071	Washer	03
61	24000072	Washer	03
62	24000198	Bolt	03
63	34084838	◀ Articulation	01

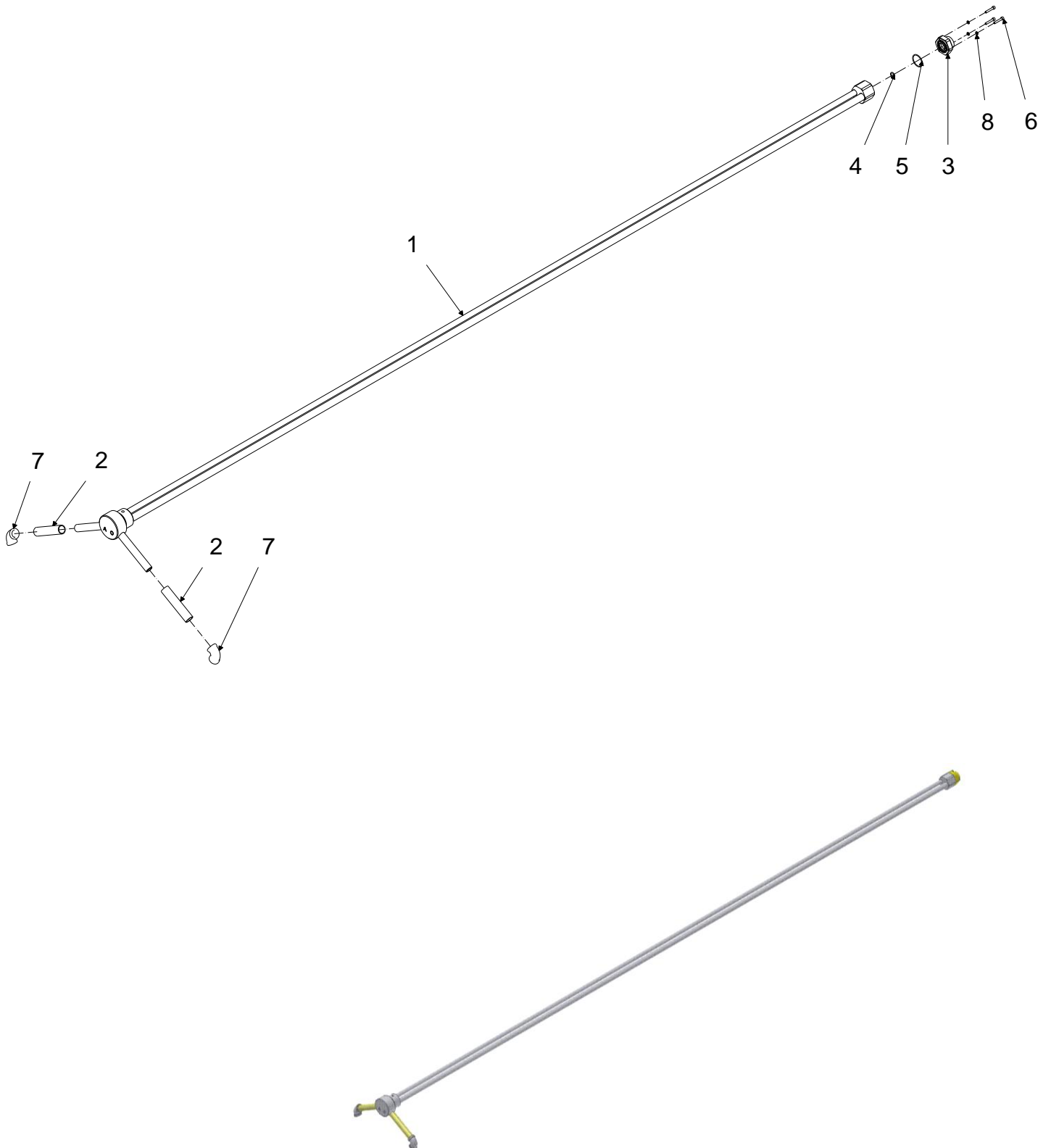
10.1.1. Oil valve – 34026497



10.1.1. Oil valve – 34026497

Item	Code	Description	Quantity
01	30026361	Axle	01
02	30026208	Frame	01
03	24021427	Bolt	04
04	28037069	Ring	04
05	38075599	Lid	02

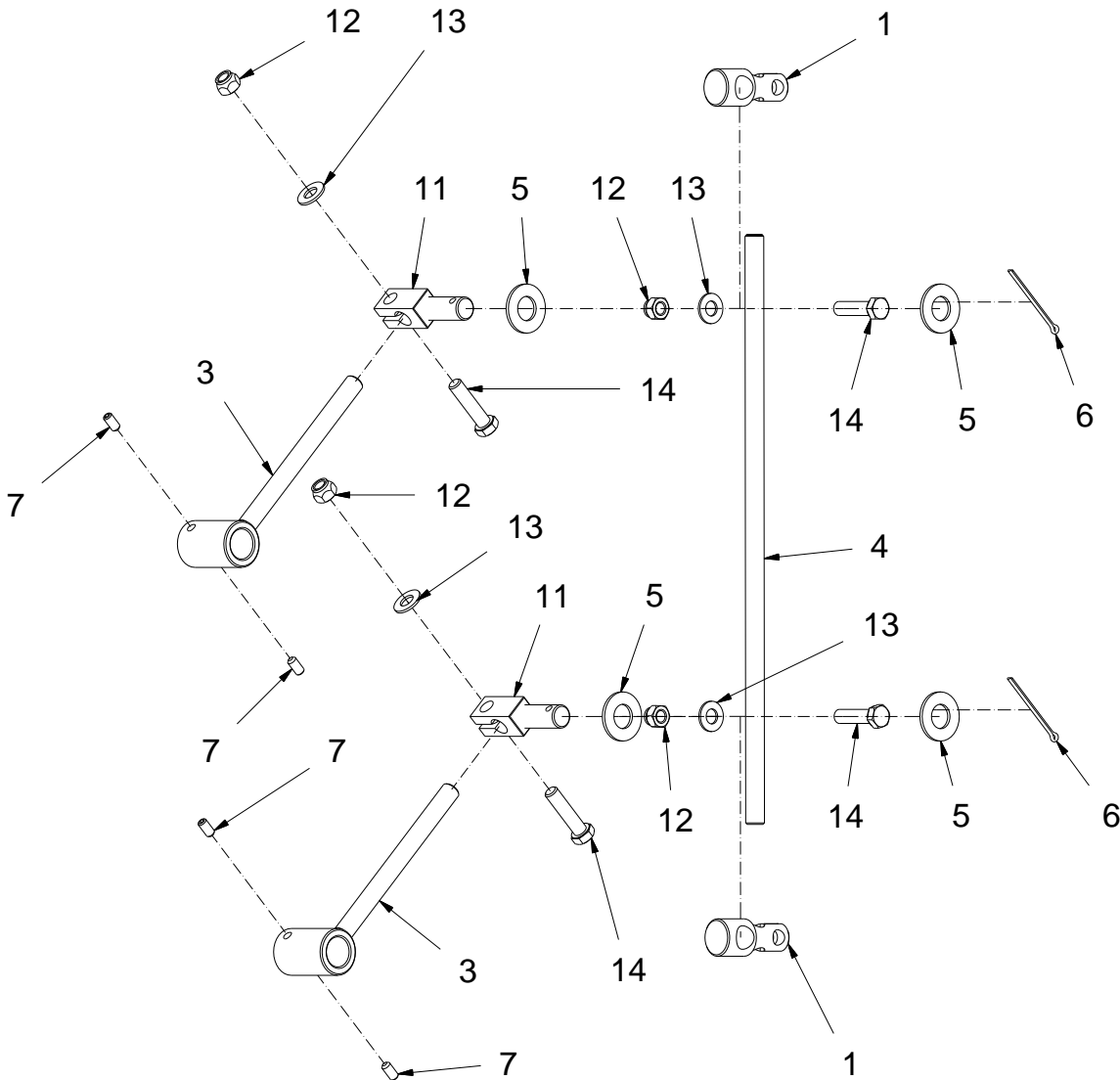
10.1.2. Oil sprayer injector – 34075831



10.1.2. Oil sprayer injector – 34075831

Item	Code	Description	Quantity
01	34075833	Oil sprayer injector	01
02	28011270	Hose	02
03	28075267	Peak	01
04	28017017	Ring	01
05	28017016	Ring	01
06	24015918	Bolt	03
07	28018303	Elbow	02
08	24025171	Washer	03

10.1.3. Articulation – 34084838



10.1.3. Articulation – 34084838

Item	Code	Description	Quantity
01	30003602	Articulation	02
03	26101634	Adjustment lever	02
04	38101633	Round bar	01
05	24005005	Washer	04
06	24009282	Cotter pin	02
07	24000290	Bolt	04
11	30098661	Articulation	02
12	24080479	Nut	04
13	24000350	Washer	04
14	24083072	Bolt	04

10.2. Burner drive

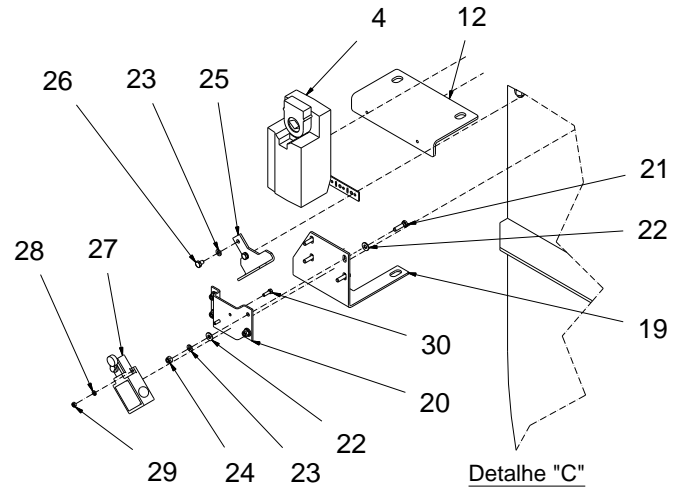
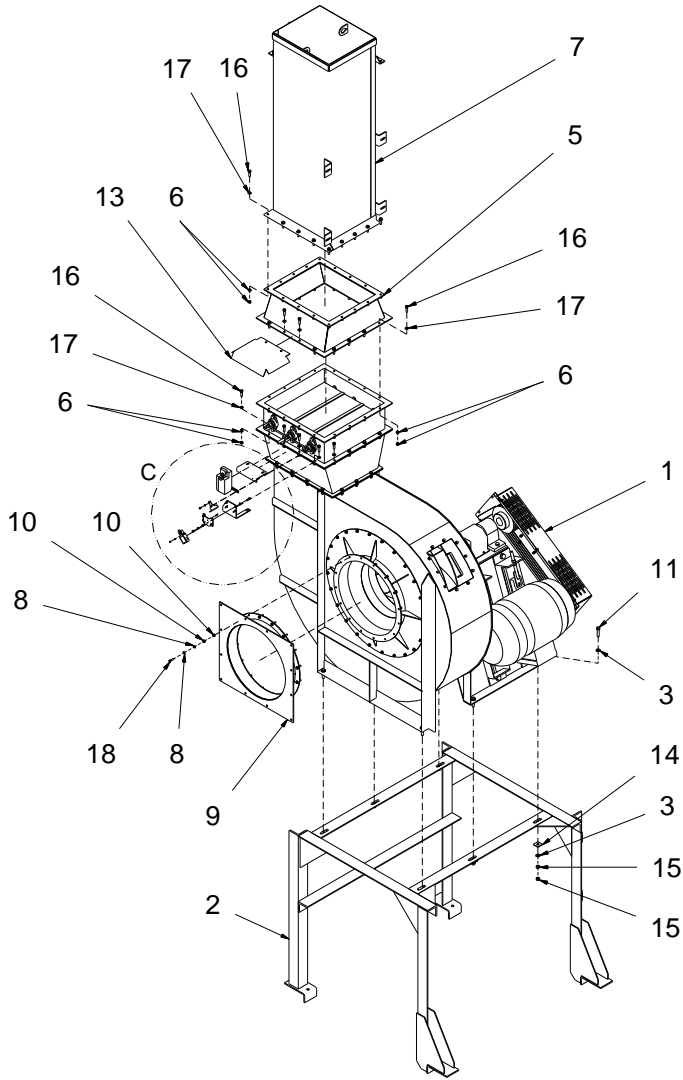
See catalog of drives

Page intentionally blank.

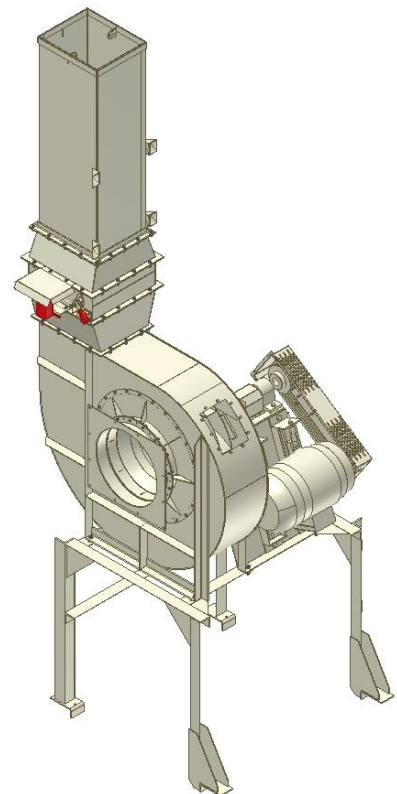
10.3. Sensor and detector of flame

See catalog of optional items

Page intentionally blank.

11. EXHAUSTER – 34078905


Detalhe "C"



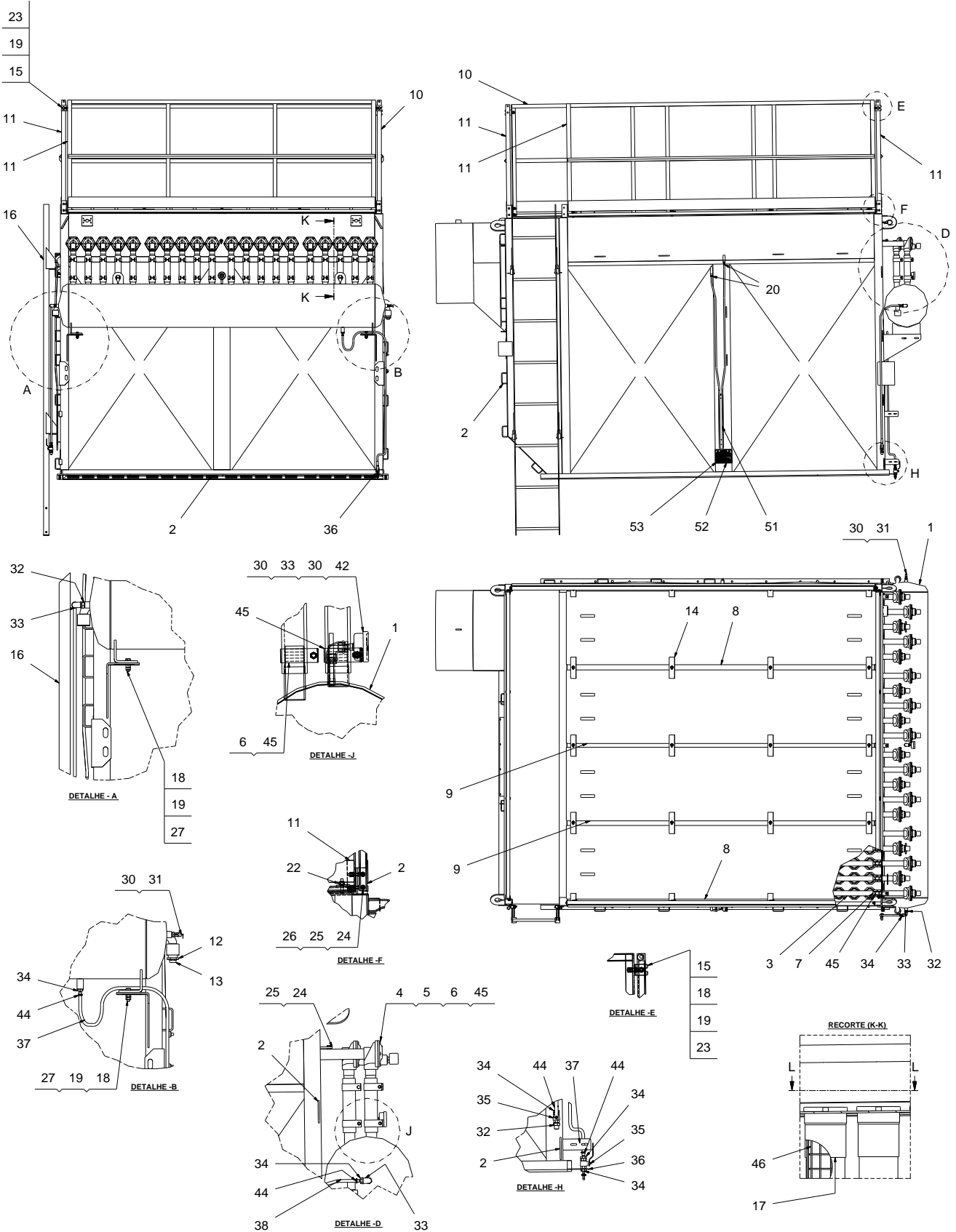
11. EXHAUSTER – 34078905

Item	Code	Description	Quantity
01	---	← Exhauster drive	01
02	34107581	Base	01
03	24005005	Washer	12
04	22096077	Linear actuator	01
05	34078700	Joint	01
06	24091821	Nut	124
07	34068543	Chimney	01
08	24000350	Washer	32
09	34078701	Joint	01
10	24084474	Nut	32
11	24085215	Bolt	06
12	30081448	Support	01
13	30093900	Protection	01
14	30094535c	Washer	06
15	24083175	Nut	12
16	24000276	Bolt	62
17	24000017	Washer	62
18	24083072	Bolt	16
19	30102858	Support	01
20	30103190	Support	01
21	24051026	Bolt	04
22	24000071	Washer	08
23	24000072	Washer	06
24	24083353	Nut	04
25	30102857	Drive system	01
26	24006700	Bolt	02
27	22010651	End stop cotter	01
28	24000354	Washer	02
29	24000311	Nut	02
30	24063863	Bolt	02

11.1. Exhauster drive

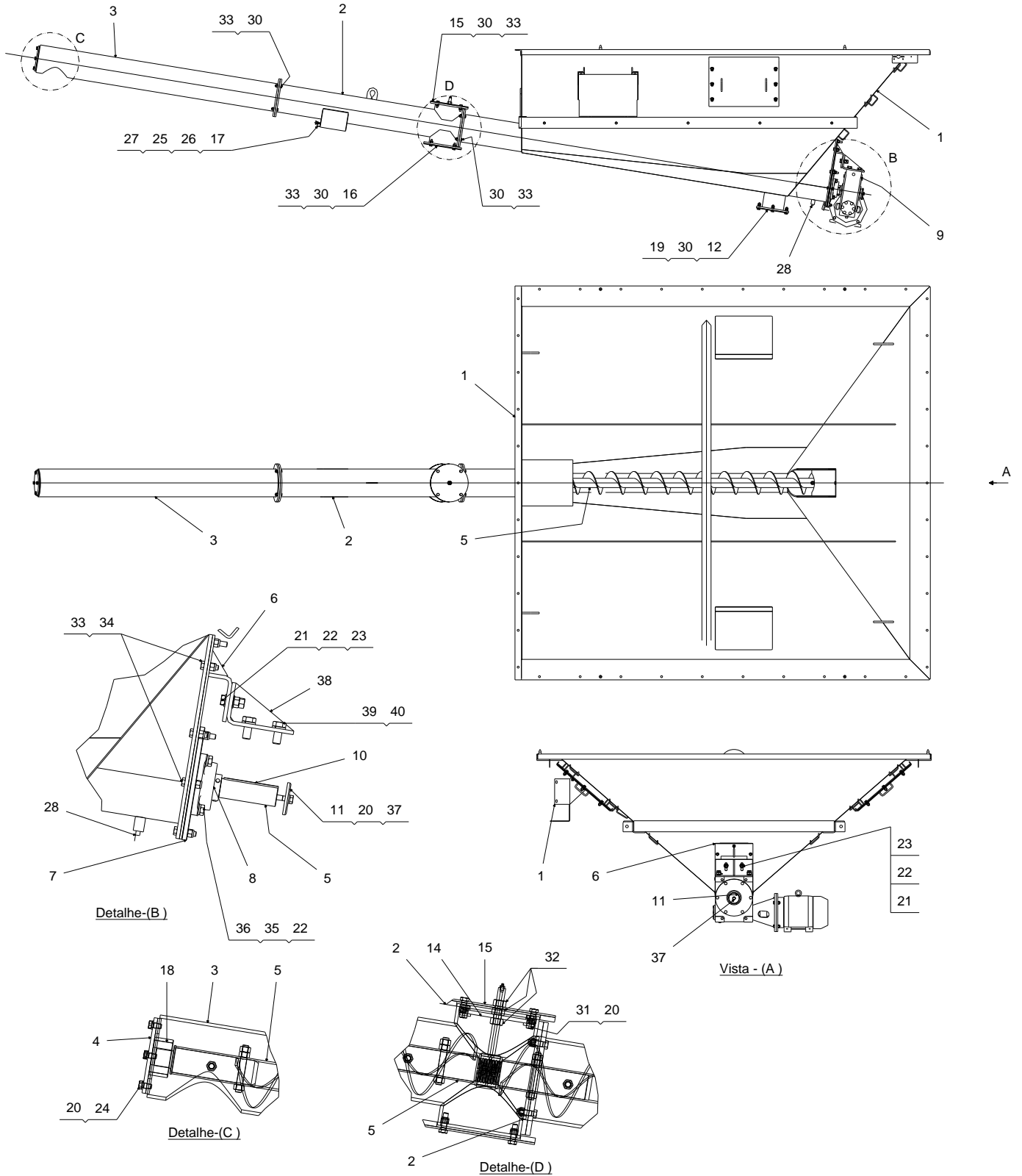
See catalog of drives

Page intentionally blank.

12. TOP MODULE OF THE BAGHOUSE – 34092593


12. TOP MODULE OF THE BAGHOUSE – 34092593

Item	Code	Description	Quantity
01	34091348	Air reservoir	01
02	34092592c	Frame	01
03	34070809c	Injector duct	20
04	30033178c	Connector	20
05	28073832	Pulse valve	20
06	30068991	Hose	20
07	30033187	Hose	20
08	34070812c	Lid / Cover	02
09	34068992c	Lid / Cover	02
10	34069091c	Hand-rail	01
11	34070799c	Hand-rail	03
12	28100872	Bucha	01
13	28113187	Bujão	01
14	30024991	Clamp	12
15	30070813	Fastener	03
16	34070975c	Stair	01
17	28104240	Polyester bag	400
18	24091821	Nut	56
19	24000017	Washer	50
20	28029420	Connector	02
22	24000345	Nut	20
23	24000275	Bolt	06
24	24084474	Nut	35
25	24000350	Washer	19
26	24051029	Bolt	16
27	24000277	Bolt	02
28	24006953	Bolt	03
30	28020013	Bushing	03
31	28066275	Safety valve	01
32	28001096	Nipple	02
33	28011230	Elbow	02
34	28045265	Connector	05
35	28043112	Ball valve	02
36	30051706	Support	01
37	30032261	Hose	01
38	30026310	Hose	01
42	28098981	Pressure gauge	01
44	24006852	Clamp	05
45	24001078	Clamp	80
46	38092632	Cage and venturi set	400
51	28049722	Pressure gauge	01
52	24052855	Information plate	01
53	24014627	Rivet	07

13. BOTTOM MODULE OF THE BAGHOUSE – 34098756


13. BOTTOM MODULE OF THE BAGHOUSE – 34098756

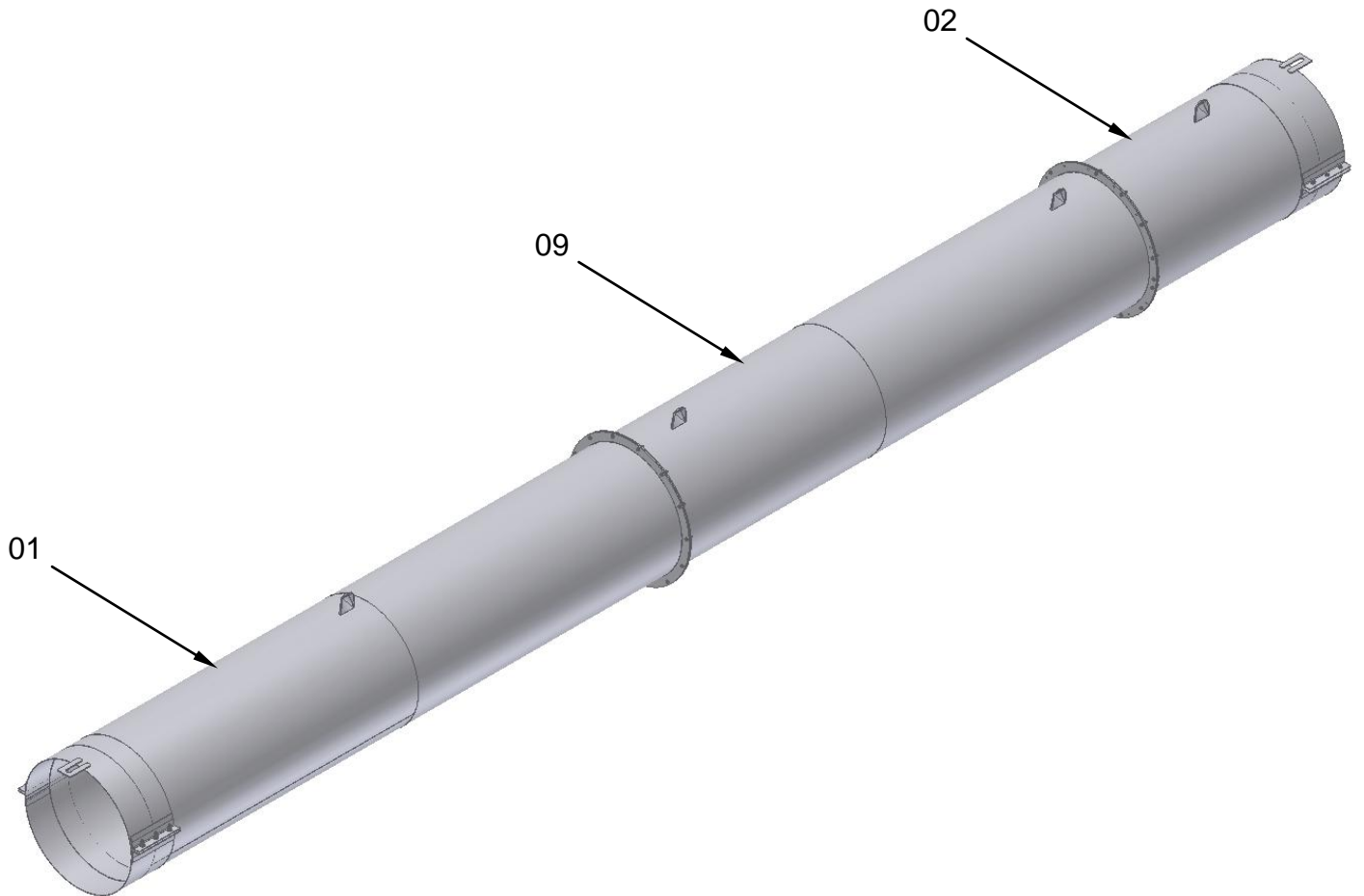
Item	Code	Description	Quantity
01	34092609	Bottom frame	01
02	34069459	Lodging	01
03	34070759	Lodging	01
04	26100417	Lodging	01
05	26103267	Helical	01
06	34051067	Lid / Cover	01
07	30091270	Lid / Cover	01
08	26090626	Sleeve bearing	01
09	---	◀ Bottom module of the baghouse drive	01
10	26098577	Gib	01
11	38075553	Lid / Cover	01
12	30070767	Lid / Cover	01
13	34090400	Internal sleeve bearing of helical	01
14	30090408	Support	01
15	30090406	Lid / Cover	01
16	30090407	Lid / Cover	01
17	30029553	Lid / Cover	01
18	30097786	Bushing	01
19	24091821	Nut	08
20	24000029	Washer	07
21	24051034	Bolt	02
22	24005005	Washer	08
23	24083175	Nut	04
24	24051031	Bolt	04
25	24000350	Washer	02
26	24117236	Nut	01
27	24010875	Nut	01
28	28000081	Plug	01
29	24000036	Bolt	03
30	24000276	Bolt	20
31	24051031	Bolt	02
32	24052515	Nut	03
33	24000345	Nut	25
34	24000275	Bolt	04
35	24000355	Washer	04
36	24051033	Bolt	04
37	24000277	Bolt	01
38	34060189	Support	01
39	24098566	Bolt	04
40	24000357	Washer	04

13.1. Bottom module of the baghouse drive

See catalog of drives

Page intentionally blank.

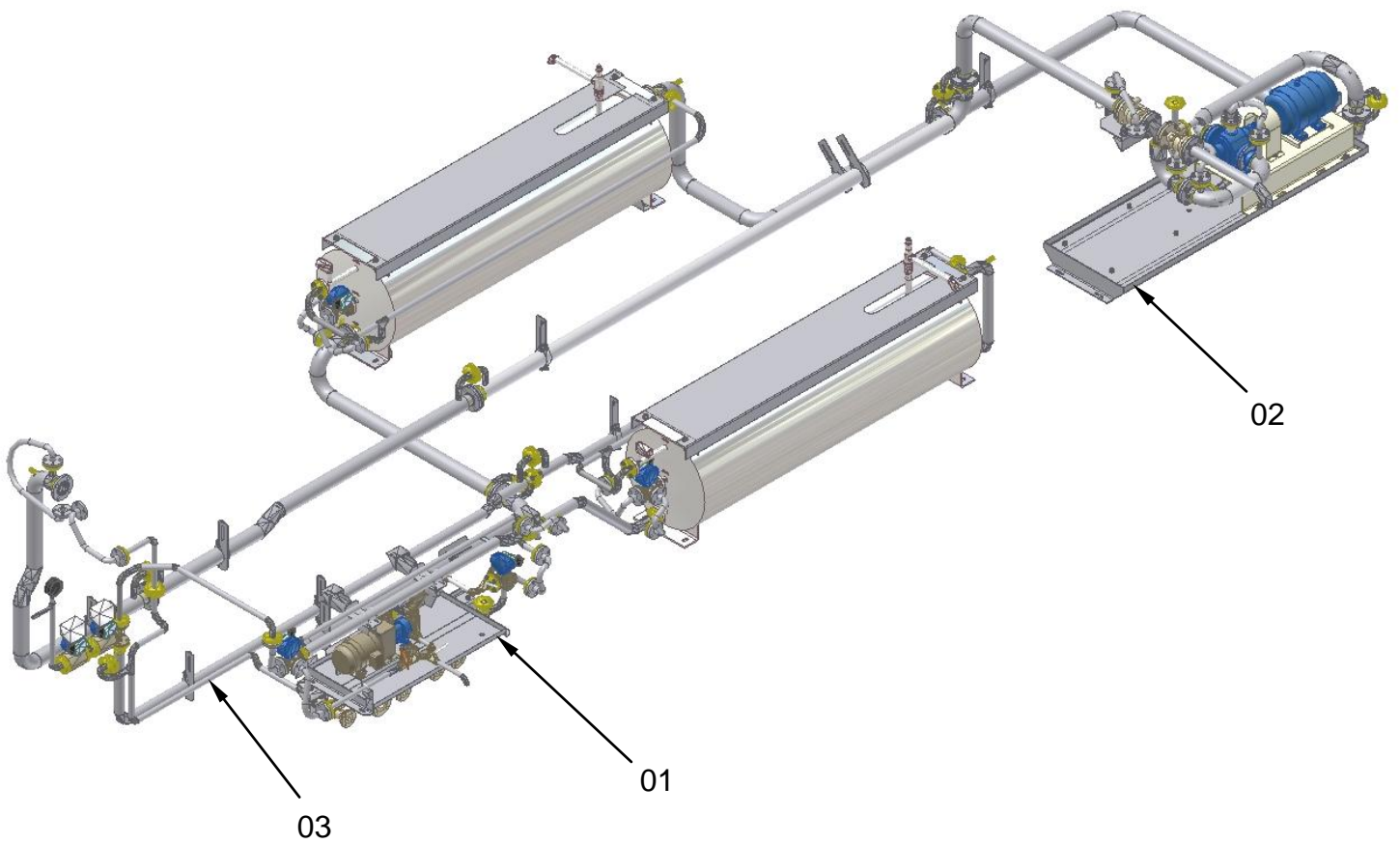
14. TUBING OF THE EXHAUSTION – 34094005



14. TUBING OF THE EXHAUSTION – 34094005

Item	Code	Description	Quantity
01	34090356	Pipe set	01
02	34089602	Pipe set	01
03	24051028	Bolt	56
04	24010542	Washer	112
05	24000022	Nut	56
06	24000017	Washer	16
07	24000214	Bolt	08
08	24006986	Nut	08
09	34094006	Pipe set	01

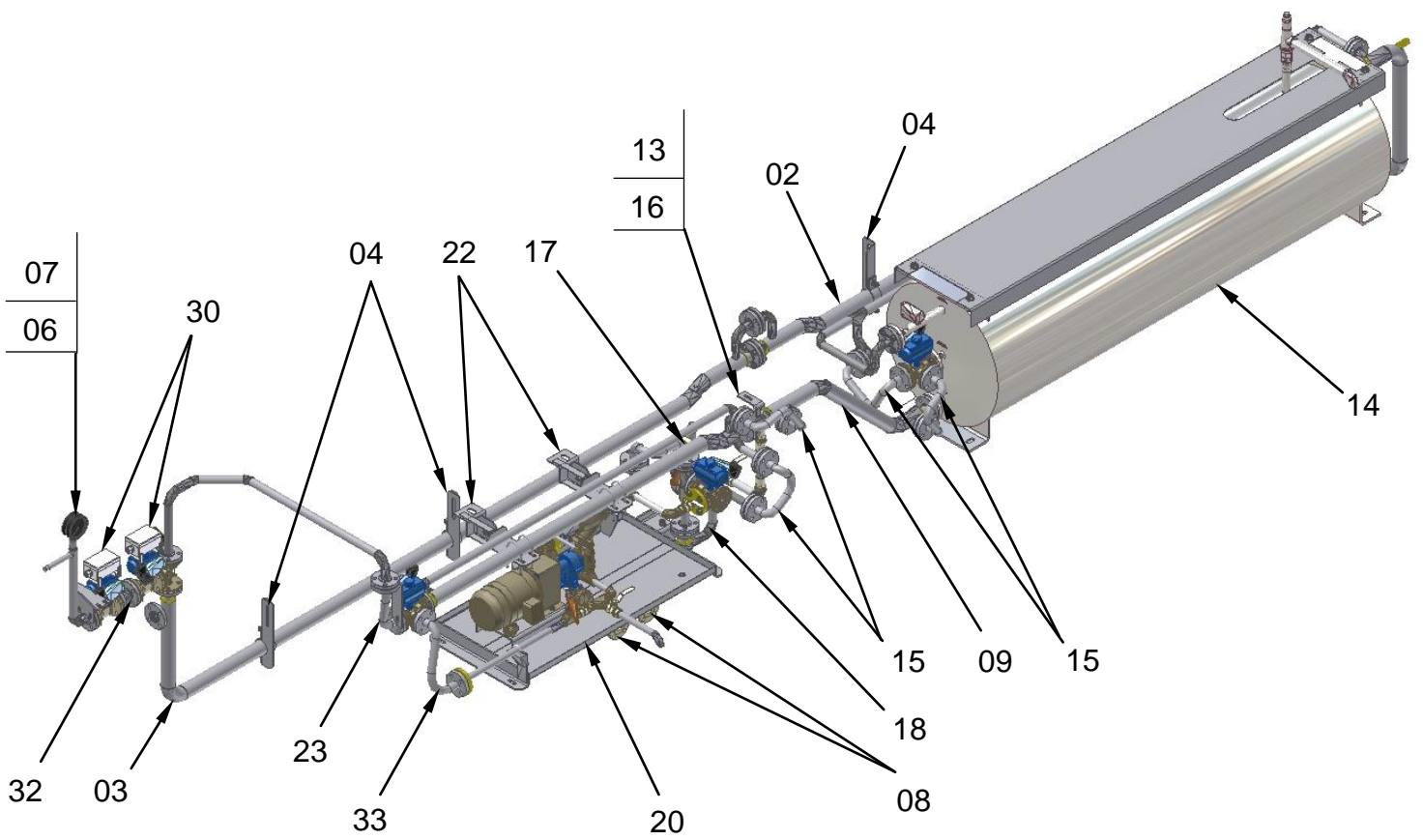
15. ASPHALT AND FUEL PIPE ASSEMBLY



15. ASPHALT AND FUEL PIPE ASSEMBLY

Item	Code	Description	Quantity
01	34102265	◀ Fuel pipe assembly	01
02	34102264	◀ Asphalt pipe assembly	01
03	34102494	◀ Return fuel pipes	01
04	34094786	◀ Panel control to temperature regulators – 1 temperature regulator	01
05	34097910	◀ Asphalt and fuel pipe stickers assembly	01

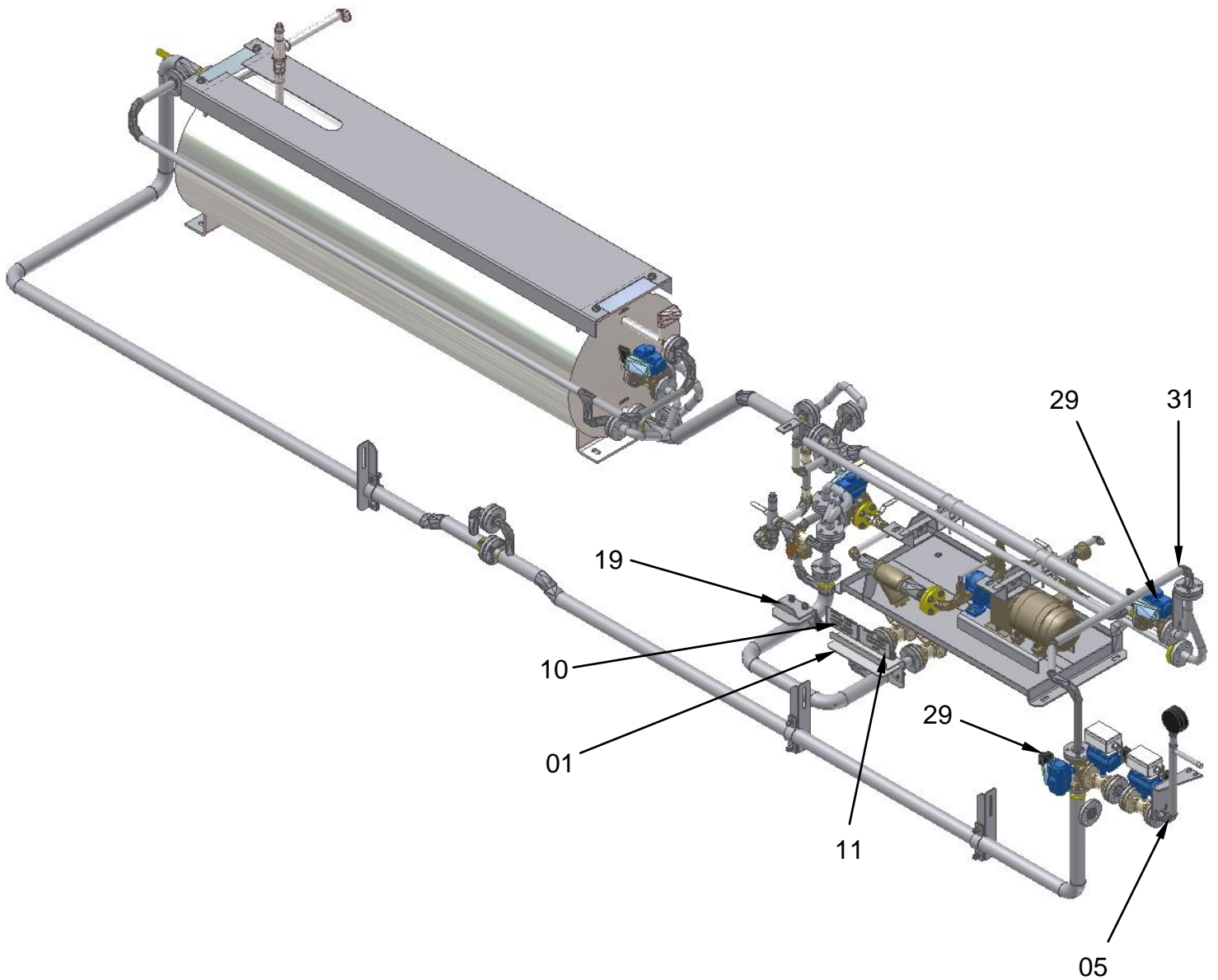
15.1. Fuel pipe assembly – 34102265



15.1. Fuel pipe assembly – 34102265

Item	Code	Description	Quantity
01	34076017c	Support	01
02	34102318c	Pipe set	01
03	34102850c	Pipe set	01
04	34081758c	Fixation	03
05	34102851c	Duct	01
06	22025902	Thermometer	01
07	28000081	Plug	01
08	28094668	Ball valve	02
09	34102501c	Pipe set	01
10	24095803	Informative plate	01
11	24095804	Informative plate	01
13	24088386	Clamp	01
14	---	◀ Fuel heat regulator assembly	01
15	28078960	Flexible metallic pipe	04
16	30102511c	Support	01
17	34101551c	Pipe set	01
18	34101552c	Pipe set	01
19	34101565c	Support	01
20	34102500	◀ Fuel pump	01
22	34101579c	Support	02
23	28099178	Flexible metallic pipe	02
24	30018932	Seal	32
25	24000017	Washer	260
26	24000029	Washer	130
27	24091821	Nut	130
28	24000278	Bolt	130
29	34076606	Dividing valve	02
30	34102855	Ball valve	02
31	34102853c	Pipe set	01
32	34102854c	Duct	01
33	28102856	Flexible metallic pipe	01
34	28009408	Plug	01
36	30107709	Support	01
37	30107710	Support	01
38	30108242	Support	01
39	34113813	Kit Assembly pump fuel for burner CF-04	01

15.1. Fuel pipe assembly – 34102265



15.1. Fuel pipe assembly – 34102265

Item	Code	Description	Quantity
01	34076017c	Support	01
02	34102318c	Pipe set	01
03	34102850c	Pipe set	01
04	34081758c	Fixation	03
05	34102851c	Duct	01
06	22025902	Thermometer	01
07	28000081	Plug	01
08	28094668	Ball valve	02
09	34102501c	Pipe set	01
10	24095803	Informative plate	01
11	24095804	Informative plate	01
13	24088386	Clamp	01
14	---	◀ Fuel heat regulator assembly	01
15	28078960	Flexible metallic pipe	04
16	30102511c	Support	01
17	34101551c	Pipe set	01
18	34101552c	Pipe set	01
19	34101565c	Support	01
20	34102500	◀ Fuel pump	01
22	34101579c	Support	02
23	28099178	Flexible metallic pipe	02
24	30018932	Seal	32
25	24000017	Washer	260
26	24000029	Washer	130
27	24091821	Nut	130
28	24000278	Bolt	130
29	34076606	Dividing valve	02
30	34102855	Ball valve	02
31	34102853c	Pipe set	01
32	34102854c	Duct	01
33	28102856	Flexible metallic pipe	01
34	28009408	Plug	01
36	30107709	Support	01
37	30107710	Support	01
38	30108242	Support	01
39	34113813	Kit Assembly pump fuel for burner CF-04	01

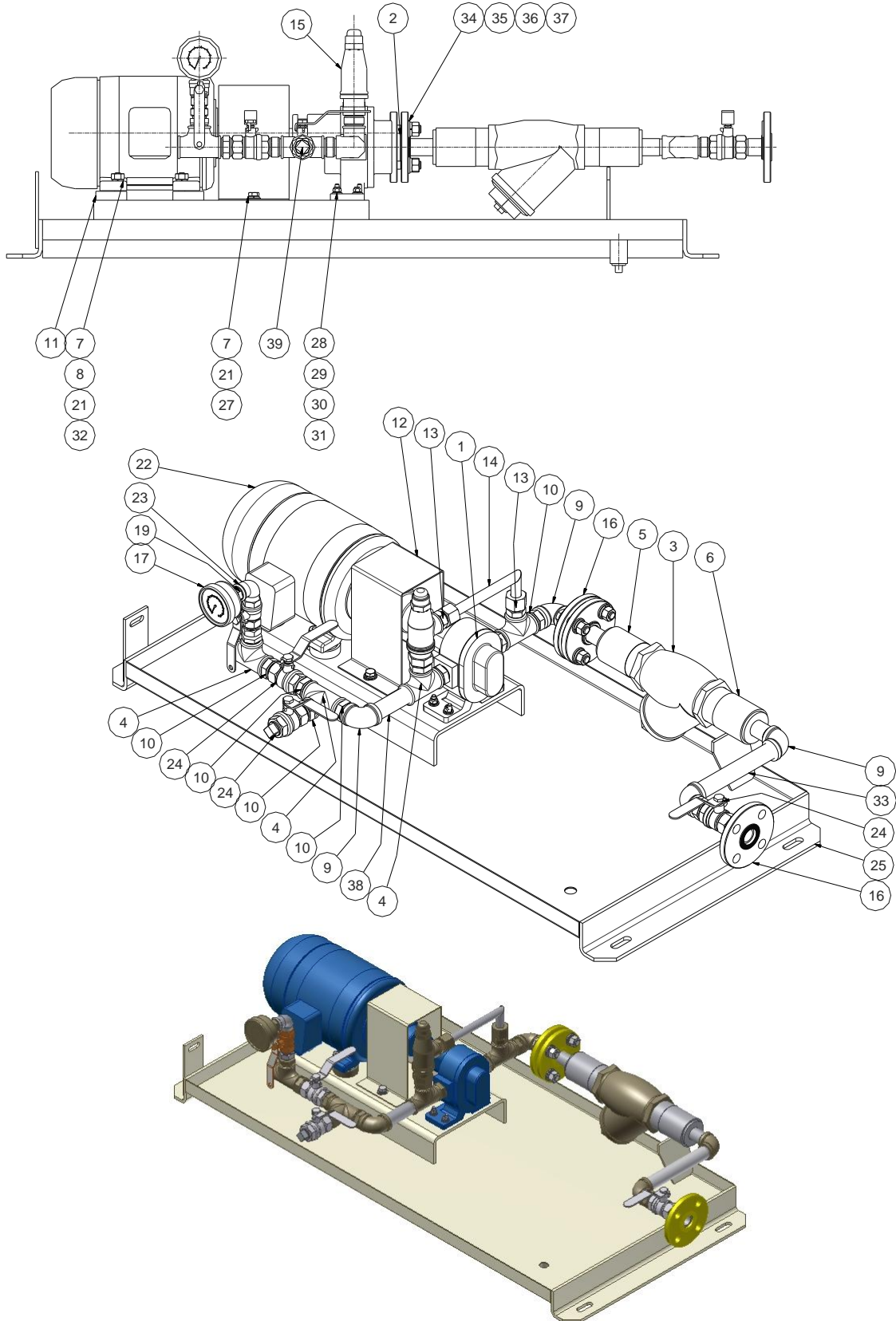
15.1.1. Fuel heat regulator assembly

See catalog of optional items

15.1.2. Fuel pump

Item	Código	Descrição	Quantidade
01	34104881	◀Fuel pump 60HZ	01
02	34104885	◀Fuel pump 50HZ	01

15.1.2.1. Fuel pump 60HZ – 34104881



15.1.2.1. Fuel pump 60HZ – 34104881

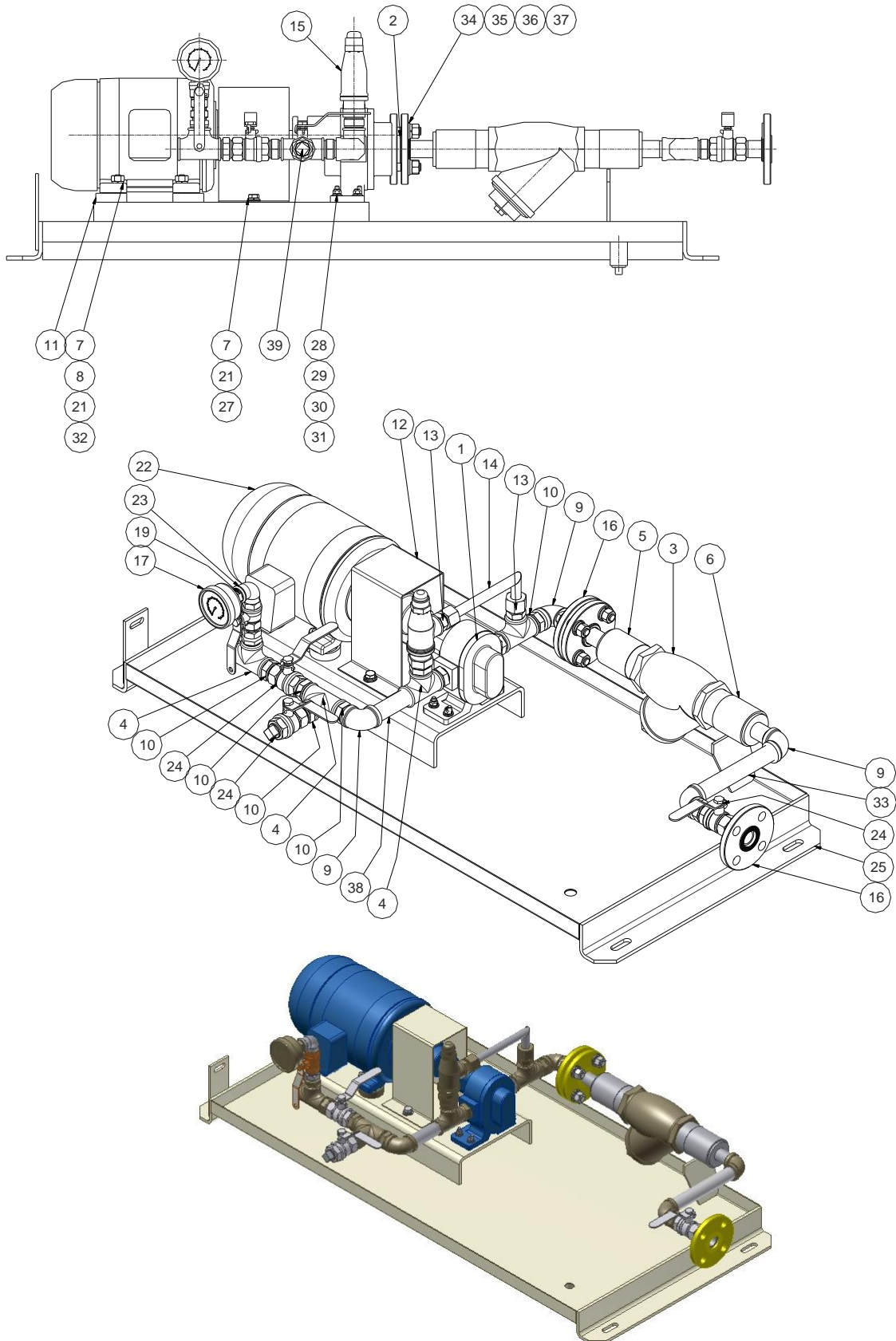
Item	Código	Descrição	Quantidade
01	28007826	Gear pump	01
02	30018932	Seal	01
03	28007824	Filter	01
04	28007822	Connection	04
05	38057729	Flange	01
06	38057727	Gearbox	01
07	24000065	Washer	06
08	24000273	Bolt	04
09	28001093	Elbow	04
10	28007828	Double nipple	09
11	38064830	block	04
12	38056918	Protection	01
13	28008502	Joint	02
14	38053014	By-pass	01
15	28000978	Valve	01
16	34007808	Flange	02
17	28098982	Pressure gauge	01
18	28011258	Valve	01
19	28009135	Bushing	01
20	28009137	Bushing	01
21	24000350	Washer	06
22	---	◀Drive fuel pump 60HZ	01
23	28009422	Elbow	01
24	28000965	Valve	03
25	34101569	Base	01
26	28001096	Double nipple	01
27	24007009	Bolt	02
28	24000071	Washer	04
29	24000072	Washer	04
30	24083353	Nut	04
31	24006685	Bolt	04
32	24084474	Nut	04
33	30035857	Pipe	01
34	24000017	Washer	09
35	24000029	Washer	04
36	24091821	Nut	04
37	24000277	Bolt	04
38	30101577	Pipe	01
39	28011630	Plug	01

15.1.2.1. Drive fuel pump 60HZ

See catalog drives

Page intentionally blank.

15.1.2.2. Fuel pump 50HZ – 34104885



15.1.2.2. Fuel pump 50HZ – 34104885

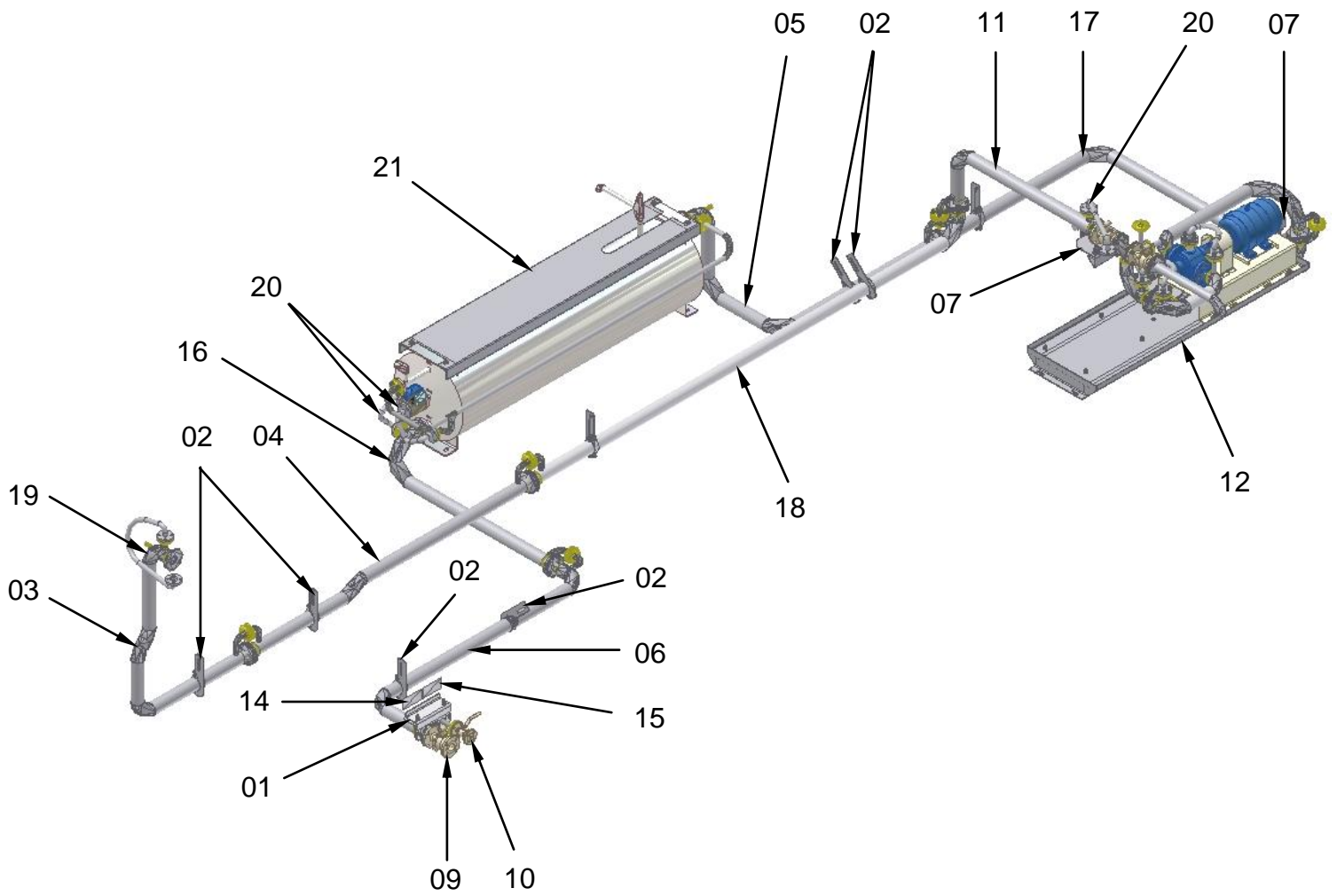
Item	Código	Descrição	Quantidade
01	28007826	Gear pump	01
02	30018932	Seal	01
03	28007824	Filter	01
04	28007822	Connection	04
05	38057729	Flange	01
06	38057727	Gearbox	01
07	24000065	Washer	06
08	24000273	Bolt	04
09	28001093	Elbow	04
10	28007828	Double nipple	09
11	38064830	block	04
12	38056918	Protection	01
13	28008502	Joint	02
14	38053014	By-pass	01
15	28000978	Valve	01
16	34007808	Flange	02
17	28098982	Pressure gauge	01
18	28011258	Valve	01
19	28009135	Bushing	01
20	28009137	Bushing	01
21	24000350	Washer	06
22	---	◀Drive fuel pump 50HZ	01
23	28009422	Elbow	01
24	28000965	Valve	03
25	34101569	Base	01
26	28001096	Double nipple	01
27	24007009	Bolt	02
28	24000071	Washer	04
29	24000072	Washer	04
30	24083353	Nut	04
31	24006685	Bolt	04
32	24084474	Nut	04
33	30035857	Pipe	01
34	24000017	Washer	09
35	24000029	Washer	04
36	24091821	Nut	04
37	24000277	Bolt	04
38	30101577	Pipe	01
39	28011630	Plug	01

15.1.2.2. Drive fuel pump 50HZ

See catalog drives

Page intentionally blank.

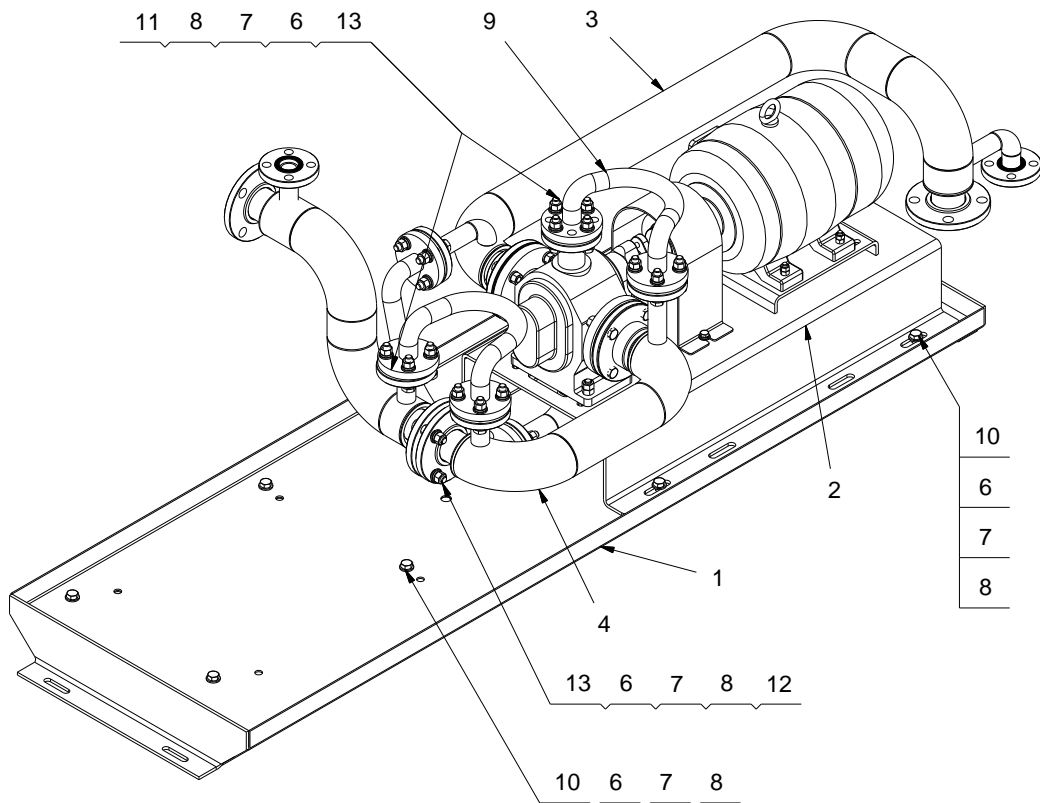
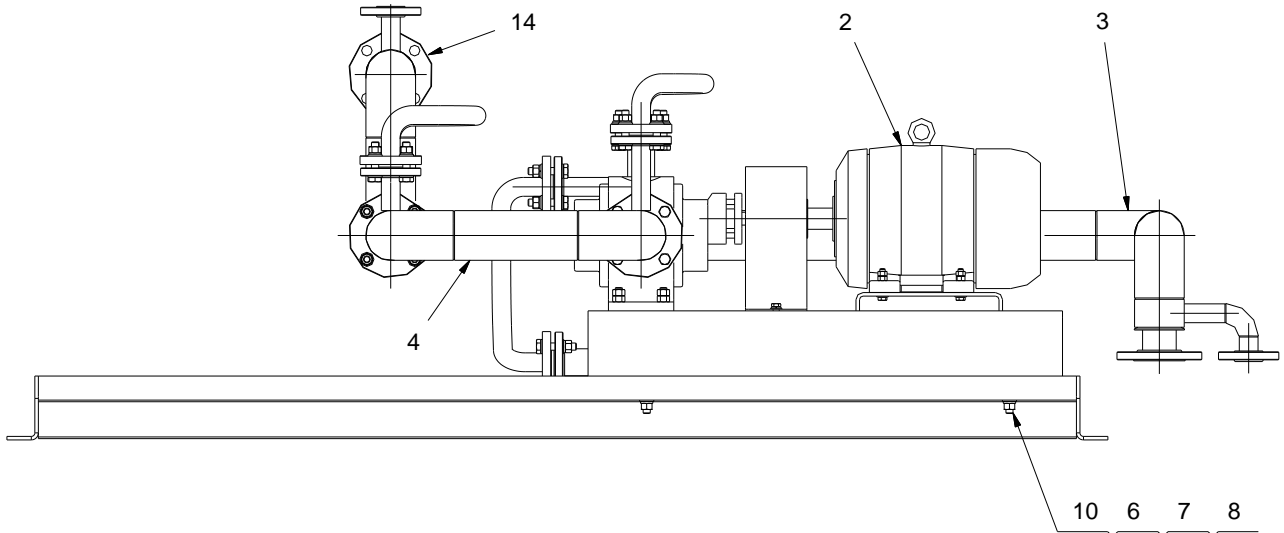
15.2. Asphalt pipe assembly – 34102264



15.2. Asphalt pipe assembly – 34102264

Item	Code	Description	Quantity
01	34076020c	Support	01
02	34081776c	Fixation	08
03	34102290c	Pipe set	01
04	34102291c	Pipe set	01
05	34102297c	Pipe set	01
06	34102300c	Pipe set	01
07	34101596c	Support	02
09	28094667	Ball valve	01
10	28094668	Ball valve	01
11	34102510c	Pipe set	01
12	34102814	◀ Asphalt pump assembly	01
14	24095802	Informative plate	01
15	24095803	Informative plate	01
16	34102528c	Pipe set	01
17	34102529c	Pipe set	01
18	34102530c	Pipe set	01
19	28078961	Flexible metallic pipe	01
20	28078960	Flexible metallic pipe	03
21	---	◀ Asphalt heat regulator assembly	01
25	30018931	Seal 2"	11
26	30018932	Seal 1"	15
27	24000017	Washer	208
28	24000029	Washer	104
29	24091821	Nut	104
30	24000278	Bolt	104

15.2.1. Asphalt pump assembly – 34102814



15.2.1. Asphalt pump assembly – 34102814

Item	Code	Description	Quantity
01	34102311	Base	01
02	---	← Asphalt pump	01
03	34102512c	Pipe set	01
04	34102518c	Pipe set	01
06	24000017	Washer	64
07	24000029	Washer	32
08	24091821	Nut	32
09	28078960	Flexible metallic pipe	03
10	24000275	Bolt	08
11	30018932	Seal 1"	05
12	30018931	Seal 2"	03
13	24000278	Bolt	25
14	34109931c	Pipe set	01

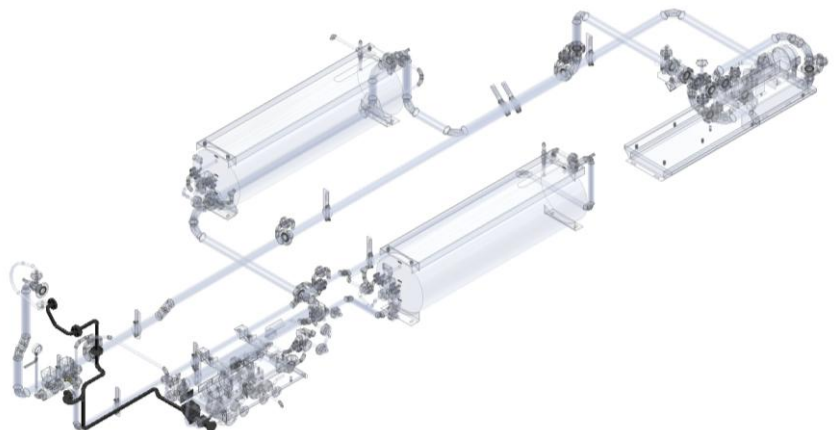
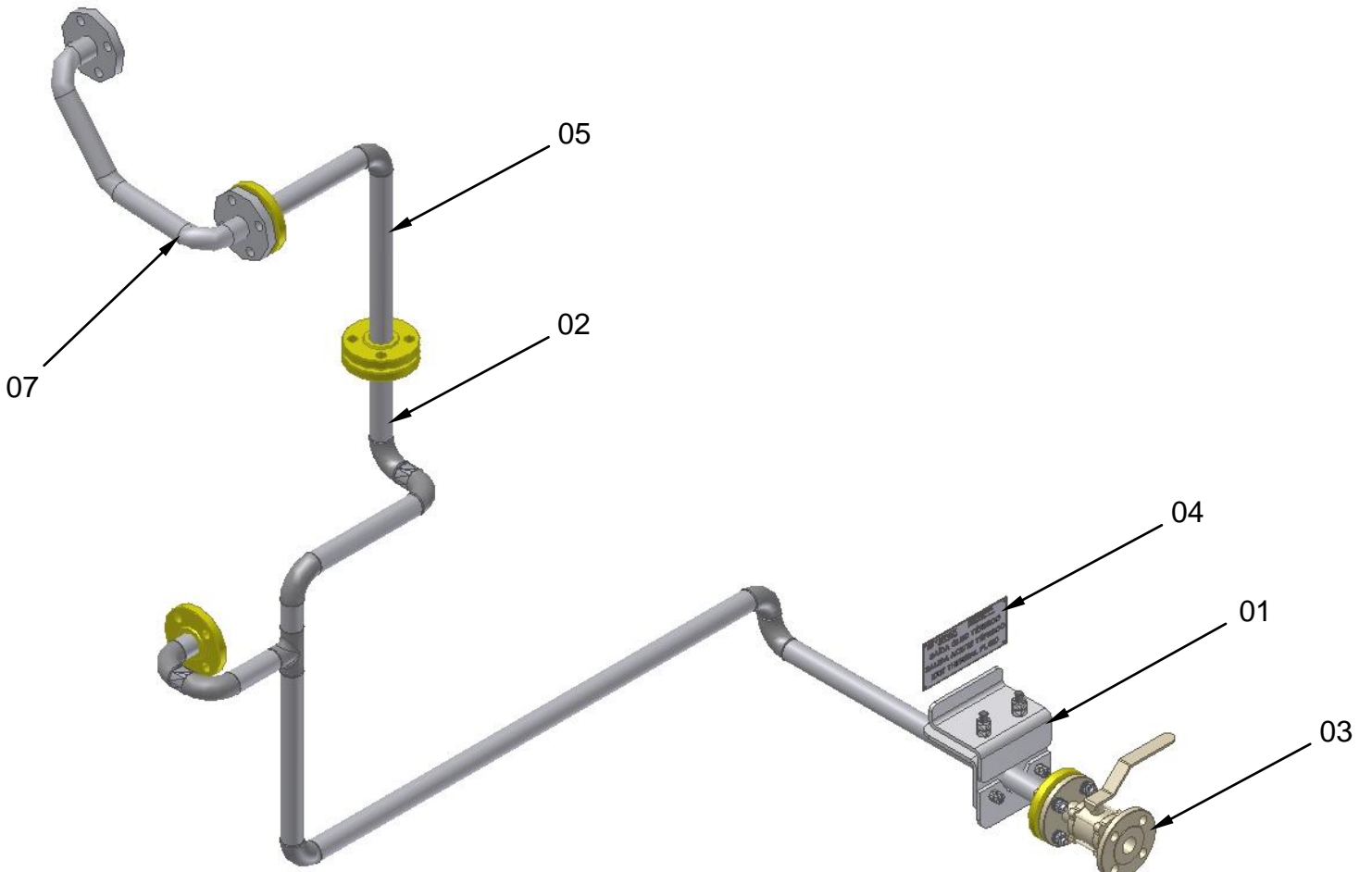
15.2.1.1. Asphalt pump

See catalog of drives

15.2.2. Asphalt heat regulator assembly

See catalog of optional items

15.3. Return fuel pipes – 34102494



15.3. Return fuel pipes – 34102494

Item	Code	Description	Quantity
01	34076022	Support	01
02	34102852	Pipe set	01
03	28094668	Ball valve	01
04	24095811	Informative plate	01
05	34102495	Pipe set	01
07	28078960	Flexible metallic pipe	01
08	30018932	Seal 1"	05
09	24000350	Washer	40
10	24000065	Washer	20
11	24084474	Nut	20
12	24000273	Bolt	20

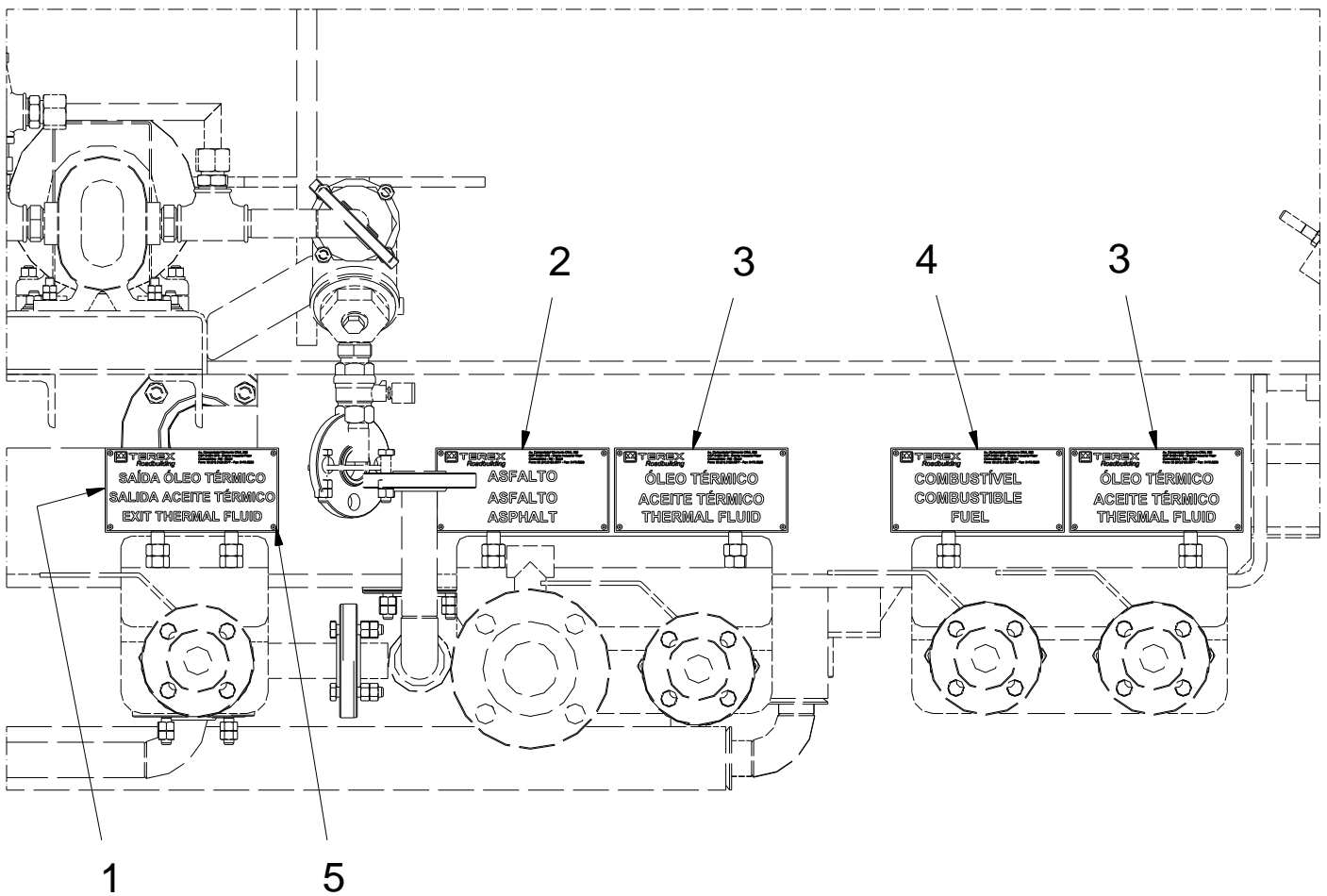
15.4. Panel control to temperature regulators – 1 temp. regulator – 34094786



**Imagens meramente ilustrativas.
Imágenes solamente ilustrativas.
Only illustrative images.**

15.4. Panel control to temperature regulators – 1 temp. regulator – 34094786

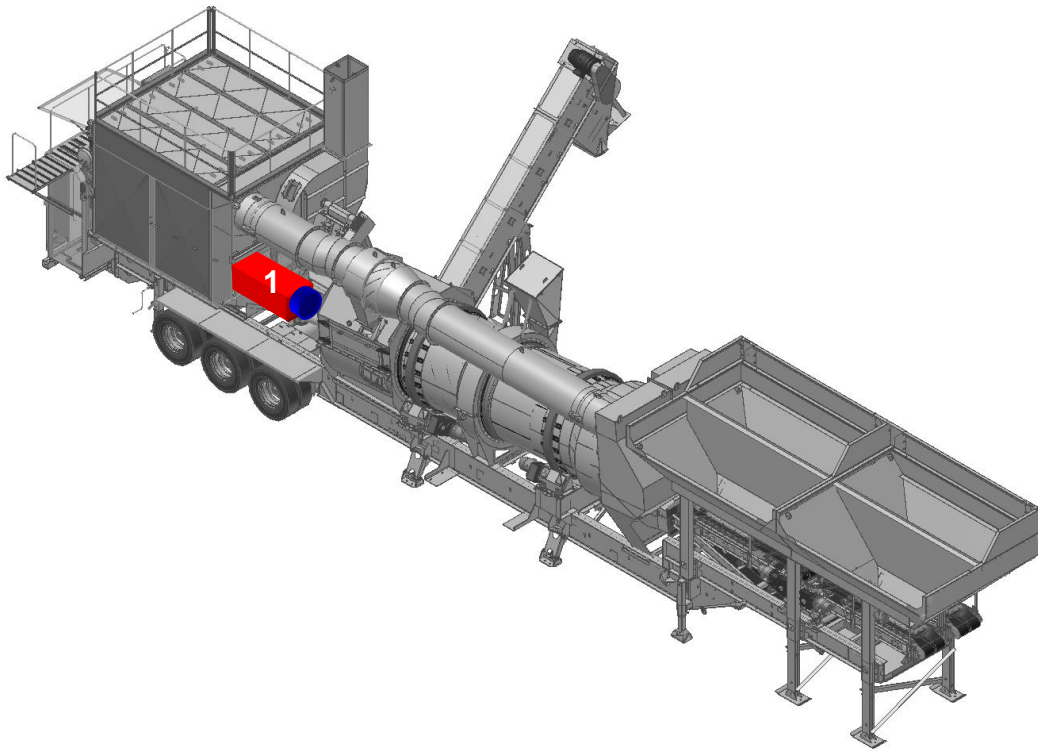
Item	Code	Description	Quantity
01	22094714	Circuit breaker K32A 1P C6	01
02	22046050	Push button VSZ222/13	02
03	22070932	Lamp - Led Light bulb S1L/13 120V BA9S	02
04	22046125	Light socket light bulb L001	02
05	22046129	Short knob switch acz290	01
06	22022465	Block of contacts E-111	01
07	22013463	Connection passage 2,5mm ² wdu/2.5	06
10	22036354	Box	01
17	22010864	Cable press 5-10	05
18	22060088	Temperature Controller	01
19	22011441	Thermal resistors PT-100	01
23	20108913	Pad	06
24	22046045	Cable press 1"	01
25	22094751	Jamb EN/S35N	02
26	22096163	Conductor identifier	30
27	22094698	Connection passage ST2,5	20
28	24098199	Sticker "controle de montagem eletrica"	01
29	24110911	General sticker	01

15.5. Asphalt and fuel pipe stickers assembly – 34097910


15.5. Asphalt and fuel pipe stickers assembly – 34097910

Item	Code	Description	Quantity
01	24095811	Informative plate "Thermal oil's exit"	01
02	24095802	Informative plate "Asphalt"	01
03	24095803	Informative plate "Thermal oil"	02
04	24095804	Informative plate "Fuel"	01
05	24078895	Rivet	20

16. VIDEO CAMERA SET – 34114839

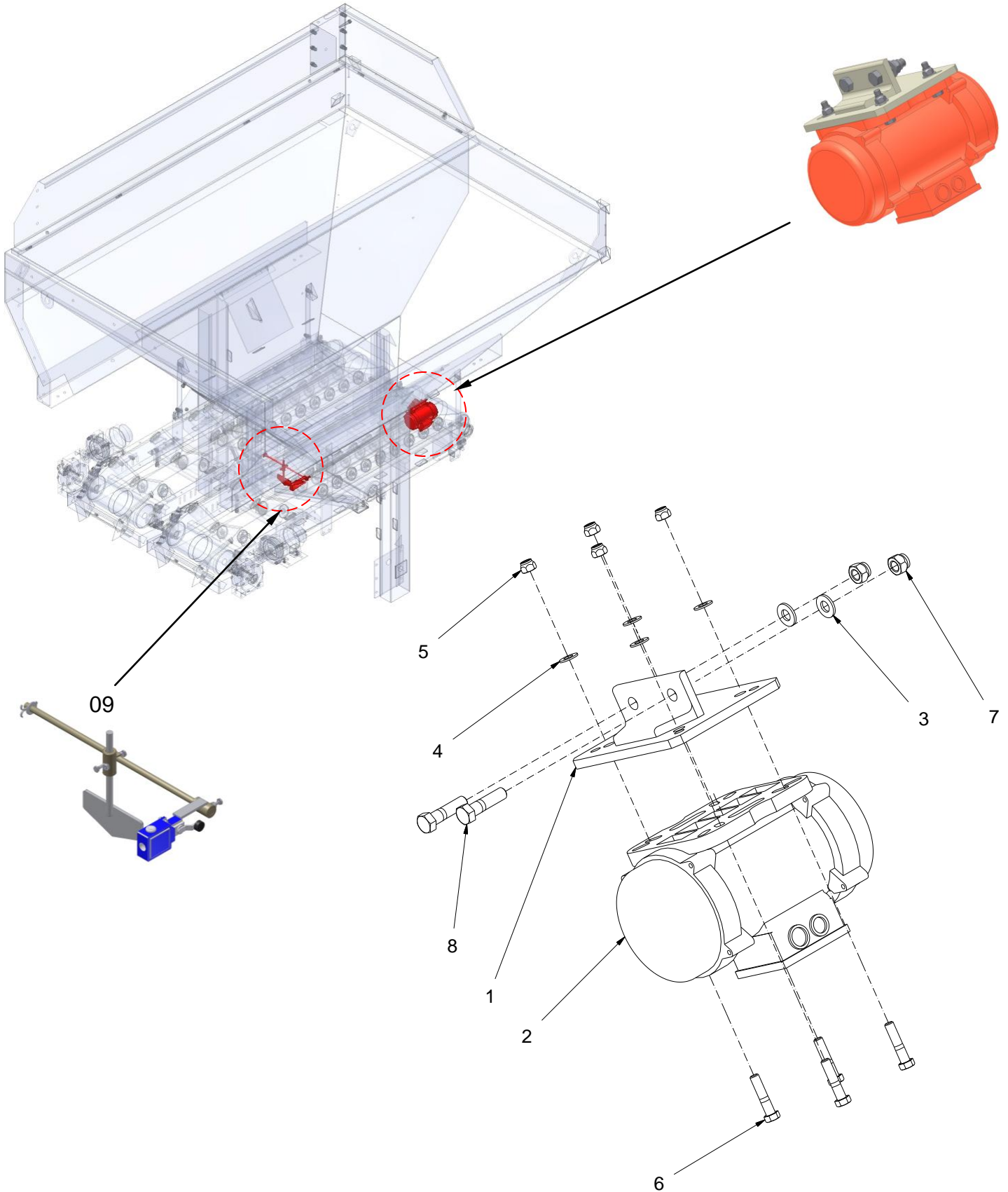


**Imagens meramente ilustrativas.
Imágenes solamente ilustrativas.
Only illustrative images.**

16. VIDEO CAMERA SET – 34114839

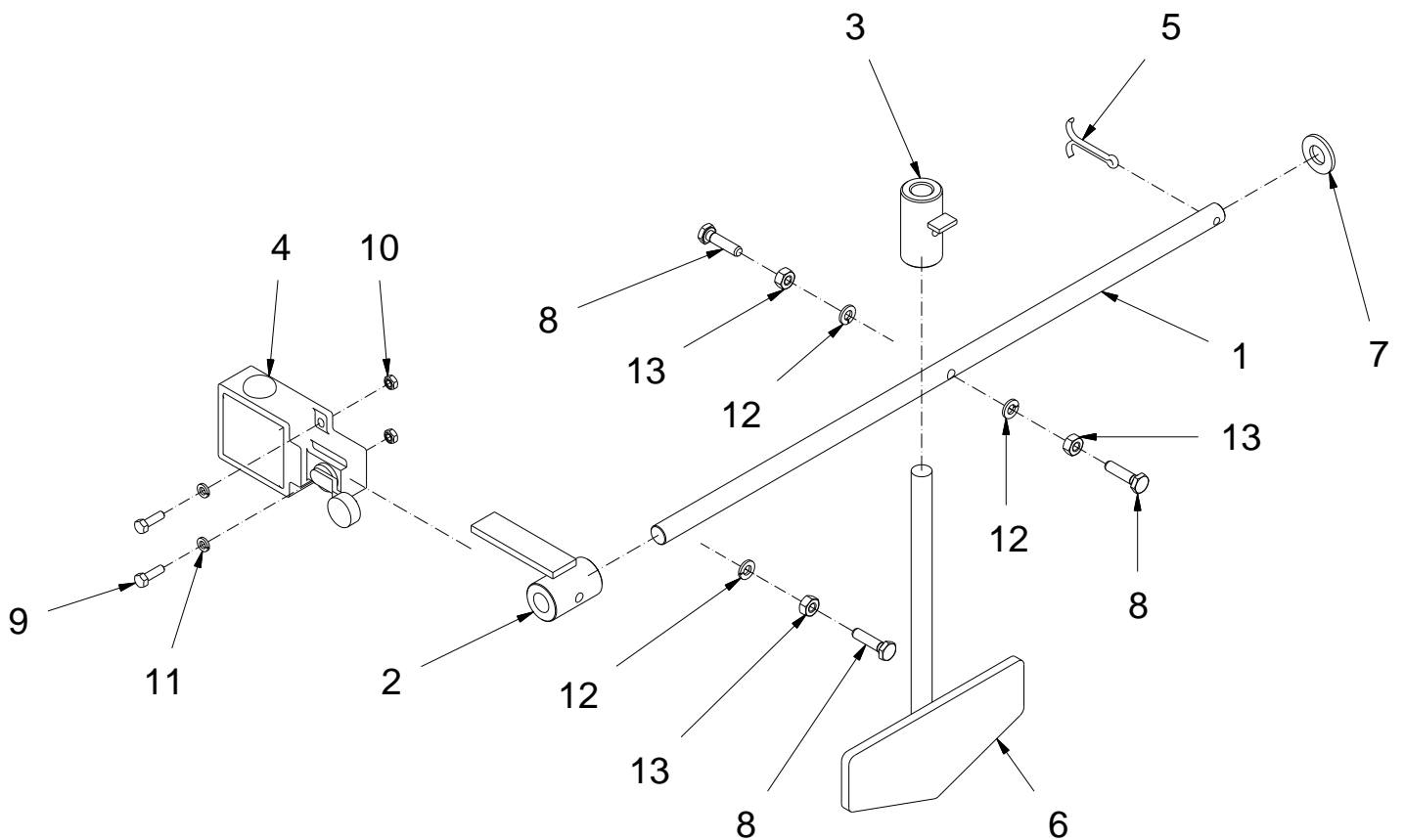
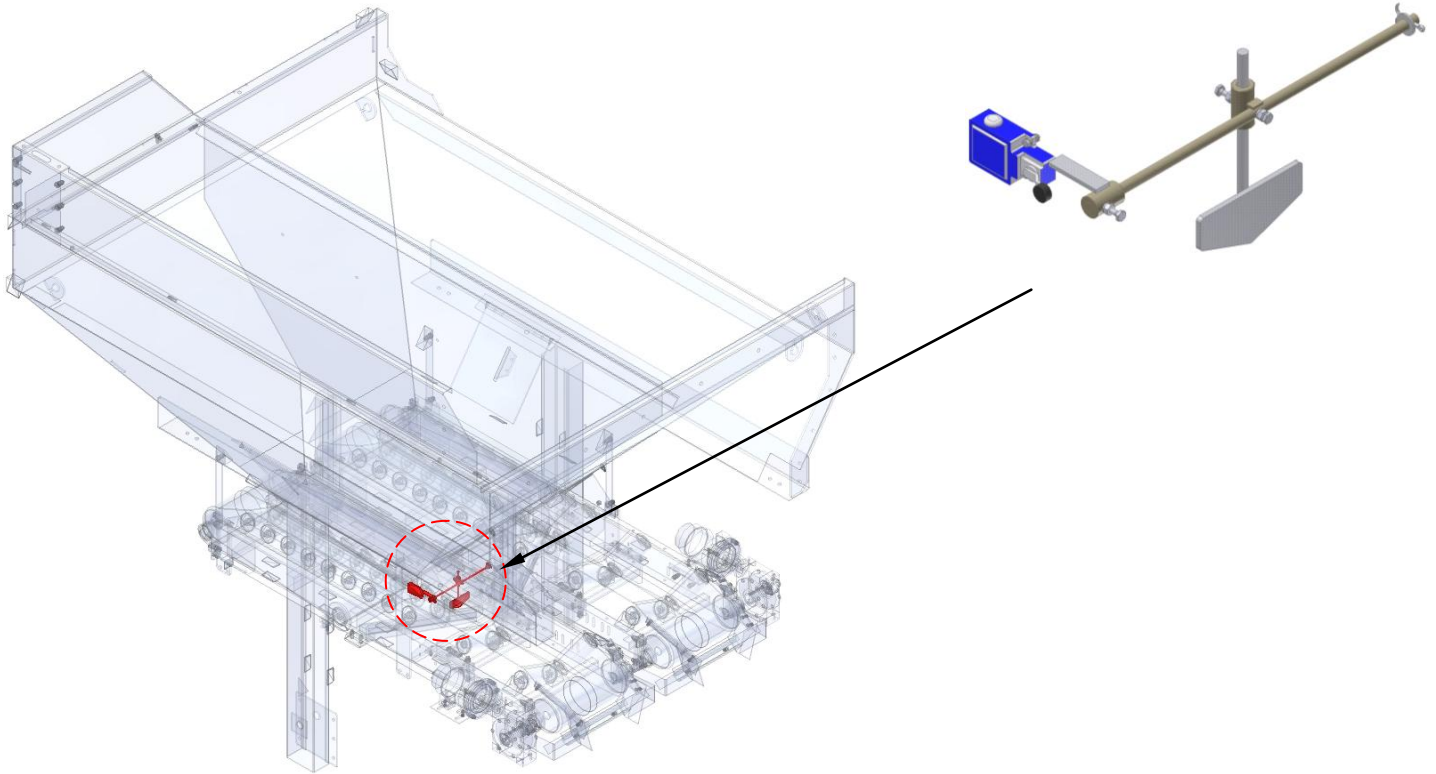
Item	Code	Description	Quantity
01	34114824c	Mini video camera	01
02	34115020	Support	01
03	24006959	Bolt	03
04	24020524	Nut	03
05	24000354	Washer	03

17. VIBRATOR FOR BIN – 34023950



17. VIBRATOR FOR BIN – 34023950

Item	Code	Description	Quantity
01	34023991	Base	01
02	26093116	Vibrator	01
03	24000017	Washer	02
04	24000350	Washer	04
05	24080479	Nut	04
06	20108919	Bolt	04
07	24006986	Nut	02
08	20108920	Bolt	02
09	34098755	◀ Vibrator drive	01
---	34100576c	◀Electrical itens	01
---	34100574	Cables set	01

17.1. Vibrator drive – 34098755


17.1. Vibrator drive – 34098755

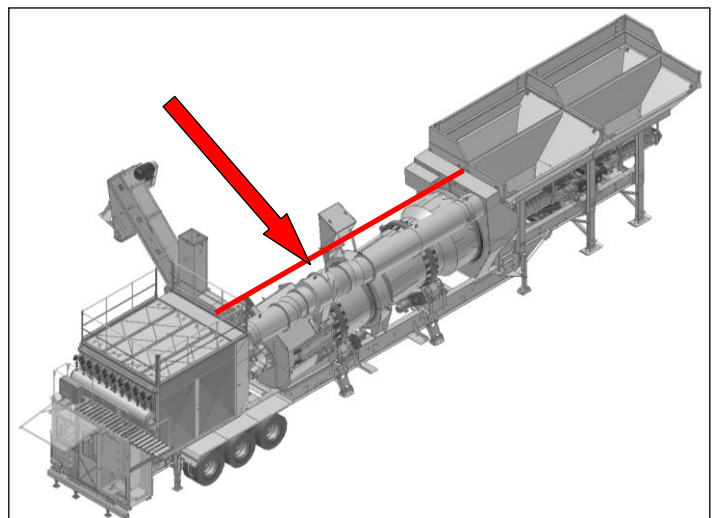
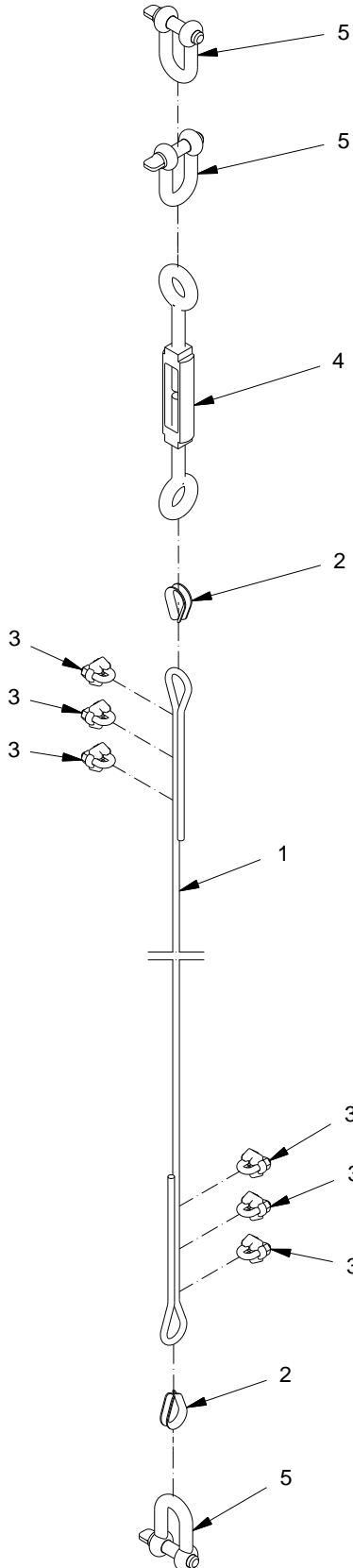
Item	Code	Description	Quantity
01	30023985	Axle	01
02	38058279	Drive system	01
03	38058281	Support	01
04	22010651	End stop cotter	01
05	24001027	Cotter pin	01
06	34024825	Sensor	01
07	24000017	Washer	01
08	24000199	Bolt	03
09	24001036	Bolt	02
10	24000311	Nut	02
11	24000354	Washer	02
12	24000072	Washer	03
13	24000111	Nut	03

17.2. Electrical itens – 34100576c

Item	Code	Description	Quantity
01	22091126	Circuit breacker 3P 1 - 1,6A GV2-ME06	01
02	22091142	Power contactor LC1-D09F7 (1-10A) 120V 50/60HZ	01
03	22091169	Block contactor aux. front 1NA+1NF GV-AE11	01

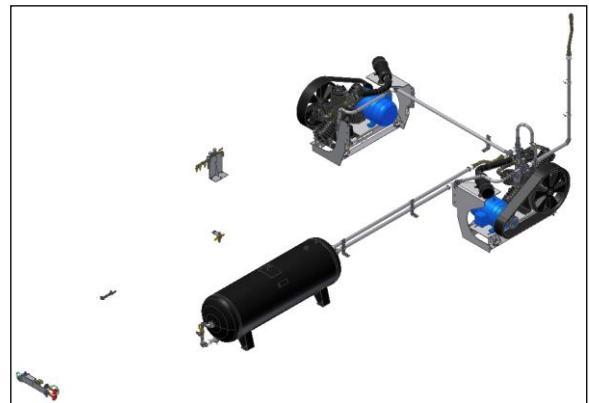
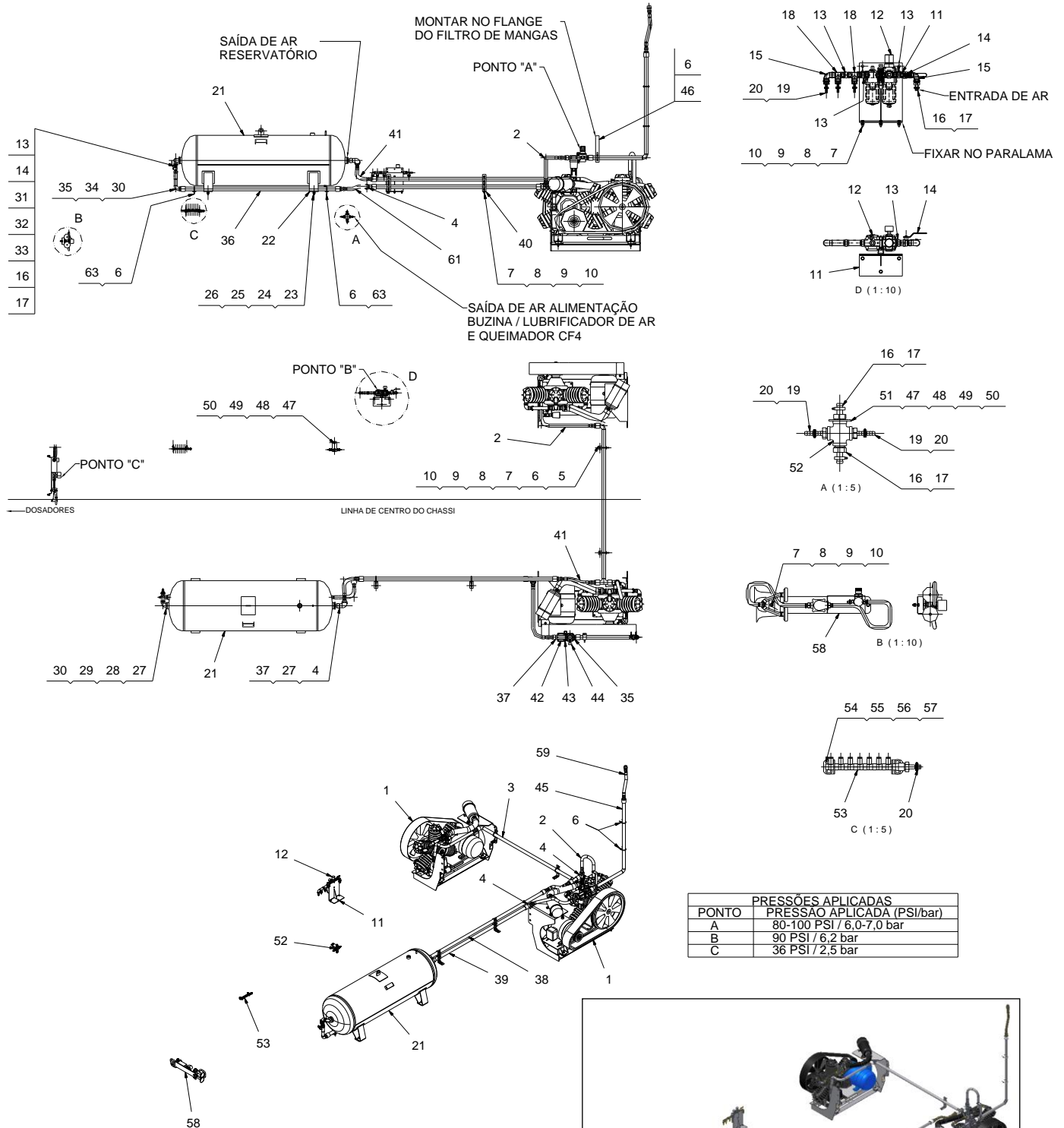
Page intentionally blank.

18. Cable for line-of-life C/ 9120mm – 34109403



18. CABLE FOR LINE-OF-LIFE C/ 9120MM – 34109403

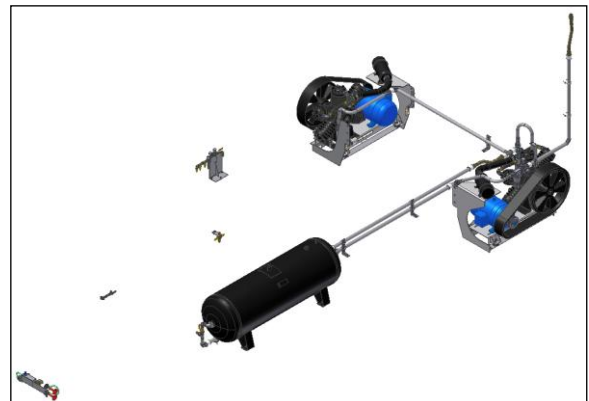
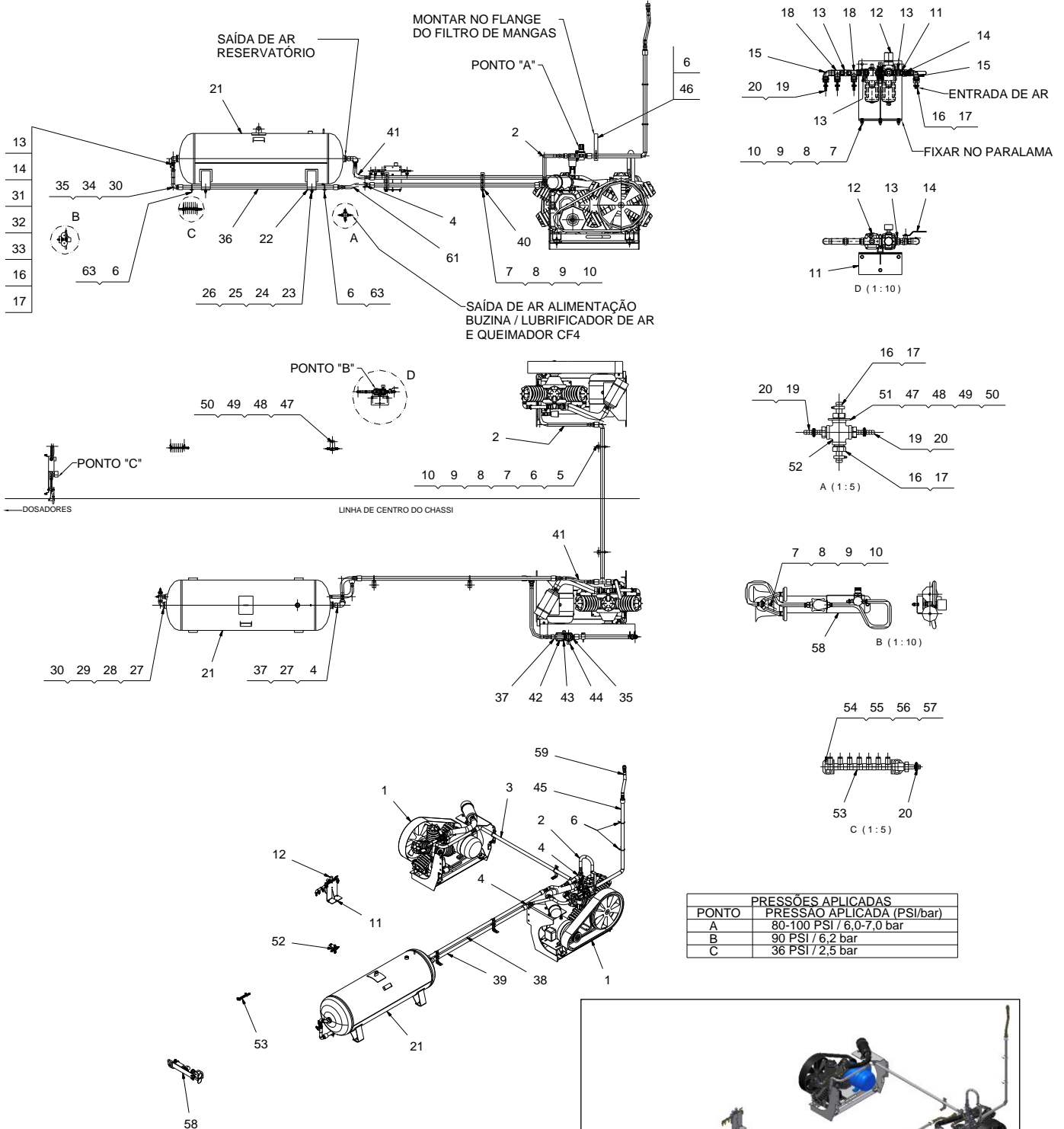
Item	Code	Description	Quantity
01	30109404	Steel cable	01
02	24088365	Cable Timble	02
03	24027608	Crosby cable clamp	06
04	24109006	Tensionner	01
05	28011247	Shackle	03

19. PNEUMATIC SYSTEM – 34118245


19. PNEUMATIC SYSTEM – 34118245

Item	Code	Description	Quantity
01	34118244	◀ Air compressor assembly	02
02	28089707	Flexible metallic pipe	03
03	34115008	Pipe set	01
04	28089708	Elbow	04
05	30108924	Support	02
06	24097787	Clamp	11
07	24051026	Bolt	13
08	24000071	Washer	26
09	24000072	Washer	13
10	24107324	Nut	13
11	34104891	Support	01
12	28012010	Filter	01
13	28001096	Double nipple	04
14	28043112	Ball valve	02
15	28009422	Elbow	02
16	28019390	Connector	04
17	24014577	Clamp	04
18	28009436	Connection	02
19	28024268	Connector	05
20	24006852	Clamp	06
21	28100780	Air reservoir	01
22	30108925c	Rubber	04
23	24051034	Bolt	04
24	24005005	Washer	05
25	24000355	Washer	04
26	24083175	Nut	04
27	28014585	Bushing	02
28	28019174	Elbow	01
29	28014390	Double nipple	01
30	28001098	Elbow	02
31	28009138	Bushing	02
32	28022551	Double nipple	01
33	28001122	Connection	01
34	30115006c	Pipe	01
35	28096293	Nipple	02
36	34115010	Duct	01
37	28095032	Connection	02
38	34106928	Duct	01
39	34115009	Duct	01
40	30115007	Support	02
41	28089705	Flexible metallic pipe	04
42	28114004	Air filter	01
43	28114005	Fixation	01
44	28104243	Pressure regulator	01
45	34115012	Pipe set	01
46	30115013	Pipe set	01
47	24000274	Bolt	01
48	24091821	Nut	01
49	24000029	Washer	01

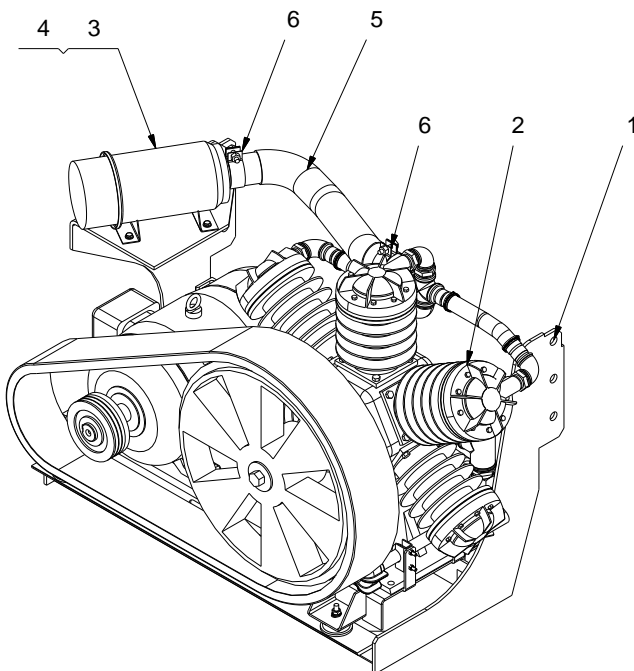
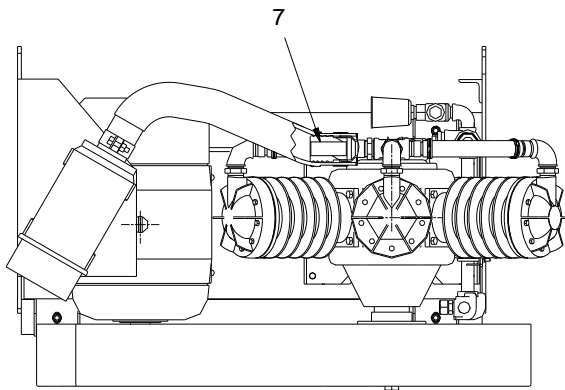
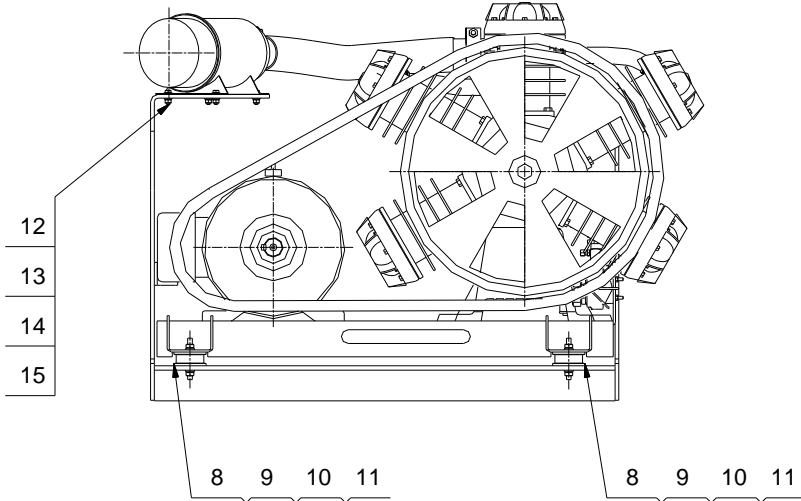
Continued

19. PNEUMATIC SYSTEM – 34118245


19. PNEUMATIC SYSTEM – 34118245

Item	Code	Description	Quantity
50	24000017	Washer	02
51	30051706	Support	01
52	28072962	Cross fitting	01
53	34112869	Diffusor	01
54	24011852	Washer	08
55	24000354	Washer	04
56	24001036	Bolt	04
57	24000311	Nut	04
58	34061146	◀ Pneumatic horn	01
59	30036414	Hose	01
60	30102831	Hose	01
61	40028979	Pipe	36M
62	62097698	Seal	01

19.1. Air compressor assembly – 34118244



19.1. Air compressor assembly – 34118244

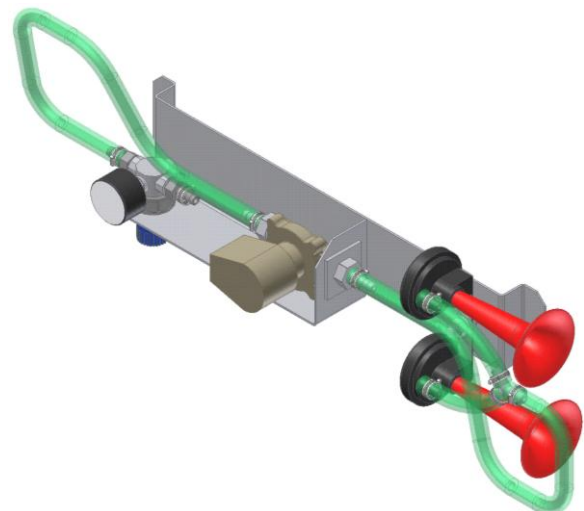
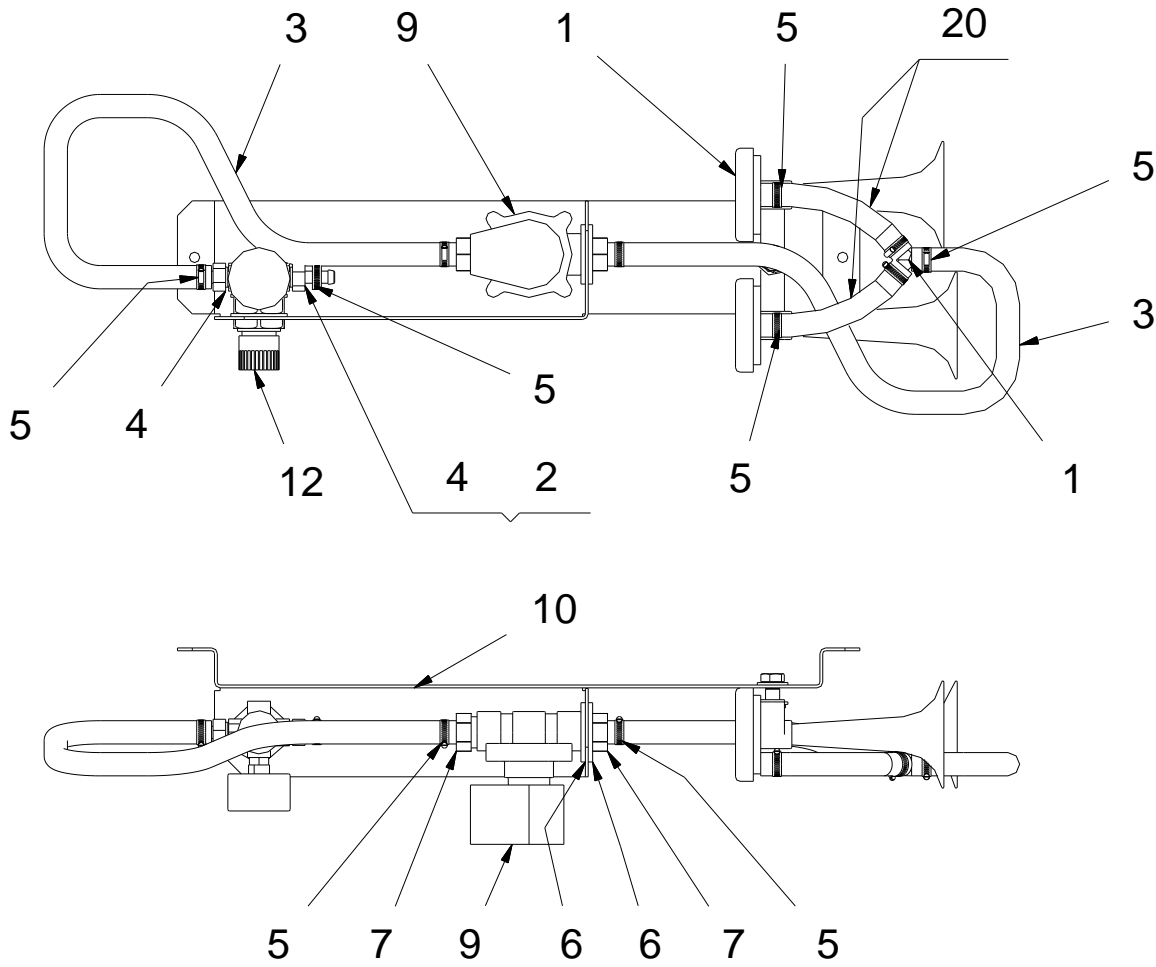
Item	Code	Description	Quantity
01	34096867	Base	01
02	---	◀ Compressing unit 80pcm	01
03	28062624	Air filter	01
04	28062625	Filtering element	01
05	28046641	Hose	01
06	24071818	Clamp	02
07	30062755	Ferrule	01
08	20108912	Pad	04
09	24103533	Nut	08
10	24006885	Washer	08
11	24010542	Washer	08
12	24051025	Bolt	04
13	24083238	Washer	08
14	24000080	Washer	04
15	24117236	Nut	04

19.1.1. Compressing unit 80pcm

Consulte o catalogos de acionamentos

Page intentionally blank.

19.2. Pneumatic horn – 34061146

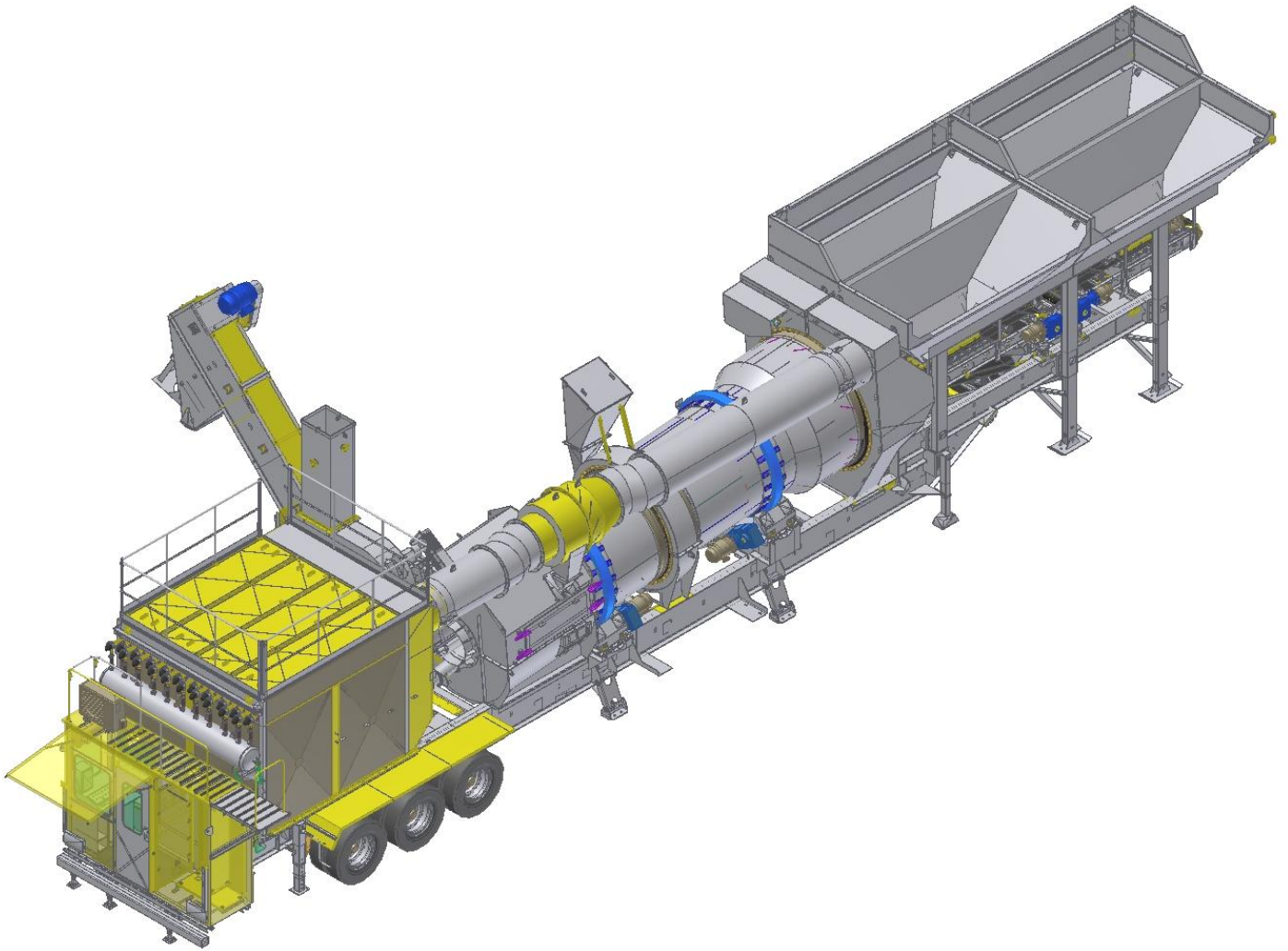


19.2. Pneumatic horn – 34061146

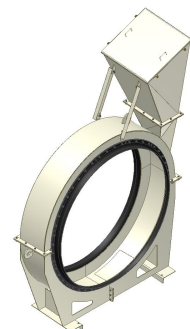
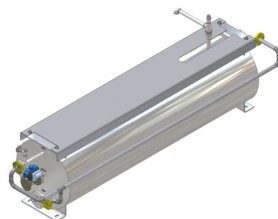
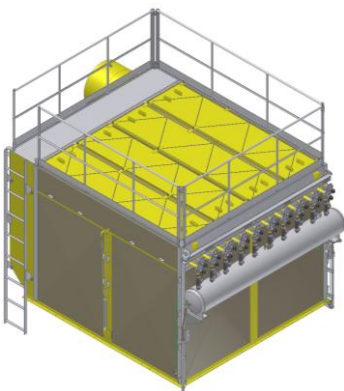
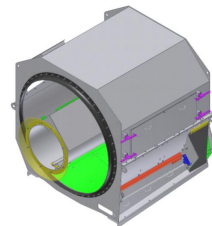
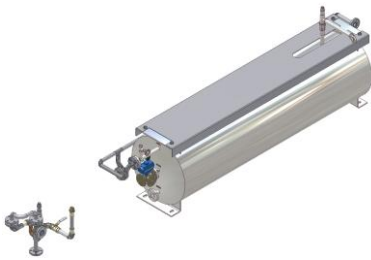
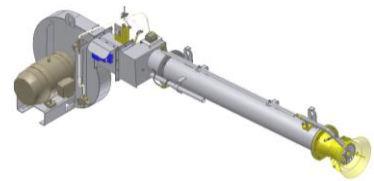
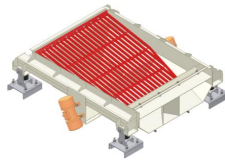
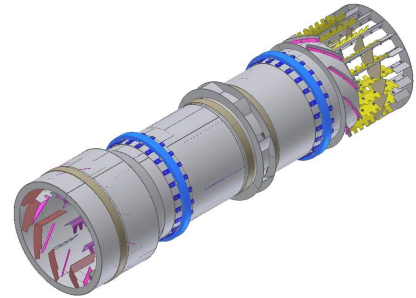
Item	Code	Description	Quantity
01	20062427	Pneumatic horn	01
02	40057072	Hose	3M
03	30097429	Hose	02
04	28045187	Hose connector	02
05	24023509	Clamp	09
06	30099316	Washer	02
07	28030638	Hose connector	02
09	28075276	Solenoid valve	01
10	30097426	Support	01
12	28070934	Pressure regulating valve	01
13	28070935	Pressure gauge 0 - 11bar DN52 1/8"BSP	01
15	24000350	Washer	02
16	24000065	Washer	01
17	24000022	Nut	01
18	24000205	Bolt	01
20	30097428	Hose	02

Page intentionally blank.

OPTIONAL ITEMS OF THE PLANT

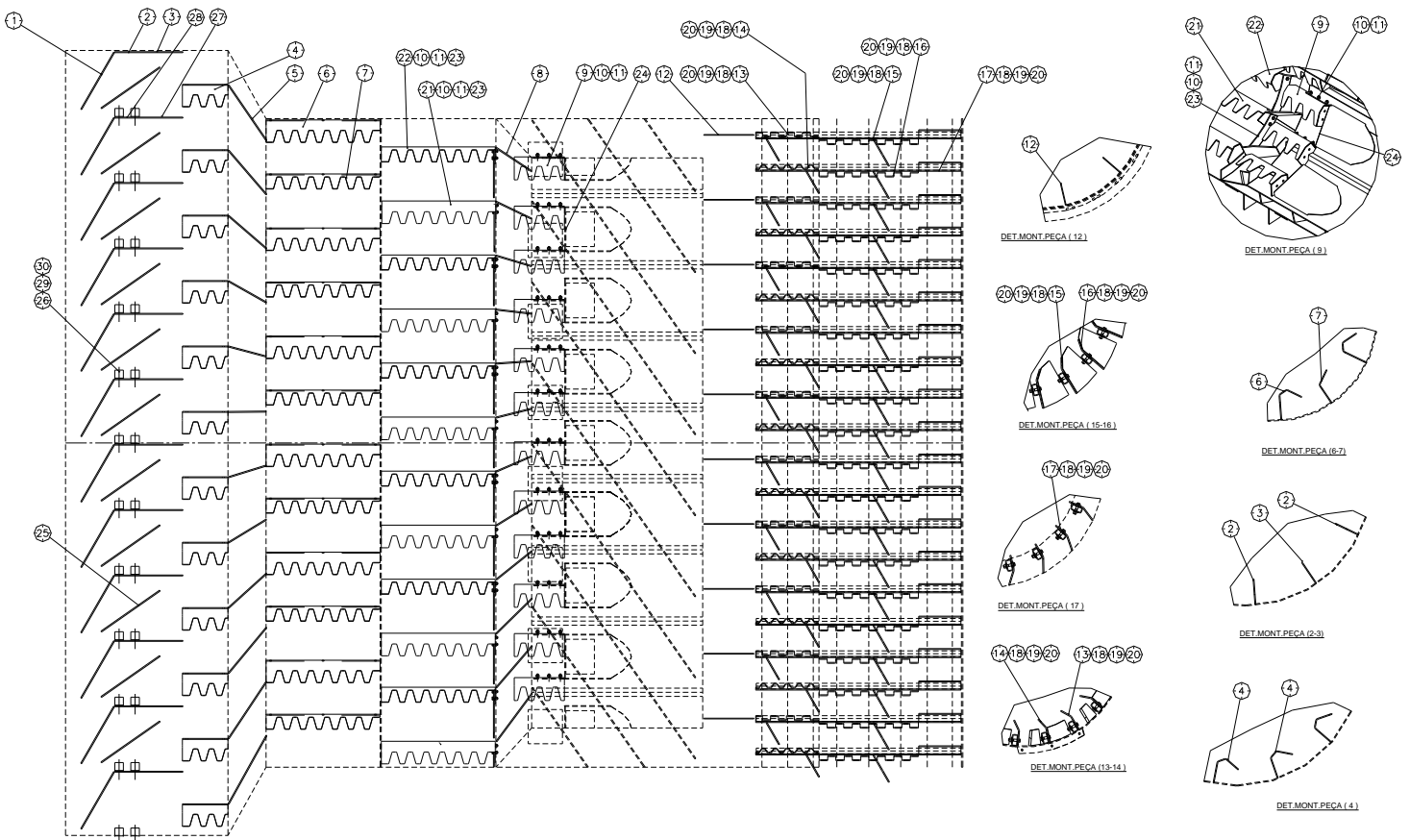


OPTIONAL ITEMS OF THE PLANT



OPTIONAL ITEMS OF THE PLANT

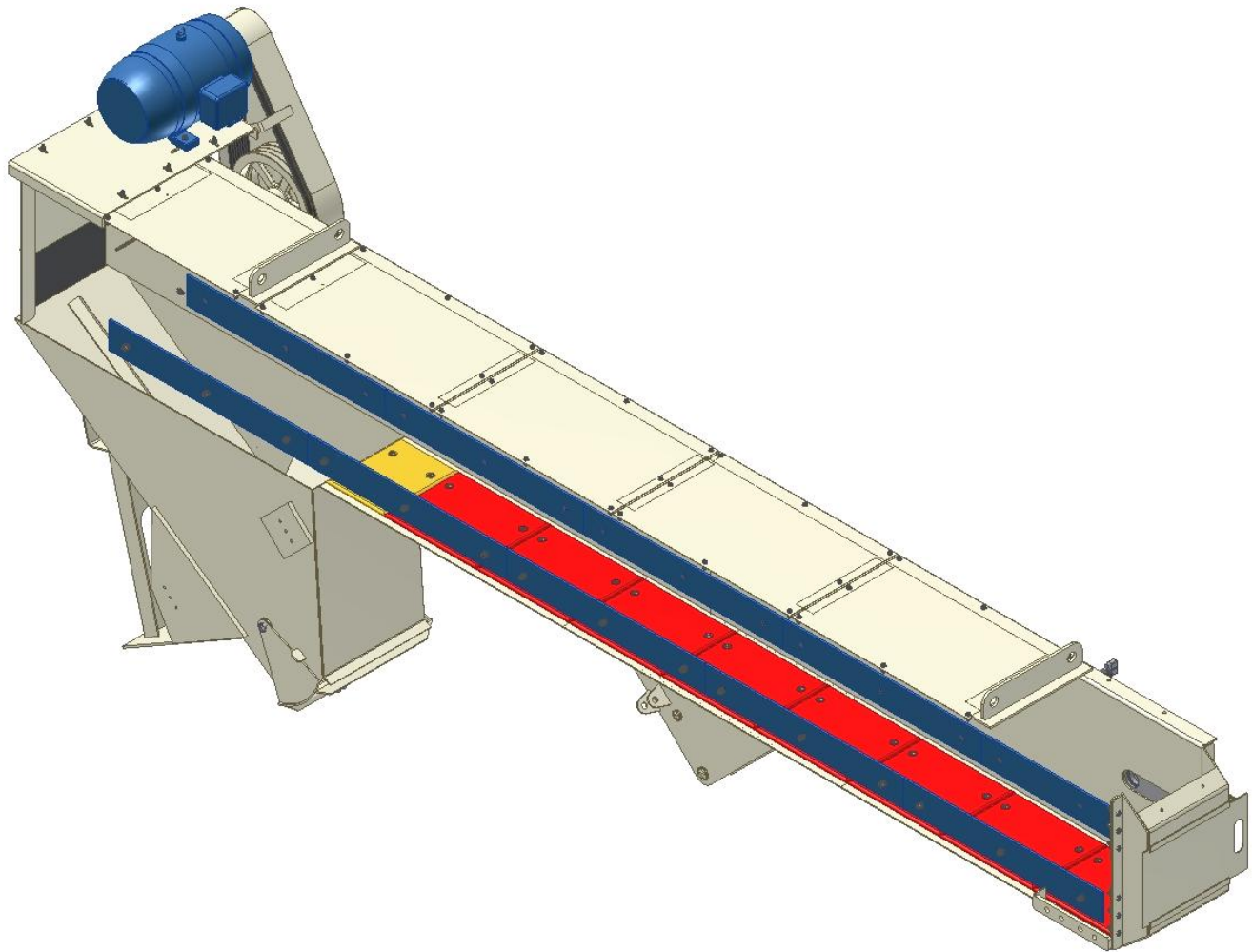
Item	Code	Description	Quantity
01	---	◀ Development drum mixer drawing – AR-400	01
02	34099390	◀ Wear plate of the drag conveyor – AR-400	01
03	34040203	◀ Output cone – Gas	01
04	28061280	◀ Nomex bag	01
05	34102532	◀ Fuel heat regulator assembly	01
06	34102535	◀ Asphalt heat regulator assembly	01
07	34094785	◀ Panel control to temperature regulators – 2 temperature regulators	01
08	34096802	◀ Combustion chamber with covering AR-400	01
09	34115304	◀ Video monitoring system	01
10	34092617	◀ Vibratory chute	01
11	34117099	◀ Recycling cover	01
12	34103740	◀ Sensor and detector of flame	01
13	34091568	◀ Sensor of flame	01

1. DEVELOPMENT DRUM MIXER DRAWING – AR-400


1. DEVELOPMENT DRUM MIXER DRAWING – AR-400

Item	Code	Description	Quantity
01	30099049	Flight	12
02	30099052	Flight	06
03	30099064	Flight	06
04	30099050	Flight with teeth	12
05	30099053	Flight	12
06	30099054	Flight with teeth	06
07	30099058	Flight with teeth	06
08	30099044	Flight	12
09	38099048	Flight with teeth	12
10	24006981	Bolt	60
11	24079573	Nut	60
12	38083400	Flight with teeth	10
13	38083398	Flight with teeth	10
14	38081334	Flight with teeth	10
15	38099316	Flight with teeth	10
16	38099317	Flight with teeth	10
17	30081307	Flight	20
18	24033819	Bolt	160
19	24000352	Washer	260
20	24006984	Nut	160
21	38099057	Flight with teeth	06
22	38099061	Flight with teeth	06
23	30099062	Flange	12
24	30098790	Closing	08
25	30099063	Flight	12
26	30079570	Support	24
27	30099051	Flight with teeth	06
28	30099065	Flight with teeth	06
29	24006981	Bolt	24
30	24079573	Nut	24

2. PLACAS DE DESGASTE DO ELEVADOR



View inside of drag conveyer

2. WEAR PLATE OF THE DRAG CONVEYOR

Item	Code	Description	Quantity
01	34099390	◀ Wear plate of the drag conveyor – AR 400	01
02	34099391	◀ Wear plate of the drag conveyor - FOFO	01

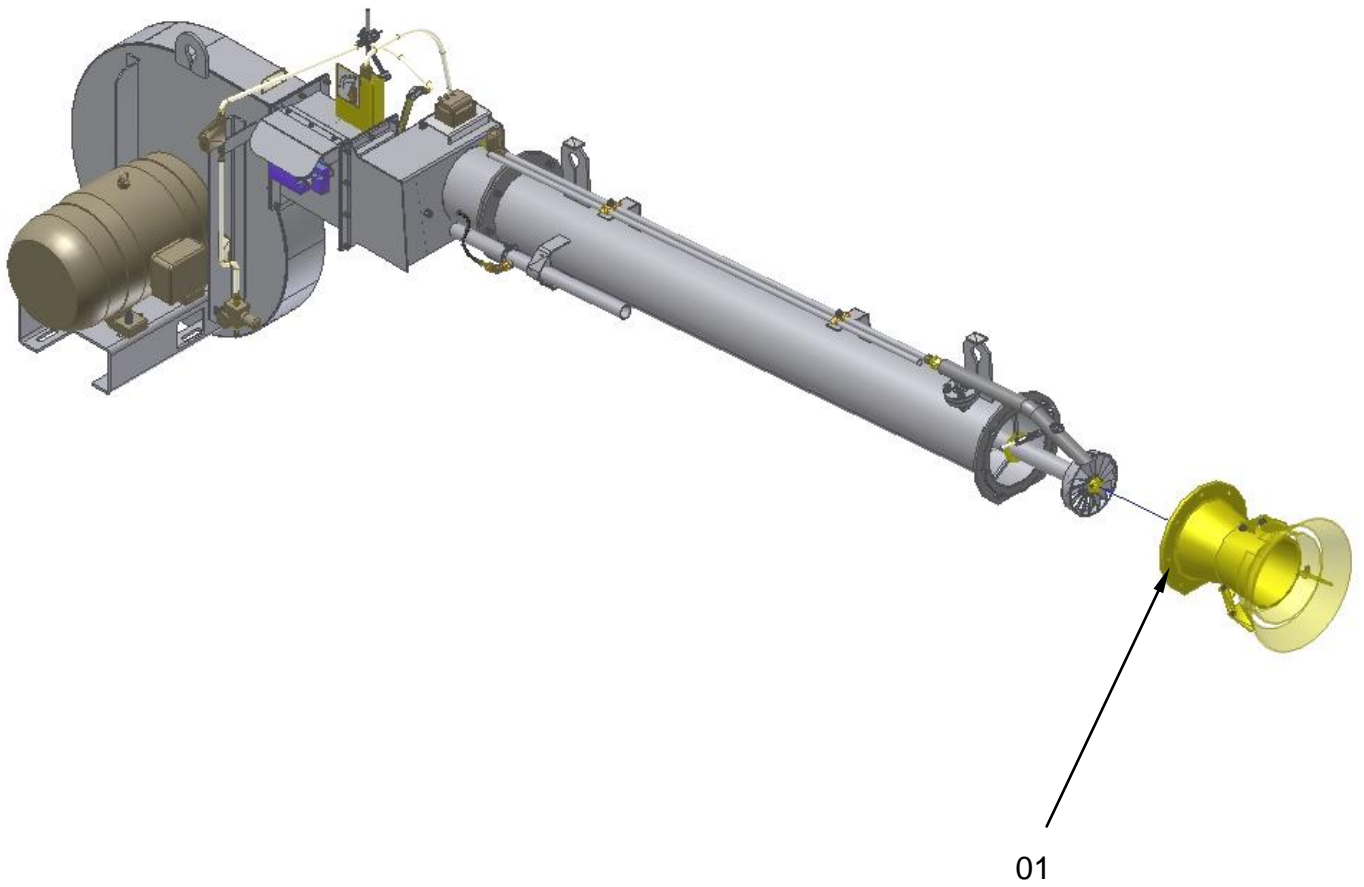
2.1. Wear plate of the drag conveyor AR-400 – 34099390

Item	Code	Description	Quantity
01	30089597	Wear plate	10
02	30070545	Wear plate	01
03	40093884	Wear plate	08

2.2. Wear plate of the drag conveyor - FOFO – 34099391

Item	Code	Description	Quantity
01	30096815c	Wear plate	10
02	30070545	Wear plate	01
03	40007912	Wear plate	08

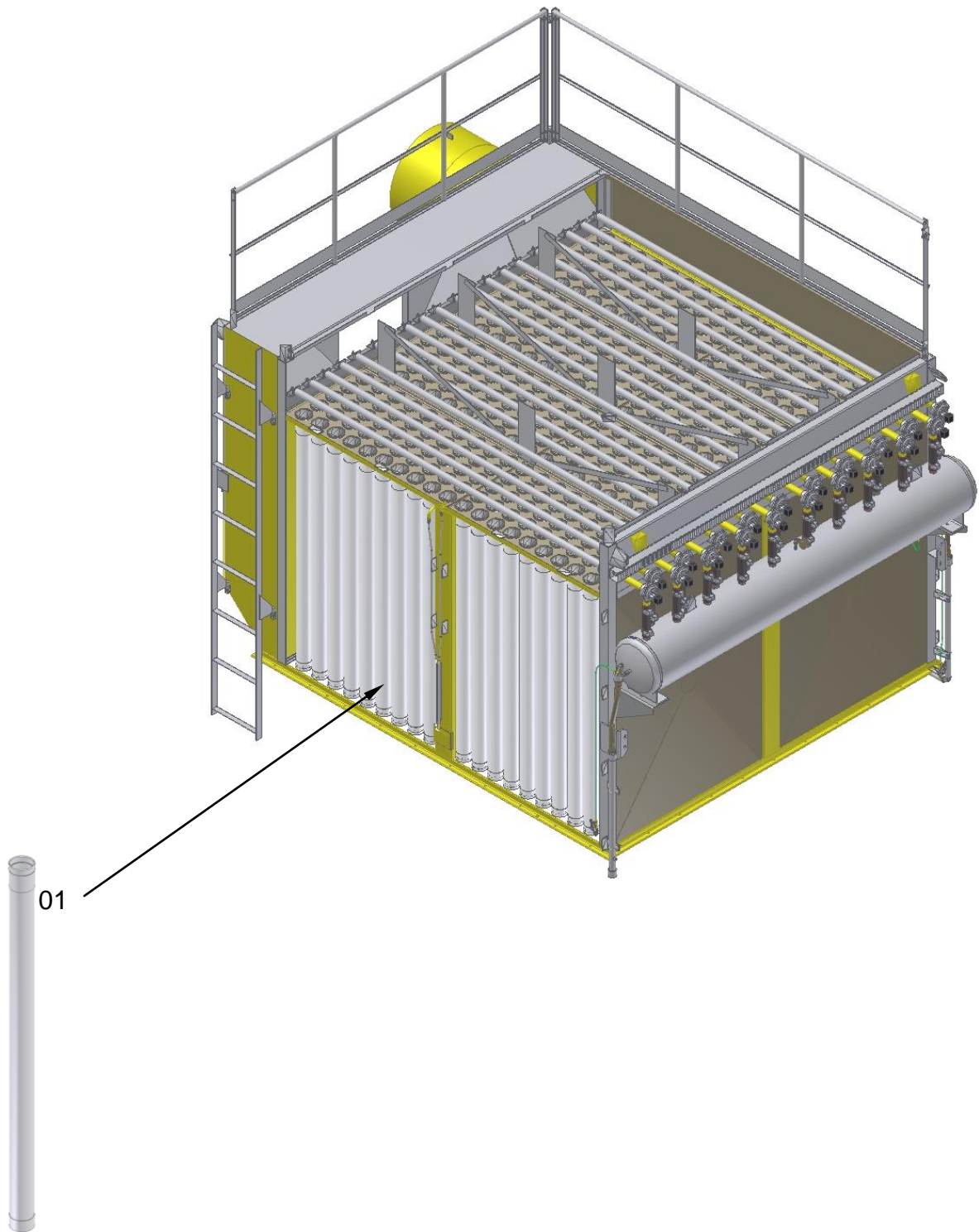
3. OUTPUT CONE – GAS – 34040203



3. OUTPUT CONE – GAS – 34040203

Item	Code	Description	Quantity
01	34040203	Output cone – gas	01

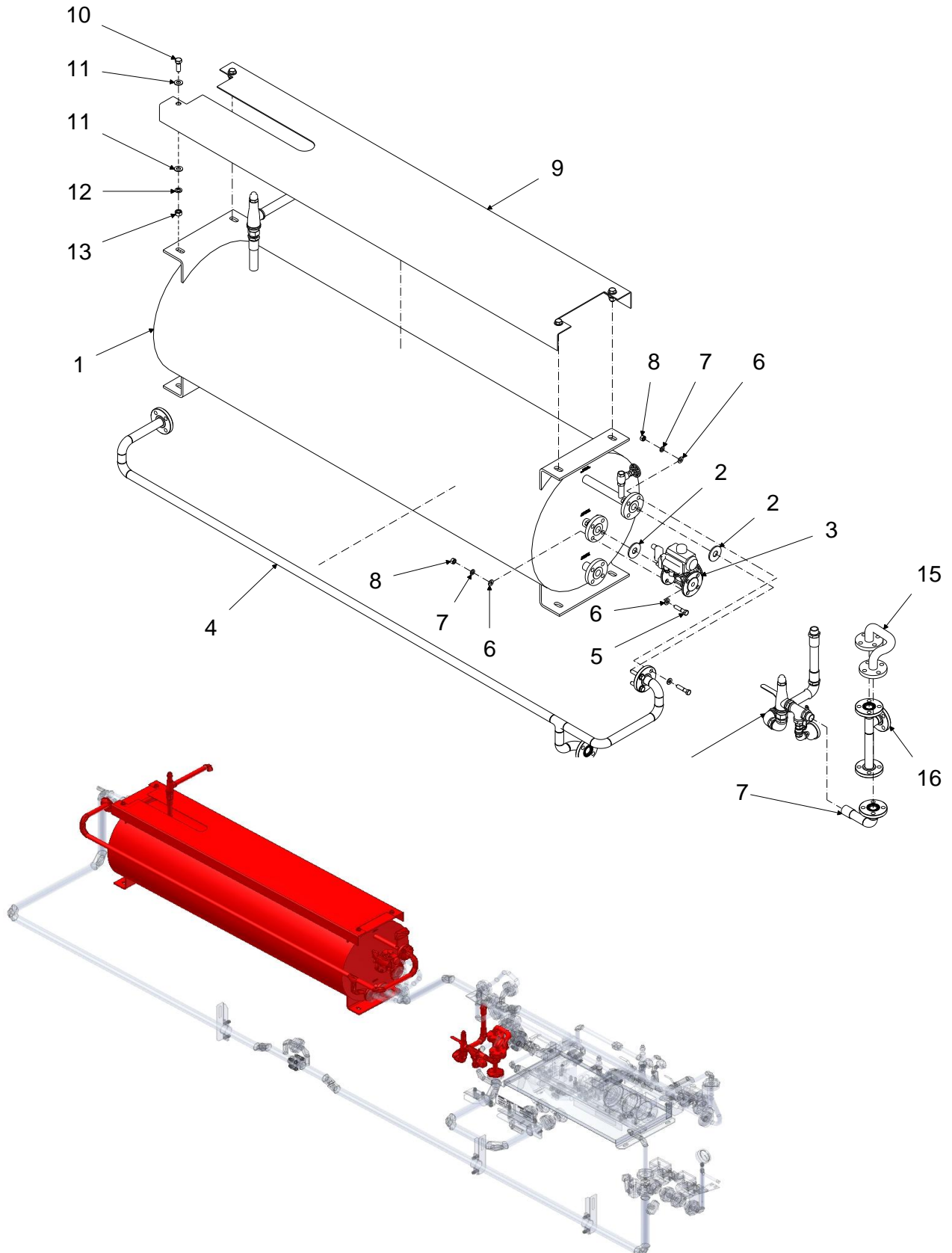
4. NOMEX BAG – 28061280



4. NOMEX BAG – 28061280

Item	Code	Description	Quantity
01	28061280	Nomex bag	01

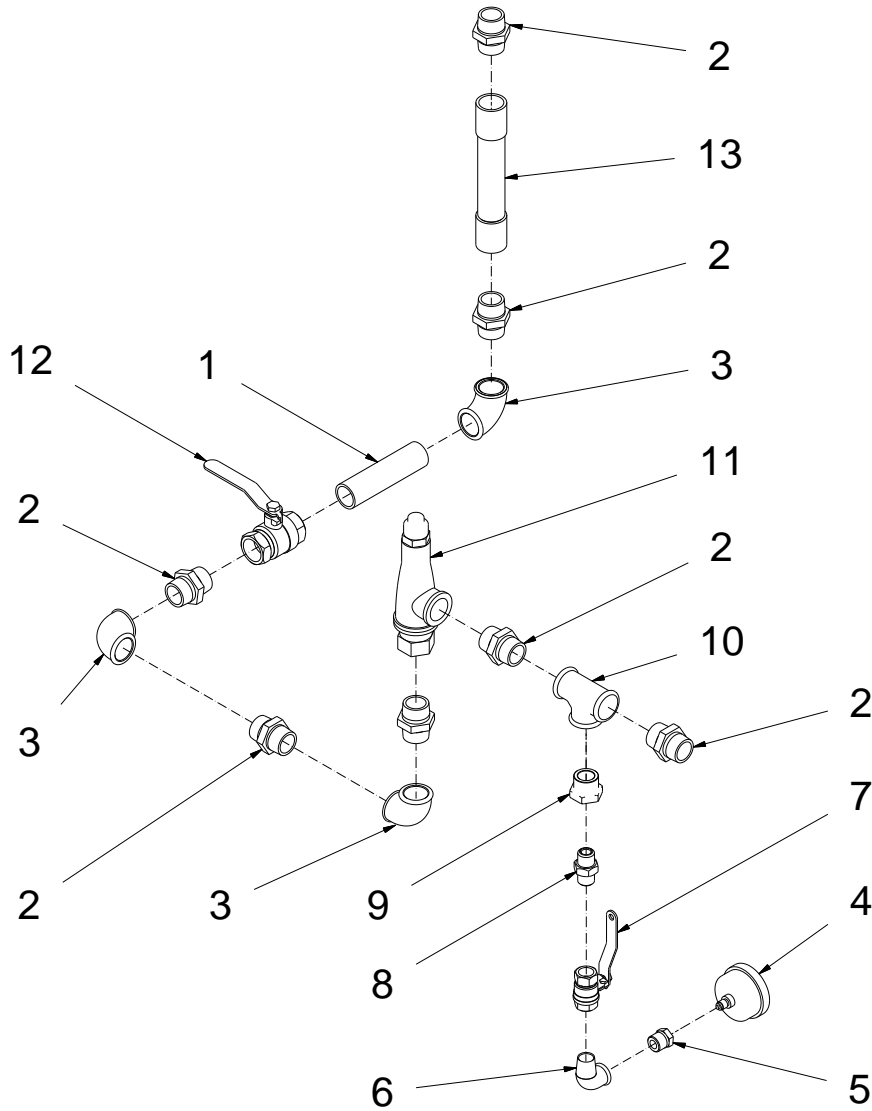
5. FUEL HEAT REGULATOR ASSEMBLY – 34102532



5. FUEL HEAT REGULATOR ASSEMBLY – 34102532

Item	Code	Description	Quantity
01	20098710	Fuel heat regulator	01
02	30018932	Seal	02
03	34076606	Dividing valve	01
04	34102490c	Pipe set	01
05	24039025	Bolt	08
06	24000017	Washer	16
07	24000029	Washer	08
08	24091821	Nut	08
09	30098660	Protection	01
10	24051033	Bolt	04
11	24005005	Washer	08
12	24000355	Washer	04
13	24083175	Nut	04
14	34104812	◀ Pipe set of valve	01
15	28078960	Flexible metallic pipe	01
16	34104810	Duct	01
17	34104811	Curve	01

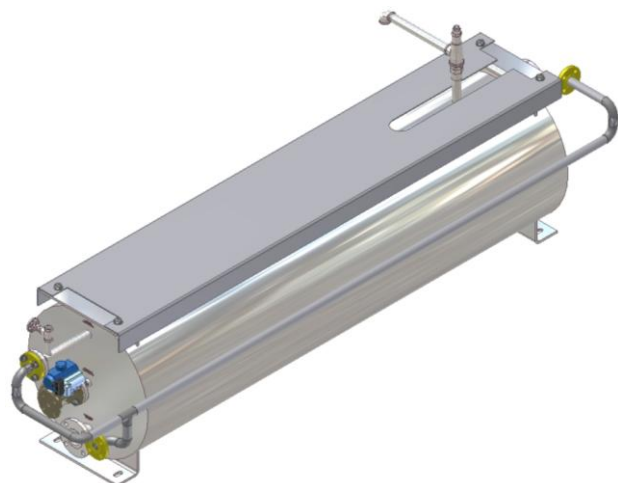
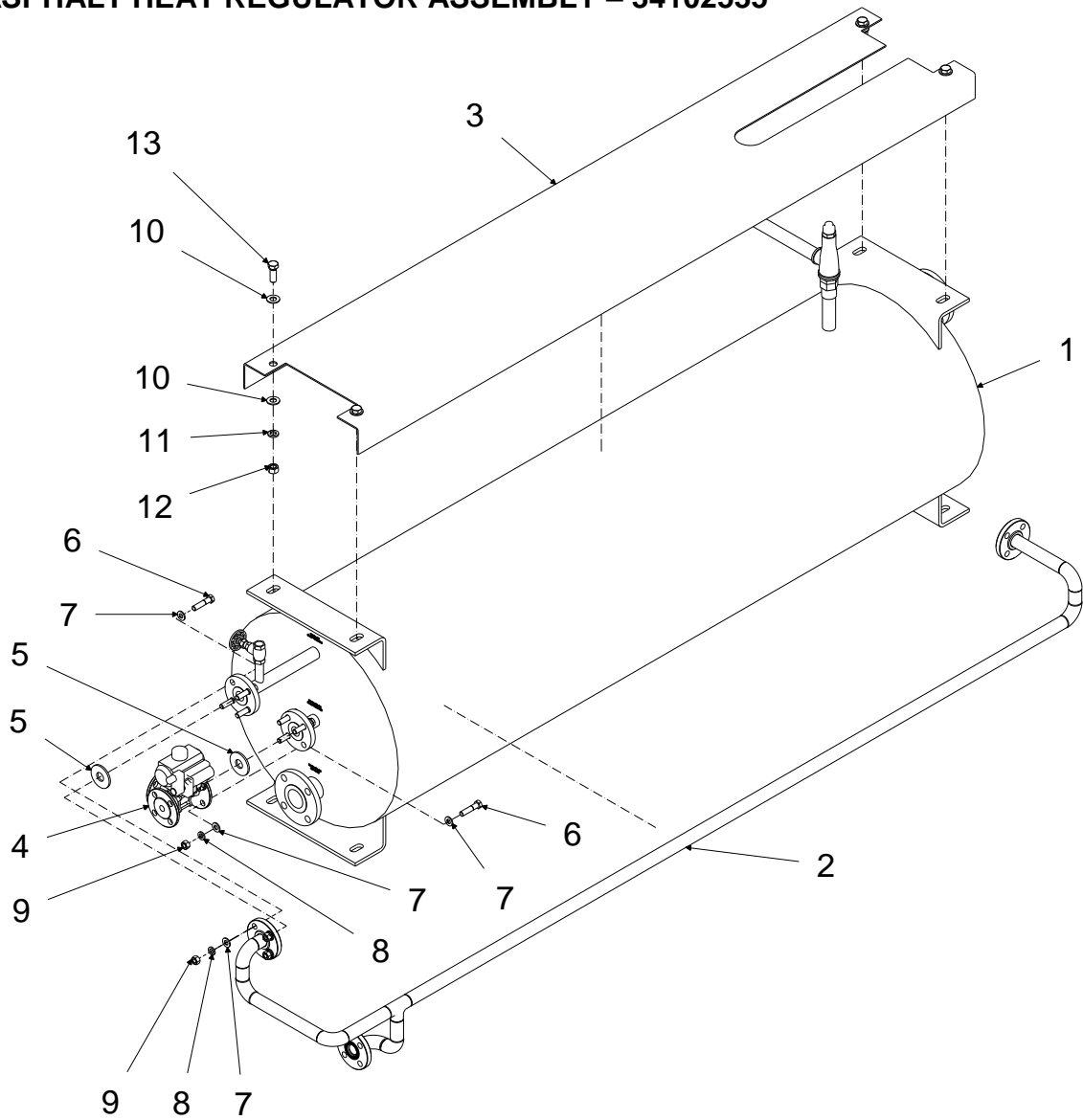
5.1. Pipe set of valve – 34104812



5.1. Pipe set of valve – 34104812

Item	Code	Description	Quantity
01	30039571	Pipe	01
02	28014390	Nipple	07
03	28001098	Elbow	03
04	28019842	Pressure gauge	01
05	28009135	Bushing	01
06	28009422	Elbow	01
07	28011258	Ball valve	01
08	28001096	Nipple	01
09	28009138	Bushing	01
10	28001122	Connection	01
11	28000979	Safety valve	---
12	28022555	Ball valve	01
13	34104813	Pipe	01

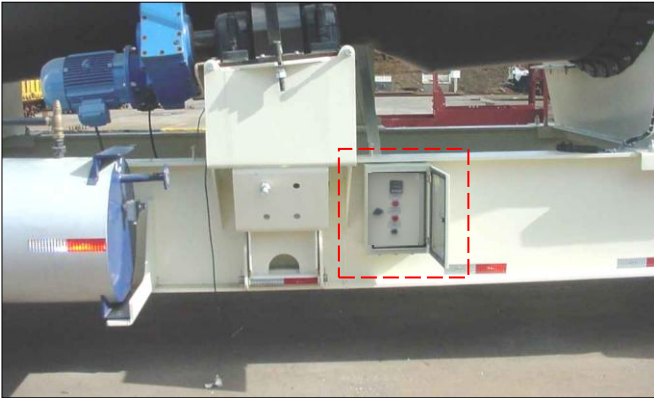
6. ASPHALT HEAT REGULATOR ASSEMBLY – 34102535



6. ASPHALT HEAT REGULATOR ASSEMBLY – 34102535

Item	Code	Description	Quantity
01	20098715	Asphalt heat regulator	01
02	34102304	Pipe set	01
03	30098660	Protection	01
04	34076606	Dividing valve	01
05	30018932	Seal	02
06	24039025	Bolt	08
07	24000017	Washer	16
08	24000029	Washer	08
09	24091821	Nut	08
10	24005005	Washer	08
11	24000355	Washer	04
12	24083175	Nut	04
13	24051033	Bolt	04

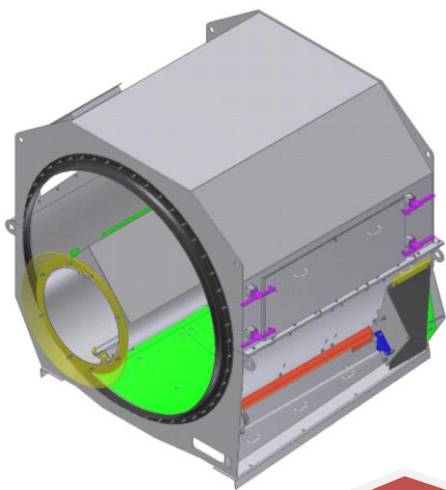
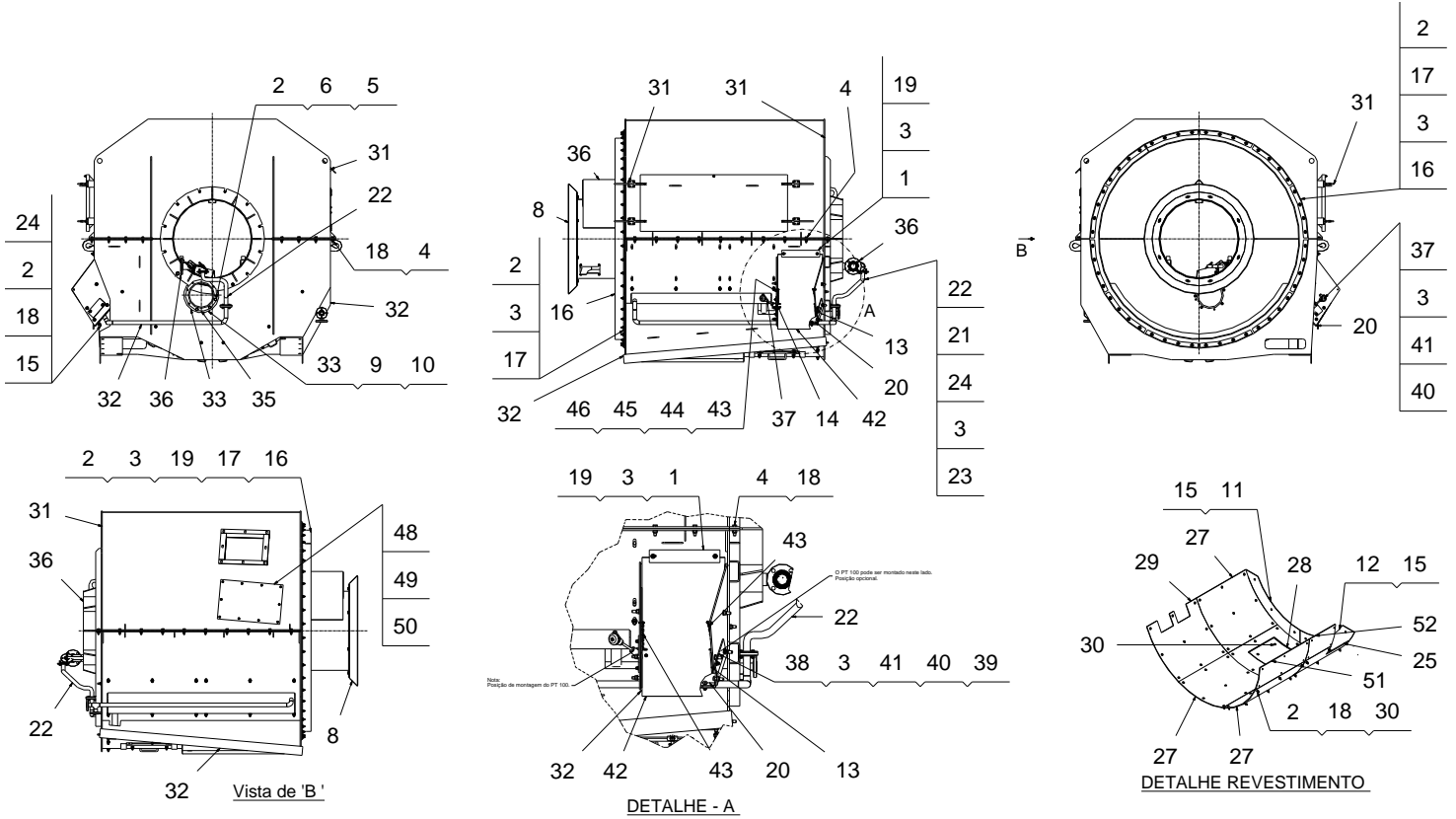
7. PANEL CONTROL TO TEMPERATURE REGULATORS – 2 TEMP. REG. – 34094785



**Imagens meramente ilustrativas.
Imágenes solamente ilustrativas.
Only illustrative images.**

7. PANEL CONTROL TO TEMPERATURE REGULATORS – 2 TEMP. REG. – 34094785

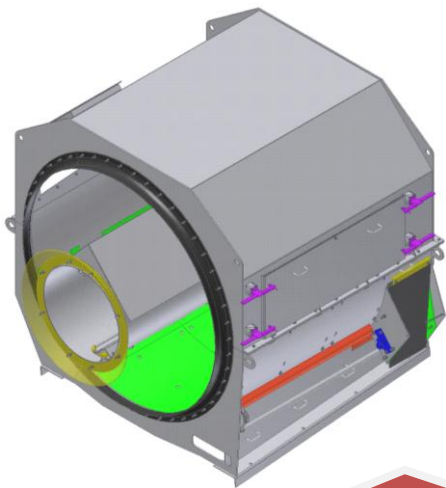
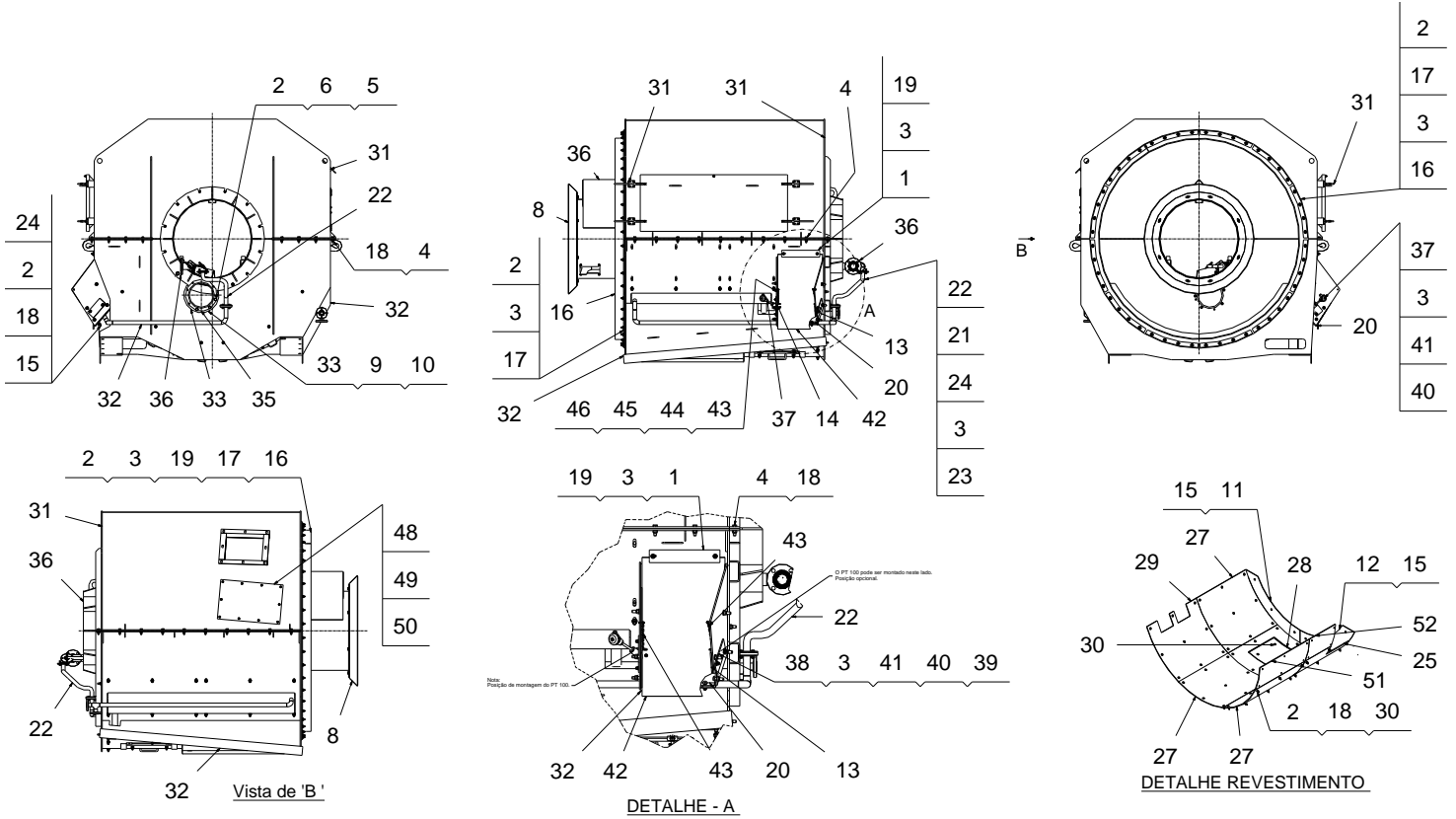
Item	Code	Description	Quantity
01	22094714	Circuit breaker K32A 1P C6	01
02	22046050	Push button VSZ222/13	03
03	22070932	Lamp - Led Light bulb S1L/13 120V BA9S	03
04	22046125	Light socket light bulb L001	03
05	22046129	Short knob switch acz290	01
06	22022465	Block of contacts E-111	01
07	22013463	Connection passage 2,5mm2 wdu/2.5	06
10	22036354	Box	01
17	22010864	Cable press 5-10	05
18	22060088	Temperature Controller	02
19	22011441	Thermal resistors PT-100	02
23	20108913	Pad	04
24	22046045	Cable press 1"	01
25	22094751	Jamb EN/S35N	02
26	22096163	Conductor identifier	30
27	22094698	Connection passage ST2,5	20
28	24098199	Sticker "controle de montagem eletrica"	01
29	24110911	General sticker	01

8. COMBUSTION CHAMBER WITH COVERING AR-400 – 34096802

DETALHE REVESTIMENTO

8. COMBUSTION CHAMBER WITH COVERING AR-400 – 34096802

Item	Code	Description	Quantity
01	30005377	Fastener	01
02	24000017	Washer	136
03	24000350	Washer	62
04	24000276	Bolt	26
05	24051034	Bolt	01
06	24000355	Washer	01
07	24005005	Washer	01
08	34060180	Cone	02
09	24000029	Washer	04
10	24000277	Bolt	04
11	40079663	Wear Plate	01
12	40079664	Wear Plate	01
13	40080059	Wear Plate	01
14	40080060	Wear Plate	01
15	24070111	Bolt	18
16	30079665	sealingstrip	01
17	30080069	Clamp	12
18	24006986	Nut	118
19	24080479	Nut	50
20	40080061	Wear Plate	01
21	30018932	Seal	02
22	28078961	Flexible metallic pipe	01
23	24000343	Nut	08
24	24006953	Bolt	08
25	40080068	Wear Plate	01
26	40080066	Wear Plate	01
27	40080064	Wear Plate	03
28	40079661	Wear Plate	01
29	40091237	Wear Plate	01
30	24094939	Bolt	66
31	34096803	◀ Top frame	01
32	34096808	Bottom frame	01
33	30092600	Flange	01
34	30092602	Seal	01
35	30092601	Flange	01
36	34075819	Protection Duct	01
37	34087799	PT 100	01
38	30096811	Lid / Cover	01
39	24006979	Bolt	04
40	24000312	Nut	04
41	24000080	Washer	04
42	30083354	Lid / Cover	01
43	30022334	Chain	01
44	24000195	Bolt	04
45	24011852	Washer	04
46	24000354	Washer	04
47	24000311	Nut	04
48	30096812	Lid / Cover	01
49	24000065	Washer	10

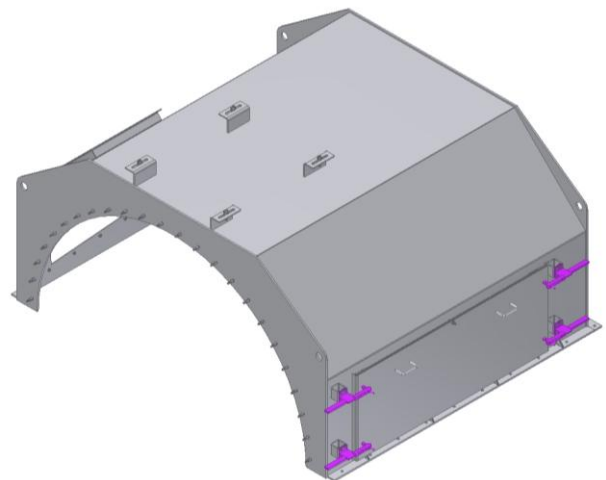
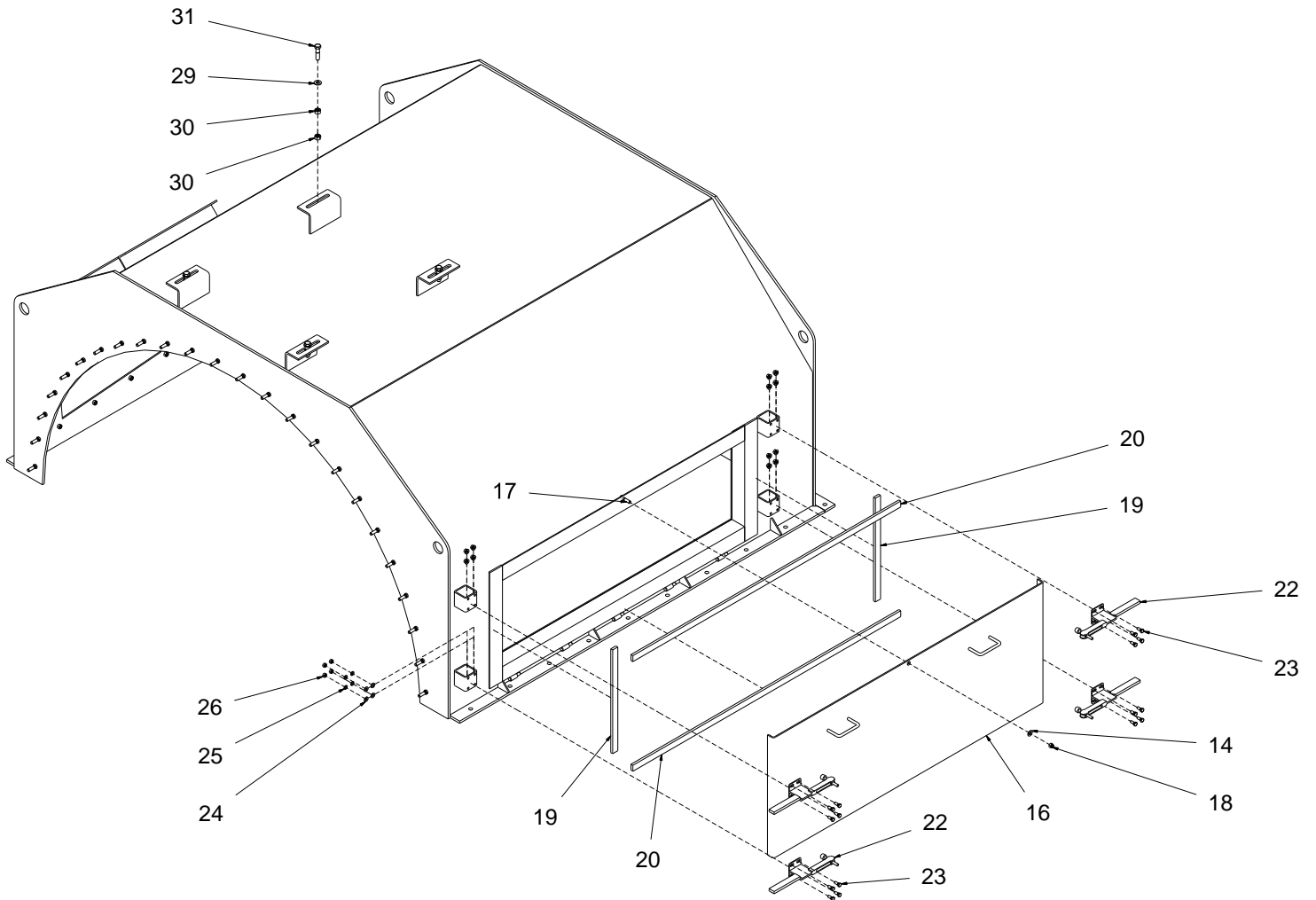
Continua

8. COMBUSTION CHAMBER WITH COVERING AR-400 – 34096802

DETALHE REVESTIMENTO

8. COMBUSTION CHAMBER WITH COVERING AR-400 – 34096802

Item	Code	Description	Quantity
50	24000272	Bolt	10
51	40096813	Wear Plate	01
52	40096814	Wear Plate	01

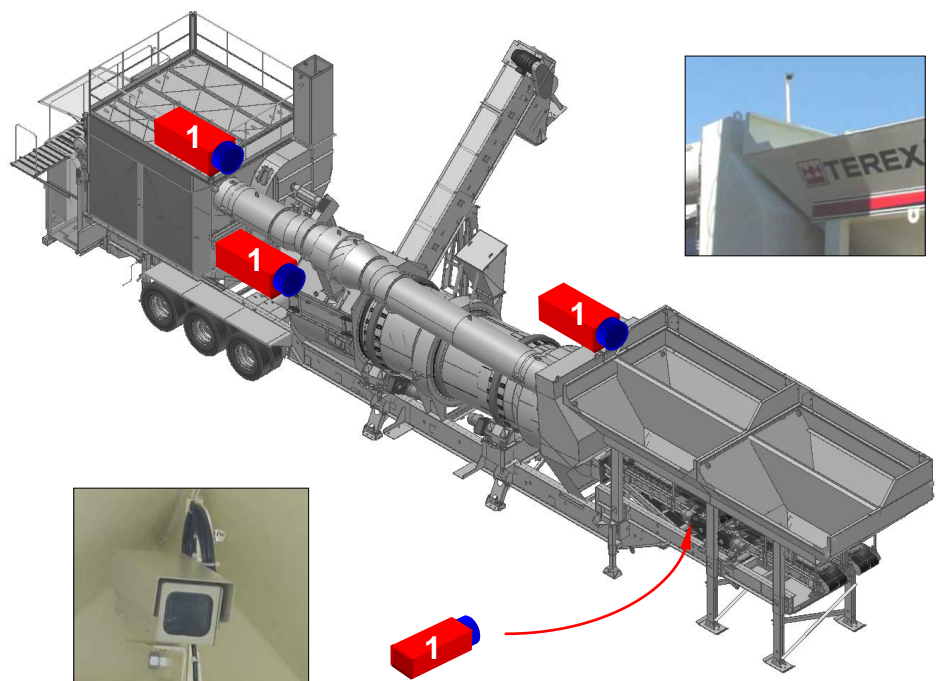
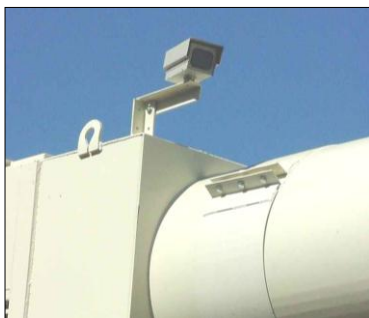
8.1. Top frame – 34096803



8.1. Top frame – 34096803

Item	Code	Description	Quantity
14	24000350	Washer	01
16	34080703	Lid / Cover	01
17	24051028	Bolt	01
18	24080479	Nut	01
19	30080729	Rubber section	02
20	30080728	Rubber section	02
22	24083433	Spring clamp	04
23	24000271	Bolt	16
24	24083238	Washer	16
25	24000080	Washer	16
26	24000312	Nut	16
29	24000017	Washer	04
30	24091821	Nut	08
31	24000277	Bolt	04

9. VIDEO MONITORING SYSTEM – 34115304

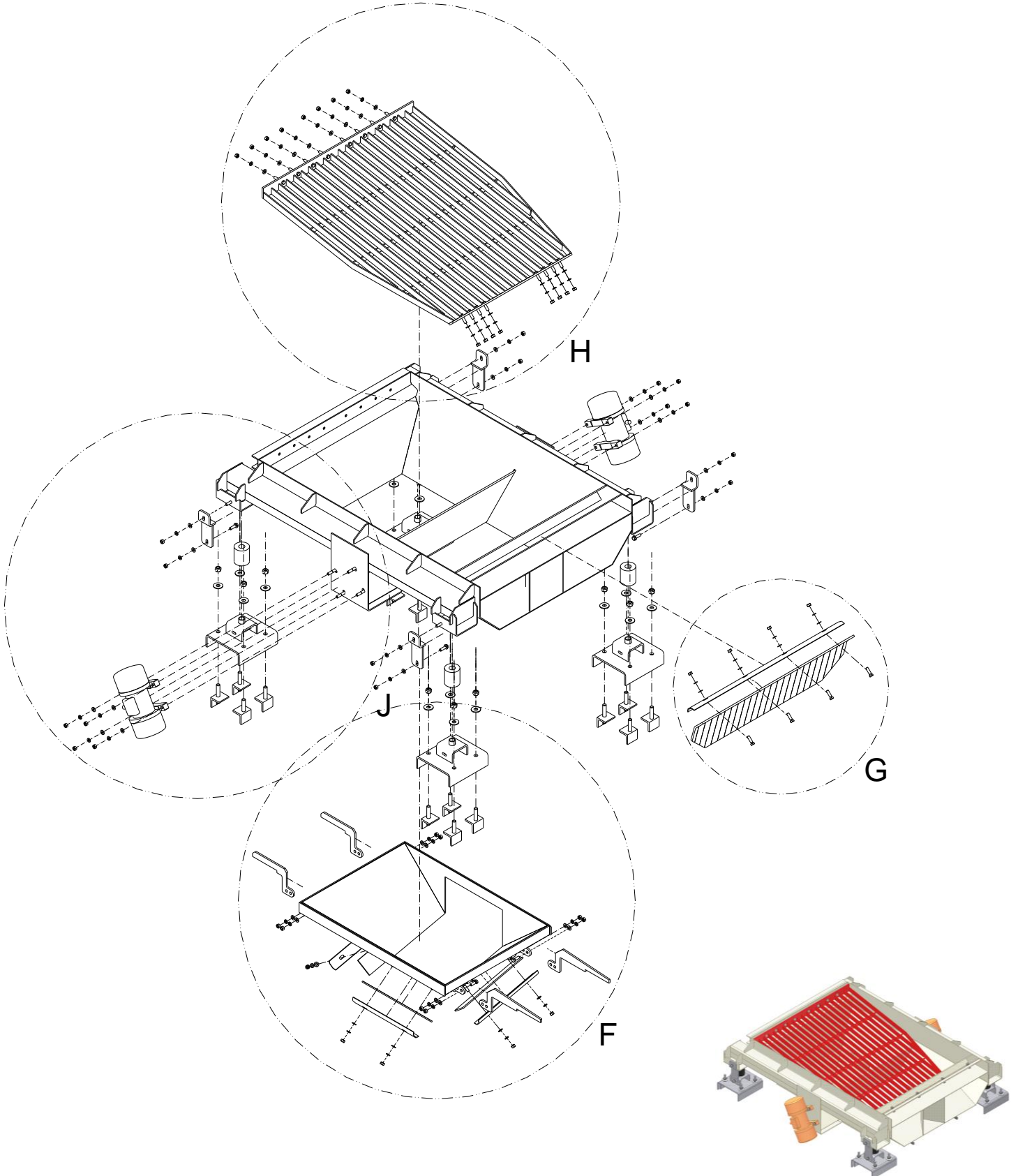


**Imagens meramente ilustrativas.
Imágenes solamente ilustrativas.
Only illustrative images.**

9. VIDEO MONITORING SYSTEM – 34115304

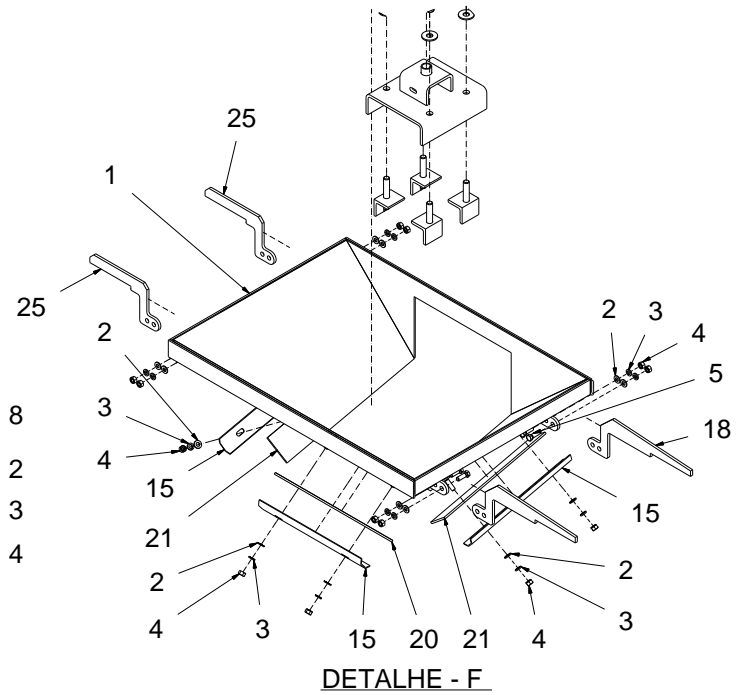
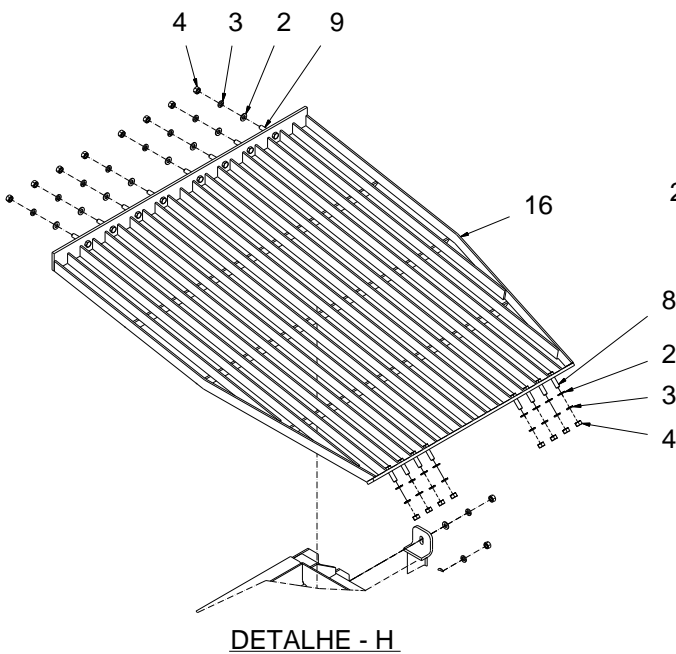
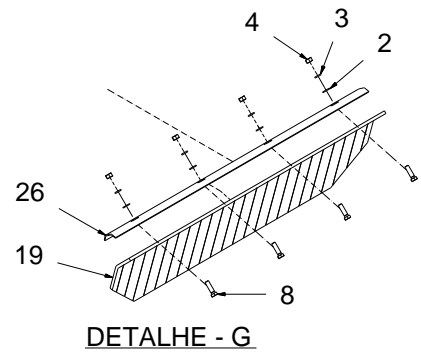
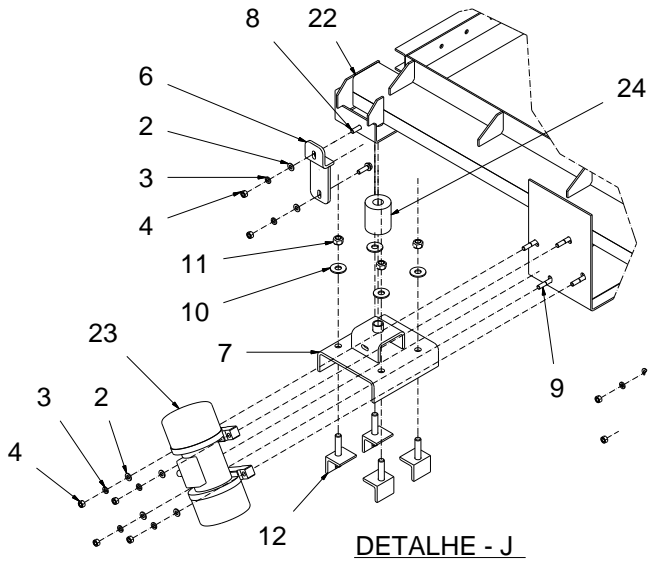
Item	Code	Description	Quantity
01	34114824c	Mini video camera	04
02	34115020	Support	04
03	24006959	Bolt	12
04	24020524	Nut	12
05	24000354	Washer	12

10. VIBRATORY CHUTE – 34092617



10. VIBRATORY CHUTE – 34092617

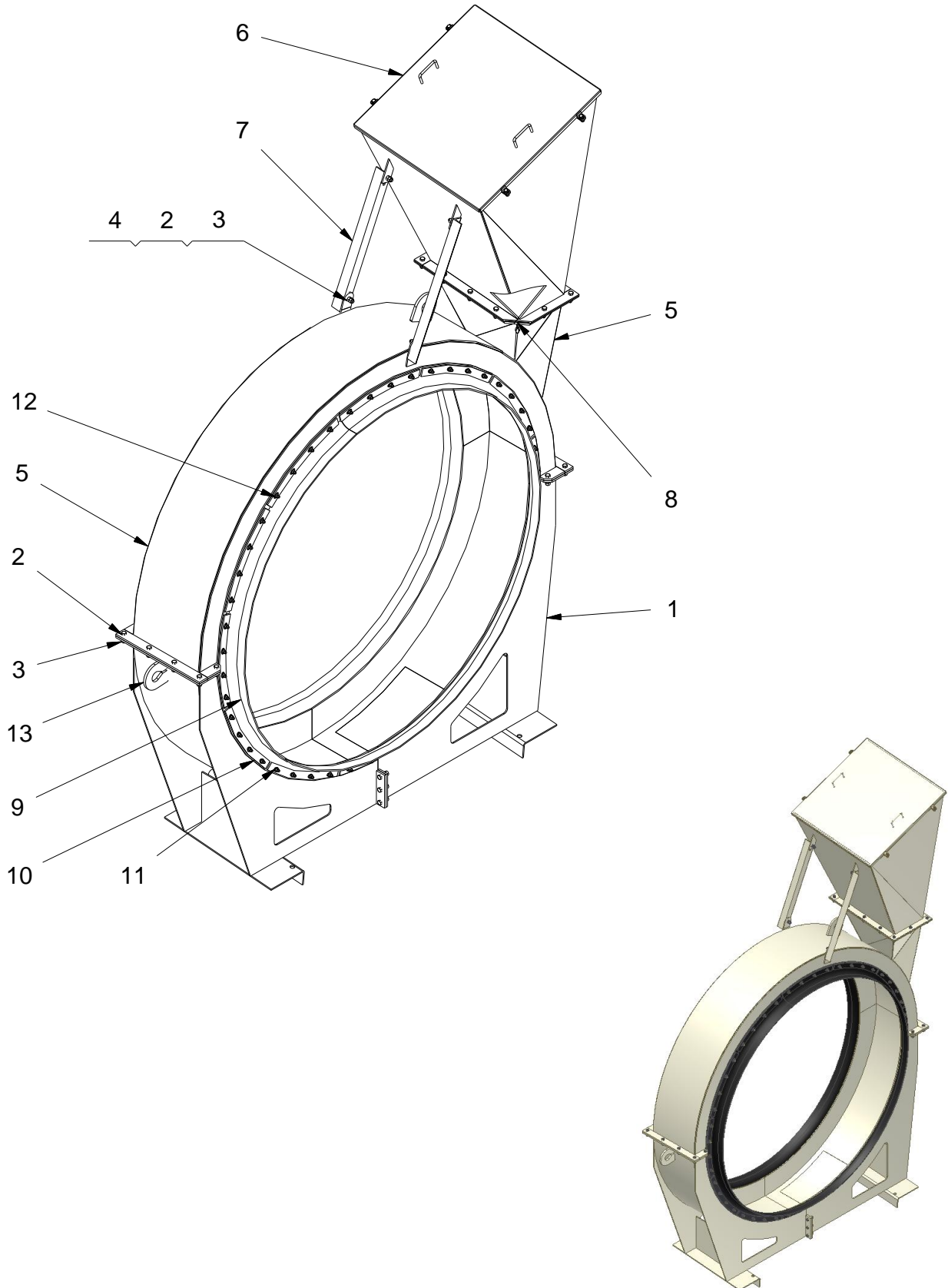
Item	Code	Description	Quantity
01	34093436	Funnel	01
02	24000017	Washer	66
03	24000029	Washer	50
04	24000313	Nut	50
05	24000214	Bolt	08
06	34081066	Locking device	04
07	34080719	Base	04
08	24000276	Bolt	20
09	24000278	Bolt	16
10	24000352	Washer	16
11	24079864	Nut	16
12	38073843	Fastener	16
15	30000675	Fastener	04
16	34089616	Grating	01
18	30091797	Plate	02
19	30091805	Rubber	01
20	30091804	Scraper	02
21	30071028	Rubber	01
22	34091811	Vibrating screens	01
23	26093115	Vibrator	02
24	26080728	Rubber spring	04
25	30093453	Plate	02
26	30089647	Fastener	01

10. VIBRATORY CHUTE – 34092617


10. VIBRATORY CHUTE – 34092617

Item	Code	Description	Quantity
01	34093436	Funnel	01
02	24000017	Washer	66
03	24000029	Washer	50
04	24000313	Nut	50
05	24000214	Bolt	08
06	34081066	Locking device	04
07	34080719	Base	04
08	24000276	Bolt	20
09	24000278	Bolt	16
10	24000352	Washer	16
11	24079864	Nut	16
12	38073843	Fastener	16
15	30000675	Fastener	04
16	34089616	Grating	01
18	30091797	Plate	02
19	30091805	Rubber	01
20	30091804	Scraper	02
21	30071028	Rubber	01
22	34091811	Vibrating screens	01
23	26093115	Vibrator	02
24	26080728	Rubber spring	04
25	30093453	Plate	02
26	30089647	Fastener	01

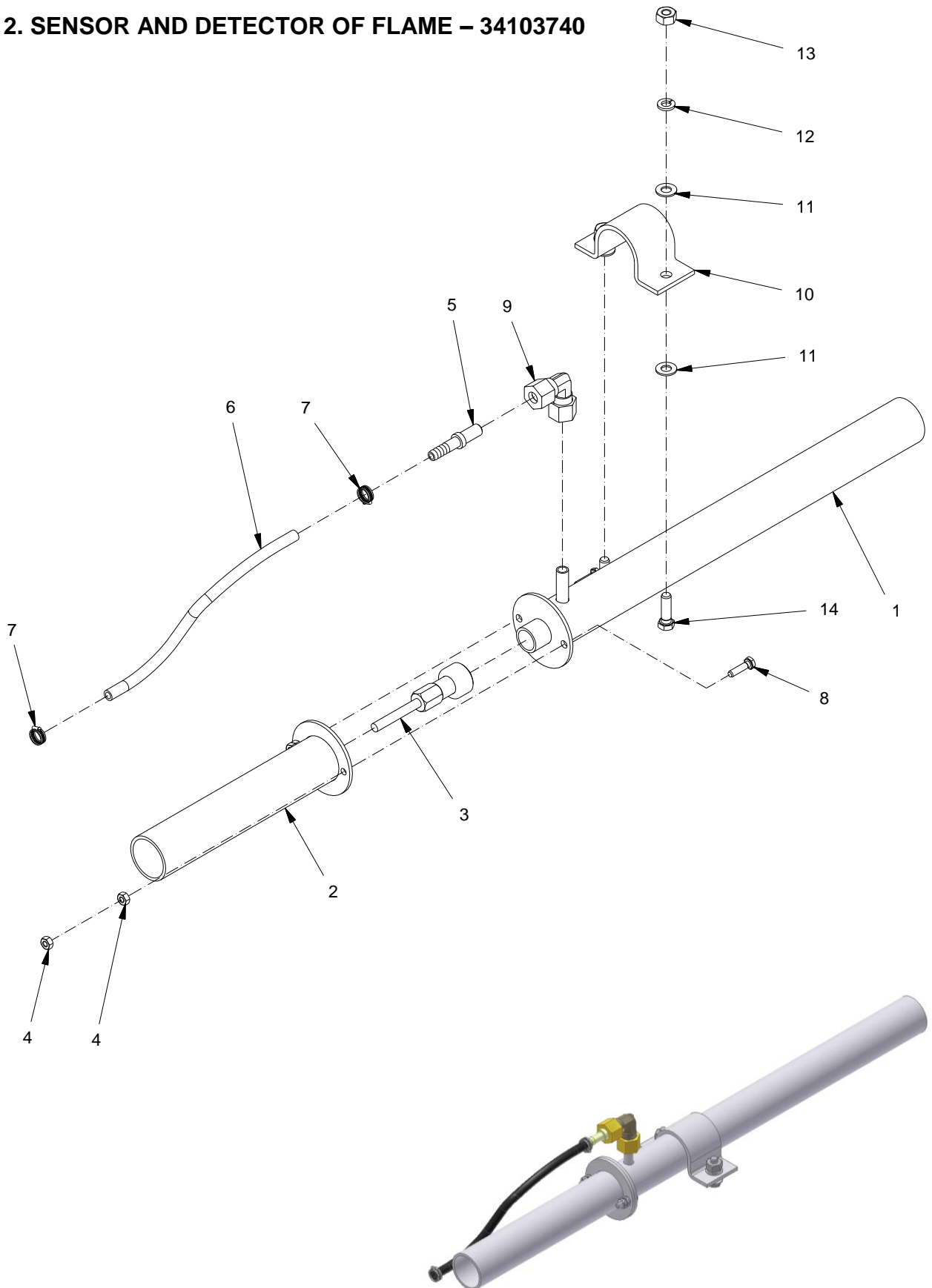
11. RECYCLING COVER- 34117099



**11. RECYCLING COVER– 34117099**

Item	Code	Description	Quantity
01	34117097	Right bottom frame	01
02	24000276	Bolt	40
03	24091821	Nut	80
04	24000017	Washer	04
05	34074961	Top frame	01
06	34079475	Duct	01
07	30079481	Bar	02
08	30079484	Lid	01
09	30079665	Sealingstrip	02
10	30080069	Clamp	24
11	24000350	Washer	96
12	24080479	Nut	96
13	34117098	Left bottom frame	01

12. SENSOR AND DETECTOR OF FLAME – 34103740



12. SENSOR AND DETECTOR OF FLAME – 34103740

Item	Code	Description	Quantity
01	34103741	Support	01
02	34103746	Protection	01
03	22110743	Sensor and detector of flame	01
04	24107324	Nut	04
05	30031332	Connector	01
06	30109674	Hose	01
07	24006852	Clamp	02
08	24051026	Bolt	02
09	28008465	Elbow	01
10	30029473	Clamp	01
11	24000350	Washer	04
12	24000065	Washer	02
13	24084474	Nut	02
14	24006953	Bolt	02

13. SENSOR OF FLAME – 34091568



02



01

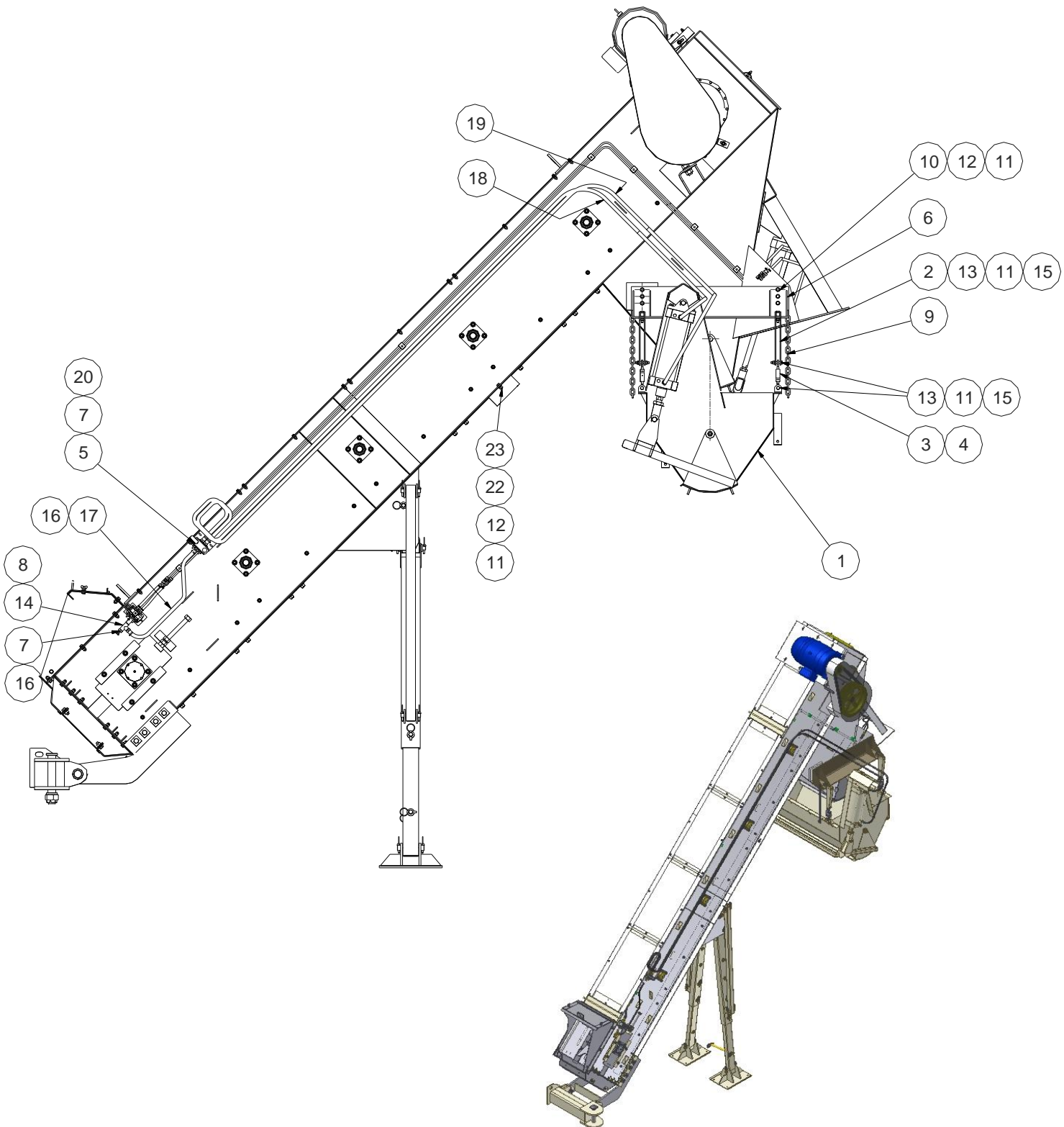


03

13. SENSOR OF FLAME – 34091568

Item	Code	Description	Quantity
01	22091555	Relay	01
02	22088813	Base	01
03	22110744	Infra-red	01

14. DOSER SYSTEM DRAG CONVEYOR - 34093955



14. Doser system drag conveyor - 34093955

Item	Code	Description	Quantity
01	34080957	Pipe socket	01
02	34086252	Arm	04
03	22030034	Load cell	04
04	22024192	Joint head	08
05	28074416	Valve	01
06	34093952	Support	02
07	28019390	Connector	05
08	30102830C	Pipe	01
09	30022509	Chain	04
10	24000274	Bolt	12
11	24000017	Washer	31
12	24000029	Washer	14
13	24000278	Bolt	16
14	28009436	Connection	01
15	24006986	Nut	15
16	24014577	Clamp	07
17	30102828	Hose	01
18	30102831	Hose	01
19	30102832	Hose	01
20	28074415	Silencer	02
21	30093891	Plate	01
22	24091821	Nut	02
23	24000213	Bolt	02
24	34088164	◀Set cables	01
25	34094776c	◀Panel transducer scale XCONTROL	01

14.1. Set cables - 34088164

Item	Code	Description	Quantity
10	40053054	Cable	10
20	40012473	Cable	20
30	40009583	Cable	30

14.2. Panel transducer scale XCONTROL - 34094776c

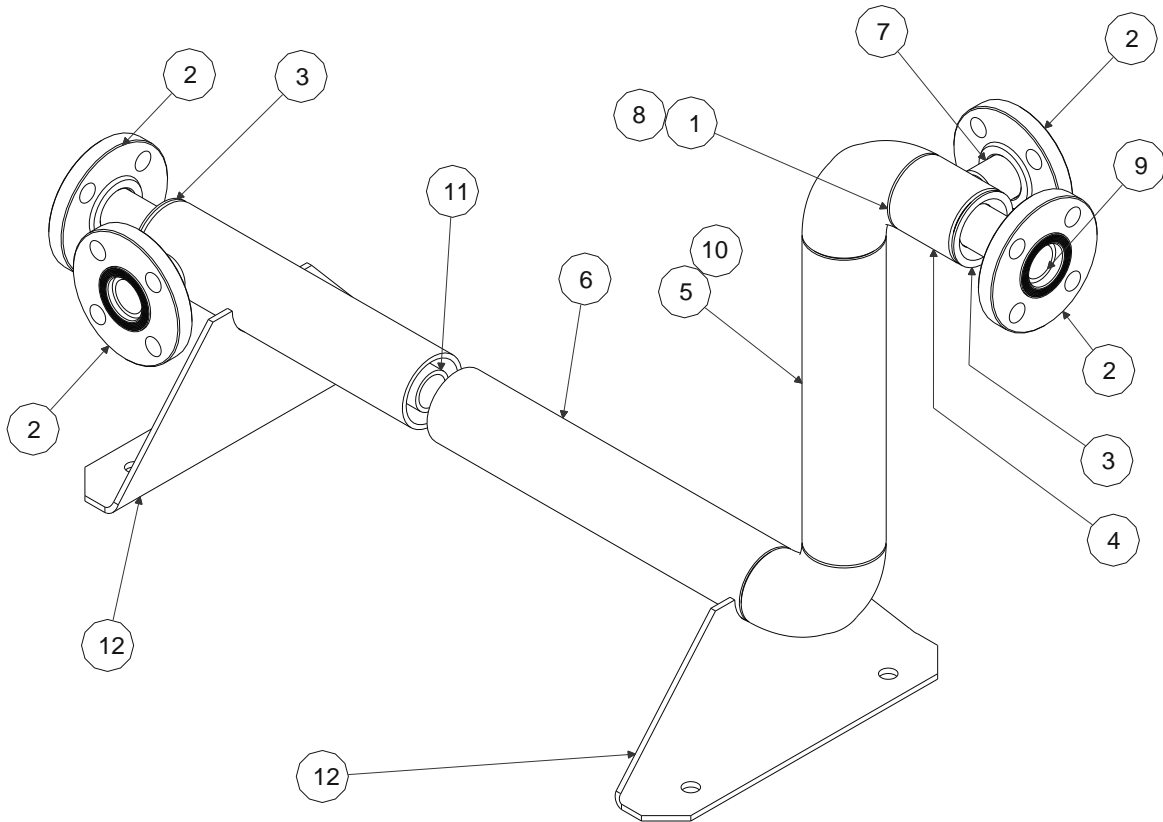
Item	Code	Description	Quantity
01	22088701	Converter load cell	01
02	22013463	Connector	10
04	22088703	Track for connectors	0,3M
05	22010864	Cable press	01
06	22041275	Box to control panel	01
07	22080414	Junction box	01
08	22098103	Module GATEWAY CANOPEN XCONTROL REMOTA	01
09	22098102	Base for remote module	01
10	22098105	Remote module 1 analog input	01
11	22094712	Circuit breaker	02

15. BY - PASS FUEL RETAINER – 34105634

Item	Code	Description	Quantity
01	34102527	◀By – pass fuel retifier	01
02	30105630	Blind flange	01

Page intentionally blank.

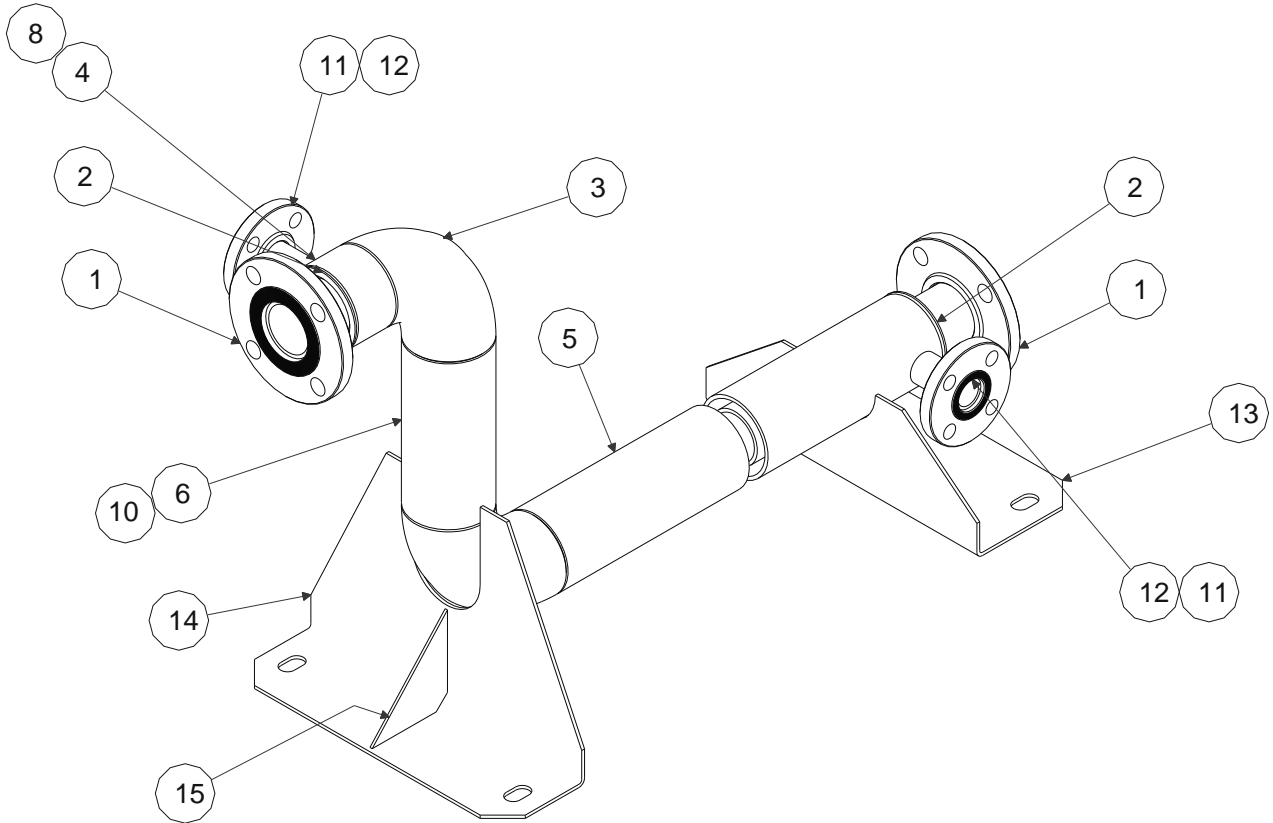
15.1. By – pass fuel retifier - 34102527



15.1. By – pass fuel retifier - 34102527

Item	Code	Description	Quantity
01	28001191	Curve	02
02	30003552	Flange	04
03	30057396	Flange	02
04	30089924	Pipe	01
05	30102273	Pipe	01
06	30032800	Pipe	01
07	30075942	Pipe	02
08	28008239	Curve	02
09	30075995	Pipe	01
10	30031198	Pipe	01
11	30101555	Pipe	01
12	30101554	Support	02

16. BY – PASS ASPHALT RETIFIER – 34102307C



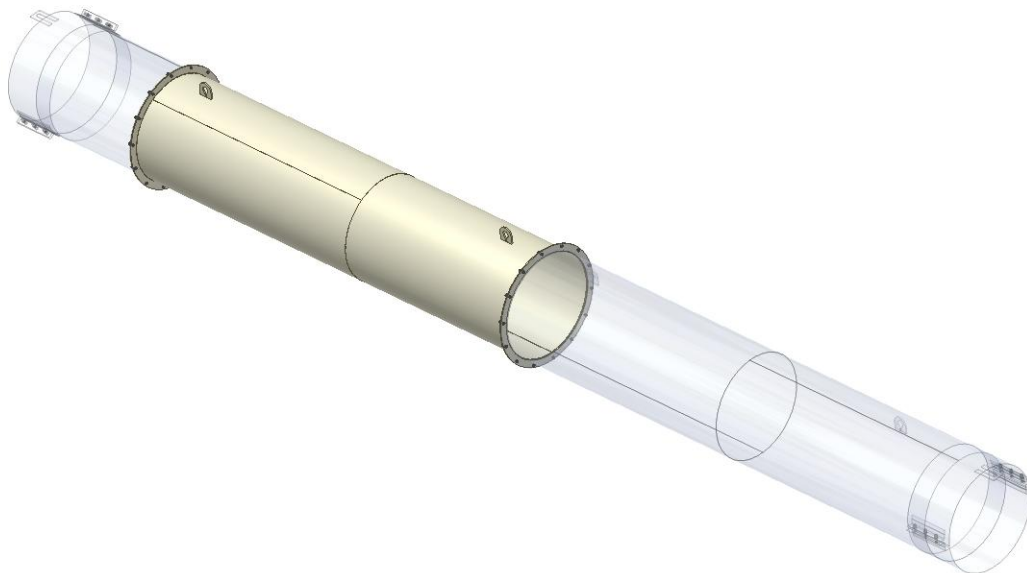
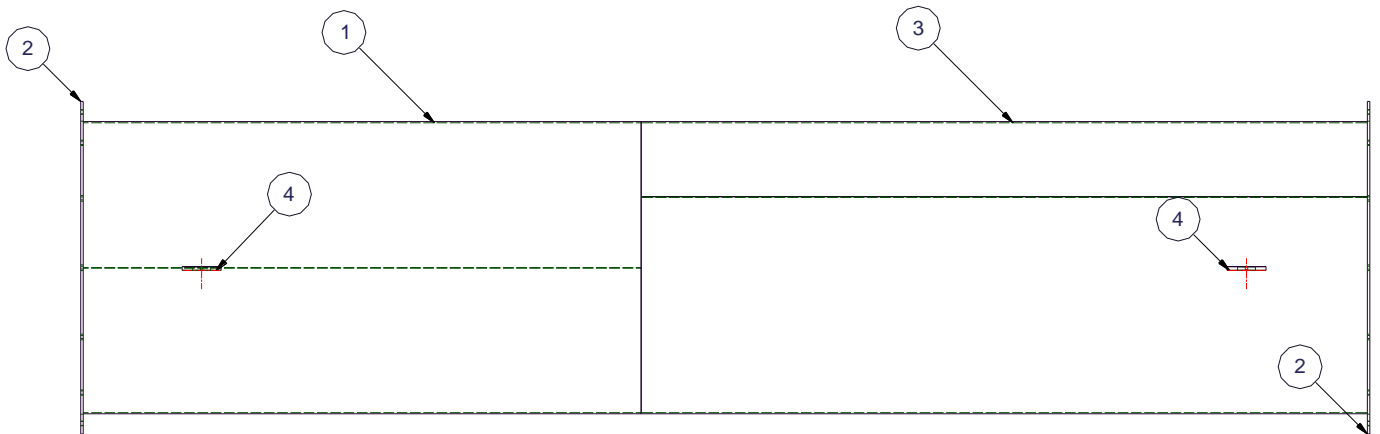
16. By – pass asphalt retifier – 34102307c

Item	Code	Description	Quantity
01	30002686	Flange	02
02	30057397	Flange	02
03	28008671	Curve	02
04	30029275	Pipe	01
05	30075945	Pipe	01
06	30102282	Pipe	01
07	28001191	Curve	02
08	30102285	Pipe	01
09	30102269	Pipe	01
10	30102273	Pipe	01
11	30003552	Flange	02
12	30075963	Pipe	02
13	30102308	Support	01
14	30102309	Support	01
15	30102310	Reinforcement	01

17. LID AND DETOUR PIPE SET - 34095663

Item	Code	Description	Quantity
01	34094006	◀Pipe set	01
02	30094008	Lid	01

17.1. Pipe set - 34094006





17.1. Pipe set - 34094006

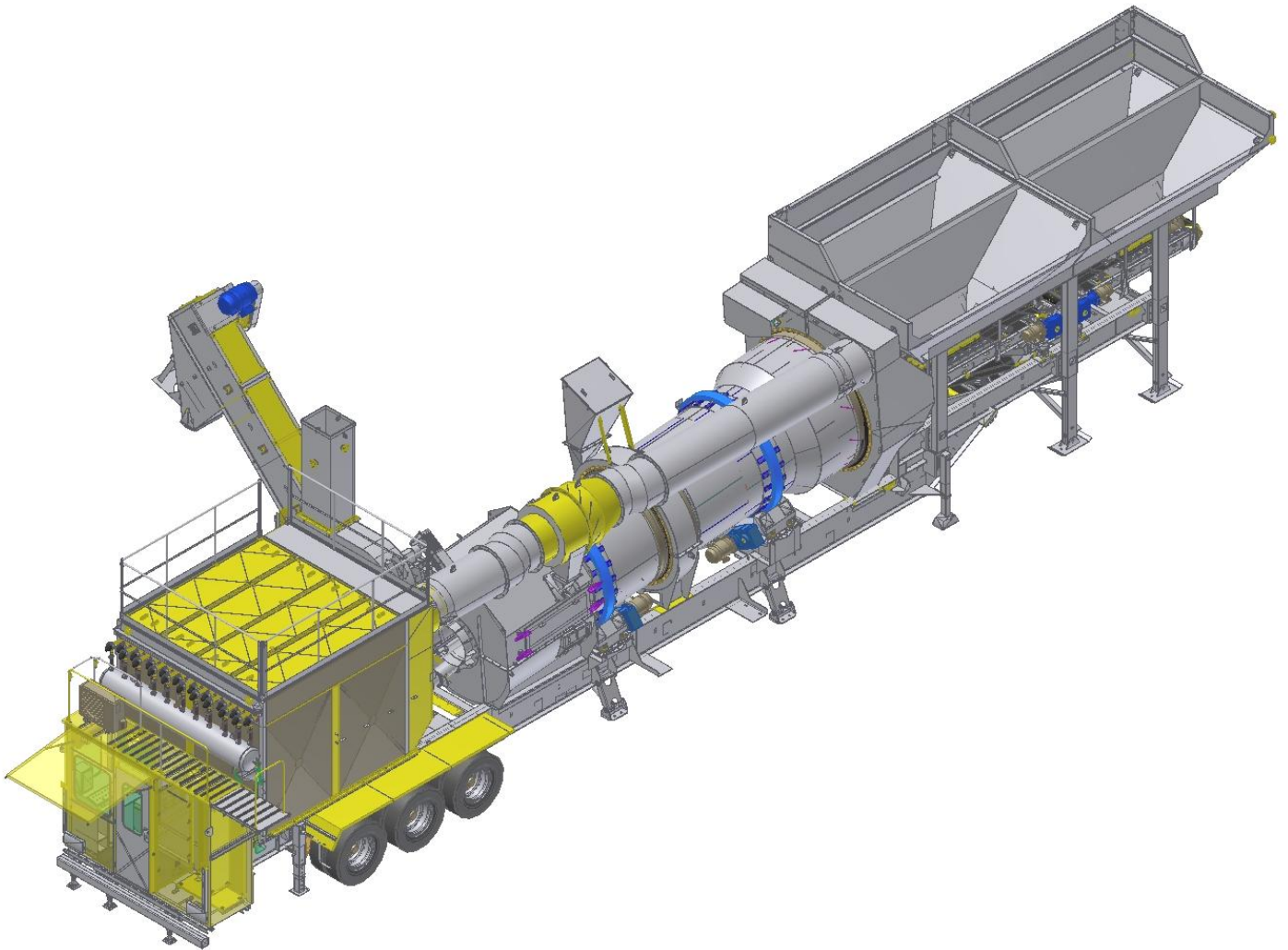
Item	Code	Description	Quantity
01	30094007c	Duct	01
02	30052247	Flange	02
03	30090358c	Duct	01
04	30000063	Lifting point	02

18. SIGNALLING - 34117339

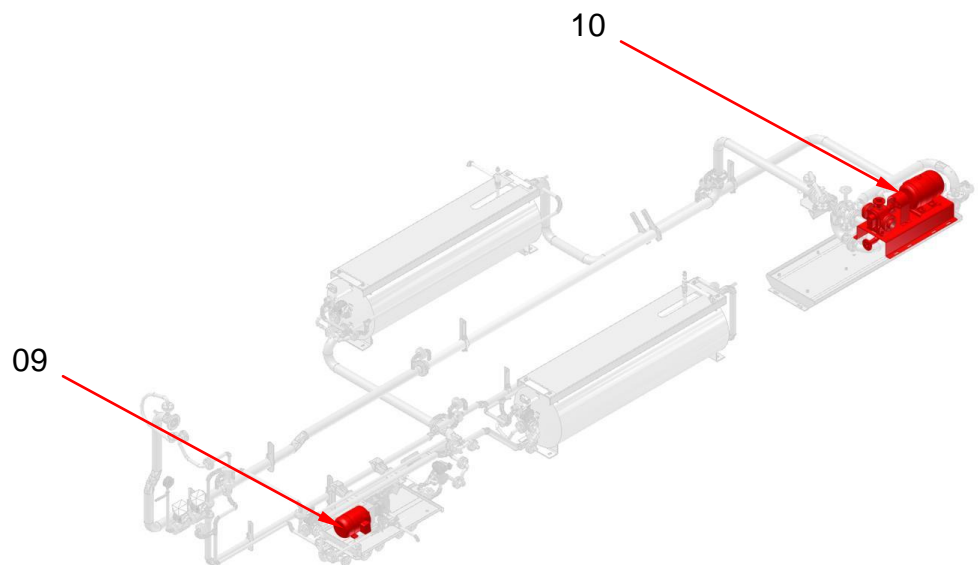
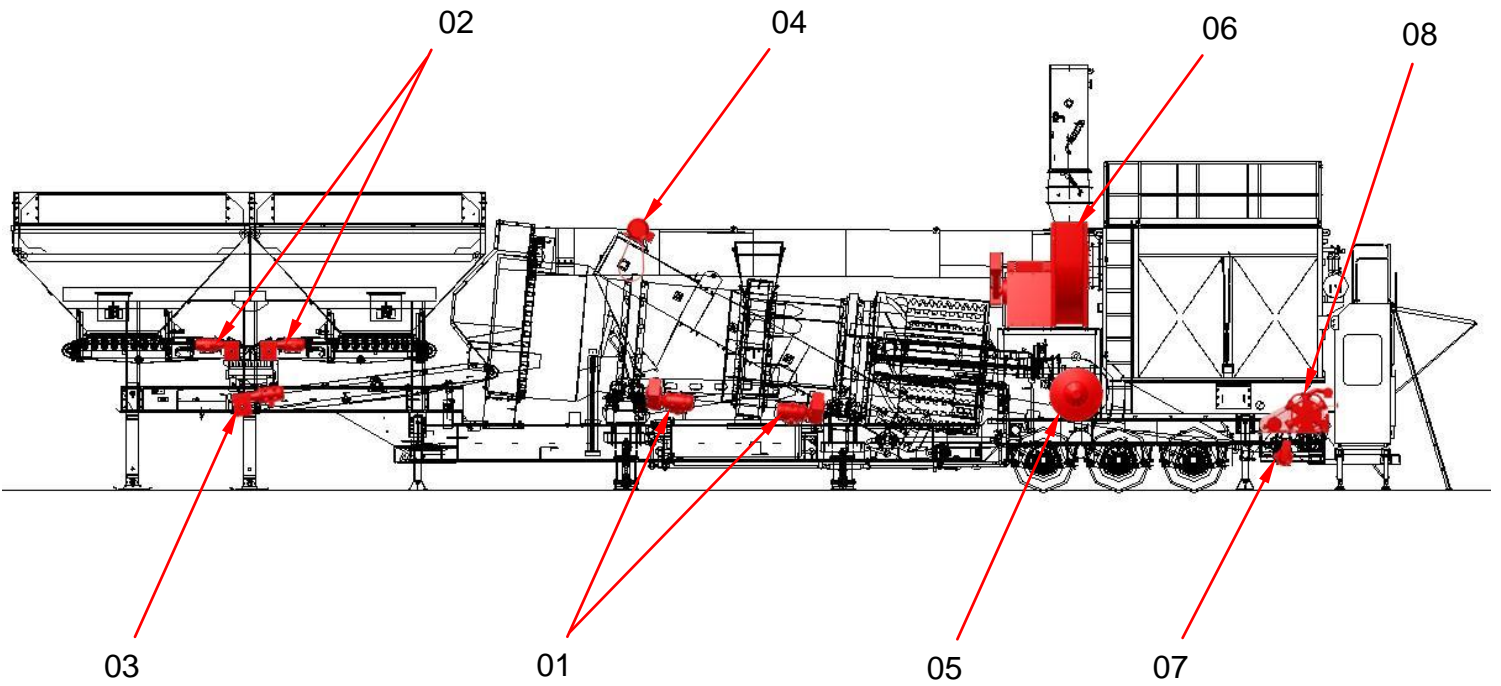
Item	Code	Description	Quantity
01	22098073	Green flashlight lateral	03
02	22098077	Three red flashlight	01
03	30097492	Three signalling support	02
04	22011131	Lamp 5W/24V 1P	06

Page intentionally blank.

DRIVES OF THE PLANT – 60HZ



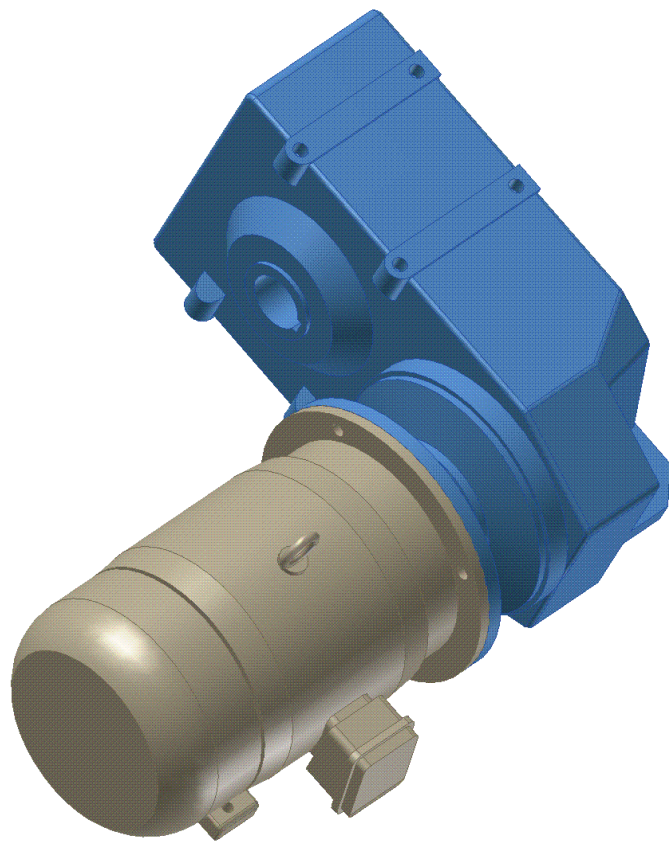
DRIVES OF THE PLANT – 60HZ



DRIVES OF THE PLANT – 60HZ

Item	Code	Description	Quantity
01	34093082	← Dryer drum drive	04
02	---	← Feeder belt drives	01
03	34098253	← Conveyor belt drive	01
04	34098772	← Drag conveyor drive	01
05	34097031	← Burner drive	01
06	34105555	← Exhauster drive	01
07	34098759	← Bottom module of the baghouse drive	01
08	28098579	← Compressing unit 80pcm	01
09	---	← Fuel pump drive	01
10	34044745	← Asphalt pump	01

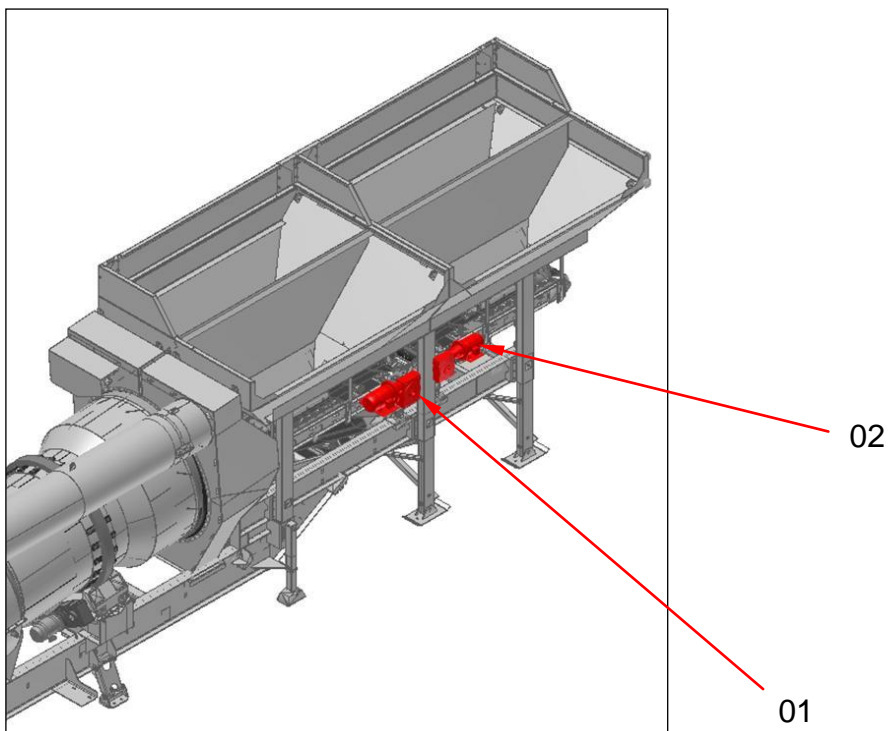
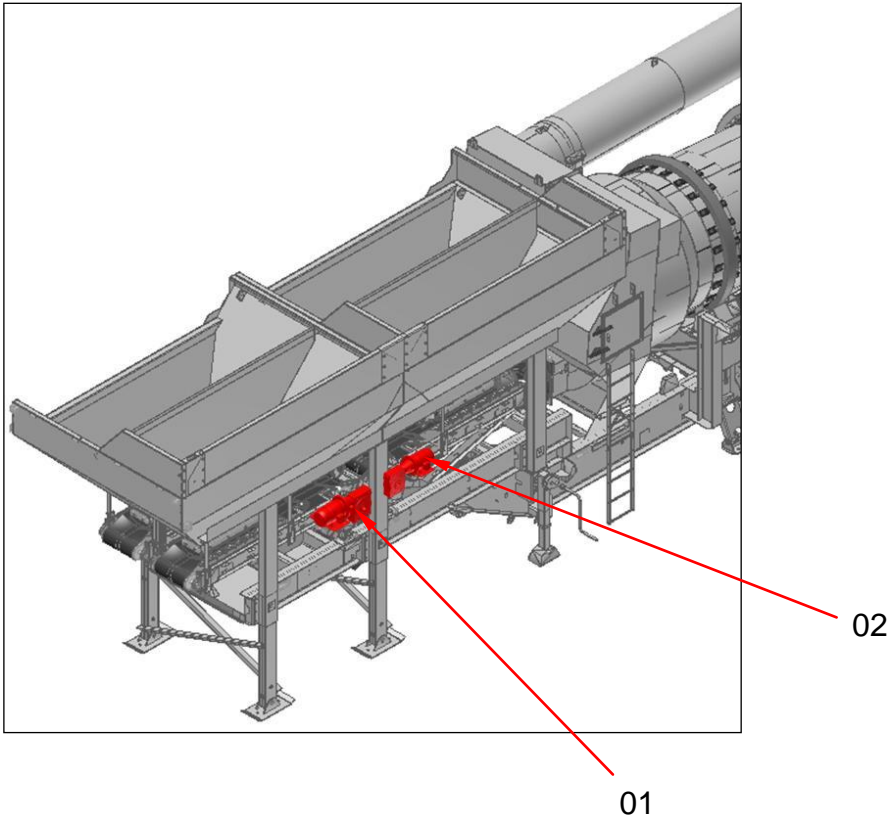
1. DRYER DRUM DRIVE – 34093082



1. DRYER DRUM DRIVE – 34093082

Item	Code	Description	Quantity
01	26070913	Gearbox	01
02	22060648	Electric motor 60Hz	01
03	24000315	Nut	08
04	24038238	Bolt	04
05	24000352	Washer	04

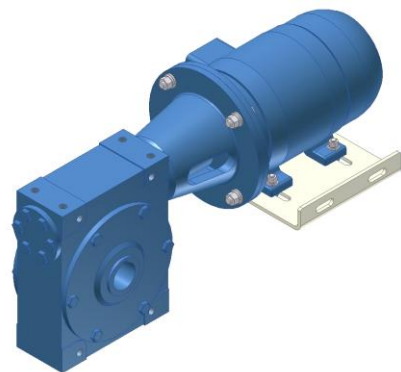
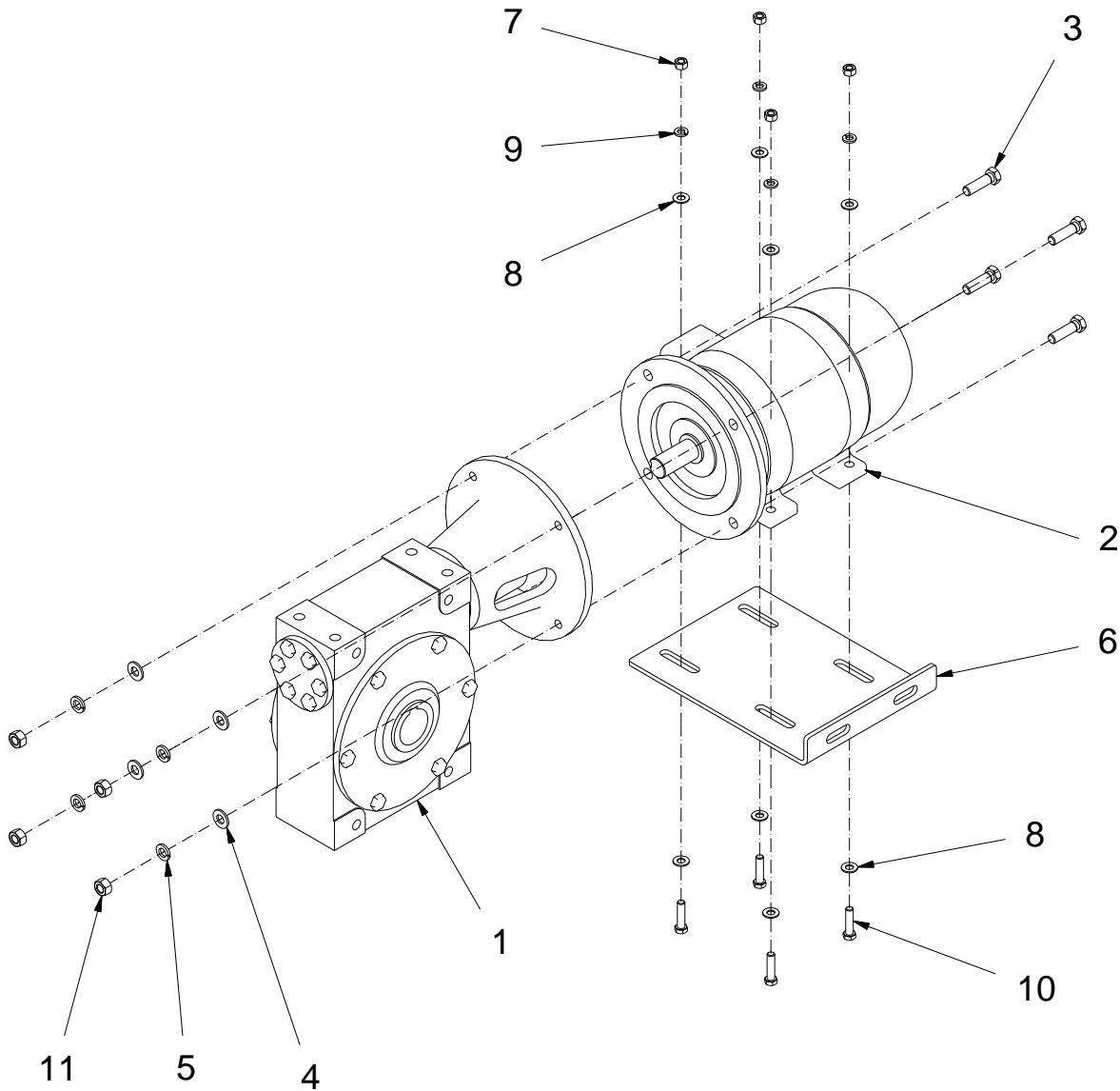
2. FEEDER BELT DRIVES



2. FEEDER BELT DRIVES

Item	Code	Description	Quantity
01	34043707	◀ Right feeder belt drive	01
02	34069740	◀ Left feeder belt drive	01
03	34112001	◀ Feeder belt drive SEW 60HZ	01

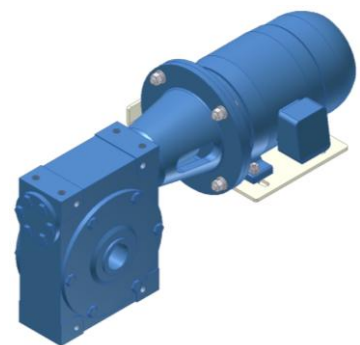
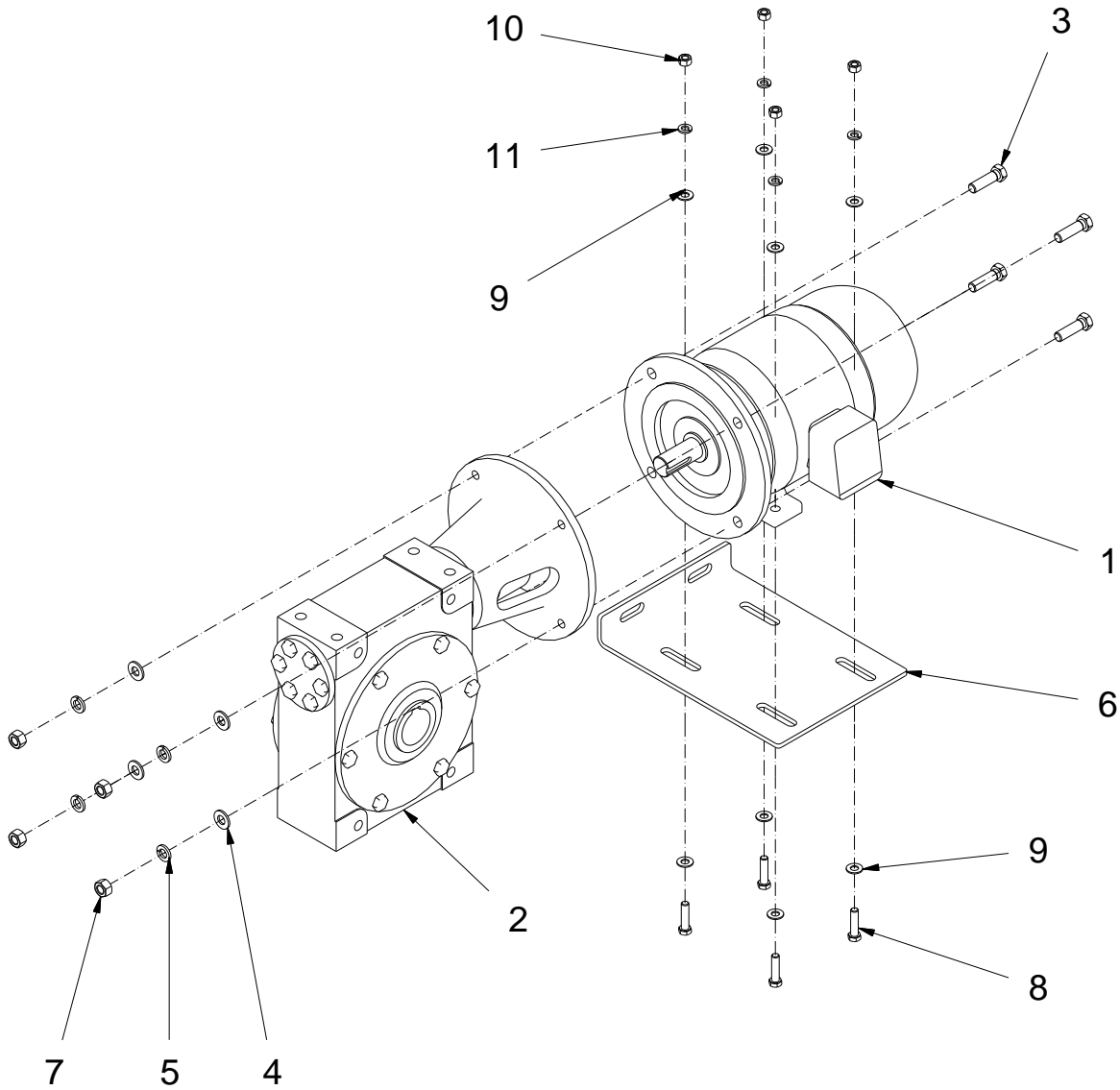
2.1. Right feeder belt drive – 34043707



2.1. Right feeder belt drive – 34043707

Item	Code	Description	Quantity
01	22012967	Electric motor 60Hz	01
02	26033344	Gearbox	01
03	24000276	Bolt	04
04	24000017	Washer	04
05	24000029	Washer	04
06	30050526	Support	01
07	24000022	Nut	04
08	24000350	Washer	08
09	24000065	Washer	04
10	24083072	Bolt	04
11	24000313	Nut	04

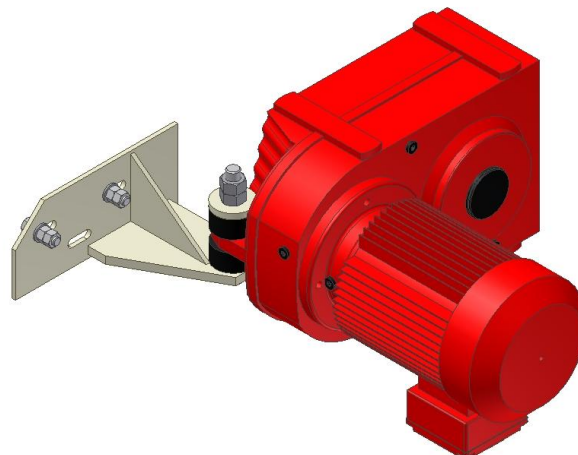
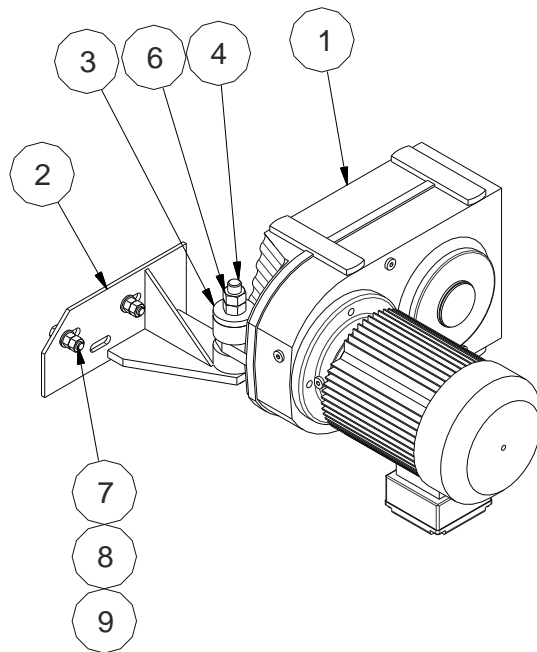
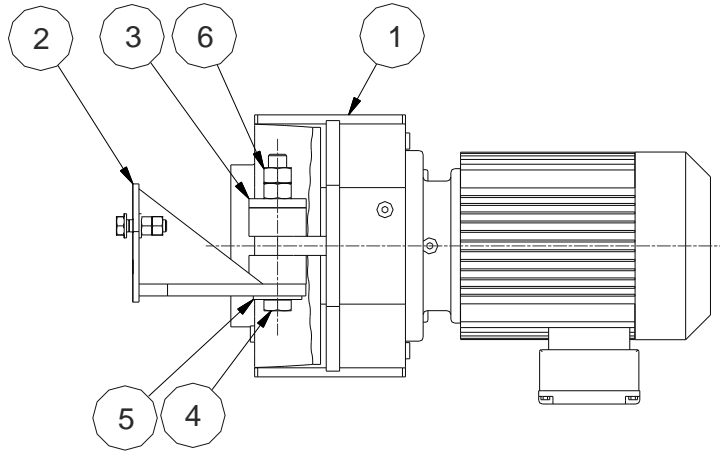
2.2. Left feeder belt drive – 34069740



2.2. Left feeder belt drive – 34069740

Item	Code	Description	Quantity
01	22070781	Electric motor 60Hz	01
02	26033344	Gearbox	01
03	24000276	Bolt	04
04	24000017	Washer	04
05	24000029	Washer	04
06	30050526	Support	01
07	24000313	Nut	04
08	24083072	Bolt	04
09	24000350	Washer	08
10	24000022	Nut	04
11	24000065	Washer	04

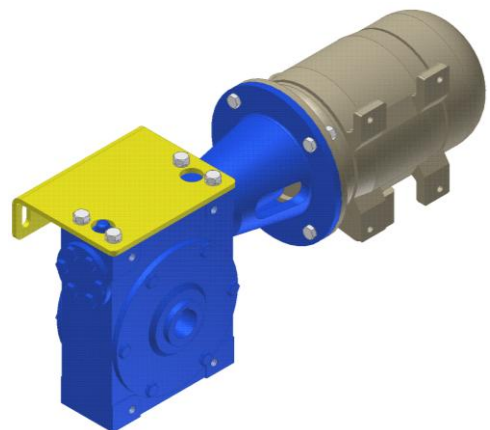
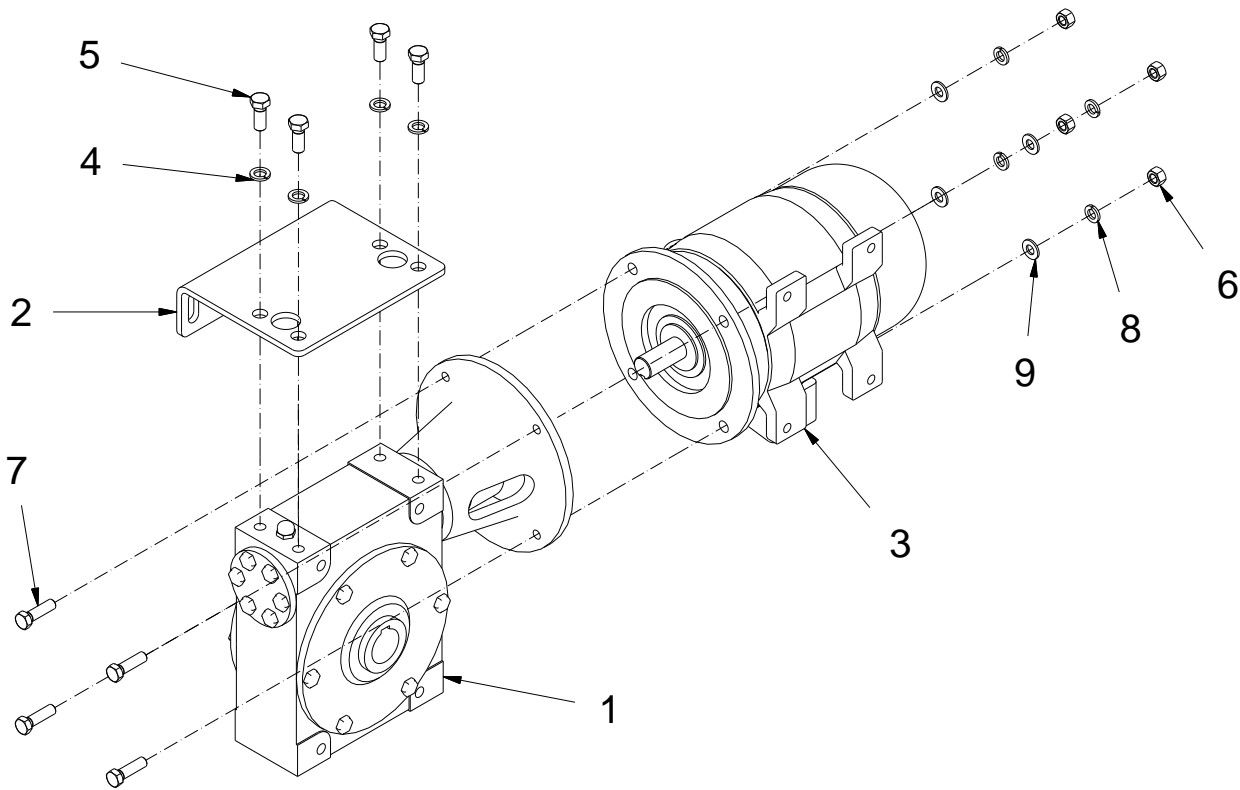
2.3. Feeder belt drive SEW 60HZ – 34112001



2.3. Feeder belt drive SEW – 34112001

Item	Código	Descrição	Quantidade
01	26111182	Gearmotor	01
02	34103951	Torque arm	01
03	30043435	Washer	01
04	24012868	Bolt	01
05	24000352	Washer	01
06	24052515	Nut	02
07	24000276	Bolt	02
08	24000017	Washer	04
09	24091821	Nut	04

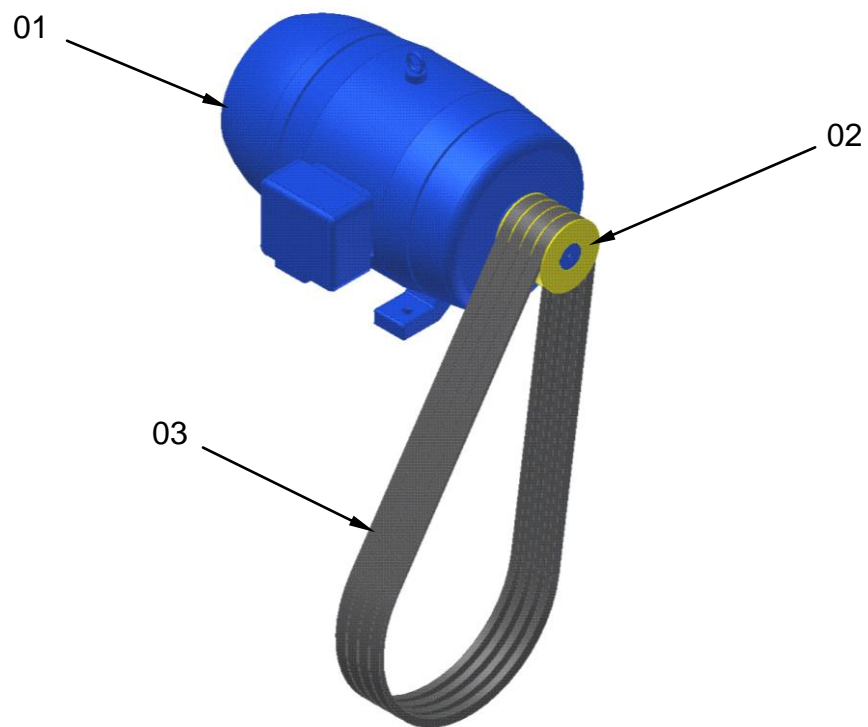
3. CONVEYOR BELT DRIVE – 34098253



3. CONVEYOR BELT DRIVE – 34098253

Item	Code	Description	Quantity
01	26066109	Gearbox	01
02	34070910	Base	01
03	22013124	Electric motor 60Hz	01
04	24006888	Washer	04
05	24007005	Bolt	04
06	24000313	Nut	04
07	24000276	Bolt	04
08	24000029	Washer	04
09	24000017	Washer	04

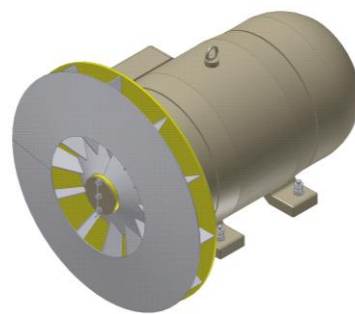
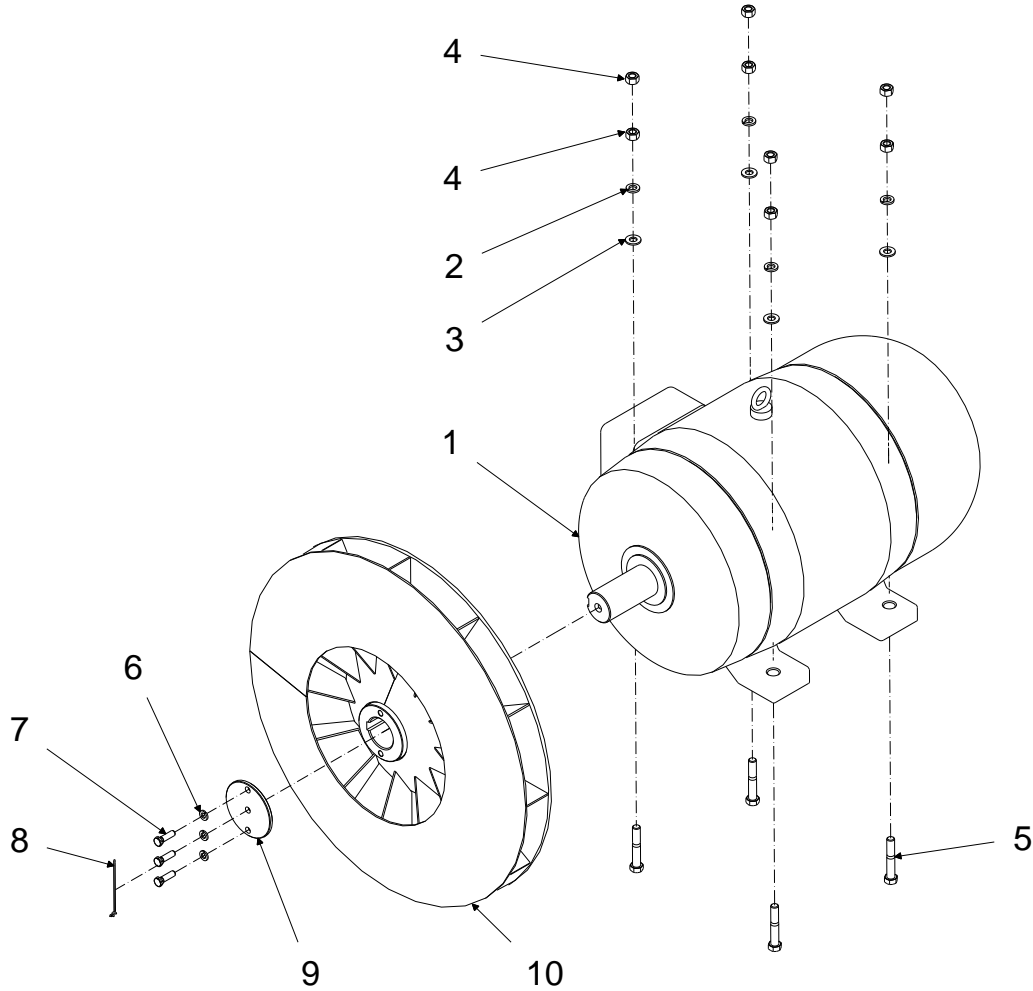
4. DRAG CONVEYOR DRIVE – 34098772



4. DRAG CONVEYOR DRIVE – 34098772

Item	Code	Description	Quantity
01	22012893	Electric motor 60Hz	01
02	26040798	Pulley	01
03	26037436	Belt	04

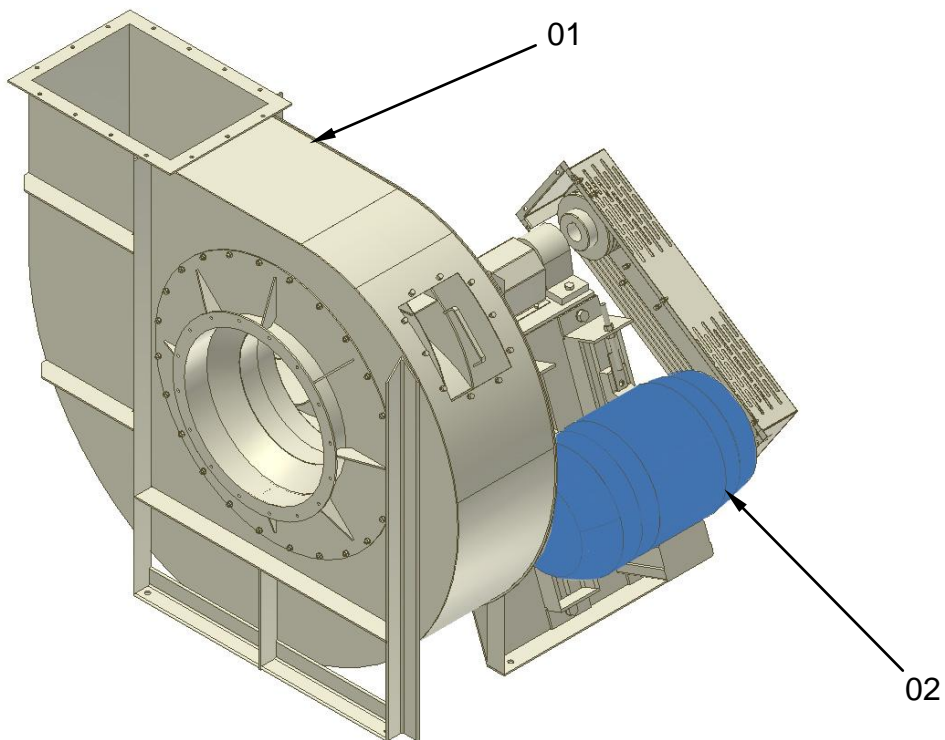
5. BURNER DRIVE – 34097031



5. BURNER DRIVE – 34097031

Item	Code	Description	Quantity
01	22020331	Electric motor 60Hz	01
02	24000029	Washer	04
03	24000017	Washer	04
04	24000313	Nut	08
05	24051032	Bolt	04
06	24000065	Washer	03
07	30016918	Bolt	03
08	30023834	Wire	01
09	30016468	Lid / Cover	01
10	38016515	Rotor	01

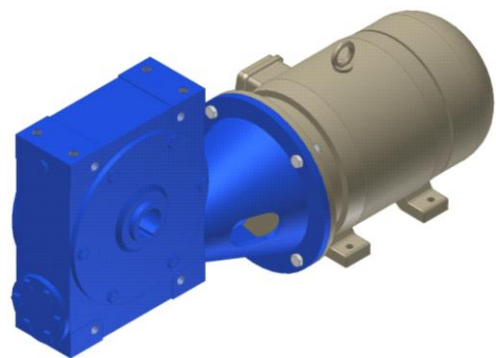
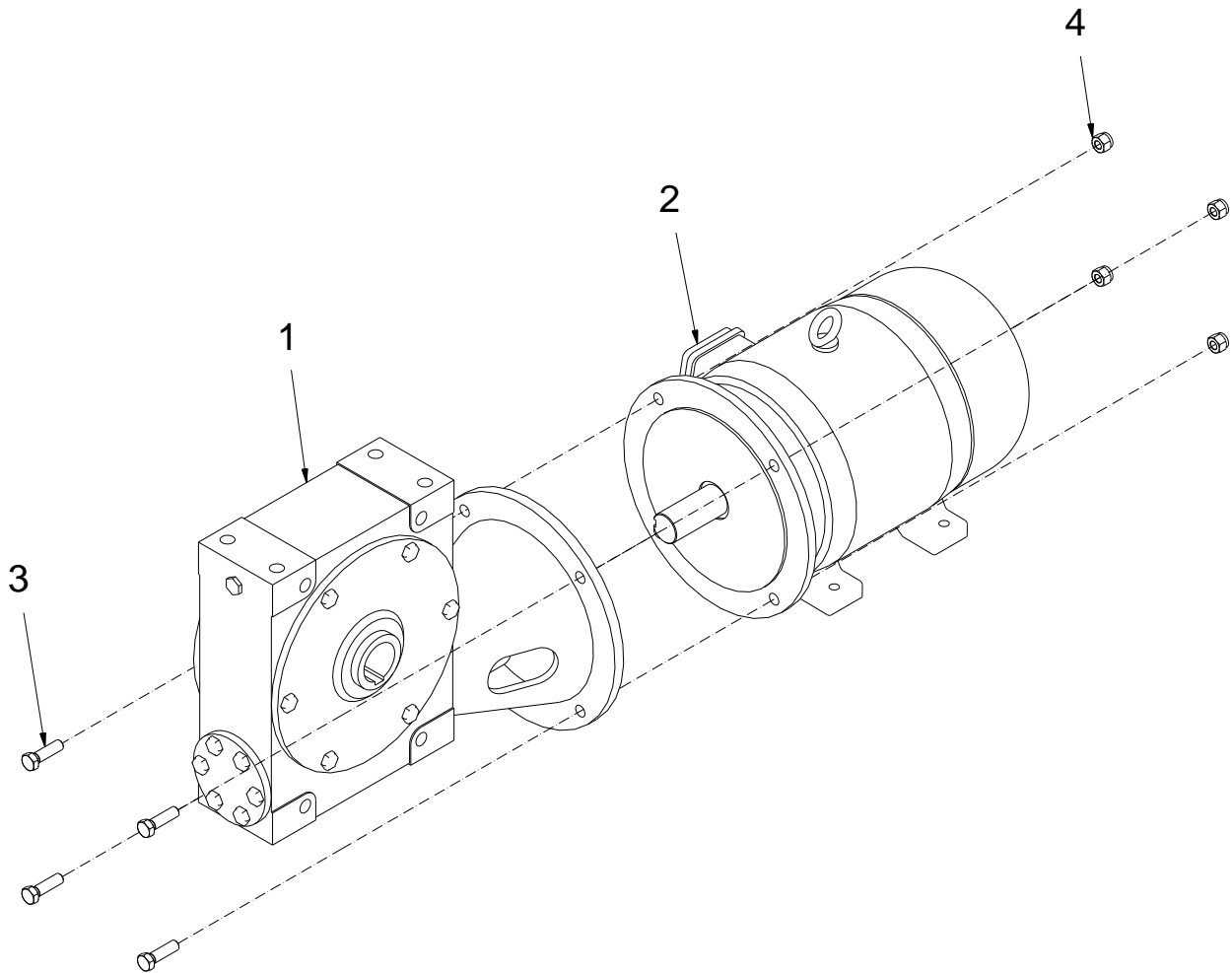
6. EXHAUSTER DRIVE – 34105555



6. EXHAUSTER DRIVE – 34105555

Item	Code	Description	Quantity
01	26075917	Exhauster fan	01
02	22012891	Electric motor 60Hz	01

7. BOTTOM MODULE OF THE BAGHOUSE DRIVE – 34098759



7. BOTTOM MODULE OF THE BAGHOUSE DRIVE – 34098759

Item	Code	Description	Quantity
01	26085146	Gearbox	01
02	22070914	Electric motor 60Hz	01
03	24000276	Bolt	04
04	24000345	Nut	04

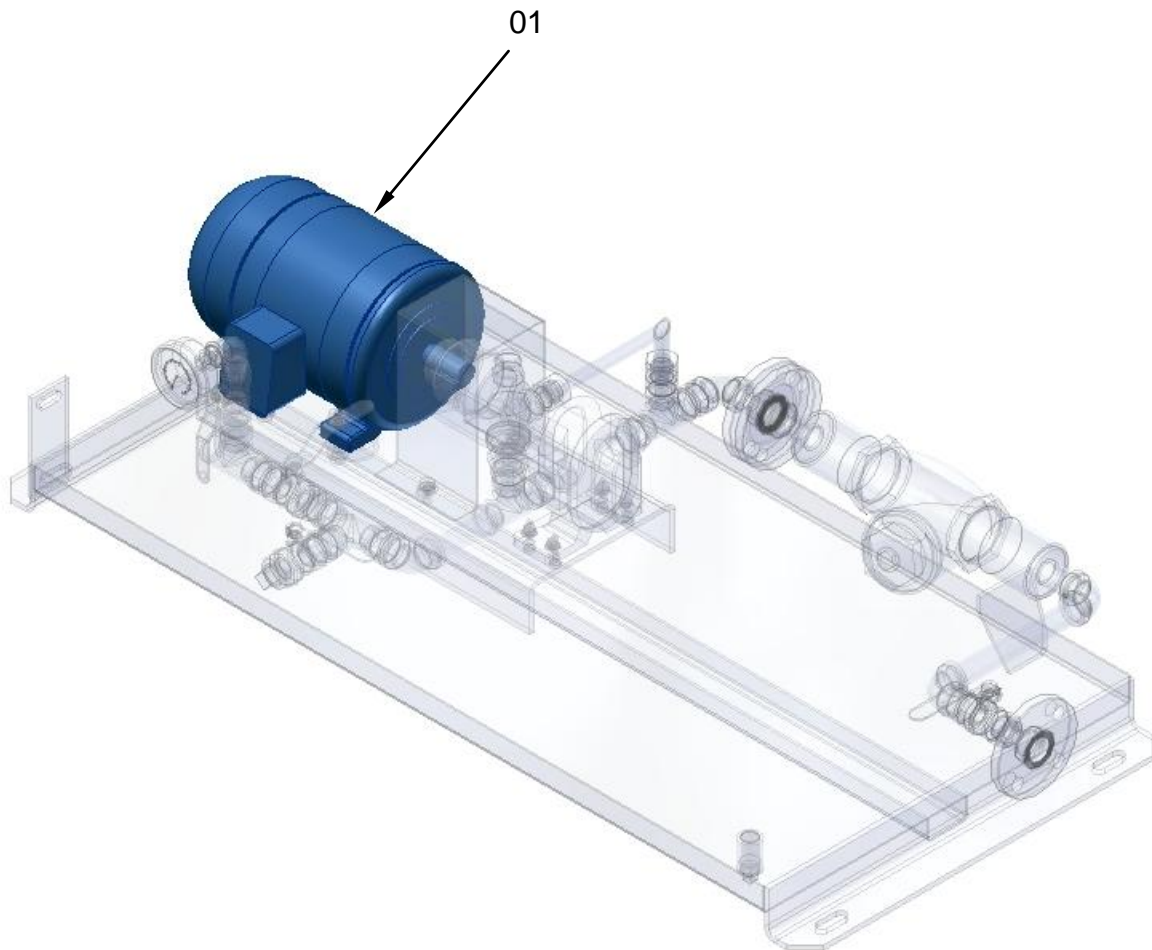
8. COMPRESSING UNIT 80PCM – 28098579



8. COMPRESSING UNIT 80PCM – 28098579

Para mais informações consulte o manual do específico do Compressor.
(S) *Para más información consulta el manual específico del Compresor.*
(E) *For more information, it consults the specific manual of Compressor.*

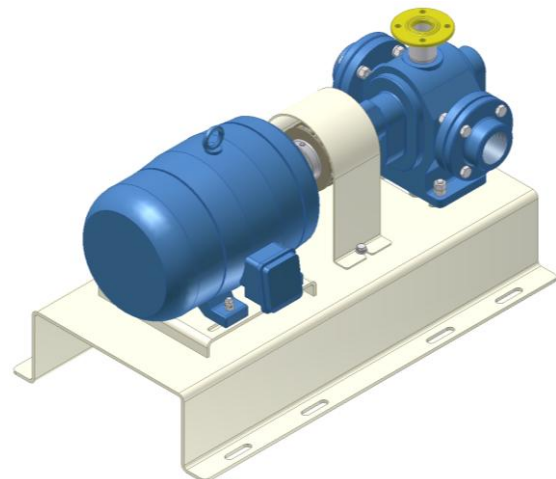
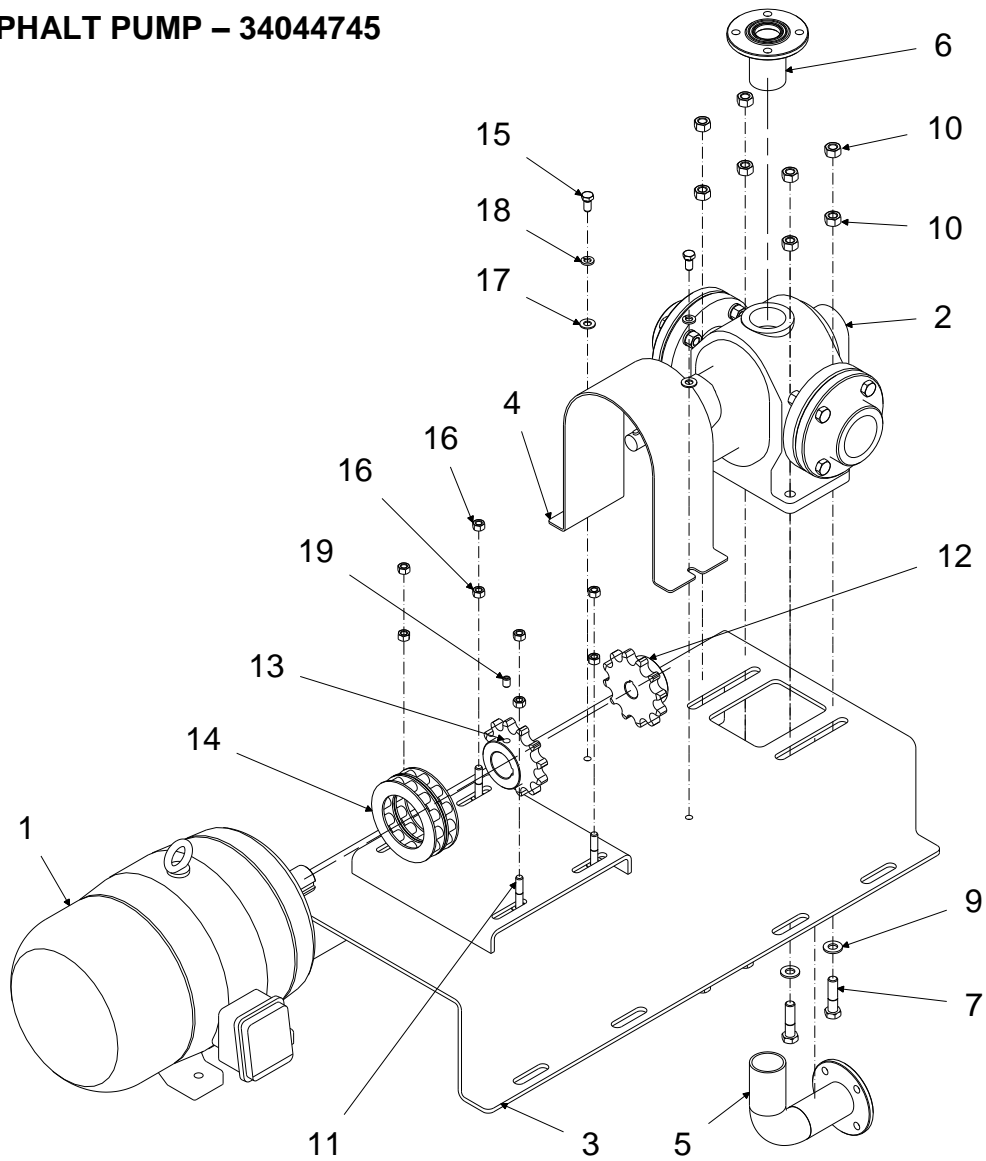
9. FUEL PUMP DRIVE



9. FUEL PUMP DRIVE

Item	Code	Description	Quantity
01	22012897	Electric motor 60Hz	01

10. ASPHALT PUMP – 34044745

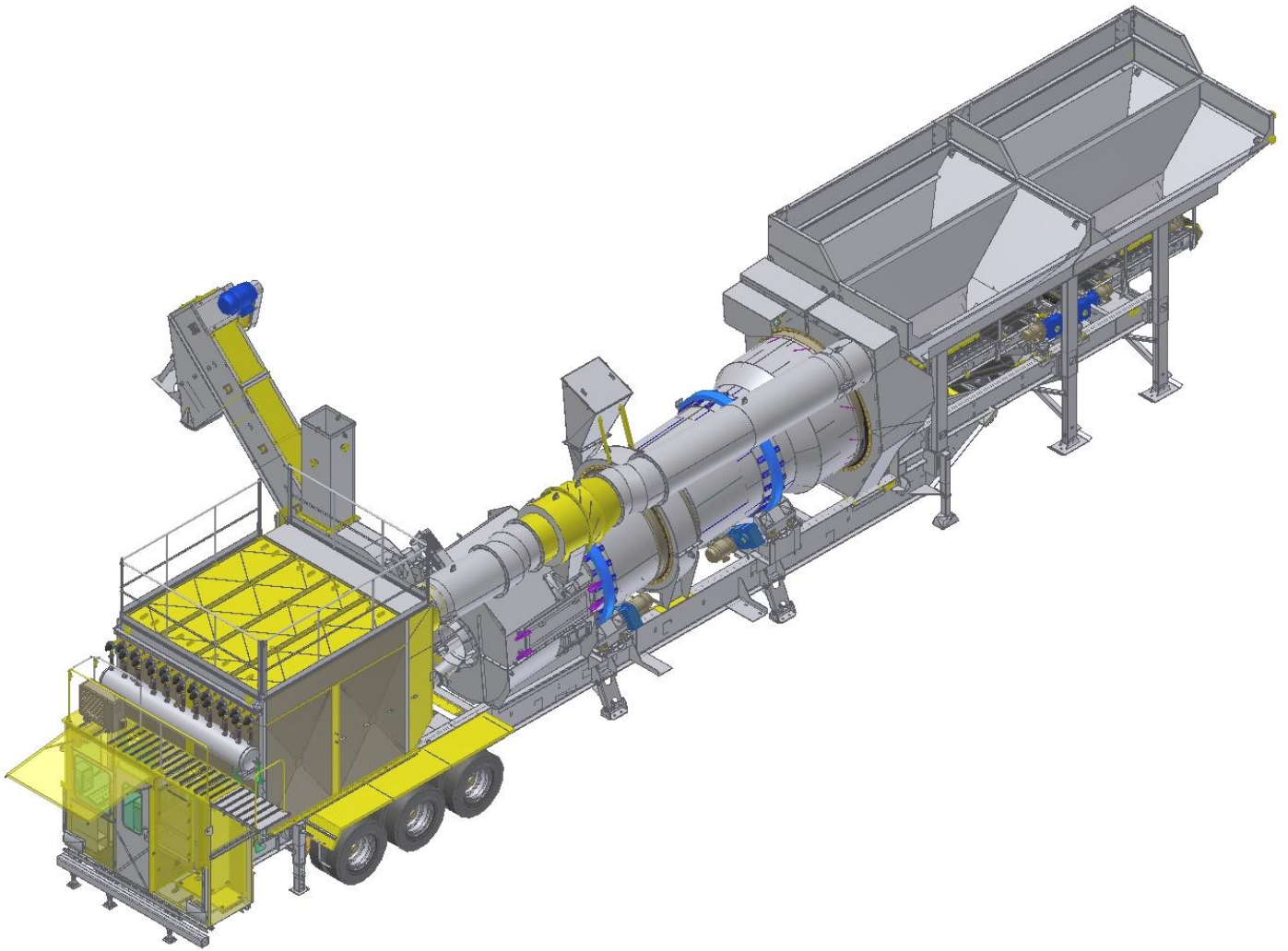


10. ASPHALT PUMP – 34044745

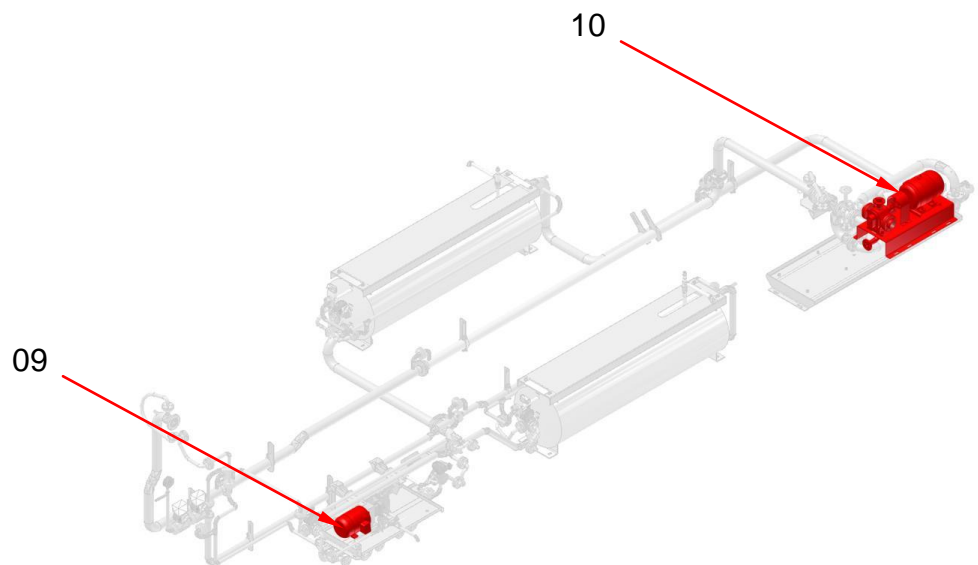
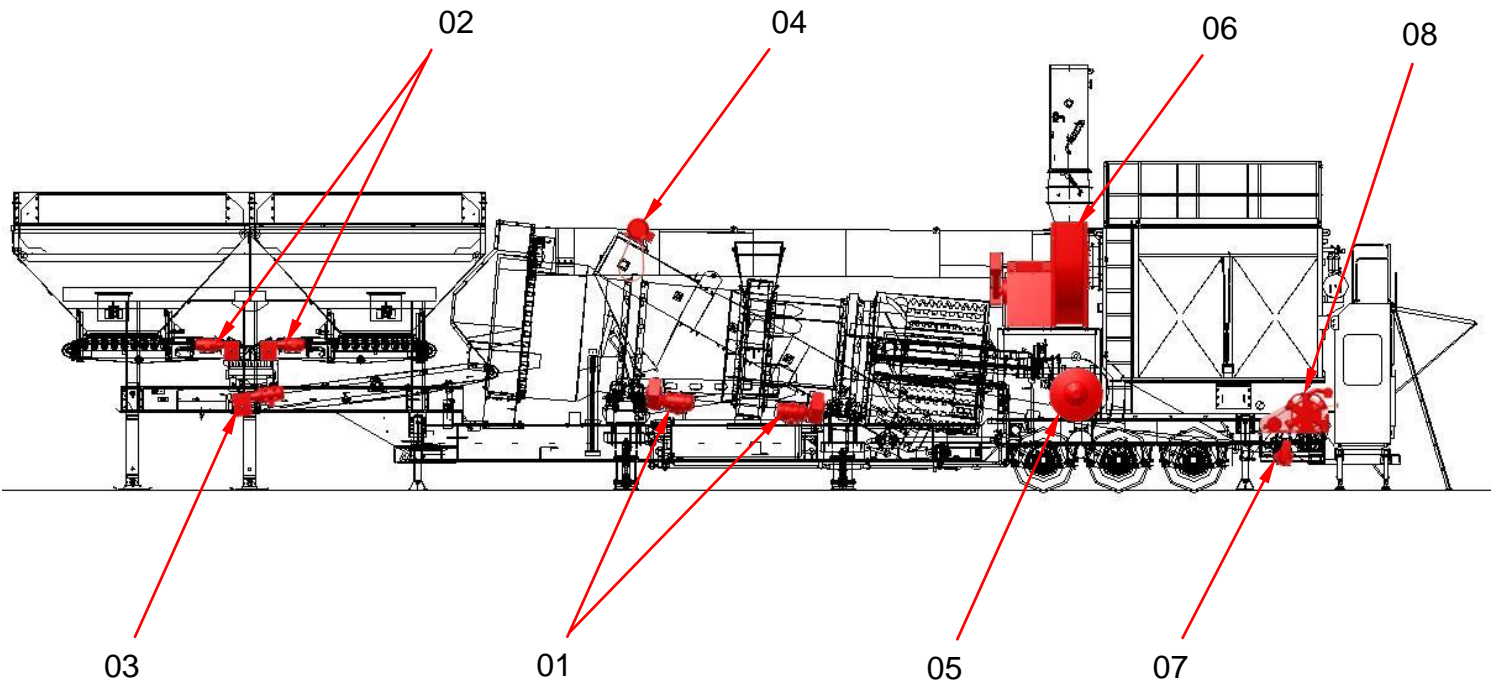
Item	Code	Description	Quantity
01	22012898	Electric motor 60hz	01
02	28011276	Gear pump	01
03	34075841	Base	01
04	30000556	Protection	01
05	34047967	Curve	01
06	34047969	Flange	01
07	24000277	Bolt	04
09	24000017	Washer	04
10	24000313	Nut	08
11	24000273	Bolt	04
12	30003501	Gear	01
13	30003502	Gear	01
14	26009209	Chain	01
15	24007009	Bolt	02
16	24000022	Nut	08
17	24000350	Washer	06
18	24000065	Washer	02
19	24015734	Bolt	02

Page intentionally blank.

DRIVES OF THE PLANT – 50HZ



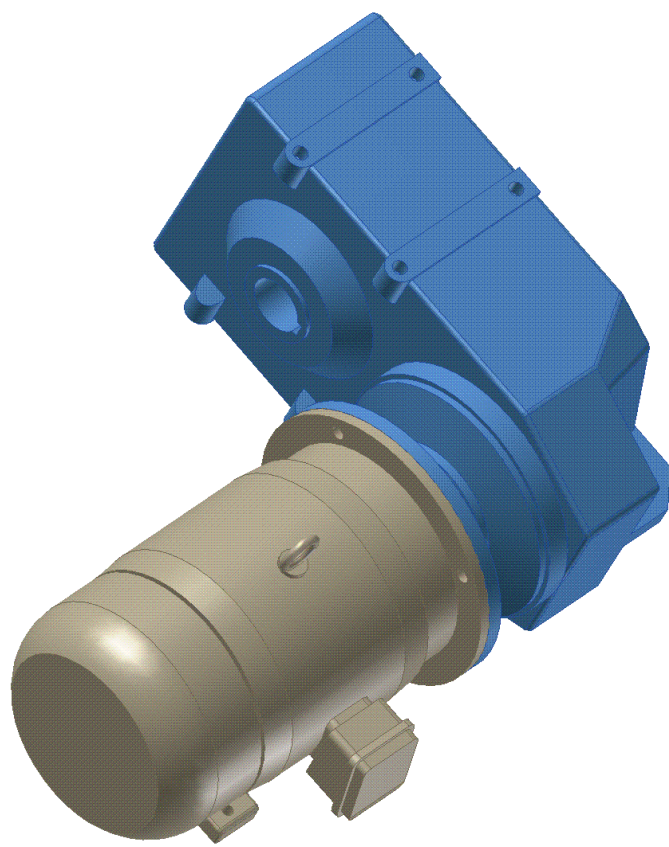
DRIVES OF THE PLANT – 50HZ



**DRIVES OF THE PLANT – 50Hz**

Item	Code	Description	Quantity
01	34095631	← Dryer drum drive	04
02	---	← Feeder belt drives	01
03	34098256	← Conveyor belt drive	01
04	34098773	← Drag conveyor drive	01
05	34097032	← Burner drive	01
06	34105556	← Exhauster drive	01
07	34098760	← Bottom module of the baghouse drive	01
08	28099003	← Compressing unit 80pcm	01
09	---	← Fuel pump drive	01
10	34062123	← Asphalt pump	01

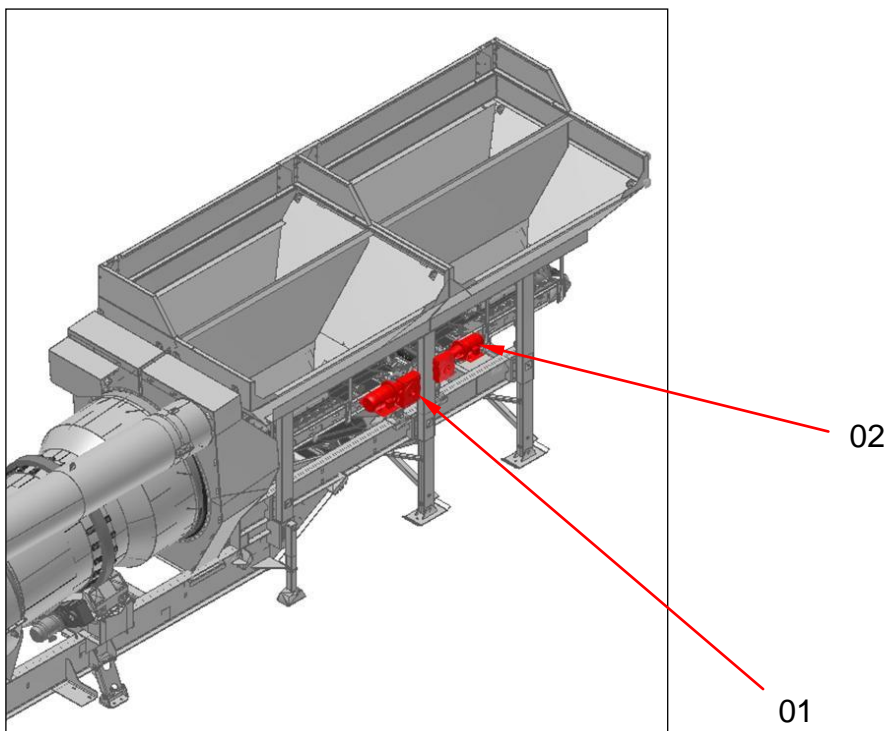
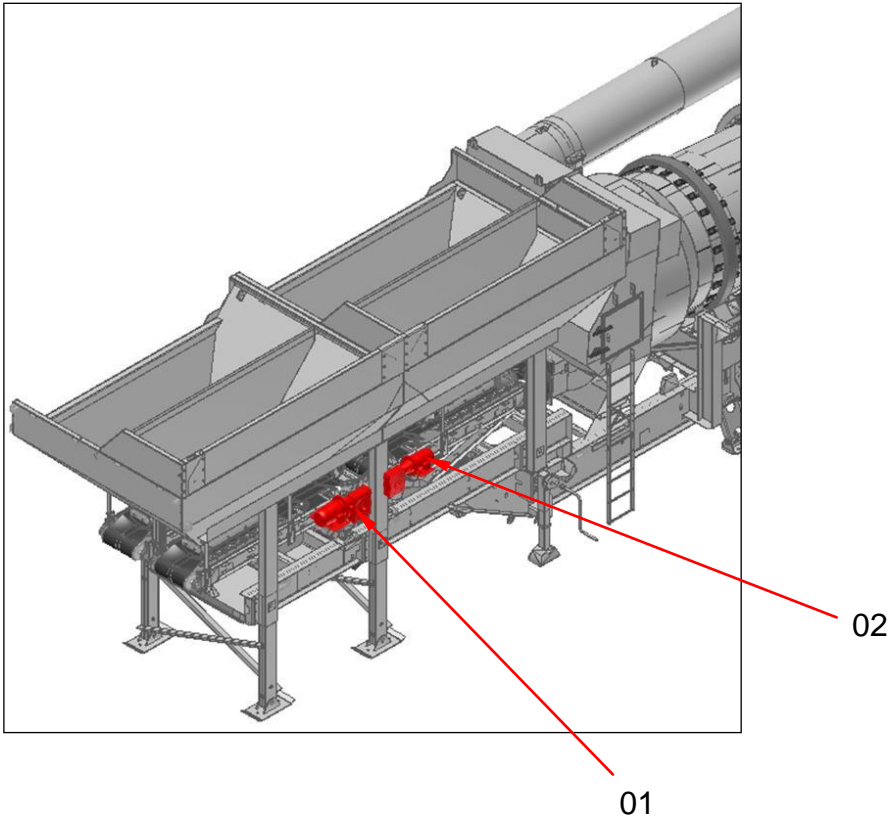
1. DRYER DRUM DRIVE – 34095631



1. DRYER DRUM DRIVE – 34095631

Item	Code	Description	Quantity
01	26073728	Gearbox	01
02	22073745	Electric motor 50Hz	01
03	24000315	Nut	08
04	24038238	Bolt	04
05	24000352	Washer	04

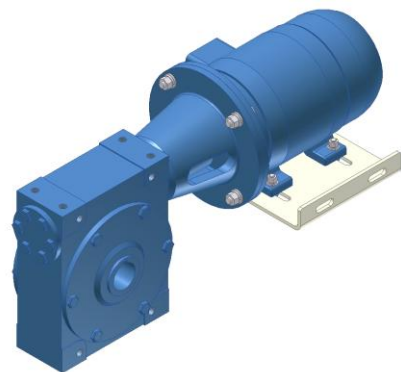
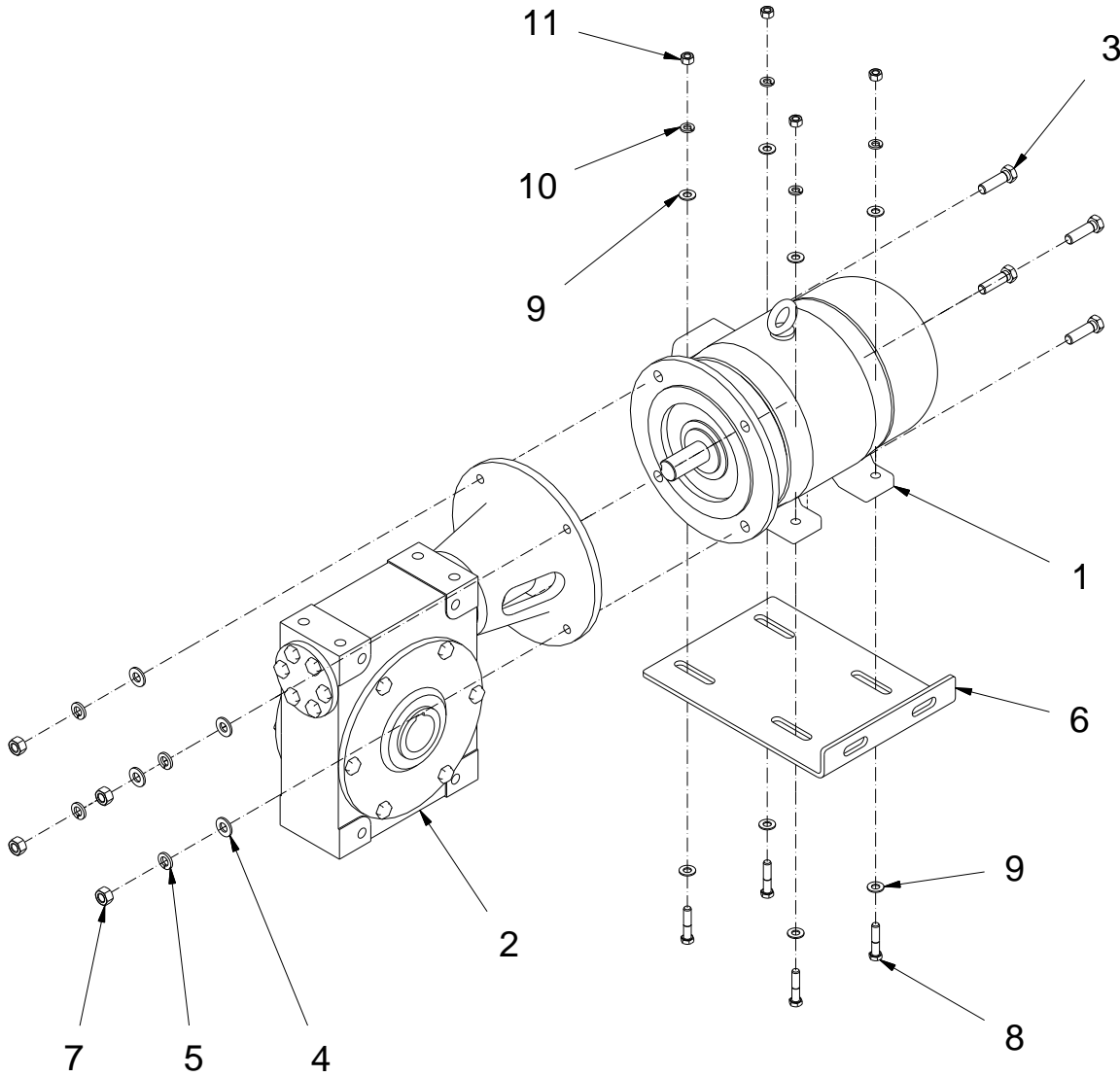
2. FEEDER BELT DRIVES



2. FEEDER BELT DRIVES

Item	Code	Description	Quantity
01	34075179	◀ Right feeder belt drive	01
02	34075180	◀ Left feeder belt drive	01
03	34112003	◀ Feeder belt drive SEW 50HZ	01

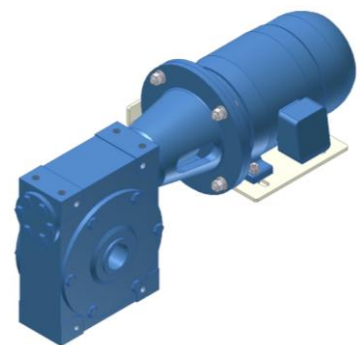
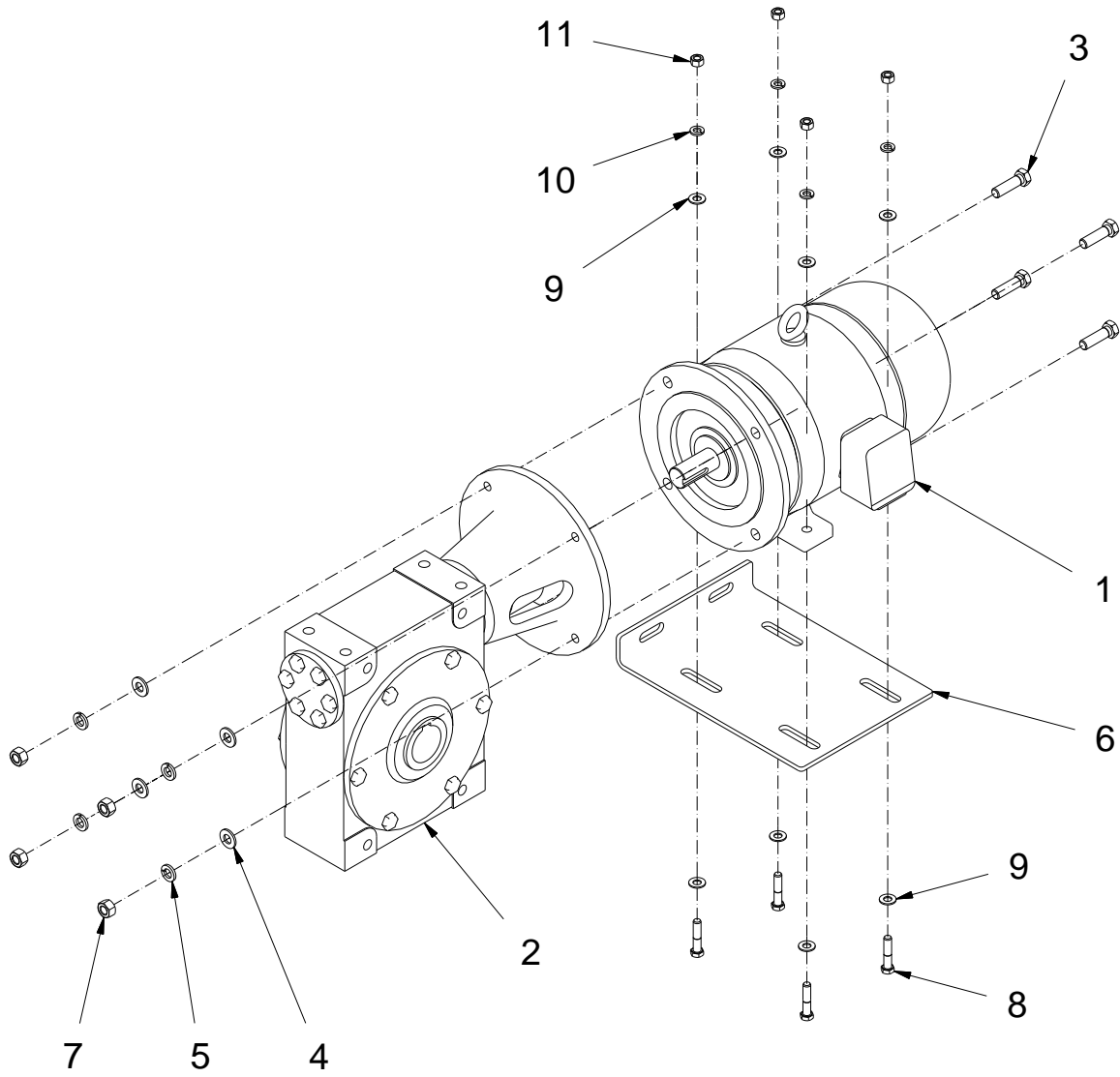
2.1. Right feeder belt drive – 34075179



2.1. Right feeder belt drive – 34075179

Item	Code	Description	Quantity
01	22061439	Electric motor 50Hz	01
02	26033344	Gearbox	01
03	24000276	Bolt	04
04	24000017	Washer	04
05	24000029	Washer	04
06	30050526	Support	01
07	24000313	Nut	04
08	24051029	Bolt	04
09	24000350	Washer	08
10	24000065	Washer	04
11	24000022	Nut	04

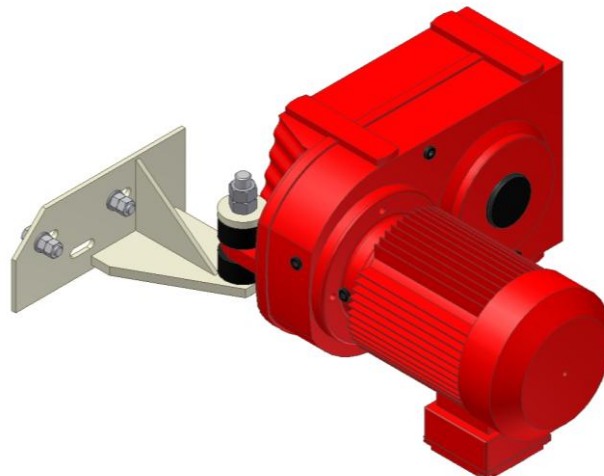
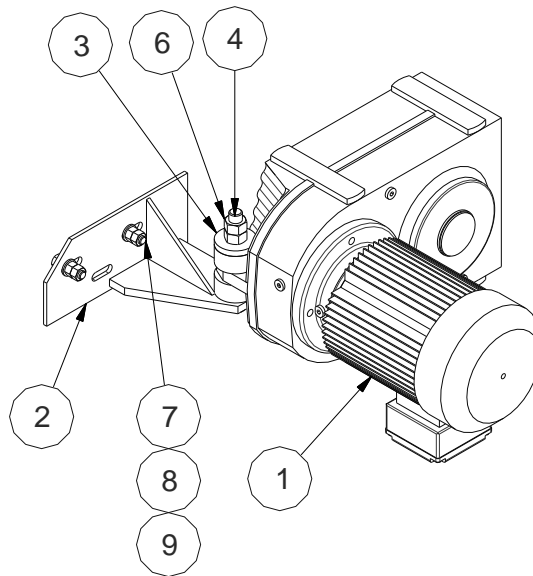
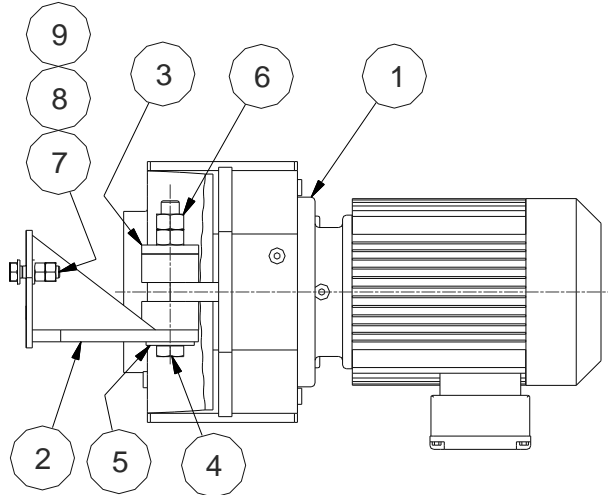
2.2. Left feeder belt drive – 34075180



2.2. Left feeder belt drive – 34075180

Item	Code	Description	Quantity
01	22073825	Electric motor 50Hz	01
02	26033344	Gearbox	01
03	24000276	Bolt	04
04	24000017	Washer	04
05	24000029	Washer	04
06	30050526	Support	01
07	24000313	Nut	04
08	24051029	Bolt	04
09	24000350	Washer	08
10	24000065	Washer	04
11	24000022	Nut	04

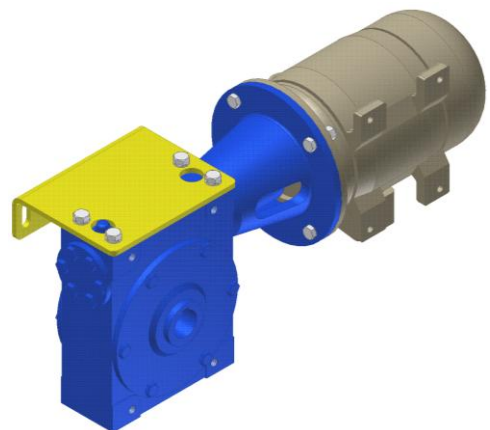
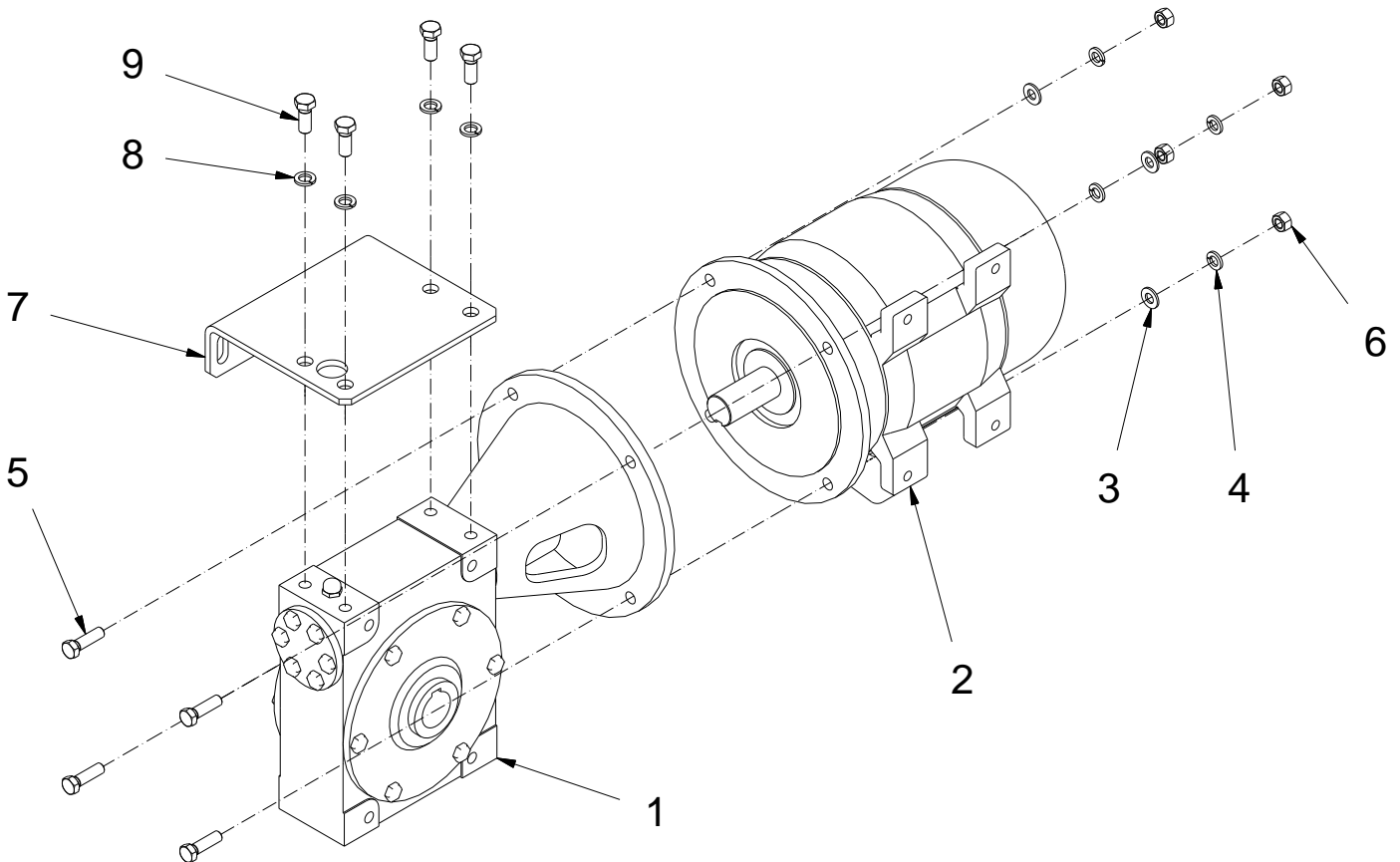
2.3. Feeder belt drive SEW 50HZ – 34112003



2.3. Feeder belt drive SEW 50HZ – 34112003

Item	Código	Descrição	Quantidade
01	26111184	Gearmotor	01
02	34103951	Torque arm	01
03	30043435	Washer	01
04	24012868	Bolt	01
05	24000352	Washer	01
06	24052515	Nut	02
07	24000276	Bolt	02
08	24000017	Washer	04
09	24091821	Nut	04

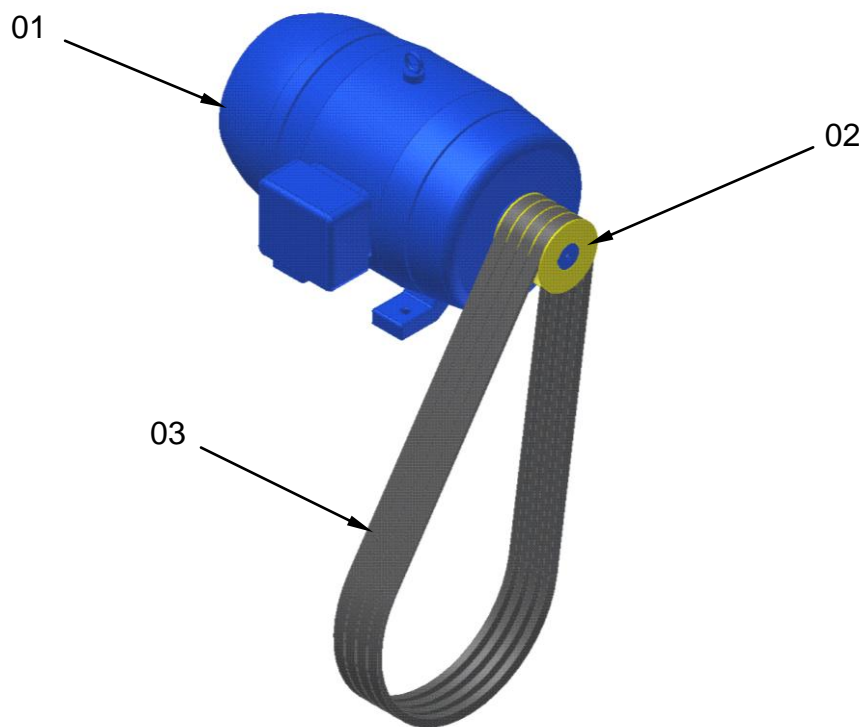
3. CONVEYOR BELT DRIVE – 34098256



3. CONVEYOR BELT DRIVE – 34098256

Item	Code	Description	Quantity
01	26094469	Gearbox	01
02	22072730	Electric motor 50Hz	01
03	24000017	Washer	04
04	24000029	Washer	04
05	24000276	Bolt	04
06	24000313	Nut	04
07	34098254	Base	01
08	24006888	Washer	04
09	24007005	Bolt	04

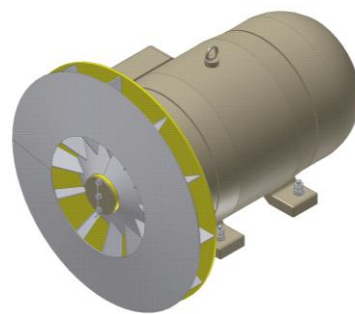
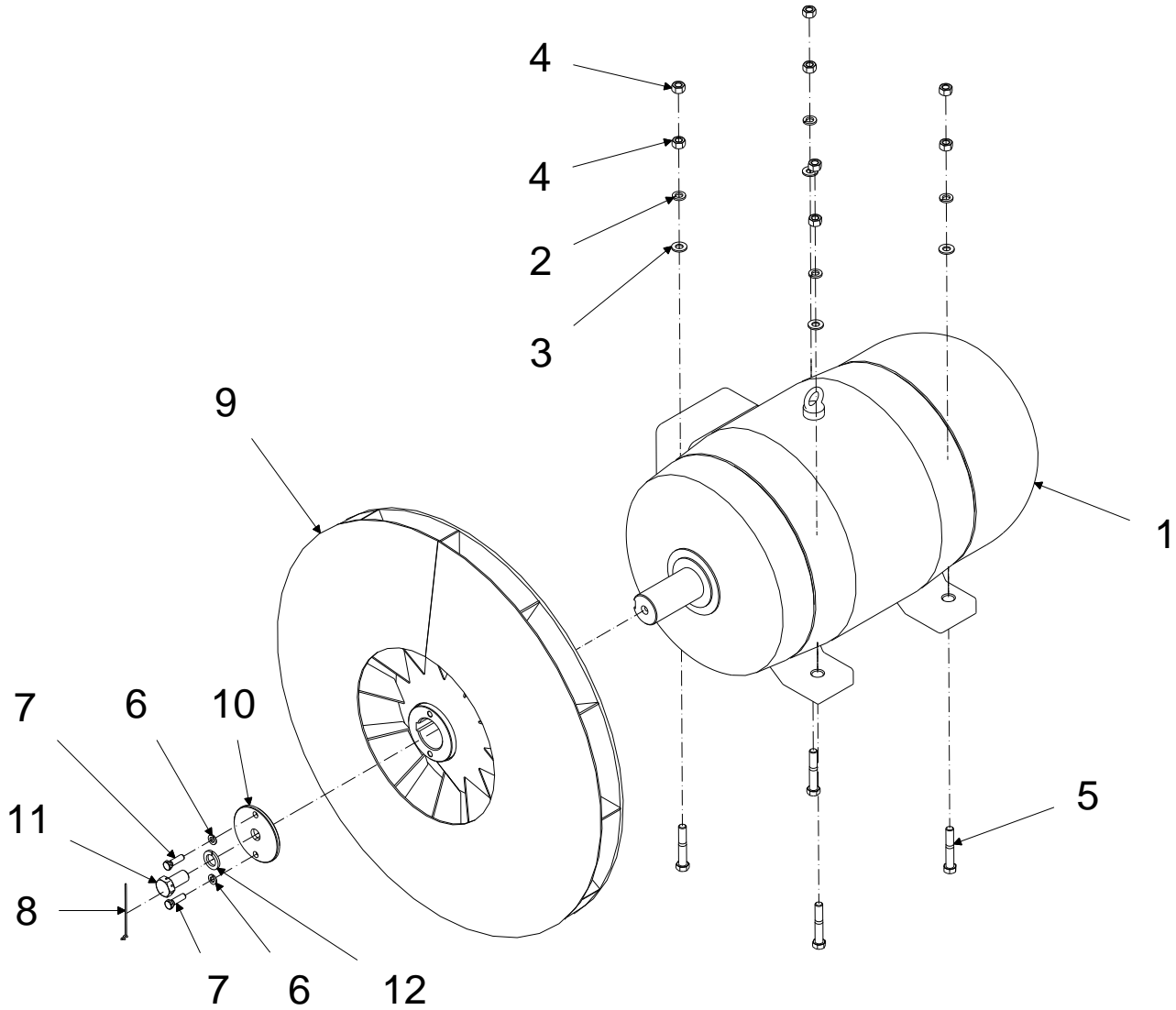
4. DRAG CONVEYOR DRIVE – 34098773



4. DRAG CONVEYOR DRIVE – 34098773

Item	Code	Description	Quantity
01	22061438	Electric motor 50Hz	01
02	26030181	Pulley	01
03	26037436	Belt	04

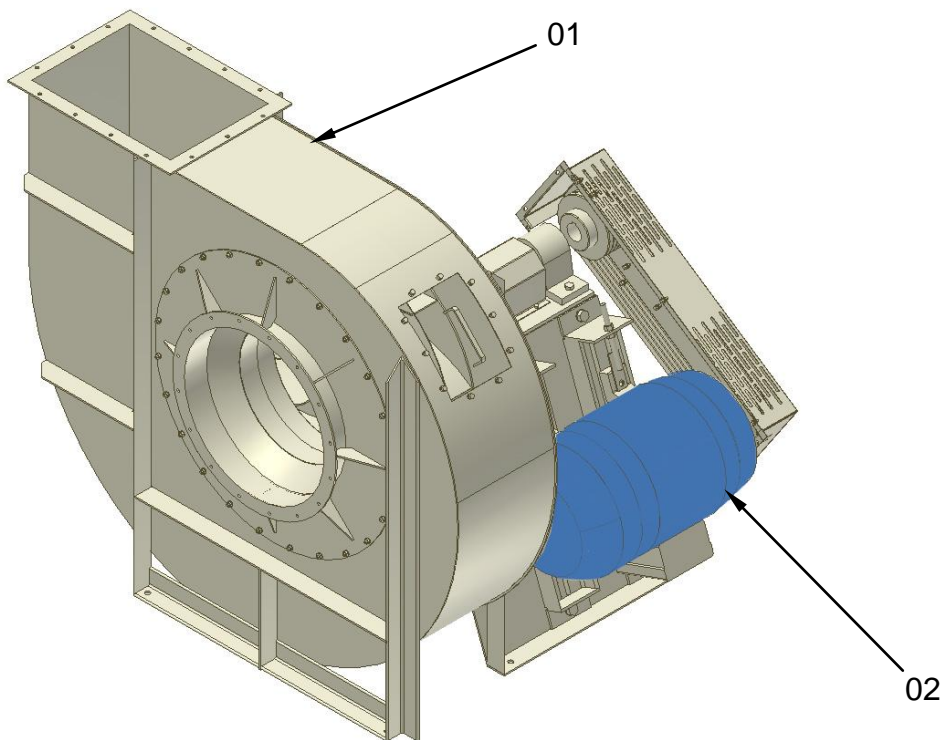
5. BURNER DRIVE – 34097032



5. BURNER DRIVE – 34097032

Item	Code	Description	Quantity
01	22061436	Electric motor 50Hz	01
02	24000029	Washer	04
03	24000017	Washer	04
04	24000313	Nut	08
05	24051032	Bolt	04
06	24000065	Washer	02
07	30016918	Bolt	02
08	30023834	Wire	01
09	38018831	Rotor	01
10	30096351	Lid / Cover	01
11	30095002	Bolt	01
12	24073567	Washer	01

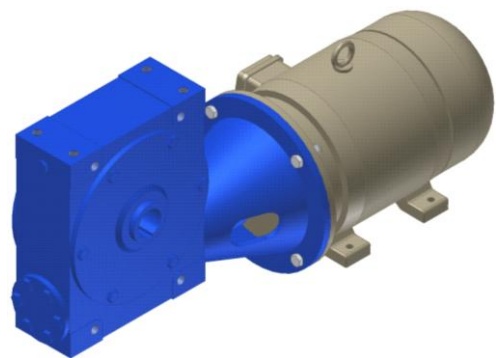
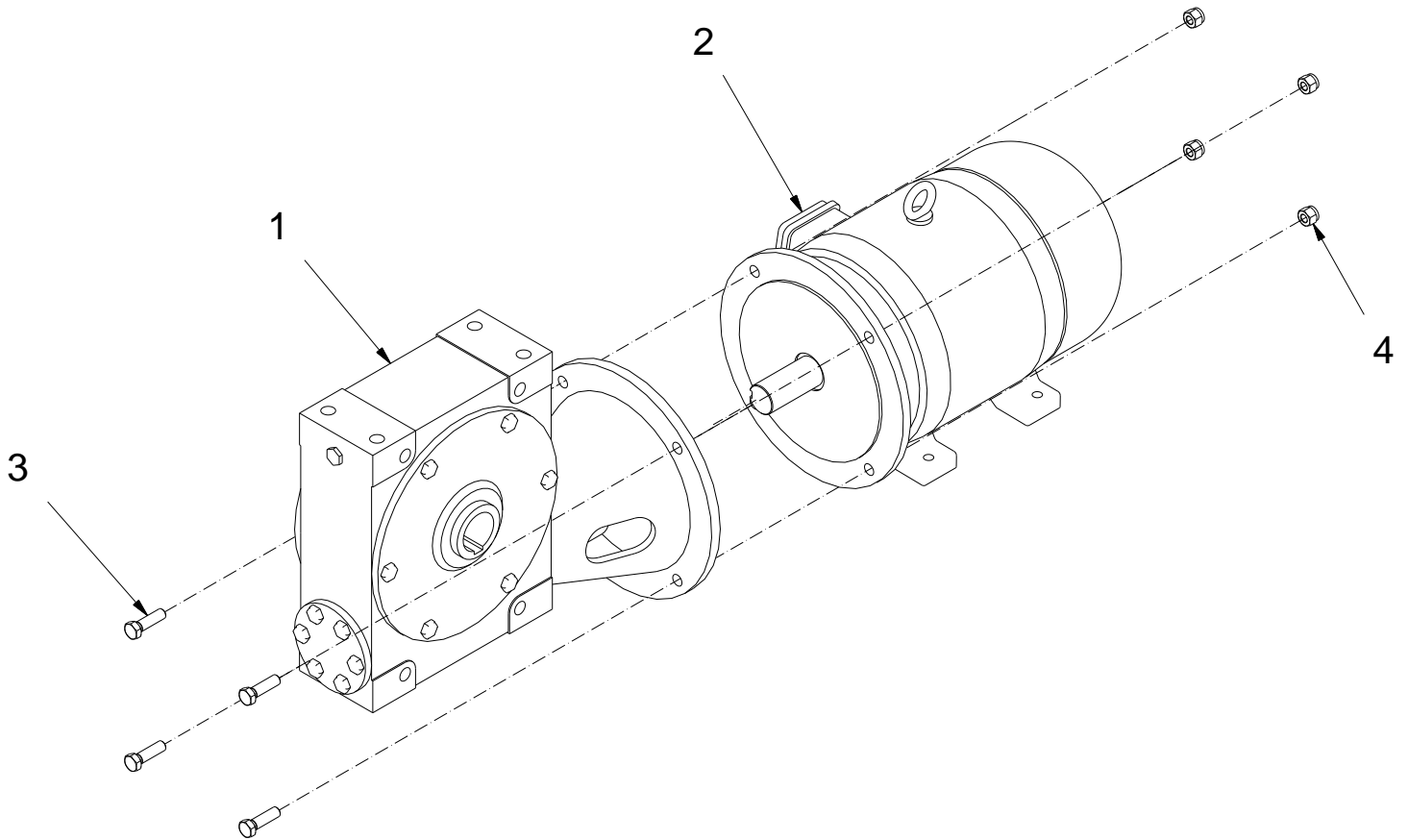
6. EXHAUSTER DRIVE – 34105556



6. EXHAUSTER DRIVE – 34105556

Item	Code	Description	Quantity
01	26078712	Exhauster fan	01
02	22061440	Electric motor 50Hz	01

7. BOTTOM MODULE OF THE BAGHOUSE DRIVE – 34098760



7. BOTTOM MODULE OF THE BAGHOUSE DRIVE – 34098760

Item	Code	Description	Quantity
01	26085146	Gearbox	01
02	22097186	Electric motor 50Hz	01
03	24000276	Bolt	04
04	24000345	Nut	04

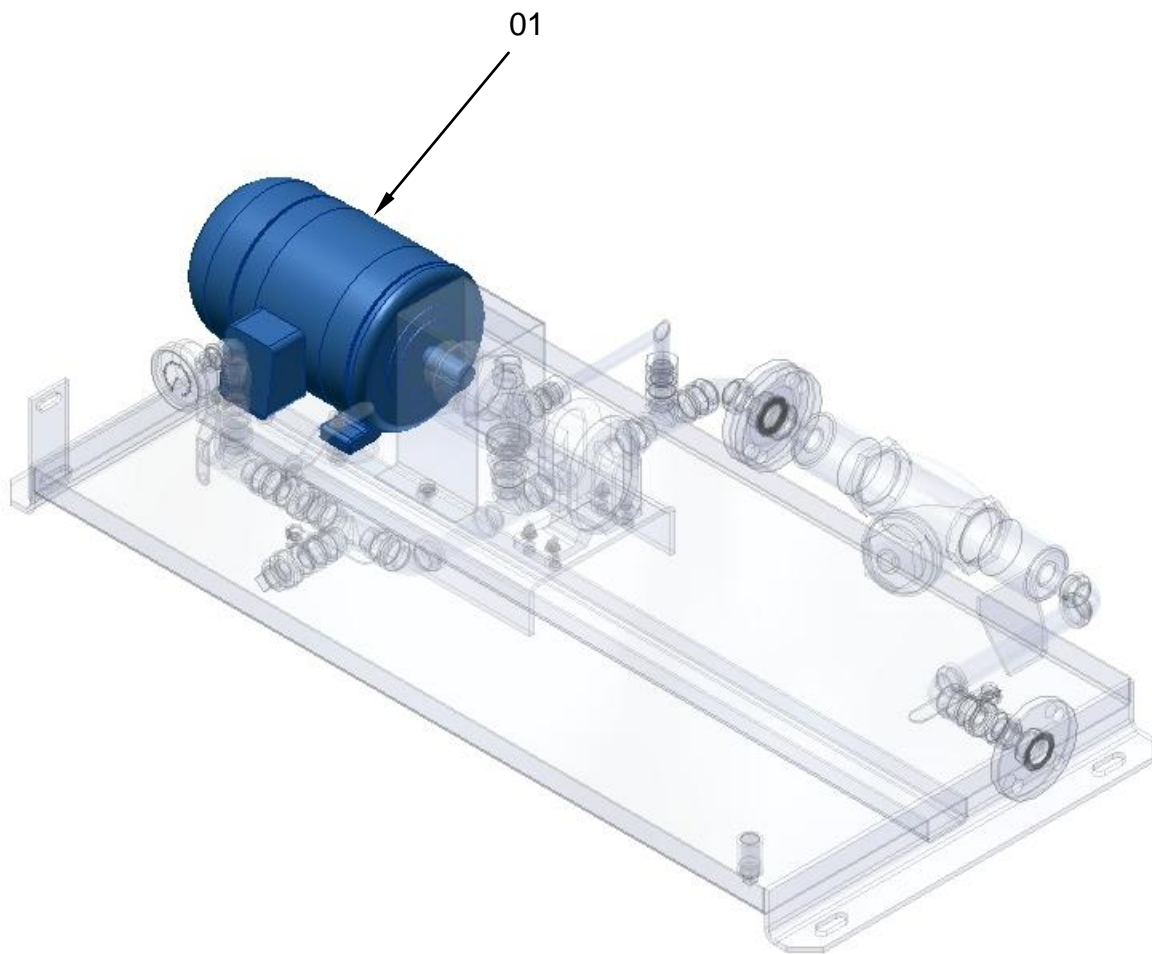
8. COMPRESSING UNIT 80PCM – 28099003



8. COMPRESSING UNIT 80PCM – 28099003

Para mais informações consulte o manual do específico do Compressor.
(S) *Para más información consulta el manual específico del Compresor.*
(E) *For more information, it consults the specific manual of Compressor.*

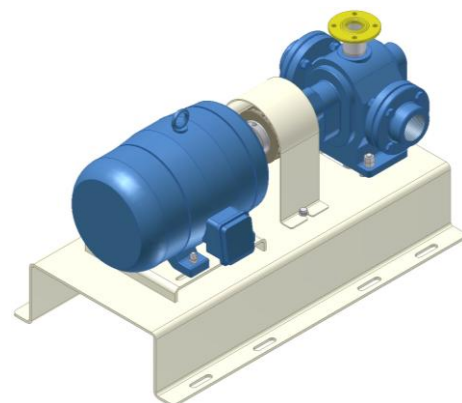
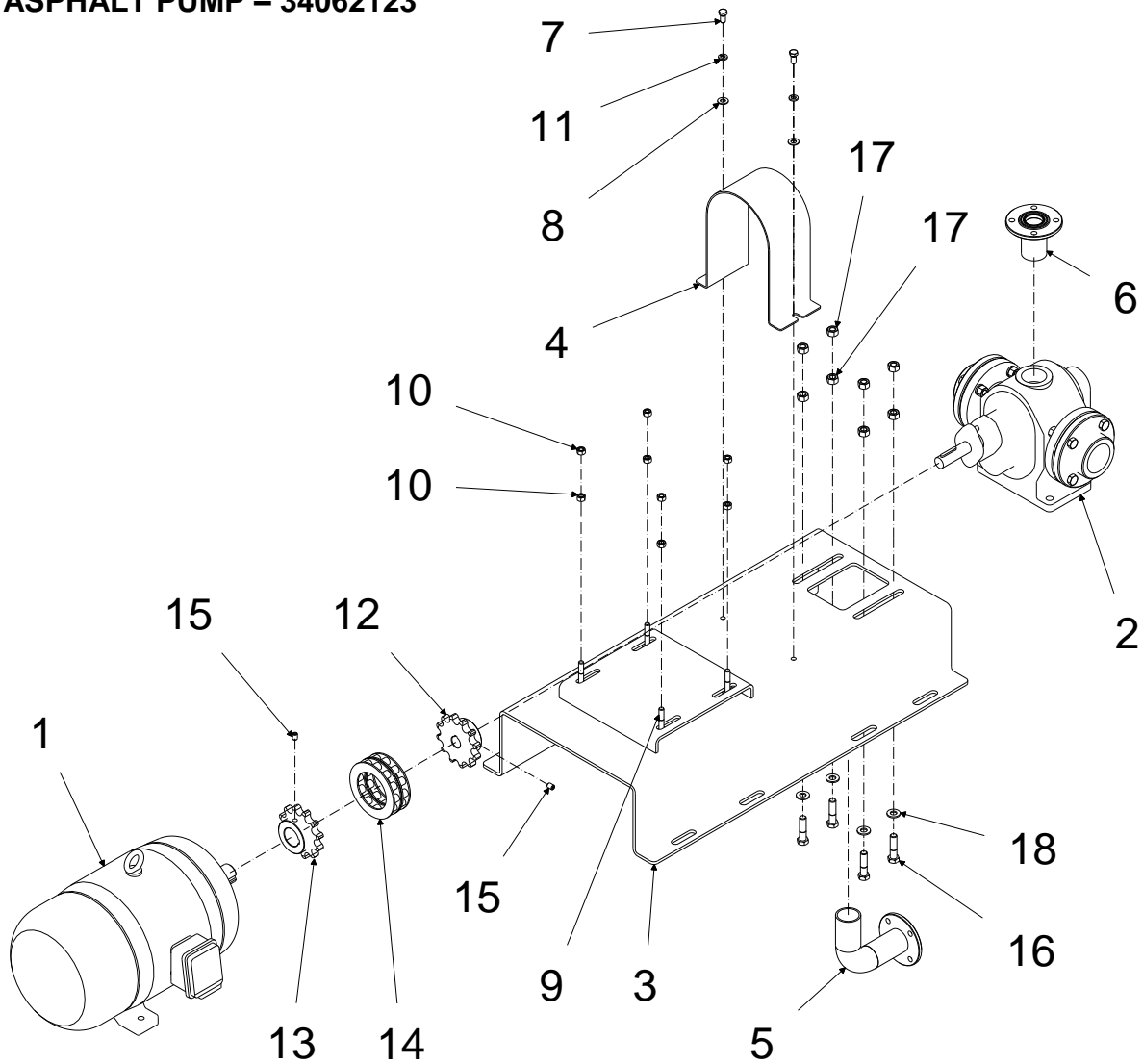
9. FUEL PUMP DRIVE



9. FUEL PUMP DRIVE

Item	Code	Description	Quantity
01	22061437	Electric motor 50Hz	01

10. ASPHALT PUMP – 34062123

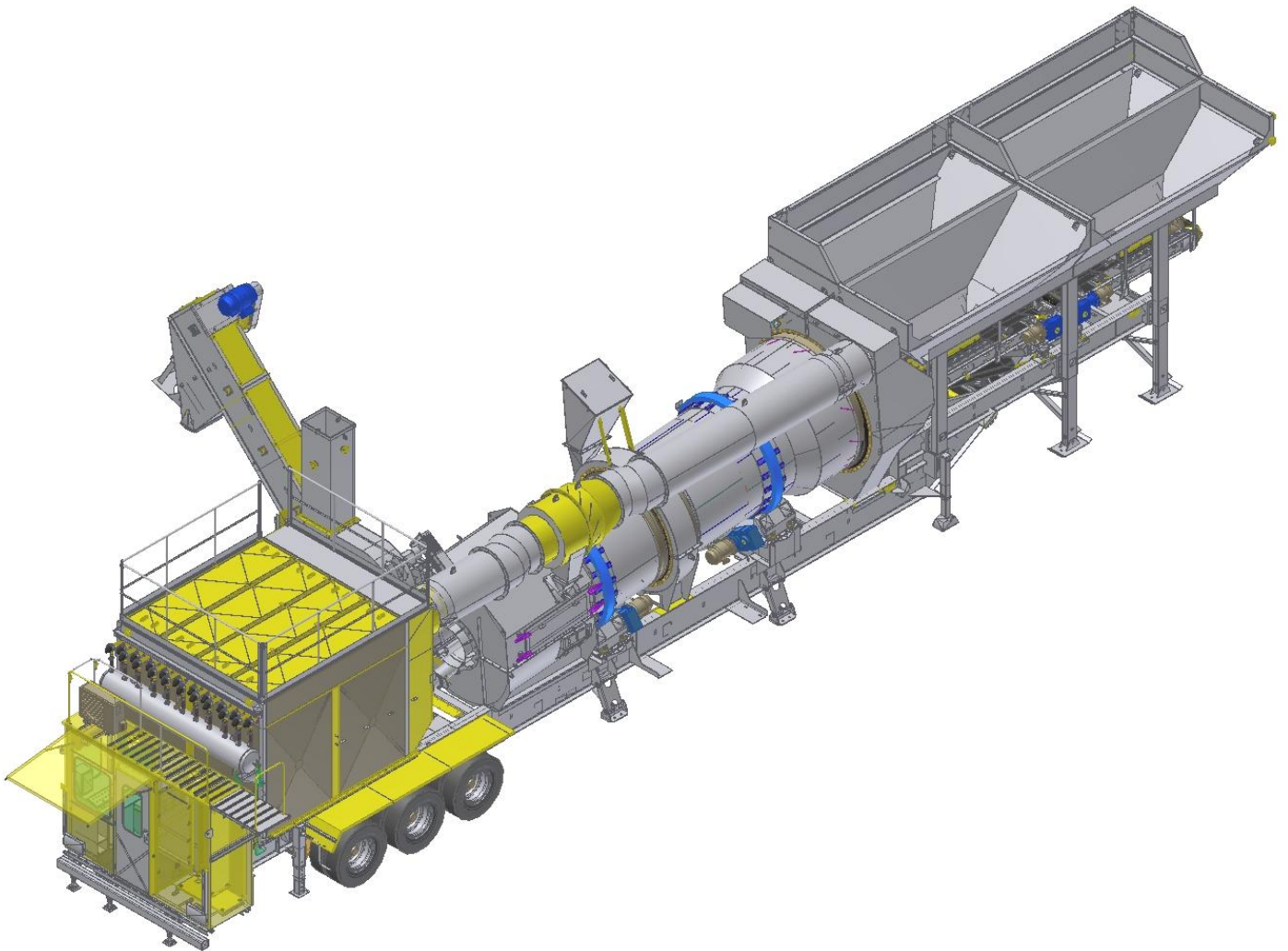


10. ASPHALT PUMP – 34062123

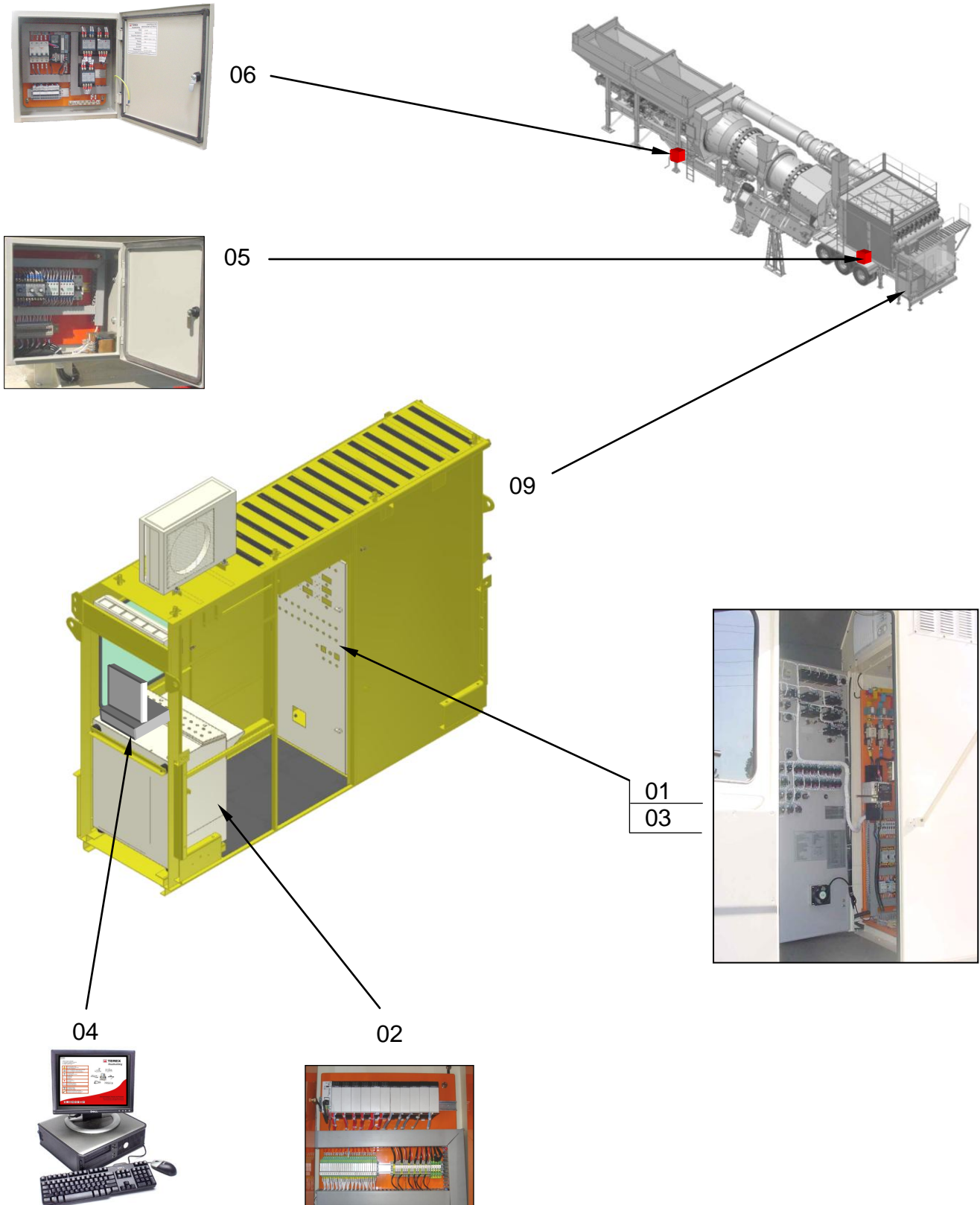
Item	Code	Description	Quantity
01	22061441	Electric motor 50Hz	01
02	28011276	Gear pump	01
03	34075841	Base	01
04	30000556	Protection	01
05	34047967	Curve	01
06	34047969	Flange	01
07	24007009	Bolt	02
08	24000350	Washer	06
09	24000273	Bolt	04
10	24000022	Nut	08
11	24000065	Washer	02
12	30003501	Gear	01
13	30003502	Gear	01
14	26009209	Chain	01
15	24015734	Bolt	02
16	24000277	Bolt	04
17	24000313	Nut	08
18	24000017	Washer	04

Page intentionally blank.

ASSEMBLY OF ELECTRIC COMPONENTS – 60HZ 380V



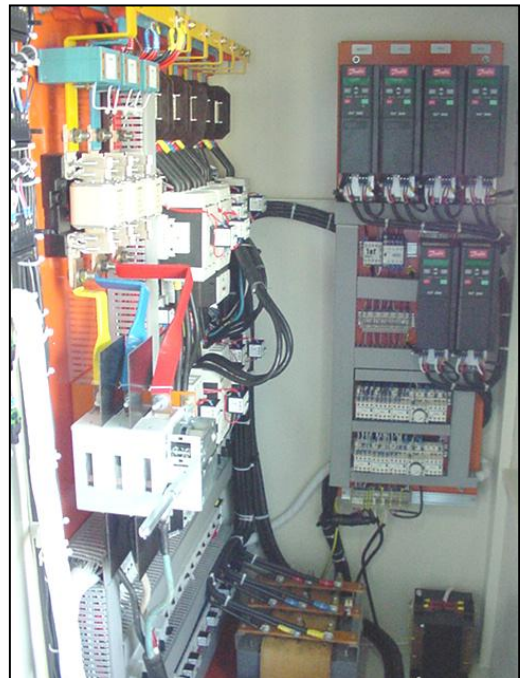
ASSEMBLY OF ELECTRIC COMPONENTS – 60HZ 380V



ASSEMBLY OF ELECTRIC COMPONENTS – 60HZ 380V

Item	Code	Description	Quantity
01	34098041	◀ Electric item of the cabin	01
02	34094772	◀ Automation	01
03	34098127	◀ Set of control	01
04	34094777	◀ Computer and software	01
05	34094779	◀ Baghouse panel	01
06	34094773	◀ Transducers panel	01
07	34073789	Kit of electric cables	01
08	34094787	◀ Sensors for temperature	01
09	34090245	Control cabin	01

1. ELECTRIC ITEM OF THE CABIN – 34098041



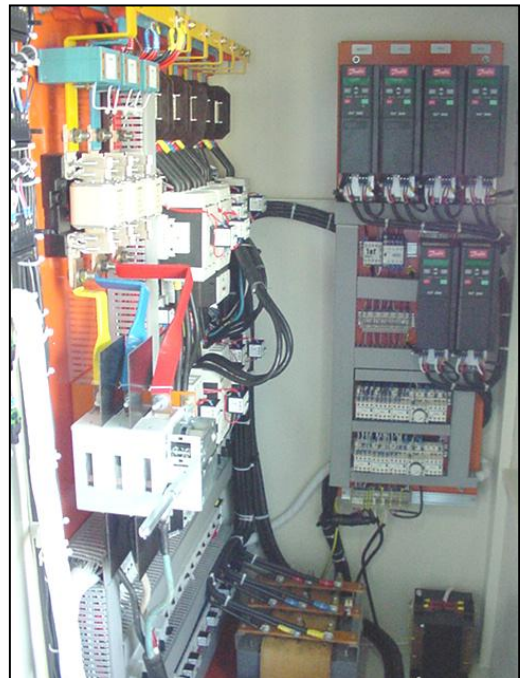
**Imagens meramente ilustrativas.
Imágenes solamente ilustrativas.
Only illustrative images.**

1. ELECTRIC ITEM OF THE CABIN – 34098041

Item	Code	Description	Quantity
01	22008573	Fuse NH 3 500A	03
02	22009242	Base of fuse NH 315-630A	03
03	22009273	Current Transformer 600A 5VA (4NF)	03
04	22069825	Current Transformer 3000VA 380/120V 60Hz	01
05	22023542	Current transformer 3F 100CV 380V/60Hz	01
06	34084805	Kit of the electric slide bar	01
07	26100579	Acrylic protection	01
08	22073828	Circuit-breaker box 2P 16A+tomada nema	01
09	22011101	Analogical red. thermometer	01
10	22011705	Parallel insulator 40x40 3/8" polyester	06
11	22010761	Conduit PVC 50x50 CZA (HD-4P)	2M
13	22053899	Conduit PVC 50x80 CZA (HD-9P)	3M
14	22066514	Conduit PVC 30x50 CZA (HD-3)	2M
15	22012037	Track 35x7,5	07
17	40010654	Flexible cable BWF 1 mm2 white	1000M
18	40084926	Flexible cable BWF 1 mm2 blue	100M
19	40086996	Flexible cable BWF 2,5mm2 black	200M
20	40009578	Flexible cable BWF 16 mm2 black	2M
21	40009579	Flexible cable BWF 25 mm2 black	10M
22	40009581	Flexible cable BWF 50 mm2 black	10M
23	40009582	Flexible cable BWF 70 mm2 black	15M
24	40014742	Flexible cable 1x0,75 mm2	60M
25	40012472	Flexible cable 2x0,75 mm2	80M
26	40012473	Flexible cable 3x0,75 mm2	15M
28	40053061	Flexible cable 3x2,5mm 2	30M
29	22091179	Plug-ins	02
30	22090964	Electric slide bar	05
31	22090965	Terminal of the electric slide bar	05
32	22094766	Selecting switch INS630	01
33	22091180	Handle INS320 A 630 31052	01
34	22096217	Terminal P/ SEC INS 200-630	01
35	22094712	Circuit breaker C60N 1P C4	02
36	22094714	Circuit breaker K32A 1P C6	11
37	22094713	Circuit breaker C60N 2P C4	01
38	22094716	Circuit breaker K32A 2P C6	02
39	22094718	Circuit breaker K32A 2P C16	01
40	22094717	Circuit breaker K32A 2P C10	02
41	22094719	Circuit breaker K32A 3P C6	01
42	22069398	Danfoss Converter VLT2822 3CV-380/480V	04
43	22069397	Danfoss Converter VLT2840 5CV-380/480V	01
44	22088698	No fase, inverted relay RM4-TR32	01
45	22091177	Time relay 0,3-30s RE8TA31BU 120VCA	06
46	22086135	Contacteur aux. CAD-50-F7	05
47	22091126	Circuit breaker 3P 1 - 1,6A GV2-ME06	04
48	22091127	Circuit breaker 3P 1,6 - 2,5A GV2-ME07	01
49	22091130	Circuit breaker 3P 6 - 10A GV2-ME14	01
50	22091131	Circuit breaker 3P 9 - 14A GV2-ME16	01
51	22091129	Circuit breaker 3P 4,0 - 6,3A GV2-ME10	04
52	22091133	Circuit breaker 3P 17 - 23A GV2-ME21	01

Continua

1. ELECTRIC ITEM OF THE CABIN – 34098041

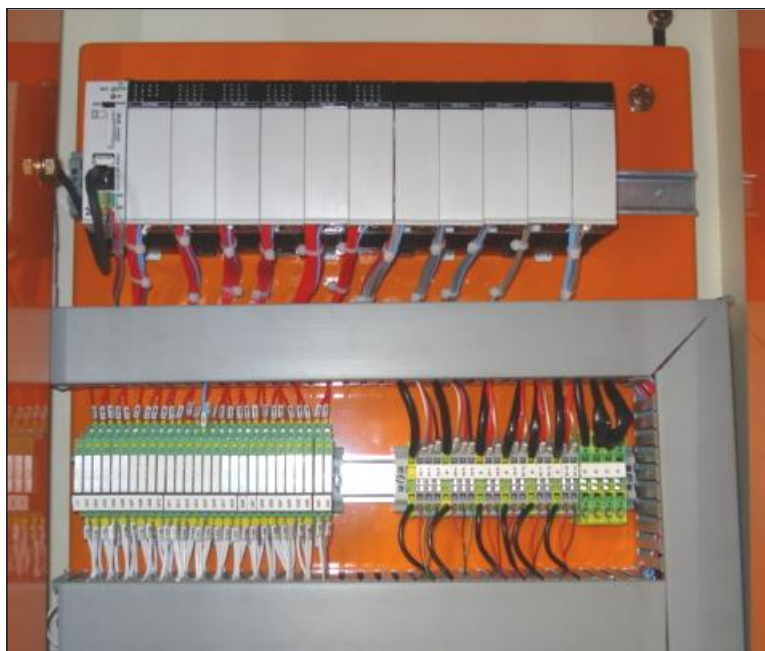


**Imagens meramente ilustrativas.
Imágenes solamente ilustrativas.
Only illustrative images.**

1. ELECTRIC ITEM OF THE CABIN – 34098041

Item	Code	Description	Quantity
53	22091134	Circuit breaker 3P 20 - 25A GV2-ME22	04
54	22100507	Circuit breaker 3P 37 - 50A GV3-P50	01
55	22091137	Circuit breaker 3P 48 - 65A GV3-P65	01
56	22091140	Circuit breaker 3P 90 - 150A GV7-RE150	02
57	22091142	Contacteur pow. LC1-D09F7 (1-10A)	09
58	22091143	Contacteur pow. LC1-D12F7 (10 - 14A)	02
59	22091145	Contacteur pow. LC1-D25F7 (17 - 25A)	05
60	22091146	Contacteur pow. LC1-D32F7 (24 - 32A)	06
61	22091148	Contacteur pow. LC1-D50F7 (40 - 50A)	02
62	22091149	Contacteur pow. LC1-D65F7 (40 - 65A)	03
63	22091151	Contacteur pow. LC1-D95F7 (60 - 95A)	01
64	22091152	Contacteur pow. LC1-D115F7 (90 - 115A)	01
65	22091153	Contacteur pow. LC1-D150F7 (90-150A)	01
66	22086136	Block 4NA LAD-N40 telemecanique	17
67	22091159	Block of contacts 0NA+4NF LAD-N04	01
68	22091163	Block of contacts 2NA+0NF lad-8N20	04
70	22091169	Block of contacts 1NA+1NF GV-AE11	18
71	22091174	Block of contacts 1NA+1NF GV7-AE11	02
72	22091161	Block of contacts 1NA+3NF LAD-N13	07
73	22091135	Circuit breaker 3P 24 - 32A GV2-ME32	02
74	22100600	Resistor 1K - 1/8 WATT	10
75	24100590	Sticker kit emergency	01
76	22100509	Conduit PVC PVC 110x80 CZA (HD-12P)	3M
77	30100508	Support	04
78	22098071	Electric slide bar	02
79	22114165	Contacteur pow LC1D50A (40-50A) 120V 50-60Hz	02
80	22114166	Contacteur pow LC1D65A (40-65A) 120V 50-60Hz	03

2. AUTOMATION – 34094772



**Imagens meramente ilustrativas.
Imágenes solamente ilustrativas.
Only illustrative images.**

2. AUTOMATION – 34094772

Item	Code	Description	Quantity
01	22098098	Memory card for CPU XC-101/201	01
02	22098099	Battery xcontrol XT-CPU-BAT1	01
03	22098116	CPU Moeller XC-CPU201-C256K-8DI-6DO	01
04	22098111	Module 24VCC XIOC-16DO	02
05	22098112	Module 24VCC XIOC-16DI	03
06	22098113	Module 0-10V XIOC-8AI-U1	01
07	22098114	Module 0-10V XIOC-4AO-U1	02
08	22098115	Module 0-10V/0-20MA XIOC-4A	02
09	22098106	Block 18T XIOC-TERM-18T	11
10	22098107	Backplane CPU CLP xcontrol+1XI/0 XIOC-BP-XC	01
11	22098110	Backplane P/ 2 módulo xcontrol XIOC-BP-2	02
12	22098109	Backplane P/ 3 módulo xcontrol XIOC-BP-3	01
13	22098108	Backplane xcontrol XIOC-BP-EXT	01
14	22098100	Cable of programming xcontrol XT-CAT5-X-5	01
15	22084915	Source of keyed feeding 24VCC 5A	01
16	22088742	Source of keyed feeding 24VCC 2A	01
17	22086135	Contacteur aux. CAD-50-F7	09
18	22086136	Block 4NA LAD-N40 Telemecanique	07
19	22086137	Block LAD-R2 Telemecanique	02
20	22094693	Relay aux. 24VCC 1NANF PLC-RSC- 24DC/21	36
21	22094695	Bridge relay 24VCC blue FBST 500-PLC BU	01
23	22094714	Circuit breaker K32A 1P C6	01
24	40100504	Flexible Cable BWF 0,5 mm2 red	400M
25	40100505	Flexible Cable BWF 0,5 mm2 blue	100M
26	22091162	Block of contacts 1NA+1NF LAD-8N11	01

3. SET OF CONTROL – 34098127



**Imagens meramente ilustrativas.
Imágenes solamente ilustrativas.
Only illustrative images.**

3. SET OF CONTROL – 34098127

Item	Code	Description	Quantity
01	22046126	knob duplo VD/VM DIAM.22 DP2	14
02	22012791	Block EL111	14
03	22070933	Led light bulb S1L/14 120V BA9S yellow	14
04	22046040	Command button VMO BZ2/03	03
05	22046128	Push-lock mushroom button EZ2 36	01
06	22046129	Short knob switch acz290	05
07	22022465	Block of contacts E-111	10
08	22046050	Push button VSZ222/13	05
09	22046125	Light socket light bulb L001	05
10	22070932	Lamp - Led Light bulb S1L/13 120V BA9S	05
11	22080424	Potentiometer 10K - Moeller	06
12	22058466	Digital frequency indicator 0-66HZ	05
13	22088715	Monitor of energy powermeter 700	01
14	22069587	Totalizer of hours 110V	01
15	22060088	Temperature Controller novus N440	02
16	22069590	Alarm 110VAC	02
17	22038340	Fan 44L/S-120/220V-60hz	02
18	22056977	Grate 150x150	05
19	22079408	Potentiometer	02
20	22088749	Digital position indicator	02
21	22091179	Plug-ins	02
22	22076600	Box 98x48 / 2PP	04

4. COMPUTER AND SOFTWARE – 34094777



Cod. 22086084



09



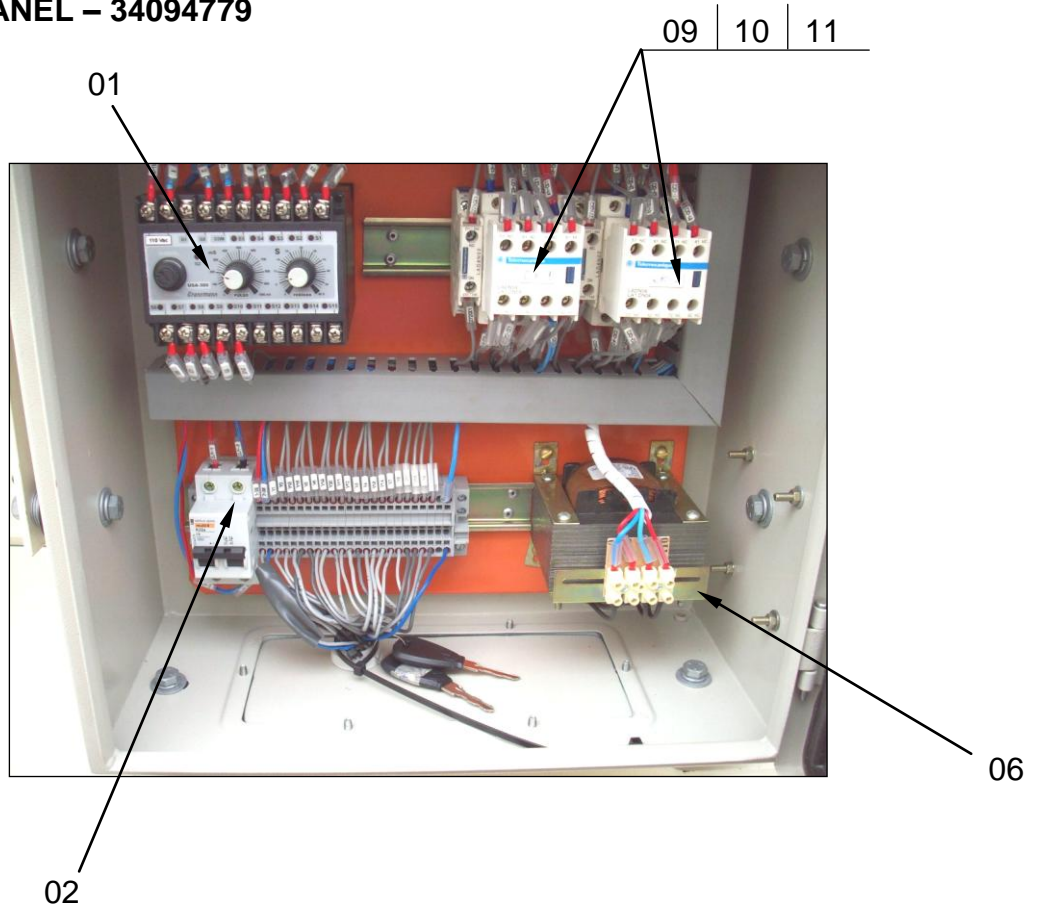
08

**Imagens meramente ilustrativas.
Imágenes solamente ilustrativas.
Only illustrative images.**

4. COMPUTER AND SOFTWARE – 34094777

Item	Code	Description	Quantity
02	22069821	Computer	01
03	22088661	Monitor	01
04	22060541	Video card	01
05	38071958	Guarantee service DELL	01
06	22071066	Keyboard	01
07	22071067	Mouse	01
08	22067885	Windows XP software	01
09	22069589	Stabilizer	01
12	22084916	Software elipse runtime MMI 32BIT	01
13	22098067	Optical disk of recovery	01
---	22086084	Air conditioning	01

5. BAGHOUSE PANEL – 34094779

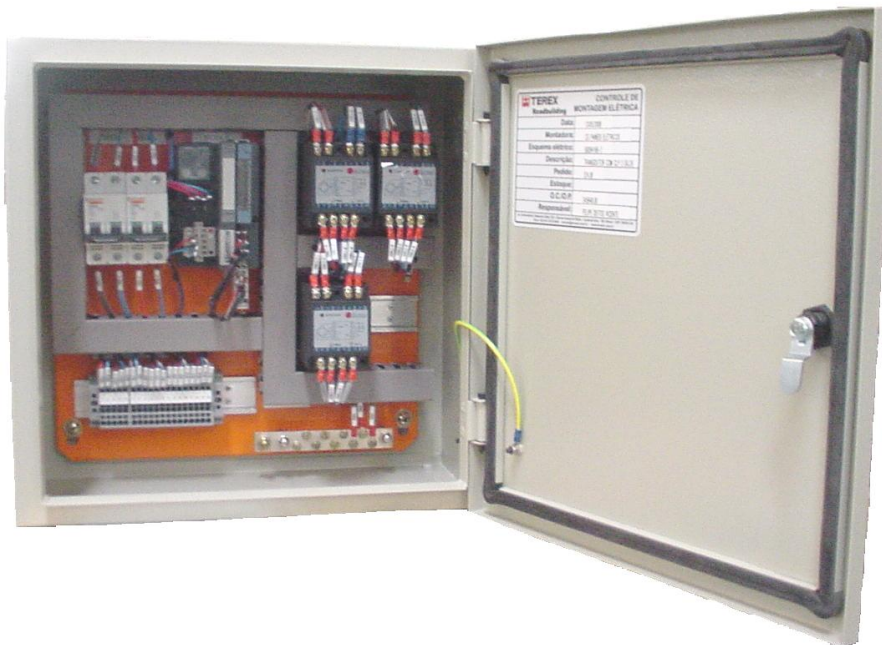


*Imagens meramente ilustrativas.
Imágenes solamente ilustrativas.
Only illustrative images.*

5. BAGHOUSE PANEL – 34094779

Item	Code	Description	Quantity
01	22069594	Sequencer USA-300-30/120V-0/1s	01
02	22094716	Circuit breaker K32A 2P C6	01
03	22058974	Box 400 x400 x 200	01
06	22071165	Current Transformer 200VA 110/110V 60Hz	01
07	20108913	Pad	04
08	22046045	Cable press 1" PVC	01
09	22086135	Contactor aux. CAD-50-F7	02
10	22091159	Block of contacts 0NA+4NF LAD-N04	02
11	22091164	Block of contacts 0NA+2NF LAD-8N02	02
12	22094698	Connection passage ST2,5	25
13	22094751	Jamb EN/S35N	10
14	24098199	Sticker "controle de montagem eletrica"	01
15	22081645	Mounting bracket	01

6. TRANSDUCERS PANEL – 34094773



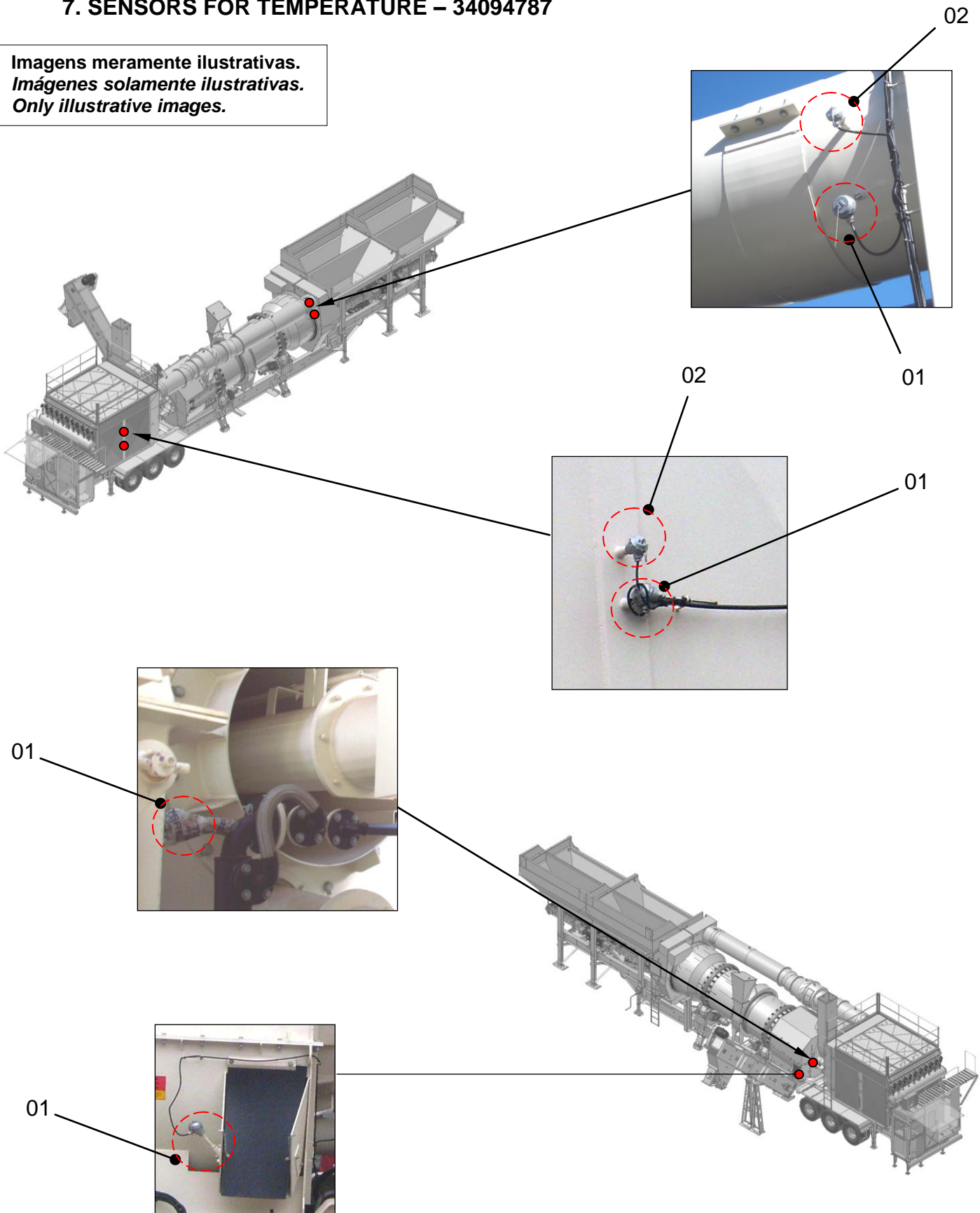
**Imagens meramente ilustrativas.
Imágenes solamente ilustrativas.
Only illustrative images.**

6. TRANSDUCERS PANEL – 34094773

Item	Code	Description	Quantity
02	22088701	Load cell transducer LC420SG-035	04
03	22066514	PVC chute 30x50 CZA (HD-3)	1,2M
04	22013463	Connector PASS 2,5mm2 WDU/2.5	22
05	40022039	Flexible cable PP 4x1.5mm2	7M
06	40084926	Flexible cable PP 4x1.5mm2 blue	1,5M
07	40083589	Flexible cable PP 4x1.5mm2 red	1M
08	40088702	Flexible cable PP 4x1.5mm2 gray	1M
09	22088703	35x7.5 Duct for connectors	0,84M
10	22010864	Cable press Pg 11 5-10	06
13	22058974	Box 400 x400 x 200	01
15	20108913	Pad	04
16	22046043	Cable press ¾" PVC	04
17	22098103	Module XN-GWBR-CANOPEN	01
18	22098101	Backplane XN XN-S6T-SBCSBC	01
19	22098104	Module 0-10V/0-20MA XN-AI-U/I	01
20	22094713	Circuit breaker C60N 2P C4	02
21	22094698	Connection passage ST2,5	25
22	22094751	Jamb EN/S35N	10
23	24098199	Sticker "controle de montagem eletrica"	01
24	22081645	Mounting bracket TSTW	01

7. SENSORS FOR TEMPERATURE – 34094787

*Imagens meramente ilustrativas.
Imágenes solamente ilustrativas.
Only illustrative images.*

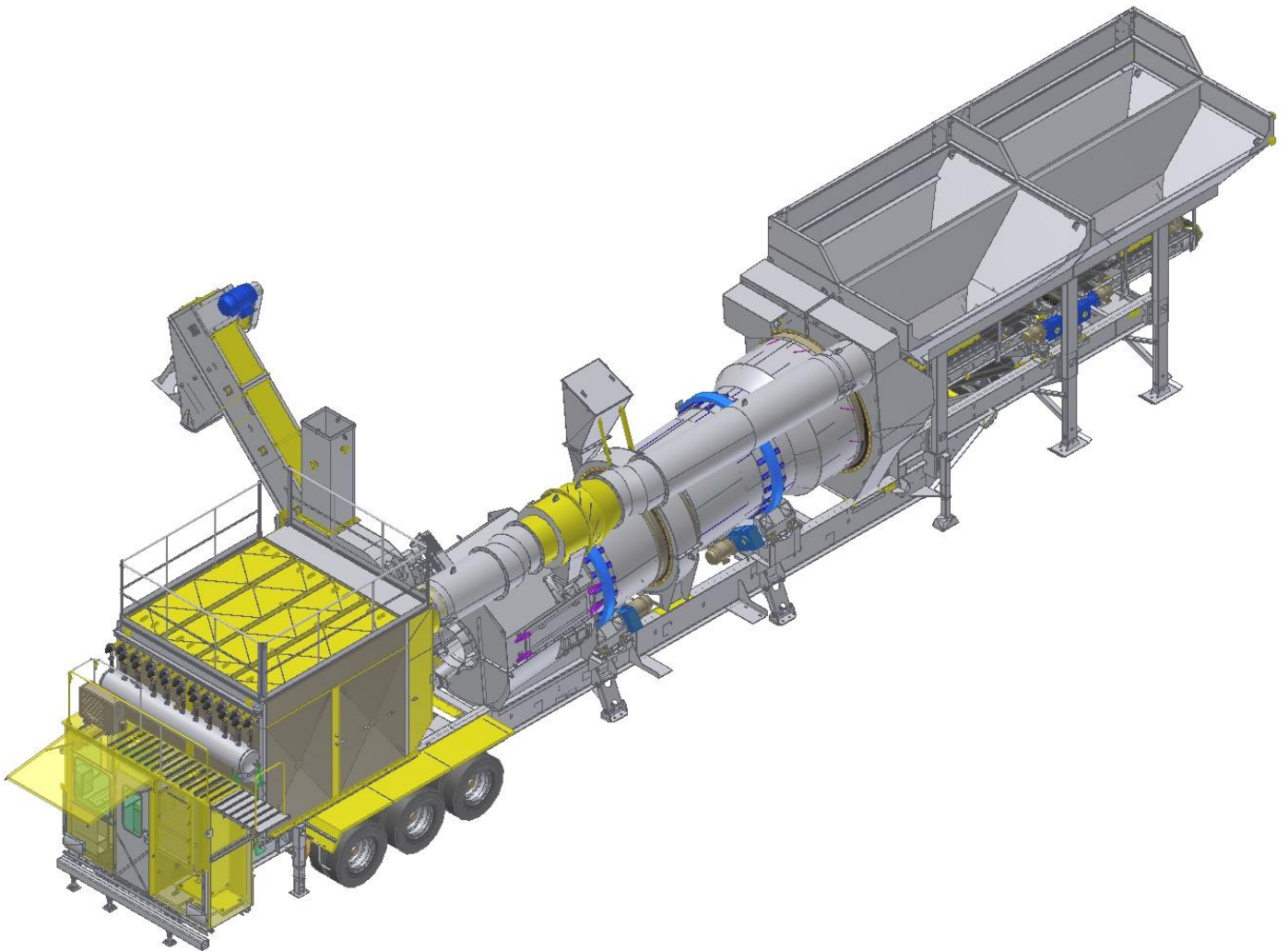


7. SENSORS FOR TEMPERATURE – 34094787

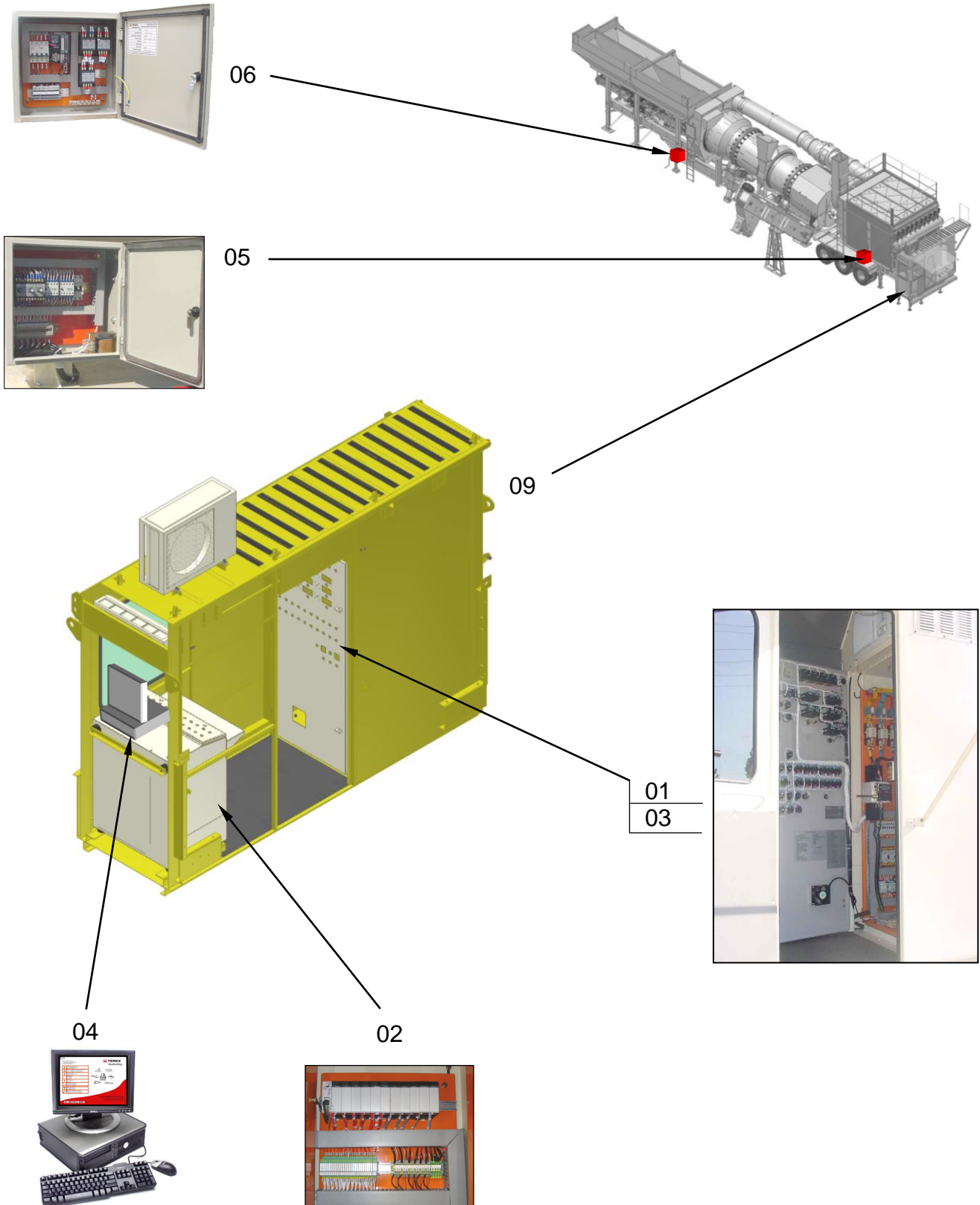
Item	Code	Description	Quantity
01	22090237	Thermal resistor PT-100-HASTE100	04
02	22011441	Thermal resistor PT-100 IRM12	02

Page intentionally blank.

ASSEMBLY OF ELECTRIC COMPONENTS – 60HZ 440V



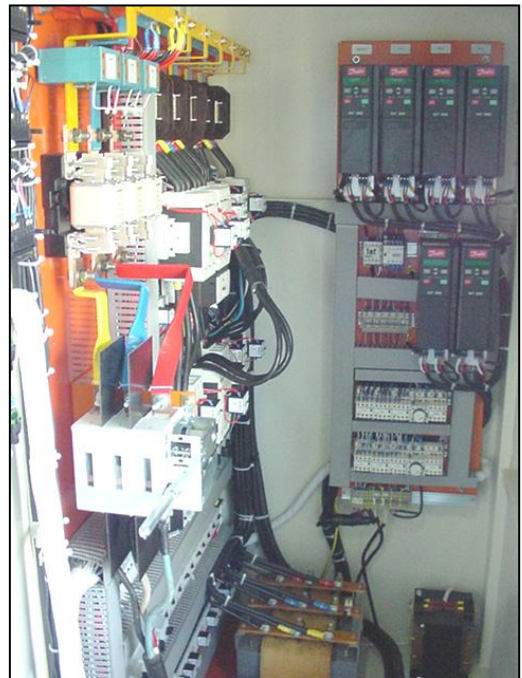
ASSEMBLY OF ELECTRIC COMPONENTS – 60HZ 440V



**ASSEMBLY OF ELECTRIC COMPONENTS – 60HZ 440V**

Item	Code	Description	Quantity
01	34098043	◀ Electric item of the cabin	01
02	34094772	◀ Automation	01
03	34098127	◀ Set of control	01
04	34094777	◀ Computer and software	01
05	34094779	◀ Baghouse panel	01
06	34094773	◀ Transducers panel	01
07	34073789	Kit of electric cables	01
08	34094787	◀ Sensors for temperature	01
09	34090245	Control cabin	01

1. ELECTRIC ITEM OF THE CABIN – 34098043



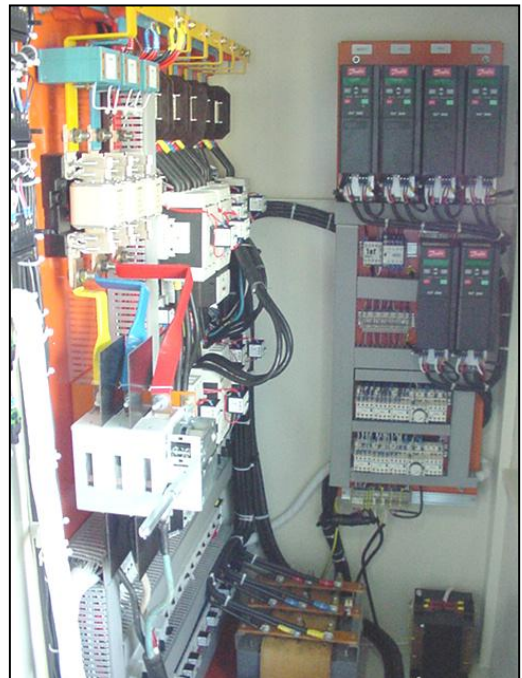
**Imagens meramente ilustrativas.
Imágenes solamente ilustrativas.
Only illustrative images.**

1. ELECTRIC ITEM OF THE CABIN – 34098043

Item	Code	Description	Quantity
01	22008573	Fuse NH 3 500A	03
02	22009242	Base of fuse NH 315-630A	03
03	22009273	Current Transformer 600A 5VA (4NF)	03
04	22074471	Current Transformer 3000VA	01
05	22052155	Current transformer 3F 100CV	01
06	34084805	Kit of the electric slide bar	01
07	26100579	Acrylic protection	01
08	22073828	Circuit-breaker box 1P 15A+plug-in NEMA 30A	01
09	22011101	Analogical red. thermometer	01
10	22011705	Parallel insulator 40x40 3/8" polyester	06
11	22010761	Conduit PVC 50x50 CZA (HD-4P)	2M
12	22010667	Conduit PVC 30x30 CZA (HD-2P)	2M
13	22053899	Conduit PVC 50x80 CZA (HD-9P)	3M
14	22066514	Conduit PVC 30x50 CZA (HD-3)	2M
15	22012037	Track 35x7,5	07
17	40010654	Flexible cable BWF 1 mm ² white	1000M
18	40084926	Flexible cable BWF 1 mm ² blue	100M
19	40086996	Flexible cable BWF 2,5mm ² black	200M
20	40009578	Flexible cable BWF 16 mm ² black	2M
21	40009579	Flexible cable BWF 25 mm ² black	10M
22	40009581	Flexible cable BWF 50 mm ² black	10M
23	40009582	Flexible cable BWF 70 mm ² black	15M
24	40014742	Flexible cable 1x0,75 mm ²	60M
25	40012472	Flexible cable 2x0,75 mm ²	80M
26	40012473	Flexible cable 3x0,75 mm ²	15M
27	40053054	Flexible cable 4x0,75 mm ²	15M
28	40053061	Flexible cable 3x2,5mm ²	30M
29	22091179	Plug-ins	02
30	22090964	Electric slide bar	05
31	22090965	Terminal of the electric slide bar	05
32	22094766	Selecting switch INS630	01
33	22091180	Handle INS320 A 630 31052	01
34	22096217	Terminal P/ SEC INS 200-630	01
35	22094712	Circuit breaker C60N 1P C4	02
36	22094714	Circuit breaker K32A 1P C6	11
37	22094713	Circuit breaker C60N 2P C4	01
38	22094716	Circuit breaker K32A 2P C6	02
39	22094718	Circuit breaker K32A 2P C16	01
40	22094717	Circuit breaker K32A 2P C10	02
41	22094719	Circuit breaker K32A 3P C6	01
42	22069398	Danfoss Converter VLT2822 3CV-380/480V	04
43	22069397	Danfoss Converter VLT2840 5CV-380/480V	01
44	22088698	No fase, inverted relay RM4-TR32	01
45	22091177	Time relay 0,3-30s RE8TA31BU 120VCA	06
46	22086135	Contacteur aux. CAD-50-F7	05
47	22091126	Circuit breaker 3P 1 - 1,6A GV2-ME06	04
48	22091127	Circuit breaker 3P 1,6 - 2,5A GV2-ME07	01
49	22091130	Circuit breaker 3P 6 - 10A GV2-ME14	01
50	22091131	Circuit breaker 3P 9 - 14A GV2-ME16	01

Continua

1. ELECTRIC ITEM OF THE CABIN – 34098043

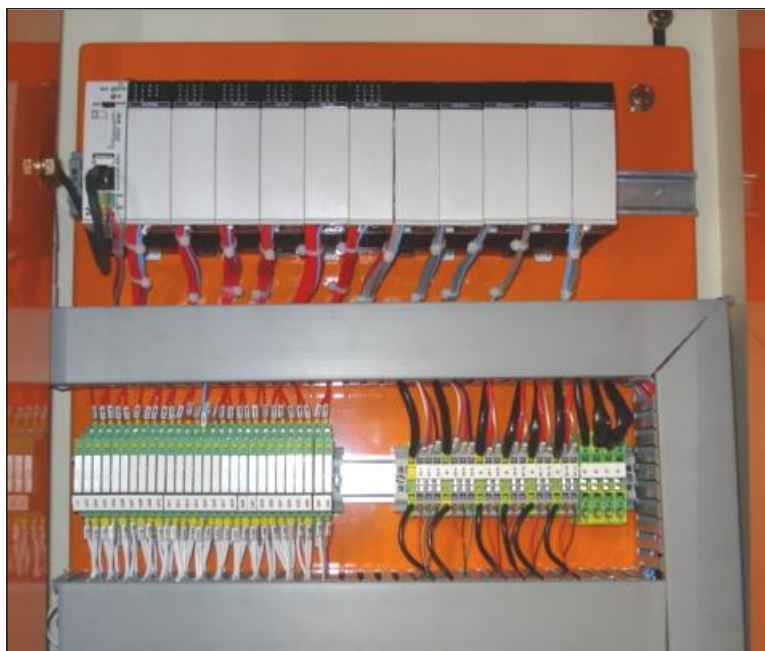


**Imagens meramente ilustrativas.
Imágenes solamente ilustrativas.
Only illustrative images.**

1. ELECTRIC ITEM OF THE CABIN – 34098043

Item	Code	Description	Quantity
51	22091129	Circuit breaker 3P 4,0 - 6,3A GV2-ME10	04
52	22091133	Circuit breaker 3P 17 - 23A GV2-ME21	01
53	22091134	Circuit breaker 3P 20 - 25A GV2-ME22	04
54	22091137	Circuit breaker 3P 48 - 65A GV3-P65	02
55	22100507	Circuit breaker 3P 37 - 50A GV3-P50	01
56	22091140	Circuit breaker 3P 90 - 150A GV7-RE150	02
57	22091139	Circuit breaker 3P 60 - 100A GV7-RE100	01
58	22091142	Contacteur pow. LC1-D09F7 (1-10A)	09
59	22091143	Contacteur pow. LC1-D12F7 (10 - 14A)	02
60	22091145	Contacteur pow. LC1-D25F7 (17 - 25A)	05
61	22091146	Contacteur pow. LC1-D32F7 (24 - 32A)	06
62	22091148	Contacteur pow. LC1-D50F7 (40 - 50A)	02
63	22091149	Contacteur pow. LC1-D65F7 (40 - 65A)	03
64	22091151	Contacteur pow. LC1-D95F7 (60 - 95A)	01
65	22091152	Contacteur pow. LC1-D115F7 (90 - 115A)	01
66	22091153	Contacteur pow. LC1-D150F7 (90-150A)	01
67	22086136	Block 4NA LAD-N40 telemecanique	17
68	22091159	Block of contacts 0NA+4NF LAD-N04	01
69	22091163	Block of contacts 2NA+0NF lad-8N20	04
70	22091162	Block of contacts 1NA+1NF lad-8N11	13
71	22091171	Block of contacts 1NA+1NF GV3-A01	03
72	22091169	Block of contacts 1NA+1NF GV-AE11	18
73	22091174	Block of contacts 1NA+1NF GV7-AE11	01
74	22091161	Block of contacts 1NA+3NF LAD-N13	07
75	22020485	Current Transformer 3500VA 440/220V 60Hz	01
76	22091135	Circuit breaker 3P 24 - 32A GV2-ME32	02
77	22100600	Resistor 1K - 1/8 WATT	10
78	24100590	Sticker kit emergency	01
79	22100509	Conduit PVC PVC 110x80 CZA (HD-12P)	3M
80	30100508	Fuse support for selecting switch SX	01
81	22114165	Contacteur pow LC1D50A (40-50A) 120V 50-60Hz	02
82	22114166	Contacteur pow LC1D65A (40-65A) 120V 50-60Hz	03

2. AUTOMATION – 34094772



**Imagens meramente ilustrativas.
Imágenes solamente ilustrativas.
Only illustrative images.**

2. AUTOMATION – 34094772

Item	Code	Description	Quantity
01	22098098	Memory card for CPU XC-101/201	01
02	22098099	Battery xcontrol XT-CPU-BAT1	01
03	22098116	CPU Moeller XC-CPU201-C256K-8DI-6DO	01
04	22098111	Module 24VCC XIOC-16DO	02
05	22098112	Module 24VCC XIOC-16DI	03
06	22098113	Module 0-10V XIOC-8AI-U1	01
07	22098114	Module 0-10V XIOC-4AO-U1	02
08	22098115	Module 0-10V/0-20MA XIOC-4A	02
09	22098106	Block 18T XIOC-TERM-18T	11
10	22098107	Backplane CPU CLP xcontrol+1XI/0 XIOC-BP-XC	01
11	22098110	Backplane P/ 2 módulo xcontrol XIOC-BP-2	02
12	22098109	Backplane P/ 3 módulo xcontrol XIOC-BP-3	01
13	22098108	Backplane xcontrol XIOC-BP-EXT	01
14	22098100	Cable of programming xcontrol XT-CAT5-X-5	01
15	22084915	Source of keyed feeding 24VCC 5A	01
16	22088742	Source of keyed feeding 24VCC 2A	01
17	22086135	Contacteur aux. CAD-50-F7	09
18	22086136	Block 4NA LAD-N40 Telemecanique	07
19	22086137	Block LAD-R2 Telemecanique	02
20	22094693	Relay aux. 24VCC 1NANF PLC-RSC- 24DC/21	36
21	22094695	Bridge relay 24VCC blue FBST 500-PLC BU	01
23	22094714	Circuit breaker K32A 1P C6	01
24	40100504	Flexible Cable BWF 0,5 mm2 red	400M
25	40100505	Flexible Cable BWF 0,5 mm2 blue	100M
26	22091162	Block of contacts 1NA+1NF LAD-8N11	01

3. SET OF CONTROL – 34098127



**Imagens meramente ilustrativas.
Imágenes solamente ilustrativas.
Only illustrative images.**

3. SET OF CONTROL – 34098127

Item	Code	Description	Quantity
01	22046126	knob duplo VD/VM DIAM.22 DP2	14
02	22012791	Block EL111	14
03	22070933	Led light bulb S1L/14 120V BA9S yellow	14
04	22046040	Command button VMO BZ2/03	03
05	22046128	Push-lock mushroom button EZ2 36	01
06	22046129	Short knob switch acz290	05
07	22022465	Block of contacts E-111	10
08	22046050	Push button VSZ222/13	05
09	22046125	Light socket light bulb L001	05
10	22070932	Lamp - Led Light bulb S1L/13 120V BA9S	05
11	22080424	Potentiometer 10K - Moeller	06
12	22058466	Digital frequency indicator 0-66HZ	05
13	22088715	Monitor of energy powermeter 700	01
14	22069587	Totalizer of hours 110V	01
15	22060088	Temperature Controller novus N440	02
16	22069590	Alarm 110VAC	02
17	22038340	Fan 44L/S-120/220V-60hz	02
18	22056977	Grate 150x150	05
19	22079408	Potentiometer	02
20	22088749	Digital position indicator	02
21	22091179	Plug-ins	02
22	22076600	Box 98x48 / 2PP	04

4. COMPUTER AND SOFTWARE – 34094777



Cod. 22086084



09



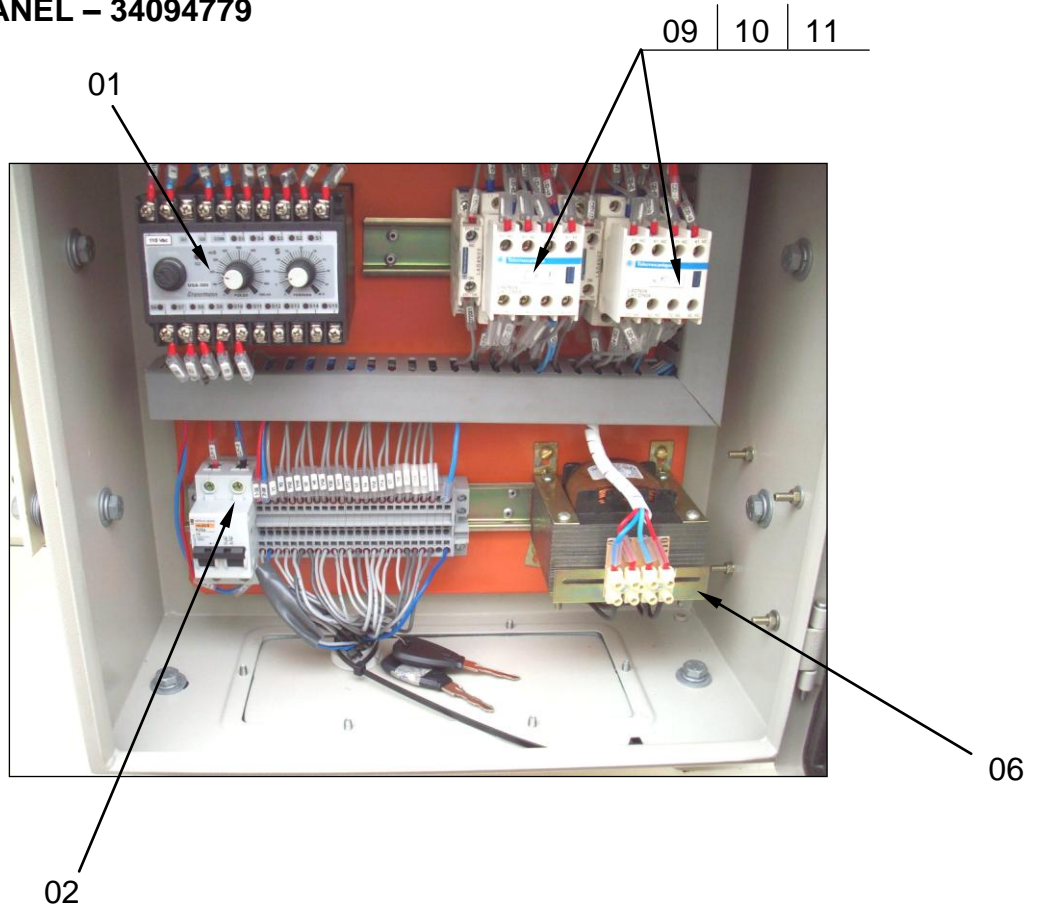
08

**Imagens meramente ilustrativas.
Imágenes solamente ilustrativas.
Only illustrative images.**

4. COMPUTER AND SOFTWARE – 34094777

Item	Code	Description	Quantity
02	22069821	Computer	01
03	22088661	Monitor	01
04	22060541	Video card	01
05	38071958	Guarantee service DELL	01
06	22071066	Keyboard	01
07	22071067	Mouse	01
08	22067885	Windows XP software	01
09	22069589	Stabilizer	01
12	22084916	Software elipse runtime MMI 32BIT	01
13	22098067	Optical disk of recovery	01
---	22086084	Air conditioning	01

5. BAGHOUSE PANEL – 34094779

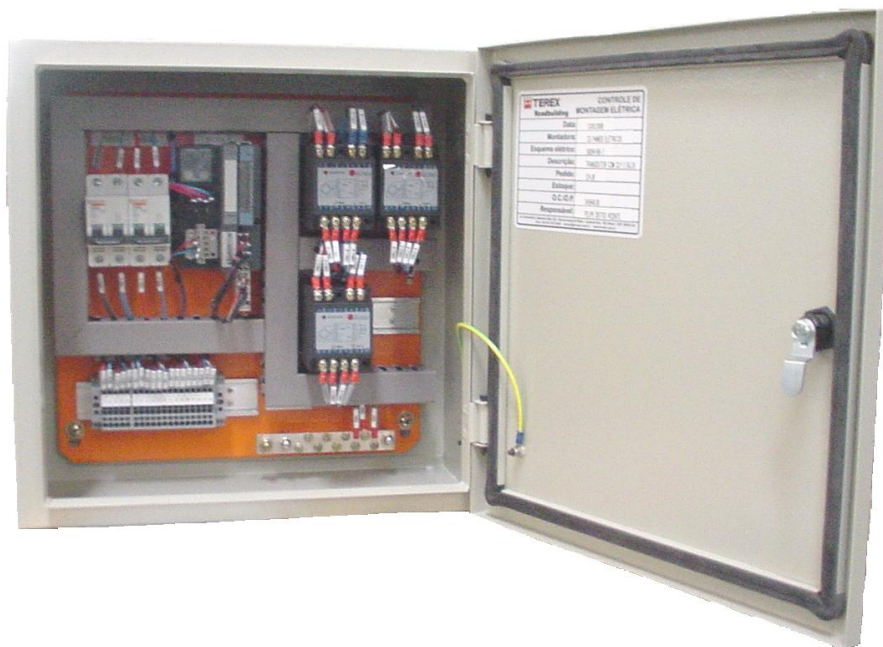


Imagens meramente ilustrativas.
 Imágenes solamente ilustrativas.
 Only illustrative images.

5. BAGHOUSE PANEL – 34094779

Item	Code	Description	Quantity
01	22069594	Sequencer USA-300-30/120V-0/1s	01
02	22094716	Circuit breaker K32A 2P C6	01
03	22058974	Box 400 x400 x 200	01
06	22071165	Current Transformer 200VA 110/110V 60Hz	01
07	20108913	Pad	04
08	22046045	Cable press 1" PVC	01
09	22086135	Contactor aux. CAD-50-F7	02
10	22091159	Block of contacts 0NA+4NF LAD-N04	02
11	22091164	Block of contacts 0NA+2NF LAD-8N02	02
12	22094698	Connection passage ST2,5	25
13	22094751	Jamb EN/S35N	10
14	24098199	Sticker "controle de montagem eletrica"	01
15	22081645	Mounting bracket	01

6. TRANSDUCERS PANEL – 34094773



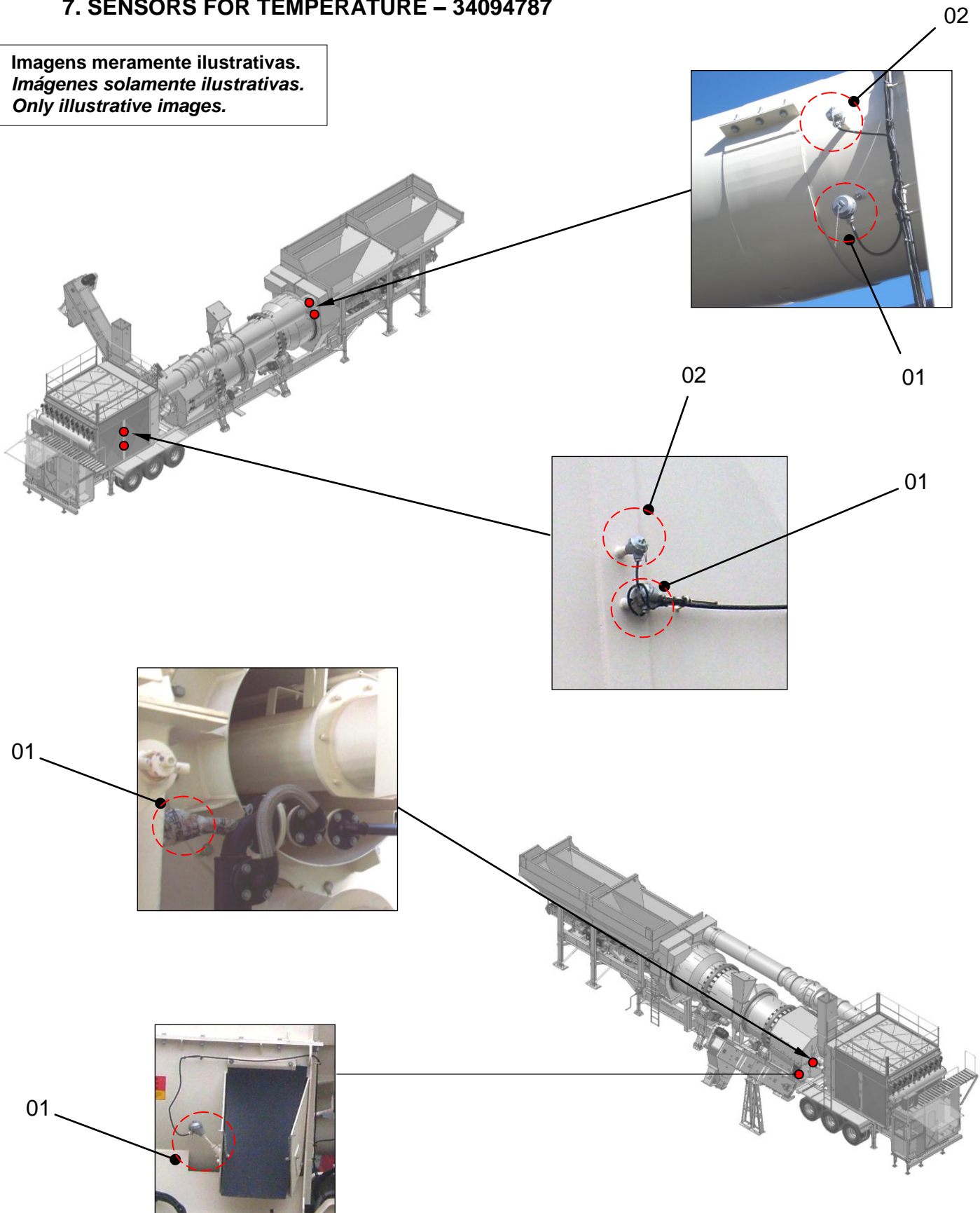
Imagens meramente ilustrativas.
Imágenes solamente ilustrativas.
Only illustrative images.

6. TRANSDUCERS PANEL – 34094773

Item	Code	Description	Quantity
02	22088701	Load cell transducer LC420SG-035	04
03	22066514	PVC chute 30x50 CZA (HD-3)	1,2M
04	22013463	Connector PASS 2,5mm2 WDU/2.5	22
05	40022039	Flexible cable PP 4x1.5mm2	7M
06	40084926	Flexible cable PP 4x1.5mm2 blue	1,5M
07	40083589	Flexible cable PP 4x1.5mm2 red	1M
08	40088702	Flexible cable PP 4x1.5mm2 gray	1M
09	22088703	35x7.5 Duct for connectors	0,84M
10	22010864	Cable press Pg 11 5-10	06
13	22058974	Box 400 x400 x 200	01
15	20108913	Pad	04
16	22046043	Cable press ¾" PVC	04
17	22098103	Module XN-GWBR-CANOPEN	01
18	22098101	Backplane XN XN-S6T-SBCSBC	01
19	22098104	Module 0-10V/0-20MA XN-AI-U/I	01
20	22094713	Circuit breaker C60N 2P C4	02
21	22094698	Connection passage ST2,5	25
22	22094751	Jamb EN/S35N	10
23	24098199	Sticker "controle de montagem eletrica"	01
24	22081645	Mounting bracket TSTW	01

7. SENSORS FOR TEMPERATURE – 34094787

*Imagens meramente ilustrativas.
Imágenes solamente ilustrativas.
Only illustrative images.*

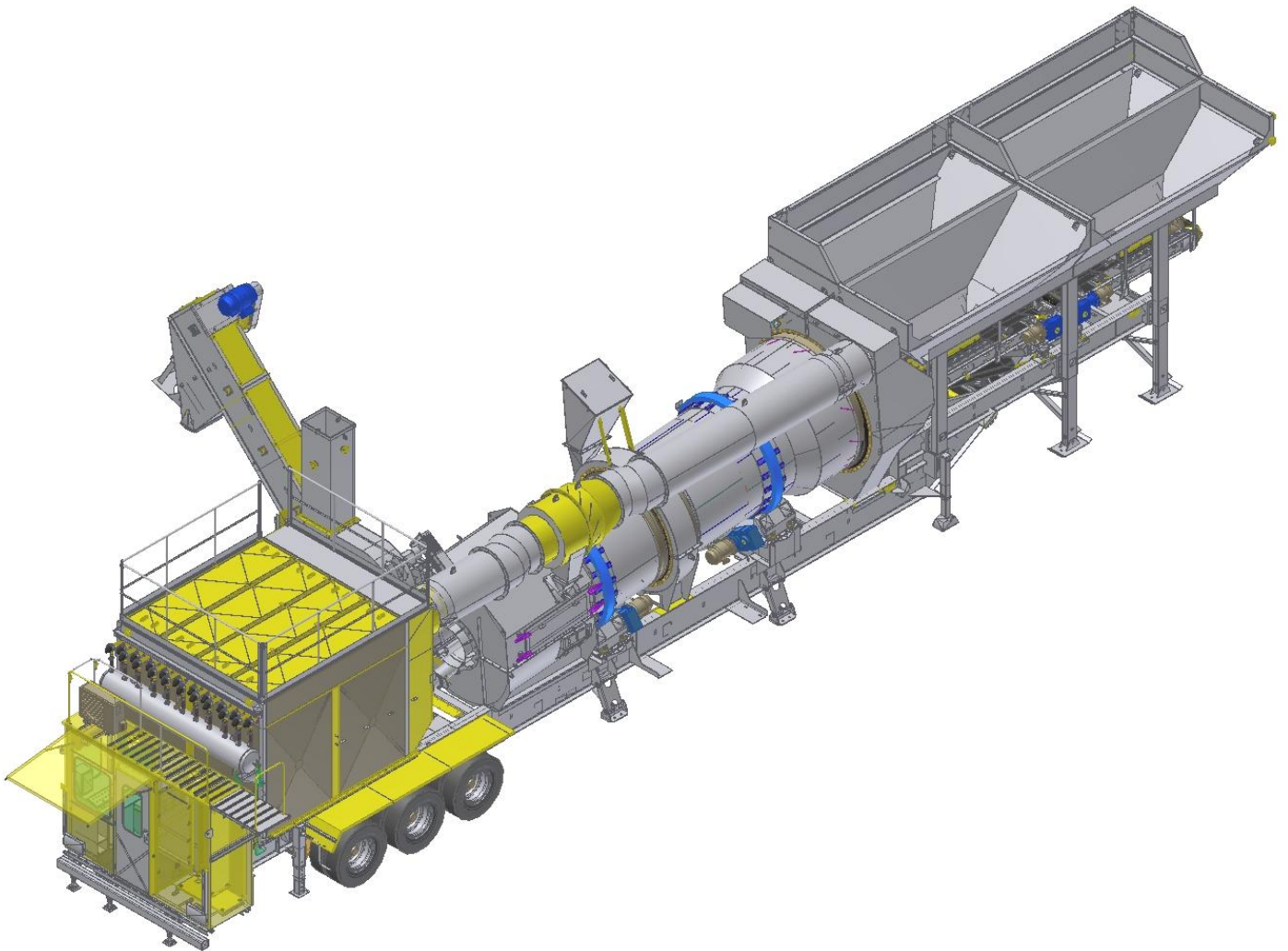


7. SENSORS FOR TEMPERATURE – 34094787

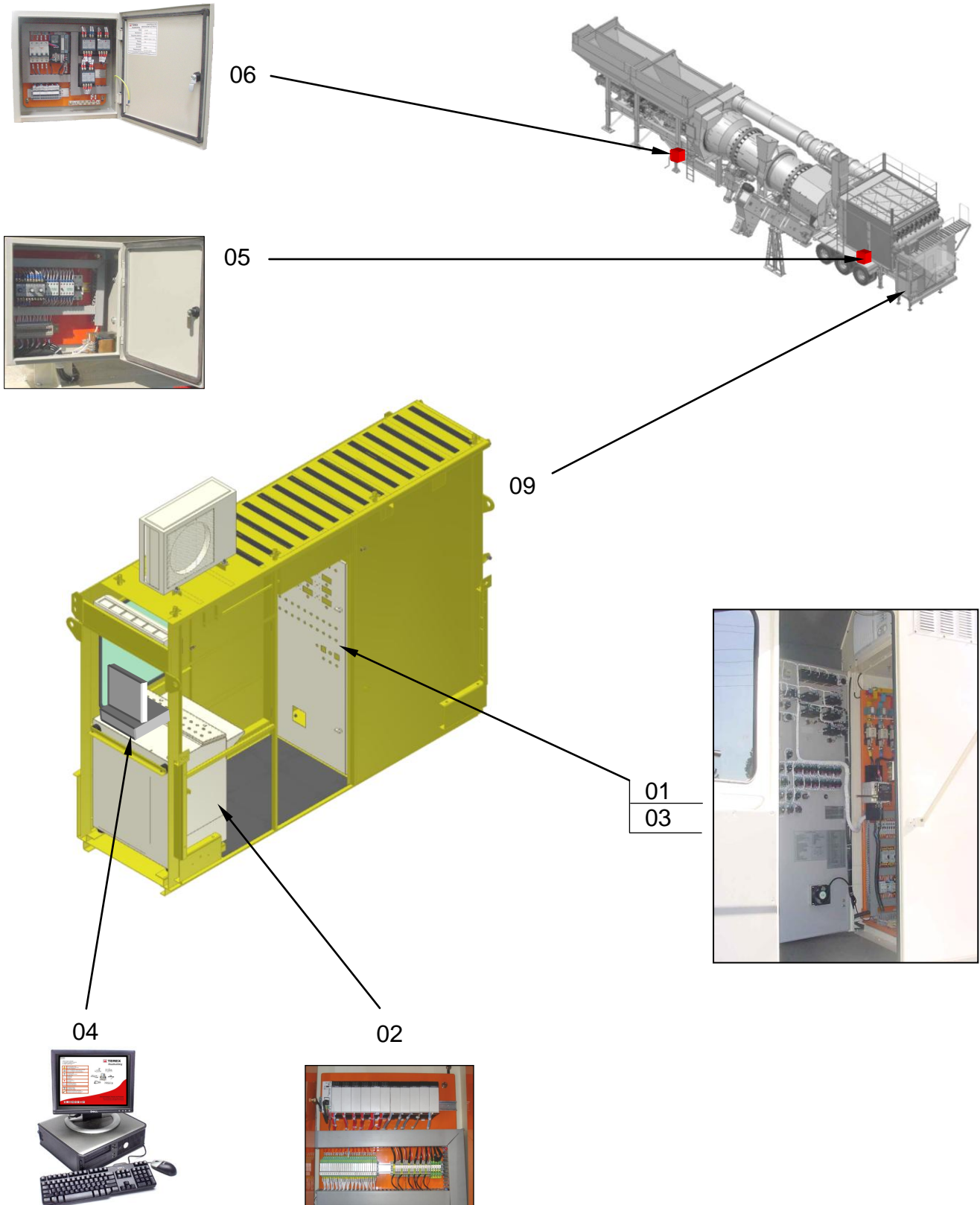
Item	Code	Description	Quantity
01	22090237	Thermal resistor PT-100-HASTE100	04
02	22011441	Thermal resistor PT-100 IRM12	02

Page intentionally blank.

ASSEMBLY OF ELECTRIC COMPONENTS – 50HZ 380V



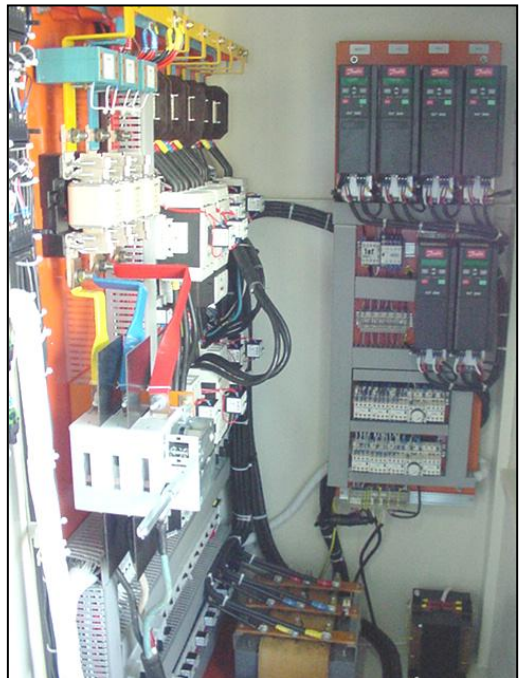
ASSEMBLY OF ELECTRIC COMPONENTS – 50HZ 380V



ASSEMBLY OF ELECTRIC COMPONENTS – 50Hz 380V

Item	Code	Description	Quantity
01	34098042	◀ Electric item of the cabin	01
02	34094772	◀ Automation	01
03	34098127	◀ Set of control	01
04	34094777	◀ Computer and software	01
05	34094780	◀ Baghouse panel	01
06	34094773	◀ Transducers panel	01
07	34096092	Kit of electric cables	01
08	34094787	◀ Sensors for temperature	01
09	34090245	Control cabin	01

1. ELECTRIC ITEM OF THE CABIN – 34098042



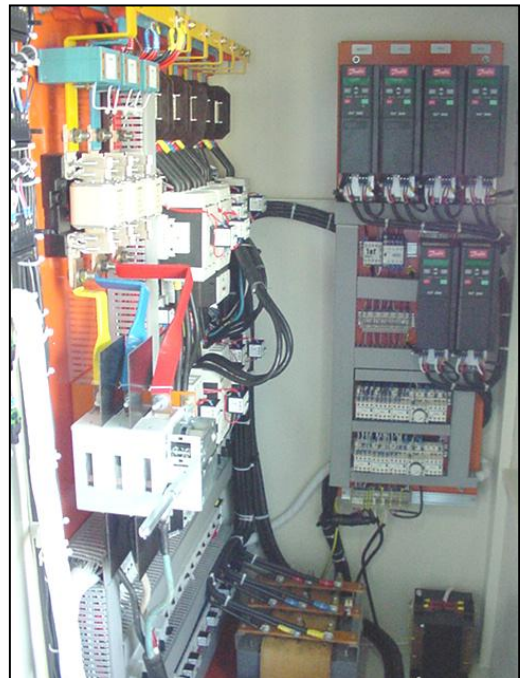
**Imagens meramente ilustrativas.
Imágenes solamente ilustrativas.
Only illustrative images.**

1. ELECTRIC ITEM OF THE CABIN – 34098042

Item	Code	Description	Quantity
01	22008573	Fuse NH 3 500A	03
02	22009242	Base of fuse NH 315-630A	03
03	22009273	Current Transformer 600A 5VA (4NF)	03
04	22072267	Current Transformer 3000VA 380/110V 50Hz	01
05	22010548	Current transformer 3F 100CV 380V/50Hz	01
06	34084805	Kit of the electric slide bar	01
07	26100579	Acrylic protection	01
08	22073828	Circuit-breaker box 2P 16A+tomada TRIF	01
09	22011101	Analogical red. thermometer	01
10	22011705	Parallel insulator 40x40 3/8" polyester	09
11	22010761	Conduit PVC 50x50 CZA (HD-4P)	2M
13	22053899	Conduit PVC 50x80 CZA (HD-9P)	10M
14	22066514	Conduit PVC 30x50 CZA (HD-3)	1M
15	22012037	Track 35x7,5	05
17	40010654	Flexible cable BWF 1 mm ² white	1000M
18	40084926	Flexible cable BWF 1 mm ² blue	100M
19	40086996	Flexible cable BWF 2,5mm ² black	100M
20	40009578	Flexible cable BWF 16 mm ² black	20M
21	40009579	Flexible cable BWF 25 mm ² black	20M
22	40009581	Flexible cable BWF 50 mm ² black	15M
23	40009582	Flexible cable BWF 70 mm ² black	20M
24	40014742	Flexible cable 1x0,75 mm ²	180M
25	40012472	Flexible cable 2x0,75 mm ²	96M
26	40012473	Flexible cable 3x0,75 mm ²	15M
28	40053061	Flexible cable 3x2,5mm ²	30M
29	22091179	Plug-ins	02
30	22090964	Electric slide bar	01
31	22090965	Terminal of the electric slide bar	05
32	22094766	Selecting switch INS630	01
33	22091180	Handle INS320 A 630 31052	01
34	22096217	Terminal P/ SEC INS 200-630	01
35	22094712	Circuit breaker C60N 1P C4	02
36	22094714	Circuit breaker K32A 1P C6	09
37	22094713	Circuit breaker C60N 2P C4	01
38	22094716	Circuit breaker K32A 2P C6	02
39	22094718	Circuit breaker K32A 2P C16	01
40	22094717	Circuit breaker K32A 2P C10	01
41	22094719	Circuit breaker K32A 3P C6	01
42	22069398	Danfoss Converter VLT2822 3CV-380/480V	04
43	22069397	Danfoss Converter VLT2840 5CV-380/480V	01
44	22088698	No fase, inverted relay RM4-TR32	01
45	22091177	Time relay 0,3-30s RE8TA31BU 120VCA	06
46	22086135	Contacteur aux. CAD-50-F7	08
47	22091126	Circuit breaker 3P 1 - 1,6A GV2-ME06	04
48	22091127	Circuit breaker 3P 1,6 - 2,5A GV2-ME07	01
49	22091130	Circuit breaker 3P 6 - 10A GV2-ME14	01
50	22091131	Circuit breaker 3P 9 - 14A GV2-ME16	01
51	22091129	Circuit breaker 3P 4,0 - 6,3A GV2-ME10	04
52	22091132	Circuit breaker 3P 13 - 18A GV2-ME20	01

Continua

1. ELECTRIC ITEM OF THE CABIN – 34098042

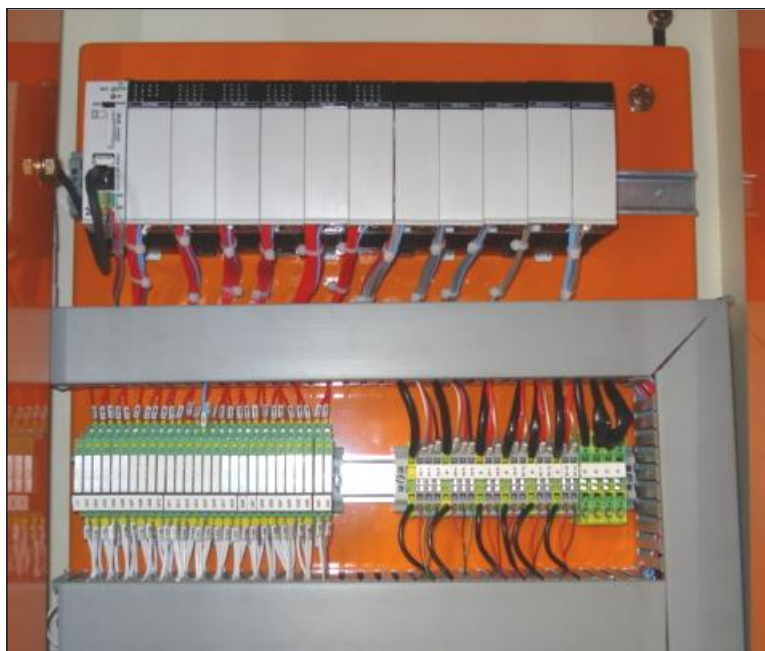


**Imagens meramente ilustrativas.
Imágenes solamente ilustrativas.
Only illustrative images.**

1. ELECTRIC ITEM OF THE CABIN – 34098042

Item	Code	Description	Quantity
53	22091134	Circuit breaker 3P 20 - 25A GV2-ME22	04
54	22100507	Circuit breaker 3P 37 - 50A GV3-P50	01
55	22091137	Circuit breaker 3P 48 - 65A GV3-P65	01
56	22091140	Circuit breaker 3P 90 - 150A GV7-RE150	02
57	22091142	Contactor pow. LC1-D09F7 (1-10A)	09
58	22091143	Contactor pow. LC1-D12F7 (10 - 14A)	02
59	22091145	Contactor pow. LC1-D25F7 (17 - 25A)	05
60	22091146	Contactor pow. LC1-D32F7 (24 - 32A)	06
61	22091148	Contactor pow. LC1-D50F7 (40 - 50A)	02
62	22091149	Contactor pow. LC1-D65F7 (40 - 65A)	03
63	22091151	Contactor pow. LC1-D95F7 (60 - 95A)	01
64	22091152	Contactor pow. LC1-D115F7 (90 - 115A)	01
65	22091153	Contactor pow. LC1-D150F7 (90-150A)	01
66	22086136	Block 4NA LAD-N40 telemecanique	19
67	22091159	Block of contacts 0NA+4NF LAD-N04	01
68	22091163	Block of contacts 2NA+0NF lad-8N20	04
69	22091171	Block of contacts 1NA+1NF GV3-A01	03
70	22091161	Block of contacts 1NA+3NF LAD-N13	07
71	22091169	Block of contacts 1NA+1NF GV-AE11	20
72	22091174	Block of contacts 1NA+1NF GV7-AE11	03
73	22091135	Circuit breaker 3P 24 - 32A GV2-ME32	02
74	22100600	Resistor 1K - 1/8 WATT	10
75	24100590	Stickers kit	01
76	22100509	Conduit PVC 110x80 CZA (HD-12P)	3M
77	30100508	Support	01
78	22098071	Electric slide bar	02
79	22114165	Contactor pow LC1D50A (40-50A) 120V 50-60Hz	02
80	22114166	Contactor pow LC1D65A (40-65A) 120V 50-60Hz	03

2. AUTOMATION – 34094772



**Imagens meramente ilustrativas.
Imágenes solamente ilustrativas.
Only illustrative images.**

2. AUTOMATION – 34094772

Item	Code	Description	Quantity
01	22098098	Memory card for CPU XC-101/201	01
02	22098099	Battery xcontrol XT-CPU-BAT1	01
03	22098116	CPU Moeller XC-CPU201-C256K-8DI-6DO	01
04	22098111	Module 24VCC XIOC-16DO	02
05	22098112	Module 24VCC XIOC-16DI	03
06	22098113	Module 0-10V XIOC-8AI-U1	01
07	22098114	Module 0-10V XIOC-4AO-U1	02
08	22098115	Module 0-10V/0-20MA XIOC-4A	02
09	22098106	Block 18T XIOC-TERM-18T	11
10	22098107	Backplane CPU CLP xcontrol+1XI/0 XIOC-BP-XC	01
11	22098110	Backplane P/ 2 módulo xcontrol XIOC-BP-2	02
12	22098109	Backplane P/ 3 módulo xcontrol XIOC-BP-3	01
13	22098108	Backplane xcontrol XIOC-BP-EXT	01
14	22098100	Cable of programming xcontrol XT-CAT5-X-5	01
15	22084915	Source of keyed feeding 24VCC 5A	01
16	22088742	Source of keyed feeding 24VCC 2A	01
17	22086135	Contacteur aux. CAD-50-F7	09
18	22086136	Block 4NA LAD-N40 Telemecanique	07
19	22086137	Block LAD-R2 Telemecanique	02
20	22094693	Relay aux. 24VCC 1NANF PLC-RSC- 24DC/21	36
21	22094695	Bridge relay 24VCC blue FBST 500-PLC BU	01
23	22094714	Circuit breaker K32A 1P C6	01
24	40100504	Flexible Cable BWF 0,5 mm2 red	400M
25	40100505	Flexible Cable BWF 0,5 mm2 blue	100M
26	22091162	Block of contacts 1NA+1NF LAD-8N11	01

3. SET OF CONTROL – 34098127



**Imagens meramente ilustrativas.
Imágenes solamente ilustrativas.
Only illustrative images.**

3. SET OF CONTROL – 34098127

Item	Code	Description	Quantity
01	22046126	knob duplo VD/VM DIAM.22 DP2	14
02	22012791	Block EL111	14
03	22070933	Led light bulb S1L/14 120V BA9S yellow	14
04	22046040	Command button VMO BZ2/03	03
05	22046128	Push-lock mushroom button EZ2 36	01
06	22046129	Short knob switch acz290	05
07	22022465	Block of contacts E-111	10
08	22046050	Push button VSZ222/13	05
09	22046125	Light socket light bulb L001	05
10	22070932	Lamp - Led Light bulb S1L/13 120V BA9S	05
11	22080424	Potentiometer 10K - Moeller	06
12	22058466	Digital frequency indicator 0-66HZ	05
13	22088715	Monitor of energy powermeter 700	01
14	22069587	Totalizer of hours 110V	01
15	22060088	Temperature Controller novus N440	02
16	22069590	Alarm 110VAC	02
17	22038340	Fan 44L/S-120/220V-60hz	02
18	22056977	Grate 150x150	05
19	22079408	Potentiometer	02
20	22088749	Digital position indicator	02
21	22091179	Plug-ins	02
22	22076600	Box 98x48 / 2PP	04

4. COMPUTER AND SOFTWARE – 34094777



Cod. 22086084



09



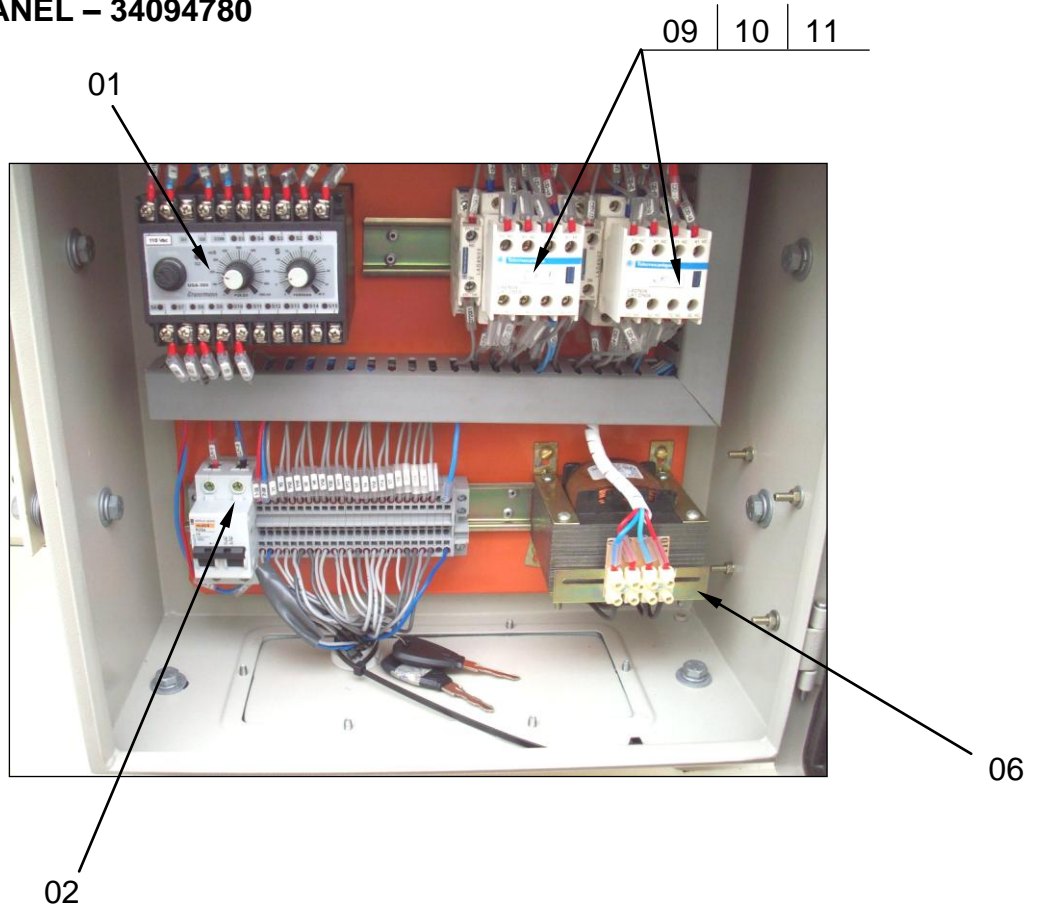
08

**Imagens meramente ilustrativas.
Imágenes solamente ilustrativas.
Only illustrative images.**

4. COMPUTER AND SOFTWARE – 34094777

Item	Code	Description	Quantity
02	22069821	Computer	01
03	22088661	Monitor	01
04	22060541	Video card	01
05	38071958	Guarantee service DELL	01
06	22071066	Keyboard	01
07	22071067	Mouse	01
08	22067885	Windows XP software	01
09	22069589	Stabilizer	01
12	22084916	Software elipse runtime MMI 32BIT	01
13	22098067	Optical disk of recovery	01
---	22086084	Air conditioning	01

5. BAGHOUSE PANEL – 34094780

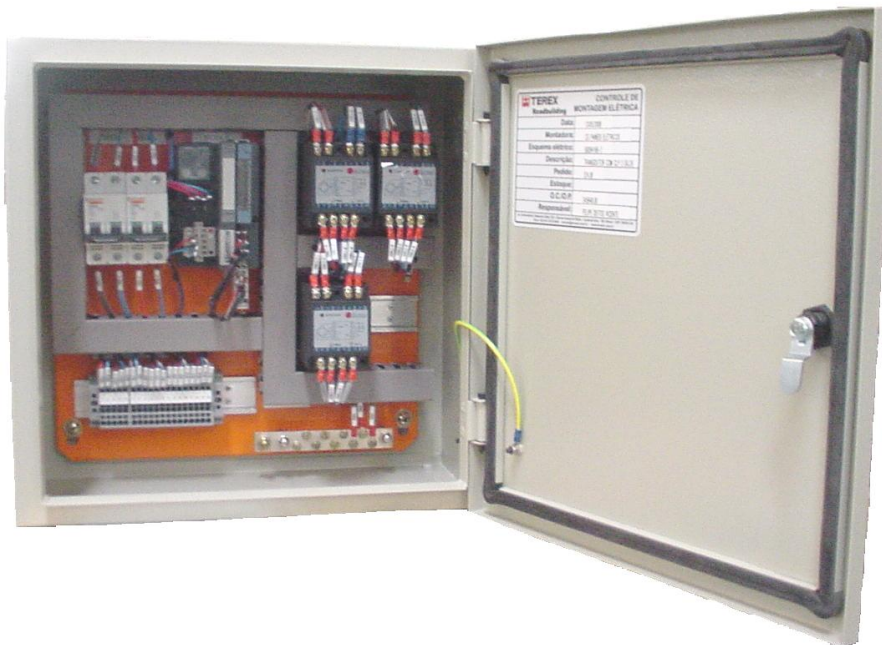


*Imagens meramente ilustrativas.
Imágenes solamente ilustrativas.
Only illustrative images.*

5. BAGHOUSE PANEL – 34094780

Item	Code	Description	Quantity
01	22069594	Sequencer USA-300-30/120V-0/1s	01
02	22094716	Circuit breaker K32A 2P C6	01
03	22058974	Box 400 x400 x 200	01
05	22072752	Current Transformer 200VA 50Hz	01
07	20013880	Pad 40x30x3/8"UNC	04
08	22046045	Cable press 1" PVC	01
09	22086135	Contactor aux. CAD-50-F7	02
10	22091159	Block of contacts 0NA+4NF LAD-N04	02
11	22091164	Block of contacts 0NA+2NF LAD-8N02	02
12	22094698	Connection passage ST2,5	25
13	22094751	Jamb EN/S35N	10
14	24098199	Sticker "controle de montagem eletrica"	01
15	22081645	Mounting bracket	01

6. TRANSDUCERS PANEL – 34094773



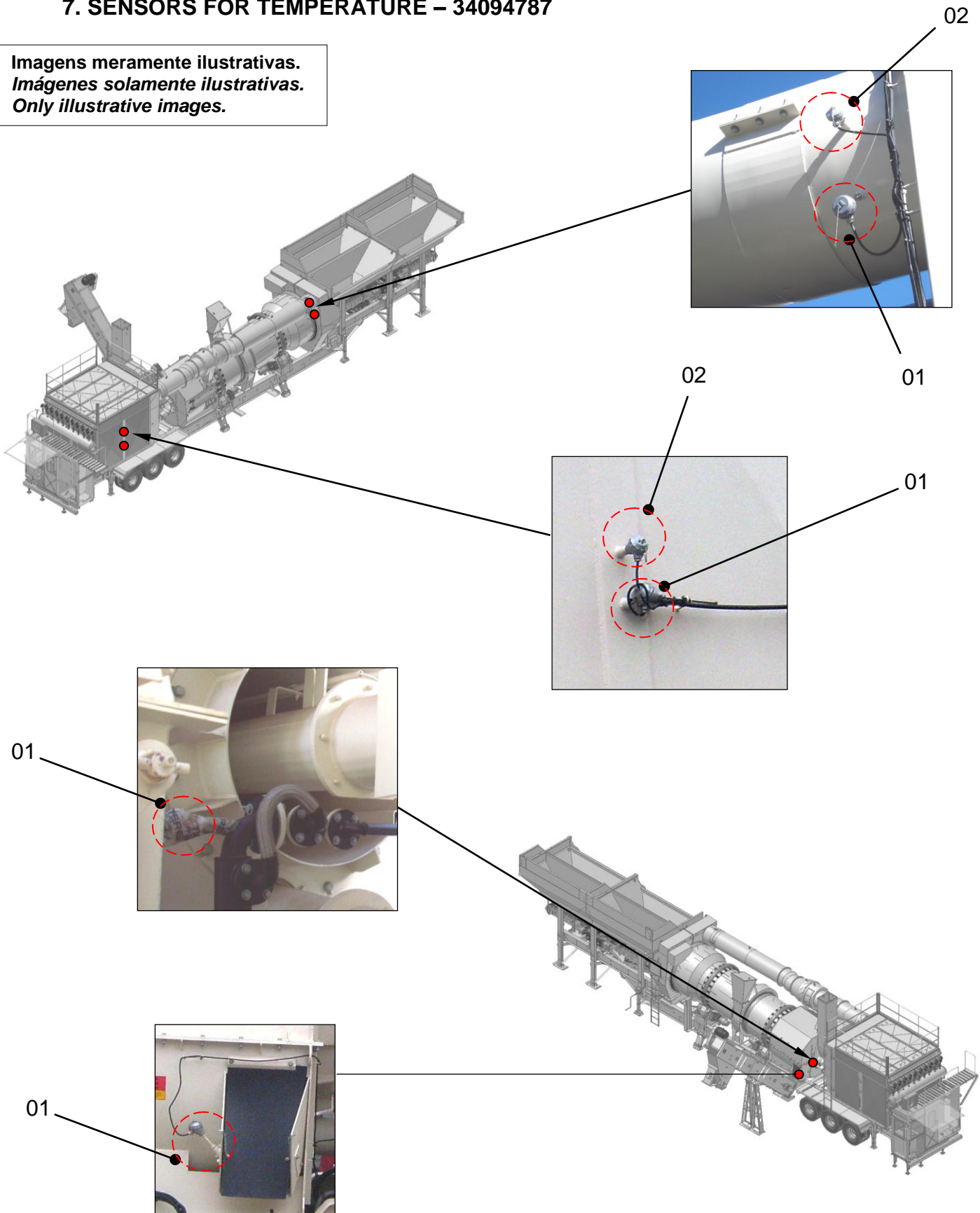
**Imagens meramente ilustrativas.
Imágenes solamente ilustrativas.
Only illustrative images.**

6. TRANSDUCERS PANEL – 34094773

Item	Code	Description	Quantity
02	22088701	Load cell transducer LC420SG-035	04
03	22066514	PVC chute 30x50 CZA (HD-3)	1,2M
04	22013463	Connector PASS 2,5mm2 WDU/2.5	22
05	40022039	Flexible cable PP 4x1.5mm2	7M
06	40084926	Flexible cable PP 4x1.5mm2 blue	1,5M
07	40083589	Flexible cable PP 4x1.5mm2 red	1M
08	40088702	Flexible cable PP 4x1.5mm2 gray	1M
09	22088703	35x7.5 Duct for connectors	0,84M
10	22010864	Cable press Pg 11 5-10	06
13	22058974	Box 400 x400 x 200	01
15	20108913	Pad	04
16	22046043	Cable press ¾" PVC	04
17	22098103	Module XN-GWBR-CANOPEN	01
18	22098101	Backplane XN XN-S6T-SBCSBC	01
19	22098104	Module 0-10V/0-20MA XN-AI-U/I	01
20	22094713	Circuit breaker C60N 2P C4	02
21	22094698	Connection passage ST2,5	25
22	22094751	Jamb EN/S35N	10
23	24098199	Sticker "controle de montagem eletrica"	01
24	22081645	Mounting bracket TSTW	01

7. SENSORS FOR TEMPERATURE – 34094787

Imagens meramente ilustrativas.
Imágenes solamente ilustrativas.
Only illustrative images.



7. SENSORS FOR TEMPERATURE – 34094787

Item	Code	Description	Quantity
01	22090237	Thermal resistor PT-100-HASTE100	04
02	22011441	Thermal resistor PT-100 IRM12	02

Page intentionally blank.