

Single Drum Roller SSR200C-8H



1

2

3

4

Parts Book

SSR200C-8H

Roller

Equipment No. YZ1520CC2122

1

2

3

4

Overview

This book provides illustrations and parts listings required to properly identify and order replaceable parts on your Sany machine.

If this book becomes damaged, lost or illegible, request a replacement copy from your Sany distributor.

In case you sell this machine, be sure to give this parts book to the new owner.

Improvements in the design may lead to changes in detail which may not be indicated in this book. Always consult your Sany distributor for the latest available information on your equipment or if you have questions regarding information in this book.

Storing this parts book

This publication applies only to this specific machine and should not be used with any other machines. Always keep this book available for reference.

Contact Details

SANY Industry Town, Economic and Technological Development Zone, Changsha, Hunan China 410100

Tel: 0731-84031888

Service Hotline: 4008 87 8318

Email: SanyService@sany.com.cn

Website: www.sanyglobal.com

Complaint Hotline: 4008 87 9318

Fax: 0731-84031999

Sany Group Service Information System

<http://sis.sanygroup.com>

A810201021318 Switch Valve Assembly

Page header with parts code, and parts description

Line-art illustration with callout numbers

Page footer with page number, chapter title, machine model and product name

3-4 Hydraulic System
SDCY90K7H1C Empty Container Handler

3-5 Hydraulic System SDCY90K7H1C Empty Container Handler

Page footer with page number, chapter title, machine model and product name

PART NO.: to be used along with DESCRIPTION to identify the part or assembly
DESCRIPTION: to be used along with PART NO. to identify the part or assembly
QTY: it indicates the number of each part used in this assembly

INDEX	PART NO.	DESCRIPTION	QTY	SEE PAGE
1	B220401000459	Valve Assembly, Solenoid	1	
2	A820103010415	Change Valve Block, Cooling Oil Motor	1	
3	B220400000083	Relief Valve	1	

INDEX: that matches callout numbers on previous illustration page

SEE PAGE: for page information of the part or assembly

Page header with parts code, and parts description

A810201021318 Switch Valve Assembly

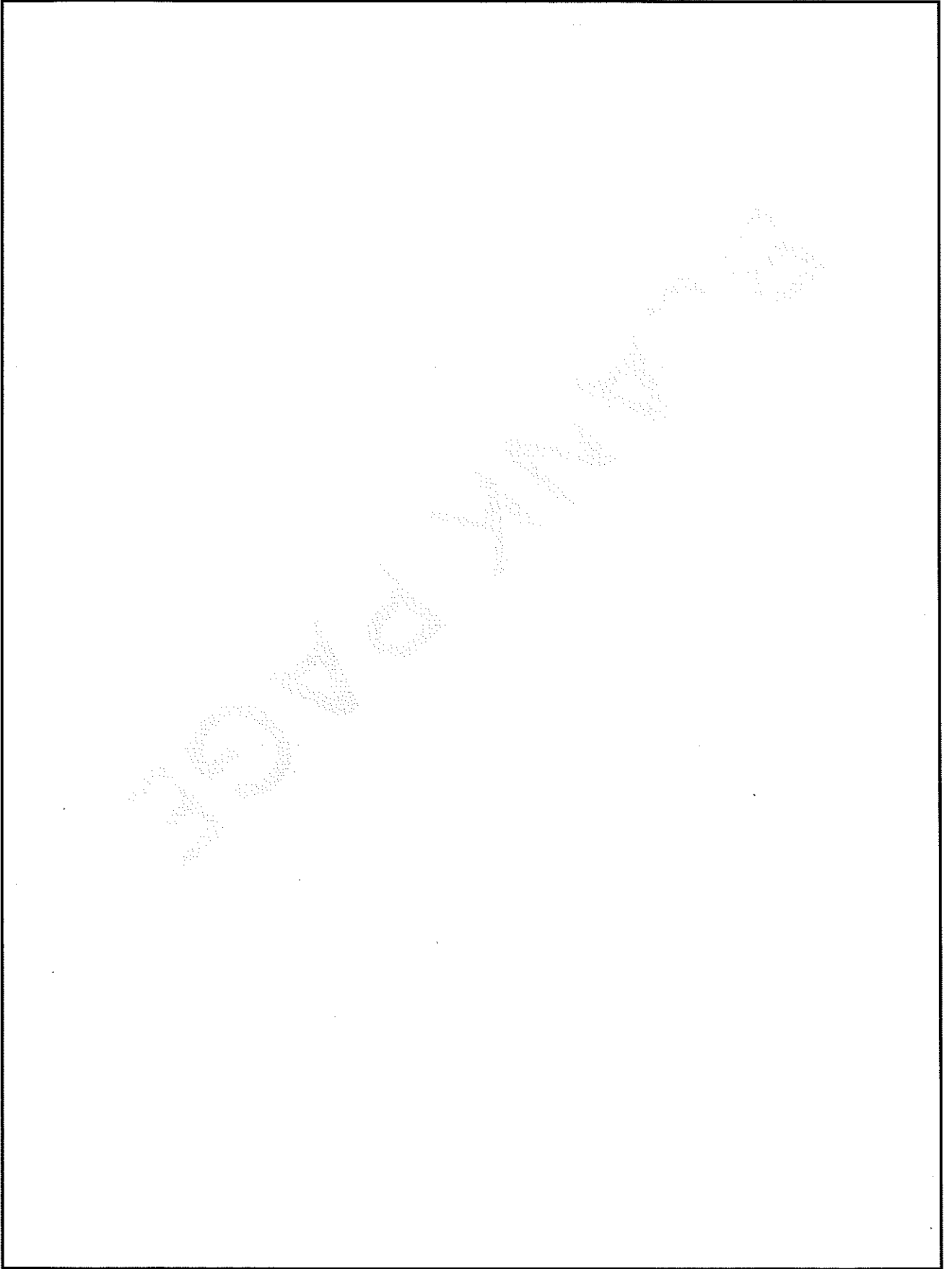


Table of Contents

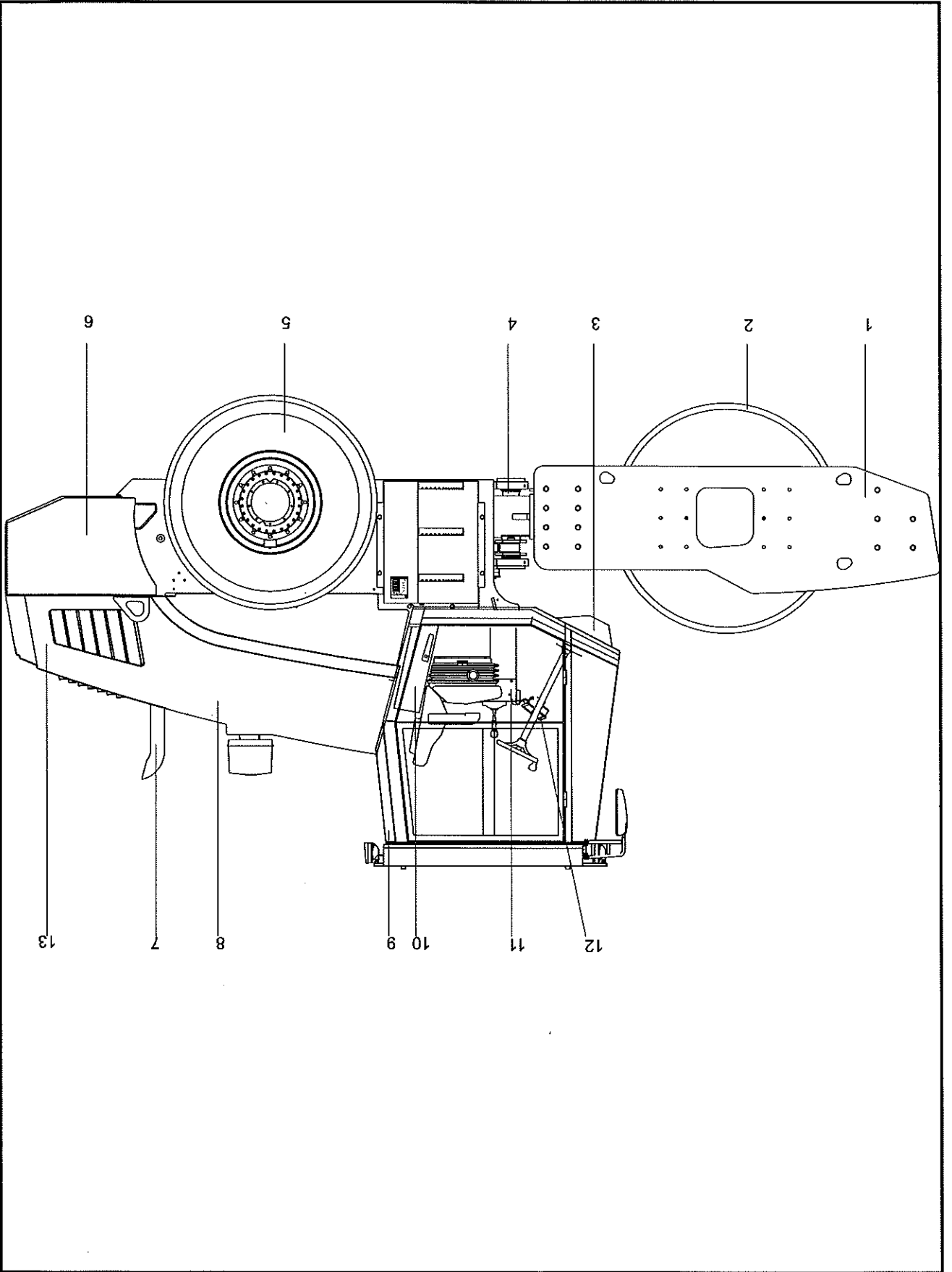
1-1	Group 1 SSR200C-10W3(G) Sany Single Drum Roller Body	YLJ100000111 SSR200C-10W3(G) Sany Single Drum Roller Body.....
1-2		
2-1	Group 2 Front Carriage Assembly	14486808 Front Carriage Assembly
2-2		
3-1	Group 3 roller	YLJ006917774 roller
3-2		13142757 Amplitude Modulator, Running End.....
3-12		13207480 Amplitude Modulator, Vibratory End.....
3-14		13207909 Running Support
3-16		
4-1	Group 4 Hydraulic system assembly	YLJ006905421 Hydraulic system assembly.....
4-2		YLJ006904422 Traveling hydraulic system
4-4		13309201 Steering Gear Components.....
4-8		14476324 Oil Return Block Components.....
4-10		YLJ006887618 Vibratory hydraulic system
4-12		YLJ004802103 Rear Driving Motor Components.....
4-14		13965734 Steering Pump Components
4-16		14180775 High Pressure Filter Components
4-18		60260271 High Pressure Filter
4-20		YLJ006902978 assembly of vibration pump
4-22		60260273 High Pressure Filter
4-24		YLJ006902622 Traveling pump.....
4-26		14270373 Braking Valve
4-28		14426686 Vibratory Motor Components
4-30		14294274 Safety Valve
4-32		YLJ006900777 Front driving motor assembly.....
4-34		
5-1	Group 5 Central Articulation Frame Assembly	13496854 Central Articulation Frame Assembly.....
5-2		14421879 Steering Oil Cylinder.....
5-4		
6-1	Group 6 Rear Axle Assembly	13230802 Rear Axle Assembly.....
6-2		YLJ006130920 Tire and Wheel Rim Assembly.....
6-4		131401020015A Drive Axle
6-6		131401020283B021 Wheel Assembly
6-8		131401020015A003 the main reduction assembly.....
6-10		

131401020221B04 Differential Case Assembly.....	6-12
131401020221B03 Center reducer assembly.....	6-14
131401020015A04 bridge shell assembly.....	6-16
131401020221B002 Center brake assembly.....	6-18
Group 7 Rear Carriage Assembly.....	
14124589 Rear Carriage Assembly.....	7-2
A810401010039 Battery Components.....	7-8
Group 8 Engine System.....	
13964148 Engine System.....	8-2
YLJ005372458 Engine Installation.....	8-4
60345529 Engine.....	8-6
160102070041B164 Flywheel Group.....	8-10
160102070040B001 Flywheel Assembly.....	8-12
160102070041B162 Piston and Connecting Rod Group.....	8-14
160102070060A020 Piston and Connecting Rod Group.....	8-16
61028735 Piston Assembly.....	8-18
160102070039B054 Connecting Rod Assembly.....	8-20
160102070039B053 Bearing Set, Connecting Rod.....	8-22
160102070041B153 Cylinder Head Group.....	8-24
61028488 Support Assembly, Rocker lever.....	8-26
61028486 Rocker Lever Group.....	8-28
160102070041B048 Cylinder Head Assembly.....	8-30
160102070039B035 Cylinder Head Subassembly.....	8-32
160102070041B023 Cylinder Head Gasket.....	8-34
160102070041B152 Eye Ring Group.....	8-36
160102070041B150 Cylinder Head Cover Group.....	8-38
160102070041B148 Valve Train Group.....	8-40
160102070041B147 Camshaft Group.....	8-42
160102070041B146 Power Take-off Group.....	8-44
160102070040B003 PTO Subassembly.....	8-48
160102070041B144 Crankshaft Pulley Group.....	8-50
160102070041B180 Oil Pan Group.....	8-52
160102070041B178 Oil Dipstick Group.....	8-54
160102070041B177 Oil Dipstick Group.....	8-56
160102070041B175 Thrust Plate Group.....	8-58
168899000457 Thrust Plate Set.....	8-60
160102070041B171 Main Bearing Group.....	8-62
60355262 Bushing, Thrust.....	8-64
60355261 Bushing, Coupling Rod.....	8-66
160102070041B168 Crankshaft Group.....	8-68
160102070041B014 Crankshaft assy.....	8-70
160102070041B097 Crankshaft Subassembly.....	8-72
160102070041B167 Front End Cover Group.....	8-74
160102070041B172 Gear Housing Group.....	8-76

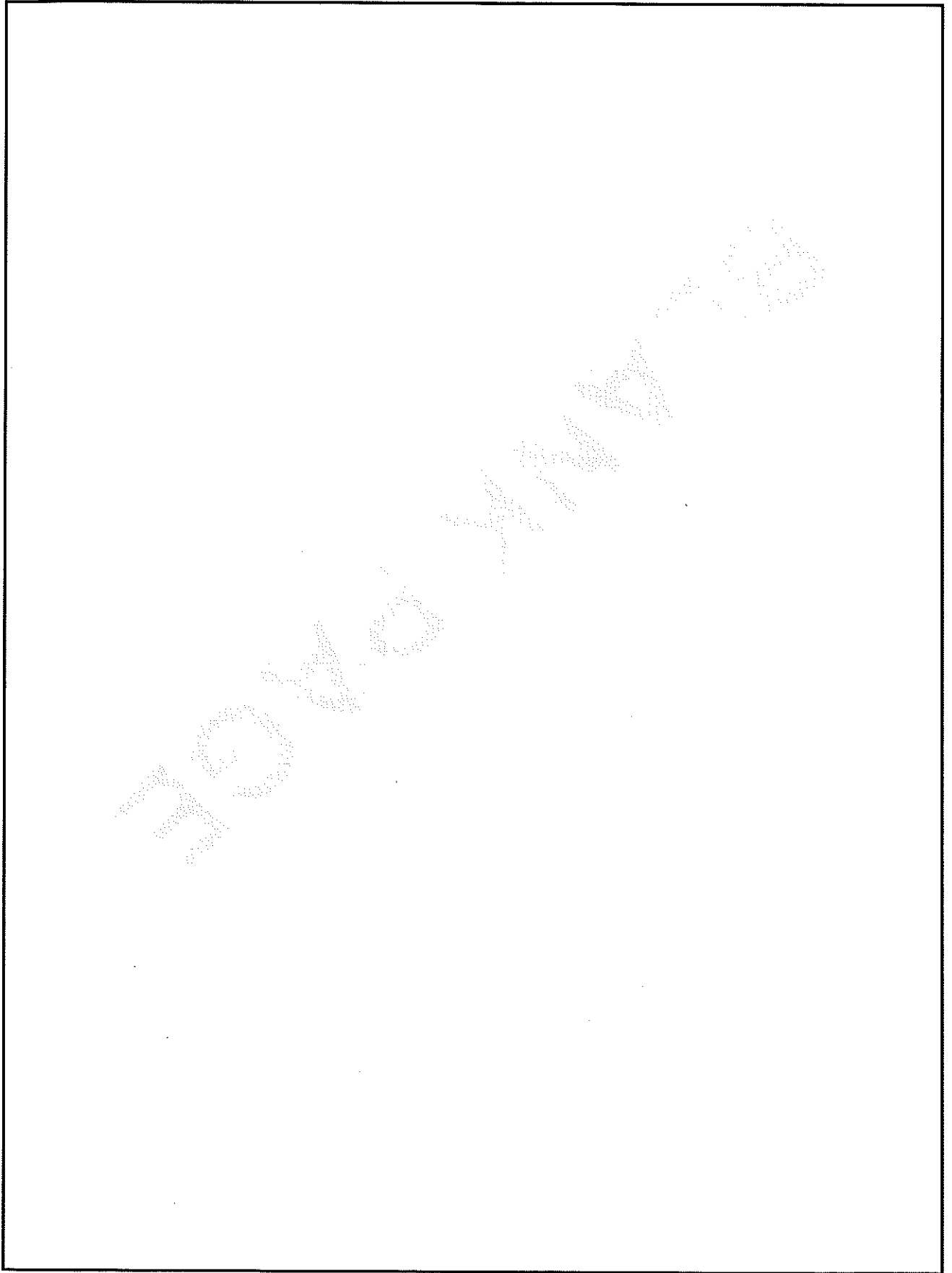
8-78	61028517 Shaft Assembly, Idler Gear
8-80	160102070041B181 Flywheel Housing Group
8-82	160102070041B166 Spray Nozzle Group
8-84	160102070041B165 Engine Block Group
8-86	160102070041B100 Engine Body Assembly
8-88	160102070041B119 Oil Strainer Group
8-90	160102070041B120 Oil Cooler Group
8-92	61028741 Cooler Assembly, Engine Oil
8-94	160102070041B122 Oil Filling Tube Group
8-96	160102070041B123 Oil-gas Separator Group
8-98	160102070041B124 Water Pump Group
8-100	160102070041B125 Water Pump Inlet Pipe Group
8-102	160102070041B126 Middle Filling Block Group
8-104	160102070041B127 Thermostat Group
8-106	160102070041B128 Fan Bracket Group
8-108	160102070041B129 Fan and Hub Group
8-110	160102070041B130 Fuel Injection Pump Group
8-112	60125015 Pump, Common Rail
8-114	160102070041B131 Fuel Injector Group
8-116	160102070041B132 High Pressure Fuel Pipe Group
8-118	160102070039B065 High-pressure Fuel Pipe Assembly
8-120	160102070041B134 Common Rail Group
8-122	160102070060A010 Common Rail
8-124	160102070041B136 Intake Manifold Group
8-126	160102070041B087 Intake Manifold Subassembly
8-128	160102070041B088 Intake Manifold Assembly
8-130	160102070041B139 Turbocharger Group
8-132	160102070041B140 Turbocharger Oil Pipe Group
8-134	160102070041B141 Air Filter Group
8-136	160102070041B142 Exhaust Manifold Group
8-138	160102070041B143 Silencer Group
8-140	160102070041B106 Air Compressor Group
8-142	160102070041B107 Tensioner And Belt Group
8-144	160102070041B108 Starter Motor Group
8-146	160102070041B109 Packing Box Chassis Parts Group
8-148	160102070041B004 Fuel System Protector
8-150	61021098 First Coarse Air Filter
8-152	160102070041B112 Separate Delivery Parts Group Attached to Engine
8-154	160102070041B113 Parts Box Group
8-156	160102070041B114 Electronic Control Unit Group
8-158	160102070041B115 Electronic Control System Harness Group
8-160	160102070041B116 Alternator Group
8-162	160102070041B117 Alternator Bracket Group
8-164	160102070041B118 Hydraulic Pump Group
8-166	YLJ005792245 Installation, Accessories & Fuel Circuit
8-168	13964792 Pump Connection

60348807 Gear Pump	8-170
61009932 Plunger Pump	8-172
61009934 Plunger Pump	8-174
YLJ005632826 Cooling Assembly	8-176
14529026 Air Intake and Outlet Tube Assembly	8-182
B222100000514 Air Cleaner	8-184
Group 9 Hood Assembly	9-1
14515321 Hood Assembly	9-2
Group 10 Cab Assembly	10-1
YLJ006576511 Cab Assembly	10-2
YLJ006460423 Cab body	10-4
JSS006510740 Electric system	10-16
YLJ005047545 Cab body	10-20
YLJ006568529 Seat supporting	10-22
Group 11 Air conditioning system assembly	11-1
YLJ006814809 Air conditioning system assembly	11-2
YLJ005838335 Condenser installation	11-4
141501000192A Air Conditioning Assembly	11-6
YLJ005516029 Compressor Pre-assembly	11-10
Group 12 Edge Box Control System(GPS)	12-1
14552307 Edge Box Control System(GPS)	12-2
14428221 Control Box Assembly	12-4
13352079 Display Mounting Rack	12-6
Group 13 Electrical system of roller	13-1
YLJ007426520 Electrical system of roller	13-2
YLJ007426521 Electrical Control box assembly	13-6
14483859 Schematic Diagram, Power Supply Assembly	13-10
YLJ005167914 Electrical Harness Assembly	13-12
Group 14 Reversing System	14-1
149900000341A Reversing System	14-2

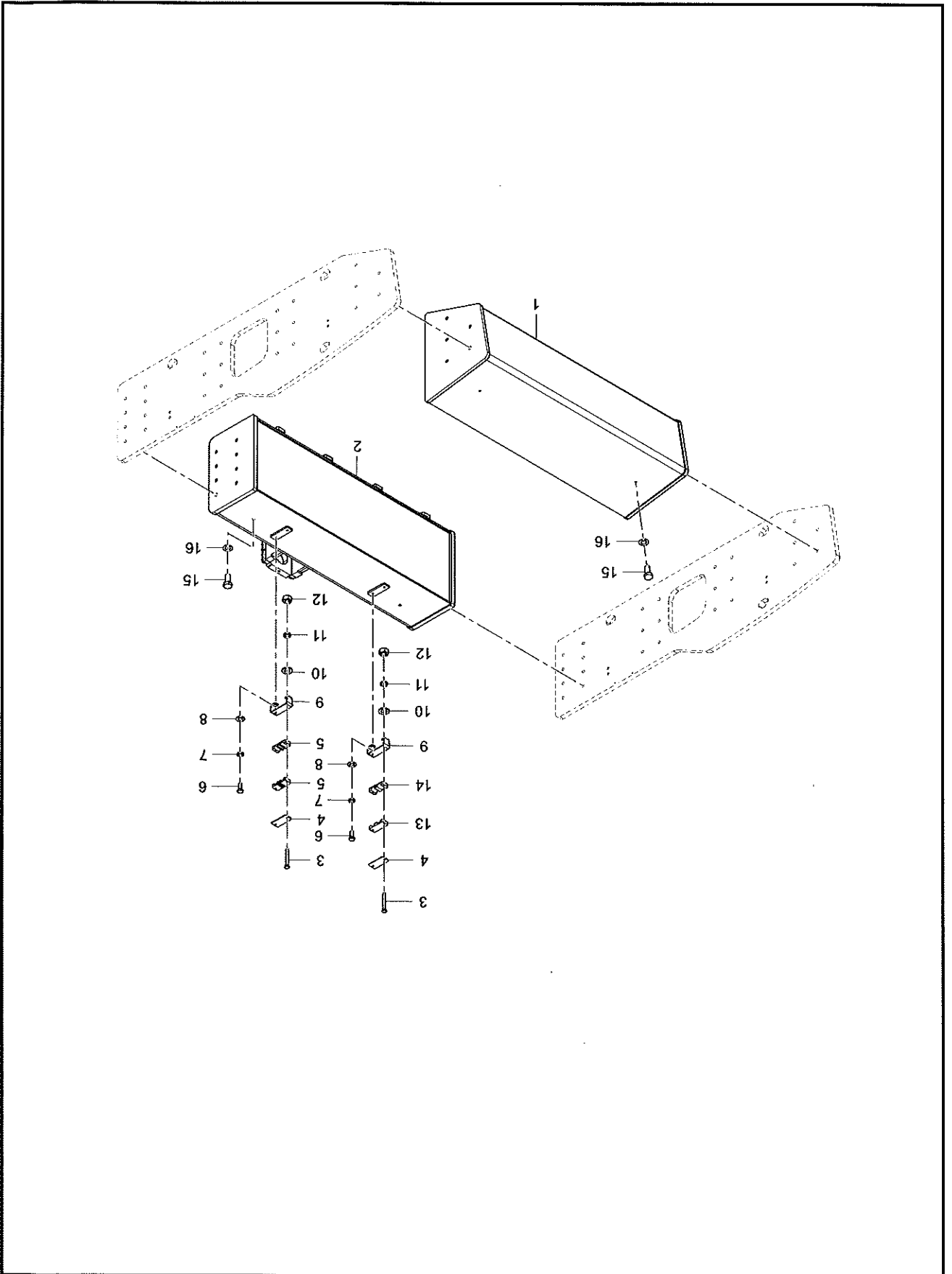
Group 1
SSR200C-10W3(G) Sany Single
Drum Roller Body



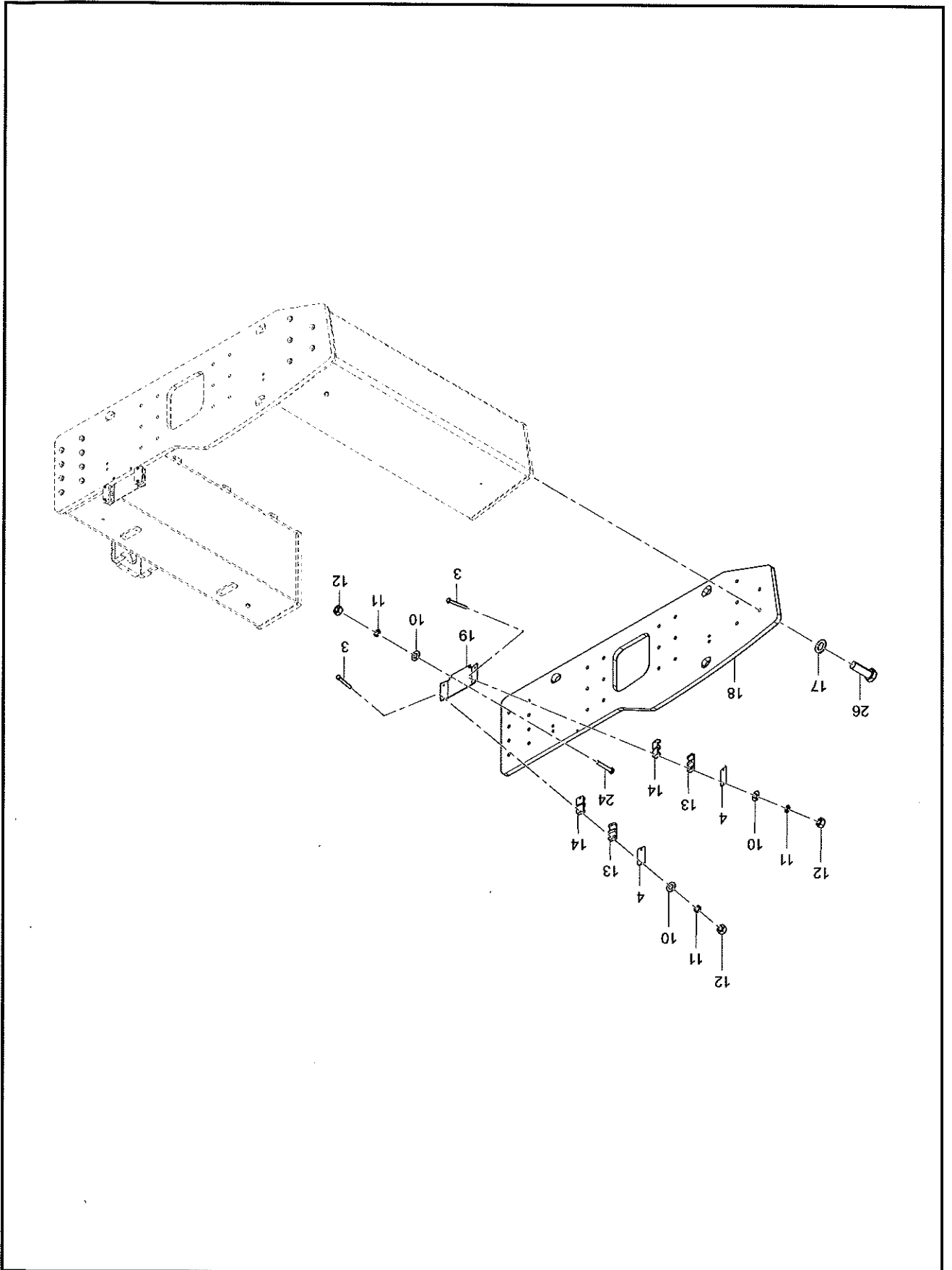
INDEX	PART NO.	DESCRIPTION	QTY	SEE PAGE
1	14486808	Front Carriage Assembly	1	2-2
2	YLJ00691774	roller	1	3-2
3	YLJ006905421	Hydraulic system assembly	1	4-2
4	13496854	Central Articulation Frame Assembly	1	5-2
5	13230802	Rear Axle Assembly	1	6-2
6	14124589	Rear Carriage Assembly	1	7-2
7	13964148	Engine System	1	8-2
8	14515321	Hood Assembly	1	9-2
9	YLJ006576511	Cab Assembly	1	10-2
10	YLJ006814809	Air conditioning system assembly	1	11-2
11	14552307	Edge Box Control System(GPS)	1	12-2
12	YLJ007426520	Electrical system of roller	1	13-2
13	149900000341A	Reversing System	1	14-2



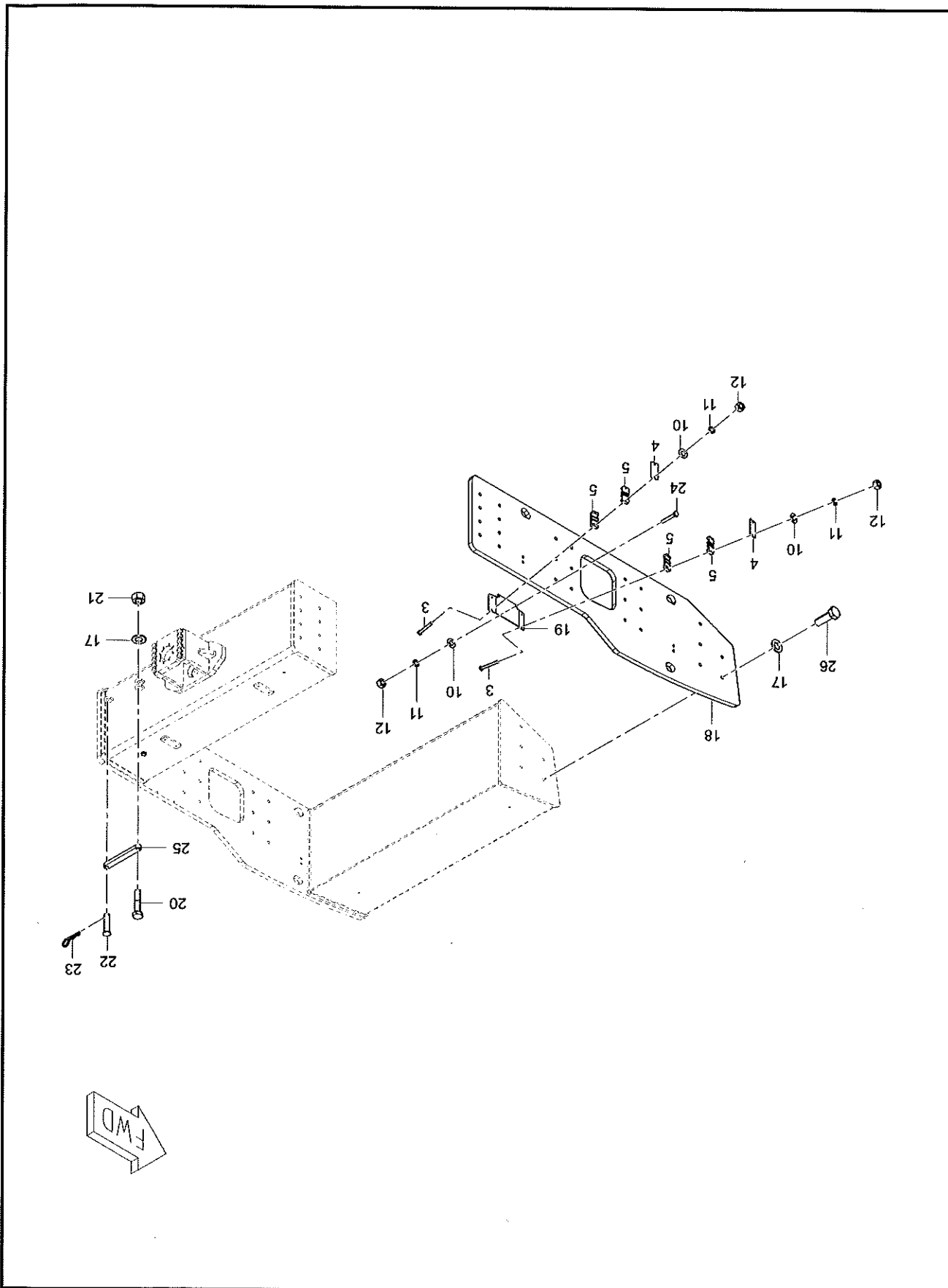
Group 2
Front Carriage Assembly



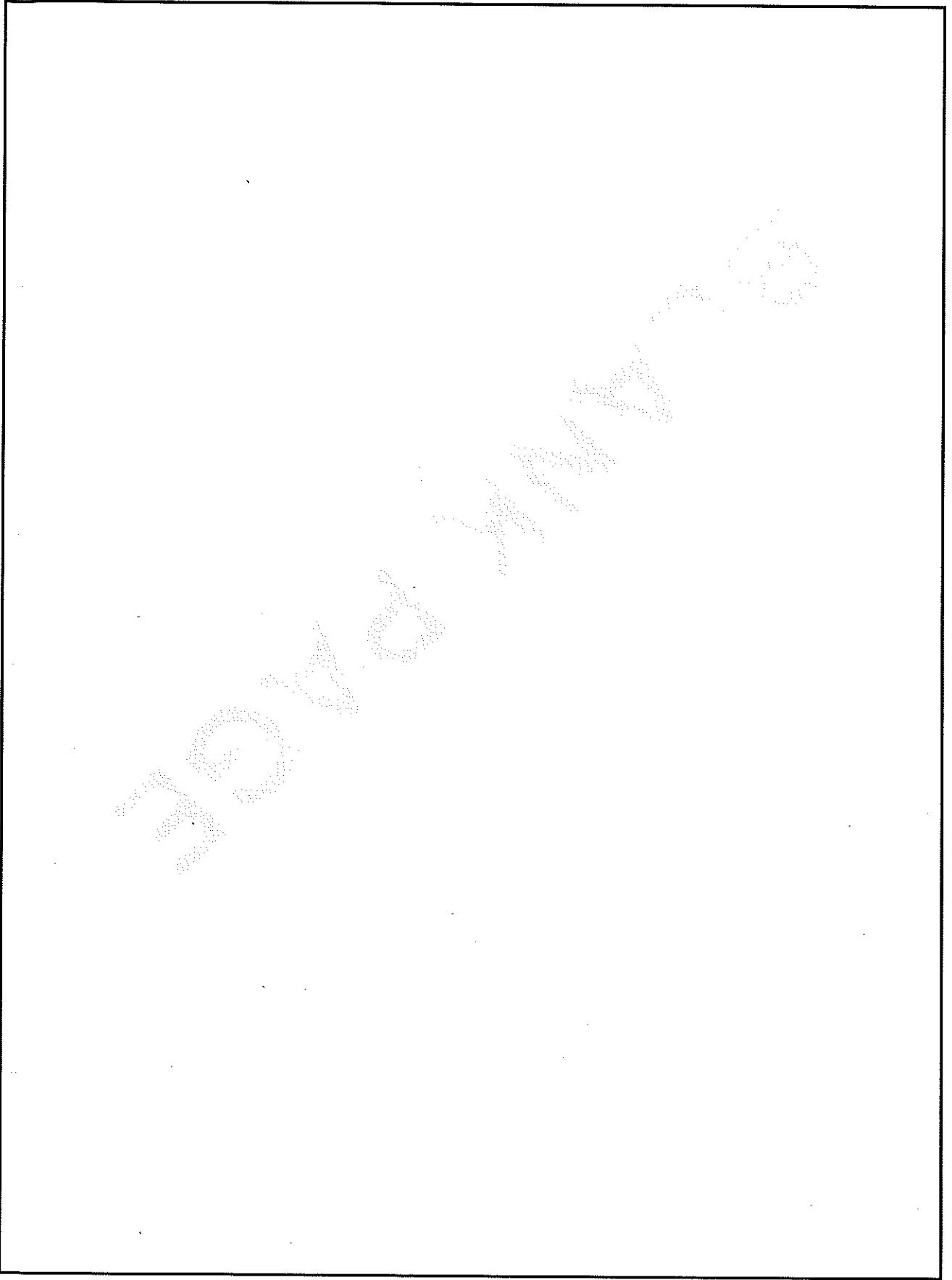
INDEX	PART NO.	DESCRIPTION	QTY	SEE PAGE
1	YLJ004860421	Front Frame Plate Body	1	
2	YLJ004695634	Rear Frame Plate Welding Assembly	1	
3	A210111000295	Bolt	12	
4	10994336	Cover Board, Tube Clamp	6	
5	12886328	Tube Clamp	6	
6	A210111000343	Bolt	4	
7	A210401000017	Washer	4	
8	A210405000007	Washer	4	
9	11629053	Bracket	2	
10	A210405000011	Washer	16	
11	A210401000001	Washer	16	
12	A210307000036	Nut	16	
13	12884814	Tube Clamp	3	
14	12884288	Tube Clamp	3	
15	A210111000220	Bolt	4	
16	A210405000008	Washer	4	



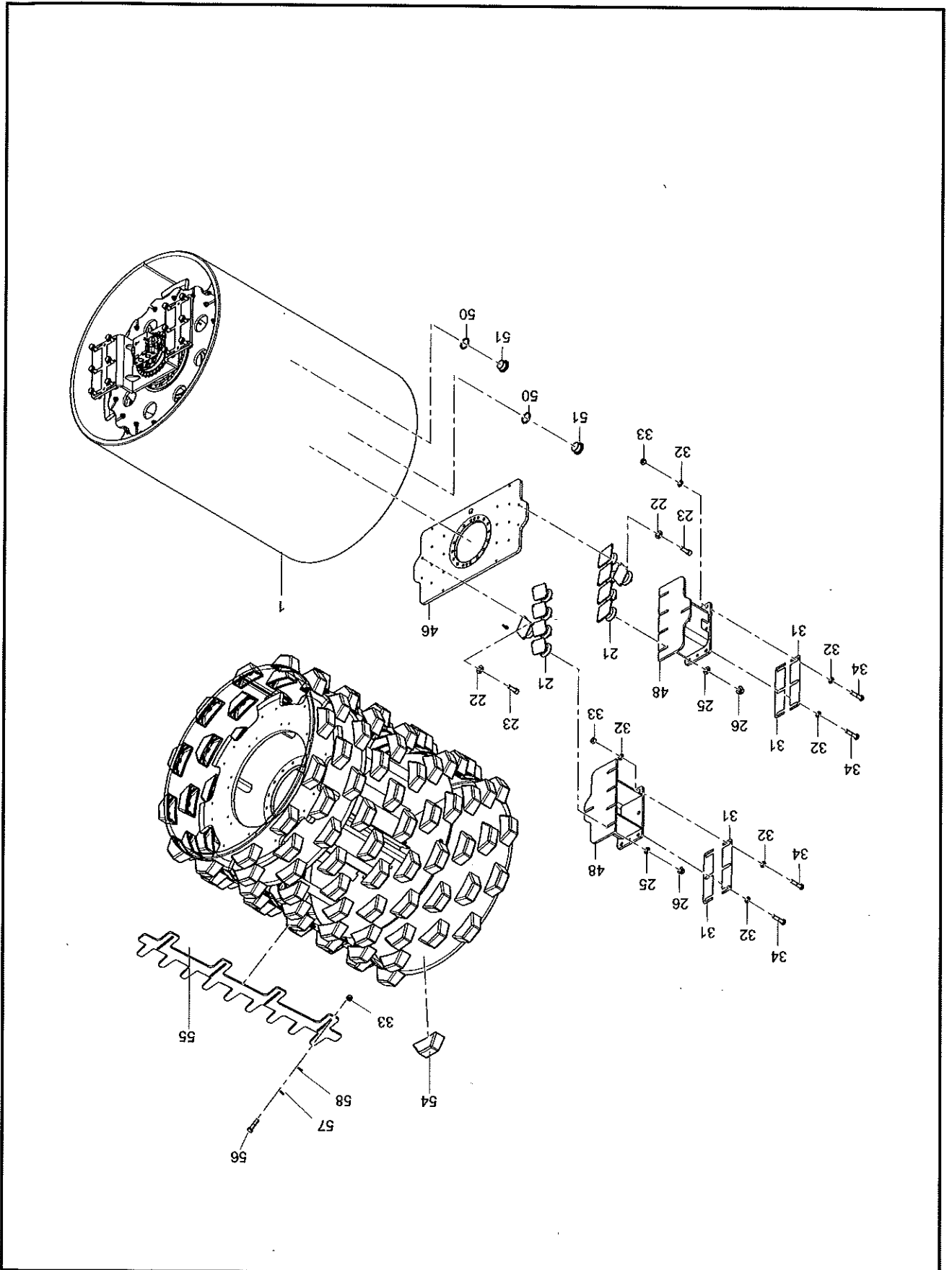
INDEX	PART NO.	DESCRIPTION	QTY	SEE PAGE
3	A210111000295	Bolt	12	
4	10994336	Cover Board, Tube Clamp	6	
10	A210405000011	Washer	16	
11	A210401000001	Washer	16	
12	A210307000036	Nut	16	
13	12884814	Tube Clamp	3	
14	12884288	Tube Clamp	3	
17	A210405000009	Washer	27	
18	YLJ004691987	Side Board	2	
19	10994711	Plate, Protective	2	
24	A210111000111	Bolt	4	
26	A210111000200	Bolt	26	



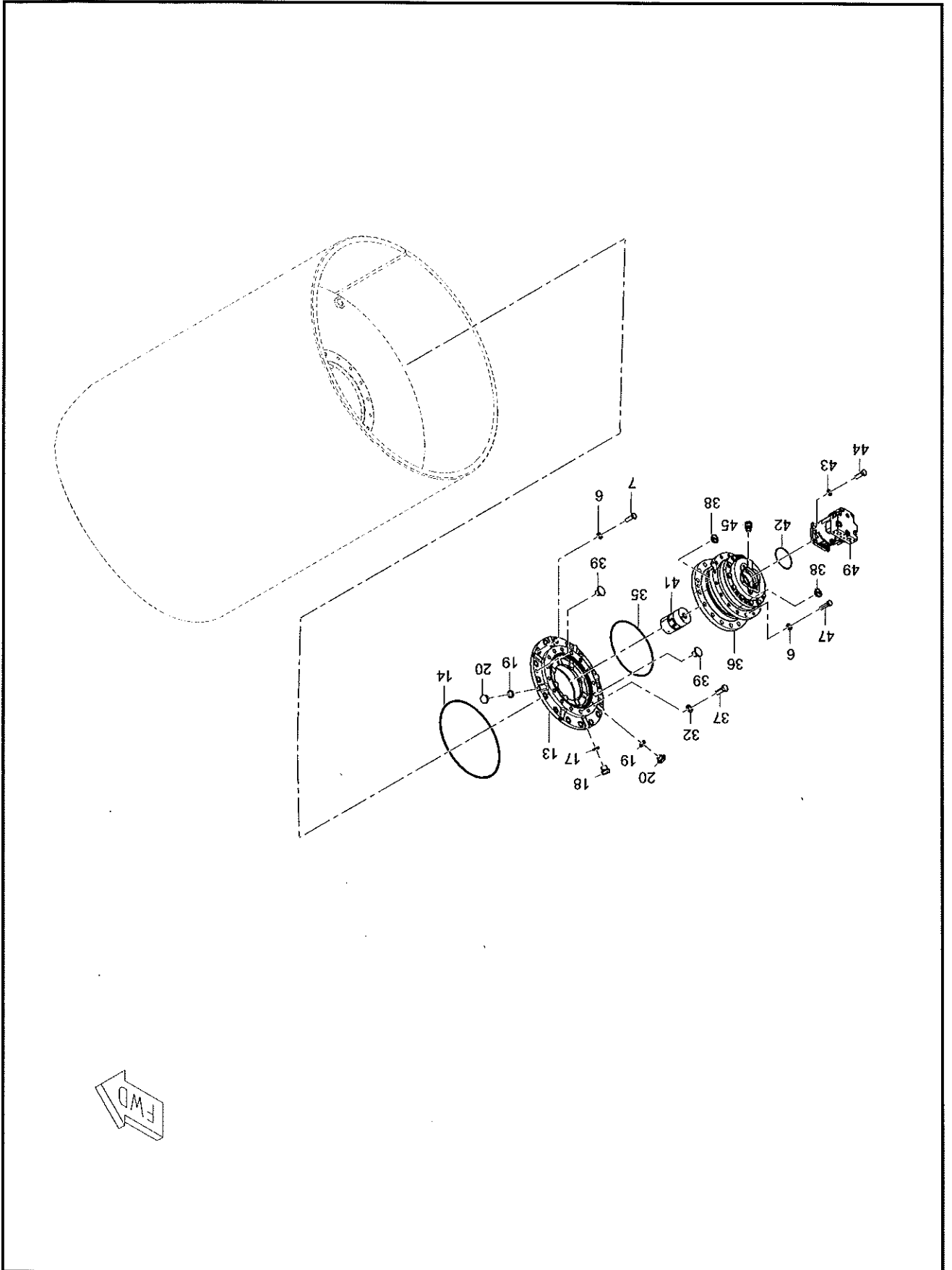
INDEX	PART NO.	DESCRIPTION	QTY	SEE PAGE
3	A210111000295	Bolt	12	
4	10994336	Cover Board, Tube Clamp	6	
5	12886328	Tube Clamp	6	
10	A210405000011	Washer	16	
11	A210401000001	Washer	16	
12	A210307000036	Nut	16	
17	A210405000009	Washer	27	
18	YLJ004691987	Side Board	2	
19	10994711	Plate, Protective	2	
20	A210110000240	Bolt	1	
21	A210307000007	Nut	1	
22	10994341	Pin	1	
23	A820301010152	Clamp Pin	1	
24	A210111000111	Bolt	4	
25	11541153	Limit Plate	1	
26	A210111000200	Bolt	26	



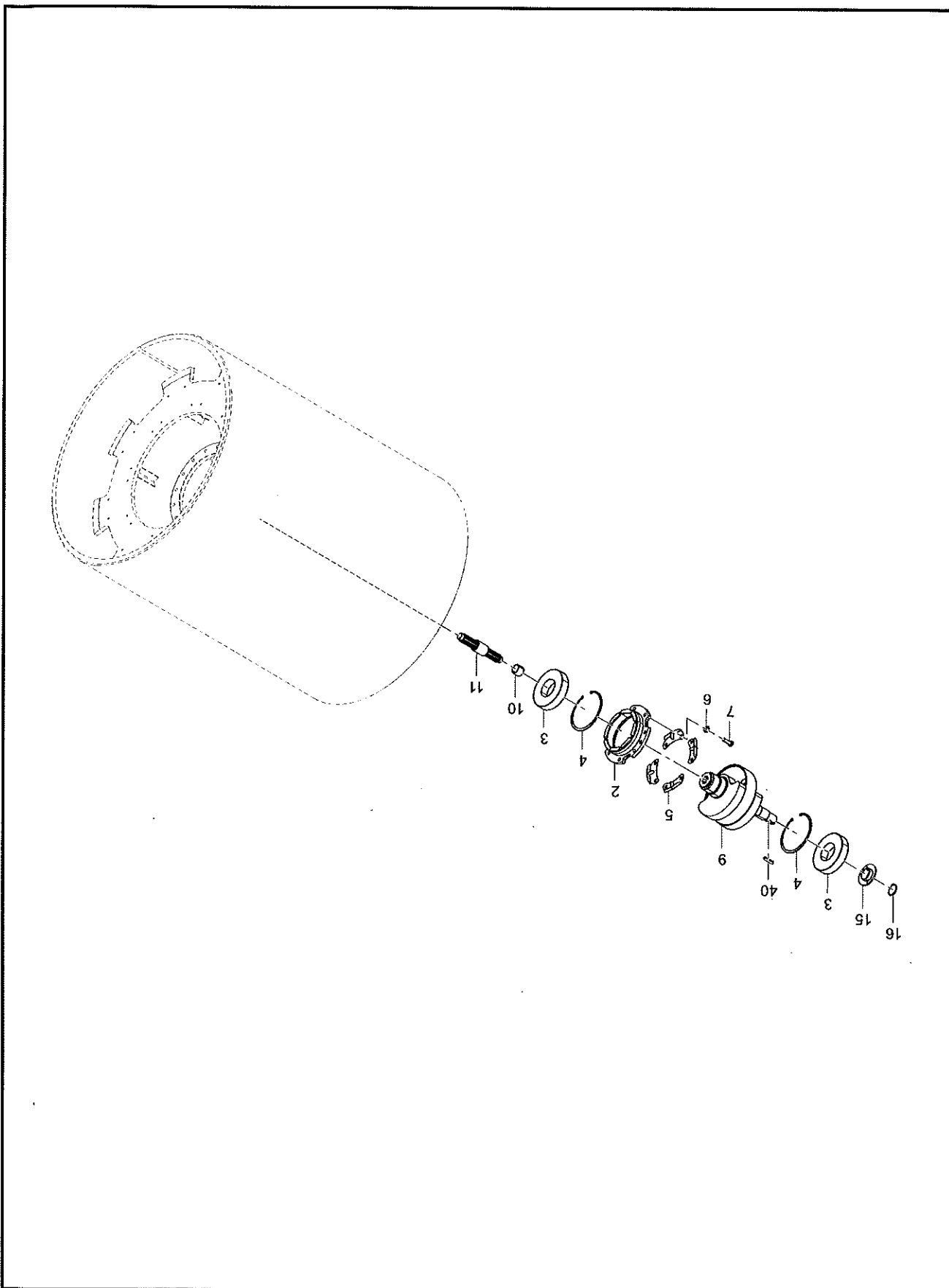
Group 3
roller



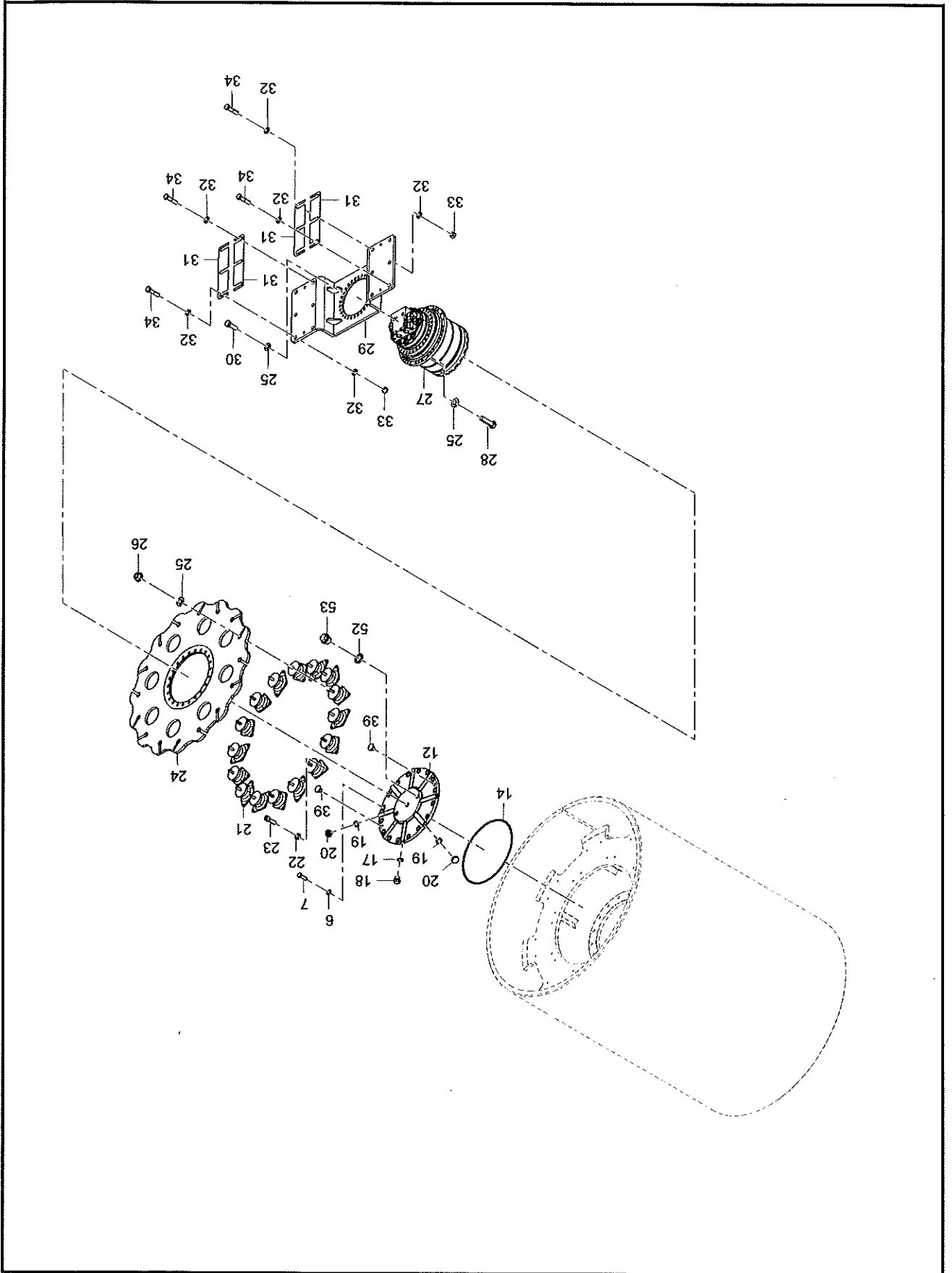
INDEX	PART NO.	DESCRIPTION	QTY	SEE PAGE
1	14116268	Roller	1	
21	B230107000003	Damping Pad	26	
22	60013683	Washer	52	
23	A210204000225	Screw	52	
25	A210491000118	Washer	78	
26	B229900001945	Nut	26	
31	11549656	Adjusting Spacer	8	
32	A210491000122	Washer	64	
33	A210307000007	Nut	24	
34	A210110000240	Bolt	24	
46	13144008	Base Plate	1	
48	13142376	Connecting Supporting Board	2	
50	A210434000020	Washer	2	
51	A210333000007	Screw Plug	2	
54	13416847	Bump block weldment	3	
55	13468933	Bump Block front cleaning board	2	
56	A210110000221	Bolt	18	
57	A210405000009	Washer	36	
58	A210401000008	Washer	18	



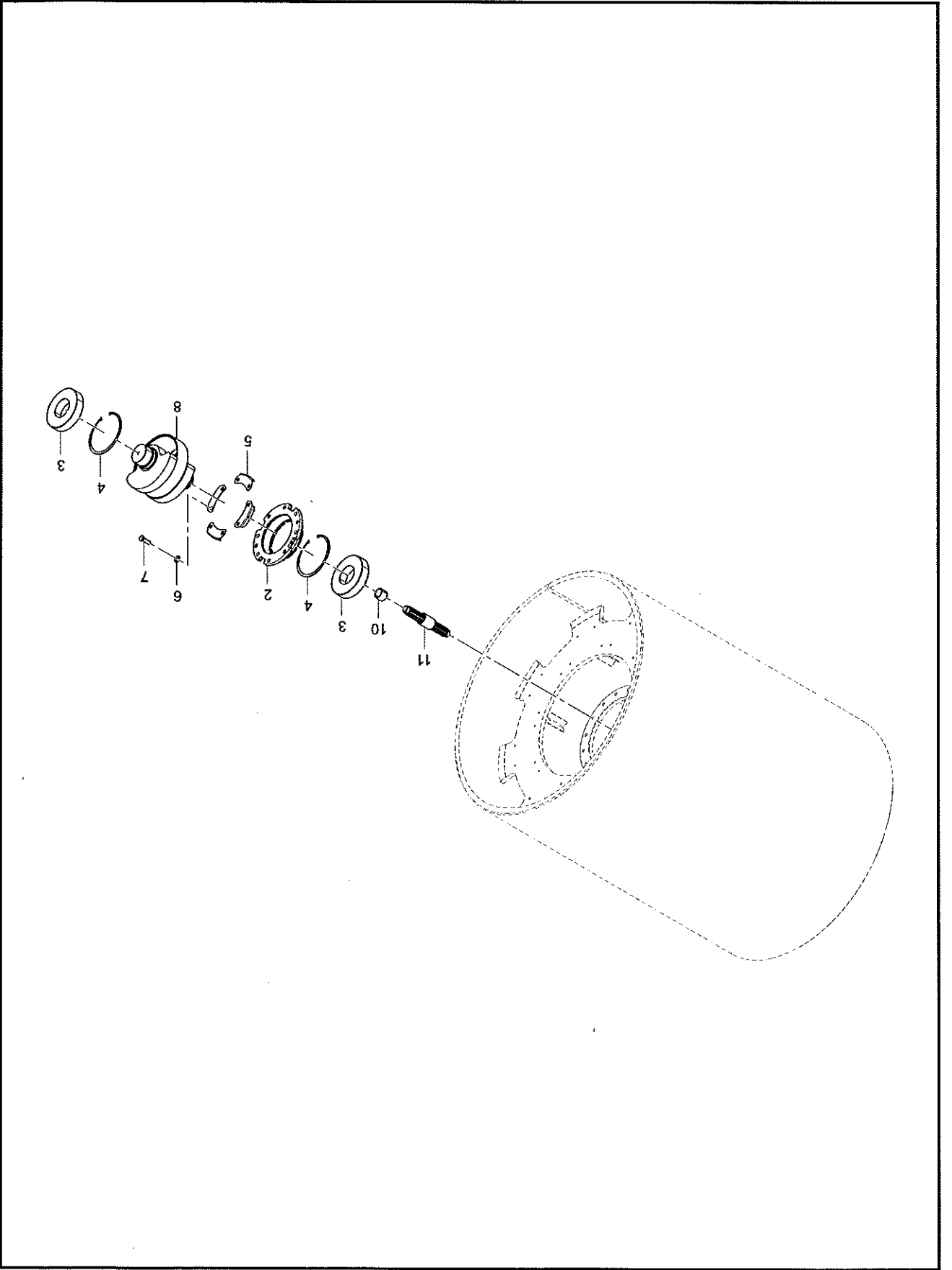
INDEX	PART NO.	DESCRIPTION	QTY	SEE PAGE
6	A210491000132	Washer	100	
7	A210114000053	Bolt	48	
13	13142758	Right Bearing Seat	1	
14	24000543	O-ring	2	
17	A210453000002	Washer	14	
18	A2103333000011	Screw Plug	14	
19	A210434000008	Washer	4	
20	A229900006507	Screw Plug	4	
32	A210491000122	Washer	64	
35	A210609000139	O-ring	1	
36	13207909	Running Support	1	3-16
37	A210113000028	Bolt	16	
38	10891722	Threaded Cover	4	
39	A820601020025	Threaded Cover	4	
41	60020195	Coupling	1	
42	A210609000125	O-RING	1	
43	A210444000001	Washer	4	
44	A210114000051	Bolt	4	
45	139999001412A	Breather	1	
47	A210114000016	Bolt	16	
49	61009935	Plunger Motor	1	



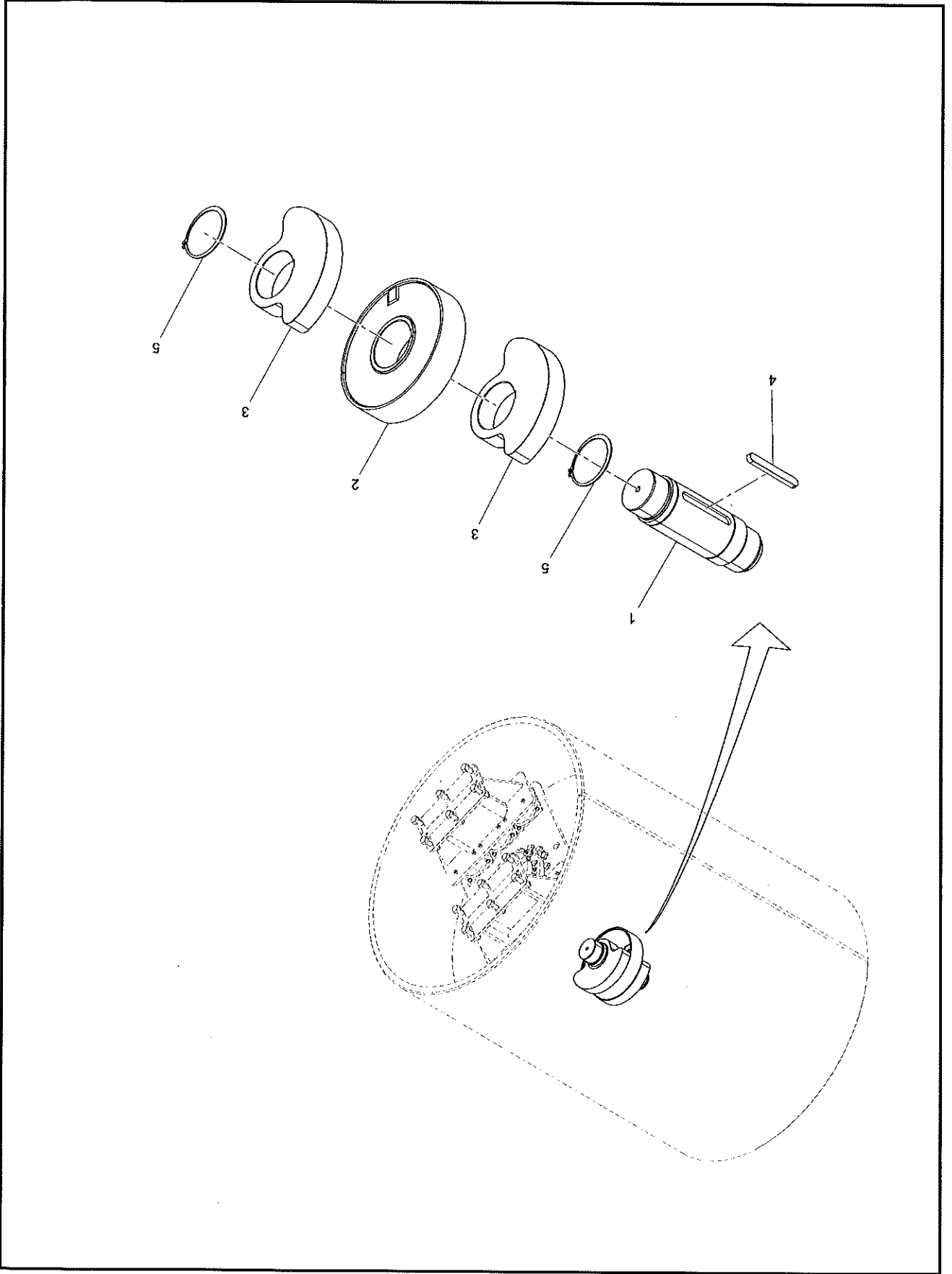
INDEX	PART NO.	DESCRIPTION	QTY	SEE PAGE
2	13207343	Intermediate Bearing Seal	2	
3	60075953	Rolling Bearing	4	
4	10462773	Elastic Retainer Ring for Holes	4	
5	13221947	Oil Board Components	8	
6	A210491000132	Washer	100	
7	A210114000053	Bolt	48	
9	13207480	Amplitude Modulator, Vibratory End	1	3-14
10	11549667	Rubber Sleeve	2	
11	13207540	Spline Shaft Welding	1	
15	A820299000325	Disk, Oil Baffle	1	
16	A210414000033	Retainer Ring	1	
40	A210509000115	Key	1	



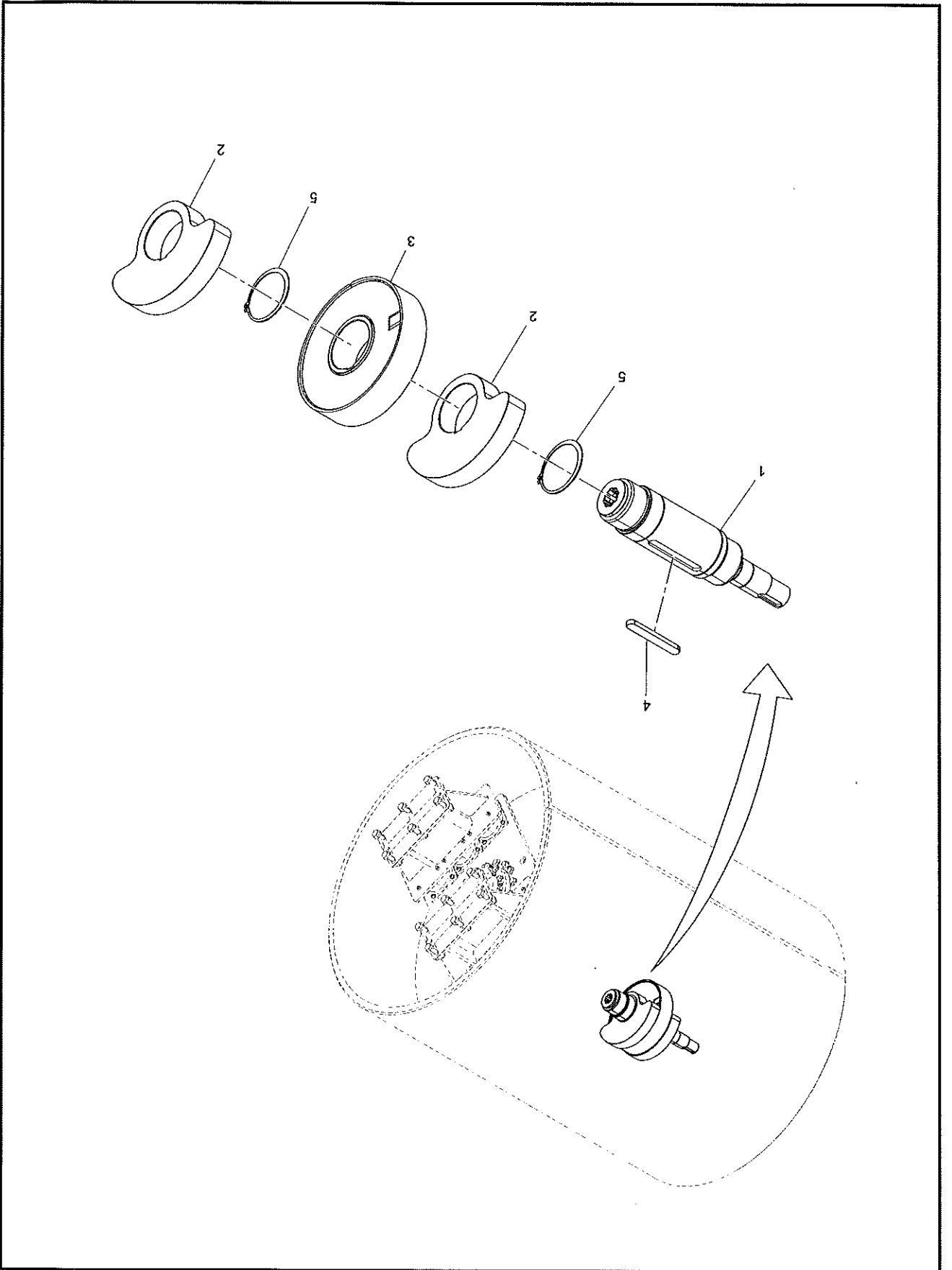
INDEX	PART NO.	DESCRIPTION	QTY	SEE PAGE
6	A21049100132	Washer	100	
7	A21011400053	Bolt	48	
12	13142760	Left Bearing Seat	1	
14	24000543	O-ring	2	
17	A21045300002	Washer	14	
18	A21033300011	Screw Plug	14	
19	A21043400008	Washer	4	
20	A22990006507	Screw Plug	4	
21	B23010700003	Damping Pad	26	
22	60013683	Washer	52	
23	A21020400225	Screw	52	
24	13143821	Support Plate	1	
25	A210491000118	Washer	78	
26	B229900001945	Nut	26	
27	B220800000002	Reducer	1	
28	A210111000061	Bolt	22	
29	13778347	Connection Supporting Board, Carriage (Left)	1	
30	A210204000216	Screw	30	
31	11549656	Adjusting Spacer	8	
32	A210491000122	Washer	64	
33	A210307000007	Nut	24	
34	A210110000240	Bolt	24	
39	A820601020025	Threaded Cover	4	
52	A210434000010	Washer	3	
53	A880801040005	Screw Plug	3	



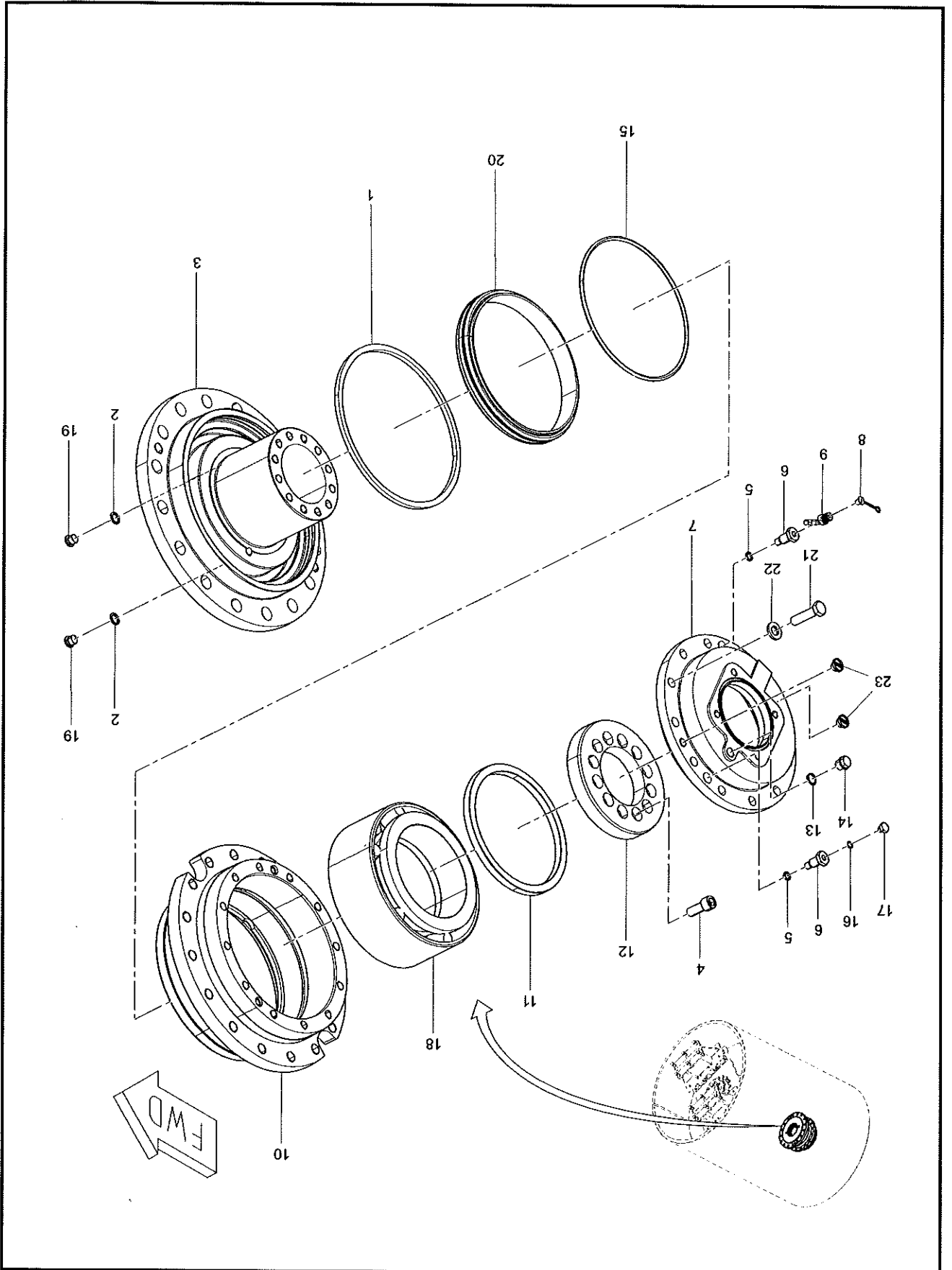
INDEX	PART NO.	DESCRIPTION	QTY	SEE PAGE
2	13207343	Intermediate Bearing Seat	2	
3	60075953	Rolling Bearing	4	
4	10462773	Elastic Retainer Ring for Holes	4	
5	13221947	Oil Board Components	8	
6	A210491000132	Washer	100	
7	A210114000053	Bolt	48	
8	13142757	Amplitude Modulator, Running End	1	3-12
10	11549667	Rubber Sleeve	2	
11	13207540	Spline Shaft Welding	1	



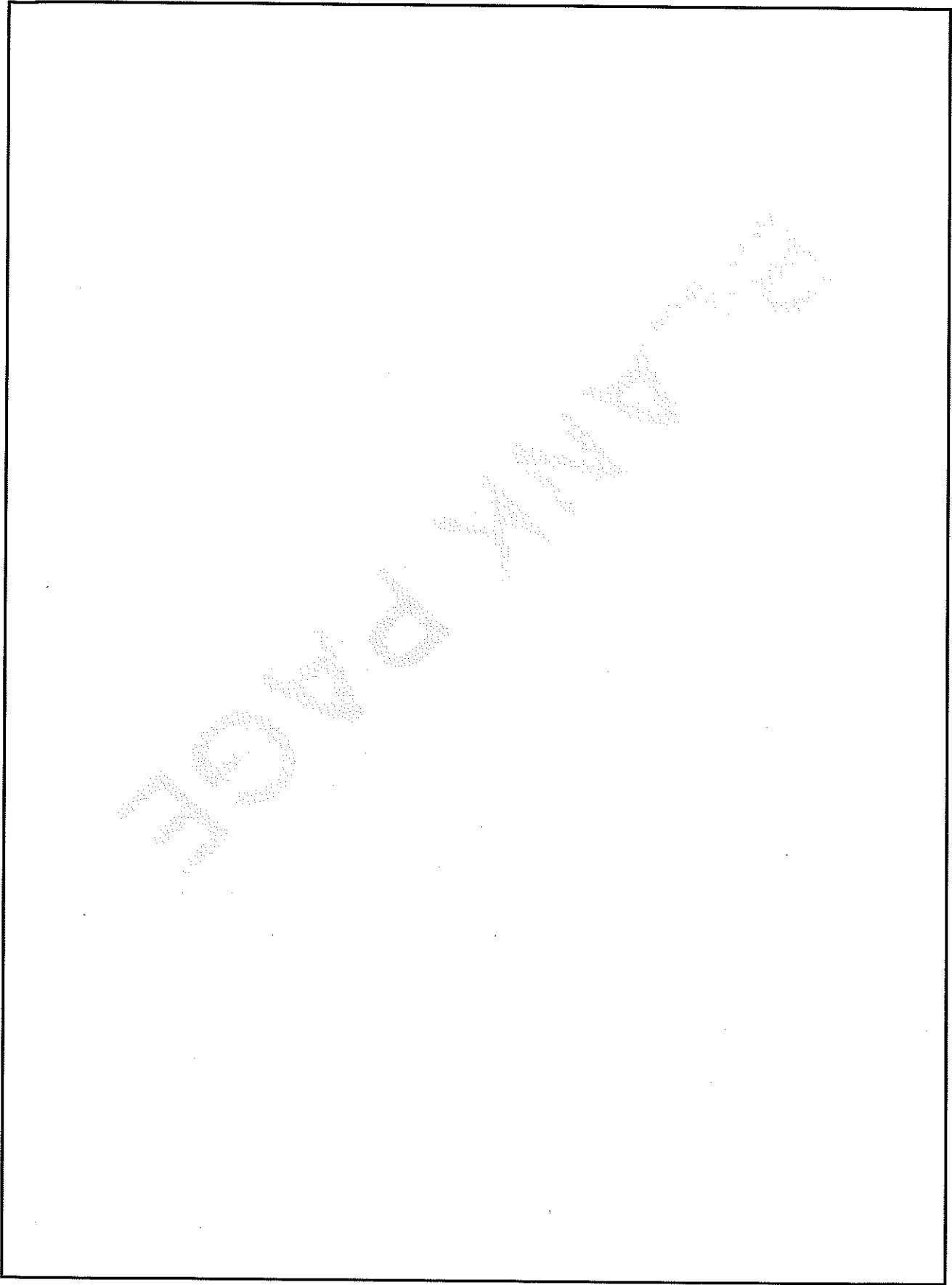
INDEX	PART NO.	DESCRIPTION	QTY
1	13207307	Shaft Welding	1
2	13206992	Movable Block Chamber Welding	1
3	13206577	Eccentric Block	2
4	60061027	Key	1
5	A210414000002	Retainer Ring	2



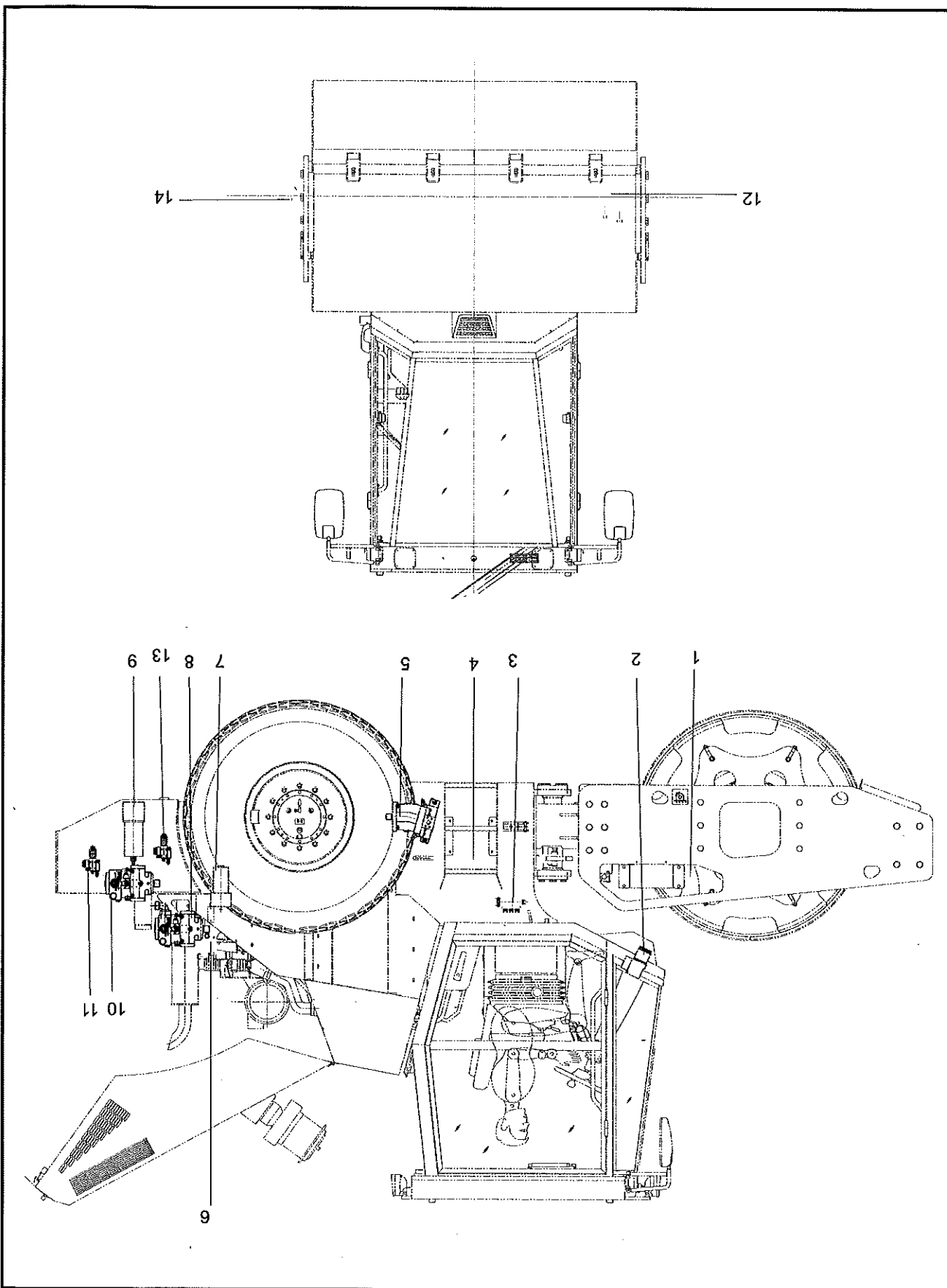
INDEX	PART NO.	DESCRIPTION	QTY	SEE PAGE
1	13207463	Shaft Welding	1	
2	13206577	Eccentric Block	2	
3	13206992	Movable Block Chamber Welding	1	
4	60061027	Key	1	
5	A210414000002	Retainer Ring	2	



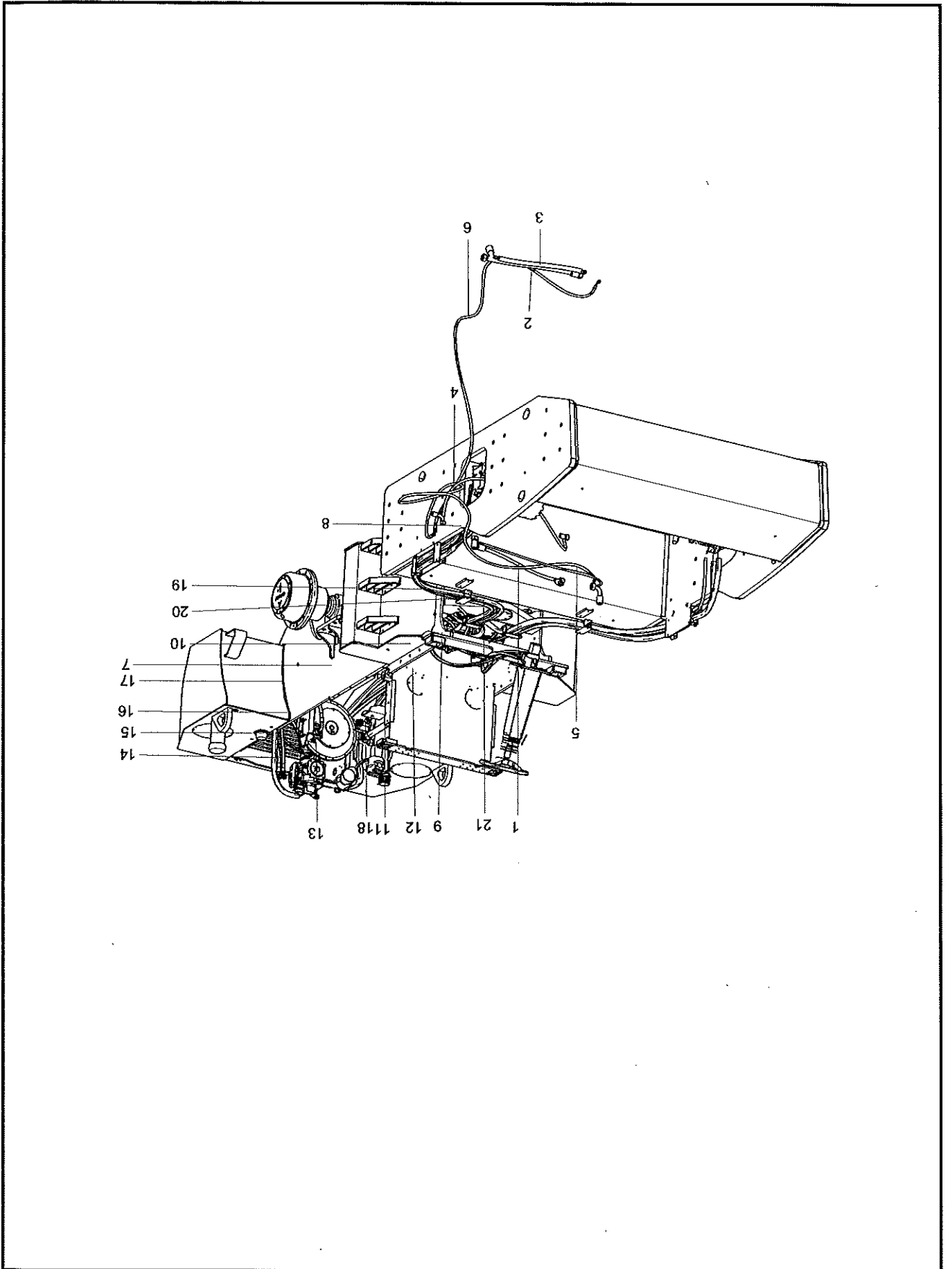
INDEX	PART NO.	DESCRIPTION	QTY	SEE PAGE
1	60035083	Felt Sealing Ring	1	
2	A210434000008	Washer	2	
3	13208969	Support Seal	1	
4	A210204000195	Screw	12	
5	A210453000007	Washer	2	
6	13208018	Oil Cup Base	2	
7	13225164	End Cover	1	
8	A290000002660	Protective Cap, Nozzle	1	
9	A2108050000003	Oil Cup	1	
10	13231004	Linking Sleeve	1	
11	A210613000020	oil seal	1	
12	A820101324038	Pressure Cover	1	
13	A210453000002	Washer	1	
14	A210333000011	Screw Plug	1	
15	A210609000315	O-ring	1	
16	A210453000004	Washer	1	
17	A210332000004	Screw Plug	1	
18	A210628000010	Rolling Bearing	1	
19	A880801040008	Screw Plug	2	
20	60358222	Floating Oil Seal	1	
21	A210114000010	Bolt	12	
22	A210491000118	Washer	12	
23	10891721	Threaded Cover	2	



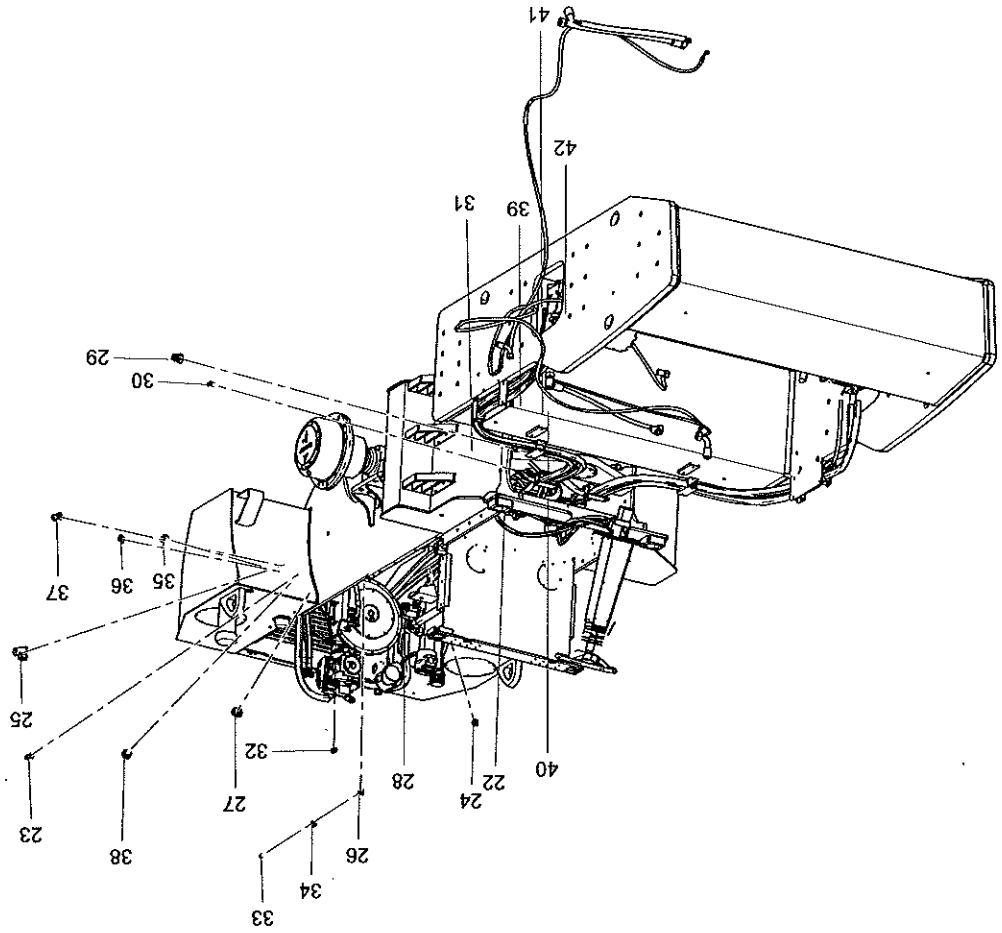
Group 4 Hydraulic system assembly



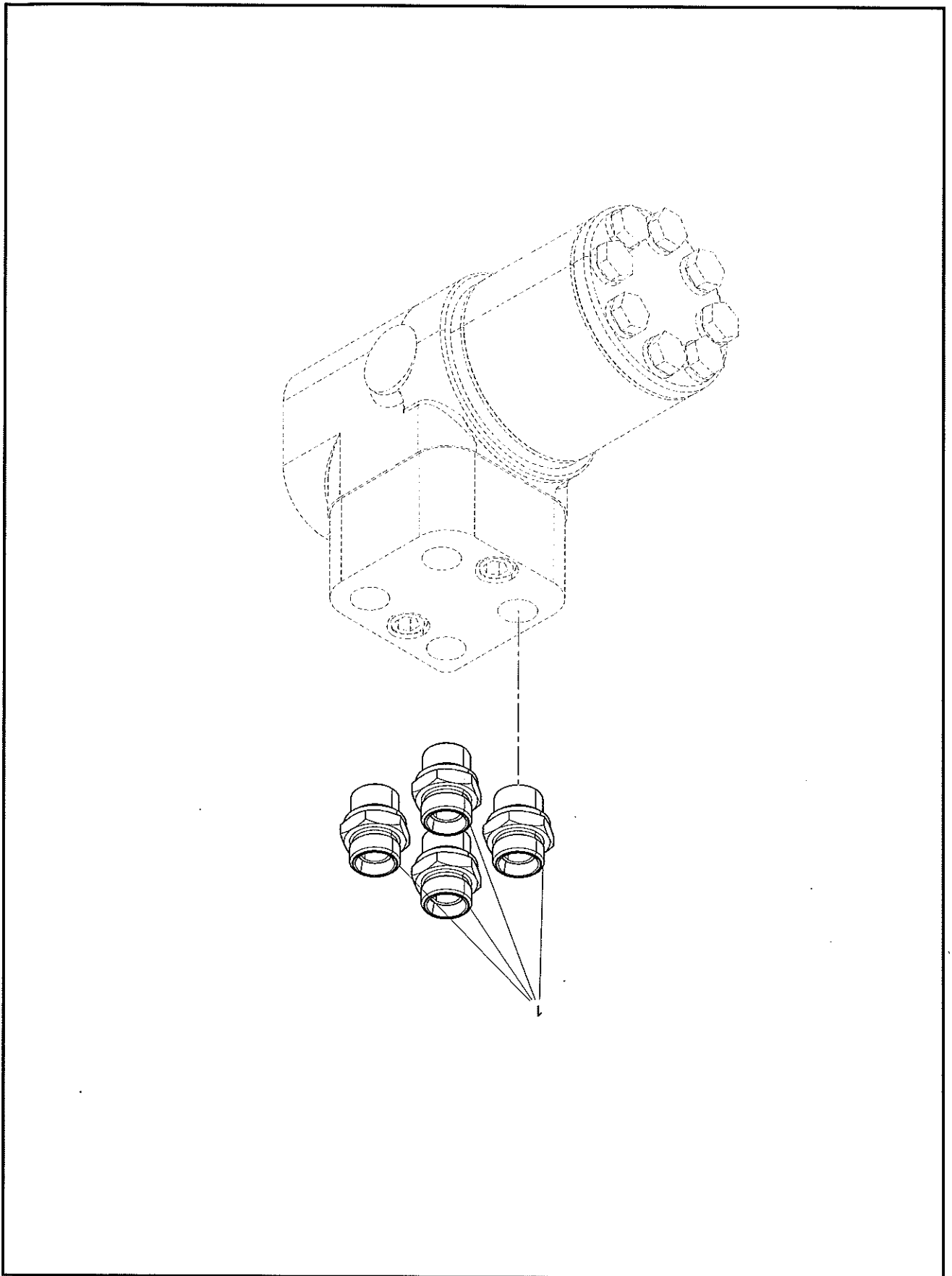
INDEX	PART NO.	DESCRIPTION	QTY	SEE PAGE
1	YLJ006904422	Travelling hydraulic system	1	4-4
2	13309201	Steering Gear Components	1	4-8
3	14476324	Oil Return Block Components	1	4-10
4	YLJ006887618	Vibratory hydraulic system	1	4-12
5	YLJ004802103	Rear Driving Motor Components	1	4-14
6	13965734	Steering Pump Components	1	4-16
7	14180775	High Pressure Filter Components	1	4-18
8	YLJ006902978	assembly of vibration pump	1	4-22
9	60260273	High Pressure Filter	1	4-24
10	YLJ006902622	Travelling pump	1	4-26
11	14270373	Braking Valve	1	4-28
12	14426686	Vibratory Motor Components	1	4-30
13	14294274	Safety Valve	1	4-32
14	YLJ006900777	Front driving motor assembly	1	4-34



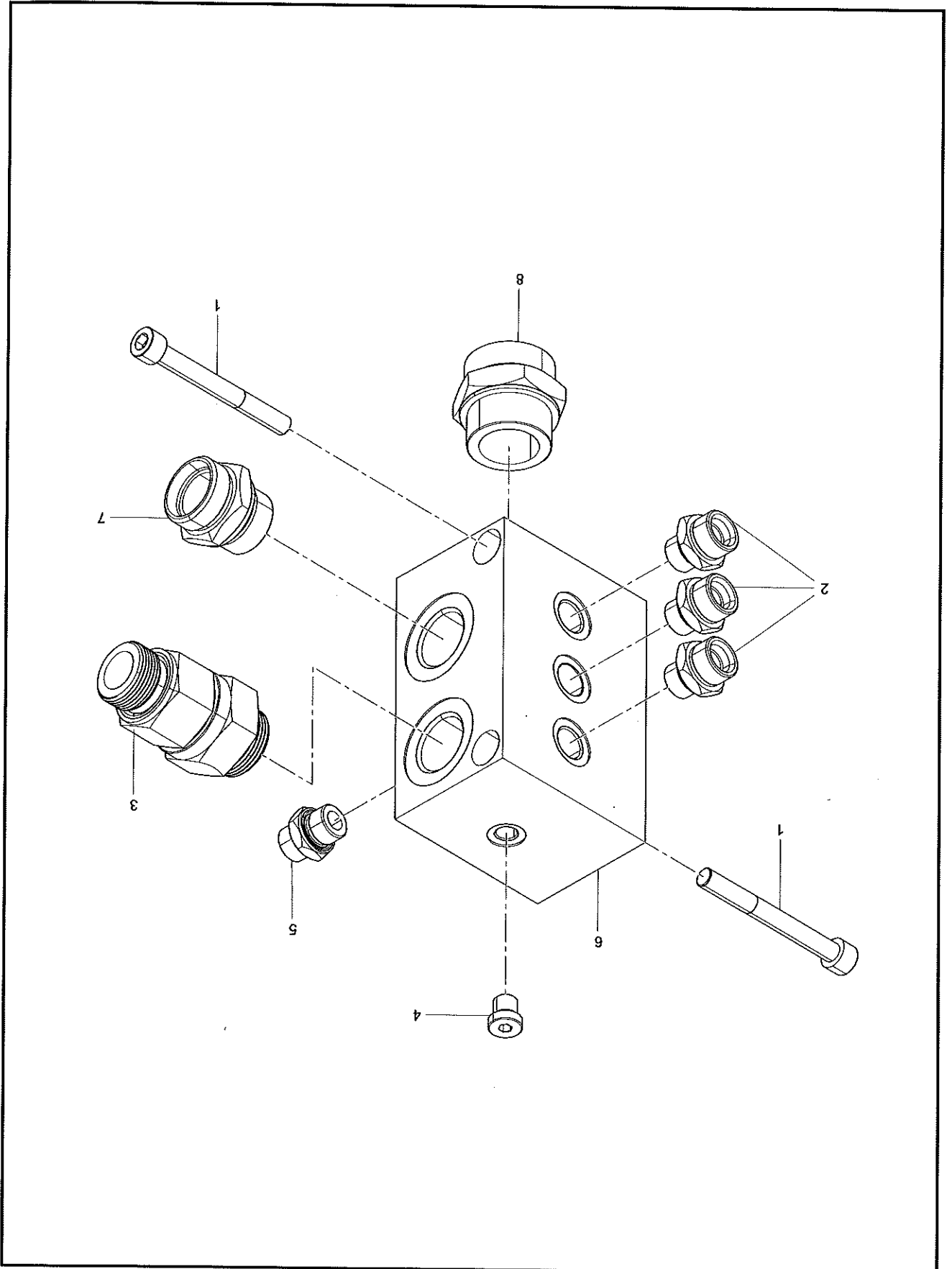
INDEX	PART NO.	DESCRIPTION	QTY	SEE PAGE
1	151008260071A	Rubber Hose Assembly	1	
2	B230103001072	Rubber Hose	1	
3	B230103001352	Rubber Hose	1	
4	B230103001239	Hose	1	
5	B230103000189	Rubber Hose	1	
6	B230103000855	Hose	1	
7	60211152	Rubber Hose	1	
8	B230103002872	Rubber Hose Assembly	1	
9	B230103000949	Hose	1	
10	B230103005096	Rubber Hose	1	
11	B230103005190	Hose	1	
12	60033584	Rubber Hose	1	
13	B230103002533	Rubber Hose	1	
14	B230103001657	Rubber Hose	1	
15	151006110094A	Rubber Hose	1	
16	B230103004074	Hose	1	
17	B230103002135	Rubber Hose	1	
18	21051021	Tee Joint	1	
19	B210780001387	Three-way Combination Adapter	2	
20	B210780000029	Elbow Fitting	2	
21	B210780001241	Elbow Fitting	1	



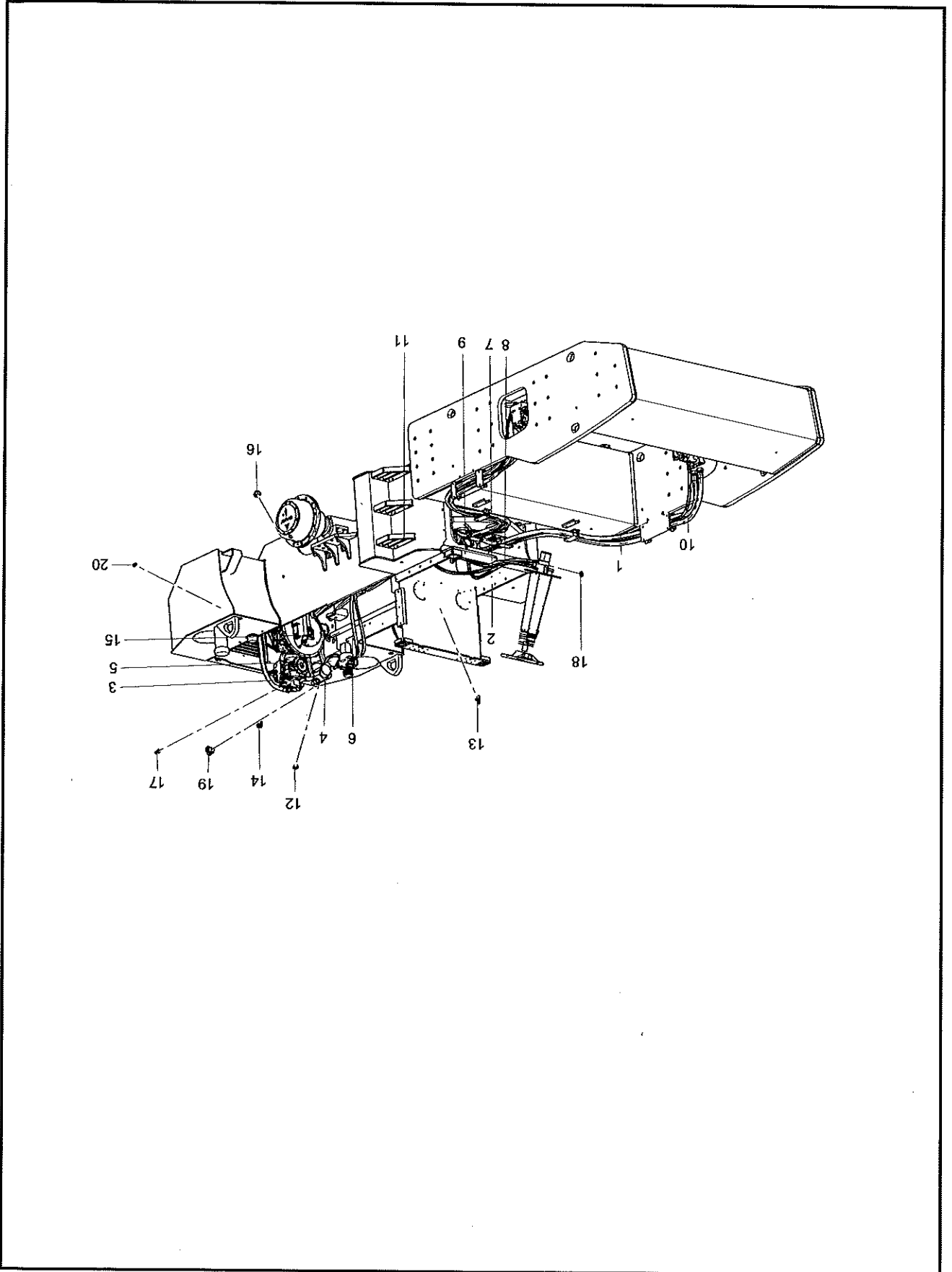
INDEX	PART NO.	DESCRIPTION	QTY	SEE PAGE
22	B210780000017	Tee Joint	1	
23	B210780000016	Tee Joint	1	
24	B210780000025	Elbow Fitting	1	
25	B210780000030	Elbow Fitting	2	
26	B2107800000636	Elbow Fitting	2	
27	B210780000054	Adapter Fitting	3	
28	B210780000071	Reducer Union	1	
29	B210780000072	Butt-connection Diameter-variable Adapter	2	
30	B2107800000631	Tee Joint	1	
31	B2107800000698	Adapter Fitting	1	
32	B210780000235	End Straight Connector	2	
33	B2107800000898	Adapter Fitting	1	
34	B210780000024	Elbow Fitting	1	
35	B210780000157	Bulkhead Fitting	2	
36	B210780001310	Elbow Fitting	4	
37	B210780001007	Tee Joint	2	
38	60229222	End straight joint	2	
39	151007260004	Hose assembly	1	
40	B230103000146	Rubber Hose	1	
41	B230103004939	Rubber Hose	1	
42	B210780000733	Adapter Fitting	1	



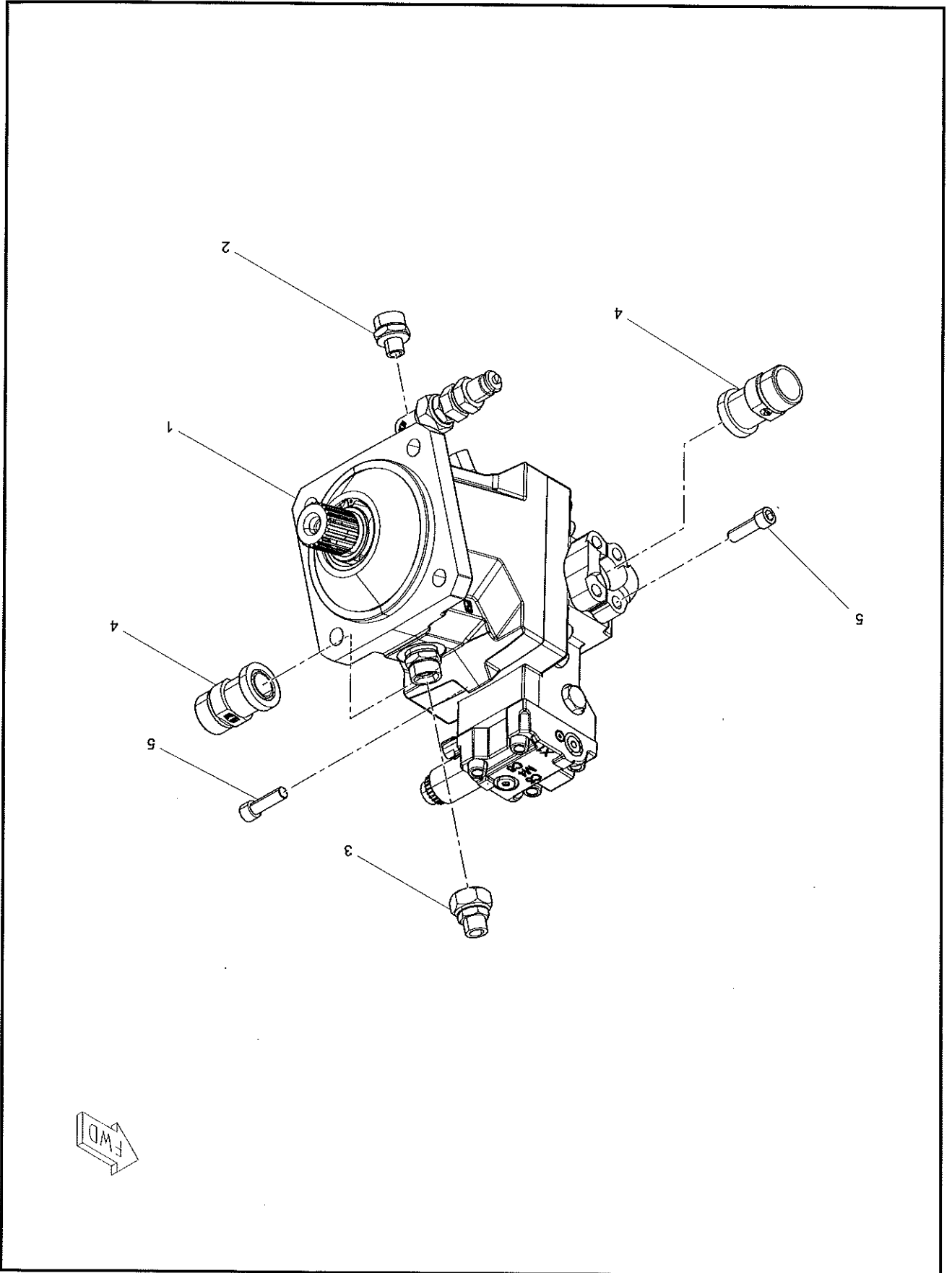
INDEX PART NO.	DESCRIPTION	QTY	SEE PAGE
1	B21078000043 Fitting	4	



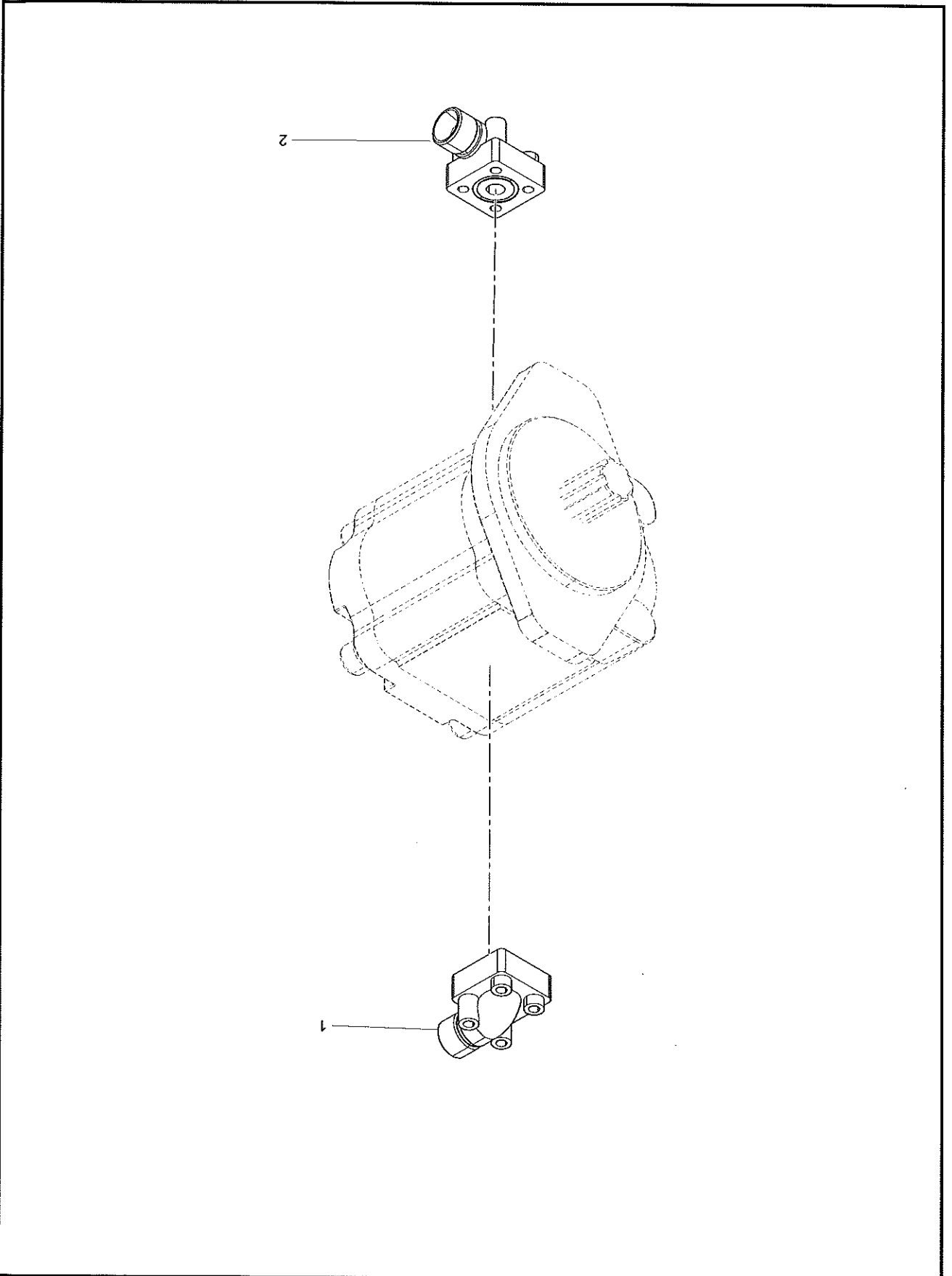
INDEX PART NO.	DESCRIPTION	QTY	SEE PAGE
1	A21020400017	2	
2	B210780000040	3	
3	60311658	1	
4	B210780000609	1	
5	B210780000228	1	
6	151399000252B	1	
7	B210780000052	1	
8	B210780000054	1	



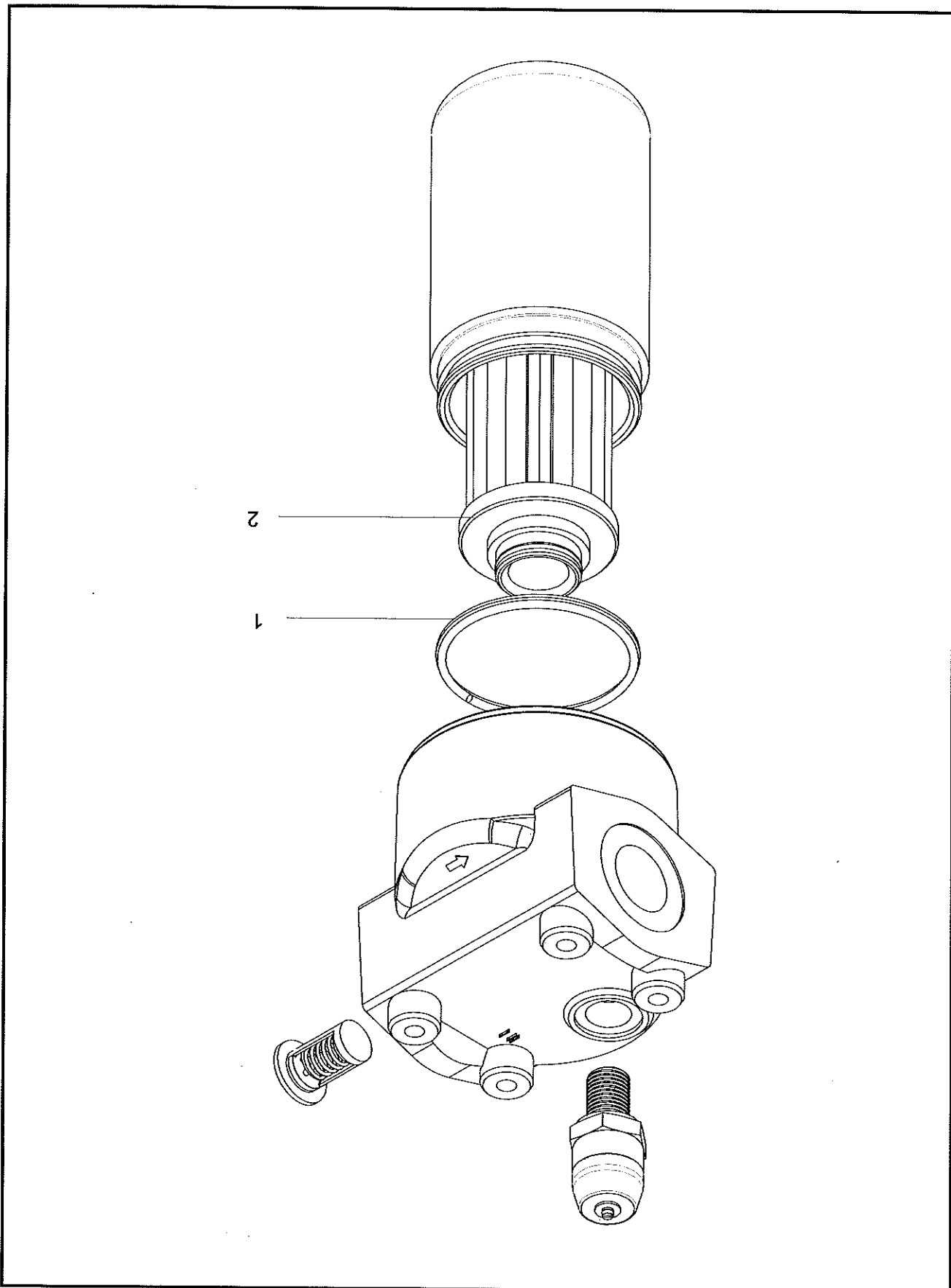
INDEX	PART NO.	DESCRIPTION	QTY	SEE PAGE
1	60359503	Rubber Hose	1	
2	60348112	Rubber Hose	1	
3	60043074	Rubber Hose	1	
4	B230103001921	Hose	1	
5	B230103004808	Hose Assembly	1	
6	151005160005	Rubber Hose Assembly	1	
7	151005110053A	Rubber Hose Assembly	1	
8	151005160208A	Rubber Hose Assembly	1	
9	B230103000354	Rubber Hose	1	
10	B230103004939	Rubber Hose	1	
11	151008060033A	Rubber Hose Assembly	1	
12	B210780000070	Fitting, Adapter	2	
13	B210780000017	Tee Joint	3	
14	B210780000028	Elbow Fitting	1	
15	B210780000074	Reducer Union	1	
16	B210780000054	Adapter Fitting	2	
17	151207000029B	Pressure-measuring Connector	1	
18	B210780000266	Adapter Fitting	4	
19	B210780001241	Elbow Fitting	2	
20	B210780000235	End Straight Connector	2	



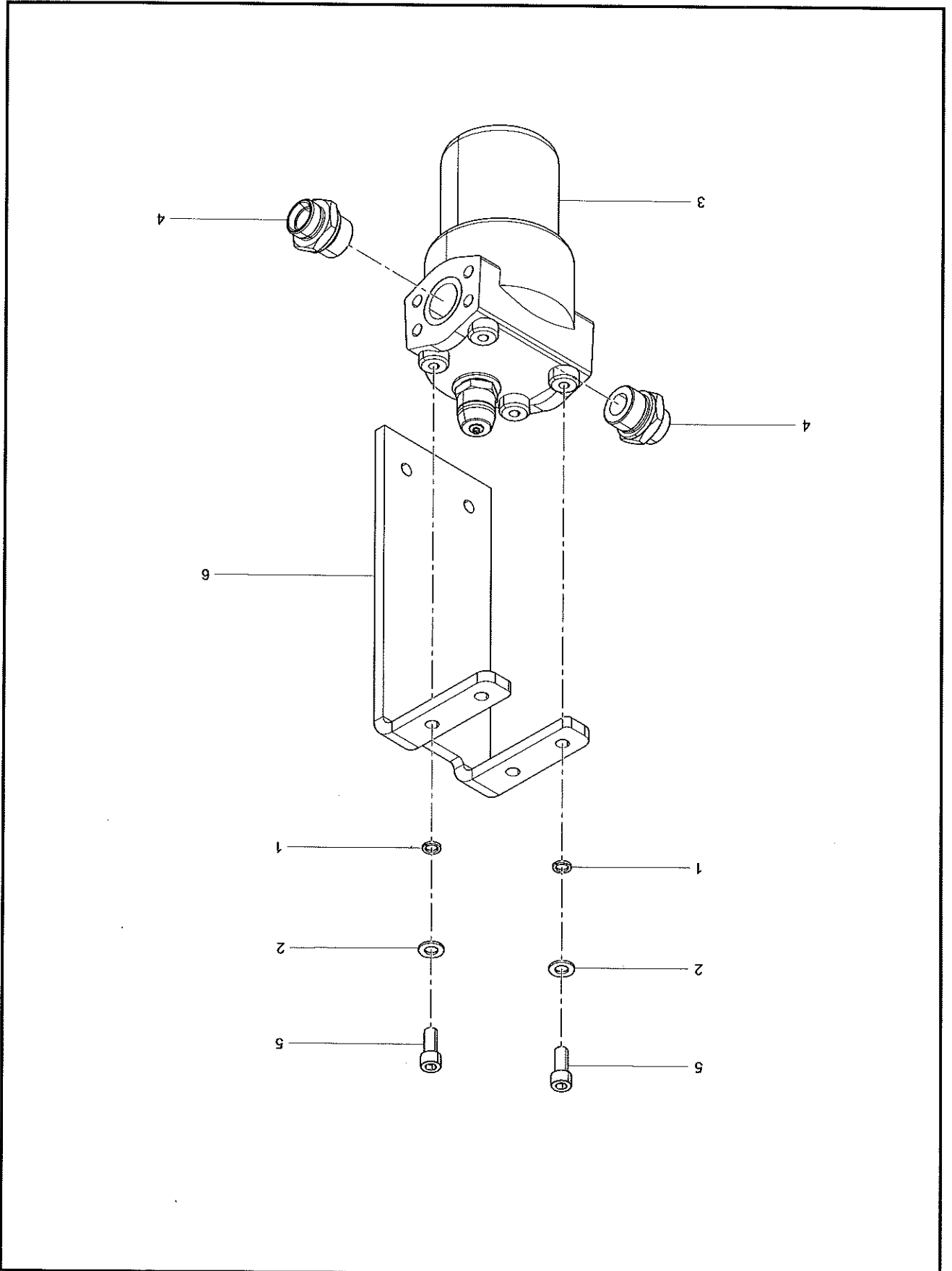
INDEX PART NO.	DESCRIPTION	QTY	SEE PAGE
1	Axial Plunger Motor	1	
2	(Pipe) Fitting	1	
3	Fitting, Adapter	1	
4	Fitting, Adapter, Flange	2	
5	Screw	8	



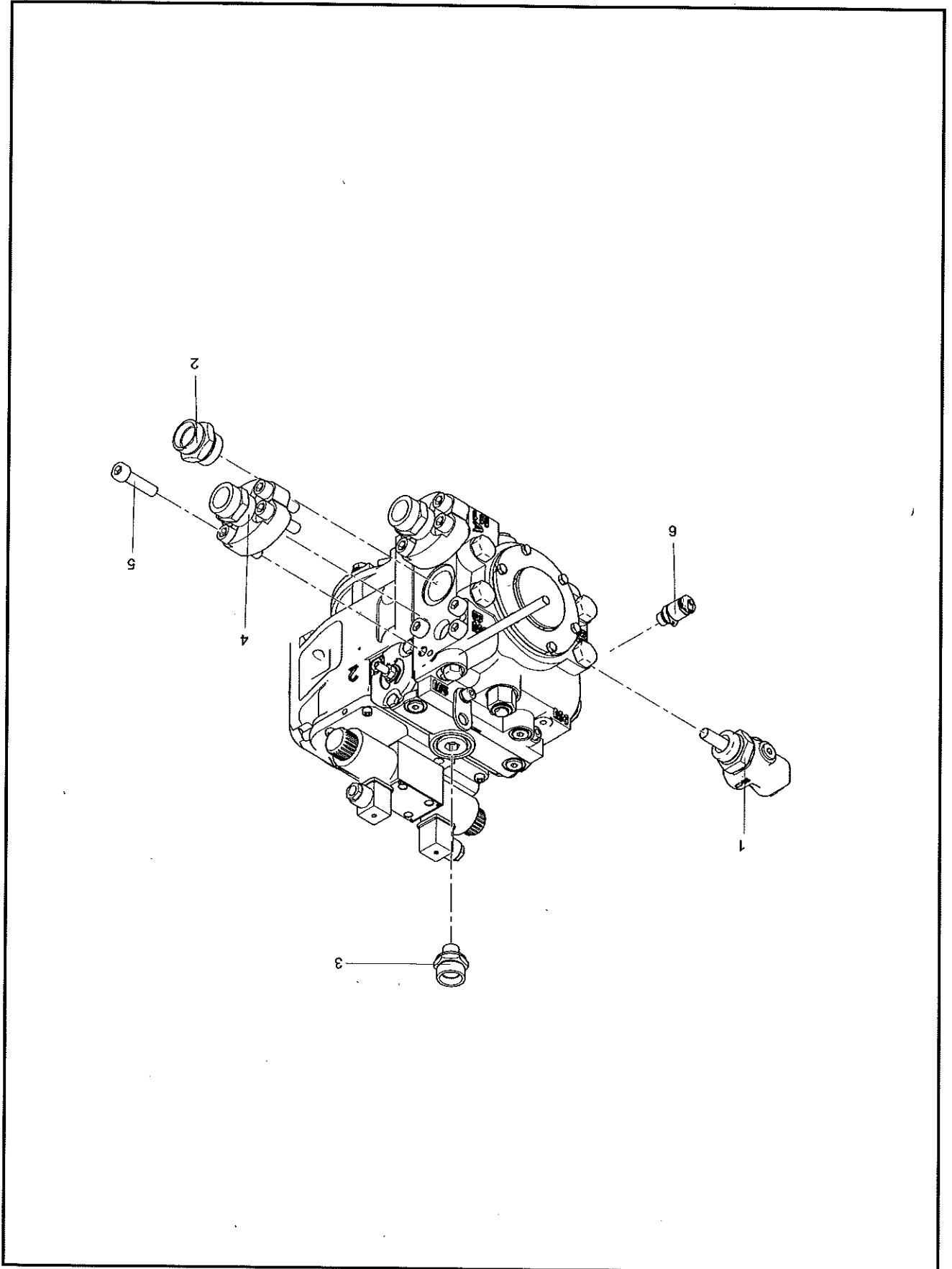
INDEX	PART NO.	DESCRIPTION	QTY	SEE PAGE
1	A210401000001	Washer	4	
2	A210405000011	Washer	4	
3	60260271	High Pressure Filter	1	4-20
4	B210780001047	End Straight Connector	2	
5	A210204000161	Screw	4	
6	14088982	Mounting Plate for Filter	1	



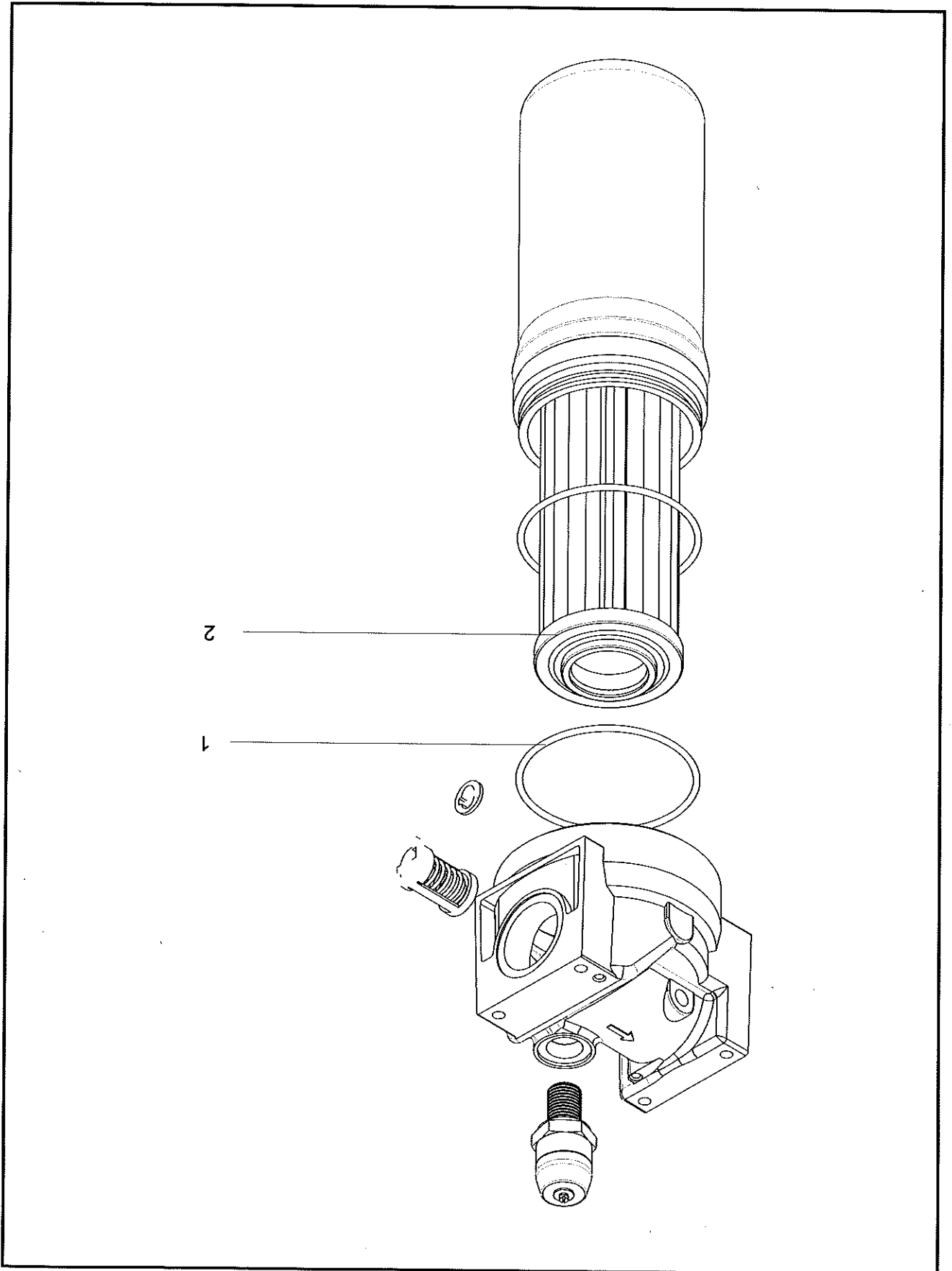
INDEX	PART NO.	DESCRIPTION	QTY	SEE PAGE
1	60214863	Square Flange Right-angle Joint	1	
2	B210780000438	Square Flange Right-angle Joint	1	



INDEX PART NO.	DESCRIPTION	QTY	SEE PAGE
1	A210609000310 O-ring	1	
2	61001646 Hydraulic Filter Core	1	

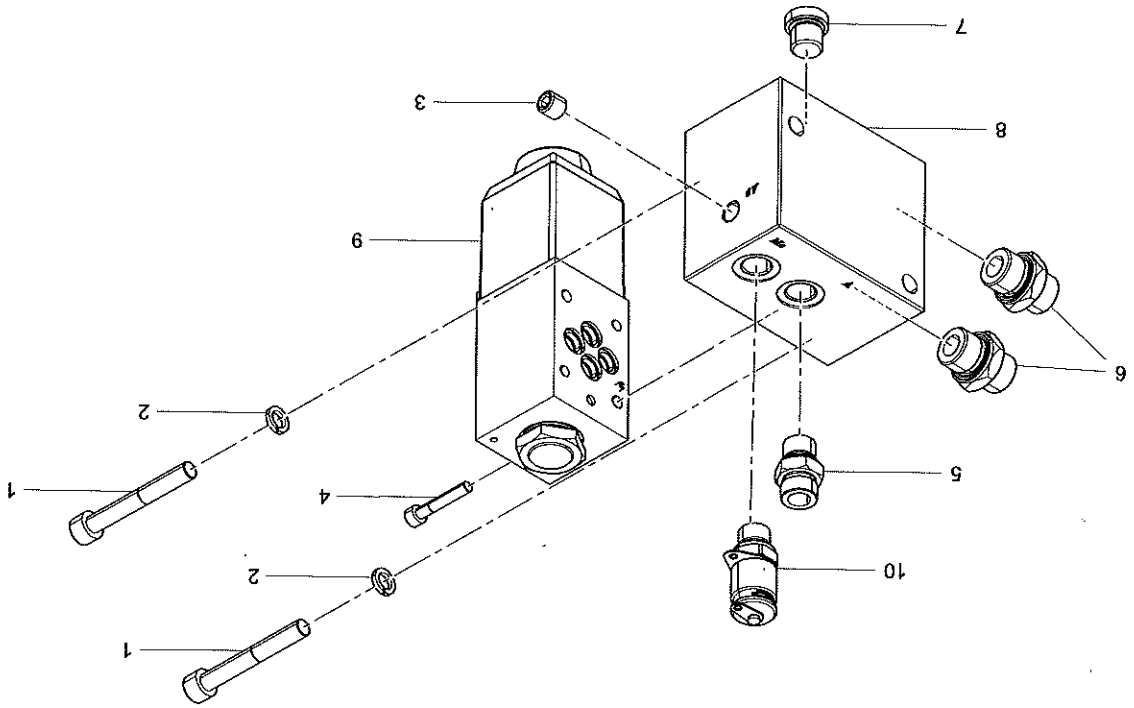


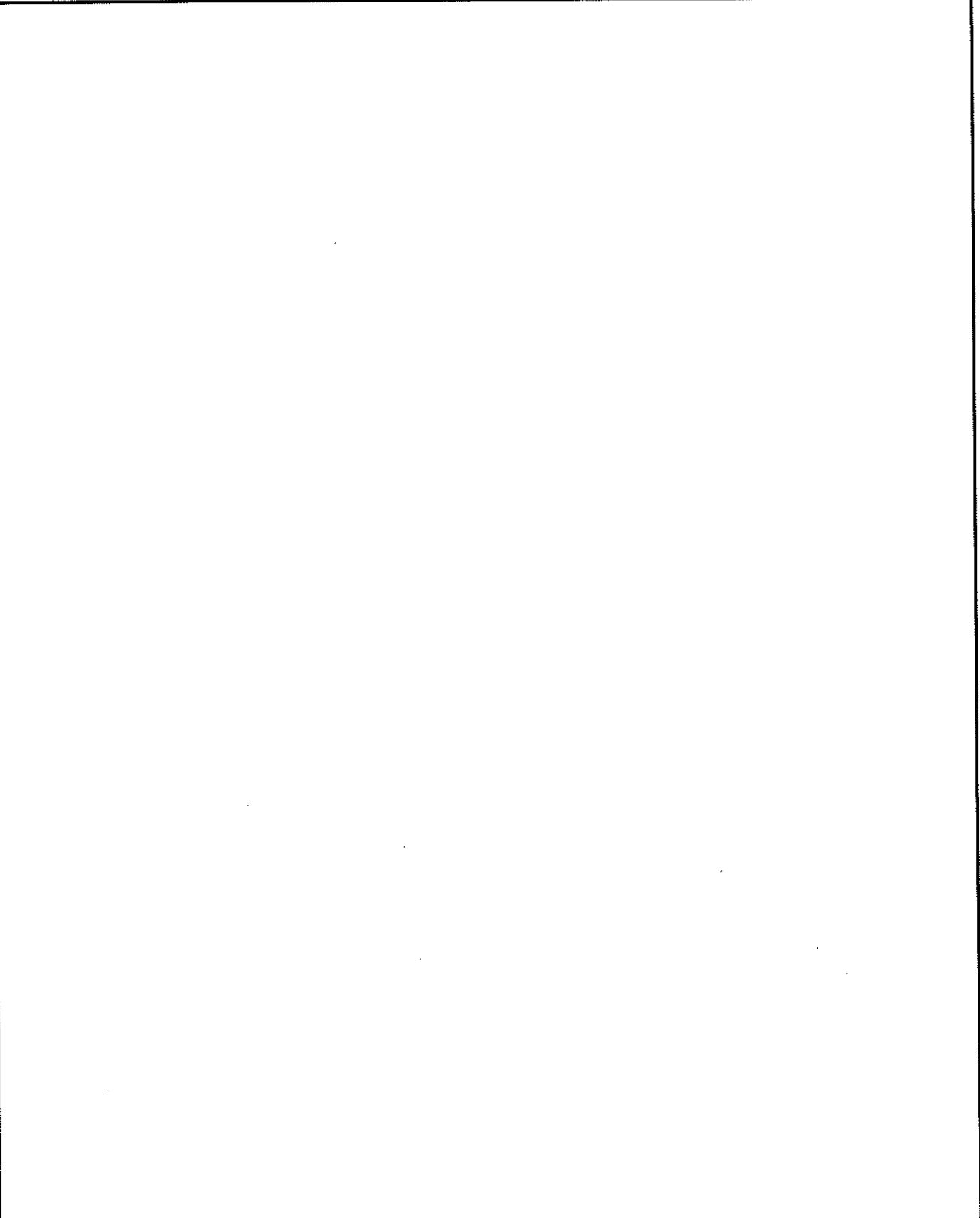
INDEX PART NO.	DESCRIPTION	QTY	SEE PAGE
1	Pressure Oil Filter	1	
2	End Through Adapter	1	
3	Adapter Fitting	1	
4	Fitting, Adapter, Flange	2	
5	Screw	8	
6	Pressure-measuring Connector	1	



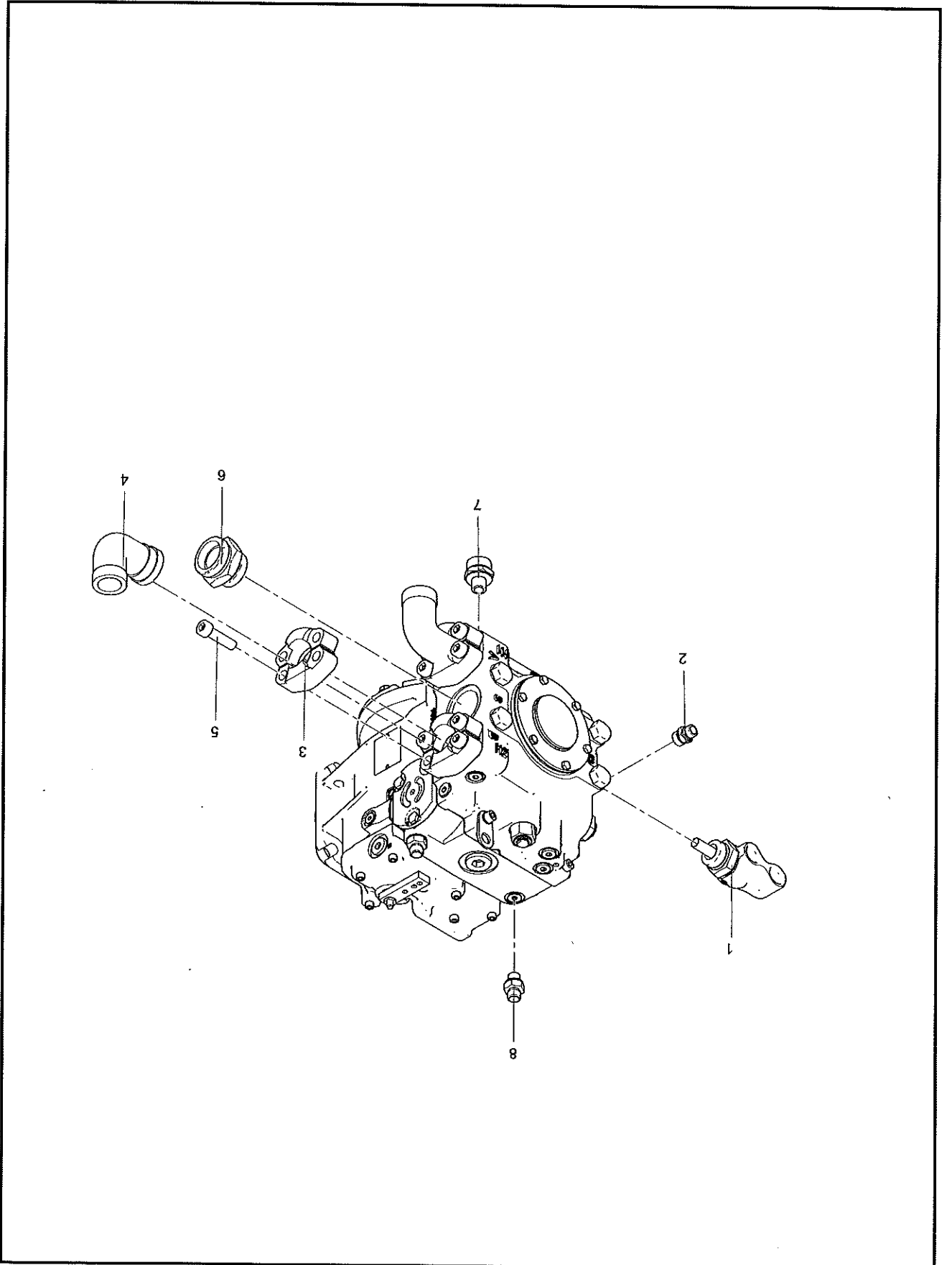
60260273 High Pressure Filter

INDEX	PART NO.	DESCRIPTION	QTY	SEE PAGE
1	151399000608A	Pressure Oil Filter	1	
2	B210780000898	Adapter Fitting	1	
3	B210780000004	Split Flange	4	
4	A229900003567	Elbow Fitting	2	
5	B210299000026	Screw	8	
6	B210780000793	Adapter Fitting	1	
7	B210780000107	Adapter Fitting	1	
8	60043335	Fitting, Adapter	2	

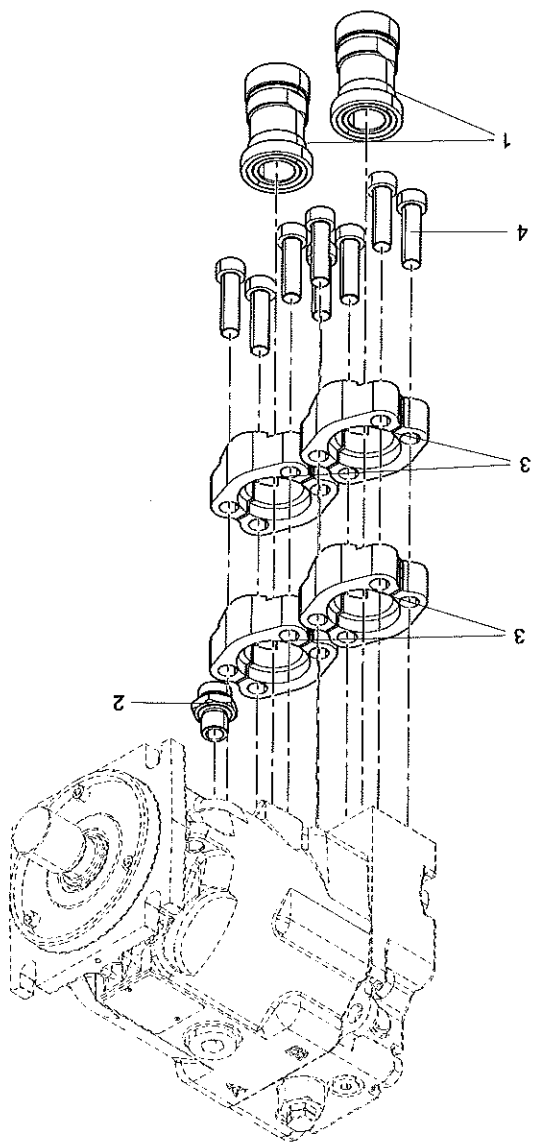




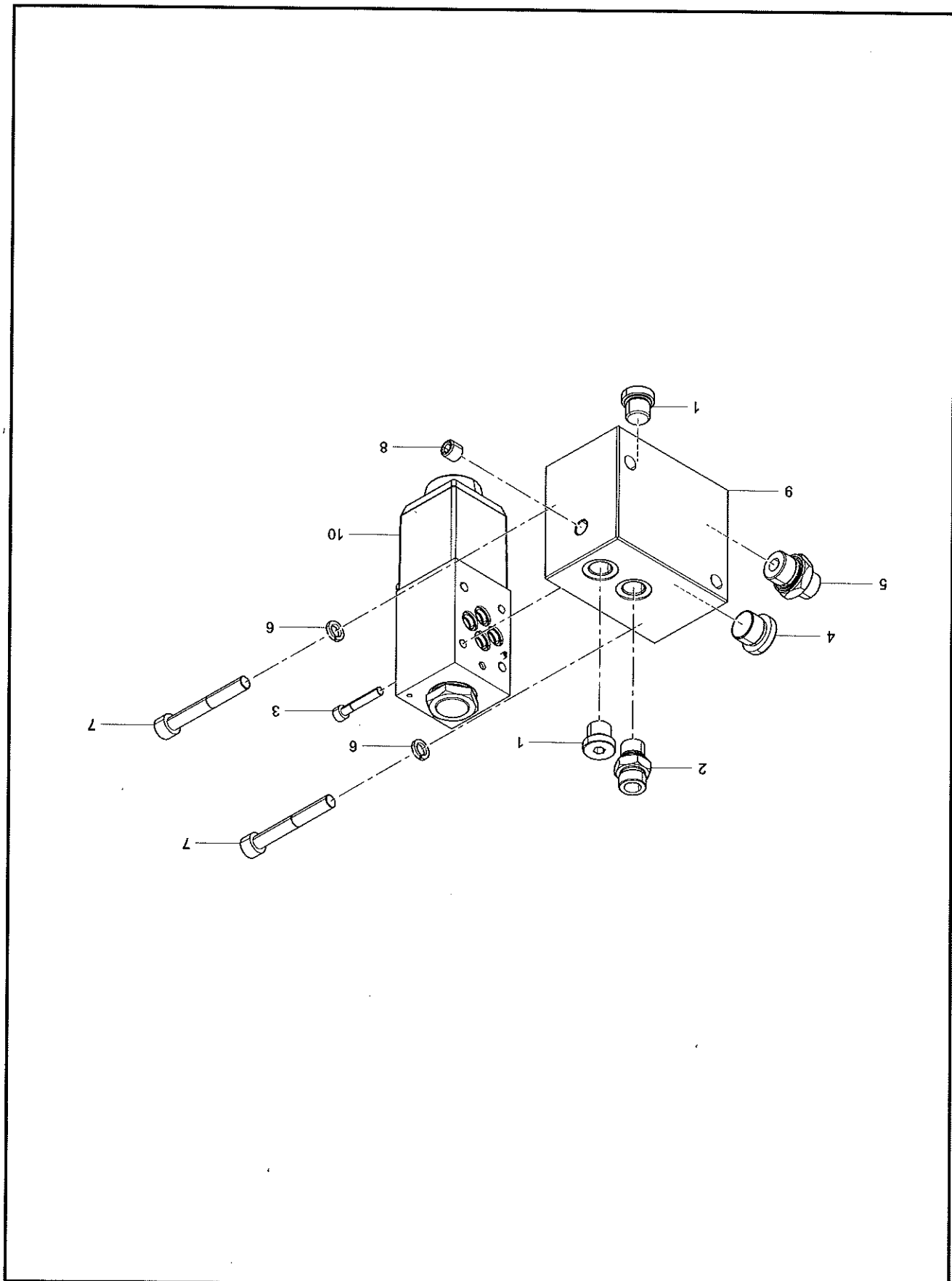
INDEX	PART NO.	DESCRIPTION	QTY	SEE PAGE
1	B230101000983	O-ring	2	
2	60263068	Hydraulic Filter Core	1	



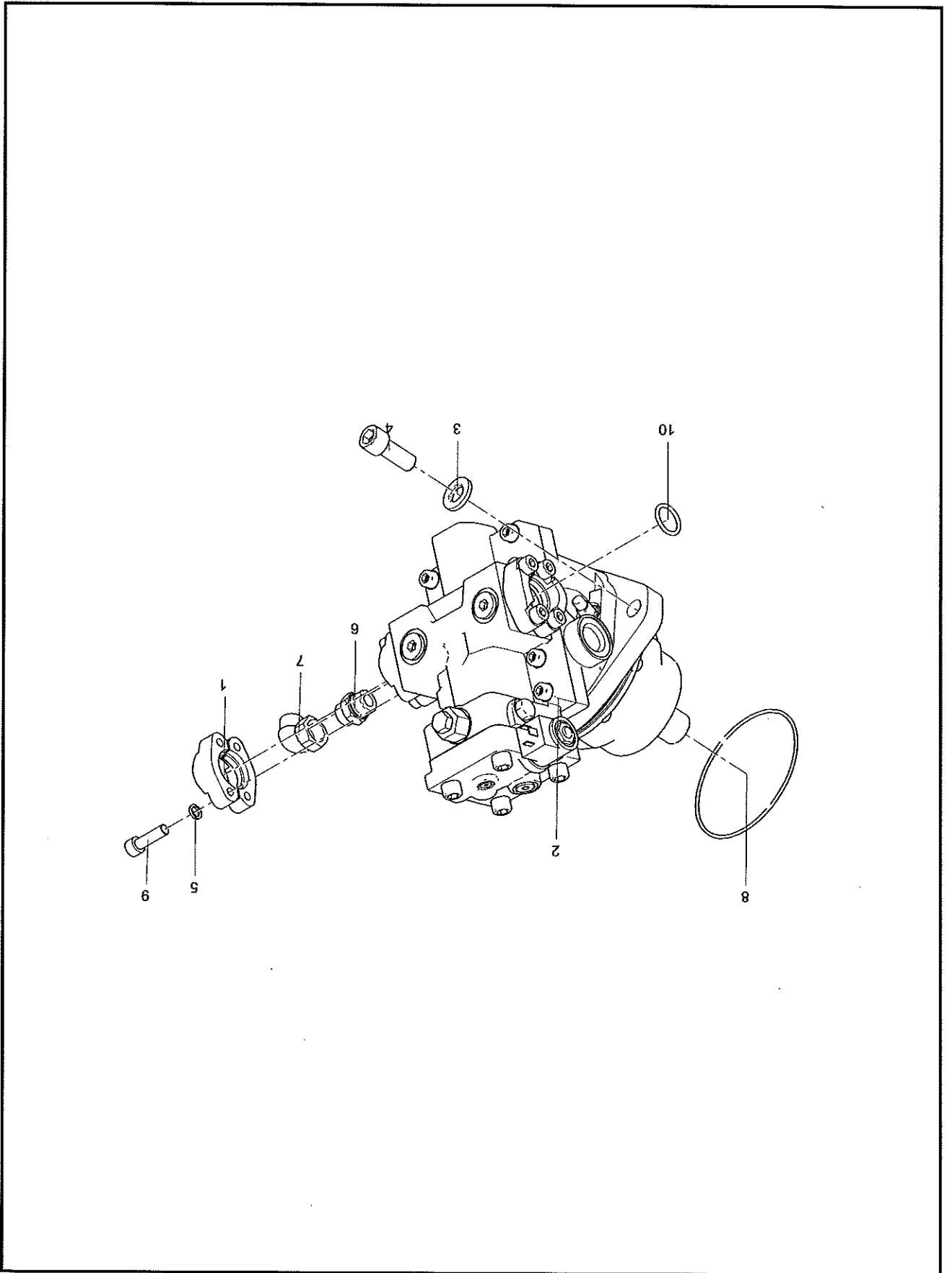
INDEX	PART NO.	DESCRIPTION	QTY	SEE PAGE
1	A210204000342	Screw	2	
2	A210401000017	Washer	2	
3	A210342000002	Screw Plug	1	
4	A210204000119	Screw	4	
5	B2107800000036	Adapter Fitting	1	
6	B2107800000228	Adapter Fitting	2	
7	B2107800000201	Screw Plug	1	
8	A820101342410	Control Valve Body	1	
9	B2204000000079	Directional Solenoid Valve	1	
10	151207000027B	Pressure-measuring Connector	1	



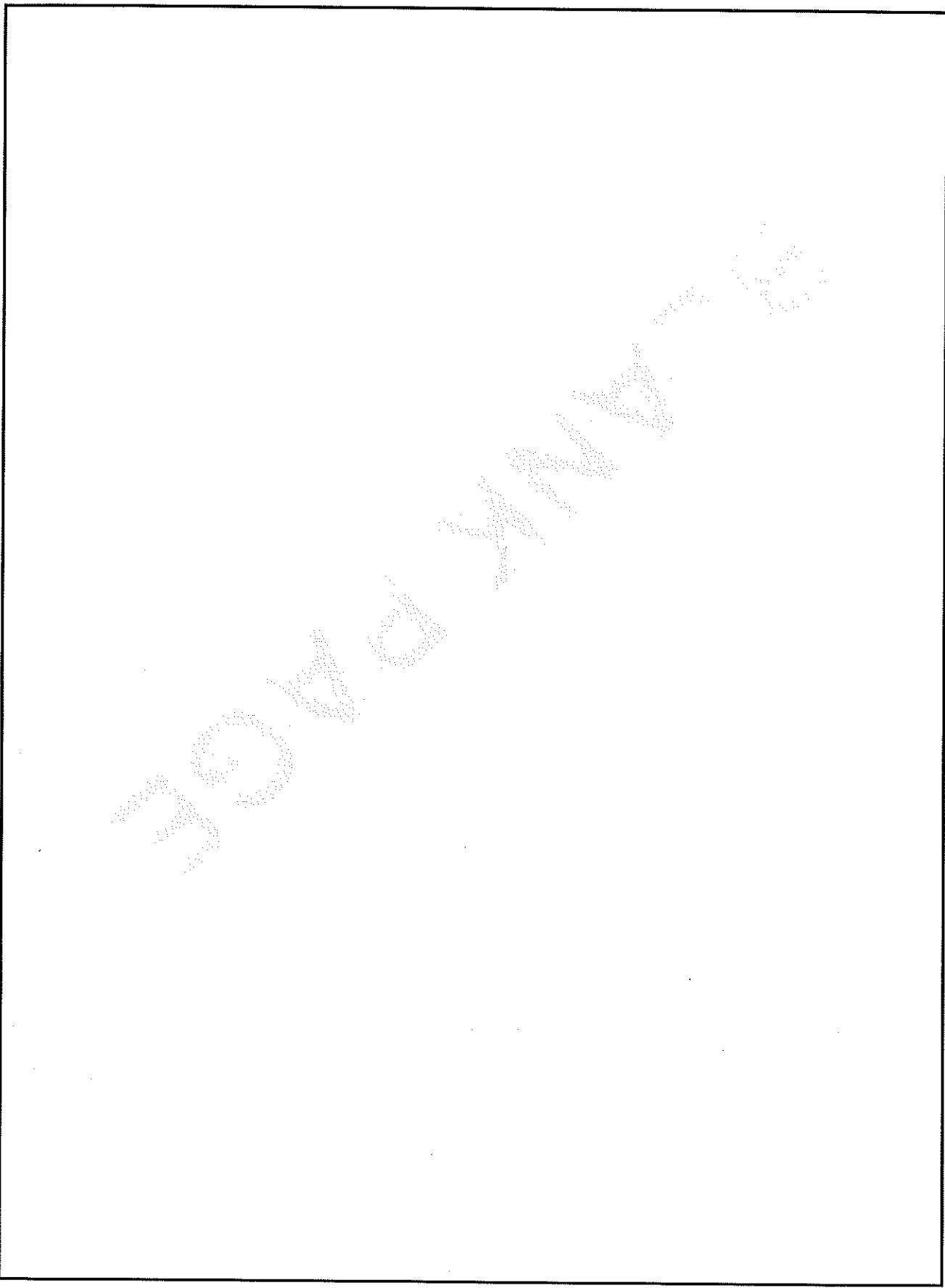
INDEX	PART NO.	DESCRIPTION	QTY	SEE PAGE
1	B210780000060	Fitting, Adapter, Flange	2	
2	B229900004088	(Pipe) Fitting	1	
3	B210780000004	Split Flange	1	
4	B210299000026	Screw	8	



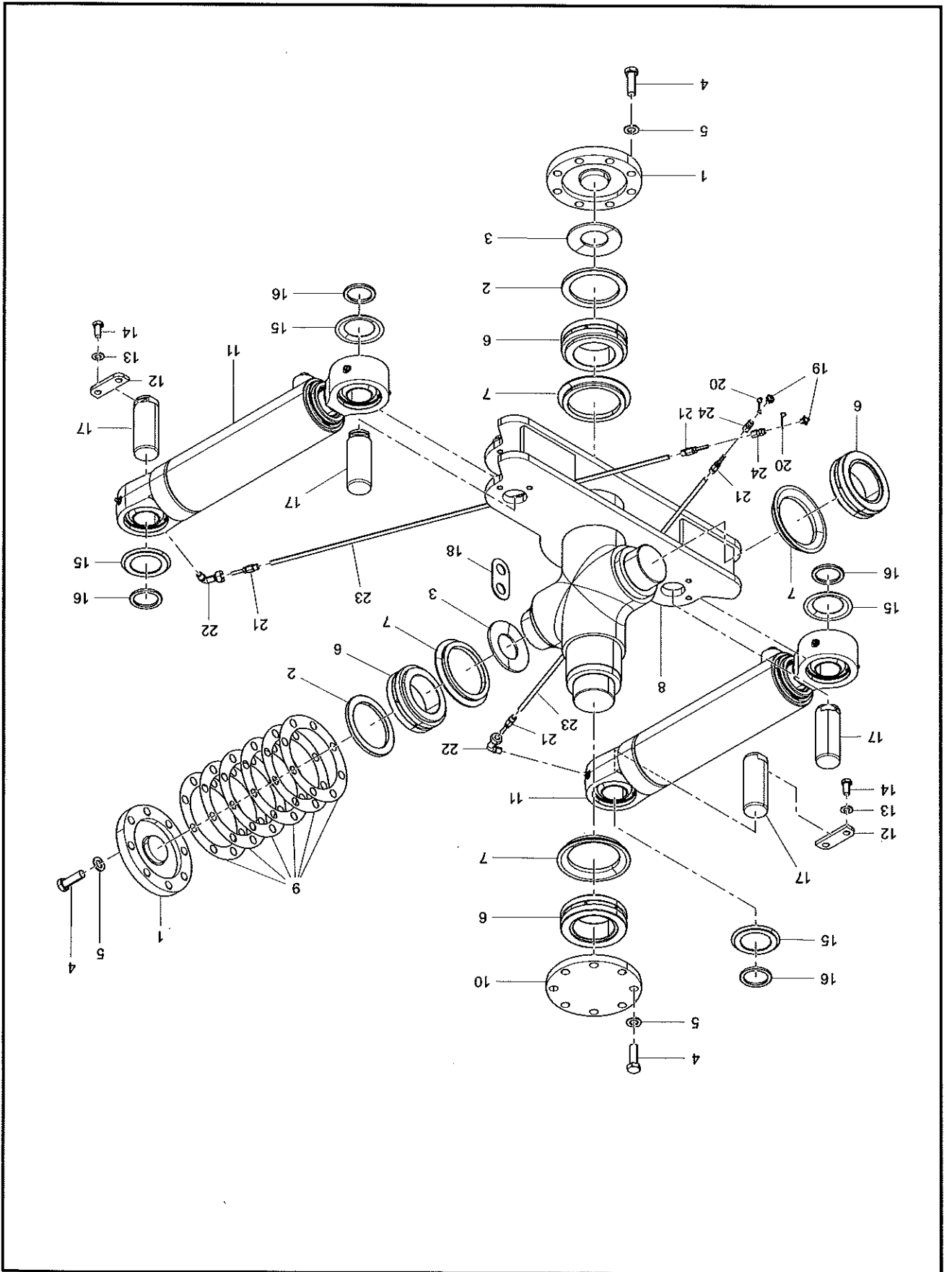
INDEX	PART NO.	DESCRIPTION	QTY	SEE PAGE
1	B210780000201	Screw Plug	2	
2	B210780000036	Adapter Fitting	1	
3	A210204000119	Screw	4	
4	B210399000005	Screw Plug	1	
5	B2107800000698	Adapter Fitting	1	
6	A210401000017	Washer	2	
7	A210204000342	Screw	2	
8	A210342000002	Screw Plug	1	
9	A820101342410	Control Valve Body	1	
10	B220400000079	Directional Solenoid Valve	1	



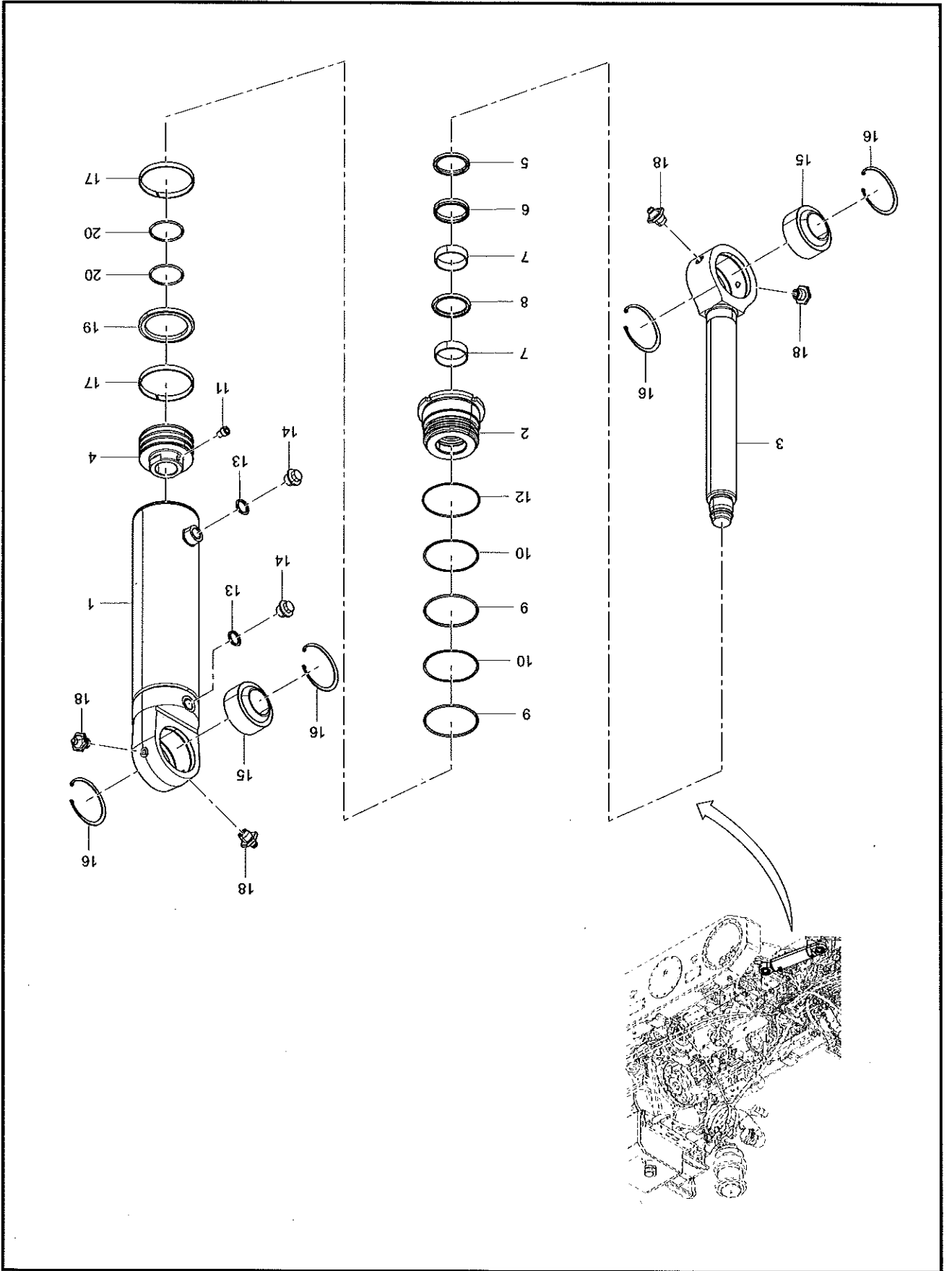
INDEX	PART NO.	DESCRIPTION	QTY	SEE PAGE
1	B210780000007	Split Flange	4	
2	60186347	Plunger Motor	1	
3	A210491000118	Washer	2	
4	A210204000195	Screw	2	
5	A210401000001	Washer	8	
6	B210780000587	Adapter Fitting	1	
7	B210780000025	Elbow Fitting	1	
8	B230101000461	O-ring	1	
9	A210204000212	Screw	8	
10	B230101000300	O-ring	2	



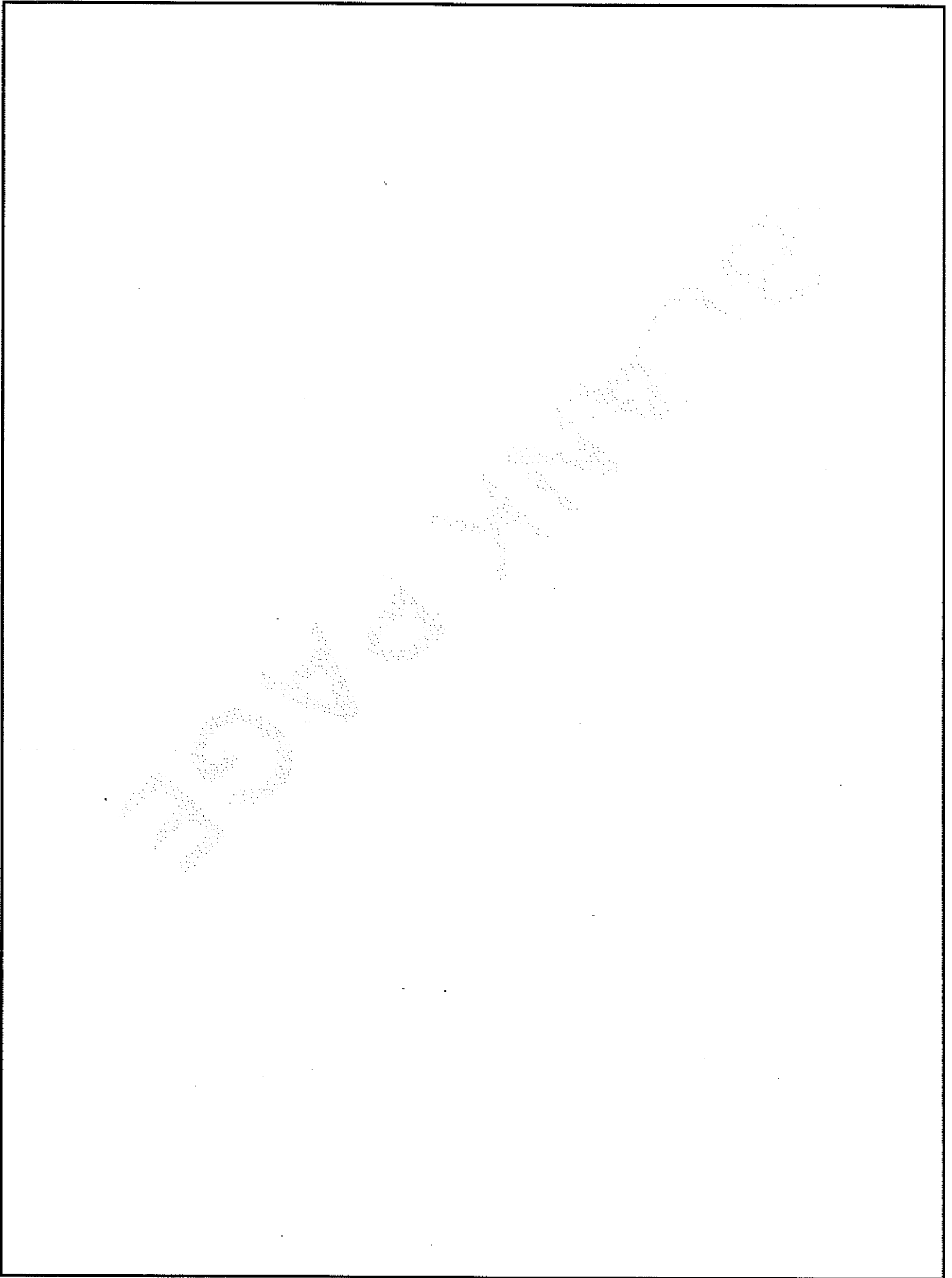
Group 5 Central Articulation Frame Assembly



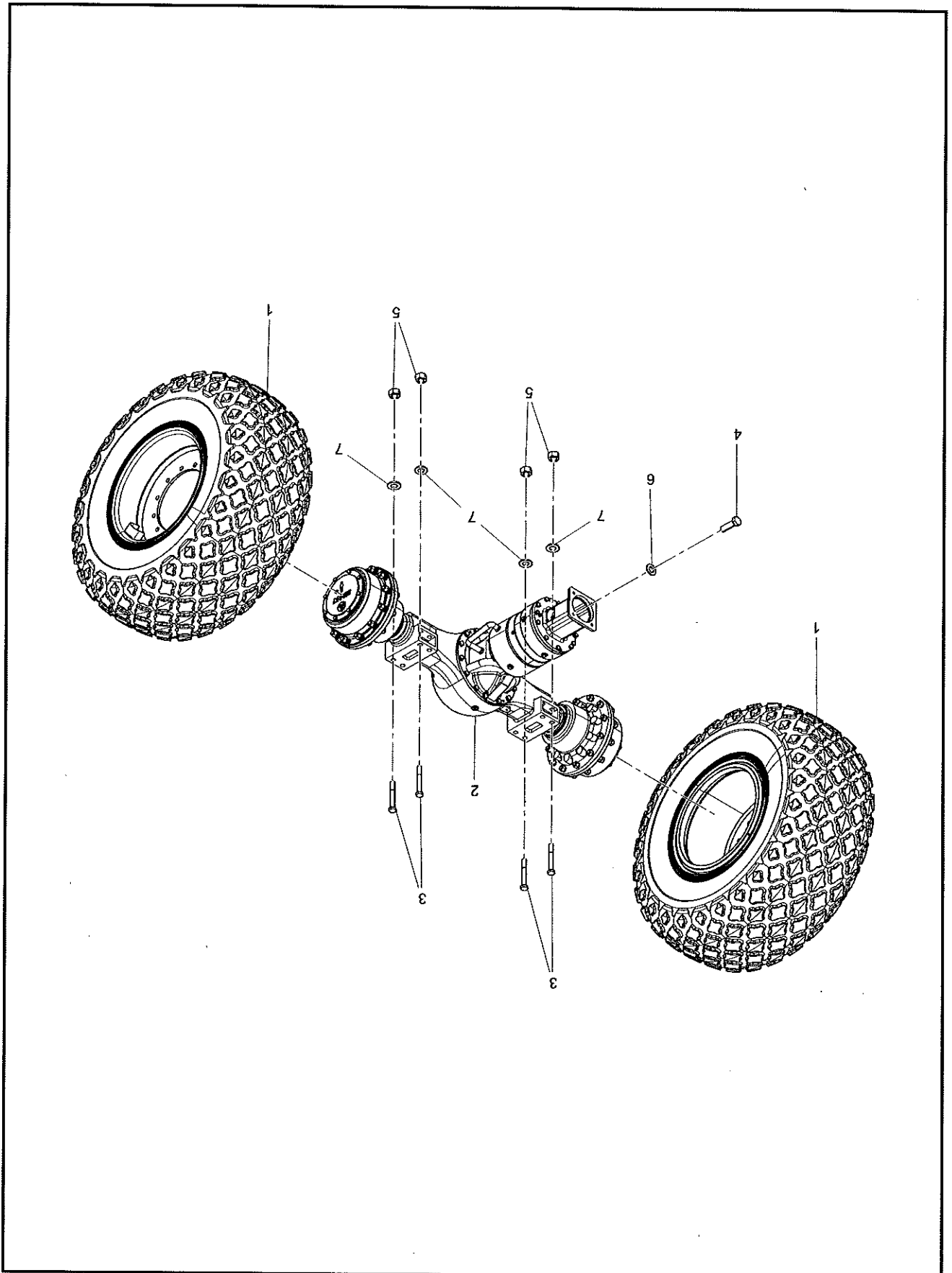
INDEX	PART NO.	DESCRIPTION	QTY	SEE PAGE
1	11543818	Bearing Cover	2	
2	13223572	Pressure Ring	2	
3	A210491000003	Belleville Spring	2	
4	A210111000243	Bolt	24	
5	A210405000003	Washer	24	
6	60082894	Joint Bearing	4	
7	11543825	Seal Ring	4	
8	13496515	Cross Shaft Welding Assembly	1	
9	13205069	Adjusting Spacer	6	
10	13961655	Bearing Cover	1	
11	14421879	Steering Oil Cylinder	2	5-4
12	A820101345222	Clamp Plate	4	
13	A210405000001	Washer	8	
14	A210111000037	Bolt	8	
15	12359619	Sealing Ring	8	
16	12359672	Retainer Ring	8	
17	13496640	Pin	4	
18	13196416	Backup Plate	2	
19	A229900010158	Oil Cup	6	
20	A29000002660	Protective Cap, Nozzle	8	
21	60045017	Detachable Fitting	4	
22	60191772	Right-angle Joint, Clamp Sleeve-type	2	
23	14453616	Lubrication Tube	2	
24	60191773	Ferrule-type Straight Adapter	2	



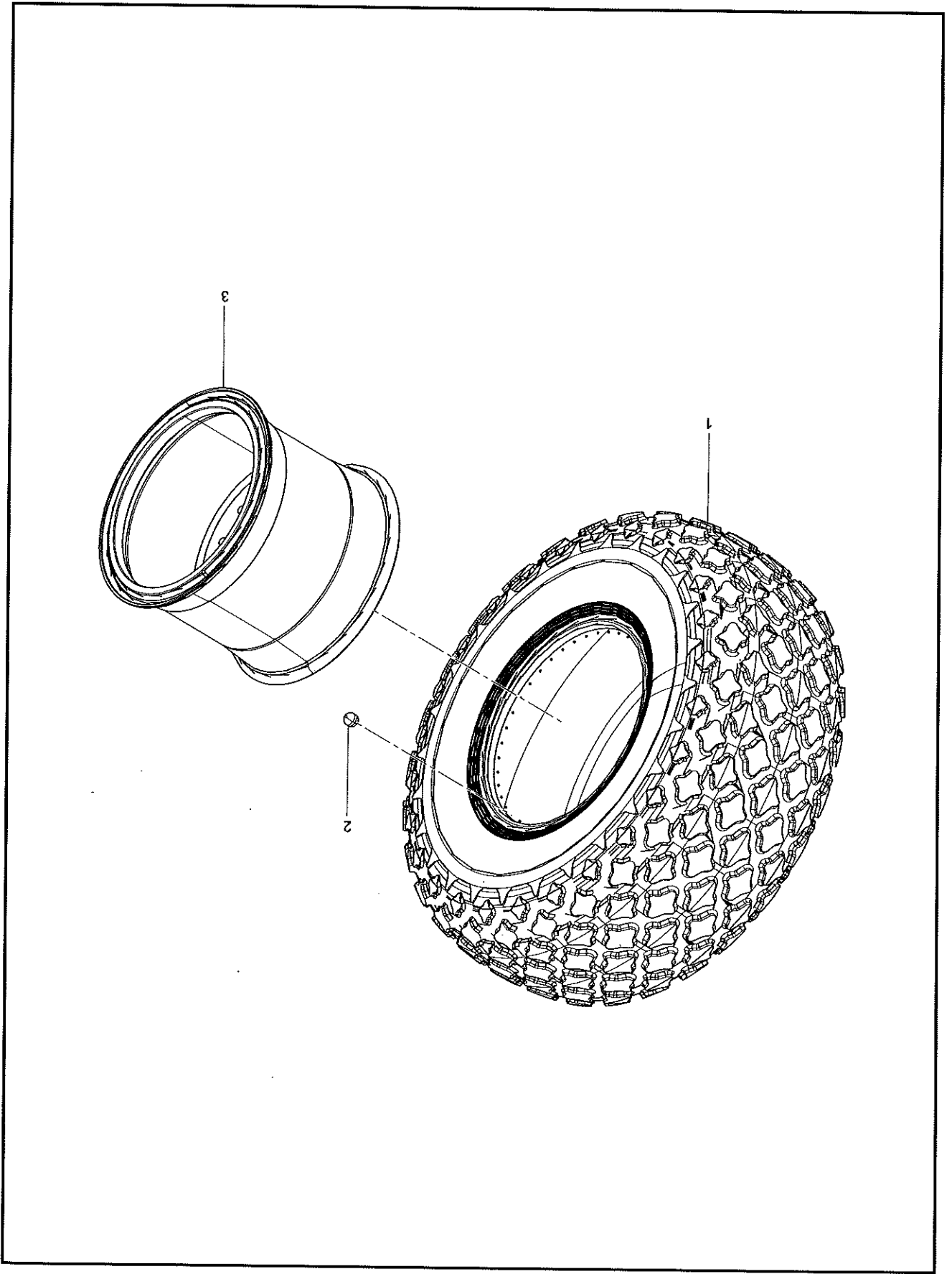
INDEX	PART NO.	DESCRIPTION	QTY	SEE PAGE
1	SYG005900387	Cylinder Assembly	1	
2	SYG005829016	Guide Sleeve	1	
3	SYG005900388	Piston Rod Assembly	1	
4	14421878	Piston	1	
5	B230101000067	AY Dust Ring	1	
6	B230101002121	ZBR Seal Ring	1	
7	B230101002047	UP Guide Ring	2	
8	13599606	GSJ Seal Ring	1	
9	A210609000087	O-ring	2	
10	10250733	Retainer Ring	2	
11	A210208000024	Screw	1	
12	A210609000218	O-ring	1	
13	A210434000011	Washer	2	
14	12355725	Screw Plug	2	
15	B221500000109	Joint Bearing	2	
16	A210416000024	Retainer Ring	4	
17	A880802010072	UP Guide Ring	2	
18	A229900010158	Oil Cup	4	
19	B230101000135	OK Seal Ring	1	
20	A210609000162	O-ring	2	



Group 6
Rear Axle Assembly

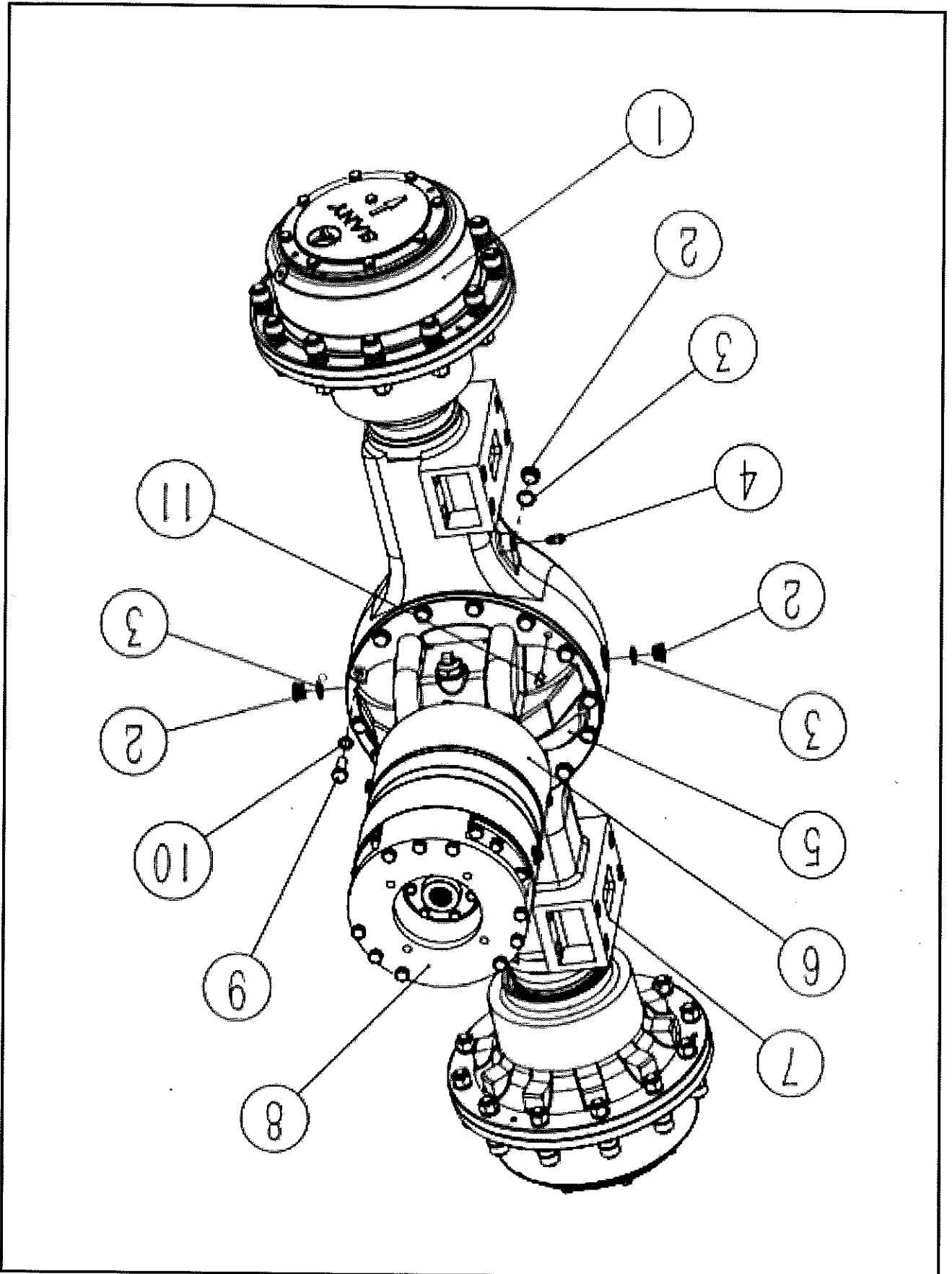


INDEX	PART NO.	DESCRIPTION	QTY	SEE PAGE
1	YLJ006130920	Tire and Wheel Rim Assembly	2	6-4
2	131401020015A	Drive Axle	1	6-6
3	A210110000330	Bolt	8	
4	A210114000008	Bolt	4	
5	A210307000007	Nut	8	
6	A210491000118	Washer	4	
7	A210491000122	Washer	8	

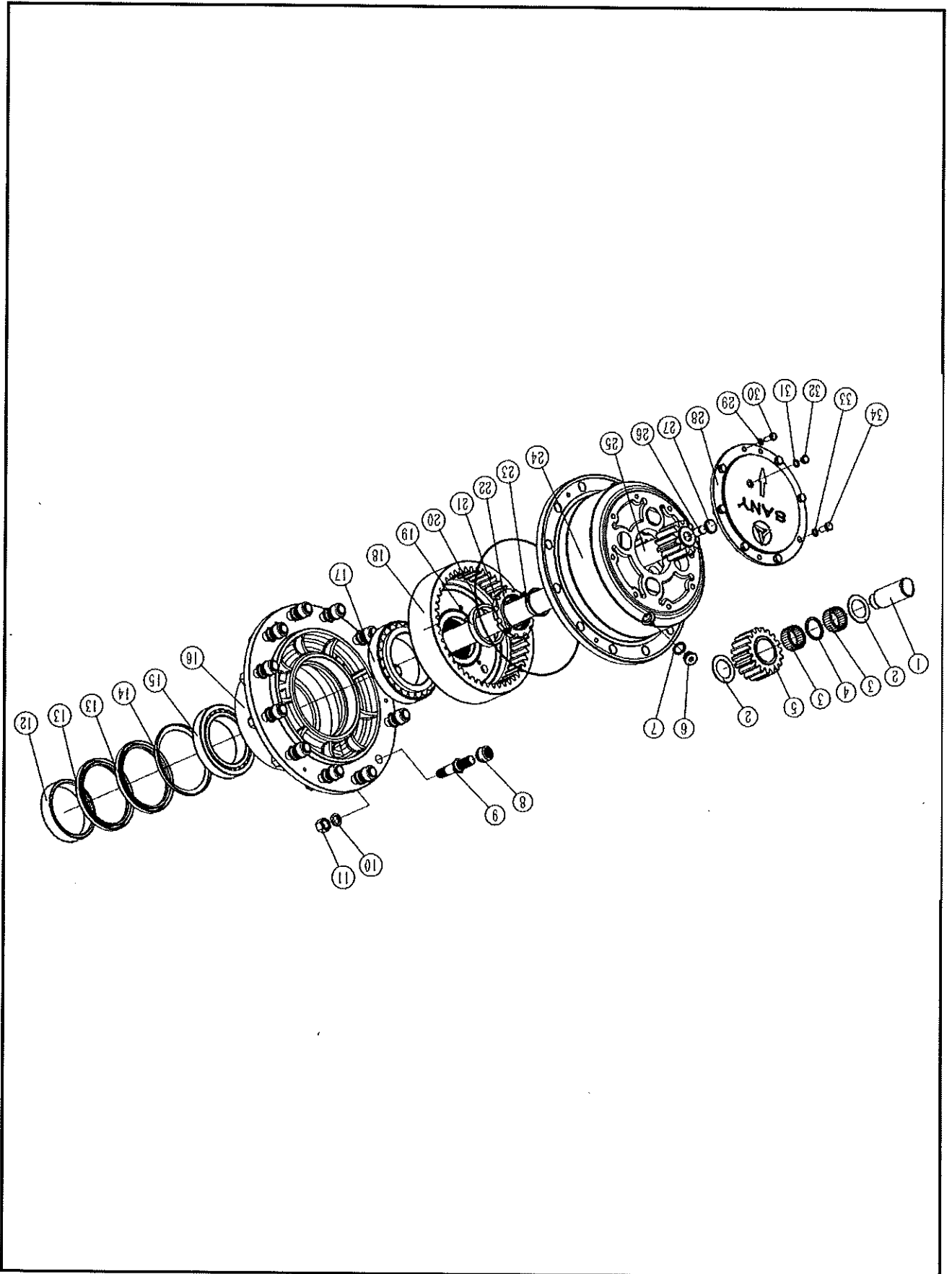


INDEX	PART NO.	DESCRIPTION	QTY	SEE PAGE
1	131701000062B	Tire	1	
2	60284941	Calcium Chloride	40	
3	YLJ006130894	Rim Assembly	1	

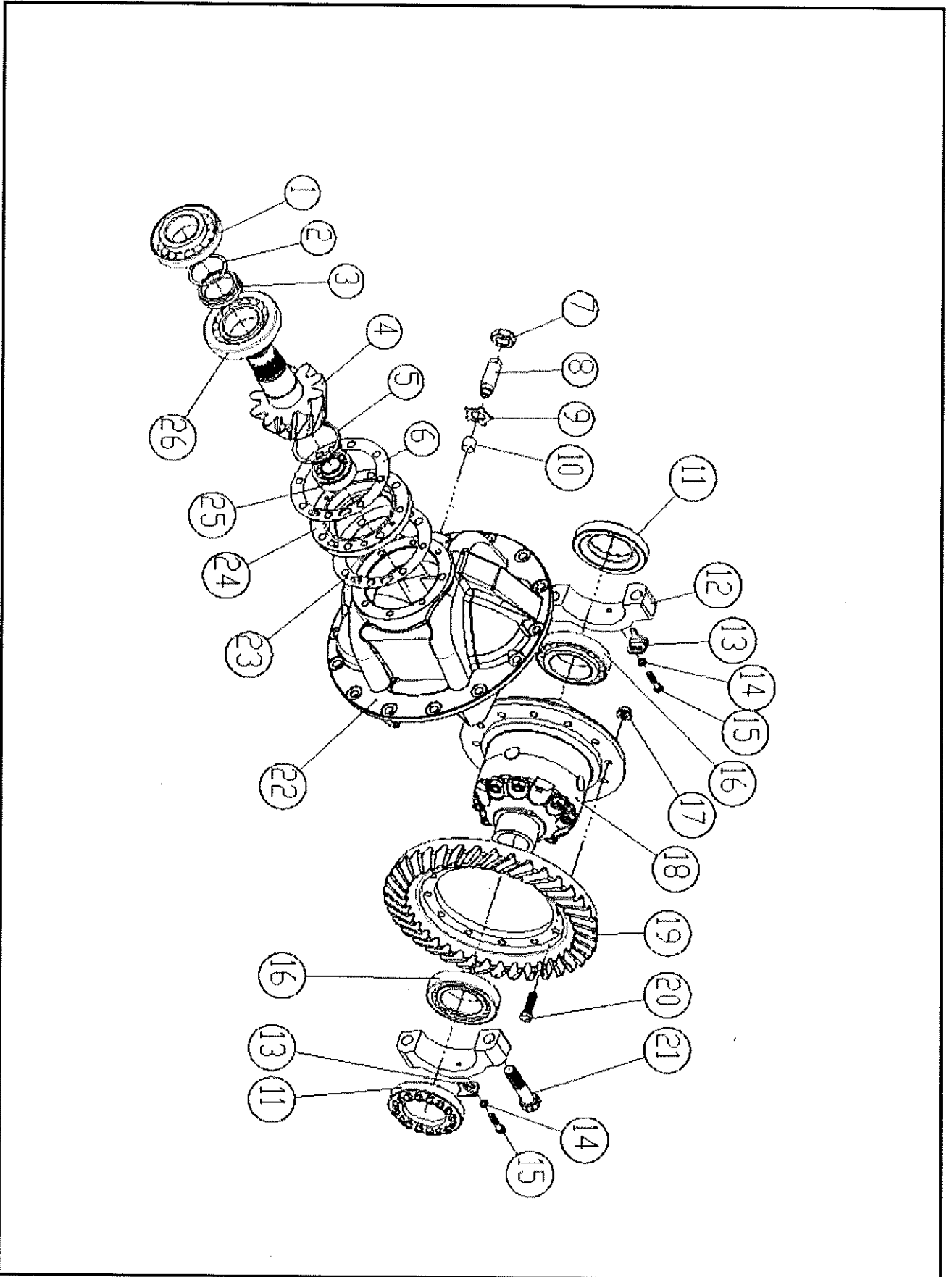
YLJ006130920 Tire and Wheel Rim Assembly



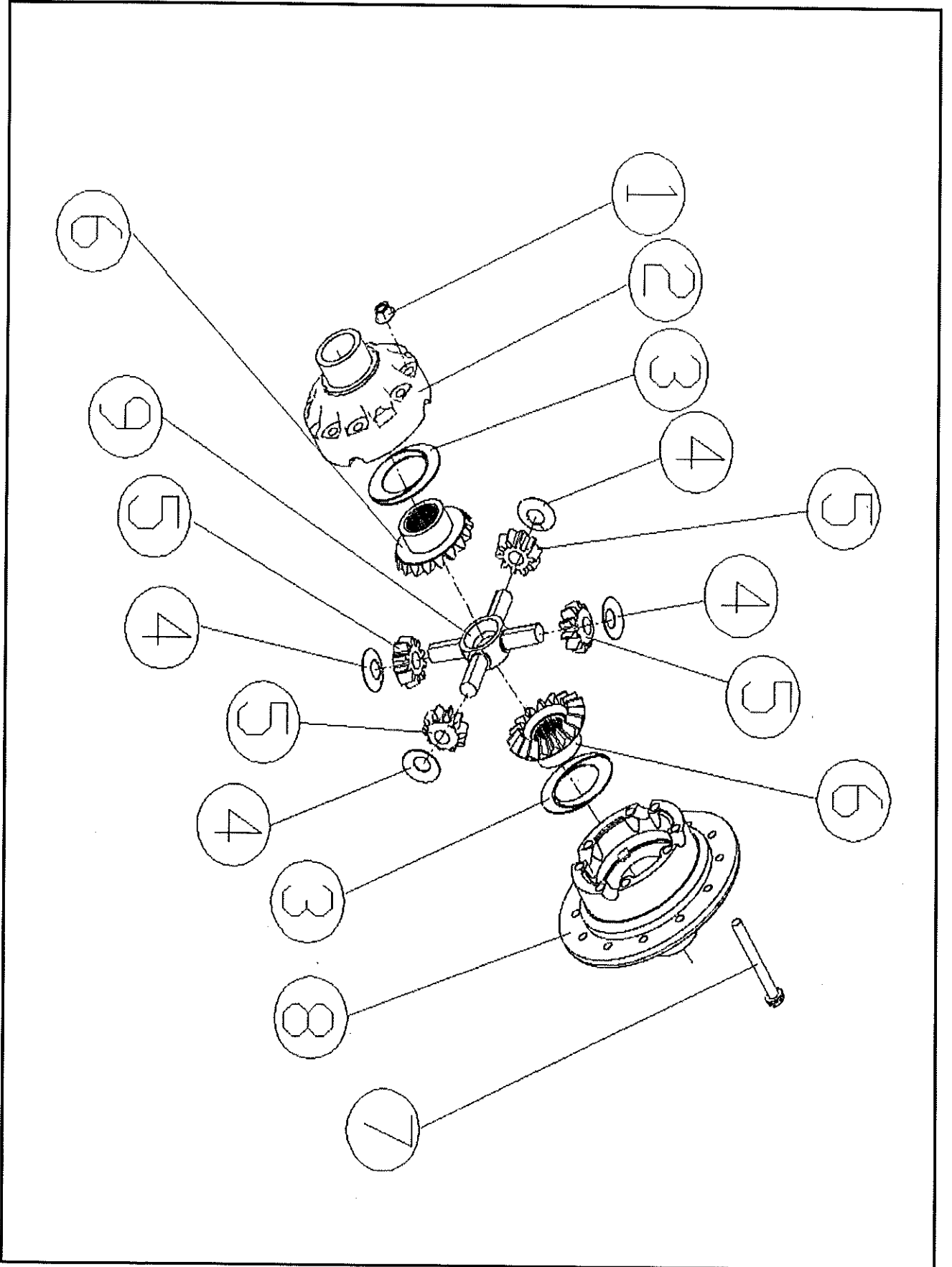
INDEX	PART NO.	DESCRIPTION	QTY	SEE PAGE
1	131401020283B021	Wheel Assembly	2	6-8
2	131401020015A008	Plug, Oil Drain	3	
3	131401020015A001	combination gasket	3	
4	131401020015A002	Plug Breather	1	
5	131401020015A003	the main reduction assembly	1	6-10
6	131401020221B003	Center reducer assembly	1	6-14
7	131401020015A004	bridge shell assembly	1	6-16
8	131401020221B002	Center brake assembly	1	6-18
9	131401020015A006	bolt	14	
10	131401020015A005	washer	14	
11	131401020015A007	Pin	2	



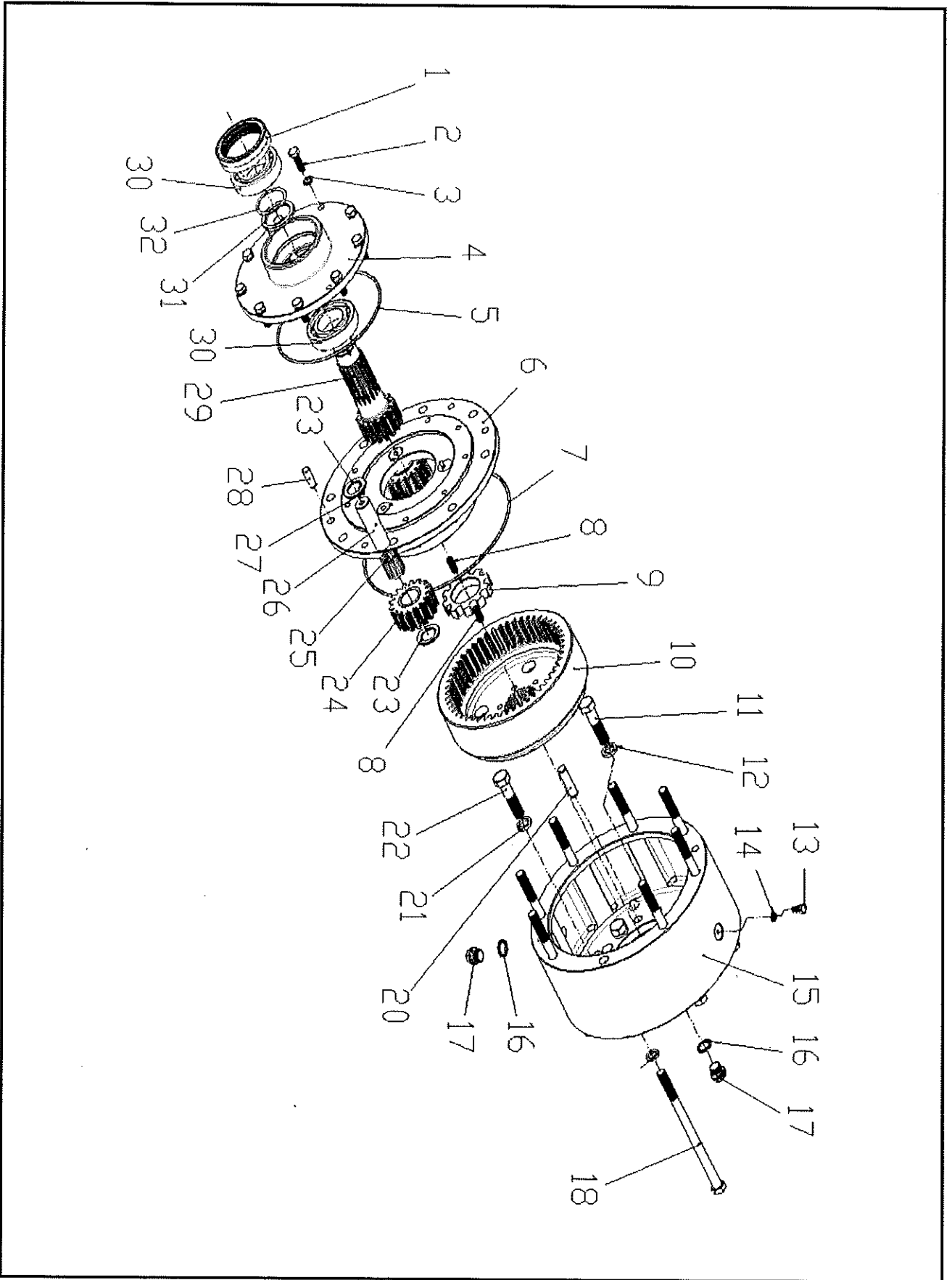
INDEX	PART NO.	DESCRIPTION	QTY
1	131401020015A011	Gear Shaft, Primary Planet	4
2	131401020015A013	Planetary wheel gasket	8
3	60271885	Needle Pin	216
4	60271886	Spacer	4
5	131401020283B009	Gear, Planet	4
6	131401020015A008	Plug, Oil Drain	1
7	131401020015A001	combination gasket	1
8	131401020015A015	Nut, Lug	12
9	131401020015A017	Stud	12
10	131401020015A014	gasket	12
11	131401020015A016	nut	12
12	131401020015A059	Carrier, Oil Seal	1
13	131401020283B010	oil seal	2
14	60220383	Baffle, Oil	1
15	131401020015A032	bearing	1
16	131401020015A031	Fan Hub Retainer	1
17	131401020015A029	bearing	1
18	131401020015A030	Counter Disk	1
19	131401020015A027	Rear axle rim separation	1
20	131401020015A028	O-rings	1
21	A210206000013	Screw	2
22	131401020015A060	Locknut	1
23	60220399	Spacer Bushing	1
24	131401020015A025	Planet carrier	1
25	131401020283B011	Axle shaft	2
26	131401020221B019	adjusting strut	1
27	60271866	Limiting Block	1
28	131401020015A022	Front Cap Assembly	1
29	131401020015A023	gasket	1
30	A210113000264	Bolt	1
31	131401020015A024	Combination gasket	1
32	131401020015A061	Screw	1
33	131401020015A026	gasket	7
34	A210114000124	Bolt M12x1.25x25GB5786 Grade 10.9	7



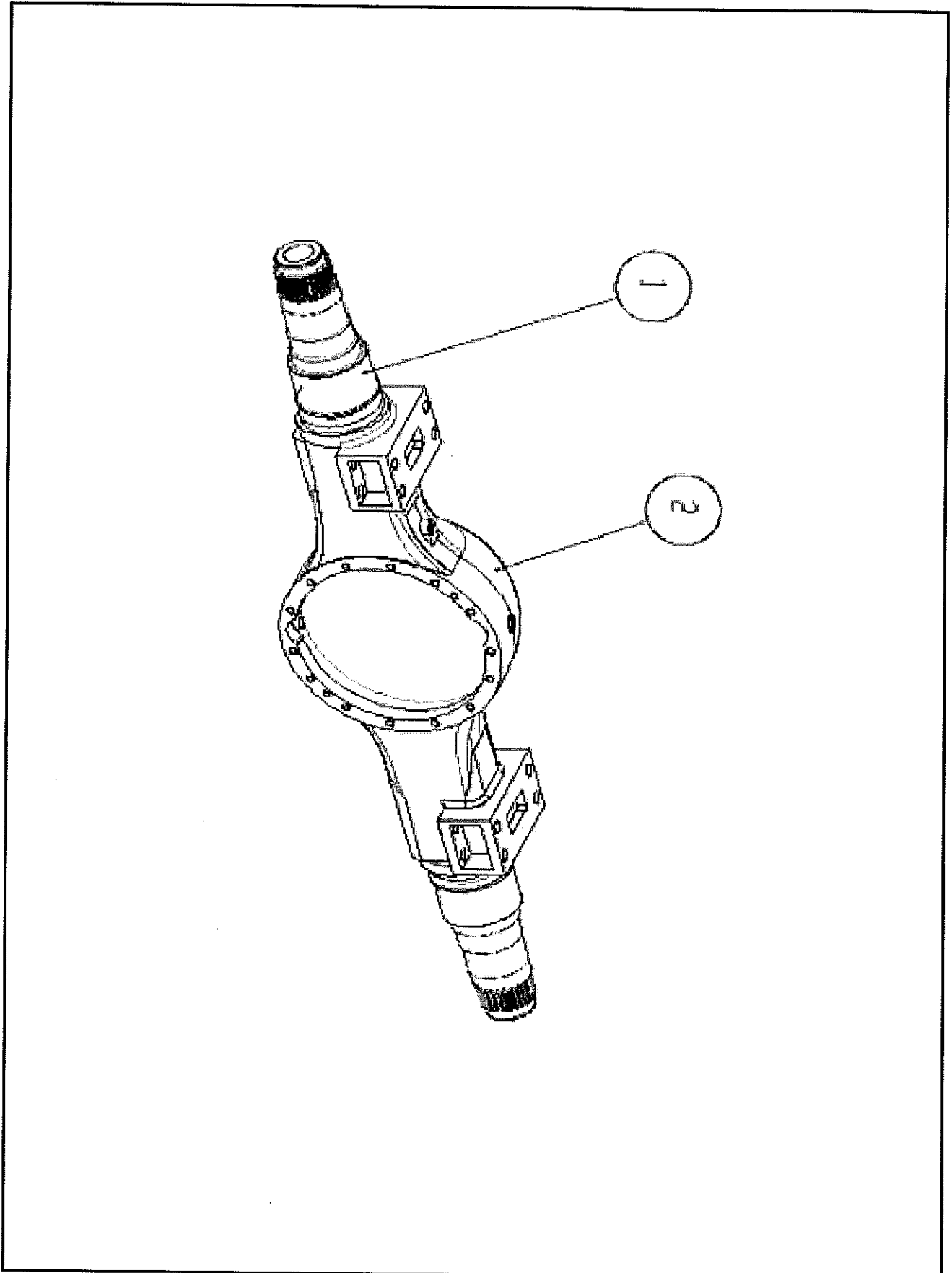
INDEX	PART NO.	DESCRIPTION	QTY	SEE PAGE
1	131401020015A020	bearing	1	
2	131401020282B014	Spacer gasket	1	
3	131401020282B001	Sleeve bushing	1	
4	131401020015A009	spiral bevel driving gear	1	
5	131401020015A033	retaining ring	1	
6	131401020015A021	the base gasket	1	
7	60007281	Nut	1	
8	131401020015A049	bolt	1	
9	131401020015A050	Locking plate	1	
10	60271894	Copper Sleeve	1	
11	131401020015A051	Nuts of differentiator	2	
12	131401020015A052	Tile Cover	2	
13	131401020015A018	Locking piece	2	
14	131401020015A023	gasket	2	
15	120101120011A	bolt	2	
16	131401020015A053	Bearing	2	
17	120102990108A	Nut	12	
18	131401020221B004	Differential Case Assembly	1	6-12
19	131401020015A066	piral bevel gear assembly	1	
20	131401020287B068	Bolt	12	
21	131401020015A054	Bolt M22x90	4	
22	131401020015A055	Bracket	1	
23	131401020015A056	Spacer, Adjusting	1	
24	131401020015A057	Bearing Holder	1	
25	131401020015A058	Bearing NUP2307E	1	
26	131401020221B021	Bearing	1	



INDEX	PART NO.	DESCRIPTION	QTY
1	120102990108A	Nut	8
2	131401020204B003	differential case (small)	1
3	131401020221B005	shaft gear gasket	2
4	131401020221B006	bevel gear gasket	4
5	131401020221B008	bevel gear	4
6	60271870	Side Gear	2
7	131401020204B002	Bolt	8
8	131401020204B004	differential case (big)	1
9	131401020221B007	Spider	1

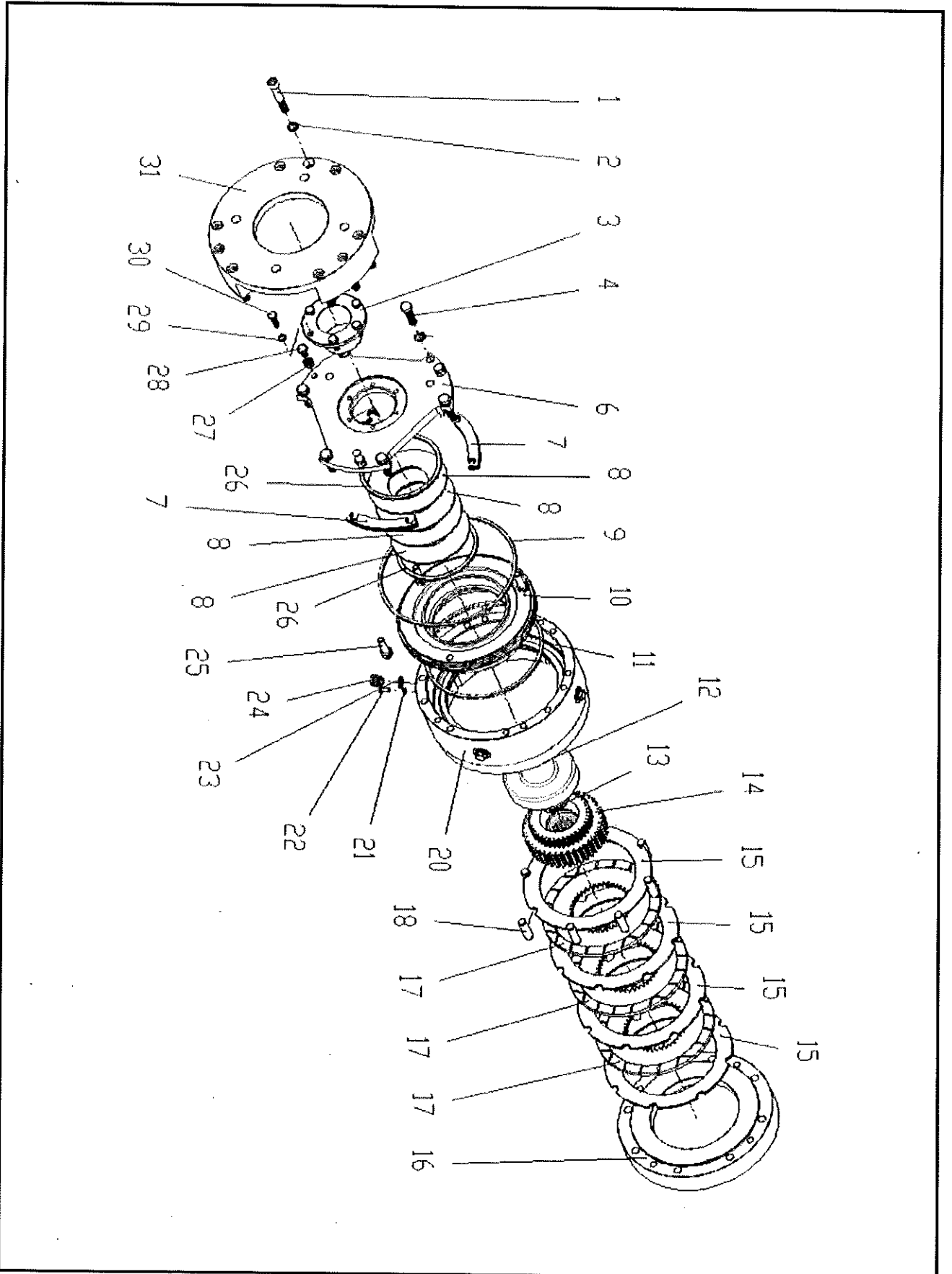


INDEX	PART NO.	DESCRIPTION	QTY	SEE PAGE
1	61016965	Combination oil seal	1	
2	2400278	bolt	9	
3	131401020015A023	gasket	9	
4	131401020283B022	Spacer, Adjusting	1	
5	A210609000016N	O-ring	1	
6	131401020015A065	Gear Spider, Planet	1	
7	2400540	O-ring	1	
8	A2102060000007	Screw	2	
9	131401020015A046	Locknut	1	
10	131401020015A047	Hexagon Nut	1	
11	60254951	Bolt	1	
12	A210401000003	Washer	1	
13	24002327	Bolt	1	
14	A229900010583	Combination Cushion Circle	1	
15	131401020015A048	connecting base	1	
16	131401020015A037	Drain Plug	2	
17	29007595	Combition Seal Ring	2	
18	131401020015A038	Bolt	9	
20	131401020015A039	Pin	2	
21	A2101130000026	Bolt	7	
22	131401020015A005	washer	7	
23	131401020015A040	planetary wheel gasket	6	
24	131401020015A041	Gear, Planet	3	
25	131401020283B020	needle roller	87	
26	131401020015A042	Gear Shaft, Planet	3	
27	131401020015A043	Steel Ball(GB308 Series)	3	
28	60126136	Pin	2	
29	131401020015A044	central gear axle	1	
30	A880312010258	Rolling bearing	1	
31	131401020231B036	Spacer, Bearing	1	
32	131401020015A045	Adjusting shim	1	

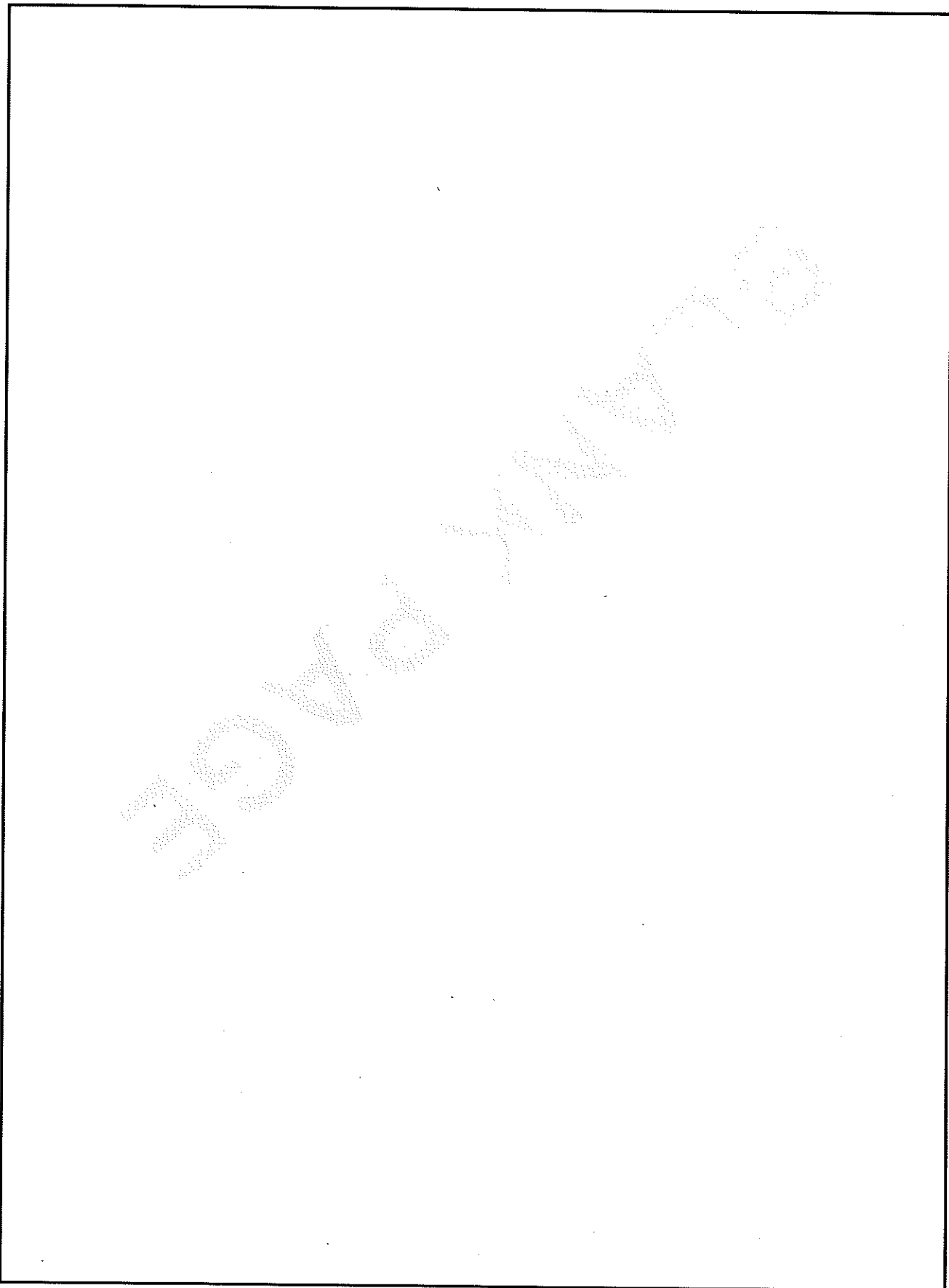


INDEX	PART NO.	DESCRIPTION	QTY	SEE PAGE
1	131401020015A035	end bearing	2	
2	131401020015A034	axle case	1	

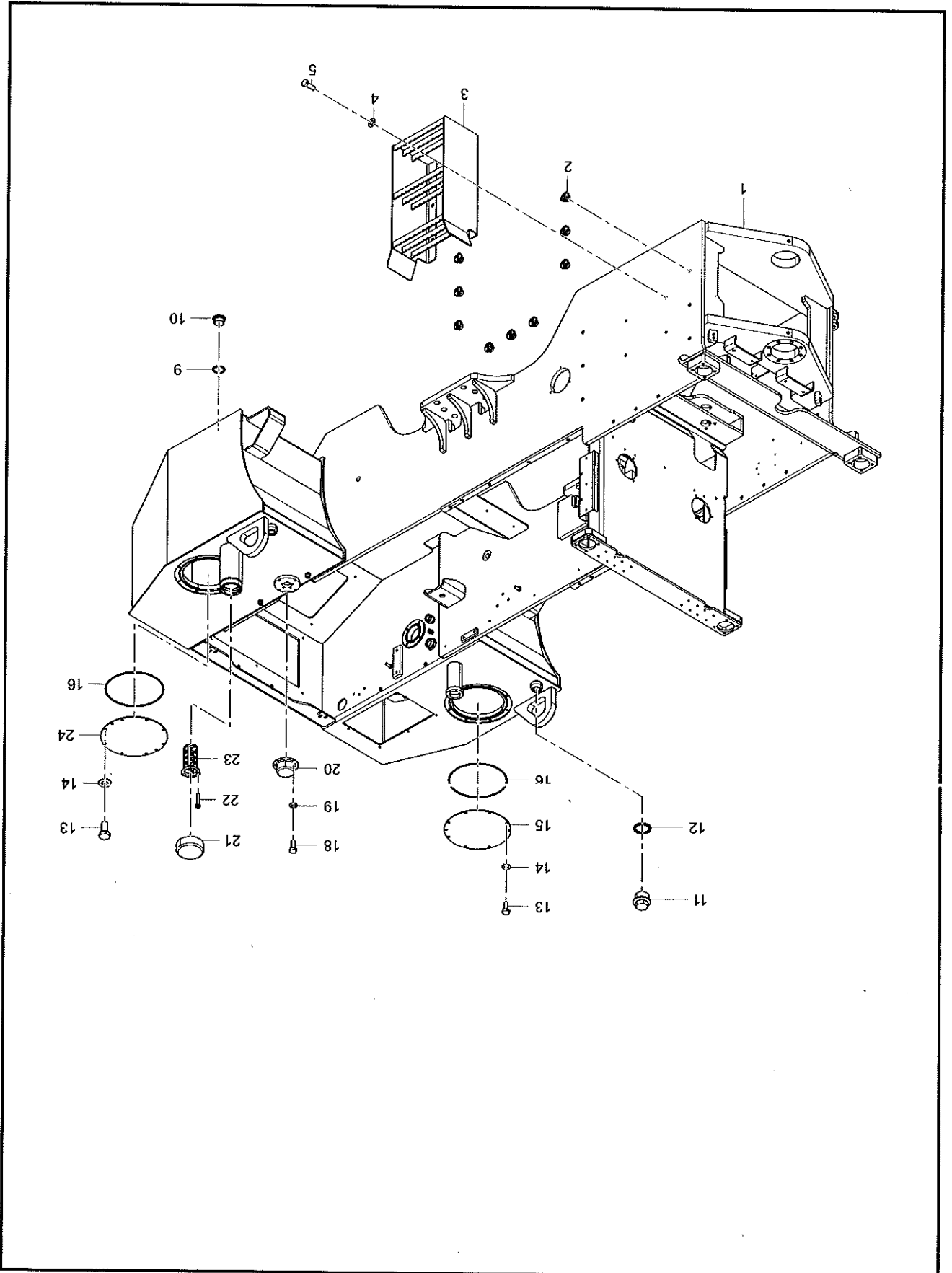
131401020015A004 bridge shell assembly



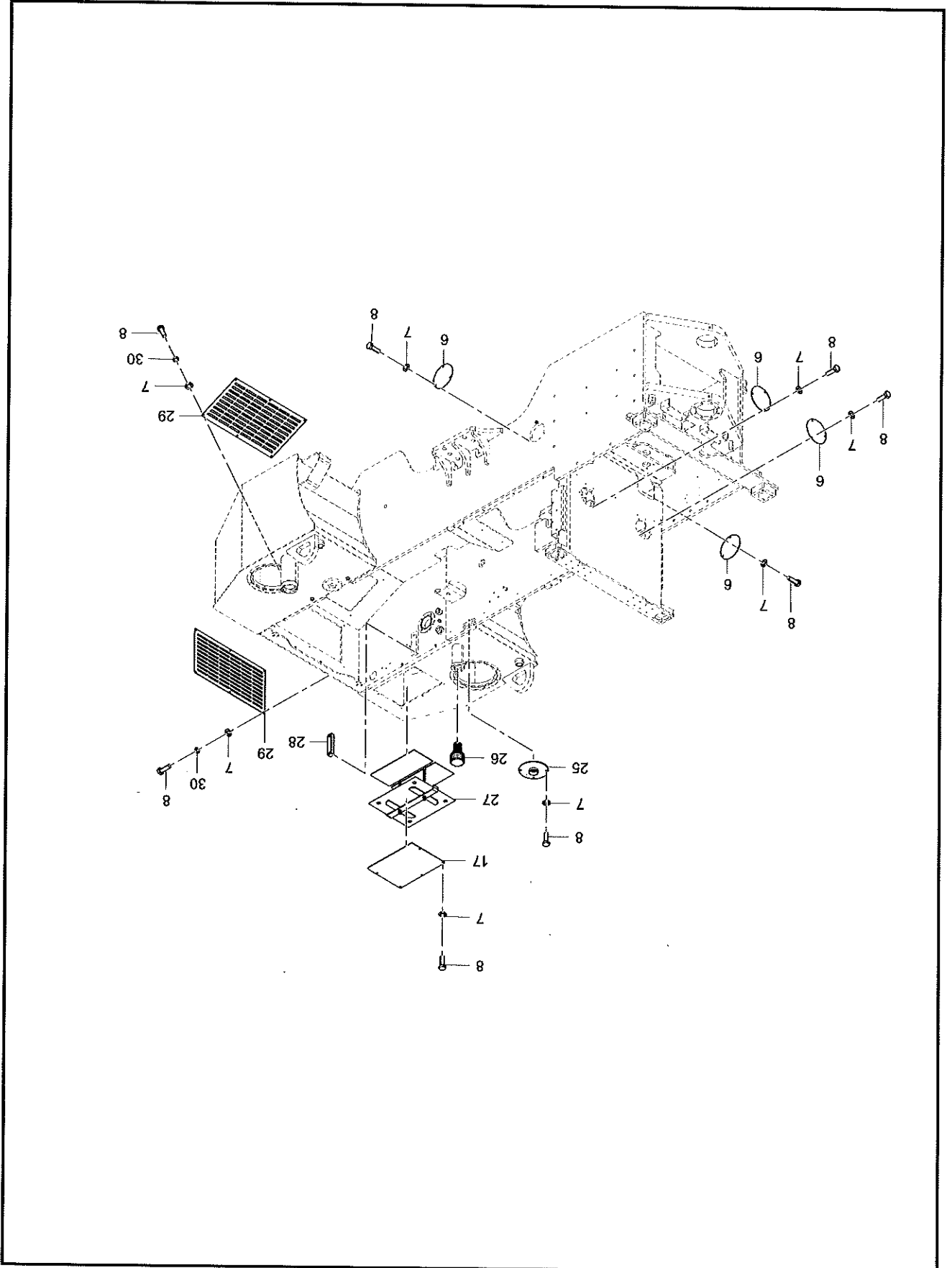
INDEX	PART NO.	DESCRIPTION	QTY	SEE PAGE
1	131401020015A062	Bolt	9	
2	A210401000003	Washer	9	
3	131401020231B015	Guide Sleeve	1	
4	A210114000080	Bolt	6	
6	131401020231B016	Cover, Pressure	1	
7	131401020282B002	Tabletting gasket	36	
8	131401020015A036	spring	4	
9	61016971	X-type ring	1	
10	131401020282B016	Piston	1	
11	61016970	X-type ring	1	
12	61025881	Spline Shaft Adaptor Assembly	1	
13	131401020283B002	Nut, Lock	1	
14	131488001002A	no name	1	
15	61016969	Brake Stopping Disk	4	
16	131401020282B005	Center Brake Seal	1	
17	131401020283B016	Friction Plate	3	
18	61023675	Cylindrical Pin	8	
19	131401020282B009	Cylinder	1	
20	131401020015A024	Combination gasket	1	
21	23002678	Screw	1	
22	131401020015A063	Plug, Oil Drain	3	
23	29007595	Combition Seal Ring	1	
24	131401020282B013	Brake bolt	3	
25	131401020015A064	Lock Plate	2	
26	A210308000007	Nut	3	
27	A210114000077	Bolt	3	
28	131401020015A023	gasket	6	
29	90100185	Bolt	6	
30	131401020231B014	Positioning Seat	1	



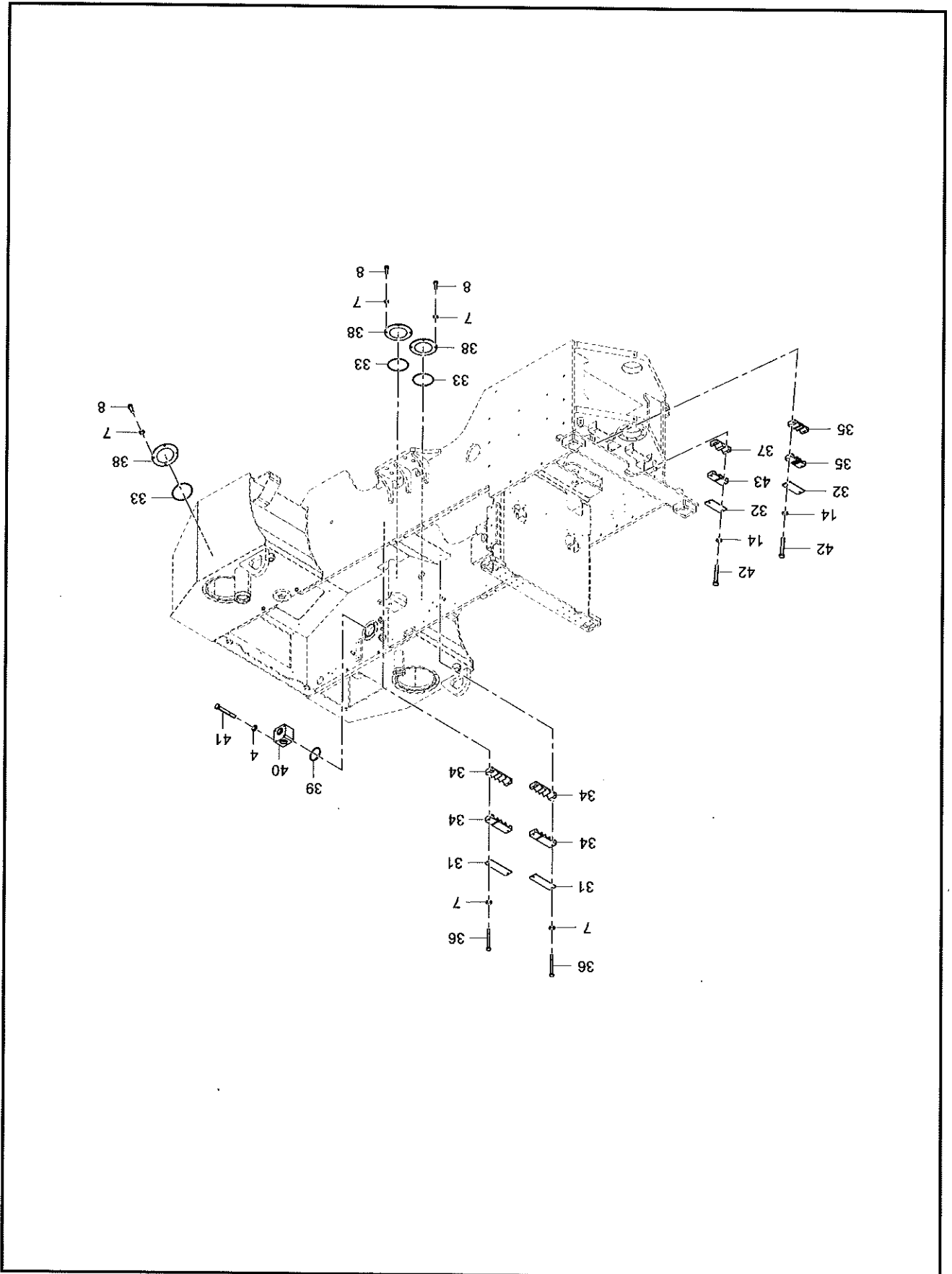
Group 7
Rear Carriage Assembly



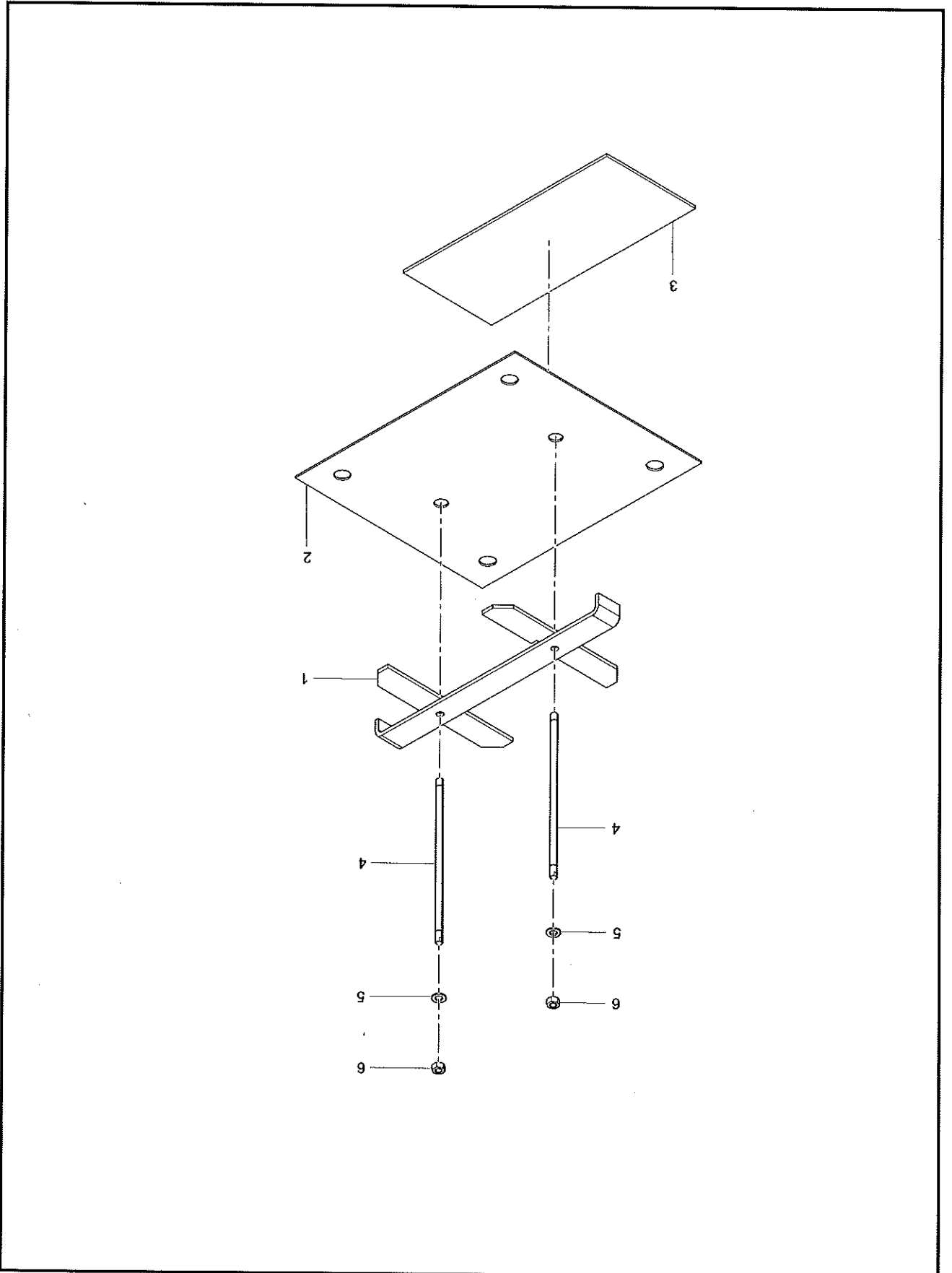
INDEX	PART NO.	DESCRIPTION	QTY	SEE PAGE
1	14124423	Rear Carriage Welding	1	
2	10891721	Threaded Cover	18	
3	13629504	Ladder Welding	1	
4	A21040500001	Washer	8	
5	A210111000202	Bolt	4	
9	A210434000020	Washer	1	
10	A210333000007	Screw Plug	1	
11	A210332000002	Screw Plug	2	
12	A210434000015	Washer	2	
13	A210111000011	Bolt	16	
14	A210405000011	Washer	20	
15	14149796	Hydraulic Oil Tank Cover	1	
16	A2106090000294	O-ring	2	
18	A210111000079	Bolt	4	
19	A210405000006	Washer	4	
20	A820101041279	Protective Cover	1	
21	A290000002193	Fuel Tank Cover	1	
22	A210264000008	Tapping Screw	3	
23	60022607	Strainer	1	
24	13634615	Oil Tank Cover Plate	1	



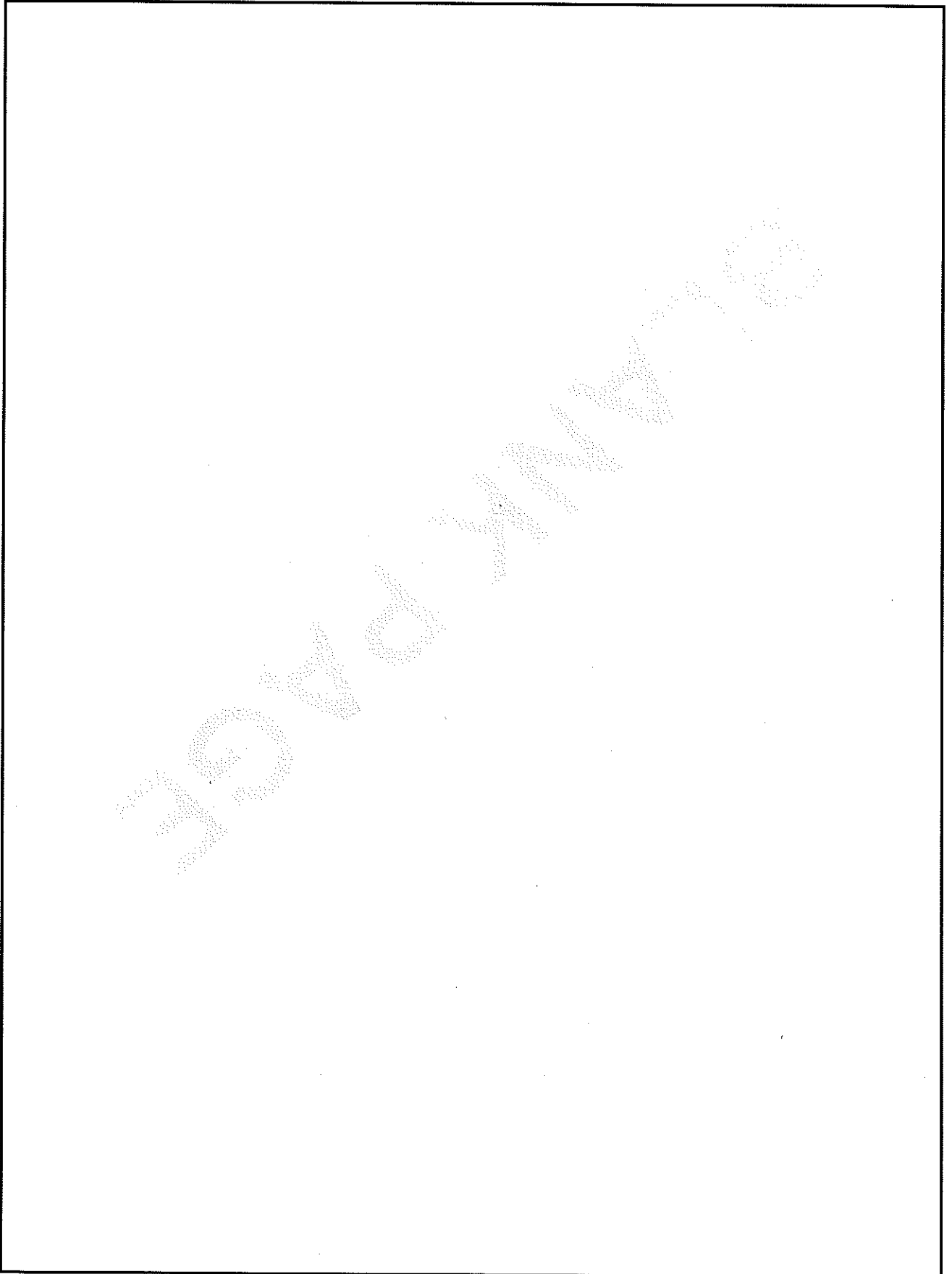
INDEX	PART NO.	DESCRIPTION	QTY	SEE PAGE
6	13561999	Cover Plate	4	
7	A210405000007	Washer	49	
8	A210111000090	Bolt	45	
17	13489584	Cover Plate	1	
25	14149774	Oil Suction Seat End Cover	1	
26	A222100000044	Air Filter	1	
27	A810401010039	Battery Components	1	7-8
28	A250100000043	Liquid Level Meter	1	
29	13884214	Bottom Cover Plate	2	
30	A210401000017	Washer	12	



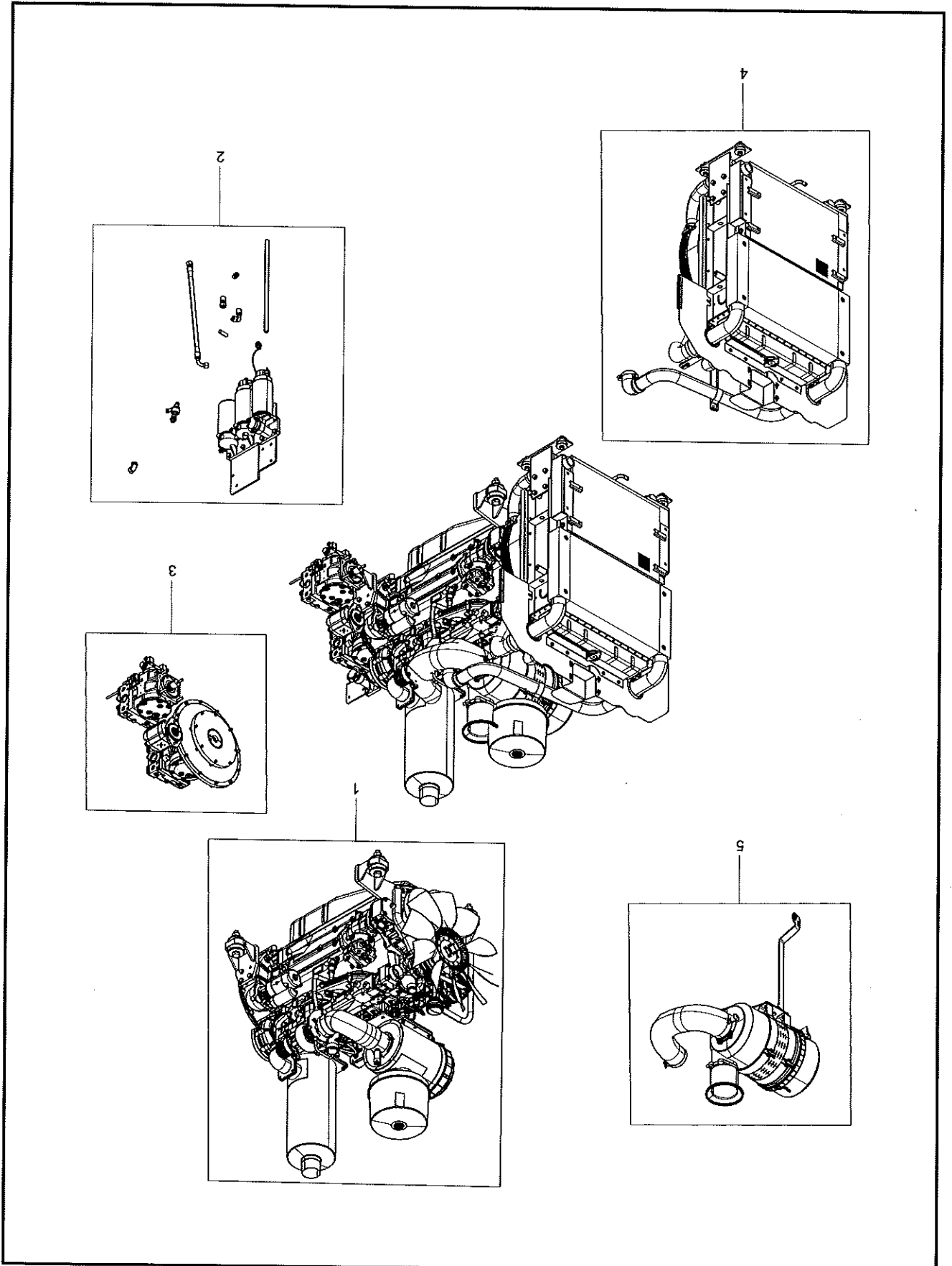
INDEX	PART NO.	DESCRIPTION	QTY	SEE PAGE
4	A21040500001	Washer	8	
7	A21040500007	Washer	49	
8	A21011100090	Bolt	45	
14	A21040500011	Washer	20	
31	11287705	Cover Board, Tube Clamp	2	
32	10994336	Cover Board, Tube Clamp	2	
33	60184692	O-ring	4	
34	1128728	Right Clamp	4	
35	12886328	Tube Clamp	2	
36	A21010800097	Bolt	4	
37	12884814	Tube Clamp	1	
38	14149776	Oil Tank Cover Plate	3	
39	A880202010006	O-ring	1	
40	14352377	Oil Suction Seat	1	
41	A210110000323	Bolt	4	
42	A210111000297	Bolt	4	
43	12884288	Tube Clamp	1	



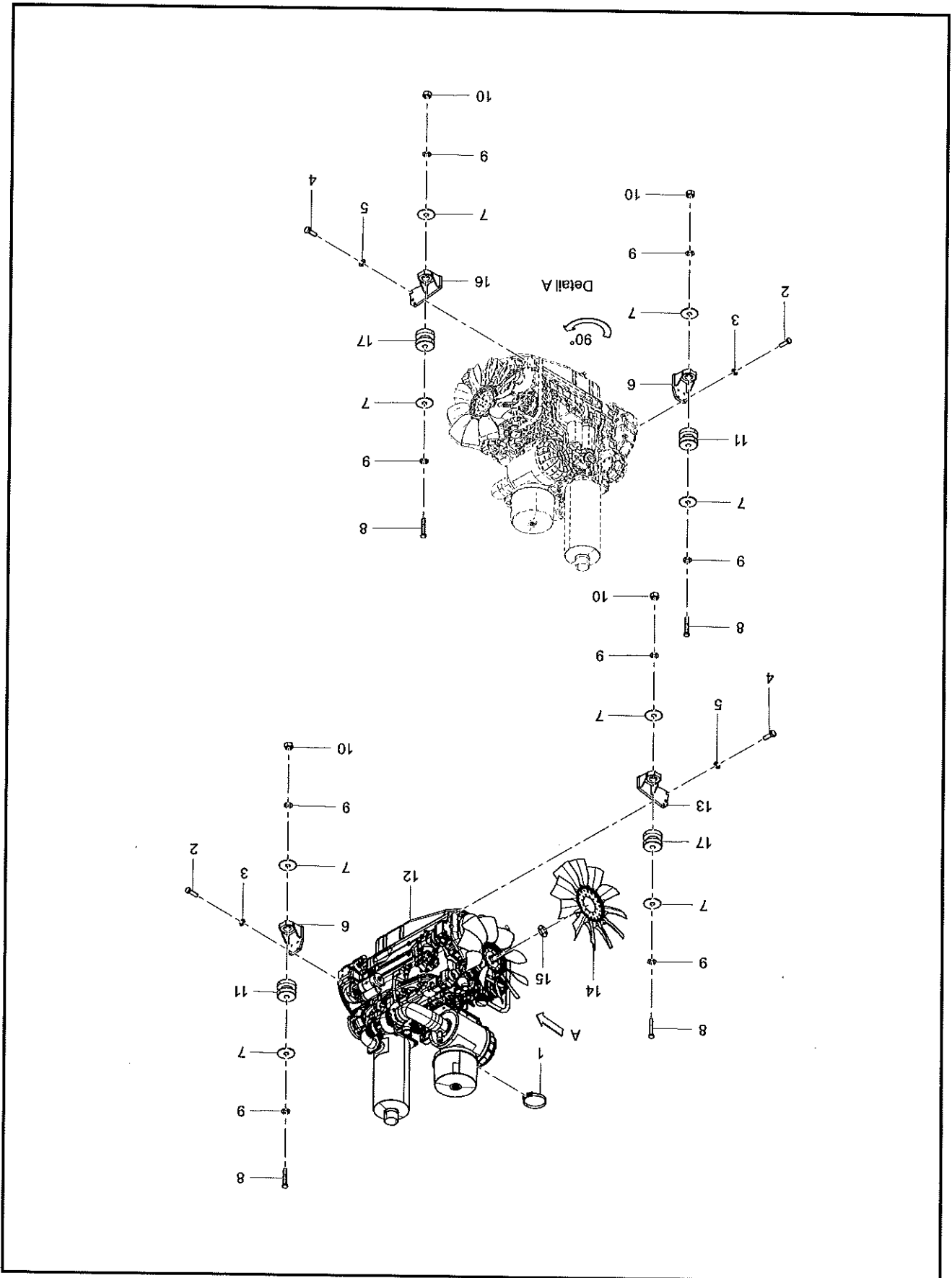
INDEX	PART NO.	DESCRIPTION	QTY	SEE PAGE
1	A810401010040	Pressure Plate	1	
2	A820606010197	Rubber Pad	1	
3	A820606010198	Rubber Pad	1	
4	A820301010267	Screw Rod	2	
5	A210405000011	Washer	2	
6	A210307000017	Nut	2	



Group 8 Engine System



INDEX	PART NO.	DESCRIPTION	QTY	SEE PAGE
1	YLJ005372458	Engine Installation	1	8-4
2	YLJ005792245	Installation, Accessories & fuel Circuit	1	8-166
3	13964792	Pump Connection	1	8-168
4	YLJ005632826	Cooling Assembly	1	8-176
5	14529026	Air Intake and Outlet Tube Assembly	1	8-182



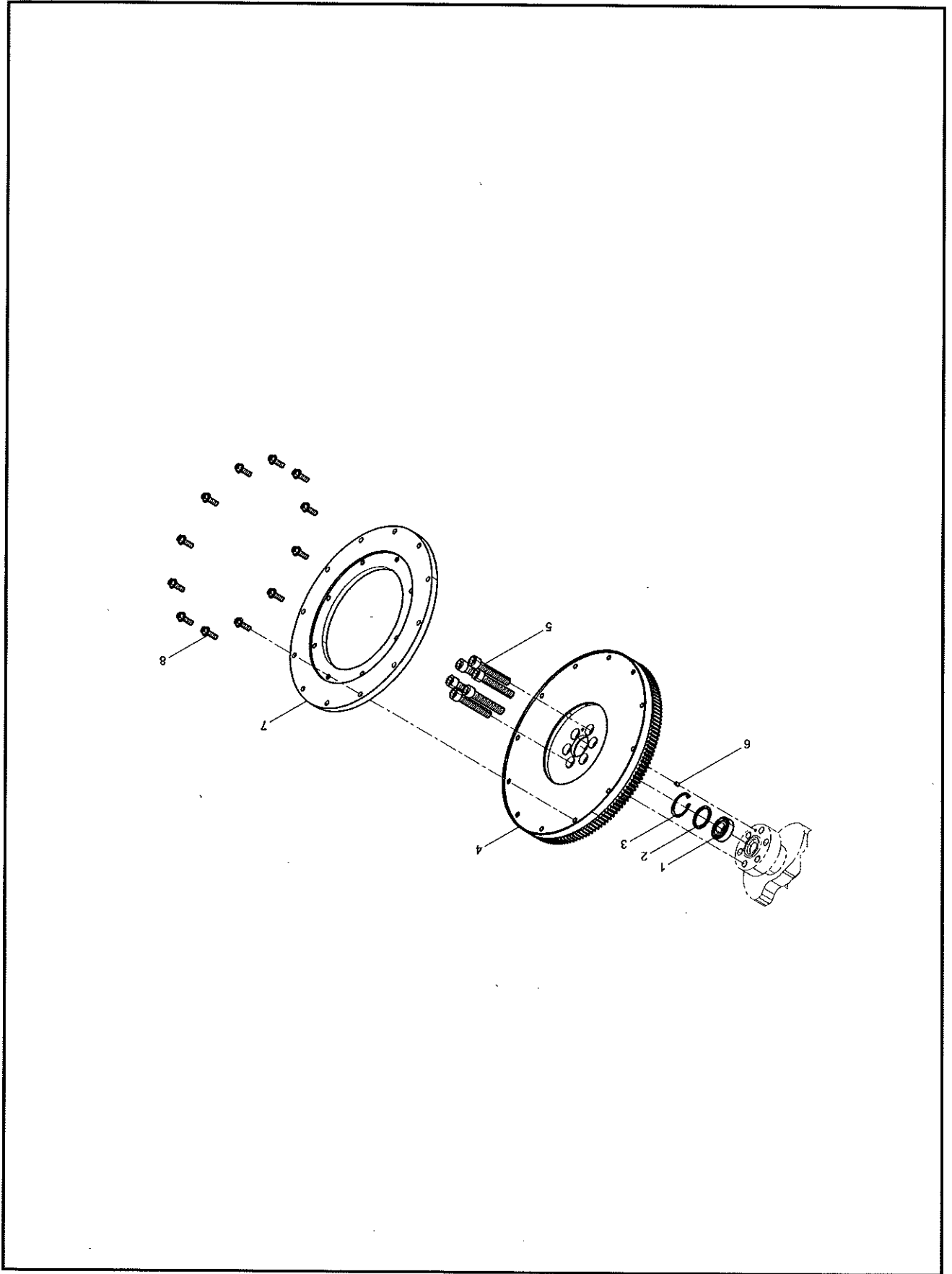
INDEX	PART NO.	DESCRIPTION	QTY	SEE PAGE
1	A229900006719	T-type Anchor Ear	1	
2	A210111000204	Bolt	8	
3	A210405000001	Washer	8	
4	A210111000216	Bolt	6	
5	A229900001360	Washer	6	
6	13964049	Rear Outrigger	2	
7	13963791	Big Washer	8	
8	A820301020680	Bolt	4	
9	A210405000010	Washer	8	
10	A210307000006	Nut	4	
11	60172081	Damping Pad	2	
12	60345529	Engine	1	8-6
13	13697878	Left Front Outrigger	1	
14	160802020088A	Fan	1	
15	YLJ005796405	Washer	1	
16	13697876	Right Front Outrigger	2	
17	23905047	Damping Pad	2	

Blank Page

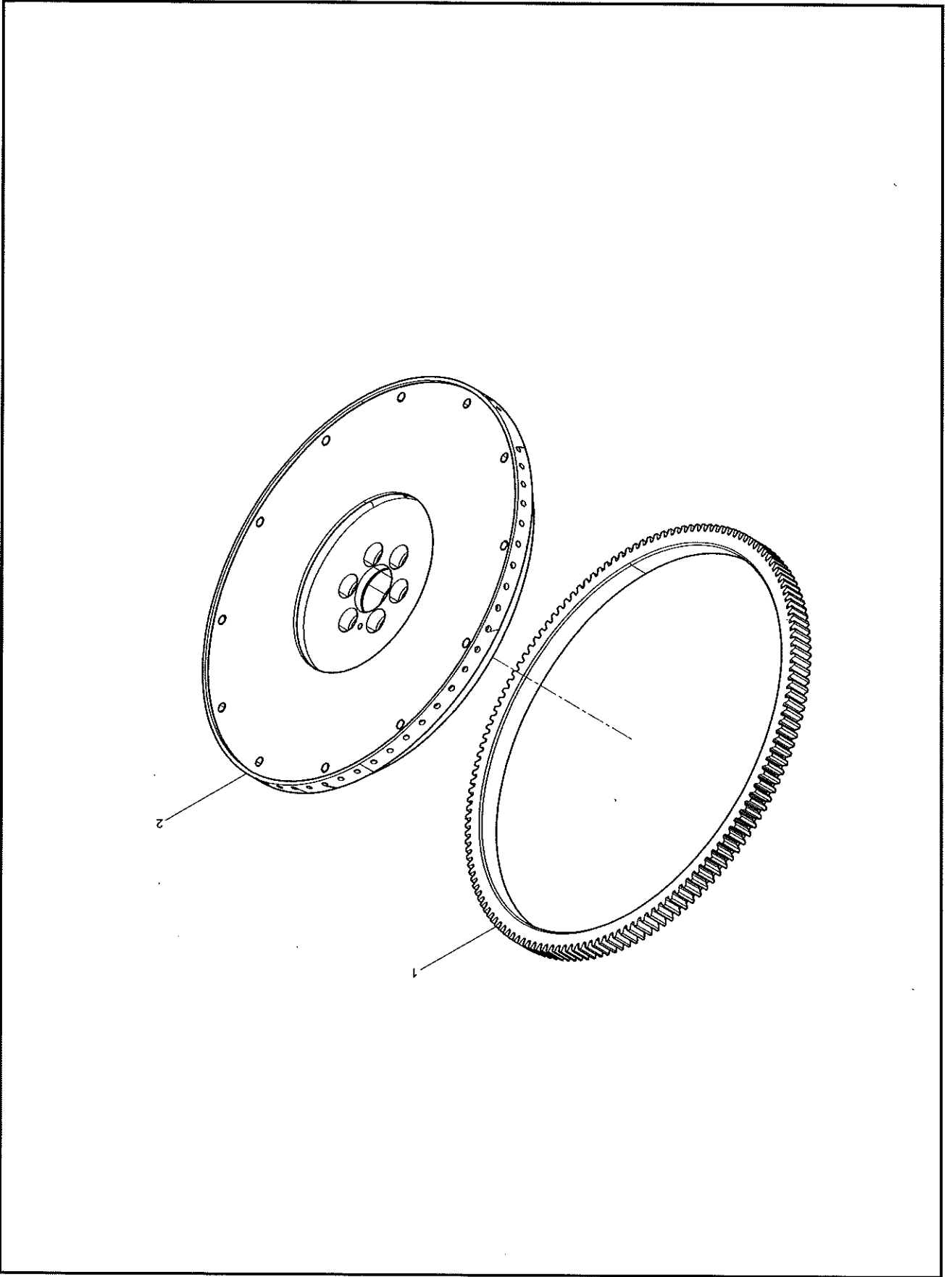
INDEX	PART NO.	DESCRIPTION	QTY	SEE PAGE
1	160102070041B164	Flywheel Group	1	8-10
2	160102070041B162	Piston and Connecting Rod Group	1	8-14
3	160102070041B153	Cylinder Head Group	1	8-24
4	160102070041B152	Eye Ring Group	1	8-36
5	160102070041B150	Cylinder Head Cover Group	1	8-38
6	160102070041B148	Valve Train Group	1	8-40
7	160102070041B147	Camshaft Group	1	8-42
8	160102070041B146	Power Take-off Group	1	8-44
9	160102070041B144	Crankshaft Pulley Group	1	8-50
10	160102070041B180	Oil Pan Group	1	8-52
11	160102070041B178	Oil Dipstick Group	1	8-54
12	160102070041B177	Oil Dipstick Group	1	8-56
13	160102070041B175	Thrust Plate Group	1	8-58
14	160102070041B171	Main Bearing Group	1	8-62
15	160102070041B168	Crankshaft Group	1	8-68
16	160102070041B167	Front End Cover Group	1	8-74
17	160102070041B172	Gear Housing Group	1	8-76
18	160102070041B181	Flywheel Housing Group	1	8-80
19	160102070041B166	Spray Nozzle Group	1	8-82
20	160102070041B165	Engine Block Group	1	8-84
21	160102070041B119	Oil Strainer Group	1	8-88
22	160102070041B120	Oil Cooler Group	1	8-90
23	160102070041B122	Oil Filling Tube Group	1	8-94
24	160102070041B123	Oil-gas Separator Group	1	8-96
25	160102070041B124	Water Pump Group	1	8-98
26	160102070041B125	Water Pump Inlet Pipe Group	1	8-100
27	160102070041B126	Middle Filling Block Group	1	8-102
28	160102070041B127	Thermostat Group	1	8-104
29	160102070041B128	Fan Bracket Group	1	8-106
30	160102070041B129	Fan and Hub Group	1	8-108
31	160102070041B130	Fuel Injection Pump Group	1	8-110
32	160102070041B131	Fuel Injector Group	1	8-114
33	160102070041B132	High Pressure Fuel Pipe Group	1	8-116
34	160102070041B134	Common Rail Group	1	8-120
35	160102070041B136	Intake Manifold Group	1	8-124
36	160102070041B139	Turbocharger Group	1	8-130
37	160102070041B140	Turbocharger Oil Pipe Group	1	8-132
38	160102070041B141	Air Filter Group	1	8-134
39	160102070041B142	Exhaust Manifold Group	1	8-136
40	160102070041B143	Silencer Group	1	8-138

Blank Page

INDEX	PART NO.	DESCRIPTION	QTY	SEE PAGE
41	160102070041B106	Air Compressor Group	1	8-140
42	160102070041B107	Tensioner And Belt Group	1	8-142
43	160102070041B108	Starter Motor Group	1	8-144
44	160102070041B109	Packing Box Chassis Parts Group	1	8-146
45	160102070041B112	Separate Delivery Parts Group Attached to Engine	1	8-152
46	160102070041B113	Parts Box Group	1	8-154
47	160102070041B114	Electronic Control Unit Group	1	8-156
48	160102070041B115	Electronic Control System Harness Group	1	8-158
49	160102070041B116	Alternator Group	1	8-160
50	160102070041B117	Alternator Bracket Group	1	8-162
51	160102070041B118	Hydraulic Pump Group	1	8-164
52	160102070041B182	Four Supporting	1	
53	160102070041B183	Six Supporting	1	
54	160102070041B184	Engine Repair KIT	1	

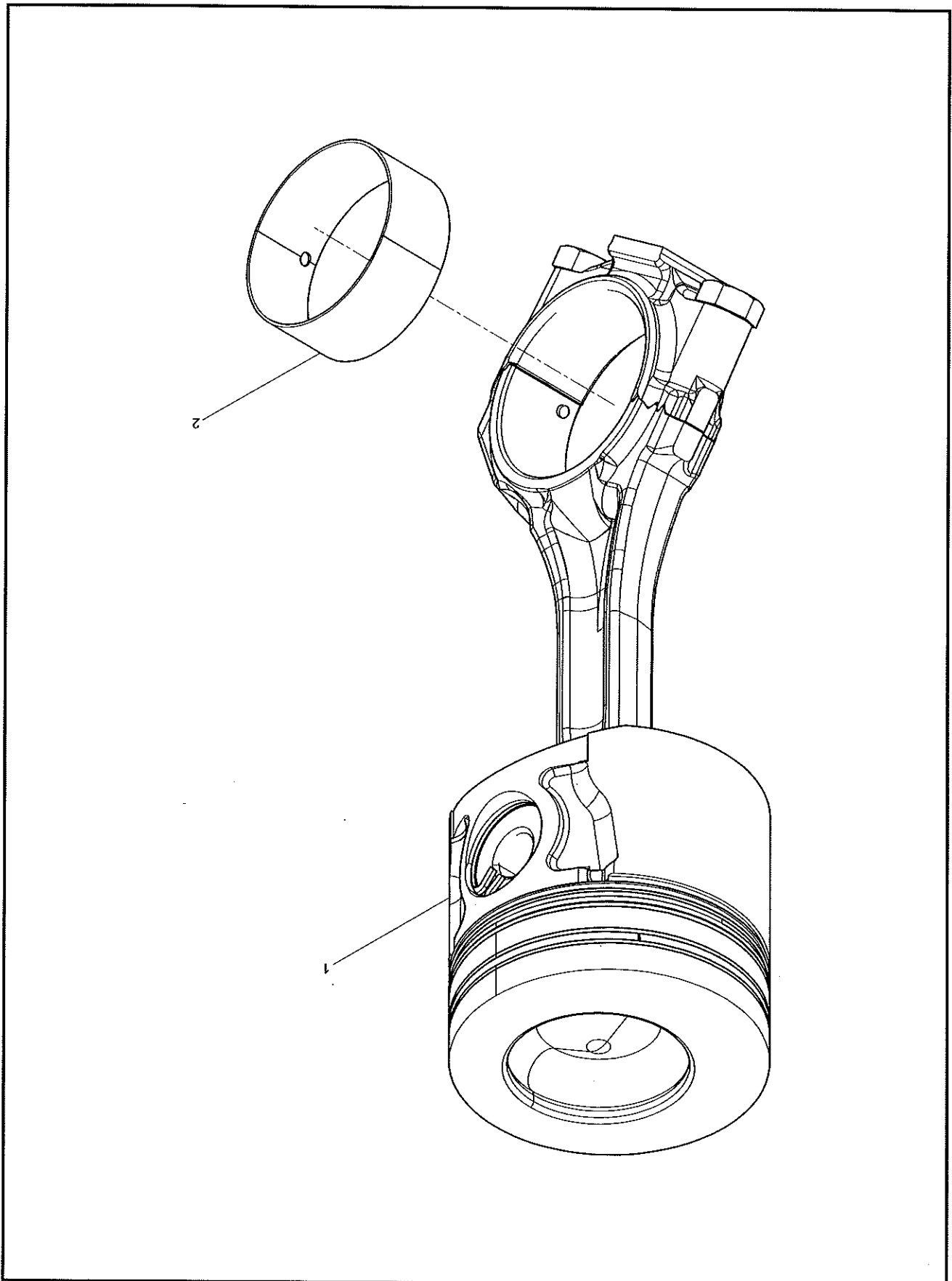


INDEX	PART NO.	DESCRIPTION	QTY	SEE PAGE
1	61028457	Deep Groove Ball Bearing	1	
2	160102070041B020	Ring	1	
3	160102070041B098	Circlip for Hole	1	
4	160102070040B001	Flywheel Assembly	1	8-12
5	160102070041B086	Inner Hexagon Socket Head Cap Screw	6	
6	61028676	Clip	1	
7	160102070041B010	The Connecting Plate	1	
8	160101070011A224	Hexagon Flange Bolt	12	



INDEX	PART NO.	DESCRIPTION	QTY	SEE PAGE
1	160102070041B047	Flywheel Ring Gear	1	
2	160102070041B063	Flywheel	1	

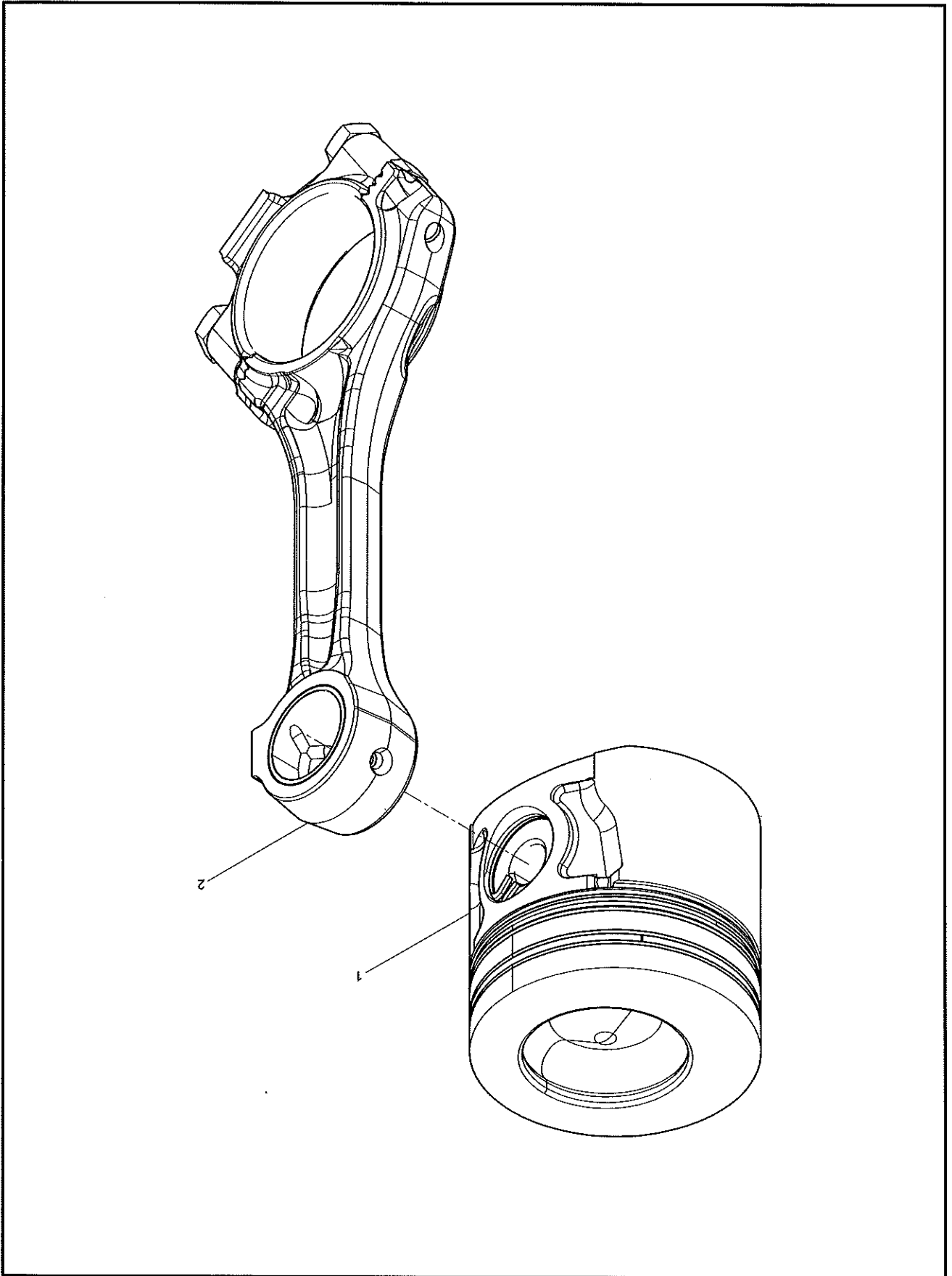
160102070040B001 Flywheel Assembly



160102070041B162 Piston and Connecting Rod Group

INDEX	PART NO.	DESCRIPTION	QTY	SEE PAGE
1	160102070060A020	Piston and Connecting Rod Group	1	8-16
2	160102070039B053	Bearing Set, Connecting Rod	1	8-22

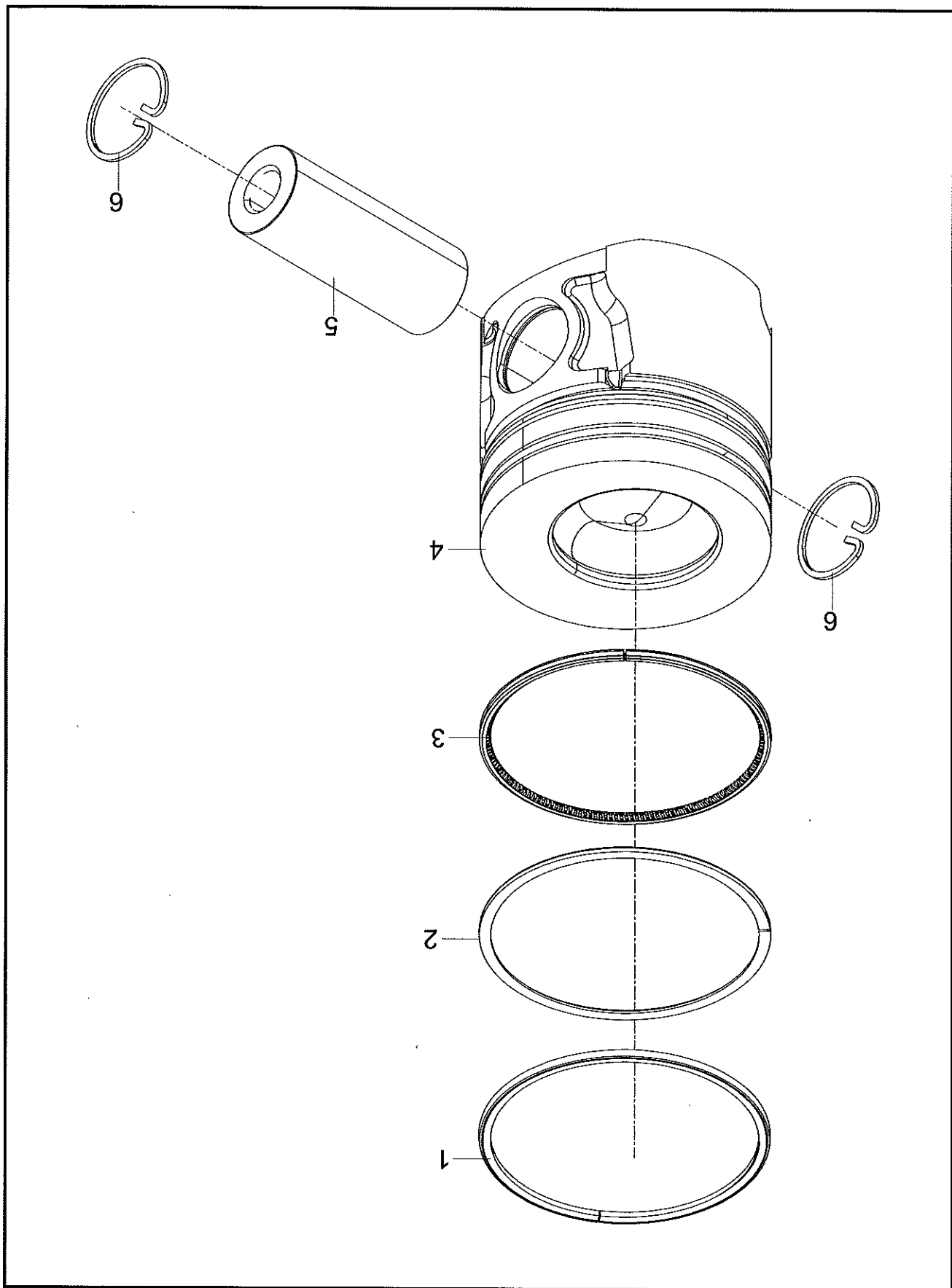
160102070041B162 Piston and Connecting Rod Group



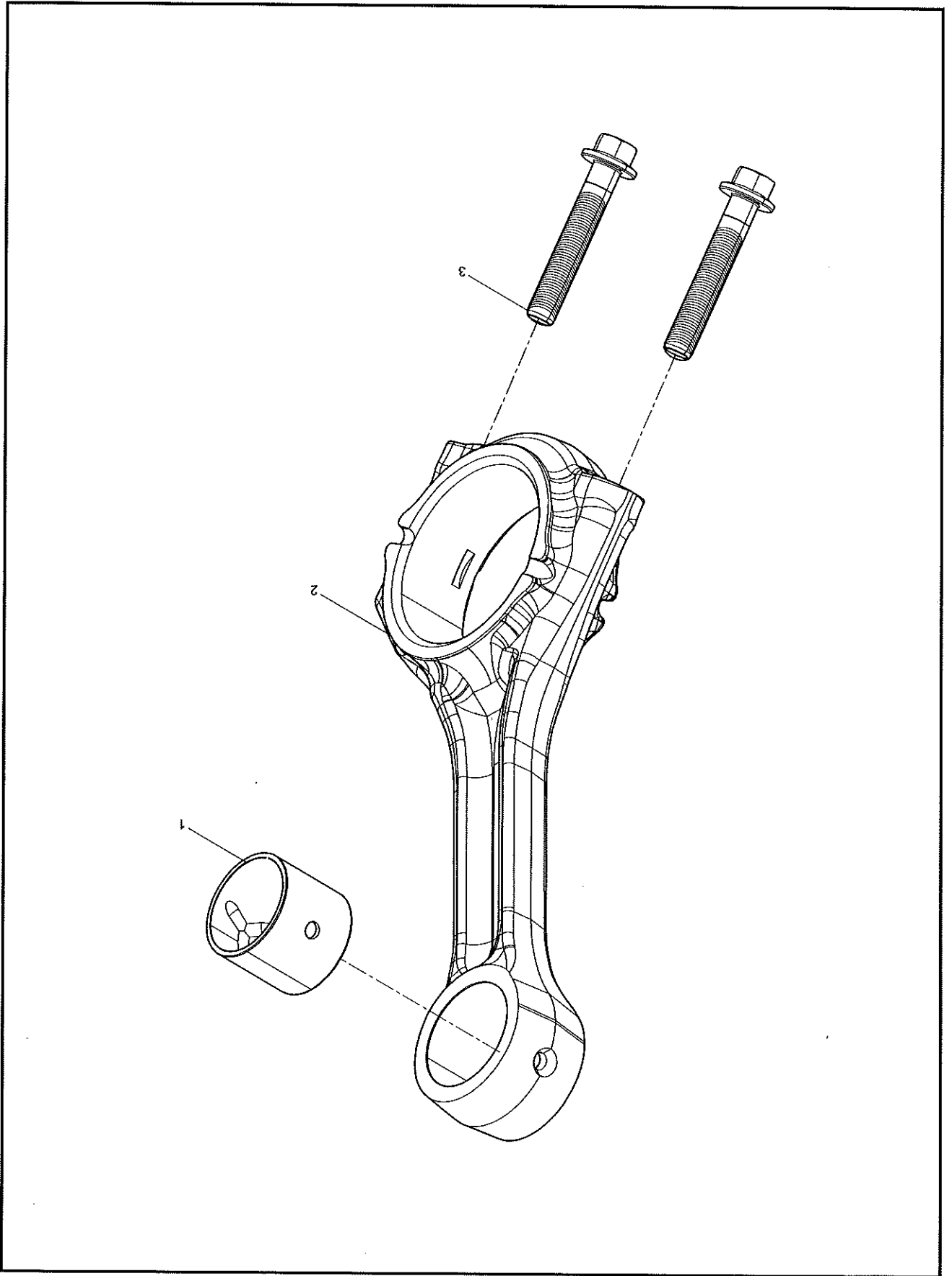
160102070060A020 Piston and Connecting Rod Group

INDEX	PART NO.	DESCRIPTION	QTY	SEE PAGE
1	61028735	Piston Assembly	1	8-18
2	160102070039B054	Connecting Rod Assembly	1	8-20

160102070060A020 Piston and Connecting Rod Group



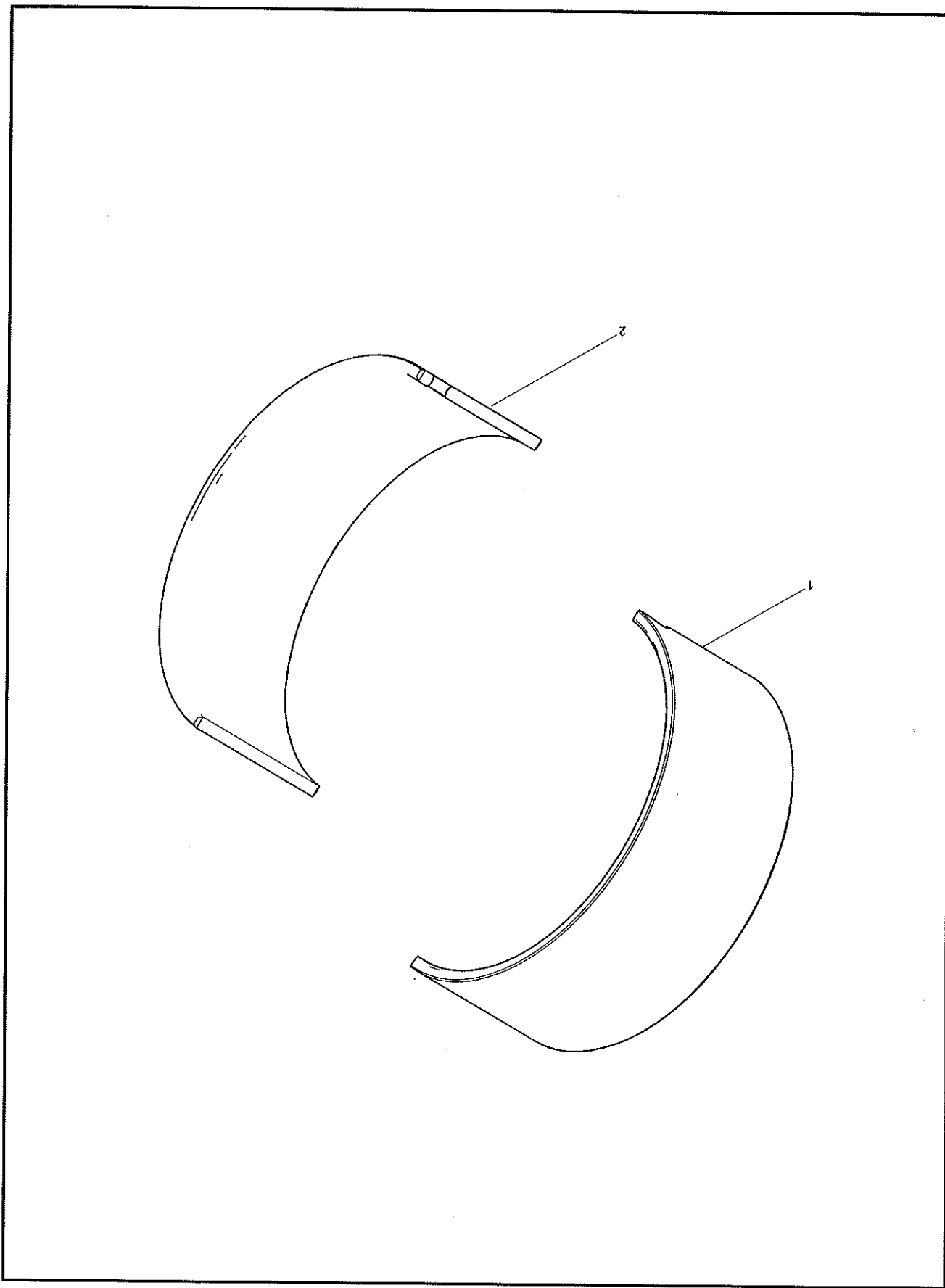
INDEX	PART NO.	DESCRIPTION	QTY	SEE PAGE
1	61028471	Ring	1	
2	61028523	Ring, Tapered	1	
3	61028405	Oil Ring	1	
4	60228106	Piston	1	
5	A229900006250	Pin, Piston	1	
6	60355276	Ring, Retainer	2	



160102070039B054 Connecting Rod Assembly

INDEX PART NO.	DESCRIPTION	QTY	SEE PAGE
1	61028349 Bushing, Rod, Connecting	1	
2	160102070039B055 Connecting Rod	1	
3	160102070039B031 Bolt, Connecting Rod	2	

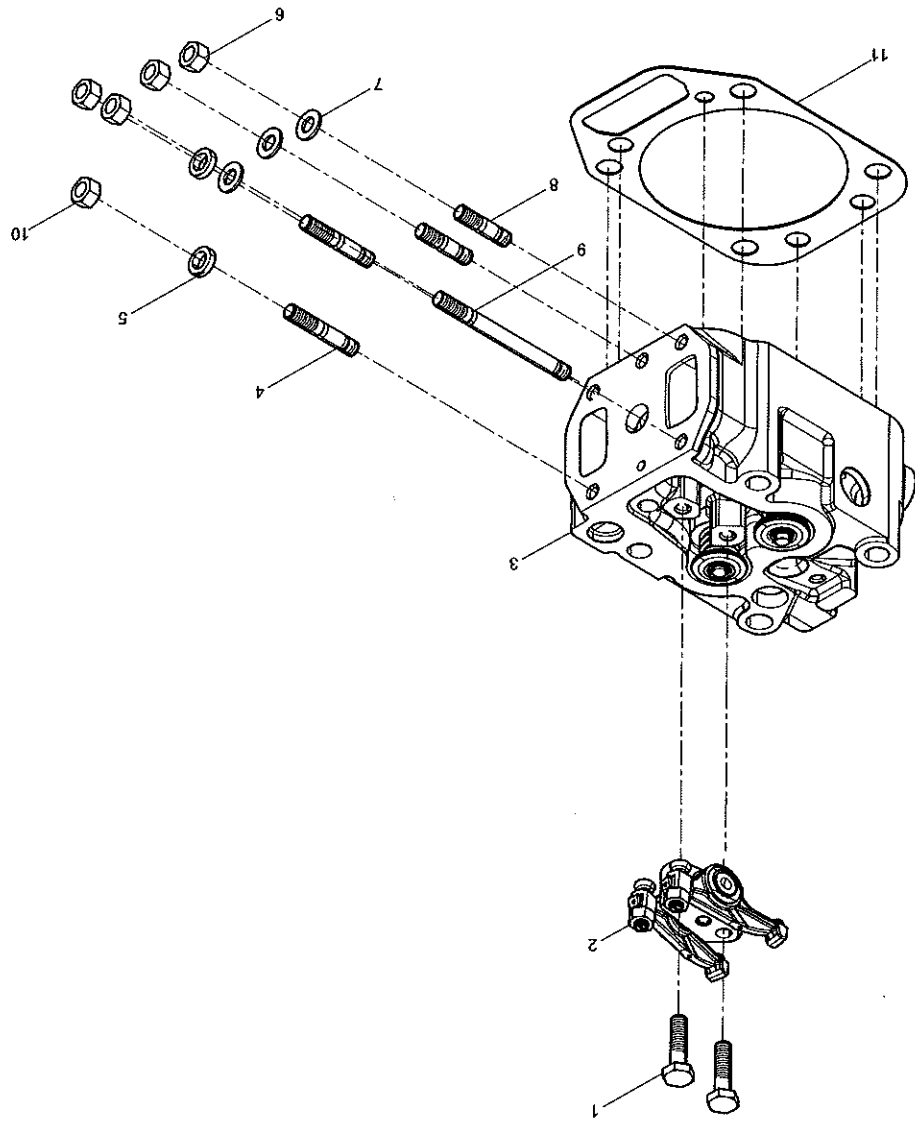
160102070039B054 Connecting Rod Assembly



160102070039B053 Bearing Set, Connecting Rod

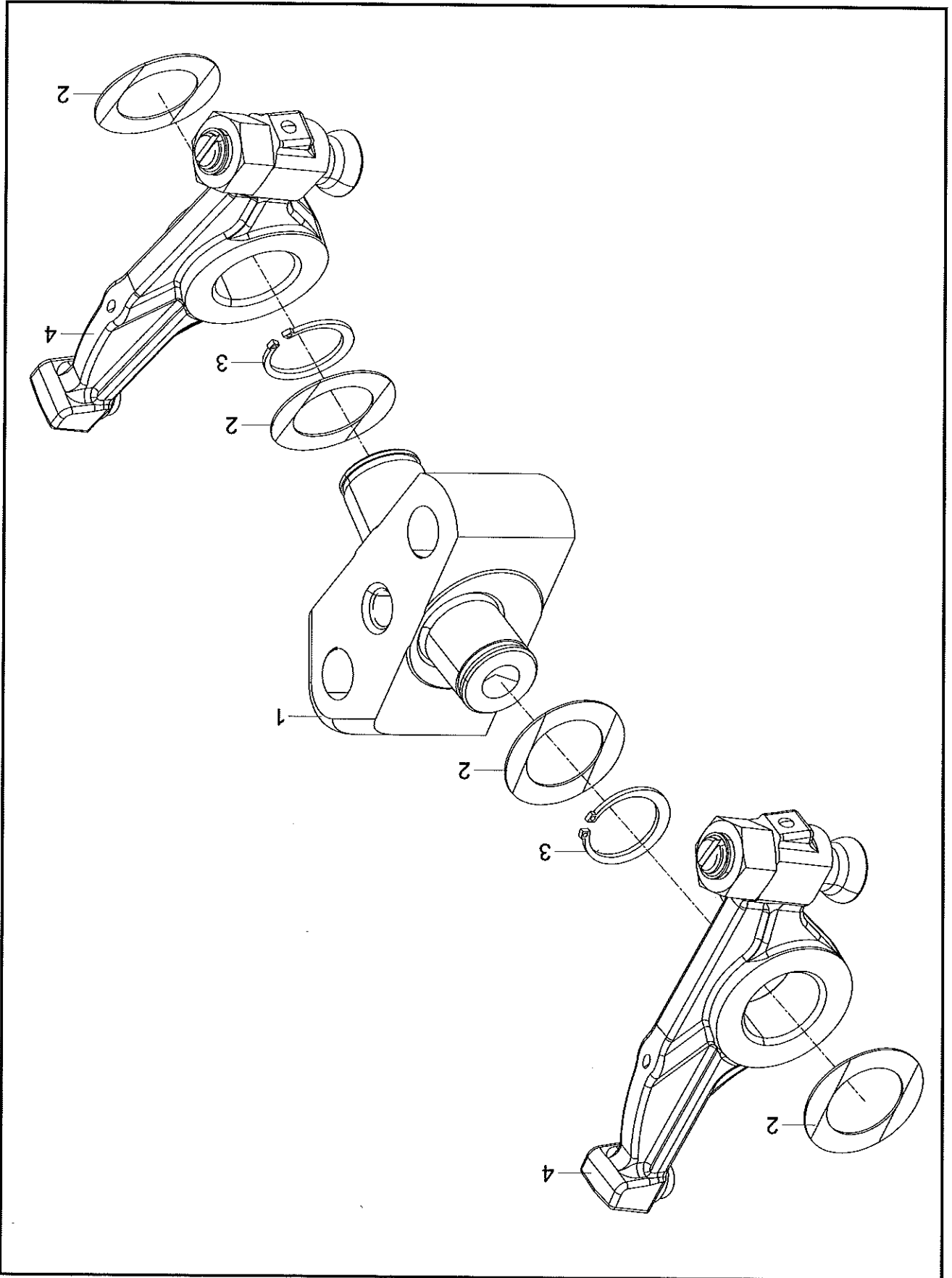
INDEX	PART NO.	DESCRIPTION	QTY	SEE PAGE
1	160102070039B032	Shell, Upper, Connecting Rod	1	
2	160102070039B033	Shell, Lower, Connecting Rod	1	

160102070039B053 Bearing Set, Connecting Rod



160102070041B153 Cylinder Head Group

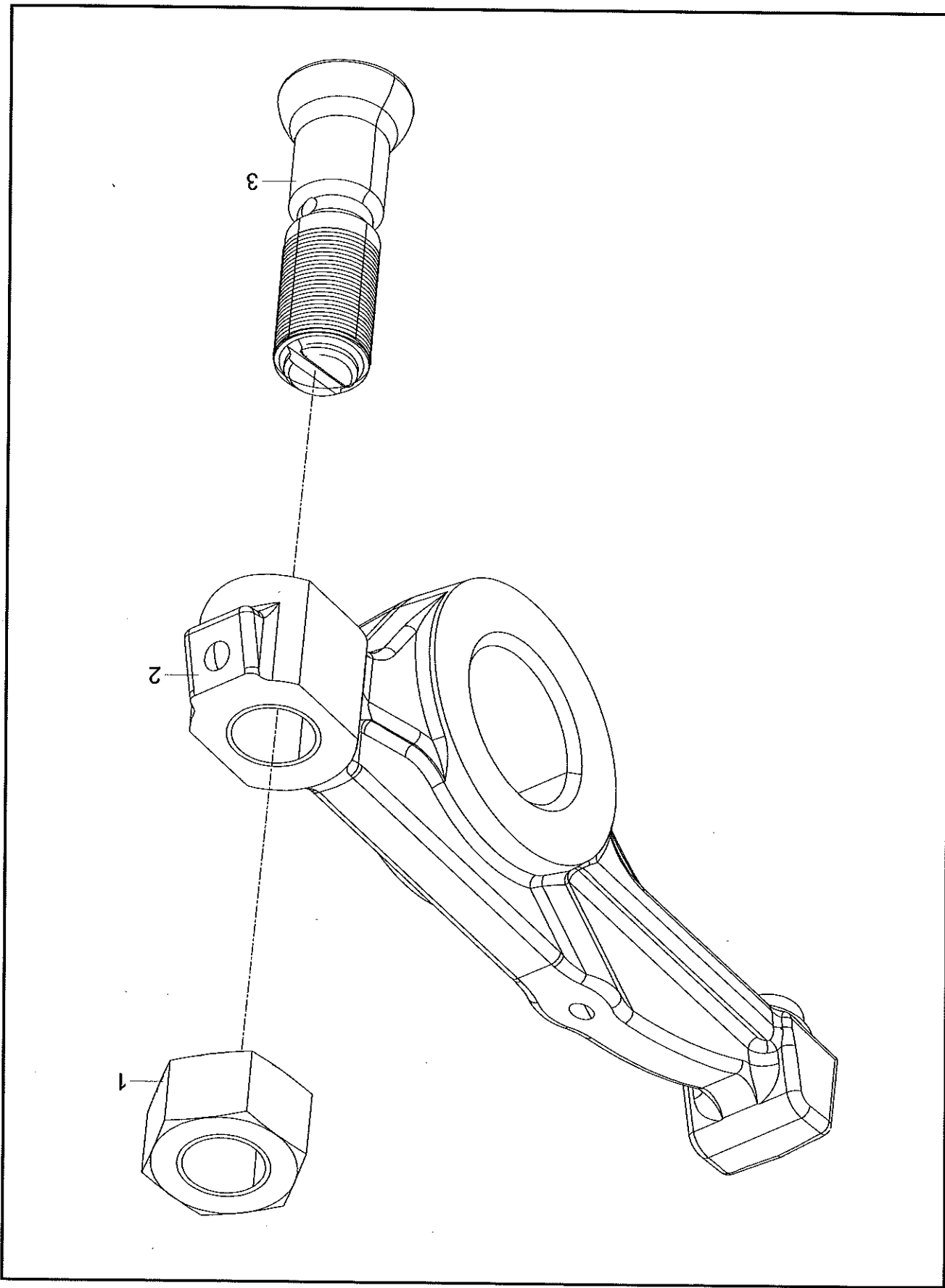
INDEX	PART NO.	DESCRIPTION	QTY	SEE PAGE
1	61028391	Hexagon Head Bolt	2	
2	61028488	Support Assembly, Rocker lever	1	8-26
3	160102070041B048	Cylinder Head Assembly	1	8-30
4	61028463	Double-headed Stud	2	
5	61028689	Gasket	2	
6	61028381	Nut, Hexagon	3	
7	61028688	Gasket	3	
8	61028459	Double-headed Stud	2	
9	61028460	Double-headed Stud	1	
10	61000787	Nut, Hexagon	2	
11	160102070041B023	Cylinder Head Gasket	1	8-34



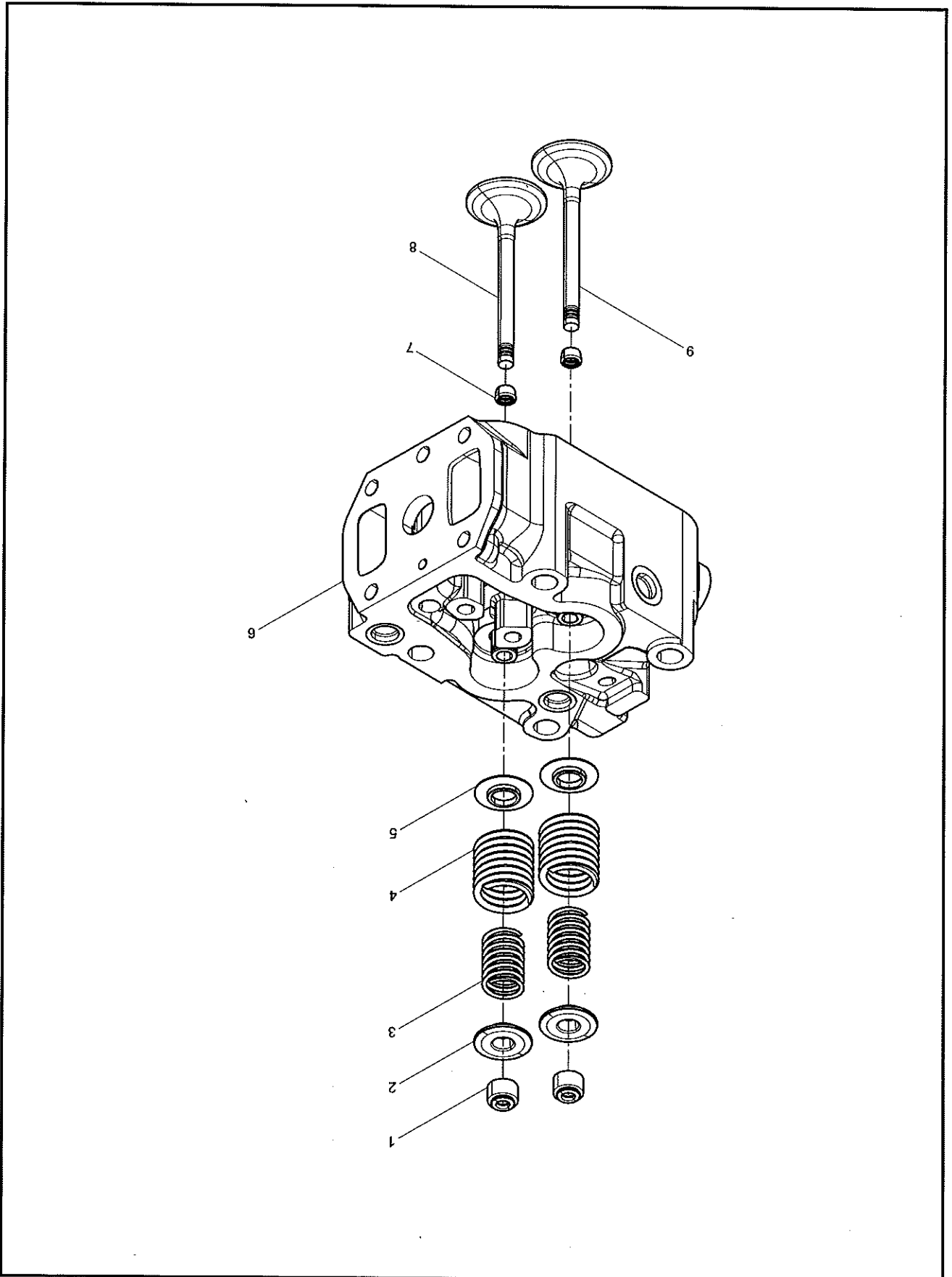
61028488 Support Assembly, Rocker lever

INDEX	PART NO.	DESCRIPTION	QTY	SEE PAGE
1	61028487	Support, Rocker lever	1	
2	61028674	Ring, Snap	4	
3	61028519	Ring, Retainer, Elastic	2	
4	61028486	Rocker Lever Group	2	8-28

61028488 Support Assembly, Rocker lever



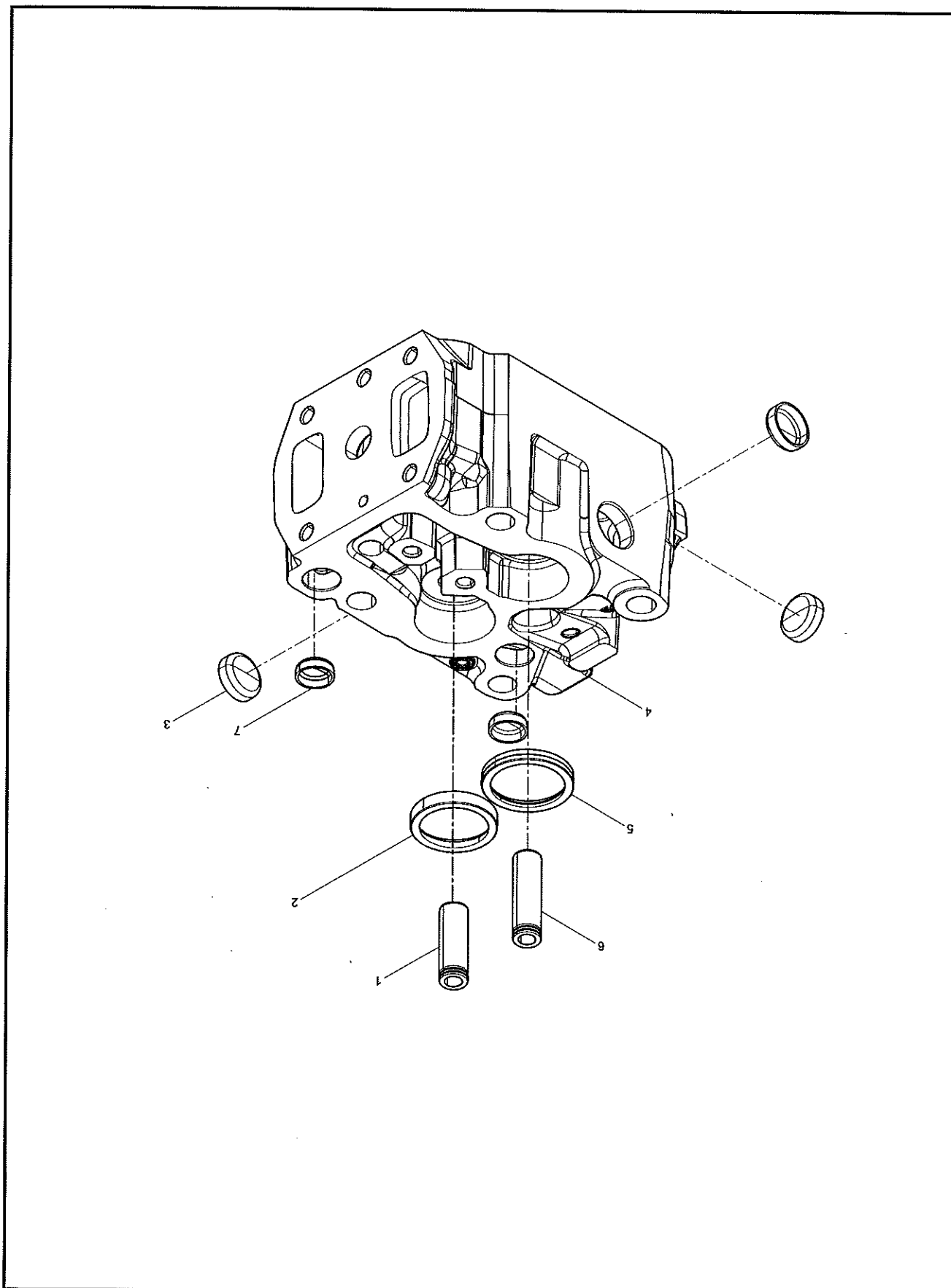
INDEX	PART NO.	DESCRIPTION	QTY	SEE PAGE
1	61028382	Nut, Hexagon	1	
2	61028485	Housing, Rocker Lever	1	
3	61028472	Screw, Adjusting	1	



160102070041B048 Cylinder Head Assembly

INDEX	PART NO.	DESCRIPTION	QTY	SEE PAGE
1	60228110	Valve Oil Seal	2	
2	61028440	Valve Spring Retainer	2	
3	61028438	Spring, Valve	2	
4	61028437	Spring, Valve	2	
5	61028439	Valve Spring Bottom Retainer	2	
6	160102070039B035	Cylinder Head Subassembly	1	8-32
7	60141411	Valve Collet	4	
8	A229900006253	Valve, Intake	1	
9	A229900006265	Valve, Exhaust	1	

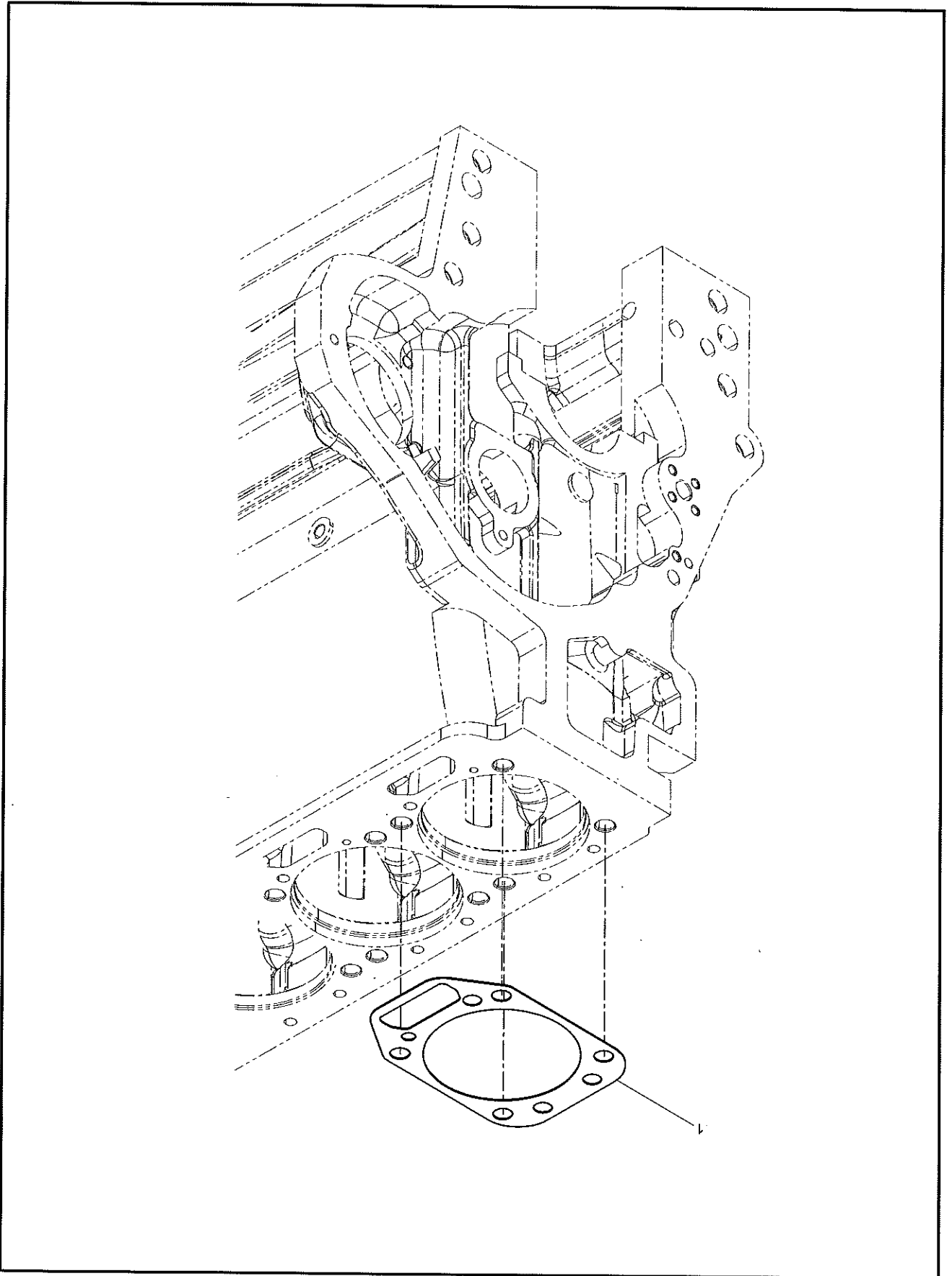
160102070041B048 Cylinder Head Assembly



160102070039B035 Cylinder Head Subassembly

INDEX	PART NO.	DESCRIPTION	QTY	SEE PAGE
1	168899000458	Exhaust Valve Guide	1	
2	160102070039B036	Seat, Valve, Exhaust	1	
3	60352173	Bowl Plug	3	
4	160102070039B037	Head, Cylinder	1	
5	61028329	Seat, Intake Valve	1	
6	168899000459	Intake Valve Guide	1	
7	160102070041B055	Plug, Expansion	2	

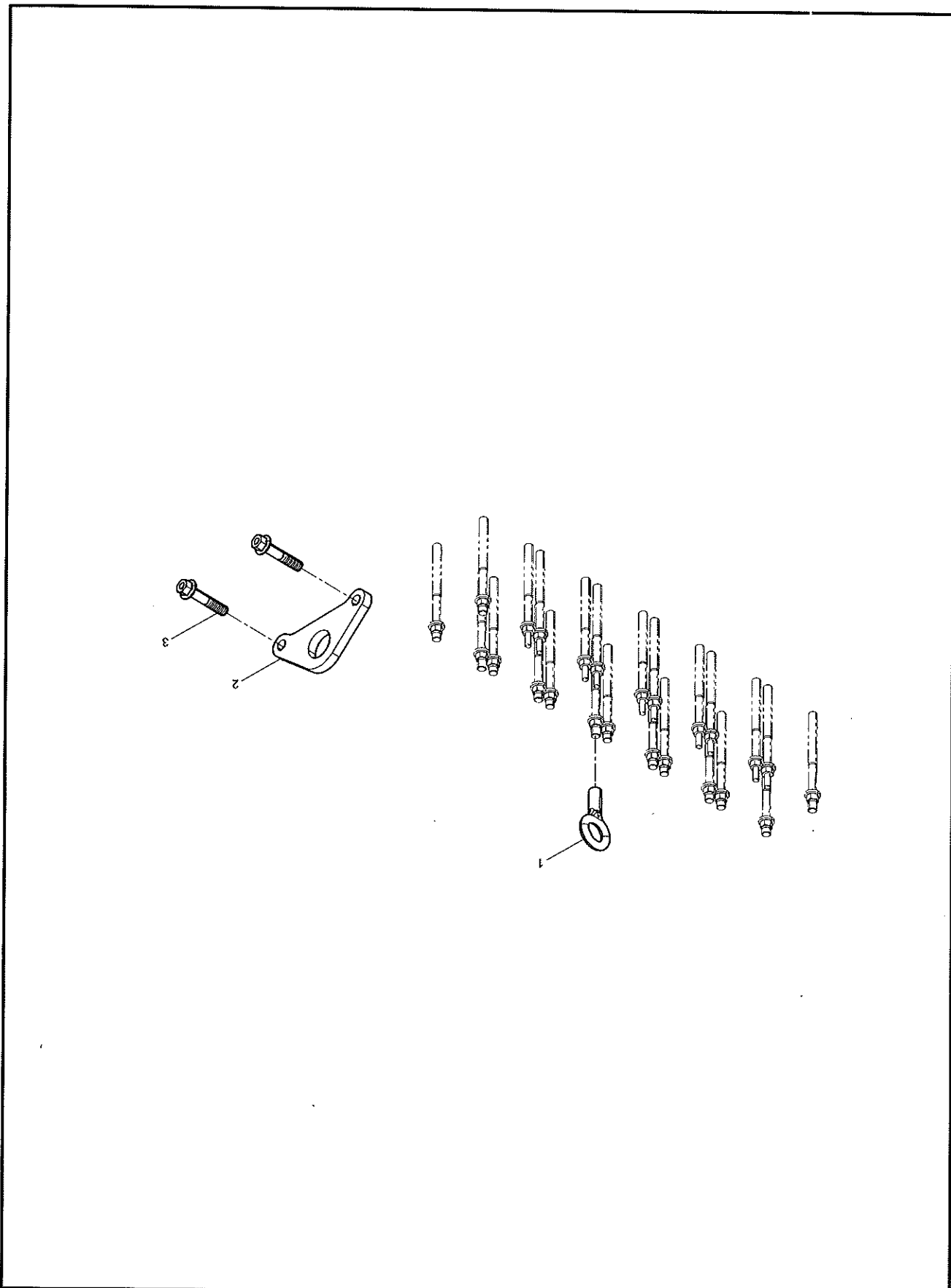
160102070039B035 Cylinder Head Subassembly



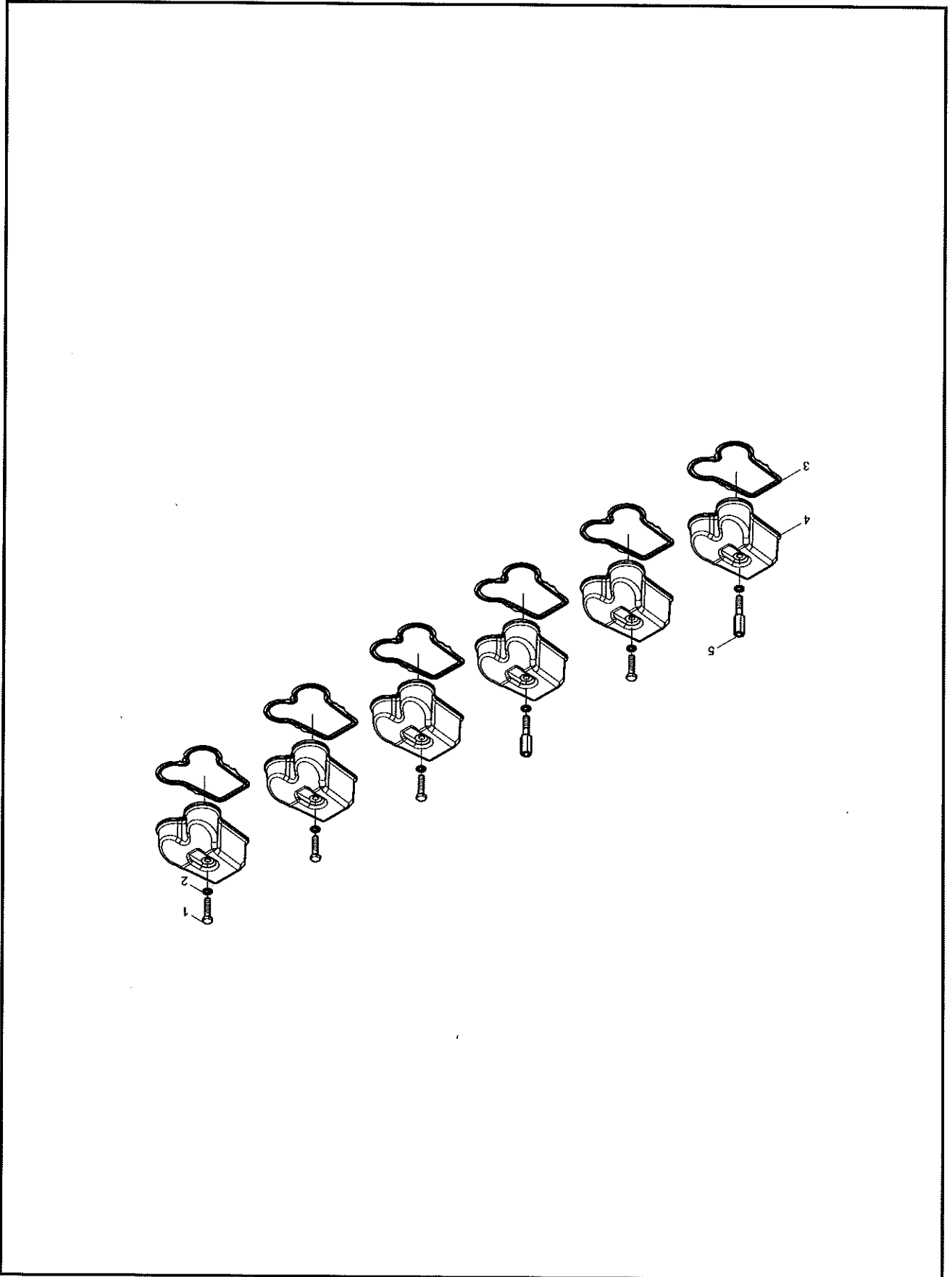
160102070041B023 Cylinder Head Gasket

INDEX PART NO.	DESCRIPTION	QTY	SEE PAGE
1 60350685	Gasket, Seal	1	

160102070041B023 Cylinder Head Gasket



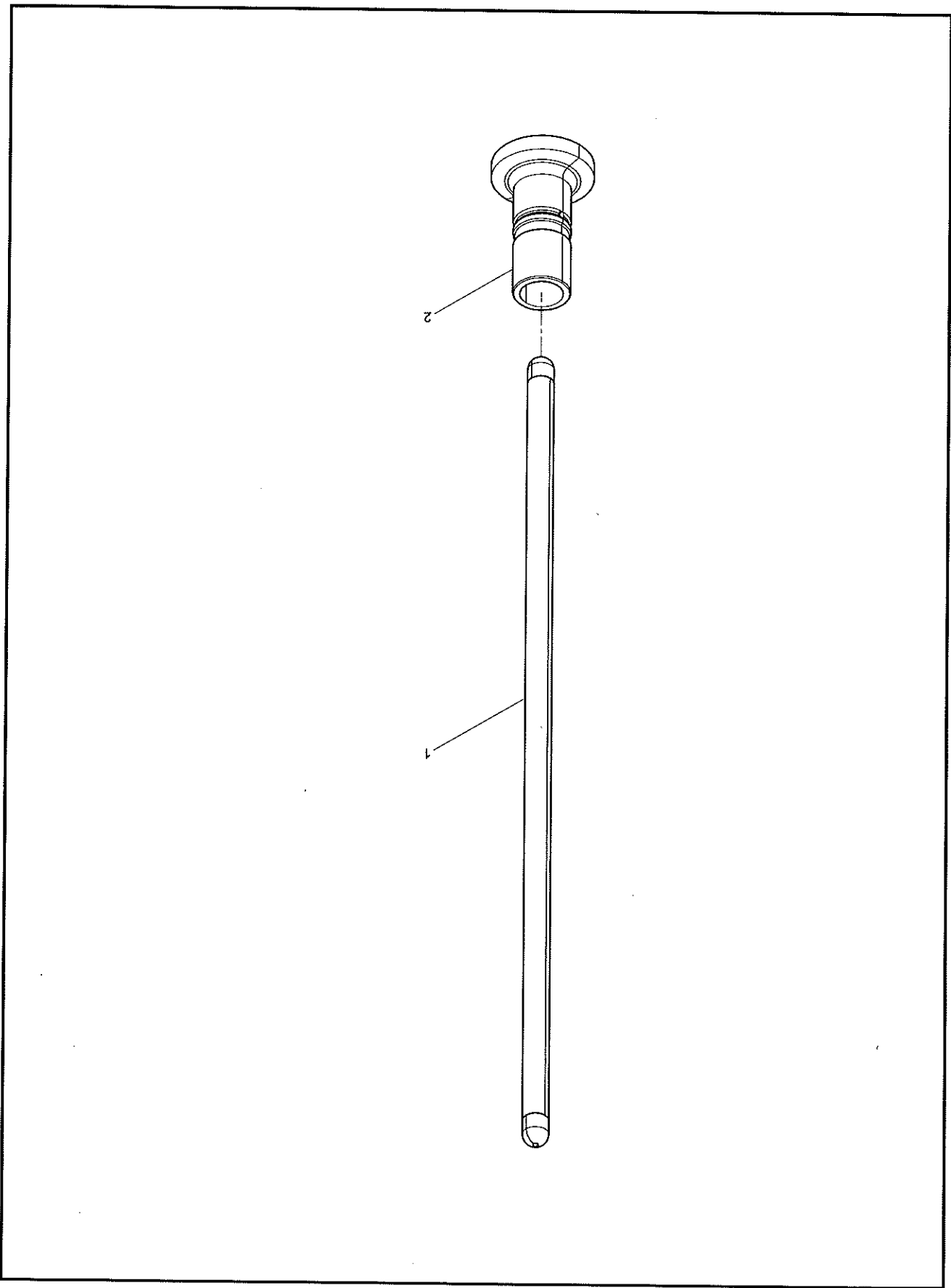
INDEX PART NO.	DESCRIPTION	QTY	SEE PAGE
1	Screw, Lifting	1	
2	160102070041B051 Engine Hanger Plate	1	
3	61028370 Nut, Hexagon Flange	1	



160102070041B150 Cylinder Head Cover Group

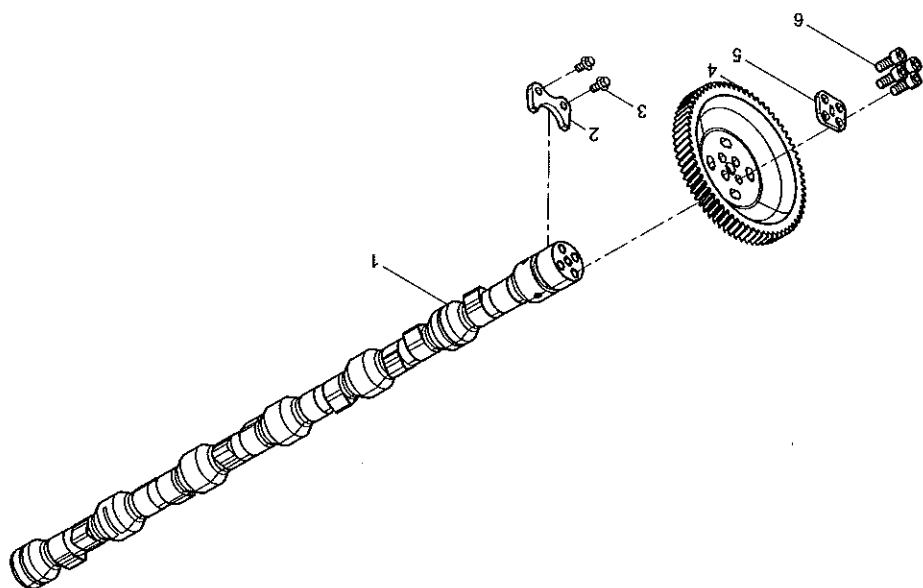
INDEX	PART NO.	DESCRIPTION	QTY	SEE PAGE
1	60359201	Bolt, Hexagon	4	
2	60127555	Washer	6	
3	60355288	Gasket, Cylinder Cover	6	
4	61028435	Cylinder Head Cover	6	
5	160102070041B052	Back-up Block	2	

160102070041B150 Cylinder Head Cover Group



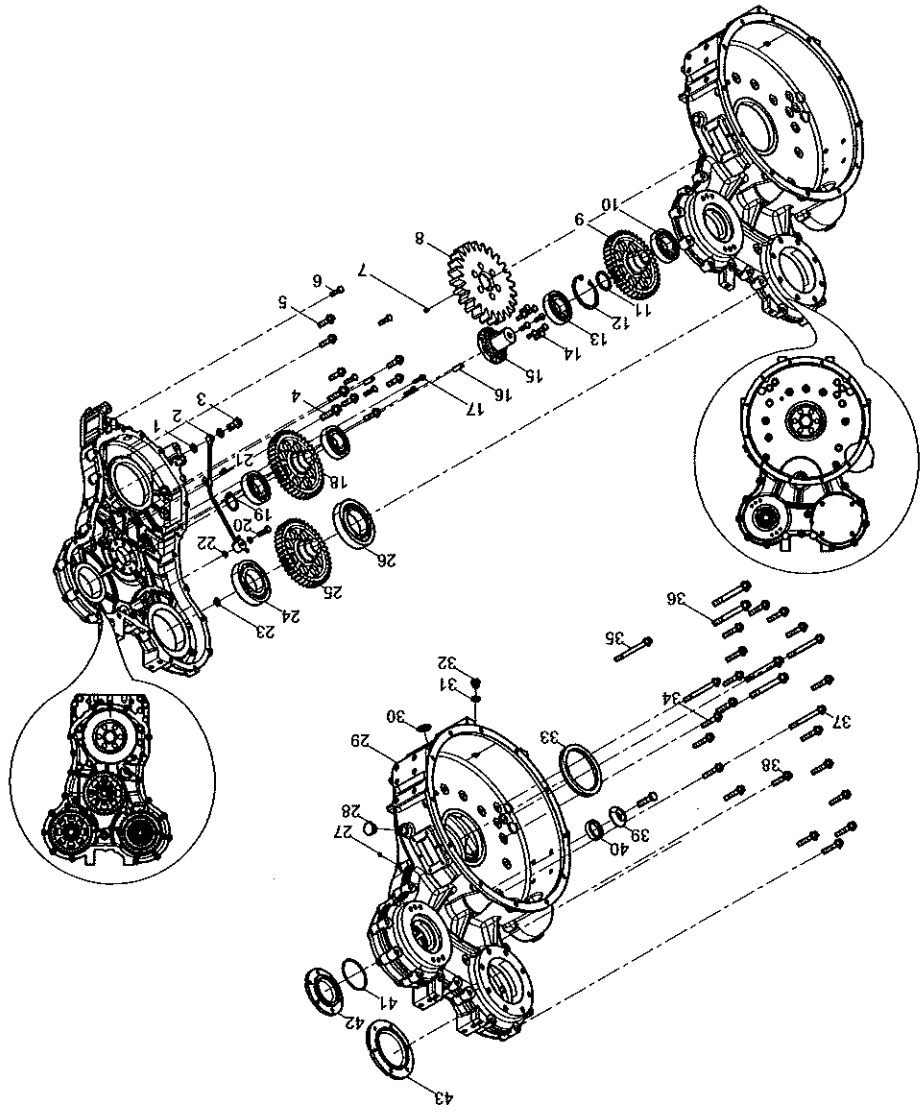
INDEX	PART NO.	DESCRIPTION	QTY	SEE PAGE
1	61028473	Tappet	1	
1	160102070039B038	Push Rod	1	

160102070041B148 Valve Train Group

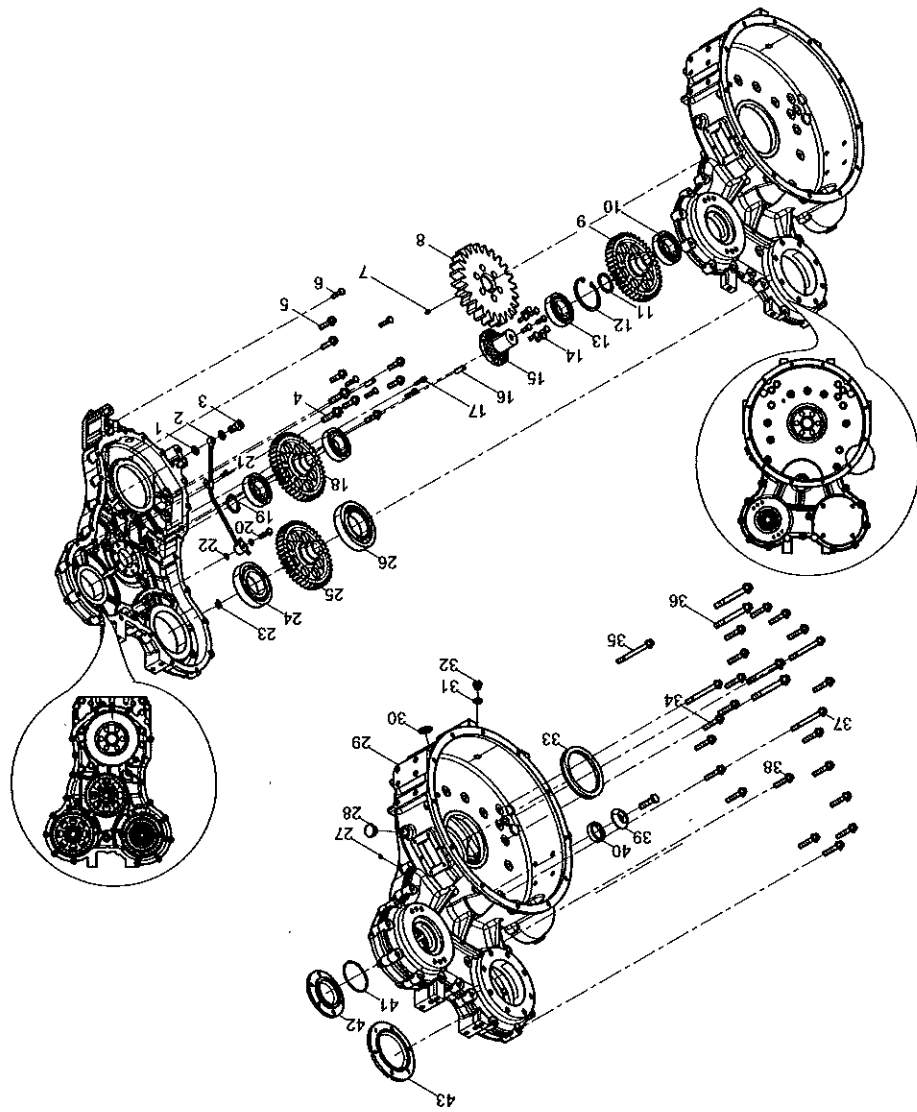


INDEX PART NO.	DESCRIPTION	QTY	SEE PAGE
1	Camshaft	1	
2	Sector	1	
3	Toothed bolt	2	
4	Timing Gear, Camshaft	1	
5	Flange	1	
6	Inner Hexagon Socket Head Cap Screw	4	

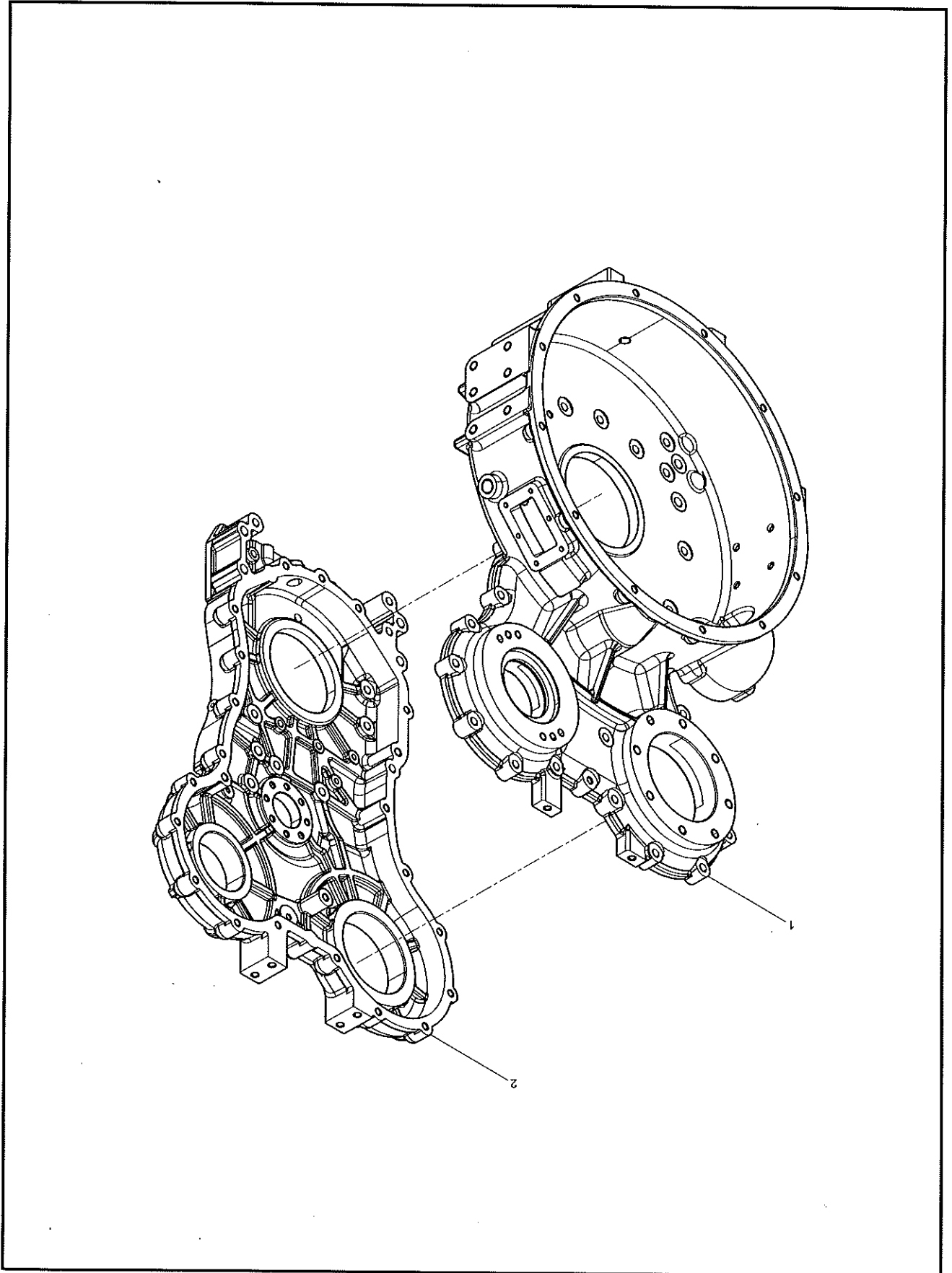
160102070041B147 Camshaft Group



INDEX	PART NO.	DESCRIPTION	QTY	SEE PAGE
1	61028525	Assembled Sealing Washer	2	
2	160102070041B053	PTO Oil Pipe	1	
3	160102070041B054	Bolt	1	
4	61028361	Nut, Hexagon Flange	3	
5	160101150002B258	Hexagon Flange Bolt	7	
6	168899000141	Bolt, Hexagon Flange	4	
7	61028676	Clip	1	
8	160102070041B056	Gear, Crankshaft	1	
9	160102070041B057	Idler Gear	1	
10	61005504	Cylindrical Roller Bearing	1	
11	160102070041B058	Washer	1	
12	61005506	Clip for Hole	2	
13	61005508	Deep Groove Ball Bearing	3	
14	60223739	Bolt, Hexagon	20	
15	160102070041B059	Intermediate shaft	1	
16	160102070041B060	Parallel Pin	2	
17	61021427	Hexagon Flange Bolt	2	
18	160102070041B061	Hydraulic Pump Gear	1	
19	160102070041B062	Clip for Shaft	1	
20	60222483	Bolt, Hexagon	1	
21	61000155	Bolt, Hexagon	1	
22	160102040013A051	Sealing ring	2	
23	160102070041B035	Clips for Shaft	1	
24	160102070041B021	Deep Groove Ball Bearing	1	
25	160102070041B075	Hydraulic Pump Gear Shaft	1	
26	160102070041B076	Cylinder Roller Bearing	1	
27	60326538	Pulling Rivet	1	
28	160102070041B077	Hexagon Screw Plug	1	
29	160102070040B003	PTO Subassembly	1	8-48
30	60326314	Assembled Sealing Washer	1	
31	160102120008A135	Washer	1	
32	160102070041B078	Hexagon Screw Plug	1	
33	A230101000449	Oil Seal, Rear	1	
34	160101070014B048	Hexagon Head Bolt	18	
35	160102070041B079	Hexagon Flange Bolt	2	
36	160102070041B080	Hexagon Flange Bolt	4	
37	168899000432	Bolt, Hexagon Flange	2	
38	160101070011A234	Bolt, Hexagon Flange	1	
39	160102070041B065	Ring	1	
40	160102070041B018	Inner shield ring	1	



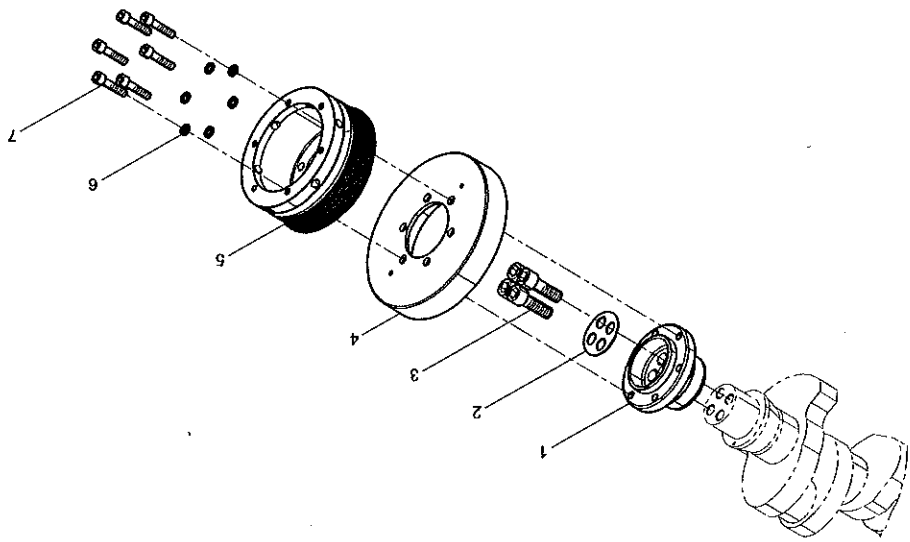
INDEX PART NO.	DESCRIPTION	QTY	SEE PAGE
41	160102070041B066 O-ring	1	
42	160102070041B067 Bearing Cover	1	
43	160102070041B068 Gear Cover	1	



160102070040B003 PTO Subassembly

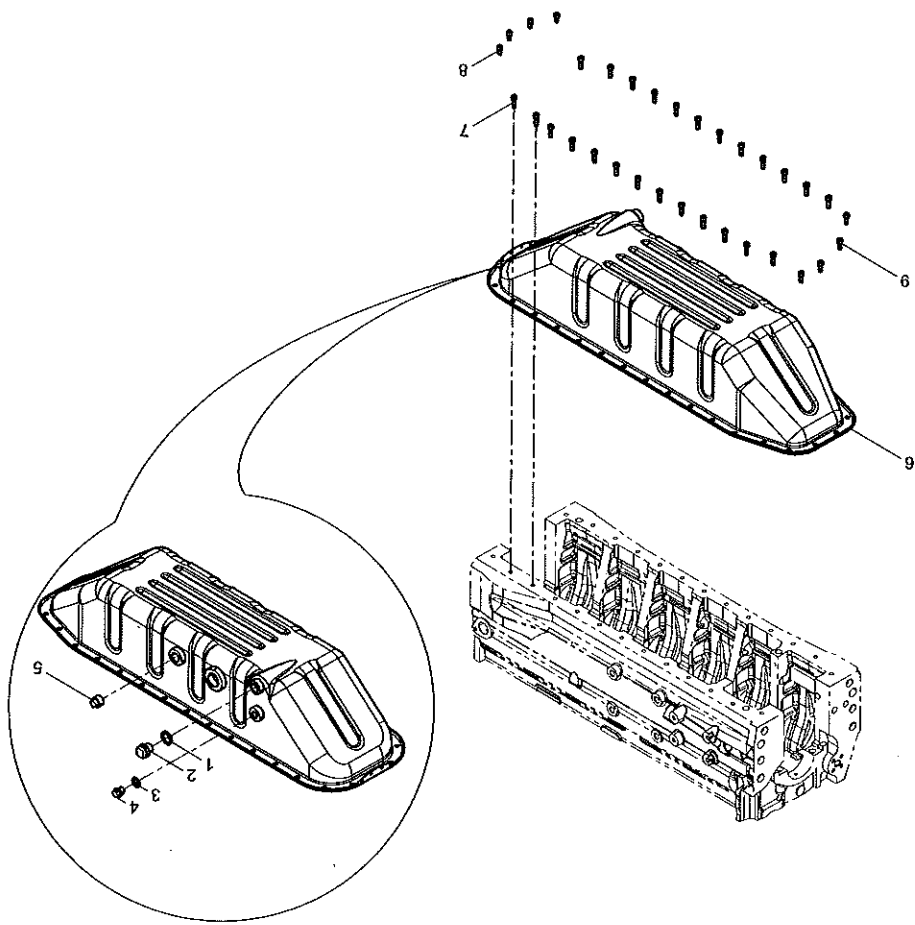
INDEX PART NO.	DESCRIPTION	QTY SEE PAGE
1 160102070040B002	Shell, Flywheel	1
2 160102070041B069	PTO Housing	1

160102070040B003 PTO Subassembly



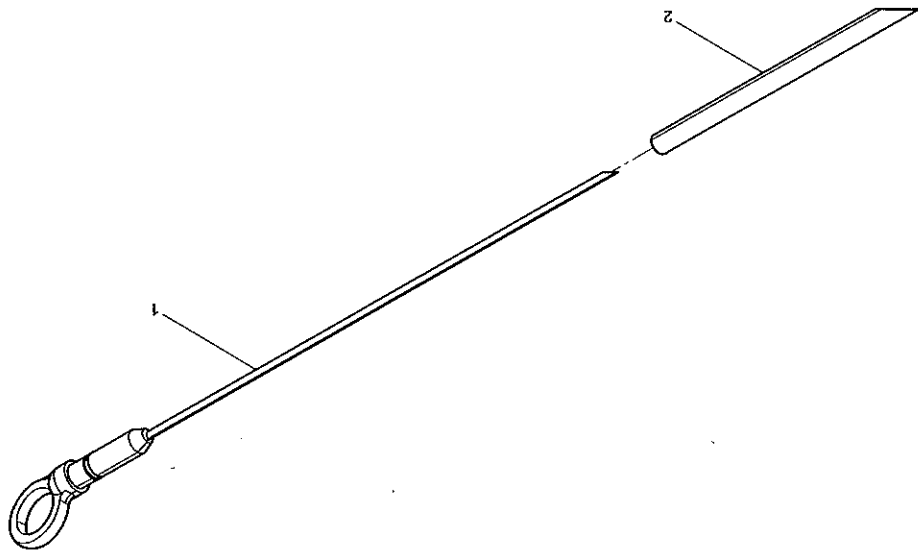
INDEX	PART NO.	DESCRIPTION	QTY	SEE PAGE
1	61028399	Hub	1	
2	61028690	Gasket	1	
3	61028414	Screw, Socket Head Cap	4	
4	60228103	Damper, Viscous Vibration	1	
5	160102070041B015	Crankshaft Pulley	1	
6	60326373	Spring Washer	6	
7	160102070041B070	Inner Hexagon Socket Head Cap Screw	6	

160102070041B144 Crankshaft Pulley Group



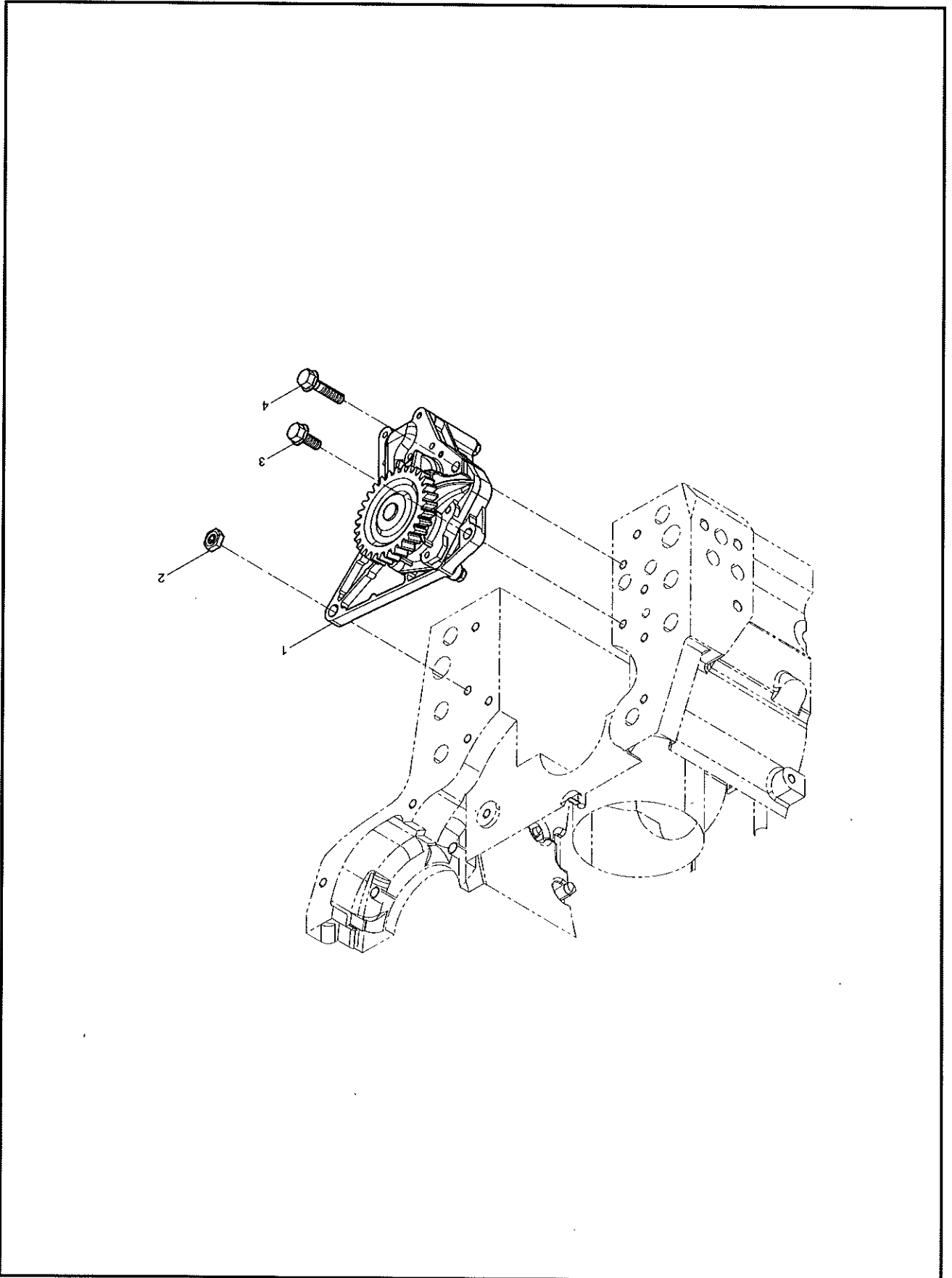
INDEX	PART NO.	DESCRIPTION	QTY	SEE PAGE
1	60326313	Washer, Seal	2	
2	60326370	Plug Assembly, Magnetic	2	
3	61028526	Assembled Sealing Washer	1	
4	61028386	Plug, Hexagon	1	
5	160102070041B071	Screw Plug	1	
6	160102070041B072	Oil Pan Assembly	1	
7	60272465	Screw, Socket Head Cap	26	
8	160101130018A030	Screw	4	
9	160101150002B252	Inner Hexagon Socket Head Cap Screw	3	

160102070041B180 Oil Pan Group

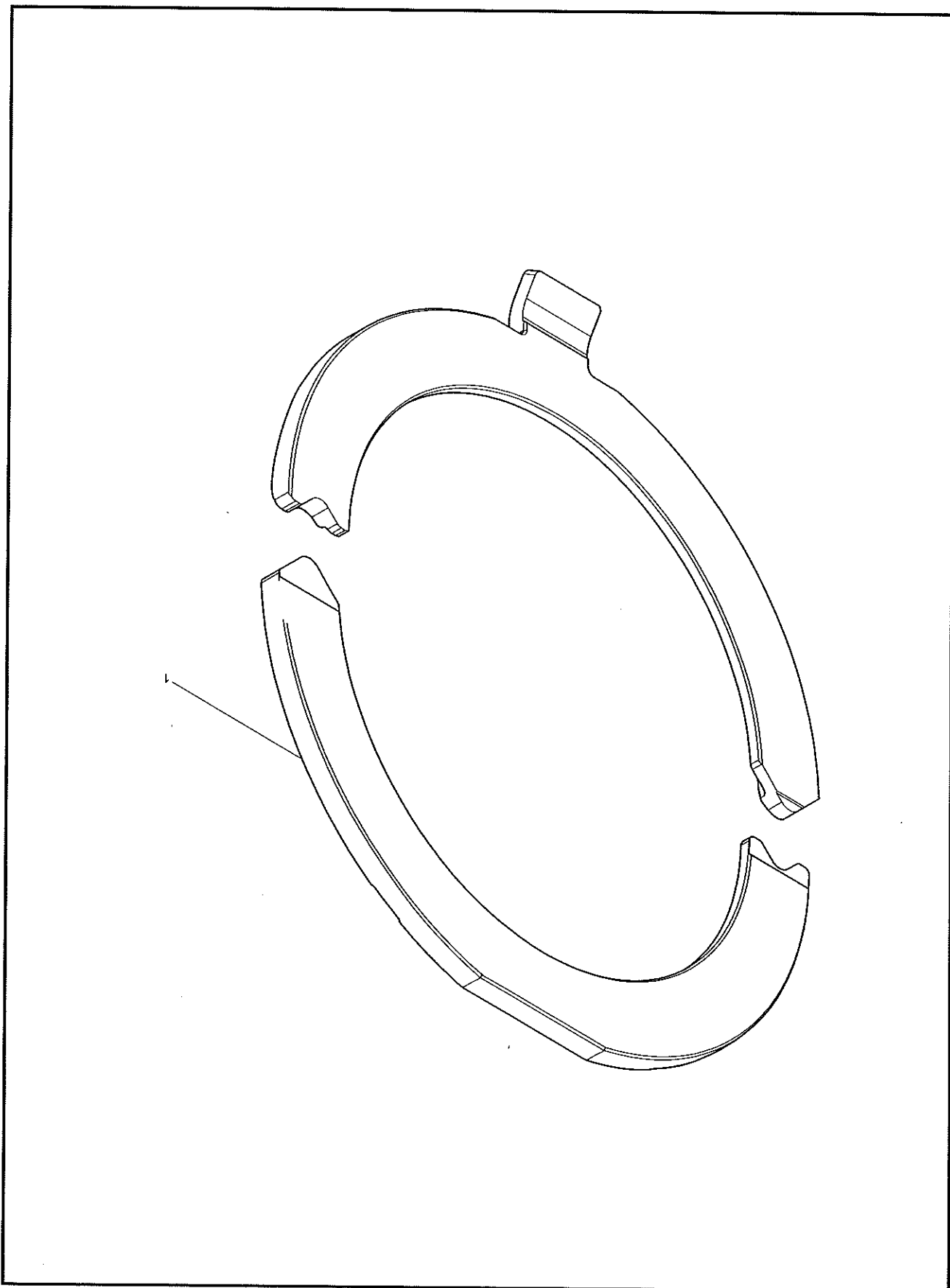


INDEX PART NO.	DESCRIPTION	QTY	SEE PAGE
1	160102070041B073 Dipstick Set	1	
2	160102070041B074 Oil Gauge Tube	1	

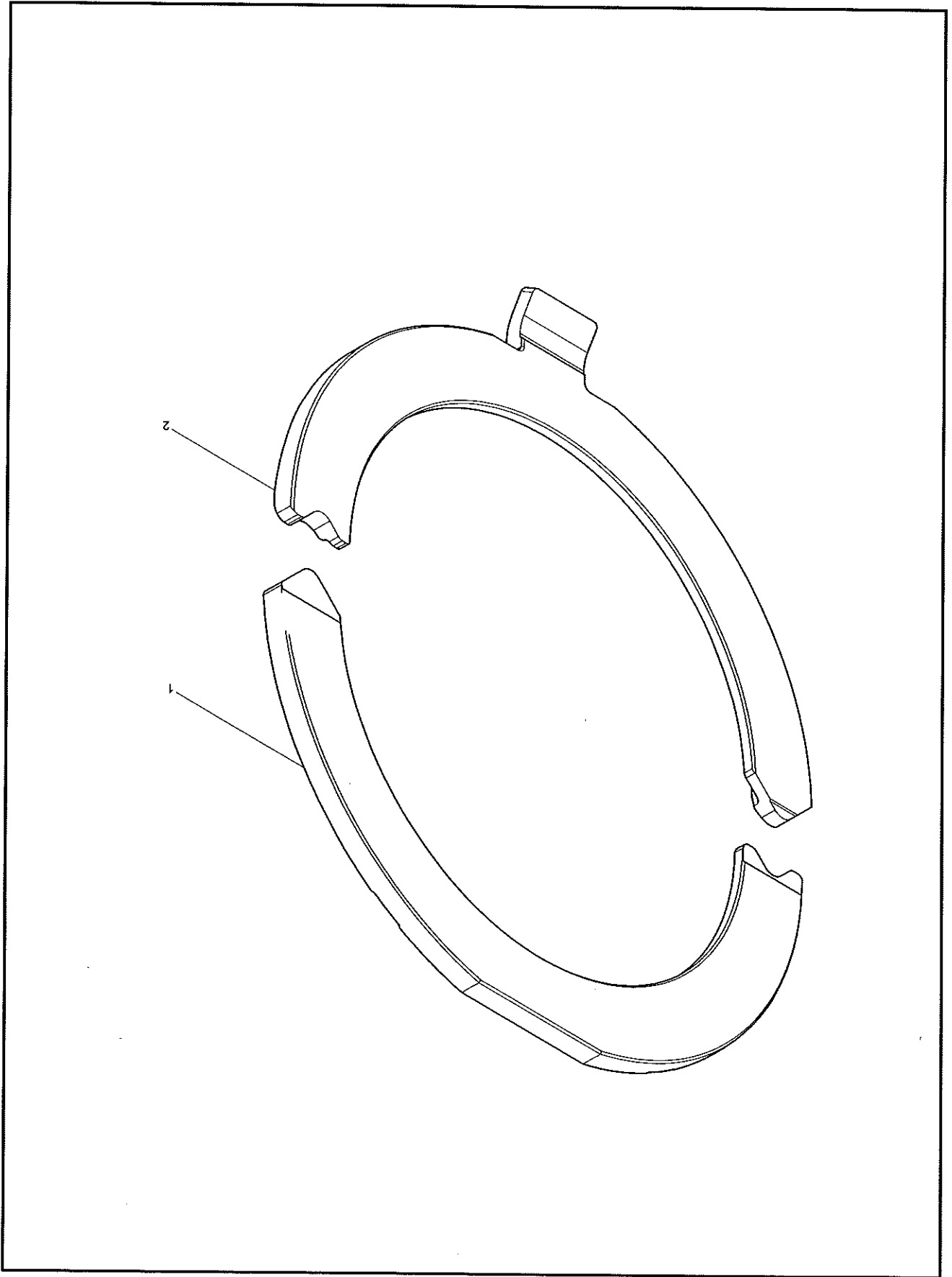
160102070041B178 Oil Dipstick Group



INDEX PART NO.	DESCRIPTION	QTY	SEE PAGE
1	160102070035B003 Lubricating Oil Pump	1	
2	61021522 Nut, Hexagon Flange	1	
3	168899000141 Bolt, Hexagon Flange	1	
4	61000135 Hexagon Flange Bolt	1	



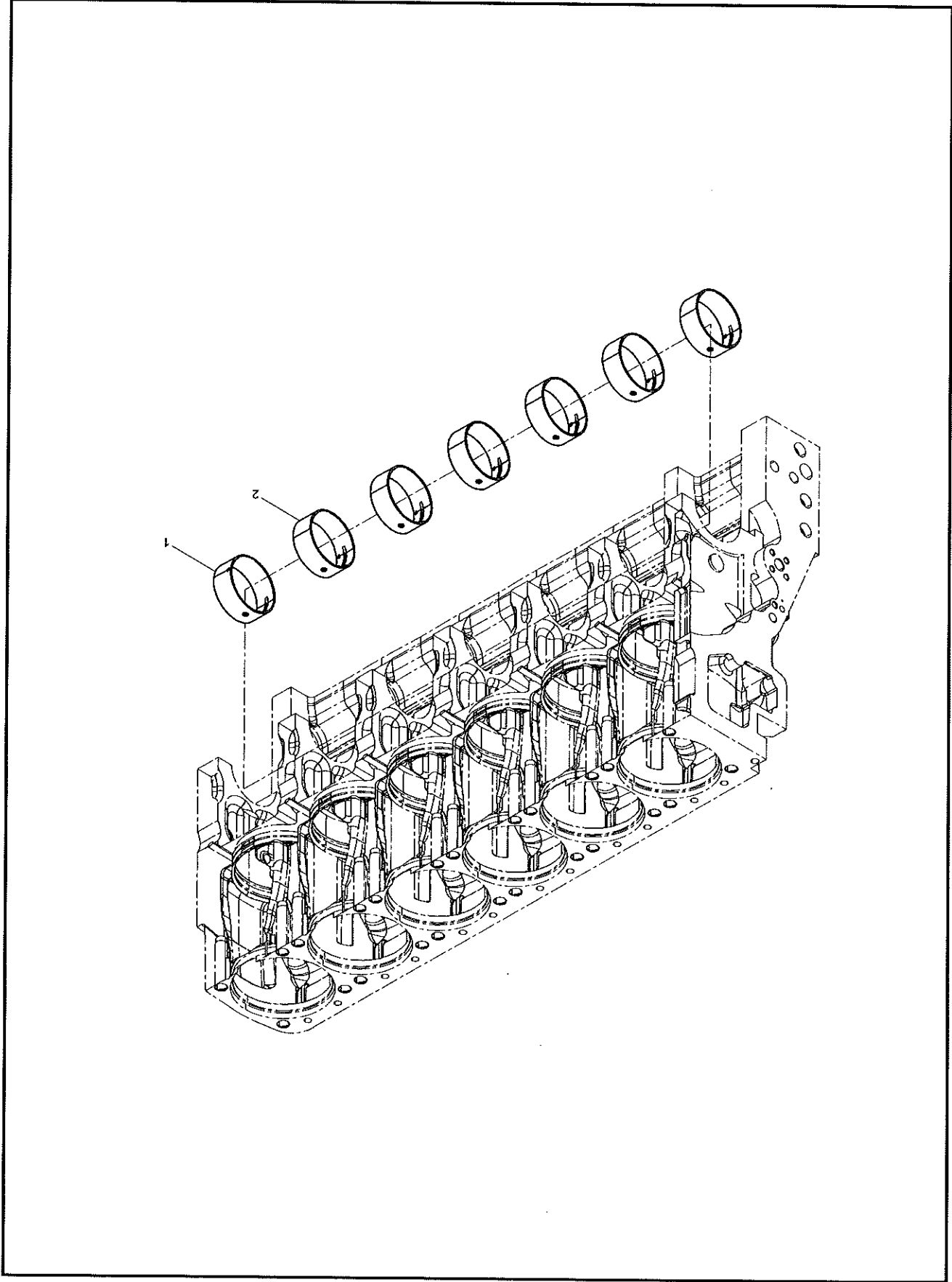
INDEX PART NO.	DESCRIPTION	QTY	SEE PAGE
1 168899000457	Thrust Plate Set	1	8-60



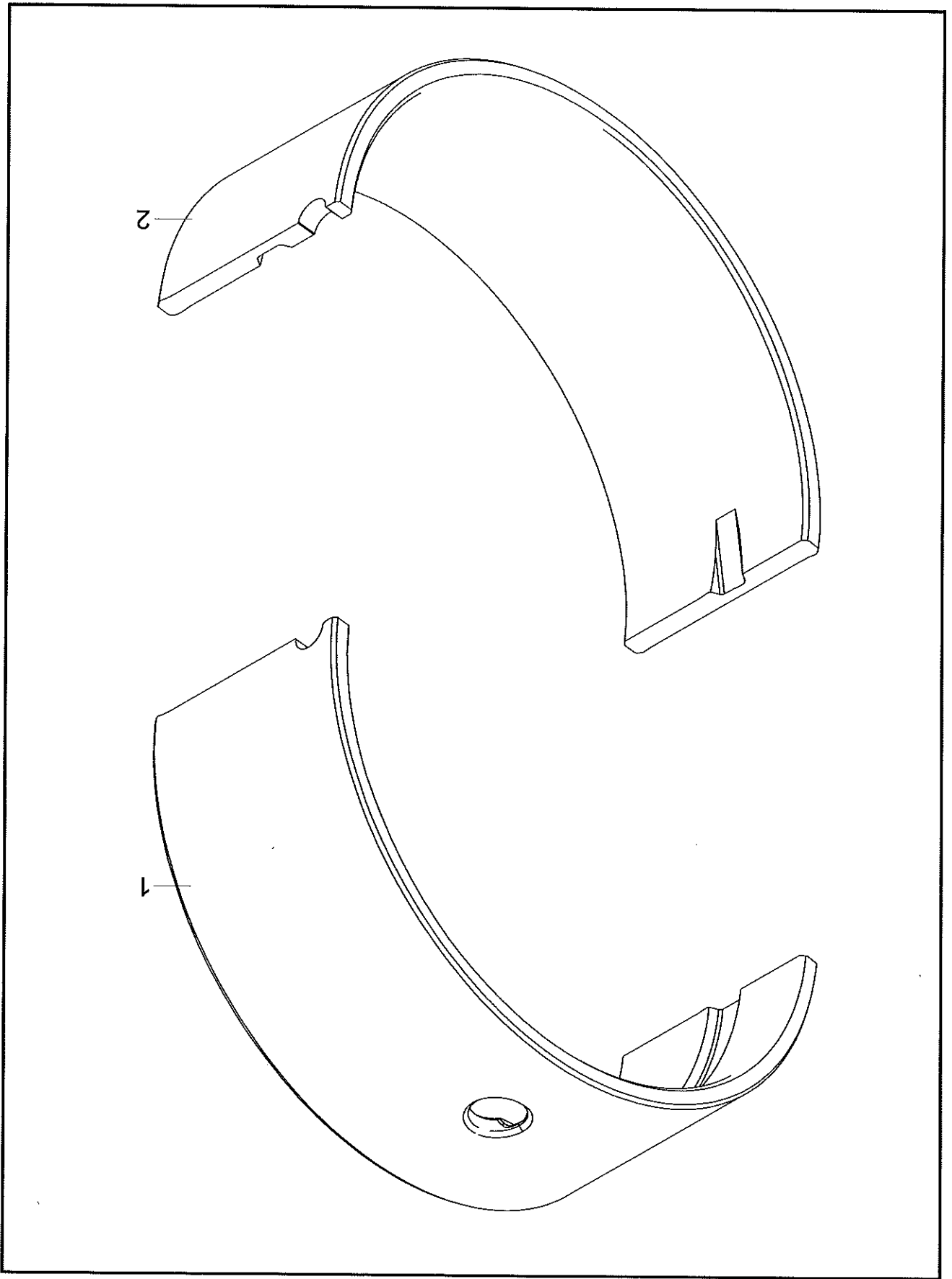
168899000457 Thrust Plate Set

INDEX PART NO.	DESCRIPTION	QTY	SEE PAGE
1	Thrust Plate, Upper	1	
2	Thrust Plate, Lower	1	

168899000457 Thrust Plate Set



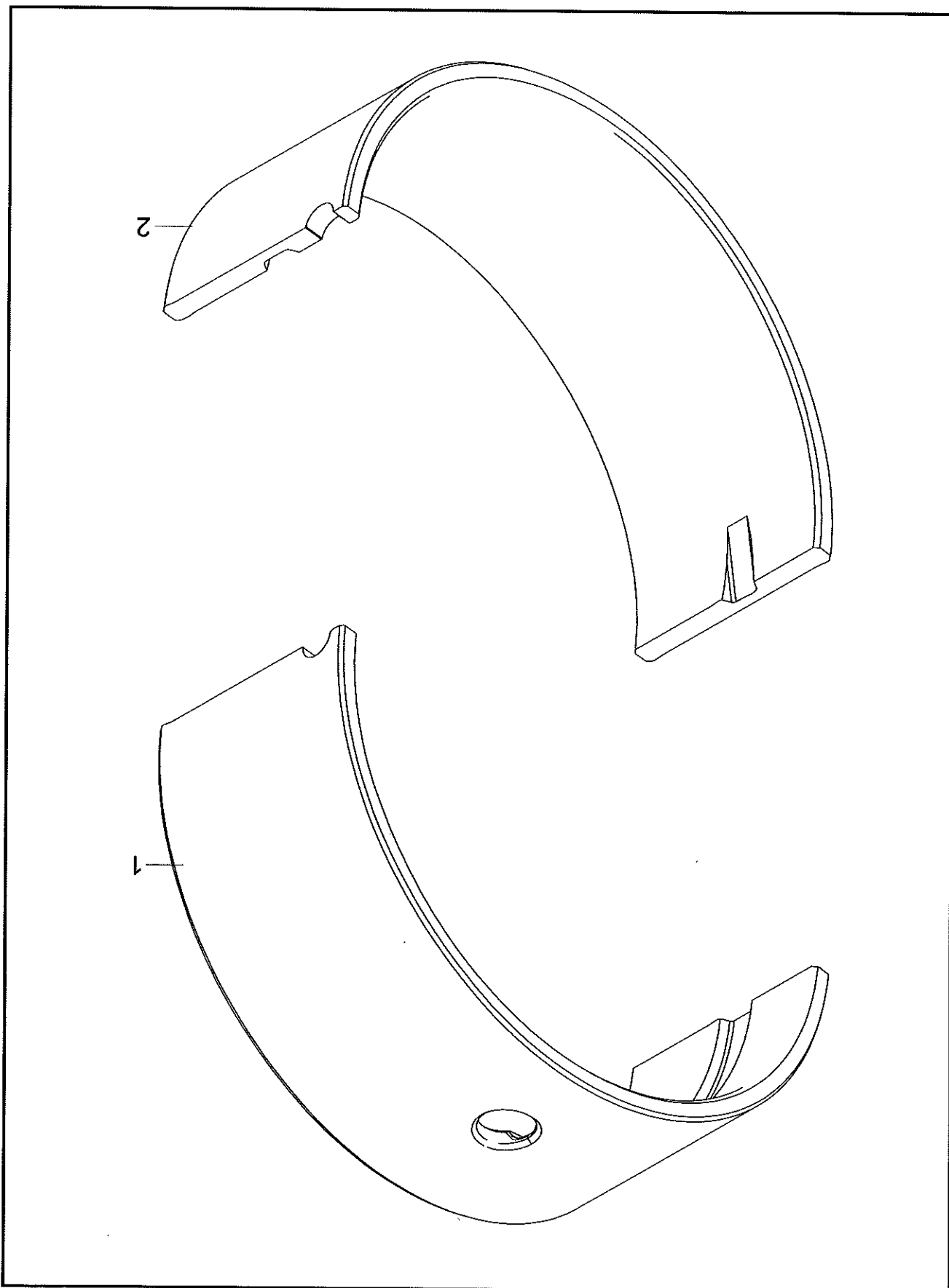
INDEX PART NO.	DESCRIPTION	QTY	SEE PAGE
1 60355262	Bushing, Thrust	1	8-64
2 60355261	Bushing, Coupling Rod	6	8-66



60355262 Bushing, Thrust

INDEX PART NO.	DESCRIPTION	QTY	SEE PAGE
1	Bushing, Thrust	1	
2	Bushing, Thrust	1	

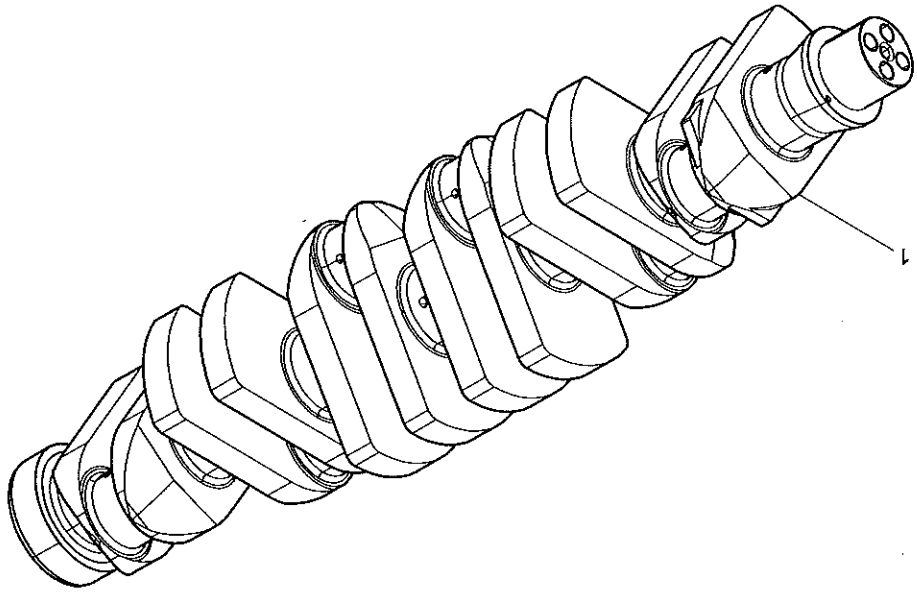
60355262 Bushing, Thrust



60355261 Bushing, Coupling Rod

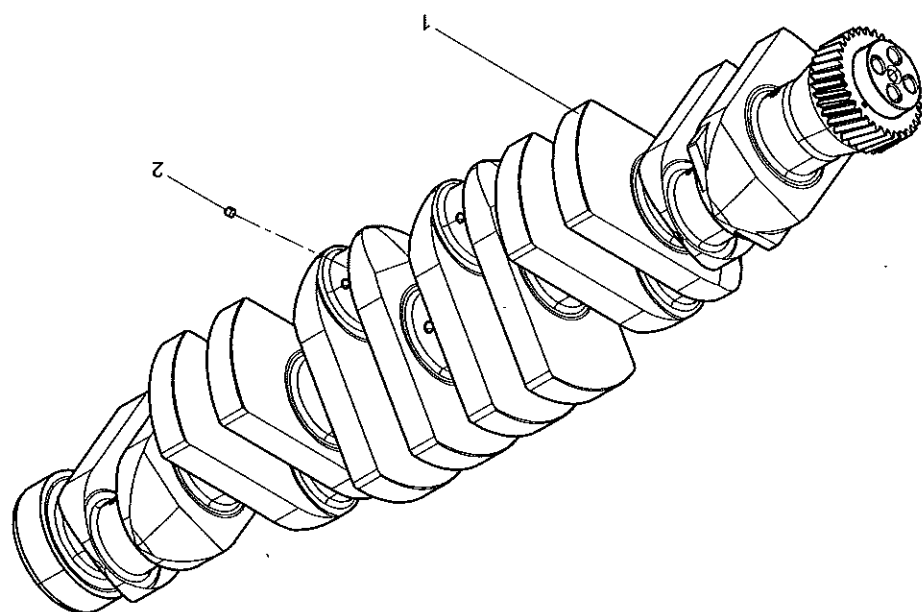
INDEX PART NO.	DESCRIPTION	QTY	SEE PAGE
1	Bushing	1	
2	Bushing, Coupling Rod	1	

60355261 Bushing, Coupling Rod



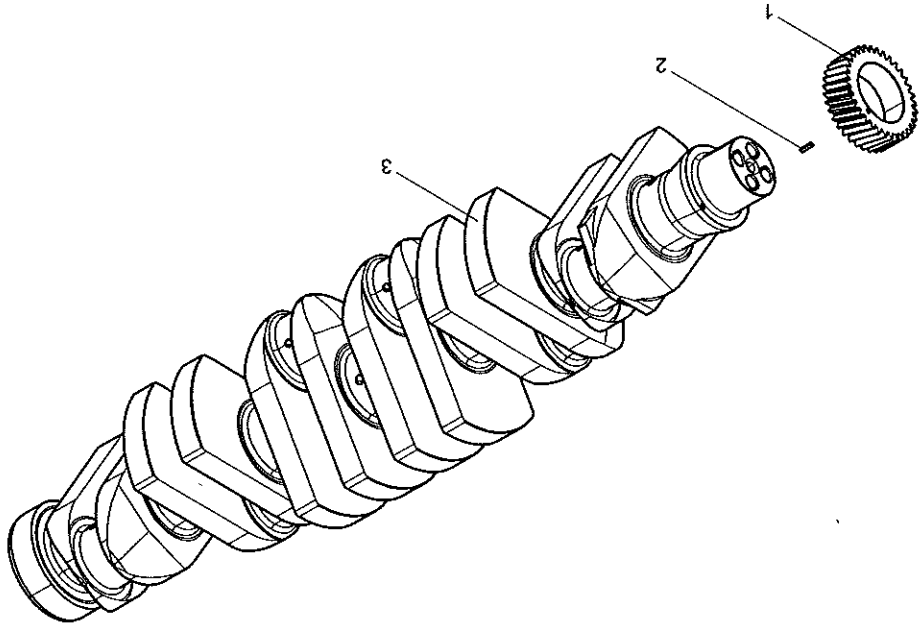
INDEX PART NO.	DESCRIPTION	QTY	SEE PAGE
1	Crankshaft assy	1	8-70
160102070041B014			

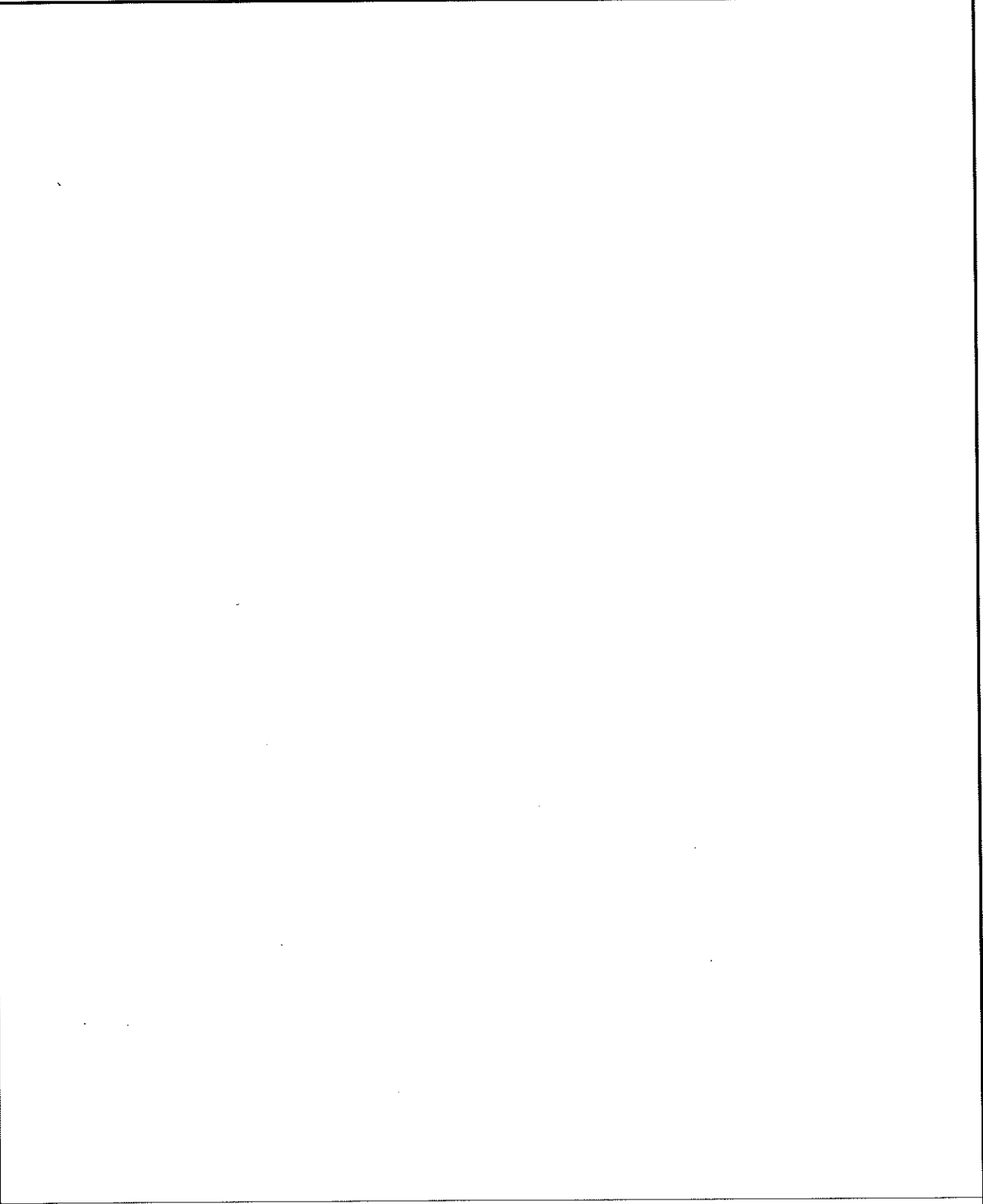
160102070041B168 Crankshaft Group



INDEX PART NO.	DESCRIPTION	QTY	SEE PAGE
1	61028696	6	
1	160102070041B097	1	8-72
	Crankshaft Subassembly		

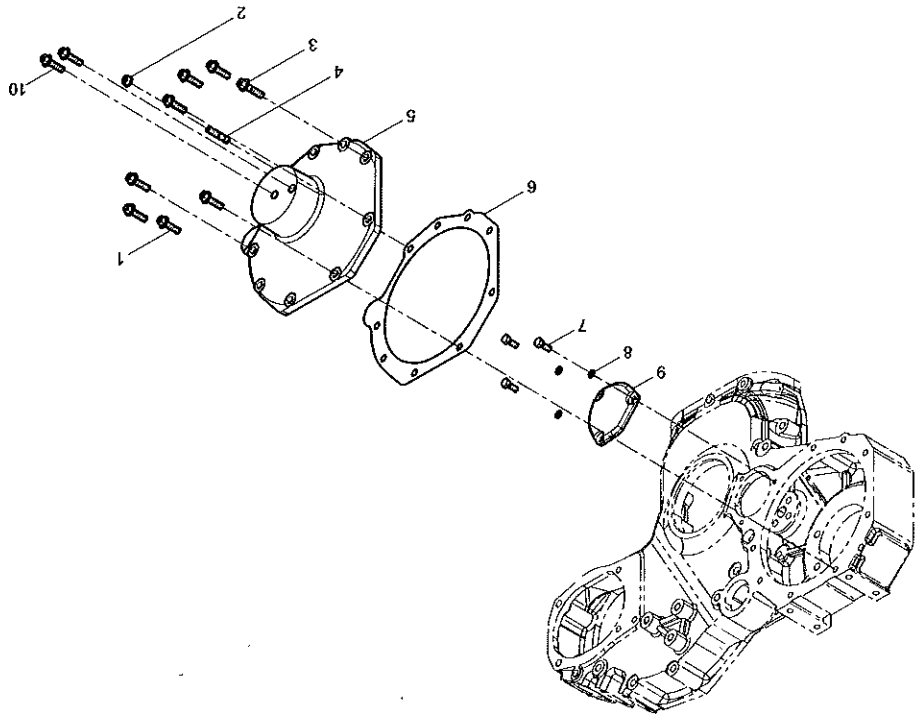
160102070041B014 Crankshaft assy





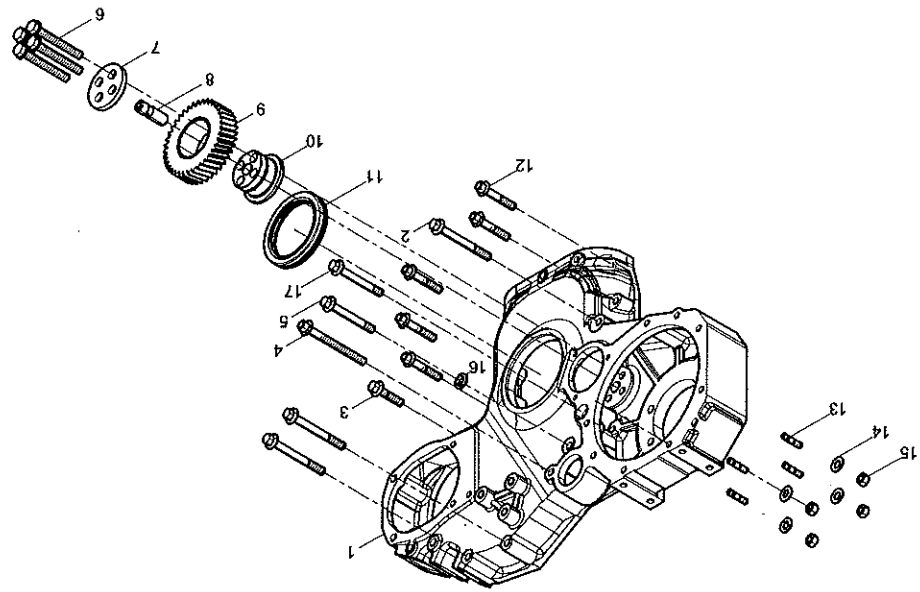
INDEX	PART NO.	DESCRIPTION	QTY	SEE PAGE
1	61028678	Clip	1	
1	61028447	Crankshaft Timing Gear	1	
1	160102070035B036	Crankshaft & Bearings	1	

160102070041B097 Crankshaft Subassembly

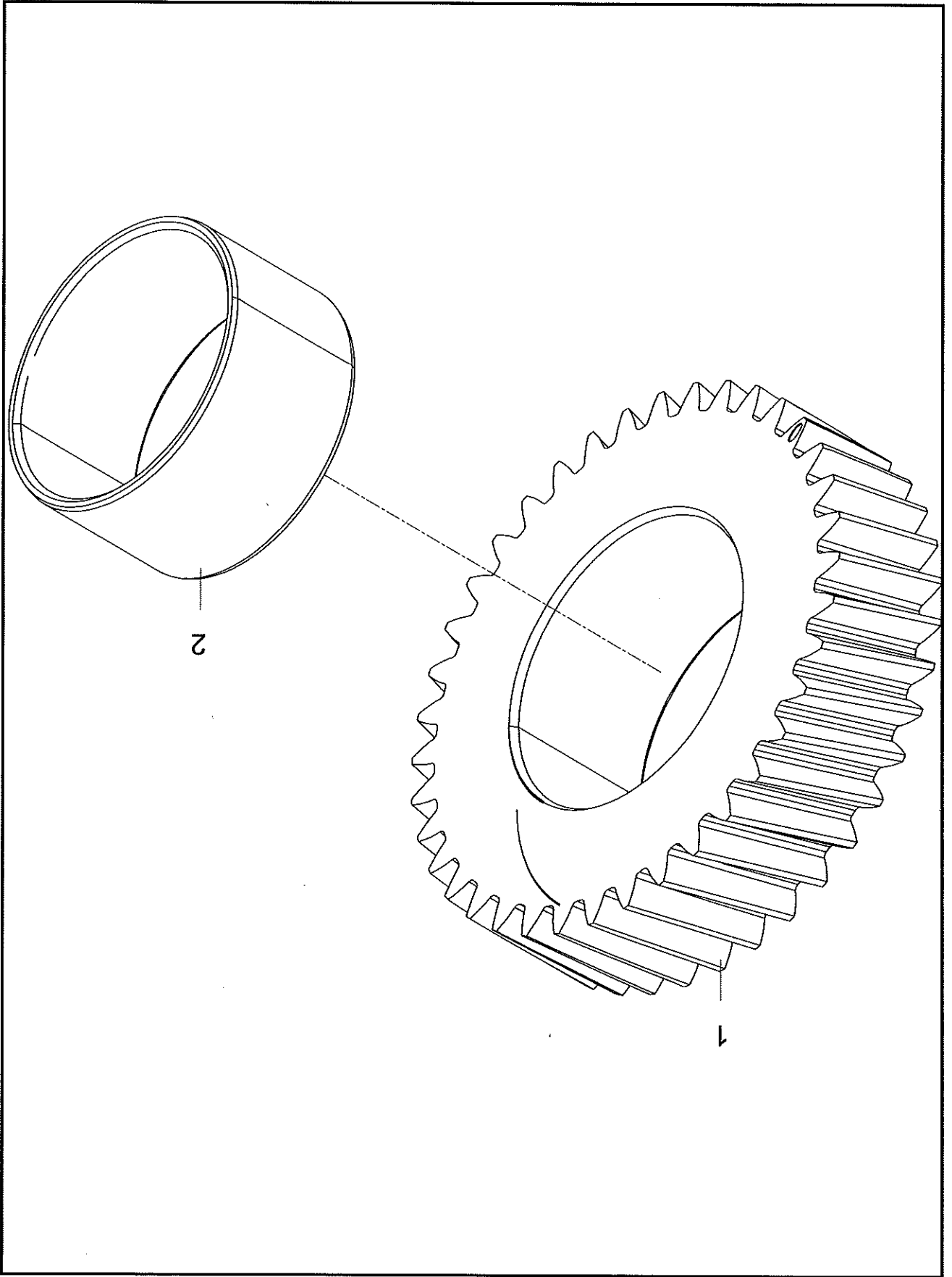


INDEX	PART NO.	DESCRIPTION	QTY	SEE PAGE
1	61028371	Nut, Hexagon Flange	7	
2	160102120007A002	Hexagon Flange Nut	1	
3	61028374	Nut, Hexagon Flange	1	
4	61021258	Double-headed Stud	1	
5	160102070041B096	Plug	1	
6	160102070041B022	Gasket	1	
7	60127660	Bolt	3	
8	160102070041B031	Sealing Washer	3	
9	61028443	Cover, End	1	
10	60272924	Nut, Hexagon Flange	2	

160102070041B167 Front End Cover Group



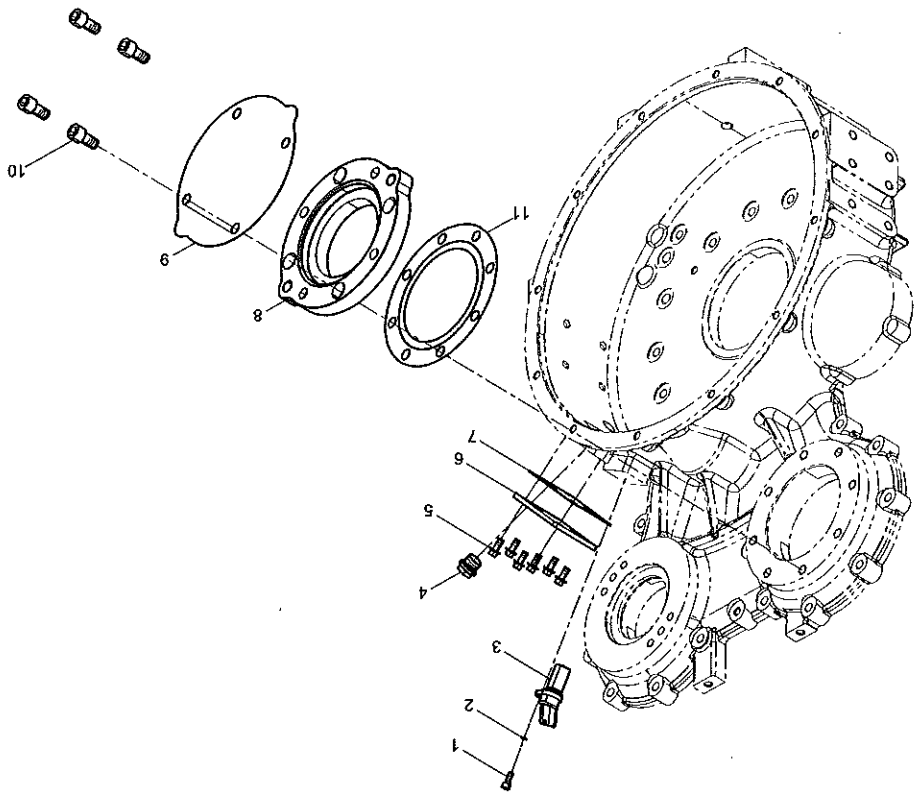
INDEX	PART NO.	DESCRIPTION	QTY	SEE PAGE
1	160102070041B095	Front Cap	1	
2	60272924	Nut, Hexagon Flange	3	
3	61028379	Nut, Hexagon Flange	1	
4	168899000452	Nut, Hexagon Flange	1	
5	60326569	Nut, Hexagon Flange	2	
6	61028393	Bolt, Hexagon	4	
7	61028681	Baffle	1	
8	61028518	Shaft	1	
9	61028517	Shaft Assembly, Idler Gear	1	8-78
10	61028515	Shaft, Idler Gear	1	
11	A230101000450	Oil Seal, Front	1	
12	61028375	Nut, Hexagon Flange	5	
13	60326182	Double-headed Stud	4	
14	61002659	Washer	4	
15	160102120008A133	Nut, Hexagon	4	
16	160102070041B034	Assembled Sealing Washer	1	
17	60222475	Bolt, Hexagon	1	



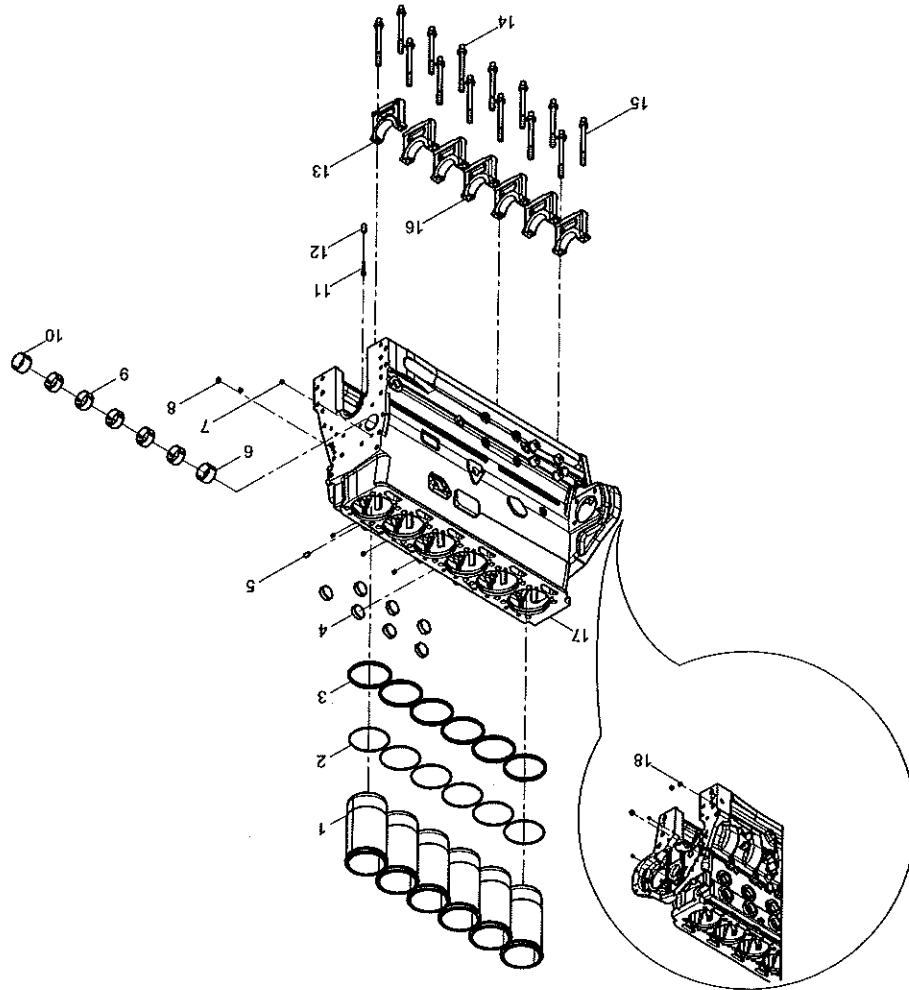
61028517 Shaft Assembly, Idler Gear

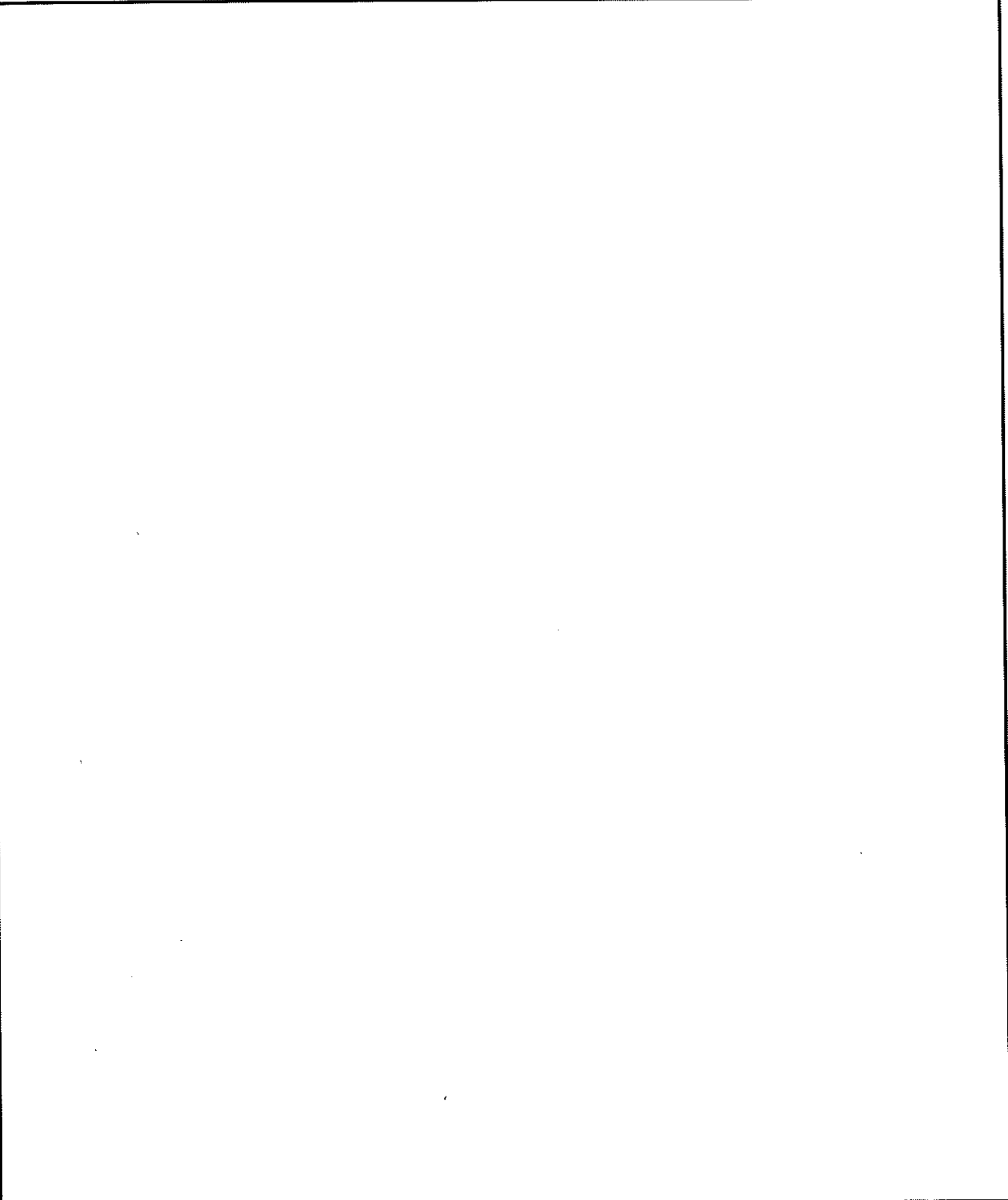
INDEX	PART NO.	DESCRIPTION	QTY	SEE PAGE
1	61028514	Idle Gear	1	
2	61028670	Bushing, Gear	1	

61028517 Shaft Assembly, Idle Gear

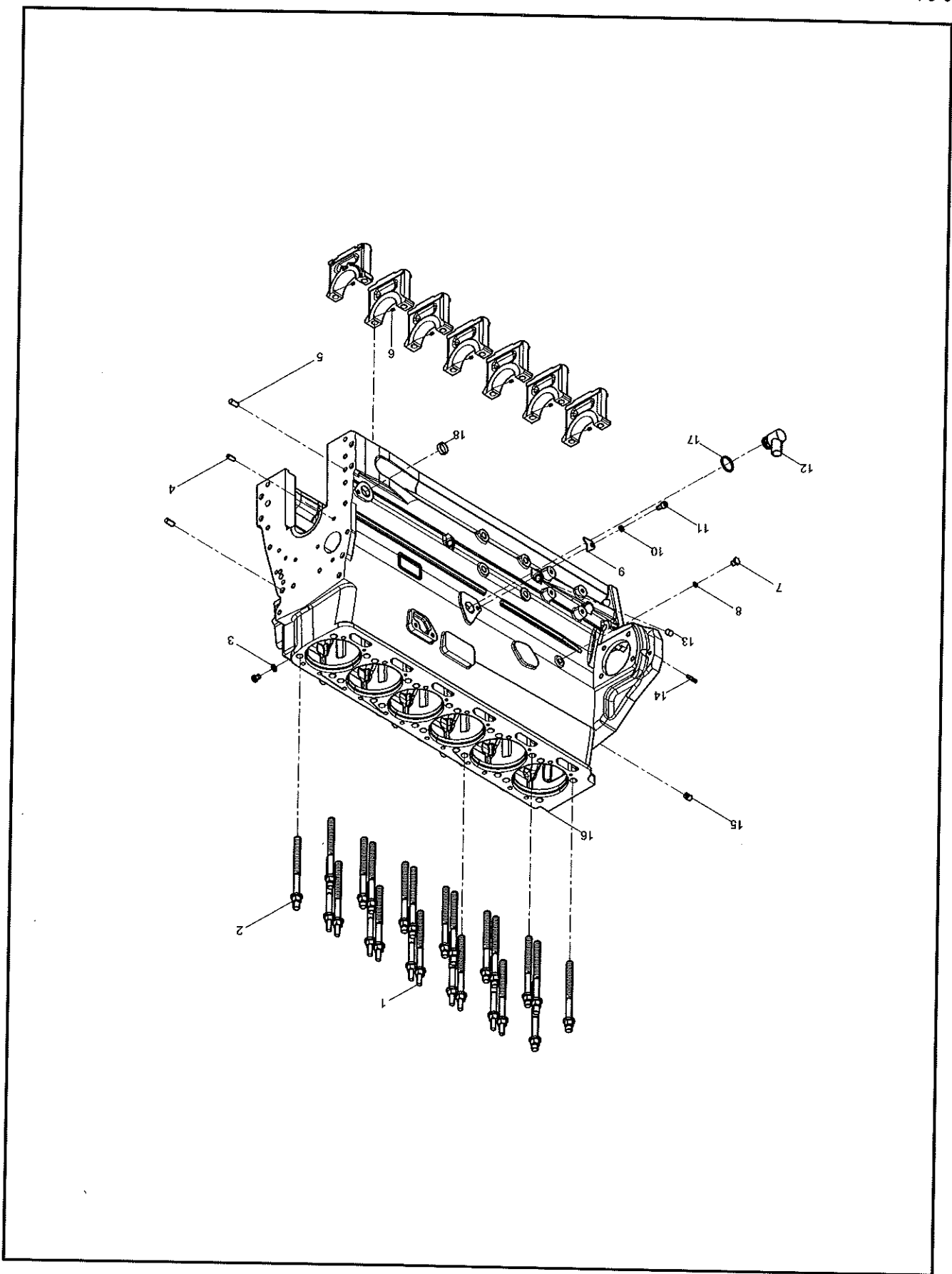


INDEX PART NO.	DESCRIPTION	QTY	SEE PAGE
1	16010210004B132 Inner Hexagon Socket Head Cap Screw	1	
2	60326362 Washer, Flexible	1	
3	60033243 Speed Sensor	1	
4	61028384 Plug, Hexagon	1	
5	61028363 Nut, Hexagon Flange	6	
6	16010207004B101 Handhole Cover	1	
7	16010207004B102 Gasket	1	
8	16010207004B103 Bearing Cover	1	
9	16010207004B104 Protection Cover Shield	1	
10	16010207004B093 Inner Hexagon Socket Head Cap Screw	4	
11	16010207004B094 Gasket	1	



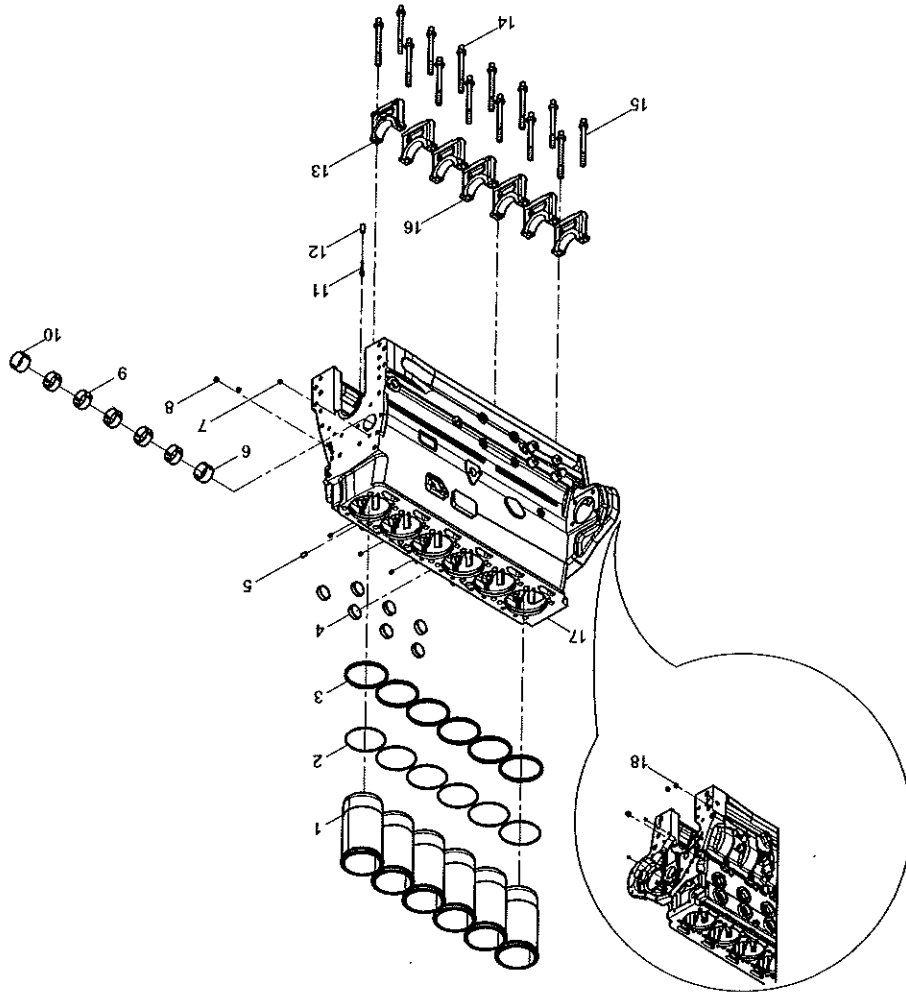


INDEX	PART NO.	DESCRIPTION	QTY	SEE PAGE
1	61002663	Hexagon Flange Bolt	1	
2	61028684	Gasket	1	
3	61028734	Nozzle Assembly, Piston	1	
4	61028662	O-ring	1	

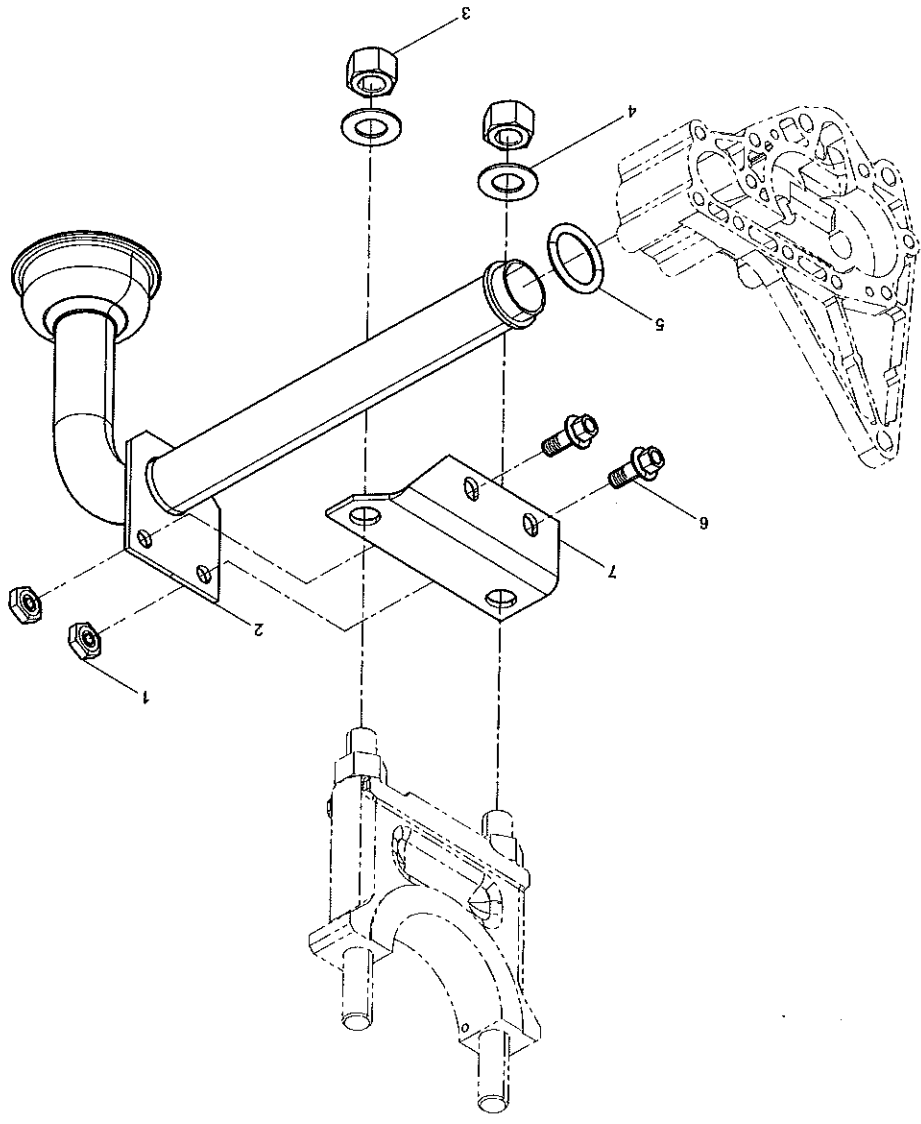


160102070041B165 Engine Block Group

INDEX	PART NO.	DESCRIPTION	QTY	SEE PAGE
1	168899000450	Cylinder Head Bolt	10	
2	61028433	Cylinder Head Bolt	14	
3	61028525	Assembled Sealing Washer	2	
4	60127684	Parallel Pin	1	
5	61021473	Parallel Pin	2	
6	61028679	Clip	7	
7	168899000471	Hexagon Screw Plug	2	
9	61028666	Plate	1	
10	60222440	Spring Washer	1	
11	61028420	Screw, Socket Head Cap	1	
12	160102070041B099	pipe joint	1	
13	61028501	Cylindrical Pin	1	
14	61028464	Double-headed Stud	1	
15	61028516	Shaft, Idler Gear	1	
16	160102070041B100	Engine Body Assembly	1	8-86
17	61028661	O-ring	1	
18	61028480	Plug, Expansion	1	

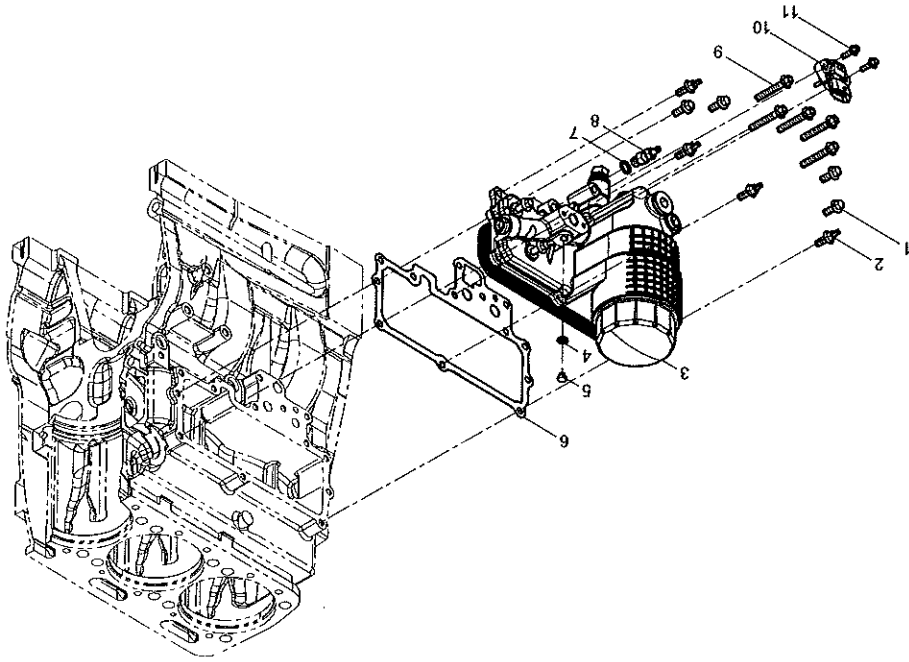


INDEX	PART NO.	DESCRIPTION	QTY	SEE PAGE
1	60228107	Cushion, Cylinder	6	
2	A230101000447	O-ring	12	
3	A230101000448	O-ring	12	
4	168899000451	Plug, Expansion	7	
5	61028412	Ring, Seal	1	
6	61028477	Bushing, Camshaft	1	
7	61028348	Rivet, Pulling	7	
8	61028347	Rivet, Pulling	1	
9	61028476	Bushing, Camshaft	5	
10	61028475	Bushing, Camshaft	1	
11	61028346	Rivet, Pulling	1	
12	61028406	Stud	1	
13	61028499	Cap, Bearing	1	
14	61028520	Bolt, Main Bearing	2	
15	61028521	Bolt, Main Bearing	12	
16	160102070060A024	Pre-machined Main Bearing Cap	6	
17	160102070060A023	Engine Block	1	
18	61021548	Plug, Threaded	3	

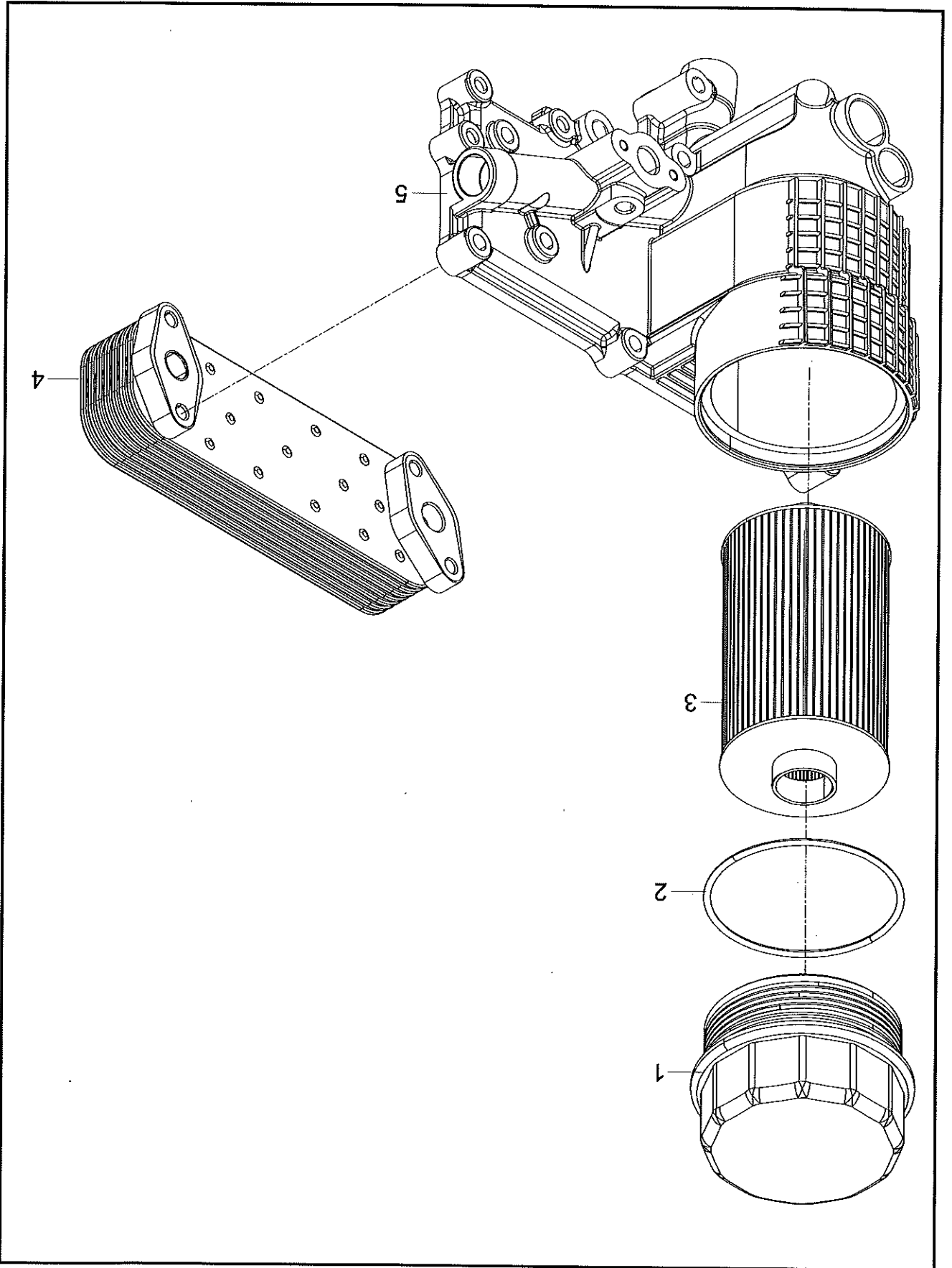


INDEX	PART NO.	DESCRIPTION	QTY	SEE PAGE
1	60218292	Lock Nut, Hexagon	2	
2	160102070041B019	Lubricating Oil Suction Strainer	1	
3	60326341	Hexagon Nut, Type I	2	
4	61028668	Washer, Flexible	2	
5	160102070035B004	O-ring	1	
6	61028673	no name	2	
7	61028665	Plate	1	

160102070041B119 Oil Strainer Group

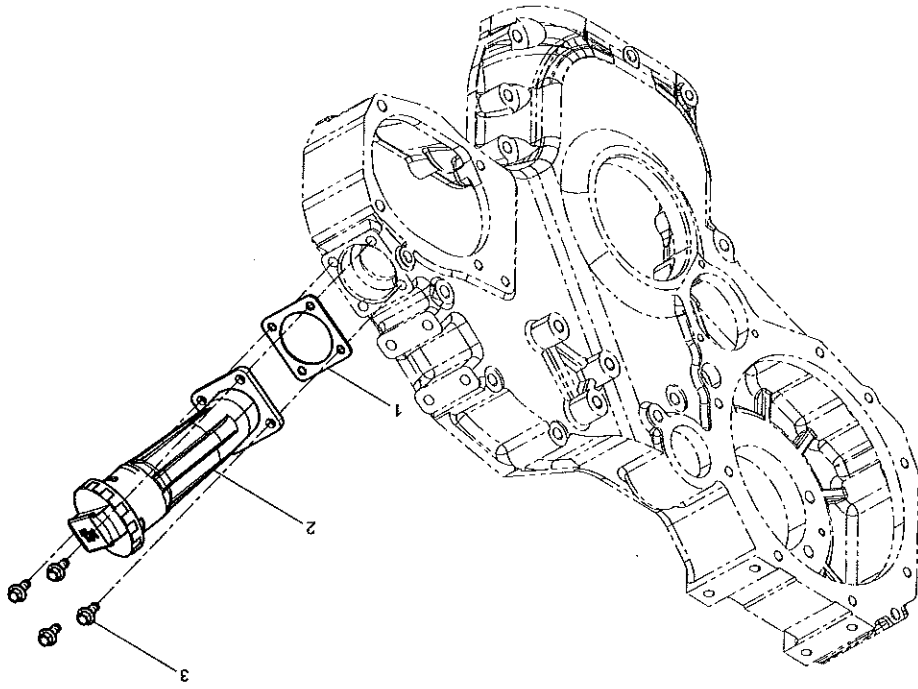


INDEX	PART NO.	DESCRIPTION	QTY	SEE PAGE
1	61028379	Nut, Hexagon Flange	4	
2	61028378	Nut, Hexagon Flange	4	
3	61028741	Cooler Assembly, Engine Oil	1	8-92
4	61028525	Assembled Sealing Washer	1	
5	60272930	Hexagon Plug	1	
6	61028682	Washer	1	
7	60272458	Sealing Washer	1	
8	61021282	Valve, Coolant Drain	1	
9	61021426	Hexagon Flange Bolt	5	
10	60106805	Sensor, Engine Oil Pressure	1	
11	60326572	Nut, Hexagon Flange	2	



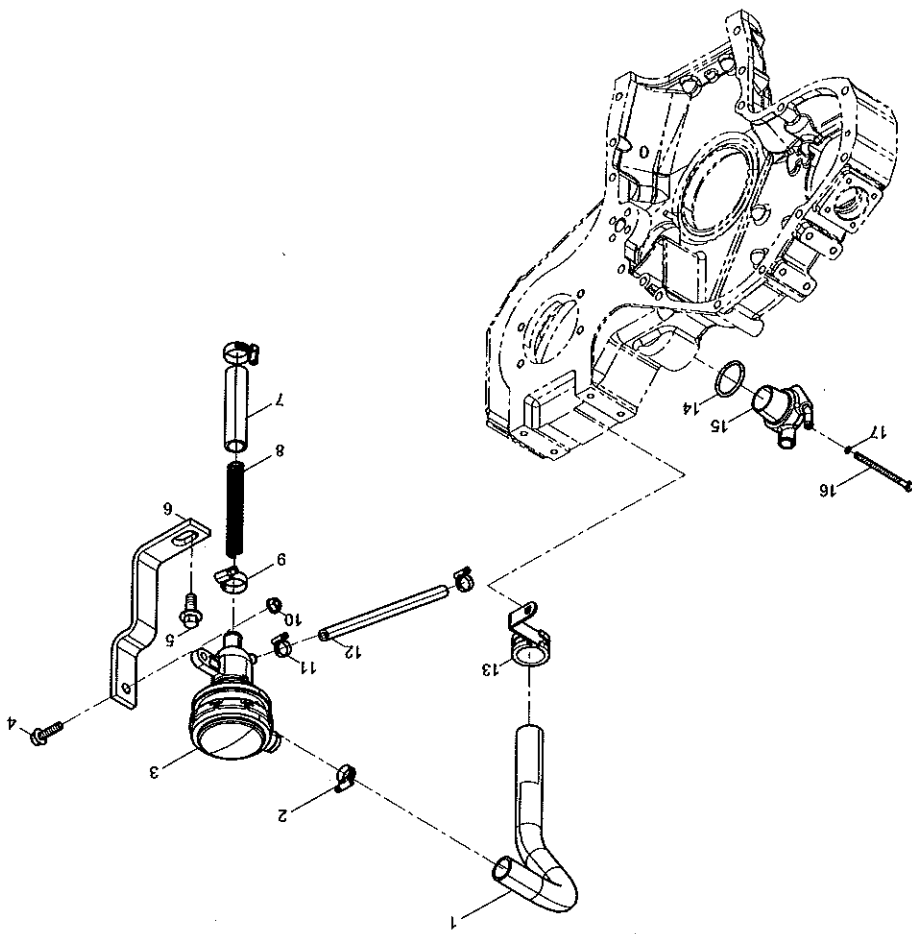
INDEX PART NO.	DESCRIPTION	QTY	SEE PAGE
1	Cover, Filter, Engine Oil	1	
2	Ring, Seal	1	
3	Filter Element, Engine Oil Filter	1	
4	Cooler, Engine Oil	1	
5	Cooler, Engine Oil	1	

61028741 Cooler Assembly, Engine Oil



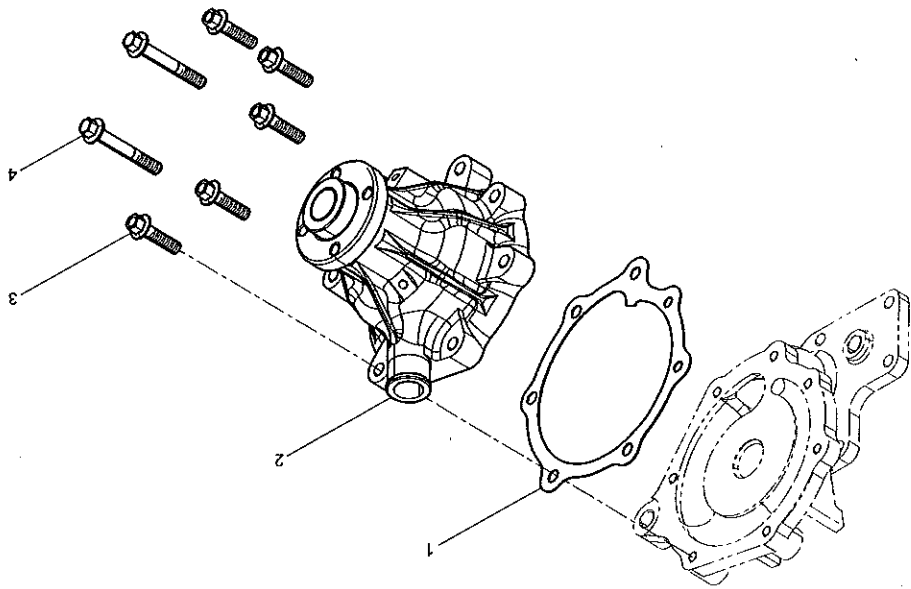
160102070041B122 Oil Filling Tube Group

INDEX	PART NO.	DESCRIPTION	QTY	SEE PAGE
1	160102070035B005	Gasket	1	
2	160102070041B027	Oil Filling Tube Assembly	1	
3	61028364	Nut, Hexagon Flange	4	

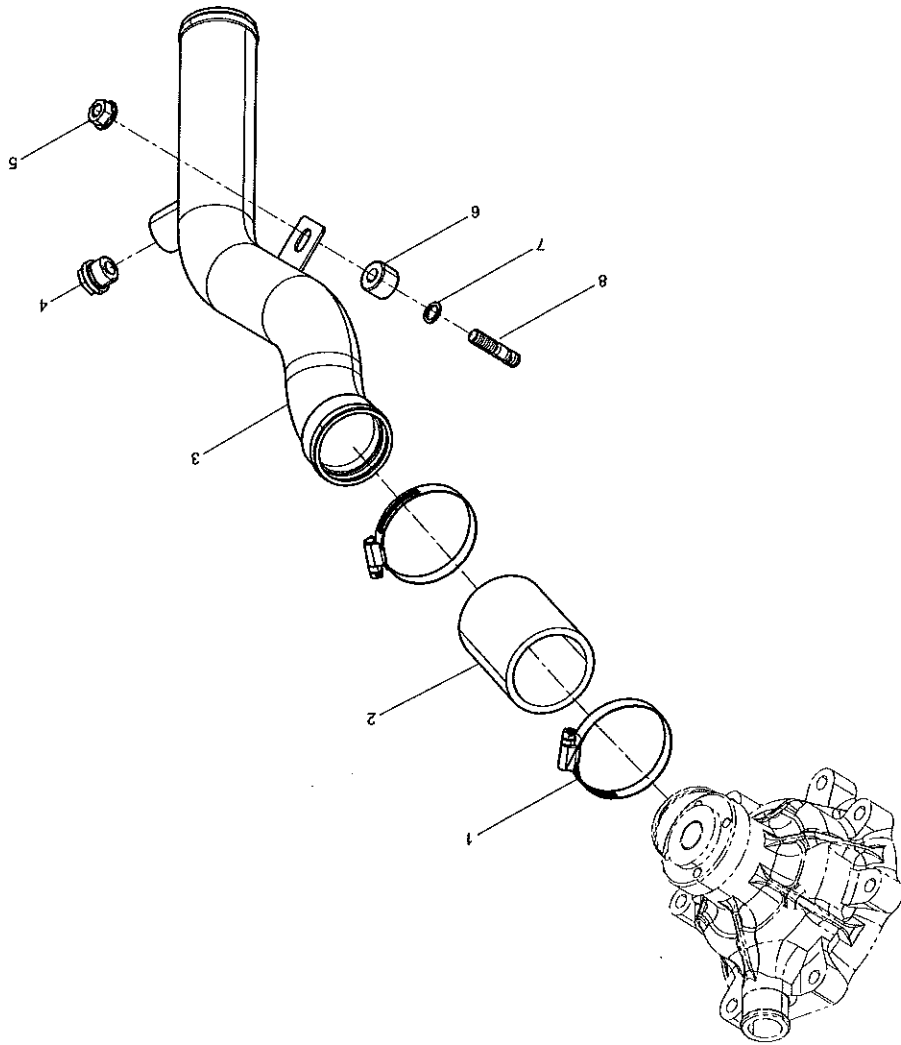


160102070041B123 Oil-gas Separator Group

INDEX	PART NO.	DESCRIPTION	QTY
1	60355292	Connecting Rubber Hose, Oil Circuit	1
2	60272887	Clamp	1
3	160102070035B030	Oil-water Separator	1
4	160102100004B193	Nut, Hexagon Flange	1
5	61028368	Nut, Hexagon Flange	1
6	160102070041B028	Bracket	1
7	160102070041B029	Hose	1
8	61028710	Spring, Return	1
9	61028330	Clamp	2
10	61021522	Nut, Hexagon Flange	1
11	60127623	Clamp	2
12	160102070035B007	Oil Connecting Rubber Pipe	1
13	160102070041B030	Pipe Clamp Assembly	1
14	160102070039B052	O-ring	1
15	160102070041B025	Fuel Air Separator(Respirator)	1
16	168899000456	Hexagon Head Bolt	1
17	160102070041B031	Sealing Washer	1

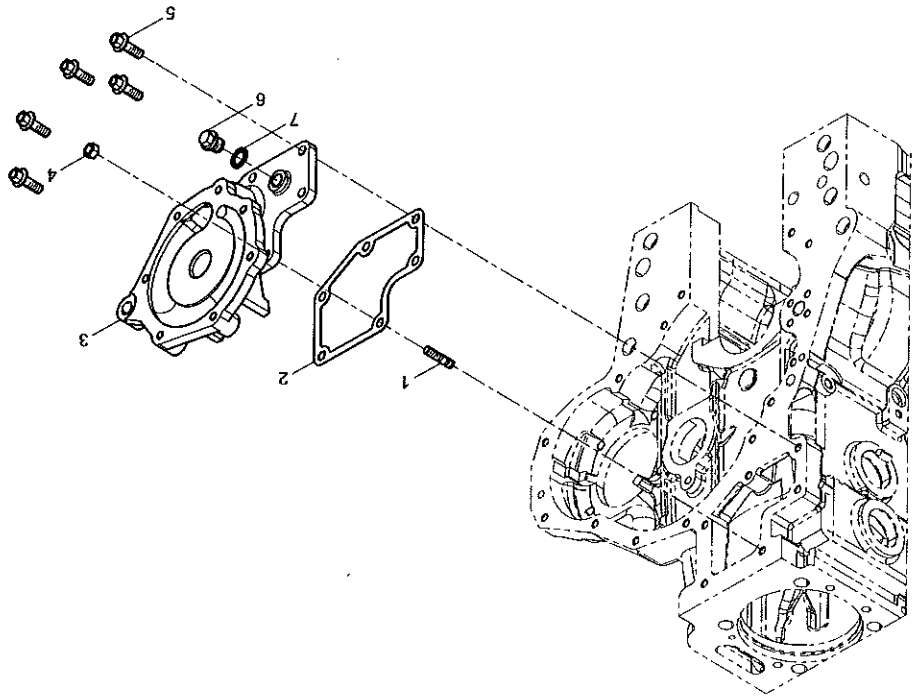


INDEX	PART NO.	DESCRIPTION	QTY	SEE PAGE
1	60355289	Gasket, Seal	1	
1	60355290	Pump Coolant	1	
2	60272926	Nut, Hexagon Flange	1	
5	61028369	Hexagon Flange Bolt	1	

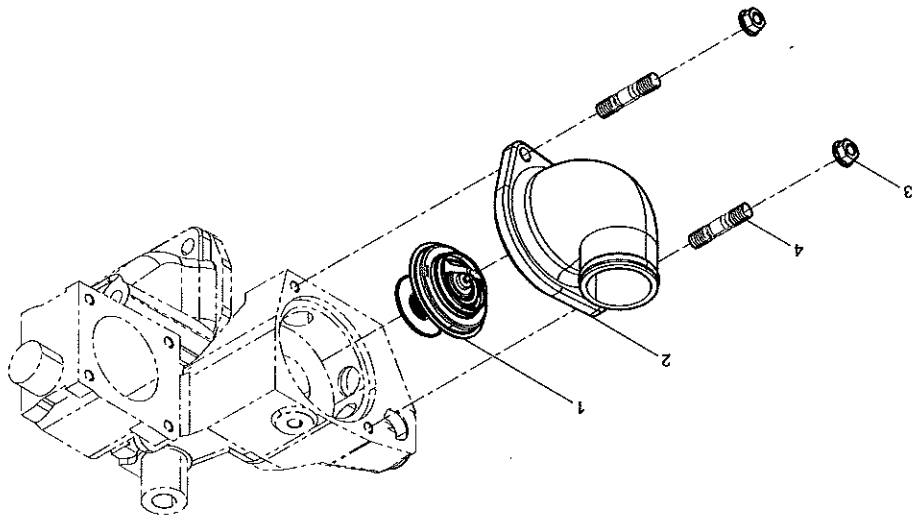


INDEX	PART NO.	DESCRIPTION	QTY
1	160102070041B032	Clamp	2
2	60355282	Pipe, Coupling, Coolant	1
3	160102070035B008	Water Pump Water Pipe	1
4	160102100004B091	Square Taper Screw Plug	1
5	160102120007A002	Hexagon Flange Nut	1
6	160102070041B033	Pad	1
7	160102070041B034	Assembled Sealing Washer	1
8	160102070041B049	Double Head Stud	1

SEE PAGE

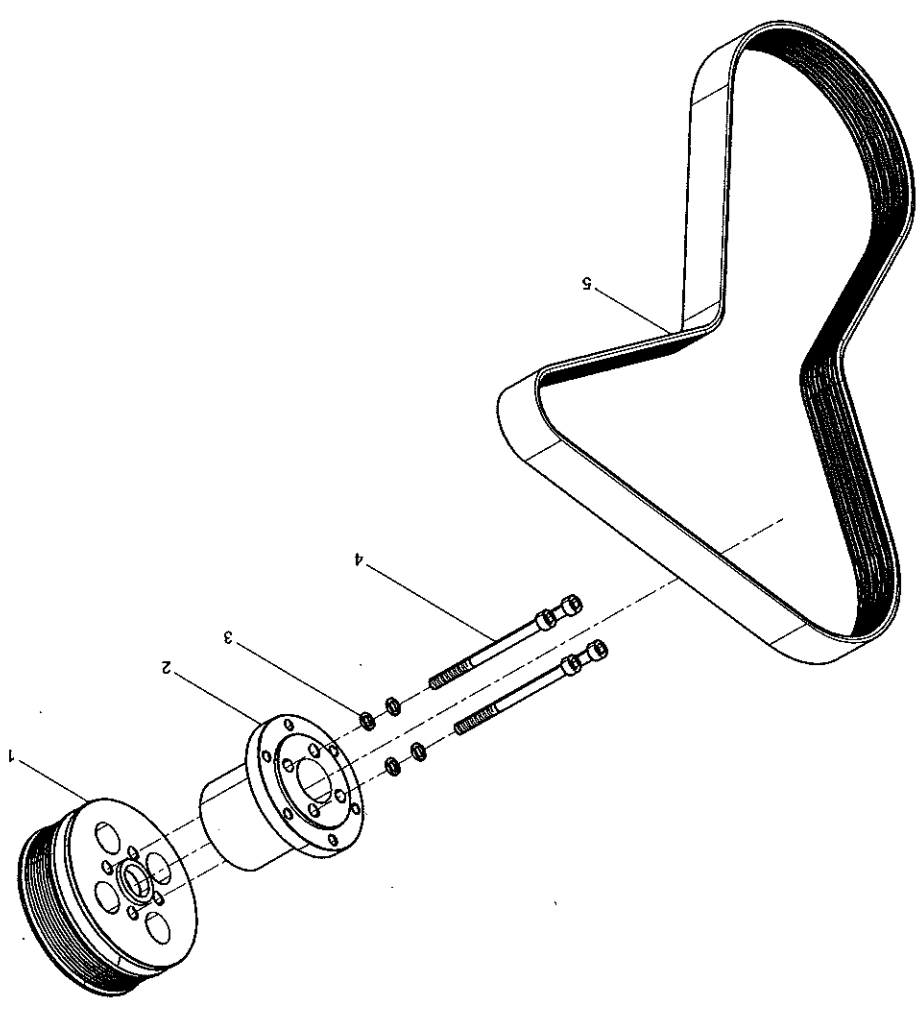


INDEX	PART NO.	DESCRIPTION	QTY	SEE PAGE
1	61028464	Double-headed Stud	3	
2	61028465	Gasket, Seal	1	
3	61028468	Cushion, Water Pump Middle Filling Block	1	
4	61021522	Nut, Hexagon Flange	3	
5	61028371	Nut, Hexagon Flange	3	
6	168899000464	Hexagon Screw Plug	1	
7	160102120008A135	Washer	1	



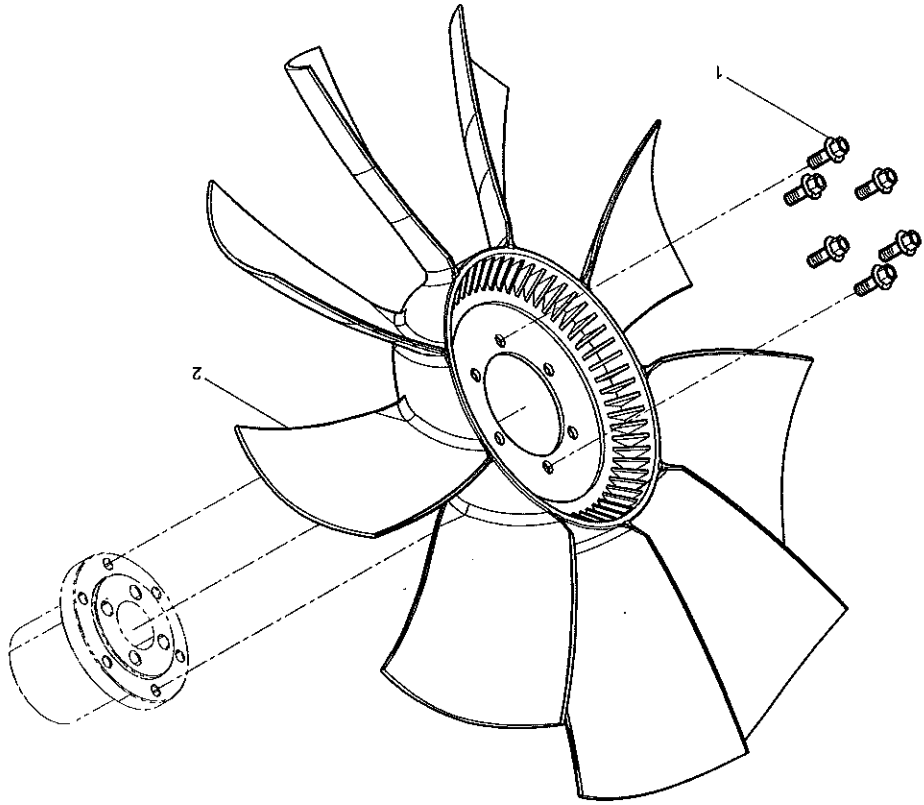
INDEX PART NO.	DESCRIPTION	QTY	SEE PAGE
1	A229900006252 Thermostat	1	
2	160102070041B017 Thermostat Cover	1	
3	160102120007A002 Hexagon Flange Nut	2	
4	61028458 Double-headed Stud	2	

160102070041B127 Thermostat Group

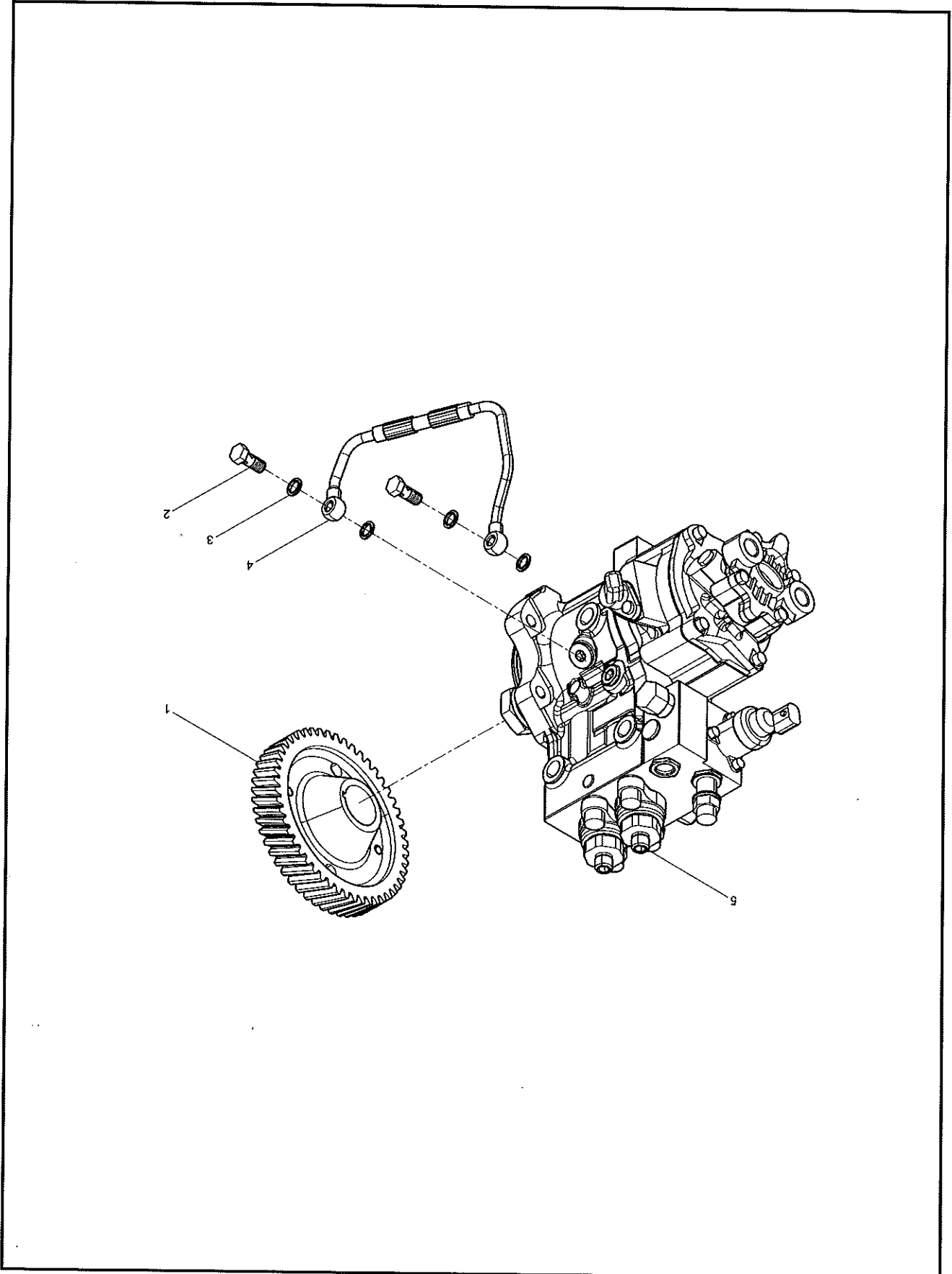


INDEX	PART NO.	DESCRIPTION	QTY	SEE PAGE
1	160102070041B016	Water Pump Pulley	1	
2	160102070041B026	Fan Flange	1	
3	60326373	Spring Washer	4	
4	160102070041B050	Screw	4	
5	60275830	V-ribbed Belt	1	

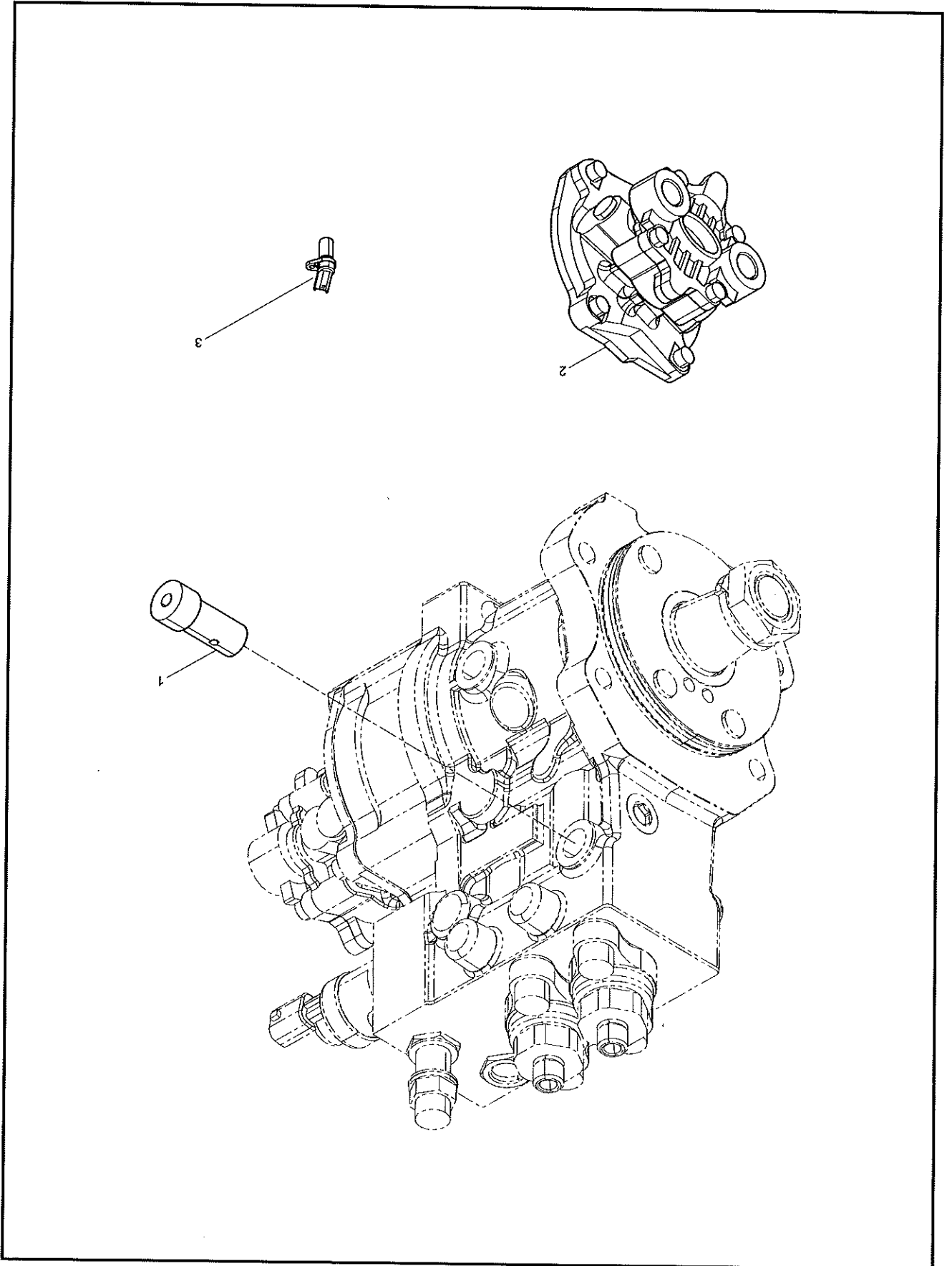
160102070041B128 Fan Bracket Group



INDEX PART NO.	DESCRIPTION	QTY	SEE PAGE
1	16010112009A048 Bolt, Hexagon Flange	6	
2	160802020016 fan	1	

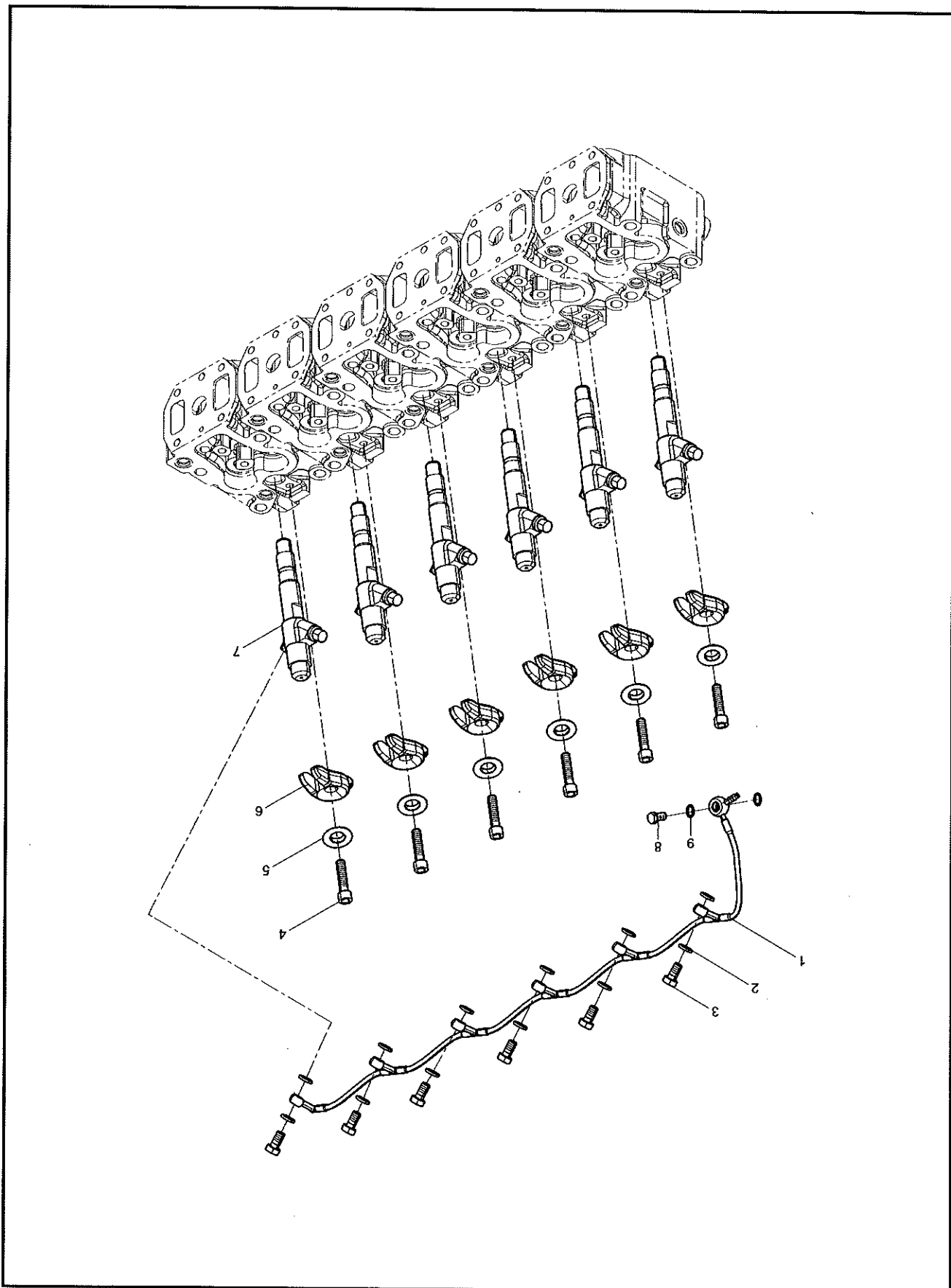


INDEX PART NO.	DESCRIPTION	QTY	SEE PAGE
1	160102070039B058 Fuel Injection Pump Gear	1	
2	168899000149 Screw, Hollow	2	
3	61028525 Assembled Sealing Washer	4	
4	160102070035B009 Fuel Injection Pump Oil Pipe Assembly	1	
5	60125015 Pump, Common Rail	1	8-112

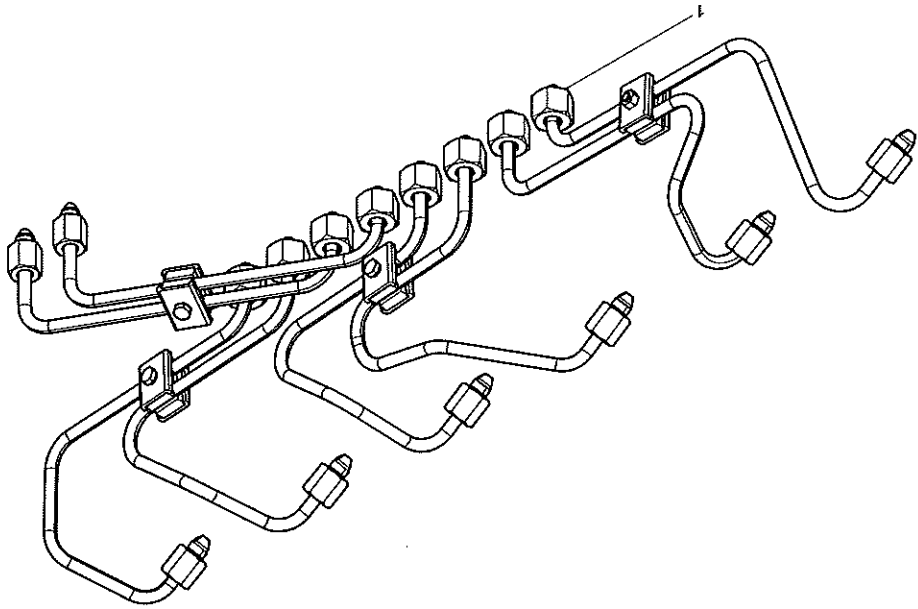


60125015 Pump, Common Rail

INDEX PART NO.	DESCRIPTION	QTY	SEE PAGE
1	Fuel Return Valve	1	
2	Metering Unit	1	
3	Speed Sensor	1	



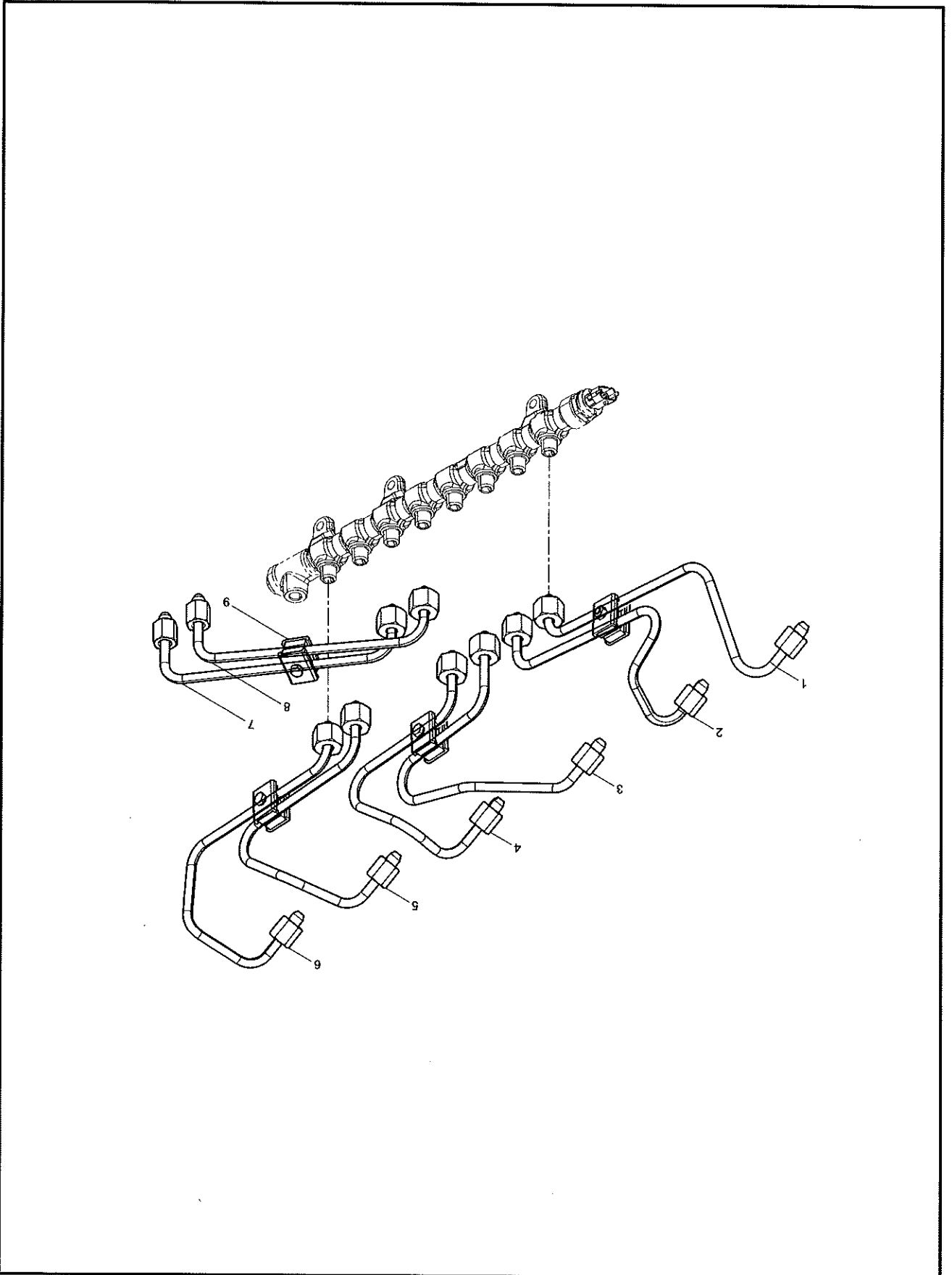
INDEX	PART NO.	DESCRIPTION	QTY	SEE PAGE
1	160102070035B010	Fuel Return Pipe Assembly	1	
2	60127555	Washer	12	
3	60127667	Bolt	6	
4	61028417	Screw, Socket Head Cap	6	
5	61028444	Gasket, Seal	6	
6	61028429	Clamp, Fuel Injector	6	
7	60350684	Injector	6	
8	168899000467	Hollow screw	1	
9	60106801	RING SEAL COMBINATION	2	



160102070041B132 High Pressure Fuel Pipe Group

INDEX PART NO.	DESCRIPTION	QTY	SEE PAGE
1	High-pressure Fuel Pipe Assembly	1	8-118

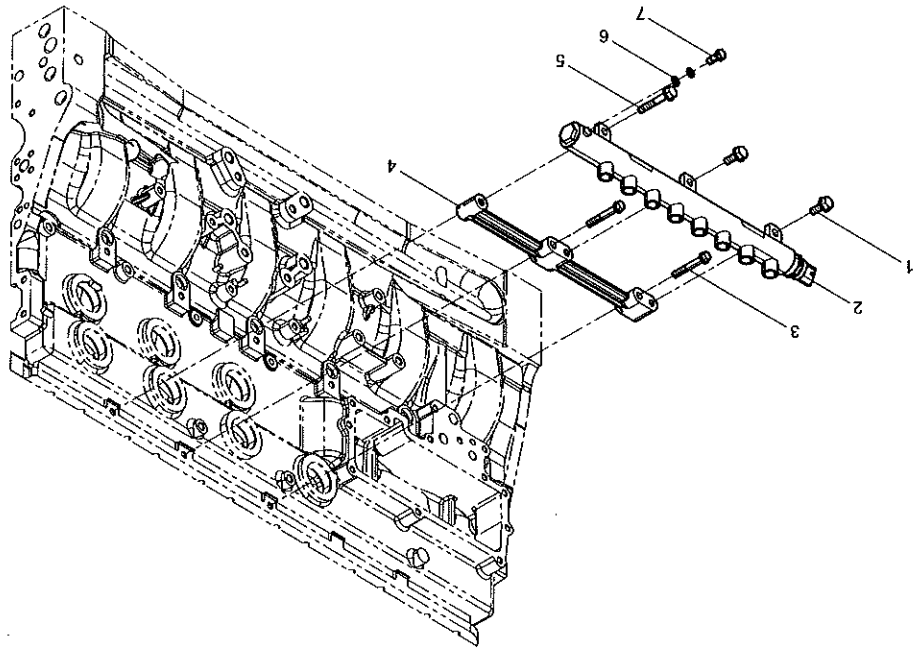
160102070041B132 High Pressure Fuel Pipe Group



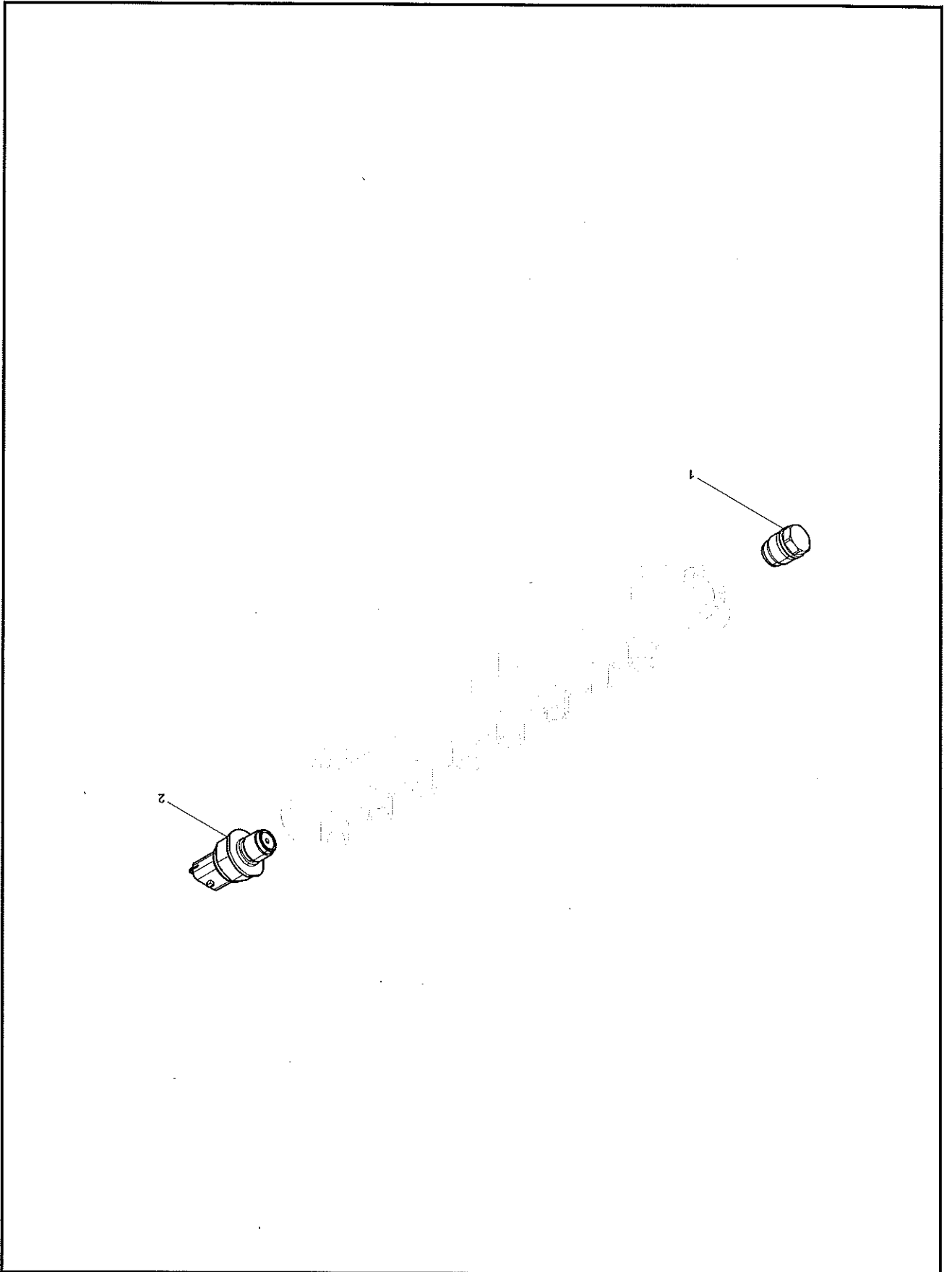
160102070039B065 High-pressure Fuel Pipe Assembly

INDEX	PART NO.	DESCRIPTION	QTY	SEE PAGE
1	160102070039B011	High-pressure Fuel Pipe Assembly	1	
2	160102070039B012	High-pressure Fuel Pipe Assembly	1	
3	160102070039B013	High-pressure Fuel Pipe Assembly	1	
4	160102070039B014	High-pressure Fuel Pipe Assembly	1	
5	160102070039B015	High-pressure Fuel Pipe Assembly	1	
6	160102070039B016	High-pressure Fuel Pipe Assembly	1	
7	60355284	High Pressure Oil Pipe Assembly	1	
8	160102070039B017	High-pressure Fuel Pipe Assembly	1	
9	61028697	Pipe Clamp/Clip	4	

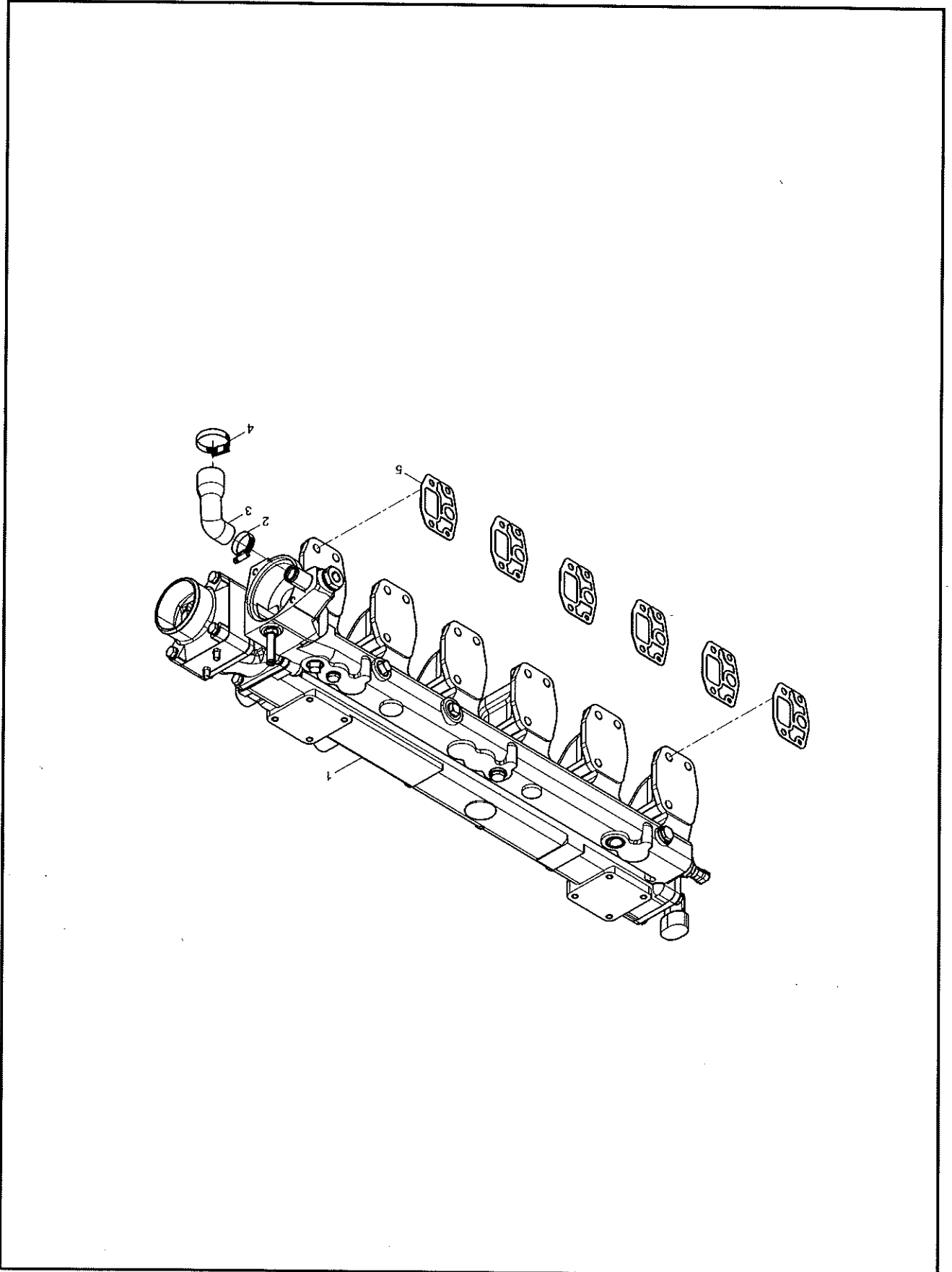
160102070039B065 High-pressure Fuel Pipe Assembly



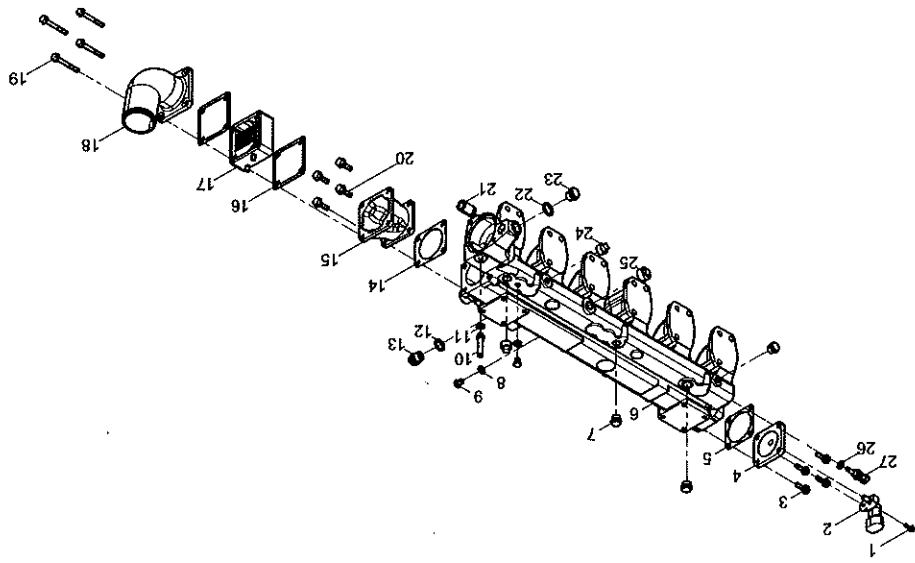
INDEX	PART NO.	DESCRIPTION	QTY	SEE PAGE
1	61028673	no name	2	
2	160102070060A010	Common Rail	1	8-122
3	160101090035B208	Bolt, Hexagon Flange	2	
4	160102070039B026	Common Rail Bracket	1	
5	61028362	Nut, Hexagon Flange	1	
6	60272458	Sealing Washer	2	
7	168899000466	Hollow Screw	1	



INDEX	PART NO.	DESCRIPTION	QTY	SEE PAGE
1	160102070060A011	Pressure-Limiting Valve	1	
2	160102070060A005	Rail Pressure Sensor	1	



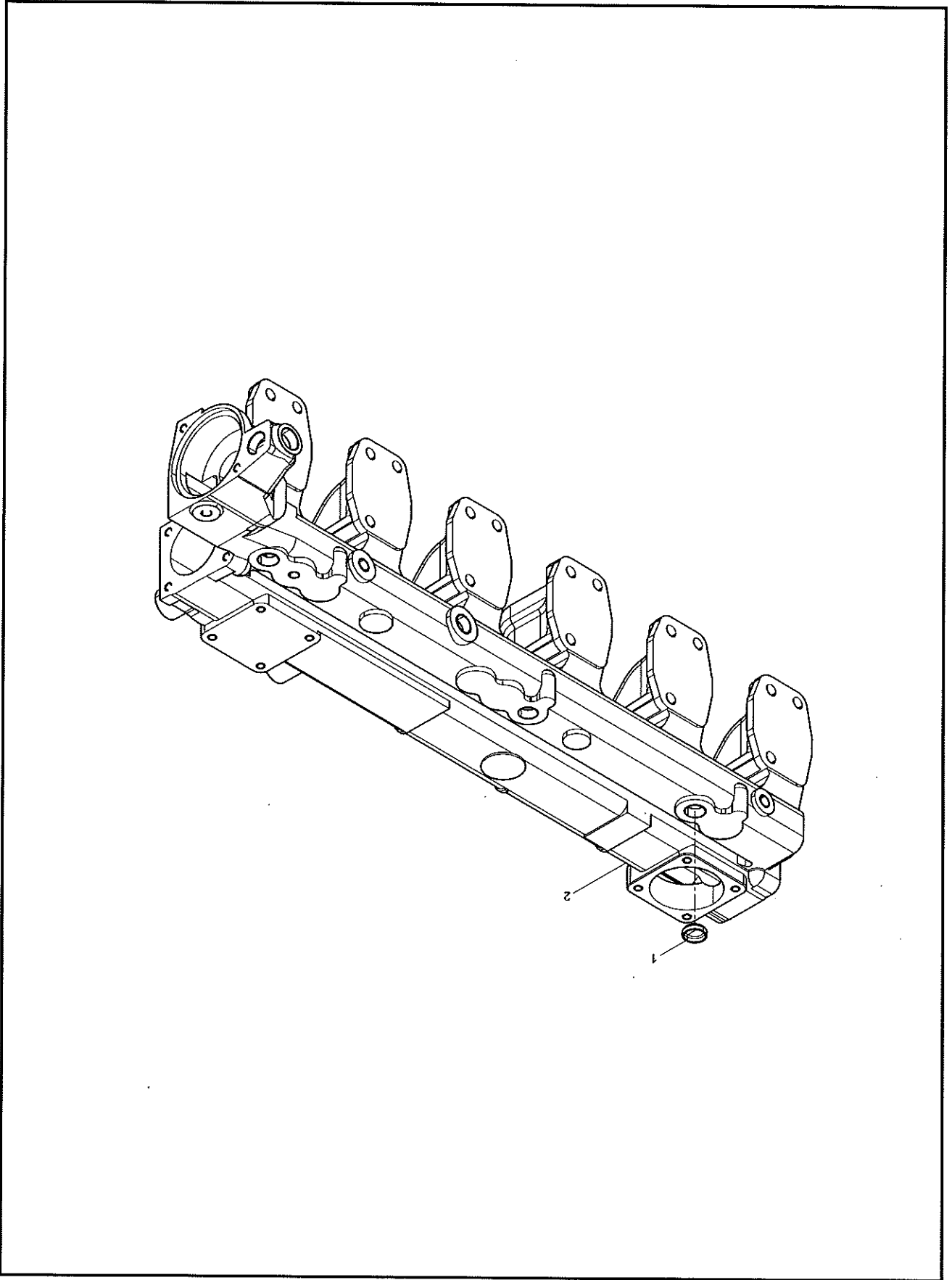
INDEX	PART NO.	DESCRIPTION	QTY	SEE PAGE
1	160102070041B087	Intake Manifold Subassembly	1	8-126
2	61021418	Clamp	1	
3	60355281	Pipe, Coupling, Coolant	1	
4	168899000470	Clamp	1	
5	61028753	Intake Manifold Gasket	6	



160102070041B087 Intake Manifold Subassembly

INDEX	PART NO.	DESCRIPTION	QTY	SEE PAGE
1	60326572	Nut, Hexagon Flange	1	
2	168899003961A	Boost Pressure and Temperature Sensor	1	
3	60326577	Bolt, Hexagon Flange, Largen	4	
4	160102070039B001	Intake Cover	1	
5	60355277	Gasket, Seal	1	
6	160102070041B088	Intake Manifold Assembly	1	8-128
7	160102100004B091	Square Taper Screw Plug	2	
8	160102070041B089	Assembled Sealing Washer	2	
9	168899000471	Hexagon Screw Plug	2	
10	160102070041B090	Air Pipe Connector	1	
11	61028525	Assembled Sealing Washer	1	
12	61021400	Assembled Sealing Washer	1	
13	168899000468	Hexagon Screw Plug	1	
14	61028752	Gasket, Seal	1	
15	61028745	Plumbing, Heater	1	
16	160102070039B020	Gasket	2	
17	160102100004B194	Heater	1	
18	61028723	Pipe	1	
19	160101070011A193	Bolt, Hexagon Flange	4	
20	160102100004B127	Hexagon Flange Bolt	4	
21	61028730	Fitting, Adapter	1	
22	168899000469	Hexagon Screw Plug	2	
23	160102070039B005	Plug	3	
24	160102070039B006	Plug	1	
25	60272458	Sealing Washer	1	
26	60326368	Sensor	1	

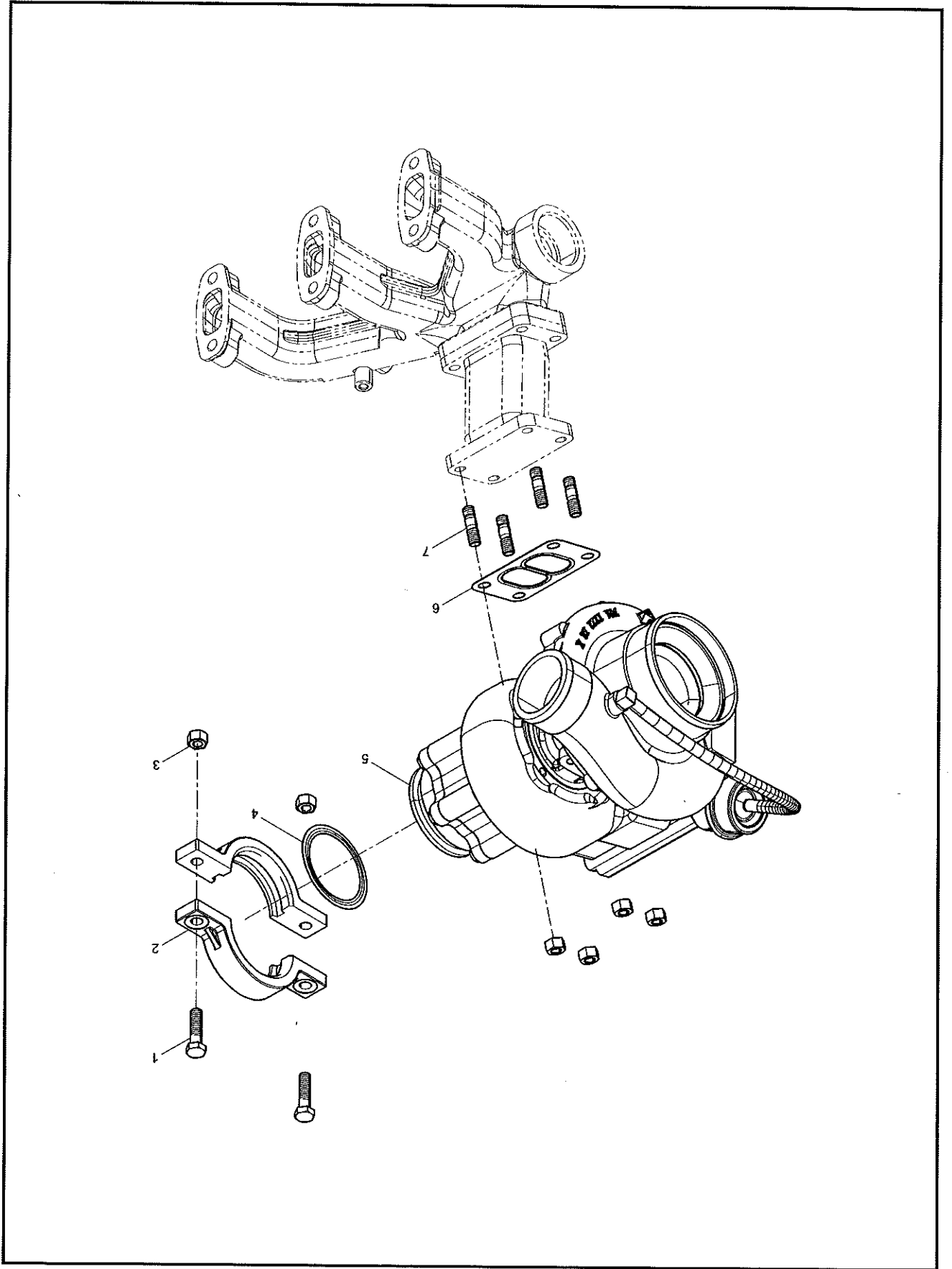
160102070041B087 Intake Manifold Subassembly



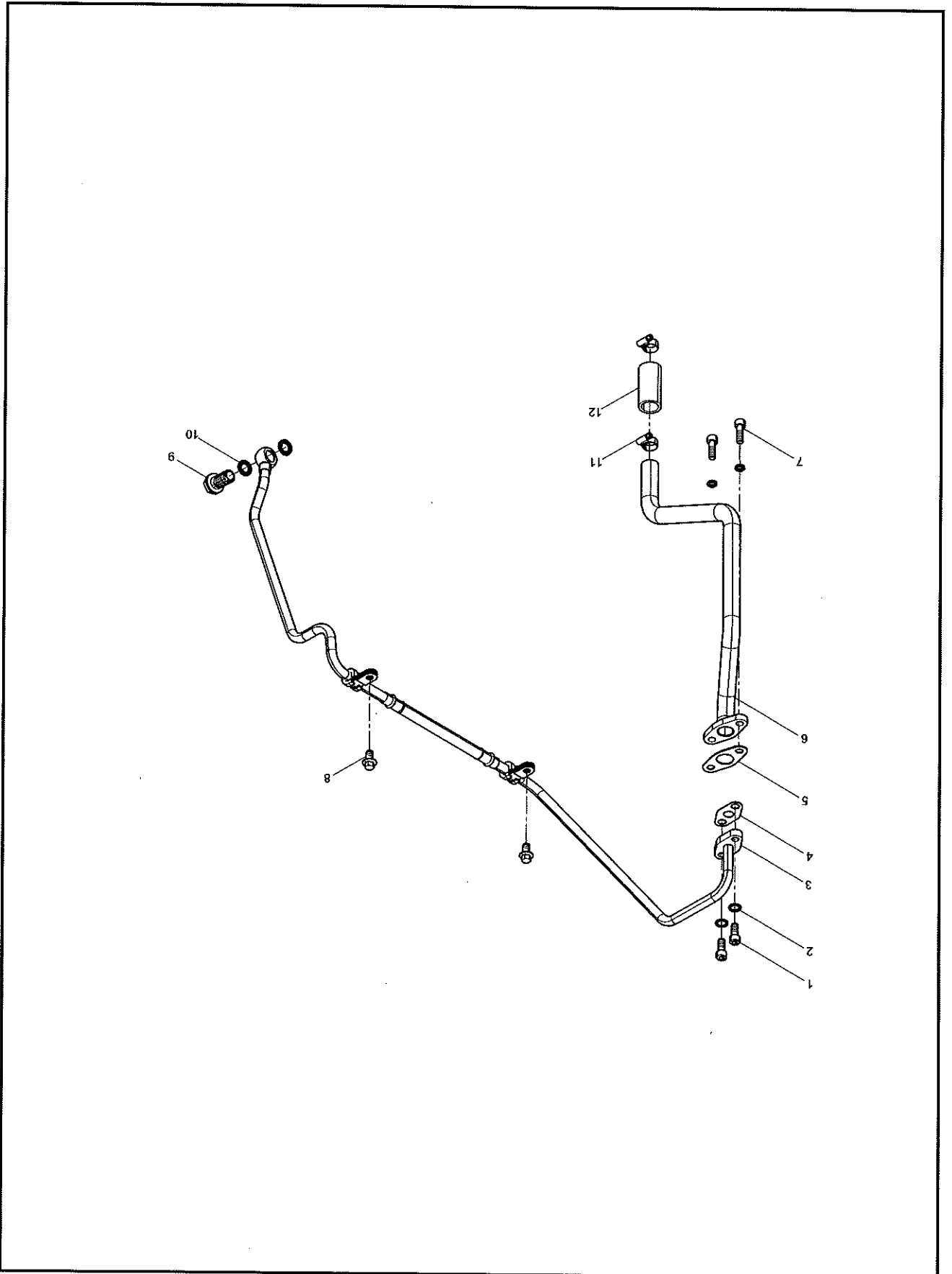
160102070041B088 Intake Manifold Assembly

INDEX PART NO.	DESCRIPTION	QTY	SEE PAGE
1 61028479	Plug, Expansion	1	
2 160102070041B091	Intake Manifold	1	

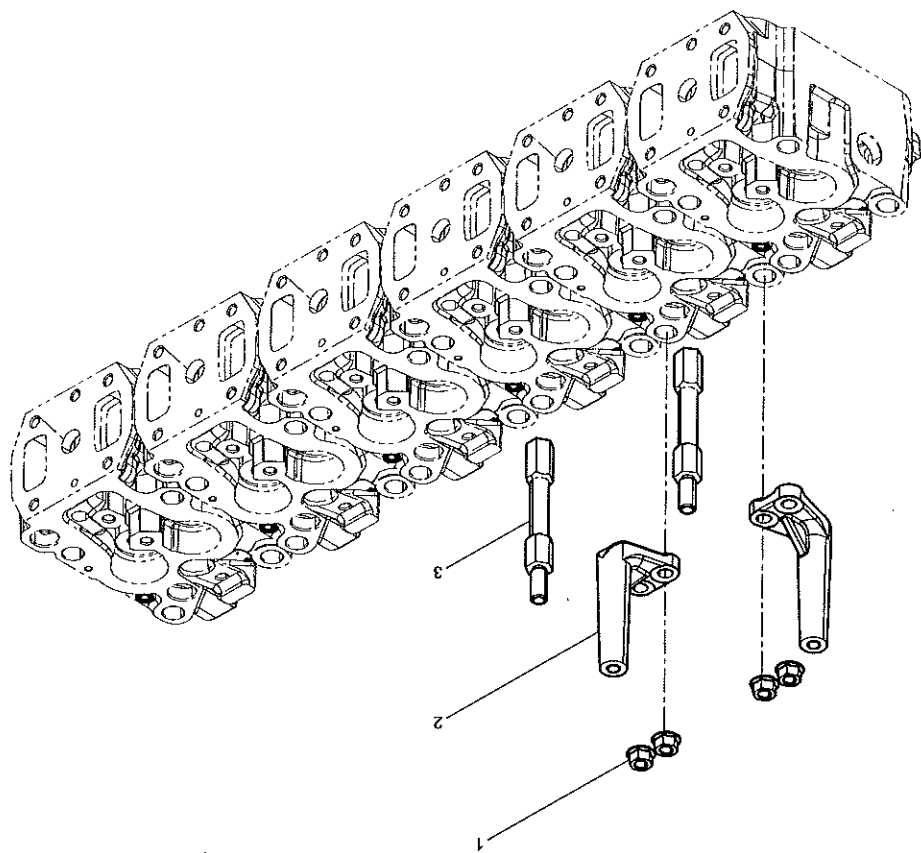
160102070041B088 Intake Manifold Assembly



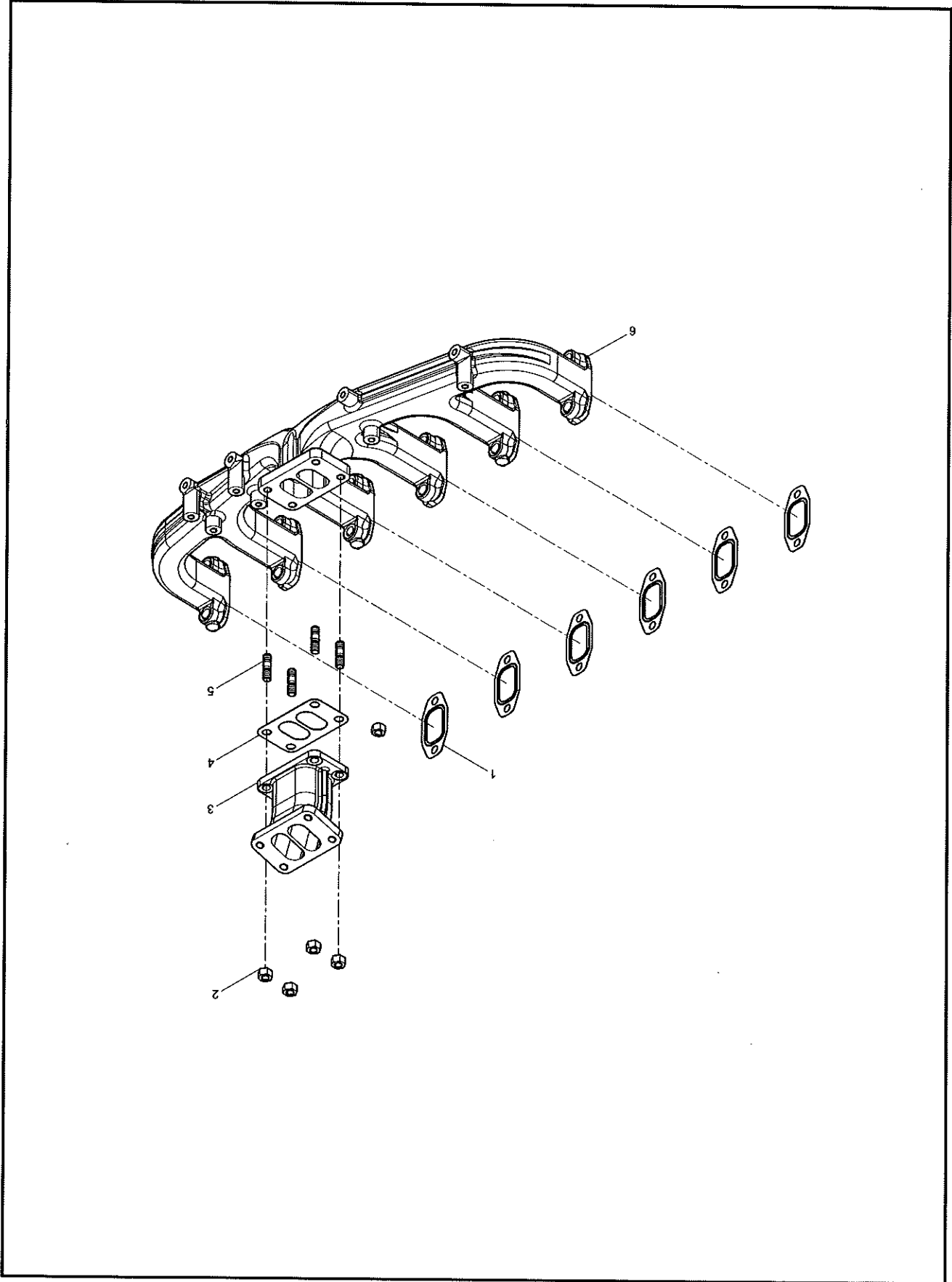
INDEX	PART NO.	DESCRIPTION	QTY	SEE PAGE
1	61028391	Hexagon Head Bolt	2	
2	160102070034B007	Clamp	2	
3	61000787	Nut, Hexagon	6	
4	61028502	Gasket, Turbocharger	1	
5	60355294	Supercharger	1	
6	60106788	Gasket, Turbocharger	1	
7	60272542	Double-headed Stud	4	



INDEX	PART NO.	DESCRIPTION	QTY	SEE PAGE
1	60272460	Inner Hexagon Socket Head Cap Screw	2	
2	60222440	Spring Washer	4	
3	160102070041B092	Turbocharger Oil Pipe Assembly	1	
4	60228116	Gasket, Seal	1	
5	60228115	Gasket, Seal	1	
6	160102070035B023	Turbocharger Oil Pipe Assembly	1	
7	61028416	Screw, Socket Head Cap	2	
8	61021291	Hexagon Flange Bolt	2	
9	168899000467	Hollow screw	1	
10	60106801	RING SEAL COMBINATION	2	
11	61021418	Clamp	2	
12	160102070041B064	Oil Connecting Rubber Pipe	1	

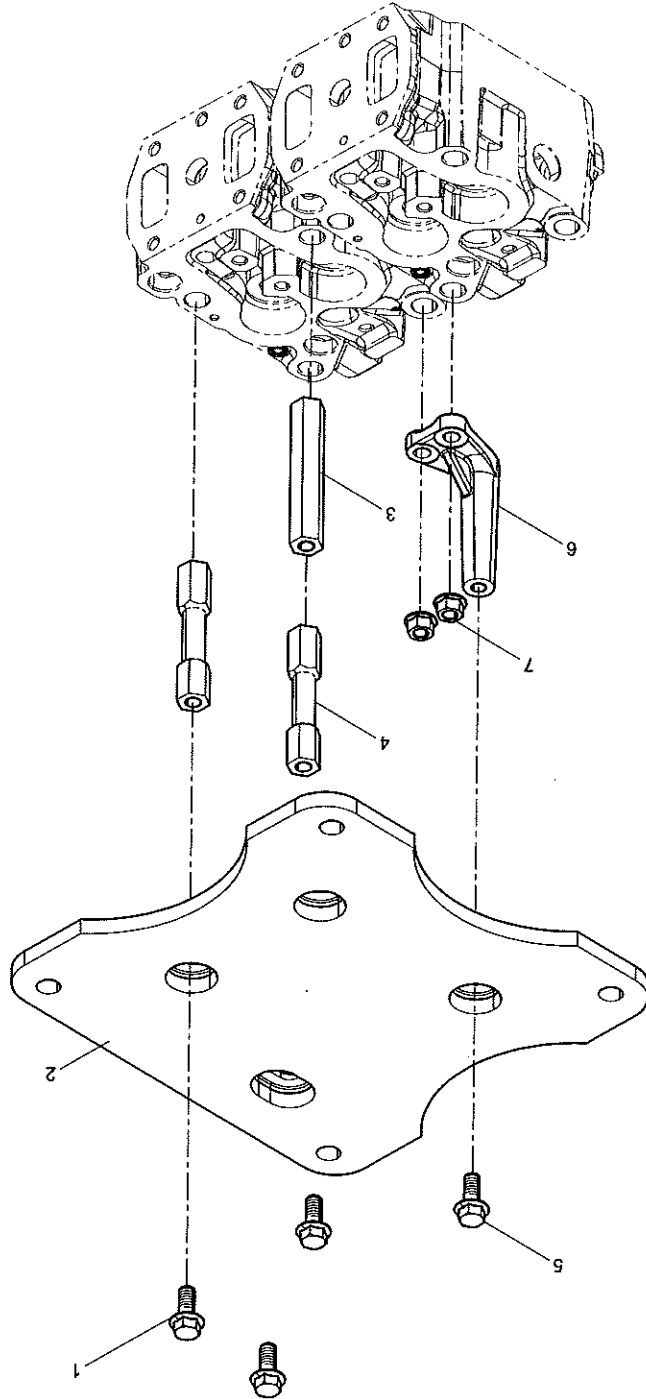


INDEX	PART NO.	DESCRIPTION	QTY	SEE PAGE
1	60326564	Nut, Hexagon Flange	4	
2	160102070041B084	Back-up Block	2	
3	160102070041B046	Back-up Block	2	



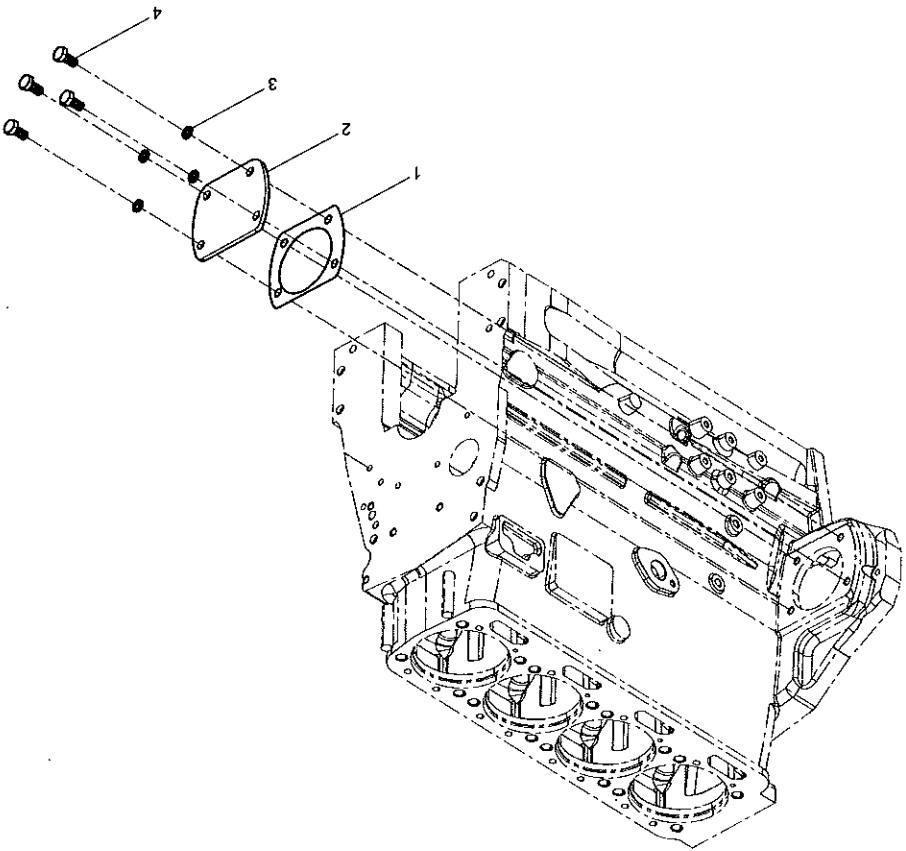
INDEX PART NO.	DESCRIPTION	QTY	SEE PAGE
1	Gasket, Exhaust Manifold	6	
2	Nut, Hexagon	4	
3	160102070041B003 Exhaust Connecting Pipe	1	
4	60106788 Gasket, Turbocharger	1	
5	60272542 Double-headed Stud	4	
6	160102070041B002 Exhaust Pipe	1	

160102070041B142 Exhaust Manifold Group

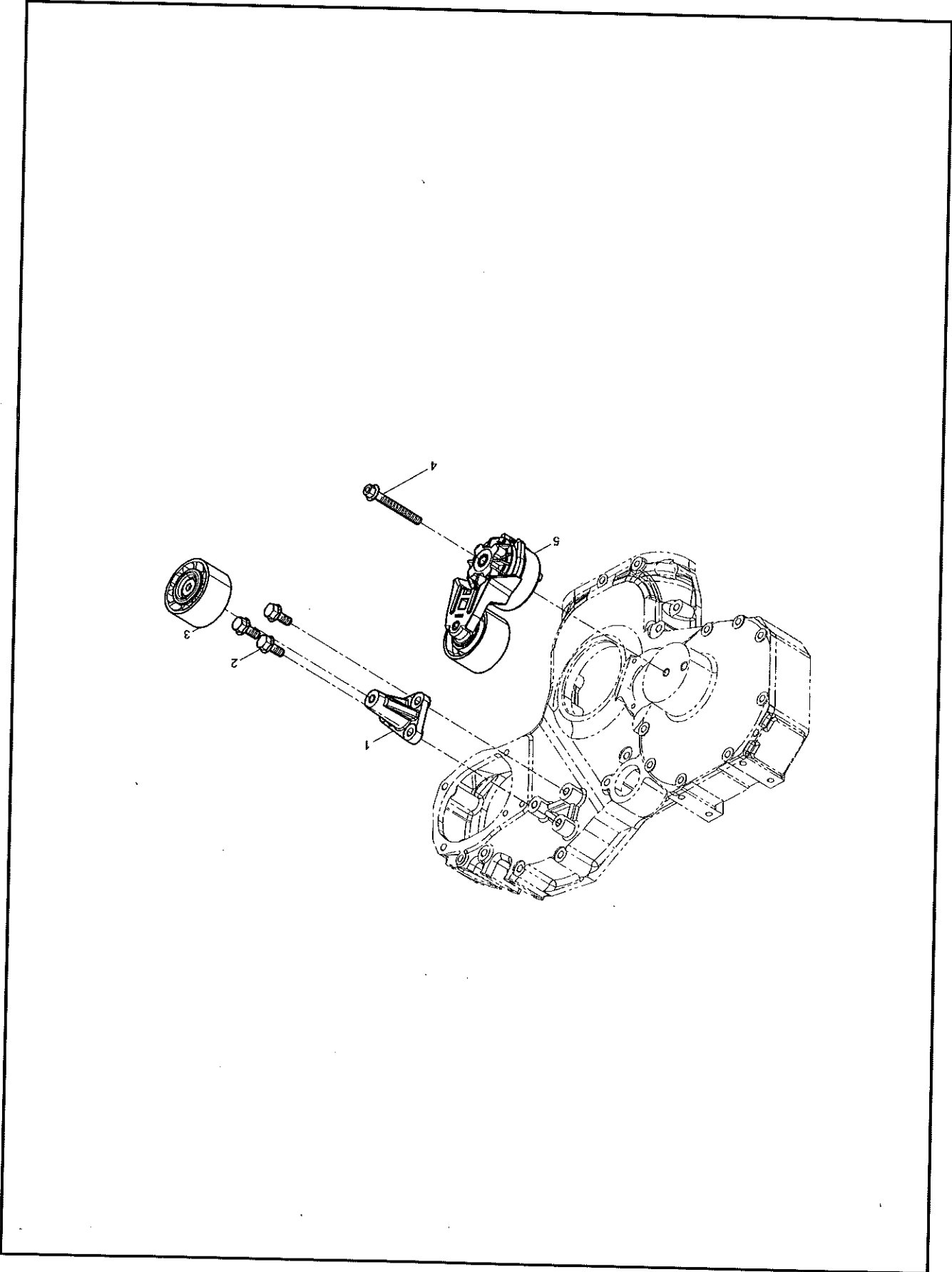


INDEX	PART NO.	DESCRIPTION	QTY	SEE PAGE
1	160102070041B085	Hexagon Flange Bolt	3	
2	160102070034B001	silencer bracket	1	
3	160102070034B004	back-up block	1	
4	160102070034B003	back-up block	2	
5	61021379	Nut, Hexagon Flange	1	
6	160102070034B002	Back-up Block	1	
7	60326564	Nut, Hexagon Flange	2	

160102070041B143 Silencer Group



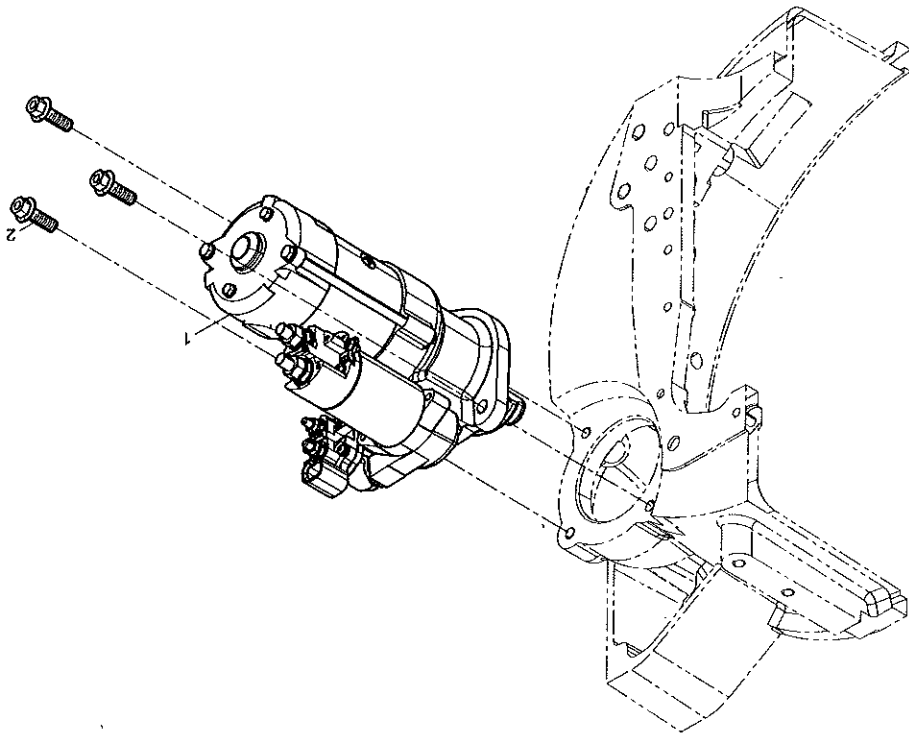
INDEX PART NO.	DESCRIPTION	QTY	SEE PAGE
1	160102070035B025 Gasket	1	
2	160102070039B021 Cover Plate	1	
3	60326373 Spring Washer	4	
4	60326609 Bolt, Hexagon	4	



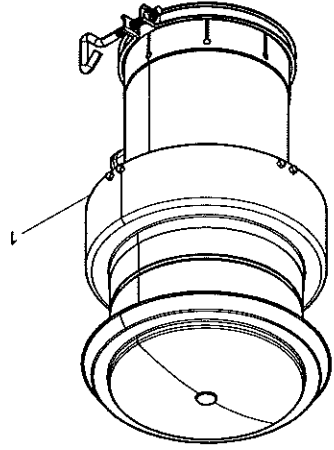
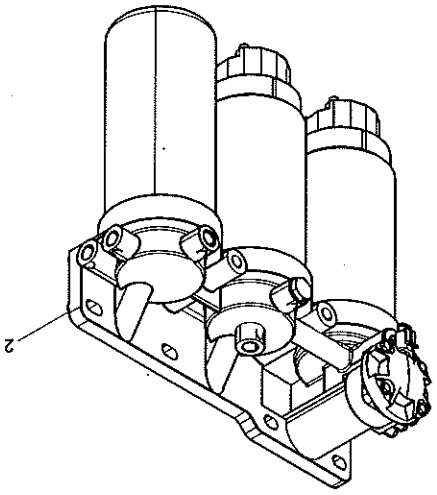
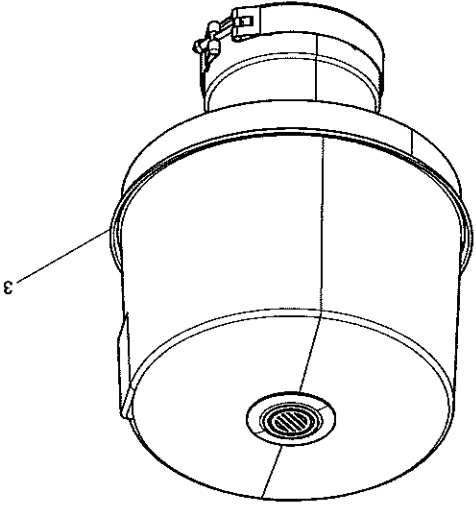
160102070041B107 Tensioner And Belt Group

INDEX	PART NO.	DESCRIPTION	QTY	SEE PAGE
1	160102070033B001	Bracket	1	
2	160102070041B082	Hexagon Flange with Tooth Bolt	3	
3	60326284	Tensioner, Belt	1	
4	160102070041B083	Hexagon Flange Bolt	1	
5	1608990000004	tension pulley assy.	1	

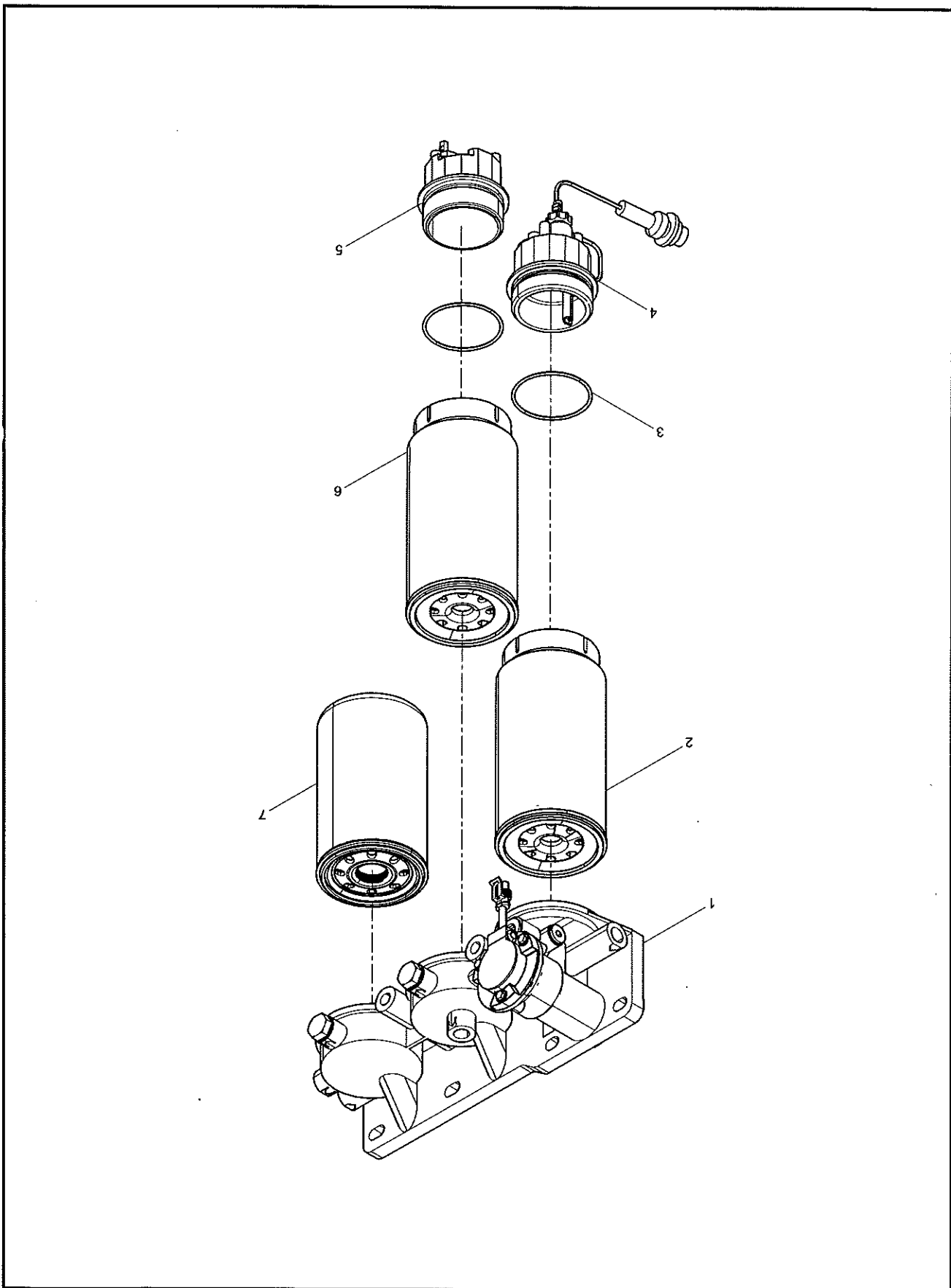
160102070041B107 Tensioner And Belt Group



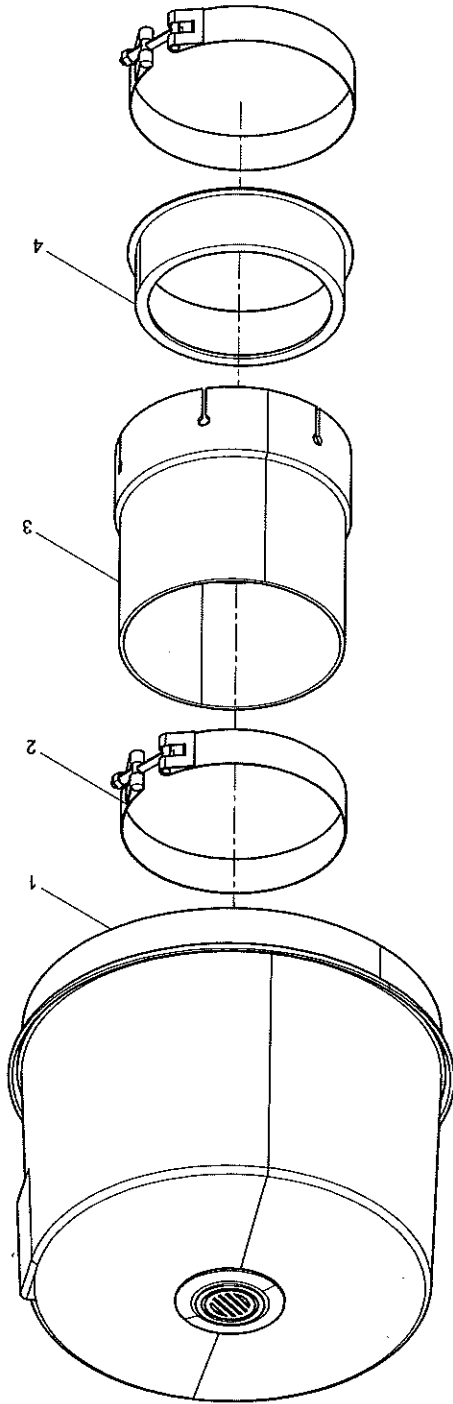
INDEX PART NO.	DESCRIPTION	QTY	SEE PAGE
1 60350683	Starter	1	
2 61028358	Hexagon Flange Bolt	3	



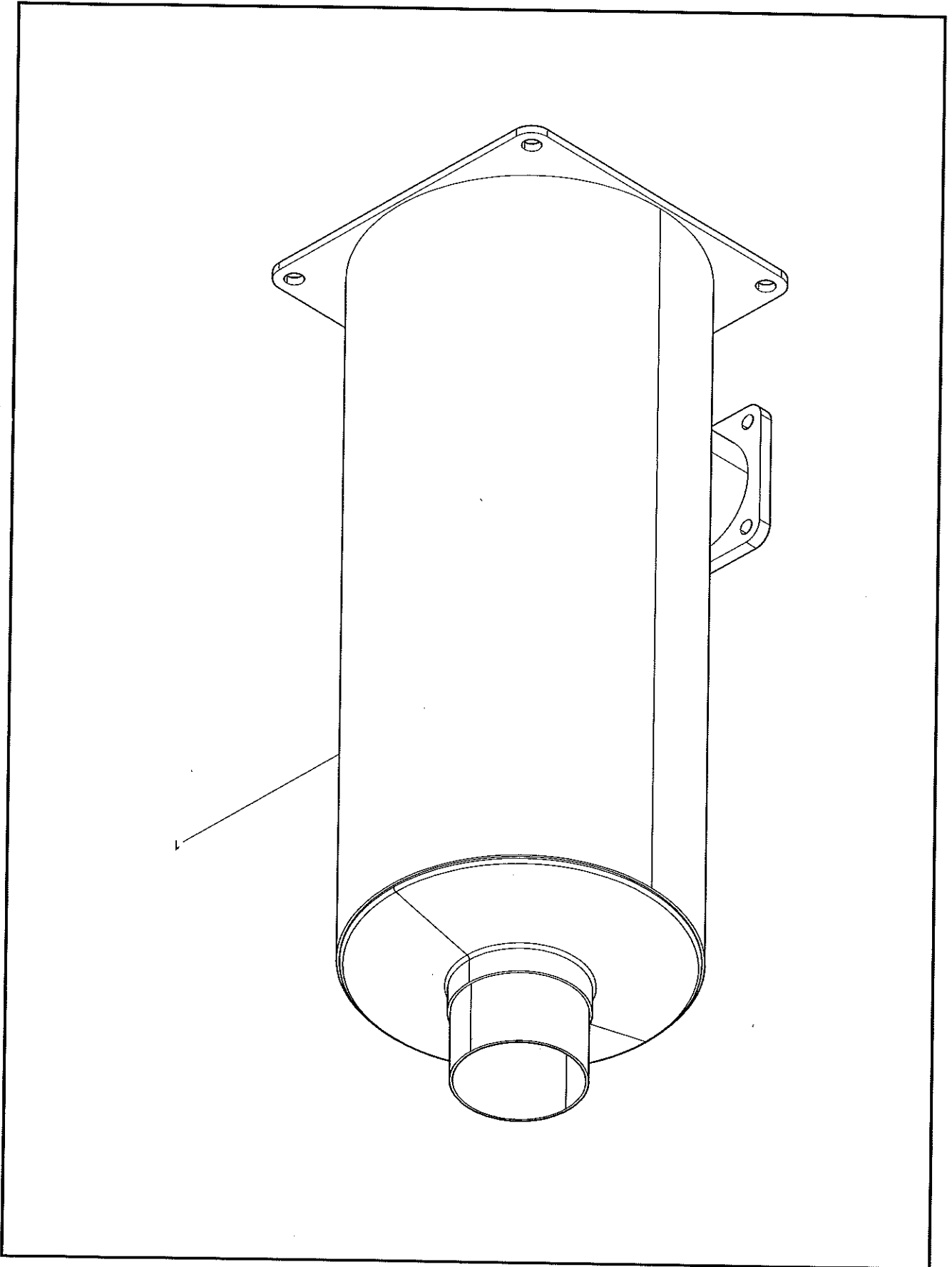
INDEX	PART NO.	DESCRIPTION	QTY	SEE PAGE
1	160102070034B006	Exhaust Tail Pipe	1	
2	160102070041B004	Fuel System Protector	1	8-148
3	61021098	First Coarse Air Filter	1	8-150



INDEX	PART NO.	DESCRIPTION	QTY	SEE PAGE
1	60355295	Rotary filter	1	
2	160102100004B028	Clamp	2	
3	160102070035B026	Connecting Air-pipe	1	
4	160102070041B081	Washer	1	
5	160102070041B011	Oil Delivery Pump Assembly	1	
6	160603020013	Oil Water Separator Element	1	
7	60272456	Seal Ring	2	
8	60326195	Water Cup Assembly	1	
9	168899002116A	Water Cup Assembly	1	
10	160604020023	Fuel filter element	1	



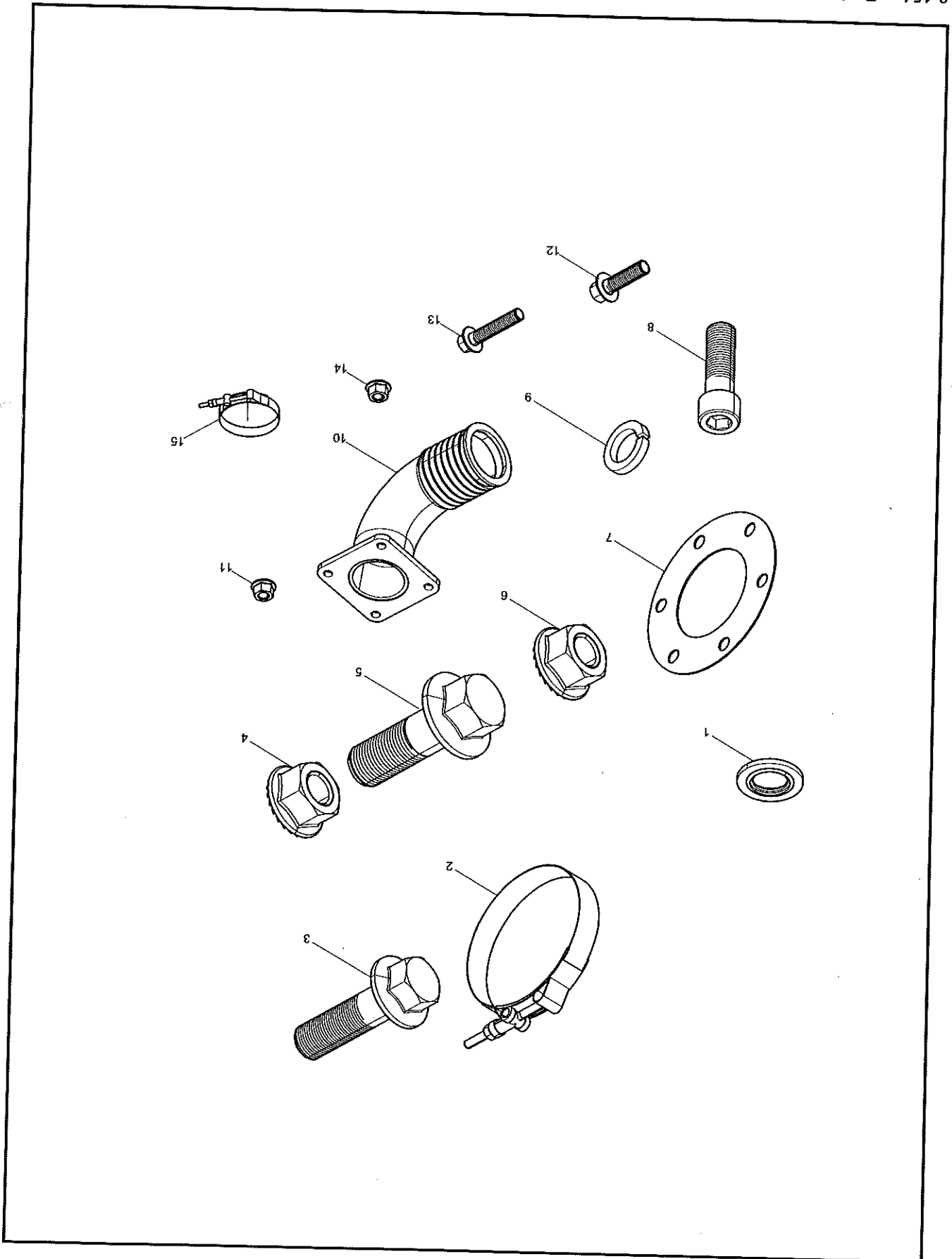
INDEX	PART NO.	DESCRIPTION	QTY	SEE PAGE
1	60355295	Rotary filter	1	
2	160102100004B028	Clamp	2	
3	160102070035B026	Connecting Air-pipe	1	
4	160102070041B081	Washer	1	



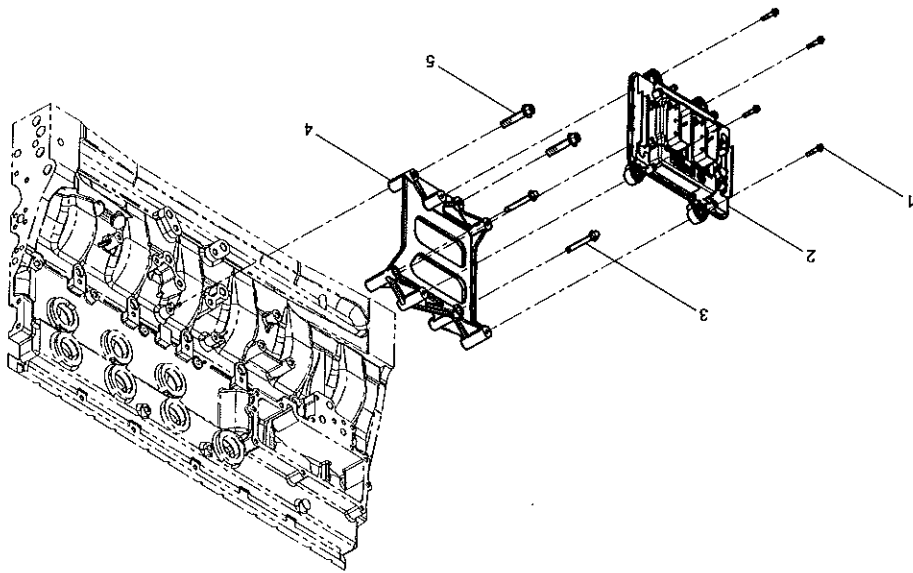
160102070041B112 Separate Delivery Parts Group Attached to Engine

INDEX PART NO.	DESCRIPTION	QTY	SEE PAGE
1 60359693	Muffler	1	

160102070041B112 Separate Delivery Parts Group Attached to Engine

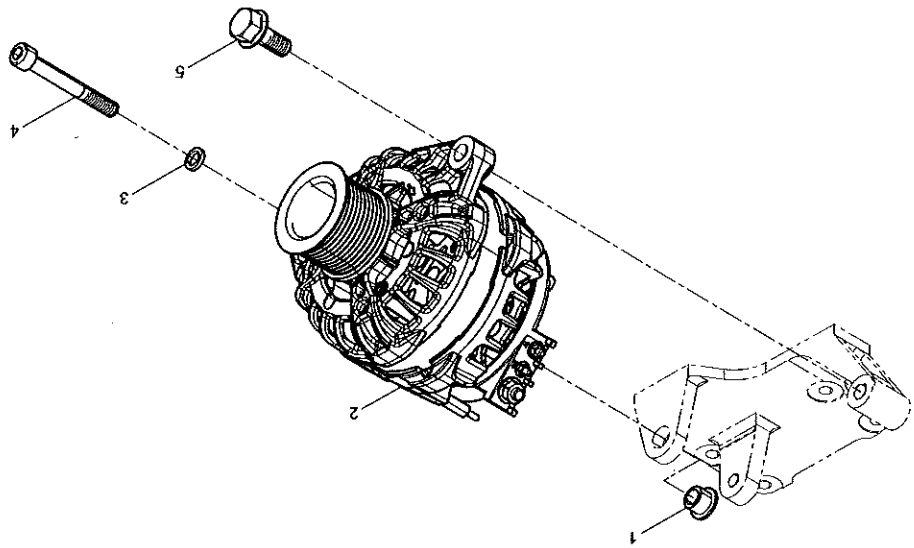


INDEX	PART NO.	DESCRIPTION	QTY	SEE PAGE
1	160102070041B034	Assembled Sealing Washer	10	
2	60277091	Clamp	1	
3	61021336	Bolt, Hexagon Flange With Tooth	4	
4	61000787	Nut, Hexagon	4	
5	60326555	Hexagon Flange Bolt	4	
6	160102070041B036	Prevailing Torque Type Hexagon Nut with Flange	4	
7	60272831	Gasket	1	
8	160102070041B037	Inner Hexagon Socket Head Cap Screw	6	
9	160102070041B038	Plain Washer	6	
10	1608990000005	Expansion Joint	1	
11	61005509	Hexagon Flange Nut	2	
12	61028358	Hexagon Flange Bolt	4	
13	160101120009A108	Bolt, Hexagon Flange	2	
14	60326564	Nut, Hexagon Flange	4	
15	60326508	Clamp	1	

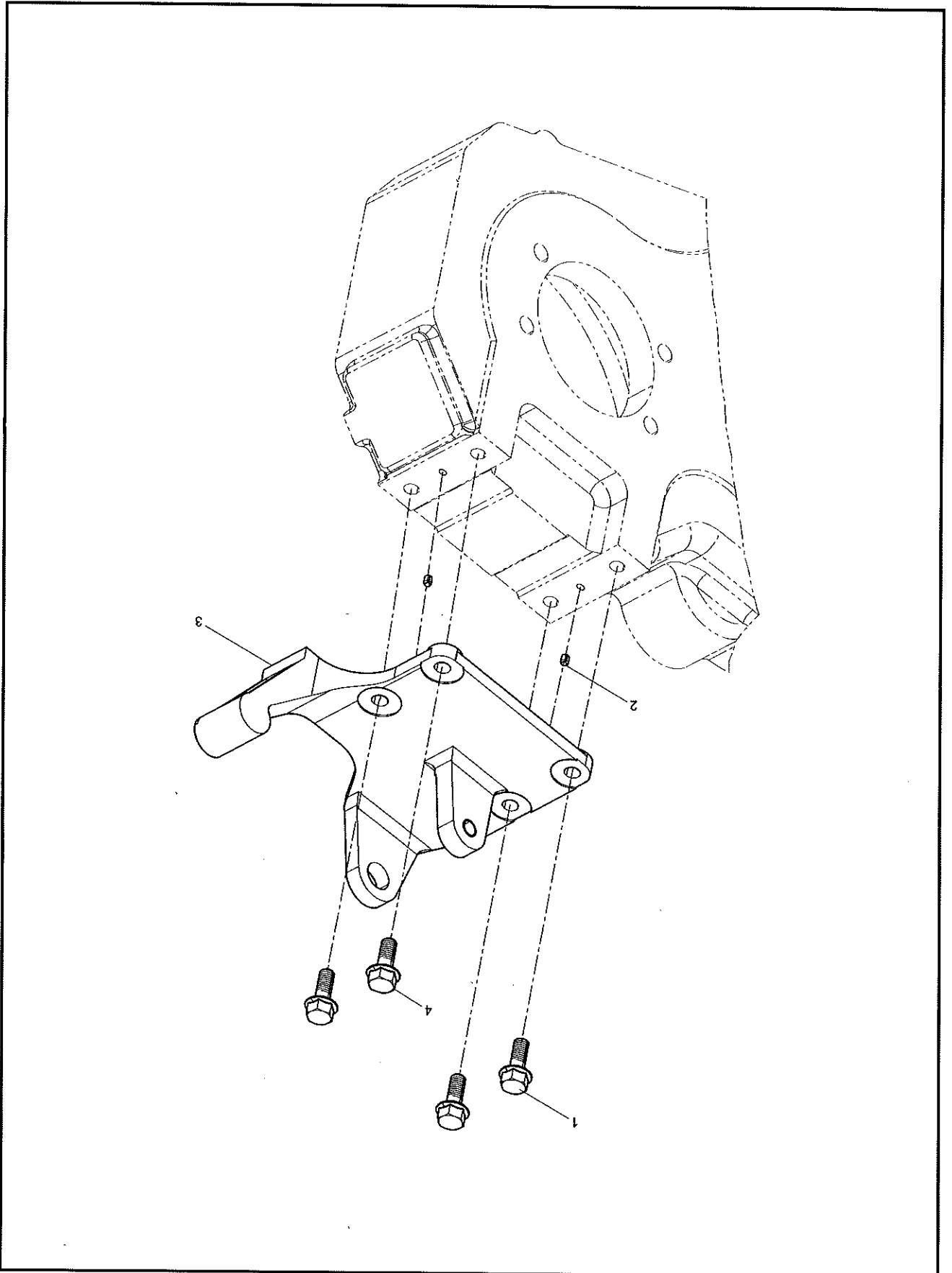


INDEX	PART NO.	DESCRIPTION	QTY	SEE PAGE
1	160101120009A014	Nut, Hexagon Flange	4	
2	61021423	Electronic Control Unit	1	
3	60326578	Bolt, Hexagon Flange, Largen	2	
4	61028658	Bracket, ECU	1	
5	61028359	Nut, Hexagon Flange	2	

INDEX	PART NO.	DESCRIPTION	QTY
1	61028509	Bracket	6
2	160102070039B027	Nut, Hexagon Flange	6
3	160102070035B029	Engine Harness	1
4	160101070014B052	Bracket	1
5	60326236	Support, Harness	1
6	160102130003A095	Hexagon Flange Bolt	1
7	168899000478	Bracket, Harness	3
8	160102070041B039	Hexagon Flange Nut	4
9	160102070041B040	Harness Bracket	1
10	160102070041B041	Harness Bracket	1

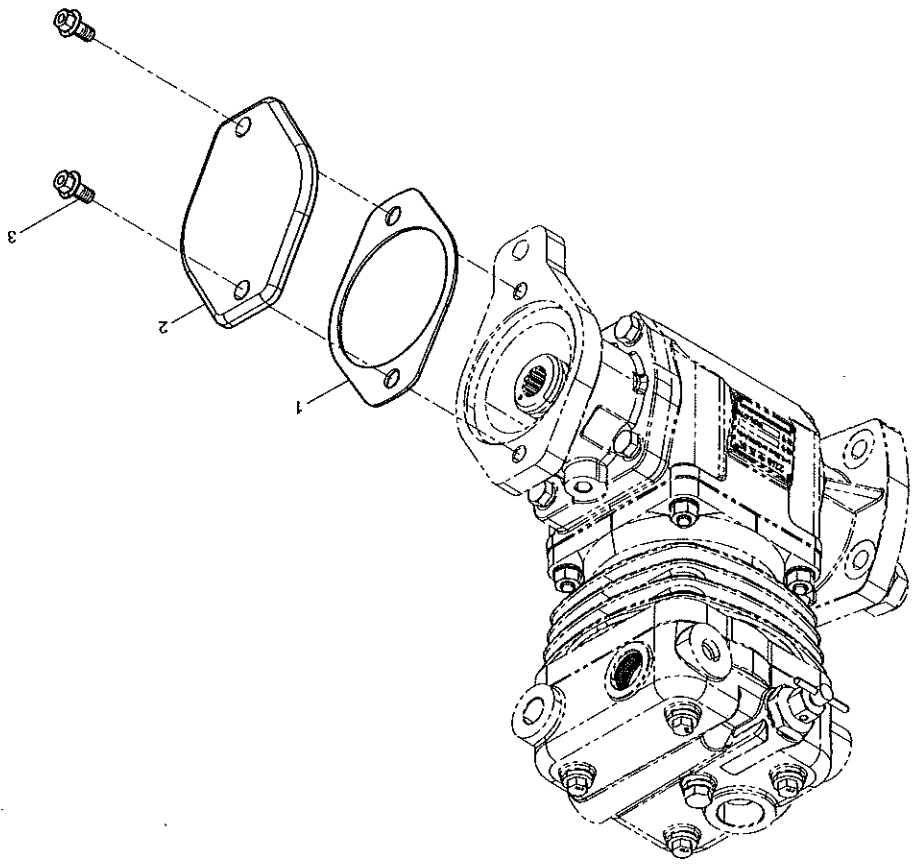


INDEX	PART NO.	DESCRIPTION	QTY	SEE PAGE
1	160102070041B042	Sleeve	1	
2	60350682	Alternator	1	
3	60326373	Spring Washer	1	
4	160102070041B043	Inner Hexagon Socket Head Cap Screw	1	
5	60326560	Bolt, Hexagon Flange with Gear	1	

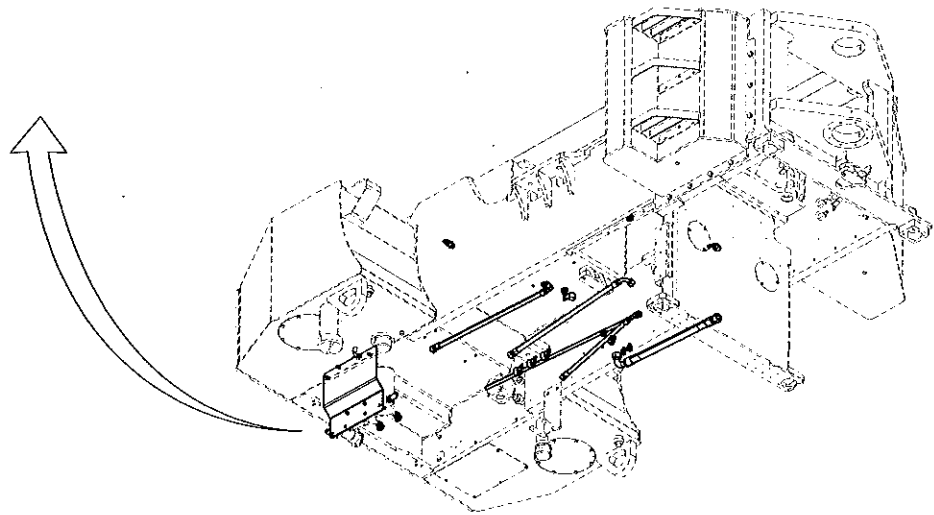
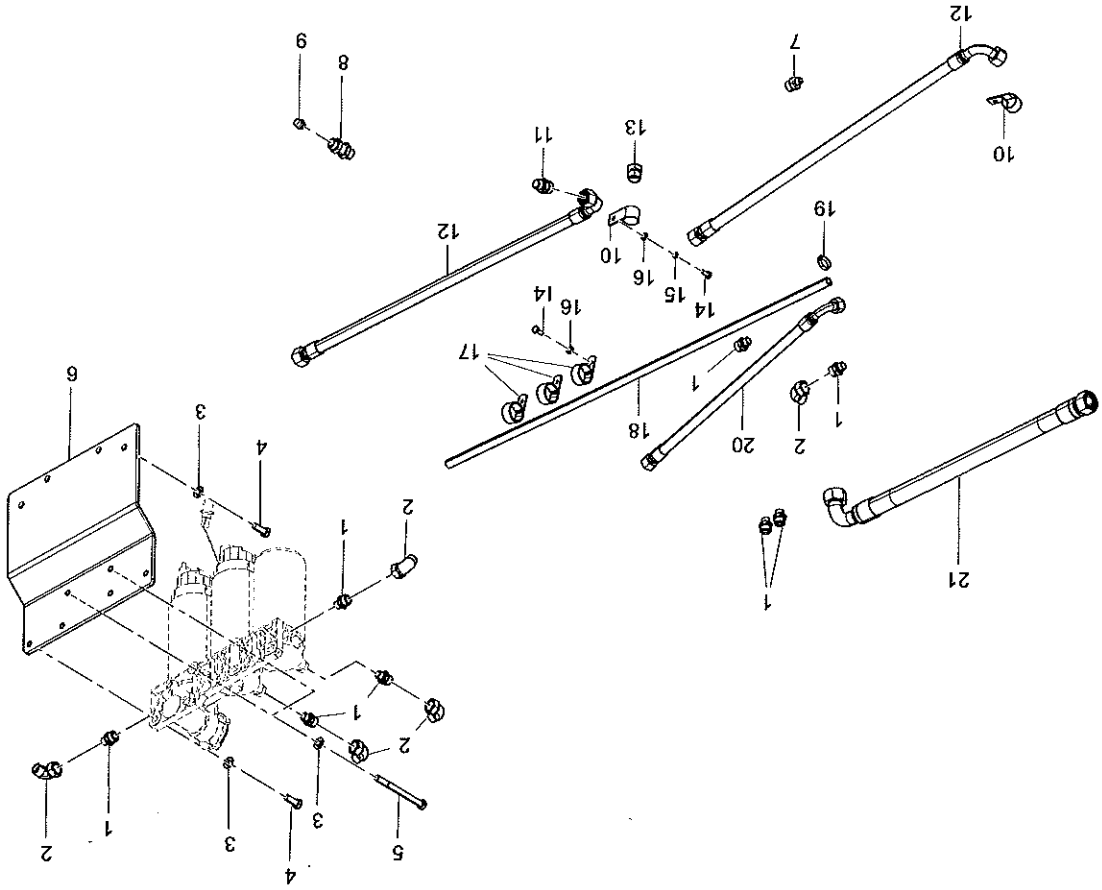


INDEX	PART NO.	DESCRIPTION	QTY	SEE PAGE
1	160102100004B189	Hexagon Head Bolt	3	
2	61028676	Clip	2	
3	160102070041B044	Alternator Bracket	1	
4	160102100004B092	Hexagon Flange Bolt	1	

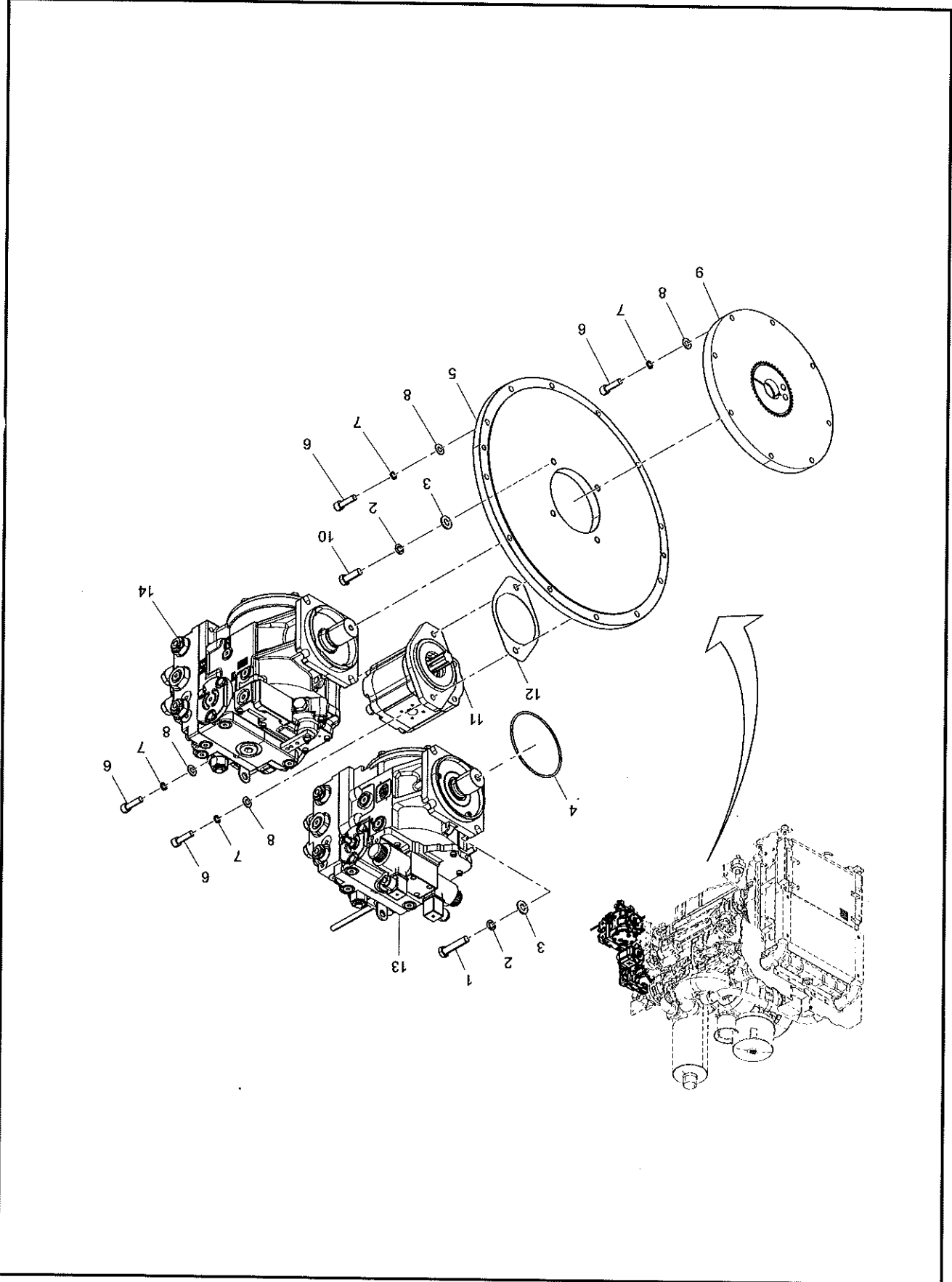
160102070041B117 Alternator Bracket Group



INDEX PART NO.	DESCRIPTION	QTY	SEE PAGE
1	160102070041B024 Sealing Washer	1	
2	160102070041B045 Air Compressor Cover	1	
3	160102130003A095 Hexagon Flange Bolt	2	

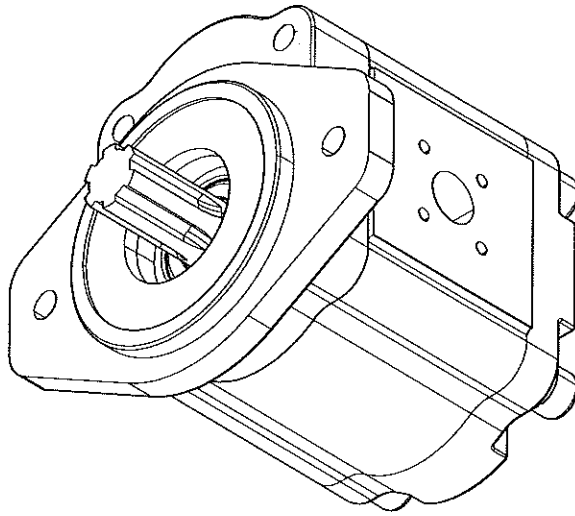


INDEX PART NO.	DESCRIPTION	QTY	SEE PAGE
1	B210780000344 Adapter Fitting	8	
2	B210780000025 Elbow Fitting	5	
3	A210405000001 Washer	10	
4	A210111000202 Bolt	12	
5	A210110000257 Bolt	2	
6	13698500 Supporting Plate	1	
7	A820205002026 Connector Body	1	
8	B210780000245 Bulkhead Fitting	2	
9	B210780000089 Plug	2	
10	A229900003847 Clamp	2	
11	A229900006314 Adapter Fitting	1	
12	B230103003334 Rubber Hose	2	
13	B210780000883 End Plug, Pipe	1	
14	A210111000088 Bolt	2	
15	A210401000017 Washer	1	
16	A210405000007 Washer	2	
17	A229900004597 Clamp	3	
18	60100637 Rubber Hose	1	
19	A210855000066 Hole Type Hose Clamp	1	
20	60235608 Rubber Hose	1	
21	B230103000282 Hose	1	

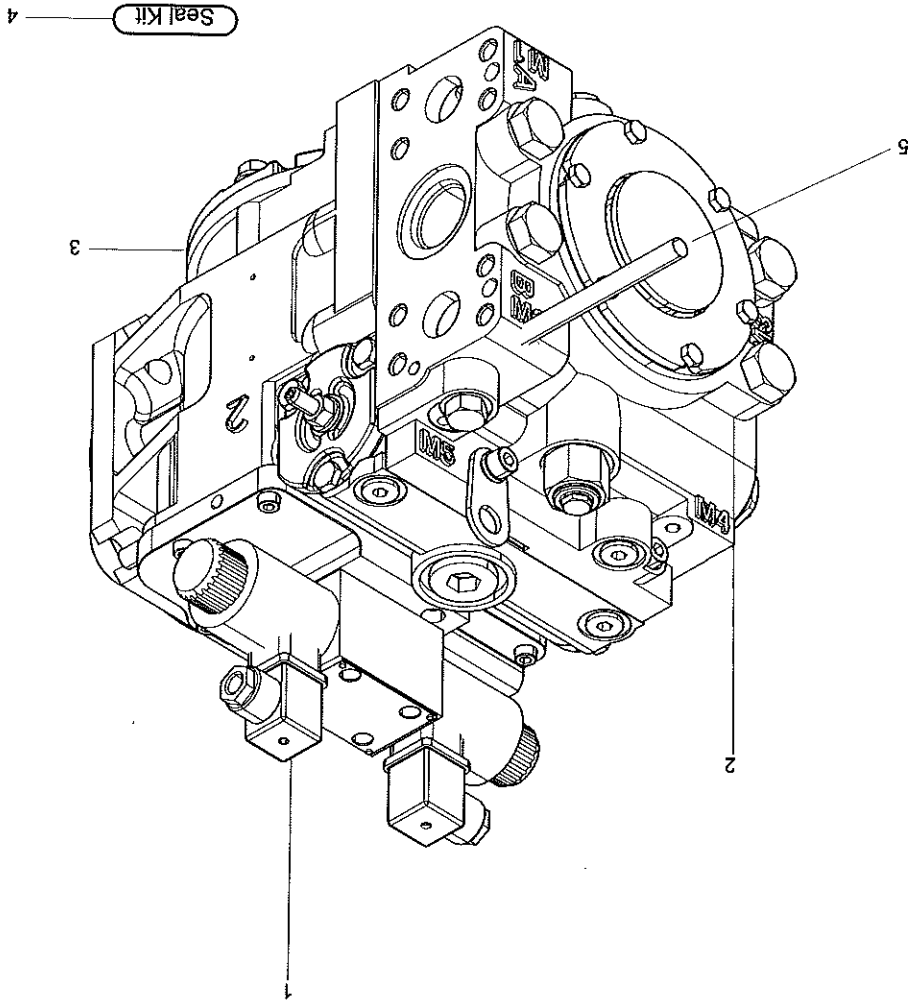


13964792 Pump Connection

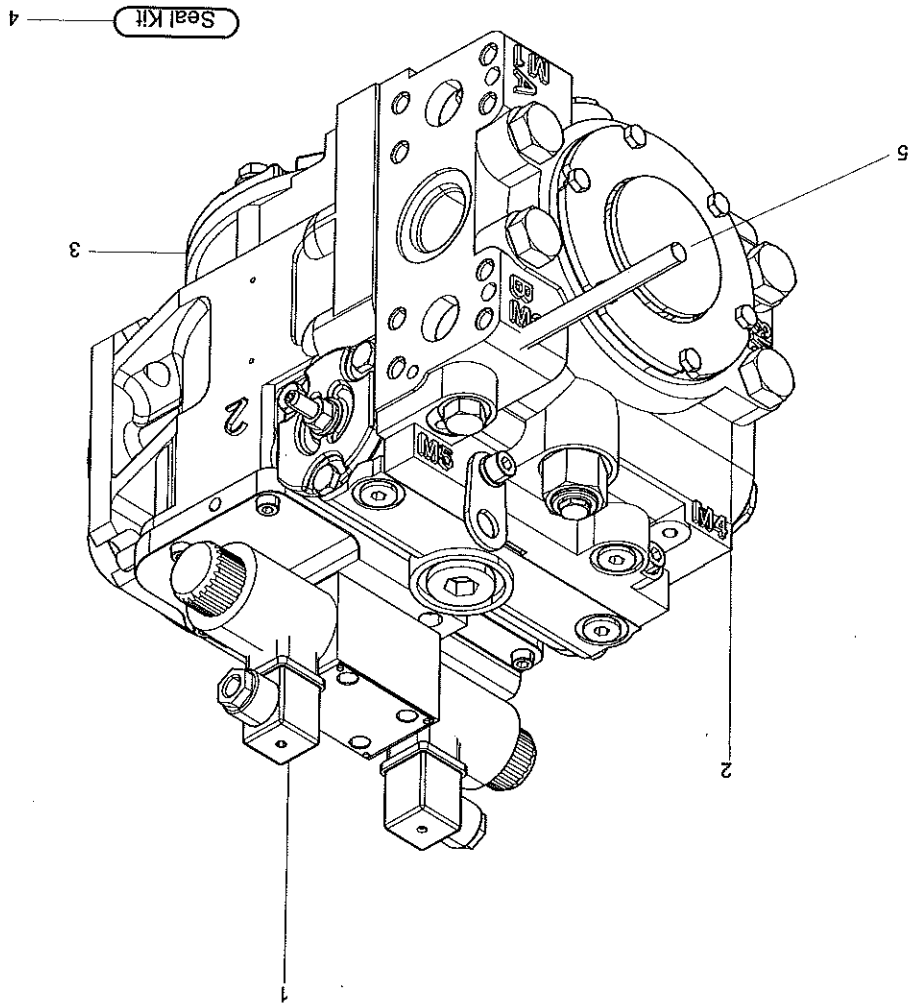
INDEX	PART NO.	DESCRIPTION	QTY	SEE PAGE
1	A210111000118	Bolt	4	
2	A210401000002	Washer	8	
3	A210491000121	Washer	8	
4	B230101001392	O-Ring	1	
5	13963814	Connecting Disk	1	
6	A210204000212	Screw	18	
7	A210401000001	Washer	24	
8	A210405000011	Washer	24	
9	B221701000093	Flanging Coupling	1	
10	A210111000203	Bolt	4	
11	60348807	Gear Pump	1	8-170
12	14035107	Washer, Gear Pump	1	
13	61009932	Plunger Pump	1	8-172
14	61009934	Plunger Pump	1	8-174



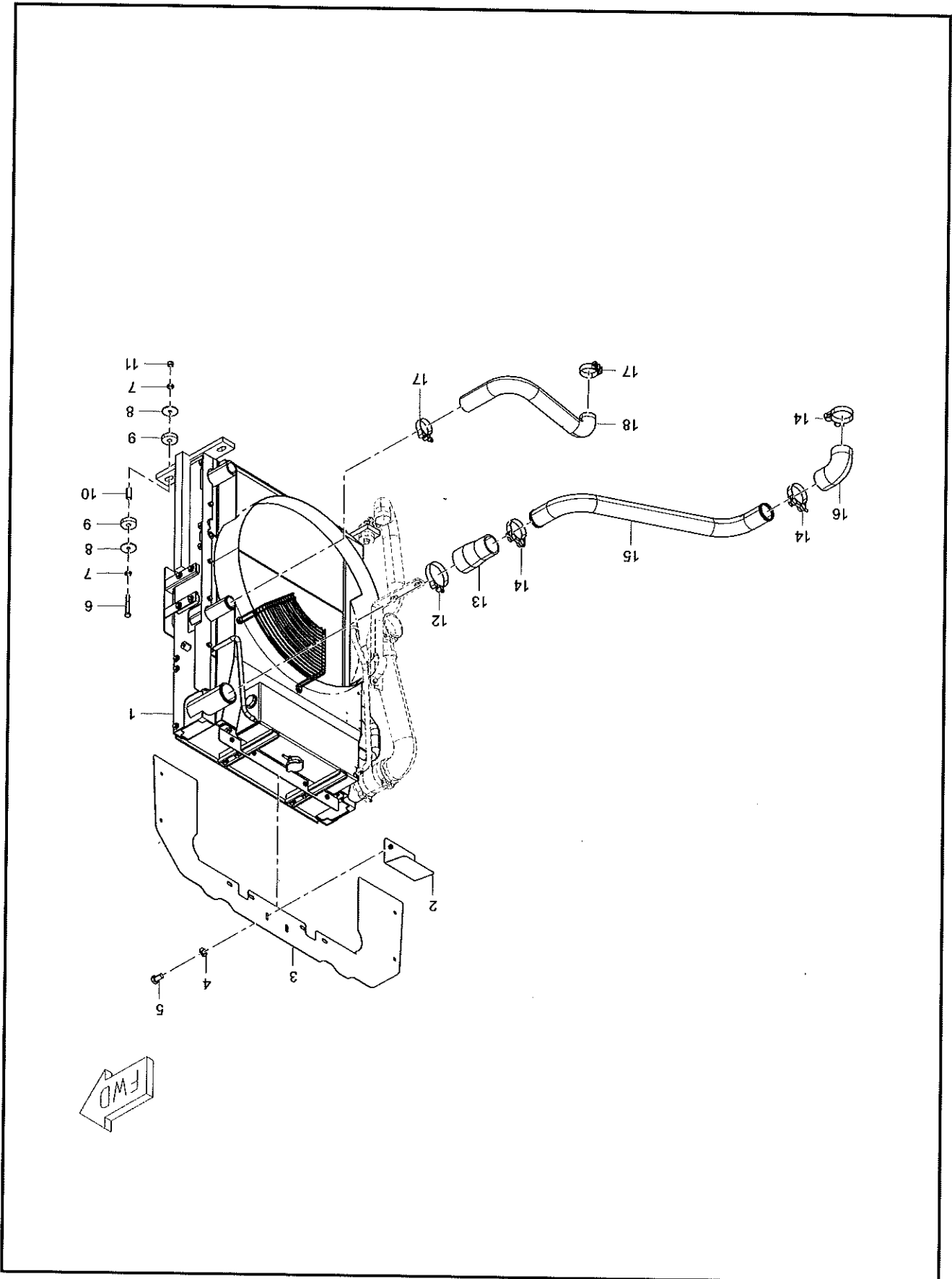
INDEX PART NO.	DESCRIPTION	QTY	SEE PAGE
1	150103020011A001 Seal Kit	1	



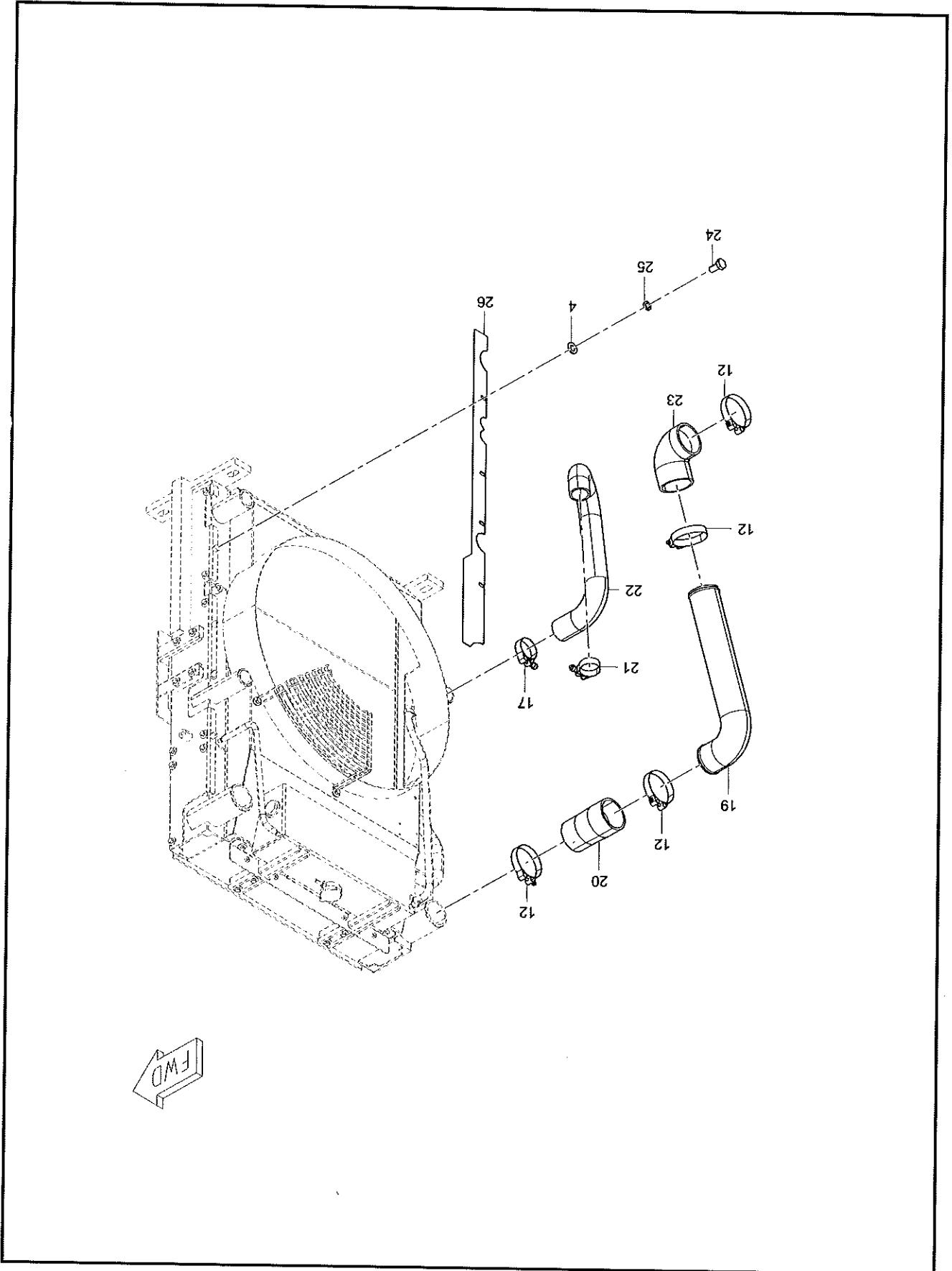
INDEX	PART NO.	DESCRIPTION	QTY	SEE PAGE
1	150101010012A002	control electromagnetic valve block	1	
2	150102020003A002	Auxiliary flanged O-ring	1	
3	150101010012A001	Valve Assembly, Pressure Control	1	
4	150101010012A003	Seal Kit	1	
5	150201010086A001	shaft seal	1	



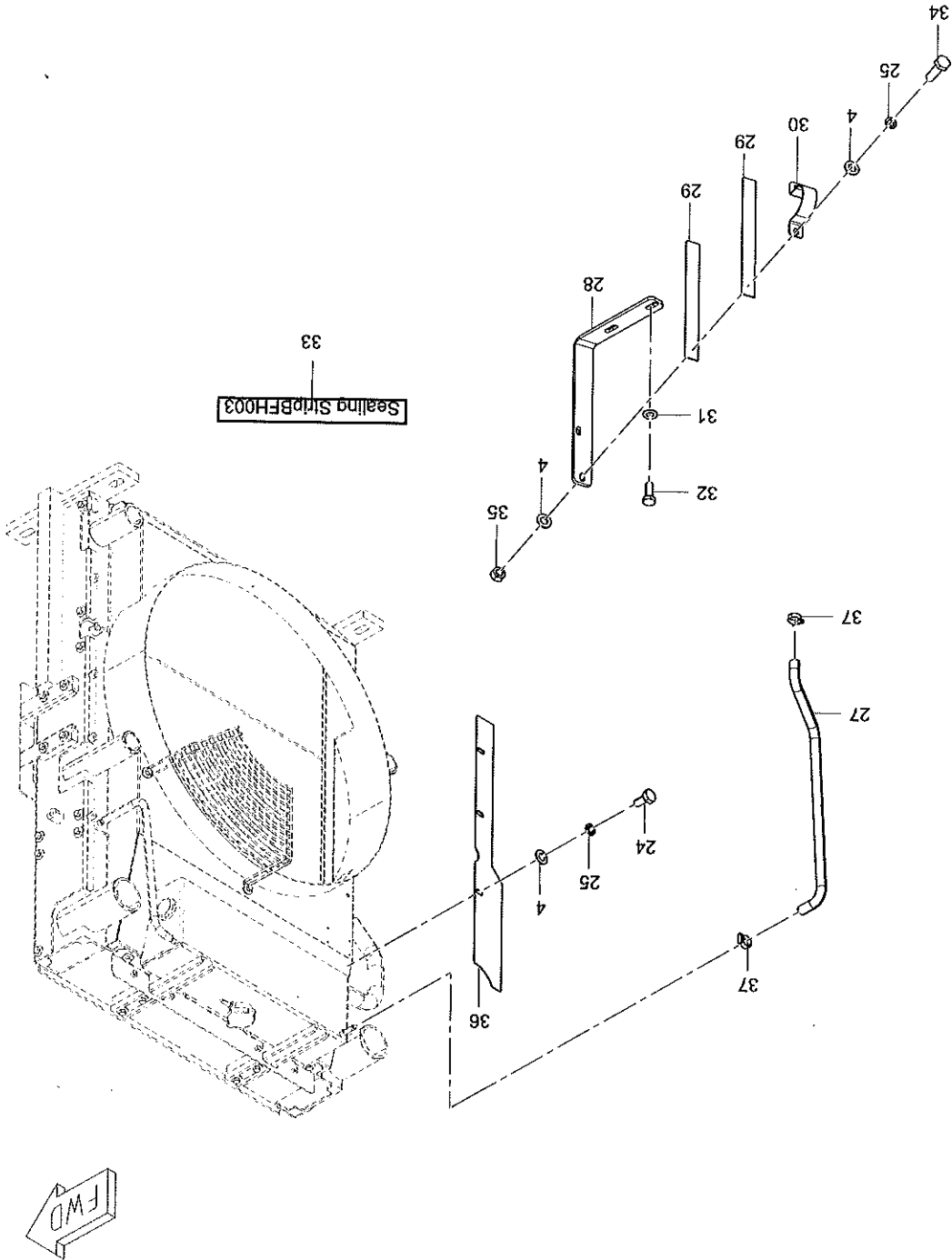
INDEX PART NO.	DESCRIPTION	QTY	SEE PAGE
1	150102010024A002 Control module	1	
2	150102020003A002 Auxiliary flanged O-ring	1	
3	150102010024A001 High pressure overflow valve	1	
4	150102010024A003 Seal Kit	1	
5	B230101001713 Lip shaft sealing	1	



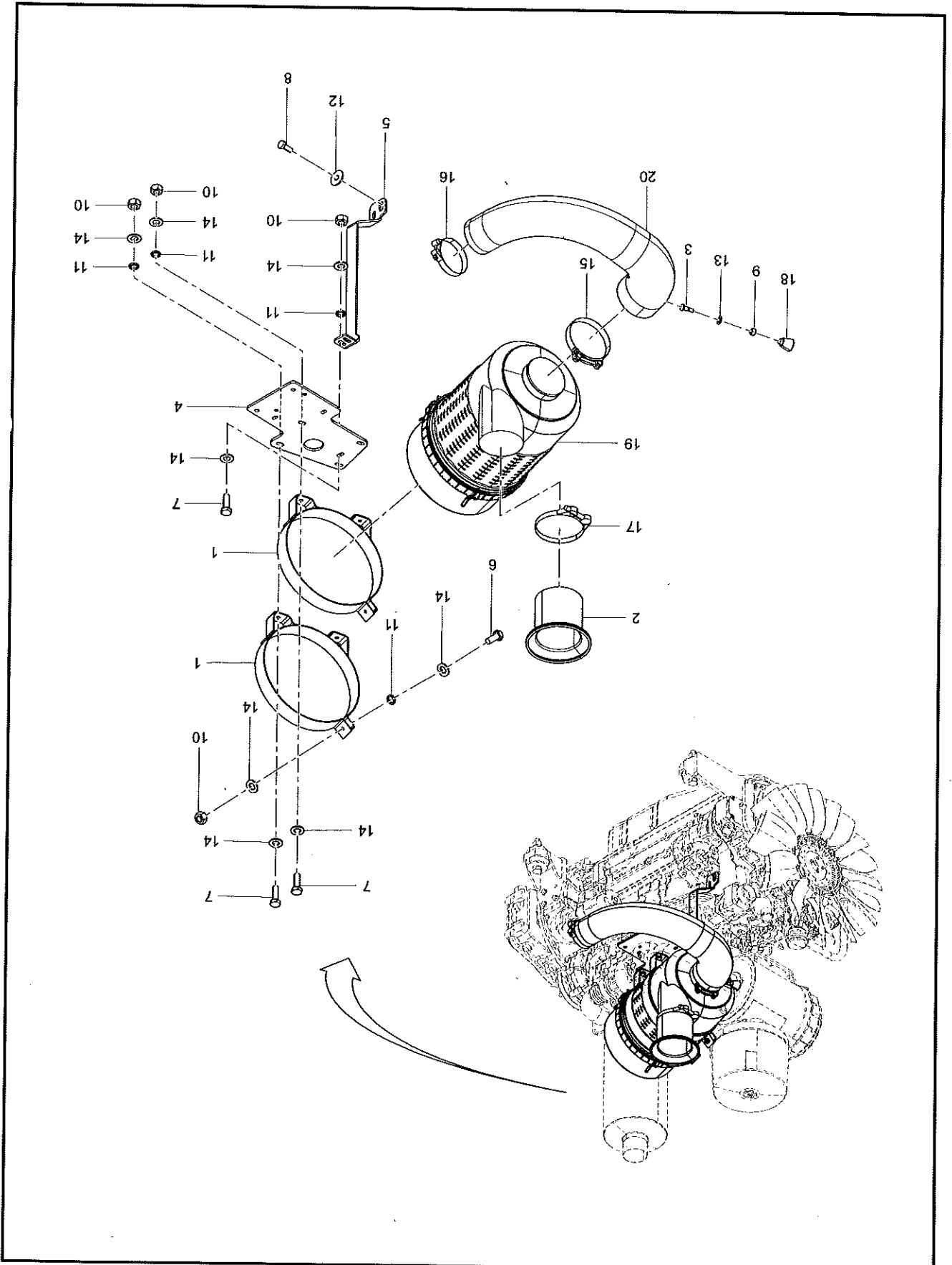
INDEX	PART NO.	DESCRIPTION	QTY	SEE PAGE
1	160801010105A	Radiator	1	
2	YLJ004779457	Retainer Board	1	
3	YLJ005371683	Wind Board	1	
4	A210405000007	Washer	18	
5	24002327	Bolt	6	
6	A210110000014	Bolt	4	
7	A210405000001	Washer	8	
8	A820202003593	Big Washer	8	
9	A820606030583	Crash Pad	8	
10	14390183	Bush	4	
11	A210307000001	Nut	4	
12	A210855000052	T-type Clamp	5	
13	YLJ005746925	Inter-cooler Intake Rubber Hose	1	
14	A229900006067	T-Type Anchor Ear	3	
15	YLJ005369902	Inter-cooler Intake Pipe	1	
16	13695443	Supercharger Air Outlet Rubber Hose	1	
17	A229900002031	T-type Clamp	3	
18	YLJ005372632	Engine Water Outlet Tube	1	



INDEX	PART NO.	DESCRIPTION	QTY	SEE PAGE
4	A210405000007	Washer	18	
12	A210855000052	T-type Clamp	5	
17	A229900002031	T-type Clamp	3	
19	YLJ005370125	Inter-cooler Exhaust Pipe	1	
20	13663486	Connecting Rubber Hose	1	
21	60021999	T-type Anchor Ear	1	
22	YLJ005371185	Engine Water Outlet Tube	1	
23	13527649	Air Intake Rubber Tube of Engine	1	
24	A210111000088	Bolt	8	
25	A210401000017	Washer	10	
26	YLJ005372038	Right Sealing Board	1	

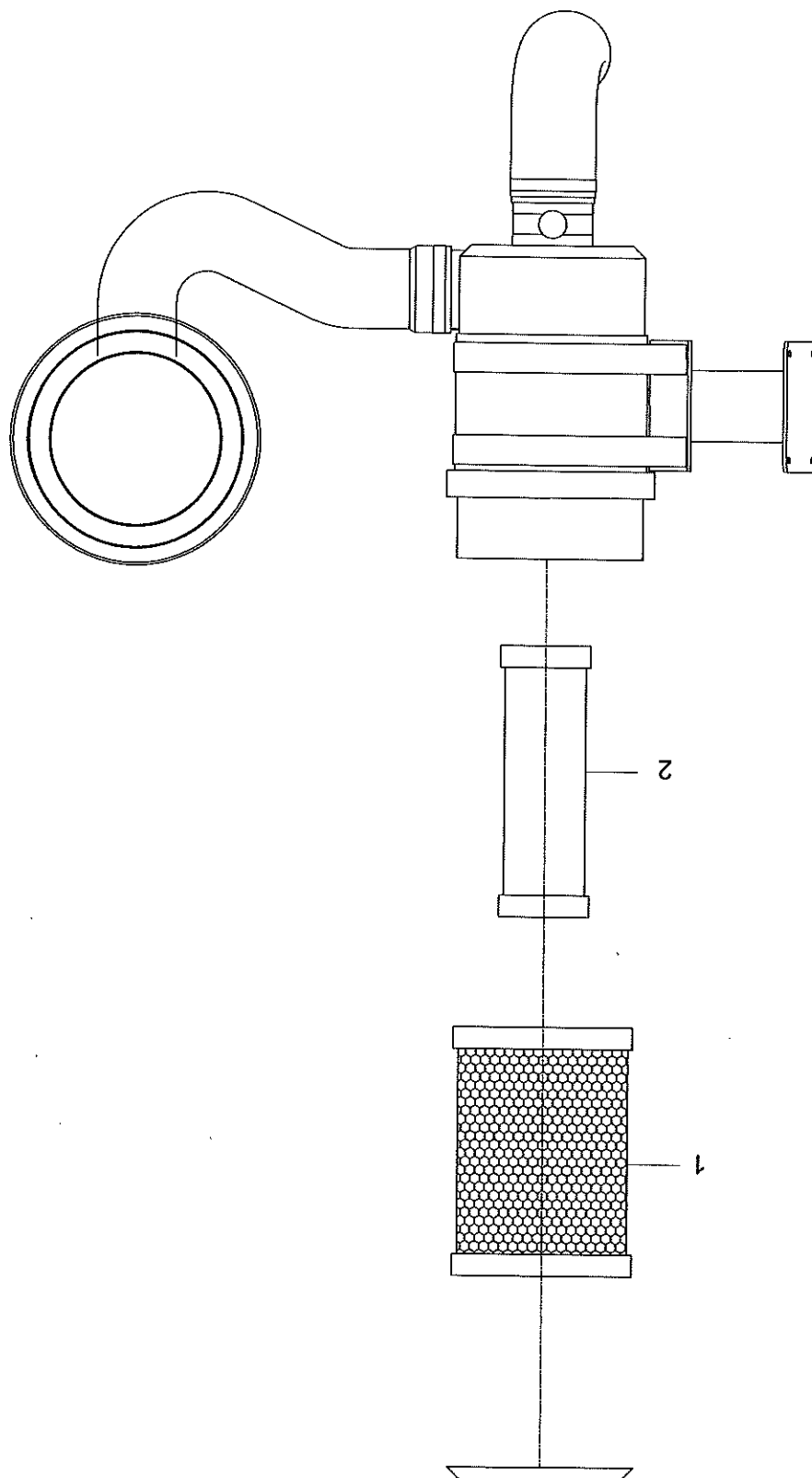


INDEX	PART NO.	DESCRIPTION	QTY	SEE PAGE
4	A21040500007	Washer	18	
24	A210111000088	Bolt	8	
25	A210401000017	Washer	10	
27	YLJ006092172	Degassing Pipe	1	
28	YLJ005897949	Air Intake Tube Supporting Board	1	
29	11236407	Rubber Pad	2	
30	13964163	Hoop	1	
31	A210405000011	Washer	2	
32	A210111000018	Bolt	2	
33	A230105000044	Seal Strip	6	
34	A210111000090	Bolt	2	
35	A210307000012	Nut	2	
36	YLJ005371801	Left Sealing Board	1	
37	A229900001347	Clamp	2	

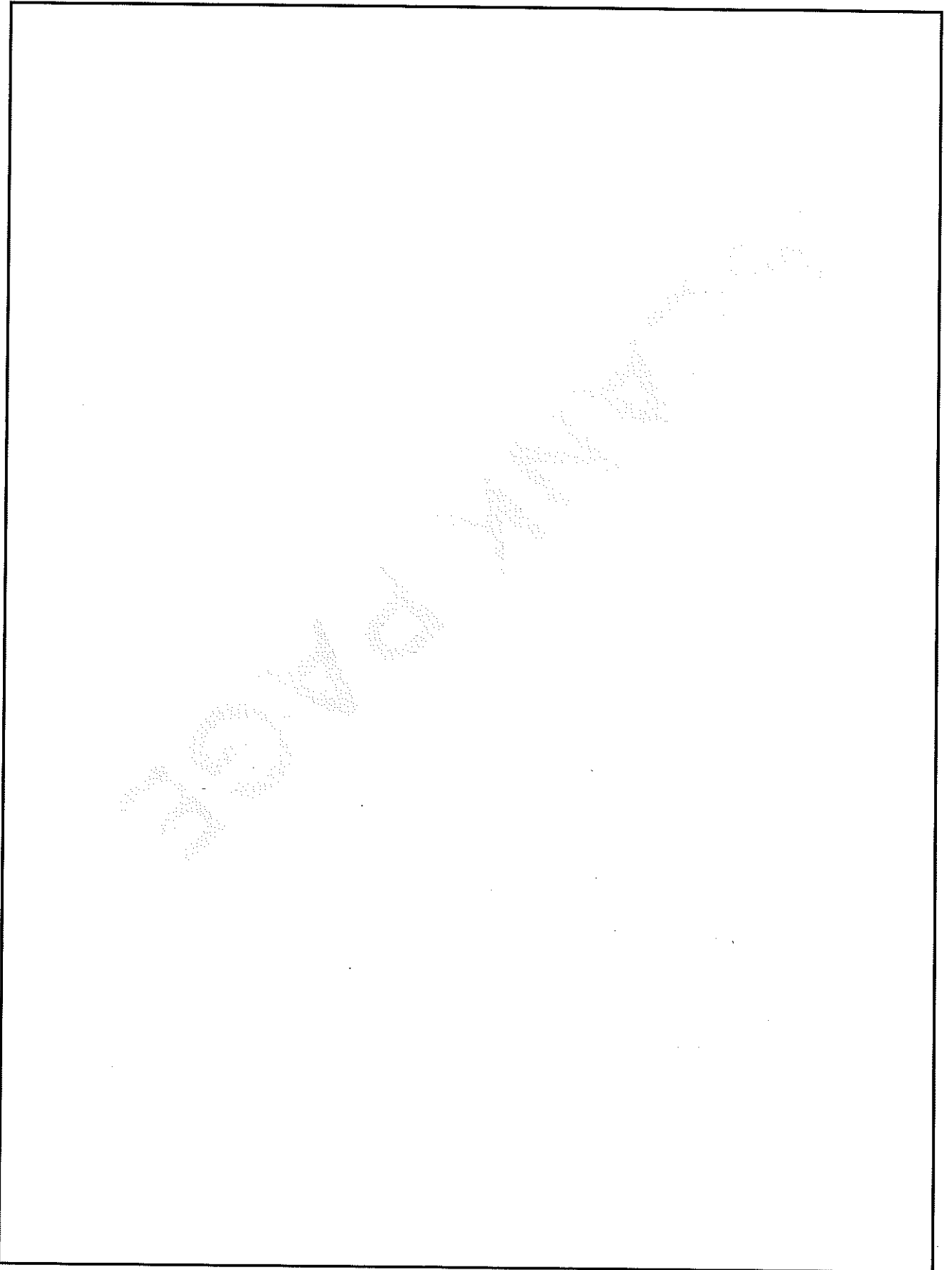


14529026 Air Intake and Outlet Tube Assembly

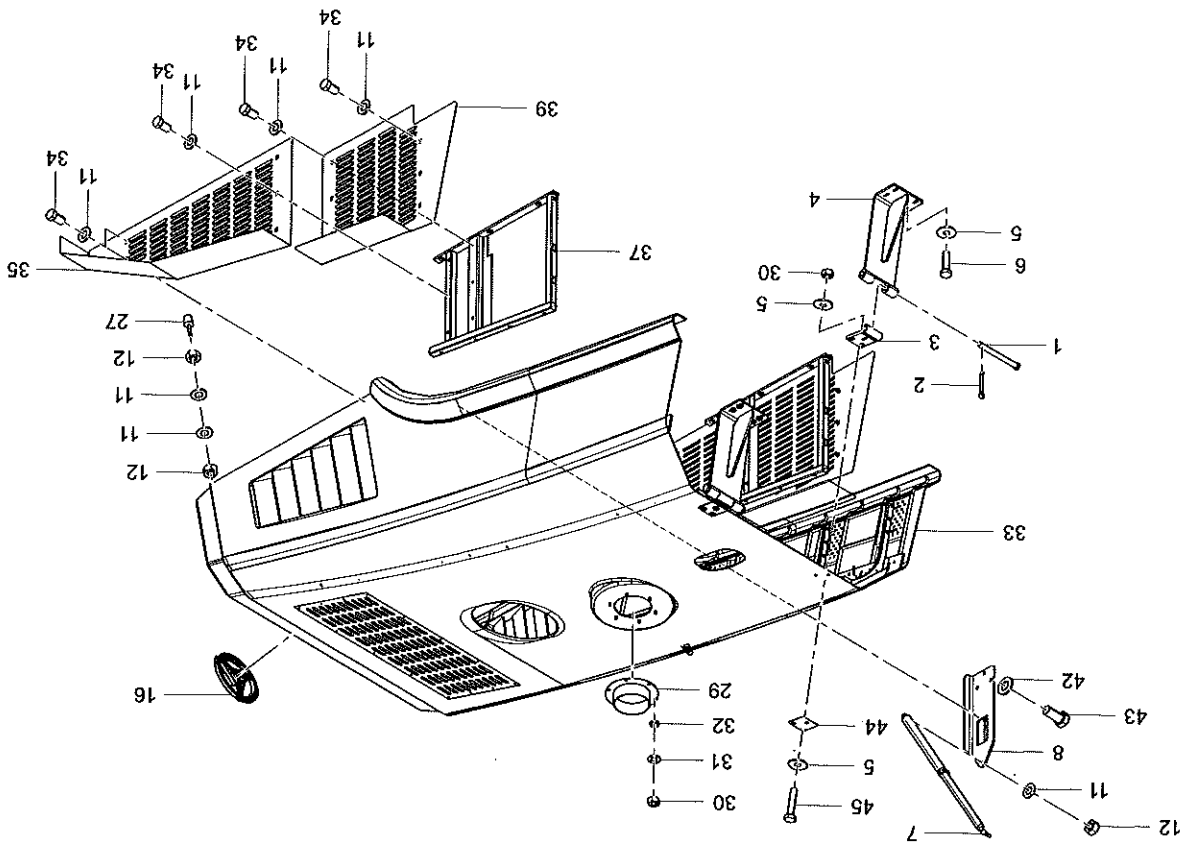
INDEX	PART NO.	DESCRIPTION	QTY	SEE PAGE
1	13419552	Anchor Ear Assembly	2	
2	11951232	Air Inlet Tube	1	
3	13300057	Sensor Connector	1	
4	14524386	Supporting Plate	1	
5	14530979	Supporting Plate	1	
6	A210111000018	Bolt	2	
7	A210111000023	Bolt	5	
8	A210111000089	Bolt	1	
9	A210307000001	Nut	1	
10	A210307000017	Nut	7	
11	A210401000001	Washer	7	
12	A210404000005	Washer	1	
13	A210405000001	Washer	1	
14	A210405000011	Washer	14	
15	A229900002220	T-type Clamp	1	
16	A229900002683	T-type Anchor Ear	1	
17	A229900002734	T-type Clamp	1	
18	A229900003542	Mechanical Differential Pressure Indicator	1	
19	B222100000514	Air Cleaner	1	8-184
20	YLJ006092081	Joint Pipe	1	



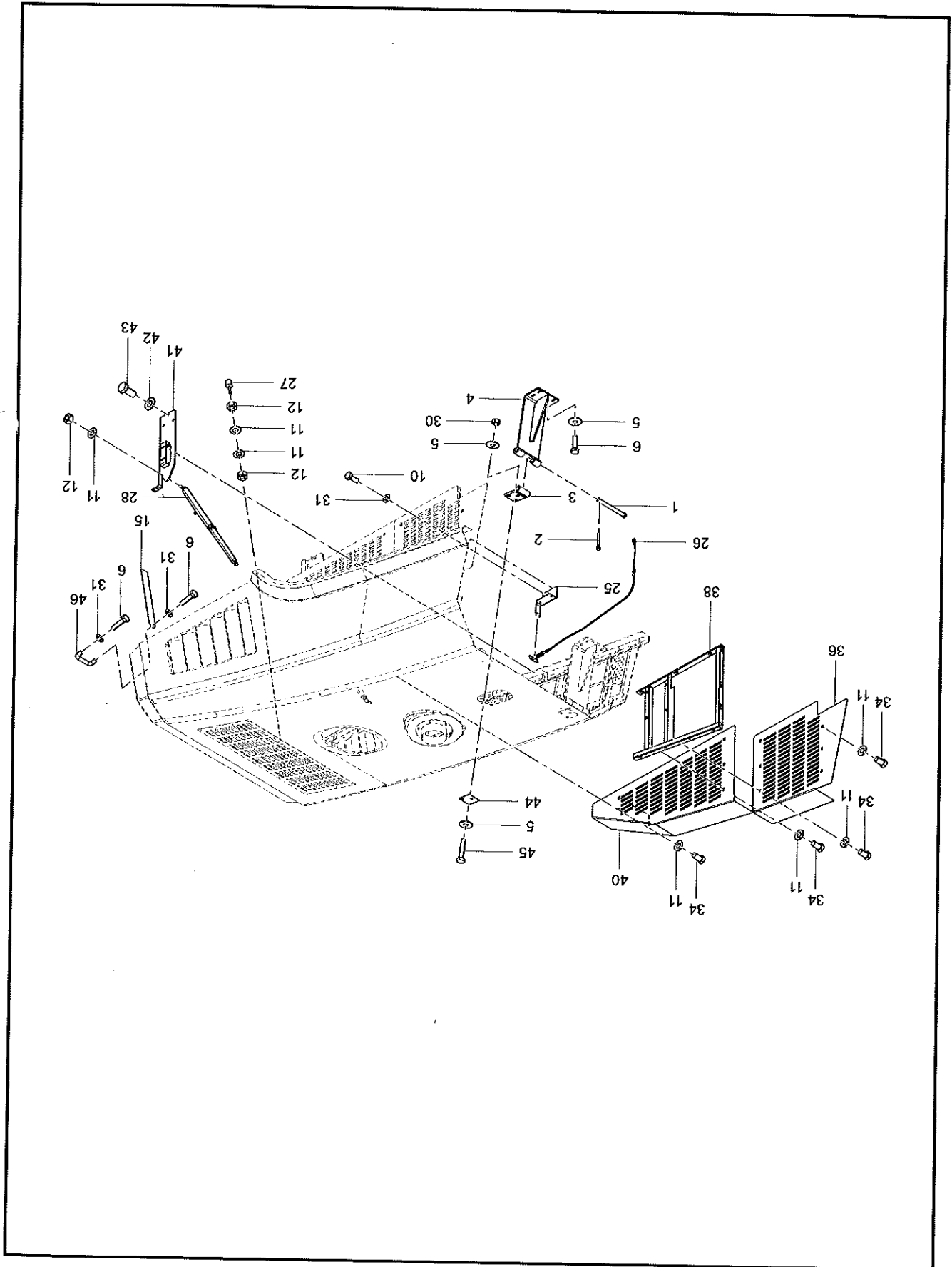
INDEX	PART NO.	DESCRIPTION	QTY	SEE PAGE
1	B22210000647	Main Filter Core, Air Filter	1	
2	B22210000646	Safety Filter Core, Air Filter	1	



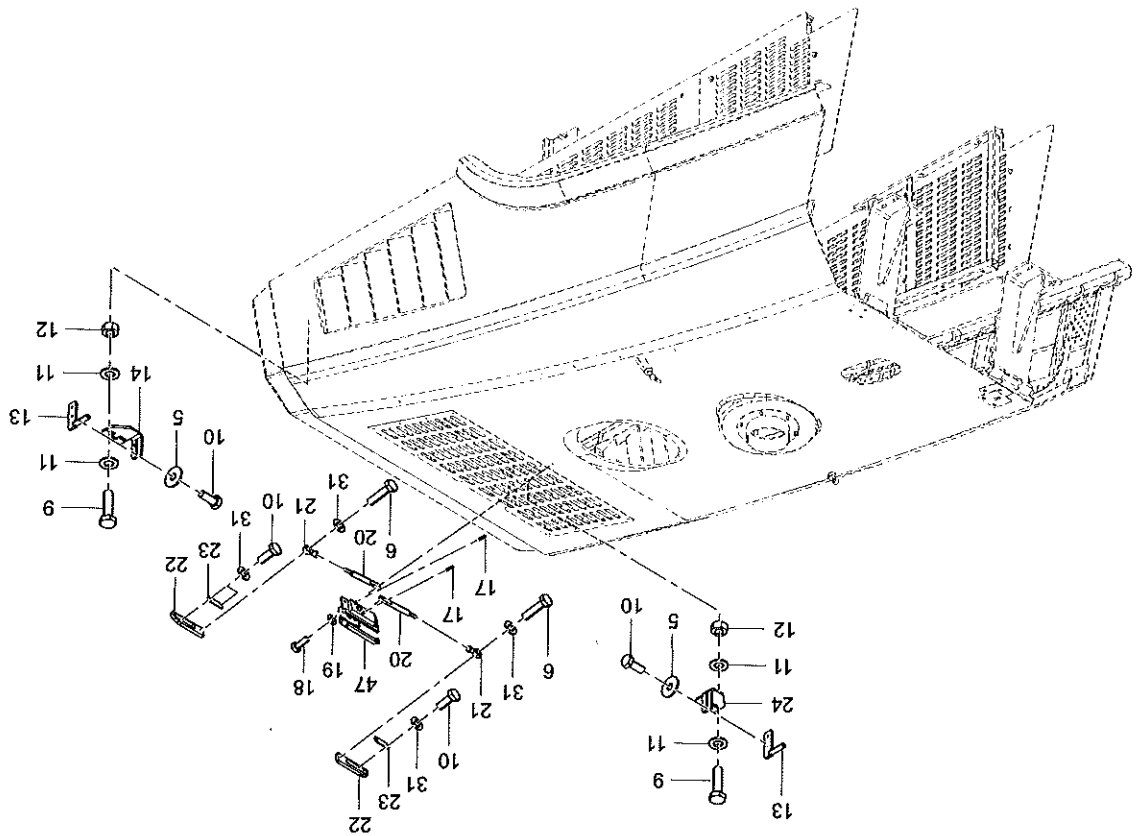
Group 9
Hood Assembly



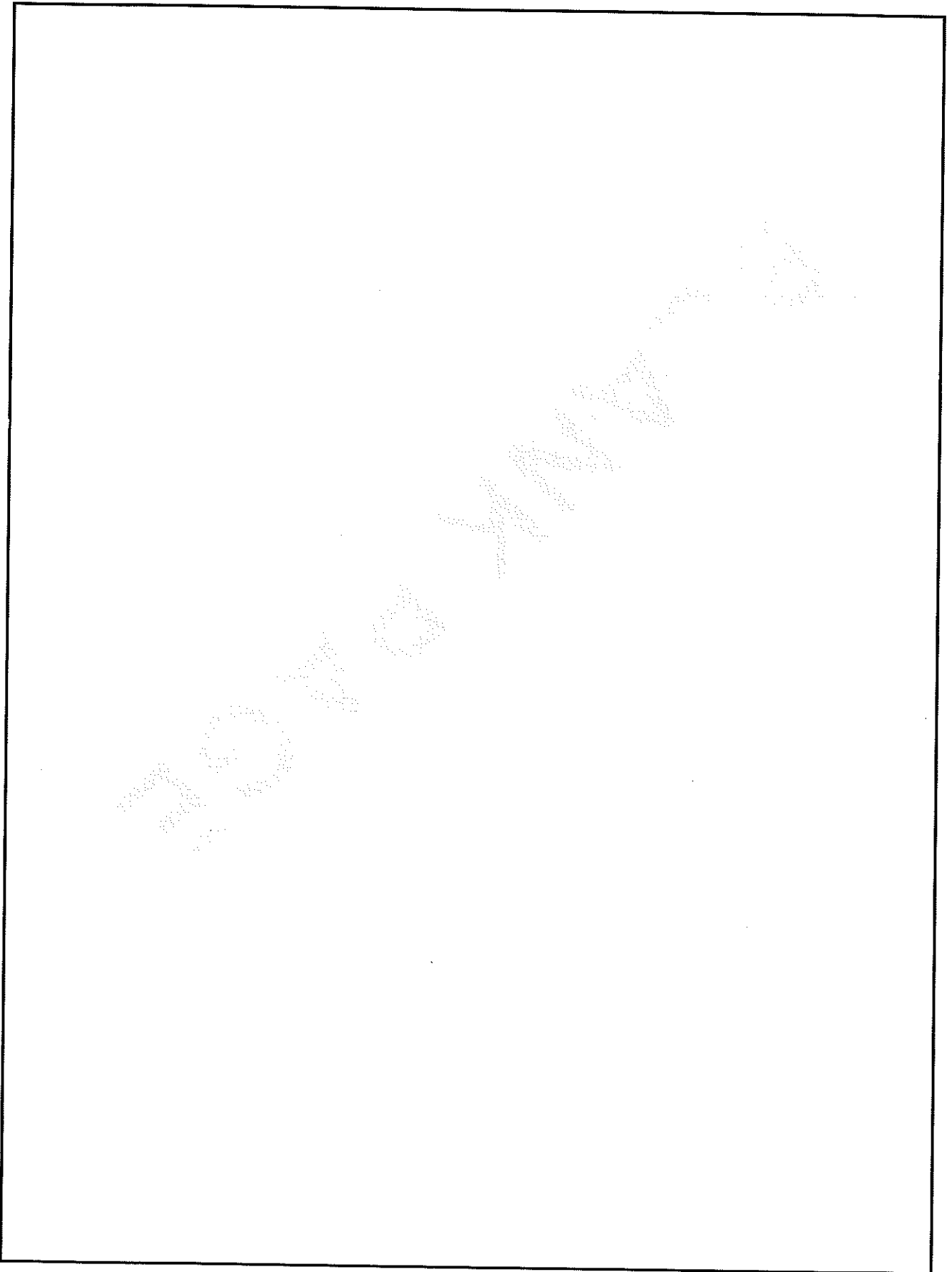
INDEX	PART NO.	DESCRIPTION	QTY	SEE PAGE
1	A820301015218	Hinge Pin	2	
2	21015352	Pin	2	
3	13928685	Hinge Connecting Board	2	
4	14467663	Connecting Board	2	
5	A210404000005	Washer	24	
6	A210111000091	Bolt	12	
7	60191343	Gas Spring	1	
8	YLJ006285830	Left pneumatic spring bearer	1	
11	A210405000011	Washer	44	
12	A210307000017	Nut	14	
16	60232463	Sany Logo	1	
27	A810502990127	Damping Block	2	
29	YLJ005214016	Air-In Pipe	1	
30	A210307000012	Nut	12	
31	A210405000007	Washer	17	
32	A210401000017	Washer	6	
33	YLJ004736613	Covering Parts	1	
34	A210111000125	Bolt	24	
35	14257200	Right Rear Sealing Board	1	
37	13358122	Left Mounting Rack	1	
39	14257973	Left Front Sealing Board	1	
42	A210405000001	Washer	6	
43	A210111000101	Bolt	6	
44	YLJ005213781	Plate	2	
45	A210111000093	Bolt	6	



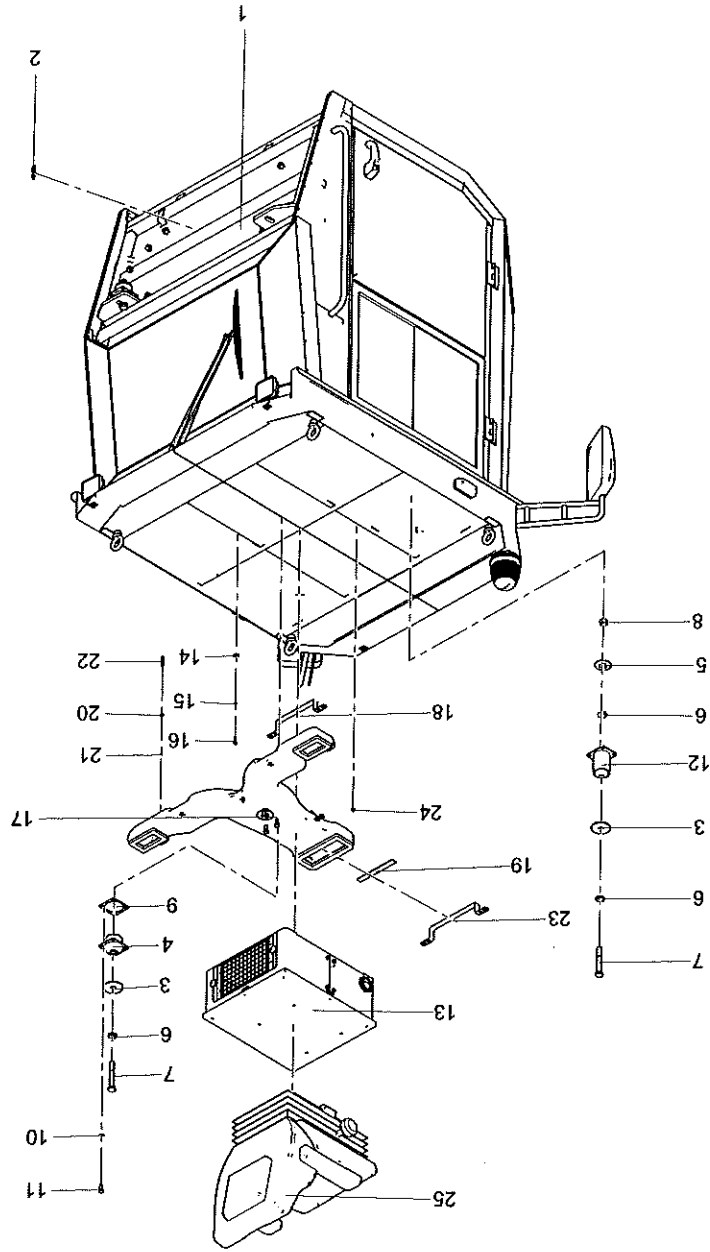
INDEX	PART NO.	DESCRIPTION	QTY	SEE PAGE
1	A820301015218	Hinge Pin	2	
2	21015352	Pin	2	
3	13928685	Hinge Connecting Board	2	
4	14467663	Connecting Board	2	
5	A210404000005	Washer	24	
6	A210111000091	Bolt	12	
10	A210111000089	Bolt	11	
11	A210405000011	Washer	44	
12	A210307000017	Nut	14	
15	60261749	Draw Belt	1	
25	YLJ006067027	Installation Frame	1	
26	A229900005444	Gas Pring Portable Cord	1	
27	A810502990127	Damping Block	2	
28	60191344	Gas Spring	1	
30	A210307000012	Nut	12	
31	A210405000007	Washer	17	
34	A210111000125	Bolt	24	
36	14256923	Front Sealing Board	1	
38	13358124	Right Mounting Rack	1	
40	14256909	Right Rear Sealing Board	1	
41	YLJ006785348	Right pneumatic spring bearer	1	
42	A210405000001	Washer	6	
43	A210111000101	Bolt	6	
44	YLJ005213781	Plate	2	
45	A210111000093	Bolt	6	
46	A229900002456	Handle	1	



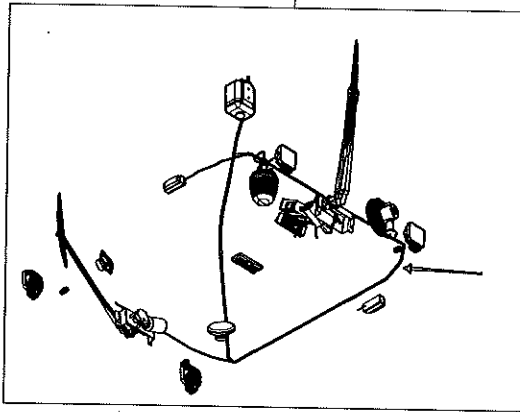
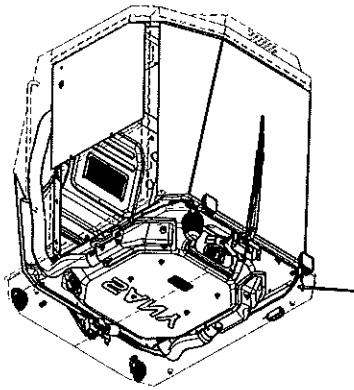
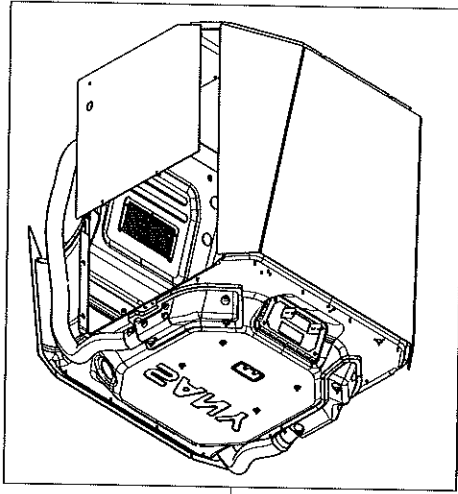
INDEX	PART NO.	DESCRIPTION	QTY	SEE PAGE
5	A210404000005	Washer	24	
6	A210111000091	Bolt	12	
9	A210111000025	Bolt	6	
10	A210111000089	Bolt	11	
11	A210405000011	Washer	44	
12	A210307000017	Nut	14	
13	12414050	Lock Support	2	
14	14237666	Left Supporting Board	1	
17	A210491000009	Pin	2	
18	A210111000079	Bolt	4	
19	A210405000006	Washer	4	
20	14042545	Connecting Rod	2	
21	A221500000160	Joint Bearing	2	
22	12413033	Lock Block	2	
23	12413047	Backup Plate	2	
24	14237665	Right Supporting Board	1	
31	A210405000007	Washer	17	
47	60182153	Rotary Handle	1	



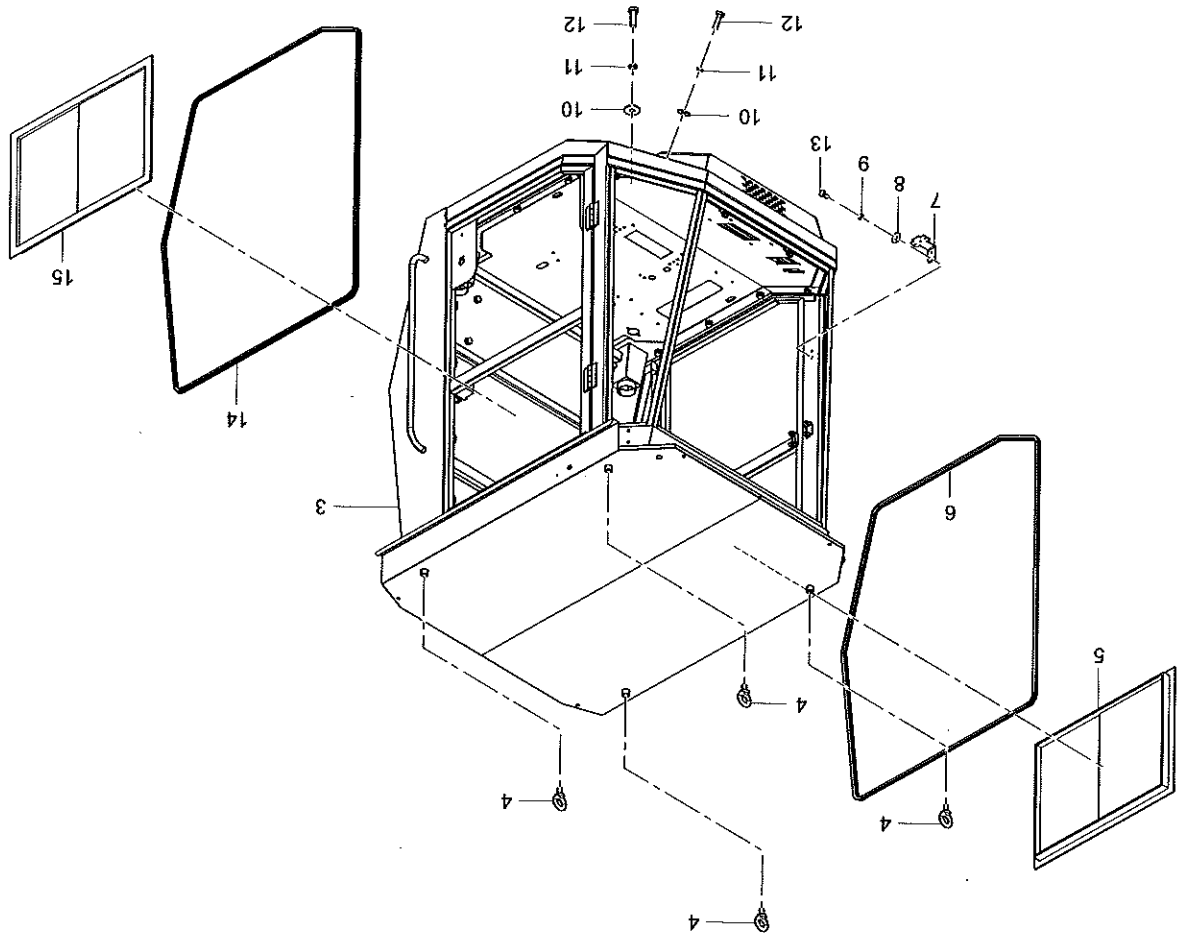
Group 10
Cab Assembly



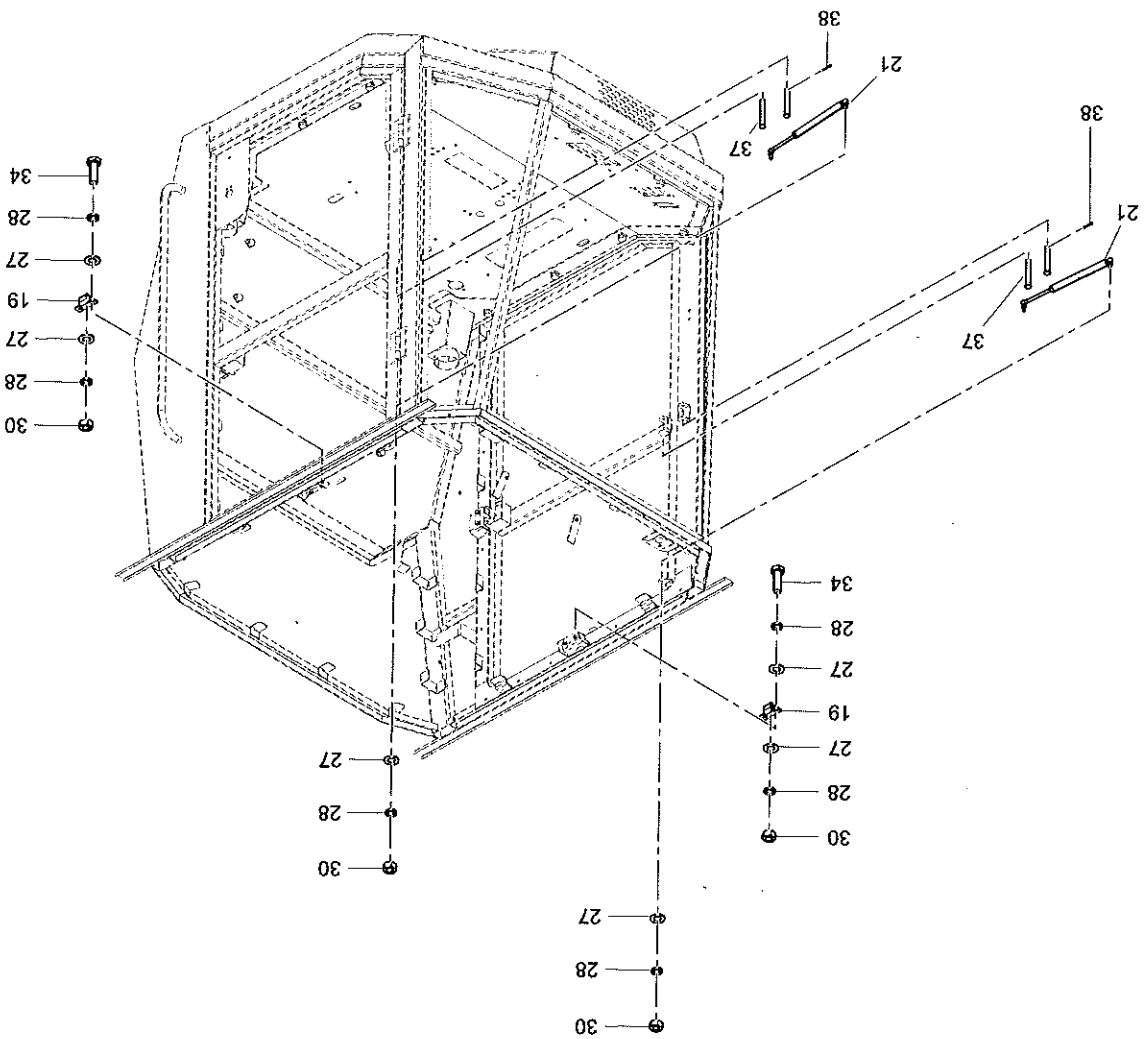
INDEX	PART NO.	DESCRIPTION	QTY	SEE PAGE
1	YLJ006460423	Cab body	1	10-4
2	60062854	Key Ring	1	
3	A820102010065	Adjusting Spacer	4	
4	60100775	Damping Block	2	
5	A820102010064	Anti-capsizing Pad	4	
6	A210491000132	Washer	8	
7	A210110000234	Bolt	4	
8	A210307000005	Nut	4	
9	13177140	Adjusting Spacer	1	
10	A210401000002	Washer	4	
11	A210111000202	Bolt	4	
12	131602000090A	Shock Absorber	2	
13	YLJ006668529	Seat supporting	1	10-22
14	A210404000005	Washer	12	
15	A210401000017	Washer	12	
16	A210111000091	Bolt	4	
17	YLJ006601547	air channel assembly	1	
18	YLJ006786491	bracket	1	
19	YLJ006783945	Rubber pad	2	
20	A210404000009	Washer	5	
21	A210401000016	Washer	5	
22	A210111000085	Bolt	5	
23	YLJ006786802	bracket	1	
24	A210307000012	Nut	8	
25	A229900001929	Mechanical Suspension Driver seat	1	



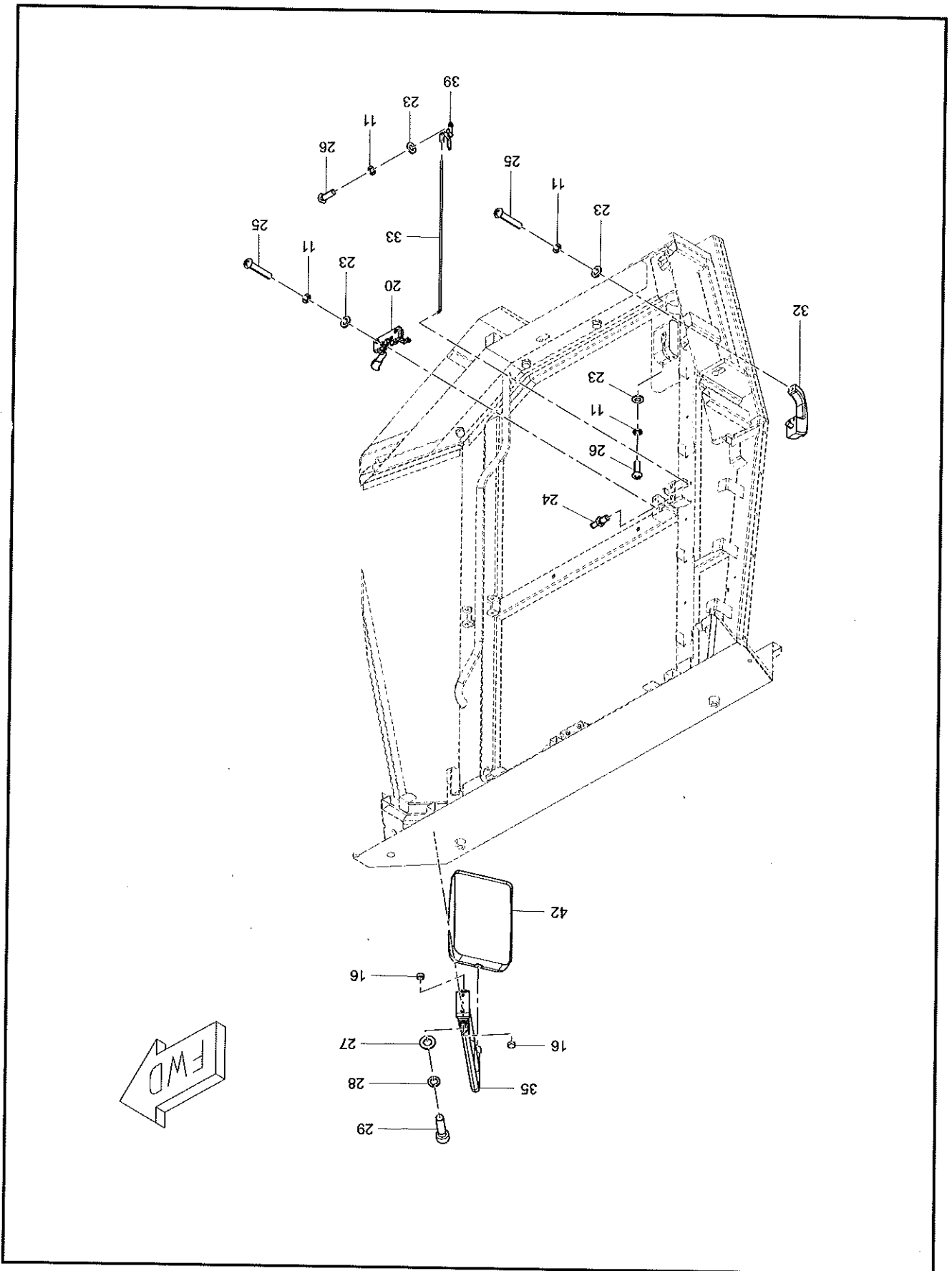
INDEX PART NO.	DESCRIPTION	QTY	SEE PAGE
1	JSS006510740	1	10-16
2	YLJ006795414	1	
	Internal and external trim assembly		



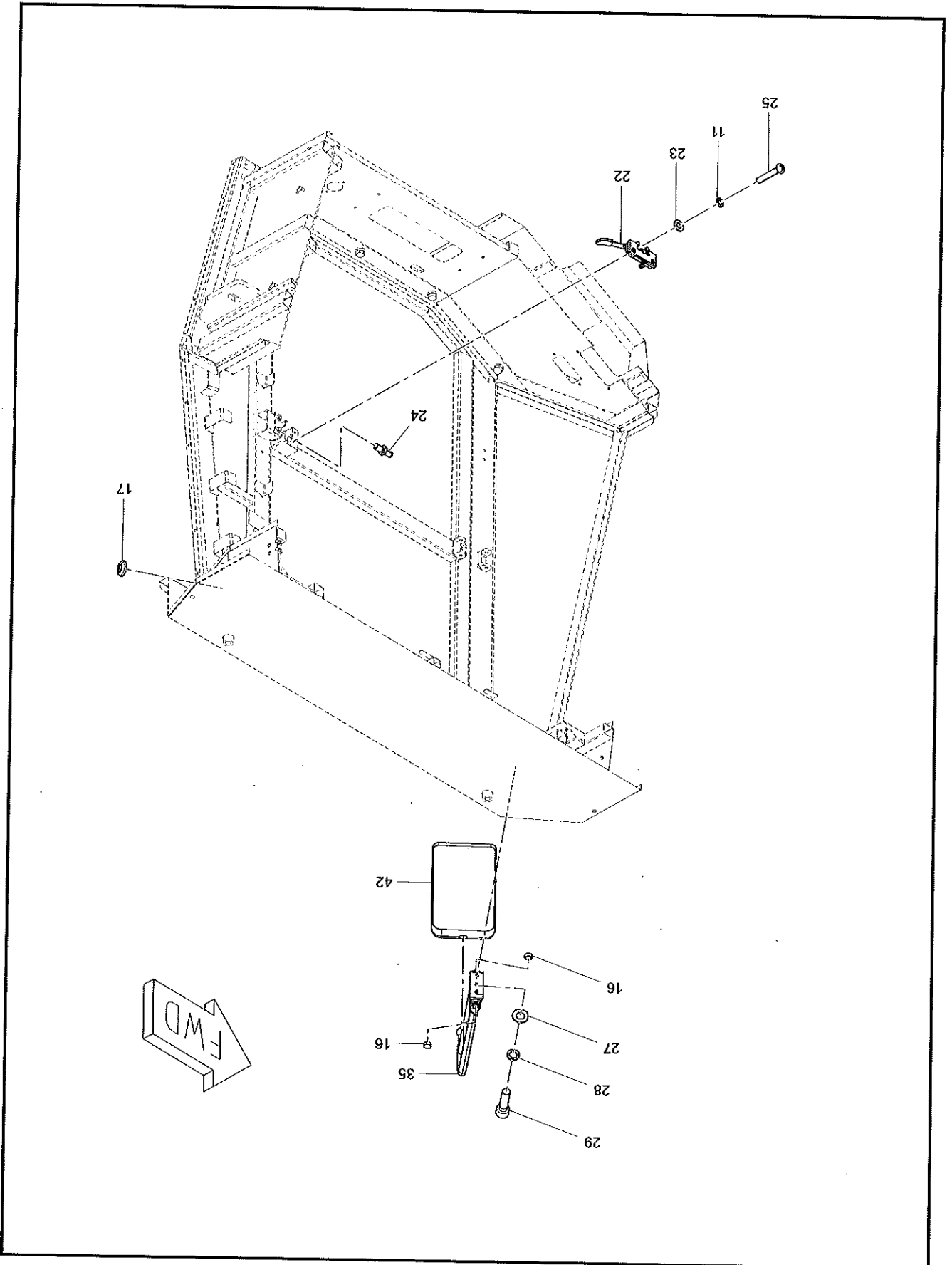
INDEX	PART NO.	DESCRIPTION	QTY	SEE PAGE
3	YLJ005047545	Cab body	1	10-20
4	A21049100001	Screw	4	
5	YLJ006549339	Right sliding window	1	
6	13316814	Right Doorframe Sealing Strip	1	
7	JSS006492822	Big water cup holder	1	
8	A210404000010	Washer	2	
9	A210401000015	Washer	2	
10	A210404000009	Washer	16	
11	A210401000016	Washer	28	
12	A210111000080	Bolt	16	
13	21005325	Bolt	2	
14	13316813	Left Doorframe Sealing Strip	1	
15	YLJ006549336	Left sliding window	1	



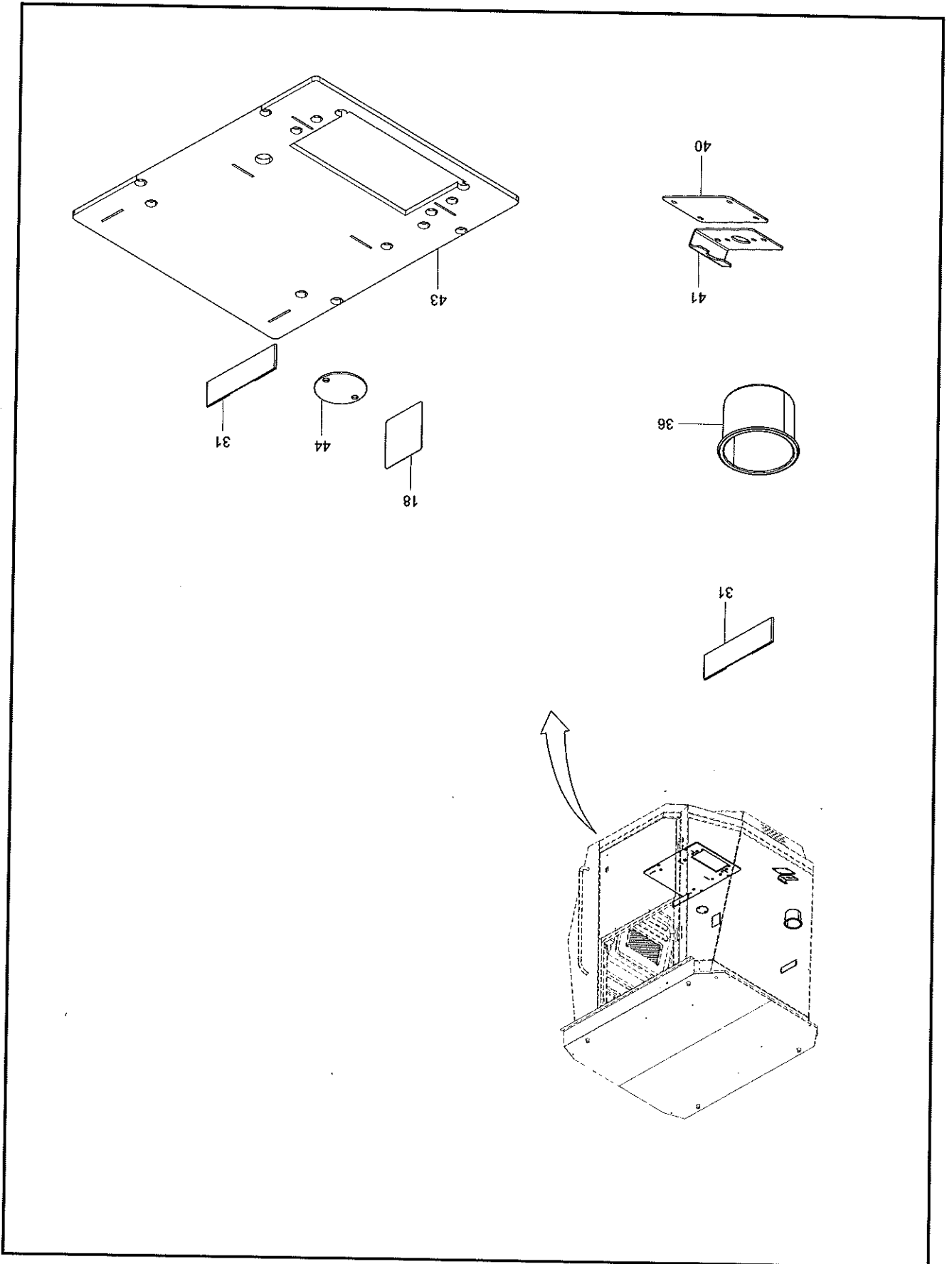
INDEX	PART NO.	DESCRIPTION	QTY	SEE PAGE
19	A820101362643	Installation Seat	2	
21	A229900009879	Gas Spring	2	
27	A210405000007	Washer	12	
28	A210401000017	Washer	12	
30	A210307000012	Nut	4	
34	A210111000090	Bolt	4	
37	A31907100070B	Axis Pin	4	
38	A210491000009	Pin	4	



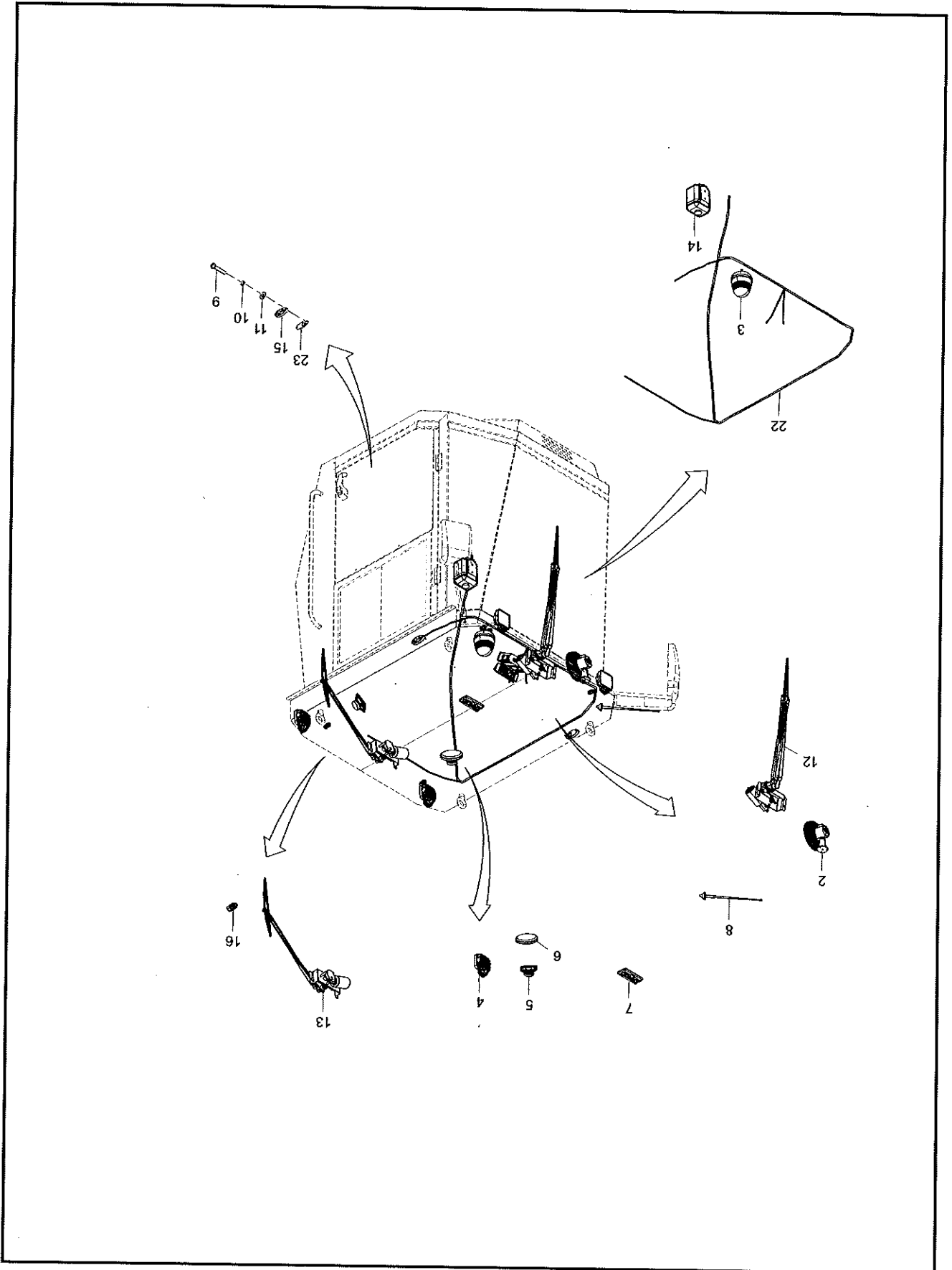
INDEX	PART NO.	DESCRIPTION	QTY	SEE PAGE
11	A21040100016	Washer	28	
16	60110667	Protective Cap	8	
20	60263715	Door Lock	1	
23	A21040500006	Washer	12	
24	A820301017645	Lock Pole	2	
25	A210210000027	Screw	7	
26	A210210000008	Screw	5	
27	A210405000007	Washer	12	
28	A210401000017	Washer	12	
29	A210204000164	Screw	4	
32	60024135	Handle	1	
33	13437992	Pull Rod	1	
35	11710459	Bracket Assembly, Rearview Mirror	2	
39	13437990	Change-over Mechanism	1	
42	60119431	Rearview Mirror Assembly	2	



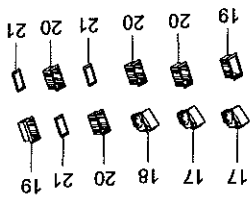
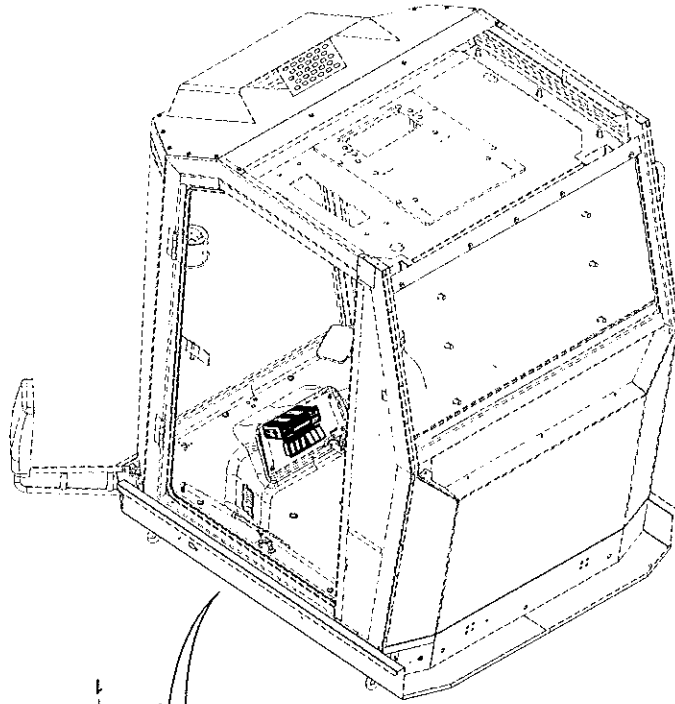
INDEX	PART NO.	DESCRIPTION	QTY	SEE PAGE
11	A210401000016	Washer	28	
16	60110667	Protective Cap	8	
17	60042056	Plug	1	
22	60263714	Door Lock	1	
23	A210405000006	Washer	12	
24	A820301017645	Lock Pole	2	
25	A210210000027	Screw	7	
27	A210405000007	Washer	12	
28	A210401000017	Washer	12	
29	A210204000164	Screw	4	
35	11710459	Bracket Assembly, Rearview Mirror	2	
42	60119431	Rearview Mirror Assembly	2	



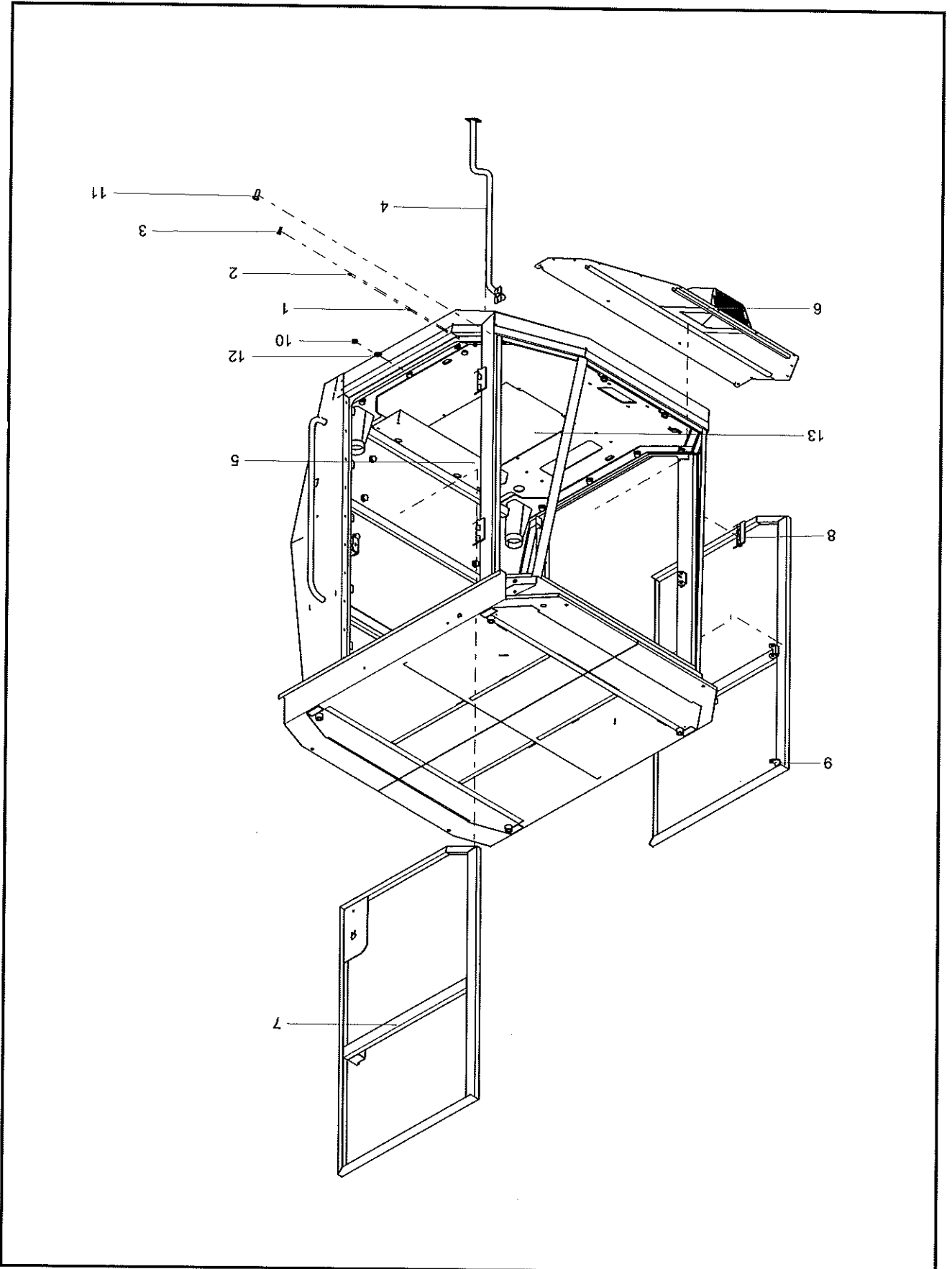
INDEX	PART NO.	DESCRIPTION	QTY	SEE PAGE
18	11270627	Nameplate	1	
31	11262101	Positioning Belt, Door	2	
36	JSS006065140	Big cup holder	1	
40	JSS005456850	Brake pedal plate	1	
41	JSS006820626	power switch installation plate	1	
43	YLJ006783944	Thermal insulation sponge	1	
44	YLJ006796667	String Plate	1	



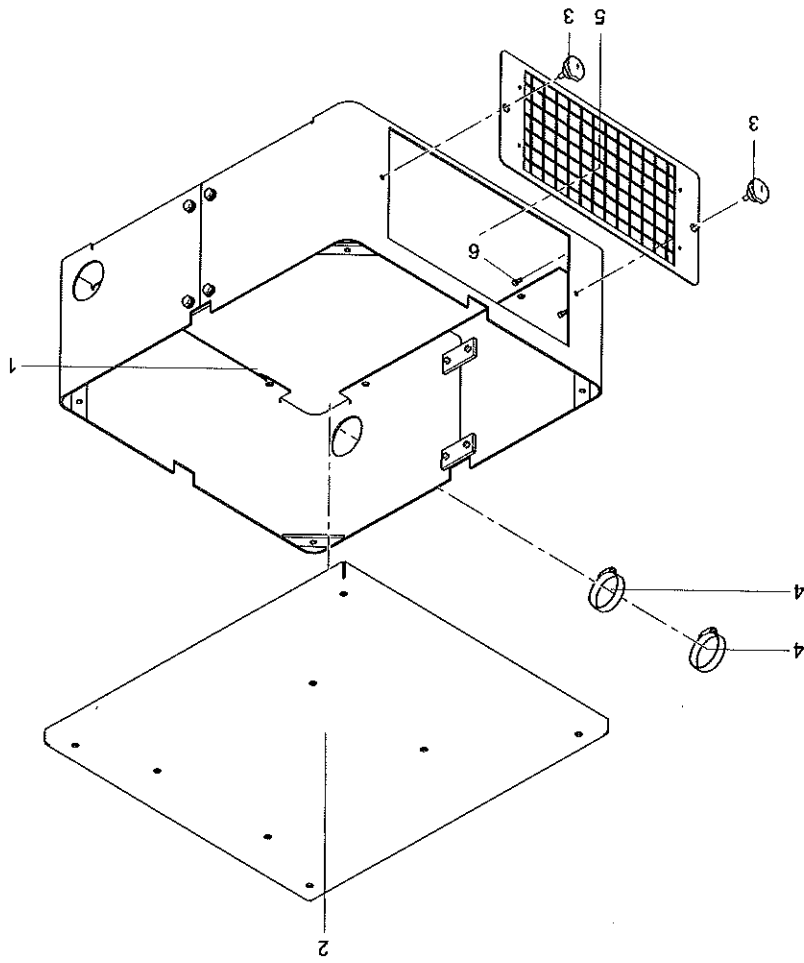
INDEX	PART NO.	DESCRIPTION	QTY	SEE PAGE
2	141401000006A	Fan	1	
3	141603000071B	Warning Lamp	1	
4	141604000064B	Illuminating Lamp	4	
5	6006476	Loudspeaker	2	
6	6005297	Horn Cover	1	
7	60058851	Illuminating Lamp	1	
8	60126164	Antenna	1	
9	A21021000026	Screw	4	
10	A210401000013	Washer	4	
11	A210405000004	Washer	4	
12	A229900000040	Front Window Windscreen Wiper Assembly	1	
13	A229900000090	Front Window Windscreen Wiper Assembly	1	
14	A229900000113	Reservoir, Windshield Washer	1	
15	A241100000555	Side Lamp	2	
16	A241200000089	Packing Gland	5	
22	JSS006506790	harness	1	
23	JSS007901601	Side Turn Lamp Rubber Pad	2	



INDEX	PART NO.	DESCRIPTION	QTY	SEE PAGE
1	14099990026A	Radio	1	
17	A24120000784	Alarm Light Switch	2	
18	A24120000844	Working Light Switch	1	
19	A24990000513	Side Single Frame	2	
20	A24990000514	Middle Single Frame	4	
21	A24990000518	Cover Plate (Quintuplet Switch)	3	

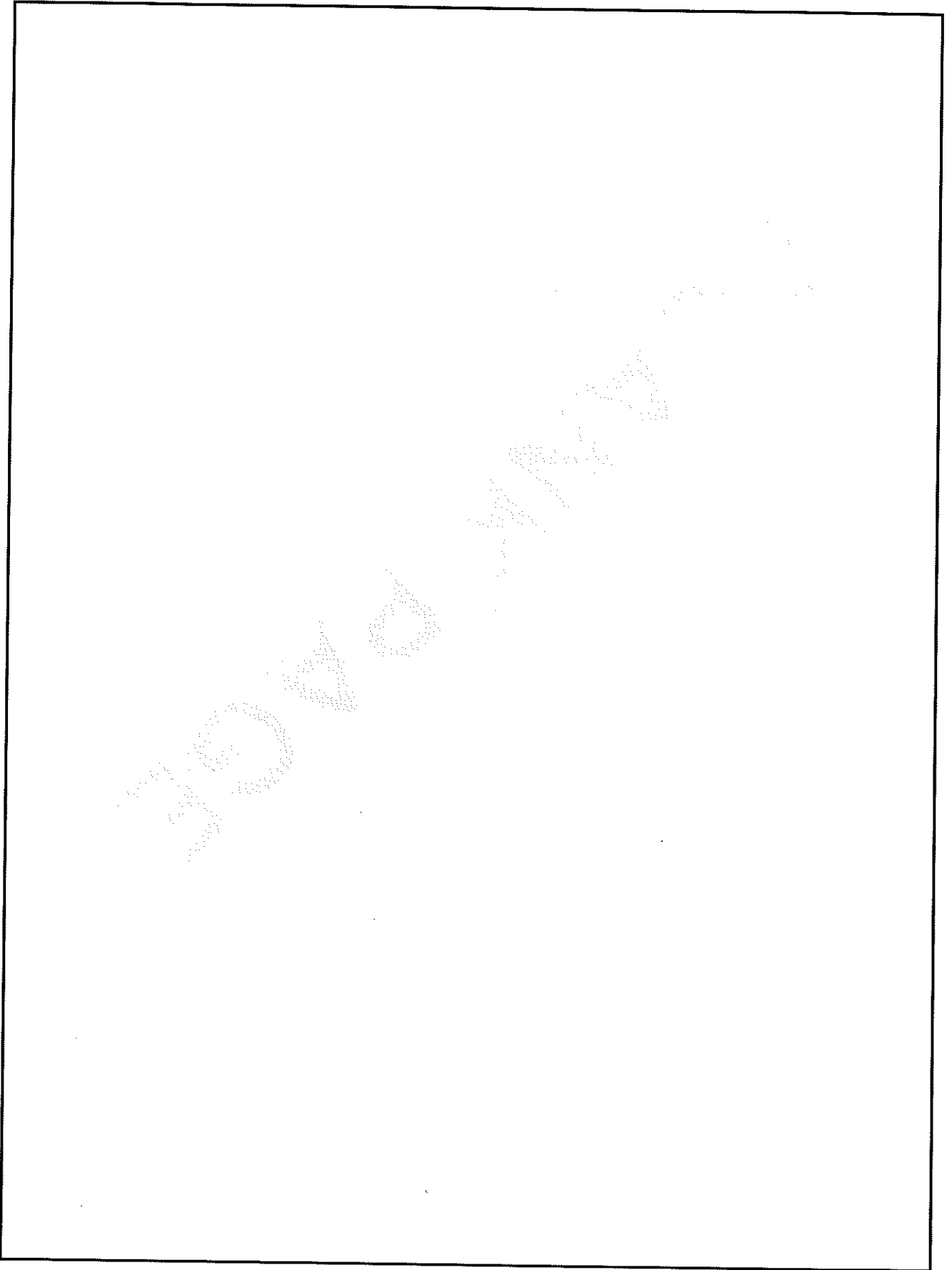


INDEX	PART NO.	DESCRIPTION	QTY
1	A21040500007	Washer	4
2	A21040100017	Washer	4
3	A21011100090	Bolt	4
4	YLJ005042275	Armrest, inner	1
5	YLJ005047503	Driver's Cab Welding Assy.	1
6	YLJ005047280	Bottom board covered assembly	1
7	YLJ005047281	Left Door Assy.	1
8	11764709	Hinge	4
9	13310074	Right Door Assembly	1
10	A21040100004	Washer	16
11	A210111000100	Bolt	16
12	A210405000003	Washer	16
13	YLJ005047309	Floor assembly	1



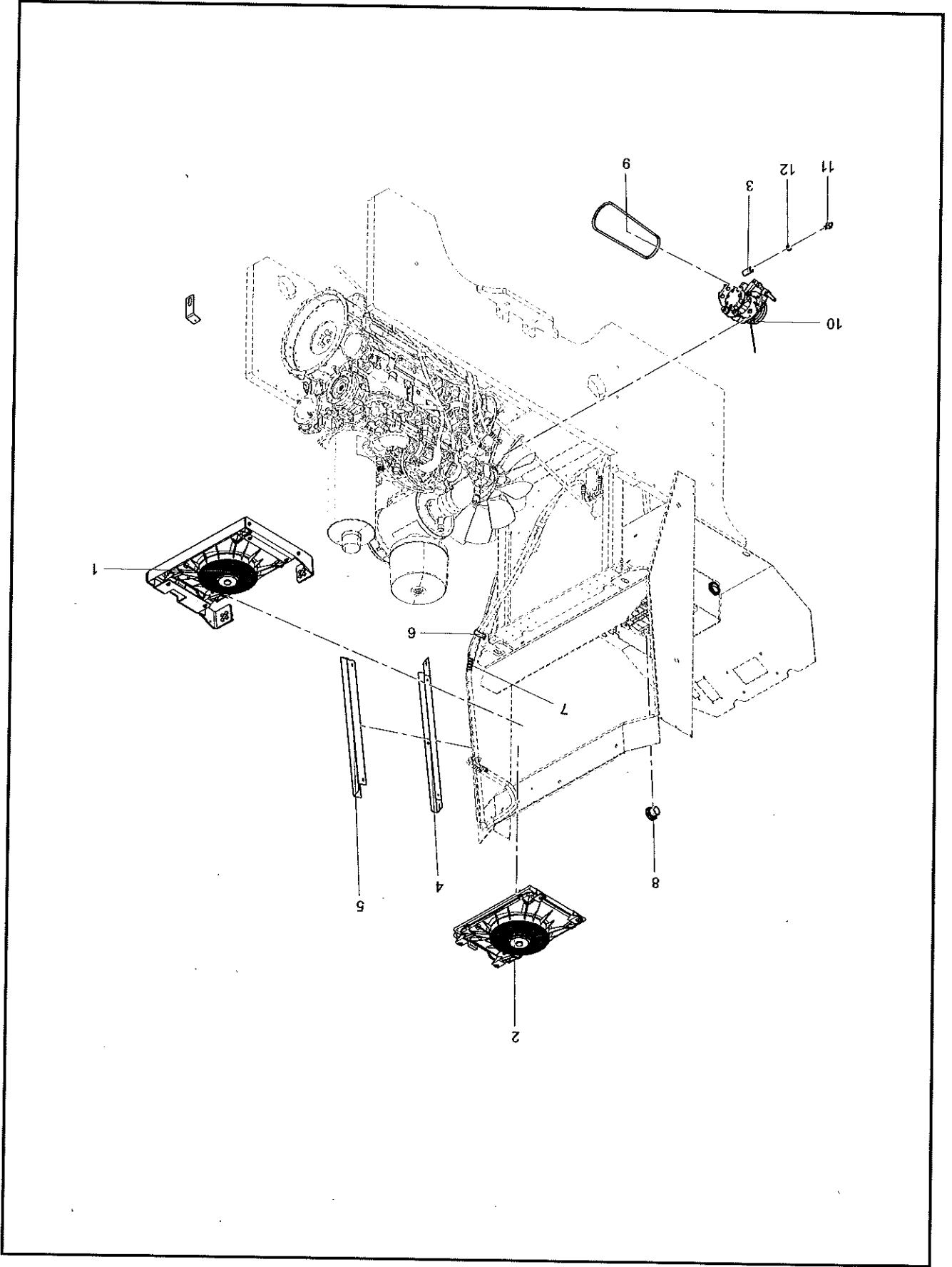
INDEX	PART NO.	DESCRIPTION	QTY	SEE PAGE
1	14520238	Seat Mounting Assembly	1	
2	14431048	Seat Mounting Plate	1	
3	120905990001A	Star-shaped Handle	2	
4	21004577	Hose Ring hoop-65B	4	
5	YLJ006566559	Filter element mounting plate	1	
6	A210204000318	Screw	4	

YLJ0065668529 Seat supporting

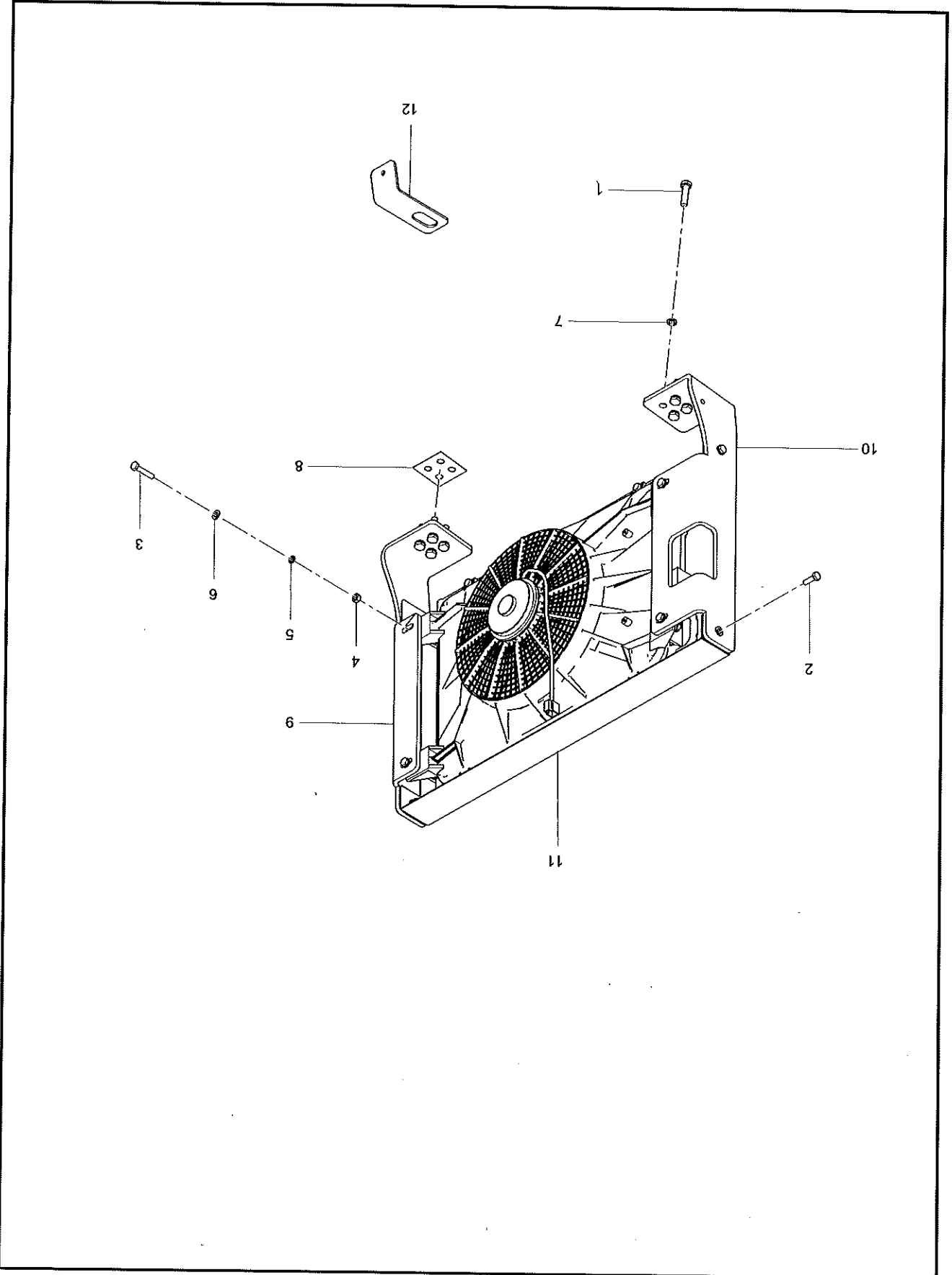


Group 11

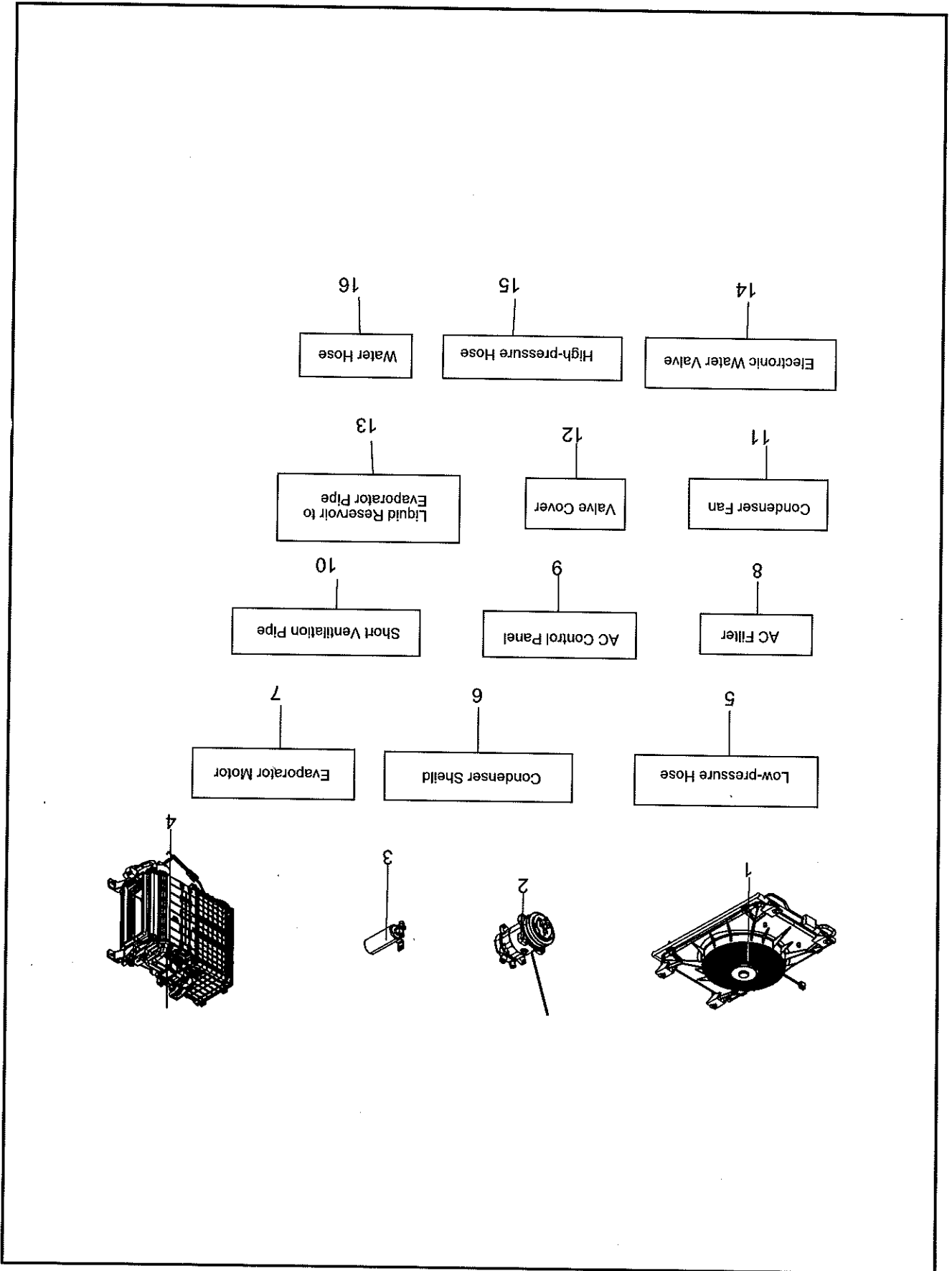
Air conditioning system assembly



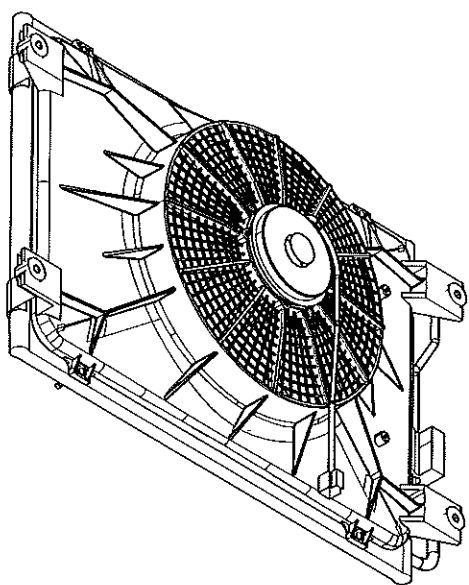
INDEX	PART NO.	DESCRIPTION	QTY	SEE PAGE
1	YLJ005838335	Condenser installation	1	11-4
2	141501000192A	Air Conditioning Assembly	1	11-6
3	60253934	Rubber Hose	6	
4	YLJ006516295	Trough	1	
5	YLJ006514466	Cover Plate	1	
6	60200725	Fastening Clamp	8	
7	A230200000490	Plastic Sheath	1	
8	13852940	Face Air Outlet, Reach Stacker	2	
9	60321435	V-belt	1	
10	YLJ005516029	Compressor Pre-assembly	1	11-10
11	14012773	Adapter Fitting	2	
12	A210855000066	Hole Type Hose Clamp	4	



INDEX	PART NO.	DESCRIPTION	QTY
1	A210111000027	Bolt	8
2	A210111000090	Bolt	4
3	A210111000093	Bolt	4
4	A210307000012	Nut	8
5	A210401000017	Washer	8
6	A210405000007	Washer	16
7	A210434000005	Washer	8
8	YLJ005763896	Plate	2
9	YLJ006054656	condenser support	1
10	YLJ006054682	condenser support	1
11	YLJ006054716	plate	1
12	YLJ006099201	Mounting plate	1

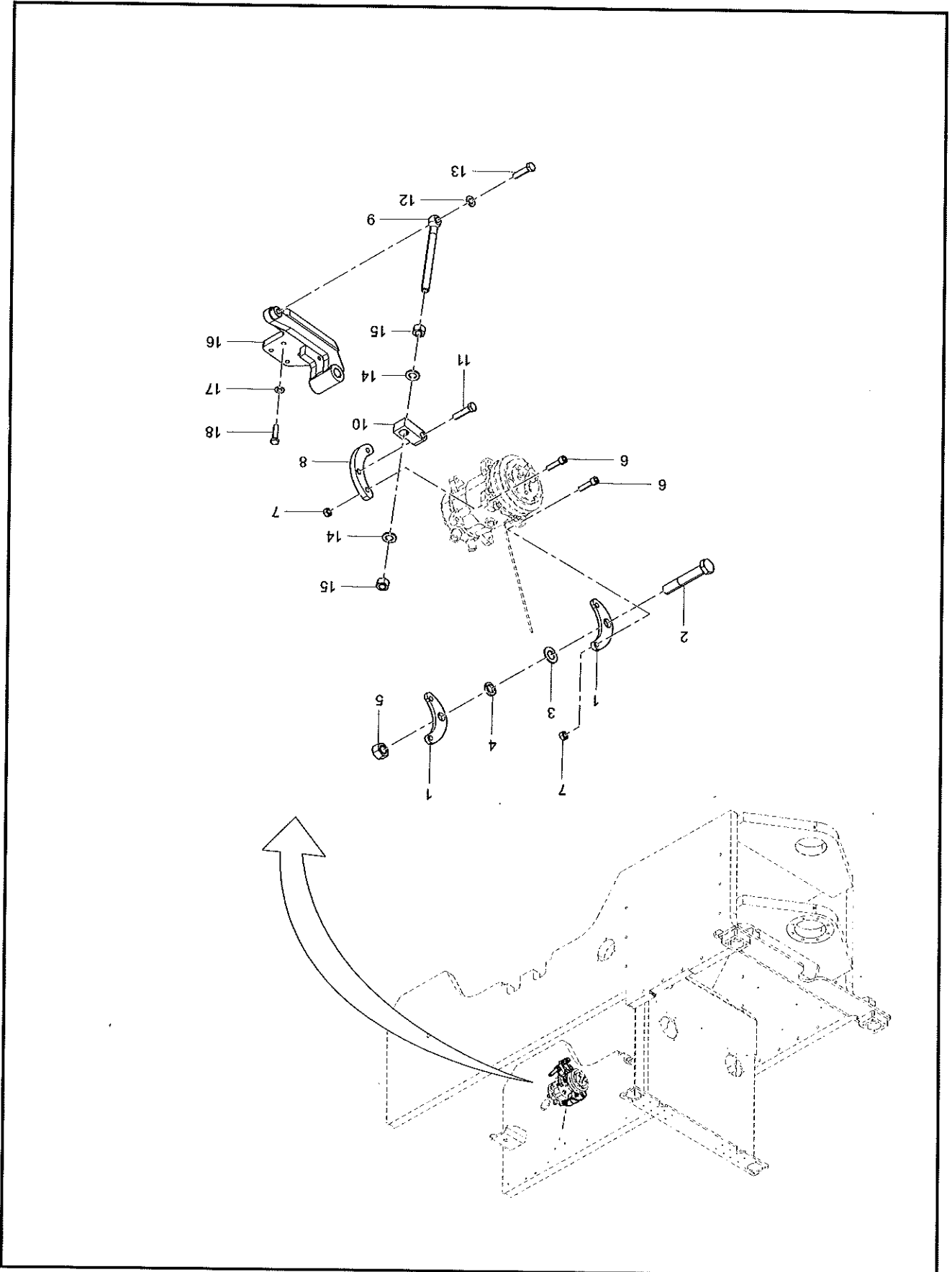


INDEX	PART NO.	DESCRIPTION	QTY	SEE PAGE
1	61025846	Condenser	1	
2	60137521	Compressor	1	
3	151399000012	Reservoir Assembly	1	
4	61025845	Evaporator	1	
5	141501000020A004	Low-pressure Hose	1	
6	141501000020A001	Condenser Shell	1	
7	141501000020A002	Evaporator Motor	1	
8	141501000020A005	A/C Filter	1	
9	141501000192A001	A/C control panel	1	
10	141501000192A002	Short ventilation pipe	1	
11	141501000192A003	Condensing Fan	1	
12	141501000192A004	Valve cover	1	
13	141501000192A005	Liquid reservoir to evaporator pipe	1	
14	141502000712A	Electronic water valve	1	
15	141599000002B	high pressure hose	1	
16	61031986	Water Hose	1	

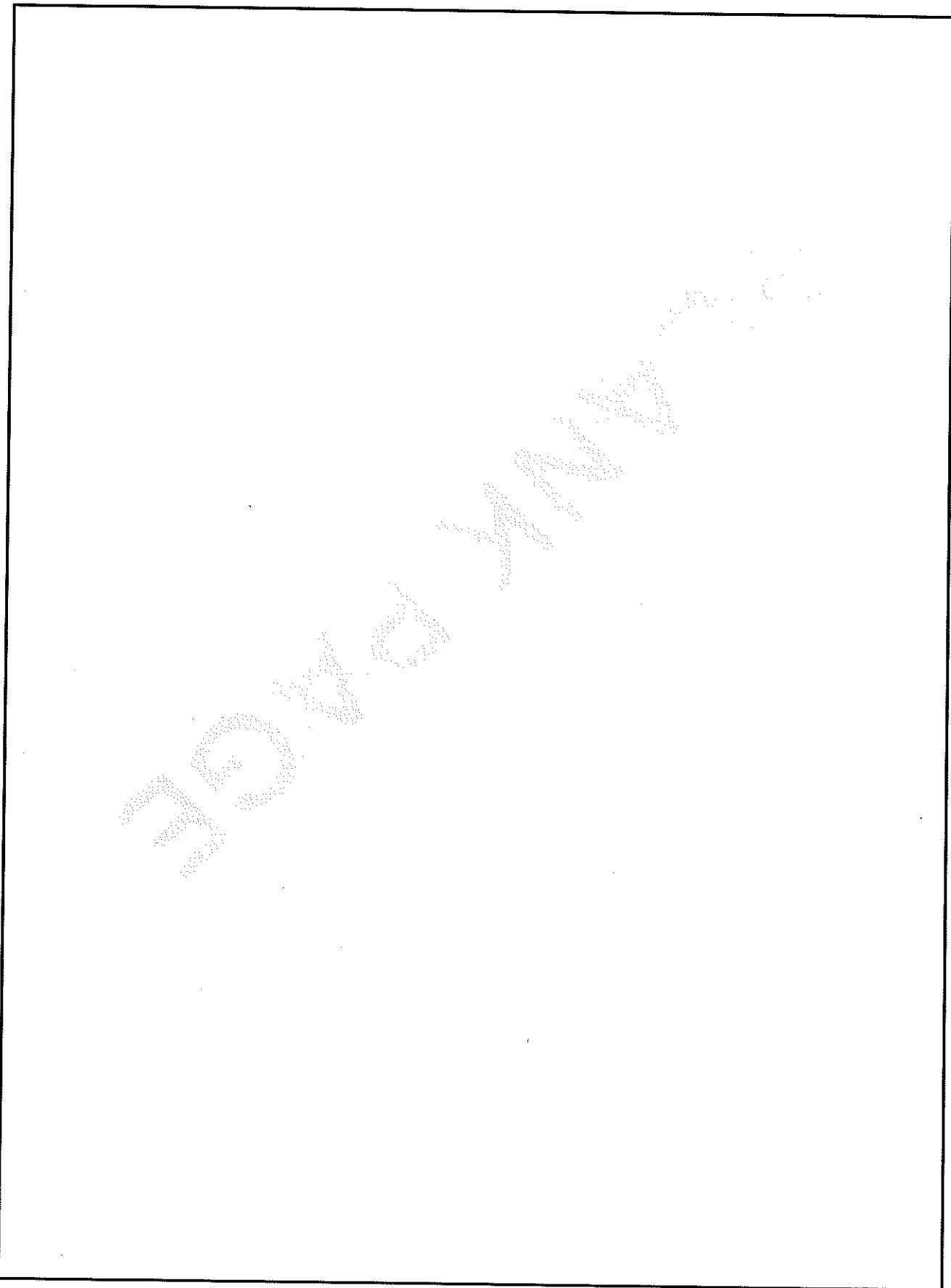


17 Rubber Hose

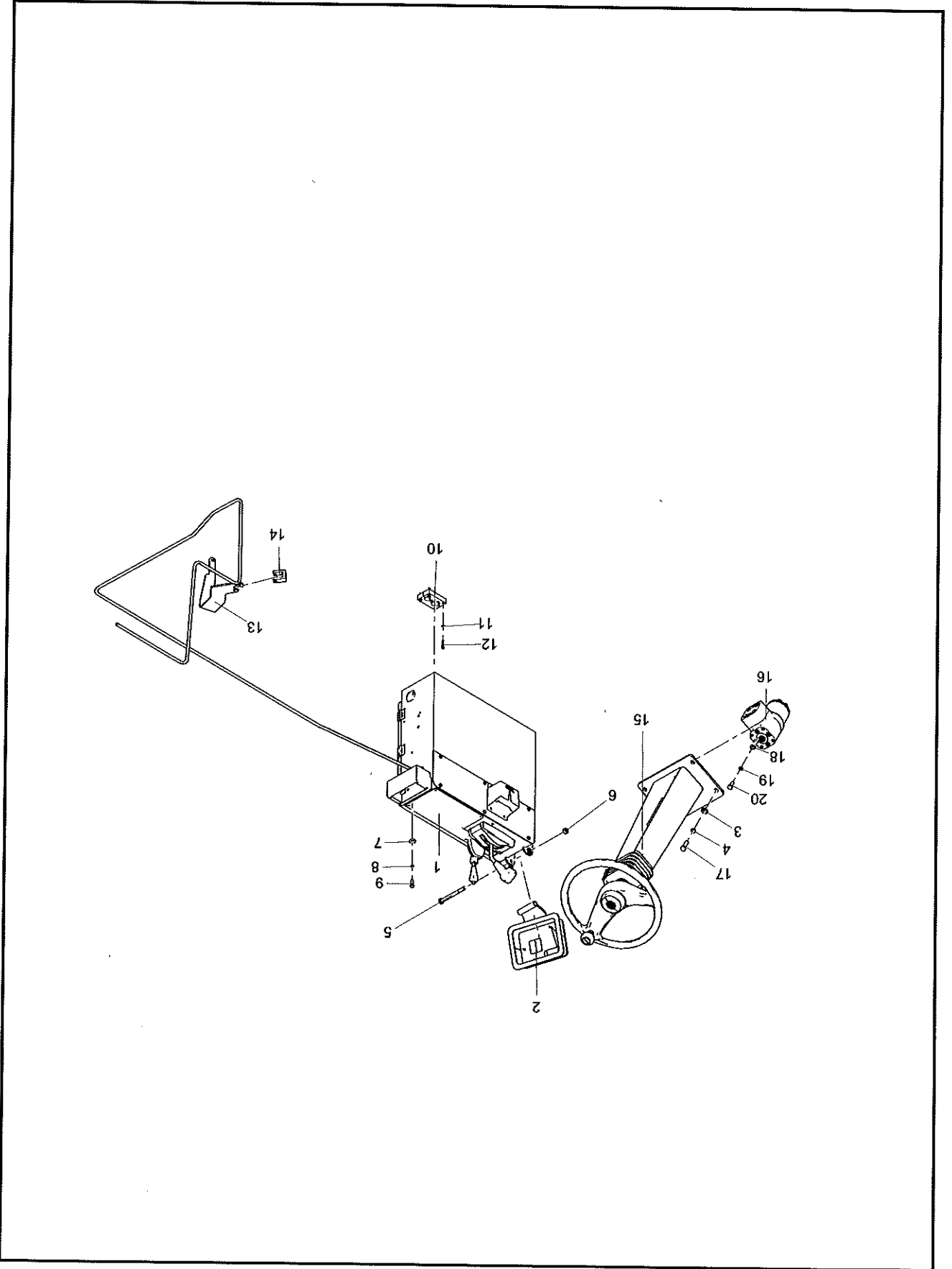
INDEX PART NO.	DESCRIPTION	QTY	SEE PAGE
17	141501000192A006 Rubber Hose (Bend-Bend Joint)	1	



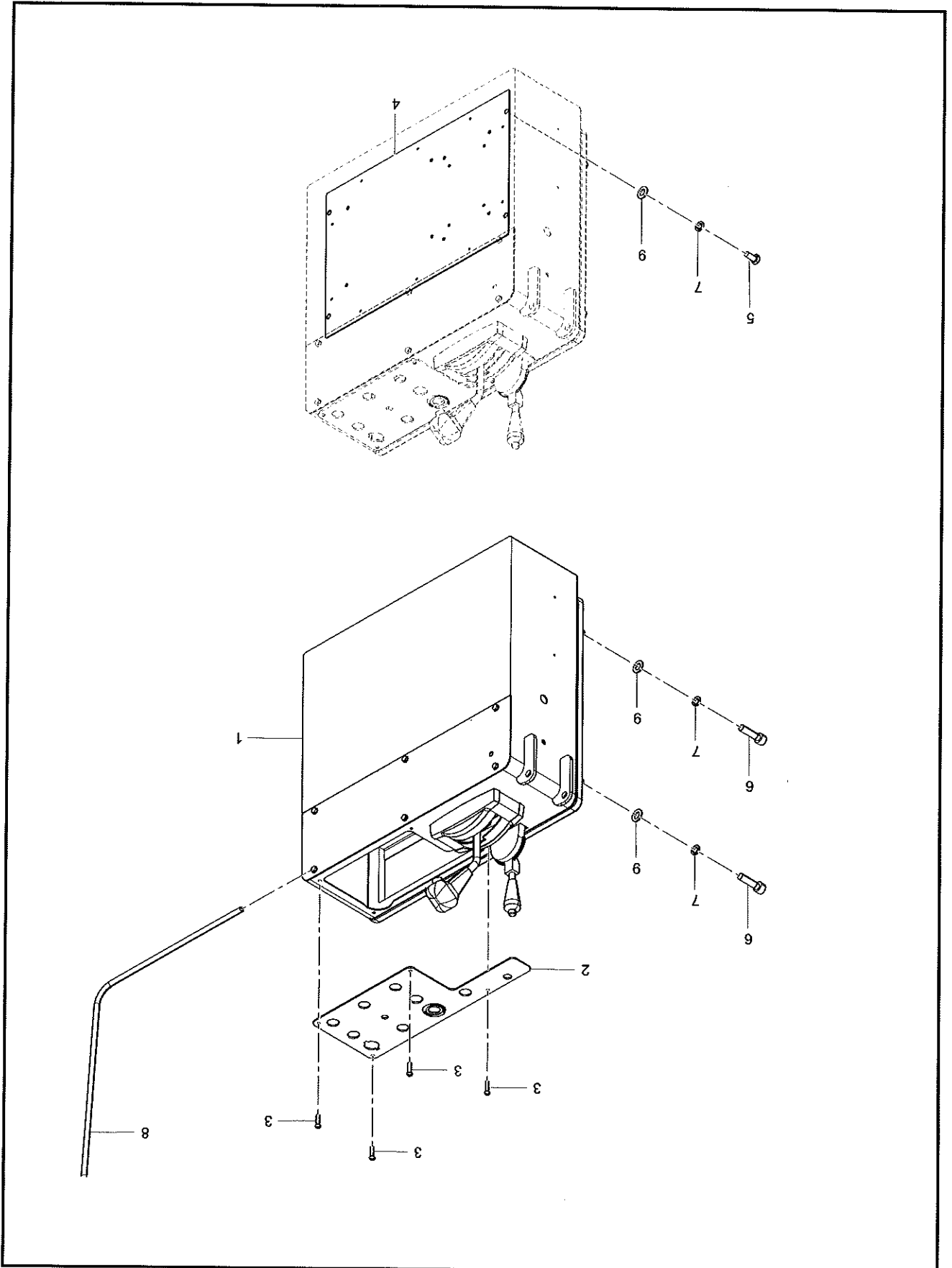
INDEX	PART NO.	DESCRIPTION	QTY	SEE PAGE
1	A820101319357	Crescent Shaped Plate	2	
2	A210110000304	bolt	1	
3	A210405000008	Washer	1	
4	A210401000006	Washer	1	
5	A210307000005	Nut	1	
6	A210204000355	Screw	6	
7	A210307000017	Nut	6	
8	A820101320930	Bent Plate	1	
9	A820301014728	Bolt, Hinged	1	
10	A820101348563	Adjusting Block	1	
11	A210111000042	Bolt	1	
12	A210405000001	Washer	1	
13	A210111000119	Bolt	1	
14	A210405000003	Washer	2	
15	A210307000040	Nut	2	
16	14012769	Compressor Bracket	1	
17	A210405000011	Washer	4	
18	21005186	Bolt	4	



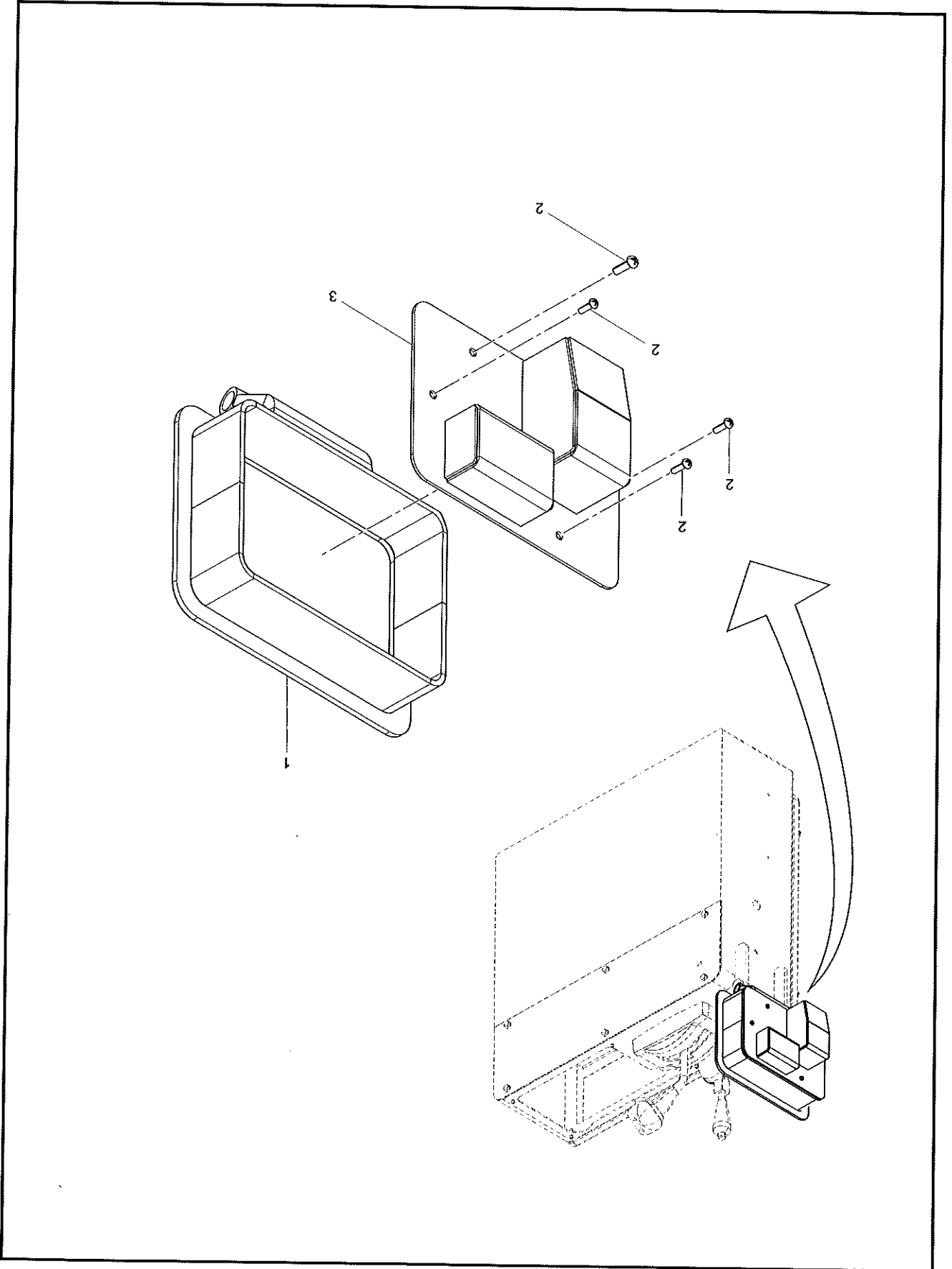
Group 12
Edge Box Control System(GPS)



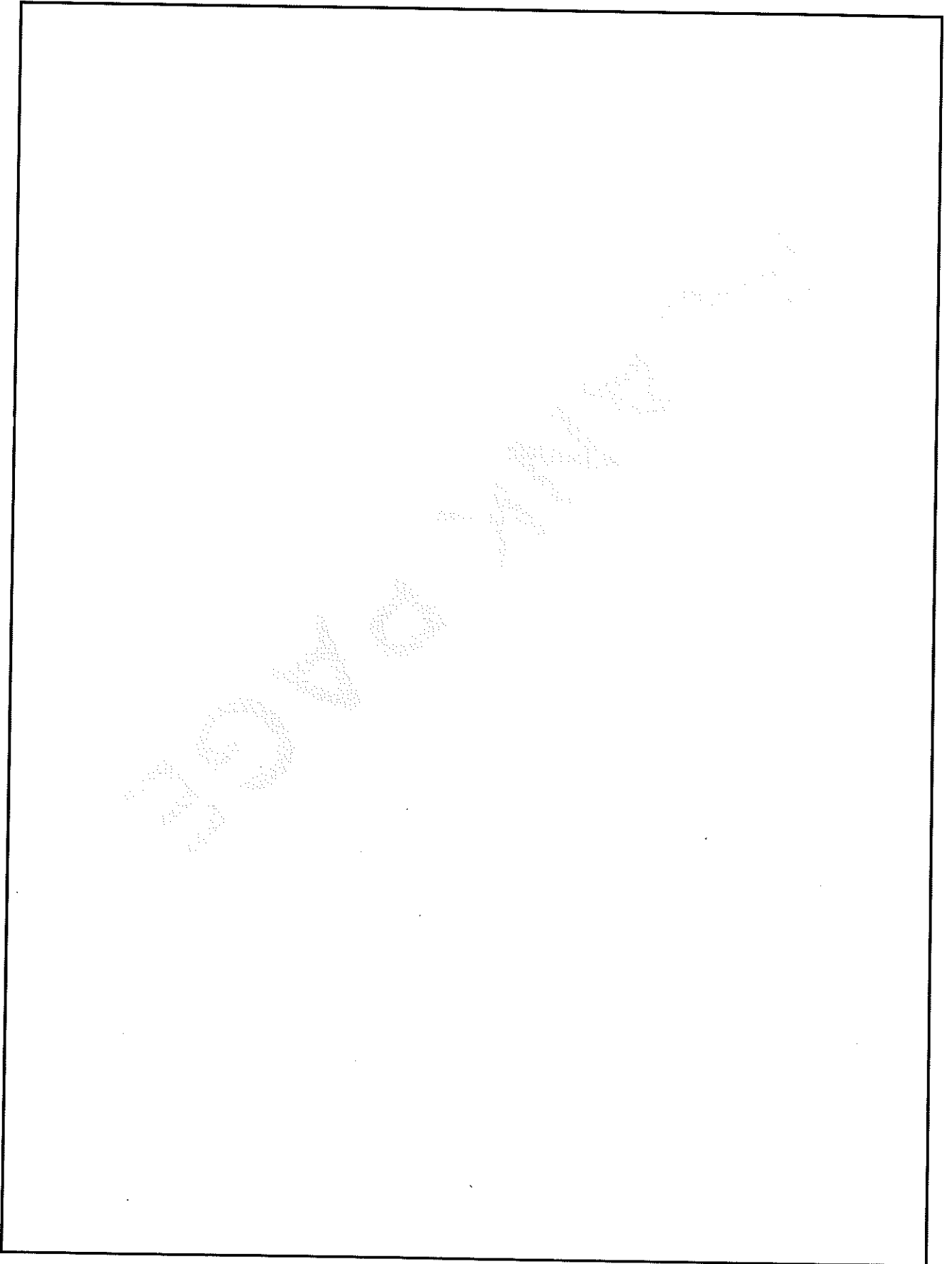
INDEX	PART NO.	DESCRIPTION	QTY	SEE PAGE
1	14428221	Control Box Assembly	1	12-4
2	13352079	Display Mounting Rack	1	12-6
3	A210405000001	Washer	2	
4	A210401000002	Washer	3	
5	A2101110000004	Bolt	1	
6	A210307000001	Nut	1	
7	A210404000005	Washer	4	
8	A210401000017	Washer	4	
9	A210111000090	Bolt	4	
10	13117519	Clamp (Back)	2	
11	A210405000005	Washer	4	
12	A210204000119	Screw	4	
13	11231676	Travelling Flexible Shaft Support	1	
14	A820101349373	Control Lever, Travel, Pump	1	
15	60259338	Independent Instrument Panel	1	
16	B229900002650	Steering Gear	1	
17	A210111000040	Bolt	1	
18	A210405000011	Washer	1	
19	A210401000001	Washer	1	
20	A210111000023	Bolt	1	



INDEX	PART NO.	DESCRIPTION	QTY	SEE PAGE
1	130904000081A	Control box body	1	
2	13758126	Control Box Plate	1	
3	A210210000023	Screw	4	
4	11060709	Electrical Mounting Plate	1	
5	A2101111000088	Bolt	4	
6	A210204000164	Screw	2	
7	A210401000017	Washer	6	
8	60269560	Control Flexible Shaft	1	
9	A2104050000007	Washer	6	

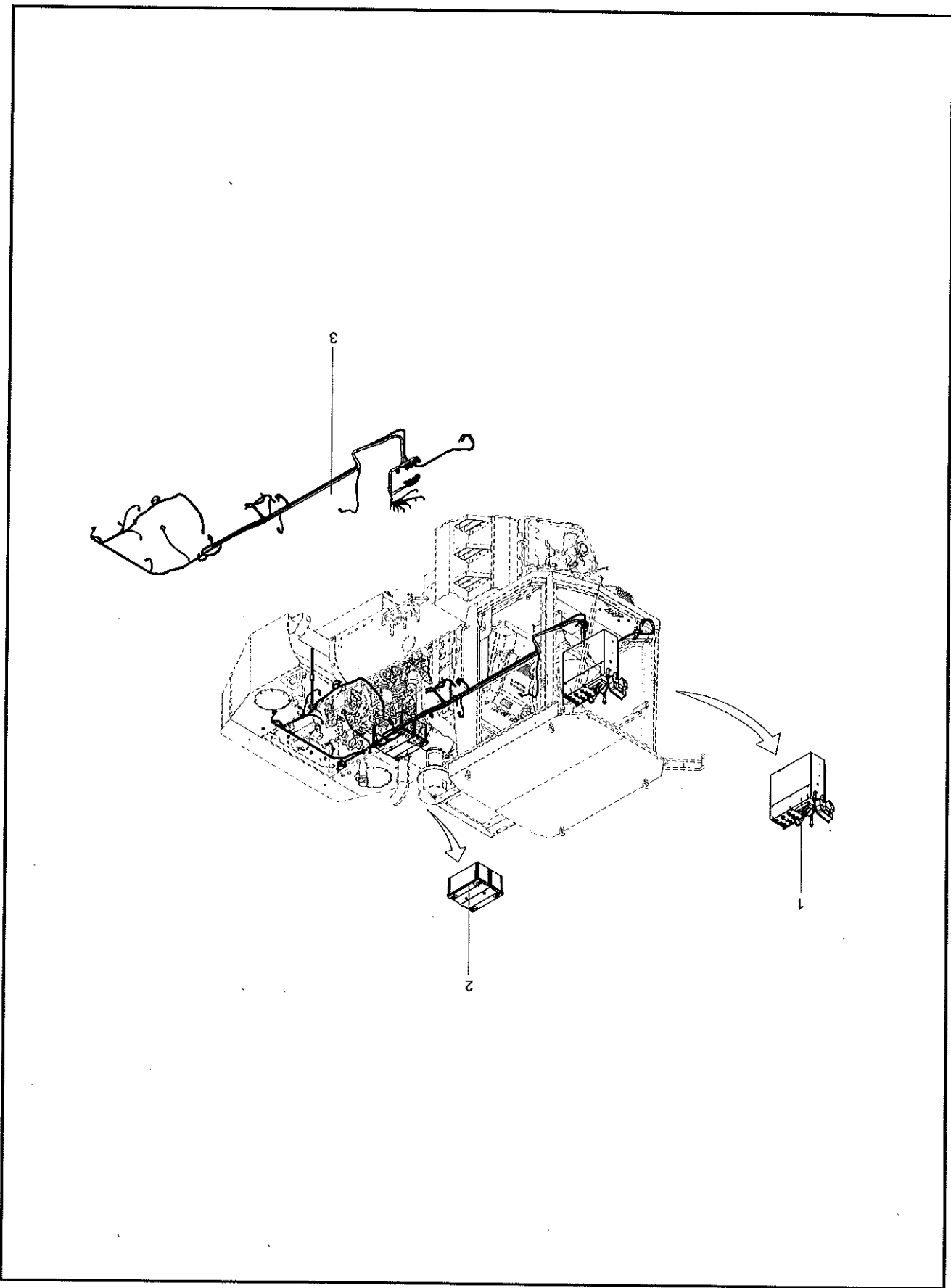


INDEX	PART NO.	DESCRIPTION	QTY	SEE PAGE
1	13352058	Mounting Rack Welding	1	
2	A210210000030	Screw	4	
3	YLJ004776713	Rear Cover Welding	1	

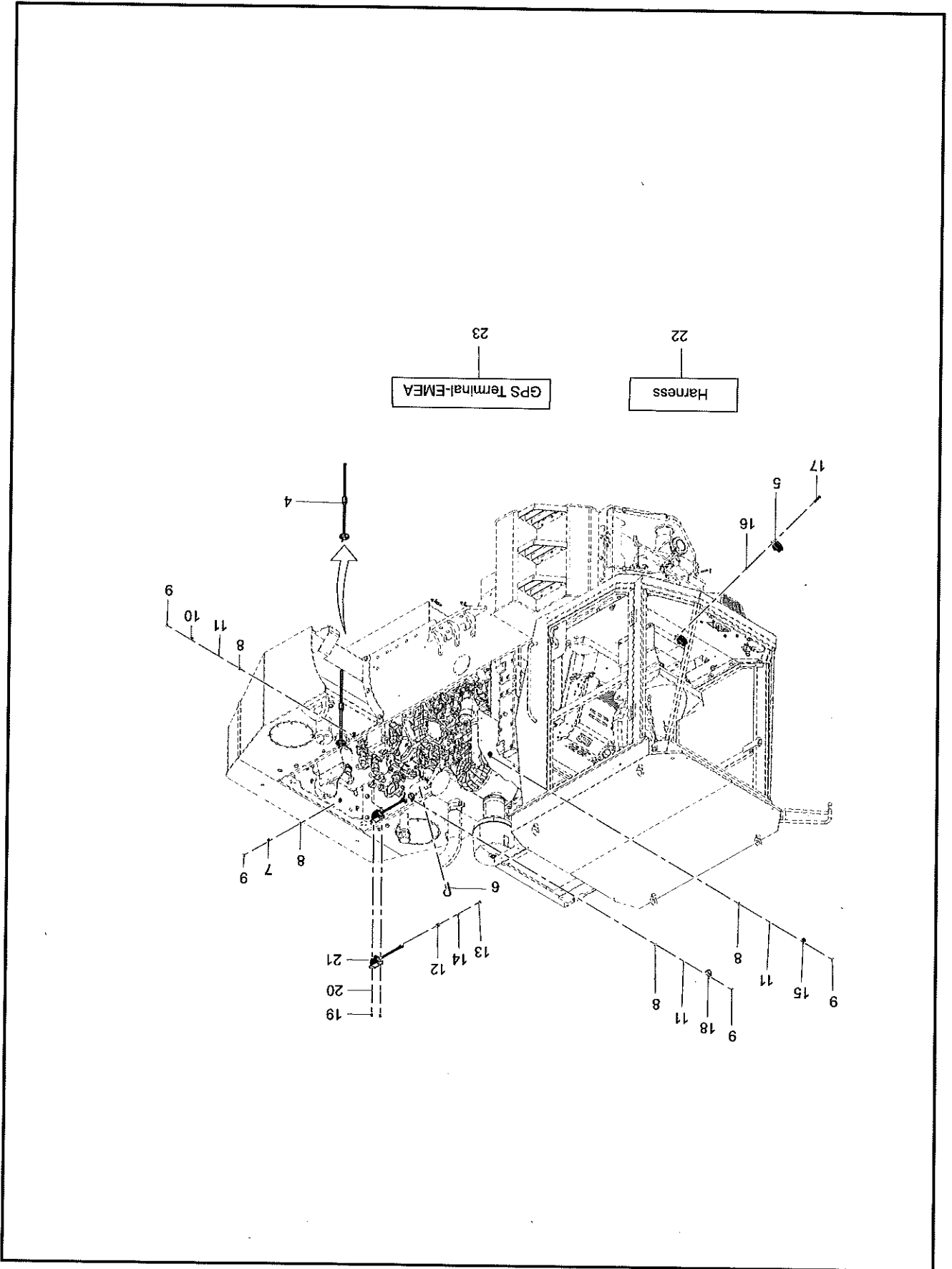


Group 13

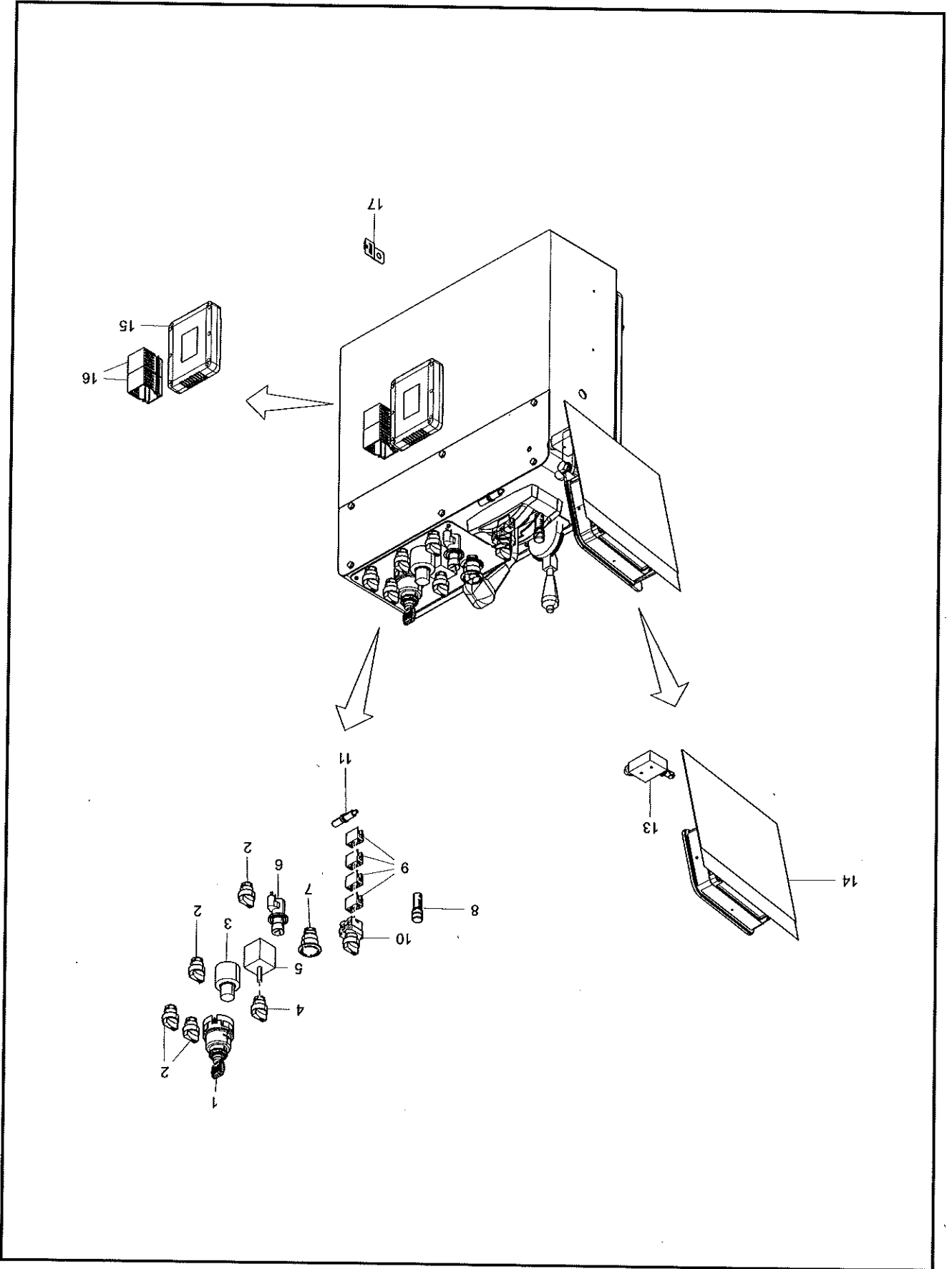
Electrical system of roller



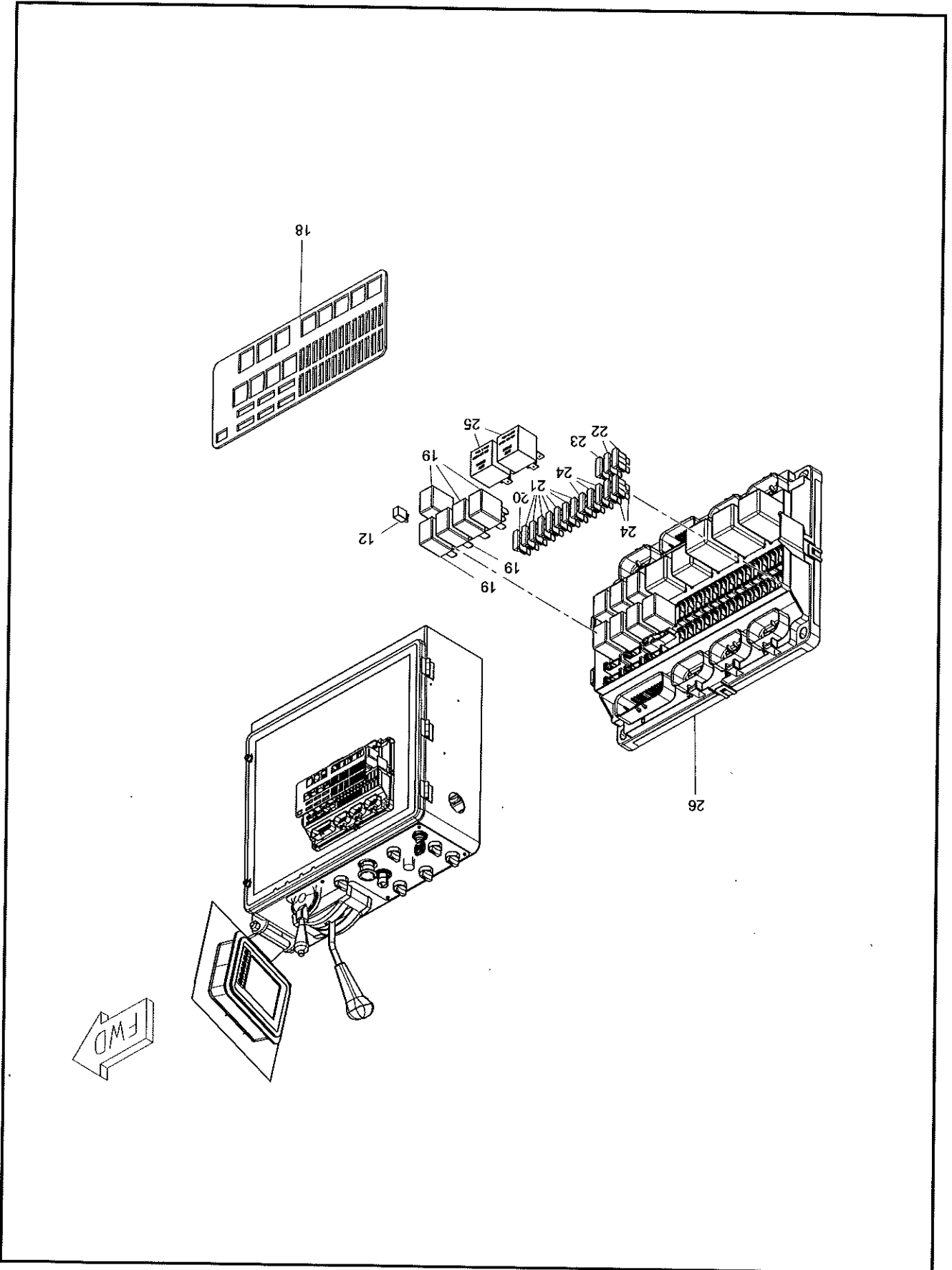
INDEX	PART NO.	DESCRIPTION	QTY	SEE PAGE
1	YLJ007426521	Electrical Control box assembly	1	13-6
2	14483859	Schematic Diagram, Power Supply Assembly	1	13-10
3	YLJ005167914	Electrical Harness Assembly	1	13-12



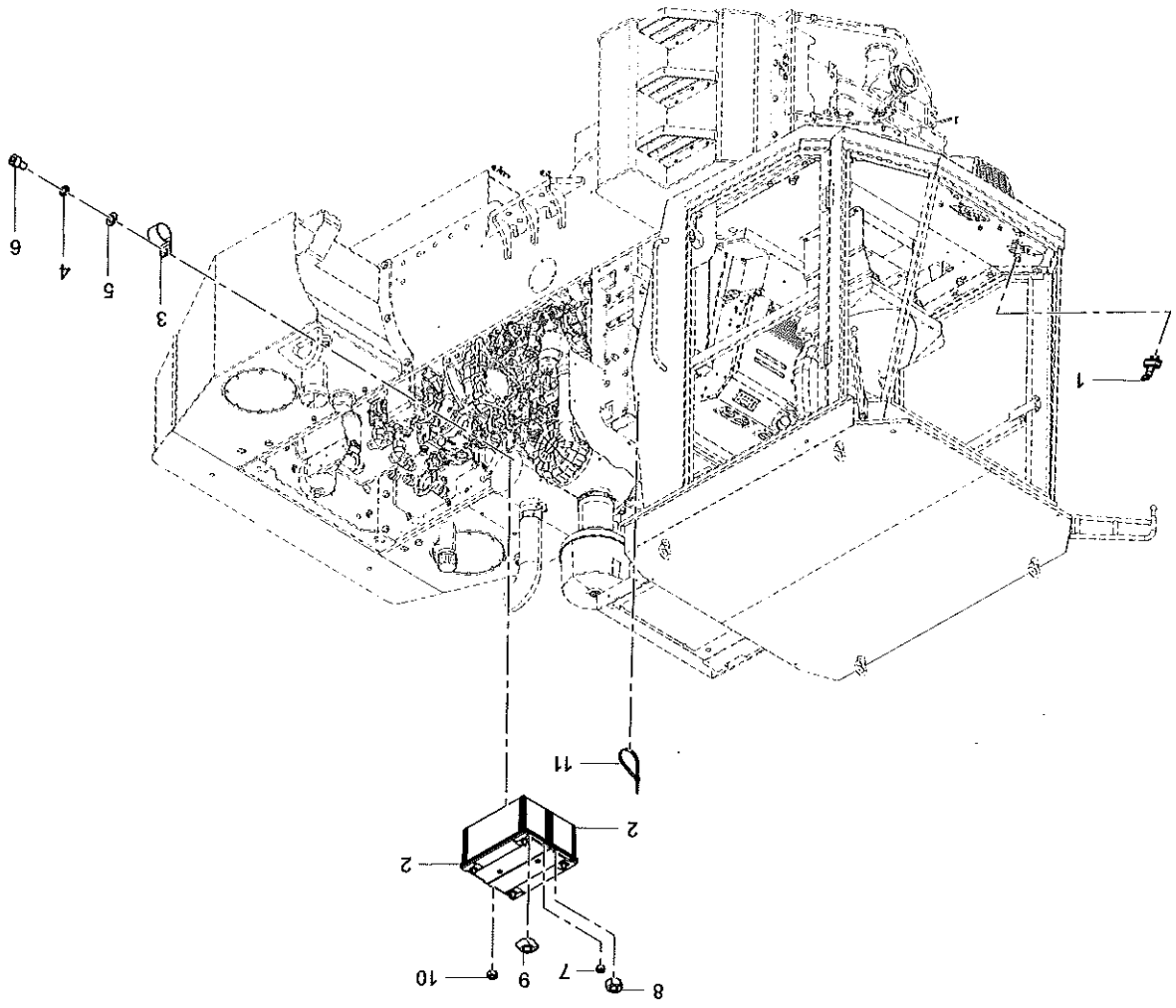
INDEX	PART NO.	DESCRIPTION	QTY	SEE PAGE
4	60206739	Fuel Sensor	2	
5	60246671	Speaker	2	
6	A239900000052	Nylon Strap	20	
7	60200720	Fastening Clamp	5	
8	A210204000145	Screw	26	
9	A210405000007	Washer	27	
10	60200721	Clamp	5	
11	A210401000017	Washer	27	
12	B2412000000590	2-core Rectangular Plug	2	
13	B2412000000584	Secondary Lock 2-wire (Plug Pipe)	2	
14	B229900001093	Intubation	4	
15	60200722	Fastening Clamp	8	
16	A210307000012	Nut	1	
17	A210110000306	Bolt	1	
18	60200724	Clamp	8	
19	A210111000081	Bolt	2	
20	A210307000016	Nut	2	
21	146399000011A	Backup Alarm	2	
22	YLJ007427160	harness	1	
23	140999020011A	Mobile Terminal	1	



INDEX	PART NO.	DESCRIPTION	QTY	SEE PAGE
1	B241200001124	Ignition Switch	1	
2	B240200000069	Knob Switch	5	
3	149900000901A	Electronic Throttle Speed Control Knob	1	
4	6015079	Knob Switch	1	
5	6015078	Knob Switch Bottom Seat	1	
6	60105071	24V Cigar Lighter	1	
7	B240200000059	Emergency Stop Button	1	
8	60134345	Indicator Lamp	2	
9	B240200000081	Contact Block	4	
10	B241200000136	Knob Switch	1	
11	B241200001186	Proximity Switch	1	
13	B241200000129	Limit Switch	1	
14	SZN007370178	Sany Intelligent Date Display	1	
15	A810201206642	Constant Flow Control	1	
16	60208351	Gauge Line Groove	2	
17	60041902	90-degree Fixed Metal Accessories	1	

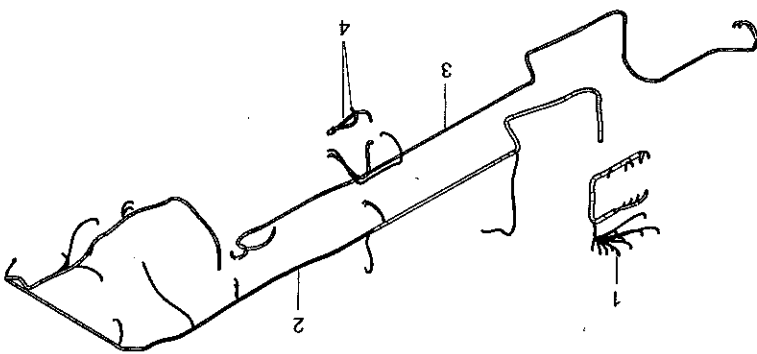
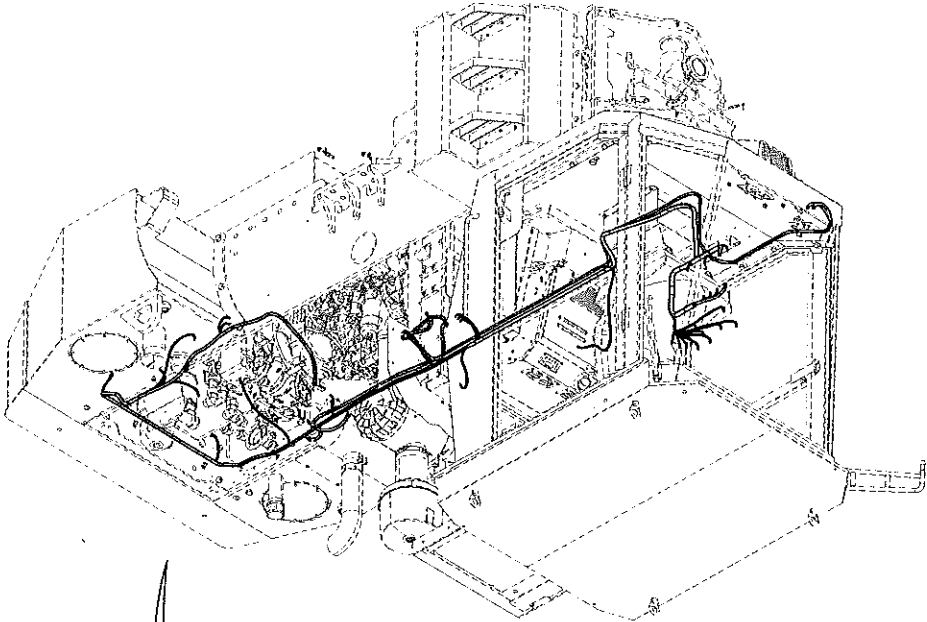


INDEX	PART NO.	DESCRIPTION	QTY	SEE PAGE
12	60202971	Flasher Relay	1	
18	YLJ005103392	Mask	1	
19	60151326	Intermediate Relay	5	
20	B241300000024	Fuse	1	
21	B241300000021	Fuse	7	
22	B241300000022	Fuse	2	
23	B241300000026	Fuse	1	
24	B241300000020	Fuse	5	
25	B240700000006	Intermediate Relay	2	
26	60146855	Central Appliance Case	1	

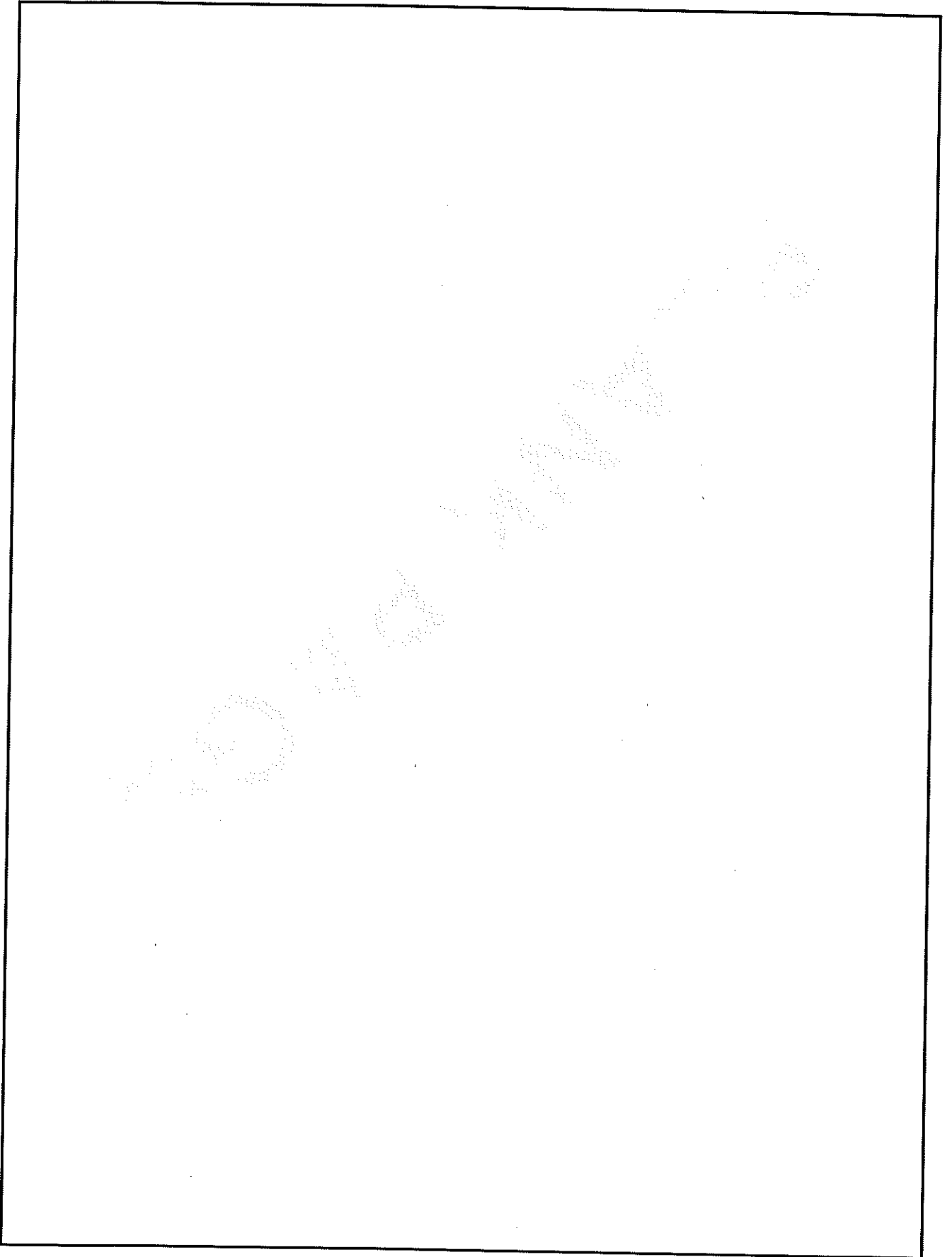


14483859 Schematic Diagram, Power Supply Assembly

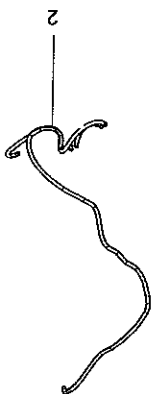
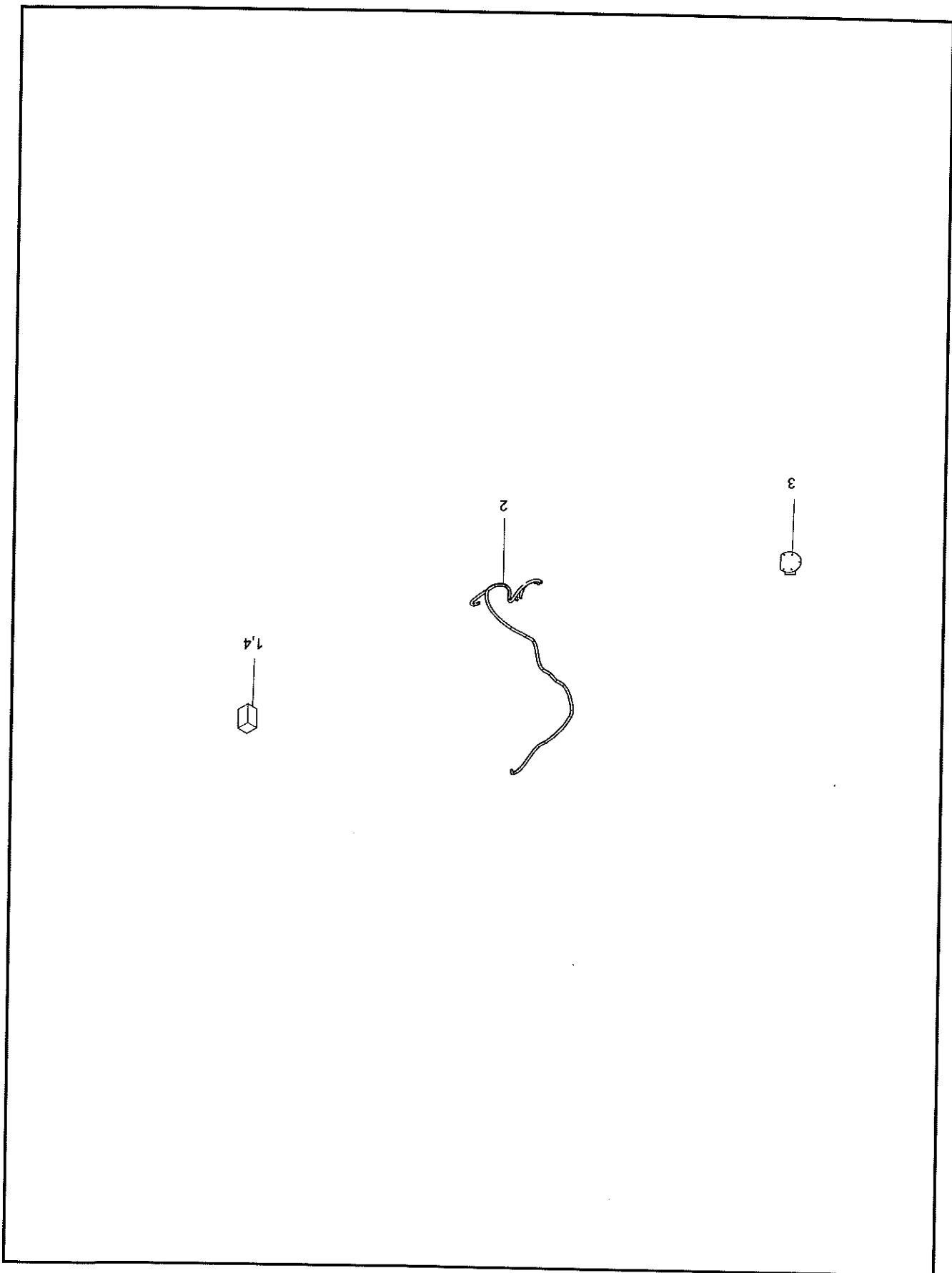
INDEX	PART NO.	DESCRIPTION	QTY	SEE PAGE
1	142507000007A	Power Supply Master Switch	1	
2	60190637	Battery	2	
3	60200724	Clamp	10	
4	A210401000017	Washer	10	
5	A210405000007	Washer	10	
6	A210204000145	Screw	10	
7	60243535	Nut	1	
8	A210319000001	Nut	2	
9	A210319000006	Nut	1	
10	A210319000003	Nut	3	
11	A239900000052	Nylon Strap	10	



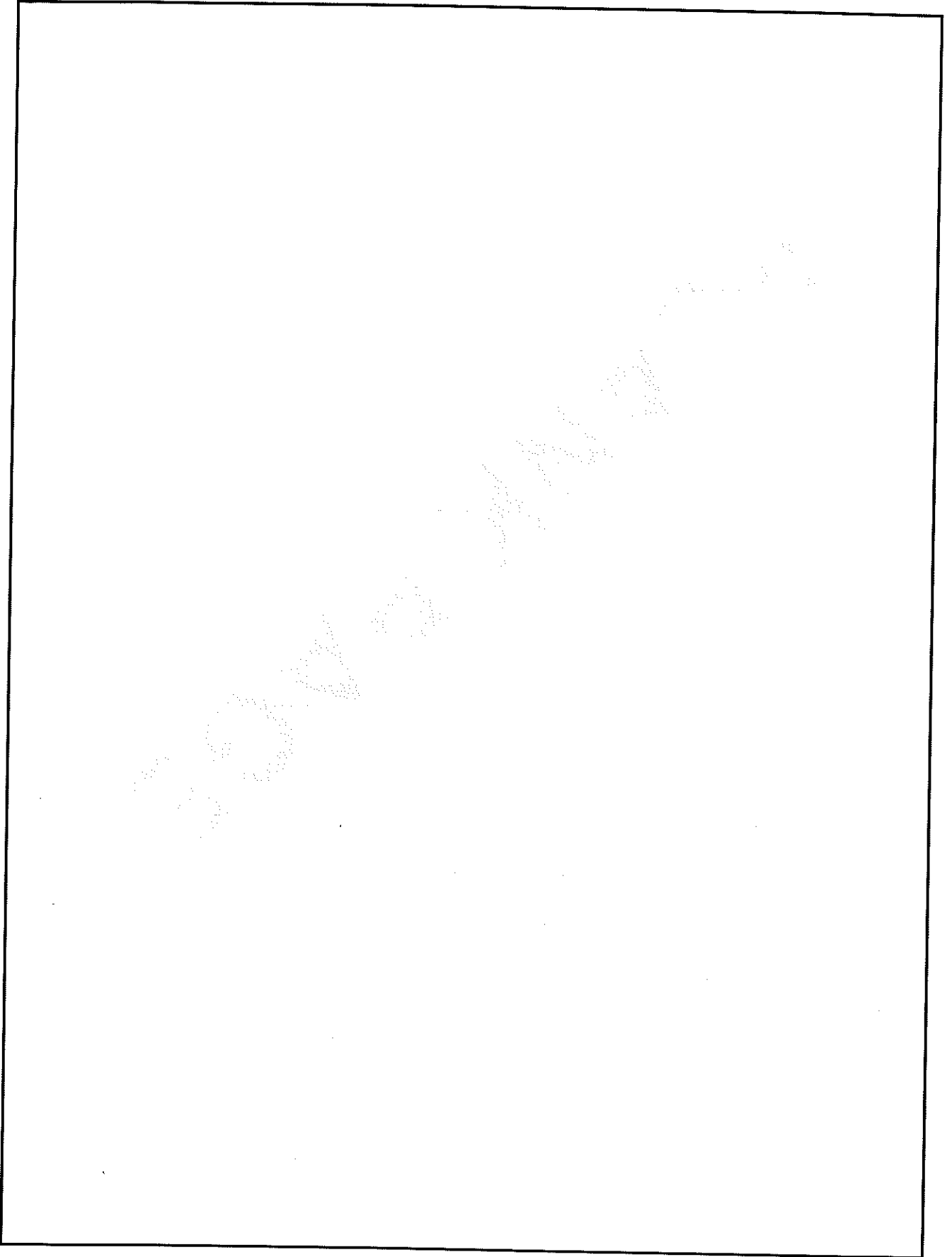
INDEX	PART NO.	DESCRIPTION	QTY	SEE PAGE
1	YLJ005167883	Electrical Harness in Electric Control Cabinet	1	
2	YLJ005167889	Frame Electrical Harness	1	
3	YLJ005167910	Main Harness of Power	1	
4	12829123	Schematic Diagram, Fusible Cord	2	



Group 14 Reversing System



INDEX PART NO.	DESCRIPTION	QTY	SEE PAGE
1	14990000341A008 Camera	1	
2	14990000341A006 Wiring Harness	1	
3	14990000341A007 Display Screen	1	
4	14990000341A005 Reversing Image Stand	1	



Index

1050733 Retainer Ring	5-5
10462773 Elastic Retainer Ring for Holes	3-7, 3-11
10891721 Threaded Cover	3-17, 7-3
10891722 Threaded Cover	3-5
10994336 Cover Board, Tube Clamp	2-3, 2-5, 2-7, 7-7
10994341 Pin	2-7
10994711 Plate, Protective	2-5, 2-7
11060709 Electrical Mounting Plate	12-5
11231676 Travelling Flexible Shaft Support	12-3
11236407 Rubber Pad	8-181
11262101 Positioning Belt, Door	10-15
11270627 Nameplate	10-15
11287705 Cover Board, Tube Clamp	7-7
11287728 Right Clamp	7-7
11541153 Limit Plate	2-7
11543818 Bearing Cover	5-3
11543825 Seal Ring	5-3
11549656 Adjusting Spacer	3-3, 3-9
11549667 Rubber Sleeve	3-7, 3-11
11629053 Bracket	2-3
11710459 Bracket Assembly, Rearview Mirror	10-11, 10-13
11764709 Hinge	10-21
11951232 Air Inlet Tube	8-183
120101120011A Bolt	6-11
120102990108A Nut	6-11, 6-13
120905990001A Star-shaped Handle	10-23
12355725 Screw Plug	5-5
12359619 Sealing Ring	5-3
12359672 Retainer Ring	5-3
12413033 Lock Block	9-7
12413047 Backup Plate	9-7
12414050 Lock Support	9-7
12829123 Schematic Diagram, Fusible Cord	13-13
12884288 Tube Clamp	2-3, 2-5, 7-7
12884814 Tube Clamp	2-3, 2-5, 7-7
12886328 Tube Clamp	2-3, 2-7, 7-7
130904000081A Control box body	12-5
13117519 Clamp (Back)	12-3
131401020015A001 combination gasket	6-7, 6-9
131401020015A002 Plug Breather	6-7
131401020015A003 the main reduction assembly	6-7
131401020015A004 bridge shell assembly	6-7
131401020015A005 washer	6-7, 6-15
131401020015A006 bolt	6-7
131401020015A007 Pin	6-7
131401020015A008 Plug, Oil Drain	6-7, 6-9
131401020015A009 spiral bevel driving gear	6-11
131401020015A011 Gear Shaft, Primary Planet	6-9
131401020015A013 Planetary wheel gasket	6-9
131401020015A014 gasket	6-9
131401020015A015 Nut, Lug	6-9
131401020015A016 nut	6-9
131401020015A017 Stud	6-9
131401020015A018 Locking piece	6-11
131401020015A020 bearing	6-11
131401020015A021 the base gasket	6-11
131401020015A022 Front Cap Assembly	6-9
131401020015A023 gasket	6-9, 6-11, 6-15, 6-19
131401020015A024 Combination gasket	6-9, 6-19
131401020015A025 Planet carrier	6-9
131401020015A026 gasket	6-9
131401020015A027 Rear axle rim separation	6-9
131401020015A028 O-rings	6-9
131401020015A029 bearing	6-9
131401020015A030 Counter Disk	6-9
131401020015A031 Fan Hub Retainer	6-9
131401020015A032 bearing	6-9
131401020015A033 retaining ring	6-11
131401020015A034 axle case	6-17
131401020015A035 end bearing	6-17
131401020015A036 spring	6-19
131401020015A037 Drain Plug	6-15
131401020015A038 Bolt	6-15
131401020015A039 Pin	6-15
131401020015A040 planetary wheel gasket	6-15
131401020015A041 Gear, Planet	6-15
131401020015A042 Gear Shaft, Planet	6-15
131401020015A043 Steel Ball (GB308 Series)	6-15
131401020015A044 central gear axle	6-15
131401020015A045 Adjusting shim	6-15
131401020015A046 Locknut	6-15
131401020015A047 Hexagon Nut	6-15
131401020015A048 connecting base	6-15
131401020015A049 bolt	6-11
131401020015A050 Locking plate	6-11
131401020015A051 Nuts of differentialiator	6-11
131401020015A052 Tile Cover	6-11
131401020015A053 Bearing	6-11
131401020015A054 Bolt M22x90	6-11
131401020015A055 Bracket	6-11
131401020015A056 Spacer, Adjusting	6-11
131401020015A057 Bearing Holder	6-11
131401020015A058 Bearing NUP2307E	6-11
131401020015A059 Carrier, Oil Seal	6-9
131401020015A060 Locknut	6-9
131401020015A061 Screw	6-9
131401020015A062 Bolt	6-19
131401020015A063 Plug, Oil Drain	6-19
131401020015A064 Lock Plate	6-19
131401020015A065 Gear Spider, Planet	6-15
131401020015A066 spiral bevel gear assembly	6-11
131401020015A Drive Axle	6-3
131401020204B002 Bolt	6-13
131401020204B003 differential case (small)	6-13
131401020204B004 differential case (big)	6-13
131401020221B002 Center brake assembly	6-7
131401020221B003 Center reducer assembly	6-7

131401020221B004	Differential	Case Assembly	131401020221B005 shaft gear gasket	6-13
			131401020221B006 bevel gear gasket	6-13
			131401020221B007 spider	6-13
			131401020221B008 bevel gear	6-13
			131401020221B019 adjusting strut	6-9
			131401020221B021 Bearing	6-11
			131401020231B014 Positioning Seat	6-19
			131401020231B015 Guide Sleeve	6-19
			131401020231B016 Cover, Pressure	6-19
			131401020231B036 Spacer, Bearing	6-19
			131401020282B001 Sleeve bushing	6-11
			131401020282B002 Tabletting gasket	6-19
			131401020282B005 Center Brake Seat	6-19
			131401020282B009 Cylinder	6-19
			131401020282B013 Brake bolt	6-19
			131401020282B014 Spacer gasket	6-11
			131401020282B016 Piston	6-19
			131401020283B002 Nut, Lock	6-19
			131401020283B009 Gear, Planet	6-9
			131401020283B010 oil seal	6-9
			131401020283B011 Axle shaft	6-9
			131401020283B016 Friction Plate	6-19
			131401020283B020 needle roller	6-15
			131401020283B021 Wheel Assembly	6-7
			131401020283B022 Spacer, Adjusting	6-15
			131401020287B068 Bolt	6-11
			13142376 Connecting Supporting Board	3-3
			13142757 Right Amplitude Modulator, Running End	3-11
			13142758 Right Bearing Seat	3-5
			13142760 Left Bearing Seat	3-5
			13143821 Support Plate	3-9
			13144008 Base Plate	3-3
			131488001002A no name	6-19
			131602000090A Shock Absorber	10-3
			131701000062B Tire	6-5
			13177140 Adjusting Spacer	10-3
			13196416 Backup Plate	5-3
			13205069 Adjusting Spacer	5-3
			13206577 Eccentric Block	3-13, 3-15
			13206992 Movable Block Chamber Welding	3-13,
			13207307 Shaft Welding	3-13
			13207343 Intermediate Bearing Seat	3-7, 3-11
			13207463 Shaft Welding	3-15
			13207480 Amplitude Modulator, Vibratory End	3-7
			13207540 Spline Shaft Welding	3-7, 3-11
			13207909 Running Support	3-5
			13208018 Oil Cup Base	3-17
			13208969 Support Seal	3-17
			13221947 Oil Board Components	3-7, 3-11
			1322572 Pressure Ring	5-3
			1325164 End Cover	3-17
			13230802 Rear Axle Assembly	1-3
			13231004 Linking Sleeve	3-17
			13300057 Sensor Connector	8-183
			13309201 Steering Gear Components	4-3
			13310074 Right Door Assembly	10-21
			13316813 Left Doorframe Sealing Strip	10-7
			13316814 Right Doorframe Sealing Strip	10-7
13352058 Mounting Rack Welding			13352079 Display Mounting Rack	12-7
			13358122 Left Mounting Rack	12-3
			13358124 Right Mounting Rack	9-3
			13416847 Bump block weldment	3-3
			13419552 Anchor Ear Assembly	8-183
			13437990 Change-over Mechanism	10-11
			13437992 Pull Rod	10-11
			13468933 Bump Block front cleaning board	3-3
			13489584 Cover Plate	7-5
			13496515 Cross Shaft Welding Assembly	5-3
			13496640 Pin	5-3
			13629504 Ladder Welding	7-3
			13634615 Oil Tank Cover Plate	7-3
			13663486 Connecting Rubber Hose	8-179
			13695443 Supercharger Air Outlet Rubber Hose	8-177
			13697876 Right Front Outrigger	8-5
			13697878 Left Front Outrigger	8-5
			13698500 Supporting Plate	8-167
			13758126 Control Box Plate	12-5
			13778347 Connection Supporting Board, Carriage (Left)	3-9
			13852940 Face Air Outlet, Reach Stacker	11-3
			13884214 Bottom Cover Plate	7-5
			13928685 Hinge Connecting Board	9-3, 9-5
			13961655 Bearing Cover	5-3
			13963791 Big Washer	8-5
			13963814 Connecting Disk	8-169
			13964049 Rear Outrigger	8-5
			13964148 Engine System	1-3
			13964163 Hoop	8-181
			13964792 Pump Connection	8-3
			13965734 Steering Pump Components	4-3
			139999001412A Breather	3-5
			14012773 Adapter Fitting	11-11
			14012776 Compressor Bracket	11-11
			14035107 Washer, Gear Pump	8-169
			14042545 Connecting Rod	9-7
			14088982 Mounting Plate for Filter	4-19
			140999020011A Mobile Terminal	13-5
			140999990026A Radio	10-19
			14116268 Roller	3-3
			14124423 Rear Carriage Welding	7-3
			14124589 Rear Carriage Assembly	1-3
			14140100006A Fan	10-17
			14149774 Oil Suction Seat End Cover	7-5
			14149776 Oil Tank Cover Plate	7-7
			14149796 Hydraulic Oil Tank Cover	7-3
			141501000020A001 Condenser Shell	11-7
			141501000020A002 Evaporator Motor	11-7
			141501000020A004 Low-pressure Hose	11-7
			141501000020A005 A/C Filter	11-7
			141501000192A001 AC control panel	11-7
			141501000192A002 Short ventilation pipe	11-7
			141501000192A003 Condensing Fan	11-7
			141501000192A004 Valve cover	11-7

141501000192A005 Liquid reservoir to evaporator pipe	11-7
141501000192A006 Rubber Hose (Bend-Bend Joint)	11-9
141501000192A Air Conditioning Assembly	11-3
141502000712A Electronic water valve	11-7
141599000002B high pressure hose	11-7
1416030000071B Warning Lamp	10-17
1416040000064B Illuminating Lamp	10-17
14180775 High Pressure Filter Components	4-3
14237665 Right Supporting Board	9-7
14237666 Left Supporting Board	9-7
142507000007A Power Supply Master Switch	13-11
14256909 Right Rear Sealing Board	9-5
14256923 Front Sealing Board	9-5
14257200 Right Rear Sealing Board	9-3
14257973 Left Front Sealing Board	9-3
14270373 Braking Valve	4-3
14294274 Safety Valve	4-3
14352377 Oil Suction Seat	7-7
14390183 Bush	8-177
14421878 Piston	5-5
14421879 Steering Oil Cylinder	5-3
14426686 Vibratory Motor Components	4-3
14428221 Control Box Assembly	12-3
14431048 Seat Mounting Plate	10-23
1443616 Lubrication Tube	5-3
14467663 Connecting Board	9-3, 9-5
14476324 Oil Return Block Components	4-3
14483859 Schematic Diagram, Power Supply Assembly	13-3
14486808 Front Carriage Assembly	1-3
14515321 Hood Assembly	1-3
1452038 Seat Mounting Assembly	10-23
14524386 Seat Mounting Plate	8-183
14529026 Air Intake and Outlet Tube Assembly	8-3
14530979 Supporting Plate	8-183
14552307 Edge Box Control System(GPS)	1-3
146399000011A Backup Alarm	13-5
149900000341A005 Reversing Image Stand	14-3
149900000341A006 Wiring Harness	14-3
149900000341A007 Display Screen	14-3
149900000341A008 Camera	14-3
149900000341A Reversing System	1-3
149900000901A Electronic Throttle Speed Control Knob	13-7
150101010012A001 Valve Assembly, Pressure Control	8-173
150101010012A002 control electromagnetic valve block	8-173
150101010012A003 Seal Kit	8-173
150102010024A001 High pressure overflow valve	8-175
150102010024A002 Control module	8-175
150102010024A003 Seal Kit	8-175
150102020003A002 Auxiliary flanged O-ring	8-173, 8-175
150103020011A001 Seal Kit	8-171
150201010086A001 shaft seal	8-173
151005110053A Rubber Hose Assembly	4-13
151005110005 Rubber Hose Assembly	4-13
151005160208A Rubber Hose Assembly	4-13
151006110094A Rubber Hose	4-5
151007260004 Hose assembly	4-7
151008060033A Rubber Hose Assembly	4-13
151008260071A Rubber Hose Assembly	4-5
151207000024B Pressure-measuring Connector	4-23
151207000027B Pressure-measuring Connector	4-29
151207000029B Pressure-measuring Connector	4-13
1513990000012 Reservoir Assembly	11-7
151399000025B Oil Return Block	4-11
151399000608A Pressure Oil Filter	4-23, 4-27
16010101070011A193 Bolt, Hexagon Flange	8-127
16010101070011A224 Hexagon Flange Bolt	8-11
160101070011A234 Bolt, Hexagon Flange	8-45
160101070014B048 Hexagon Head Bolt	8-45
160101070014B052 Bracket	8-159
1601010900035B208 Bolt, Hexagon Flange	8-121
160101120009A014 Nut, Hexagon Flange	8-157
160101120009A048 Bolt, Hexagon Flange	8-109
160101120009A108 Bolt, Hexagon Flange	8-155
160101130018A030 Screw	8-53
160101150002B252 Inner Hexagon Socket Head Cap Screw	8-53
160101150002B258 Hexagon Flange Bolt	8-45
160102040013A051 Sealing ring	8-45
1601020700033B001 Bracket	8-143
1601020700034B001 silencer bracket	8-139
1601020700034B002 Back-up Block	8-139
1601020700034B003 back-up block	8-139
1601020700034B004 back-up block	8-139
1601020700034B006 Exhaust Tail Pipe	8-147
1601020700034B007 Clamp	8-131
1601020700035B003 Lubricating Oil Pump	8-57
1601020700035B004 O-ring	8-89
1601020700035B005 Gasket	8-95
1601020700035B007 Oil Connecting Rubber Pipe	8-97
1601020700035B008 Water Pump Water Pipe	8-101
1601020700035B009 Fuel Injection Pump Oil Pipe	8-111
1601020700035B010 Fuel Return Pipe	8-115
1601020700035B023 Turbocharger Oil Pipe	8-133
1601020700035B025 Gasket	8-141
1601020700035B026 Connecting Air-pipe	8-149,
1601020700035B029 Engine Harness	8-159
1601020700035B030 Oil-water Separator	8-97
1601020700035B036 Crankshaft & Bearings	8-73
1601020700039B001 Intake Cover	8-127
1601020700039B005 Plug	8-127
1601020700039B006 Plug	8-127
1601020700039B011 High-pressure Fuel Pipe	8-119
1601020700039B012 High-pressure Fuel Pipe	8-119
Assembly	8-119

160102070041B029 Hose	8-97	160102070041B028 Bracket	8-97
160102070041B030 Pipe Clamp Assembly	8-97	160102070041B027 Oil Filling Tube Assembly	8-95
160102070041B031 Sealing Washer	8-75, 8-97	160102070041B026 Fan Flange	8-107
160102070041B032 Clamp	8-101	(Respirator)	8-97
160102070041B033 Pad	8-101	160102070041B025 Fuel Air Separator	8-165
160102070041B034 Assembled Sealing Washer	8-77, 8-101, 8-155	160102070041B024 Sealing Washer	8-25
160102070041B035 Circlips for Shaft	8-45	160102070041B023 Cylinder Head Gasket	8-75
160102070041B036 Prevailing Torque Type	8-155	160102070041B022 Gasket	8-45
160102070041B037 Inner Hexagon Socket Head	8-155	160102070041B021 Deep Groove Ball Bearing	8-11
160102070041B038 Plain Washer	8-155	160102070041B020 Ring	8-89
160102070041B039 Hexagon Flange Nut	8-159	Strainer	8-89
160102070041B040 Harness Bracket	8-159	160102070041B019 Lubricating Oil Suction	8-45
160102070041B041 Harness Bracket	8-159	160102070041B018 Inner shield ring	8-105
160102070041B042 Sleeve	8-161	160102070041B017 Thermostat Cover	8-107
160102070041B043 Inner Hexagon Socket Head	8-161	160102070041B016 Water Pump Pulley	8-51
160102070041B044 Alternator Bracket	8-163	160102070041B015 Crankshaft Pulley	8-69
160102070041B045 Air Compressor Cover	8-165	160102070041B014 Crankshaft Assy	8-149
160102070041B046 Back-up Block	8-135	Assembly	8-11
160102070041B047 Flywheel Ring Gear	8-13	160102070041B011 Oil Delivery Pump	8-11
160102070041B048 Cylinder Head Assembly	8-25	160102070041B010 The Connecting Plate	8-147
160102070041B049 Double Head Stud	8-101	160102070041B004 Fuel System Protector	8-137
160102070041B050 Screw	8-107	Pipe Connecting	8-137
160102070041B051 Engine Hanger Plate	8-37	160102070041B003 Exhaust Pipe	8-45
160102070041B052 Back-up Block	8-39	160102070041B002 Exhaust Pipe	8-45
160102070041B053 PTO Oil Pipe	8-45	160102070041B001 Flywheel Assembly	8-11
160102070041B054 Bolt	8-45	Assembly	8-117
160102070041B055 Plug, Expansion	8-33	160102070039B065 High-pressure Fuel Pipe	8-111
160102070041B056 Gear, Crankshaft	8-45	160102070039B058 Fuel Injection Pump	8-21
160102070041B057 Idler Gear	8-45	160102070039B055 Connecting Rod	8-17
160102070041B058 Washer	8-45	Assembly	8-15
160102070041B059 Intermediate shaft	8-45	160102070039B054 Connecting Rod	8-97
160102070041B060 Parallel Pin	8-45	160102070039B053 Bearing Set, Connecting Rod	8-41
160102070041B061 Hydraulic Pump Gear	8-45	160102070039B038 Push Rod	8-33
160102070041B062 Circlip for Shaft	8-45	160102070039B037 Head, Cylinder	8-33
160102070041B063 Flywheel	8-13	160102070039B036 Seat, Valve, Exhaust	8-31
160102070041B064 Oil Connecting Rubber Pipe	8-133	Subassembly	8-23
160102070041B065 Ring	8-45	160102070039B035 Cylinder Head	8-23
160102070041B066 O-ring	8-45	160102070039B033 Shell, Lower, Connecting Rod	8-23
160102070041B067 Bearing Cover	8-47	160102070039B032 Shell, Upper, Connecting Rod	8-21
160102070041B068 Gear Cover	8-47	160102070039B031 Bolt, Connecting Rod	8-159
160102070041B069 PTO Housing	8-49	160102070039B027 Nut, Hexagon Flange	8-121
160102070041B070 Inner Hexagon Socket Head	8-51	160102070039B026 Common Rail Bracket	8-141
160102070041B071 Screw Plug	8-53	160102070039B021 Cover Plate	8-127
160102070041B072 Oil Pan Assembly	8-53	160102070039B020 Gasket	8-119
160102070041B073 Dipstick Set	8-55	Assembly	8-119
160102070041B074 Oil Gauge Tube	8-55	160102070039B017 High-pressure Fuel Pipe	8-119
160102070041B075 Hydraulic Pump Gear Shaft	8-45	Assembly	8-119
160102070041B076 Cylinder Roller Bearing	8-45	160102070039B016 High-pressure Fuel Pipe	8-119
160102070041B077 Hexagon Screw Plug	8-45	Assembly	8-119
160102070041B078 Hexagon Screw Plug	8-45	160102070039B015 High-pressure Fuel Pipe	8-119
160102070041B079 Hexagon Flange Bolt	8-45	Assembly	8-119
160102070041B080 Hexagon Flange Bolt	8-45	160102070039B014 High-pressure Fuel Pipe	8-119
160102070041B081 Washer	8-149, 8-151	Assembly	8-119

160102070041B082 Hexagon Flange with Tooth Bolt	8-143
160102070041B083 Hexagon Flange Bolt	8-143
160102070041B084 Back-up Block	8-135
160102070041B085 Hexagon Flange Bolt	8-139
160102070041B086 Inner Hexagon Socket Head Cap Screw	8-11
160102070041B087 Intake Manifold Subassembly	8-125
160102070041B088 Intake Manifold Assembly	8-127
160102070041B089 Assembled Sealing Washer	8-127
160102070041B090 Air Pipe Connector	8-127
160102070041B091 Intake Manifold	8-129
160102070041B092 Turbocharger Oil Pipe Assembly	8-133
160102070041B093 Inner Hexagon Socket Head Cap Screw	8-81
160102070041B094 Gasket	8-81
160102070041B095 Front Cap	8-77
160102070041B096 Plug	8-75
160102070041B097 Crankshaft Subassembly	8-71
160102070041B098 Clip for Hole	8-11
160102070041B099 pipe joint	8-85
160102070041B100 Engine Body Assembly	8-85
160102070041B101 Handhole Cover	8-81
160102070041B102 Gasket	8-81
160102070041B103 Bearing Cover	8-81
160102070041B104 Protection Cover Shield	8-81
160102070041B106 Air Compressor Group	8-9
160102070041B107 Tensioner And Belt Group	8-9
160102070041B108 Starter Motor Group	8-9
160102070041B109 Packing Box Chassis Parts Group	8-9
160102070041B112 Separate Delivery Parts Group	8-9
160102070041B111 Attached to Engine	8-9
160102070041B113 Parts Box Group	8-9
160102070041B114 Electronic Control Unit Harness Group	8-9
160102070041B115 Electronic Control System Group	8-9
160102070041B116 Alternator Group	8-9
160102070041B117 Alternator Bracket Group	8-9
160102070041B118 Hydraulic Pump Group	8-9
160102070041B119 Oil Strainer Group	8-7
160102070041B120 Oil Cooler Group	8-7
160102070041B122 Oil Filling Tube Group	8-7
160102070041B123 Oil-gas Separator Group	8-7
160102070041B124 Water Pump Group	8-7
160102070041B125 Water Pump Inlet Pipe Group	8-7
160102070041B126 Middle Filling Block Group	8-7
160102070041B127 Thermostat Group	8-7
160102070041B128 Fan Bracket Group	8-7
160102070041B129 Fan and Hub Group	8-7
160102070041B130 Fuel Injection Pump Group	8-7
160102070041B131 Fuel Injector Group	8-7
160102070041B132 High Pressure Fuel Pipe	8-7
160102070041B134 Common Rail Group	8-7
160802020016 Fan	8-109
160801010105A Radiator	8-177
160604020023 Fuel filter element	8-149
160603020013 Oil Water Separator Element	8-149
160102120008A135 Washer	8-45, 8-103
160102130003A095 Hexagon Flange Bolt	8-159,
160102120008A133 Nut, Hexagon	8-77
160102120007A002 Hexagon Flange Nut	8-101, 8-105
160102100004B194 Heater	8-127
160102100004B193 Nut, Hexagon Flange	8-97
160102100004B189 Hexagon Head Bolt	8-163
160102100004B132 Inner Hexagon Socket Head Cap Screw	8-81
160102100004B127 Hexagon Flange Bolt	8-127
160102100004B092 Hexagon Flange Bolt	8-163
160102100004B091 Square Taper Plug	8-101, 8-127
160102100004B028 Clamp	8-149, 8-151
160102070060A024 Pre-machined Main Bearing Cap	8-87
160102070060A023 Engine Block	8-87
160102070060A020 Piston and Connecting Rod Group	8-15
160102070060A011 Pressure-Limiting Valve	8-123
160102070060A010 Common Rail	8-121
160102070060A005 Rail Pressure Sensor	8-123
160102070041B184 Engine Repair KIT	8-9
160102070041B183 Six Supporting	8-9
160102070041B182 Four Supporting	8-9
160102070041B181 Flywheel Housing Group	8-7
160102070041B180 Oil Pan Group	8-7
160102070041B178 Oil Dipstick Group	8-7
160102070041B175 Thrust Plate Group	8-7
160102070041B172 Gear Housing Group	8-7
160102070041B171 Main Bearing Group	8-7
160102070041B168 Crankshaft Group	8-7
160102070041B167 Front End Cover Group	8-7
160102070041B166 Spray Nozzle Group	8-7
160102070041B165 Engine Block Group	8-7
160102070041B164 Flywheel Group	8-7
160102070041B162 Piston and Connecting Rod Group	8-7
160102070041B153 Cylinder Head Group	8-7
160102070041B152 Eye Ring Group	8-7
160102070041B150 Cylinder Head Cover	8-7
160102070041B147 Valve Train Group	8-7
160102070041B146 Power Take-off Group	8-7
160102070041B144 Crankshaft Pulley Group	8-7
160102070041B143 Silencer Group	8-7
160102070041B142 Exhaust Manifold Group	8-7
160102070041B141 Air Filter Group	8-7
160102070041B140 Turbocharger Oil Pipe Group	8-7
160102070041B139 Turbocharger Group	8-7
160102070041B136 Intake Manifold Group	8-7
160802020088A Fan	8-5

60100775 Damping Block	10-3	60105071 24V Cigar Lighter	13-7	60082894 Joint Bearing	5-3
60106805 Sensor, Engine Oil Pressure	8-91	60106788 Gasket, Turbocharger	8-131, 8-137	60075953 Rolling Bearing	3-7, 3-11
60119431 Rearview Mirror Assembly	10-11, 10-13	60106801 RING SEAL COMBINATION	8-115, 8-133	60062854 Key Ring	10-3
60110667 Protective Cap	10-11, 10-13	60106788 Gasket, Turbocharger	8-131, 8-137	60061027 Key	3-13, 3-15
60134345 Indicator Lamp	8-85	60127521 Compressor	11-7	60058851 Illuminating Lamp	10-17
60141411 Valve Collet	8-31	60134345 Indicator Lamp	8-85	60045017 Detachable Fitting	5-3
60146855 Central Appliance Case	13-9	60127684 Parallel Pin	8-85	60043335 Fitting, Adapter	4-27
60150778 Knob Switch Bottom Seat	13-7	60127667 Bolt	8-115	60043074 Rubber Hose	4-13
60150779 Knob Switch	13-7	60127660 Bolt	8-75	60042056 Plug	10-13
60151326 Intermediate Relay	13-9	60127623 Clamp	8-97	60041902 90-degree Fixed Metal Accessories	13-7
60172081 Damping Pad	8-5	60127555 Washer	8-39, 8-115	60035083 Felt Sealing Ring	3-17
60182153 Rotary Handle	9-7	60126164 Antenna	10-17	60033584 Rubber Hose	4-5
60184692 O-ring	7-7	60126136 Pin	6-15	60033243 Speed Sensor	8-81, 8-113
60186347 Plunger Motor	4-35	60125015 Pump, Common Rail	8-111	60024135 Handle	10-11
60186681 Metering Unit	8-113	60125015 Pump, Common Rail	8-111	60022607 Strainer	7-3
60190637 Battery	13-11	60126136 Pin	6-15	60021999 T-type Anchor Ear	8-179
60191343 Gas Spring	9-3	60126164 Antenna	10-17	60020195 Coupling	3-3, 3-9
60191344 Gas Spring	9-5	60127555 Washer	8-39, 8-115	60013683 Washer	3-3, 3-9
60191772 Right-angle joint, Clamp Sleeve-type	5-3	60127623 Clamp	8-97	60007281 Nut	6-11
60191773 Ferrule-type Straight Adapter	5-3	60127660 Bolt	8-75	60006476 Loudspeaker	10-17
60200720 Fastening Clamp	13-5	60127667 Bolt	8-115	29007595 Combition Seal Ring	6-15, 6-19
60200721 Clamp	13-5	60127623 Clamp	8-97	24002327 Bolt	6-15, 8-177
60200722 Fastening Clamp	13-5	60127555 Washer	8-39, 8-115	2400543 O-ring	3-5, 3-9
60200724 Clamp	13-5, 13-11	60126136 Pin	6-15	2400540 O-ring	6-15
60202971 Flasher Relay	13-9	60126164 Antenna	10-17	2400278 Bolt	6-15
60206739 Fuel Sensor	13-5	60127555 Washer	8-39, 8-115	23905047 Damping Pad	8-5
60208351 Gauge Line Groove	13-7	60127623 Clamp	8-97	23002678 Screw	6-19
60211152 Rubber Hose	4-5	60127660 Bolt	8-75	21051021 Tee Joint	4-5
60218292 Lock Nut, Hexagon	8-89	60127667 Bolt	8-115	21015352 Pin	9-3, 9-5
6022440 Spring Washer	8-85, 8-133	60127555 Washer	8-39, 8-115	21005325 Bolt	10-7
6022475 Bolt, Hexagon	8-77	60126136 Pin	6-15	21005186 Bolt	11-11
6022483 Bolt, Hexagon	8-45	60125015 Pump, Common Rail	8-111	21004577 Hose Ring hoop-65B	10-23
60228103 Damper, Viscous Vibration	8-51	60125015 Pump, Common Rail	8-111	16990000133A Fuel Return Valve	8-113
60228106 Piston	8-19	60119431 Rearview Mirror Assembly	10-11, 10-13	16990000133A Fuel Return Valve	8-127
60228107 Cushion, Cylinder	8-87	60110667 Protective Cap	10-11, 10-13	Sensor	8-127
60228109 Bushing	8-67	6010667 Protective Cap	10-11, 10-13	1688990003961A Boost Pressure and Temperature	8-149
60228115 Gasket, Seal	8-133	60106805 Sensor, Engine Oil Pressure	8-91	168899002116A Water Cup Assembly	8-149
60228116 Gasket, Seal	8-133	60106788 Gasket, Turbocharger	8-131, 8-137	168899000478 Bracket, Harness	8-159
60232463 Sany Logo	9-3	60106788 Gasket, Turbocharger	8-131, 8-137	168899000471 Hexagon Screw Plug	8-85, 8-127
60235608 Rubber Hose	8-167	60106788 Gasket, Turbocharger	8-131, 8-137	168899000470 Clamp	8-125
60243535 Nut	13-11	60105071 24V Cigar Lighter	13-7	168899000469 Hexagon Screw Plug	8-127
		60105071 24V Cigar Lighter	13-7	168899000468 Hexagon Screw Plug	8-127
		60105071 24V Cigar Lighter	13-7	168899000467 Hollow screw	8-121
		60105071 24V Cigar Lighter	13-7	168899000466 Hollow screw	8-103
		60105071 24V Cigar Lighter	13-7	168899000464 Hexagon Screw Plug	8-43
		60105071 24V Cigar Lighter	13-7	Screw	8-43
		60105071 24V Cigar Lighter	13-7	168899000461 Inner Hexagon Socket Head Cap	8-43
		60105071 24V Cigar Lighter	13-7	168899000460 Toothed bolt	8-43
		60105071 24V Cigar Lighter	13-7	168899000459 Intake Valve Guide	8-33
		60105071 24V Cigar Lighter	13-7	168899000458 Exhaust Valve Guide	8-33
		60105071 24V Cigar Lighter	13-7	168899000457 Thrust Plate Set	8-59
		60105071 24V Cigar Lighter	13-7	168899000456 Hexagon Head Bolt	8-97
		60105071 24V Cigar Lighter	13-7	168899000452 Nut, Hexagon Flange	8-77
		60105071 24V Cigar Lighter	13-7	168899000450 Cylinder Head Bolt	8-85
		60105071 24V Cigar Lighter	13-7	1688990004452 Nut, Hexagon Flange	8-85
		60105071 24V Cigar Lighter	13-7	1688990004432 Bolt, Hexagon Flange	8-45
		60105071 24V Cigar Lighter	13-7	1688990004419 Screw, Hollow	8-111
		60105071 24V Cigar Lighter	13-7	1688990004141 Bolt, Hexagon Flange	8-45, 8-57
		60105071 24V Cigar Lighter	13-7	1608990000005 Expansion Joint	8-155
		60105071 24V Cigar Lighter	13-7	1608990000004 tension pulley assy.	8-143

60246671	Speaker	13-5
60253934	Rubber Hose	11-3
60254951	Bolt	6-15
60259338	Independent Instrument Panel	12-3
60260271	High Pressure Filter	4-19
60260273	High Pressure Filter	4-3
60261749	Draw Belt	9-5
60263068	Hydraulic Filter Core	4-25
60263714	Door Lock	10-13
60263715	Door Lock	10-11
60269560	Control Flexible Shaft	12-5
60271866	Limiting Block	6-9
60271870	Side Gear	6-13
60271885	Needle Pin	6-9
60271886	Spacer	6-9
60271894	Copper Sleeve	6-11
60272456	Seal Ring	8-149
60272458	Sealing Washer	8-91, 8-121, 8-127
60272460	Inner Hexagon Socket Head Cap Screw	8-133
60272465	Screw, Socket Head Cap	8-53
60272542	Double-headed Stud	8-131, 8-137
60272831	Gasket	8-155
60272887	Clamp	8-97
60272924	Nut, Hexagon Flange	8-75, 8-77
60272926	Nut, Hexagon Flange	8-91
60272930	Hexagon Plug	8-91
60275828	Filter Element, Engine Oil Filter	8-93
60275830	V-ribbed Belt	8-107
60277091	Clamp	8-155
60284941	Calcium Chloride	6-5
60311658	Check Valve	4-11
60321435	V-belt	11-3
60326182	Double-headed Stud	8-77
60326195	Water Cup Assembly	8-149
60326236	Support, Harness	8-159
60326284	Tensioner, Belt	8-143
60326313	Washer, Seal	8-53
60326314	Assembled Sealing Washer	8-45
60326341	Hexagon Nut, Type I	8-89
60326362	Washer, Flexible	8-81
60326368	Sensor	8-127
60326370	Plug Assembly, Magnetic	8-53
60326373	Spring Washer	8-51, 8-107, 8-141, 8-161
60326508	Clamp	8-155
60326538	Pulling Rivet	8-45
60326555	Hexagon Flange Bolt	8-155
60326560	Bolt, Hexagon Flange with Gear	8-161
60326564	Nut, Hexagon Flange	8-135, 8-139, 8-155
60326569	Nut, Hexagon Flange	8-77
60326572	Nut, Hexagon Flange	8-91, 8-127
60326577	Bolt, Hexagon Flange, Largen	8-127
60326578	Bolt, Hexagon Flange, Largen	8-157
60326609	Bolt, Hexagon	8-141
60335923	Axial Plunger Motor	4-15
60345529	Engine	8-5
60348112	Rubber Hose	4-13
60348807	Gear Pump	8-169
60350682	Alternator	8-161
60350683	Starter	8-145
60350684	Injector	8-115
60350885	Gasket, Seal	8-35
60352173	Bowl Plug	8-33
60355261	Bushing, Coupling Rod	8-63
60355262	Bushing, Thrust	8-63
60355276	Ring, Retainer	8-19
60355277	Gasket, Seal	8-127
60355281	Pipe, Coupling, Coolant	8-125
60355282	Pipe, Coupling, Coolant	8-101
60355284	High Pressure Oil Pipe Assembly	8-119
60355288	Gasket, Cylinder Cover	8-39
60355289	Gasket, Seal	8-99
60355290	Pump Coolant	8-99
60355292	Connecting Rubber Hose, Oil Circuit	8-97
60355294	Supercharger	8-131
60355295	Rotary filter	8-149, 8-151
60358222	Floating Oil Seal	3-17
60359201	Bolt, Hexagon	8-39
60359503	Rubber Hose	4-13
60359693	Muffler	8-153
61000135	Hexagon Flange Bolt	8-57
61000155	Bolt, Hexagon	8-45
61000787	Nut, Hexagon	8-25, 8-131, 8-137, 8-155
61001646	Hydraulic Filter Core	4-21
61002659	Washer	8-77
61002663	Hexagon Flange Bolt	8-83
61005504	Cylindrical Roller Bearing	8-45
61005506	Circlip for Hole	8-45
61005508	Deep Groove Ball Bearing	8-45
61005509	Hexagon Flange Nut	8-155
61009932	Plunger Pump	8-169
61009934	Plunger Pump	8-169
61009935	Plunger Motor	3-5
61016965	Combination oil seal	6-15
61016969	Brake Stopping Disk	6-19
61016970	X-type ring	6-19
61016971	X-type ring	6-19
61021098	First Coarse Air Filter	8-147
61021258	Double-headed Stud	8-75
61021282	Valve, Coolant Drain	8-91
61021291	Hexagon Flange Bolt	8-133
61021336	Bolt, Hexagon Flange With Tooth	8-155
61021379	Nut, Hexagon Flange	8-139
61021400	Assembled Sealing Washer	8-127
61021418	Clamp	8-125, 8-133
61021423	Electronic Control Unit	8-157
61021426	Hexagon Flange Bolt	8-91
61021427	Hexagon Flange Bolt	8-45
61021473	Parallel Pin	8-85
61021522	Nut, Hexagon Flange	8-57, 8-97, 8-103
61021548	Plug, Threaded	8-87
61023675	Cylindrical Pin	6-19
61025845	Evaporator	11-7
61025846	Condenser	11-7
61025881	Spline Shaft Adaptor Assembly	6-19
61028329	Seat, Intake Valve	8-33
61028330	Clamp	8-97
61028346	Rivet, Pulling	8-87
61028347	Rivet, Pulling	8-87
61028348	Rivet, Pulling	8-87
61028349	Bushing, Rod, Connecting	8-21
61028358	Hexagon Flange Bolt	8-145, 8-155

61028359 Nut, Hexagon Flange	8-157	61028486 Rocker Lever Group	8-27
61028361 Nut, Hexagon Flange	8-45	61028487 Support, Rocker lever	8-27
61028362 Nut, Hexagon Flange	8-121	61028488 Support Assembly, Rocker lever	8-25
61028363 Nut, Hexagon Flange	8-81	61028499 Cap, Bearing	8-87
61028368 Nut, Hexagon Flange	8-95	61028501 Cylindrical Pin	8-85
61028369 Hexagon Flange Bolt	8-97	61028502 Gasket, Turbocharger	8-131
61028370 Nut, Hexagon Flange	8-99	61028509 Bracket	8-159
61028371 Nut, Hexagon Flange	8-37	61028511 Bushing, Thrust	8-65
61028374 Nut, Hexagon Flange	8-75, 8-103	61028512 Bushing, Thrust	8-65
61028375 Nut, Hexagon Flange	8-77	61028514 Idler Gear	8-79
61028378 Nut, Hexagon Flange	8-91	61028515 Shaft, Idler Gear	8-77
61028379 Nut, Hexagon Flange	8-77, 8-91	61028516 Shaft, Idler Gear	8-85
61028381 Nut, Hexagon	8-25	61028517 Shaft Assembly, Idler Gear	8-77
61028382 Nut, Hexagon	8-29	61028518 Shaft	8-77
61028384 Plug, Hexagon	8-81	61028519 Ring, Retainer, Elastic	8-27
61028386 Plug, Hexagon	8-53	61028520 Bolt, Main Bearing	8-87
61028391 Hexagon Head Bolt	8-25, 8-131	61028521 Bolt, Main Bearing	8-87
61028393 Bolt, Hexagon	8-77	61028522 Bushing, Coupling Rod	8-67
61028399 Hub	8-51	61028523 Ring, Tapered	8-19
61028405 Oil Ring	8-19	61028525 Assembled Sealing Washer	8-45, 8-85,
61028406 Stud	8-87	8-91, 8-111, 8-127	
61028411 Ring, Seal	8-93	61028526 Assembled Sealing Washer	8-53
61028412 Ring, Seal	8-51	61028528 Bracket, ECU	8-157
61028414 Screw, Socket Head Cap	8-87	61028661 O-ring	8-85
61028416 Screw, Socket Head Cap	8-133	61028662 O-ring	8-83
61028417 Screw, Socket Head Cap	8-115	61028665 Plate	8-89
61028420 Screw, Socket Head Cap	8-85	61028666 Plate	8-85
61028429 Clamp, Fuel Injector	8-115	61028668 Washer, Flexible	8-89
61028433 Cylinder Head Bolt	8-85	61028670 Bushing, Gear	8-79
61028435 Cylinder Head Cover	8-39	61028673 no name	8-89, 8-121
61028437 Spring, Valve	8-31	61028674 Ring, Snap	8-27
61028438 Spring, Valve	8-31	61028676 Clip	8-11, 8-45, 8-163
61028439 Valve Spring Retainer	8-31	61028678 Clip	8-73
61028440 Valve Spring Retainer	8-31	61028679 Clip	8-85
61028443 Cover, End	8-75	61028681 Baffle	8-77
61028444 Gasket, Seal	8-115	61028682 Washer	8-91
61028447 Crankshaft Timing Gear	8-73	61028684 Gasket	8-83
61028455 Sector	8-43	61028688 Gasket	8-25
61028456 Thrust Plate, Upper	8-61	61028689 Gasket	8-25
61028457 Deep Groove Ball Bearing	8-11	61028690 Gasket	8-51
61028458 Double-headed Stud	8-105	61028692 Screw, Lifting	8-37
61028459 Double-headed Stud	8-25	61028696 Plug	8-71
61028460 Double-headed Stud	8-25	61028697 Pipe Clamp/Clip	8-119
61028463 Double-headed Stud	8-25	61028702 Flange	8-43
61028464 Double-headed Stud	8-25	61028710 Spring, Return	8-97
61028465 Gasket, Seal	8-103	61028723 Pipe	8-127
61028468 Cushion, Water Pump Middle Filling Block	8-103	61028730 Fitting, Adapter	8-127
61028471 Ring	8-19	61028734 Nozzle Assembly, Piston	8-83
61028472 Screw, Adjusting	8-29	61028735 Piston Assembly	8-17
61028473 Tappet	8-41	61028739 Cooler, Engine Oil	8-93
61028474 Camshaft	8-43	61028740 Cooler, Engine Oil	8-93
61028475 Bushing, Camshaft	8-87	61028741 Cooler Assembly, Engine Oil	8-91
61028476 Bushing, Camshaft	8-87	61028742 Cover, Filter, Engine Oil	8-93
61028477 Bushing, Camshaft	8-87	61028745 Plumbing, Heater	8-127
61028478 Timing Gear, Camshaft	8-43	61028752 Gasket, Seal	8-127
61028479 Plug, Expansion	8-129	61028753 Intake Manifold Gasket	8-125
61028480 Plug, Expansion	8-85	61031986 Water Hose	11-7
61028482 Thrust Plate, Lower	8-61	90100185 Bolt	6-19
61028485 Housing, Rocker Lever	8-29	A210108000097 Bolt	7-7
		A210110000004 Bolt	12-3
		A210110000014 Bolt	8-177

A210204000221 Bolt	3-3
A210110000234 Bolt	10-3
A210110000240 Bolt	2-7, 3-3, 3-9
A210110000257 Bolt	8-167
A210110000304 Bolt	11-11
A210110000306 Bolt	13-5
A210110000323 Bolt	7-7
A210110000330 Bolt	6-3
A210111000011 Bolt	7-3
A210111000018 Bolt	8-181, 8-183
A210111000023 Bolt	8-183, 12-3
A210111000025 Bolt	9-7
A210111000027 Bolt	11-5
A210111000037 Bolt	5-3
A210111000040 Bolt	12-3
A210111000042 Bolt	11-11
A210111000061 Bolt	3-9
A210111000079 Bolt	7-3, 9-7
A210111000080 Bolt	10-7
A210111000081 Bolt	13-5
A210111000085 Bolt	10-3
A210111000088 Bolt	8-167, 8-179, 8-181, 12-5
A210111000089 Bolt	8-183, 9-5, 9-7
A210111000090 Bolt	7-5, 7-7, 8-181, 10-9, 10-21, 11-5, 12-3
A210111000091 Bolt	9-3, 9-5, 9-7, 10-3
A210111000093 Bolt	9-3, 9-5, 11-5
A210111000100 Bolt	10-21
A210111000101 Bolt	9-3, 9-5
A210111000111 Bolt	2-5, 2-7
A210111000118 Bolt	8-169
A210111000125 Bolt	11-11
A210111000200 Bolt	9-3, 9-5
A210111000202 Bolt	2-5, 2-7
A210111000203 Bolt	7-3, 8-167, 10-3
A210111000204 Bolt	8-169
A210111000216 Bolt	8-5
A210111000220 Bolt	2-3
A210111000243 Bolt	5-3
A210111000297 Bolt	2-3, 2-5, 2-7
A210111000297 Bolt	7-7
A210111000343 Bolt	2-3
A2101113000026 Bolt	6-15
A210113000028 Bolt	3-5
A210113000264 Bolt	6-9
A210114000008 Bolt	6-3
A210114000010 Bolt	3-17
A210114000016 Bolt	3-5
A210114000051 Bolt	3-5
A210114000053 Bolt	3-5, 3-7, 3-9, 3-11
A210114000077 Bolt	6-19
A210114000080 Bolt	6-19
A210114000124 Bolt M12x1.25x25GB5786 Grade 10.9	6-9
A210204000017 Screw	4-11
A210204000119 Screw	4-29, 4-33, 12-3
A210204000145 Screw	13-5, 13-11
A210204000161 Screw	4-19
A210204000164 Screw	10-11, 10-13, 12-5
A210204000195 Screw	3-17, 4-35
A21020405000003 Washer	5-3, 10-21, 11-11
A210405000004 Washer	10-17
A210405000005 Washer	12-3
A210405000006 Washer	7-3, 9-7, 10-11, 10-13
A210405000007 Washer	2-3, 7-5, 7-7, 8-167, 8-177, 8-179, 8-181, 9-3, 9-5, 9-7, 10-9, 10-11, 10-13, 10-21, 11-5, 12-5, 13-5, 13-11
A210405000008 Washer	3-3
A210401000002 Washer	8-169, 10-3, 12-3
A210401000003 Washer	6-15, 6-19
A210401000004 Washer	10-21
A210401000006 Washer	11-11
A210401000008 Washer	3-3
A210401000013 Washer	10-17
A210401000015 Washer	10-7
A210401000016 Washer	10-3, 10-7, 10-11, 10-13
A210401000017 Washer	2-3, 4-29, 4-33, 7-5, 8-167, 8-179, 8-181, 9-3, 10-3, 10-9, 10-11, 10-13, 10-21, 11-5, 12-3, 12-5, 13-5, 13-11
A210404000005 Washer	8-183, 9-3, 9-5, 9-7, 10-3, 12-3
A210404000009 Washer	10-3, 10-7
A210404000010 Washer	10-7
A210405000001 Washer	5-3, 7-3, 7-7, 8-5, 8-167, 8-177, 8-183, 9-3, 9-5, 11-11, 12-3
A210405000003 Washer	8-169, 8-183, 12-3
A210401000001 Washer	2-3, 2-5, 2-7, 4-19, 4-35, 4-29, 4-33
A210342000002 Screw Plug	3-5, 3-9, 3-17
A210333000011 Screw Plug	3-3, 7-3
A210333000007 Screw Plug	7-3
A210332000004 Screw Plug	13-11
A210332000002 Screw Plug	13-11
A210319000006 Nut	13-11
A210319000003 Nut	13-11
A210319000001 Nut	13-11
A210308000007 Nut	6-19
A210307000040 Nut	11-11
A210307000036 Nut	2-3, 2-5, 2-7
A210307000017 Nut	7-9, 8-183, 9-3, 9-5, 9-7, 11-11
A210307000016 Nut	13-5
A210307000012 Nut	8-181, 9-3, 10-3, 10-9, 11-5, 12-3, 12-5, 13-5
A210307000007 Nut	2-7, 3-3, 3-9, 6-3
A210307000006 Nut	8-5
A210307000005 Nut	10-3, 11-11
A210307000001 Nut	8-177, 8-183, 12-3
A210264000008 Tapping Screw	7-3
A210210000030 Screw	12-7
A210210000027 Screw	10-11, 10-13
A210210000026 Screw	10-17
A210210000023 Screw	12-5
A210210000008 Screw	10-11
A210208000024 Screw	5-5
A210206000013 Screw	6-9
A210206000007 Screw	6-15
A2102040000355 Screw	11-11
A2102040000342 Screw	4-29, 4-33
A2102040000338 Screw	4-15
A2102040000318 Screw	10-23
A2102040000225 Screw	3-3, 3-9
A2102040000216 Screw	3-9
A2102040000212 Screw	4-35, 8-169

A21040500008 Washer	2-3, 11-11
A21040500009 Washer	2-5, 2-7, 3-3
A21040500010 Washer	8-5
A21040500011 Washer	2-3, 2-5, 2-7, 4-19, 7-3, 7-7, 7-9, 8-169, 8-181, 8-183, 9-3, 9-5, 9-7, 11-11, 12-3
A21041400002 Retainer Ring	3-13, 3-15
A21041400003 Retainer Ring	3-7
A21043400005 Washer	5-5
A21043400008 Washer	11-5
A21043400010 Washer	3-5, 3-9, 3-17
A21043400011 Washer	3-9
A21043400015 Washer	5-5
A21043400020 Washer	7-3
A21044400001 Washer	3-3, 7-3
A21045300002 Washer	3-5
A21045300004 Washer	3-5, 3-9, 3-17
A21045300007 Washer	3-17
A21049100001 Screw	10-7
A21049100003 Belleville Spring	5-3
A21049100009 Pin	9-7, 10-9
A21049100018 Washer	3-3, 3-9, 3-17, 4-35, 6-3
A21049100022 Washer	8-169
A21049100024 Washer	3-3, 3-5, 3-9, 6-3
A21049100032 Washer	3-5, 3-9, 6-3
A210509000115 Key	3-5, 3-7, 3-9, 3-11, 10-3
A21060900016N O-ring	3-7
A210609000087 O-ring	6-15
A210609000125 O-RING	5-5
A210609000139 O-ring	3-5
A210609000162 O-ring	3-5
A210609000218 O-ring	5-5
A210609000294 O-ring	5-5
A210609000310 O-ring	7-3
A210609000315 O-ring	4-21
A210613000020 oil seal	3-17
A21062800010 Rolling Bearing	3-17
A210805000003 Oil Cup	3-17
A210855000052 T-type Clamp	3-17
A210855000066 Hole Type Hose Clamp	8-177, 8-179
A211500000160 Joint Bearing	11-3
A222100000044 Air Filter	9-7
A229000000040 Front Window Wiper	7-5
A229000000090 Front Window Wiper	10-17
Assembly	10-17
Assembly	10-17
Assembly	10-17
Washer	10-17
Washer	10-17
A229000001347 Clamp	8-181
A229000001360 Washer	8-5
A229000001929 Mechanical Suspension Driver	10-3
seal	10-3
A229000002031 T-type Clamp	8-177, 8-179
A229000002456 Handle	8-183
A229000002683 T-type Anchor Ear	9-5
A229000002734 T-type Clamp	8-183
A229000003542 Mechanical Differential Pressure	8-183
Indicator	8-183
A229000003567 Elbow Fitting	4-27
A229000003847 Clamp	8-167
A8206060030583 Crash Pad	8-177
A8206060010198 Rubber Pad	7-9
A8206060010197 Rubber Pad	7-9
A820601020025 Threaded Cover	3-5, 3-9
A820301020680 Bolt	8-5
A820301017645 Lock Pole	10-11, 10-13
A820301015218 Hinge Pin	9-3, 9-5
A820301014728 Bolt, Hinged	11-11
A820301010267 Screw Rod	7-9
A820301010152 Clamp Pin	2-7
A8202990000325 Disk, Oil Baffle	3-7
A820205002026 Connector Body	8-167
A820202003593 Big Washer	8-177
A820202003593 Adjusting Spacer	10-3
A820102010064 Anti-capsizing Pad	10-3
A820101362643 Installation Seat	10-9
A820101349373 Control Lever, Travel, Pump	12-3
A820101345222 Clamp Plate	5-3
A820101342410 Control Valve Body	4-29, 4-33
A820101324038 Pressure Cover	3-17
A820101324030 Bent Plate	11-11
A820101319357 Crescent Shaped Plate	11-11
A820101041279 Protective Cover	7-3
A810502990127 Damping Block	9-3, 9-5
A810401010040 Pressure Plate	7-9
A810401010039 Battery Components	7-5
A810201206642 Constant Flow Control	13-7
A31907100070B Axis Pin	10-9
A29000002660 Protective Cap, Nozzle	3-17, 5-3
A29000002193 Fuel Tank Cover	7-3
A250100000043 Liquid Level Meter	7-5
(Switch)	10-19
A249900000518 Cover Plate (Quintuplet	10-19
A249900000514 Middle Single Frame	10-19
A249900000513 Side Single Frame	10-19
A241200000844 Working Light Switch	10-19
A241200000784 Alarm Light Switch	10-19
A241200000089 Packing Gland	10-17
A241100000555 Side Lamp	10-17
A239900000052 Nylon Strap	13-5, 13-11
A230200000490 Plastic Sheath	11-3
A230105000044 Seal Strip	8-181
A230101000450 Oil Seal, Front	8-77
A230101000449 Oil Seal, Rear	8-45
A230101000448 O-ring	8-87
A230101000447 O-ring	8-87
A229900010583 Combination Cushion Circle	6-15
A229900010158 Oil Cup	5-3, 5-5
A229900009879 Gas Spring	10-9
A229900006507 Screw Plug	3-5, 3-9
A229900006314 Adapter Fitting	8-167
A229900006265 Valve, Exhaust	8-31
A229900006264 Gasket, Exhaust Manifold	8-137
A229900006253 Valve, Intake	8-31
A229900006252 Thermostat	8-105
A229900006250 Pin, Piston	8-19
A229900006067 T-Type Anchor Ear	8-177
A229900005444 Gas Firing Portable Cord	9-5
A229900004597 Clamp	8-167

A880202010006 O-ring	7-7
A880312010258 Rolling bearing	6-15
A880801040005 Screw Plug	3-9
A880801040008 Screw Plug	3-17
A880802010072 UP Guide Ring	5-5
B2102990000026 Screw	4-23, 4-27, 4-31
B2103990000005 Screw Plug	4-33
B2107800000004 Split Flange	4-27, 4-31
B2107800000007 Split Flange	4-35
B2107800000017 Tee Joint	4-7
B2107800000024 Elbow Fitting	4-7, 4-13
B2107800000025 Elbow Fitting	4-7, 4-35, 8-167
B2107800000028 Elbow Fitting	4-13
B2107800000029 Elbow Fitting	4-5
B2107800000030 Elbow Fitting	4-7
B2107800000036 Adapter Fitting	4-29, 4-33
B2107800000040 Adapter Fitting	4-11
B2107800000043 Fitting	4-9
B2107800000052 Adapter Fitting	4-11
B2107800000054 Adapter Fitting	4-7, 4-11, 4-13
B2107800000060 Fitting, Adapter, Flange	4-15, 4-23, 4-31
B2107800000070 Fitting, Adapter	4-13, 4-15
B2107800000071 Reducer Union	4-7
B2107800000072 Butt-connection Diameter-variable	4-7
Adapter	4-7
B2107800000074 Reducer Union	4-13
B2107800000089 Plug	8-167
B210780000107 Adapter Fitting	4-23, 4-27
B210780000157 Bulkhead Fitting	4-7
B210780000186 End Through Adapter	4-23
B210780000201 Screw Plug	4-29, 4-33
B210780000228 Adapter Fitting	4-11, 4-29
B210780000235 End Straight Connector	4-7, 4-13
B210780000245 Bulkhead Fitting	8-167
B210780000266 Adapter Fitting	4-13
B210780000344 Adapter Fitting	8-167
B210780000438 Square Flange Right-angle	4-17
Joint	4-17
B210780000587 Adapter Fitting	4-35
B210780000609 Screw Plug	4-11
B210780000631 Tee Joint	4-7
B210780000636 Elbow Fitting	4-7
B210780000698 Adapter Fitting	4-7, 4-33
B210780000733 Adapter Fitting	4-7
B210780000793 Adapter Fitting	4-27
B210780000883 End Plug, Pipe	8-167
B210780000898 Adapter Fitting	4-7, 4-27
B210780001007 Tee Joint	4-7
B210780001047 End Straight Connector	4-19
B210780001241 Elbow Fitting	4-5, 4-13
B210780001310 Elbow Fitting	4-7
Adapter	4-5
B2204000000079 Directional Solenoid Valve	4-29,
4-33	
B2208000000002 Reducer	3-9
B221500000109 Joint Bearing	5-5
B2217010000093 Flanging Coupling	8-169
B222100000514 Air Cleaner	8-183
B222100000646 Safety Filter Core, Air Filter	8-185
B222100000647 Main Filter Core, Air Filter	8-185
B229900001093 Intubation	13-5
B229900001945 Nut	3-3, 3-9
B229900002650 Steering Gear	12-3
B229900004088 (Pipe) Fitting	4-15, 4-31
B230101000067 AY Dust Ring	5-5
B230101000135 OK Seal Ring	5-5
B230101000300 O-ring	4-35
B230101000461 O-ring	4-35
B230101000983 O-ring	4-25
B230101001392 O-Ring	8-169
B230101001713 Lip shaft sealing	8-175
B230101002047 UP Guide Ring	5-5
B230101002121 ZBR Seal Ring	5-5
B230103000146 Rubber Hose	4-7
B230103000189 Rubber Hose	4-5
B230103000282 Hose	8-167
B230103000354 Rubber Hose	4-13
B230103000855 Hose	4-5
B230103000949 Hose	4-5
B230103001072 Rubber Hose	4-5
B230103001239 Hose	4-5
B230103001352 Rubber Hose	4-5
B230103001657 Rubber Hose	4-5
B230103001921 Hose	4-13
B230103002135 Rubber Hose	4-5
B230103002533 Rubber Hose	4-5
B230103002872 Rubber Hose Assembly	4-5
B230103003334 Rubber Hose	8-167
B230103004074 Hose	4-5
B230103004808 Hose Assembly	4-13
B230103004939 Rubber Hose	4-7, 4-13
B230103005096 Rubber Hose	4-5
B230103005190 Hose	4-5
B2301070000003 Damping Pad	3-3, 3-9
B2402000000059 Emergency Stop Button	13-7
B2402000000069 Knob Switch	13-7
B2402000000081 Contact Block	13-7
B2407000000006 Intermediate Relay	13-9
B241200000129 Limit Switch	13-7
B241200000136 Knob Switch	13-7
B241200000584 Secondary Lock 2-wire (Plug Pipe)	13-5
B241200000590 2-core Rectangular Plug	13-5
B241200001124 Ignition Switch	13-7
B241200001186 Proximity Switch	13-7
B2413000000020 Fuse	13-9
B2413000000021 Fuse	13-9
B2413000000022 Fuse	13-9
B2413000000024 Fuse	13-9
B2413000000026 Fuse	13-9
JSS0065140 Big cup holder	10-15
JSS006492822 Big water cup holder	10-7
JSS006506790 harness	10-17
JSS006510740 Electric system	10-5
JSS006820626 power switch Installation plate	10-15
JSS007901601 Side Turn Lamp Rubber Pad	10-17
SYG005829016 Guide Sleeve	5-5
SYG0059900387 Cylinder Assembly	5-5

SYG005900388 Piston Rod Assembly 5-5

SZNO07370178 Sany Intelligent Date Display 13-7

YLJ004691987 Side Board 2-5, 2-7

YLJ004695634 Rear Frame Plate Welding Assembly 2-3

YLJ004736613 Covering Parts 9-3

YLJ004776713 Rear Cover Welding 12-7

YLJ004779457 Retainer Board 8-177

YLJ004802103 Rear Driving Motor Components 4-3

YLJ004860421 Front Frame Plate Body 2-3

YLJ005047275 Armrest, Inner 10-21

YLJ005047280 Bottom board covered assembly 10-21

YLJ005047281 Left Door Assy. 10-21

YLJ005047309 Floor assembly 10-21

YLJ005047503 Driver's Cab Welding Assy. 10-21

YLJ005047545 Cab body 10-7

YLJ005103392 Mask 13-9

YLJ005167883 Electrical Harness in Electric Control Cabinet 13-13

YLJ005167889 Frame Electrical Harness 13-13

YLJ005167910 Main Harness of Power 13-13

YLJ005167914 Electrical Harness Assembly 13-3

YLJ005213781 Plate 9-3, 9-5

YLJ005214016 Air-in Pipe 9-3

YLJ005369902 Inter-cooler Intake Pipe 8-177

YLJ005370125 Inter-cooler Exhaust Pipe 8-179

YLJ005371185 Engine Water Outlet Tube 8-179

YLJ005371683 Wind Board 8-177

YLJ005372038 Right Sealing Board 8-181

YLJ005372458 Engine Installation 8-179

YLJ005372632 Engine Water Outlet Tube 8-177

YLJ005516029 Compressor Pre-assembly 11-3

YLJ005632826 Cooling Assembly 8-3

YLJ005746925 Inter-cooler Intake Rubber Hose 8-177

YLJ005763896 Plate 11-5

YLJ005792245 Installation, Accessories & fuel Circuit 8-3

YLJ005796405 Washer 8-5

YLJ005838335 Condenser Installation 11-3

YLJ005897949 Air Intake Tube Supporting Board 8-181

YLJ006054656 condenser support 11-5

YLJ006054682 condenser support 11-5

YLJ006054716 plate 11-5

YLJ006067027 Installation Frame 9-5

YLJ006092081 Joint Pipe 8-183

YLJ006092172 Degassing Pipe 8-181

YLJ006099201 Mounting plate 11-5

YLJ006130894 Rim Assembly 6-5

YLJ006130920 Tire and Wheel Rim Assembly 6-3

YLJ006285830 Left pneumatic spring bearer 9-3

YLJ006460423 Cab body 10-3

YLJ006516295 Trough 11-3

YLJ006549336 Left sliding window 10-7

YLJ006549339 Right sliding window 10-7

YLJ006566559 Filter element mounting plate 10-23

YLJ006566529 Seat supporting 10-3

YLJ006576511 Cab Assembly 1-3

YLJ006601547 air channel assembly 10-3

YLJ006783944 Thermal insulation sponge 10-15

YLJ006783945 Rubber pad 10-3

YLJ006785348 Right pneumatic spring bearer 9-5

YLJ006786491 bracket 10-3

YLJ006786802 bracket 10-3

YLJ006795414 Internal and external trim assembly 10-5

YLJ006796667 String Plate 10-15

YLJ006814809 Air conditioning system assembly 1-3

YLJ006887618 Vibratory hydraulic system 4-3

YLJ006902777 Front driving motor assembly 4-3

YLJ006902622 Travelling pump 4-3

YLJ006902978 assembly of vibration pump 4-3

YLJ006904422 Travelling hydraulic system 4-3

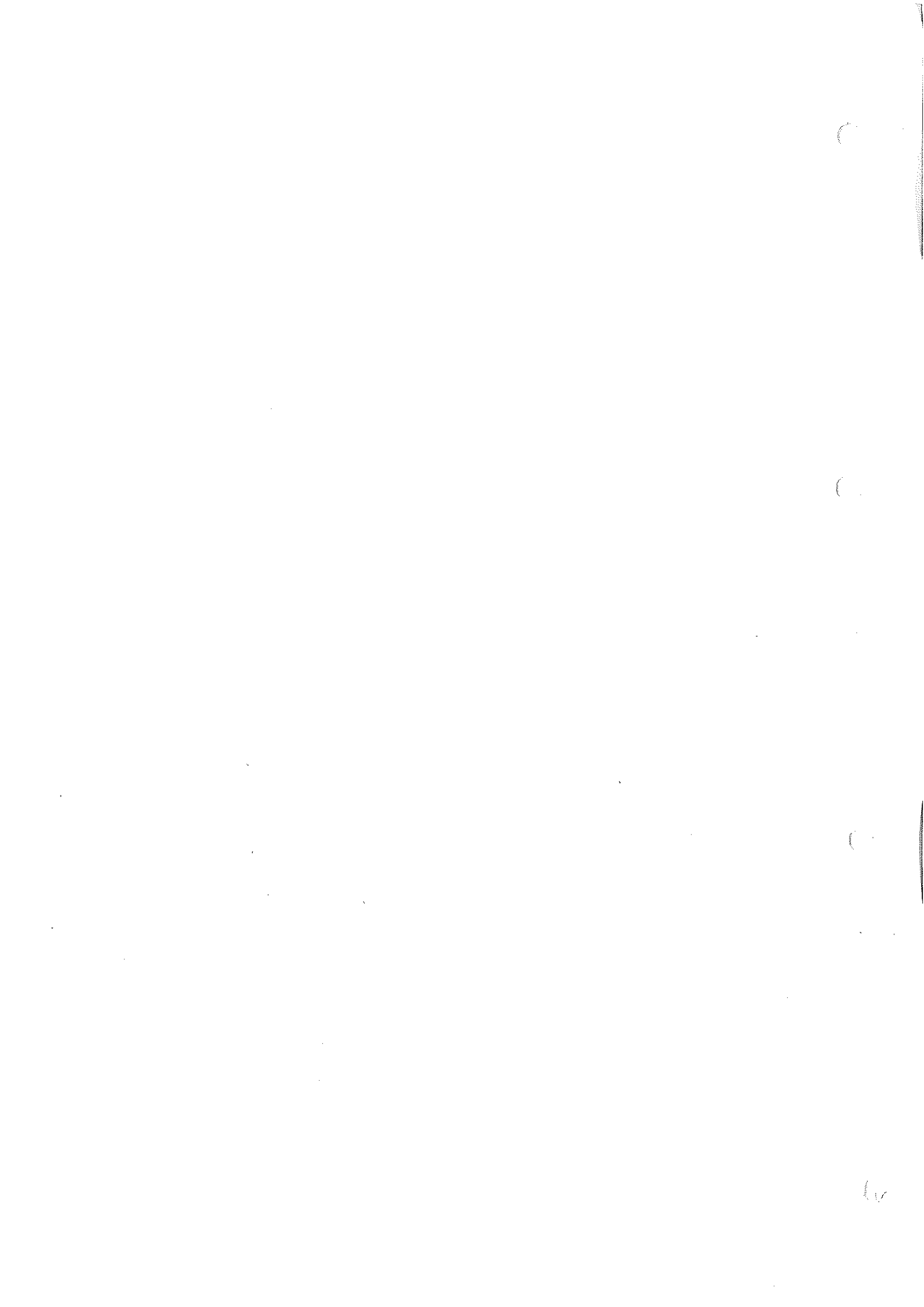
YLJ006905421 Hydraulic system assembly 1-3

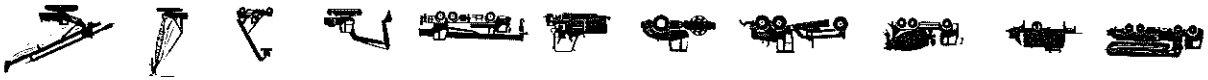
YLJ006917774 roller 1-3

YLJ007426520 Electrical system of roller 1-3

YLJ007426521 Electrical Control box assembly 13-3

YLJ007427160 harness 13-5





E-mail: crd@sany.com.cn

Service Hotline: 0086 4006098318

SANY Industry Town, Economic and Technological Development Zone, Changsha,
Hunan, China 410100

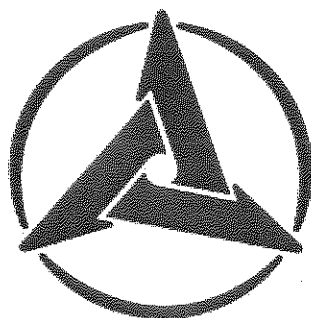
 **Sany Automobile Manufacturing Co., Ltd.**

www.sanyglobal.com

INSPECTION CERTIFICATE

产品合格证

三一单钢轮压路机
SANY SINGLE DRUM ROLLER



SANY

三一汽车制造有限公司

SANY AUTOMOBILE MANUFACTURING CO., LTD

地址 Add:中国湖南长沙经济技术开发区三一工业城

SANY Industry Town, Economic and Technological Development Zone, Changsha, Hunan China

客户服务电话 Customer Service Telephone: 0086 400 609 8318

客户服务邮箱 Customer Service Email: crd@sany.com.cn

网址 Web: <http://www.sany.com.cn>

兹证明下面所提到的产品都经过严格的检测，其质量和规格符合我们的标准。

This is to certify that the under mentioned product has been strictly inspected, its quality and all the specifications meet our standards.

主要技术指标及参数 Technical specifications	
项目 Items	参数 Specifications
型号 Model	SSR200C-8H
名称 Product	三一单钢轮压路机 SANY SINGLE DRUM ROLLER
工作质量(kg) Operating Weight(kg)	20000
振幅(mm) Amplitude(mm)	2.0/1.0
振动频率(Hz) Vibrating Frequency (Hz)	29/35
激振力(kN) Exciter Force (kN)	380/275
总长×总宽×总高(mm) Dimensions: Length×Width×Height(mm)	6797×2318×3330
发动机 Engine	型号 Model WP6G200E331 6P22C014765
	额定功率(kW) Rated Power(kW) 147

产品型号 ProductType:

SSR200C-8H

出厂编号 Number:

YZ1520CC2122

检验员 Inspector:

检 23

生产日期 Date of Production:

2022-08

