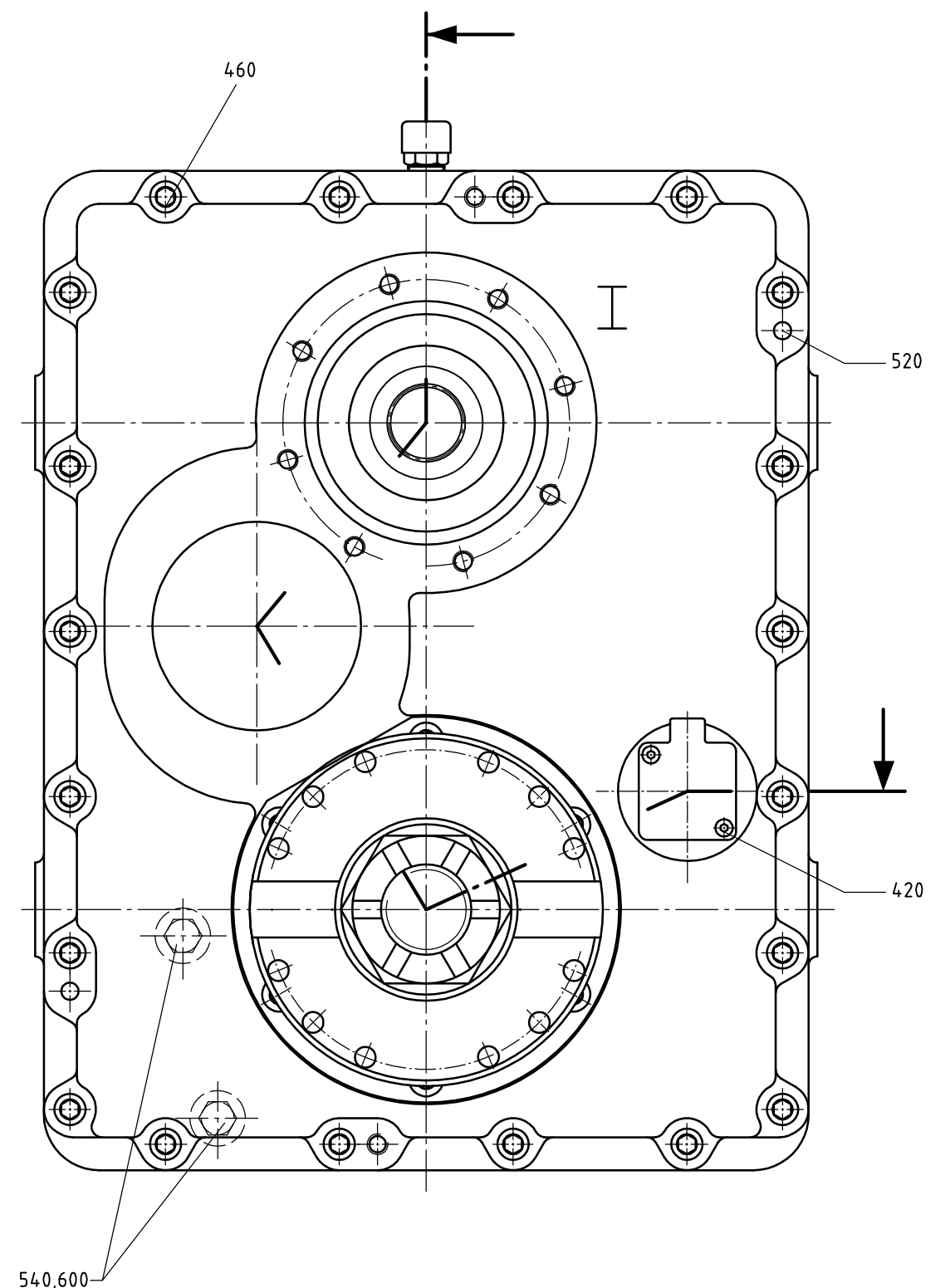
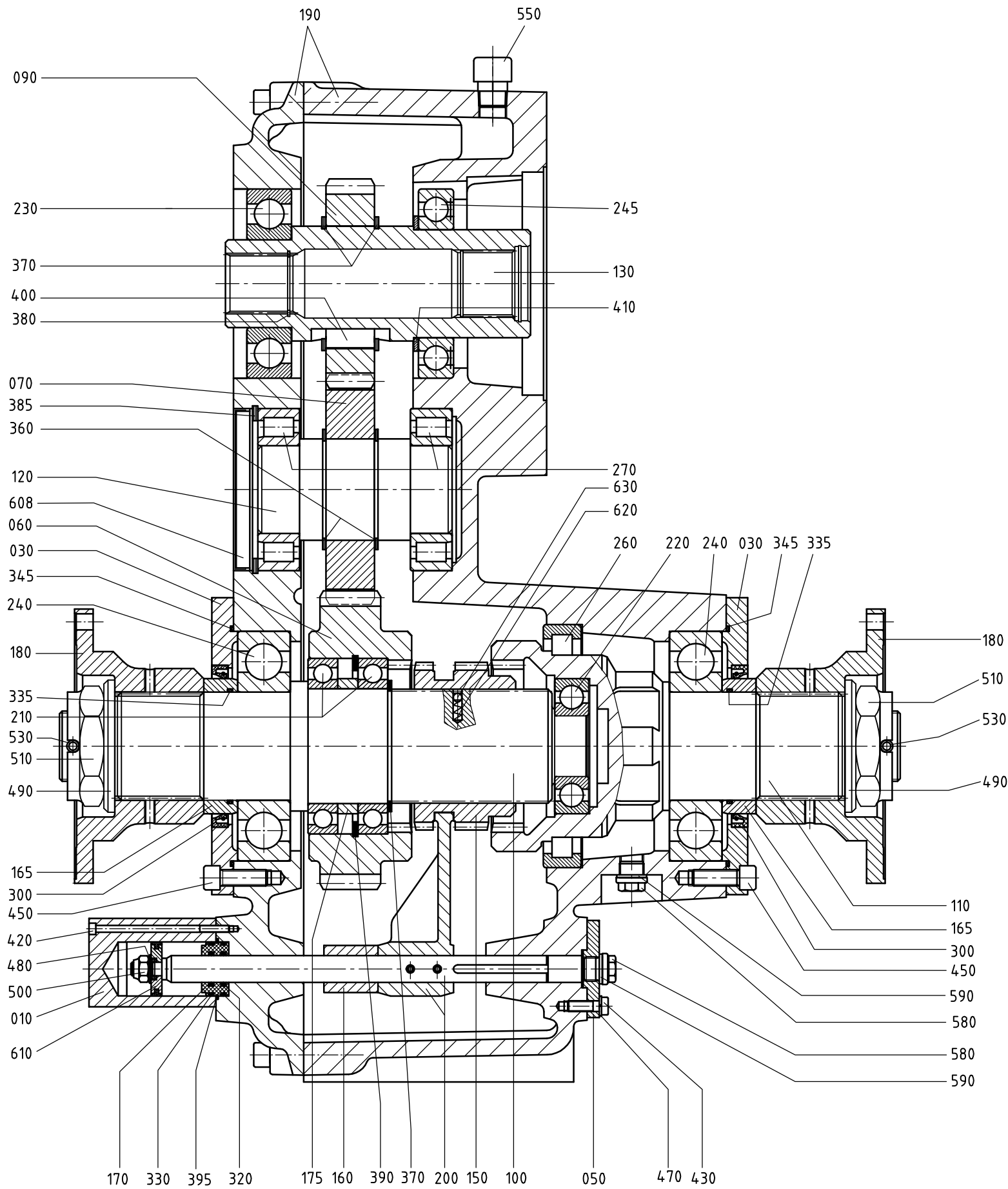


Spare part list



Artikel	gear box	Output-Ø mm	Ratio	Capacity kW	Torque Nm	Weight kg	Date	Sheet
47917	4496.16.09900		0,825			148,00	09.08.2008	1

Pos.	Quantity	Unit	Spare part number	Description	Dimension / DIN	Weight kg	Price/Unit EUR
10	1,000	STK	05686 4194 8 01-02	Change cylinder	70x56x94	0,560	
30	2,000	STK	07685 4323 1 01	Packing ring cap	D220/116x19	1,083	
50	1,000	STK	07687 4323 1 04	Cover	D72x12	0,270	
60	1,000	STK	47325 4496 3 19-03	Coupling cyl.gear	D212/114x76	9,000	
70	1,000	STK	46477 4496 3 12-01	Cylindrical gear	D167/75x36	4,160	
90	1,000	STK	47326 4496 3 20	Cylindrical gear	D177/85x36	3,000	
100	1,000	STK	61269 4496 4 03	Tooth shaft	D96x391	14,000	
110	1,000	STK	48328 4323 4 09-04	Coupling shaft	D156x303	13,765	
120	1,000	STK	42248 4496 4 02		D75x142	4,375	
130	1,000	STK	47324 4496 5 03-01	splin. hollow shaft	D85/41x226	5,190	
150	1,000	STK	48329 4323 6 05-05	Coupling	D124/79x75	2,400	
160	1,000	STK	07738 4323 6 03-02	Spacer	D35/20x40	0,200	
165	2,000	STK	08466 4400 6 01	sleeve	D100/80x25	0,524	
170	1,000	STK	44093 4496 6 01	Slide piece	D40/20x20	0,120	
175	1,000	STK	44094 4496 6 02	Spacer	D100/85x15	0,250	
180	2,000	STK	39591 4400 7 05	Flange	D203/74x97 SAE 1810 ; N80x3; d11,2 ; 2xM8	6,080	
190	1,000	STK	42250 4496 9 01-06	Box	575x450x378	50,400	
200	1,000	STK	48330 4323 9 04-02	kit shifting fork	309x195x124	2,210	
210	2,000	STK	00016 001.006017	Ball bearing	DIN625 6017 85x130x22	0,900	
220	1,000	STK	00062 001.006309	Ball bearing	DIN625 6309 45x100x25	0,840	
230	1,000	STK	00066 001.006313	Ball bearing	DIN625 6313 65x140x33	2,060	
240	2,000	STK	00069 001.006316	Ball bearing	DIN625 6316 80x170x39	3,560	
245	1,000	STK	00353 004.006216	Ball bearing	DIN625 6216RS 80x140x26	1,460	



Ohne unsere Genehmigung darf diese Zeichnung bzw. Abbildung weder vervielfältigt noch dritten Personen oder Konkurrenz-Firmen mitgeteilt werden. § 48 des Gesetz vom 1. Juni 1970 betr. Verstoß des Urheberrechtl. Entfernungs dieser Aufschrift wird nach § 71 StGB. verfolgt.
 STIEBEL-GETRIEBEBAU GmbH & Co. KG
 D-51545 Waldbröl/Industriest.12

ERSATZTEIL- ZEICHNUNG	Maßstab 1:2,5	Gez.	01.12.03	Meng.	STIEBEL-GETRIEBEBAU GMBH & CO. KG D-51545 Waldbröl/Industriest.12	
		Gepr.	05.12.03	Zeitel		
Verteilergetriebe					Ausgabe	05.12.03
					Z.-Nr. E 4496.16	

Spare part list



Artikel	gear box	Output-Ø mm	Ratio	Capacity kW	Torque Nm	Weight kg	Date	Sheet
47917	4496.16.09900		0,825			148,00	09.08.2008	2

Pos.	Quantity	Unit	Spare part number		Discription	Dimension / DIN		Weight kg	Price/Unit EUR
260	1,000	STK	01864	020.001024	Cylin.roll. bear.	DIN5412	RNU 1024 ML 135x180x28 o. IR.	1,820	
270	2,000	STK	40808	027.002213	Cylin.roll. bear.	DIN5412	NJ2213ECJ 65x120x31	1,480	
300	2,000	STK	03171	073.100120	Radial oil seal	DIN3760-FPM	A100x120x12	0,080	
320	2,000	STK	03220	077.020030	O-ring	DIN3770-NBR	20x3	0,001	
330	2,000	STK	03225	077.034030	O-ring	DIN3770-NBR	34x3	0,001	
335	2,000	STK	03250	077.080030	O-ring	DIN3770-NBR	80x3	0,001	
345	2,000	STK	03276	077.170030	O-ring	DIN3770-NBR	170x3	0,001	
360	2,000	STK	03418	090.075250	circlip	DIN471	A75x2,5	0,020	
370	3,000	STK	03420	090.085300	circlip	DIN471	A85x3	0,040	
380	1,000	STK	47915	091.041175	circlip	DIN472	J41x1,75	0,010	
385	1,000	STK	03471	091.120400	circlip	DIN472	J120x4	0,070	
390	1,000	STK	03473	091.130400	circlip	DIN472	J130x4	0,080	
395	1,000	STK	41697	100.040150	Snap Ring		SW40x1,5	0,020	
400	2,000	STK	42256	116.220036	Key	DIN6885	B22x14x36	0,080	
410	1,000	STK	03689	110.100035	Support Disk	DIN988	S80x100x3,5	0,070	
420	2,000	STK	04162	130.005100	Socketed head bolt	ISO4762-8.8	M5x100 gal.verz.	0,010	
430	2,000	STK	04172	130.008025	Socketed head bolt	ISO4762-8.8	M8x25 gal.verz.	0,015	
450	12,000	STK	04199	130.012035	Socketed head bolt	ISO4762-8.8	M12x35 gal.verz.	0,040	
460	20,000	STK	04202	130.012050	Socketed head bolt	ISO4762-8.8	M12x50 gal.verz.	0,020	
470	2,000	STK	04517	210.000008	Shim	DIN127	A8 gal.verz.	0,010	
480	1,000	STK	04536	215.000105	Disk	ISO7089-ST	B10,5 gal.verz.	0,010	
490	2,000	STK	04544	215.000540	Disk	ISO7089-ST	B54 gal.verz.	0,200	
500	1,000	STK	04640	251.000010	Hexagon nut	DIN985-8	M10 gal.verz.	0,010	

Spare part list



Artikel	gear box	Output-Ø mm	Ratio	Capacity kW	Torque Nm	Weight kg	Date	Sheet
47917	4496.16.09900		0,825			148,00	09.08.2008	3

Pos.	Quantity	Unit	Spare part number	Description	Dimension / DIN	Weight kg	Price/Unit EUR
510	2,000	STK	04648 256.052300	Castle Nut	DIN937-17H M52x3 gal.verz.	0,320	
520	2,000	STK	04735 280.010050	Pin	ISO2338 10m6x50	0,010	
530	2,000	STK	04849 290.008080	Spring pin	ISO8752 8x80	0,010	
540	2,000	STK	04941 301.209014	Hexagon head plug	DIN910-5.8 R1/2" gal.verz.	0,040	
550	1,000	STK	46628 324.209000	Vent filter	R1/2"K 1028-14-00	0,060	
580	2,000	STK	04978 303.181509	Hexagon head plug	DIN7604-5.8 AM18x1,5 gal.verz.	0,004	
590	2,000	STK	05295 400.182215	Sealing ring	DIN7603-Cu A18x22x2	0,001	
600	2,000	STK	05296 400.212615	Sealing ring	DIN7603-Cu A21x26x2	0,001	
605	2,000	STK	05376 415.092045	Screw plug	14x9,2x4,5 GPN300F4	0,000	
608	1,000	STK	08454 440.120120	Cover	120x12 VK120 NBR STEFA	0,020	
610	1,000	STK	08697 450.040010	piston complete	40x10x8 PNEUKO 40	0,020	
620	3,000	STK	14169 530.005002	Spring	1x5DMx22x6IF	0,001	
630	3,000	STK	20587 540.000635	Ball	6,35 (1/4") Stahl	0,001	
670	7,300	L	24578 798.000001 NE	Gear oil	DIN51517 CLP220	1,000	