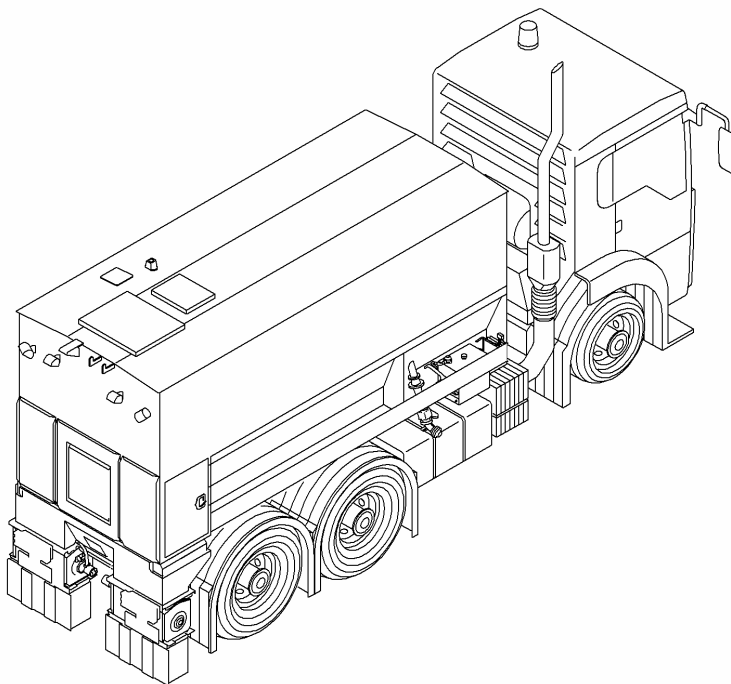




SPARE PART LIST

Ident-Nr.: S015420

SW 16 MC – three-axel-truck



Streu master
Maschinenbau GmbH

Handwerkstraße 1
D-84546 Egglkofen
Tel. : +49 (0) 8639.608-0
Fax: +49 (0) 8639.608-51
E-Mail: info@streumaster.com
Internet: www.streumaster.com



INDEX OF CONTENTS
SW 16 MC

00_OVER VIEW

01_CONTAINER

02_FILLING DEVICE

03_CONTAINER VENTING

04_GATE VALVE

05_CONVEYOR CHAIN

06_FILLING SHAFT

07_SPREADING SYSTEM

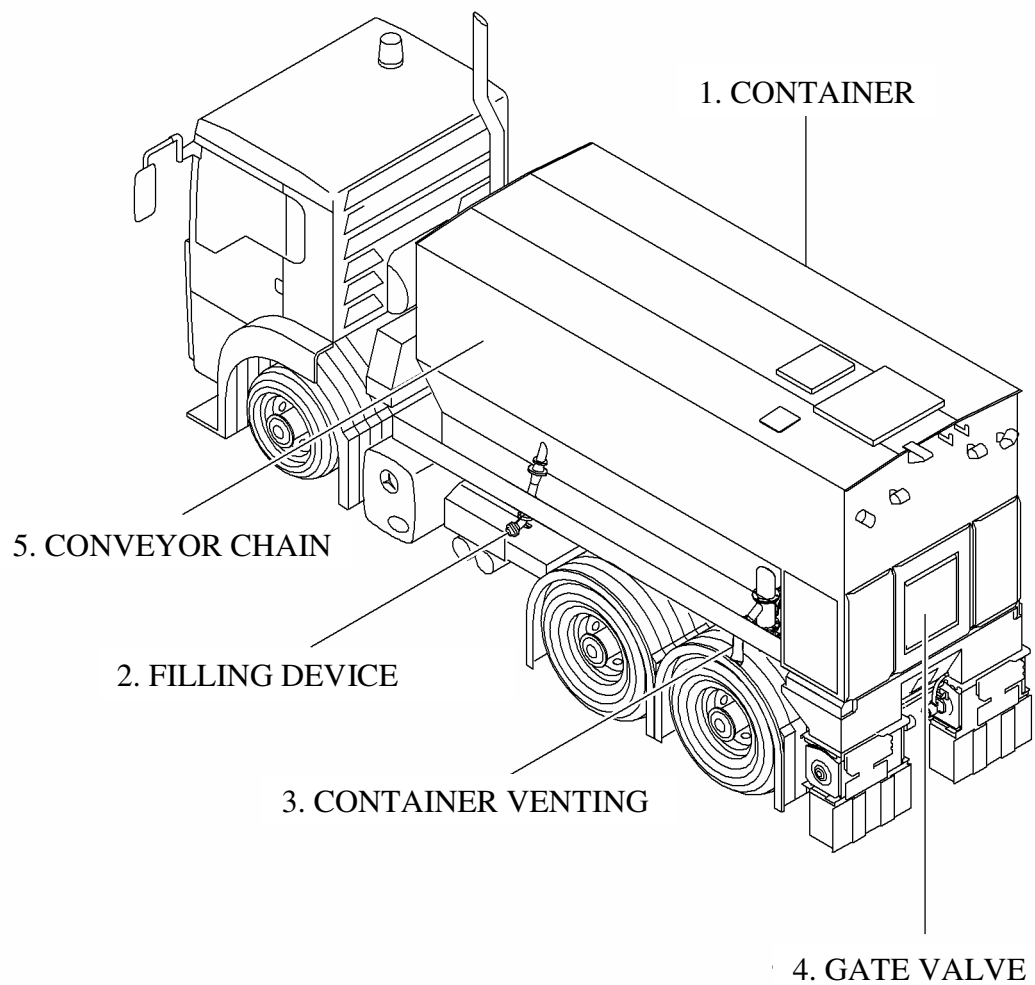
08_HYDRAULIC SUPPLY

09_HYDRAULIC VALVES

10_ELECTRICAL SYSTEM

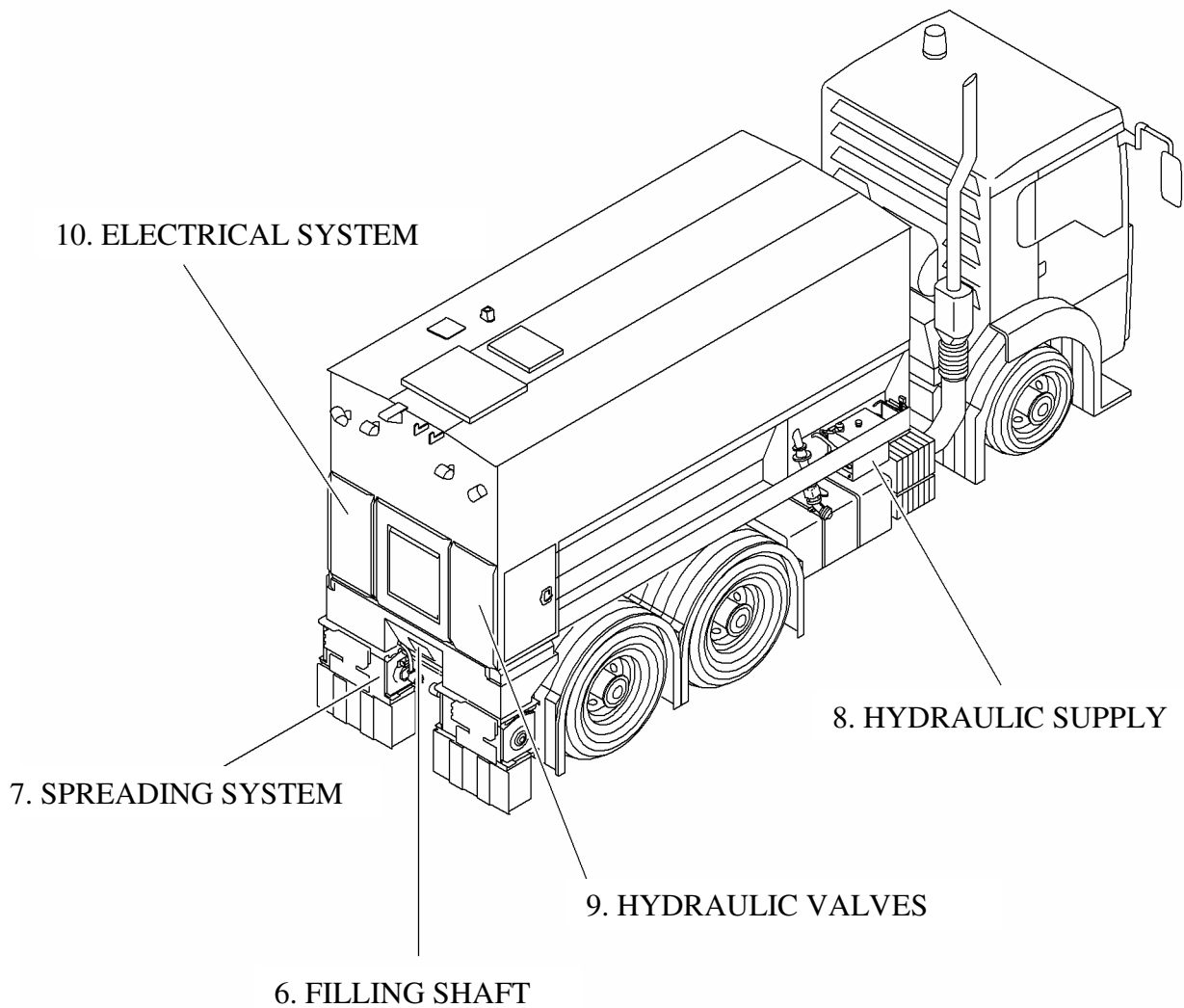
Spare parts list

00_Overview - Spreader „SW 16 MC“ on a three axle truck

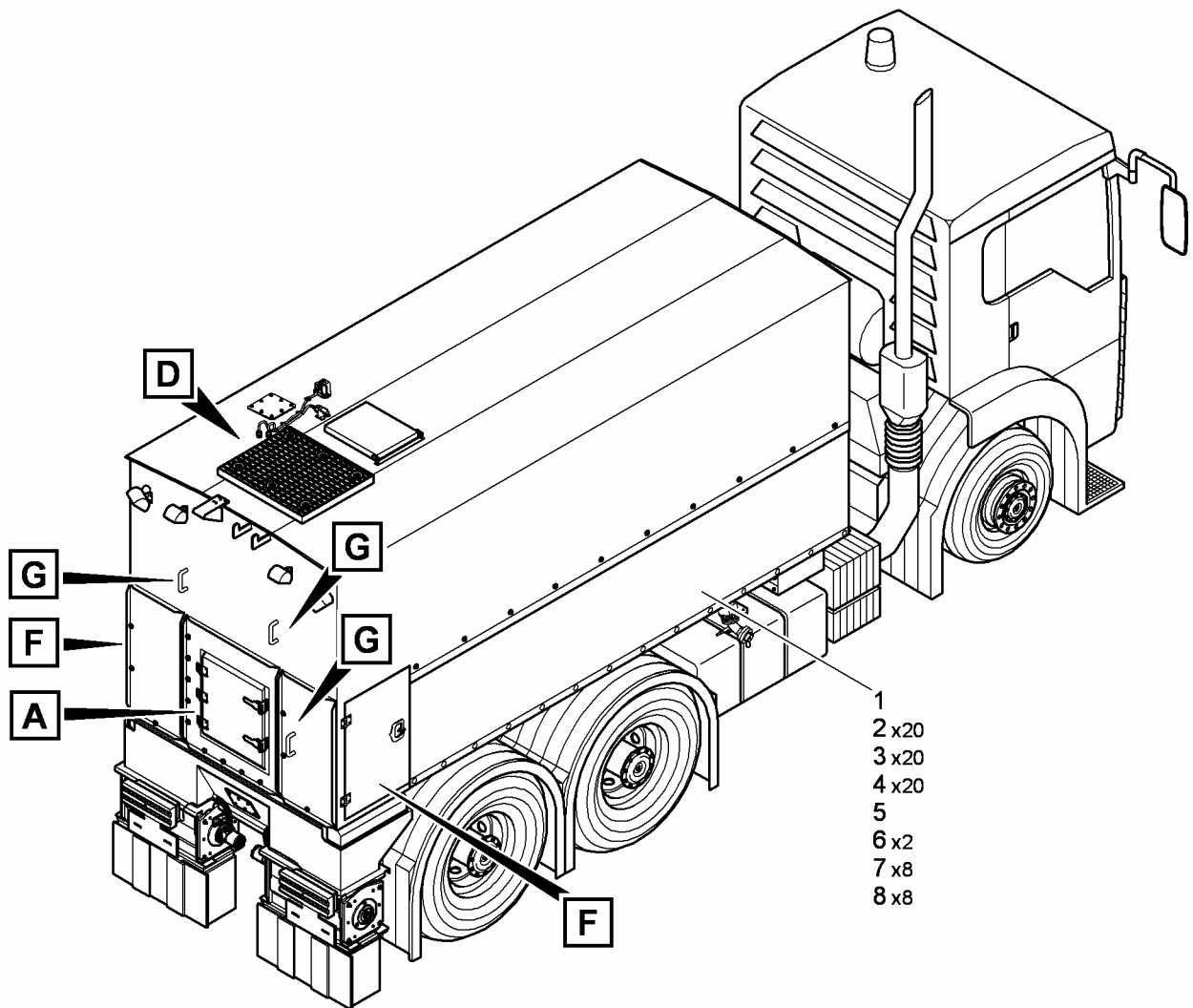


Spare parts list

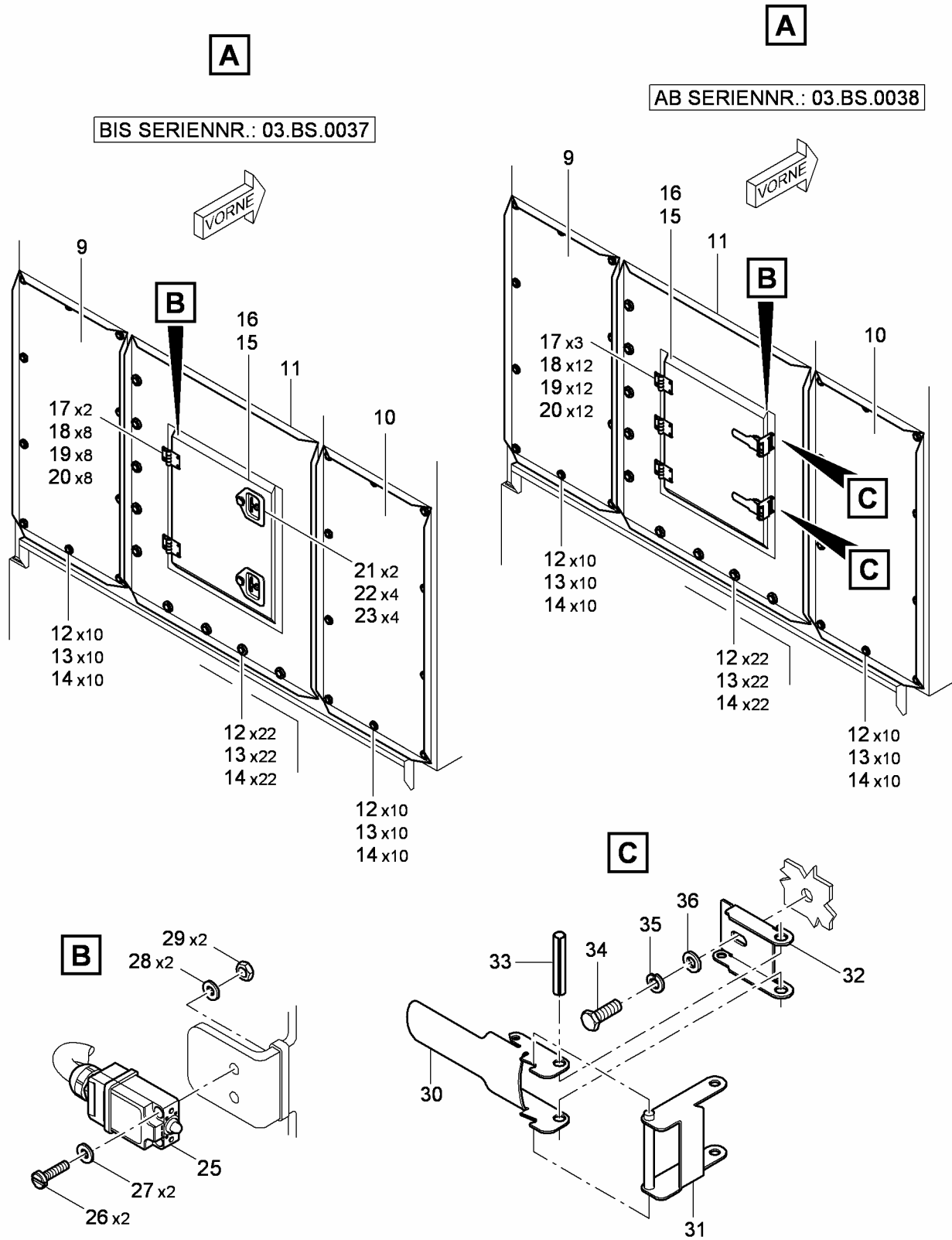
00_Overview - Spreader „SW 16 MC“ on a three axle truck



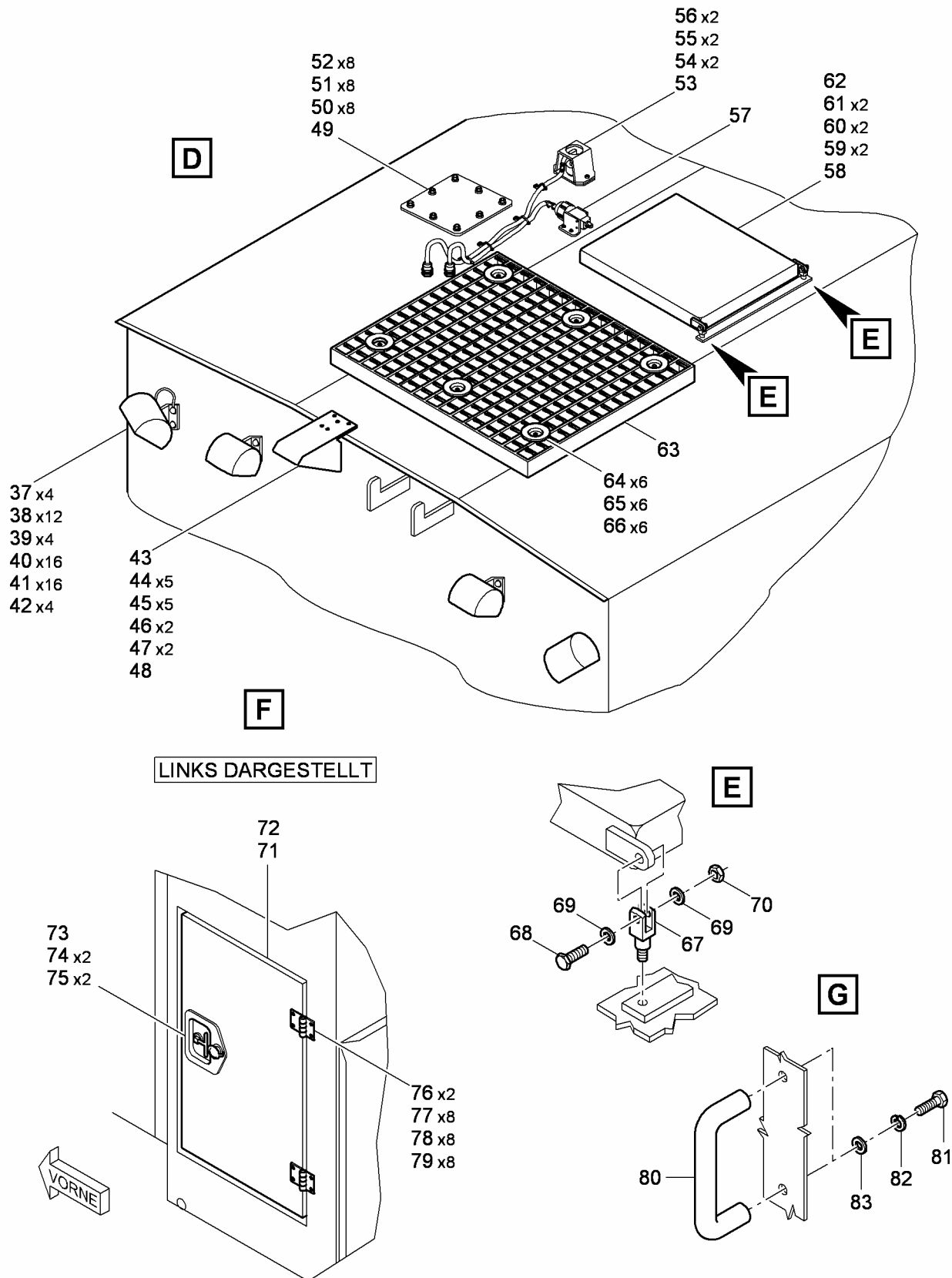
Sparepartlist
01_Container



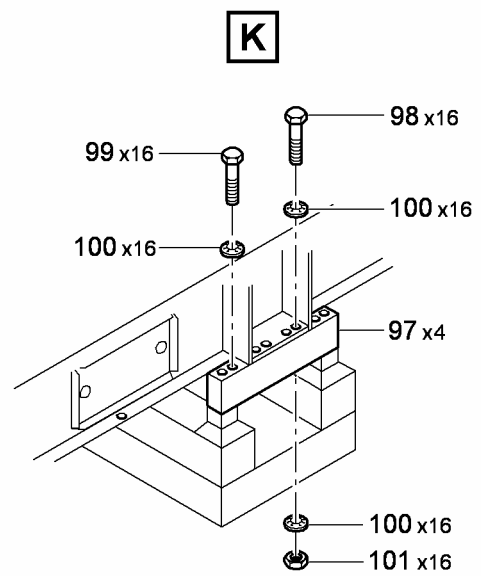
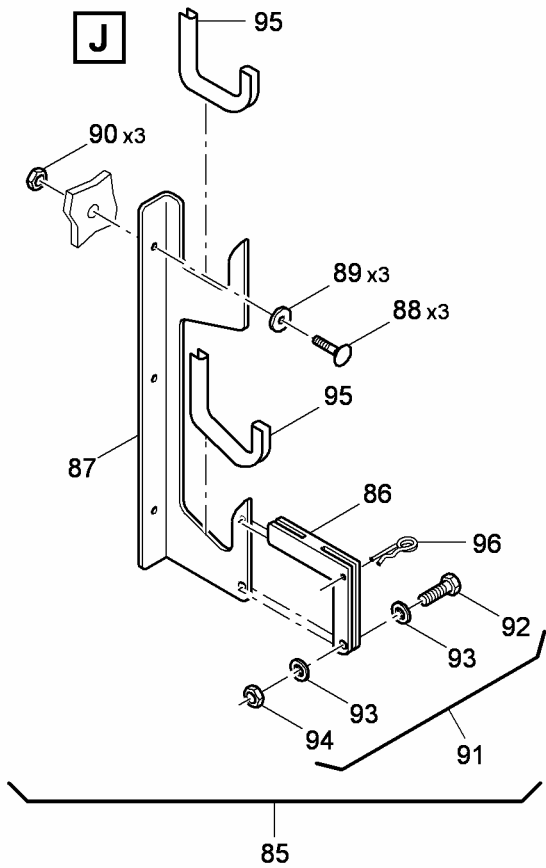
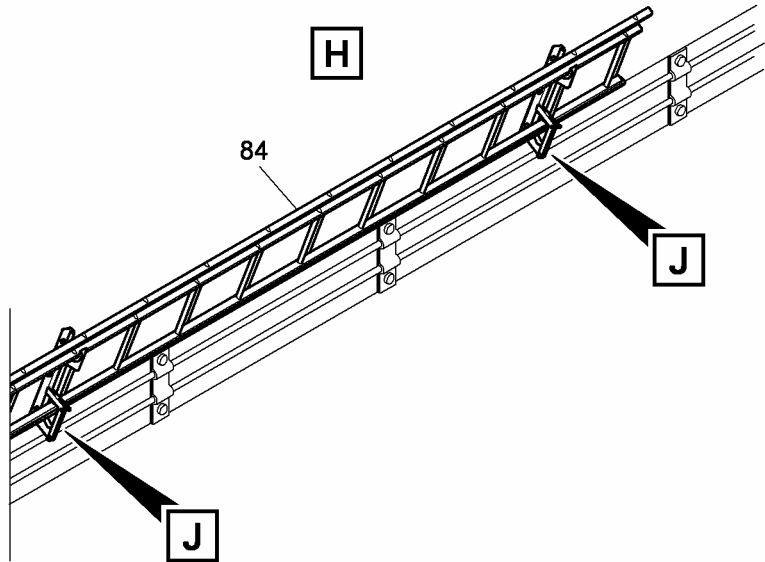
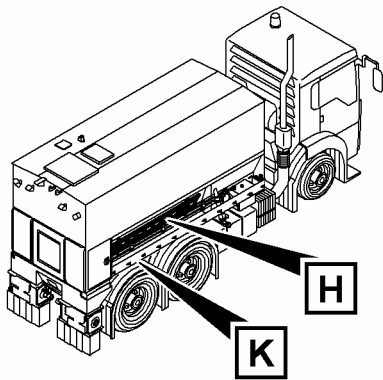
Sparepartlist
01_Container



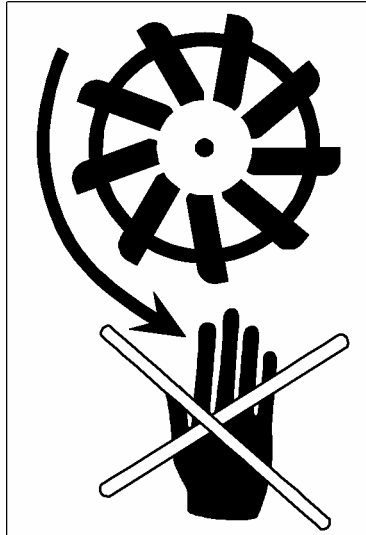
Sparepartlist
01_Container



Sparepartlist
01_Container



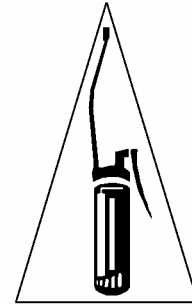
Sparepartlist
01_Container



Hydrauliköl

hydraulic-oil

max.
1 bar 




102

103



104



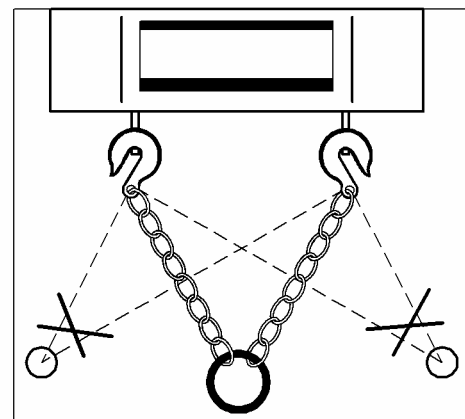
Nur bei Stillstand öffnen.

Open only by deadlock.

Ne pas ouvrir avant l'arrêt complet de la machine.

Aprire solo a motore spento.

105



**Sparepartlist**

01_Container

Pos.	Ident-Nr.	Designation	Quantity	
1	S015509	Tarpaulin curtain	1	Set
2	S012632	HEXAGON SCREW	20	Piece(s)
3	S012771	WASHER	20	Piece(s)
4	S012748	SPRING RING	20	Piece(s)
5	S015511	GUIDE RAIL	1	Set
6	S010810	GUIDE RAIL HOLDER	2	Piece(s)
7	S012496	SCREW	8	Piece(s)
8	S012771	WASHER	8	Piece(s)
9	S015514	SCREW LID	1	Piece(s)
10	S015513	SCREW LID	1	Piece(s)
11	S015516	SCREW LID	1	Piece(s)
11	S015519	SCREW LID	1	Piece(s)
12	S012508	HEXAGON SCREW	42	Piece(s)
13	S012771	WASHER	42	Piece(s)
14	S012748	SPRING RING	42	Piece(s)
15	S015505	Back door (up to SN 03.BS.0037)	1	Piece(s)
15	S015520	Back door (from SN 03.BS.0038)	1	Piece(s)
16	S014396	SEALING PROFILE	1	Piece(s)
17	S014375	HINGE	3	Piece(s)
18	S012687	COUNTERSUNK SCREW	12	Piece(s)
19	S012770	WASHER	12	Piece(s)
20	S012724	NUT	12	Piece(s)
21	S014373	LOCK	2	Piece(s)
22	S012724	NUT	4	Piece(s)
23	S012784	WASHER	4	Piece(s)
24	S012030	WASHER	1	Piece(s)
25	S012028	LIMIT SENSOR	1	Piece(s)
26	S012854	CHEESE-HEAD SCREW	2	Piece(s)
27	S012783	WASHER	2	Piece(s)
28	S012760	SPRING RING	2	Piece(s)
29	S012721	NUT	2	Piece(s)

**Sparepartlist**

01_Container

Pos.	Ident-Nr.	Designation	Quantity	
30	S014365	LOCK	2	Piece(s)
31	S010077	LOCK	2	Piece(s)
32	S010075	LOCK	2	Piece(s)
33	S012908	TENSIONER PIN	2	Piece(s)
34	S012508	HEXAGON SCREW	2	Piece(s)
35	S012748	SPRING RING	2	Piece(s)
36	S012771	WASHER	2	Piece(s)
37	S011844	WORKING LIGHT	4	Piece(s)
38	S012496	SCREW	12	Piece(s)
39	S012810	HEXAGON SCREW	4	Piece(s)
40	S012770	WASHER	16	Piece(s)
41	S012724	NUT	16	Piece(s)
42	S012147	LAMP	4	Piece(s)
43	S012278	COLOUR CAMERA	1	Piece(s)
44	S012949	SELF-TAPPING SCREW	5	Piece(s)
45	S012783	WASHER	5	Piece(s)
46	S012735	NUT	2	Piece(s)
47	S014394	EDGE GUARD	2	Piece(s)
48	S010824	CAMERA BRACKET	1	Piece(s)
49	S014821	BREATHER	1	Piece(s)
50	S012910	SHEET METAL SCREW	8	Piece(s)
51	S012771	WASHER	8	Piece(s)
52	S012748	SPRING RING	8	Piece(s)
53	S012016	CABLE BOX	1	Piece(s)
54	S012509	SCREW	2	Piece(s)
55	S012748	SPRING RING	2	Piece(s)
56	S012771	WASHER	2	Piece(s)
57	S012024	LIMIT SENSOR	1	Piece(s)
58	S015510	MANHOLE COVER	1	Piece(s)
59	S012746	CAP NUT	2	Piece(s)
60	S012750	SPRING RING	2	Piece(s)

**Sparepartlist**

01_Container

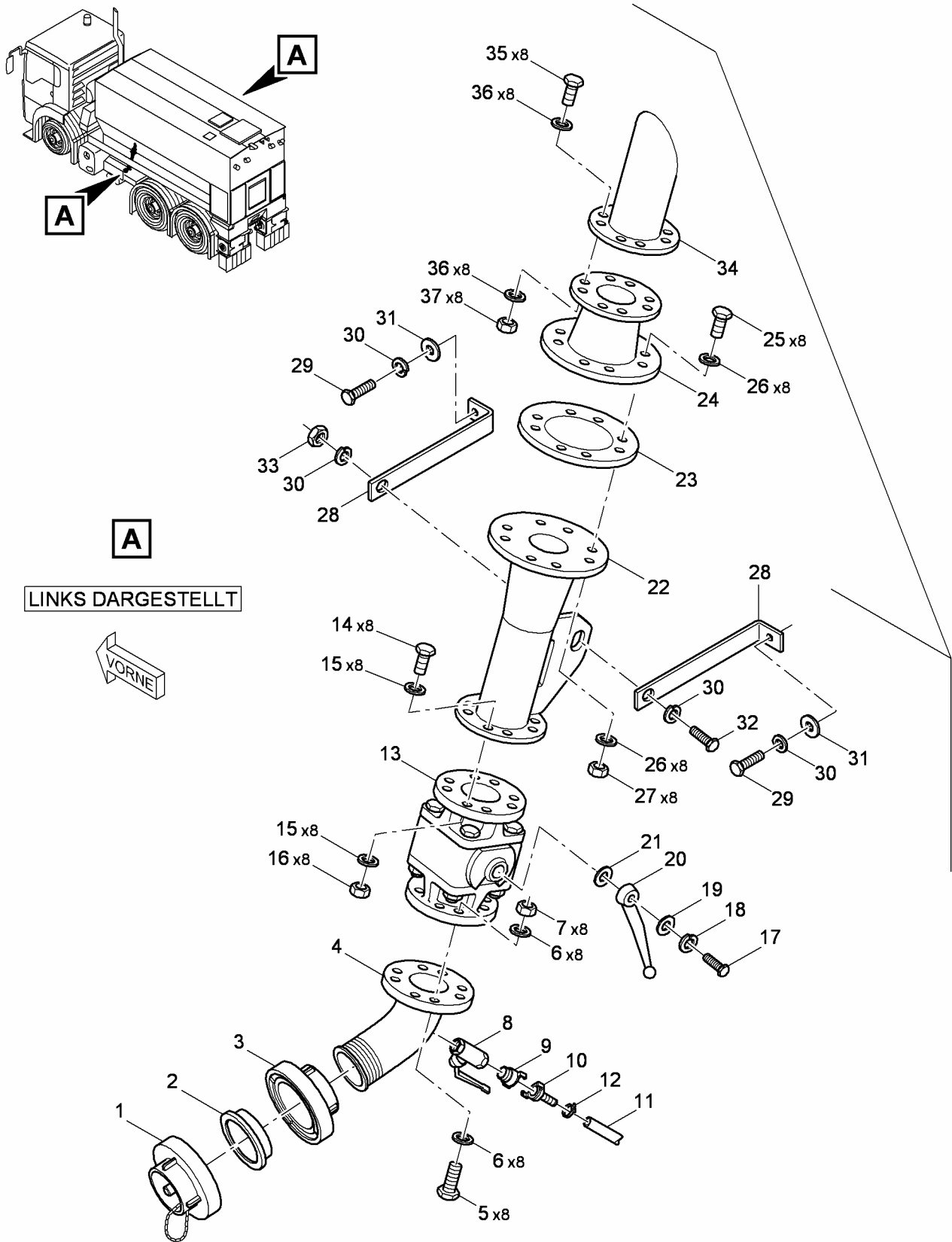
Pos.	Ident-Nr.	Designation	Quantity	
61	S012773	WASHER	2	Piece(s)
62	S014396	SEALING PROFILE	1	Piece(s)
63	S015497	GRATING	1	Piece(s)
64	S015499	DISC UPPER PART	6	Piece(s)
65	S012512	HEXAGON SCREW	6	Piece(s)
66	S012748	SPRING RING	6	Piece(s)
67	S014588	FORK HEAD	2	Piece(s)
68	S010010	HEXAGON SCREW	2	Piece(s)
69	S012773	WASHER	4	Piece(s)
70	S012727	NUT	2	Piece(s)
71	S015506	SIDE DOOR RIGHT/LEFT	2	Piece(s)
72	S014397	SEALING PROFILE	2	Piece(s)
73	S014373	LOCK	2	Piece(s)
74	S012724	NUT	4	Piece(s)
75	S012771	WASHER	4	Piece(s)
76	S014375	HINGE	4	Piece(s)
77	S012687	COUNTERSUNK SCREW	16	Piece(s)
78	S012770	WASHER	16	Piece(s)
79	S012724	NUT	16	Piece(s)
80	S014368	ALUMINIUM HANDLE	3	Piece(s)
81	S012509	SCREW	6	Piece(s)
82	S012748	SPRING RING	6	Piece(s)
83	S012771	WASHER	6	Piece(s)
84	S010227	EXTENSION LADDER	1	Piece(s)
85	S010333	MOUNTING DEVICE	2	Piece(s)
86	S010332	LOCK	2	Piece(s)
87	S010334	MOUNTING DEVICE	2	Piece(s)
88	S012942	CARRIAGE BOLT	6	Piece(s)
89	S012785	WASHER	6	Piece(s)
90	S012725	NUT	6	Piece(s)
91	S010336	FASTENING SCREW	2	Piece(s)

**Sparepartlist**

01_Container

Pos.	Ident-Nr.	Designation	Quantity	
92	S012660	HEXAGON SCREW	2	Piece(s)
93	S012771	WASHER	4	Piece(s)
94	S012725	NUT	2	Piece(s)
95	S015945	EDGE PROTECTION	4	Piece(s)
96	S014587	SPRING PIN	2	Piece(s)
97	S012370	LOADING CELL DUMMY	4	Piece(s)
98	S012668	HEXAGON SCREW	16	Piece(s)
99	S012664	HEXAGON SCREW	16	Piece(s)
100	S012871	DETENT EDGED DISK	48	Piece(s)
101	S012736	NUT	16	Piece(s)
102	S015373	STICKER SET	1	Set
103	S010481	STICKER	1	Set
104	S015322	STICKER	2	Piece(s)
105	S015355	STICKER	1	Piece(s)

Sparepartlist
02_Filling device



**Sparepartlist**

02_Filling device

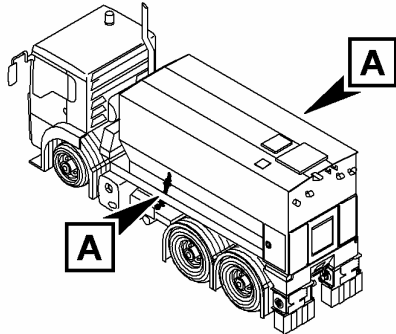
Pos.	Ident-Nr.	Designation	Quantity	
1	S013074	COUPLING	2	Piece(s)
2	S013104	SEAL	2	Piece(s)
3	S013075	COUPLING	2	Piece(s)
4	S013096	CONNECTION NOZZLE	2	Piece(s)
5	S012532	HEXAGON SCREW	16	Piece(s)
6	S012772	WASHER	32	Piece(s)
7	S012726	NUT	16	Piece(s)
8	S013867	BALL-CLOSURE COCK	2	Piece(s)
9	S015494	GEKA EXTERNAL THREAD PIECE	2	Piece(s)
10	S015493	HOSE COUPLING	2	Piece(s)
11	S015942	FLEXIBLE TUBING	2	Piece(s)
12	S013112	HOSE CLIP	2	Piece(s)
13	S013866	FLANGED BALL VALVE	2	Piece(s)
14	S012534	HEXAGON SCREW	16	Piece(s)
15	S012772	WASHER	32	Piece(s)
16	S012726	NUT	16	Piece(s)
17	S012530	HEXAGON SCREW	2	Piece(s)
18	S012749	SPRING RING	2	Piece(s)
19	S012786	WASHER	2	Piece(s)
20	S013071	OPERATING LEVER	2	Piece(s)
21	S012787	WASHER	2	Piece(s)
22	S013099	FILLING TUBE	2	Piece(s)
23	S010172	STONE FILTER	2	Piece(s)
24	S013100	FILLING TUBE	2	Piece(s)
25	S012512	HEXAGON SCREW	16	Piece(s)
26	S012771	WASHER	32	Piece(s)
27	S012725	NUT	16	Piece(s)
28	S014811	BRACING, LEFT SIDE	4	Piece(s)
29	S012532	HEXAGON SCREW	4	Piece(s)
30	S012749	SPRING RING	8	Piece(s)
31	S012786	WASHER	4	Piece(s)

**Sparepartlist**

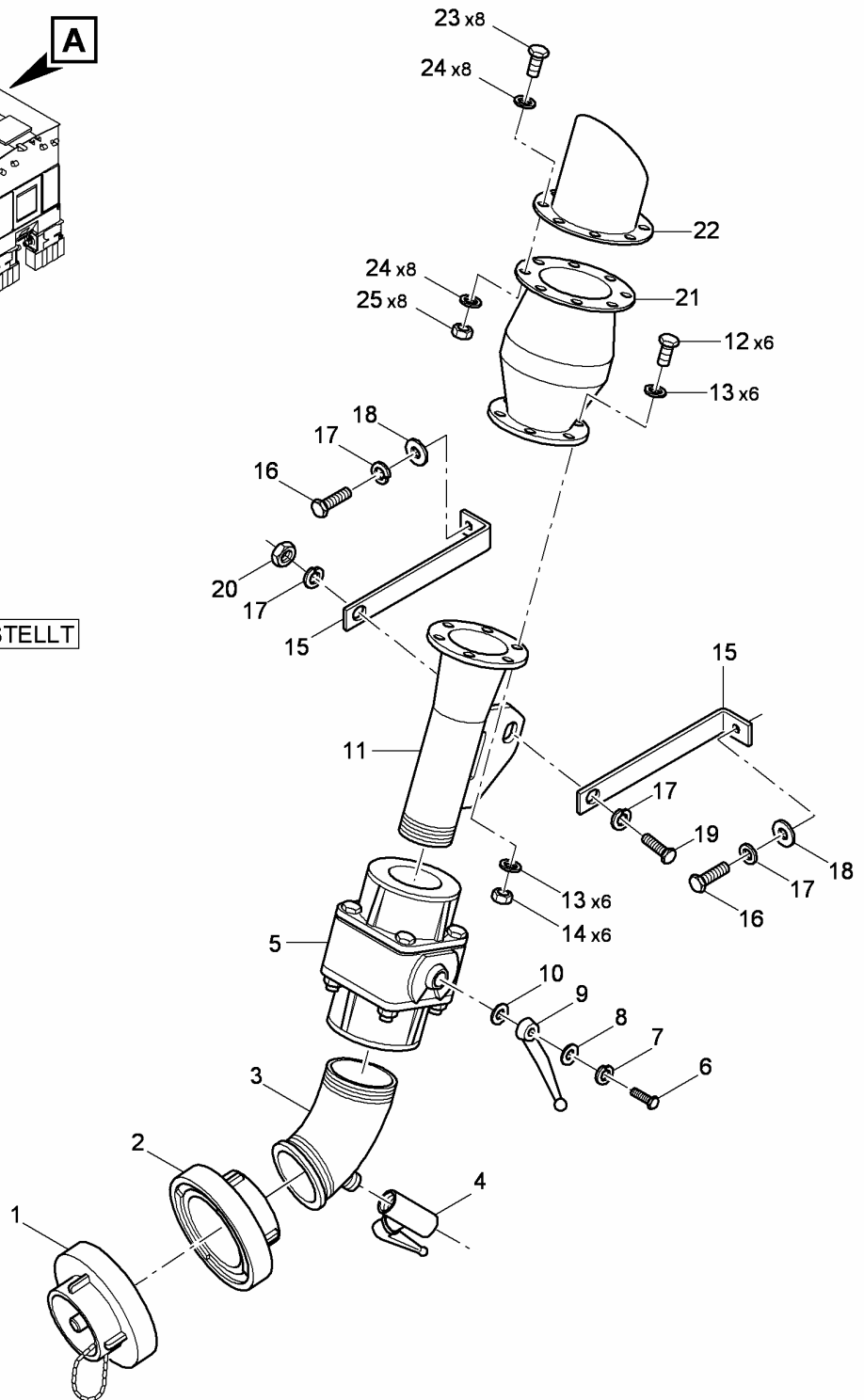
02_Filling device

Position	Ident-Nr.	Benennung		Menge
32	S012530	HEXAGON SCREW	2	Piece(s)
33	S012726	NUT	2	Piece(s)
34	S013088	INJECTION LANCE	2	Piece(s)
35	S012512	HEXAGON SCREW	16	Piece(s)
36	S012771	WASHER	32	Piece(s)
37	S012725	NUT	16	Piece(s)

Sparepartlist
02_FILLING DEVICE (WITH THREAD)



A
LINKS DARGESTELLT

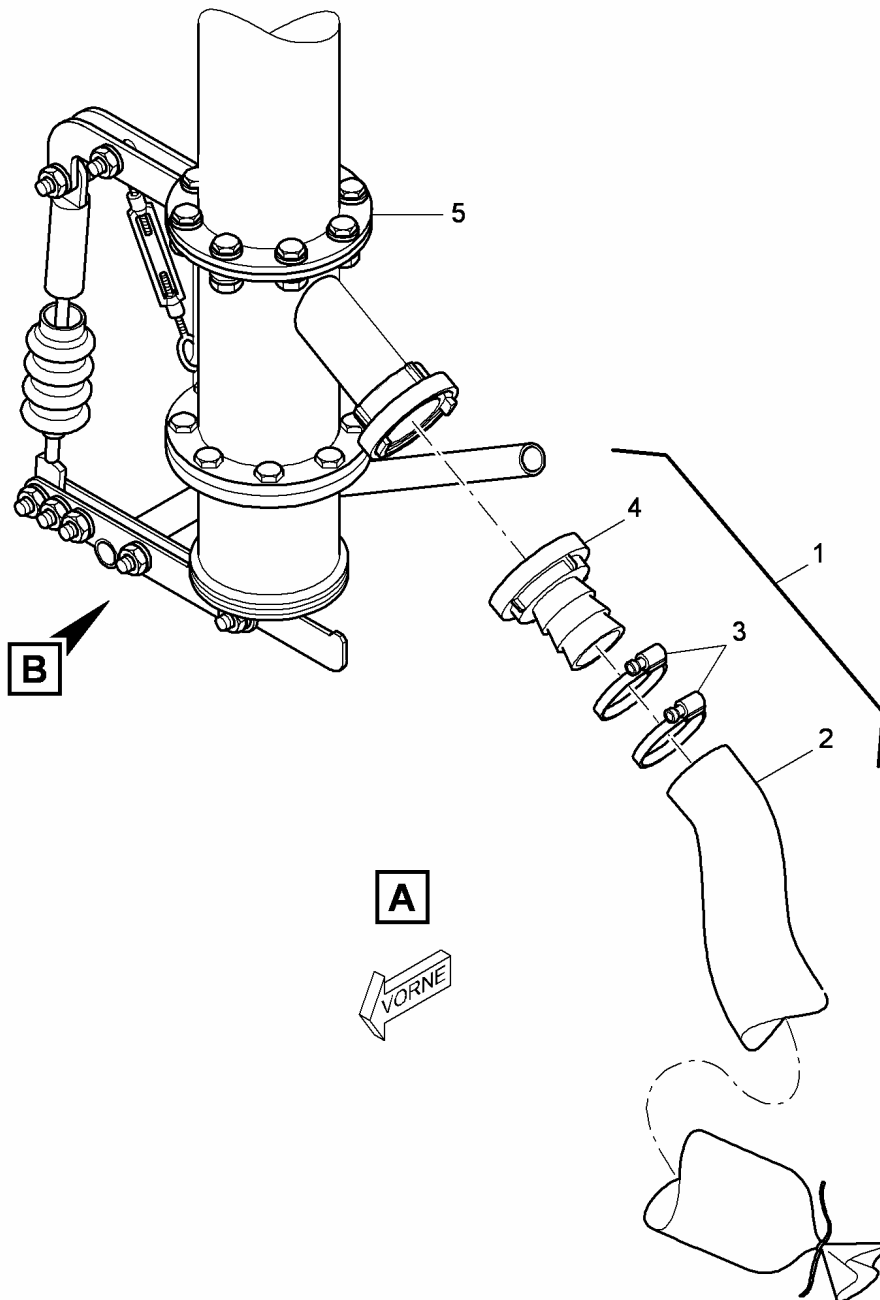
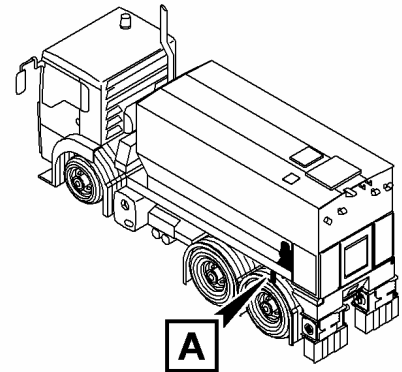


**Sparepartlist**

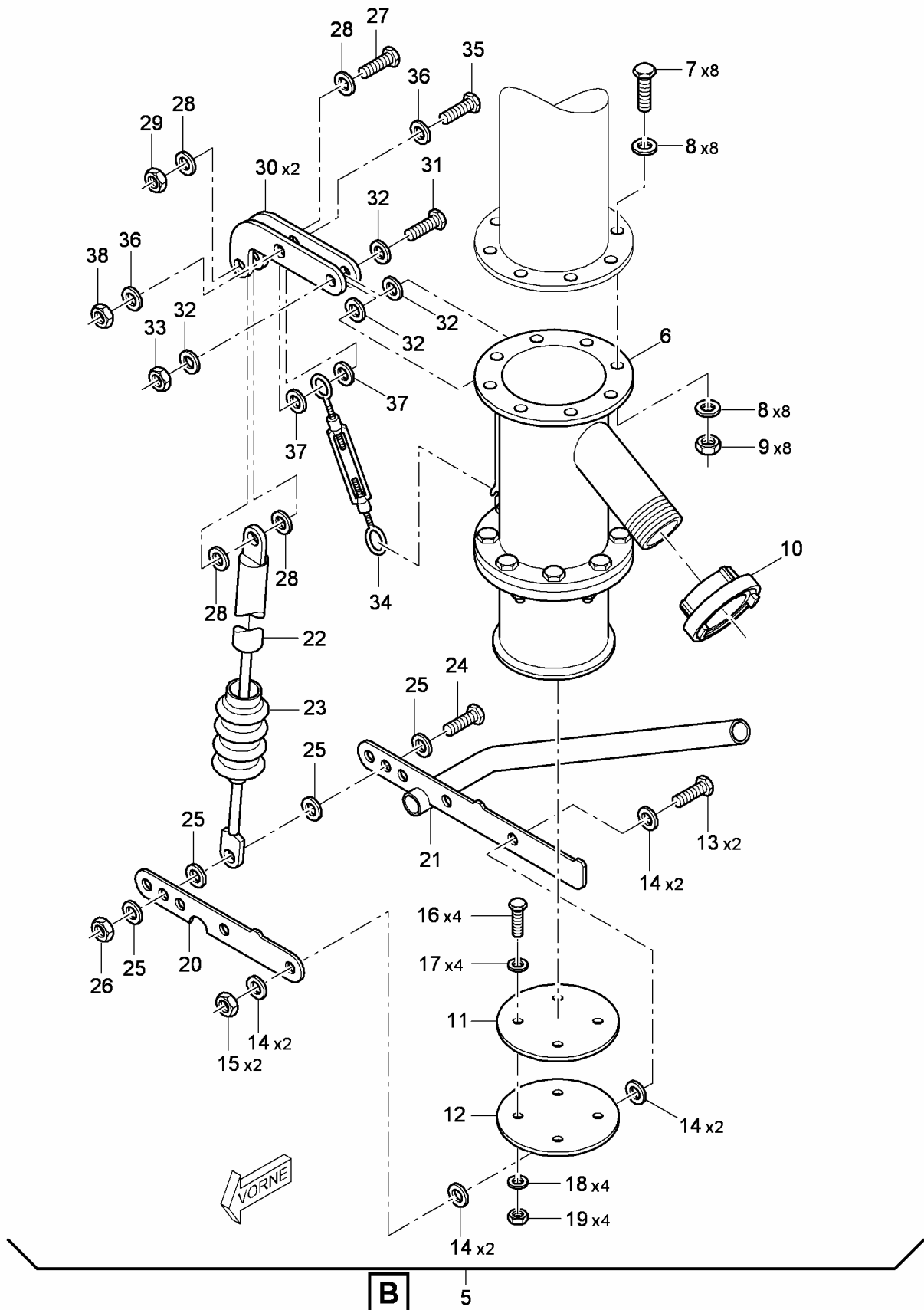
02_FILLING DEVICE (WITH THREAD)

Pos.	Ident-Nr.	Designation	Quantity	
1	S013074	COUPLING	2	Piece(s)
2	S013075	COUPLING	2	Piece(s)
3	S013089	INJECTION LANCE	2	Piece(s)
4	S013073	BALL-CLOSURE COCK	2	Piece(s)
5	S013072	BALL-CLOSURE COCK	2	Piece(s)
6	S012530	HEXAGON SCREW	2	Piece(s)
7	S012749	SPRING RING	2	Piece(s)
8	S012786	WASHER	2	Piece(s)
9	S013071	OPERATING LEVER	2	Piece(s)
10	S012787	WASHER	2	Piece(s)
11	S013090	INJECTION LANCE	2	Piece(s)
12	S012510	SCREW	12	Piece(s)
13	S012771	WASHER	24	Piece(s)
14	S012725	NUT	12	Piece(s)
15	S014811	BRACING, LEFT SIDE	4	Piece(s)
16	S012532	HEXAGON SCREW	4	Piece(s)
17	S012749	SPRING RING	8	Piece(s)
18	S012786	WASHER	4	Piece(s)
19	S012530	HEXAGON SCREW	2	Piece(s)
20	S012726	NUT	2	Piece(s)
21	S013085	STONE FILTER	2	Piece(s)
22	S013088	INJECTION LANCE	2	Piece(s)
23	S012512	HEXAGON SCREW	16	Piece(s)
24	S012771	WASHER	32	Piece(s)
25	S012725	NUT	16	Piece(s)

Sparepartlist
03_VENTING WITH FILTER



Sparepartlist
03_VENTING WITH FILTER



**Sparepartlist**

03_VENTING WITH FILTER

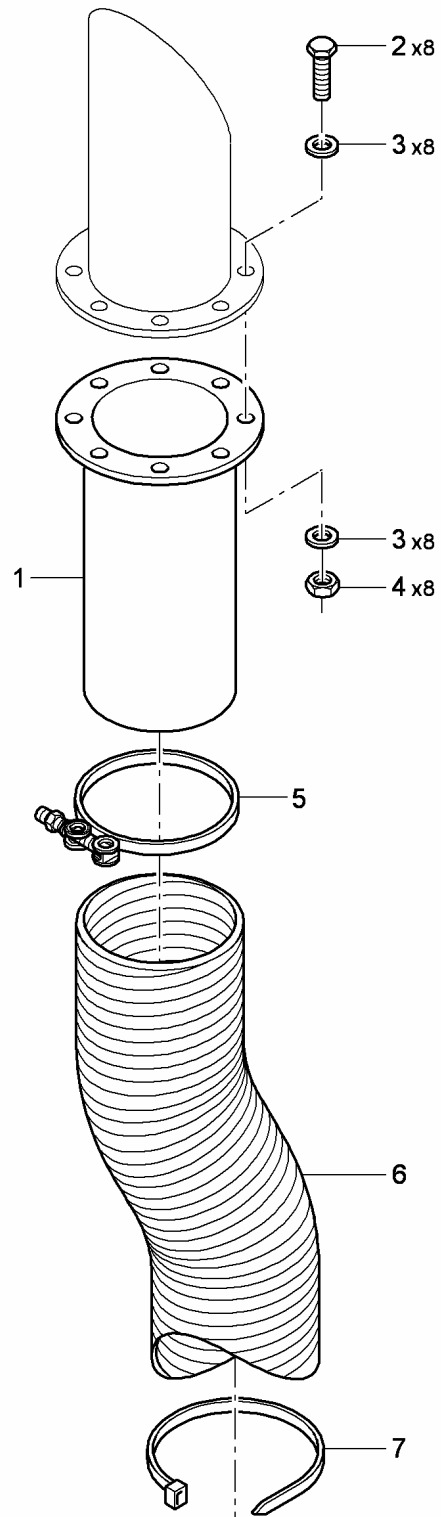
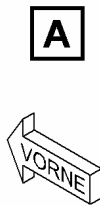
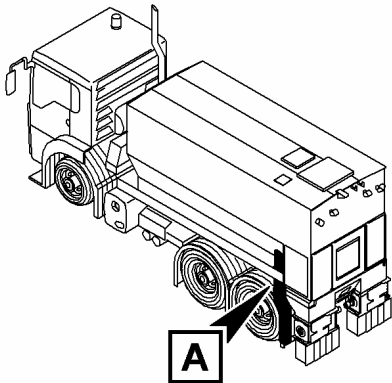
Pos.	Ident-Nr.	Designation	Quantity	
1	S010275	VENTILATION HOSE 3", 5 METER WITH HOSE COUPLING	1	Piece(s)
2	S013094	VENTILATION HOSE 3", 5 METER WITHOUT HOSE COUPLING	1	Piece(s)
3	S014353	HOSE CLAMP	8	Piece(s)
4	S013093	HOSE COUPLING	16	Piece(s)
5	S015943	VENTILATION	8	Piece(s)
6	S010716	VENTILATION FILTER CONNECTION	1	Piece(s)
7	S012509	SCREW	1	Piece(s)
8	S012771	WASHER	1	Piece(s)
9	S012725	NUT	2	Piece(s)
10	S013075	COUPLING	1	Piece(s)
11	S013081	RUBBER SEAL	1	Piece(s)
12	S010718	VENTILATION DAMPER	1	Piece(s)
13	S012513	HEXAGON SCREW	2	Piece(s)
14	S012771	WASHER	8	Piece(s)
15	S012725	NUT	2	Piece(s)
16	S012509	SCREW	4	Piece(s)
17	S012785	WASHER	4	Piece(s)
18	S012771	WASHER	4	Piece(s)
19	S012725	NUT	4	Piece(s)
20	S010720	BEARING STEEL FOR VENTILATION FLAP	1	Piece(s)
21	S010717	CONTROL LEVER	1	Piece(s)
22	S014392	GAS SPRING	1	Piece(s)
23	S010816	BELLOWS	1	Piece(s)
24	S012513	HEXAGON SCREW	1	Piece(s)
25	S012785	WASHER	4	Piece(s)
26	S012725	NUT	1	Piece(s)
27	S012514	SCREW	1	Piece(s)
28	S012771	WASHER	4	Piece(s)
29	S012725	NUT	1	Piece(s)
30	S015969	BUFFER FASTENER TOP	2	Piece(s)
31	S012512	HEXAGON SCREW	1	Piece(s)

**Sparepartlist**

03_VENTING WITH FILTER

Pos.	Ident-Nr.	Designation	Quantity	
32	S012496	SCREW	4	Piece(s)
33	S012725	NUT	1	Piece(s)
34	S012947	TURNBUCKLE	1	Piece(s)
35	S012512	HEXAGON SCREW	1	Piece(s)
36	S012785	WASHER	2	Piece(s)
37	S012771	WASHER	2	Piece(s)
38	S012725	NUT	1	Piece(s)

Sparepartlist
03_VENTING (WITHOUT FILTER)

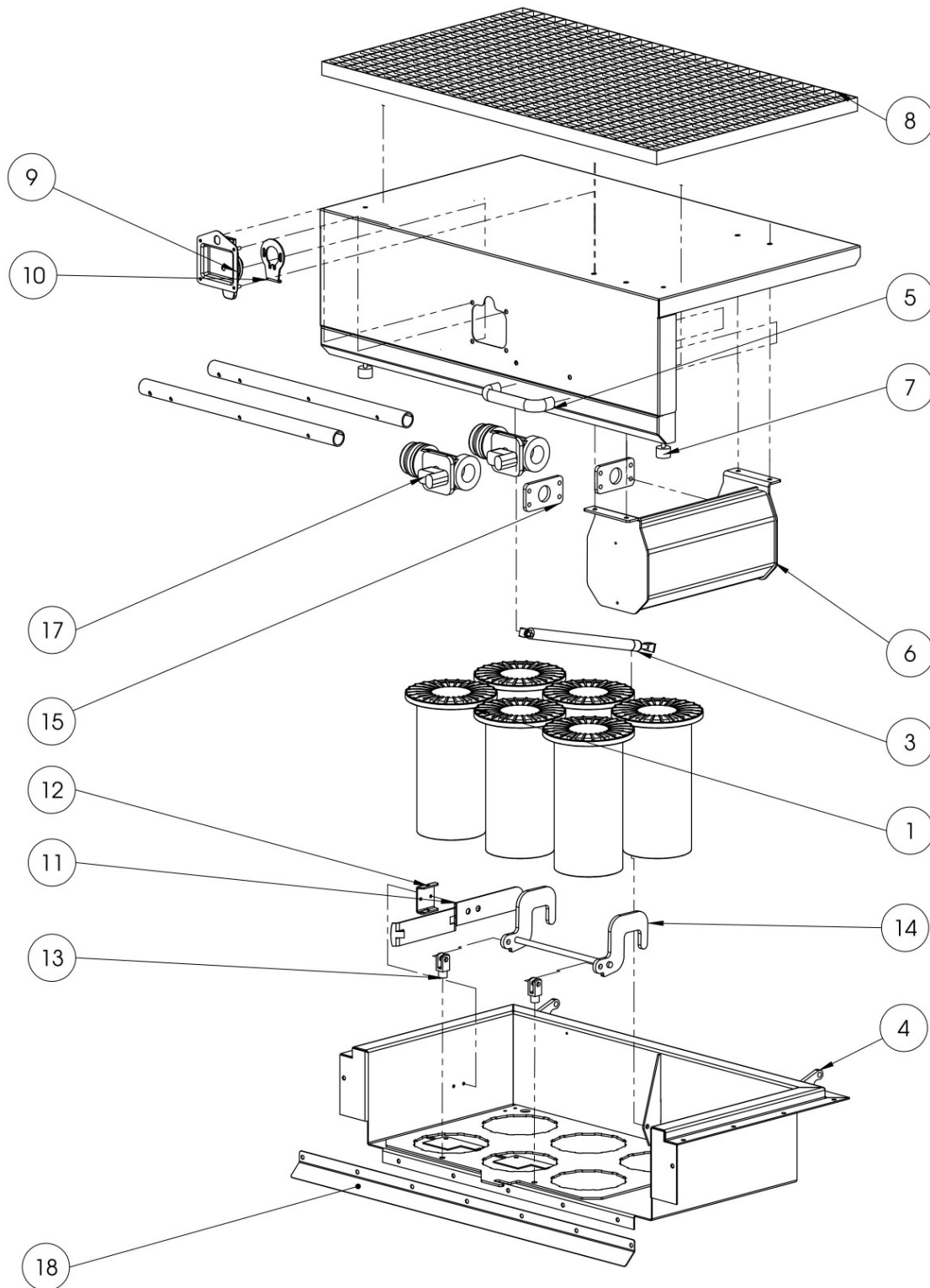


**Sparepartlist**

03_VENTING (WITHOUT FILTER)

Pos.	Ident-Nr.	Designation	Quantity	
1	S013101	EXTENSION VENTING PIPE	1	Piece(s)
2	S012509	SCREW	8	Piece(s)
3	S012771	WASHER	16	Piece(s)
4	S012725	NUT	8	Piece(s)
5	S014351	JOINT BOLT CLAMP	1	Piece(s)
6	S013077	VENTILATION HOSE	1	Piece(s)
7	S012094	WIRE FASTENER	1	Piece(s)

Spare part list
03_VENTING WITH BUILT-IN FILTER

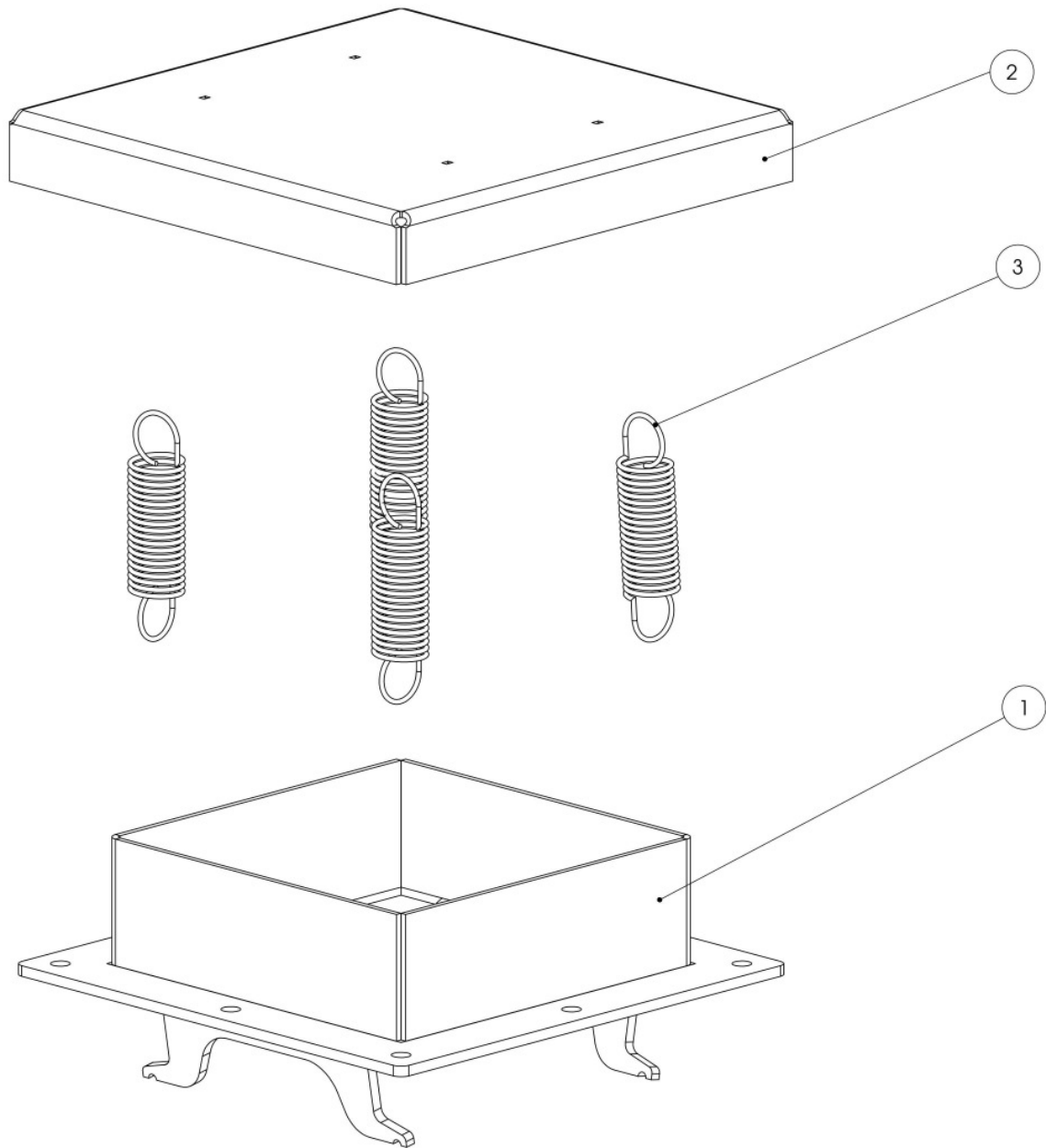


**Spare part list**

03_VENTING WITH BUILT-IN FILTER

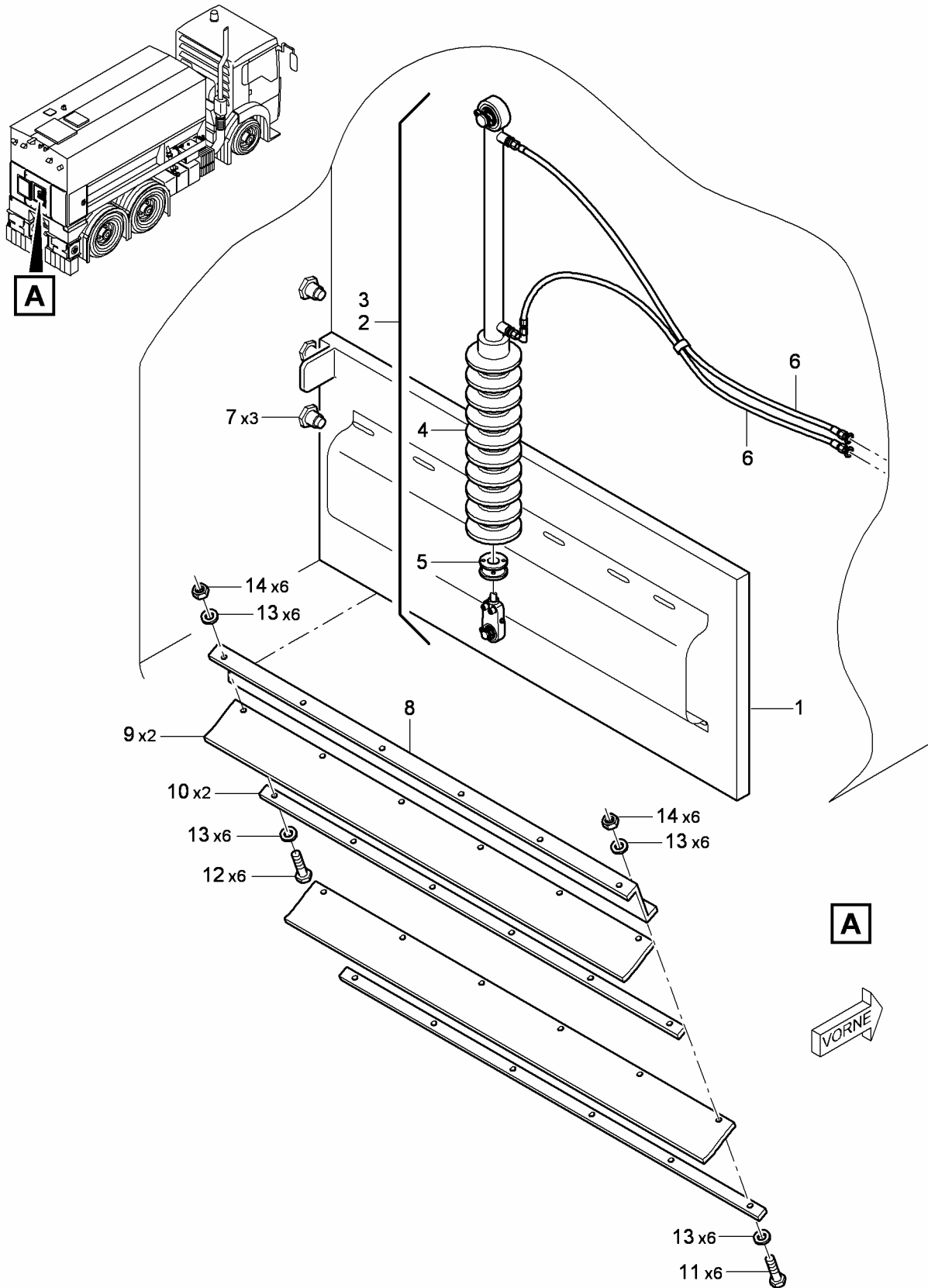
Pos.	Ident-Nr.	Designation	Quantity	
1	S018806	Filter cartridge	6	Piece(s)
2	S018853	Cover	1	Piece(s)
3	S013201	Gas pressure spring	1	Piece(s)
4	S018854	Housing	1	Piece(s)
5	S014368	Handle	1	Piece(s)
6	S018851	Pressure tank	1	Piece(s)
7	S014221	Bump rubber	2	Piece(s)
8	S015497	Steel grating	1	Piece(s)
9	S014373	Locking	1	Piece(s)
10	S020624	Closing sheet	1	Piece(s)
11	S020621	Filter wrench	1	Piece(s)
12	S020621	Bracket filter wrench	1	Piece(s)
13	S014589	Fork head	2	Piece(s)
14	S018987	Ladder bracket	1	Piece(s)
15	S020484	Valve flange	2	Piece(s)
16	S018850	Blow tube	2	Piece(s)
17	S019145	Valve	2	Piece(s)
18	S020744	Deflector plate	1	Piece(s)

Spare part list
03_VENTING WASTE GATE



Pos.	Ident-Nr.	Designation	Quantity
1	S018896	Waste gate flange	1 Piece(s)
2	S018985	Waste gate cover	1 Piece(s)
3	S018812	Spring	4 Piece(s)

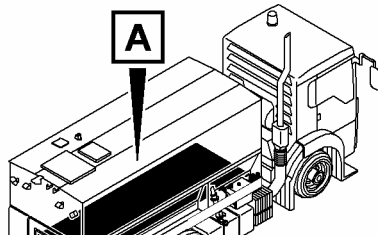
Sparepartlist
04_GATE VALVE



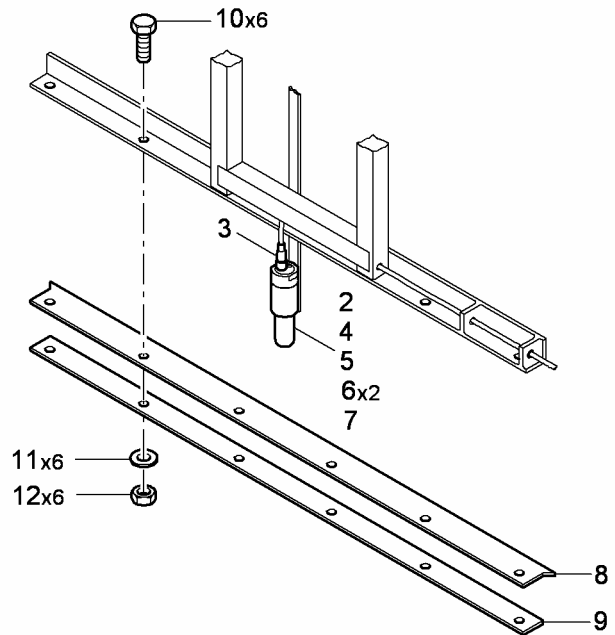
**Sparepartlist**
04_GATE VALVE

Pos.	Ident-Nr.	Designation	Quantity	
1	S015570	SHUT-OFF VALVE	1	Piece(s)
2	S013051	HYDRAULIC CYLINDER (TILL SN 03.BS.0091)	1	Piece(s)
3	S011642	SET OF SEALS	1	Piece(s)
4	S013052	BELLOWS	1	Piece(s)
5	S015572	BUSHING	1	Piece(s)
3	S020959	HYDRAULIC CYLINDER (FROM SN 03.BS.0092) (NO BELLOWS USED)	1	Piece(s)
6	S011079	HYDRAULIC HOSE	2	Piece(s)
7	S012015	SENSOR	3	Piece(s)
8	S015574	PLATE	1	Piece(s)
9	S014235	DEFLECTOR	2	Piece(s)
10	S015575	-	2	Piece(s)
11	S012660	HEXAGON SCREW	6	Piece(s)
12	S012512	HEXAGON SCREW	6	Piece(s)
13	S012785	WASHER	24	Piece(s)
14	S012725	NUT	12	Piece(s)

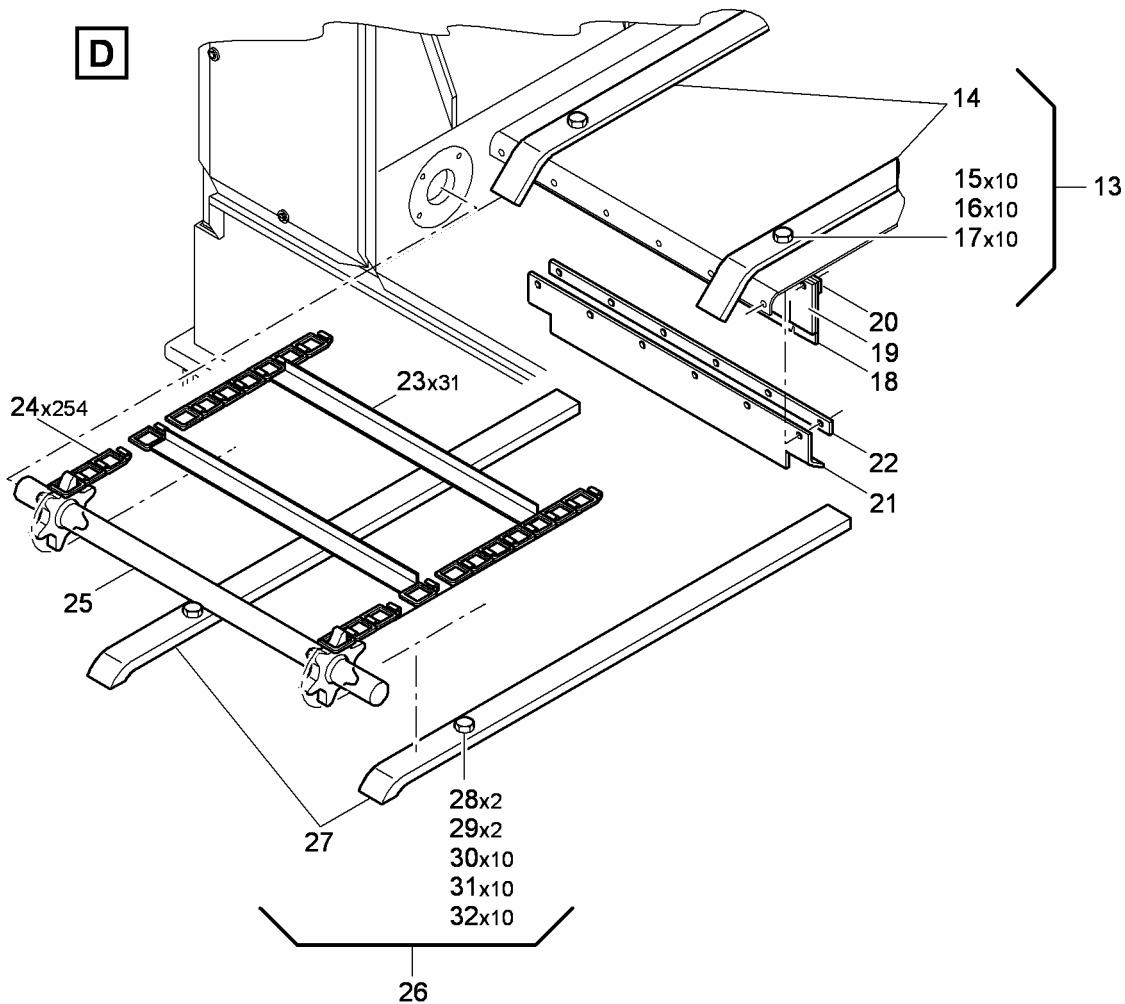
Sparepartlist
05_ CONVEYOR CHAIN



C

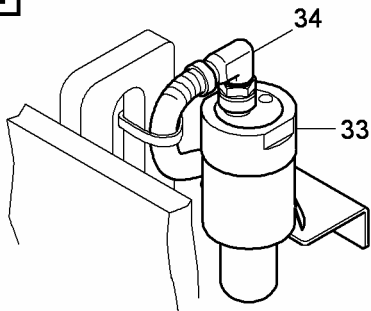


D

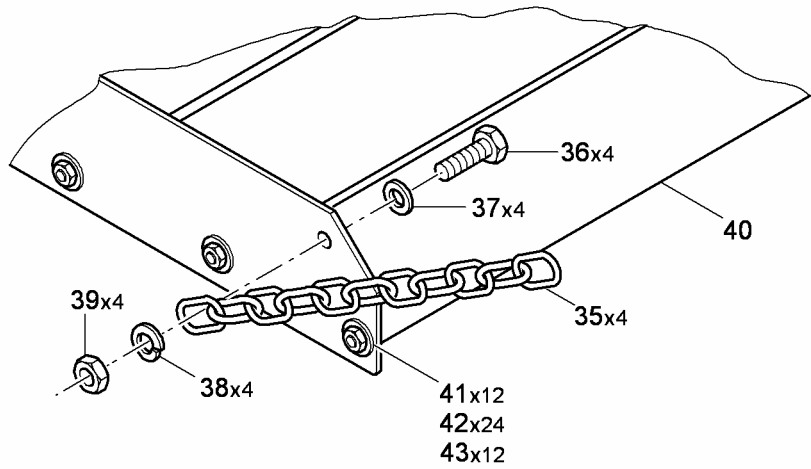


Sparepartlist
05_ CONVEYOR CHAIN

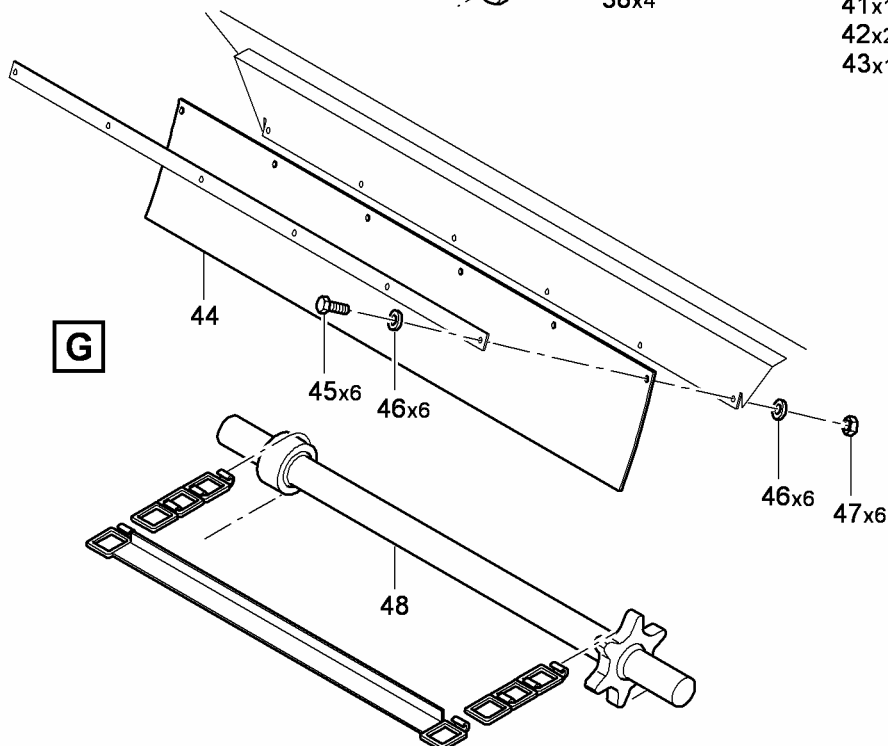
E



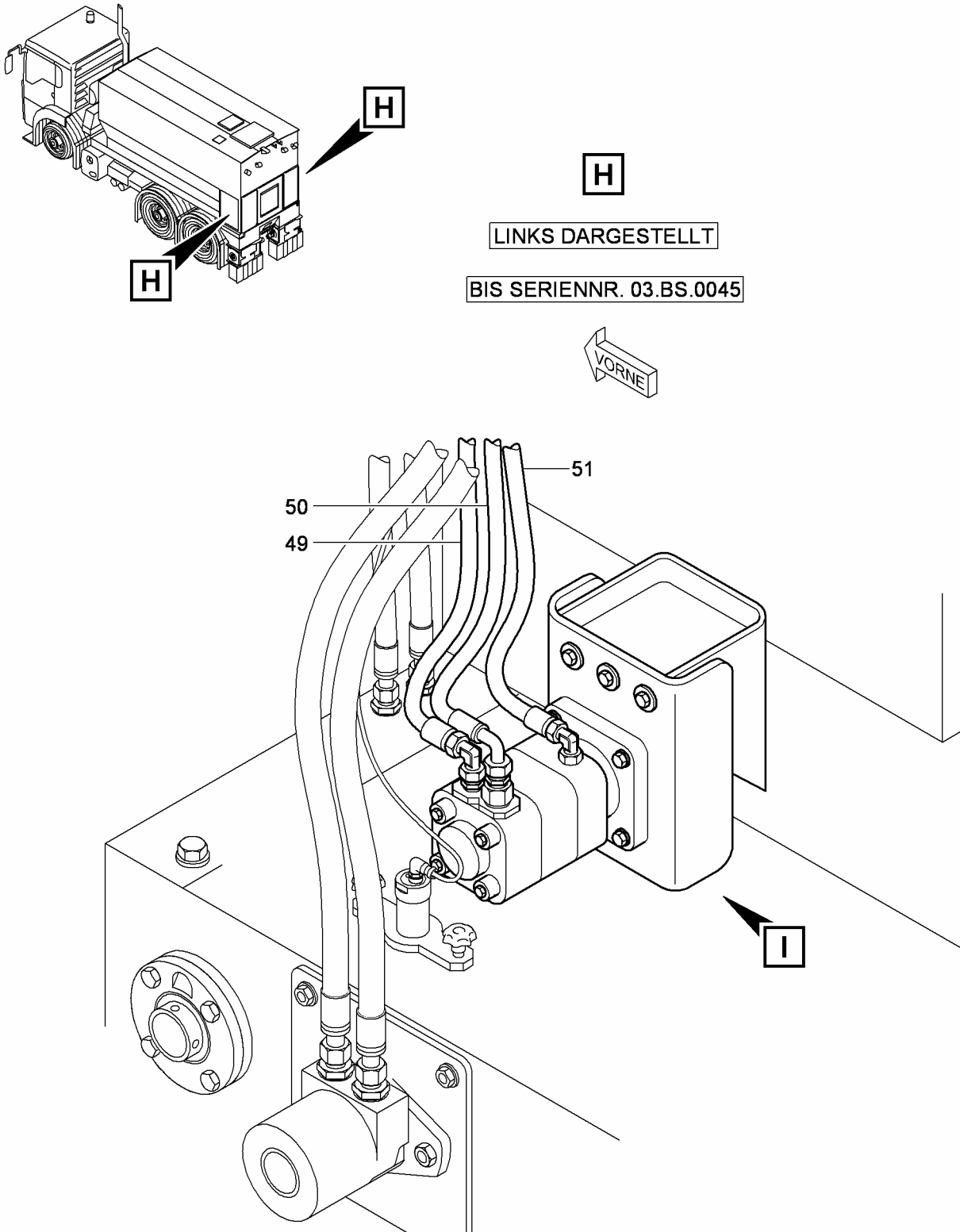
F



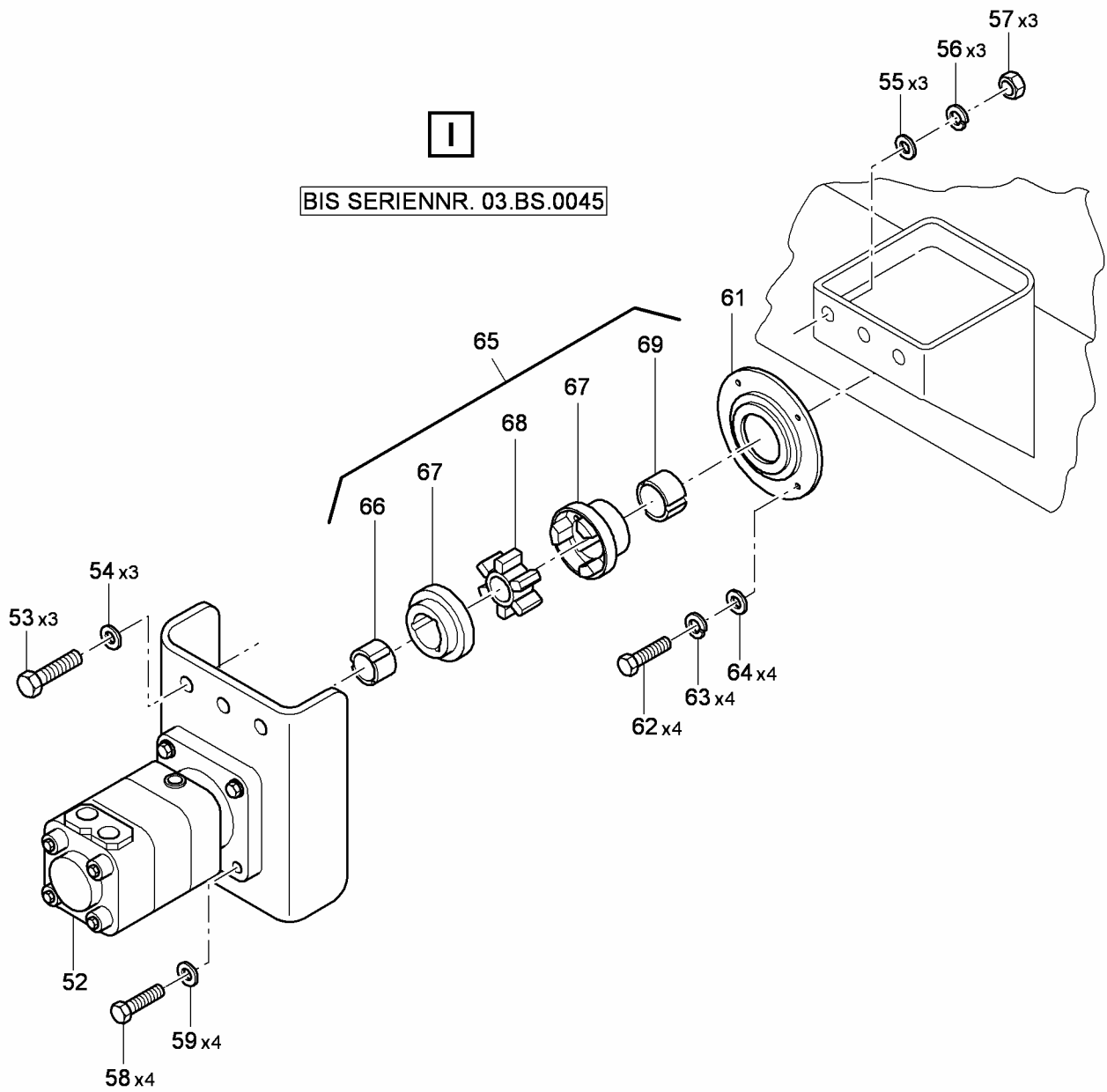
G



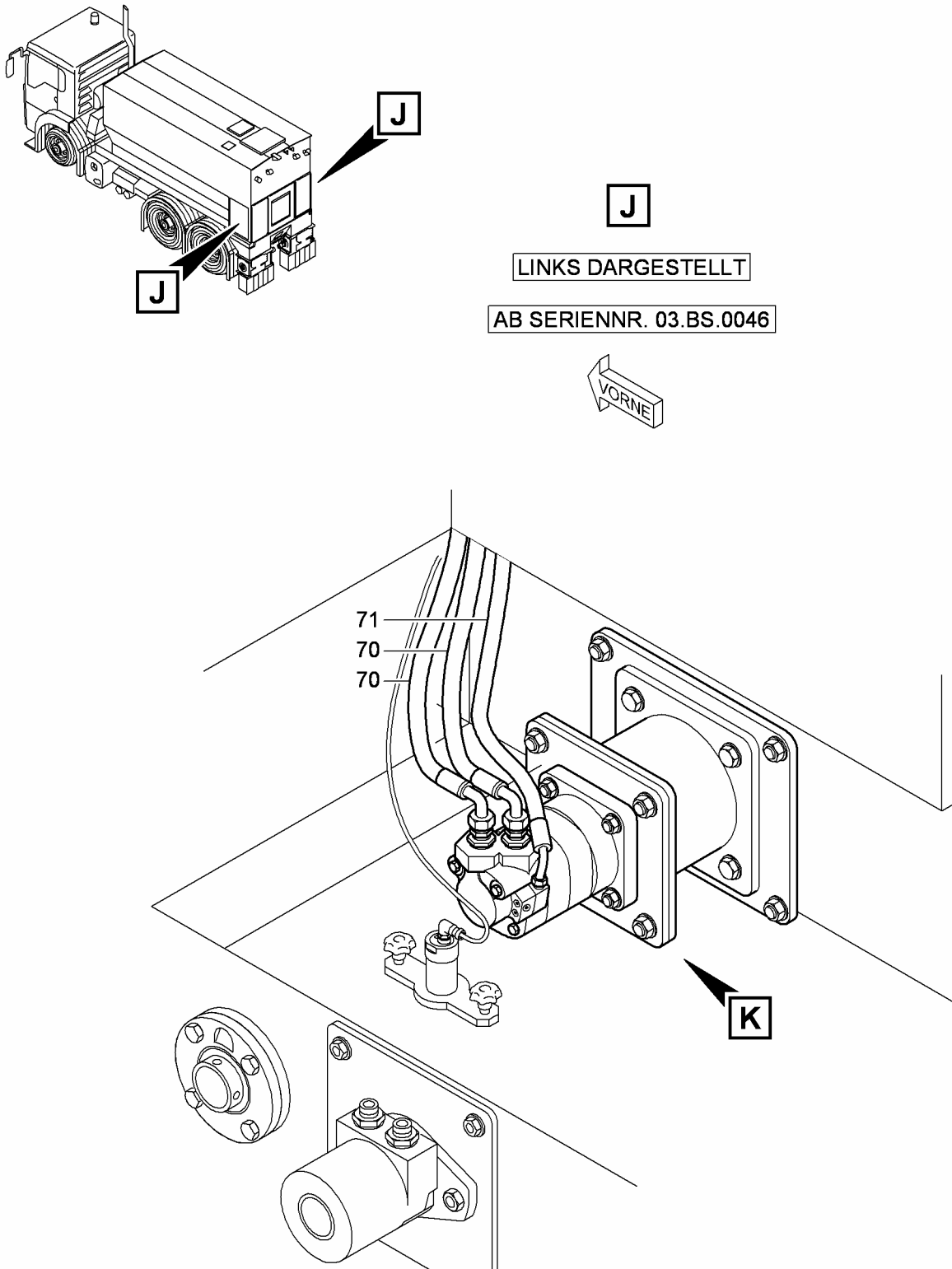
Sparepartlist
05_ CONVEYOR CHAIN



Sparepartlist
05_ CONVEYOR CHAIN



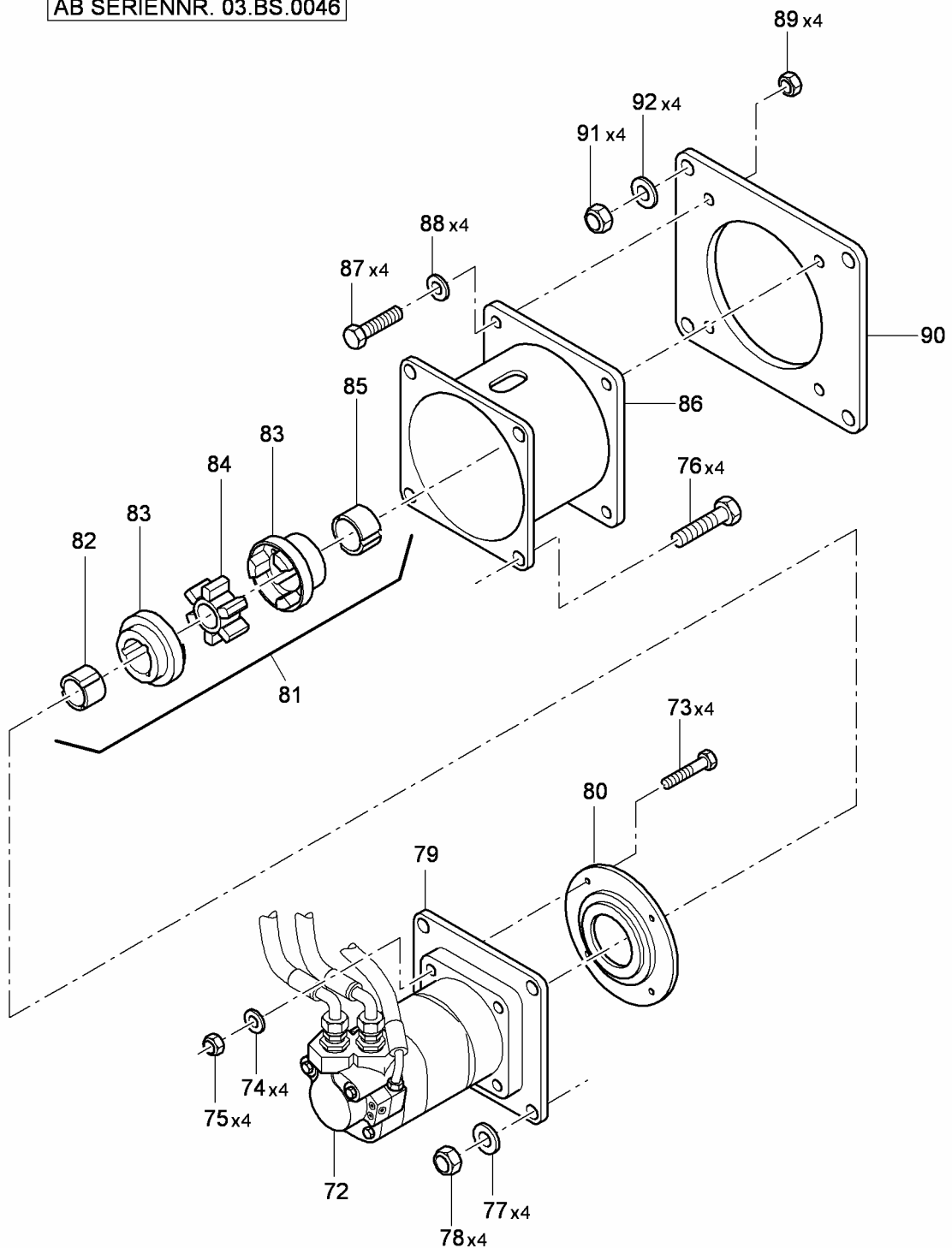
Sparepartlist
05_ CONVEYOR CHAIN



Sparepartlist
05_ CONVEYOR CHAIN

K

AB SERIENNR. 03.BS.0046





Sparepartlist
05_ CONVEYOR CHAIN

Pos.	Ident-Nr.	Designation	Quantity	
1	S013088	INJECTION LANCE	2	1
2	S012023	FILLING LEVEL SENSOR	1	2
3	S012021	CABLE BOX	1	Piece(s)
4	S015583	SUPPORT	1	Piece(s)
5	S012515	SCREW	1	Piece(s)
6	S012771	WASHER	2	Piece(s)
7	S012725	NUT	1	Piece(s)
8	S014233	SEAL	1	Piece(s)
9	S014889	SUPPORTING IRON ELEMENT FOR RUBBER PART	1	Piece(s)
10	S012499	HEXAGON SCREW	6	Piece(s)
11	S012784	WASHER	6	Piece(s)
12	S012724	NUT	6	Piece(s)
13	S015591	WEARING RAILS WITH SCREWS	1	Set
14	S015592	WEARING RAILS WITHOUT SCREWS	1	Set
15	S012697	COUNTERSUNK SCREW	10	Piece(s)
16	S012786	WASHER	10	Piece(s)
17	S012726	NUT	10	Piece(s)
18	S014236	DEFLECTOR	1	Piece(s)
19	S014235	DEFLECTOR	1	Piece(s)
20	S015575	SUPPORTING IRON ELEMENT FOR RUBBER PART	1	Piece(s)
21	S014234	DEFLECTOR	1	Piece(s)
22	S014888	SUPPORTING IRON ELEMENT FOR RUBBER PART	1	Piece(s)
23	S015578	TRANSPORT BAR	31	Piece(s)
24	S014620	CHAIN LINK	254	Piece(s)
25	S015581	DRIVING SHAFT	1	Piece(s)
26	S015587	WEARING RAILS WITH SCREWS	1	Set
27	S010607	WEARING RAILS WITH SCREWS	1	Set
28	S015896	CHEESE-HEAD SCREW	2	Piece(s)
29	S012763	SPRING RING	2	Piece(s)
30	S012530	HEXAGON SCREW	10	Piece(s)
31	S012749	SPRING RING	10	Piece(s)



Sparepartlist

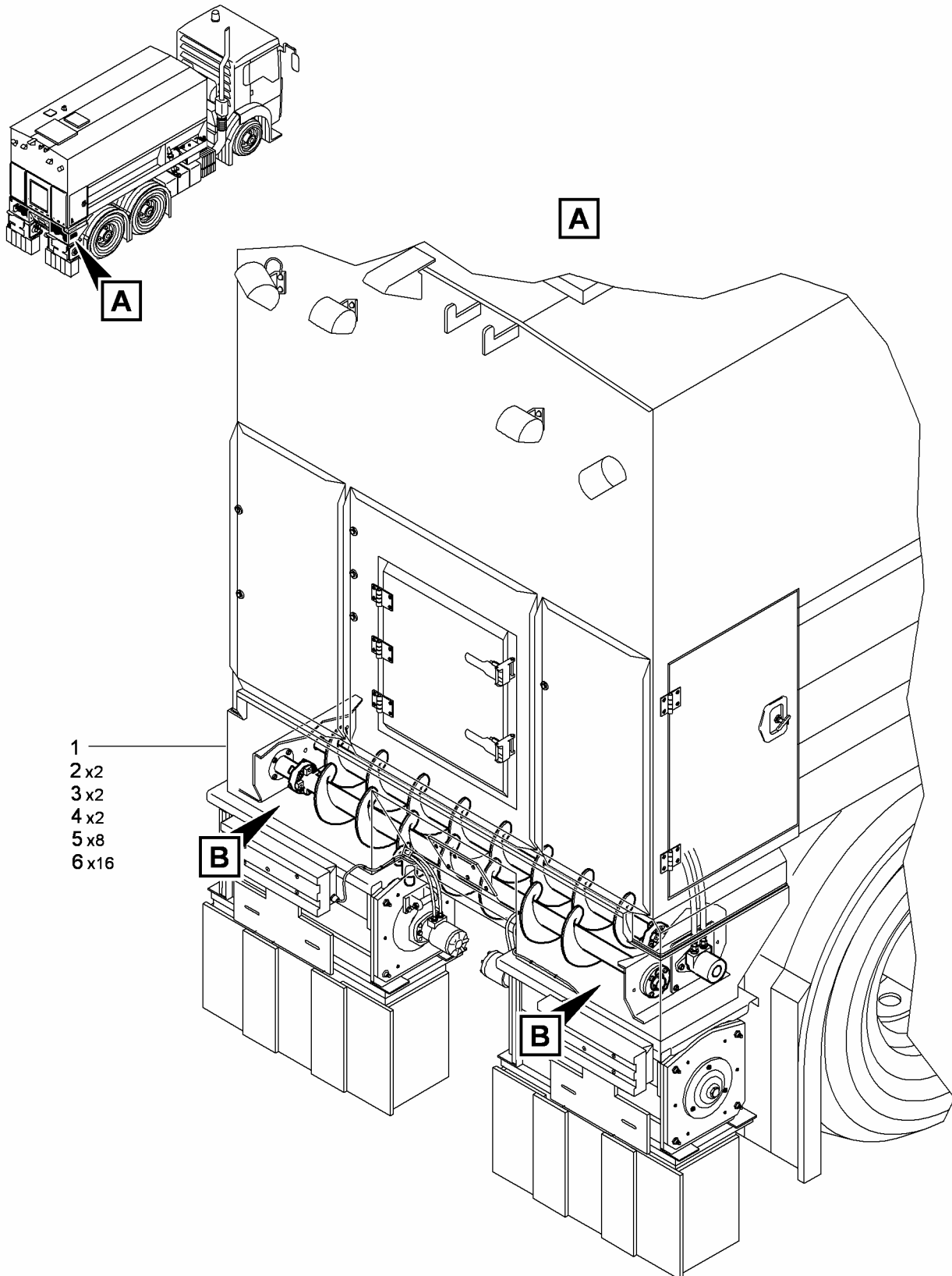
05_ CONVEYOR CHAIN

Pos.	Ident-Nr.	Designation	Quantity	
32	S012786	WASHER	10	Piece(s)
33	S012023	CABLE BOX	1	Piece(s)
34	S012016	LEVEL INDICATOR	1	Piece(s)
35	S015585	CABLE BOX ANGLED	4	Piece(s)
36	S012663	HEXAGON SCREW	4	Piece(s)
37	S012793	WASHER	4	Piece(s)
38	S012788	WASHER	4	Piece(s)
39	S012728	NUT	4	Piece(s)
40	S015584	COVERING PLATE 4.5m	1	Piece(s)
41	S012573	HEXAGON SCREW	12	Piece(s)
42	S012774	WASHER	24	Piece(s)
43	S012728	NUT	12	Piece(s)
44	S014236	DEFLECTOR	1	Piece(s)
45	S012660	HEXAGON SCREW	6	Piece(s)
46	S012785	WASHER	12	Piece(s)
47	S012725	NUT	6	Piece(s)
48	S015582	RETURN ROLLER	1	Piece(s)
49	S011145	HYDRAULIC HOSE	1	Piece(s)
50	S011129	HYDRAULIC HOSE	1	Piece(s)
51	S011118	HYDRAULIC HOSE	1	Piece(s)
52	S011063	OL MOTOR (UP TO SN :03.BS.0045)	2	Piece(s)
53	S012591	HEXAGON SCREW	6	Piece(s)
54	S012775	WASHER	6	Piece(s)
55	S012789	WASHER	6	Piece(s)
56	S012752	SPRING RING	6	Piece(s)
57	S012709	NUT	6	Piece(s)
58	S012556	HEXAGON SCREW	8	Piece(s)
59	S012773	WASHER	8	Piece(s)
60	S012727	NUT	8	Piece(s)
61	S012423	FLANGED BEARING	2	Piece(s)
62	S012552	HEXAGON SCREW	8	Piece(s)
Pos.	Ident-Nr.	Designation	Quantity	

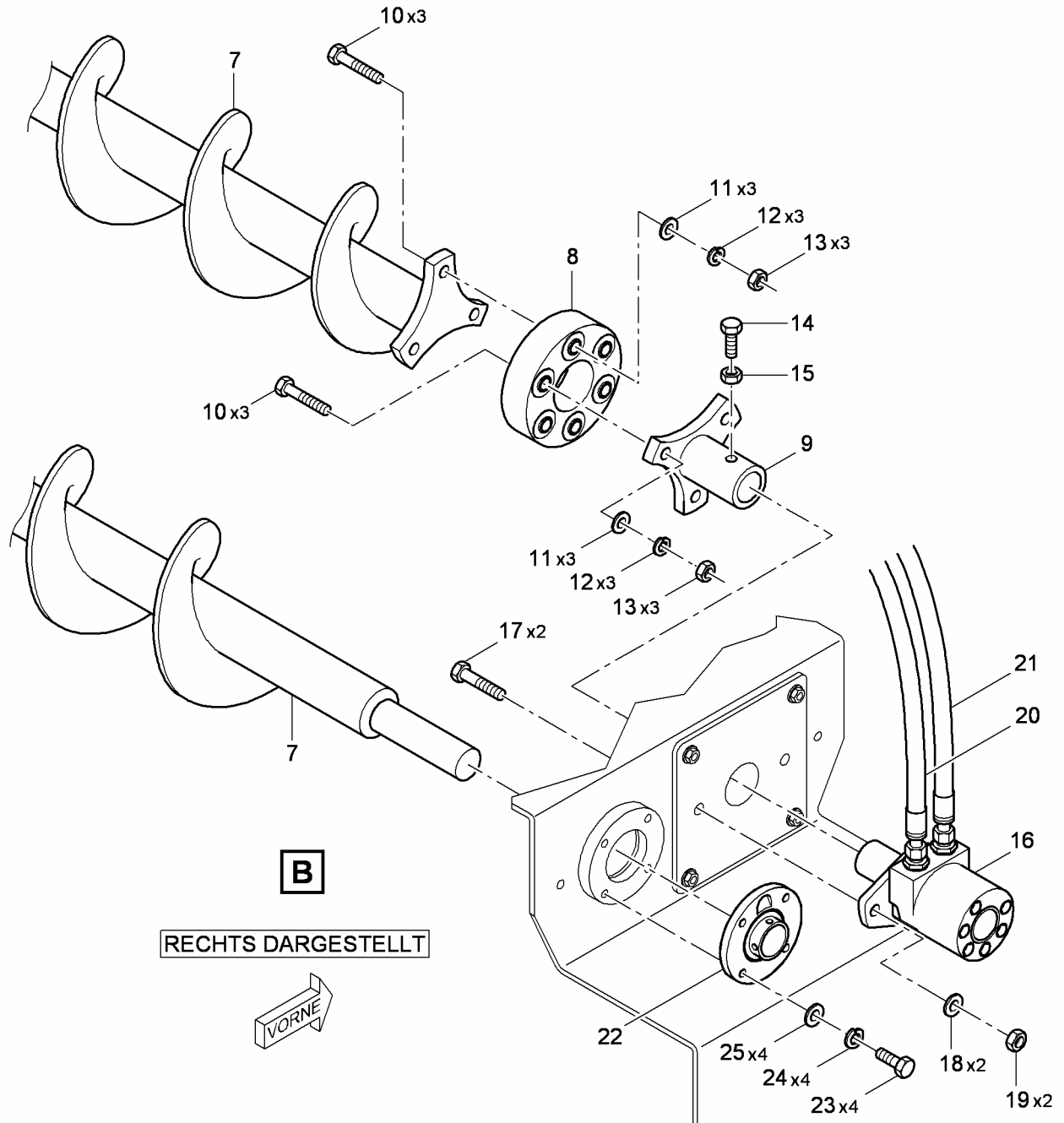
**Sparepartlist****05_ CONVEYOR CHAIN**

63	S012773	WASHER	8	Piece(s)
64	S012750	SPRING RING	8	Piece(s)
65	S013785	COUPLING	2	Piece(s)
66	S013788	TENSIONER BUSH	2	Piece(s)
67	S013782	COUPLING HALF	4	Piece(s)
68	S013781	TOOTHED RING	2	Piece(s)
69	S013789	TENSIONER BUSH	2	Piece(s)
70	S011258	HYDRAULIC HOSE	2	Piece(s)
71	S010052	HYDRAULIC HOSE	1	Piece(s)
72	S011039	OIL ENGINE	2	Piece(s)
73	S012634	HEXAGON SCREW	8	Piece(s)
74	S012774	WASHER	8	Piece(s)
75	S012728	NUT	8	Piece(s)
76	S012554	HEXAGON SCREW	8	Piece(s)
77	S012773	WASHER	8	Piece(s)
78	S012727	NUT	8	Piece(s)
79	S010033	FLANGE	2	Piece(s)
80	S012423	FLANGED BEARING	2	Piece(s)
81	S013785	COUPLING	2	Piece(s)
82	S013788	TENSIONER BUSH	2	Piece(s)
83	S013782	COUPLING HALF	4	Piece(s)
84	S013781	TOOTHED RING	2	Piece(s)
85	S013789	TENSIONER BUSH	2	Piece(s)
86	S010018	DISTANCE TUBE	2	Piece(s)
87	S012572	HEXAGON SCREW	8	Piece(s)
88	S012774	WASHER	8	Piece(s)
89	S012728	NUT	8	Piece(s)
90	S010017	BEARING FLANGE	2	Piece(s)
91	S012727	NUT	8	Piece(s)
92	S012773	WASHER	8	Piece(s)

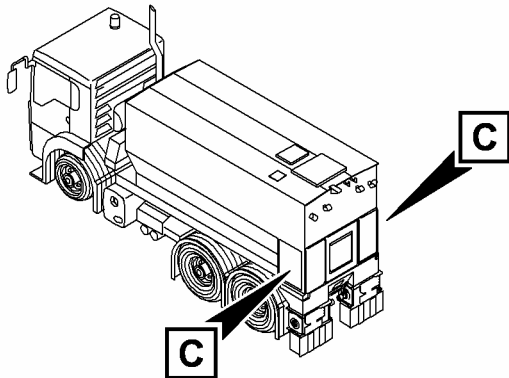
Sparepartlist
06_FILLING SHAFT



Sparepartlist
06_FILLING SHAFT

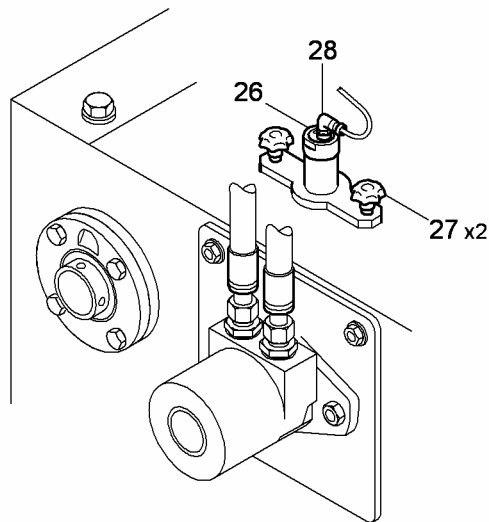


Sparepartlist
06_ FILLING SHAFT



C

LINKS DARGESTELLT



**Sparepartlist**
06_ FILLING SHAFT

Pos.	Ident-Nr.	Designation	Quantity	
1	S010629	FILLING DUCT CASING WITH FRAME EXTENSION	1	Piece(s)
1	S015521	FILLING DUCT CASING WITHOUT FRAME EXTENSION	1	Piece(s)
2	S012550	SCREW	2	Piece(s)
3	S012773	WASHER	2	Piece(s)
4	S012750	SPRING RING	2	Piece(s)
5	S012590	SCREW	8	Piece(s)
6	S012775	WASHER	16	Piece(s)
7	S015522	LATERAL AUGER	2	Piece(s)
8	S014354	TRANSVERSE AUGER "SW" FOR SPREADING UNIT 2460MM	2	Piece(s)
9	S014359	FLEXIBLE RUBBER DISK	2	Piece(s)
10	S012637	SCREW	12	Piece(s)
11	S012772	WASHER	12	Piece(s)
12	S012749	SPRING RING	12	Piece(s)
13	S012726	NUT	12	Piece(s)
14	S012644	SCREW	2	Piece(s)
15	S012748	SPRING RING	2	Piece(s)
16	S011043	HYDRAULIC MOTOR	2	Piece(s)
17	S010010	HEXAGON SCREW	4	Piece(s)
18	S012773	WASHER	4	Piece(s)
19	S012727	NUT	4	Piece(s)
20	S011204	HYDRAULIC HOSE	1	Piece(s)
20	S011317	HYDRAULIC HOSE LEFT	1	Piece(s)
21	S011078	HYDRAULIC HOSE	1	Piece(s)
21	S011317	HYDRAULIC HOSE LEFT	1	Piece(s)
22	S012422	FLANGED BEARING	2	Piece(s)
23	S012530	HEXAGON SCREW	8	Piece(s)
24	S012749	SPRING RING	8	Piece(s)
25	S012772	WASHER	8	Piece(s)
26	S012023	SENSOR	2	Piece(s)
27	S014366	STAR GRIP NUT	4	Piece(s)
28	S012016	CABLE BOX	1	Piece(s)

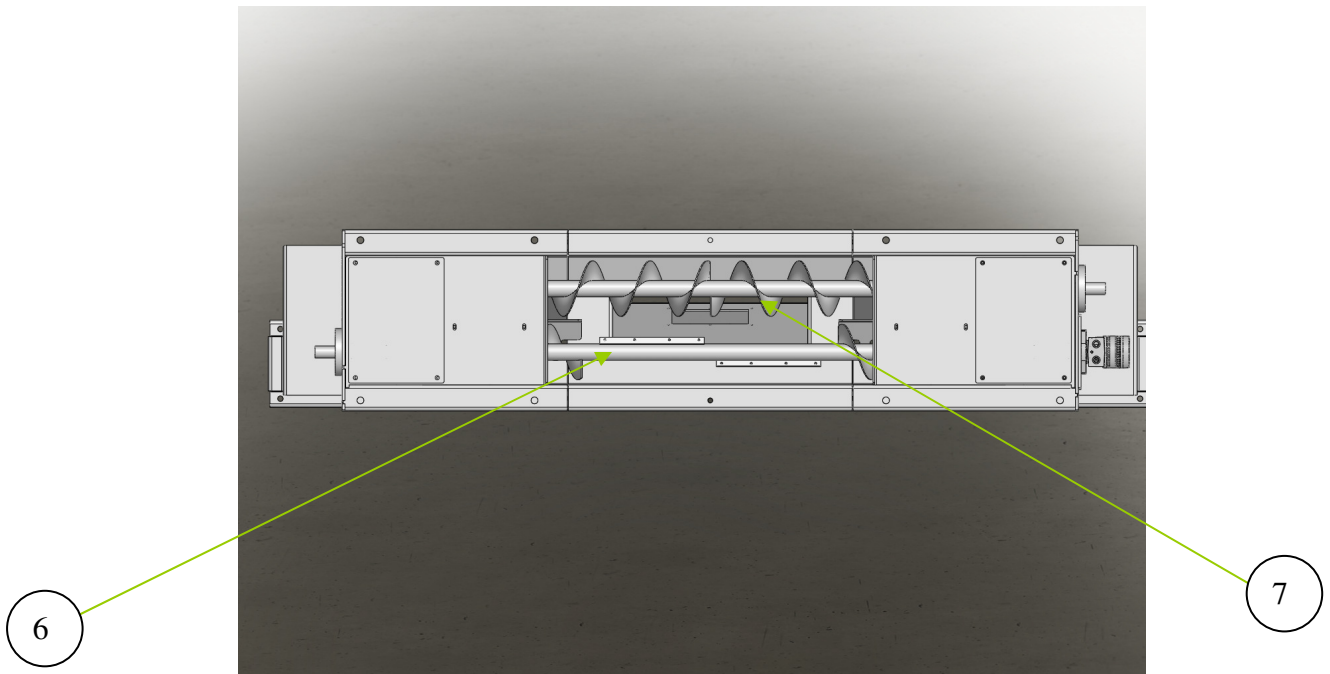
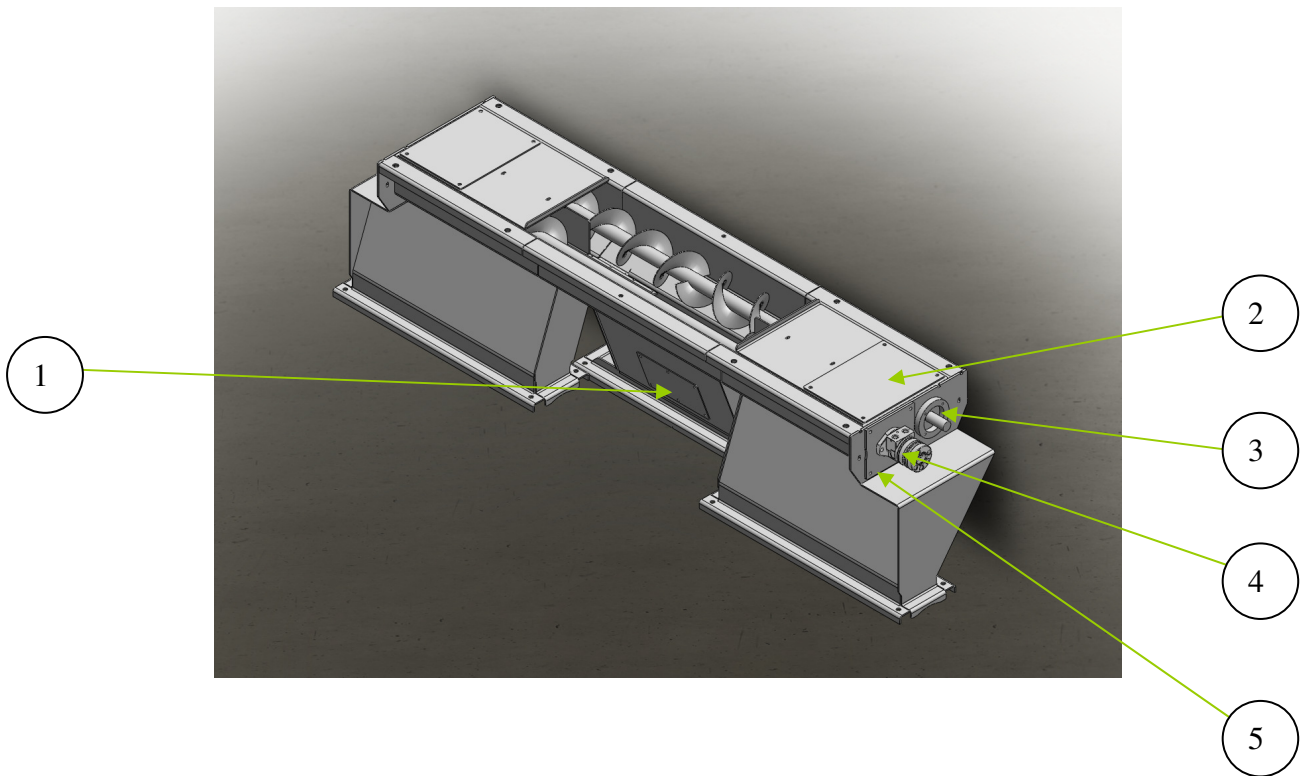


Sparepartlist
06_ FILLING SHAFT

Pos.	Ident-Nr.	Designation	Quantity	
28	S012025	CABLE BOX	1	28

Spare part list

06_ FILLING SHAFT FROM SN: 03.BS.0078

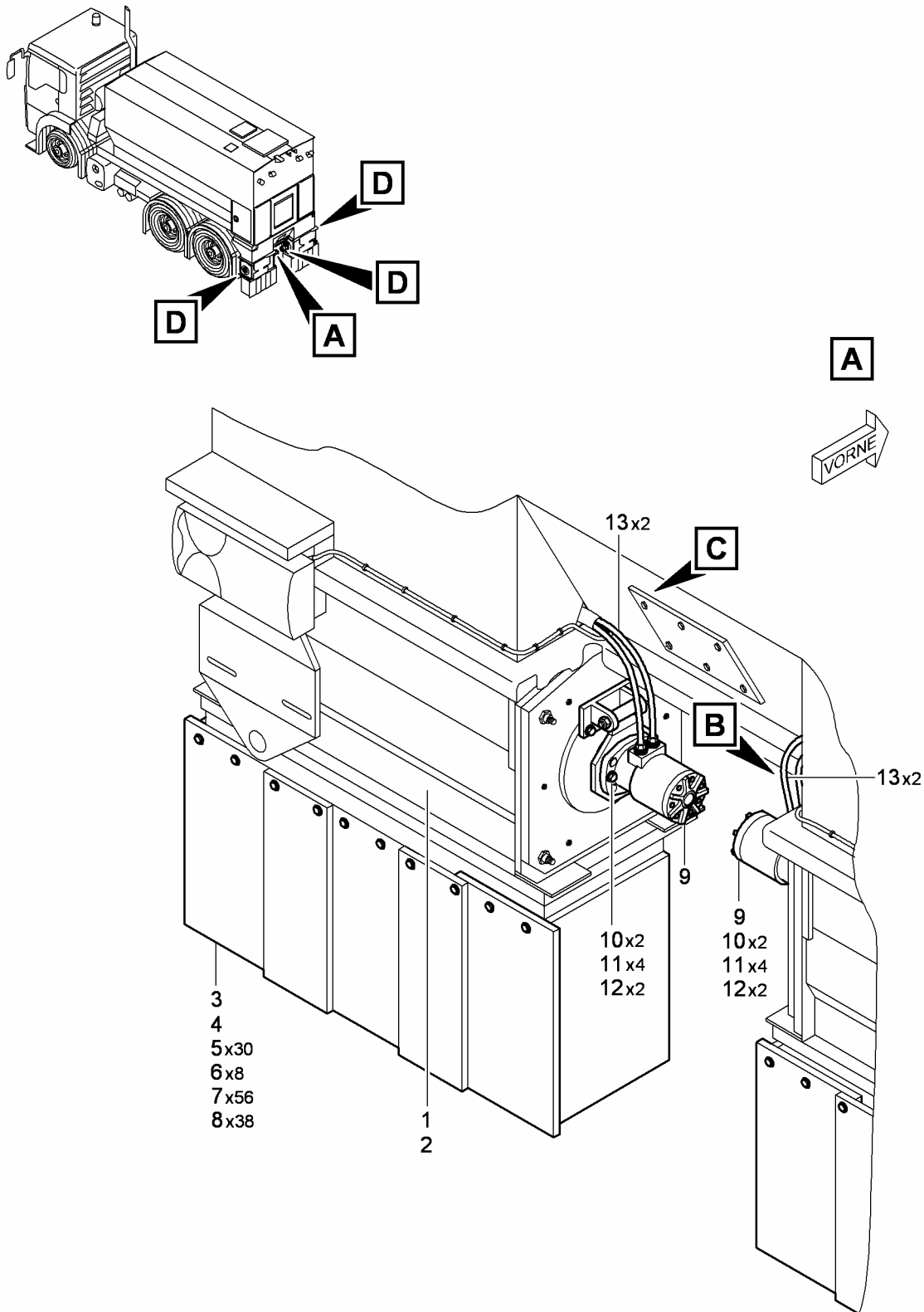


**Spare part list**

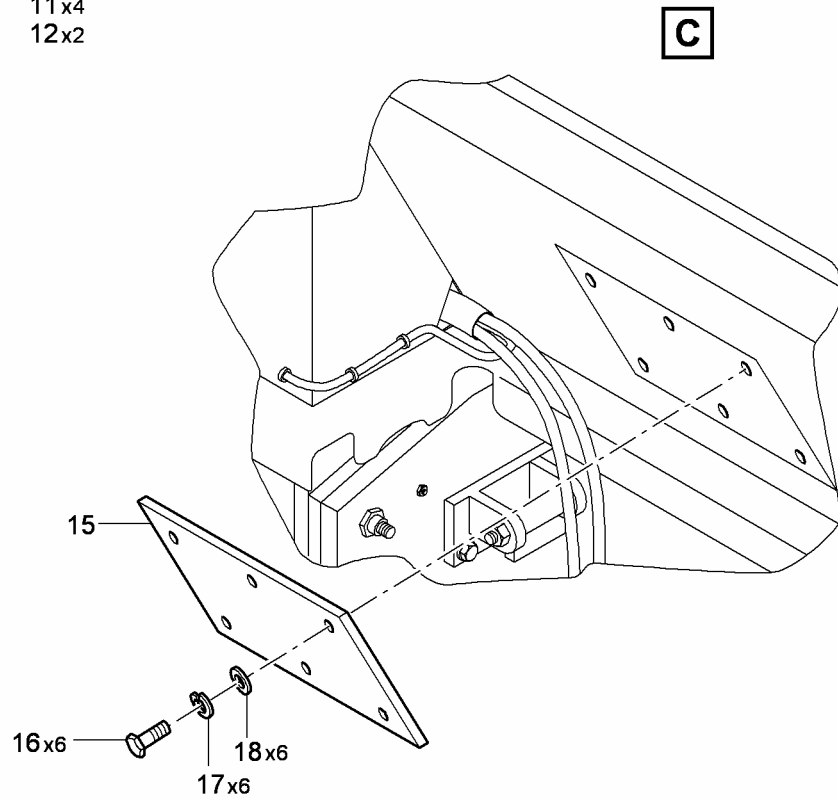
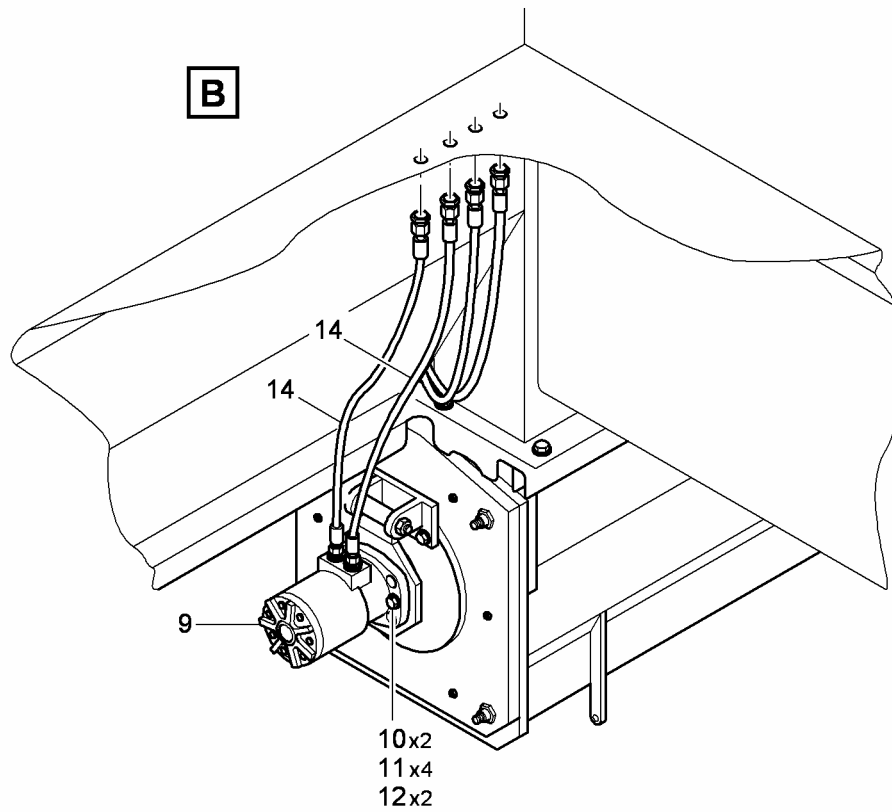
06_ FILLING SHAFT FROM SN: 03.BS.0078

Pos.	Ident-Nr.	Designation	Quantity
1	S016495	Screw cap	1 Piece(s)
2	S017452	Cover	1 Piece(s)
3	S012422	Flange bearing	2 Piece(s)
4	S011043	Hydraulic motor	1 Piece(s)
5	S016803	Motor plate	1 Piece(s)
6		LATERAL AUGER (Driving direction rear)	
	S017309	Length 2100 mm	1 Piece(s)
	S017562	Length 2400 mm	1 Piece(s)
7		LATERAL AUGER (Driving direction front)	
	S017308	Length 2100 mm	1 Piece(s)
	S017561	Length 2400 mm	1 Piece(s)

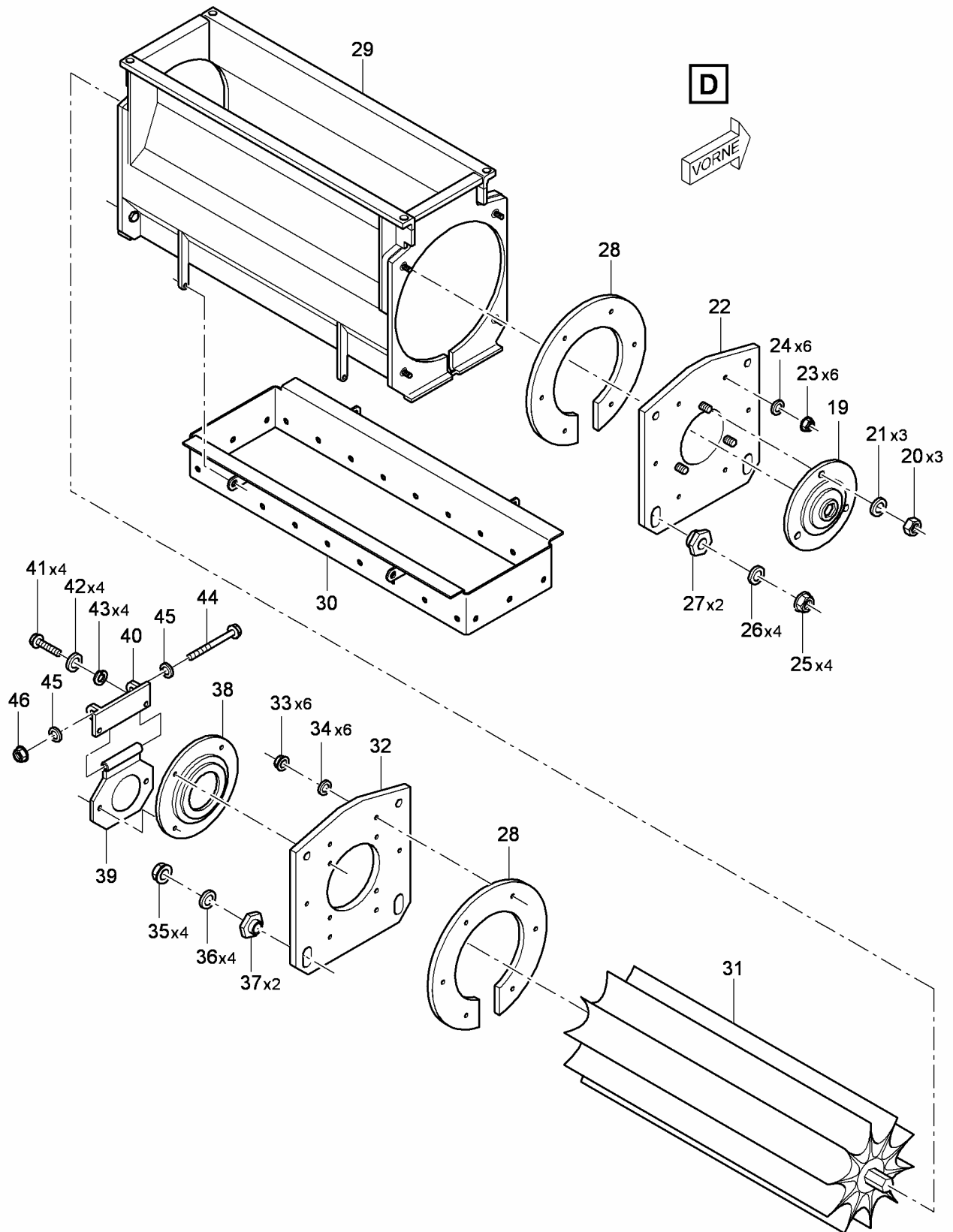
Sparepartlist
07_SPREADING SYSTEM



Sparepartlist
07_SPREADING SYSTEM



Sparepartlist
07_SPREADING SYSTEM





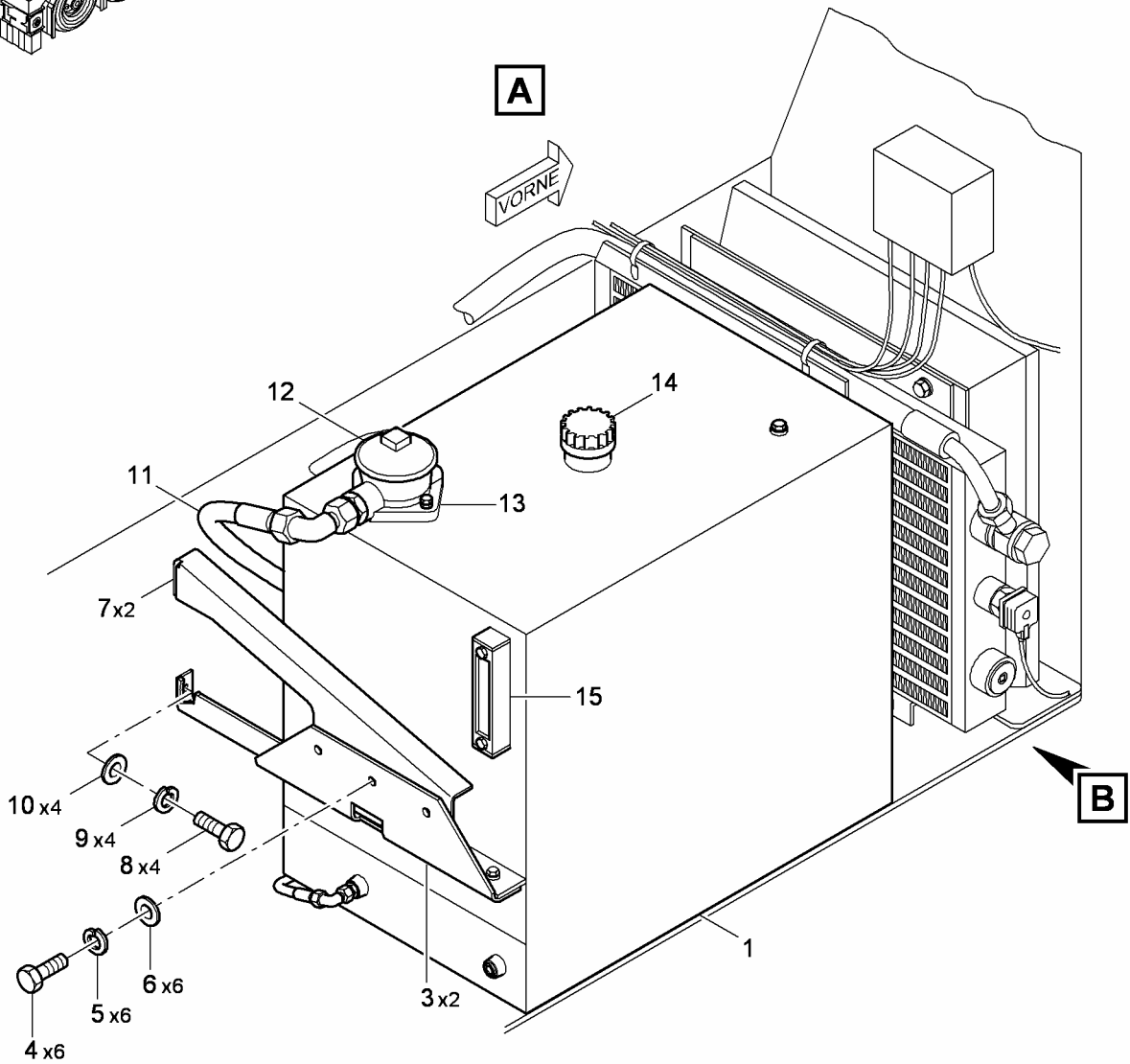
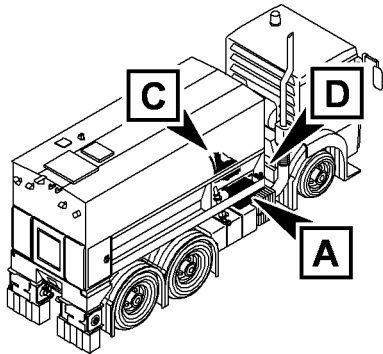
Sparepartlist
07_SPREADING SYSTEM

Pos.	Ident-Nr.	Designation	Quantity	
1	S014545	RATARY FEEDER NW820, COMPLETE, INCLUDING MOTOR, WITHOUT DUST PROTECTION	3	Piece(s)
2	S014422	RATARY FEEDER NW820, COMPLETE, WITHOUT MOTOR, WITHOUT DUST PROTECTION	3	Piece(s)
3	S014488	DUST-PROOF	1	Piece(s)
3	S015934	DUST-PROOF	1	Piece(s)
3	S014497	DUST-PROOF	1	Piece(s)
3	S015935	DUST-PROOF	1	Piece(s)
3	S014506	DUST-PROOF	1	Piece(s)
3	S015936	DUST-PROOF	1	Piece(s)
4	S014515	DUST PROTECTION CLOTH LEFT/RIGHT NW820 450/550MM	2	Set
4	S015937	DUST PROTECTION CLOTH LEFT/RIGHT NW820 550/650MM	2	Set
4	S014524	DUST PROTECTION CLOTH MIDDLE NW820 450/550MM	1	Set
4	S015938	DUST PROTECTION CLOTH MIDDLE NW820 550/650MM	1	Set
5	S012498	HEXAGON SCREW	90	Piece(s)
6	S012499	HEXAGON SCREW	24	Piece(s)
7	S012784	WASHER	168	Piece(s)
8	S012724	NUT	114	Piece(s)
9	S011031	HYDRAULIC MOTOR (UP TO SN. 03.BS.0030)	2	Piece(s)
9	S011051	HYDRAULIC MOTOR (FROM SN. 03.BS.0031)	2	Piece(s)
10	S012549	SCREW	6	Piece(s)
11	S012773	WASHER	12	Piece(s)
12	S012727	NUT	6	Piece(s)
13	S011086	HYDRAULIC HOSE	4	Piece(s)
19	S012418	BEARING	3	Piece(s)
20	S012726	NUT	9	Piece(s)
21	S012772	WASHER	9	Piece(s)
19	S012418	BEARING	3	Piece(s)
20	S012726	NUT	9	Piece(s)
19	S012418	BEARING	3	Piece(s)
20	S012726	NUT	9	Piece(s)
21	S012772	WASHER	9	Piece(s)

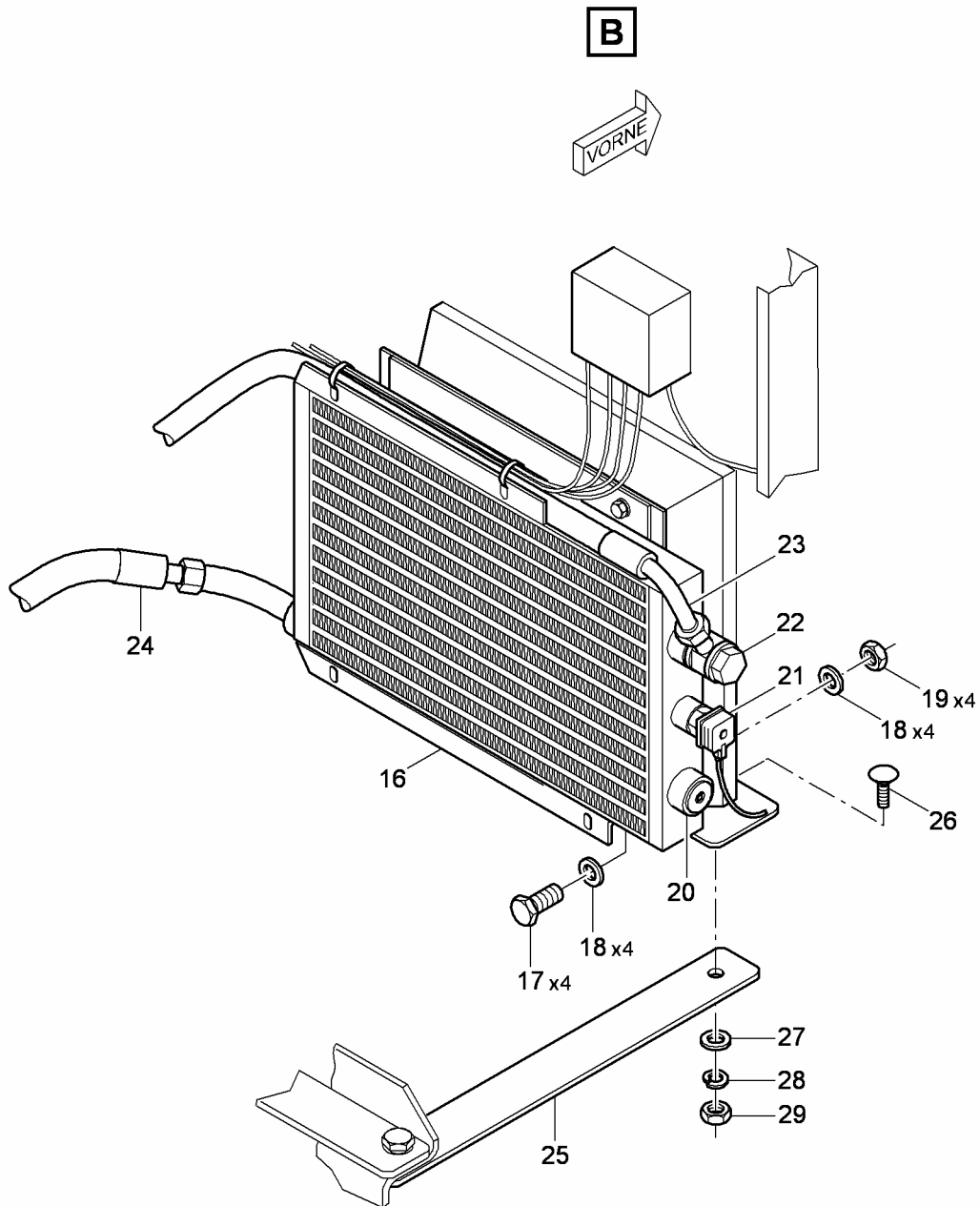
**Sparepartlist**
07_SPREADING SYSTEM

Pos.	Ident-Nr.	Designation	Quantity	
22	S014442	BEARING PLATE	3	Piece(s)
23	S012724	NUT	18	Piece(s)
24	S012770	WASHER	18	Piece(s)
25	S012727	NUT	12	Piece(s)
26	S012773	WASHER	12	Piece(s)
27	S012953	EXCENTER ADJUSTER, SMALL	6	Piece(s)
28	S014440	WEAR PLATE	6	Piece(s)
29	S014425	RATARY FEEDER CASING NW820	3	Piece(s)
30	S014434	DUST PROTECTION FRAME NW820	3	Piece(s)
31	S014428	METERING ROTOR COMPLETE NW820	3	Piece(s)
32	S014441	BEARING PLATE	3	Piece(s)
33	S012724	NUT	18	Piece(s)
34	S012770	WASHER	18	Piece(s)
35	S012727	NUT	12	Piece(s)
36	S012773	WASHER	12	Piece(s)
37	S012954	EXCENTER ADJUSTER, BIG	6	Piece(s)
38	S012423	FLANGED BEARING	3	Piece(s)
39	S014417	ENGINE BRACKET	3	Piece(s)
40	S014418	ENGINE BRACKET	3	Piece(s)
41	S012552	HEXAGON SCREW	12	Piece(s)
42	S012773	WASHER	12	Piece(s)
43	S012750	SPRING RING	12	Piece(s)
44	S012559	HEXAGON SCREW	3	Piece(s)
45	S012773	WASHER	6	Piece(s)
46	S012727	NUT	3	Piece(s)

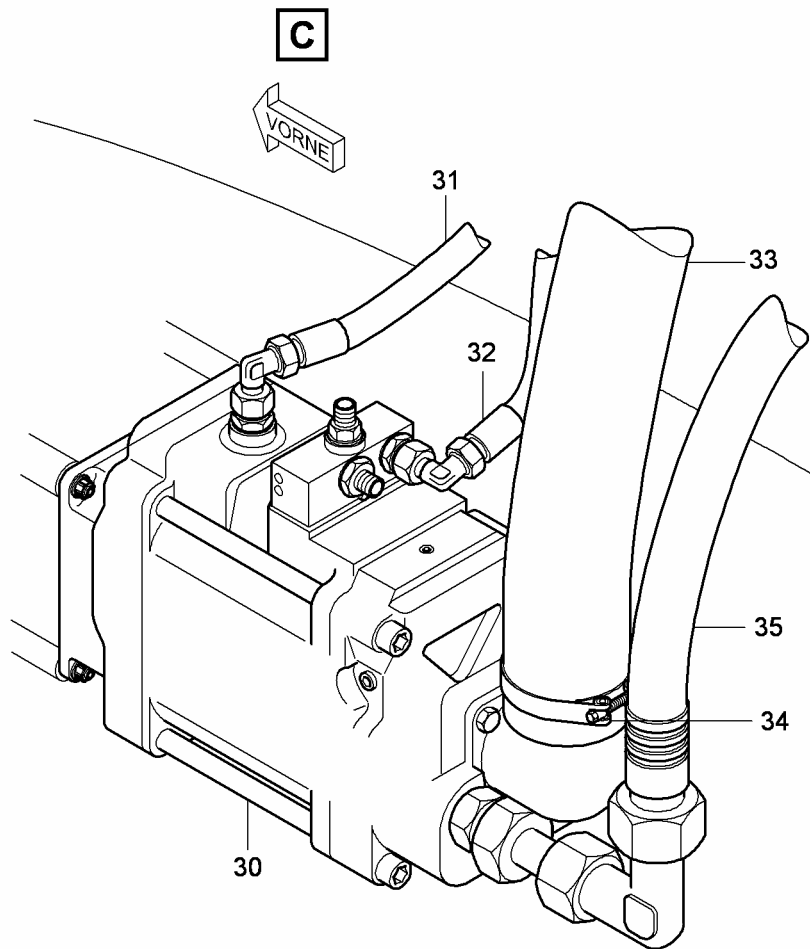
Sparepartlist
08_HYDRAULIC SUPPLY



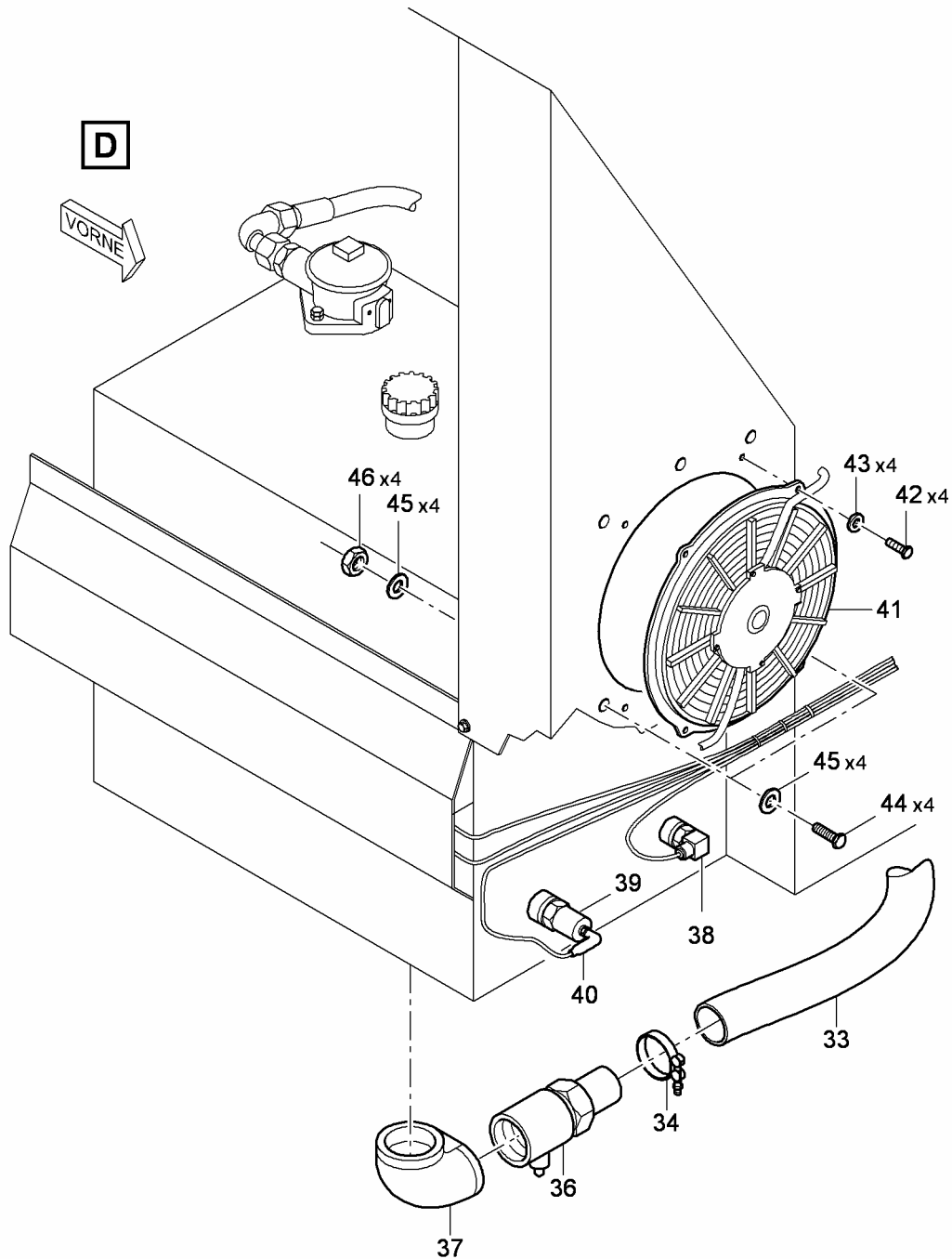
Sparepartlist
08_ HYDRAULIC SUPPLY



Sparepartlist
08_ HYDRAULIC SUPPLY



Sparepartlist
08_ HYDRAULIC SUPPLY



**Sparepartlist**

08_ HYDRAULIC SUPPLY

Pos.	Ident-Nr.	Designation	Quantity	
1	S011626	HYDRAULIC OIL TANK	1	Piece(s)
2	S011623	HYDRAULIC OIL	100	Liter
3	S015608	TANK HOLDER	2	Piece(s)
4	S012551	HEXAGON SCREW	6	Piece(s)
5	S012750	SPRING RING	6	Piece(s)
6	S012773	WASHER	6	Piece(s)
7	S015609	TANK HOLDER	2	Piece(s)
8	S012530	HEXAGON SCREW	4	Piece(s)
9	S012726	NUT	4	Piece(s)
10	S012772	WASHER	4	Piece(s)
11	S011115	HYDRAULIC HOSE	1	Piece(s)
12	S011619	RETURN FILTER	1	Piece(s)
13	S011627	RETURN FILTER ELEMENT	1	Piece(s)
14	S011617	FILLING FILTER	1	Piece(s)
15	S011618	LIQUIDITY DISPLAY	1	Piece(s)
16	S011813	HYDRAULIC OIL COOLER	1	Piece(s)
17	S012507	SCREW	4	Piece(s)
18	S012771	WASHER	8	Piece(s)
19	S012725	NUT	4	Piece(s)
20	S011393	HYDRAULIC COUPLING	1	Piece(s)
21	S014310	TEMPERATURE SWITCH	1	Piece(s)
22	S011426	HYDRAULIC COUPLING	1	Piece(s)
23	S011161	HYDRAULIC HOSE	1	Piece(s)
24	S011146	HYDRAULIC HOSE	1	Piece(s)
25	S010694	OIL RADIATOR STRUNT (NO STORAGE BOX)	1	Piece(s)
26	S012948	CARRIAGE BOLT	1	Piece(s)
27	S012785	WASHER	1	Piece(s)
28	S012748	SPRING RING	1	Piece(s)
29	S012725	NUT	1	Piece(s)
30	S015970	AXIAL PISTON PUMP	1	Piece(s)
31	S011197	HYDRAULIC HOSE	1	Piece(s)

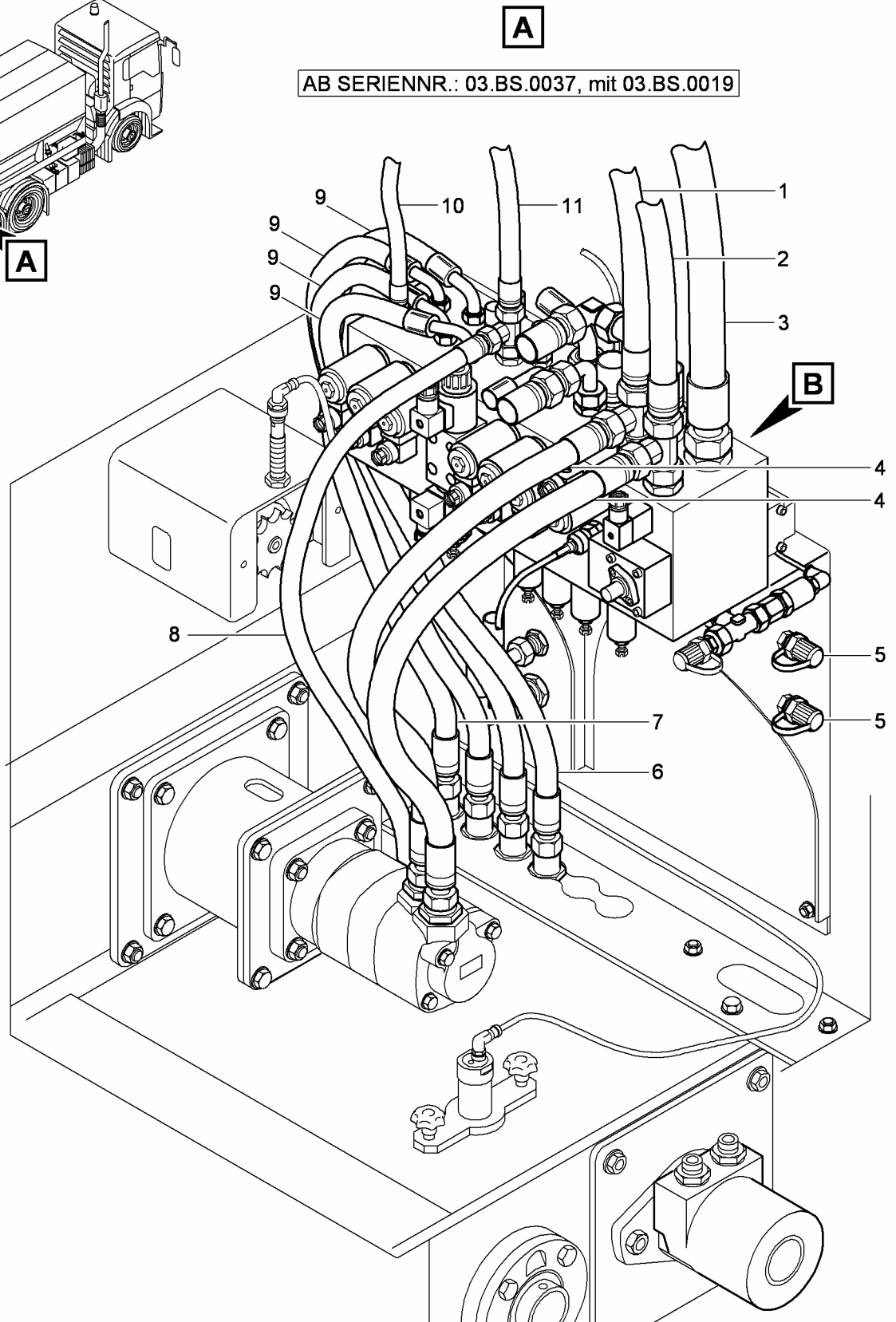
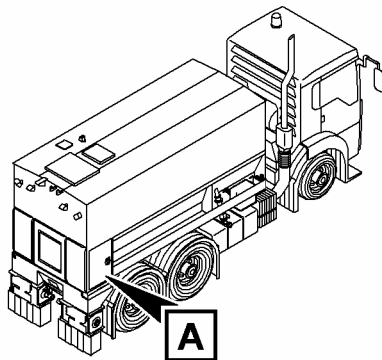
**Sparepartlist**

08_ HYDRAULIC SUPPLY

Pos.	Ident-Nr.	Designation	Quantity	
32	S011196	HYDRAULIC HOSE	1	Piece(s)
33	S015903	SUCTION TUBE	1	Piece(s)
34	S014346	JOINT BOLT CLAMP	2	Piece(s)
35	S011116	HYDRAULIC HOSE	1	Piece(s)
36	S013864	BALL-CLOSURE COCK	1	Piece(s)
37	S013870	ANGLE	1	Piece(s)
38	S011817	TEMPERATURE SWITCH	1	Piece(s)
39	S012022	FILLING LEVEL LIMIT SWITCH	1	Piece(s)
40	S012016	CABLE BOX	1	Piece(s)
41	S010713	FAN	1	Piece(s)
42	S012498	HEXAGON SCREW	4	Piece(s)
43	S012770	WASHER	4	Piece(s)
44	S012508	HEXAGON SCREW	4	Piece(s)
45	S012771	WASHER	8	Piece(s)
46	S012725	NUT	4	Piece(s)

Sparepartlist

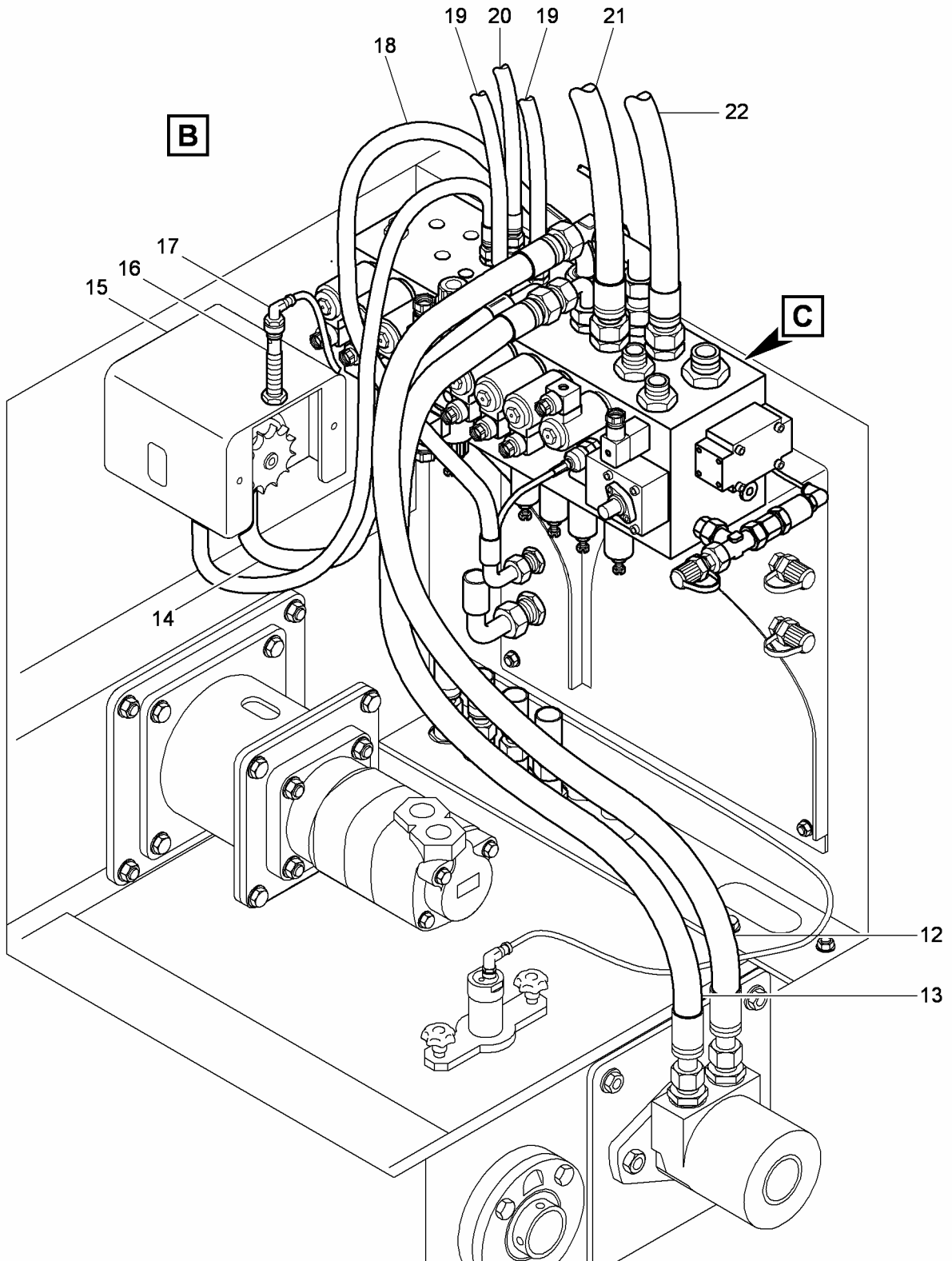
09_HYDRAULIC VALVE – FROM SN.: 03.BS.0037, INCLUDING 03.BS.0019



AB SERIENNR.: 03.BS.0037, mit 03.BS.0019

Sparepartlist

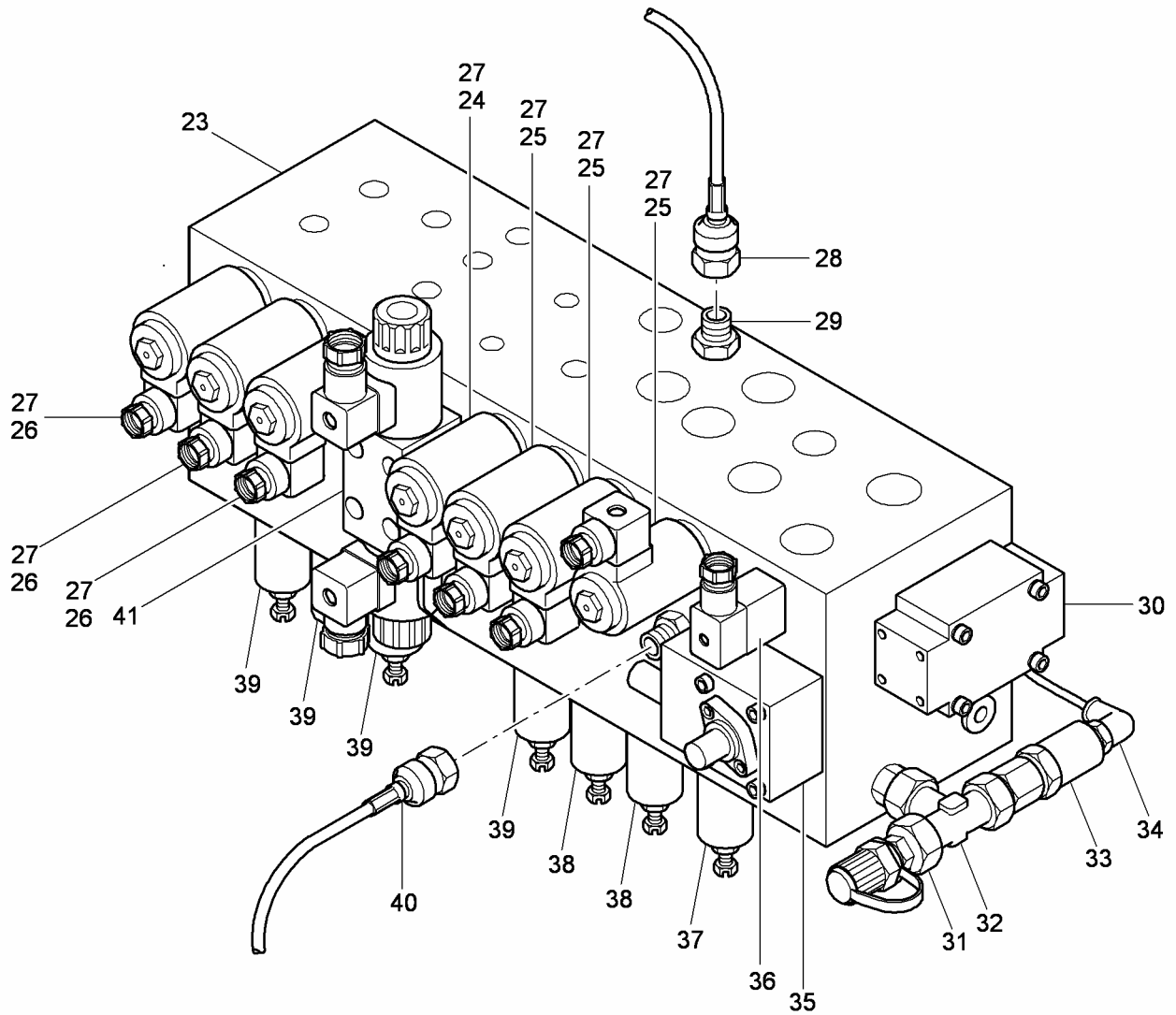
09_HYDRAULIC VALVE – FROM SN.: 03.BS.0037, INCLUDING 03.BS.0019



Sparepartlist

09_HYDRAULIC VALVE – FROM SN.: 03.BS.0037, INCLUDING 03.BS.0019

C



**Sparepartlist**

09_HYDRAULIC VALVE – FROM SN.: 03.BS.0037, INCLUDING 03.BS.0019

Pos.	Ident-Nr.	Designation	Quantity	
1	S011260	HYDRAULIC HOSE	1	Piece(s)
2	S011258	HYDRAULIC HOSE	1	Piece(s)
3	S011259	HYDRAULIC HOSE	2	Piece(s)
4	S011252	HYDRAULIC HOSE	1	Piece(s)
5	S011521	SCREW COUPLING	4	Piece(s)
6	S011268	HYDRAULIC HOSE	1	Piece(s)
7	S011267	HYDRAULIC HOSE	1	Piece(s)
8	S011257	HYDRAULIC HOSE	1	Piece(s)
9	S011266	HYDRAULIC HOSE	4	Piece(s)
10	S011265	HYDRAULIC HOSE	1	Piece(s)
11	S011264	HYDRAULIC HOSE	1	Piece(s)
12	S011085	HYDRAULIC HOSE	1	Piece(s)
13	S011254	HYDRAULIC HOSE	1	Piece(s)
14	S011256	HYDRAULIC HOSE	1	Piece(s)
15	S011034	OIL MOTOR	1	Piece(s)
16	S012015	SENSOR	1	Piece(s)
17	S012016	CABLE BOX	1	Piece(s)
18	S011135	HYDRAULIC HOSE	1	Piece(s)
19	S011263	HYDRAULIC HOSE	2	Piece(s)
20	S011269	HYDRAULIC HOSE	1	Piece(s)
21	S011262	HYDRAULIC HOSE	1	Piece(s)
22	S011261	HYDRAULIC HOSE	1	Piece(s)
23	S011737	CONTROL BLOCK	1	Piece(s)
24	S011754	POPPET VALVE	1	Piece(s)
25	S011750	POPPET VALVE	3	Piece(s)
26	S011752	POPPET VALVE	3	Piece(s)
27	S011934	MAGNETIC VALVE CONNECTOR	7	Piece(s)
28	S011523	HIGH PRESSURE TUBE	1	Piece(s)
29	S011518	SCREWED JOINT	3	Piece(s)
30	S011746	FLOW DIVIDER	1	Piece(s)
31	S011519	SCREWED JOINT	1	Piece(s)

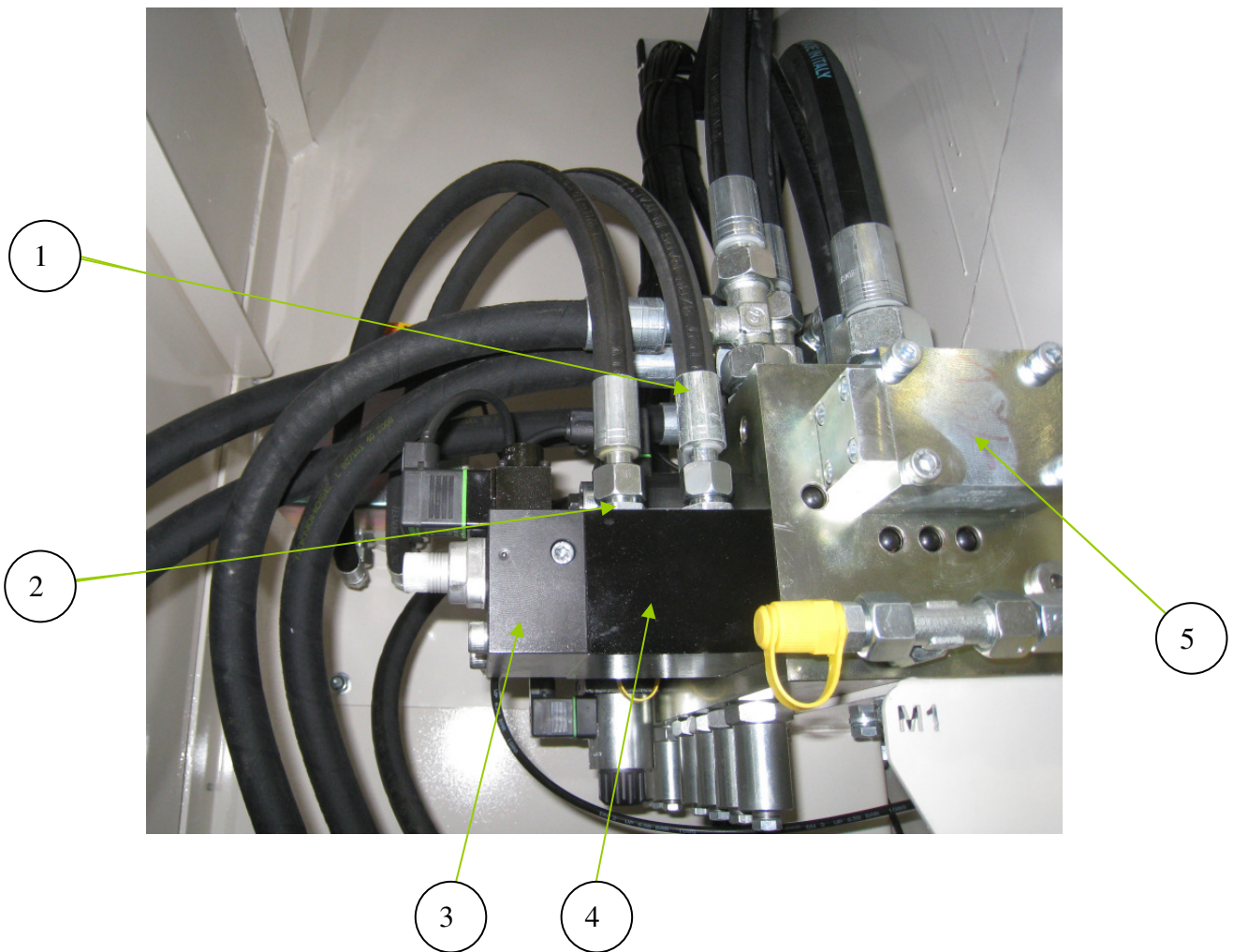
**Sparepartlist**

09_HYDRAULIC VALVE – FROM SN.: 03.BS.0037, INCLUDING 03.BS.0019

Pos.	Ident-Nr.	Designation	Quantity	
32	S011298	SCREWED JOINT	1	Piece(s)
33	S011712	TRANSMITTER	1	Piece(s)
34	S012016	CABLE BOX	1	Piece(s)
35	S011756	PROPORTIONAL FLOW REGULATING VALVE	1	Piece(s)
36	S011936	MAGNETIC VALVE CONNECTOR	1	Piece(s)
37	S011747	PRESSURE-RELIEF VALVE	1	Piece(s)
38	S011748	PRESSURE-RELIEF VALVE	2	Piece(s)
39	S011749	PRESSURE-RELIEF VALVE	4	Piece(s)
40	S011522	HIGH PRESSURE HOSE	1	Piece(s)
41	S011758	DIRECTIONAL CONTROL VALVE	1	Piece(s)
42	S011253	HYDRAULIC HOSE	2	Piece(s)

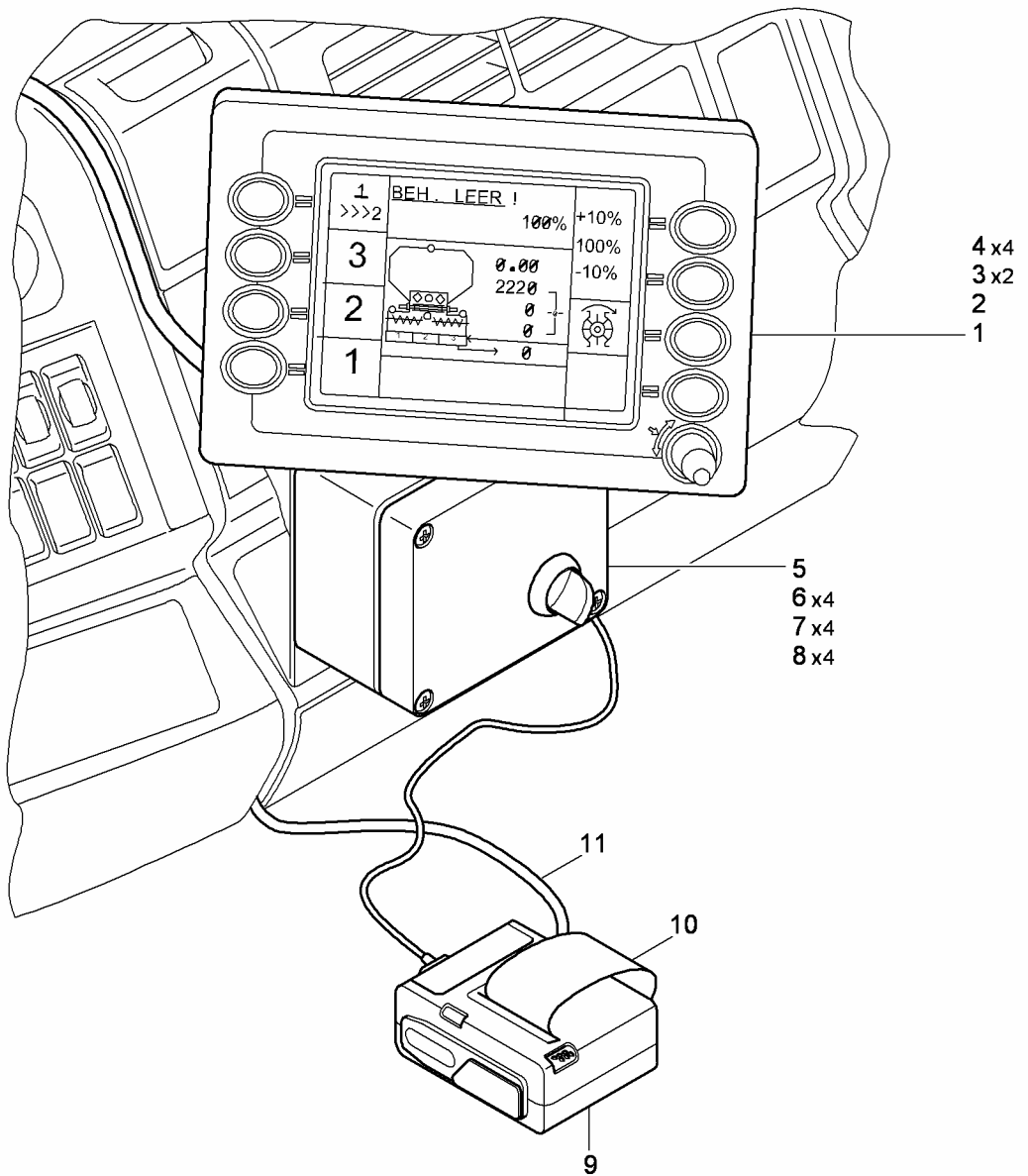
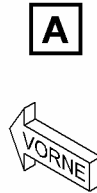
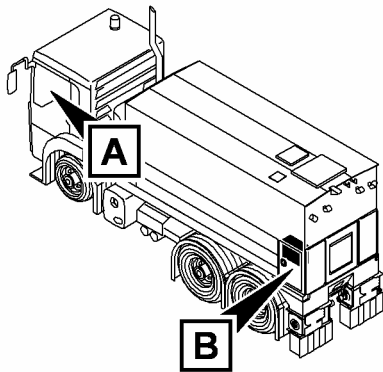
Spare part list

09_HYDRAULIC VALVE CHANGES FROM SN: 03.BS.0078

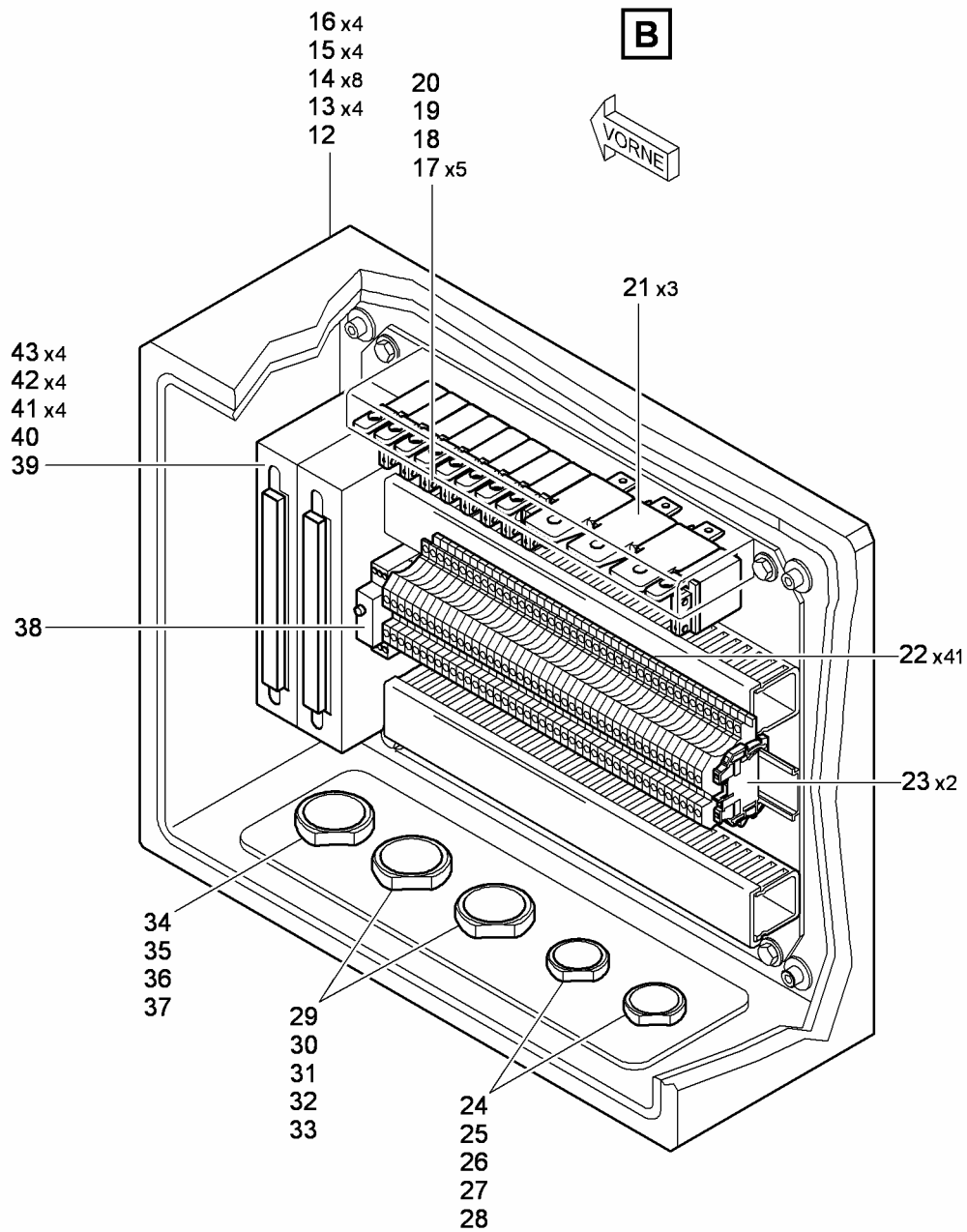


Pos.	Ident-Nr.	Designation	Quantity
1	S017384	HYDRAULIC HOSE	1 Piece(s)
2	S011475	SCREWED JOINT	1 Piece(s)
3	S017303	PROPORTIONAL FLOW REGULATING VALVE	1 Piece(s)
4	S017387	CAULE	1 Piece(s)
5	S011692	FLOW DIVIDER	1 Piece(s)

Sparepartlist
10_ELECTRICAL SYSTEM



Sparepartlist
10_ELECTRICAL SYSTEM





Sparepartlist
10_ELECTRICAL SYSTEM

Pos.	Ident-Nr.	Designation	Quantity	
1	S012341	OPERATING TERMINAL	1	Piece(s)
2	S010221	CHEESE-HEAD SCREW	1	Piece(s)
3	S012743	NUT	2	Piece(s)
4	S012869	CUP SPRING	4	Piece(s)
5	S015963	ELECTRO BOX	1	Piece(s)
6	S012831	CHEESE-HEAD SCREW	4	Piece(s)
7	S012771	WASHER	4	Piece(s)
8	S012724	NUT	4	Piece(s)
9	S012338	THERMAL PRINTER	1	Piece(s)
10	S012339	THERMAL PAPER ROLL	1	Piece(s)
11	S012340	CABLE	1	Piece(s)
12	S012014	MAIN DISTRIBUTION BOX	1	Piece(s)
13	S012530	HEXAGON SCREW	4	Piece(s)
14	S012749	SPRING RING	8	Piece(s)
15	S012726	NUT	4	Piece(s)
16	S012832	CHEESE-HEAD SCREW	4	Piece(s)
17	S012293	FUSE	5	Piece(s)
18	S012292	FUSE	1	Piece(s)
19	S012294	FUSE	1	Piece(s)
20	S012297	FUSE	1	Piece(s)
21	S012084	RELAY	3	Piece(s)
22	S012175	THREE HIGH RELIABLE CAGE CLAMP	41	Piece(s)
23	S012176	END BRACKET	2	Piece(s)
24	S011979	CABLE JOINT	2	Piece(s)
25	S011969	CABLE JOINT	2	Piece(s)
26	S011970	SEALING INSERT	2	Piece(s)
27	S011999	SEALING INSERT	2	Piece(s)
28	S011974	COUNTER NUT	2	Piece(s)
29	S011978	CABLE JOINT	2	Piece(s)
30	S011968	CABLE JOINT	2	Piece(s)
31	S011972	SEALING INSERT	2	Piece(s)

**Sparepartlist**

10_ELECTRICAL SYSTEM

Pos.	Ident-Nr.	Designation	Quantity	
32	S012000	SEALING INSERT	2	Piece(s)
33	S011975	COUNTER NUT	2	Piece(s)
34	S011978	CABLE JOINT	1	Piece(s)
35	S011968	CABLE JOINT	1	Piece(s)
36	S011971	SEALING INSERT	1	Piece(s)
37	S011975	COUNTER NUT	1	Piece(s)
38	S012218	TIMER RELAY 24V DC	1	Piece(s)
39	S011706	CONTROL VALVE	1	Piece(s)
39	S011740	CONTROL VALVE	1	Piece(s)
40	S010722	SUPPORT	1	Piece(s)
41	S012853	CHEESE-HEAD SCREW	4	Piece(s)
42	S010737	WASHER	4	Piece(s)
43	S010738	SPRING RING	4	Piece(s)

Sparepartlist

10_ELECTRICAL SYSTEM CHANGES FROM SN: 03.BS.0089

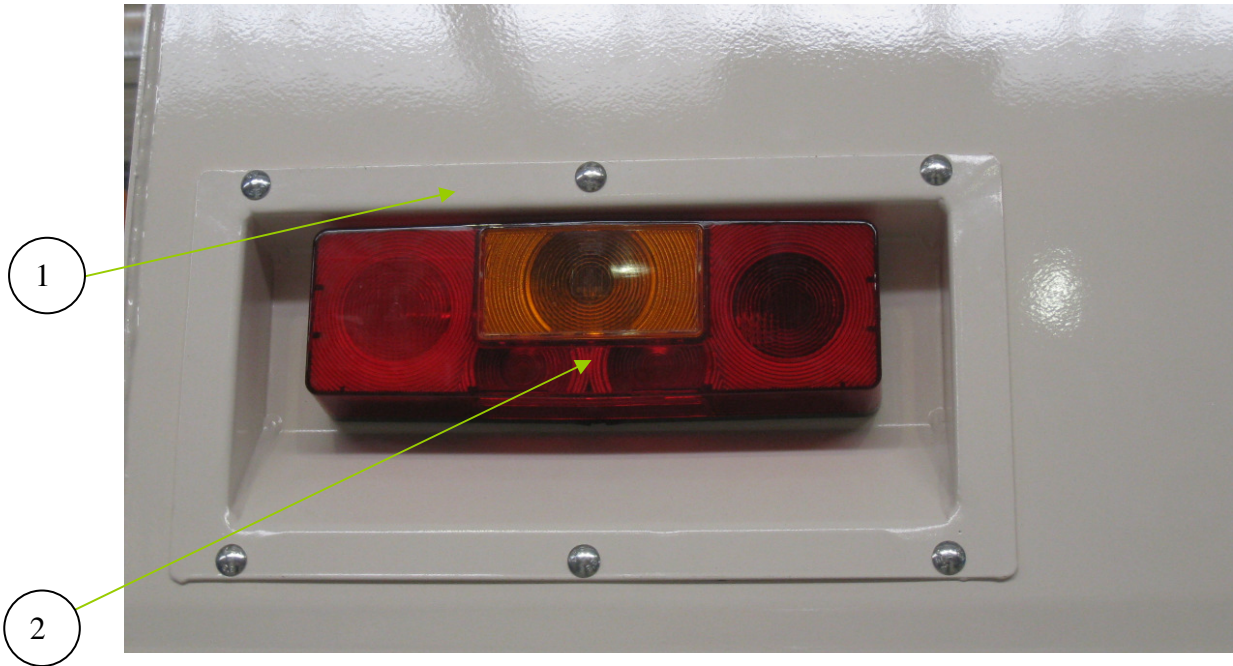


Pos.	Ident-Nr.	Designation	Quantity
1	S018820	LED working light	2 Piece(s)
2	S019933	Bracket	2 Piece(s)

Spare part list

10_ELECTRICAL SYSTEM

Sunk-in tail-lamp (Option)



Pos.	Ident-Nr.	Designation	Quantity
1	S016486	Light housing left/right	2 Piece(s)
2	S011838	Lamp left	1 Piece(s)
	S011842	Light disc left	1 Piece(s)
	S012150	Blub 24 V / 5 W	2 Piece(s)
	S012143	Blub 24 V / 21 W	2 Piece(s)
	S012148	Blub 12 V / 5 W	2 Piece(s)
	S011882	Blub 12 V / 21 W	2 Piece(s)
	2	S011837	Lamp right
S011843		Light disc right	1 Piece(s)
S012150		Blub 24 V / 5 W	2 Piece(s)
S012143		Blub 24 V / 21 W	2 Piece(s)
S012148		Blub 12 V / 5 W	2 Piece(s)
S011882		Blub 12 V / 21 W	2 Piece(s)
		S018909	Dummy plate (not shown)