

V3307-DI-T-E3B-EU-Z4

Update Date: 16/09/2014, Printing Date: 22/10/2018 Patrick Schwind

**ILLUSTRATED PARTS LIST
LISTE DES PIECES
STÜCK LISTE**

KUBOTA

MODEL
MODELE
MODELL

V3307-DI-T-E3B-EU-Z4

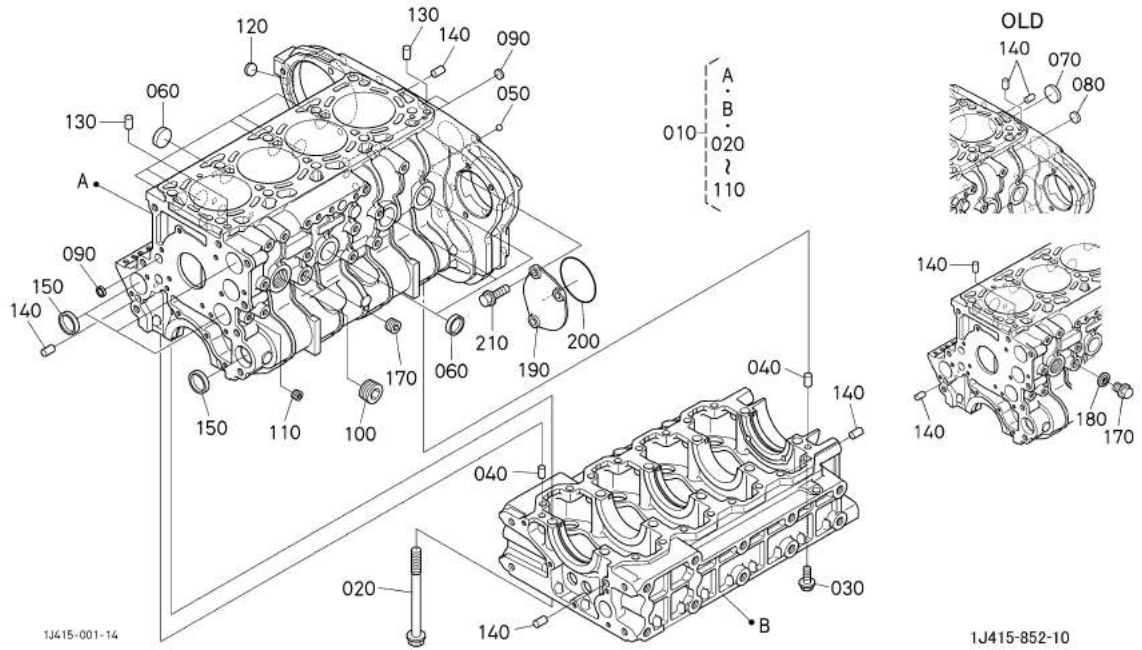
**DIESEL ENGINE
MOTEUR DIESEL
DIESEL MOTOREN**

Kubota

97898-76450
OCT.
OCTOBRE 2008
OKTOBER

V3307-DI-T-E3B-EU-Z4 -> ENGINE -> 500000 CRANK CASE ## V3307-DI-T-E3B-EU-Z4

Update Date: 16/09/2014, Printing Date: 22/10/2018 Patrick Schwind



V3307-DI-T-E3B-EU-Z4 -> ENGINE -> 500000 CRANK CASE ## V3307-DI-T-E3B-EU-Z4

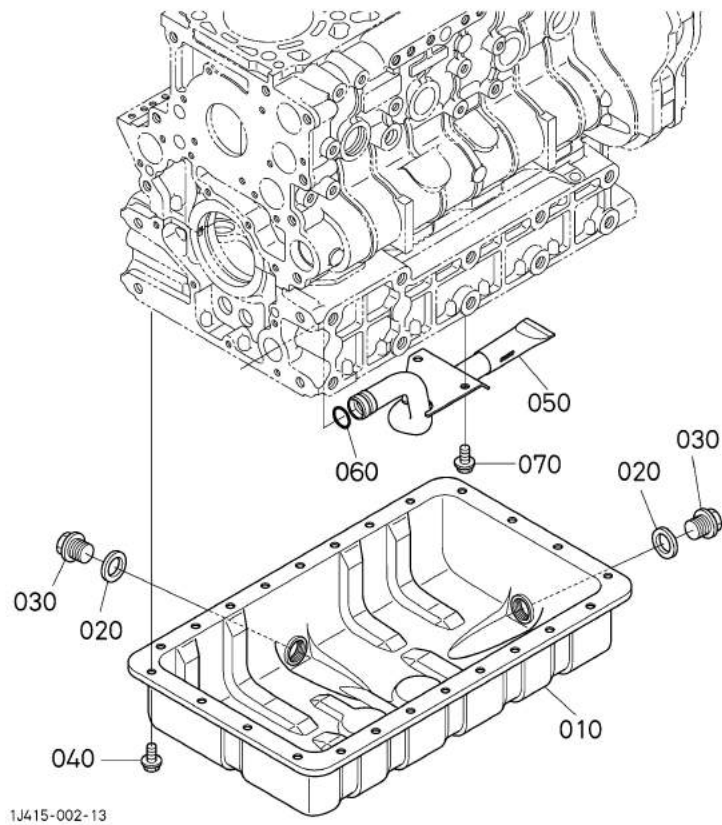
Update Date: 16/09/2014, Printing Date: 22/10/2018 Patrick Schwind

Interchangeable =, Not Interchangeable NI, New for Old >>, Old for New <<

No	Part Number	Part Name	Qty	RoundUp	IC	S/N	Remarks	Kg
010	1J415-01023	ASSY CRANKCASE	1			<=8CRZ999		0.0
010	1J415-01025	ASSY CRANKCASE	1		>>	>=8CS0001		102.0
020	1G772-03450	BOLT	10					0.175
030	1G772-91022	BOLT,FLANGE	16					0.035
040	05012-01016	PIN STRAIGHT	2					0.01
050	07715-03209	BALL	1					0.002
060	15321-96260	CAP,SEALING	9					0.014
070	15221-03490	CAP,SEALING	1			<=9VZ999		0.02
080	16851-96270	CAP,SEALING	1			<=9VZ999		0.005
090	06311-85016	CAP,SEALING	3					0.003
100	16683-96020	PLUG	1					0.088
110	16691-96022	PLUG	1					0.002
120	06311-85018	CAP,SEALING	1					0.004
130	1G772-94520	PIN,STRAIGHT	4			>=AJ0001		0.01
140	05012-01016	PIN STRAIGHT	6			<=AHZ999		0.01
140	05012-01016	PIN STRAIGHT	2			>=AJ0001		0.01
150	15221-03490	CAP,SEALING	4					0.02
170	06311-55030	PLUG	1			<=ADZ999		0.05
170	1A021-96020	PLUG	1		NI	>=AE0001		0.02
180	04724-00170	GASKET	1			<=ADZ999		0.005
190	1J415-83150	COVER	1					0.17
200	1G773-83140	O RING	1					0.001
210	01774-51225	BOLT,FLANGE	3					0.04

V3307-DI-T-E3B-EU-Z4 -> ENGINE -> 501000 OIL PAN ## V3307-DI-T-E3B-EU-Z4

Update Date: 16/09/2014, Printing Date: 22/10/2018 Patrick Schwind



V3307-DI-T-E3B-EU-Z4 -> ENGINE -> 501000 OIL PAN ## V3307-DI-T-E3B-EU-Z4

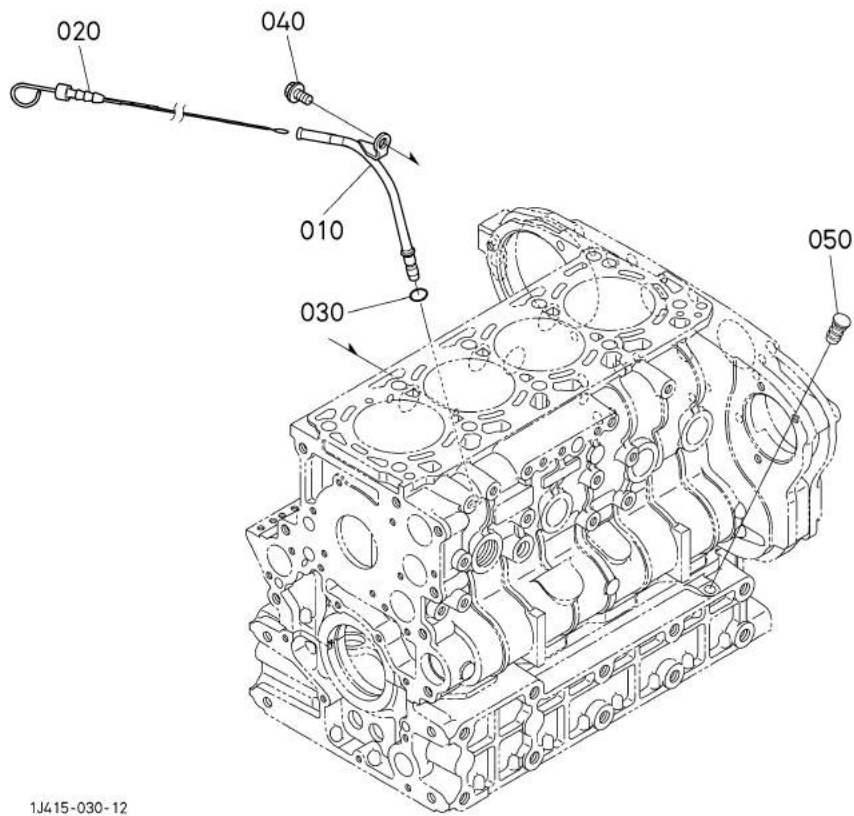
Update Date: 16/09/2014, Printing Date: 22/10/2018 Patrick Schwind

Interchangeable =, Not Interchangeable NI, New for Old >>, Old for New <<

No	Part Number	Part Name	Qty	RoundUp	IC	S/N	Remarks	Kg
010	1G777-01500	COMP.OIL PAN	1					3.0
020	16265-96670	PACKING	2			<=8CXZ999		0.005
020	04717-02200	WASHER,SEAL	2		NI	>=8CY0001		0.006
030	15707-33750	PLUG(DRAIN)	2			<=8CXZ999		0.095
030	16286-33750	PLUG,DRAIN	2		NI	>=8CY0001		0.09
040	01755-50816	BOLT,FLANGE	24					0.013
050	1G777-32112	FILTER,OIL	1					0.4
060	04817-00200	O RING	1					0.011
070	01755-50816	BOLT,FLANGE	2					0.013

V3307-DI-T-E3B-EU-Z4 -> ENGINE -> 501200 DIPSTICK AND GUIDE ##
V3307-DI-T-E3B-EU-Z4

Update Date: 16/09/2014, Printing Date: 22/10/2018 Patrick Schwind



1J415-030-12

V3307-DI-T-E3B-EU-Z4 -> ENGINE -> 501200 DIPSTICK AND GUIDE ## V3307-DI-T-E3B-EU-Z4

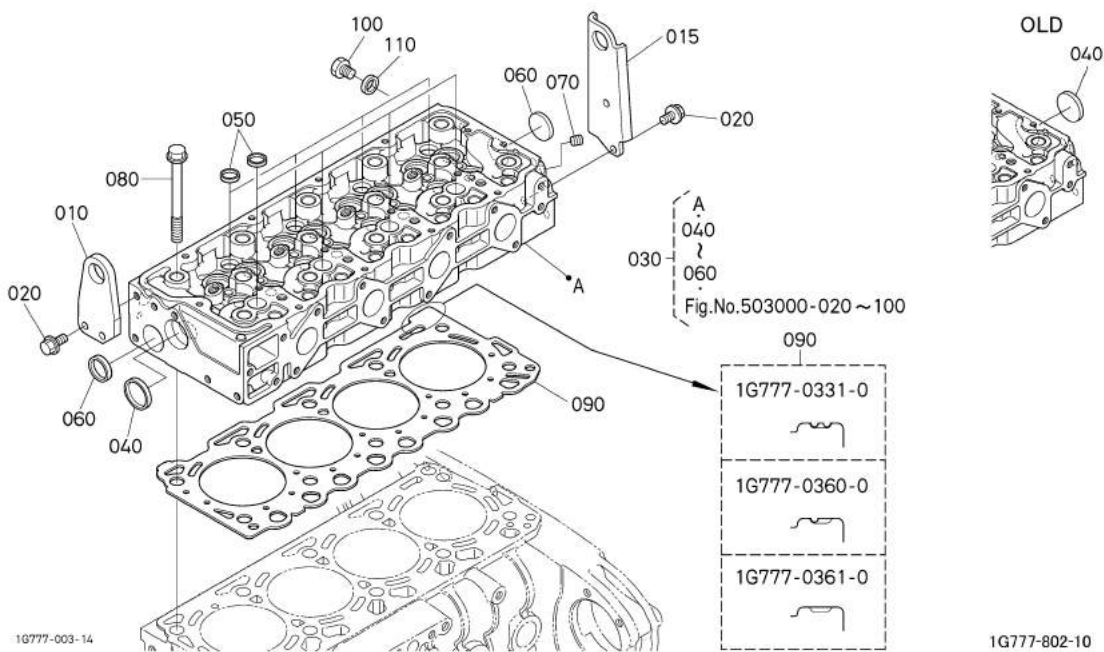
Update Date: 16/09/2014, Printing Date: 22/10/2018 Patrick Schwind

Interchangeable =, Not Interchangeable NI, New for Old >>, Old for New <<

No	Part Number	Part Name	Qty	RoundUp	IC	S/N	Remarks	Kg
010	1G777-36420	GUIDE,OIL GAUGE	1					0.075
020	1G777-36412	GAUGE,OIL	1					0.026
030	04814-00090	O RING	1					0.001
040	01754-50814	BOLT,FLANGE	1			<=8CTZ999		0.012
040	01754-50812	BOLT,FLANGE	1		NI	>=8CU0001		0.01
050	1G513-36550	PLUG,OIL GAUGE	1					0.004

V3307-DI-T-E3B-EU-Z4 -> ENGINE -> 502000 CYLINDER HEAD ## V3307-DI-T-E3B-EU-Z4

Update Date: 16/09/2014, Printing Date: 22/10/2018 Patrick Schwind



V3307-DI-T-E3B-EU-Z4 -> ENGINE -> 502000 CYLINDER HEAD ## V3307-DI-T-E3B-EU-Z4

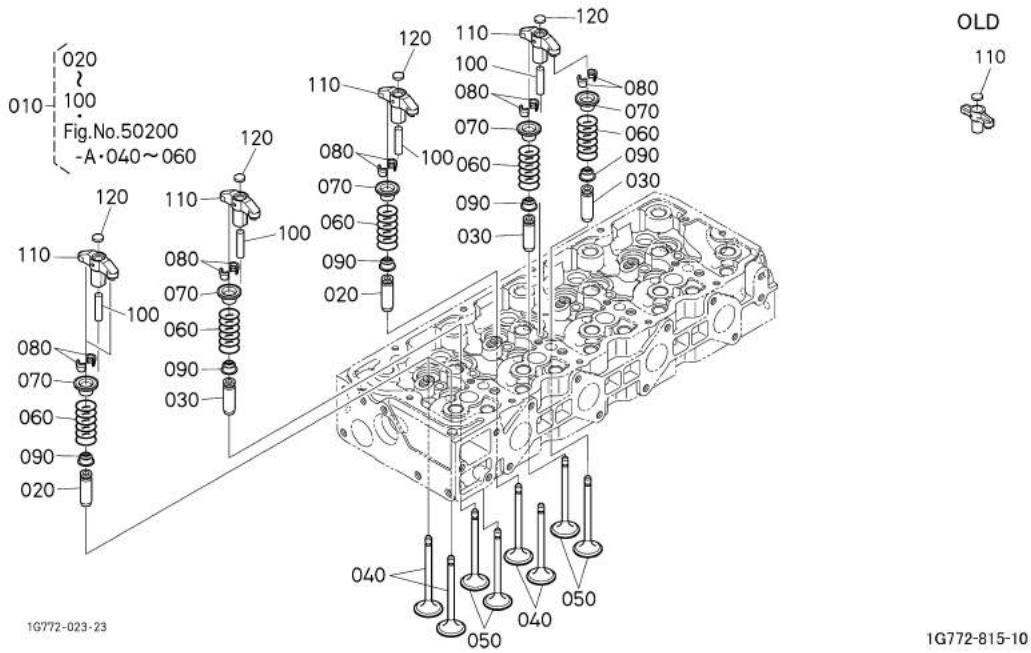
Update Date: 16/09/2014, Printing Date: 22/10/2018 Patrick Schwind

Interchangeable =, Not Interchangeable NI, New for Old >>, Old for New <<

No	Part Number	Part Name	Qty	RoundUp	IC	S/N	Remarks	Kg
010	1G777-01744	HOOK,ENGINE	1					0.3
015	1G777-01754	HOOK,ENGINE	1					0.515
020	01754-50816	BOLT,FLANGE	4					0.011
030	1G777-03020	ASSY CYLINDER HEAD	1			<=AXZ999		26.0
030	1G777-03022	ASSY CYLINDER HEAD	1		NI	>=AY0001		26.0
040	15221-03490	CAP,SEALING	2			<=BTZ999		0.02
040	15221-03490	CAP,SEALING	1			>=BU0001		0.02
050	16851-96270	CAP,SEALING	8					0.005
060	15321-96260	CAP,SEALING	1			<=BTZ999		0.014
060	15321-96260	CAP,SEALING	2			>=BU0001		0.014
070	15521-96020	PLUG	1					0.003
080	1G772-03450	BOLT	10					0.175
090	1G777-03310	GASKET,CYLINDER HEAD	1				STD/2 NOTCH	0.18
090	1G777-03600	GASKET,CYLINDER HEAD	1				SUITABILITY/1 NOTCH	0.21
090	1G777-03610	GASKET,CYLINDER HEAD	1				SUITABILITY/NOT NOTCH	0.21
100	15109-33630	PLUG,DRAIN	1					0.025
110	15109-33660	GASKET	1					0.001

V3307-DI-T-E3B-EU-Z4 -> ENGINE -> 503000 INLET VALVE AND EXHAUST VALVE ## V3307-DI-T-E3B-EU-Z4

Update Date: 16/09/2014, Printing Date: 22/10/2018 Patrick Schwind



V3307-DI-T-E3B-EU-Z4 -> ENGINE -> 503000 INLET VALVE AND EXHAUST VALVE
 ## V3307-DI-T-E3B-EU-Z4

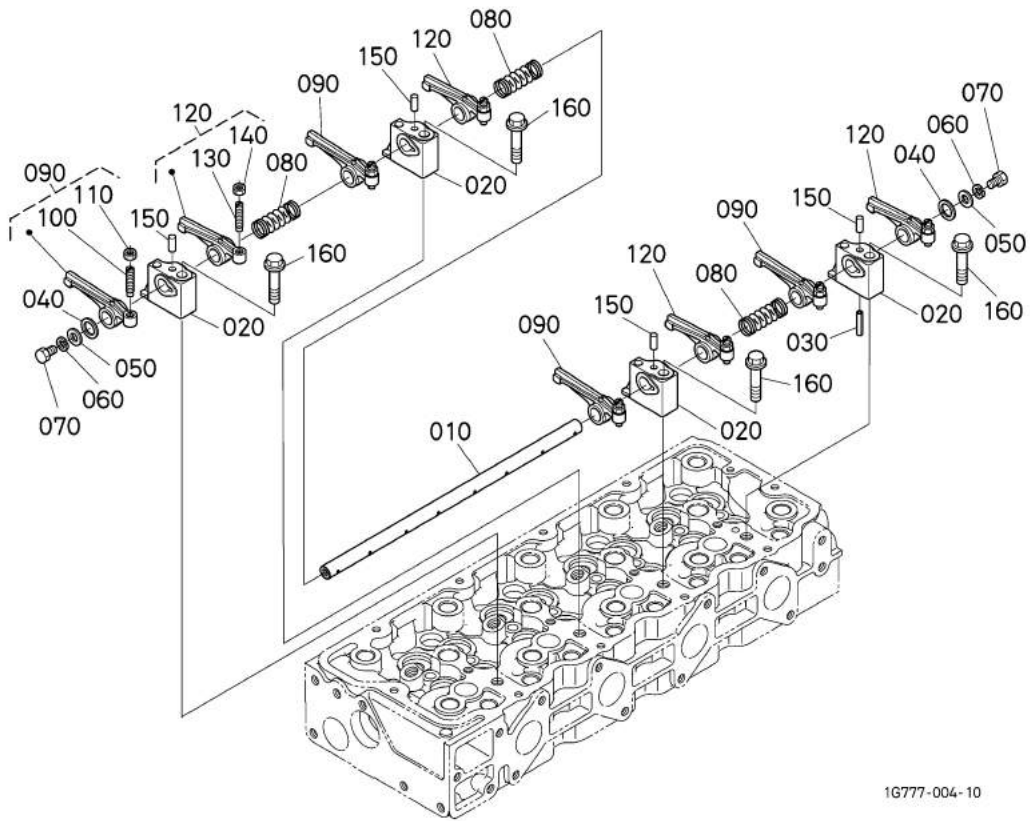
Update Date: 16/09/2014, Printing Date: 22/10/2018 Patrick Schwind

Interchangeable =, Not Interchangeable NI, New for Old >>, Old for New <<

No	Part Number	Part Name	Qty	RoundUp	IC	S/N	Remarks	Kg
010	1G777-03020	ASSY CYLINDER HEAD	1			<=AXZ999		26.0
010	1G777-03022	ASSY CYLINDER HEAD	1		NI	>=AY0001		26.0
020	16261-13540	GUIDE,INLET VALVE	8					0.02
030	16261-13560	GUIDE,EXHAUST VALVE	8					0.019
040	1G772-13110	VALVE,INLET	8			<=AXZ999	ORDER BY REF.No.040 NEW PART.	0.055
040	1G772-13112	VALVE,INLET	8		NI	>=AY0001		0.055
050	1G772-13120	VALVE,EXHAUST	8			<=AXZ999	ORDER BY REF.No.050 NEW PART.	0.05
050	1G772-13122	VALVE,EXHAUST	8		NI	>=AY0001		0.05
060	1C010-13240	SPRING,VALVE	16					0.02
070	16261-13330	RETAINER,VALVE SP.	16					0.015
080	15261-13980	COLLET(VALVE SPRING)	16				SET	0.002
090	1C010-13150	SEAL,VALVE STEM	16					0.002
100	1C010-13482	SHAFT,VALVE BURIGE	8					0.02
110	1C020-13463	ARM,VALVE BURI.	8			<=AXZ999		0.062
110	1G772-13460	ARM,VALVE BURI.	8		NI	>=AY0001		0.05
120	1C010-13490	PAD	8					0.003
120	1J700-13492	PAD	8		=			0.003

V3307-DI-T-E3B-EU-Z4 -> ENGINE -> 504000 ROCKER ARM SHAFT ##
V3307-DI-T-E3B-EU-Z4

Update Date: 16/09/2014, Printing Date: 22/10/2018 Patrick Schwind



1G777-004-10

V3307-DI-T-E3B-EU-Z4 -> ENGINE -> 504000 ROCKER ARM SHAFT ## V3307-DI-T-E3B-EU-Z4

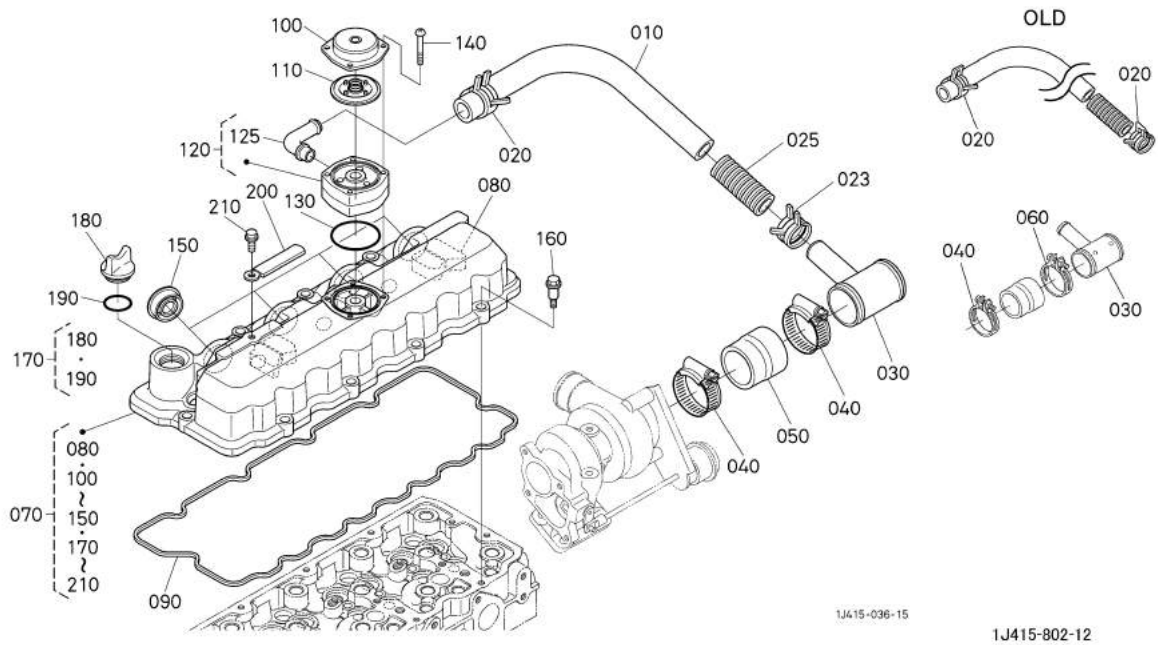
Update Date: 16/09/2014, Printing Date: 22/10/2018 Patrick Schwind

Interchangeable =, Not Interchangeable NI, New for Old >>, Old for New <<

No	Part Number	Part Name	Qty	RoundUp	IC	S/N	Remarks	Kg
010	1G772-14260	SHAFT,ROCKER ARM	1					0.42
020	1G772-14350	BRACKET,ROCKER ARM	4					0.065
030	05411-00525	PIN,SPRING	1					0.002
040	1G772-14430	WASHER	2					0.002
050	04013-50080	WASHER,PLAIN	2					0.003
060	04512-50080	WASHER,SPRING LOCK	2					0.002
070	01153-50812	HEX.BOLT	2					0.008
080	1G772-14310	SPRING	3					0.011
090	1G772-14020	ASSY ROCKER ARM,IN.	4					0.11
100	15521-14230	SCREW,ADJUSTING	4			<=8DBZ999		0.009
100	1G896-14230	SCREW	4		>>	>=8DC0001		0.01
110	15021-14240	NUT	4					0.003
120	1G772-14150	ASSY ROCKER ARM,EXH.	4					0.1
130	15521-14230	SCREW,ADJUSTING	4			<=8DBZ999		0.009
130	1G896-14230	SCREW	4		>>	>=8DC0001		0.01
140	15021-14240	NUT	4					0.003
150	1C020-94510	PIN,STRAIGHT	4					0.002
160	01774-51055	BOLT,FLANGE	4					0.04

V3307-DI-T-E3B-EU-Z4 -> ENGINE -> 505000 HEAD COVER ## V3307-DI-T-E3B-EU-Z4

Update Date: 16/09/2014, Printing Date: 22/10/2018 Patrick Schwind



V3307-DI-T-E3B-EU-Z4 -> ENGINE -> 505000 HEAD COVER ## V3307-DI-T-E3B-EU-Z4

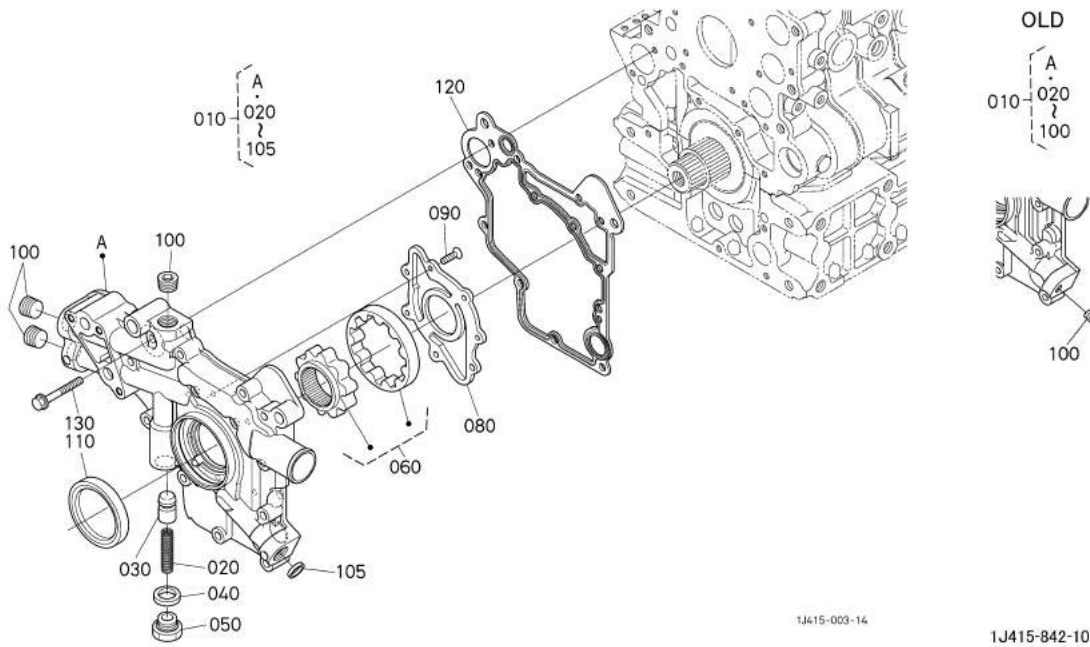
Update Date: 16/09/2014, Printing Date: 22/10/2018 Patrick Schwind

Interchangeable =, Not Interchangeable NI, New for Old >>, Old for New <<

No	Part Number	Part Name	Qty	RoundUp	IC	S/N	Remarks	Kg
010	1G777-05510	TUBE,BREATHER	1			<=BVZ999		0.055
010	1G776-05510	TUBE(BREATHER)	1		NI	>=BW0001		0.055
020	16241-33510	BAND,PIPE	2					0.005
020	09318-88180	BAND,HOSE	2		=			0.01
020	09318-88180	BAND,HOSE	1			>=BW0001		0.01
023	09318-88260	CLAMP,HOSE	1			>=BW0001		0.01
025	1G777-42210	TUBE,PIPE	1					0.01
030	1G777-05650	COMP.VALVE,BREATHER	1			<=BVZ999		0.145
030	1G776-05650	PIPE(BREATHER)	1		NI	>=BW0001		0.05
040	RC401-63190	CLAMP,HOSE	1			<=CVZ999		0.04
040	RC401-63190	CLAMP,HOSE	2			>=CW0001		0.04
050	1G777-11620	HOSE(BREATHER)	1					0.075
060	RC401-63190	CLAMP,HOSE	1			<=CVZ999		0.04
070	1G777-14503	ASSY COVER,CYL.HEAD	1					2.3
080	16241-05670	ELEMENT(BREATHER)	6			<=9XZ999		0.01
080	16241-05670	ELEMENT(BREATHER)	4			>=9Y0001		0.01
090	1G772-14520	GASKET,HEAD COVER	1					0.035
100	1G801-05120	COVER,BREATHER	1					0.035
110	1G911-05203	COMP VALVE,BREATHER	1					0.01
120	1G777-14680	SPACER,ASSY (BREATHER)	1					0.17
125	1G777-05550	JOINT,BREATHER	1					0.025
130	1G924-05430	O-RING	1					0.001
140	03054-50540	SCREW,PAN HEAD (PHILLIPS)	4					0.003
150	1C020-53810	SEAL,INJECTION PIPE	4					0.016
160	1G911-91022	BOLT	10					0.015
170	1C010-33080	ASSY PLUG,O/FILLER	1					0.018
180	E9151-33140	PLUG(OIL FILLER)	1					0.017
190	04817-50300	O RING	1					0.001
200	13824-67580	CLAMP	1					0.006
210	01754-50812	BOLT,FLANGE	1					0.01

V3307-DI-T-E3B-EU-Z4 -> ENGINE -> 510000 FRONT COVER ## V3307-DI-T-E3B-EU-Z4

Update Date: 16/09/2014, Printing Date: 22/10/2018 Patrick Schwind



V3307-DI-T-E3B-EU-Z4 -> ENGINE -> 510000 FRONT COVER ## V3307-DI-T-E3B-EU-Z4

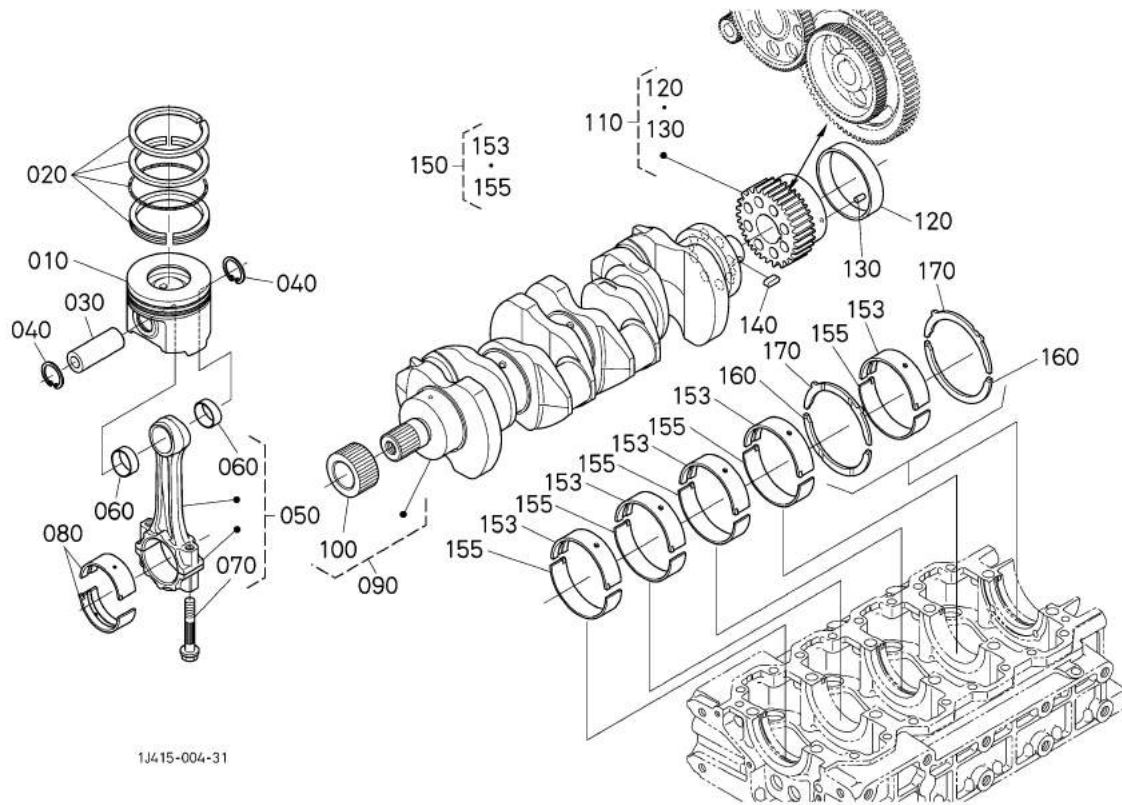
Update Date: 16/09/2014, Printing Date: 22/10/2018 Patrick Schwind

Interchangeable =, Not Interchangeable NI, New for Old >>, Old for New <<

No	Part Number	Part Name	Qty	RoundUp	IC	S/N	Remarks	Kg
010	1G772-04220	ASSY COVER,FRONT	1					3.0
020	1C010-36950	SPRING	1					0.014
030	1C010-36922	VALVE,RELIEF	1					0.031
040	15451-96670	PACKING	1					0.003
050	1C010-36960	PLUG	1					0.05
060	1G772-35070	ASSY ROTOR,OIL PUMP	1					0.47
080	1G772-35130	COVER,OIL PUMP	1					0.122
090	03016-50616	SCREW,FLAT HEAD (PHILLIPS)	7					0.003
100	1C010-96020	PLUG	4			<=BDZ999		0.022
100	1C010-96020	PLUG	3			>=BE0001		0.022
105	16851-96270	CAP,SEALING	1			>=BE0001		0.005
110	1C020-04140	SEAL,OIL	1					0.044
120	1G772-04330	GASKET(FRONT COVER)	1					0.025
130	1G410-91022	BOLT,FLANGE	13					0.018

V3307-DI-T-E3B-EU-Z4 -> ENGINE -> 511000 PISTON AND CRANKSHAFT ##
V3307-DI-T-E3B-EU-Z4

Update Date: 16/09/2014, Printing Date: 22/10/2018 Patrick Schwind



1J415-004-31

V3307-DI-T-E3B-EU-Z4 -> ENGINE -> 511000 PISTON AND CRANKSHAFT ## V3307-DI-T-E3B-EU-Z4

Update Date: 16/09/2014, Printing Date: 22/10/2018 Patrick Schwind

Interchangeable =, Not Interchangeable NI, New for Old >>, Old for New <<

No	Part Number	Part Name	Qty	RoundUp	IC	S/N	Remarks	Kg
010	1G777-21110	PISTON	4			<=9DZ999	(H05)STD	0.65
010	1G777-21922	PISTON	4			<=9DZ999	(H10)+0.50mm	0.65
010	1G777-21902	PISTON	4			<=9DZ999	(H05)+0.50mm	0.65
010	1G777-21120	PISTON	4			<=9DZ999	(H00)STD	0.65
010	1G777-21912	PISTON	4			<=9DZ999	(H00)+0.50mm	0.653
010	1G777-21130	PISTON	4			<=9DZ999	(H10)STD	0.65
010	1J751-21130	PISTON	4		NI	>=9E0001	(H10)STD	0.665
010	1J751-21910	PISTON	1		NI	>=9E0001	(H00)+0.50mm	0.745
010	1J751-21120	PISTON	4		NI	>=9E0001	(H00)STD	0.665
010	1J751-21900	PISTON	1		NI	>=9E0001	(H05)+0.50mm	0.665
010	1J751-21920	PISTON	1		NI	>=9E0001	(H10)+0.50mm	0.73
010	1J751-21110	PISTON	4		NI	>=9E0001	(H05)STD	0.64
020	1G772-21050	ASSY PISTON RING	4				STD	0.055
020	1G772-21090	ASSY PISTON RING	4				+0.50mm	0.055
030	1G772-21310	PIN,PISTON	4			<=8CZZ999		0.26
030	1G777-21310	PIN,PISTON	4		>>	>=8DA0001		0.26
040	04611-00280	CIR-CLIP,INTERNAL	8					0.002
050	1G777-22010	ASSY ROD,CONNECTING	4			<=9DZ999		1.036
050	1G772-22012	ASSY ROD,CONNECTING	4		NI	>=9E0001		1.07
050	1G772-22013	ASSY ROD,CONNECTING	4		>>	>=AG0001		1.07
060	1G777-21980	BUSH,PISTON PIN	8			<=9DZ999		0.012
060	1G772-21980	BUSH,PISTON PIN	8		NI	>=9E0001		0.015
060	1G772-21982	BUSH,PISTON PIN	8		>>	>=AG0001		0.015
070	1G772-22140	BOLT,CONNECTING ROD	8					0.035

V3307-DI-T-E3B-EU-Z4 -> ENGINE -> 511000 PISTON AND CRANKSHAFT ## V3307-DI-T-E3B-EU-Z4

Update Date: 16/09/2014, Printing Date: 22/10/2018 Patrick Schwind

Interchangeable =, Not Interchangeable NI, New for Old >>, Old for New <<

No	Part Number	Part Name	Qty	RoundUp	IC	S/N	Remarks	Kg
080	1G772-22310	METAL,CRANKPIN	4			<=AFZ999	STD/BLUE/SET	0.03
080	1G772-22970	METAL,CRANKPIN	4			<=AFZ999	-0.20mm/GREEN/SET	0.045
080	1G772-22330	METAL,CRANKPIN	4			<=AFZ999	STD/SET	0.045
080	1G772-22332	METAL,CRANKPIN	4		>>	>=AG0001	STD/SET	0.045
080	1G772-22972	METAL,CRANKPIN	4		>>	>=AG0001	-0.20mm/GREEN/SET	0.045
080	1G772-22980	METAL,CRANKPIN	4				-0.40mm/RED/SET	0.045
080	1G772-22312	METAL,CRANKPIN	4		>>	>=AG0001	STD/BLUE/SET	0.03
090	1G777-23010	COMP.CRANKSHAFT	1					23.0
100	1G772-35630	GEAR,OIL PUMP DRIVE	1					0.13
110	1G777-24100	ASSY GEAR,CRANKSHAFT	1					1.73
120	17381-23280	SLEEVE,CRANKSHAFT	1					0.09
130	05012-00612	PIN, STRAIGHT	1					0.003
140	05712-00720	KEY, FEATHER	1			<=9BZ999		0.008
140	1J700-95010	KEY,STRAIGHT	1		NI	>=9C0001		0.007
150	1G777-23400	KIT METAL,CRANKSHAFT	5			<=AFZ999	STD	0.23
150	1G777-23880	KIT METAL,CRANKSHAFT	5			<=AFZ999	-0.20mm	0.2
150	1G777-23890	KIT METAL,CRANKSHAFT	5			<=AFZ999	-0.40mm	0.23
150	1G777-23892	KIT METAL,CRANKSHAFT	5		>>	>=AG0001	-0.40mm	0.23
150	1G777-23882	KIT METAL,CRANKSHAFT	5		>>	>=AG0001	-0.20mm	0.2
150	1G777-23402	KIT METAL,CRANKSHAFT	5		>>	>=AG0001	STD	0.1
153	99999-99999	BLANK	5				STD	0.11
153	99999-99999	BLANK	5				-0.20mm	0.11
153	99999-99999	BLANK	5				-0.40mm	0.11
155	99999-99999	BLANK	5				STD	0.11
155	99999-99999	BLANK	5				-0.20mm	0.11

V3307-DI-T-E3B-EU-Z4 -> ENGINE -> 511000 PISTON AND CRANKSHAFT ## V3307-DI-T-E3B-EU-Z4

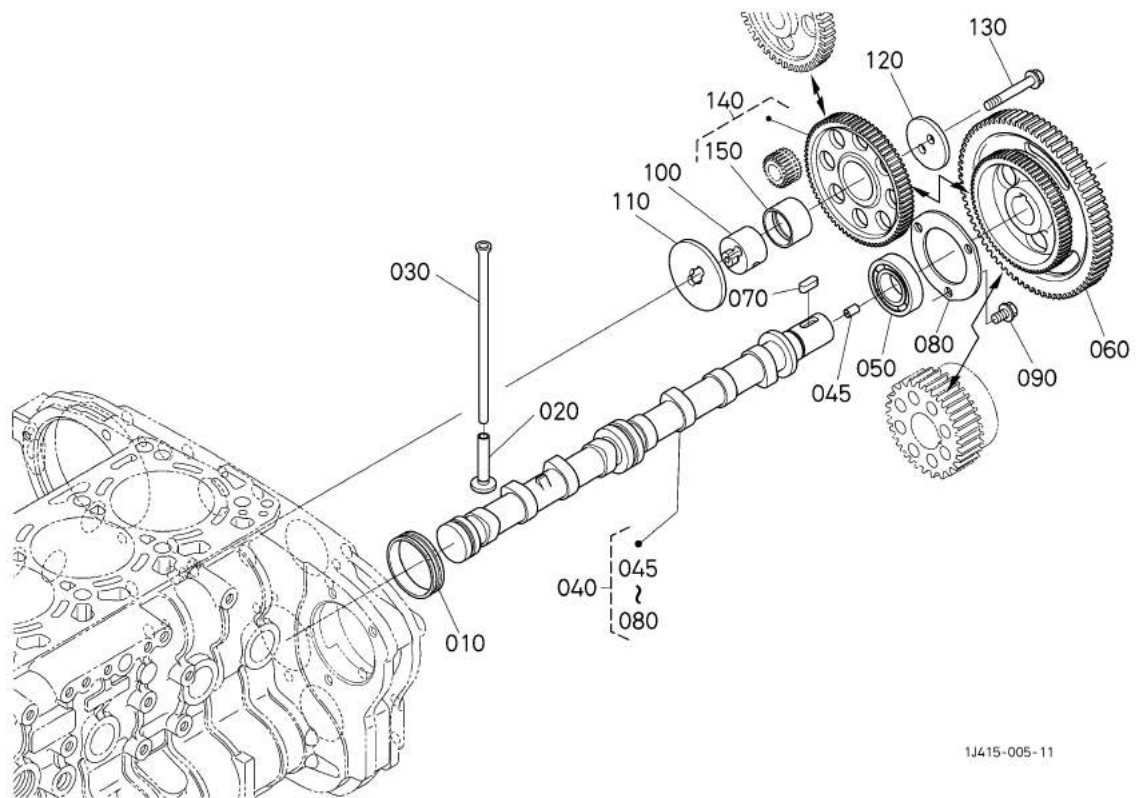
Update Date: 16/09/2014, Printing Date: 22/10/2018 Patrick Schwind

Interchangeable =, Not Interchangeable NI, New for Old >>, Old for New <<

No	Part Number	Part Name	Qty	RoundUp	IC	S/N	Remarks	Kg
155	99999-99999	BLANK	5				-0.40mm	0.115
160	1G772-23532	METAL,SIDE	2			<=AFZ999	STD	0.017
160	1G772-23960	METAL,SIDE	2			<=AFZ999	+0.40mm	0.02
160	1G772-23950	METAL,SIDE	2			<=AFZ999	+0.20mm	0.02
160	1G772-23953	METAL,SIDE	2		>>	>=AG0001	+0.20mm	0.02
160	1G772-23963	METAL,SIDE	2		>>	>=AG0001	+0.40mm	0.02
160	1G772-23533	METAL,SIDE	2		>>	>=AG0001	STD	0.017
170	1G772-23542	METAL,SIDE	2			<=AFZ999	STD	0.02
170	1G772-23970	METAL,SIDE	2			<=AFZ999	+0.20mm	0.02
170	1G772-23980	METAL,SIDE	2			<=AFZ999	+0.40mm	0.016
170	1G772-23983	METAL,SIDE	2		>>	>=AG0001	+0.40mm	0.016
170	1G772-23973	METAL,SIDE	2		>>	>=AG0001	+0.20mm	0.02
170	1G772-23543	METAL,SIDE	2		>>	>=AG0001	STD	0.02

V3307-DI-T-E3B-EU-Z4 -> ENGINE -> 512000 CAMSHAFT AND IDLE GEAR
SHAFT ## V3307-DI-T-E3B-EU-Z4

Update Date: 16/09/2014, Printing Date: 22/10/2018 Patrick Schwind



V3307-DI-T-E3B-EU-Z4 -> ENGINE -> 512000 CAMSHAFT AND IDLE GEAR SHAFT
 ## V3307-DI-T-E3B-EU-Z4

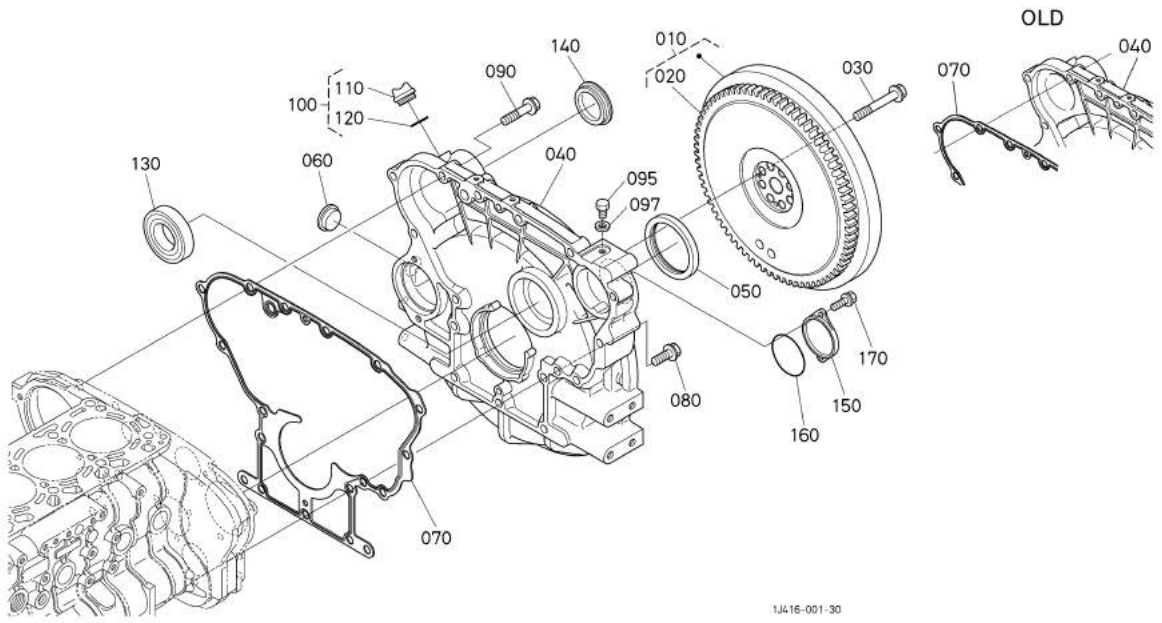
Update Date: 16/09/2014, Printing Date: 22/10/2018 Patrick Schwind

Interchangeable =, Not Interchangeable NI, New for Old >>, Old for New <<

No	Part Number	Part Name	Qty	RoundUp	IC	S/N	Remarks	Kg
010	1G772-16410	COVER,CAMSHAFT	1					0.027
020	1G772-15550	TAPPET	8					0.04
030	1G772-15110	PUSH ROD	8					0.06
040	1G777-16010	ASSY CAMSHAFT	1					5.46
045	1G777-33650	PIN,PIPE	1					0.005
050	1G777-16390	BEARING,ROLLER	1					0.21
060	1G777-16510	GEAR,CAM	1					2.664
070	05712-00720	KEY, FEATHER	1					0.008
080	1G772-16270	STOPPER,CAMSHAFT	1					0.058
090	01755-50816	BOLT,FLANGE	3					0.013
100	1G772-24250	SHAFT,IDLE GEAR	1			<=9TZ999		0.14
100	1G772-24253	SHAFT,IDLE GEAR	1		NI	>=9U0001		0.14
110	1G772-24360	COLLAR,IDLE GEAR	1					0.115
110	1G772-24363	COLLAR,IDLE GEAR	1		=			0.115
120	1G772-24370	COLLAR,IDLE GEAR	1					0.063
120	1G772-24373	COLLAR,IDLE GEAR	1		=			0.063
130	1G772-91050	BOLT,FLANGE	2			<=9TZ999		0.02
130	1G410-91022	BOLT,FLANGE	2		NI	>=9U0001		0.018
140	1G772-24010	COMP.GEAR,IDLE	1			<=9TZ999		0.75
140	1G772-24013	COMP.GEAR,IDLE	1		NI	>=9U0001		0.75
150	1G772-24980	BUSH,IDLE GEAR	1			<=AFZ999		0.03
150	1J710-24270	BUSH,IDLE GEAR	1		NI	>=AG0001		0.018

V3307-DI-T-E3B-EU-Z4 -> ENGINE -> 515000 FLYWHEEL ## V3307-DI-T-E3B-EU-Z4

Update Date: 16/09/2014, Printing Date: 22/10/2018 Patrick Schwind



1J416-001-30

1J415-857-10

V3307-DI-T-E3B-EU-Z4 -> ENGINE -> 515000 FLYWHEEL ## V3307-DI-T-E3B-EU-Z4

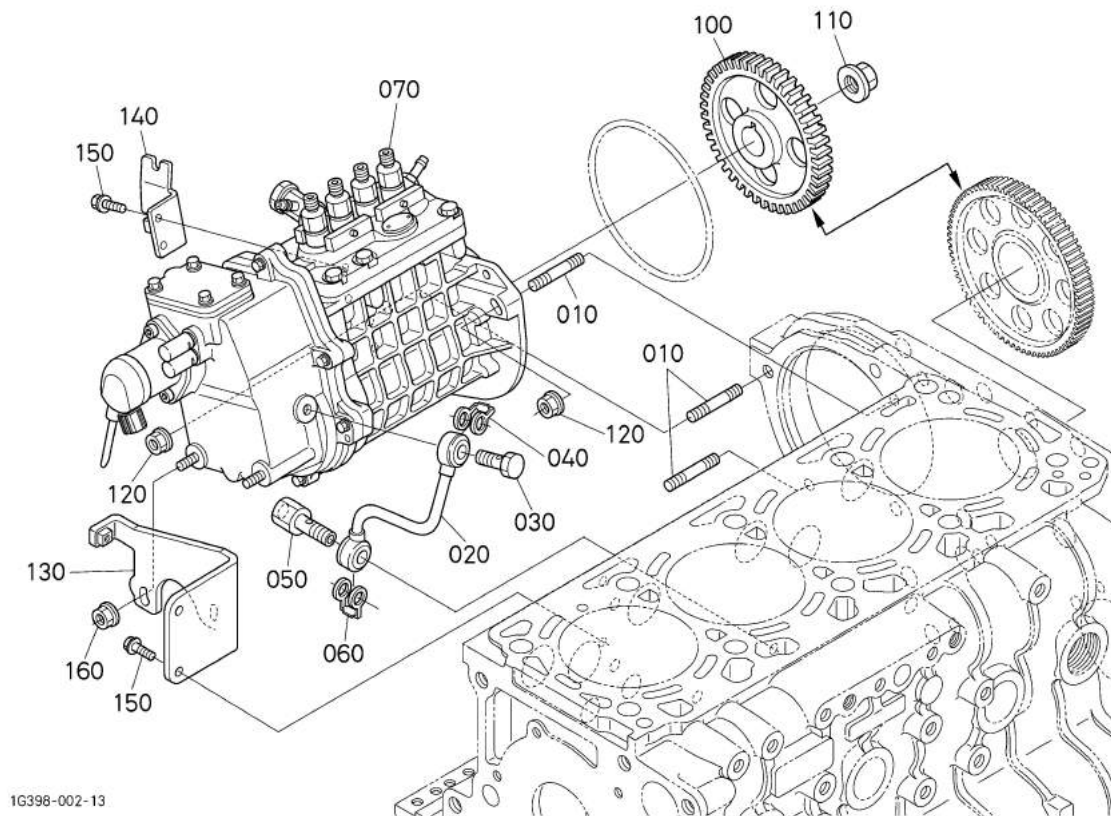
Update Date: 16/09/2014, Printing Date: 22/10/2018 Patrick Schwind

Interchangeable =, Not Interchangeable NI, New for Old >>, Old for New <<

No	Part Number	Part Name	Qty	RoundUp	IC	S/N	Remarks	Kg
010	1J415-25010	COMP.FLYWHEEL	1			<=8CMZ999		28.7
010	1J415-25013	COMP.FLYWHEEL	1		>>	>=8CN0001		28.7
020	1G777-63820	GEAR,RING	1					1.54
030	1G772-25160	BOLT,FLYWHEEL	8					0.085
040	1J415-04612	HOUSING,FLYWHEEL	1					24.0
050	17381-04460	SEAL,OIL	1			<=BZZ999		0.045
050	1G772-04460	SEAL,OIL	1		NI	>=CA0001		0.05
060	1C010-04680	COVER	1					0.013
070	1G777-04630	GASKET,HOUSING	1			<=ADZ999	ORDER BY REF.No.070 NEW PART.	0.053
070	1G777-04632	GASKET,HOUSING	1		>>	>=CA0001		0.053
080	1G772-91030	BOLT,FLANGE	8					0.045
080	1G772-91032	BOLT,FLANGE	8		=			0.04
090	1G772-91040	BOLT,FLANGE	8					0.056
095	06331-35010	PLUG	1					0.012
097	04714-00100	GASKET	1					0.002
100	1C010-33080	ASSY PLUG,O/FILLER	1					0.018
110	E9151-33140	PLUG(OIL FILLER)	1					0.017
120	04817-50300	O RING	1					0.001
130	1G777-16380	BEARING,ROLLER	1					0.44
140	79163-32130	PLUG	1					0.05
150	1G773-83150	COVER	1					0.13
160	1G773-83110	O RING	1					0.001
170	01774-51020	BOLT,FLANGE	2					0.02

V3307-DI-T-E3B-EU-Z4 -> ENGINE -> 520000 INJECTION PUMP UNIT ##
NOTE:INJECTION PUMP KIT COMPONENTS is from Fig.No.520200 to 525500.
V3307-DI-T-E3B-EU-Z4

Update Date: 16/09/2014, Printing Date: 22/10/2018 Patrick Schwind



V3307-DI-T-E3B-EU-Z4 -> ENGINE -> 520000 INJECTION PUMP UNIT ##
 NOTE:INJECTION PUMP KIT COMPONENTS is from Fig.No.520200 to 525500. ##
 V3307-DI-T-E3B-EU-Z4

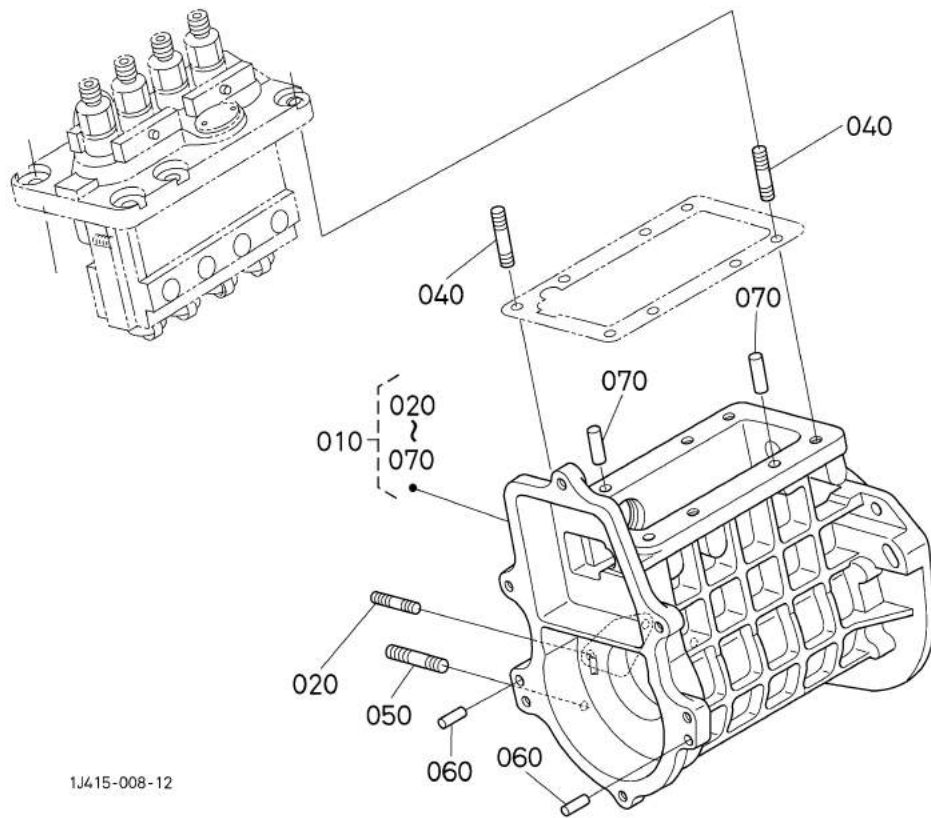
Update Date: 16/09/2014, Printing Date: 22/10/2018 Patrick Schwind

Interchangeable =, Not Interchangeable NI, New for Old >>, Old for New <<

No	Part Number	Part Name	Qty	RoundUp	IC	S/N	Remarks	Kg
010	1C010-91490	STUD	3					0.018
010	1J700-91490	STUD	3		=			0.015
020	1G772-33320	COMP.PIPE,IP OIL	1					0.05
030	17371-95800	BOLT,EYE JOINT	1					0.025
040	1C020-96650	PACKING	1					0.001
050	1G772-33360	BOLT,JOINT	1					0.03
060	1G557-96650	GASKET	1					0.001
070	1G777-50100	KIT PUMP,INJECTION	1				SEE NOTE	0.0
070	1G777-50102	KIT PUMP,INJECTION	1		=		SEE NOTE	0.0
070	1G777-50103	KIT PUMP,INJECTION	1		>>	>=9J0001	SEE NOTE	0.0
070	1G777-50104	KIT PUMP,INJECTION	1		>>	>=AG0001	SEE NOTE	0.0
070	1G777-50105	KIT PUMP,INJECTION	1		>>	>=AY0001	SEE NOTE	10.0
070	1G777-50106	KIT PUMP,INJECTION	1		>>	>=8DL0001	SEE NOTE	10.0
100	1G772-51150	GEAR,INJECTION PUMP	1					0.74
110	1G772-16200	NUT,INJ.PUMP GEAR	1					0.055
120	02751-50080	NUT,FLANGE	3					0.006
130	1G772-51620	BRACKET,INJ.PUMP	1					0.35
140	1G777-57480	BRACKET,ACCEL.CABLE	1					0.067
140	1G777-57482	BRACKET,ACCEL.CABLE	1		=			0.065
150	01754-50814	BOLT,FLANGE	4					0.012
160	02751-50080	NUT,FLANGE	2					0.006

V3307-DI-T-E3B-EU-Z4 -> ENGINE -> 520200 INJECTION PUMP HOUSING ##
V3307-DI-T-E3B-EU-Z4

Update Date: 16/09/2014, Printing Date: 22/10/2018 Patrick Schwind



V3307-DI-T-E3B-EU-Z4 -> ENGINE -> 520200 INJECTION PUMP HOUSING ## V3307-DI-T-E3B-EU-Z4

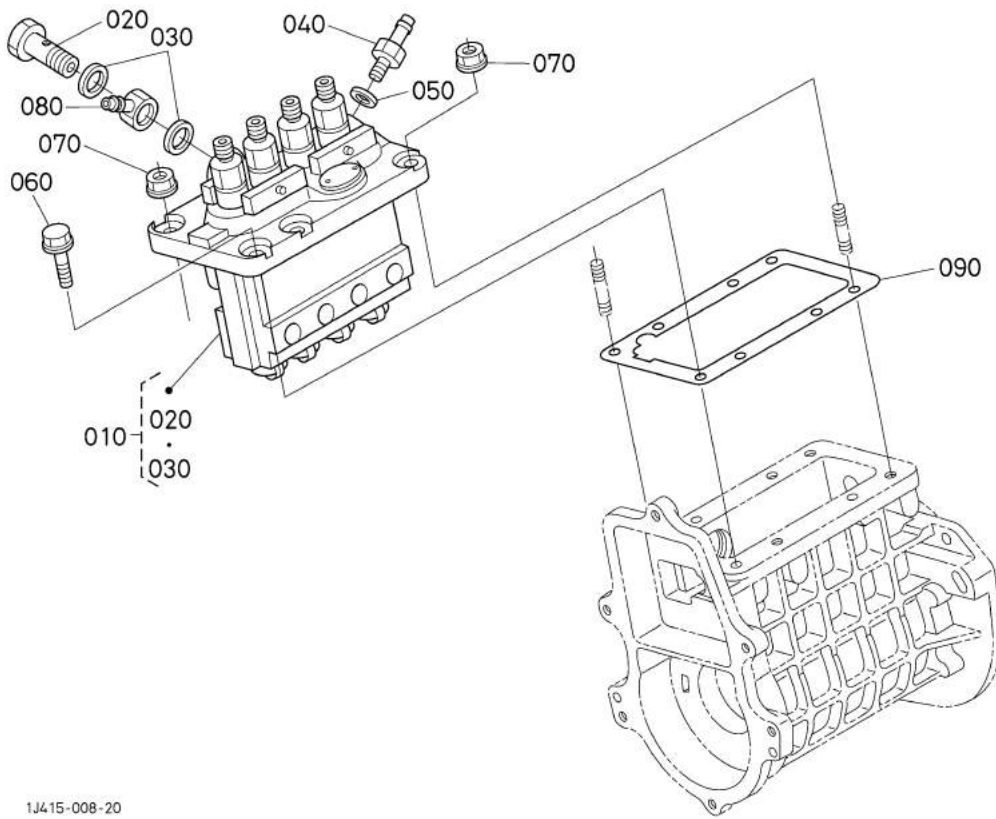
Update Date: 16/09/2014, Printing Date: 22/10/2018 Patrick Schwind

Interchangeable =, Not Interchangeable NI, New for Old >>, Old for New <<

No	Part Number	Part Name	Qty	RoundUp	IC	S/N	Remarks	Kg
010	1G777-50802	ASSY HOUSING,I/P	1			<=9FZ999		1.78
010	1G777-50804	ASSY HOUSING,I/P	1		NI	>=9G0001		1.78
010	1G777-50805	ASSY HOUSING,I/P	1		>>	>=AG0001		1.78
020	16245-91540	STUD	2					0.005
040	15221-91530	BOLT,STUD	2					0.011
050	15471-91530	BOLT,STUD	2			<=9FZ999		0.01
050	1G772-91490	STUD	2		>>	>=9G0001		0.007
060	05012-00512	PIN,STRAIGHT	2					0.002
070	05012-00609	PIN,STRAIGHT	2					0.003

V3307-DI-T-E3B-EU-Z4 -> ENGINE -> 521000 INJECTION PUMP ## V3307-DI-T-E3B-EU-Z4

Update Date: 16/09/2014, Printing Date: 22/10/2018 Patrick Schwind



1J415-008-20

V3307-DI-T-E3B-EU-Z4 -> ENGINE -> 521000 INJECTION PUMP ## V3307-DI-T-E3B-EU-Z4

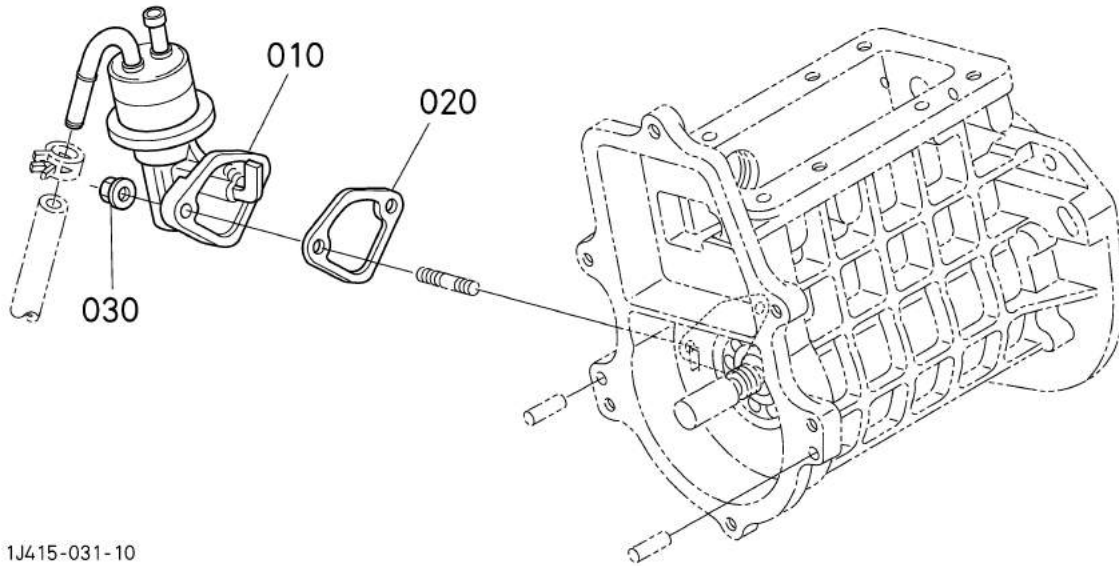
Update Date: 16/09/2014, Printing Date: 22/10/2018 Patrick Schwind

Interchangeable =, Not Interchangeable NI, New for Old >>, Old for New <<

No	Part Number	Part Name	Qty	RoundUp	IC	S/N	Remarks	Kg
010	1G777-51010	ASSY PUMP,INJECTION	1			<=8DZ999		3.46
010	1G777-51012	ASSY PUMP,INJECTION	1		>>	>=8DL0001		3.46
020	1J700-51320	EYE BOLT	1					0.02
030	15331-96650	PACKING	2					0.001
040	1A093-51360	SCREW(AIR BREADER)	1					0.013
050	15021-33660	PACKING	1					0.001
060	01754-50825	BOLT,FLANGE	4					0.01
070	02751-50080	NUT,FLANGE	2					0.006
080	14111-42410	JOINT,EYE	1					0.025
090	1G790-52162	SHIM	1				0.35mm	0.001

V3307-DI-T-E3B-EU-Z4 -> ENGINE -> 521500 FUEL PUMP ## V3307-DI-T-E3B-EU-Z4

Update Date: 16/09/2014, Printing Date: 22/10/2018 Patrick Schwind



V3307-DI-T-E3B-EU-Z4 -> ENGINE -> 521500 FUEL PUMP ## V3307-DI-T-E3B-EU-Z4

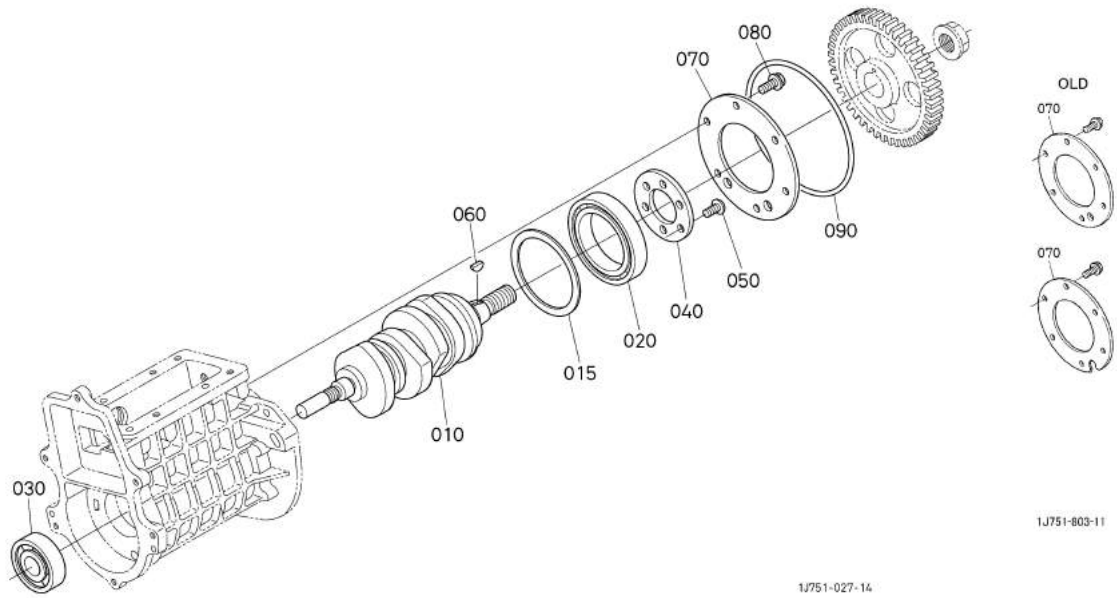
Update Date: 16/09/2014, Printing Date: 22/10/2018 Patrick Schwind

Interchangeable =, Not Interchangeable NI, New for Old >>, Old for New <<

No	Part Number	Part Name	Qty	RoundUp	IC	S/N	Remarks	Kg
010	1C010-52032	PUMP,ASSY(FUEL)	1			<=9HZ999	ORDER BY REF.No.010 NEW PARTS.	0.13
010	1C010-52033	ASSY PUMP,FUEL	1		>>	>=9J0001		0.13
020	16261-52140	GASKET,FUEL PUMP	1		=			0.001
030	02751-50060	NUT,FLANGE	2					0.005

V3307-DI-T-E3B-EU-Z4 -> ENGINE -> 522000 FUEL CAMSHAFT ## V3307-DI-T-E3B-EU-Z4

Update Date: 16/09/2014, Printing Date: 22/10/2018 Patrick Schwind



V3307-DI-T-E3B-EU-Z4 -> ENGINE -> 522000 FUEL CAMSHAFT ## V3307-DI-T-E3B-EU-Z4

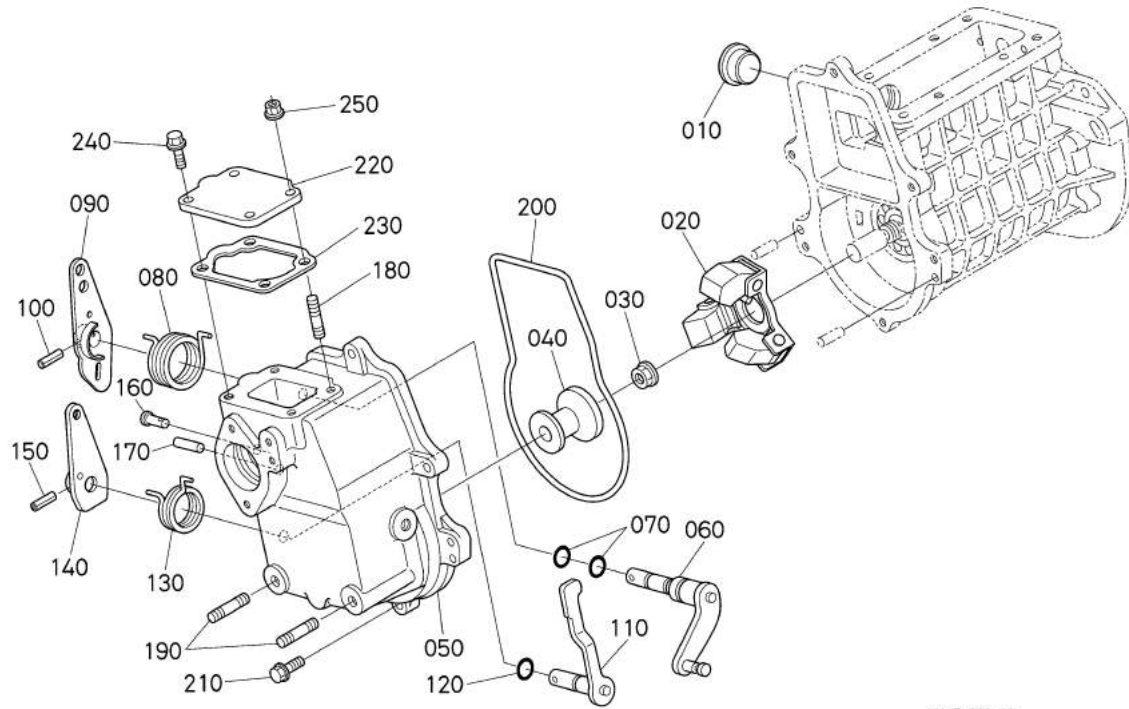
Update Date: 16/09/2014, Printing Date: 22/10/2018 Patrick Schwind

Interchangeable =, Not Interchangeable NI, New for Old >>, Old for New <<

No	Part Number	Part Name	Qty	RoundUp	IC	S/N	Remarks	Kg
010	1G777-16170	CAMSHAFT,FUEL	1					2.13
015	1G772-16190	COLLAR(F/CAM BEARING)	1			>=9L0001		0.009
020	1G772-51760	BEARING,BALL	1					0.12
030	1G777-51750	BEARING,BALL	1					0.11
040	1G772-16230	STOPPER	1					0.015
050	03017-50608	SCREW,BINDING (PHILLIPS)	6					0.004
060	12331-95230	KEY,WOODRUFF	1					0.01
070	1G777-16323	STOPPER,FUEL C/SHAFT	1			<=9FZ999		0.044
070	1G777-16324	STOPPER,FUEL C/SHAFT	1		NI	>=9G0001		0.044
080	01754-50612	BOLT,FLANGE	6					0.005
090	1G772-52130	GASKET,INJECTION PU.	1					0.004

V3307-DI-T-E3B-EU-Z4 -> ENGINE -> 523000 GOVERNOR ## NOTE:ORDER BY REF.No.050 and Fig.No.524000 REF.No.060 NEW PARTS. ## V3307-DI-T-E3B-EU-Z4

Update Date: 16/09/2014, Printing Date: 22/10/2018 Patrick Schwind



1J415-009-10

V3307-DI-T-E3B-EU-Z4 -> ENGINE -> 523000 GOVERNOR ## NOTE:ORDER BY REF.No.050 and Fig.No.524000 REF.No.060 NEW PARTS. ## V3307-DI-T-E3B-EU-Z4

Update Date: 16/09/2014, Printing Date: 22/10/2018 Patrick Schwind

Interchangeable =, Not Interchangeable NI, New for Old >>, Old for New <<

No	Part Number	Part Name	Qty	RoundUp	IC	S/N	Remarks	Kg
010	1C010-56750	COVER,GOVERNOR ROD	1					0.007
020	1G777-55050	ASSY WEIGHT,GOVERNOR	1					0.195
030	02771-50120	NUT,FLANGE	1					0.018
040	1G772-55450	SLEEVE,GOVERNOR	1					0.05
050	1G772-55100	HOUSING,GOVERNOR	1			<=9FZ999	SEE NOTE	1.69
050	1G772-55106	HOUSING,GOVERNOR	1		>>	>=9G0001		0.622
050	1G772-55107	HOUSING,GOVERNOR	1		>>	>=AG0001		0.622
050	1G772-55108	HOUSING,GOVERNOR	1		>>	>=AS0001		0.622
050	1J751-55100	HOUSING(GOVERNOR)	1		>>	>=9G0001		0.627
060	1G772-56020	ASSY LEVER(GOVERNOR)	1					0.075
070	04814-10070	O-RING	2					0.001
080	1G772-57510	SPRING	1					0.009
090	1G777-57150	LEVER,SPEED CONTROL	1					0.052
090	1G776-57150	LEVER,SPEED CONTROL	1		=			0.04
100	05411-00416	PIN,SPRING	1					0.001
110	1G772-57700	ASSY LEVER,ENG.STOP	1					0.05
120	04814-10070	O-RING	1					0.001
130	1G772-57920	SPRING,RETURN	1					0.002
140	1G772-57620	LEVER,ENGINE STOP	1					0.05
140	1G776-57620	LEVER,ENGINE STOP	1		=			0.03
150	05411-00416	PIN,SPRING	1					0.001
160	15221-56280	PIN,START SPRING	1					0.006
170	1C010-94510	PIN,STRAIGHT	1					0.01
180	15841-91510	STUD	1					0.007

V3307-DI-T-E3B-EU-Z4 -> ENGINE -> 523000 GOVERNOR ## NOTE:ORDER BY
REF.No.050 and Fig.No.524000 REF.No.060 NEW PARTS. ## V3307-DI-T-E3B-EU-Z4

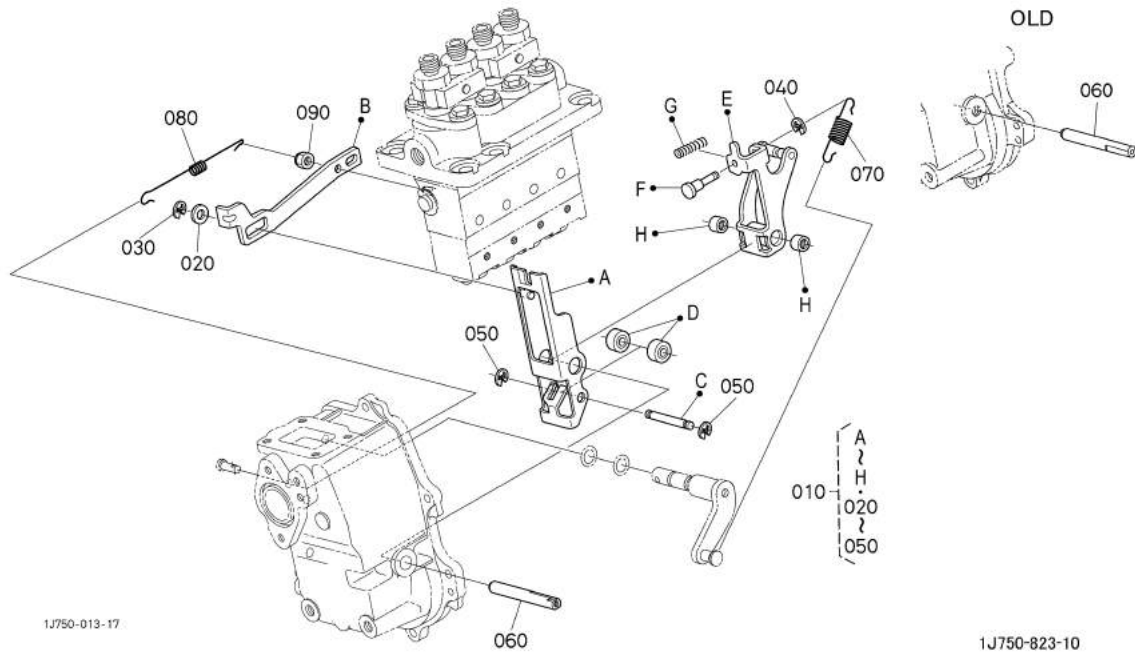
Update Date: 16/09/2014, Printing Date: 22/10/2018 Patrick Schwind

Interchangeable =, Not Interchangeable NI, New for Old >>, Old for New <<

No	Part Number	Part Name	Qty	RoundUp	IC	S/N	Remarks	Kg
190	01518-50820	BOLT,STUD	2					0.012
200	1C010-55770	GASKET,GOVERNOR HOU.	1					0.001
210	01754-50618	BOLT,FLANGE	6			<=AXZ999		0.01
210	01754-50620	BOLT,FLANGE	6		NI	>=AY0001		0.007
220	1G730-54540	COVER,BOOST COM.HOUS	1					0.08
230	1A021-57212	GASKET,PLATE	1					0.001
240	01754-50612	BOLT,FLANGE	3					0.005
250	02751-50060	NUT,FLANGE	1					0.005

V3307-DI-T-E3B-EU-Z4 -> ENGINE -> 524000 FORK LEVER (GOVERNOR) ##
V3307-DI-T-E3B-EU-Z4

Update Date: 16/09/2014, Printing Date: 22/10/2018 Patrick Schwind



V3307-DI-T-E3B-EU-Z4 -> ENGINE -> 524000 FORK LEVER (GOVERNOR) ## V3307-DI-T-E3B-EU-Z4

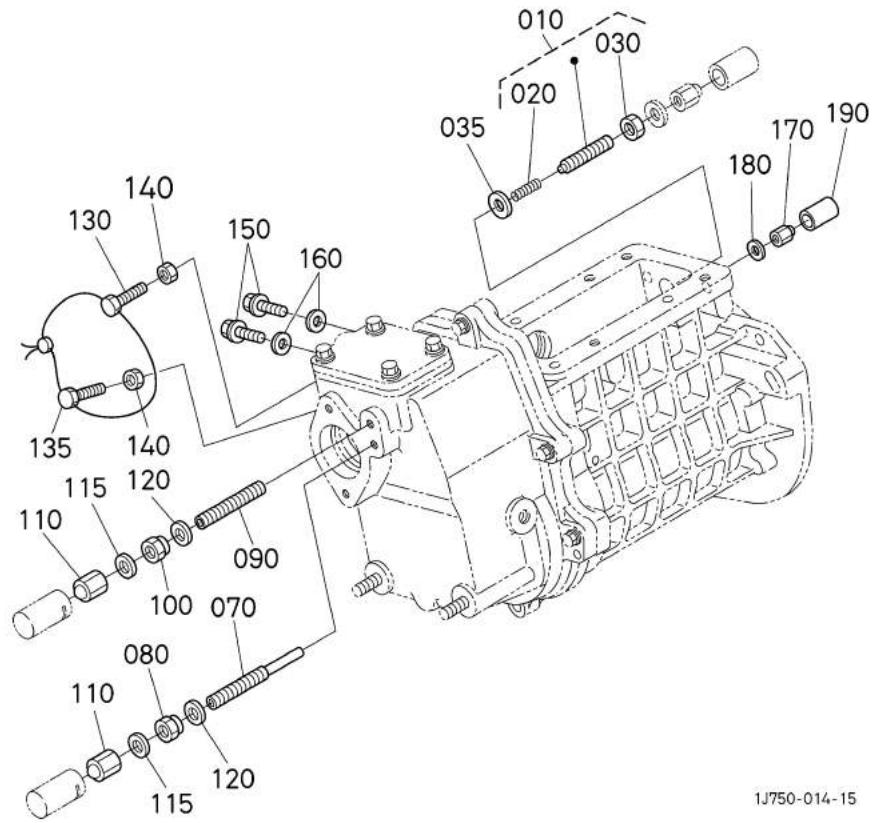
Update Date: 16/09/2014, Printing Date: 22/10/2018 Patrick Schwind

Interchangeable =, Not Interchangeable NI, New for Old >>, Old for New <<

No	Part Number	Part Name	Qty	RoundUp	IC	S/N	Remarks	Kg
010	1G777-56033	ASSY LEVER,FORK	1			<=CDZ999		0.225
010	1G777-56034	ASSY LEVER,FORK	1		>>	>=CE0001		0.225
020	04013-50050	WASHER,PLAIN	1					0.001
030	04613-50040	CIR-CLIP,EXTERNAL	1					0.001
040	04613-50030	CIR CLIP,EXTERNAL	1					0.001
050	04613-50050	CIR-CLIP,EXTERNAL	2					0.001
060	1G772-56150	SHAFT,FORK LEVER	1			<=9FZ999		0.023
060	1G772-56154	SHAFT,FORK LEVER	1		NI	>=9G0001		0.023
060	1G772-56155	SHAFT,FORK LEVER	1		>>	>=9L0001		0.023
070	1G777-56413	SPRING,GOVERNOR	1					0.006
080	1G777-56480	SPRING,START	1					0.001
090	1C010-92020	NUT,LOCK	1					0.001

V3307-DI-T-E3B-EU-Z4 -> ENGINE -> 525000 RESTRICTION ADJUSTING
BOLT ## V3307-DI-T-E3B-EU-Z4

Update Date: 16/09/2014, Printing Date: 22/10/2018 Patrick Schwind



1J750-014-15

V3307-DI-T-E3B-EU-Z4 -> ENGINE -> 525000 RESTRICTION ADJUSTING BOLT ##
V3307-DI-T-E3B-EU-Z4

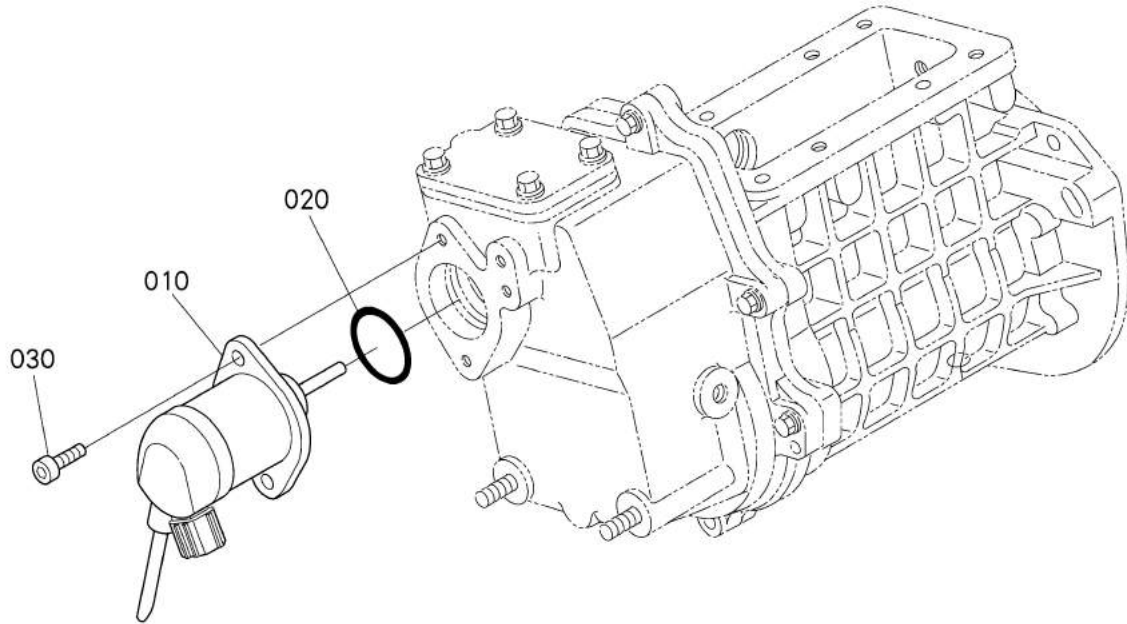
Update Date: 16/09/2014, Printing Date: 22/10/2018 Patrick Schwind

Interchangeable =, Not Interchangeable NI, New for Old >>, Old for New <<

No	Part Number	Part Name	Qty	RoundUp	IC	S/N	Remarks	Kg
010	1G776-54102	ASSY BOLT,ADJUSTMENT	1			<=BKZ999		0.02
010	1G776-54103	ASSY BOLT,ADJUSTMENT	1		>>	>=BL0001		0.02
020	1G776-54260	SPRING	1			<=BKZ999		0.001
020	1G776-54262	SPRING	1		>>	>=BL0001		0.001
030	15401-92010	NUT	1					0.01
035	15021-33660	PACKING	1					0.001
070	1G772-54150	BOLT,ADJUSTING	1					0.01
080	1G031-54210	NUT(LOCK)	1					0.003
090	1G772-54120	BOLT,ADJUSTING	1					0.005
100	1G031-54210	NUT(LOCK)	1					0.003
110	15841-14620	NUT	2					0.006
115	15601-96650	PACKING	2			>=8Y0001		0.001
120	15601-96650	PACKING	4			<=8XZ999		0.001
120	15601-96650	PACKING	2			>=8Y0001		0.001
130	1G772-57390	BOLT,IDLING ADJUST	2			<=9XZ999		0.005
130	1G772-57390	BOLT,IDLING ADJUST	1			>=9Y0001		0.005
135	1G772-57390	BOLT,IDLING ADJUST	1			>=9Y0001		0.005
140	02056-50060	HEX.NUT	2					0.002
150	01754-50814	BOLT,FLANGE	2					0.012
160	15021-33660	PACKING	2					0.001
170	15521-92330	NUT	1					0.02
180	15021-33660	PACKING	1					0.001
190	15521-54270	CAP	1					0.003

V3307-DI-T-E3B-EU-Z4 -> ENGINE -> 525500 STOP SOLENOID ## V3307-DI-T-E3B-EU-Z4

Update Date: 16/09/2014, Printing Date: 22/10/2018 Patrick Schwind



1J415-032-11

V3307-DI-T-E3B-EU-Z4 -> ENGINE -> 525500 STOP SOLENOID ## V3307-DI-T-E3B-EU-Z4

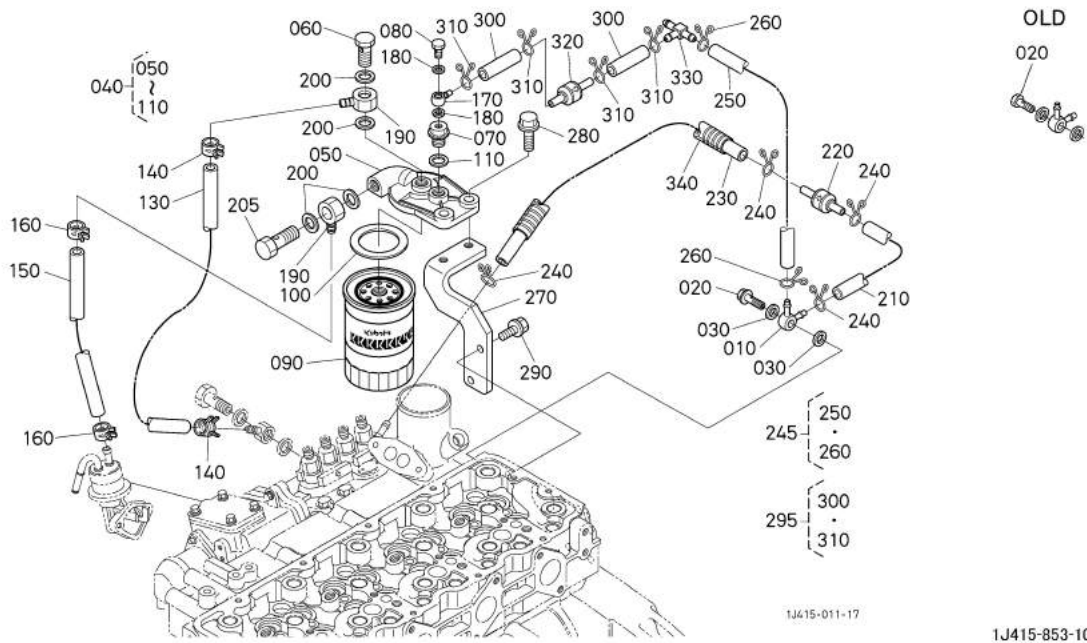
Update Date: 16/09/2014, Printing Date: 22/10/2018 Patrick Schwind

Interchangeable =, Not Interchangeable NI, New for Old >>, Old for New <<

No	Part Number	Part Name	Qty	RoundUp	IC	S/N	Remarks	Kg
010	1G772-60012	ASSY SOLENOID	1			<=ATZ999		0.29
010	1G772-60013	ASSY SOLENOID	1		>>	>=AU0001		0.29
010	1G772-60014	ASSY SOLENOID	1		>>	>=BS0001		0.29
020	04814-06310	O RING	1					0.002
030	01311-10614	BOLT, SOCKET HEAD	2					0.002

V3307-DI-T-E3B-EU-Z4 -> ENGINE -> 531000 FUEL FILTER ## V3307-DI-T-E3B-EU-Z4

Update Date: 16/09/2014, Printing Date: 22/10/2018 Patrick Schwind



V3307-DI-T-E3B-EU-Z4 -> ENGINE -> 531000 FUEL FILTER ## V3307-DI-T-E3B-EU-Z4

Update Date: 16/09/2014, Printing Date: 22/10/2018 Patrick Schwind

Interchangeable =, Not Interchangeable NI, New for Old >>, Old for New <<

No	Part Number	Part Name	Qty	RoundUp	IC	S/N	Remarks	Kg
010	1J700-95690	JOINT,EYE	1					0.012
020	15471-95790	BOLT(JOINT,SWV PIPE)	1			<=AVZ999		0.02
020	1J860-95790	BOLT,CONNECT	1		NI	>=AW0001		0.015
030	15021-33660	PACKING	2					0.001
040	1C010-43010	FILTER,ASSY(FUEL)	1					0.67
050	16541-43210	COVER	1					0.17
060	16541-95790	BOLT,JOINT	1					0.03
070	1J750-95800	CONNECTOR	1					0.03
080	1J750-95810	CONNECTOR	1					0.01
090	16631-43560	ELEMENT,FUEL FILTER	1					0.42
090	HH166-43560	FILTER(FUEL CARTRIDGE)	1		>>			0.39
100	16541-43330	GASKET	1					0.005
110	17105-33680	GASKET	1					0.002
130	09661-70200	TUBE,FUEL	1					0.022
140	14911-42750	CLIP,PIPE	2					0.002
150	09661-70270	TUBE,FUEL	1					0.032
160	14911-42750	CLIP,PIPE	2					0.002
170	1J720-95690	JOINT,EYE	1					0.01
180	15021-33660	PACKING	2					0.001
190	15401-95690	JOINT,EYE	2					0.04
200	17105-33680	GASKET	4					0.002
205	16541-95790	BOLT,JOINT	1					0.03
210	09661-40030	TUBE,FUEL	1					0.002
220	1C010-42460	VALVE,FUEL CHECK	1					0.006
230	09661-40200	TUBE,FUEL	1					0.01
240	14971-42750	CLIP,PIPE	4					0.001
245	17208-42030	PIPE,ASSY(OVER FLOW)	1					0.006
250	09661-40100	TUBE,FUEL	1					0.006
260	14971-42750	CLIP,PIPE	2					0.001
270	1G777-43432	BRACKET,FUEL FILTER	1					0.492
270	1G777-43433	BRACKET,FUEL FILTER	1		=			0.49
280	01774-51025	BOLT,FLANGE	2					0.02
290	01754-50820	BOLT,FLANGE	2					0.015
295	16282-42020	PIPE,ASSY(OVER FLOW)	2					0.01
300	09661-40040	TUBE,FUEL	2					0.005
310	14971-42750	CLIP,PIPE	4					0.001

V3307-DI-T-E3B-EU-Z4 -> ENGINE -> 531000 FUEL FILTER ## V3307-DI-T-E3B-EU-Z4

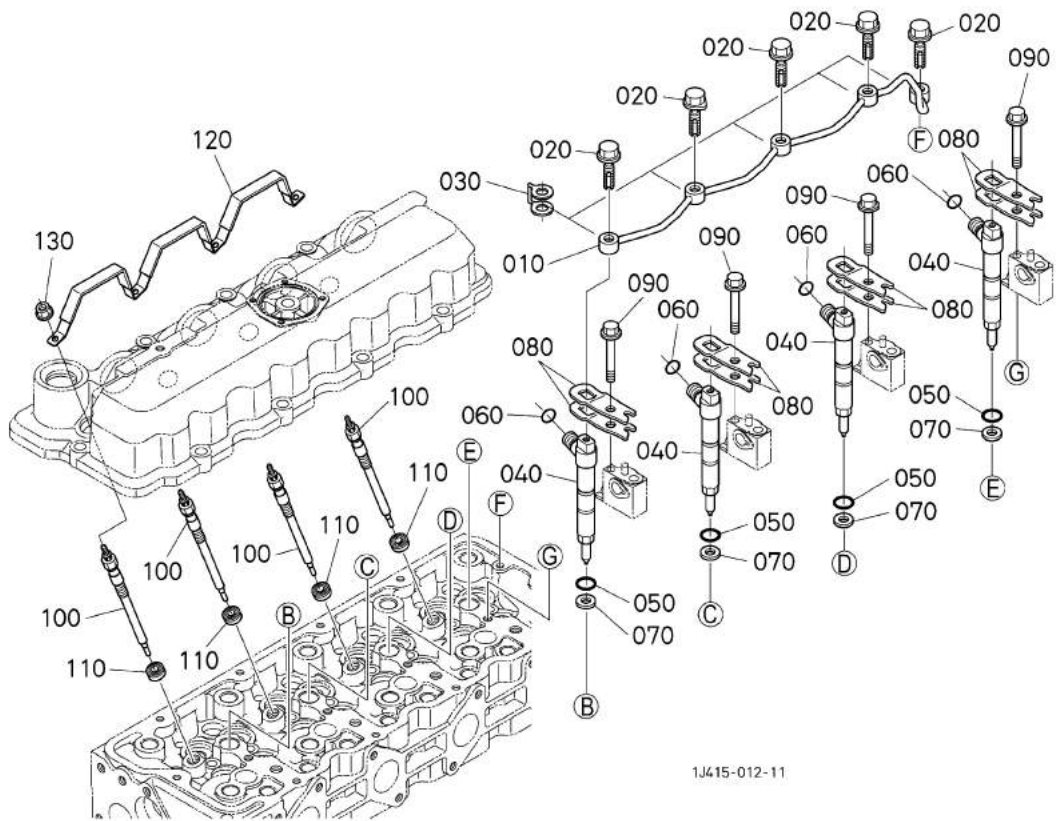
Update Date: 16/09/2014, Printing Date: 22/10/2018 Patrick Schwind

Interchangeable =, Not Interchangeable NI, New for Old >>, Old for New <<

No	Part Number	Part Name	Qty	RoundUp	IC	S/N	Remarks	Kg
320	1C010-42460	VALVE,FUEL CHECK	1					0.006
330	1G065-42360	JOINT,T-PIPE	1					0.001
340	KF022-42460	TUBE	1					0.001

V3307-DI-T-E3B-EU-Z4 -> ENGINE -> 540000 NOZZLE HOLDER AND GLOW
PLUG ## V3307-DI-T-E3B-EU-Z4

Update Date: 16/09/2014, Printing Date: 22/10/2018 Patrick Schwind



V3307-DI-T-E3B-EU-Z4 -> ENGINE -> 540000 NOZZLE HOLDER AND GLOW PLUG
 ## V3307-DI-T-E3B-EU-Z4

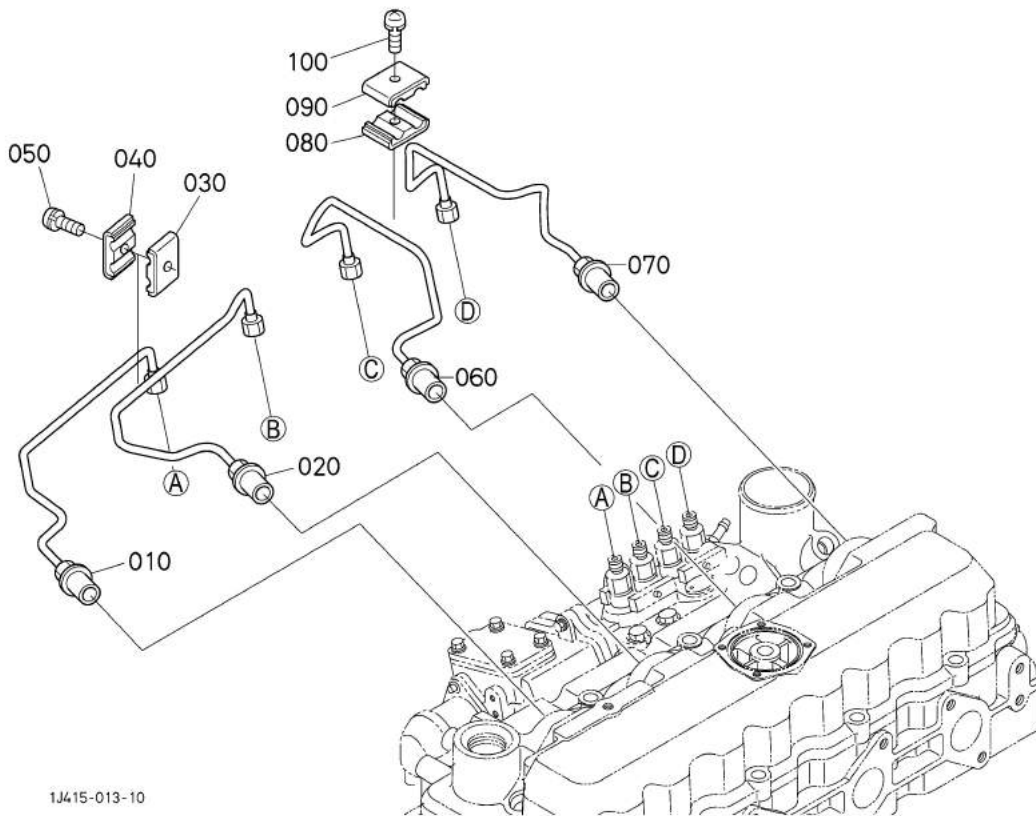
Update Date: 16/09/2014, Printing Date: 22/10/2018 Patrick Schwind

Interchangeable =, Not Interchangeable NI, New for Old >>, Old for New <<

No	Part Number	Part Name	Qty	RoundUp	IC	S/N	Remarks	Kg
010	1G772-42500	ASSY PIPE,OVER FLOW	1			<=CDZ999		0.045
020	1C020-95810	BOLT(JOINT,SWV PIPE)	5			>=CE0001		0.005
030	1C020-96730	GASKET	5					0.001
040	1G777-53000	ASSY HOLDER,NOZZLE	4					0.21
050	1G772-53490	O RING	4					0.001
060	04814-05110	O RING	4					0.001
070	1G796-53620	PACKING	4					0.001
080	1G772-53450	CLAMP,INJ.NOZZLE	8					0.028
090	01754-50860	BOLT,FLANGE	4					0.25
100	1G777-65510	GLOW PLUG	4			<=AMZ999		0.03
100	1G777-65512	GLOW PLUG	4		>>	>=AN0001		0.035
110	1G772-65500	SEAL,GLOW PLUG	4					0.001
120	1G772-65560	CORD,GLOW PLUG	1					0.045
130	02761-50040	NUT,FLANGE	4					0.002

V3307-DI-T-E3B-EU-Z4 -> ENGINE -> 545000 INJECTION PIPE ## V3307-DI-T-E3B-EU-Z4

Update Date: 16/09/2014, Printing Date: 22/10/2018 Patrick Schwind



1J415-013-10

V3307-DI-T-E3B-EU-Z4 -> ENGINE -> 545000 INJECTION PIPE ## V3307-DI-T-E3B-EU-Z4

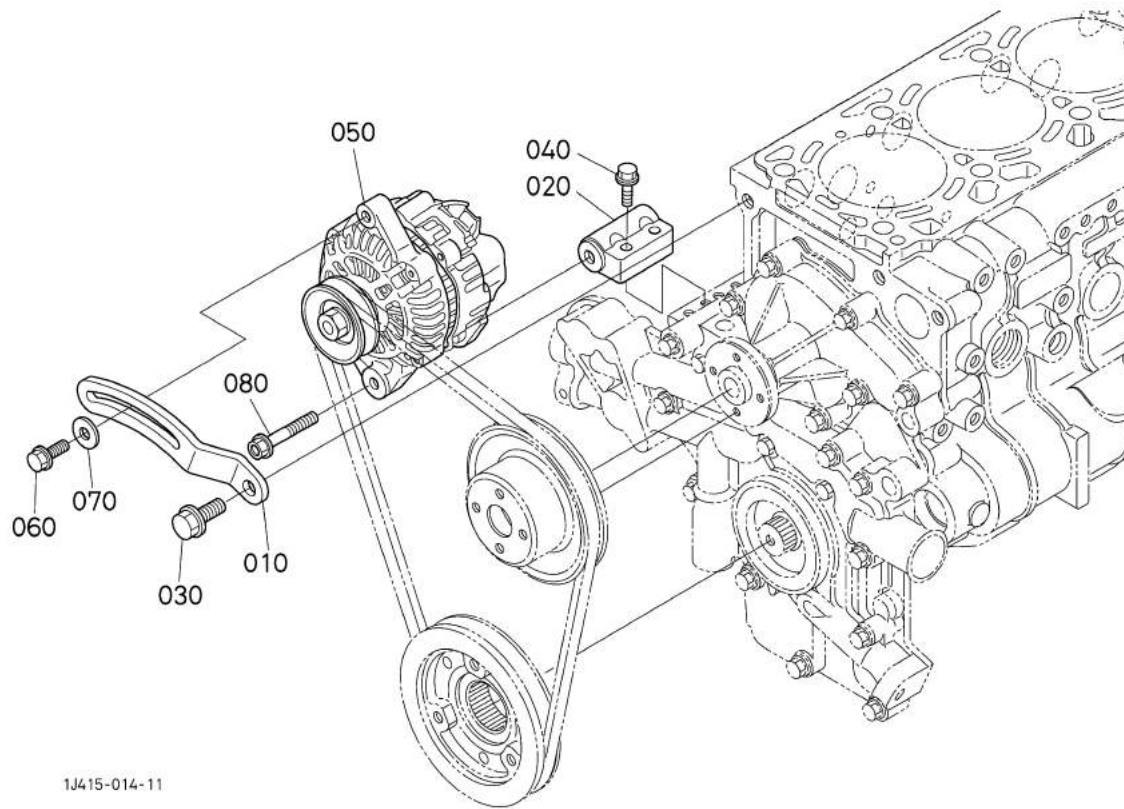
Update Date: 16/09/2014, Printing Date: 22/10/2018 Patrick Schwind

Interchangeable =, Not Interchangeable NI, New for Old >>, Old for New <<

No	Part Number	Part Name	Qty	RoundUp	IC	S/N	Remarks	Kg
010	1G777-53710	PIPE,INJECTION	1					0.165
020	1G777-53720	PIPE,INJECTION	1					0.155
030	15841-53850	CLAMP,PIPE	1					0.008
040	15841-53860	CLAMP,PIPE	1					0.008
050	03024-50520	SCREW,SEMS(PAN HEAD)	1					0.004
060	1G777-53730	PIPE,INJECTION	1					0.155
070	1G777-53740	PIPE,INJECTION	1					0.16
080	15841-53850	CLAMP,PIPE	1					0.008
090	15841-53860	CLAMP,PIPE	1					0.008
100	03024-50520	SCREW,SEMS(PAN HEAD)	1					0.004

V3307-DI-T-E3B-EU-Z4 -> ENGINE -> 550500 DYNAMO AND PULLEY ##
V3307-DI-T-E3B-EU-Z4

Update Date: 16/09/2014, Printing Date: 22/10/2018 Patrick Schwind



1J415-014-11

V3307-DI-T-E3B-EU-Z4 -> ENGINE -> 550500 DYNAMO AND PULLEY ## V3307-DI-T-E3B-EU-Z4

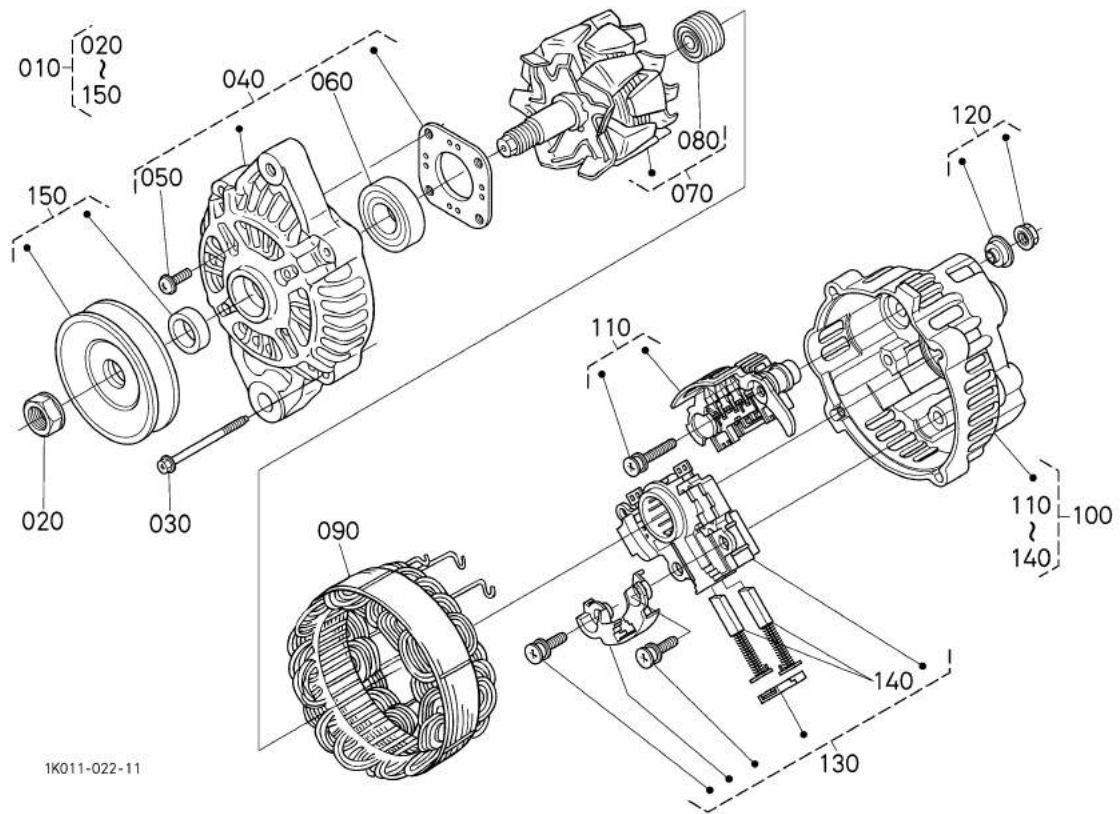
Update Date: 16/09/2014, Printing Date: 22/10/2018 Patrick Schwind

Interchangeable =, Not Interchangeable NI, New for Old >>, Old for New <<

No	Part Number	Part Name	Qty	RoundUp	IC	S/N	Remarks	Kg
010	1G772-64420	STAY,DYNAMO	1					0.14
020	1G772-64350	SUPPORT,DYNAMO	1					0.12
030	01774-51225	BOLT,FLANGE	1					0.04
040	01755-50830	BOLT,FLANGE	2					0.09
050	1C011-64010	DYNAMO,ASSY	1			<=ATZ999	12V 60A ORDER BY REF.No.050 NEW PART.	3.97
050	1C011-64012	ASSY.ALTERNATOR	1		>>	>=AU0001	12V 60A	3.97
050	1C011-64013	ASSY.ALTERNATOR	1		>>	>=CJ0001	12V 60A	3.97
060	01754-50825	BOLT,FLANGE	1					0.01
070	04015-50080	WASHER,PLAIN	1					0.01
080	01774-51050	BOLT,FLANGE	1					0.037

V3307-DI-T-E3B-EU-Z4 -> ENGINE -> 551500 DYNAMO [COMPONENT PARTS] ## V3307-DI-T-E3B-EU-Z4

Update Date: 16/09/2014, Printing Date: 22/10/2018 Patrick Schwind



V3307-DI-T-E3B-EU-Z4 -> ENGINE -> 551500 DYNAMO [COMPONENT PARTS] ##
V3307-DI-T-E3B-EU-Z4

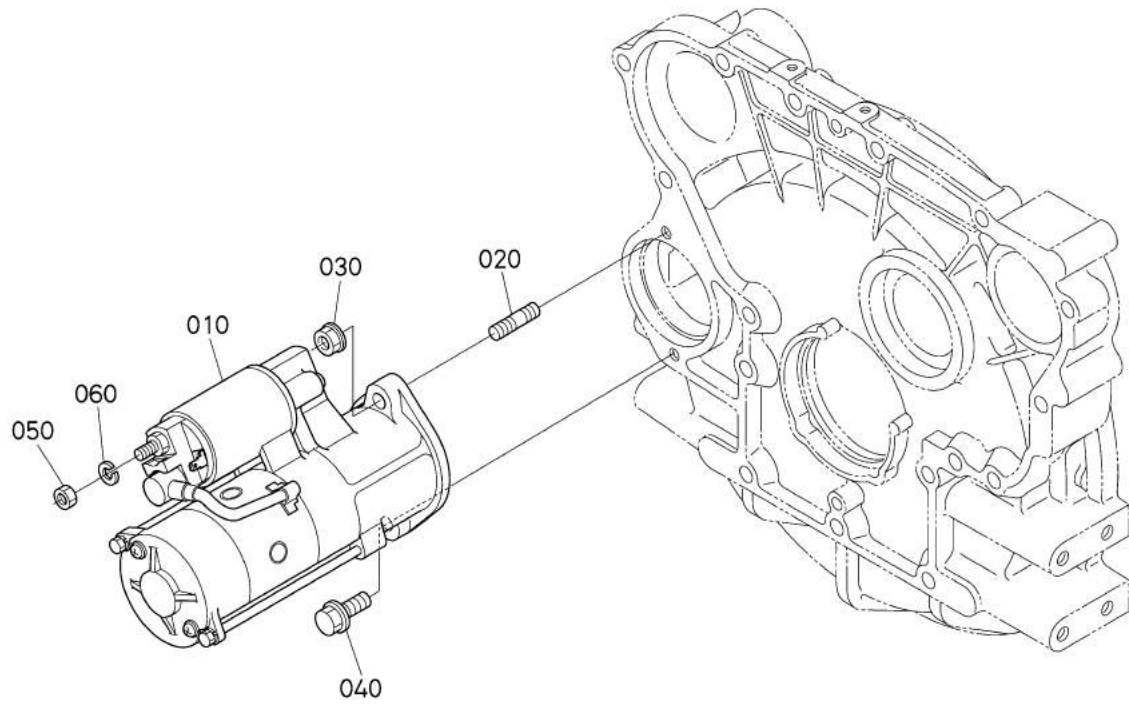
Update Date: 16/09/2014, Printing Date: 22/10/2018 Patrick Schwind

Interchangeable =, Not Interchangeable NI, New for Old >>, Old for New <<

No	Part Number	Part Name	Qty	RoundUp	IC	S/N	Remarks	Kg
010	1C011-64010	DYNAMO,ASSY	1			<=ATZ999	12V 60A	3.97
010	1C011-64012	ASSY.ALTERNATOR	1		>>	>=AU0001	12V 60A	3.97
010	1C011-64013	ASSY.ALTERNATOR	1		>>	>=CJ0001	12V 60A	3.97
020	1C010-92010	NUT	1					0.02
030	1C010-91050	SET,BOLT	1					0.04
040	1C011-64020	ASSY BRACKET,FRONT	1					0.46
050	1C010-93010	SET,BOLT	1					0.013
060	1C010-64780	BEARING	1					0.061
070	1C011-64120	ASSY ROTOR	1					1.93
080	1C010-64770	BEARING	1					0.024
090	1C011-64080	ASSY STATOR	1					0.81
100	1C011-64060	ASSY BRACKET,REAR	1					0.46
110	1C011-64850	ASSY RECTIFIER	1					0.11
120	1K011-92030	SET NUT	1					0.007
130	1C011-64600	SET,REGULATOR	1			<=CHZ999		0.1
130	1C011-64602	SET REGULATOR	1		>>	>=CJ0001		0.1
140	1C010-64310	SET BRUSH	1					0.003
150	1C010-64110	ASSY PULLEY,160	1					0.23

V3307-DI-T-E3B-EU-Z4 -> ENGINE -> 554000 STARTER ## V3307-DI-T-E3B-EU-Z4

Update Date: 16/09/2014, Printing Date: 22/10/2018 Patrick Schwind



1G398-020-11

V3307-DI-T-E3B-EU-Z4 -> ENGINE -> 554000 STARTER ## V3307-DI-T-E3B-EU-Z4

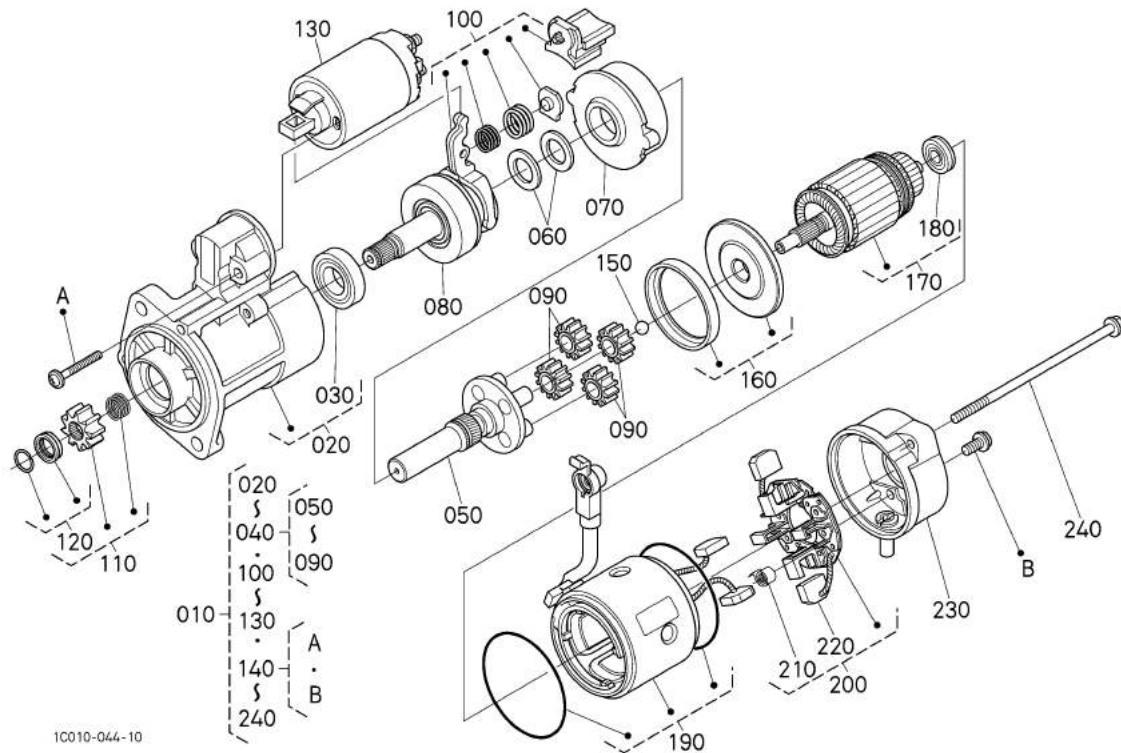
Update Date: 16/09/2014, Printing Date: 22/10/2018 Patrick Schwind

Interchangeable =, Not Interchangeable NI, New for Old >>, Old for New <<

No	Part Number	Part Name	Qty	RoundUp	IC	S/N	Remarks	Kg
010	1G777-63010	ASSY STARTER	1			<=CHZ999	12V 3.0KW	7.2
010	1G777-63012	ASSY STARTER	1		>>	>=CJ0001	12V 3.0KW	7.2
020	01517-51030	BOLT,STUD	1					0.024
030	02771-50100	NUT,FLANGE	1					0.005
040	01774-51035	BOLT,FLANGE	1					0.03
050	02114-50080	HEX.NUT	1			>=9L0001		0.005
060	04512-50080	WASHER,SPRING LOCK	1			>=9L0001		0.002

V3307-DI-T-E3B-EU-Z4 -> ENGINE -> 555000 STARTER [COMPONENT PARTS] ## V3307-DI-T-E3B-EU-Z4

Update Date: 16/09/2014, Printing Date: 22/10/2018 Patrick Schwind



V3307-DI-T-E3B-EU-Z4 -> ENGINE -> 555000 STARTER [COMPONENT PARTS] ##
V3307-DI-T-E3B-EU-Z4

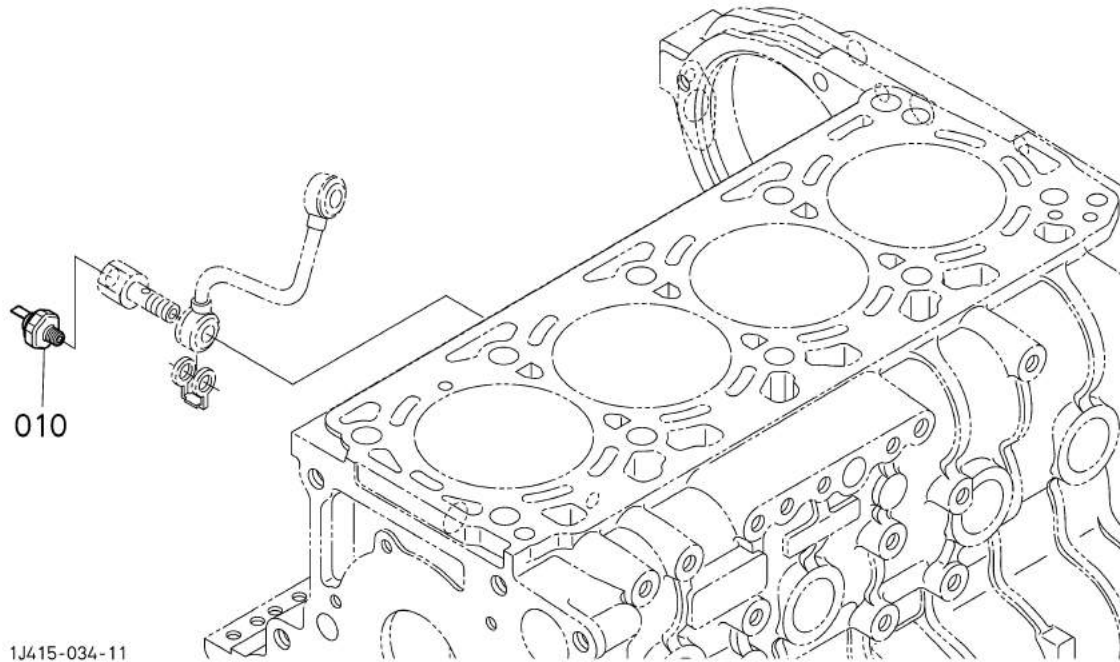
Update Date: 16/09/2014, Printing Date: 22/10/2018 Patrick Schwind

Interchangeable =, Not Interchangeable NI, New for Old >>, Old for New <<

No	Part Number	Part Name	Qty	RoundUp	IC	S/N	Remarks	Kg
010	1G777-63010	ASSY STARTER	1			<=CHZ999		7.2
010	1G777-63012	ASSY STARTER	1		>>	>=CJ0001		7.2
020	1G777-63030	ASSY BRACKET,FRONT	1					0.97
030	1C010-63240	SET BEARING	1					0.07
040	1K012-63040	ASSY SHAFT,CLUTCH	1					1.18
050	1K012-63210	ASSY SHAFT,GEAR	1					0.24
060	1C010-63410	SET WASHER	1					0.012
070	1C010-63260	SET GEAR	1					0.11
080	1C010-63330	CLUTCH,OVER RUNNING	1					0.6
090	1C010-63270	ASSY GEAR	4					0.015
100	1K012-63050	ASSY LEVER,SET	4					0.07
110	1K012-63280	SET PINION	1					0.08
120	1C010-63170	SET STOPPER	1					0.006
130	1C010-63020	ASSY SWITCH,MAGNETIC	1			<=CHZ999		1.04
130	1C010-63022	ASSY SWITCH,MAGNETIC	1		>>	>=CJ0001		1.04
140	1K012-63760	SET SCREW	1					0.03
150	6C040-82690	BALL	1					0.001
160	1C010-63520	SET,PACKING	1					0.06
170	1K012-63070	ASSY ARMATURE	1					1.23
180	1C010-63250	BEARING	1					0.02
190	1G777-63080	ASSY YOKE	1			<=CHZ999		1.8
190	1G777-63082	ASSY YOKE	1		>>	>=CJ0001		0.97
200	1K012-63380	ASSY HOLDER,BRUSH	1					0.13
210	1K012-63390	BRUSH,SPRING	4					0.006
220	1K012-63370	BRUSH	2					0.016
230	1G777-63200	ASSY BRACKET,REAR	1					0.16
240	1K012-63320	SET,BOLT	1					0.08

V3307-DI-T-E3B-EU-Z4 -> ENGINE -> 556000 OIL SWITCH ## V3307-DI-T-E3B-EU-Z4

Update Date: 16/09/2014, Printing Date: 22/10/2018 Patrick Schwind



V3307-DI-T-E3B-EU-Z4 -> ENGINE -> 556000 OIL SWITCH ## V3307-DI-T-E3B-EU-Z4

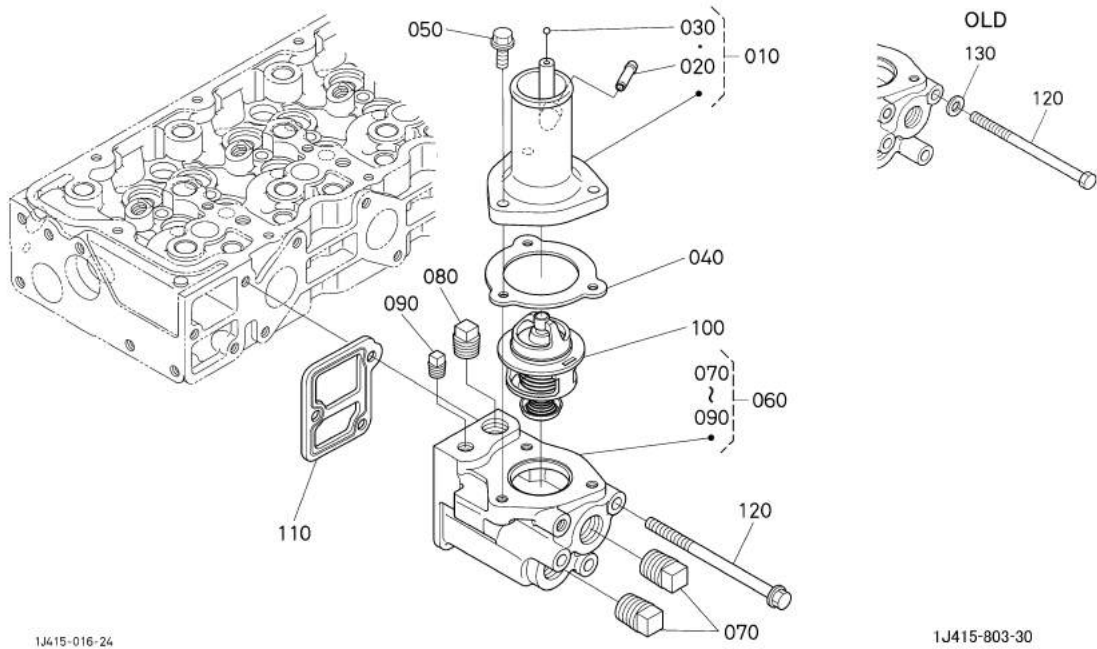
Update Date: 16/09/2014, Printing Date: 22/10/2018 Patrick Schwind

Interchangeable =, Not Interchangeable NI, New for Old >>, Old for New <<

No	Part Number	Part Name	Qty	RoundUp	IC	S/N	Remarks	Kg
010	1A024-39010	SWITCH(OIL)	1					0.035

V3307-DI-T-E3B-EU-Z4 -> ENGINE -> 560000 WATER FLANGE AND THERMOSTAT ## V3307-DI-T-E3B-EU-Z4

Update Date: 16/09/2014, Printing Date: 22/10/2018 Patrick Schwind



V3307-DI-T-E3B-EU-Z4 -> ENGINE -> 560000 WATER FLANGE AND THERMOSTAT
 ## V3307-DI-T-E3B-EU-Z4

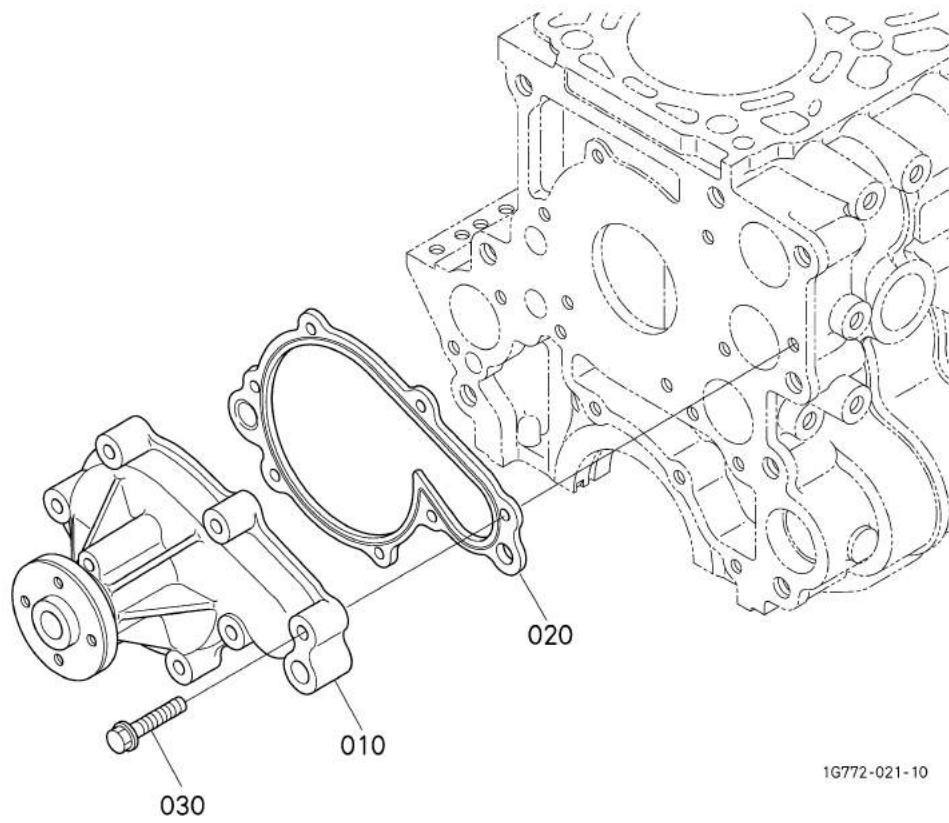
Update Date: 16/09/2014, Printing Date: 22/10/2018 Patrick Schwind

Interchangeable =, Not Interchangeable NI, New for Old >>, Old for New <<

No	Part Number	Part Name	Qty	RoundUp	IC	S/N	Remarks	Kg
010	1J415-73082	ASSY COVER,THERMOSTAT	1					0.15
020	1J415-05550	JOINT,FUEL PUMP	1					0.005
030	07715-03205	BALL 5/32	1					0.001
040	1G772- 73270	GASKET	1					0.003
050	01754-50825	BOLT,FLANGE	3					0.01
060	1J416-72700	COMP.FLANGE,WATER	1					0.7
070	1G410- 96010	PLUG(R1/2)	2					0.05
080	16241-96020	PLUG	1					0.015
090	15841-96020	PLUG	1					0.02
100	1C011- 73010	THERMOSTAT,ASSY	1					0.09
110	1G772- 72820	GASKET,WATER FLANGE	1					0.005
120	01156-50804	HEX.BOLT	3			<=AKZ999		0.041
120	01754-50804	BOLT,FLANGE	3		NI	>=AL0001		0.04
130	04012-50080	WASHER,PLAIN	3			<=AKZ999		0.001

V3307-DI-T-E3B-EU-Z4 -> ENGINE -> 561000 WATER PUMP ## V3307-DI-T-E3B-EU-Z4

Update Date: 16/09/2014, Printing Date: 22/10/2018 Patrick Schwind



V3307-DI-T-E3B-EU-Z4 -> ENGINE -> 561000 WATER PUMP ## V3307-DI-T-E3B-EU-Z4

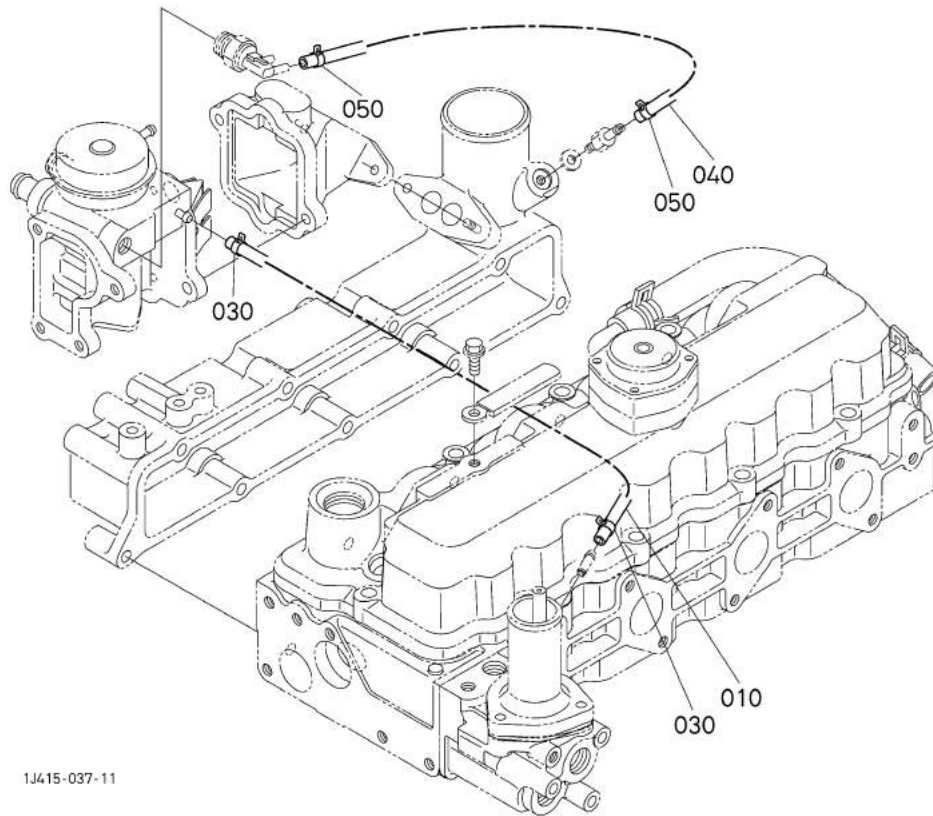
Update Date: 16/09/2014, Printing Date: 22/10/2018 Patrick Schwind

Interchangeable =, Not Interchangeable NI, New for Old >>, Old for New <<

No	Part Number	Part Name	Qty	RoundUp	IC	S/N	Remarks	Kg
010	1G772-73032	ASSY PUMP,WATER	1					1.08
020	1G772-73430	GASKET,WATER PUMP	1					0.011
030	01754-50840	BOLT,FLANGE	7					0.02

V3307-DI-T-E3B-EU-Z4 -> ENGINE -> 561200 WATER PIPE ## V3307-DI-T-E3B-EU-Z4

Update Date: 16/09/2014, Printing Date: 22/10/2018 Patrick Schwind



1J415-037-11

V3307-DI-T-E3B-EU-Z4 -> ENGINE -> 561200 WATER PIPE ## V3307-DI-T-E3B-EU-Z4

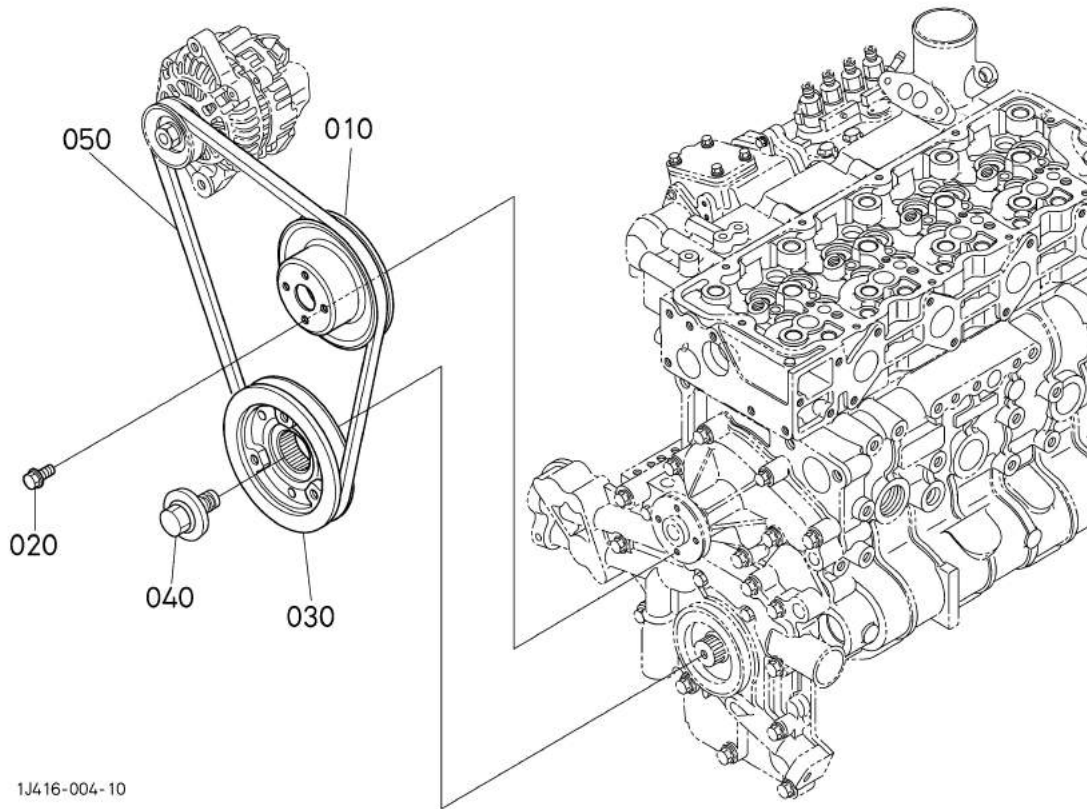
Update Date: 16/09/2014, Printing Date: 22/10/2018 Patrick Schwind

Interchangeable =, Not Interchangeable NI, New for Old >>, Old for New <<

No	Part Number	Part Name	Qty	RoundUp	IC	S/N	Remarks	Kg
010	1G777-71493	PIPE,WATER	1					0.03
030	09318-88095	CLAMP,HOSE	2					0.002
040	1G777-73890	PIPE,BOOST	1					0.013
050	16241-42320	BAND,PIPE	2					0.005

V3307-DI-T-E3B-EU-Z4 -> ENGINE -> 567000 FAN AND PULLEY ## V3307-DI-T-E3B-EU-Z4

Update Date: 16/09/2014, Printing Date: 22/10/2018 Patrick Schwind



1J416-004-10

V3307-DI-T-E3B-EU-Z4 -> ENGINE -> 567000 FAN AND PULLEY ## V3307-DI-T-E3B-EU-Z4

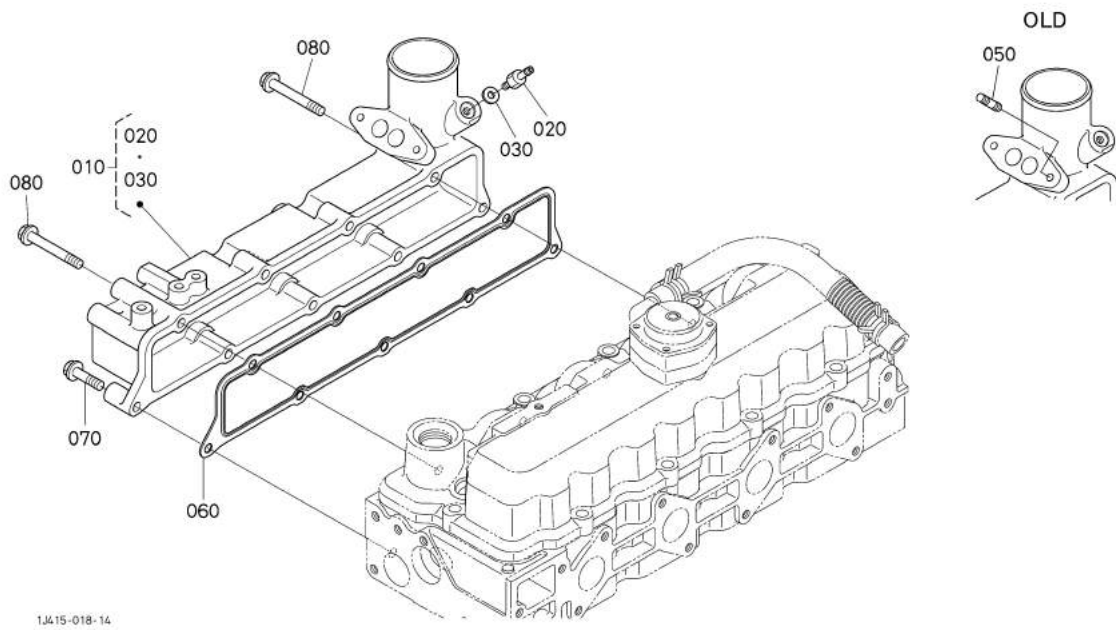
Update Date: 16/09/2014, Printing Date: 22/10/2018 Patrick Schwind

Interchangeable =, Not Interchangeable NI, New for Old >>, Old for New <<

No	Part Number	Part Name	Qty	RoundUp	IC	S/N	Remarks	Kg
010	17490-74252	PULLEY,FAN	1					0.4
020	01754-50614	BOLT, FLANGE	4					0.005
030	1G777-74280	PULLEY,FAN DRIVE	1			<=8CRZ999		1.03
030	1G777-74282	PULLEY,FAN DRV	1		>>	>=8CS0001		1.03
040	1J700-91010	BOLT	1					0.192
040	1G774-91010	BOLT	1		=			0.17
050	1G772-97010	V-BELT	1					0.1

V3307-DI-T-E3B-EU-Z4 -> ENGINE -> 571000 INLET MANIFOLD ## V3307-DI-T-E3B-EU-Z4

Update Date: 16/09/2014, Printing Date: 22/10/2018 Patrick Schwind



1J415-018-14

1J415-832-10

V3307-DI-T-E3B-EU-Z4 -> ENGINE -> 571000 INLET MANIFOLD ## V3307-DI-T-E3B-EU-Z4

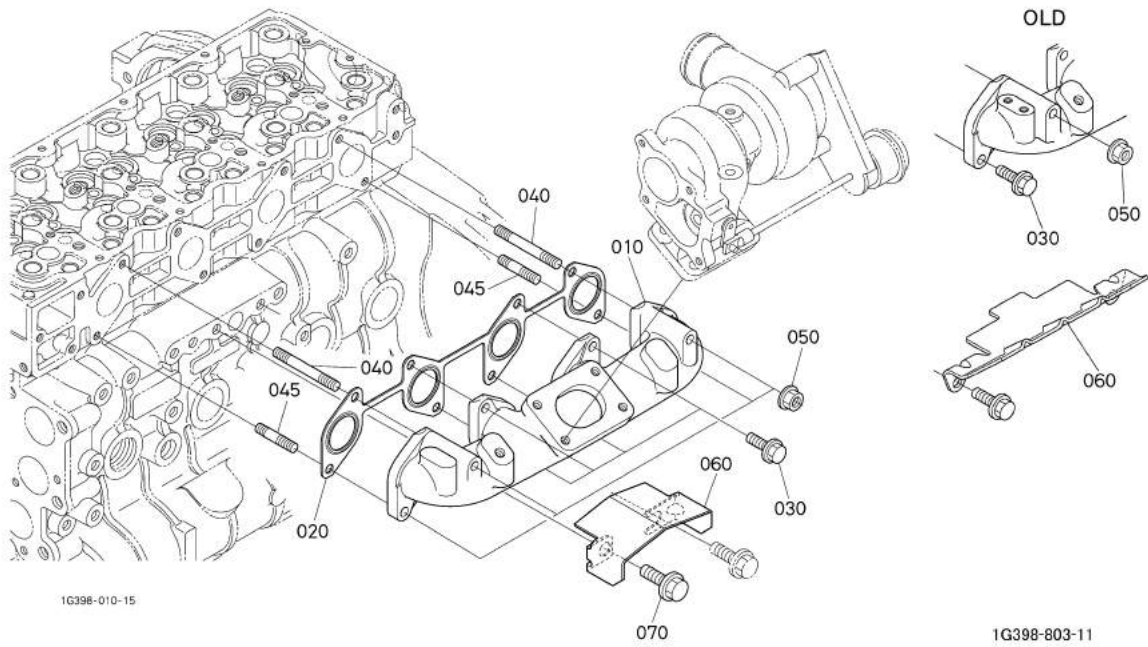
Update Date: 16/09/2014, Printing Date: 22/10/2018 Patrick Schwind

Interchangeable =, Not Interchangeable NI, New for Old >>, Old for New <<

No	Part Number	Part Name	Qty	RoundUp	IC	S/N	Remarks	Kg
010	1G777-11773	ASSY MANIFOLD,INLET	1			<=9TZ999		1.28
010	1G777-11775	ASSY MANIFOLD,INLET	1		NI	>=9U0001		1.28
010	1G777-11776	ASSY MANIFOLD,INLET	1		NI	>=CA0001		1.28
020	15841-51360	SCREW, BLEATHER	1					0.008
030	15601-96650	PACKING	1					0.001
050	01513-50820	BOLT,STUD	2			<=9TZ999		0.02
060	1G772-11820	GASKET,IN-MANIFOLD	1					0.015
070	01754-50840	BOLT,FLANGE	7					0.02
080	01755-50880	BOLT,FLANGE	2					0.035

V3307-DI-T-E3B-EU-Z4 -> ENGINE -> 572000 EXHAUST MANIFOLD ## V3307-DI-T-E3B-EU-Z4

Update Date: 16/09/2014, Printing Date: 22/10/2018 Patrick Schwind



V3307-DI-T-E3B-EU-Z4 -> ENGINE -> 572000 EXHAUST MANIFOLD ## V3307-DI-T-E3B-EU-Z4

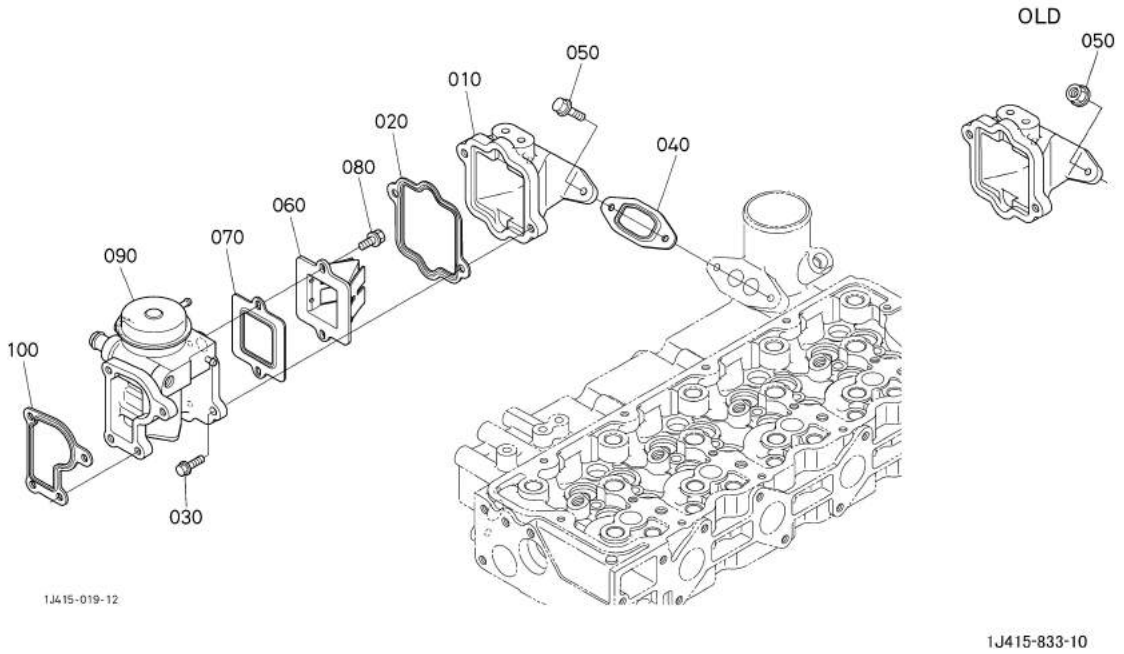
Update Date: 16/09/2014, Printing Date: 22/10/2018 Patrick Schwind

Interchangeable =, Not Interchangeable NI, New for Old >>, Old for New <<

No	Part Number	Part Name	Qty	RoundUp	IC	S/N	Remarks	Kg
010	1G777-12310	MANIFOLD,EXHAUST	1					3.2
020	1G772-12350	GASKET,EX-MANIFOLD	1					0.015
030	1G777-91010	BOLT,FLANGE	6			<=BXZ999		0.01
030	1G777-91010	BOLT,FLANGE	4			>=BY0001		0.01
040	1G777-91510	BOLT,STUD	2					0.027
045	1G777-91500	BOLT,STUD	2			>=BY0001		0.01
050	02751-50080	NUT,FLANGE	2			<=BXZ999		0.006
050	1J542-92500	NUT,FLANGE	2		NI	>=BY0001		0.006
060	1G777-12650	SHIELD,EXH.MANIFOLD	1					0.435
060	1J751-12652	SHIELD(EXH.MANIFOLD)	1		=			0.065
070	01774-51010	BOLT,FLANGE	2			<=9BZ999		0.017
070	01774-51010	BOLT,FLANGE	1			>=9C0001		0.017

V3307-DI-T-E3B-EU-Z4 -> ENGINE -> 572300 EGR VALVE ## V3307-DI-T-E3B-EU-Z4

Update Date: 16/09/2014, Printing Date: 22/10/2018 Patrick Schwind



V3307-DI-T-E3B-EU-Z4 -> ENGINE -> 572300 EGR VALVE ## V3307-DI-T-E3B-EU-Z4

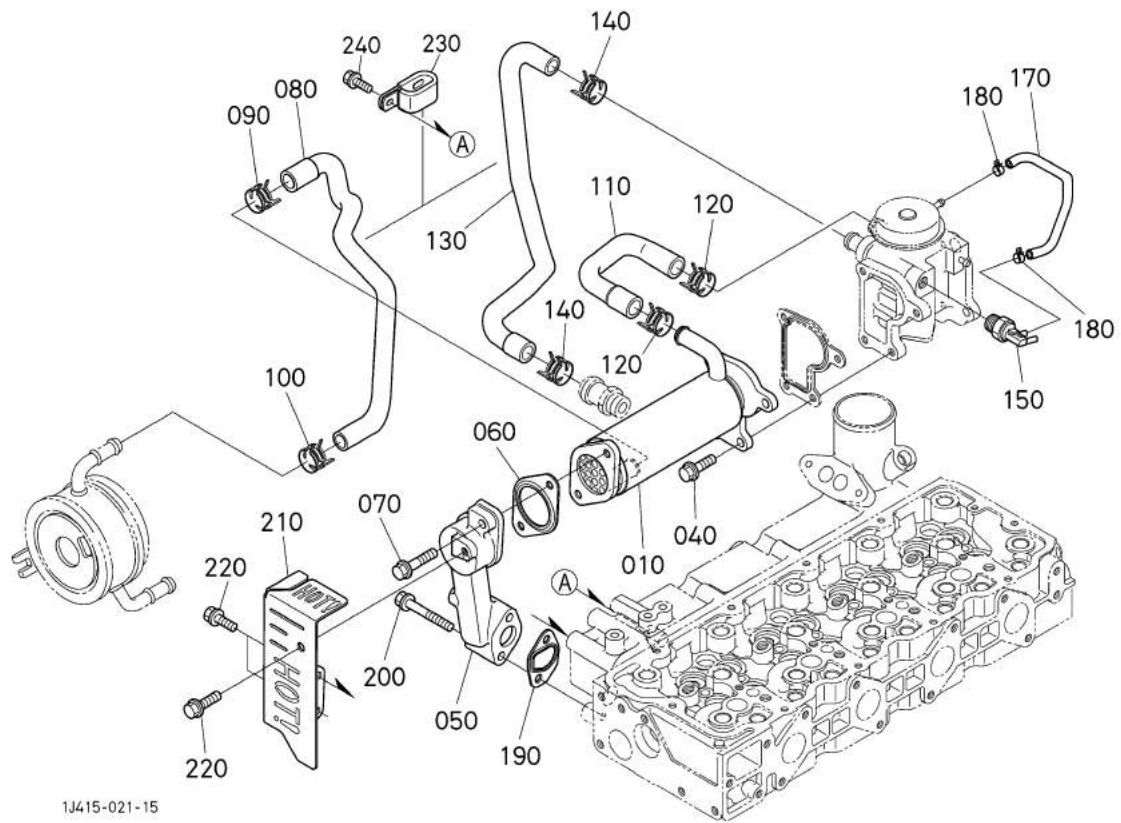
Update Date: 16/09/2014, Printing Date: 22/10/2018 Patrick Schwind

Interchangeable =, Not Interchangeable NI, New for Old >>, Old for New <<

No	Part Number	Part Name	Qty	RoundUp	IC	S/N	Remarks	Kg
010	1G777-17352	HOUSING	1					0.24
020	1G777-17420	GASKET,EGR VALVE	1					0.004
030	01754-50820	BOLT,FLANGE	2					0.015
040	1G777-17380	GASKET,INLET	1					0.002
050	02751-50080	NUT,FLANGE	2			<=9TZ999		0.006
050	01755-50820	BOLT,FLANGE	2		NI	>=9U0001		0.075
060	1J574-13710	VALVE,LEAD	1					0.105
070	1G777-13730	GASKET(REED VALVE)	1					0.005
080	01754-50614	BOLT, FLANGE	2			<=8CRZ999		0.005
080	01754-50612	BOLT,FLANGE	2		NI	>=8CS0001		0.005
090	1G777-62702	ASSY VALVE,EGR	1					0.92
100	1G777-17410	GASKET,EGR VALVE	1					0.004

V3307-DI-T-E3B-EU-Z4 -> ENGINE -> 572400 EGR COOLER ## V3307-DI-T-E3B-EU-Z4

Update Date: 16/09/2014, Printing Date: 22/10/2018 Patrick Schwind



V3307-DI-T-E3B-EU-Z4 -> ENGINE -> 572400 EGR COOLER ## V3307-DI-T-E3B-EU-Z4

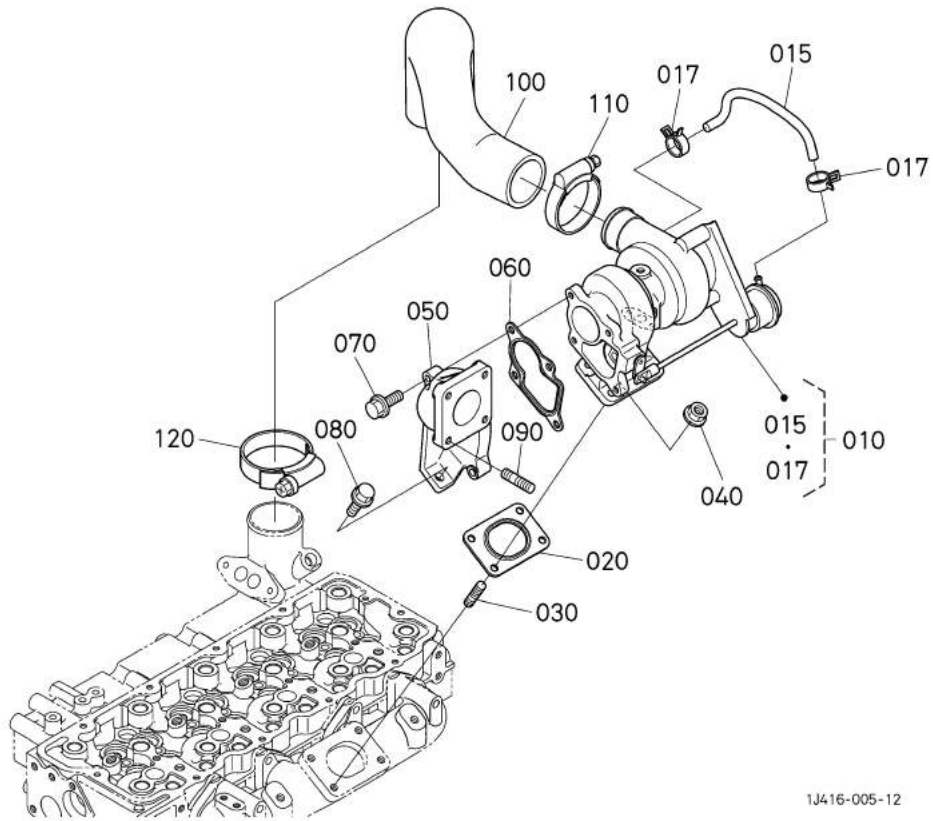
Update Date: 16/09/2014, Printing Date: 22/10/2018 Patrick Schwind

Interchangeable =, Not Interchangeable NI, New for Old >>, Old for New <<

No	Part Number	Part Name	Qty	RoundUp	IC	S/N	Remarks	Kg
010	1G777-71410	COOLER,ASSY(EGR)	1					1.3
040	01754-50820	BOLT,FLANGE	4					0.015
050	1J416-17280	COMP.BASE,EGR	1					0.81
060	1G777-17430	GASKET,EGR COOLER	1					0.004
070	01754-50825	BOLT,FLANGE	2					0.01
080	1G777-71460	PIPE,WATER	1			<=BZZ999		0.09
080	1G777-71463	PIPE,WATER	1		NI	>=CA0001		0.09
090	09318-88200	CLAMP,HOSE	1					0.004
100	09318-88180	BAND,HOSE	1					0.01
110	1G777-71470	PIPE,WATER	1					0.05
110	1J700-71470	PIPE,WATER	1		=			0.045
120	09318-88200	CLAMP,HOSE	2					0.004
120	1A021-11720	CLAMP,HOSE	2		=			0.01
130	1G777-71480	PIPE,WATER	1			<=BBZ999		0.11
130	1G777-71483	PIPE,WATER	1		NI	>=CA0001		0.11
140	09318-88200	CLAMP,HOSE	2					0.004
150	1J860-73090	VALVE(THERMO.)	1					0.025
170	1G777-73880	PIPE,BOOST	1					0.01
180	16241-42320	BAND,PIPE	2					0.005
190	1G777-17440	GASKET(EGR BASE)	1					0.002
200	01754-50850	BOLT,FLANGE	2					0.022
210	1G777-17360	COVER,BASE	1					0.25
220	01754-50816	BOLT,FLANGE	3					0.011
230	1J700-71590	CLAMP,HOSE	1			>=CA0001		0.02
240	01755-50610	BOLT,FLANGE	1			>=CA0001		0.006

V3307-DI-T-E3B-EU-Z4 -> ENGINE -> 572600 TURBO CHARGER ## V3307-DI-T-E3B-EU-Z4

Update Date: 16/09/2014, Printing Date: 22/10/2018 Patrick Schwind



V3307-DI-T-E3B-EU-Z4 -> ENGINE -> 572600 TURBO CHARGER ## V3307-DI-T-E3B-EU-Z4

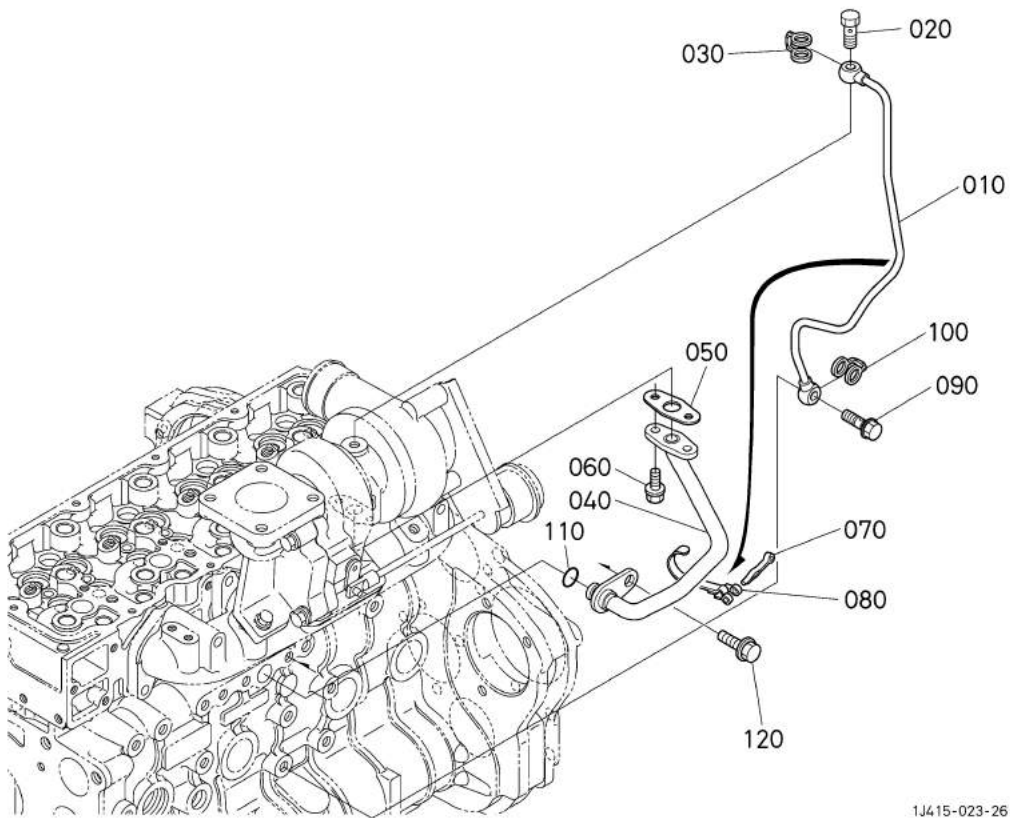
Update Date: 16/09/2014, Printing Date: 22/10/2018 Patrick Schwind

Interchangeable =, Not Interchangeable NI, New for Old >>, Old for New <<

No	Part Number	Part Name	Qty	RoundUp	IC	S/N	Remarks	Kg
010	1G777-17011	ASSY TURBO CHARGER	1					0.0
010	1G777-17012	ASSY TURBO CHARGER	1		=			4.2
015	1G777-17210	HOSE	1					0.04
017	17371-17220	CLAMP,HOSE	2					0.001
020	1C040-17100	GASKET	1					0.012
020	1J550-17100	GASKET	1		=			0.002
030	1G777-91500	BOLT,STUD	4					0.01
040	02751-50080	NUT,FLANGE	4					0.006
050	1J416-12320	FLANGE,MUFFLER	1					1.97
060	1C040-17110	GASKET	1					0.008
060	1J550-17110	GASKET	1		=			0.008
070	1J530-91020	BOLT,FLANGE	4					0.017
080	1G777-91030	BOLT	1					0.02
090	1G777-91520	STUD	4					0.02
100	1G777-11642	HOSE,INLET	1					0.52
110	RC401-63190	CLAMP,HOSE	1					0.04
120	RD809-63100	CLAMP,HOSE	1		>>	>=8A0001		0.05

V3307-DI-T-E3B-EU-Z4 -> ENGINE -> 580000 OIL PIPE (TURBO CHARGER)
V3307-DI-T-E3B-EU-Z4

Update Date: 16/09/2014, Printing Date: 22/10/2018 Patrick Schwind



V3307-DI-T-E3B-EU-Z4 -> ENGINE -> 580000 OIL PIPE (TURBO CHARGER) ##
V3307-DI-T-E3B-EU-Z4

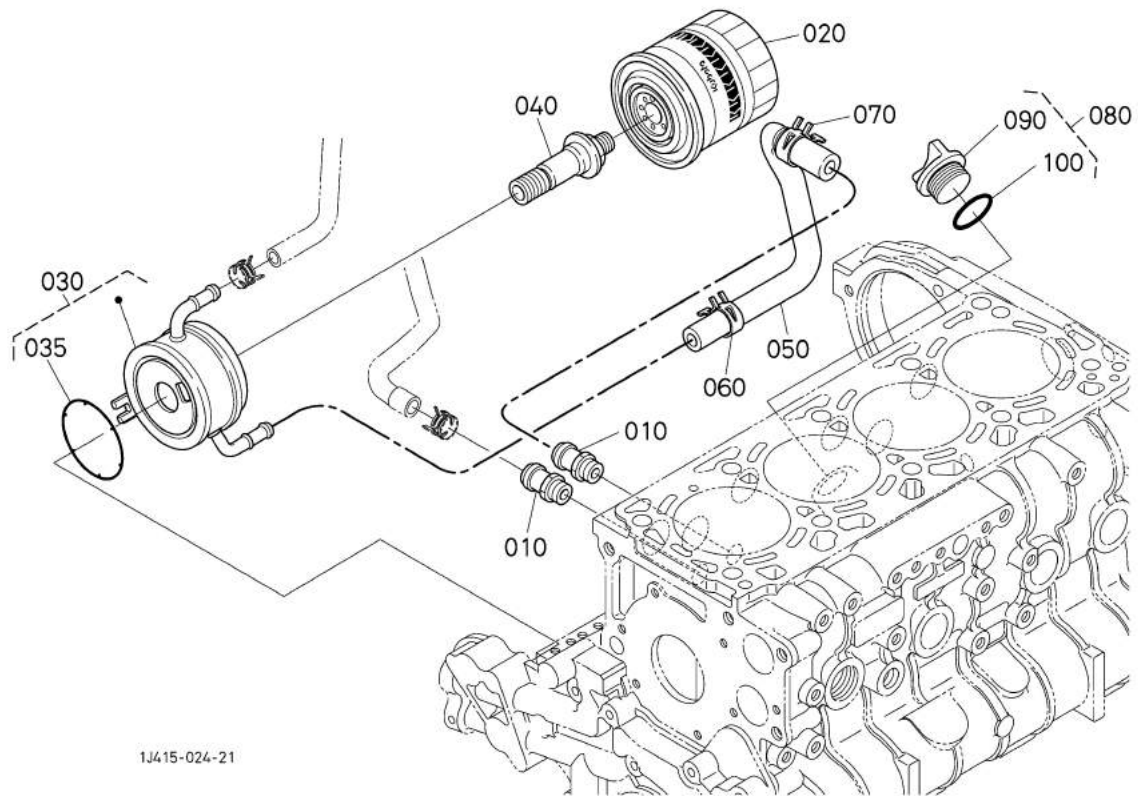
Update Date: 16/09/2014, Printing Date: 22/10/2018 Patrick Schwind

Interchangeable =, Not Interchangeable NI, New for Old >>, Old for New <<

No	Part Number	Part Name	Qty	RoundUp	IC	S/N	Remarks	Kg
010	1G777-33042	COMP.PIPE,OIL	1			<=9BZ999		0.08
010	1G777-33043	COMP.PIPE,OIL	1		NI	>=9C0001		0.08
010	1J415-33040	COMP.PIPE,OIL	1		NI	>=9L0001		0.08
020	17371-95800	BOLT,EYE JOINT	1					0.025
030	1G777-96650	GASKET	1					0.002
040	1G777-33050	COMP.PIPE,OIL	1			<=9BZ999		0.15
040	1G777-33053	COMP.PIPE,OIL	1		NI	>=9C0001		0.15
040	1J415-33050	COMP.PIPE,OIL	1		NI	>=9C0001		0.14
050	1J550-33670	GASKET(OIL PIPE)	1			<=ATZ999		0.001
050	1C040-33670	GASKET,OIL PIPE TC	1		=	>=AU0001		0.001
060	01754-50612	BOLT,FLANGE	2					0.005
070	33430-82760	PIN(BAND)	1					0.004
080	1A024-33520	CLAMP(PIPE)	1					0.007
090	15471-95790	BOLT(JOINT,SWV PIPE)	1			<=9BZ999		0.02
090	1J750-95780	BOLT,EYE JOINT	1		NI	>=9C0001		0.015
100	1G557-96650	GASKET	1			<=9BZ999		0.001
100	1J750-96650	GASKET	1		NI	>=9C0001		0.002
110	04814-00120	RING	1					0.001
120	01774-51010	BOLT,FLANGE	1					0.017

V3307-DI-T-E3B-EU-Z4 -> ENGINE -> 582000 OIL COOLER ## V3307-DI-T-E3B-EU-Z4

Update Date: 16/09/2014, Printing Date: 22/10/2018 Patrick Schwind



V3307-DI-T-E3B-EU-Z4 -> ENGINE -> 582000 OIL COOLER ## V3307-DI-T-E3B-EU-Z4

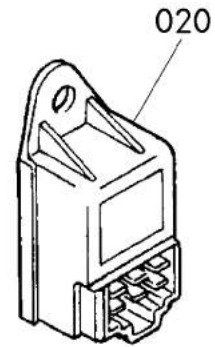
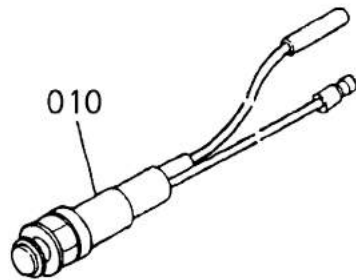
Update Date: 16/09/2014, Printing Date: 22/10/2018 Patrick Schwind

Interchangeable =, Not Interchangeable NI, New for Old >>, Old for New <<

No	Part Number	Part Name	Qty	RoundUp	IC	S/N	Remarks	Kg
010	1C010-37114	JOINT,WATER PIPE	2					0.02
020	HH1C0-32430	FILTER (CARTRIDGE,OIL)	1					0.55
030	1G777-37010	ASSY COOLER,OIL	1					0.9
035	K7561-33120	O RING,73.5X3.1	1					0.025
040	1G777-37080	CONNECTOR	1					0.15
040	1J550-32290	JOINT	1		=			0.12
050	1G772-37150	PIPE,OIL COOLER 1	1					0.075
060	09318-88180	BAND,HOSE	1					0.01
070	09318-88200	CLAMP,HOSE	1					0.004
080	1C010-33080	ASSY PLUG,O/FILLER	1					0.018
090	E9151-33140	PLUG(OIL FILLER)	1					0.017
100	04817-50300	O RING	1					0.001

V3307-DI-T-E3B-EU-Z4 -> ENGINE -> 586500 GLOW LAMP AND TIMER ##
V3307-DI-T-E3B-EU-Z4

Update Date: 16/09/2014, Printing Date: 22/10/2018 Patrick Schwind



19093-033-11

V3307-DI-T-E3B-EU-Z4 -> ENGINE -> 586500 GLOW LAMP AND TIMER ## V3307-DI-T-E3B-EU-Z4

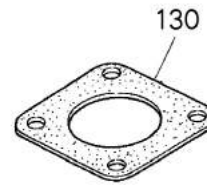
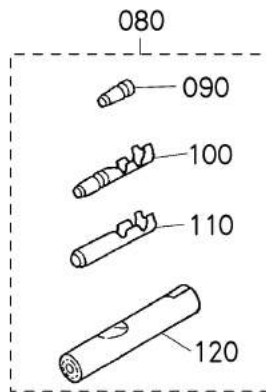
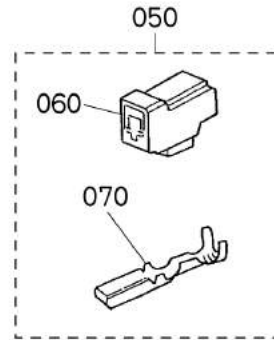
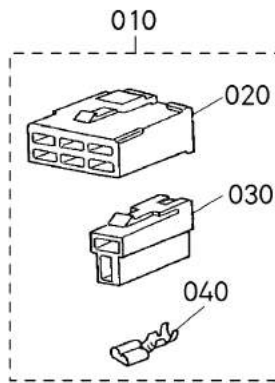
Update Date: 16/09/2014, Printing Date: 22/10/2018 Patrick Schwind

Interchangeable =, Not Interchangeable NI, New for Old >>, Old for New <<

No	Part Number	Part Name	Qty	RoundUp	IC	S/N	Remarks	Kg
010	15403-64490	LAMP,INDICATOR	1					0.02
020	15694-65990	TIMER(GLOW LAMP)	1					0.03

V3307-DI-T-E3B-EU-Z4 -> ENGINE -> 588000 ACCESSORIES AND SERVICE PARTS ## V3307-DI-T-E3B-EU-Z4

Update Date: 16/09/2014, Printing Date: 22/10/2018 Patrick Schwind



1J416-002-10

V3307-DI-T-E3B-EU-Z4 -> ENGINE -> 588000 ACCESSORIES AND SERVICE PARTS
 ## V3307-DI-T-E3B-EU-Z4

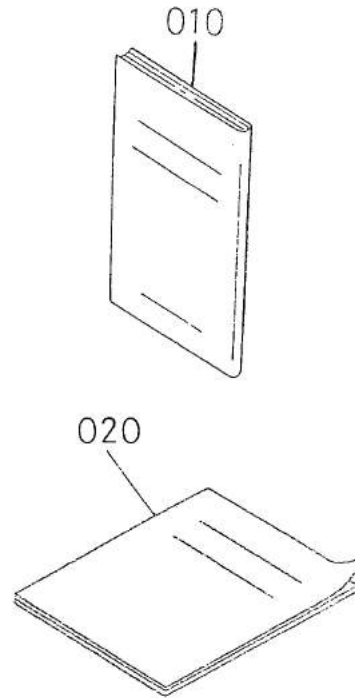
Update Date: 16/09/2014, Printing Date: 22/10/2018 Patrick Schwind

Interchangeable =, Not Interchangeable NI, New for Old >>, Old for New <<

No	Part Number	Part Name	Qty	RoundUp	IC	S/N	Remarks	Kg
010	19883-65830	ASSY COUPLER	1					0.013
020	19872-65840	CONNECTOR	1					0.006
030	19872-65880	CONNECTOR	1					0.001
040	19237-65910	TERMINAL	7					0.001
050	1C010-65830	ASSY COUPLER,SOLENO.	1					0.005
060	1C010-65880	CONNECTOR	1					0.005
070	1C010-65910	TERMINAL	2					0.001
080	19268-65780	ASSY TERMINAL	1					0.003
090	68271-65910	TERMINAL	1					0.003
100	68271-65920	SLEEVE	1					0.001
110	19268-65930	TERMINAL	1					0.001
120	19268-65870	SLEEVE	1					0.001
130	19258-12230	GASKET,MUFFLER NA	1					0.025

V3307-DI-T-E3B-EU-Z4 -> ENGINE -> 589000 LABEL AND OPERATOR'S
MANUAL ## V3307-DI-T-E3B-EU-Z4

Update Date: 16/09/2014, Printing Date: 22/10/2018 Patrick Schwind



1G661-011-10

V3307-DI-T-E3B-EU-Z4 -> ENGINE -> 589000 LABEL AND OPERATOR'S MANUAL ##
V3307-DI-T-E3B-EU-Z4

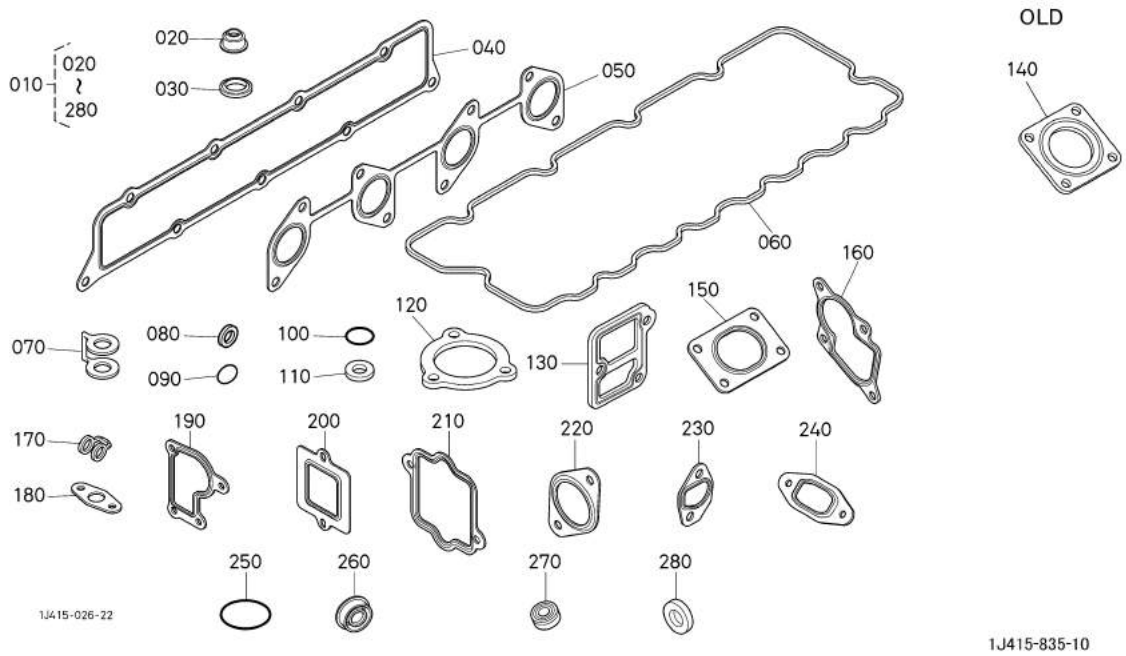
Update Date: 16/09/2014, Printing Date: 22/10/2018 Patrick Schwind

Interchangeable =, Not Interchangeable NI, New for Old >>, Old for New <<

No	Part Number	Part Name	Qty	RoundUp	IC	S/N	Remarks	Kg
010	1G777-89114	OPERATOR'S,MANUAL	1			<=AZZ999		0.23
010	1G777-89115	MANUAL,INSTRUCTION	1		>>	>=BA0001		0.23
020	1G511-89816	STATEMENT,WARRANTY	1			<=8ZZ999	ORDER BY REF.No.020 NEW PART.	0.035
020	1G511-89817	STATEMENT,WARRANTY	1		>>	>=9A0001		0.02
020	1G511-89818	STATEMENT,WARRANTY	1		=			0.01
020	1G511-89819	STATEMENT,WARRANTY	1		>>	<=BA0001		0.01
020	1J500-89810	WARRANTY STATEMENT	1		NI	>=CA0001		0.01

V3307-DI-T-E3B-EU-Z4 -> ENGINE -> 591000 UPPER GASKET KIT [OPTION]
V3307-DI-T-E3B-EU-Z4

Update Date: 16/09/2014, Printing Date: 22/10/2018 Patrick Schwind



V3307-DI-T-E3B-EU-Z4 -> ENGINE -> 591000 UPPER GASKET KIT [OPTION] ##
V3307-DI-T-E3B-EU-Z4

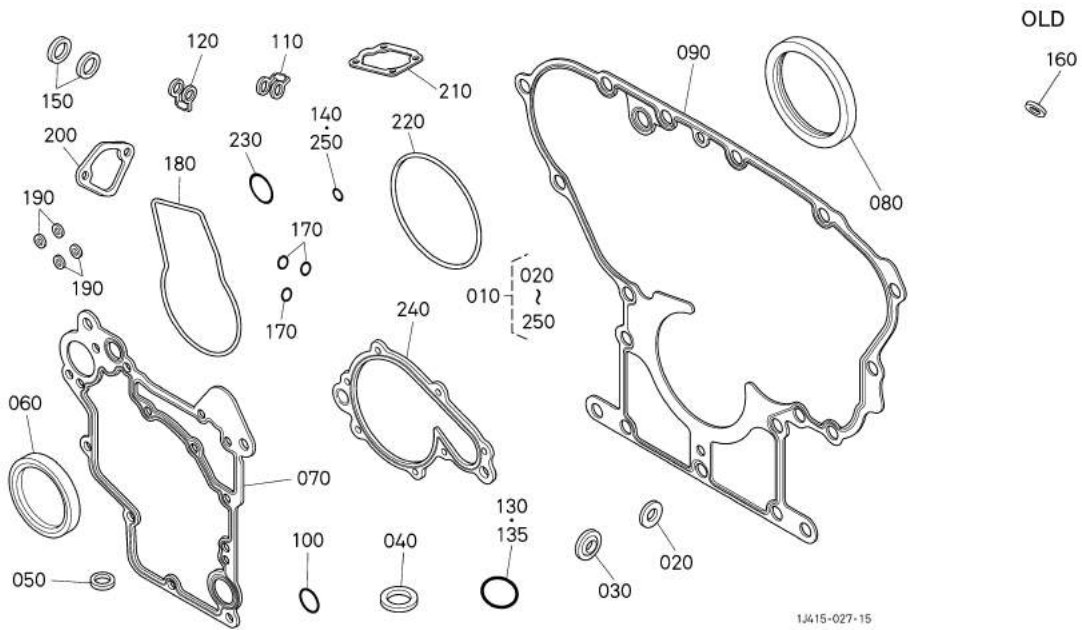
Update Date: 16/09/2014, Printing Date: 22/10/2018 Patrick Schwind

Interchangeable =, Not Interchangeable NI, New for Old >>, Old for New <<

No	Part Number	Part Name	Qty	RoundUp	IC	S/N	Remarks	Kg
010	1G777-99350	KIT GASKET,UPPER	1			<=8XZ999	ORDER BY REF.No.010 NEW PARTS.	0.16
010	1G777-99353	KIT GASKET,UPPER	1		>>	>=8Y0001		0.16
020	1C010-13150	SEAL,VALVE STEM	16					0.002
030	04717-01200	WASHER,SEAL	1					0.002
040	1G772-11820	GASKET,IN-MANIFOLD	1					0.015
050	1G772-12350	GASKET,EX-MANIFOLD	1					0.015
060	1G772-14520	GASKET,HEAD COVER	1					0.035
070	1C020-96730	GASKET	5					0.001
080	15021-33660	PACKING	2			<=8XZ999		0.001
080	15021-33660	PACKING	4			>=8Y0001		0.001
090	1G772-53490	O RING	4					0.001
100	04814-05110	O RING	4					0.001
110	1G796-53620	PACKING	4					0.001
120	1G772-73270	GASKET	1					0.003
130	1G772-72820	GASKET,WATER FLANGE	1					0.005
140	1C011-12230	GASKET,MUFFLER	1			<=8XZ999		0.014
150	1J550-17100	GASKET	1					0.002
160	1C040-17110	GASKET	1					0.008
160	1J550-17110	GASKET	1		=			0.008
170	1G777-96650	GASKET	1					0.002
180	1C040-33670	GASKET,OIL PIPE TC	1					0.001
180	1J550-33670	GASKET(OIL PIPE)	1		=			0.001
180	1C040-33670	GASKET,OIL PIPE TC	1		NI	>=AC0001		0.001
190	1G777-17410	GASKET,EGR VALVE	1					0.004
200	1G777-13730	GASKET(REED VALVE)	1					0.005
210	1G777-17420	GASKET,EGR VALVE	1					0.004
220	1G777-17430	GASKET,EGR COOLER	1					0.004
230	1G777-17440	GASKET(EGR BASE)	1					0.002
240	1G777-17380	GASKET,INLET	1			>=8Y0001		0.002
250	1G924-05430	O-RING	1			>=8Y0001		0.001
260	1C020-53810	SEAL,INJECTION PIPE	4			>=8Y0001		0.016
270	1G772-65500	SEAL,GLOW PLUG	4			>=8Y0001		0.001
280	15601-96650	PACKING	1			>=8Y0001		0.001

V3307-DI-T-E3B-EU-Z4 -> ENGINE -> 592000 LOWER GASKET KIT [OPTION]
 ## V3307-DI-T-E3B-EU-Z4

Update Date: 16/09/2014, Printing Date: 22/10/2018 Patrick Schwind



V3307-DI-T-E3B-EU-Z4 -> ENGINE -> 592000 LOWER GASKET KIT [OPTION] ##
V3307-DI-T-E3B-EU-Z4

Update Date: 16/09/2014, Printing Date: 22/10/2018 Patrick Schwind

Interchangeable =, Not Interchangeable NI, New for Old >>, Old for New <<

No	Part Number	Part Name	Qty	RoundUp	IC	S/N	Remarks	Kg
010	1G777-99360	KIT GASKET,LOWER	1			<=8XZ999	ORDER BY REF.No.010 NEW PARTS.	0.22
010	1G777-99362	KIT GASKET,LOWER	1		>>	>=8Y0001	ORDER BY REF.No.010 NEW PARTS.	0.22
010	1G777-99363	KIT GASKET,LOWER	1		>>	>=AE0001	ORDER BY REF.No.010 NEW PARTS.	0.22
010	1G777-99364	KIT GASKET,LOWER	1		>>	>=AQ0001		0.22
020	15021-33660	PACKING	3			<=8XZ999		0.001
020	15021-33660	PACKING	5			>=8Y0001		0.001
030	04724-00170	GASKET	1					0.005
040	16265-96670	PACKING	2			>=8Y0001		0.005
050	15451-96670	PACKING	1					0.003
060	1C020-04140	SEAL,OIL	1					0.044
070	1G772-04330	GASKET(FRONT COVER)	1					0.025
080	17381-04460	SEAL,OIL	1			<=AZZ999		0.045
080	1G772-04460	SEAL,OIL	1		NI	>=BA0001		0.05
090	1G777-04630	GASKET,HOUSING	1			<=ADZ999	ORDER BY REF.No.090 NEW PART.	0.053
090	1G777-04632	GASKET,HOUSING	1		>>	>=AE0001		0.053
100	04817-00200	O RING	1					0.011
110	1C020-96650	PACKING	1					0.001
120	1G557-96650	GASKET	1			<=8XZ999		0.001
120	1G557-96650	GASKET	2			>=8Y0001		0.001
130	04817-50300	O RING	1					0.001
135	K7561-33120	O RING,73.5X3.1	1			>=AQ0001		0.025
140	04811-10120	O RING	1					0.001
150	15401-96650	GASKET	2			<=8XZ999		0.001
150	15331-96650	PACKING	2		>>	>=8Y0001		0.001
160	15841-96660	GASKET	1			<=8XZ999		0.001
170	04814-10070	O-RING	3					0.001
180	1C010-55770	GASKET,GOVERNOR HOU.	1					0.001
190	15601-96650	PACKING	4					0.001
200	16264-52140	GASKET,FUEL PUMP	1					0.001
200	16261-52140	GASKET,FUEL PUMP	1		=			0.001
210	1A021-57212	GASKET,PLATE	1					0.001
220	1G772-52130	GASKET,INJECTION PU.	1					0.004
230	04814-06310	O RING	1					0.002
240	1G772-73430	GASKET,WATER PUMP	1					0.011

V3307-DI-T-E3B-EU-Z4 -> ENGINE -> 592000 LOWER GASKET KIT [OPTION] ##
V3307-DI-T-E3B-EU-Z4

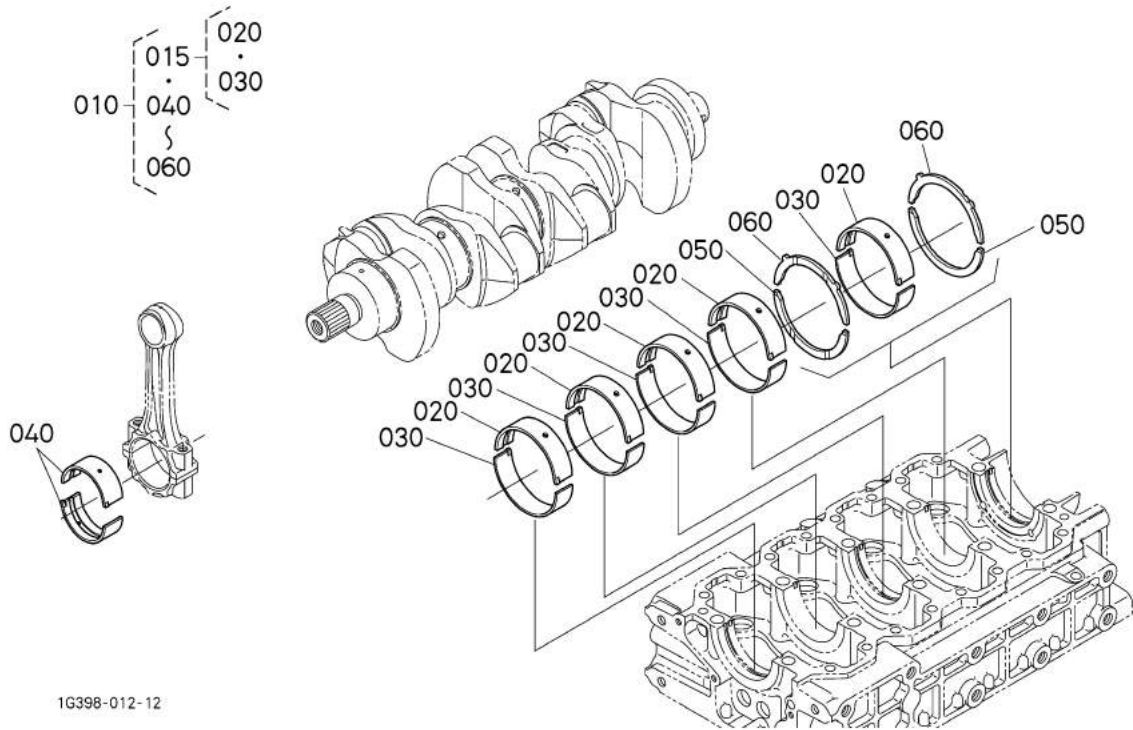
Update Date: 16/09/2014, Printing Date: 22/10/2018 Patrick Schwind

Interchangeable =, Not Interchangeable NI, New for Old >>, Old for New <<

No	Part Number	Part Name	Qty	RoundUp	IC	S/N	Remarks	Kg
250	04814-00120	RING	1			>=8Y0001		0.001

V3307-DI-T-E3B-EU-Z4 -> ENGINE -> 593000 METAL KIT [OPTION] ## V3307-DI-T-E3B-EU-Z4

Update Date: 16/09/2014, Printing Date: 22/10/2018 Patrick Schwind



V3307-DI-T-E3B-EU-Z4 -> ENGINE -> 593000 METAL KIT [OPTION] ## V3307-DI-T-E3B-EU-Z4

Update Date: 16/09/2014, Printing Date: 22/10/2018 Patrick Schwind

Interchangeable =, Not Interchangeable NI, New for Old >>, Old for New <<

No	Part Number	Part Name	Qty	RoundUp	IC	S/N	Remarks	Kg
010	1G777-23750	KIT METAL,ENGINE	1			<=9BZ999	STD ORDER BY REF.No.010 NEW PARTS.	1.6
010	1G777-23770	KIT METAL,ENGINE	1			<=9BZ999	-0.40mm/+0.40mm ORDER BY REF.No.010 NEW PARTS.	1.4
010	1G777-23760	KIT METAL,ENGINE	1			<=9BZ999	-0.20mm/+0.20mm ORDER BY REF.No.010 NEW PARTS.	1.55
010	1G777-23762	KIT METAL,ENGINE	1		>>	>=9C0001	-0.20mm/+0.20mm	1.55
010	1G777-23772	KIT METAL,ENGINE	1		>>	>=9C0001	-0.40mm/+0.40mm	1.64
010	1G777-23752	KIT METAL,ENGINE	1		>>	>=9C0001	STD	1.6
010	1G777-23753	KIT METAL,ENGINE	1		>>	>=AG0001	STD	1.6
010	1G777-23773	KIT METAL,ENGINE	1		>>	>=AG0001	-0.40mm/+0.40mm	1.64
010	1G777-23763	KIT METAL,ENGINE	1		>>	>=AG0001	-0.20mm/+0.20mm	1.55
015	1G777-23880	KIT METAL,CRANKSHAFT	5			>=9C0001	-0.20mm	0.2
015	1G777-23400	KIT METAL,CRANKSHAFT	5			>=9C0001	STD	0.23
015	1G777-23890	KIT METAL,CRANKSHAFT	5			>=9C0001	-0.40mm	0.23
015	1G777-23892	KIT METAL,CRANKSHAFT	5		>>	>=AG0001	-0.40mm	0.23
015	1G777-23402	KIT METAL,CRANKSHAFT	5		>>	>=AG0001	STD	0.1
015	1G777-23882	KIT METAL,CRANKSHAFT	5		>>	>=AG0001	-0.20mm	0.2
020	99999-99999	BLANK	5				STD	0.11
020	99999-99999	BLANK	5				-0.20mm	0.11
020	99999-99999	BLANK	5				-0.40mm	0.11
030	99999-99999	BLANK	5				STD	0.11
030	99999-99999	BLANK	5				-0.20mm	0.11
030	99999-99999	BLANK	5				-0.40mm	0.115
040	1G772-22330	METAL,CRANKPIN	4			<=AFZ999	STD/SET	0.045
040	1G772-22970	METAL,CRANKPIN	4			<=AFZ999	-0.20mm/SET	0.045
040	1G772-22972	METAL,CRANKPIN	8		>>	>=AG0001	-0.20mm/SET	0.045
040	1G772-22980	METAL,CRANKPIN	8				-0.40mm/SET	0.045
040	1G772-22332	METAL,CRANKPIN	8		>>	>=AG0001	STD/SET	0.045
050	1G772-23532	METAL,SIDE	2			<=AFZ999	STD	0.017
050	1G772-23960	METAL,SIDE	2			<=AFZ999	+0.40mm	0.02
050	1G772-23950	METAL,SIDE	2			<=AFZ999	+0.20mm	0.02
050	1G772-23953	METAL,SIDE	2		>>	>=AG0001	+0.20mm	0.02
050	1G772-23963	METAL,SIDE	2		>>	>=AG0001	+0.40mm	0.02
050	1G772-23533	METAL,SIDE	2		>>	>=AG0001	STD	0.017
060	1G772-23542	METAL,SIDE	2			<=AFZ999	STD	0.02

V3307-DI-T-E3B-EU-Z4 -> ENGINE -> 593000 METAL KIT [OPTION] ## V3307-DI-T-E3B-EU-Z4

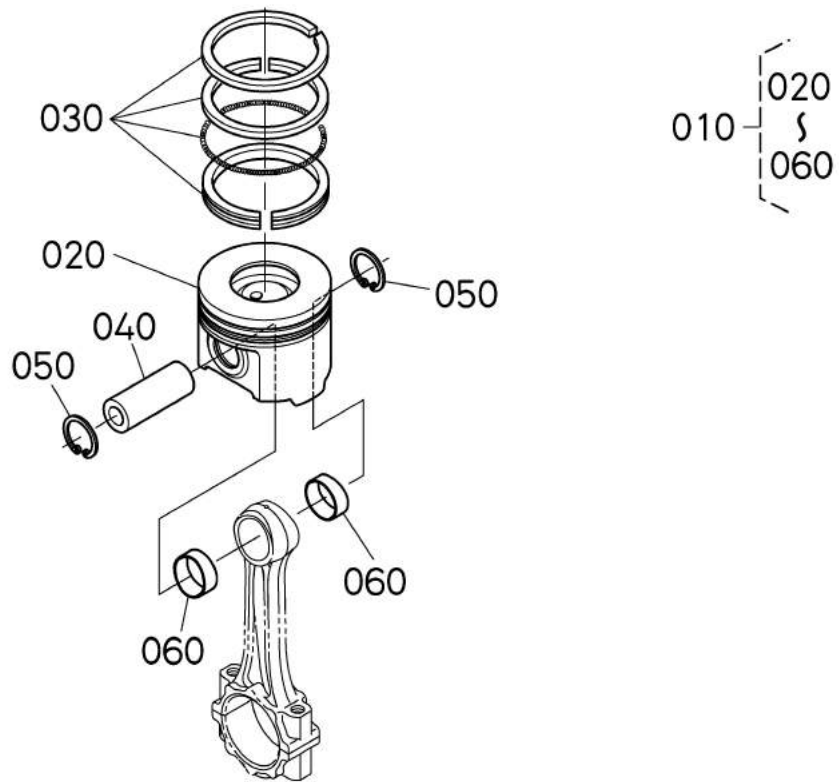
Update Date: 16/09/2014, Printing Date: 22/10/2018 Patrick Schwind

Interchangeable =, Not Interchangeable NI, New for Old >>, Old for New <<

No	Part Number	Part Name	Qty	RoundUp	IC	S/N	Remarks	Kg
060	1G772-23970	METAL,SIDE	2			<=AFZ999	+0.20mm	0.02
060	1G772-23980	METAL,SIDE	2			<=AFZ999	+0.40mm	0.016
060	1G772-23983	METAL,SIDE	2		>>	>=AG0001	+0.40mm	0.016
060	1G772-23973	METAL,SIDE	2		>>	>=AG0001	+0.20mm	0.02
060	1G772-23543	METAL,SIDE	2		>>	>=AG0001	STD	0.02

V3307-DI-T-E3B-EU-Z4 -> ENGINE -> 594000 PISTON KIT [OPTION] ##
V3307-DI-T-E3B-EU-Z4

Update Date: 16/09/2014, Printing Date: 22/10/2018 Patrick Schwind



1G398-013-10

V3307-DI-T-E3B-EU-Z4 -> ENGINE -> 594000 PISTON KIT [OPTION] ## V3307-DI-T-E3B-EU-Z4

Update Date: 16/09/2014, Printing Date: 22/10/2018 Patrick Schwind

Interchangeable =, Not Interchangeable NI, New for Old >>, Old for New <<

No	Part Number	Part Name	Qty	RoundUp	IC	S/N	Remarks	Kg
010	1G777-21670	KIT PISTON	4			<=9DZ999	(H05)STD	0.97
010	1G777-21680	KIT PISTON	4			<=9DZ999	(H00)STD	1.05
010	1G777-21690	KIT PISTON	4			<=9DZ999	(H05)+0.50mm	1.05
010	1G777-21700	KIT PISTON	4			<=9DZ999	(H00)+0.50mm	1.05
010	1G777-21702	KIT PISTON	4		NI	>=9E0001	(H00)+0.50mm	1.05
010	1G777-21692	KIT PISTON	4		NI	>=9E0001	(H05)+0.50mm	1.05
010	1G777-21682	KIT PISTON	4		NI	>=9E0001	(00)STD	1.05
010	1G777-21672	KIT PISTON	4		NI	>=9E0001	(H05)STD	0.97
010	1G777-21792	KIT PISTON	4				(H10)+0.50mm	2.648
010	1G777-21772	KIT PISTON	4				(H10)STD	2.55
010	1G777-21773	KIT PISTON	4		=		(H10)STD	0.85
010	1G777-21793	KIT PISTON	4		=		(H10)+0.50mm	1.065
010	1G777-21673	KIT PISTON	4		>>	>=AG0001	(H05)STD	0.97
010	1G777-21683	KIT PISTON	4		>>	>=AG0001	(00)STD	1.05
010	1G777-21693	KIT PISTON	4		>>	>=AG0001	(H05)+0.50mm	1.05
010	1G777-21703	KIT PISTON	4		>>	>=AG0001	(H00)+0.50mm	1.05
010	1G777-21794	KIT PISTON	4		>>	>=AG0001	(H10)+0.50mm	1.065
010	1G777-21774	KIT PISTON	4		>>	>=AG0001	(H10)STD	0.85
020	1G777-21110	PISTON	4			<=9DZ999	(H05)STD	0.65
020	1G777-21902	PISTON	4			<=9DZ999	(H05)+0.50mm	0.65
020	1G777-21120	PISTON	4			>=9DZ999	(H00)STD	0.65
020	1G777-21922	PISTON	4			<=9DZ999	(H10)+0.50mm	0.65
020	1G777-21912	PISTON	4			>=9DZ999	(H00)+0.50mm	0.653
020	1G777-21130	PISTON	4			<=9DZ999	(H10)STD	0.65
020	1J751-21910	PISTON	4		NI	>=9E0001	(H00)+0.50mm	0.745
020	1J751-21120	PISTON	4		NI	>=9E0001	(H00)STD	0.665
020	1J751-21900	PISTON	4		NI	>=9E0001	(H05)+0.50mm	0.665
020	1J751-21110	PISTON	4		NI	>=9E0001	(H05)STD	0.64
020	1J751-21130	PISTON	4		NI	>=9E0001	(H10)STD	0.665
020	1J751-21920	PISTON	1		NI	>=9E0001	(H10)+0.50mm	0.73
030	1G772-21050	ASSY PISTON RING	4				STD	0.055
030	1G772-21090	ASSY PISTON RING	4				+0.50mm	0.055
040	1G772-21310	PIN,PISTON	4			<=8CZZ999		0.26
040	1G777-21310	PIN,PISTON	4		>>	>=8DA0001		0.26
050	04611-00280	CIR-CLIP,INTERNAL	8					0.002
060	1G777-21980	BUSH,PISTON PIN	8			<=9DZ999		0.012
060	1G772-21980	BUSH,PISTON PIN	2		NI	>=9E0001		0.015
060	1G772-21982	BUSH,PISTON PIN	2		NI	>=AG0001		0.015