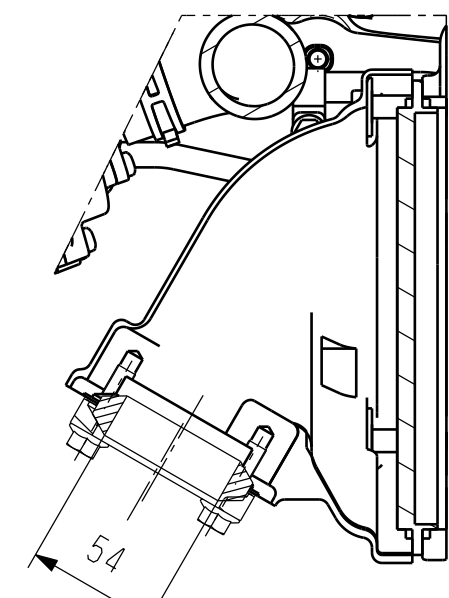


Section view C-C
Scale: 1:2



Section view D-D
Scale: 1:3

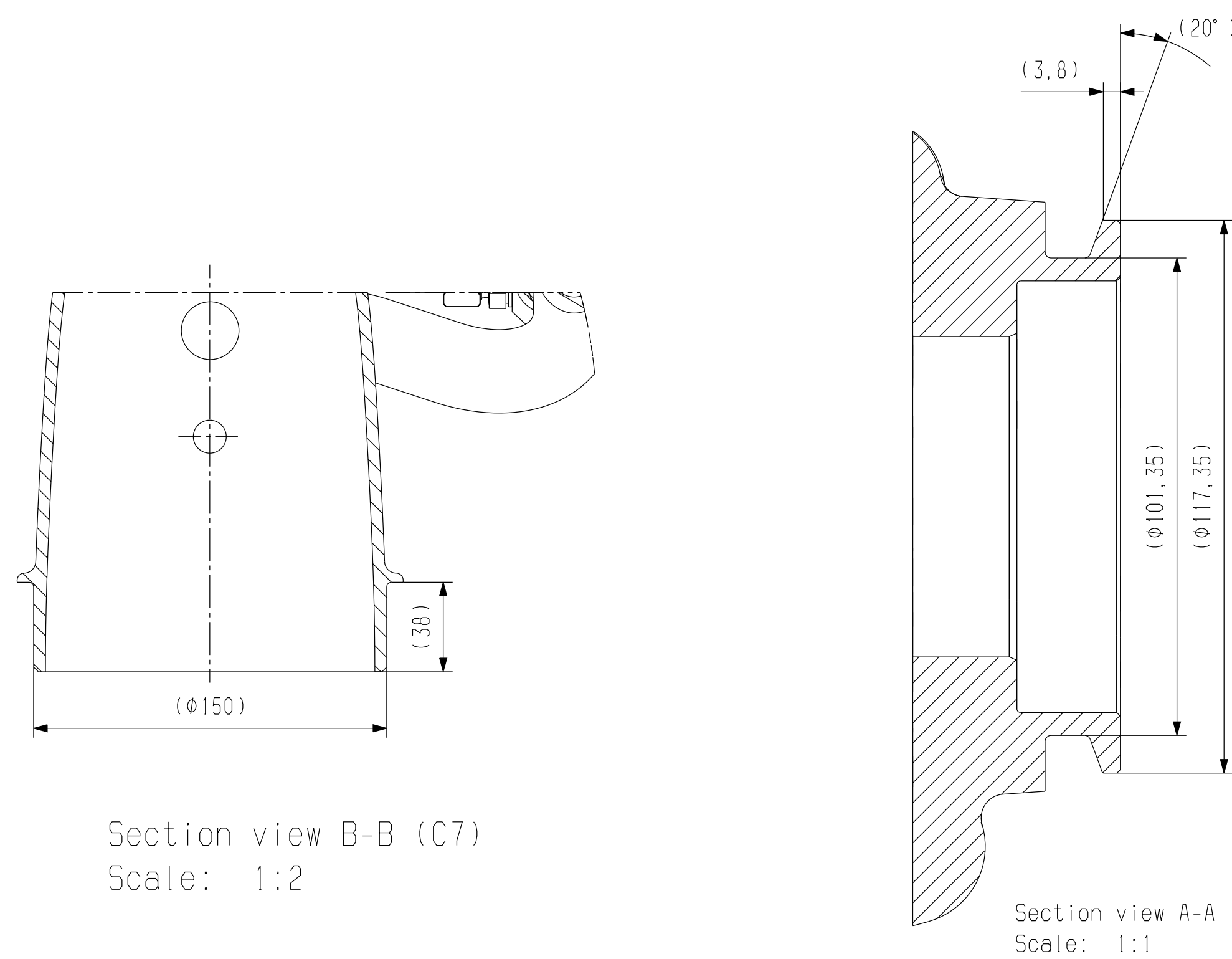
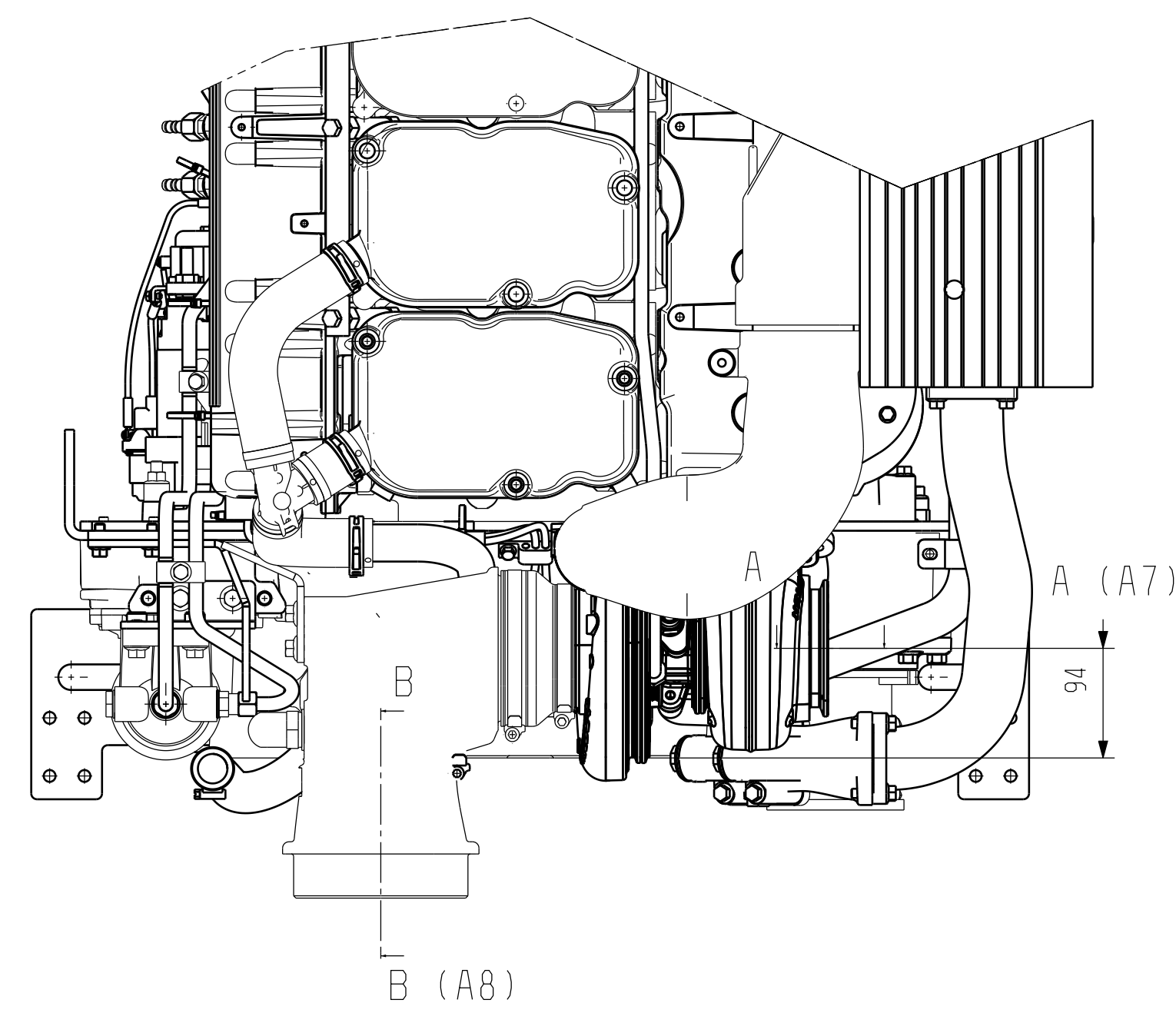
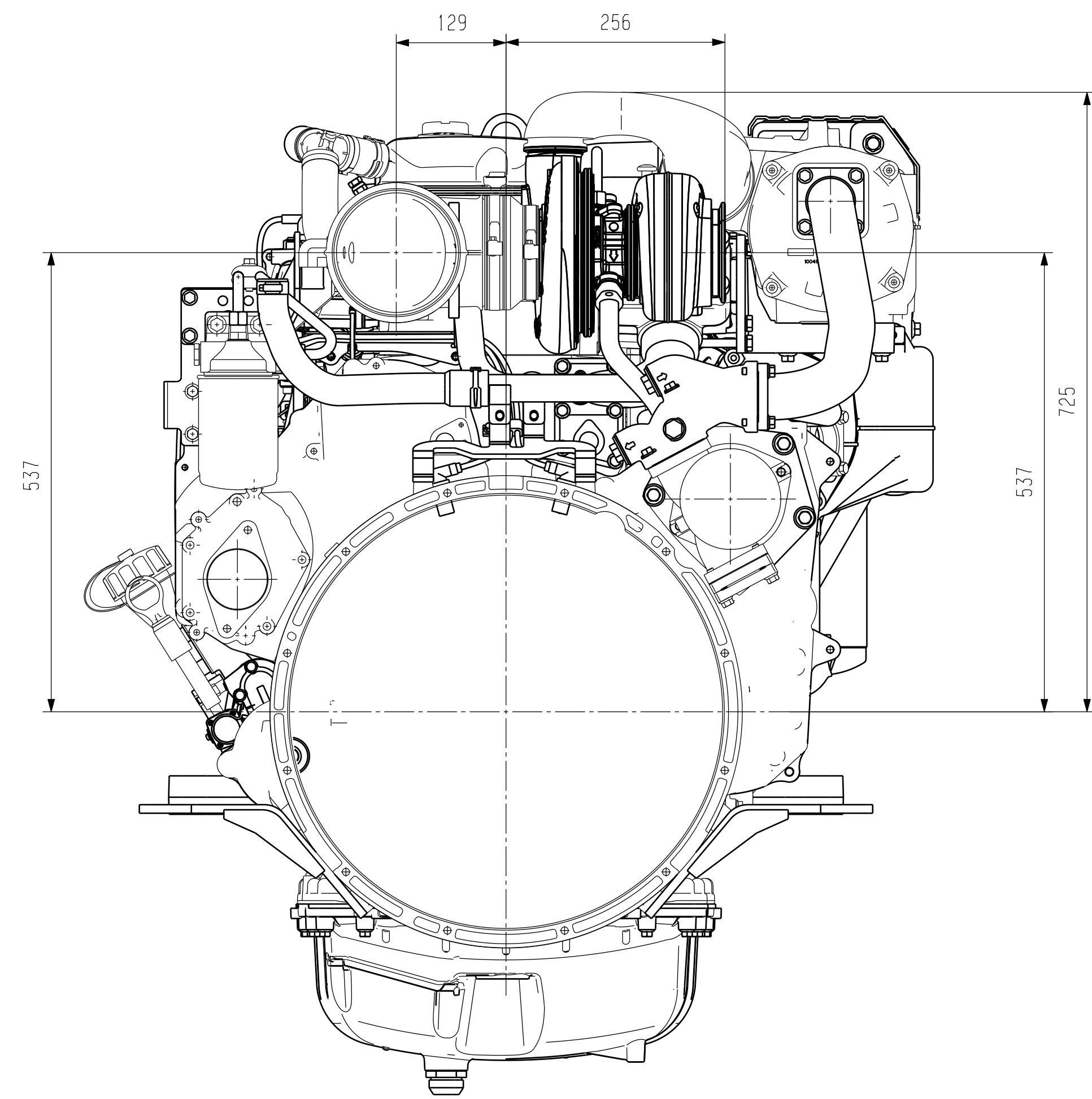
- 1 Air intake (Dia. 150)(See sheet 2)
- 2 Exhaust outlet (See sheet 2)
- 3 Sea water inlet (Dia. 50)(E3)
- 4 Sea water outlet (Dia. 50)(E3)
- 5 Coolant drain (Fresh water)(D2)
- 6 Fresh water filling (C8)
- 7 Fuel inlet (union nut M16x1.5)(E6)
- 8 Fuel return (union nut M16x1.5)(E6)
- 9 Oil filling in valve cover (C8)
- 10 Oil filling/dipstick right hand side (D8)
- 11 Oil filter (E5)
- 12 Oil drain plug (D4)
- 13 Oil centrifugal cleaner (D1)
- 14 ECU (D7)
- 15 Sea water pump (C2)
- 16 Starter motor (D6)
- 17 Fuel filter (C3)
- 18 Connection from cab heater (M22x1.5)(F1)
- 19 Connection to cab heater (M18x1.5)(F5)
- 20 Engine bracket
- 21 Corrosion bar (2x)
- 22 Air pressure sensor plug (M14x1.5)(C6)
- 23 Customer interface EMS
- 24 Diagnostics (SDP3)
- 25 Block heater (500W, 110 Volt, Supplied with 1.5m and 5m cable)
- 26 Flywheel (SEA 14")
- 27 Level marker

View A (E3)
Scale: 1:5

E3	A6	633184	Dim 2x1130 was 2x1174	X	171214	EG406
E2	A8	633184	Dim 2x20 was 2x35 & 365 was 395	X	171214	EG406
E1		633184	Engine bracket changed	X	171214	EG406
C		53267	Oil sump changed, catwalk added	X	130507	norm
B		51460	Position for fuelpipes inlet/outlet ch.	X	120507	norm
A		512368	Engine Updated		120213	norm
Change	Zone	EEO Number	Change Description	By	Date	Sign
<small> Symbols, designations and drawing methods S1012 Prohibited and restricted substances in Scania products S104400 X3.0 Projection Method Scale Introduced EEO Number Classification S103944 Required Parts S104178 </small>						
		Designed K. Andersson Checked SSSSKU Approved SSSSKU Status S	Description MD1M DWG DL6M	Date 2012-01-26	Sheet 1 (2)	1866386

1866386

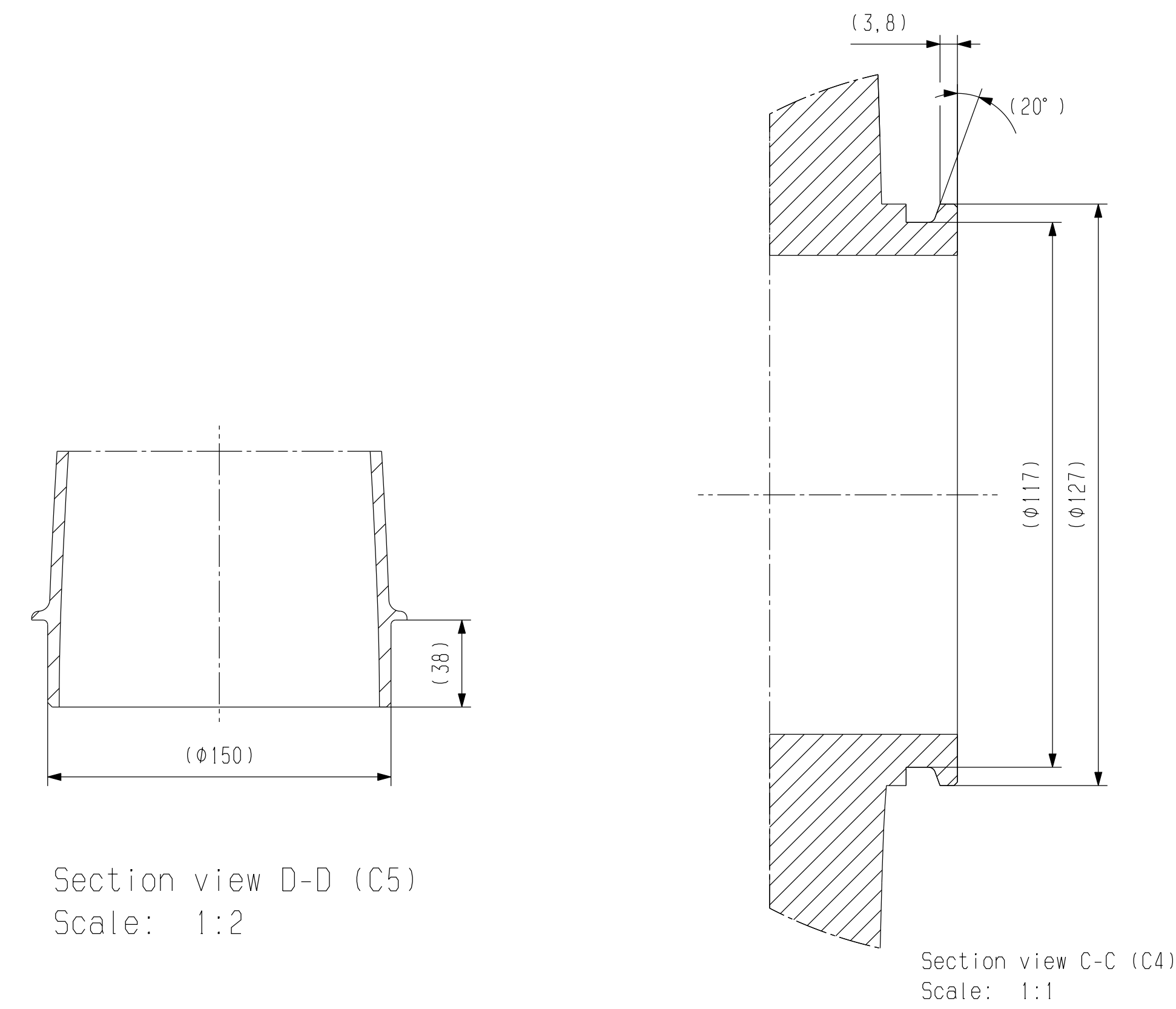
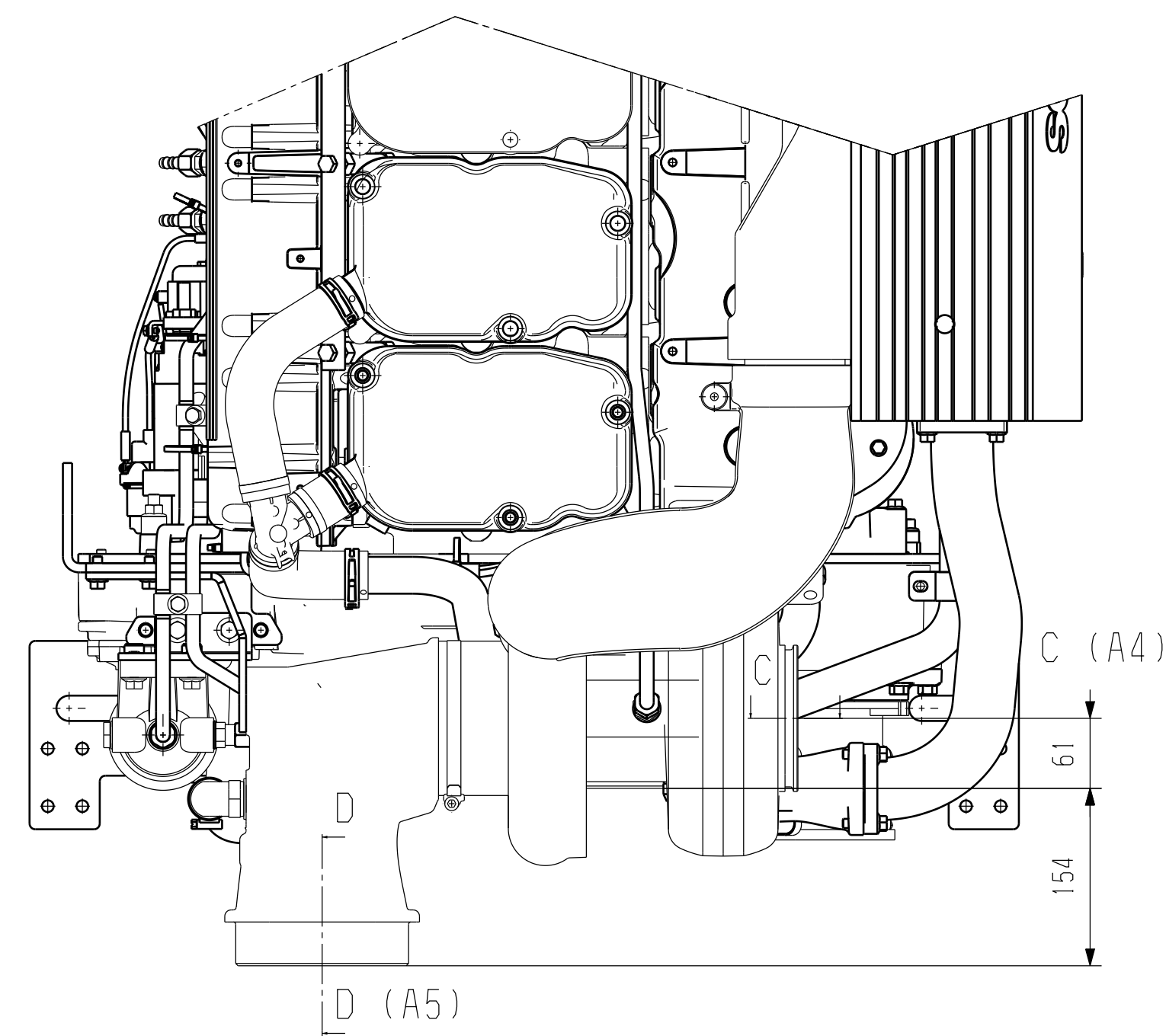
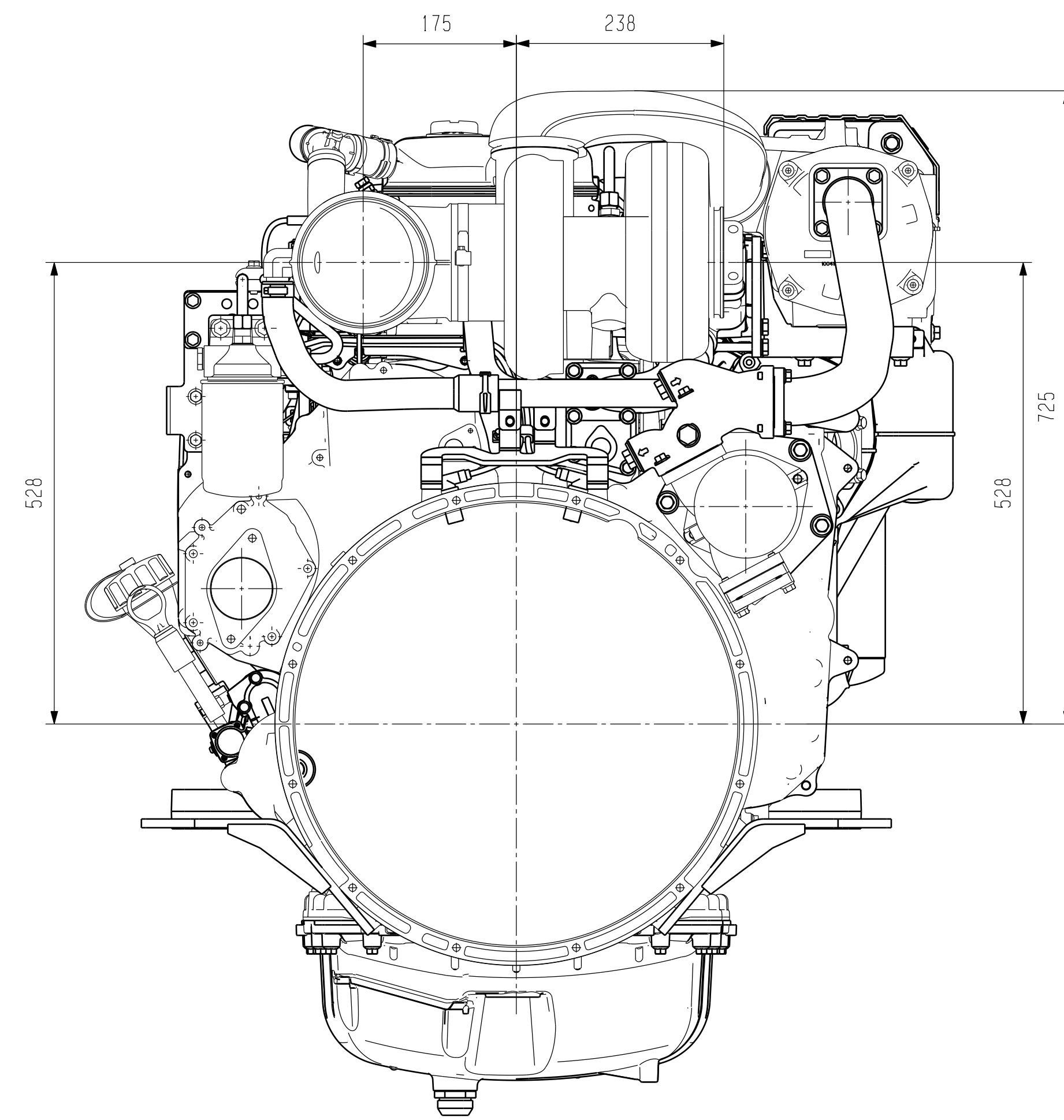
D113 70M/ 74M/ 78M/ 80M/ 82M/ 84M



Section view B-B (C7)
Scale: 1:2

Section view A-A
Scale: 1:1

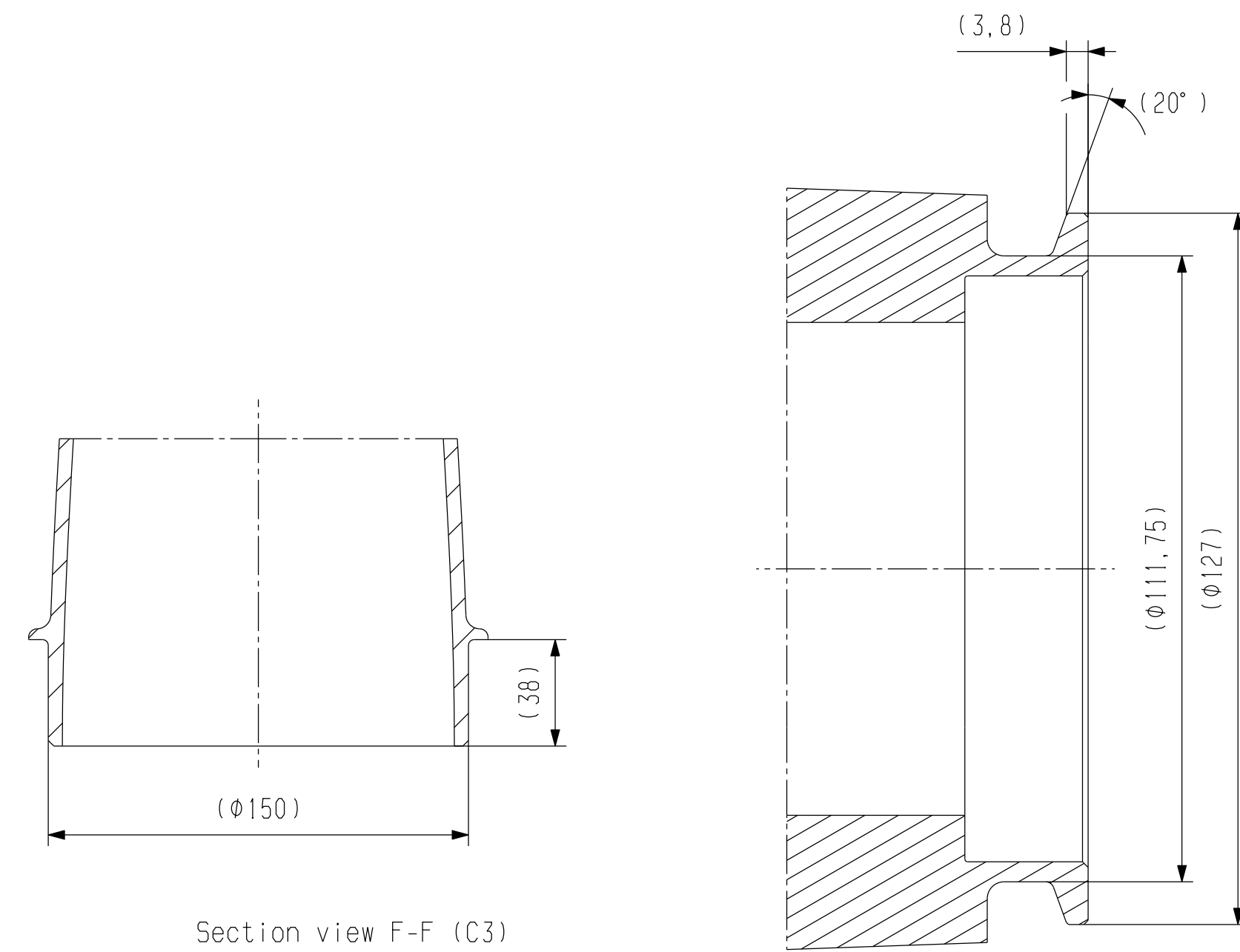
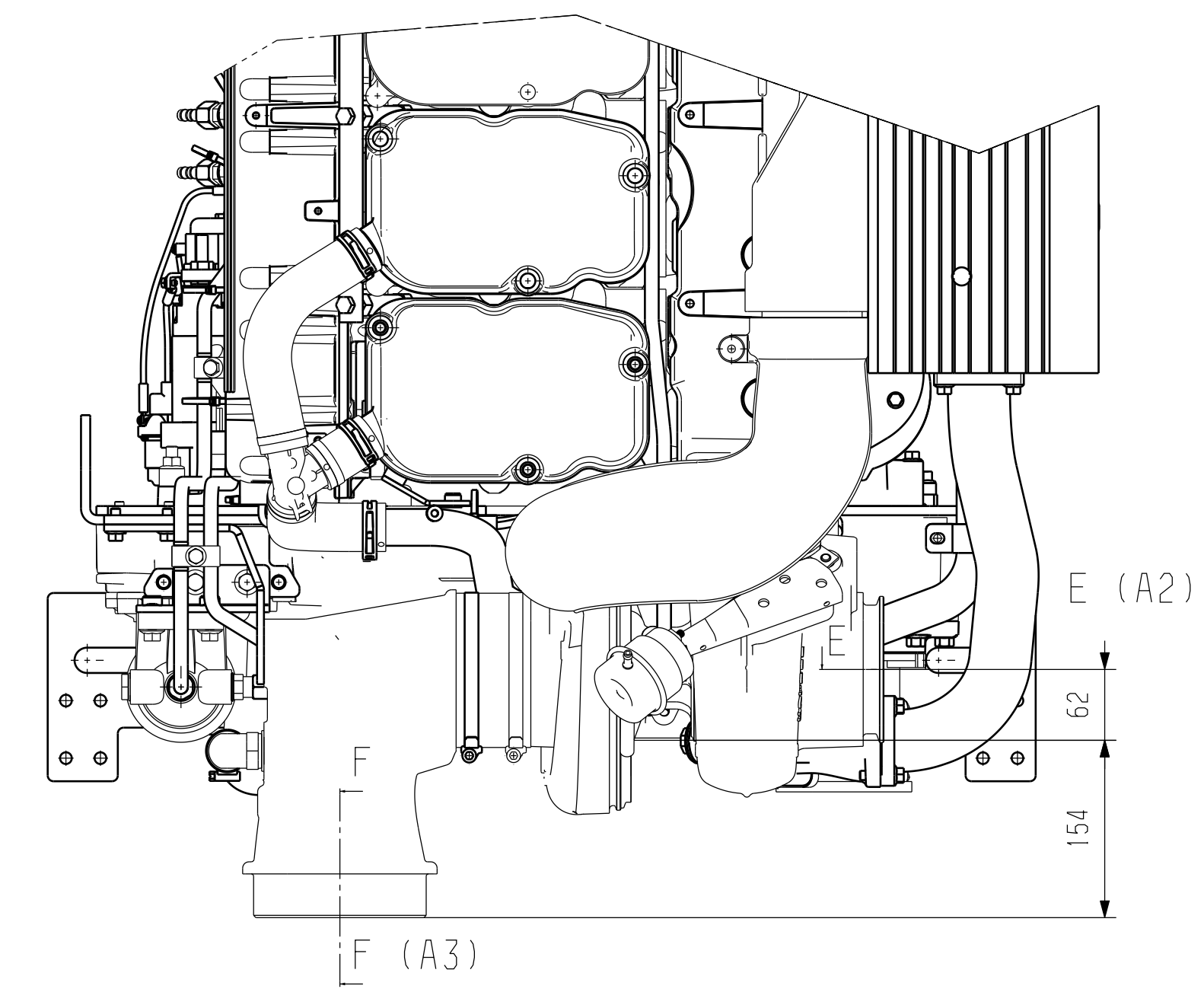
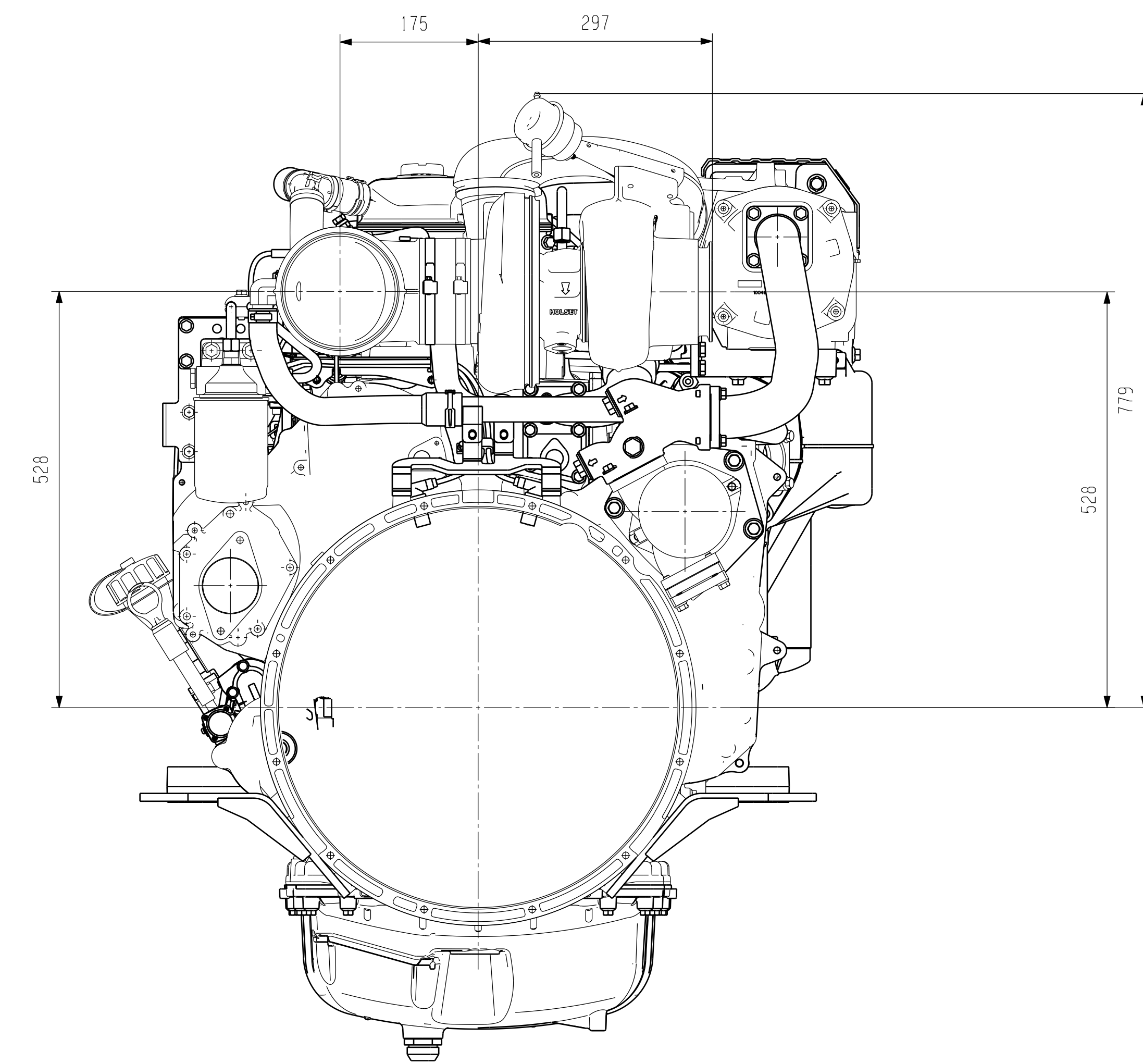
D113 72M/ 83M/ 86M/ 86M



Section view D-D (C5)
Scale: 1:2

Section view C-C (C4)
Scale: 1:1

D113 77M



Section view F-F (C3)
Scale: 1:2

Section view E-E (C2)
Scale: 1:1

Ø	F5	552969	Engine types added.	140203	SSSKK
B		514650	Position for fuelpipes inlet/outlet ch.	X	120507
A		512368	Engine Updated		120213
Change	Zone	EDD Number	Change Description	By	Date
Symbol	Designation	and drawing methods	ST012		
Projection Method	Scale	Introduced EDD Number	Classification	ST0384	Required Parts
	1:5	353059	<C>:0	<M>:0	<L>:0
Designed	Checked	EDD ch	Approved		
K. Andersson			SSSKK	SSSKK	SSSKK
Description					
MD1M DWG DL6M					
© The copyright and ownership of this drawing including associated computer data are reserved. All rights reserved. They may not be copied, stored, transmitted, or otherwise used in any form without the prior permission of SCANIA, Sweden.					Date 2012-01-26
					Sheet 2 (2)

1866386

1866386