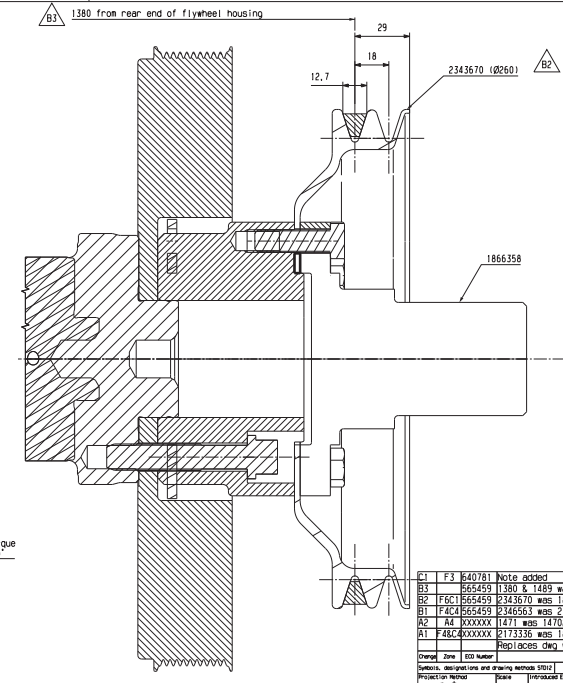
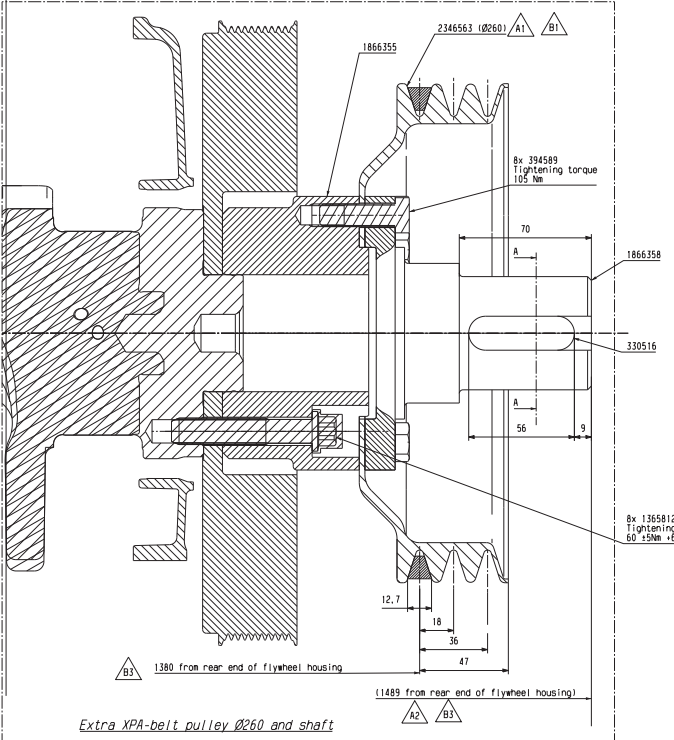
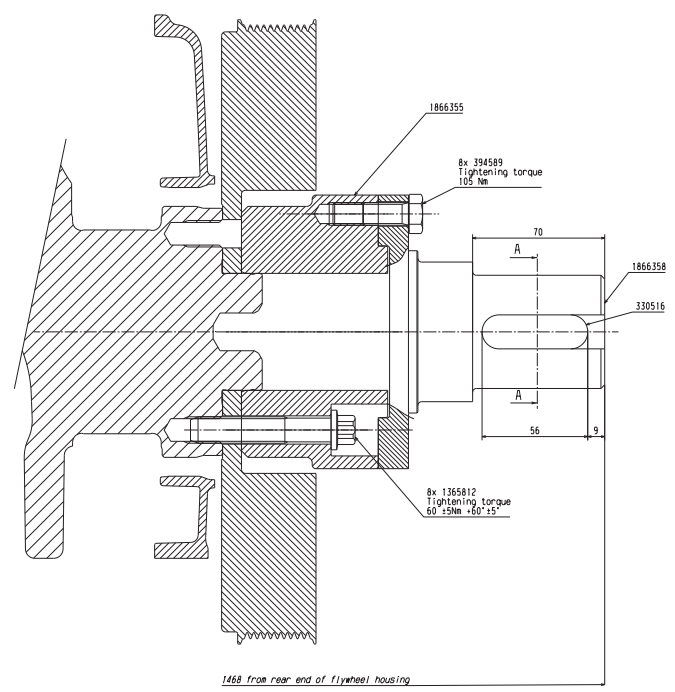
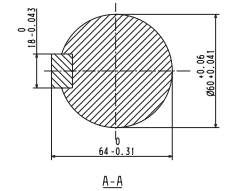
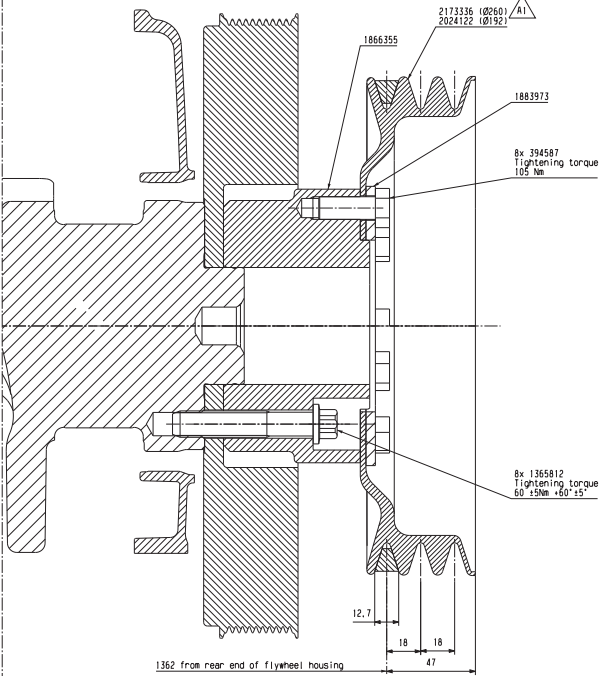
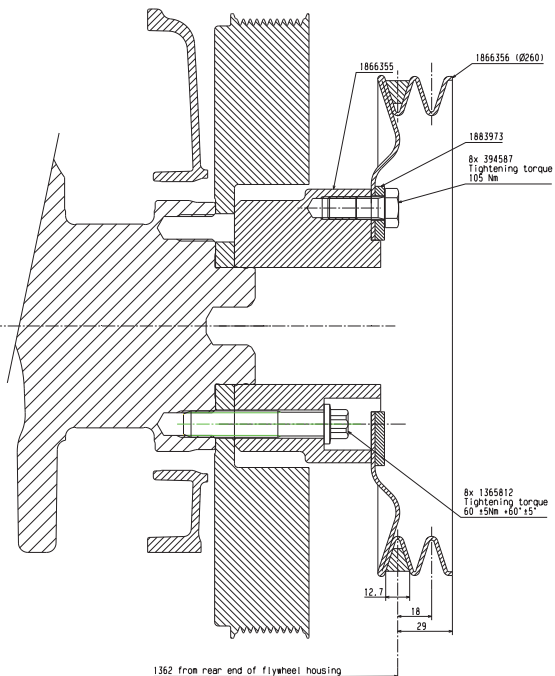


Sheet 1 applies to marine

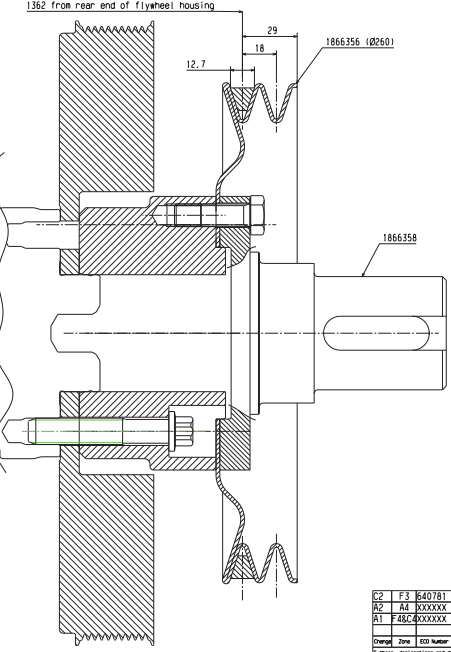
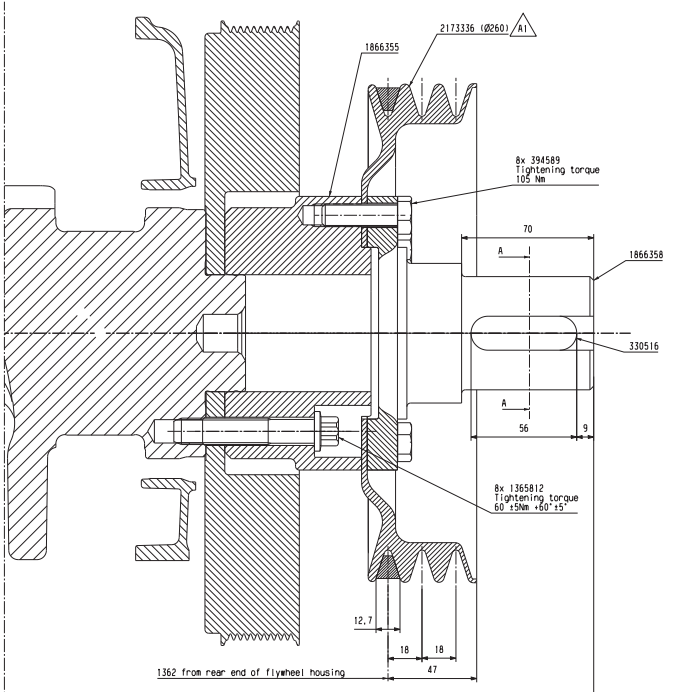
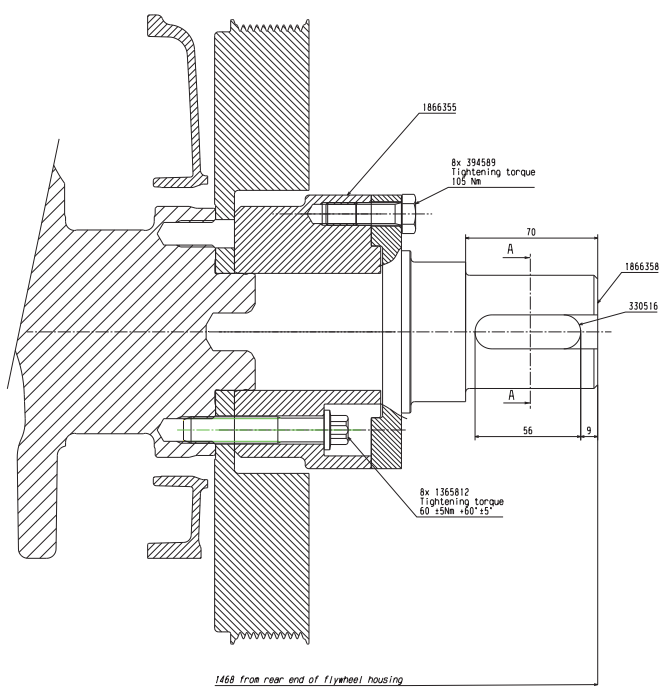
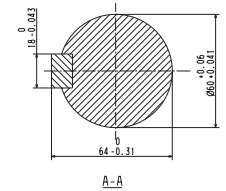


C1	F3	640781	Note added		1800410	0000
B3	665459	1380 & 1489	was 1362 & 1471		x161107	0000
B2	F6C1	665459	2343670	was 1866356	x161107	0000
B1	F4C1	665459	2346563	was 2173336	x161107	0000
A2	A4	XXXXXX	1471	was 14702	x120924	0000
A1	A8C	0XXXXXX	2173336	was 1866357	x120924	0000
			Rep1:0000 DWG w/171	Some No.	x120924	0000
				Change Description		
Checked:	Zone	ECO Number	Change Description			
Projection Method	Scale	Reference 3D Model	Classification System	Required Parts System		
	1:1	486206	4-C-2	46-0	41-2	
Designed	F. Modighi	Design Checked	3/10 on 3/10/06			
Part Name	ASSY DWG FRONT MOUNTED PTO			Part No.	1866359	8
Rev				Date	2010-06-28	1 (2)

1866359



△ Sheet 2 applies to industrial



P2	F3	640781	Note deleted		180410
A2	A4	XXXXXX	1471 was 14702		x120924
A1	A8C	XXXXXX	2173336 was 1866357		x120924
			Rep1:ECBS DWG w/171 some No.		x120924
Checked	Zone	ECO Number	Change Description		
<small> Symbols, designations and drawing methods (S2)1 Prohibited and restricted substances in Scania products (S3)400 Projection method First angle projection (S2)400 Material (S2)400 Part location (S2)400 Required parts (S2)400 Scale 1:1 486206 L-C-20 A5-0 A1-20 Drawn by F. Modighi Design checked P10 on Marking (S2)400 (S2)400 (S2)400 Date 2010-06-28 2 (2) </small>					
ASSY DWG FRONT MOUNTED PTO				S	1866359
<small> The Scania logo and symbols are registered trademarks of Scania AB. All other trademarks are the property of their respective owners. © Scania AB 2010. </small>					

1866359