



A TEREX BRAND

# *Parts Manual*

Serial Number Range

***GTH-4013SX***

4013SX from SN 19275 to 20781

***GTH-4017SX***

4017SX from SN 19300 to 20694

Part No. 645021

Rev H

October 2012

## Technical Publications

Genie has endeavored to deliver the highest degree of accuracy possible. However, continuous improvement of our products is a Genie policy. Therefore, product specifications are subject to change without notice.

Readers are encouraged to notify Genie of errors and send in suggestions for improvement. All communications will be carefully considered for future printings of this and all other manuals.

---

### Contact Us:



[www.genieindustries.com](http://www.genieindustries.com)  
e-mail: [awp.techpub@terex.com](mailto:awp.techpub@terex.com)

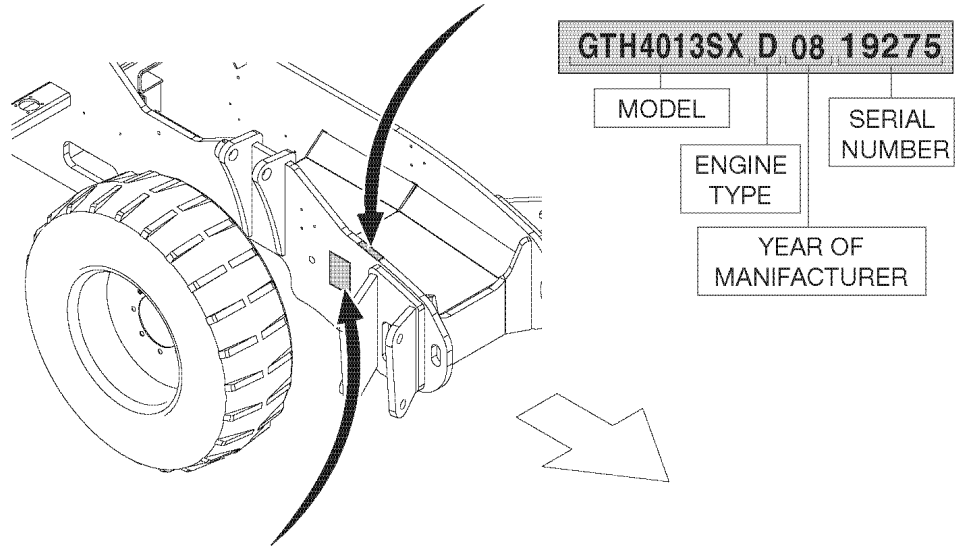
---

The technical data contained in this document is indicative and not binding, insofar as TEREXLIFT S.r.l reserves the right to make modifications and improvements to its products at any time in order to enhance the quality thereof.

57.0411.0011 Rev B May 2008  
First Edition, First Printing


**Chassis serial number**

(The chassis serial number is punched on the front right part of the chassis side member)



**Machine data plate**

(On machines destined for the Italian market, the machine data plate is installed in the driving cab, on the right, and is well-visible when the door is opened. On the machines destined for foreign markets, the data plate is applied on the front right side of the chassis)

<b>TEREXLIFT s.r.l.</b>	
ZONA INDUSTRIALE - 06019 UMBERTIDE (PG) - ITALY Tel. +39 075 941.811 Fax +39 075 941.53.82	
MODELLO - MODEL - MODELE - TYP - MODELO	<input type="text"/>
ANNO DI COSTRUZIONE - YEAR OF CONSTRUCTION - ANNEE DE CONSTRUCTION BAUJAHR - AÑO DE FABRICACIÓN	<input type="text"/>
MATRICOLA - SERIAL N. - N. DE SERIE - FZ-IDENT NR. - NO. DE SERIE	<input type="text"/>
PESO MAX ASSALE ANT. - MAX FRONT AXLE WEIGHT - POIDS MAX ESSIEU AVANT ZUL. ACHSLAST VÖ. N. ST VZO - PESO MAX EJE ANTERIOR	<input type="text"/> kg
PESO MAX ASSALE POST. - MAX REAR AXLE WEIGHT - POIDS MAX ESSIEU ARRIERE ZUL. ACHSLAST HI. N. ST VZO - PESO MAX EJE POSTERIOR	<input type="text"/> kg
PESO TOTALE - TOTAL WEIGHT - POIDS TOTAL - ZUL. GESAMTGEWICHT N. ST VZO PESO TOTAL	<input type="text"/> kg
MATRICOLA MOTORE TERMICO - ENGINE SERIAL N. - N. MOTEUR THERMIQUE FABRIK NR. DIESEL MOTOR - NO. DE SERIE MOTOR TERMICO	<input type="text"/>
POTENZA MOTORE TERMICO - ENGINE POWER - PUISSANCE MOTEUR MOTORLEISTUNG - POTENCIA MOTOR	<input type="text"/> kW
GARICO STATICO VERT. GANCIO DI TRAINO-MAX VERTICAL LOAD ON THE COUPLING HOOK-EFFORT VERTICAL MAXIMAL SUR LE CROCHET D'ATTelage MAXIMALE STUTZLASTBEANSPRUCHUNG DES ZUGHAKENS IN VERTIKALER RICHTUNG- ESFUERZO VERTICAL SOBRE EL GANCHO DE TRACCION	<input type="text"/> kg
MASSA MAX. RIMORCHIABILE - MAX DRAWBAR PULL AT THE COUPLING HOOK EFFORT THE TRACTION - MAXI AU CROCHET D'ATTelage-MAXIMALE ZUGBEANSPRUCHUNG AM ZUGHAKEN-MAXIMO ESFUERZO DE TRACCION EN EL GANCHO DE TRACCION	<input type="text"/> kg
OMOLOGAZIONE	<input type="text"/>
FABBRICATO IN ITALIA - MADE IN ITALY 	

## Table of Contents

This manual is updated frequently. If you have a printed manual, you can keep it up to date by downloading new figures from the Genie website at [www.genielift.com](http://www.genielift.com). For the most up-to-date parts information, visit the Parts Lookup System on the Genie website at [www.genielift.com](http://www.genielift.com).

How to Read Your Serial Number.....	3
Parts Stocking List.....	7
How to Order Parts.....	8
Service Parts Fax Order Form.....	9

**Electronic Version**

Click on any page number to view the figure.

**100 Decals**

101.1 605778 Decals, View 1.....	10
102.1 605779 Decals, View 2.....	12
103.1 605820 Decals, View 3.....	14

**200 Drive Chassis Components**

201.1 605868 Valve Block.....	16
202.1 605869 Rear Frame Unit GTH-4013SX.....	18
203.1 605780 Rear Frame Unit GTH-4017SX.....	20
204.1 605870 Left Frame.....	22
205.1 605781 Right Frame.....	24
206.1 605353 Stabilizer.....	26
207.1 605782 Hydraulic Tank.....	28
208.1 605355 Axle Levelling Cylinder.....	30
209.1 605356 Axle Locking Cylinder.....	32
210.1 605783 Driveline And Wheels.....	34
211.1 605871 Front Axle - Differential.....	36
212.1 605360 Front Axle - Steering Axle.....	38
213.1 605872 Steering Cylinder.....	40
214.1 605873 Support.....	42
215.1 605874 Rear Axle - Differential.....	44
216.1 605366 Rear Axle - Steering Axle.....	46
217.1 605367 Rear Axle - Brake.....	48
218.1 605370 Reduction Gear.....	50

**300 Engine Components**

301.1 605784 Diesel Engine And Accessories.....	52
302.1 605785 Diesel Engine - Engine Cooling System.....	54
303.1 605786 Diesel Engine - Exhaust System.....	56
304.1 605787 Diesel Engine - Accelerator.....	58

305.1 605788 Diesel Engine - Injection System.....	60
306.1 605789 Diesel Engine - Hydraulic Pumps.....	62

**400 Cab Components**

401.1 605385 Cab, View 1.....	64
402.1 605386 Cab, View 2.....	66
403.1 605387 Cab, View 3.....	68
404.1 605388 Cab, View 4.....	70
405.1 605875 Seat Assembly.....	72
406.1 605790 Dashboard.....	74
407.1 605390 Instruments And Lights Panel.....	76
408.1 605877 Main Valve.....	78
409.1 605791 Cab Heater.....	80
410.1 605792 Complet Cab Heater.....	82
411.1 605878 Overload Warning System.....	84
412.1 605879 Parking Brake.....	86

**500 Boom Components**

501.1 605400 Arm (1st Telescopic Element) GTH-4013SX.....	88
502.1 605793 Arm (1st - 2nd Telescopic Element) GTH-4017SX.....	90
503.1 605401 Arm (2nd - 3rd Telescopic Element) GTH-4013SX.....	92
504.1 605794 Arm (3rd - 4th Telescopic Element) GTH-4017SX.....	94
505.1 605795 Chain Unit 1st Boom Section GTH-4017SX..	96
506.1 605796 Chain Unit 2nd Boom Section GTH-4017SX.....	98
507.1 605797 Chain Unit 3rd Boom Section GTH-4017SX.	100
508.1 605798 Chain Unit 4th Boom Section GTH-4017SX.	102
509.1 606281 Stop Spacer Boom Section GTH-4017SX...	104
510.1 605402 Coupling Unit.....	106
511.1 605403 Forks.....	108
512.1 605799 Lifting Cylinder - Tilt Cylinder - Fork Levelling Cylinder.....	110
513.1 605405 Boom Extension Cylinder.....	112
514.1 605800 Boom Extension Cylinder GTH-4017SX.....	114

**600 Hydraulic System**

601.1 605801 Hydraulic System - Axle Levelling.....	116
602.1 605803 Hydraulic System - Stabilizer.....	118
603.1 605804 Hydraulic System - Lifting.....	120
604.1 605805 Hydraulic System - Fork Balancing GTH-4013SX.....	122
605.1 605806 Hydraulic System - Fork Balancing GTH-4017SX.....	124
606.1 606282 Hydraulic System - Attachement GTH-4017SX.....	126



607.1 605807 Hydraulic System - Boom Extension  
GTH-4013SX.....128

608.1 605808 Hydraulic System - Boom Extension  
GTH-4017SX.....130

609.1 605809 Hydraulic System - Power Steering.....132

610.1 605810 Hydraulic System - Oil Cooler.....134

611.1 605811 Suction System Hydraulic Pumps.....136

612.1 605812 Hydraulic System - Transmission.....138

613.1 605813 Hydraulic System - Service Brake.....140

614.1 606288 Hydraulic System - Optional Attachment  
GTH-4013SX.....142

**700 Electric Installation**

701.1 605880 Fuse Box.....144

702.1 605881 Electric Installation - Engine Line.....146

703.1 605882 Electric Installation - Rear Line.....148

704.1 605883 Electric Installation - Rear Line.....150

705.1 605884 Electric Installation - Dashboard Line.....152

706.1 605885 Electric Installation - Dashboard Line.....154

707.1 605886 Electric Installation - Side Cab Line.....156

708.1 605643 Electric Installation - Complet Rear Light....158

709.1 606283 Connectors.....160

710.1 606284 Connectors.....162

711.1 606285 Connectors.....164

712.1 606286 Connectors.....166

713.1 606287 Connectors.....168

**800 Optionals**

801.1 606501 Plate For Swiss Market.....170

802.1 606502 Hydraulic Jack.....172

803.1 606503 Rear View Mirror.....174

804.1 606504 Windscreen Grate.....176

805.1 606505 Boom Work Light (Part 1).....178

806.1 606506 Boom Work Light (Part 2).....180

807.1 606507 Cabin Work Light.....182

808.1 606508 Windscreen Wiper.....184

809.1 606509 Hydraulic Quick Coupling for Attachment....186

810.1 606510 Towing Hitch.....188

811.1 606511 Fem 3 Forks.....190

812.1 606512 Mixing Bucket Predisposition.....192

813.1 606513 T.U.V. Dotation.....194

814.1 606514 Boom Electric Line.....196

815.1 606515 Manplatform-Machine Interface Connectors.198

816.1 606516 Auxliary Hydraulic Line (Part 1).....200

817.1 606517 Auxliary Hydraulic Line (Part 2).....202

818.1 606518 Air Conditioning - Compressor Unit.....204

819.1 606519 Air Conditioning - Evaporator Unit.....206

820.1 606520 Air Conditioning - Electric Unit.....208

821.1 606521 Trasport Locking Devices.....210

822.1 606522 Hydraulic Parking Brake.....212

**Indices**

Part Number Index.....214

Part Description Index.....219

**Cross References**



## Required Parts

The following parts are required to perform maintenance procedures as outlined in the GTH-4013SX - GTH 4017SX Operator's and Service Manuals.

Description	Part No.
Fuel Filter .....	07.4501.0057
Engine Oil Filter .....	638243
Hydraulic Oil Filter Element .....	07.0700.0023
Primary Air Filter Element .....	07.4501.0084
Safety Air Filter Element .....	07.4501.0085
Oil filter (inside the tank) .....	09.4101.0000
Manual, PERKINS 1104D-44T .....	4915788

## Used Varnishes

Description	Type
Terex Grey .....	RAL 7012
Terex White .....	RAL 1013
Terex Matte Black for Cylinders .....	RAL 9005
Ausa Orange.....	RAL 2004
Mz Imer Orange.....	RAL 2010
Genie Blue .....	
Genie Grey.....	
Genie Matte Black for Cylinders.....	RAL 9005

## Manuals

Genie offers the following support documents for these models:

Title	Part No.
Genie GTH-4013SX - GTH 4017SX Operator's Manual, 1 <sup>st</sup> edition (English) .....	57.0009.0300
Operator's Manual, 1 <sup>st</sup> edition (Italiano) .....	57.0009.0400
Genie GTH-4013SX - GTH 4017SX Service Manual, 1 <sup>st</sup> edition (English) .....	57.4403.4200
Service Manual, 1 <sup>st</sup> edition (Italiano) .....	57.4403.4100

## Part list abbreviations

<b>ZN</b>	Zinc-plated
<b>RNFT</b>	Reinforced
<b>FLNG</b>	Flanged
<b>PSNT</b>	Heavy type
<b>OC</b>	Eye
<b>PSRT</b>	Through-coupling
<b>CNTF</b>	Hole centre

## How To Order Parts

Please be prepared with the following information when ordering replacement parts for your Terex or Genie product:

- Machine model number
- Machine serial number
- Part number
- Part description and quantity
- Purchase order number
- "Ship to" address
- Desired method of shipment
- Name and telephone number of the authorized distributor in your area

Use the Service Parts Fax Order Form on the next page and fax your order to our Parts Department.

If you don't know the name of your authorized distributor, or if your area is not currently serviced by an authorized distributor, please call Terex or Genie Industries.

### Machine Information

---

Model

---

Serial Number

---

Date of Purchase

---

Authorized Genie Distributor

---

Phone Number

#### North America

Telephone (425) 556-6551  
 Toll Free (877) 367-5606 in U.S.A. and Canada  
 Fax (425) 556-8659  
 Toll Free Fax (888) 274-6192

#### Europe

Parts Telephone (31) (165) 519 313  
 Parts Fax (31) (165) 511 148

#### Australia

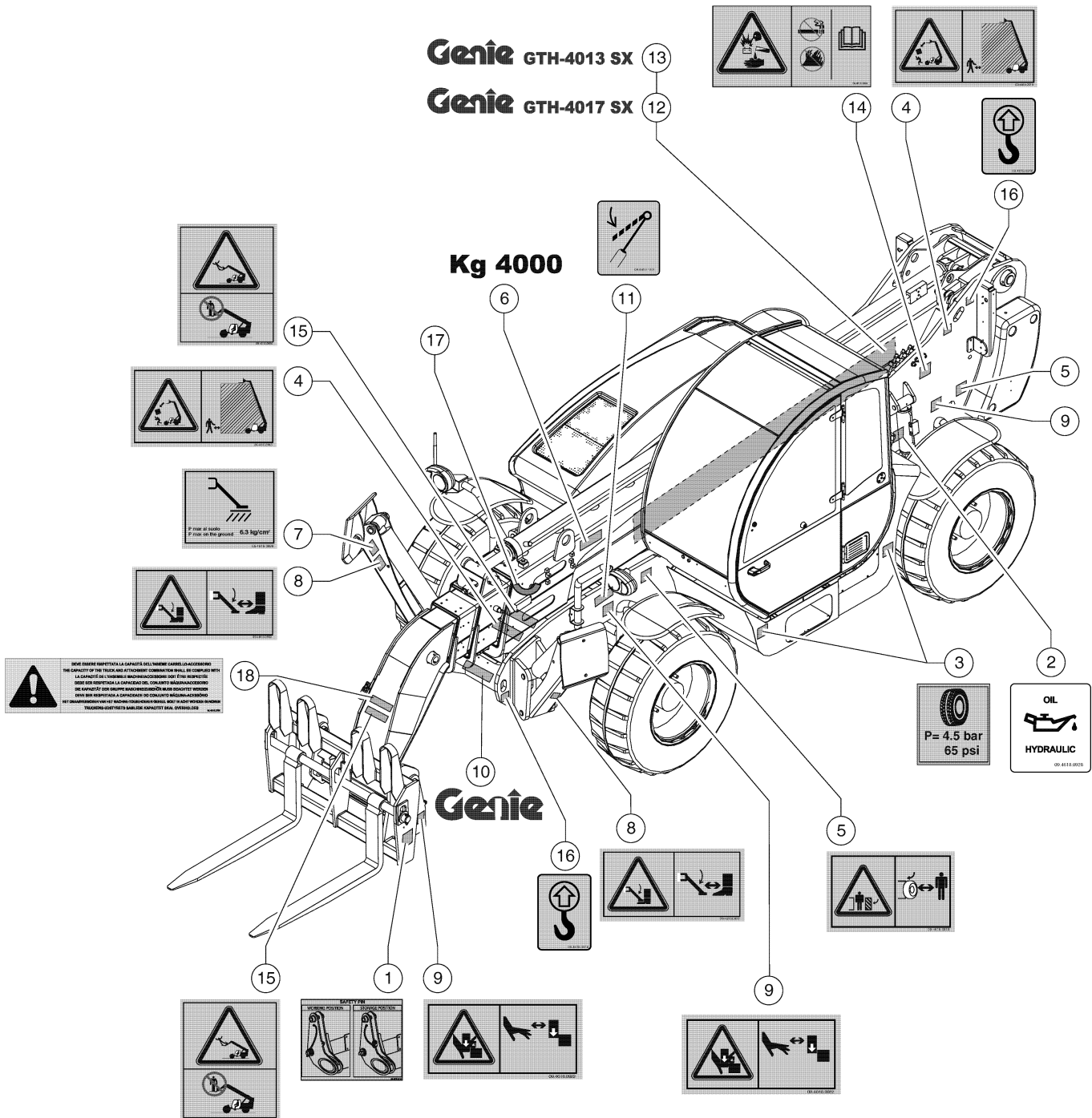
Parts Telephone (61) (7) 3456 4444  
 Parts Fax (61) (7) 3456 4466

#### South America

Parts Telephone (55) (11) 4082 5600  
 Parts Fax (55) (11) 4082 5630



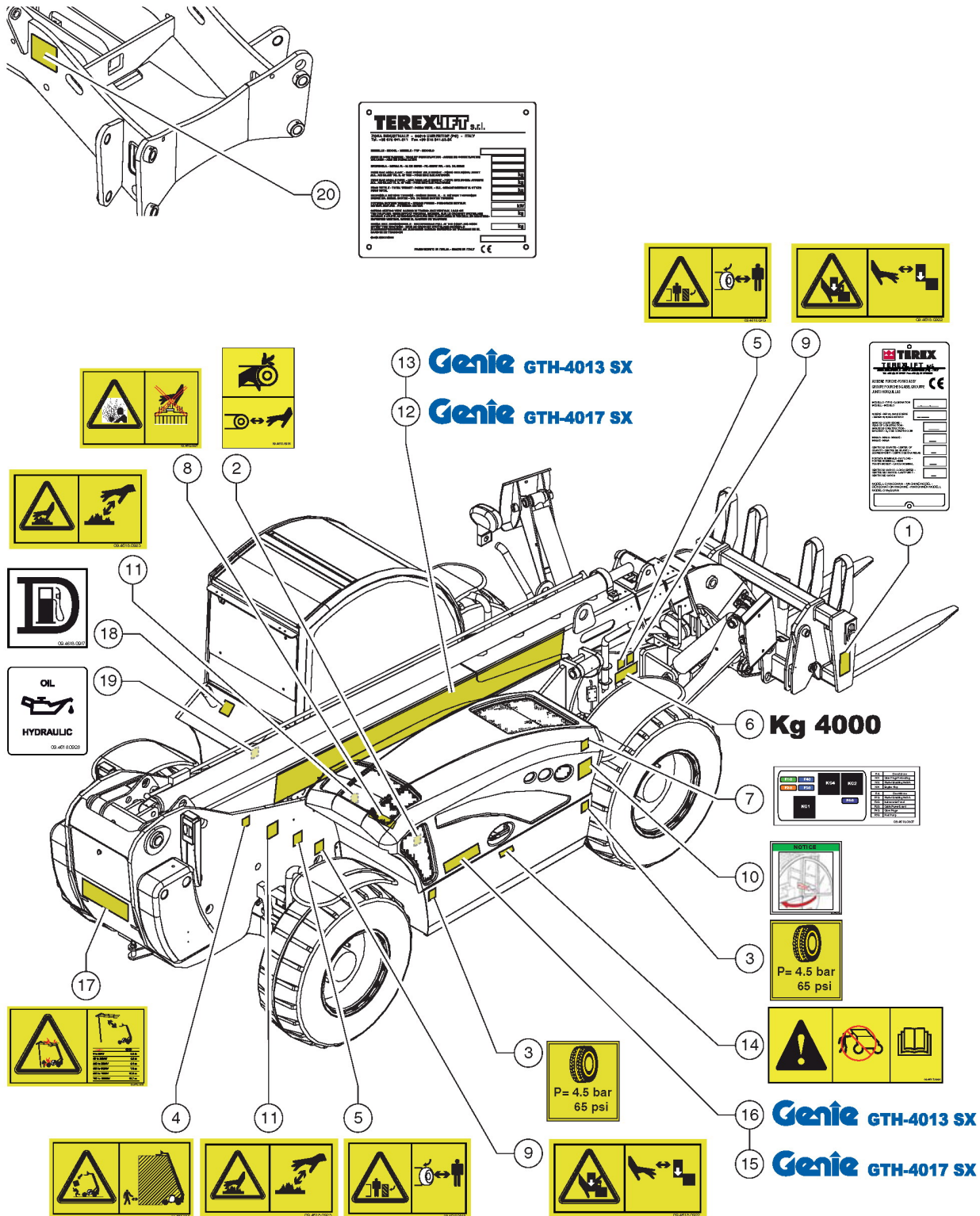
101.1 605778 Decals, View 1



Item	Part No.	Description	Qty.
1	09.4618.0791	DECAL,SAFETY PIN OPERATION.....	1
2	09.4618.0928	Hydraulic Oil.....	1
3	09.4618.0061	DECAL,TIRE PREASURE.....	2
4	09.4618.0918	Falling Object Hazard.....	2
5	09.4618.0919	Crush Hazard.....	2
6	09.4618.0040	Max Capacity.....	1
7	09.4618.0989	Max Ground Pressure Decal.....	2
8	09.4618.0933	Crush Hazard.....	4
9	09.4618.0922	Crush Hazard.....	2
10	09.4618.0241	LABEL,GENIE DECAL.....	1
11	09.4618.1001	Label - Maintenance Collar.....	1
12	09.4618.0821	Cosmetic - GTH-4017 SX.....	1
13	09.4618.0721	Cosmetic - GTH-4013 SX.....	1
14	09.4618.0924	Burn/Explosion Hazard.....	1
15	09.4618.0926	No Riders.....	1
16	09.4618.0916	Lift Point.....	2
17	09.0803.0357	BOOM LEVEL IND.....	1
18	09.4618.0784	DECAL..... <i>Italian, French, Spanish, German, Portuguese, Dutch, Finnish</i>	1
18	09.4618.1349	Truck And Attachment..... <i>Bulgarian, Czech, Estonian, Latvian, Lithuanian, Polish, Romanian</i>	1
18	09.4618.1350	Truck And Attachment..... <i>Swedish, Greek, Hungarian, Slovak, Slovenian, Icelandic, Turkish</i>	1



102.1 605779 Decals, View 2



Genie

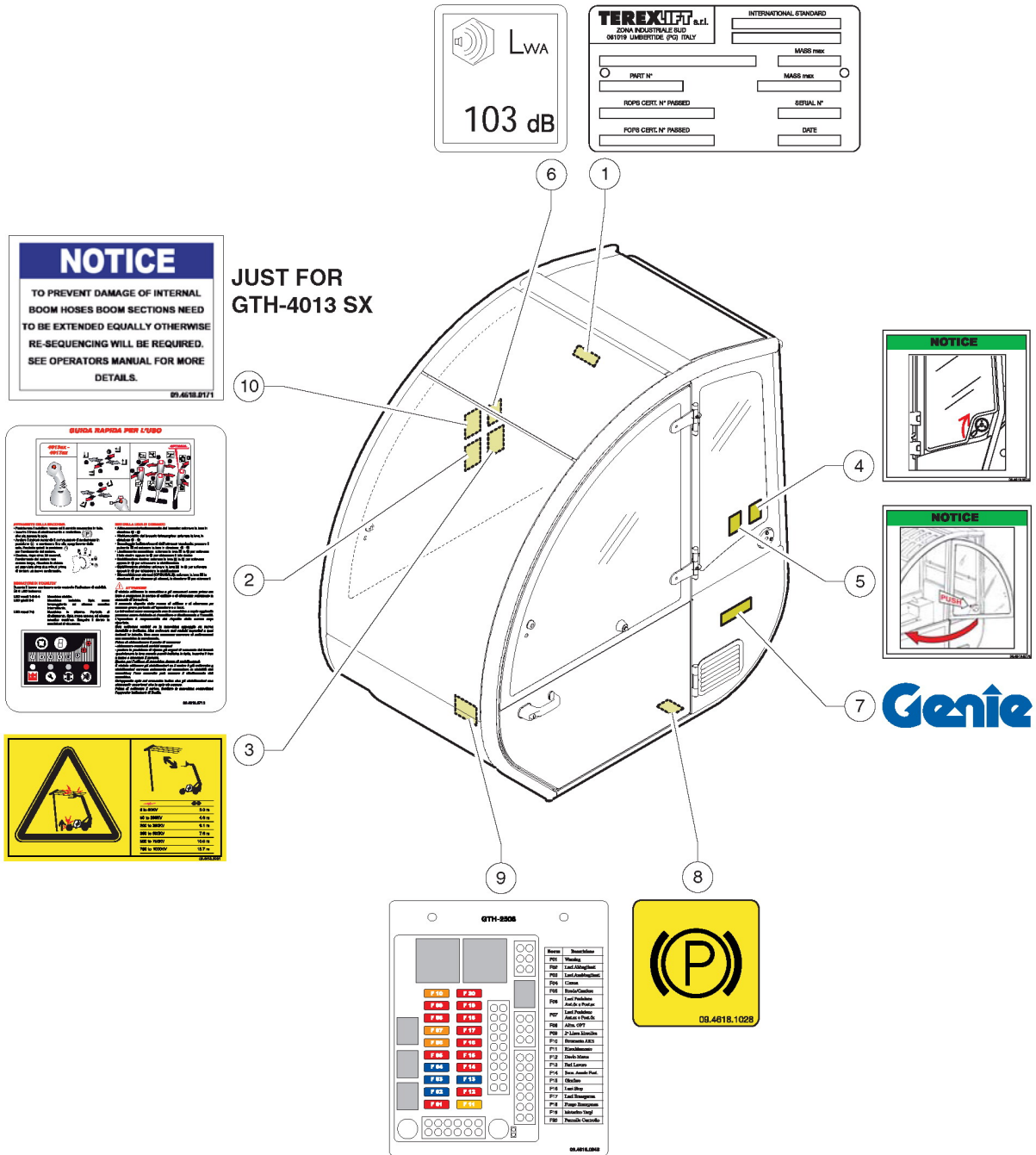
Genie  
 A TEREX BRAND



Item	Part No.	Description	Qty.
1	09.4616.0109	Forks CE Plate.....	1
2	09.4618.0986	Crush Hazard.....	1
3	09.4618.0061	DECAL,TIRE PREASURE.....	2
4	09.4618.0918	Falling Object Hazard.....	1
5	09.4618.0919	Crush Hazard.....	1
6	09.4616.0040	Max Payload Decal.....	1
7	09.4618.0807	Label - Engine Fuses & Realy Board.....	1
8	09.4618.0927	Crush Hazard.....	1
9	09.4618.0922	Crush Hazard.....	2
10	09.4618.0776	DECAL,UPPER DOOR INT UNLOCK SY.....	1
11	09.4618.0923	Crush Hazard.....	1
12	09.4618.0821	Cosmetic - GTH-4017 SX.....	1
13	09.4618.0721	Cosmetic - GTH-4013 SX.....	1
14	09.4618.0920	Compartment Access.....	1
15	09.4618.0822	Cosmetic - GTH-4017 SX.....	1
16	09.4618.0722	Cosmetic - GTH-4013 SX.....	1
17	09.4618.0921	Label - Use Limits Close To Electric Power Lines.....	1
18	09.4618.0917	Diesel Fuel Cap.....	1
19	09.4618.0928	Hydraulic Oil.....	1
20	09.4616.0112	Machine Data Plate.....	1



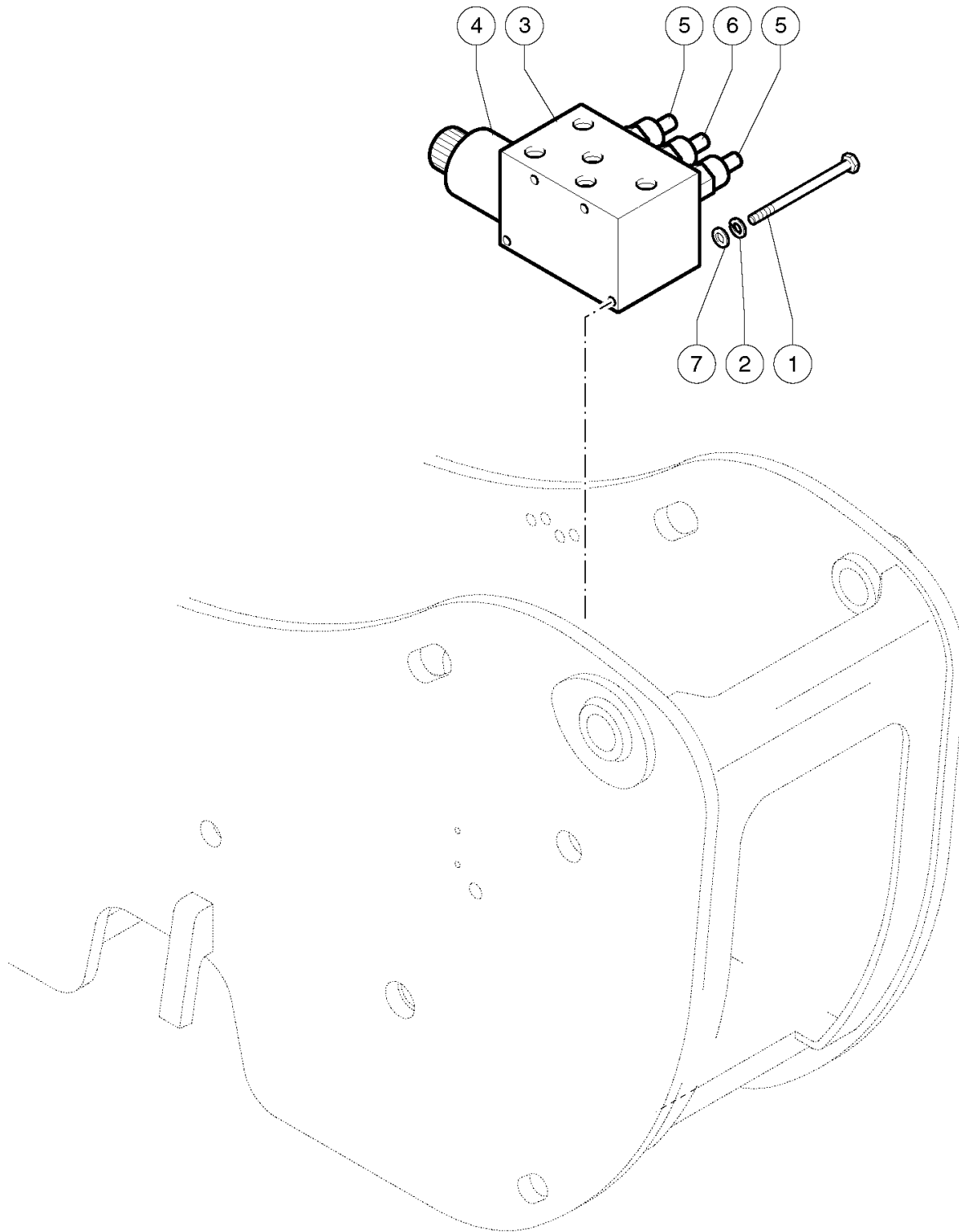
103.1 605820 Decals, View 3



Item	Part No.	Description	Qty.
1	09.4616.0100	ROPS-FOPS Cab Type-Approval Plate.....	1
2	09.4618.0713	Quick Guide Decal..... <i>lta</i>	1
3	09.4618.0921	Label - Use Limits Close To Electric Power Lines.....	1
4	09.4618.1025	DECAL,UPPR DOOR EXT UNLOCK SYS.....	1
5	09.4618.0776	DECAL,UPPER DOOR INT UNLOCK SY.....	1
6	09.4618.0041	Guaranteed Sound Power Level.....	1
7	09.4618.0242	Cosmetic – GENIE Logo in WHITE.....	1
8	09.4618.1028	Label - Parking Brake.....	1
9	09.4618.0807	Label - Cabin Fuses and Relays Board.....	1
10	09.4618.0171	Re-Sequencing The Telescopic Boom Extension.....	1

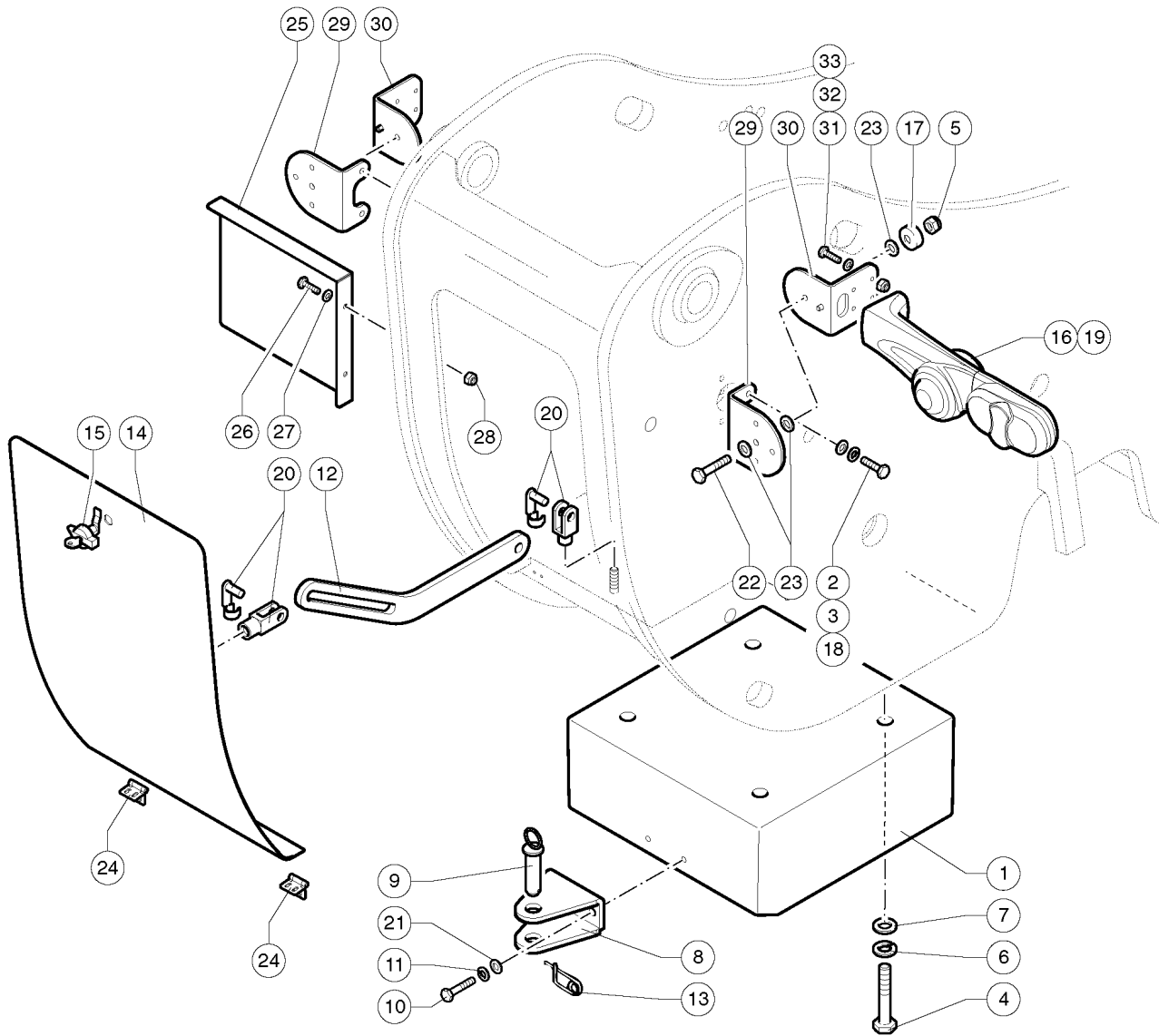


201.1 605868 Valve Block



Item	Part No.	Description	Qty.
1	01.4001.0034	SCREW.....	2
2	01.4032.0003	SPRING WASHER,D 8,ZN.....	2
3	04.4236.0049	Block ITM03 Acciao 12V.....	1
4	07.0704.0075	Solenoid.....	1
5	07.0704.0154	Valve.....	2
6	07.0704.0155	Valve.....	1
7	01.0031.0055	WASHER,D 8,UNI 6592 ZN.....	2

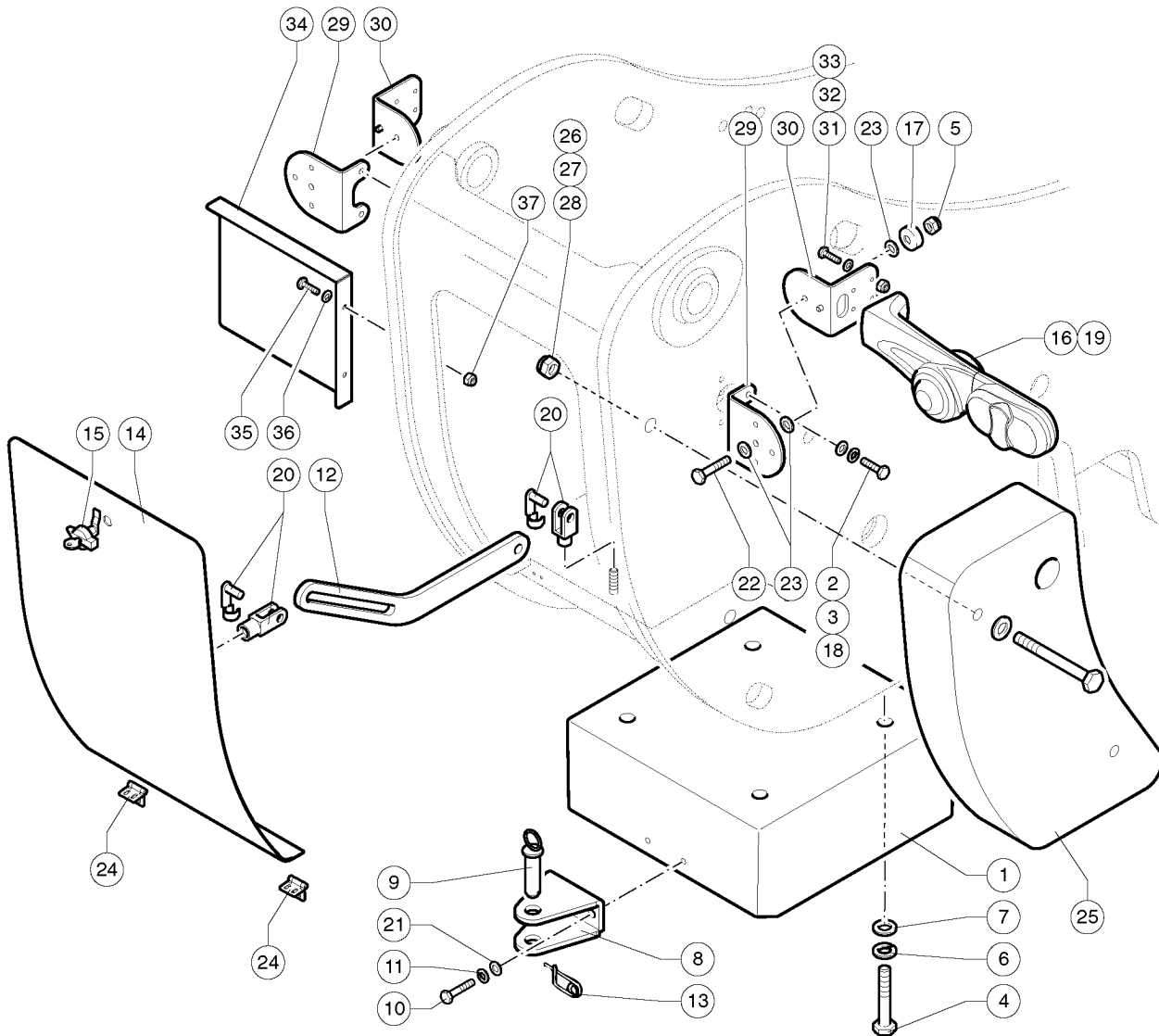
202.1 605869 Rear Frame Unit GTH-4013SX



202.1 605869 Rear Frame Unit GTH-4013SX

Item	Part No.	Description	Qty.
1	51.1000.4900	Counterweight.....	1
2	01.0001.0256	SCREW, 8.8 HCS 8MM-1.25X25Z...	4
3	01.4032.0003	SPRING WASHER,D 8,ZN.....	4
4	01.4001.0058	Screw TE M20x80 UNI 5737 8.8 ZN.....	4
5	01.0023.0055	NUT,SELFLOCK,M10,UNI7473,ZN..	2
6	01.4032.0009	SPRING WASHER.....	4
7	01.0031.0061	WASHER,MM FL WASH 20 Z.....	4
8	51.0800.2700	Hitch.....	1
9	54.0000.0027	Hitch Pin.....	1
10	01.0001.0703	SCREW,TE,M16X35.....	2
11	01.4032.0007	SPRING WASHER,D16,ZN,REINFORCD....	2
12	51.0809.5700	Limit Switch.....	1
13	09.0803.0026	SPRING SPLIT PIN,WIRE,D4.....	1
14	51.0902.5400	Rear Frame Lock.....	1
15	09.0803.0360	LATCH.....	1
16	56.0010.0041	Complete Right Rear Light.....	1
17	09.4670.0001	INSULATOR.....	2
18	01.0031.0055	WASHER,D 8,UNI 6592 ZN.....	4
19	56.0010.0042	Complete Left Rear Light.....	1
20	09.0803.0087	RH fork M10 M10 DX.....	2
21	01.0031.0059	WASHER,D16,UNI 6592,ZN.....	2
22	01.0001.0306	SCREW,8.8 HCS 10MM-1.5X60Z...	2
23	01.0031.0301	WASHER,CHMFRD,D10(10X30)ZN.4 10x30	4
24	09.0803.0395	Hinge.....	2
25	51.0811.4019	License Plate Support.....	1
26	01.4001.0080	Screw TE M6X90 UNI 5739 8.8 ZN.....	2
27	01.0001.0044	Chamfered washer D6 UNI 6592 ZN.....	2
28	01.0023.0053	NUT,NYLOCK M6-1.0 Z.....	2
29	51.0811.4042	Support.....	2
30	51.0811.4043	Support.....	2
31	01.0001.0015	Screw TE M10X20 UNI 5739 8.8....	8
32	01.0001.0044	Chamfered washer D6 UNI 6592 ZN.....	8
33	01.0023.0053	NUT,NYLOCK M6-1.0 Z.....	8

203.1 605780 Rear Frame Unit GTH-4017SX



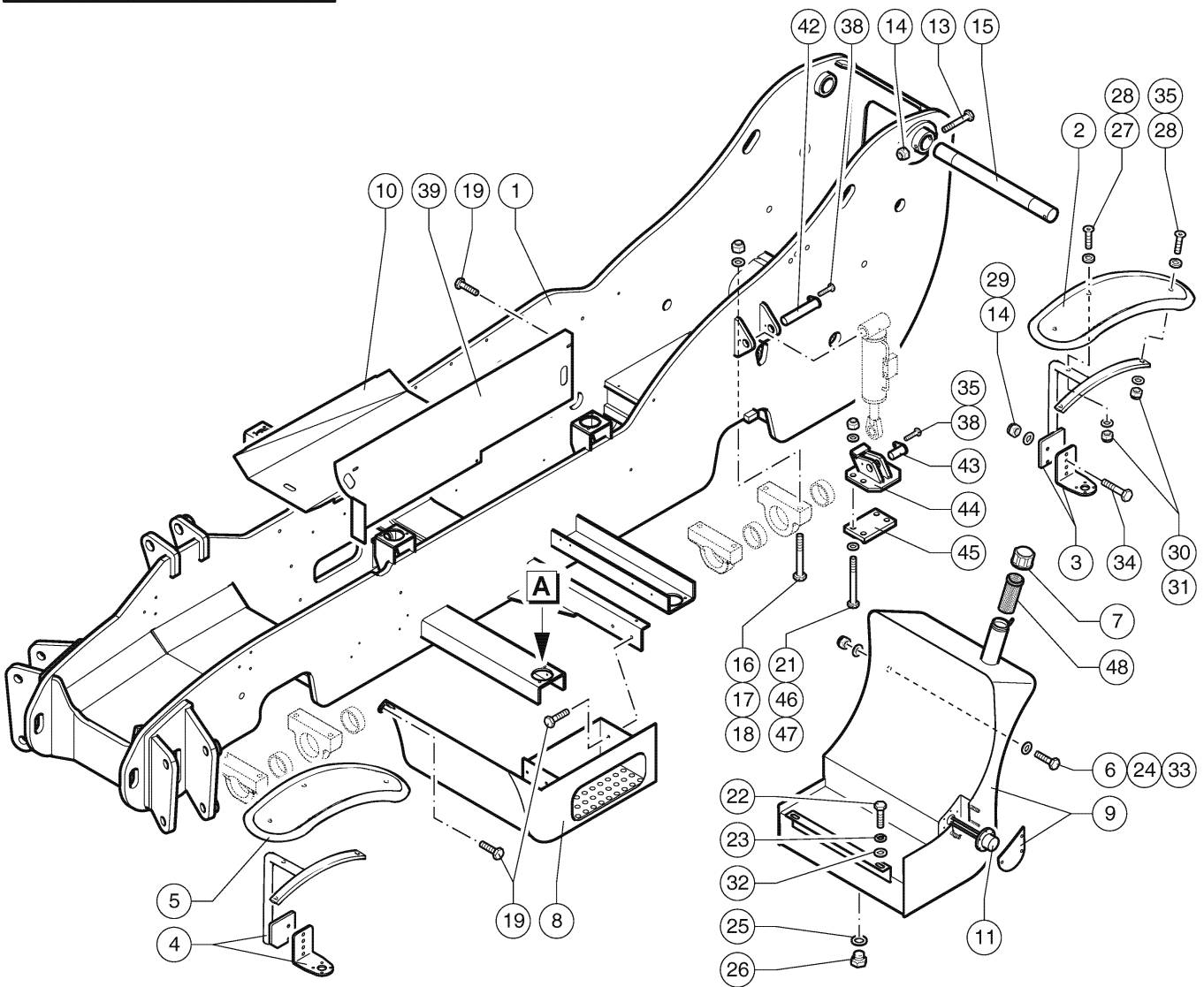
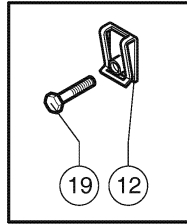
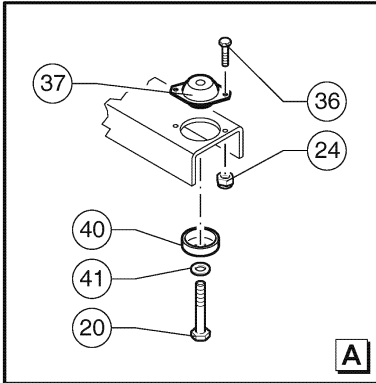


203.1 605780 Rear Frame Unit GTH-4017SX

Item	Part No.	Description	Qty.	Item	Part No.	Description	Qty.
1	51.1000.4900	Counterweight.....	1	36	01.0001.0044	Chamfered Washer D6 UNI 6592 ZN.....	2
2	01.0001.0256	SCREW, 8.8 HCS 8MM-1.25X25Z...	4	37	01.0023.0053	NUT,NYLOCK M6-1.0 Z.....	2
3	01.4032.0003	SPRING WASHER,D 8,ZN.....	4				
4	01.4001.0058	Screw TE M20x80 UNI 5737 8.8 ZN.....	4				
5	01.0023.0055	NUT,SELFLOCK,M10,UNI7473,ZN..	2				
6	01.4032.0009	SPRING WASHER.....	4				
7	01.0031.0061	WASHER,MM FL WASH 20 Z.....	4				
8	51.0800.2700	Hitch.....	1				
9	54.0000.0027	Hitch Pin.....	1				
10	01.0001.0703	SCREW,TE,M16X35.....	2				
11	01.4032.0007	SPRING WASHER,D16,ZN,REINFORCD....	2				
12	51.0809.5700	Limit Switch.....	1				
13	09.0803.0026	SPRING SPLIT PIN,WIRE,D4.....	1				
14	51.0902.5400	Rear Frame Lock.....	1				
15	09.0803.0360	LATCH.....	1				
16	56.0010.0041	Complete Right Rear Light.....	1				
17	09.4670.0001	INSULATOR.....	2				
18	01.0031.0055	WASHER,D 8,UNI 6592 ZN.....	4				
19	56.0010.0042	Complete Left Rear Light.....	1				
20	09.0803.0087	RH fork M10 M10 DX.....	2				
21	01.0031.0059	WASHER,D16,UNI 6592,ZN.....	2				
22	01.0001.0306	SCREW,8.8 HCS 10MM-1.5X60Z...	2				
23	01.0031.0301	WASHER,CHMFRD,D10(10X30)ZN.4 10x30	4				
24	09.0803.0395	Hinge.....	2				
25	51.1000.4700	Counterweight.....	1				
26	01.4023.0000	STOP NUT.....	6				
27	01.0031.0062	WASHER.....	6				
28	01.4001.0094	Screw TE M22X210 UNI 5737 8.8ZN.....	6				
29	51.0811.4042	Support.....	2				
30	51.0811.4043	Support.....	2				
31	01.0001.0015	Screw TE M10X20 UNI 5739 8.8....	8				
32	01.0001.0044	Chamfered Washer D6 UNI 6592 ZN.....	8				
33	01.0023.0053	NUT,NYLOCK M6-1.0 Z.....	8				
34	51.0811.4019	License Plate Support.....	1				
35	01.4001.0080	Screw TE M6X90 UNI 5739 8.8 ZN.....	2				



204.1 605870 Left Frame

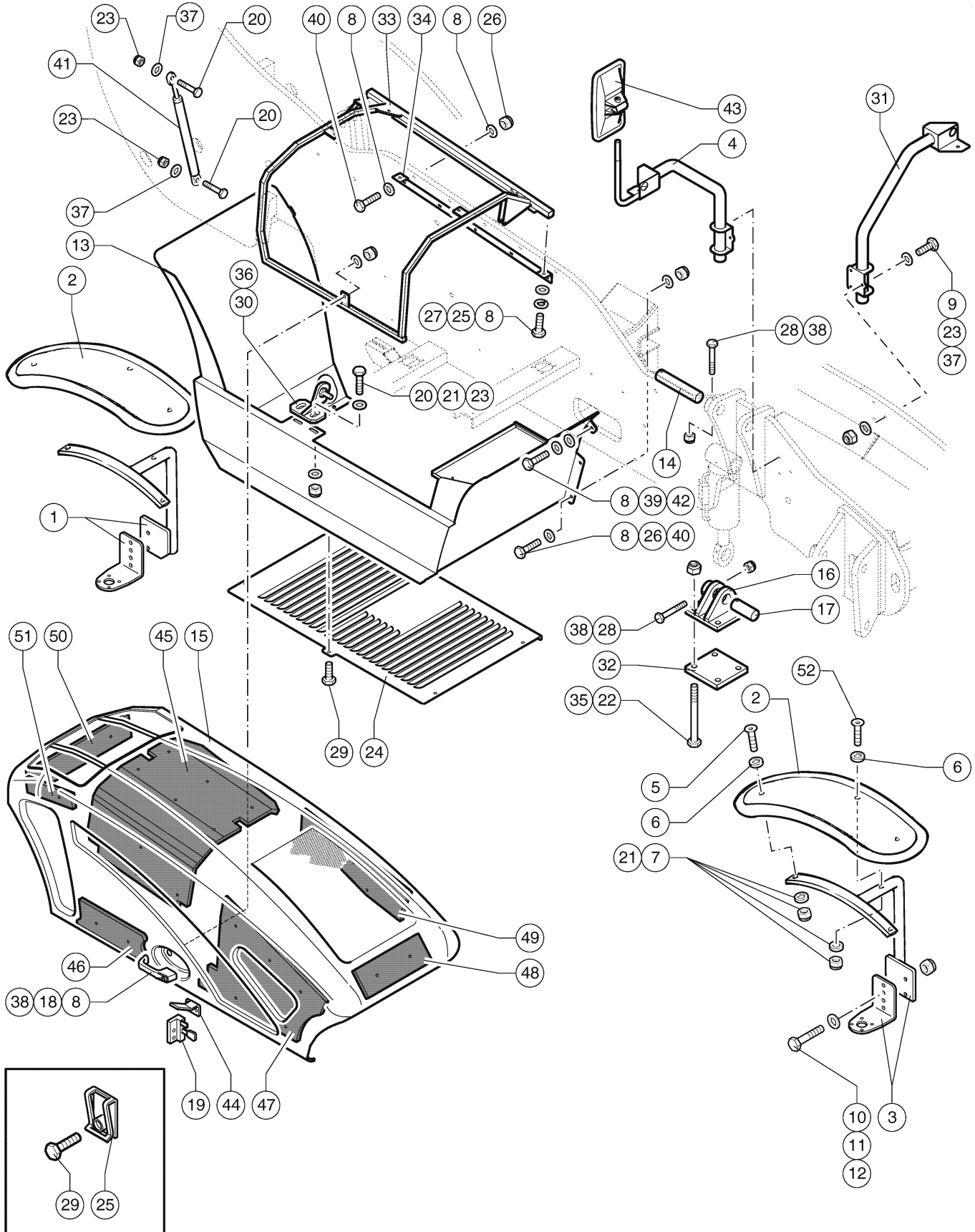


204.1 605870 Left Frame

Item	Part No.	Description	Qty.	Item	Part No.	Description	Qty.
1	51.0110.9000	Frame.....	1	37	09.4670.0006	INSULATOR.....	4
2	09.0803.0414	LH Rear mud-guard.....	1	38	01.0001.0254	SCREW, 8.8 HCS 8MM-1.25X20Z...1	1
3	51.0805.1600	LH Rear Support.....	1	39	51.0902.3200	Cab Lateral Casing.....	1
4	51.0809.3400	LH Front Support.....	1	40	54.0100.0020	Housing.....	1
5	09.0803.0414	LH Front Mud-Guard.....	1	41	01.0031.0059	WASHER,D16,UNI 6592,ZN.....	4
6	01.0001.0304	SCREW,8.8HCSM10-1.5X50Z FT...2	2	42	54.0002.0022	Rear Locking Cylinder Foot Pin.....1	1
7	09.4661.0014	TANK CAP.....	1	43	54.0002.0023	Rear Locking Cylinder Head Pin.....1	1
8	51.0808.9000	Ladder.....	1	44	51.0806.7400	Rear Axle Locking Bracket.....	1
9	51.0600.9200	Diesel Oil Tank.....	1	45	51.0800.0400	Axle Bracket Fixing Plate.....	1
10	51.0902.3100	Central Frame Casing.....	1	46	01.4001.0000	SCREW,8.8HCM20-2.5X240Z PT...4	4
11	56.0013.0001	Fuel Gauge.....	1	47	01.0031.0062	WASHER.....	8
12	09.0803.0352	SPRING CLIP.....	6	48	09.4661.0016	FILTER, FUEL TANK.....	1
13	01.0001.0564	Screw TE M14x130 UNI 5737 8.8 ZN.....	1				
14	01.0023.0057	STOP NUT.....	5				
15	54.0003.0033	Boom-Frame Joint Pin.....	1				
16	01.0023.0060	STOP NUT.....	8				
17	01.0031.0061	WASHER,MM FL WASH 20 Z.....	8				
18	01.4001.0001	SCREW.....	8				
19	01.4001.0078	SCREW,TE,M8X20.....	6				
20	01.0001.0657	SCREW.....	4				
21	01.4023.0000	STOP NUT.....	4				
22	01.0001.0017	Screw TE M10x30 UNI 5739 8.8 ZN WMAR 18.....	2				
23	01.0031.0301	WASHER,CHMFRD,D10(10X30)ZN.2 10x30					
24	01.0023.0055	NUT,SELFLOCK,M10,UNI7473,ZN..0					
25	06.0442.0103	WASHER,BRASS.....	1				
26	04.0220.0055	PLUG/STOPPER HEAD.....	1				
27	01.4006.0016	SCREW, 10.9 FHSC M6-1.0X60Z...6	6				
28	09.0803.0012	WASHER,COUNTERSUNK.....	6				
29	01.0031.0058	PLAIN WASHER.....	10				
30	01.0031.0055	WASHER,D 8,UNI 6592 ZN.....	6				
31	01.0023.0053	NUT,NYLOCK M6-1.0 Z.....	6				
32	01.4031.0003	Chamfered Washer D12x50 ZN UNI 6593.....	2				
33	01.0031.0056	WASHER,MM FL WASH 10 Z.....	4				
34	01.0001.1493	SCREW,M14X45,UNI 5739,8.8,ZN.....	4				
35	01.4006.0011	SCREW.....	5				
36	01.0001.0356	SCREW, 8.8 HCS 10MM-1.5X30Z...8	8				



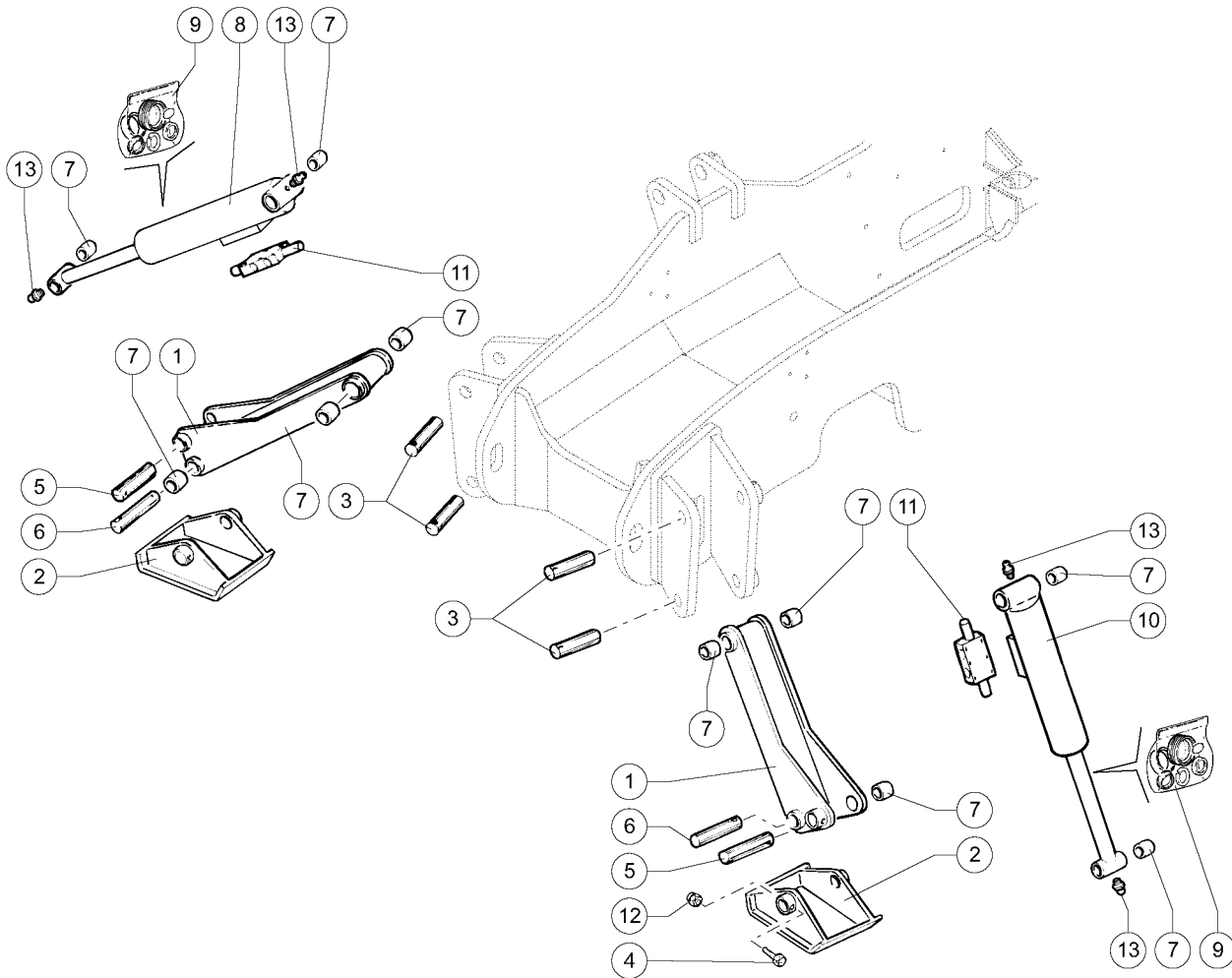
205.1 605781 Right Frame



205.1 605781 Right Frame

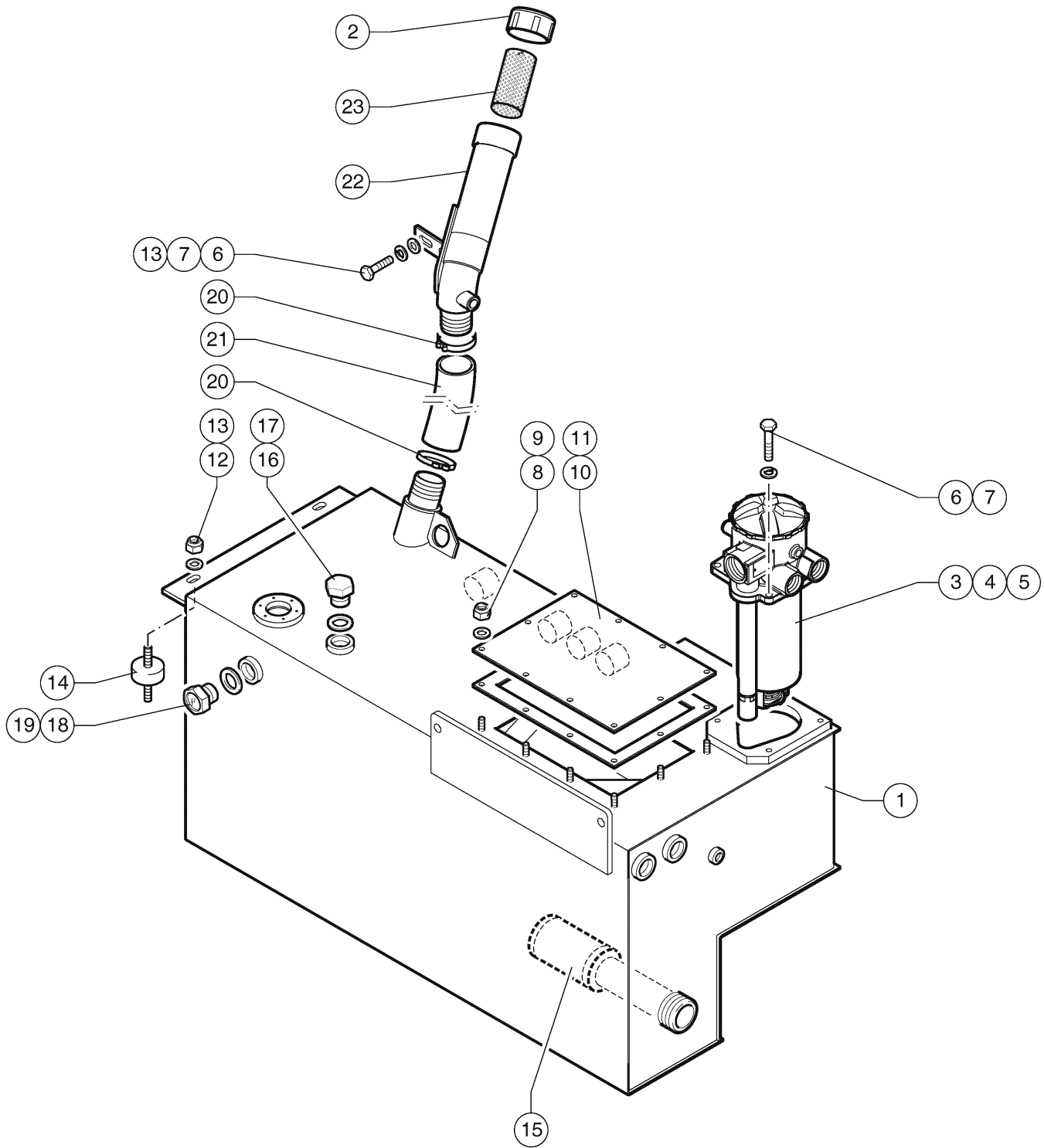
Item	Part No.	Description	Qty.	Item	Part No.	Description	Qty.
1	51.0805.1500	Rh Rear Support.....	1	37	01.0031.0299	WASHER,CHMFRD,D8,UNI 6593,ZN.....	10
2	09.0803.0414	Mud-Guard.....	2	38	01.0001.0039	Stop Nut.....	7
3	51.0809.3100	Rh Front Support.....	1	39	01.0001.0355	SCREW, 8.8 HCS 10MM-1.5X25Z...2	
4	51.0808.3000	Mirror Braket.....	1	40	01.0001.0306	SCREW,8.8 HCS 10MM-1.5X60Z...8	
5	01.4006.0011	SCREW.....	4	41	09.0803.0614	Cylinder.....	2
6	09.0803.0012	WASHER,COUNTERSUNK.....	6	42	01.4032.0004	SPRING WASHER,D10 ZN.....	2
7	01.0023.0053	NUT,NYLOCK M6-1.0 Z.....	6	43	09.4610.0002	DRIVING MIRROR-REAR VIEW....1	
8	01.0031.0301	WASHER,CHMFRD,D10(10X30)ZN.18 10x30		44	51.0810.5500	Stop Bracket.....	1
9	01.0001.0466	SCREW.....	6	45	09.0804.2400	Sound-Proof Panel.....	1
10	01.0001.1493	SCREW,M14X45,UNI 5739,8.8,ZN.....	4	46	09.0804.2500	Sound-Proof Panel.....	1
11	01.0031.0058	PLAIN WASHER.....	4	47	09.0804.2600	Sound-Proof Panel.....	1
12	01.0023.0057	STOP NUT.....	4	48	09.0804.2700	Sound-Proof Panel.....	1
13	51.0902.4400	Engine Housing.....	1	49	09.0804.2800	Sound-Proof Panel.....	1
14	54.0000.0157	Frame Levelling Cylinder Foot Pin....1		50	09.0804.2900	Sound-Proof Panel.....	1
15	52.1100.7700	Engine Cover.....	1	51	09.0804.3000	Sound-Proof Panel.....	1
16	51.0808.5100	Connection.....	1	52	01.4006.0019	Screw TSPEI M6X70.....	2
17	54.0000.0155	Frame Levelling Cylinder Head Pin.....	1				
18	07.0740.0050	Handle.....	1				
19	07.0740.0192	Lock.....	1				
20	01.0001.1465	SCREW,TE,M8X40,UNI 5739,8.8 ZN.....	6				
21	01.0031.0055	WASHER,D 8,UNI 6592 ZN.....	10				
22	01.4023.0000	STOP NUT.....	4				
23	01.0023.0054	NUT,M8,UNI 7473.....	12				
24	51.0902.4500	Grille.....	1				
25	09.0803.0352	SPRING CLIP.....	6				
26	01.0023.0055	NUT,SELFLOCK,M10,UNI7473,ZN..9					
27	01.0001.0257	SCREW,8.8 HCS 8MM-1.25X30Z...2					
28	01.0001.0078	Screw.....	2				
29	01.4001.0078	SCREW,TE,M8X20.....	6				
30	07.0740.0100	Stop Pin.....	1				
31	51.0808.3100	Support.....	1				
32	51.0800.0400	Plate.....	1				
33	51.0808.6900	Casing Support.....	1				
34	09.0803.0368	Hinge.....	1				
35	01.4001.0000	SCREW,8.8HCM20-2.5X240Z PT...4					
36	51.0810.5300	Bracket.....	1				

206.1 605353 Stabilizer



Item	Part No.	Description	Qty.
1	51.0500.1200	Stabilizer.....	2
2	51.0500.1300	Stabilizer Base.....	2
3	54.0000.0096	Stabilizer Cylinder And Frame Stabilizer Foot Pin.....	4
4	01.0001.0308	SCREW.....	2
5	54.0000.0097	Stabilizer Cylinder Head Pin.....	2
6	54.0000.0098	Stabilizer And Stabilizer Base Pin....	2
7	09.0801.0000	BUSHING/EAR-RING.....	16
8	53.0800.1400	Rh Stabilizer Cylinder.....	1
9	07.4529.0106	SEAL KIT.....	2
10	53.0800.1500	Lh Stabilizer Cylinder.....	1
11	04.4239.0007	HOLDING VALVE / SWAY CYLINDER.....	2
12	01.0023.0055	NUT,SELFLOCK,M10,UNI7473,ZN..	2
13	02.0117.0101	GREASE NIPPLE.....	4

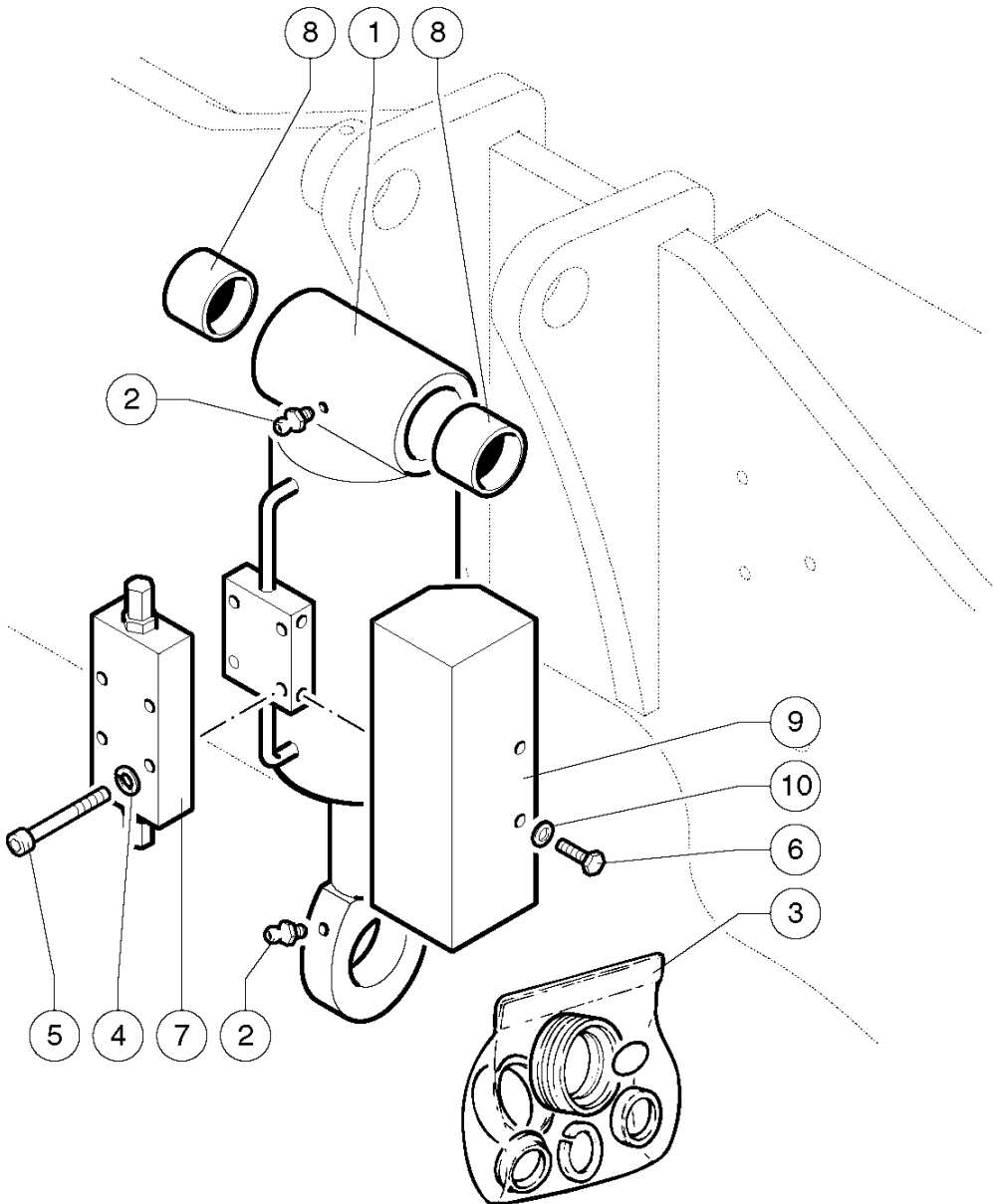
207.1 605782 Hydraulic Tank





Item	Part No.	Description	Qty.
1	51.0600.9000	Oil Tank.....	1
2	09.4661.0014	TANK CAP.....	1
3	07.0700.0006	COVER, OIL FILTER.....	1
4	09.4604.0047	HYD OIL FILTER 5519.....	1
5	07.0700.0023	OIL FILTER,CARTRIDGE.....	1
6	01.0001.0353	SCREW/BOLT / BOOM WEAR PAD.....	6
7	01.4032.0004	SPRING WASHER,D10 ZN.....	6
8	01.0023.0054	NUT,M8,UNI 7473.....	10
9	01.0031.0299	WASHER,CHMFRD,D8,UNI 6593,ZN.....	10
10	07.0726.0044	COVER.....	1
11	53.3301.0002	Oil Tank Trap Seal.....	1
12	01.0001.0039	Stop Nut M10 UNI 7473 6S ZN WMAR 40.....	4
13	01.0031.0301	WASHER,CHMFRD,D10(10X30)ZN.5 10x30	
14	09.0803.0232	INSULATOR.....	2
15	09.4604.0000	Oil Filter.....	1
16	06.0442.0105	WASHER,JC 27,SP.2,5.....	1
17	04.0220.0063	STOPPER HEAD.....	2
18	09.4661.0002	OIL LEVEL INDICATOR.....	1
19	06.0442.0111	WASHER.....	1
20	04.0227.0144	CLAMP.....	2
21	09.0805.0071	Sleeve.....	1
22	53.3001.4200	Oil Tank Manifold.....	1
23	09.4661.0016	FILTER, FUEL TANK.....	1

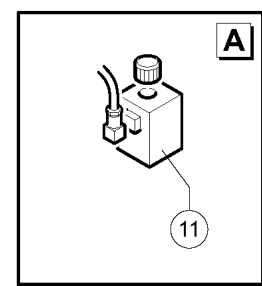
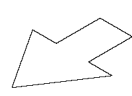
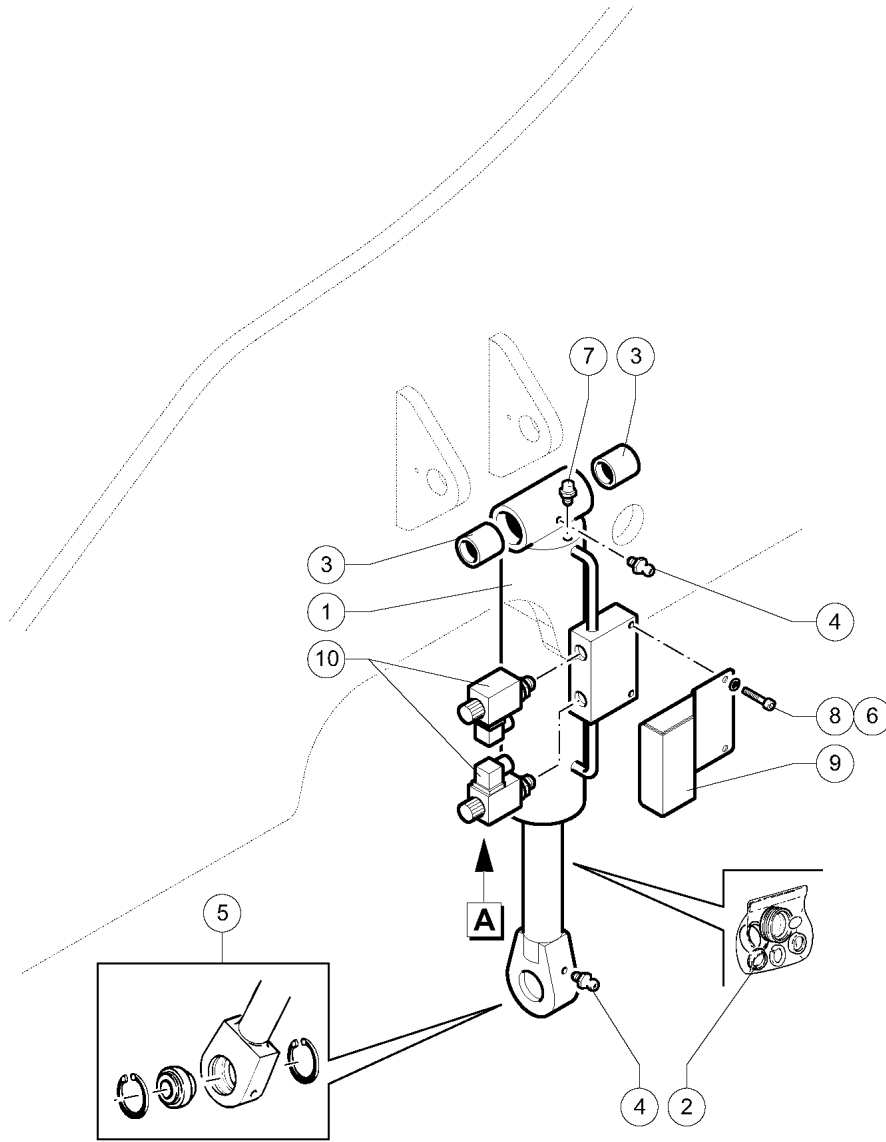
208.1 605355 Axle Levelling Cylinder



208.1 605355 Axle Levelling Cylinder

Item	Part No.	Description	Qty.
1	53.0600.1200	Sway Cylinder.....	1
2	02.0117.0101	GREASE NIPPLE.....	2
3	07.4529.0108	Sway Cylinder Seals Kit.....	1
4	01.4032.0003	SPRING WASHER,D 8,ZN.....	4
5	01.0003.0208	SCREW, 12.9SHCS M8-1.25X40Z.....	4
6	01.4001.0026	SCREW.....	2
7	04.4239.0007	HOLDING VALVE / SWAY CYLINDER.....	1
8	07.0721.0101	Bushing.....	2
9	51.0902.3800	Sway Cylinder Valve Guard.....	1
10	01.4032.0002	WASHER,MM L/W 6 ZP.....	2

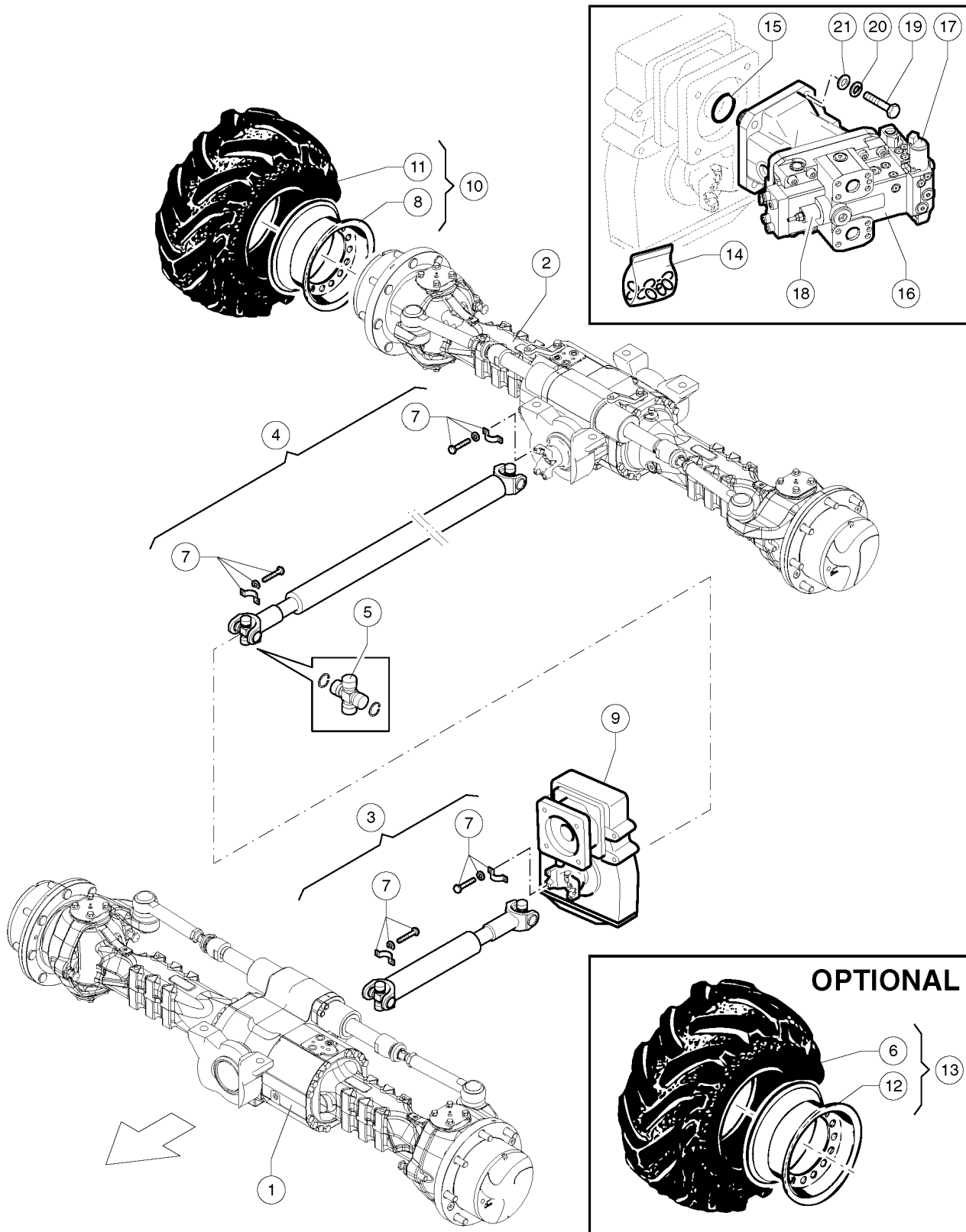
209.1 605356 Axle Locking Cylinder



209.1 605356 Axle Locking Cylinder

Item	Part No.	Description	Qty.
1	53.0700.0300	Rear Axle Locking Cylinder.....	1
2	07.4529.0093	GASKET KIT.....	1
3	628924	Bushing.....	2
4	02.0117.0101	GREASE NIPPLE.....	2
5	03.0000.0008	Ball Joint.....	1
6	01.4032.0002	WASHER,MM L/W 6 ZP.....	2
7	04.0600.0092	SCREW.....	1
8	01.4001.0026	SCREW.....	2
9	51.0901.6700	Axle Lock. Cylinder Solenoids Guard.....	1
10	04.4240.0024	Solenoid Valve.....	2
11	04.4240.0025	Solenoid.....	2

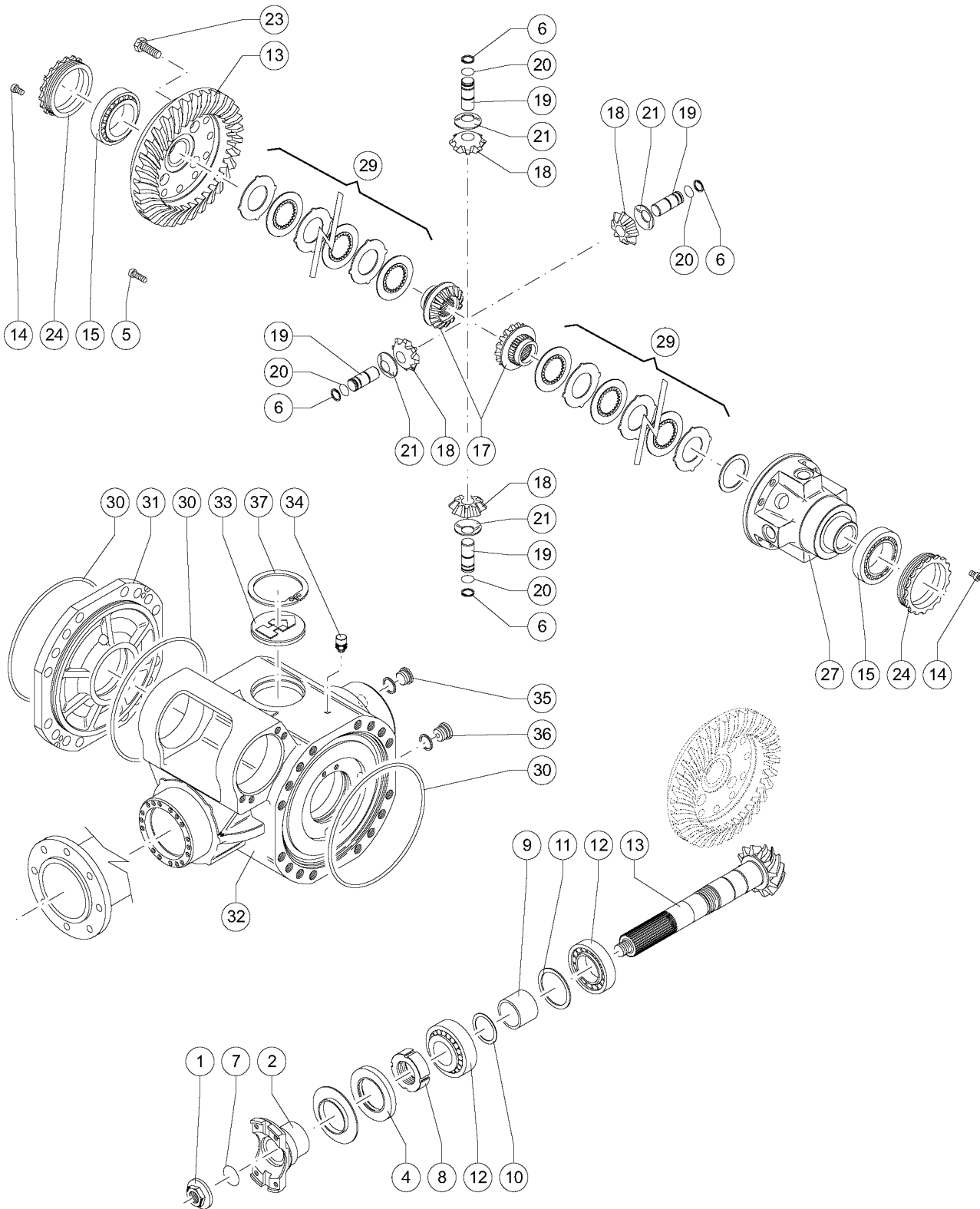
210.1 605783 Driveline And Wheels



210.1 605783 Driveline And Wheels

Item	Part No.	Description	Qty.
1	09.4632.0065	Front Steering Axle.....	1
2	09.4632.0062	Rear Steering Axle.....	1
3	09.4635.0037	Short Cardan Shaft.....	1
4	09.4635.0041	Long Cardan shaft.....	1
5	07.0738.0000	U JOINT.....	4
6	09.4627.0017	TIRE 405/70-24 14PR R1.....	4
7	09.4635.0014	CARDAN JOINT ASSY KIT.....	4
8	09.4629.0000	RIM.....	4
9	09.4633.0022	Reduction gear.....	1
10	55.0403.0043	Wheel 20".....	4
11	09.4627.0016	TIRE 405/70/20 OPTION.....	4
12	09.4629.0003	RIM.....	4
13	55.0403.0044	Wheel 24".....	4
14	07.0706.0058	Seals kit.....	1
15	07.0706.0601	O-ring.....	1
16	04.4235.0037	Hydraulic Motor.....	1
17	07.0706.0057	Solenoid.....	1
18	07.0706.0056	Flow Control Valve.....	2
19	01.4001.0072	Screw TE M14X170 UNI 5737 8.8ZN.....	4
20	01.0031.0058	PLAIN WASHER.....	4
21	01.4032.0006	WASHER,MM L/W 10 ZP.....	4

211.1 605871 Front Axle - Differential



28 : Position kit = 6 17 18 19 20 21 27 29



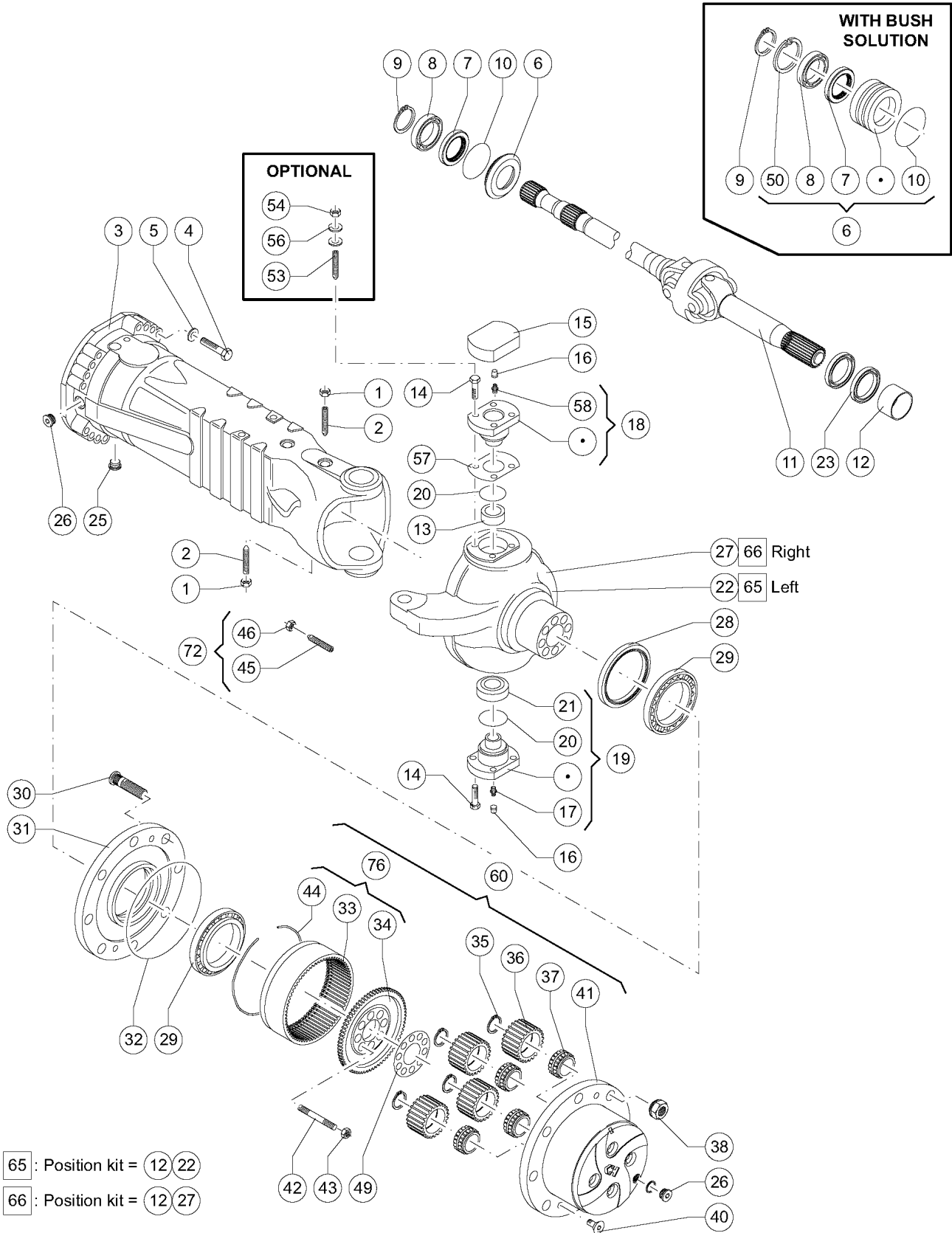
A TEREX BRAND



211.1 605871 Front Axle - Differential

Item	Part No.	Description	Qty.
1	639802	Nut.....	1
2	07.0709.0426	Flange.....	1
4	633098	SEAL,DIFFERENTIAL.....	1
5	639650	Screw.....	4
6	639651	Snap Ring.....	4
7	639652	O-RING.....	1
8	630693	Ring Nut.....	1
9	639653	Spacer.....	1
10	639300	SPACER.....	1
10	639301	SPACER.....	1
10	639302	SPACER.....	1
10	639303	SPACER.....	1
11	634499	SPACER.....	1
11	634501	SPACER.....	1
11	639297	SPACER.....	1
11	639298	SPACER.....	1
12	626544	Bearing.....	2
13	07.0709.0216	Bevel Gear.....	1
14	639657	Screw.....	2
15	633099	Bearing.....	2
17	641090	SATELITE.....	2
18	07.0709.0724	Differential Pinion Gear.....	4
19	07.0709.0722	Pin.....	4
20	639661	Snap Ring.....	4
21	639662	WASHER, FRICTION.....	4
23	07.0709.0057	FLANGE BOLT W/ NYLON PATCH.....	12
24	639664	Ring Nut.....	2
27	641089	DIFFERENTIAL CASE.....	1
28	07.0709.0374	Complete Front Differential.....	1
29	07.0709.0059	CLUTCH DISC.....	2
30	632383	SEAL / DIFFERENTIAL.....	3
31	639668	Cover.....	1
32	07.0709.0721	Box.....	1
33	07.0709.0084	PLUG.....	1
34	639670	PLUG, BREATHER.....	1
35	07.0709.0113	PLUG.....	1
36	07.0709.0371	Magnetic Plug.....	1
37	07.0709.0441	Safety Snap Ring.....	1

212.1 605360 Front Axle - Steering Axle

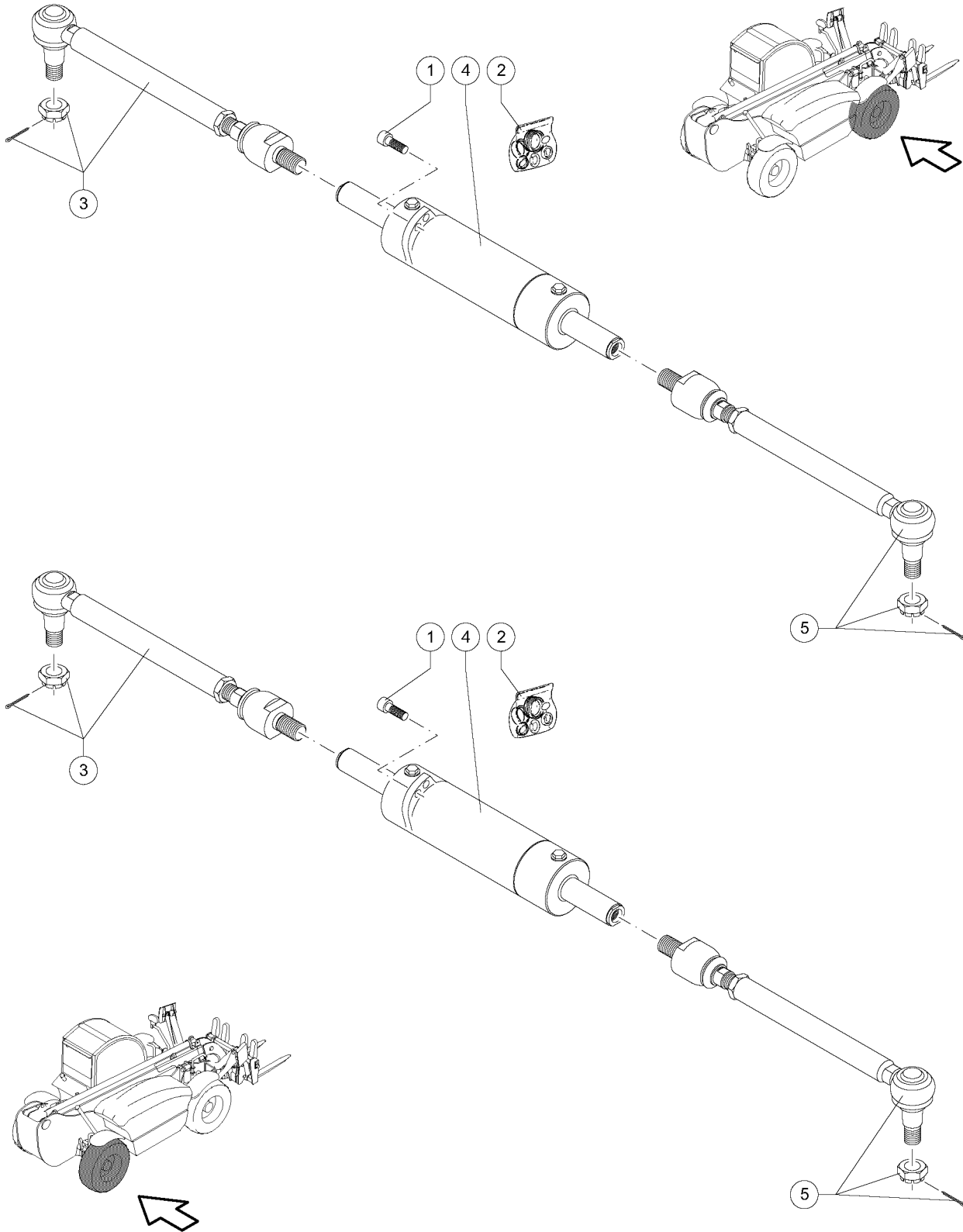


212.1 605360 Front Axle - Steering Axle

Item	Part No.	Description	Qty.	Item	Part No.	Description	Qty.
1	633174	Nut.....	2	43	637567	Nut.....	16
2	640718	Screw.....	2	44	639646	Snap Ring.....	2
3	07.0709.0135	Axle Case.....	2	45	07.0709.0104	SCREW.....	4
4	07.0709.0377	Screw.....	28	46	634546	NUT,DIN439 JAM M16-2.0 P.....	4
5	07.0709.0202	Washer.....	1	49	639647	PLATE,LOCKING.....	2
6	640720	BUSHIN.....	2	50	07.0709.0441	Snap Ring.....	2
7	630846	SEAL,PLANETARY.....	2	53	07.0709.0119	Stud.....	8
8	633202	BEARING.....	2	54	07.0709.0070	Nut.....	8
9	633203	SNAP RING/CIRCLIP.....	2	56	07.0709.0071	Washer.....	8
10	640216	SEAL.....	2	57	640728	THICKNESS.....	2
11	639624	Joint.....	2	57	640729	THICKNESS.....	1
12	639289	Bushing.....	2	57	640730	THICKNESS.....	1
13	639625	Bushing.....	2	58	07.0709.0072	GREASE NIPPLE.....	2
14	640909	Screw.....	12	60	07.0709.0726	Support.....	2
15	07.0709.0060	Cover.....	2	65	07.0709.0219	JOINT BOX.....	1
16	638548	CAP.....	4	66	07.0709.0121	Box.....	1
17	633176	GREASE NIPPLE.....	2	72	07.0709.0365	SCREW.....	4
18	07.0709.0061	PIN.....	2	76	07.0709.0727	Support.....	2
19	640908	PIN.....	2				
20	639630	Seal.....	2				
21	639631	JOINT,ARTICULATED.....	2				
22	07.0709.0101	HOUSING.....	1				
23	07.0709.0215	SEAL.....	2				
25	07.0709.0371	Plug.....	2				
26	07.0709.0113	PLUG.....	4				
27	07.0709.0102	HOUSING.....	1				
28	07.0709.0205	SEAL.....	2				
29	639637	Bearing.....	4				
30	07.0709.0117	WHEEL STUD.....	16				
31	07.0709.0064	HUB.....	2				
32	632383	SEAL / DIFFERENTIAL.....	2				
33	639639	RING GEAR.....	2				
34	639640	SUPPORT,RING GEAR.....	2				
35	639641	Snap Ring.....	8				
36	639642	PINION,DIFFERENTIAL.....	8				
37	639643	Bearing.....	8				
38	07.0709.0118	NUT.....	16				
40	07.0709.0065	Screw.....	4				
41	07.0709.0724	Support.....	2				
42	639645	Stud.....	16				

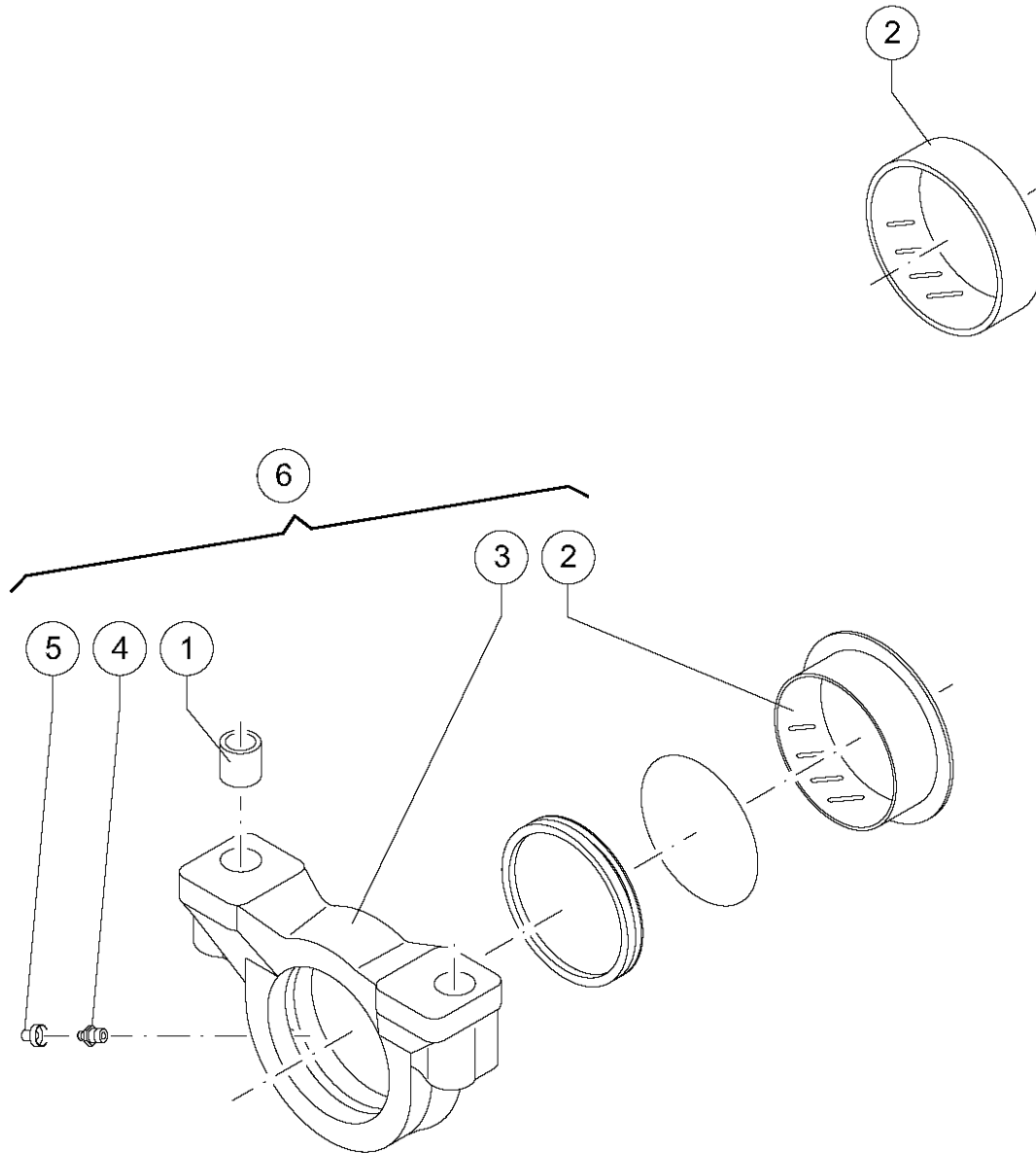


213.1 605872 Steering Cylinder



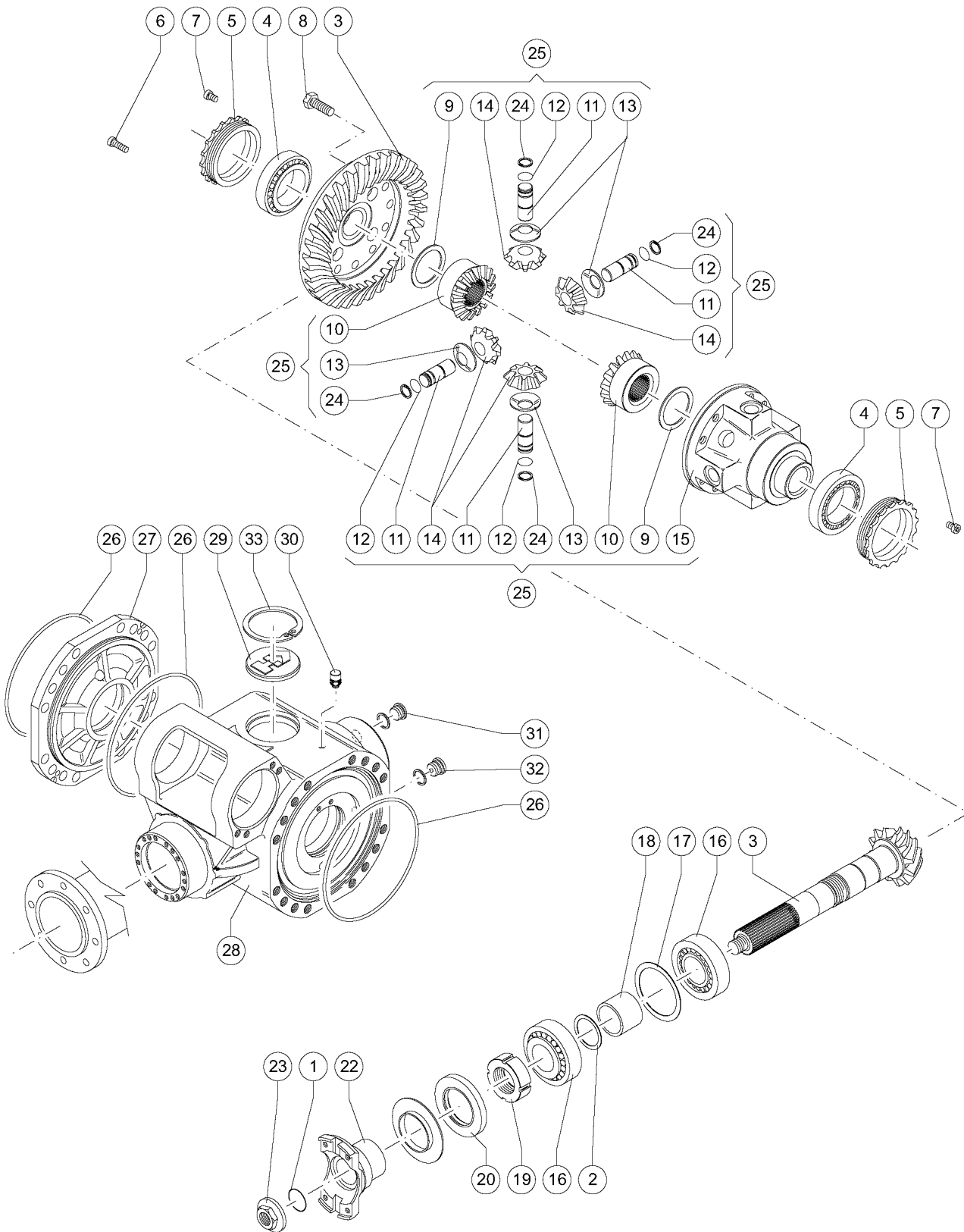
Item	Part No.	Description	Qty.
1	639671	Screw.....	8
2	640270	GASKET KIT.....	4
3	641109	SHAFT,TIE ROD.....	2
4	07.0709.0001	Cylinder.....	2
5	641108	SHAFT,TIE ROD.....	2

214.1 605873 Support



Item	Part No.	Description	Qty.
1	07.0709.0218	BUSHING.....	8
2	637850	Bushing.....	4
3	07.0709.0386	Support.....	4
4	633176	GREASE NIPPLE.....	4
5	638548	CAP.....	4
6	09.4632.0002	Support.....	4

215.1 605874 Rear Axle - Differential



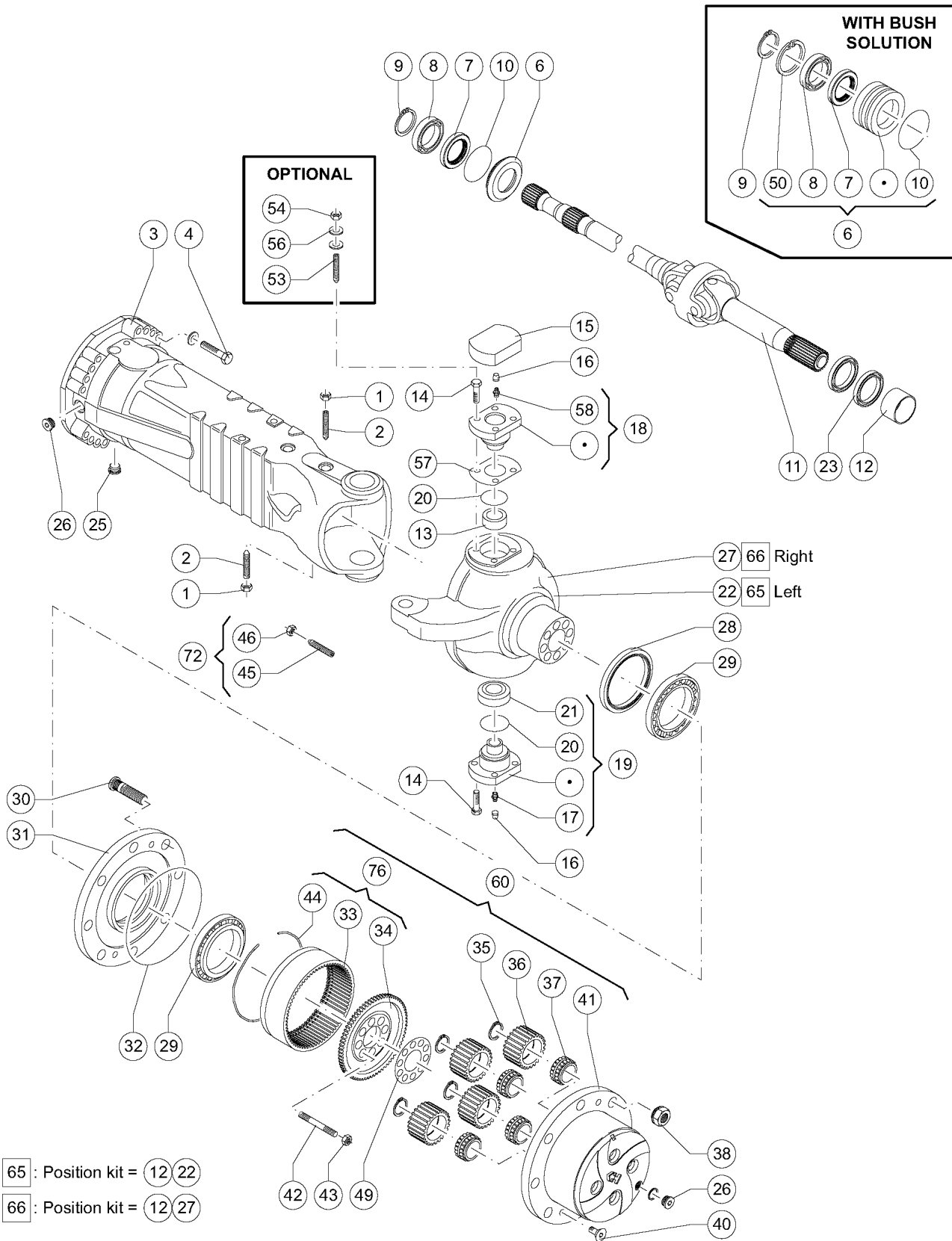


215.1 605874 Rear Axle - Differential

Item	Part No.	Description	Qty.
1	639652	O-RING.....	1
2	639300	SPACER.....	1
2	639301	SPACER.....	1
2	639302	SPACER.....	1
2	639303	SPACER.....	1
3	07.0709.0372	Bevel Gear.....	1
4	633099	Bearing.....	2
5	639664	Ring nut.....	2
6	639650	Screw.....	4
7	639657	Screw.....	2
8	07.0709.0057	FLANGE BOLT W/ NYLON PATCH.....	12
9	639684	Washer.....	2
10	639685	GEAR,DIFFERENTIAL SIDE.....	2
11	07.0709.0722	Pin.....	4
12	639661	Snap Ring.....	4
13	639662	WASHER,FRICTION.....	4
14	07.0709.0723	Differential Pinion.....	4
15	639686	CASE,DIFFERENTIAL.....	1
16	626544	Bearing.....	2
17	634499	SPACER.....	1
17	634501	SPACER.....	1
17	639297	SPACER.....	1
17	639298	SPACER.....	1
18	639653	Spacer.....	1
19	630693	Ring Nut.....	1
20	633098	SEAL,DIFFERENTIAL.....	1
22	07.0709.0426	Flange.....	1
23	639802	Nut.....	1
24	639651	Snap Ring.....	4
25	640717	COMPL. REAR DIFFERENTIAL GEAR.....	1
26	632383	SEAL / DIFFERENTIAL.....	3
27	639668	Cover.....	1
28	07.0709.0721	Box.....	1
29	07.0709.0084	PLUG.....	1
30	639670	PLUG,BREATHER.....	1
31	07.0709.0113	PLUG.....	1
32	07.0709.0371	Plug.....	1
33	07.0709.0441	Snap Ring.....	1



216.1 605366 Rear Axle - Steering Axle

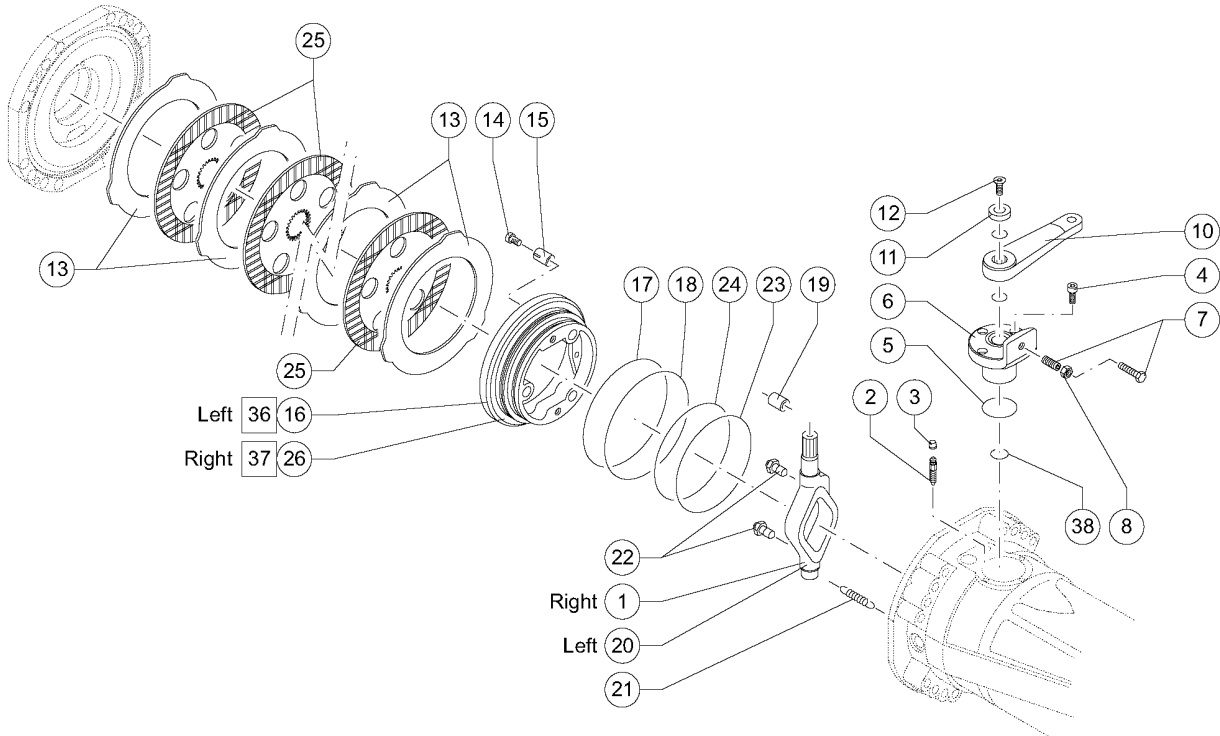


216.1 605366 Rear Axle - Steering Axle

Item	Part No.	Description	Qty.	Item	Part No.	Description	Qty.
1	633174	Nut.....	2	44	639646	Snap Ring.....	2
2	640718	Screw.....	2	45	07.0709.0104	SCREW.....	4
3	640719	Arm.....	2	46	634546	NUT,DIN439 JAM M16-2.0 P.....	4
4	07.0709.0377	Screw.....	32	49	639647	PLATE,LOCKING.....	2
6	640720	BUSHIN.....	2	50	07.0709.0441	Snap Ring.....	2
7	630846	SEAL,PLANETARY.....	2	53	07.0709.0119	Stud.....	8
8	633202	BEARING.....	2	54	07.0709.0070	Nut.....	8
9	633203	SNAP RING/CIRCLIP.....	2	56	07.0709.0071	Washer.....	8
10	640216	SEAL.....	2	57	640728	THICKNESS.....	1
11	639624	Joint.....	2	57	640729	THICKNESS.....	1
12	639289	Bushing.....	2	57	640730	THICKNESS.....	1
13	07.0709.0124	BUSHING.....	2	58	07.0709.0072	GREASE NIPPLE.....	2
14	640909	Screw.....	16	60	07.0709.0726	Support.....	2
15	07.0709.0060	Cover.....	2	65	07.0709.0219	JOINT BOX.....	1
16	638548	CAP.....	4	66	07.0709.0220	JOINT BOX.....	1
17	633176	GREASE NIPPLE.....	2	72	07.0709.0365	SCREW.....	4
18	07.0709.0061	PIN.....	2	76	07.0709.0727	Support.....	2
19	640908	PIN.....	2				
20	639630	Seal.....	2				
21	639631	JOINT,ARTICULATED.....	2				
22	07.0709.0101	HOUSING.....	1				
23	07.0709.0215	SEAL.....	2				
25	07.0709.0371	Plug.....	2				
26	07.0709.0113	PLUG.....	4				
27	07.0709.0102	HOUSING.....	1				
28	07.0709.0205	SEAL.....	2				
29	639637	Bearing.....	4				
30	07.0709.0117	WHEEL STUD.....	16				
31	07.0709.0064	HUB.....	2				
32	632383	SEAL / DIFFERENTIAL.....	2				
33	639639	RING GEAR.....	2				
34	639640	SUPPORT,RING GEAR.....	2				
35	639641	Snap Ring.....	8				
36	639642	PINION,DIFFERENTIAL.....	8				
37	639643	Bearing.....	8				
38	07.0709.0118	NUT.....	16				
40	07.0709.0065	Screw.....	4				
41	07.0709.0724	Support.....	2				
42	639645	Stud.....	16				
43	637567	Nut.....	16				



217.1 605367 Rear Axle - Brake

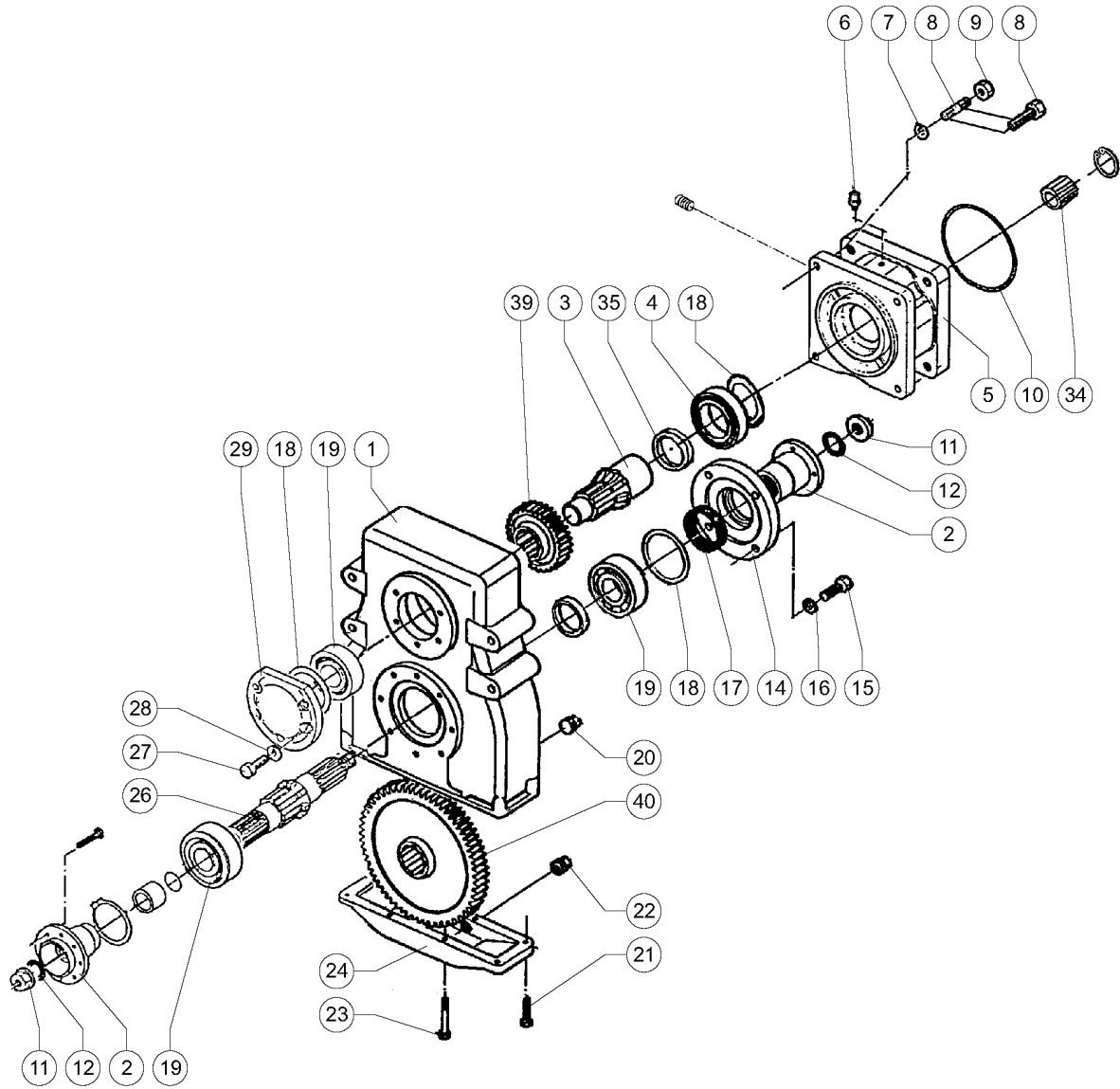


36 : Position kit = 15 16 17 18 22 23 24

37 : Position kit = 15 17 18 22 23 24 26

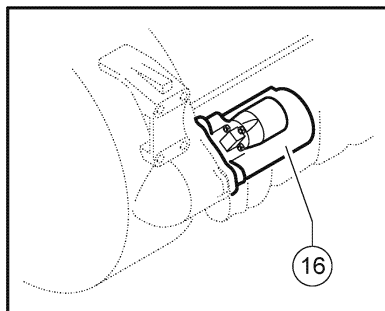
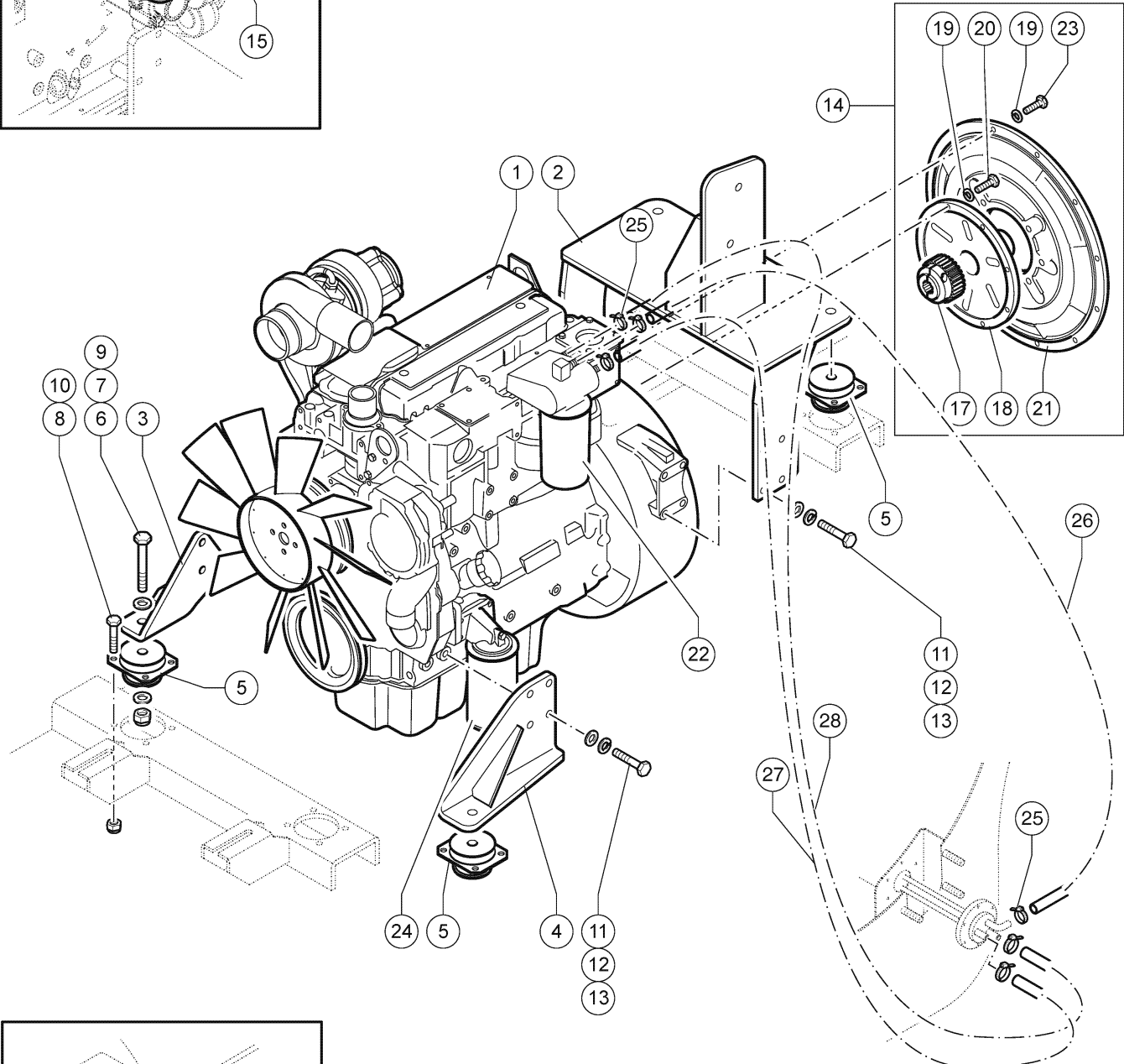
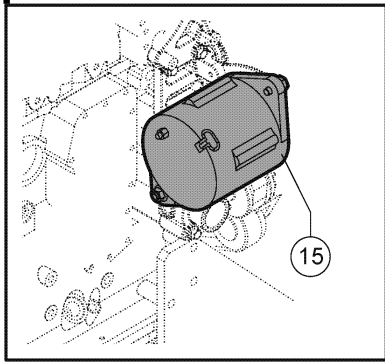
Item	Part No.	Description	Qty.
1	639689	LEVER.....	1
2	630328	BLEEDER VALVE, LONG.....	2
3	638548	CAP.....	2
4	901777	Screw.....	6
5	637574	Seal.....	2
6	07.0709.0122	BUSHIN 4 HURTH.....	2
7	639691	GRUBSCREW.....	2
8	636440	Nut.....	2
10	639692	Lever.....	2
11	633517	Spacer.....	2
12	07.0709.0430	Screw.....	2
13	639683	BRAKE DISC, INTERMEDIATE.....	10
14	639693	Screw.....	6
15	07.0709.0106	Spring.....	3
16	640731	Piston.....	1
17	639679	Back-up Ring.....	1
18	639695	O-Ring.....	1
19	633069	Dowel.....	2
20	639696	Lever.....	1
21	639676	Spring.....	6
22	637621	Threaded Element.....	2
23	639681	Back-up Ring.....	1
24	639682	Seal.....	1
25	639674	Brake Disc.....	8
26	640732	Piston.....	1
36	07.0709.0081	Piston.....	1
37	07.0709.0082	Piston.....	1
38	07.0709.0123	SEAL HURTH.....	2

218.1 605370 Reduction Gear



Item	Part No.	Description	Qty.
1	07.0709.0733	Box.....	1
2	07.0709.0734	Flange.....	2
3	637500	Output Shaft.....	1
4	637489	Bearing.....	1
5	07.0709.0735	Cover.....	1
6	631293	PLUG,VENT.....	1
7	633156	WASHER.....	4
8	07.0709.0736	Stud.....	4
9	07.0709.0179	Nut.....	4
10	07.0709.0737	O-ring.....	1
11	639802	Nut.....	2
12	633161	RING/SEAL.....	2
14	639317	Cover.....	2
15	635234	Screw.....	8
16	07.0709.0188	SPRING WASHER.....	8
17	07.0709.0131	Sealing Ring.....	2
18	629733	SHIM,THICKNESS.....	1
18	639328	SHIM.....	1
18	639329	SHIM.....	1
19	07.0709.0443	Bearing.....	1
20	633208	PLUG.....	2
21	07.0709.0738	Screw.....	4
22	628275	PLUG,MAGNETIC.....	1
23	07.0709.0739	Screw.....	4
24	07.0709.0740	Cover.....	1
26	07.0709.0741	Input Shaft.....	1
27	633138	Screw.....	5
28	07.0709.0182	Spring Washer.....	5
29	07.0709.0742	Cover.....	1
34	07.0709.0743	Bushing.....	1
35	07.0709.0744	Spacer.....	1
39	07.0709.0745	Gear.....	1
40	07.0709.0746	Gear.....	1

301.1 605784 Diesel Engine And Accessories

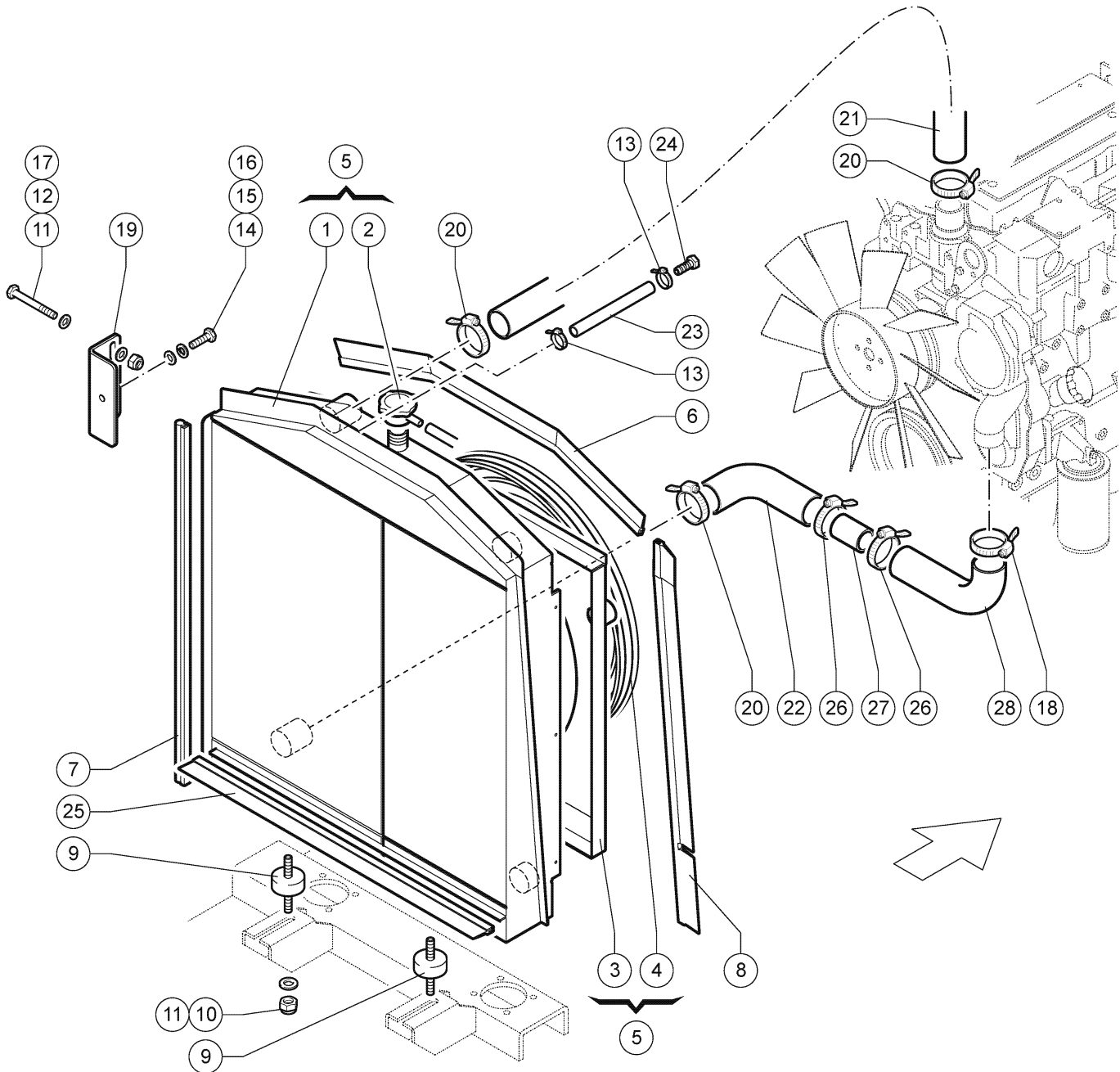




301.1 605784 Diesel Engine And Accessories

Item	Part No.	Description	Qty.
1	09.4601.0054	Diesel Engine Perkins 1104D-44T....1	
2	51.0810.8300	Engine Support - Flywheel Side.....1	
3	51.0810.8400	Rh Engine Support - Fan Side.....1	
4	51.0810.8500	Lh Engine Support - Fan Side.....1	
5	09.4670.0004	SUPPORT/INSULATOR DAMPER.....4	
6	01.4001.0012	SCREW, HCS 14-2.0X100 Z 8.8....4	
7	01.0031.0058	PLAIN WASHER.....8	
8	01.0001.0357	SCREW, 8.8 HCS 10MM-1.5X35Z.....16	
9	01.0023.0057	STOP NUT.....4	
10	01.0023.0055	NUT,SELFLOCK,M10,UNI7473,ZN.16	
11	01.0031.0057	WASHER,MM FL WASH 12 Z.....14	
12	01.4032.0005	WASHER.....14	
13	01.0001.0401	SCREW.....14	
14	09.0804.3300	Handwheel Arrangement.....1	
15	07.4501.0158	Alternator.....1	
16	07.4501.0090	STARTER.....1	
17	07.0713.0059	Pump Hub.....1	
18	07.0713.0058	Elastic Joint.....1	
19	01.4032.0004	SPRING WASHER,D10 ZN.....20	
20	01.4001.0021	Screw.....8	
21	07.0713.0060	Housing.....1	
22	07.4501.0057	FILTER, DIESEL FUEL.....1	
23	01.0001.0356	SCREW, 8.8 HCS 10MM-1.5X30Z.....12	
24	638243	FILTER,OIL,ENGINE.....1	
25	07.0227.0051	Clamp DN 10/16 L=9.....6	
26	09.0805.0000	CARBONPRES PIPE,D8X15 (39.37").....2,8-m	
27	09.0805.0000	CARBONPRES PIPE,D8X15 (39.37").....2,8-m	
28	09.0805.0000	CARBONPRES PIPE,D8X15 (39.37").....2,8-m	

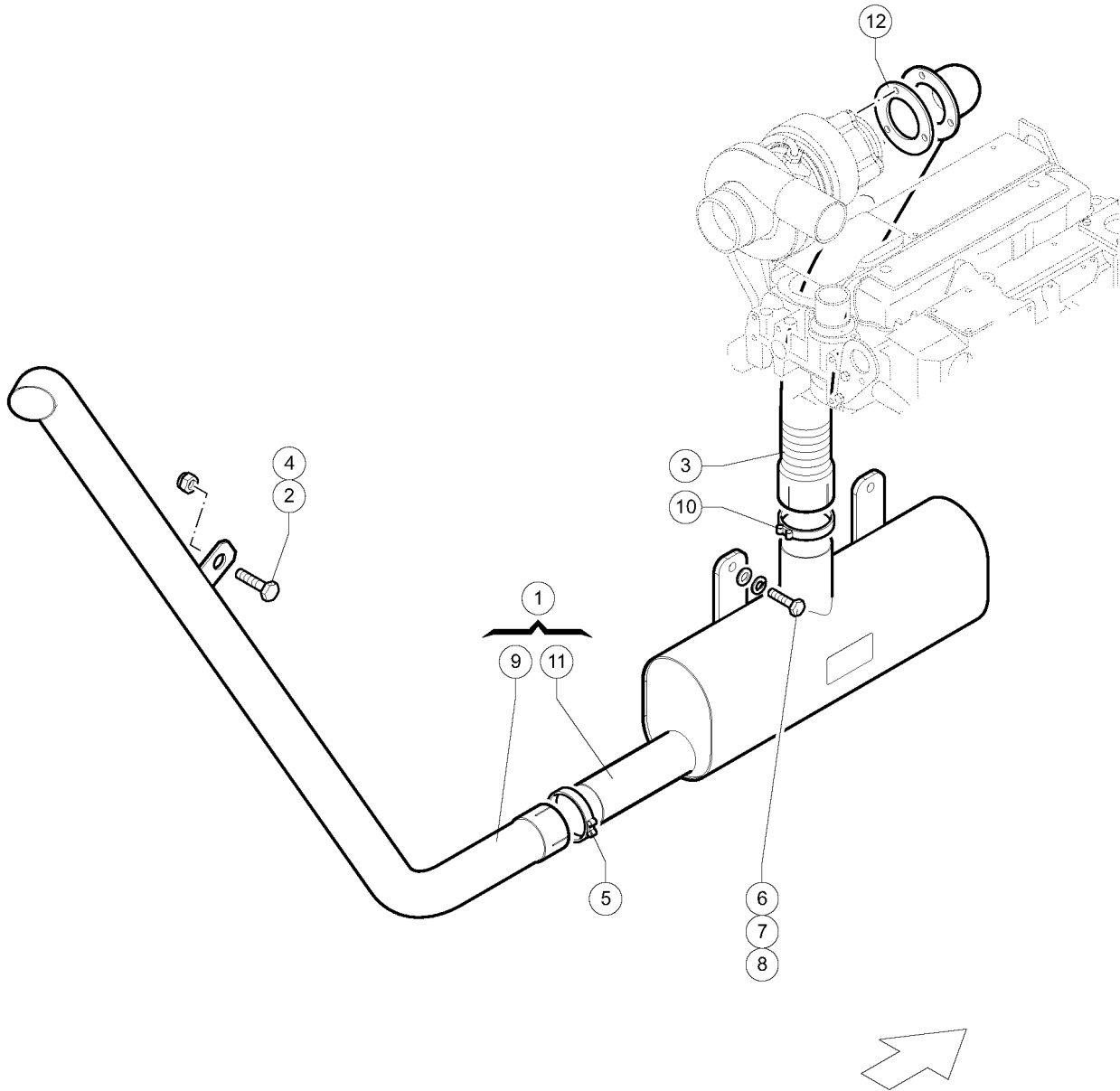
302.1 605785 Diesel Engine - Engine Cooling System



## 302.1 605785 Diesel Engine - Engine Cooling System

Item	Part No.	Description	Qty.
1	07.0712.0093	Radiator Core.....	1
2	07.0712.0094	RADIATOR CAP, GTH5519.....	1
3	07.0712.0095	Conveyor.....	1
4	07.0712.0096	protection Grille.....	1
5	53.3200.0029	Complete Air-Oil Cooler.....	1
6	09.0803.0351	Seal.....	0.7-m
7	09.0803.0245	SEAL (UM = 39.5 INCHES).....	0.8-m
8	09.0803.0351	Seal.....	0.9-m
9	09.4670.0002	PUFFER/INSULATOR.....	2
10	01.0031.0301	WASHER,CHMFRD,D10(10X30)ZN.2 10x30	
11	01.0023.0055	NUT,SELFLOCK,M10,UNI7473,ZN..3	
12	01.0031.0056	WASHER,MM FL WASH 10 Z.....	2
13	04.0227.0064	CLAMP.....	2
14	01.0031.0299	WASHER,CHMFRD,D8,UNI 6593,ZN.....	1
15	01.4032.0003	SPRING WASHER,D 8,ZN.....	1
16	01.0001.0254	SCREW, 8.8 HCS 8MM-1.25X20Z...1	
17	01.0001.0304	SCREW,8.8HCSM10-1.5X50Z FT...1	
18	04.0227.0067	SLIGHT CLAMP,DN50/70 LG12.....	1
19	51.0808.8100	Radiator Side Support.....	1
20	04.0227.0058	CLAMP.....	4
21	09.0805.0018	RUBBER PIPE.....	1
22	09.0805.0005	CURVE WATER PIPE/SLEEVE.....	1
23	09.0805.0000	CARBONPRES PIPE,D8X15 (39.37").....	1
24	01.0001.0254	SCREW, 8.8 HCS 8MM-1.25X20Z...1	
25	09.0803.0351	Seal.....	0,7 m
26	04.4227.0067	Clamp.....	2
27	53.3001.6704	Sleeve.....	1
28	09.0805.0102	CURVE WATER PIPE/SLEEVE.....	1

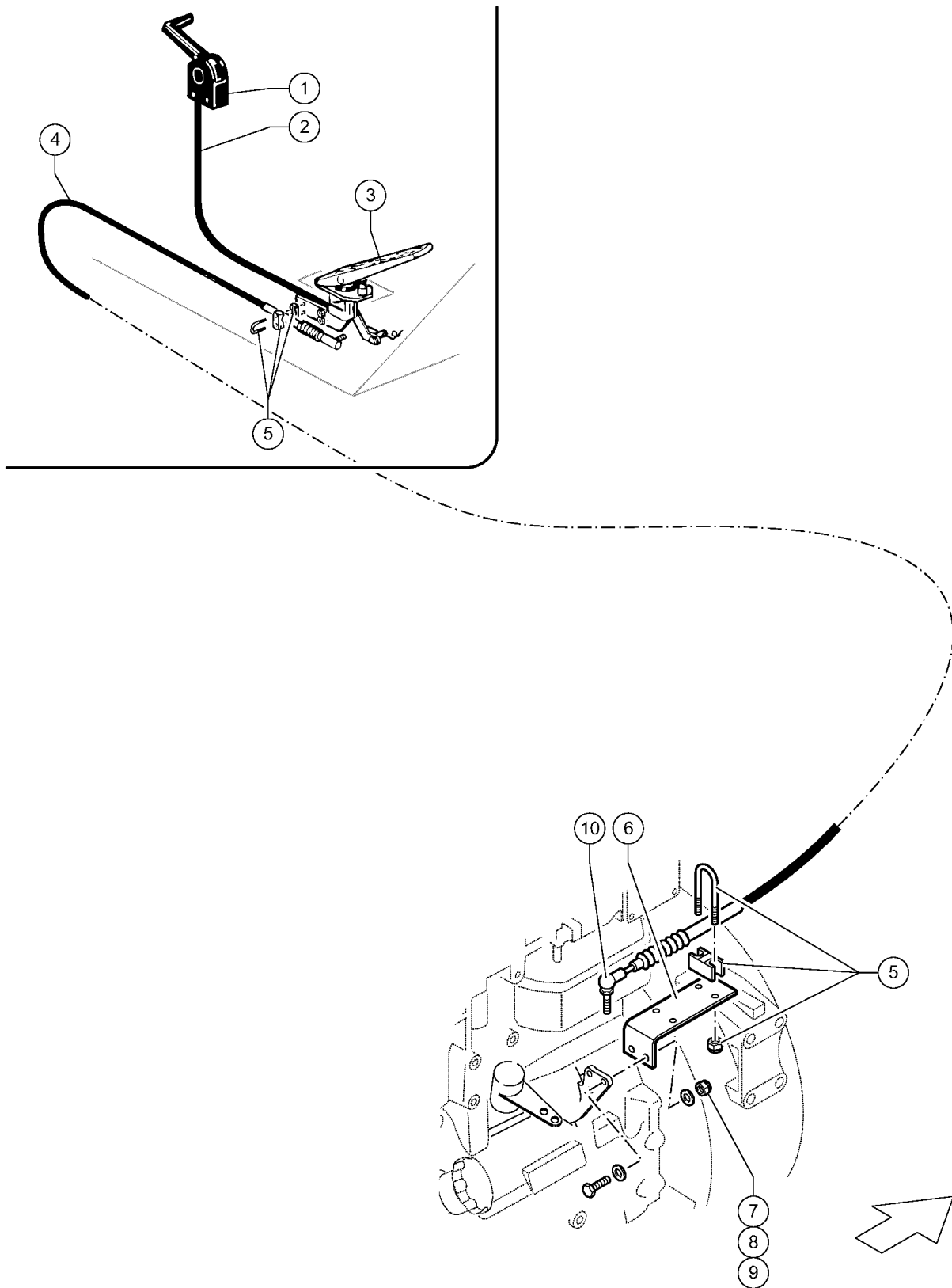
303.1 605786 Diesel Engine - Exhaust System



## 303.1 605786 Diesel Engine - Exhaust System

Item	Part No.	Description	Qty.
1	53.3100.0036	Complete Muffler.....	1
2	01.0023.0055	NUT,SELFLOCK,M10,UNI7473,ZN..	1
3	53.3001.6000	Stainless Steel Exhaust.....	1
4	01.0001.0304	SCREW,8.8HCSM10-1.5X50Z FT....	1
5	09.0803.0348	CLAMP.....	1
6	01.0031.0056	WASHER,MM FL WASH 10 Z.....	4
7	01.4032.0004	SPRING WASHER,D10 ZN.....	2
8	01.0001.0356	SCREW, 8.8 HCS 10MM-1.5X30Z...2	
9	07.0726.0100	Exhaust.....	1
10	04.0227.0152	CLAMP.....	2
11	07.0726.0103	Muffer.....	1
12	54.0100.0096	Flange.....	1

304.1 605787 Diesel Engine - Accelerator



304.1 605787 Diesel Engine - Accelerator

Item	Part No.	Description	Qty.
1	09.4655.0000	ACCELERATOR LEVER/MANIPULATOR.....	1
2	09.4645.0003	ACCELERATOR CABLE.....	1
3	09.4656.0000	PEDAL.....	1
4	09.4645.0000	CABLE.....	1
5	09.0803.0007	KIT IMPLANTATION CABLES/CLAMP.....	2
6	51.0810.2500	Gas Control Cable U-Bolt Support...	1
7	01.0001.1438	SCREW.....	1
8	01.0031.0053	WASHER,D5,UNI 6592,ZN.....	2
9	01.0023.0052	NUT,M5-0.8 NYLOCKHXNUT Z.....	1
10	09.0803.0008	KNEE-CAP/ARTICULATION JOINT.....	1

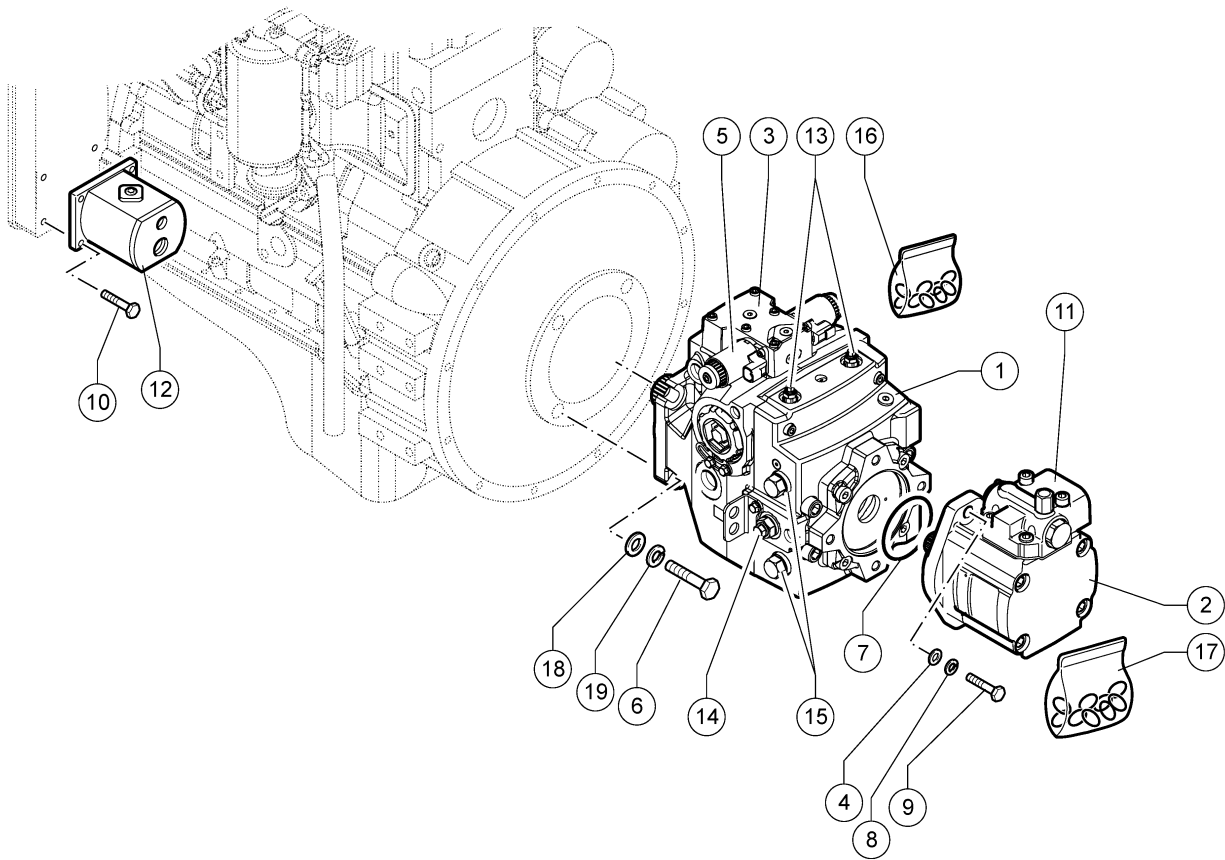




## 305.1 605788 Diesel Engine - Injection System

Item	Part No.	Description	Qty.
1	09.4604.0044	Complete Air Filter.....	1
2	07.4501.0084	CARTRIDGE.....	1
3	53.3001.2100	Filter Intake Manifold.....	1
4	04.0227.0058	CLAMP.....	2
5	01.0023.0054	NUT,M8,UNI 7473.....	4
6	01.0031.0299	WASHER,CHMFRD,D8,UNI 6593,ZN.....	4
7	01.0001.0257	SCREW,8.8 HCS 8MM-1.25X30Z....	2
8	07.4501.0085	CARTRIDGE.....	1
9	09.4604.0045	INDICATOR.....	1
10	09.0805.0018	RUBBER PIPE.....	1,6-m
11	53.3001.6700	Filter-To-Engine Intake Manifold.....	1
12	04.4227.0064	Light Hose-Clamp.....	1
13	04.0227.0067	SLIGHT CLAMP,DN50/70 LG12.....	1
14	07.4501.0130	Cover Air Filter.....	1
15	04.4227.0028	Special Clamp.....	1
16	51.0811.4047	Bracket.....	1
17	01.0001.0357	SCREW, 8.8 HCS 10MM-1.5X35Z..	1
18	01.0031.0301	WASHER,CHMFRD,D10(10X30)ZN.1 10x30	1
19	01.0023.0055	NUT,SELFLOCK,M10,UNI7473,ZN..	1

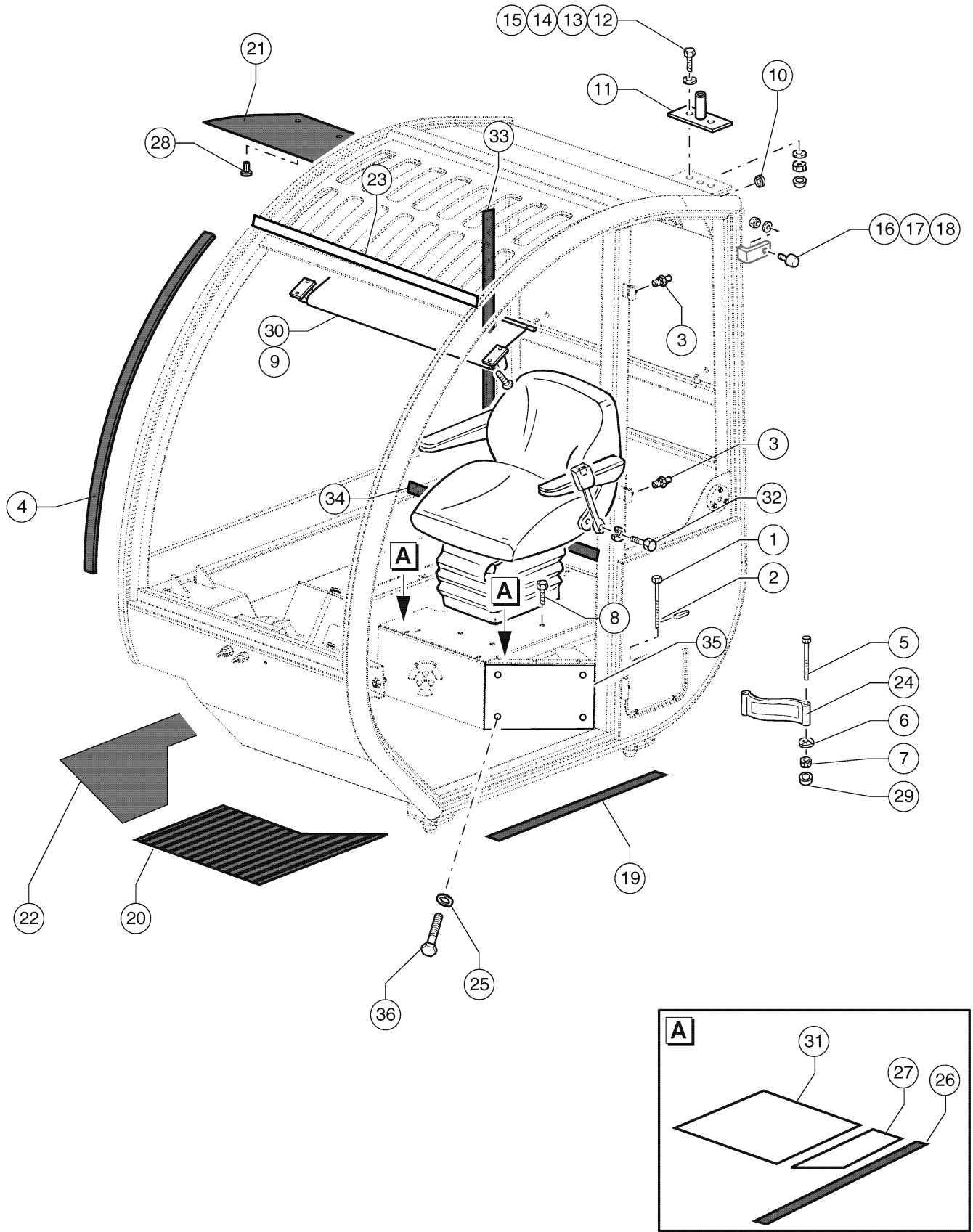
306.1 605789 Diesel Engine - Hydraulic Pumps



306.1 605789 Diesel Engine - Hydraulic Pumps

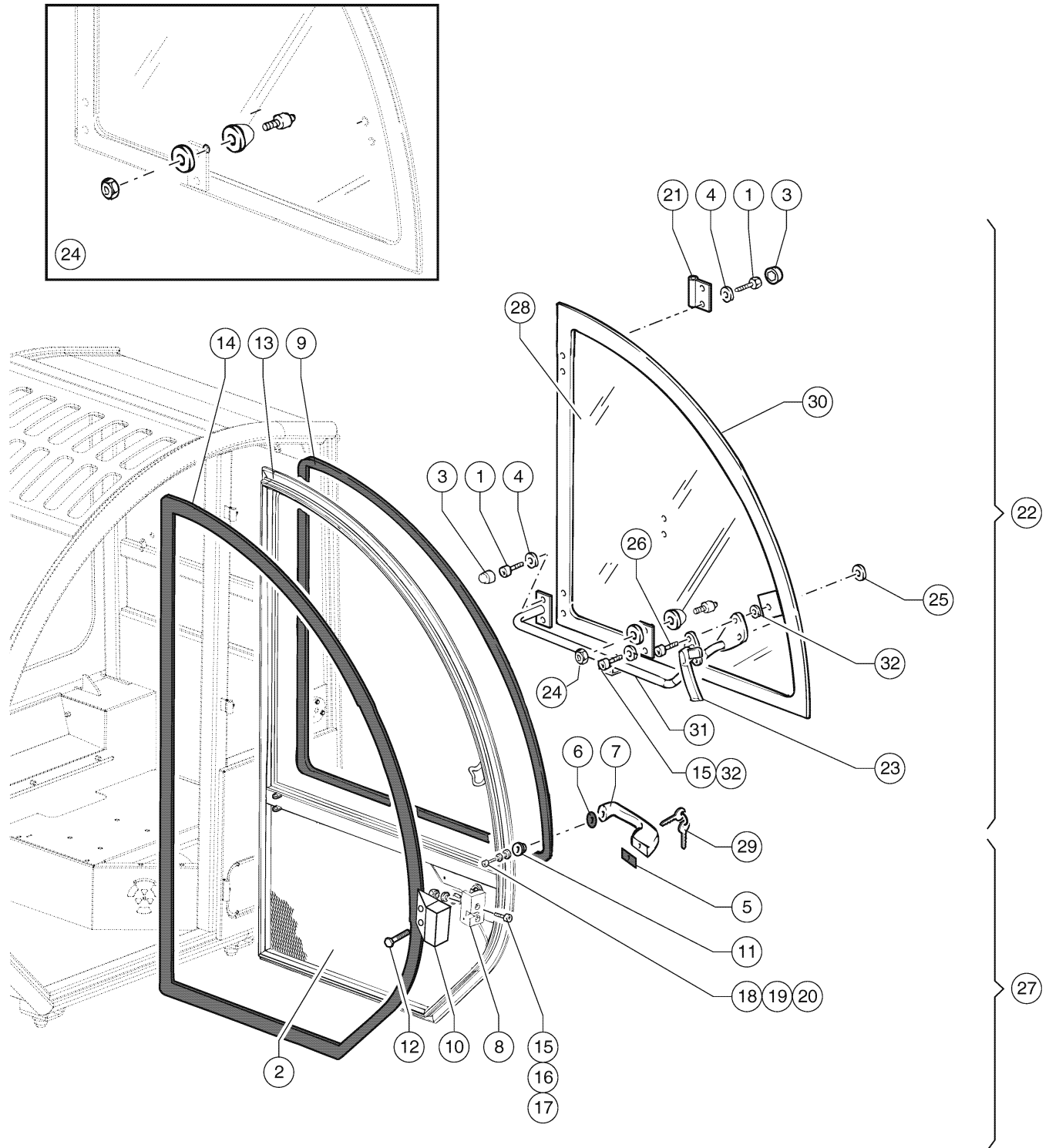
Item	Part No.	Description	Qty.
1	04.4238.0061	Transmission Pump.....	1
2	04.4238.0053	Main Valve and Hydraulic Steering Pump.....	1
3	07.0706.0049	Solenoid Valve.....	1
4	01.0031.0057	WASHER,MM FL WASH 12 Z.....	2
5	07.0706.0050	Compleat Solenoid Valve.....	1
6	01.0001.0606	SCREW, 8.8 HCS 14MM2.0X40 Z...	4
7	07.4529.0102	O-ring.....	1
8	01.4032.0005	WASHER.....	2
9	01.0001.0506	SCREW, 8.8 HCS 12MM1.75X30Z.....	2
10	01.4501.0167	Screw TE M14x100.....	4
11	07.0722.0053	REAR COVER.....	1
12	04.4238.0067	PUMP.....	1
13	07.0706.0053	Valve.....	2
14	07.0706.0054	Max. Pressure Valve.....	4
15	07.0706.0052	Safety Valve.....	4
16	07.0706.0055	Seals Kit.....	1
17	07.4529.0115	Seal Kit.....	1
18	01.0031.0058	PLAIN WASHER.....	4
19	01.4032.0006	WASHER,MM L/W 10 ZP.....	4

401.1 605385 Cab, View 1



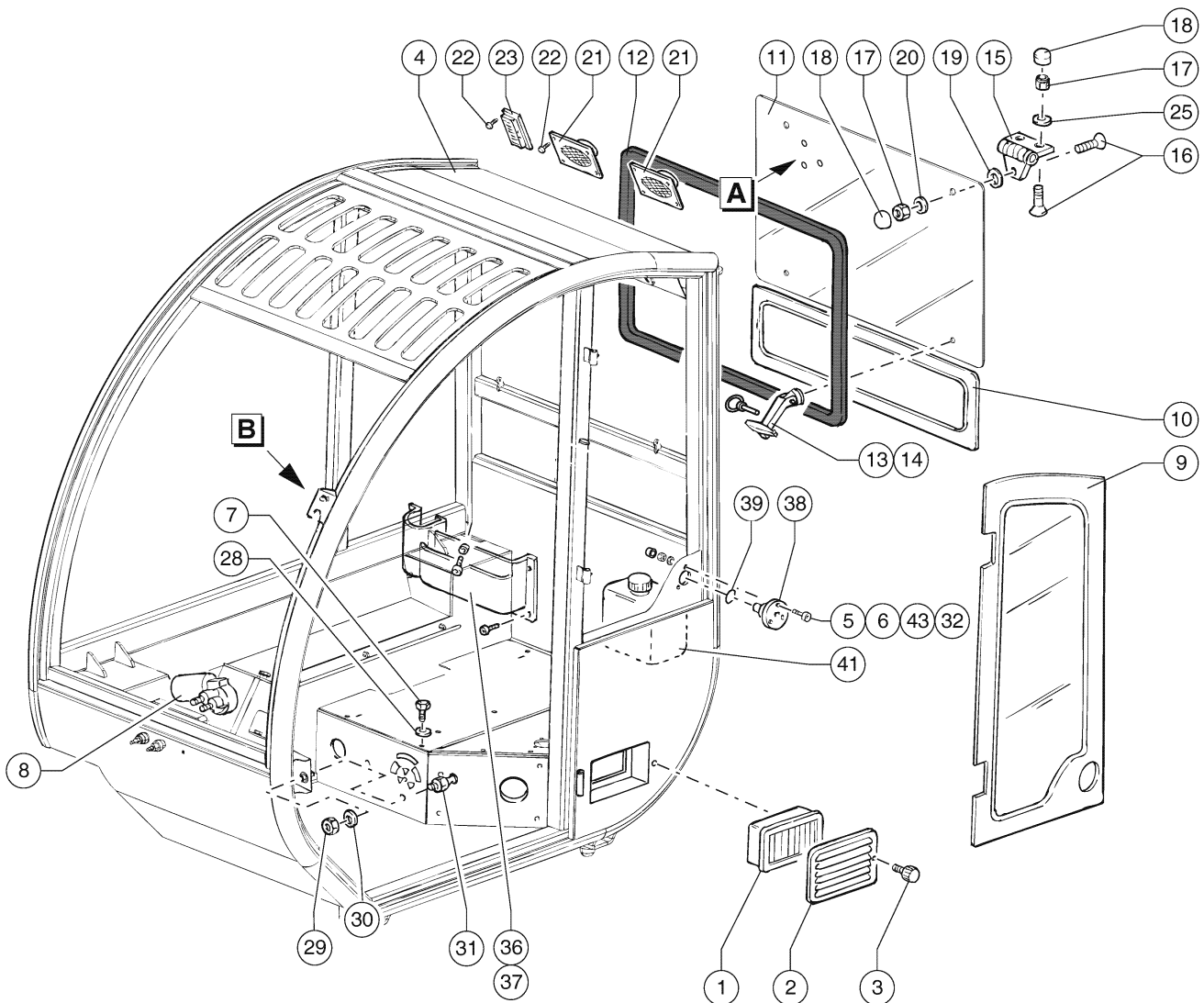
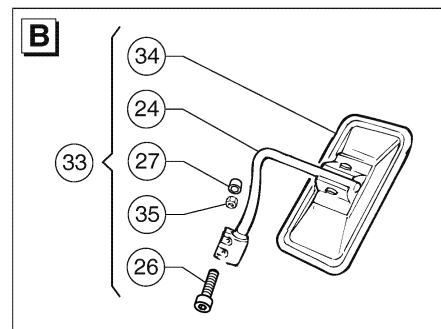
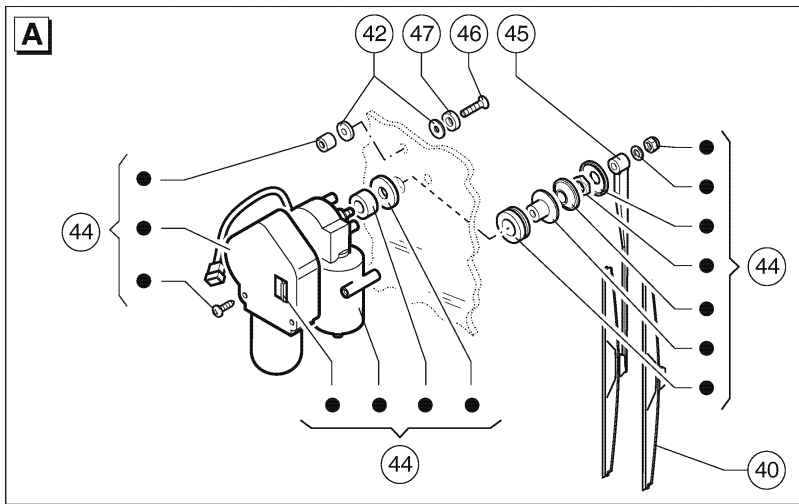
Item	Part No.	Description	Qty.
1	07.0740.0000	Pin.....	3
2	07.0740.0001	Split Pin.....	3
3	07.0740.0002	Greaser.....	5
4	09.0803.0580	Adhesive Profile.....	1
5	07.0740.0004	Screw.....	2
6	07.0740.0005	Stop nut.....	2
7	07.0740.0006	Washer.....	2
8	07.0740.0007	Screw.....	4
9	07.0740.0128	Screw KN TC+ 4.2x9.5 ZB.....	4
10	07.0740.0009	Rubber.....	2
11	07.0740.0010	Support.....	1
12	01.0001.0254	SCREW, 8.8 HCS 8MM-1.25X20Z...2	
13	01.0031.0055	WASHER,D 8,UNI 6592 ZN.....9	
14	01.0023.0054	NUT,M8,UNI 7473.....2	
15	07.0740.0014	Hex-Head Cap.....8	
16	07.0740.0015	Rubber.....1	
17	01.0023.0054	NUT,M8,UNI 7473.....2	
18	01.0031.0299	WASHER,CHMFRD,D8,UNI 6593,ZN.....1	
19	07.0740.0018	Non-Skid Coating.....0.7-m	
20	07.0740.0235	Rubber Platform.....1	
21	07.0740.0020	Coating.....1	
22	07.0740.0021	Coating.....1	
23	09.0803.0560	Gasket.....1	
24	07.0740.0054	Stop Belt.....1	
25	01.0031.0055	WASHER,D 8,UNI 6592 ZN.....4	
26	07.0740.0091	GASKET.....2-m	
27	51.0811.4079	Carter.....1	
28	07.0740.0027	Cap.....4	
29	07.0740.0028	Hex-Head Cap.....2	
30	07.0740.0236	Sun Visor.....1	
31	51.0811.4078	Carter.....1	
32	07.0740.0128	Screw KN TC+4,2X9,5 ZB.....4	
33	07.0740.0022	Adhesive Profile.....0.87-m	
34	07.0740.0022	Adhesive Profile.....0.50-m	
35	51.0811.4086	Carter.....1	
36	01.0001.0254	SCREW, 8.8 HCS 8MM-1.25X20Z...4	

402.1 605386 Cab, View 2



Item	Part No.	Description	Qty.
1	07.0740.0275	Screw.....	4
2	07.0740.0274	Coating.....	1
3	07.0740.0014	Hex-Head Cap.....	8
4	07.0740.0026	Washer.....	6
5	07.0740.0048	Seal.....	1
6	07.0740.0049	Seal.....	1
7	07.0740.0050	Handle.....	1
8	07.0740.0051	Lever-fitted Lock.....	1
9	07.0740.0052	Seal.....	3.5-m
10	07.0740.0053	ABS Cover.....	1
11	07.0740.0035	Bushing.....	1
12	01.4001.0116	SCREW, #8X5/8" PHILLIPS PH.....	1
13	07.0740.0249	Frame.....	1
14	07.0740.0058	Seal.....	1
15	01.4006.0007	Screw.....	2
16	01.0019.0104	NUT, M8-1.0 FINHEXNUT Z.....	2
17	01.4032.0015	Spring Washer 8.4x142.....	2
18	07.0740.0060	Screw.....	1
19	07.0740.0231	Plug.....	1
20	07.0740.0062	Washer.....	1
21	07.0740.0276	Hinge.....	2
22	07.0740.0373	Complete Upper Door Section.....	1
23	07.0740.0029	Handle.....	1
24		605387 ref. 38.....	1
25	07.0740.0228	Rubber.....	6
26	07.0740.0227	Screw.....	2
27	07.0740.0250	omplete Lower door Section.....	1
28	07.0740.0279	Glass.....	1
29	07.0703.0125	KEY ONLY, SWITCH/IGNITION.....	1
30	51.0811.4092	frame.....	1
31	07.0740.0272	Handle.....	1
32	07.0740.0223	Washer.....	6

403.1 605387 Cab, View 3





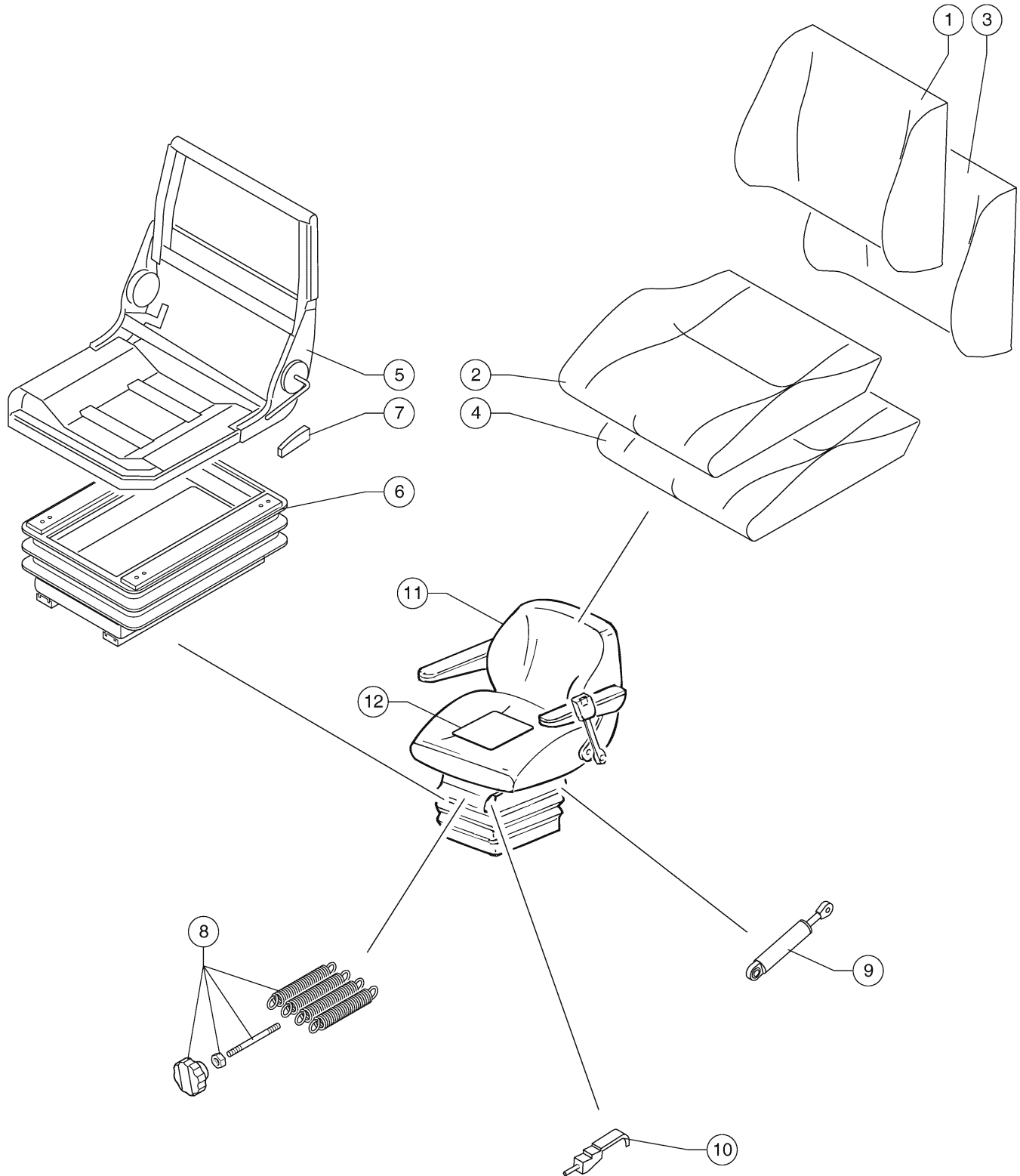
Item	Part No.	Description	Qty.	Item	Part No.	Description	Qty.
1	07.0740.0066	FILTER.....	1	39	07.0740.0106	Gasket.....	1
2	07.0740.0067	Air Grille.....	1	40	07.0740.0248	Wiper Blade.....	1
3	07.0740.0130	Knob.....	2	41	07.0740.0098	Windscreen Washer Tank.....	1
4	07.0740.0107	Cab Frame.....	1	42	07.0740.0016	Rubber.....	4
5	07.0740.0028	Hex-Head Cap.....	6	43	07.0740.0005	Stop Nut.....	3
6	07.0740.0006	Washer.....	10	44	07.0740.0247	Rear Wiper Kit.....	4
7	01.0001.0254	SCREW, 8.8 HCS 8MM-1.25X20Z.....	18	45	07.0740.0156	Wiper Arm.....	1
8	07.0740.0072	Wiper Motor.....	1	46	07.0740.0163	Screw.....	2
9	07.0740.0073	Lh Side Glass.....	1	47	07.0740.0117	Bushing.....	2
10	07.0740.0074	Rear Lower Glass.....	1				
11	07.0740.0246	Rear Glass.....	1				
12	07.0740.0052	Seal.....	2.5-m				
13	07.0740.0076	Handle.....	2				
14	07.0740.0217	PLUG.....	2				
15	07.0740.0078	Hinge.....	2				
16	07.0740.0079	Screw.....	7				
17	07.0740.0046	Stop Nut.....	7				
18	07.0740.0014	Hex-Head Cap.....	7				
19	07.0740.0080	Rubber.....	2				
20	07.0740.0081	Washer.....	3				
21	07.0740.0082	Loudspeaker Cover.....	2				
22	01.4001.0116	SCREW, #8X5/8" PHILLIPS PH.....	10				
23	07.0740.0084	Ceiling Lamp.....	1				
24	07.0740.0203	Mirror Bracket.....	1				
25	07.0740.0026	Washer.....	12				
26	01.0003.0203	SCREW, 12.9SHCS M8-1.25X20Z.....	2				
27	07.0740.0014	Nut protection.....	2				
28	01.0001.0299	Washer.....	16				
29	07.0740.0103	Nut.....	1				
30	07.0740.0102	Washer.....	2				
31	07.0740.0100	Stop Kit.....	1				
32	07.0740.0105	Screw.....	3				
33	07.0740.0097	complete Mirror.....	1				
34	07.0740.0202	DRIVING MIRROR-REAR VIEW.....	1				
35	01.0023.0054	NUT,M8,UNI 7473.....	2				
36	07.0740.0093	Storage Pocket.....	1				
37	01.4001.0116	SCREW, #8X5/8" PHILLIPS PH.....	4				
38	07.0740.0104	Door Catch.....	1				





Item	Part No.	Description	Qty.
1	07.0740.0156	Wiper Arm.....	1
2	07.0740.0215	Spacer.....	2
3	07.0740.0035	Rubber.....	2
4	07.0740.0069	Gasket.....	1
5	07.0740.0070	Sheet.....	1
6	01.0031.0055	WASHER,D 8,UNI 6592 ZN.....	12
7	01.0001.0254	SCREW, 8.8 HCS 8MM-1.25X20Z...4	4
8	07.0740.0214	Rubber.....	2
9	07.0740.0213	Bushing.....	2
10	07.0740.0212	Screw.....	2
11	07.0740.0211	Spacer.....	1
12	07.0740.0210	Rubber.....	1
13	07.0740.0158	Wiper Motor.....	1
14	07.0740.0157	Wiper Blade.....	1
15	07.0740.0209	Rear Window Fixing Kit.....	1
16	07.0740.0079	Screw.....	7
17	07.0740.0046	Stop Nut.....	7
18	07.0740.0014	Hex-Head Cap.....	7
19	07.0740.0099	RH Side Glass.....	1
20	07.0740.0081	Washer.....	3
21	07.0740.0090	Through-coupling.....	1
22	07.0740.0089	Wiper Blade.....	1
23	07.0740.0088	Wiper Arm.....	1
24	07.0740.0087	FRONT GLASS.....	1
25	07.0740.0085	Skylight.....	1
26	07.0740.0009	Rubber.....	3
27	07.0740.0086	Rubber.....	1
28	07.0740.0032	Washer.....	1

405.1 605875 Seat Assembly

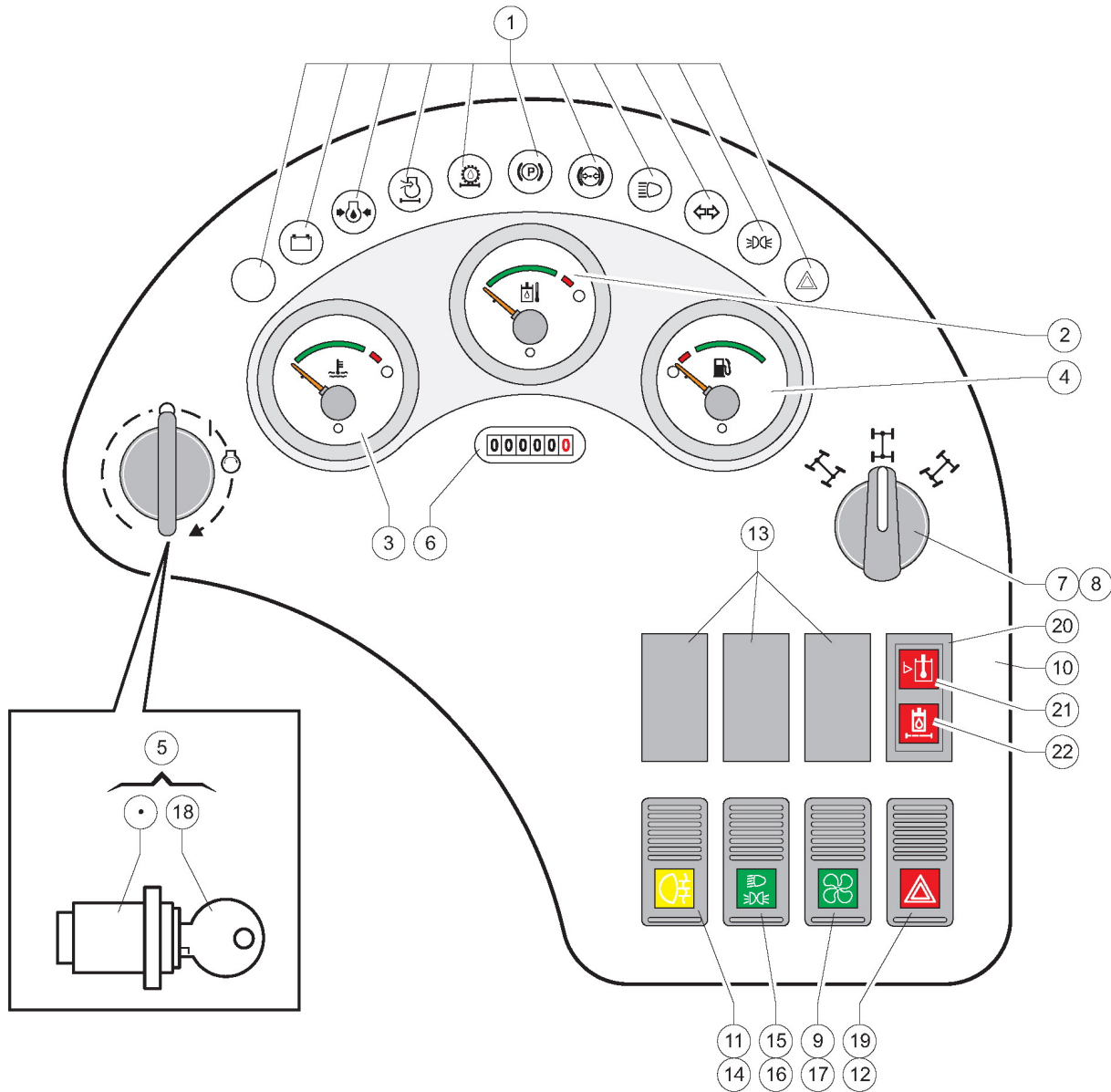


Item	Part No.	Description	Qty.
1	07.0740.0363	Back Cover Assembly.....	1
2	07.0740.0364	Seat Cover Assembly.....	1
3	07.0740.0365	Back Foam Kit.....	1
4	07.0740.0366	Seat Foam Kit.....	1
5	07.0740.0367	Seat Frame Assembly.....	1
6	07.0740.0368	Suspension Cover Kit.....	1
7	07.0740.0369	Handle Kit.....	1
8	07.0740.0370	Weight Adjuster Kit.....	1
9	07.0740.0371	Damper Kit.....	1
10	07.0740.0372	Height Adjustment Kit.....	1
11	07.0740.0003	Seat.....	1
12a	07.0703.0484	Seat Microswitch (Only For GTH4013SX)..... <i>From SN 20312 - ECN05209</i>	1
12b	07.0703.0484	Seat Microswitch (Only For GTH4017SX)..... <i>From SN 19978 - ECN05209</i>	1



Item	Part No.	Description	Qty.
1	07.0740.0139	Main Dashboard.....	1
2	07.0740.0220	Side Dashboard.....	1
3	07.0740.0141	Central Lock.....	1
4	07.0740.0142	Control Unit Cover.....	1
5	07.0740.0116	Screw.....	15
6	07.0740.0117	Washer.....	15
7	07.0740.0037	Washer.....	3
8	07.0740.0143	Radio Hole Cover.....	1
9	07.0740.0144	Screw.....	3
10	07.0740.0145	Washer.....	3
11	09.4610.0001	WATER LEVEL,CIRCULAR BUBBLE.....	1
12	07.0740.0154	Spring.....	3
13	07.0703.0490	Road/Jobste Button.....	1
14	07.0703.0494	SWITCH.....	1
15	07.0703.0417	SPEED LEVER.....	1
16	07.0703.0418	LIGHT SWITCH LEVER.....	1
17	07.0703.0420	KEY.....	1
18	51.0811.4077	Bracket.....	1
19	07.0703.0441	Emergency Button.....	1
20	07.0703.0423	SWITCH COVER.....	1
21	07.0740.0152	Knob.....	1
22	07.0703.0489	Cap.....	1
23	07.0703.0532	CONTACT.....	1
24	07.0703.0531	Contact.....	1
25	07.0740.0251	Aux. Circuits Main Valve Panel.....	1
26	07.0703.0368	Key.....	1
27	07.0704.0133	CONTROL LEVER.....	1
28	07.0741.0011	PUSH BUTTON.....	1
29	07.0741.0019	Cap.....	1
30	07.0703.0657	Support.....	1
31	56.0017.0058	Transmission Button.....	1
32	07.0703.0617	Black Glass.....	1
33	07.0704.0134	PROTECTION.....	1
34	01.0001.0252	SCREW,8.8 HCS 8MM-1.25X16Z...2	
35	01.0031.0299	WASHER,CHMFRD,D8,UNI 6593,ZN.....	2
36	01.4019.0009	Clip Nut.....	2

407.1 605390 Instruments And Lights Panel

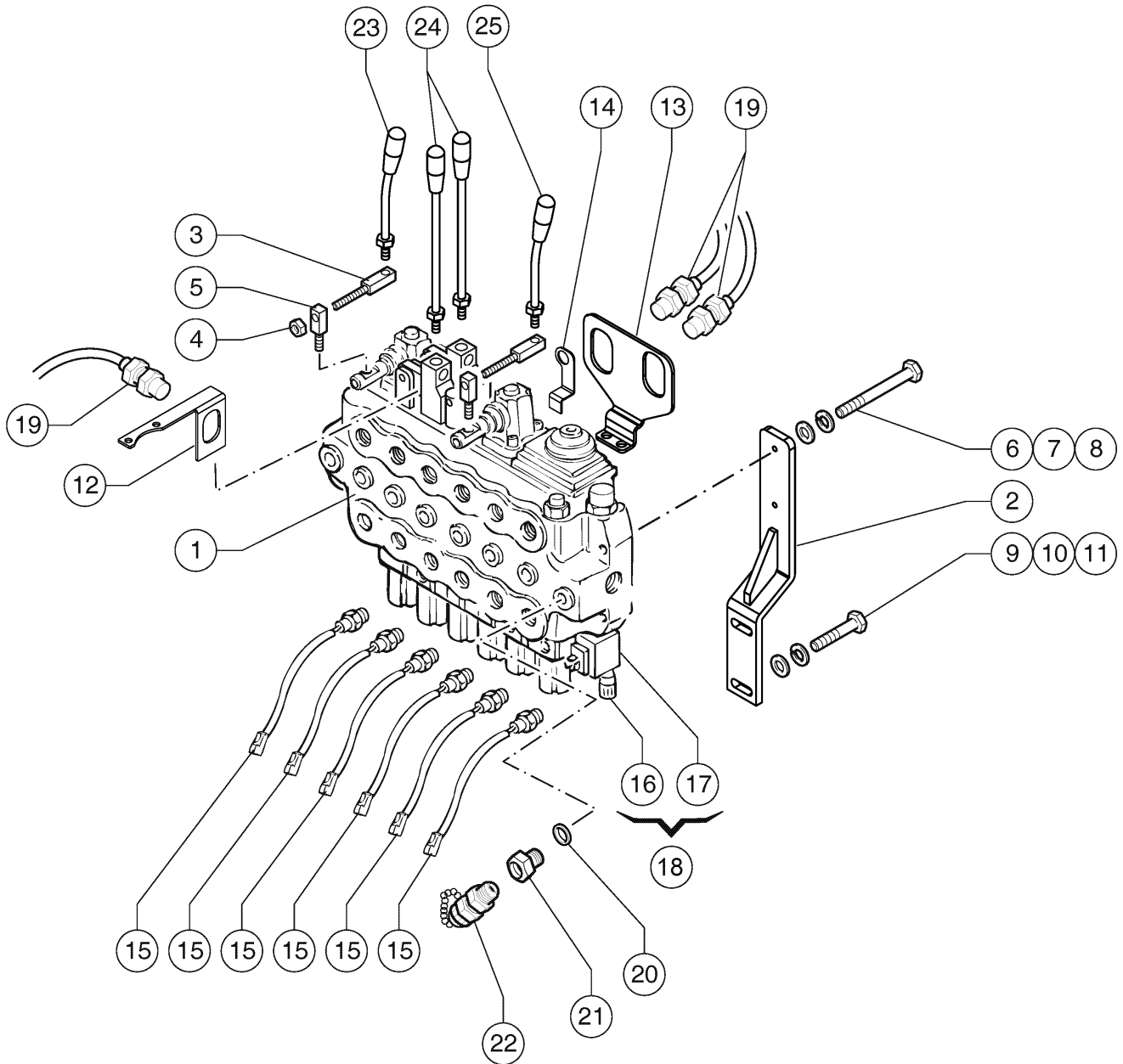




407.1 605390 Instruments And Lights Panel

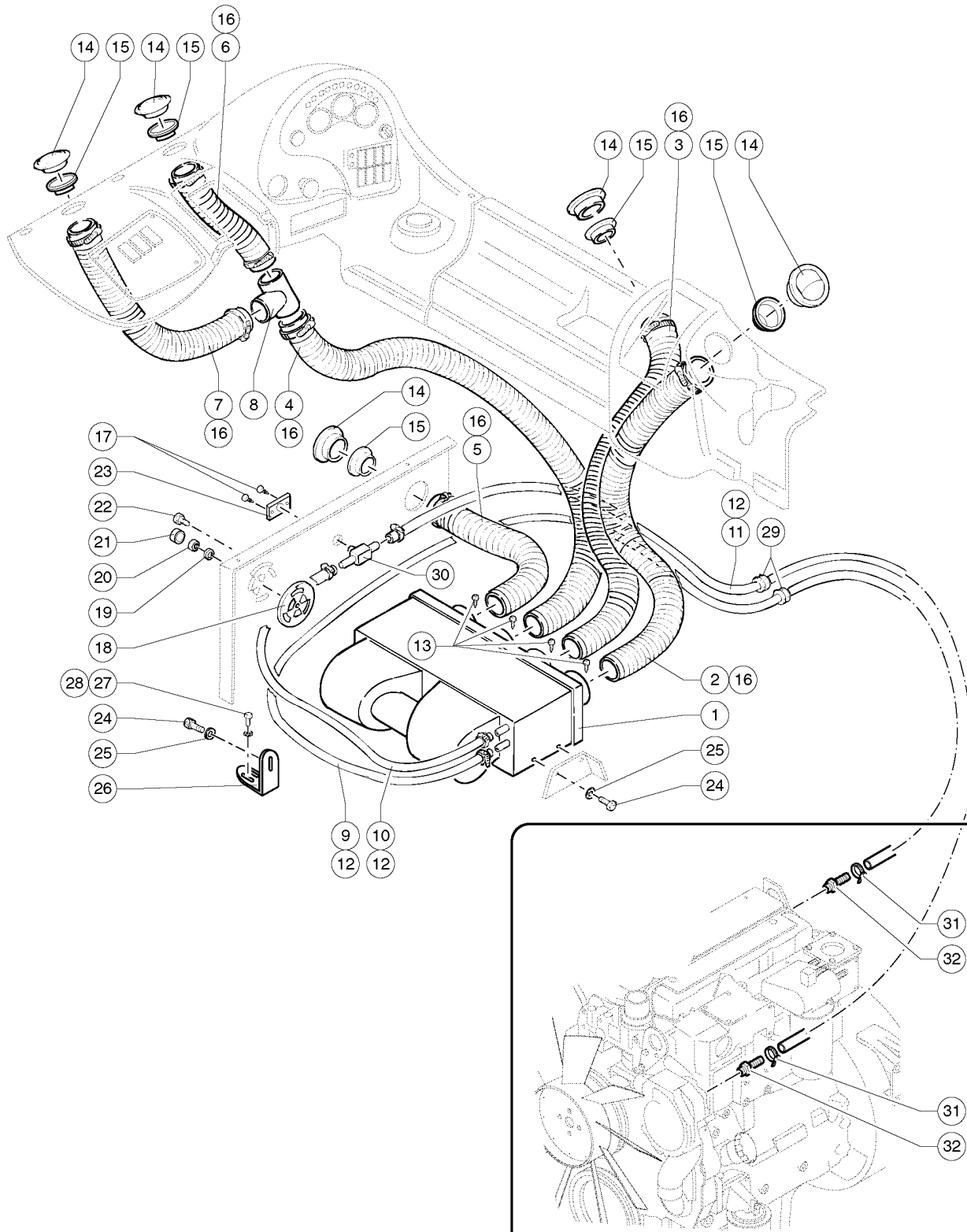
Item	Part No.	Description	Qty.
1	07.0703.0424	Board With Warning Lights.....	1
2	07.0703.0425	GAUGE / OIL PRESSURE.....	1
3	07.0703.0426	Coolant Gauge.....	1
4	07.0703.0427	Fuel Gauge.....	1
5	07.0703.0029	IGNITION SWITCH W/TWO KEYS.....	1
6	07.0703.0428	Hour-Meter.....	1
7	638226	SWITCH,SELECTOR,3 POSITION.....	1
8	07.0703.0429	GRIP.....	1
9	07.0703.0010	PILOT LIGHT/GLASS.....	1
10	07.0703.0614	Control Panel.....	1
11	07.0703.0431	SWITCH.....	1
12	07.0703.0032	PILOT LIGHT.....	1
13	07.0703.0423	SWITCH COVER.....	4
14	07.0703.0432	Fog Light Button.....	1
15	07.0703.0433	SWITCH.....	1
16	07.0703.0434	Lights Button.....	1
17	07.0703.0435	SWITCH.....	1
18	07.0703.0125	KEY ONLY, SWITCH/IGNITION.....	1
19	07.0703.0572	SWITCH.....	1
20	07.0703.0457	PILOT LIGHT.....	1
21	56.0017.0029	Warning Light-Low Hydraulic Oil Level.....	1
22	56.0017.0030	Warning Light- Hydraulic Oil Filter Clogged.....	1

408.1 605877 Main Valve



Item	Part No.	Description	Qty.
1	04.4236.0086	Main Valve.....	1
2	51.0809.8700	Main Valve Support.....	2
3	54.0300.0014	Connection.....	2
4	01.0019.0105	NUT.....	2
5	54.0300.0013	Connection.....	2
6	01.0001.0207	SCREW,8MM-1.25X60 8.8HCS Z...3	3
7	01.0031.0055	WASHER,D 8,UNI 6592 ZN.....3	3
8	01.4032.0003	SPRING WASHER,D 8,ZN.....3	3
9	01.0001.0355	SCREW, 8.8 HCS 10MM-1.5X25Z...4	4
10	01.0031.0301	WASHER,CHMFRD,D10(10X30)ZN.4 10x30	4
11	01.4032.0004	SPRING WASHER,D10 ZN.....4	4
12	51.0811.4051	Bracket.....	1
13	51.0811.4052	Bracket.....	1
14	51.0811.4053	Bracket.....	1
15	07.0704.0177	Microswitch.....	6
16	07.0704.0156	Valve.....	1
17	07.0704.0142	solenoid.....	1
18	07.0704.0141	Complete solenoid valve.....	1
19	56.0012.0000	proximity switch.....	3
20	06.0442.0105	WASHER,JC 27,SP.2,5.....	1
21	04.0600.0013	FITTIN,3/4M X 3/8 F.....	1
22	04.4210.0006	PRESSURE TUBE.....	1
23	09.0803.0370	LEVER.....	1
24	09.0803.0131	LEVER.....	2
25	09.0803.0049	LEVER.....	1

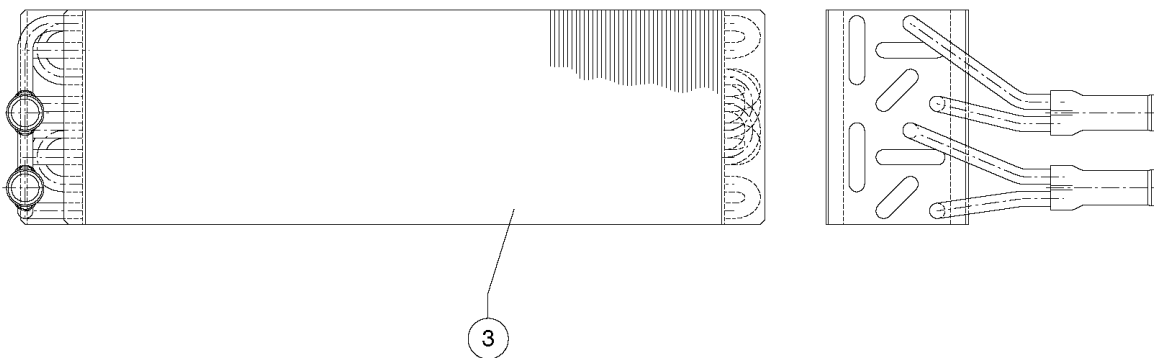
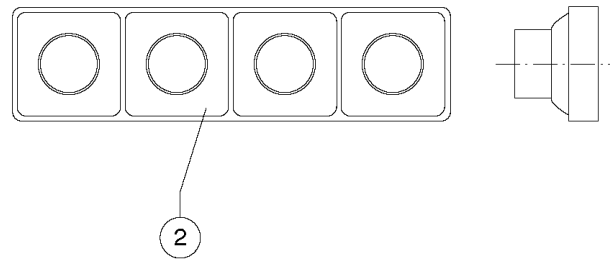
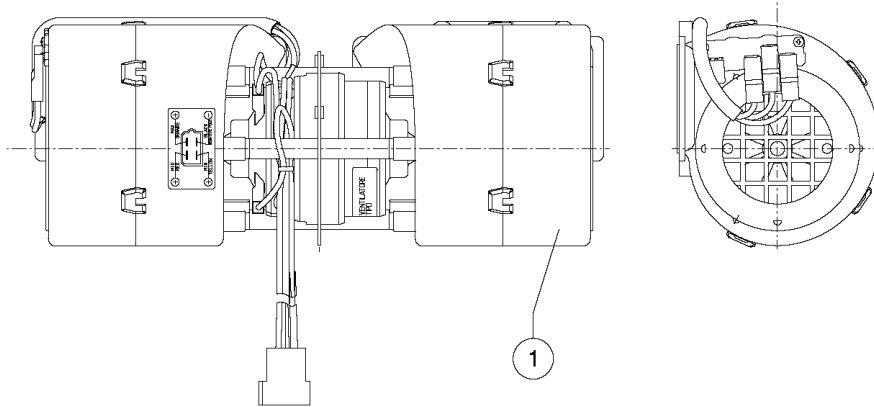
409.1 605791 Cab Heater



## 409.1 605791 Cab Heater

Item	Part No.	Description	Qty.
1	07.0740.0119	Heater.....	1
2	07.0740.0120	Air Hose.....	0.75-m
3	07.0740.0120	Air Hose.....	0.65-m
4	07.0740.0120	Air Hose.....	1.55-m
5	07.0740.0120	Air Hose.....	0.33-m
6	07.0740.0120	Air Hose.....	0.32-m
7	07.0740.0120	Air Hose.....	0.4
8	07.0740.0121	3-Way Fitting.....	1
9	07.0740.0122	Heater Pipe 15x23.....	6.0-m
10	07.0740.0122	Heater Pipe 15x23.....	0.8-m
11	07.0740.0122	Heater Pipe 15x23.....	5.0-m
12	07.0740.0123	MEB Hose-Clamp 19x28.....	4
13	07.0740.0124	Screw KN TC+ 3.5x16 ZN.....	4
14	07.0740.0125	Air Inlet D76.....	5
15	07.0740.0126	Reduction D48.5.....	5
16	07.0740.0127	MEB Hose-Clamp 40-60 H12.....	8
17	07.0740.0128	Screw KN TC+ 4.2x9.5 ZB.....	2
18	07.0740.0129	Air Circulation Frame.....	1
19	07.0740.0006	Washer 6.4x12.....	1
20	07.0740.0005	Stop Nut.....	1
21	07.0740.0028	Hex-Head Cap.....	1
22	07.0740.0130	Knurled Knob D26 M6x15.....	1
23	07.0740.0219	Name Plate.....	1
24	07.0740.0118	Screw.....	2
25	07.0740.0016	Washer 6.5x18.....	2
26	07.0740.0132	Heater Support.....	1
27	07.0740.0012	Washer.....	2
28	07.0740.0071	Screw.....	2
29	07.0740.0133	Hose-Ring Rubber D31.....	2
30	07.0740.0218	Water Tap D16 C/pomello.....	1
31	04.0227.0068	LIGHT CLAMP.....	2
32	04.0600.0196	Reduction adapter.....	2

410.1 605792 Complet Cab Heater

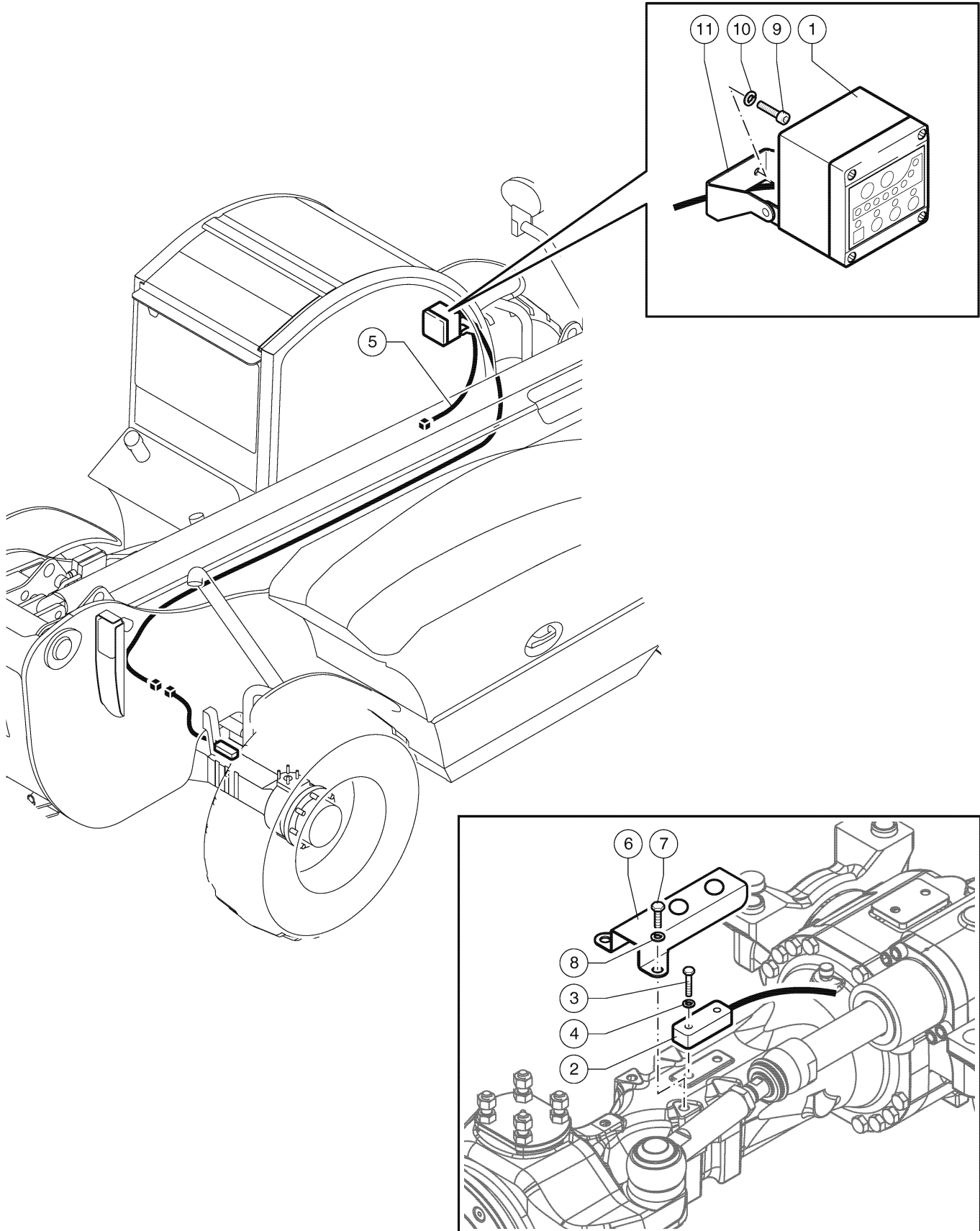


410.1 605792 Complet Cab Heater

Item	Part No.	Description	Qty.
1	07.0740.0360	Electrical Fan.....	1
2	07.0740.0361	Diffuseur.....	1
3	07.0740.0359	Heater.....	1



411.1 605878 Overload Warning System





411.1 605878 Overload Warning System

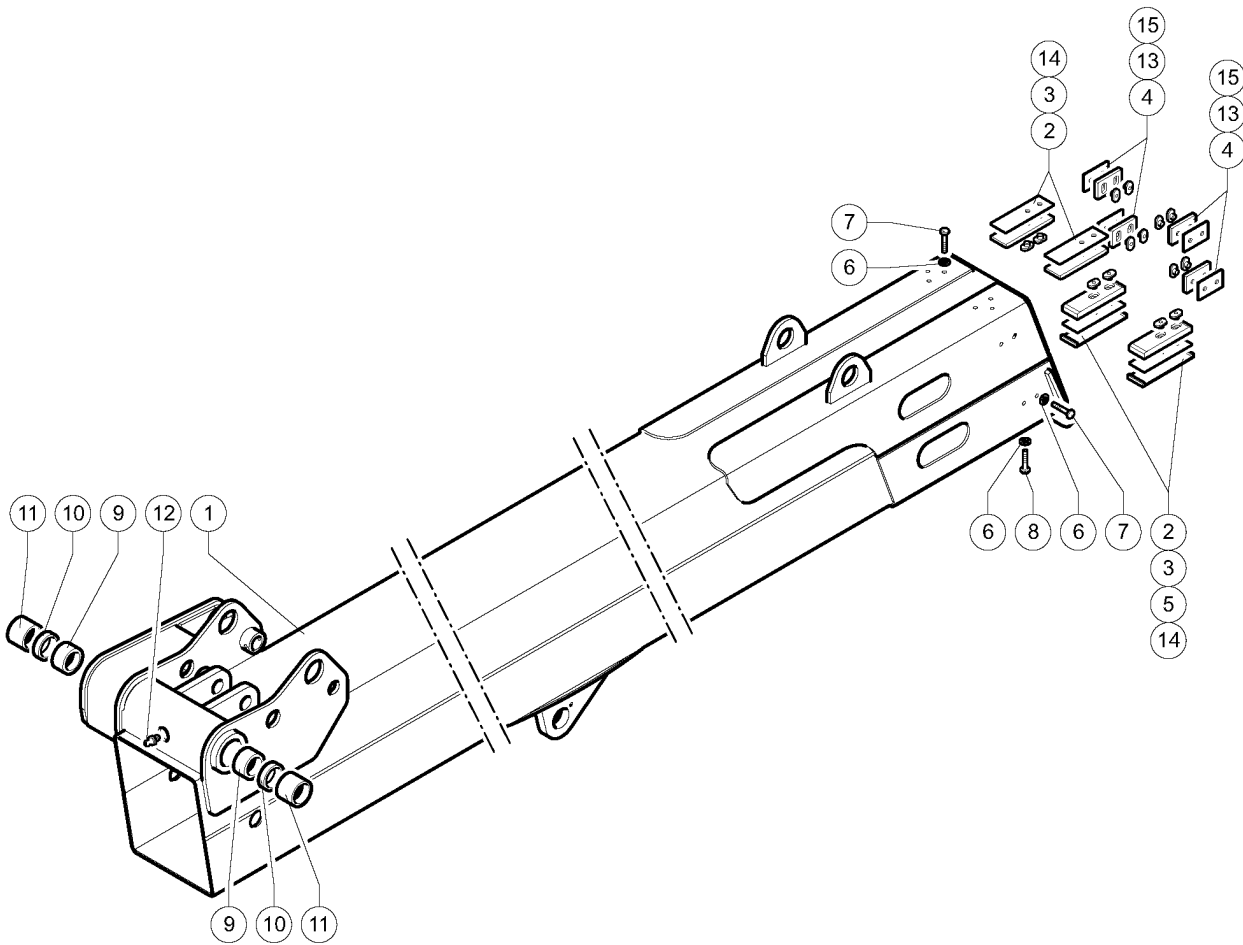
Item	Part No.	Description	Qty.
1	56.0016.0022	DLE Control Panel.....	1
2	09.0802.0018	Load Cell.....	1
3	01.0001.0357	SCREW, 8.8 HCS 10MM-1.5X35Z...	2
4	01.0031.0056	WASHER,MM FL WASH 10 Z.....	2
5	55.0602.0129	Cab Wiring.....	1
6	51.0902.3400	Load Cell Guard..... <i>ECN 0113/08</i>	1
7	01.0001.0604	SCREW.....	2
8	01.4032.0006	WASHER,MM L/W 10 ZP.....	2
9	01.0001.0156	SCREW,TE,M6X20.....	2
10	01.4032.0002	WASHER,MM L/W 6 ZP.....	2
11	07.0740.0023	DLE Control Panel Support.....	1



412.1 605879 Parking Brake

Item	Part No.	Description	Qty.
1	05.4315.0000	LEVER.....	1
2	07.0740.0063	Washer 8.4x14.....	4
3	07.0740.0026	Plain Washer.....	7
4	07.0740.0095	Allen Screw.....	4
5	09.4645.0022	BRAKE/CABLE.....	2
6	07.0740.0267	SENSOR,PROXIMITY.....	1
7	01.0031.0058	PLAIN WASHER.....	2
8	02.0112.0155	COTTER PIN.....	2
9	07.0740.0170	Pulley Pin.....	1
10	07.0740.0171	Brake Pulley.....	1
11	01.4001.0010	SCREW, 8.8 HCS 8MM1.25X100Z.....	1
12	07.0740.0172	Hand-Brake Support.....	1
13	01.0001.0254	SCREW, 8.8 HCS 8MM-1.25X20Z...1	1
14	07.0740.0013	Stop Nut.....	2
15	07.0740.0173	Brake Fixing Plate.....	1
16	07.0740.0175	Washer.....	2
17	51.0808.7600	Parking Brake Cable Support.....	1
18	54.0001.0041	Parking Brake Cable Pin.....	2
19	02.0117.0053	GREASE NIPPLE.....	2
20	01.0031.0054	CHAMFERED WASHER,D6,UNI 6592ZN.....	2
21	54.0800.0000	Spring 2.5x18x100 31 Spire.....	2
22	01.4032.0009	SPRING WASHER.....	1
23	01.4003.0022	Screw TCEI M20x40 UNI 5931 8.8 ZN.....	2
24	51.0808.0700	Mount For Parking Brake Lever Spring.....	2
25	01.4032.0005	WASHER.....	2
26	01.0001.0604	SCREW.....	2
27	07.0730.0063	Spring.....	1
28	07.0730.0064	Pushbutton.....	1
29	07.0730.0065	Pin.....	1
30	07.0730.0066	Screw.....	1
31	07.0730.0067	Nut.....	1
32	07.0730.0068	Pin.....	1
33	07.0730.0069	Split Pin.....	1
34	01.0031.0298	PLAIN WASHER,FEND 6MM X 18MM Z.....	2
35	01.4032.0002	WASHER,MM L/W 6 ZP.....	2
36	01.0001.0154	SCREW, 8.8 HCS 6MM-1.0X16 Z...2	2

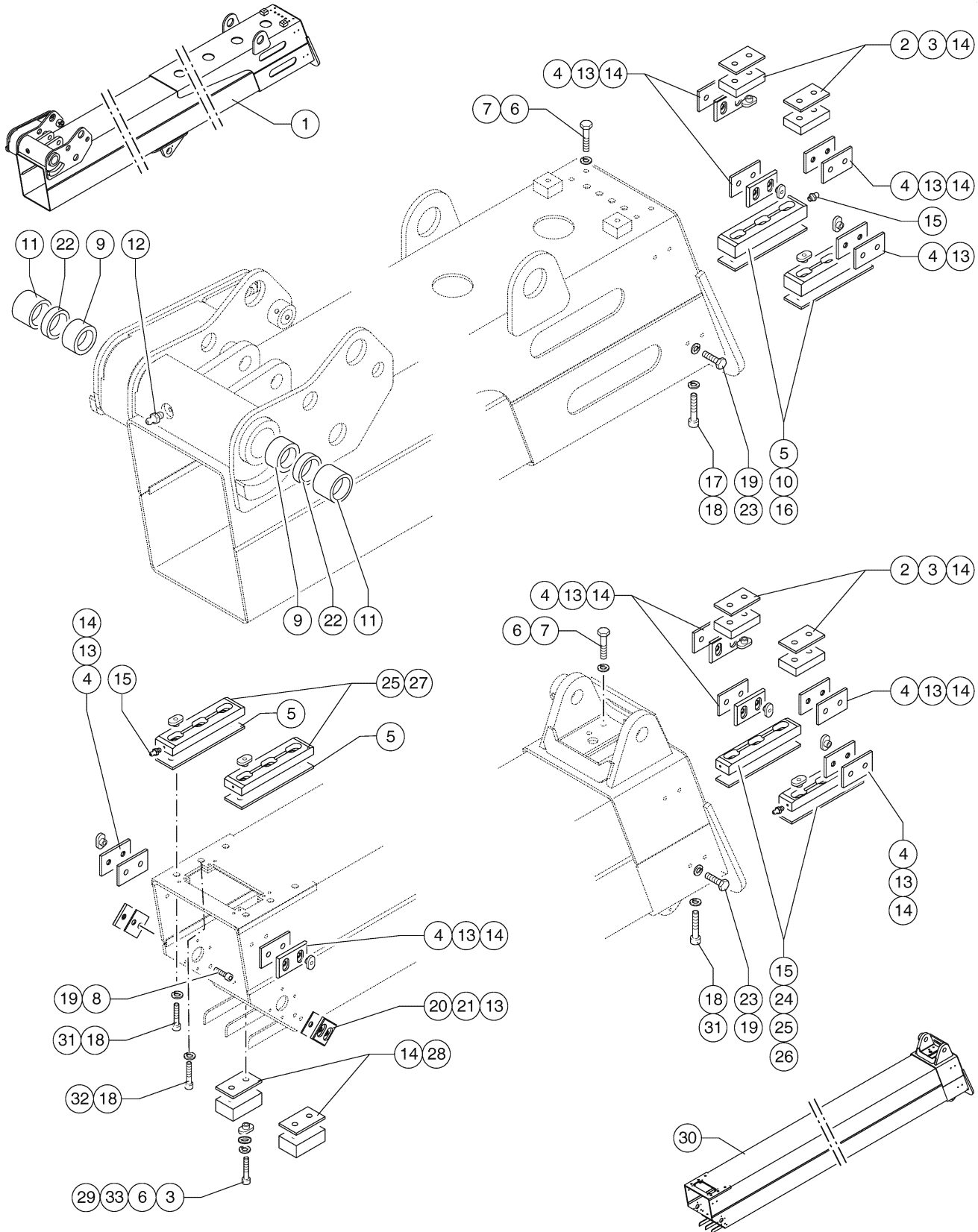
501.1 605400 Arm (1st Telescopic Element) GTH-4013SX



501.1 605400 Arm (1st Telescopic Element) GTH-4013SX

Item	Part No.	Description	Qty.
1	51.0200.8400	1st Telescope.....	1
2	54.0702.0000	Pad 200x60x20.....	4
3	54.0200.0001	Pad Fixing Bushing M10x13.5.....	8
4	54.0702.0001	Front Lateral Pad 100x60x12.....	4
5	51.0801.9000	1st Telescope Front Bottom Pad Support.....	2
6	01.4032.0004	SPRING WASHER,D10 ZN.....	16
7	01.0001.0357	SCREW, 8.8 HCS 10MM-1.5X35Z.....	12
8	01.0001.0304	SCREW,8.8HCSM10-1.5X50Z FT....	4
9	54.0201.0003	Bushing 70/80x70.....	2
10	52.0900.0200	Bushing D79 - D72 L=50.....	2
11	54.0201.0004	Bushing 70/80x70.....	2
12	02.0117.0101	GREASE NIPPLE.....	1
13	54.0200.0000	Bushing M10x8.5.....	8
14	51.0804.9000	Pad Shim 200 X 58 Sp.1.....	4
15	51.0809.4000	Boom Shim 100x60x1.....	4

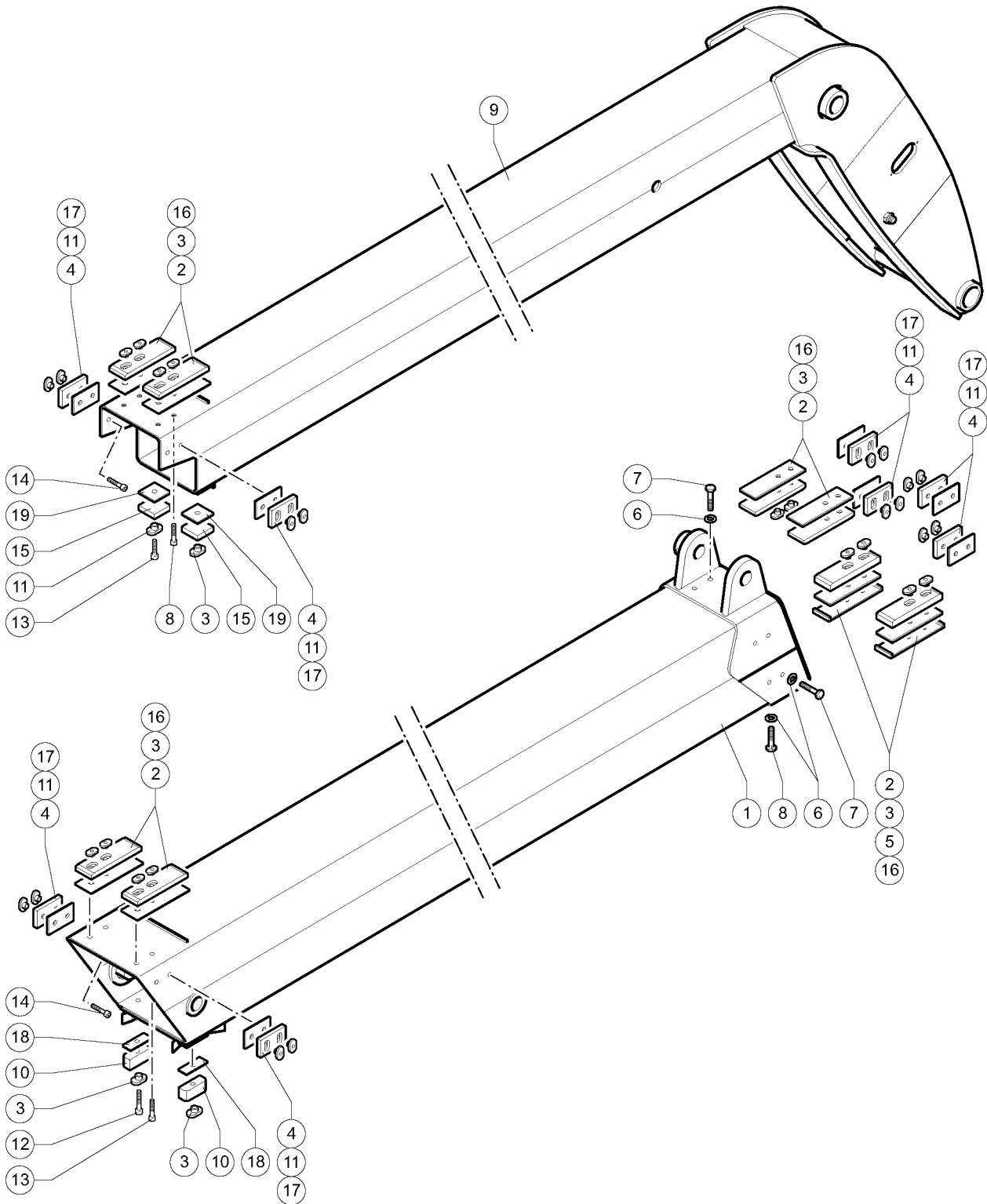
502.1 605793 Arm (1st - 2nd Telescopic Element) GTH-4017SX



502.1 605793 Arm (1st - 2nd Telescopic Element) GTH-4017SX

Item	Part No.	Description	Qty.
1	51.0201.3901	1st Telescope Boom.....	1
2	54.0702.0066	Slider Guide 60x100x25.....	4
3	54.0200.0001	Pad Fixing Bushing M10x13,5.....	8
4	54.0702.0062	Lateral Pad 60x100x9.....	10
5	51.0811.4132	Pad Shim 60x250 sp.1.....	2
6	01.0031.0056	WASHER,MM FL WASH 10 Z.....	8
7	01.0001.0356	SCREW, 8.8 HCS 10MM-1.5X30Z...8	
8	01.0001.0252	SCREW,8.8 HCS 8MM-1.25X16Z...4	
9	54.0201.0003	Bushing 70/80x70.....	2
10	54.0200.0004	Pad Fixing Bushing M14.....	6
11	54.0201.0004	Bushing 70/80x70.....	2
12	02.0117.0101	GREASE NIPPLE.....	1
13	54.0200.0005	Bushing M8.....	24
14	51.0811.4131	Pad Shim 60x100 sp.1.....	12
15	02.0117.0051	GREASE NIPPLE.....	6
16	54.0702.0068	Front Pad 60x250x38 sp.1.....	2
17	01.0003.0353	SCREW.....	6
18	01.0031.0058	PLAIN WASHER.....	12
19	01.0031.0055	WASHER,D 8,UNI 6592 ZN.....	24
20	54.0702.0063	Lateral pad 60x60x9.....	2
21	51.0811.4133	Pad shim 60x60 sp.1.....	2
22	52.0900.0200	Bushing D79 - D72 L=50.....	2
23	01.0001.0256	SCREW, 8.8 HCS 8MM-1.25X25Z.....	16
24	54.0702.0069	Front Pad 45x250x28.....	2
25	695962	BUSHING.....	12
26	51.0811.4134	pad Shim 45X250 - SP. 1.....	2
27	54.0702.0064	Rear Pad 60x250x25.....	2
28	54.0702.0071	Rear bottom pad 60x100x28.....	2
29	01.0001.0353	SCREW/BOLT / BOOM WEAR PAD.....	4
30	51.0201.3902	2nd Telescope Boom.....	1
31	01.4003.0052	Screw TCEI M14X30 UNI 5931 8.8 ZN.....	4
32	01.4003.0053	Screw TCEI M14X25 UNI 5931 8.8 ZN.....	2
33	01.4032.0004	SPRING WASHER,D10 ZN.....	2

503.1 605401 Arm (2nd - 3rd Telescopic Element) GTH-4013SX





503.1 605401 Arm (2nd - 3rd Telescopic Element) GTH-4013SX

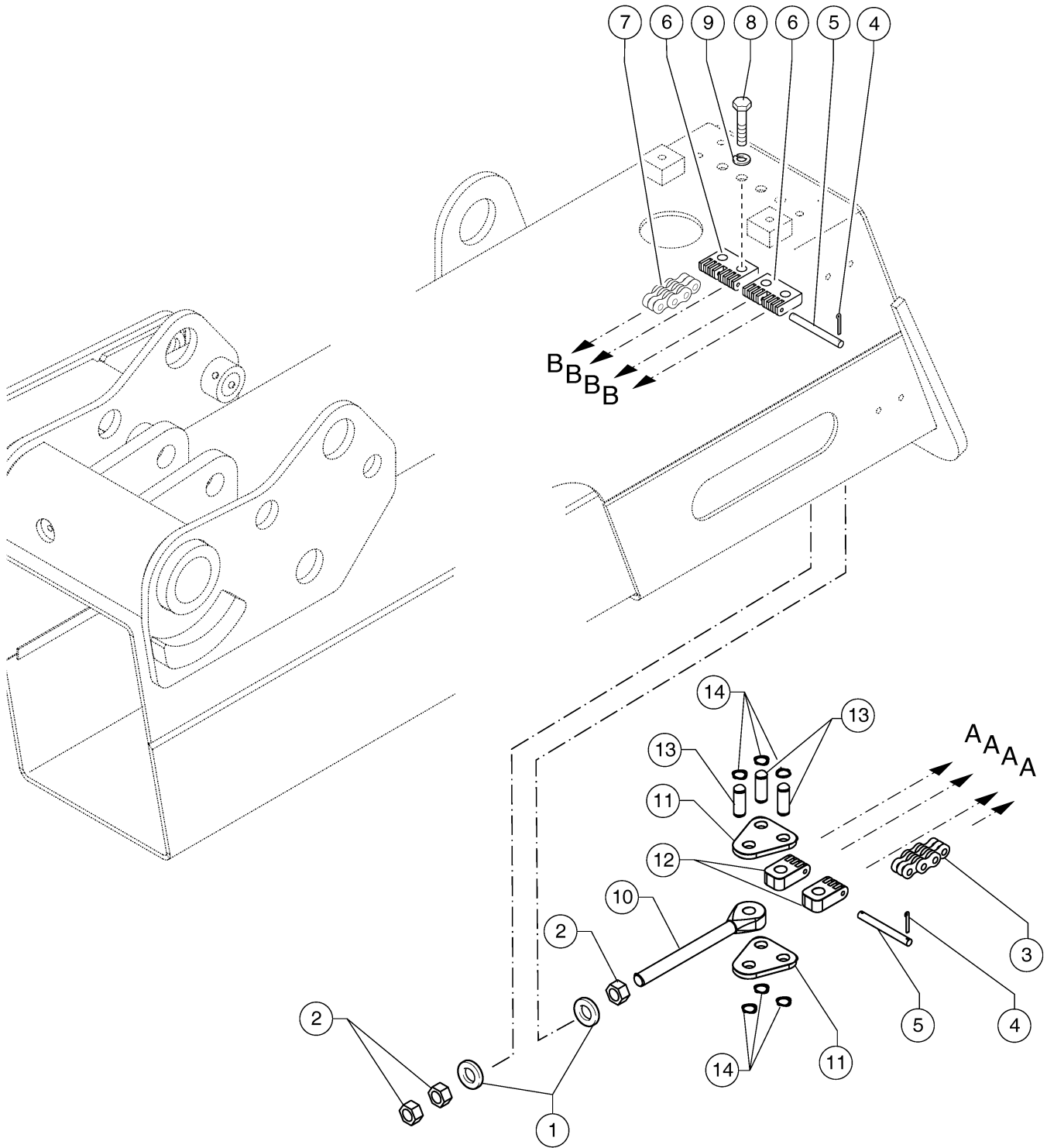
Item	Part No.	Description	Qty.
1	51.0200.8500	2nd Telescope.....	1
2	54.0702.0000	Pad 200x60x20.....	8
3	54.0200.0001	Pad Fixing Bushing M10x13.5.....	20
4	54.0702.0001	Front Lateral Pad 100x60x12.....	8
5	51.0801.9100	2nd Telescope Front Bottom Pad Support.....	2
6	01.4032.0004	SPRING WASHER,D10 ZN.....	16
7	01.0001.0356	SCREW, 8.8 HCS 10MM-1.5X30Z.....	12
8	01.4006.0005	SCREW/BOLT / WEAR PAD.....	4
9	51.0200.8600	3rd Telescope.....	1
10	54.0702.0003	Rear Bottom Pad 80x30x20.....	2
11	54.0200.0000	Pad Fixing Bushing M10x8.5.....	16
12	01.0001.0304	SCREW,8.8HCSM10-1.5X50Z FT....	2
13	01.0001.0355	SCREW, 8.8 HCS 10MM-1.5X25Z.....	10
14	01.0001.0353	SCREW/BOLT / BOOM WEAR PAD.....	8
15	54.0702.0004	Rear Bottom Pad 60x60x20.....	2
16	51.0804.9000	Boom Shim 200 X 58 Sp.1.....	8
17	51.0809.4000	Boom Shim 100x60x1.....	8
18	51.0809.4600	Pad Shim 80x30x1.....	2
19	51.0809.3900	Boom Shim 60x60x1.....	2



504.1 605794 Arm (3rd - 4th Telescopic Element) GTH-4017SX

Item	Part No.	Description	Qty.
1	51.0201.3903	3rd Telescope Boom.....	1
2	54.0702.0067	Slider Guide 60x100x20.....	2
3	54.0200.0001	Pad Fixing Bushing M10x13,5.....	8
4	54.0702.0062	Lateral Pad 60x100x9.....	12
5	51.0811.4132	Pad Shim 60X250X1.....	4
6	01.0031.0056	WASHER,MM FL WASH 10 Z.....	8
7	01.0001.0356	SCREW, 8.8 HCS 10MM-1.5X30Z..	4
8	01.0001.0252	SCREW,8.8 HCS 8MM-1.25X16Z.....	16
9	51.0201.3910	4th Telescope.....	1
10	02.0117.0051	GREASE NIPPLE.....	2
11	51.0811.4136	Pad Shim 200X60X1.....	2
12	51.0811.4132	Pad Shim 60X100X1.....	12
13	54.0200.0005	Bushing M8.....	24
14	51.0811.4135	Pad Shim 100X50X1.....	2
15	02.0117.0053	GREASE NIPPLE.....	4
16	54.0702.0070	Front Pad 60X200X28.....	2
17	54.0702.0073	Rear Bottom Pad 50X100X28.....	2
18	01.0031.0058	PLAIN WASHER.....	26
19	01.0031.0055	WASHER,D 8,UNI 6592 ZN.....	24
20	01.4003.0049	Screw TCEI M14x25 UNI 5931 8.8 ZN.....	6
21	54.0702.0072	Rear Bottom Pad 60X150X28.....	1
22	01.4032.0004	SPRING WASHER,D10 ZN.....	8
23	01.0001.0256	SCREW, 8.8 HCS 8MM-1.25X25Z..	8
24	54.0702.0065	Rear Pad 60X250X20.....	2
25	695962	BUSHING.....	6
26	01.0001.0355	SCREW, 8.8 HCS 10MM-1.5X25Z..	7
27	54.0702.0064	Rear Pad 60X250X25.....	2
28	01.4003.0052	Screw TCEI 14X30 UNI 5931 8.8 ZN.....	10
29	51.0811.4137	Pad Shim 100X50X1.....	2

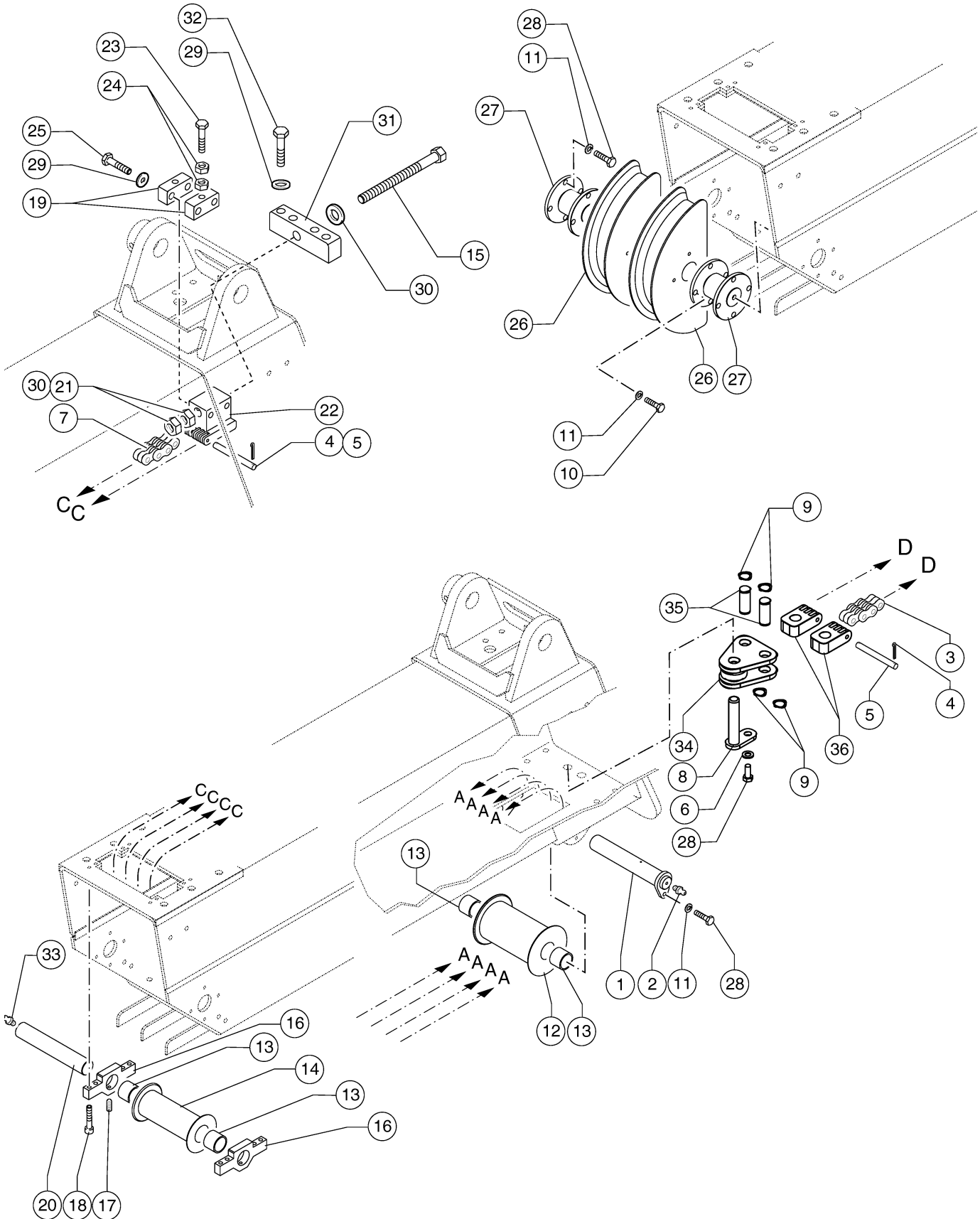
505.1 605795 Chain Unit 1st Boom Section GTH-4017SX



## 505.1 605795 Chain Unit 1st Boom Section GTH-4017SX

Item	Part No.	Description	Qty.
1	01.0031.0100	Spring washer D18 UNI 5714 ZN.....	4
2	01.0019.0179	Nut M12 UNI5588 6SZN.....	6
3	09.0803.0511	Fleyer Chain 3/4 259.....	4
4	09.0803.0257	Cotter Pin D2x25 UNI 1336 ZN.....	16
5	54.0002.0054	Chain Pin.....	8
6	54.0300.0019	Chain Terminal.....	2
7	09.0803.0403	Fleyer Chain 3/4 253.....	4
8	01.4001.0069	Screw TE M16x40 UNI 5737 10.9 ZN.....	4
9	01.0031.0099	WASHER.....	4
10	54.0300.0023	Stretch Chain Terminal.....	2
11	54.0300.0026	Chain, Pivot Plain.....	4
12	54.0300.0025	Chain Terminal.....	4
13	54.0000.0204	Pin.....	6
14	02.4126.0011	Snap Ring.....	12

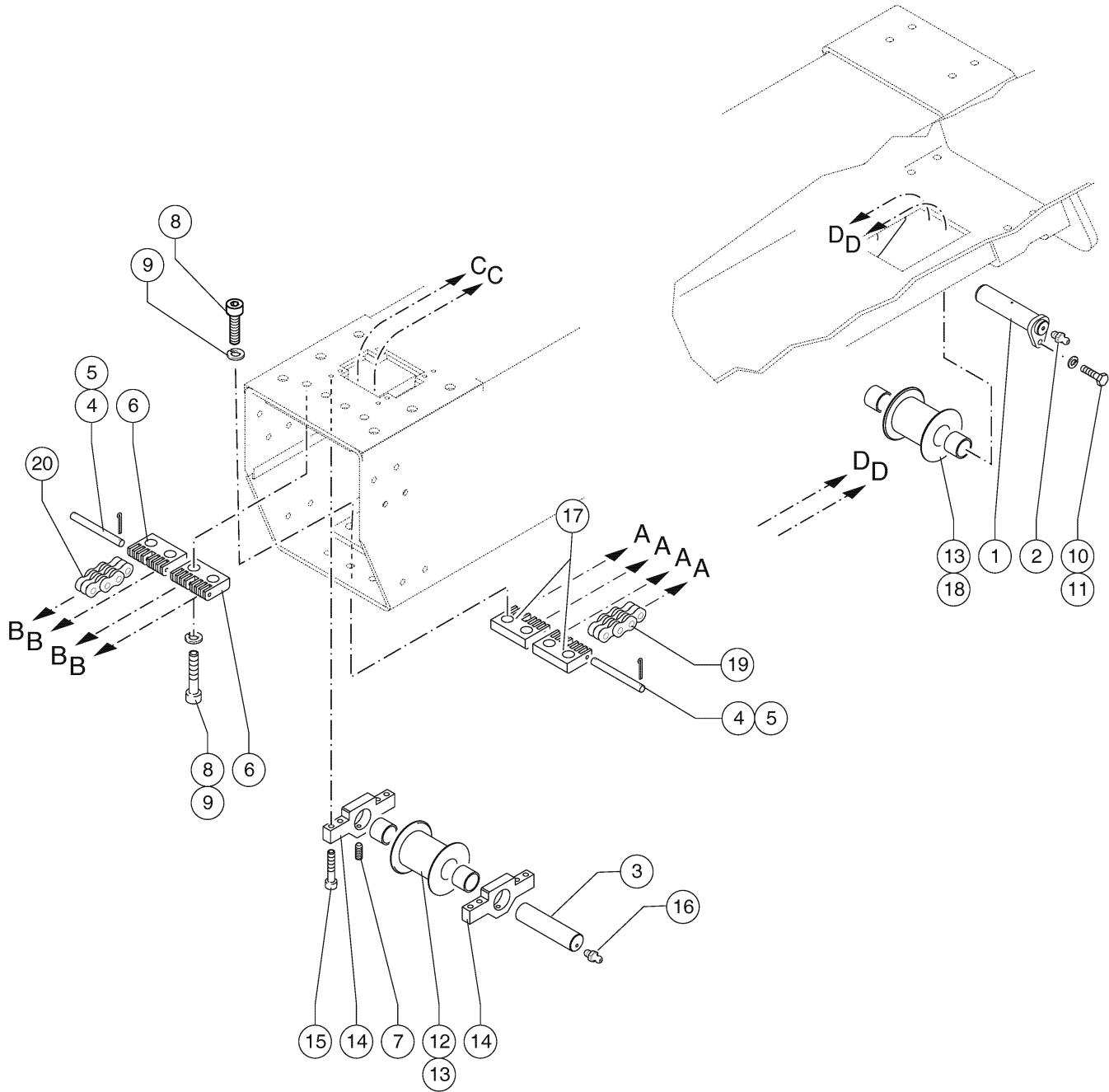
506.1 605796 Chain Unit 2nd Boom Section GTH-4017SX



506.1 605796 Chain Unit 2nd Boom Section GTH-4017SX

Item	Part No.	Description	Qty.
1	54.0001.0054	Pulley Front Pin.....	1
2	02.0117.0051	GREASE NIPPLE.....	1
3	09.0803.0511	Fleyer Chain 3/4 259.....	2
4	09.0803.0257	Cotter Pin D2x25 UNI 1336 ZN.....	4
5	54.0002.0034	Chain Pin.....	2
6	01.0031.0055	WASHER,D 8,UNI 6592 ZN.....	1
7	09.0803.0403	Fleyer Chain 3/4 253.....	2
8	54.0004.0109	Pin.....	1
9	02.4126.0011	Snap Ring.....	4
10	01.0001.0466	SCREW.....	8
11	01.0031.0055	WASHER,D 8,UNI 6592 ZN.....	17
12	54.0400.0035	Front Pulley.....	1
13	09.0801.0027	Bushing GLY-PG 353940 A.....	4
14	54.0400.0036	Rear Pulley.....	1
15	54.0300.0022	Stretch Chain Screw.....	1
16	51.0810.9000	Support Pulley.....	2
17	01.4041.0000	SET SCREW.....	2
18	01.4003.0051	Screw TCEI M 8X30 UNI 12.9 ZN....	8
19	54.0300.0021	Stretch Chain Block.....	2
20	54.0001.0056	Rear Pulley Pin.....	1
21	01.0019.0179	Nut M18 UNI 5589 8GZN.....	2
22	54.0300.0018	Stretch Chain Terminal.....	1
23	01.4001.0040	Screw TE M12X50 UNI 5737 10.9ZN.....	2
24	01.0019.0106	NUT.....	2
25	01.4001.0011	SCREW.....	4
26	54.0702.0060	Half Pulley.....	2
27	51.0810.8000	Slider Guide Support.....	2
28	01.0001.0254	SCREW, 8.8 HCS 8MM-1.25X20Z.....	10
29	01.0031.0057	WASHER,MM FL WASH 12 Z.....	6
30	01.0031.0100	Plain washer D 18 UNI 5714 ZN....	2
31	54.0300.0028	Stretch Chain support.....	1
32	01.0001.1539	Screw TE M 12X55 10.9 ZN UNI 5737.....	4
33	02.0117.0053	GREASE NIPPLE.....	1
34	54.0300.0024	Chain, Pivot Plate.....	1
35	54.0000.0204	Pin.....	2
36	54.0300.0025	Stretch Chain Support.....	2

507.1 605797 Chain Unit 3rd Boom Section GTH-4017SX

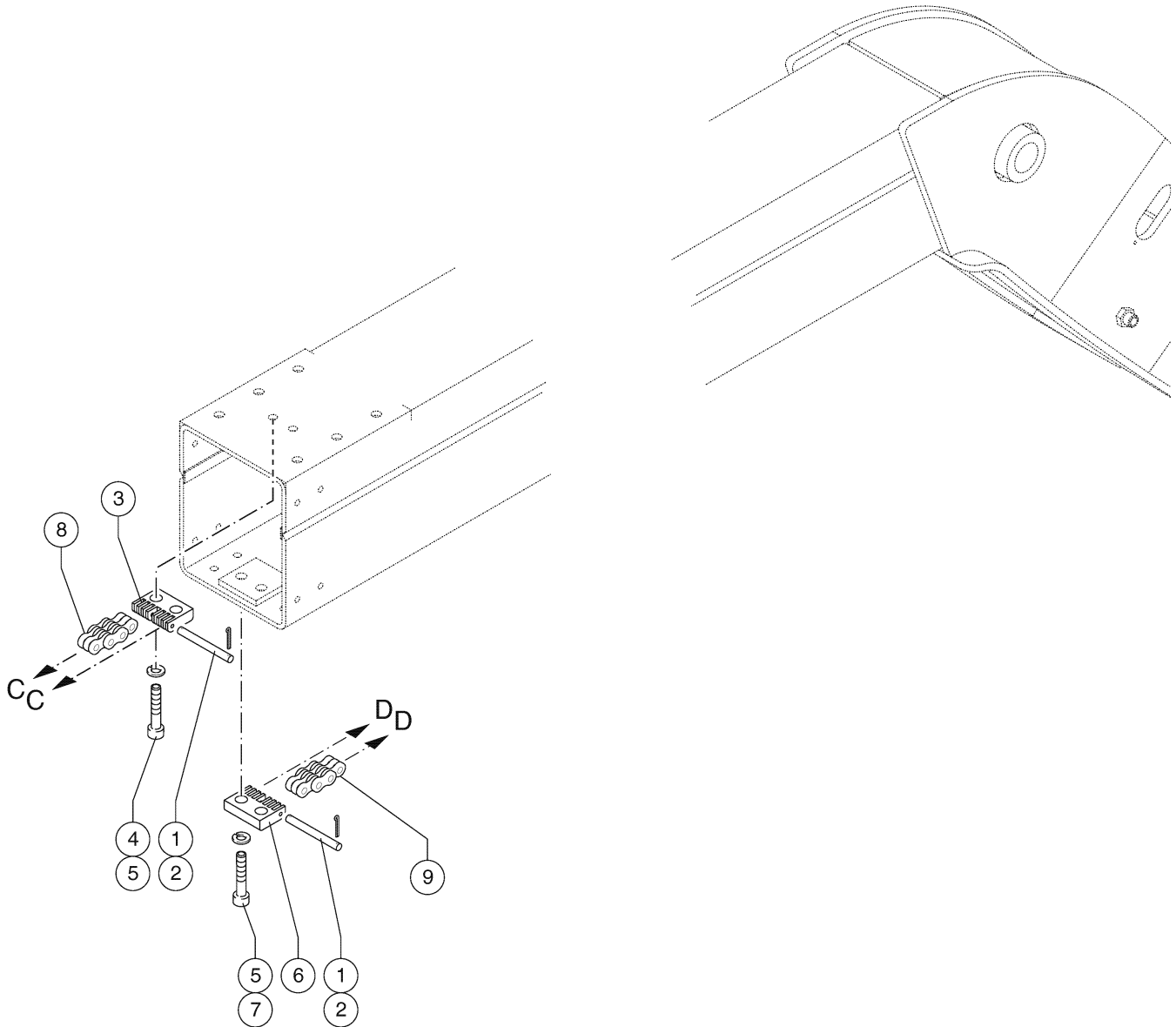




507.1 605797 Chain Unit 3rd Boom Section GTH-4017SX

Item	Part No.	Description	Qty.
1	54.0001.0053	Front Pulley Pin.....	1
2	02.0117.0051	GREASE NIPPLE.....	1
3	54.0001.0055	Rear Pulley Pin.....	1
4	09.0803.0257	Cotter Pin D2x25 UNI 1336 ZN.....	8
5	54.0002.0034	Chain Pin.....	4
6	54.0300.0020	Chain Terminal.....	4
7	01.4041.0000	SET SCREW.....	2
8	01.4001.0125	Screw TE M16x45 UNI 5737 10.9 ZN.....	8
9	01.0031.0099	WASHER.....	8
10	01.0001.0254	SCREW, 8.8 HCS 8MM-1.25X20Z...1	
11	01.0031.0055	WASHER,D 8,UNI 6592 ZN.....	1
12	54.0400.0034	Pulley.....	2
13	09.0801.0026	Bushing GLY-PG 303430 A.....	4
14	51.0811.0000	Pulley Support.....	2
15	01.4003.0051	Screw TCEI M 8X30 UNI5931 12.9ZN.....	8
16	02.0117.0053	GREASE NIPPLE.....	1
17	54.0300.0019	Chain Terminal.....	2
18	54.0400.0037	Pulley.....	1
19	09.0803.0511	Chain.....	4
20	09.0803.0403	Chain.....	4

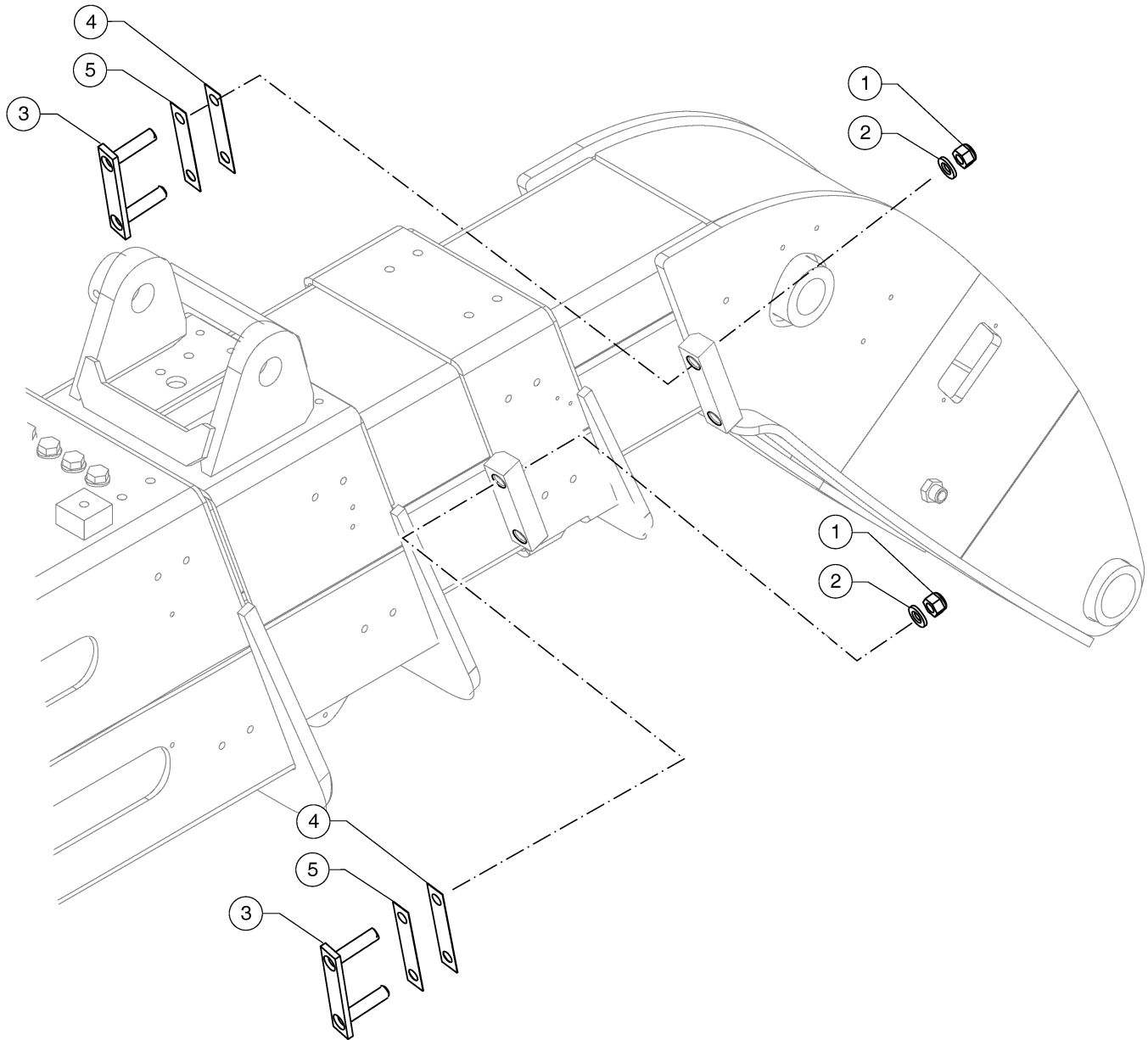
508.1 605798 Chain Unit 4th Boom Section GTH-4017SX



508.1 605798 Chain Unit 4th Boom Section GTH-4017SX

Item	Part No.	Description	Qty.
1	09.0803.0257	Cotter Pin D2x25 UNI 1336 ZN.....	8
2	54.0002.0034	Chain Pin.....	4
3	54.0300.0020	Chain Terminal.....	1
4	01.0001.1537	SCREW.....	4
5	01.0031.0099	WASHER.....	4
6	54.0300.0019	Chain Terminal.....	1
7	01.4001.0069	Screw TE 16X40 UNI 5737 10.9 ZN.....	2
8	09.0803.0403	Chain.....	2
9	09.0803.0511	Chain.....	2

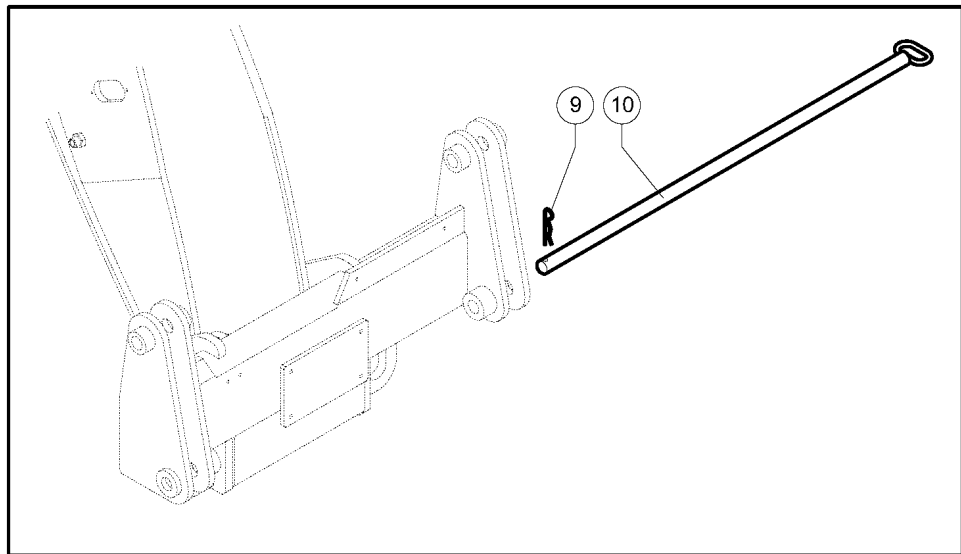
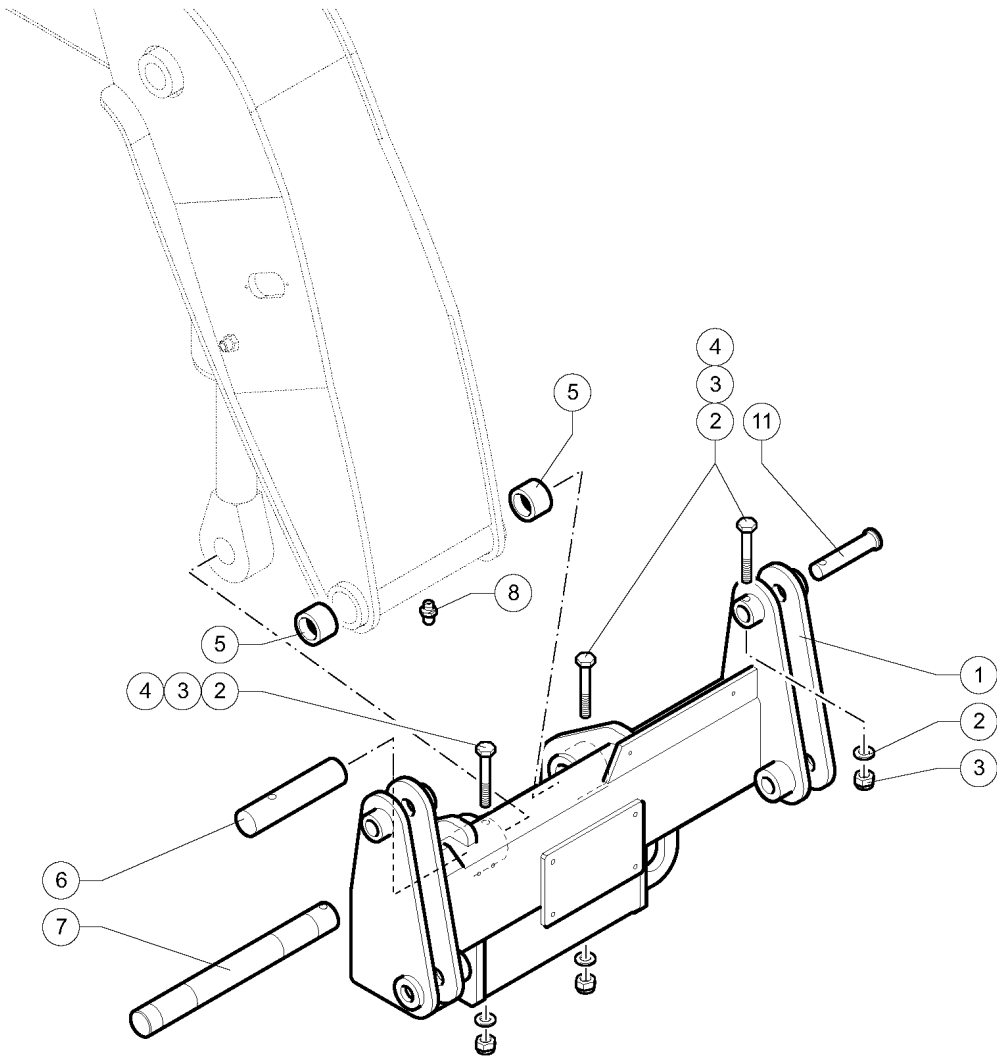
509.1 606281 Stop Spacer Boom Section GTH-4017SX



509.1 606281 Stop Spacer Boom Section GTH-4017SX

Item	Part No.	Description	Qty.
1	01.0023.0058	NUT, NYLOCK M16-2.0Z.....	4
2	01.0031.0059	WASHER,D16,UNI 6592,ZN.....	4
3	51.0811.4059	Shim.....	2
4	51.0811.4129	Shim 1 mm.....	2
5	51.0811.4130	Shim 2 mm.....	2

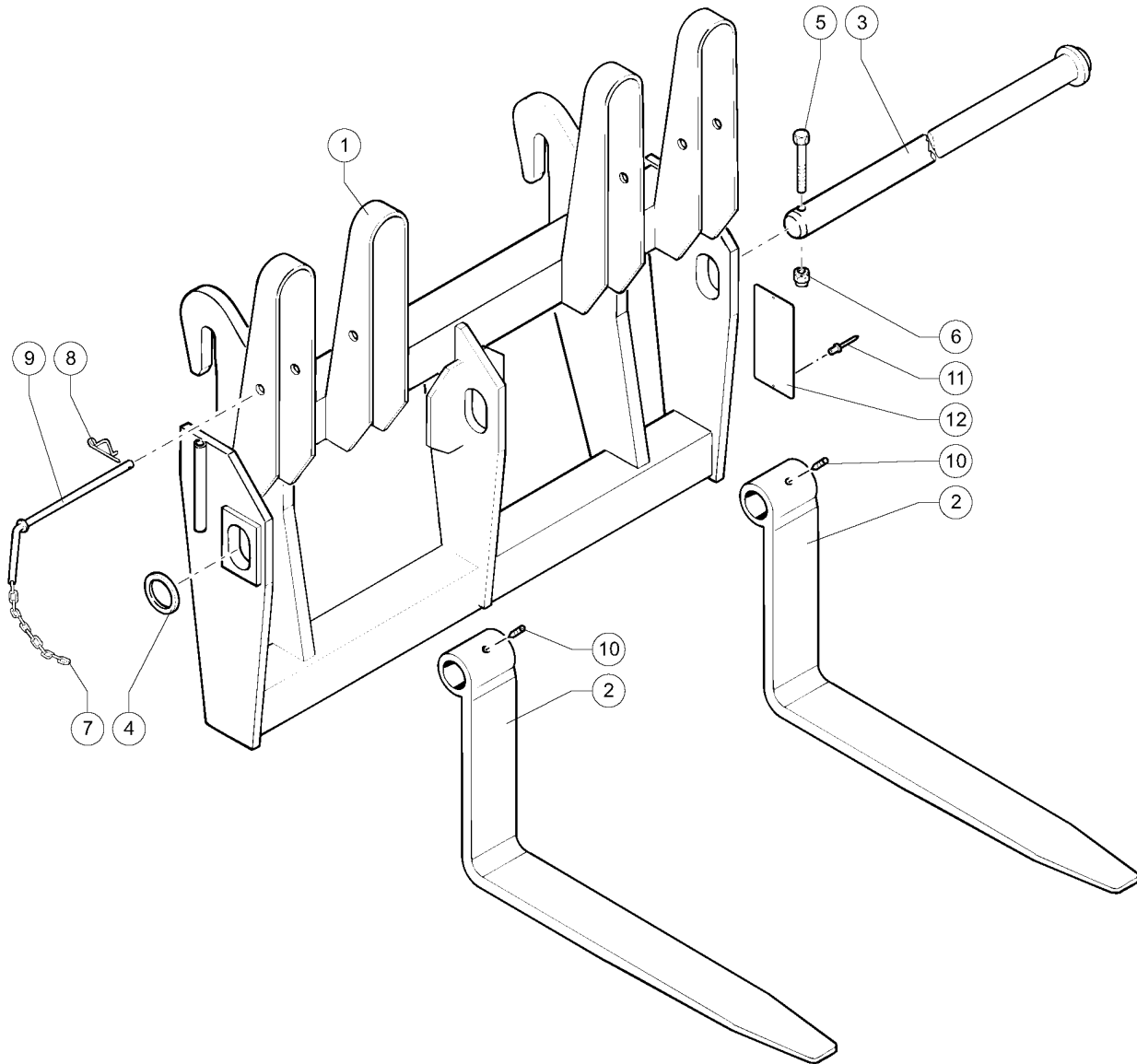
510.1 605402 Coupling Unit



510.1 605402 Coupling Unit

Item	Part No.	Description	Qty.
1	51.0400.4700	Fork Coupling Attachment.....	1
2	01.0031.0054	CHAMFERED WASHER,D6,UNI 6592ZN.....	4
3	01.0023.0053	NUT,NYLOCK M6-1.0 Z.....	4
4	01.0001.0104	SCREW, 8.8HC6M6-1.0X40Z FT.....	4
5	54.0201.0017	Bushing 50/60x60.....	2
6	54.0000.0122	Fork Cylinder Head Pin.....	1
7	54.0002.0031	Boom-Joint Pin.....	1
8	02.0117.0101	GREASE NIPPLE.....	1
9	02.4102.0001	Cotter Pin.....	1
10	54.0000.0077	Attachment Locking Pin.....	1
11	54.0001.0022	Mobile Pin For Fork Rotation Attachment.....	2

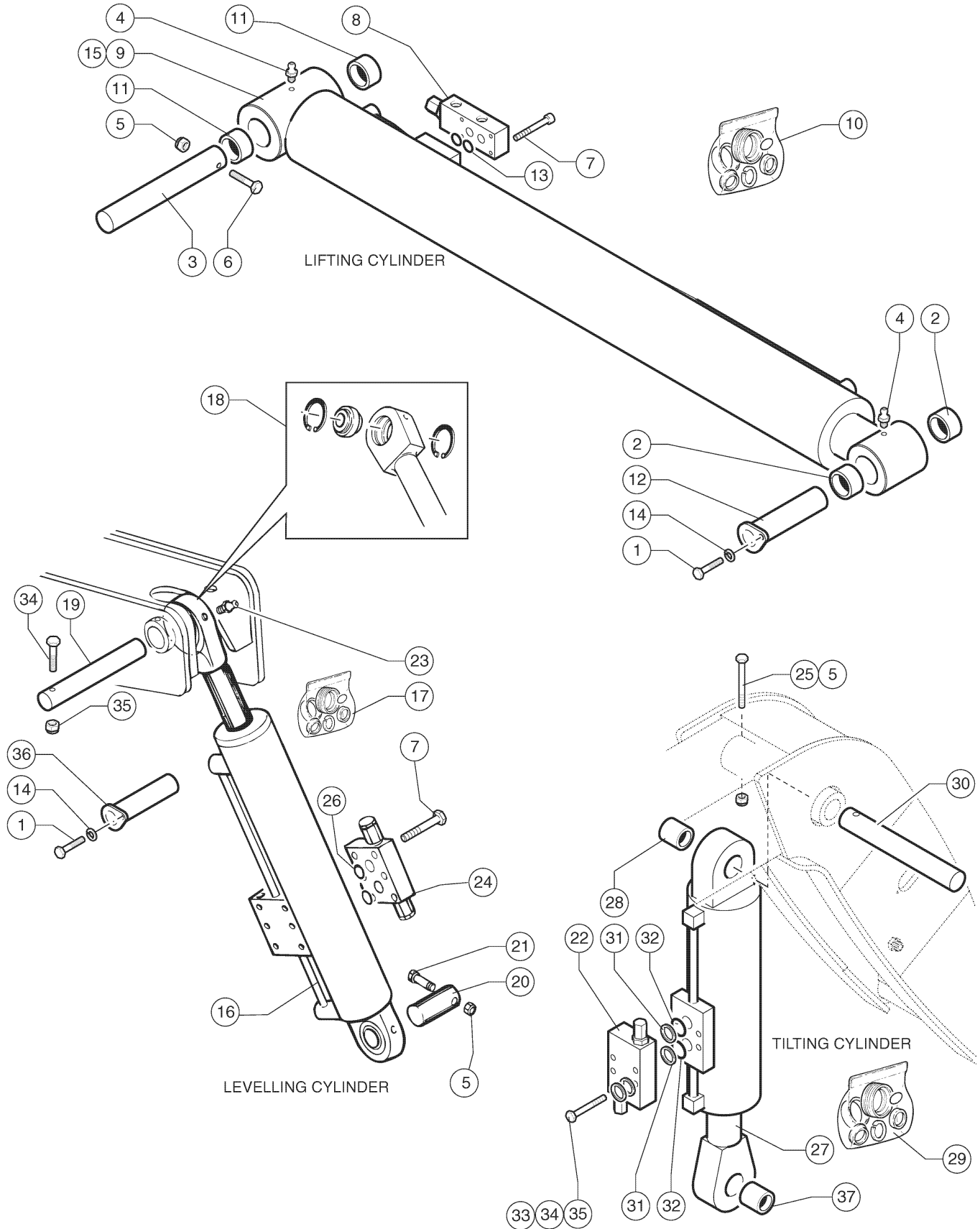
511.1 605403 Forks





Item	Part No.	Description	Qty.
1	51.1300.5300	Floating Fork Mounting Plate.....	1
2	51.1301.2500	Floating Fork 2250Kg/600 Sez.120X50 L=1200.....	2
3	54.0000.0083	Pin For Floating Forks.....	1
4	54.0100.0056	Washer D88.9/58 Sp.8.....	1
5	01.0001.0409	SCREW, HCS 12-1.75X90 Z 8.8.....	1
6	01.0023.0056	NUT,M12,UNI,7473 6SZN.....	1
7	09.0803.0055	Chain Filo D.3.....	0.2-m
8	09.0803.0026	SPRING SPLIT PIN,WIRE,D4.....	2
9	07.0726.0051	Pin.....	2
10	01.4041.0005	SECURITY DOWEL 5519.....	2
11	02.4115.0000	RIVETTO A STRAPPO.....	2
12	09.4616.0109	Forks CE Plate.....	1

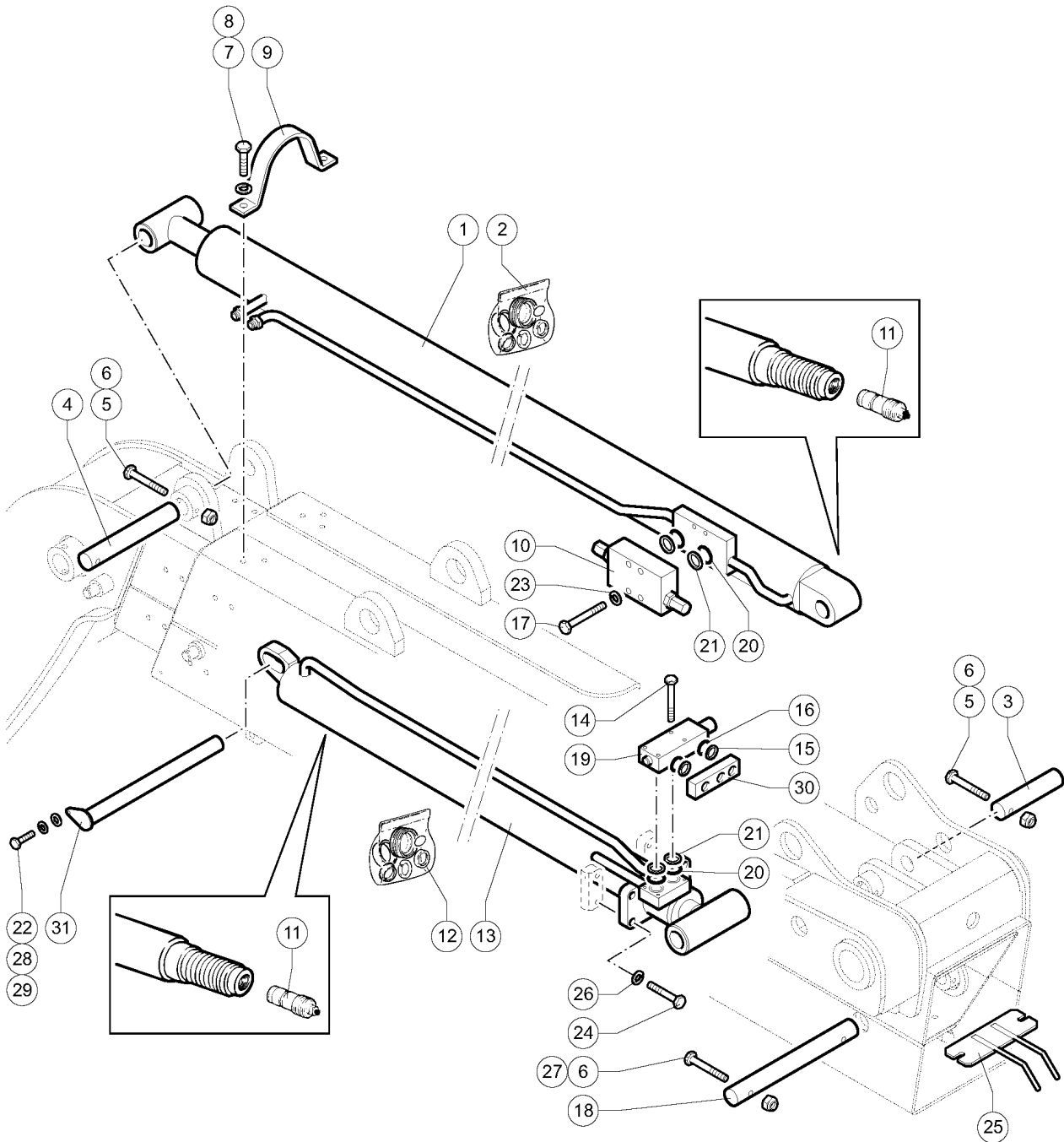
512.1 605799 Lifting Cylinder - Tilt Cylinder - Fork Levelling Cylinder



512.1 605799 Lifting Cylinder - Tilt Cylinder - Fork Levelling Cylinder

Item	Part No.	Description	Qty.	Item	Part No.	Description	Qty.
1	01.0001.0505	SCREW.....	1	36	54.0000.0202	Fork Levelling Cylinder Head Pin GTH-4017SX.....	1
2	09.0801.0025	Bushing.....	2			<i>From SN 19275 to SN 19453</i>	
3	54.0000.0099	Lifting Cylinder Foot Pin.....	1	36	54.0000.0208	Fork Levelling Cylinder Head Pin GTH-4017SX.....	1
4	01.0117.0101	Greaser.....	2			<i>From SN 9454 to SN 20781</i>	
5	01.4001.0003	Screw TE M12X100UNI 5737 8.8 ZN.....	1	37	54.0201.0007	Bushing 50/60X100.....	1
6	01.0001.0413	SCREW.....	1				
7	01.0003.0210	SCREWTCEI M8X50,UNI 5931,8.8ZN.....	10				
8	04.4239.0005	LOAD HOLDING VALVE / LIFT.....	1				
9	53.0000.3600	Lifting Cylinder GTH-4017 SX.....	1				
10	07.4529.0110	SEAL KIT.....	1				
11	09.0801.0001	Bushing.....	2				
12	54.0000.0126	Lifting Cylinder Head Pin.....	1				
13	07.4529.0072	SEAL.....	1				
14	01.4032.0005	WASHER.....	2				
15	53.0000.2700	Lifting Cylinder GTH-4013 SX.....	1				
16	53.0300.1600	Fork Levelling Cylinder.....	1				
17	07.4529.0109	SEAL KIT.....	1				
18	902935	Ball Joint.....	1				
19	54.0000.0156	Fork Levelling Cylinder Head Pin GTH-4013 SX.....	1				
20	54.0000.0123	Fork Levelling Cylinder Foot Joint Pin.....	1				
21	01.0001.0410	SCREW.....	1				
22	04.4239.0000	VALVE BLOCK.....	1				
23	02.0117.0101	GREASE NIPPLE.....	2				
24	04.4239.0003	VALVE / FORK BALANCING.....	1				
25	01.0023.0056	NUT,M12,UNI,7473 6SZN.....	1				
26	905371	O-ring.....	2				
27	53.0400.1200	Tilt Cylinder.....	1				
28	54.0201.0017	Bushing 50/60X60.....	1				
29	640536	JOINT/GASKET KIT.....	1				
30	54.0000.0001	Tilt Cylinder Foot Pin.....	1				
31	07.4529.0073	Back-Up Ring D.Int. 17,86 x 2,62.....	2				
32	07.4529.0071	O-Ring D.Int. 17,86 x 2,62.....	2				
33	01.0001.0306	SCREW,8.8 HCS 10MM-1.5X60Z....	4				
34	01.4001.0008	SCREW,TE,M0X90 UNI 5737 8.8,ZN.....	1				
35	01.0023.0055	NUT,SELFLOCK,M10,UNI7473,ZN..	1				

513.1 605405 Boom Extension Cylinder

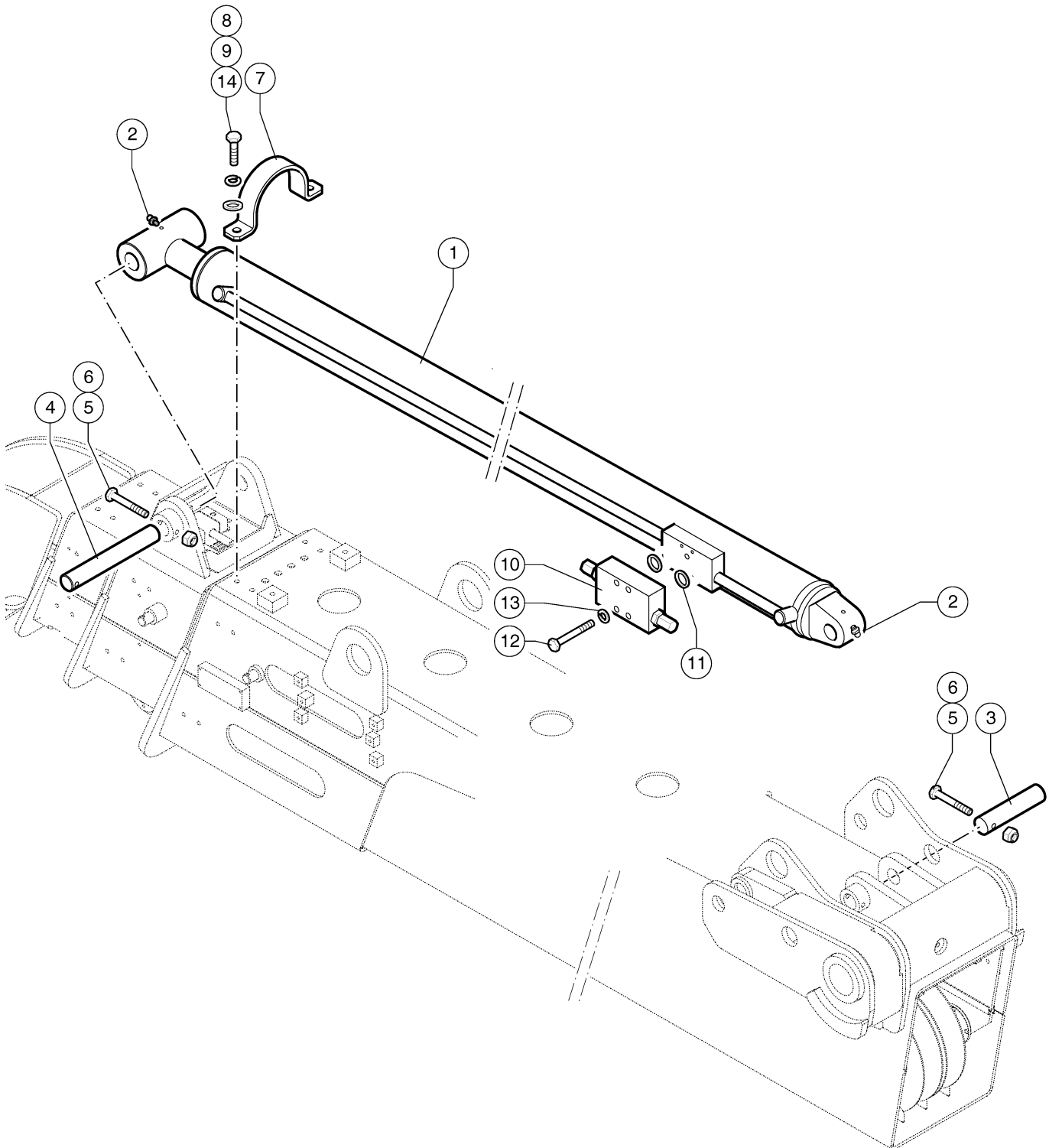


513.1 605405 Boom Extension Cylinder

Item	Part No.	Description	Qty.	Item	Part No.	Description	Qty.
1	53.0100.2400	2nd Telescope Extension Cylinder....1		31	54.0004.0099	3rd Telescope Extension Cylinder Guide Pin.....1	1
2	640101	GASKET KIT / UPPER BOOM CYL.....1	1				
3	54.0000.0128	2nd Telescope Extension Cylinder Foot Pin.....1	1				
4	54.0000.0004	2nd Telescope Extension Cylinder Head Pin.....1	1				
5	01.0001.0310	SCREW, 8.8 HCS 10MM-1.5X80Z...2	2				
6	01.0023.0055	NUT,SELFLOCK,M10,UNI7473,ZN..3	3				
7	51.0800.0600	2nd Telescope Extension Cylinder Collar.....1	1				
8	01.4001.0005	SCREW.....2	2				
9	01.4032.0006	WASHER,MM L/W 10 ZP.....2	2				
10	04.4239.0079	2bd Telescope Extension Cylinder Block Valve.....1	1				
11	04.4239.0047	Phasing Valve.....2	2				
12	640102	GASKET KIT / INNER BOOM CYL.....1	1				
13	53.0200.0700	3rd Telescope Extension Cylinder....1	1				
14	01.4003.0002	SCREW.....4	4				
15	06.0442.0101	WASHER.....2	2				
16	06.0401.0123	GASKET/SEAL.....2	2				
17	01.0001.0014	Screw TE M10x60 UNI 5737 8.8 ZN WMAR 15.....4	4				
18	54.0000.0129	3rd Telescope Extension Cylinder Pin.....1	1				
19	04.4239.0001	VALVE.....1	1				
20	07.4529.0073	Back-Up Ring.....4	4				
21	07.4529.0071	O-Ring D.int. 17.86 x 2.62.....4	4				
22	01.4032.0003	SPRING WASHER,D 8,ZN.....1	1				
23	01.0032.0055	SPRING WASHER.....4	4				
24	01.0001.1492	Screw TE M14x50 UNI 5739 8.8 ZN.....4	4				
25	51.0803.0300	Boom Pipe Guide.....1	1				
26	01.0001.0073	Spring Washer D14 ZN RNFT WAR 74.....4	4				
27	01.4001.0008	SCREW,TE,M0X90 UNI 5737 8.8,ZN.....1	1				
28	01.0031.0299	WASHER,CHMFRD,D8,UNI 6593,ZN.....1	1				
29	01.0001.0254	SCREW, 8.8 HCS 8MM-1.25X20Z...1	1				
30	54.0600.0001	Alignment Block For 2nd Telescope Double Pipes.....1	1				



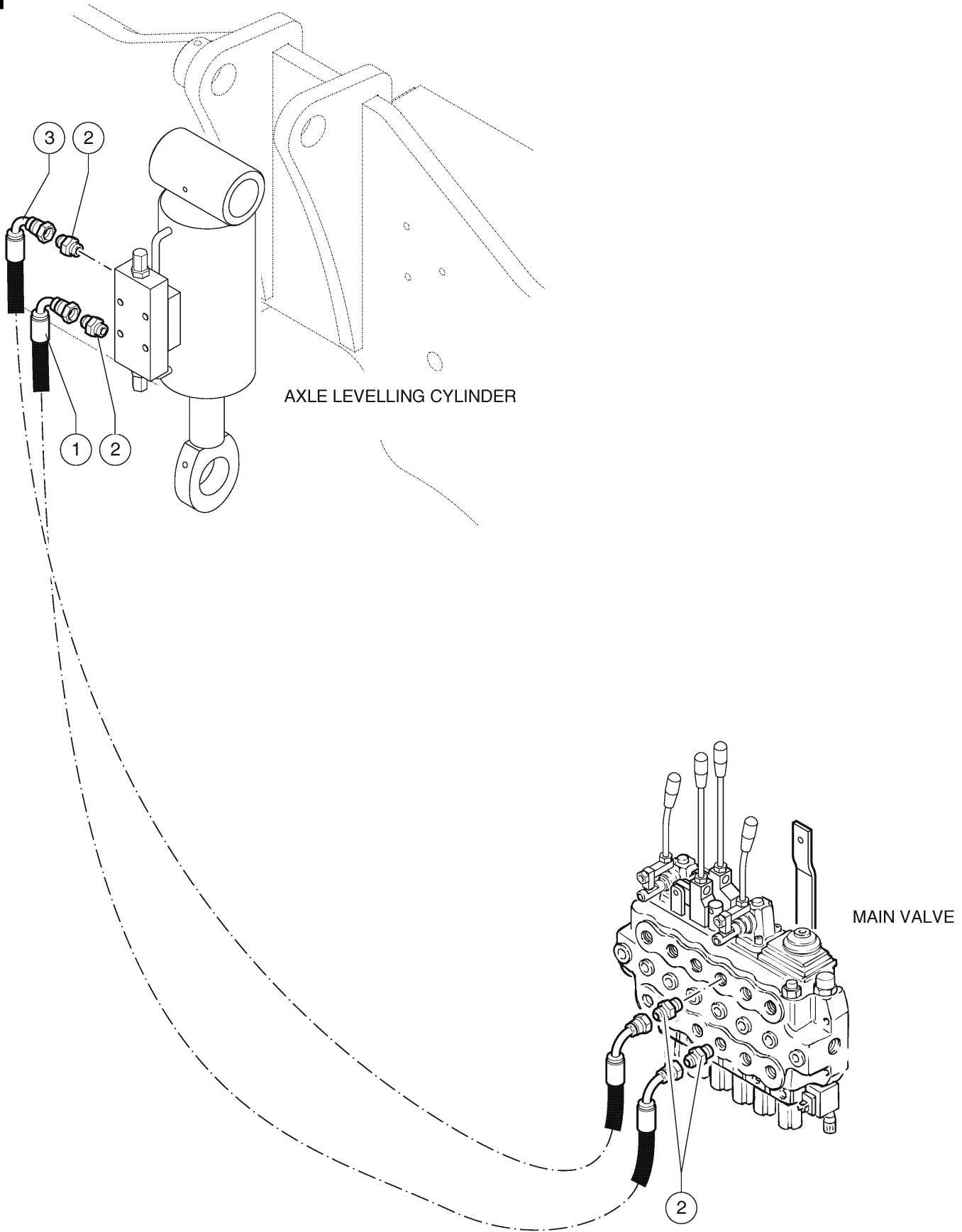
514.1 605800 Boom Extension Cylinder GTH-4017SX



514.1 605800 Boom Extension Cylinder GTH-4017SX

Item	Part No.	Description	Qty.
1	53.0100.2900	2nd Telescope Extension Cylinder....1	
2	02.0117.0101	GREASE NIPPLE.....2	
3	54.0000.0128	2nd Telescope Extension Cylinder Foot Pin.....1	
4	54.0001.0057	2nd Telescope Extension Cylinder Head Pin.....1	
5	01.4001.0008	SCREW,TE,M0X90 UNI 5737 8.8,ZN.....2	
6	01.0023.0055	NUT,SELFLOCK,M10,UNI7473,ZN..2	
7	51.0810.7900	2nd Telescope Extension Cylinder Collar.....1	
8	01.4001.0606	Screw TE M14x40 UNI 5739 8.8 ZN.....2	
9	01.4032.0006	WASHER,MM L/W 10 ZP.....2	
10	04.4239.0041	2Nd Telescope Extension Ylinder Block Valve.....1	
11	07.4529.0071	O-ring D.int. 17,86 x 2,62.....2	
12	01.0001.0306	SCREW,8.8 HCS 10MM-1.5X60Z....4	
13	01.0031.0056	WASHER,MM FL WASH 10 Z.....4	
14	01.4031.0002	PLAIN WASHER.....2	

601.1 605801 Hydraulic System - Axle Levelling

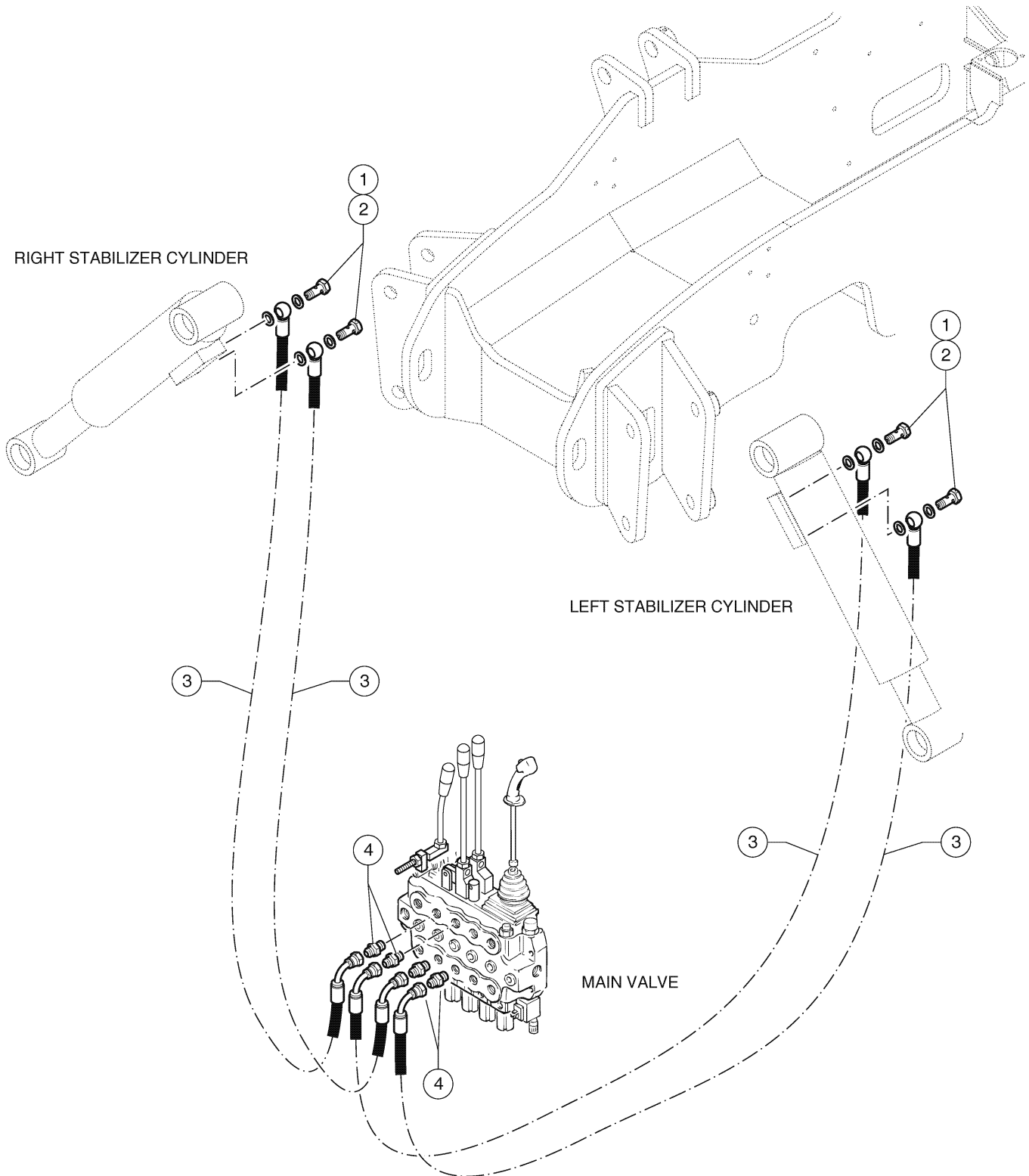




601.1 605801 Hydraulic System - Axle Levelling

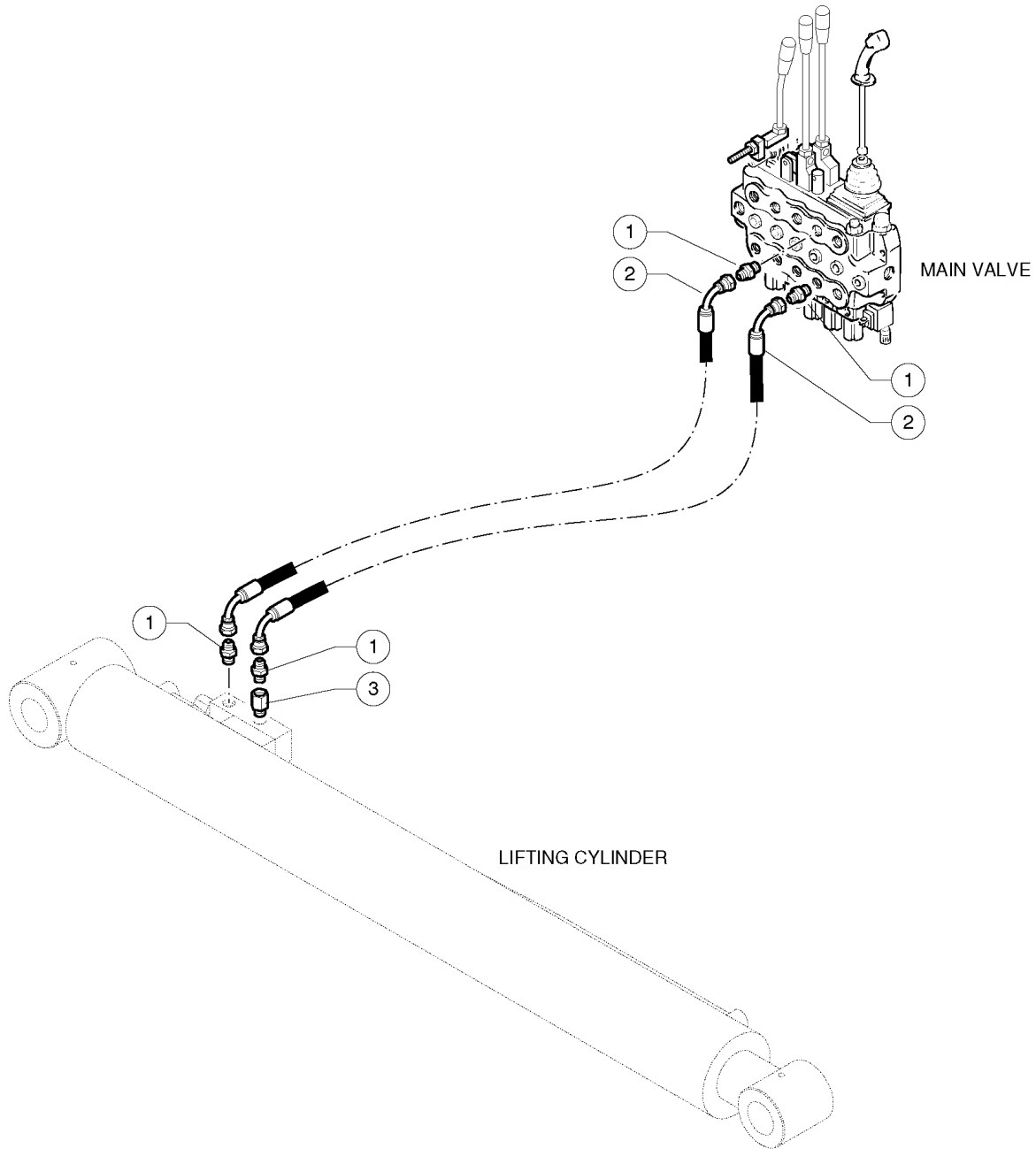
Item	Part No.	Description	Qty.
1	04.0605.0603	Pipe R2 x 1/4 L=2000 F90-F90 9/16 A 90°.....	1
2	04.0607.0167	Nipple 1/2BSP x 9/16-18 ORFS.....	4
3	04.0605.0667	Pipe R2 X 1/4 LG. 2150 F90-F90 9/16 A 90°.....	1

602.1 605803 Hydraulic System - Stabilizer



Item	Part No.	Description	Qty.
1	04.0214.0035	DRILLED SCREW.....	4
2	06.0442.0103	WASHER,BRASS.....	8
3	04.0605.0604	Pipe R2 x 3/8 L=3000 F90 11/16 OC 1/2.....	4
4	04.0607.0110	PIPE FITTING.....	4

603.1 605804 Hydraulic System - Lifting



603.1 605804 Hydraulic System - Lifting

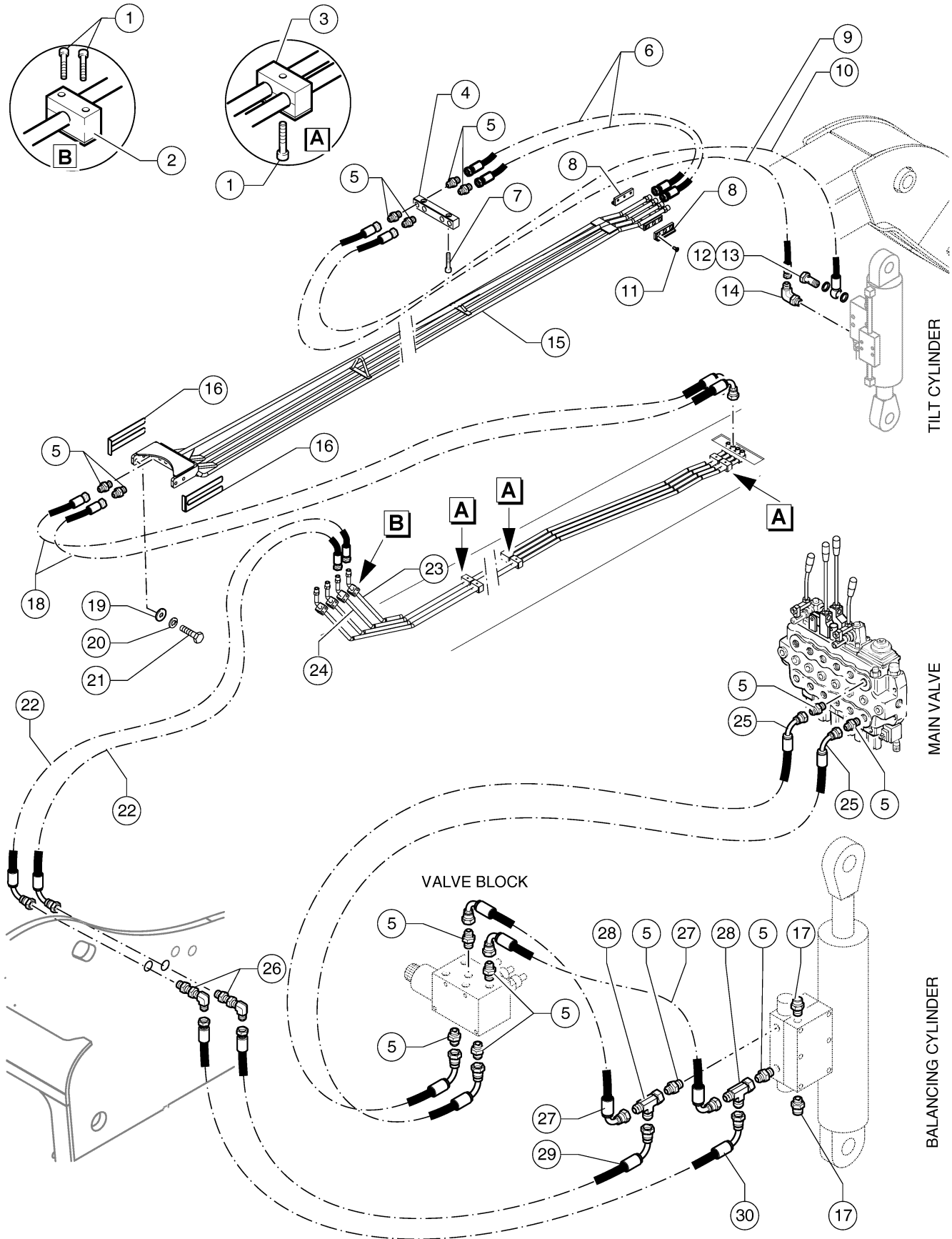
Item	Part No.	Description	Qty.
1	04.0607.0111	PIPE FITTING,1/2BSP X 13/16-16...4	
2	04.0605.0541	Pipe R2 x 1/2 L=2800 F90-F90 13/16-16 ORFS A 180°.....2	
3	04.0600.0091	PIPE FITTING.....1	



604.1 605805 Hydraulic System - Fork Balancing GTH-4013SX

Item	Part No.	Description	Qty.
1	06.0442.0103	WASHER,BRASS.....	2
2	04.0214.0035	DRILLED SCREW.....	1
3	04.0607.0141	PIPE FITTING 1/2GAS X M 13/16...	1
4	04.0605.0505	FLEXIBLE HOSE.....	1
5	53.3402.0600	Complete Fork Mov.Cylinder - Rod Side.....	1
6	53.3402.0500	Complete Fork Mov.Cylinder - Bottom Side.....	1
7	04.0605.0558	Pipe R2 x 1/2 L=1400 - FD-F90 13/16-16 ORFS.....	2
8	04.0607.0124	PIPE FITTING,90M-M.....	2
9	04.0605.0331	Pipe R2 x 1/2 L=800 F90-FD 13/16-16 ORFS.....	1
10	09.0803.0043	RETAINER PIPE/SINGLE BRACKET.....	10
11	01.0003.0157	SCREW, M6X25 SHCS Z.....	8
12	04.0605.0606	Pipe R2 x 1/2 L=3400 F90-F90 13/16 A 90°.....	2
13	04.4239.0004	VALVE.....	2
14	04.0607.0122	Pipe Fitting TMF+L 13/16-16 ORFS.....	2
15	04.0607.0111	PIPE FITTING,1/2BSP X 13/16-16.....	12
16	04.0605.0472	Pipe R2 X 1/2 LG. 900 FD F 45 13/16-16 ORFS.....	1
17	04.0605.0800	Pipe R2 X 1/2 LG. 800 FD F 45 13/16-16 ORFS.....	2
18	01.0003.0164	SCREW.....	8

605.1 605806 Hydraulic System - Fork Balancing GTH-4017SX



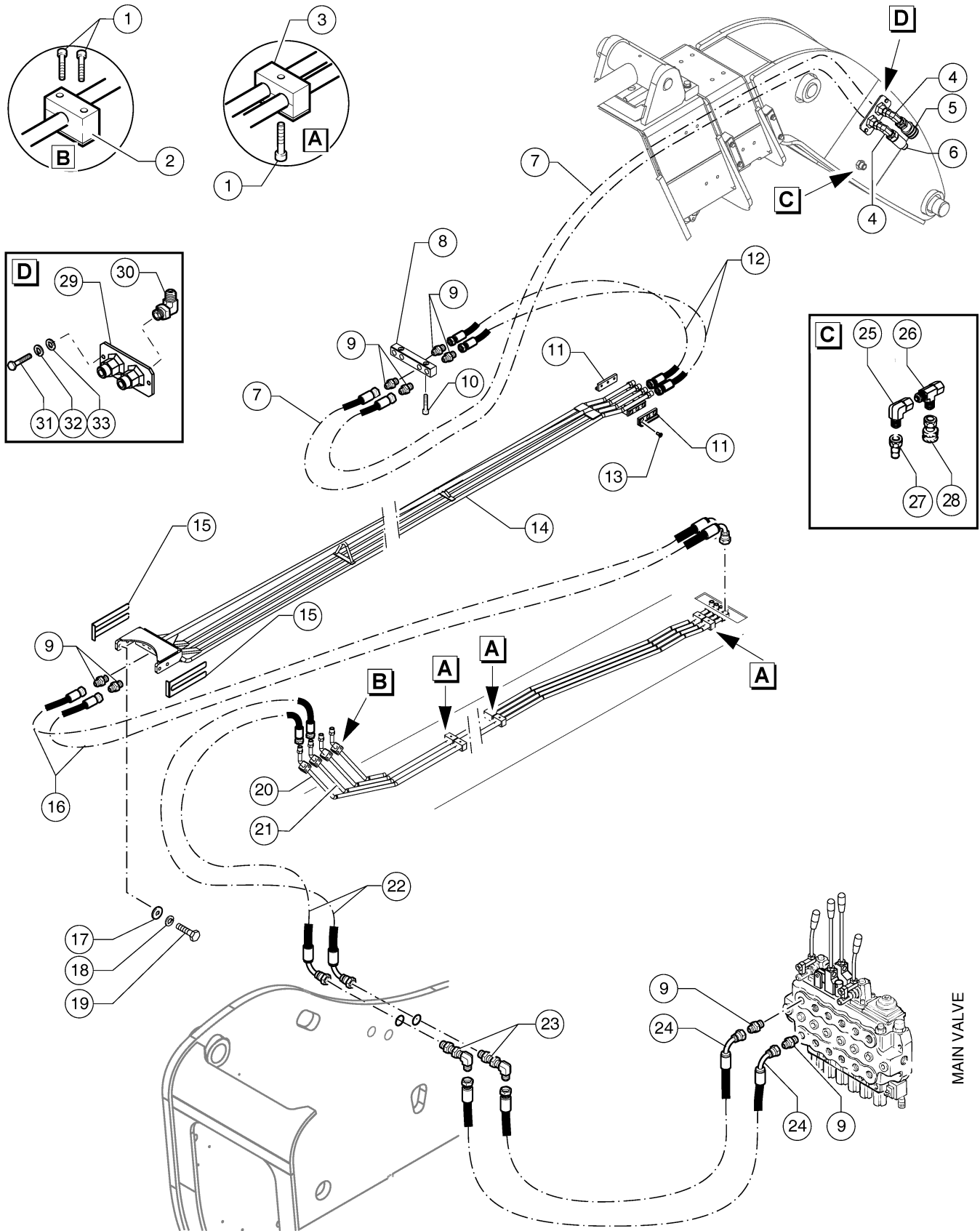


605.1 605806 Hydraulic System - Fork Balancing GTH-4017SX

Item	Part No.	Description	Qty.	Item	Part No.	Description	Qty.
1	01.0003.0157	SCREW, M6X25 SHCS Z.....	8	30	04.0605.0472	Pipe R2 X 172 Lg. 900 F90-FD 13/16-16 ORFS.....	1
2	09.0803.0043	RETAINER PIPE/SINGLE BRACKET.....	2				
3	09.0803.0045	DOUBLE STIRRUP FIRM TUBE....	4				
4	54.0600.0002	Nipple Bracket.....	1				
5	04.0607.0111	PIPE FITTING, 1/2BSP X 13/16-16.....	14				
6	04.0605.0858	Pipe R2 x 1/2 L=1400 FD-F90 13/16-16 ORFS.....	1				
7	01.0003.0944	SCREW, 12.9SHCS M8-1.25X30Z.....	2				
8	54.0702.0076	Bronze Block Pad.....	2				
9	04.0605.0863	Hose 1/2 Lg 3850 FD 13/16-16 FD 13/16-16.....	1				
10	04.0605.0862	Hose 1/2 Lg 3800 FD 13/16-16 Hole D 21.....	1				
11	01.4006.0004	SCREW.....	6				
12	06.0442.0103	WASHER, BRASS.....	2				
13	04.0214.0035	DRILLED SCREW.....	1				
14	04.0607.0141	PIPE FITTING 1/2GAS X M 13/16...1					
15	53.3402.4001	Iron Hoses.....	1				
16	51.0811.4057	Shim.....	6				
17	04.4239.0004	VALVE.....	2				
18	04.0605.0664	Pipe 1/2LG 4700 F90 FD 13/16-16ORFS.....	2				
19	01.0031.0057	WASHER, MM FL WASH 12 Z.....	4				
20	01.4032.0005	WASHER.....	4				
21	01.0001.0506	SCREW, 8.8 HCS 12MM1.75X30Z.....	4				
22	04.0605.0558	Pipe R2 X 1/2 Lg 1400 FD-F90 13/16-16 ORFS.....	2				
23	52.0900.8600	Iron Hose With Pipe Fitting.....	1				
24	52.0900.8700	Iron Hose With Pipe Fitting.....	1				
25	04.0605.0606	Pipe R2 X 1/2 Lg 3400 F90-F90 13/16 a 90°.....	2				
26	04.0607.0124	PIPE FITTING, 90M-M.....	2				
27	04.0605.0800	Pipe R2 X 1/2 LG. 800 FD F 45 13/16-16 ORFS.....	2				
28	04.0607.0122	Pipe Fitting TMF+L 13/16-16 ORFS.....	2				
29	04.0605.0331	Pipe R2 X 172 Lg. 800 F90-FD 13/16-16 ORFS.....	1				



606.1 606282 Hydraulic System - Attachement GTH-4017SX

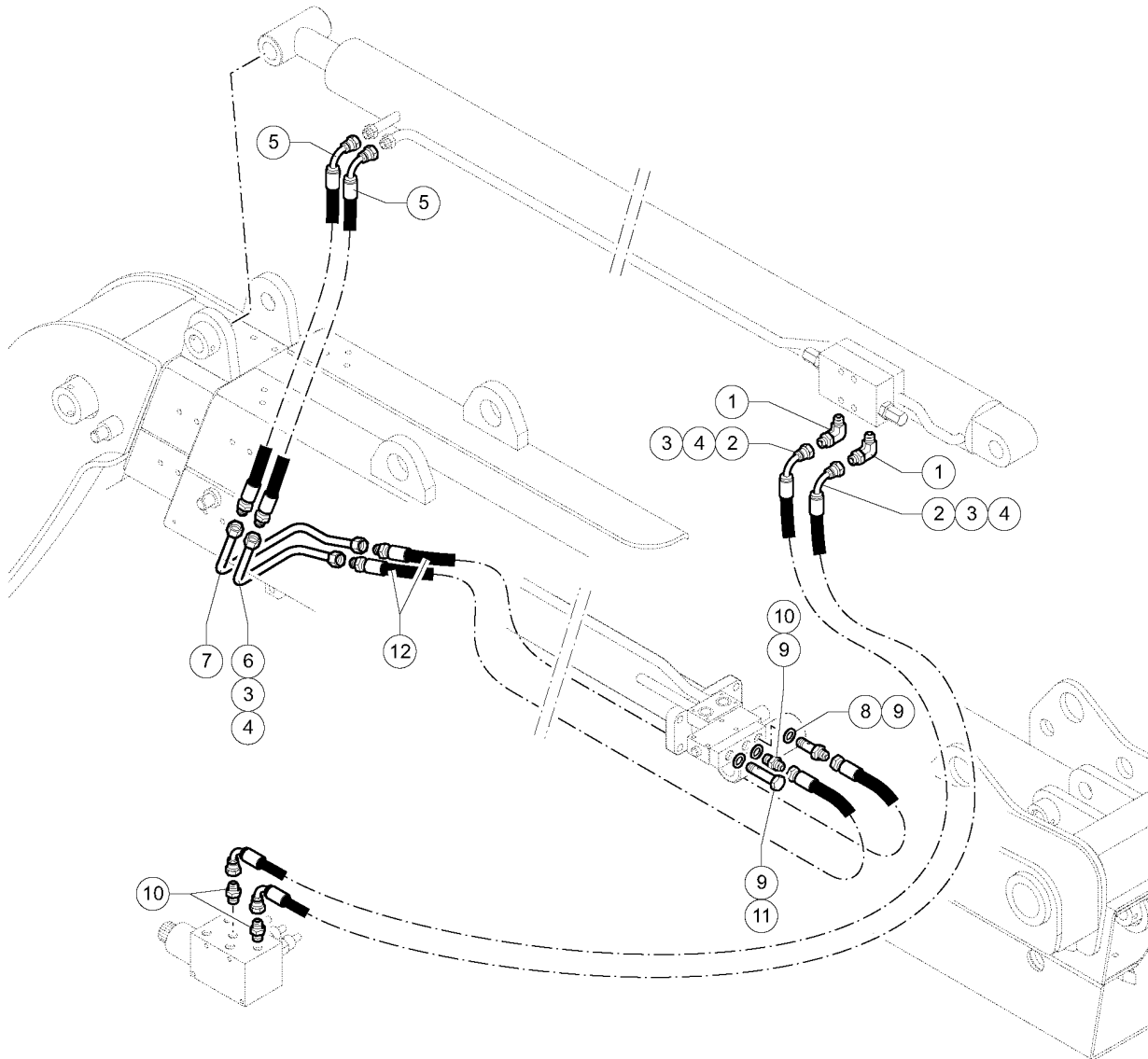


606.1 606282 Hydraulic System - Attachement GTH-4017SX

Item	Part No.	Description	Qty.
1	01.0003.0157	SCREW, M6X25 SHCS Z.....	8
2	09.0803.0043	RETAINER PIPE/SINGLE BRACKET.....	2
3	09.0803.0045	DOUBLE STIRRUP FIRM TUBE....	4
4	04.0600.0087	PIPE FITTING,90 A207140-2121....	2
5	04.4210.0008	FEMALE QUICK COUPLER.....	2
6	04.4210.0007	MALE QUICK COUPLER.....	2
7	04.0605.0861	Pipe 1/2 4000 FD 13/16-16 FD 13/16-16.....	2
8	54.0600.0002	Nipple Bracket.....	1
9	04.0607.0111	PIPE FITTING,1/2BSP X 13/16-16..	8
10	01.0003.0944	SCREW, 12.9SHCS M8-1.25X30Z.....	2
11	54.0702.0076	Bronze Block Pad.....	2
12	04.0605.0858	Twin Hoses 1/2 2625 FD FD 13/16-16.....	1
13	01.4006.0004	SCREW.....	6
14	53.3402.4001	Iron Hoses.....	1
15	51.0811.4057	Shim.....	6
16	04.0605.0664	Pipe 1/2 LG 4700 F90 FD 13/16-16 ORFS.....	2
17	01.0031.0057	WASHER,MM FL WASH 12 Z.....	4
18	01.4032.0005	WASHER.....	4
19	01.0001.0506	SCREW, 8.8 HCS 12MM1.75X30Z.....	4
20	52.0900.8900	Iron Hose.....	1
21	52.0900.8800	Iron Hose.....	1
22	04.0605.0605	Hose R2 X 1/2 LG. 1600 F90-FD 13/16.....	2
23	04.0607.0124	PIPE FITTING,90M-M.....	2
24	04.0605.0259	FLEXIBLE HOSE.....	2
25	04.0600.0019	PIPE FITTING,MFK 90 1/2 BSP.....	1
26	04.0600.0081	PIPE FITTING,FMF+L 1/2 BSP.....	1
27	04.4210.0007	MALE QUICK COUPLER.....	2
28	04.4210.0008	FEMALE QUICK COUPLER.....	2
29	53.3001.0500	Pipe Fitting Braket.....	1
30	04.0607.0141	PIPE FITTING 1/2GAS X M 13/16..	2
31	01.0001.0156	SCREW,TE,M6X20.....	2
32	01.4032.0002	WASHER,MM L/W 6 ZP.....	2
33	01.0031.0054	CHAMFERED WASHER,D6,UNI 6592ZN.....	2



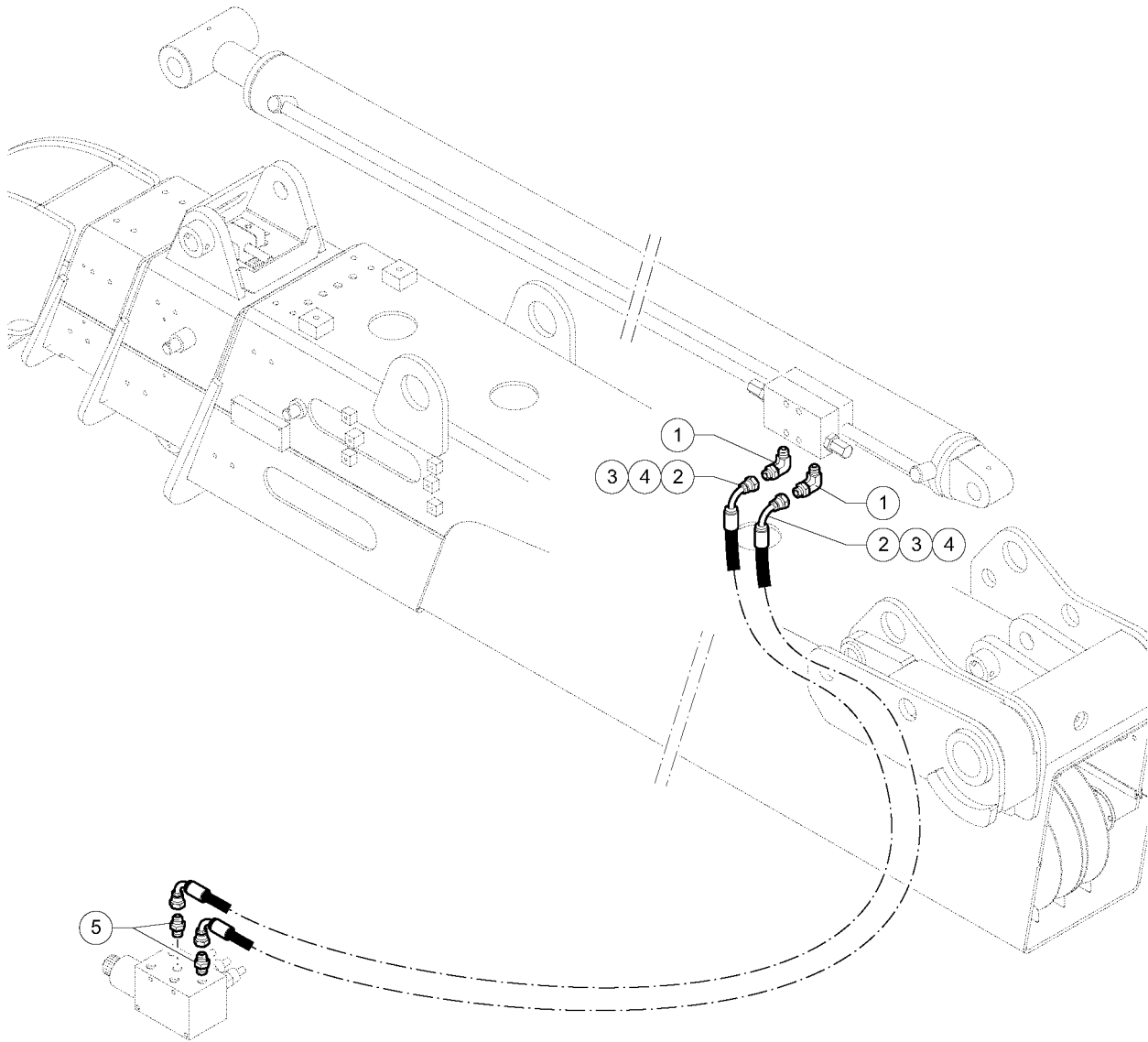
607.1 605807 Hydraulic System - Boom Extension GTH-4013SX



607.1 605807 Hydraulic System - Boom Extension GTH-4013SX

Item	Part No.	Description	Qty.
1	04.0607.0141	PIPE FITTING 1/2GAS X M 13/16...2	
2	04.0605.0605	Pipe R2 X 1/2 L=1600 F90-FD 13/16.....2	
3	09.0803.0043	RETAINER PIPE/SINGLE BRACKET.....6	
4	01.0003.0157	SCREW, M6X25 SHCS Z.....12	
5	04.0605.0304	Pipe R2 X 1/2 L= 400 MD S16 F90 13/16-16 ORFS.....2 24x1.5	
6	53.3400.9100	Extension Cylinder Pipe - Bottom Side D16.....1	
7	53.3400.9200	Extension Cylinder Pipe - Rod Side D16.....1	
8	04.0607.0155	Nipple 1/2"GAS X 13/16-16 ORFS...1	
9	06.0442.0103	WASHER,BRASS.....3	
10	04.0607.0111	PIPE FITTING,1/2BSP X 13/16-16...3	
11	04.0214.0035	DRILLED SCREW.....1	
12	04.0605.0504	Double Pipe SPT 1/2 L=4630 FD 13/16-16ORFS - MD S16 DIN24.....1	

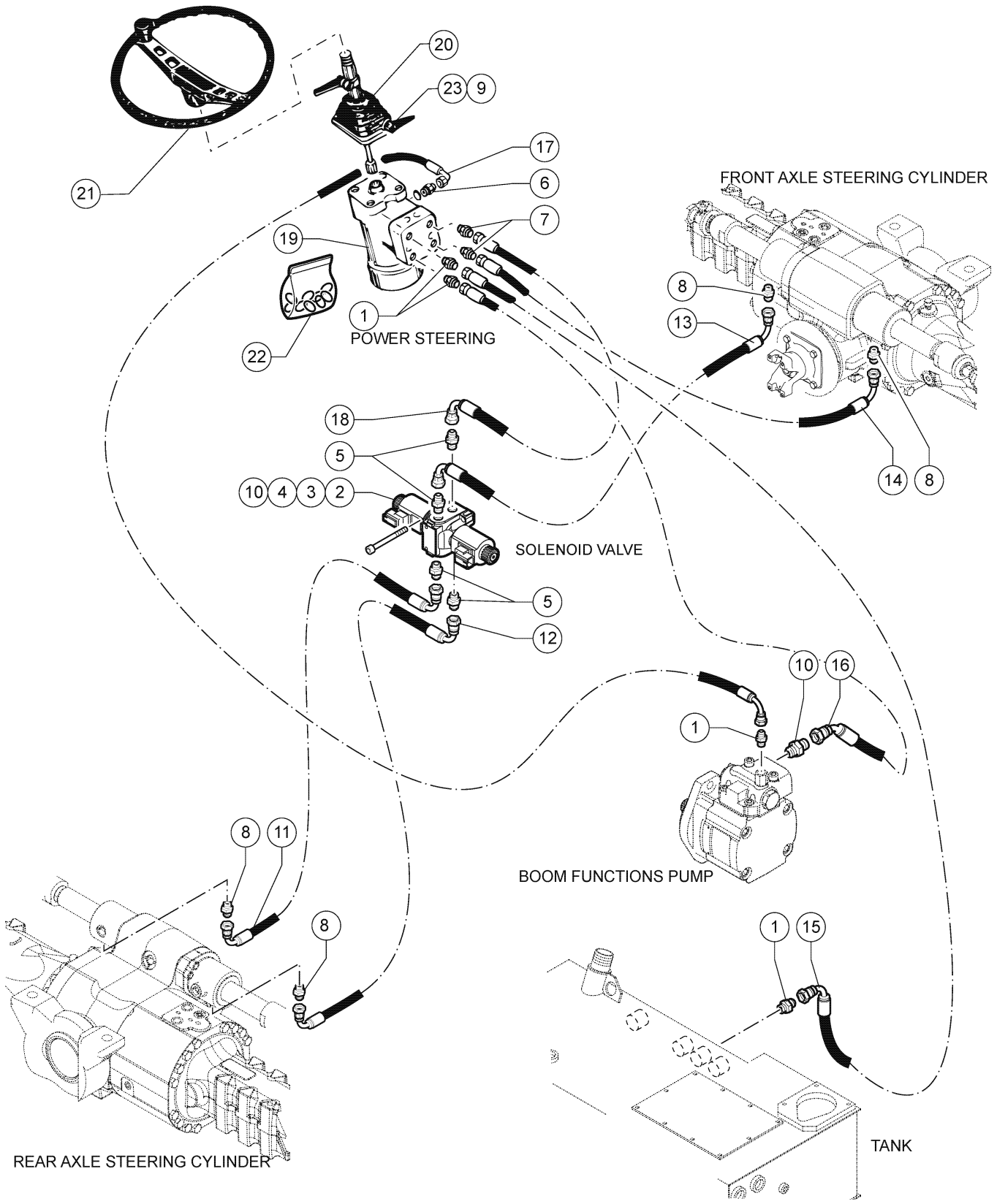
608.1 605808 Hydraulic System - Boom Extension GTH-4017SX



608.1 605808 Hydraulic System - Boom Extension GTH-4017SX

Item	Part No.	Description	Qty.
1	04.0607.0141	PIPE FITTING 1/2GAS X M 13/16...2	
2	04.0605.0605	Pipe R2 X 1/2 L=1600 F90-FD 13/16.....2	
3	09.0803.0043	RETAINER PIPE/SINGLE BRACKET.....6	
4	01.0003.0157	SCREW, M6X25 SHCS Z.....12	
5	04.0607.0111	PIPE FITTING,1/2BSP X 13/16-16...2	

609.1 605809 Hydraulic System - Power Steering

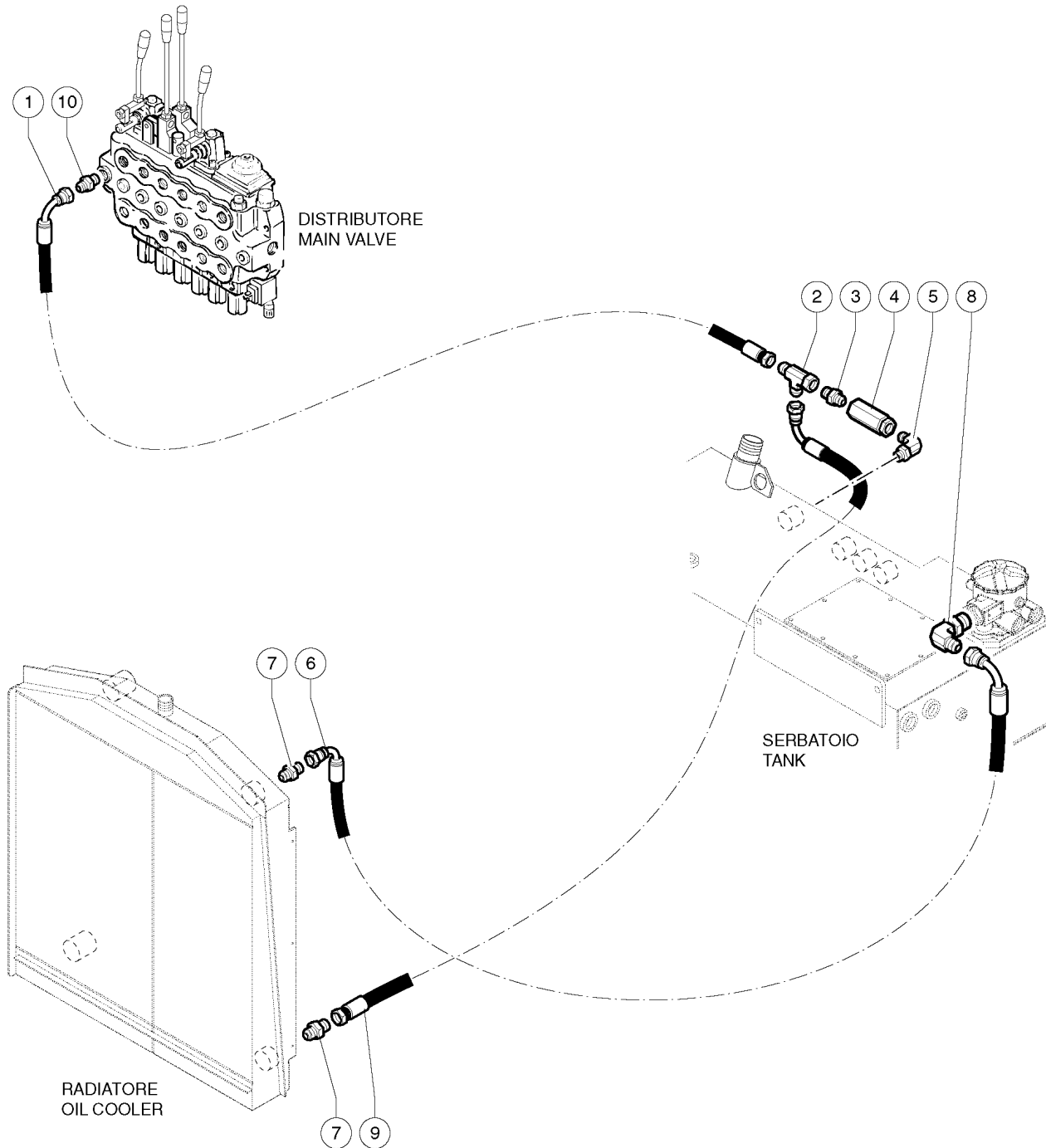




609.1 605809 Hydraulic System - Power Steering

Item	Part No.	Description	Qty.
1	04.0607.0111	PIPE FITTING,1/2BSP X 13/16-16...4	
2	04.4240.0052	ELECTROVALVE.....1	
3	07.4529.0111	SOLENOID.....2	
4	01.0003.0158	SCREW.....2	
5	04.0607.0117	PIPE FITTING.....4	
6	04.0607.0113	PIPE FITTING,1/4BSP X 9/16-18....2	
7	04.0607.0110	PIPE FITTING.....2	
8	04.0607.0137	PIPE FITTING.....4	
9	07.0737.0012	Set Screw.....1	
10	01.4032.0002	WASHER,MM L/W 6 ZP.....2	
11	04.0605.0548	Pipe R2 X 3/8 L=2100 F90-F90 11/16-16 ORFS.....1	
12	04.0605.0549	Pipe R2 X 3/8 L=2300 F90-F90 11/16-16 ORFS.....1	
13	04.0605.0525	Pipe R2 X 3/8 L=800 F90 F90 A 180° 11/16-16 ORFS.....1	
14	04.0605.0310	Pipe R2 X 3/8 L=850 FD FD 11/16-16 ORFS.....2	
15	04.0605.0309	Pipe R1 X 1/2 L=2000 FD F90 13/16-16 ORFS.....1	
16	04.0605.0194	FLEXIBLE HOSE.....1	
17	04.0605.0235	HOSE,R1X1/4,LG 1400.....1	
18	04.0605.0311	Pipe R2 X 3/8 L=1700 FD F90 11/16-16 ORFS.....1	
19	09.4636.0014	POWER STEERING DIRECTION...1	
20	07.0740.0136	Steering Column.....1	
21	07.0740.0135	Steering Wheel.....1	
22	07.0701.0201	Joint Kit.....1	
23	07.0723.0195	Lever.....1	

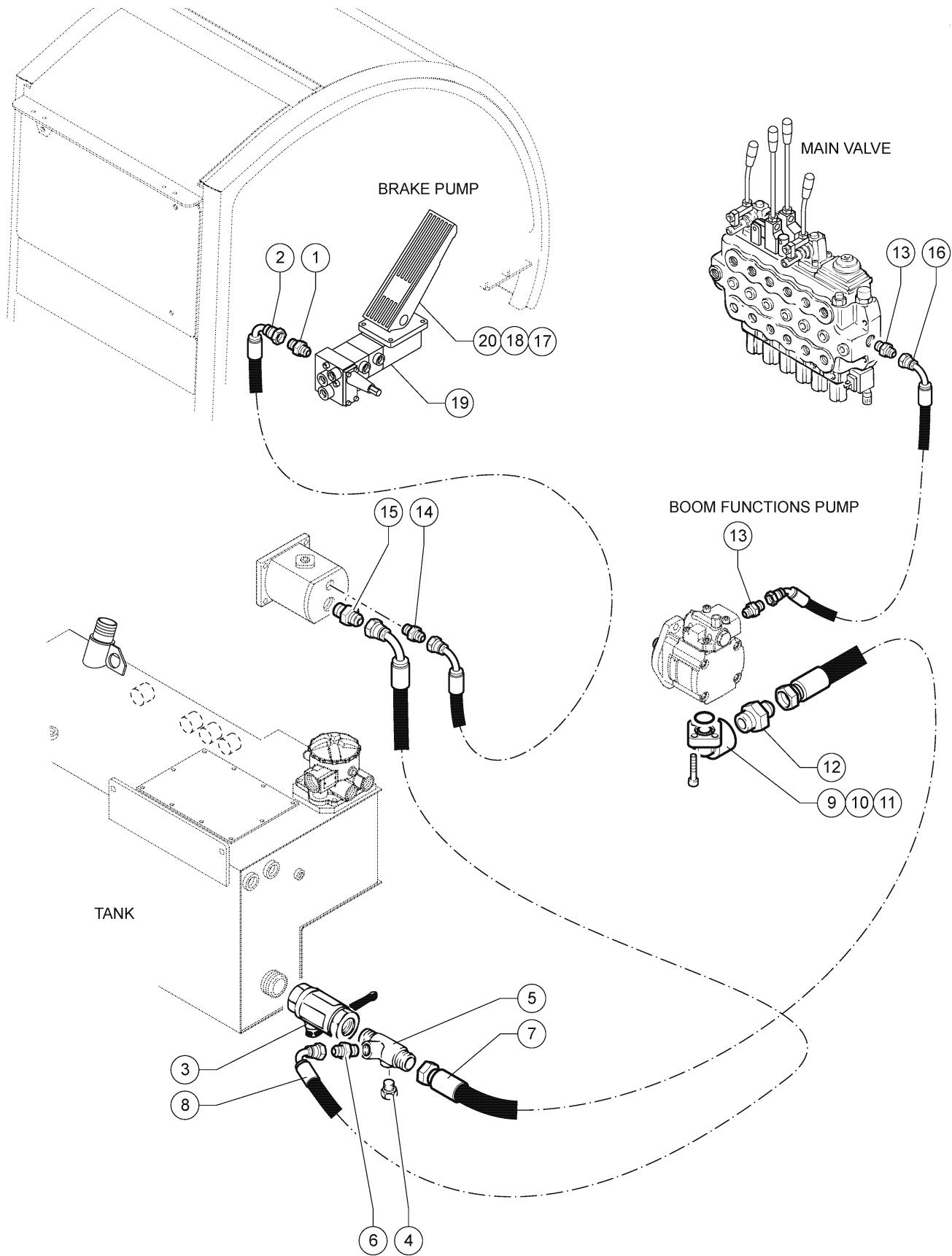
610.1 605810 Hydraulic System - Oil Cooler



610.1 605810 Hydraulic System - Oil Cooler

Item	Part No.	Description	Qty.
1	04.0605.0602	Pipe R1 x 1" L=1600 F90-FD 1" 7/16.....	1
2	04.0607.0160	Pipe Fitting TMF+L 1"7/16 ORFS.....	1
3	04.0607.0142	PIPE FITTING.....	1
4	04.4239.0077	Valve VUC DA 1" Pres. AP.8 B.....	1
5	04.0600.0037	PIPE FITTING.....	1
6	04.0605.0553	Pipe R1 x 1" L=3200 F90-F90 1" 7/16-12 ORFS.....	1
7	04.0607.0172	Nipple 1"BSP - 1"7/16-12 ORFS.....	2
8	04.0607.0199	Pipe Fitting 90° A507054-2542 FOR.....	1
9	04.0605.0552	Pipe R1 x 1" L=3750 FD-F90 1"7/16-12 ORFS.....	1
10	04.0607.0196	Nipple 3/4"BSP/1"7/16-12 ORFS.....	1

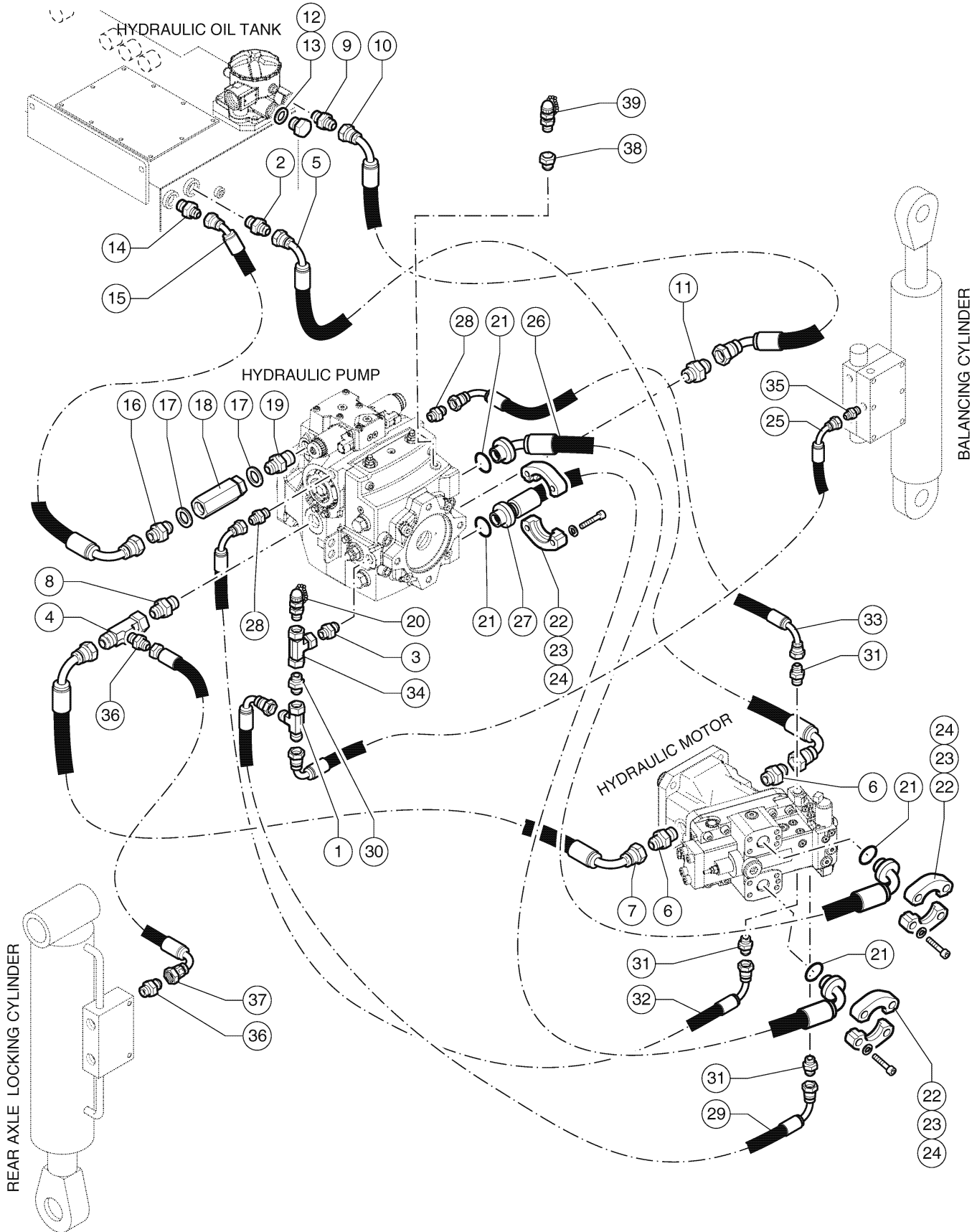
611.1 605811 Suction System Hydraulic Pumps



611.1 605811 Suction System Hydraulic Pumps

Item	Part No.	Description	Qty.
1	04.0607.0111	PIPE FITTING,1/2BSP X 13/16-16...2	
2	04.0605.0401	Pipe R2 X 1/2 L=2800 FD 13/16.....1	
3	04.4224.0001	VALVE/MANIFOLD/HOSE.....1	
4	04.0220.0063	STOPPER HEAD.....2	
5	53.3000.0400	Oil Intake Manifold.....1	
6	04.0607.0130	PIPE FITTING.....1	
7	04.0605.0538	Pipe R4 X 1"1/4 L=1000 FD 1"1/4 BSP-FD 1"11/16-12 ORFS.....1	
8	04.0605.0539	Pipe R4 X 3/4 L=1500 F90-F90 1"3/16-12 ORFS A 90°.....1	
9	627521	O-ring 216 D.28.17x3.5 3.....1	
10	04.4223.0000	UNION.....1	
11	01.0003.0255	SCREW.....3	
12	04.0600.0013	FITTIN,3/4M X 3/8 F.....1	
13	04.0607.0107	PIPE FITTING,3/4".....3	
14	04.4223.0002	PIPE FITTING/UNION.....1	
15	04.4223.0001	PIPE FITTING/UNION.....1	
16	04.0605.0601	Pipe Rokmaster/2 Plus 3/4 L=1500 F90-F45 1" 3/16 A 90°.....1	
17	01.0001.0038	Stop nut M8 UNI 7473 6S ZN WMAR 39.....4	
18	01.0001.0258	SCREW.....4	
19	05.4309.0008	Brake Pump.....1	
20	01.0031.0055	WASHER,D 8,UNI 6592 ZN.....4	

612.1 605812 Hydraulic System - Transmission

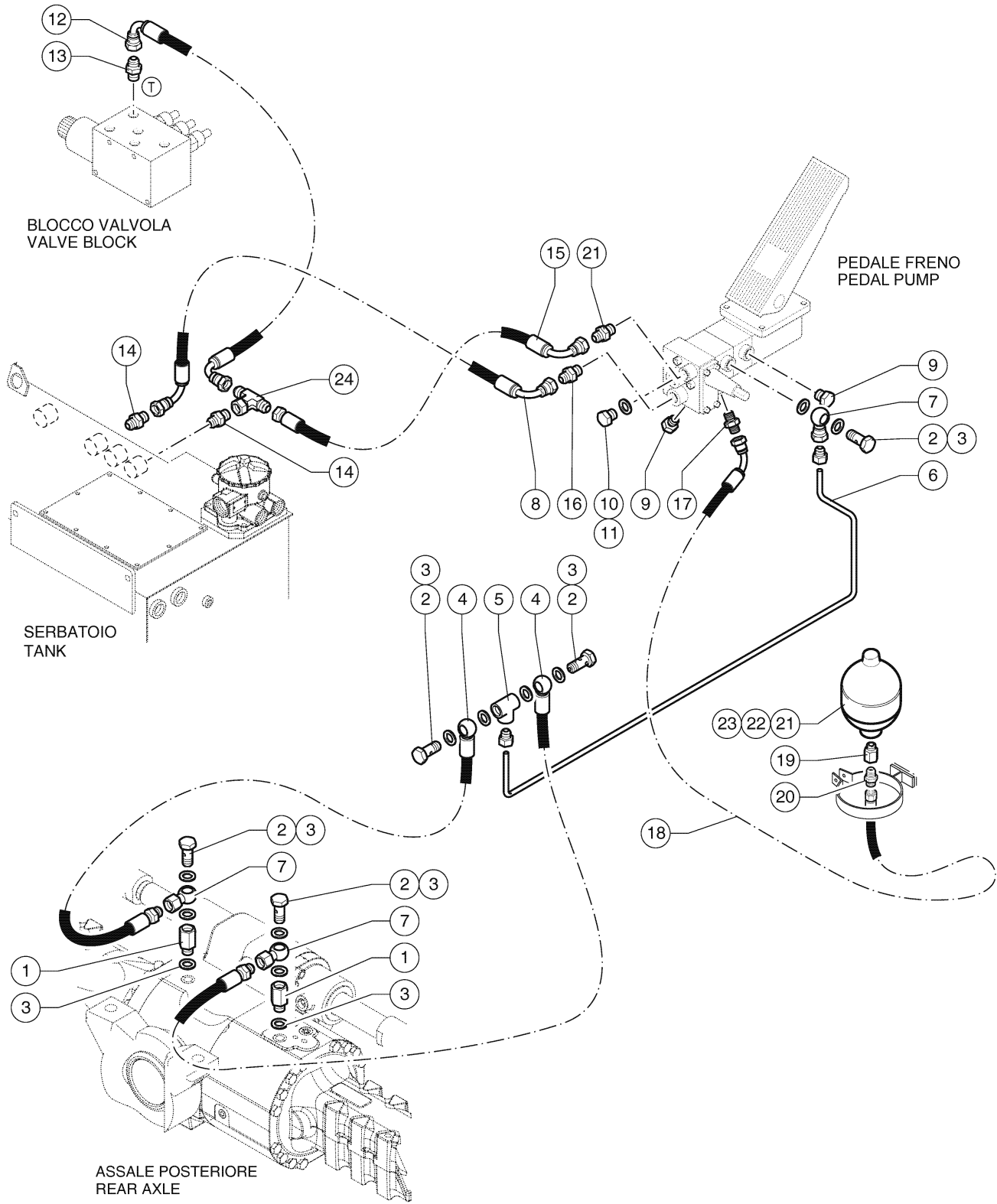


612.1 605812 Hydraulic System - Transmission

Item	Part No.	Description	Qty.	Item	Part No.	Description	Qty.
1	04.0607.0115	PIPE FITTING.....	1	31	04.0607.0225	Nipple 9/16-18 UNF x 9/16-18 ORFS.....	3
2	04.0600.0085	UNION.....	1	32	04.0605.0793	Pipe R1 x 1/4 L=1150 F90 F90 A 180° 9/16 ORFS.....	1
3	04.0600.0067	PIPE FITTING-NIPPLE.....	1	33	04.0605.0794	Pipe R1 x 1/4 L=1400 F90 F90 A 90° 9/16 ORFS.....	1
4	04.0607.0170	Pipe Fitting TMF+L 1 3/16-12 ORFS CNTF 3/8".....	1	34	04.0600.0159	PIPE FITTING.....	1
5	04.0605.0805	Pipe R6 x 1/2 L=1100 F90 F90 13/16-16 ORFS A 90°.....	1	35	04.0607.0114	PIPE FITTING,3/8.....	1
6	04.0607.0795	Nipple 1" 1/16 - 12 UNF x 13/6 - 16 ORFS.....	2	36	04.0607.0110	PIPE FITTING.....	2
7	04.0605.0561	Pipe R1 x 3/4 L=1400 F90-F90 1 3/16-12 ORFS A 90°.....	1	37	04.0605.0594	Pipe R1 X 3/8 L=3300 FD-F90 11/16 ORFS.....	1
8	04.0600.0077	NIPPLE.....	1	38	04.0607.0229	Nipple 1/4BSP X 9/16.....	1
9	04.0607.0121	PIPE FITTING.....	1	39	04.4210.0011	PRESSURE TUBE.....	1
10	04.0605.0782	Pipe R1 x 3/4 FD F45 1 3/16-12 L=1800.....	1				
11	04.0607.0227	Nipple 1" 5/16-12 UNF x 1" 11/16-12 ORFS.....	1				
12	06.0442.0107	WASHER/UNION.....	1				
13	04.0220.0063	STOPPER HEAD.....	1				
14	04.0607.0107	PIPE FITTING,3/4".....	1				
15	04.0605.0787	Pipe R1 x 1/2 L=1600 FD F90 13/16-16 ORFS.....	1				
16	04.0607.0107	PIPE FITTING,3/4".....	1				
17	06.0442.0105	WASHER,JC 27,SP.2,5.....	2				
18	04.4239.0013	VALVE.....	1				
19	04.0600.0103	NIPPLE.....	1				
20	04.4210.0004	PRESSURE TUBE.....	1				
21	06.0401.0219	SEAL/GASKET.....	4				
22	04.4223.0003	SEMI FLANGE/PLATE.....	8				
23	01.0003.0306	SCREW.....	16				
24	01.4032.0005	WASHER.....	16				
25	04.0605.0608	Pipe R1 x 1/4 L=3750 F90-FD 9/16.....	1				
26	04.4229.0059	Pipe BM6K 3/4 L=1550 FL90 D42 FL45 D47 60°.....	1				
27	04.4229.0024	Pipe BM6K 12 L=750 FL90D47 FLDD47.....	1				
28	04.0607.0228	Nipple 7/16-20 UNF x 9/16-18 ORFS.....	2				
29	04.0605.0795	Pipe R1 x 1/4 L=1700 F90 F90 9/16 ORFS.....	1				
30	04.0607.0229	Nipple 1/4BSP x 9/16-18 ORFS.....	1				



613.1 605813 Hydraulic System - Service Brake

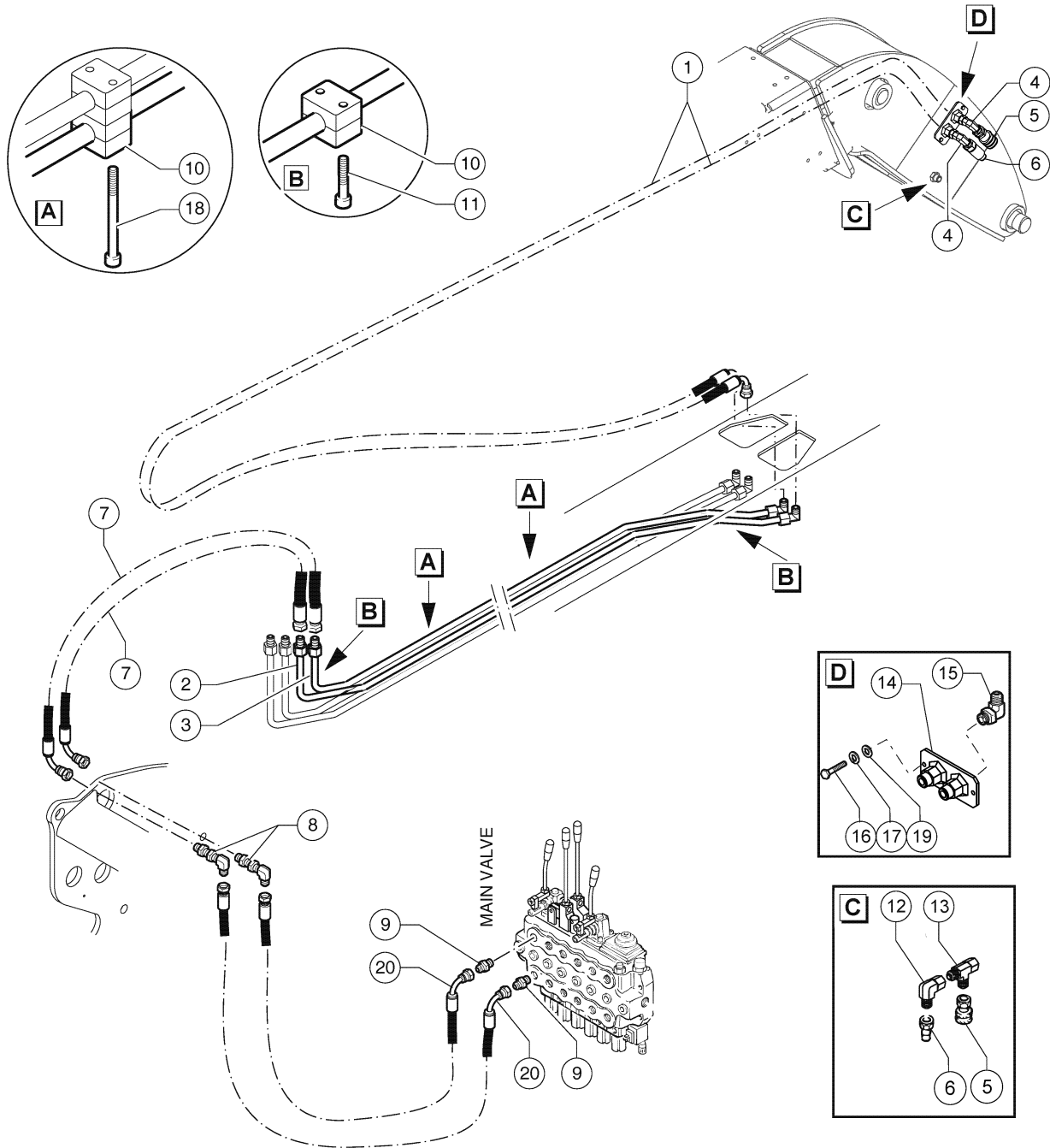




613.1 605813 Hydraulic System - Service Brake

Item	Part No.	Description	Qty.
1	05.0401.0005	PIPE FITTING/WHEEL STUD.....	2
2	05.0401.0003	DRILLED SCREW.....	5
3	06.0442.0055	WASHER,D.14/20X1.5.....	10
4	05.0400.0000	CONDUCT/HOSE.....	2
5	05.0401.0000	CONNECTION/PIPE FITTING.....	1
6	53.3402.0700	Braking System Rear Pipe.....	1
7	05.0401.0001	EYE CONNECTION/PIPE FITTING.....	3
8	04.0605.0609	Pipe R2 1/2" L=1850 F90-FD 13/16.....	1
9	04.0220.0081	Plug M TESTA ES. M18X1.5.....	1
10	07.0730.0037	Copper washer.....	1
11	07.0730.0036	Plug.....	1
12	04.0605.0607	Pipe R1 X 1/2 L=2000 F90-F90 13/16 A 90°.....	1
13	04.0607.0111	PIPE FITTING,1/2BSP X 13/16-16...1	
14	04.0607.0110	PIPE FITTING.....	2
15	04.0605.0627	Pipe R1 X 3/8 L=1800 FD-F90 11/16-16 ORFS.....	1
16	04.0607.0137	PIPE FITTING.....	1
17	04.0607.0144	Nipple 18X1.5 X 9/16-18 ORFS.....	1
18	04.0605.0428	Pipe R2 X 1/4 L=550 F90 FD -9/16-18 ORFS.....	1
19	04.0600.0166	Stud Bolt M18x1,5 X F.3/8" GAS Esag. L=19.....	1
20	04.0607.0114	PIPE FITTING,3/8.....	2
21	05.4329.0029	ACCUMULATOR.....	1
22	01.0001.1465	SCREW,TE,M8X40,UNI 5739,8.8 ZN.....	2
23	01.0023.0054	NUT,M8,UNI 7473.....	2
24	04.0607.0126	PIPE FITTING.....	1

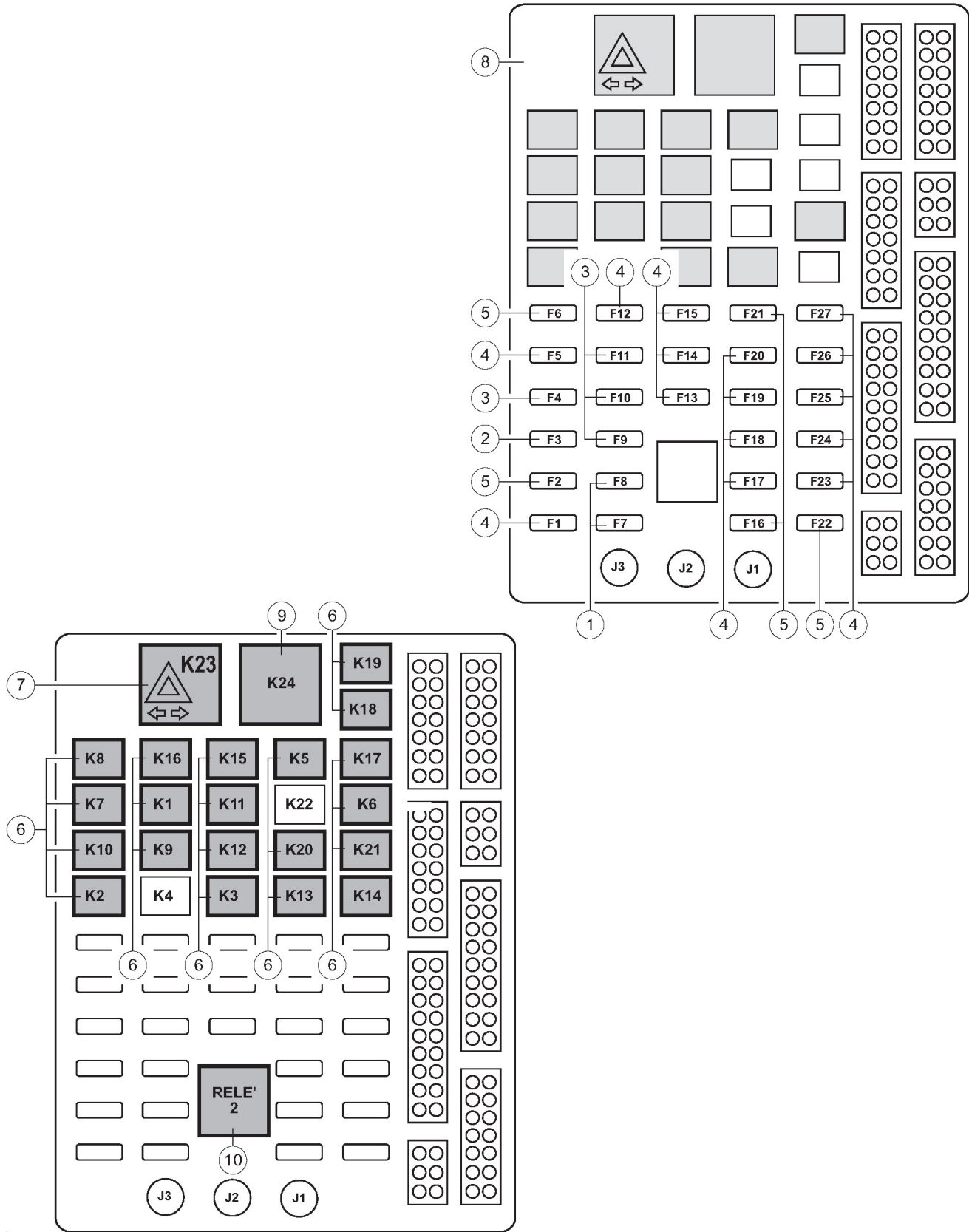
614.1 606288 Hydraulic System - Optional Attachment GTH-4013SX



614.1 606288 Hydraulic System - Optional Attachment GTH-4013SX

Item	Part No.	Description	Qty.
1	04.0605.0506	FLEXIBLE HOSE.....	1
2	53.3402.0400	Iron Pipe.....	1
3	53.3402.0300	Iron Pipe.....	1
4	04.0600.0087	PIPE FITTING,90 A207140-2121....	2
5	04.4210.0008	FEMALE QUICK COUPLER.....	2
6	04.4210.0007	MALE QUICK COUPLER.....	2
7	04.0605.0605	Pipe R2 X 1/2 LG.1600 F90-FD 13/16.....	2
8	04.0607.0124	PIPE FITTING,90M-M.....	2
9	04.0607.0111	PIPE FITTING,1/2BSP X 13/16-16...2	
10	09.0803.0043	RETAINER PIPE/SINGLE BRACKET.....	10
11	01.0003.0157	SCREW, M6X25 SHCS Z.....	8
12	04.0600.0019	PIPE FITTING,MFK 90 1/2 BSP.....	1
13	04.0600.0081	PIPE FITTING,FMF+L 1/2 BSP.....	1
14	53.3001.0500	Pipe Fitting Braket.....	1
15	04.0607.0141	PIPE FITTING 1/2GAS X M 13/16...2	
16	01.0001.0156	SCREW,TE,M6X20.....	2
17	01.4032.0002	WASHER,MM L/W 6 ZP.....	2
18	01.0003.0164	SCREW.....	8
19	01.0031.0054	CHAMFERED WASHER,D6,UNI 6592ZN.....	2
20	04.0605.0259	FLEXIBLE HOSE.....	2

701.1 605880 Fuse Box



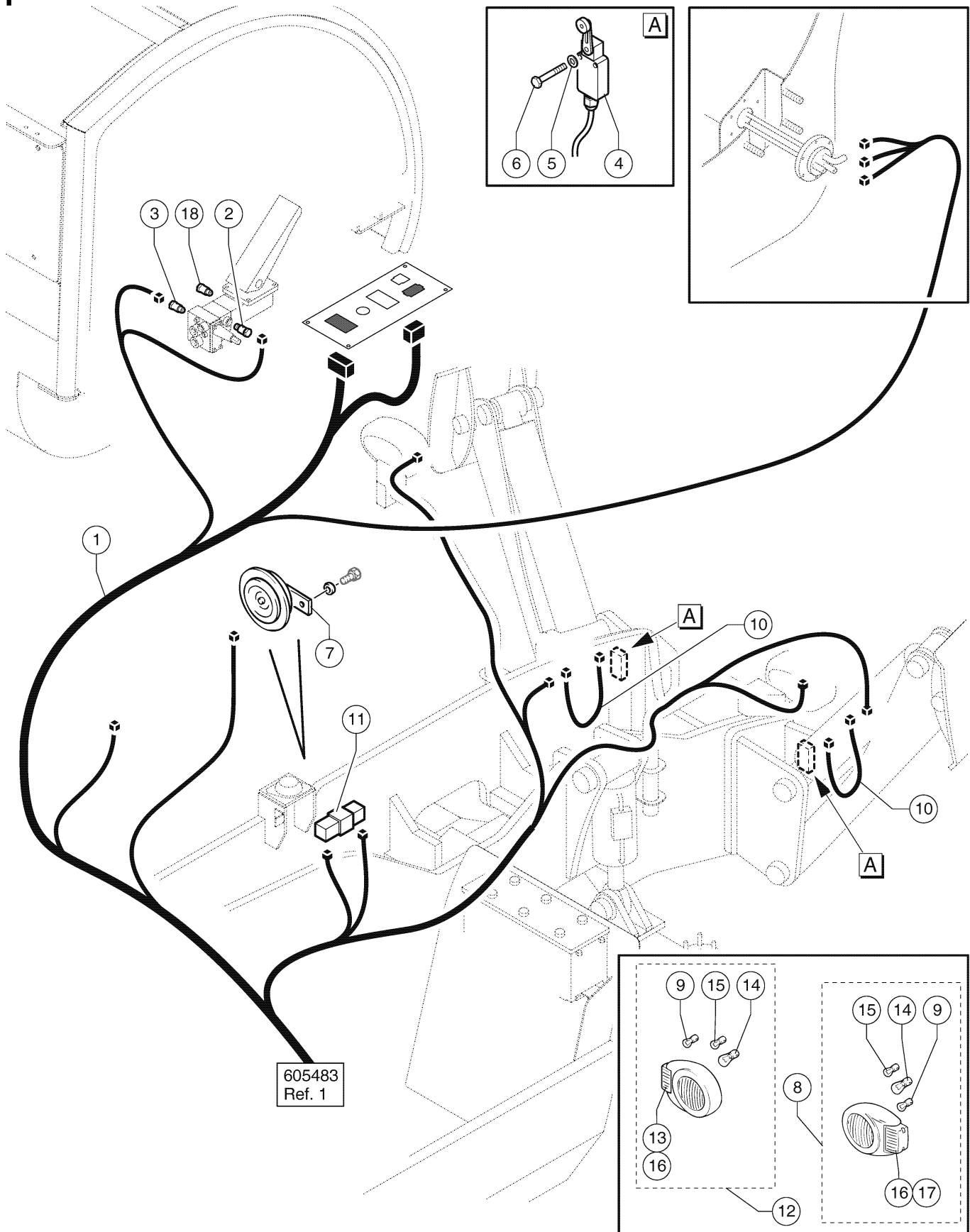
Item	Part No.	Description	Qty.
1	637650	FUSE,3A.....	2
2	07.0703.0193	FUSE.....	1
3	634972	FUSE,7.5A.....	4
4	634974	FUSE,10A.....	15
5	634973	FUSE,15A.....	5
6	07.0703.0485	Relay.....	20
7	07.0703.0487	RELAY,INTERMITTENCE.....	1
8	56.0021.0048	Card.....	1
9	56.0021.0073	Control Unit.....	1
10	07.0703.0486	Relay.....	1



702.1 605881 Electric Installation - Engine Line

Item	Part No.	Description	Qty.
1	55.0602.0318	Engine Line.....	1
2	07.0703.0643	Alternator Wire.....	1
3	07.0703.0644	Power Line Wiring.....	1
4	07.0703.0645	Battery Positive Cable.....	1
5	07.0703.0646	Battery Negative Cable.....	1
6	07.0703.0597	Fuse Holder.....	3
7	56.0013.0036	Thermistor.....	1
8	56.0008.0012	Battery.....	1
9	07.0703.0192	RELAY.....	3
10	07.0703.0060	FUSE, 50 AMP.....	3
11	634973	FUSE, 15A.....	1
12	07.0703.0615	Electric Box.....	1

703.1 605882 Electric Installation - Rear Line

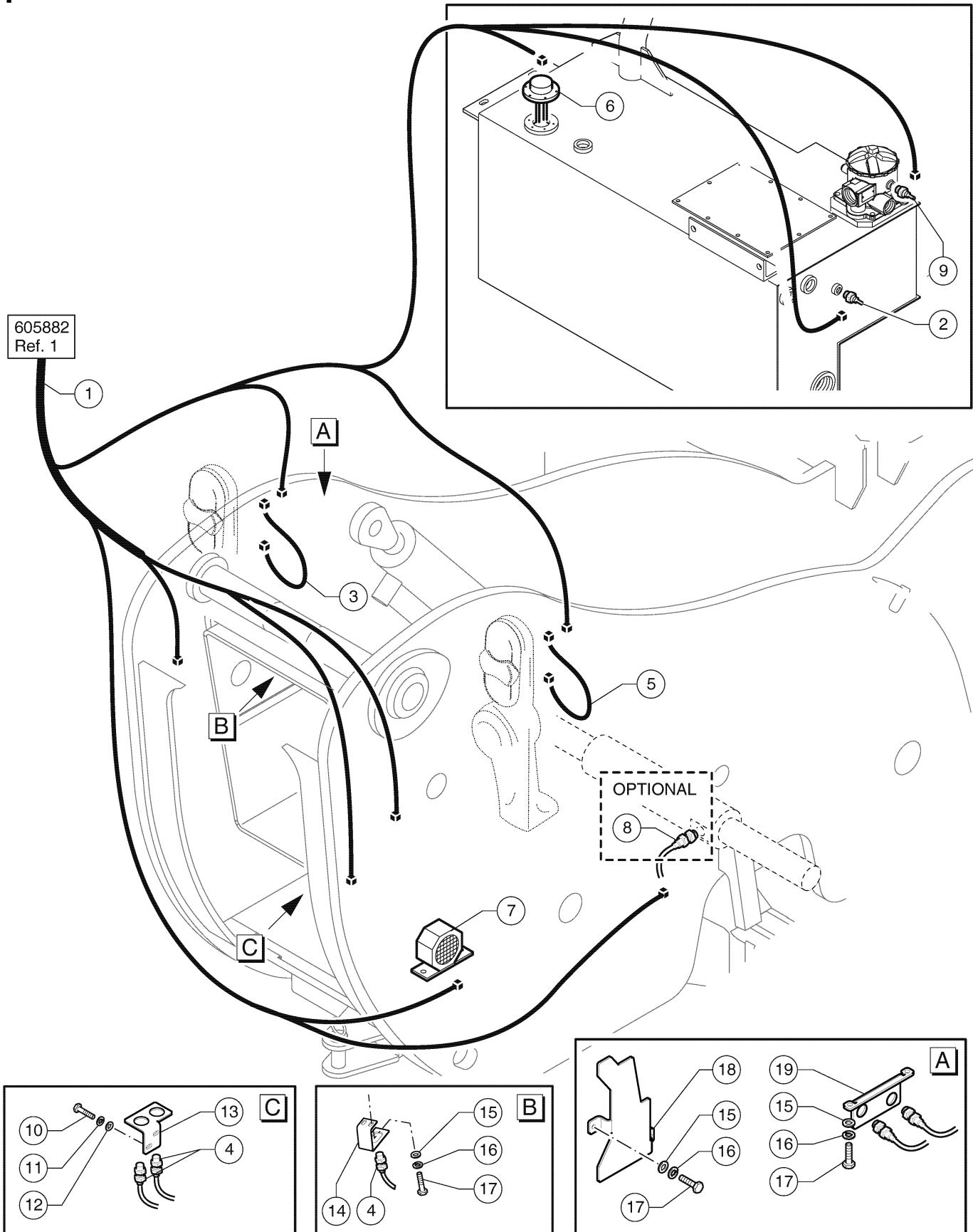




703.1 605882 Electric Installation - Rear Line

Item	Part No.	Description	Qty.
1	55.0602.0301	Chassis Line.....	1
2	05.4329.0001	PRESSURE SWITCH.....	1
3	05.4329.0002	PRESSURE SWITCH.....	1
4	56.0012.0017	Sensor FF4530-KSM.....	2
5	01.0001.0054	Plain Washer D10X30 ZN UNI 6593 WMAR 55.....	2
6	01.4003.0011	Screw TCEI M4x50 UNI 5931 8.8 ZN.....	1
7	56.0009.0003	Horn.....	1
8	56.0010.0035	Front Left ight.....	1
9	07.0703.0306	BULB, HEADLAMP.....	4
10	55.0602.0297	Wiring Harness.....	2
11		605809 ref.2.....	Ref
12	56.0010.0034	Front Right Light.....	1
13	07.0703.0309	GLASS, AMBER.....	1
14	07.0703.0304	BULB, HEADLAMP.....	2
15	07.0703.0305	Bulb.....	2
16	07.0703.0310	GLASS.....	2
17	07.0703.0302	GLASS, AMBER.....	1
18	56.0012.0059	Incising Sensor.....	1

704.1 605883 Electric Installation - Rear Line



704.1 605883 Electric Installation - Rear Line

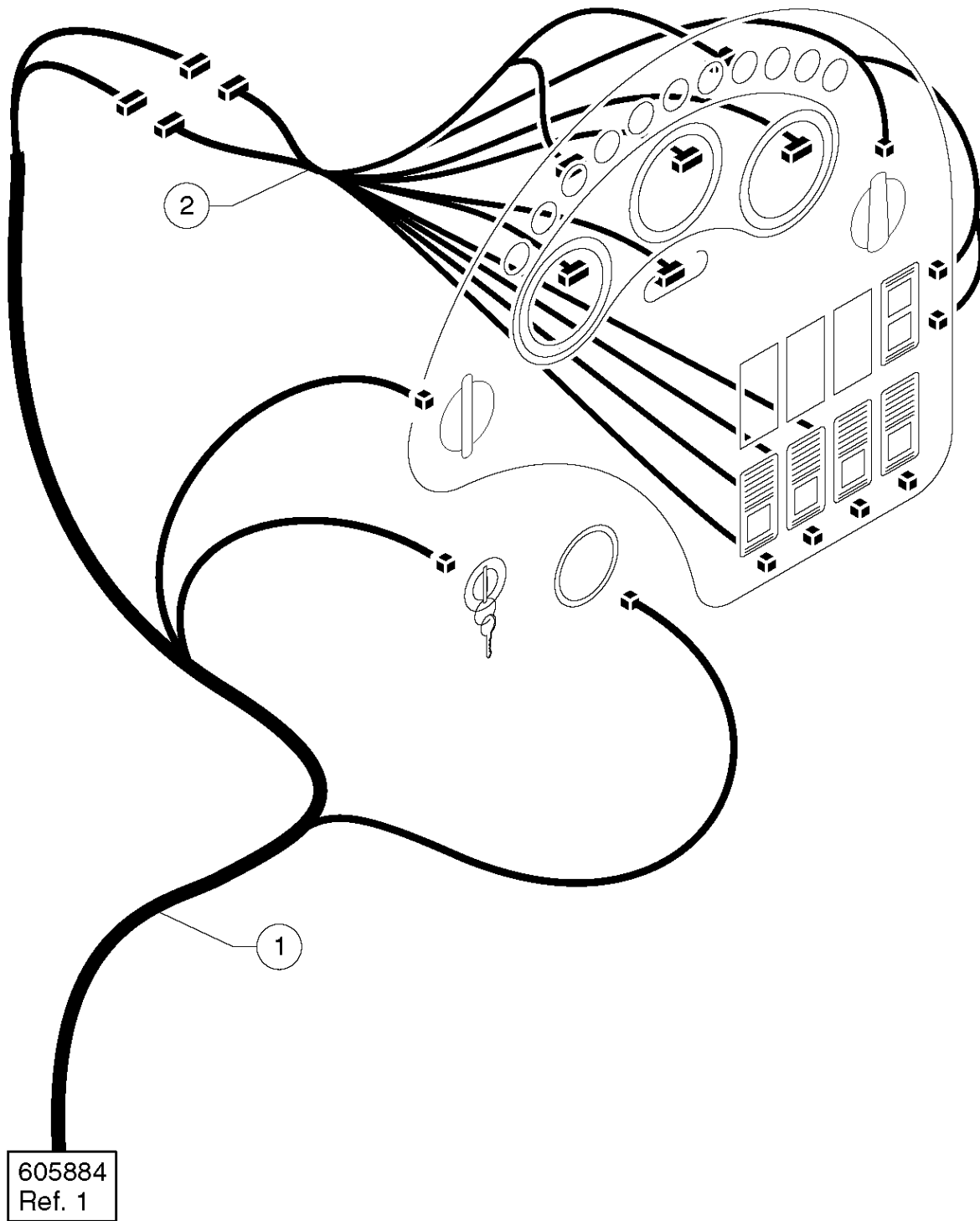
Item	Part No.	Description	Qty.
1		605885 ref.1.....Ref	
2	56.0013.0000	Thermistor M16x1.5.....1	1
3	07.0703.0649	Rear Left Ligth Line.....1	1
4	56.0012.0000	Proximity Switch.....3	3
5	07.0703.0648	Rear Right Light Line.....1	1
6	56.0013.0028	Low Oil Level Light Control.....1	1
7	56.0009.0002	Horn.....1	1
8	56.0012.0024	Sensor.....1	1
9	56.0013.0006	Oil Filter Pressure Switch.....1	1
10	01.0001.1438	SCREW.....2	2
11	01.4032.0001	Sprin Washer.....2	2
12	01.0031.0053	WASHER,D5,UNI 6592,ZN.....2	2
13	51.0811.4028	Sensor Bracket.....1 <i>Up To Serial Number 20202 - ECN 001/10</i>	1
14	51.0811.4072	Sensor Bracket.....1 <i>From To Serial Number 19441 - ECN 0101/08</i>	1
15	01.0031.0054	CHAMFERED WASHER,D6,UNI 6592ZN.....6 <i>From To Serial Number 19441 - ECN 0101/08</i>	6
16	01.4032.0002	WASHER,MM L/W 6 ZP.....6 <i>From To Serial Number 19441 - ECN 0101/08</i>	6
17	01.0001.0158	SCREW,8.8 HCS 6MM-1.0X25 Z....6 <i>From To Serial Number 19441 - ECN 0101/08</i>	6
18	51.0811.4195	Metallic Sensor Interface.....1 <i>From To Serial Number 20203 - ECN 001/10</i>	1
19	51.0811.4214	Sensor Bracket - ONLY FOR 4017SX.....1 <i>From To Serial Number 20213 - ECN 001/10</i>	1



705.1 605884 Electric Installation - Dashboard Line

Item	Part No.	Description	Qty.
1	55.0602.0357	Driving Place Line.....	1
2	07.0703.0535	Relay.....	2
3	56.0016.0049	Drive Switch.....	1
4	56.0021.0071	Rear Axle aligned Control Unit Box.....	1
5	07.0703.0640	Diode.....	1
6	634975	FUSE,20A.....	1
7	56.0016.0048	Light Switch.....	1
8	56.0021.0078	By-Pass Relay.....	1
9	56.0021.0106	I/O Mode Unit Unit.....	1

706.1 605885 Electric Installation - Dashboard Line



706.1 605885 Electric Installation - Dashboard Line

Item	Part No.	Description	Qty.
1		605884 ref.1.....Ref	
2	55.0602.0360	RH Dashboard Line.....1	



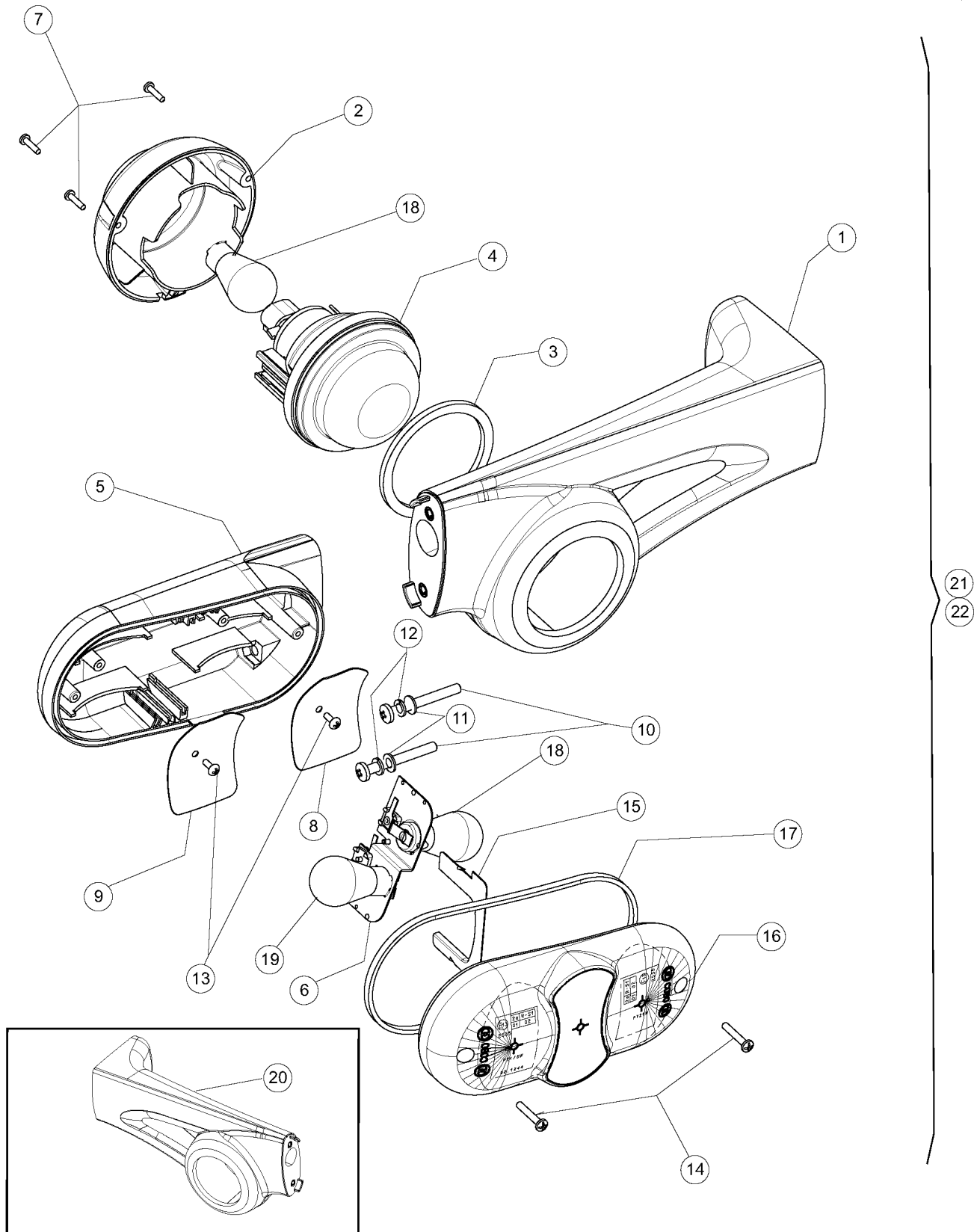




707.1 605886 Electric Installation - Side Cab Line

Item	Part No.	Description	Qty.
1		605884 ref .1.....Ref	
2	55.0602.0469	Side Cab Line.....1 <i>Up To SN 20311 - ECN05209</i>	
2	55.0602.0585	Side Cab Line.....1 <i>From To SN 20312 - ECN05209</i>	
3	56.0010.0005	Pivoting Beacon.....1	
4	07.0703.0384	BULB.....1	
5	56.0002.0000	Support.....1	
6	56.0021.0086	Control Unit.....1	

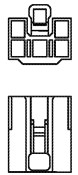
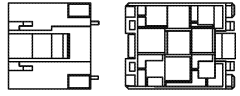
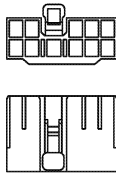
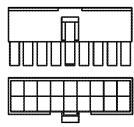
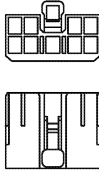
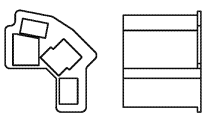
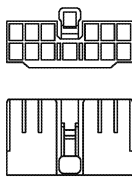
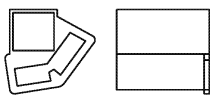
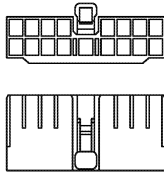
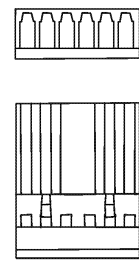
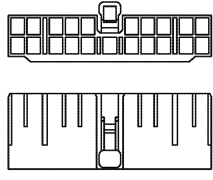
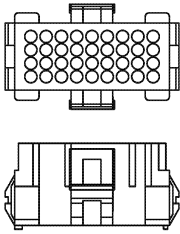
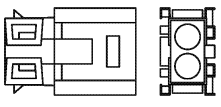
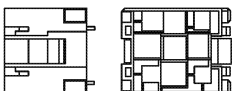
708.1 605643 Electric Installation - Complet Rear Light



708.1 605643 Electric Installation - Complet Rear Light

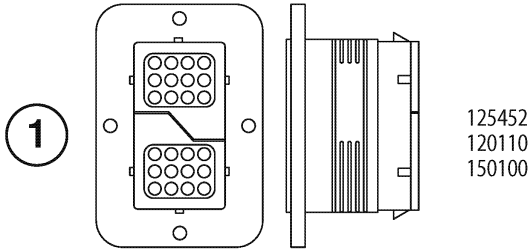
Item	Part No.	Description	Qty.
1	56.0010.0056	Left Support Light.....	1
2	56.0017.0057	Plug.....	1
3	06.4401.0001	O-ring.....	1
4	56.0010.0052	Rear Light.....	1
5	56.0010.0053	Light.....	1
6	56.0010.0054	Light Group With Harness.....	1
7	01.0003.0948	Screw M2,9x13.....	3
8	56.0010.0050	Reflector.....	1
9	56.0010.0051	Reflector.....	1
10	01.0003.0949	Screw M5x45.....	2
11	01.4031.0006	Washer.....	2
12	01.4032.0012	Spring Washer.....	2
13	01.0003.0950	Screw M3,5x9,5.....	1
14	01.0003.0951	Screw M3,5x22.....	1
15	51.0811.4044	Light Support.....	1
16	56.0010.0055	Reflector.....	1
17	06.4401.0002	Seal.....	1
18	07.0703.0175	Bulb.....	2
19	07.0703.0319	BULB, TAIL LIGHT.....	1
20	56.0010.0057	Right Supporto Light.....	1
21	56.0010.0041	Complete Right Rear Light.....	1
22	56.0010.0042	Complete Left Rear Light.....	1

709.1 606283 Connectors

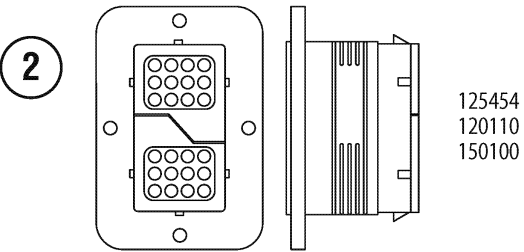
- |  |  |  |                                     |
|--|--|--|-------------------------------------|
| <p>①</p>    | <p>125209<br/>120071</p>   | <p>⑨</p>    | <p>125033<br/>120082<br/>120019</p> |
| <p>②</p>    | <p>125212<br/>120071</p>   | <p>⑩</p>    | <p>124630<br/>120106</p>            |
| <p>③</p>    | <p>125211<br/>120071</p>   | <p>⑪</p>    | <p>125122<br/>120000</p>            |
| <p>④</p>   | <p>125213<br/>120071<br/>125213A<br/>120071<br/>125213R<br/>120071</p> | <p>⑫</p>   | <p>125121<br/>120019</p>            |
| <p>⑤</p>  | <p>125214<br/>120071<br/>125214G<br/>120071</p>                        | <p>⑬</p>  | <p>124220<br/>120467</p>            |
| <p>⑥</p>  | <p>125215<br/>120071</p>   | <p>⑭</p>  | <p>124565<br/>120564</p>            |
| <p>⑦</p>  | <p>125551<br/>120142</p>   |  |                                     |
| <p>⑧</p>  | <p>125026<br/>120082</p>   |  |                                     |

Item	Part No.	Description	Qty.
1	56.0002.0132	5-Way Mark li Connector	
2	56.0002.0144	11-Way Mark li Connector	
3	07.0703.0634	6-Way Connector	
4	07.0703.0627	13-Way Mark li Male Connector	
5	56.0002.0103	17-Way Mark li Male Connector	
6	56.0002.0105	21-Way Mark li Male Connector	
7	07.0703.0224	1-Way Fuse Holder Connector	
8	07.0703.0223	5-Way Relais Connector	
9	56.0002.0164	4-Way Power Connector	
10	56.0002.0124	18-Way Connector	
11	56.0002.0108	6-Way Switch Connector	
12	07.0703.0635	4-Way Connector	
13	07.0703.0522	Connector	
14	56.0002.0111	36-Way Mark li Connector	

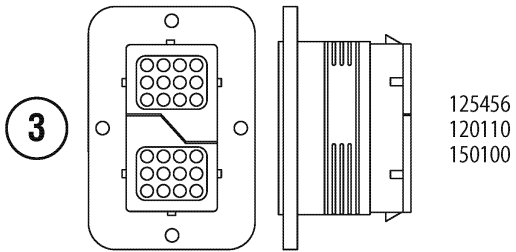
710.1 606284 Connectors



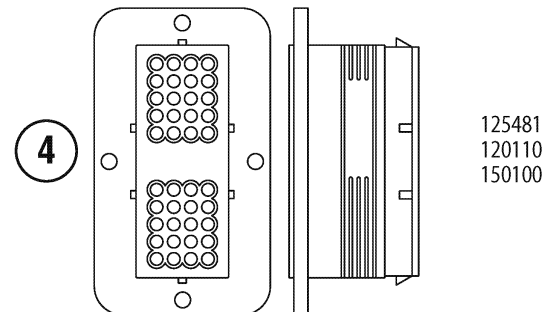
125452  
120110  
150100



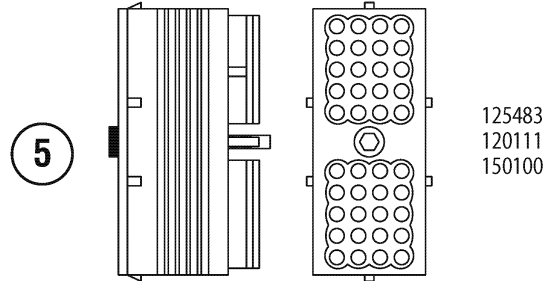
125454  
120110  
150100



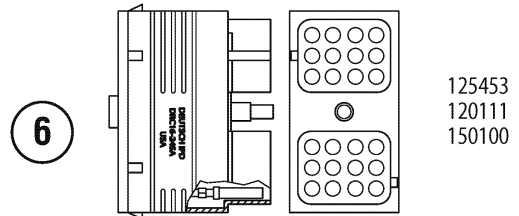
125456  
120110  
150100



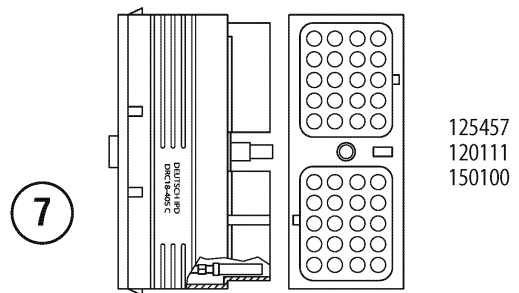
125481  
120110  
150100



125483  
120111  
150100



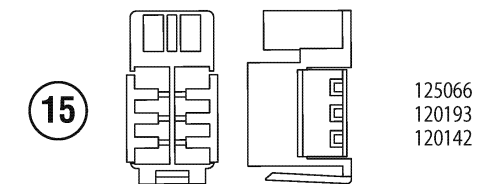
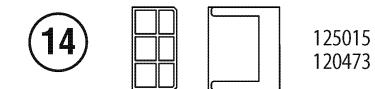
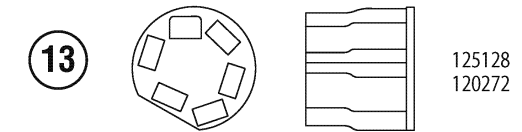
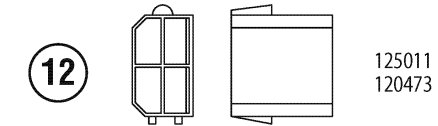
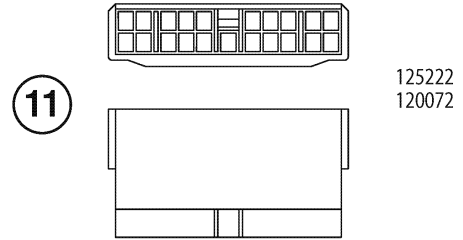
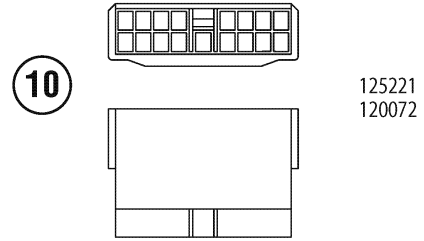
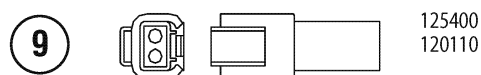
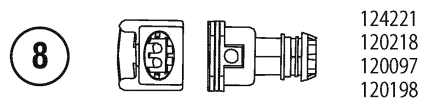
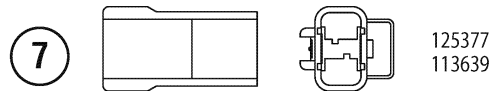
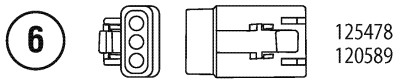
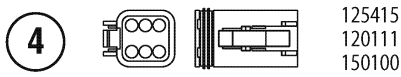
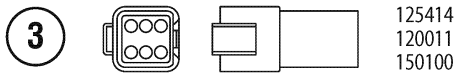
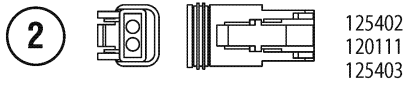
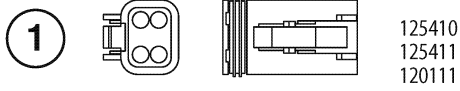
125453  
120111  
150100



125457  
120111  
150100

Item	Part No.	Description	Qty.
1	56.0002.0100	Deutsch Connector 24 V. A Panel	
2	56.0002.0075	Deutsch Connector 24 V. B Panel	
3	56.0002.0146	Deutsch Connector 24 V. C Panel	
4	56.0002.0149	40-Way Connector Type-A	
5	56.0002.0150	40-Way Connector Type-A	
6	56.0002.0101	24-Way Connector Type-A	
7	56.0002.0145	24-Way Connector	

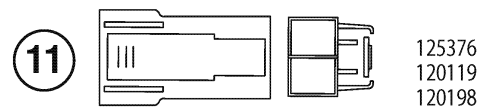
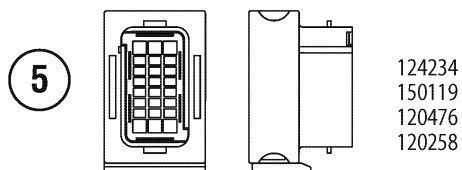
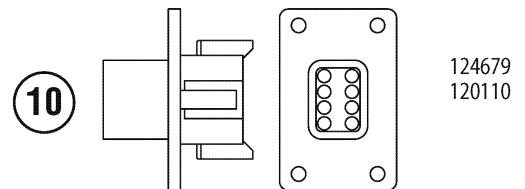
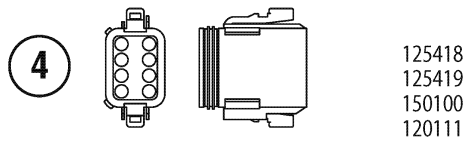
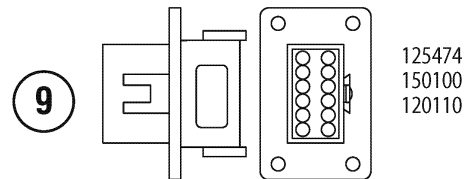
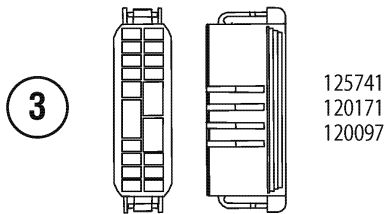
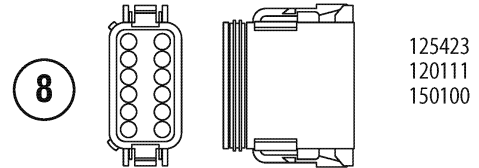
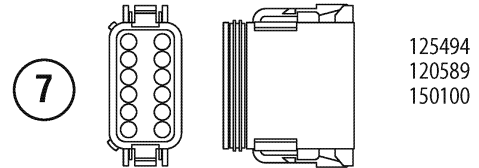
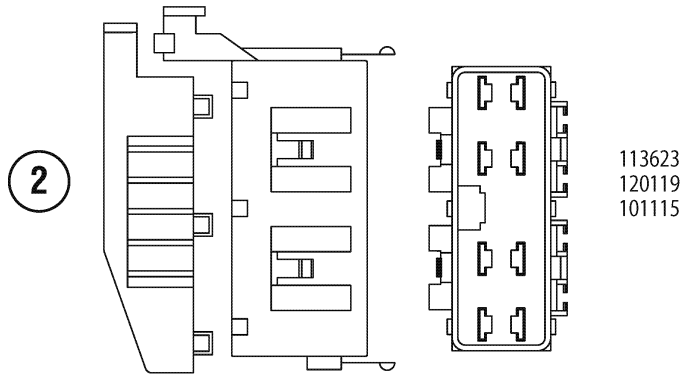
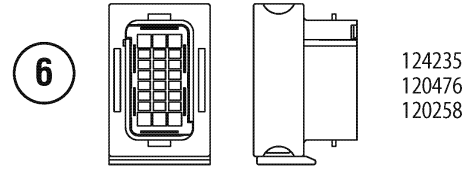
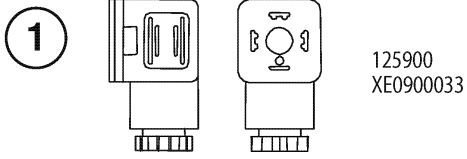
711.1 606285 Connectors





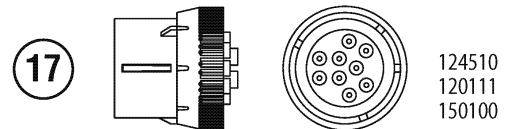
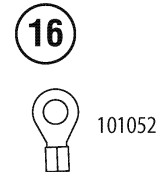
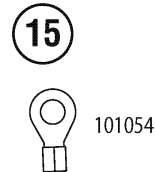
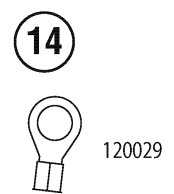
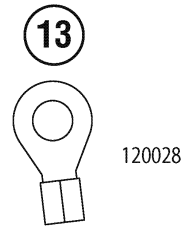
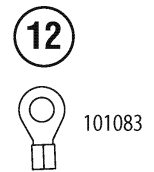
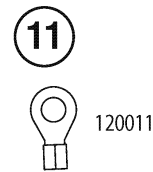
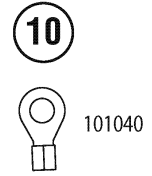
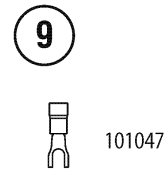
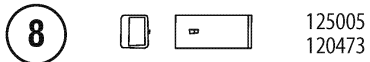
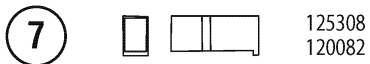
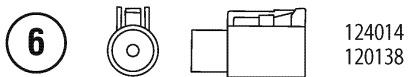
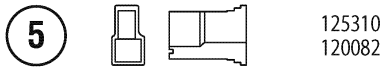
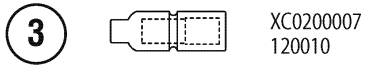
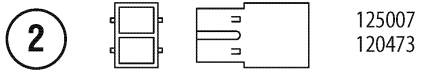
Item	Part No.	Description	Qty.
1	56.0002.0056	4-Way Deutsch Male Connector	
2	56.0002.0141	2-Way-Deutsch Connector	
3	07.0703.0383	PLUG	
4	07.0703.0382	CONNECTOR,DEUTSCH,6WAY	
5	56.0002.0069	3-Way Deutsch Male Connector	
6	56.0002.0247	6-Way Connector	
7	56.0002.0076	2-Way Connector	
8	56.0002.0181	2-Way Connector	
9	56.0002.0153	2-Way Connector	
10	56.0002.0019	2-Way Connector	
11	56.0002.0104	21-Way Mark li Female Connector	
12	56.0002.0133	4 Way Connector	
13	56.0002.0128	6-Way Delphi Connector	
14	56.0002.0113	6-Way Connector	
15	56.0002.0129	10-Way Connector	
16	07.0723.0629	2-Way Connector	

712.1 606286 Connectors



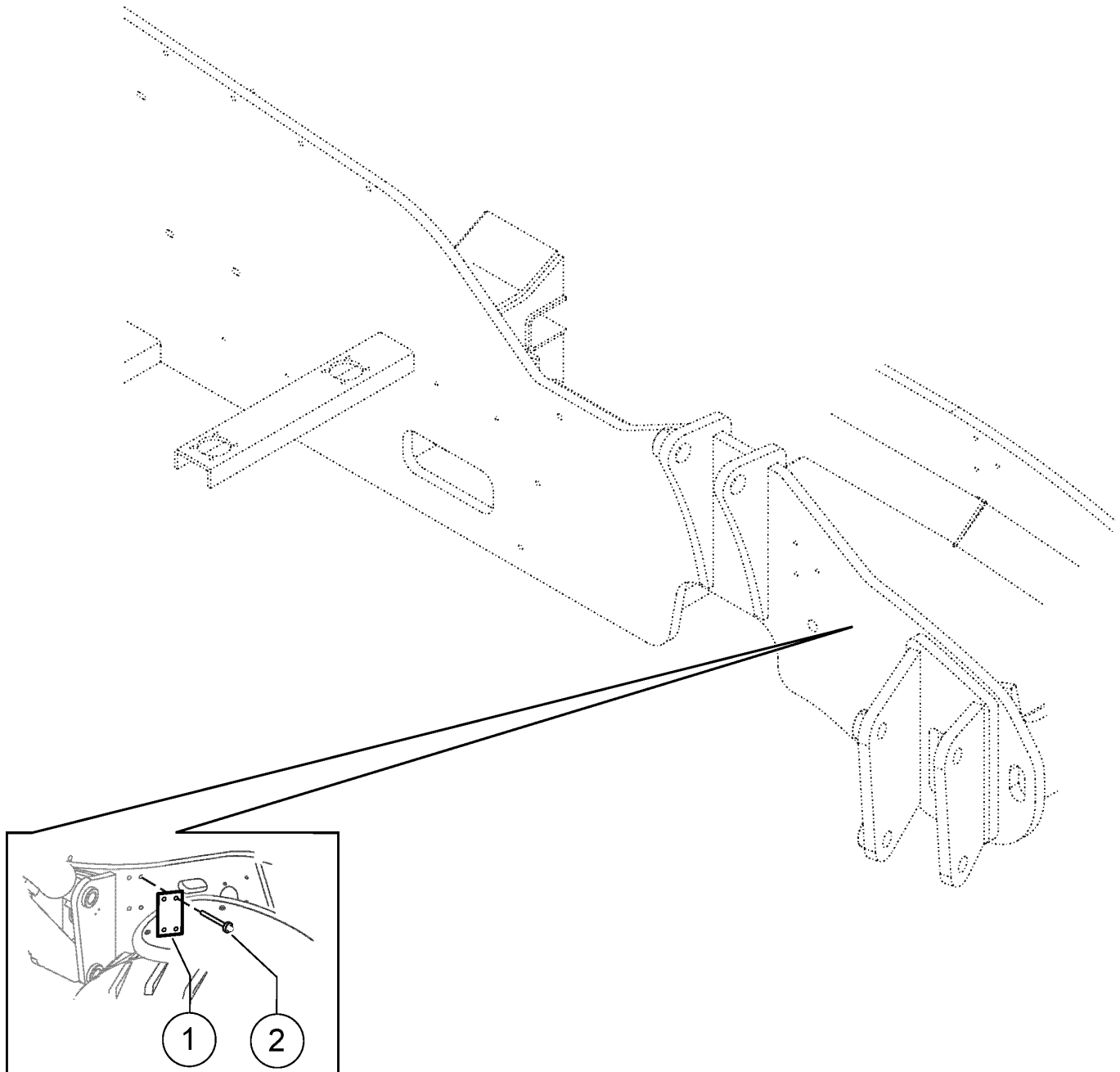
Item	Part No.	Description	Qty.
1	56.0002.0071	EV Connector	
2	07.0703.0189	RELAY HOLDER	
3	56.0002.0205	18-Way Connector	
4	07.0703.0636	8-Way Deutsch Connector	
5	56.0002.0097	24-Way Deutsch Connector	
6	56.0002.0230	Connector	
7	56.0002.0250	12-Way Connector	
8	07.0703.0315	12-Way Connector	
9	56.0002.0095	12-Way Connector	
10	56.0002.0294	8-Way P.M. Black Connector	
11	56.0002.0079	2-Way P.M. Black Connector	

713.1 606287 Connectors



Item	Part No.	Description	Qty.
1	56.0002.0031	90° 2-Way Connector	
2	56.0002.0134	2-Way P.F. Connector	
3	56.0002.0196	Connector	
4	56.0002.0169	Rigid White Faston Cover	
5	56.0002.0165	90° 2-Way Connector	
6	56.0002.0248	2-Way Connector	
7	07.0703.0619	2-Way Connector	
8	56.0002.0249	3-Way Connector	
9	56.0002.0117	Red Fork D.43	
10	07.0703.0620	C/C D. For Wire D.	
11	56.0002.0622	C/C D. 5,3 For Wire D. 1-2,5	
12	07.0703.0631	C/C D. For Wire D.	
13	56.0002.0118	C/C D. 6 For Wire D. 4	
14	56.0002.0119	C/C D. 5,3 For Wire D. 3,10-5,30	
15	56.0001.0009	C/C D. 8 For Wire D. 25	
16	07.0703.0623	C/C D. For Wire D.	
17	56.0002.0102	9-Way Connector	

801.1 606501 Plate For Swiss Market

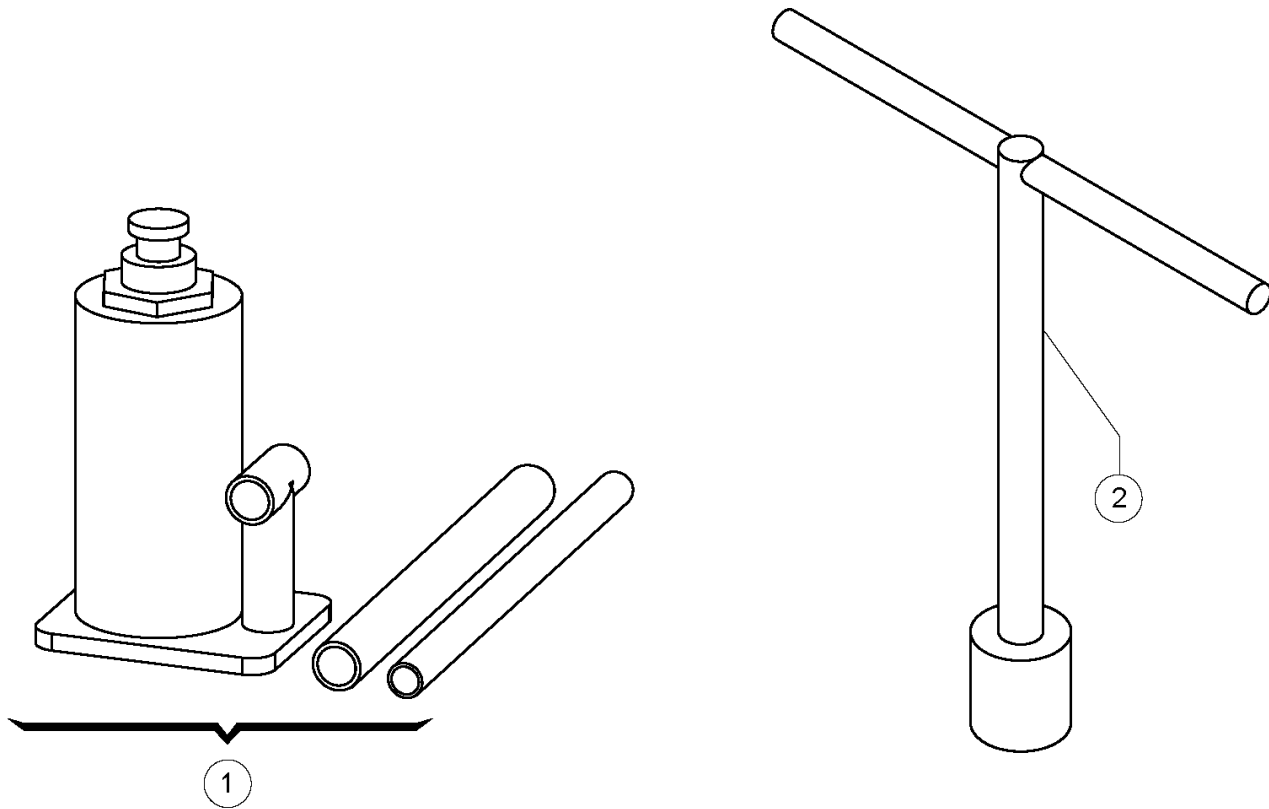


801.1 606501 Plate For Swiss Market

Item	Part No.	Description	Qty.
1	09.4616.0000	NAME PLATE.....	1
2	02.4115.0000	RIVET.....	4



802.1 606502 Hydraulic Jack



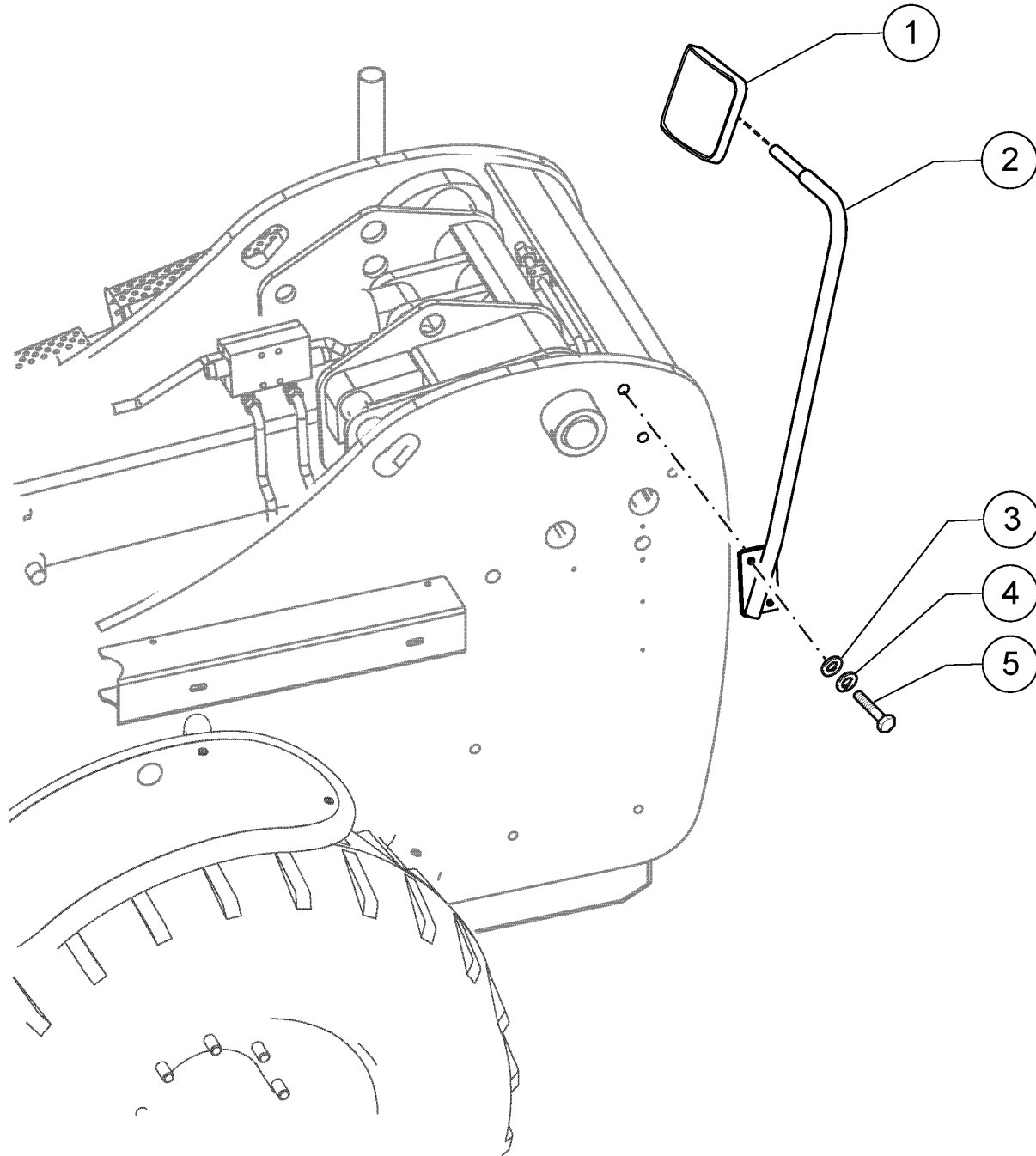


802.1 606502 Hydraulic Jack

Item	Part No.	Description	Qty.
1	09.4675.0003	Hydraulic Jack.....	1
2	09.4675.0000	Ratchet Socket.....	1



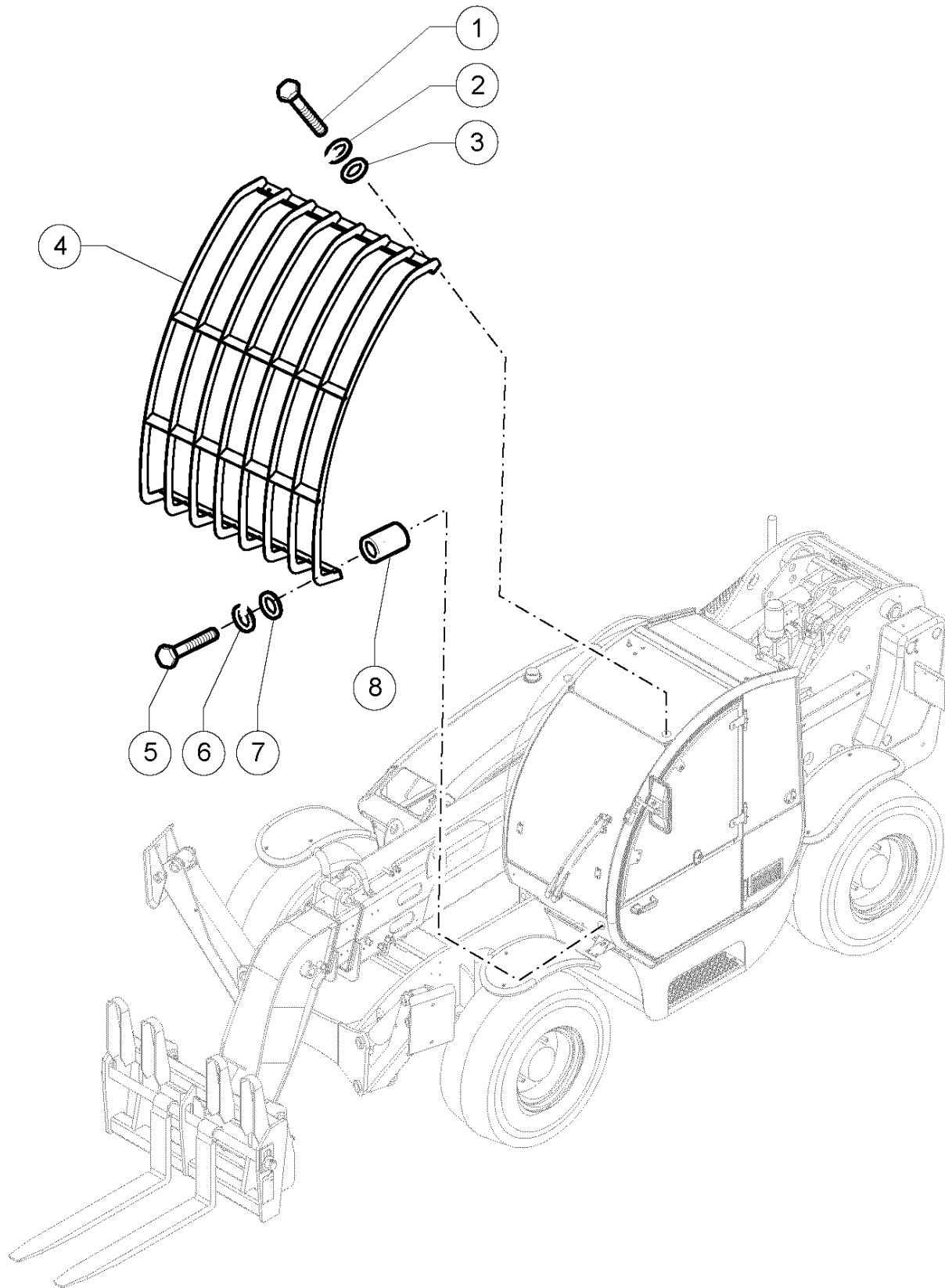
803.1 606503 Rear View Mirror



803.1 606503 Rear View Mirror

Item	Part No.	Description	Qty.
1	09.4610.0028	Driving Mirror.....	1
2	51.0810.7200	Support.....	1
3	01.0031.0056	WASHER,MM FL WASH 10 Z.....	2
4	01.4032.0004	SPRING WASHER,D10 ZN.....	2
5	01.0001.0355	SCREW, 8.8 HCS 10MM-1.5X25Z...	2

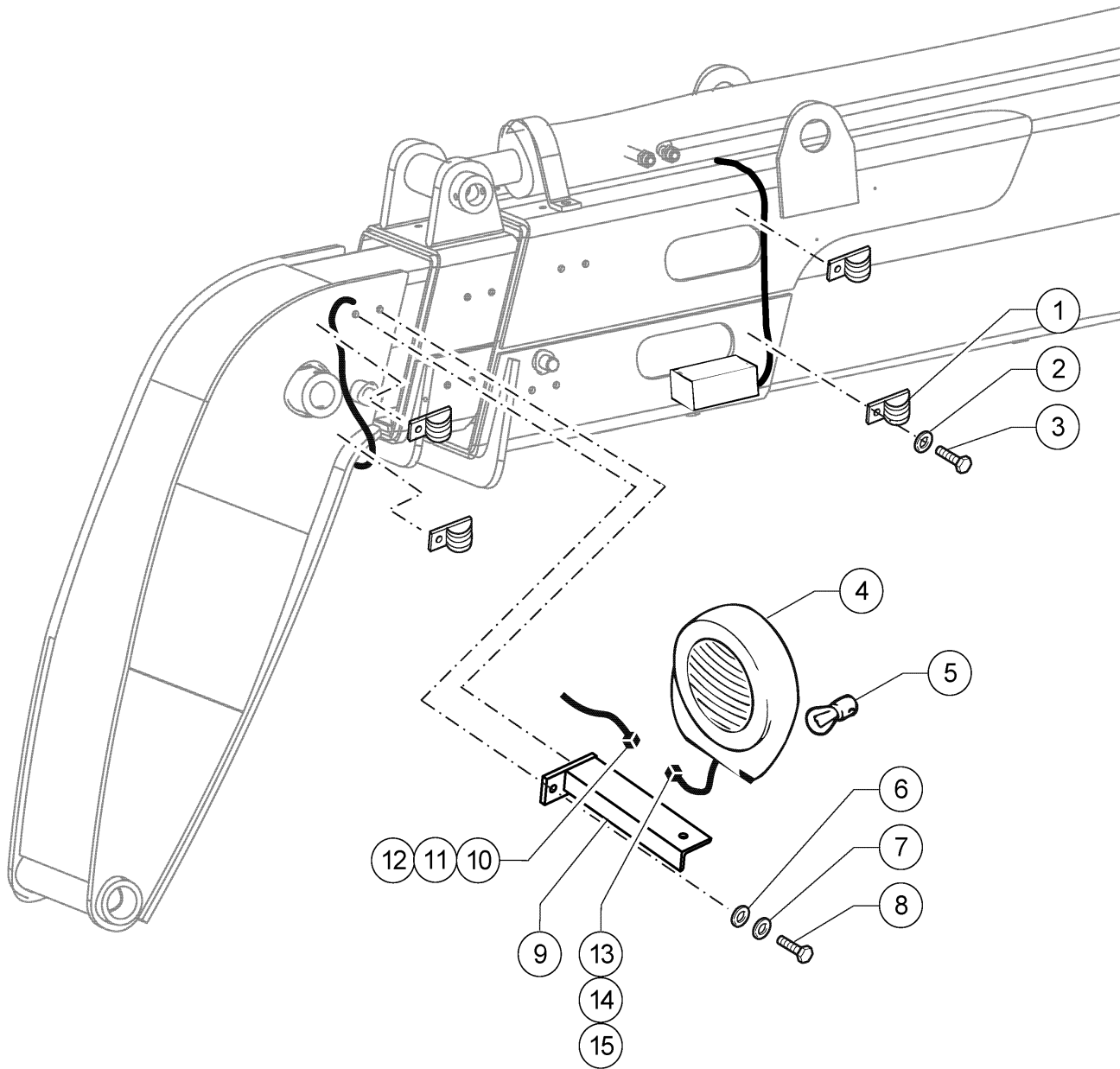
804.1 606504 Windscreen Grate



804.1 606504 Windscreen Grate

Item	Part No.	Description	Qty.
1	01.0001.0505	SCREW.....	2
2	01.4032.0005	WASHER.....	2
3	01.0031.0057	WASHER,MM FL WASH 12 Z.....	2
4	51.0901.6900	Grate.....	1
5	01.0001.0304	SCREW,8.8HCSM10-1.5X50Z FT....	2
6	01.4032.0004	SPRING WASHER,D10 ZN.....	2
7	01.0031.0301	WASHER,CHMFRD,D10(10X30)ZN.	2
8	54.0101.0019	Spacer.....	2

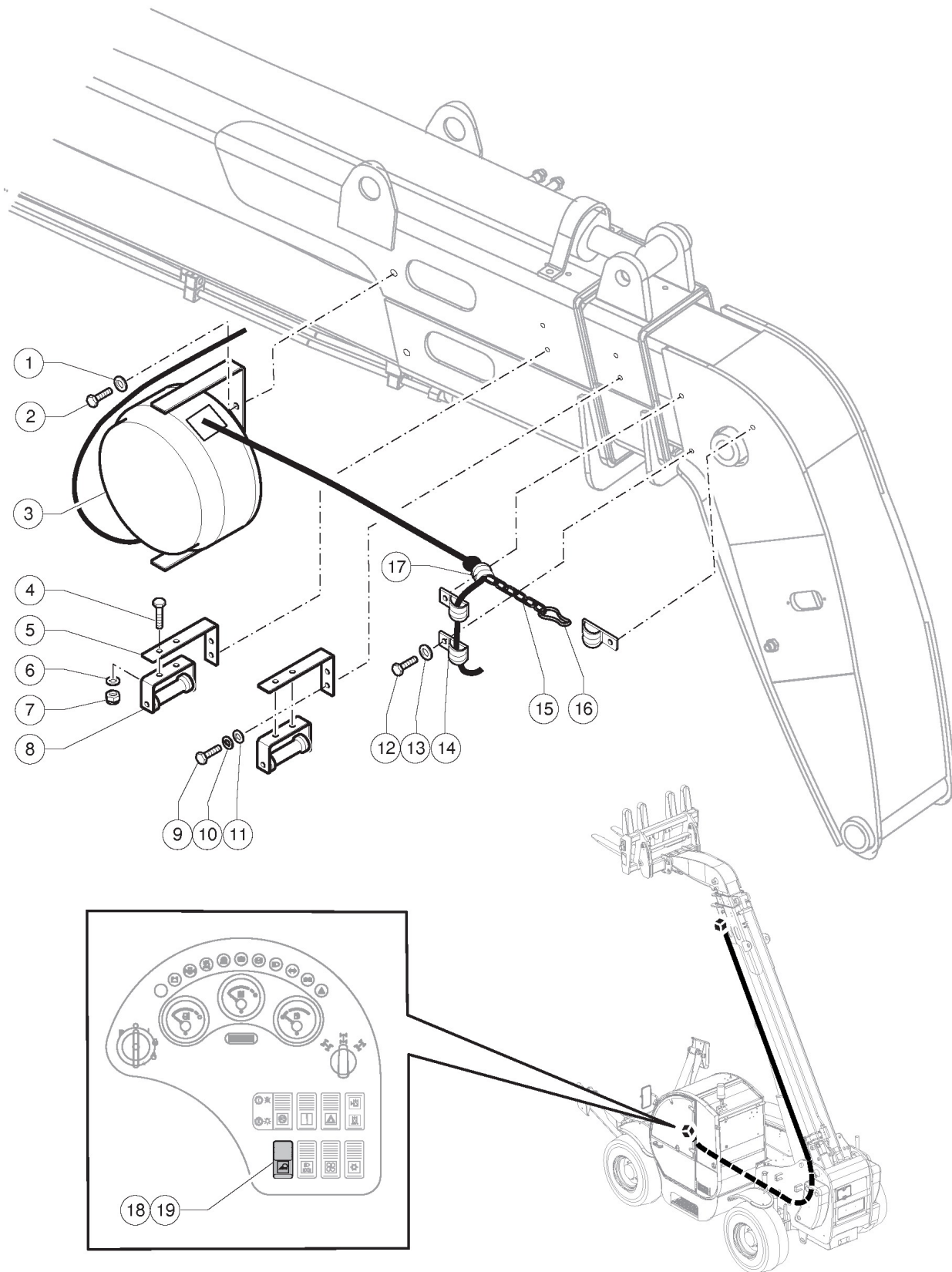
805.1 606505 Boom Work Light (Part 1)



805.1 606505 Boom Work Light (Part 1)

Item	Part No.	Description	Qty.
1	04.4227.0003	Clamp.....	4
2	01.0031.0298	PLAIN WASHER,FEND 6MM X 18MM Z.....	4
3	01.0003.0150	Screw TCEI M 6X10 UNI5931 8.8ZN.....	4
4	56.0010.0039	Light.....	1
5	07.0703.0047	Bulb.....	1
6	01.0031.0055	WASHER,D 8,UNI 6592 ZN.....	2
7	01.4032.0003	SPRING WASHER,D 8,ZN.....	2
8	01.0001.0254	SCREW, 8.8 HCS 8MM-1.25X20Z...2	
9	51.0806.5700	Bracket.....	1
10	56.0002.0141	Connector.....	1
11	56.0002.0032	Cable Terminal.....	2
12	56.0002.0142	Plate.....	1
13	56.0002.0153	Connector.....	1
14	56.0002.0040	Cable Terminal.....	2
15	56.0002.0154	Plate.....	1

806.1 606506 Boom Work Light (Part 2)

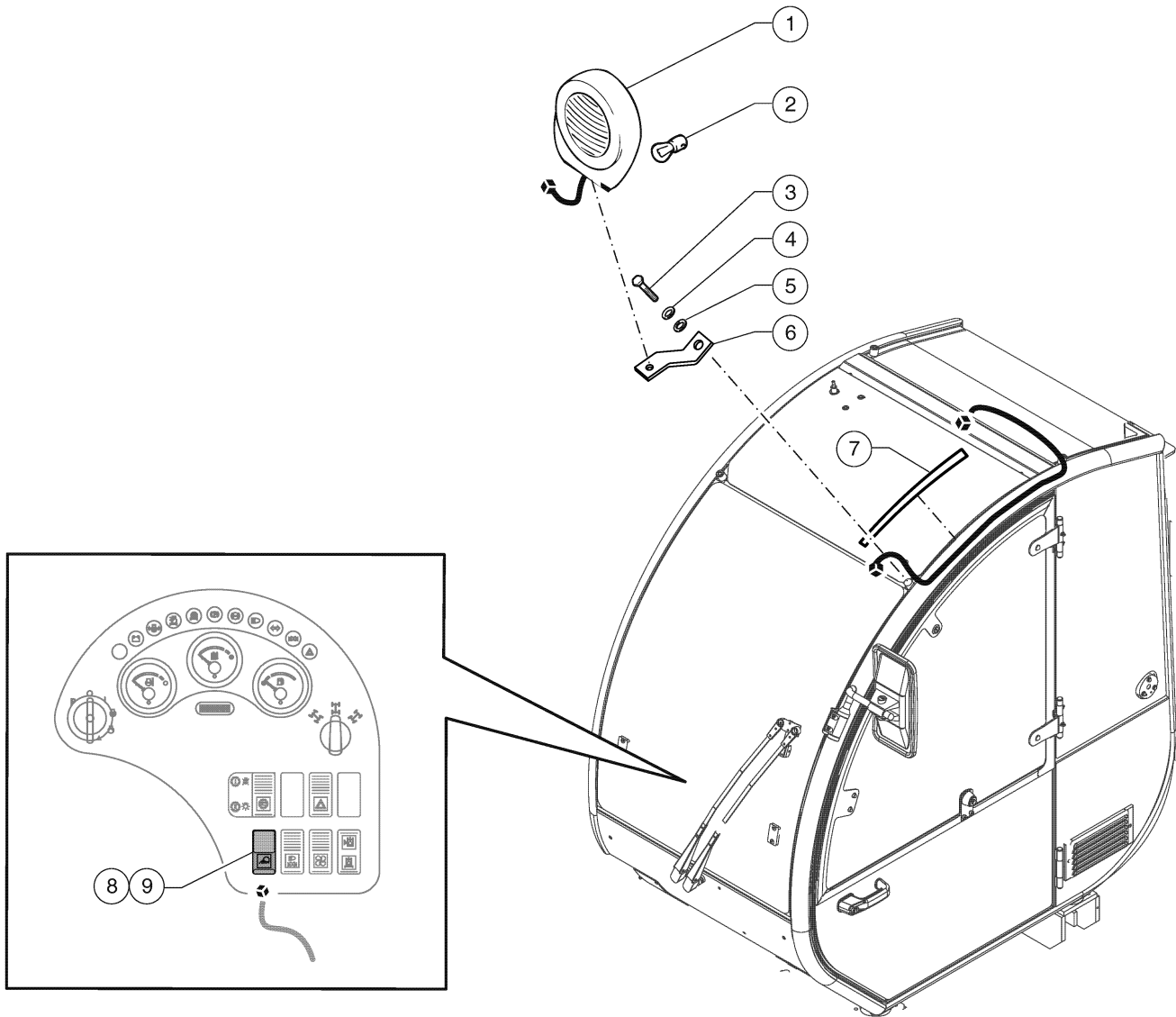




806.1 606506 Boom Work Light (Part 2)

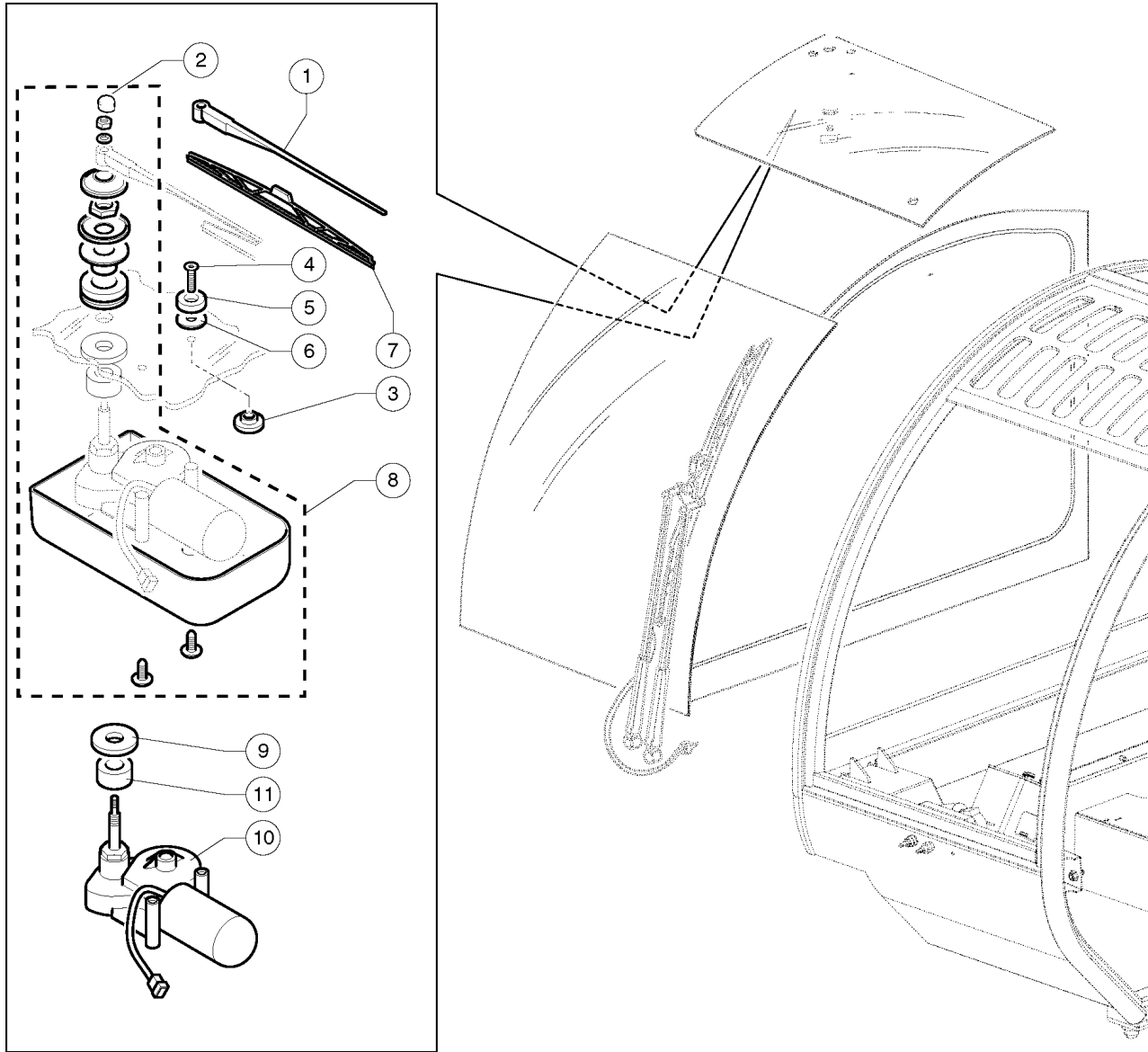
Item	Part No.	Description	Qty.
1	09.0803.0011	WASHER.....	2
2	01.0001.0256	SCREW, 8.8 HCS 8MM-1.25X25Z...	2
3	56.0023.0018	Cable Reel.....	1
4	56.0010.0039	Boom Work Light.....	1
5	51.0808.6000	Bracket.....	2
6	01.0031.0054	CHAMFERED WASHER,D6,UNI 6592ZN.....	4
7	01.0023.0053	NUT,NYLOCK M6-1.0 Z.....	4
8	56.0023.0017	Slab Buildibng.....	2
9	01.0001.0254	SCREW, 8.8 HCS 8MM-1.25X20Z...	4
10	01.4032.0005	WASHER.....	4
11	01.0031.0055	WASHER,D 8,UNI 6592 ZN.....	4
12	01.0003.0150	Screw TCEI M6X10 UNI5931 8.8ZN 8.8ZN.....	3
13	01.0031.0298	PLAIN WASHER,FEND 6MM X 18MM Z.....	3
14	04.4227.0003	Clamp.....	3
15	09.0803.0069	SPRING ATTACH.....	0,7 Mt.
16	09.0803.0069	SPRING ATTACH.....	1
17	04.0227.0051	LIGHT HOSE-CLAMP,DN 10/16,LG9.....	1
18	07.0703.0433	SWITCH.....	1
19	56.0017.0032	Glass.....	1

807.1 606507 Cabin Work Light



Item	Part No.	Description	Qty.
1	56.0010.0039	Work Light.....	1
2	004502	Bulb.....	1
3	01.0001.0505	SCREW.....	1
4	01.4032.0005	WASHER.....	1
5	01.0031.0057	WASHER,MM FL WASH 12 Z.....	1
6	55.0403.0047	Bracket.....	1
7	09.0803.0052	BLACK RUBBER ADHESIVE PROFILE-.....	1
8	56.0017.0032	Switch Glass.....	1
9	07.0703.0433	SWITCH.....	1

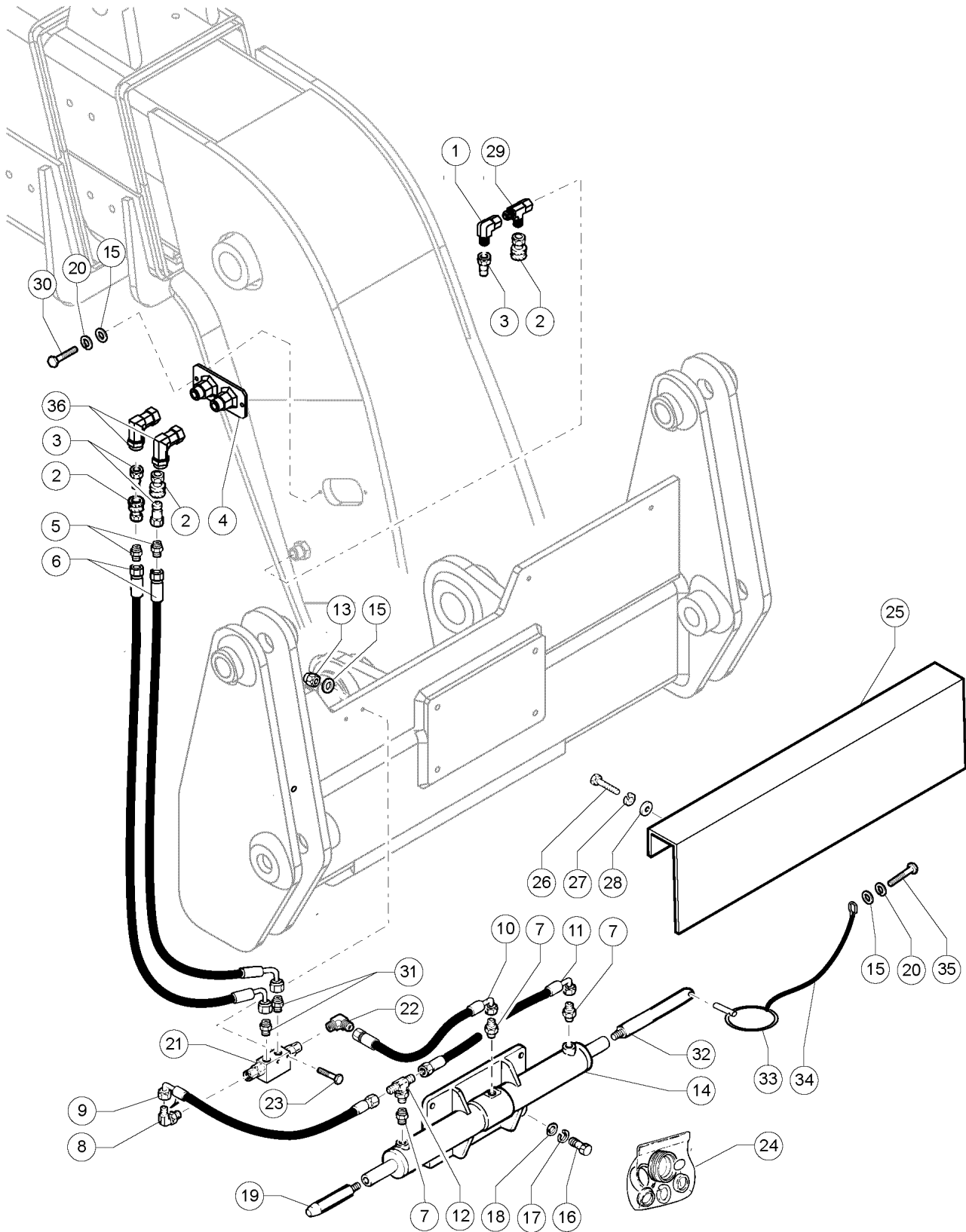
808.1 606508 Windscreen Wiper



808.1 606508 Windscreen Wiper

Item	Part No.	Description	Qty.
1	07.0740.0156	Wiper Arm.....	1
2	09.0803.0125	Cap.....	4
3	07.0740.0035	Rubber.....	2
4	07.0740.0212	Screw.....	2
5	07.0740.0213	Bushing.....	2
6	07.0740.0214	Rubber.....	2
7	07.0740.0157	Wiper Blade.....	1
8	07.0740.0209	Rear Window Fixing Kit.....	1
9	07.0740.0210	Rubber.....	1
10	07.0740.0158	Wiper Motor.....	1
11	07.0740.0211	Spacer.....	1

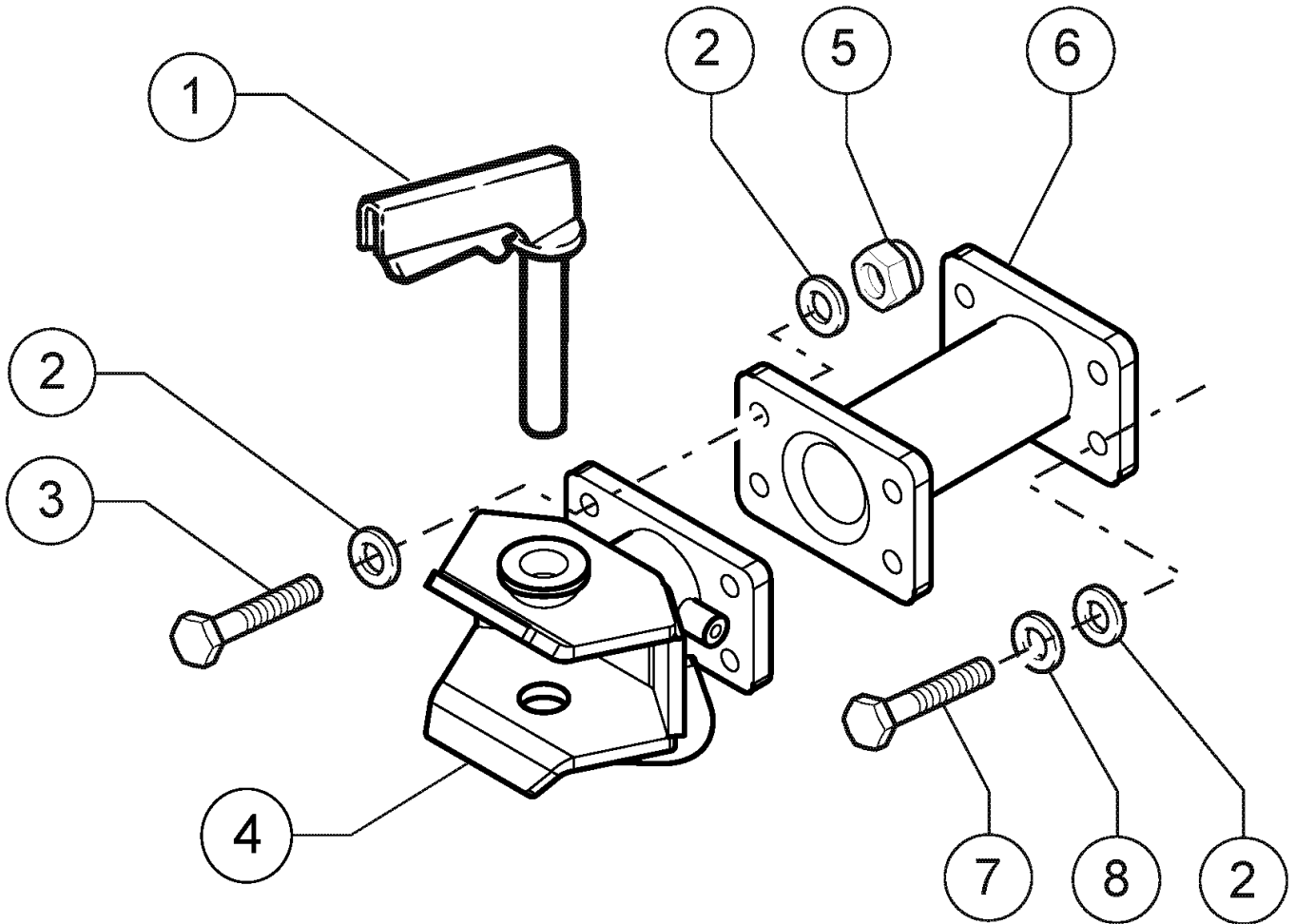
809.1 606509 Hydraulic Quick Coupling for Attachment



809.1 606509 Hydraulic Quick Coupling for Attachment

Item	Part No.	Description	Qty.
1	04.0600.0019	PIPE FITTING,MFK 90 1/2 BSP.....1	1
2	04.4210.0008	FEMALE QUICK COUPLER.....3	3
3	04.4210.0007	MALE QUICK COUPLER.....3	3
4	53.3001.0500	Manifold.....1	1
5	04.0607.0110	PIPE FITTING.....2	2
6	04.0605.0308	Hose.....2	2
7	04.0607.0114	PIPE FITTING,3/8.....3	3
8	04.0607.0112	PIPE FITTING.....1	1
9	04.0605.0114	FLEXIBLE HOSE.....1	1
10	04.0605.0112	FLEXIBLE HOSE.....1	1
11	04.0605.0113	FLEXIBLE HOSE.....1	1
12	04.0607.0131	PIPE FITTING.....1	1
13	01.0023.0053	NUT,NYLOCK M6-1.0 Z.....2	2
14	53.0500.0600	Cylinder.....1	1
15	01.0031.0054	CHAMFERED WASHER,D6,UNI 6592ZN.....5	5
16	01.0001.0355	SCREW, 8.8 HCS 10MM-1.5X25Z...4	4
17	01.4032.0004	SPRING WASHER,D10 ZN.....4	4
18	01.0031.0301	WASHER,CHMFRD,D10(10X30)ZN.4	4
19	54.4239.0059	Pin.....1	1
20	01.4032.0002	WASHER,MM L/W 6 ZP.....3	3
21	04.4239.0002	VALVE.....1	1
22	04.0607.0132	PIPE FITTING.....1	1
23	01.4001.0016	SCREW.....2	2
24	07.4529.0107	Joint Kit.....1	1
25	51.0901.2700	Guard.....1	1
26	01.0001.0254	SCREW, 8.8 HCS 8MM-1.25X20Z...3	3
27	01.4032.0003	SPRING WASHER,D 8,ZN.....3	3
28	01.0031.0299	WASHER,CHMFRD,D8,UNI 6593,ZN.....3	3
29	04.0600.0081	PIPE FITTING,FMF+L 1/2 BSP.....1	1
30	01.0001.0156	SCREW,TE,M6X20.....2	2
31	04.0607.0163	NIPPLE.....2	2
32	54.0001.0058	Pin.....1	1
33	02.4102.0012	ELASTIC PIN D.10 ART.104.....1	1
34	09.0803.0406	ROPE WITH EYES,D.3 LT.300.....1	1
35	01.0001.0104	SCREW, 8.8HCSM6-1.0X40Z FT....1	1
36	04.0600.0087	PIPE FITTING,90 A207140-2121.....2	2

810.1 606510 Towing Hitch

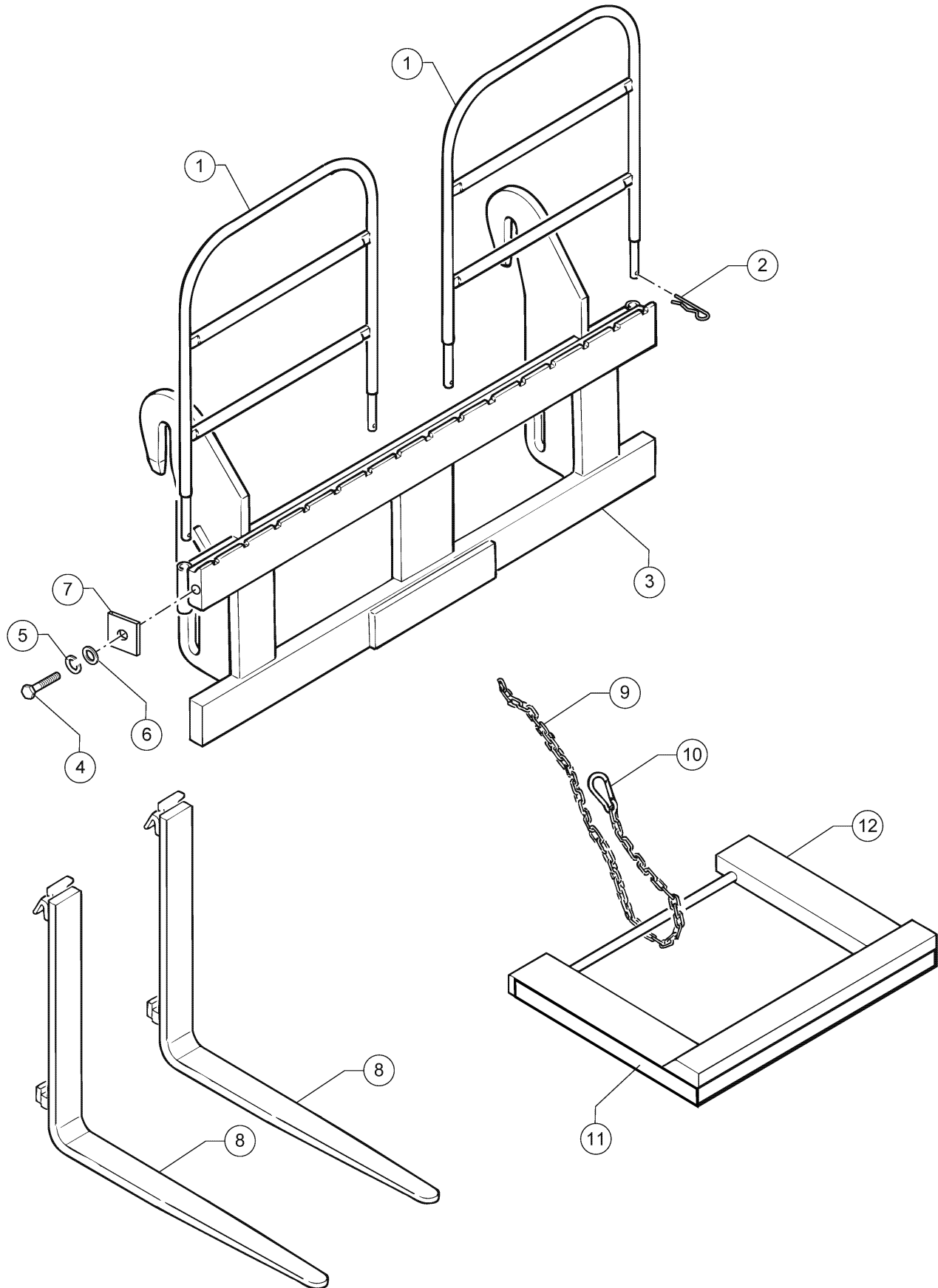




810.1 606510 Towing Hitch

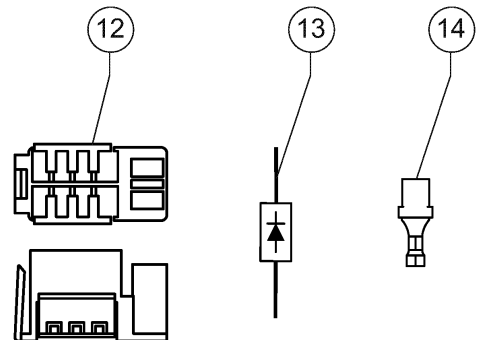
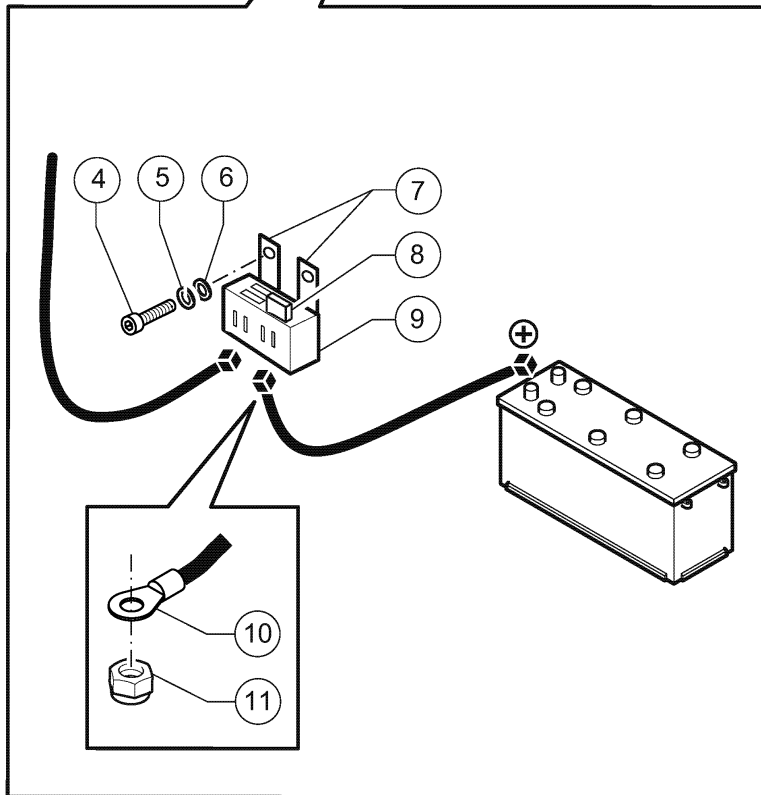
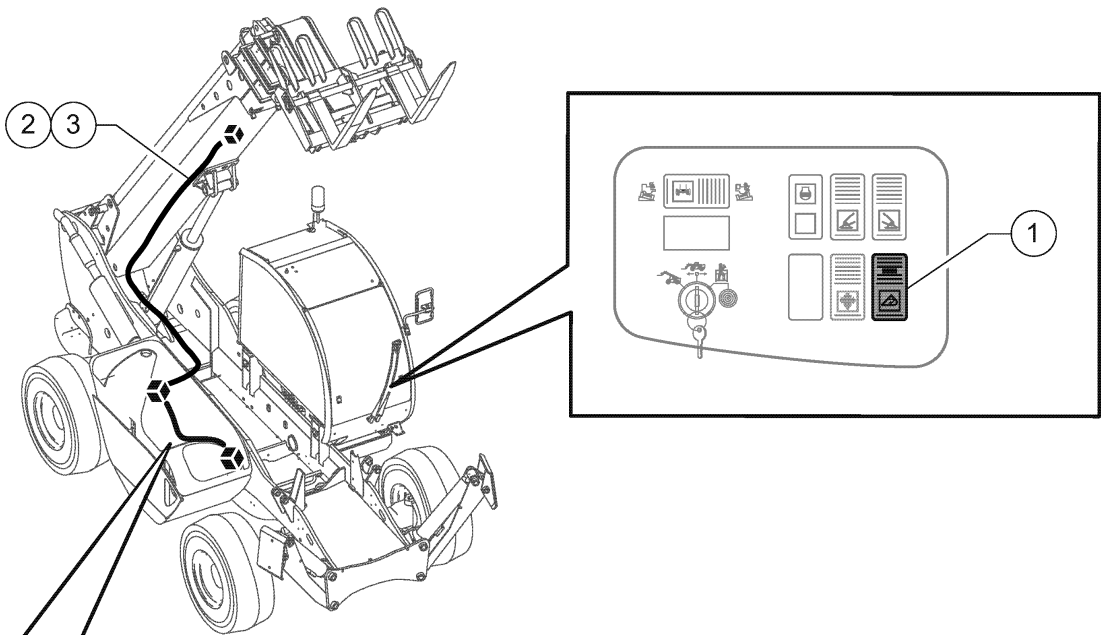
Item	Part No.	Description	Qty.
1	09.0803.0039	PIN/DOWEL HOOK.....	1
2	01.0031.0058	PLAIN WASHER.....	12
3	01.4001.0004	SCREW.....	4
4	09.0803.0038	TOWING HOOK.....	1
5	01.0023.0057	STOP NUT.....	4
6	51.0811.4104	Shifting Hook Spacer.....	1
7	01.0001.0604	SCREW.....	4
8	01.4032.0006	WASHER,MM L/W 10 ZP.....	4

811.1 606511 Fem 3 Forks



Item	Part No.	Description	Qty.
1	51.1300.0500	Guard.....	2
2	09.0803.0026	SPRING SPLIT PIN,WIRE,D4.....	4
3	51.1301.0400	Plate.....	1
4	01.0001.0256	SCREW, 8.8 HCS 8MM-1.25X25Z...	2
5	01.4032.0003	SPRING WASHER,D 8,ZN.....	2
6	01.0031.0055	WASHER,D 8,UNI 6592 ZN.....	2
7	51.1300.0100	Stop Guard.....	2
8	09.0803.0391	Fork.....	2
9	09.0803.0068	CHAIN.....	1,2-m
10	09.0803.0069	SPRING ATTACH.....	1
11	09.4618.0093	Label.....	3,1-m
12	51.1300.0300	Guard.....	1

812.1 606512 Mixing Bucket Predisposition

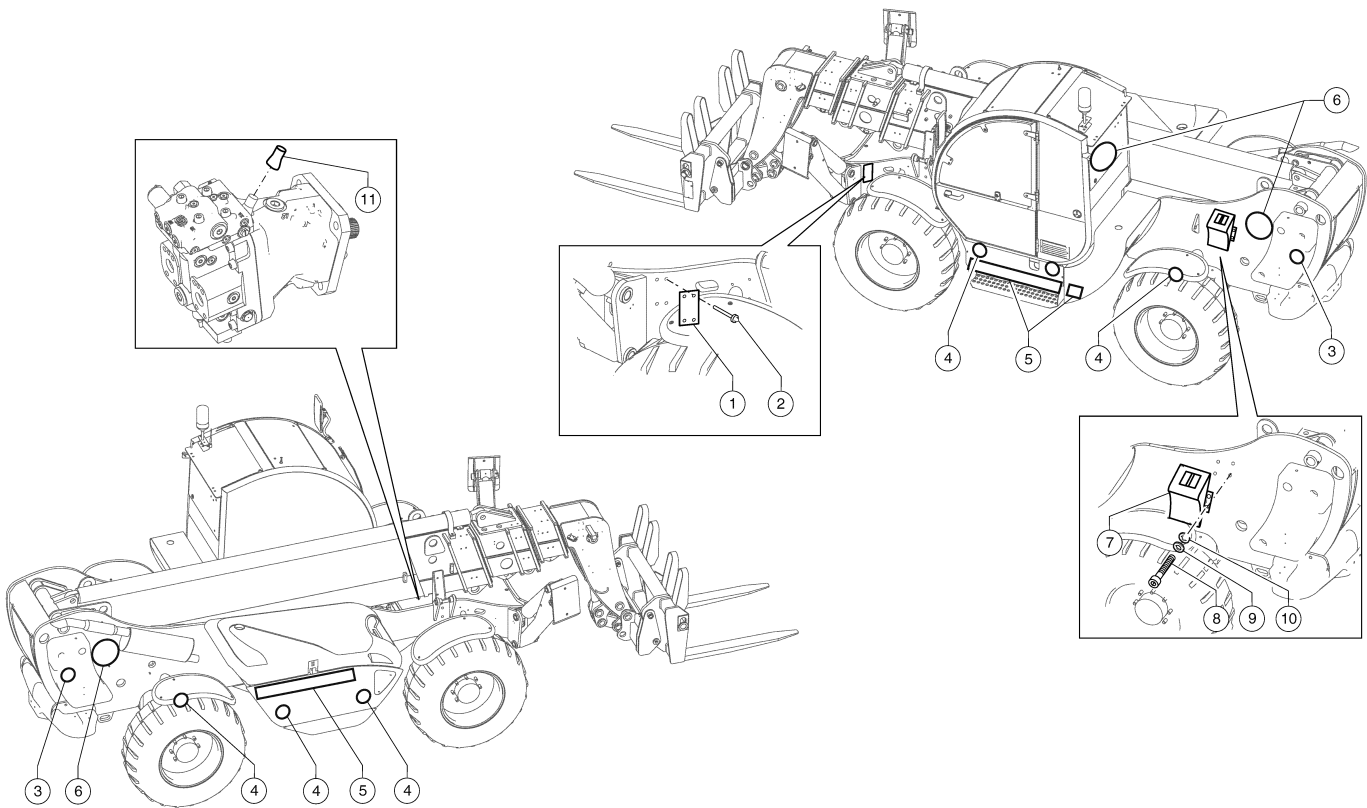


812.1 606512 Mixing Bucket Predisposition

Item	Part No.	Description	Qty.
1	56.0017.0007	Switch.....	1
2	56.0000.0015	Cable.....	12-m
3	56.0004.0003	PVC Cable Protection.....	12-m
4	01.0003.0150	Screw TCEI M6X10 UNI5931 8.8ZN.....	2
5	01.4032.0002	WASHER,MM L/W 6 ZP.....	2
6	01.0031.0298	PLAIN WASHER,FEND 6MM X 18MM Z.....	2
7	56.0005.0006	Fuse Holder Bracket.....	2
8	07.0703.0061	FUSE.....	2
9	07.0703.0189	RELAY HOLDER.....	1
10	56.0001.0009	Cable Terminal.....	2
11	01.0019.0105	NUT.....	2
12	07.0703.0493	Connector.....	1
13	07.0703.0164	Diode.....	2
14	56.0002.0155	Cable Terminal.....	10

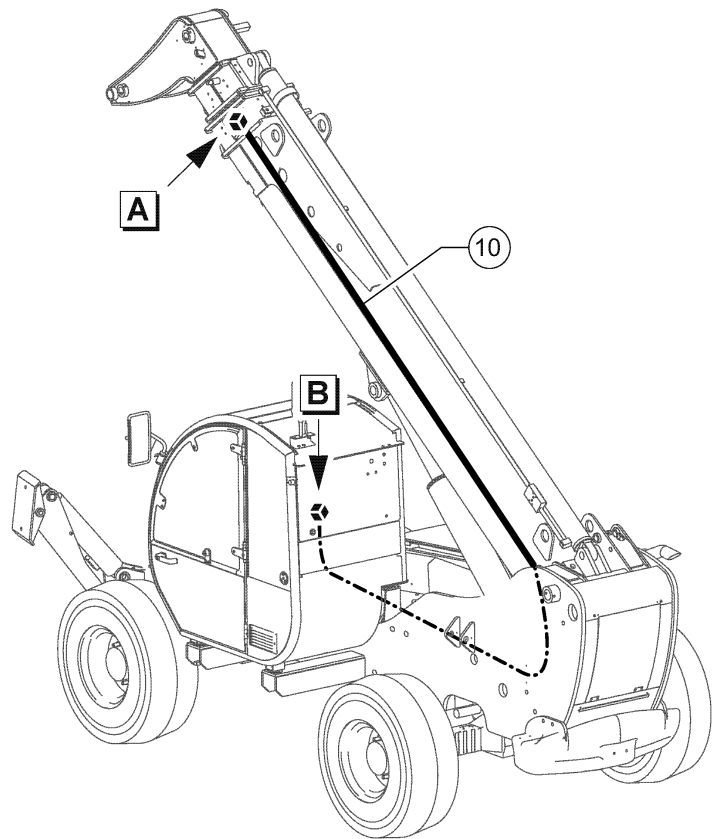
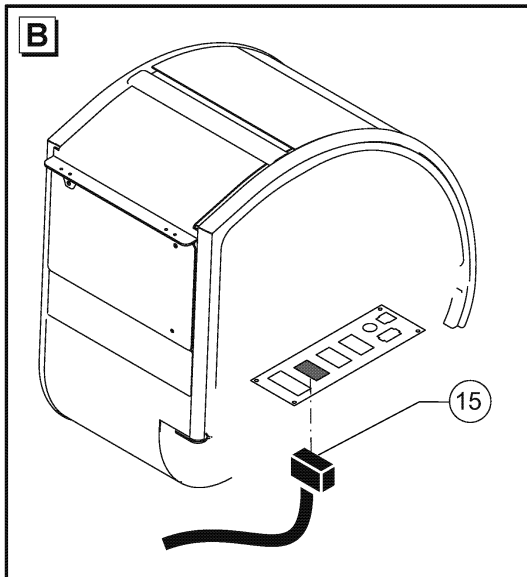
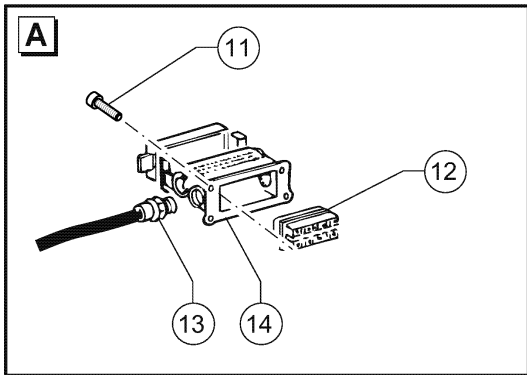
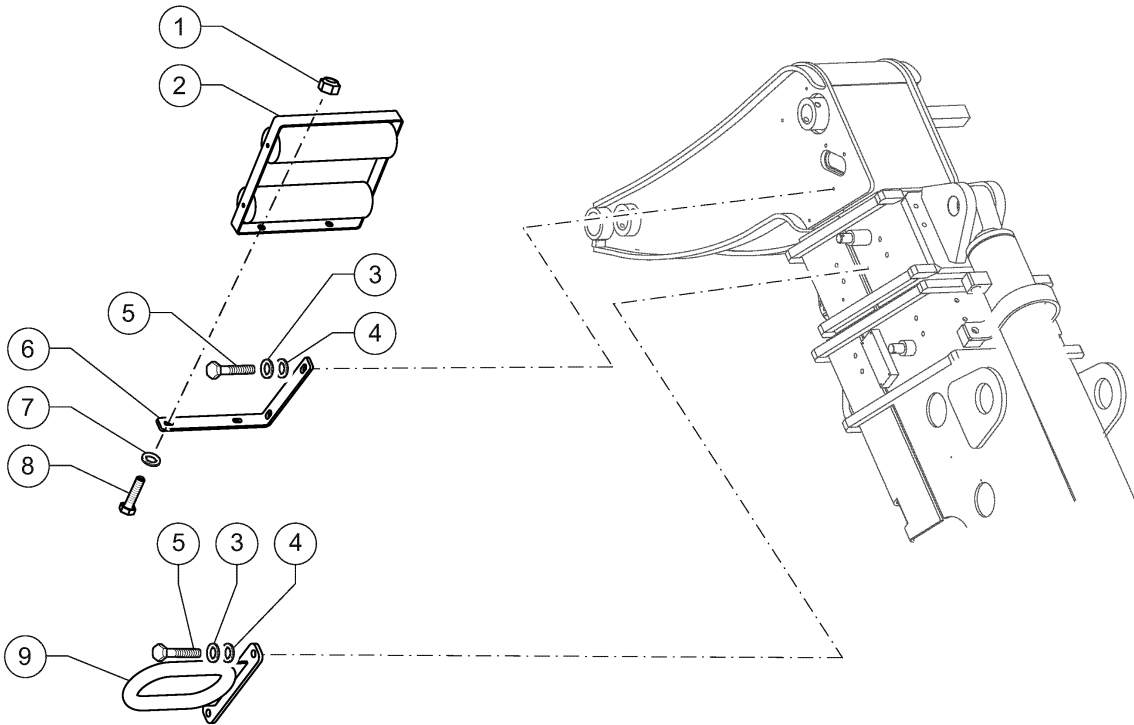


813.1 606513 T.U.V. Dotation



Item	Part No.	Description	Qty.
1	09.4616.0114	Plate.....	1
2	02.4115.0000	RIVETTO A STRAPPO.....	4
3	56.0010.0029	Reflex.....	2
4	56.0010.0020	Reflex.....	4
5	09.4618.0276	Label.....	2
6	09.4618.0339	Label.....	3
7	09.0803.0081	Wedge.....	1
8	01.0003.0153	SCREW.....	4
9	01.4032.0002	WASHER,MM L/W 6 ZP.....	4
10	01.0031.0298	PLAIN WASHER,FEND 6MM X 18MM Z.....	4
11	07.0701.0193	Cap.....	1

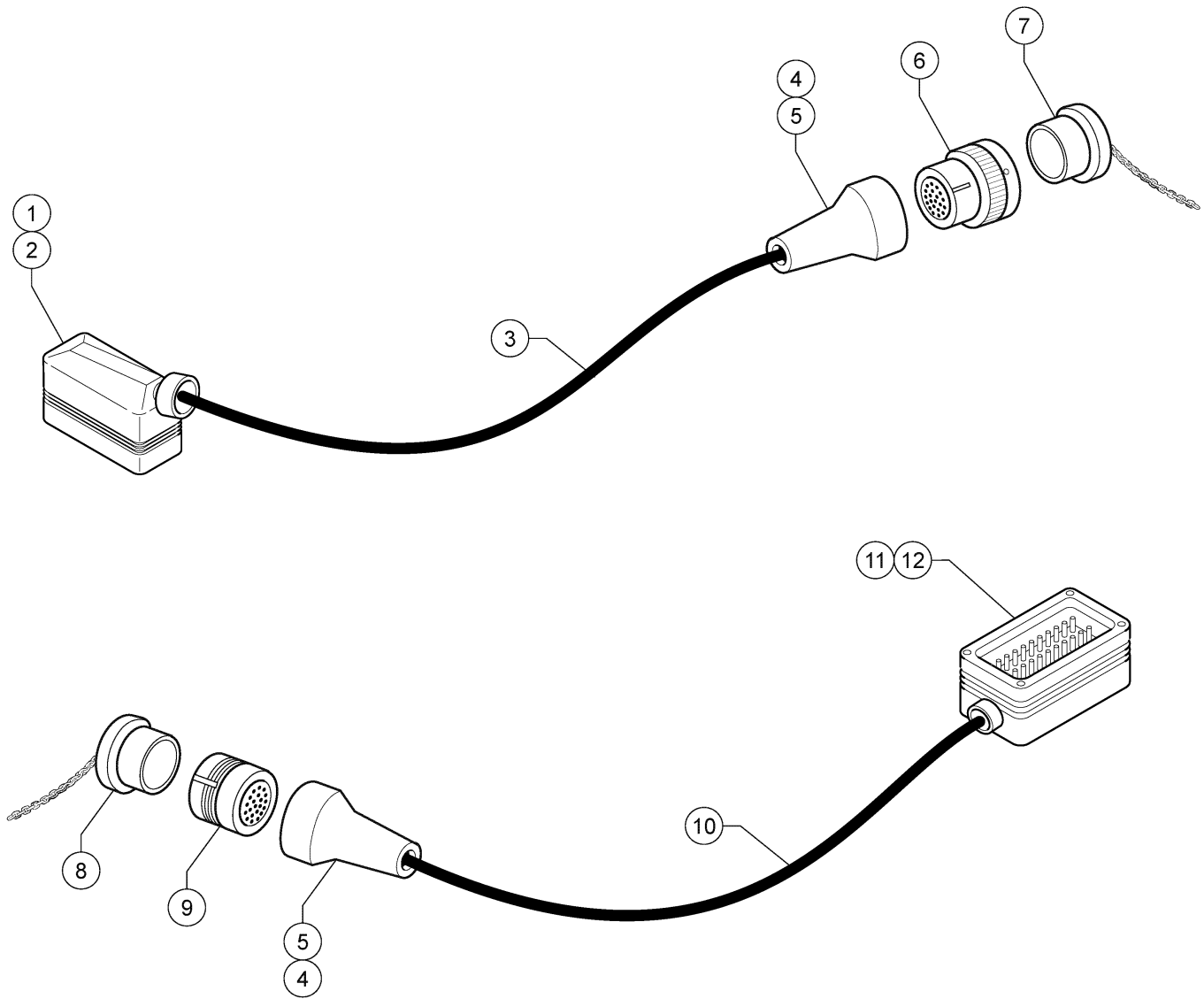
814.1 606514 Boom Electric Line





Item	Part No.	Description	Qty.
1	01.0023.0053	NUT,NYLOCK M6-1.0 Z.....	2
2	09.0803.0380	Cable-Reel.....	1
3	01.4032.0003	SPRING WASHER,D 8,ZN.....	4
4	01.0031.0055	WASHER,D 8,UNI 6592 ZN.....	4
5	01.0001.0256	SCREW, 8.8 HCS 8MM-1.25X25Z...	4
6	51.0809.8000	Support.....	1
7	01.0031.0298	PLAIN WASHER,FEND 6MM X 18MM Z.....	2
8	01.0001.0156	SCREW,TE,M6X20.....	2
9	51.0806.7100	Support.....	1
10	55.0602.0132	Cable.....	1
11	01.0003.0150	Screw.....	4
12	56.0002.0024	Connector.....	1
13	56.0007.0001	Pipe Union.....	1
14	56.0002.0023	Housing.....	1
15	56.0002.0101	Connector.....	1

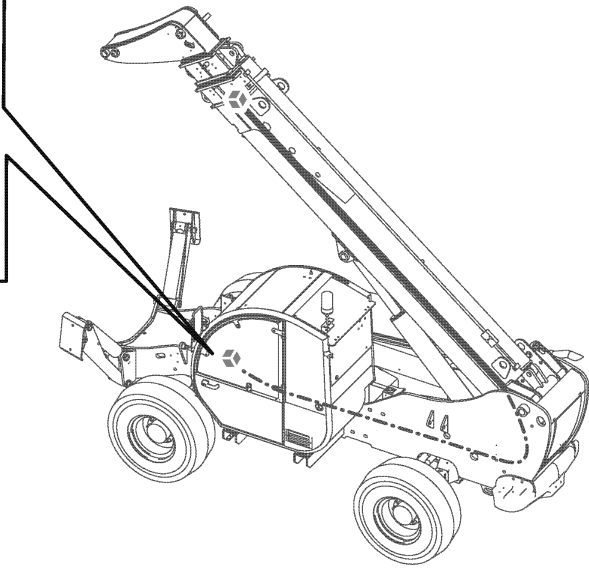
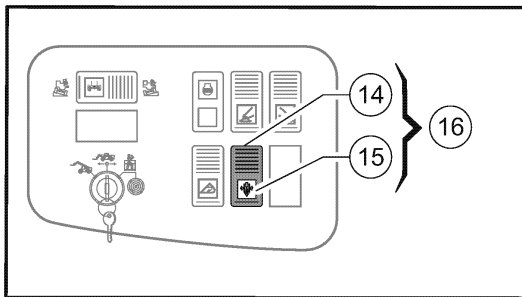
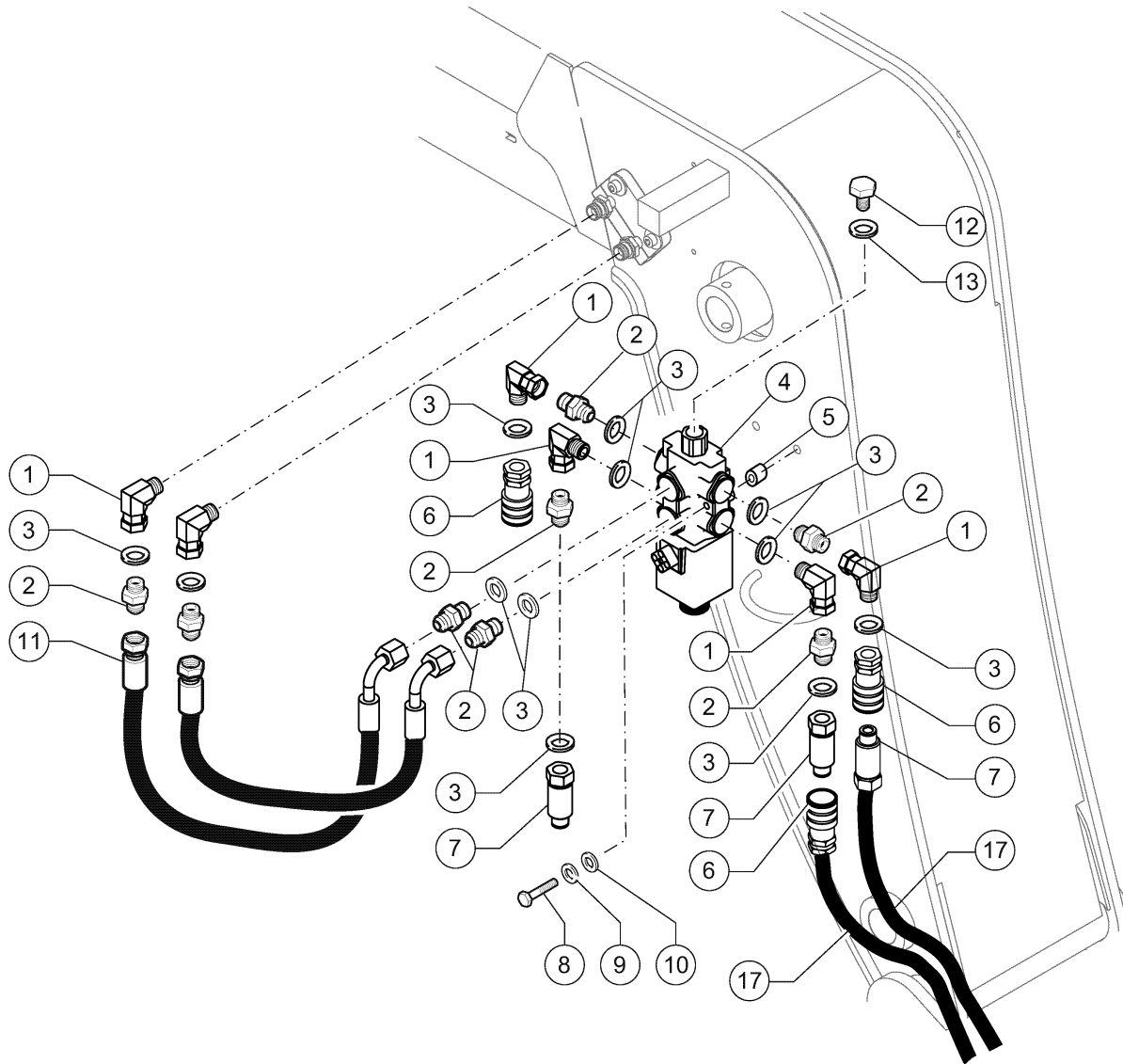
815.1 606515 Manplatform-Machine Interface Connectors



815.1 606515 Manplatform-Machine Interface Connectors

Item	Part No.	Description	Qty.
1	56.0002.0020	24 Way Male Connector.....	1
2	56.0002.0021	Connector Contacts.....	1
3	55.0602.0510	Complete Interface From Old Machines to New Optionals.....	1
4	56.0007.0017	Rubber Cable Lock.....	2
5	56.0001.0021	Clamp Cable Lock.....	2
6	56.0002.0310	31 Way Female Connector.....	1
7	56.0017.0072	Connector Cap.....	1
8	56.0002.0308	Connector Cap.....	1
9	56.0002.0048	31 Way Male Connector.....	1
10	55.0602.0509	Complete Interface From New Machines to Old Optionals.....	1
11	56.0002.0023	24 Way Female Connector.....	1
12	56.0002.0024	Connector Contacts.....	1

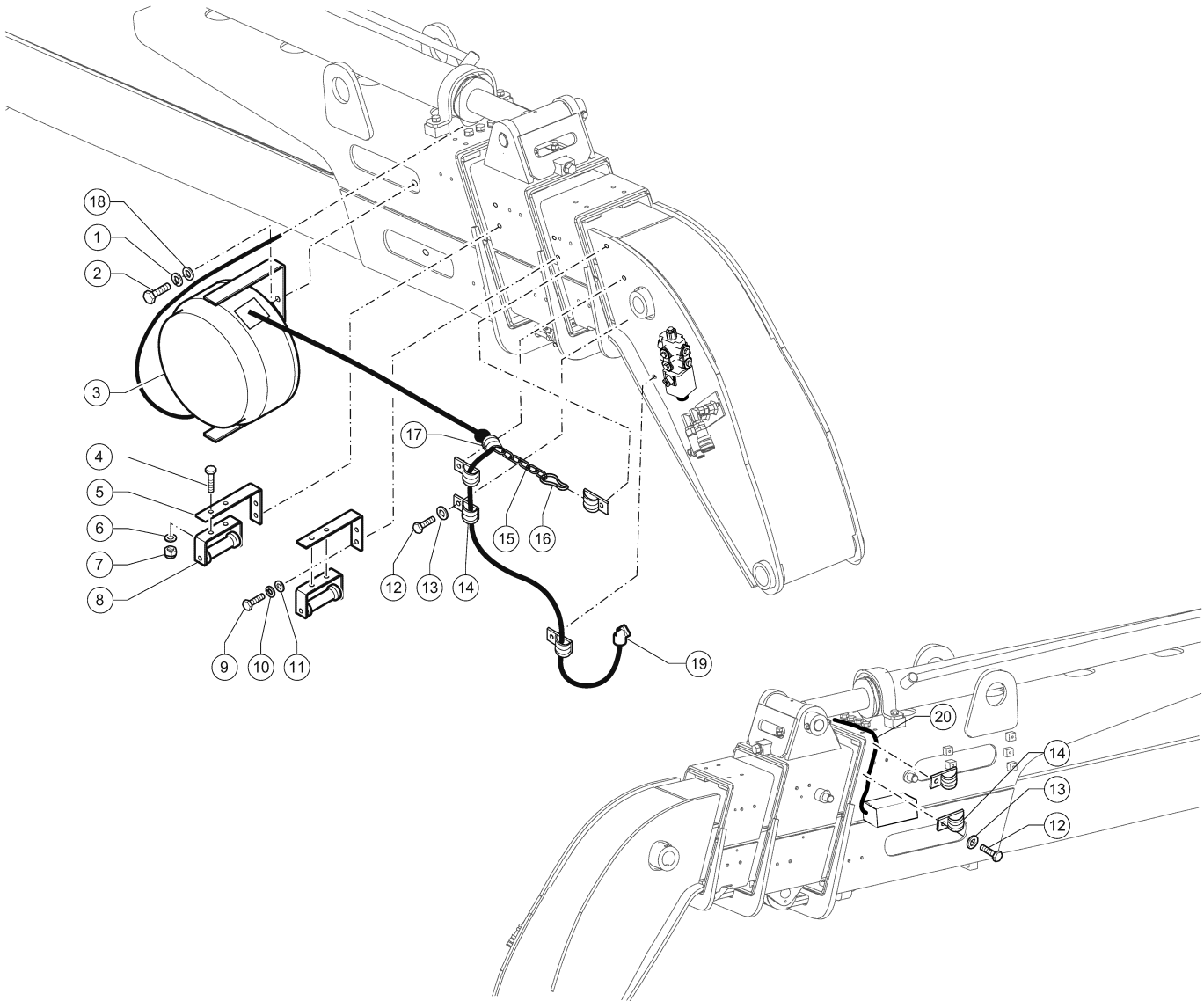
816.1 606516 Auxliary Hydraulic Line (Part 1)



## 816.1 606516 Auxliary Hydraulic Line (Part 1)

Item	Part No.	Description	Qty.
1	04.0600.0019	PIPE FITTING,MFK 90 1/2 BSP.....	6
2	04.0600.0017	NIPPLE/PIPE FITTING.....	8
3	06.0442.0103	WASHER,BRASS.....	12
4	04.4240.0011	SOLENOID/ELEC. VALVE.....	1
5	54.0101.0000	Spacer.....	2
6	04.4210.0008	FEMALE QUICK COUPLER.....	3
7	04.4210.0007	MALE QUICK COUPLER.....	3
8	01.0001.0209	SCREW, 8MM-1.25X70 8.8HCS Z...	2
9	01.0031.0055	WASHER,D 8,UNI 6592 ZN.....	2
10	01.4032.0003	SPRING WASHER,D 8,ZN.....	2
11	04.0602.0465	Flexible Hose.....	2
12	04.0220.0051	PLUG.....	1
13	06.0442.0101	WASHER.....	1
14	07.0703.0494	SWITCH.....	1
15	56.0017.0010	Switch Glass.....	1
16	56.0017.0006	Switch Complete.....	1
17	04.0605.0300	Flexible Hose.....	2

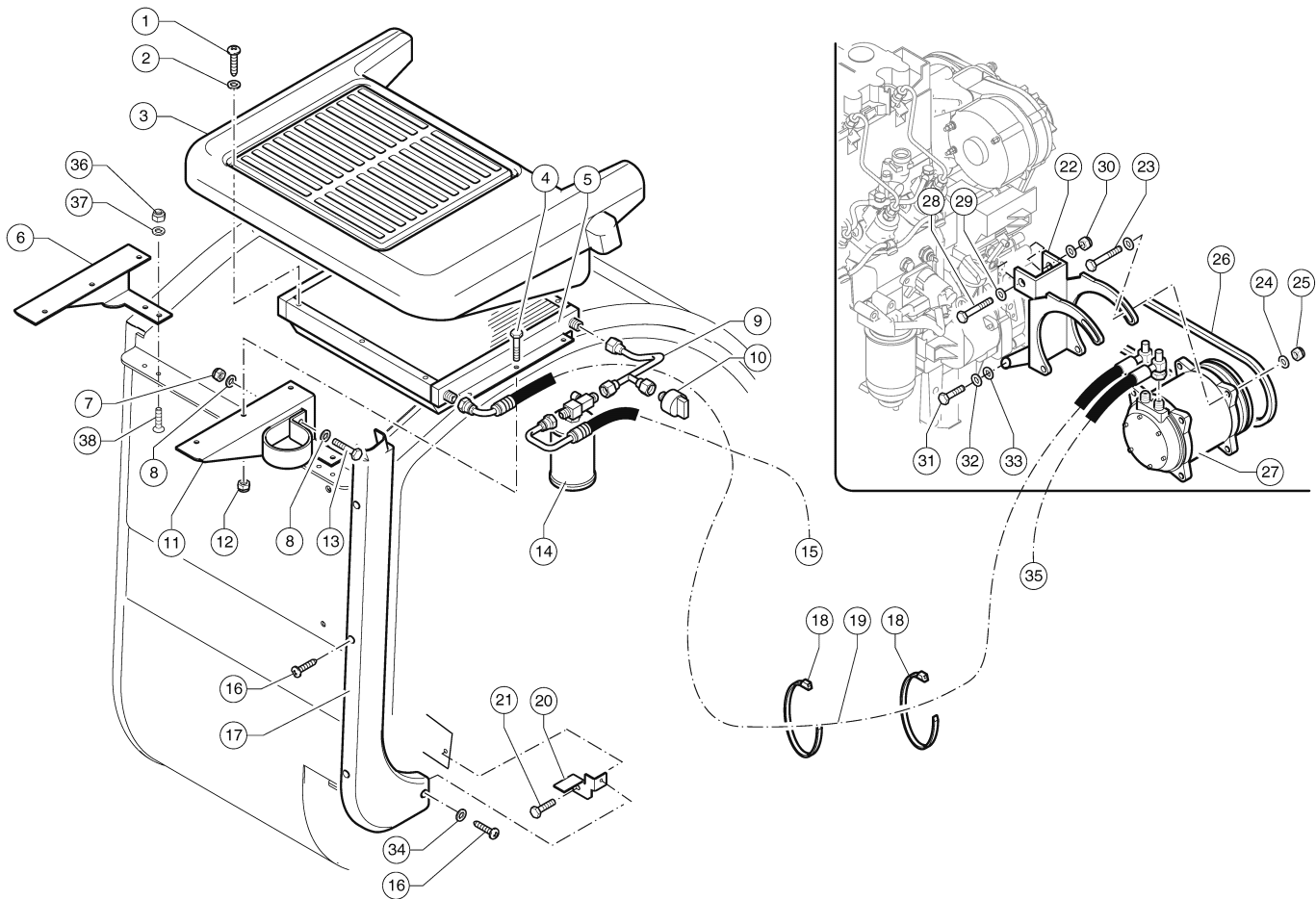
817.1 606517 Auxliary Hydraulic Line (Part 2)



817.1 606517 Auxliary Hydraulic Line (Part 2)

Item	Part No.	Description	Qty.
1	01.4032.0003	SPRING WASHER,D 8,ZN.....	2
2	01.0001.0254	SCREW, 8.8 HCS 8MM-1.25X20Z...	2
3	56.0023.0003	Cable Reel.....	1
4	01.0001.0156	SCREW,TE,M6X20.....	4
5	51.0808.6000	Bracket.....	2
6	01.0031.0054	CHAMFERED WASHER,D6,UNI 6592ZN.....	4
7	01.0023.0053	NUT,NYLOCK M6-1.0 Z.....	4
8	56.0023.0017	Slab Buildibng.....	2
9	01.0001.0254	SCREW, 8.8 HCS 8MM-1.25X20Z...	4
10	01.4032.0005	WASHER.....	4
11	01.0031.0055	WASHER,D 8,UNI 6592 ZN.....	4
12	01.0003.0150	Screw.....	6
13	01.4032.0003	SPRING WASHER,D 8,ZN.....	6
14	04.4227.0008	CLAMP.....	6
15	09.0803.0108	CHAIN.....	0.03-m
16	09.0803.0069	SPRING ATTACH.....	1
17	04.0227.0051	LIGHT HOSE-CLAMP,DN 10/16,LG9.....	1
18	01.0031.0055	WASHER,D 8,UNI 6592 ZN.....	2
19	56.0002.0071	Connector.....	1
20	56.0004.0002	Cable Protection.....	1.02-m

818.1 606518 Air Conditioning - Compressor Unit



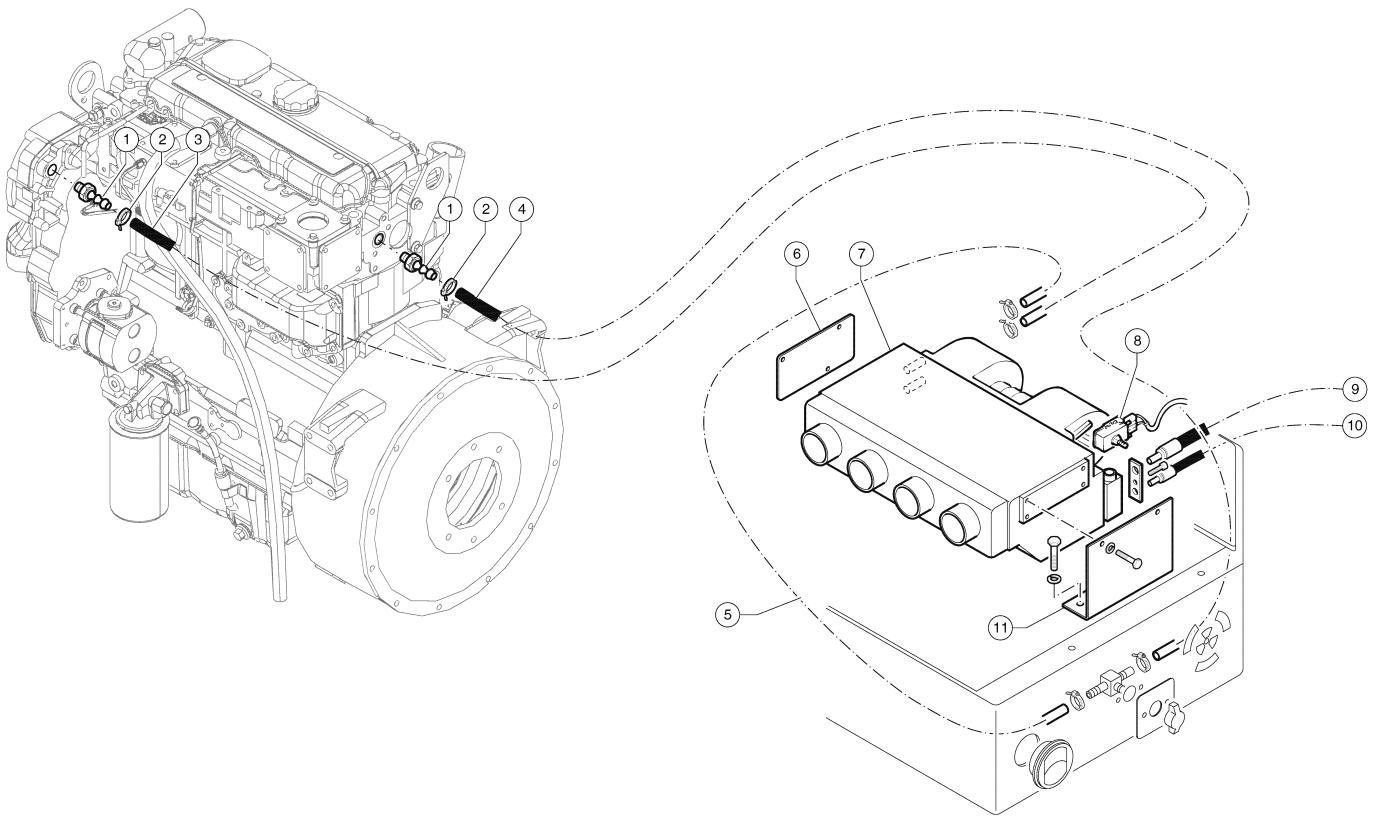


818.1 606518 Air Conditioning - Compressor Unit

Item	Part No.	Description	Qty.	Item	Part No.	Description	Qty.
1	01.0001.0004	SCREW.....	6	37	01.0031.0055	WASHER,D 8,UNI 6592 ZN.....	4
2	01.0031.0298	PLAIN WASHER,FEND 6MM X 18MM Z.....	6	38	01.4006.0000	SCREW.....	4
3	07.0740.0255	Guard.....	1				
4	01.0001.0099	Screw.....	6				
5	07.0740.0263	Capacitor.....	1				
6	07.0740.0268	Support.....	1				
7	01.0001.0037	Stop Nut.....	1				
8	01.0031.0298	PLAIN WASHER,FEND 6MM X 18MM Z.....	2				
9	07.0740.0260	Hose.....	1				
10	07.0723.0303	INDICATOR.....	1				
11	07.0740.0269	Support.....	1				
12	01.0001.0035	Stop Nut.....	6				
13	01.0001.0004	SCREW.....	1				
14	07.0740.0254	Filter.....	1				
15		58.0902.2000B pos.6					
16	07.0740.0258	Screw.....	4				
17	07.0740.0256	Control.....	1				
18	04.0227.0058	CLAMP.....	2				
19	07.0740.0261	HOSE.....	1				
20	07.0740.0257	Bracket.....	1				
21	07.0740.0258	Screw.....	4				
22	51.0808.2800	Support.....	1				
23	01.0001.0358	SCREW,8.8 HCS 10MM-1.5X40Z....	4				
24	01.0031.0056	WASHER,MM FL WASH 10 Z.....	8				
25	01.0023.0055	NUT,SELFLOCK,M10,UNI7473,ZN..	4				
26	09.0803.0373	Belt.....	1				
27	56.0014.0024	Compressor.....	1				
28	01.0001.0410	SCREW.....	1				
29	01.0031.0056	WASHER,MM FL WASH 10 Z.....	2				
30	01.0023.0055	NUT,SELFLOCK,M10,UNI7473,ZN..	1				
31	01.0001.0651	SCREW,TE,M16X50,UNI 5737 8.8ZN.....	1				
32	01.4032.0007	SPRING WASHER,D16,ZN,REINFORCD.....	1				
33	01.4031.0001	WASHER,CHMFRD,D16,UNI 6593,ZN.....	1				
34	07.0740.0117	Washer.....	1				
35		58.0902.2000B pos.7					
36	01.0023.0054	NUT,M8,UNI 7473.....	4				



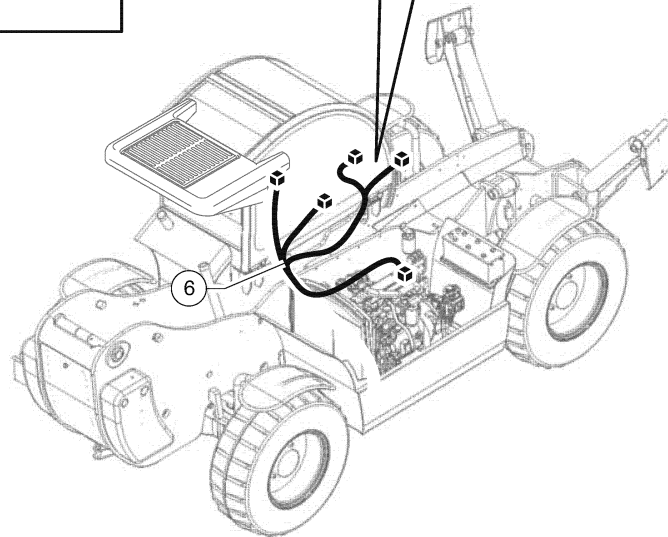
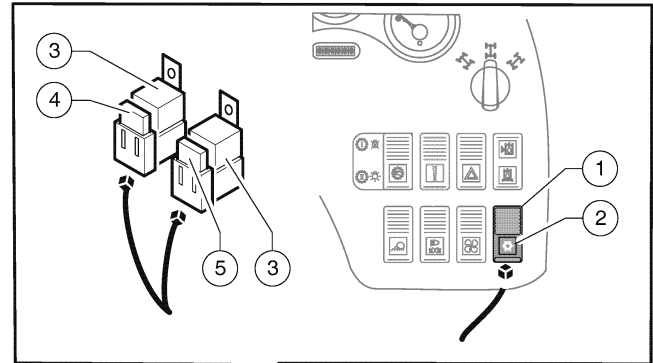
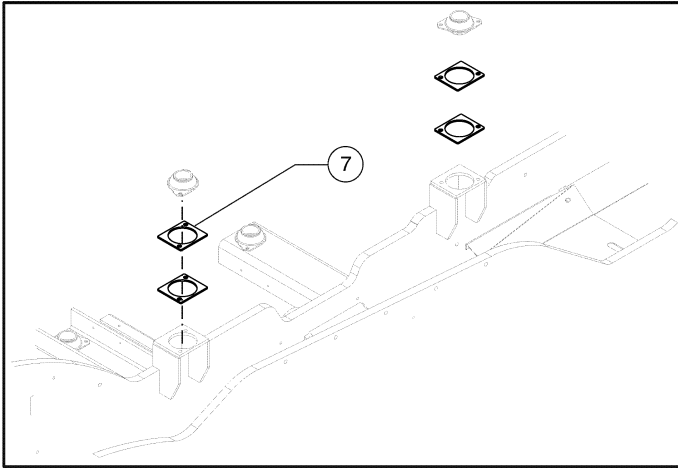
819.1 606519 Air Conditioning - Evaporator Unit



819.1 606519 Air Conditioning - Evaporator Unit

Item	Part No.	Description	Qty.
1	09.0806.0027	SUPPORT/RUBBER DOOR.....	2
2	04.0227.0068	LIGHT CLAMP.....	6
3	07.0740.0122	Flexible Hose.....	5-m
4	07.0740.0122	Flexible Hose.....	5-m
5	07.0740.0122	Flexible Hose.....	1-m
6	07.0723.0319	Support.....	1
7	07.0723.0318	Cooler.....	1
8	07.0723.0321	Temperature Switch.....	1
9	07.0723.0316	HOSE.....	1
10	07.0723.0317	HOSE.....	1
11	07.0723.0320	Support.....	1

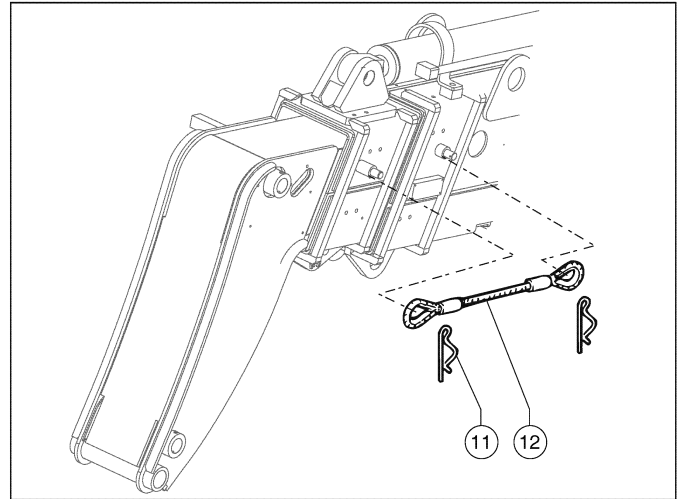
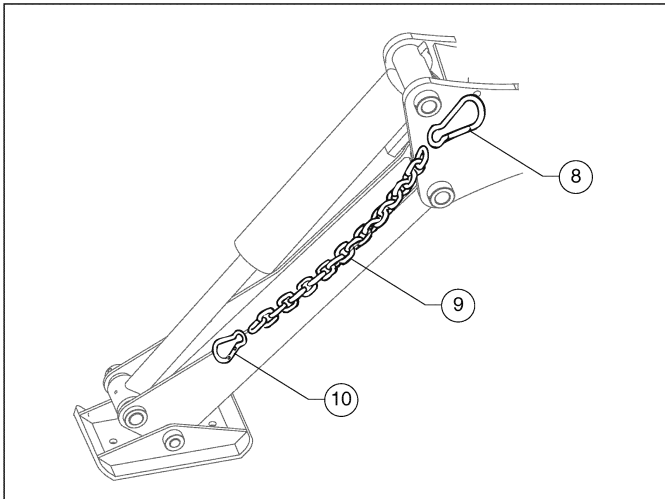
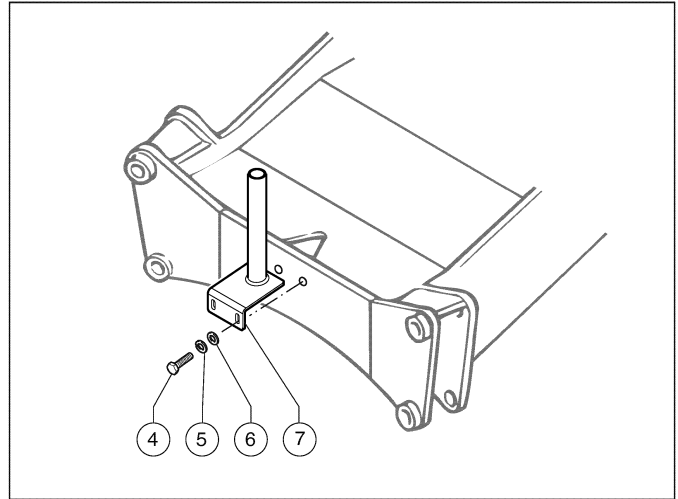
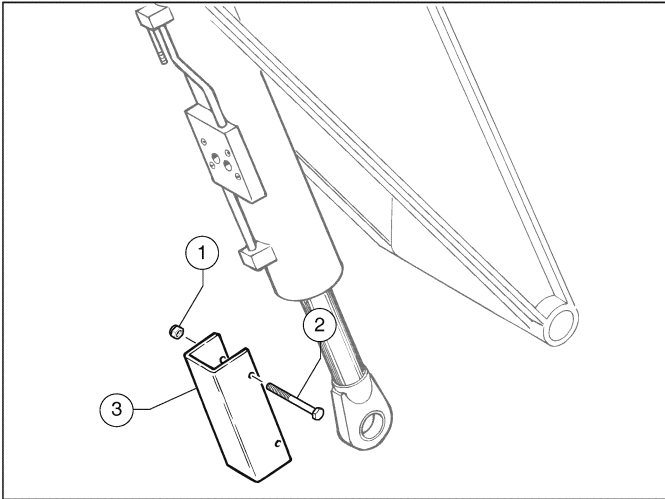
820.1 606520 Air Conditioning - Electric Unit



820.1 606520 Air Conditioning - Electric Unit

Item	Part No.	Description	Qty.
1	07.0703.0431	SWITCH.....	1
2	56.0017.0059	Glass.....	1
3	07.0703.0486	Relay.....	1
4	07.0703.0148	FUSE.....	1
5	634975	FUSE,20A.....	1
6	55.0602.0288	Cable.....	1
7	54.0100.0092	Spacer.....	4

821.1 606521 Transport Locking Devices



821.1 606521 Transport Locking Devices

Item	Part No.	Description	Qty.
1	01.0023.0055	NUT,SELFLOCK,M10,UNI7473,ZN..2	
2	01.0001.0315	Screw TE M10X110 UNI 5737 8.8 ZN.....2	
3	51.0803.9800	Bracket.....1	
4	01.0001.0355	SCREW, 8.8 HCS 10MM-1.5X25Z..2	
5	01.4032.0004	SPRING WASHER,D10 ZN.....2	
6	01.0031.0056	WASHER,MM FL WASH 10 Z.....2	
7	51.0810.1200	Bracket.....1	
8	09.4621.0009	Spring Catch D100.....2	
9	09.0803.0130	Chain.....2	
10	09.0803.0069	SPRING ATTACH.....2	
11	09.0803.0026	SPRING SPLIT PIN,WIRE,D4.....2	
12	09.0803.0161	Rope.....1	





822.1 606522 Hydraulic Parking Brake

Item	Part No.	Description	Qty.
1	53.1600.0001	Cylinder.....	1
2	07.0709.0905	Bended Brake Lever.....	1
3	07.0709.0906	Straight Brake Lever.....	1
4	02.0117.0051	GREASE NIPPLE.....	2
5	04.0607.0113	PIPE FITTING,1/4BSP X 9/16-18.....	1
6	05.4329.0011	ACCUMULATOR.....	1
7	06.0442.0057	WASHER.....	2
8	04.0607.0144	Pipe Fitting 18X1.5 X 9/16-18 ORFS.....	1
9	04.0605.0993	Flexible Hose R2 X 1/4 LG. 550 F90.....	1
10	04.0607.0149	PIPE FITTING.....	2
11	04.0600.0159	PIPE FITTING.....	1
12	04.0600.0067	PIPE FITTING-NIPPLE.....	1
13	51.0803.0800	Bracket.....	1
14	01.0001.1465	SCREW,TE,M8X40,UNI 5739,8.8 ZN.....	1
15	01.0001.0257	SCREW,8.8 HCS 8MM-1.25X30Z....	2
16	01.0023.0054	NUT,M8,UNI 7473.....	3
17	04.4329.0070	Hydraulic Parking Brake Lever.....	1
18	06.0442.0055	WASHER,D.14/20X1.5.....	6
19	05.0401.0003	DRILLED SCREW.....	2
20	05.0401.0012	Perforated Screw D.14.....	1
21	07.0740.0189	Pipe Fitting 90° M M10X1 CONIC....	1
22	05.4329.0016	Pressure Switch.....	1
23	05.4329.0017	Pressure Switch.....	1
24	55.0602.0517	Harness.....	1
25	04.0605.0727	Flexible Hose R2 X 1/4 LG.700.....	1
26	04.0605.0991	Flexible Hose R1 X 1/4 LG. 700.....	1
27	04.0607.0164	Pipe Fitting TMF+L 11/16-16 ORFS.....	1
28	04.0605.0992	Flexible Hose R1 X 1/4 LG. 2500....	1
29	07.0740.0178	Cover.....	1
30	01.0003.0203	SCREW, 12.9SHCS M8-1.25X20Z.....	4
31	51.0903.4947	Cover.....	1
32	55.0016.0001	Cylinder Assembly.....	1
33	55.0206.0042	Accumulator Assembly.....	1
34	55.1006.0013	Hydraulic Parking Brake Assembly.....	1

## Part Number Index

The Part Number Index is a numeric index of all part numbers included in this manual. The index shows what page(s) the part is used on.

Part Number	Page	Part Number	Page	Part Number	Page	Part Number	Page
004502	183	01.0003.0306	139	01.4001.0078	23, 25	04.0227.0152	57
01.0001.0004	205	01.0003.0353	91	01.4001.0080	19, 21	04.0600.0013	79, 137
01.0001.0014	113	01.0003.0944	125, 127	01.4001.0094	21	04.0600.0017	201
01.0001.0015	19, 21	01.0003.0948	159	01.4001.0116	67, 69	04.0600.0019	127, 143, 187,
01.0001.0017	23	01.0003.0949	159	01.4001.0125	101		201
01.0001.0035	205	01.0003.0950	159	01.4001.0606	115	04.0600.0037	135
01.0001.0037	205	01.0003.0951	159	01.4003.0002	113	04.0600.0067	139, 213
01.0001.0038	137	01.0019.0104	67	01.4003.0011	149	04.0600.0077	139
01.0001.0039	25, 29	01.0019.0105	79, 193	01.4003.0022	87	04.0600.0081	127, 143, 187
01.0001.0044	19, 21	01.0019.0106	99	01.4003.0049	95	04.0600.0085	139
01.0001.0054	149	01.0019.0179	97, 99	01.4003.0051	99, 101	04.0600.0087	127, 143, 187
01.0001.0073	113	01.0023.0052	59	01.4003.0052	91, 95	04.0600.0091	121
01.0001.0078	25	01.0023.0053	19, 21, 23, 25,	01.4003.0053	91	04.0600.0092	33
01.0001.0099	205		107, 181, 187,	01.4006.0000	205	04.0600.0103	139
01.0001.0104	107, 187		197, 203	01.4006.0004	125, 127	04.0600.0159	139, 213
01.0001.0154	87	01.0023.0054	25, 29, 61, 65,	01.4006.0005	93	04.0600.0166	141
01.0001.0156	85, 127, 143,		69, 141, 205, 213	01.4006.0007	67	04.0600.0196	81
	187, 197, 203	01.0023.0055	19, 21, 23, 25,	01.4006.0011	23, 25	04.0602.0465	201
01.0001.0158	151		27, 53, 55, 57,	01.4006.0016	23	04.0605.0112	187
01.0001.0207	79		61, 111, 113,	01.4006.0019	25	04.0605.0113	187
01.0001.0209	201		115, 205, 211	01.4019.0009	75	04.0605.0114	187
01.0001.0252	75, 91, 95	01.0023.0056	109, 111	01.4023.0000	21, 23, 25	04.0605.0194	133
01.0001.0254	23, 55, 65, 69,	01.0023.0057	23, 25, 53, 189	01.4031.0001	205	04.0605.0235	133
	71, 87, 99, 101,	01.0023.0058	105	01.4031.0002	115	04.0605.0259	127, 143
	113, 179, 181,	01.0023.0060	23	01.4031.0003	23	04.0605.0300	201
	187, 203	01.0031.0053	59, 151	01.4031.0006	159	04.0605.0304	129
01.0001.0256	19, 21, 91, 95,	01.0031.0054	87, 107, 127,	01.4032.0001	151	04.0605.0308	187
	181, 191, 197		143, 151, 181,	01.4032.0002	31, 33, 85, 87,	04.0605.0309	133
01.0001.0257	25, 61, 213		187, 203		127, 133, 143,	04.0605.0310	133
01.0001.0258	137	01.0031.0055	17, 19, 21, 23,		151, 187, 193,	04.0605.0311	133
01.0001.0299	69		25, 65, 71, 79,		195	04.0605.0331	123, 125
01.0001.0304	23, 55, 57, 89,		91, 95, 99, 101,	01.4032.0003	17, 19, 21, 31,	04.0605.0401	137
	93, 177		137, 179, 181,		55, 79, 113, 179,	04.0605.0428	141
01.0001.0306	19, 21, 25, 111,		191, 197, 201,		187, 191, 197,	04.0605.0472	123, 125
	115		203, 205		201, 203	04.0605.0504	129
01.0001.0308	27	01.0031.0056	23, 55, 57, 85,	01.4032.0004	25, 29, 53, 57,	04.0605.0505	123
01.0001.0310	113		91, 95, 115, 175,		79, 89, 91, 93,	04.0605.0506	143
01.0001.0315	211		205, 211		95, 175, 177,	04.0605.0525	133
01.0001.0353	29, 91, 93	01.0031.0057	53, 63, 99, 125,		187, 211	04.0605.0538	137
01.0001.0355	25, 79, 93, 95,		127, 177, 183	01.4032.0005	53, 63, 87, 111,	04.0605.0539	137
	175, 187, 211	01.0031.0058	23, 25, 35, 53,		125, 127, 139,	04.0605.0541	121
01.0001.0356	23, 53, 57, 91,		63, 87, 91, 95,		177, 181, 183,	04.0605.0548	133
	93, 95		189		203	04.0605.0549	133
01.0001.0357	53, 61, 85, 89	01.0031.0059	19, 21, 23, 105	01.4032.0006	35, 63, 85, 113,	04.0605.0552	135
01.0001.0358	205	01.0031.0061	19, 21, 23		115, 189	04.0605.0553	135
01.0001.0401	53	01.0031.0062	21, 23	01.4032.0007	19, 21, 205	04.0605.0558	123, 125
01.0001.0409	109	01.0031.0099	97, 101, 103	01.4032.0009	19, 21, 87	04.0605.0561	139
01.0001.0410	111, 205	01.0031.0100	97, 99	01.4032.0012	159	04.0605.0594	139
01.0001.0413	111	01.0031.0298	87, 179, 181,	01.4032.0015	67	04.0605.0601	137
01.0001.0466	25, 99		193, 195, 197,	01.4041.0000	99, 101	04.0605.0602	135
01.0001.0505	111, 177, 183		205	01.4041.0005	109	04.0605.0603	117
01.0001.0506	63, 125, 127	01.0031.0299	25, 29, 55, 61,	01.4501.0167	63	04.0605.0604	119
01.0001.0564	23		65, 75, 113, 187	02.0112.0155	87	04.0605.0605	127, 129, 131,
01.0001.0604	85, 87, 189	01.0031.0301	19, 21, 23, 25,		91, 95, 99, 101,		143
01.0001.0606	63		29, 55, 61, 79,		213	04.0605.0606	123, 125
01.0001.0651	205		177, 187	02.0117.0053	87, 95, 99, 101	04.0605.0607	141
01.0001.0657	23	01.0032.0055	113		27, 31, 33, 89,	04.0605.0608	139
01.0001.0703	19, 21	01.0117.0101	111		91, 107, 111, 115	04.0605.0609	141
01.0001.1438	59, 151	01.4001.0000	23, 25	02.4102.0001	107	04.0605.0627	141
01.0001.1465	25, 141, 213	01.4001.0001	23	02.4102.0012	187	04.0605.0664	125, 127
01.0001.1492	113	01.4001.0003	111	02.4115.0000	109, 171, 195	04.0605.0667	117
01.0001.1493	23, 25	01.4001.0004	189	02.4126.0011	97, 99	04.0605.0727	213
01.0001.1537	103	01.4001.0005	113	03.0000.0008	33	04.0605.0782	139
01.0001.1539	99	01.4001.0008	111, 113, 115	04.0214.0035	119, 123, 125,	04.0605.0787	139
01.0003.0150	179, 181, 193,	01.4001.0010	87		129	04.0605.0793	139
	197, 203	01.4001.0011	99	04.0220.0051	201	04.0605.0794	139
01.0003.0153	195	01.4001.0012	53	04.0220.0055	23	04.0605.0795	139
01.0003.0157	123, 125, 127,	01.4001.0016	187	04.0220.0063	29, 137, 139	04.0605.0800	123, 125
	129, 131, 143	01.4001.0021	53	04.0220.0081	141	04.0605.0805	139
01.0003.0158	133	01.4001.0026	31, 33	04.0227.0051	181, 203	04.0605.0858	125, 127
01.0003.0164	123, 143	01.4001.0034	17	04.0227.0058	55, 61, 205	04.0605.0861	127
01.0003.0203	69, 213	01.4001.0040	99	04.0227.0064	55	04.0605.0862	125
01.0003.0208	31	01.4001.0058	19, 21	04.0227.0067	55, 61	04.0605.0863	125
01.0003.0210	111	01.4001.0069	97, 103	04.0227.0068	81, 207	04.0605.0991	213
01.0003.0255	137	01.4001.0072	35	04.0227.0144	29	04.0605.0992	213

Part Number Index (continued)

Part Number	Page	Part Number	Page	Part Number	Page	Part Number	Page
04.0605.0993	.....213	04.4239.0077	.....135	07.0703.0432	.....77	07.0709.0117	.....39, 47
04.0607.0107	.....137, 139	04.4239.0079	.....113	07.0703.0433	.....77, 181, 183	07.0709.0118	.....39, 47
04.0607.0110	.....119, 133, 139, 141, 187	04.4240.0011	.....201	07.0703.0434	.....77	07.0709.0119	.....39, 47
04.0607.0111	.....121, 123, 125, 127, 129, 131, 133, 137, 141, 143	04.4240.0024	.....33	07.0703.0435	.....77	07.0709.0121	.....39
04.0607.0112	.....187	04.4240.0025	.....33	07.0703.0441	.....75	07.0709.0122	.....49
04.0607.0113	.....133, 213	04.4240.0052	.....133	07.0703.0457	.....77	07.0709.0123	.....49
04.0607.0114	.....139, 141, 187	04.4329.0070	.....213	07.0703.0484	.....73	07.0709.0124	.....47
04.0607.0115	.....139	05.0400.0000	.....141	07.0703.0485	.....145	07.0709.0131	.....51
04.0607.0117	.....133	05.0401.0000	.....141	07.0703.0486	.....145, 209	07.0709.0135	.....39
04.0607.0121	.....139	05.0401.0001	.....141	07.0703.0487	.....145	07.0709.0179	.....51
04.0607.0122	.....123, 125	05.0401.0003	.....141, 213	07.0703.0489	.....75	07.0709.0182	.....51
04.0607.0124	.....123, 125, 127, 143	05.0401.0005	.....141	07.0703.0490	.....75	07.0709.0188	.....51
04.0607.0126	.....141	05.0401.0012	.....213	07.0703.0493	.....193	07.0709.0202	.....39
04.0607.0130	.....137	05.4309.0008	.....137	07.0703.0494	.....75, 201	07.0709.0205	.....39, 47
04.0607.0131	.....187	05.4315.0000	.....87	07.0703.0522	.....161	07.0709.0215	.....39, 47
04.0607.0132	.....187	05.4329.0001	.....149	07.0703.0531	.....75	07.0709.0216	.....37
04.0607.0137	.....133, 141	05.4329.0002	.....149	07.0703.0532	.....75	07.0709.0218	.....43
04.0607.0141	.....123, 125, 127, 129, 131, 143	05.4329.0011	.....213	07.0703.0535	.....153	07.0709.0219	.....39, 47
04.0607.0142	.....135	05.4329.0016	.....213	07.0703.0572	.....77	07.0709.0220	.....47
04.0607.0144	.....141, 213	05.4329.0017	.....213	07.0703.0597	.....147	07.0709.0365	.....39, 47
04.0607.0149	.....213	05.4329.0029	.....141	07.0703.0614	.....77	07.0709.0371	.....37, 39, 45, 47
04.0607.0155	.....129	06.0401.0123	.....113	07.0703.0615	.....147	07.0709.0372	.....45
04.0607.0160	.....135	06.0401.0219	.....139	07.0703.0617	.....75	07.0709.0374	.....37
04.0607.0163	.....187	06.0442.0055	.....141, 213	07.0703.0619	.....169	07.0709.0377	.....39, 47
04.0607.0164	.....213	06.0442.0057	.....213	07.0703.0620	.....169	07.0709.0386	.....43
04.0607.0167	.....117	06.0442.0101	.....113, 201	07.0703.0623	.....169	07.0709.0426	.....37, 45
04.0607.0170	.....139	06.0442.0103	.....23, 119, 123, 125, 129, 201	07.0703.0627	.....161	07.0709.0430	.....49
04.0607.0172	.....135	06.0442.0105	.....29, 79, 139	07.0703.0631	.....169	07.0709.0441	.....37, 39, 45, 47
04.0607.0196	.....135	06.0442.0107	.....139	07.0703.0634	.....161	07.0709.0443	.....51
04.0607.0199	.....135	06.0442.0111	.....29	07.0703.0635	.....161	07.0709.0721	.....37, 45
04.0607.0225	.....139	06.4401.0001	.....159	07.0703.0636	.....167	07.0709.0722	.....37, 45
04.0607.0227	.....139	06.4401.0002	.....159	07.0703.0640	.....153	07.0709.0723	.....45
04.0607.0228	.....139	07.0227.0051	.....53	07.0703.0643	.....147	07.0709.0724	.....37, 39, 47
04.0607.0229	.....139	07.0700.0006	.....29	07.0703.0644	.....147	07.0709.0726	.....39, 47
04.0607.0795	.....139	07.0700.0023	.....29	07.0703.0645	.....147	07.0709.0727	.....39, 47
04.4210.0004	.....139	07.0701.0193	.....195	07.0703.0646	.....147	07.0709.0733	.....51
04.4210.0006	.....79	07.0701.0201	.....133	07.0703.0648	.....151	07.0709.0734	.....51
04.4210.0007	.....127, 143, 187, 201	07.0703.0010	.....77	07.0703.0649	.....151	07.0709.0735	.....51
04.4210.0008	.....127, 143, 187, 201	07.0703.0029	.....77	07.0703.0657	.....75	07.0709.0736	.....51
04.4210.0011	.....139	07.0703.0032	.....77	07.0704.0075	.....17	07.0709.0737	.....51
04.4223.0000	.....137	07.0703.0032	.....77	07.0704.0133	.....75	07.0709.0738	.....51
04.4223.0001	.....137	07.0703.0047	.....179	07.0704.0134	.....75	07.0709.0739	.....51
04.4223.0002	.....137	07.0703.0060	.....147	07.0704.0141	.....79	07.0709.0740	.....51
04.4223.0003	.....139	07.0703.0061	.....193	07.0704.0142	.....79	07.0709.0741	.....51
04.4224.0001	.....137	07.0703.0125	.....67, 77	07.0704.0154	.....17	07.0709.0742	.....51
04.4227.0003	.....179, 181	07.0703.0148	.....209	07.0704.0155	.....17	07.0709.0743	.....51
04.4227.0008	.....203	07.0703.0164	.....193	07.0704.0156	.....79	07.0709.0744	.....51
04.4227.0028	.....61	07.0703.0175	.....159	07.0704.0177	.....79	07.0709.0745	.....51
04.4227.0064	.....61	07.0703.0189	.....167, 193	07.0706.0049	.....63	07.0709.0746	.....51
04.4227.0067	.....55	07.0703.0192	.....147	07.0706.0050	.....63	07.0709.0905	.....213
04.4229.0024	.....139	07.0703.0193	.....145	07.0706.0052	.....63	07.0709.0906	.....213
04.4229.0059	.....139	07.0703.0223	.....161	07.0706.0053	.....63	07.0712.0093	.....55
04.4235.0037	.....35	07.0703.0224	.....161	07.0706.0054	.....63	07.0712.0094	.....55
04.4236.0049	.....17	07.0703.0302	.....149	07.0706.0055	.....63	07.0712.0095	.....55
04.4236.0086	.....79	07.0703.0304	.....149	07.0706.0056	.....35	07.0712.0096	.....55
04.4238.0053	.....63	07.0703.0305	.....149	07.0706.0057	.....35	07.0713.0058	.....53
04.4238.0061	.....63	07.0703.0306	.....149	07.0706.0058	.....35	07.0713.0059	.....53
04.4238.0067	.....63	07.0703.0309	.....149	07.0706.0601	.....35	07.0713.0060	.....53
04.4239.0000	.....111	07.0703.0310	.....149	07.0709.0001	.....41	07.0721.0101	.....31
04.4239.0001	.....113	07.0703.0315	.....167	07.0709.0057	.....37, 45	07.0722.0053	.....63
04.4239.0002	.....187	07.0703.0319	.....159	07.0709.0059	.....37	07.0723.0195	.....133
04.4239.0003	.....111	07.0703.0368	.....75	07.0709.0060	.....39, 47	07.0723.0303	.....205
04.4239.0004	.....123, 125	07.0703.0382	.....165	07.0709.0061	.....39, 47	07.0723.0316	.....207
04.4239.0005	.....111	07.0703.0383	.....165	07.0709.0064	.....39, 47	07.0723.0317	.....207
04.4239.0007	.....27, 31	07.0703.0384	.....157	07.0709.0065	.....39, 47	07.0723.0318	.....207
04.4239.0013	.....139	07.0703.0417	.....75	07.0709.0070	.....39, 47	07.0723.0319	.....207
04.4239.0041	.....115	07.0703.0418	.....75	07.0709.0071	.....39, 47	07.0723.0320	.....207
04.4239.0047	.....113	07.0703.0420	.....75	07.0709.0072	.....39, 47	07.0723.0321	.....207
		07.0703.0423	.....75, 77	07.0709.0081	.....49	07.0723.0629	.....165
		07.0703.0424	.....77	07.0709.0082	.....49	07.0726.0044	.....29
		07.0703.0425	.....77	07.0709.0084	.....37, 45	07.0726.0051	.....109
		07.0703.0426	.....77	07.0709.0101	.....39, 47	07.0726.0100	.....57
		07.0703.0427	.....77	07.0709.0102	.....39, 47	07.0726.0103	.....57
		07.0703.0428	.....77	07.0709.0104	.....39, 47	07.0730.0036	.....141
		07.0703.0429	.....77	07.0709.0106	.....49	07.0730.0037	.....141
		07.0703.0431	.....77, 209	07.0709.0113	.....37, 39, 45, 47	07.0730.0063	.....87



## Part Number Index (continued)

Part Number	Page	Part Number	Page	Part Number	Page	Part Number	Page
07.0730.0064	87	07.0740.0103	69	07.0740.0263	205	09.0803.0348	57
07.0730.0065	87	07.0740.0104	69	07.0740.0267	87	09.0803.0351	55
07.0730.0066	87	07.0740.0105	69	07.0740.0268	205	09.0803.0352	23, 25
07.0730.0067	87	07.0740.0106	69	07.0740.0269	205	09.0803.0357	11
07.0730.0068	87	07.0740.0107	69	07.0740.0272	67	09.0803.0360	19, 21
07.0730.0069	87	07.0740.0116	75	07.0740.0274	67	09.0803.0368	25
07.0737.0012	133	07.0740.0117	69, 75, 205	07.0740.0275	67	09.0803.0370	79
07.0738.0000	35	07.0740.0118	81	07.0740.0276	67	09.0803.0373	205
07.0740.0000	65	07.0740.0119	81	07.0740.0279	67	09.0803.0380	197
07.0740.0001	65	07.0740.0120	81	07.0740.0359	83	09.0803.0391	191
07.0740.0002	65	07.0740.0121	81	07.0740.0360	83	09.0803.0395	19, 21
07.0740.0003	73	07.0740.0122	81, 207	07.0740.0361	83	09.0803.0403	97, 99, 101, 103
07.0740.0004	65	07.0740.0123	81	07.0740.0363	73	09.0803.0406	187
07.0740.0005	65, 69, 81	07.0740.0124	81	07.0740.0364	73	09.0803.0414	23, 25
07.0740.0006	65, 69, 81	07.0740.0125	81	07.0740.0365	73	09.0803.0511	97, 99, 101, 103
07.0740.0007	65	07.0740.0126	81	07.0740.0366	73	09.0803.0560	65
07.0740.0009	65, 71	07.0740.0127	81	07.0740.0367	73	09.0803.0580	65
07.0740.0010	65	07.0740.0128	65, 81	07.0740.0368	73	09.0803.0614	25
07.0740.0012	81	07.0740.0129	81	07.0740.0369	73	09.0804.2400	25
07.0740.0013	87	07.0740.0130	69, 81	07.0740.0370	73	09.0804.2500	25
07.0740.0014	65, 67, 69, 71	07.0740.0132	81	07.0740.0371	73	09.0804.2600	25
07.0740.0015	65	07.0740.0133	81	07.0740.0372	73	09.0804.2700	25
07.0740.0016	69, 81	07.0740.0135	133	07.0740.0373	67	09.0804.2800	25
07.0740.0018	65	07.0740.0136	133	07.0741.0011	75	09.0804.2900	25
07.0740.0020	65	07.0740.0139	75	07.0741.0019	75	09.0804.3000	25
07.0740.0021	65	07.0740.0141	75	07.4501.0057	53	09.0804.3300	53
07.0740.0022	65	07.0740.0142	75	07.4501.0084	61	09.0805.0000	53, 55
07.0740.0023	85	07.0740.0143	75	07.4501.0085	61	09.0805.0005	55
07.0740.0026	67, 69, 87	07.0740.0144	75	07.4501.0090	53	09.0805.0018	55, 61
07.0740.0027	65	07.0740.0145	75	07.4501.0130	61	09.0805.0071	29
07.0740.0028	65, 69, 81	07.0740.0152	75	07.4501.0158	53	09.0805.0102	55
07.0740.0029	67	07.0740.0154	75	07.4529.0107	187	09.0806.0027	207
07.0740.0032	71	07.0740.0156	69, 71, 185	07.4529.0071	111, 113, 115	09.4601.0054	53
07.0740.0035	67, 71, 185	07.0740.0157	71, 185	07.4529.0072	111	09.4604.0000	29
07.0740.0037	75	07.0740.0158	71, 185	07.4529.0073	111, 113	09.4604.0044	61
07.0740.0046	69, 71	07.0740.0163	69	07.4529.0093	33	09.4604.0045	61
07.0740.0048	67	07.0740.0170	87	07.4529.0102	63	09.4604.0047	29
07.0740.0049	67	07.0740.0171	87	07.4529.0106	27	09.4610.0001	75
07.0740.0050	25, 67	07.0740.0172	87	07.4529.0108	31	09.4610.0002	25
07.0740.0051	67	07.0740.0173	87	07.4529.0109	111	09.4610.0028	175
07.0740.0052	67, 69	07.0740.0175	87	07.4529.0110	111	09.4616.0000	171
07.0740.0053	67	07.0740.0178	213	07.4529.0111	133	09.4616.0040	13
07.0740.0054	65	07.0740.0189	213	07.4529.0115	63	09.4616.0100	15
07.0740.0058	67	07.0740.0192	25	09.0801.0000	27	09.4616.0109	13, 109
07.0740.0060	67	07.0740.0202	69	09.0801.0001	111	09.4616.0112	13
07.0740.0062	67	07.0740.0203	69	09.0801.0025	111	09.4616.0114	195
07.0740.0063	87	07.0740.0209	71, 185	09.0801.0026	101	09.4618.0040	11
07.0740.0066	69	07.0740.0210	71, 185	09.0801.0027	99	09.4618.0041	15
07.0740.0067	69	07.0740.0211	71, 185	09.0802.0018	85	09.4618.0061	11, 13
07.0740.0069	71	07.0740.0212	71, 185	09.0803.0007	59	09.4618.0093	191
07.0740.0070	71	07.0740.0213	71, 185	09.0803.0008	59	09.4618.0171	15
07.0740.0071	81	07.0740.0214	71, 185	09.0803.0011	181	09.4618.0241	11
07.0740.0072	69	07.0740.0215	71	09.0803.0012	23, 25	09.4618.0242	15
07.0740.0073	69	07.0740.0217	69	09.0803.0026	19, 21, 109, 191, 211	09.4618.0276	195
07.0740.0074	69	07.0740.0218	81	09.0803.0038	189	09.4618.0339	195
07.0740.0076	69	07.0740.0219	81	09.0803.0039	189	09.4618.0713	15
07.0740.0078	69	07.0740.0220	75	09.0803.0043	123, 125, 127, 129, 131, 143	09.4618.0721	11, 13
07.0740.0079	69, 71	07.0740.0223	67	09.0803.0045	125, 127	09.4618.0722	13
07.0740.0080	69	07.0740.0227	67	09.0803.0049	79	09.4618.0776	13, 15
07.0740.0081	69, 71	07.0740.0228	67	09.0803.0052	183	09.4618.0784	11
07.0740.0082	69	07.0740.0231	67	09.0803.0055	109	09.4618.0791	11
07.0740.0084	69	07.0740.0235	65	09.0803.0058	191	09.4618.0807	13, 15
07.0740.0085	71	07.0740.0236	65	09.0803.0068	191	09.4618.0821	13
07.0740.0086	71	07.0740.0246	69	09.0803.0069	181, 191, 203, 211	09.4618.0822	13
07.0740.0087	71	07.0740.0247	69	09.0803.0081	195	09.4618.0916	11
07.0740.0088	71	07.0740.0248	69	09.0803.0087	19, 21	09.4618.0917	13
07.0740.0089	71	07.0740.0249	67	09.0803.0108	203	09.4618.0918	11, 13
07.0740.0090	71	07.0740.0250	67	09.0803.0125	185	09.4618.0919	11, 13
07.0740.0091	65	07.0740.0251	75	09.0803.0130	211	09.4618.0920	13
07.0740.0093	69	07.0740.0254	205	09.0803.0131	79	09.4618.0921	13, 15
07.0740.0095	87	07.0740.0255	205	09.0803.0161	211	09.4618.0922	11, 13
07.0740.0097	69	07.0740.0256	205	09.0803.0232	29	09.4618.0923	13
07.0740.0098	69	07.0740.0257	205	09.0803.0245	55	09.4618.0924	11
07.0740.0099	71	07.0740.0258	205	09.0803.0257	97, 99, 101, 103	09.4618.0926	11
07.0740.0100	25, 69	07.0740.0260	205			09.4618.0927	13
07.0740.0102	69	07.0740.0261	205			09.4618.0928	11, 13

Part Number Index (continued)

Part Number	Page	Part Number	Page	Part Number	Page	Part Number	Page
09.4618.0933	11	51.0809.4600	93	53.0400.1200	111	54.0300.0014	79
09.4618.0986	13	51.0809.5700	19, 21	53.0500.0600	187	54.0300.0018	99
09.4618.0989	11	51.0809.8000	197	53.0600.1200	31	54.0300.0019	97, 101, 103
09.4618.1001	11	51.0809.8700	79	53.0700.0300	33	54.0300.0020	101, 103
09.4618.1025	15	51.0810.1200	211	53.0800.1400	27	54.0300.0021	99
09.4618.1028	15	51.0810.2500	59	53.0800.1500	27	54.0300.0022	99
09.4618.1349	11	51.0810.5300	25	53.1600.0001	213	54.0300.0023	97
09.4618.1350	11	51.0810.5500	25	53.3000.0400	137	54.0300.0024	99
09.4621.0009	211	51.0810.7200	175	53.3001.0500	127, 143, 187	54.0300.0025	97, 99
09.4627.0016	35	51.0810.7900	115	53.3001.2100	61	54.0300.0026	97
09.4627.0017	35	51.0810.8000	99	53.3001.4200	29	54.0300.0028	99
09.4629.0000	35	51.0810.8300	53	53.3001.6000	57	54.0400.0034	101
09.4629.0003	35	51.0810.8400	53	53.3001.6700	61	54.0400.0035	99
09.4632.0002	43	51.0810.8500	53	53.3001.6704	55	54.0400.0036	99
09.4632.0062	35	51.0810.9000	99	53.3100.0036	57	54.0400.0037	101
09.4632.0065	35	51.0811.0000	101	53.3200.0029	55	54.0600.0001	113
09.4633.0022	35	51.0811.4019	19, 21	53.3301.0002	29	54.0600.0002	125, 127
09.4635.0014	35	51.0811.4028	151	53.3400.9100	129	54.0702.0000	89, 93
09.4635.0037	35	51.0811.4042	19, 21	53.3400.9200	129	54.0702.0001	89, 93
09.4635.0041	35	51.0811.4043	19, 21	53.3402.0300	143	54.0702.0003	93
09.4636.0014	133	51.0811.4044	159	53.3402.0400	143	54.0702.0004	93
09.4645.0000	59	51.0811.4047	61	53.3402.0500	123	54.0702.0060	99
09.4645.0003	59	51.0811.4051	79	53.3402.0600	123	54.0702.0062	91, 95
09.4645.0022	87	51.0811.4052	79	53.3402.0700	141	54.0702.0063	91
09.4655.0000	59	51.0811.4053	79	53.3402.4001	125, 127	54.0702.0064	91, 95
09.4656.0000	59	51.0811.4057	125, 127	54.0000.0001	111	54.0702.0065	95
09.4661.0002	29	51.0811.4059	105	54.0000.0004	113	54.0702.0066	91
09.4661.0014	23, 29	51.0811.4072	151	54.0000.0027	19, 21	54.0702.0067	95
09.4661.0016	23, 29	51.0811.4077	75	54.0000.0077	107	54.0702.0068	91
09.4670.0001	19, 21	51.0811.4078	65	54.0000.0083	109	54.0702.0069	91
09.4670.0002	55	51.0811.4079	65	54.0000.0096	27	54.0702.0070	95
09.4670.0004	53	51.0811.4086	65	54.0000.0097	27	54.0702.0071	91
09.4670.0006	23	51.0811.4092	67	54.0000.0098	27	54.0702.0072	95
09.4675.0000	173	51.0811.4104	189	54.0000.0099	111	54.0702.0073	95
09.4675.0003	173	51.0811.4129	105	54.0000.0122	107	54.0702.0076	125, 127
51.0110.9000	23	51.0811.4130	105	54.0000.0123	111	54.0800.0000	87
51.0200.8400	89	51.0811.4131	91	54.0000.0126	111	54.4239.0059	187
51.0200.8500	93	51.0811.4132	91, 95	54.0000.0128	113, 115	55.0016.0001	213
51.0200.8600	93	51.0811.4133	91	54.0000.0129	113	55.0206.0042	213
51.0201.3901	91	51.0811.4134	91	54.0000.0155	25	55.0403.0043	35
51.0201.3902	91	51.0811.4135	95	54.0000.0156	111	55.0403.0044	35
51.0201.3903	95	51.0811.4136	95	54.0000.0157	25	55.0403.0047	183
51.0201.3910	95	51.0811.4137	95	54.0000.0202	111	55.0602.0129	85
51.0400.4700	107	51.0811.4195	151	54.0000.0204	97, 99	55.0602.0132	197
51.0500.1200	27	51.0811.4214	151	54.0000.0208	111	55.0602.0288	209
51.0500.1300	27	51.0901.2700	187	54.0001.0022	107	55.0602.0297	149
51.0600.9000	29	51.0901.6700	33	54.0001.0041	87	55.0602.0301	149
51.0600.9200	23	51.0901.6900	177	54.0001.0053	101	55.0602.0318	147
51.0800.0400	23, 25	51.0902.3100	23	54.0001.0054	99	55.0602.0357	153
51.0800.0600	113	51.0902.3200	23	54.0001.0055	101	55.0602.0360	155
51.0800.2700	19, 21	51.0902.3400	85	54.0001.0056	99	55.0602.0469	157
51.0801.9000	89	51.0902.3800	31	54.0001.0057	115	55.0602.0509	199
51.0801.9100	93	51.0902.4400	25	54.0001.0058	187	55.0602.0510	199
51.0803.0300	113	51.0902.4500	25	54.0002.0022	23	55.0602.0517	213
51.0803.0800	213	51.0902.5400	19, 21	54.0002.0023	23	55.0602.0585	157
51.0803.9800	211	51.0903.4947	213	54.0002.0031	107	55.1006.0013	213
51.0804.9000	89, 93	51.1000.4700	21	54.0002.0034	99, 101, 103	56.0017.0007	193
51.0805.1500	25	51.1000.4900	19, 21	54.0002.0054	97	56.0000.0015	193
51.0805.1600	23	51.1300.0100	191	54.0003.0033	23	56.0001.0009	169, 193
51.0806.5700	179	51.1300.0300	191	54.0004.0099	113	56.0001.0021	199
51.0806.7100	197	51.1300.0500	191	54.0004.0109	99	56.0002.0000	157
51.0806.7400	23	51.1300.5300	109	54.0100.0020	23	56.0002.0019	165
51.0808.0700	87	51.1301.0400	191	54.0100.0056	109	56.0002.0020	199
51.0808.2800	205	51.1301.2500	109	54.0100.0092	209	56.0002.0021	199
51.0808.3000	25	52.0900.0200	89, 91	54.0100.0096	57	56.0002.0023	197, 199
51.0808.3100	25	52.0900.8600	125	54.0101.0000	201	56.0002.0024	197, 199
51.0808.5100	25	52.0900.8700	125	54.0101.0019	177	56.0002.0031	169
51.0808.6000	181, 203	52.0900.8800	127	54.0200.0000	89, 93	56.0002.0032	179
51.0808.6900	25	52.0900.8900	127	54.0200.0001	89, 91, 93, 95	56.0002.0040	179
51.0808.7600	87	52.1100.7700	25	54.0200.0004	91	56.0002.0048	199
51.0808.8100	55	53.0000.2700	111	54.0200.0005	91, 95	56.0002.0056	165
51.0808.9000	23	53.0000.3600	111	54.0201.0003	89, 91	56.0002.0069	165
51.0809.3100	25	53.0100.2400	113	54.0201.0004	89, 91	56.0002.0071	167, 203
51.0809.3400	23	53.0100.2900	115	54.0201.0007	111	56.0002.0075	163
51.0809.3900	93	53.0200.0700	113	54.0201.0017	107, 111	56.0002.0076	165
51.0809.4000	89, 93	53.0300.1600	111	54.0300.0013	79	56.0002.0079	167



## Part Number Index (continued)

Part Number	Page	Part Number	Page	Part Number	Page
56.0002.0095	167	56.0013.0028	151	639625	39
56.0002.0097	167	56.0013.0036	147	639630	39, 47
56.0002.0100	163	56.0014.0024	205	639631	39, 47
56.0002.0101	163, 197	56.0016.0022	85	639637	39, 47
56.0002.0102	169	56.0016.0048	153	639639	39, 47
56.0002.0103	161	56.0016.0049	153	639640	39, 47
56.0002.0104	165	56.0017.0006	201	639641	39, 47
56.0002.0105	161	56.0017.0010	201	639642	39, 47
56.0002.0108	161	56.0017.0029	77	639643	39, 47
56.0002.0111	161	56.0017.0030	77	639645	39, 47
56.0002.0113	165	56.0017.0032	181, 183	639646	39, 47
56.0002.0117	169	56.0017.0057	159	639647	39, 47
56.0002.0118	169	56.0017.0058	75	639650	37, 45
56.0002.0119	169	56.0017.0059	209	639651	37, 45
56.0002.0124	161	56.0017.0072	199	639652	37, 45
56.0002.0128	165	56.0021.0048	145	639653	37, 45
56.0002.0129	165	56.0021.0071	153	639657	37, 45
56.0002.0132	161	56.0021.0073	145	639661	37, 45
56.0002.0133	165	56.0021.0078	153	639662	37, 45
56.0002.0134	169	56.0021.0086	157	639664	37, 45
56.0002.0141	165, 179	56.0021.0106	153	639668	37, 45
56.0002.0142	179	56.0023.0003	203	639670	37, 45
56.0002.0144	161	56.0023.0017	181, 203	639671	41
56.0002.0145	163	56.0023.0018	181	639674	49
56.0002.0146	163	626544	37, 45	639676	49
56.0002.0149	163	627521	137	639679	49
56.0002.0150	163	628275	51	639681	49
56.0002.0153	165, 179	628924	33	639682	49
56.0002.0154	179	629733	51	639683	49
56.0002.0155	193	630328	49	639684	45
56.0002.0164	161	630693	37, 45	639685	45
56.0002.0165	169	630846	39, 47	639686	45
56.0002.0169	169	631293	51	639689	49
56.0002.0181	165	632383	37, 39, 45, 47	639691	49
56.0002.0196	169	633069	49	639692	49
56.0002.0205	167	633098	37, 45	639693	49
56.0002.0230	167	633099	37, 45	639695	49
56.0002.0247	165	633138	51	639696	49
56.0002.0248	169	633156	51	639802	37, 45, 51
56.0002.0249	169	633161	51	640101	113
56.0002.0250	167	633174	39, 47	640102	113
56.0002.0294	167	633176	39, 43, 47	640216	39, 47
56.0002.0308	199	633202	39, 47	640270	41
56.0002.0310	199	633203	39, 47	640536	111
56.0002.0622	169	633208	51	640717	45
56.0004.0002	203	633517	49	640718	39, 47
56.0004.0003	193	634499	37, 45	640719	47
56.0005.0006	193	634501	37, 45	640720	39, 47
56.0007.0001	197	634546	39, 47	640728	39, 47
56.0007.0017	199	634972	145	640729	39, 47
56.0008.0012	147	634973	145, 147	640730	39, 47
56.0009.0002	151	634974	145	640731	49
56.0009.0003	149	634975	153, 209	640732	49
56.0010.0005	157	635234	51	640908	39, 47
56.0010.0020	195	636440	49	640909	39, 47
56.0010.0029	195	637489	51	641089	37
56.0010.0034	149	637500	51	641090	37
56.0010.0035	149	637567	39, 47	641108	41
56.0010.0039	179, 181, 183	637574	49	641109	41
56.0010.0041	19, 21, 159	637621	49	695962	91, 95
56.0010.0042	19, 21, 159	637650	145	901777	49
56.0010.0050	159	637850	43	902935	111
56.0010.0051	159	638226	77	905371	111
56.0010.0052	159	638243	53		
56.0010.0053	159	638548	39, 43, 47, 49		
56.0010.0054	159	639289	39, 47		
56.0010.0055	159	639297	37, 45		
56.0010.0056	159	639298	37, 45		
56.0010.0057	159	639300	37, 45		
56.0012.0000	79, 151	639301	37, 45		
56.0012.0017	149	639302	37, 45		
56.0012.0024	151	639303	37, 45		
56.0012.0059	149	639317	51		
56.0013.0000	151	639328	51		
56.0013.0001	23	639329	51		
56.0013.0006	151	639624	39, 47		

The Part Description Index is an alphabetical index of all part descriptions included in this manual. The index shows what page(s) the part is used on.

- 1**
- 1-Way Fuse Holder Connector.....161
- 10-Way Connector.....165
- 11-Way Mark II Connector.....161
- 12-Way Connector.....167
- 13-Way Mark II Male Connector.....161
- 17-Way Mark II Male Connector.....161
- 18-Way Connector.....161, 167
- 1st Telescope.....89
- 1st Telescope Boom.....91
- 1st Telescope Front Bottom Pad Support.....89
  
- 2**
- 2-Way Connector.....165, 169
- 2-Way P.F. Connector.....169
- 2-Way P.M. Black Connector.....167
- 2-Way-Deutsch Connector.....165
- 21-Way Mark II Female Connector.....165
- 21-Way Mark II Male Connector.....161
- 24 Way Female Connector.....199
- 24 Way Male Connector.....199
- 24-Way Connector.....163
- 24-Way Connector Type-A.....163
- 24-Way Deutsch Connector.....167
- 2bd Telescope Extension Cylinder Block Valve.....113
- 2nd Telescope.....93
- 2nd Telescope Boom.....91
- 2nd Telescope Extension Cylinder.....113, 115
- 2nd Telescope Extension Cylinder Collar.....113, 115
- 2nd Telescope Extension Cylinder Foot Pin.....113, 115
- 2nd Telescope Extension Cylinder Head Pin.....113, 115
- 2Nd Telescope Extension Ylinder Block Valve.....115
- 2nd Telescope Front Bottom Pad Support.....93
  
- 3**
- 3-Way Connector.....169
- 3-Way Deutsch Male Connector.....165
- 3-Way Fitting.....81
- 31 Way Female Connector.....199
- 31 Way Male Connector.....199
- 36-Way Mark II Connector.....161
- 3rd Telescope.....93
- 3rd Telescope Boom.....95
- 3rd Telescope Extension Cylinder.....113
- 3rd Telescope Extension Cylinder Guide Pin.....113
- 3rd Telescope Extension Cylinder Pin.....113
  
- 4**
- 4 Way Connector.....165
- 4-Way Connector.....161
- 4-Way Deutsch Male Connector.....165
- 4-Way Power Connector.....161
- 40-Way Connector Type-A.....163
- 4th Telescope.....95
  
- 5**
- 5-Way Mark II Connector.....161
  
- 5-Way Relais Connector.....161
- 58.0902.2000B pos.6.....205
- 58.0902.2000B pos.7.....205
  
- 6**
- 6-Way Connector.....161, 165
- 6-Way Delphi Connector.....165
- 6-Way Switch Connector.....161
- 605387 ref. 38.....67
- 605809 ref.2.....149
- 605884 ref.1.....157
- 605884 ref.1.....155
- 605885 ref.1.....151
  
- 8**
- 8-Way Deutsch Connector.....167
- 8-Way P.M. Black Connector.....167
  
- 9**
- 9-Way Connector.....169
- 90° 2-Way Connector.....169
  
- A**
- ABS Cover.....67
- ACCELERATOR CABLE.....59
- ACCELERATOR LEVER/MANIPULATOR.....59
- ACCUMULATOR.....141, 213
- Accumulator Assembly.....213
- Adhesive Profile.....65
- Air Circulation Frame.....81
- Air Grille.....69
- Air Hose.....81
- Air Inlet D76.....81
- Alignment Block For 2nd Telescope Double Pipes.....113
- Allen Screw.....87
- Alternator.....53
- Alternator Wire.....147
- Arm.....47
- Attachment Locking Pin.....107
- Aux. Circuits Main Valve Panel.....75
- Axle Bracket Fixing Plate.....23
- Axle Case.....39
- Axle Lock. Cylinder Solenoids Guard.....33
  
- B**
- Back Cover Assembly.....73
- Back Foam Kit.....73
- Back-Up Ring.....113
- Back-up Ring.....49
- Back-Up Ring D.Int. 17,86 x 2,62.....111
- Ball Joint.....33, 111
- Battery.....147
- Battery Negative Cable.....147
- Battery Positive Cable.....147
- BEARING.....39, 47
- Bearing.....37, 39, 45, 47, 51
- Belt.....205
- Bended Brake Lever.....213
- Bevel Gear.....37, 45
- Black Glass.....75
- BLACK RUBBER ADHESIVE PROFILE-.....183
- BLEEDER VALVE, LONG.....49
- Block ITM03 Acciao 12V.....17
  
- Board With Warning Lights.....77
- BOOM LEVEL IND.....11
- Boom Pipe Guide.....113
- Boom Shim 100x60x1.....89, 93
- Boom Shim 200 X 58 Sp.1.....93
- Boom Shim 60x60x1.....93
- Boom Work Light.....181
- Boom-Frame Joint Pin.....23
- Boom-Joint Pin.....107
- Box.....37, 39, 45, 51
- Bracket.....25, 61, 75, 79, 179, 181, 183, 203, 205, 211, 213
- Brake Disc.....49
- BRAKE DISC, INTERMEDIATE.....49
- Brake Fixing Plate.....87
- Brake Pulley.....87
- Brake Pump.....137
- BRAKE/CABLE.....87
- Braking System Rear Pipe.....141
- Bronze Block Pad.....125, 127
- BULB.....157
- Bulb.....149, 159, 179, 183
- BULB, HEADLAMP.....149
- BULB, TAIL LIGHT.....159
- Burn/Explosion Hazard.....11
- BUSHIN.....39, 47
- BUSHIN 4 HURTH.....49
- BUSHING.....43, 47, 91, 95
- Bushing.....31, 33, 39, 43, 47, 51, 67, 69, 71, 111, 185
- Bushing 50/60X100.....111
- Bushing 50/60X60.....111
- Bushing 50/60x60.....107
- Bushing 70/80x70.....89, 91
- Bushing D79 - D72 L=50.....89, 91
- Bushing GLY-PG 303430 A.....101
- Bushing GLY-PG 353940 A.....99
- Bushing M10x8.5.....89
- Bushing M8.....91, 95
- BUSHING/EAR-RING.....27
- By-Pass Relay.....153
  
- C**
- complete Mirror.....69
  
- C**
- C/C D. 5,3 For Wire D. 1-2,5.....169
- C/C D. 5,3 For Wire D. 3,10-5,30.....169
- C/C D. 6 For Wire D. 4.....169
- C/C D. 8 For Wire D. 25.....169
- C/C D. For Wire D.....169
- Cab Frame.....69
- Cab Lateral Casing.....23
- Cab Wiring.....85
- CABLE.....59
- Cable.....193, 197, 209
- Cable Protection.....203
- Cable Reel.....181, 203
- Cable Terminal.....179, 193
- Cable-Reel.....197
- CAP.....39, 43, 47, 49
- Cap.....65, 75, 185, 195
- Capacitor.....205
- CARBONPRES PIPE, D8X15 (39.37").....53, 55
- Card.....145
- CARDAN JOINT ASSY KIT.....35

## Part Description Index (continued)

- Carter.....65  
 CARTRIDGE.....61  
 CASE,DIFFERENTIAL.....45  
 Casing Support.....25  
 Ceiling Lamp.....69  
 Central Frame Casing.....23  
 Central Lock.....75  
 CHAIN.....191, 203  
 Chain.....101, 103, 211  
 Chain Filo D.3.....109  
 Chain Pin.....97, 99, 101, 103  
 Chain Terminal.....97, 101, 103  
 Chain, Pivot Plain.....97  
 Chain, Pivot Plate.....99  
 Chamfered Washer D12x50 ZN UNI 6593.....23  
 Chamfered Washer D6 UNI 6592 ZN.....21  
 Chamfered washer D6 UNI 6592 ZN.....19  
 CHAMFERED WASHER,D6,UNI 6592ZN.....87,  
 107, 127, 143, 151, 181, 187, 203  
 Chassis Line.....149  
 CLAMP.....29, 55, 57, 61, 203, 205  
 Clamp.....55, 179, 181  
 Clamp Cable Lock.....199  
 Clamp DN 10/16 L=9.....53  
 Clip Nut.....75  
 CLUTCH DISC.....37  
 Coating.....65, 67  
 Compartment Access.....13  
 COMPL. REAR DIFFERENTIAL GEAR.....45  
 Complet Solenoid Valve.....63  
 Complete Air Filter.....61  
 Complete Air-Oil Cooler.....55  
 Complete Fork Mov.Cylinder - Bottom  
 Side.....123  
 Complete Fork Mov.Cylinder - Rod Side.....123  
 Complete Front Differential.....37  
 Complete Interface From New Machines to Old  
 Optionals.....199  
 Complete Interface From Old Machines to New  
 Optionals.....199  
 Complete Left Rear Light.....19, 21, 159  
 Complete Muffler.....57  
 Complete Right Rear Light.....19, 21, 159  
 Complete solenoid valve.....79  
 Complete Upper Door Section.....67  
 Compressor.....205  
 CONDUCT/HOSE.....141  
 Connection.....25, 79  
 CONNECTION/PIPE FITTING.....141  
 Connector.....161, 167, 169, 179, 193, 197, 203  
 Connector Cap.....199  
 Connector Contacts.....199  
 CONNECTOR,DEUTSCH,6WAY.....165  
 CONTACT.....75  
 Contact.....75  
 Control.....205  
 CONTROL LEVER.....75  
 Control Panel.....77  
 Control Unit.....145, 157  
 Control Unit Cover.....75  
 Conveyor.....55  
 Coolant Gauge.....77  
 Cooler.....207  
 Copper washer.....141  
 Cosmetic - GTH-4013 SX.....11, 13  
 Cosmetic - GTH-4017 SX.....11, 13  
 Cosmetic - GENIE Logo in WHITE.....15  
 COTTER PIN.....87  
 Cotter Pin.....107  
 Cotter Pin D2x25 UNI 1336 ZN.....97, 99, 101,  
 103  
 Counterweight.....19, 21  
 COVER.....29  
 Cover.....37, 39, 45, 47, 51, 213  
 Cover Air Filter.....61  
 COVER, OIL FILTER.....29  
 Crush Hazard.....11, 13  
 CURVE WATER PIPE/SLEEVE.....55  
 Cylinder.....25, 41, 187, 213  
 Cylinder Assembly.....213
- D**
- Damper Kit.....73  
 DECAL.....11  
 DECAL,SAFETY PIN OPERATION.....11  
 DECAL,TIRE PREASURE.....11, 13  
 DECAL,UPPER DOOR INT UNLOCK SY...13,  
 15  
 DECAL,UPPR DOOR EXT UNLOCK SYS.....15  
 Deutsch Connector 24 V. A Panel.....163  
 Deutsch Connector 24 V. B Panel.....163  
 Deutsch Connector 24 V. C Panel.....163  
 Diesel Engine Perkins 1104D-44T.....53  
 Diesel Fuel Cap.....13  
 Diesel Oil Tank.....23  
 DIFFERENTIAL CASE.....37  
 Differential Pinion.....45  
 Differential Pinion Gear.....37  
 Diffuseur.....83  
 Diode.....153, 193  
 DLE Control Panel.....85  
 DLE Control Panel Support.....85  
 Door Catch.....69  
 Double Pipe SPT 1/2 L=4630 FD 13/16-16ORFS  
 - MD S16 DIN24.....129  
 DOUBLE STIRRUP FIRM TUBE.....125, 127  
 Dowel.....49  
 DRILLED SCREW.....119, 123, 125, 129, 141,  
 213  
 Drive Switch.....153  
 Driving Mirror.....175  
 DRIVING MIRROR-REAR VIEW.....25, 69  
 Driving Place Line.....153
- E**
- Elastic Joint.....53  
 ELASTIC PIN D.10 ART.104.....187  
 Electric Box.....147  
 Electrical Fan.....83  
 ELECTROVALVE.....133  
 Emergency Button.....75  
 Engine Cover.....25  
 Engine Housing.....25  
 Engine Line.....147  
 Engine Support - Flywheel Side.....53  
 EV Connector.....167  
 Exhaust.....57  
 Extension Cylinder Pipe - Bottom Side  
 D16.....129  
 Extension Cylinder Pipe - Rod Side D16.....129  
 EYE CONNECTION/PIPE FITTING.....141
- F**
- Falling Object Hazard.....11, 13  
 FEMALE QUICK COUPLER.....127, 143, 187,  
 201  
 FILTER.....69  
 Filter.....205  
 Filter Intake Manifold.....61  
 FILTER, DIESEL FUEL.....53  
 FILTER, FUEL TANK.....23, 29  
 FILTER,OIL,ENGINE.....53  
 Filter-To-Engine Intake Manifold.....61  
 FITTIN,3/4M X 3/8 F.....79, 137  
 Flange.....37, 45, 51, 57  
 FLANGE BOLT W/ NYLON PATCH.....37, 45  
 FLEXIBLE HOSE.....123, 143  
 FLEXIBLE HOSE.....127, 133, 143, 187  
 Flexible Hose.....201, 207  
 Flexible Hose R1 X 1/4 LG. 2500.....213  
 Flexible Hose R1 X 1/4 LG. 700.....213  
 Flexible Hose R2 X 1/4 LG. 550 F90.....213  
 Flexible Hose R2 X 1/4 LG.700.....213  
 Fleyer Chain 3/4 253.....97, 99  
 Fleyer Chain 3/4 259.....97, 99  
 Floating Fork 2250Kg/600 Sez.120X50  
 L=1200.....109  
 Floating Fork Mounting Plate.....109  
 Flow Control Valve.....35  
 Fog Light Button.....77  
 Fork.....191  
 Fork Coupling Attachment.....107  
 Fork Cylinder Head Pin.....107  
 Fork Levelling Cylinder.....111  
 Fork Levelling Cylinder Foot Joint Pin.....111  
 Fork Levelling Cylinder Head Pin GTH-4013  
 SX.....111  
 Fork Levelling Cylinder Head Pin  
 GTH-4017SX.....111  
 Forks CE Plate.....13, 109  
 Frame.....23, 67  
 Frame Levelling Cylinder Foot Pin.....25  
 Frame Levelling Cylinder Head Pin.....25  
 FRONT GLASS.....71  
 Front Lateral Pad 100x60x12.....89, 93  
 Front Left ight.....149  
 Front Pad 45x250x28.....91  
 Front Pad 60X200X28.....95  
 Front Pad 60x250x38 sp.1.....91  
 Front Pulley.....99  
 Front Pulley Pin.....101  
 Front Right Light.....149  
 Front Steering Axle.....35  
 Fuel Gauge.....23, 77  
 FUSE.....145, 193, 209  
 Fuse Holder.....147  
 Fuse Holder Bracket.....193  
 FUSE, 50 AMP.....147  
 FUSE,10A.....145  
 FUSE,15A.....145, 147  
 FUSE,20A.....153, 209  
 FUSE,3A.....145  
 FUSE,7.5A.....145
- f**
- frame.....67
- G**
- Gas Control Cable U-Bolt Support.....59  
 GASKET.....65  
 Gasket.....65, 69, 71  
 GASKET KIT.....33, 41  
 GASKET KIT / INNER BOOM CYL.....113  
 GASKET KIT / UPPER BOOM CYL.....113  
 GASKET/SEAL.....113



GAUGE / OIL PRESSURE.....77  
 Gear.....51  
 GEAR,DIFFERENTIAL SIDE.....45  
 GLASS.....149  
 Glass.....67, 181, 209  
 GLASS, AMBER.....149  
 Grate.....177  
 GREASE NIPPLE.....27, 31, 33, 39, 43, 47, 87,  
 89, 91, 95, 99, 101, 107, 111, 115, 213  
 Greaser.....65, 111  
 Grille.....25  
 GRIP.....77  
 GRUBSCREW.....49  
 Guaranteed Sound Power Level.....15  
 Guard.....187, 191, 205

**H**

Half Pulley.....99  
 Hand-Brake Support.....87  
 Handle.....25, 67, 69  
 Handle Kit.....73  
 Handwheel Arrangement.....53  
 Harness.....213  
 Heater.....81, 83  
 Heater Pipe 15x23.....81  
 Heater Support.....81  
 Height Adjustment Kit.....73  
 Hex-Head Cap.....65, 67, 69, 71, 81  
 Hinge.....19, 21, 25, 67, 69  
 Hitch.....19, 21  
 Hitch Pin.....19, 21  
 HOLDING VALVE / SWAY CYLINDER.....27,  
 31  
 Horn.....149, 151  
 HOSE.....205, 207  
 Hose.....187, 205  
 Hose 1/2 Lg 3800 FD 13/16-16 Hole D 21...125  
 Hose 1/2 Lg 3850 FD 13/16-16 FD  
 13/16-16.....125  
 Hose R2 X 1/2 LG. 1600 F90-FD 13/16.....127  
 HOSE,R1X1/4,LG 1400.....133  
 Hose-Ring Rubber D31.....81  
 Hour-Meter.....77  
 HOUSING.....39, 47  
 Housing.....23, 53, 197  
 HUB.....39, 47  
 HYD OIL FILTER 5519.....29  
 Hydraulic Jack.....173  
 Hydraulic Motor.....35  
 Hydraulic Oil.....11, 13  
 Hydraulic Parking Brake Assembly.....213  
 Hydraulic Parking Brake Lever.....213

**I**

I/O Mode Unit Unit.....153  
 IGNITION SWITCH W/TWO KEYS.....77  
 Incing Sensor.....149  
 INDICATOR.....61, 205  
 Input Shaft.....51  
 INSULATOR.....19, 21, 23, 29  
 Iron Hose.....127  
 Iron Hose With Pipe Fitting.....125  
 Iron Hoses.....125, 127  
 Iron Pipe.....143

**J**

Joint.....39, 47  
 JOINT BOX.....39, 47

Joint Kit.....133, 187  
 JOINT,ARTICULATED.....39, 47  
 JOINT/GASKET KIT.....111

**K**

KEY.....75  
 Key.....75  
 KEY ONLY, SWITCH/IGNITION.....67, 77  
 KIT IMPLANTATION CABLES/CLAMP.....59  
 KNEE-CAP/ARTICULATION JOINT.....59  
 Knob.....69, 75  
 Knurled Knob D26 M6x15.....81

**L**

Label.....191, 195  
 Label - Cabin Fuses and Relays Board.....15  
 Label - Engine Fuses & Reals Board.....13  
 Label - Maintenance Collar.....11  
 Label - Parking Brake.....15  
 Label - Use Limits Close To Electric Power  
 Lines.....13, 15  
 LABEL,GENIE DECAL.....11  
 Ladder.....23  
 LATCH.....19, 21  
 Lateral Pad 60x100x9.....91, 95  
 Lateral pad 60x60x9.....91  
 Left Support Light.....159  
 LEVER.....49, 79, 87  
 Lever.....49, 133  
 Lever-fitted Lock.....67  
 Lh Engine Support - Fan Side.....53  
 LH Front Mud-Guard.....23  
 LH Front Support.....23  
 LH Rear mud-guard.....23  
 LH Rear Support.....23  
 Lh Side Glass.....69  
 Lh Stabilizer Cylinder.....27  
 License Plate Support.....19, 21  
 Lift Point.....11  
 Lifting Cylinder Foot Pin.....111  
 Lifting Cylinder GTH-4013 SX.....111  
 Lifting Cylinder GTH-4017 SX.....111  
 Lifting Cylinder Head Pin.....111  
 Light.....159, 179  
 LIGHT CLAMP.....81, 207  
 Light Group With Harness.....159  
 Light Hose-Clamp.....61  
 LIGHT HOSE-CLAMP, DN 10/16, LG9.....181,  
 203  
 Light Support.....159  
 Light Switch.....153  
 LIGHT SWITCH LEVER.....75  
 Lights Button.....77  
 Limit Switch.....19, 21  
 Load Cell.....85  
 Load Cell Guard.....85  
 LOAD HOLDING VALVE / LIFT.....111  
 Lock.....25  
 Long Cardan shaft.....35  
 Loudspeaker Cover.....69  
 Low Oil Level Light Control.....151

**M**

Machine Data Plate.....13  
 Magnetic Plug.....37  
 Main Dashboard.....75  
 Main Valve.....79  
 Main Valve and Hydraulic Steering Pump.....63

Main Valve Support.....79  
 MALE QUICK COUPLER.....127, 143, 187, 201  
 Manifold.....187  
 Max Capacity.....11  
 Max Ground Pressure Decal.....11  
 Max Payload Decal.....13  
 Max. Pressure Valve.....63  
 MEB Hose-Clamp 19x28.....81  
 MEB Hose-Clamp 40-60 H12.....81  
 Metallic Sensor Interface.....151  
 Microswitch.....79  
 Mirror Bracket.....25, 69  
 Mobile Pin For Fork Rotation Attachment....107  
 Mount For Parking Brake Lever Spring.....87  
 Mud-Guard.....25  
 Muffer.....57

**N**

NAME PLATE.....171  
 Name Plate.....81  
 NIPPLE.....139, 187  
 Nipple 1/2BSP x 9/16-18 ORFS.....117  
 Nipple 1/2"GAS X 13/16-16 ORFS.....129  
 Nipple 1/4BSP X 9/16.....139  
 Nipple 1/4BSP x 9/16-18 ORFS.....139  
 Nipple 18X1.5 X 9/16-18 ORFS.....141  
 Nipple 1" 1/16 - 12 UNF x 13/6 - 16  
 ORFS.....139  
 Nipple 1" 5/16-12 UNF x 1" 11/16-12  
 ORFS.....139  
 Nipple 1"BSP - 1"7/16-12 ORFS.....135  
 Nipple 3/4"BSP/1"7/16-12 ORFS.....135  
 Nipple 7/16-20 UNF x 9/16-18 ORFS.....139  
 Nipple 9/16-18 UNF x 9/16-18 ORFS.....139  
 Nipple Bracket.....125, 127  
 NIPPLE/PIPE FITTING.....201  
 No Riders.....11  
 Non-Skid Coating.....65  
 NUT.....39, 47, 79, 99, 193  
 Nut.....37, 39, 45, 47, 49, 51, 69, 87  
 Nut M12 UNI5588 6SZN.....97  
 Nut M18 UNI 5589 8GZN.....99  
 Nut protection.....69  
 NUT, M8-1.0 FINHEXNUT Z.....67  
 NUT, NYLOCK M16-2.0Z.....105  
 NUT,DIN439 JAM M16-2.0 P.....39, 47  
 NUT,M12,UNI,7473 6SZN.....109, 111  
 NUT,M5-0.8 NYLOCKHXNUT Z.....59  
 NUT,M8,UNI 7473.....25, 29, 61, 65, 69, 141,  
 205, 213  
 NUT,NYLOCK M6-1.0 Z.....19, 21, 23, 25, 107,  
 181, 187, 197, 203  
 NUT,SELFLOCK,M10,UNI7473,ZN.....19, 21,  
 23, 25, 27, 53, 55, 57, 61, 111, 113, 115, 205,  
 211

**O**

O-RING.....37, 45  
 O-Ring.....49  
 O-ring.....35, 51, 63, 111, 159  
 O-ring 216 D.28.17x3.5 3.....137  
 O-Ring D.Int. 17.86 x 2.62.....111  
 O-ring D.int. 17.86 x 2.62.....115  
 O-Ring D.int. 17.86 x 2.62.....113  
 Oil Filter.....29  
 Oil Filter Pressure Switch.....151  
 OIL FILTER,CARTRIDGE.....29  
 Oil Intake Manifold.....137

## Part Description Index (continued)

OIL LEVEL INDICATOR.....29	PIPE FITTING/UNION.....137	Pipe R2 X 3/8 L=800 F90 F90 A 180° 11/16-16 ORFS.....133
Oil Tank.....29	PIPE FITTING/WHEEL STUD.....141	Pipe R2 X 3/8 L=850 FD FD 11/16-16 ORFS.....133
Oil Tank Manifold.....29	Pipe R1 x 1/2 L=1600 FD F90 13/16-16 ORFS.....139	Pipe R4 X 1"1/4 L=1000 FD 1"1/4 BSP-FD 1"11/16-12 ORFS.....137
Oil Tank Trap Seal.....29	Pipe R1 X 1/2 L=2000 F90-F90 13/16 A 90°.....141	Pipe R4 X 3/4 L=1500 F90-F90 1"3/16-12 ORFS A 90°.....137
Output Shaft.....51	Pipe R1 X 1/2 L=2000 FD F90 13/16-16 ORFS.....133	Pipe R6 x 1/2 L=1100 F90 F90 13/16-16 ORFS A 90°.....139
	Pipe R1 x 1/4 L=1150 F90 F90 A 180° 9/16 ORFS.....139	Pipe Rokmaster/2 Plus ¾ L=1500 F90-F45 1" 3/16 A 90°.....137
	Pipe R1 x 1/4 L=1400 F90 F90 A 90° 9/16 ORFS.....139	Pipe Union.....197
	Pipe R1 x 1/4 L=1700 F90 F90 9/16 ORFS.....139	Piston.....49
	Pipe R1 x 1/4 L=3750 F90-FD 9/16.....139	Pivoting Beacon.....157
	Pipe R1 x 1" L=1600 F90-FD 1" 7/16.....135	PLAIN WASHER.....23, 25, 35, 53, 63, 87, 91, 95, 115, 189
	Pipe R1 x 1" L=3200 F90-F90 1" 7/16-12 ORFS.....135	Plain Washer.....87
	Pipe R1 x 1" L=3750 FD-F90 1"7/16-12 ORFS.....135	Plain washer D 18 UNI 5714 ZN.....99
	Pipe R1 x 3/4 FD F45 1"3/16-12 L=1800.....139	Plain Washer D10X30 ZN UNI 6593 WVAR 55.....149
	Pipe R1 x 3/4 L=1400 F90-F90 1"3/16-12 ORFS A 90°.....139	PLAIN WASHER,FEND 6MM X 18MM Z.....87, 179, 181, 193, 195, 197, 205
	Pipe R1 X 3/8 L=1800 FD-F90 11/16-16 ORFS.....141	Plate.....25, 179, 191, 195
	Pipe R1 X 3/8 L=3300 FD-F90 11/16 ORFS.....139	PLATE,LOCKING.....39, 47
	Pipe R2 1/2" L=1850 F90-FD 13/16.....141	PLUG.....37, 39, 45, 47, 51, 69, 165, 201
	Pipe R2 X 1/2 L= 400 MD S16 F90 13/16-16 ORFS.....129	Plug.....39, 45, 47, 67, 141, 159
	Pipe R2 x 1/2 L=1400 - FD-F90 13/16-16 ORFS.....123	Plug M TESTA ES. M18X1.5.....141
	Pipe R2 x 1/2 L=1400 FD-F90 13/16-16 ORFS.....125	PLUG,BREATHER.....37, 45
	Pipe R2 X 1/2 L=1600 F90-FD 13/16.....129, 131	PLUG,MAGNETIC.....51
	Pipe R2 x 1/2 L=2800 F90-F90 13/16-16 ORFS A 180°.....121	PLUG,VENT.....51
	Pipe R2 X 1/2 L=2800 FD 13/16.....137	PLUG/STOPPER HEAD.....23
	Pipe R2 x 1/2 L=3400 F90-F90 13/16 A 90°.....123	Power Line Wiring.....147
	Pipe R2 x 1/2 L=800 F90-FD 13/16-16 ORFS.....123	POWER STEERING DIRECTION.....133
	Pipe R2 X 1/2 Lg 1400 FD-F90 13/16-16 ORFS.....125	PRESSURE SWITCH.....149
	Pipe R2 X 1/2 Lg 3400 F90-F90 13/16 a 90°.....125	Pressure Switch.....213
	Pipe R2 X 1/2 LG. 800 FD F 45 13/16-16 ORFS.....123, 125	PRESSURE TUBE.....79, 139
	Pipe R2 X 1/2 LG. 900 FD F 45 13/16-16 ORFS.....123	PROTECTION.....75
	Pipe R2 X 1/2 LG.1600 F90-FD 13/16.....143	Proximity Switch.....151
	Pipe R2 x 1/4 L=2000 F90-F90 9/16 A 90°.....117	PUFFER/INSULATOR.....55
	Pipe R2 X 1/4 L=550 F90 FD -9/16-18 ORFS.....141	Pulley.....101
	Pipe R2 X 1/4 LG. 2150 F90-F90 9/16 A 90°.....117	Pulley Front Pin.....99
	Pipe R2 X 172 Lg. 800 F90-FD 13/16-16 ORFS.....125	Pulley Pin.....87
	Pipe R2 X 172 Lg. 900 F90-FD 13/16-16 ORFS.....125	Pulley Support.....101
	Pipe R2 X 3/8 L=1700 FD F90 11/16-16 ORFS.....133	PUMP.....63
	Pipe R2 X 3/8 L=2100 F90-F90 11/16-16 ORFS.....133	Pump Hub.....53
	Pipe R2 X 3/8 L=2300 F90-F90 11/16-16 ORFS.....133	PUSH BUTTON.....75
	Pipe R2 x 3/8 L=3000 F90 11/16 OC 1/2.....119	Pushbutton.....87
		PVC Cable Protection.....193
		<b>p</b>
		pad Shim 45X250 - SP.1.....91
		protection Grille.....55
		proximity switch.....79
		<b>Q</b>
		Quick Guide Decal.....15
		<b>R</b>
		RADIATOR CAP, GTH5519.....55
		Radiator Core.....55
		Radiator Side Support.....55
		Radio Hole Cover.....75
		Ratchet Socket.....173
		Re-Sequencing The Telescopic Boom Extension.....15
		Rear Axle aligned Control Unit Box.....153
		Rear Axle Locking Bracket.....23

Rear Axle Locking Cylinder.....33  
 Rear Bottom Pad 50X100X28.....95  
 Rear bottom pad 60x100x28.....91  
 Rear Bottom Pad 60X150X28.....95  
 Rear Bottom Pad 60x60x20.....93  
 Rear Bottom Pad 80x30x20.....93  
 REAR COVER.....63  
 Rear Frame Lock.....19, 21  
 Rear Glass.....69  
 Rear Left Ligth Line.....151  
 Rear Light.....159  
 Rear Locking Cylinder Foot Pin.....23  
 Rear Locking Cylinder Head Pin.....23  
 Rear Lower Glass.....69  
 Rear Pad 60X250X20.....95  
 Rear Pad 60X250X25.....95  
 Rear Pad 60x250x25.....91  
 Rear Pulley.....99  
 Rear Pulley Pin.....99, 101  
 Rear Right Light Line.....151  
 Rear Steering Axle.....35  
 Rear Window Fixing Kit.....71, 185  
 Rear Wiper Kit.....69  
 Red Fork D.43.....169  
 Reduction adapter.....81  
 Reduction D48.5.....81  
 Reduction gear.....35  
 Reflector.....159  
 Reflex.....195  
 RELAY.....147  
 Relay.....145, 153, 209  
 RELAY HOLDER.....167, 193  
 RELAY,INTERMITTENCE.....145  
 RETAINER PIPE/SINGLE BRACKET.....123, 125, 127, 129, 131, 143  
 RH Dashboard Line.....155  
 Rh Engine Support - Fan Side.....53  
 RH fork M10 M10 DX.....19, 21  
 Rh Front Support.....25  
 Rh Rear Support.....25  
 RH Side Glass.....71  
 Rh Stabilizer Cylinder.....27  
 Right Supporto Light.....159  
 Rigid White Faston Cover.....169  
 RIM.....35  
 RING GEAR.....39, 47  
 Ring Nut.....37, 45  
 Ring nut.....45  
 RING/SEAL.....51  
 RIVET.....171  
 RIVETTO A STRAPPO.....109, 195  
 Road/Jobste Button.....75  
 Rope.....211  
 ROPE WITH EYES,D.3 LT.300.....187  
 ROPS-FOPS Cab Type-Approval Plate.....15  
 Rubber.....65, 67, 69, 71, 185  
 Rubber Cable Lock.....199  
 RUBBER PIPE.....55, 61  
 Rubber Platform.....65

**S**

Safety Snap Ring.....37  
 Safety Valve.....63  
 SATELITE.....37  
 SCREW.....17, 23, 25, 27, 31, 33, 39, 47, 53, 59, 85, 87, 91, 99, 103, 111, 113, 123, 125, 127, 133, 137, 139, 143, 151, 177, 183, 187, 189, 195, 205

Screw.....25, 37, 39, 41, 45, 47, 49, 51, 53, 65, 67, 69, 71, 75, 81, 87, 185, 197, 203, 205  
 Screw KN TC+ 3.5x16 ZN.....81  
 Screw KN TC+ 4.2x9.5 ZB.....65, 81  
 Screw KN TC+4,2X9,5 ZB.....65  
 Screw M2,9x13.....159  
 Screw M3,5x22.....159  
 Screw M3,5x9,5.....159  
 Screw M5x45.....159  
 Screw TCEI 14X30 UNI 5931 8.8 ZN.....95  
 Screw TCEI M 6X10 UNI5931 8.8ZN.....179  
 Screw TCEI M 8X30 UNI 12.9 ZN.....99  
 Screw TCEI M 8X30 UNI5931 12.9ZN.....101  
 Screw TCEI M14X25 UNI 5931 8.8 ZN.....91  
 Screw TCEI M14x25 UNI 5931 8.8 ZN.....95  
 Screw TCEI M14X30 UNI 5931 8.8 ZN.....91  
 Screw TCEI M20x40 UNI 5931 8.8 ZN.....87  
 Screw TCEI M4x50 UNI 5931 8.8 ZN.....149  
 Screw TCEI M6X10 UNI5931 8.8ZN.....193  
 Screw TCEI M6X10 UNI5931 8.8ZN 8.8ZN.....181  
 Screw TE 16X40 UNI 5737 10.9 ZN.....103  
 Screw TE M 12X55 10.9 ZN UNI 5737.....99  
 Screw TE M10X110 UNI 5737 8.8 ZN.....211  
 Screw TE M10X20 UNI 5739 8.8.....19, 21  
 Screw TE M10x30 UNI 5739 8.8 ZN WMAR 18.....23  
 Screw TE M10x60 UNI 5737 8.8 ZN WMAR 15.....113  
 Screw TE M12X100UNI 5737 8.8 ZN.....111  
 Screw TE M12X50 UNI 5737 10.9ZN.....99  
 Screw TE M14x100.....63  
 Screw TE M14x130 UNI 5737 8.8 ZN.....23  
 Screw TE M14X170 UNI 5737 8.8ZN.....35  
 Screw TE M14x40 UNI 5739 8.8 ZN.....115  
 Screw TE M14x50 UNI 5739 8.8 ZN.....113  
 Screw TE M16x40 UNI 5737 10.9 ZN.....97  
 Screw TE M16x45 UNI 5737 10.9 ZN.....101  
 Screw TE M20x80 UNI 5737 8.8 ZN.....19, 21  
 Screw TE M22X210 UNI 5737 8.8ZN.....21  
 Screw TE M6X90 UNI 5739 8.8 ZN.....19, 21  
 Screw TSPEI M6X70.....25  
 SCREW, #8X5/8" PHILLIPS PH.....67, 69  
 SCREW, 10.9 FHSC M6-1.0X60Z.....23  
 SCREW, 12.9SHCS M8-1.25X20Z.....69, 213  
 SCREW, 12.9SHCS M8-1.25X30Z.....125, 127  
 SCREW, 12.9SHCS M8-1.25X40Z.....31  
 SCREW, 8.8 HCS 10MM-1.5X25Z.....25, 79, 93, 95, 175, 187, 211  
 SCREW, 8.8 HCS 10MM-1.5X30Z.....23, 53, 57, 91, 93, 95  
 SCREW, 8.8 HCS 10MM-1.5X35Z.....53, 61, 85, 89  
 SCREW, 8.8 HCS 10MM-1.5X80Z.....113  
 SCREW, 8.8 HCS 12MM1.75X30Z.....63, 125, 127  
 SCREW, 8.8 HCS 14MM2.0X40 Z.....63  
 SCREW, 8.8 HCS 6MM-1.0X16 Z.....87  
 SCREW, 8.8 HCS 8MM-1.25X20Z.....23, 55, 65, 69, 71, 87, 99, 101, 113, 179, 181, 187, 203  
 SCREW, 8.8 HCS 8MM-1.25X25Z.....19, 21, 91, 95, 181, 191, 197  
 SCREW, 8.8 HCS 8MM1.25X100Z.....87  
 SCREW, 8.8HCSM6-1.0X40Z FT.....107, 187  
 SCREW, 8MM-1.25X70 8.8HCS Z.....201  
 SCREW, HCS 12-1.75X90 Z 8.8.....109  
 SCREW, HCS 14-2.0X100 Z 8.8.....53

SCREW, M6X25 SHCS Z.....123, 125, 127, 129, 131, 143  
 SCREW,8.8 HCS 10MM-1.5X40Z.....205  
 SCREW,8.8 HCS 10MM-1.5X60Z...19, 21, 25, 111, 115  
 SCREW,8.8 HCS 6MM-1.0X25 Z.....151  
 SCREW,8.8 HCS 8MM-1.25X16Z.....75, 91, 95  
 SCREW,8.8 HCS 8MM-1.25X30Z...25, 61, 213  
 SCREW,8.8HCM20-2.5X240Z PT.....23, 25  
 SCREW,8.8HCSM10-1.5X50Z FT...23, 55, 57, 89, 93, 177  
 SCREW,8MM-1.25X60 8.8HCS Z.....79  
 SCREW,M14X45,UNI 5739,8.8,ZN.....23, 25  
 SCREW,TE,M0X90 UNI 5737 8.8,ZN.....111, 113, 115  
 SCREW,TE,M16X35.....19, 21  
 SCREW,TE,M16X50,UNI 5737 8.8ZN.....205  
 SCREW,TE,M6X20.....85, 127, 143, 187, 197, 203  
 SCREW,TE,M8X20.....23, 25  
 SCREW,TE,M8X40,UNI 5739,8.8 ZN.....25, 141, 213  
 SCREW/BOLT / BOOM WEAR PAD.....29, 91, 93  
 SCREW/BOLT / WEAR PAD.....93  
 SCREWTECEI M8X50,UNI 5931,8.8ZN.....111  
 SEAL.....39, 47, 111  
 Seal.....39, 47, 49, 55, 67, 69, 159  
 SEAL (UM = 39.5 INCHES).....55  
 SEAL / DIFFERENTIAL.....37, 39, 45, 47  
 SEAL HURTH.....49  
 SEAL KIT.....27, 111  
 Seal Kit.....63  
 SEAL,DIFFERENTIAL.....37, 45  
 SEAL,PLANETARY.....39, 47  
 SEAL/GASKET.....139  
 Sealing Ring.....51  
 Seals Kit.....63  
 Seals kit.....35  
 Seat.....73  
 Seat Cover Assembly.....73  
 Seat Foam Kit.....73  
 Seat Frame Assembly.....73  
 Seat Microswitch (Only For GTH4013SX).....73  
 Seat Microswitch (Only For GTH4017SX).....73  
 SECURITY DOWEL 5519.....109  
 SEMI FLANGE/PLATE.....139  
 Sensor.....151  
 Sensor Bracket.....151  
 Sensor Bracket - ONLY FOR 4017SX.....151  
 Sensor FF4530-KSM.....149  
 SENSOR,PROXIMITY.....87  
 SET SCREW.....99, 101  
 Set Screw.....133  
 SHAFT,TIE ROD.....41  
 Sheet.....71  
 Shifting Hook Spacer.....189  
 SHIM.....51  
 Shim.....105, 125, 127  
 Shim 1 mm.....105  
 Shim 2 mm.....105  
 SHIM,THICKNESS.....51  
 Short Cardan Shaft.....35  
 Side Cab Line.....157  
 Side Dashboard.....75  
 Skylight.....71  
 Slab Buildibng.....181, 203  
 Sleeve.....29, 55  
 Slider Guide 60x100x20.....95

## Part Description Index (continued)

- Slider Guide 60x100x25.....91  
 Slider Guide Support.....99  
 SLIGHT CLAMP,DN50/70 LG12.....55, 61  
 Snap Ring.....37, 39, 45, 47, 97, 99  
 SNAP RING/CIRCLIP.....39, 47  
 SOLENOID.....133  
 Solenoid.....17, 33, 35  
 Solenoid Valve.....33, 63  
 SOLENOID/ELEC. VALVE.....201  
 Sound-Proof Panel.....25  
 SPACER.....37, 45  
 Spacer...37, 45, 49, 51, 71, 177, 185, 201, 209  
 Special Clamp.....61  
 SPEED LEVER.....75  
 Split Pin.....65, 87  
 Sprin Washer.....151  
 Spring.....49, 75, 87  
 Spring 2.5x18x100 31 Spire.....87  
 SPRING ATTACH.....181, 191, 203, 211  
 Spring Catch D100.....211  
 SPRING CLIP.....23, 25  
 SPRING SPLIT PIN,WIRE,D4.....19, 21, 109,  
 191, 211  
 SPRING WASHER.....19, 21, 51, 87, 113  
 Spring Washer.....51, 159  
 Spring Washer 8.4x142.....67  
 Spring Washer D14 ZN RNFT WAR 74.....113  
 Spring washer D18 UNI 5714 ZN.....97  
 SPRING WASHER,D 8,ZN.....17, 19, 21, 31,  
 55, 79, 113, 179, 187, 191, 197, 201, 203  
 SPRING WASHER,D10 ZN.....25, 29, 53, 57,  
 79, 89, 91, 93, 95, 175, 177, 187, 211  
 SPRING WASHER,D16,ZN,REINFORCD...19,  
 21, 205  
 Stabilizer.....27  
 Stabilizer And Stabilizer Base Pin.....27  
 Stabilizer Base.....27  
 Stabilizer Cylinder And Frame Stabilizer Foot  
 Pin.....27  
 Stabilizer Cylinder Head Pin.....27  
 Stainless Steel Exhaust.....57  
 STARTER.....53  
 Steering Column.....133  
 Steering Wheel.....133  
 Stop Belt.....65  
 Stop Bracket.....25  
 Stop Guard.....191  
 Stop Kit.....69  
 STOP NUT.....21, 23, 25, 53, 189  
 Stop Nut.....25, 69, 71, 81, 87, 205  
 Stop nut.....65  
 Stop Nut M10 UNI 7473 6S ZN WMAR 40.....29  
 Stop nut M8 UNI 7473 6S ZN WMAR 39.....137  
 Stop Pin.....25  
 STOPPER HEAD.....29, 137, 139  
 Storage Pocket.....69  
 Straight Brake Lever.....213  
 Stretch Chain Block.....99  
 Stretch Chain Screw.....99  
 Stretch Chain Support.....99  
 Stretch Chain support.....99  
 Stretch Chain Terminal.....97, 99  
 Stud.....39, 47, 51  
 Stud Bolt M18x1,5 X F.3/8" GAS Esag.  
 L=19.....141  
 Sun Visor.....65  
 Support.....19, 21, 25, 39, 43, 47, 65, 75, 157,  
 175, 197, 205, 207  
 Support Pulley.....99  
 SUPPORT,RING GEAR.....39, 47  
 SUPPORT/INSULATOR DAMPER.....53  
 SUPPORT/RUBBER DOOR.....207  
 Suspension Cover Kit.....73  
 Sway Cylinder.....31  
 Sway Cylinder Seals Kit.....31  
 Sway Cylinder Valve Guard.....31  
 SWITCH.....75, 77, 181, 183, 201, 209  
 Switch.....193  
 Switch Complete.....201  
 SWITCH COVER.....75, 77  
 Switch Glass.....183, 201  
 SWITCH,SELECTOR,3 POSITION.....77
- S**
- solenoid.....79
- T**
- TANK CAP.....23, 29  
 Temperature Switch.....207  
 Thermistor.....147  
 Thermistor M16x1.5.....151  
 THICKNESS.....39, 47  
 Threaded Element.....49  
 Through-coupling.....71  
 Tilt Cylinder.....111  
 Tilt Cylinder Foot Pin.....111  
 TIRE 405/70-24 14PR R1.....35  
 TIRE 405/70/20 OPTION.....35  
 TOWING HOOK.....189  
 Transmission Button.....75  
 Transmission Pump.....63  
 Truck And Attachment.....11  
 Twin Hoses 1/2 2625 FD FD 13/16-16.....127
- U**
- U JOINT.....35  
 UNION.....137, 139
- V**
- VALVE.....113, 123, 125, 139, 187  
 Valve.....17, 63, 79  
 VALVE / FORK BALANCING.....111  
 VALVE BLOCK.....111  
 Valve VUC DA 1" Pres. AP.8 B.....135  
 VALVE/MANIFOLD/HOSE.....137
- W**
- Warning Light- Hydraulic Oil Filter Clogged...77  
 Warning Light-Low Hydraulic Oil Level.....77  
 WASHER...21, 23, 29, 51, 53, 63, 87, 97, 101,  
 103, 111, 113, 125, 127, 139, 177, 181, 183,  
 201, 203, 213  
 Washer.....39, 45, 47, 65, 67, 69, 71, 75, 81,  
 87, 159, 205  
 Washer 6.4x12.....81  
 Washer 6.5x18.....81  
 Washer 8.4x14.....87  
 Washer D88.9/58 Sp.8.....109  
 WASHER,BRASS.....23, 119, 123, 125, 129,  
 201  
 WASHER,CHMFRD,D10(10X30)ZN.....19, 21,  
 23, 25, 29, 55, 61, 79, 177, 187  
 WASHER,CHMFRD,D16,UNI 6593,ZN.....205  
 WASHER,CHMFRD,D8,UNI 6593,ZN...25, 29,  
 55, 61, 65, 75, 113, 187  
 WASHER,COUNTERSUNK.....23, 25  
 WASHER,D 8,UNI 6592 ZN.....17, 19, 21, 23,  
 25, 65, 71, 79, 91, 95, 99, 101, 137, 179, 181,  
 191, 197, 201, 203, 205  
 WASHER,D.14/20X1.5.....141, 213  
 WASHER,D16,UNI 6592,ZN.....19, 21, 23, 105  
 WASHER,D5,UNI 6592,ZN.....59, 151  
 WASHER,FRICITION.....37, 45  
 WASHER,JC 27,SP.2,5.....29, 79, 139  
 WASHER,MM FL WASH 10 Z.....23, 55, 57, 85,  
 91, 95, 115, 175, 205, 211  
 WASHER,MM FL WASH 12 Z.....53, 63, 99,  
 125, 127, 177, 183  
 WASHER,MM FL WASH 20 Z.....19, 21, 23  
 WASHER,MM L/W 10 ZP.....35, 63, 85, 113,  
 115, 189  
 WASHER,MM L/W 6 ZP.....31, 33, 85, 87, 127,  
 133, 143, 151, 187, 193, 195  
 WASHER/UNION.....139  
 WATER LEVEL,CIRCULAR BUBBLE.....75  
 Water Tap D16 C/pomello.....81  
 Wedge.....195  
 Weight Adjuster Kit.....73  
 Wheel 20".....35  
 Wheel 24".....35  
 WHEEL STUD.....39, 47  
 Windscreen Washer Tank.....69  
 Wiper Arm.....69, 71, 185  
 Wiper Blade.....69, 71, 185  
 Wiper Motor.....69, 71, 185  
 Wiring Harness.....149  
 Work Light.....183

California Proposition 65

## Warning

The exhaust from this product contains chemicals known to the State of California to cause cancer, birth defects or other reproductive harm.

### Genie North America

**Phone** 425.881.1800  
**Toll Free** USA and Canada  
800.536.1800  
**Fax** 425.883.3475

### Genie Australia Pty Ltd.

**Phone** +61 7 3375 1660  
**Fax** +61 7 3375 1002

### Genie China

**Phone** +86 21 53852570  
**Fax** +86 21 53852569

### Genie Malaysia

**Phone** +65 98 480 775  
**Fax** +65 67 533 544

### Genie Japan

**Phone** +81 3 3453 6082  
**Fax** +81 3 3453 6083

### Genie Korea

**Phone** +82 25 587 267  
**Fax** +82 25 583 910

### Genie Brasil

**Phone** +55 11 41 665 755  
**Fax** +55 11 41 665 754

### Genie Holland

**Phone** +31 183 581 102  
**Fax** +31 183 581 566

### Genie Scandinavia

**Phone** +46 31 575100  
**Fax** +46 31 579020

### Genie France

**Phone** +33 (0)2 37 26 09 99  
**Fax** +33 (0)2 37 26 09 98

### Genie Iberica

**Phone** +34 93 579 5042  
**Fax** +34 93 579 5059

### Genie Germany

**Phone** +49 (0)4202 88520  
**Fax** +49 (0)4202 8852-20

### Genie U.K.

**Phone** +44 (0)1476 584333  
**Fax** +44 (0)1476 584334

### Genie Mexico City

**Phone** +52 55 5666 5242  
**Fax** +52 55 5666 3241

Distributed By:

# Parts Manual

GTH-4013SX, GTH-4017SX

*4013SX from SN 19275 to 20781  
4017SX from SN 19300 to 20694*

Part No.  
645021

Rev H

**Genie**  
A TEREX BRAND