

Hydraulikplan Hydraulic diagram

AB 500-3 TV

23AB
Baureihe /
Series

0010 - XXXX
Seriennummer /
Serial No

06.01.2016
Ausgabedatum /
Date of issue

HFP_23AB_2247297_03_00_00
Katalog Bestellnummer /
Catalogue order No

Schutzvermerk nach ISO 16016

Weitergabe sowie Vervielfältigung dieses Dokuments, Verwertung und Mitteilung seines Inhalts sind verboten, soweit nicht ausdrücklich gestattet.

Zuwiderhandlungen verpflichten zum Schadenersatz. Alle Rechte für den Fall der Patent-, Gebrauchsmuster- oder Geschmacksmustereintragung vorbehalten.

Protection Notice ISO 16016


The reproduction, distribution and utilization of this document as well as the communication of its contents to others without explicit authorization is prohibited.

Offenders will be held liable for the payment of damages. All rights reserved in the event of the grant of a patent, utility model or design.

Hydraulics
Schutzvermerk nach ISO 16016 beachten
Refer to protection notice ISO 16016

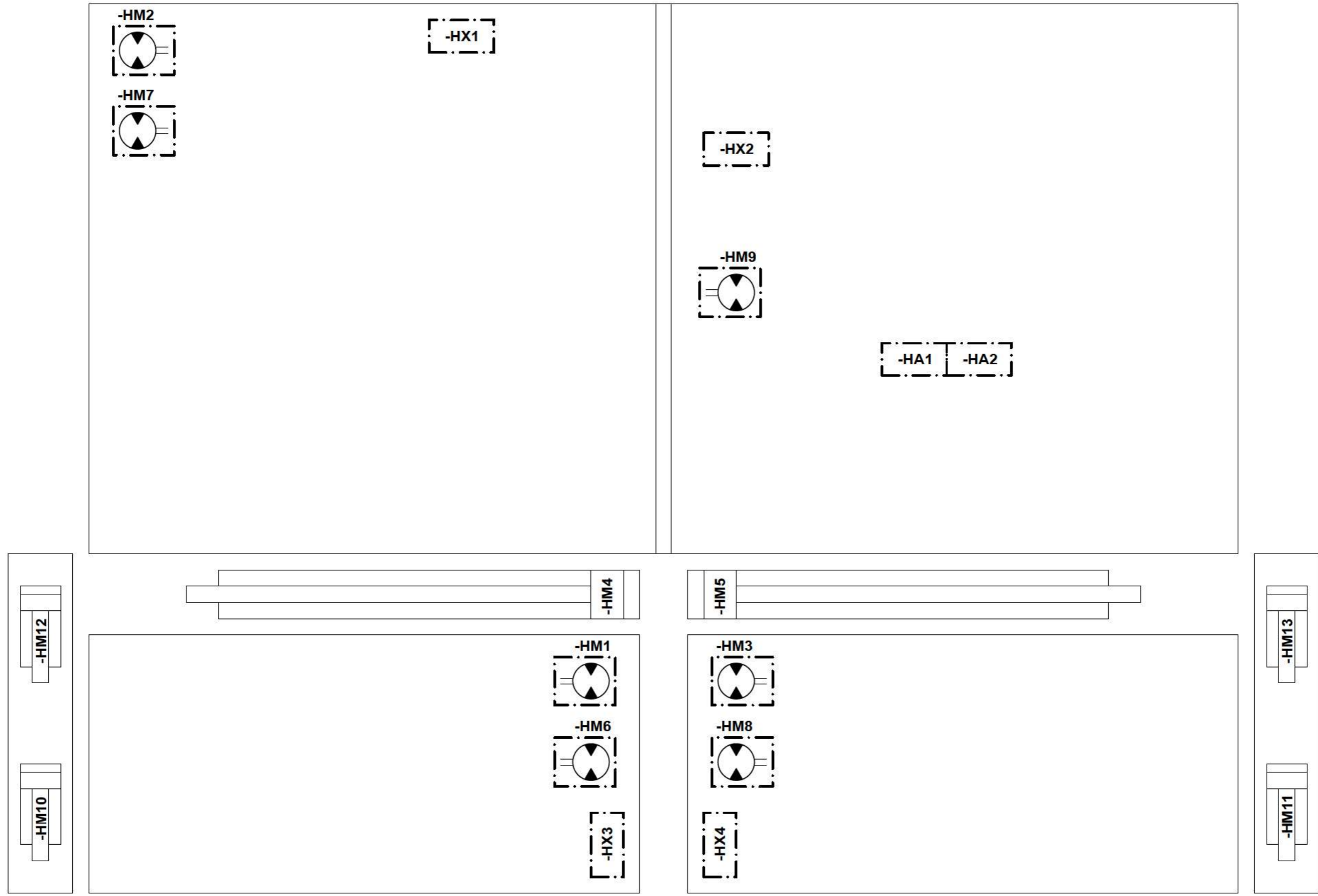
1 2 3 4 5 6 7 8

Blatt / Sheet	Inhalt / Contents	Blatt / Sheet	Inhalt / Contents
1	Deckblatt cover sheet		
2	Inhaltsverzeichnis contents		
3	Topologie topology		
4	Anschlussblock connection block		
5	Tamperantrieb advance tamper		
6	Vibrationsantrieb advance vibration		
7	Bohlenfunktionen, hydr. Dachprofilverstellung screed functions, hydr. crown adjusting device		
8	Bohlenfunktionen, mech. Dachprofilverstellung screed functions, mech. crown adjusting device		
9	Höhenverstellung Seitenschild height adjustment sideplate		
10	Erklärung Aufbau Betriebsmittelkennzeichen Explanation device designation layout		
11	Erklärung Gerätekenbuchstaben, hydraulisch Explanation device code letter, hydraulic		
12	Erklärung Linienformate, Leitungsbezeichnungen explanation line formats, line designations		
13	Betriebsmittelliste device list		

Drawing by:		Approved by:		last change:		Status:		Material No.:		Document No.: Partial Document No.: Version No.:		Sheet	
date	12.10.2012	date	24.08.2015	date		SF	AE =changable	2247297				2	
name	Holzmann	name	Holzmann	name			PF =prototype release	Revision No.:				of	
E - CAE		Document type:		Function group No.:			SF =serial release	03				13	
		HFP										Inhaltsverzeichnis contents	
												13 Sheets	

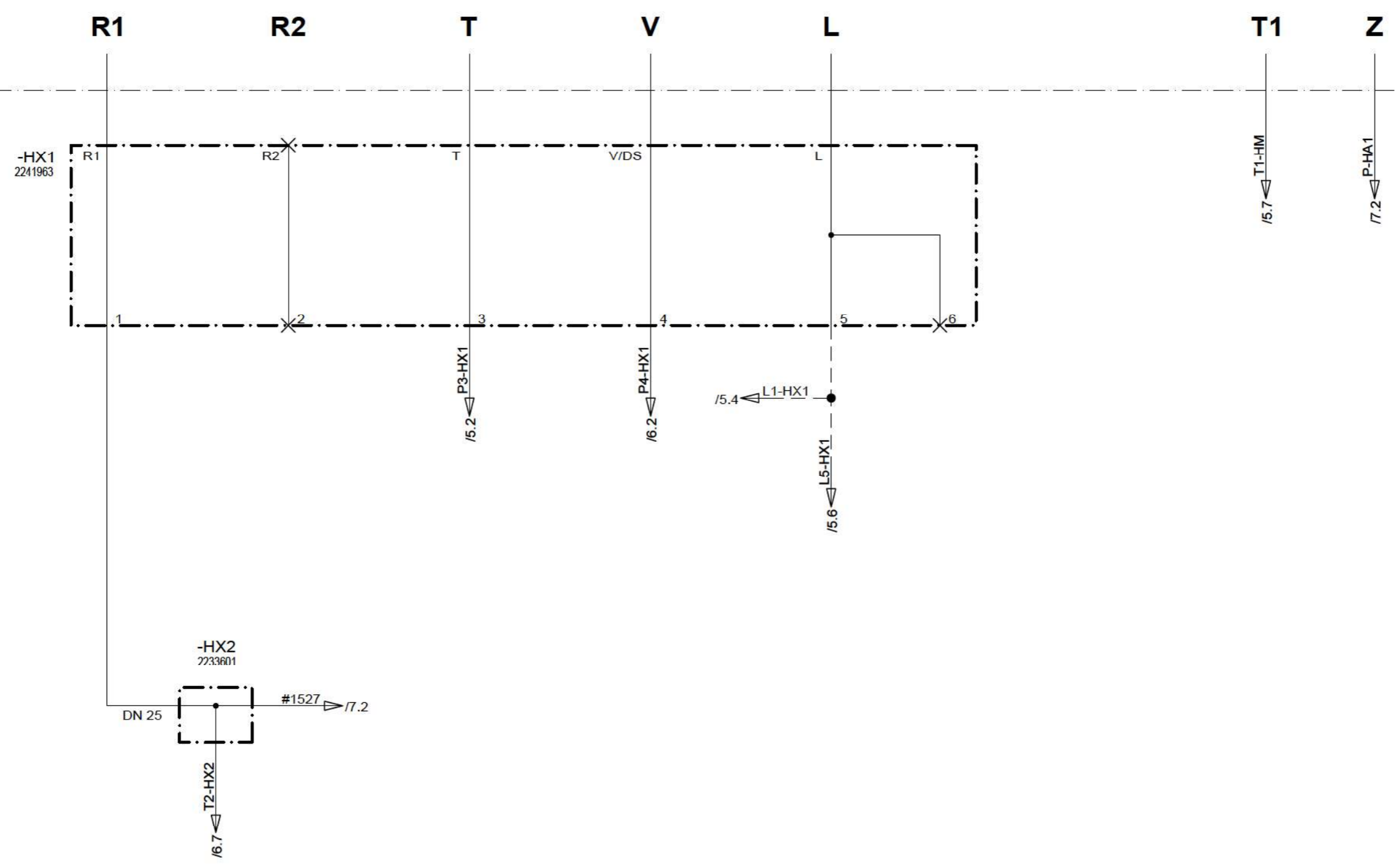
1 2 3 4 5 6 7 8

© 2012 by Joseph Vögele AG



Drawing by:		Approved by:		last change:		Status:		Material No.:		Document No.: Partial Document No.: Version No.:		Topologie topologie	Sheet 3 of 13 Sheets
date	12.10.2012	date	24.08.2015	date		SF AE =changable PF =prototype release SF =serial release	2247297	Series code: 23AB		Valid for Serial No.: from 0010 to XXXX			
name	Holzmann	name	Holzmann	name			Revision No.: 03	Sheet plant:		Sheet Location:			
E - CAE		Document type: HFP		Function group No.: 19									

Hydraulics
Schutzvermerk nach ISO 16016 beachten
Refer to protection notice ISO 16016



Drawing by:		Approved by:		last change:		Status:		Material No.:	
date	12.10.2012	date	24.08.2015	date		SF AE=changable PF=prototype release SF=serial release		2247297	
name	Holzmann	name	Holzmann	name				Revision No.: 03	
E - CAE		Document type:		Function group No.:					
		HFP		19					

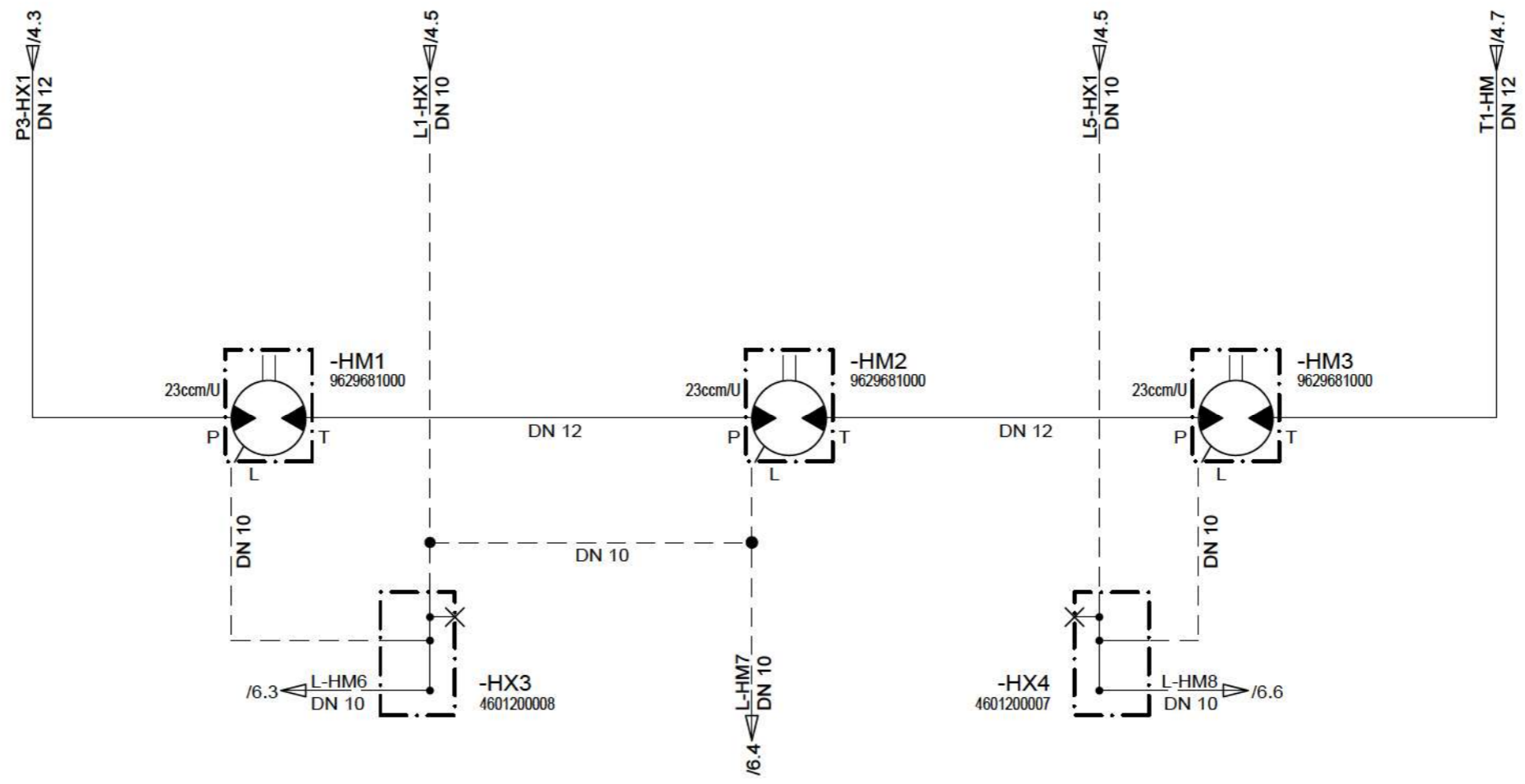
W VÖGELE		Document No.: Partial Document No.: Version No.:		
		Series code: 23AB	Valid for Serial No.: from 0010 to XXXX	
		Sheet plant:		
		Sheet Location:		

**Anschlussblock
connection block**

Sheet
4
of
13 Sheets

© 2012 by Joseph Vögele AG

Hydraulics
Schutzvermerk nach ISO 16016 beachten
Refer to protection notice ISO 16016



Drawing by:		Approved by:		last change:	
date	12.10.2012	date	24.08.2015	date	
name	Holzmann	name	Holzmann	name	
E - CAE		Document type:		Function group No.:	
		HFP		19	

Status:
SF AE = changable
PF = prototype release
SF = serial release

Material No.:
2247297
Revision No.:
03



Document No.: Partial Document No.: Version No.:

Series code: 23AB	Valid for Serial No.:
	from 0010 to XXXX
Sheet plant:	
Sheet Location:	

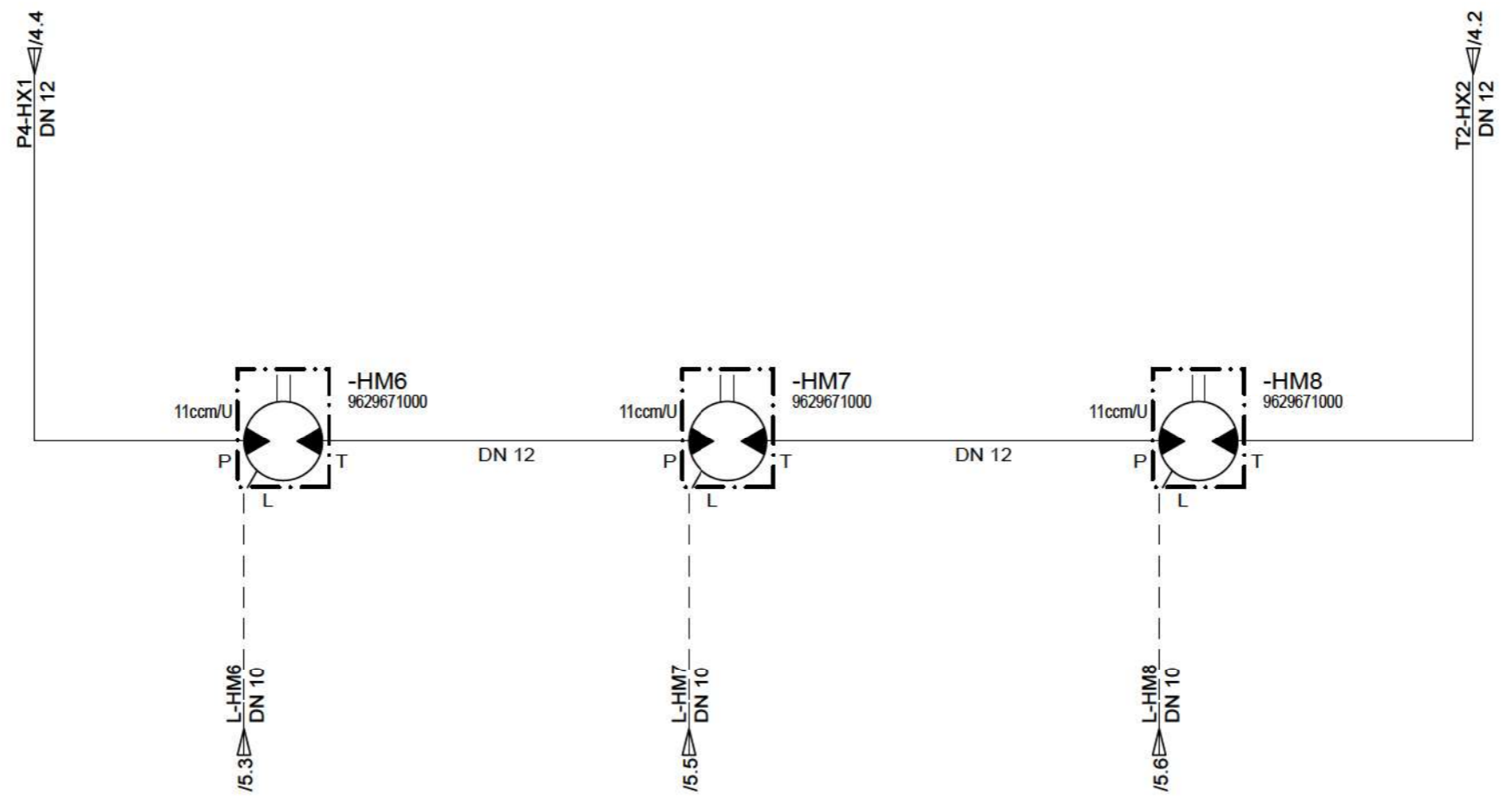
Tamperantrieb
advance tamper

Sheet
5
of
13 Sheets

Hydraulics

Schutzvermerk nach ISO 16016 beachten

Refer to protection notice ISO 16016



Drawing by:		Approved by:		last change:	
date	12.10.2012	date	24.08.2015	date	
name	Holzmann	name	Holzmann	name	
E - CAE		Document type:		Function group No.:	
		HFP		19	

Status:
SF AE =changable
 PF =prototype release
 SF =serial release

Material No.:
2247297
 Revision No.:
03



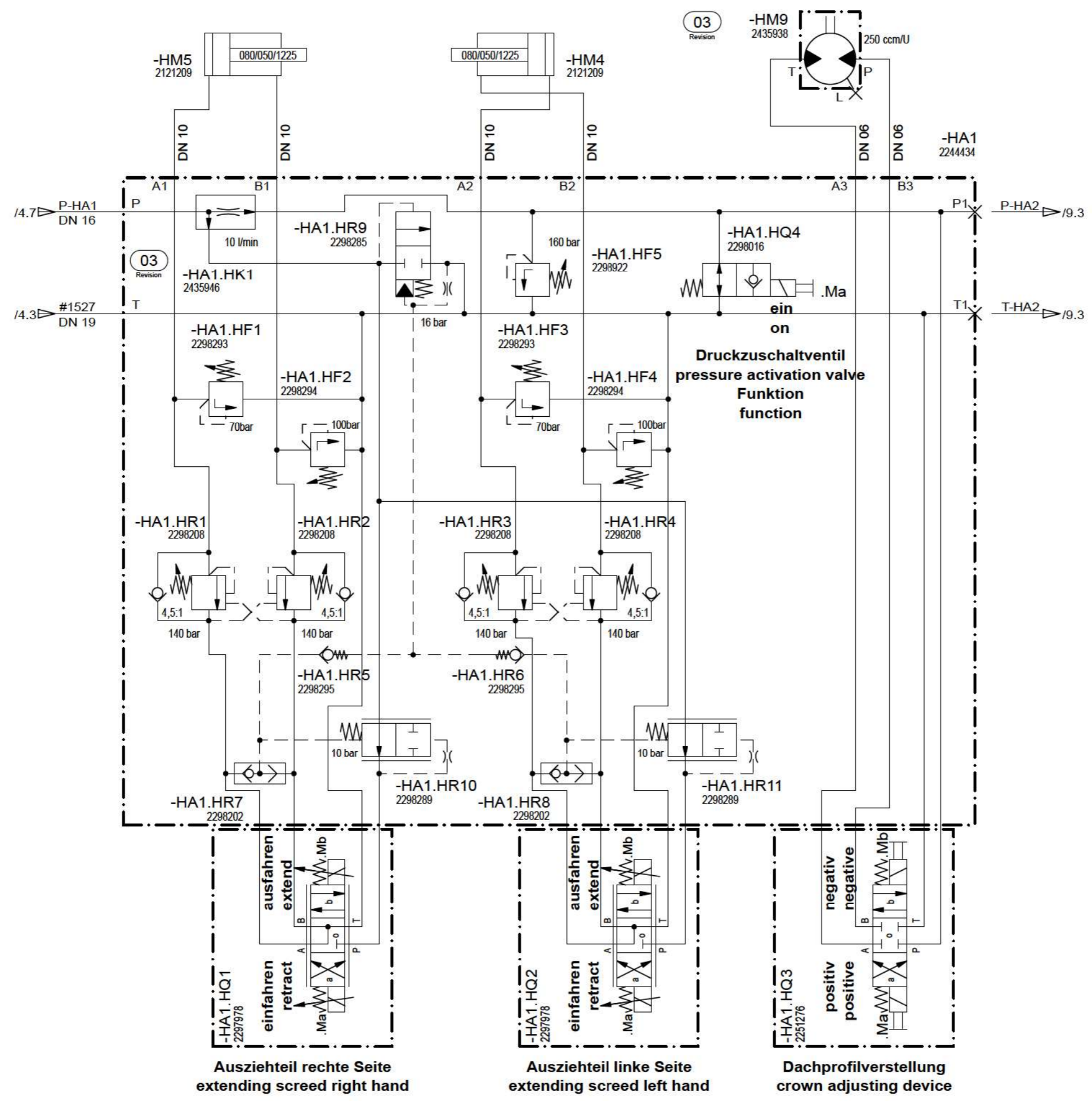
Document No.: Partial Document No.: Version No.:

Series code: 23AB	Valid for Serial No.:
	from 0010 to XXXX
Sheet plant:	
Sheet Location:	

Vibrationsantrieb
 advance vibration

Sheet
6
 of
13 Sheets

Hydraulics
 Schutzvermerk nach ISO 16016 beachten
 Refer to protection notice ISO 16016
 © 2012 by Joseph Vögele AG

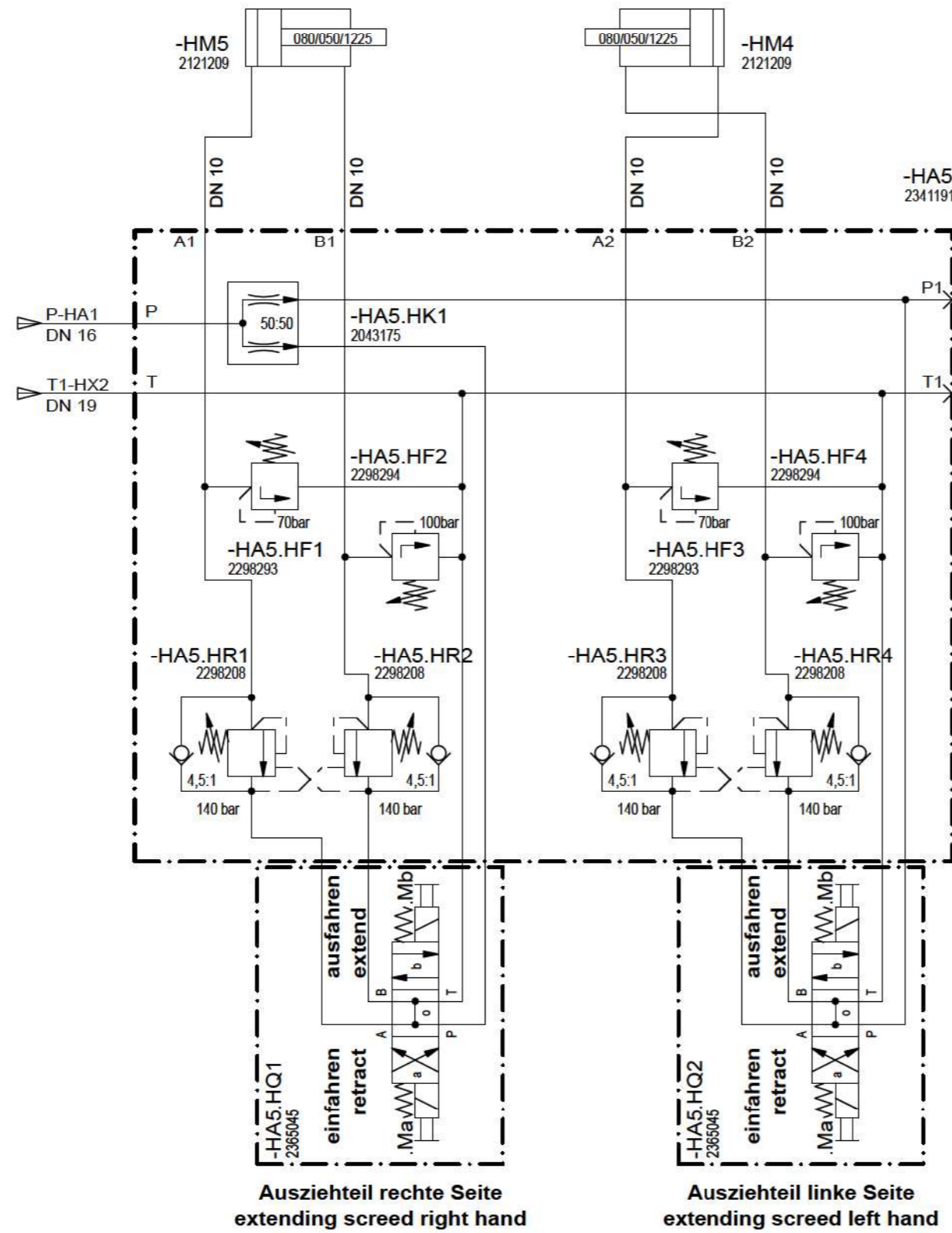


Drawing by:		Approved by:		last change:	
date	12.10.2012	date	24.08.2015	date	24.08.2015
name	Holzmann	name	Holzmann	name	Holzmann
E - CAE		Document type:		Function group No.:	
		HFP		19	

Status:	Material No.:
SF AE =changable PF =prototype.release SF =serial.release	2247297
	Revision No.:
	03

VÖGELE	
Document No.:	Partial Document No.:
Series code:	Valid for Serial No.:
23AB	from 0010 to XXXX
Sheet plant:	
Sheet Location:	

Bohlenfunktionen, hydr. Dachprofilverstellung
 screed functions, hydr. crown adjusting device



Schutzvermerk nach ISO 16016 beachten

Refer to protection notice ISO 16016

03
Revision

Drawing by:		Approved by:		last change:	
date	12.10.2012	date	24.08.2015	date	24.08.2015
name	Holzmann	name	Holzmann	name	Holzmann
E - CAE		Document type:		Function group No.:	
		HFP		19	

Status:	Material No.:
SF AE=changable PF=prototype release SF=serial release	2247297
	Revision No.:
	03

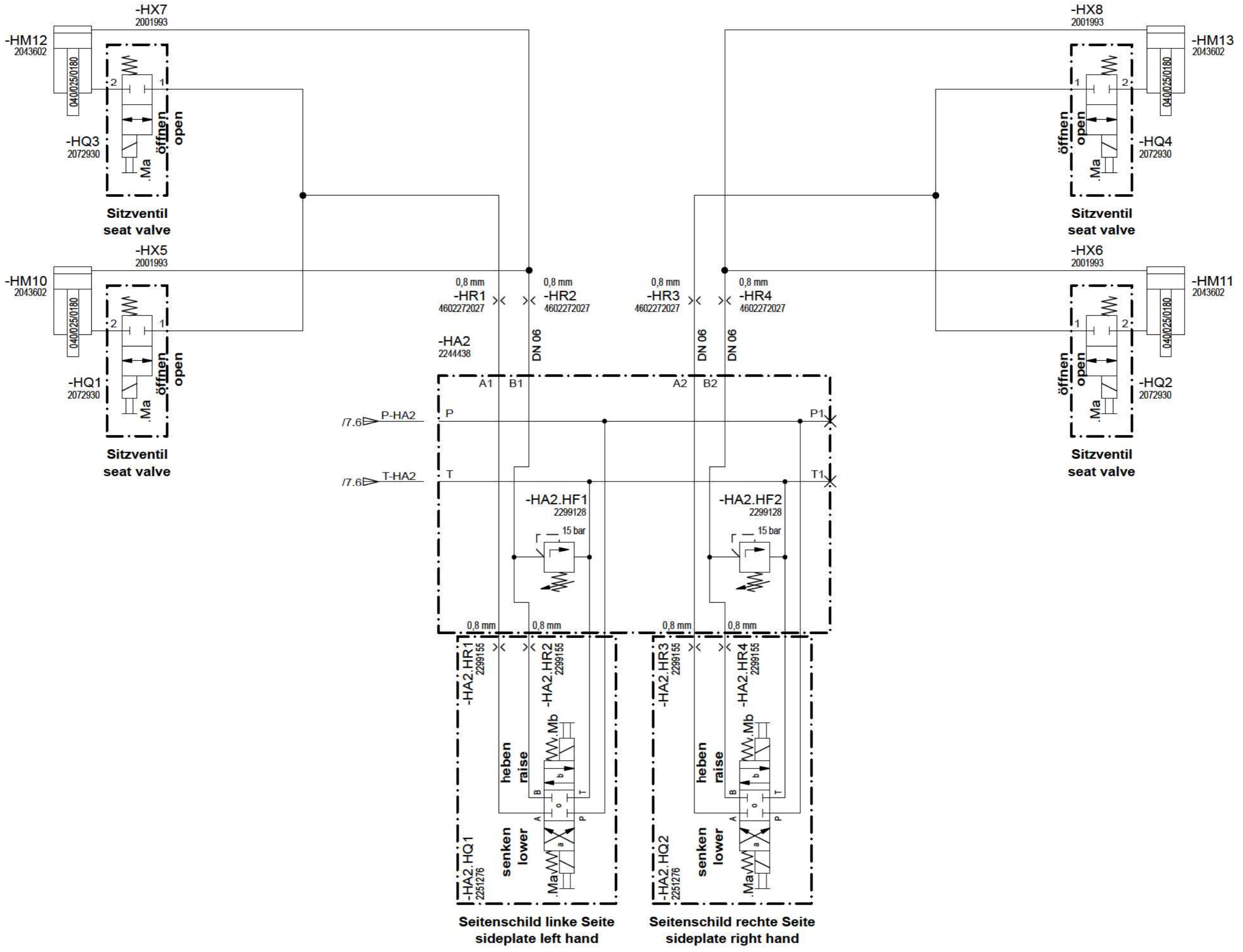


Document No.:		Partial Document No.:	Version No.:
Series code:	Valid for Serial No.:		
23AB	from 0010 to XXXX		
Sheet plant:		Sheet Location:	

Bohlenfunktionen, mech. Dachprofilverstellung
screed functions, mech. crown adjusting device

Sheet
of
8
13
Sheets

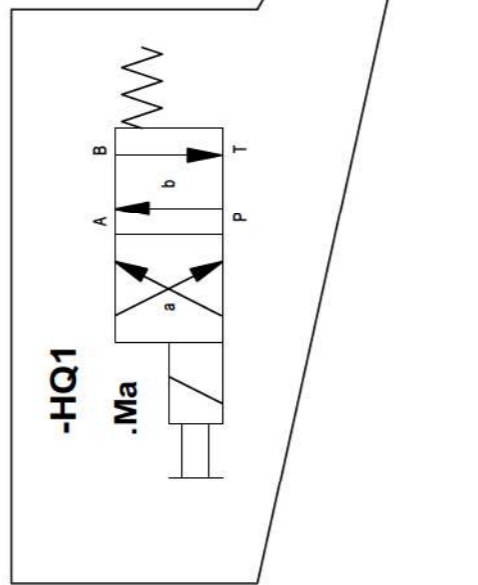
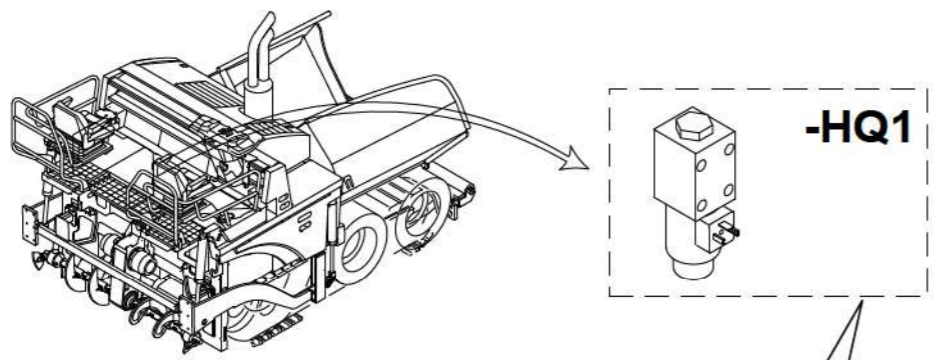
Hydraulics
 Schutzvermerk nach ISO 16016 beachten
 Refer to protection notice ISO 16016
 © 2012 by Joseph Vögele AG



Drawing by:		Approved by:		last change:		Status:		Material No.:		Document No.: Partial Document No.: Version No.:		Höhenverstellung Seitenschild height adjustment sideplate	Sheet 9 of 13 Sheets	
date 12.10.2012		date 24.08.2015		date		SF AE=changable		2247297		Series code: 23AB				Valid for Serial No.: from 0010 to XXXX
name Holzmann		name Holzmann		name		PF=prototype release		Revision No.: 03		Sheet plant:				
E - CAE		Document type: HFP		Function group No.: 19		SF=serial release				Sheet Location:				

Hydraulics
Schutzvermerk nach ISO 16016 beachten
Refer to protection notice ISO 16016
© 2012 by Joseph Vögele AG

Aufbau Betriebsmittelkennzeichen / device designation configuration



- Art / Zählnummer
type / number

. Spulenbezeichnung
coil designation

Drawing by:		Approved by:		last change:	
date	12.10.2012	date	24.08.2015	date	
name	Holzmann	name	Holzmann	name	
E - CAE		Document type:		Function group No.:	
		HFP		19	

Status:	Material No.:
SF AE =changable	2247297
PF =prototype release	Revision No.:
SF =serial release	03

VÖGELE	Document No.: Partial Document No.: Version No.:		
	Series code:	Valid for Serial No.:	
	23AB	from 0010 to XXXX	
	Sheet plant: Sheet Location:		

Erklärung Aufbau Betriebsmittelkennzeichen
Explanation device designation layout

Sheet
of **10**
13 Sheets

Hydraulics
Schutzvermerk nach ISO 16016 beachten
Refer to protection notice ISO 16016
© 2012 by Joseph Vögele AG

Linienformate / line formats			Leitungsbezeichnungen / line designations		
<u>Linienart / line type</u>	<u>Linienstärke / Grafik / line thickness / graphic</u>	<u>Bedeutung / standing</u>	<u>Abkürzungen Leitungsbezeichnungen / line designation abbreviations</u>	<u>Deutsch</u>	<u>English</u>
Volllinie / solid line	————— 0,25mm	Standard, Druckleitung, Tankleitung / standard, pressure line, tank line	P	Druckleitung	pressure line
			T	Tankleitung, Rücklaufleitung	tank line, return line
Strichpunktlinie / dash-dotted line	- · - · - · - · - 0,5mm	Bauteilumrandung / component border	S	Saugleitung	suction line
			L	Leckölleitung	leakage line
Strichlinie / dashed line	- - - - - 0,25mm	Steuerleitung, Lecköl / control line, leakage oil	X	Steuerleitung	control line
			LS	Load Sensing Leitung	load sensing line

Drawing by:		Approved by:		last change:		Status:		Material No.:		Document No.: Partial Document No.: Version No.:		Erklärung Linienformate, Leitungsbezeichnungen explanation line formats, line designations	Sheet 12 of 13 Sheets
date	12.10.2012	date	24.08.2015	date		SF	AE =changable	2247297	Series code:	Valid for Serial No.:	from 0010 to XXXX		
name	Holzmann	name	Holzmann	name			PF =prototype release	Revision No.:	03	Sheet plant:			
E - CAE		Document type:		Function group No.:									
HFP		19											

Betriebsmittelkennzeichen / Device designation	Blatt / Sheet	Betriebsmittelkennzeichen / Device designation	Blatt / Sheet	Betriebsmittelkennzeichen / Device designation	Blatt / Sheet
-HA1	/7.6	-HA2.HR2	/9.4	-HQ1	/9.2
-HA1.HF1	/7.2	-HA2.HR3	/9.5	-HQ2	/9.7
-HA1.HF2	/7.3	-HA2.HR4	/9.5	-HQ3	/9.2
-HA1.HF3	/7.4	-HA5	/8.5	-HQ4	/9.7
-HA1.HF4	/7.4	-HA5.HF1	/8.3	-HR1	/9.4
-HA1.HF5	/7.4	-HA5.HF2	/8.3	-HR2	/9.4
-HA1.HK1	/7.3	-HA5.HF3	/8.4	-HR3	/9.5
-HA1.HQ1	/7.3	-HA5.HF4	/8.5	-HR4	/9.5
-HA1.HQ2	/7.4	-HA5.HK1	/8.3	-HX1	/4.2
-HA1.HQ3	/7.5	-HA5.HQ1	/8.3	-HX2	/4.2
-HA1.HQ4	/7.5	-HA5.HQ2	/8.5	-HX3	/5.4
-HA1.HR1	/7.3	-HA5.HR1	/8.3	-HX4	/5.6
-HA1.HR10	/7.3	-HA5.HR2	/8.3	-HX5	/9.2
-HA1.HR11	/7.5	-HA5.HR3	/8.4	-HX6	/9.7
-HA1.HR2	/7.3	-HA5.HR4	/8.5	-HX7	/9.2
-HA1.HR3	/7.4	-HM1	/5.3	-HX8	/9.7
-HA1.HR4	/7.4	-HM2	/5.5		
-HA1.HR5	/7.3	-HM3	/5.6		
-HA1.HR6	/7.4	-HM4	/7.4		
-HA1.HR7	/7.3	-HM5	/7.3		
-HA1.HR8	/7.4	-HM6	/6.3		
-HA1.HR9	/7.3	-HM7	/6.5		
-HA2	/9.3	-HM8	/6.6		
-HA2.HF1	/9.4	-HM9	/7.5		
-HA2.HF2	/9.5	-HM10	/9.2		
-HA2.HQ1	/9.4	-HM11	/9.7		
-HA2.HQ2	/9.5	-HM12	/9.2		
-HA2.HR1	/9.4	-HM13	/9.7		

Schutzvermerk nach ISO 16016 beachten

Drawing by:		Approved by:		last change:		Status:		Material No.:		Document No.: Partial Document No.: Version No.:		Sheet		
date	12.10.2012	date	24.08.2015	date		SF	AE =changable	2247297				Betriebsmittelliste device list		
name	Holzmann	name	Holzmann	name			PF =prototype release	Revision No.:	03					
E - CAE		Document type:		Function group No.:										13 of 13 Sheets
HFP														