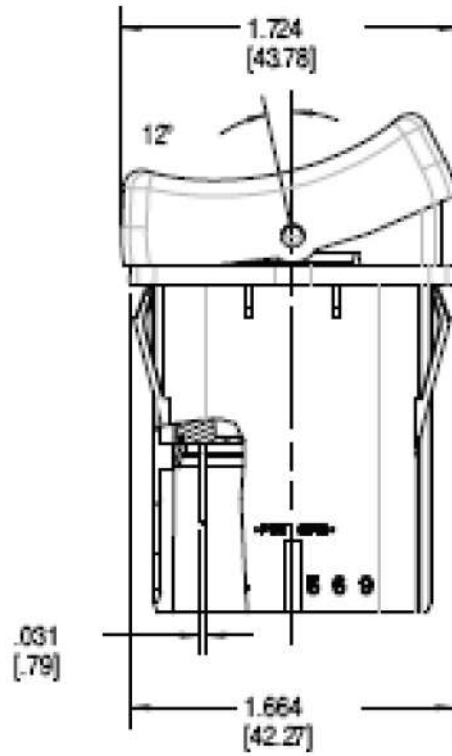


Benennung:

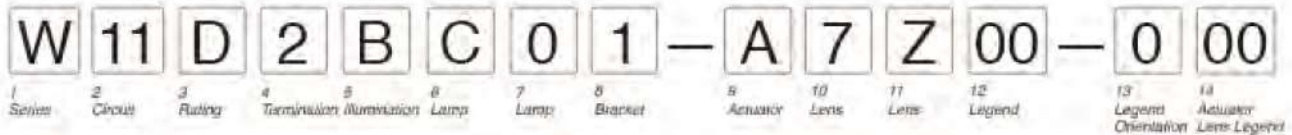
EI. Schalter mit LED 24V 10A
EI. switch with LED 24V 10A



EI. Schalter mit LED 24V 10A
EI. switch with LED 24V 10A



W11B2BC01-A7Z00-00



1 SERIES
W

2 CIRCUIT
 Terminal Connections as viewed from bottom of switch:
 () - momentary

8 terminal	10 terminal	SP - single pole - uses terminals 1, 2 & 3.
8 - 7	8 - 7	DP - double pole - uses terminals 1, 2, 3, 4, 5 & 6.
1 - 4	1 - 4	Terminals 7, 8, 9 & 10 for lamp circuit only.
2 - 5	2 - 5	
3 - 6	3 - 6	
	10 - 9	

Position:	DP	1	2	3
11	21	2 & 3, 6 & 8	Connected Terminals	1 & 2, 5 & 6
12	22	ON	NONE	OFF
13	23	(ON)	NONE	OFF
14	24	ON	NONE	(OFF)
15	25	ON	NONE	ON
16	26	ON	NONE	(ON)
17	27	ON	OFF	ON
18	28	(ON)	OFF	(ON)
-	49	ON	ON	ON

3 RATING

B	10A 24V
D	10A 12V
G	10A 6V
H	10A 3V

4 TERMINATION/BASE STYLE

2	.110 TAB (OC)
---	---------------

5 ILLUMINATION
 Lamp #1 above terminals 1&3 end of switch; Lamp #2 above terminals 3&5 end of switch
 Positive (+) and negative (-) symbols apply to LED lamps only

Lamps	Actuator Lens Position	Illumination Type	Lamp wired to Terminals
O	NONE		
A	#1	Independent	8+ 7-
B	#1	Down	3+ 7-
C	#2	Up	3+ 7-
D	#1	Down	3+ 7-
E	#1	Down	1+ 7-
F	#2	Up	3+ 7-
G	#1	Independent	8+ 7-
H	#2	Up	3+ 7-
I	#2	Up	3+ 7-
J	#1	Down	3+ 8-
K	#1	Independent	6+ 7-
L	#1	Down	3+ 6-
M	#2	Up	3+ 6-
N	#1	Down	3+ 6-
P	#1	Up	1+ 4-
R	#1	Up	3+ 6-
S	#1	Down	6+ 7-
U	#1	Independent	8+ 7-
V	#1	Independent	8+ 7-
W	#1	Independent	10+ 9-
Y	#1 & 2	Independent in Series	8+ 7-
Z	#1 & 2	Independent in Parallel	8+ 7-

6,7 LAMP (SAME CODING FOR BOTH SELECTIONS)
 Selection 6: above terminals 1 & 4; Selection 7: above terminals 3 & 6

No lamp 0

LED*

	Red	Amber	Green	White
2VDC	A	L	F	4
6VDC	B	M	G	5
12VDC	C	N	H	6
24VDC	D	P	J	8

* Consult factory for "daylight bright", blue/green and white LED options.
 Typical current draw for LED is 20ma.

8 BRACKET COLOR¹

1	Black
---	-------

9 ACTUATOR^{1,2}

3	Black with Laser Etch
A	Black

10 LENS - ABOVE LAMP #1 TERMINALS^{1,4}
11 LENS - ABOVE LAMP #2 TERMINALS^{1,4}
 Lens color for LEDs must be clear, white, or match color of LED.

0 - No Actuator Z - No Lens

	Clear	White	Amber	Green	Red	Blue
1	-	B	G	M	T	Large Transparent
-	7	C	H	N	U	Large Translucent
3	-	D	J	P	V	Bar Transparent
-	9	E	K	R	W	Bar Translucent
5	A	-	-	-	-	Laser Etch background color

12 ACTUATOR LENS OR BODY LEGEND³

00 - No Legend (this location/no actuator)

11	ON	12	OFF	13	1	14	0
	OFF		ON		0		1

15	0	16	0	17	0	18	0
	F		N		F		

21	22	23	24
OFF	ON	0	1

25	0	26	0	27	0	28	1
	F		N				

For additional legend options & codes, see pages 54-65 of the Carling Transportation catalog

13 LEGEND ORIENTATION

0 - No legend (used with codes 11-18 in selection 12)

1	Orientation 1
2	Orientation 2
3	Orientation 3
4	Orientation 4

14 ACTUATOR LENS LEGEND³

00 - No legend (this location/no actuator (used with codes 11-18 in selection 12))

Selection 14 required when switch requires two legends. If the two legends consist of one lens & one body legend, lens legend must be specified in selection 12; body legend specified in selection 14. For legend options & codes, see pages 54-65 of the Carling Transportation catalog.

- Notes:
- 1 Custom colors are available. Consult factory.
 - 2 White imprinting is standard on black actuators; Black imprinting is standard on white, red & gray actuators; Custom colors are available, consult factory.
 - 3 Locking rocker version is also available, consult factory for details.