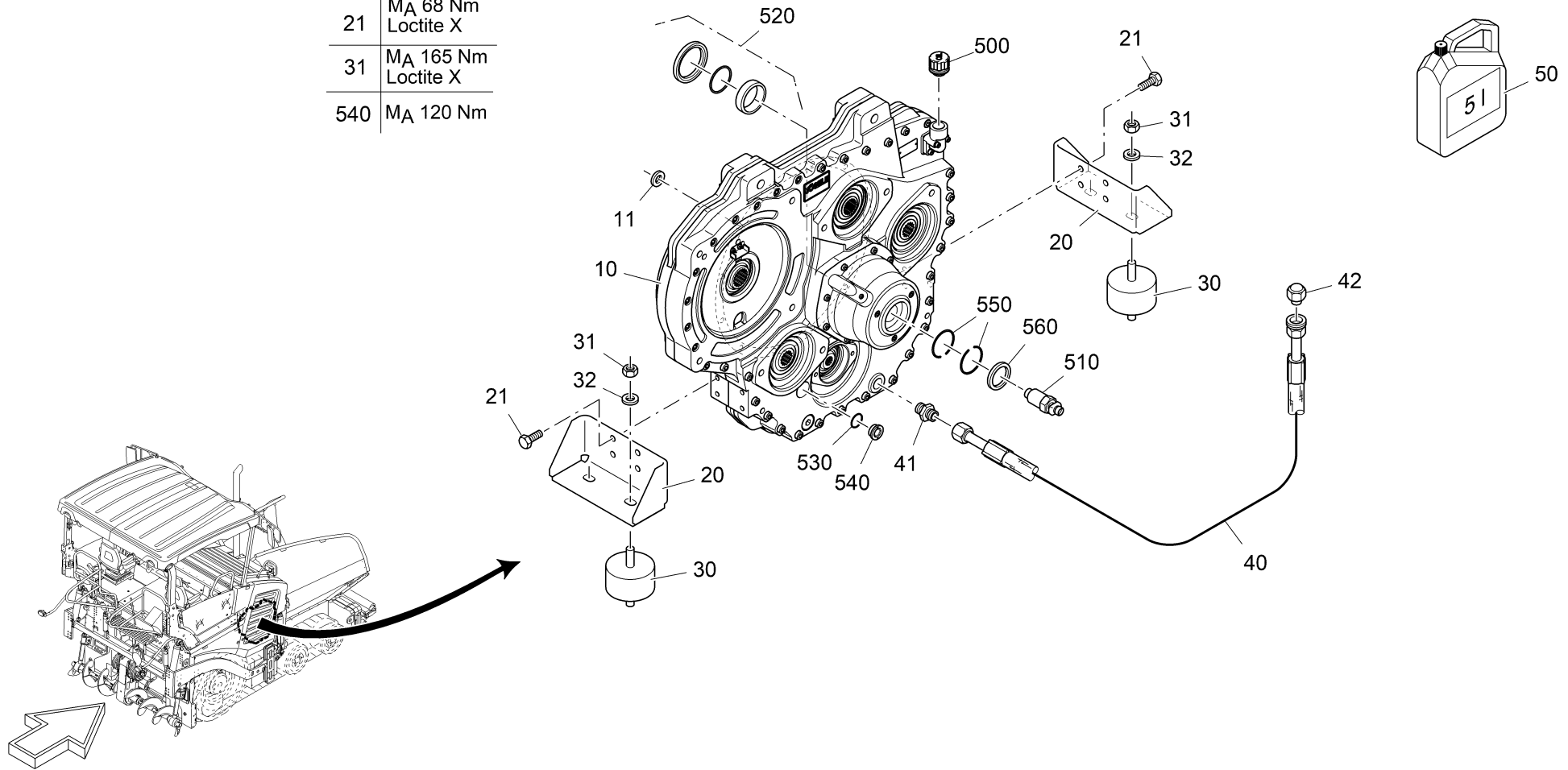




21	M _A 68 Nm Loctite X
31	M _A 165 Nm Loctite X
540	M _A 120 Nm



Item	Part no.	Designation	Quantity	Quantity unit	Serial number from	Serial number to
10	2235063	PUMP SPLITTER GEARBOX / CLUTCH	1	PC	10	9999
11	9501050433	WASHER	1	PC	10	9999
20	2185752	METAL PLATE	2	PC	10	9999
21	9512250933	SCREW	8	PC	10	9999
30	4915520159	RUBBER BUFFER	4	PC	10	9999
31	9500160934	NUT	4	PC	10	9999
32	9501707349	WASHER	4	PC	10	9999
40	3450032090	HOSE	1	PC	10	9999
41	9602190057	SCREW CONNECTION	1	PC	10	9999
42	9638060057	FILLER CAP	1	PC	10	9999
50	1238051	WGP SPECIAL GEAR OIL 5L	1	PC	10	9999
500	2516185	FASTENER	1	PC	10	9999
510	2516171	ROTARY DUCT	1	PC	10	9999
520	2561247	REPAIR SET	1	PC	10	9999
530	9527217603	SEALING RING	1	PC	10	9999
540	2009051	OIL LEVEL INDICATOR	1	PC	10	9999
550	2560571	RETAINING RING	2	PC	10	9999
560	2560582	SHAFT SEAL	1	PC	10	9999