

Verschlauchungsplan Hydraulic hose diagram

WR 200 / WR 200 XL

06WR
Baureihe /
Series

06WR _____
Seriennummer /
Serial No

Ausgabedatum /
Date of issue

2283384_14
Katalog Bestellnummer /
Catalogue order No

Schutzvermerk nach ISO 16016

Weitergabe sowie Vervielfältigung dieses Dokuments, Verwertung und Mitteilung seines Inhalts sind verboten, soweit nicht ausdrücklich gestattet. Zuwiderhandlungen verpflichten zum Schadenersatz. Alle Rechte für den Fall der Patent-, Gebrauchsmuster- oder Geschmacksmustereintragung vorbehalten.

Protection Notice ISO 16016

The reproduction, distribution and utilization of this document as well as the communication of its contents to others without explicit authorization is prohibited. Offenders will be held liable for the payment of damages. All rights reserved in the event of the grant of a patent, utility model or design.

Blatt / Sheet	Inhalt / Contents	Blatt / Sheet	Inhalt / Contents
1	Deckblatt cover sheet	18	Walzenklappe drum door
2...4	Inhaltsverzeichnis contents	19	Lüfterantrieb fan drive
5...6	Topologie topology	20	Rückläufe return flows
7	Saugleitungen Grundmaschine suction lines basic machine	21	Kühler Pumpenverteilergetriebe cooler splitter gearbox
8	Lecköl Pumpen leakage oil pumps	22	Sprühen 1 / 1800 ltr./min spray 1 / 1800 ltr./min
9	Fahrtrieb advance drive	23	Sprühen 2 spray 2
10	Fahrmotore drive motors	24	Generatorantrieb generator-drive
11	Schaltung Mengenteiler circuit flow divider	25	Bitumen bitumen
12	Bremse / Kupplung brake / clutch	26	Prozeßwasser process water
13	Keilriemenspanner / Kupplung V-belt tensioner / clutch	27	Klimaanlage air conditioner
14	Zylinder Funktion cylinder function	28	Walzendrehvorrichtung drum turning device
15	Höhenverstellung height adjustment	29	Hochdruckreiniger high pressure cleaner
16	Lenkung vorne / Kabine verschieben steering front / cabin shift	30	Hydraulikaggregat hydraulic unit
17	Höhenverstellung Walze / Lenkung hinten height adjustment drum / steering rear	31	Fräsmeisselaustreiber pick extractor

Drawing by:	Approved by:	last change:
date 12.01.2014	date 29.05.2019	date
name V. Kröll	name B. Saal	name
E - CAE	Document type: HVP	Function group No.:

Status:	Document No.:
SF	
AE = changable	Partial Document No.:
PF = prototype release	Version No.:
SF = serial release	



Material No.:	Revision No.:
2283384	14
Series code: 06WR	Valid for Serial No.:
Sheet plant:	from 0001 to 0092
Sheet Location:	

Inhaltsverzeichnis
contents

Sheet
2
of
79
Sheets

Blatt / Sheet	Inhalt / Contents	Blatt / Sheet	Inhalt / Contents
32	Prozeßwasser process water	47	Vario Einsprühleiste 1, FB2000 vario spraying beam 1, FB2000
33	Kraftstoffversorgung fuel supply	48	Vario Einsprühleiste 2, FB2000 vario spraying beam 2, FB2000
34	Reserve reserve	49	Vario Einsprühleiste 1, FB2400 vario spraying beam 1, FB2400
35	Befüllpumpe filler pump	50	Vario Einsprühleiste 2, FB2400 vario spraying beam 2, FB2400
36	Luftfilter air filter	51	Schaumbitumen reinigen foamed bitumen cleaning
37	Heizung heating	52	Einsprühleiste Bitumenwasser spraying beam bitumen water
38	Reserve reserve	53	Einsprühleiste Luft spraying beam air
39	Druckluftanlage compressed air system	54	Einsprühleiste Bitumen öffnen / schließen spraying beam bitumen open / close
40	Reserve reserve	55	Reserve reserve
41...42	Schmierung oiling	56	Vormontage 1 subassembly 1
43	Option Schmierung Walzenklappe optional oiling drum door	57	Vormontage 2 subassembly 2
44	Einsprühleiste Wasser-Emulsion 1 spraying beam water-emulsion 1	58	Vormontage 3 subassembly 3
45	Einsprühleiste Wasser-Emulsion 2 spraying beam water-emulsion 2	59	Vormontage 4 subassembly 4
46	Ölversorgung Einsprühleiste 1+2 oil providing spraying beam 1+2	60	Vormontage 5 subassembly 5

Drawing by:	Approved by:	last change:
date 12.01.2014	date 29.05.2019	date
name V. Kröll	name B. Saal	name
E - CAE	Document type: HVP	Function group No.:

Status:	Document No.:
SF	
AE = changable	Partial Document No.:
PF = prototype release	Version No.:
SF = serial release	



Material No.:	Revision No.:
2283384	14
Series code: 06WR	Valid for Serial No.:
Sheet plant:	from 0001 to 0092
Sheet Location:	

Inhaltsverzeichnis
contents

Sheet
3
of
79
Sheets

Blatt / Sheet	Inhalt / Contents	Blatt / Sheet	Inhalt / Contents
61	Vormontage 6 subassembly 6		
62	Vormontage 7 subassembly 7		
63	Vormontage 8 subassembly 8		
64	Vormontage 9 subassembly 9		
65	Vormontage 10 subassembly 10		
66	Vormontage 11 subassembly 11		
67	Vormontage 12 subassembly 12		
68	Vormontage 13 subassembly 13		
69	Vormontage 14 subassembly 14		
70	Schlauchpaket hose package		
71	Erklärung Aufbau Betriebsmittelkennzeichen Explanation device designation layout		
72	Erklärung Gerätekenbuchstaben, hydraulisch Explanation device code letter, hydraulic		
73	Erklärung Linienformate, Leitungsbezeichnungen Explanation line formats, line designations		
74...79	Betriebsmittelliste Device list		

Drawing by:	Approved by:	last change:
date 12.01.2014	date 29.05.2019	date
name V. Kröll	name B. Saal	name
E - CAE	Document type:	Function group No.:
	HVP	

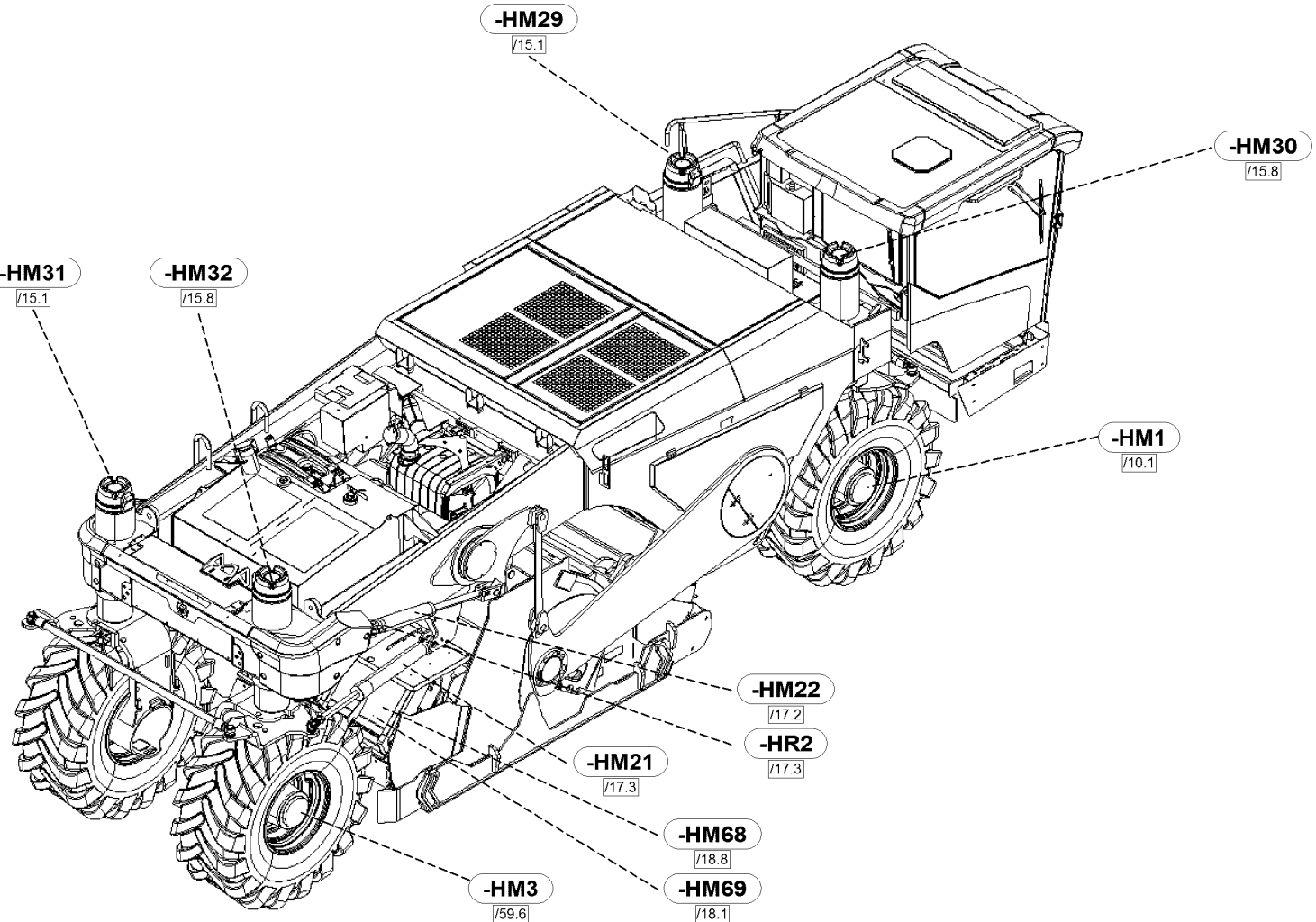
Status:	Document No.:
SF	AE = changable
	PF = prototype release
	SF = serial release
Partial Document No.:	Version No.:



Material No.:	Revision No.:
2283384	14
Series code:	Valid for Serial No.:
06WR	from 0001 to 0092
Sheet plant:	
Sheet Location:	

Inhaltsverzeichnis
contents

Sheet
4
of
79
Sheets



Drawing by:		Approved by:		last change:	
date	12.01.2014	date	29.05.2019	date	
name	V. Kröll	name	B. Saal	name	
E - CAE		Document type:		Function group No.:	
		HVP			

Status:	AE = changable
SF	PF = prototype release
	SF = serial release

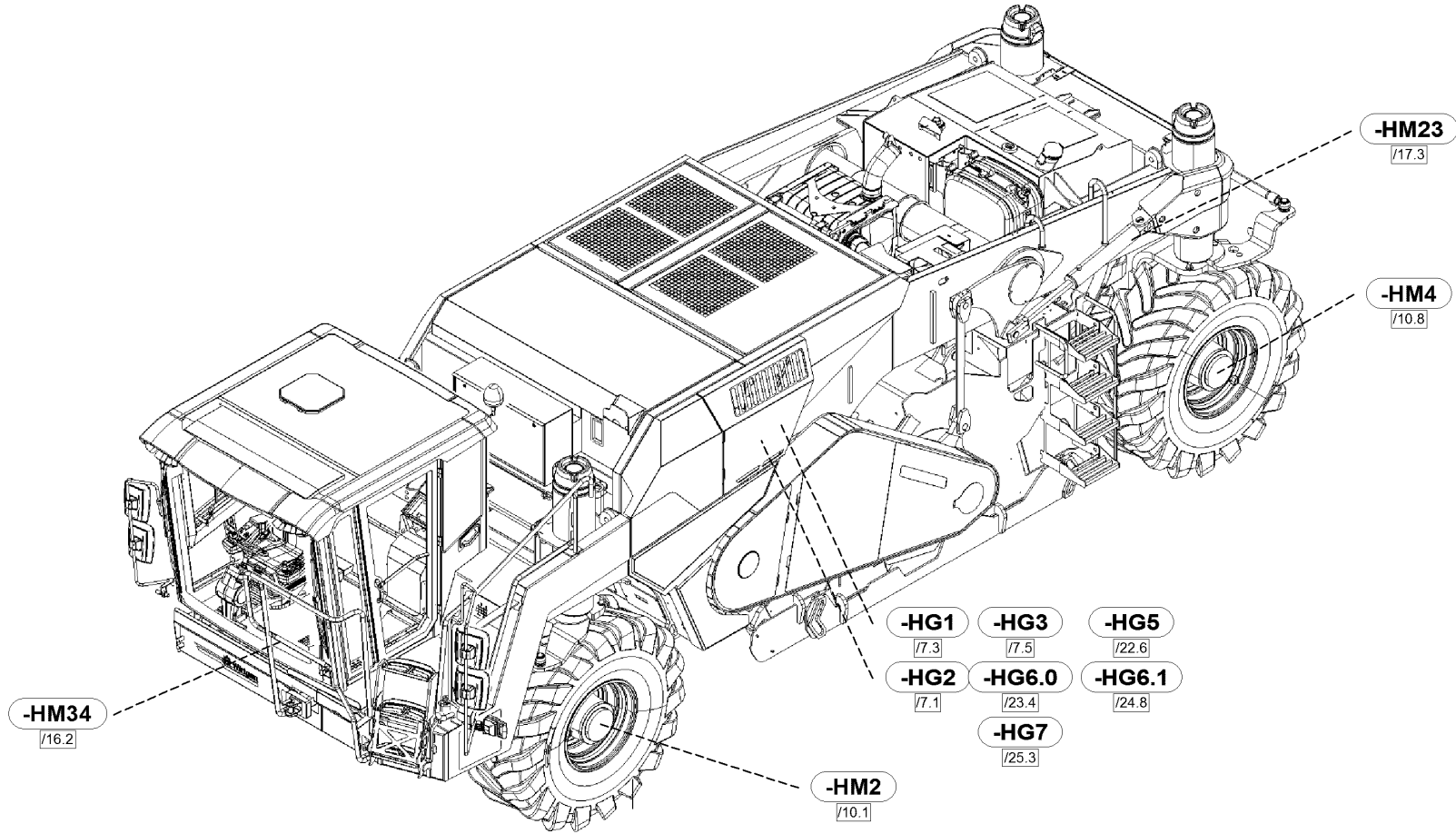
Document No.:	
Partial Document No.:	
Version No.:	



Material No.:	2283384	Revision No.:	14
Series code:	06WR	Valid for Serial No.:	from 0001 to 0092
Sheet plant:			
Sheet Location:			

Topologie	
topology	

Sheet	5
of	79
Sheets	



Drawing by:		Approved by:		last change:	
date	12.01.2014	date	29.05.2019	date	
name	V. Kröll	name	B. Saal	name	
E - CAE		Document type:		Function group No.:	
		HVP			

Status:
 AE = changable
 PF = prototype release
 SF = serial release

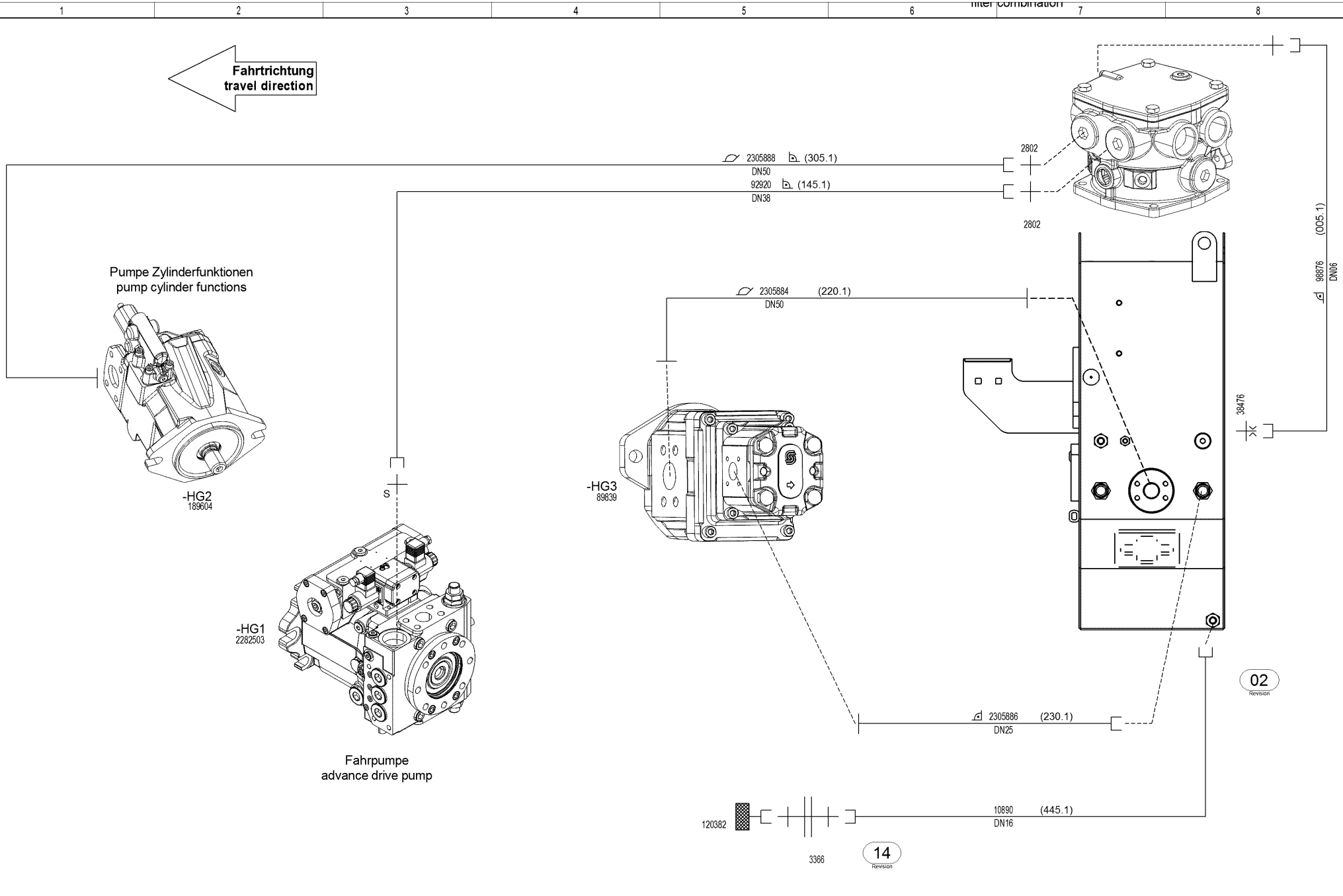
Document No.:
 Partial Document No.:
 Version No.:



Material No.: **2283384**
 Revision No.: **14**
 Series code: **06WR**
 Valid for Serial No.:
 from **0001** to **0092**
 Sheet plant:
 Sheet Location:

Topologie
topology

Sheet
6
 of
79 Sheets



Drawing by:	Approved by:	last change:
date 12.01.2014	date 29.05.2019	date 09.04.2019
name V. Kröll	name B. Saal	name V. Kröll
E - CAE	Document type:	Function group No.:
	HVP	

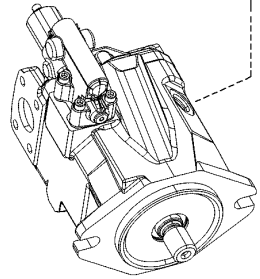
Status:	Document No.:
SF	Partial Document No.:
AE = changable	Version No.:
PF = prototype release	
SF = serial release	

W WIRTGEN

Material No.:	Revision No.:
2283384	14
Series code:	Valid for Serial No.:
06WR	from 0001 to 0092
Sheet plant:	
Sheet Location:	

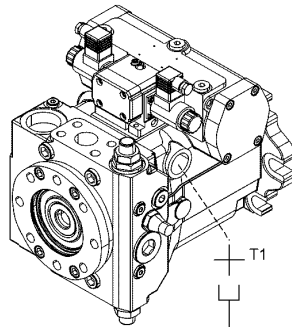
**Saugleitungen Grundmaschine
suction lines basic machine**

Pumpe Zylinderfunktionen
pump cylinder functions



-HG2
189604

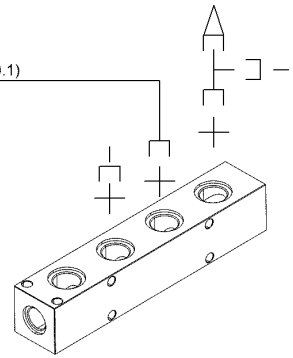
Fahrpumpe
advance drive pump



-HG1
2282503

T1

-HX4
40184

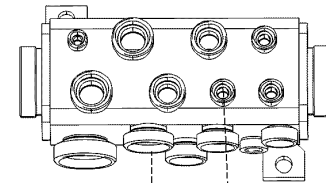


115941 (300.1)
DN16

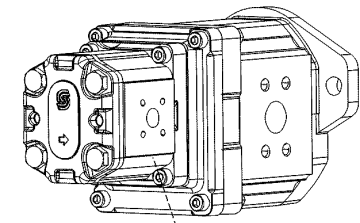
Fahrrichtung
travel direction



-HX2
2120284



-HG3
89839



02
revision

115853

2136 (225.1)
DN10

2078493 (140.1)
DN25

Drawing by:		Approved by:		last change:	
date	12.01.2014	date	29.05.2019	date	
name	V. Kröll	name	B. Saal	name	
E - CAE		Document type:		Function group No.:	
		HVP			

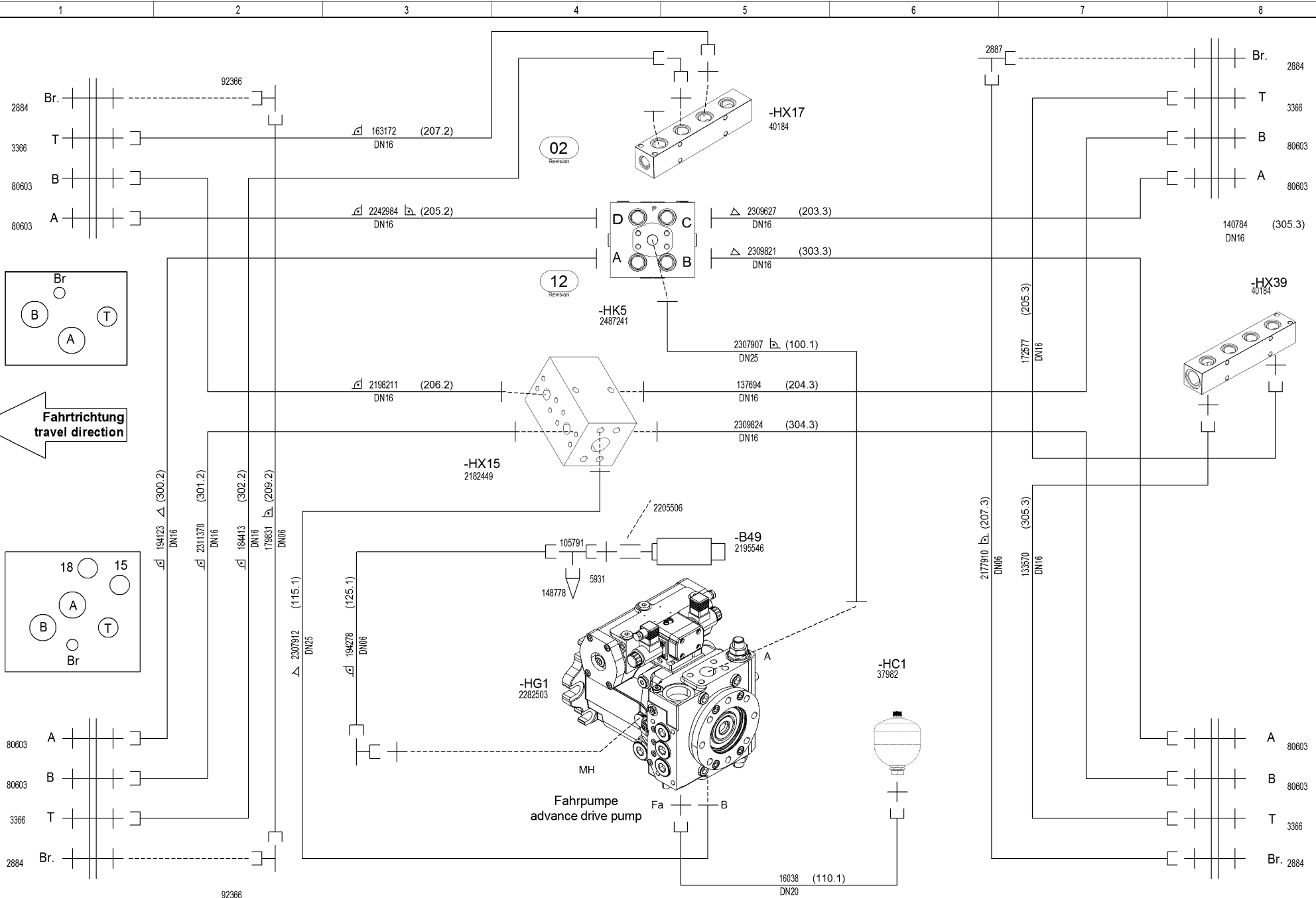
Status:		Document No.:
SF	AE = changable	
	PF = prototype release	Partial Document No.:
	SF = serial release	Version No.:



Material No.:		Revision No.:
2283384		14
Series code:	Valid for Serial No.:	
06WR	from 0001 to 0092	
Sheet plant:		
Sheet Location:		

Lecköl Pumpen
leakage oil pumps

Sheet	8
of	79
Sheets	



Drawing by:	Approved by:	last change:
date 12.01.2014	date 29.05.2019	date
name V. Kröll	name B. Saal	name
E - CAE	Document type:	Function group No.:
	HVP	

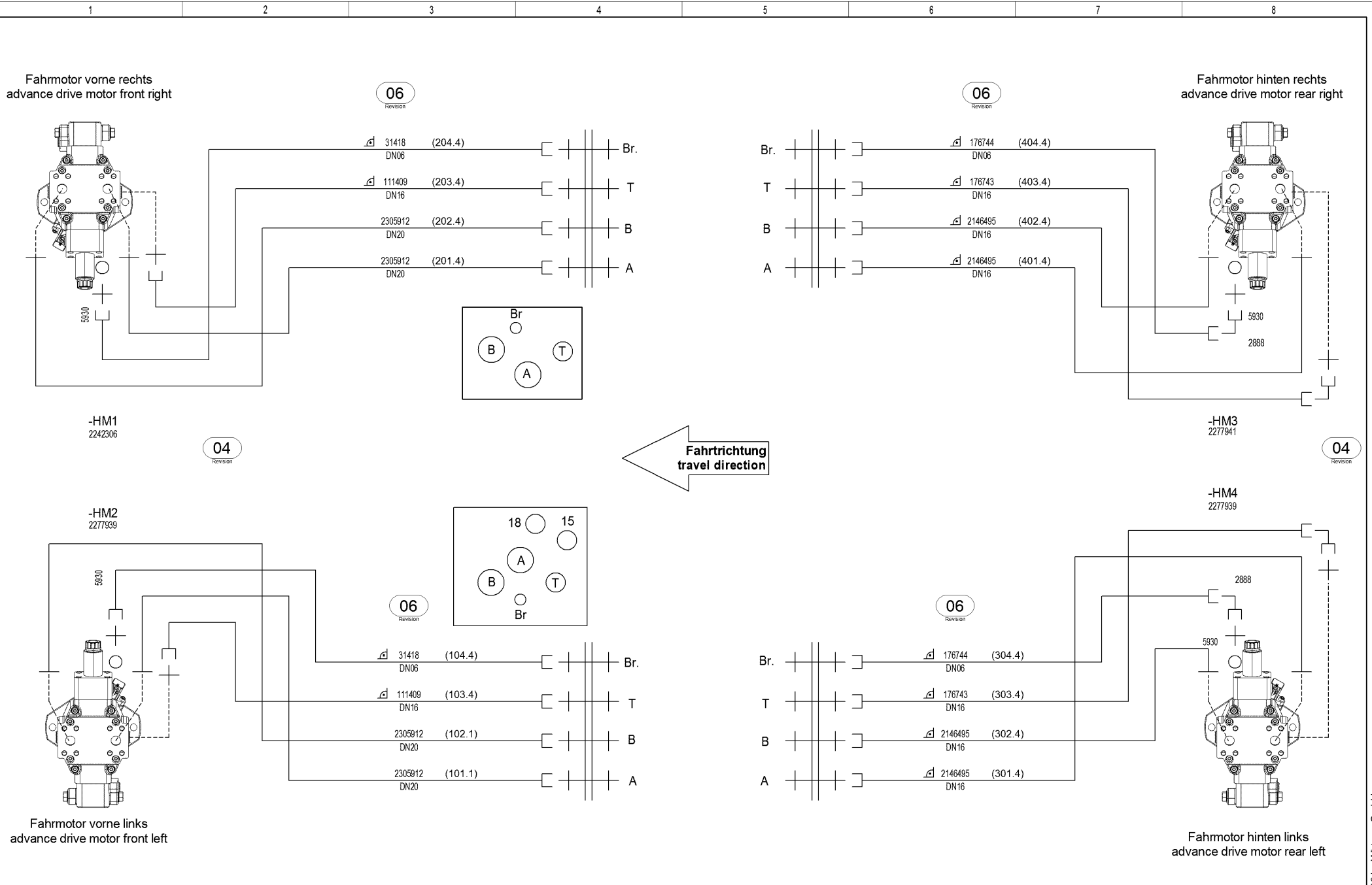
Status:	Document No.:
SF	
AE = changable	Partial Document No.:
PF = prototype release	
SF = serial release	Version No.:

WIRTMEN

Material No.:	Revision No.:
2283384	14
Series code:	Valid for Serial No.:
06WR	from 0001 to 0092
Sheet plant:	
Sheet Location:	

**Fahrtrieb
advance drive**

Sheet
9
of
79
Sheets



Drawing by:	Approved by:	last change:
date 12.01.2014	date 29.05.2019	date
name V. Kröll	name B. Saal	name
E - CAE	Document type: HVP	Function group No.:

Status:
SF AE = changable
PF = prototype release
SF = serial release

Document No.:
Partial Document No.:
Version No.:



Material No.:
2283384

Revision No.:
14

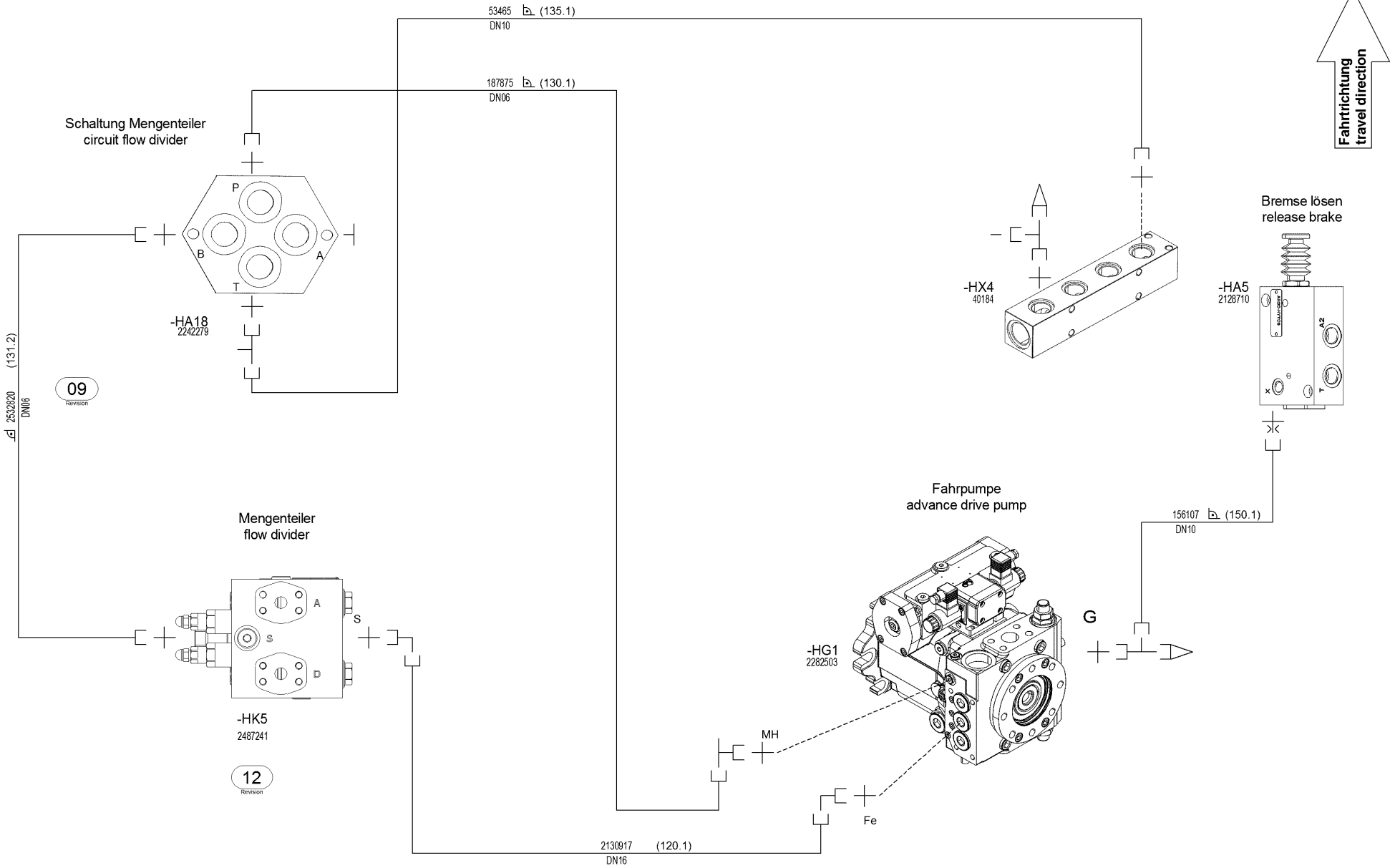
Series code:
06WR

Valid for Serial No.:
from **0001** to **0092**

Sheet plant:
Sheet Location:

Fahrmotore
drive motors

Sheet
10
of
79 Sheets



Drawing by:	Approved by:	last change:
date 12.01.2014	date 29.05.2019	date
name V. Kröll	name B. Saal	name
E - CAE	Document type: HVP	Function group No.:

Status:
SF
AE = changable PF = prototype release SF = serial release

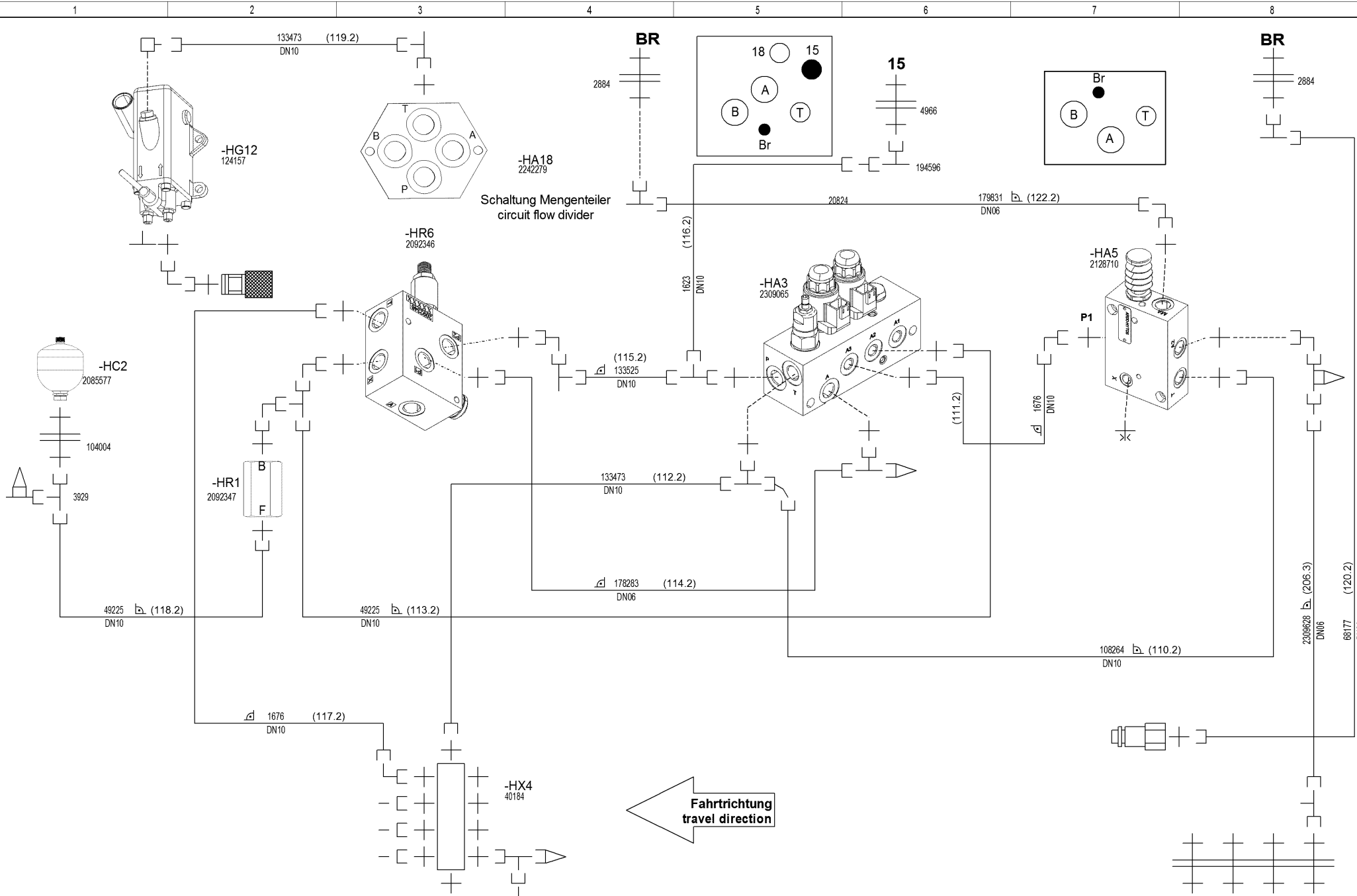
Document No.:
Partial Document No.:
Version No.:



Material No.:	Revision No.:
2283384	14
Series code: 06WR	Valid for Serial No.:
	from 0001 to 0092
Sheet plant:	
Sheet Location:	

Schaltung Mengenteiler circuit flow divider	
--------------------------------------------------------	--

Sheet	11
of	
Sheets	79



Drawing by:	Approved by:	last change:
date 12.01.2014	date 29.05.2019	date
name V. Kröll	name B. Saal	name
E - CAE	Document type:	Function group No.:
	HVP	

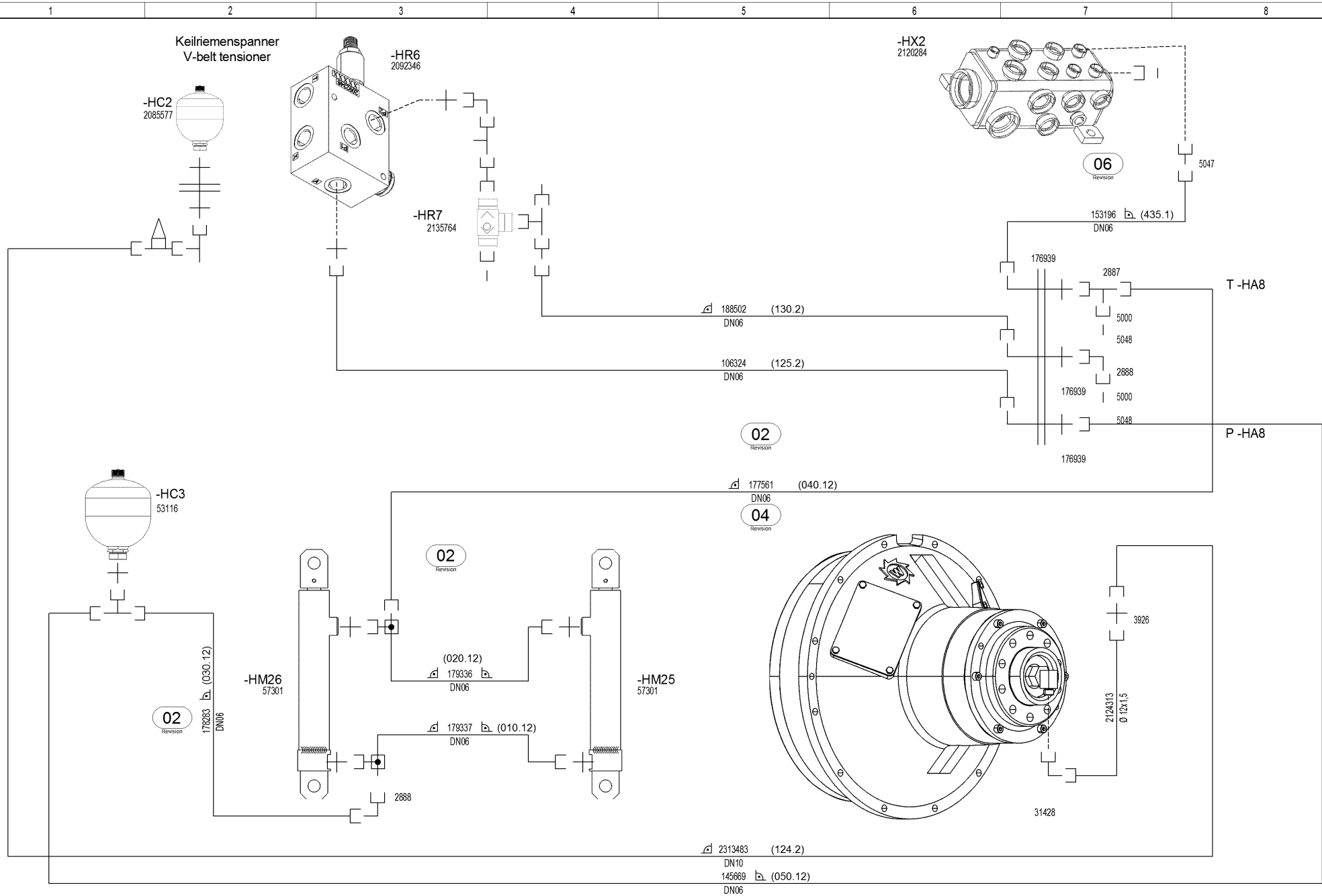
Status:	Document No.:
SF	
AE = changable	Partial Document No.:
PF = prototype release	Version No.:
SF = serial release	

WIRTTGEN

Material No.:	Revision No.:
2283384	14
Series code:	Valid for Serial No.:
06WR	from 0001 to 0092
Sheet plant:	
Sheet Location:	

Bremse / Kupplung
brake / clutch

Sheet
12
of
79
Sheets



Drawing by:	Approved by:	last change:
date 12.01.2014	date 29.05.2019	date
name V. Kröll	name B. Saal	name
E - CAE	Document type: HVP	Function group No.:

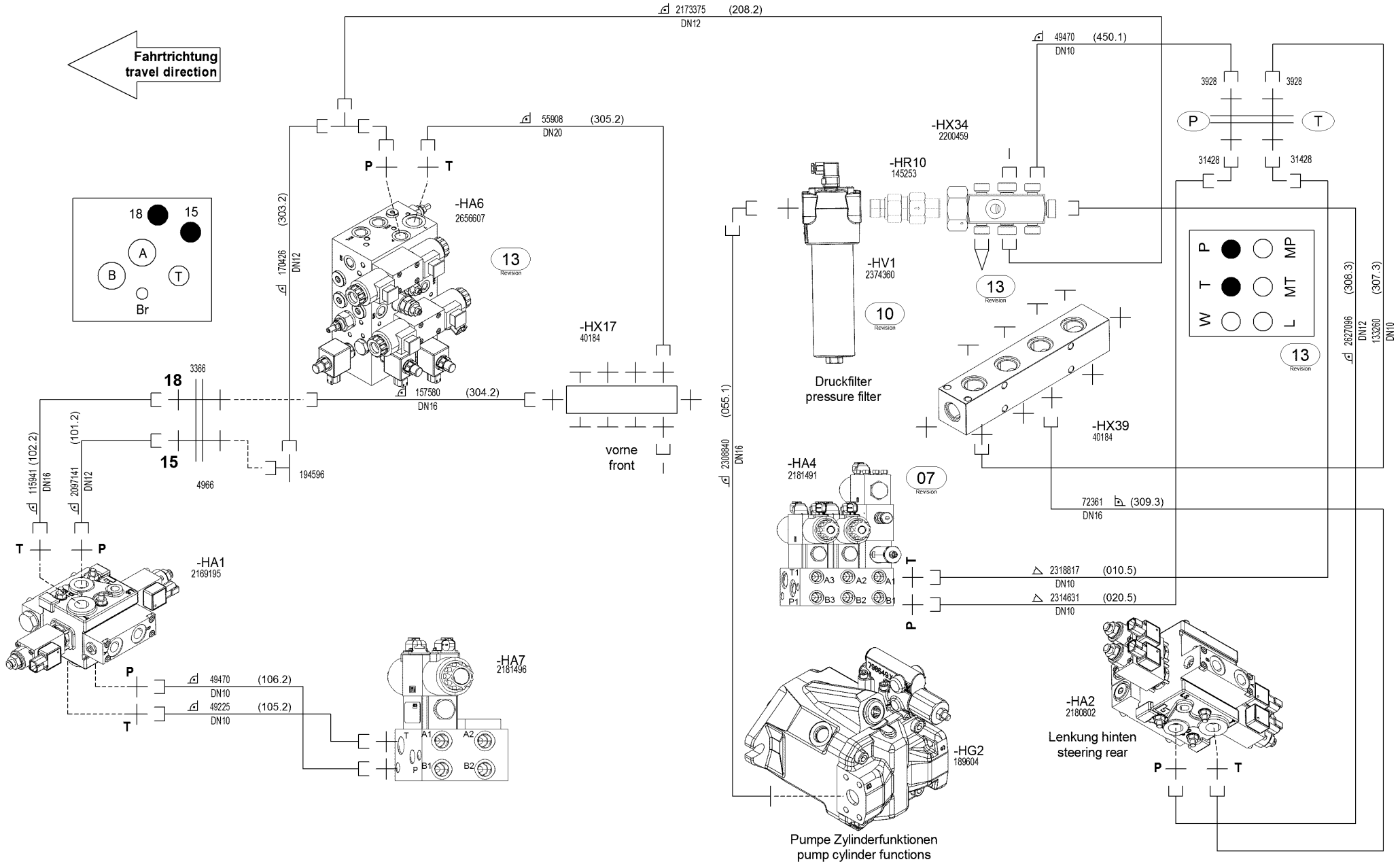
Status:	Document No.:
SF	
AE = changable	Partial Document No.:
PF = prototype release	
SF = serial release	Version No.:



Material No.:	Revision No.:
2283384	14
Series code: 06WR	Valid for Serial No.:
	from 0001 to 0092
Sheet plant:	
Sheet Location:	

Keilriemenspanner / Kupplung
V-belt tensioner / clutch

Sheet	13
of	
Sheets	79



Drawing by:	Approved by:	last change:
date 12.01.2014	date 29.05.2019	date
name V. Kröll	name B. Saal	name
E - CAE	Document type:	Function group No.:
	HVP	

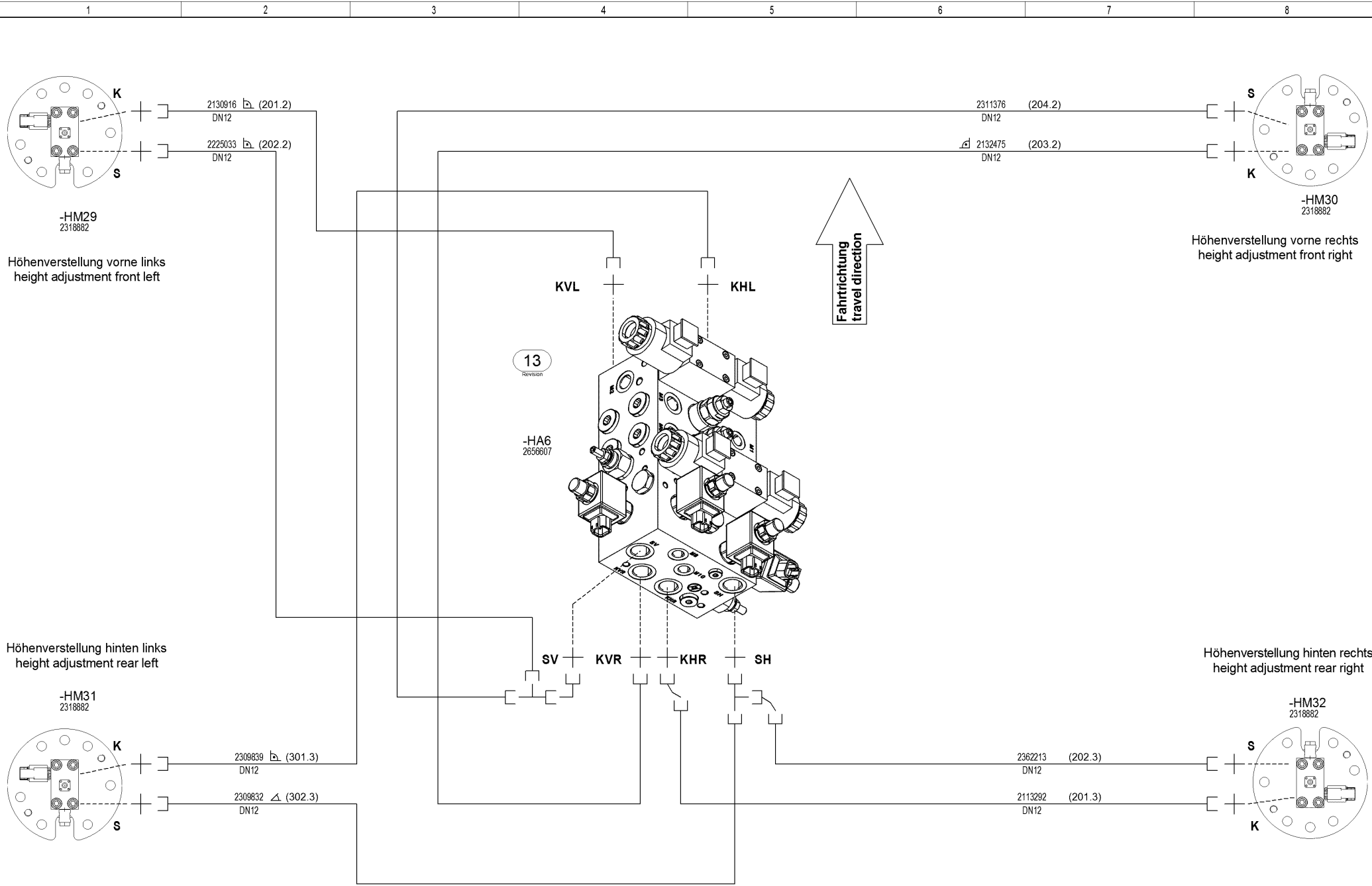
Status:	Document No.:
SF AE = changable	
PF = prototype release	Partial Document No.:
SF = serial release	Version No.:



Material No.:	Revision No.:
2283384	14
Series code:	Valid for Serial No.:
06WR	from 0001 to 0092
Sheet plant:	
Sheet Location:	

Zylinder Funktion
cylinder function

Sheet
14
of
79 Sheets



Drawing by:	Approved by:	last change:
date 12.01.2014	date 29.05.2019	date
name V. Kröll	name B. Saal	name
E - CAE	Document type:	Function group No.:
	HVP	

Status:
AE = changable
PF = prototype release
SF = serial release

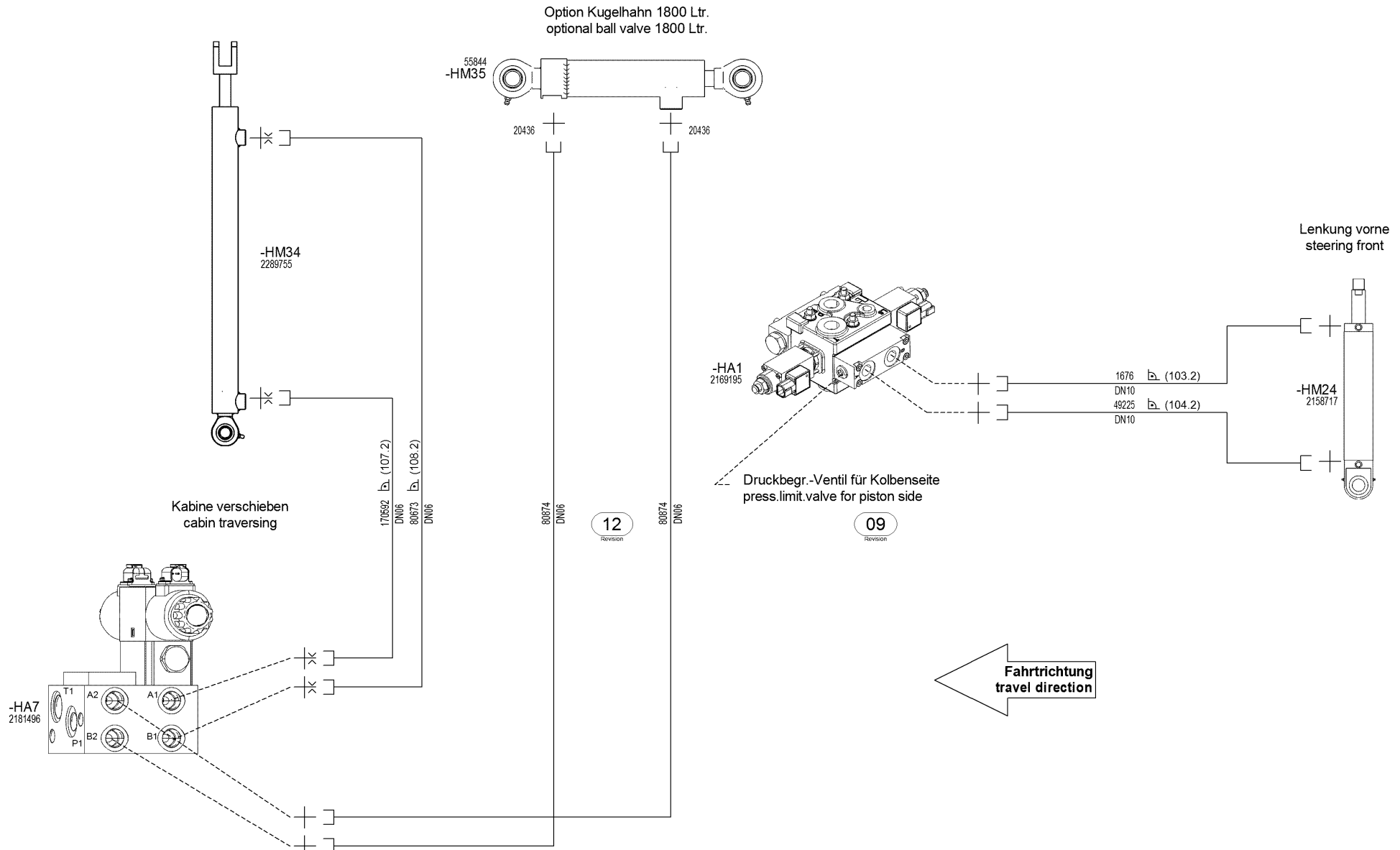
Document No.:
Partial Document No.:
Version No.:



Material No.:	Revision No.:
2283384	14
Series code:	Valid for Serial No.:
06WR	from 0001 to 0092
Sheet plant:	
Sheet Location:	

Höhenverstellung
height adjustment

Sheet
15
of
79
Sheets



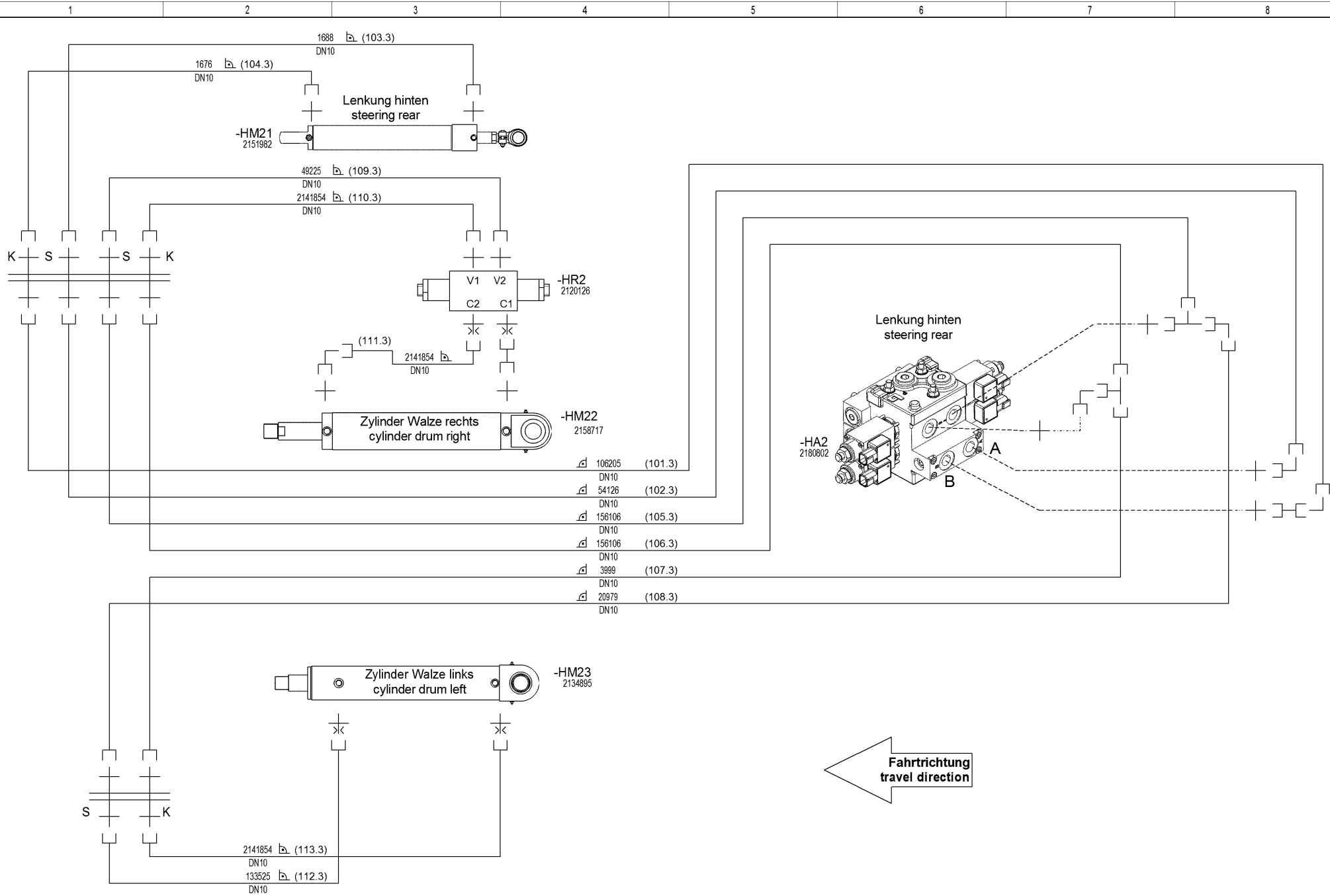
Drawing by:	Approved by:	last change:
date 12.01.2014	date 29.05.2019	date
name V. Kröll	name B. Saal	name
E - CAE	Document type:	Function group No.:
	HVP	

Status:	Document No.:
SF	
AE = changable	Partial Document No.:
PF = prototype release	
SF = serial release	Version No.:

W WIRTGEN

Material No.:	Revision No.:
2283384	14
Series code:	Valid for Serial No.:
06WR	from 0001 to 0092
Sheet plant:	
Sheet Location:	

Lenkung vorne / Kabine verschieben
steering front / cabin shift



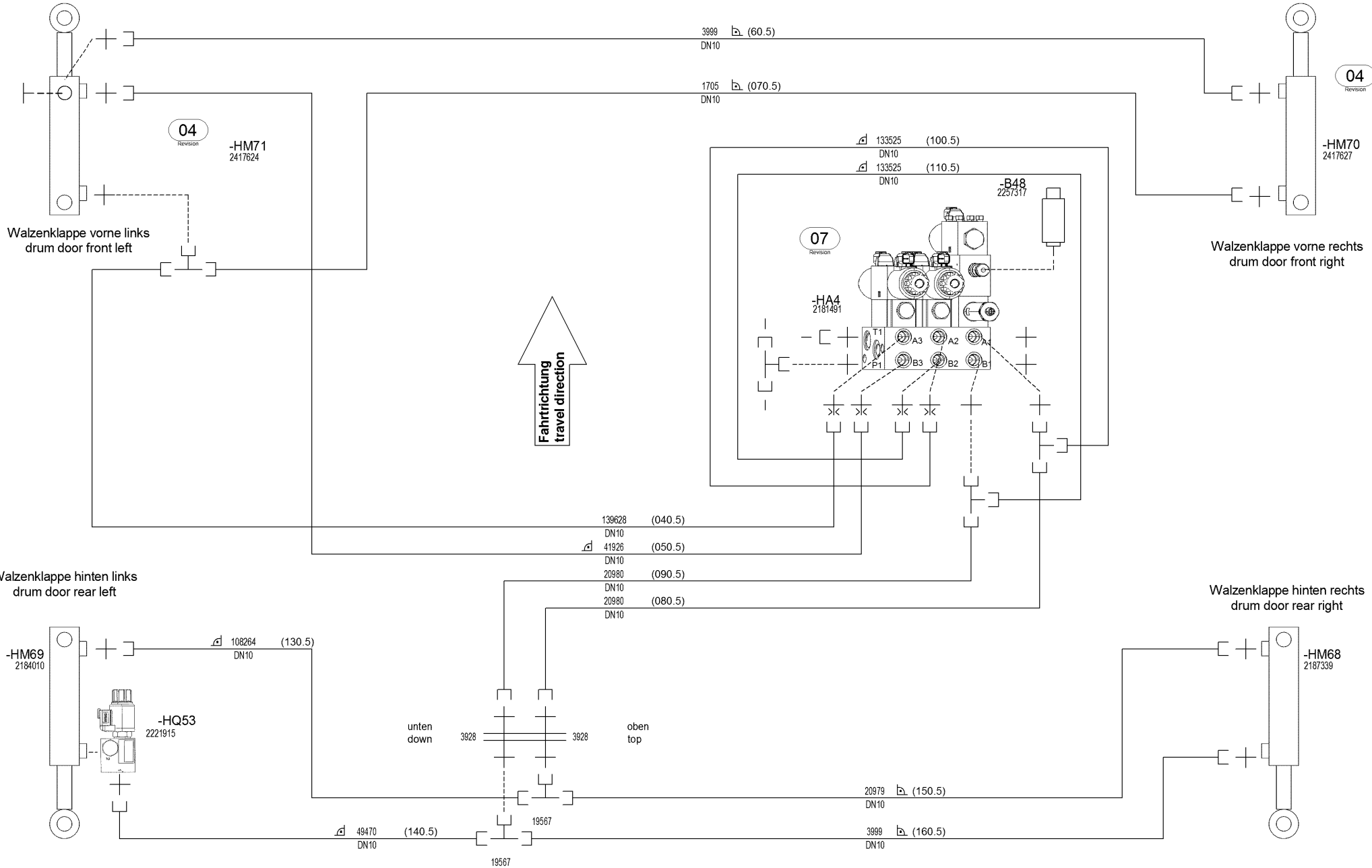
Drawing by:	Approved by:	last change:
date 12.01.2014	date 29.05.2019	date
name V. Kröll	name B. Saal	name
E - CAE	Document type:	Function group No.:
	HVP	

Status:	Document No.:
SF AE = changable PF = prototype release SF = serial release	Partial Document No.:
	Version No.:

W WIRTGEN

Material No.:	Revision No.:
2283384	14
Series code:	Valid for Serial No.:
06WR	from 0001 to 0092
Sheet plant:	
Sheet Location:	

**Höhenverstellung Walze / Lenkung hinten
height adjustment drum / steering rear**



Drawing by:	Approved by:	last change:
date 12.01.2014	date 29.05.2019	date
name V. Kröll	name B. Saal	name
E - CAE	Document type:	Function group No.:
	HVP	

Status:	Document No.:
SF	
AE = changable	Partial Document No.:
PF = prototype release	
SF = serial release	Version No.:

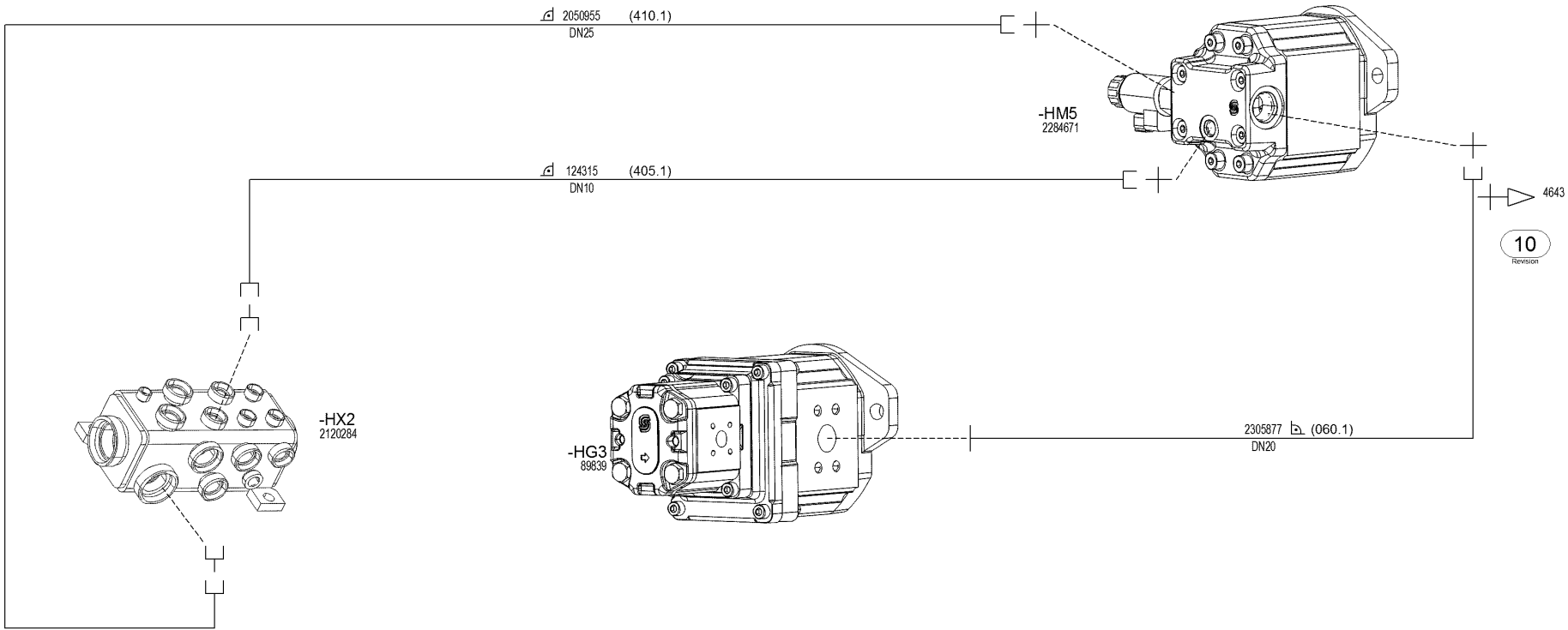
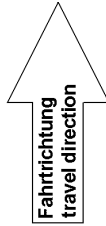
W **WIRTGEN**

Material No.:	Revision No.:
2283384	14
Series code:	Valid for Serial No.:
06WR	from 0001 to 0092
Sheet plant:	
Sheet Location:	

Walzenklappe drum door

Sheet
18
of
79
Sheets

1 2 3 4 5 6 7 8



Drawing by:	Approved by:	last change:
date 12.01.2014	date 29.05.2019	date
name V. Kröll	name B. Saal	name
E - CAE	Document type:	Function group No.:
	HVP	

Status:
AE = changable
PF = prototype release
SF = serial release

Document No.:
Partial Document No.:
Version No.:

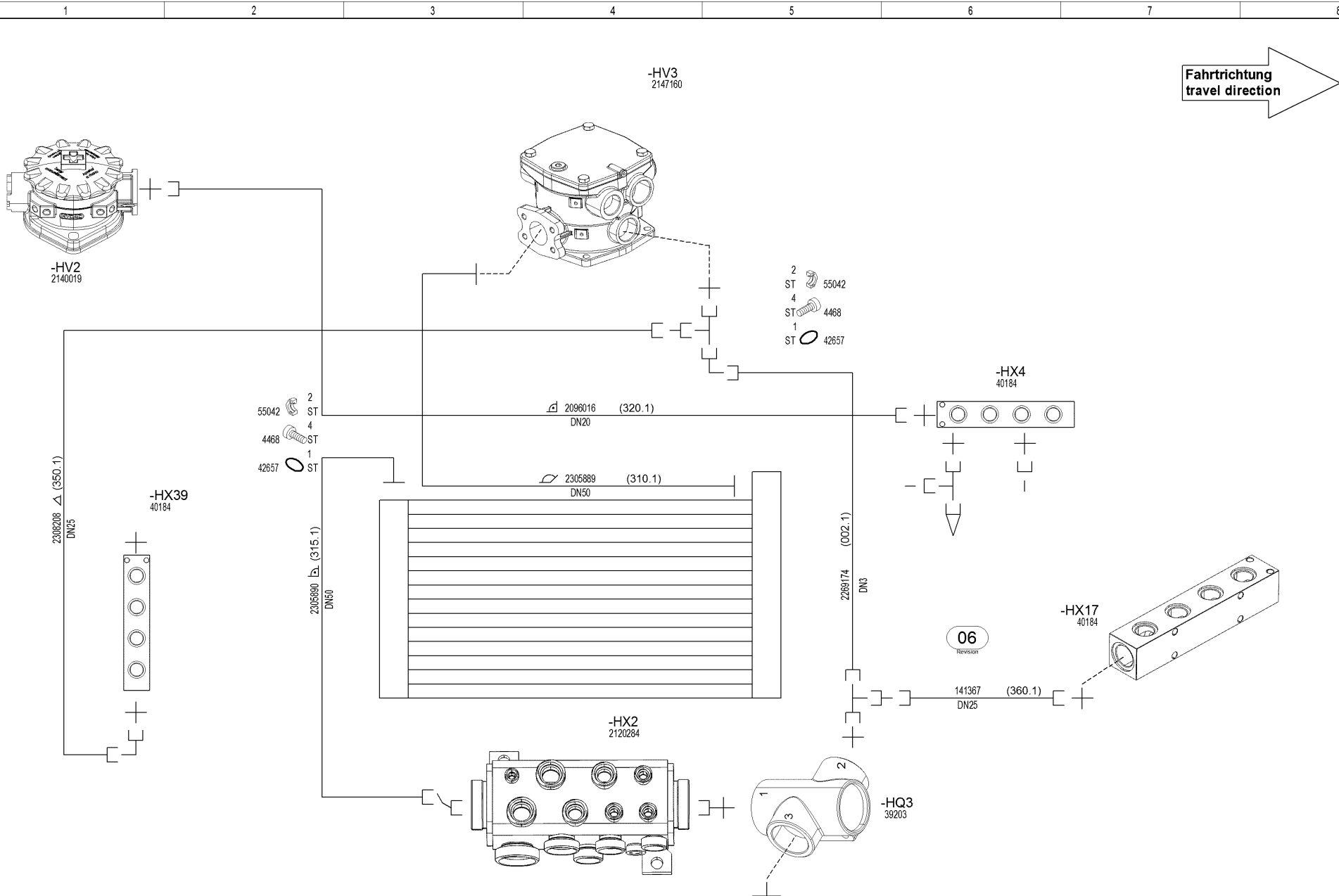


Material No.:	Revision No.:
2283384	14
Series code:	Valid for Serial No.:
06WR	from 0001 to 0092
Sheet plant:	
Sheet Location:	

Lüfterantrieb
fan drive

Sheet
19
of
79
Sheets

1 2 3 4 5 6 7 8



Drawing by:	Approved by:	last change:
date 12.01.2014	date 29.05.2019	date
name V. Kröll	name B. Saal	name
E - CAE	Document type:	Function group No.:
	HVP	

Status:
 AE = changable
 PF = prototype release
 SF = serial release

Document No.:
 Partial Document No.:
 Version No.:

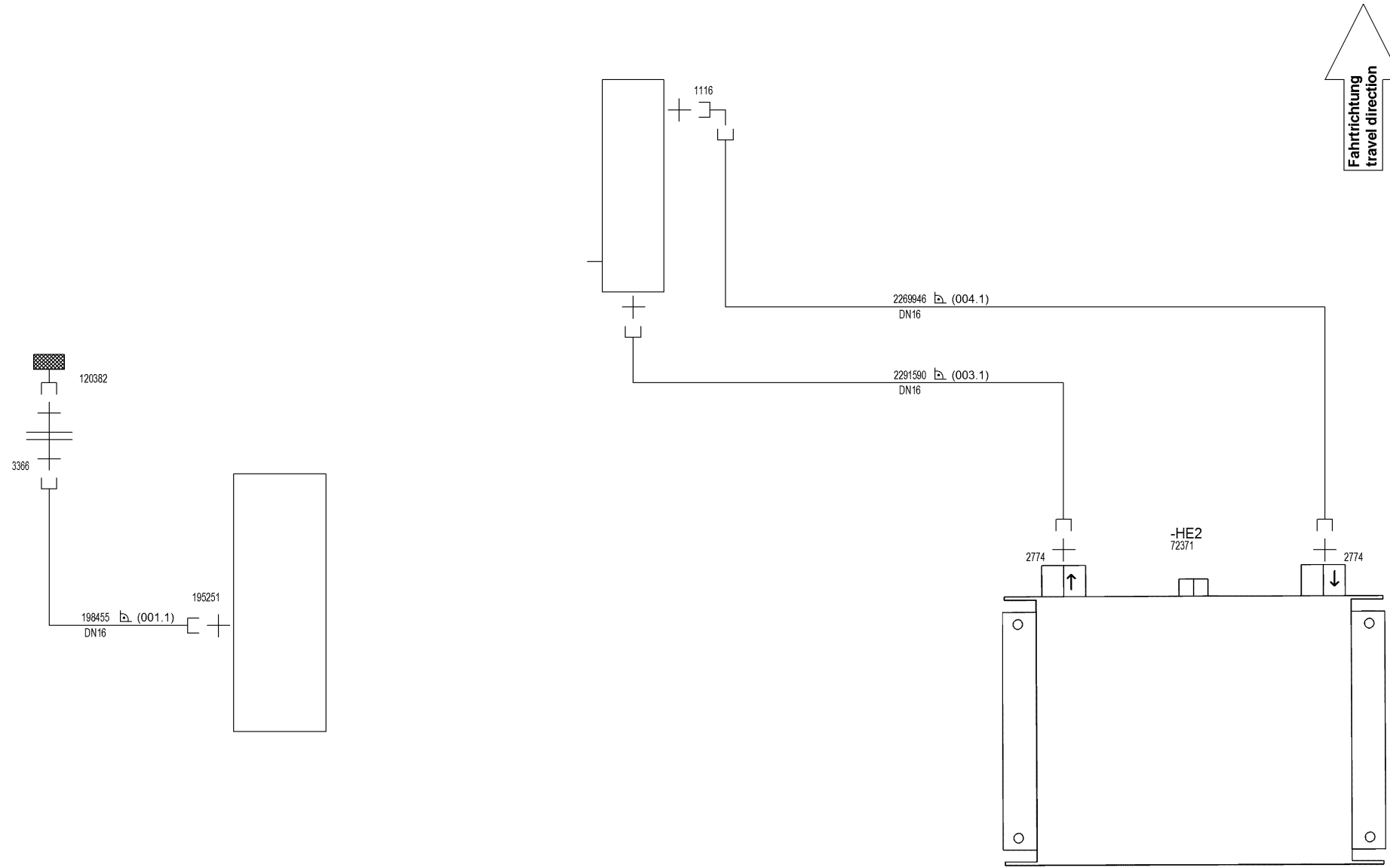


Material No.: **2283384**
 Revision No.: **14**
 Series code: **06WR**
 Valid for Serial No.:
 from **0001** to **0092**
 Sheet plant:
 Sheet Location:

Rückläufe
 return flows

Sheet: **20**
 of **79** Sheets

1 2 3 4 5 6 7 8



Drawing by:	Approved by:	last change:
date 12.01.2014	date 29.05.2019	date
name V. Kröll	name B. Saal	name
E - CAE	Document type:	Function group No.:
	HVP	

Status:
SF
AE = changable PF = prototype release SF = serial release

Document No.:
Partial Document No.:
Version No.:

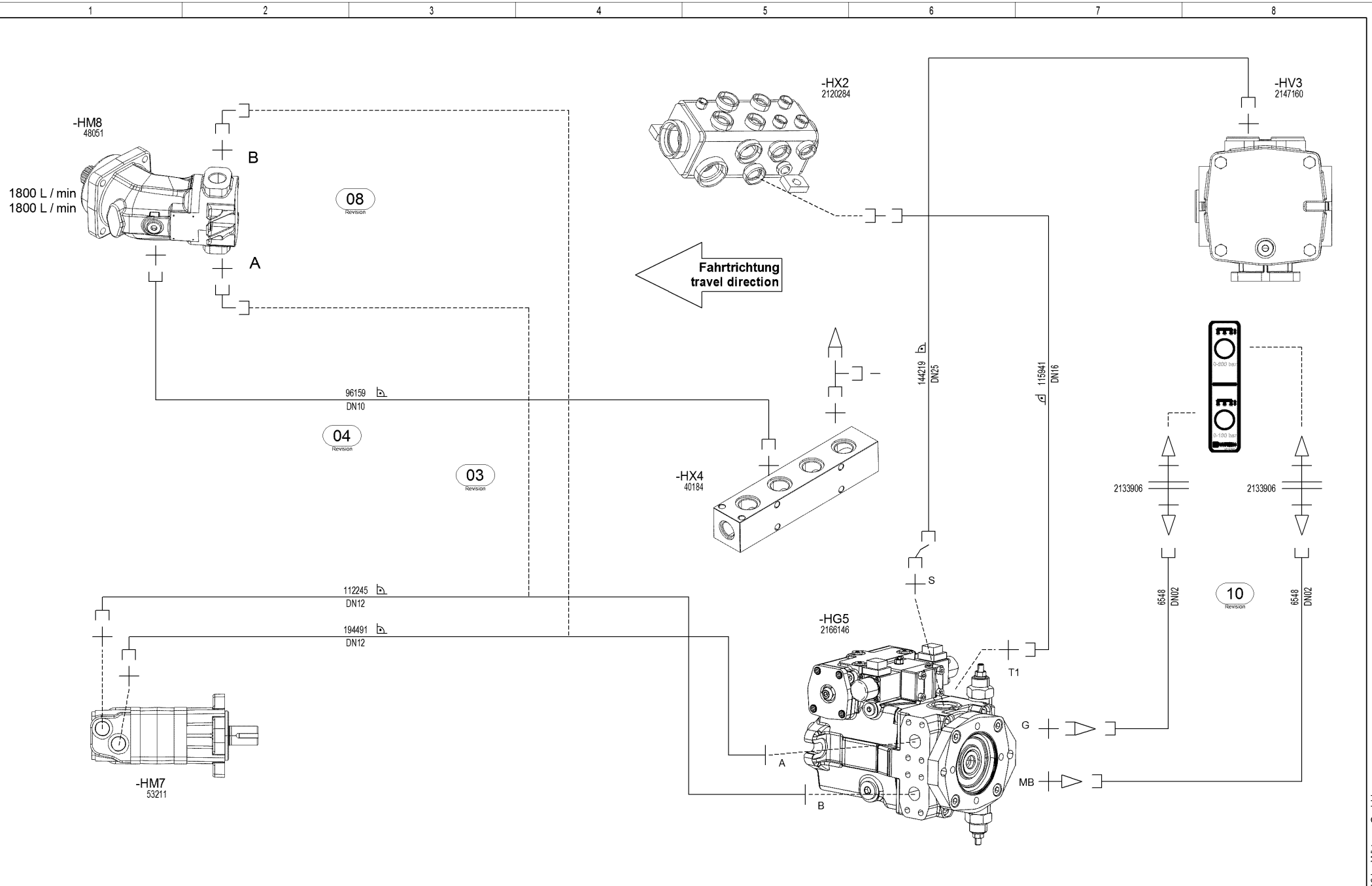


Material No.:	Revision No.:
2283384	14
Series code:	Valid for Serial No.:
06WR	from 0001 to 0092
Sheet plant:	
Sheet Location:	

Kühler Pumpenverteilergetriebe
cooler splitter gearbox

Sheet
21
of
79 Sheets

1 2 3 4 5 6 7 8



Drawing by:	Approved by:	last change:
date 12.01.2014	date 29.05.2019	date
name V. Kröll	name B. Saal	name
E - CAE	Document type:	Function group No.:
	HVP	

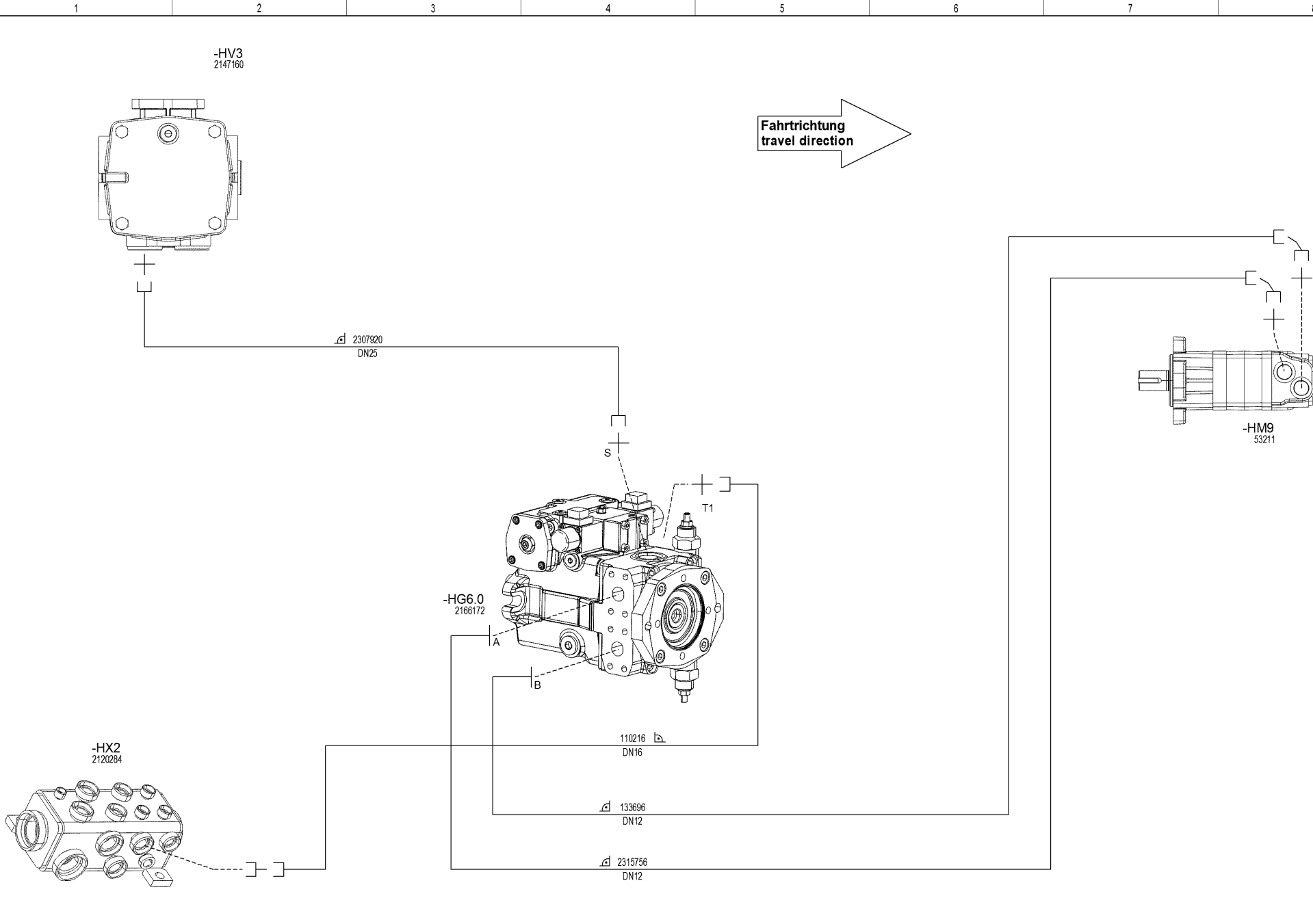
Status:	Document No.:
SF	
AE = changable	Partial Document No.:
PF = prototype release	
SF = serial release	Version No.:



Material No.:	Revision No.:
2283384	14
Series code:	Valid for Serial No.:
06WR	from 0001 to 0092
Sheet plant:	
Sheet Location:	

Sprühen 1 / 1800 ltr./min
spray 1 / 1800 ltr./min

Sheet
22
of
79
Sheets



Drawing by:	Approved by:	last change:
date 12.01.2014	date 29.05.2019	date
name V. Kröll	name B. Saal	name
E - CAE	Document type:	Function group No.:
	HVP	

Status:
 AE = changable
 PF = prototype release
 SF = serial release

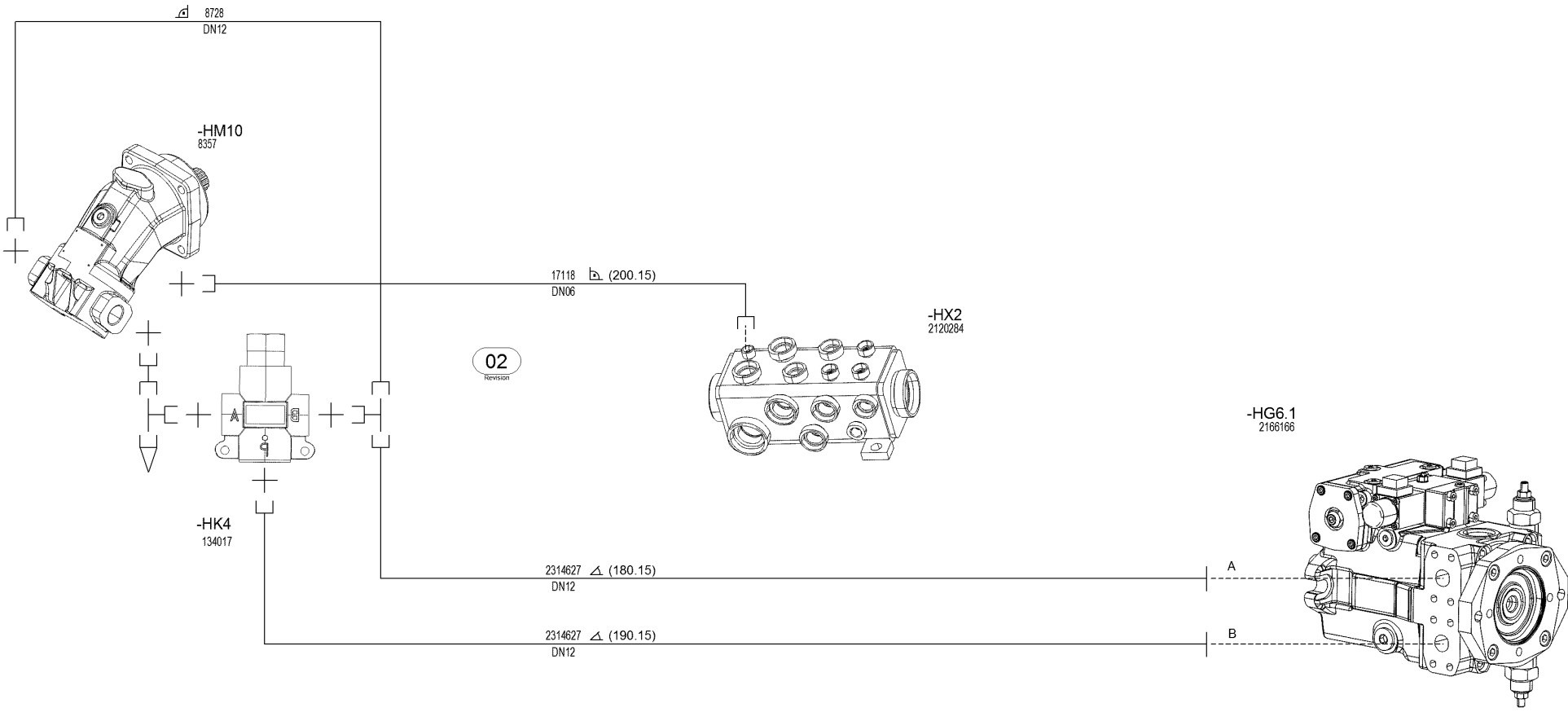
Document No.:
 Partial Document No.:
 Version No.:



Material No.: **2283384** Revision No.: **14**
 Series code: **06WR** Valid for Serial No.:
 Sheet plant: from **0001** to **0092**
 Sheet Location:

Sprühen 2
spray 2

Sheet: **23**
 of **79** Sheets



Drawing by:	Approved by:	last change:
date 12.01.2014	date 29.05.2019	date
name V. Kröll	name B. Saal	name
E - CAE	Document type:	Function group No.:
	HVP	

Status:
 AE = changable
 PF = prototype release
 SF = serial release

Document No.:
 Partial Document No.:
 Version No.:



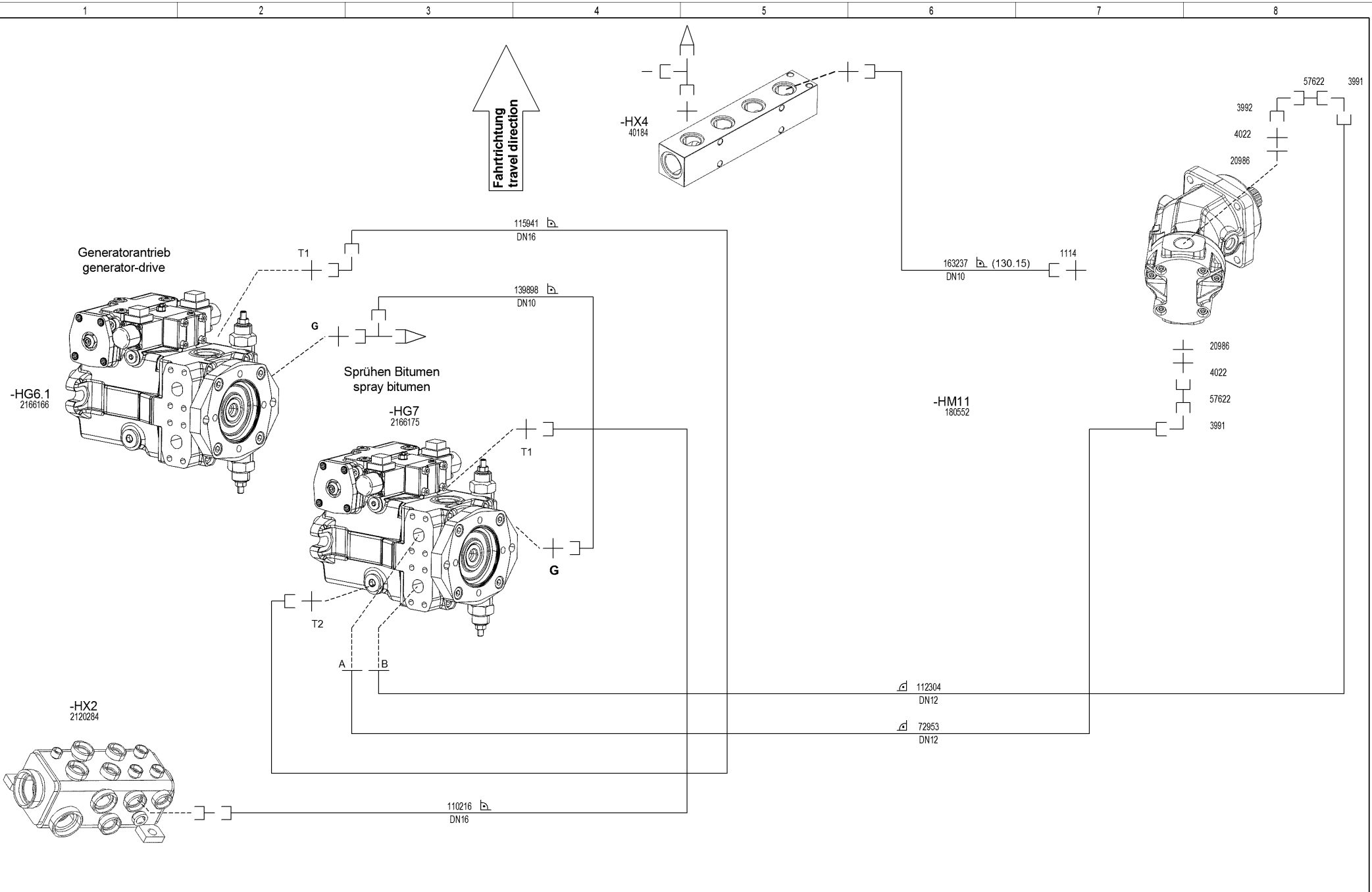
Material No.: **2283384** Revision No.: **14**

Series code: **06WR** Valid for Serial No.:
 from **0001** to **0092**

Sheet plant:
 Sheet Location:

**Generatorantrieb
 generator-drive**

Sheet
24
 of
79 Sheets



Drawing by:	Approved by:	last change:
date 12.01.2014	date 29.05.2019	date
name V. Kröll	name B. Saal	name
E - CAE	Document type:	Function group No.:
	HVP	

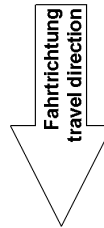
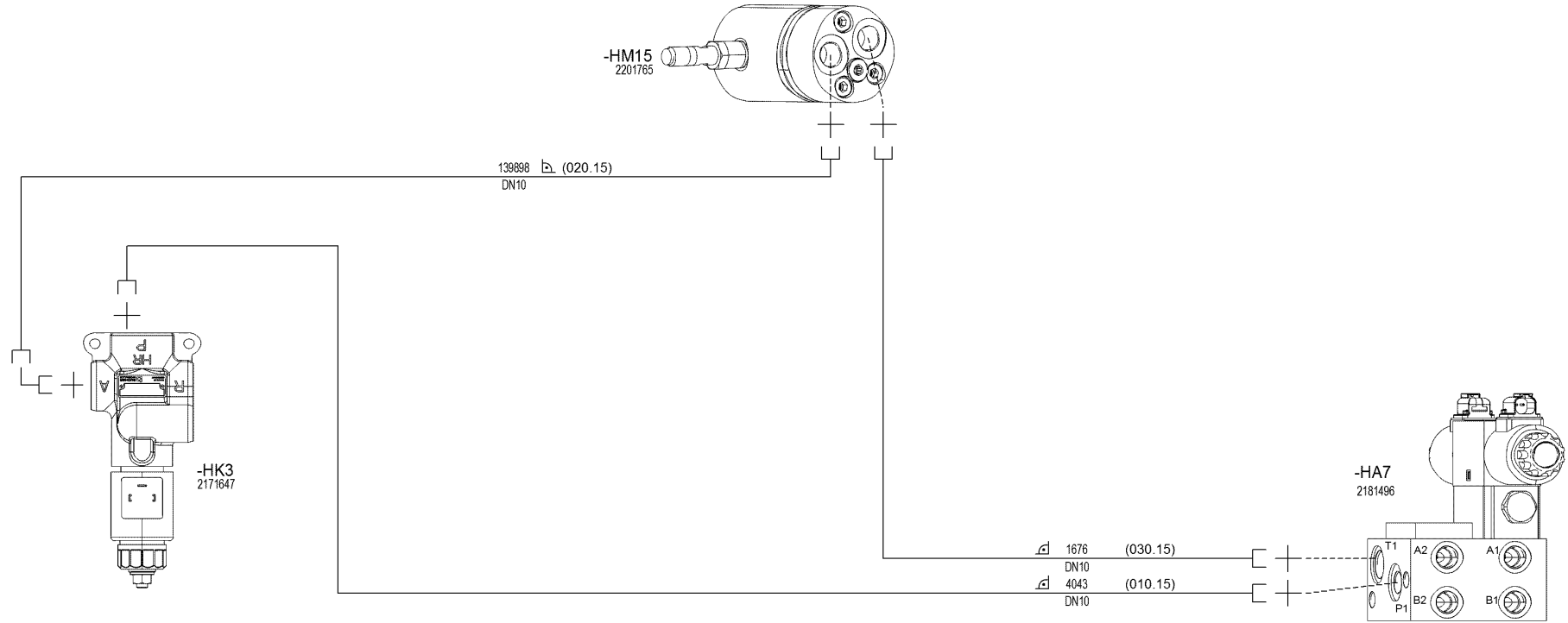
Status:	Document No.:
SF	
AE = changable	Partial Document No.:
PF = prototype release	
SF = serial release	Version No.:

W WIRTGEN

Material No.:	Revision No.:
2283384	14
Series code:	Valid for Serial No.:
06WR	from 0001 to 0092
Sheet plant:	
Sheet Location:	

**Bitumen
bitumen**

Sheet
25
of
79
Sheets



Drawing by:		Approved by:		last change:	
date	12.01.2014	date	29.05.2019	date	
name	V. Kröll	name	B. Saal	name	
E - CAE		Document type:		Function group No.:	
		HVP			

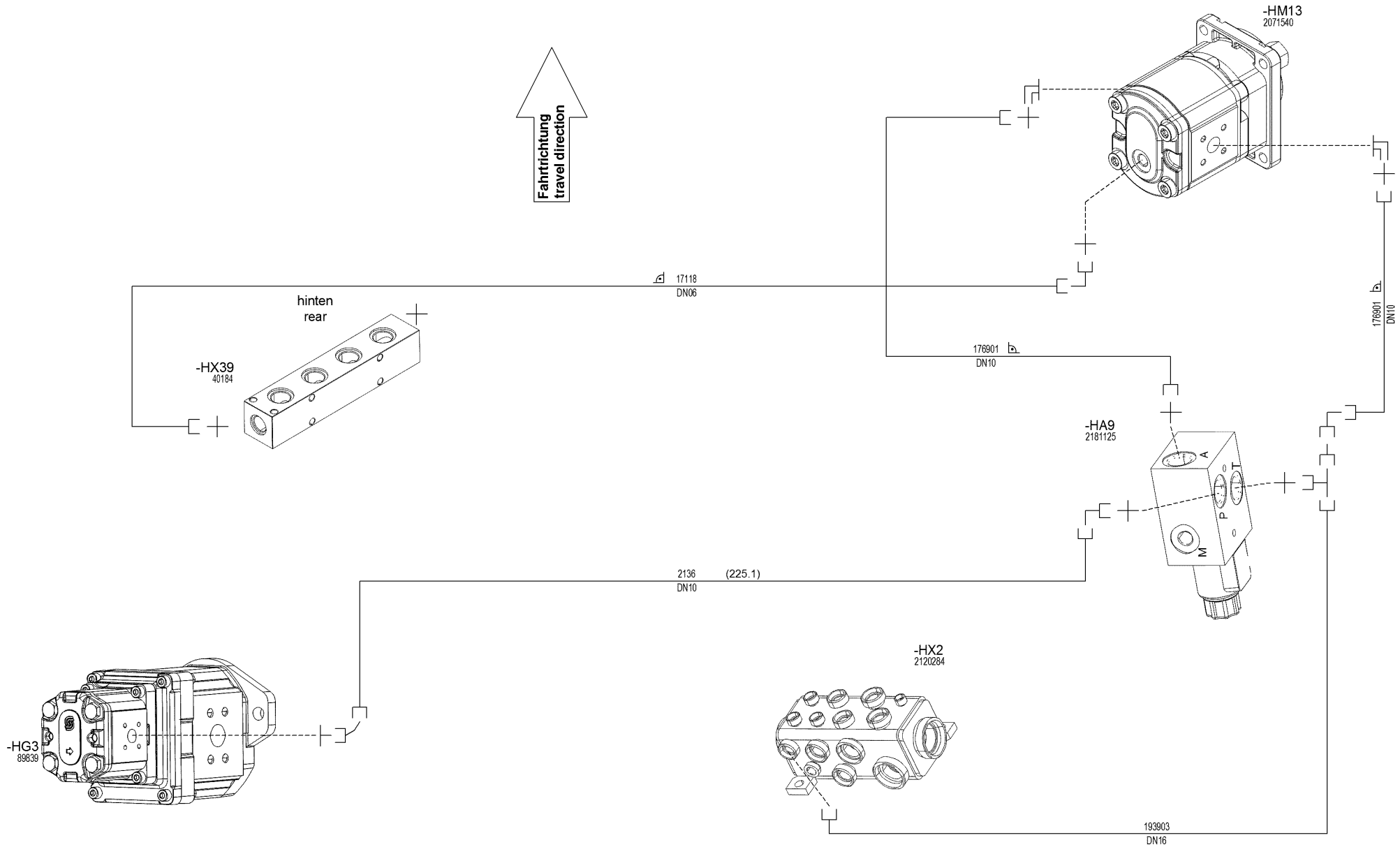
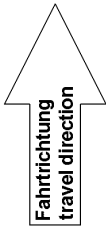
Status:		Document No.:
SF	AE = changable	
	PF = prototype release	Partial Document No.:
	SF = serial release	Version No.:



Material No.:		Revision No.:
2283384		14
Series code:	Valid for Serial No.:	
06WR	from 0001 to 0092	
Sheet plant:		
Sheet Location:		

Prozeßwasser
process water

Sheet	26
of	79
Sheets	



Drawing by:	Approved by:	last change:
date 12.01.2014	date 29.05.2019	date
name V. Kröll	name B. Saal	name
E - CAE	Document type:	Function group No.:
	HVP	

Status:
SF
AE = changable
PF = prototype release
SF = serial release

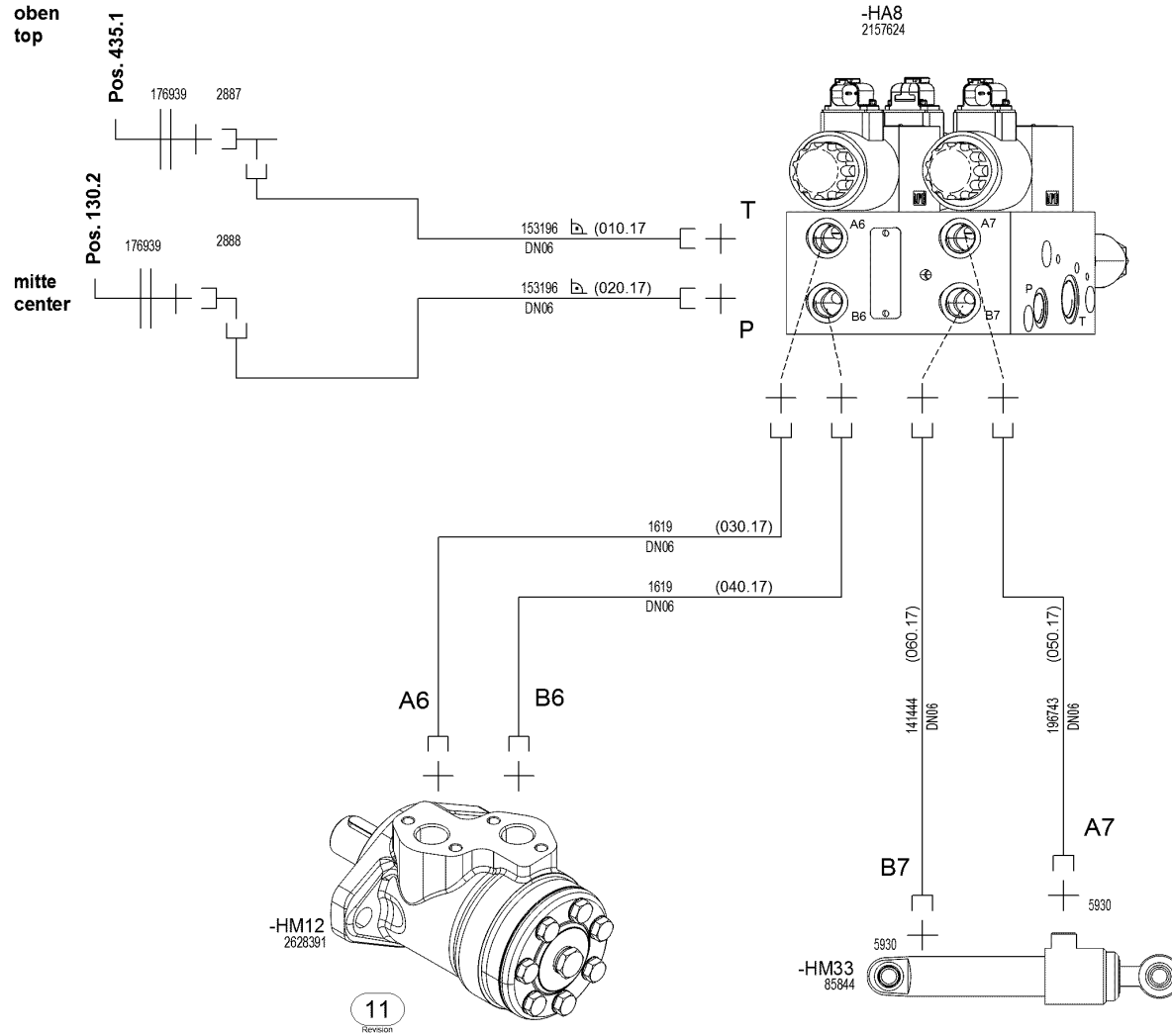
Document No.:
Partial Document No.:
Version No.:



Material No.:	Revision No.:
2283384	14
Series code:	Valid for Serial No.:
06WR	from 0001 to 0092
Sheet plant:	
Sheet Location:	

Klimaanlage
air conditioner

Sheet
27
of
79
Sheets



Drawing by:	Approved by:	last change:
date 12.01.2014	date 29.05.2019	date
name V. Kröll	name B. Saal	name
E - CAE	Document type:	Function group No.:
	HVP	

Status:
AE = changable
PF = prototype release
SF = serial release

Document No.:
Partial Document No.:
Version No.:

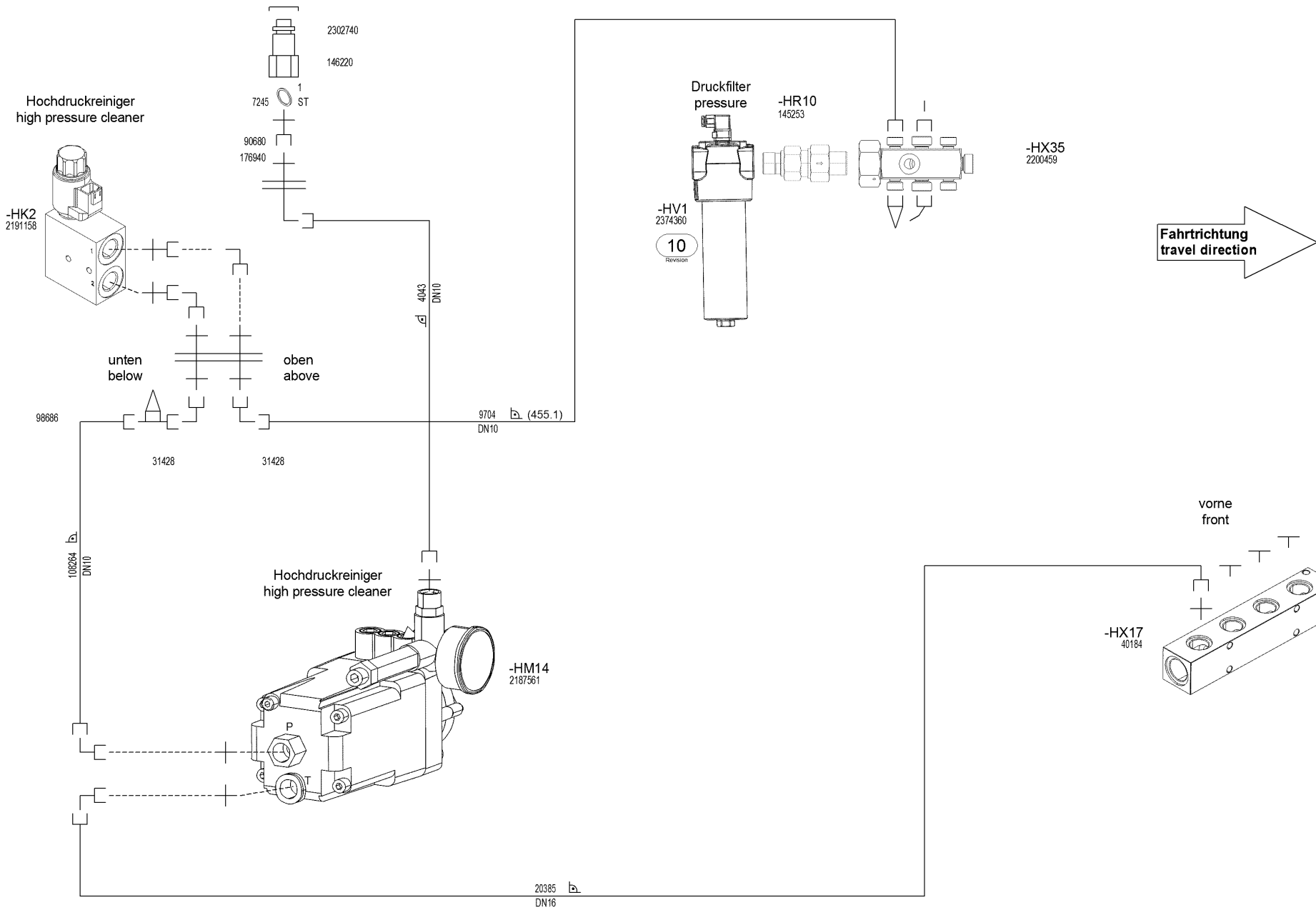


Material No.:	Revision No.:
2283384	14
Series code:	Valid for Serial No.:
06WR	from 0001 to 0092
Sheet plant:	
Sheet Location:	

Walzendrehvorrichtung
drum turning device

Sheet
28
of
79
Sheets

1 2 3 4 5 6 7 8



Drawing by:	Approved by:	last change:
date 12.01.2014	date 29.05.2019	date
name V. Kröll	name B. Saal	name
E - CAE	Document type:	Function group No.:
	HVP	

Status:
SF
AE = changable PF = prototype release SF = serial release

Document No.:
Partial Document No.:
Version No.:

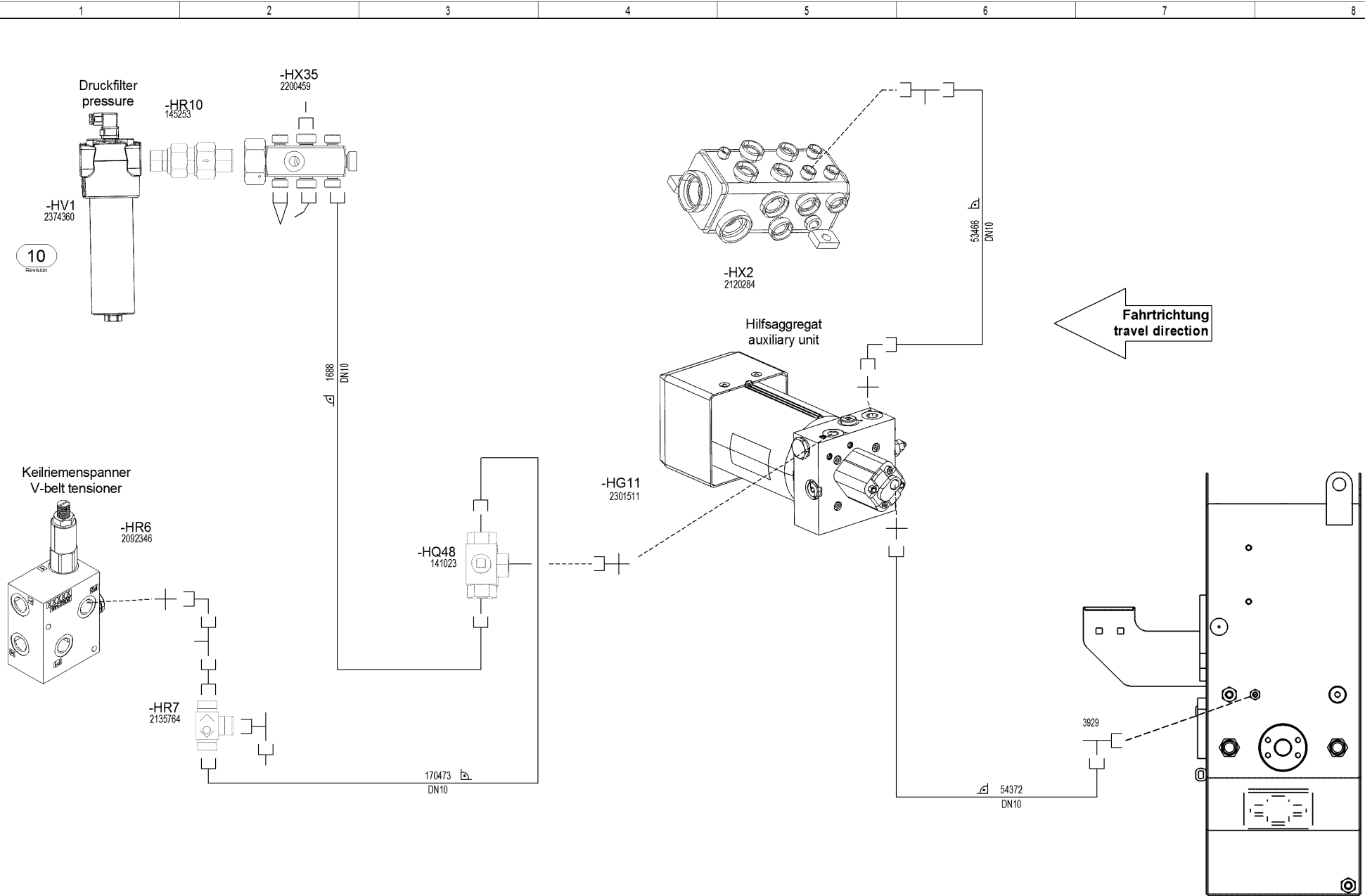


Material No.:	Revision No.:
2283384	14
Series code:	Valid for Serial No.:
06WR	from 0001 to 0092
Sheet plant:	
Sheet Location:	

Hochdruckreiniger high pressure cleaner

Sheet
29
of
79
Sheets

1 2 3 4 5 6 7 8



Drawing by:	Approved by:	last change:
date 12.01.2014	date 29.05.2019	date
name V. Kröll	name B. Saal	name
E - CAE	Document type:	Function group No.:
	HVP	

Status:
SF AE = changable PF = prototype release SF = serial release

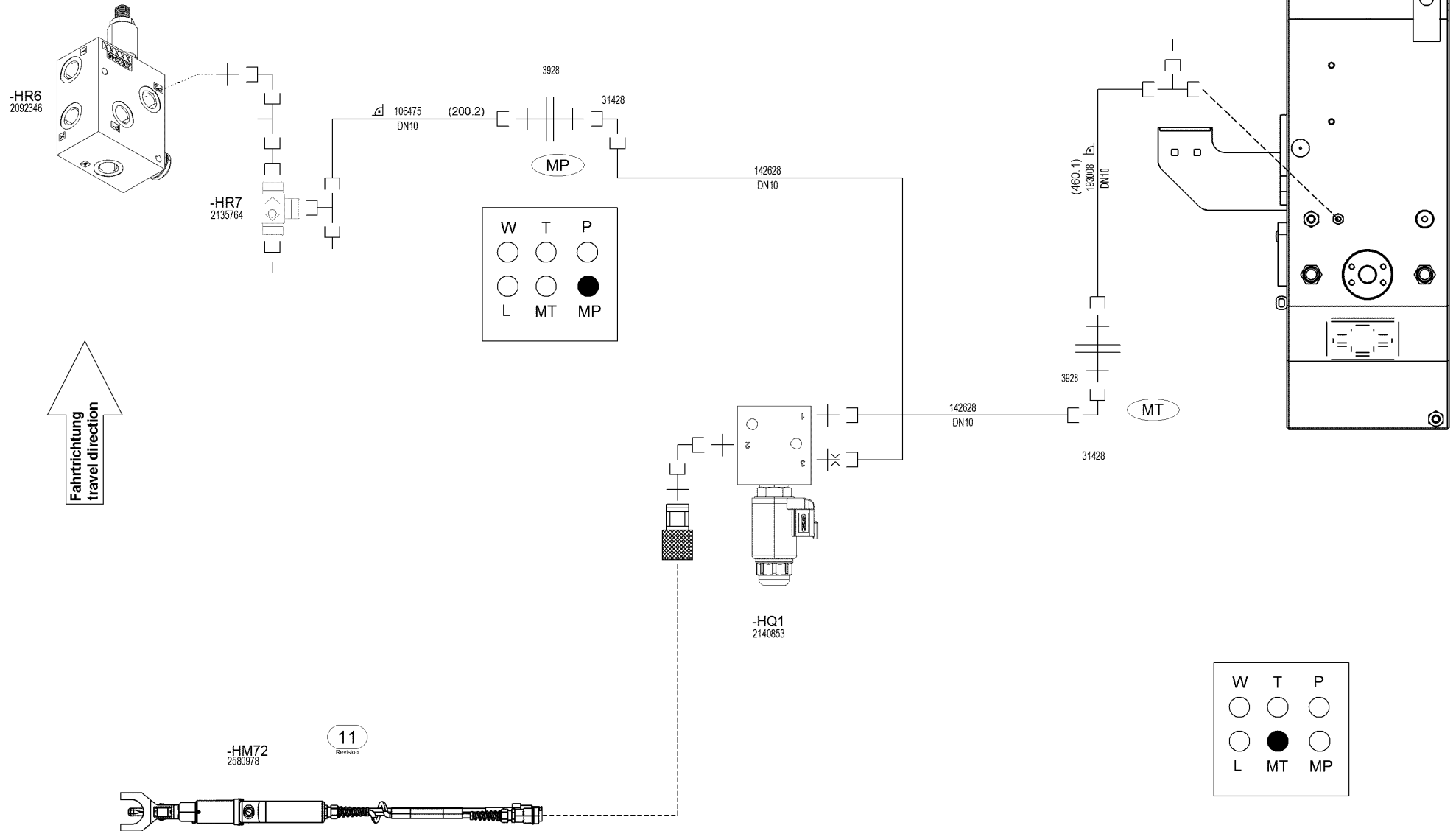
Document No.:
Partial Document No.:
Version No.:



Material No.:	Revision No.:
2283384	14
Series code:	Valid for Serial No.:
06WR	from 0001 to 0092
Sheet plant:	
Sheet Location:	

**Hydraulikaggregat
hydraulic unit**

Sheet
30
of
79 Sheets



11
Revision

Drawing by:	Approved by:	last change:
date 12.01.2014	date 29.05.2019	date
name V. Kröll	name B. Saal	name
E - CAE	Document type:	Function group No.:
	HVP	

Status:
 AE = changable
 PF = prototype release
 SF = serial release

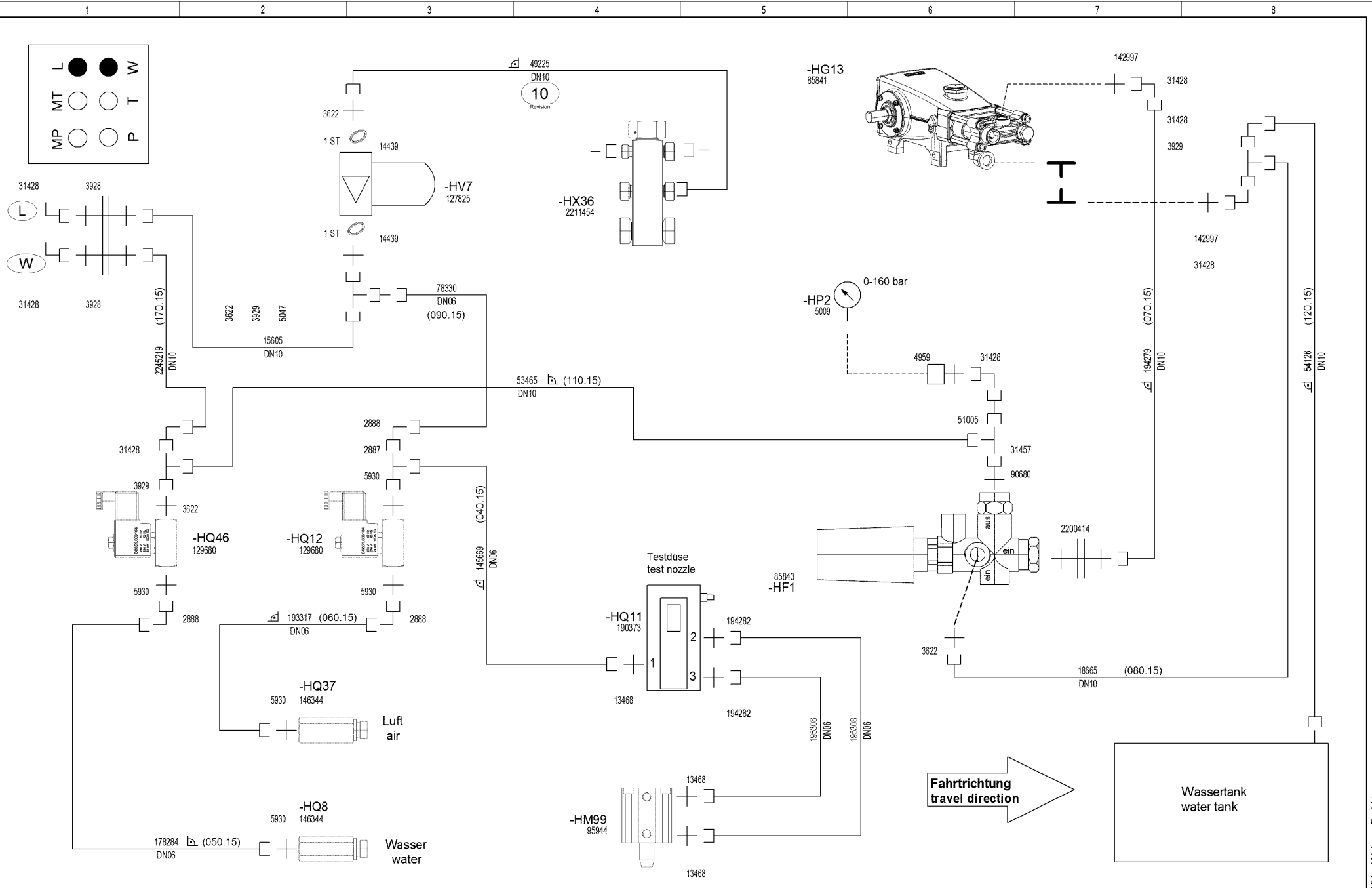
Document No.:
 Partial Document No.:
 Version No.:



Material No.: **2283384**
 Revision No.: **14**
 Series code: **06WR**
 Valid for Serial No.:
 from **0001** to **0092**
 Sheet plant:
 Sheet Location:

**Fräsmesselaustreiber
 pick extractor**

Sheet
31
 of
79 Sheets



Drawing by:	Approved by:	last change:
date 12.01.2014	date 29.05.2019	date
name V. Kröll	name B. Saal	name
E - CAE	Document type:	Function group No.:
	HVP	

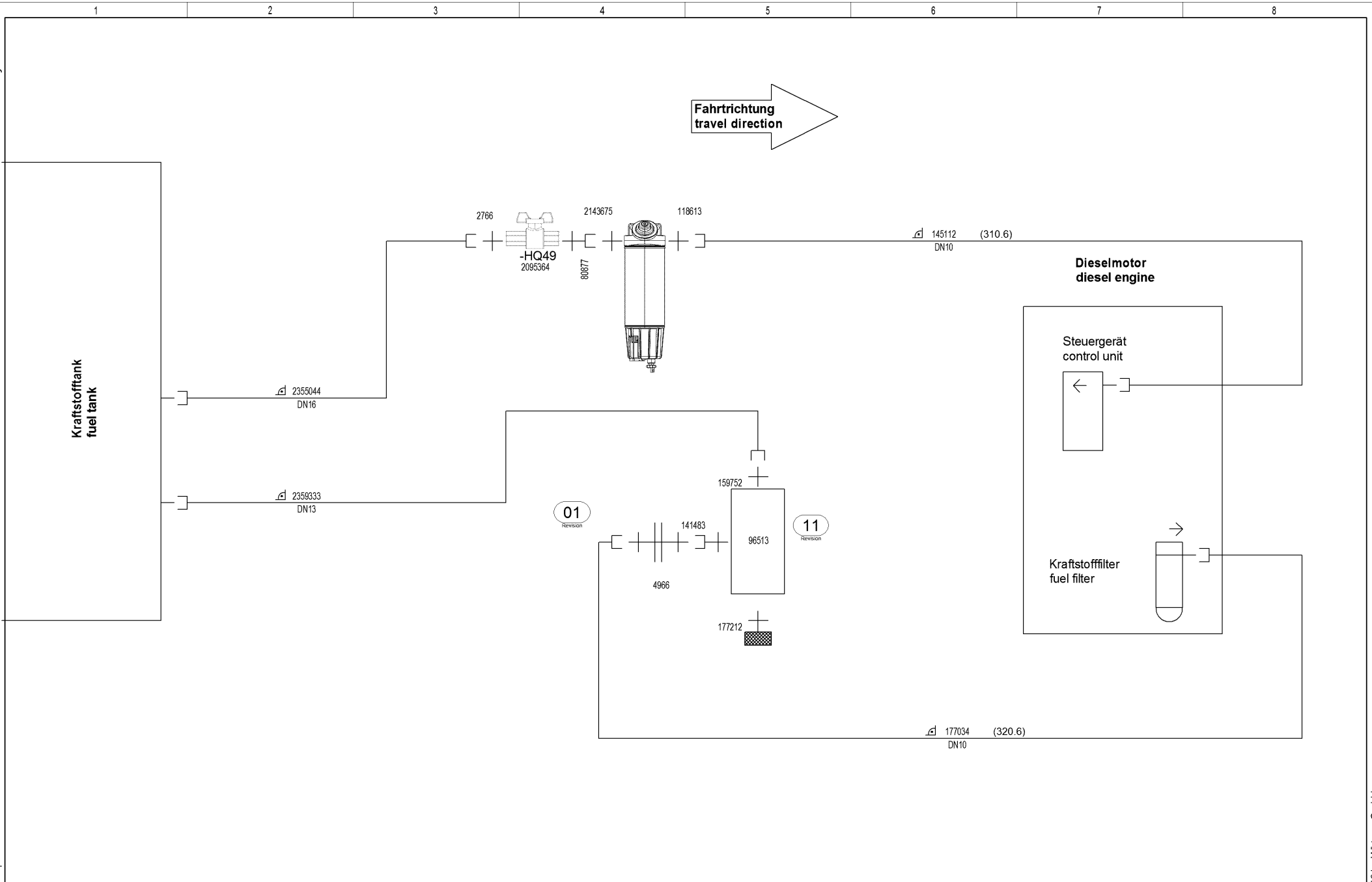
Status:	Document No.:
SF	
AE = changable	Partial Document No.:
PF = prototype release	
SF = serial release	Version No.:

W WIRTGEN

Material No.:	Revision No.:
2283384	14
Series code:	Valid for Serial No.:
06WR	from 0001 to 0092
Sheet plant:	
Sheet Location:	

**Prozeßwasser
process water**

Sheet
32
of
79
Sheets



Drawing by:	Approved by:	last change:
date 12.01.2014	date 29.05.2019	date
name V. Kröll	name B. Saal	name
E - CAE	Document type:	Function group No.:
	HVP	

Status:	Document No.:
SF	
AE = changable	Partial Document No.:
PF = prototype release	
SF = serial release	Version No.:



Material No.:	Revision No.:
2283384	14
Series code:	Valid for Serial No.:
06WR	from 0001 to 0092
Sheet plant:	
Sheet Location:	

Kraftstoffversorgung
fuel supply

Sheet
33
of
79 Sheets

1

2

3

4

5

6

7

8

Drawing by:		Approved by:		last change:		Status:		Document No.:		Material No.:		Revision No.:		Sheet	
date 12.01.2014		date 29.05.2019		date		SF AE = changable PF = prototype release SF = serial release		Partial Document No.:		Series code: 06WR		Valid for Serial No.:		Reserve reserve	
name V. Kröll		name B. Saal		name				Version No.:				from 0001 to 0092			
E - CAE		Document type: HVP		Function group No.:						Sheet 34 of 79 Sheets					

1

2

3

4

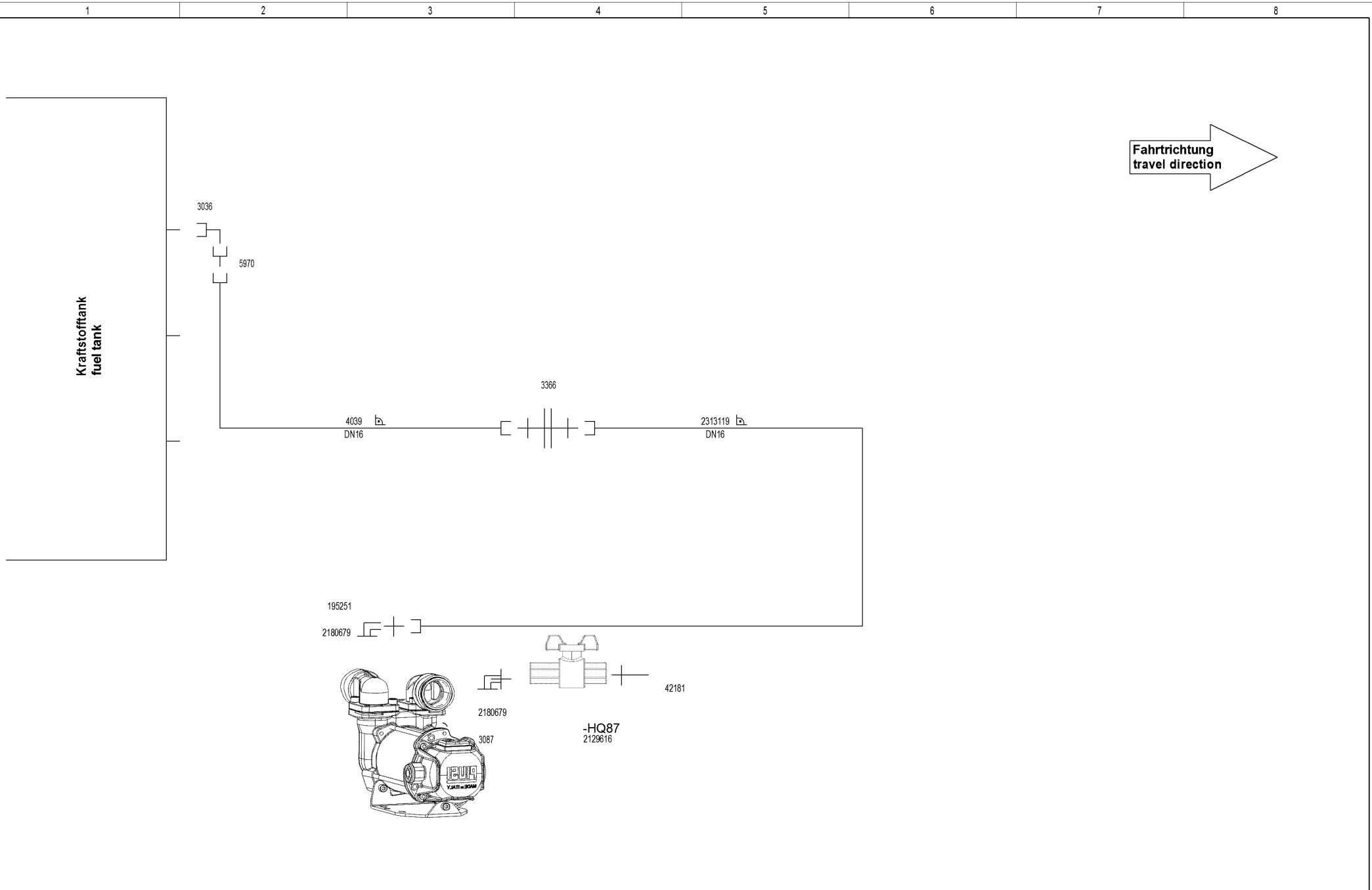
5

6

7

8





Drawing by:	Approved by:	last change:
date 12.01.2014	date 29.05.2019	date
name V. Kröll	name B. Saal	name
E - CAE	Document type:	Function group No.:
	HVP	

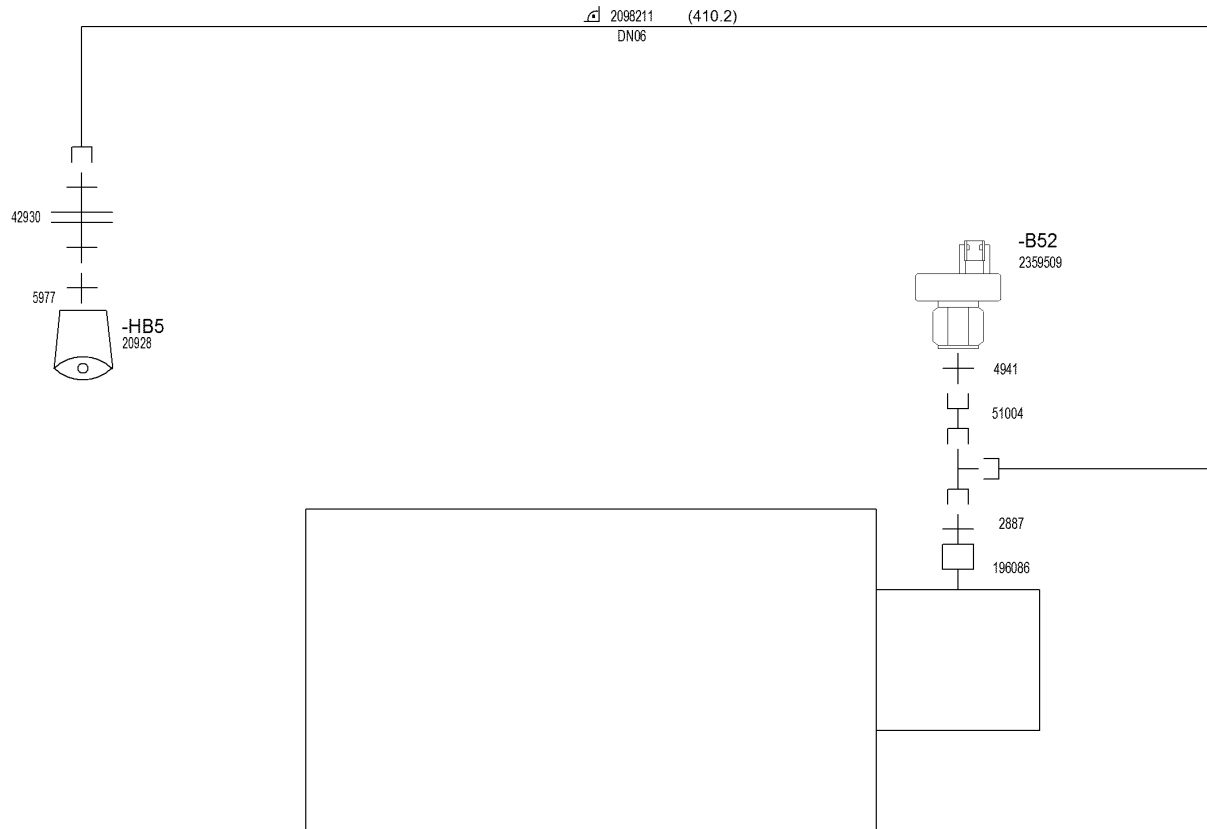
Status:	Document No.:
SF	
AE = changable	Partial Document No.:
PF = prototype release	
SF = serial release	Version No.:



Material No.:	Revision No.:
2283384	14
Series code:	Valid for Serial No.:
06WR	from 0001 to 0092
Sheet plant:	
Sheet Location:	

Befüllpumpe
filler pump

Sheet
35
of
79 Sheets



Drawing by:		Approved by:		last change:	
date	12.01.2014	date	29.05.2019	date	
name	V. Kröll	name	B. Saal	name	
E - CAE		Document type:		Function group No.:	
		HVP			

Status:
 AE = changable
 PF = prototype release
 SF = serial release

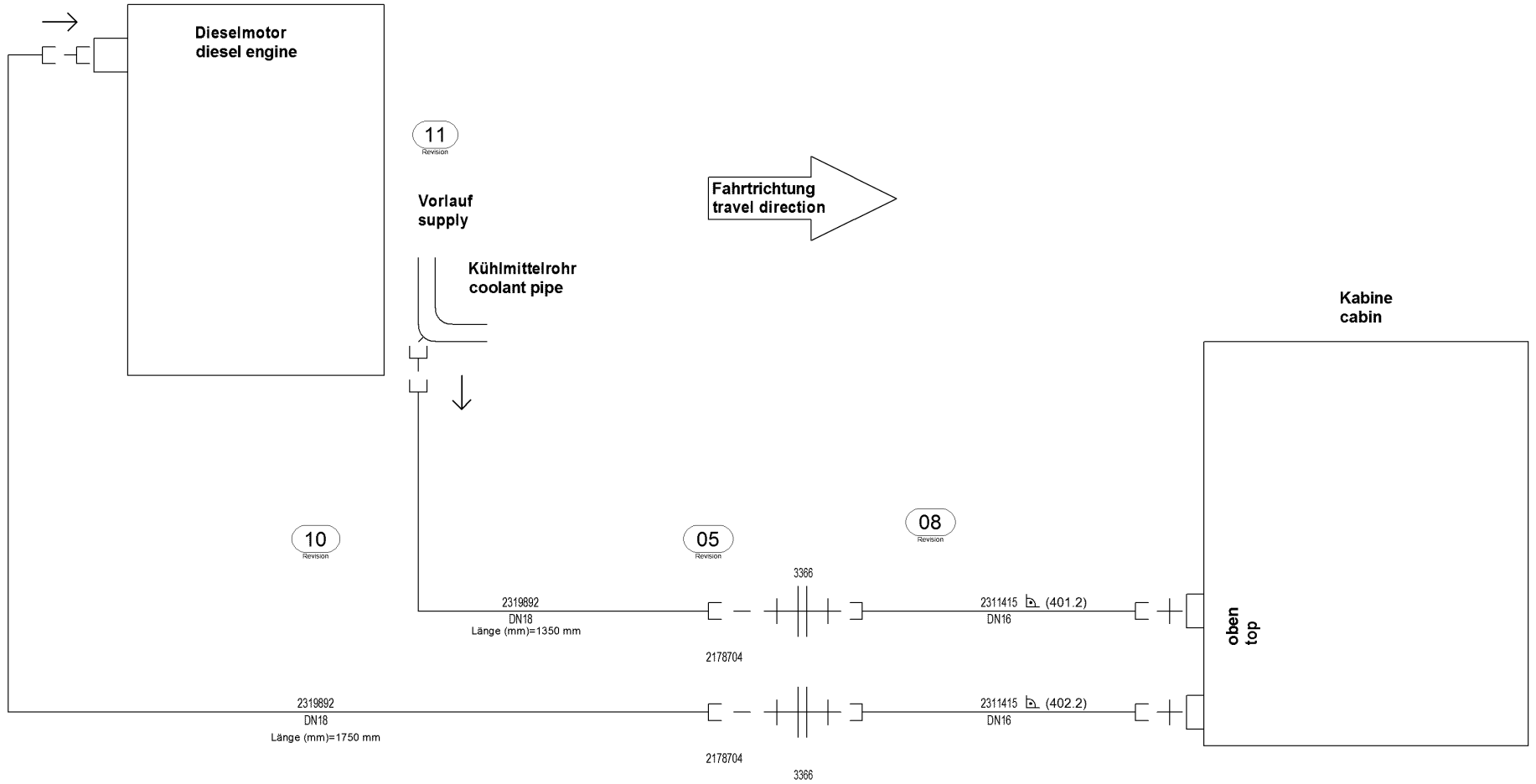
Document No.:
 Partial Document No.:
 Version No.:



Material No.:		Revision No.:	
2283384		14	
Series code:	Valid for Serial No.:		
06WR	from 0001 to 0092		
Sheet plant:		Sheet Location:	

**Luftfilter
air filter**

Sheet
36
 of
79 Sheets



Drawing by:	Approved by:	last change:
date 12.01.2014	date 29.05.2019	date
name V. Kröll	name B. Saal	name
E - CAE	Document type:	Function group No.:
	HVP	

Status:
SF AE = changable PF = prototype release SF = serial release

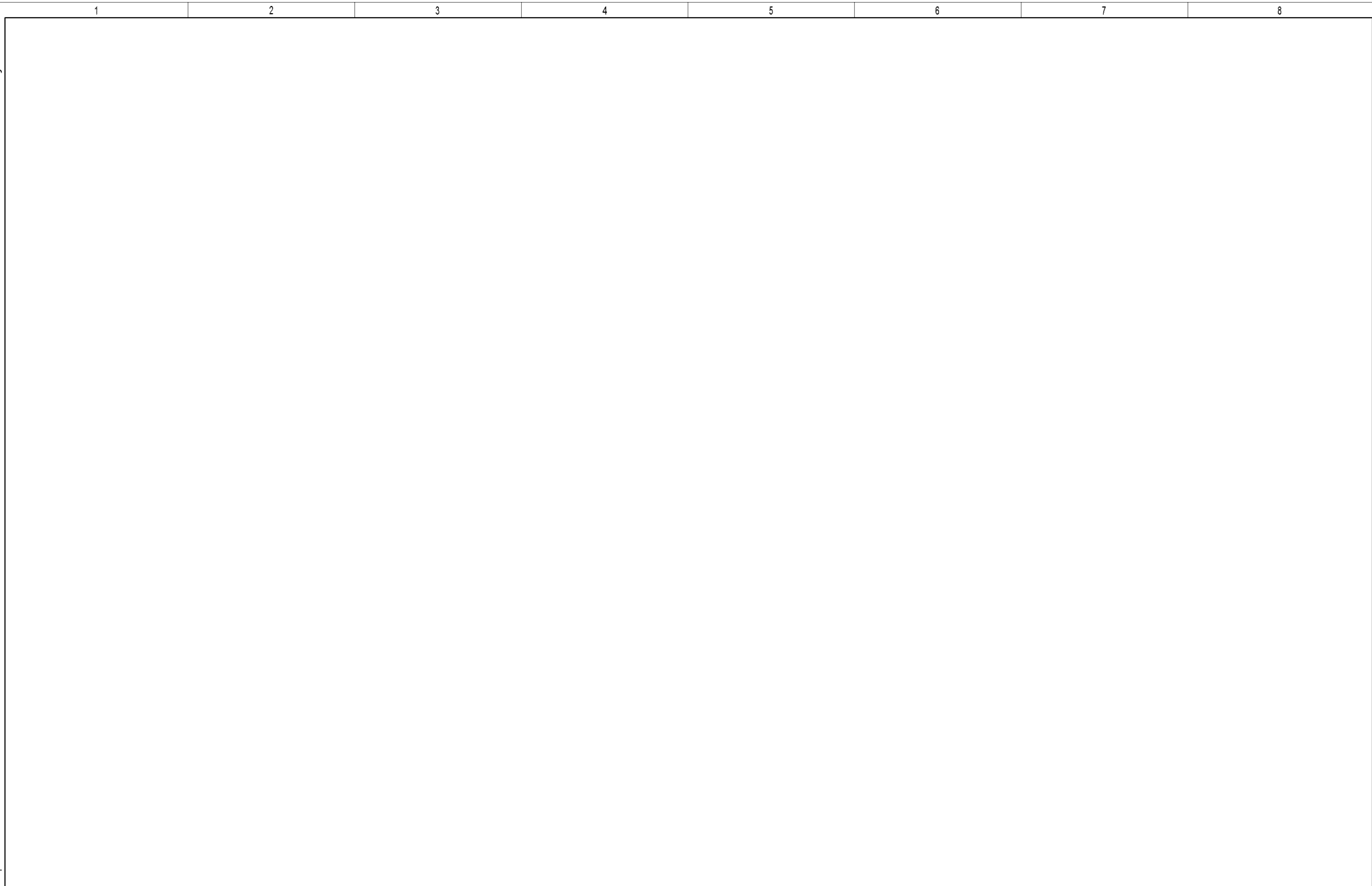
Document No.:
Partial Document No.:
Version No.:



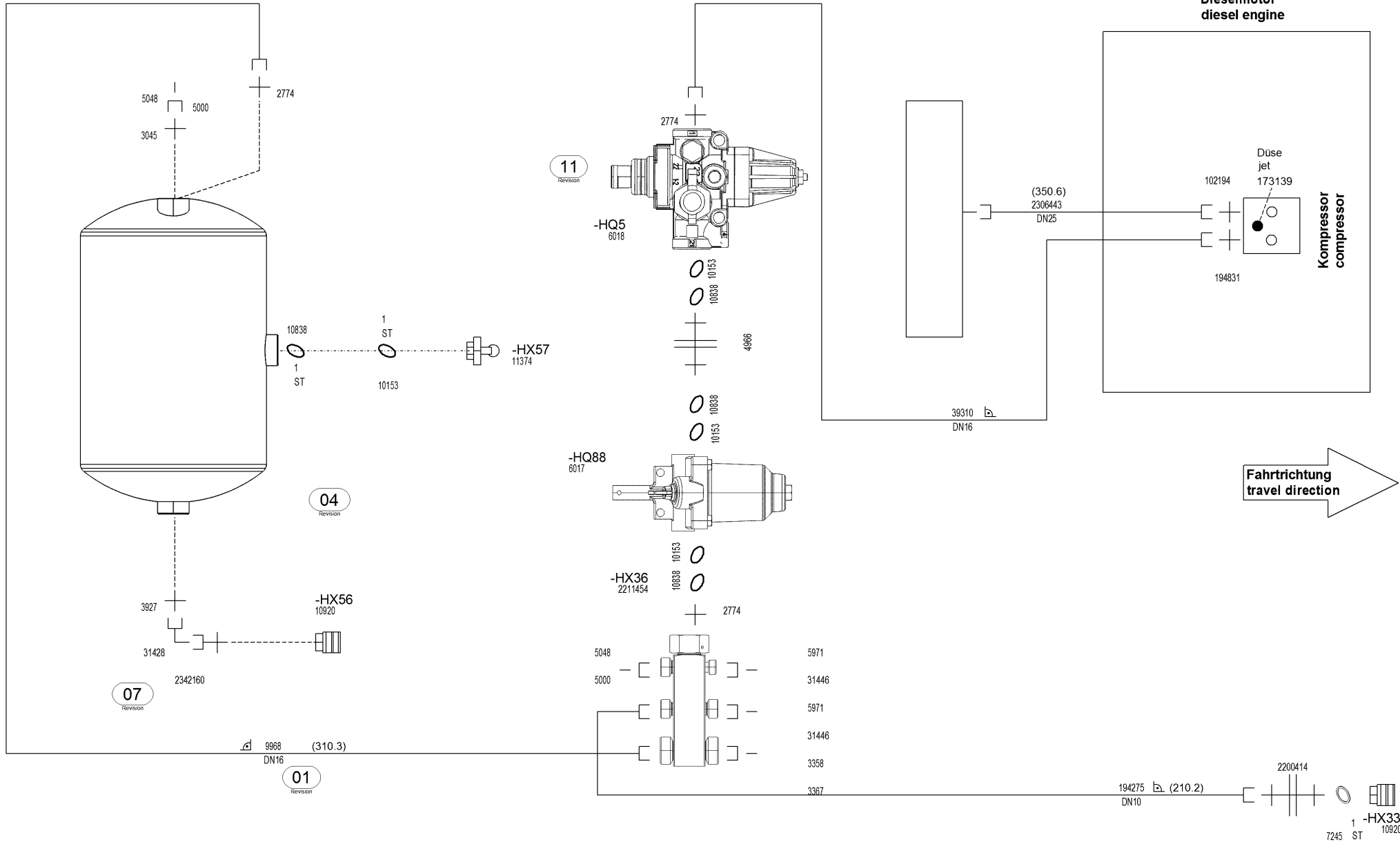
Material No.:	Revision No.:
2283384	14
Series code: 06WR	Valid for Serial No.:
Sheet plant:	from 0001 to 0092
Sheet Location:	

Heizung heating

Sheet
37
of
79
Sheets



Drawing by:		Approved by:		last change:		Status:		Document No.:		Material No.:		Revision No.:		Sheet					
date 12.01.2014		date 29.05.2019		date		SF AE = changable PF = prototype release SF = serial release		Partial Document No.:		 WIRTGEN		2283384		14		Reserve reserve		38 of 79 Sheets	
name V. Kröll		name B. Saal		name								Series code:		Valid for Serial No.:					
E - CAE		Document type: HVP		Function group No.:		Version No.:		06WR		from 0001 to 0092		Sheet plant:		Sheet Location:					



- 07 Revision
- 04 Revision
- 01 Revision

11 Revision

Drawing by:	Approved by:	last change:
date 12.01.2014	date 29.05.2019	date
name V. Kröll	name B. Saal	name
E - CAE	Document type:	Function group No.:
	HVP	

Status:
 AE = changable
 PF = prototype release
 SF = serial release

Document No.:
 Partial Document No.:
 Version No.:



Material No.: **2283384**
 Revision No.: **14**
 Series code: **06WR**
 Valid for Serial No.:
 from **0001** to **0092**
 Sheet plant:
 Sheet Location:

Druckluftanlage
 compressed air system

Sheet **39**
 of **79** Sheets

1

2

3

4

5

6

7

8

Drawing by:		Approved by:		last change:		Status:		Document No.:		Material No.:		Revision No.:		Sheet:			
date 12.01.2014		date 29.05.2019		date		SF AE = changable PF = prototype release SF = serial release		Partial Document No.:		 WIRTGEN		Series code:		Valid for Serial No.:		Reserve reserve	
name V. Kröll		name B. Saal		name				Version No.:				06WR		from 0001 to 0092			
E - CAE		Document type:		Function group No.:				Sheet plant:		Sheet Location:		of 79					
		HVP												Sheets			

1

2

3

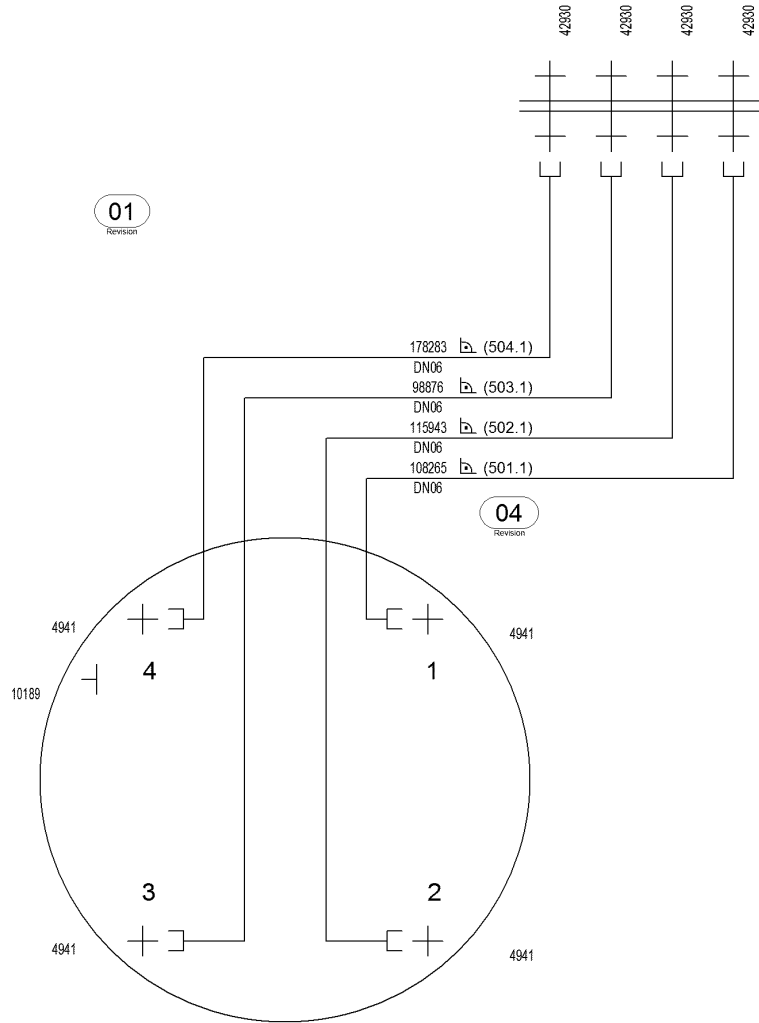
4

5

6

7

8



Drawing by:		Approved by:		last change:	
date	12.01.2014	date	29.05.2019	date	
name	V. Kröll	name	B. Saal	name	
E - CAE		Document type:		Function group No.:	
		HVP			

Status:
 AE = changable
 PF = prototype release
 SF = serial release

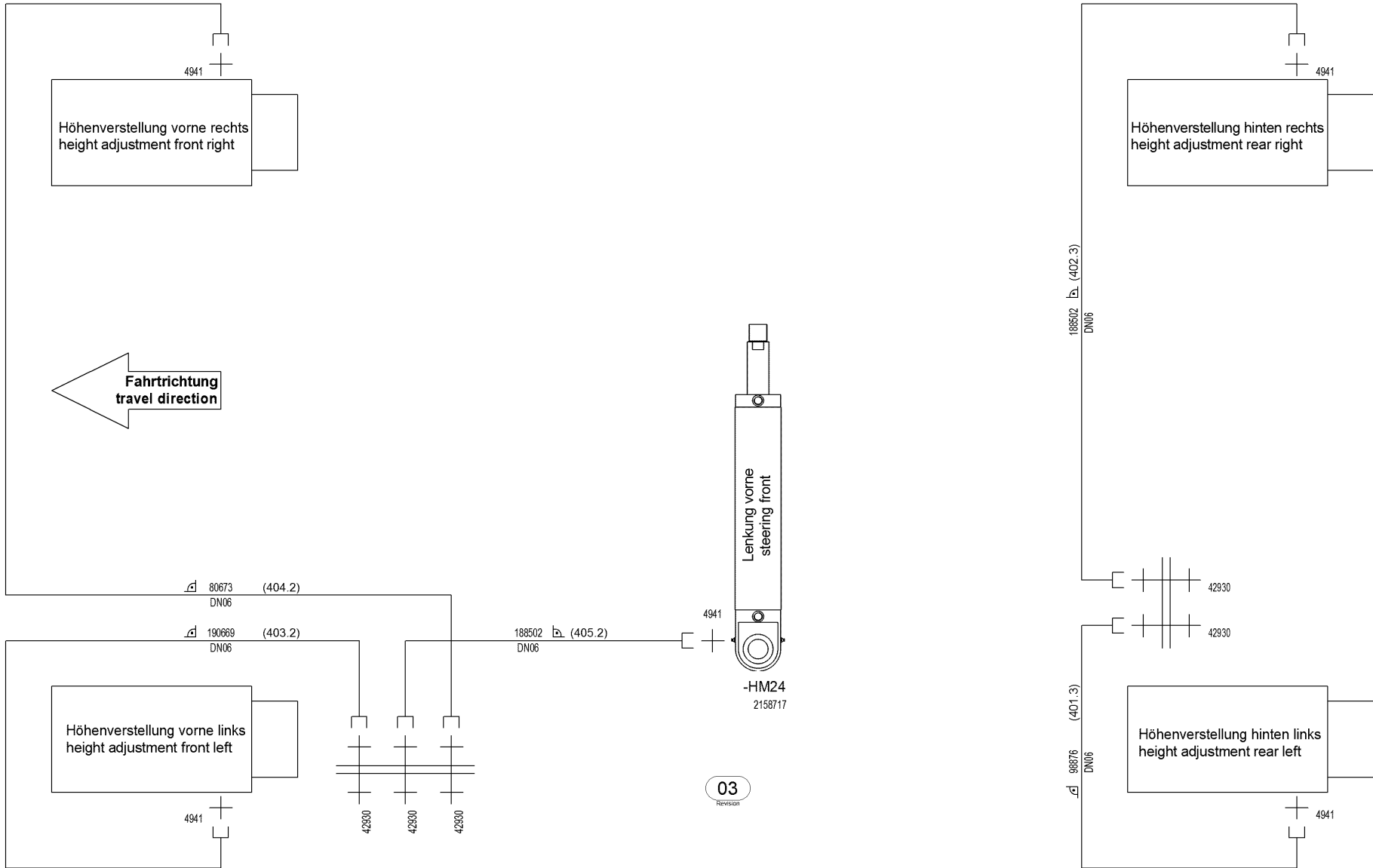
Document No.:
 Partial Document No.:
 Version No.:



Material No.: **2283384** Revision No.: **14**
 Series code: **06WR** Valid for Serial No.:
 Sheet plant: from **0001** to **0092**
 Sheet Location:

Schmierung
 oiling

Sheet
41
 of
79 Sheets



Drawing by:	Approved by:	last change:
date 12.01.2014	date 29.05.2019	date
name V. Kröll	name B. Saal	name
E - CAE	Document type:	Function group No.:
	HVP	

Status:
 AE = changable
 PF = prototype release
 SF = serial release

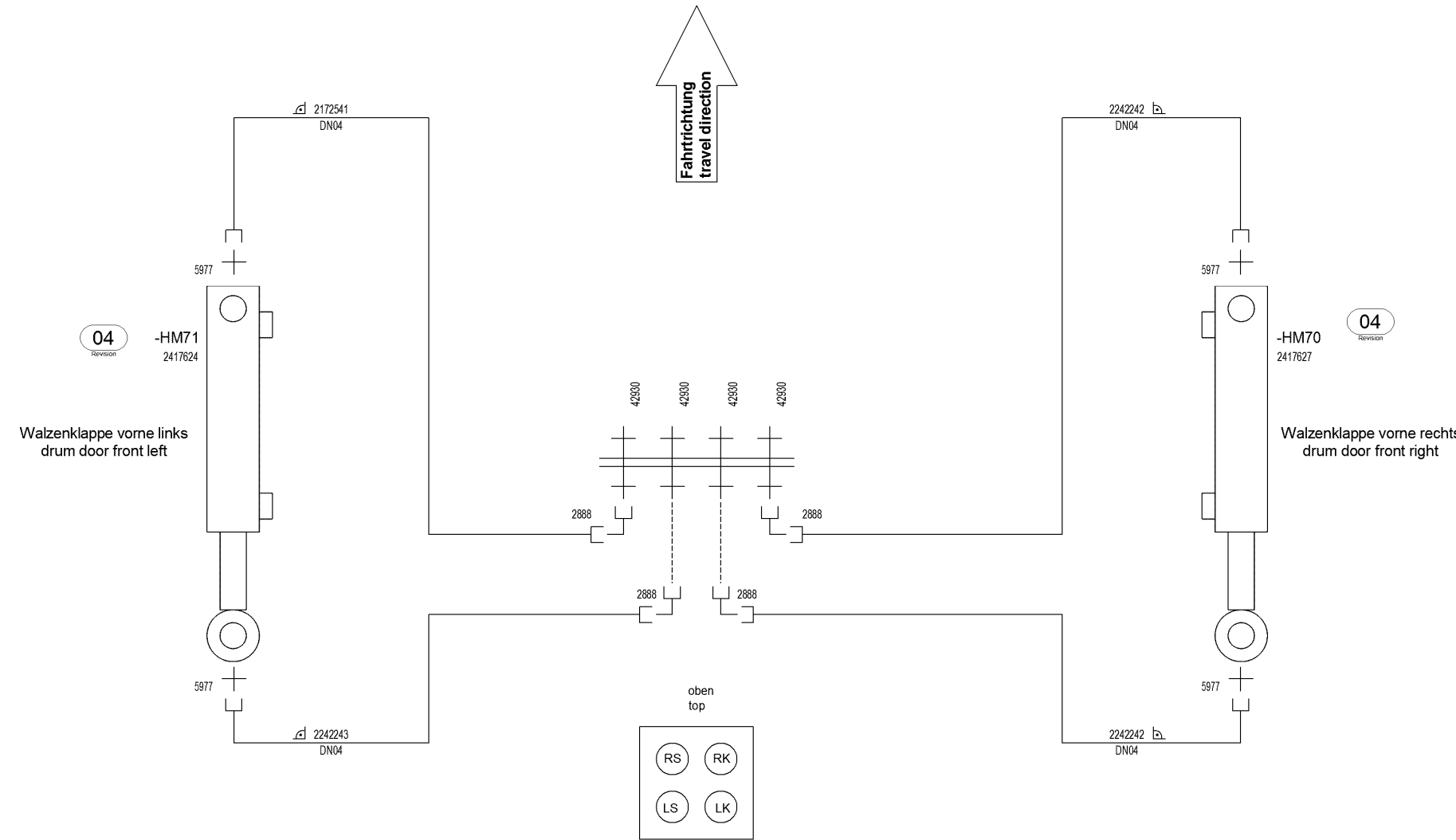
Document No.:
 Partial Document No.:
 Version No.:



Material No.: **2283384**
 Revision No.: **14**
 Series code: **06WR**
 Valid for Serial No.: from **0001** to **0092**
 Sheet plant:
 Sheet Location:

Schmierung
oiling

Sheet **42**
 of **79** Sheets



Drawing by:	Approved by:	last change:
date 12.01.2014	date 29.05.2019	date
name V. Kröll	name B. Saal	name
E - CAE	Document type:	Function group No.:
	HVP	

Status:
SF AE = changable
 PF = prototype release
 SF = serial release

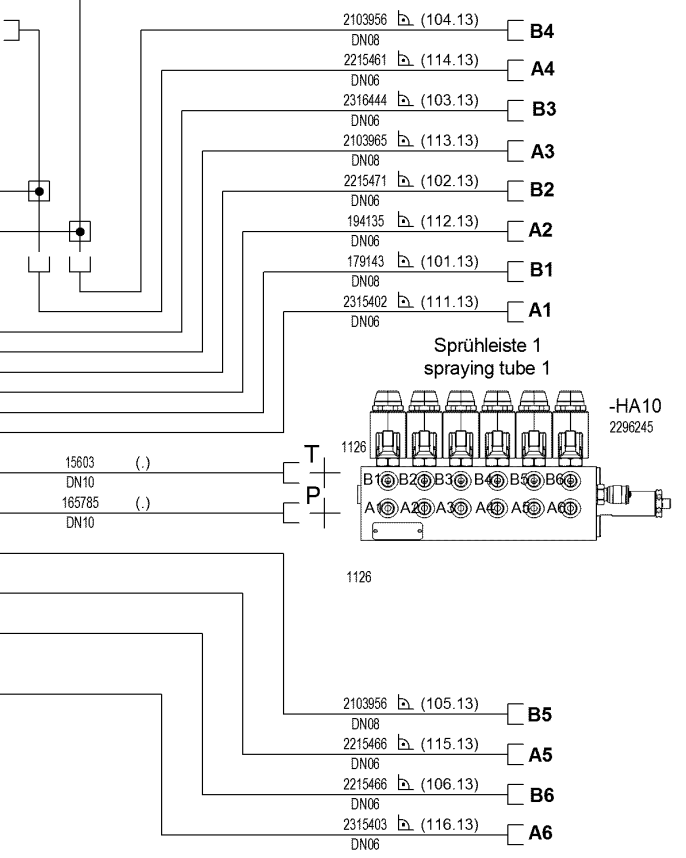
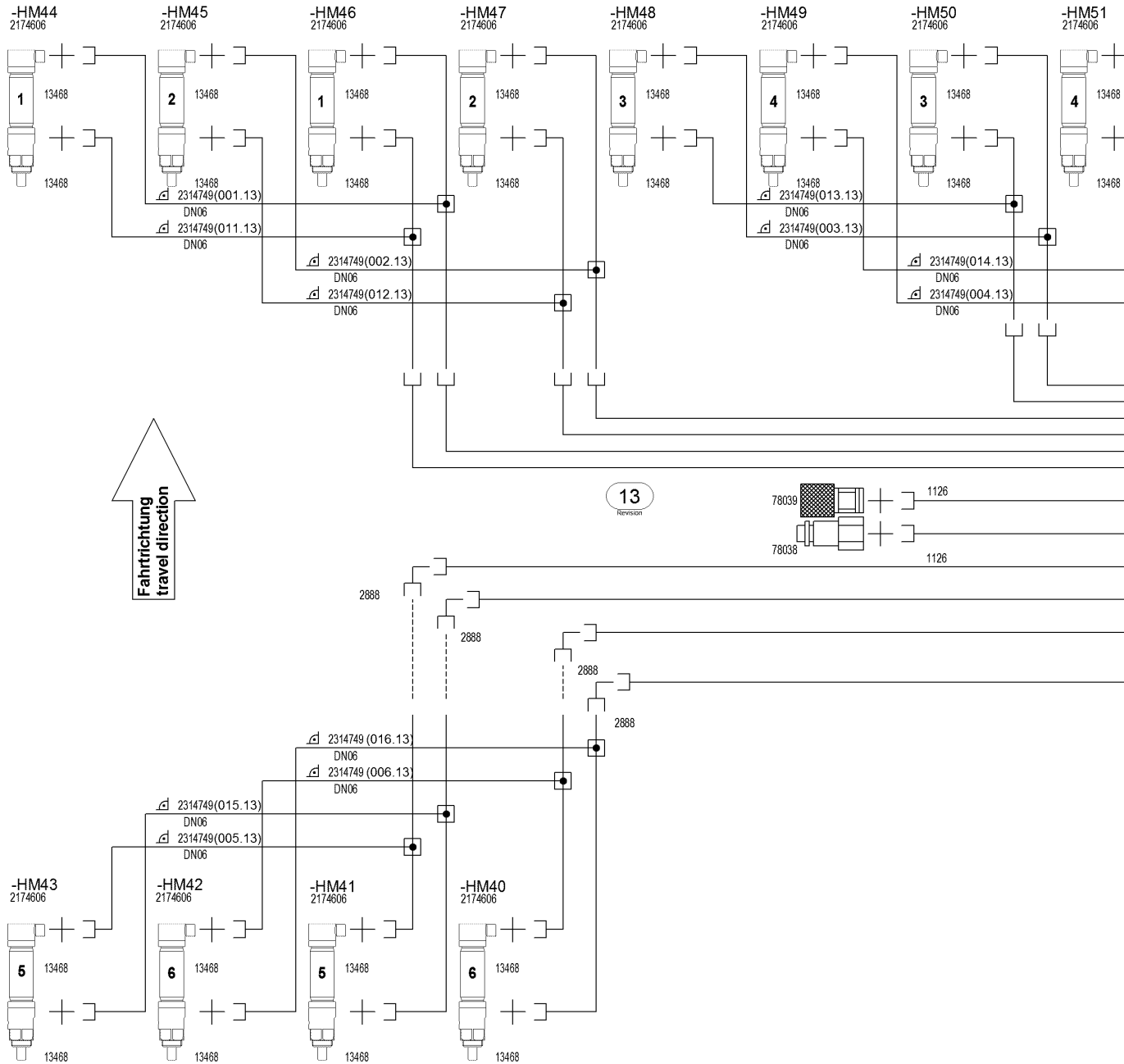
Document No.:
 Partial Document No.:
 Version No.:



Material No.: **2283384** Revision No.: **14**
 Series code: **06WR** Valid for Serial No.:
 from **0001** to **0092**
 Sheet plant:
 Sheet Location:

**Option Schmierung Walzenklappe
 optional oiling drum door**

Sheet: **43**
 of **79** Sheets



12
Revision

Drawing by:	Approved by:	last change:
date 12.01.2014	date 29.05.2019	date
name V. Kröll	name B. Saal	name
E - CAE	Document type: HVP	Function group No.:

Status:
 AE = changable
 PF = prototype release
 SF = serial release

Document No.:
 Partial Document No.:
 Version No.:



Material No.:
2283384

Series code:
06WR

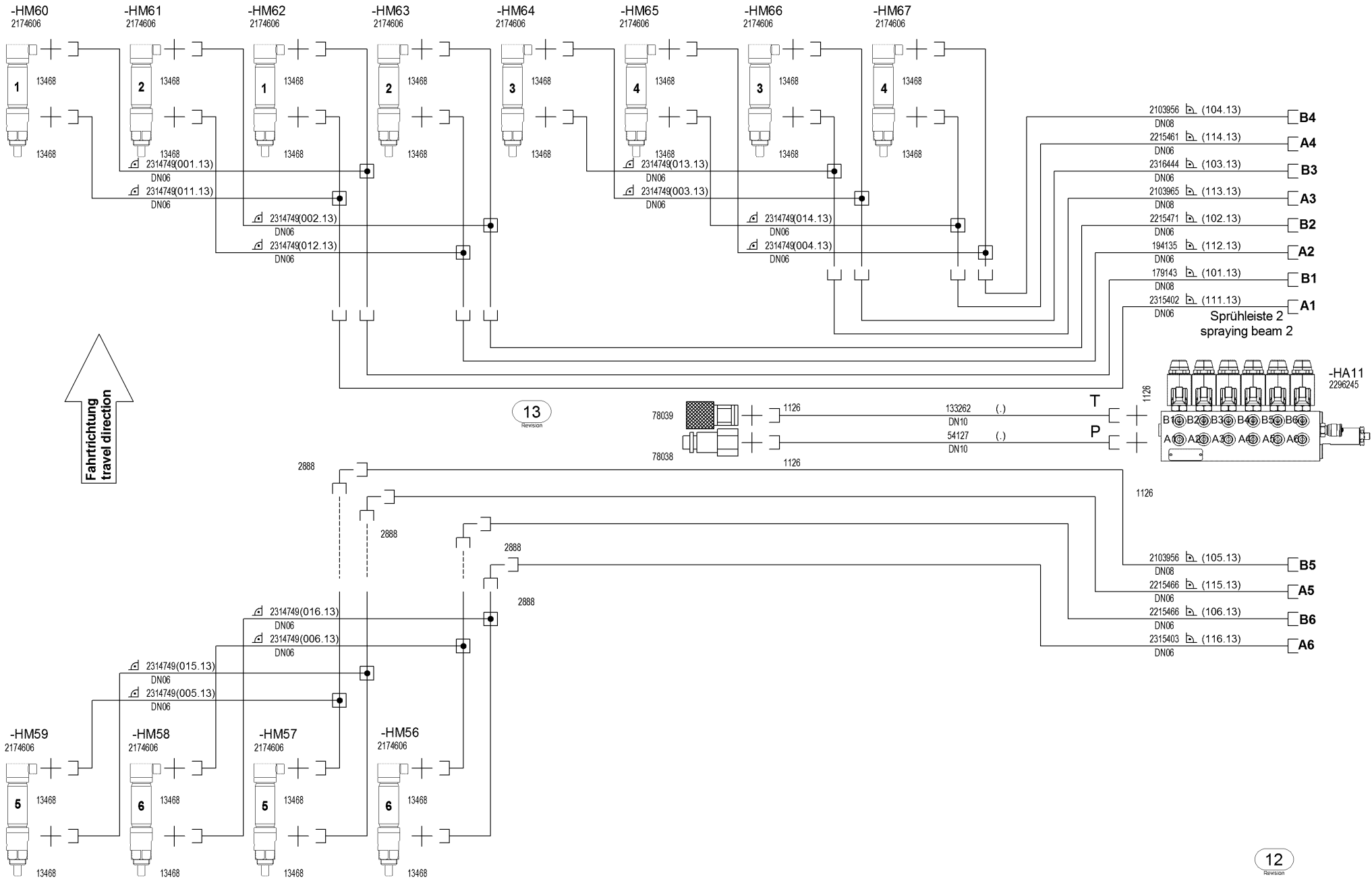
Valid for Serial No.:
 from **0001** to **0092**

Sheet plant:
 Sheet Location:

Revision No.:
14

Einsprühleiste Wasser-Emulsion 1
spraying beam water-emulsion 1

Sheet
44
 of
79 Sheets



12
Revision

Drawing by:	Approved by:	last change:
date 12.01.2014	date 29.05.2019	date
name V. Kröll	name B. Saal	name
E - CAE	Document type: HVP	Function group No.:

Status:
 AE = changable
 PF = prototype release
 SF = serial release

Document No.:
 Partial Document No.:
 Version No.:



Material No.:
2283384

Revision No.:
14

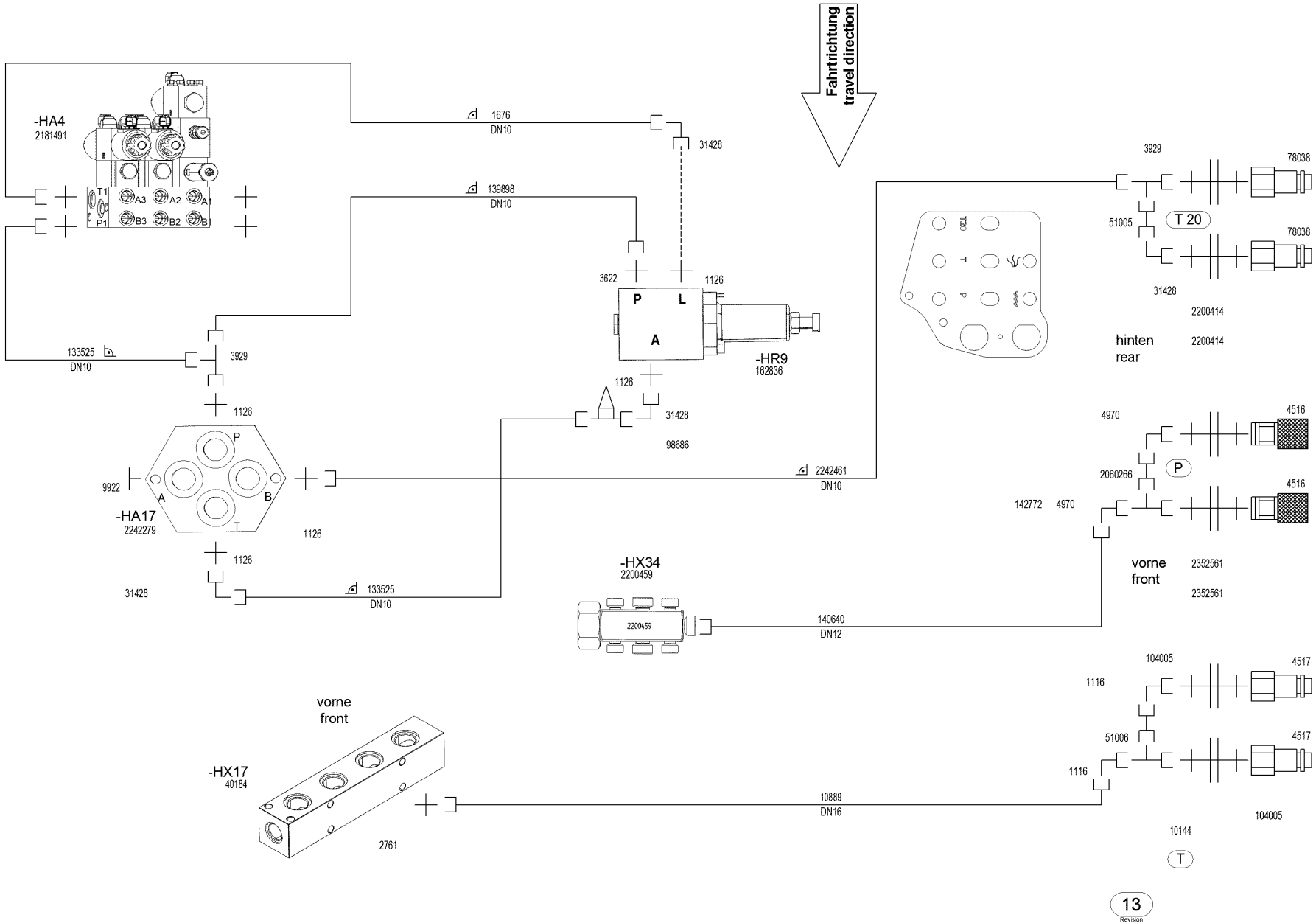
Series code:
06WR

Valid for Serial No.:
 from **0001** to **0092**

Sheet plant:
 Sheet Location:

**Einsprühleiste Wasser-Emulsion 2
 spraying beam water-emulsion 2**

Sheet:
45
 of
79 Sheets



Drawing by: date 12.01.2014 name V. Kröll E - CAE	Approved by: date 29.05.2019 name B. Saal Document type: HVP	last change: date name Function group No.:
-------------------------------------------------------------------	----------------------------------------------------------------------------------------	------------------------------------------------------------

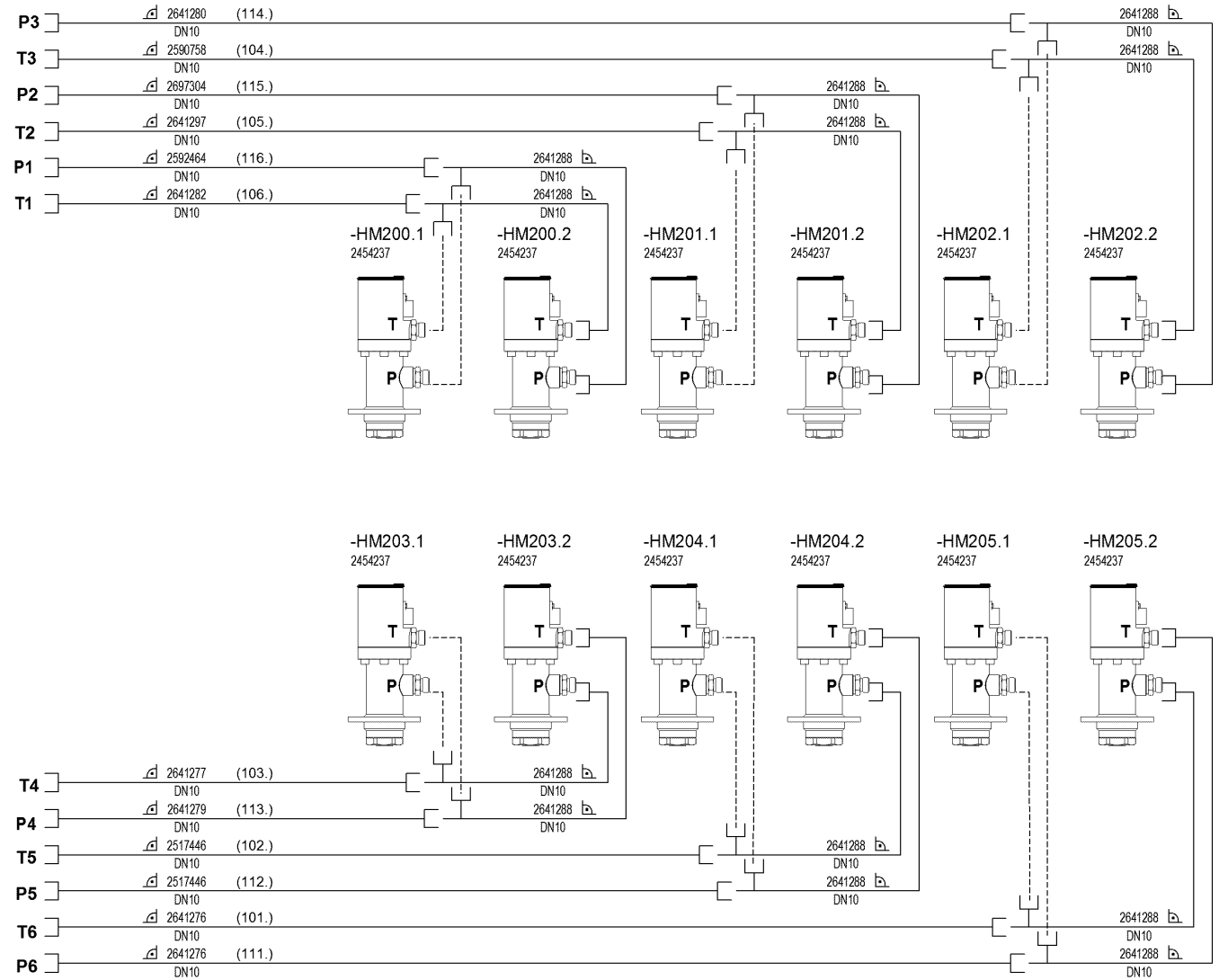
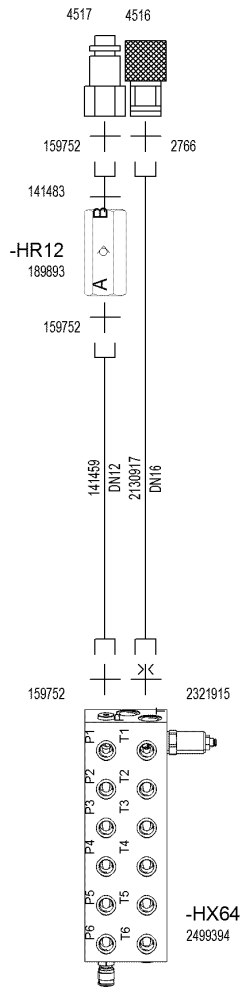
Status: SF AE = changable PF = prototype release SF = serial release	Document No.: Partial Document No.: Version No.:
-----------------------------------------------------------------------------------------	--------------------------------------------------------

W WIRTGEN

Material No.: 2283384	Revision No.: 14
Series code: 06WR	Valid for Serial No. from 0001 to 0092
Sheet plant: Sheet Location:	

Ölversorgung Einsprühleiste 1+2 oil providing spraying beam 1+2

Sheet 46 of 79 Sheets



13
Revision

Drawing by: date 12.01.2014 name V. Kröll E - CAE	Approved by: date 29.05.2019 name B. Saal Document type: HVP	last change: date name Function group No.:
-------------------------------------------------------------------	----------------------------------------------------------------------------------------	------------------------------------------------------------

Status:
AE = changable
PF = prototype release
SF = serial release
SF

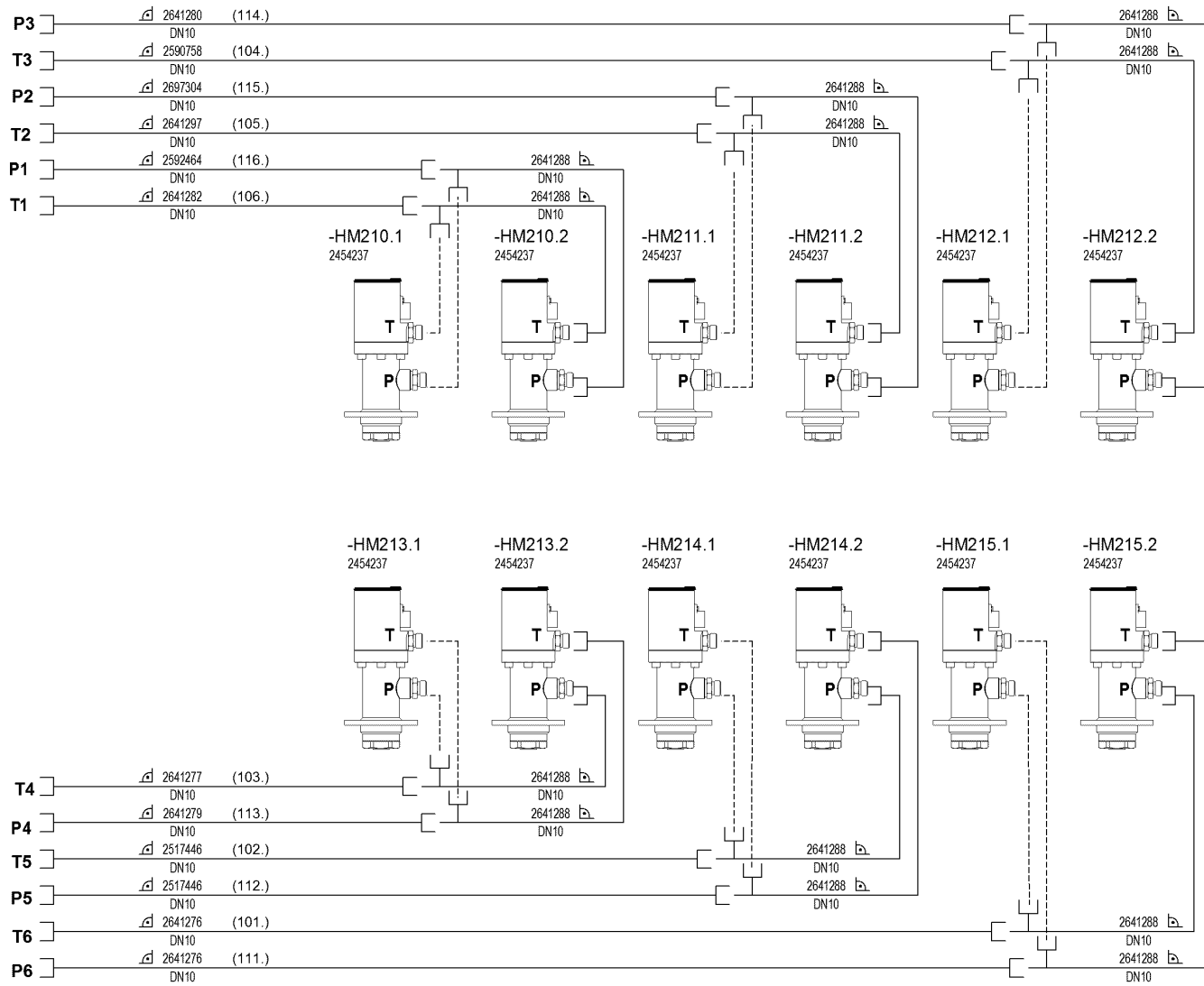
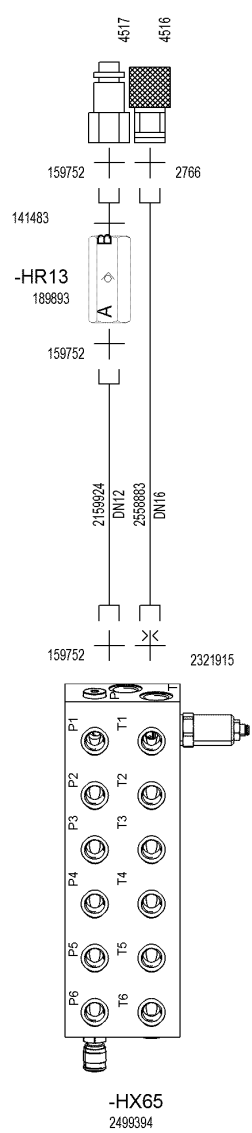
Document No.:
Partial Document No.:
Version No.:
W WIRTGEN

Material No.:
2283384
Series code:
06WR
Sheet plant:
Sheet Location:

Revision No.:
14
Valid for Serial No.:
from **0001** to **0092**

Vario Einsprühleiste 1, FB2000
vario spraying beam 1, FB2000

Sheet
47
of
79 Sheets



13
Revision

Drawing by: date 12.01.2014 name V. Kröll E - CAE	Approved by: date 29.05.2019 name B. Saal Document type: HVP	last change: date name Function group No.:
-------------------------------------------------------------------	----------------------------------------------------------------------------------------	------------------------------------------------------------

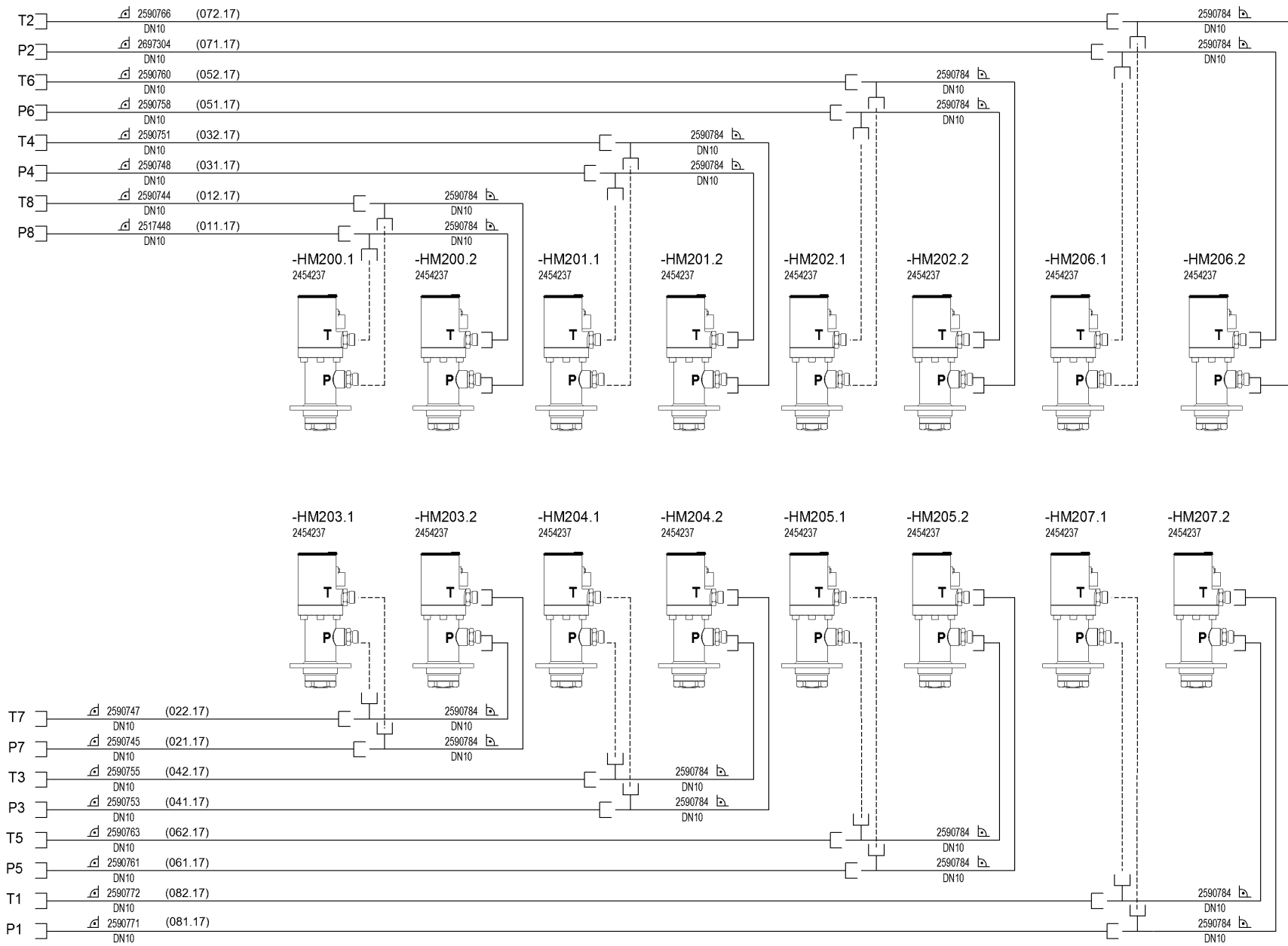
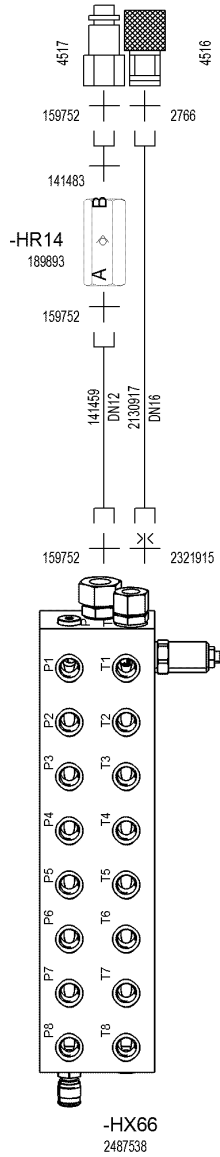
Status: SF AE = changable PF = prototype release SF = serial release	Document No.: Partial Document No.: Version No.:
------------------------------------------------------------------------------------------------	--------------------------------------------------------



Material No.: 2283384	Revision No.: 14
Series code: 06WR	Valid for Serial No. from 0001 to 0092
Sheet plant: Sheet Location:	

Vario Einsprühleiste 2, FB2000
vario spraying beam 2, FB2000

Sheet
48
of
79 Sheets



- T2 } ▽ 2590766 (072.17)
DN10
- P2 } ▽ 2697304 (071.17)
DN10
- T6 } ▽ 2590760 (052.17)
DN10
- P6 } ▽ 2590758 (051.17)
DN10
- T4 } ▽ 2590751 (032.17)
DN10
- P4 } ▽ 2590748 (031.17)
DN10
- T8 } ▽ 2590744 (012.17)
DN10
- P8 } ▽ 2517448 (011.17)
DN10
- T7 } ▽ 2590747 (022.17)
DN10
- P7 } ▽ 2590745 (021.17)
DN10
- T3 } ▽ 2590755 (042.17)
DN10
- P3 } ▽ 2590753 (041.17)
DN10
- T5 } ▽ 2590763 (062.17)
DN10
- P5 } ▽ 2590761 (061.17)
DN10
- T1 } ▽ 2590772 (082.17)
DN10
- P1 } ▽ 2590771 (081.17)
DN10

13
Revision

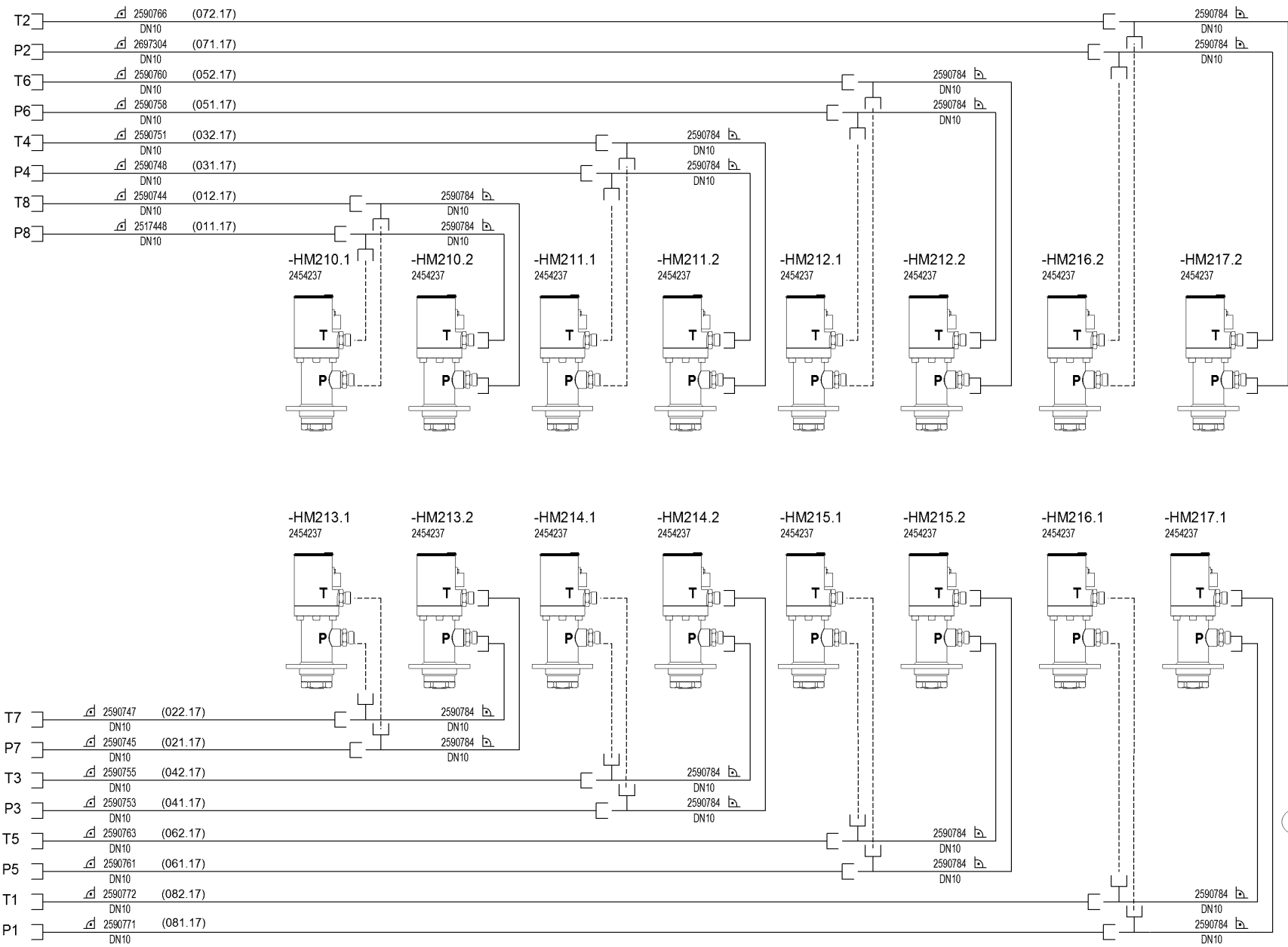
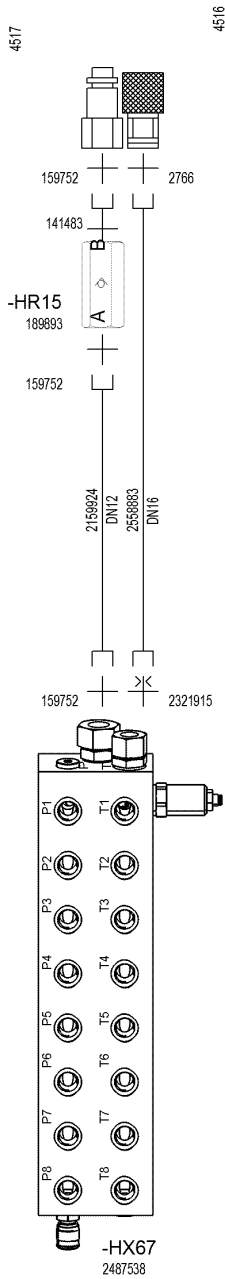
Drawing by: date 12.01.2014 name V. Kröll E - CAE	Approved by: date 29.05.2019 name B. Saal Document type: HVP	last change: date name Function group No.:
-------------------------------------------------------------------	----------------------------------------------------------------------------------------	------------------------------------------------------------

Status: SF AE = changable PF = prototype release SF = serial release	Document No.: Partial Document No.: Version No.:
--------------------------------------------------------------------------------------	--------------------------------------------------------

WIRTGEN	Material No.: 2283384	Revision No.: 14
	Series code: 06WR	Valid for Serial No.: from 0001 to 0092
	Sheet plant: Sheet Location:	

Vario Einsprühleiste 1, FB2400 vario spraying beam 1, FB2400

Sheet
of
49
of
79 Sheets



Drawing by: date 12.01.2014 name V. Kröll E - CAE	Approved by: date 29.05.2019 name B. Saal Document type: HVP	last change: date name Function group No.:
-------------------------------------------------------------------	----------------------------------------------------------------------------------------	------------------------------------------------------------

Status: SF AE = changable PF = prototype release SF = serial release	Document No.: Partial Document No.: Version No.:
--------------------------------------------------------------------------------------	--------------------------------------------------------

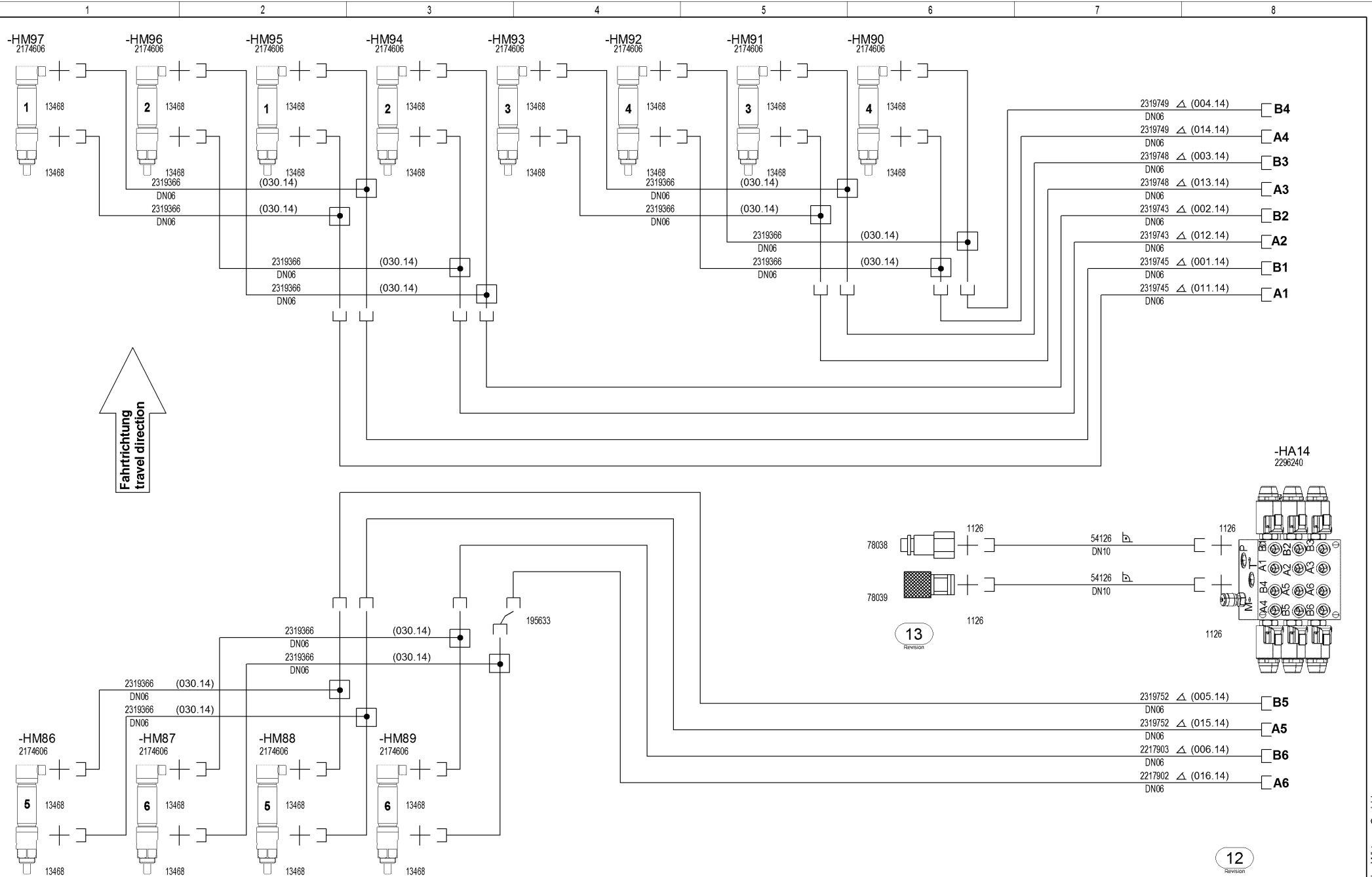


Material No.: 2283384	Revision No.: 14
Series code: 06WR	Valid for Serial No. from 0001 to 0092
Sheet plant: Sheet Location:	

Vario Einsprühleiste 2, FB2400
vario spraying beam 2, FB2400

Sheet
50
of
79 Sheets

13
Revision



13
Revision

12
Revision

Drawing by:	Approved by:	last change:
date 12.01.2014	date 29.05.2019	date
name V. Kröll	name B. Saal	name
E - CAE	Document type: HVP	Function group No.:

Status:
 AE = changable
 PF = prototype release
 SF = serial release

Document No.:
 Partial Document No.:
 Version No.:



Material No.:
2283384

Revision No.:
14

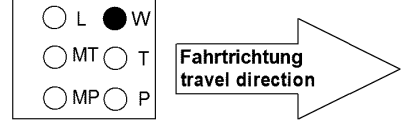
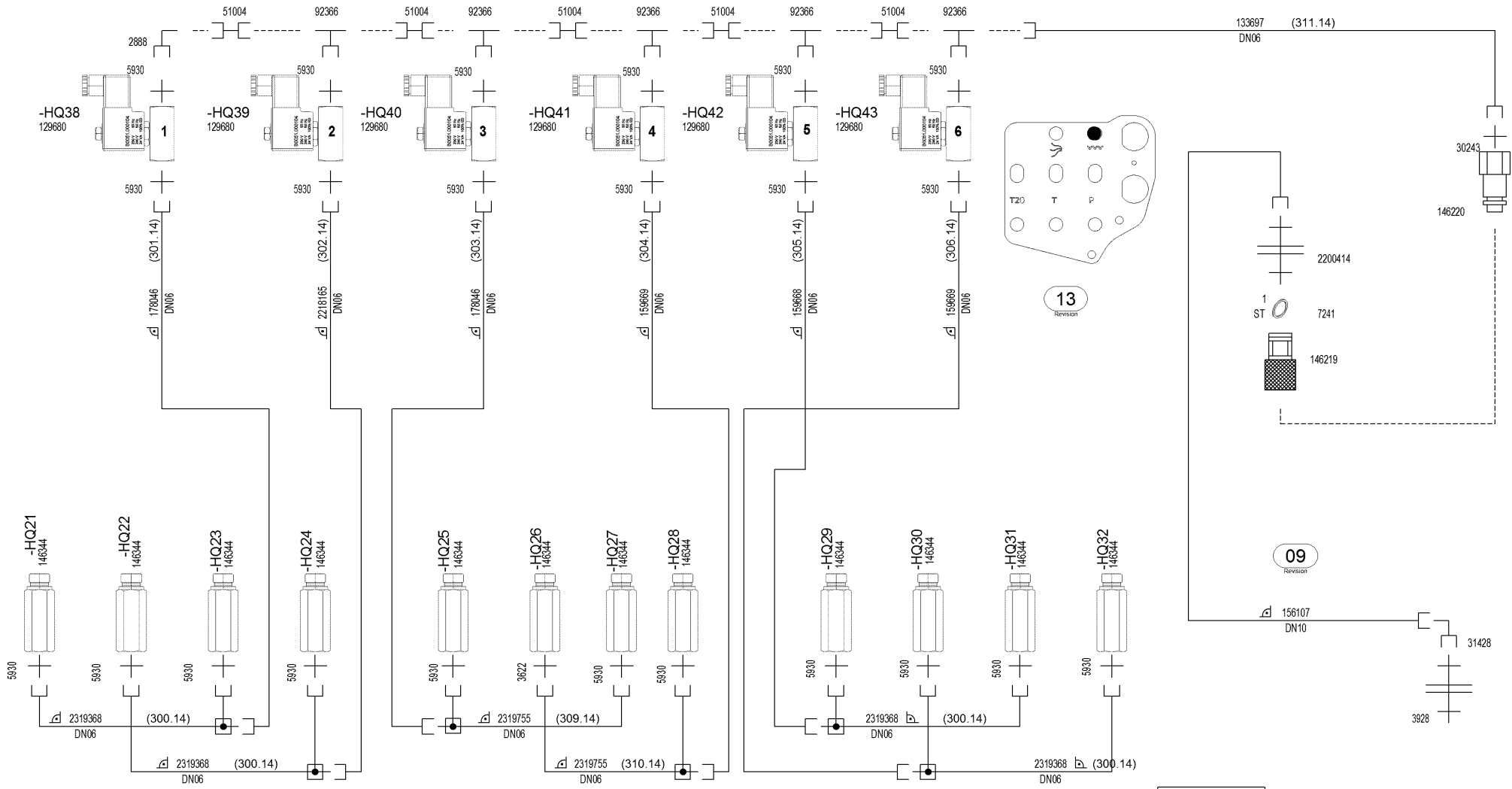
Series code:
06WR

Valid for Serial No.:
 from **0001** to **0092**

Sheet plant:
 Sheet Location:

Schaumbitumen reinigen
 foamed bitumen cleaning

Sheet
51
 of
79 Sheets



Drawing by:	Approved by:	last change:
date 12.01.2014	date 29.05.2019	date
name V. Kröll	name B. Saal	name
E - CAE	Document type: HVP	Function group No.:

Status:
 AE = changable
 PF = prototype release
 SF = serial release

Document No.:
 Partial Document No.:
 Version No.:



Material No.:
2283384

Revision No.:
14

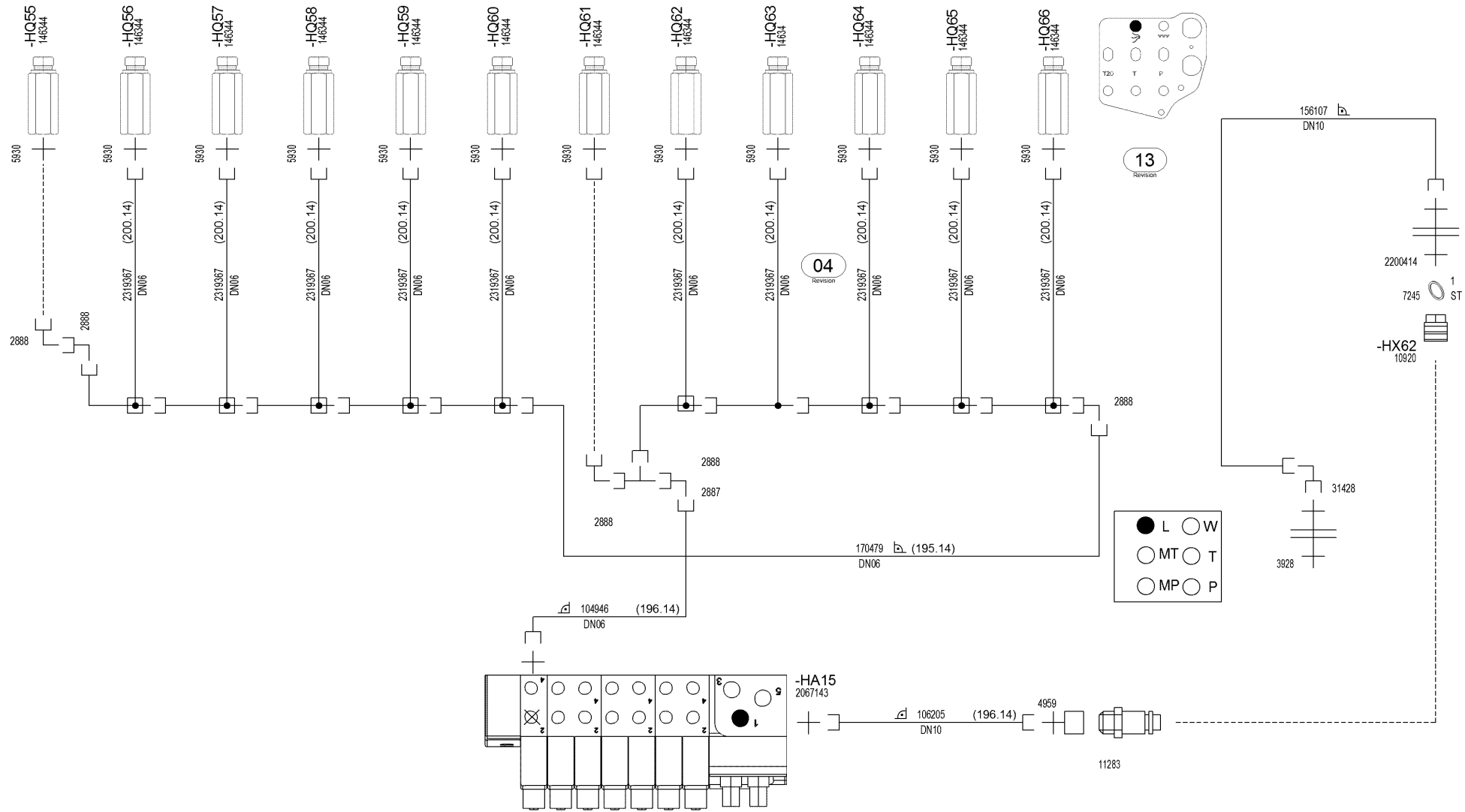
Series code:
06WR

Valid for Serial No.:
 from **0001** to **0092**

Sheet plant:
 Sheet Location:

Einsprühleiste Bitumenwasser
 spraying beam bitumen water

Sheet
52
 of
79 Sheets



Drawing by:	Approved by:	last change:
date 12.01.2014	date 29.05.2019	date
name V. Kröll	name B. Saal	name
E - CAE	Document type:	Function group No.:
	HVP	

Status:
AE = changable
PF = prototype release
SF = serial release

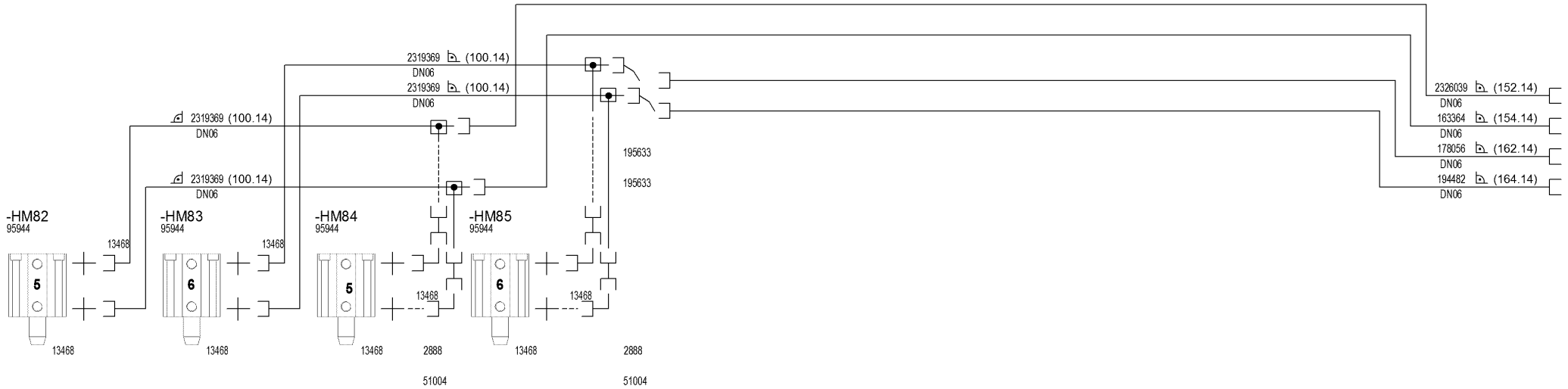
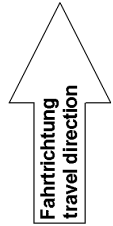
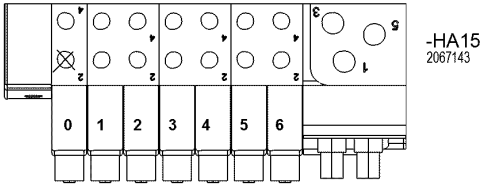
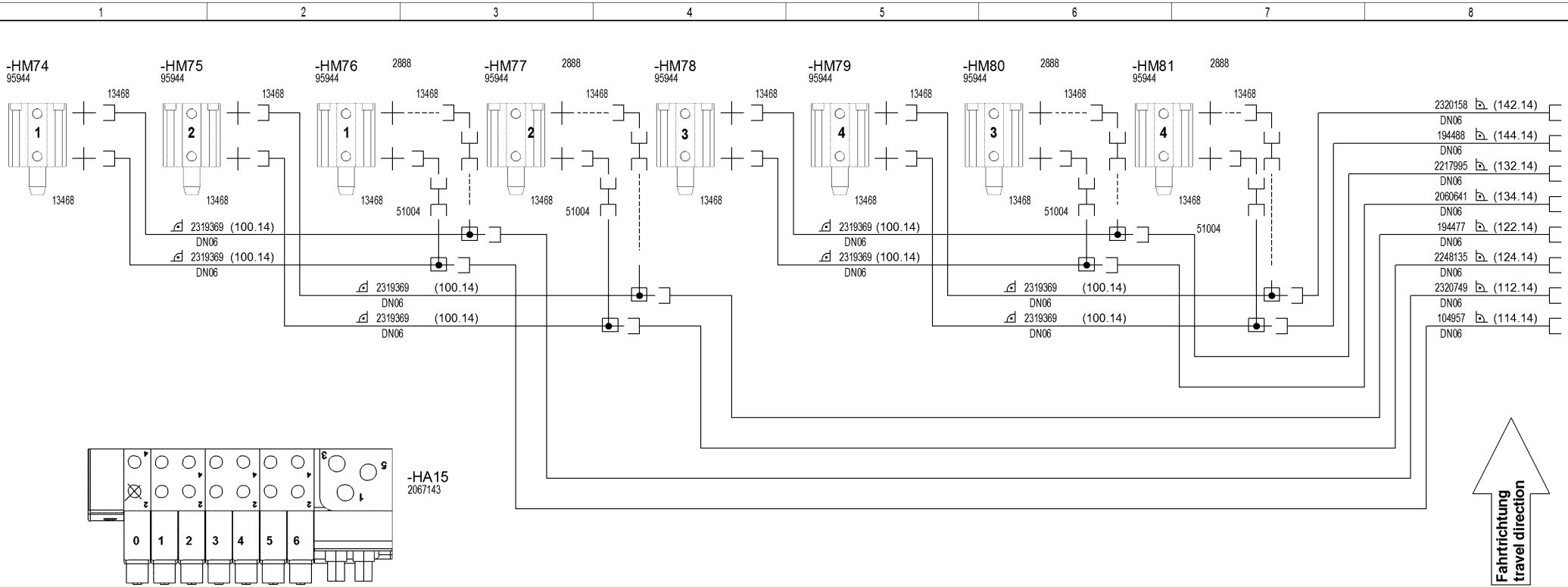
Document No.:
Partial Document No.:
Version No.:



Material No.:	Revision No.:
2283384	14
Series code:	Valid for Serial No.:
06WR	from 0001 to 0092
Sheet plant:	
Sheet Location:	

Einsprühleiste Luft spraying beam air

Sheet
53
of
79
Sheets



Drawing by:	Approved by:	last change:
date 12.01.2014	date 29.05.2019	date
name V. Kröll	name B. Saal	name
E - CAE	Document type: HVP	Function group No.:

Status:
 AE = changable
 PF = prototype release
 SF = serial release

Document No.:
 Partial Document No.:
 Version No.:



Material No.:
2283384

Revision No.:
14

Series code:
06WR

Valid for Serial No.:
 from **0001** to **0092**

Sheet plant:
 Sheet Location:

**Einsprühleiste Bitumen öffnen / schließen
 spraying beam bitumen open / close**

Sheet
54
 of
79 Sheets

1

2

3

4

5

6

7

8

Drawing by:		Approved by:		last change:		Status:		Document No.:		Material No.:		Revision No.:		Sheet:					
date 12.01.2014		date 29.05.2019		date		SF AE = changable PF = prototype release SF = serial release		Partial Document No.:		 WIRTGEN		2283384		14		Reserve reserve		55 of 79 Sheets	
name V. Kröll		name B. Saal		name								Series code:		Valid for Serial No.:					
E - CAE		Document type: HVP		Function group No.:		Version No.:		06WR		from 0001 to 0092		Sheet plant:		Sheet Location:					

1

2

3

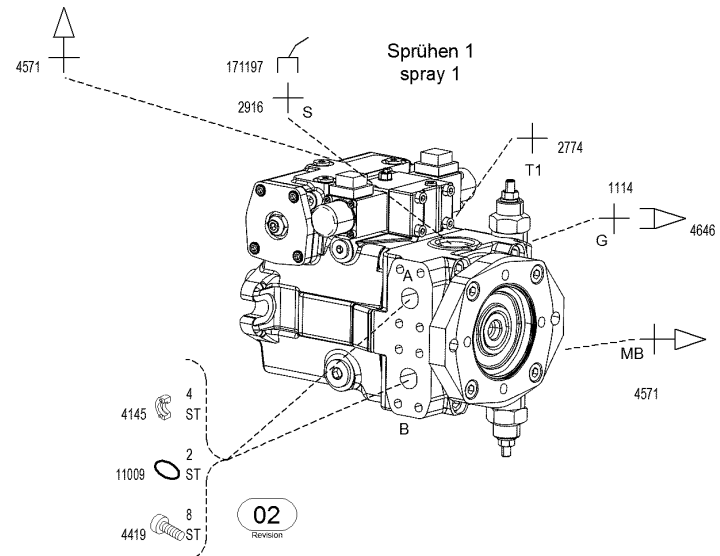
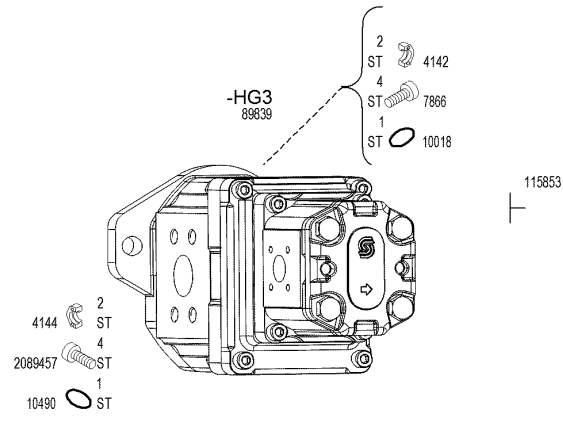
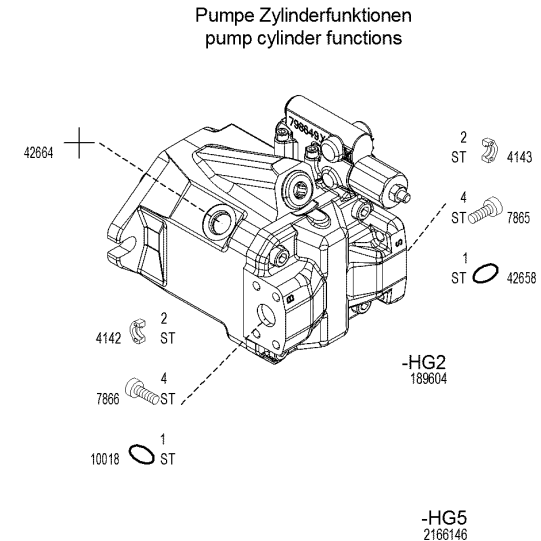
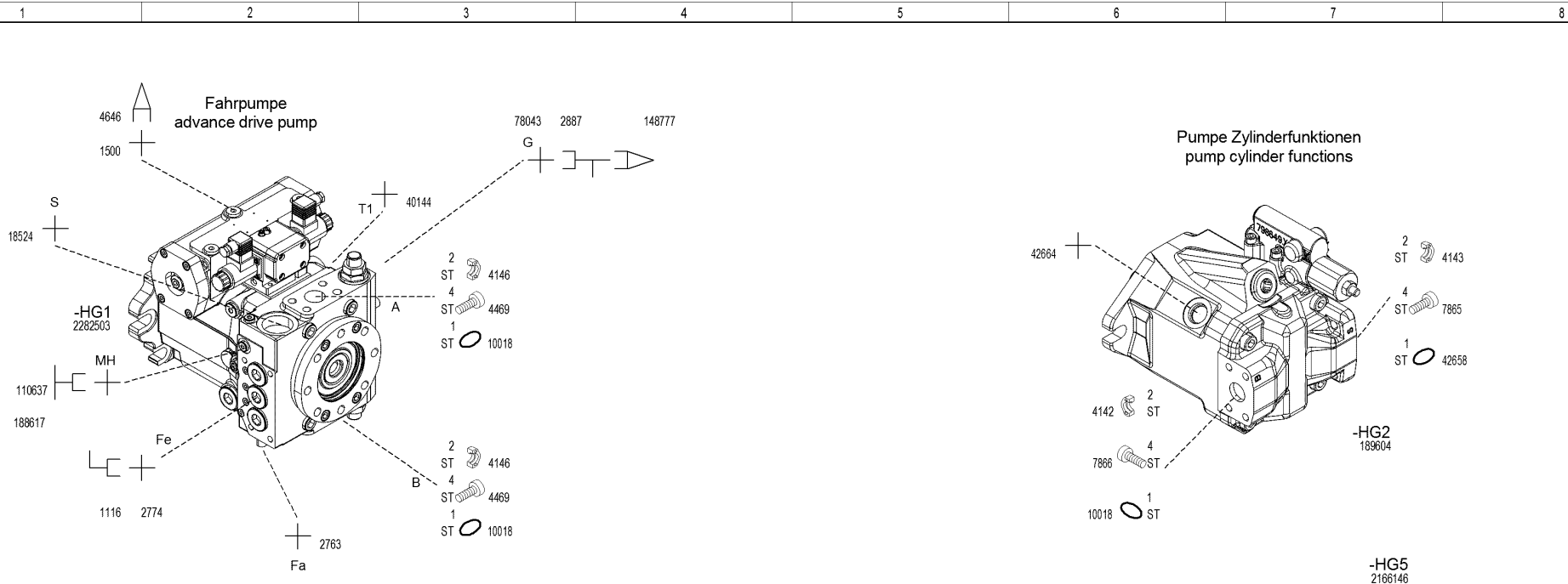
4

5

6

7

8



10
Revision

02
Revision

Drawing by:	Approved by:	last change:
date 12.01.2014	date 29.05.2019	date
name V. Kröll	name B. Saal	name
E - CAE	Document type:	Function group No.:
	HVP	

Status:
 SF AE = changable
 PF = prototype release
 SF = serial release

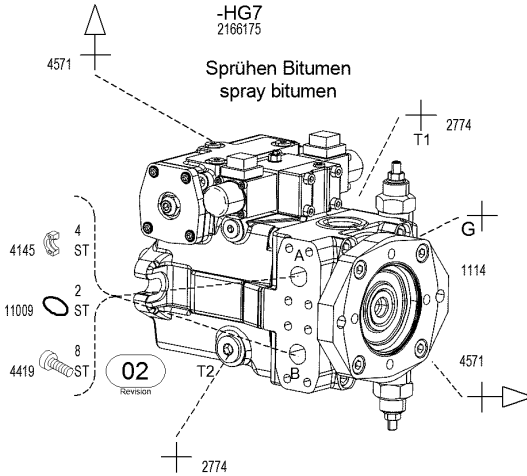
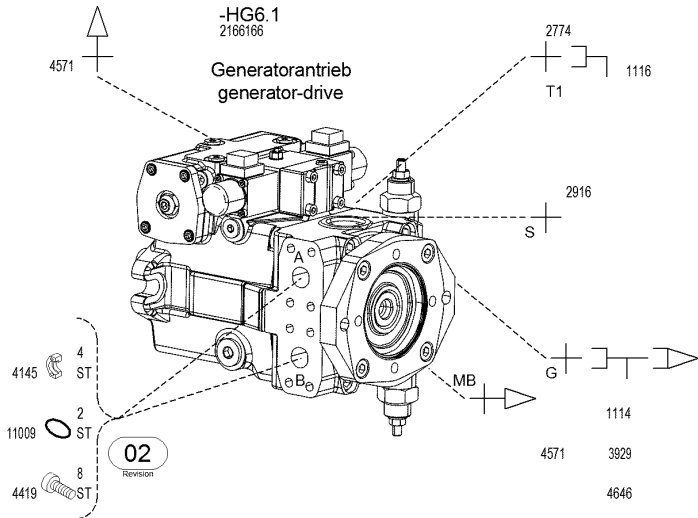
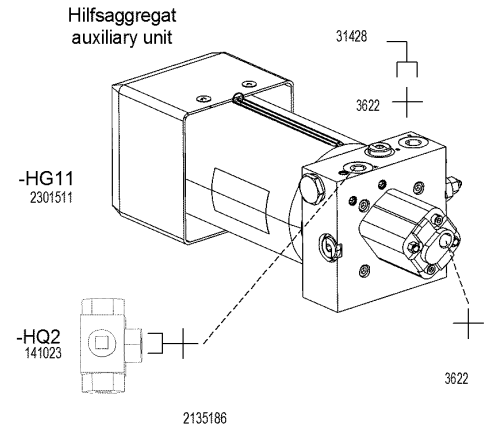
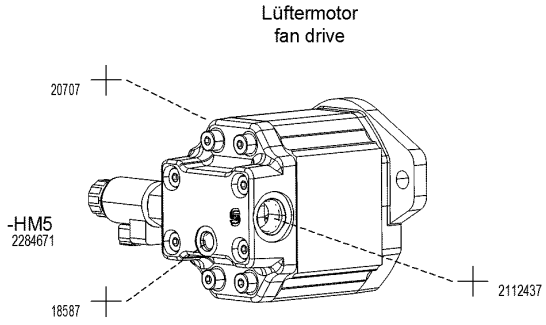
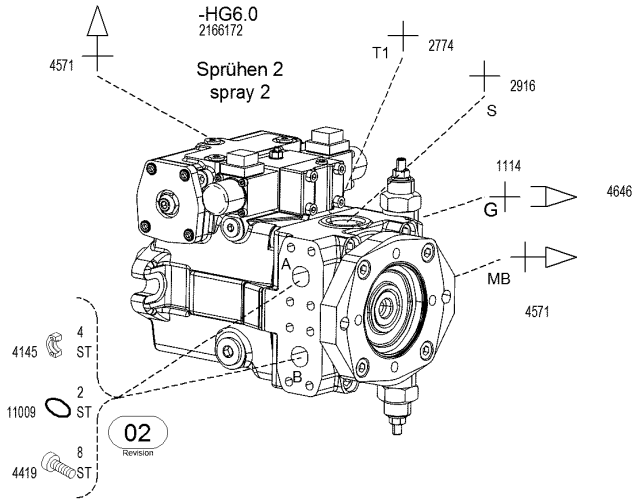
Document No.:
 Partial Document No.:
 Version No.:



Material No.: **2283384** Revision No.: **14**
 Series code: **06WR** Valid for Serial No.:
 from **0001** to **0092**
 Sheet plant:
 Sheet Location:

Vormontage 1
subassembly 1

Sheet **56**
 of **79** Sheets



Drawing by:	Approved by:	last change:
date 12.01.2014	date 29.05.2019	date
name V. Kröll	name B. Saal	name
E - CAE	Document type:	Function group No.:
	HVP	

Status:
 AE = changable
 PF = prototype release
 SF = serial release

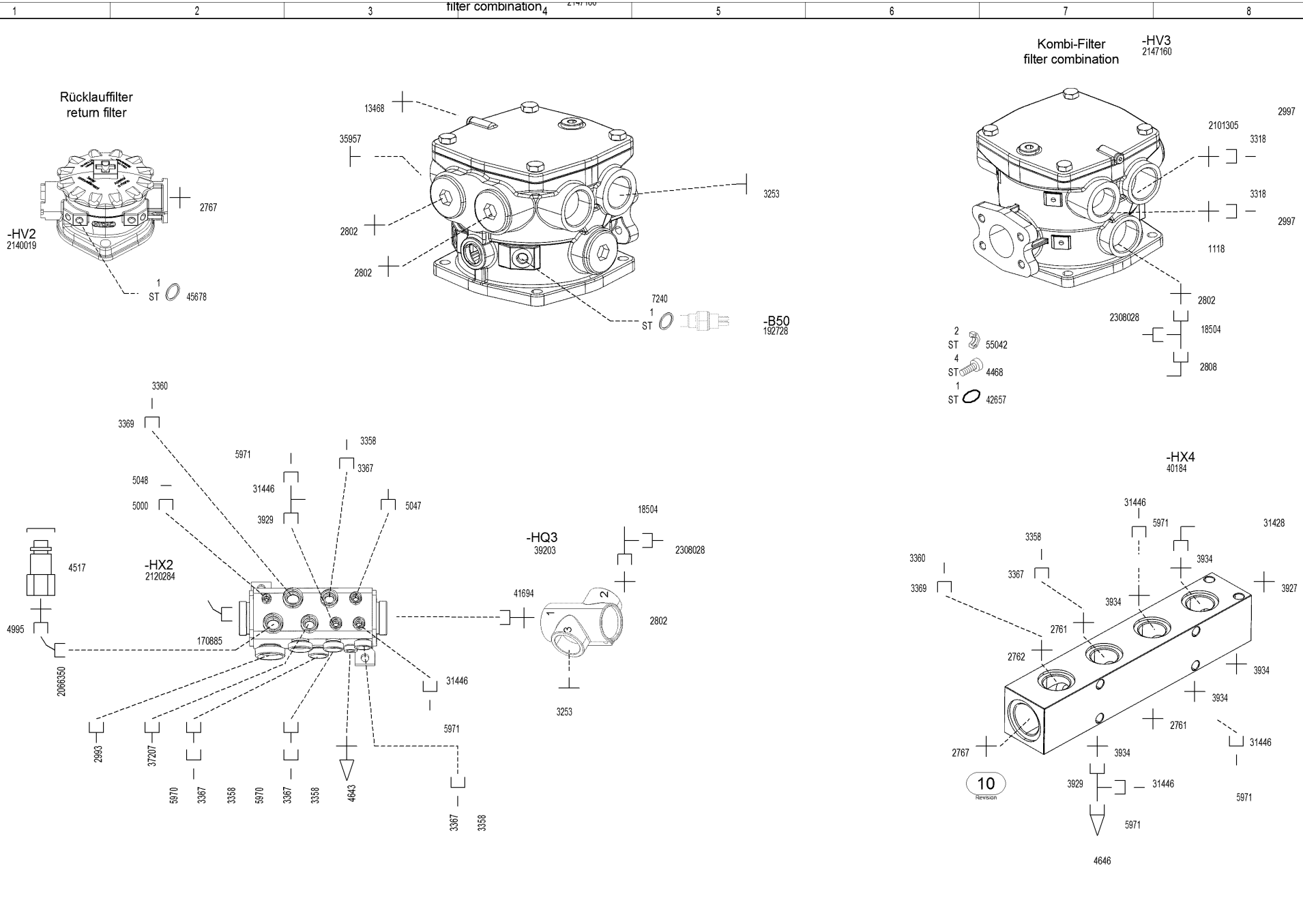
Document No.:
 Partial Document No.:
 Version No.:



Material No.: **2283384**
 Revision No.: **14**
 Series code: **06WR**
 Valid for Serial No.:
 from **0001** to **0092**
 Sheet plant:
 Sheet Location:

Vormontage 2
subassembly 2

Sheet
57
 of
79 Sheets



Drawing by:		Approved by:		last change:	
date	12.01.2014	date	29.05.2019	date	
name	V. Kröll	name	B. Saal	name	
E - CAE		Document type:		Function group No.:	
		HVP			

Status:	AE = changable PF = prototype release SF = serial release
SF	

Document No.:	
Partial Document No.:	
Version No.:	

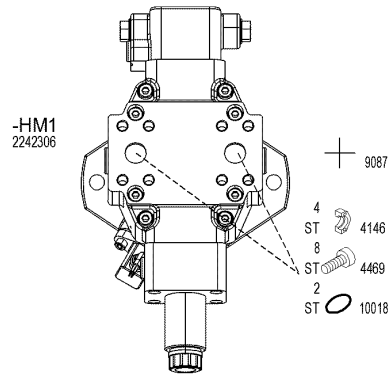


Material No.:	2283384	Revision No.:	14
Series code:	06WR	Valid for Serial No.:	from 0001 to 0092
Sheet plant:			
Sheet Location:			

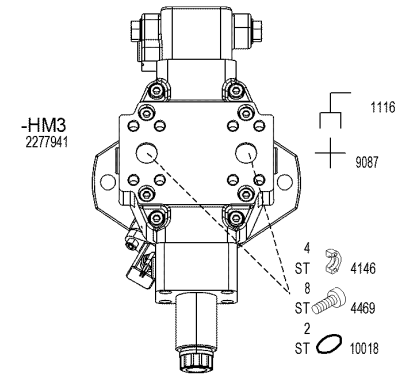
Vormontage 3 subassembly 3	
---------------------------------------	--

Sheet	58
of	79
Sheets	

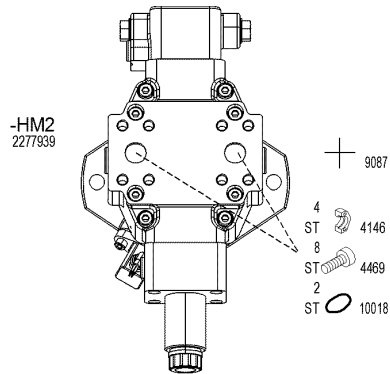
Fahrmotor vorne rechts
advance drive motor front right



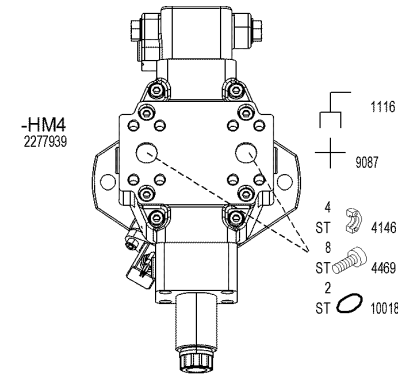
Fahrmotor hinten rechts
advance drive motor rear right



Fahrmotor vorne links
advance drive motor front left



Fahrmotor hinten links
advance drive motor rear left



Drawing by:		Approved by:		last change:	
date	12.01.2014	date	29.05.2019	date	
name	V. Kröll	name	B. Saal	name	
E - CAE		Document type:		Function group No.:	
		HVP			

Status:
AE = changable
PF = prototype release
SF = serial release

SF

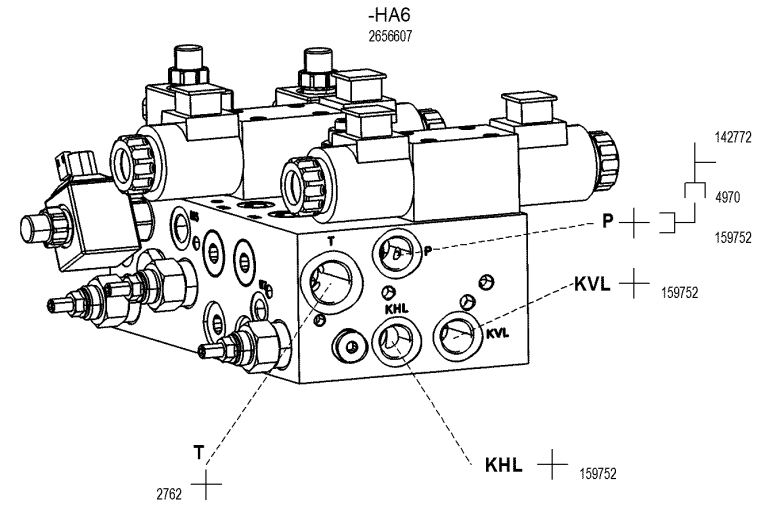
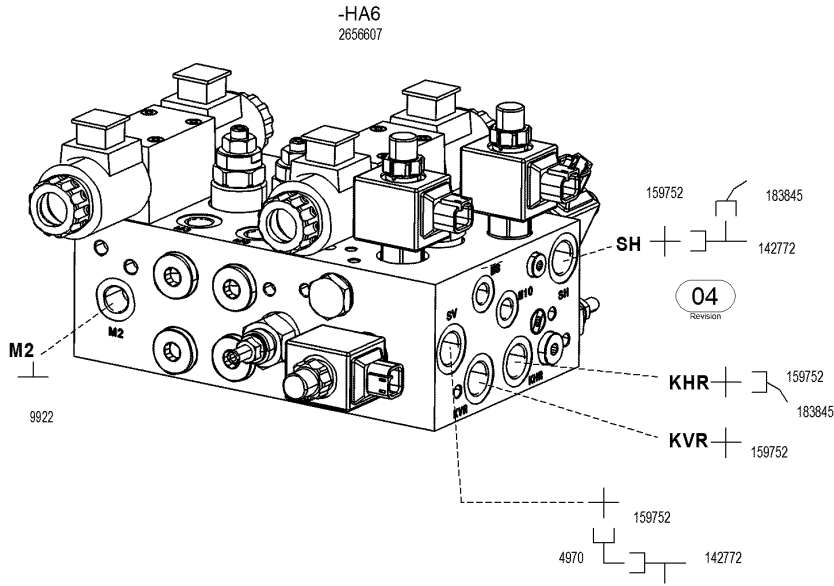
Document No.:
Partial Document No.:
Version No.:



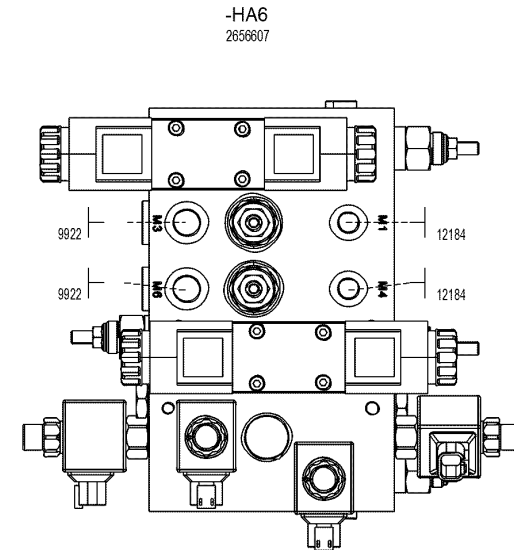
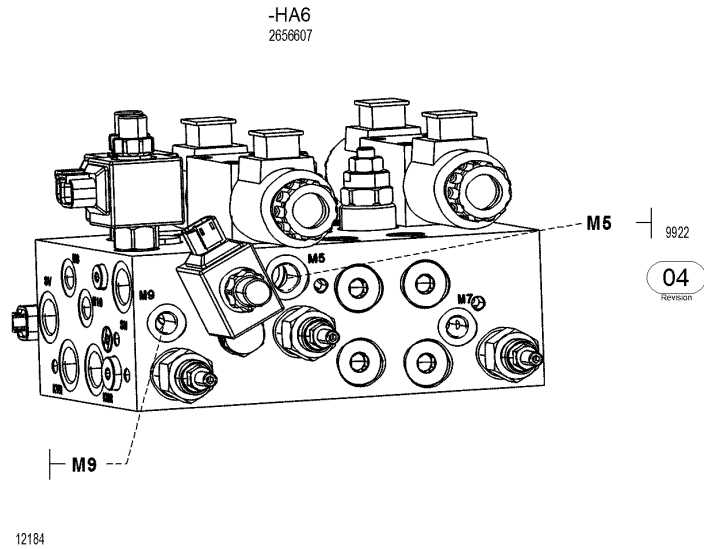
Material No.: 2283384		Revision No.: 14
Series code: 06WR	Valid for Serial No.:	
Sheet plant:	from 0001 to 0092	
Sheet Location:		

Vormontage 4
subassembly 4

Sheet
of
59
79 Sheets



13
Revision



Drawing by:	Approved by:	last change:
date 12.01.2014	date 29.05.2019	date
name V. Kröll	name B. Saal	name
E - CAE	Document type:	Function group No.:
	HVP	

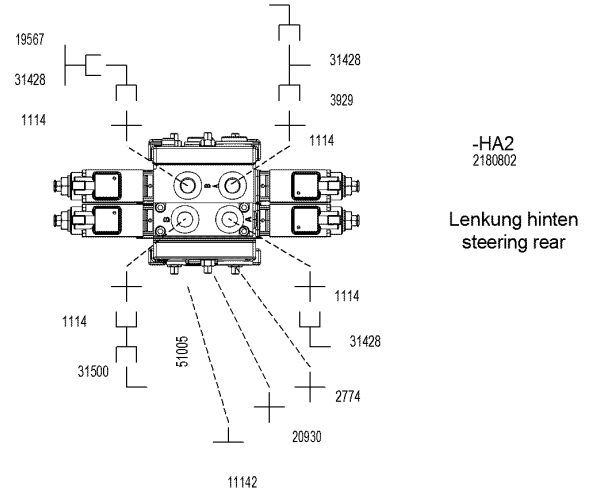
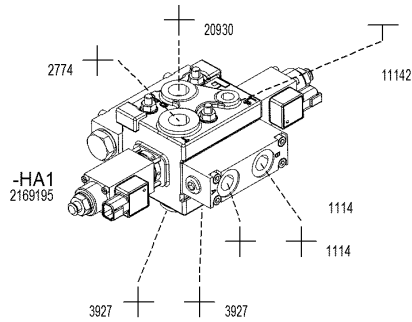
Status:	Document No.:
SF AE = changable	
PF = prototype release	Partial Document No.:
SF = serial release	Version No.:



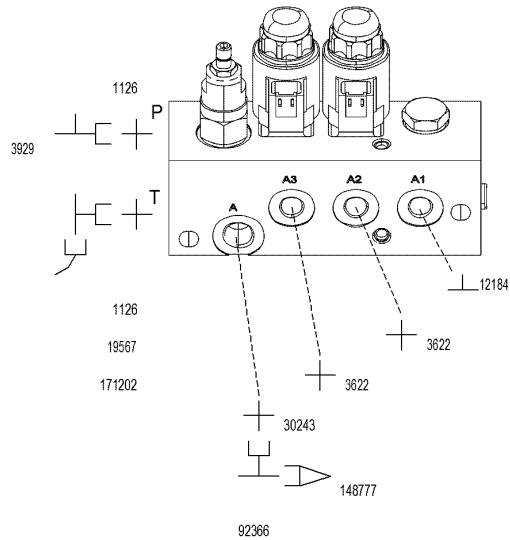
Material No.:	Revision No.:
2283384	14
Series code:	Valid for Serial No.:
06WR	from 0001 to 0092
Sheet plant:	
Sheet Location:	

Vormontage 5
subassembly 5

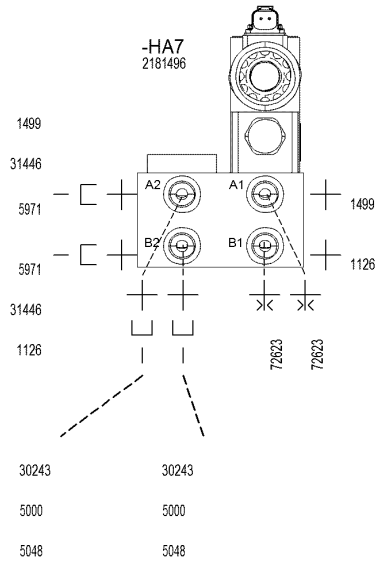
Sheet
60
of
79
Sheets



-HA3
2309065

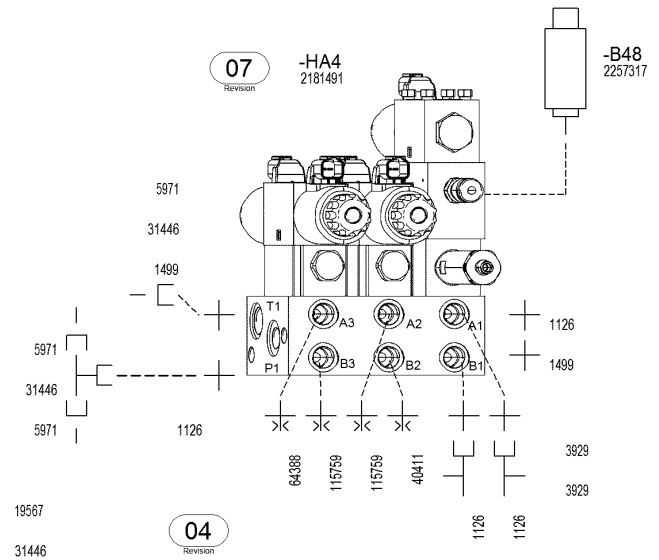


-HA7
2181496



07
Revision

-HA4
2181491



Drawing by:	Approved by:	last change:
date 12.01.2014	date 29.05.2019	date
name V. Kröll	name B. Saal	name
E - CAE	Document type:	Function group No.:
	HVP	

Status:
SF
AE = changable
PF = prototype release
SF = serial release

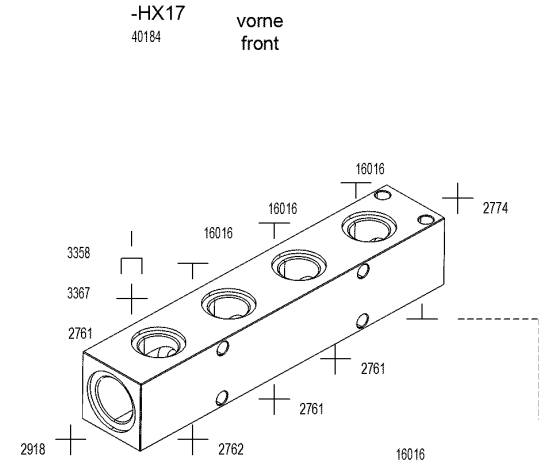
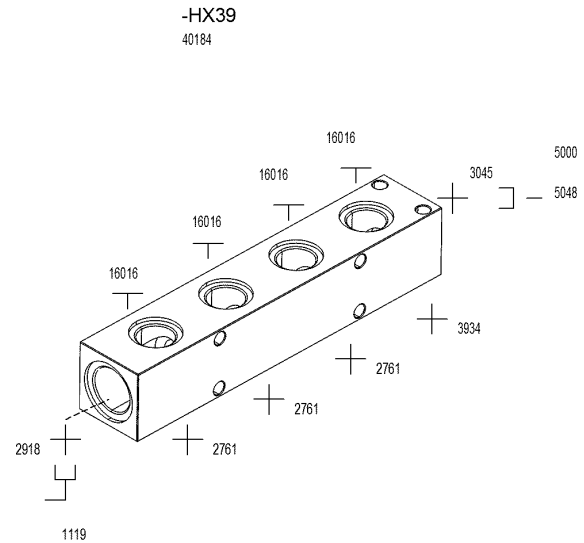
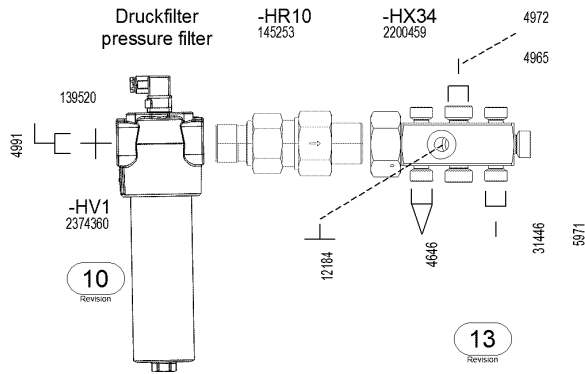
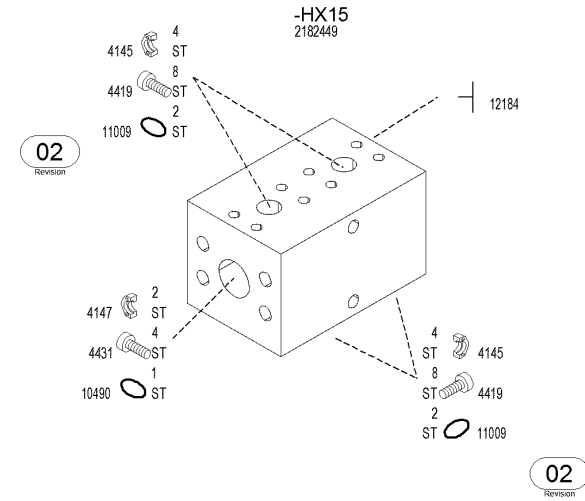
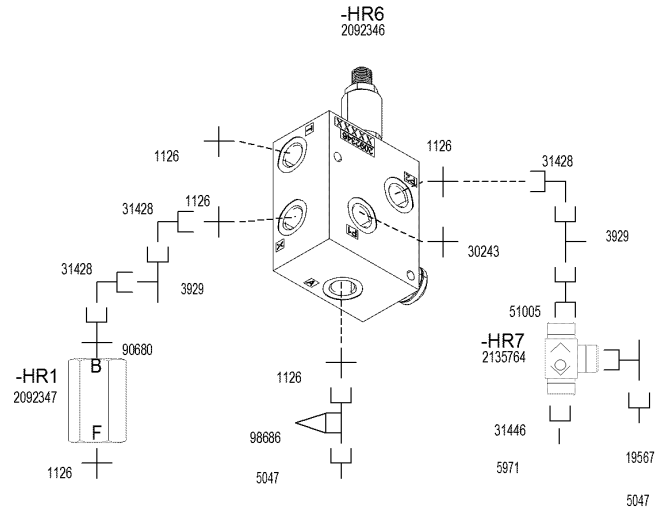
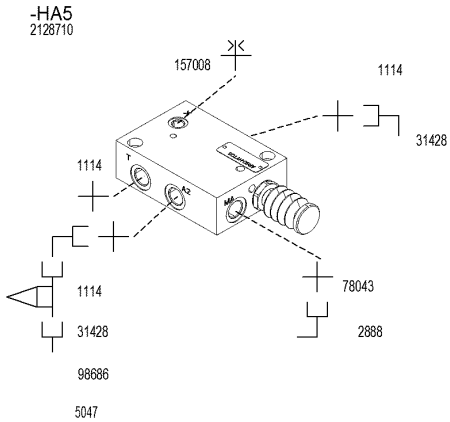
Document No.:
Partial Document No.:
Version No.:



Material No.:	Revision No.:
2283384	14
Series code:	Valid for Serial No.:
06WR	from 0001 to 0092
Sheet plant:	
Sheet Location:	

Vormontage 6
subassembly 6

Sheet
61
of
79
Sheets



Drawing by:	Approved by:	last change:
date 12.01.2014	date 29.05.2019	date
name V. Kröll	name B. Saal	name
E - CAE	Document type:	Function group No.:
	HVP	

Status:
 AE = changable
 PF = prototype release
 SF = serial release

Document No.:
 Partial Document No.:
 Version No.:

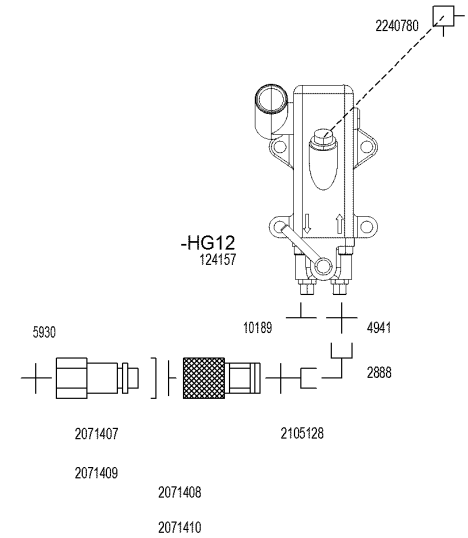
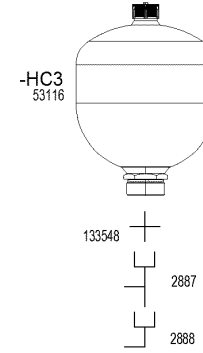
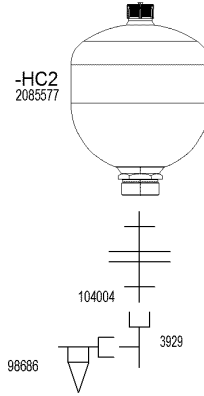
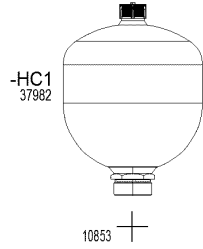
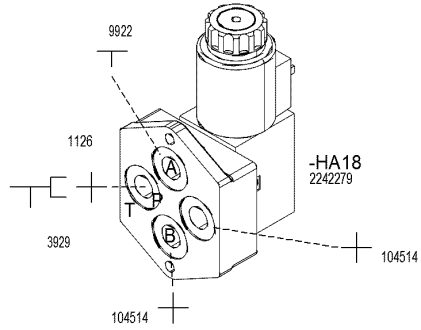


Material No.: 2283384	Revision No.: 14
Series code: 06WR	Valid for Serial No. from 0001 to 0092
Sheet plant: Sheet Location:	

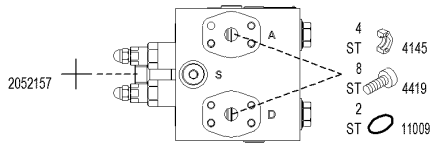
**Vormontage 7
 subassembly 7**

Sheet
62
 of
79 Sheets

Schaltung Mengenteiler
circuit flow divider

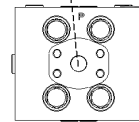


12 -HK5
Revision 2487241

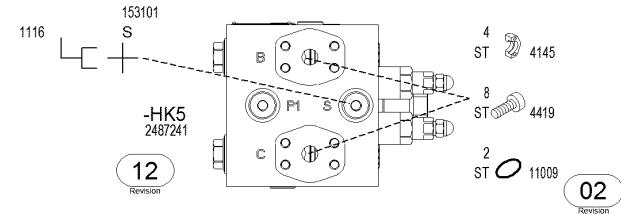


- 2 ST 4147
- 4 ST 4431
- 1 ST 10490

02
Revision

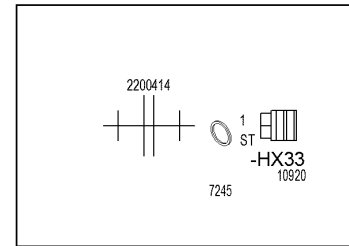
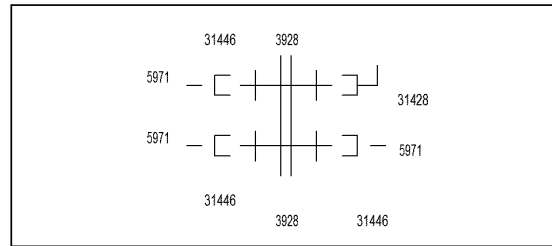
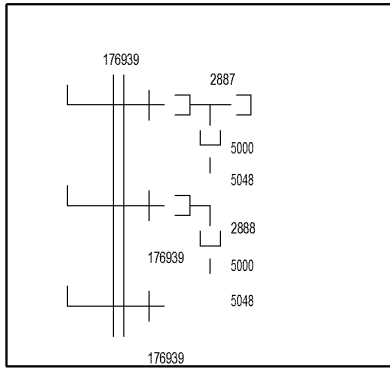


12
Revision



12
Revision

02
Revision



Drawing by:	Approved by:	last change:
date 12.01.2014	date 29.05.2019	date
name V. Kröll	name B. Saal	name
E - CAE	Document type:	Function group No.:
	HVP	

Status:
AE = changable
PF = prototype release
SF = serial release

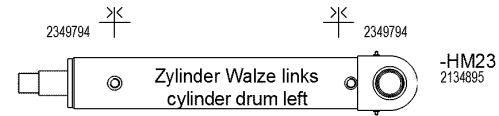
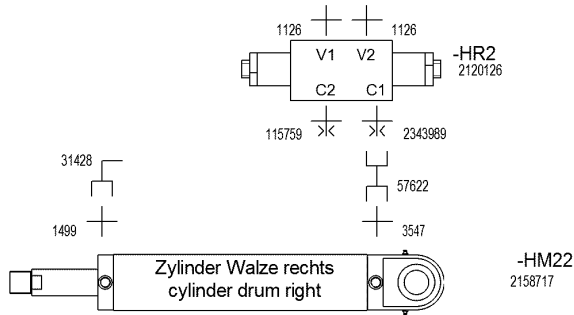
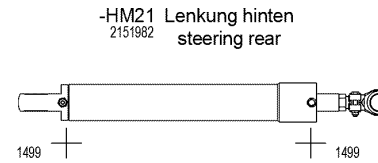
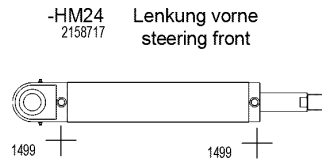
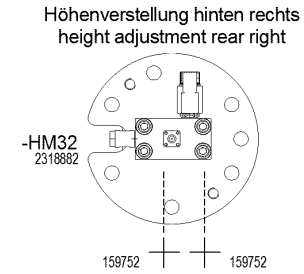
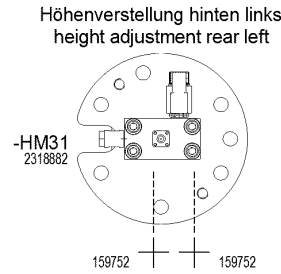
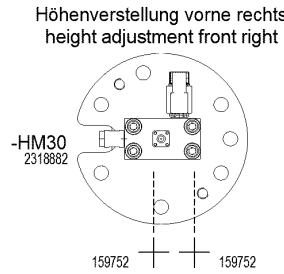
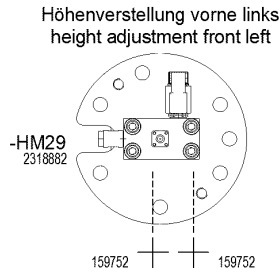
Document No.:
Partial Document No.:
Version No.:



Material No.: **2283384** Revision No.: **14**
Series code: **06WR** Valid for Serial No.:
Sheet plant: from **0001** to **0092**
Sheet Location:

Vormontage 8
subassembly 8

Sheet: **63**
of **79** Sheets



Drawing by:	Approved by:	last change:
date 12.01.2014	date 29.05.2019	date
name V. Kröll	name B. Saal	name
E - CAE	Document type:	Function group No.:
	HVP	

Status:
 AE = changable
 PF = prototype release
 SF = serial release

Document No.:
 Partial Document No.:
 Version No.:

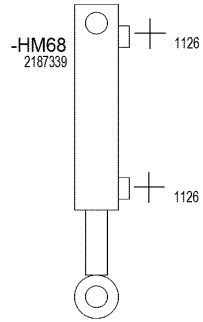


Material No.: 2283384	Revision No.: 14
Series code: 06WR	Valid for Serial No. from 0001 to 0092
Sheet plant: Sheet Location:	

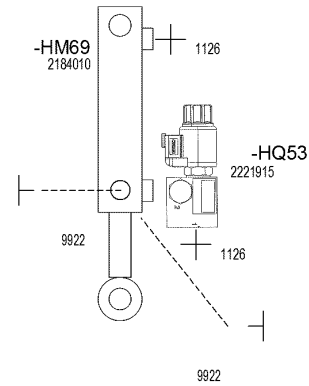
Vormontage 9
subassembly 9

Sheet
of
64
of
79 Sheets

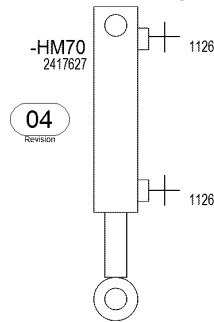
Walzenklappe hinten rechts
drum door rear right



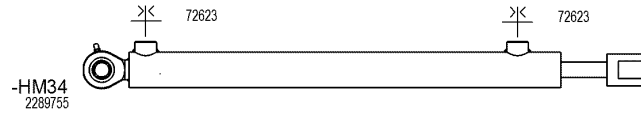
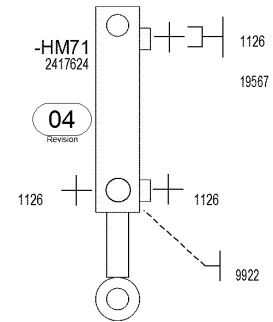
Walzenklappe hinten links
drum door rear left



Walzenklappe vorne rechts
drum door front right



Walzenklappe vorne links
drum door front left



Kabine verschieben
cabin traversing

Drawing by:		Approved by:		last change:	
date	12.01.2014	date	29.05.2019	date	
name	V. Kröll	name	B. Saal	name	
E - CAE		Document type:		Function group No.:	
		HVP			

Status:
 AE = changable
 PF = prototype release
 SF = serial release

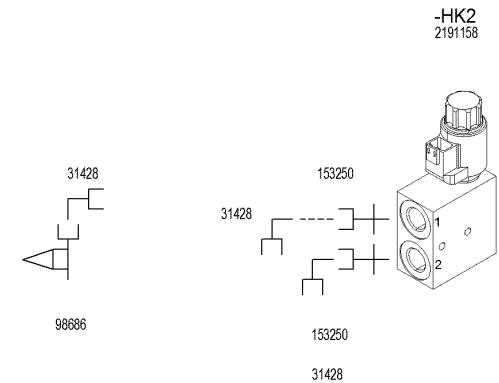
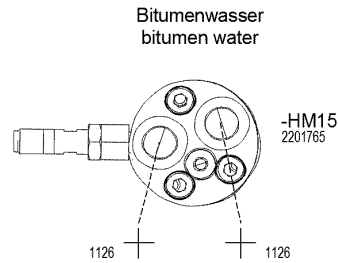
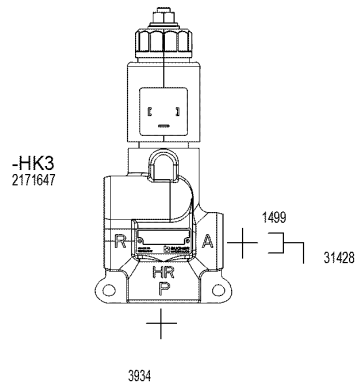
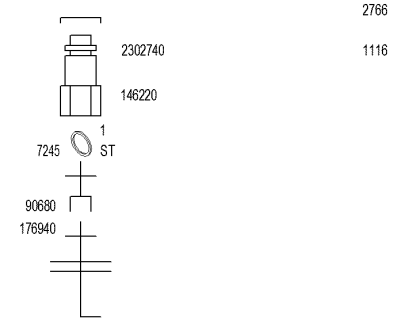
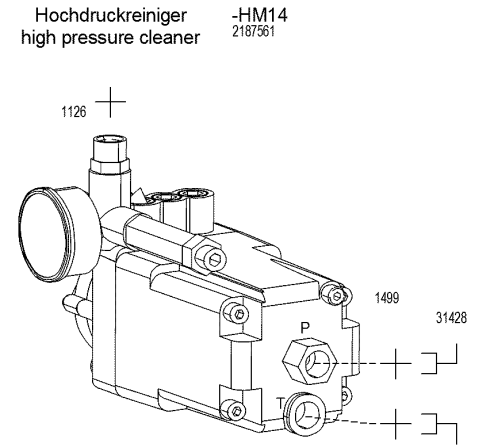
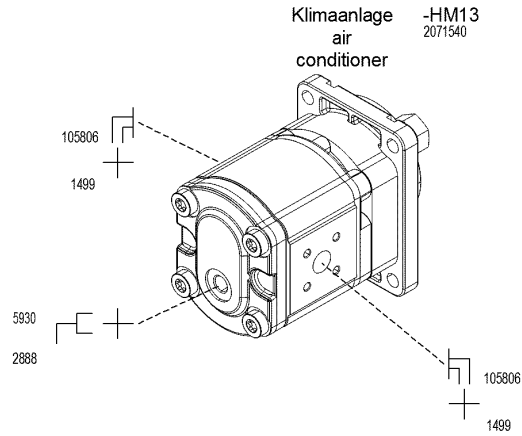
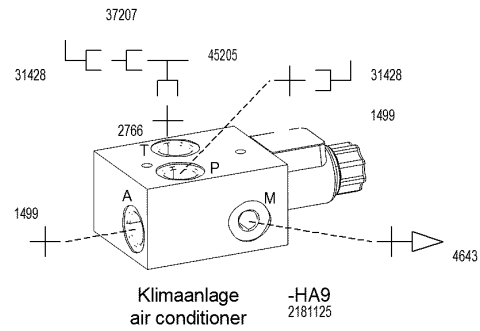
Document No.:
 Partial Document No.:
 Version No.:



Material No.:		Revision No.:	
2283384		14	
Series code:	Valid for Serial No.:		
06WR	from 0001 to 0092		
Sheet plant:			
Sheet Location:			

Vormontage 10
subassembly 10

Sheet
65
 of
79 Sheets



Drawing by:	Approved by:	last change:
date 12.01.2014	date 29.05.2019	date
name V. Kröll	name B. Saal	name
E - CAE	Document type:	Function group No.:
	HVP	

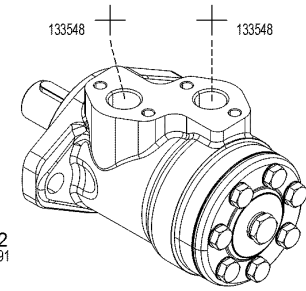
Status:	Document No.:
SF	
AE = changable	Partial Document No.:
PF = prototype release	
SF = serial release	Version No.:



Material No.:	Revision No.:
2283384	14
Series code:	Valid for Serial No.:
06WR	from 0001 to 0092
Sheet plant:	
Sheet Location:	

Vormontage 11
subassembly 11

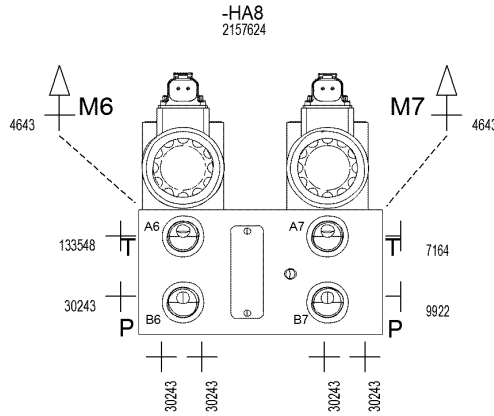
Sheet
66
of
79 Sheets



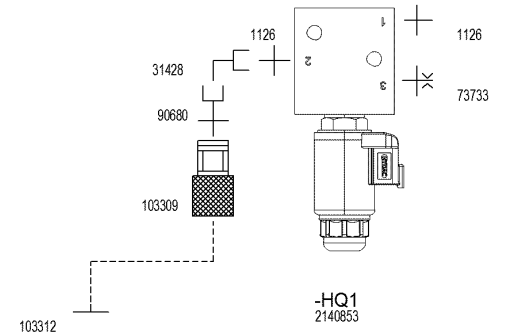
-HM12
2628391

11
Revision

Walzendrehvorrichtung
drum turning device



01
Revision



Drawing by:	Approved by:	last change:
date 12.01.2014	date 29.05.2019	date
name V. Kröll	name B. Saal	name
E - CAE	Document type:	Function group No.:
	HVP	

Status:
 AE = changable
 PF = prototype release
 SF = serial release

Document No.:
 Partial Document No.:
 Version No.:



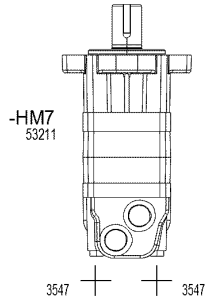
Material No.: 2283384
Revision No.: 14
Series code: 06WR
Valid for Serial No.: from 0001 to 0092
Sheet plant:
Sheet Location:

Vormontage 12
 subassembly 12

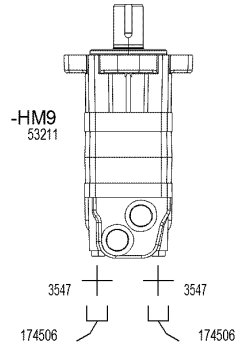
Sheet
67
 of
79 Sheets

1 2 3 4 5 6 7 8

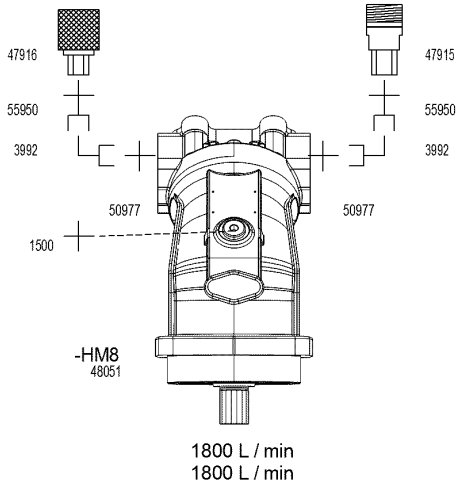
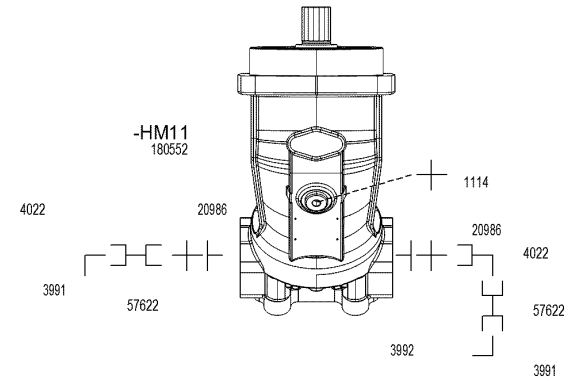
Sprühen 1
spray 1



Sprühen 2
spray 2

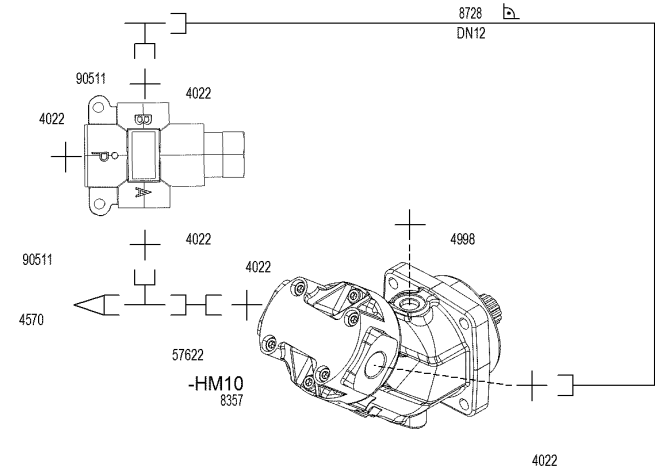


-HM11
180552



02
Revision

-HK4
134017



Drawing by:	Approved by:	last change:
date 12.01.2014	date 29.05.2019	date
name V. Kröll	name B. Saal	name
E - CAE	Document type:	Function group No.:
	HVP	

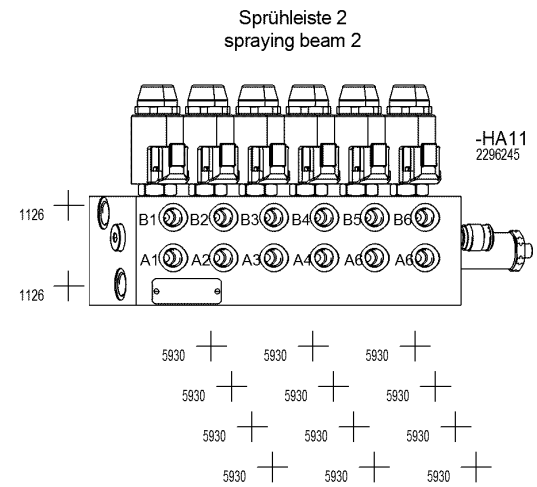
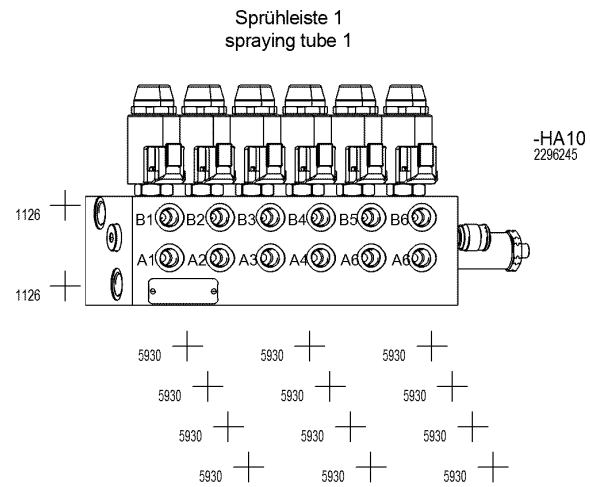
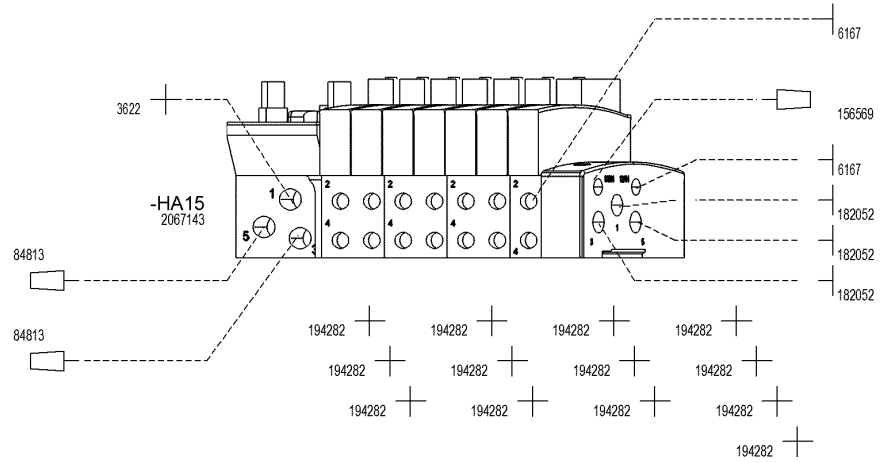
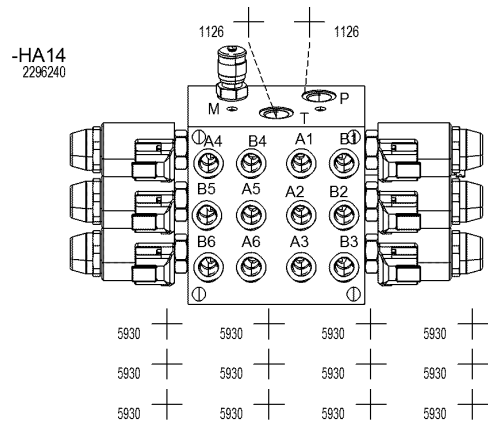
Status:	Document No.:
SF	
AE = changable	Material No.:
PF = prototype release	2283384
SF = serial release	Revision No.:
	14
Partial Document No.:	Series code:
	06WR
Version No.:	Valid for Serial No.:
	from 0001 to 0092
	Sheet plant:
	Sheet Location:



Vormontage 13	
subassembly 13	

Sheet	68
of	79
Sheets	

1 2 3 4 5 6 7 8



Drawing by:	Approved by:	last change:
date 12.01.2014	date 29.05.2019	date
name V. Kröll	name B. Saal	name
E - CAE	Document type:	Function group No.:
	HVP	

Status:
SF
AE = changable
PF = prototype release
SF = serial release

Document No.:
Partial Document No.:
Version No.:



Material No.: 2283384	Revision No.: 14
Series code: 06WR	Valid for Serial No. from 0001 to 0092
Sheet plant: Sheet Location:	

Vormontage 14
subassembly 14

Sheet
of
69
of
79 Sheets

Schlauchpaket 1 Motorstation #2305860
hose package 1 engine station #2305860

Schlauchpaket 2 Chassis vorne #2313034
hose package 2 chassis front #2313034

Schlauchpaket 3 Chassis hinten #2313032
hose package 3 chassis rear #2313032

Schlauchpaket 4 Fahrmotore #2305901
hose package 4 drive motors #2305901

Schlauchpaket 5 Fräsaggregat #2316269
hose package 5 milling drum unit #2316269

Schlauchpaket 6 #2307276
hose package 6 #2307276

Schlauchpaket 9 ; #2307277
hose package 9 ; #2307277

Schlauchpaket 12 Riemenkasten #2325777
hose package 12 drive belt cover #2325777

Schlauchpaket 13 Emulsion Leiste #2314748
hose package 13 emulsion strip #2314748

Schlauchpaket 14 Bitumen Leiste #2319273
hose package 14 bitumen strip #2319273

Schlauchpaket 15 Bitumen Chassis #2311316
hose package 15 bitumen chassis #2311316

Schlauchpaket 17 Walzendrehvorrichtung #2326353
hose package 17 drum turning device #2326353

Drawing by:		Approved by:		last change:	
date	12.01.2014	date	29.05.2019	date	
name	V. Kröll	name	B. Saal	name	
E - CAE		Document type:		Function group No.:	
		HVP			

Status:
AE = changable
PF = prototype release
SF = serial release

Document No.:
Partial Document No.:
Version No.:

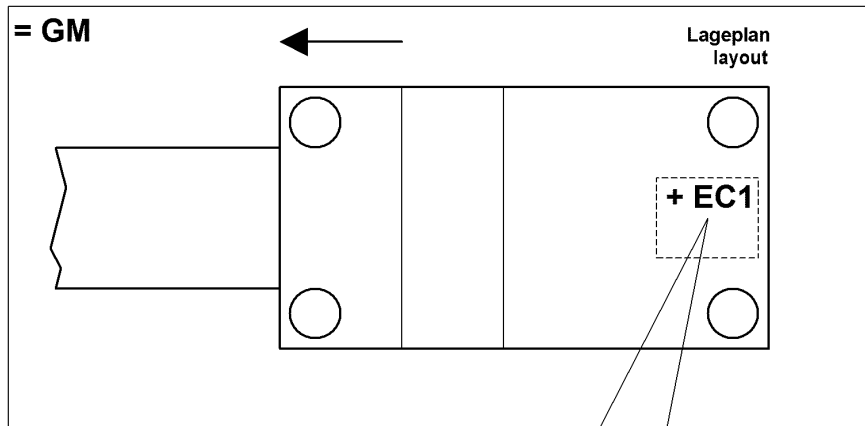
 **WIRTGEN**

Material No.: 2283384		Revision No.: 14
Series code: 06WR	Valid for Serial No.: from 0001 to 0092	
Sheet plant:		
Sheet Location:		

Schlauchpaket
hose package

Sheet
70
of
79 Sheets

Aufbau Betriebsmittelkennzeichen / device designation configuration

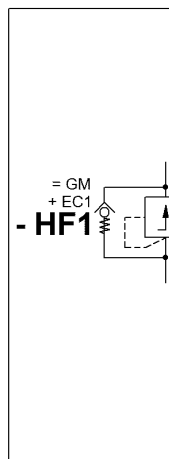


= Anlagenkennzeichen
plant designation

+ Ortskennzeichen
location designation

- Art / Zählnummer
type / number

Geräteanschlussbezeichnung
connection designation



Drawing by:	Approved by:	last change:
date 12.01.2014	date 29.05.2019	date
name V. Kröll	name B. Saal	name
E - CAE	Document type: HVP	Function group No.:

Status:
 AE = changable
 PF = prototype release
 SF = serial release

Document No.:
 Partial Document No.:
 Version No.:

W WIRTGEN

Material No.: 2283384	Revision No.: 14
Series code: 06WR	Valid for Serial No.: from 0001 to 0092
Sheet plant: Sheet Location:	

Erklärung Aufbau Betriebsmittelkennzeichen
Explanation device designation layout

Sheet
71
 of
79 Sheets

Gerätekenbuchstaben, hydraulisch (beispielhaft) / device code letter, hydraulic (exemplified)

<u>Gerätekenbuchstabe / device code letter</u>	<u>Deutsch</u>	<u>English</u>	<u>Gerätekenbuchstabe / device code letter</u>	<u>Deutsch</u>	<u>English</u>
- HA	Ventilblock	valve-block	- HP	Manometer	pressure gauge
- HB	Durchflussmesser Durchflusswächter Druckschalter hydraulisch	flow measuring device flow controller hydraulic pressure switch	- HQ	Bremsventil Kugelhahn Lenkeinheit Wegeventil	braking valve ball valve steering unit direction control valve
- HC	Speicher	accumulator	- HR	Drosselventil Drosselrückschlagventil Druckreduzierventil Lasthalteventil Rückschlagventil	throttle valve throttle check valve pressure reduction valve counter balance valve check valve
- HE	Kühler	cooler	- HT	Getriebe	gearbox
- HF	Druckbegrenzungsventil	pressure limiting valve	- HV	Hydraulikfilter	hydraulic filter
- HG	Hydraulikpumpe	hydraulic pump	- HX	Abdeckplatten Reihenflanschplatte Schnellkupplung	cover plates manifold plate quick-action coupling
- HK	Mengenteiler Prioritätsventil Stromregelventil	flow divider priority valve flow control valve	- Ma	Ventil Magnetspule a	valve coil a
- HM	Hydraulikmotor Hydraulikzylinder	hydraulic motor hydraulic cylinder	- Mb	Ventil Magnetspule b	valve coil b

Drawing by:	Approved by:	last change:
date 12.01.2014	date 29.05.2019	date
name V. Kröll	name B. Saal	name
E - CAE	Document type: HVP	Function group No.:

Status:
SF AE = changable
 PF = prototype release
 SF = serial release

Document No.:
 Partial Document No.:
 Version No.:

 **WIRTGEN**

Material No.:
2283384

Revision No.:
14

Series code:
06WR

Valid for Serial No.:
 from **0001** to **0092**

Sheet plant:
 Sheet Location:

Erklärung Gerätekenbuchstaben, hydraulisch
 Explanation device code letter, hydraulic

Sheet
72
 of
79 Sheets

Linienformate / line formats			Leitungsbezeichnungen / line designations		
<u>Linienart / line type</u>	<u>Linienstärke / Grafik / line thickness / graphic</u>	<u>Bedeutung / standing</u>	<u>Abkürzungen Leitungsbezeichnungen / line designation abbreviations</u>	<u>Deutsch</u>	<u>English</u>
Vollinie / solid line	0,25mm	Standard, Druckleitung, Tankleitung / standard, pressure line, tank line	P	Druckleitung	pressure line
			T	Tankleitung, Rücklaufleitung	tank line, return line
Strichpunktlinie / dash-dotted line	0,5mm	Bauteilumrandung / component border	S	Saugleitung	suction line
			L	Leckölleitung	leakage line
Strichlinie / dashed line	0,25mm	Steuerleitung, Lecköl / control line, leakage oil	X	Steuerleitung	control line
			LS	Load Sensing Leitung	load sensing line

Drawing by:	Approved by:	last change:
date 12.01.2014	date 29.05.2019	date
name V. Kröll	name B. Saal	name
E - CAE	Document type: HVP	Function group No.:

Status:	Document No.:
SF	AE = changable
	PF = prototype release
	SF = serial release
	Partial Document No.:
	Version No.:



Material No.: 2283384	Revision No.: 14
Series code: 06WR	Valid for Serial No.: from 0001 to 0092
Sheet plant:	
Sheet Location:	

Erklärung Linienformate, Leitungsbezeichnungen
Explanation line formats, line designations

Sheet
73
of
79
Sheets

Betriebsmittelkennzeichen / Device designation	Blatt / Sheet	Betriebsmittelkennzeichen / Device designation	Blatt / Sheet	Betriebsmittelkennzeichen / Device designation	Blatt / Sheet
-B48	/18.7	-HA7	/26.8	-HF1	/32.6
-B48	/61.8	-HA7	/61.4	-HG1	/6.5
-B49	/9.4	-HA8	/28.5	-HG1	/7.3
-B50	/58.5	-HA8	/67.4	-HG1	/8.2
-B52	/36.6	-HA9	/27.7	-HG1	/9.5
-HA1	/14.1	-HA9	/66.2	-HG1	/11.6
-HA1	/16.5	-HA10	/44.7	-HG1	/56.2
-HA1	/61.2	-HA10	/69.2	-HG2	/6.5
-HA2	/14.7	-HA11	/45.7	-HG2	/7.1
-HA2	/17.6	-HA11	/69.6	-HG2	/8.1
-HA2	/61.7	-HA14	/51.8	-HG2	/14.5
-HA3	/12.5	-HA14	/69.2	-HG2	/56.6
-HA3	/61.2	-HA15	/53.5	-HG3	/6.6
-HA4	/14.5	-HA15	/54.2	-HG3	/7.5
-HA4	/18.6	-HA15	/69.6	-HG3	/8.6
-HA4	/46.1	-HA17	/46.2	-HG3	/19.4
-HA4	/61.7	-HA18	/11.2	-HG3	/27.1
-HA5	/11.8	-HA18	/12.3	-HG3	/56.2
-HA5	/12.7	-HA18	/63.1	-HG5	/6.6
-HA5	/62.1	-HB5	/36.3	-HG5	/22.6
-HA6	/14.3	-HC1	/9.6	-HG5	/56.6
-HA6	/15.4	-HC1	/63.3	-HG6.0	/6.6
-HA6	/60.1	-HC2	/12.1	-HG6.0	/23.4
-HA6	/60.2	-HC2	/13.2	-HG6.0	/57.2
-HA6	/60.6	-HC2	/63.5	-HG6.1	/6.6
-HA6	/60.7	-HC3	/13.1	-HG6.1	/24.8
-HA7	/14.3	-HC3	/63.6	-HG6.1	/25.1
-HA7	/16.1	-HE2	/21.6	-HG6.1	/57.2

Drawing by:	Approved by:	last change:
date 12.01.2014	date 29.05.2019	date
name V. Kröll	name B. Saal	name
E - CAE	Document type: HVP	Function group No.:

Status:
 AE = changable
 PF = prototype release
 SF = serial release

Document No.:
 Partial Document No.:
 Version No.:



Material No.: **2283384** Revision No.: **14**
 Series code: **06WR** Valid for Serial No.:
 from **0001** to **0092**
 Sheet plant:
 Sheet Location:

Betriebsmittelliste
 Device list

Sheet
74
 of
79 Sheets

Betriebsmittelkennzeichen / Device designation	Blatt / Sheet	Betriebsmittelkennzeichen / Device designation	Blatt / Sheet	Betriebsmittelkennzeichen / Device designation	Blatt / Sheet
-HG7	/6.6	-HM4	/6.7	-HM22	/64.2
-HG7	/25.3	-HM4	/10.8	-HM23	/6.7
-HG7	/57.6	-HM4	/59.6	-HM23	/17.3
-HG11	/30.5	-HM5	/19.6	-HM23	/64.6
-HG11	/57.8	-HM5	/57.5	-HM24	/16.8
-HG12	/12.1	-HM7	/22.1	-HM24	/42.5
-HG12	/63.8	-HM7	/68.2	-HM24	/64.3
-HG13	/32.6	-HM8	/22.1	-HM25	/13.4
-HK2	/29.1	-HM8	/68.2	-HM26	/13.3
-HK2	/66.8	-HM9	/23.8	-HM29	/5.4
-HK3	/26.2	-HM9	/68.5	-HM29	/15.1
-HK3	/66.2	-HM10	/24.1	-HM29	/64.2
-HK4	/24.2	-HM10	/68.7	-HM30	/5.8
-HK4	/68.6	-HM11	/25.7	-HM30	/15.8
-HK5	/9.5	-HM11	/68.7	-HM30	/64.3
-HK5	/11.2	-HM12	/28.3	-HM31	/5.2
-HK5	/63.2	-HM12	/67.2	-HM31	/15.1
-HK5	/63.5	-HM13	/27.7	-HM31	/64.5
-HK5	/63.7	-HM13	/66.5	-HM32	/5.3
-HM1	/5.7	-HM14	/29.2	-HM32	/15.8
-HM1	/10.1	-HM14	/66.8	-HM32	/64.7
-HM1	/59.2	-HM15	/26.5	-HM33	/28.6
-HM2	/6.5	-HM15	/66.5	-HM34	/6.1
-HM2	/10.1	-HM21	/5.5	-HM34	/16.2
-HM2	/59.2	-HM21	/17.3	-HM34	/65.4
-HM3	/5.4	-HM21	/64.6	-HM35	/16.4
-HM3	/10.8	-HM22	/5.5	-HM40	/44.3
-HM3	/59.6	-HM22	/17.2	-HM41	/44.2

Drawing by:	Approved by:	last change:
date 12.01.2014	date 29.05.2019	date
name V. Kröll	name B. Saal	name
E - CAE	Document type: HVP	Function group No.:

Status:
 AE = changable
 PF = prototype release
 SF = serial release

Document No.:
 Partial Document No.:
 Version No.:



Material No.: **2283384** Revision No.: **14**
 Series code: **06WR** Valid for Serial No.:
 from **0001** to **0092**
 Sheet plant:
 Sheet Location:

Betriebsmittelliste
 Device list

Sheet
75
 of
79 Sheets

Betriebsmittelkennzeichen / Device designation	Blatt / Sheet	Betriebsmittelkennzeichen / Device designation	Blatt / Sheet	Betriebsmittelkennzeichen / Device designation	Blatt / Sheet
-HM42	/44.1	-HM70	/18.8	-HM95	/51.2
-HM43	/44.1	-HM70	/43.7	-HM96	/51.1
-HM44	/44.1	-HM70	/65.5	-HM97	/51.1
-HM45	/44.1	-HM71	/18.1	-HM99	/32.4
-HM46	/44.2	-HM71	/43.2	-HM200.1	/47.5
-HM47	/44.3	-HM71	/65.7	-HM200.1	/49.3
-HM48	/44.4	-HM72	/31.4	-HM200.2	/47.5
-HM49	/44.4	-HM74	/54.1	-HM200.2	/49.4
-HM50	/44.5	-HM75	/54.1	-HM201.1	/47.6
-HM51	/44.6	-HM76	/54.2	-HM201.1	/49.5
-HM56	/45.3	-HM77	/54.3	-HM201.2	/47.7
-HM57	/45.2	-HM78	/54.4	-HM201.2	/49.5
-HM58	/45.1	-HM79	/54.5	-HM202.1	/47.7
-HM59	/45.1	-HM80	/54.6	-HM202.1	/49.6
-HM60	/45.1	-HM81	/54.6	-HM202.2	/47.8
-HM61	/45.1	-HM82	/54.1	-HM202.2	/49.7
-HM62	/45.2	-HM83	/54.1	-HM203.1	/47.5
-HM63	/45.3	-HM84	/54.2	-HM203.1	/49.3
-HM64	/45.4	-HM85	/54.3	-HM203.2	/47.5
-HM65	/45.4	-HM86	/51.3	-HM203.2	/49.4
-HM66	/45.5	-HM87	/51.2	-HM204.1	/47.6
-HM67	/45.6	-HM88	/51.1	-HM204.1	/49.5
-HM68	/5.5	-HM89	/51.1	-HM204.2	/47.7
-HM68	/18.8	-HM90	/51.6	-HM204.2	/49.5
-HM68	/65.2	-HM91	/51.5	-HM205.1	/47.7
-HM69	/5.5	-HM92	/51.4	-HM205.1	/49.6
-HM69	/18.1	-HM93	/51.4	-HM205.2	/47.8
-HM69	/65.3	-HM94	/51.3	-HM205.2	/49.7

Drawing by:	Approved by:	last change:
date 12.01.2014	date 29.05.2019	date
name V. Kröll	name B. Saal	name
E - CAE	Document type:	Function group No.:
	HVP	

Status:
 AE = changable
 PF = prototype release
 SF = serial release

Document No.:
 Partial Document No.:
 Version No.:



Material No.:
2283384

Revision No.:
14

Series code:
06WR

Valid for Serial No.:
 from **0001** to **0092**

Sheet plant:
 Sheet Location:

Betriebsmittelliste
Device list

Sheet
76
 of
79 Sheets

Betriebsmittelkennzeichen / Device designation	Blatt / Sheet	Betriebsmittelkennzeichen / Device designation	Blatt / Sheet	Betriebsmittelkennzeichen / Device designation	Blatt / Sheet
-HM206.1	/49.7	-HM216.1	/50.7	-HQ39	/52.2
-HM206.2	/49.8	-HM216.2	/50.7	-HQ40	/52.3
-HM207.1	/49.7	-HM217.1	/50.8	-HQ41	/52.4
-HM207.2	/49.8	-HM217.2	/50.8	-HQ42	/52.5
-HM210.1	/48.4	-HP2	/32.5	-HQ43	/52.6
-HM210.1	/50.3	-HQ1	/31.5	-HQ46	/32.1
-HM210.2	/48.5	-HQ1	/67.7	-HQ48	/30.3
-HM210.2	/50.4	-HQ2	/57.7	-HQ49	/33.3
-HM211.1	/48.6	-HQ3	/20.5	-HQ53	/18.1
-HM211.1	/50.5	-HQ3	/58.4	-HQ53	/65.3
-HM211.2	/48.6	-HQ5	/39.4	-HQ55	/53.1
-HM211.2	/50.5	-HQ8	/32.3	-HQ56	/53.1
-HM212.1	/48.7	-HQ11	/32.4	-HQ57	/53.2
-HM212.1	/50.6	-HQ12	/32.3	-HQ58	/53.2
-HM212.2	/48.7	-HQ21	/52.1	-HQ59	/53.3
-HM212.2	/50.7	-HQ22	/52.1	-HQ60	/53.3
-HM213.1	/48.4	-HQ23	/52.2	-HQ61	/53.4
-HM213.1	/50.3	-HQ24	/52.2	-HQ62	/53.4
-HM213.2	/48.5	-HQ25	/52.3	-HQ63	/53.5
-HM213.2	/50.4	-HQ26	/52.3	-HQ64	/53.5
-HM214.1	/48.6	-HQ27	/52.4	-HQ65	/53.6
-HM214.1	/50.5	-HQ28	/52.4	-HQ66	/53.6
-HM214.2	/48.6	-HQ29	/52.5	-HQ85	/69.5
-HM214.2	/50.5	-HQ30	/52.5	-HQ85	/69.5
-HM215.1	/48.7	-HQ31	/52.6	-HQ86	/69.7
-HM215.1	/50.6	-HQ32	/52.6	-HQ87	/35.4
-HM215.2	/48.7	-HQ37	/32.3	-HQ88	/39.4
-HM215.2	/50.7	-HQ38	/52.1	-HR1	/12.2

Drawing by:	Approved by:	last change:
date 12.01.2014	date 29.05.2019	date
name V. Kröll	name B. Saal	name
E - CAE	Document type: HVP	Function group No.:

Status:
 AE = changable
 PF = prototype release
 SF = serial release

Document No.:
 Partial Document No.:
 Version No.:



Material No.: **2283384** Revision No.: **14**
 Series code: **06WR** Valid for Serial No.:
 from **0001** to **0092**
 Sheet plant:
 Sheet Location:

Betriebsmittelliste
 Device list

Sheet
77
 of
79 Sheets

Betriebsmittelkennzeichen / Device designation	Blatt / Sheet	Betriebsmittelkennzeichen / Device designation	Blatt / Sheet	Betriebsmittelkennzeichen / Device designation	Blatt / Sheet
-HR1	/62.3	-HV3	/7.7	-HX9	/44.5
-HR2	/5.5	-HV3	/20.4	-HX11	/45.5
-HR2	/17.3	-HV3	/22.8	-HX12	/46.7
-HR2	/64.3	-HV3	/23.2	-HX14	/45.5
-HR6	/12.3	-HV3	/58.3	-HX15	/9.4
-HR6	/13.3	-HV3	/58.7	-HX15	/62.7
-HR6	/30.1	-HV7	/32.2	-HX17	/9.4
-HR6	/31.1	-HW1	/13.7	-HX17	/14.4
-HR6	/62.4	-HX2	/8.7	-HX17	/20.7
-HR7	/13.4	-HX2	/13.7	-HX17	/29.7
-HR7	/30.2	-HX2	/19.2	-HX17	/46.2
-HR7	/31.2	-HX2	/20.4	-HX17	/62.7
-HR7	/62.5	-HX2	/22.5	-HX18	/63.8
-HR9	/46.4	-HX2	/23.1	-HX19	/63.7
-HR10	/14.5	-HX2	/24.4	-HX24	/68.1
-HR10	/29.5	-HX2	/25.1	-HX26	/68.2
-HR10	/30.1	-HX2	/27.5	-HX30	/67.7
-HR10	/62.1	-HX2	/30.5	-HX33	/39.8
-HR12	/47.1	-HX2	/58.3	-HX33	/63.7
-HR13	/48.1	-HX4	/8.3	-HX34	/14.6
-HR14	/49.1	-HX4	/11.6	-HX34	/46.4
-HR15	/50.1	-HX4	/12.3	-HX34	/62.2
-HV1	/14.5	-HX4	/20.6	-HX35	/29.6
-HV1	/29.5	-HX4	/22.5	-HX35	/30.2
-HV1	/30.1	-HX4	/25.4	-HX36	/32.4
-HV1	/62.1	-HX4	/58.7	-HX36	/39.4
-HV2	/20.1	-HX6	/44.5	-HX39	/9.8
-HV2	/58.1	-HX7	/46.7	-HX39	/14.6

Drawing by:	Approved by:	last change:
date 12.01.2014	date 29.05.2019	date
name V. Kröll	name B. Saal	name
E - CAE	Document type: HVP	Function group No.:

Status:
 AE = changable
 PF = prototype release
 SF = serial release

Document No.:
 Partial Document No.:
 Version No.:



Material No.: **2283384** Revision No.: **14**
 Series code: **06WR** Valid for Serial No.:
 from **0001** to **0092**
 Sheet plant:
 Sheet Location:

Betriebsmittelliste
 Device list

Sheet
78
 of
79 Sheets

Betriebsmittelkennzeichen / Device designation	Blatt / Sheet	Betriebsmittelkennzeichen / Device designation	Blatt / Sheet	Betriebsmittelkennzeichen / Device designation	Blatt / Sheet
-HX39	/20.1	-HX74	/47.1		
-HX39	/27.2	-HX75	/48.1		
-HX39	/62.4	-HX76	/49.1		
-HX41	/51.6	-HX77	/50.1		
-HX42	/51.6	-HX79	/47.1		
-HX44	/67.7	-HX80	/48.1		
-HX45	/53.6	-HX81	/49.1		
-HX46	/52.8	-HX82	/50.1		
-HX47	/58.1				
-HX48	/58.1				
-HX52	/63.7				
-HX53	/63.7				
-HX56	/39.2				
-HX57	/39.3				
-HX58	/52.7				
-HX59	/29.2				
-HX59	/66.7				
-HX60	/29.2				
-HX61	/66.7				
-HX62	/53.8				
-HX64	/47.1				
-HX65	/48.1				
-HX66	/49.1				
-HX67	/50.1				
-HX70	/46.7				
-HX71	/46.7				
-HX72	/46.7				
-HX73	/46.7				

Drawing by:	Approved by:	last change:
date 12.01.2014	date 29.05.2019	date
name V. Kröll	name B. Saal	name
E - CAE	Document type:	Function group No.:
	HVP	

Status:
 AE = changeable
 PF = prototype release
 SF = serial release

Document No.:
 Partial Document No.:
 Version No.:



Material No.: **2283384** Revision No.: **14**
 Series code: **06WR** Valid for Serial No.:
 from **0001** to **0092**
 Sheet plant:
 Sheet Location:

Betriebsmittelliste
 Device list

Sheet
79
 of
79 Sheets